

GROUP 37A

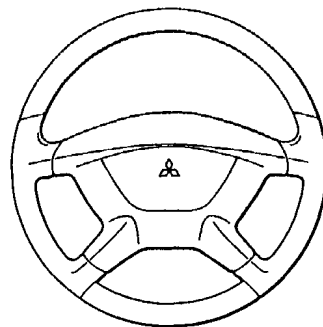
STEERING

GENERAL

OUTLINE OF CHANGES

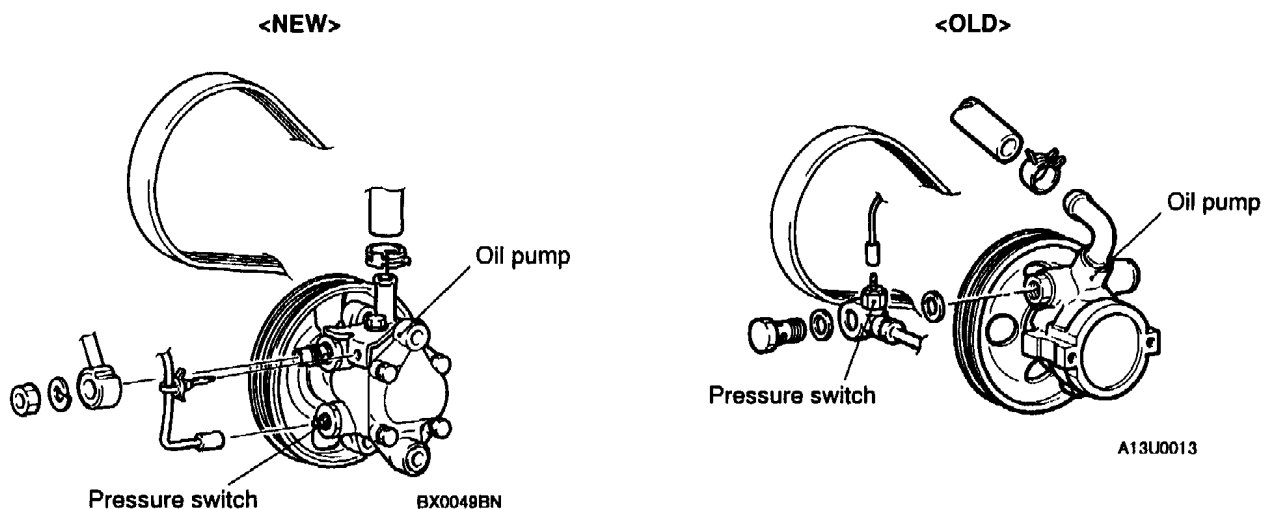
- A newly-designed steering wheel (incorporating air bag) has been adopted <ELEGANCE>. Its removal and installation procedure is the same as for the conventional steering wheel (incorporating air bag).

<Newly-designed steering wheel>



13P0076

- The service procedures for the steering system have been established due to the change in the oil pump.
 - (1) Steering angle check
 - (2) Power steering gear box disassembly and reassembly
- The service procedures have been established due to the change in the oil pump <1600>.
 - (1) Power steering oil pressure switch check
 - (2) Oil pump removal and installation



SPECIFICATIONS

Items		Specifications
Steering wheel maximum turns		2.91*
Steering angle (Unladen vehicles)	Inner wheel	37°30'*
	Outer wheel	31°36'*
Steering gear and linkage	Type	Integral type
	Gear type	Rack and pinion
	Gear ratio	47.06*
	Rack stroke mm	137
Oil pump	Type	Vane type
	Displacement ml/rev.	5.9
	Relief set pressure MPa	9.8
	Reservoir type	Separate type

NOTE

* indicates a change.

ON-VEHICLE SERVICE

STEERING ANGLE CHECK

The following standard values have been revised. The inspection procedure is the same as before.

Standard value:

Inner wheel 37°30' ± 2°

(Difference in right and left wheels: 1°30' or less)

Outer wheel 31°36'

POWER STEERING OIL PRESSURE SWITCH CHECK

The following standard values have been revised. The inspection procedure is the same as before.

Standard value:

OFF to ON 1.5 – 2.0 MPa

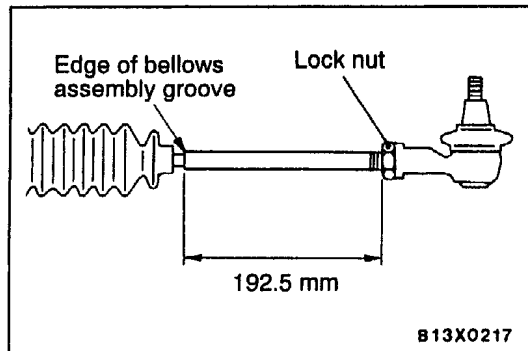
ON to OFF 0.8 MPa

POWER STEERING GEAR BOX**DISASSEMBLY AND REASSEMBLY**

The procedure is the same as before.

REASSEMBLY SERVICE POINTS

The procedure other than below is the same as before.

**TIE ROD INSTALLATION**

Screw in tie-rod end to have its right and left length as illustrated. Lock with lock nut.

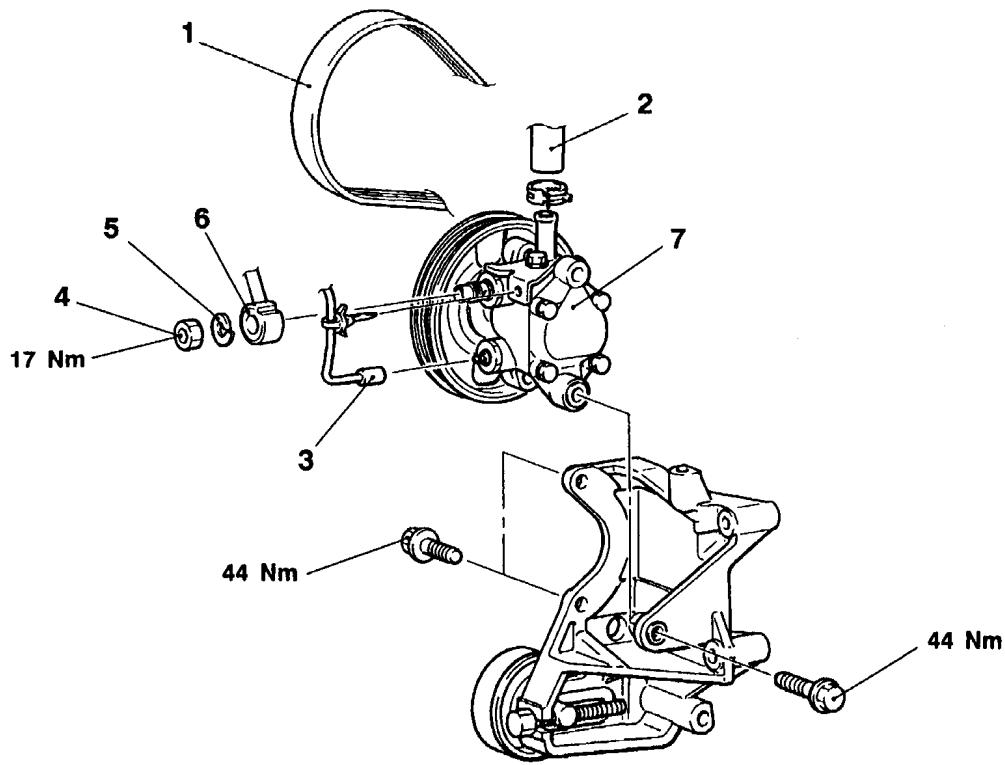
POWER STEERING OIL PUMP <1600>

REMOVAL AND INSTALLATION

Pre-removal Operation
Power Steering Fluid Draining

Post-installation Operation

- Power Steering Fluid Supplying
- Drive-belt Tension Adjusting
- Power Steering Fluid Line Bleeding
- Oil Pump Pressure Check



Removal steps

1. Drive belt
2. Suction hose
3. Pressure switch connector
4. Eye bolt

5. Washer
6. Banjo block
7. Oil pump

INSPECTION

Check the drive-belt for cracks.
Check the pulley assembly for uneven rotation.