

GROUP 12

ENGINE LUBRICATION

GENERAL

OUTLINE OF CHANGE

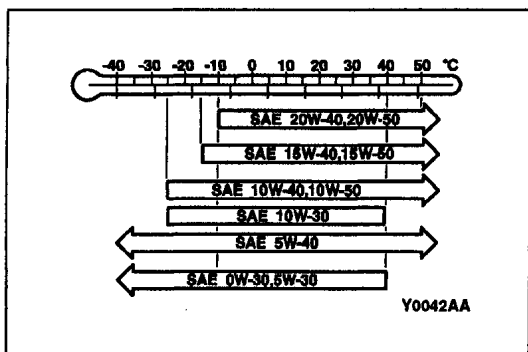
- A quality of the petrol engine oil has been changed.
- The following service procedures have been established to correspond to the addition of the F9Q diesel engine. Other service procedures are the same as before.

LUBRICANT <F9Q>

Items	Engine oil	Quantity L
Oil filter	CCMC classification For SERVICE PD2, ACEA classification For SERVICE B2-96 or B3-96	0.14
Total quantity		5.04

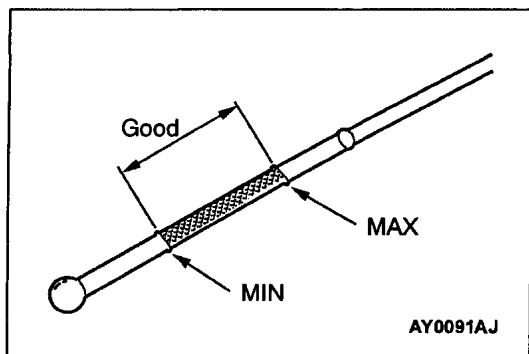
ON-VEHICLE SERVICE

Specified Engine Oil (ACEA and API classification):
ACEA A1, A2, A3/API SG or higher



ENGINE OIL INSPECTION <F9Q>

1. Pull out the level gauge slowly and check that the oil level is in the illustrated range.
2. Check that the oil is not excessively dirty, that there is no coolant or gasoline mixed in, and that it has sufficient viscosity.



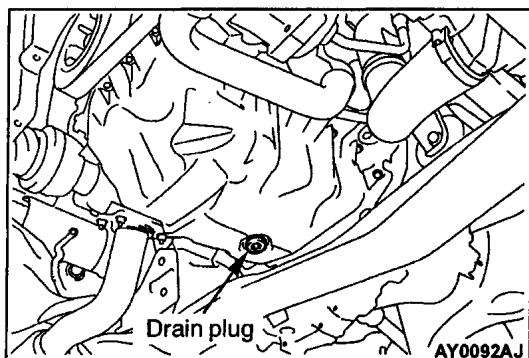
ENGINE OIL REPLACEMENT <F9Q>

1. Start the engine and allow it to warm up until the temperature of the coolant reaches 80°C to 90°C.
2. Remove the engine oil filler cap.
3. Remove the under cover.
4. Remove the drain plug to drain oil.

Caution

Use care as oil could be hot.

5. Fit the drain plug after oil has been drained completely.



NOTE

Tightening torque: 25 Nm

6. Refill with specified quantity of oil.

Specified Engine Oil:**CCMC classification For SERVICE PD2****ACEA classification For SERVICE B2-96 or B3-96****Total quantity (Includes volume inside oil filter):****5.04 L**

7. Install the engine oil filler cap.
8. Check oil level.

OIL FILTER REPLACEMENT <F9Q>

1. After removing the engine oil filler cap, remove the engine oil drain plug to drain the engine oil.
2. Use the oil filter wrench to remove the engine oil filter.
3. Clean the cylinder block side mounting surface.

4. Apply a small amount of engine oil to the O-ring of a new oil filter.
5. Use the oil filter wrench to install the engine oil filter.

NOTE

Tightening torque: 10 – 14 Nm

6. Fill with engine oil.
7. Race the engine 2 – 3 times, and check to be sure that no engine oil leaks from installation section of the oil filter.

