

GROUP 51

EXTERIOR

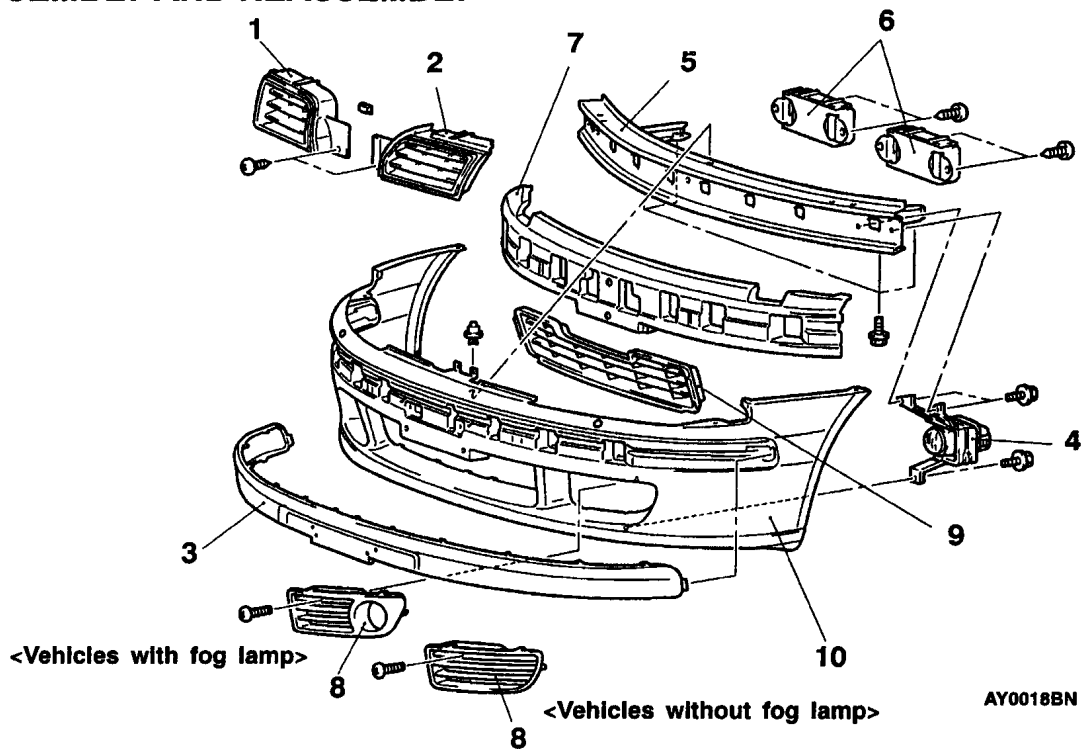
GENERAL

OUTLINE OF CHANGES

- The following service procedure has been revised as a dynamic damper has been added as the front bumper component <For Diesel>.
- The service procedure has been added due to the addition of the DI-D mark.

FRONT BUMPER<FOR DIESEL>

DISASSEMBLY AND REASSEMBLY



AY0018BN

Disassembly steps

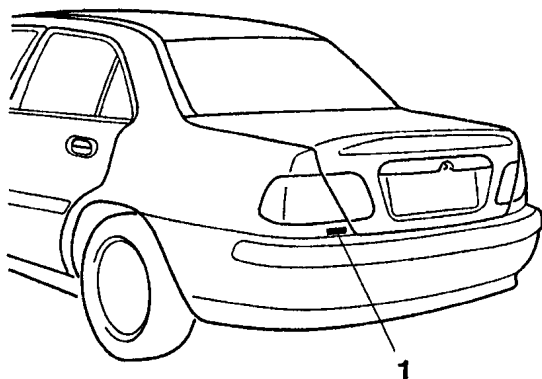
1. Radiator grille, R.H.
2. Radiator grille, L.H.
3. Bumper protector
4. Fog lamp
5. Bumper reinforcement

6. Dynamic damper
7. Form
8. Fog lamp cover
9. Under grille
10. Bumper face

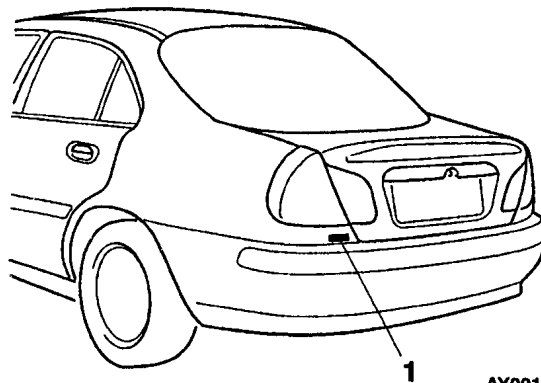
MARK

REMOVAL AND INSTALLATION

<Sedan>



<Hatchback>



AY0019BN

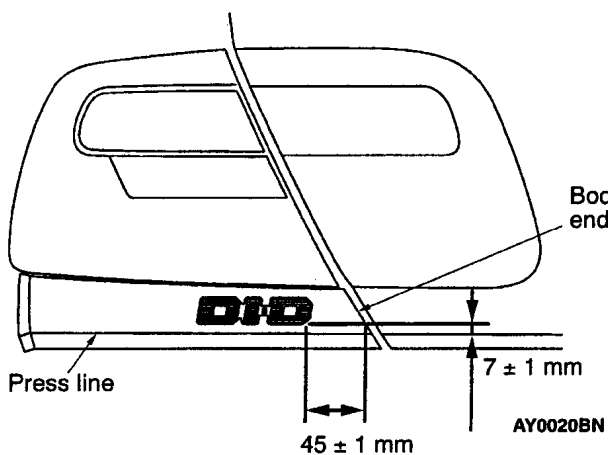
▶A◀ 1. DI-D MARK

INSTALLATION SERVICE POINT

▶A◀ MARK INSTALLATION

(1) DI-D MARK

<Sedan>



<Hatchback>

