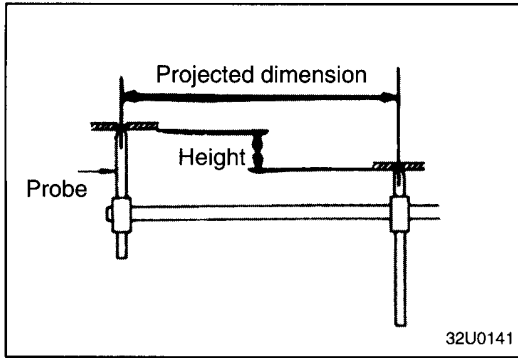
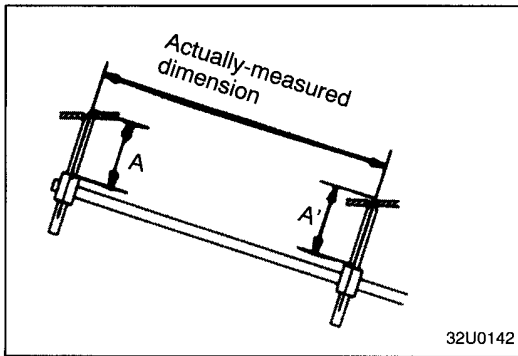


2 BODY DIMENSIONS

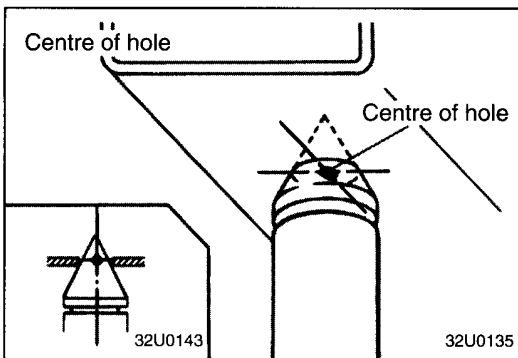
BODY DIMENSIONS AND MEASUREMENT	
METHODS	2- 2
< SEDAN >	
TYPE A	
(PROJECTED DIMENSIONS)	2- 3
UNDER BODY	2- 3
SUSPENSION INSTALLATION DIMENSIONS	2- 4
TYPE B	
(ACTUAL – MEASUREMENT DIMENSIONS)	2- 5
UNDER BODY	2- 5
SUSPENSION INSTALLATION DIMENSIONS	2- 6
FRONT BODY	2- 7
SIDE BODY	2- 8
REAR BODY	2- 9
INTERIOR	2-10



32U0141

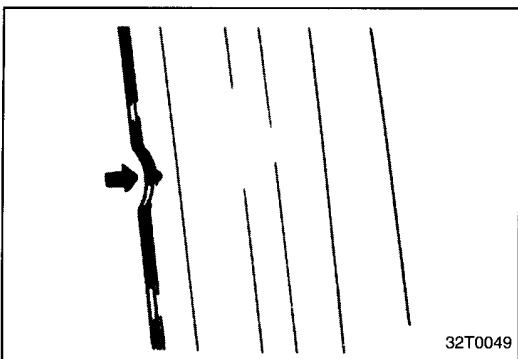


32U0142

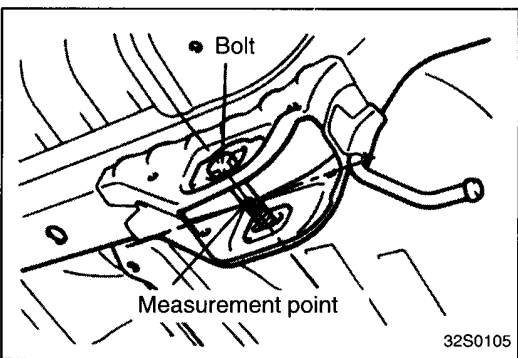


32U0143

32U0135



32T0049



32S0105

BODY DIMENSIONS AND MEASUREMENT METHODS

STANDARD DIMENSION INDICATIONS AND MEASUREMENT METHODS

(1) Type A (projected dimensions)
Indicates the dimension when a measurement location is projected onto a plane. The difference in height of the measurement points should be taken into consideration when measuring.

(2) Type B (actual-measurement dimensions)
Indicates the actual distance between the measurement points.
Measure using a tracking gauge or a measuring tape, etc.

NOTES

- Make the lengths of the tracking gauge probes the same ($A=A'$).
- Do not bend or twist the measuring tape.

(3) Insert the tracking gauge probes securely into the measurement holes.

(4) When the standard dimensions in the illustration are enclosed by \square , this indicates that the symmetrical left and right positions have the same dimensions.

(5) When using a notch for dimension measurement, make the measuring point at the centre of the notch.

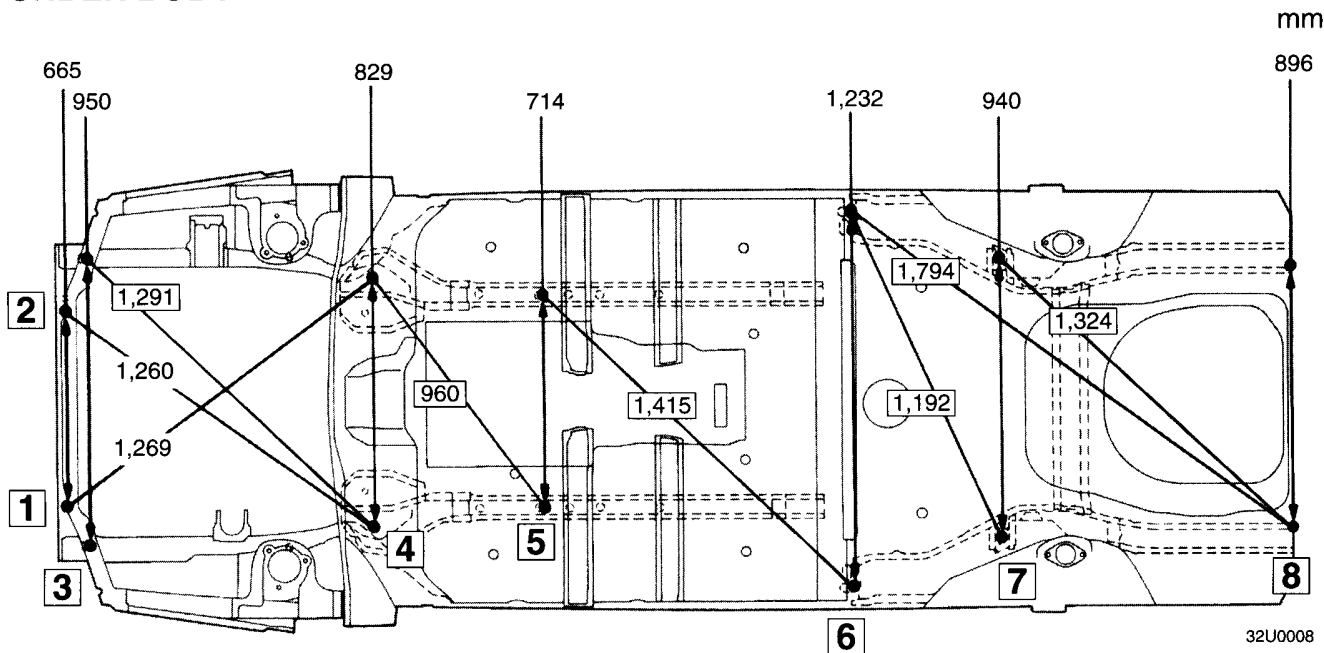
(6) When measuring the suspension mounting arm or the link mounting position, use the suspension mounting bolt as the measuring point.

BODY CENTRE POINT

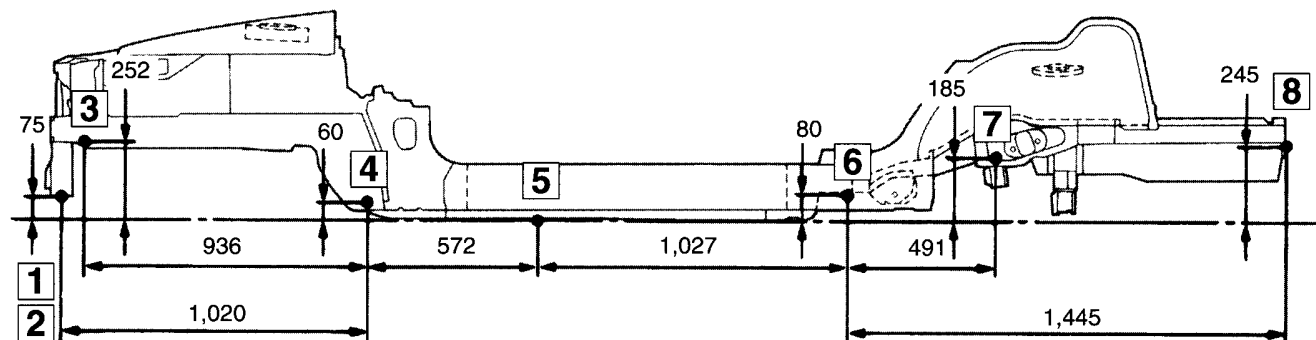
The body centre points are shown for the purpose of checking the position of the left and right symmetry locations.

< SEDAN >
TYPE A (PROJECTED DIMENSIONS)

UNDER BODY



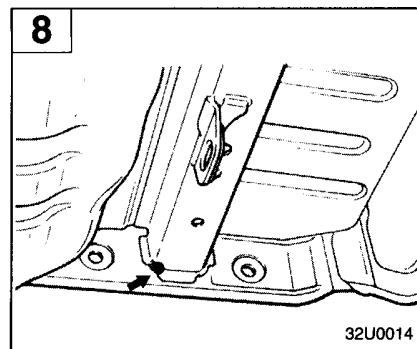
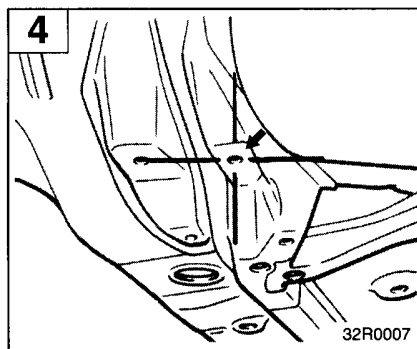
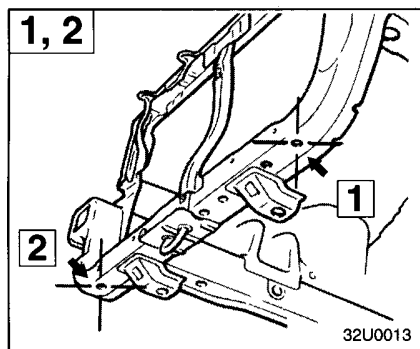
32U0008



32U0009

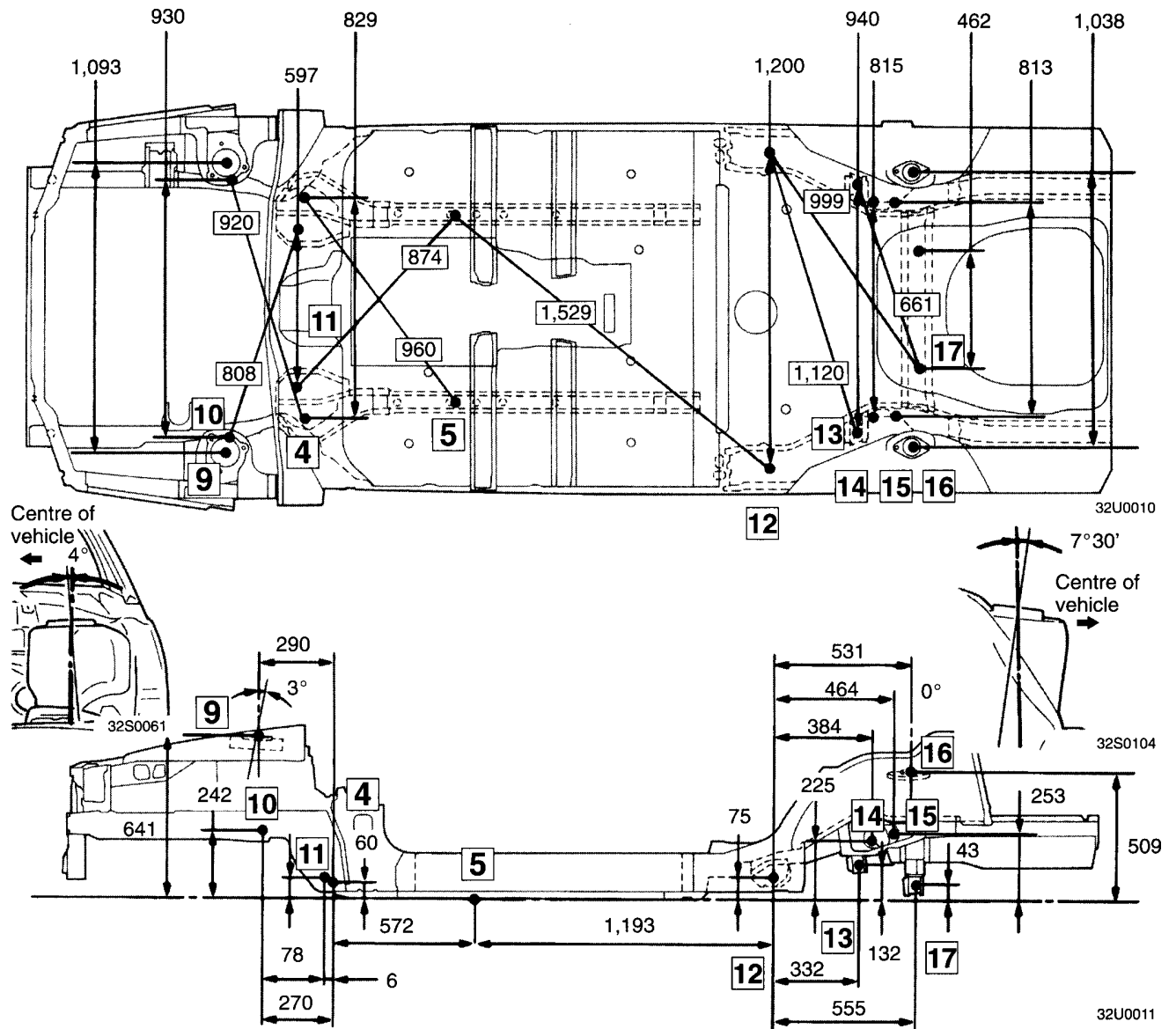
No.	Standard measurement point	Hole shape - Size mm	No.	Standard measurement point	Hole shape - Size mm
1	Centre of wax injection nozzle insertion hole	○ - 16	*5	Rear portion of front floor sidemember positioning hole	○ - 25
2	Centre of front bumper mounting hole	○ - 13	*6	Rear portion of rear seat crossmember positioning hole	□ - 22 x 38
*3	Rear portion of front bumper stay mounting hole	○ - 30	7	Centre of rear floor sidemember drain hole	○ - 20
*4	Centre of suspension crossmember mounting hole	left ○ - 14 right ○ - 18	8	Joint of rear floor sidemember extension and rear end panel outer	-

NOTE: The * mark indicates the mounting position for the frame centering gauge.

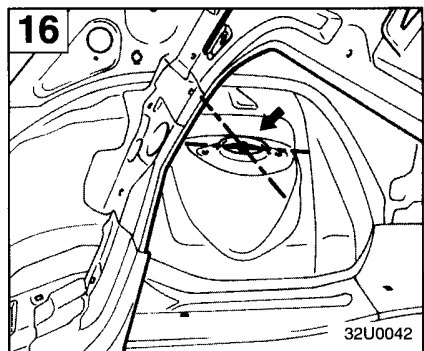
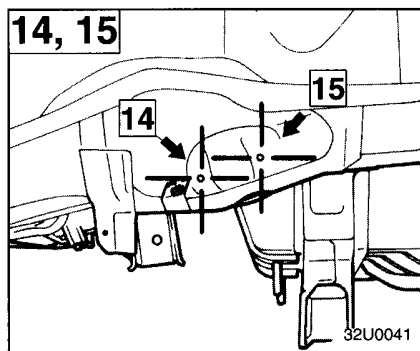
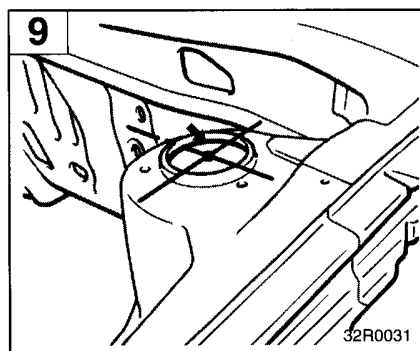


SUSPENSION INSTALLATION DIMENSIONS

mm



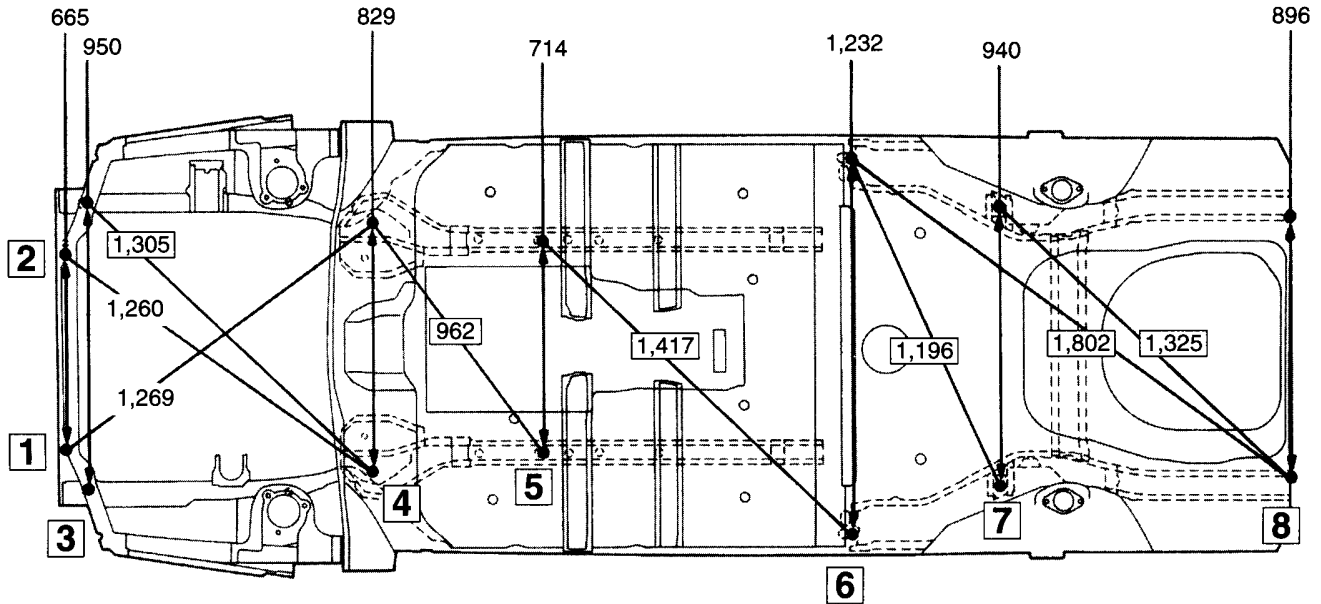
No.	Standard measurement point	Hole shape	Size mm	No.	Standard measurement point	Hole shape	Size mm
9	Centre of strut insurator	○	144	14	Centre of upper link mounting hole	○	14
10	Centre of suspension crossmember mounting hole	○	15	15	Centre of upper link mounting hole	○	14
11	Centre of suspension crossmember mounting hole	○	16	16	Centre of rear shock absorber mounting hole	○	68
12	Trailing arm mounting position	-	-	17	Lower arm mounting position	-	-
13	Control link mounting position	-	-				



TYPE B (ACTUAL-MEASUREMENT DIMENSIONS)

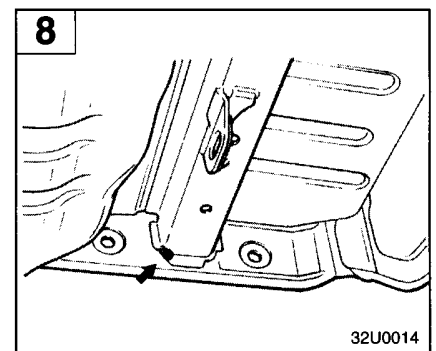
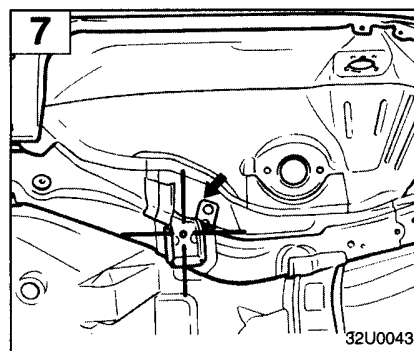
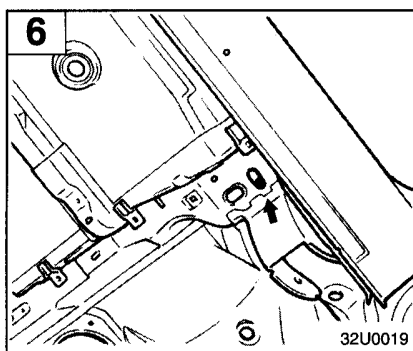
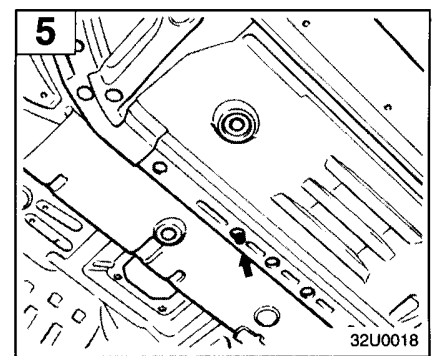
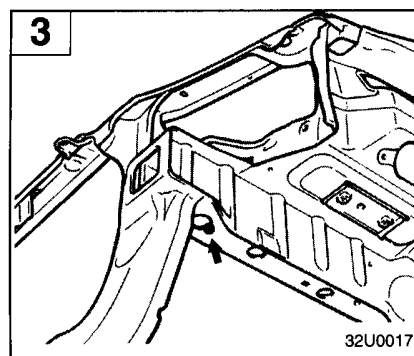
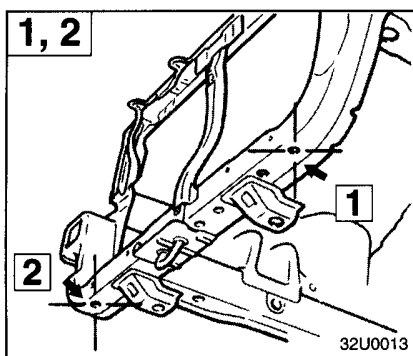
UNDER BODY

mm



32U0008

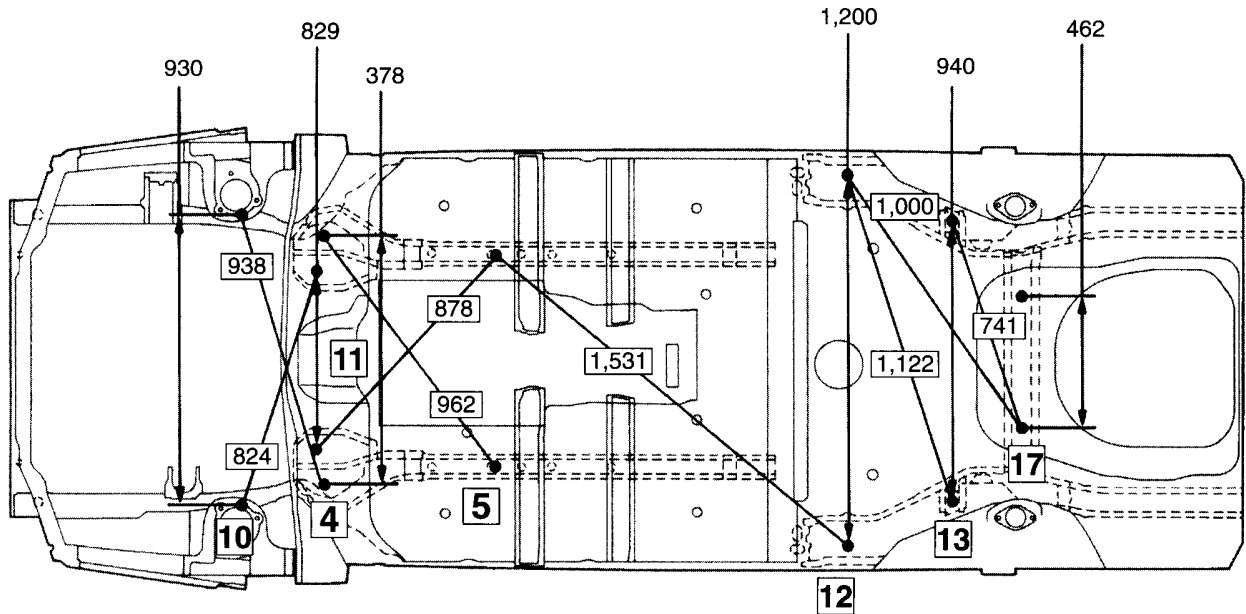
No.	Standard measurement point	Hole shape – Size mm	No.	Standard measurement point	Hole shape – Size mm
1	Centre of wax injection nozzle insertion hole	○ – 16	5	Rear portion of front floor sidemember positioning hole	○ – 25
2	Centre of front bumper mounting hole	○ – 13	6	Rear portion of rear seat crossmember positioning hole	○ – 22 x 38
3	Rear portion of front bumper stay mounting hole	○ – 30	7	Centre of rear floor sidemember drain hole	○ – 20
4	Centre of suspension crossmember mounting hole	left ○ – 14 right ○ – 18	8	Joint of rear floor sidemember extension and rear end panel outer	–



2-6 BODY DIMENSIONS – Type B (Actual-measurement Dimensions) < Sedan >

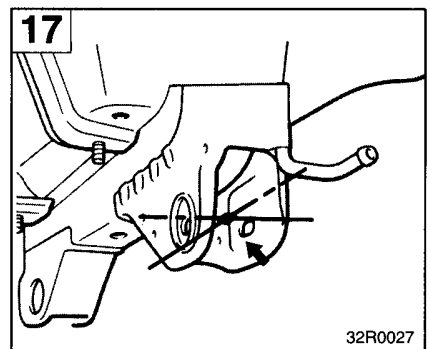
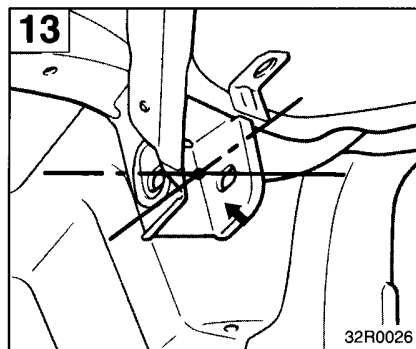
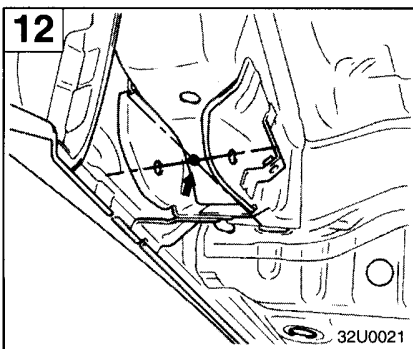
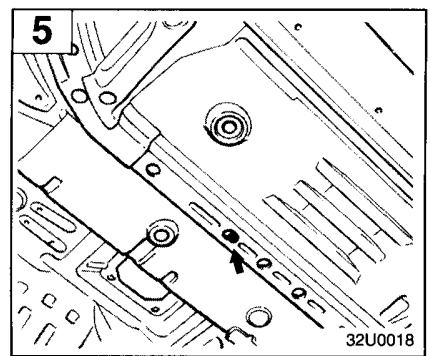
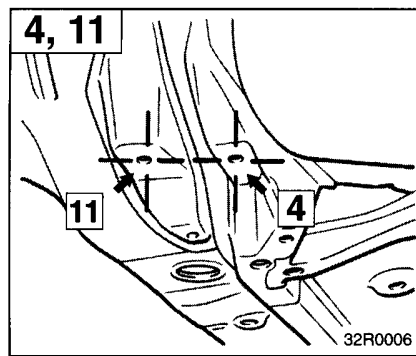
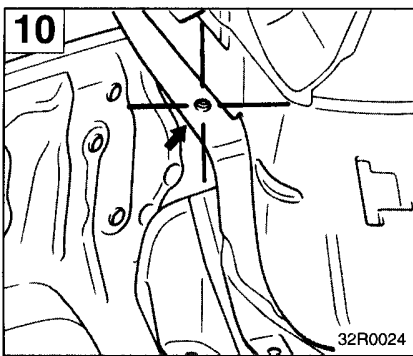
SUSPENSION INSTALLATION DIMENSIONS

mm

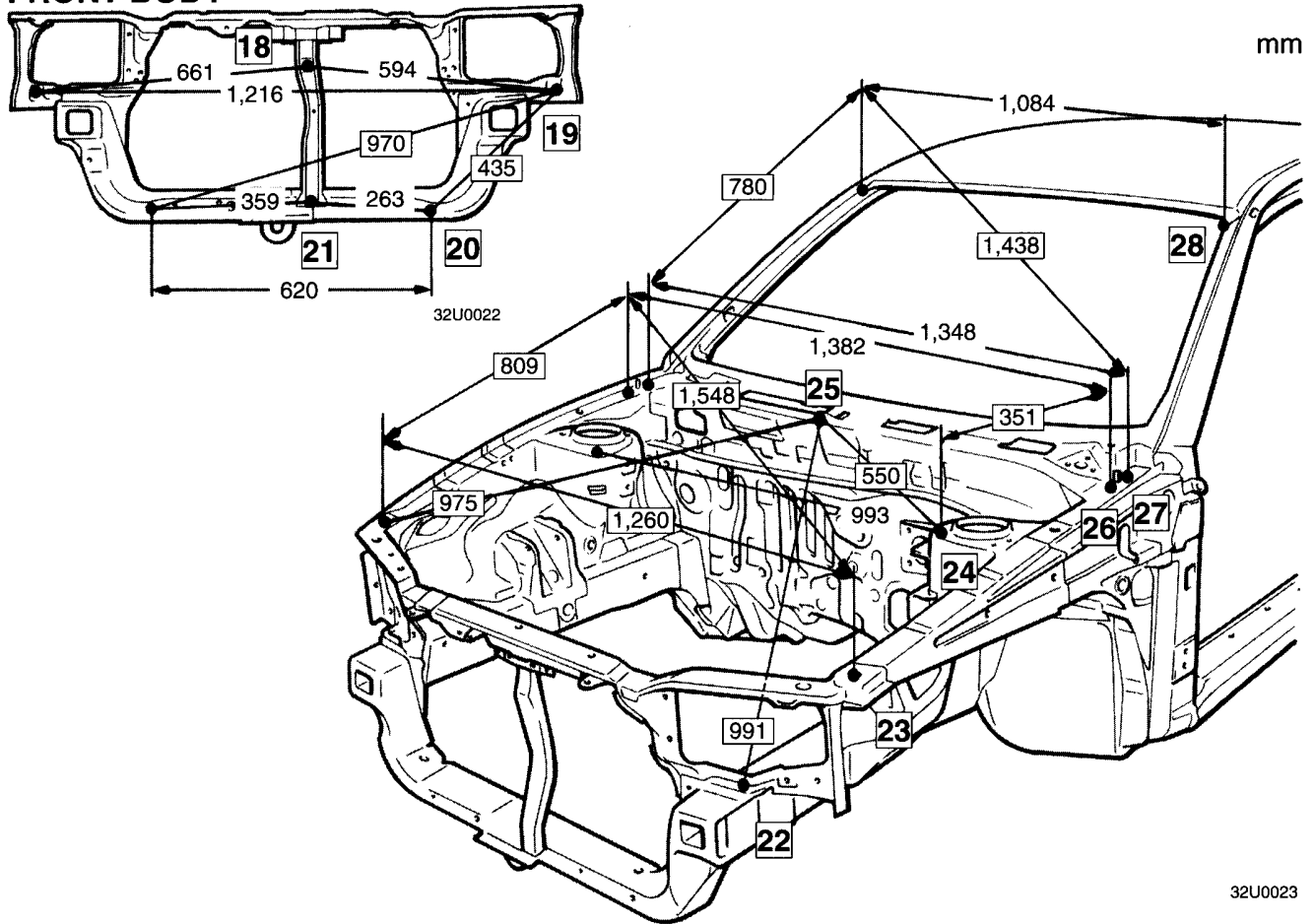


32U0032

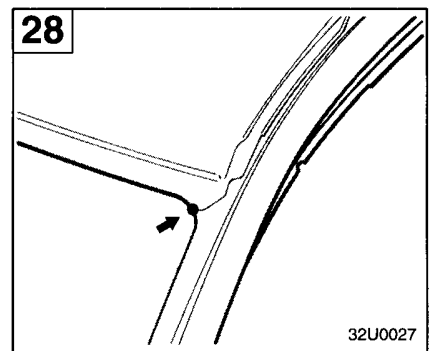
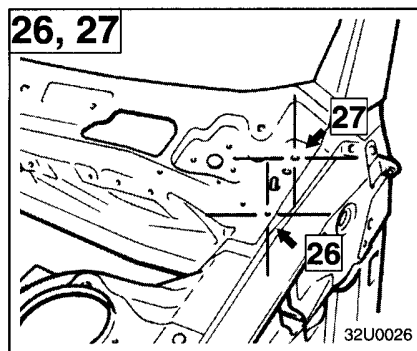
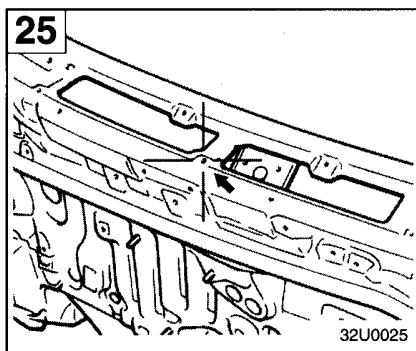
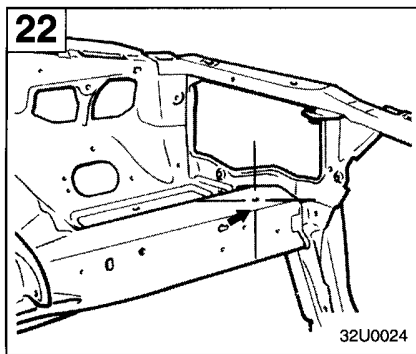
No.	Standard measurement point	Hole shape – Size mm	No.	Standard measurement point	Hole shape – Size mm
4	Centre of suspension crossmember mounting hole	left ○ – 14 right ○ – 18	12	Trailing arm mounting position	–
5	Rear portion of front floor sidemember positioning hole	○ – 25	13	Control link mounting position	–
10	Centre of suspension crossmember mounting hole	○ – 15	17	Lower arm mounting position	–
11	Centre of suspension crossmember mounting hole	○ – 16			



FRONT BODY



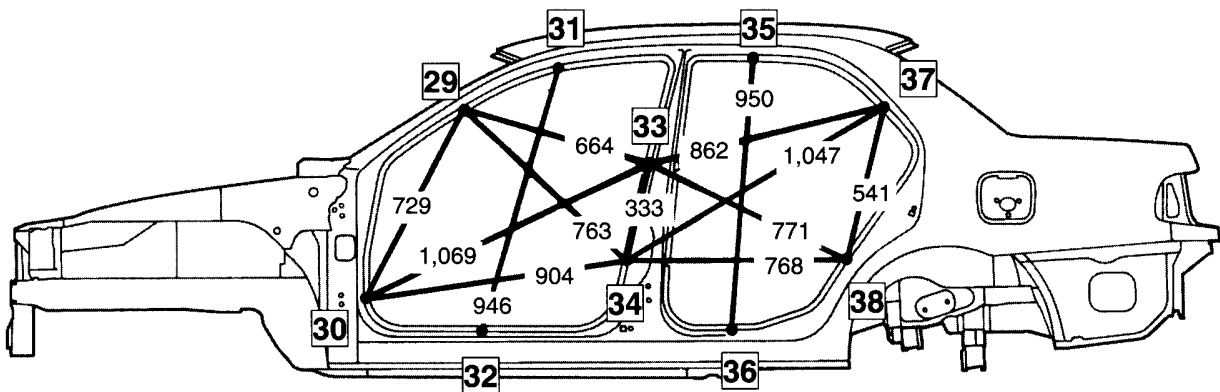
No.	Standard measurement point	Hole shape - Size mm	No.	Standard measurement point	Hole shape - Size mm
18	Centre of hood lock stay guide hole	○ - 7	20	Centre of air guide panel mounting hole	○ - 7
19	Centre of headlamp support panel positioning hole	○ - 10	21	Centre of air guide panel mounting hole	○ - 7
			22	Centre of wiring harness clip mounting hole	○ - 7
			23	Centre of front end upper bar positioning hole	○ - 5
			24	Centre of front strut mounting hole	○ - 11.5
			25	Body centre point	○ - 10
			26	Centre of fender panel mounting hole	○ - 9
			27	Centre of hood hinge mounting hole	○ - 12
			28	Joint between side panel outer and roof panel	-



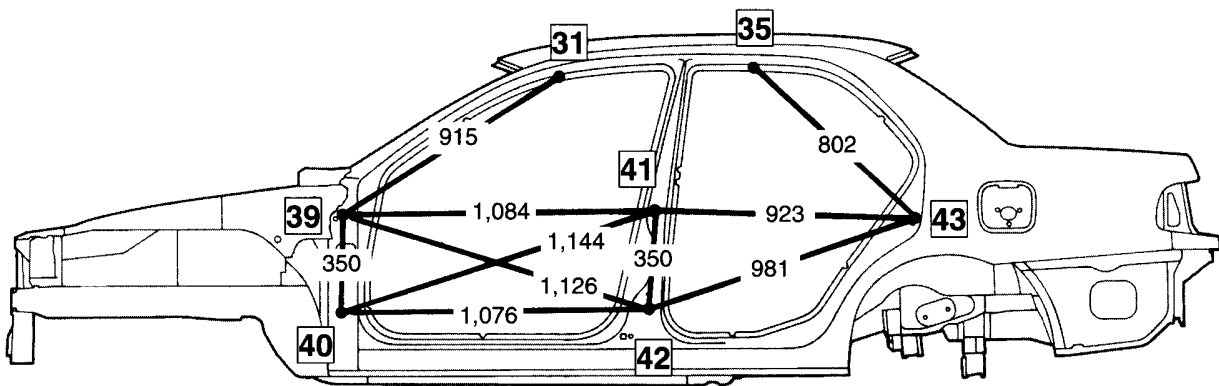
2-8 BODY DIMENSIONS – Type B (Actual-measurement Dimensions) < Sedan >

SIDE BODY

mm

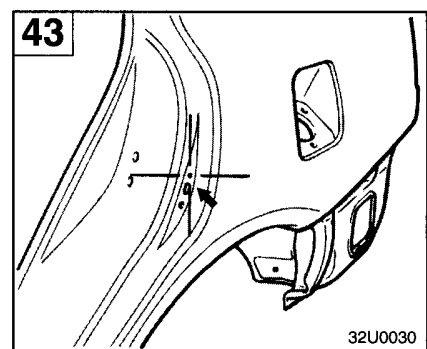
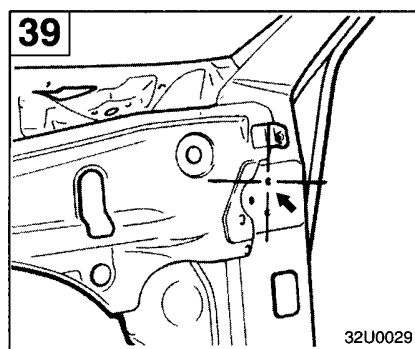
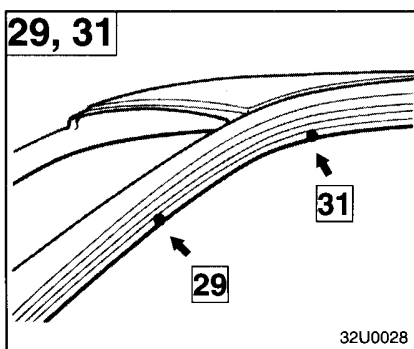


32U0051



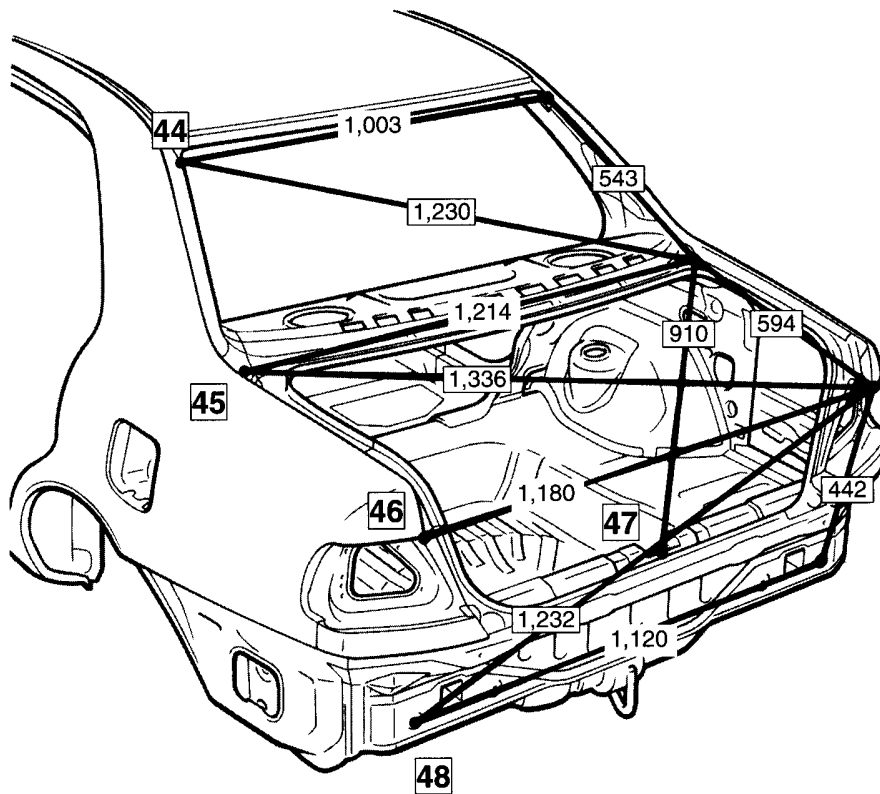
32U0052

No.	Standard measurement point	Hole shape	Size mm	No.	Standard measurement point	Hole shape	Size mm
29	Front pillar positioning notch (Upper section)	-	-	37	Rear pillar positioning notch (Upper section)	-	-
30	Front pillar positioning notch (Lower section)	-	-	38	Rear pillar positioning notch (Lower section)	-	-
31	Side roof rail positioning notch (Front section)	-	-	39	Centre of front door hinge mounting hole (Upper section)	○	10
32	Side sill positioning notch (Front section)	-	-	40	Centre of front door hinge mounting hole (Lower section)	○	10
33	Centre pillar positioning notch (Upper section)	-	-	41	Centre of rear door hinge mounting hole (Upper section)	○	10
34	Centre pillar positioning notch (Lower section)	-	-	42	Centre of rear door hinge mounting hole (Lower section)	○	10
35	Side roof rail positioning notch (Rear section)	-	-	43	Centre of rear door switch mounting hole	○	5
36	Side sill positioning notch (Rear section)	-	-				



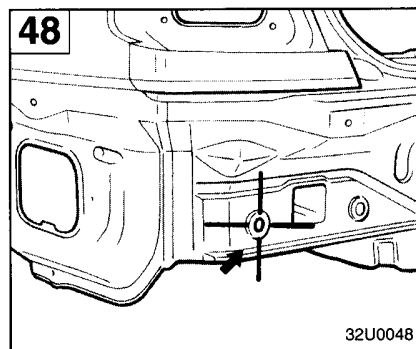
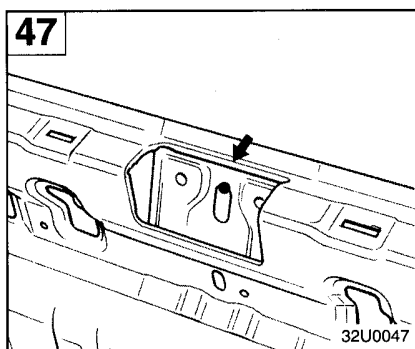
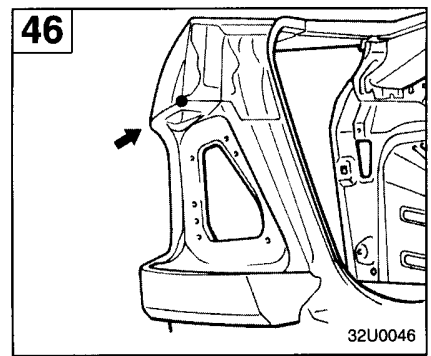
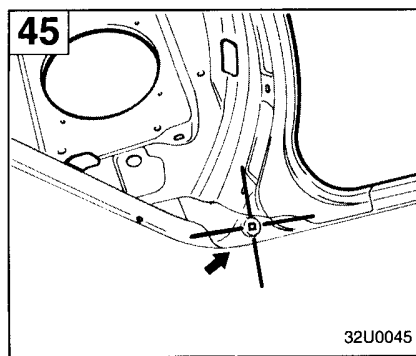
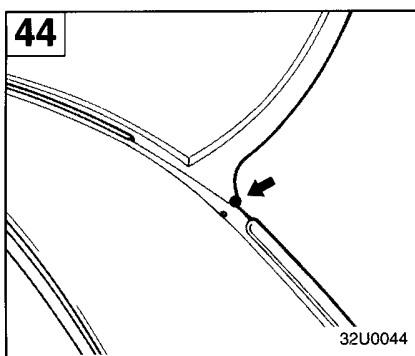
REAR BODY

mm



32U0040

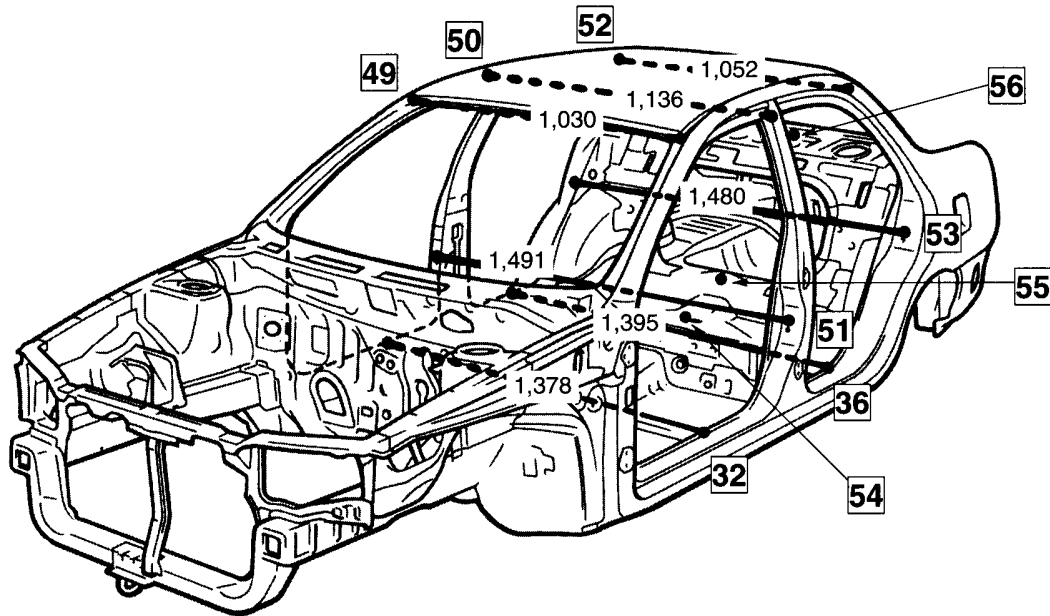
No.	Standard measurement point	Hole shape	Size mm	No.	Standard measurement point	Hole shape	Size mm
44	Joint between side panel outer and roof panel	–	–	47	Upper portion of water drain hole of trunk lid lock bulkhead	⬭	25 x 12
45	Centre of rear window lower moulding mounting hole	□	8.5	48	Centre of rear end panel positioning hole	○	16
46	Side outer panel projection	–	–				



2-10 BODY DIMENSIONS – Type B (Actual-measurement Dimensions) < Sedan >

INTERIOR

mm



32U0039

No.	Standard measurement point	Hole shape	Size mm	No.	Standard measurement point	Hole shape	Size mm
32	Side sill positioning notch (Front section)	–	–	52	Centre of rear pillar trim mounting hole	○	7
36	Side sill positioning notch (Rear section)	–	–	53	Centre of rear door striker mounting hole (Upper section)	○	14
49	Centre of harness clip attaching hole	○	7	54	Body centre point	○	10
50	Centre of adjustable shoulder belt anchor mounting hole	○	16.5	55	Body centre point	–	–
51	Centre of front door striker mounting hole (Upper section)	○	15	56	Centre of child anchor mounting hole (Body centre point)	○	11

