



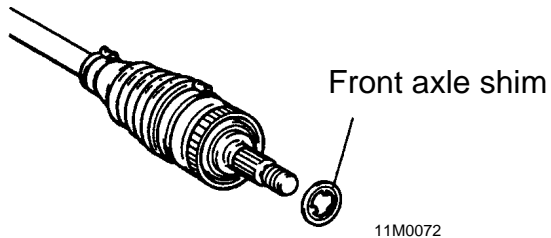
SERVICE BULLETIN

QUALITY INFORMATION ANALYSIS
OVERSEAS SERVICE DEPT. MITSUBISHI MOTORS CORPORATION

SERVICE BULLETIN		No.: MSB-97E26-002	
		Date: 1997-09-26	
Subject: ADDITION OF FRONT AXLE SHIM TO DRIVE SHAFT		<Model> (EC,EXP)COLT (CJ0A)	<M/Y> 96-10 96-10
Group: FRONT AXLE	Draftno: 97-TA-003	(EC,EXP)LANCER (CK0A)	93-10
INFORMATION	OVERSEAS SERVICE DEPT	<i>R. Usami</i> R. USAMI - MANAGER QUALITY INFORMATION ANALYSIS	(EC,EXP) LANCER WAGON(CB0W)

1. Description:

The front axle shim has been added to the axle hub end of the front drive shaft. This has brought about a change in the Disassembly steps.



2. Effective Date:

- Colt/Lancer (CJ/CK) From November 11, 1996
- Lancer Wagon (CB) From January 17, 1997

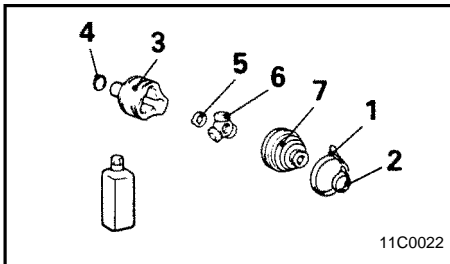
3. Applicable Manuals:

Manual	Pub. No.	Language	Page(s)
'96 COLT/LANCER Workshop Manual chassis	PWME9511	(English)	26-14
	PWMS9512	(Spanish)	
	PWMF9513	(French)	
	PWVG9514	(German)	
	PWMD9515	(Dutch)	
	PWMW9516	(Swedish)	
COLT/LANCER Workshop Manual chassis	PWME9117-A	(English)	26-16, 26-25
	PWMS9118-A	(Spanish)	
	PWMF9119-A	(French)	
	PWVG9120-A	(German)	
	PWMD9121-A	(Dutch)	
	PWMW9122-A	(Swedish)	

4. Details:

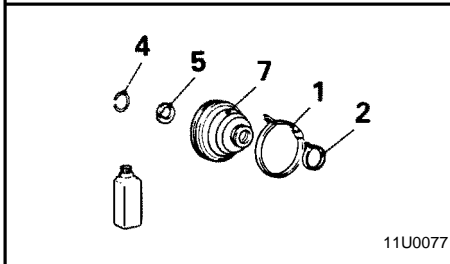
'96 COLT/LANCER Workshop Manual chassis, Page 26-14
COLT/LANCER Workshop Manual chassis, Page 26-16
COLT/LANCER Workshop Manual chassis, Page 26-25

DISASSEMBLY AND REASSEMBLY



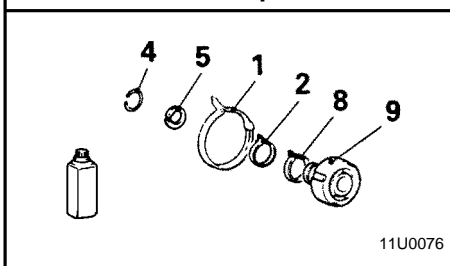
11C0022

T.J. repair kit



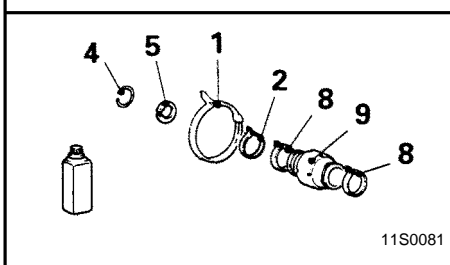
11U0077

T.J. boot repair kit



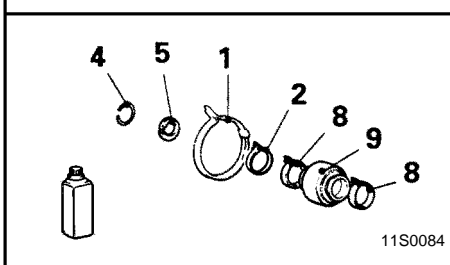
11U0076

Damper kit (L.H.) <1300,1600>



11S0081

Damper kit (L.H.) <1800, 2000D>

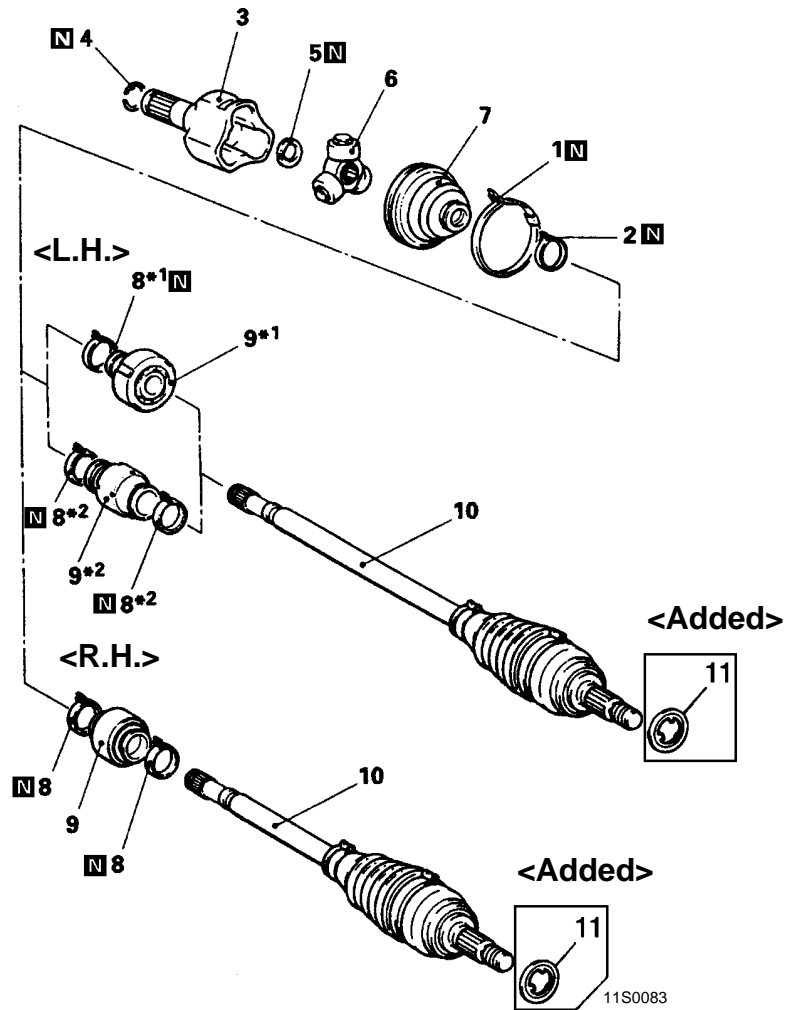


11S0084

Damper kit (R.H.)

NOTE

- *1: <1300, 1600>
- *2: <1800, 2000D>



Disassembly steps

- ← 1. boot band (large)
- ← 2. boot band (small)
- ←→ →← 3. case
- ←→ →← 4. Circlip
- ←→ 5. Snap ring
- ←→ →← 6. Spider assembly
- ←→ →← 7. boot
- ← 8. Damper band
- ← 9. Dynamic damper
- ← 10. R.J. (or B.J.) assembly
- <Added> 11. Front axle shim

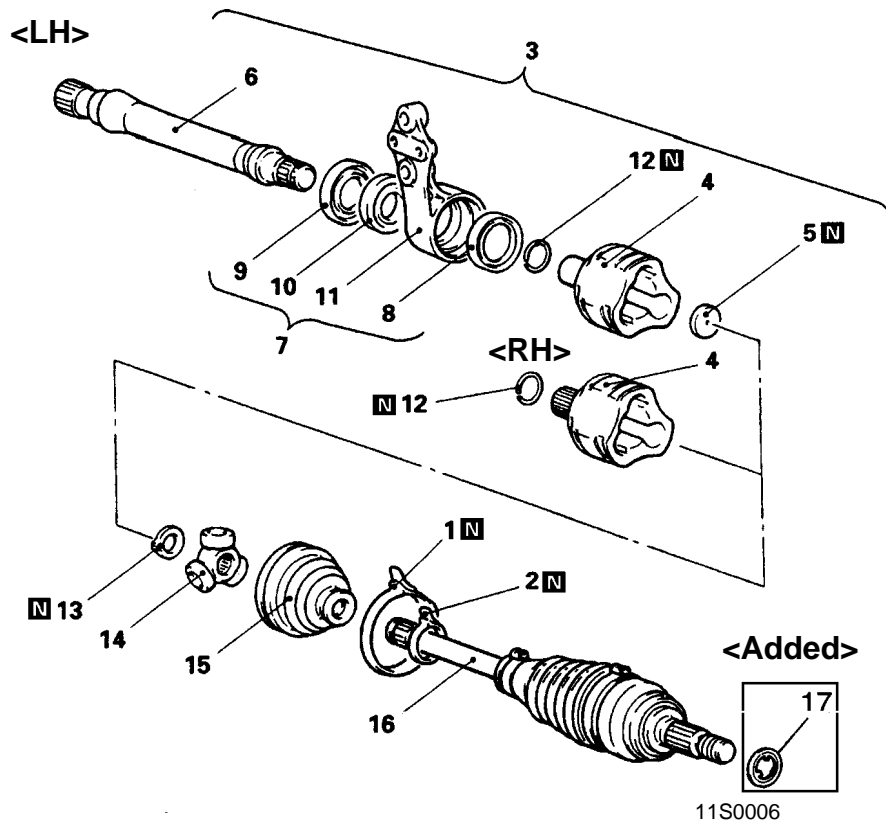
Caution

1. Do not disassemble the R.J. (or B.J.) assembly.
2. for vehicles with ABS, be careful not to damage the rotors installed to the R.J.) (or B.J.) outer race during disassembly and reassembly.

<Revised>

DISASSEMBLY AND REASSEMBLY

E260E-2



<p>11A0117</p>	<p>11C0022</p>	<p>11A0113</p>	<p>11S00008</p>
<p>T.J. boot repair kit</p>	<p>T.J. repair kit</p>	<p>Bearing dust seal repair kit</p>	<p>Bracket assembly repair kit</p>

Disassembly steps

- ➔➔ 1. T.J. boot band
- ➔➔ 2. T.J. boot band (small)
- ➔➔ 3. T.J. case and inner shaft assembly
- ↔↔ 4. T.J. case
- ↔↔ 5. Seal plate
- ↔↔ ➔➔ 6. Inner shaft
- ↔↔ ➔➔ 7. Bracket assembly
- ➔➔ 8. Dust seal outer
- ➔➔ 9. Dust seal inner
- ↔↔ ➔➔ 10. Center bearing
- ↔↔ ➔➔ 11. Center bearing bracket

- ↔↔ 12. Circlip
- ↔↔ 13. Snap ring
- ↔↔ ➔➔ 14. Spider assembly
- ↔↔ ➔➔ 15. T.J. boot
- 16. B.J. assembly

17. Front axle shim **<Added>**

Caution

- 1. Do not disassemble the B.J. assembly
- 2. For vehicles with ABS, be careful not to damage the rotors installed to the R.J. (or B.J.) outer face during disassembly and reassembly

<Revised>