

MITSUBISHI COLT/ LANCER

'94

ELECTRICAL WIRING

GROUP INDEX

HOW TO READ THE WIRING DIAGRAMS	1
WIRING HARNESS CONFIGURATION DIAGRAMS	2
SINGLE PART INSTALLATION POSITION	3
CIRCUIT DIAGRAM	4

FOREWORD

This Electrical Wiring Manual contains information necessary for inspection and servicing of electrical wiring in the Mitsubishi COLT/LANCER edited in the form of wiring harness configuration diagrams and function-separated circuit diagrams.

It is recommended that all service mechanics engaged in the servicing of the vehicle refer to the following publications as well as this manual.

TECHNICAL INFORMATION MANUAL

PYME9116 (Basic)
PYME9116-1
(Supplement)

WORKSHOP MANUAL

PWME9117
(Loose-leaf edition)

WORKSHOP MANUAL

Engine Group

PWEE□□□□
(Loose-leaf edition)

PARTS CATALOGUE

B6068004A□

All information, illustrations and product descriptions contained in this manual are current as of time of publication. We, however, reserve the right to make changes at any time without prior notice or obligation.



MITSUBISHI COLT/ LANCER

WORKSHOP MANUAL ELECTRICAL WIRING

FILING INSTRUCTION

Please keep these manual pages in the binder which is keeping the manual PHME9107.

File these pages according to the signs "ADDED" and "REVISED" on the "List of effective pages" which are interpreted below.

ADDED: File the pages with this sign additionally in your manual.

REVISED: Replace the existing pages with the corresponding pages with this sign.

Missing sheets will be supplied upon request.

1 LIST OF EFFECTIVE PAGES

Group/ Page	Revision code	Date	Remarks	Group/ Page	Revision code	Date	Remarks
LIST OF EFFECTIVE PAGES				23-1 thru 23-3	A	Jun. 1992	
1 thru 4	D	Dec. 1993	REVISED	23-4	B	Jan. 1993	
5	D	Dec. 1993	ADDED	24	A	Jun. 1992	
<1992 model, 1993 model>				25		Jan. 1992	
FOREWORD				26 thru 27	B	Jan. 1993	
	A	Jun. 1992		27-1 thru 27-3	A	Jun. 1992	
HOW TO USE THIS MANUAL				27-4	B	Jan. 1993	
		Jan. 1992		27-5 thru 27-6	A	Jun. 1992	
1-HOW TO READ THE WIRING DIAGRAMS				27-7 thru 27-8	B	Jan. 1993	
1 thru 2	A	Jun. 1992		27-9 thru 27-11	A	Jun. 1992	
2-1 thru 2-2	A	Jun. 1992		27-12	B	Jan. 1993	
3 thru 8		Jan. 1992		28	B	Jan. 1993	
9 thru 10	A	Jun. 1992		29 thru 31	A	Jun. 1992	
2-WIRING HARNESS CONFIGURATION DIAGRAMS				32 thru 35		Jan. 1992	
1 thru 3	A	Jun. 1992		35-1 thru 35-4	A	Jun. 1992	
3-1 thru 3-2	A	Jun. 1992		36 thru 37		Jan. 1992	
4	A	Jun. 1992		37-1 thru 37-2	A	Jun. 1992	
5		Jan. 1992		38	A	Jun. 1992	
6 thru 7	B	Jan. 1993		39		Jan. 1992	
7-1 thru 7-2	A	Jun. 1992		39-1 thru 39-4	A	Jun. 1992	
7-3 thru 7-4	B	Jan. 1993		40	A	Jun. 1992	
8	A	Jun. 1992		40-1	A	Jun. 1992	
9		Jan. 1992		3-SINGLE PART INSTALLATION POSITION			
10 thru 11	B	Jan. 1993		1	A	Jun. 1992	
11-1 thru 11-3	A	Jun. 1992		2 thru 3	B	Jan. 1993	
11-4	B	Jan. 1993		4 thru 5	A	Jun. 1992	
12	A	Jun. 1992		6		Jan. 1992	
13		Jan. 1992		7 thru 10	A	Jun. 1992	
14 thru 15	B	Jan. 1993		10-1	A	Jun. 1992	
15-1 thru 15-2	A	Jun. 1992		11 thru 12	A	Jun. 1992	
15-3 thru 15-4	B	Jan. 1993		12-1	A	Jun. 1992	
16	A	Jun. 1992		12-2	B	Jan. 1993	
17		Jan. 1992		12-3	A	Jun. 1992	
18 thru 19	B	Jan. 1993		12-4 thru 12-5	B	Jan. 1993	
19-1 thru 19-3	A	Jun. 1992		12-6	A	Jun. 1992	
19-4	B	Jan. 1993		13	A	Jun. 1992	
20	A	Jun. 1992		13-1	A	Jun. 1992	
21		Jan. 1992		14 thru 15	A	Jun. 1992	
22 thru 23	B	Jan. 1993					

HOW TO USE THIS MANUAL

CONTENTS

The preceding page contains GROUP INDEX which lists the group title and group number.

PAGE NUMBERS

All page numbers consist of two sets of digits separated by a dash. The digits preceding the dash identify the number of the group. The digits following the dash represent the consecutive page number within the group. The page numbers can be found on the top left or right of each page.

OPERATION AND TROUBLESHOOTING HINTS

In the GROUP 4 circuit diagrams, the operation and troubleshooting hints are given on the previous page or following page for each circuit where necessary.

1A HOW TO READ THE WIRING DIAGRAMS

MODELS	1A-2
ABBREVIATIONS SYMBOLS	1A-4

COMPOSITION AND CONTENTS OF WIRING DIAGRAMS

HOW TO READ CONFIGURATION
DIAGRAMS

HOW TO READ CIRCUIT DIAGRAMS

MARKINGS FOR CONNECTOR
EARTHING

WIRE COLOUR CODES

Refer to '93 models
Electrical wiring



MODELS

Hatchback

Model code		Engine model	Transmission model	Fuel supply system	
CA1A	MNMEQL6	4G13 (1299 mℓ)	F5M21 (2WD-5M/T)	MPI	
	MNDEQL6/R6				
CA4A	MNDEQL6	4G92 (1597 mℓ)	F5M22 (2WD-5M/T)		
	MRDEQL6		F4A22 (2WD-4A/T)		
	MNJEQL6/R6		F5M22 (2WD-5M/T)		
	MRJEQL6/R6		F4A22 (2WD-4A/T)		
	MNJAQL6/R6		F5M22 (2WD-5M/T)		
	MRJAQL6		F4A22 (2WD-4A/T)		
CA5A	MNGMQL6/R6	4G93 (1834 mℓ)	F5M22 (2WD-5M/T)		MPI
CC4A	MNJEQL6	4G92 (1597 mℓ)	W5M31 (4WD-5M/T)		

Sedan

Model code		Engine model	Transmission model	Fuel supply system	
CB1A	SNMEQL6	4G13 (1299 mℓ)	F5M21 (2WD-5M/T)	MPI	
	SNDEQL6/R6				
CB4A	SNDEQL6	4G92 (1597 mℓ)	F5M22 (2WD-5M/T)		
	SRDEQL6		F4A22 (2WD-4A/T)		
	SNJEQL6/R6		F5M22 (2WD-5M/T)		
	SRJEQL6/R6		F4A22 (2WD-4A/T)		
	SNJAQL6		F5M22 (2WD-5M/T)		
	SRJAQL6		F4A22 (2WD-4A/T)		
CB5A	SNGMQL6/R6	4G93 (1834 mℓ)	F5M22 (2WD-5M/T)		MPI <MVV>
CB8A	SNDQL6	4D68 (1998 mℓ)	F5M22 (2WD-5M/T)		Fuel Injection Pump
	SNJQL6				
	SNML6				
	SNDL6				
	SNJL6/R6				

Wagon

Model code		Engine model	Transmission model	Fuel supply system
CB4W	LNDEQL6	4G92 (1597 ml)	F5M21 (2WD-5M/T)	MPI
	LNJEQL6/R6		F4A22 (2WD-4A/T)	
	LRJEQL6/R6			
CB8W	LNDQL6	4D68 (1998 ml)	F5M22 (2WD-5M/T)	Fuel Injection Pump
	LNJQL6			
CD4W	LNDEQL6	4G92 (1597 ml)	W5M31 (4WD-5M/T)	MPI
	LNJEQL6/R6			
CB8W	LNDL6	4D68 (1998 ml)	F5M22 (2WD-5M/T)	Fuel Injection Pump
	LNJL6/R6			

ABBREVIATION SYMBOLS

The abbreviation symbols used in wiring diagrams are defined below.

Abbreviation symbol	Meaning	Abbreviation symbol	Meaning
ABS	Anti-lock brake system	J/C	Jumper connector
A/C	Air conditioner	LAFS	Linear air-fuel ratio sensor
A/T	Automatic transmission	LHD	L.H. drive vehicles
DOHC	Double overhead camshafts engine	MPI	Multi-point injection
DRL	Daytime running lamp	M/T	Manual transmission
EGR	Exhaust gas recirculation	MV	Mitsubishi vertical vortex engine
ELC-4 A/T	Electronic control 4-speed automatic transmission	RHD	R.H. drive vehicles
GND	Earth	SOHC	Single overhead camshaft engine
ILL	Illumination lamp	SRS	Supplemental restraint system
IND	Indicator lamp	2WD	Front wheel-drive vehicles
J/B	Junction block	4WD	4 wheel-drive vehicles

Abbreviation symbols used for combination meters

Abbreviation symbol	Meaning	Abbreviation symbol	Meaning
ABS	Anti-lock brake system warning lamp	R/FOG	Rear fog lamp indicator lamp
BEAM	Upper beam indicator lamp	REED	Reed switch (vehicle speed sensor)
BRAKE	Brake warning lamp	SPEED	Speedometer
CHECK ENGINE	Check engine warning lamp	SRS	Supplemental restraint system warning lamp
CHG	Charging warning lamp		
DOOR	Door warning lamp	TACHO	Tachometer
F/GA	Fuel gauge	T/GA	Engine coolant temperature gauge
FUEL	Fuel (remaining) warning lamp	TURN (LH)	Turn signal indicator lamp (L.H.)
HAZARD	Hazard warning indicator lamp	TURN (RH)	Turn signal indicator lamp (R.H.)
OIL	Oil pressure warning lamp	WATER	Fuel filter warning lamp

Abbreviation symbols used for switches and relays

Name of switches and relays	Abbreviation symbol	Operation	Name of switches and relays	Abbreviation symbol	Operation
Ignition switch	ACC	When turned to the ACC (ACCESSORY) or ON position, the power circuit starts functioning.	Wiper switch	LO	Wipers operate at low speed
				HI	Wipers operate at high speed
	IG1	Even when at the ST (START) position, the power circuit starts functioning.		INT	Wipers operate intermittently
			IG2	When at the ST (START) position, the power circuit does not start functioning.	LH
	Turn signal switch	RH			R.H. turn signal lamps ON
		Dimmer/passing switch	LO	Low beams ON	Power window switch
HI	High beams ON		DOWN	Window opened	
Lighting switch	TAIL	Position, tail, licence-plate and instrument panel lamps ON	Door lock actuator/Door lock control unit/Door lock key cylinder switch	LOCK	Door locked
	HEAD	Headlamps ON		UNLOCK	Door unlocked
Room lamp switch	DOOR	Room lamp ON when a door is open		Remote control mirror switch	LH
Blower switch	LO	Blower operates at low speed	RH		R.H. mirror operates
	ML	Blower operates at medium low speed	Sunroof switch	UP	Sunroof tilted up
	MH	Blower operates at medium high speed		DOWN	Sunroof tilted down
	HI	Blower operates at high speed		OPEN	Sunroof slides to open
CLOSE				Sunroof slides to close	
A/C switch	ECONO	1st position (economical operation)	Heated seat switch	LO	Normal heating
	DRY	2nd position (full load operation)		HI	Rapid heating
	Others			ON	Switched on
				OFF	Switched off

NOTE

2A WIRING HARNESS CONFIGURATION DIAGRAMS

OVERALL WIRING DIAGRAM

Hatchback <L.H. drive vehicles>	2A-2
Hatchback <R.H. drive vehicles>	2A-2
Sedan <L.H. drive vehicles>	2A-3
Sedan <R.H. drive vehicles>	2A-3
Wagon-2WD <L.H. drive vehicles>	2A-4
Wagon-4WD <L.H. drive vehicles>	2A-4
Wagon-2WD <R.H. drive vehicles>	2A-5
Wagon-4WD <R.H. drive vehicles>	2A-5

ENGINE COMPARTMENT **A**

4G13 SOHC-MPI <L.H. drive vehicles>	2A-6
4G13 SOHC-MPI <R.H. drive vehicles>	2A-10
4G92 SOHC-MPI (Except MVV) <L.H. drive vehicles>	2A-14
4G92 SOHC-MPI (Except MVV) <R.H. drive vehicles>	2A-18
4G92 SOHC-MPI (MVV) <L.H. drive vehicles>	2A-22
4G92 SOHC-MPI (MVV) <R.H. drive vehicles>	2A-26
4G93 DOHC-MPI <L.H. drive vehicles>	2A-30
4G93 DOHC-MPI <R.H. drive vehicles>	2A-34
4D68 <L.H. drive vehicles>	2A-38
4D68 <R.H. drive vehicles>	2A-42

DASH PANEL **B**

L.H. drive vehicles	2A-46
R.H. drive vehicles	2A-48

INSTRUMENT PANEL **C**

L.H. drive vehicles	2A-50
R.H. drive vehicles	2A-51

INTERIOR **D**

Hatchback <L.H. drive vehicles>	2A-52
Hatchback <R.H. drive vehicles>	2A-53
Sedan <L.H. drive vehicles>	2A-54
Sedan <R.H. drive vehicles>	2A-55
Wagon <L.H. drive vehicles>	2A-56
Wagon <R.H. drive vehicles>	2A-57

DOOR **E**

Hatchback <L.H. drive vehicles>	2A-58
Hatchback <R.H. drive vehicles>	2A-59
Sedan and wagon <L.H. drive vehicles>	2A-60
Sedan and wagon <R.H. drive vehicles>	2A-61

LUGGAGE COMPARTMENT **F**

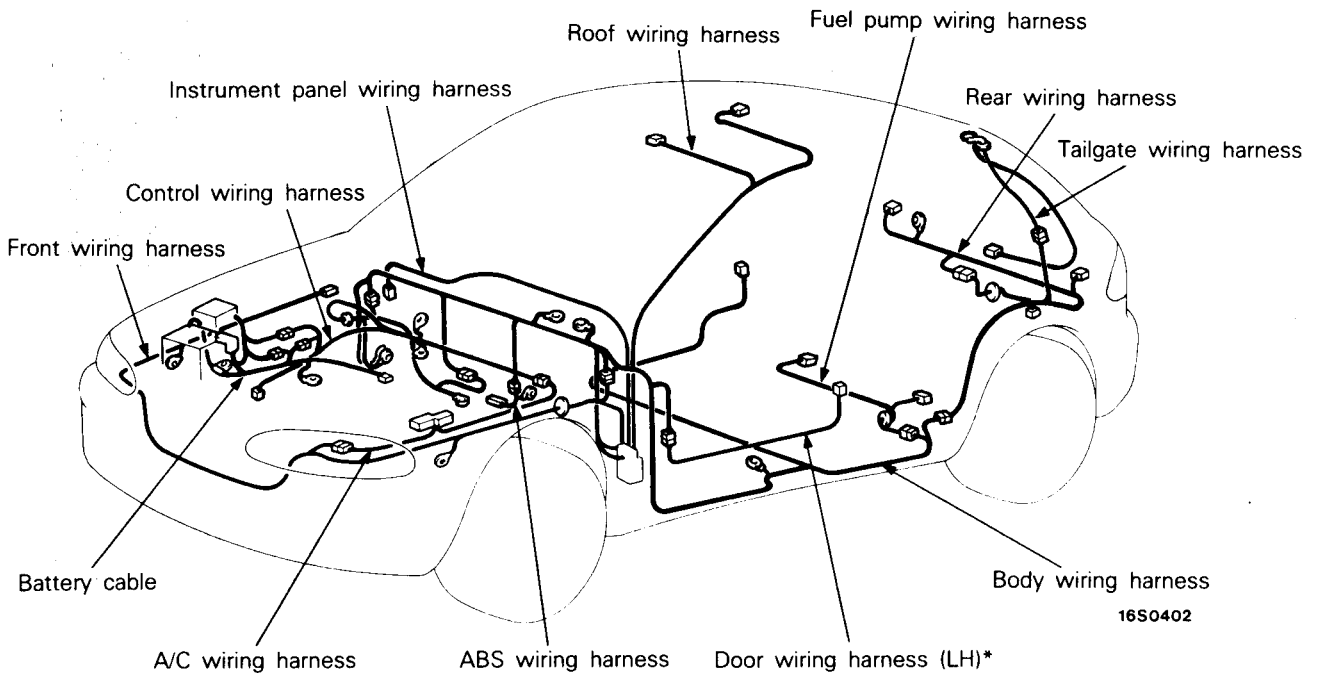
Hatchback <L.H. drive vehicles>	2A-62
Hatchback <R.H. drive vehicles>	2A-63
Sedan <L.H. drive vehicles>	2A-64
Sedan <R.H. drive vehicles>	2A-65
Wagon	2A-66

UNDER REAR FLOOR **G**

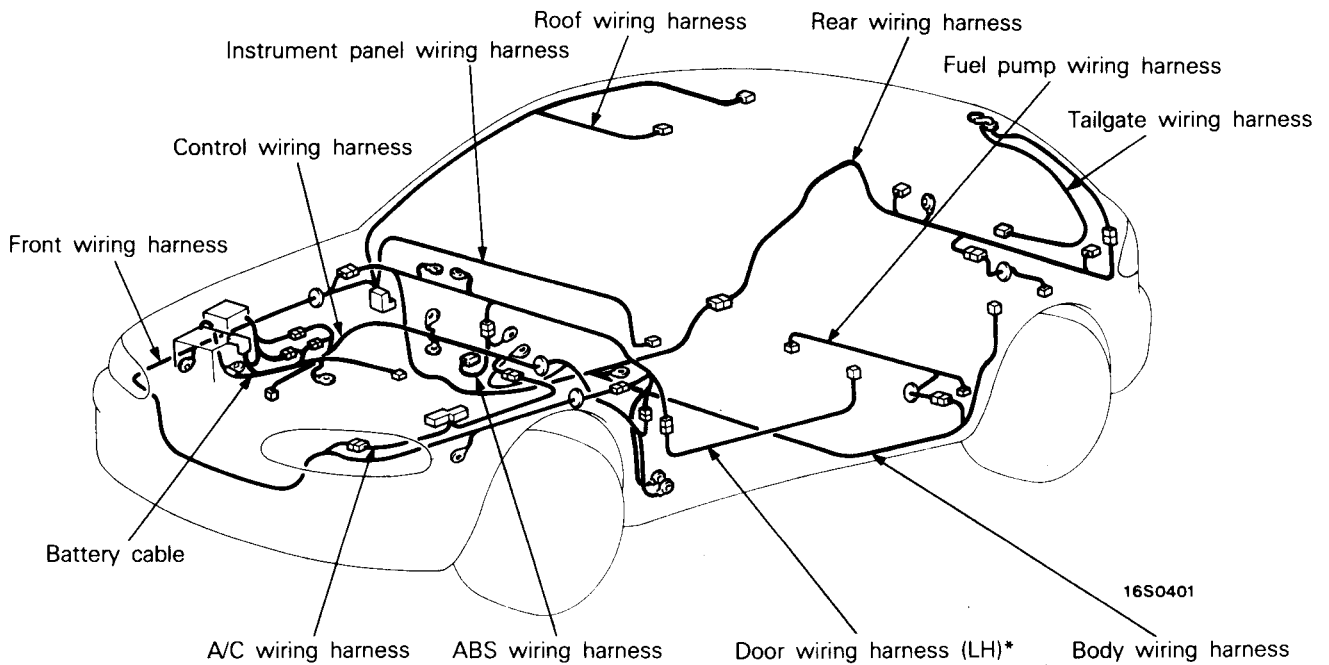
Hatchback and sedan	2A-68
Wagon	2A-69

OVERALL WIRING DIAGRAM

Hatchback <L.H. drive vehicles>



Hatchback <R.H. drive vehicles>

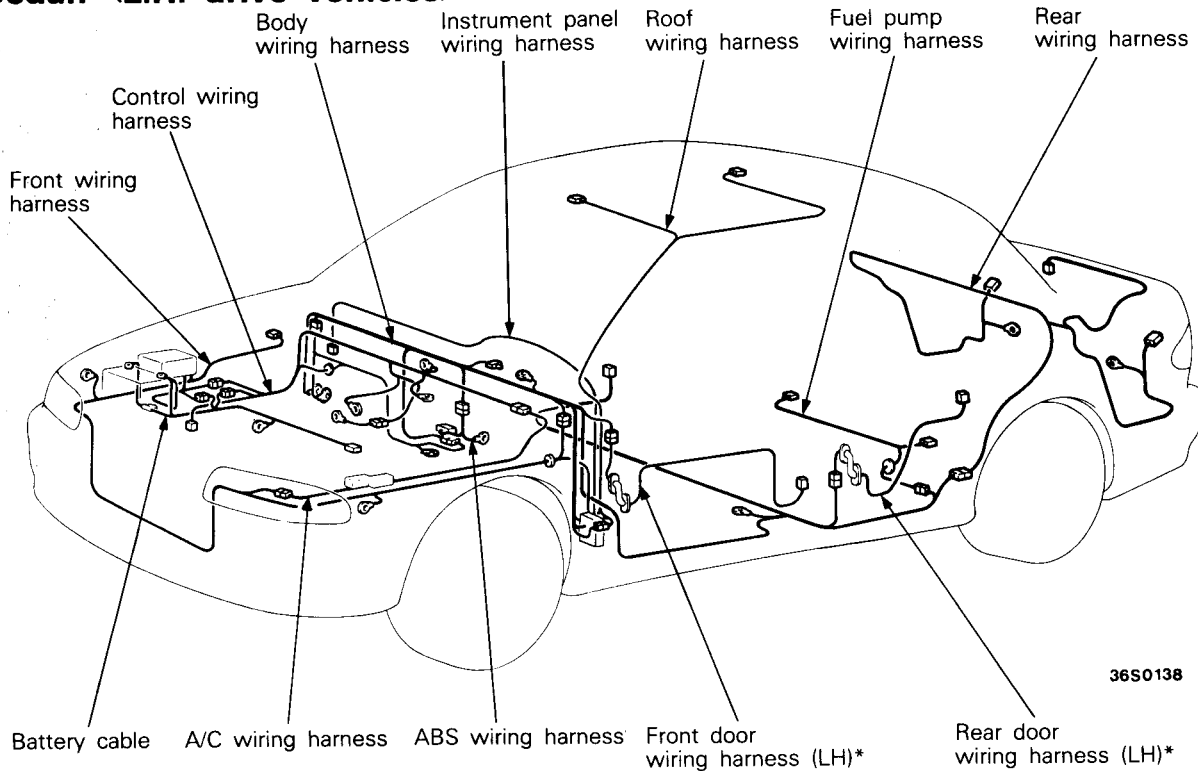


NOTE

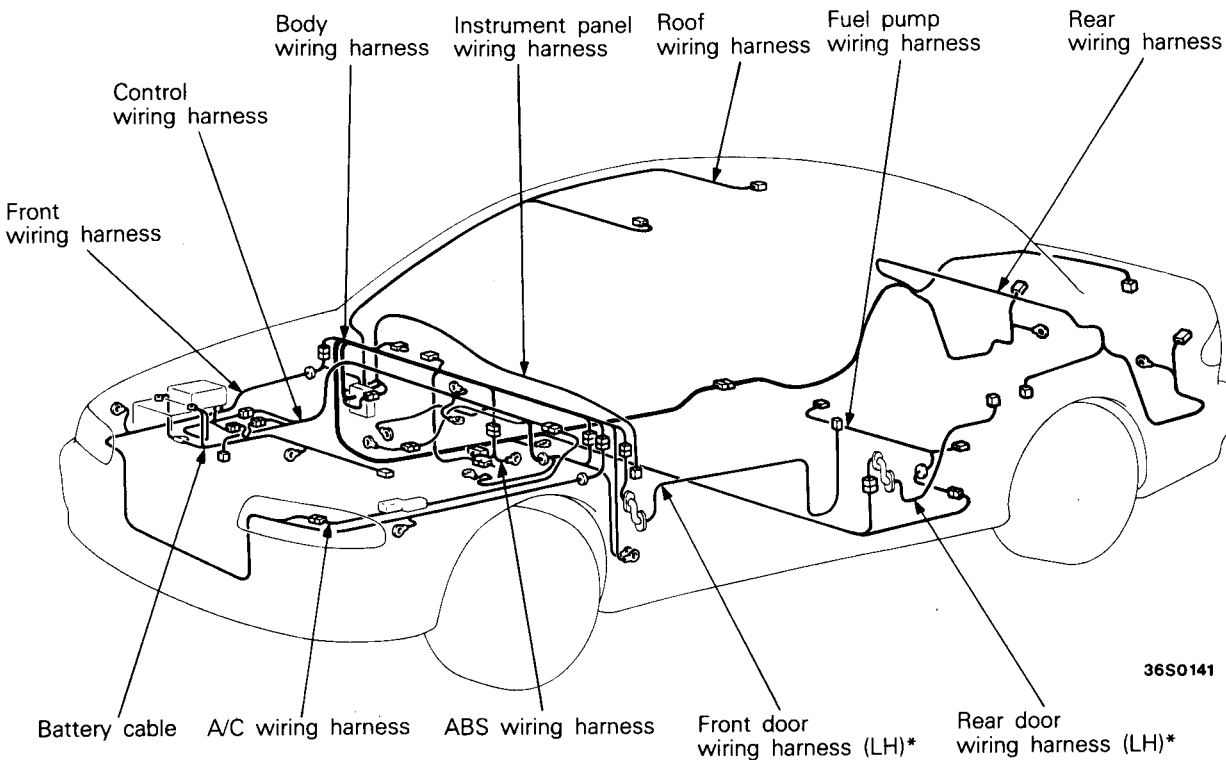
- (1) These illustrations show only major wiring harnesses.
- (2) *: also equipped at the right side.

OVERALL WIRING DIAGRAM

Sedan <L.H. drive vehicles>



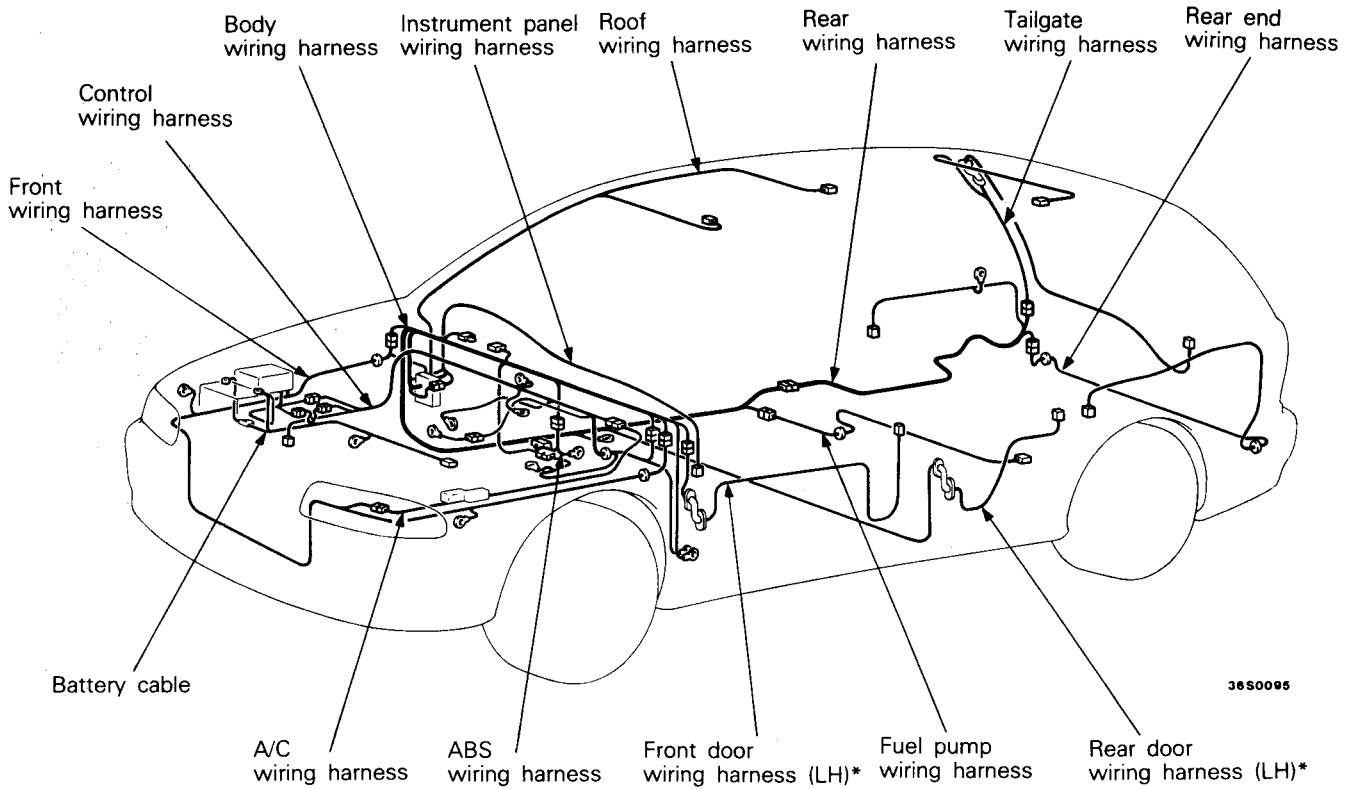
Sedan <R.H. drive vehicles>



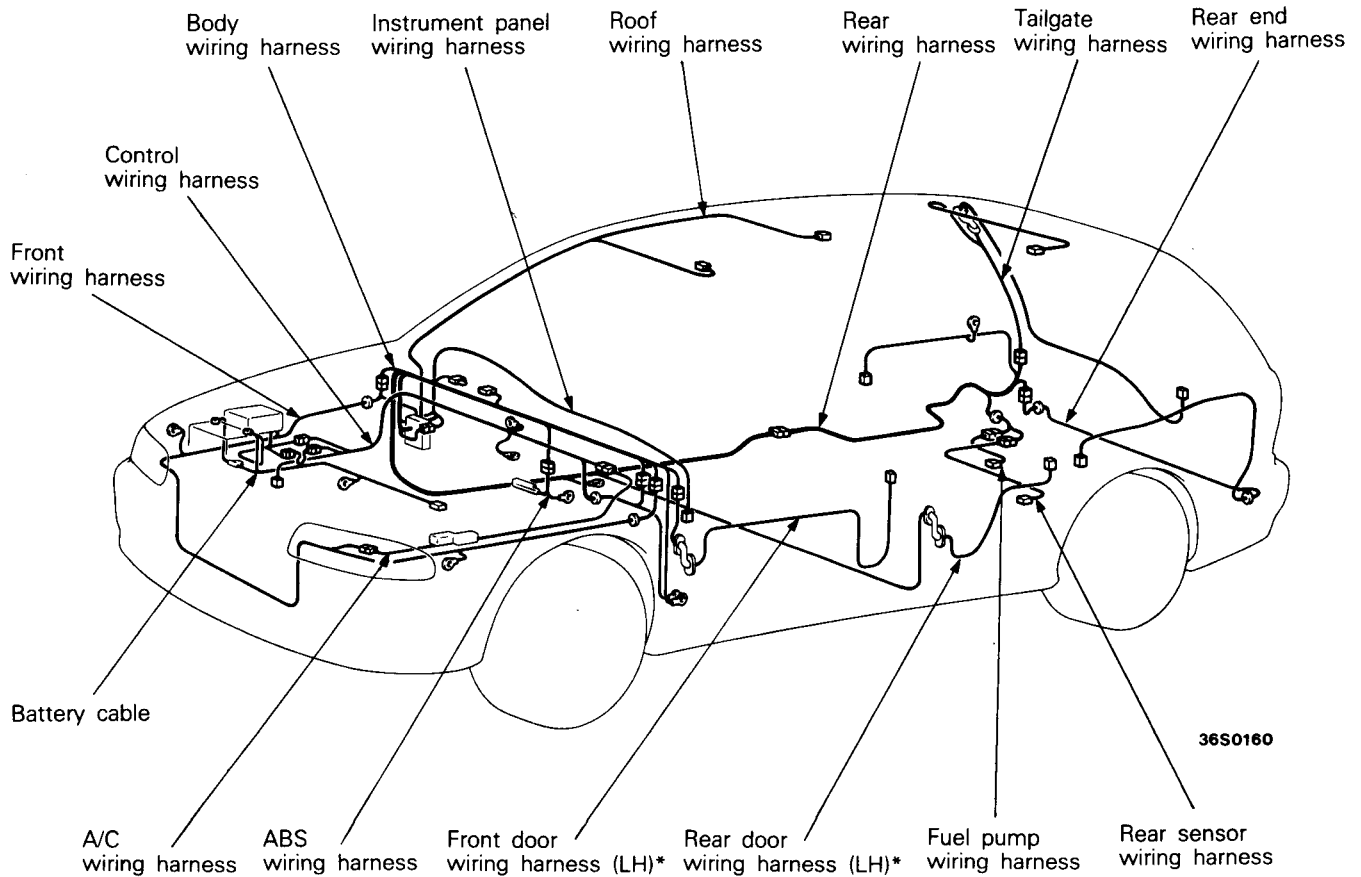
NOTE

- (1) These illustrations show only major wiring harnesses.
- (2) *: also equipped at the right side.

Wagon-2WD <R.H. drive vehicles>



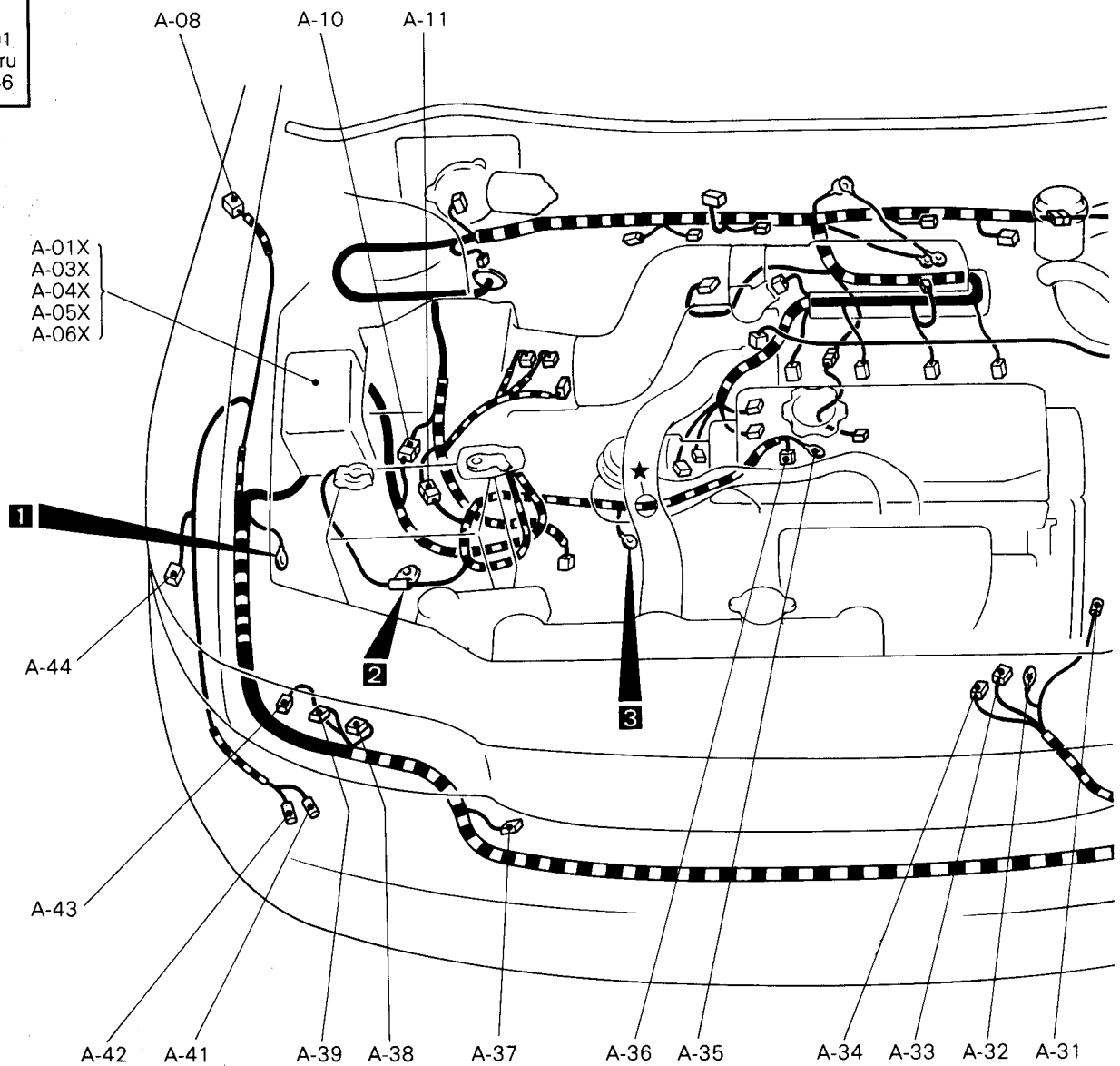
Wagon-4WD <R.H. drive vehicles>



ENGINE COMPARTMENT

4G13 SOHC-MPI <L.H. drive vehicles>

Connector symbol
A -01 thru -46

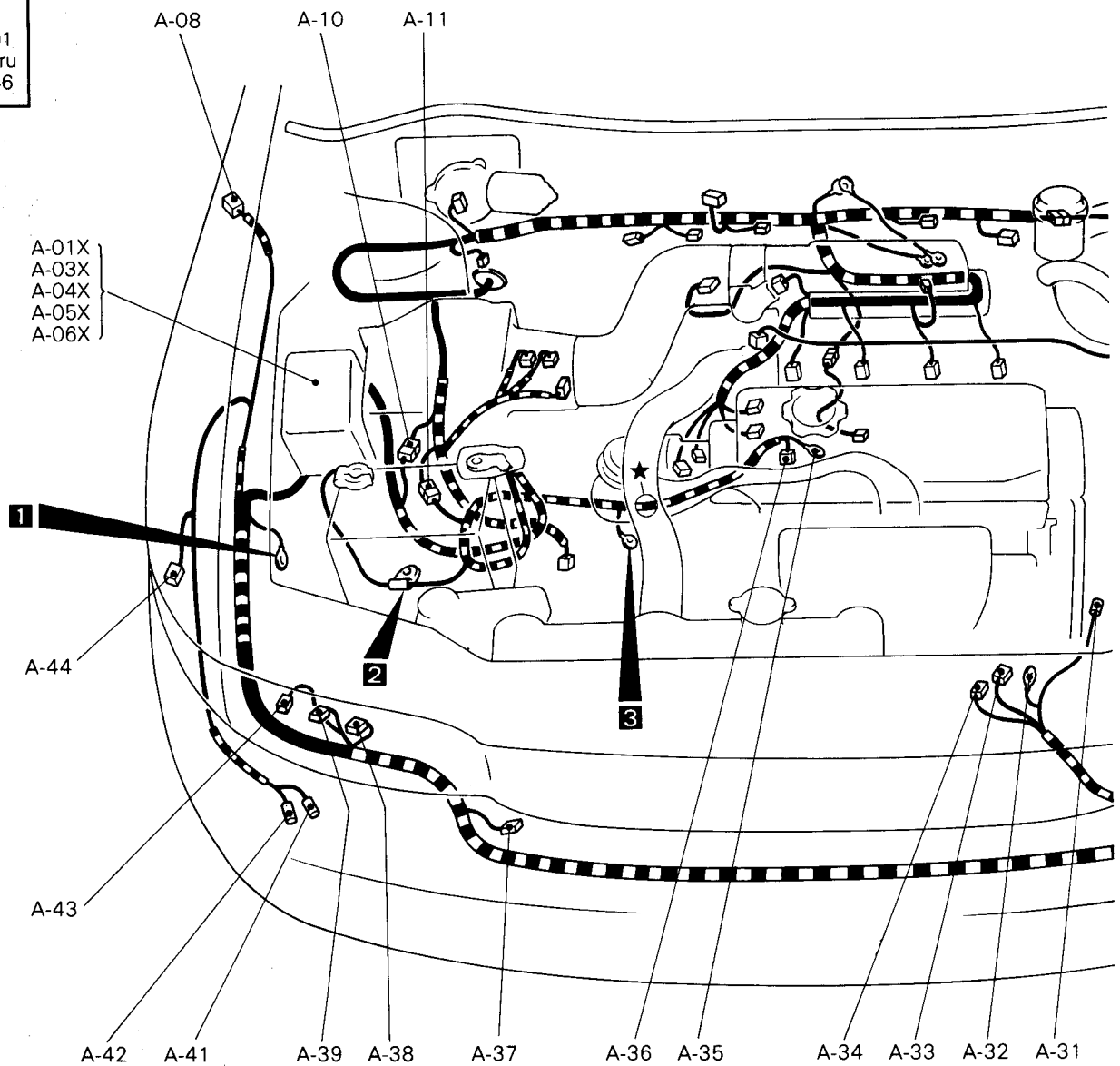


- | | | | | |
|-------|---|---------------------------------|--|---|
| A-01X | Alternator relay | } Refer to CENTRALIZED JUNCTION | A-11 | Control wiring harness and battery cable assembly combination |
| A-02X | — | | A-12 | Side turn signal lamp (LH) |
| A-03X | Radiator fan motor relay | | A-13 | } — |
| A-04X | Headlamp relay | | A-19 | |
| A-05X | Tail lamp relay | | A-20 | |
| A-06X | Storage connector | | A-21 | — |
| A-07 | — | A-22 | — | |
| A-08 | Side turn signal lamp (RH) | A-23 | } Front wiring harness and daytime running lamp wiring harness combination or front wiring harness joint connector | |
| A-09 | — | A-24 | | |
| A-10 | Front wiring harness and control wiring harness combination | | | |

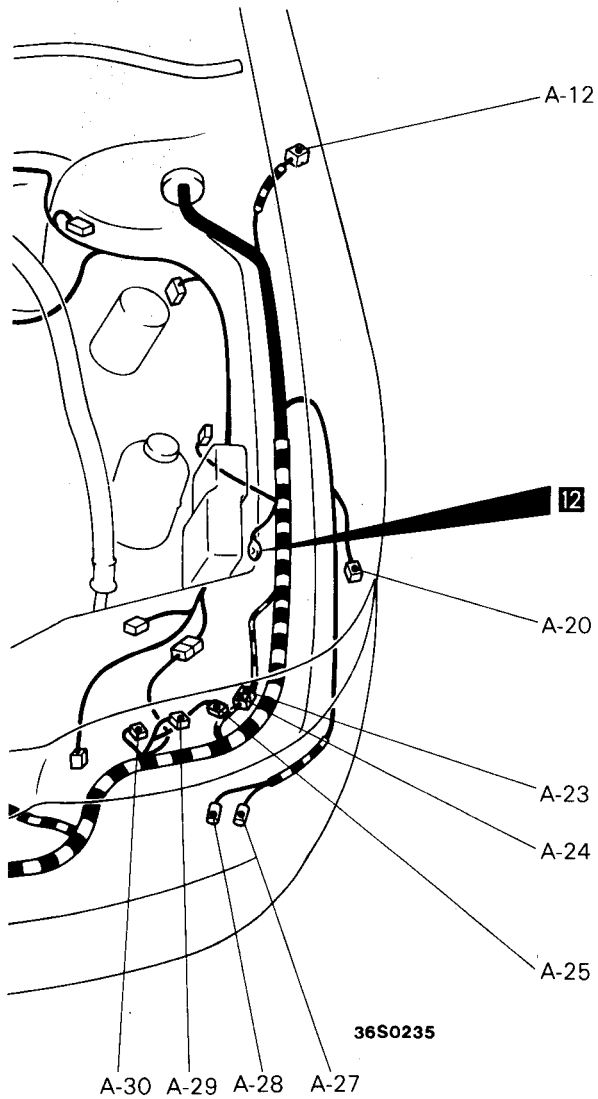
ENGINE COMPARTMENT

4G13 SOHC-MPI <L.H. drive vehicles>

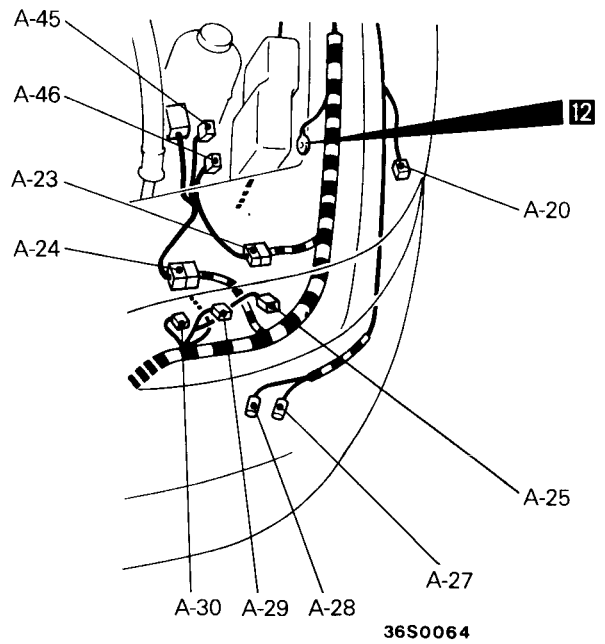
Connector symbol
A -01 thru -46



- | | | | | |
|-------|---|---------------------------------|--|---|
| A-01X | Alternator relay | } Refer to CENTRALIZED JUNCTION | A-11 | Control wiring harness and battery cable assembly combination |
| A-02X | — | | A-12 | Side turn signal lamp (LH) |
| A-03X | Radiator fan motor relay | | A-13 | } — |
| A-04X | Headlamp relay | | A-19 | |
| A-05X | Tail lamp relay | | A-20 | |
| A-06X | Storage connector | | A-21 | — |
| A-07 | — | A-22 | — | |
| A-08 | Side turn signal lamp (RH) | A-23 | } Front wiring harness and daytime running lamp wiring harness combination or front wiring harness joint connector | |
| A-09 | — | A-24 | | |
| A-10 | Front wiring harness and control wiring harness combination | | | |



Vehicles with daytime running lamp

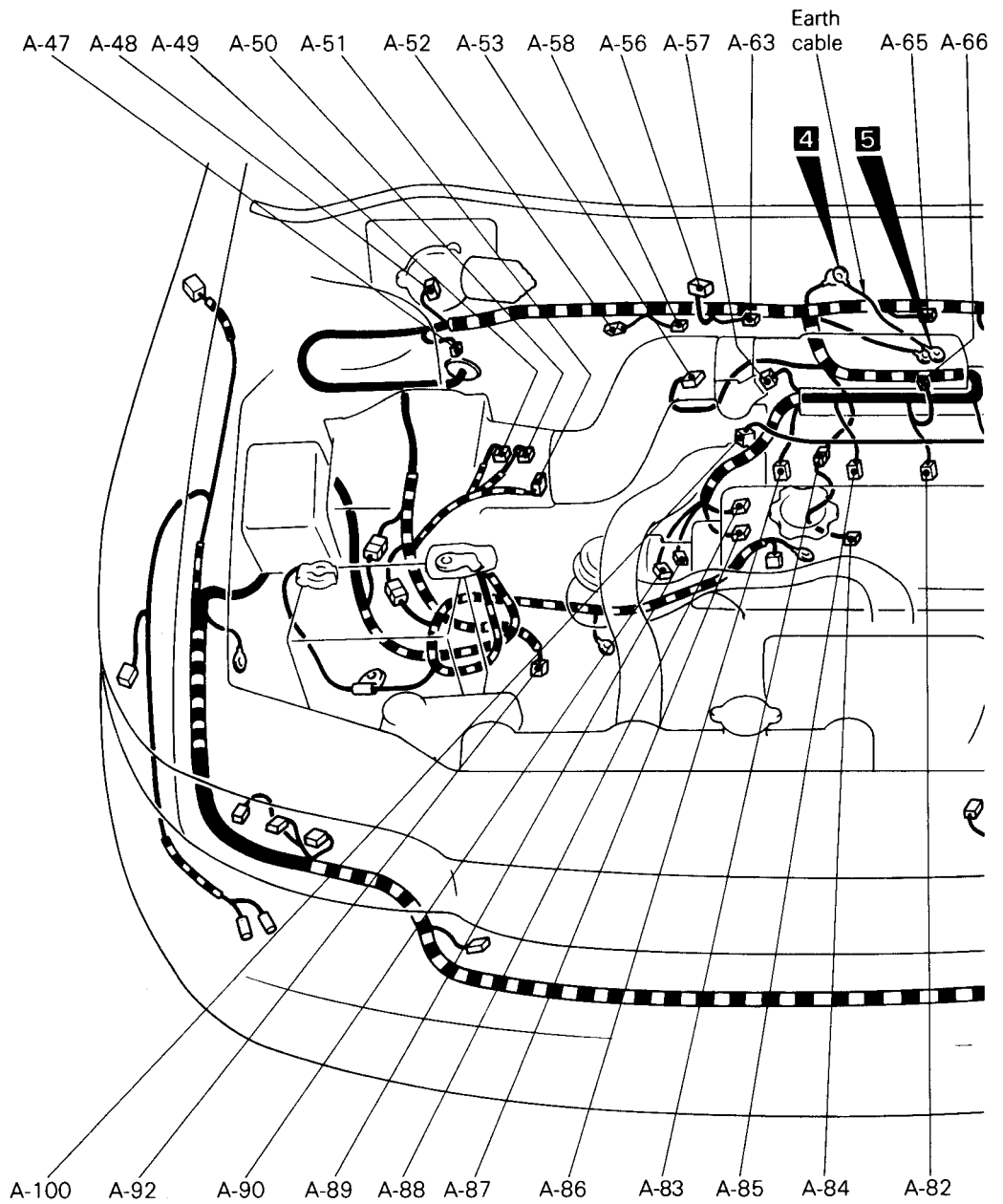
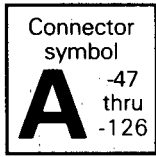


- A-25 Headlamp leveling unit (LH)
- A-26 —
- A-27 } Horn (LH)
- A-28 }
- A-29 Headlamp (LH)
- A-30 Position lamp (LH)
- A-31 Power steering oil pressure switch
- A-32 } Alternator
- A-33 }
- A-34 Oil pressure switch
- A-35 } Starter
- A-36 }

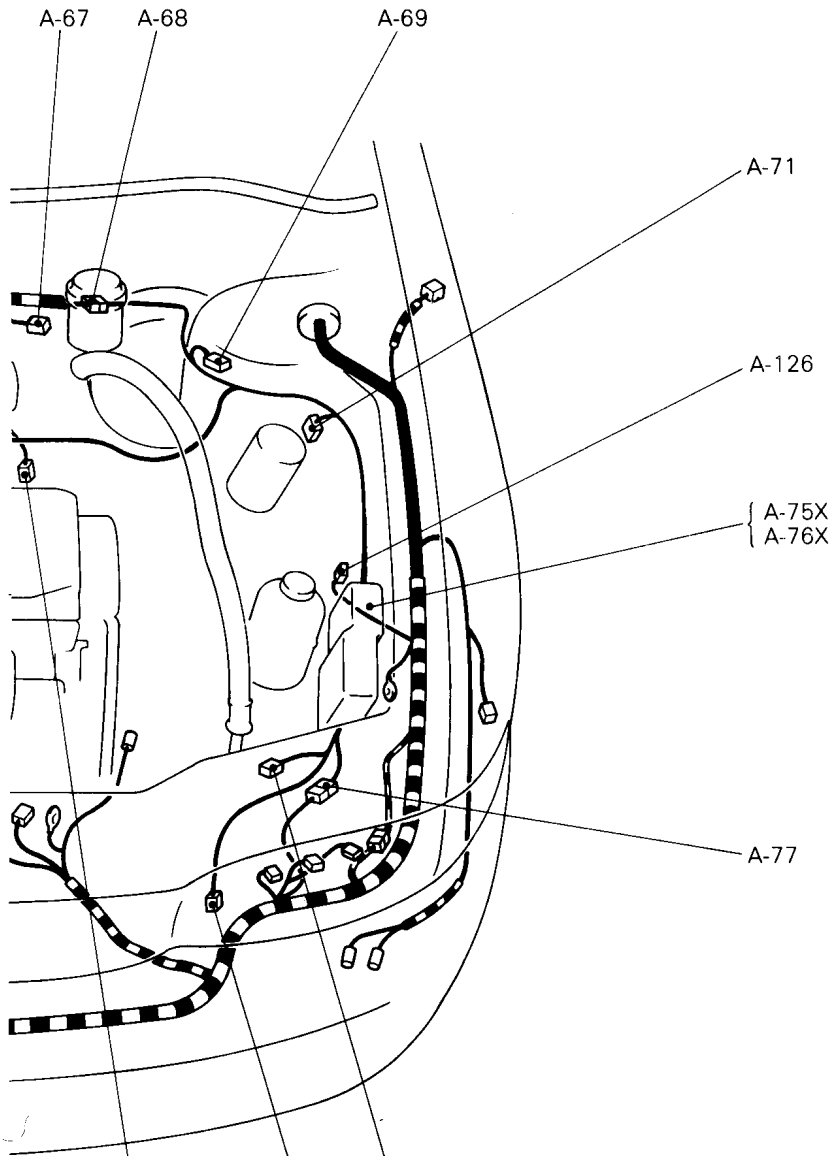
- A-37 Radiator fan assembly
- A-38 Position lamp (RH)
- A-39 Headlamp (RH)
- A-40 —
- A-41 } Horn (RH)
- A-42 }
- A-43 Headlamp leveling unit (RH)
- A-44 Front turn signal lamp (RH)
- A-45 } Daytime running lamp relay (I, II)
- A-46 }

2A-8 WIRING HARNESS CONFIGURATION DIAGRAMS – Engine Compartment

4G13 SOHC-MPI <L.H. drive vehicles>



A-47	Headlamp washer motor	A-59	} —
A-48	Windshield wiper motor	thru	
A-49	Rear washer motor	A-62	
A-50	Windshield washer motor	A-63	Purge control solenoid valve
A-51	Headlamp washer relay	A-64	—
A-52	Ignition timing adjustment connector	A-65	Fuel pump check connector
A-53	Idle speed control actuator	A-66	Intake air temperature sensor
A-54	—	A-67	Brake fluid level switch
A-55	—	A-68	Control wiring harness and A/C wiring harness combination
A-56	Vacuum sensor (Manifold absolute pressure sensor)	A-69	Magnetic clutch and refrigerant temperature switch <A/C>
A-57	Throttle position sensor	A-70	—
A-58	Engine speed detection connector	A-71	Dual pressure switch <A/C>



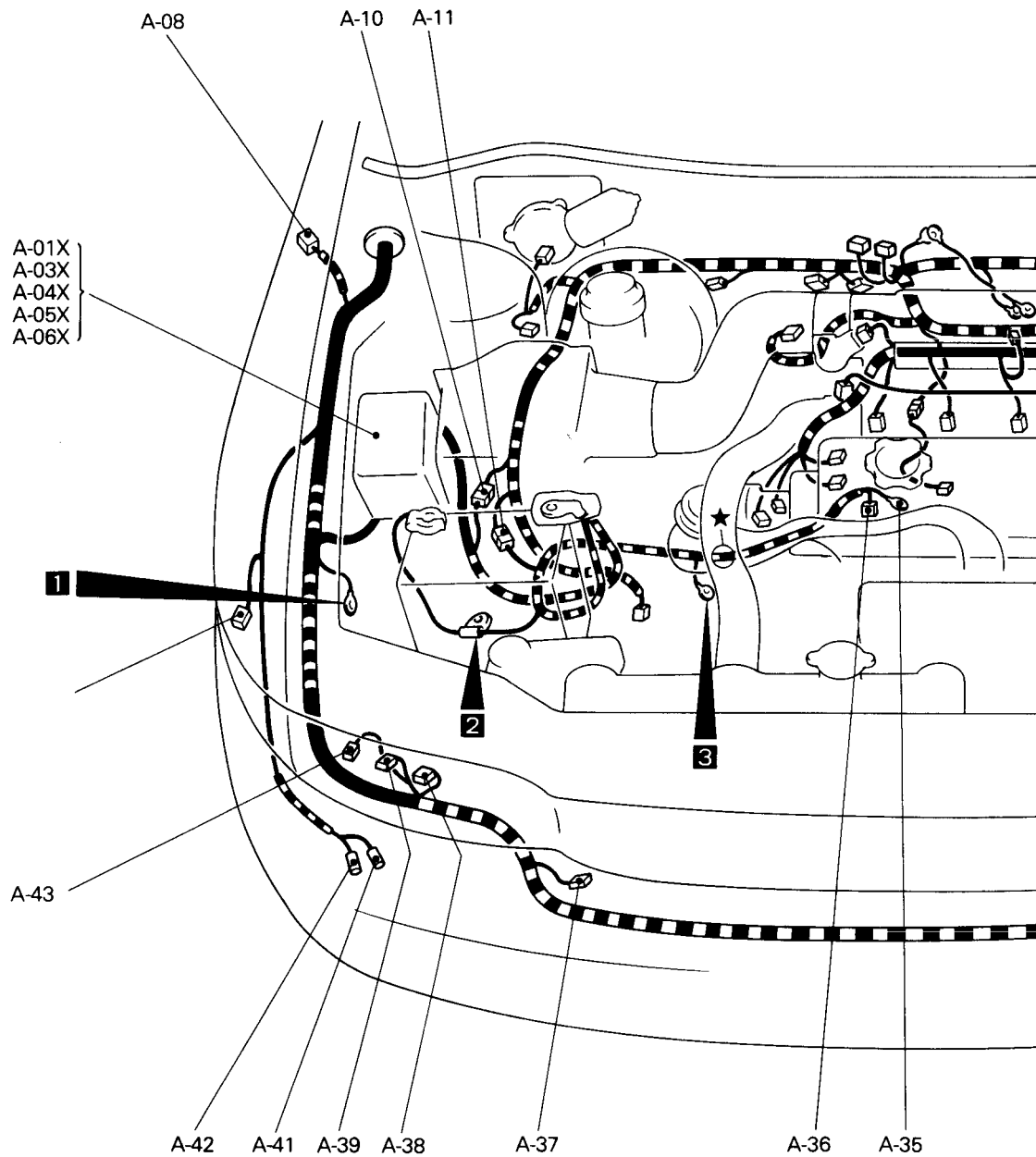
36S0235

- | | | | | |
|-------|---|---------------------------------------|-------|---|
| A-72 | — | | A-84 | Oxygen sensor |
| A-73 | — | | A-85 | Injector No.3 |
| A-74X | — | | A-86 | Injector No.4 |
| A-75X | Condenser fan motor relay <A/C> | } Refer to
CENTRALIZED
JUNCTION | A-87 | Engine coolant temperature sensor |
| A-76X | A/C compressor relay <A/C> | | A-88 | Engine coolant temperature gauge unit |
| A-77 | Front wiring harness and A/C wiring harness combination <A/C> | | A-89 | } Distributor assembly |
| A-78 | No connection | A-90 | | |
| A-79 | — | | A-91 | — |
| A-80 | Condenser fan motor | | A-92 | Back-up lamp switch <M/T> |
| A-81 | Injector No.1 | | A-93 | } — |
| A-82 | Injector No.2 | | thru | |
| A-83 | Control wiring harness and oxygen sensor wiring harness combination | | A-99 | |
| | | | A-100 | Engine coolant temperature switch <A/C> |
| | | | A-101 | } — |
| | | | thru | |
| | | | A-125 | |
| | | | A-126 | Horn relay |

ENGINE COMPARTMENT

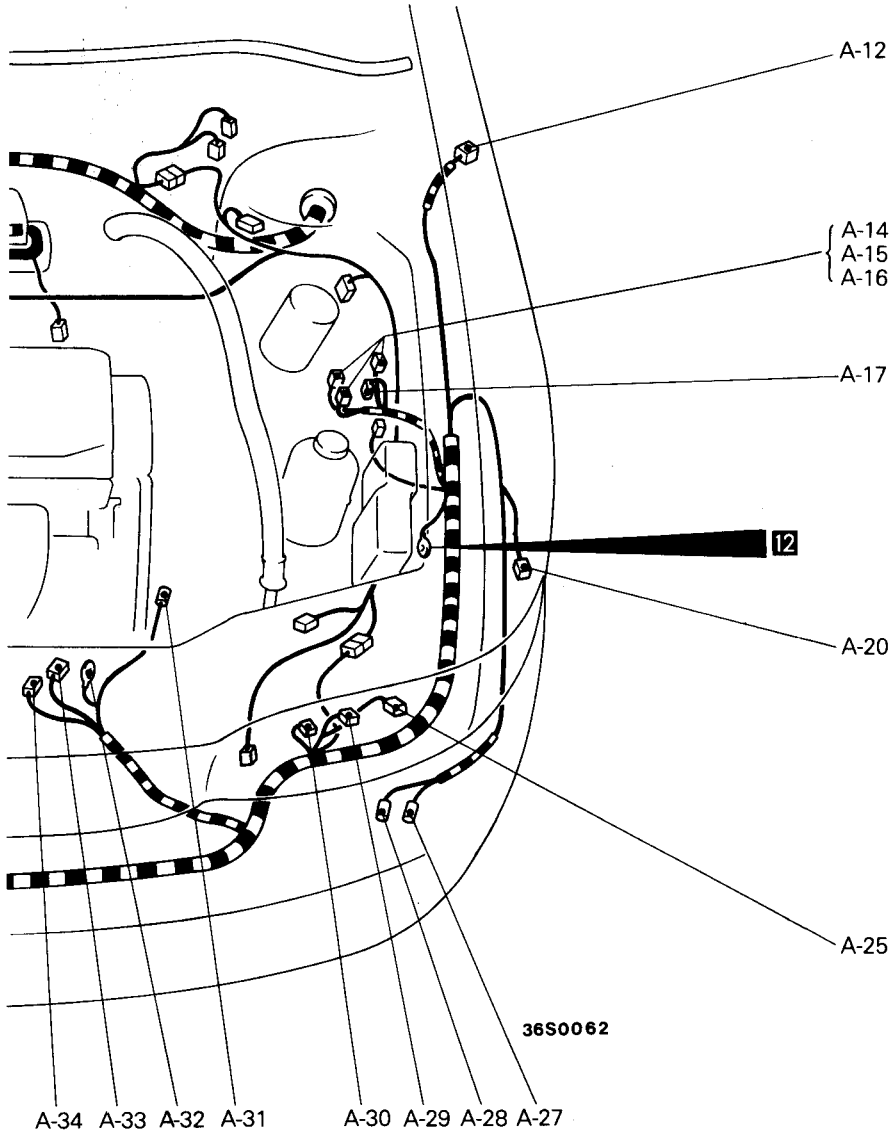
4G13 SOHC-MPI <R.H. drive vehicles>

Connector symbol
A -01 thru -46



- | | | | | |
|-------|---|---------------------------------------|------------------------------|---------------------------------------|
| A-01X | Alternator relay | } Refer to
CENTRALIZED
JUNCTION | A-12 | Side turn signal lamp (LH) |
| A-02X | — | | A-13 | — |
| A-03X | Radiator fan motor relay | | A-14 | } Dim-dip lamp relay (I , II , III) |
| A-04X | Headlamp relay | | A-15 | |
| A-05X | Tail lamp relay | | A-16 | |
| A-06X | Storage connector | | A-17 | Resistor <Vehicles with dim-dip lamp> |
| A-07 | — | A-18 | — | |
| A-08 | Side turn signal lamp (RH) | A-19 | — | |
| A-09 | — | A-20 | Front turn signal lamp (LH) | |
| A-10 | Front wiring harness and control wiring harness combination | A-21 | } — | |
| A-11 | Control wiring harness and battery cable assembly combination | thru | | |
| | | A-24 | | |
| | | A-25 | Headlamp leveling unit. (LH) | |

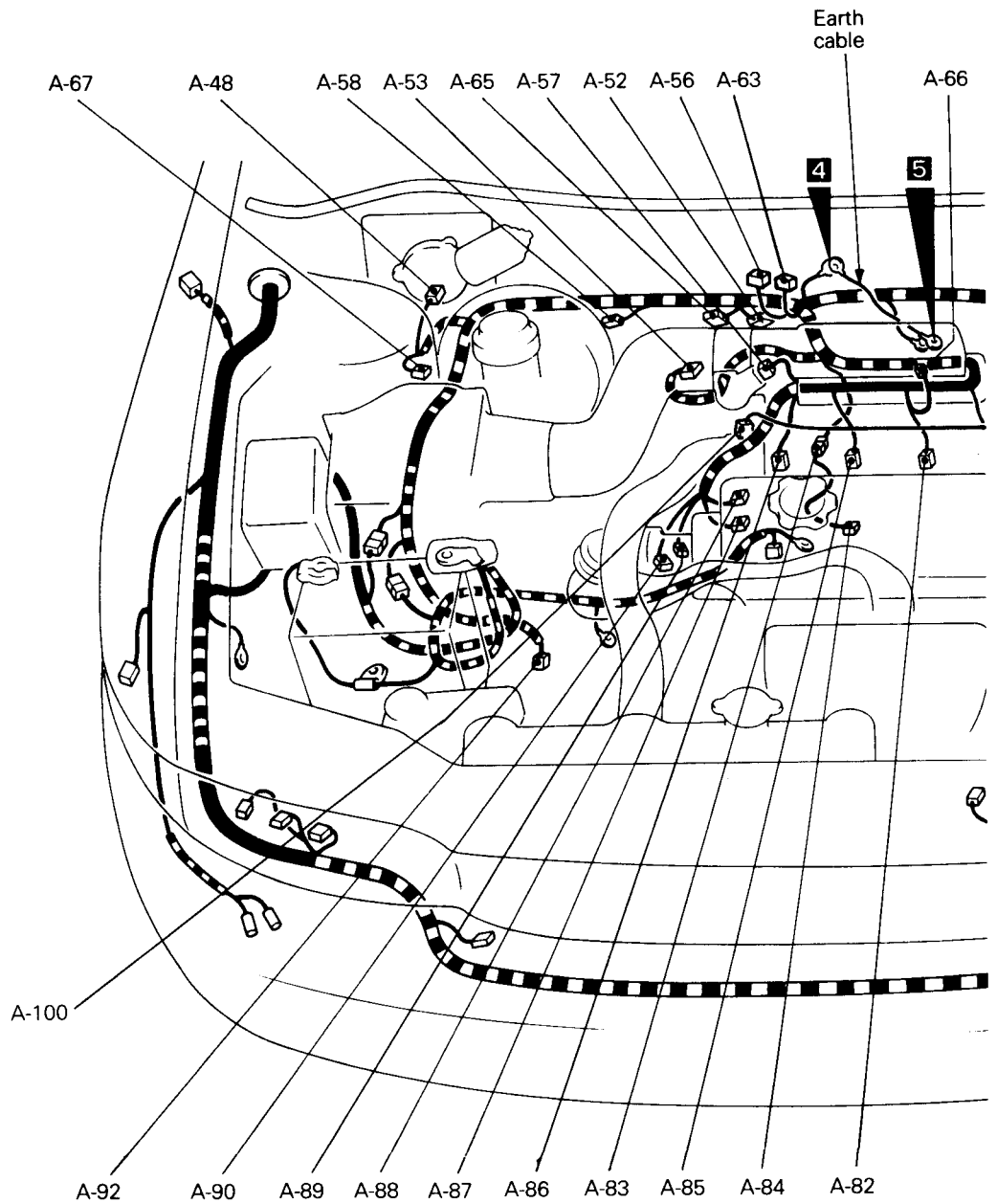
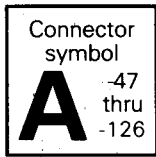
WIRING HARNESS CONFIGURATION DIAGRAMS – Engine Compartment 2A-11



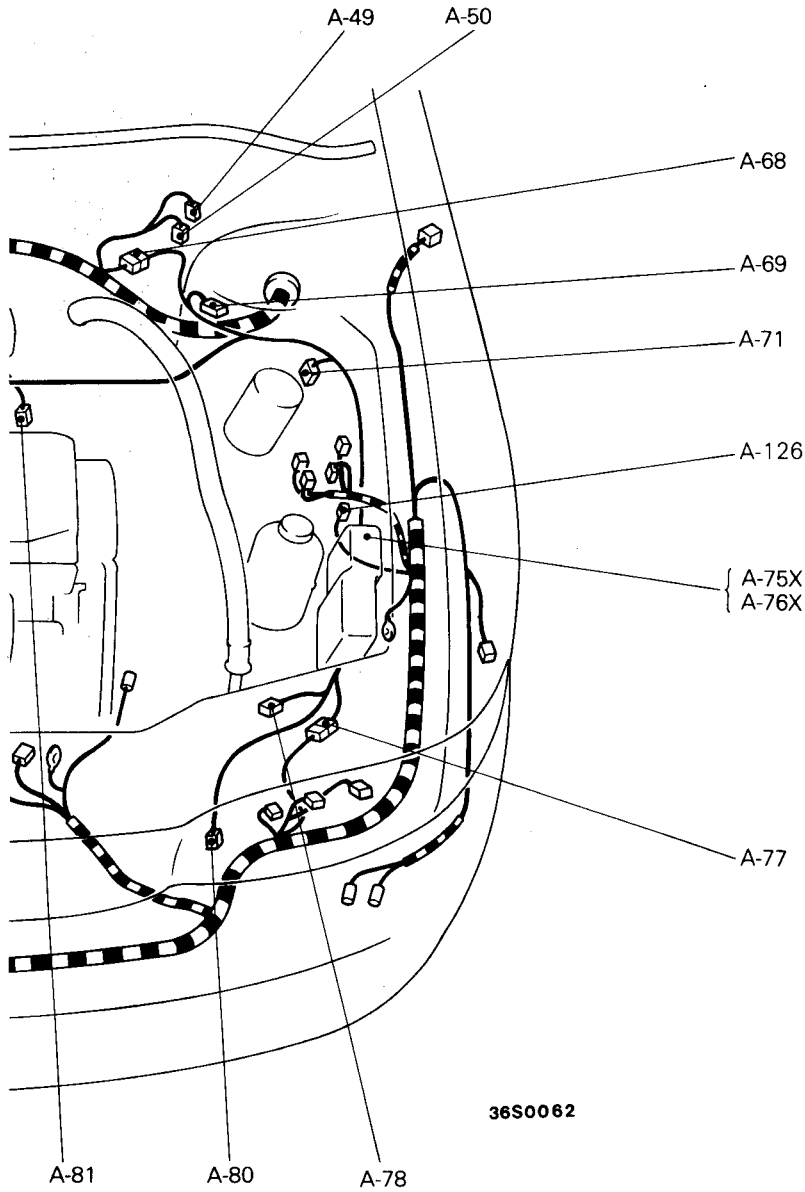
- | | | | |
|------|------------------------------------|------|-----------------------------|
| A-26 | — | A-39 | Headlamp (RH) |
| A-27 | } Horn (LH) | A-40 | — |
| A-28 | | A-41 | } Horn (RH) |
| A-29 | Headlamp(LH) | A-42 | |
| A-30 | Position lamp (LH) | A-43 | Headlamp leveling unit (RH) |
| A-31 | Power steering oil pressure switch | A-44 | Front turn signal lamp (RH) |
| A-32 | } Alternator | A-45 | — |
| A-33 | | | A-46 |
| A-34 | Oil pressure switch | | |
| A-35 | } Starter | | |
| A-36 | | | |
| A-37 | Radiator fan assembly | | |
| A-38 | Position lamp (RH) | | |

2A-12 WIRING HARNESS CONFIGURATION DIAGRAMS – Engine Compartment

4G13 SOHC-MPI <R.H. drive vehicles>



A-47	—	A-63	Purge control solenoid valve
A-48	Windshield wiper motor	A-64	—
A-49	Rear washer motor	A-65	Fuel pump check connector
A-50	Windshield washer motor	A-66	Intake air temperature sensor
A-51	—	A-67	Brake fluid level switch
A-52	Ignition timing adjustment connector	A-68	Control wiring harness and A/C wiring harness combination
A-53	Idle speed control actuator	A-69	Magnetic clutch and refrigerant temperature switch <A/C>
A-54	—	A-70	—
A-55	—	A-71	Dual pressure switch <A/C>
A-56	Vacuum sensor (Manifold absolute pressure sensor)	A-72	—
A-57	Throttle position sensor	A-73	—
A-58	Engine speed detection connector		
A-59 } thru } A-62 }	—		



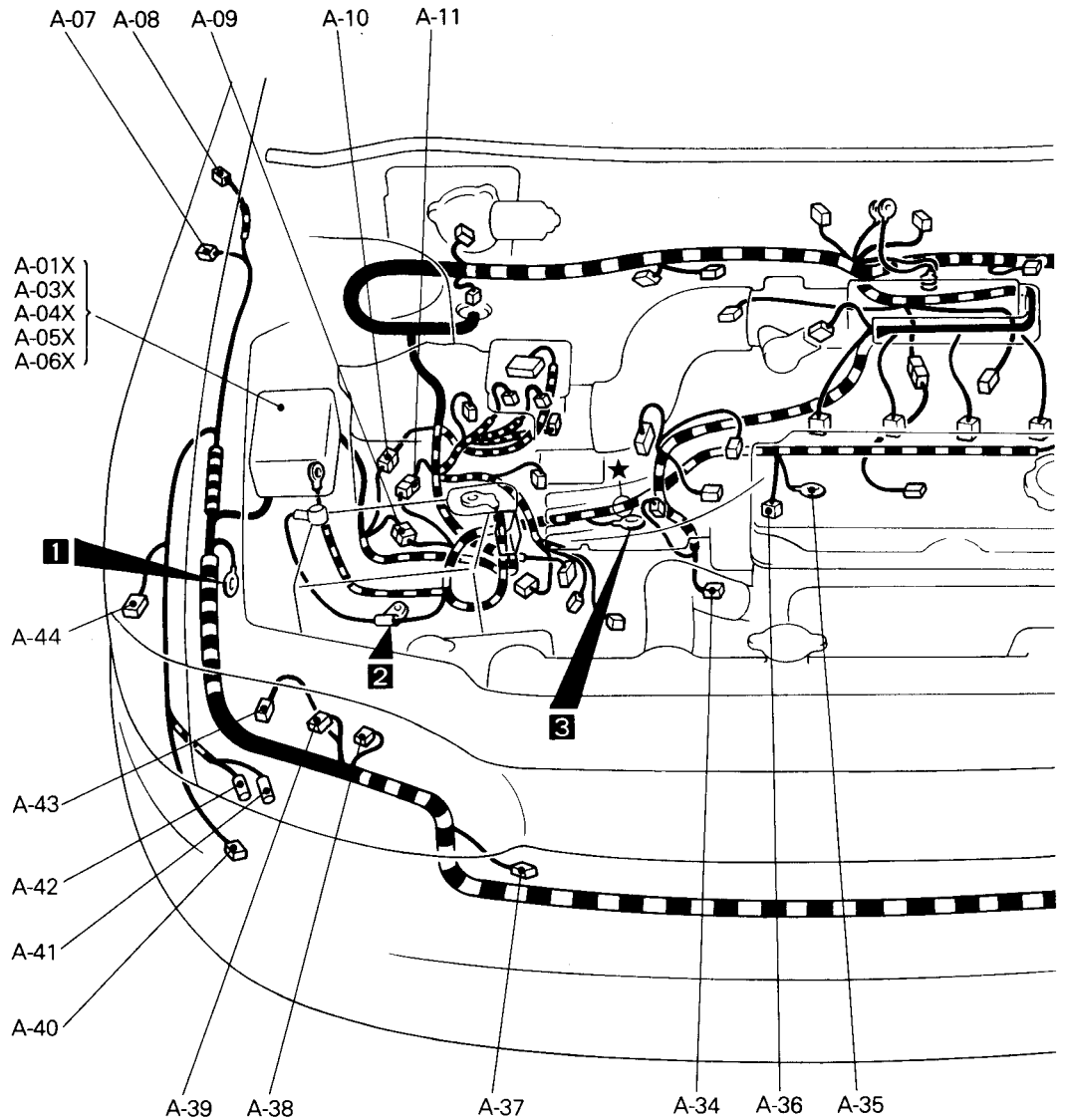
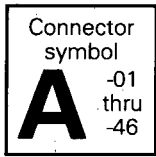
- A-74X —
- A-75X Condenser fan motor relay <A/C>
- A-76X A/C compressor relay <A/C>
- A-77 Front wiring harness and A/C wiring harness combination <A/C>
- A-78 No connection
- A-79 —
- A-80 Condenser fan motor
- A-81 Injector No.1
- A-82 Injector No.2
- A-83 Control wiring harness and oxygen sensor wiring harness combination
- A-84 Oxygen sensor

Refer to
CENTRALIZED
JUNCTION

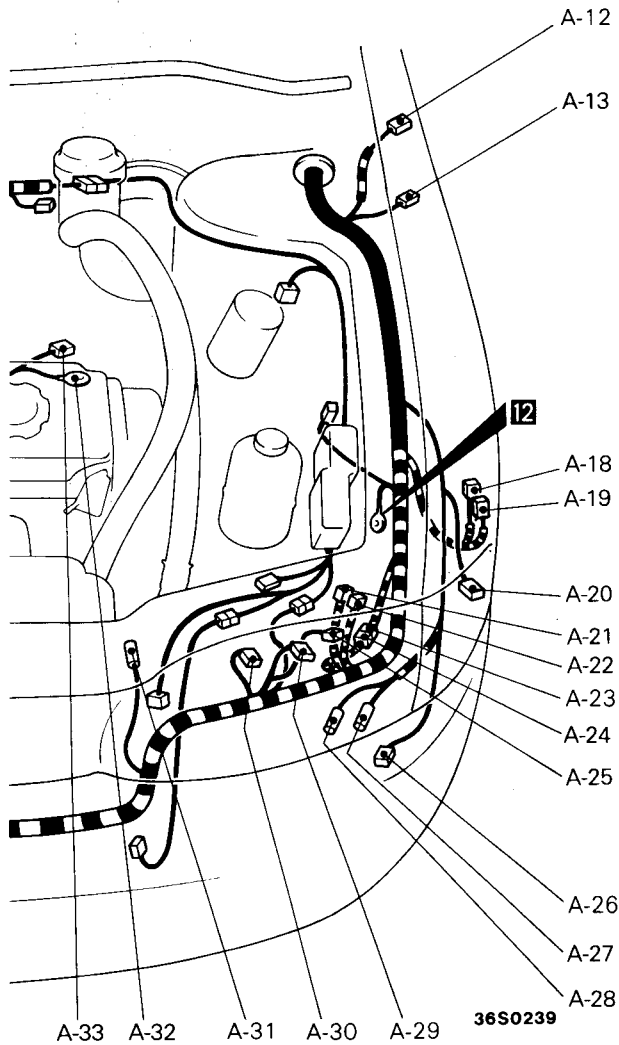
- A-85 Injector No.3
- A-86 Injector No.4
- A-87 Engine coolant temperature sensor
- A-88 Engine coolant temperature gauge unit
- A-89 } Distributor assembly
- A-90 }
- A-91 —
- A-92 Back-up lamp switch <M/T>
- A-93 } —
- thru }
- A-99 }
- A-100 Engine coolant temperature switch <A/C>
- A-101 } —
- thru }
- A-125 }
- A-126 Horn relay

ENGINE COMPARTMENT

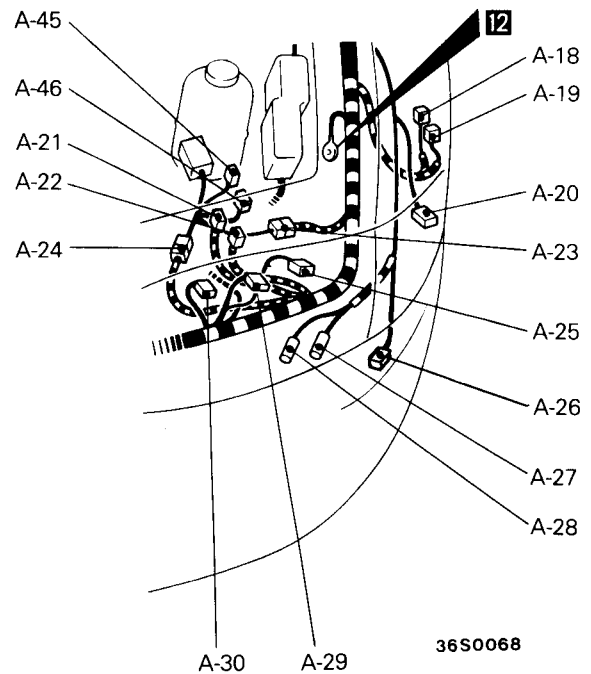
4G92 SOHC-MPI (Except MVV) <L.H. drive vehicles>



- | | | | | |
|-------|---|---------------------------------------|-----------------------------|---|
| A-01X | Alternator relay | } Refer to
CENTRALIZED
JUNCTION | A-11 | Control wiring harness and battery cable assembly combination |
| A-02X | — | | A-12 | Side turn signal lamp (LH) |
| A-03X | Radiator fan motor relay | | A-13 | ABS speed sensor (Front: LH) |
| A-04X | Headlamp relay | | A-14 | } — |
| A-05X | Tail lamp relay | | A-17 | |
| A-06X | Storage connector | | A-18 | |
| A-07 | ABS speed sensor (Front: RH) | A-19 | | |
| A-08 | Side turn signal lamp (RH) | A-20 | Front turn signal lamp (LH) | |
| A-09 | Front wiring harness and battery cable assembly combination | A-21 | ABS valve relay<2WD> | |
| A-10 | Front wiring harness and control wiring harness combination | A-22 | ABS motor relay<2WD> | |



Vehicles with daytime running lamp

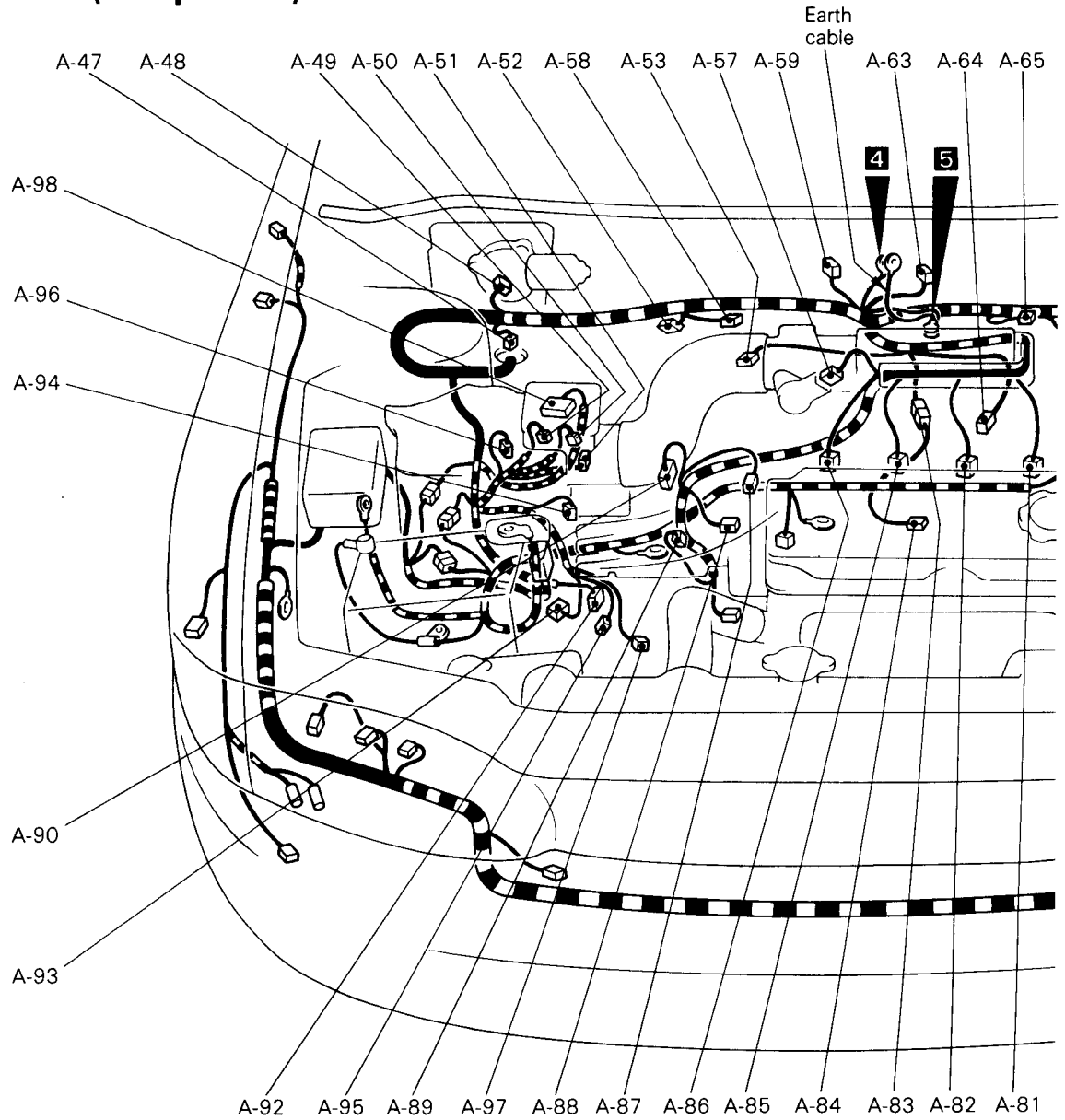


- | | | | |
|--------|---|--------|---------------------------------------|
| A-23 } | Front wiring harness and daytime running lamp wiring | A-34 | Oil pressure switch |
| A-24 } | harness combination or front wiring harness joint connector | A-35 } | Starter |
| A-25 | Headlamp leveling unit (LH) | A-36 } | |
| A-26 | Front fog lamp (LH) | A-37 | Radiator fan assembly |
| A-27 } | Horn (LH) | A-38 | Position lamp (RH) |
| A-28 } | | | A-39 |
| A-29 | Headlamp (LH) | A-40 | Front fog lamp (RH) |
| A-30 | Position lamp (LH) | A-41 } | Horn (RH) |
| A-31 | Power steering oil pressure switch | A-42 } | |
| A-32 } | Alternator | A-43 | Headlamp leveling unit (RH) |
| A-33 } | | | A-44 |
| | | A-45 } | Daytime running lamp relay (I , II) |
| | | A-46 } | |

2A-16 WIRING HARNESS CONFIGURATION DIAGRAMS – Engine Compartment

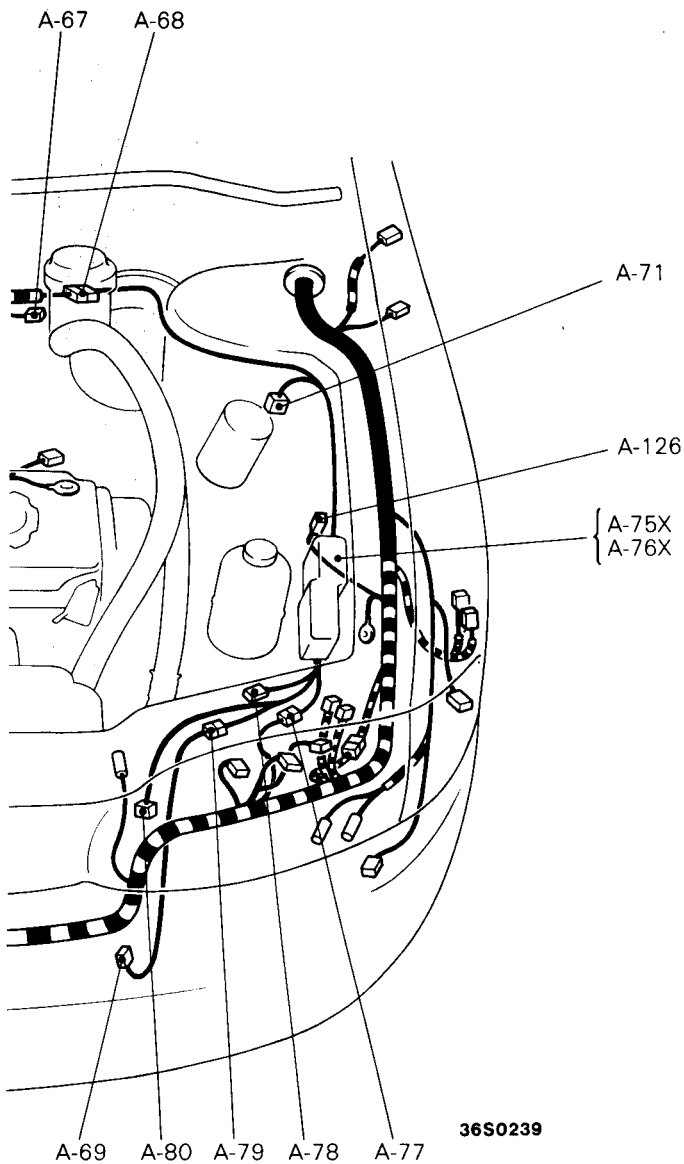
4G92 SOHC-MPI (Except MVV) <L.H. drive vehicles>

Connector symbol
A -47 thru -126



- | | | | |
|------|--------------------------------------|------|---|
| A-47 | Headlamp washer motor | A-62 | — |
| A-48 | Windshield wiper motor | A-63 | Purge control solenoid valve |
| A-49 | Rear washer motor | A-64 | Detonation sensor |
| A-50 | Windshield washer motor | A-65 | Fuel pump check connector |
| A-51 | Headlamp washer relay | A-66 | — |
| A-52 | Ignition timing adjustment connector | A-67 | Brake fluid level switch |
| A-53 | Idle speed control actuator | A-68 | Control wiring harness and A/C wiring harness combination |
| A-54 | — | A-69 | Magnetic clutch and refrigerant temperature switch <A/C> |
| A-55 | — | A-70 | — |
| A-56 | — | A-71 | Dual pressure switch |
| A-57 | Throttle position sensor | | |
| A-58 | Engine speed detection connector | | |
| A-59 | EGR solenoid valve | | |
| A-60 | — | | |
| A-61 | — | | |

WIRING HARNESS CONFIGURATION DIAGRAMS – Engine Compartment 2A-17

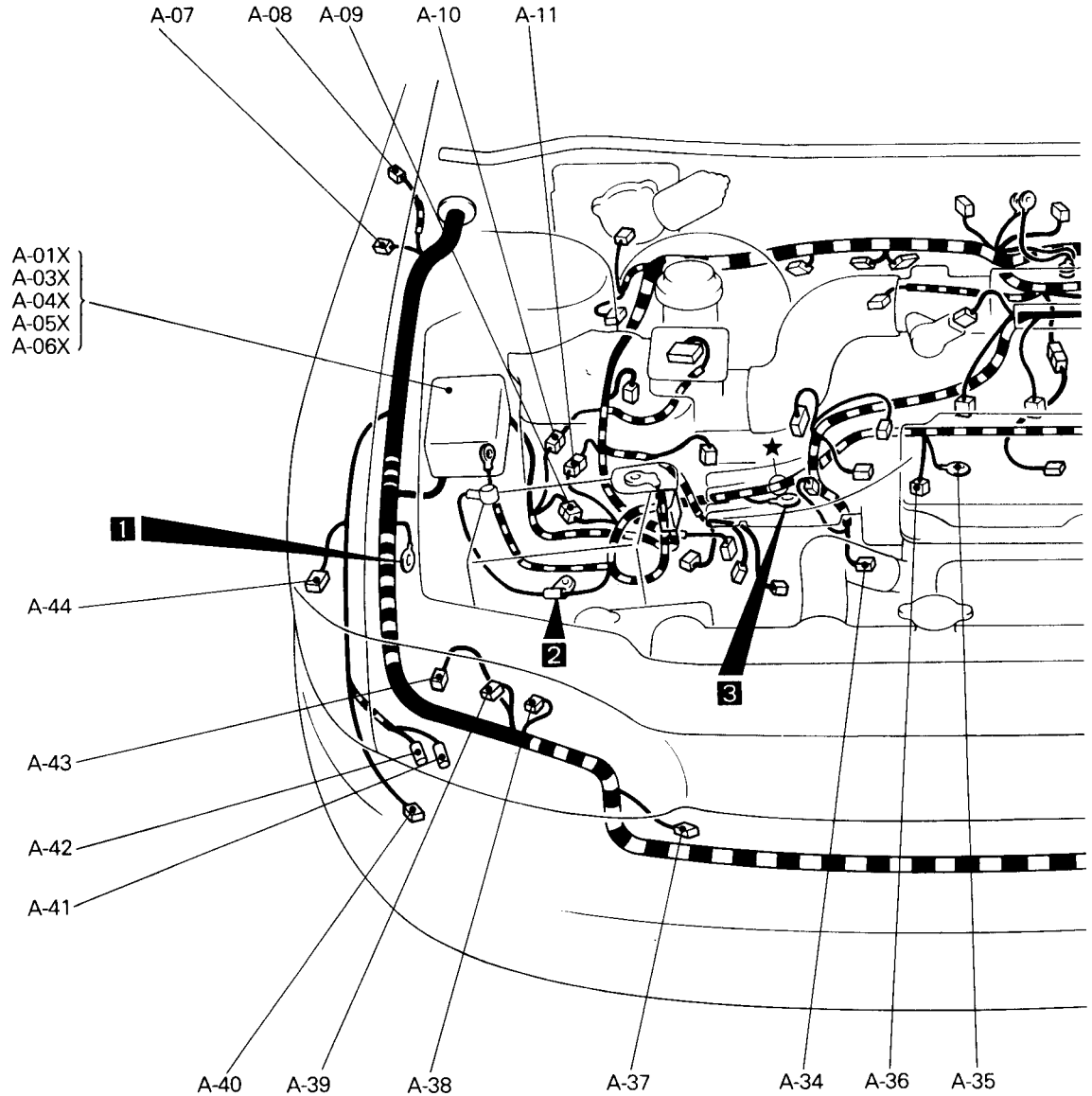


A-72	—		A-86	Injector No. 4
A-73	—		A-87	Engine coolant temperature sensor
A-74X	—	} Refer to CENTRALIZED JUNCTION	A-88	Engine coolant temperature gauge unit
A-75X	Condenser fan motor relay <A/C>		A-89 } Distributor assembly	
A-76X	A/C compressor relay <A/C>		A-90 }	
A-77	Front wiring harness and A/C wiring harness combination <A/C>		A-91	—
A-78	No connection		A-92	Back-up lamp switch <M/T>
A-79	A/C wiring harness and A/C compressor joint wiring harness combination		A-93	Inhibitor switch <A/T>
A-80	Condenser fan motor		A-94	ELC-4A/T control solenoid valve
A-81	Injector No. 1		A-95	A/T fluid temperature sensor <4A/T>
A-82	Injector No. 2		A-96	Pulse generator <4A/T>
A-83	Control wiring harness and oxygen sensor wiring harness combination		A-97	Kickdown servo switch
A-84	Oxygen sensor		A-98	Air flow sensor
A-85	Injector No. 3		A-99 } —	
			thru }	
			A-125 }	
			A-126	Horn relay

ENGINE COMPARTMENT

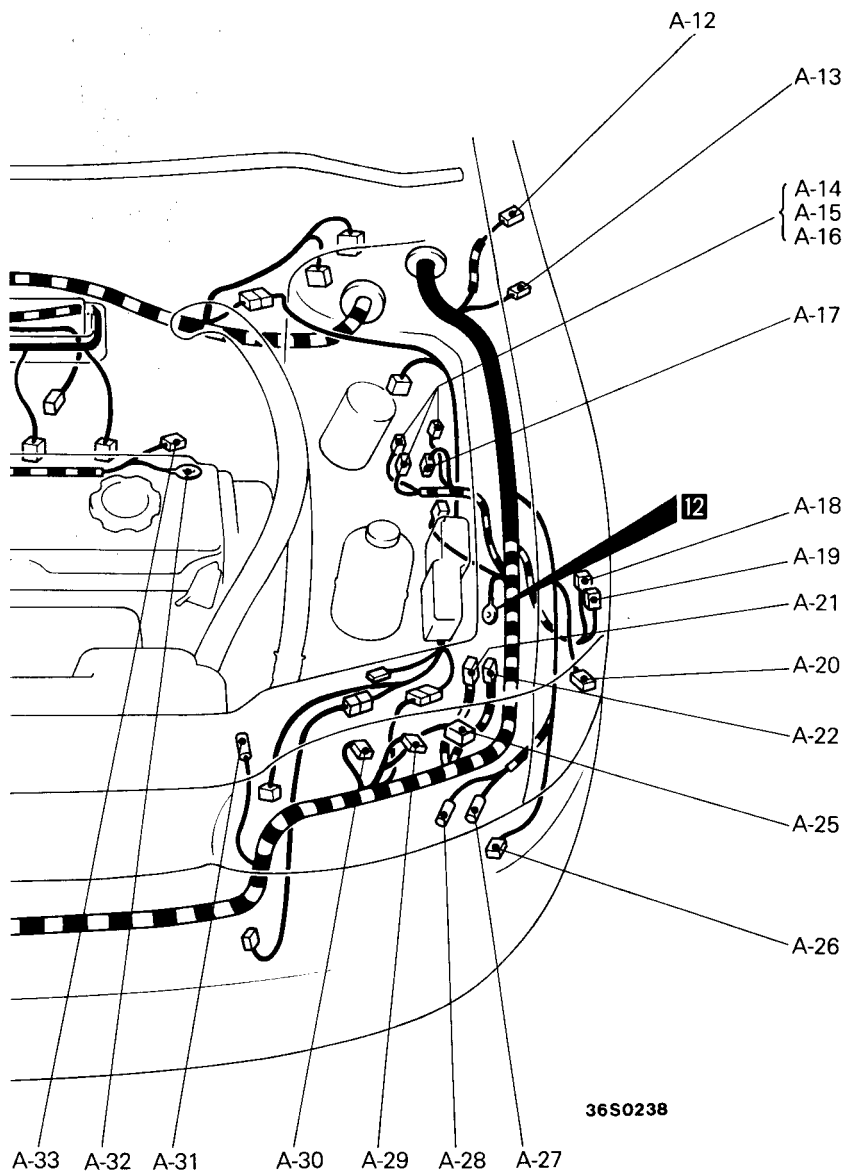
4G92 SOHC-MPI (Except MVV) <R.H. drive vehicles>

Connector symbol
A -01 thru -46



- | | | | | |
|-------|---|---------------------------------------|---------------------------------------|---|
| A-01X | Alternator relay | } Refer to
CENTRALIZED
JUNCTION | A-11 | Control wiring harness and battery cable assembly combination |
| A-02X | — | | A-12 | Side turn signal lamp (LH) |
| A-03X | Radiator fan motor relay | | A-13 | ABS speed sensor (Front: LH) |
| A-04X | Headlamp relay | | A-14 | } Dim-dip lamp relay (I , II , III) |
| A-05X | Tail lamp relay | | A-15 | |
| A-06X | Storage connector | | A-16 | |
| A-07 | ABS speed sensor (Front: RH) | A-17 | Resistor <Vehicles with dim-dip lamp> | |
| A-08 | Side turn signal lamp (RH) | A-18 | } ABS hydraulic unit | |
| A-09 | Front wiring harness and battery cable assembly combination | A-19 | | |
| A-10 | Front wiring harness and control wiring harness combination | A-20 | Front turn signal lamp (LH) | |
| | | A-21 | ABS valve relay <2WD> | |

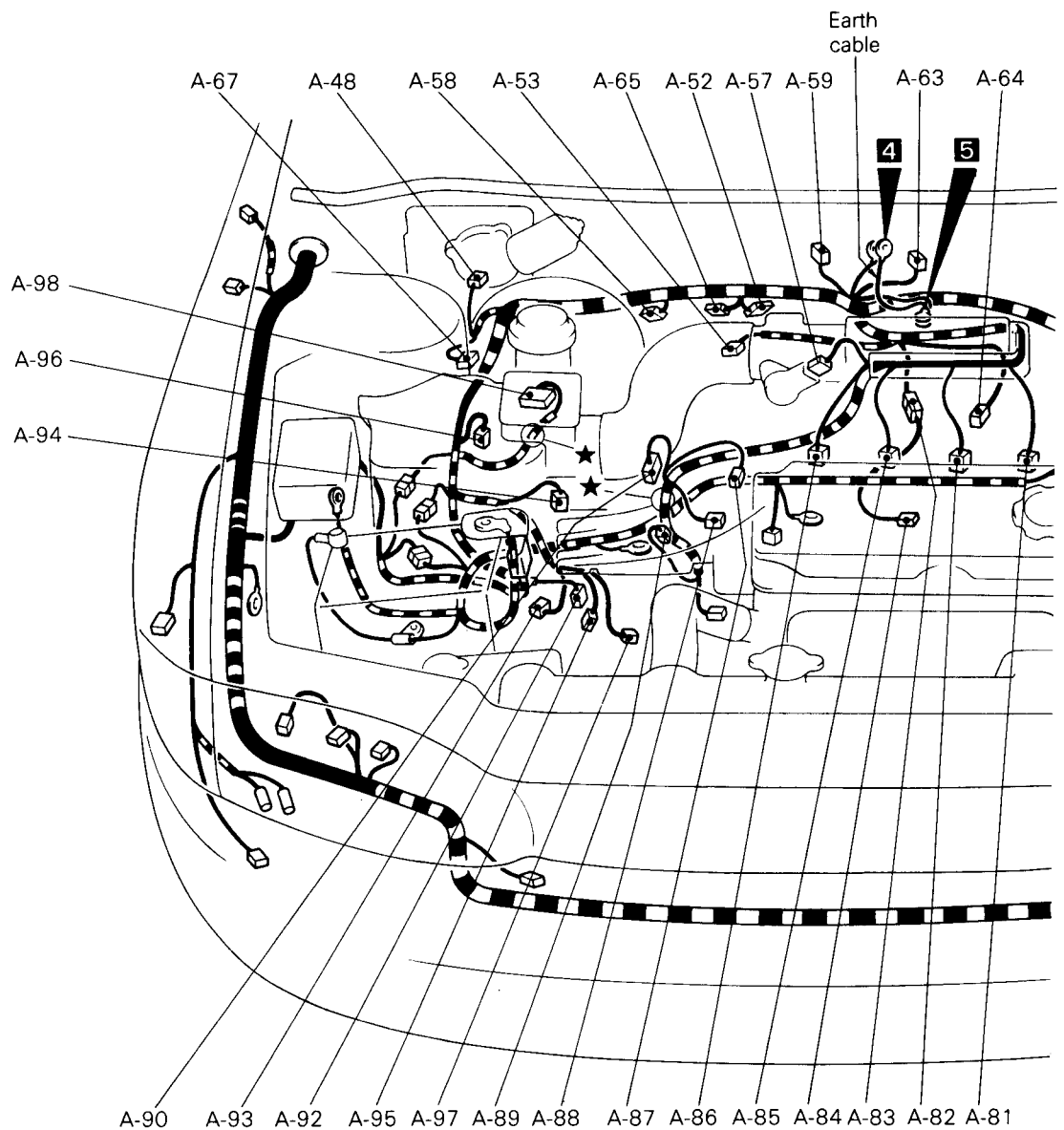
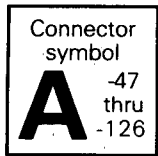
WIRING HARNESS CONFIGURATION DIAGRAMS – Engine Compartment 2A-19



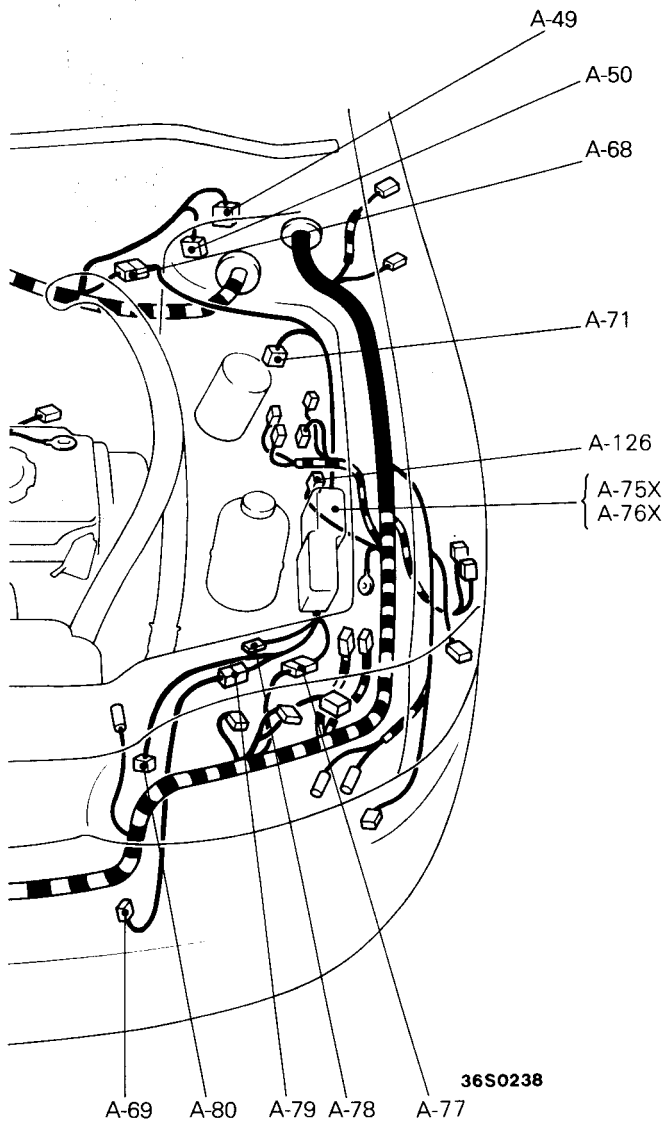
- | | |
|--|---|
| <p>A-22 ABS motor relay <2WD></p> <p>A-23 —</p> <p>A-24 —</p> <p>A-25 Headlamp leveling unit (LH)</p> <p>A-26 Front fog lamp (LH)</p> <p>A-27 } Horn (LH)</p> <p>A-28 }</p> <p>A-29 Headlamp (LH)</p> <p>A-30 Position lamp (LH)</p> <p>A-31 Power steering oil pressure switch</p> <p>A-32 } Alternator</p> <p>A-33 }</p> | <p>A-34 Oil pressure switch</p> <p>A-35 } Starter</p> <p>A-36 }</p> <p>A-37 Radiator fan assembly</p> <p>A-38 Position lamp (RH)</p> <p>A-39 Headlamp (RH)</p> <p>A-40 Front fog lamp (RH)</p> <p>A-41 } Horn (RH)</p> <p>A-42 }</p> <p>A-43 Headlamp leveling unit (RH)</p> <p>A-44 Front turn signal lamp (RH)</p> <p>A-45 —</p> <p>A-46 —</p> |
|--|---|

2A-20 WIRING HARNESS CONFIGURATION DIAGRAMS – Engine Compartment

4G92 SOHC-MPI (Except MVV) <R.H. drive vehicles>



A-47	—	A-60	—
A-48	Windshield wiper motor	A-61	—
A-49	Rear washer motor	A-62	—
A-50	Windshield washer motor	A-63	Purge control solenoid valve
A-51	—	A-64	Detonation sensor
A-52	Ignition timing adjustment connector	A-65	Fuel pump check connector
A-53	Idle speed control actuator	A-66	—
A-54	—	A-67	Brake fluid level switch
A-55	—	A-68	Control wiring harness and A/C wiring harness combination
A-56	—	A-69	Magnetic clutch and refrigerant temperature switch <A/C>
A-57	Throttle position sensor	A-70	—
A-58	Engine speed detection connector		
A-59	EGR solenoid valve		

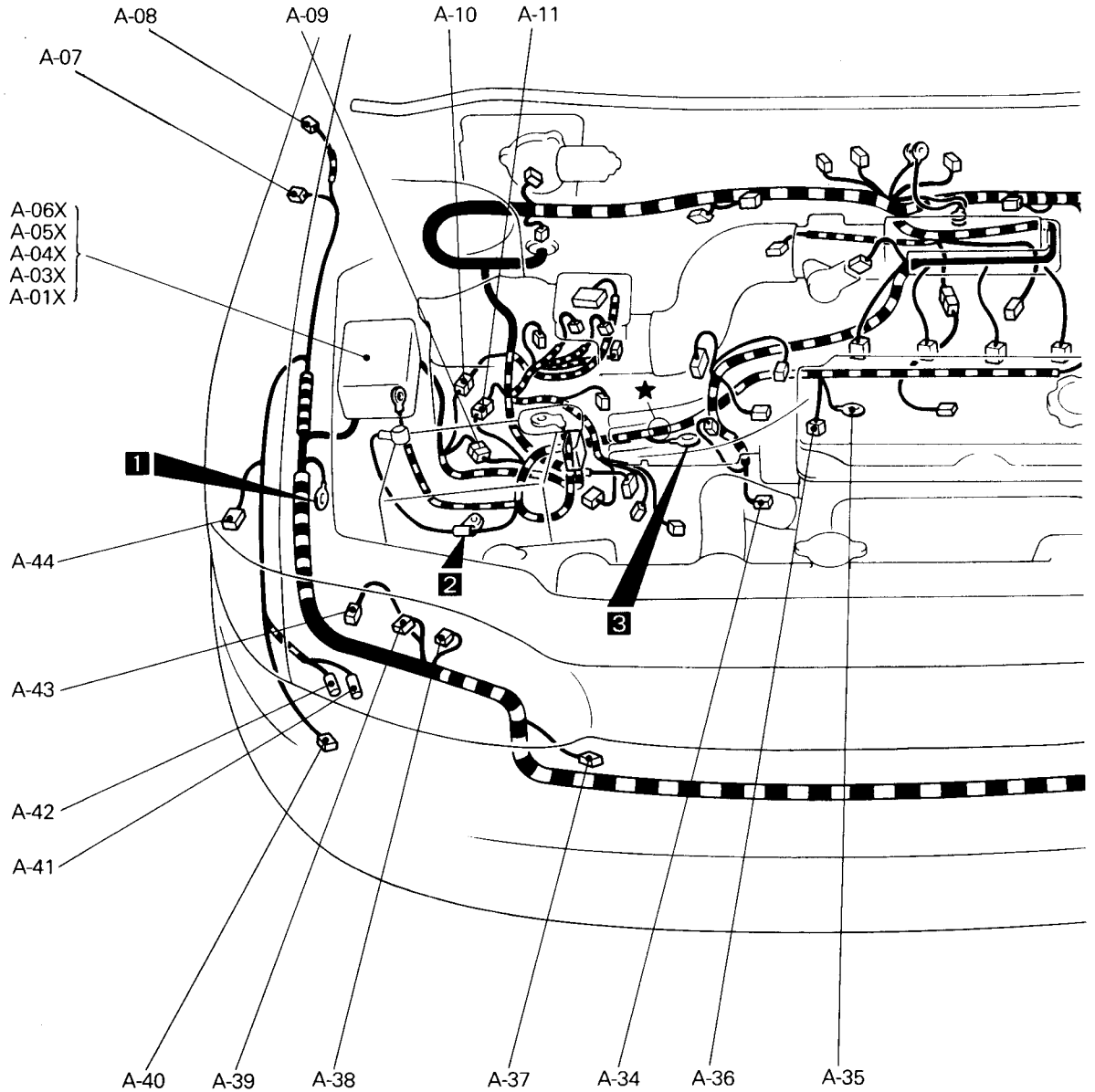
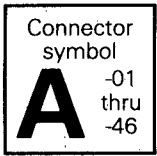


- A-71 Dual pressure switch
 - A-72 —
 - A-73 —
 - A-74X —
 - A-75X Condenser fan motor relay <A/C>
 - A-76X A/C compressor relay <A/C>
 - A-77 Front wiring harness and A/C wiring harness combination <A/C>
 - A-78 No connection
 - A-79 A/C wiring harness and A/C compressor joint wiring harness combination
 - A-80 Condenser fan motor
 - A-81 Injector No. 1
 - A-82 Injector No. 2
- Refer to
CENTRALIZED
JUNCTION

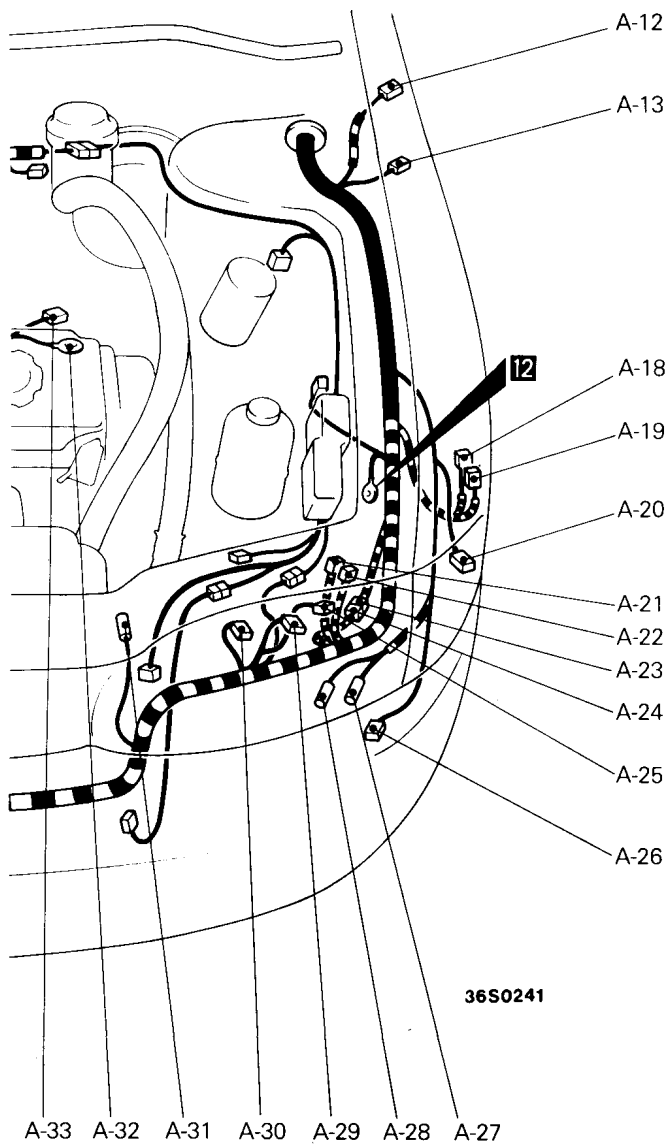
- A-83 Control wiring harness and oxygen sensor wiring harness combination
- A-84 Oxygen sensor
- A-85 Injector No. 3
- A-86 Injector No. 4
- A-87 Engine coolant temperature sensor
- A-88 Engine coolant temperature gauge unit
- A-89 } Distributor assembly
- A-90 }
- A-91 —
- A-92 Back-up lamp switch <M/T>
- A-93 Inhibitor switch <A/T>
- A-94 ELC-4A/T control solenoid valve
- A-95 A/T fluid temperature sensor <4A/T>
- A-96 Pulse generator <4A/T>
- A-97 Kickdown servo switch
- A-98 Air flow sensor
- A-99 } —
- thru }
- A-125 }
- A-126 Horn relay

ENGINE COMPARTMENT

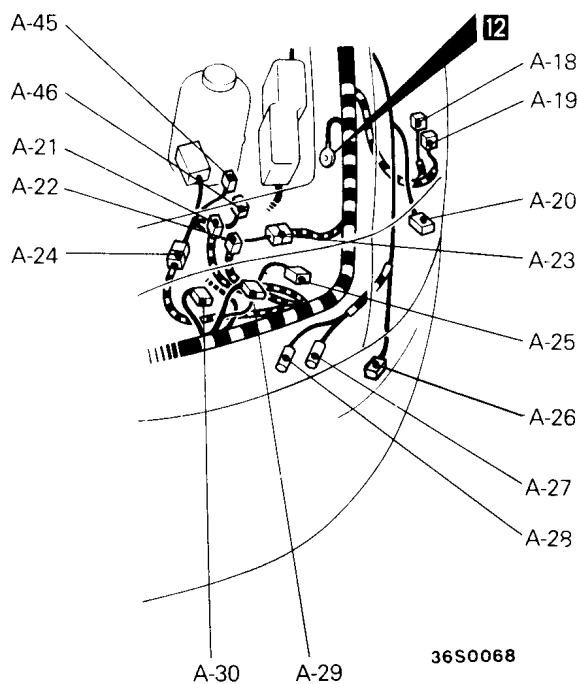
4G92 SOHC-MPI (MVV) <L.H. drive vehicles>



- | | | | | |
|-------|---|---------------------------------------|-----------------------------|---|
| A-01X | Alternator relay | } Refer to
CENTRALIZED
JUNCTION | A-11 | Control wiring harness and battery cable assembly combination |
| A-02X | — | | A-12 | Side turn signal lamp (LH) |
| A-03X | Radiator fan motor relay | | A-13 | ABS speed sensor (Front: LH) |
| A-04X | Headlamp relay | | A-14 | } — |
| A-05X | Tail lamp relay | | A-17 | |
| A-06X | Storage connector | | A-18 | } ABS hydraulic unit |
| A-07 | ABS speed sensor (Front: RH) | A-19 | | |
| A-08 | Side turn signal lamp (RH) | A-20 | Front turn signal lamp (LH) | |
| A-09 | Front wiring harness and battery cable assembly combination | A-21 | ABS valve relay | |
| A-10 | Front wiring harness and control wiring harness combination | A-22 | ABS motor relay | |



Vehicles with daytime running lamp



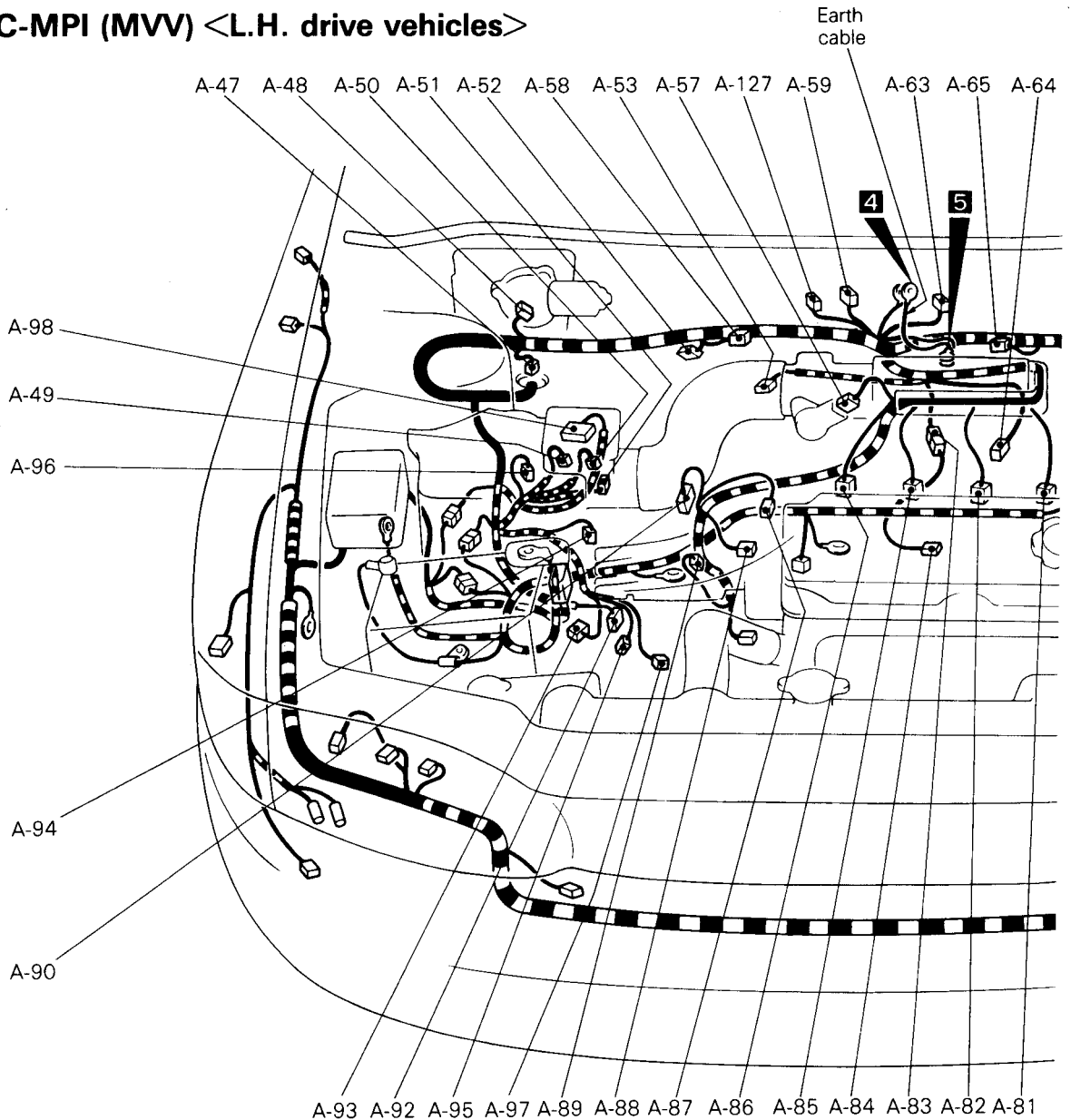
- A-23 } Front wiring harness and daytime running lamp wiring
- A-24 } harness combination or front wiring harness joint connector
- A-25 Headlamp leveling unit (LH)
- A-26 Front fog lamp (LH)
- A-27 } Horn (LH)
- A-28 }
- A-29 Headlamp (LH)
- A-30 Position lamp (LH)
- A-31 Power steering oil pressure switch
- A-32 } Alternator
- A-33 }

- A-34 Oil pressure switch
- A-35 } Starter
- A-36 }
- A-37 Radiator fan assembly
- A-38 Position lamp (RH)
- A-39 Headlamp (RH)
- A-40 Front fog lamp (RH)
- A-41 } Horn (RH)
- A-42 }
- A-43 Headlamp leveling unit (RH)
- A-44 Front turn signal lamp (RH)
- A-45 } Daytime running lamp relay (I, II)
- A-46 }

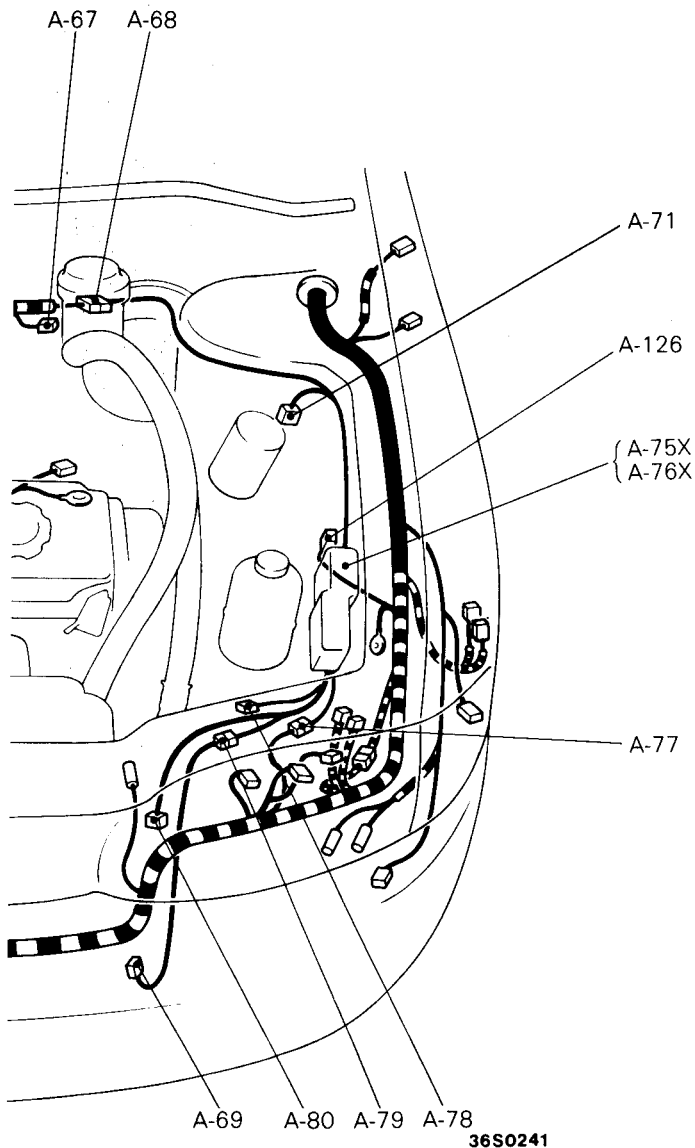
2A-24 WIRING HARNESS CONFIGURATION DIAGRAMS – Engine Compartment

4G92 SOHC-MPI (MVV) <L.H. drive vehicles>

Connector symbol
A -47 thru -127



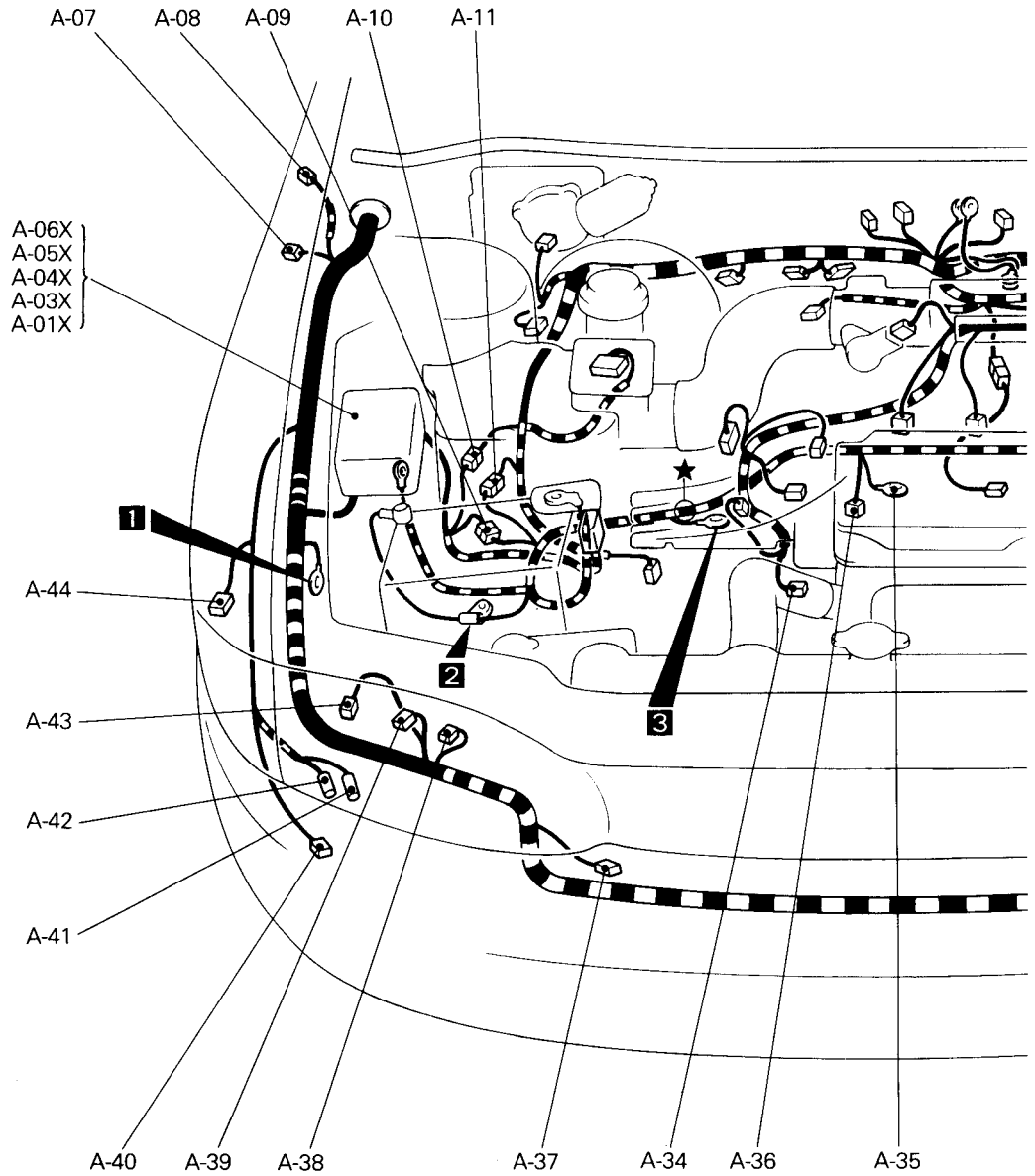
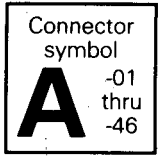
A-47	Headlamp washer motor	A-63	Purge control solenoid valve
A-48	Windshield wiper motor	A-64	Detonation sensor
A-49	Rear washer motor	A-65	Fuel pump check connector
A-50	Windshield washer motor	A-66	—
A-51	Headlamp washer relay	A-67	Brake fluid level switch
A-52	Ignition timing adjustment connector	A-68	Control wiring harness and A/C wiring harness combination
A-53	Idle speed control actuator	A-69	Magnetic clutch and refrigerant temperature switch <A/C>
A-54	—	A-70	—
A-55	—	A-71	Dual pressure switch
A-56	—	A-72	—
A-57	Throttle position sensor	A-73	—
A-58	Engine speed detection connector		
A-59	EGR solenoid valve		
A-60	—		
A-61	—		
A-62	—		



- | | | | | |
|-------|--|---------------------------------------|-------|---------------------------------------|
| A-74X | — | } Refer to
CENTRALIZED
JUNCTION | A-88 | Engine coolant temperature gauge unit |
| A-75X | Condenser fan motor relay | | A-89 | } Distributor assembly |
| A-76X | A/C compressor relay <A/C> | | A-90 | |
| A-77 | Front wiring harness and A/C wiring harness combination <A/C> | | A-91 | — |
| A-78 | No connection | | A-92 | Back-up lamp switch <M/T> |
| A-79 | A/C wiring harness and A/C compressor joint wiring harness combination | | A-93 | Inhibitor switch <A/T> |
| A-80 | Condenser fan motor | | A-94 | ELC-4A/T control solenoid valve |
| A-81 | Injector No. 1 | | A-95 | A/T fluid temperature sensor <4A/T> |
| A-82 | Injector No. 2 | | A-96 | Pulse generator <4A/T> |
| A-83 | Control wiring harness and LAFS sub wiring harness combination | | A-97 | Kickdown servo switch |
| A-84 | Linear air-fuel ratio sensor | | A-98 | Air flow sensor |
| A-85 | Injector No. 3 | | A-99 | } —
thru |
| A-86 | Injector No. 4 | | A-125 | |
| A-87 | Engine coolant temperature sensor | | A-126 | Horn relay |
| | | | A-127 | Air bypass solenoid valve |

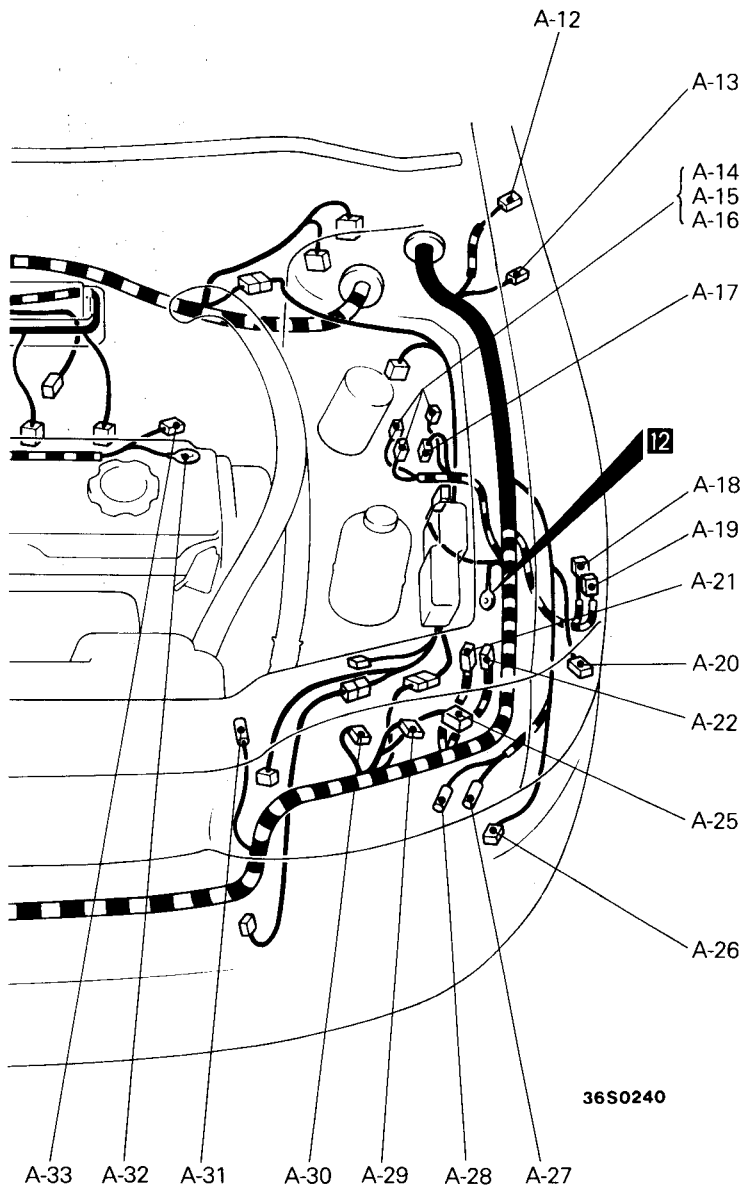
ENGINE COMPARTMENT

4G92 SOHC-MPI (MVV) <R.H. drive vehicles>



- | | | | | |
|-------|---|---------------------------------------|----------------------|---|
| A-01X | Alternator relay | } Refer to
CENTRALIZED
JUNCTION | A-11 | Control wiring harness and battery cable assembly combination |
| A-02X | — | | A-12 | Side turn signal lamp (LH) |
| A-03X | Radiator fan motor relay | | A-13 | ABS speed sensor (Front: LH) |
| A-04X | Headlamp relay | | A-14 | } Dim-dip lamp relay (I , II , III) |
| A-05X | Tail lamp relay | | A-15 | |
| A-06X | Storage connector | A-16 | A-17 | Resistor <Vehicles with dim-dip lamp> |
| A-07 | ABS speed sensor (Front: RH) | A-18 | } ABS hydraulic unit | A-19 |
| A-08 | Side turn signal lamp (RH) | A-20 | | Front turn signal lamp (LH) |
| A-09 | Front wiring harness and battery cable assembly combination | A-21 | ABS valve relay | |
| A-10 | Front wiring harness and control wiring harness combination | | | |

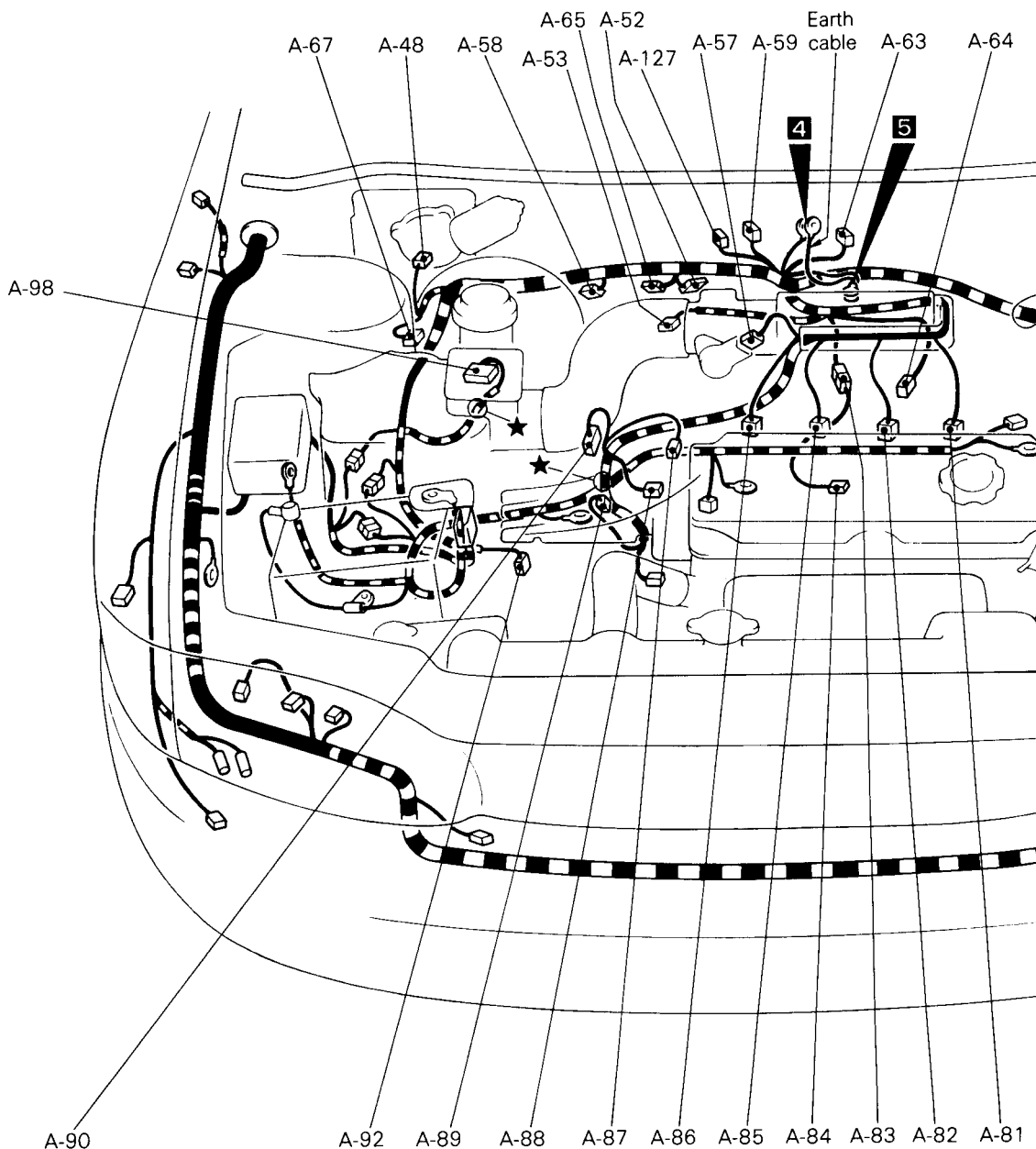
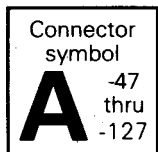
WIRING HARNESS CONFIGURATION DIAGRAMS – Engine Compartment 2A-27



A-22	ABS motor relay	A-34	Oil pressure switch
A-23	—	A-35 } Starter	
A-24	—	A-36 }	
A-25	Headlamp leveling unit (LH)	A-37	Radiator fan assembly
A-26	Front fog lamp (LH)	A-38	Position lamp (RH)
A-27 } Horn (LH)		A-39	Headlamp (RH)
A-28 }		A-40	Front fog lamp (RH)
A-29	Headlamp (LH)	A-41 } Horn (RH)	
A-30	Position lamp (LH)	A-42 }	
A-31	Power steering oil pressure switch	A-43	Headlamp leveling unit (RH)
A-32 } Alternator		A-44	Front turn signal lamp (RH)
A-33 }		A-45	—
		A-46	—

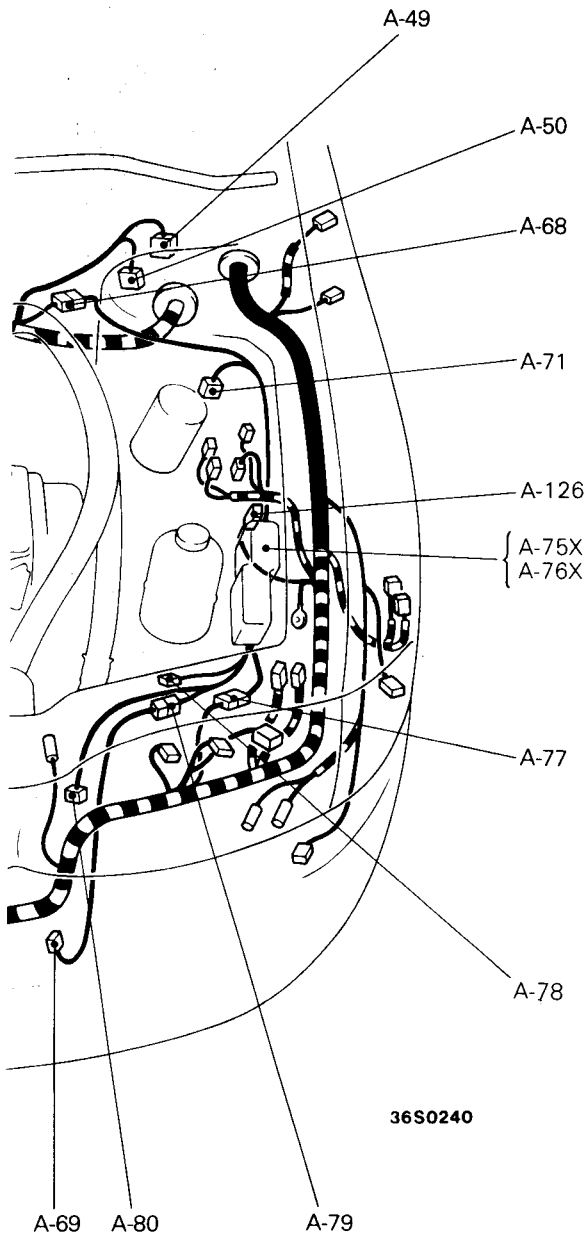
2A-28 WIRING HARNESS CONFIGURATION DIAGRAMS – Engine Compartment

4G92 SOHC-MPI (MVV) <R.H. drive vehicles>



A-47	—	A-57	Throttle position sensor
A-48	Windshield wiper motor	A-58	Engine speed detection connector
A-49	Rear washer motor	A-59	EGR solenoid valve
A-50	Windshield washer motor	A-60	—
A-51	—	A-61	—
A-52	Ignition timing adjustment connector	A-62	—
A-53	Idle speed control actuator	A-63	Purge control solenoid valve
A-54	—	A-64	Detonation sensor
A-55	—	A-65	Fuel pump check connector
A-56	—	A-66	—

WIRING HARNESS CONFIGURATION DIAGRAMS – Engine Compartment 2A-29



- A-67 Brake fluid level switch
- A-68 Control wiring harness and A/C wiring harness combination
- A-69 Magnetic clutch and refrigerant temperature switch <A/C>
- A-70 —
- A-71 Dual pressure switch
- A-72 —
- A-73 —
- A-74X —
- A-75X Condenser fan motor relay <A/C>
- A-76X A/C compressor relay <A/C>

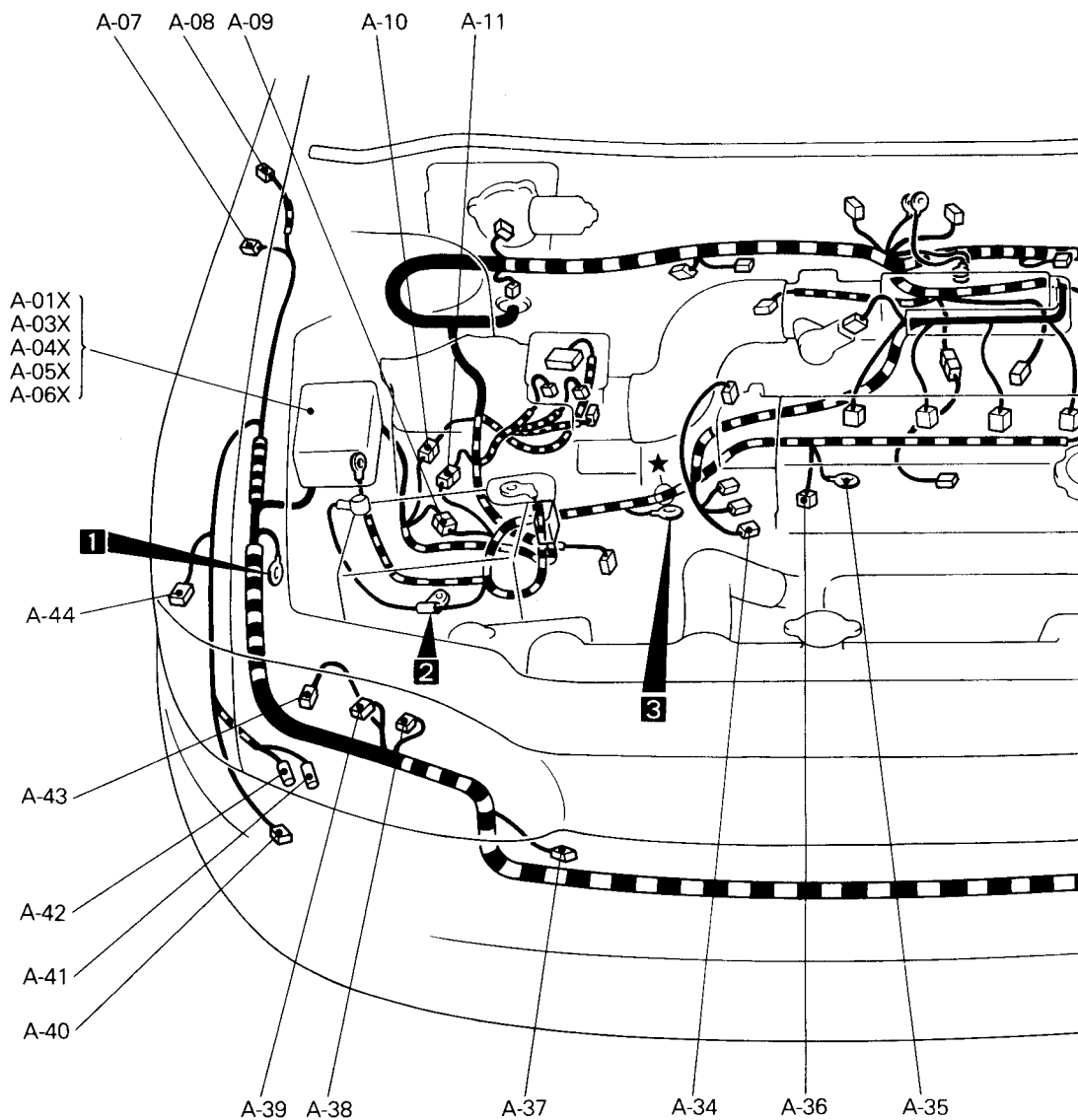
} Refer to
CENTRALIZED
JUNCTION

- A-77 Front wiring harness and A/C wiring harness combination <A/C>
- A-78 No connection
- A-79 A/C wiring harness and A/C compressor joint wiring harness combination
- A-80 Condenser fan motor
- A-81 Injector No. 1
- A-82 Injector No. 2
- A-83 Control wiring harness and LAFS sub wiring harness combination
- A-84 Linear air-fuel ratio sensor
- A-85 Injector No. 3
- A-86 Injector No. 4
- A-87 Engine coolant temperature sensor
- A-88 Engine coolant temperature gauge unit
- A-89 } Distributor assembly
- A-90 }
- A-91 —
- A-92 Back-up lamp switch <M/T>
- A-93 } —
- thru }
- A-97 }
- A-98 Air flow sensor
- A-99 } —
- thru }
- A-125 }
- A-126 Horn relay
- A-127 Air bypass solenoid valve

ENGINE COMPARTMENT

4G93 DOHC-MPI <L.H. drive vehicles>

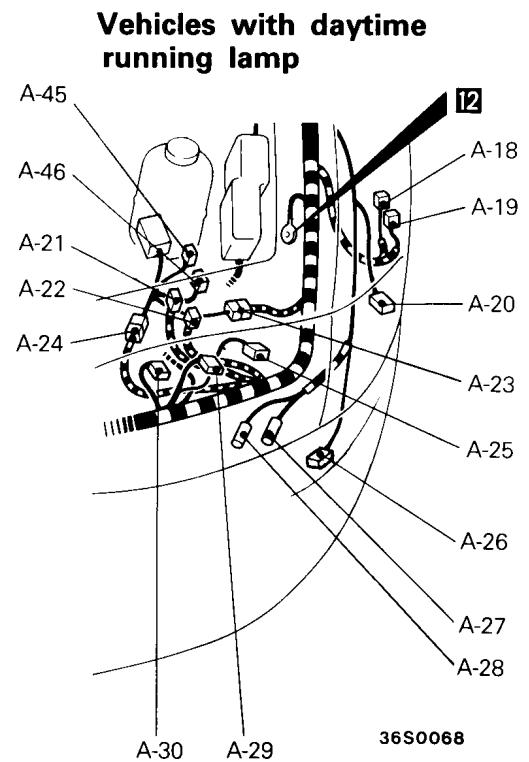
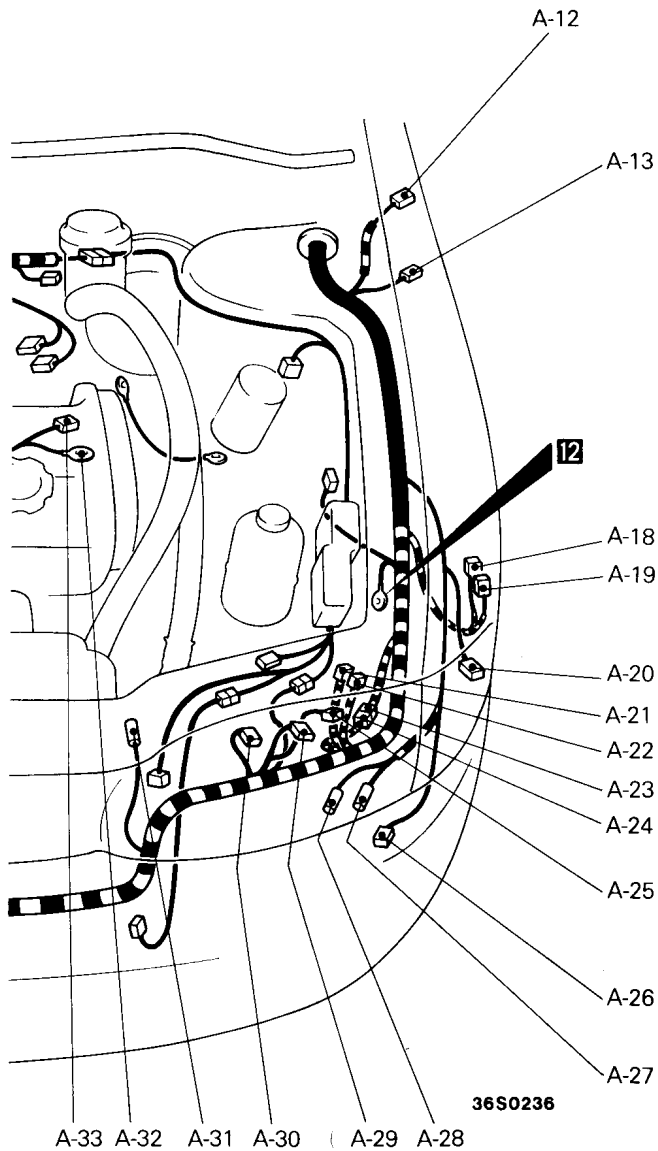
Connector symbol
A -01 thru -46



- A-01X Alternator relay
- A-02X —
- A-03X Radiator fan motor relay
- A-04X Headlamp relay
- A-05X Tail lamp relay
- A-06X Storage connector
- A-07 ABS speed sensor (Front: RH)
- A-08 Side turn signal lamp (RH)
- A-09 Front wiring harness and battery cable assembly combination
- A-10 Front wiring harness and control wiring harness combination

Refer to
**CENTRALIZED
 JUNCTION**

- A-11 Control wiring harness and battery cable assembly combination
- A-12 Side turn signal lamp (LH)
- A-13 ABS speed sensor (Front: LH)
- A-14 } —
- thru }
- A-17 }
- A-18 } ABS hydraulic unit
- A-19 }
- A-20 Front turn signal lamp (LH)
- A-21 ABS valve relay
- A-22 ABS motor relay

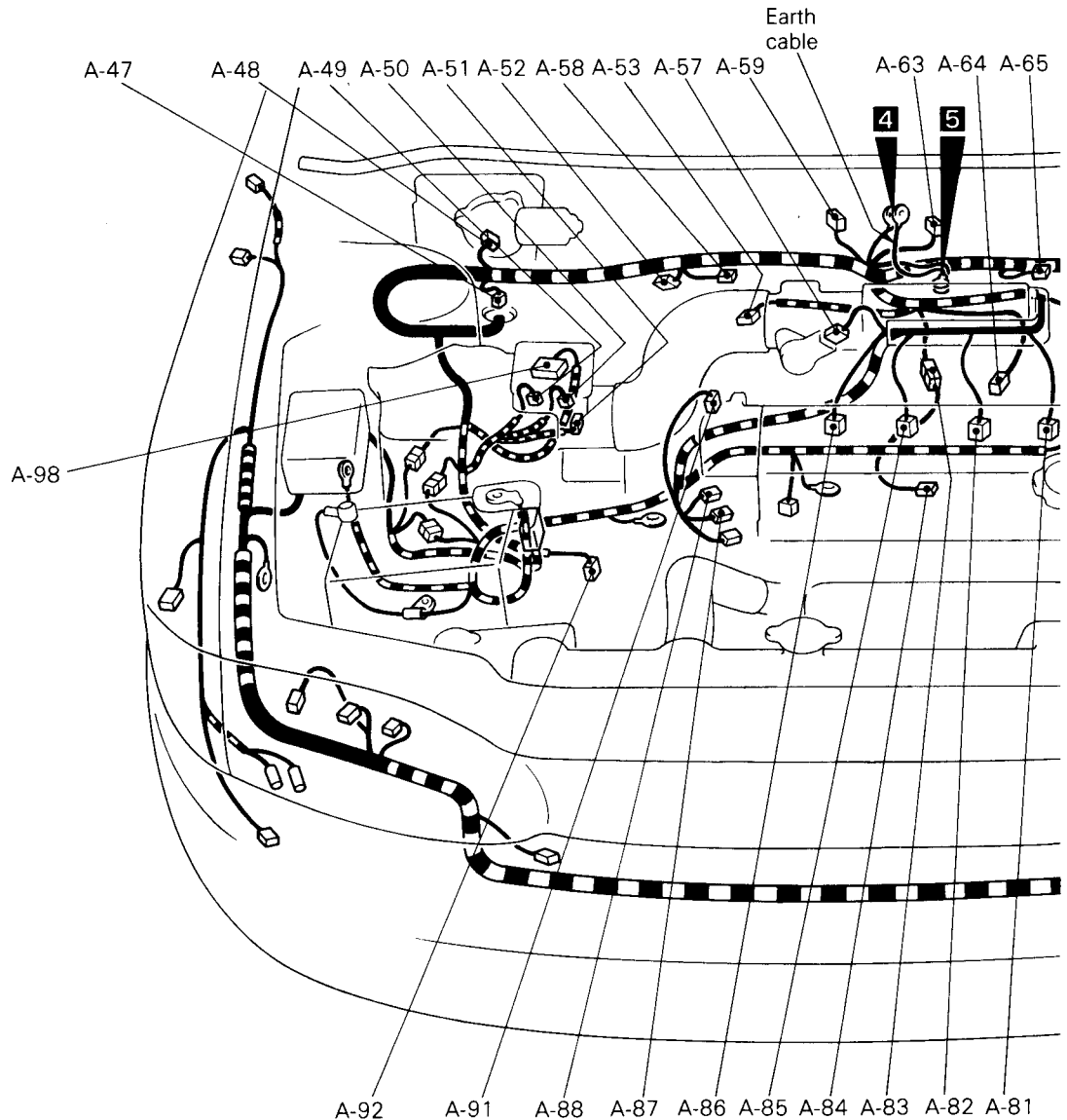
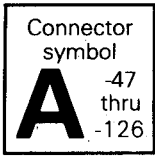


- A-23 } Front wiring harness and daytime running lamp wiring
- A-24 } harness combination or front wiring harness joint connector
- A-25 Headlamp leveling unit (LH)
- A-26 Front fog lamp (LH)
- A-27 } Horn (LH)
- A-28 }
- A-29 Headlamp (LH)
- A-30 Position lamp (LH)
- A-31 Power steering oil pressure switch
- A-32 } Alternator
- A-33 }

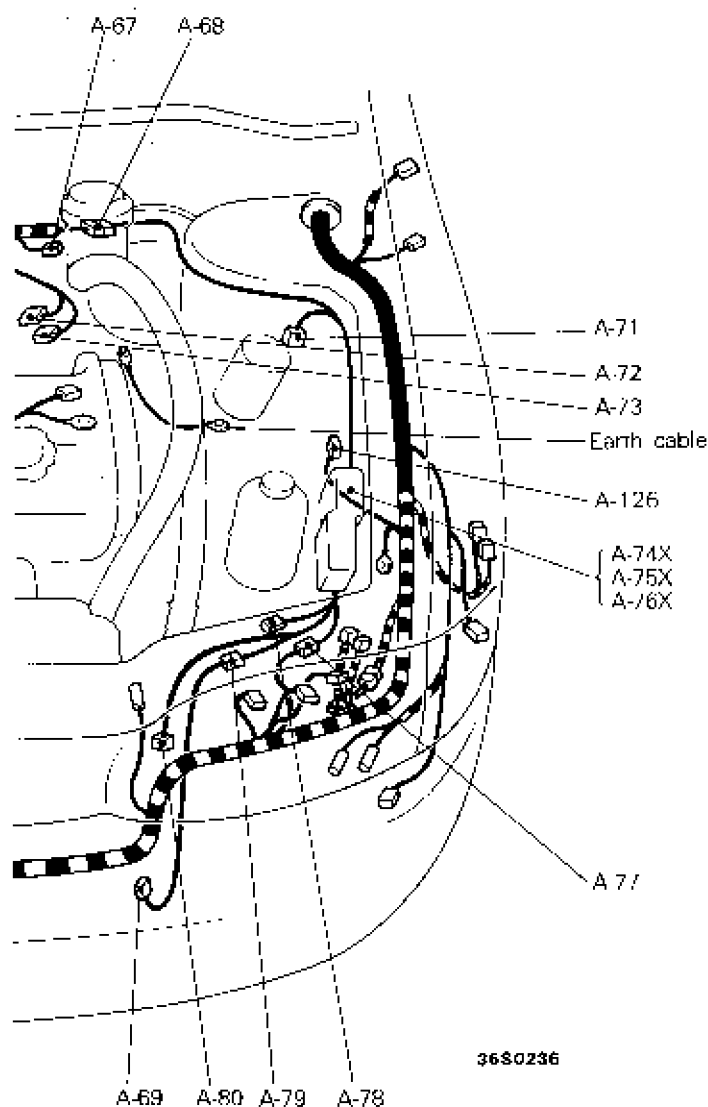
- A-34 Oil pressure switch
- A-35 } Starter
- A-36 }
- A-37 Radiator fan assembly
- A-38 Position lamp (RH)
- A-39 Headlamp (RH)
- A-40 Front fog lamp (RH)
- A-41 } Horn (RH)
- A-42 }
- A-43 Headlamp leveling unit (RH)
- A-44 Front turn signal lamp (RH)
- A-45 } Daytime running lamp relay (I, II)
- A-46 }

2A-32 WIRING HARNESS CONFIGURATION DIAGRAMS – Engine Compartment

4G93 DOHC-MPI <L.H. drive vehicles>



A-47	Headlamp washer motor	A-57	Throttle position sensor
A-48	Windshield wiper motor	A-58	Engine speed detection connector
A-49	Rear washer motor	A-59	EGR solenoid valve
A-50	Windshield washer motor	A-60	—
A-51	Headlamp washer relay	A-61	—
A-52	Ignition timing adjustment connector	A-62	—
A-53	Idle speed control actuator	A-63	Purge control solenoid valve
A-54	—	A-64	Detonation sensor
A-55	—	A-65	Fuel pump check connector
A-56	—	A-66	—



- A-67 Brake fluid level switch
- A-68 Control wiring harness and A/C wiring harness combination
- A-69 Magnetic clutch and refrigerant temperature switch <A/C>
- A-70 —
- A-71 Dual pressure switch <A/C>
- A-72 Power transistor
- A-73 Ignition coil

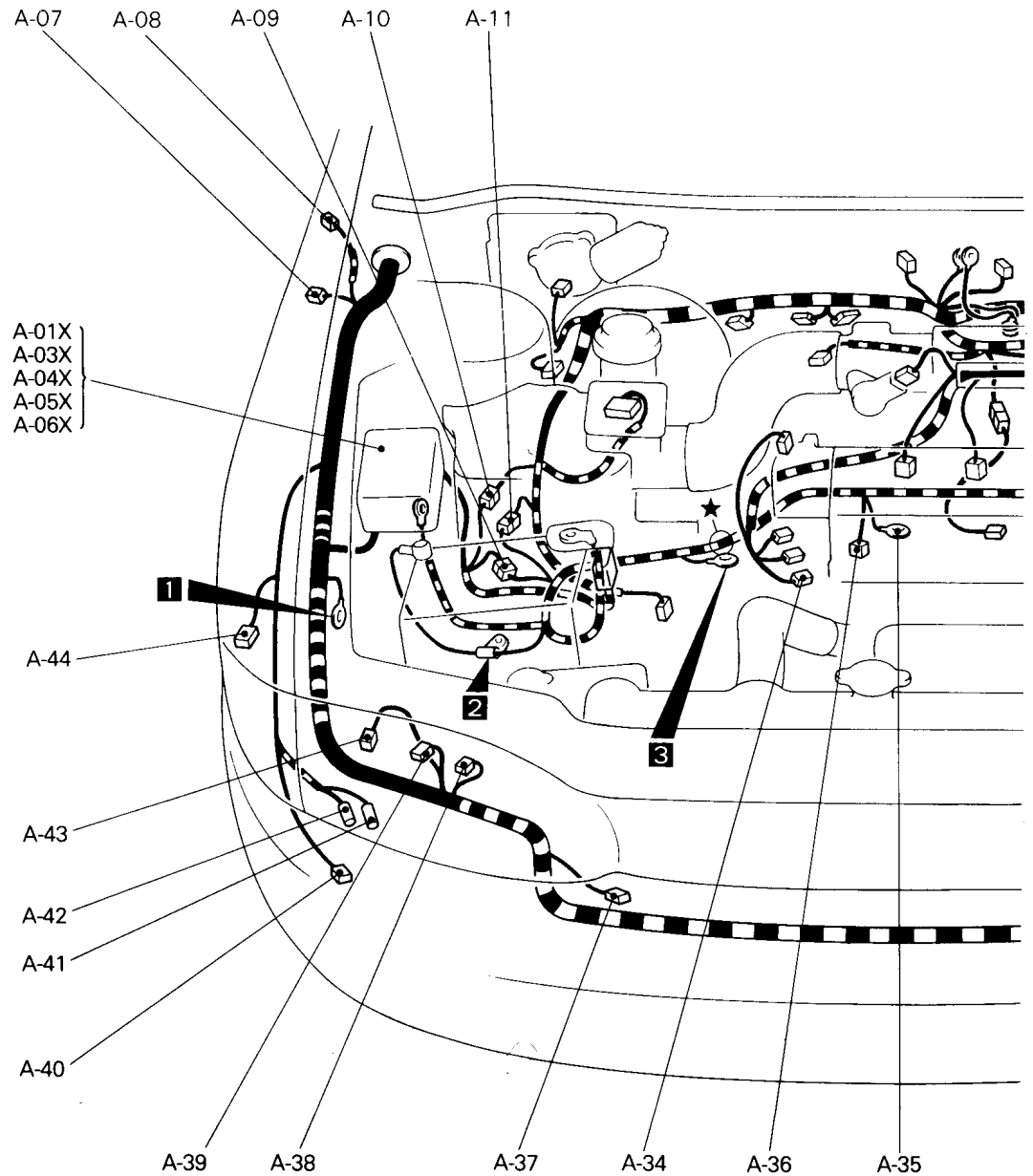
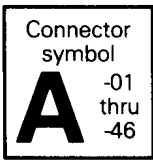
- A-74X Condenser fan motor relay <A/C>
- A-75X A/C compressor relay <A/C>
- A-76X Front wiring harness and A/C wiring harness combination <A/C>
- A-77 No connection
- A-78 A/C wiring harness and A/C compressor joint wiring harness combination
- A-80 Condenser fan motor
- A-81 Injector No.1
- A-82 Injector No.2
- A-83 Control wiring harness and oxygen sensor wiring harness combination
- A-84 Oxygen sensor
- A-85 Injector No.3
- A-86 Injector No.4
- A-87 Engine coolant temperature sensor
- A-88 Engine coolant temperature gauge unit
- A-89 —
- A-90 —
- A-91 Crank angle sensor and top dead center sensor
- A-92 Back-up lamp switch
- A-93 thru A-97 —
- A-98 Air flow sensor
- A-99 thru A-125 —
- A-126 Horn relay

} Refer to
CENTRALIZED
JUNCTION

36S0236

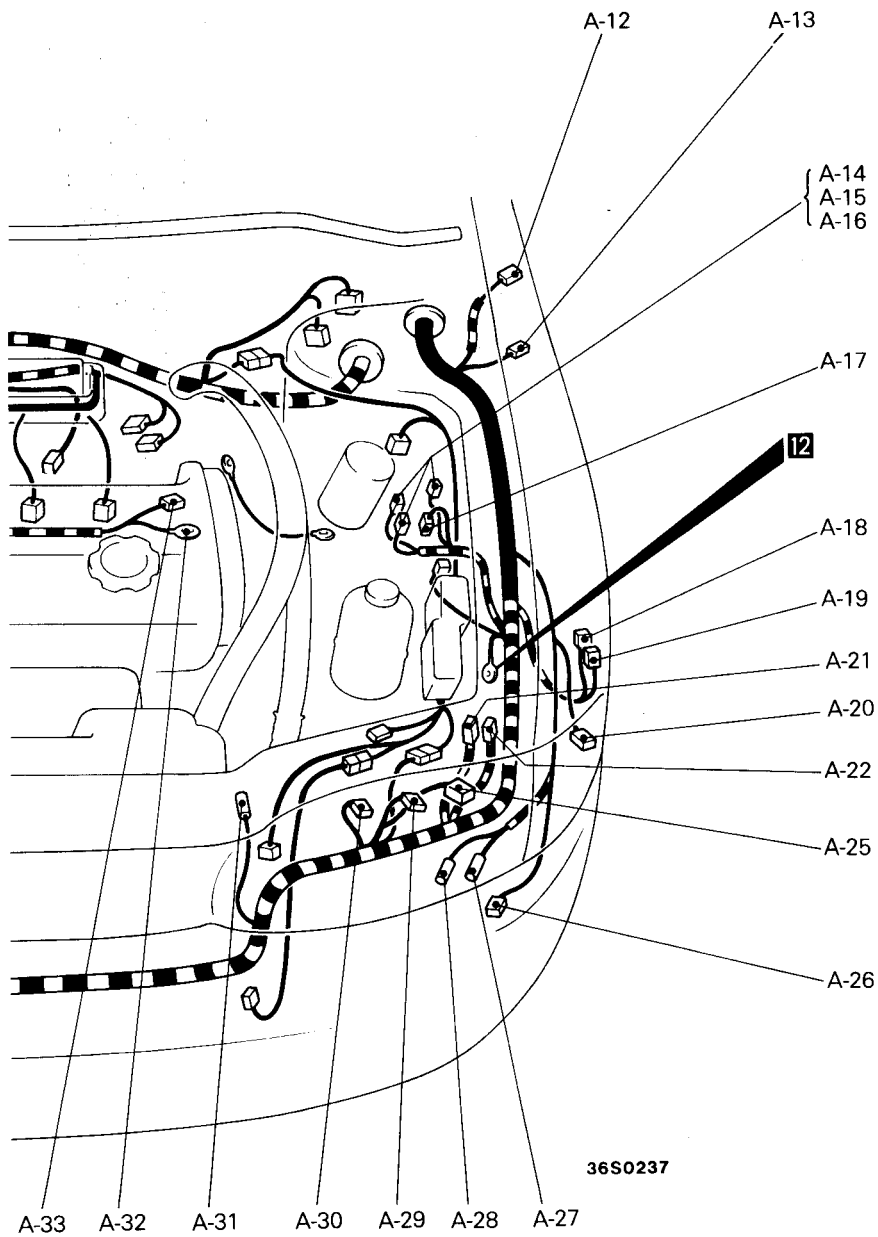
ENGINE COMPARTMENT

4G93 DOHC-MPI <R.H. drive vehicles>



- | | | | | |
|-------|---|---------------------------------------|------|---|
| A-01X | Alternator relay | } Refer to
CENTRALIZED
JUNCTION | A-11 | Control wiring harness and battery cable assembly combination |
| A-02X | — | | A-12 | Side turn signal lamp (LH) |
| A-03X | Radiator fan motor relay | | A-13 | ABS speed sensor (Front: LH) |
| A-04X | Headlamp relay | | A-14 | |
| A-05X | Tail lamp relay | | A-15 | } Dim-dip lamp relay (I , II , III) |
| A-06X | Storage connector | | A-16 | |
| A-07 | ABS speed sensor (Front: RH) | | A-17 | Resistor <Vehicles with dim-dip lamp> |
| A-08 | Side turn signal lamp (RH) | | A-18 | } ABS hydraulic unit |
| A-09 | Front wiring harness and battery cable assembly combination | | A-19 | |
| A-10 | Front wiring harness and control wiring harness combination | | A-20 | Front turn signal lamp (LH) |
| | | | A-21 | ABS valve relay |

WIRING HARNESS CONFIGURATION DIAGRAMS – Engine Compartment 2A-35

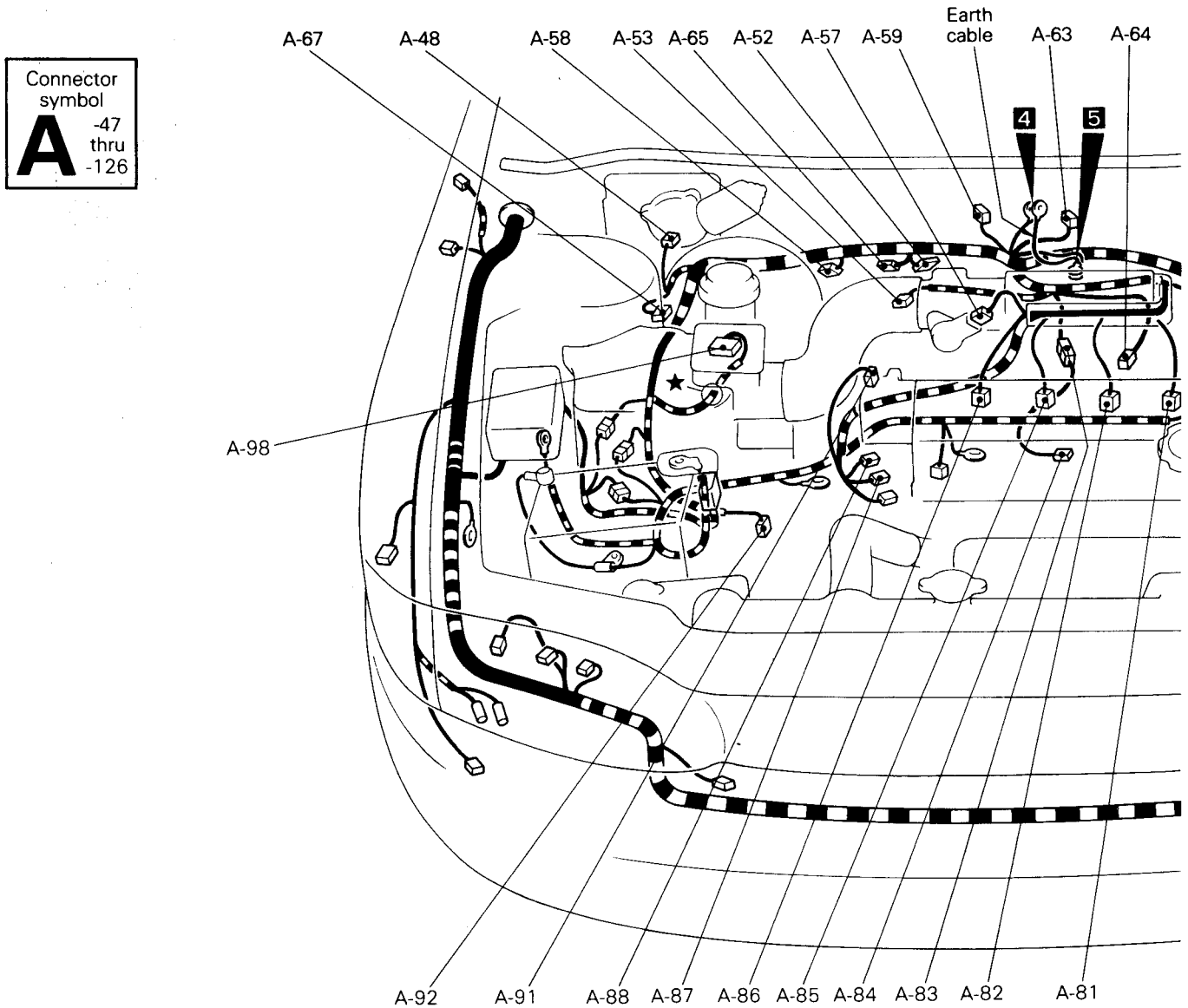


- A-22 ABS motor relay
- A-23 —
- A-24 —
- A-25 Headlamp leveling unit (LH)
- A-26 Front fog lamp (LH)
- A-27 } Horn (LH)
- A-28 }
- A-29 Headlamp (LH)
- A-30 Position lamp (LH)
- A-31 Power steering oil pressure switch
- A-32 } Alternator
- A-33 }

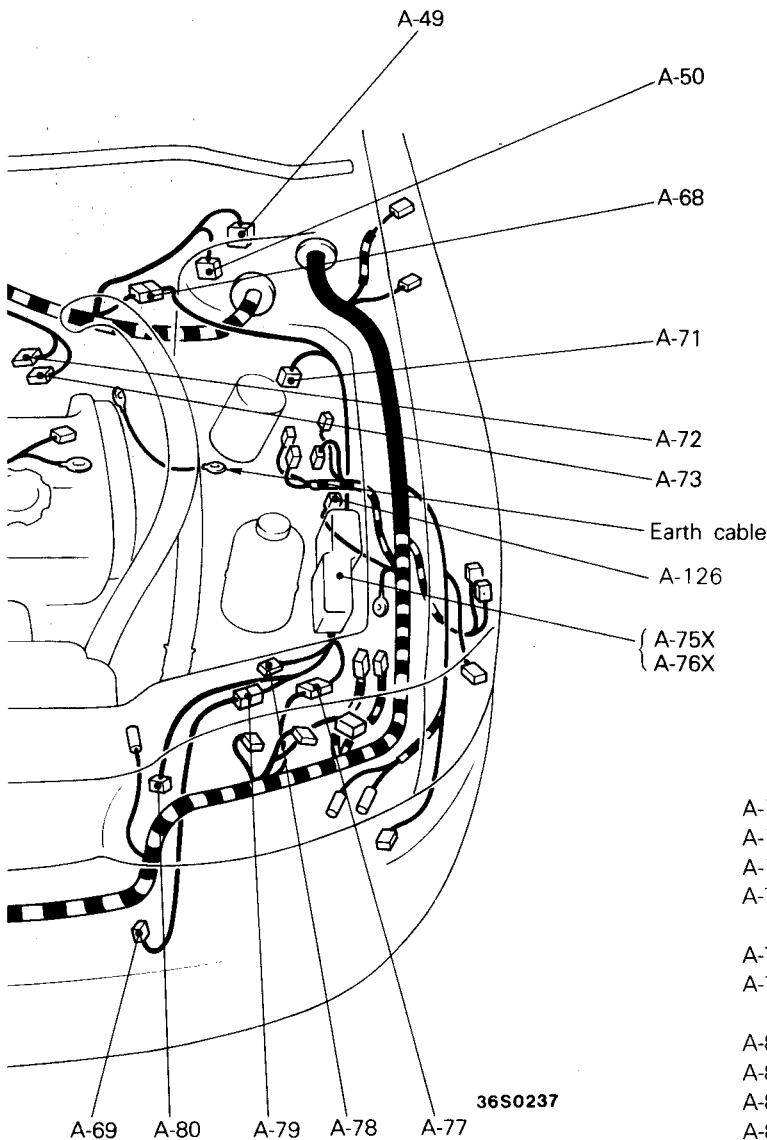
- A-34 Oil pressure switch
- A-35 } Starter
- A-36 }
- A-37 Radiator fan assembly
- A-38 Position lamp (RH)
- A-39 Headlamp (RH)
- A-40 Front fog lamp (RH)
- A-41 } Horn (RH)
- A-42 }
- A-43 Headlamp leveling unit (RH)
- A-44 Front turn signal lamp (RH)
- A-45 —
- A-46 —

2A-36 WIRING HARNESS CONFIGURATION DIAGRAMS – Engine Compartment

4G93 DOHC-MPI <R.H. drive vehicles>



A-47	—	A-57	Throttle position sensor
A-48	Windshield wiper motor	A-58	Engine speed detection connector
A-49	Rear washer motor	A-59	EGR solenoid valve
A-50	Windshield washer motor	A-60	—
A-51	—	A-61	—
A-52	Ignition timing adjustment connector	A-62	—
A-53	Idle speed control actuator	A-63	Purge control solenoid valve
A-54	—	A-64	Detonation sensor
A-55	—	A-65	Fuel pump check connector
A-56	—	A-66	—



- A-74X —
- A-75X Condenser fan motor relay <A/C>
- A-76X A/C compressor relay <A/C>
- A-77 Front wiring harness and A/C wiring harness combination <A/C>
- A-78 No connection
- A-79 A/C wiring harness and A/C compressor joint wiring harness combination
- A-80 Condenser fan motor
- A-81 Injector No.1
- A-82 Injector No.2
- A-83 Control wiring harness and oxygen sensor wiring harness combination
- A-84 Oxygen sensor
- A-85 Injector No.3
- A-86 Injector No.4
- A-87 Engine coolant temperature sensor
- A-88 Engine coolant temperature gauge unit
- A-89 —
- A-90 —
- A-91 Crank angle sensor and top dead center sensor
- A-92 Back-up lamp switch
- A-93 } —
- thru }
- A-97 }
- A-98 Air flow sensor
- A-99 } —
- thru }
- A-125 }
- A-126 Horn relay

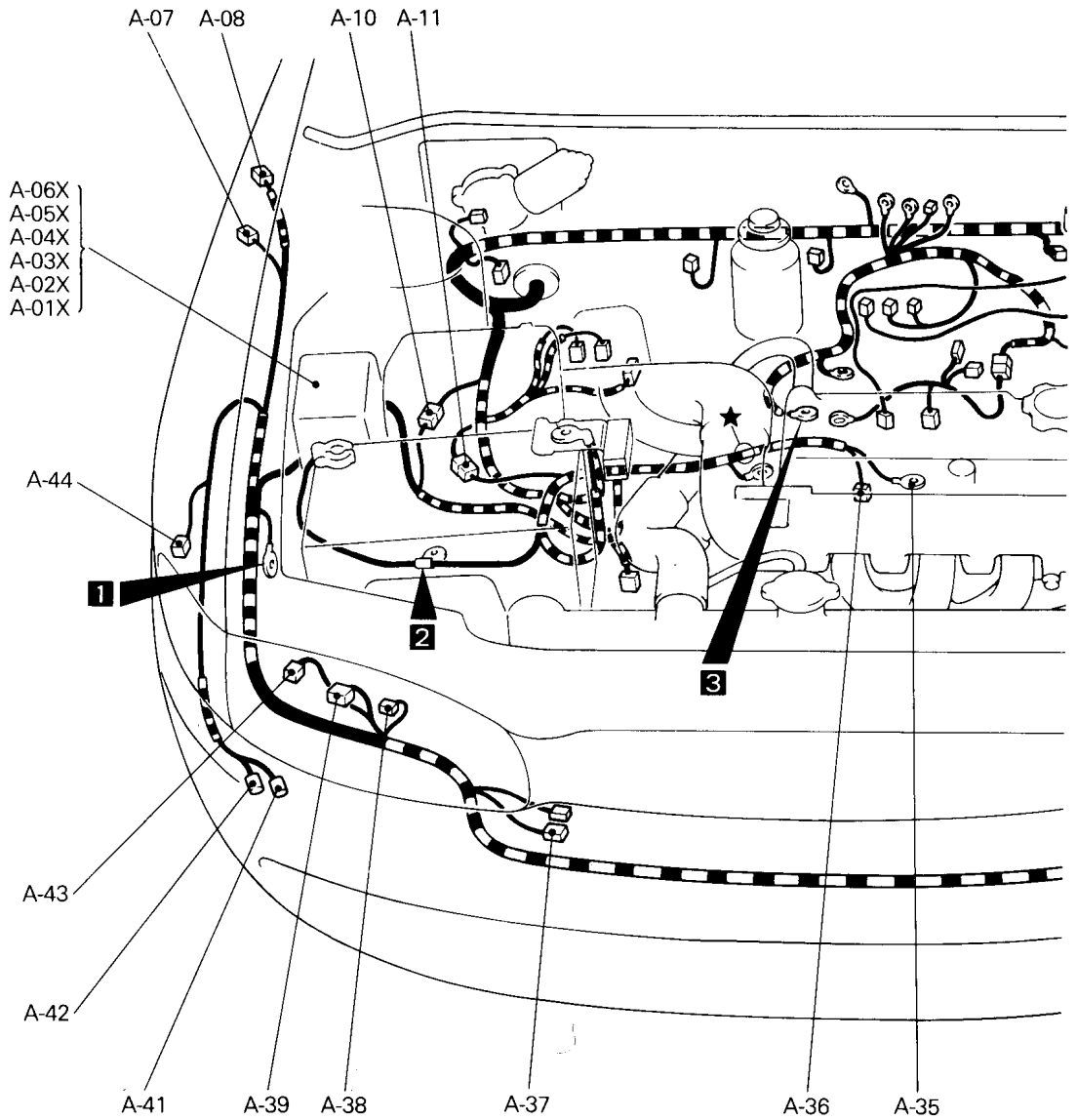
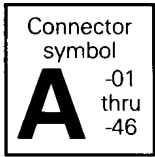
} Refer to
CENTRALIZED
JUNCTION

- A-67 Brake fluid level switch
- A-68 Control wiring harness and A/C wiring harness combination
- A-69 Magnetic clutch and refrigerant temperature switch <A/C>
- A-70 —
- A-71 Dual pressure switch <A/C>
- A-72 Power transistor
- A-73 Ignition coil

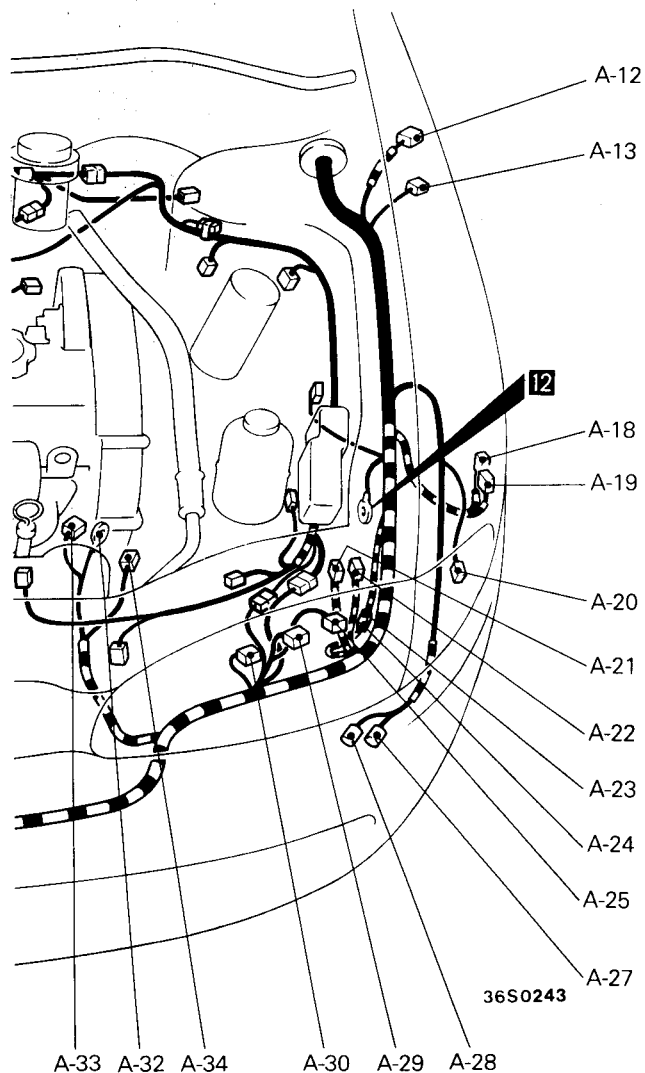
36S0237

ENGINE COMPARTMENT

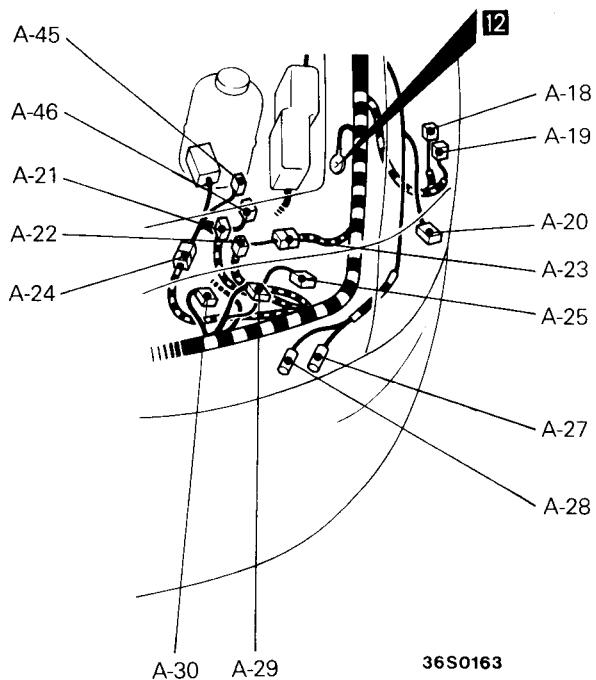
4D68 <L.H. drive vehicles>



- | | | | | |
|-------|---|---------------------------------------|----------------------------|---|
| A-01X | Alternator relay | } Refer to
CENTRALIZED
JUNCTION | A-11 | Control wiring harness and battery cable assembly combination |
| A-02X | Starter relay | | A-12 | Side turn signal lamp (LH) |
| A-03X | Radiator fan motor relay (HI) | | A-13 | ABS speed sensor (Front: LH) |
| A-04X | Headlamp relay | | A-14 }
thru }
A-17 } | — |
| A-05X | Tail lamp relay | | A-18 }
A-19 } | ABS hydraulic unit |
| A-06X | Storage connector | | A-20 | Front turn signal lamp (LH) |
| A-07 | ABS speed sensor (Front: RH) | | A-21 | ABS valve relay |
| A-08 | Side turn signal lamp (RH) | | A-22 | ABS motor relay |
| A-09 | — | | | |
| A-10 | Front wiring harness and control wiring harness combination | | | |



Vehicles with daytime running lamp

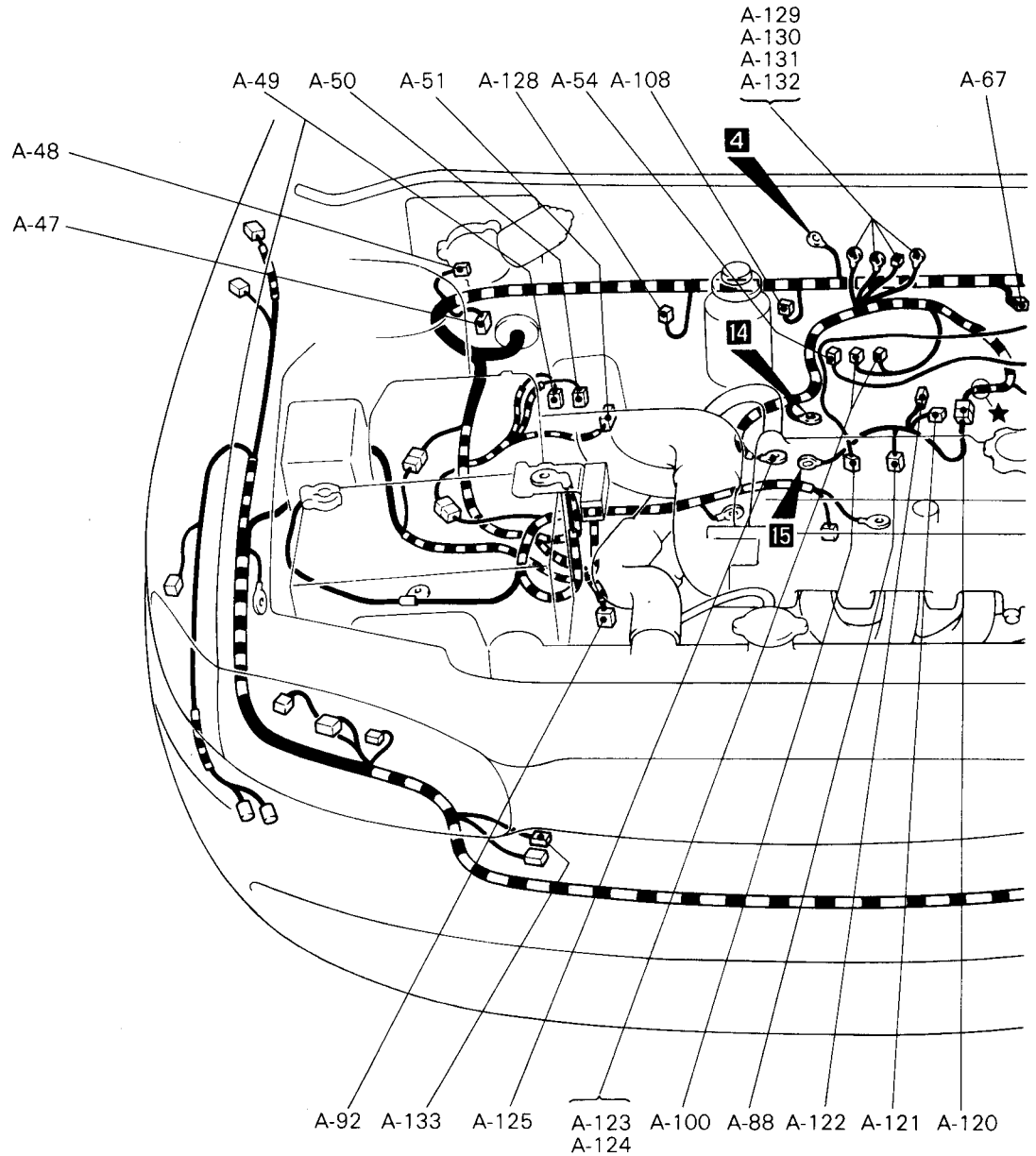
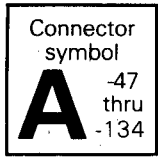


- A-23 } Front wiring harness and daytime running lamp wiring
- A-24 } harness combination or front wiring harness joint connector
- A-25 Headlamp leveling unit (LH)
- A-26 —
- A-27 } Horn (LH)
- A-28 }
- A-29 Headlamp (LH)
- A-30 Position lamp (LH)
- A-31 —
- A-32 } Alternator
- A-33 }
- A-34 Oil pressure switch

- A-35 } Starter
- A-36 }
- A-37 Radiator fan assembly
- A-38 Position lamp (RH)
- A-39 Headlamp (RH)
- A-40 —
- A-41 } Horn (RH)
- A-42 }
- A-43 Headlamp leveling unit (RH)
- A-44 Front turn signal lamp (RH)
- A-45 } Daytime running lamp relay (I , II)
- A-46 }

2A-40 WIRING HARNESS CONFIGURATION DIAGRAMS – Engine Compartment

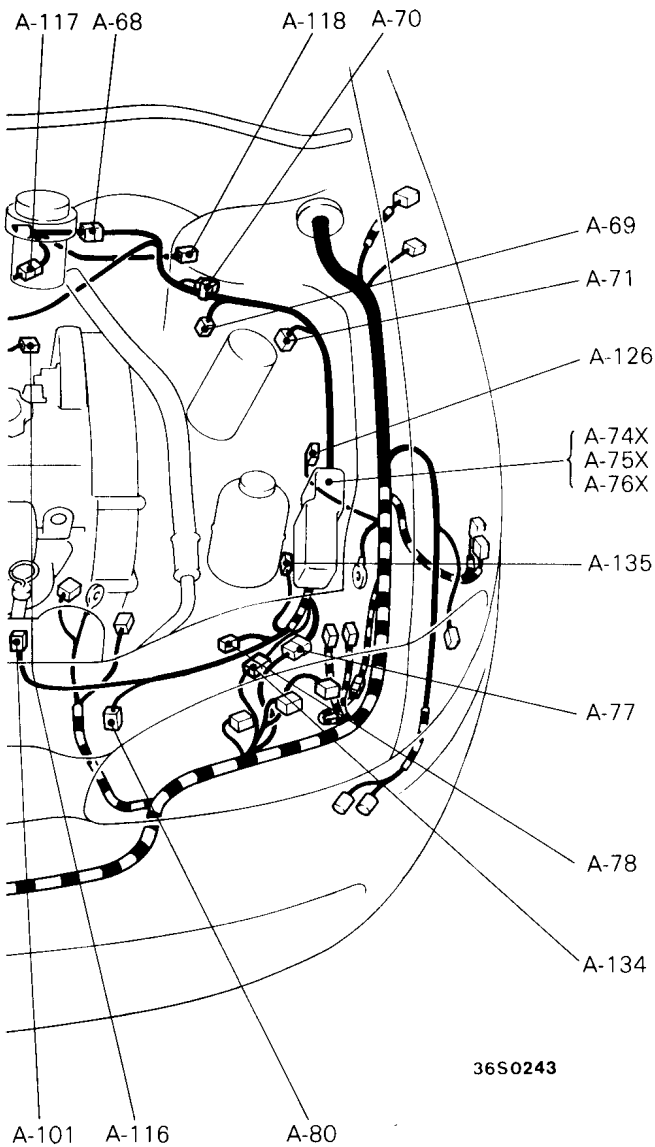
4D68 <L.H. drive vehicles>



- A-47 Headlamp washer motor
- A-48 Windshield wiper motor
- A-49 Rear washer motor
- A-50 Windshield washer motor
- A-51 Headlamp washer relay
- A-52 —
- A-53 —
- A-54 Idel up solenoid valve <A/C>
- A-55 } —
- thur }
- A-66 }
- A-67 Brake fluid level switch

- A-68 Control wiring harness and A/C wiring harness combination
 - A-69 Magnetic clutch and refrigerant temperature switch <A/C>
 - A-70 Diode <A/C>
 - A-71 Triple pressure switch <A/C>
 - A-72 —
 - A-73 —
 - A-74X Condenser fan motor relay (HI) <A/C>
 - A-75X Condenser fan motor relay (LO) <A/C>
 - A-76X A/C compressor relay <A/C>
- } Refer to
CENTRALIZED
JUNCTION

WIRING HARNESS CONFIGURATION DIAGRAMS – Engine Compartment 2A-41



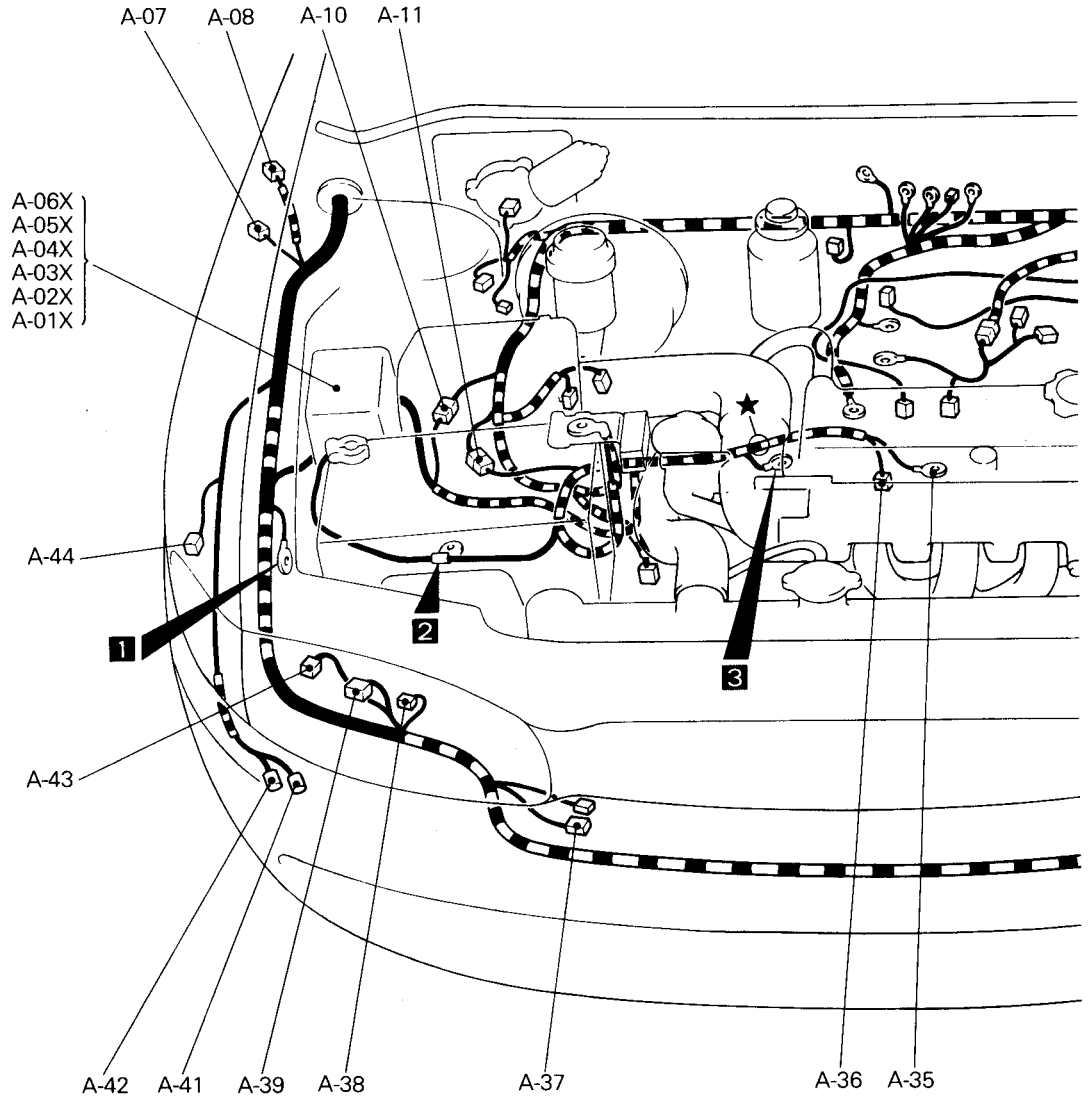
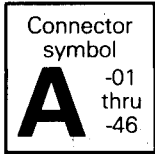
36S0243

- A-77 Front wiring harness and A/C wiring harness combination <A/C>
- A-78 No connection
- A-79 —
- A-80 Condenser fan motor and resistor
- A-81 } —
- thru } —
- A-87 } —
- A-88 Engine coolant temperature gauge unit and sensor
- A-89 —
- A-90 —
- A-91 —
- A-92 Back-up lamp switch

- A-93 } —
- thru } —
- A-99 } —
- A-100 Engine coolant temperature switch <A/C>
- A-101 Radiator fan motor relay (LO) <A/C>
- A-102 } —
- thru } —
- A-107 } —
- A-108 Water level switch
- A-109 } —
- thru } —
- A-115 } —
- A-116 Lever (throttle) position sensor <Vehicles with EGR system>
- A-117 Control wiring harness and engine coolant temperature switch joint wiring harness combination
- A-118 Vacuum switch
- A-119 —
- A-120 Control wiring harness and fuel injection pump wiring harness combination
- A-121 Revolution pick up sensor
- A-122 Fuel cut solenoid valve
- A-123 EGR solenoid valve (I)
- A-124 EGR solenoid valve (II)
- A-125 Glow plug
- A-126 Horn relay
- A-127 —
- A-128 No connection
- A-129 } —
- thru } —
- A-132 } Glow plug relay
- A-133 Radiator fan assembly
- A-134 Front wiring harness and A/C wiring harness combination <A/C>
- A-135 Fan motor (LO) relay

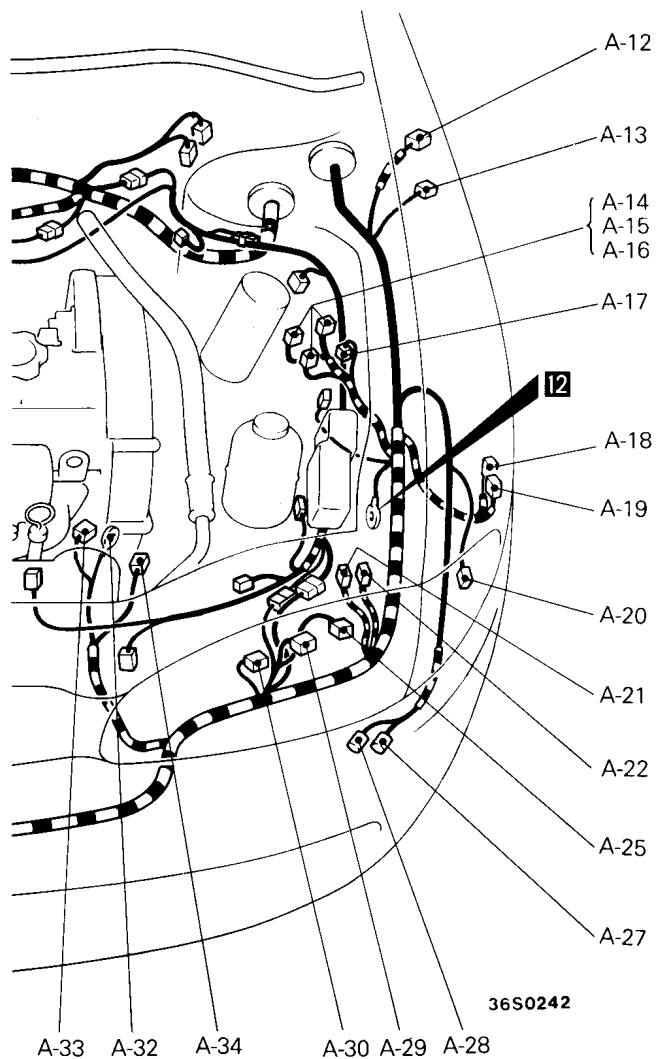
ENGINE COMPARTMENT

4D68 <R.H. drive vehicles>



- | | | | | |
|-------|---|---------------------------------------|-----------------------------|---|
| A-01X | Alternator relay | } Refer to
CENTRALIZED
JUNCTION | A-11 | Control wiring harness and battery cable assembly combination |
| A-02X | Starter relay | | A-12 | Side turn signal lamp (LH) |
| A-03X | Radiator fan motor relay (HI) | | A-13 | ABS speed sensor (Front: LH) |
| A-04X | Headlamp relay | | A-14 | } Dim-dip lamp relay (I , II , III) |
| A-05X | Tail lamp relay | | A-15 | |
| A-06X | Storage connector | | A-16 | Resistor <Vehicles with dim-dip lamp> |
| A-07 | ABS speed sensor (Front: RH) | A-17 | } ABS hydraulic unit | |
| A-08 | Side turn signal lamp (RH) | A-18 | | |
| A-09 | — | A-19 | Front turn signal lamp (LH) | |
| A-10 | Front wiring harness and control wiring harness combination | A-20 | ABS valve relay | |
| | | A-21 | ABS motor relay | |
| | | A-22 | | |

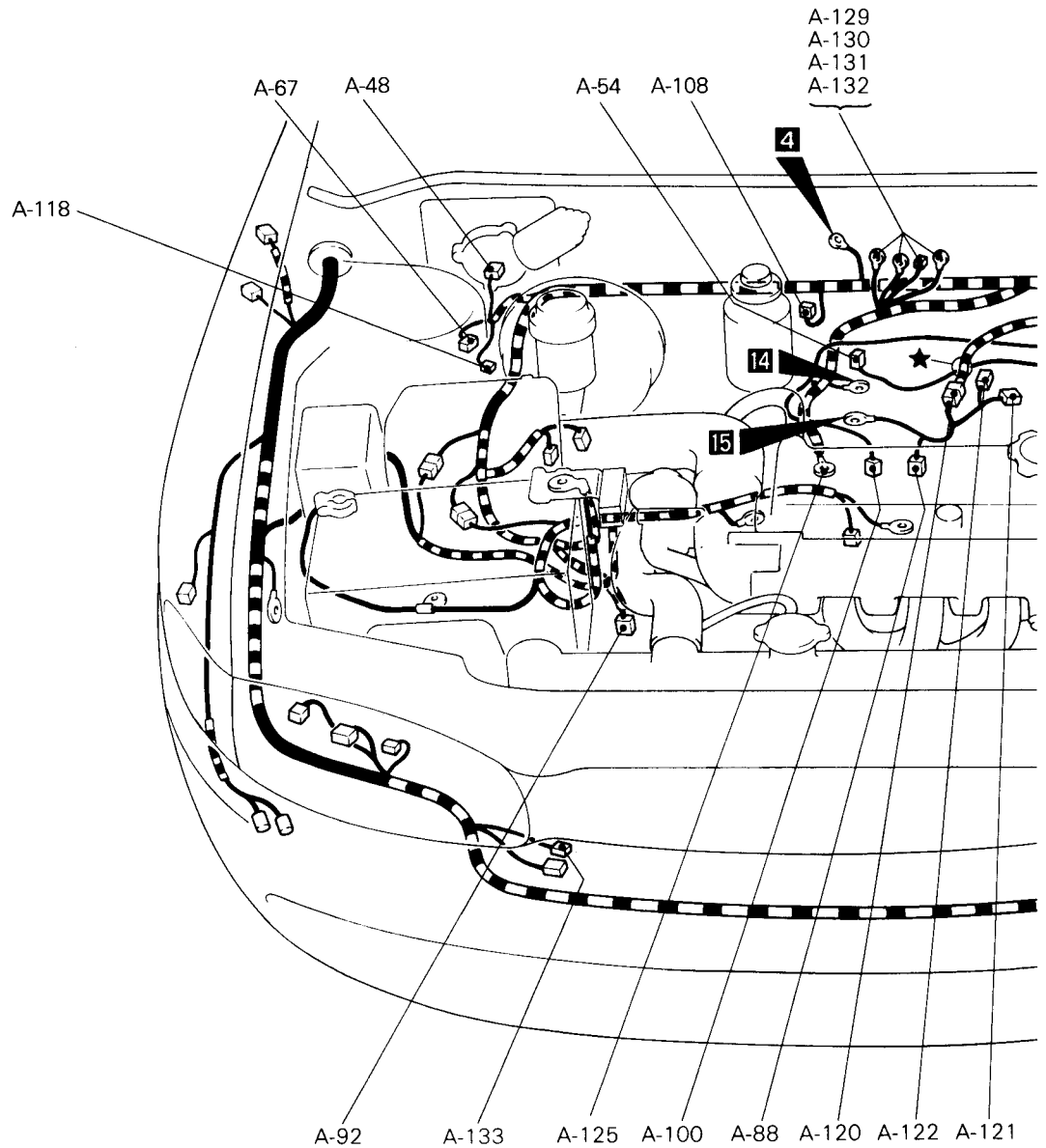
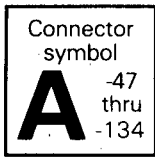
WIRING HARNESS CONFIGURATION DIAGRAMS – Engine Compartment 2A-43



A-23	—	A-35	} Starter
A-24	—	A-36	
A-25	Headlamp leveling unit (LH)	A-37	Radiator fan assembly
A-26	—	A-38	Position lamp (RH)
A-27	} Horn (LH)	A-39	Headlamp (RH)
A-28			A-40
A-29	Headlamp (LH)	A-41	} Horn (RH)
A-30	Position lamp (LH)	A-42	
A-31	—	A-43	Headlamp leveling unit (RH)
A-32	} Alternator	A-44	Front turn signal lamp (RH)
A-33			A-45
A-34	Oil pressure switch	A-46	—

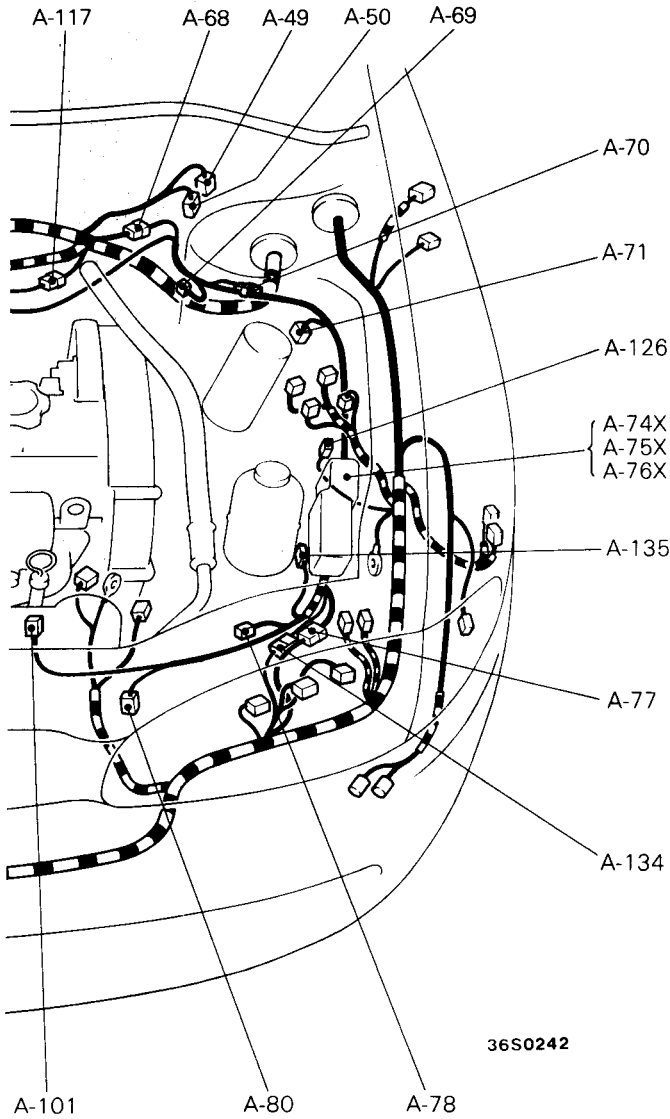
2A-44 WIRING HARNESS CONFIGURATION DIAGRAMS – Engine Compartment

4D68 <R.H. drive vehicles>



A-47	—	A-68	Control wiring harness and A/C wiring harness combination	
A-48	Windshield wiper motor	A-69	Magnetic clutch and refrigerant temperature switch <A/C>	
A-49	Rear washer motor	A-70	Diode <A/C>	
A-50	Windshield washer motor	A-71	Triple pressure switch <A/C>	
A-51	—	A-72	—	
A-52	—	A-73	—	
A-53	—	A-74X	Condenser fan motor relay (HI) <A/C>	} Refer to CENTRALIZED JUNCTION
A-54	Idel up solenoid valve <A/C>	A-75X	Condenser fan motor relay (LO) <A/C>	
A-55 } thru } A-66 }	—	A-76X	A/C compressor relay <A/C>	
A-67	Brake fluid level switch			

WIRING HARNESS CONFIGURATION DIAGRAMS – Engine Compartment 2A-45

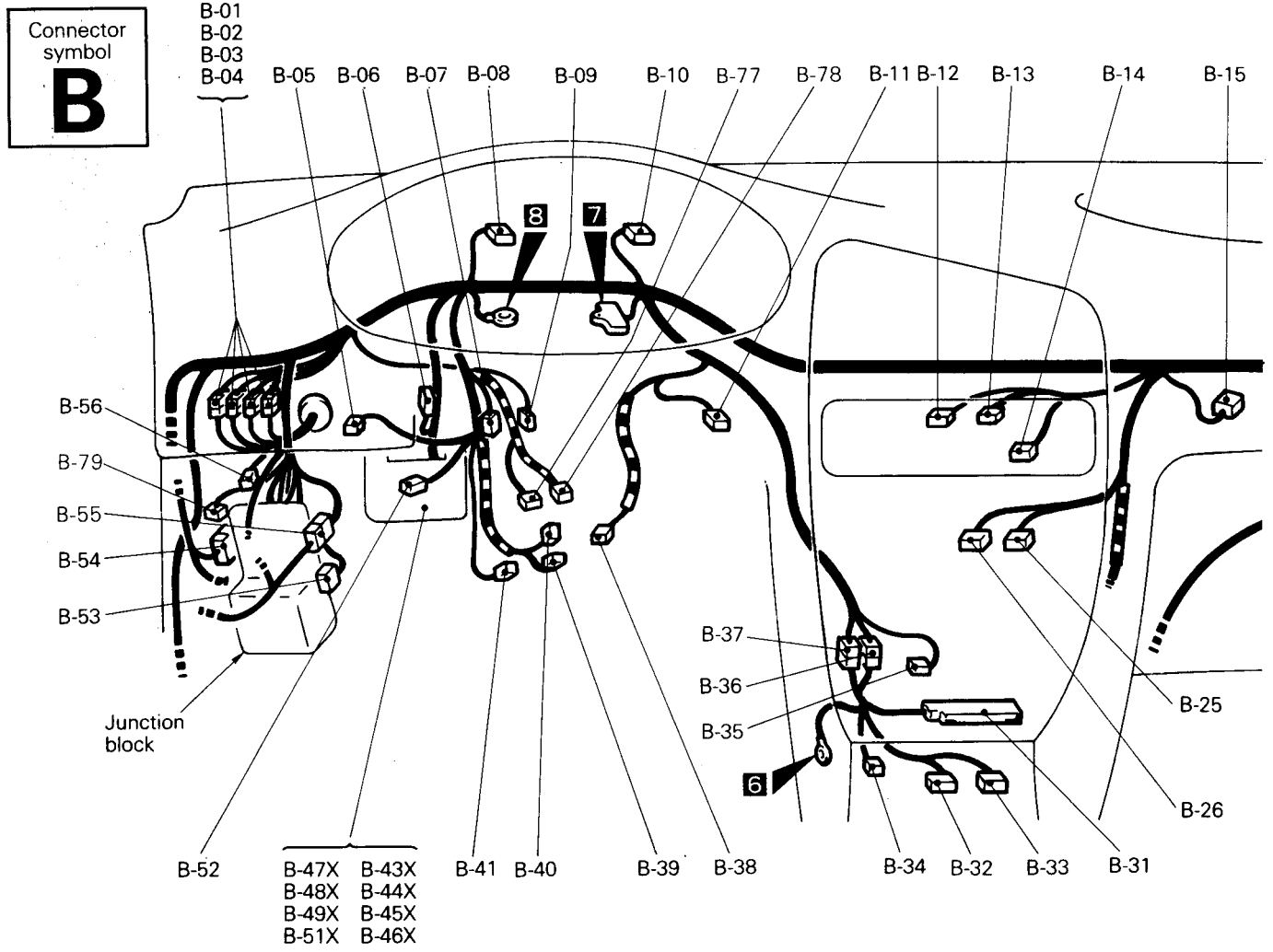


- A-92 Back-up lamp switch
- A-93 } —
- thru } —
- A-99 } —
- A-100 Engine coolant temperature switch <A/C>
- A-101 Radiator fan motor relay (LO) <A/C>
- A-102 } —
- thru } —
- A-107 } —
- A-108 Water level switch
- A-109 } —
- thru } —
- A-116 } —
- A-117 Control wiring harness and engine coolant temperature switch joint wiring harness combination
- A-118 Vacuum switch
- A-119 —
- A-120 Control wiring harness and fuel injection pump wiring harness combination
- A-121 Revolution pick up sensor
- A-122 Fuel cut solenoid valve
- A-123 —
- A-124 —
- A-125 Glow plug
- A-126 Horn relay
- A-127 —
- A-128 —
- A-129 } —
- thru } Glow plug relay
- A-132 } —
- A-133 Radiator fan assembly
- A-134 Front wiring harness and A/C wiring harness combination <A/C>
- A-135 Fan motor (LO) relay

- A-77 Front wiring harness and A/C wiring harness combination <A/C>
- A-78 No connection
- A-79 —
- A-80 Condenser fan motor and resistor
- A-81 } —
- thru } —
- A-87 } —
- A-88 Engine coolant temperature gauge unit and sensor
- A-89 —
- A-90 —
- A-91 —

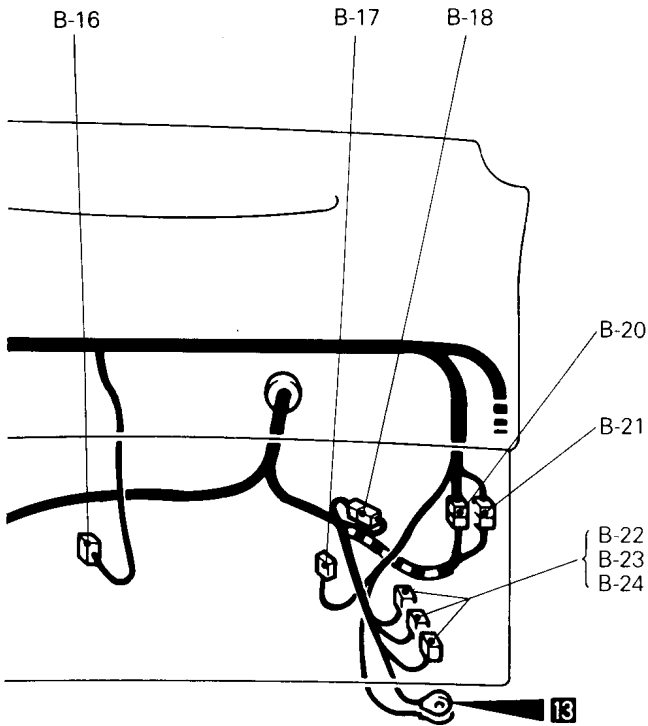
DASH PANEL

L.H. drive vehicles



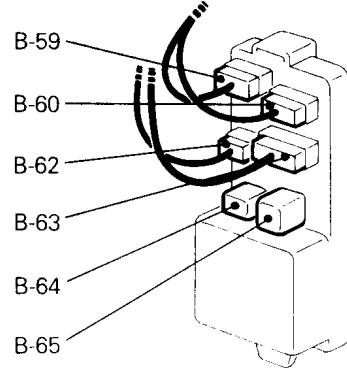
- B-01 } Body wiring harness and front wiring harness combina-
- thru } tion
- B-04 }
- B-05 Remote controlled mirror switch
- B-06 Diode (for ABS circuit)
- B-07 Diode (for rear fog lamp circuit)
- B-08 Combination meter
- B-09 Stop lamp switch
- B-10 Combination meter
- B-11 Rear wiper and washer switch
- B-12 A/C switch
- B-13 Blower switch
- B-14 Clock
- B-15 Automatic compressor control unit
- B-16 Resistor
- B-17 Blower motor
- B-18 Fuel octane ratio selection connector
- B-19 —

- B-20 } Body wiring harness and control wiring harness combina-
- B-21 } tion
- B-22 } Engine control unit or glow control unit
- B-23 }
- B-24 Engine control unit
- B-25 } Radio and tape player
- B-26 }
- B-27 } —
- thru }
- B-30 }
- B-31 ABS control unit <4WD>
- B-32 } ABS control unit <2WD>
- B-33 }
- B-34 Diagnosis code erasure connector <ABS-2WD>
- B-35 Lighting monitor buzzer
- B-36 } Body wiring harness and ABS wiring harness combina-
- B-37 }



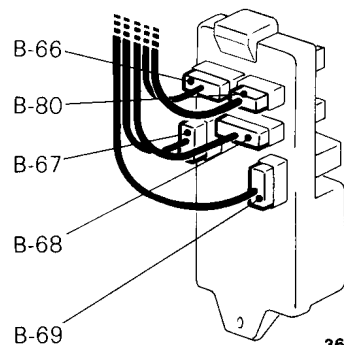
36S0156

Junction block (Front)



36S0076

(Rear)



36S0244

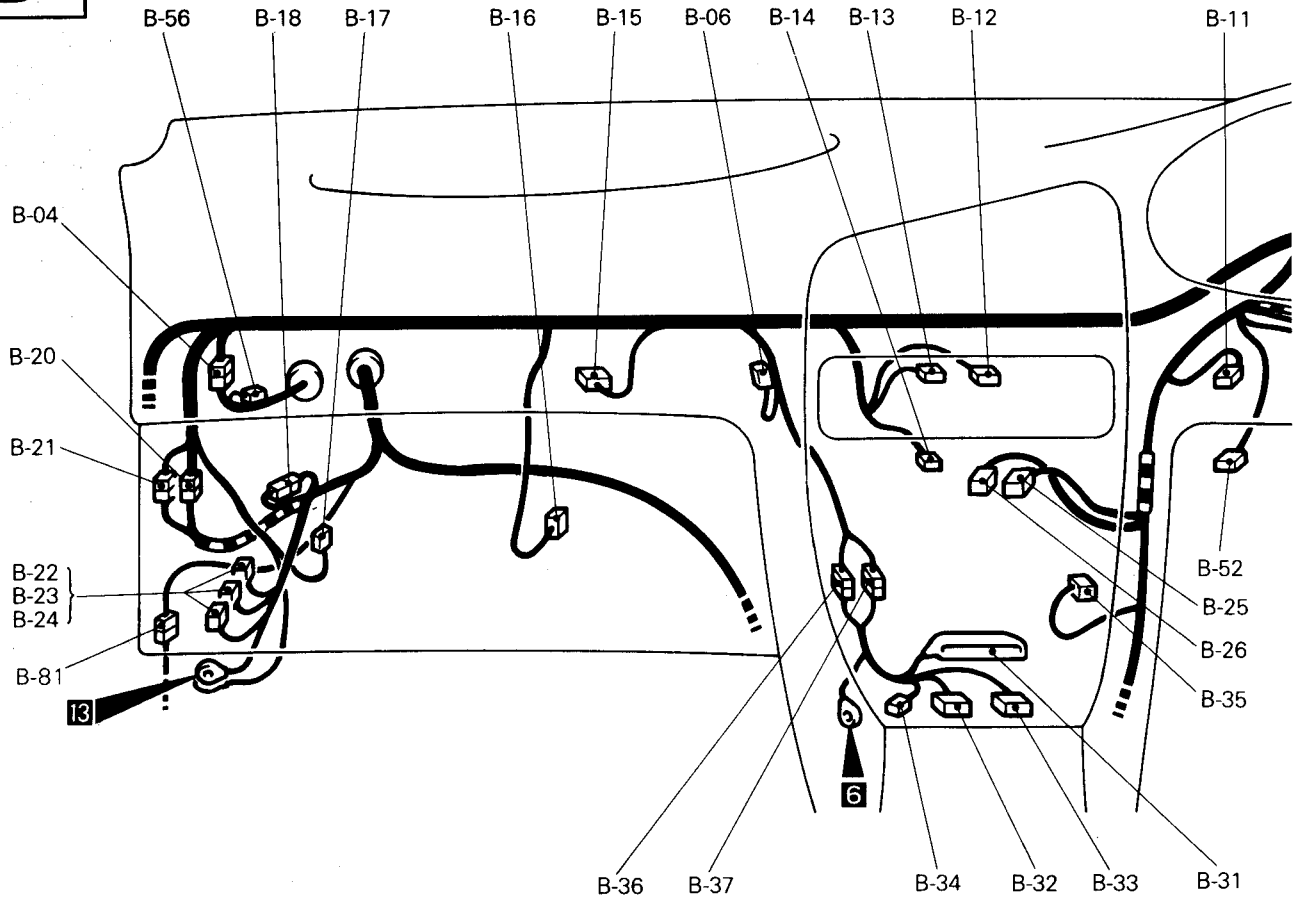
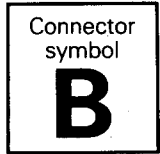
- B-38 } Column switch
- B-39 } Column switch
- B-40 } Column switch
- B-41 Ignition switch
- B-42 —
- B-43X ABS power relay
- B-44X Power window relay
- B-45X Defogger relay
- B-46X Door lock control unit
- B-47X Jumper connector
- B-48X Diode (for headlamp circuit)
- B-49X Front fog lamp relay
- B-50X —
- B-51X Rear fog lamp relay
- B-52 Headlamp leveling switch
- B-53 Diagnosis connector
- B-54 Body wiring harness and roof wiring harness combination <Vehicles with sunroof>
- B-55 Body wiring harness and instrument panel wiring harness combination
- B-56 Diode (for ABS circuit) <2WD>

Refer to
CENTRALIZED
JUNCTION

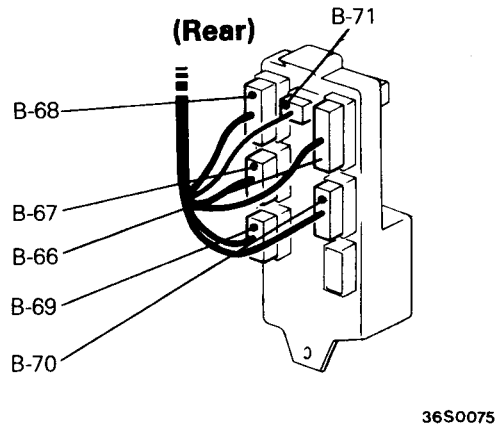
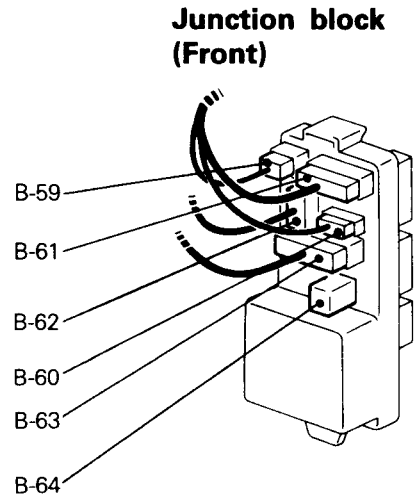
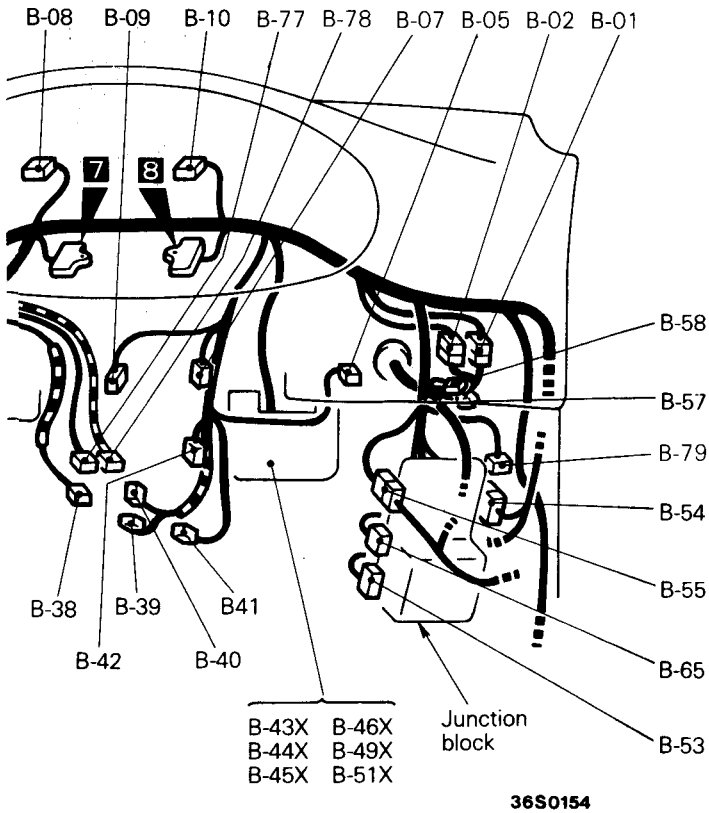
- B-57 —
- B-58 —
- B-59 } Front wiring harness and junction block combination
- B-60 } Front wiring harness and junction block combination
- B-61 —
- B-62 Roof wiring harness and junction block combination
- B-63 Instrument panel wiring harness and junction block combination
- B-64 Blower motor relay
- B-65 Turn-signal and hazard flasher unit
- B-66 } Body wiring harness and junction block combination
- thru } Body wiring harness and junction block combination
- B-69 } Body wiring harness and junction block combination
- B-70 } —
- thru } —
- B-76 } —
- B-77 } Clock spring
- B-78 } Clock spring
- B-79 Diagnosis connector
- B-80 Body wiring harness and junction block combination

DASH PANEL

R.H. drive vehicles



- | | |
|---|---|
| B-01 } Body wiring harness and front wiring harness combination | B-20 } Body wiring harness and control wiring harness combination |
| B-02 } — | B-21 } — |
| B-03 — | B-22 Engine control unit or glow control unit |
| B-04 Body wiring harness and front wiring harness combination <ABS> | B-23 } Engine control unit |
| B-05 Remote controlled mirror switch | B-24 } — |
| B-06 Diode (for ABS circuit) | B-25 } Radio and tape player |
| B-07 Diode (for rear fog lamp circuit) | B-26 } — |
| B-08 Combination meter | B-27 } thru — |
| B-09 Stop lamp switch | B-30 } — |
| B-10 Combination meter | B-31 ABS control unit <4WD> |
| B-11 Rear wiper and washer switch | B-32 } ABS control unit <2WD> |
| B-12 A/C switch | B-33 } — |
| B-13 Blower switch | B-34 Diagnosis code erasure connector <ABS-2WD> |
| B-14 Clock | B-35 Lighting monitor buzzer |
| B-15 Automatic compressor control unit | B-36 } Body wiring harness and ABS wiring harness combination |
| B-16 Resistor | B-37 } — |
| B-17 Blower motor | |
| B-18 Fuel octane ratio selection connector | |
| B-19 — | |

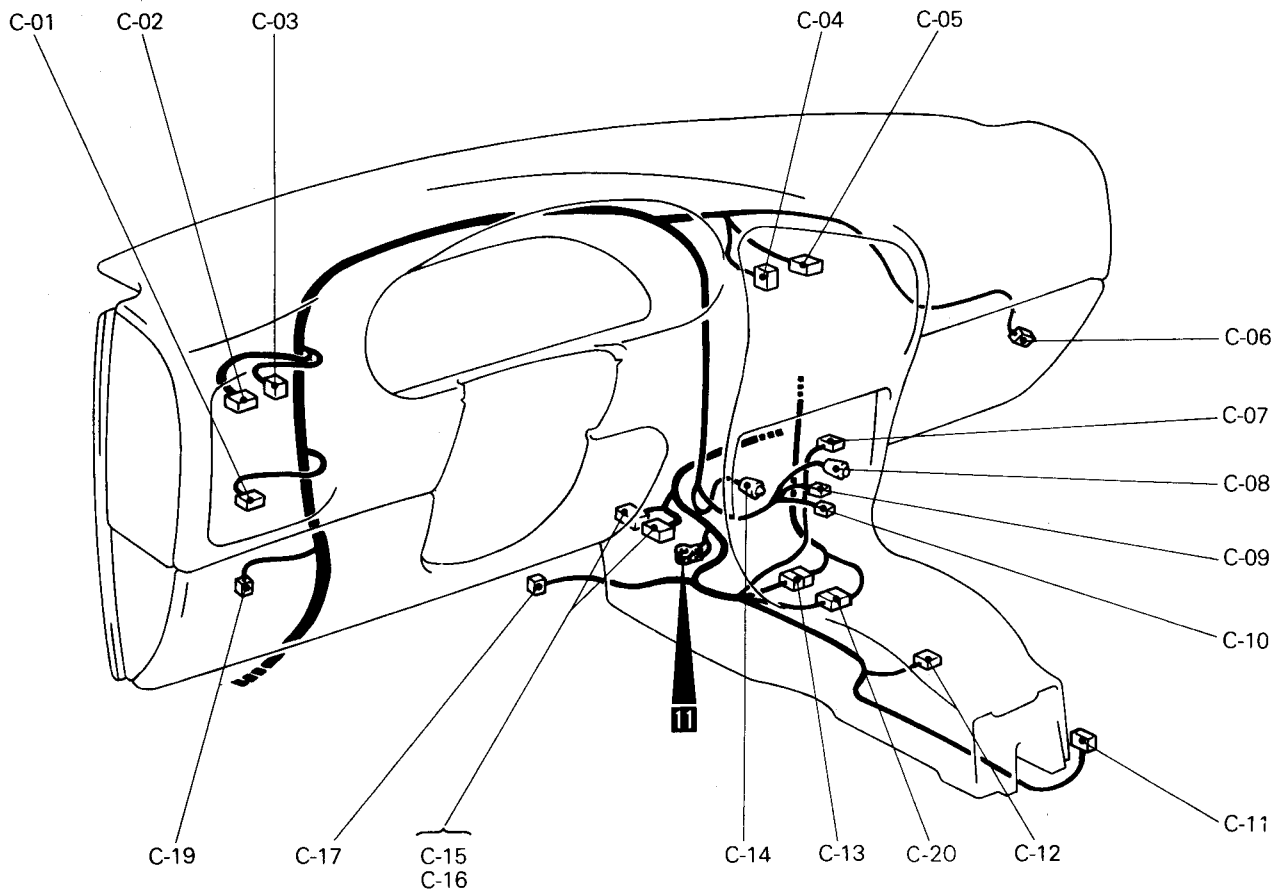
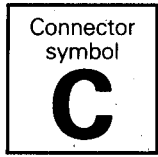


- B-38 } Column switch
 - B-39 }
 - B-40 }
 - B-41 Ignition switch
 - B-42 Diode (for headlamp circuit)
 - B-43X ABS power relay
 - B-44X Power window relay
 - B-45X Defogger relay
 - B-46X Door lock control unit
 - B-47X —
 - B-48X —
 - B-49X Front fog lamp relay
 - B-50X —
 - B-51X Rear fog lamp relay
 - B-52 Headlamp leveling switch
 - B-53 Diagnosis connector
 - B-54 Body wiring harness and roof wiring harness combination <Vehicles with sunroof>
 - B-55 Body wiring harness and instrument panel wiring harness combination
 - B-56 Diode (for ABS circuit) <2WD>
 - B-57 } Diode (for dim-dip lamp circuit)
 - B-58 }
- Refer to
CENTRALIZED
JUNCTION

- B-59 } Front wiring harness and junction block combination
- B-60 }
- B-61 }
- B-62 } Roof wiring harness and junction block combination
- B-63 } Instrument panel wiring harness and junction block combination
- B-64 Blower motor relay
- B-65 Turn-signal and hazard flasher unit
- B-66 } Body wiring harness and junction block combination
- B-67 }
- B-68 }
- B-69 }
- B-70 }
- B-71 }
- B-72 } —
- B-73 }
- B-74 }
- B-75 }
- B-76 }
- B-77 } Clock spring
- B-78 }
- B-79 Diagnosis connector
- B-80 —
- B-81 Body wiring harness and control wiring harness combination <MVV>

INSTRUMENT PANEL

L.H. drive vehicles

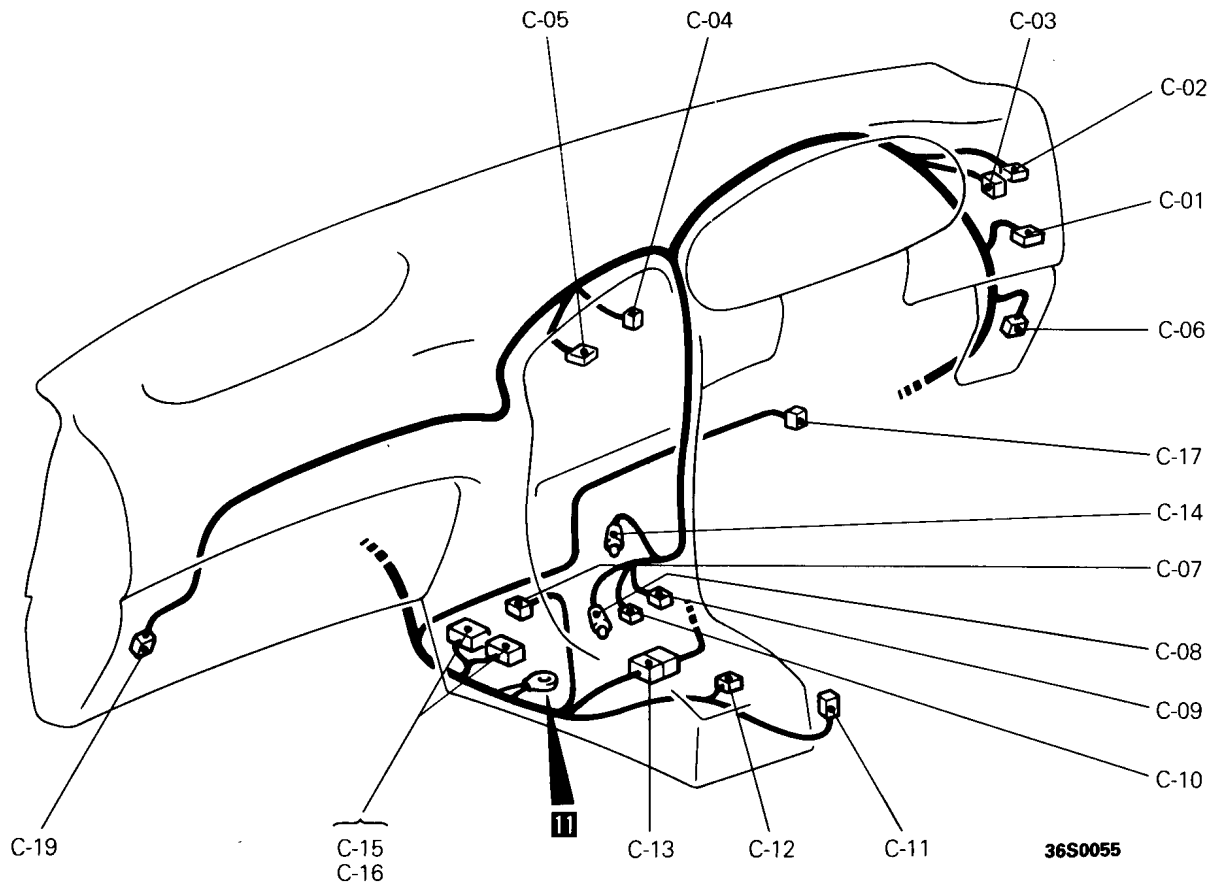
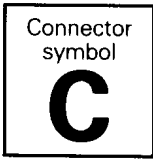


36S0057

- | | | | |
|--------------------------|-------------------------------------|------------------------------|--|
| C-01 | Rheostat | C-12 | Over drive switch |
| C-02 | Rear fog lamp switch | C-13 | Control wiring harness and body wiring harness combination <A/T> |
| C-03 | Front fog lamp switch | C-14 | Ashtray illumination lamp |
| C-04 | Hazard switch | C-15 } ELC-4A/T control unit | |
| C-05 | Defogger switch | C-16 } | |
| C-06 | Front speaker (RH) | C-17 | Wide open throttle switch <A/T> |
| C-07 | Engine control relay <MPI> | C-18 | — |
| C-08 | Cigarette lighter illumination lamp | C-19 | Front speaker (LH) |
| C-09 } Cigarette lighter | | C-20 | Control wiring harness and body wiring harness combination <M/V> |
| C-10 } | | | |
| C-11 | Power/Economy changeover switch | | |

INSTRUMENT PANEL

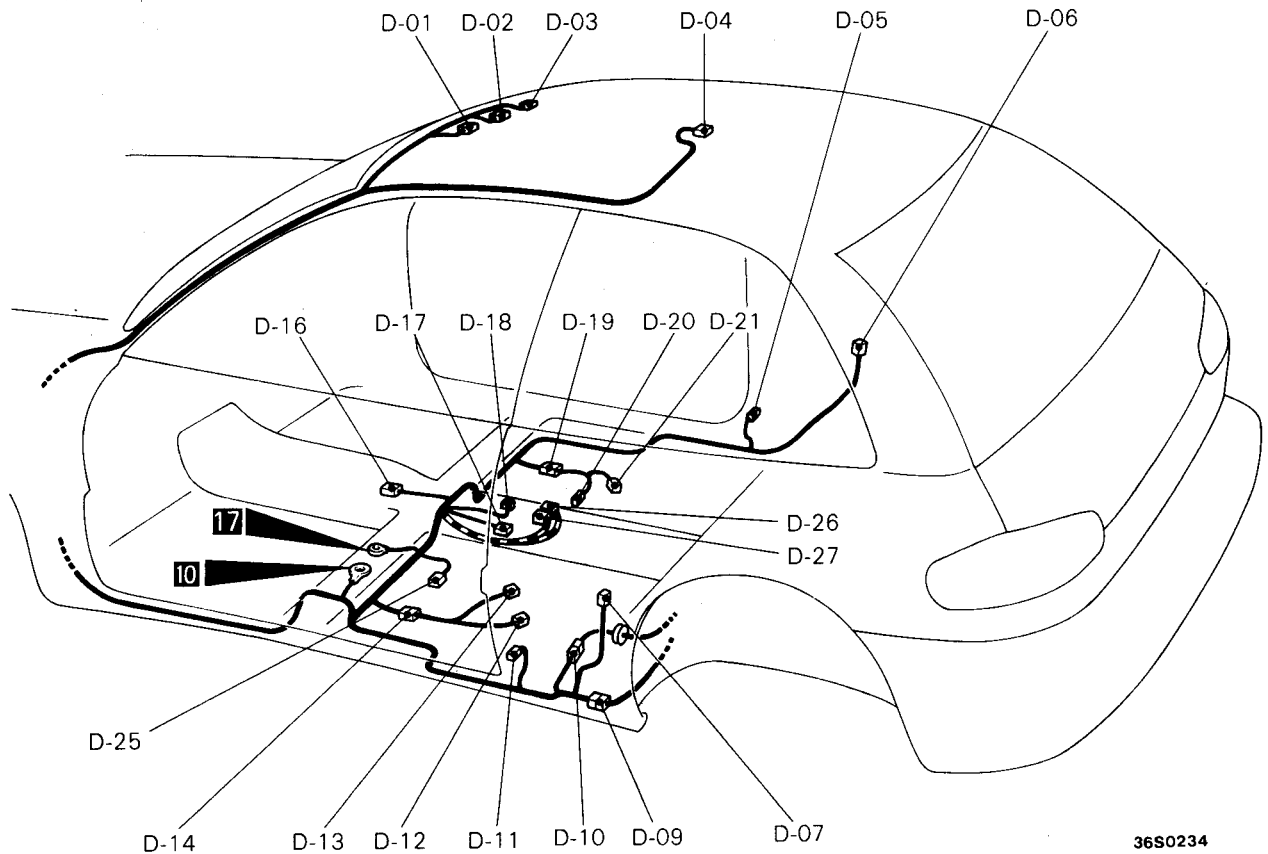
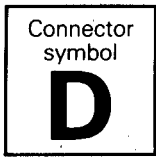
R.H. drive vehicles



- | | | | |
|--------------------------|-------------------------------------|------------------------------|--|
| C-01 | Rheostat | C-11 | Power/Economy changeover switch |
| C-02 | Rear fog lamp switch | C-12 | Over drive switch |
| C-03 | Front fog lamp switch | C-13 | Control wiring harness and body wiring harness combination <A/T> |
| C-04 | Hazard switch | C-14 | Ashtray illumination lamp |
| C-05 | Defogger switch | C-15 } ELC-4A/T control unit | |
| C-06 | Front speaker (RH) | C-16 } | |
| C-07 | Engine control relay <MPI> | C-17 | Wide open throttle switch <A/T> |
| C-08 | Cigarette lighter illumination lamp | C-18 | — |
| C-09 } Cigarette lighter | | C-19 | Front speaker (LH) |
| C-10 } | | | |

INTERIOR

Hatchback <L.H. drive vehicles >

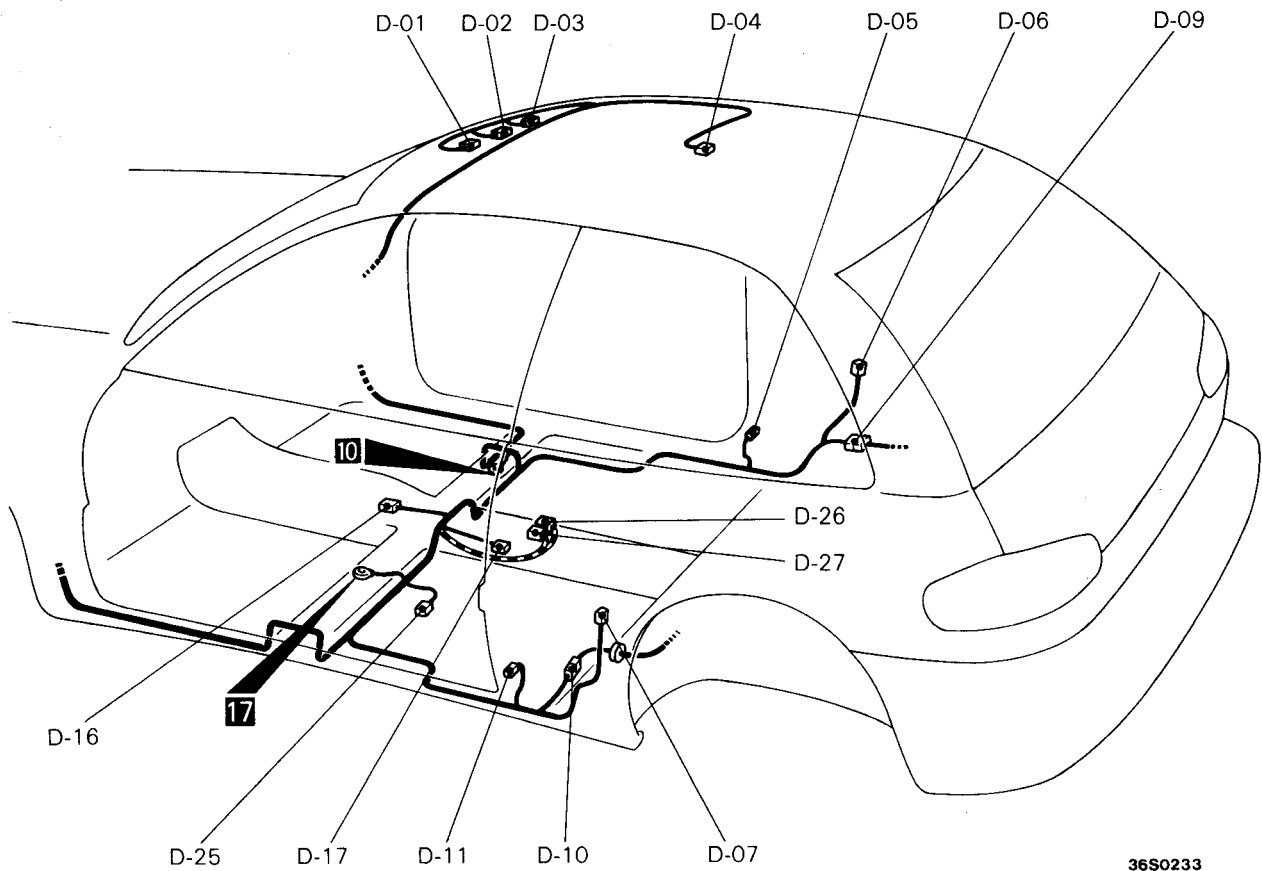
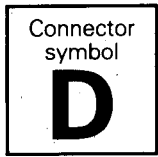


36S0234

- | | | | |
|------|--|---------------------------|---|
| D-01 | Sunroof motor | D-14 | Body wiring harness and heated seat wiring harness combination (Driver's side) |
| D-02 | Sunroof switch and room lamp <Vehicles with sunroof> | D-15 | — |
| D-03 | Sunroof control unit | D-16 | ABS G sensor <4WD> or no connection |
| D-04 | Room lamp <Vehicles without sunroof> | D-17 | Parking brake switch |
| D-05 | Door switch (RH) | D-18 | Heated seat switch |
| D-06 | Rear speaker (RH) or no connection | D-19 | Body wiring harness and heated seat wiring harness combination (Passenger's side) |
| D-07 | Rear speaker (LH) or no connection | D-20 | Seat cushion heater (Passenger's side) |
| D-08 | — | D-21 | Seat back heater (Passenger's side) |
| D-09 | Body wiring harness and rear wiring harness combination | D-22 | — |
| D-10 | Body wiring harness and fuel pump wiring harness combination | D-23 | — |
| D-11 | Door switch (LH) | D-24 | — |
| D-12 | Seat back heater (Driver's side) | D-25 | LAFS amplifier |
| D-13 | Seat cushion heater (Driver's side) | D-26 } SRS diagnosis unit | |
| | | D-27 } | |

INTERIOR

Hatchback <R.H. drive vehicles>

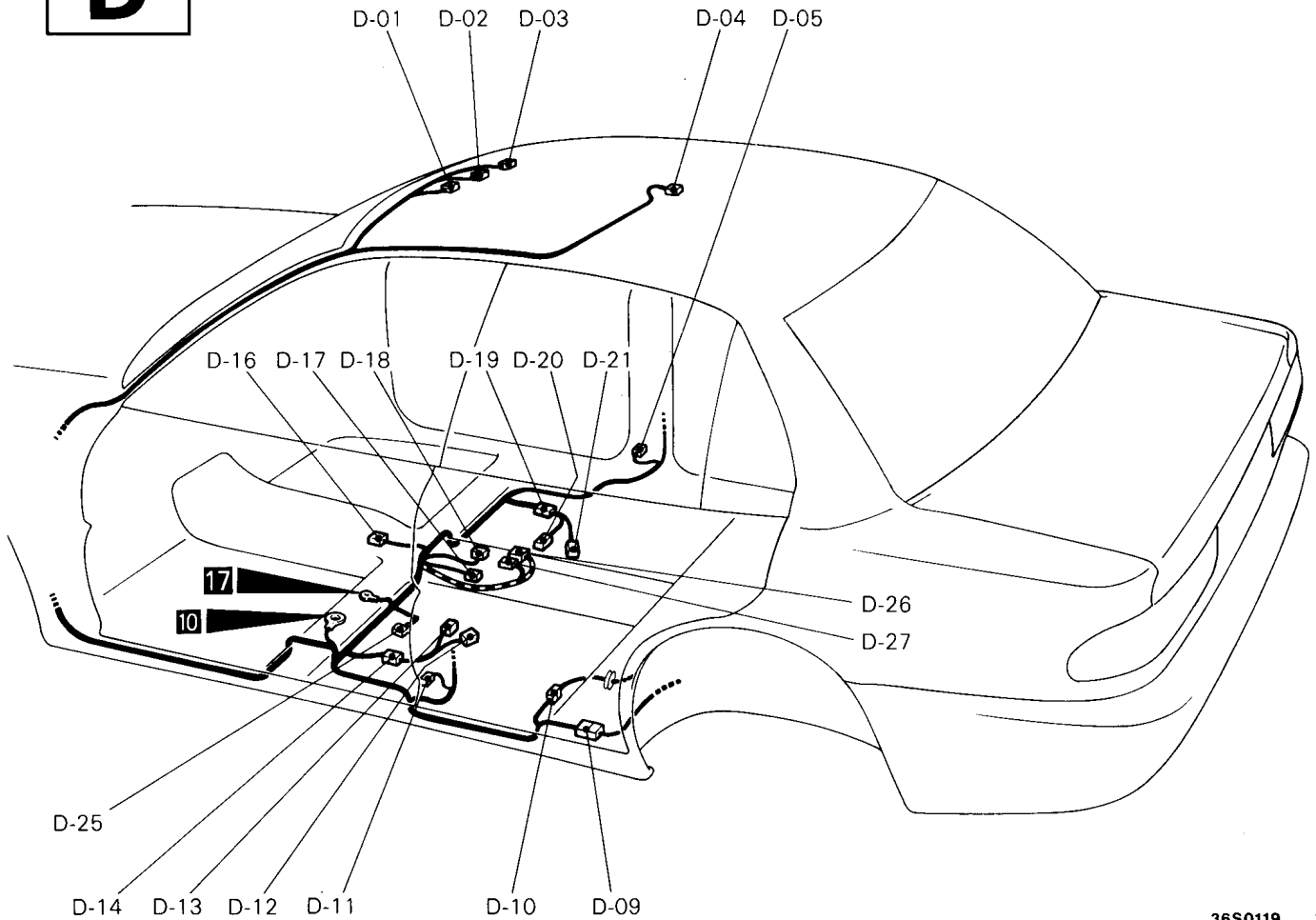
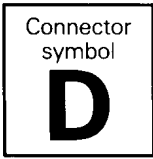


36S0233

- | | | | |
|------|--|------|----------------------|
| D-01 | Sunroof motor | D-12 | } — |
| D-02 | Sunroof switch and room lamp <Vehicles with sunroof> | D-15 | |
| D-03 | Sunroof control unit | D-16 | No connection |
| D-04 | Room lamp <Vehicles without sunroof> | D-17 | Parking brake switch |
| D-05 | Door switch (RH) | D-18 | } — |
| D-06 | Rear speaker (RH) or no connection | D-24 | |
| D-07 | Rear speaker (LH) or no connection | D-25 | LAFS amplifier |
| D-08 | — | D-26 | } SRS diagnosis unit |
| D-09 | Body wiring harness and rear wiring harness combination | D-27 | |
| D-10 | Body wiring harness and fuel pump wiring harness combination | | |
| D-11 | Door switch (LH) | | |

INTERIOR

Sedan <L.H. drive vehicles>

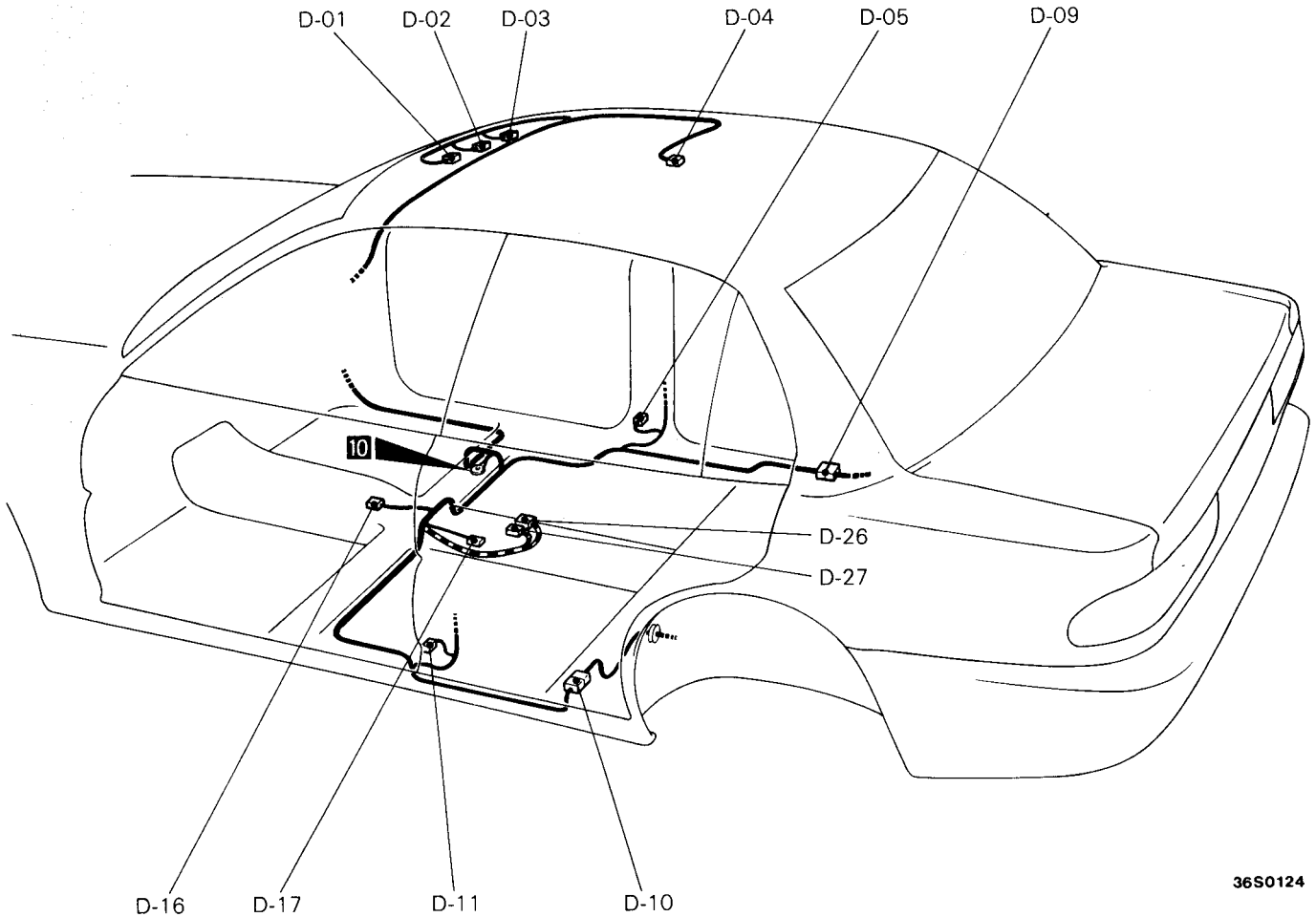
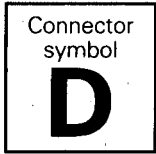


36S0119

- | | | | |
|------|--|--------|---|
| D-01 | Sunroof motor | D-15 | — |
| D-02 | Sunroof switch and room lamp <Vehicles with sunroof> | D-16 | No connection |
| D-03 | Sunroof control unit | D-17 | Parking brake switch |
| D-04 | Room lamp <Vehicles without sunroof> | D-18 | Heated seat switch |
| D-05 | Front door switch (RH) | D-19 | Body wiring harness and heated seat wiring harness combination (Passenger's side) |
| D-06 | — | D-20 | Seat cushion heater (Passenger's side) |
| D-07 | — | D-21 | Seat back heater (Passenger's side) |
| D-08 | — | D-22 | — |
| D-09 | Body wiring harness and rear wiring harness combination | D-23 | — |
| D-10 | Body wiring harness and fuel pump wiring harness combination | D-24 | — |
| D-11 | Front door switch (LH) | D-25 | LAFS amplifier |
| D-12 | Seat back heater (Driver's side) | D-26 } | SRS diagnosis unit |
| D-13 | Seat cushion heater (Driver's side) | D-27 } | |
| D-14 | Body wiring harness and heated seat wiring harness combination (Driver's side) | | |

INTERIOR

Sedan <R.H. drive vehicles>

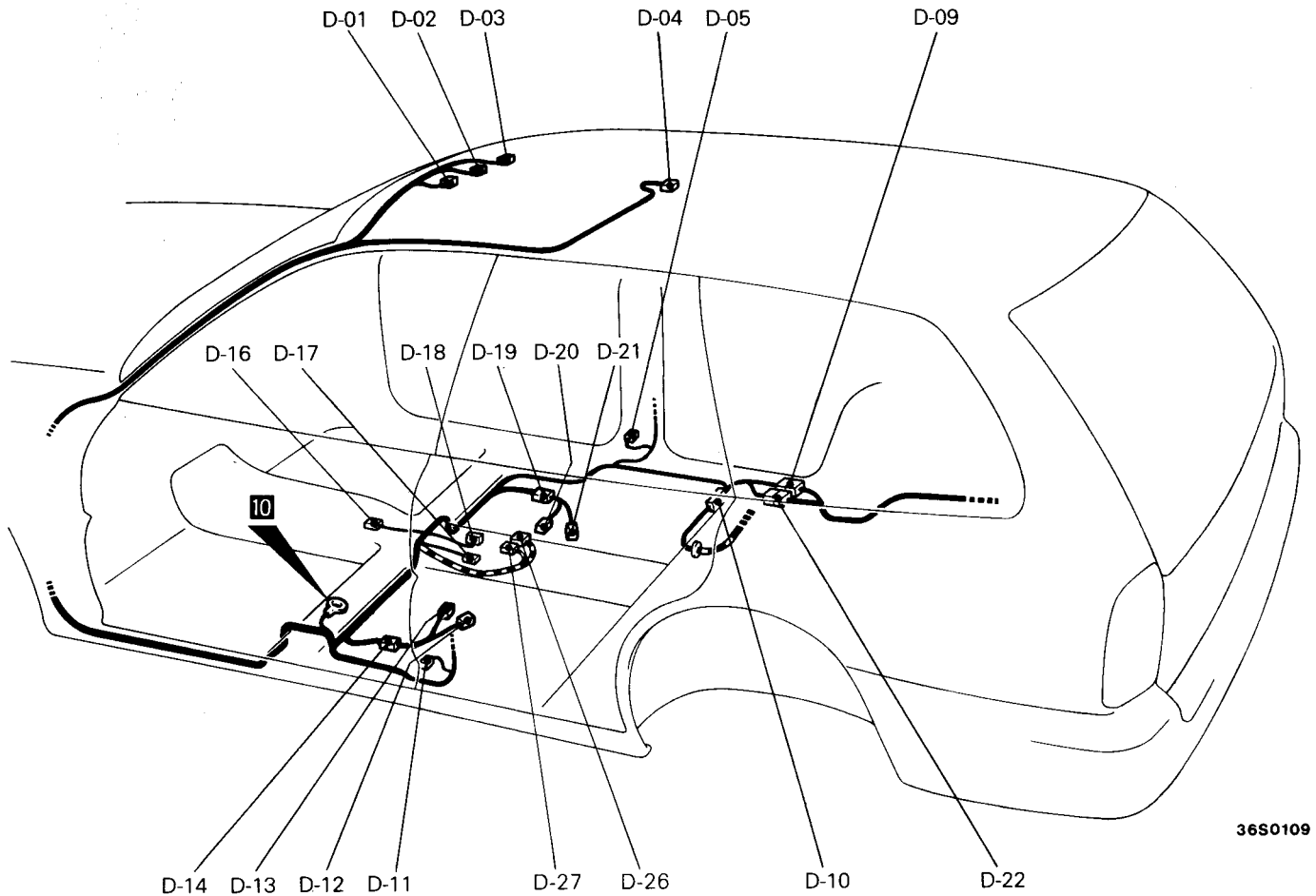
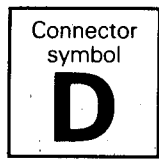


36S0124

- | | | | |
|------|--|------|----------------------|
| D-01 | Sunroof motor | D-12 | } — |
| D-02 | Sunroof switch and room lamp <Vehicles with sunroof> | thru | |
| D-03 | Sunroof control unit | D-15 | } — |
| D-04 | Room lamp <Vehicles without sunroof> | thru | |
| D-05 | Front door switch (RH) | D-16 | No connection |
| D-06 | — | D-17 | Parking brake switch |
| D-07 | — | D-18 | } — |
| D-08 | — | thru | |
| D-09 | Body wiring harness and rear wiring harness combination | D-25 | } SRS diagnosis unit |
| D-10 | Body wiring harness and fuel pump wiring harness combination | D-26 | |
| D-11 | Front door switch (LH) | D-27 | |

INTERIOR

Wagon <L.H. drive vehicles>

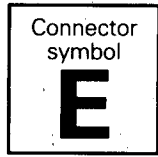


36S0109

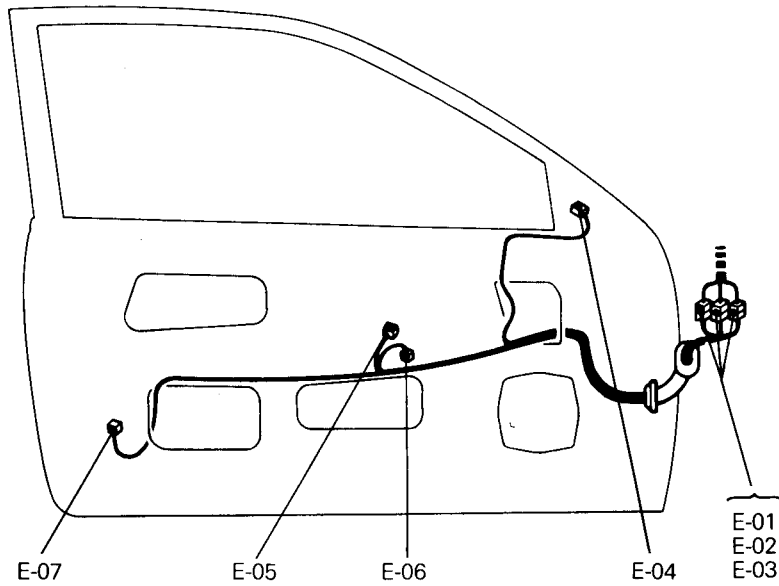
- | | | | |
|------|---|---------------------------|---|
| D-01 | Sunroof motor | D-15 | — |
| D-02 | Sunroof switch and room lamp <Vehicles with sunroof> | D-16 | ABS G sensor <4WD> or no connection |
| D-03 | Sunroof control unit | D-17 | Parking brake switch |
| D-04 | Room lamp <Vehicles without sunroof> | D-18 | Heated seat switch |
| D-05 | Front door switch (RH) | D-19 | Body wiring harness and heated seat wiring harness combination (Passenger's side) |
| D-06 | — | D-20 | Seat cushion heater (Passenger's side) |
| D-07 | — | D-21 | Seat back heater (Passenger's side) |
| D-08 | — | D-22 | Body wiring harness and rear wiring harness combination <4WD> or no connection |
| D-09 | Body wiring harness and rear wiring harness combination | D-23 | — |
| D-10 | Body wiring harness and fuel pump wiring harness combination <2WD> or no connection <4WD> | D-24 | — |
| D-11 | Front door switch (LH) | D-25 | — |
| D-12 | Seat back heater (Driver's side) | D-26 } SRS diagnosis unit | |
| D-13 | Seat cushion heater (Driver's side) | D-27 } | |
| D-14 | Body wiring harness and heated seat wiring harness combination (Driver's side) | | |

DOOR

Hatchback <L.H. drive vehicles>

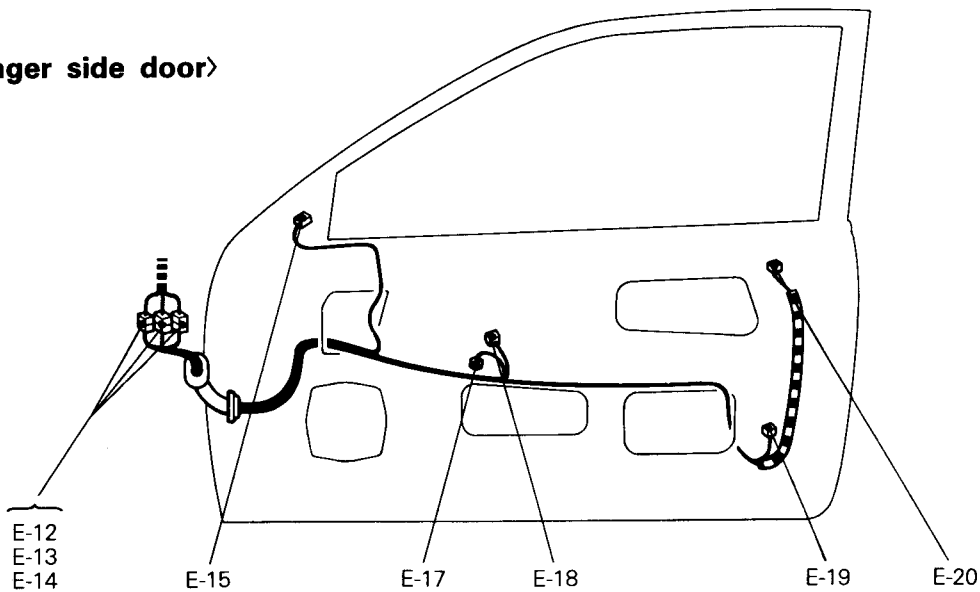


<Driver's side door>



36S0047

<Passenger side door>



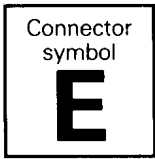
36S0048

- E-01 } Body wiring harness and door wiring harness (LH)
- E-02 } combination
- E-03 } Body wiring harness and door wiring harness (LH)
- } combination <Vehicles with door mirror heater>
- E-04 } Remote controlled mirror (LH)
- E-05 } Power window main switch
- E-06 } Power window motor (LH)
- E-07 } Door lock actuator (LH)
- E-08 } —
- thru } —
- E-11 } —

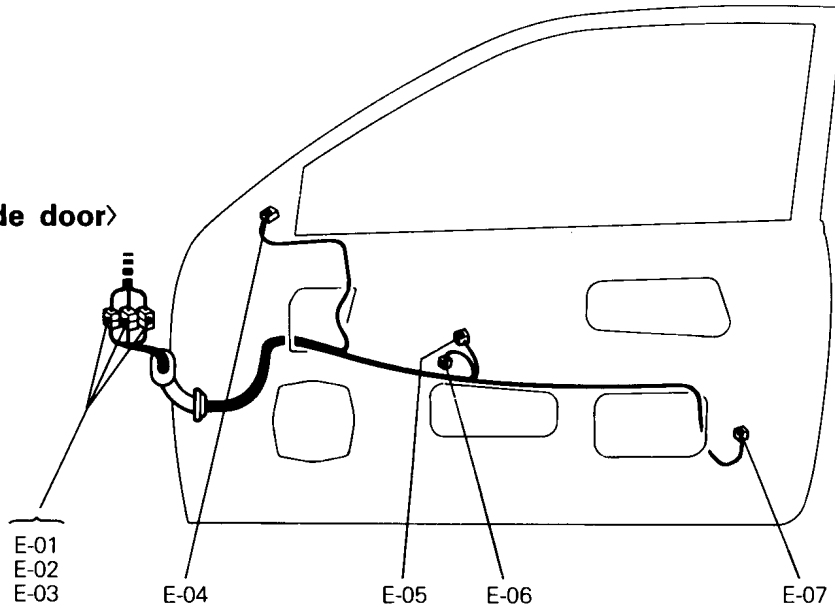
- E-12 } Body wiring harness and door wiring harness (RH)
- E-13 } combination
- E-14 } Body wiring harness and door wiring harness (RH)
- } combination <Vehicles with door mirror heater>
- E-15 } Remote controlled mirror (RH)
- E-16 } —
- E-17 } Power window motor (RH)
- E-18 } Power window sub switch
- E-19 } Door lock actuator (RH)
- E-20 } Door lock key cylinder switch

DOOR

Hatchback <R.H. drive vehicles>

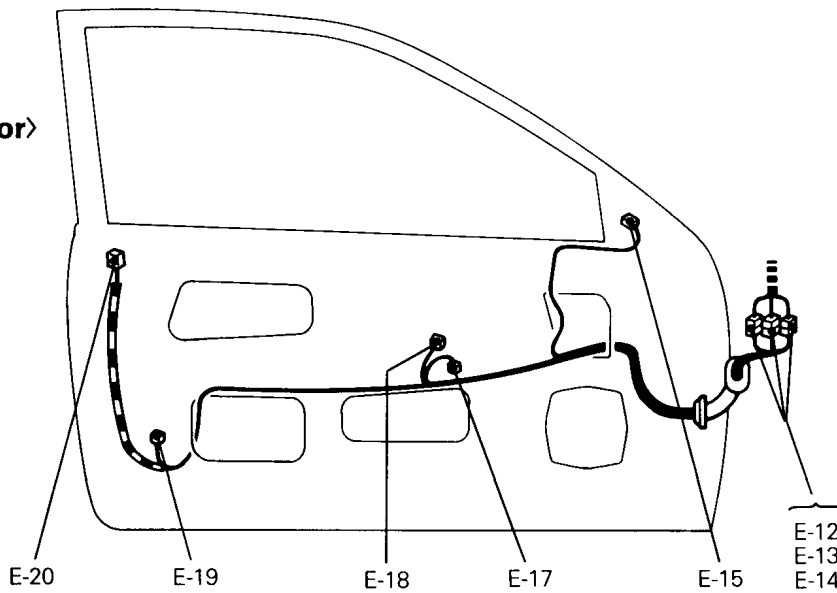


<Driver's side door>



36S0050

<Passenger side door>

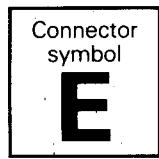


36S0049

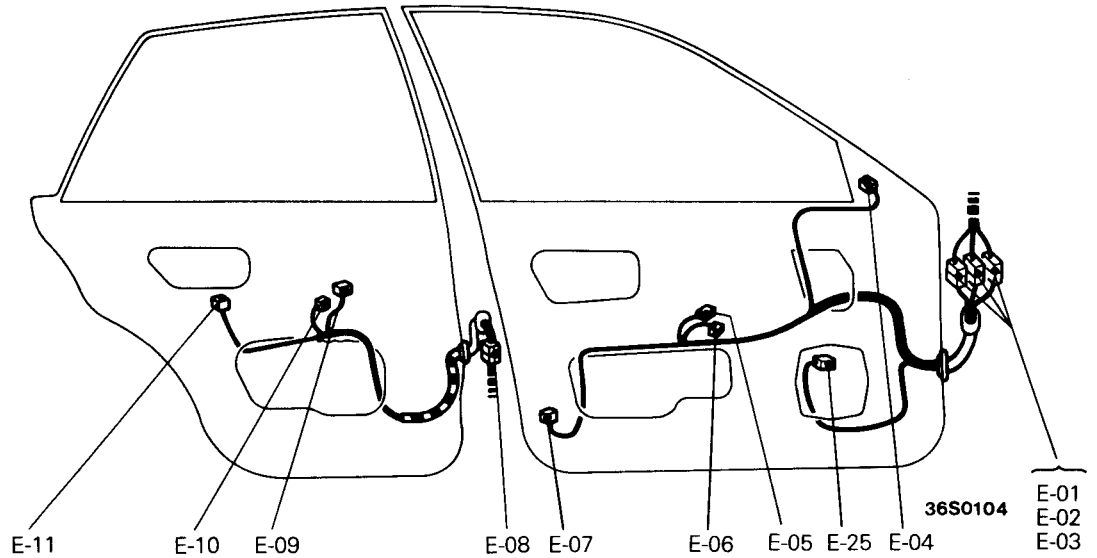
- | | |
|---|---|
| E-01 } Body wiring harness and door wiring harness (RH) | E-12 } Body wiring harness and door wiring harness (LH) |
| E-02 } combination | E-13 } combination |
| E-03 } Body wiring harness and door wiring harness (RH) | E-14 } Body wiring harness and door wiring harness (LH) |
| combination <Vehicles with door mirror heater> | combination <Vehicles with door mirror heater> |
| E-04 } Remote controlled mirror (RH) | E-15 } Remote controlled mirror (LH) |
| E-05 } Power window main switch | E-16 } — |
| E-06 } Power window motor (RH) | E-17 } Power window motor (LH) |
| E-07 } Door lock actuator (RH) | E-18 } Power window sub switch |
| E-08 } — | E-19 } Door lock actuator (LH) |
| thru } — | E-20 } Door lock key cylinder switch |
| E-11 } — | |

DOOR

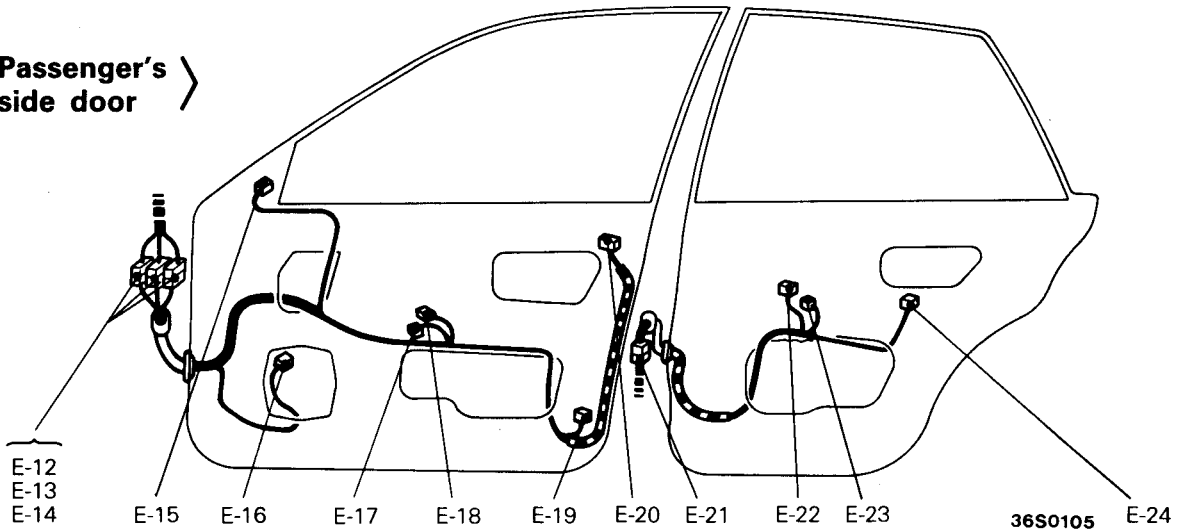
Sedan and wagon <L.H. drive vehicles>



< Driver's side door >



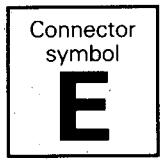
< Passenger's side door >



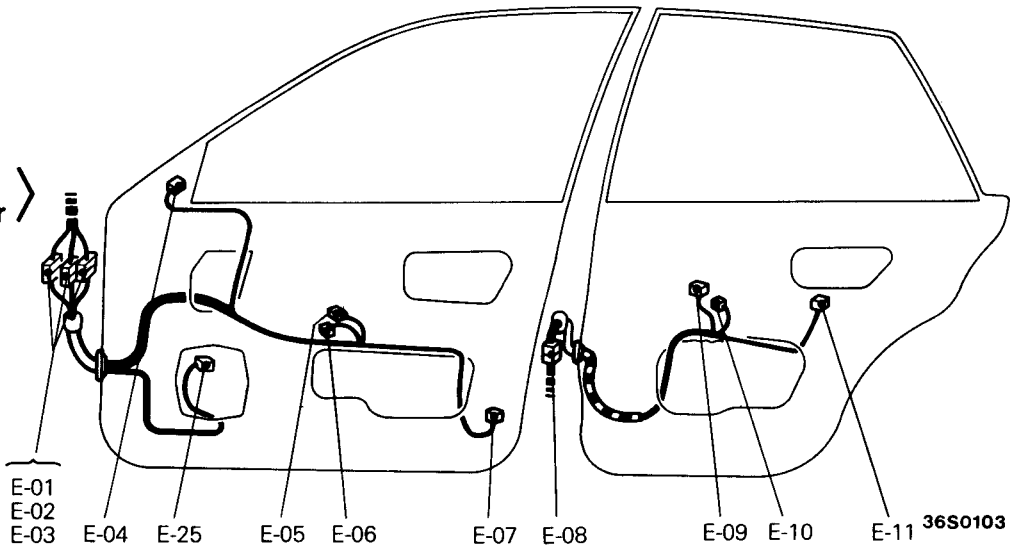
- | | |
|---|--|
| E-01 } Body wiring harness and front door wiring harness (LH) | E-14 } Body wiring harness and door wiring harness (RH) |
| E-02 } combination | combination <Vehicles with door mirror heater> |
| E-03 } Body wiring harness and door wiring harness (LH) | E-15 } Remote controlled mirror (RH) |
| combination <Vehicles with door mirror heater> | E-16 } Door speaker (RH) |
| E-04 } Remote controlled mirror (LH) | E-17 } Front power window motor (RH) |
| E-05 } Power window main switch | E-18 } Front power window sub switch |
| E-06 } Front power window motor (LH) | E-19 } Front door lock actuator (RH) |
| E-07 } Front door lock actuator (LH) | E-20 } Door lock key cylinder switch |
| E-08 } Body wiring harness and rear door wiring harness (LH) | E-21 } Body wiring harness and rear door wiring harness (RH) |
| combination | combination |
| E-09 } Rear power window sub switch (LH) | E-22 } Rear power window sub switch (RH) |
| E-10 } Rear power window motor (LH) | E-23 } Rear power window motor (RH) |
| E-11 } Rear door lock actuator (LH) | E-24 } Rear door lock actuator (RH) |
| E-12 } Body wiring harness and front door wiring harness (RH) | E-25 } Door speaker (LH) |
| E-13 } combination | |

DOOR

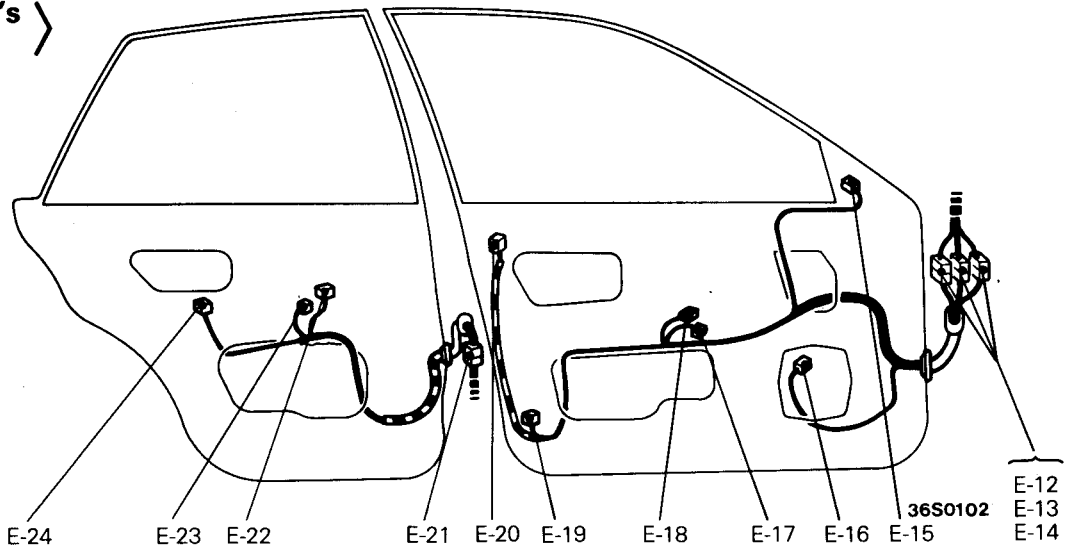
Sedan and wagon <R.H. drive vehicles>



< Driver's side door >



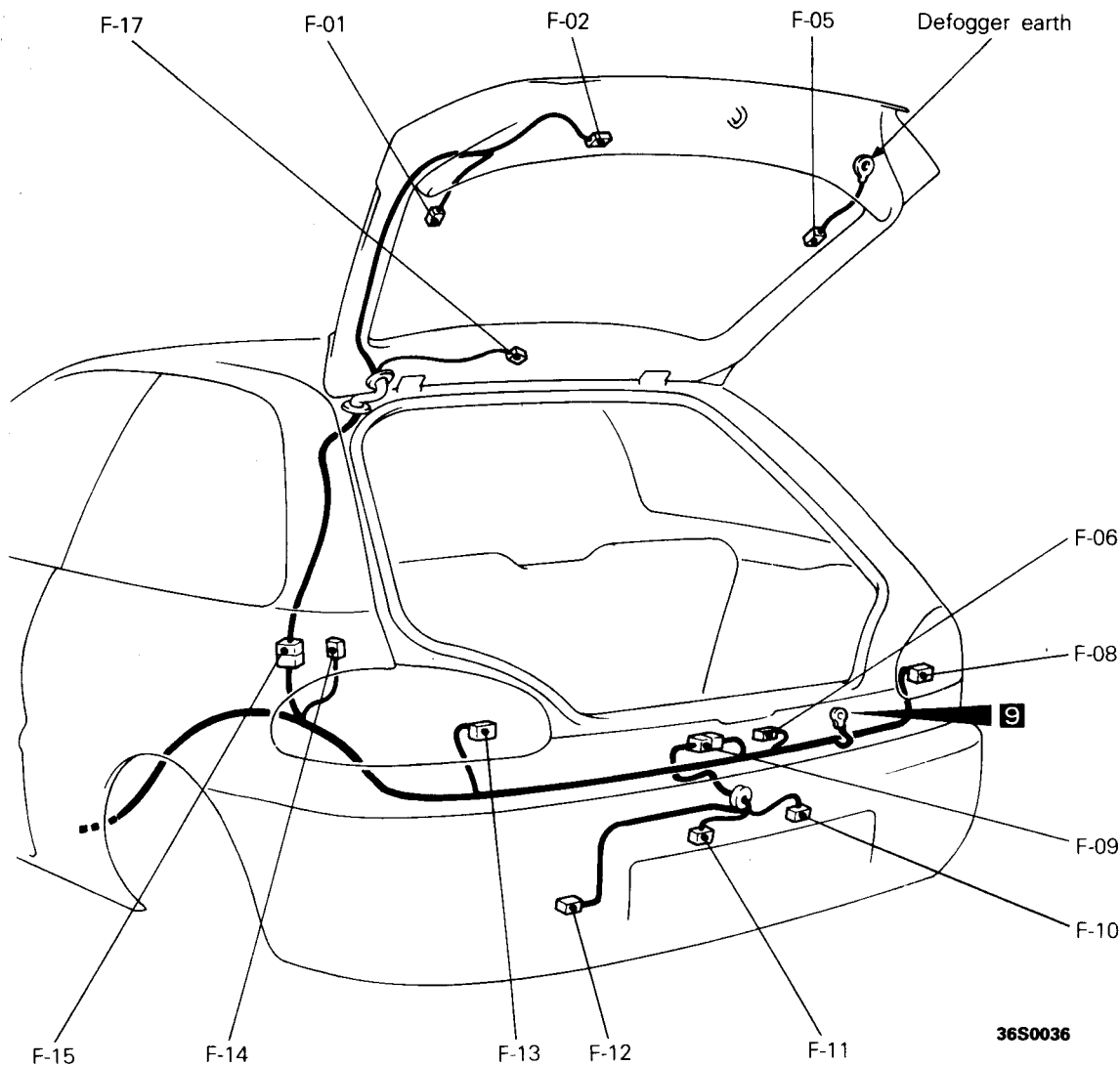
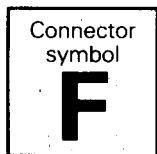
< Passenger's side door >



- | | |
|---|--|
| E-01 } Body wiring harness and front door wiring harness (RH) | E-14 } Body wiring harness and door wiring harness (LH) |
| E-02 } combination | E-15 } combination <Vehicles with door mirror heater> |
| E-03 } Body wiring harness and door wiring harness (RH) | E-16 } Remote controlled mirror (LH) |
| E-04 } combination <Vehicles with door mirror heater> | E-17 } Door speaker (LH) |
| E-05 } Remote controlled mirror (RH) | E-18 } Front power window motor (LH) |
| E-06 } Power window main switch | E-19 } Front power window sub switch |
| E-07 } Front power window motor (RH) | E-20 } Front door lock actuator (LH) |
| E-08 } Front door lock actuator (RH) | E-21 } Door lock key cylinder switch |
| E-09 } Body wiring harness and rear door wiring harness (RH) | E-22 } Body wiring harness and rear door wiring harness (LH) |
| E-10 } combination | E-23 } combination |
| E-11 } Rear power window sub switch (RH) | E-24 } Rear power window sub switch (LH) |
| E-12 } Body wiring harness and front door wiring harness (LH) | E-25 } Rear power window motor (LH) |
| E-13 } combination | E-26 } Rear door lock actuator (LH) |
| E-14 } combination | E-27 } Door speaker (RH) |

LUGGAGE COMPARTMENT

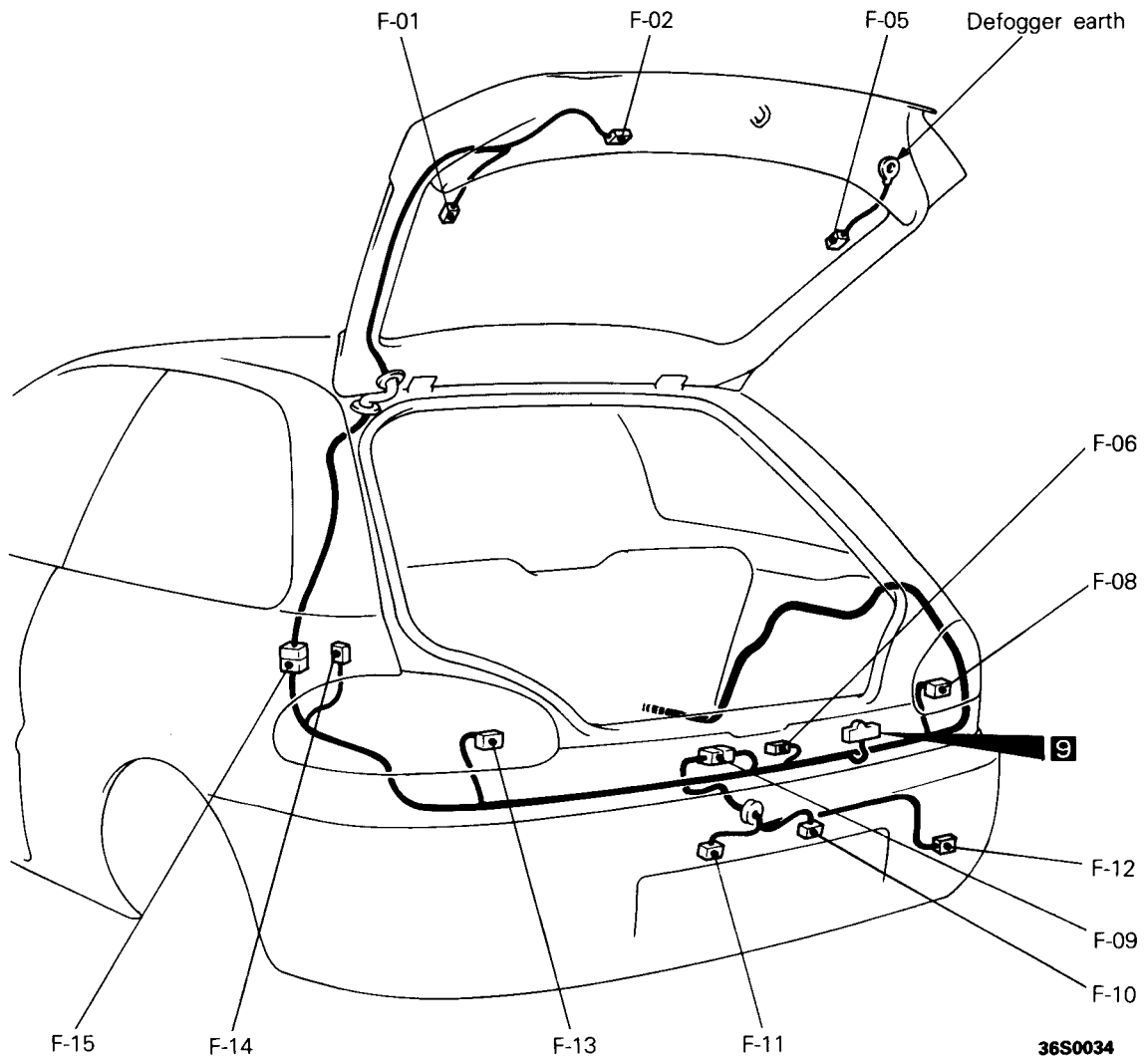
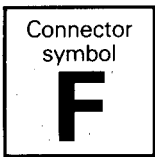
Hatchback <L.H. drive vehicles>



F-01	Defogger (+)	F-10	Licence plate lamp (RH)
F-02	Rear wiper motor	F-11	Licence plate lamp (LH)
F-03	—	F-12	Rear fog lamp
F-04	—	F-13	Rear combination lamp (LH)
F-05	Defogger (—)	F-14	Luggage compartment lamp
F-06	Tailgate switch	F-15	Rear wiring harness and tailgate wiring harness combination
F-07	—	F-16	—
F-08	Rear combination lamp (RH)	F-17	High mounted stop lamp
F-09	Rear wiring harness and licence plate lamp wiring harness combination		

LUGGAGE COMPARTMENT

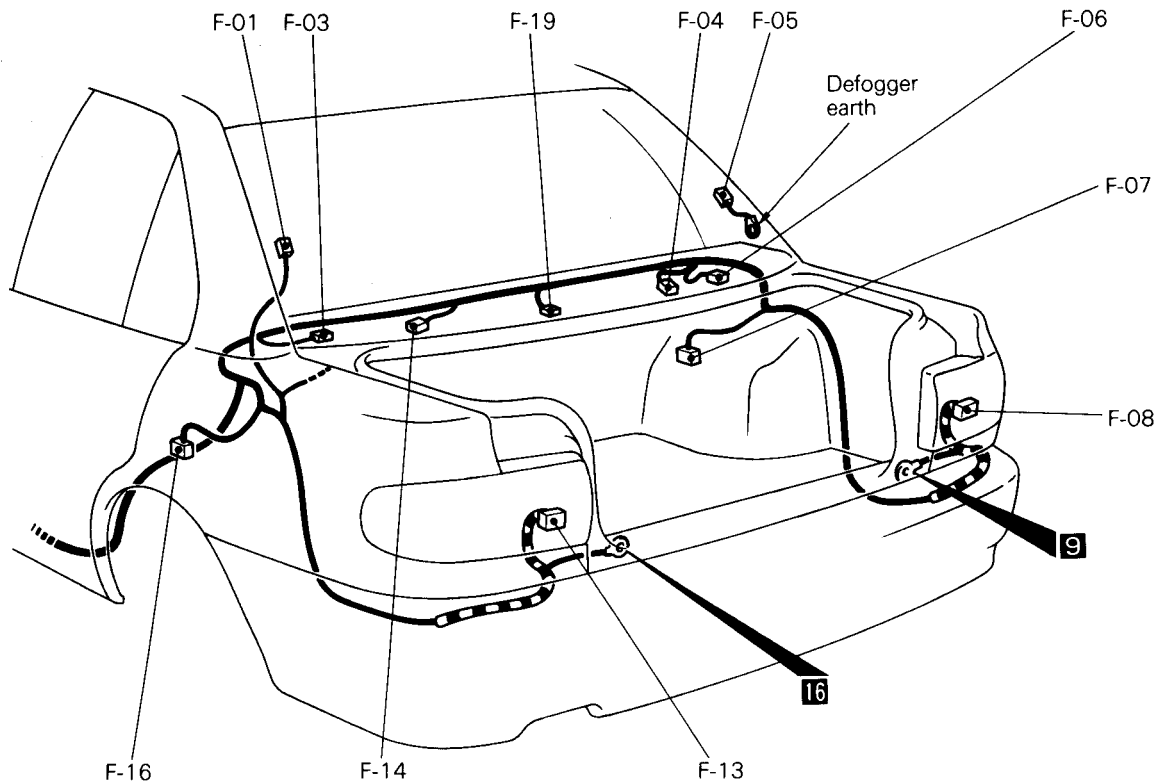
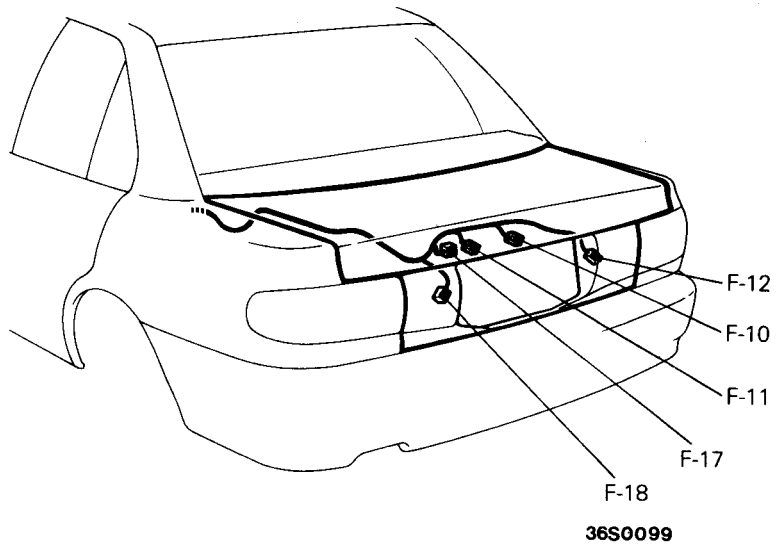
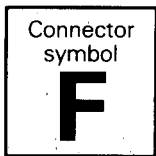
Hatchback <R.H. drive vehicles>



- | | | | |
|------|---|------|---|
| F-01 | Defogger (+) | F-10 | Licence plate lamp (RH) |
| F-02 | Rear wiper motor | F-11 | Licence plate lamp (LH) |
| F-03 | — | F-12 | Rear fog lamp |
| F-04 | — | F-13 | Rear combination lamp (LH) |
| F-05 | Defogger (-) | F-14 | Luggage compartment lamp |
| F-06 | Tailgate switch | F-15 | Rear wiring harness and tailgate wiring harness combination |
| F-07 | — | | |
| F-08 | Rear combination lamp (RH) | | |
| F-09 | Rear wiring harness and licence plate lamp wiring harness combination | | |

LUGGAGE COMPARTMENT

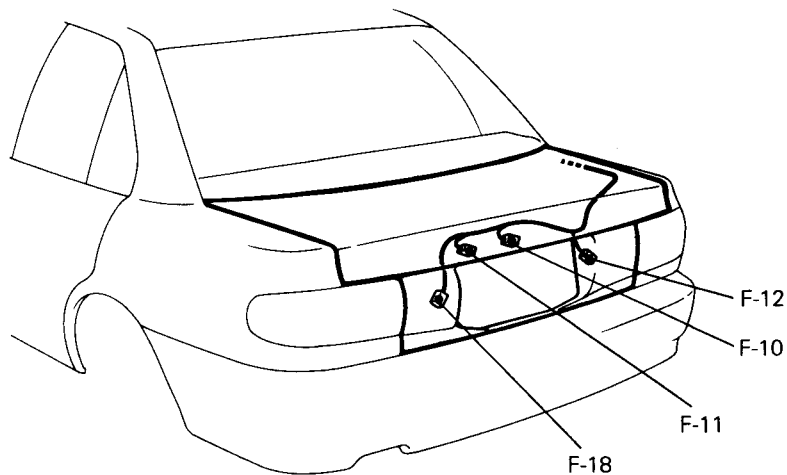
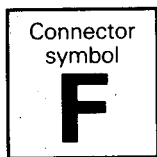
Sedan <L.H. drive vehicles>



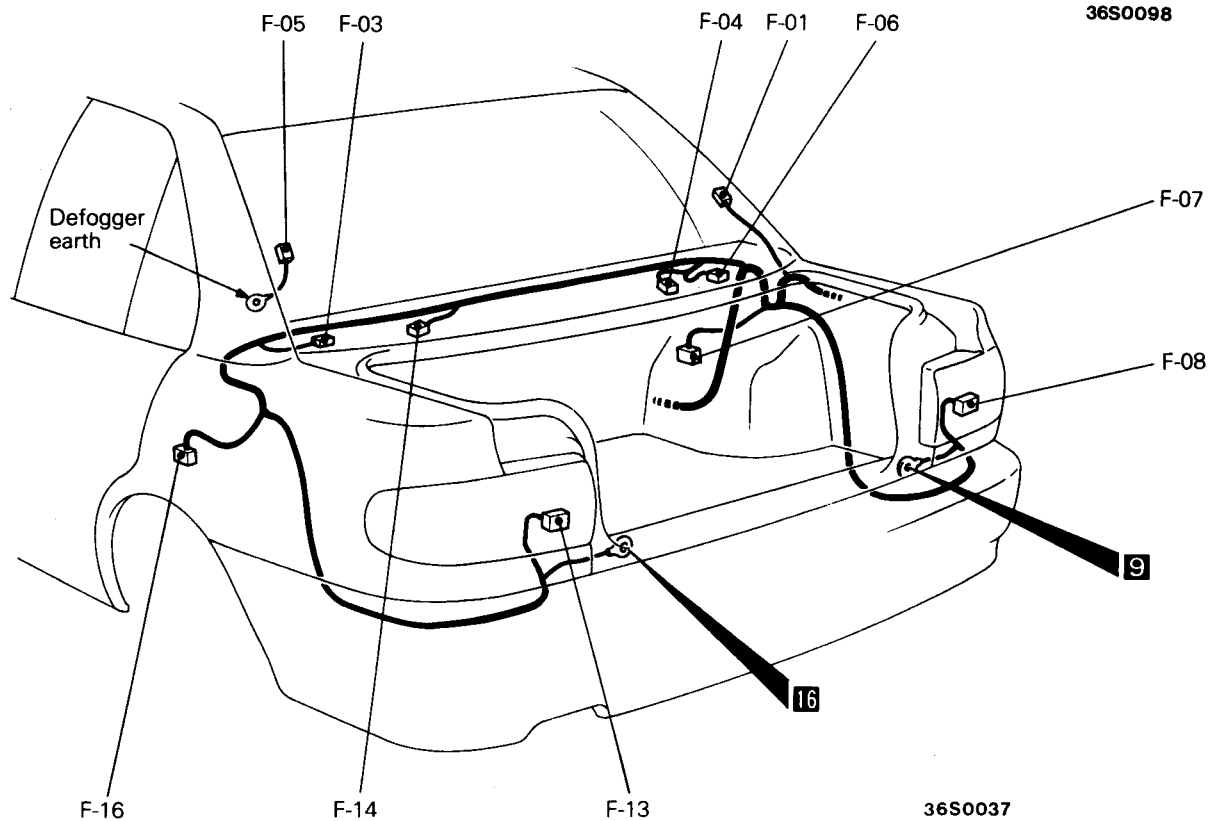
- | | | | |
|------|------------------------------------|------|--|
| F-01 | Defogger (+) | F-11 | Licence plate lamp (LH) |
| F-02 | — | F-12 | Rear fog lamp (RH) |
| F-03 | Rear speaker (LH) or no connection | F-13 | Rear combination lamp (LH) |
| F-04 | Rear speaker (RH) or no connection | F-14 | Luggage compartment lamp |
| F-05 | Defogger (—) | F-15 | — |
| F-06 | Luggage compartment lamp switch | F-16 | Rear door switch (LH) |
| F-07 | Rear door switch (RH) | F-17 | High mounted stop lamp (installed on rear spoiler) |
| F-08 | Rear combination lamp (RH) | F-18 | Rear fog lamp (LH) |
| F-09 | — | F-19 | High mounted stop lamp (installed on rear shelf) |
| F-10 | Licence plate lamp (RH) | | |

LUGGAGE COMPARTMENT

Sedan <R.H. drive vehicles>



36S0098

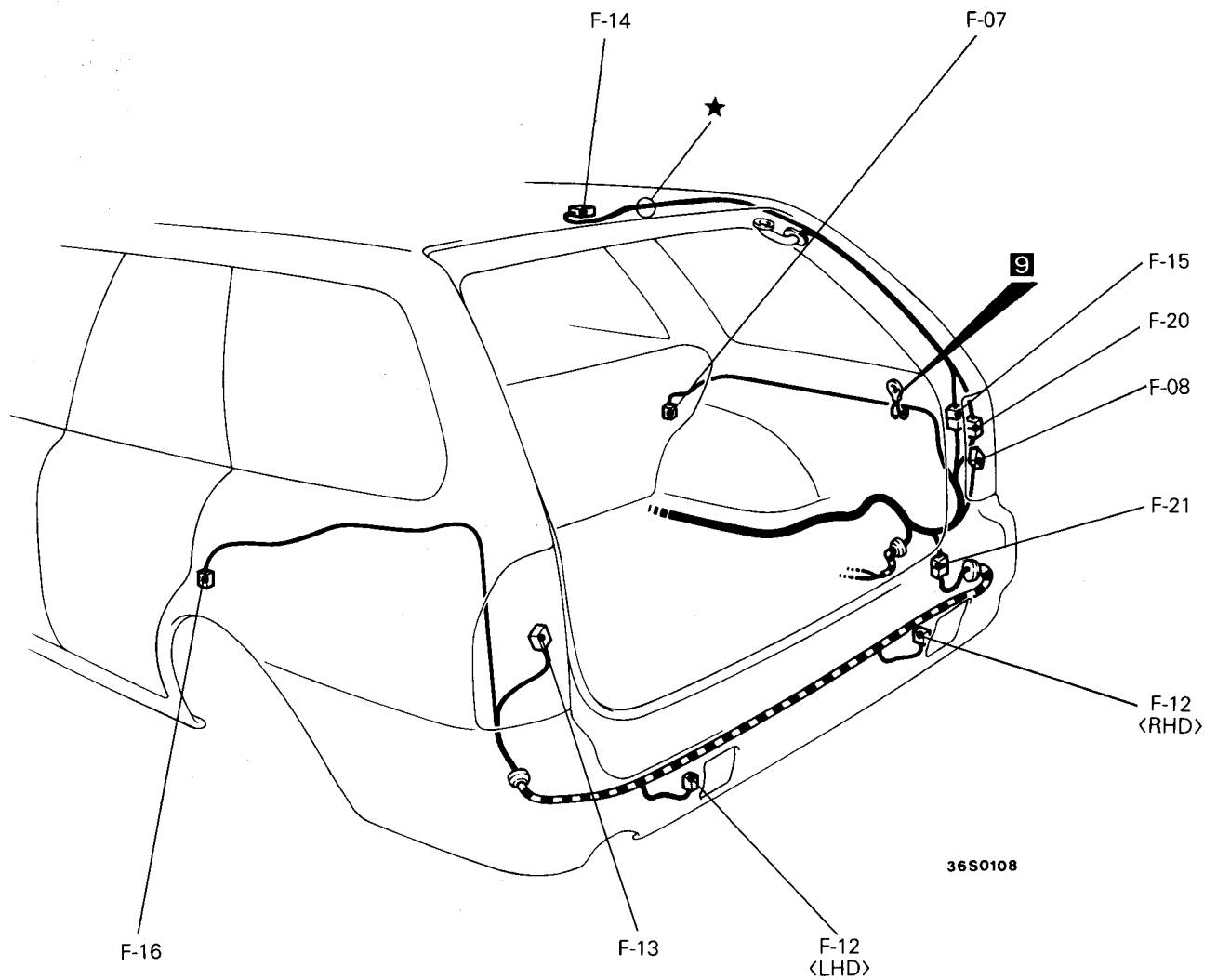
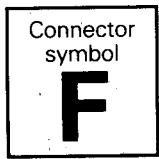


36S0037

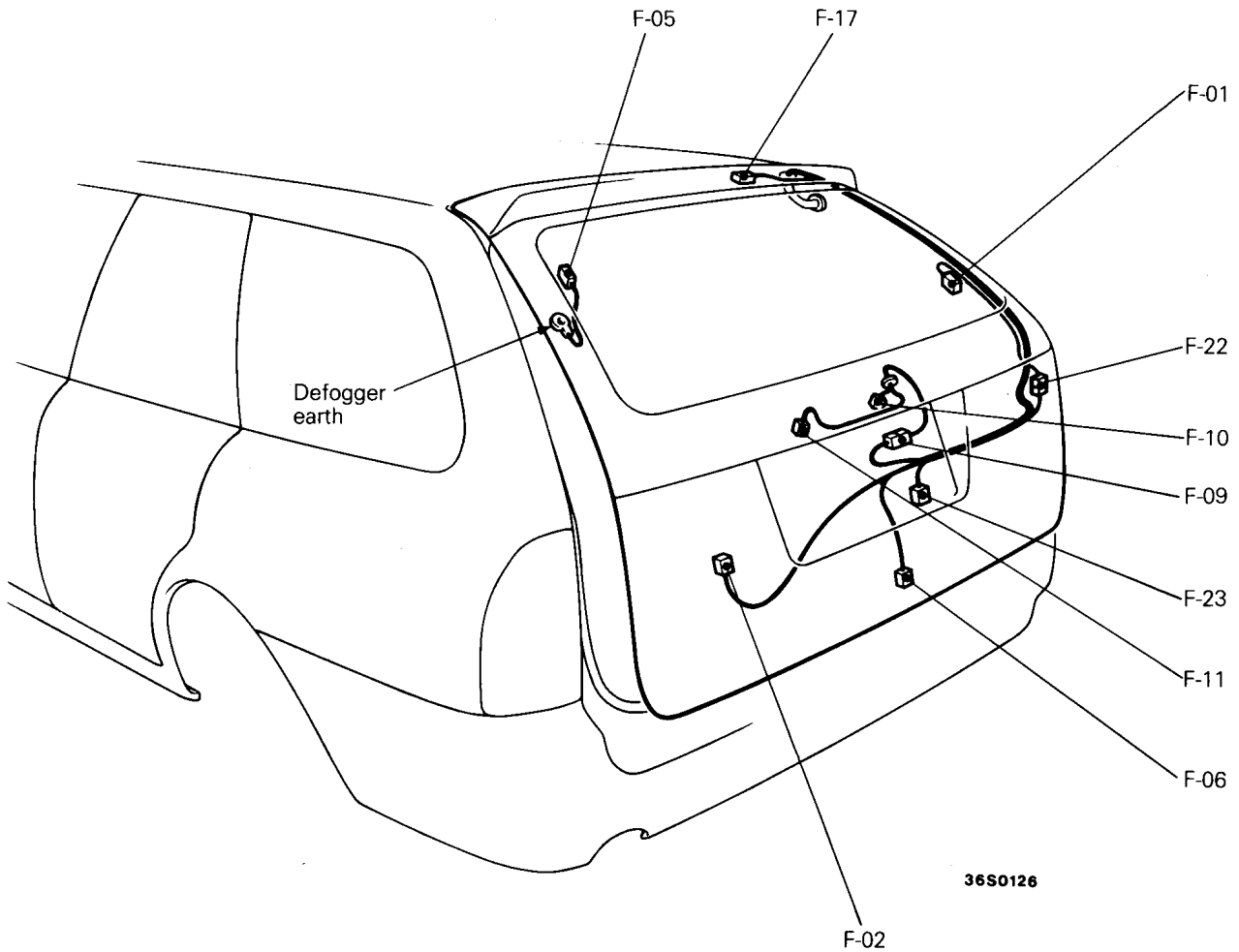
F-01	Defogger (+)	F-10	Licence plate lamp (RH)
F-02	—	F-11	Licence plate lamp (LH)
F-03	Rear speaker (LH) or no connection	F-12	Rear fog lamp (RH)
F-04	Rear speaker (RH) or no connection	F-13	Rear combination lamp (LH)
F-05	Defogger (—)	F-14	Luggage compartment lamp
F-06	Luggage compartment lamp switch	F-15	—
F-07	Rear door switch (RH)	F-16	Rear door switch (LH)
F-08	Rear combination lamp (RH)	F-17	—
F-09	—	F-18	Rear fog lamp (LH)

LUGGAGE COMPARTMENT

Wagon



- | | | | |
|------|-----------------------|------|---|
| F-01 | Defogger (+) | F-08 | Rear combination lamp (RH) |
| F-02 | Rear wiper motor | F-09 | Tailgate wiring harness and licence plate lamp wiring harness combination |
| F-03 | — | F-10 | Licence plate lamp (RH) |
| F-04 | — | F-11 | Licence plate lamp (LH) |
| F-05 | Defogger (—) | F-12 | Rear fog lamp |
| F-06 | Tailgate switch | F-13 | Rear combination lamp (LH) |
| F-07 | Rear door switch (RH) | | |

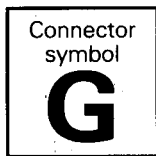


36S0126

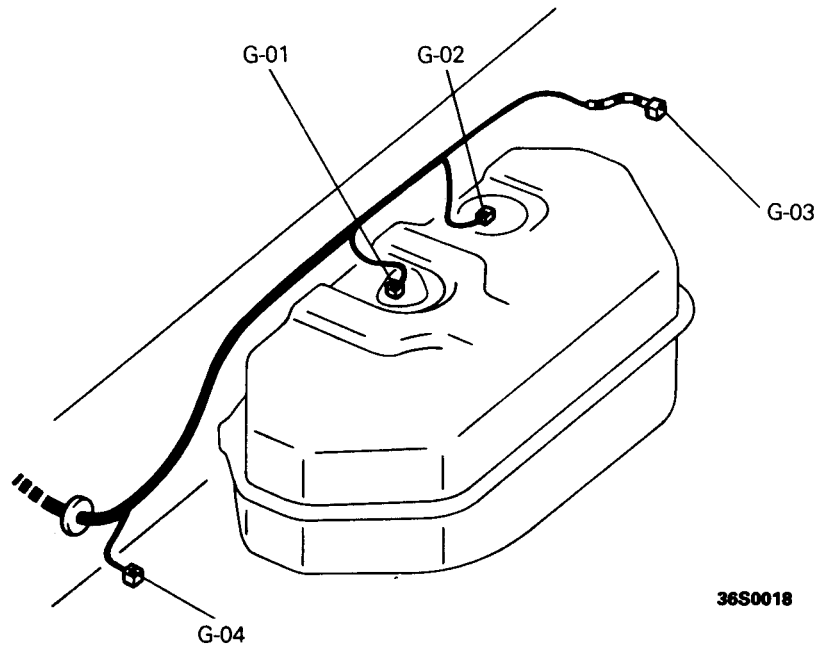
- | | | | |
|------|---|------|---|
| F-14 | Cargo room lamp | F-20 | Rear wiring harness and tailgate wiring harness combination |
| F-15 | Rear wiring harness and tailgate wiring harness combination | F-21 | Rear wiring harness and rear end wiring harness combination |
| F-16 | Rear door switch (LH) | F-22 | Tailgate wiring harness and defogger cable (+) combination |
| F-17 | High mounted stop lamp | F-23 | Tailgate lock actuator |
| F-18 | — | | |
| F-19 | — | | |

UNDER REAR FLOOR

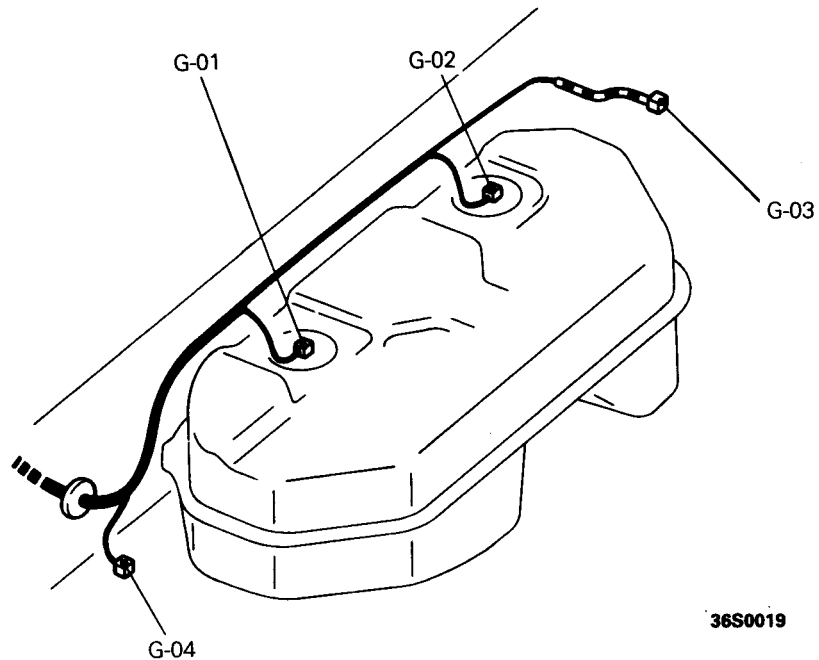
Hatchback and sedan



<2WD>



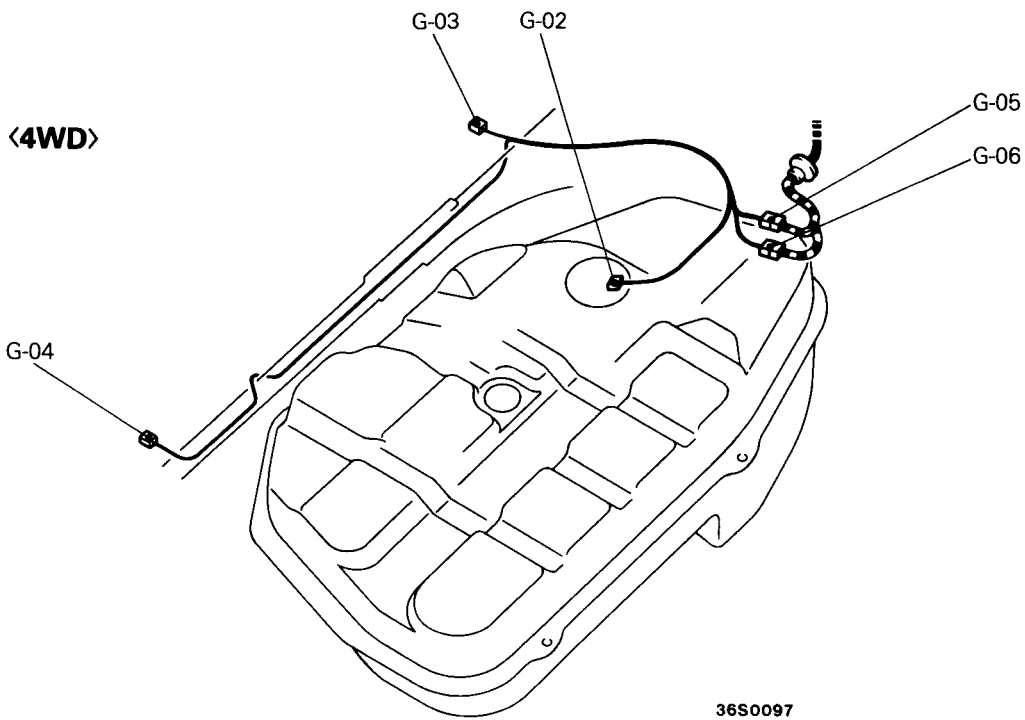
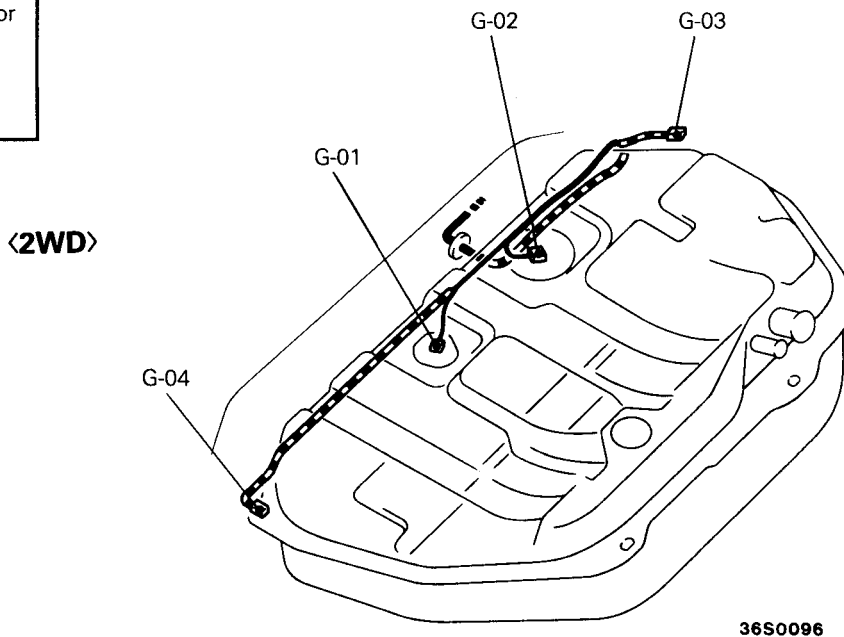
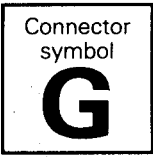
<4WD>



- G-01 Fuel gauge unit <2WD> or sub fuel gauge unit <4WD>
- G-02 Fuel pump <2WD-MPI> or fuel pump and main fuel gauge unit <4WD>
- G-03 ABS speed sensor (Rear: RH)
- G-04 ABS speed sensor (Rear: LH)

UNDER REAR FLOOR

Wagon



- | | | | |
|------|---|------|--|
| G-01 | Fuel gauge unit <2WD> | G-05 | Fuel pump wiring harness and rear wiring harness combination <4WD> |
| G-02 | Fuel pump <2WD-MPI> or fuel pump and gauge unit <4WD> | G-06 | Rear sensor wiring harness and rear wiring harness combination <4WD (ABS)> |
| G-03 | ABS speed sensor (Rear: RH) | | |
| G-04 | ABS speed sensor (Rear: LH) | | |

NOTE

3A SINGLE PART INSTALLATION POSITION

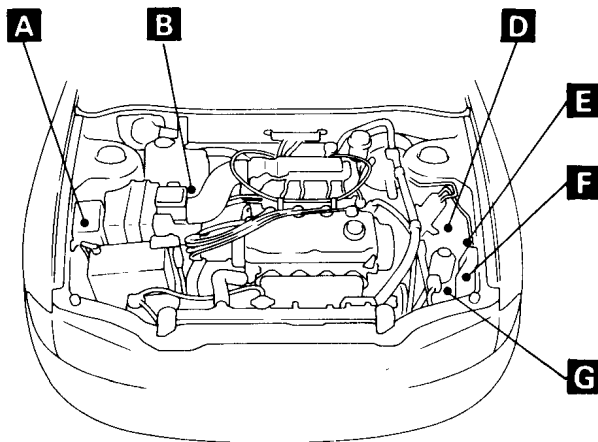
RELAY	3A-2
CONTROL UNIT	3A-5
SENSOR	
4G13	3A-7
4G92	3A-9
4G93	3A-12
4D68	3A-15
SOLENOID VALVE	3A-17
DIODE	3A-19
INSPECTION TERMINAL AND SPARE CONNECTOR	3A-21
FUSIBLE LINK AND FUSE	3A-22
EARTH CABLE	3A-23
EARTH	3A-24

RELAY

Name	Symbol	Name	Symbol
ABS motor relay	G	Fan motor (LO) relay <Diesel>	F
ABS power relay	L	Front fog lamp relay	L
ABS valve relay	G	Glow plug relay	C
A/C compressor relay	F	Headlamp relay	A
Alternator relay	A	Headlamp washer relay	B
Blower motor relay	M	Horn relay	E
Condenser fan motor relay	F	Power window relay	L
Condenser fan motor relay (HI) <Diesel>	F	Radiator fan motor relay	A
Condenser fan motor relay (LO) <Diesel>	F	Radiator fan motor relay (HI) <Diesel>	A
Daytime running lamp relay (I)	G	Radiator fan motor relay (LO) <Diesel>	H
Daytime running lamp relay (II)	G	Rear fog lamp relay	L
Defogger relay	L	Rear intermittent wiper relay	K
Dim-dip lamp relay (I)	D	Starter relay <Diesel>	A
Dim-dip lamp relay (II)	D	Tail lamp relay	A
Dim-dip lamp relay (III)	D	Turn-signal and hazard flasher unit	M
Engine control relay	J	Windshield intermittent wiper relay	I

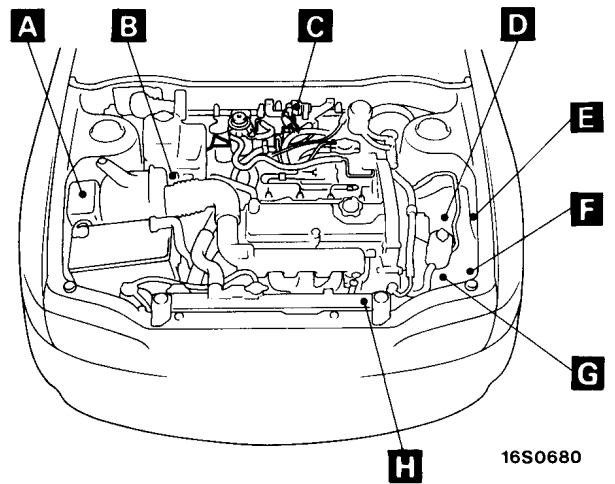
Engine compartment

<Petrol-powered vehicles>

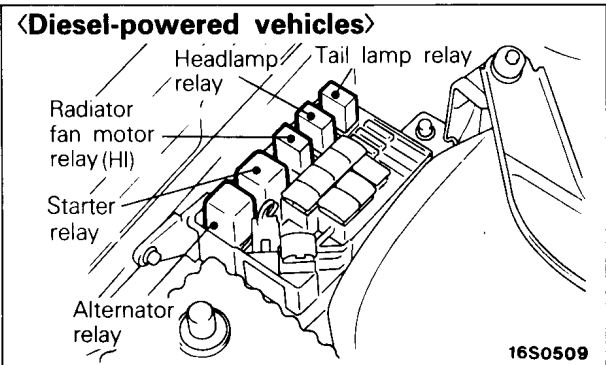
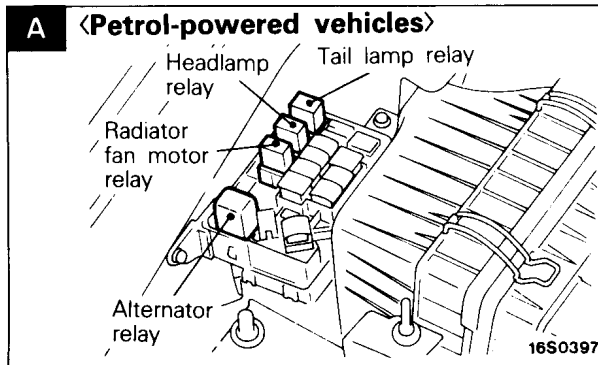


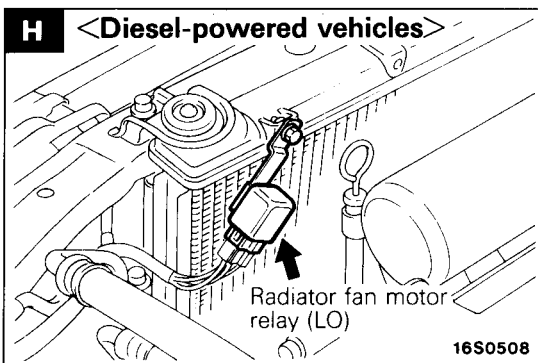
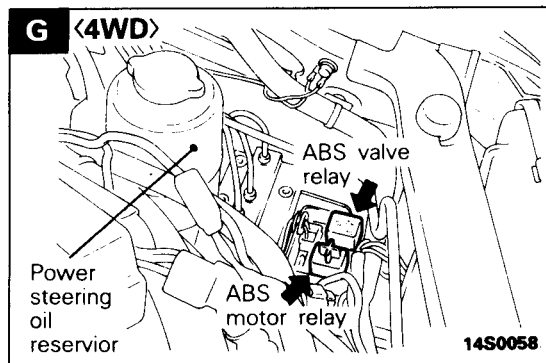
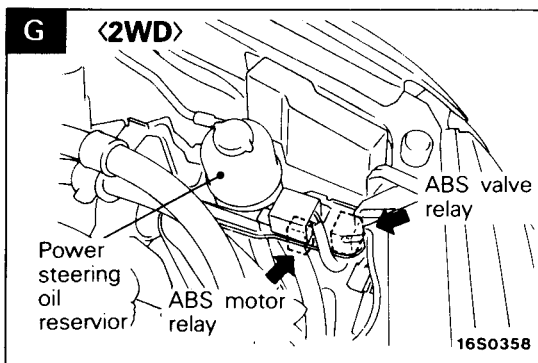
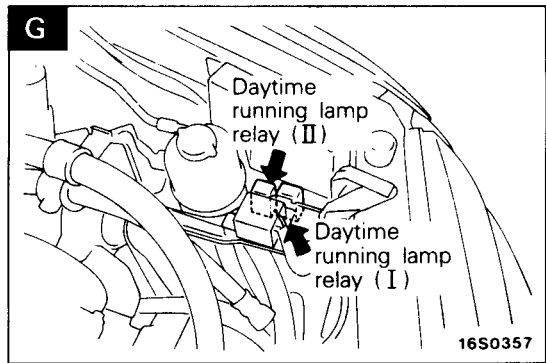
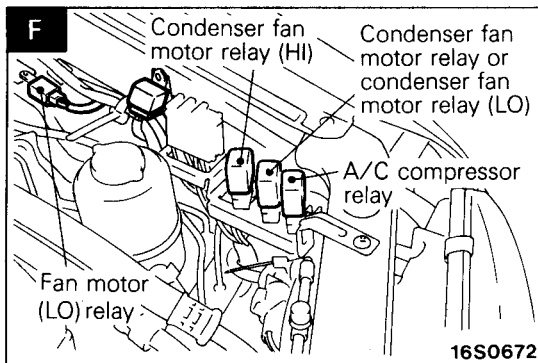
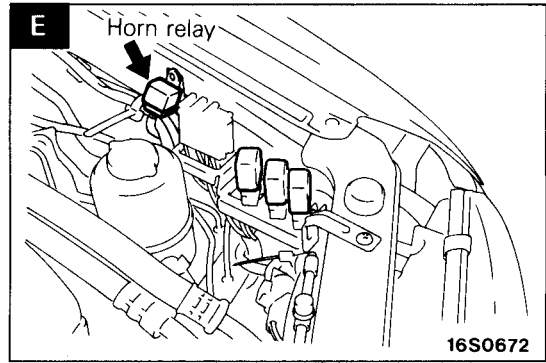
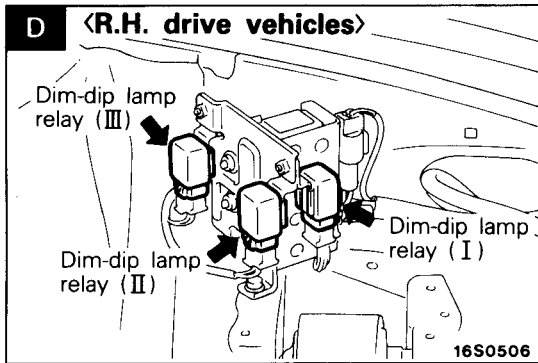
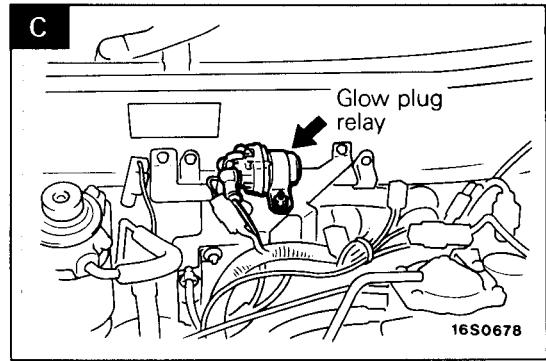
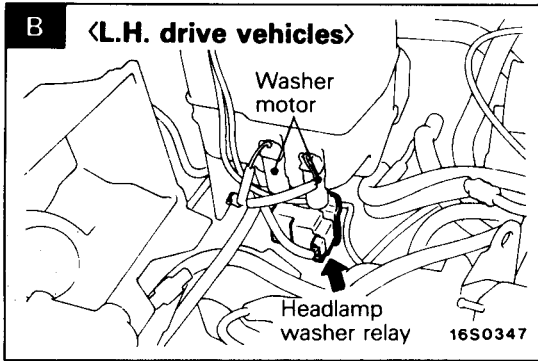
16S0349

<Diesel-powered vehicles>

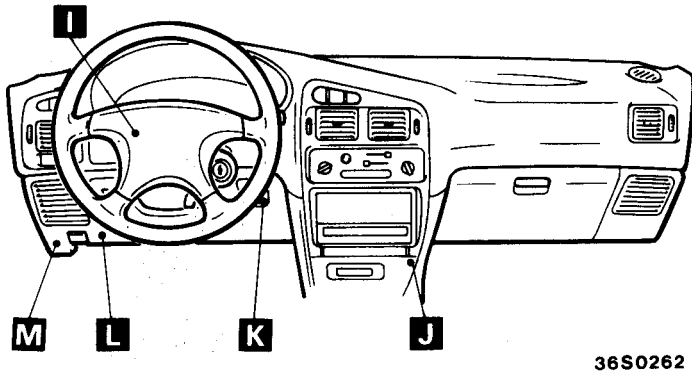


16S0680



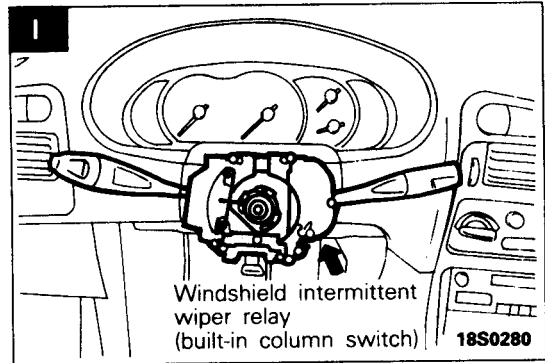


Interior

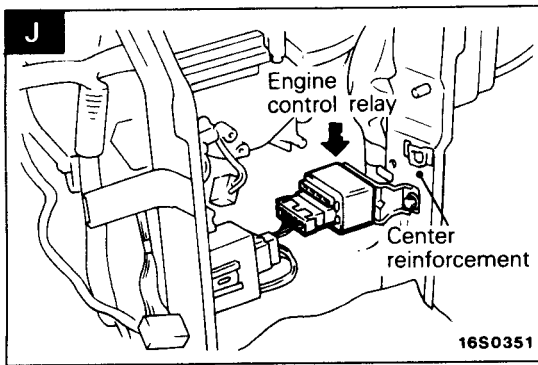


36S0262

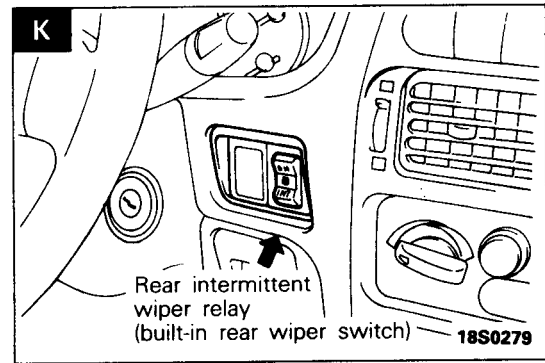
NOTE
For R.H. drive vehicles, part installation positions are symmetrical.



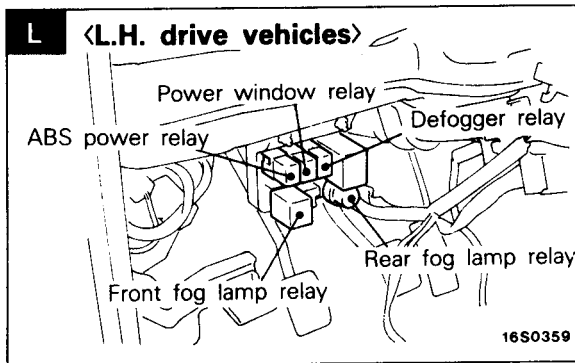
18S0280



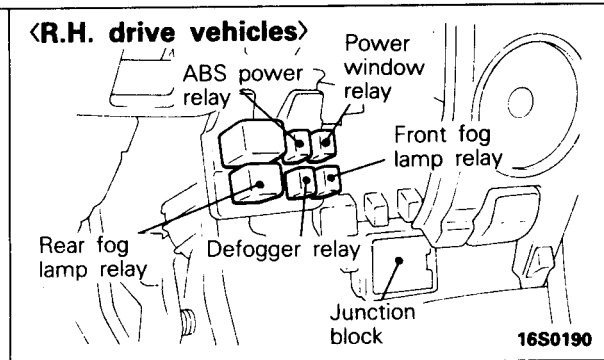
16S0351



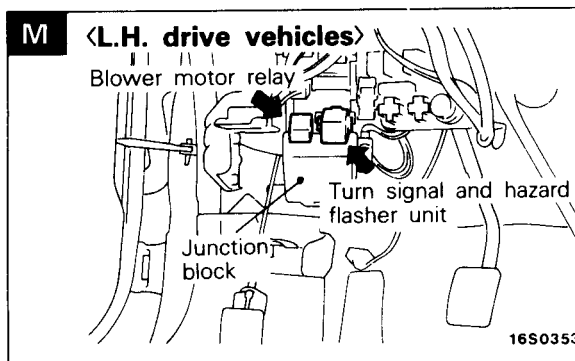
18S0279



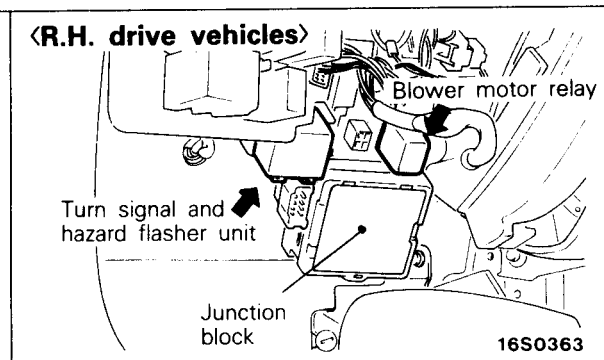
16S0359



16S0190



16S0353

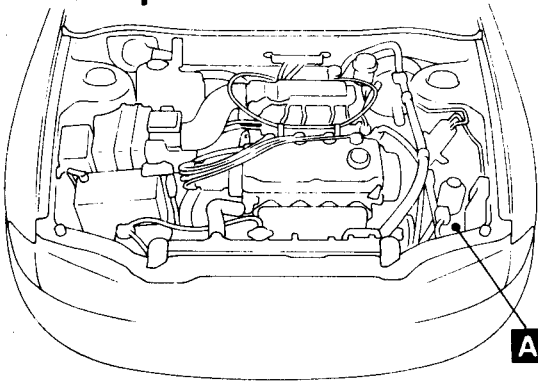


16S0363

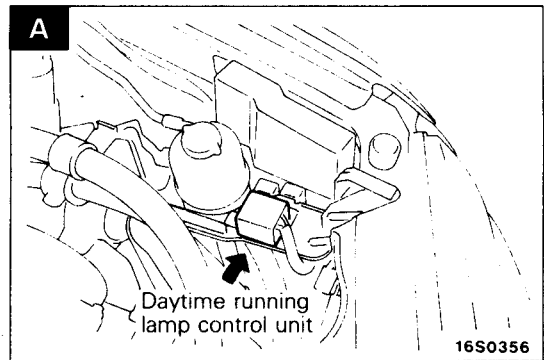
CONTROL UNIT

Name	Symbol	Name	Symbol
ABS control unit	D	Engine control unit <MPI>	C
Automatic compressor control unit	B	Glow control unit <Diesel>	C
Daytime running lamp control unit	A	LAFS amplifier	H
Door lock control unit	E	SRS diagnosis unit	G
ELC-4A/T control unit	D	Sunroof control unit	F

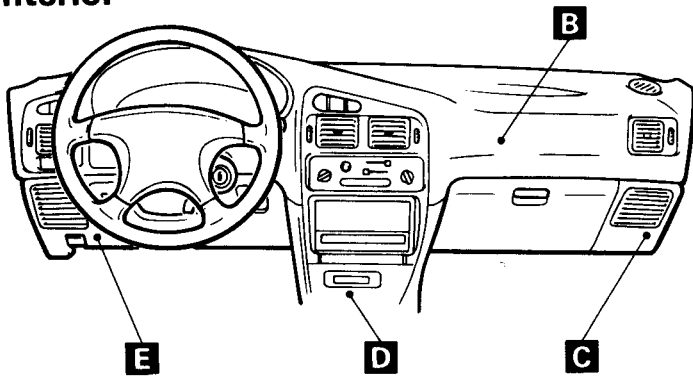
Engine compartment



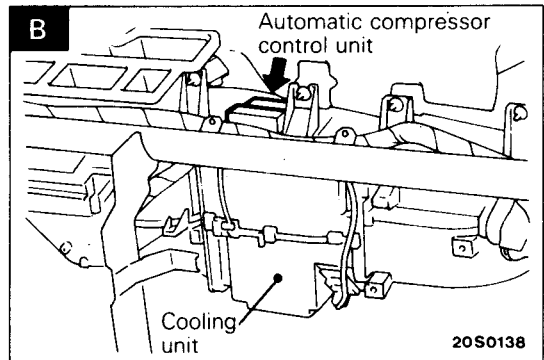
16S0349



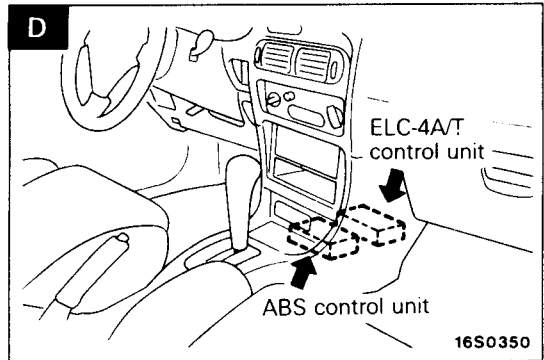
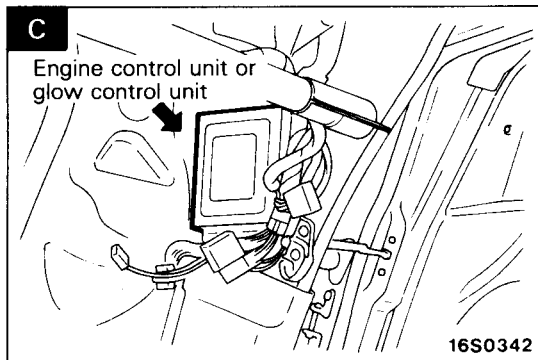
Interior

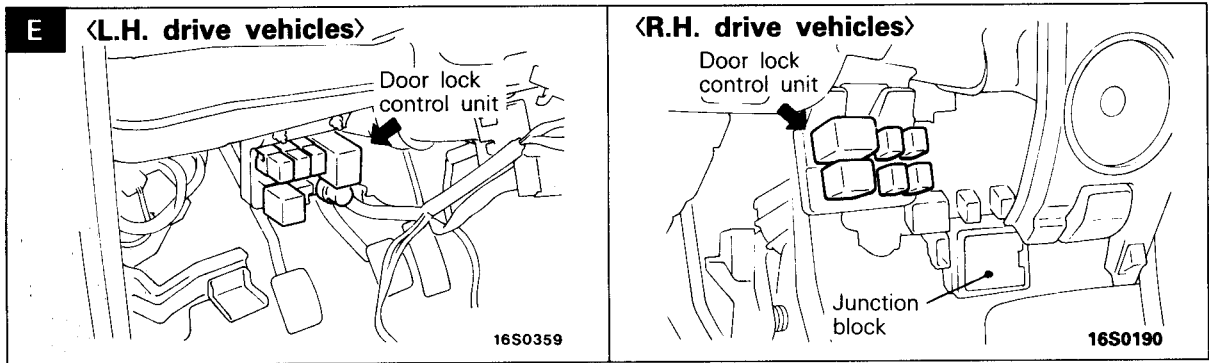


36S0262

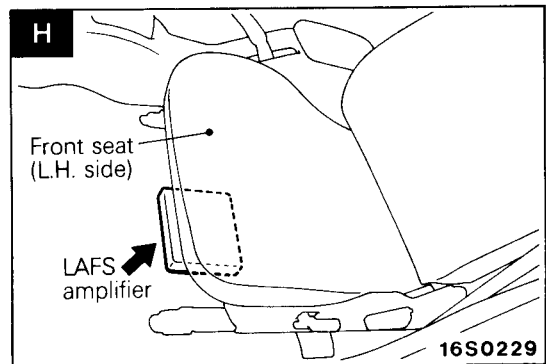
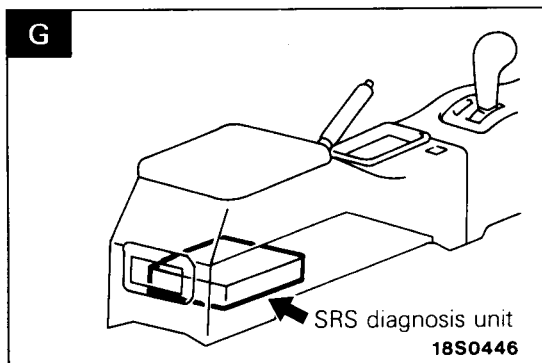
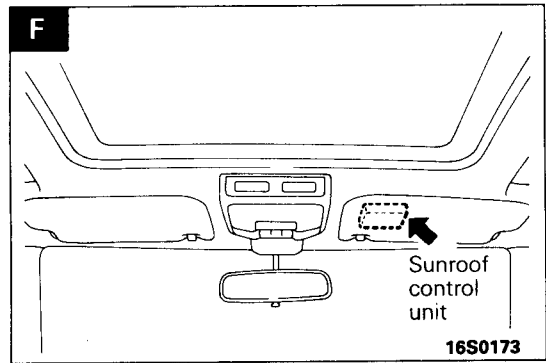
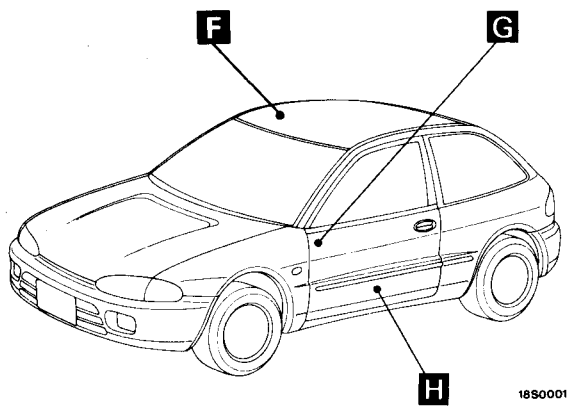


NOTE
For R.H. drive vehicles, part installation positions are symmetrical.





Roof and Floor

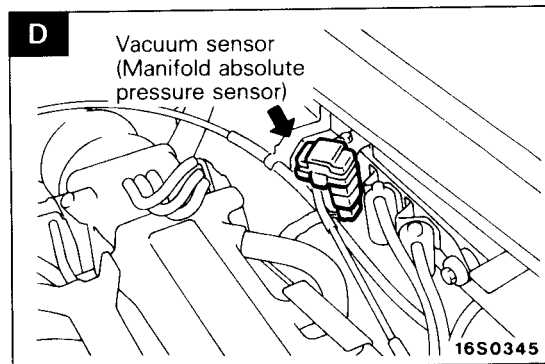
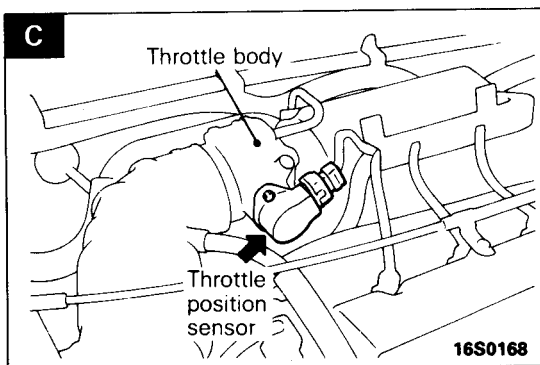
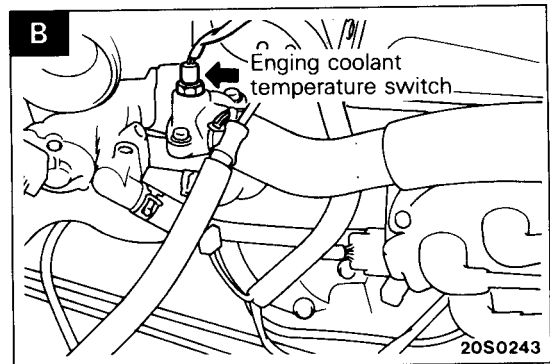
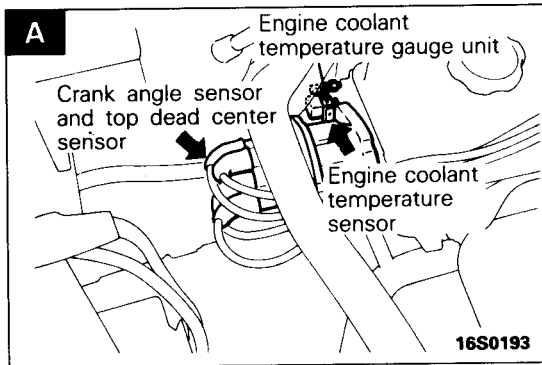
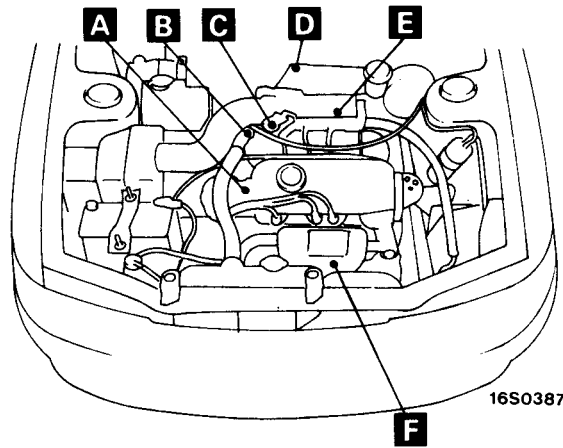


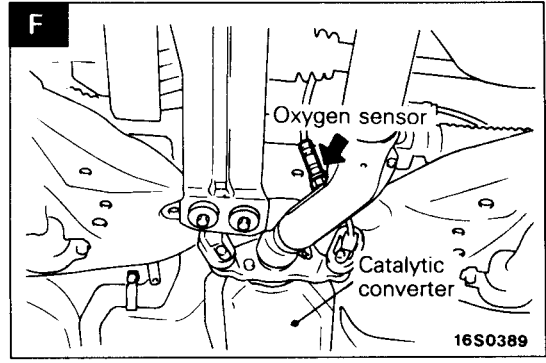
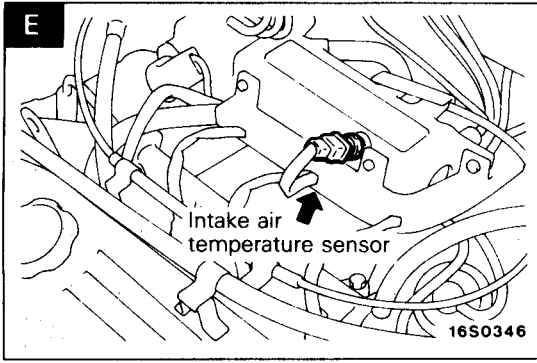
SENSOR

<4G13>

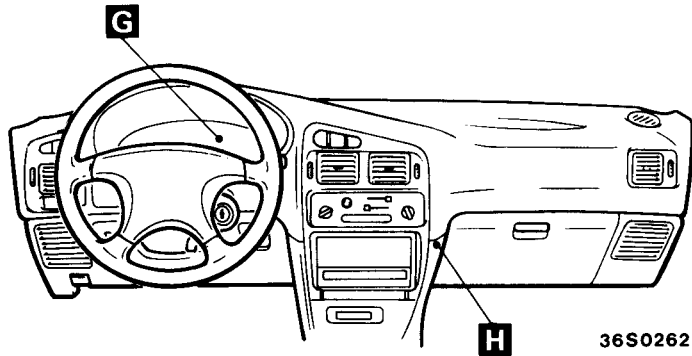
Name	Symbol	Name	Symbol
Air thermo sensor <A/C>	H	Intake air temperature sensor	E
Crank angle sensor and top dead center sensor (built-in distributor)	A	Oxygen sensor	F
		Throttle position sensor	C
Engine coolant temperature sensor (for engine control)	A	Vacuum sensor (Manifold absolute pressure sensor)	D
Engine coolant temperature switch (for A/C compressor control)	B	Vehicle speed sensor (Reed switch)	G

Engine compartment

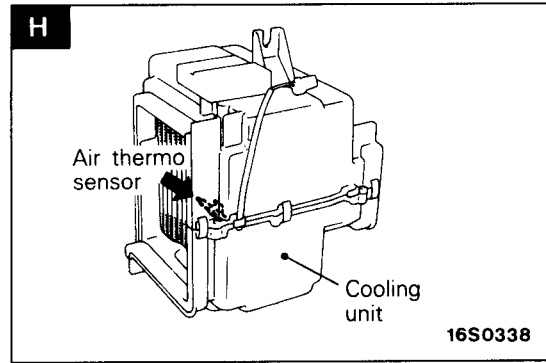
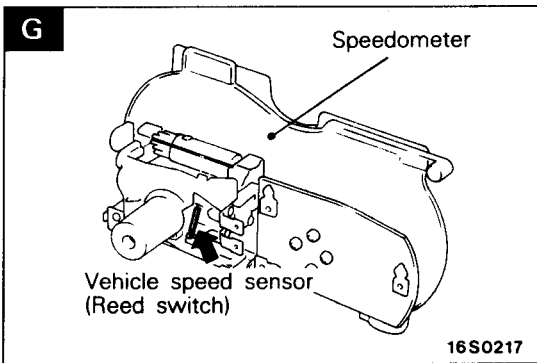




Interior



NOTE
For R.H. drive vehicles, part installation positions are symmetrical.

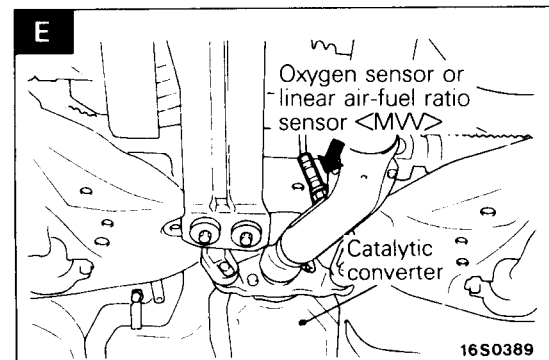
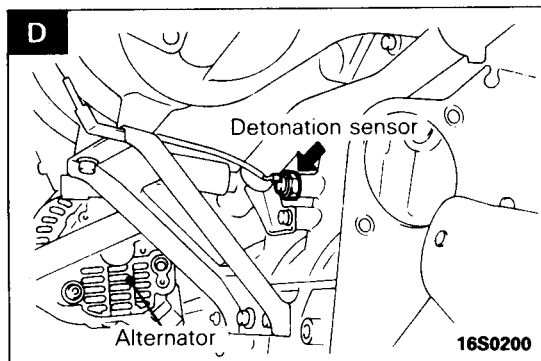
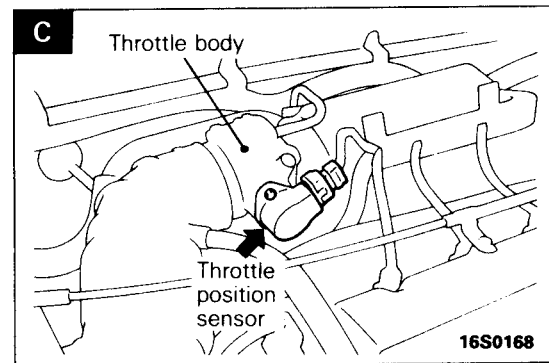
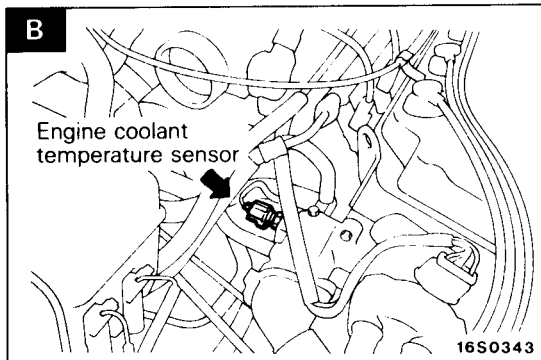
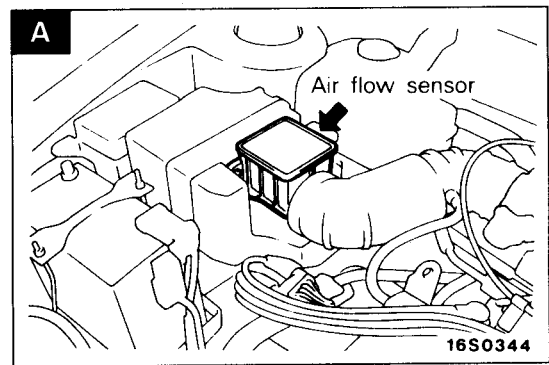
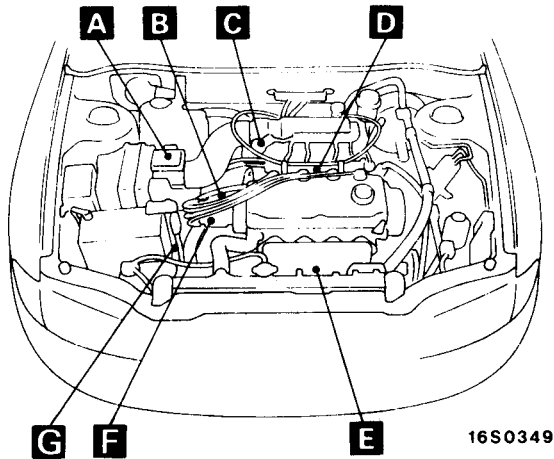


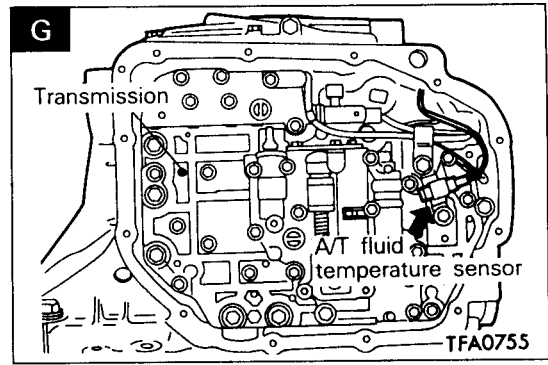
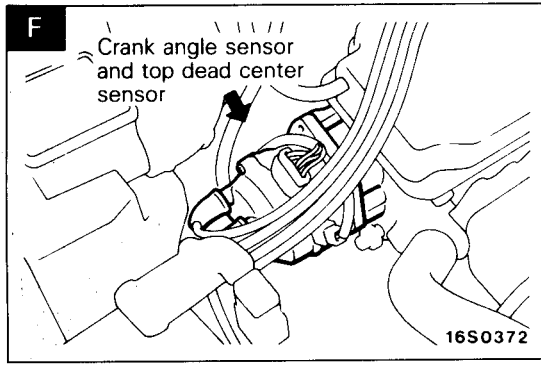
SENSOR

<4G92>

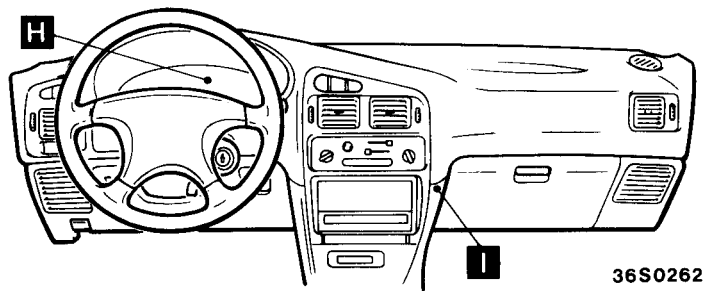
Name	Symbol	Name	Symbol
ABS G sensor <4WD>	J	Crank angle sensor and top dead center sensor (built-in distributor)	F
ABS speed sensor (front)	K	Detonation sensor	D
ABS speed sensor (rear)	L	Engine coolant temperature sensor (for engine control)	B
Air flow sensor (with built-in barometric pressure sensor, intake air temperature sensor)	A	Oxygen sensor or linear air-fuel ratio sensor <MVV>	E
		Throttle position sensor	C
Air thermo sensor <A/C>	I	Vehicle speed sensor (Reed switch)	H
A/T fluid temperature sensor	G		

Engine compartment

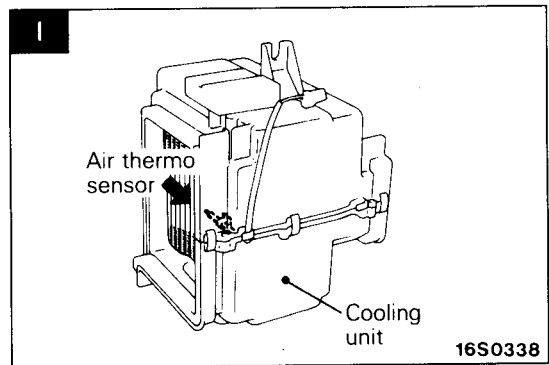
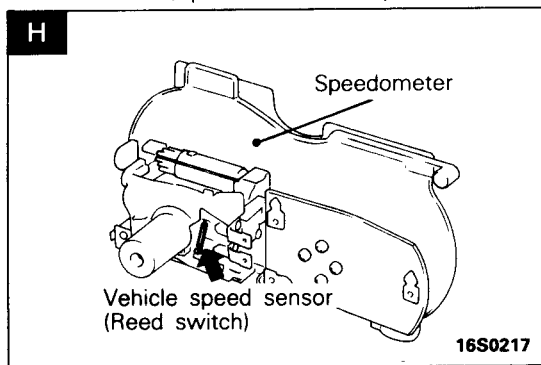




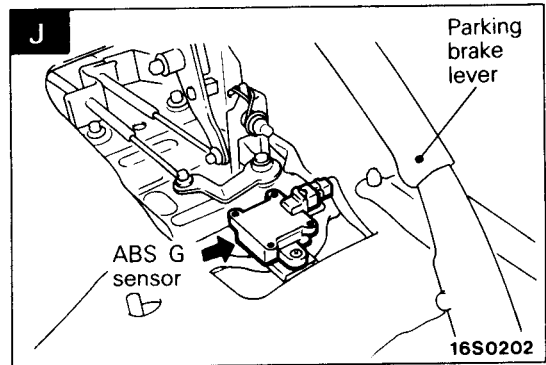
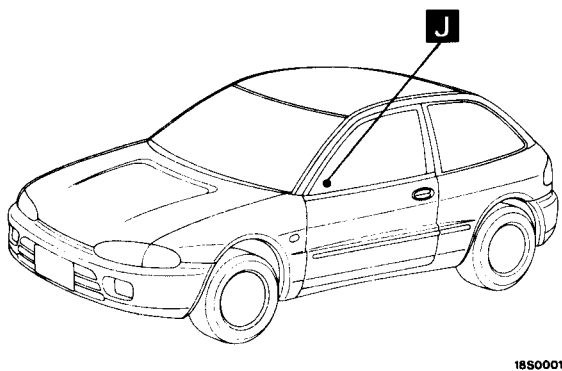
Interior



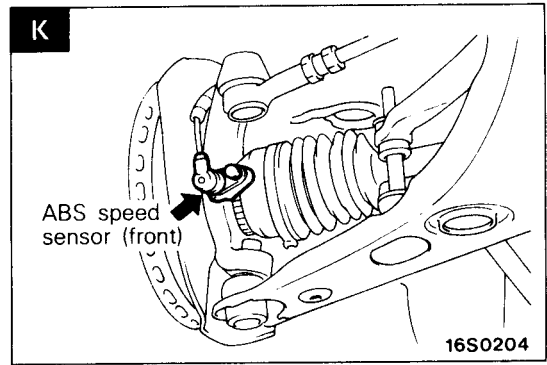
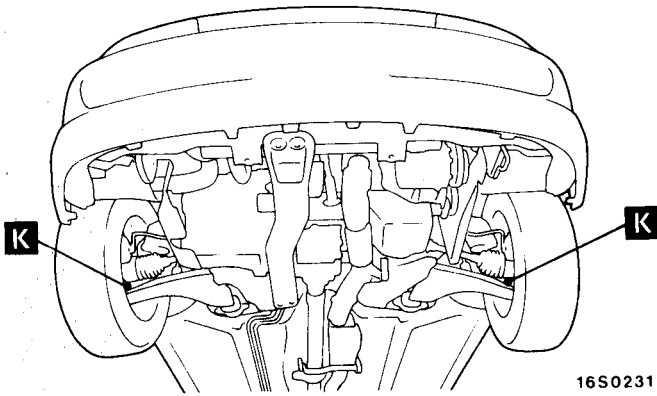
NOTE
For R.H. drive vehicles, part installation positions are symmetrical.



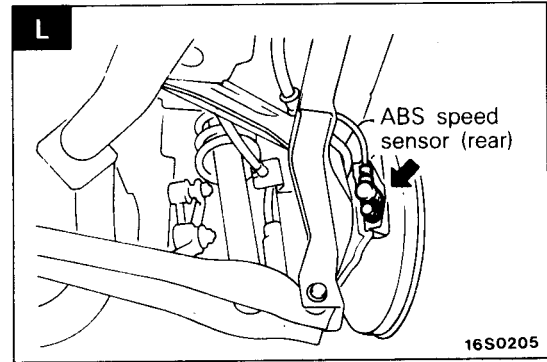
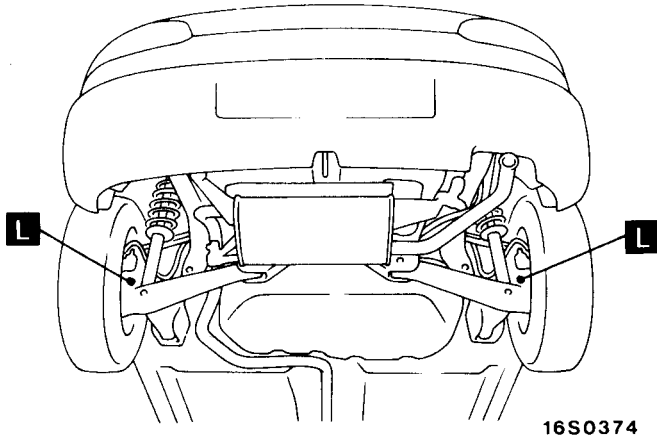
Floor console



Front floor lower part



Rear floor lower part

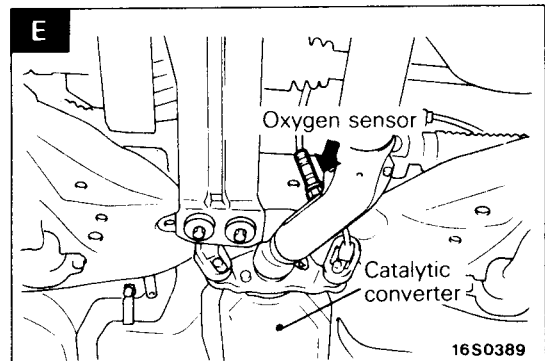
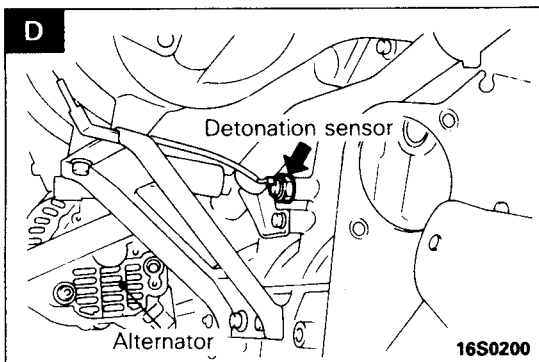
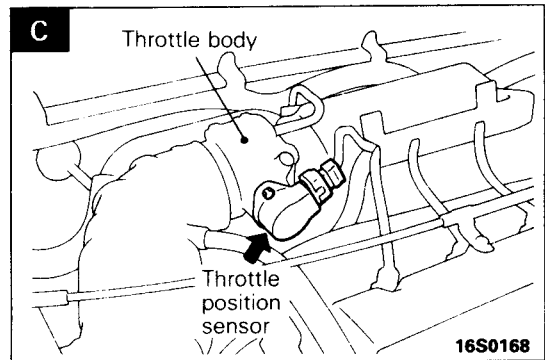
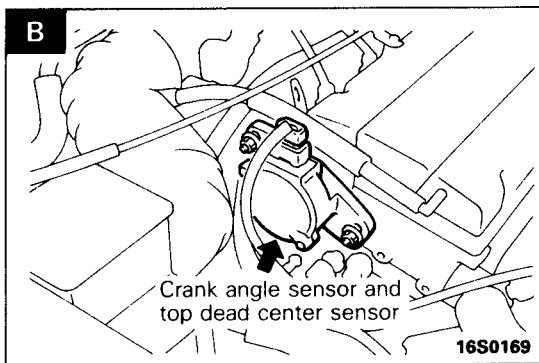
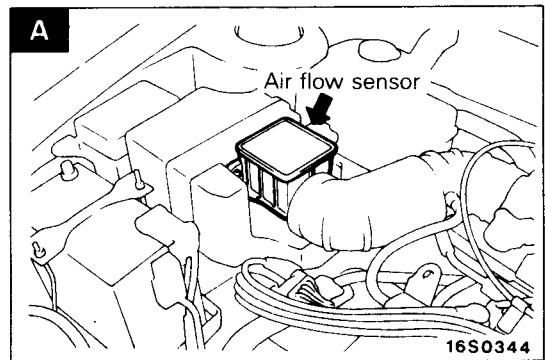
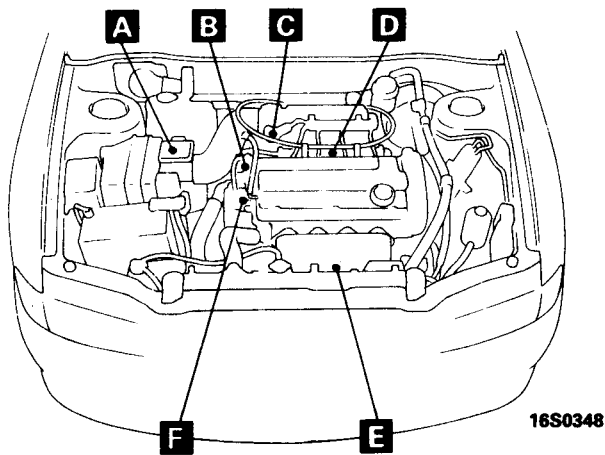


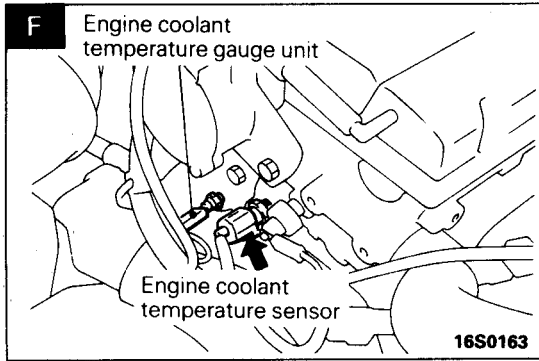
SENSOR

<4G93>

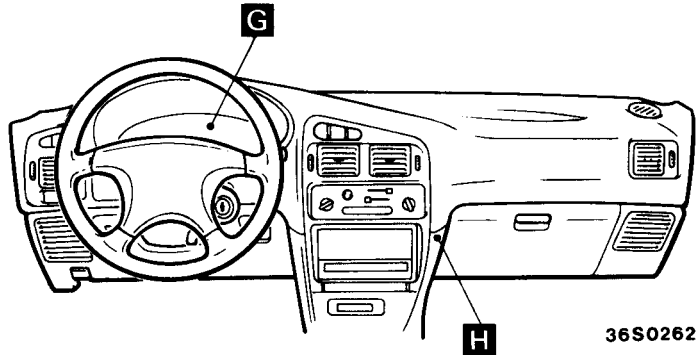
Name	Symbol	Name	Symbol
ABS speed sensor (front)	I	Detonation sensor	D
ABS speed sensor (rear)	J	Engine coolant temperature sensor (for engine control)	F
Air flow sensor (with built-in barometric pressure sensor, intake air temperature sensor)	A	Oxygen sensor	E
Air thermo sensor <A/C>	H	Throttle position sensor	C
Crank angle sensor and top dead center sensor	B	Vehicle speed sensor (Reed switch)	G

Engine compartment

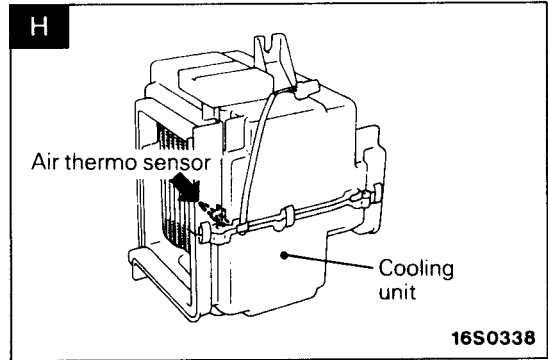
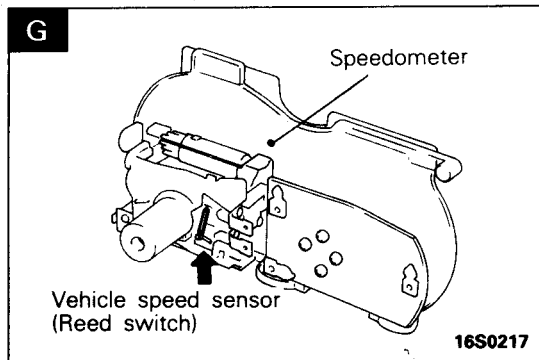




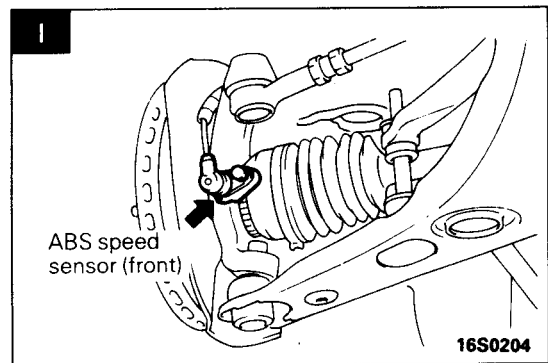
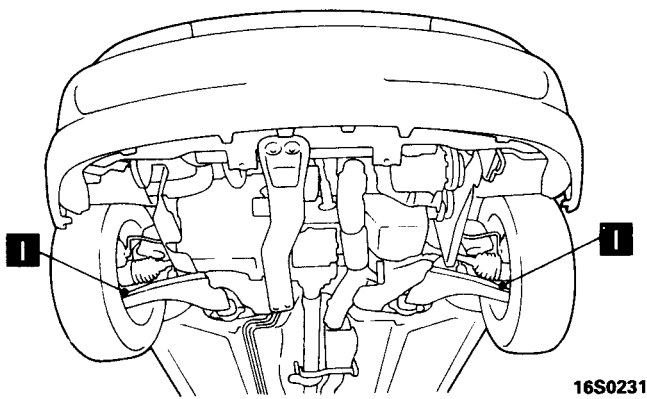
Interior



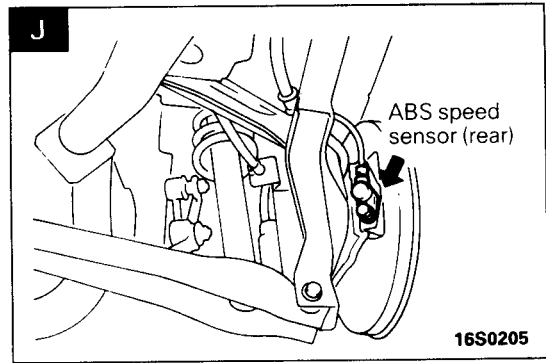
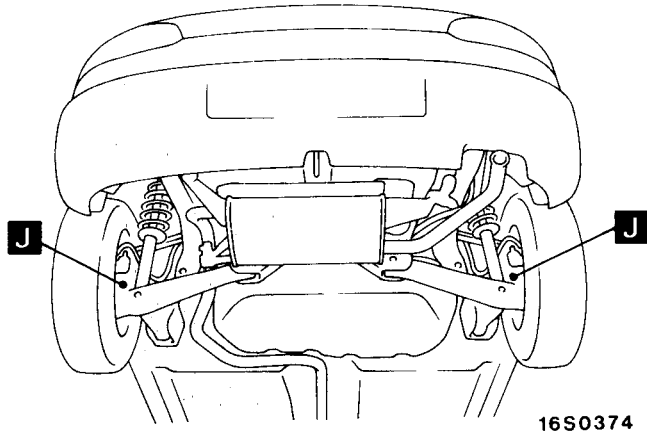
NOTE
For R.H. drive vehicles, part installation positions are symmetrical.



Front floor lower part



Rear floor lower part

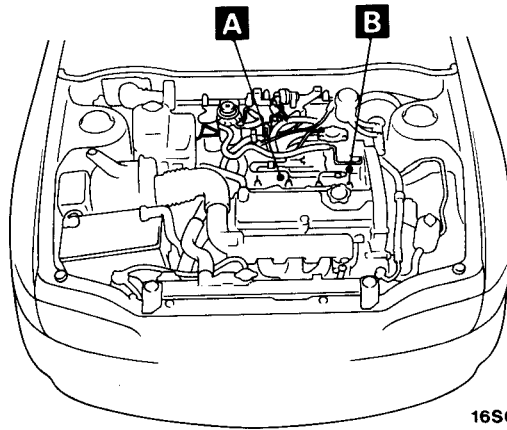


SENSOR

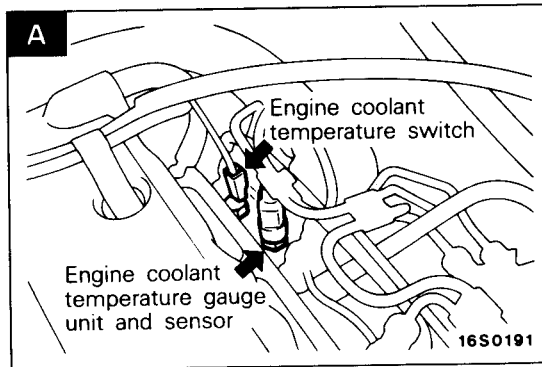
〈4D68〉

Name	Symbol	Name	Symbol
ABS speed sensor (front)	D	Engine coolant temperature switch (for A/C compressor control)	A
ABS speed sensor (rear)	E	Lever (throttle) position sensor	A
ABS thermo sensor <A/C>	C	Revolution pick up sensor	B
Engine coolant temperature gauge unit and sensor	A		

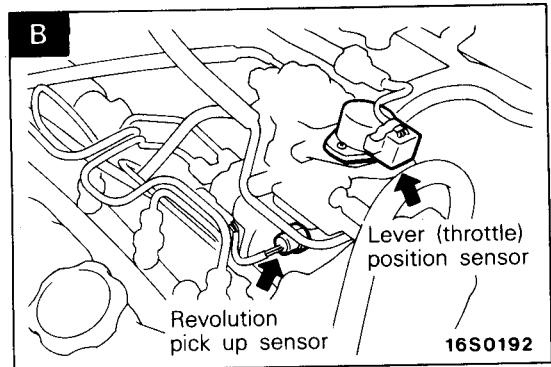
Engine compartment



16S0680

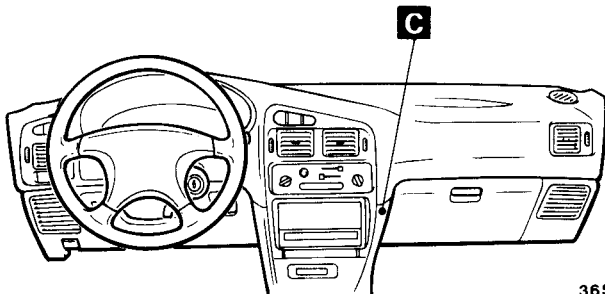


16S0191

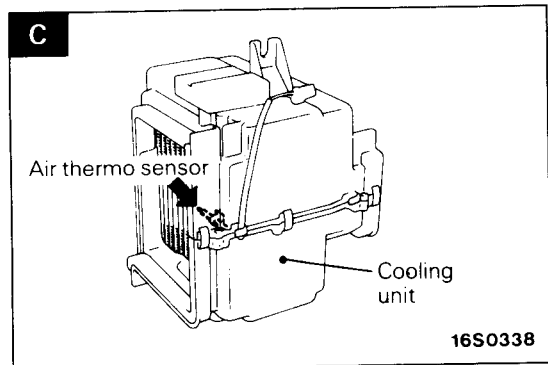


16S0192

Interior



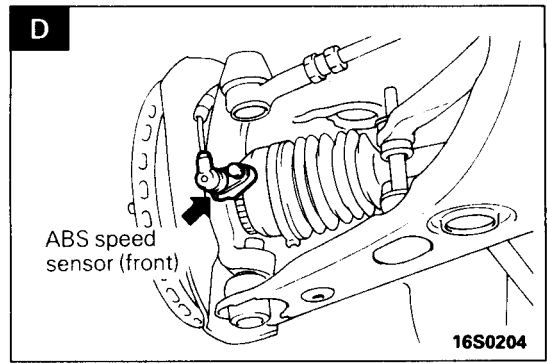
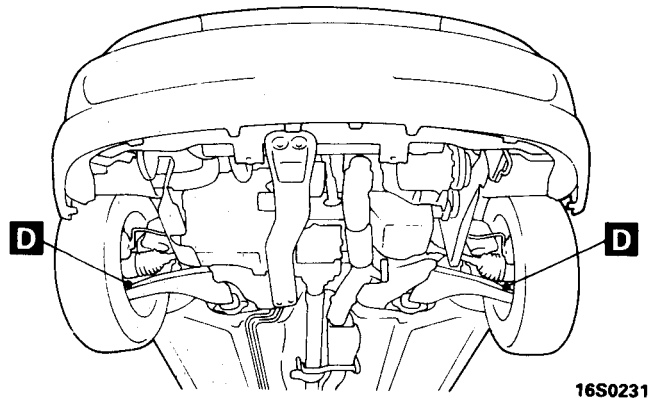
36S0262



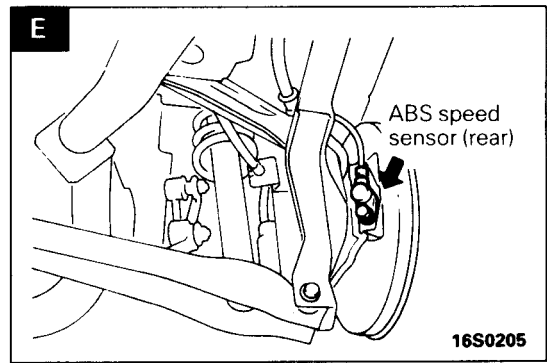
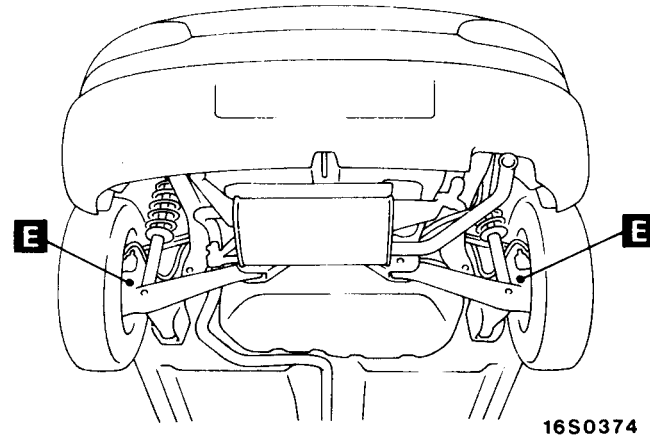
16S0338

NOTE
For R.H. drive vehicles, part installation positions symmetrical.

Front floor lower part



Rear floor lower part

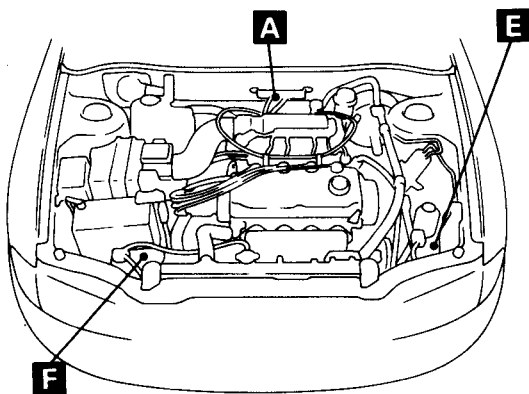


SOLENOID VALVE

Name	Symbol	Name	Symbol
ABS solenoid valve	E	EGR solenoid valve (II) <Diesel>	C
Air bypass solenoid valve <4G92-MVV>	A	Fuel cut solenoid valve <Diesel>	D
Damper clutch control solenoid valve <ELC-4A/T>	F	Idle up solenoid valve <A/C> (Diesel)	B
		Oil pressure control solenoid valve <ELC-4A/T>	F
EGR solenoid valve <4G9-MPI>	A	Purge control solenoid valve <MPI>	A
EGR solenoid valve (I) <Diesel>	C	Shift control solenoid valve A, B <ELC-4A/T>	F

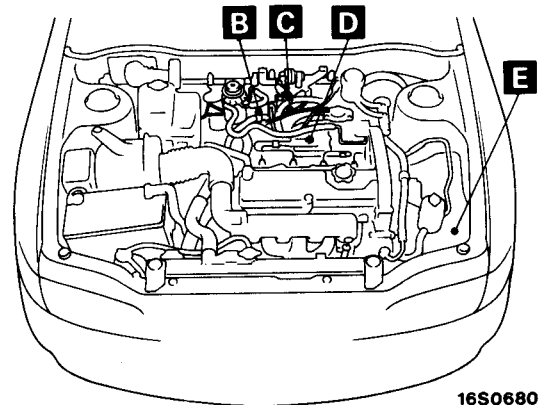
Engine compartment

<Petrol-powered vehicles>

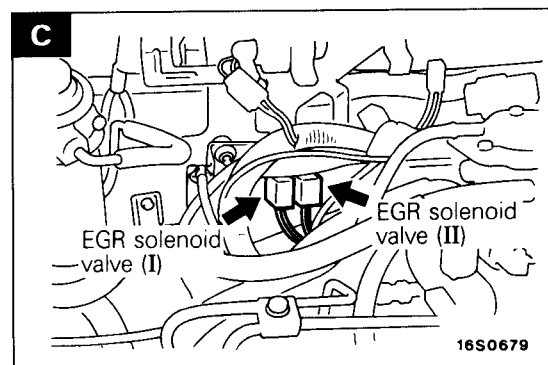
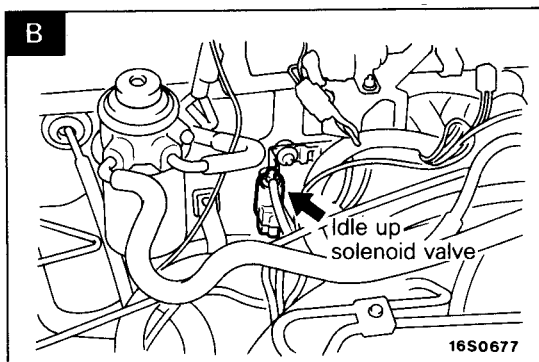
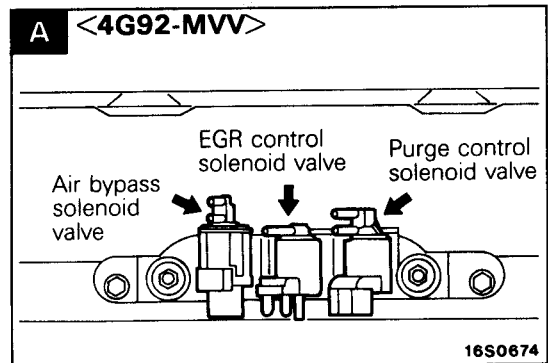
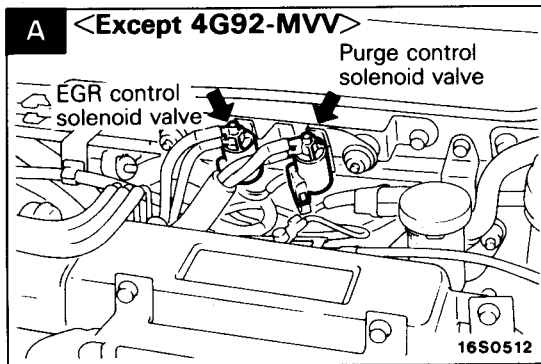


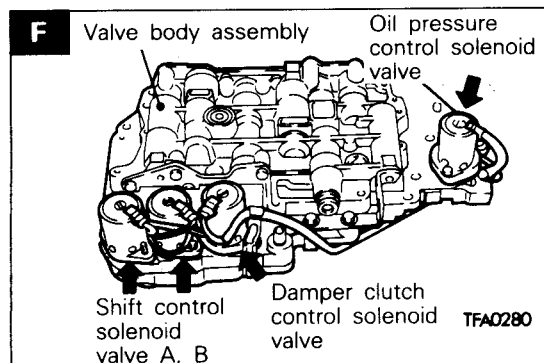
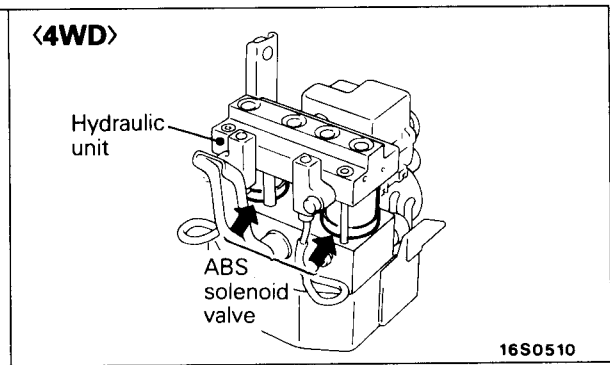
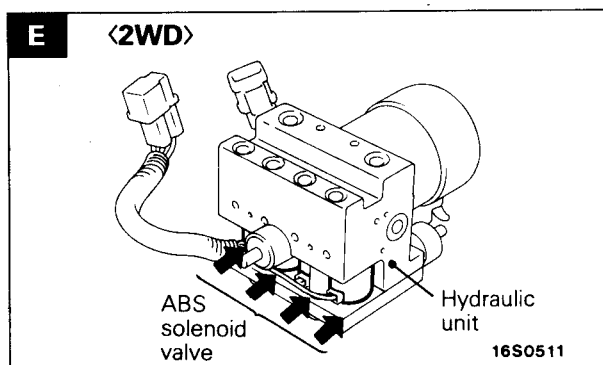
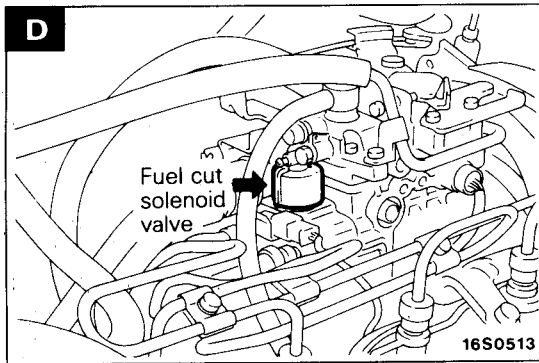
16S0349

<Diesel-powered vehicles>



16S0680

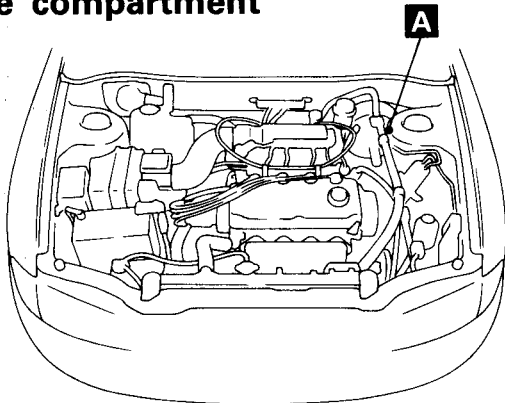




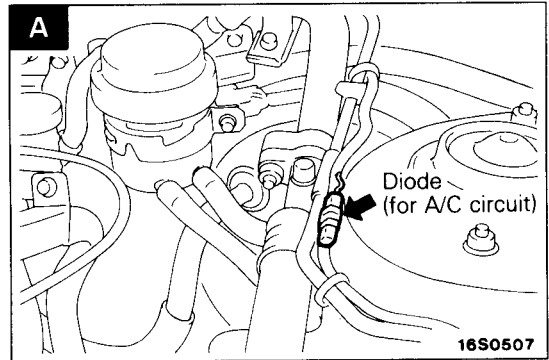
DIODE

Name	Symbol	Name	Symbol
Diode (for ABS circuit)	B, C	Diode (for dim-dip lamp circuit)	G
Diode (for ABS circuit) <2WD>	D, G	Diode (for headlamp circuit)	B, E
Diode (for A/C circuit)	A	Diode (for rear fog lamp circuit)	F

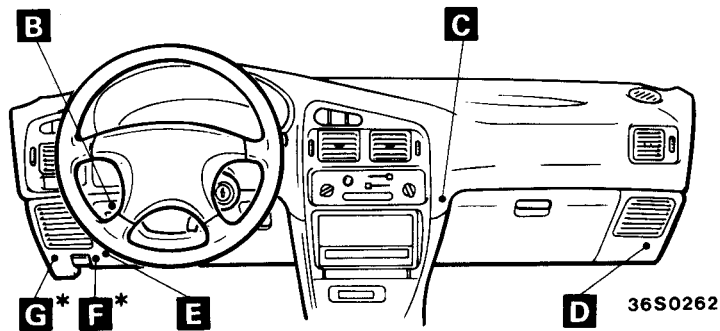
Engine compartment



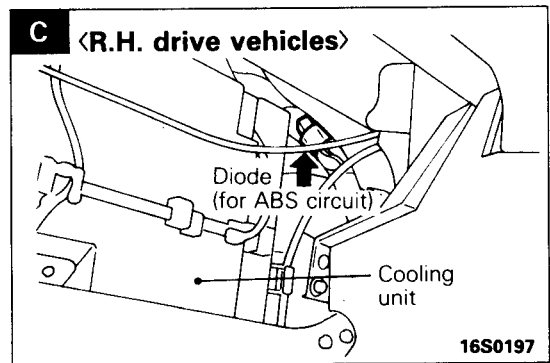
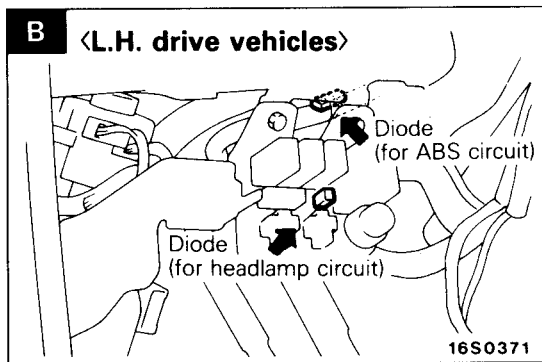
16S0349

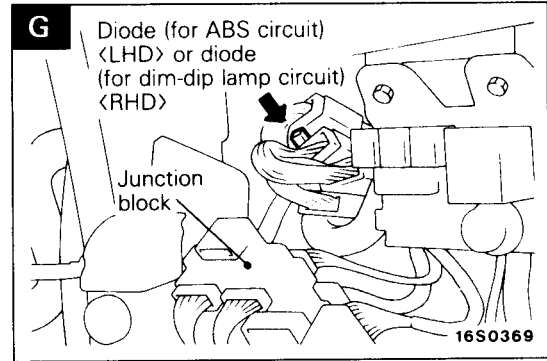
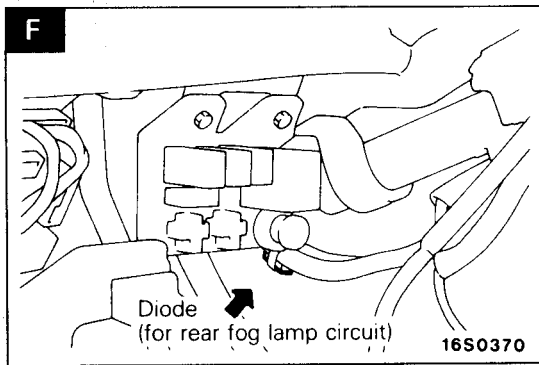
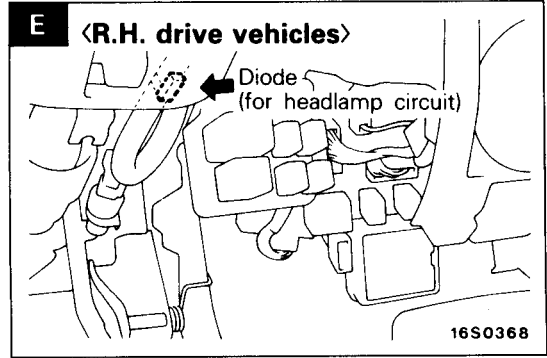
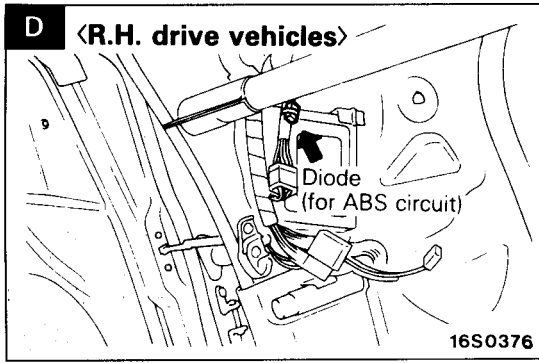


Interior



NOTE
For R.H. drive vehicles, only the positions indicated by the * are symmetrical.

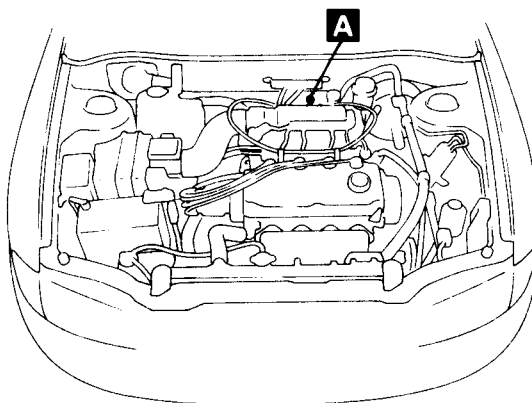




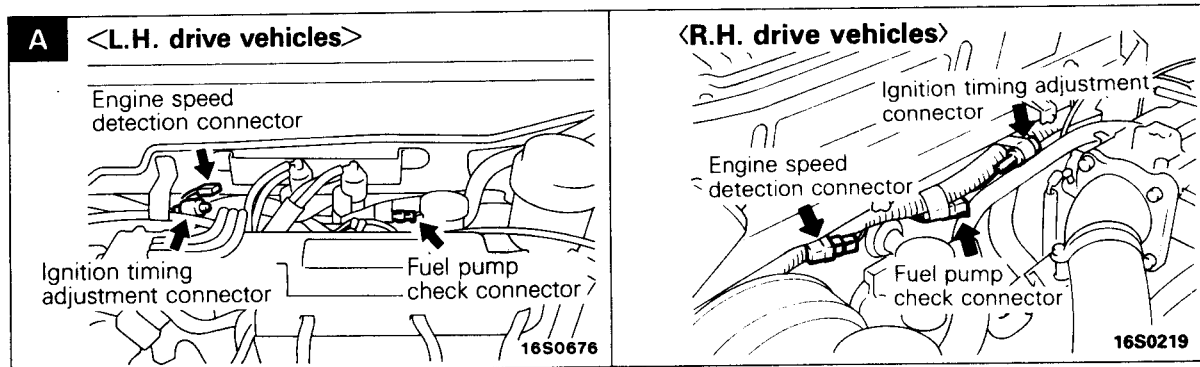
INSPECTION TERMINAL AND SPARE CONNECTOR

Name	Symbol	Name	Symbol
Diagnosis code erasure connector <2WD-ABS>	B	Fuel pump check connector	A
Diagnosis connector	C	Ignition timing adjustment connector	A
Engine speed detection connector	A		

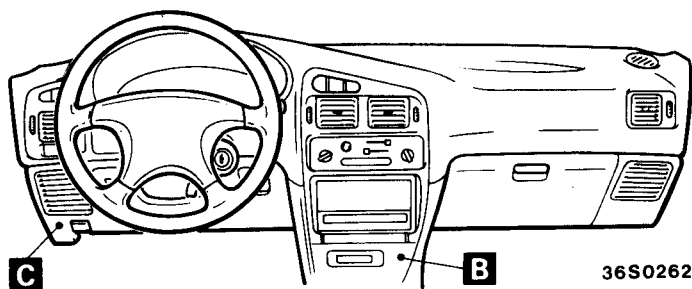
Engine compartment



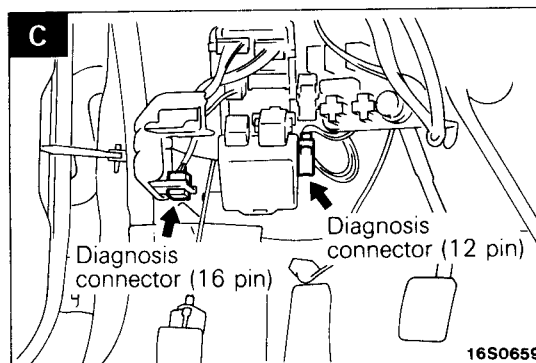
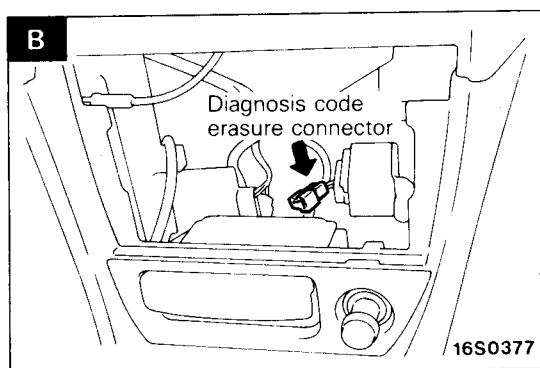
16S0349



Interior

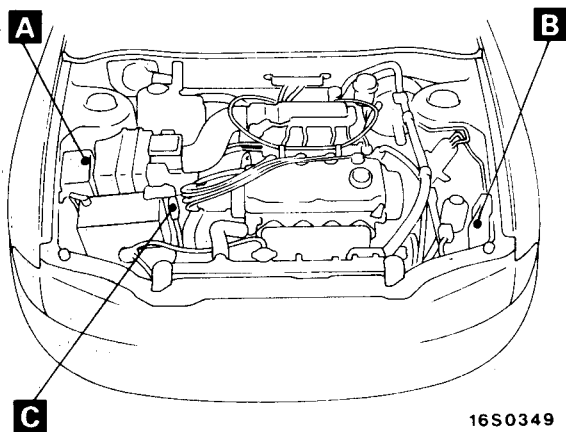


NOTE
For R.H. drive vehicles, part installation positions are symmetrical.

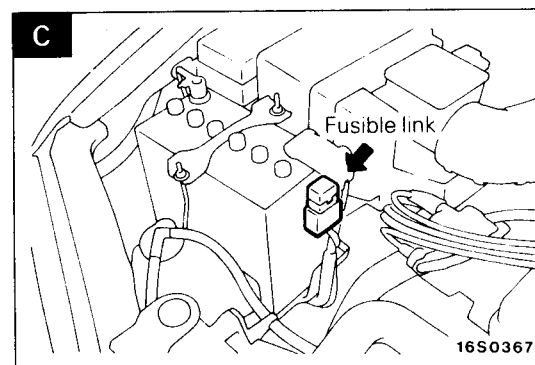
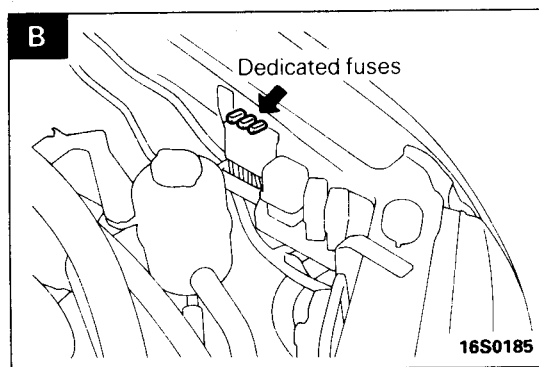
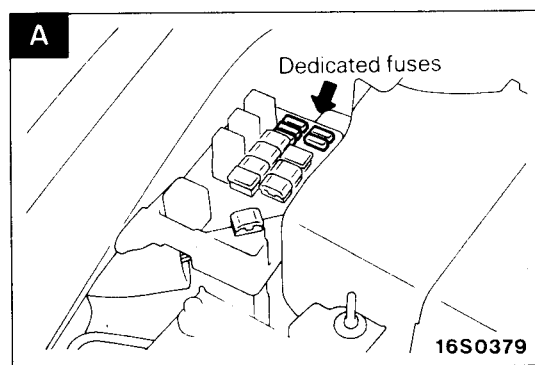
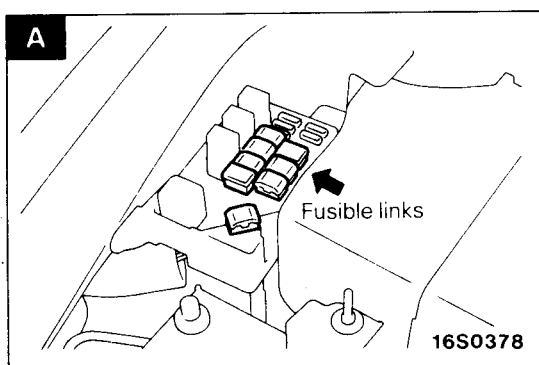


FUSIBLE LINK AND FUSE

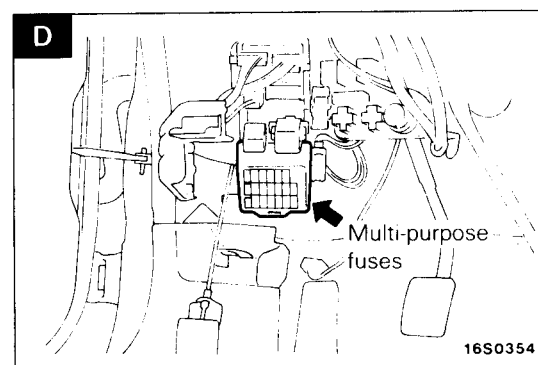
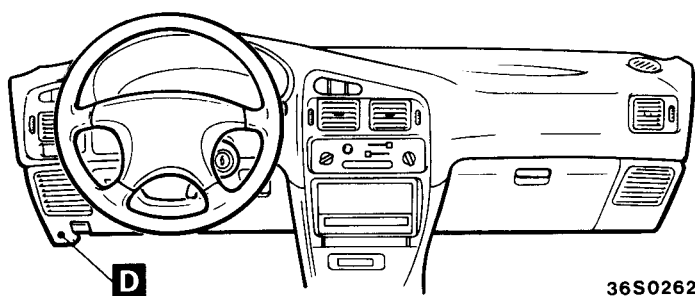
Engine compartment



Name	Symbol
Dedicated fuses	A
Dedicated fuses (for A/C circuit)	B
Fusible links	A
Fusible link (for ABS and glow control circuit)	C
Multi-purpose fuses	D



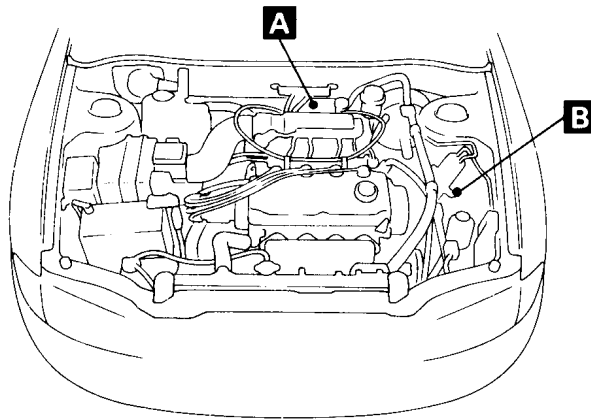
Interior



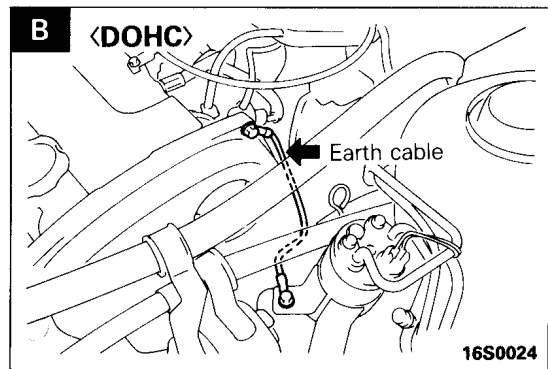
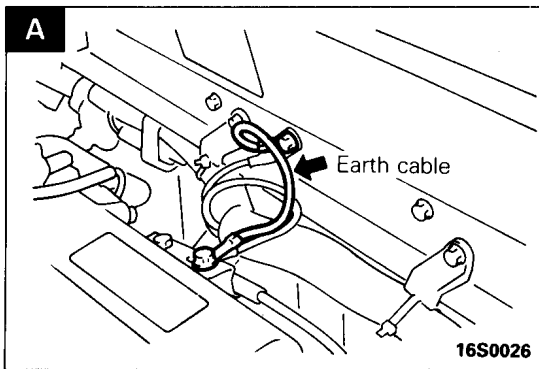
NOTE
For R.H. drive vehicles, part installation positions symmetrical.

EARTH CABLE

Engine compartment

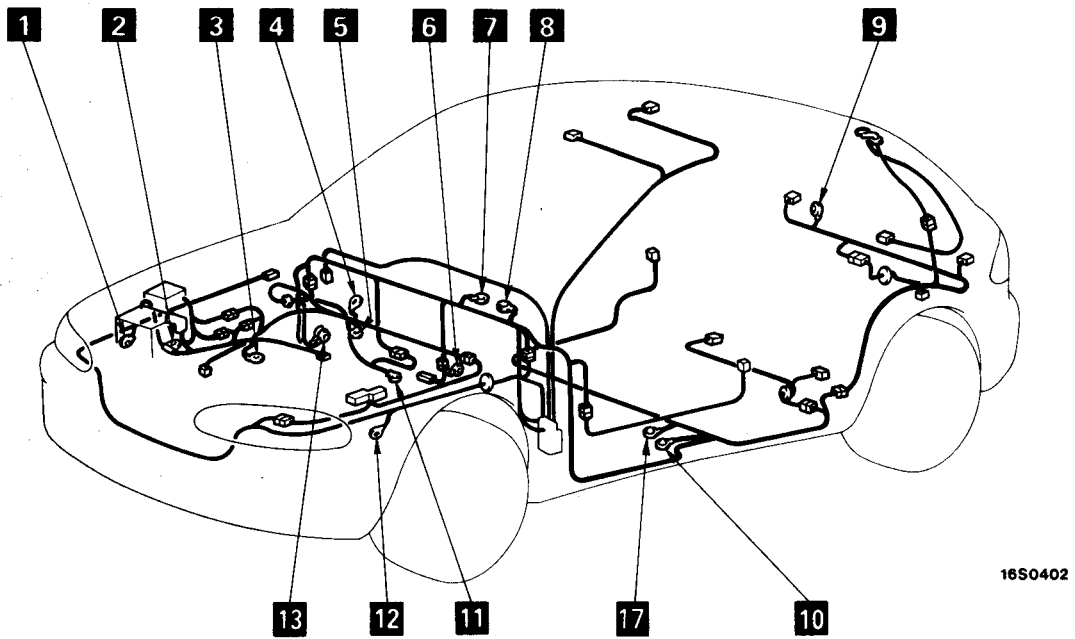


16S0349

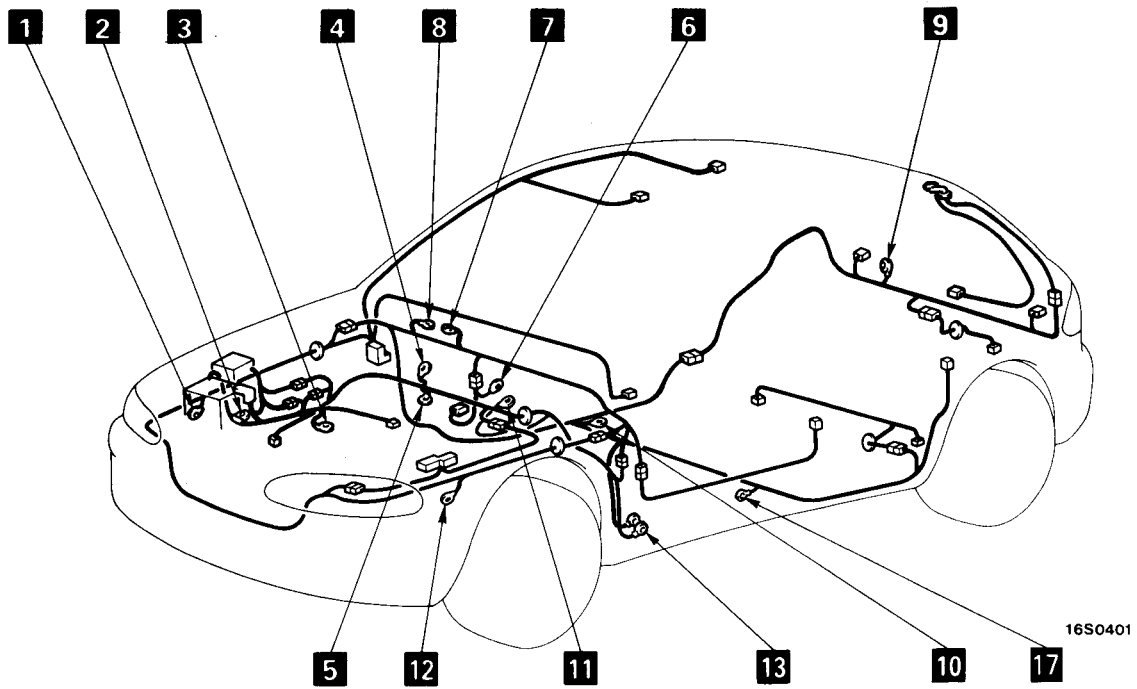


EARTH

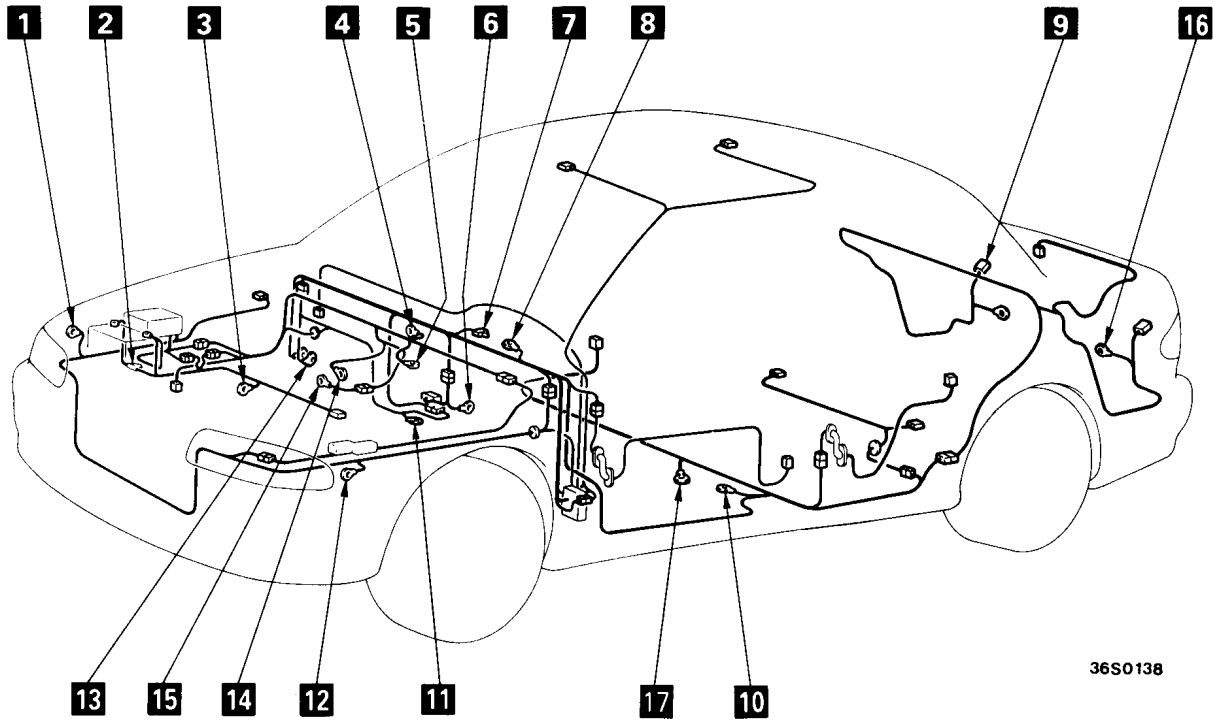
Hatchback <L.H. drive vehicles>



Hatchback <R.H. drive vehicles>

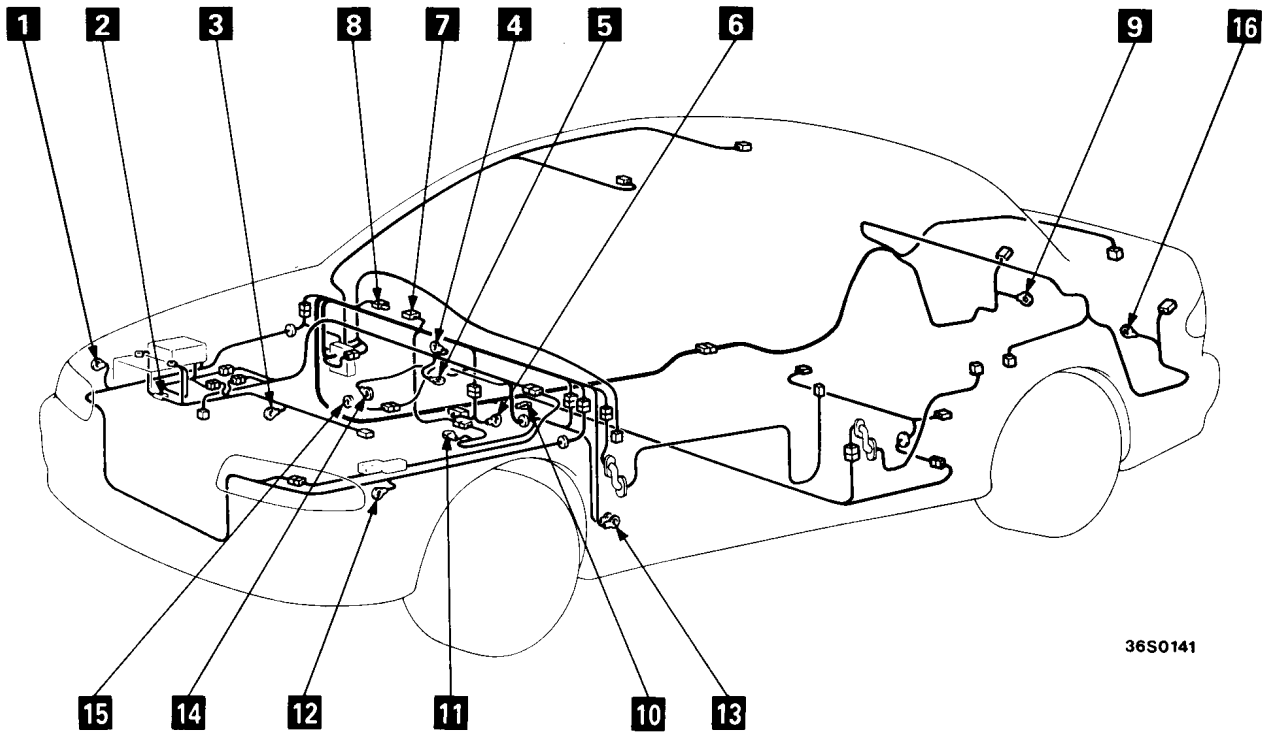


Sedan <L.H. drive vehicles>



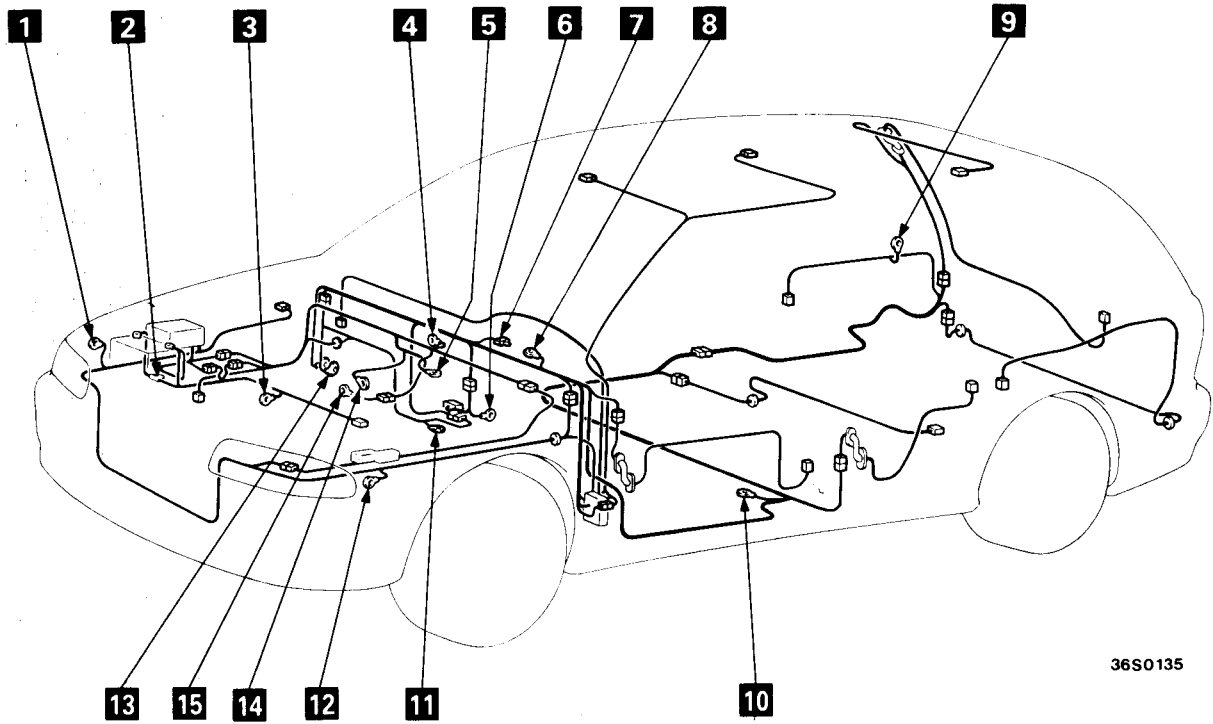
36S0138

Sedan <R.H. drive vehicles>



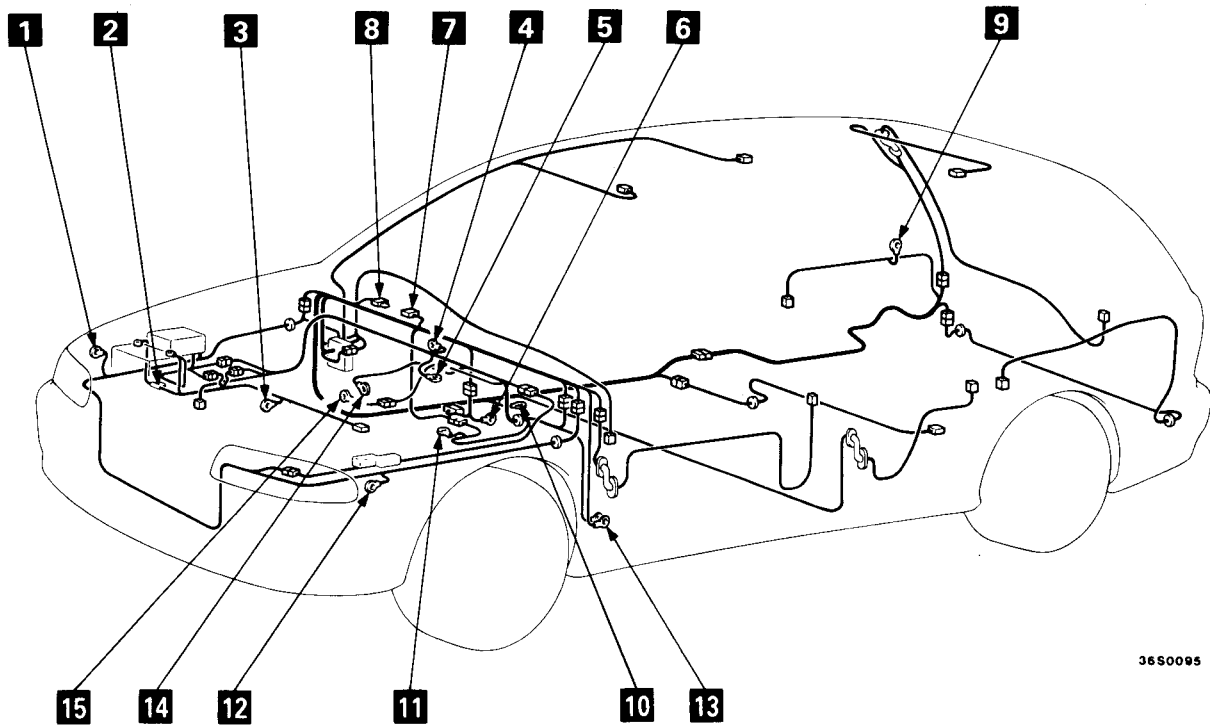
36S0141

Wagon <L.H. drive vehicles>

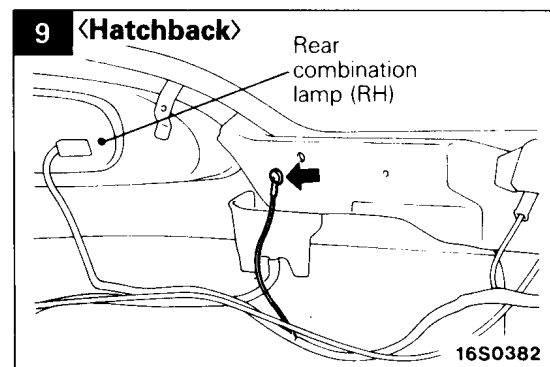
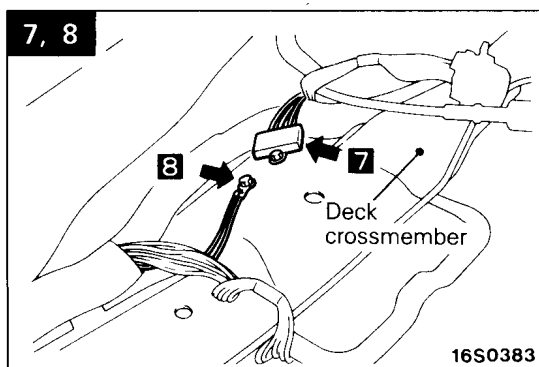
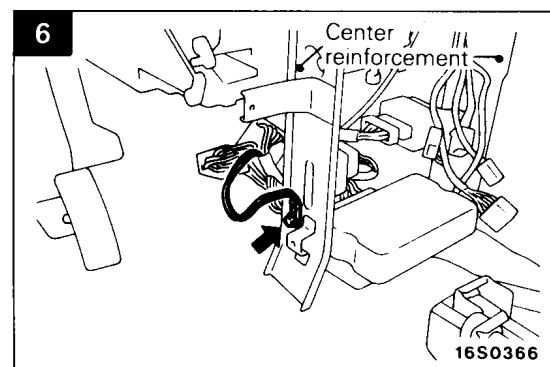
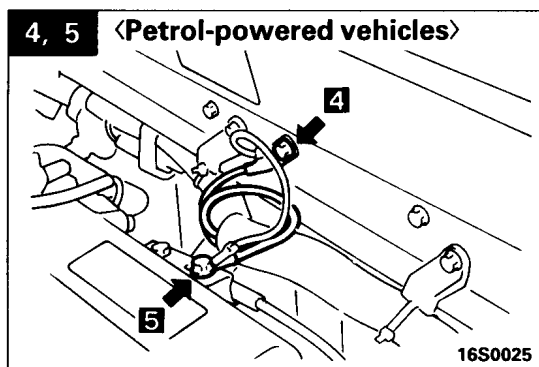
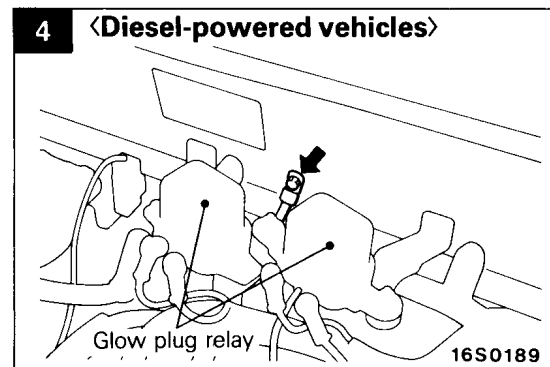
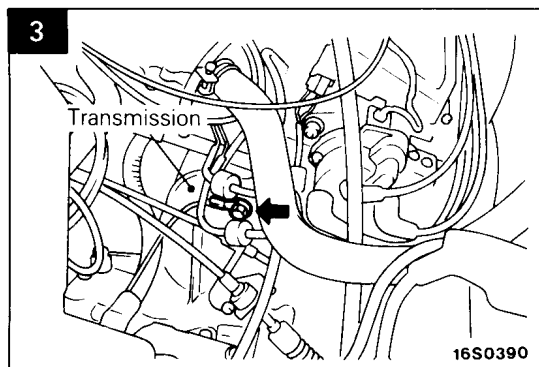
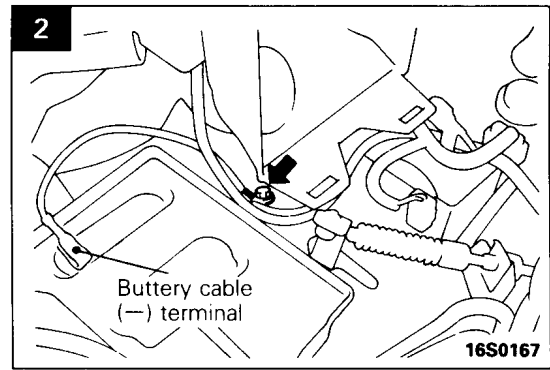
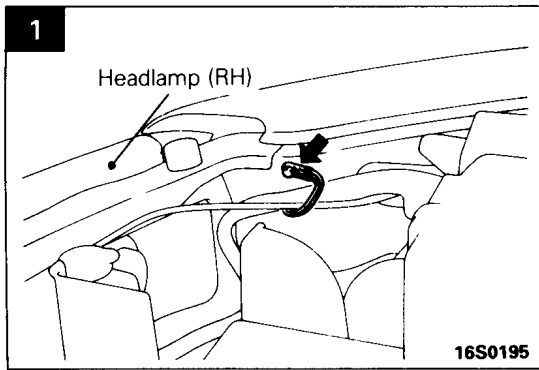


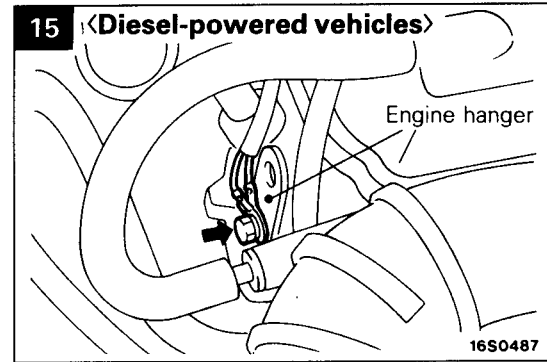
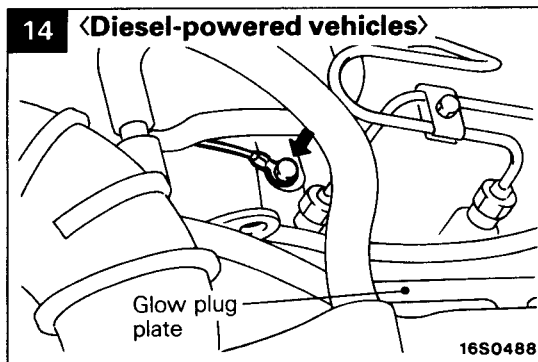
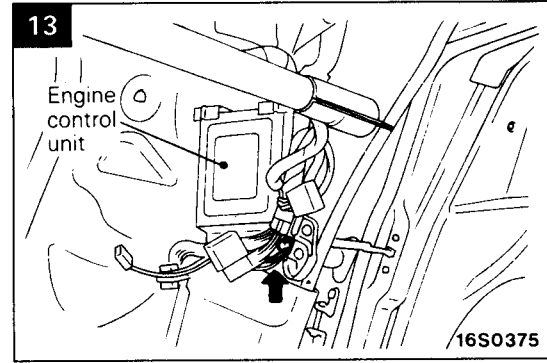
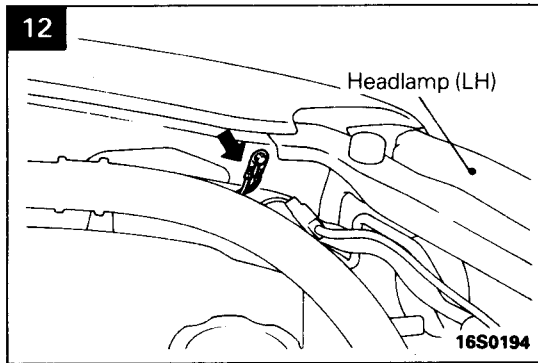
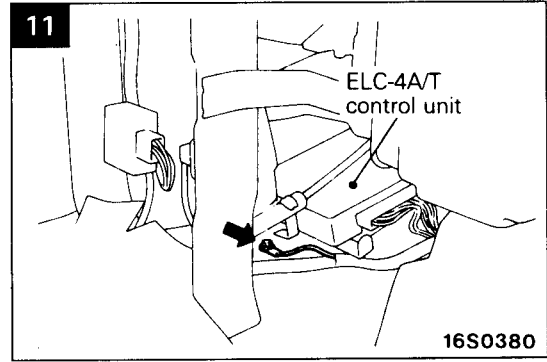
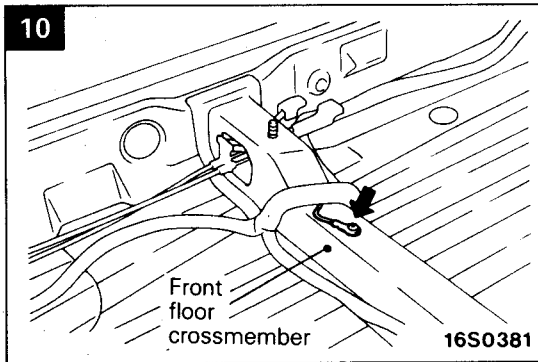
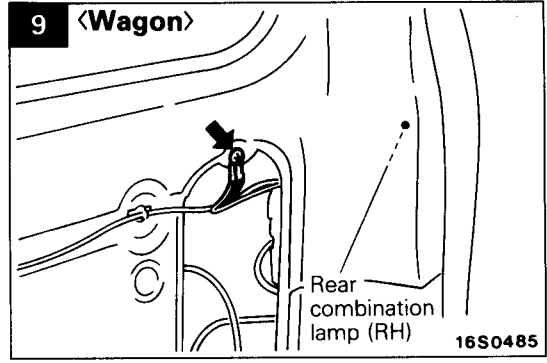
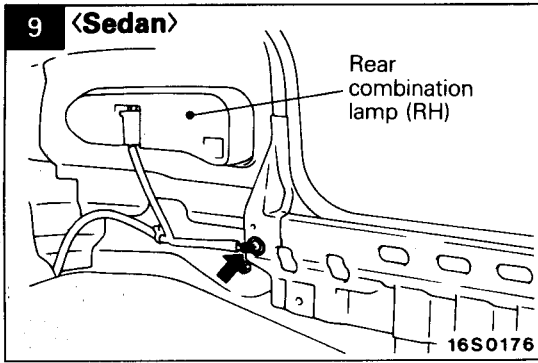
36S0135

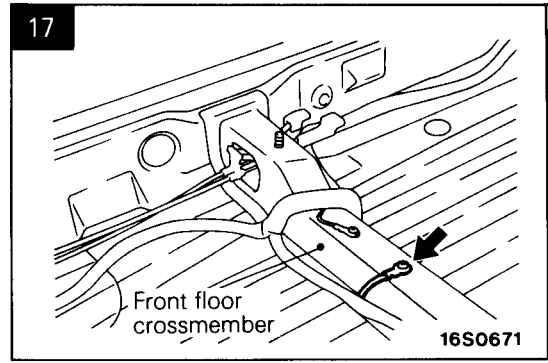
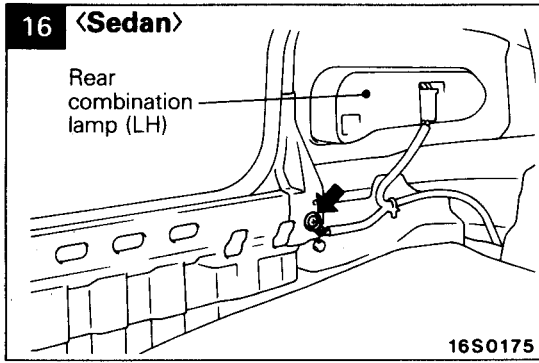
Wagon <R.H. drive vehicles>



36S0095







NOTE

4A CIRCUIT DIAGRAM

JUNCTION BLOCK

- L.H. drive vehicles 4A-3
- R.H. drive vehicles 4A-5

JUMPER CONNECTOR 4A-7

CENTRALIZED JUNCTION 4A-8

POWER DISTRIBUTION SYSTEM

- L.H. drive vehicles 4A-17
- R.H. drive vehicles 4A-23

STARTING SYSTEM

- Petrol 4A-29
- Diesel 4A-30

IGNITION SYSTEM

- 4G13 <L.H. drive vehicles> 4A-32
- 4G13 <R.H. drive vehicles> 4A-33
- 4G92 <L.H. drive vehicles> 4A-34
- 4G92 <R.H. drive vehicles> 4A-35
- 4G93 <L.H. drive vehicles> 4A-36
- 4G93 <R.H. drive vehicles> 4A-37

SELF-REGULATING GLOW SYSTEM

- L.H. drive vehicles with EGR system 4A-38
- L.H. drive vehicles without EGR system 4A-40
- R.H. drive vehicles 4A-42

CHARGING SYSTEM

- 4G13 <L.H. drive vehicles> 4A-44
- 4G13 <R.H. drive vehicles> 4A-45
- 4G9 <L.H. drive vehicles> 4A-46
- 4G9 <R.H. drive vehicles> 4A-47
- 4D68 <L.H. drive vehicles> 4A-48
- 4D68 <R.H. drive vehicles> 4A-49

MPI SYSTEM

- 4G13 <L.H. drive vehicles> 4A-51
- 4G13 <R.H. drive vehicles> 4A-57
- 4G92 <L.H. drive vehicles (MVV)> 4A-63
- 4G92 <R.H. drive vehicles (MVV)> 4A-70
- 4G92 <L.H. drive vehicles (except MVV)> 4A-77
- 4G92 <R.H. drive vehicles (except MVV)> 4A-84
- 4G93 <L.H. drive vehicles> 4A-91
- 4G93 <R.H. drive vehicles> 4A-97

COOLING SYSTEM

- 4G13 4A-103
- 4G9 4A-105
- 4D68 4A-107

ELC 4-SPEED AUTOMATIC TRANSMISSION

- L.H. drive vehicles 4A-110
- R.H. drive vehicles 4A-116

HEADLAMP

- Vehicles with daytime running lamp 4A-122
- L.H. drive vehicles without daytime running lamp 4A-126
- R.H. drive vehicles 4A-128

HEADLAMP LEVELING SYSTEM

- L.H. drive vehicles 4A-131
- R.H. drive vehicles 4A-132

TAIL LAMP, POSITION LAMP, LICENCE PLATE LAMP AND LIGHTING MONITOR BUZZER

- Hatchback <L.H. drive vehicles> 4A-134
- Hatchback <R.H. drive vehicles> 4A-136
- Sedan <L.H. drive vehicles> 4A-138
- Sedan <R.H. drive vehicles> 4A-140
- Wagon <L.H. drive vehicles> 4A-142
- Wagon <R.H. drive vehicles> 4A-145

FRONT FOG LAMP

- L.H. drive vehicles 4A-150
- R.H. drive vehicles 4A-152

REAR FOG LAMP

- Hatchback and wagon <L.H. drive vehicles> ... 4A-154
- Hatchback and wagon <R.H. drive vehicles> .. 4A-158
- Sedan <L.H. drive vehicles> 4A-162
- Sedan <R.H. drive vehicles> 4A-166

ROOM LAMP AND LUGGAGE COMPARTMENT LAMP

- Hatchback <L.H. drive vehicles> 4A-171
- Hatchback <R.H. drive vehicles> 4A-172
- Sedan <L.H. drive vehicles> 4A-173
- Sedan <R.H. drive vehicles> 4A-174
- Wagon <L.H. drive vehicles> 4A-175
- Wagon <R.H. drive vehicles> 4A-176

TURN-SIGNAL LAMP AND HAZARD LAMP

- Hatchback and sedan <L.H. drive vehicles> 4A-178
- Hatchback and sedan <R.H. drive vehicles> ... 4A-181
- Wagon <L.H. drive vehicles> 4A-184
- Wagon <R.H. drive vehicles> 4A-187

STOP LAMP

- Hatchback <L.H. drive vehicles> 4A-191
- Hatchback <R.H. drive vehicles> 4A-192
- Sedan <L.H. drive vehicles> 4A-193
- Sedan <R.H. drive vehicles> 4A-194
- Wagon <L.H. drive vehicles> 4A-195
- Wagon <R.H. drive vehicles> 4A-196

BACK-UP LAMP

- Hatchback <L.H. drive vehicles> 4A-197
- Hatchback <R.H. drive vehicles> 4A-198
- Sedan <L.H. drive vehicles> 4A-199
- Sedan <R.H. drive vehicles> 4A-200
- Wagon <L.H. drive vehicles> 4A-201
- Wagon <R.H. drive vehicles> 4A-202

HORN

- L.H. drive vehicles with SRS 4A-203
- R.H. drive vehicles with SRS 4A-204
- L.H. drive vehicles without SRS 4A-205
- R.H. drive vehicles without SRS 4A-206

METER AND GAUGE

- 2WD <L.H. drive vehicles> 4A-207
- 2WD <R.H. drive vehicles> 4A-210
- 4WD <L.H. drive vehicles> 4A-213
- 4WD <R.H. drive vehicles> 4A-216

FUEL WARNING LAMP

- L.H. drive vehicles <2WD> 4A-220
- L.H. drive vehicles <4WD> 4A-220

BRAKE WARNING LAMP

- L.H. drive vehicles 4A-221

OIL PRESSURE WARNING LAMP

- L.H. drive vehicles 4A-221

FUEL FILTER WARNING LAMP

- L.H. drive vehicles <Diesel> 4A-222

FUEL WARNING LAMP

- R.H. drive vehicles <2WD> 4A-223
- R.H. drive vehicles <4WD> 4A-223

BRAKE WARNING LAMP

- R.H. drive vehicles 4A-224

OIL PRESSURE WARNING LAMP

- R.H. drive vehicles 4A-224

FUEL FILTER WARNING LAMP

- R.H. drive vehicles <Diesel> 4A-225

CENTRAL DOOR LOCKING SYSTEM

- Hatchback <L.H. drive vehicles> 4A-226
- Hatchback <R.H. drive vehicles> 4A-228
- Sedan and wagon <L.H. drive vehicles> 4A-230
- Sedan and wagon <R.H. drive vehicles> 4A-232

POWER WINDOW

- Hatchback <L.H. drive vehicles> 4A-236
- Hatchback <R.H. drive vehicles> 4A-237
- Sedan and wagon <L.H. drive vehicles> 4A-238
- Sedan and wagon <R.H. drive vehicles> 4A-240

HEATER

- L.H. drive vehicles 4A-242
- R.H. drive vehicles 4A-244

AIR CONDITIONER

- 4G13 <L.H. drive vehicles> 4A-247
- 4G13 <R.H. drive vehicles> 4A-252
- 4G9 <L.H. drive vehicles> 4A-257
- 4G9 <R.H. drive vehicles> 4A-263
- 4D68 <L.H. drive vehicles> 4A-270
- 4D68 <R.H. drive vehicles> 4A-276

WINDSHIELD WIPER AND WASHER

- L.H. drive vehicles with intermittent wiper 4A-283
- L.H. drive vehicles without intermittent wiper 4A-284
- R.H. drive vehicles 4A-285

REAR WIPER AND WASHER

- L.H. drive vehicles with intermittent wiper 4A-287
- L.H. drive vehicles without intermittent wiper 4A-289
- R.H. drive vehicles with intermittent wiper 4A-290
- R.H. drive vehicles without intermittent wiper 4A-292

HEADLAMP WASHER 4A-294

DEFOGGER AND DOOR MIRROR HEATER

- Hatchback <L.H. drive vehicles> 4A-295
- Hatchback <R.H. drive vehicles> 4A-297
- Sedan and wagon <L.H. drive vehicles> 4A-299
- Sedan and wagon <R.H. drive vehicles> 4A-301

REMOTE CONTROLLED MIRROR

- L.H. drive vehicles 4A-303
- R.H. drive vehicles 4A-304

CLOCK

- L.H. drive vehicles with daytime running lamp 4A-305
- L.H. drive vehicles without daytime running lamp 4A-306
- R.H. drive vehicles 4A-307

CIGARETTE LIGHTER

- L.H. drive vehicles 4A-308
- R.H. drive vehicles 4A-309

RADIO AND TAPE PLAYER

- Hatchback <L.H. drive vehicles> 4A-310
- Hatchback <R.H. drive vehicles> 4A-312
- Sedan <L.H. drive vehicles> 4A-314
- Sedan <R.H. drive vehicles> 4A-316
- Wagon <L.H. drive vehicles> 4A-318
- Wagon <R.H. drive vehicles> 4A-320

SUNROOF

- L.H. drive vehicles 4A-322
- R.H. drive vehicles 4A-324

HEATED SEAT 4A-326

ANTI-LOCK BRAKE SYSTEM

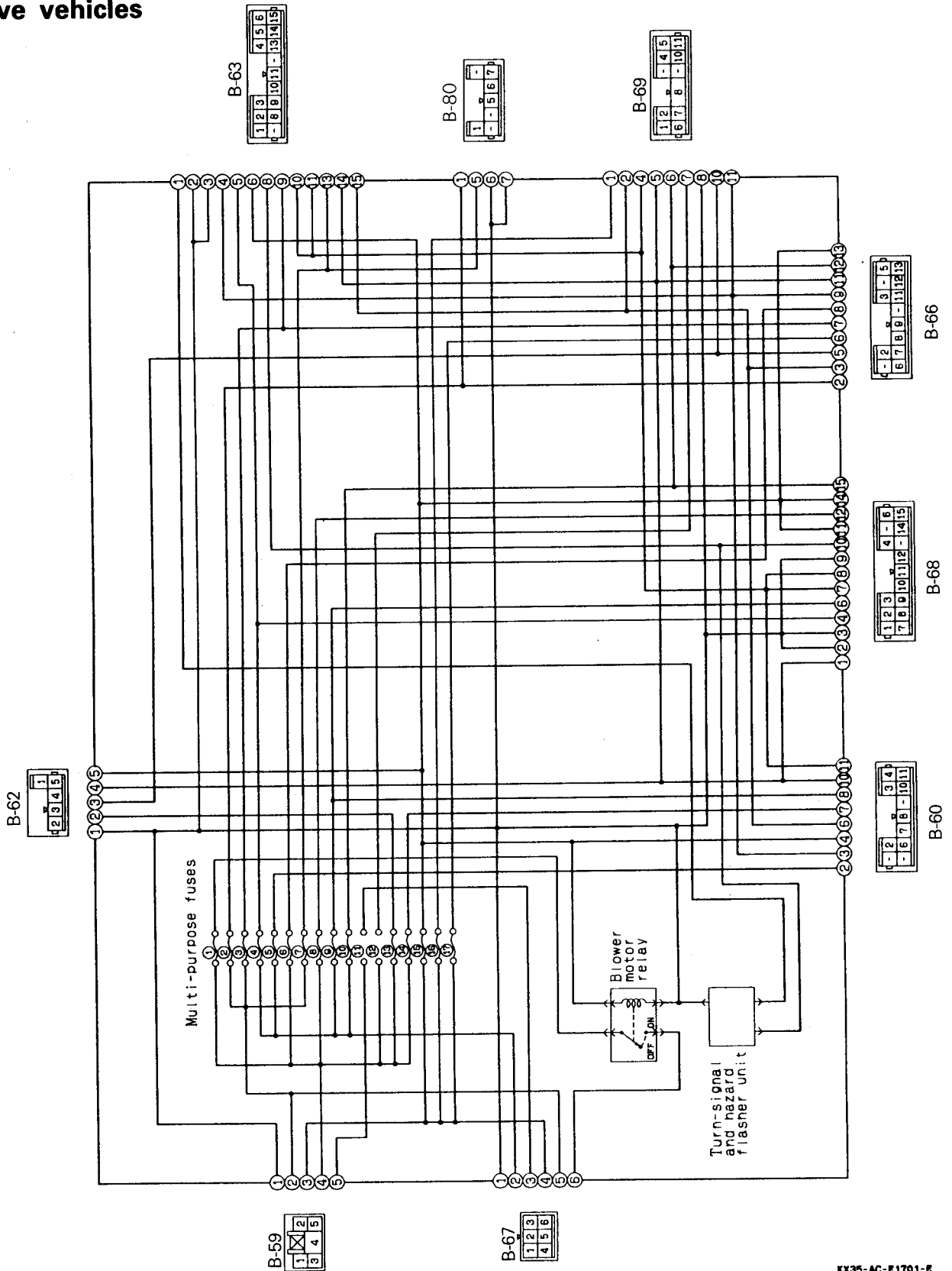
- Hatchback <L.H. drive vehicles (2WD)> 4A-328
- Hatchback <L.H. drive vehicles (4WD)> 4A-332
- Hatchback <R.H. drive vehicles> 4A-335
- Sedan and wagon <2WD (L.H. drive vehicles)> 4A-339
- Sedan and wagon <2WD (R.H. drive vehicles)> 4A-343
- Wagon <4WD (L.H. drive vehicles)> 4A-347
- Wagon <4WD (R.H. drive vehicles)> 4A-350

SUPPLEMENTAL RESTRAINT SYSTEM (SRS)

- L.H. drive vehicles 4A-353
- R.H. drive vehicles 4A-354

JUNCTION BLOCK

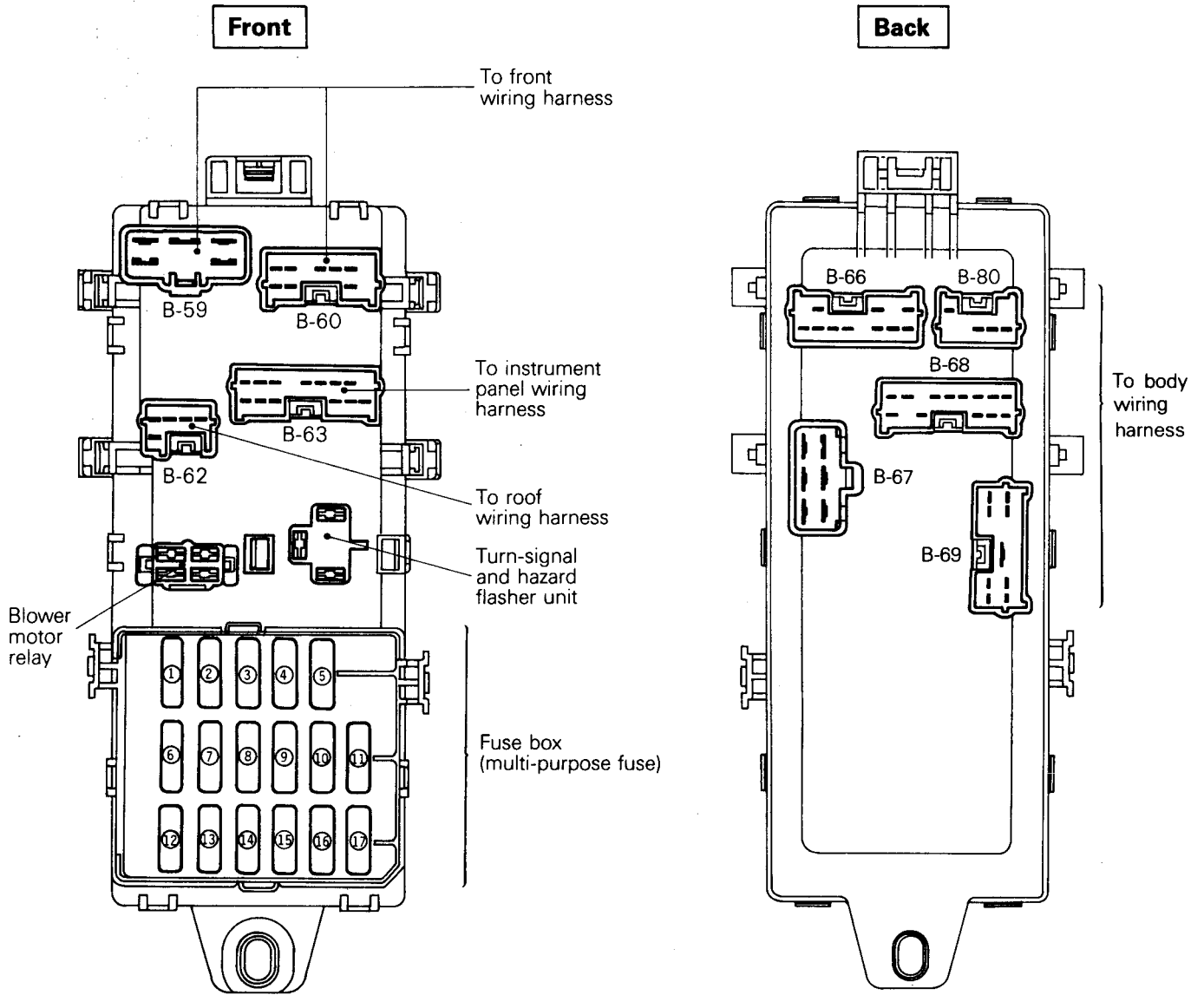
L.H. drive vehicles



Remark

- Connector numbers are keyed to the configuration diagram (dashboard panel) and each circuit diagram.

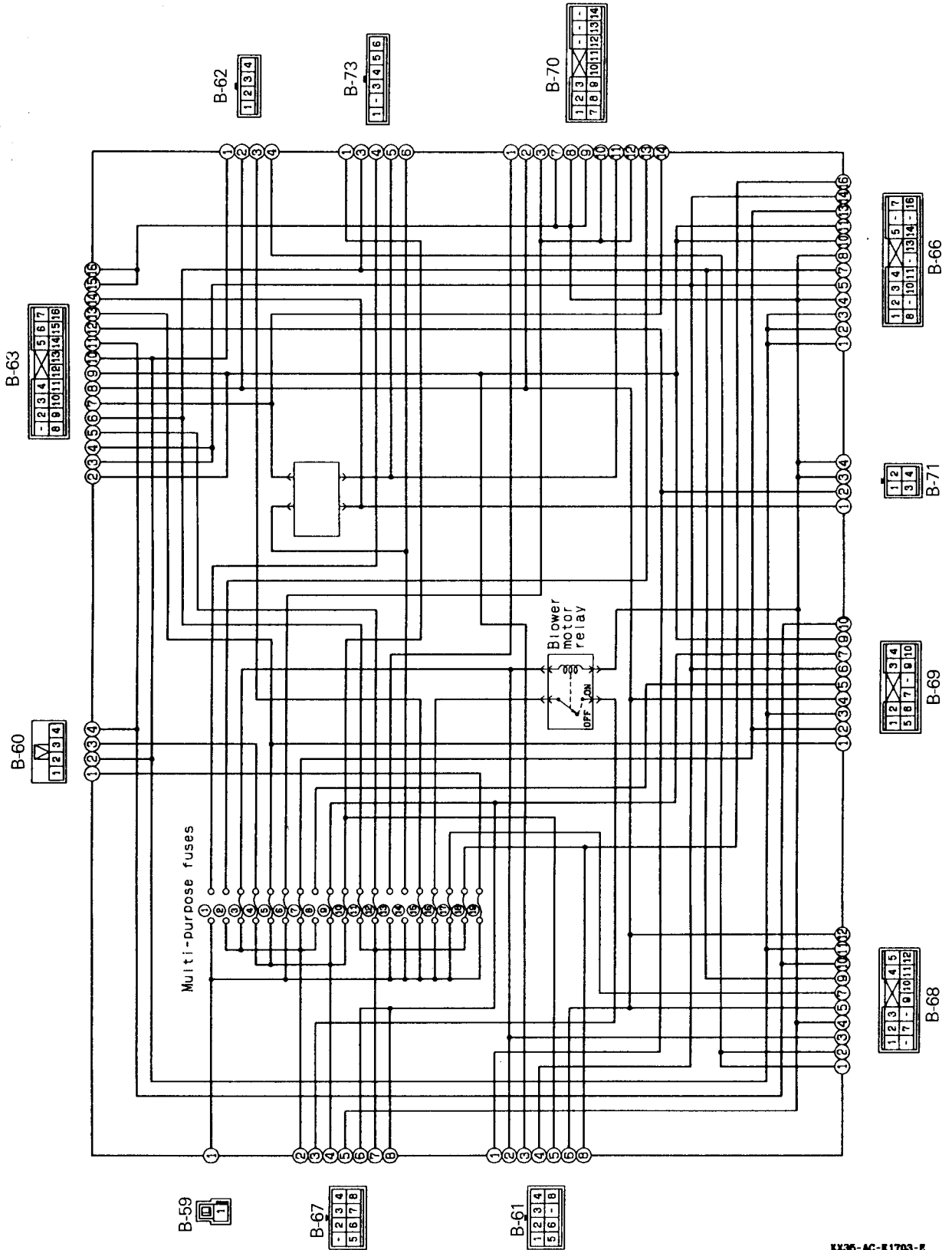
KX35-AC-E1701-E



16S0673

16S0311

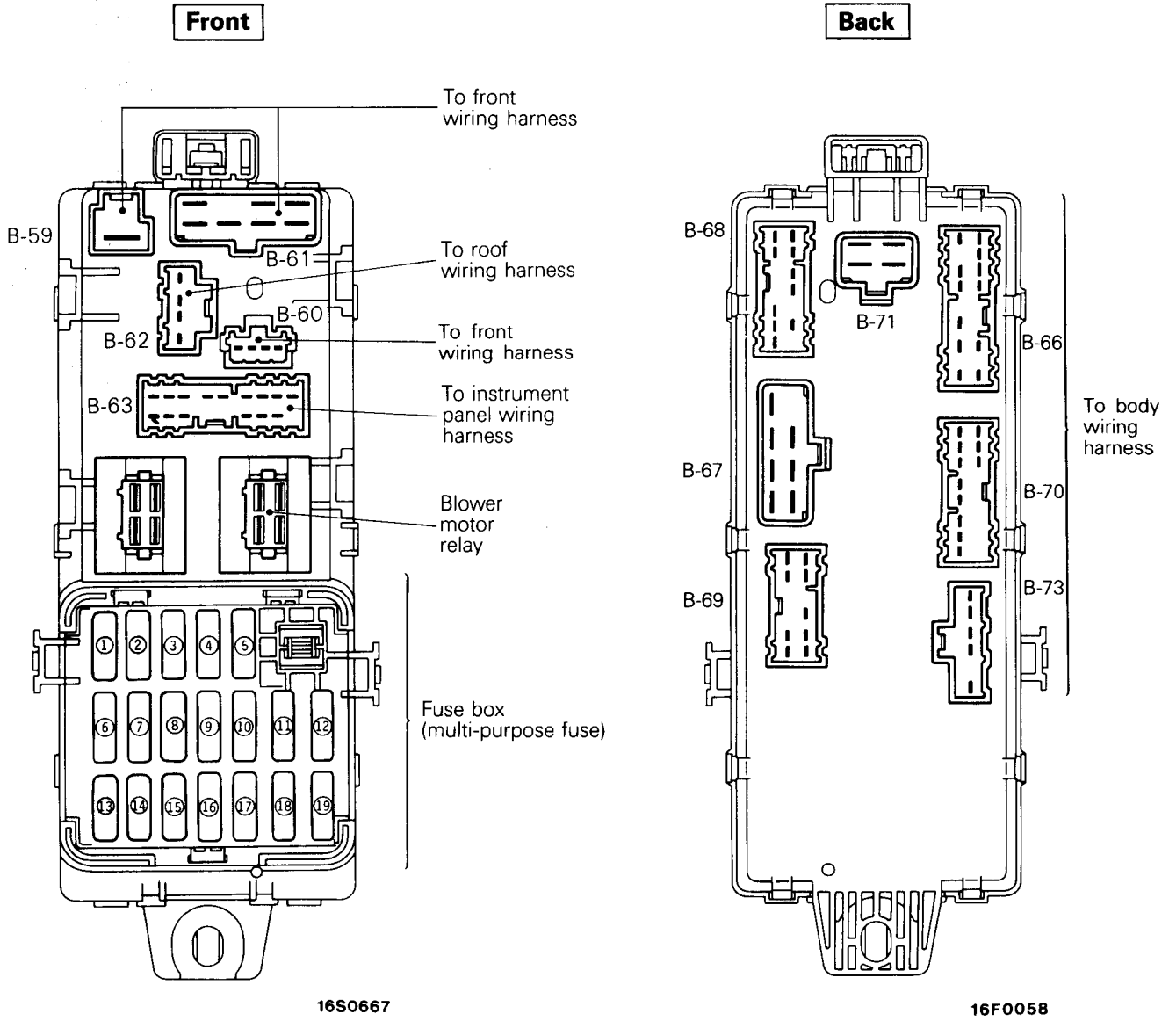
R.H. drive vehicles



KX35-AC-E1703-E

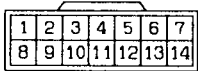
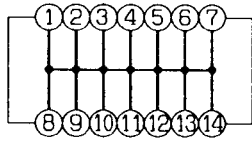
Remark

- Connector numbers are keyed to the configuration diagram (dashboard panel) and each circuit diagram.



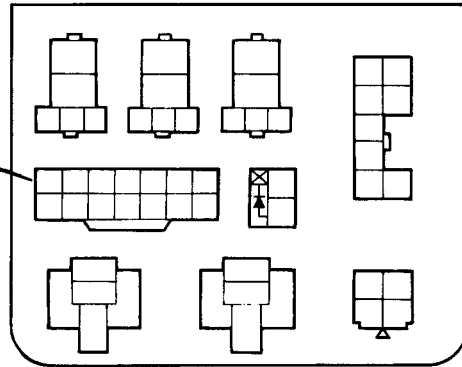
JUMPER CONNECTOR <L.H. drive vehicles>

(Relay box in passenger compartment)



B-47X

KX35-AC-E1702-E



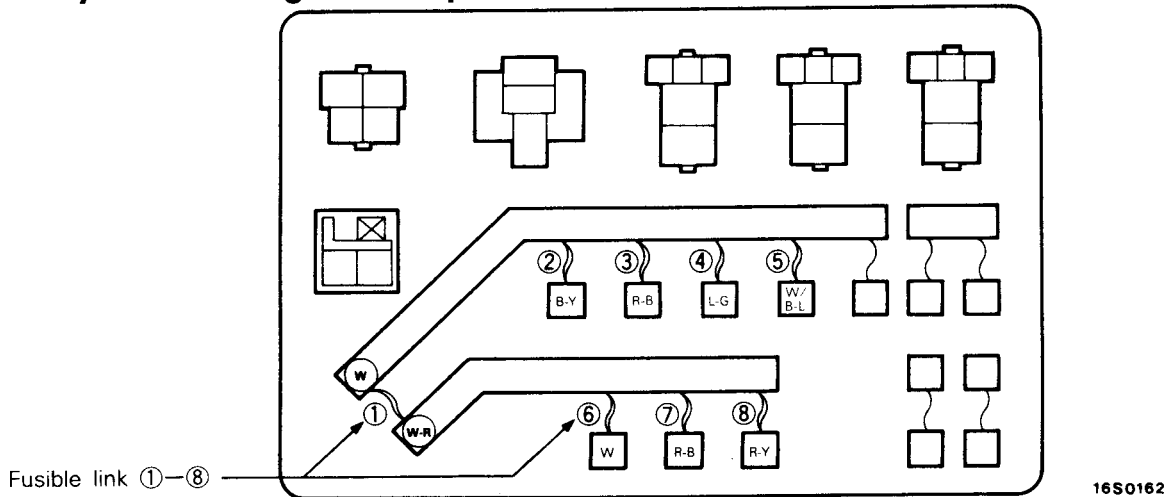
16S0309

CENTRALIZED JUNCTION

FUSIBLE LINK

No.	Circuit	Housing colour	Rated capacity (A)
1	Fusible link No. ⑥, ⑦, ⑧ <when the engine is stopped> and Fusible link No. ②, ③, ④, ⑤, ⑨, ⑪ •dedicated fuse No. ① <after start of the engine> circuit	Black	80
2	MPI circuit	Blue	20
3	Headlamp, tail lamp and alternator circuit	Pink	30
4	Radiator fan motor, condenser fan motor and A/C compressor circuit	Petrol	30
		Diesel	40
5	Ignition switch circuit, starting circuit <diesel> and glow circuit	Green	40
6	Multi-purpose fuse (in the junction block) No. ①, ⑥, ⑧, ⑬, ⑭ circuit <LHD>	Green	40
	Multi-purpose fuse (in the junction block) No. ⑥, ⑮, ⑯, ⑰, ⑱ circuit <RHD>		
7	Power window circuit	Pink	30
8	Defogger circuit	Blue	20
9	ABS circuit	Yellow	60
10	—	—	—
11	Glow circuit	Black	80

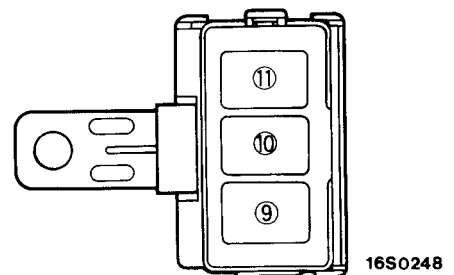
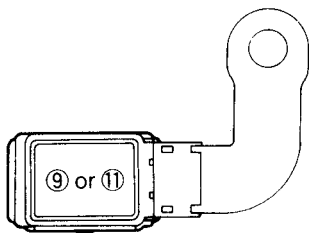
(Relay box in engine compartment)



(Connected directly to battery positive terminal)

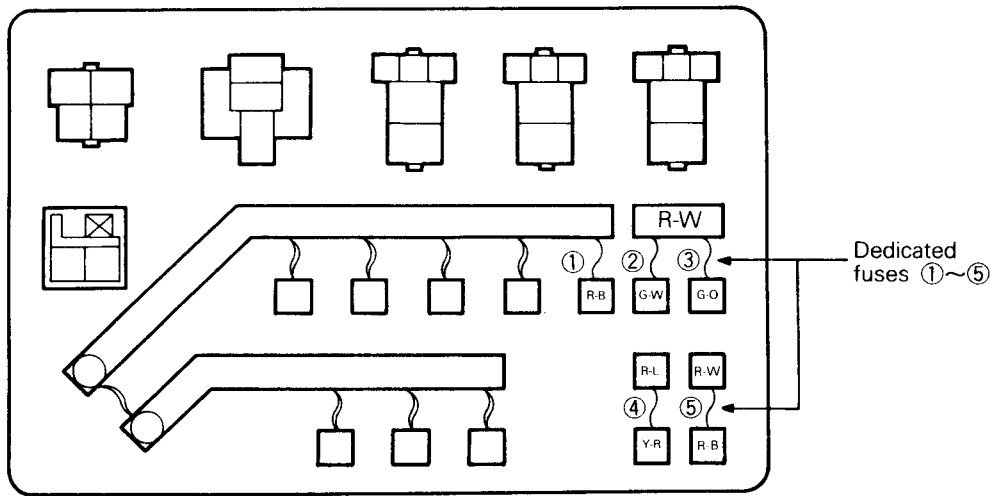
<PETROL (Vehicles with ABS),
DIESEL (Vehicles without ABS)>

<DIESEL (Vehicles with ABS)>



DEDICATED FUSE ①~⑤ (Relay box in engine compartment)

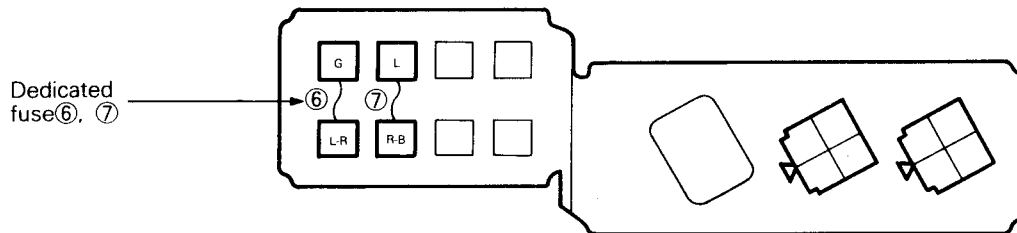
Power supply circuit	No.	Rated capacity (A)	Housing Colour	Circuit
Battery	1	10	Red	Hazard lamp circuit
Tail lamp relay (Battery)	2	10	Red	Tail lamp and illumination circuit
	3	10	Red	
Headlamp relay (Battery)	4	10	Red	Upper beam indicator, rear fog lamp and headlamp leveling system circuit
Battery	5	10	Red	ABS circuit



16S0162

**DEDICATED FUSE ⑥~⑧ (A/C relay bracket in engine compartment)
<4G13>**

Power supply circuit	No.	Rated capacity (A)	Housing Colour	Circuit
Battery	6	10	Red	A/C compressor circuit
	7	20	Yellow	Condenser fan motor circuit



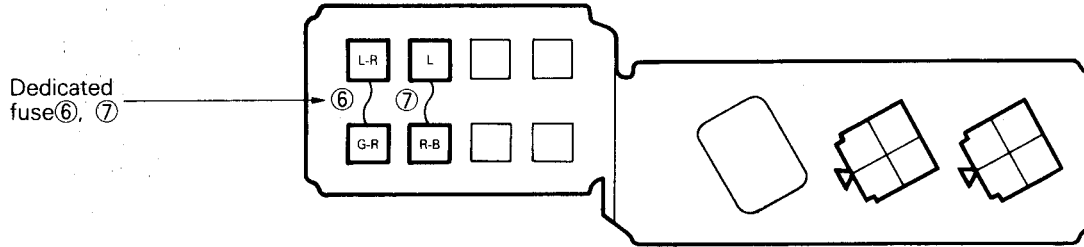
16S0554

4A-10

CIRCUIT DIAGRAM – Centralized Junction

<4G9>

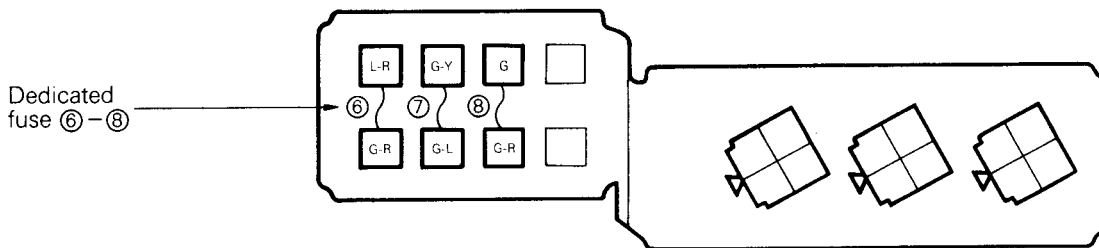
Power supply circuit	No.	Rated capacity (A)	Housing Colour	Circuit
Battery	6	10	Red	A/C compressor circuit
Condenser fan motor relay (Battery)	7	25	Transparent	Condenser fan motor circuit



16S0554

<4D68>

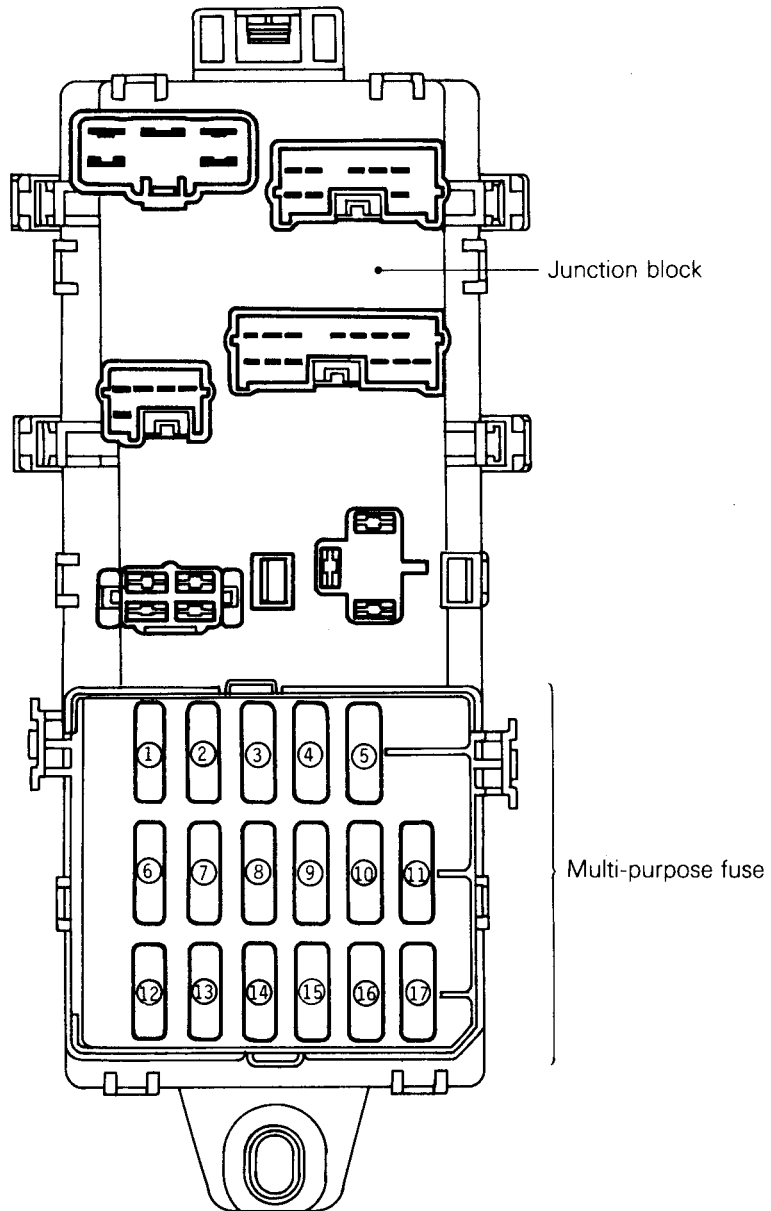
Power supply circuit	No.	Rated capacity (A)	Housing colour	Circuit
Battery	6	10	Red	A/C compressor circuit
	7	25	Transparent	Condenser fan motor circuit and dedicated fuse No. ⑥ circuit
	8	25	Transparent	Radiator fan motor and condenser fan motor circuit



16S0552

MULTI-PURPOSE FUSE (In junction block) <L.H. drive vehicles>

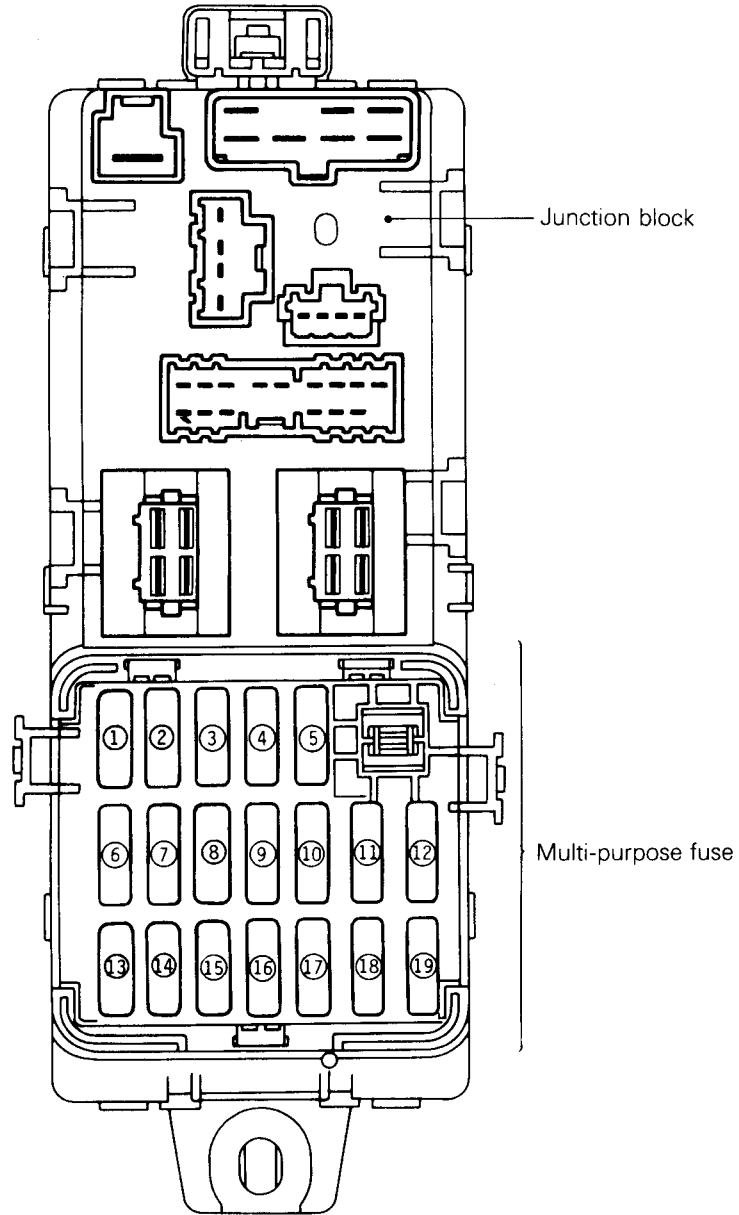
Power supply circuit		No.	Rated capacity (A)	Housing colour	Load circuit
Battery		1	20	Yellow	Blower motor
Ignition switch	IG1	2	10	Red	Back-up lamp and SRS diagnosis unit
		3	10	Red	Combination meter and lighting monitor buzzer
	ACC	4	15	Blue	Cigarette lighter and remote controlled mirror
		5	10	Red	Clock, radio and tape player
Battery		6	15	Blue	Stop lamp
Ignition switch	IG1	7	10	Red	SRS diagnosis unit and turn signal and hazard flasher unit
Battery		8	15	Blue	Door lock control unit
Ignition switch	ACC	9	10	Red	Horn
		10	15	Blue	Wiper and washer motor
—		11	—	—	—
Battery		12	—	—	—
		13	20	Yellow	Sunroof control unit
		14	10	Red	Room lamp, luggage compartment lamp, clock, radio and tape player, combination meter, door lock control unit, engine control unit and ELC-4A/T control unit
Ignition switch	IG2	15	10	Red	Blower motor relay, defogger relay, power window relay, headlamp washer relay, sunroof control unit, automatic compressor control unit, ABS power relay, ABS valve relay <2WD>, DRL relay (I) and DRL control unit
		16	20	Yellow	Heated seat
		17	10	Red	Combination meter <4A/T> and ELC-4A/T control unit



16S0673

MULTI-PURPOSE FUSE (In junction block) <R.H. drive vehicles>

Power supply circuit		No.	Rated capacity (A)	Housing colour	Load circuit
Battery		1	—	—	—
Ignition switch	IG2	2	—	—	—
		3	10	Red	Blower motor relay, defogger relay, power window relay, dim-dip lamp relay (I), ABS power relay, ABS valve relay <2WD>, automatic compressor control unit and sunroof control unit
	ACC	4	10	Red	Clock, radio and tape player
		5	15	Blue	Cigarette lighter and remote controlled mirror
	Battery		6	20	Yellow
Ignition switch	IG2	7	10	Red	Combination meter <4A/T> and ELC-4A/T control unit
		8	—	—	—
	ACC	9	20	Yellow	Wiper and washer motor
		10	10	Red	Horn
	IG1	11	10	Red	Combination meter and lighting monitor buzzer
		12	10	Red	Turn signal and hazard flasher unit
Battery		13	—	—	—
		14	—	—	—
		15	20	Yellow	Sunroof control unit
		16	25	Transparent	Blower motor
		17	15	Blue	Stop lamp
Ignition switch	IG1	18	10	Red	Back-up lamp and SRS diagnosis unit
Battery		19	10	Red	Room lamp, luggage compartment lamp, clock, radio and tape player, combination meter, door lock control unit, engine control unit and ELC-4A/T control unit

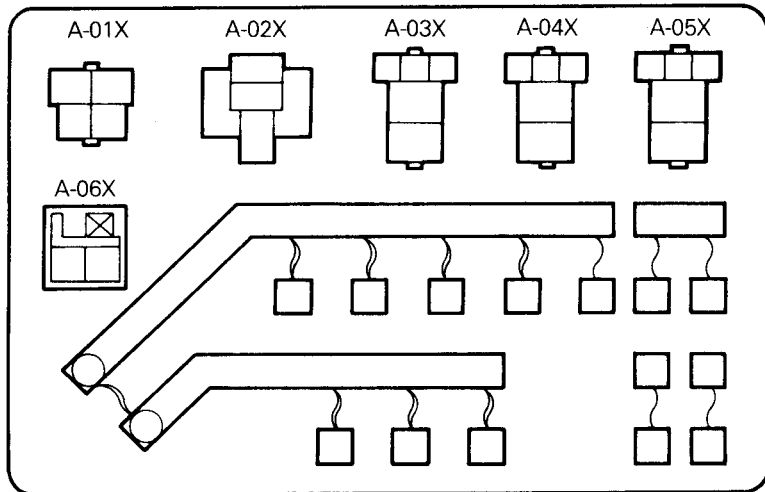


16S0667

CENTRALIZED RELAY

(Relay box in engine compartment)

Connector No.	Name	Connector No.	Name
A-01X	Alternator relay	A-04X	Headlamp relay
A-02X	Starter relay	A-05X	Tail lamp relay
A-03X	Radiator fan motor relay	A-06X	Storage connector

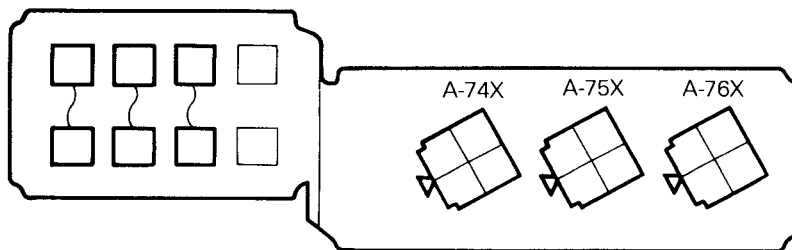


16S0162

(A/C relay bracket in engine compartment)

Connector No.	Name
A-74X	Condenser fan motor relay (HI)* ²
A-75X	Condenser fan motor relay* ¹ Condenser fan motor relay (LO)* ²
A-76X	A/C compressor relay

NOTE
 *¹ : Petrol-powered vehicles
 *² : Diesel-powered vehicles

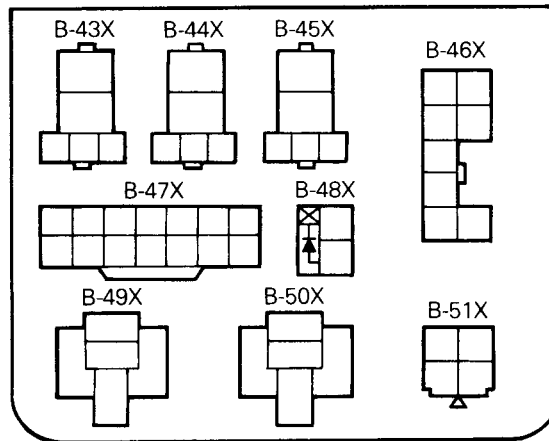


16S0552

(Relay box in passenger compartment)

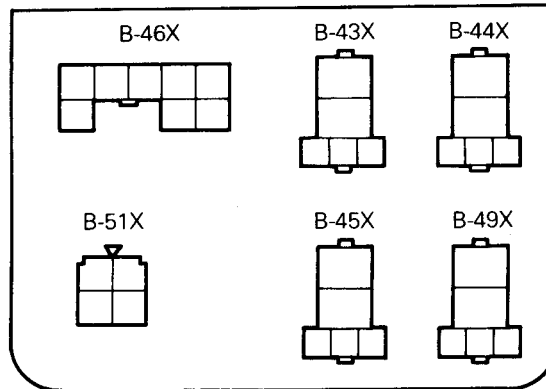
Connector No.	Name	Connector No.	Name
B-43X	ABS power relay	B-48X	Diode (for headlamp circuit)
B-44X	Power window relay	B-49X	Front fog lamp relay
B-45X	Defogger relay	B-50X	—
B-46X	Door lock control unit	B-51X	Rear fog lamp relay
B-47X	J/C (for earth circuit)		

<L.H. drive vehicles>



16S0309

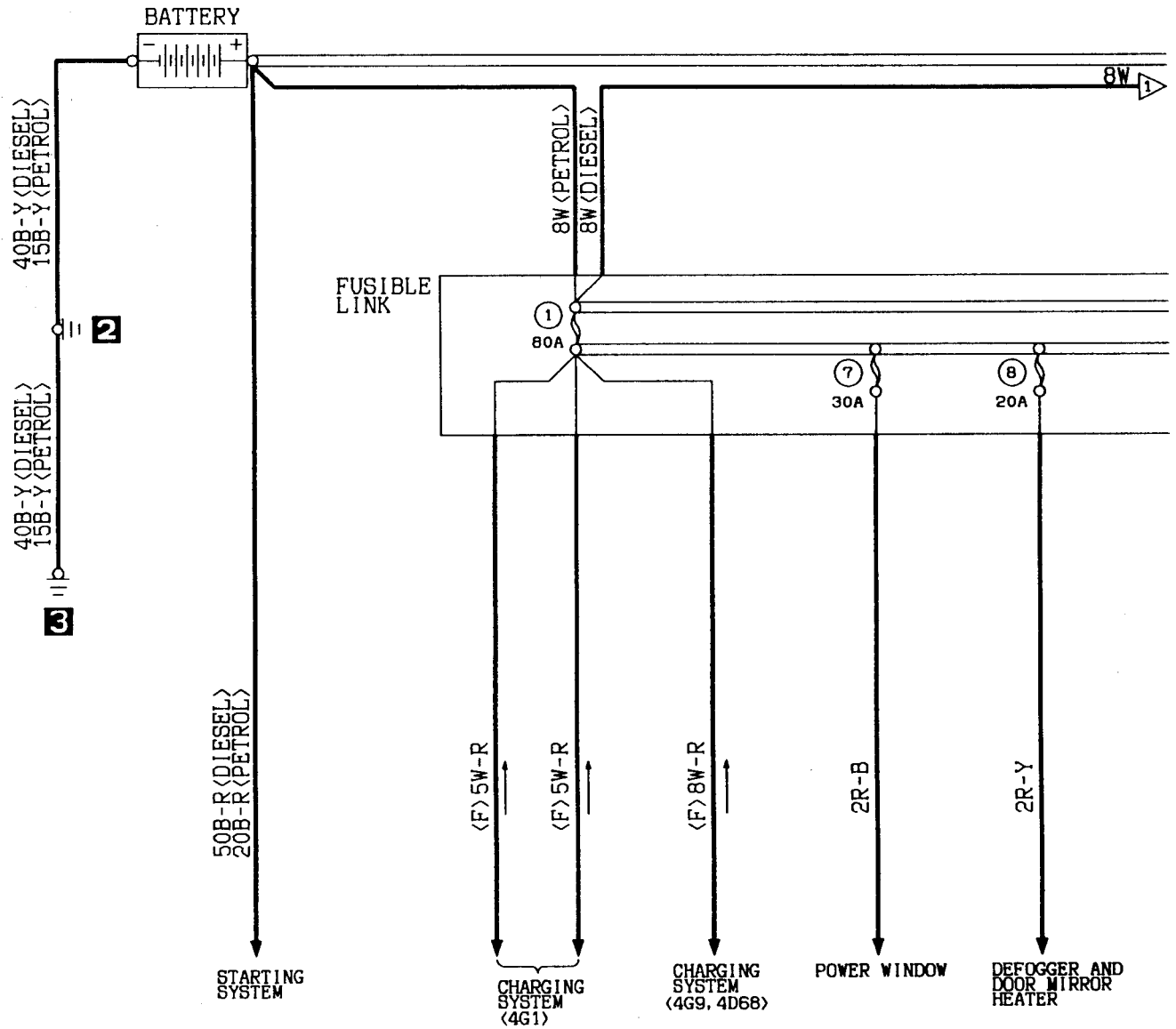
<R.H. drive vehicles>



16S0161

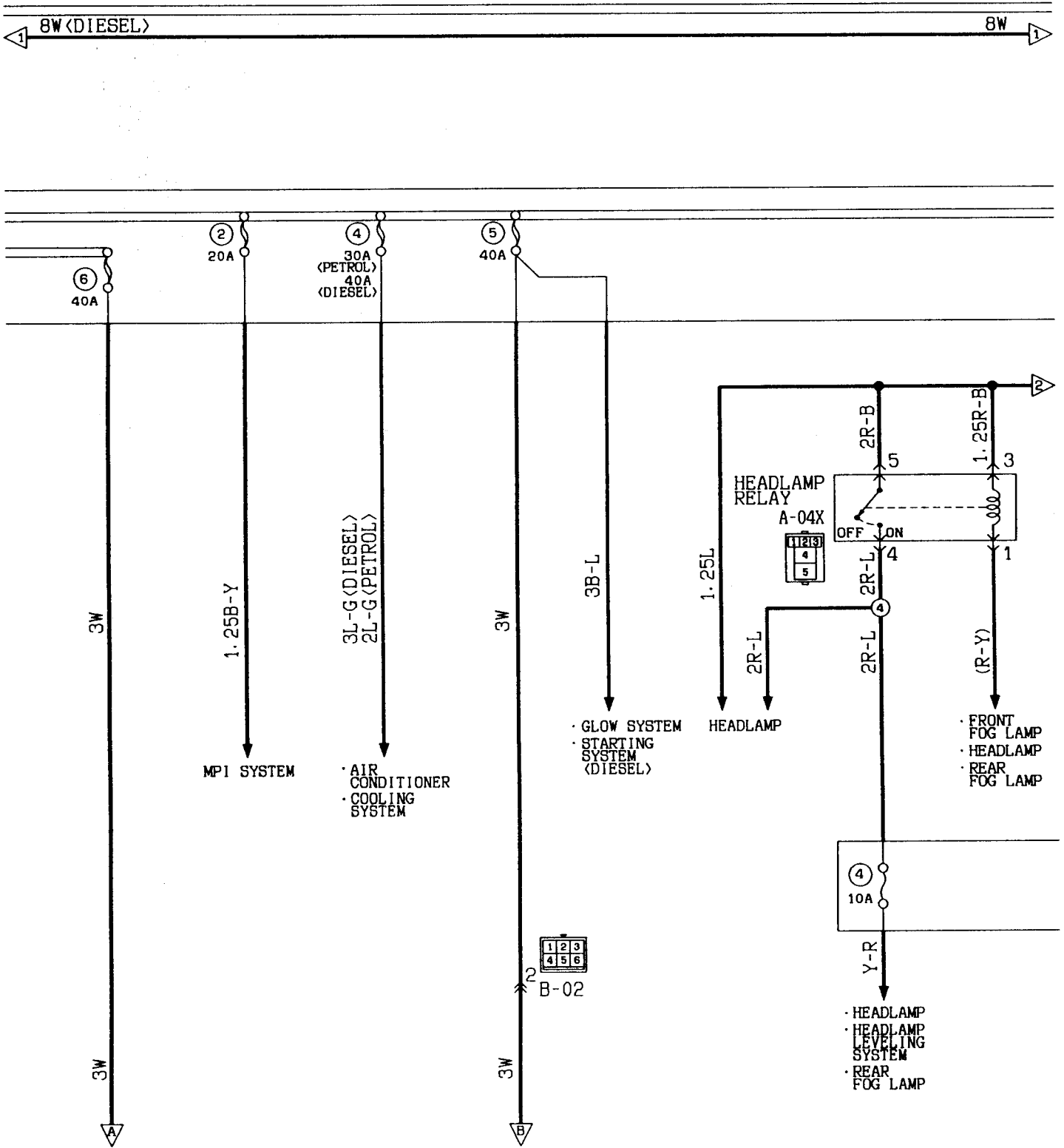
POWER DISTRIBUTION SYSTEM

L. H. drive vehicles



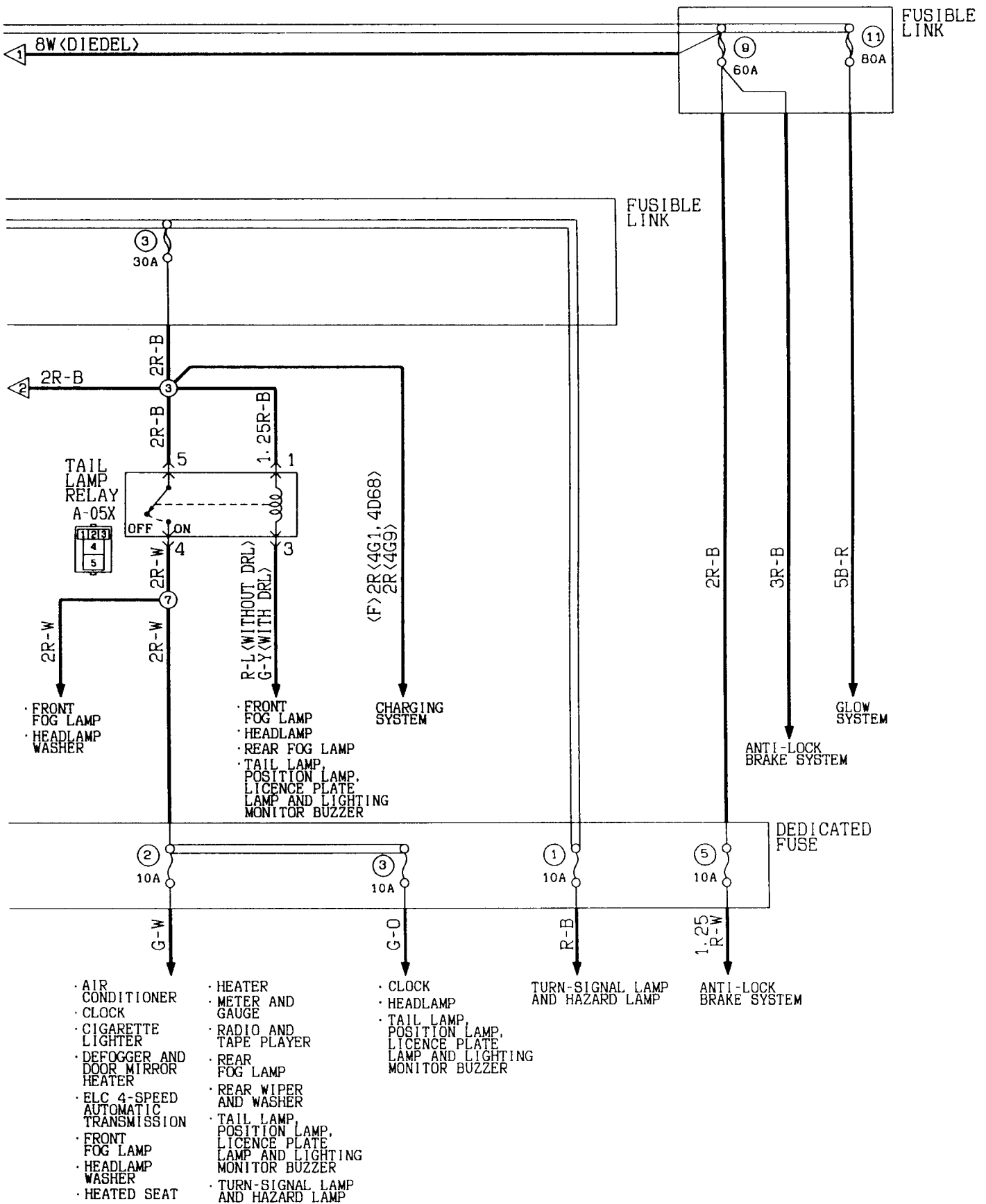
Wire colour code
 B:Black LG:Light green G:Green L:Blue W:White Y:Yellow SB:Sky blue
 BR:Brown O:Orange GR:Gray R:Red P:Pink V:Violet

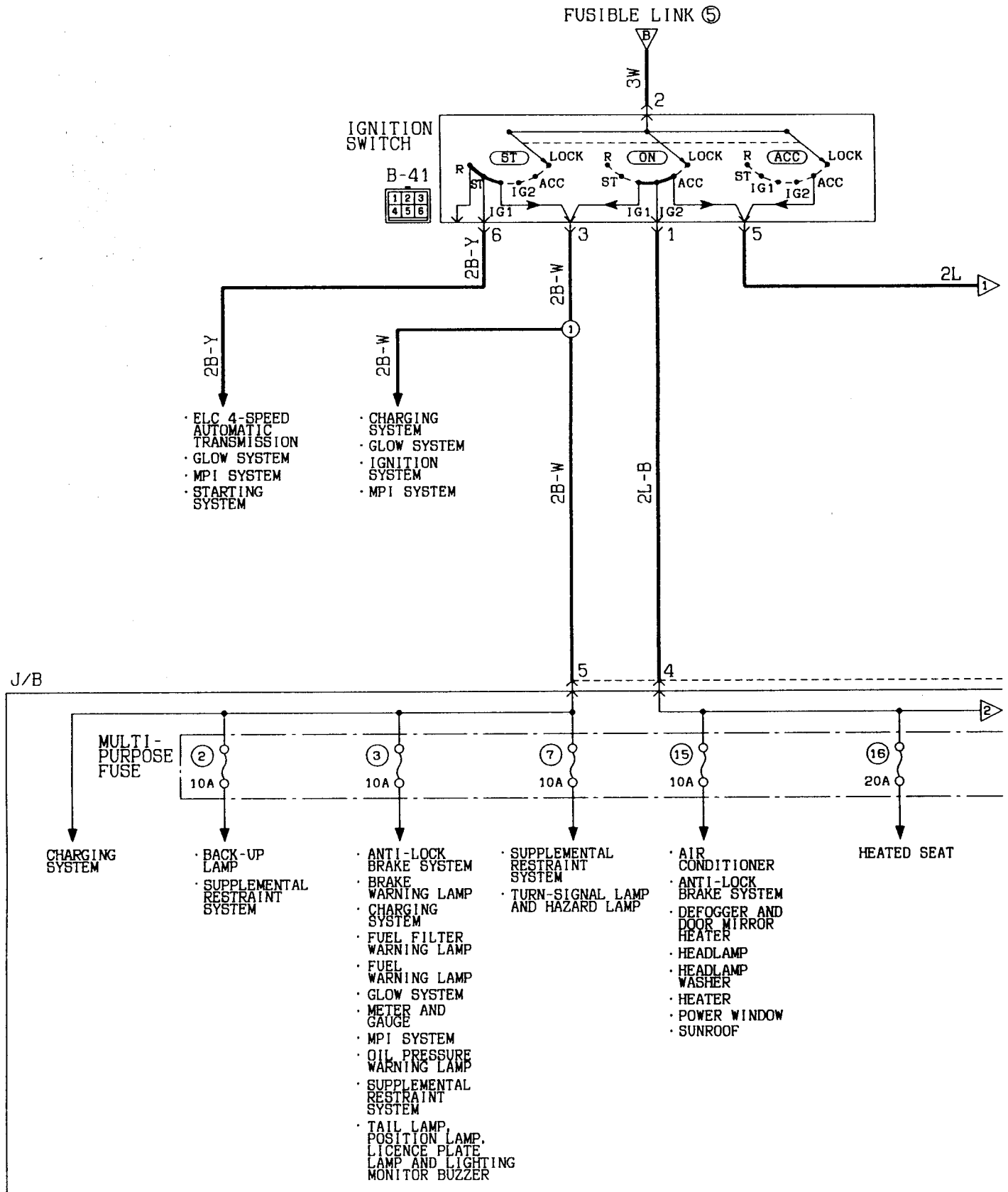
KX35-AC-E0103-EC



Wire colour code
 B:Black LG:Light green G:Green L:Blue W:White Y:Yellow SB:Sky blue
 BR:Brown O:Orange GR:Gray R:Red P:Pink V:Violet

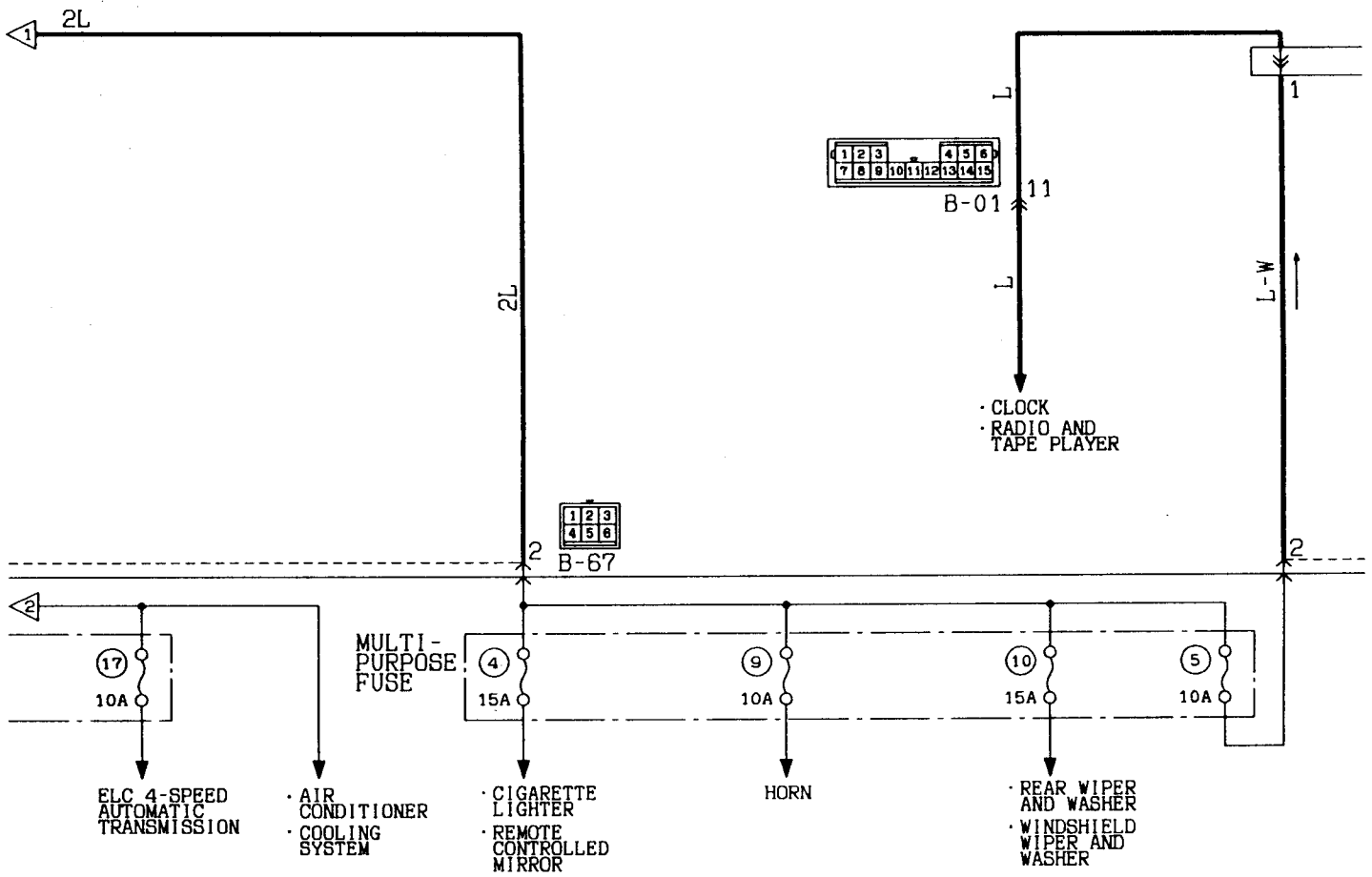
KX35-AC-E0103A-EC



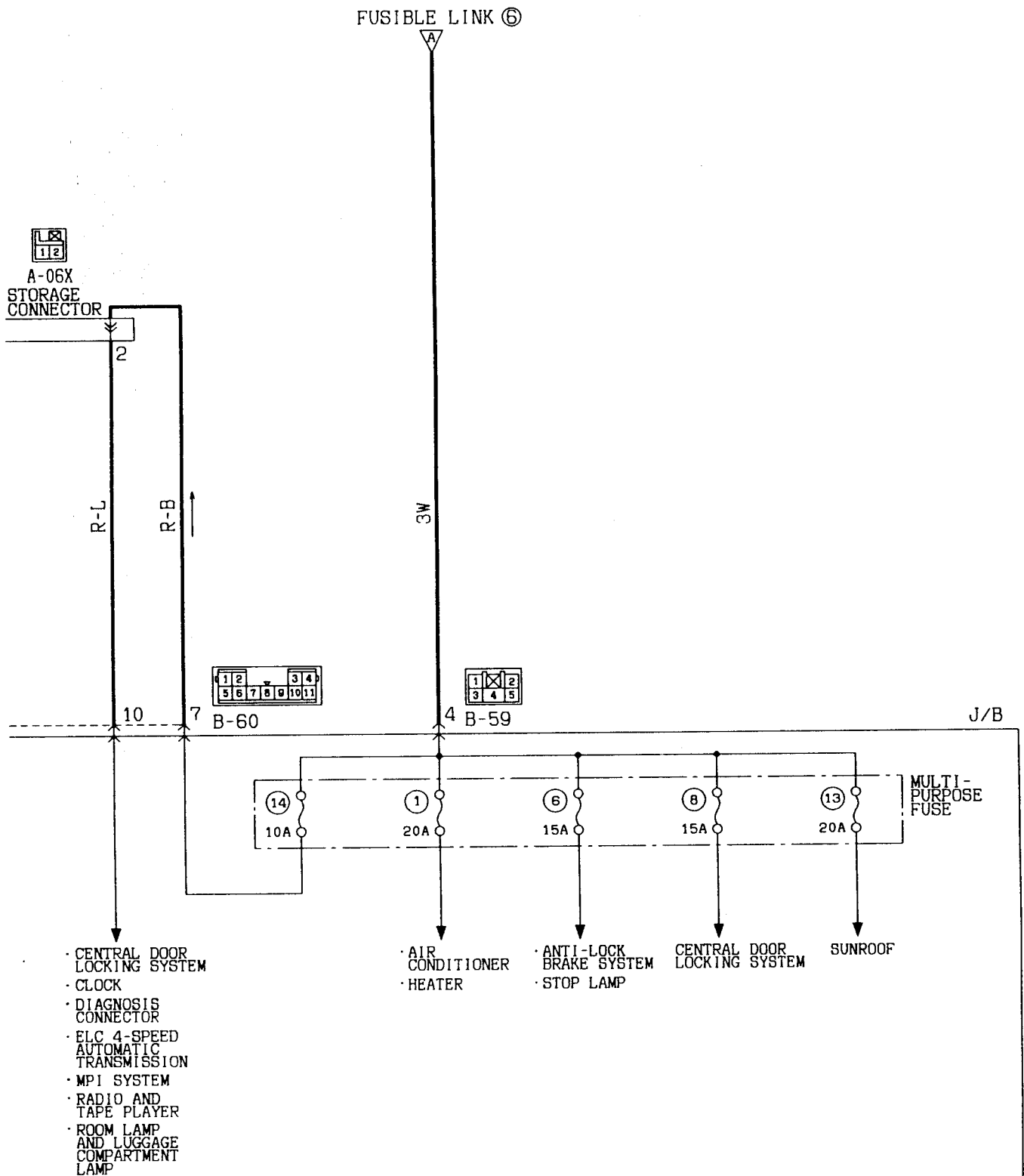


Remark
 The above circuit diagram shows the current flow at the ignition key position "ACC", "ON" and "ST" combined. Be sure trace the appropriate circuit depending on the ignition key position.

KX35-AC-E0103B-EC



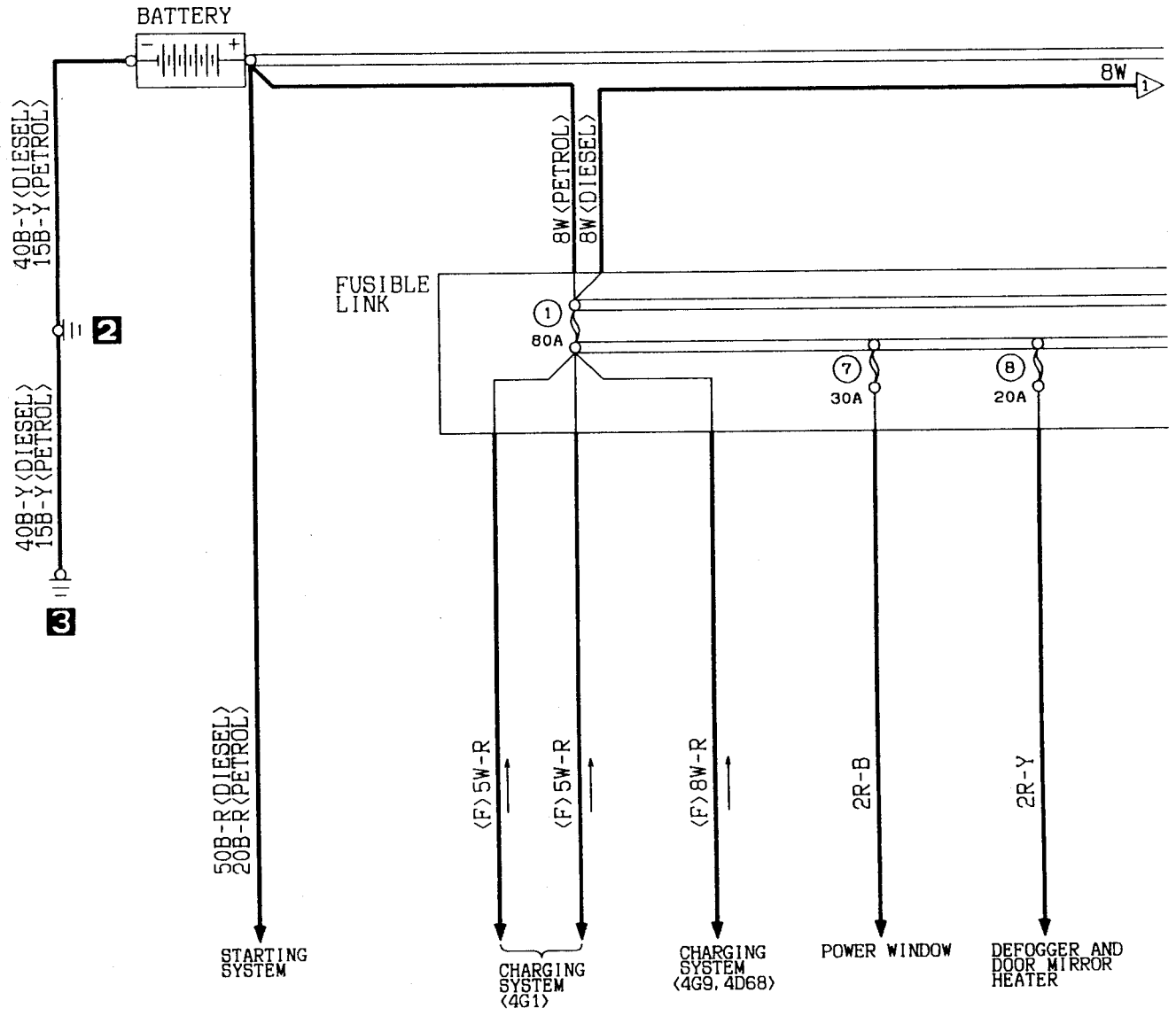
Wire colour code
 B:Black LG:Light green G:Green L:Blue W:White Y:Yellow SB:Sky blue
 BR:Brown O:Orange GR:Gray R:Red P:Pink V:Violet



Wire colour code
 B:Black LG:Light green G:Green L:Blue W:White Y:Yellow SB:Sky blue
 BR:Brown O:Orange GR:Gray R:Red P:Pink V:Violet

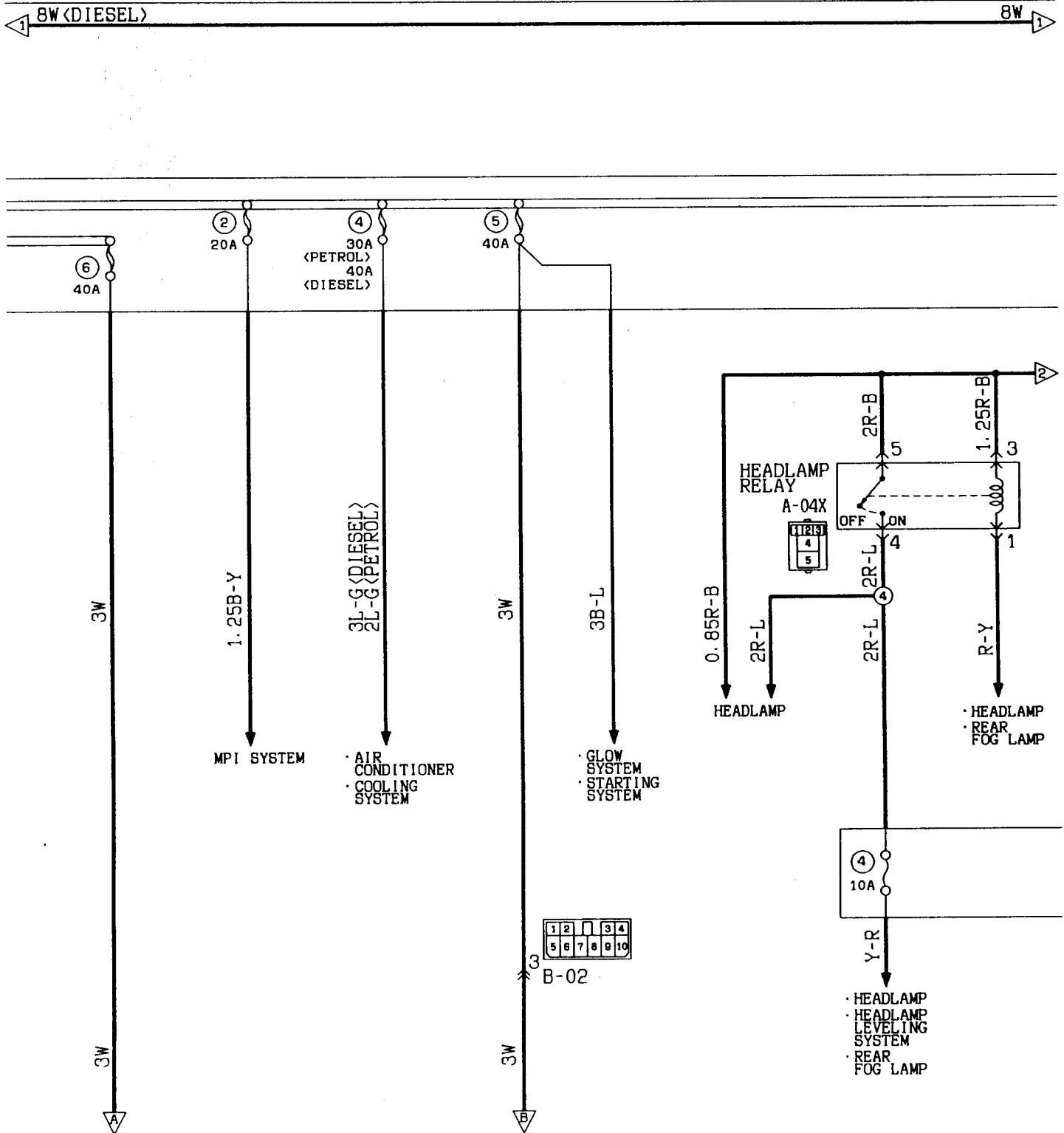
KX35-AC-E0103C-EC

POWER DISTRIBUTION SYSTEM
R. H. drive vehicles



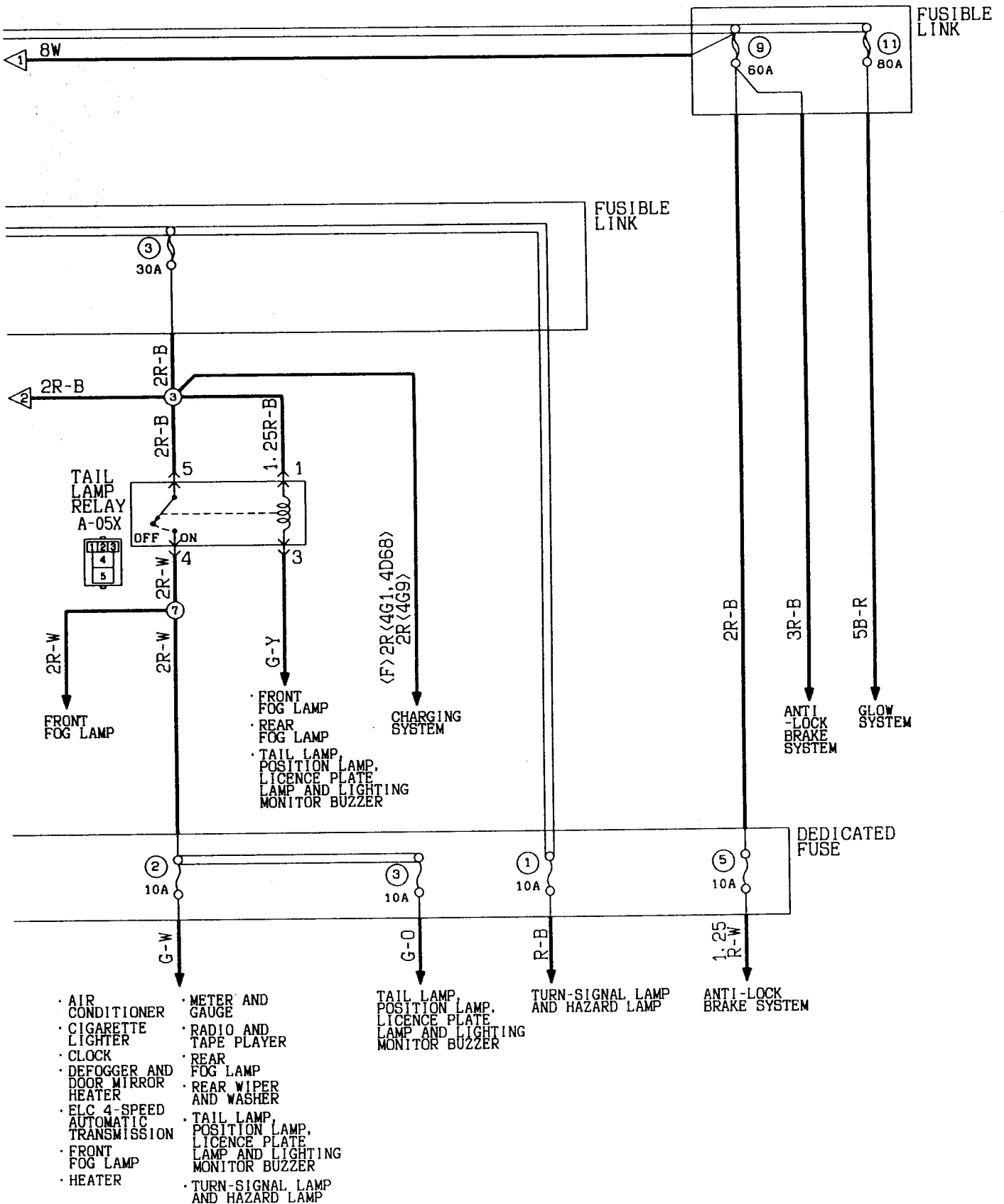
Wire colour code
 B:Black LG:Light green G:Green L:Blue W:White Y:Yellow SB:Sky blue
 BR:Brown O:Orange GR:Gray R:Red P:Pink V:Violet

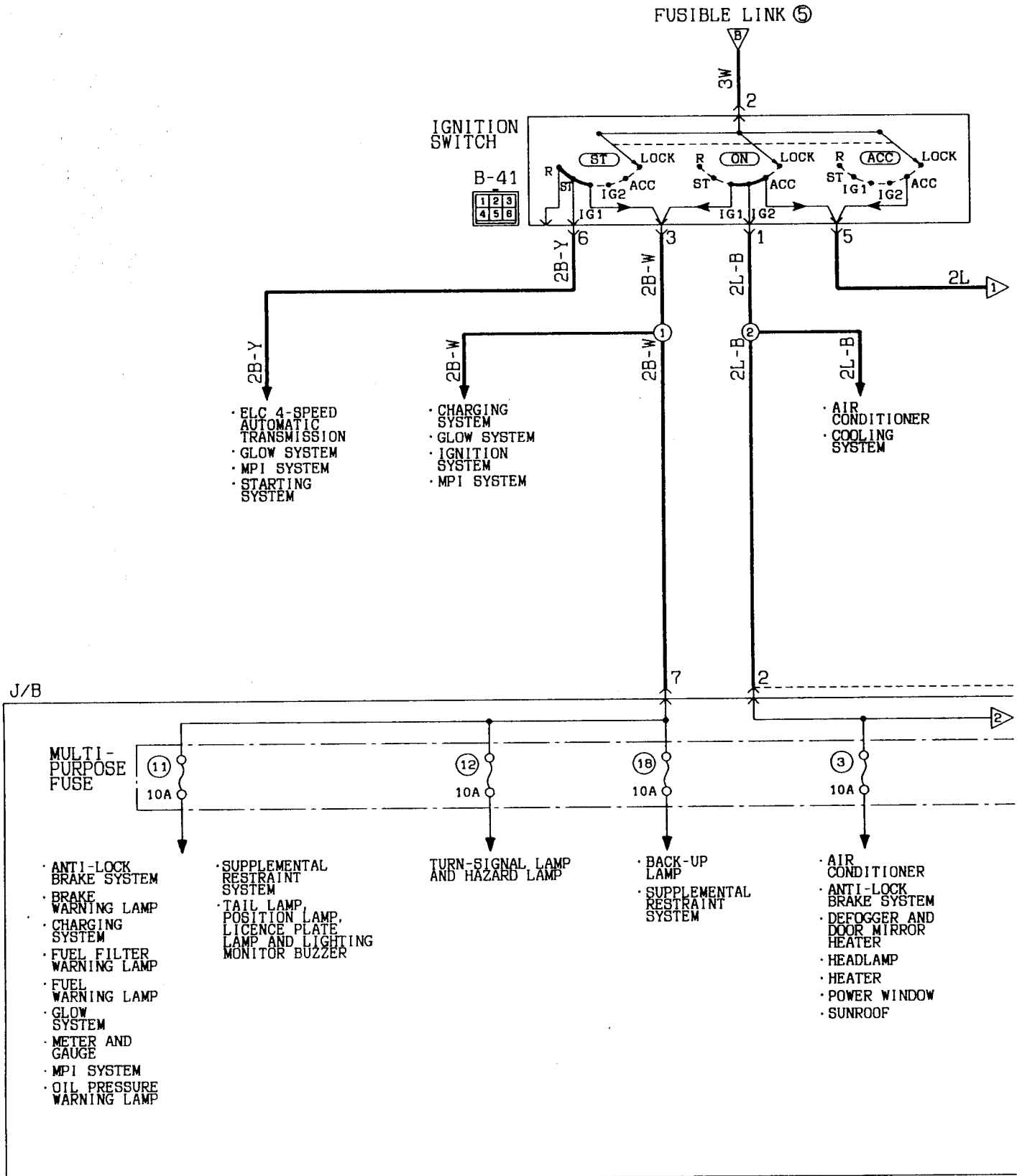
KX35-AC-E0104-EC



KX35-AC-E0104A-EC

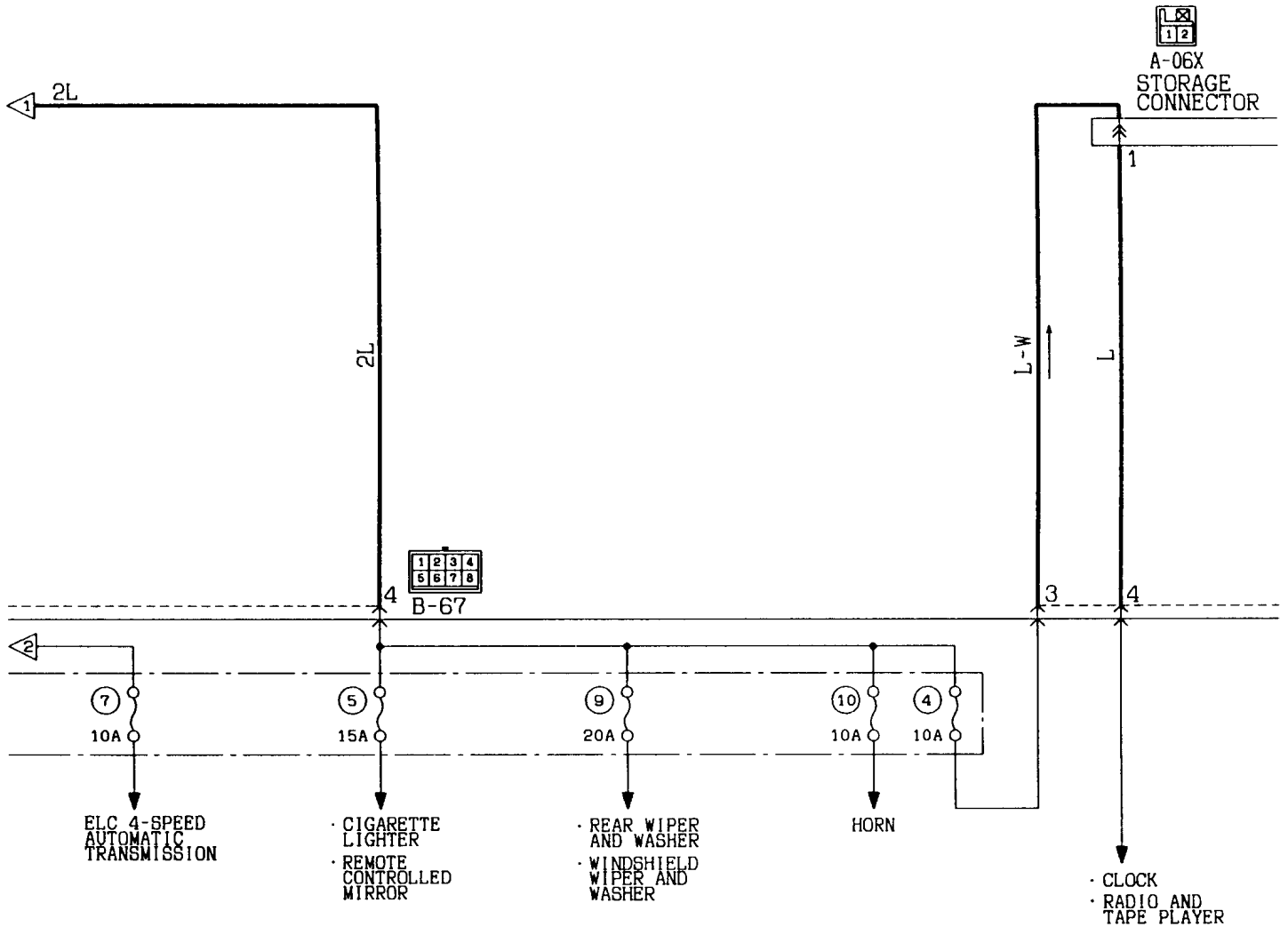
Wire colour code	G:Green	L:Blue	W:White	Y:Yellow	SB:Sky blue
B:Black	LG:Light green	R:Red	P:Pink	V:Violet	
BR:Brown	O:Orange				



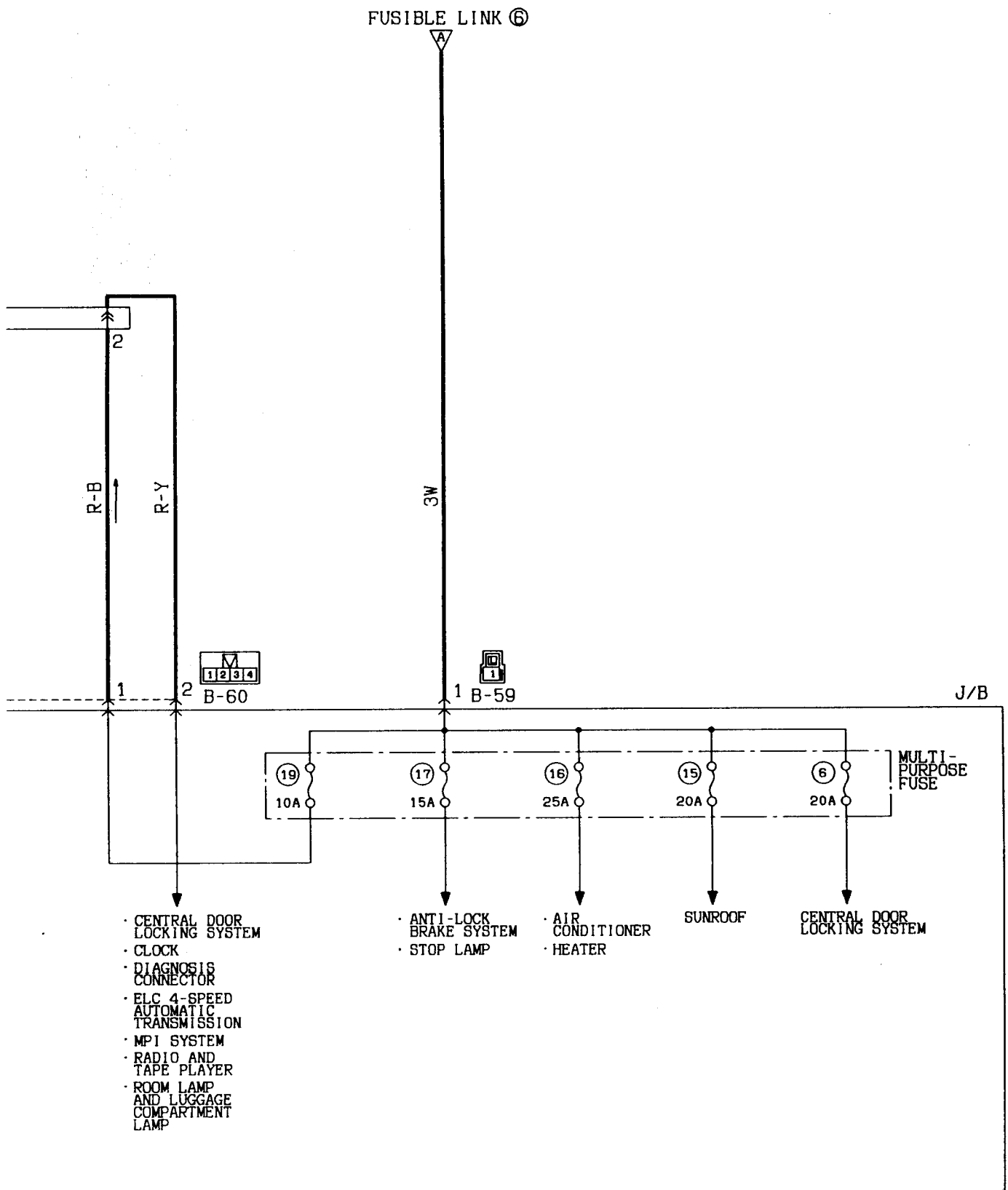


Remark
 The above circuit diagram shows the current flow at the ignition key position "ACC", "ON" and "ST" combined. Be sure trace the appropriate key circuit depending on the ignition key position.

KX35-AC-E0104B-EC

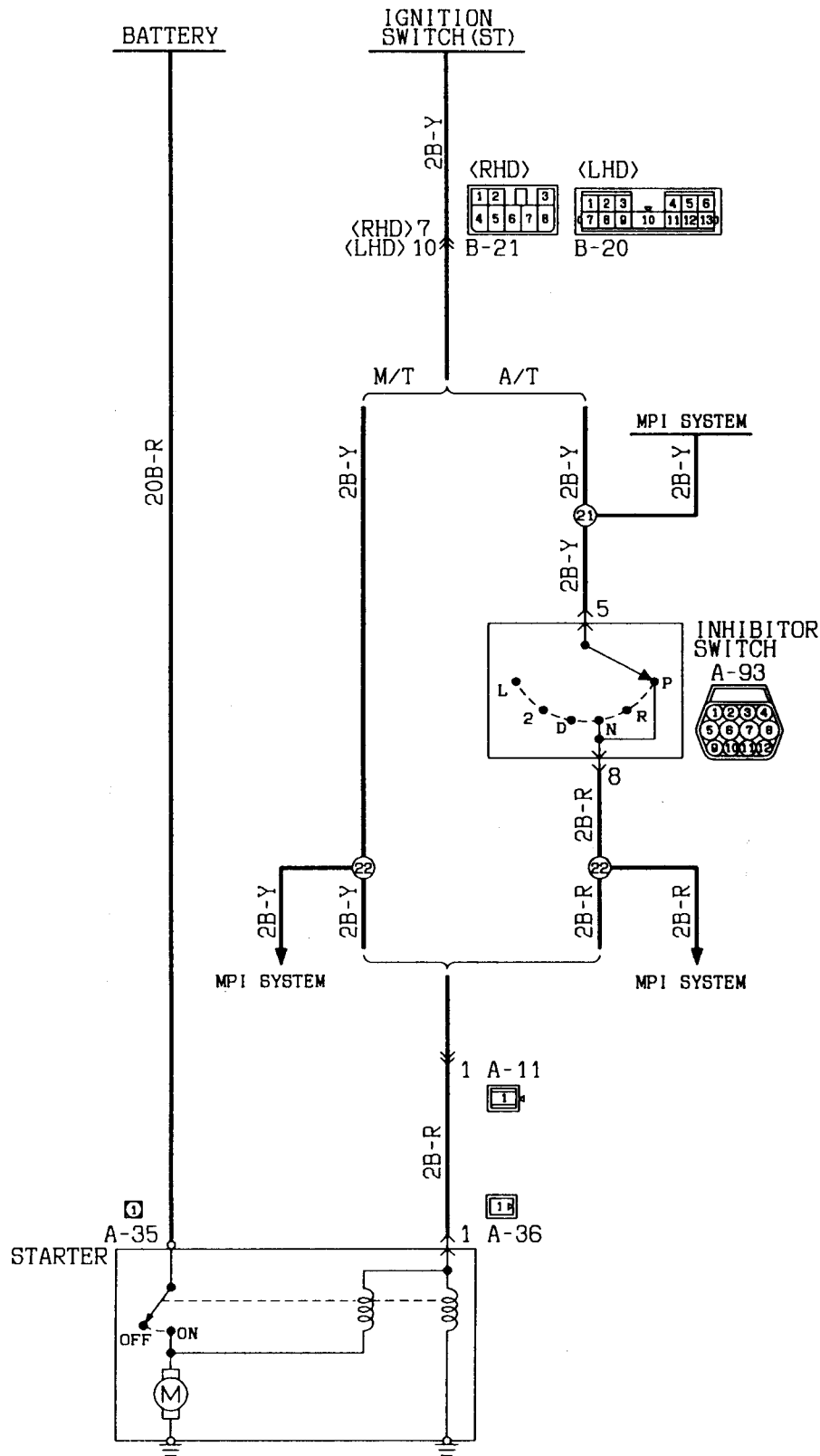


Wire colour code
 B:Black LG:Light green G:Green L:Blue W:White Y:Yellow SB:Sky blue
 BR:Brown O:Orange GR:Gray R:Red P:Pink V:Violet



Wire colour code
 B:Black LG:Light green G:Green L:Blue W:White Y:Yellow SB:Sky blue
 BR:Brown O:Orange GR:Gray R:Red P:Pink V:Violet

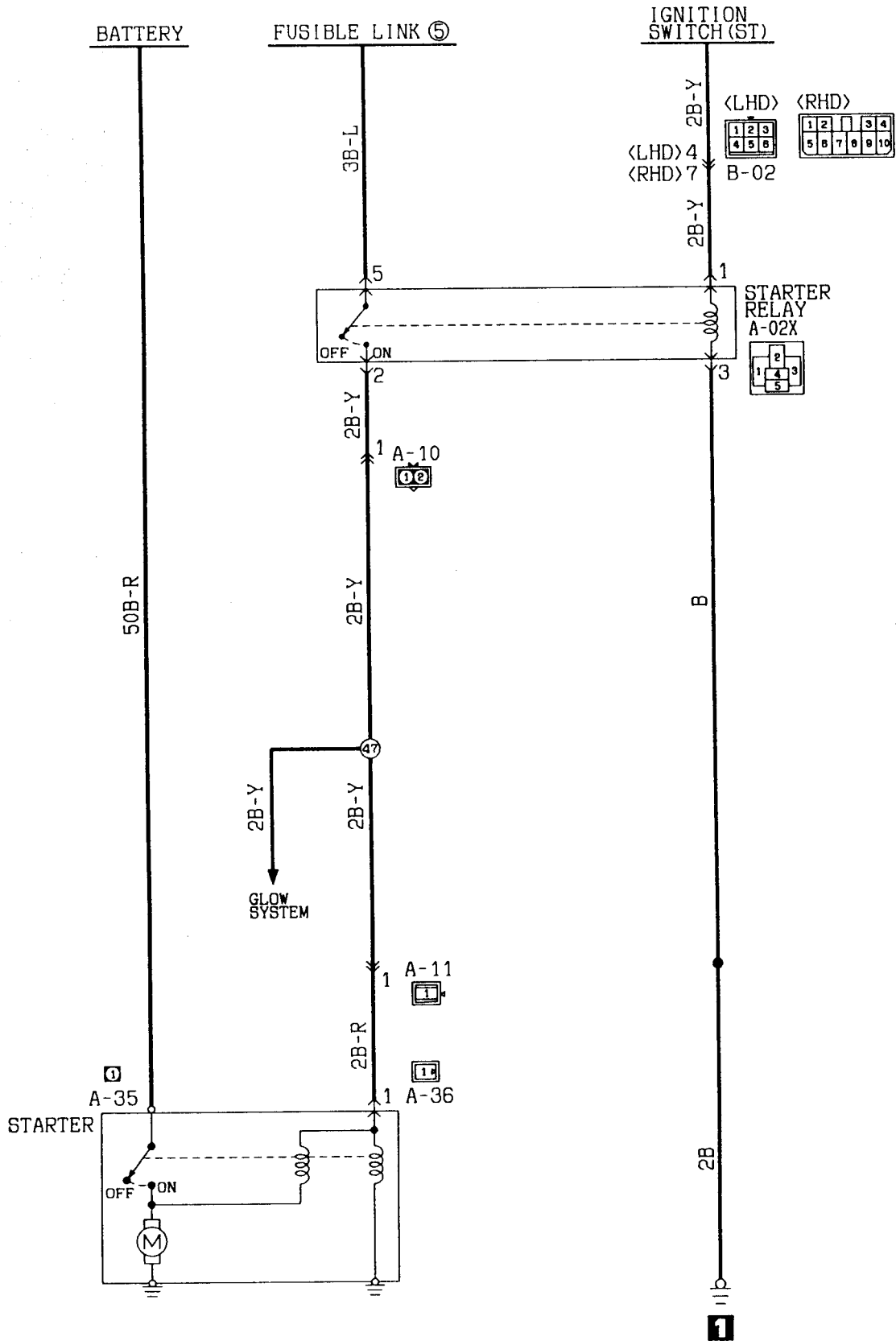
STARTING SYSTEM
Petrol



Wire colour code
 B:Black LG:Light green G:Green L:Blue W:White Y:Yellow SB:Sky blue
 BR:Brown O:Orange GR:Gray R:Red P:Pink V:Violet

KX35-AC-E0204-EC

STARTING SYSTEM
Diesel



Wire colour code
 B:Black LG:Light green G:Green L:Blue W:White Y:Yellow SB:Sky blue
 BR:Brown O:Orange GR:Gray R:Red P:Pink V:Violet

KX35-AC-E0203-EC

STARTING SYSTEM (See P.4A-29, 30.)**OPERATION****<Petrol-powered vehicles>**

- On vehicles with automatic transmission, Placing the ignition switch in the ST position with the selector lever in P or N position causes the starter contacts (magnet switch) to close energizing the starter motor.

<Diesel-powered vehicles>

- When the ignition switch is turned to the "ST" position, the starter relay becomes on. This will turn on the contacts of the starter (magnetic switch) to revolve the starter motor.

TROUBLESHOOTING HINTS

1. Starter motor does not turn over at all.
 - Check starter (coil).
 - Check battery terminals for proper contact.
 - Check inhibitor switch <A/T>
 - Check starter relay <Diesel-powered vehicles>
2. Starter motor does not stop rotating.
 - Check starter (magnet switch).

STARTING SYSTEM (See P.4A-29, 30.)**OPERATION****<Petrol-powered vehicles>**

- On vehicles with automatic transmission, Placing the ignition switch in the ST position with the selector lever in P or N position causes the starter contacts (magnet switch) to close energizing the starter motor.

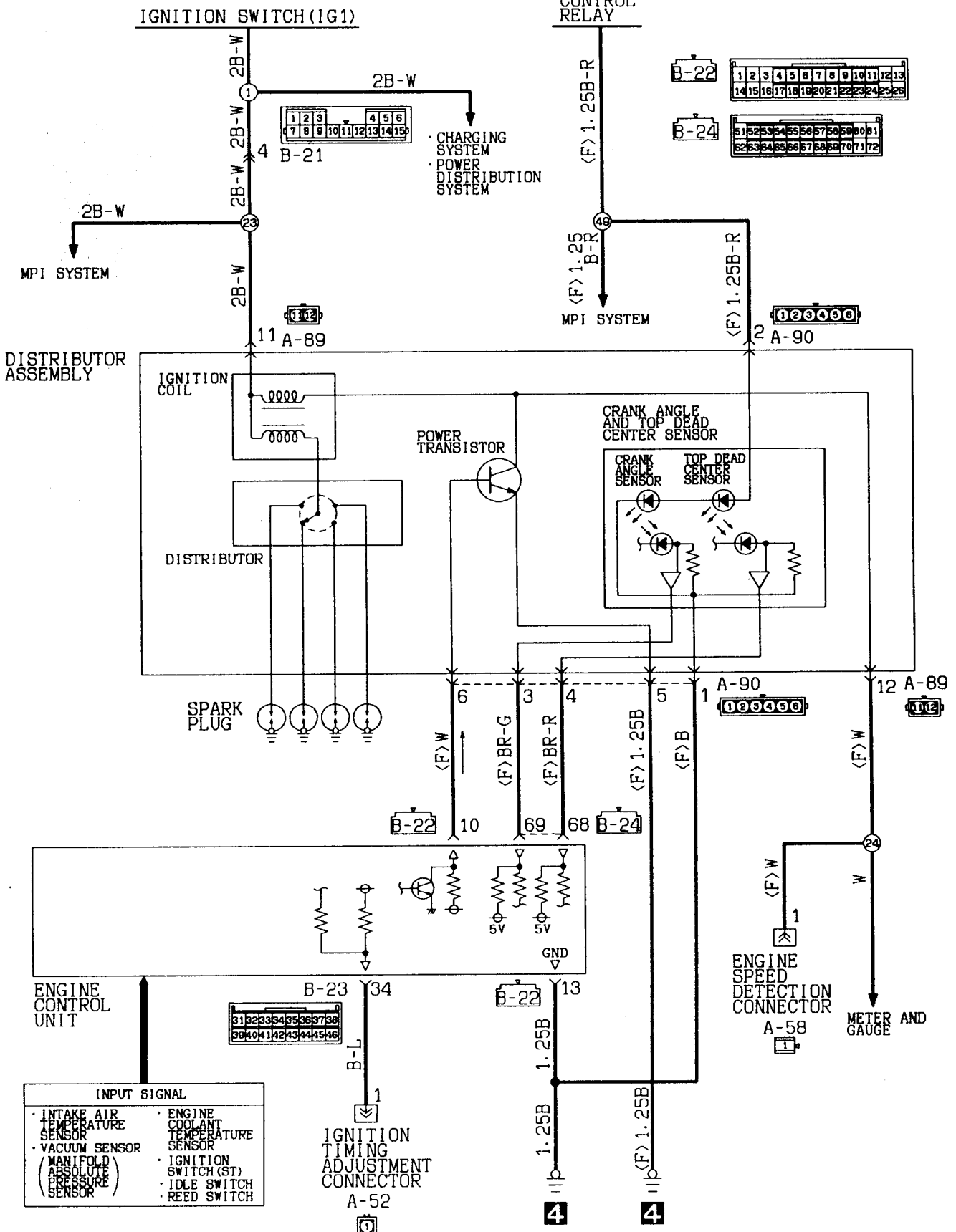
<Diesel-powered vehicles>

- When the ignition switch is turned to the "ST" position, the starter relay becomes on. This will turn on the contacts of the starter (magnetic switch) to revolve the starter motor.

TROUBLESHOOTING HINTS

1. Starter motor does not turn over at all.
 - Check starter (coil).
 - Check battery terminals for proper contact.
 - Check inhibitor switch <A/T>
 - Check starter relay <Diesel-powered vehicles>
2. Starter motor does not stop rotating.
 - Check starter (magnet switch).

IGNITION SYSTEM
4G13<L.H. drive vehicles>

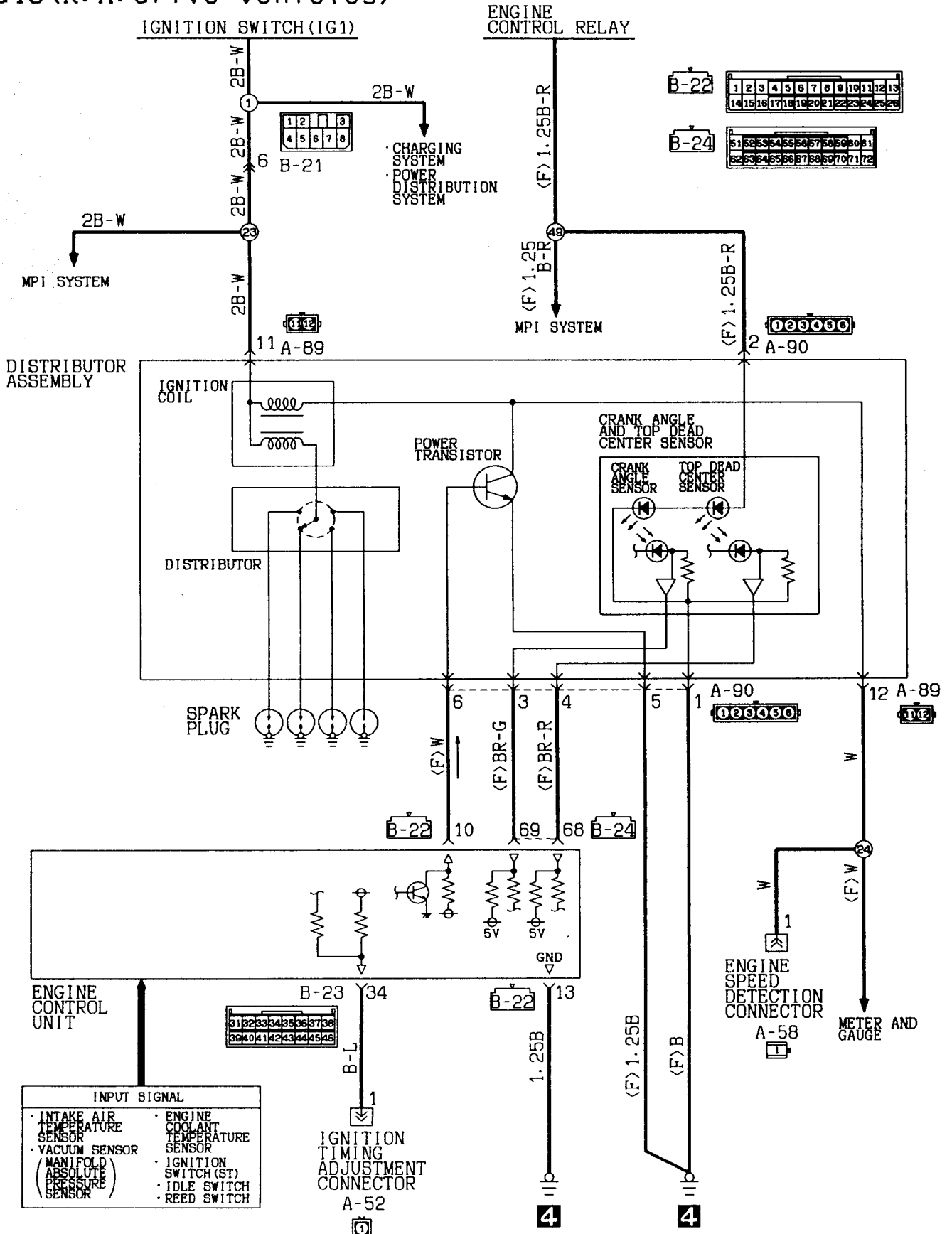


- INPUT SIGNAL
- INTAKE AIR TEMPERATURE SENSOR
 - VACUUM SENSOR (MANIFOLD ABSOLUTE PRESSURE) SENSOR
 - ENGINE COOLANT TEMPERATURE SENSOR
 - IGNITION SWITCH (ST)
 - IDLE SWITCH
 - REED SWITCH

Wire colour code
 B:Black LG:Light green G:Green L:Blue W:White Y:Yellow
 BR:Brown O:Orange GR:Gray R:Red P:Pink V:Violet

KX35-AC-E0311-EC

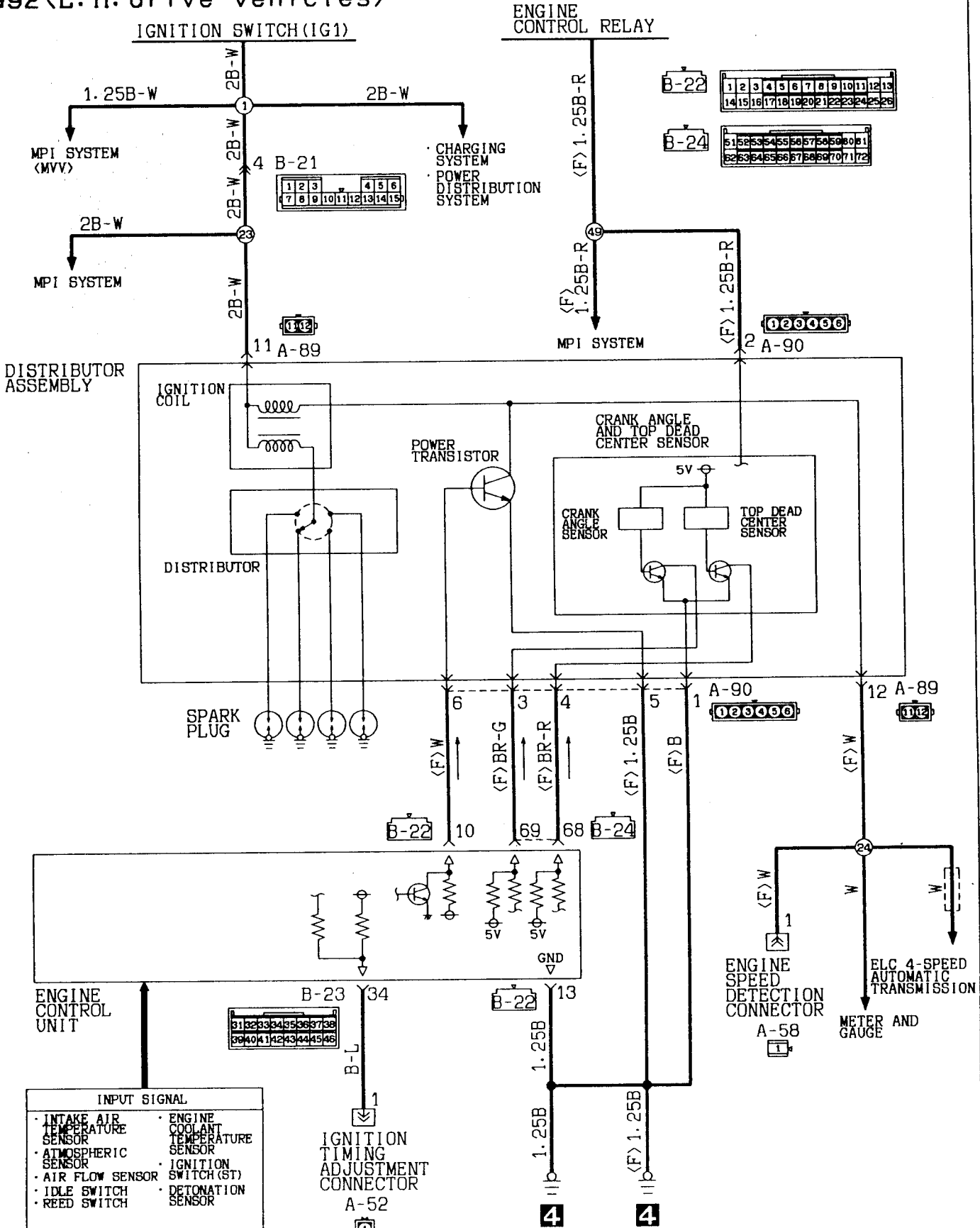
IGNITION SYSTEM
4G13<R. H. drive vehicles>



KX35-AC-E0312-EC

Wire colour code
 B: Black LG: Light green G: Green L: Blue W: White Y: Yellow SB: Sky blue
 BR: Brown O: Orange GR: Gray R: Red P: Pink V: Violet

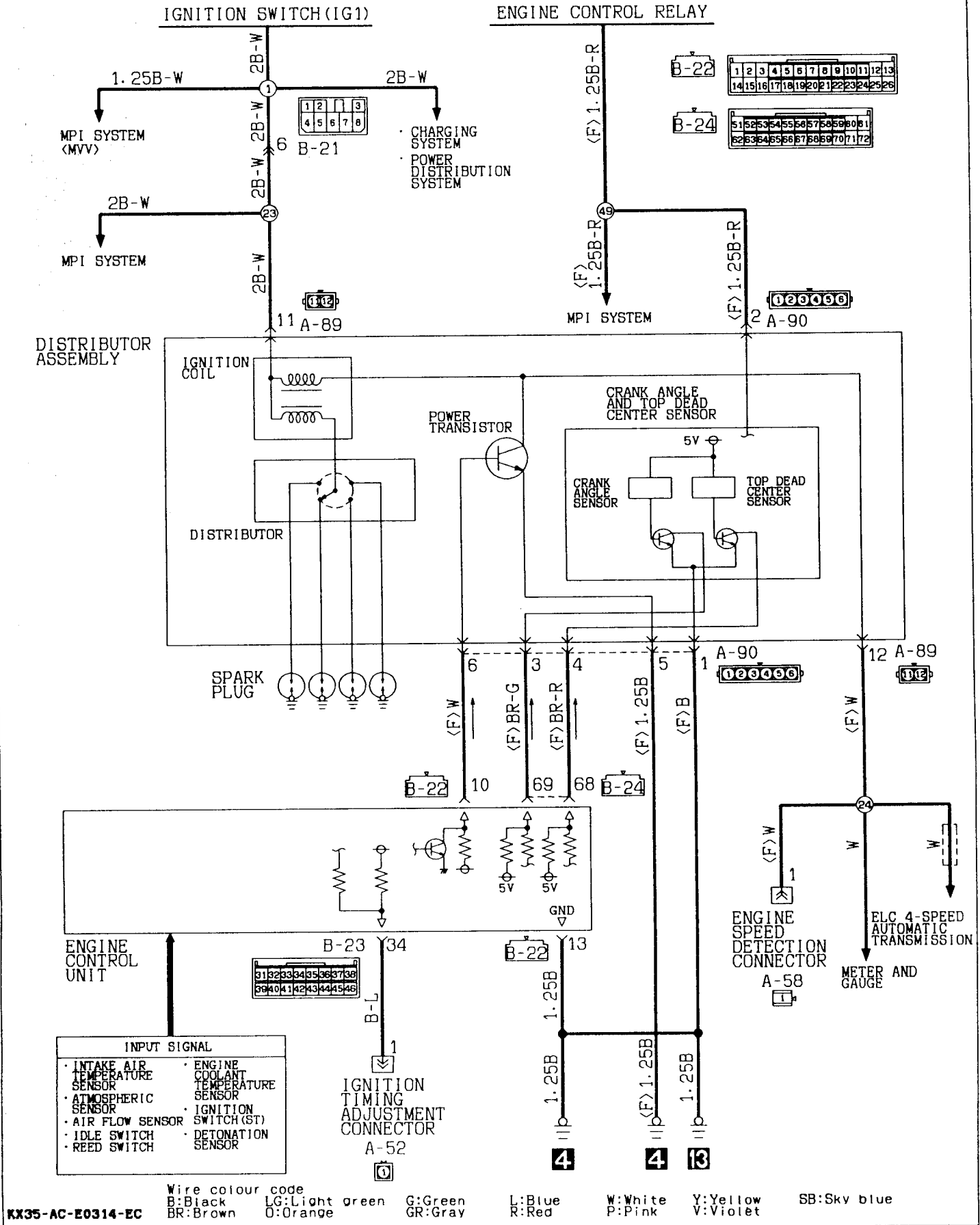
IGNITION SYSTEM
4G92 (L.H. drive vehicles)



Wire colour code
 B:Black LG:Light green G:Green L:Blue W:White Y:Yellow SB:Sky blue
 BR:Brown O:Orange GR:Gray R:Red P:Pink V:Violet

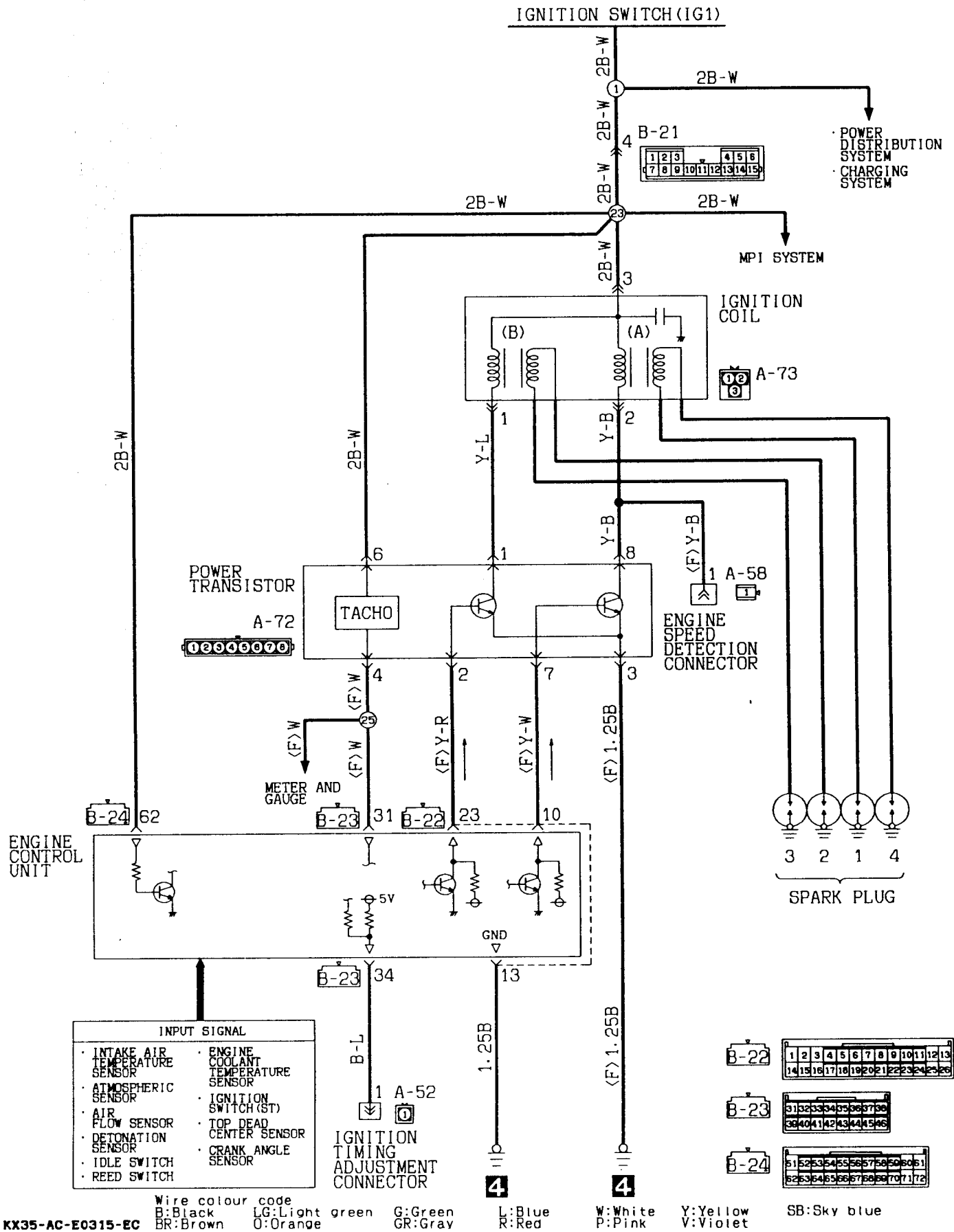
KX35-AC-E0313-EC

IGNITION SYSTEM
4G92<R.H. drive vehicles>

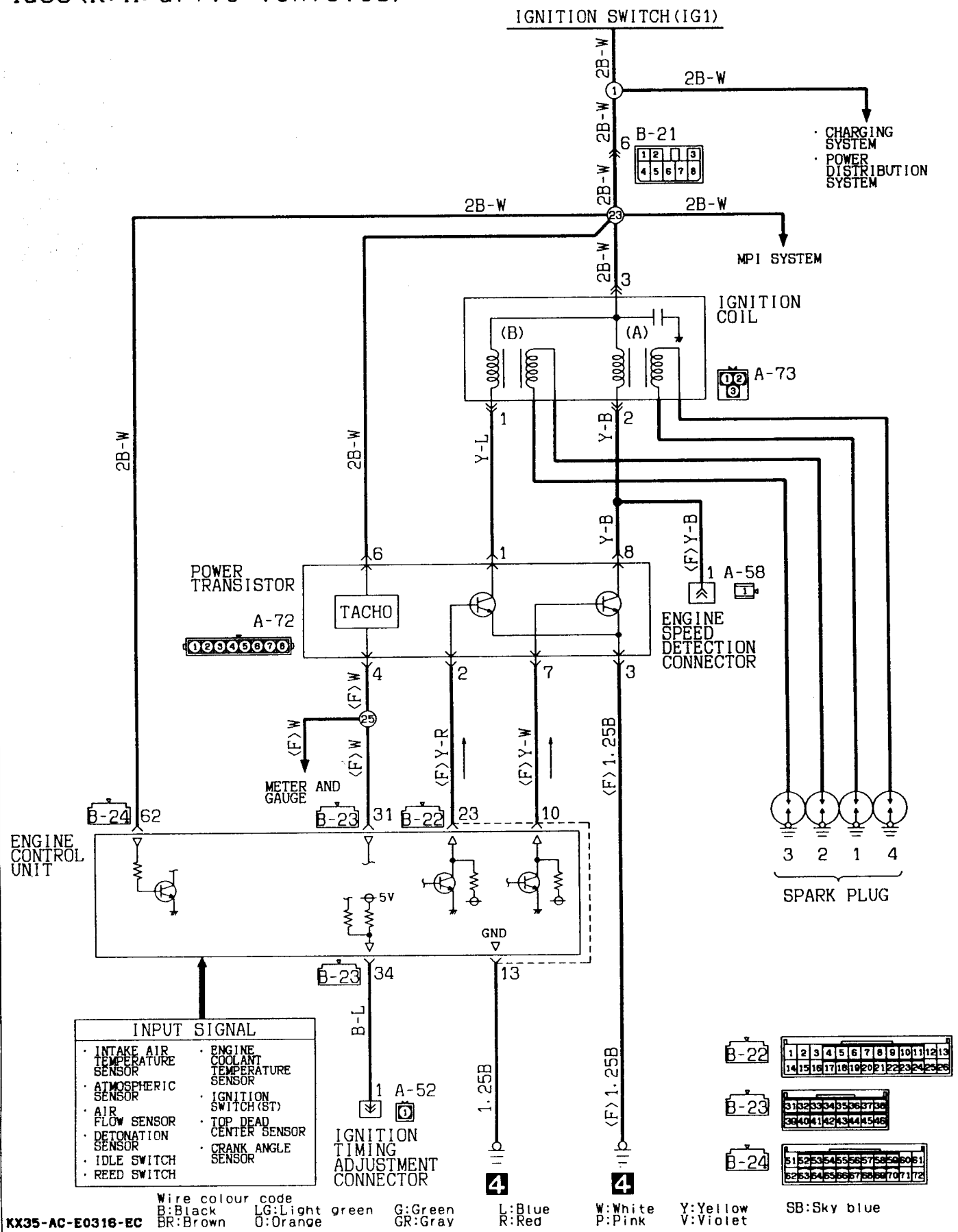


KX35-AC-E0314-EC

IGNITION SYSTEM
4G93<L.H. drive vehicles>



IGNITION SYSTEM
4G93(R. H. drive vehicles)



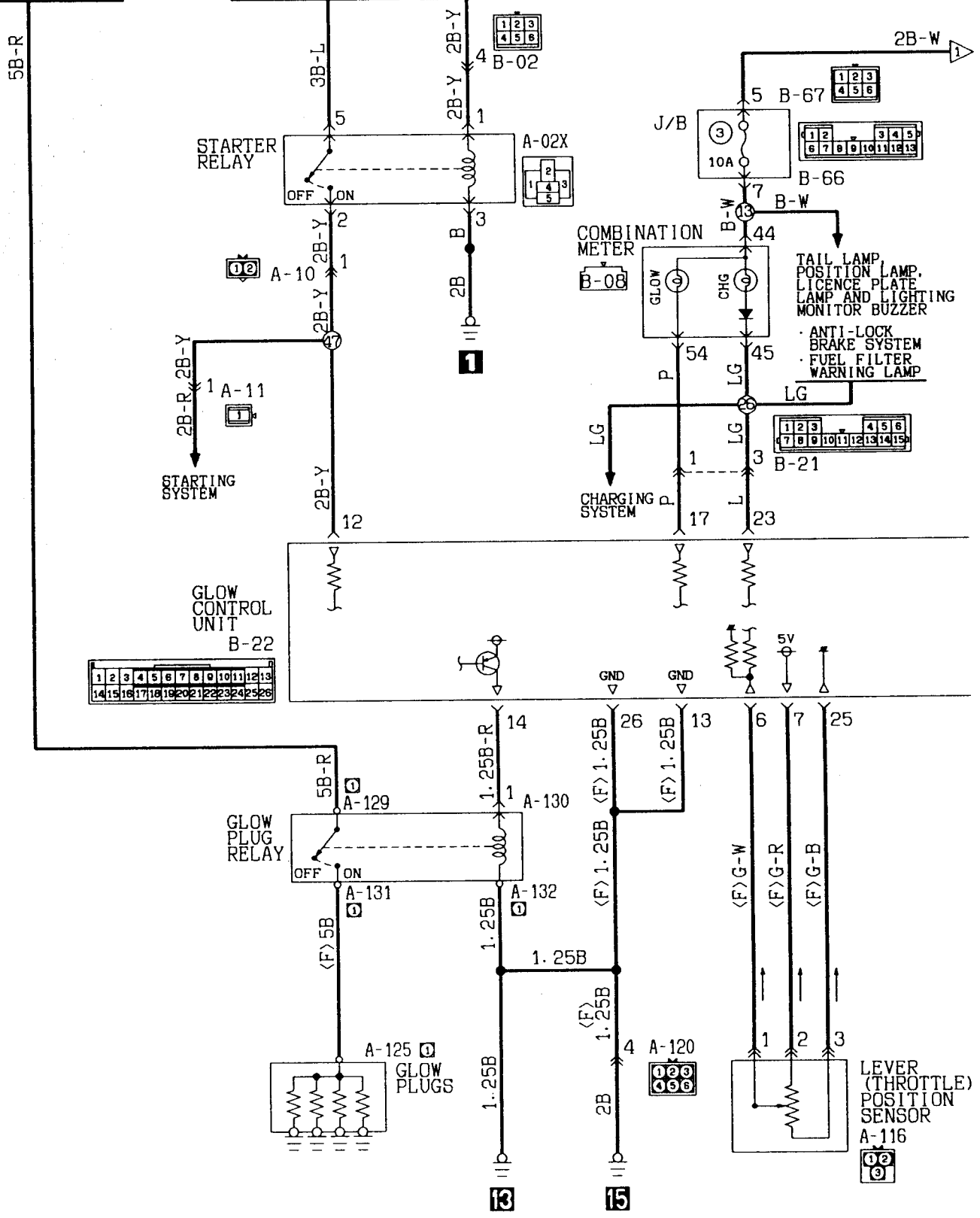
SELF-REGULATING GLOW SYSTEM

L.H. drive vehicles with EGR system

FUSIBLE LINK ①

FUSIBLE LINK ⑤

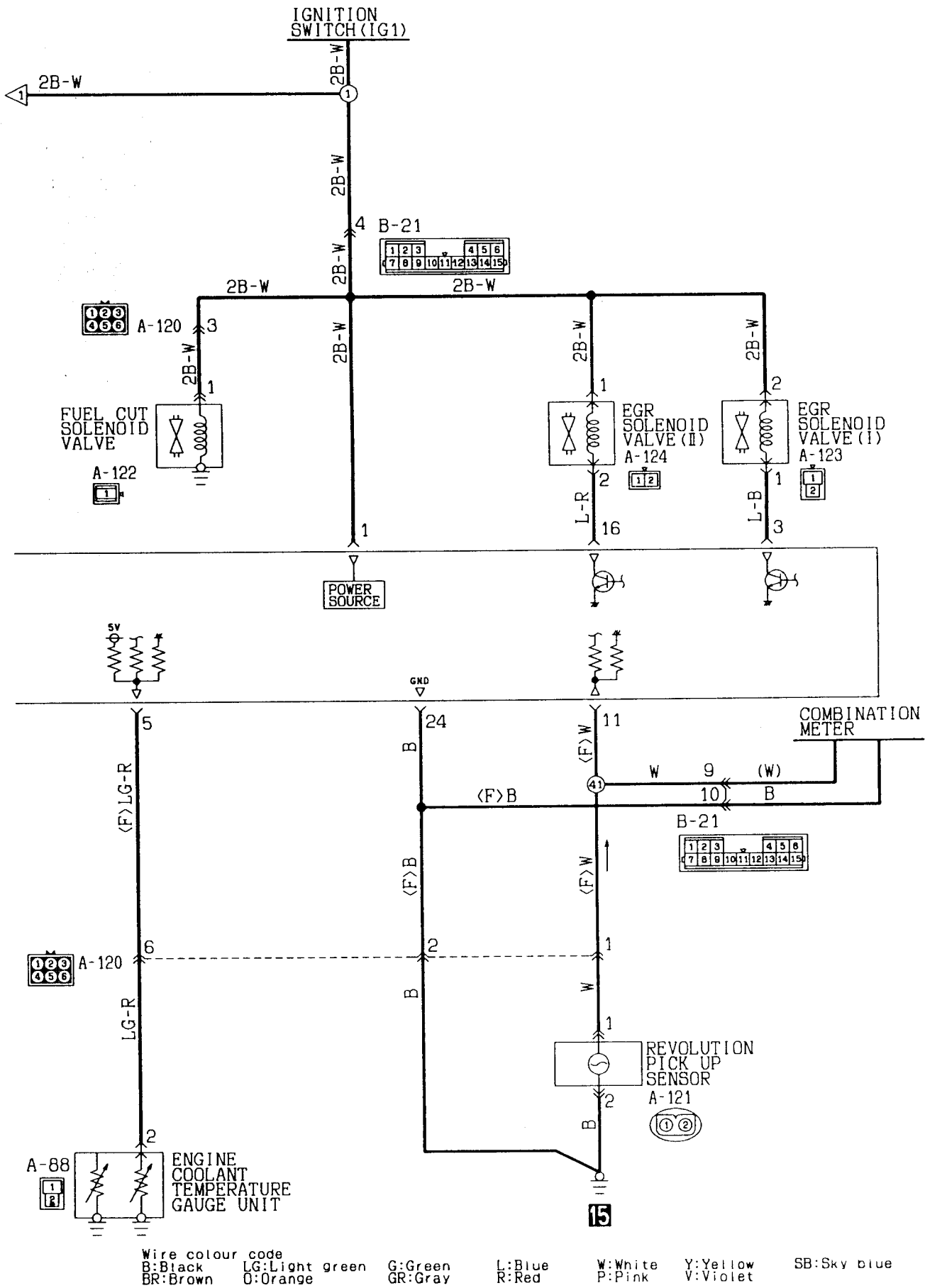
IGNITION SWITCH (ST)



1	2	3	4	5	6	7	8	9	10	11	12	13
14	15	16	17	18	19	20	21	22	23	24	25	26

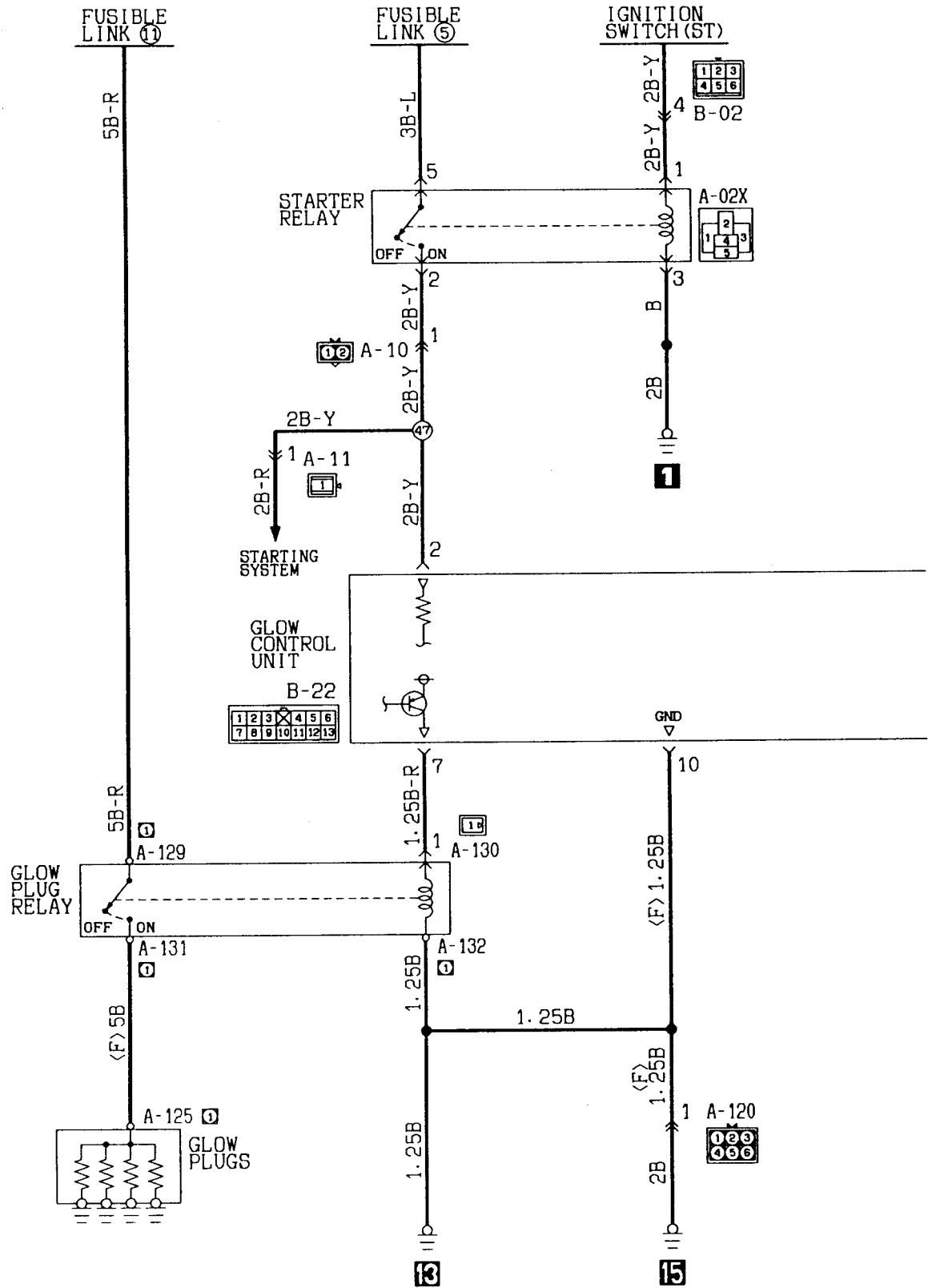
B-08	1	2	3	4	5	6	7	8	9	10	11	12	13	14	15

KX35-AC-E0317-EC

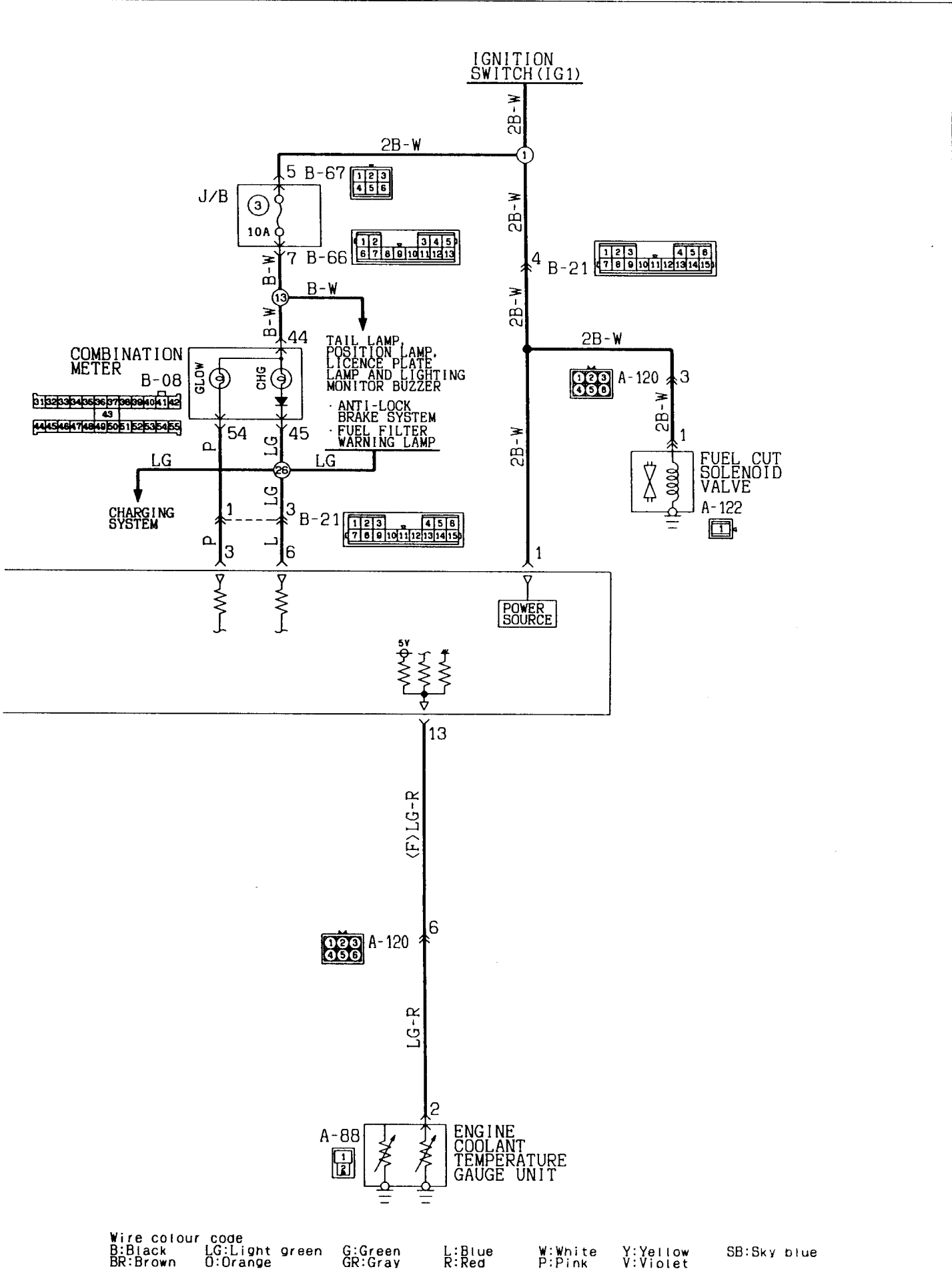


SELF-REGULATING GLOW SYSTEM

L.H. drive vehicles without EGR system



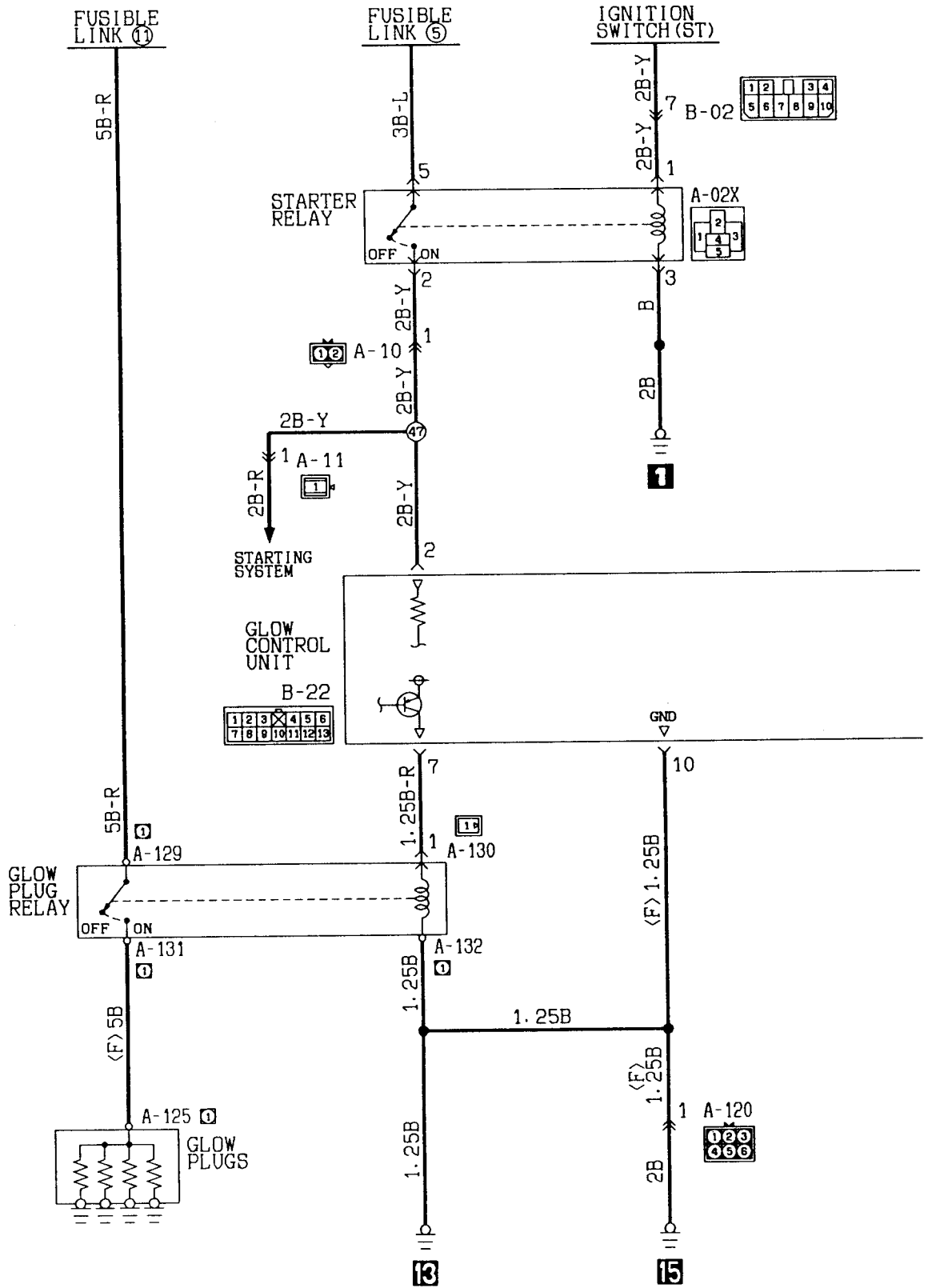
KX35-AC-E0318-EC



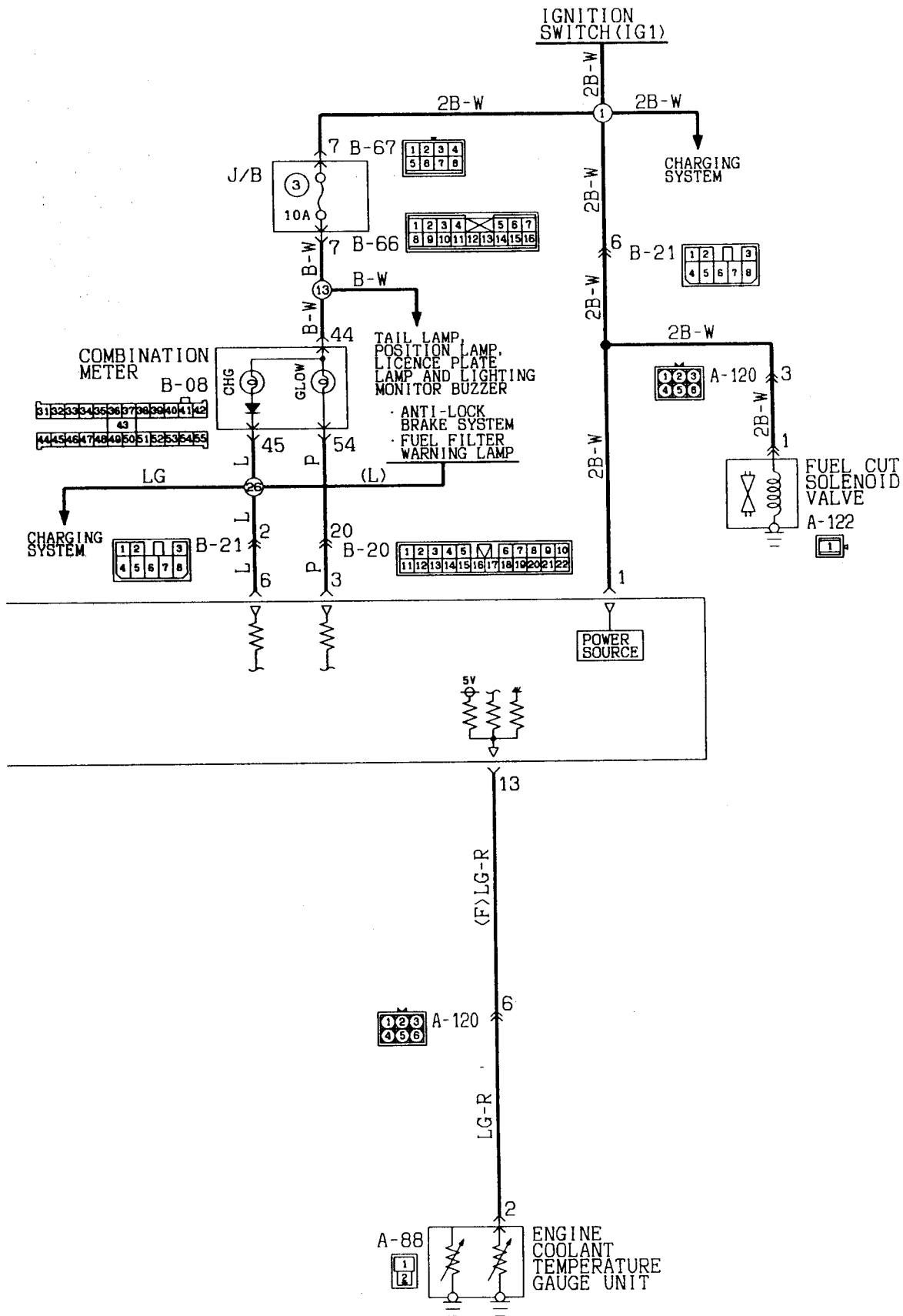
Wire colour code
 B:Black LG:Light green G:Green L:Blue W:White Y:Yellow SB:Sky blue
 BR:Brown O:Orange GR:Gray R:Red P:Pink V:Violet

SELF-REGULATING GLOW SYSTEM

R.H. drive vehicles

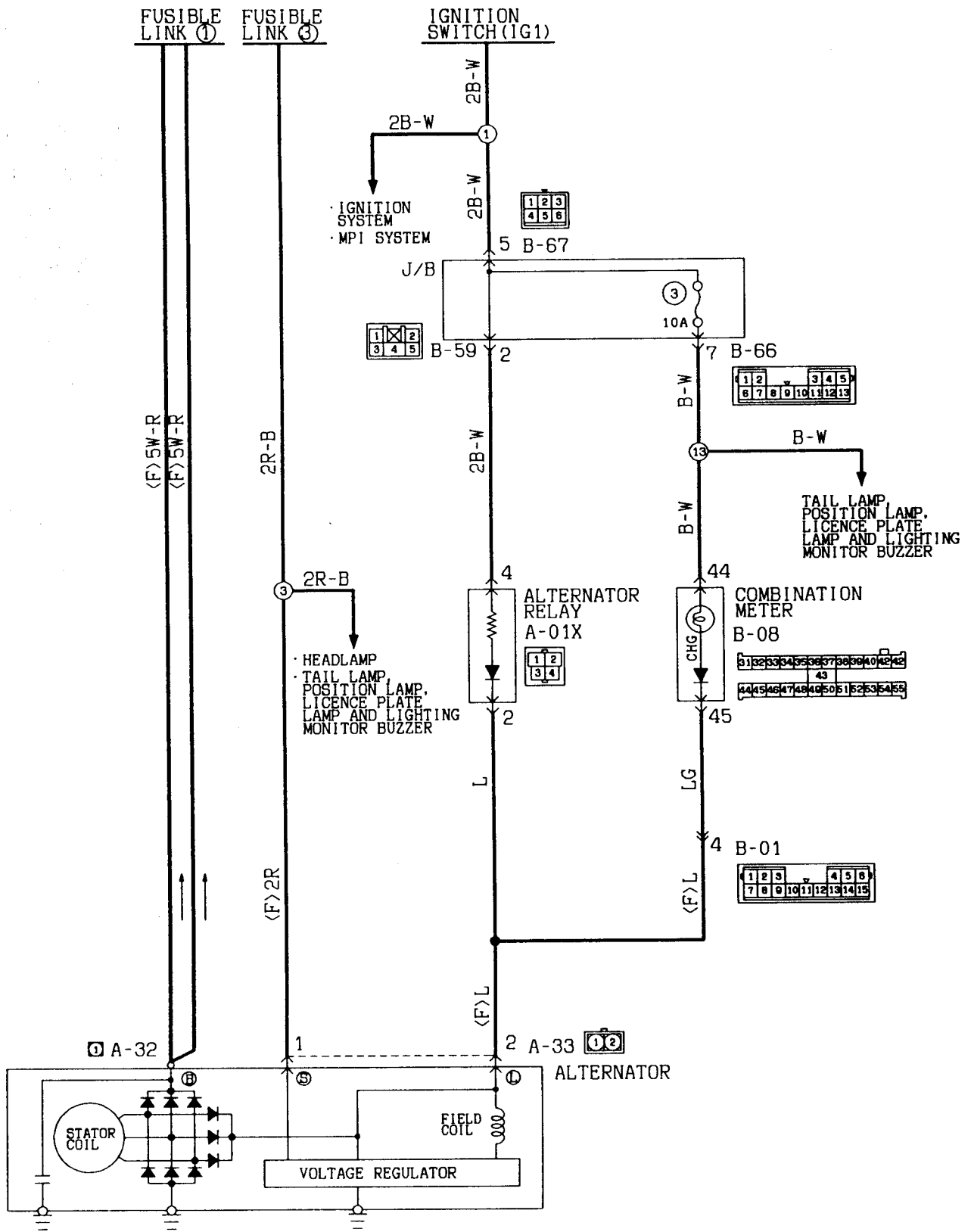


KX35-AC-E0319-EC



Wire colour code
 B:Black LG:Light green G:Green L:Blue W:White Y:Yellow SB:Sky blue
 BR:Brown O:Orange GR:Gray R:Red P:Pink V:Violet

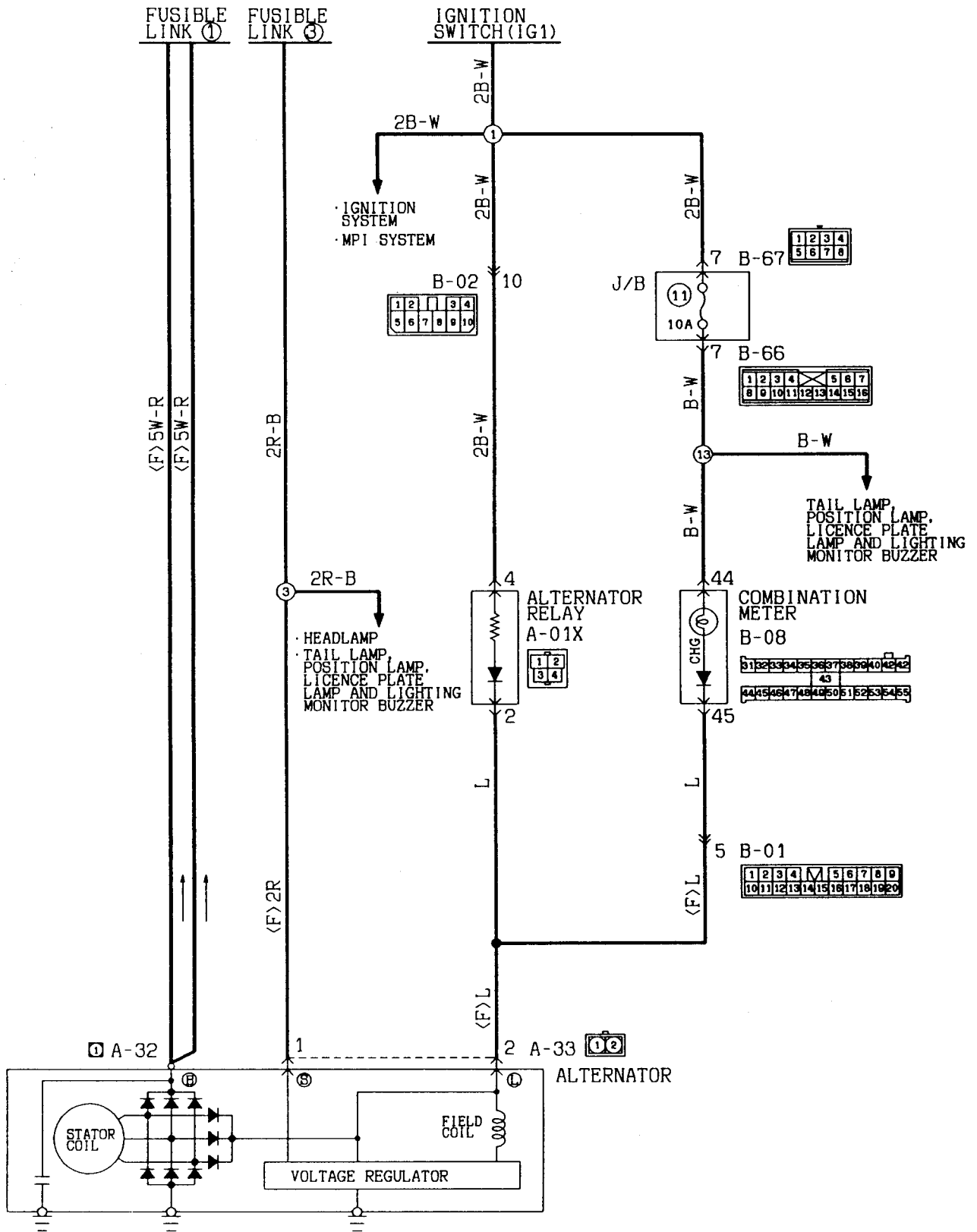
CHARGING SYSTEM
4G13 (L. H. drive vehicles)



Wire colour code
 B:Black LG:Light green G:Green L:Blue W:White Y:Yellow SB:Sky blue
 BR:Brown O:Orange GR:Gray R:Red P:Pink V:Violet

KX35-AC-E0407-EC

CHARGING SYSTEM
4G13<R. H. drive vehicles>

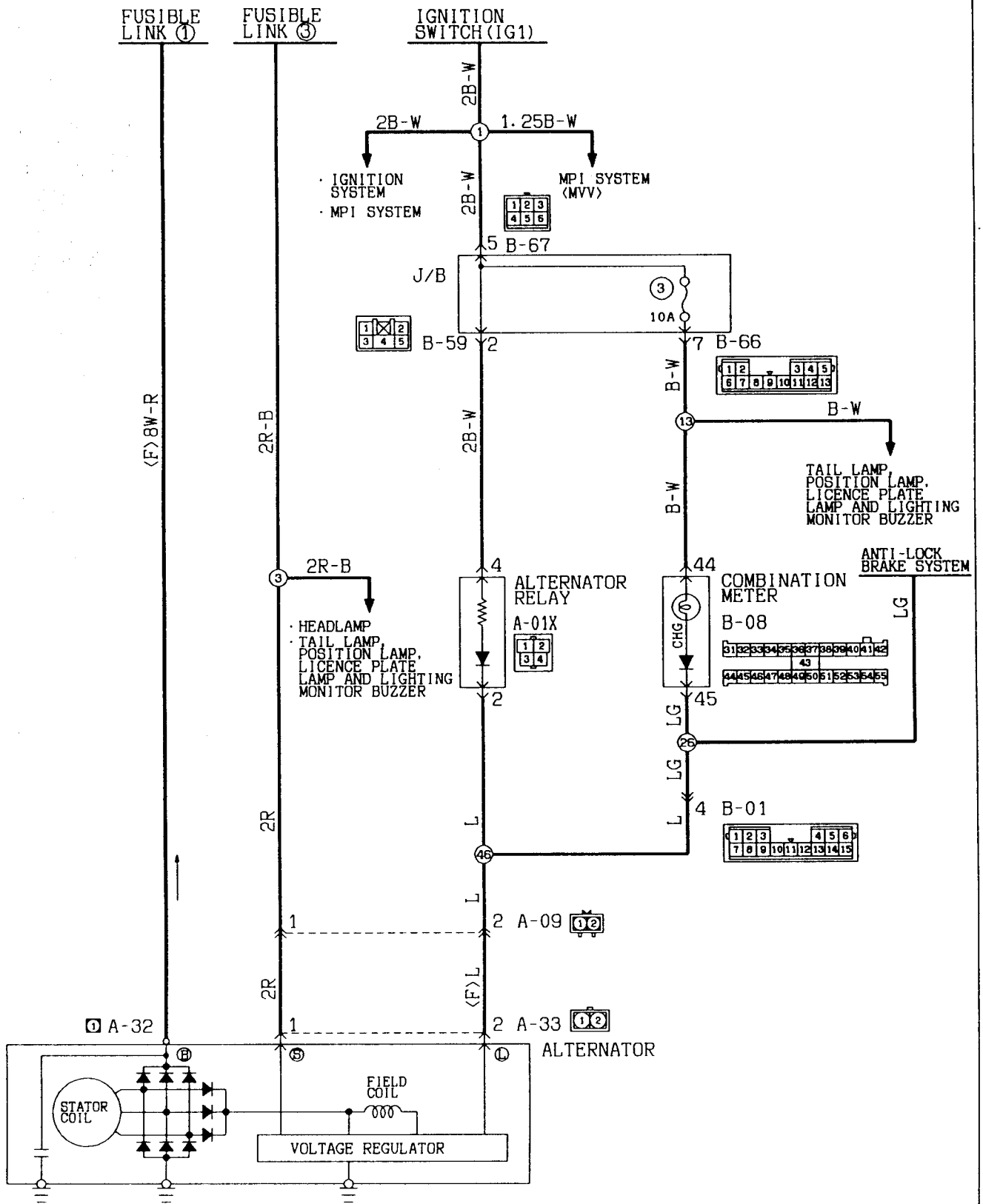


Wire colour code

B:Black LG:Light green G:Green L:Blue W:White Y:Yellow SB:Sky blue
BR:Brown O:Orange GR:Gray R:Red P:Pink V:Violet

KX35-AC-E0408-EC

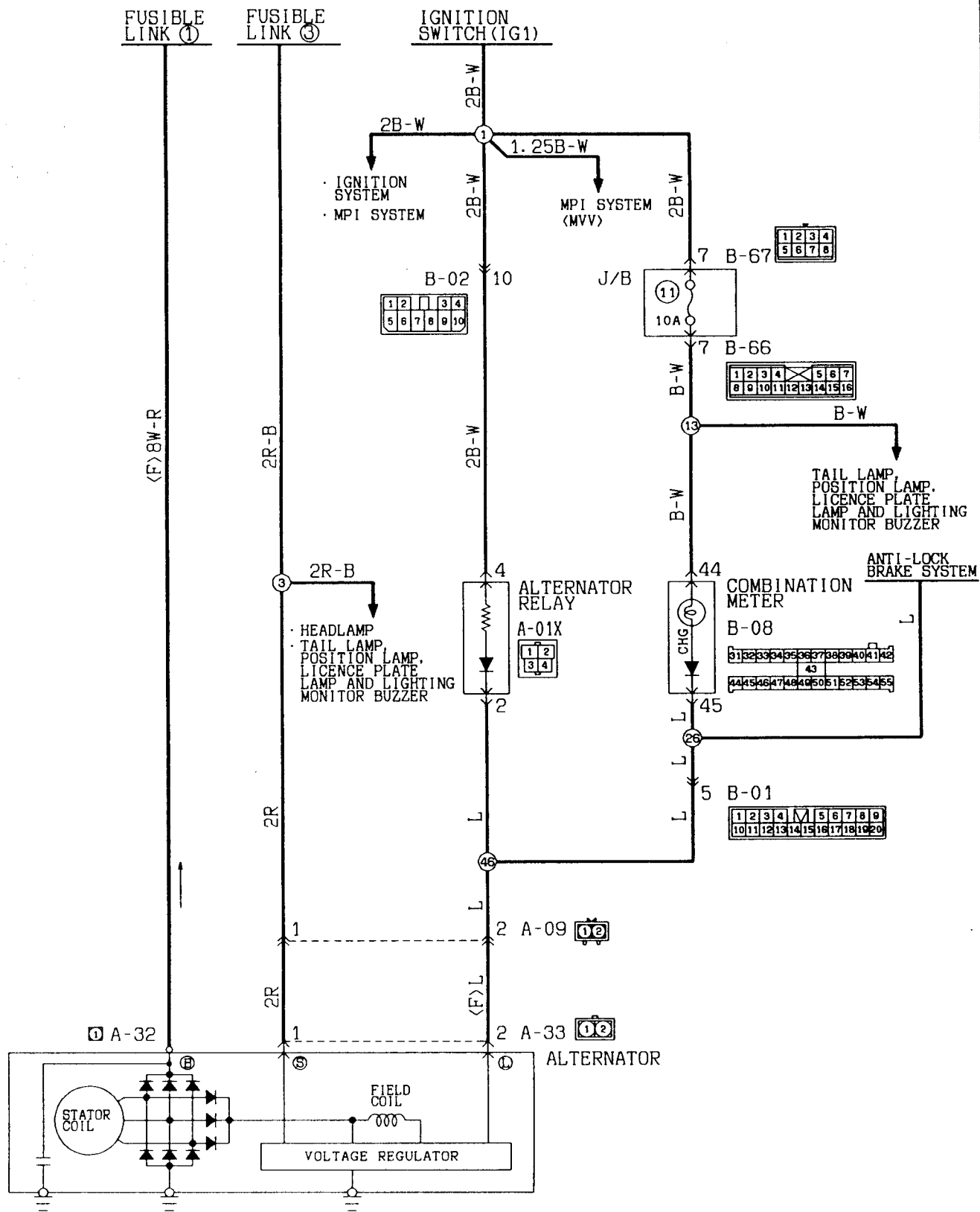
CHARGING SYSTEM
4G9<L.H. drive vehicles>



Wire colour code
 B:Black LG:Light green G:Green L:Blue W:White Y:Yellow SB:Sky blue
 BR:Brown O:Orange GR:Gray R:Red P:Pink V:Violet

KX35-AC-E0409-EC

CHARGING SYSTEM
4G9<R.H. drive vehicles>

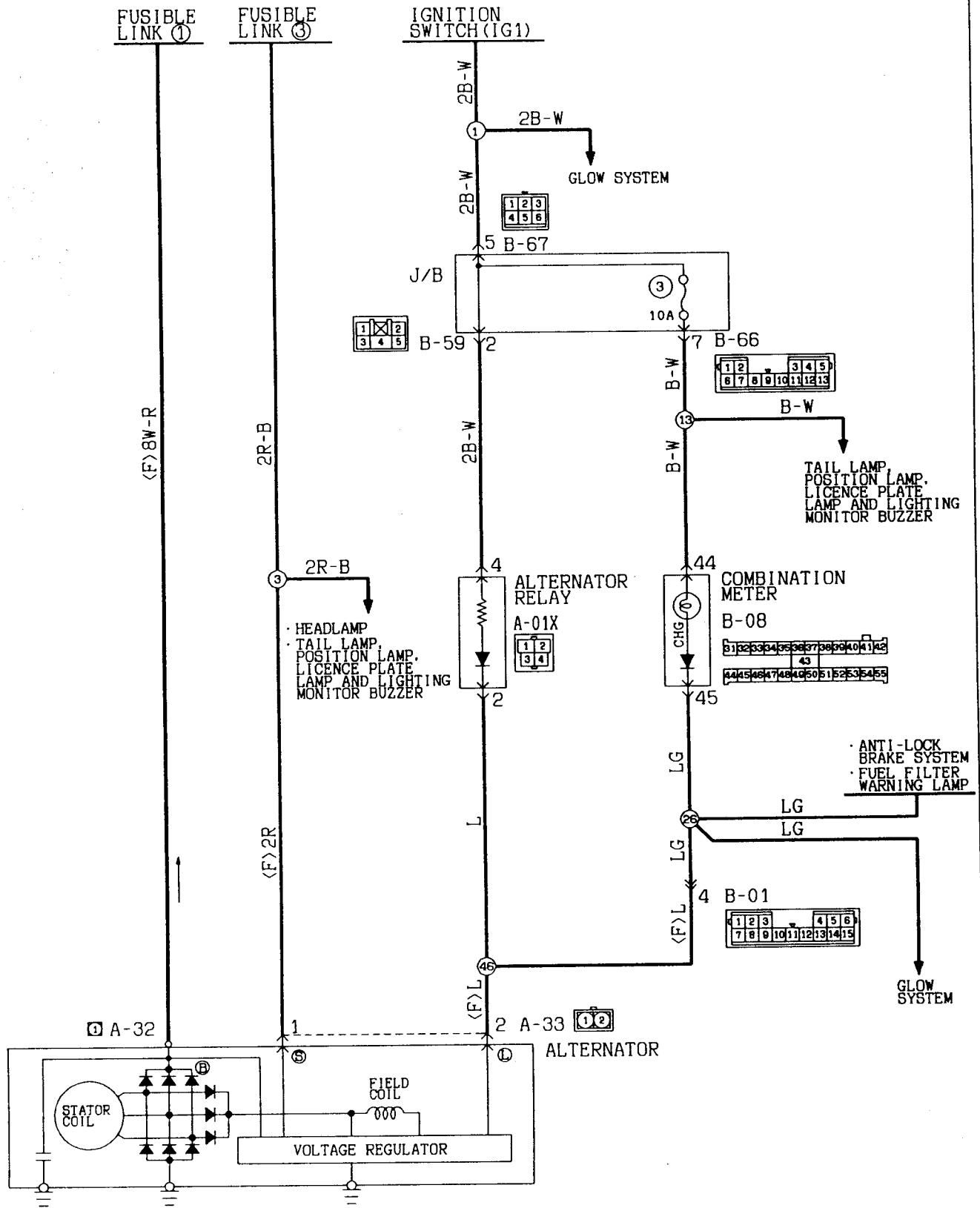


Wire colour code

B:Black LG:Light green G:Green L:Blue W:White Y:Yellow SB:Sky blue
BR:Brown O:Orange GR:Gray R:Red P:Pink V:Violet

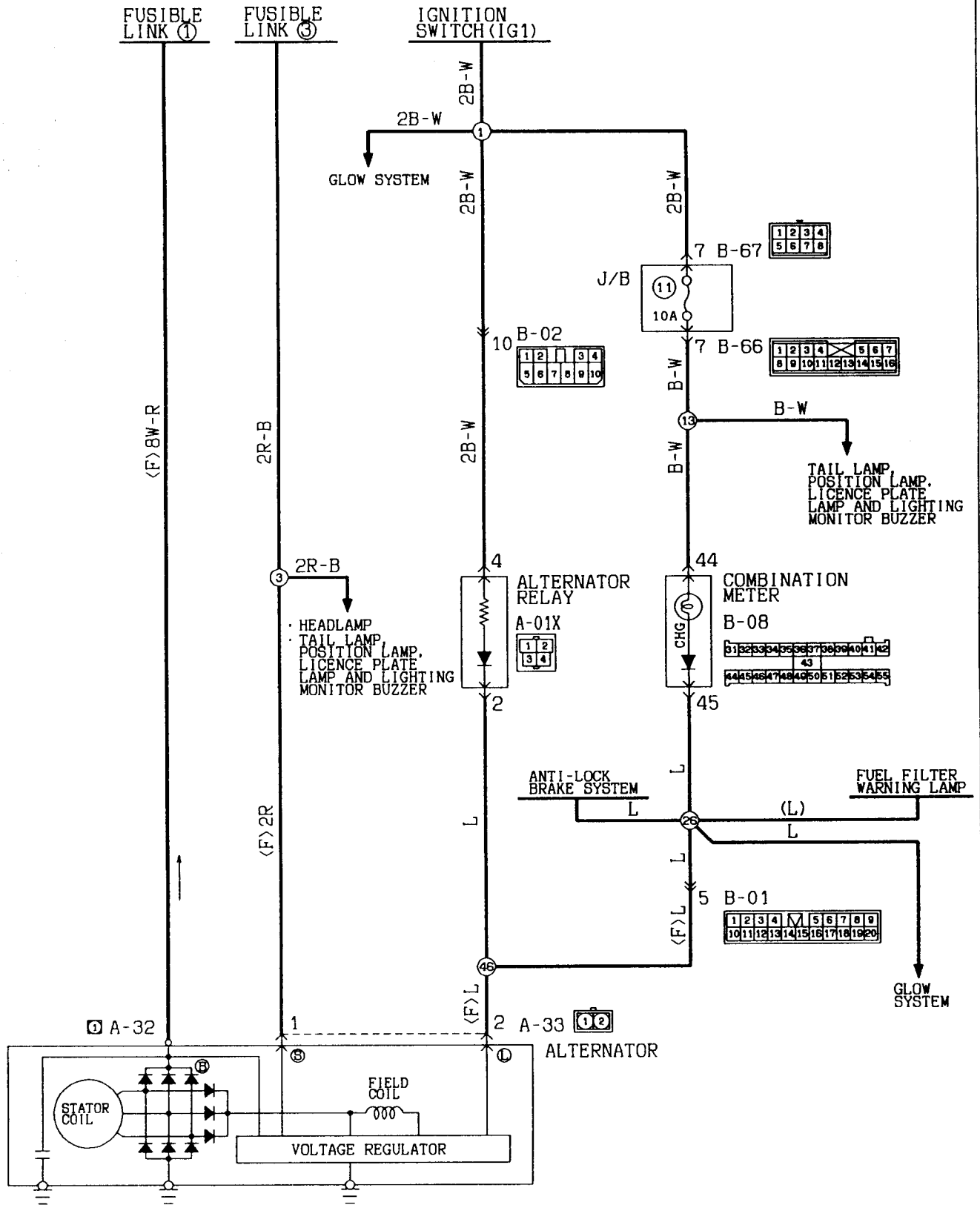
KX35-AC-E0410-EC

CHARGING SYSTEM
4D68(L.H. drive vehicles)



Wire colour code
 B:Black LG:Light green G:Green L:Blue W:White Y:Yellow SB:Sky blue
 BR:Brown O:Orange GR:Gray R:Red P:Pink V:Violet

CHARGING SYSTEM
4D68<R. H. drive vehicles>



Wire colour code
 B:Black LG:Light green G:Green L:Blue W:White Y:Yellow SB:Sky blue
 BR:Brown O:Orange GR:Gray R:Red P:Pink V:Violet

KX35-AC-E0412-EC

CHARGING SYSTEM (See P.4A-44, 45, 46, 47, 48, 49.)**OPERATION****When engine is stationary**

- When the ignition switch is turned to the ON position, current flows the alternator L terminal to the field coil and, at the same time, the charge warning lamp lights up.

When engine is started and after engine has started

- When the engine is started, the charge warning lamp goes out because of the charging voltage being applied to the alternator L terminal.
- The battery voltage being applied to the alternator S terminal is monitored by the IC voltage regulator. Hence, the amount of electricity produced by the alternator is controlled by allowing and cutting off the current flowing to the field coil.
- The alternator B terminal supplies power to each load.

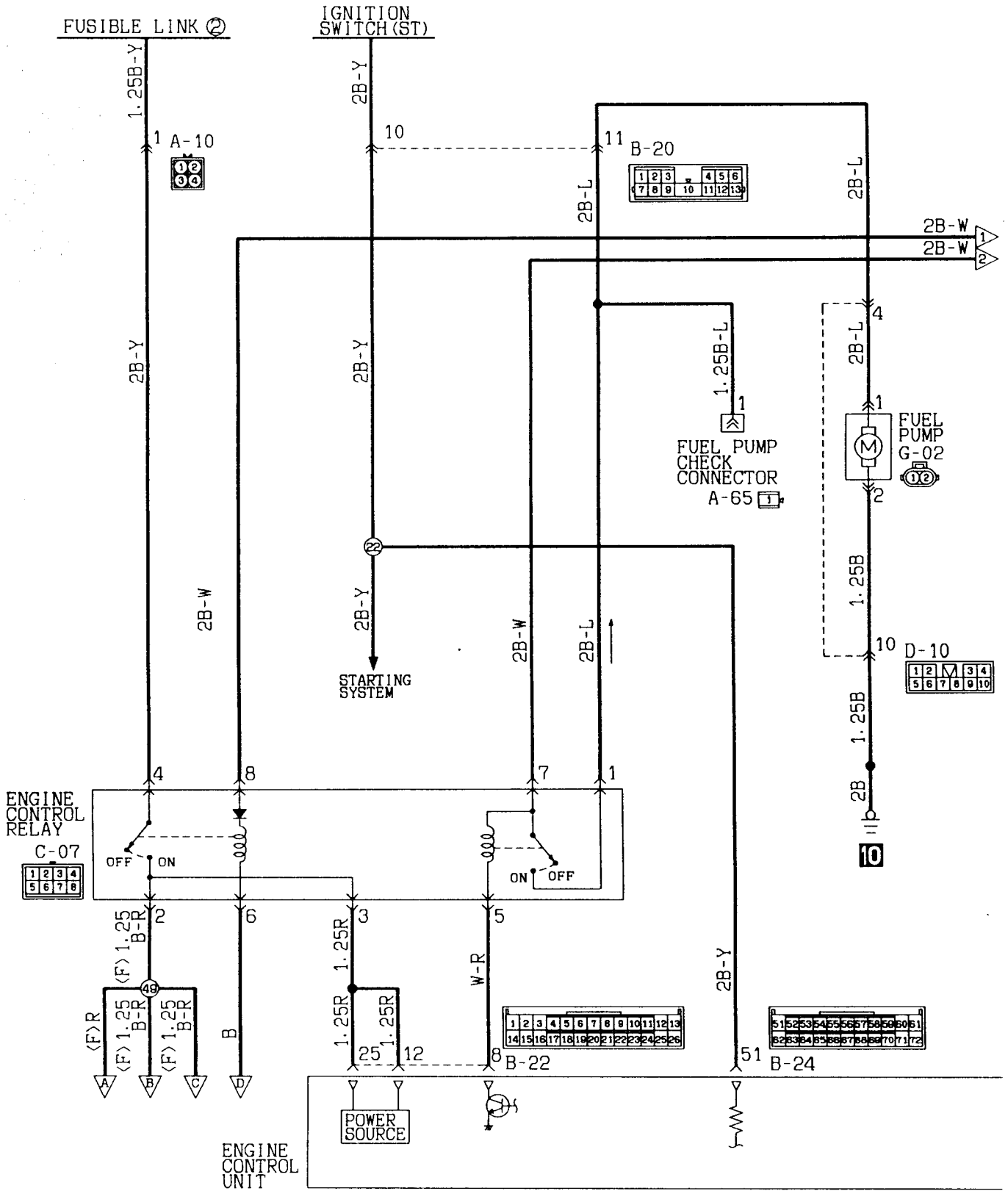
Remarks

- The alternator relay is provided to back up the flow of current to the field coil when the charge warning lamp is open.

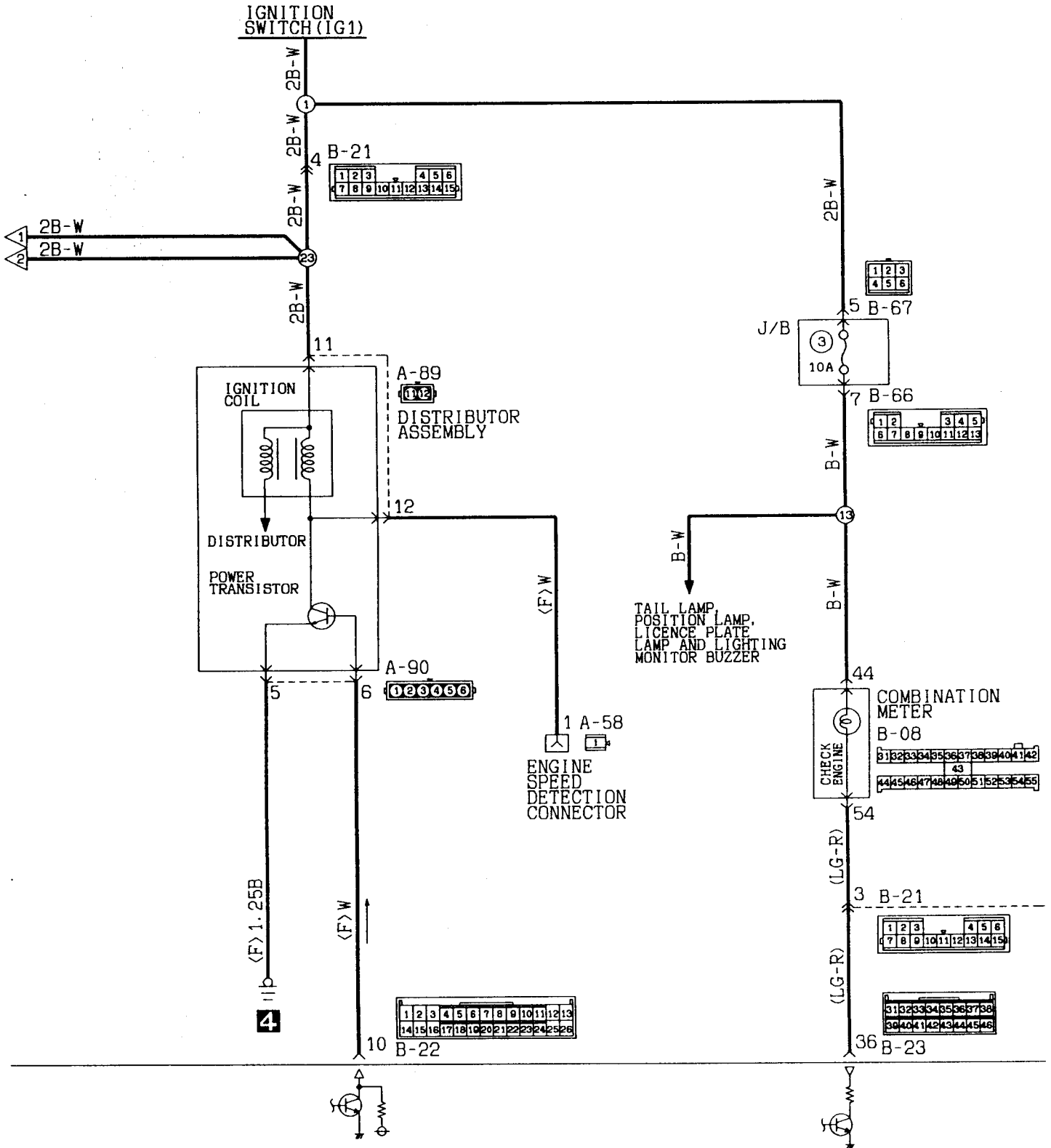
TROUBLESHOOTING HINTS

1. Charging indicator lamp does not go on when the ignition switch is turned to "ON", before the engine starts.
 - Check the bulb.
2. Charging indicator lamp fails to go off once the engine starts.
 - Check IC voltage regulator of alternator.
3. Discharged or overcharged battery.
 - Check IC voltage regulator of alternator.
4. Charge warning lamp lights up dimly.
 - Check combination meter diode (for short).

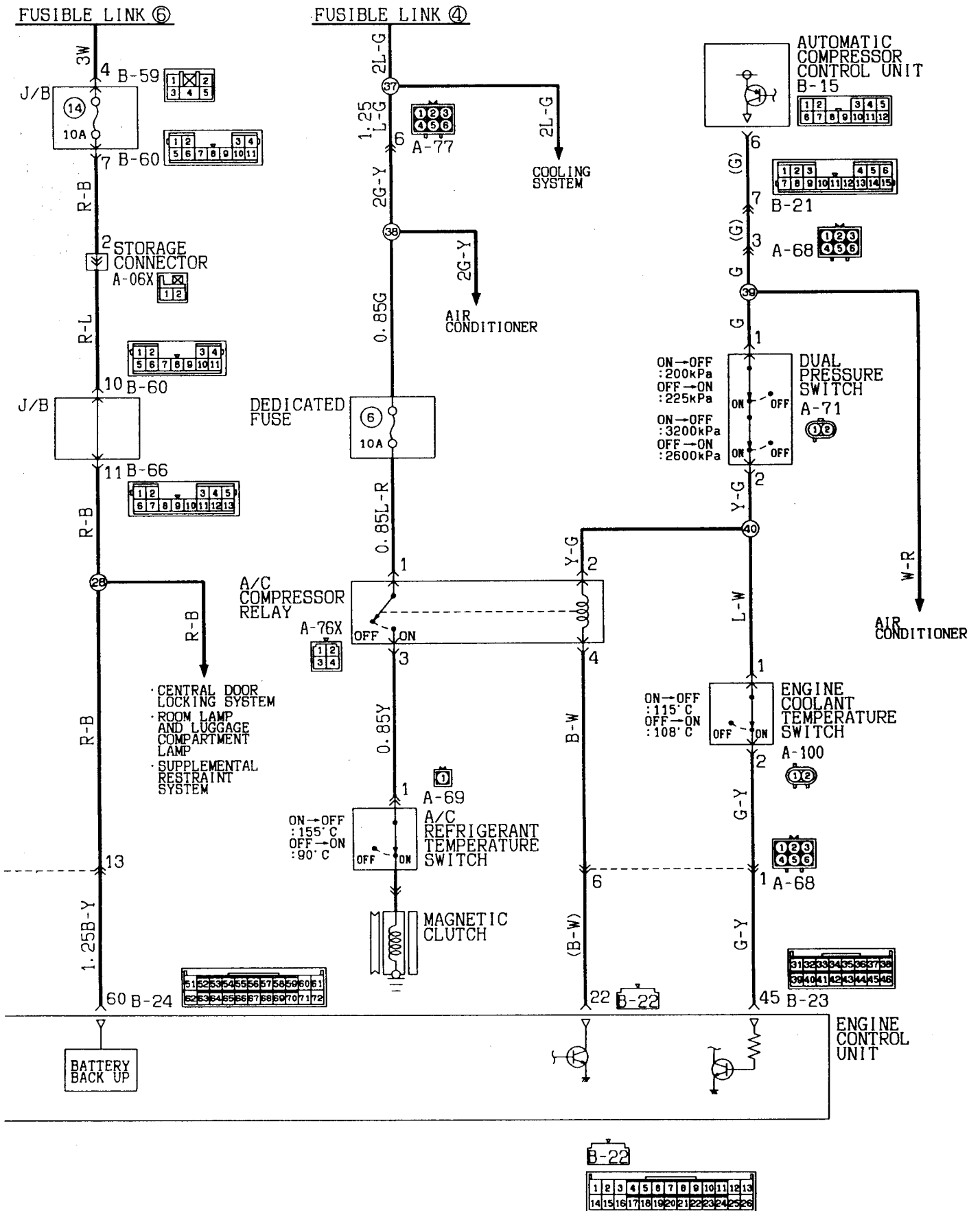
MPI SYSTEM
4G13<L. H. drive vehicles>



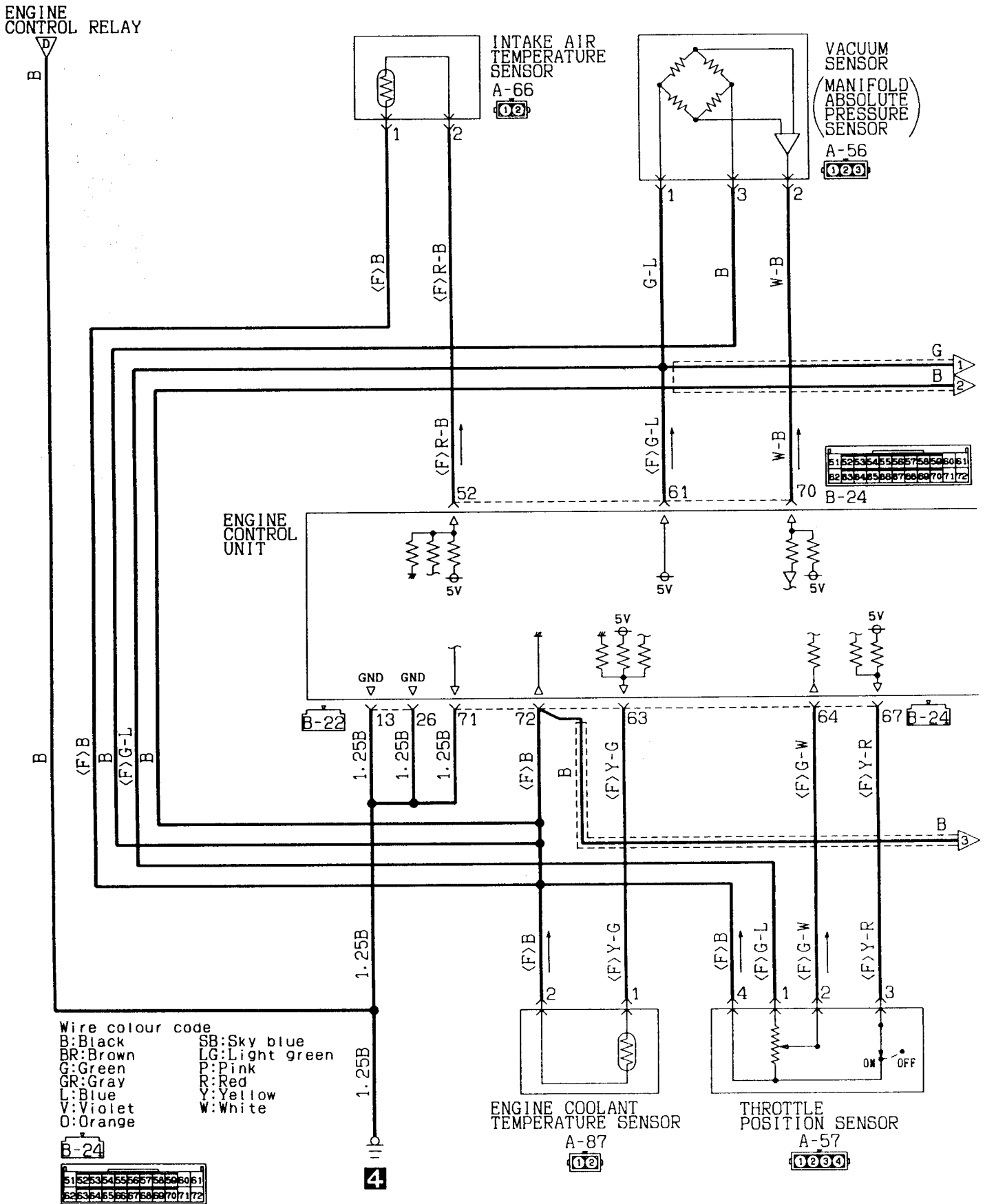
KX35-AC-E0513-EC

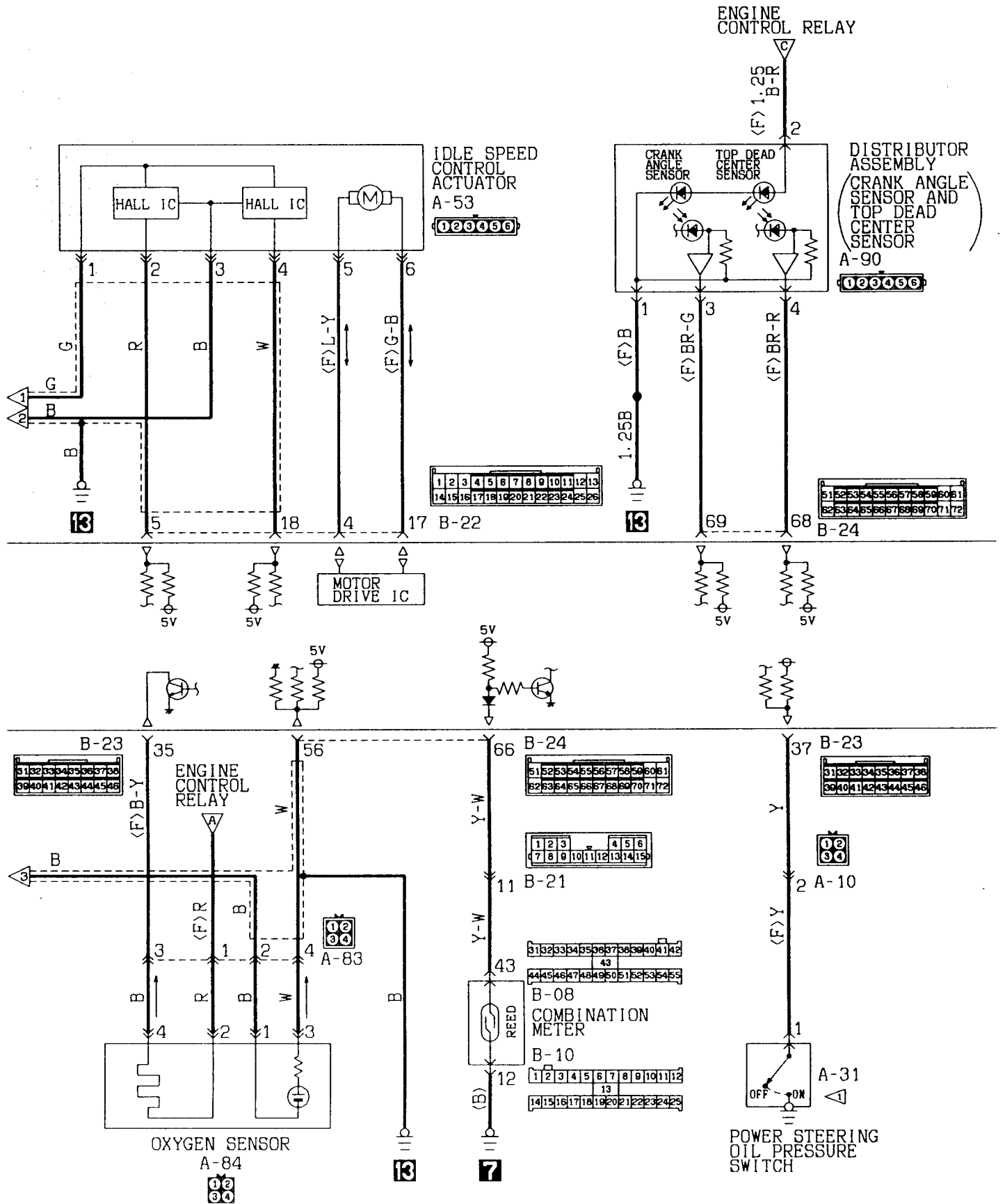


Wire colour code
 B:Black LG:Light green G:Green L:Blue W:White Y:Yellow SB:Sky blue
 BR:Brown O:Orange GR:Gray R:Red P:Pink V:Violet

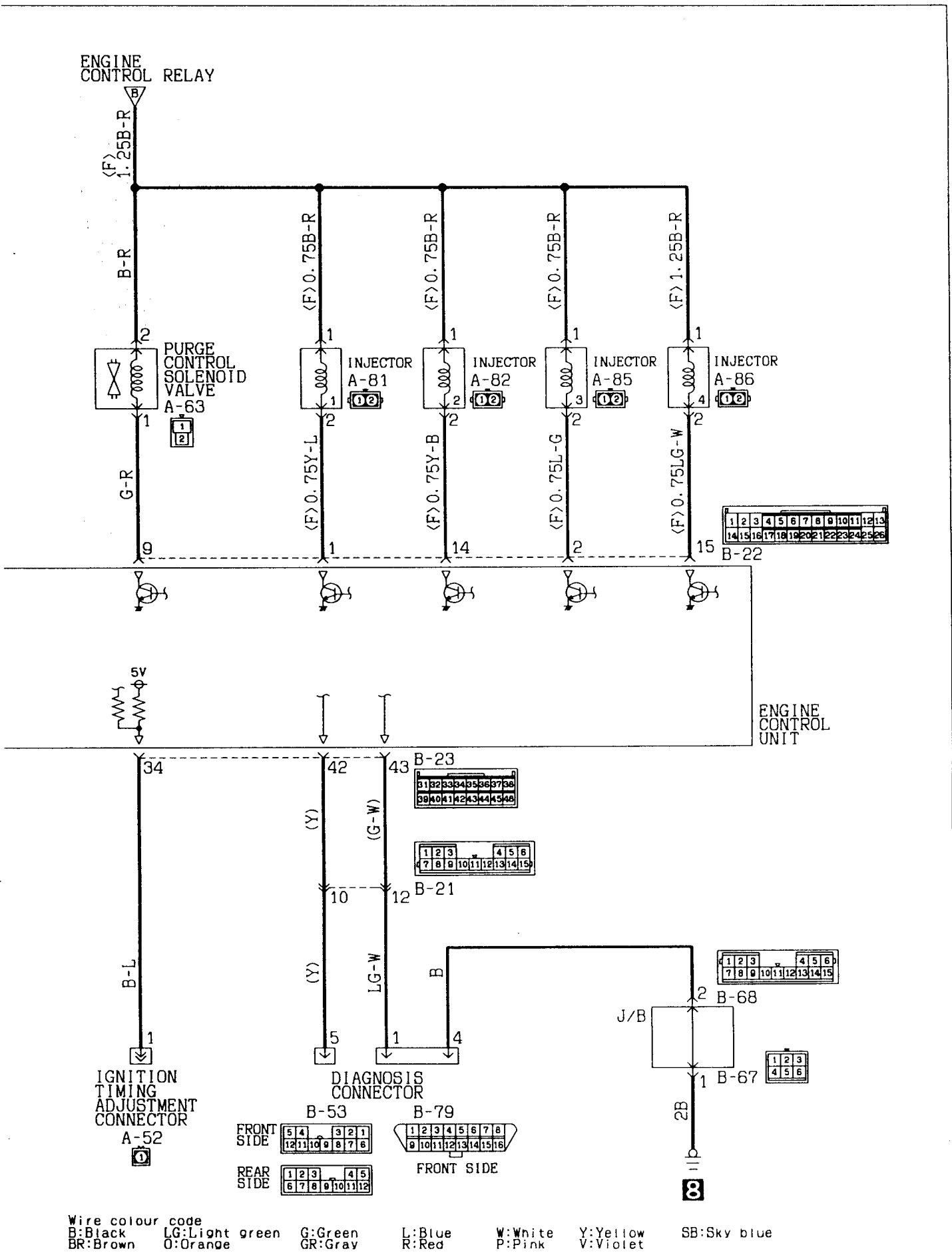


KX35-AC-E0513A-EC

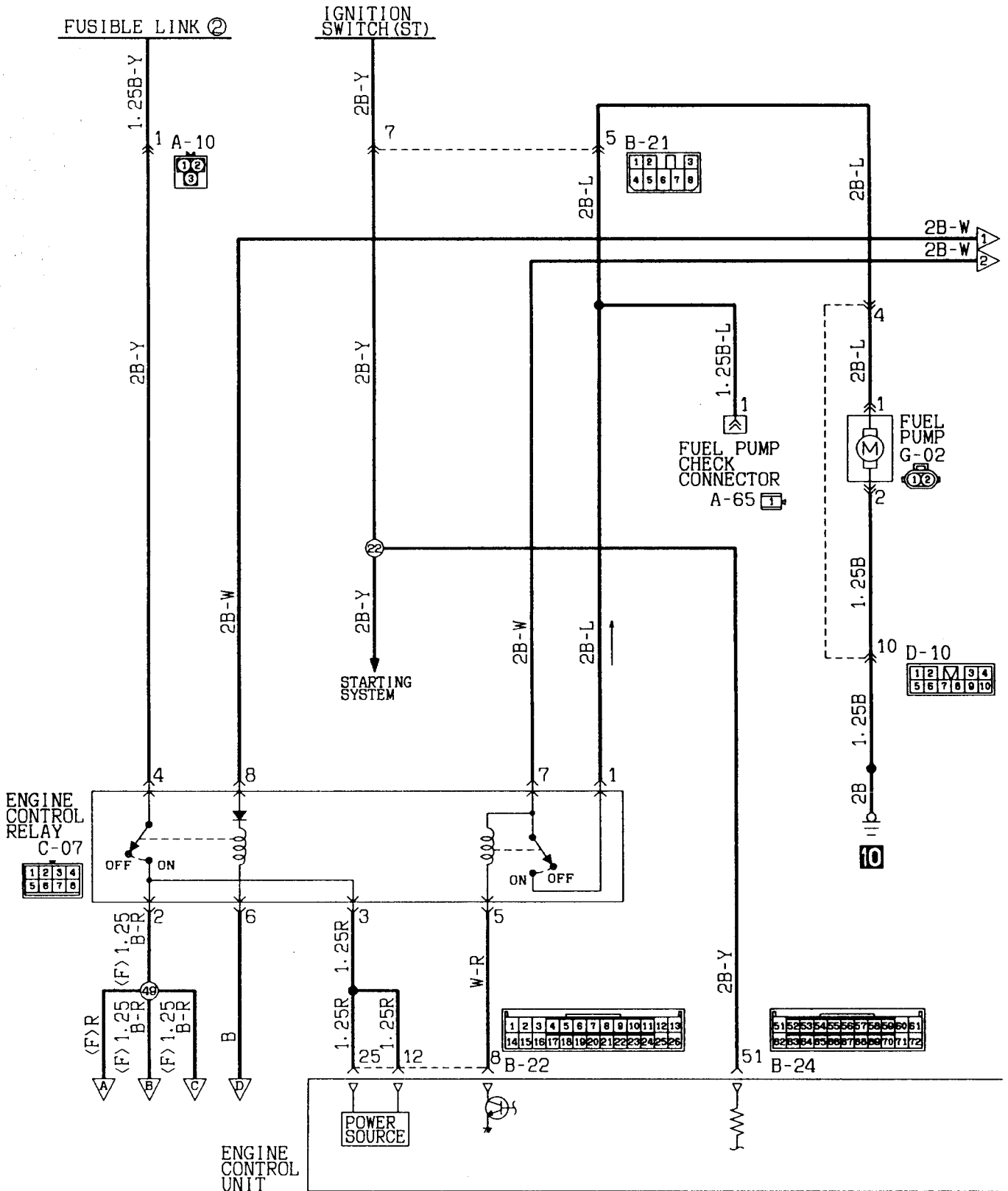




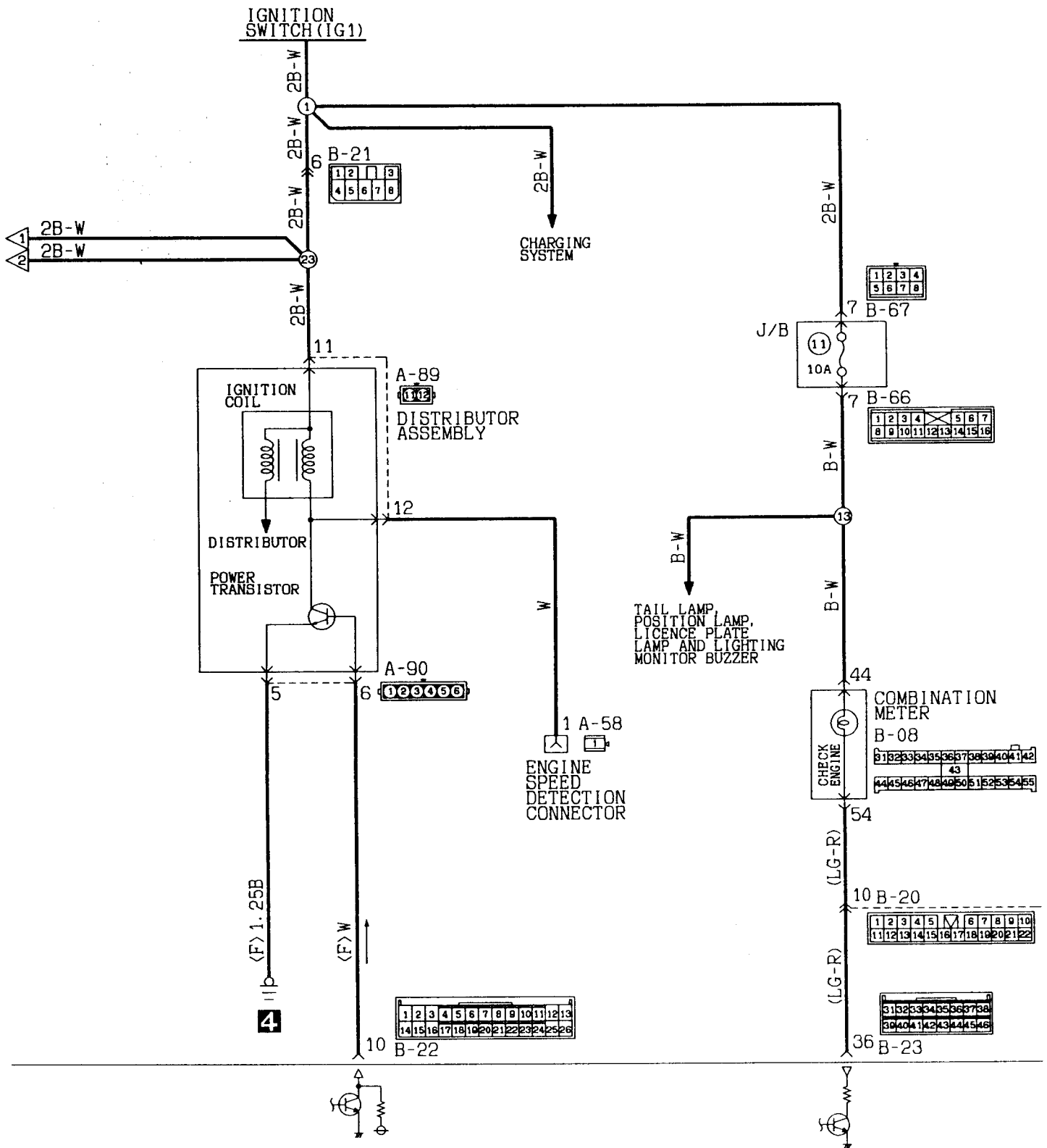
KX35-AC-E0513B-EC



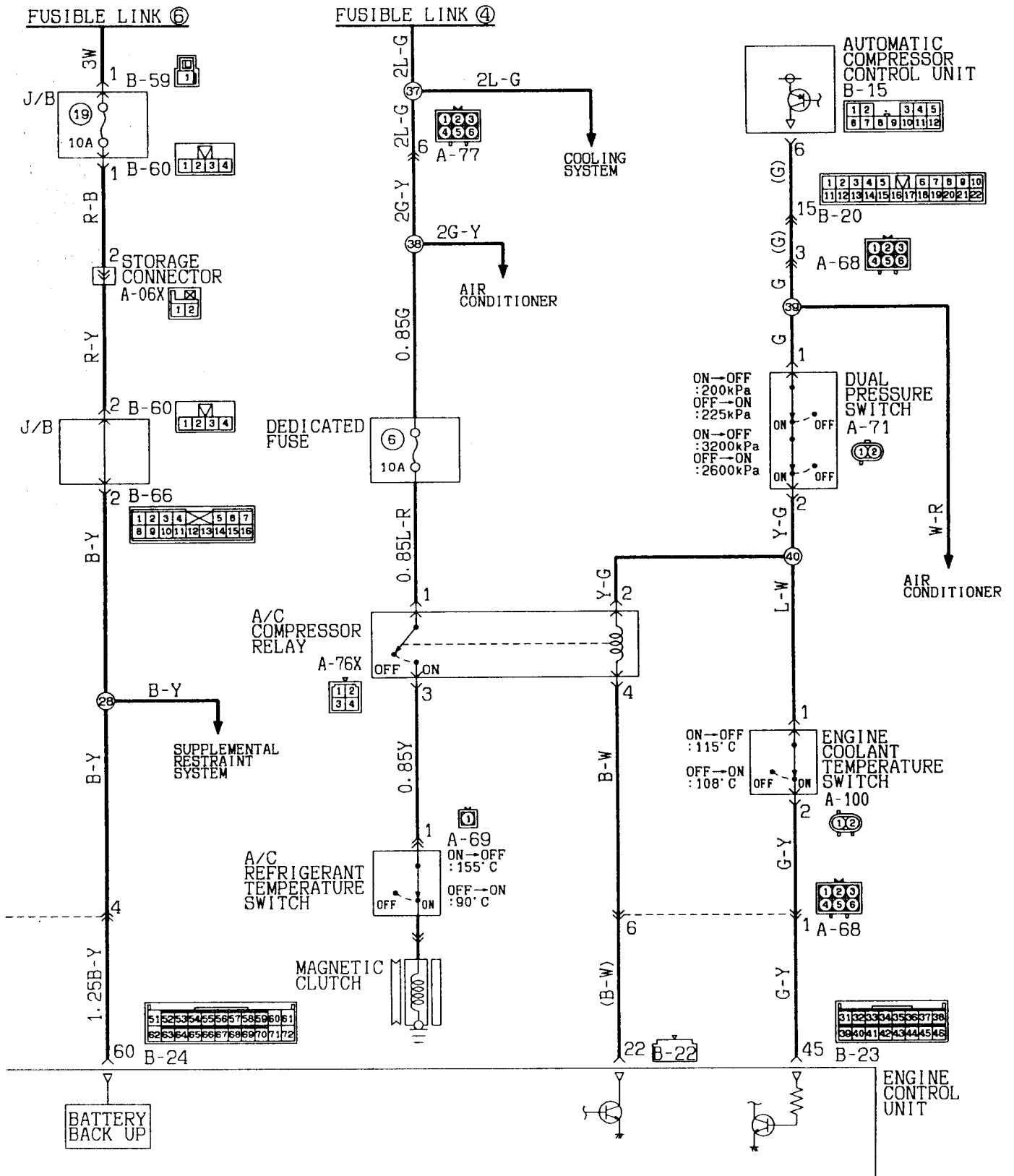
MPI SYSTEM
4G13 (R. H. drive vehicles)



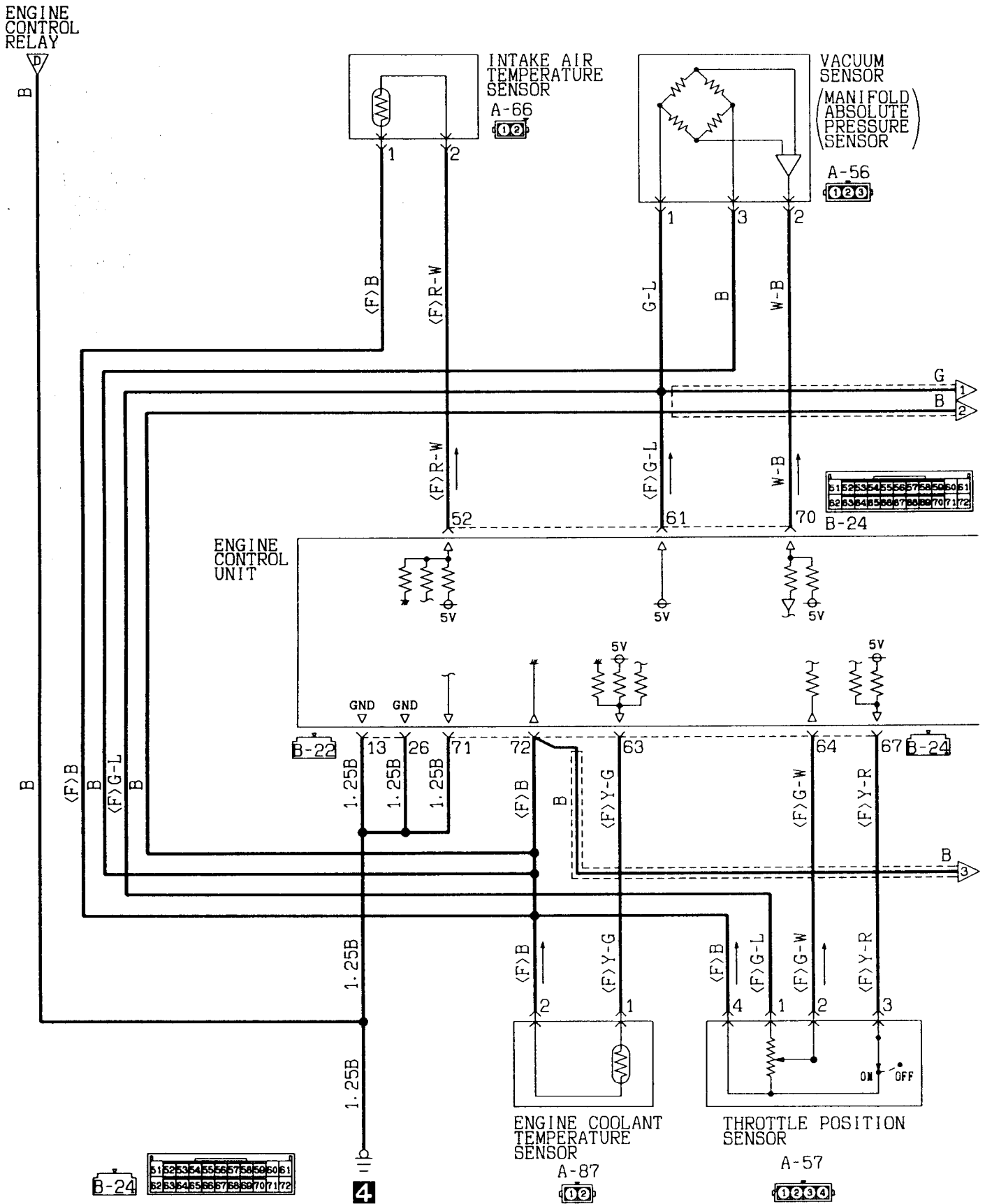
KX35-AC-E0514-EC



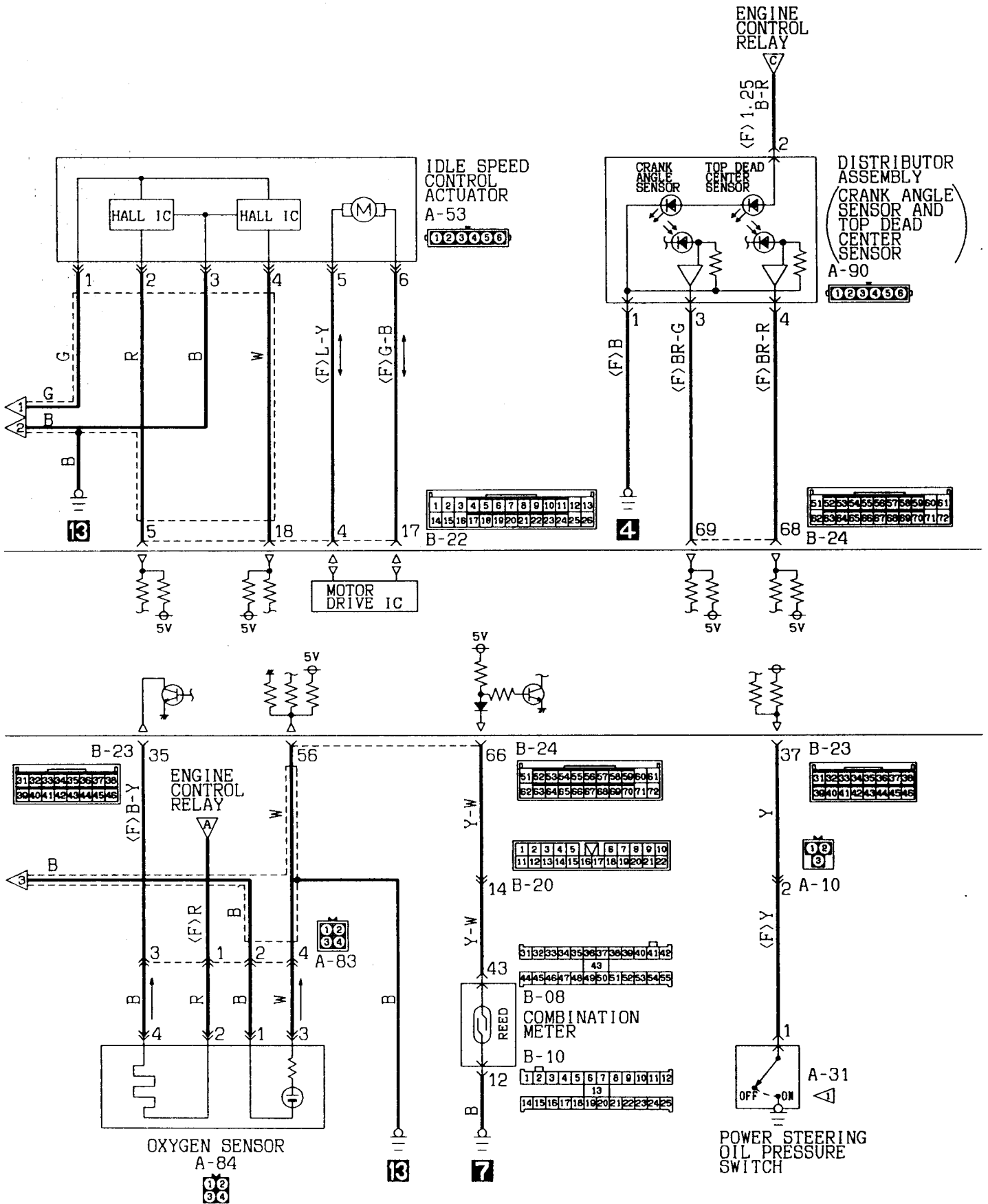
Wire colour code
 B:Black LG:Light green G:Green L:Blue W:White Y:Yellow SB:Sky blue
 BR:Brown O:Orange GR:Gray R:Red P:Pink V:Violet



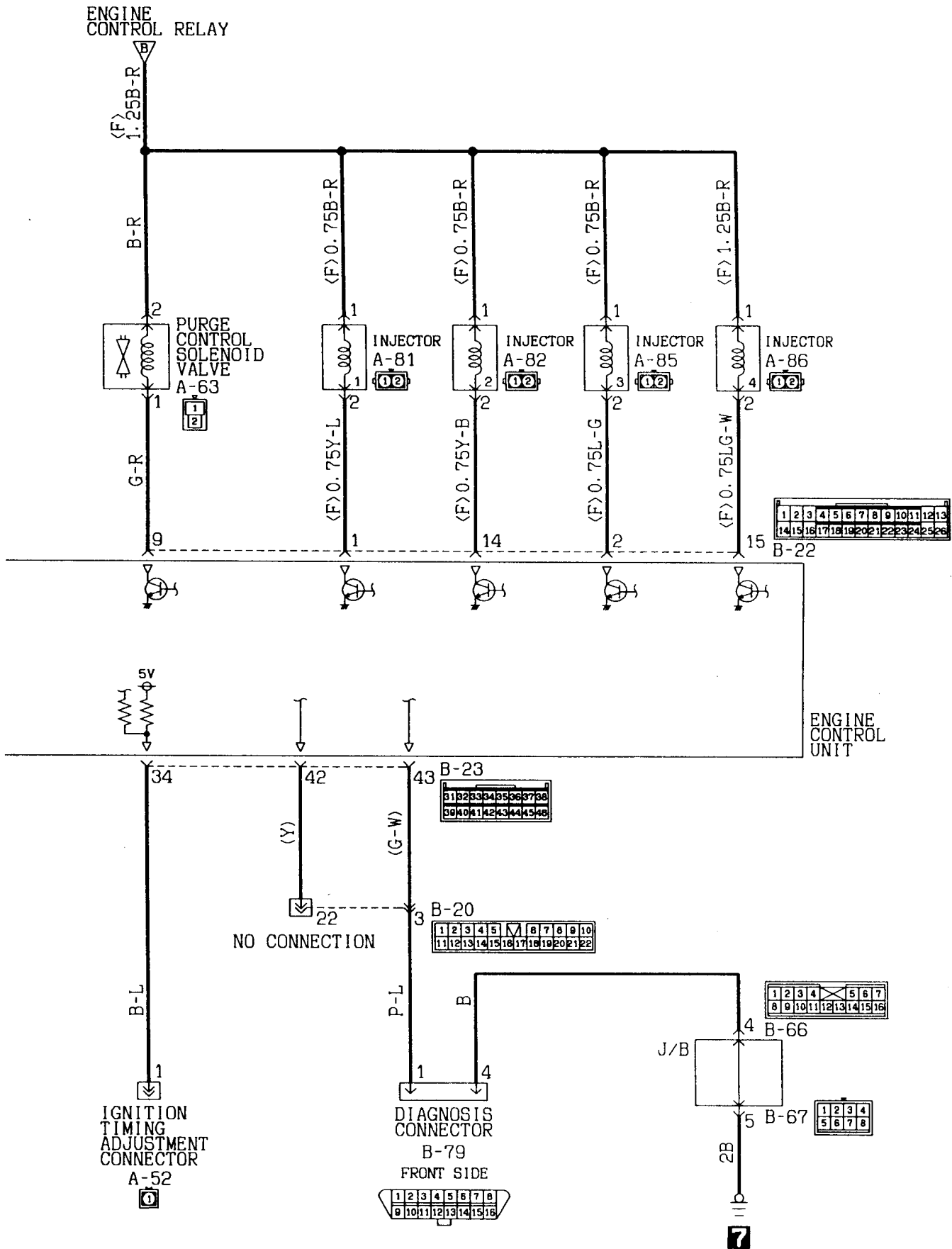
KX35-AC-E0514A-EC



Wire colour code
 B:Black LG:Light green G:Green L:Blue W:White Y:Yellow SB:Sky blue
 BR:Brown O:Orange GR:Gray R:Red P:Pink V:Violet

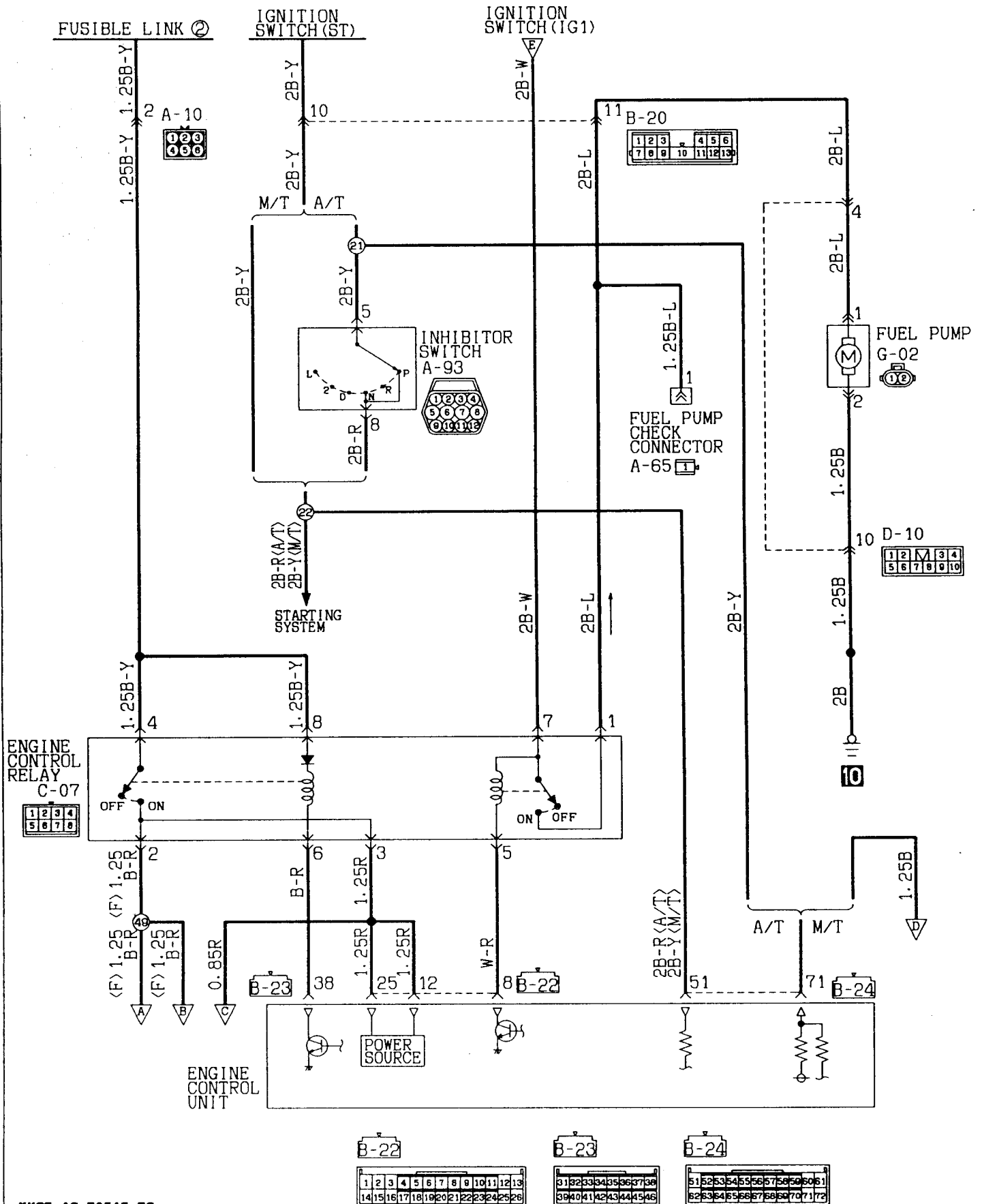


KX35-AC-E0514B-EC

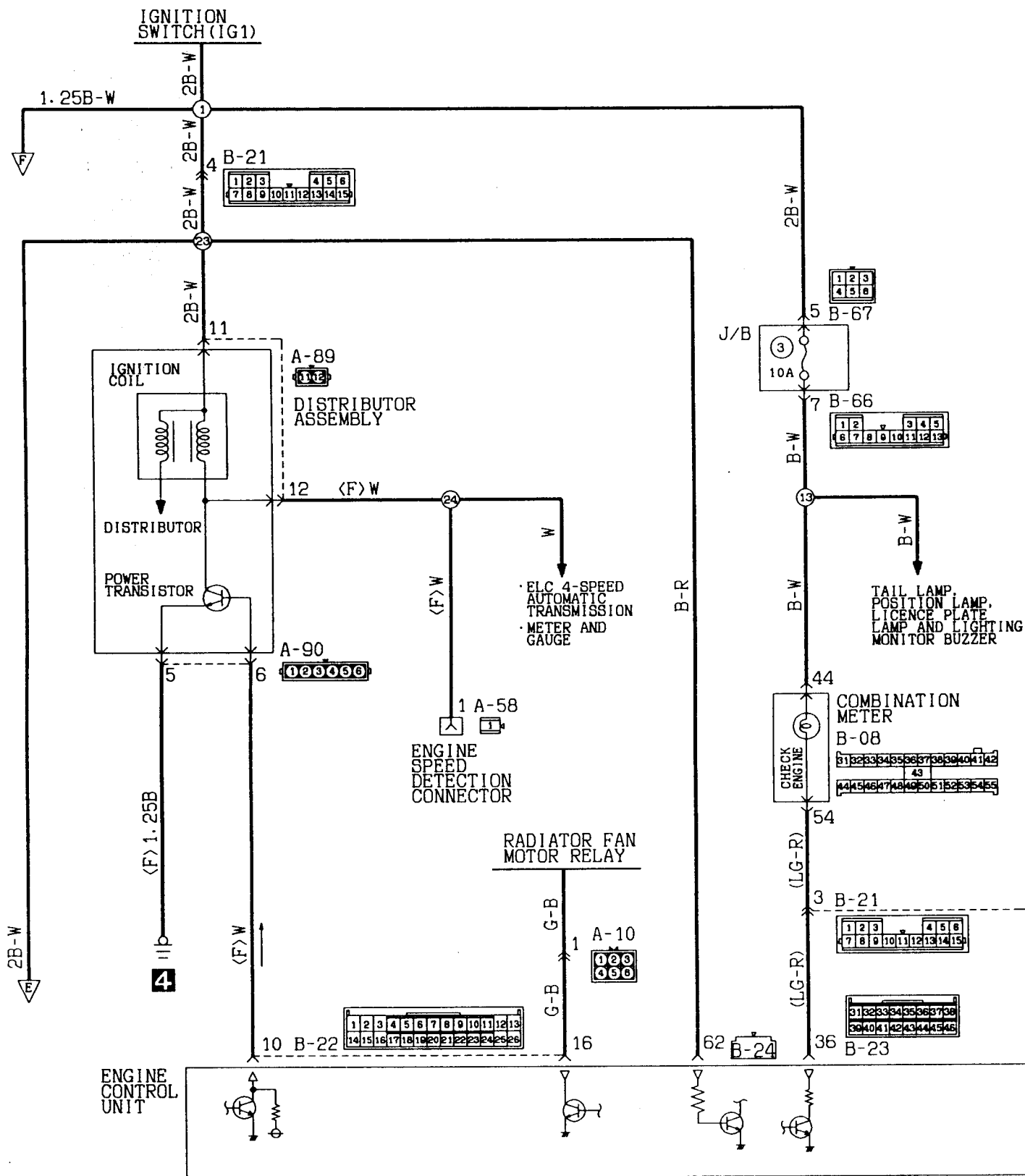


Wire colour code
 B:Black LG:Light green G:Green L:Blue W:White Y:Yellow SB:Sky blue
 BR:Brown O:Orange GR:Gray R:Red P:Pink V:Violet

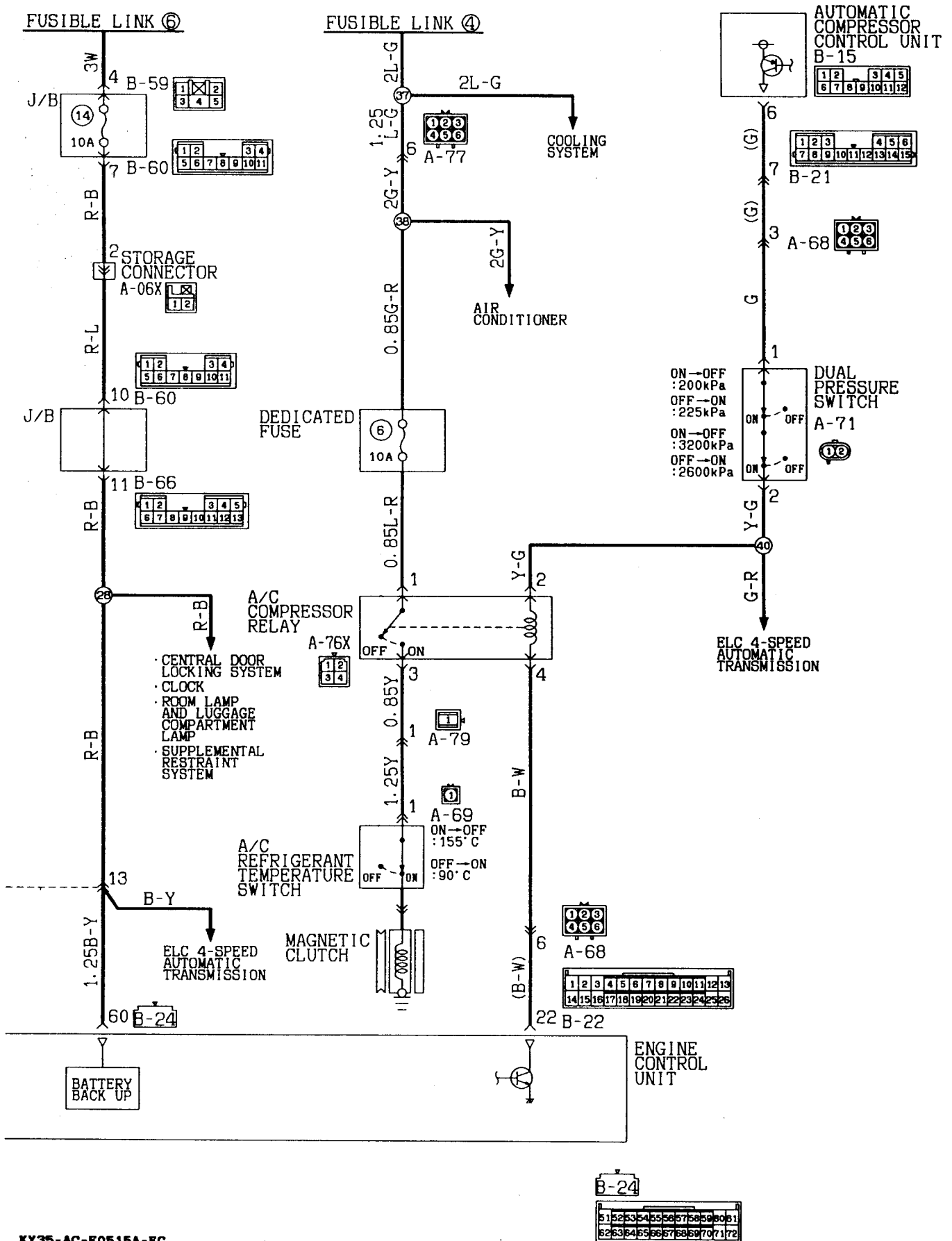
MPI SYSTEM
4G92 (L. H. drive vehicles (MVV))



KX35-AC-E0515-EC

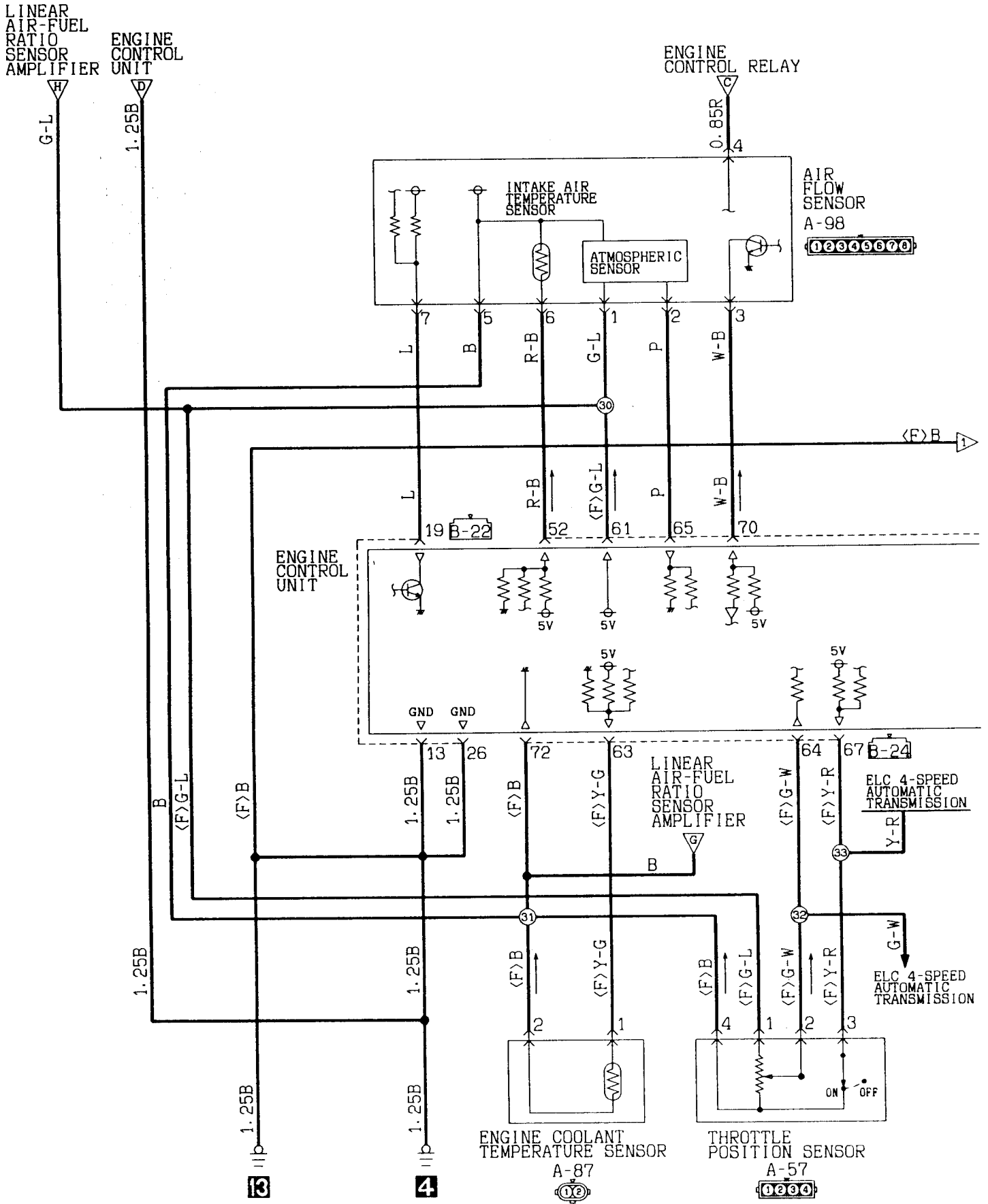


Wire colour code
 B:Black LG:Light green G:Green L:Blue W:White Y:Yellow SB:Sky blue
 BR:Brown O:Orange GR:Gray R:Red P:Pink V:Violet

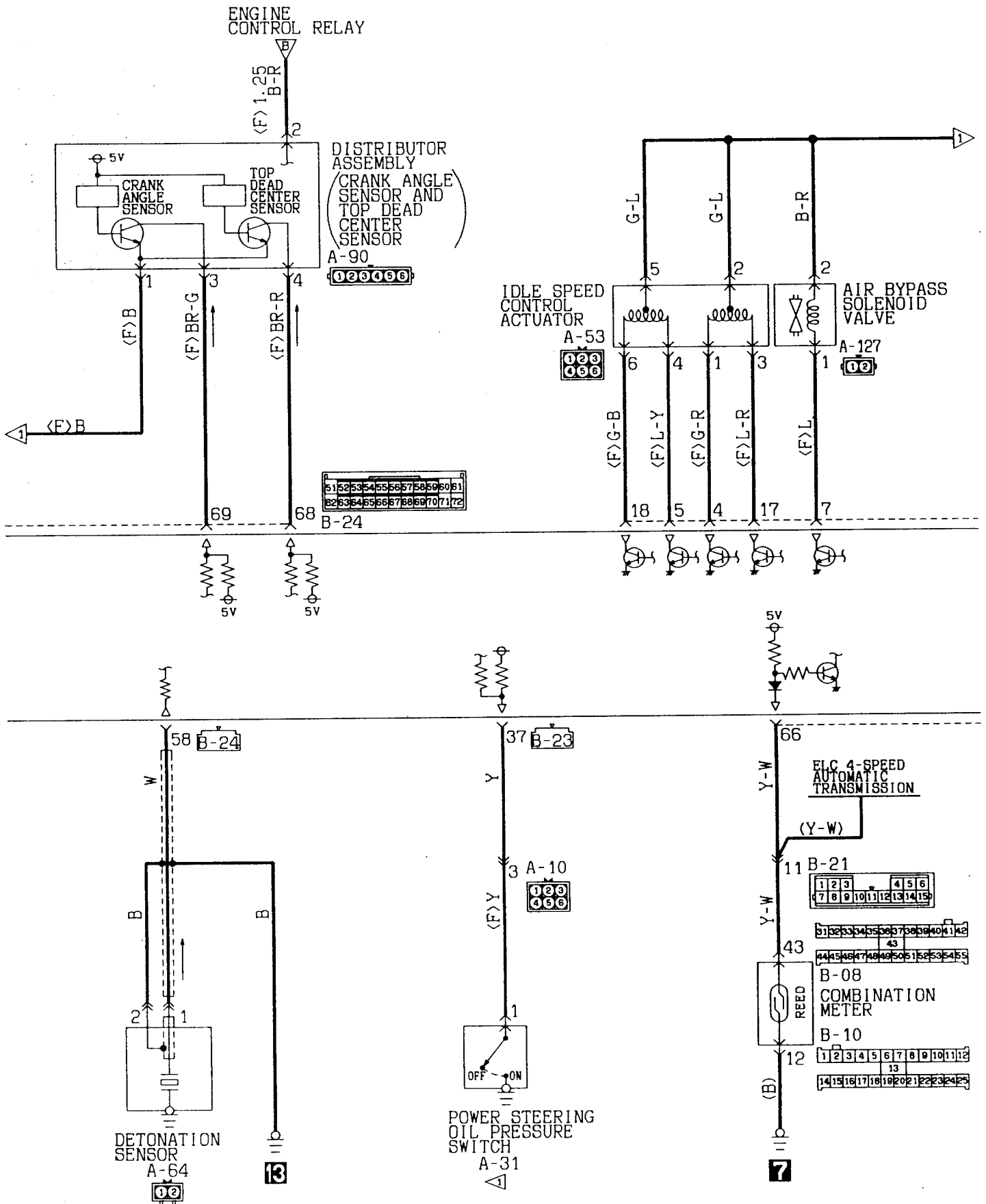


KX35-AC-E0515A-EC

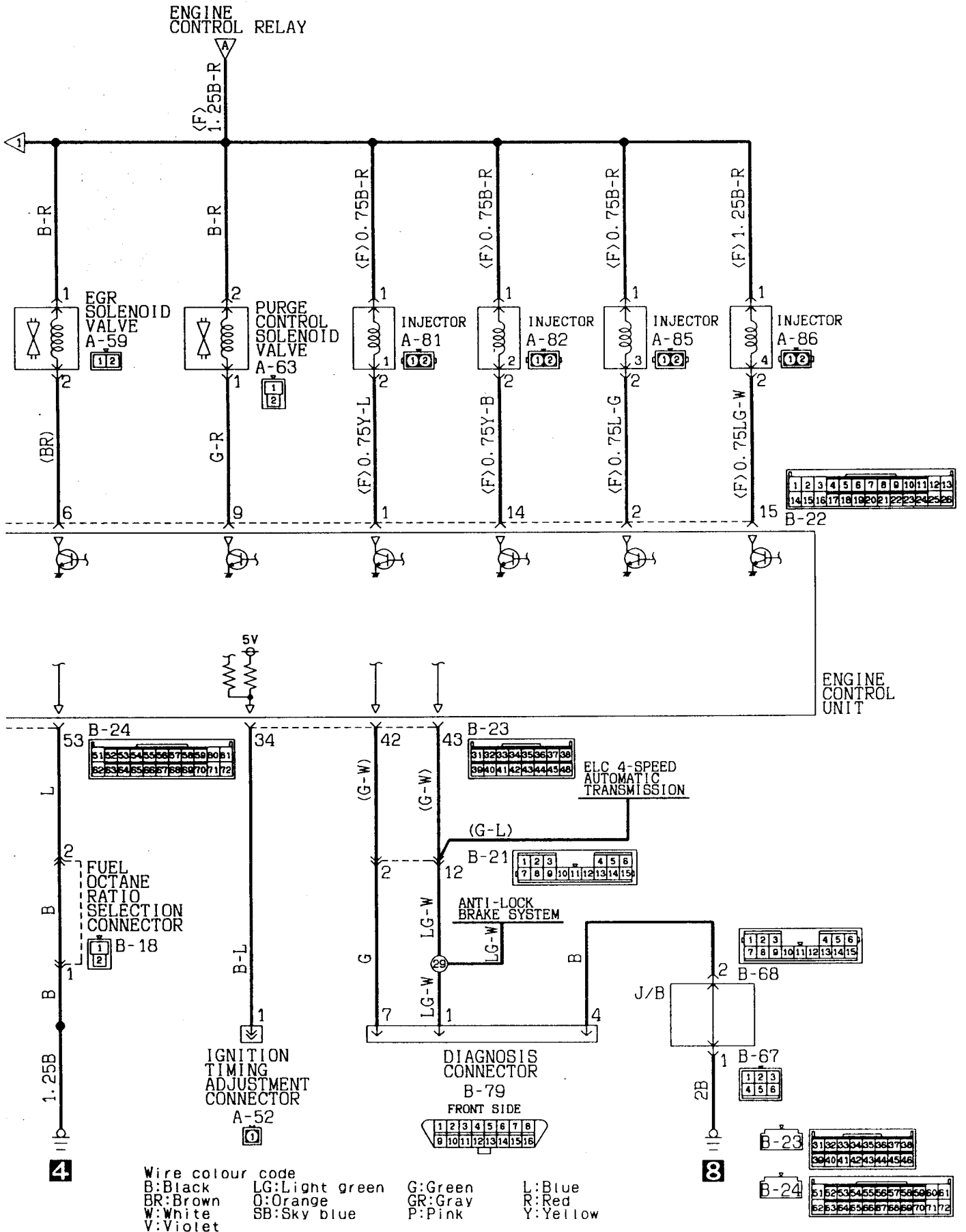
1	2	3	4	5	6	7	8	9	10	11	12	13
14	15	16	17	18	19	20	21	22	23	24	25	26

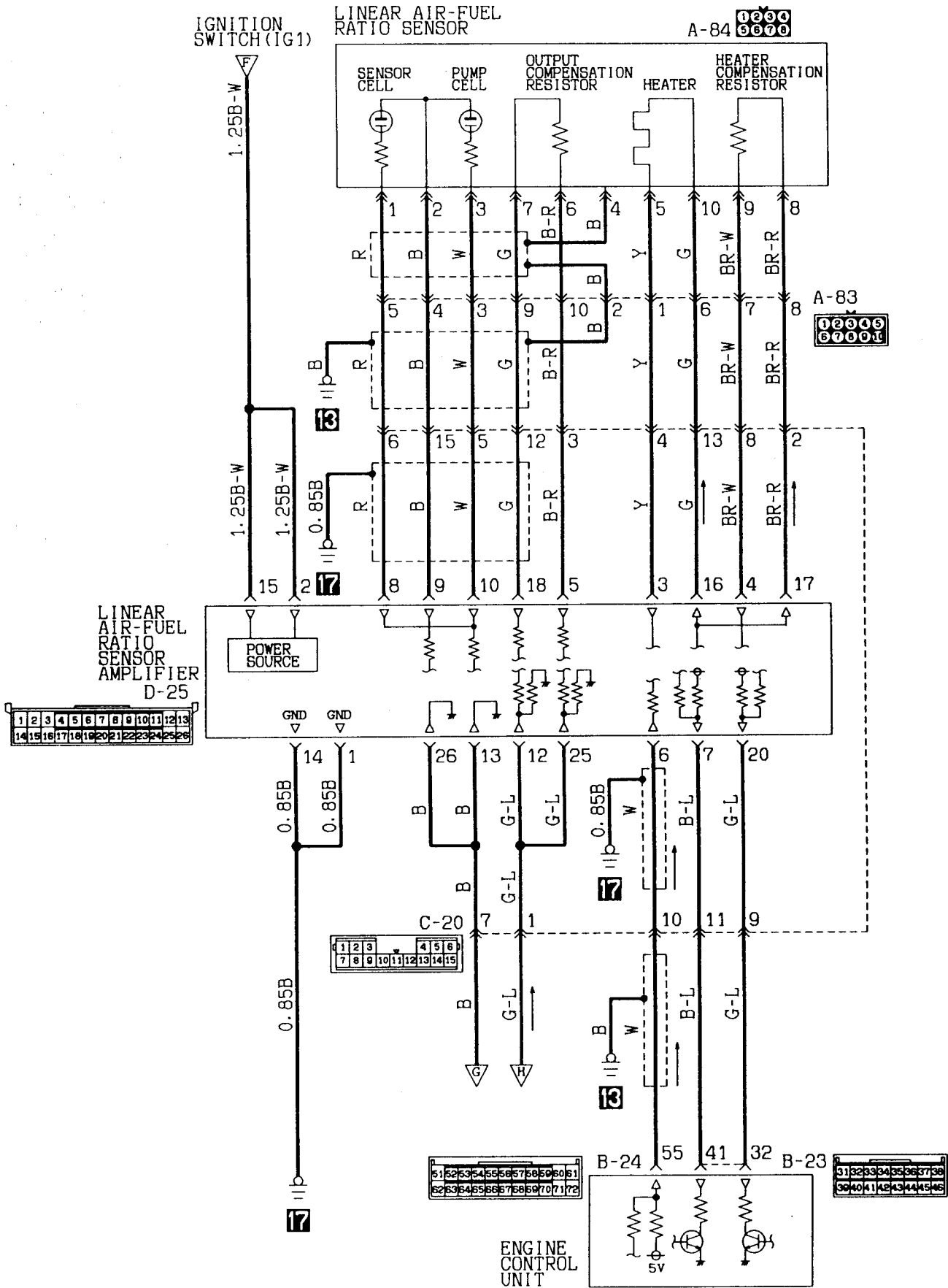


Wire colour code
 B:Black LG:Light green G:Green L:Blue W:White Y:Yellow SB:Sky blue
 BR:Brown O:Orange GR:Gray R:Red P:Pink V:Violet



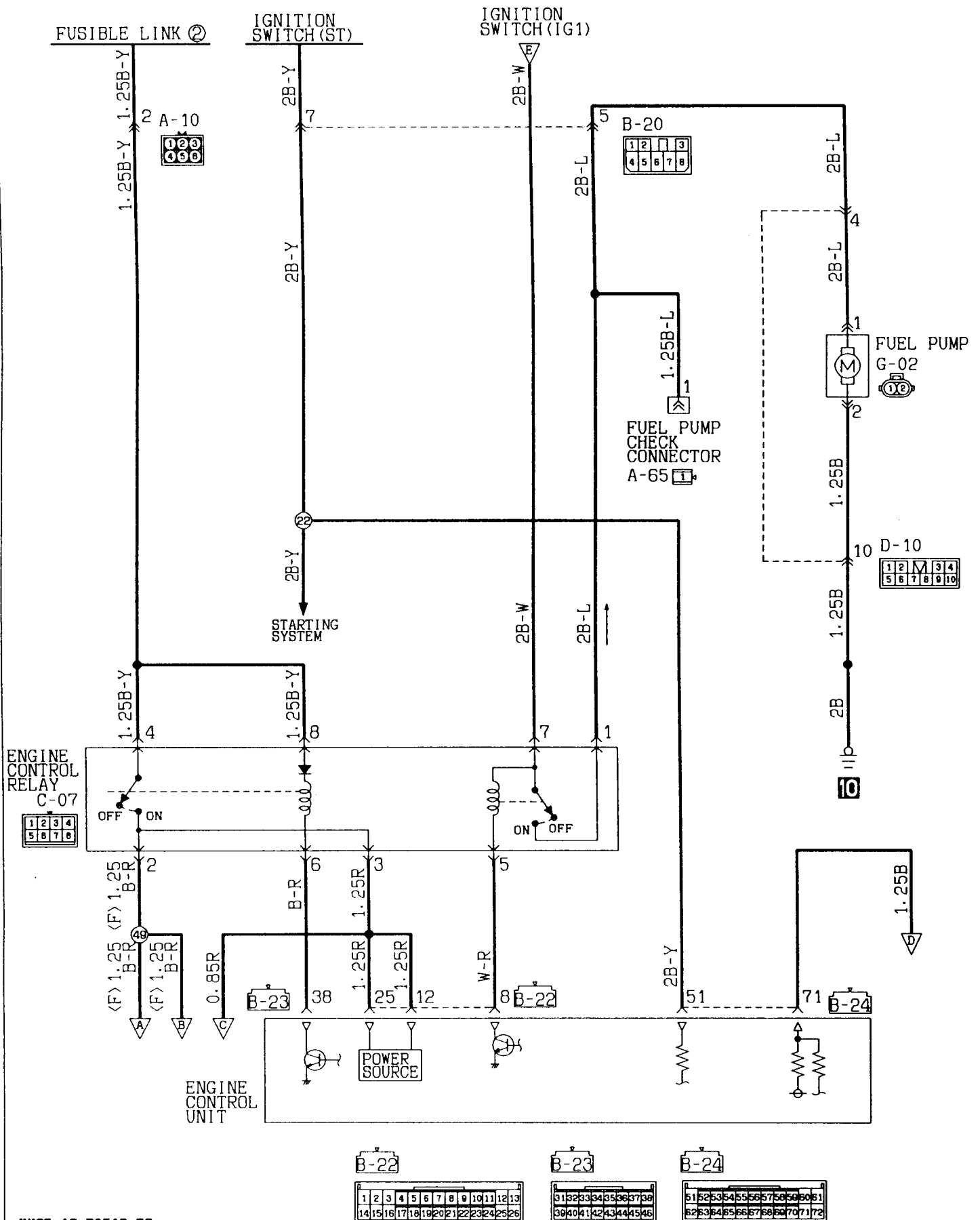
KX35-AC-E0515B-EC



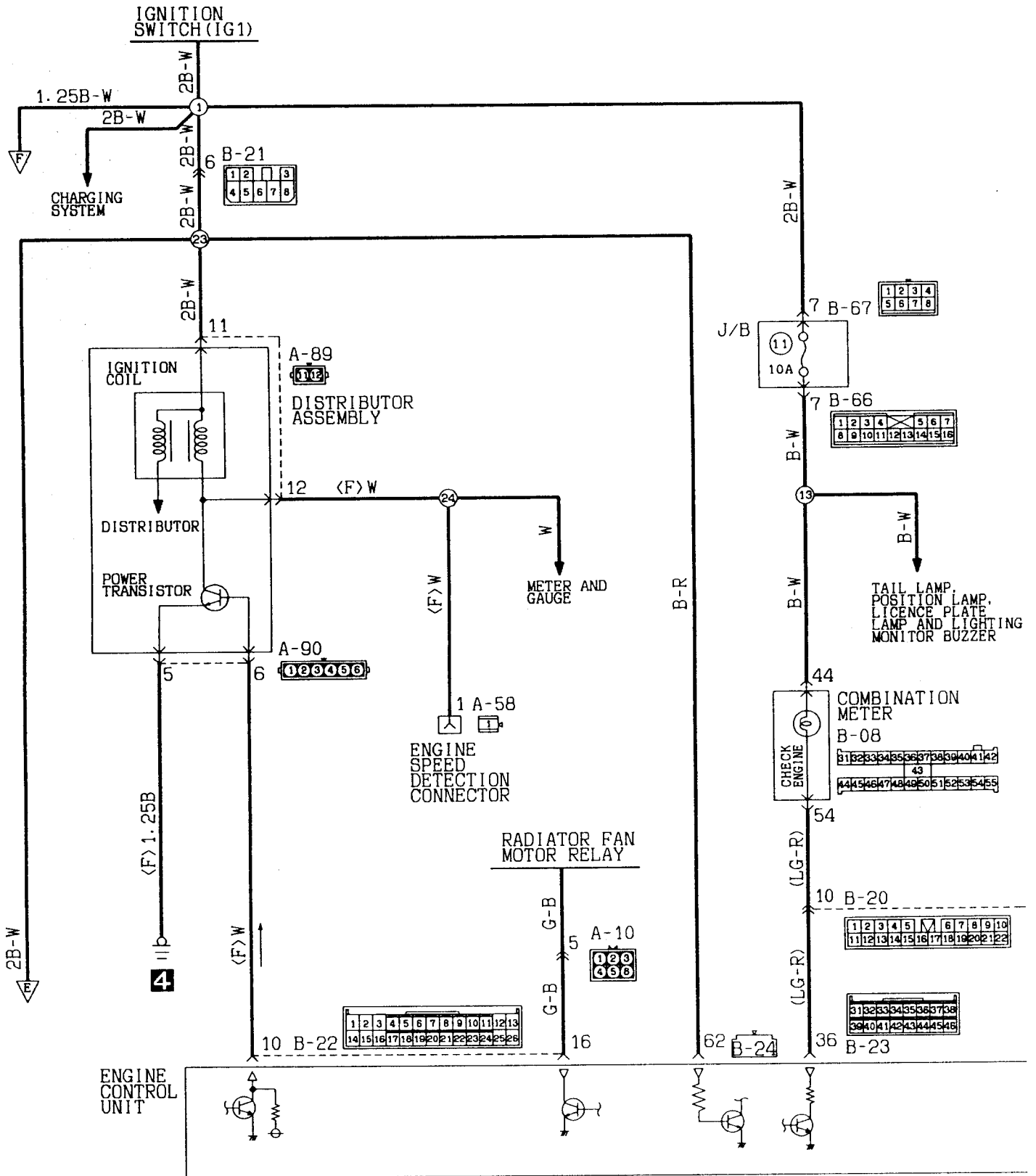


KX35-AC-E0515C-EC

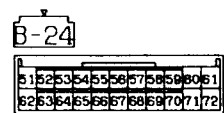
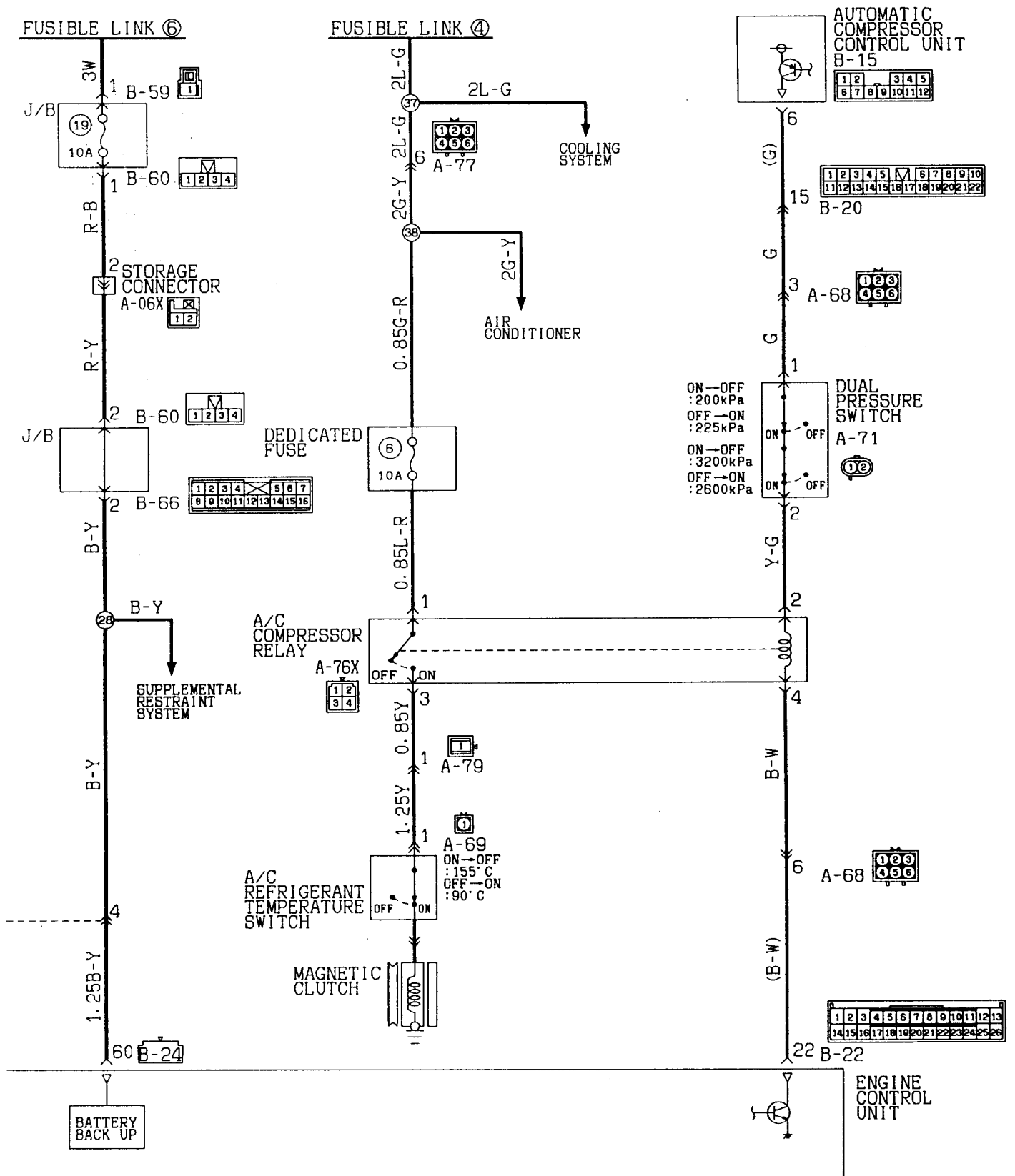
MPI SYSTEM
4G92<R. H. drive vehicles (MVV)>



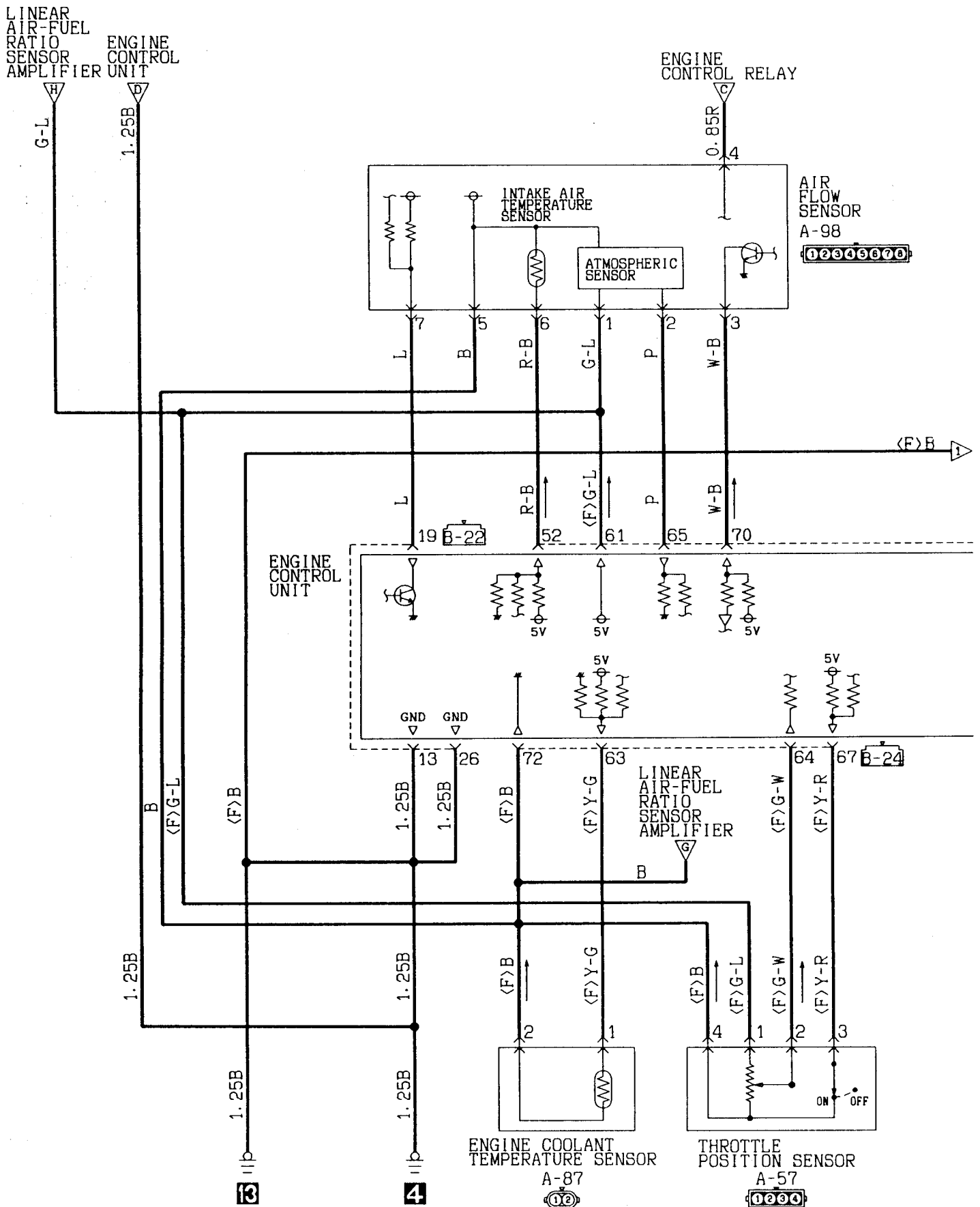
KX35-AC-E0516-EC



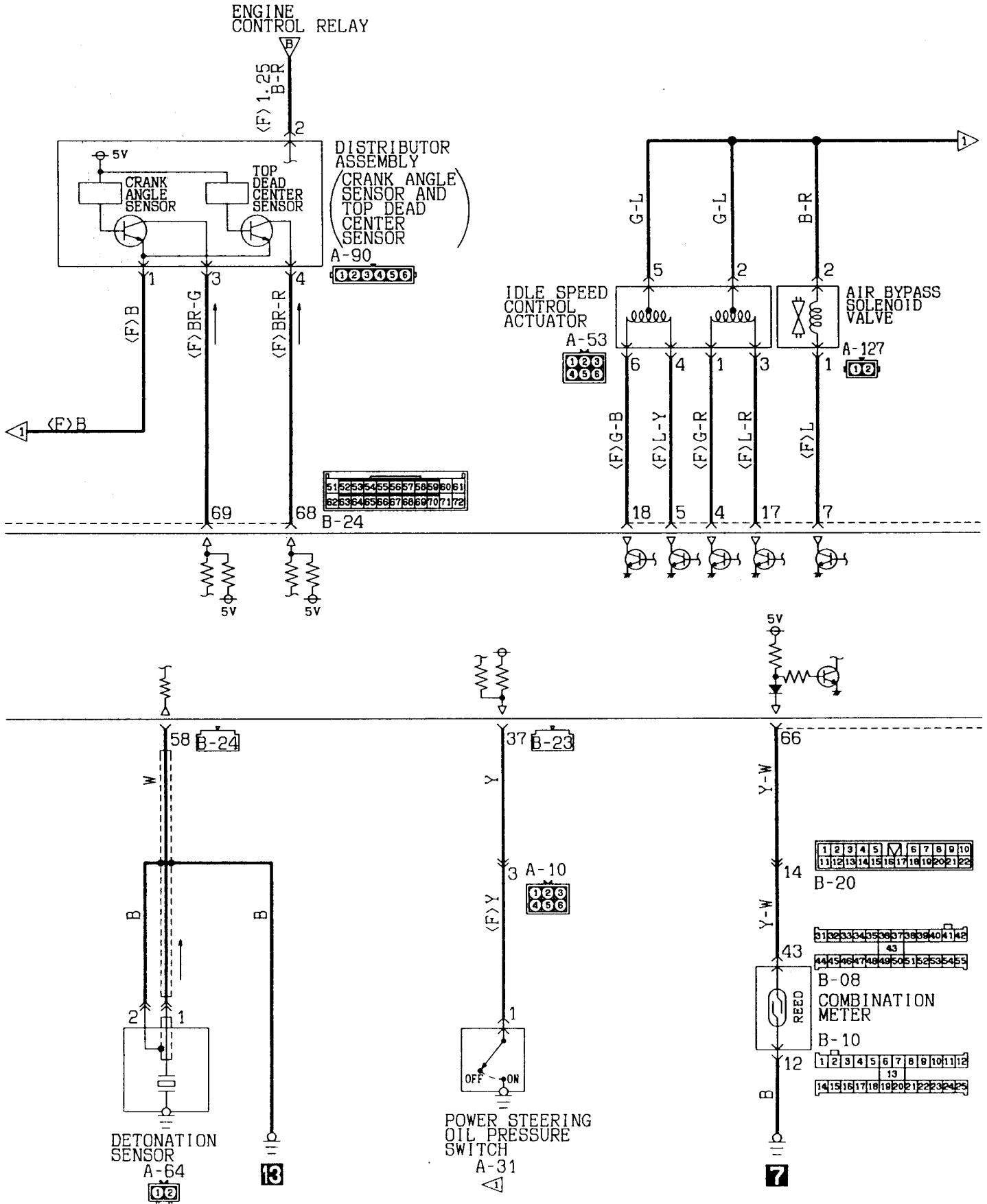
Wire colour code
 B:Black LG:Light green G:Green L:Blue W:White Y:Yellow SB:Sky blue
 BR:Brown O:Orange GR:Gray R:Red P:Pink V:Violet



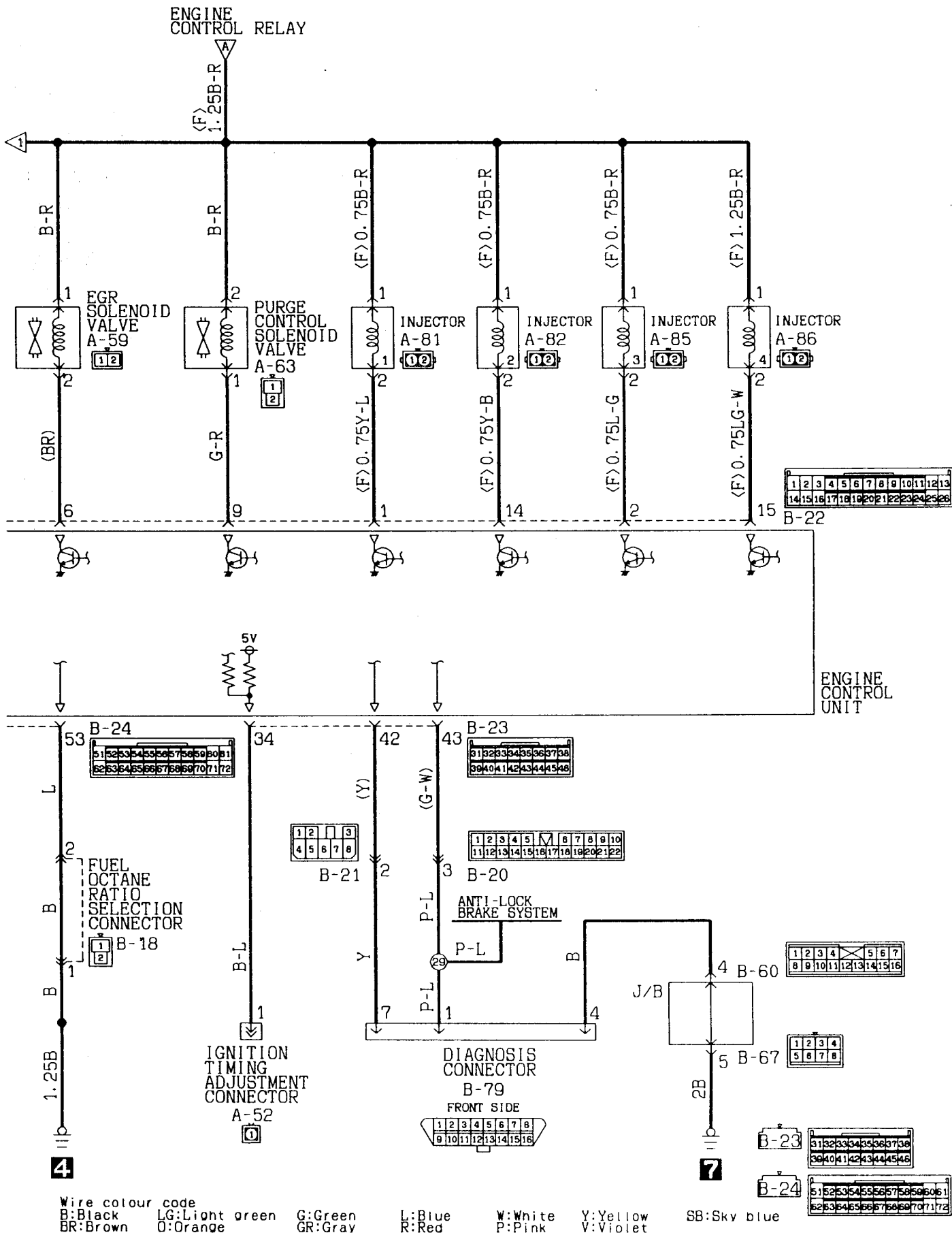
KX35-AC-E0518A-EC

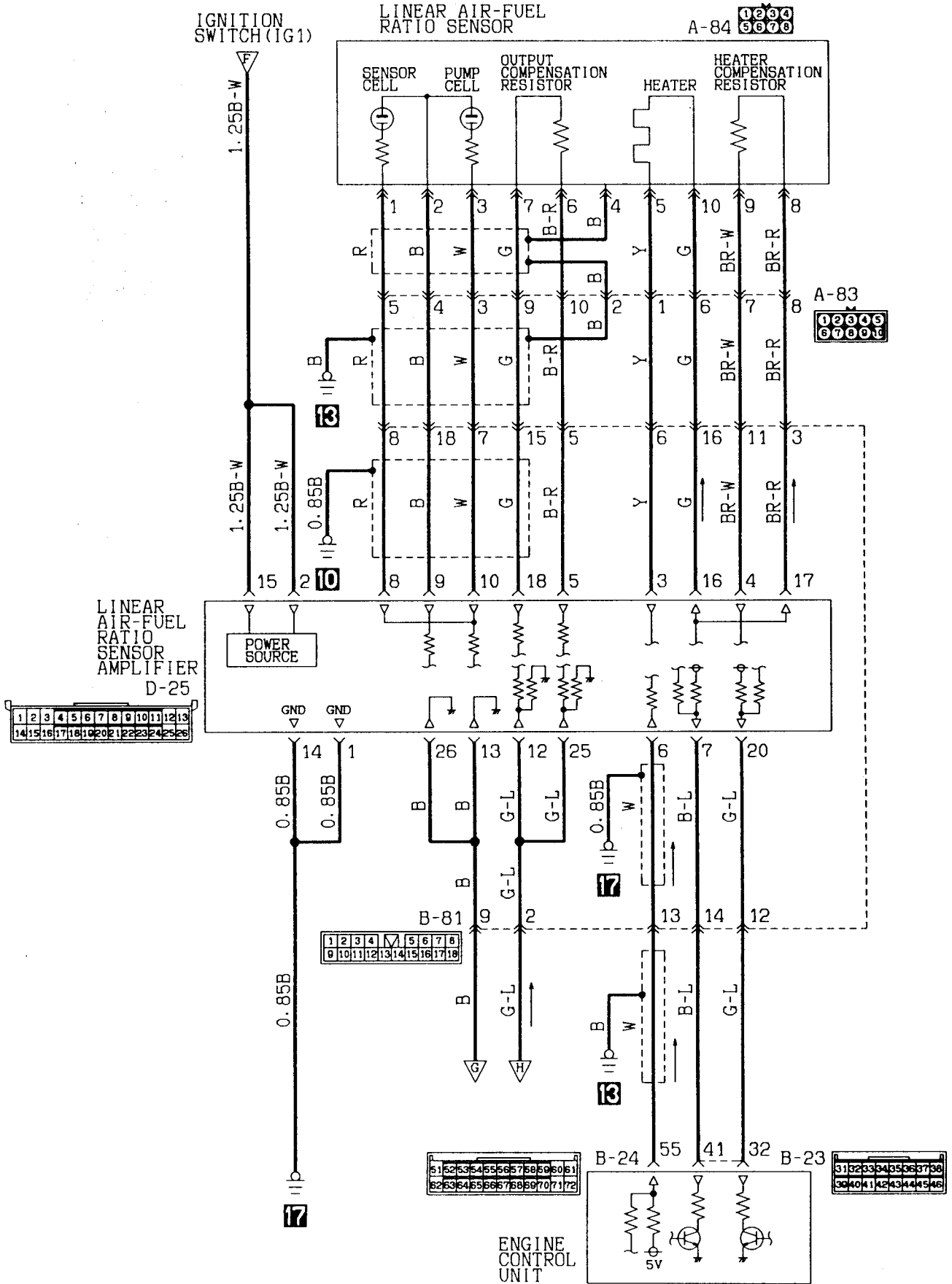


Wire colour code
 B:Black LG:Light green G:Green L:Blue W:White Y:Yellow SB:Sky blue
 BR:Brown O:Orange GR:Gray R:Red P:Pink V:Violet



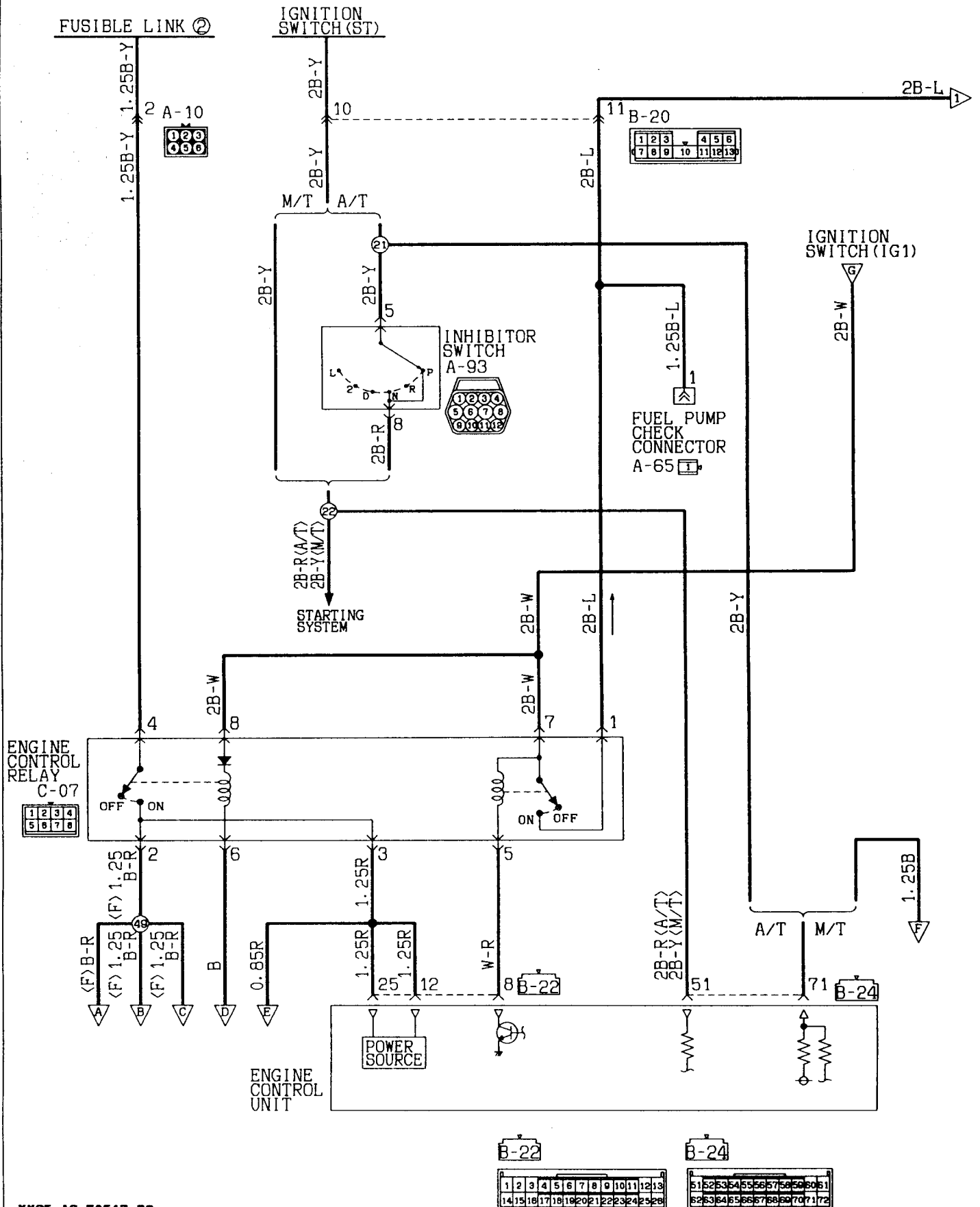
KX35-AC-E0516B-EC



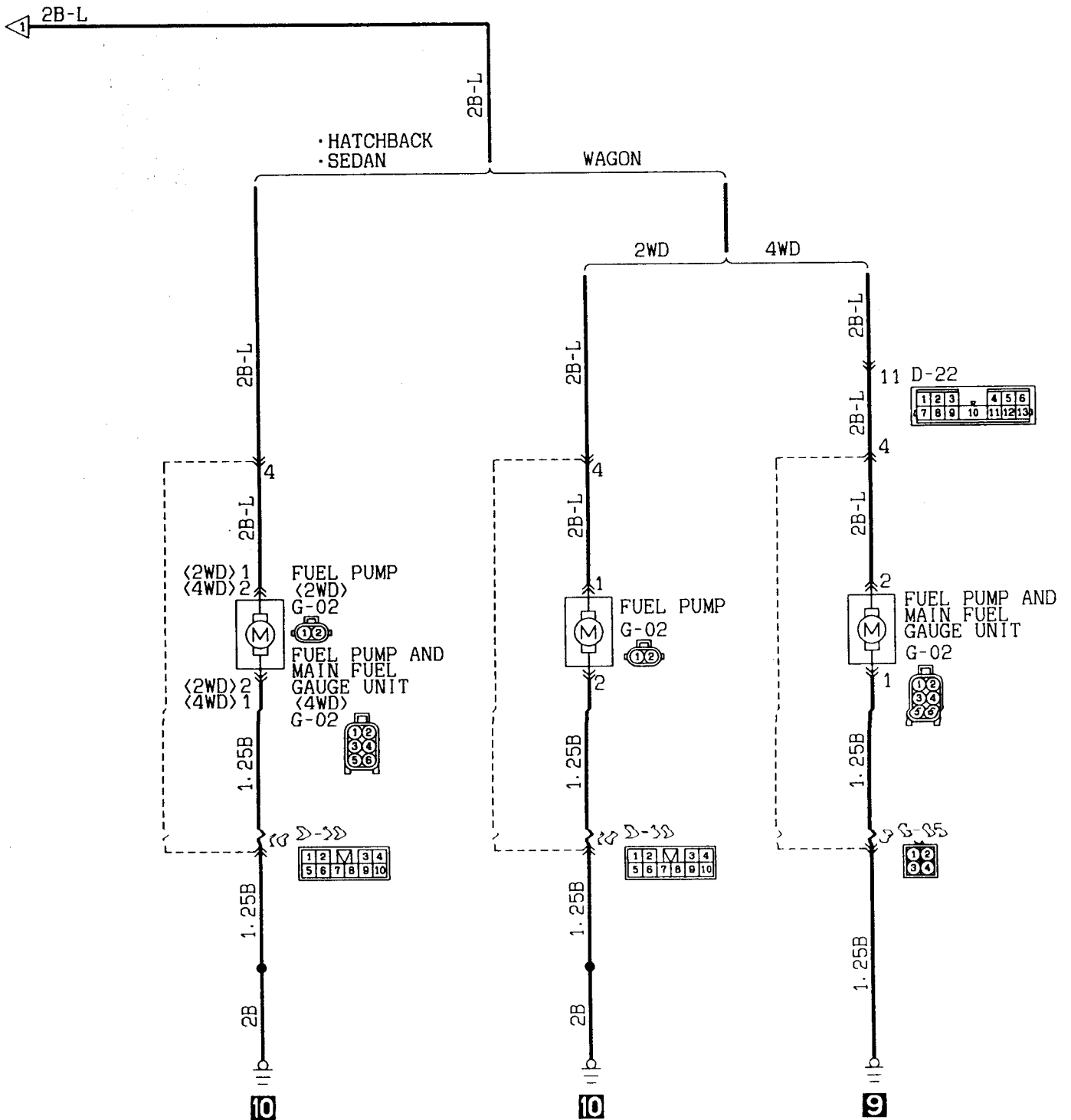


KX35-AC-E0516C-EC

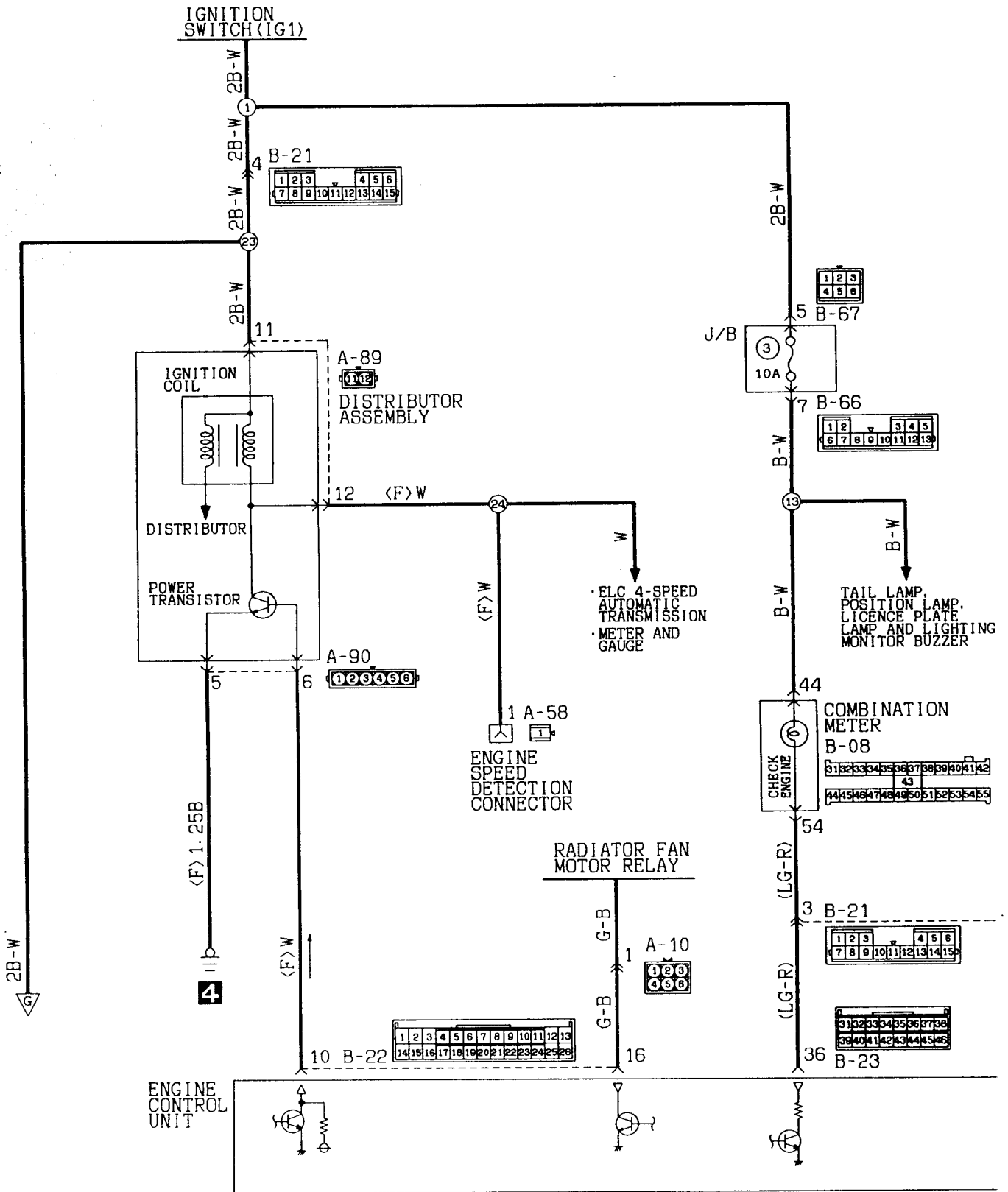
MPI SYSTEM
4G92 <L. H. drive vehicles (except MVV)>



KX35-AC-E0517-EC

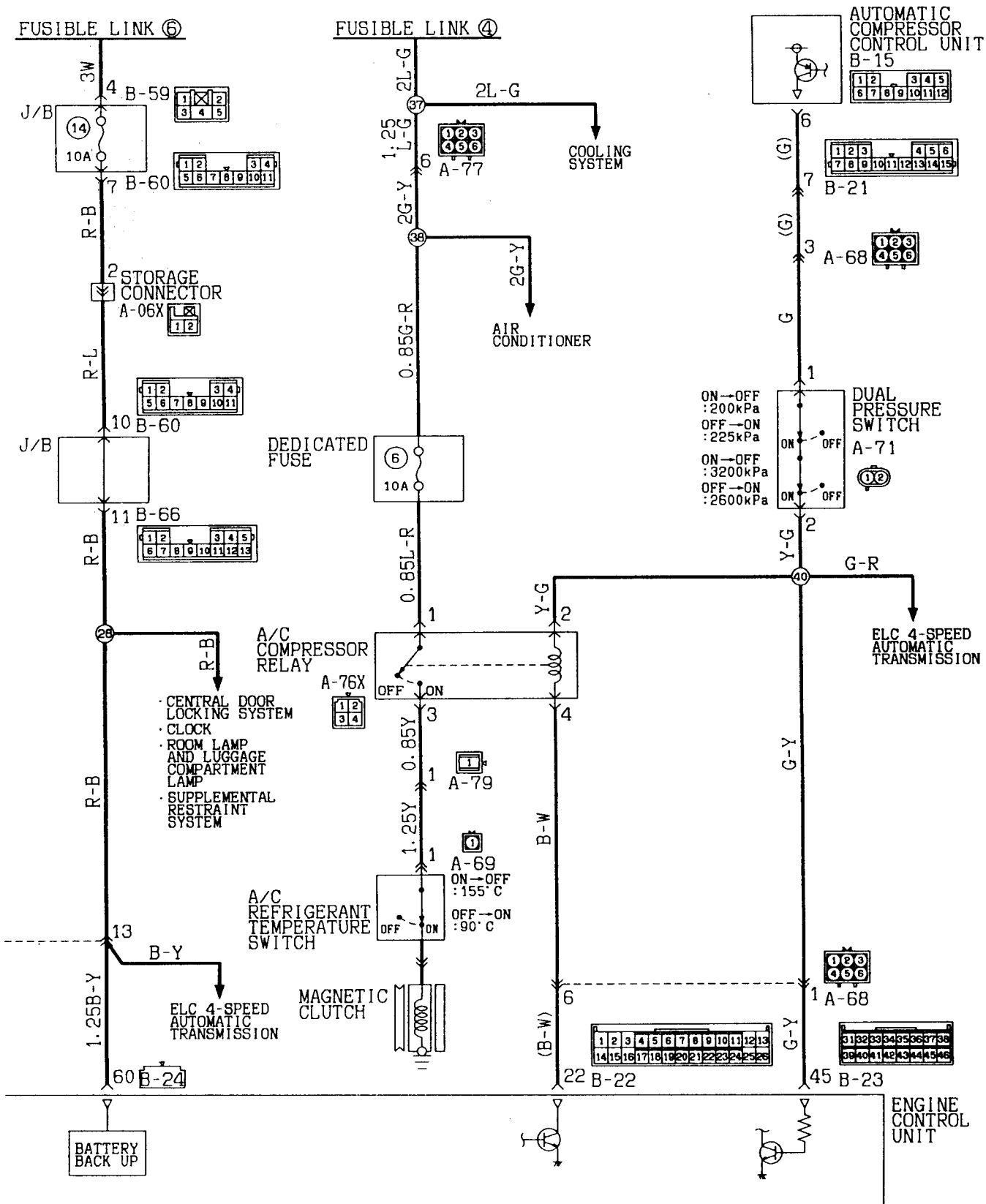


Wire colour code
 B:Black LG:Light green G:Green L:Blue W:White Y:Yellow SB:Sky blue
 BR:Brown O:Orange GR:Gray R:Red P:Pink V:Violet

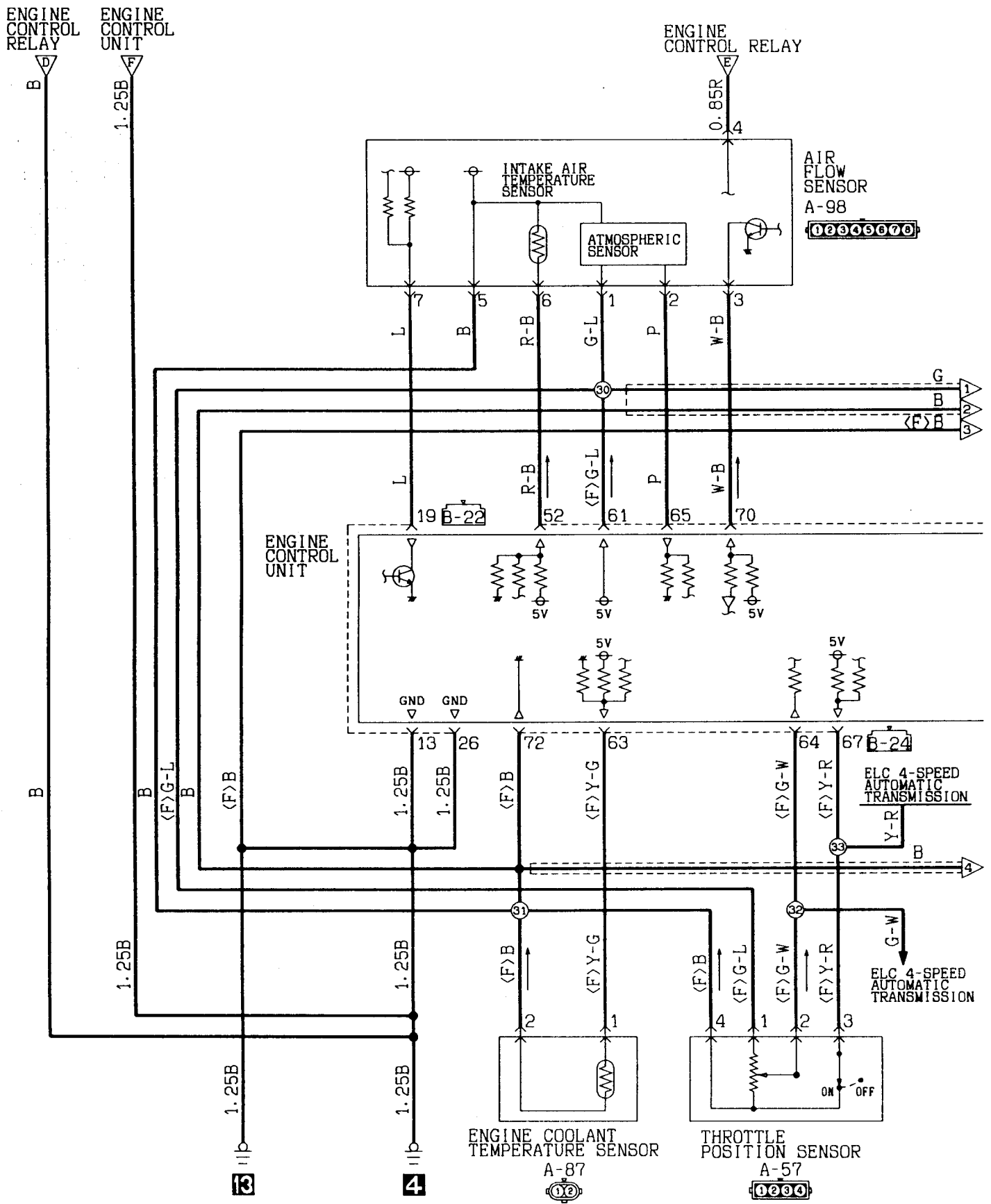


Wire colour code
 B:Black LG:Light green G:Green L:Blue W:White Y:Yellow SB:Sky blue
 BR:Brown O:Orange GR:Gray R:Red P:Pink V:Violet

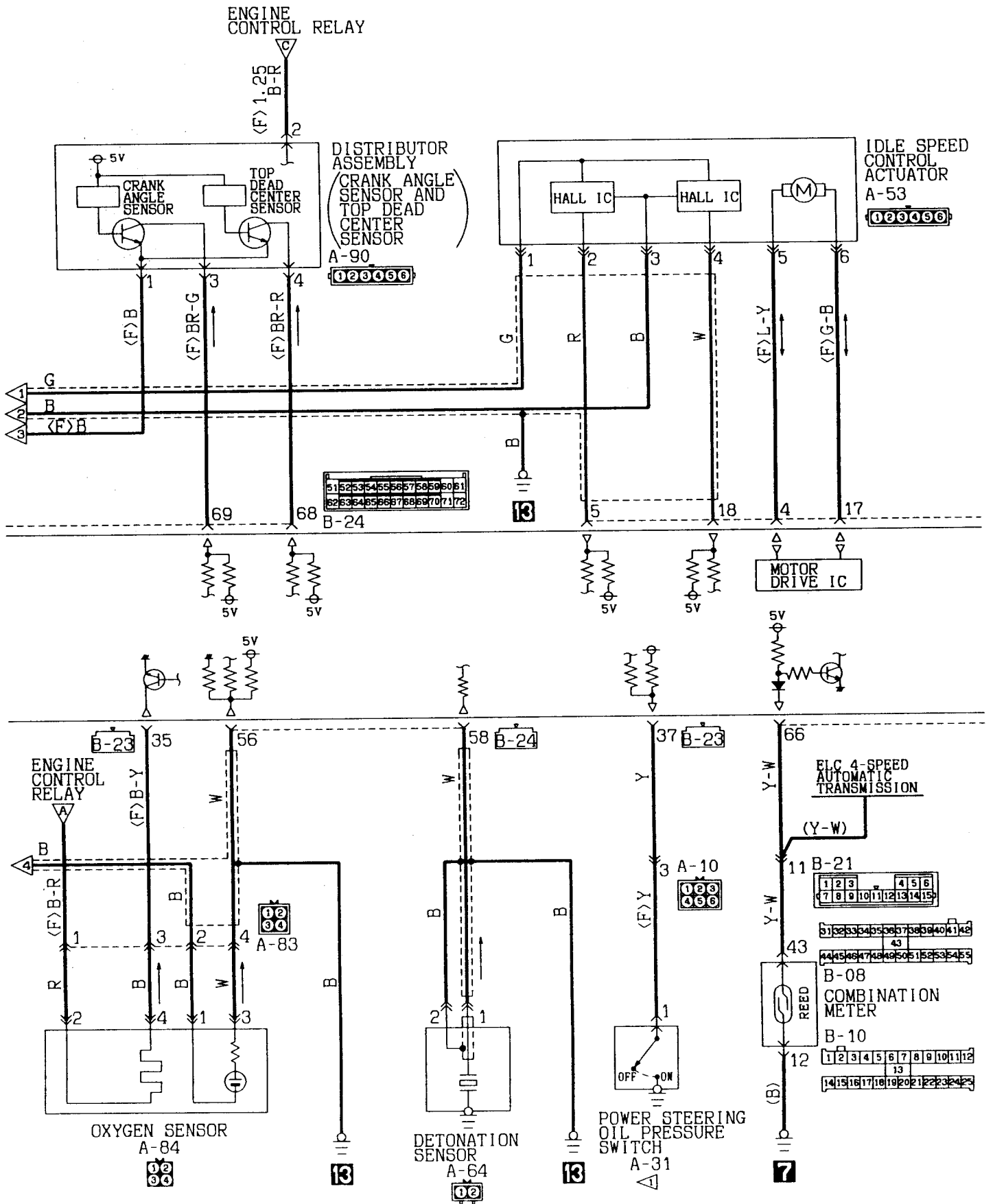
KX35-AC-E-0517A-EC



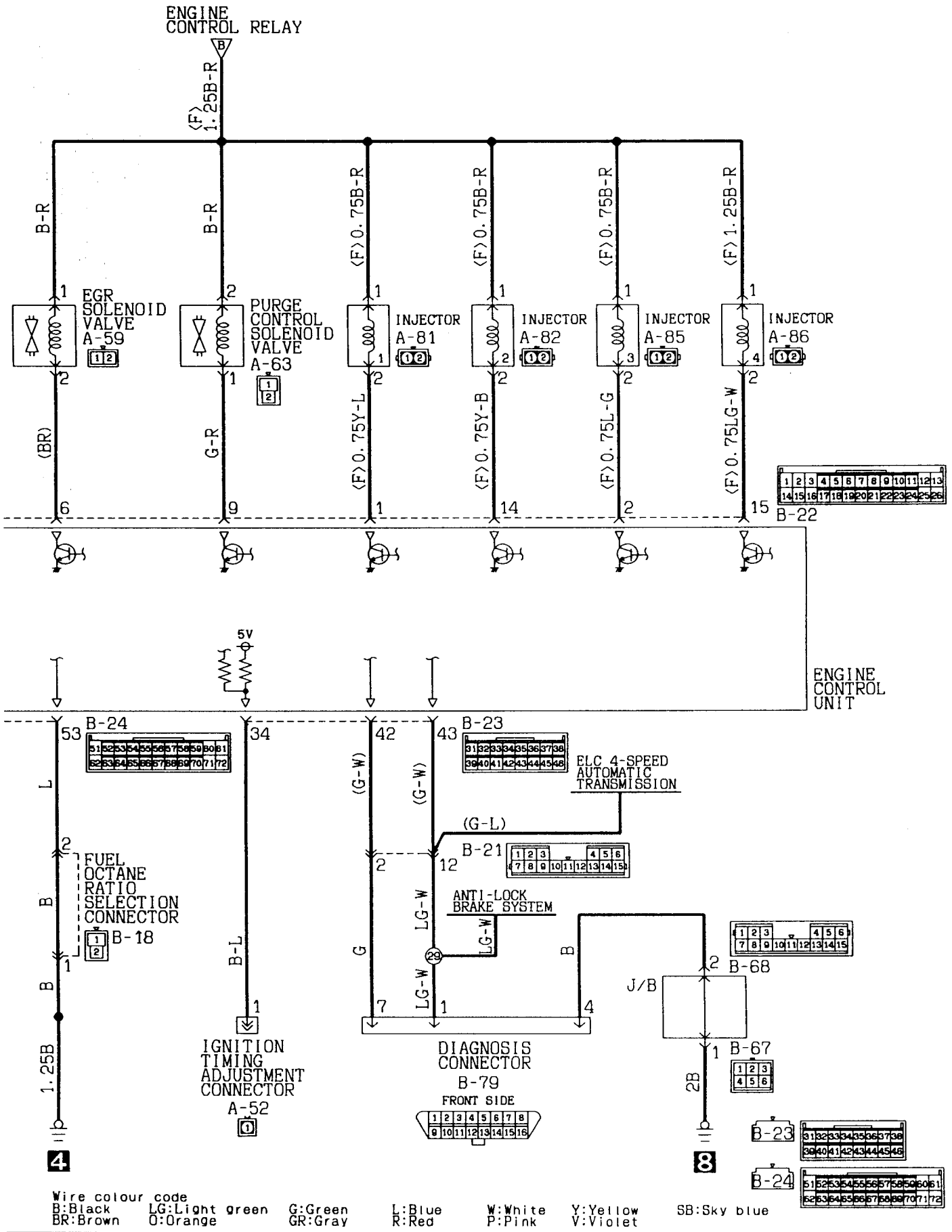
KX35-AC-E0517B-EC



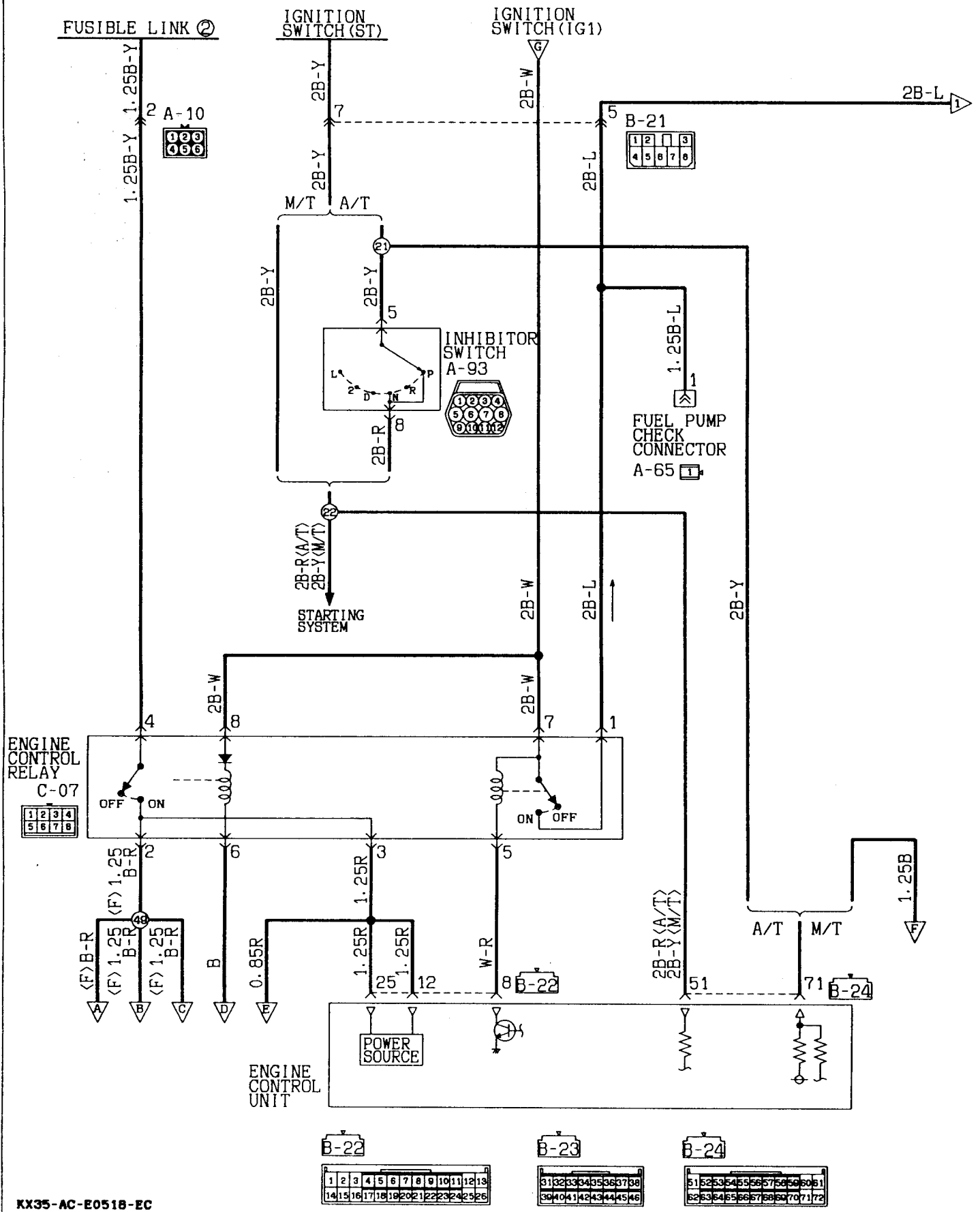
Wire colour code
 B:Black LG:Light green G:Green L:Blue W:White Y:Yellow SB:Sky blue
 BR:Brown O:Orange GR:Gray R:Red P:Pink V:Violet



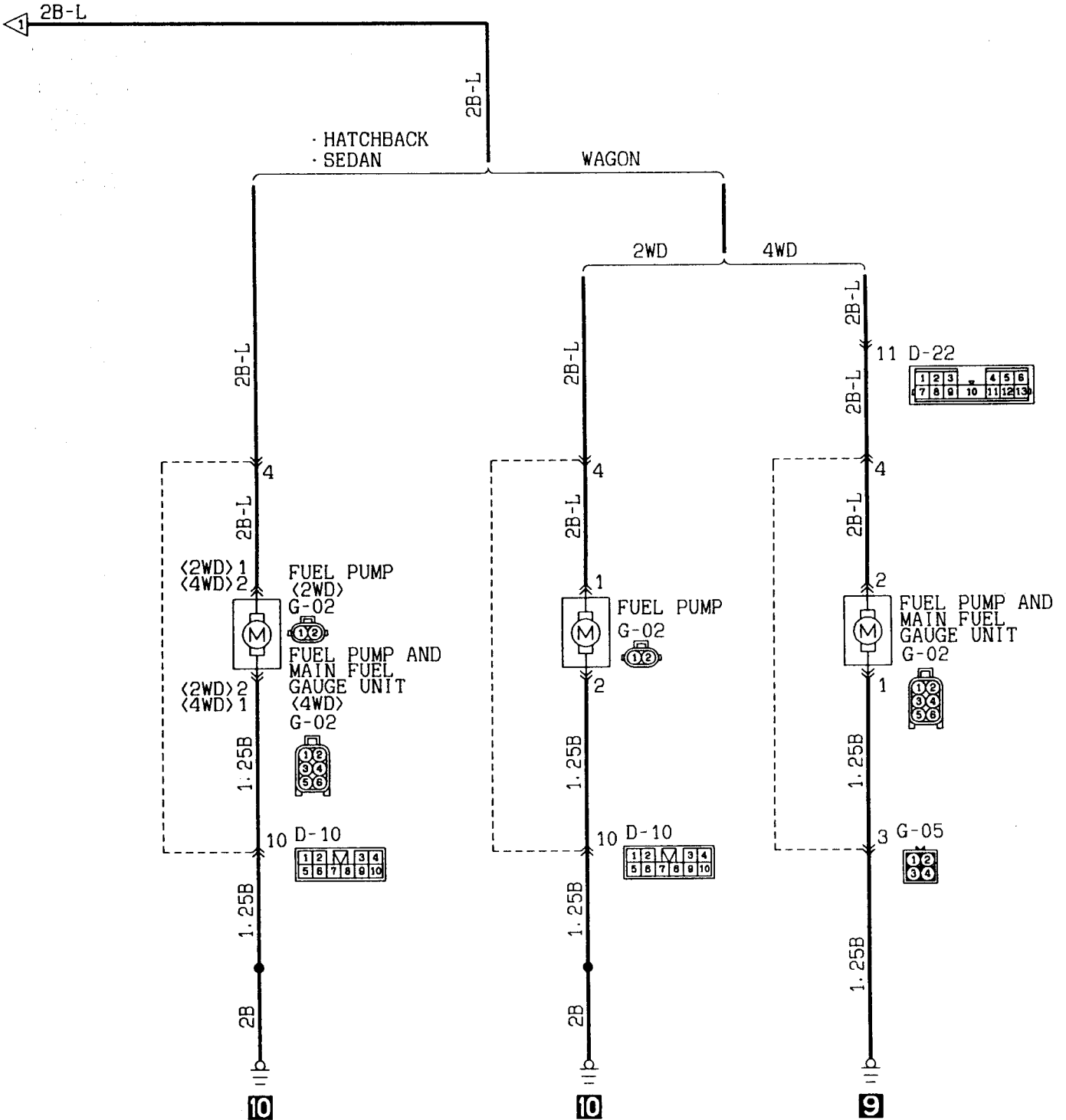
KX35-AC-E0517C-EC



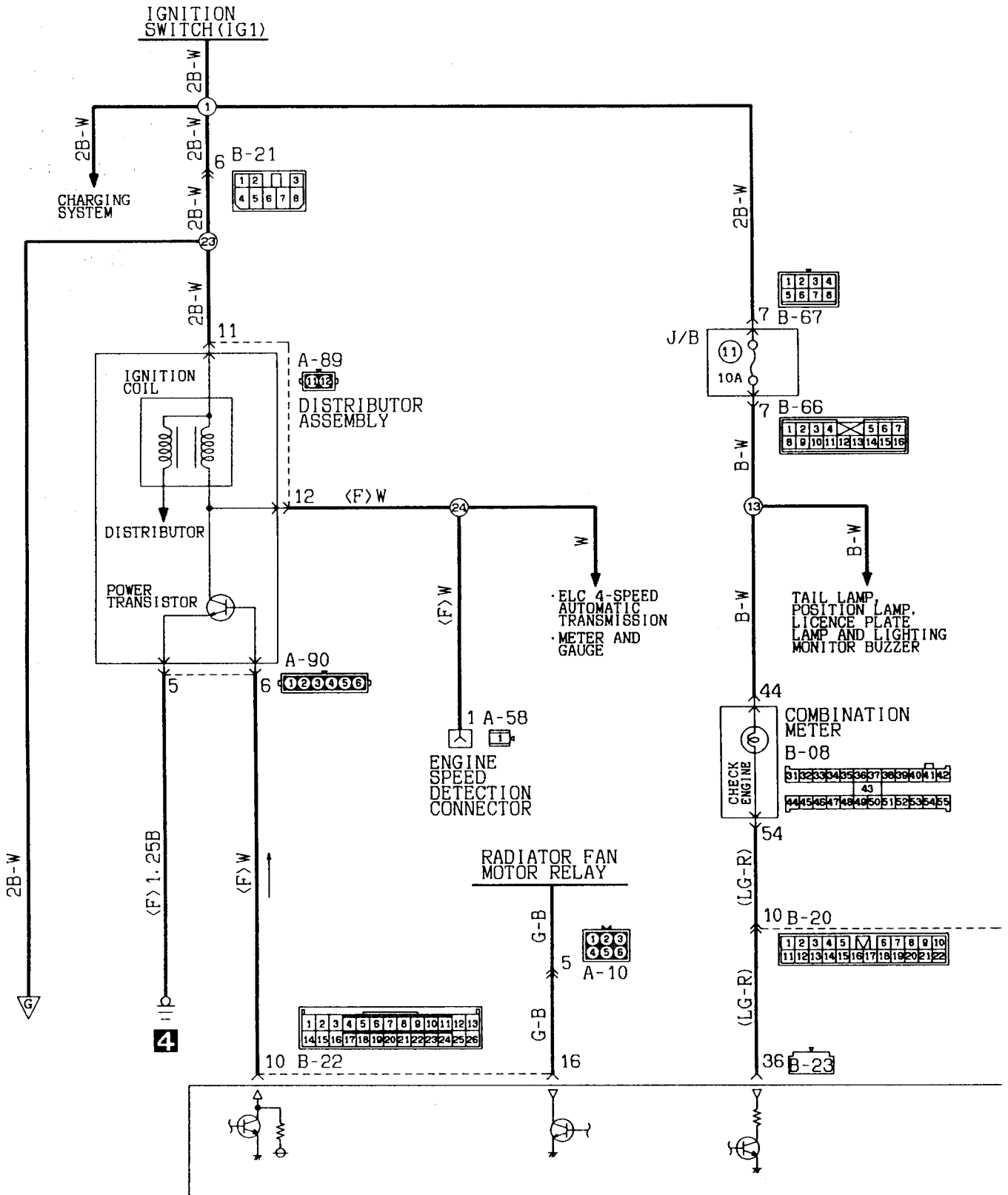
MPI SYSTEM
4G92 (R. H. drive vehicles (except MVV))



KX35-AC-E0518-EC

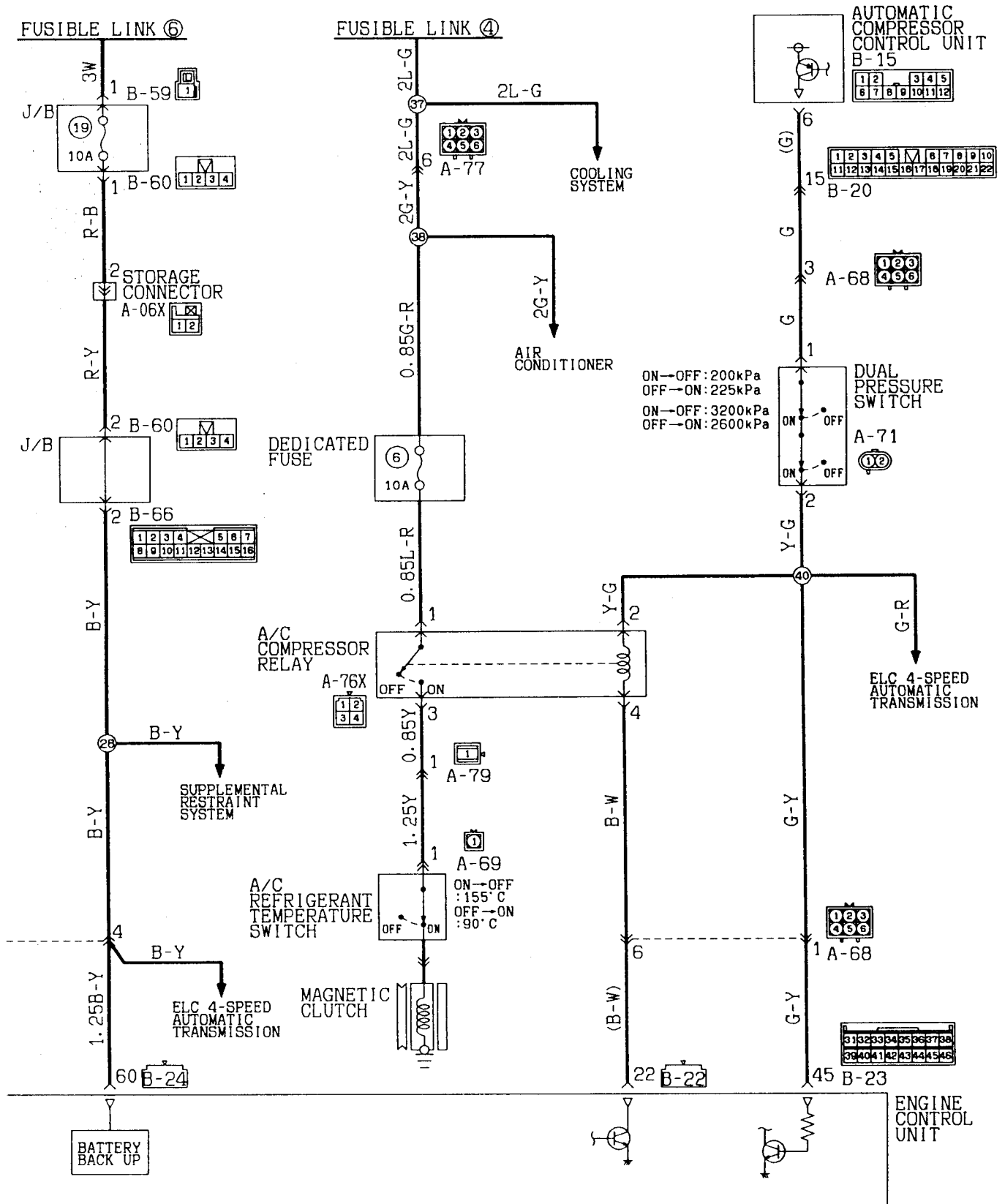


Wire colour code
 B:Black LG:Light green G:Green L:Blue W:White Y:Yellow SB:Sky blue
 BR:Brown O:Orange GR:Gray R:Red P:Pink V:Violet



Wire colour code
 B:Black LG:Light green G:Green L:Blue W:White Y:Yellow SB:Sky blue
 BR:Brown O:Orange GR:Gray R:Red P:Pink V:Violet

KX35-AC-E0518A-EC



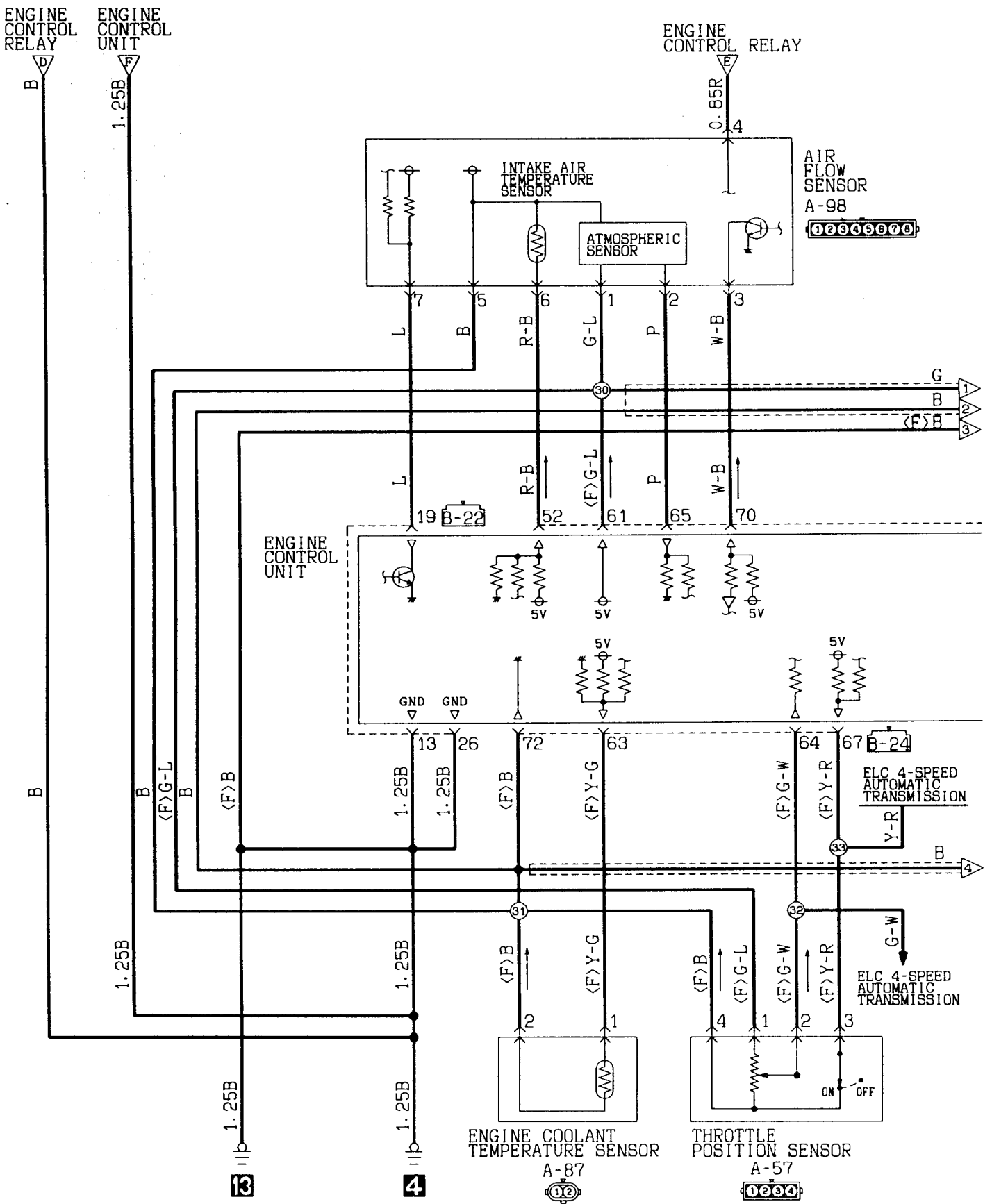
KX35-AC-E0518B-EC

B-22

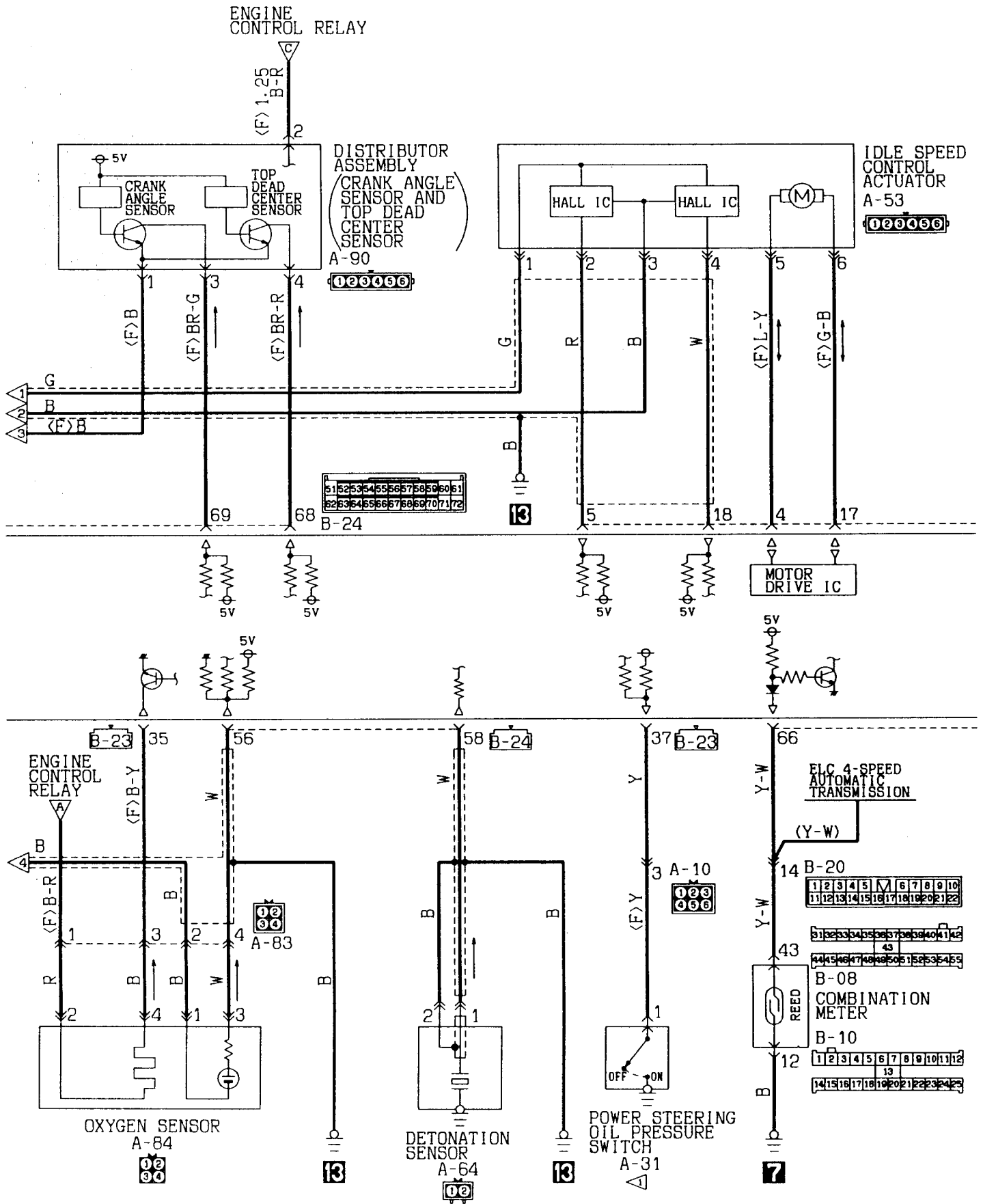
1	2	3	4	5	6	7	8	9	10	11	12	13
14	15	16	17	18	19	20	21	22	23	24	25	26

B-24

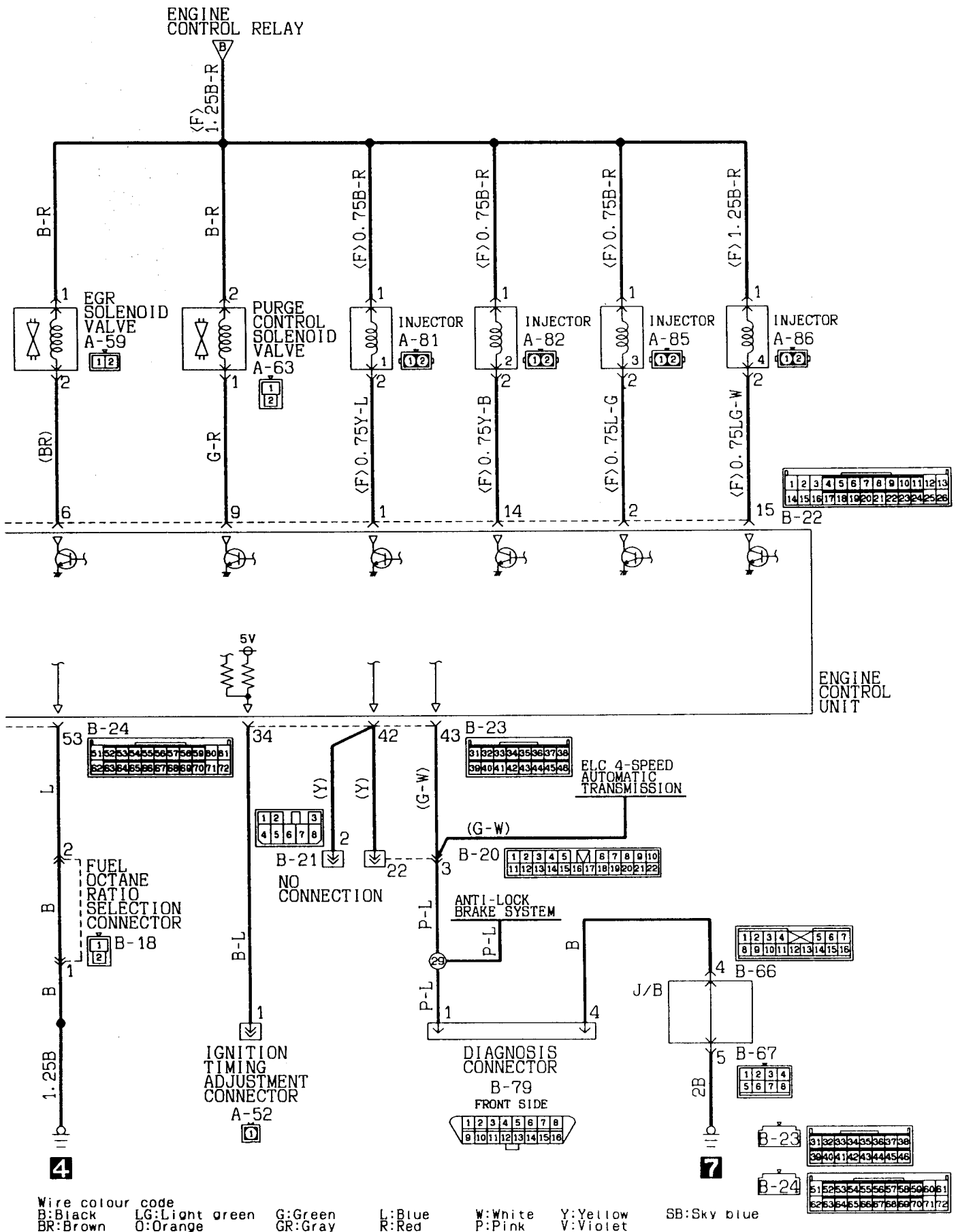
51	52	53	54	55	56	57	58	59	60	61
62	63	64	65	66	67	68	69	70	71	72



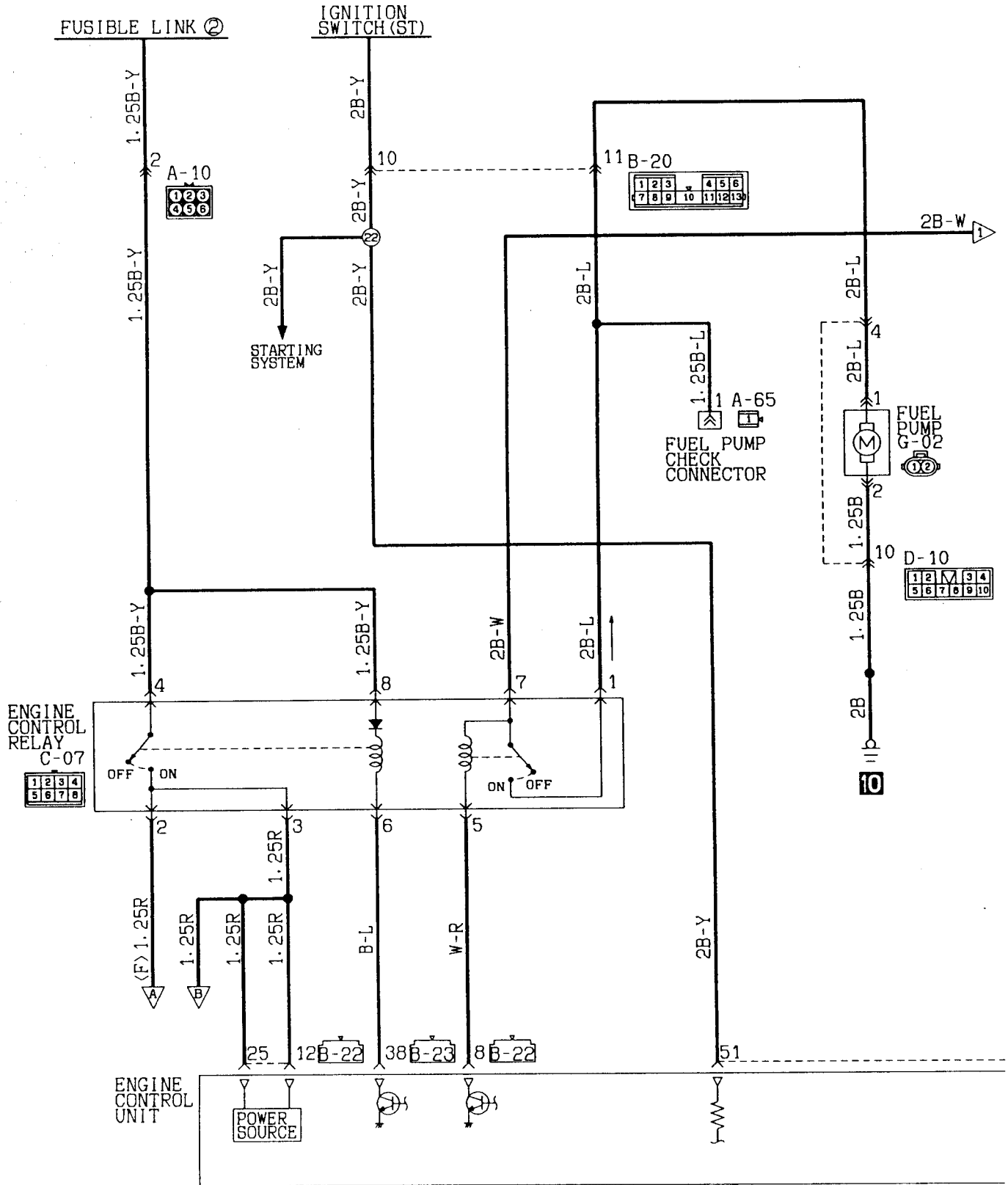
Wire colour code
 B:Black LG:Light green G:Green L:Blue W:White Y:Yellow SB:Sky blue
 BR:Brown O:Orange GR:Gray R:Red P:Pink V:Violet



KX35-AC-E0518C-EC



MPI SYSTEM
4G93 (L.H. drive vehicles)



KX35-AC-E0519-EC

B-22

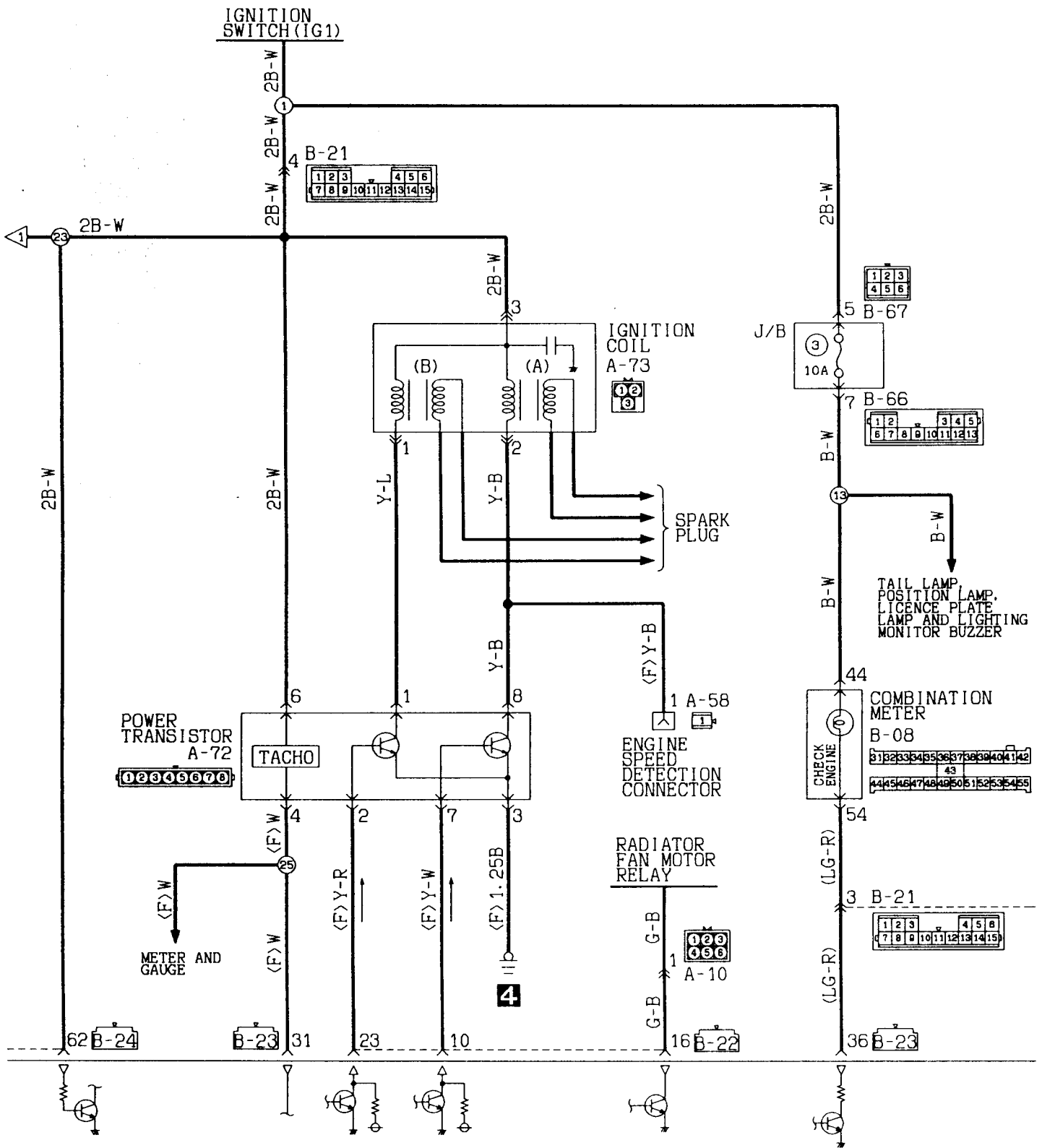
1	2	3	4	5	6	7	8	9	10	11	12	13
14	15	16	17	18	19	20	21	22	23	24	25	26

B-23

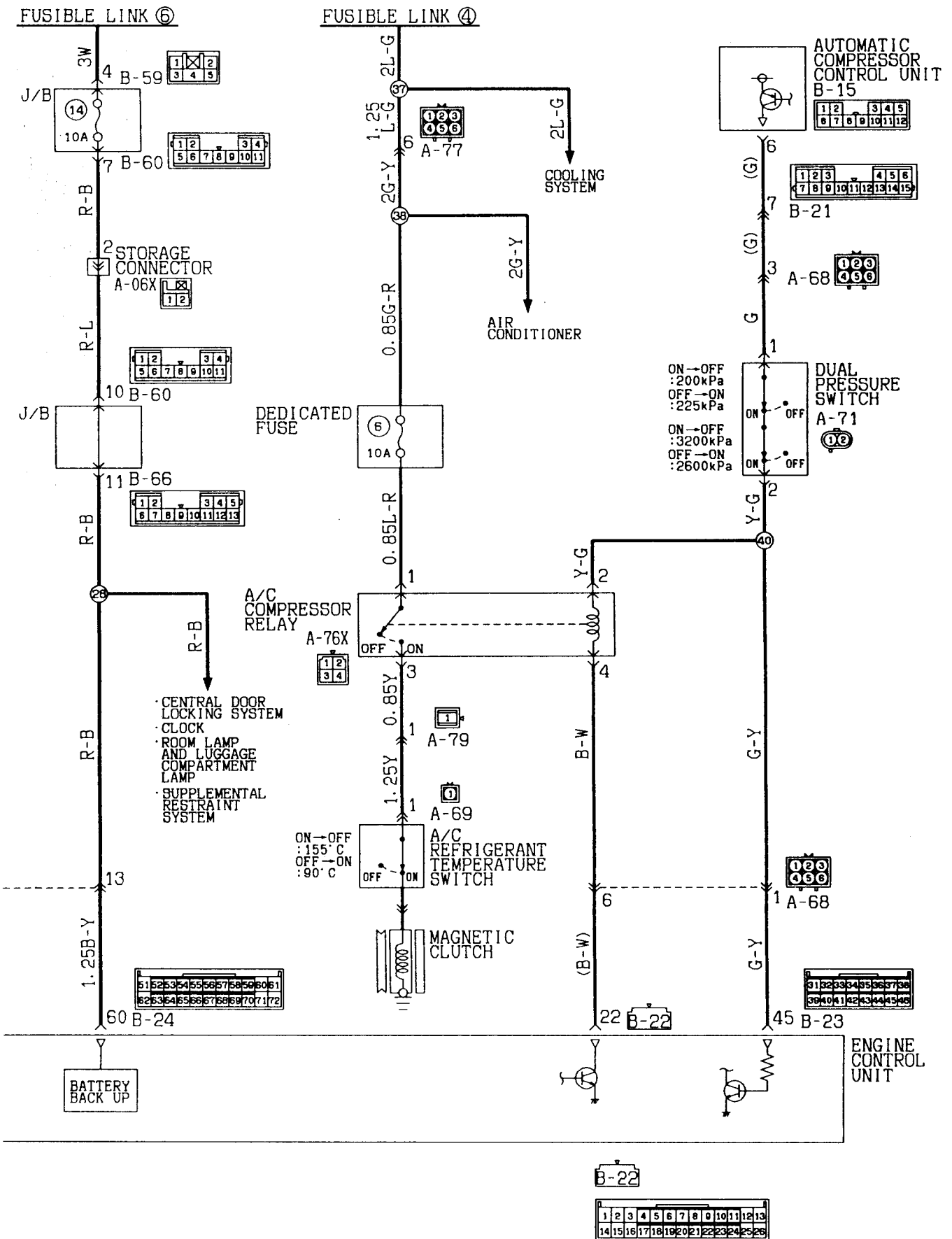
31	32	33	34	35	36	37	38
39	40	41	42	43	44	45	46

B-24

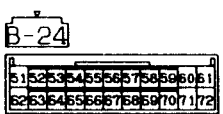
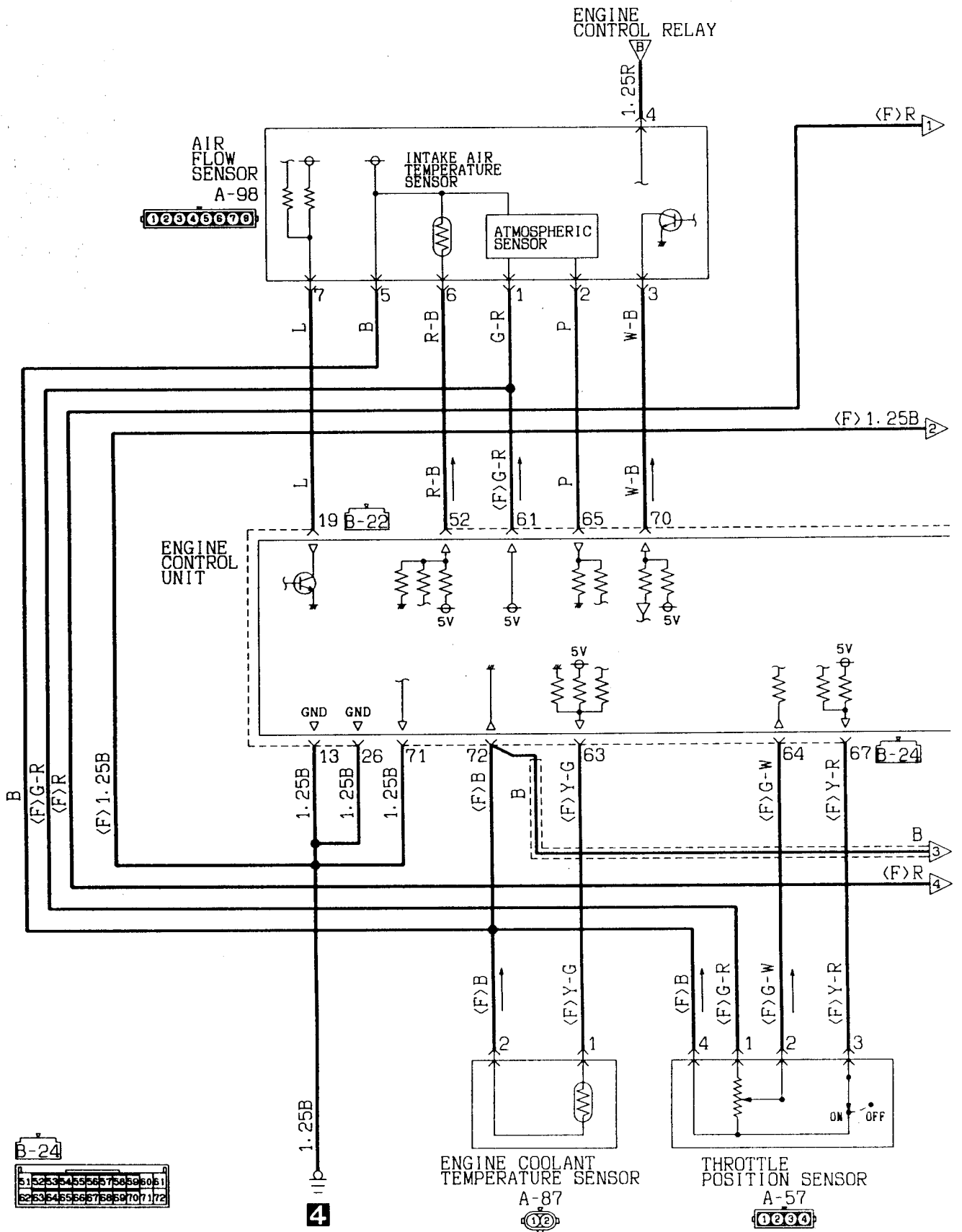
51	52	53	54	55	56	57	58	59	60	61
62	63	64	65	66	67	68	69	70	71	72



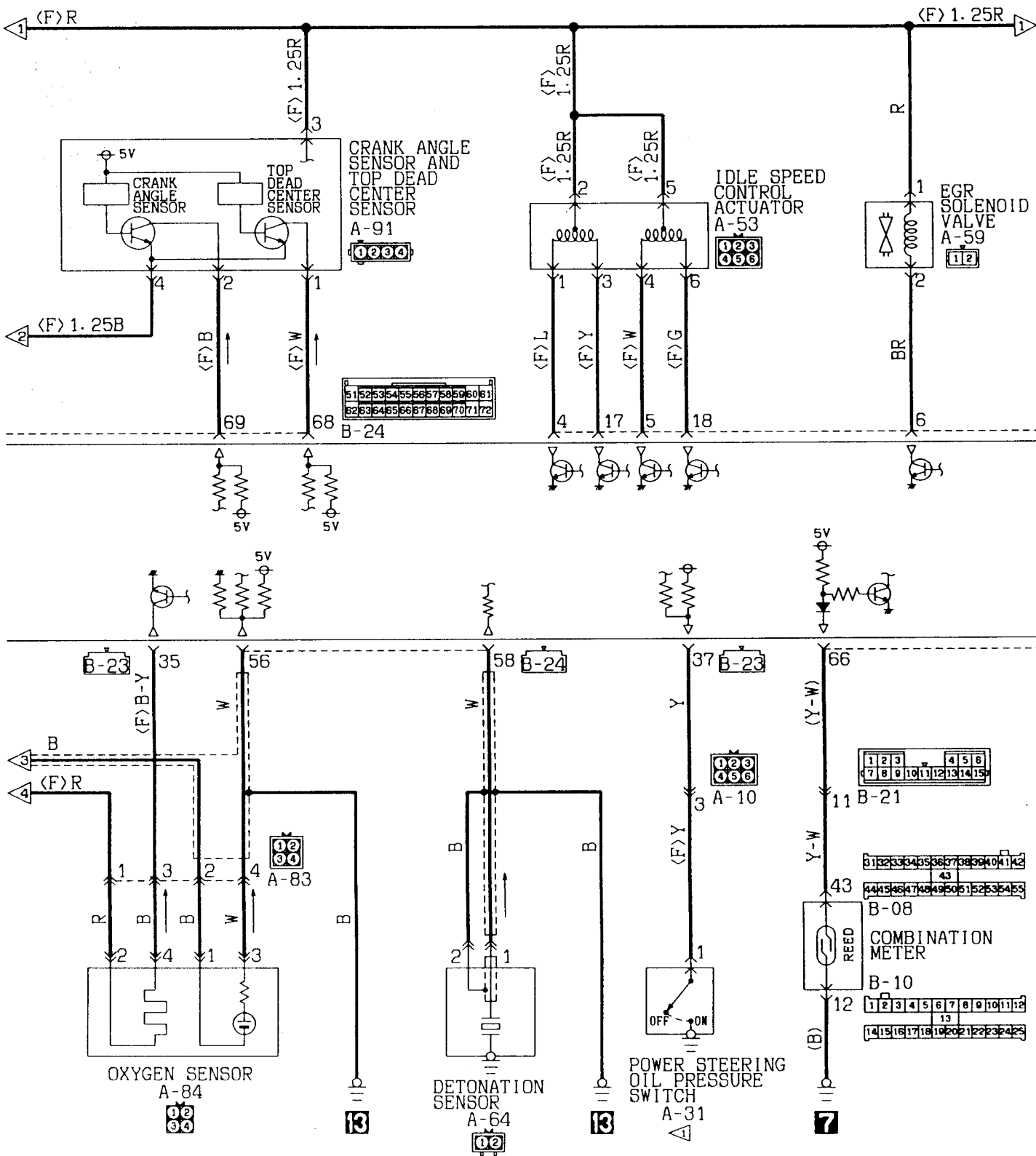
Wire colour code
 B:Black LG:Light green G:Green L:Blue W:White Y:Yellow SB:Sky blue
 BR:Brown O:Orange GR:Gray R:Red P:Pink V:Violet



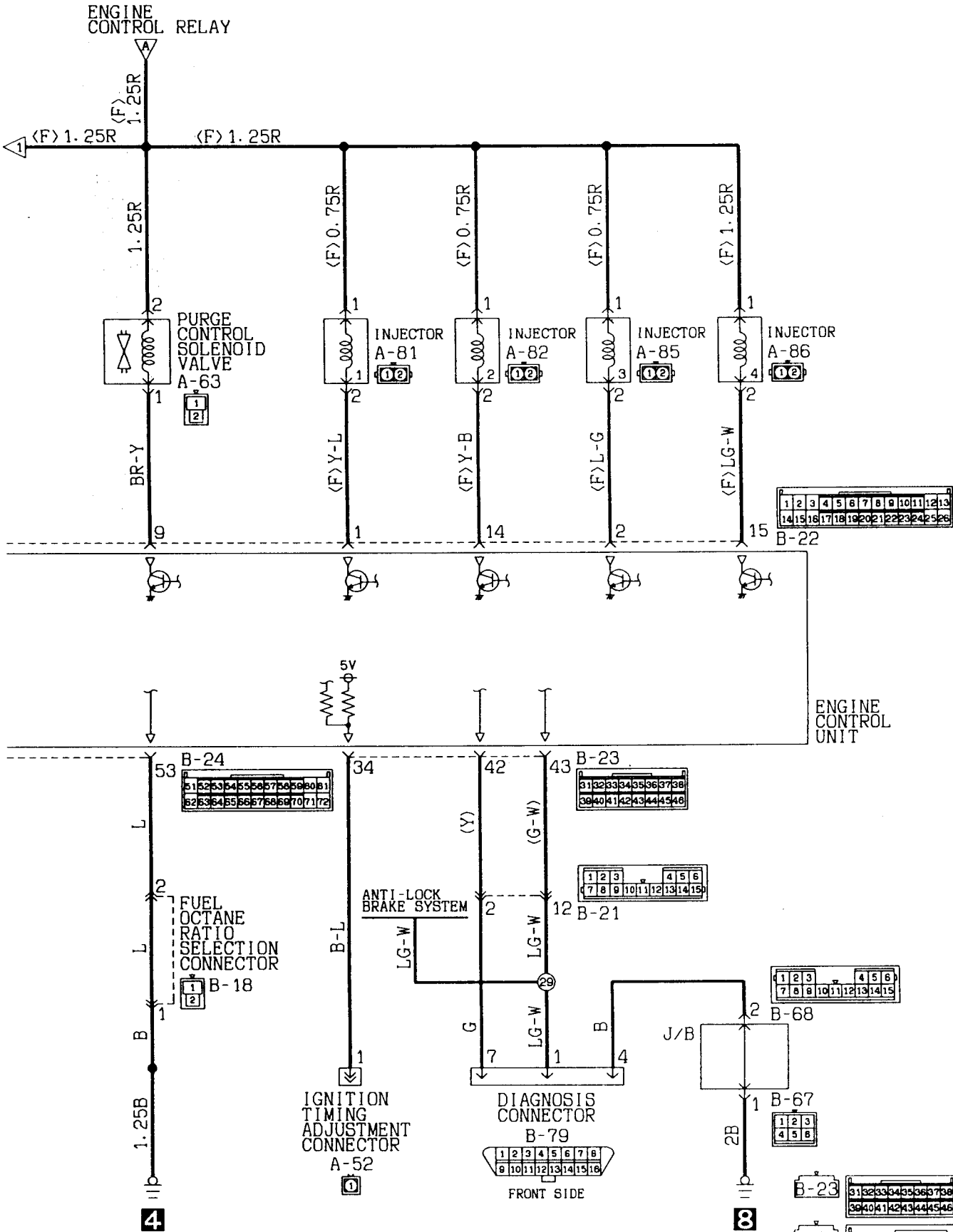
KX35-AC-E0519A-EC



Wire colour code
 B:Black LG:Light green G:Green L:Blue W:White Y:Yellow SB:Sky blue
 BR:Brown O:Orange GR:Gray R:Red P:Pink V:Violet

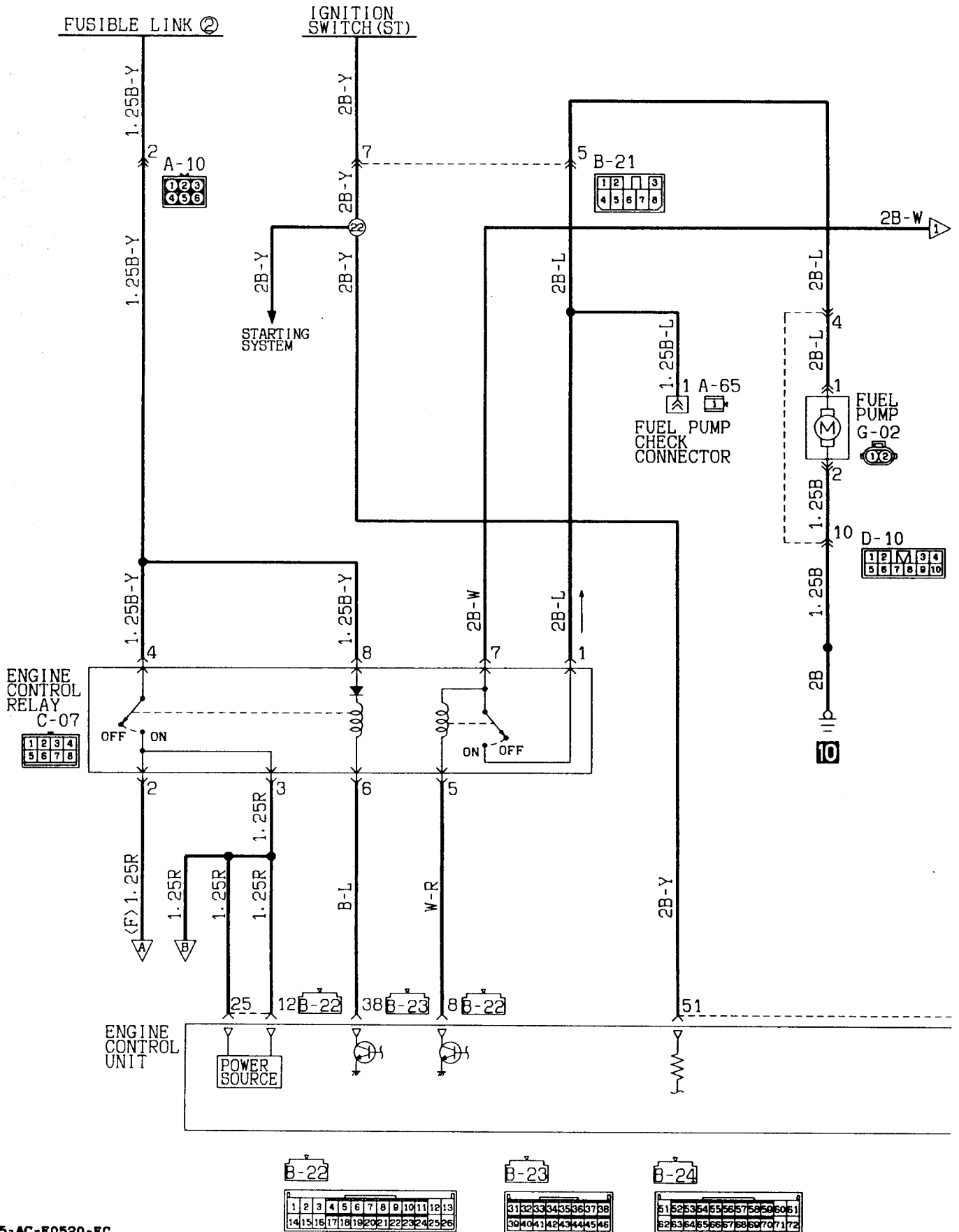


KX35-AC-E0519B-EC

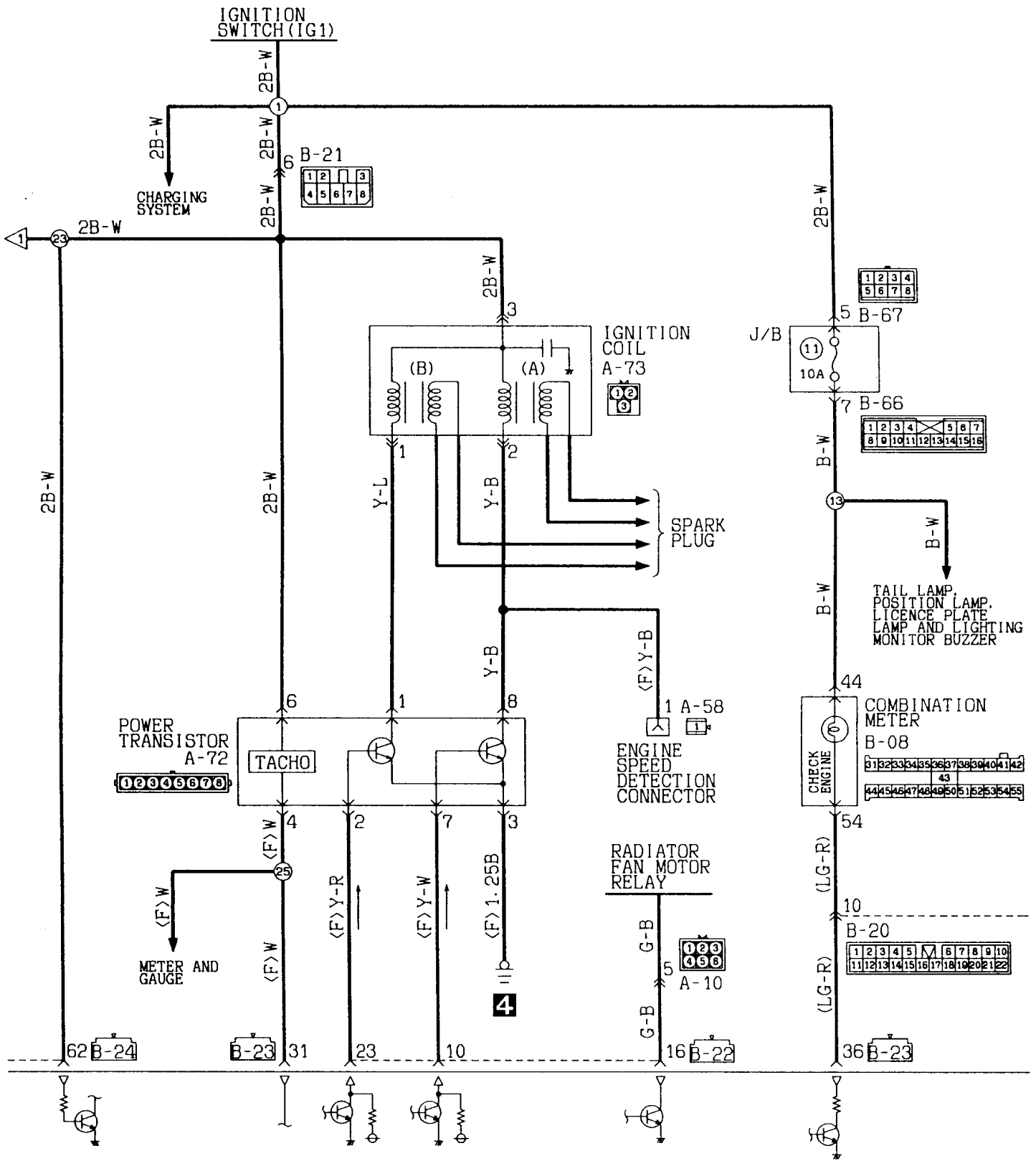


Wire colour code
 B:Black LG:Light green G:Green L:Blue W:White Y:Yellow SB:Sky blue
 BR:Brown O:Orange GR:Gray R:Red P:Pink V:Violet

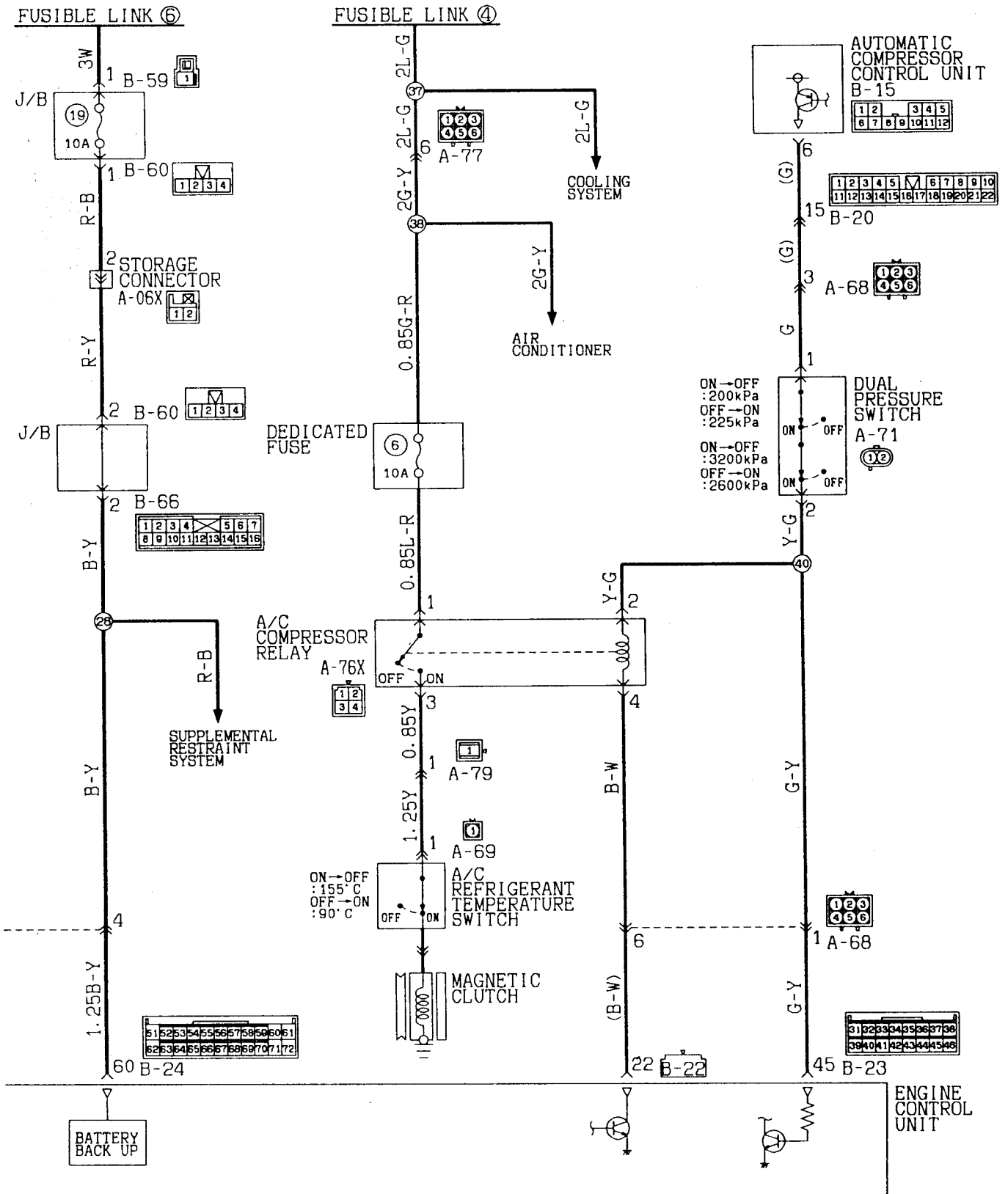
MPI SYSTEM
4G93 <R. H. drive vehicles>



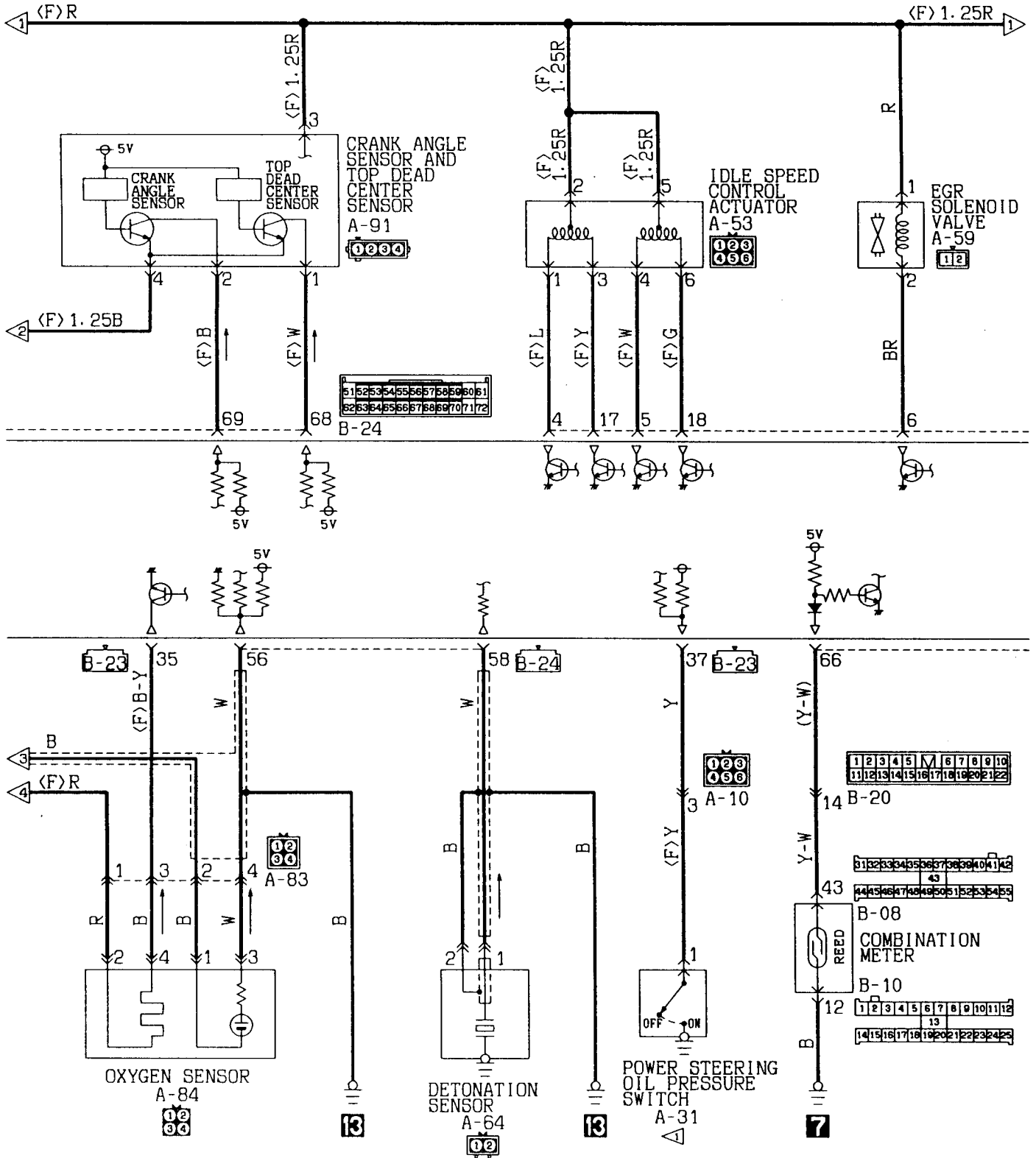
KX35-AC-E0520-EC



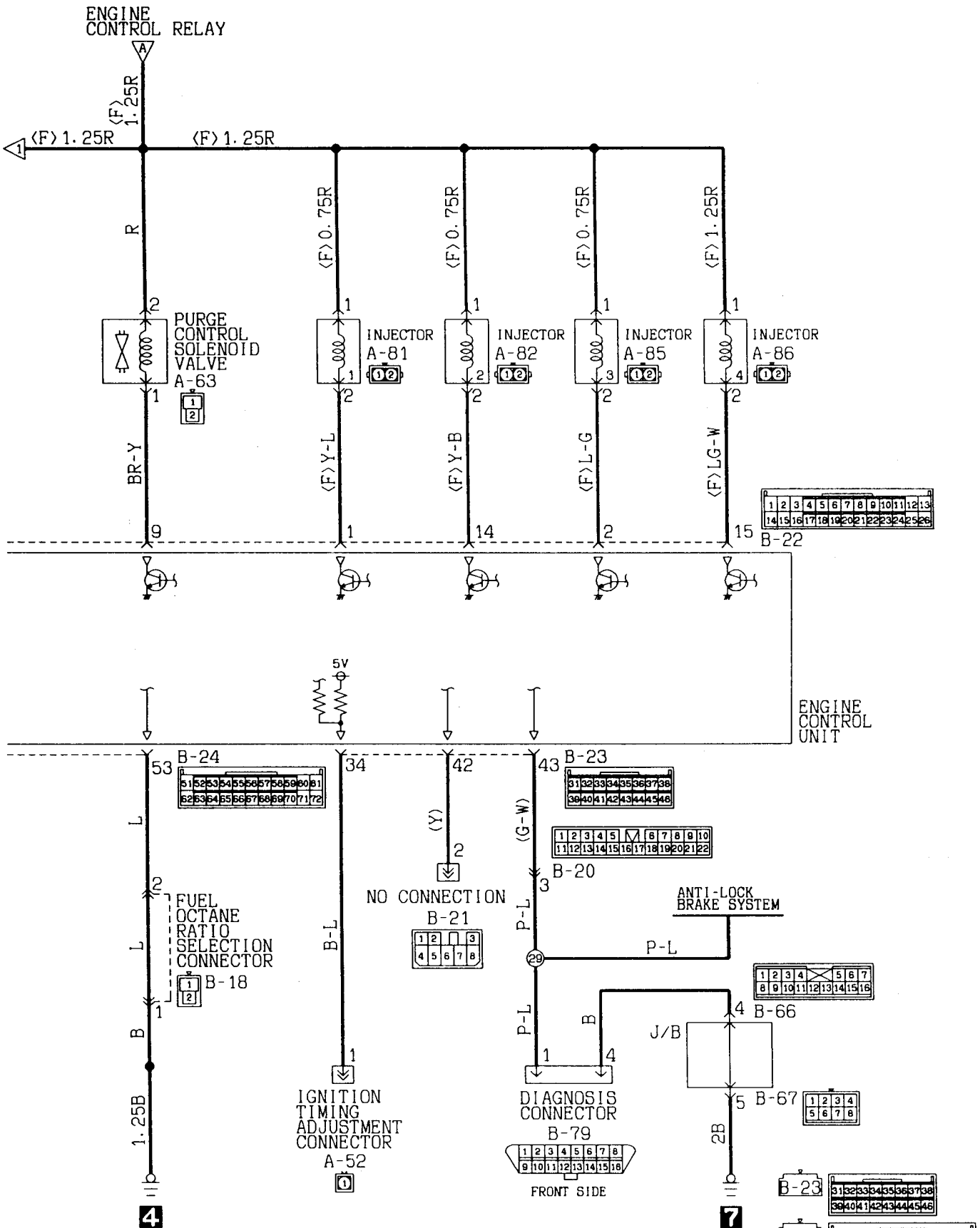
Wire colour code
 B:Black LG:Light green G:Green L:Blue W:White Y:Yellow SB:Sky blue
 BR:Brown O:Orange GR:Gray R:Red P:Pink V:Violet



KX35-AC-E0520A-EC

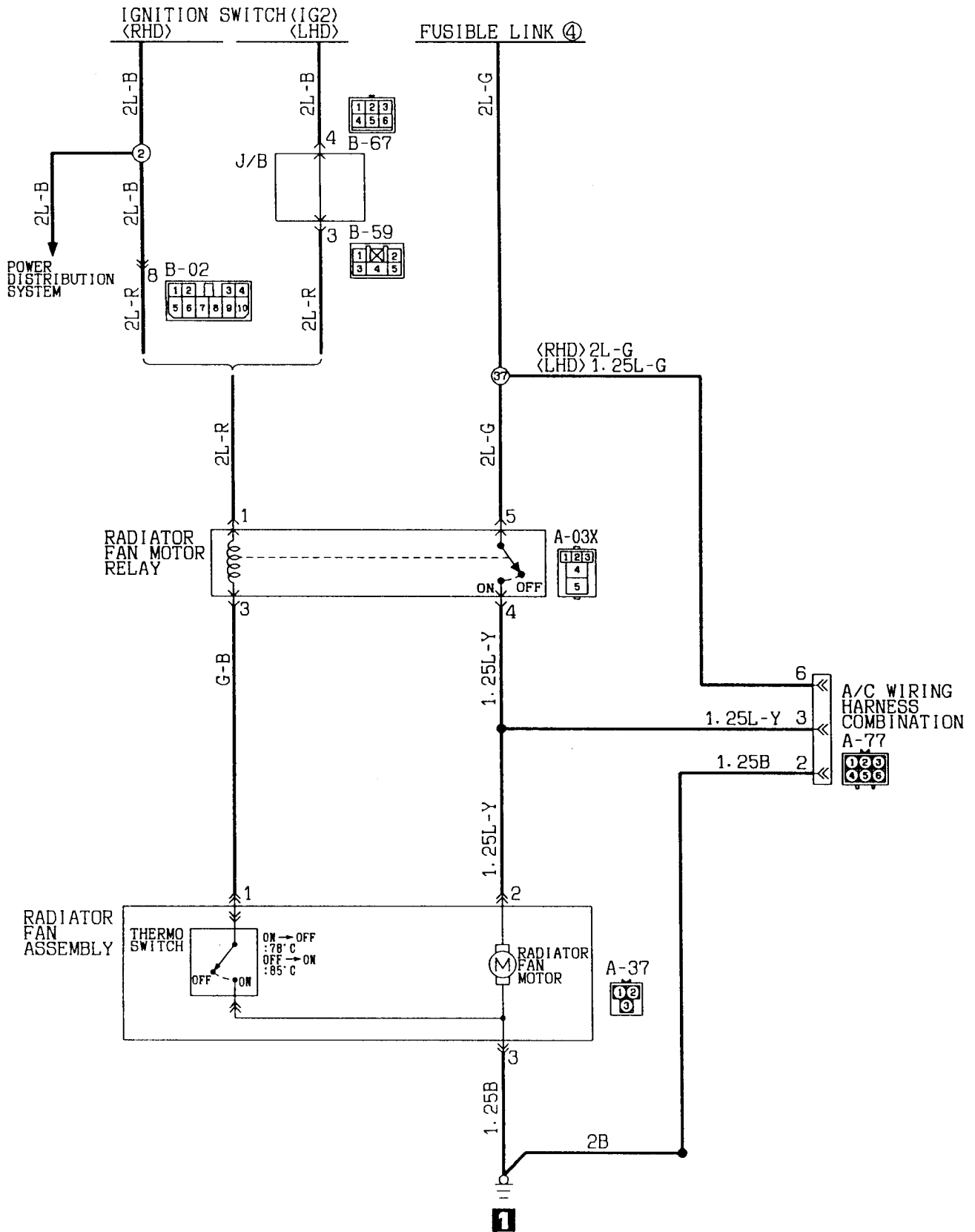


KX35-AC-E0520B-EC



Wire colour code
 B:Black LG:Light green G:Green L:Blue W:White Y:Yellow SB:Sky blue
 BR:Brown O:Orange GR:Gray R:Red P:Pink V:Violet

COOLING SYSTEM
4G13



Wire colour code

B:Black LG:Light green G:Green L:Blue W:White Y:Yellow SB:Sky blue
BR:Brown O:Orange GR:Gray R:Red P:Pink V:Violet

KX35-AC-E0816-EC

COOLING SYSTEM <4G13> (See P.4A-103.)**OPERATION**

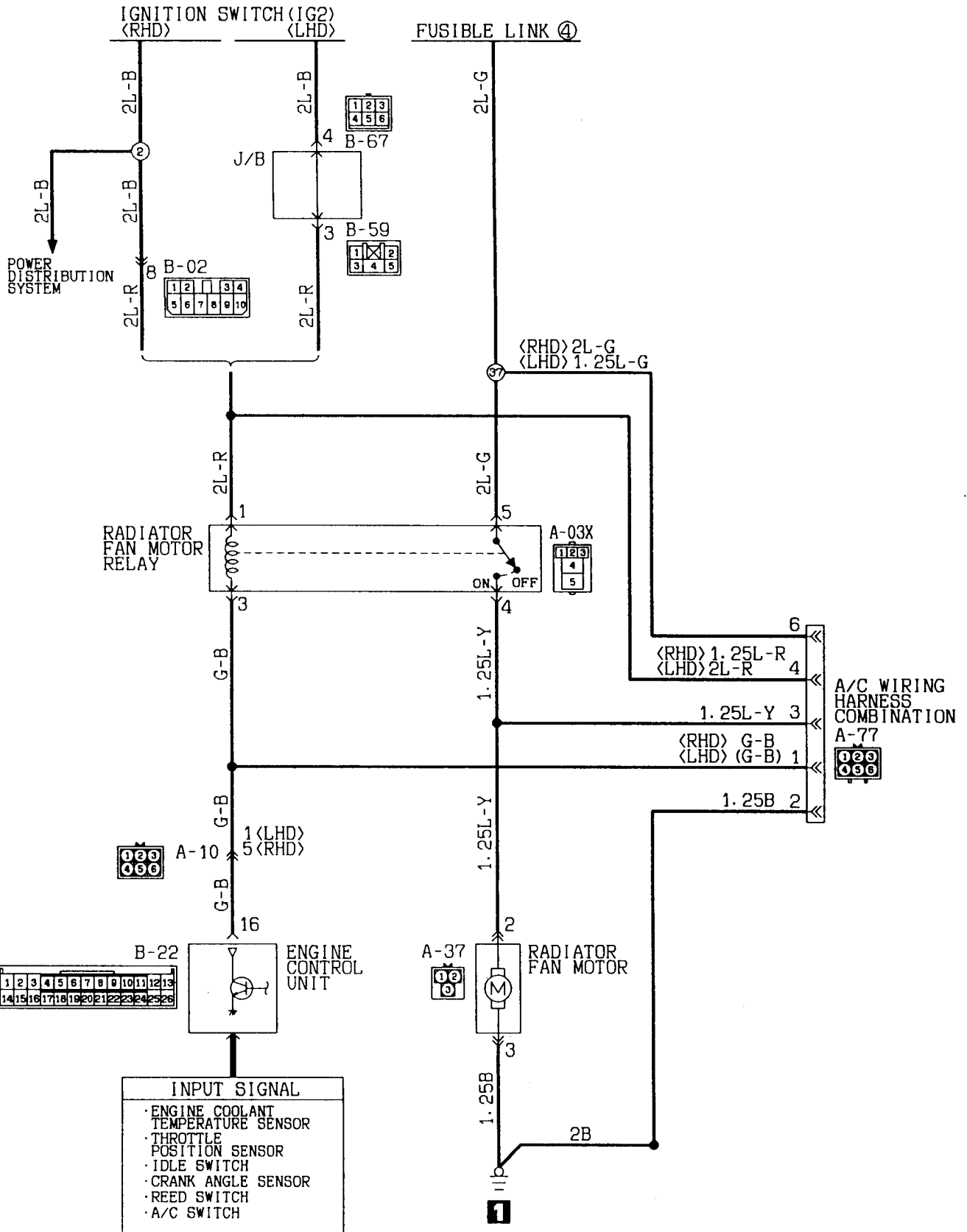
- When the engine coolant temperature goes up to 85°C, the thermo switch of radiator is activated.
- This energizes the radiator fan motor relay, causing the radiator fan to start rotating.

TROUBLESHOOTING HINTS

1. Radiator fan does not operate.
 - (1) Disconnect the radiator fan assembly connector, and earth the "1" terminal to run the fan.
 - Check of thermo switch.
 - (2) Even if "1" terminal is earthed, the fan does not run.
 - Check radiator fan motor relay.
 - Check radiator fan motor.

COOLING SYSTEM

4G9



Wire colour code
 B:Black LG:Light green G:Green L:Blue W:White Y:Yellow SB:Sky blue
 BR:Brown O:Orange GR:Gray R:Red P:Pink V:Violet

KX35-AC-E0617-EC

COOLING SYSTEM <4G9> (See P. 4A-105.)**OPERATION**

- The engine control unit controls the operation of the radiator fan motor and condenser fan motor in accordance with the engine coolant temperature, vehicle speed and engine operating conditions by controlling the power transistor for driving the fan motor inside the engine control unit.
- When the power transistor inside the engine control unit turns ON, the radiator fan motor relay and the condenser fan motor relay turn ON, and the fan motor operate.

TROUBLESHOOTING HINTS

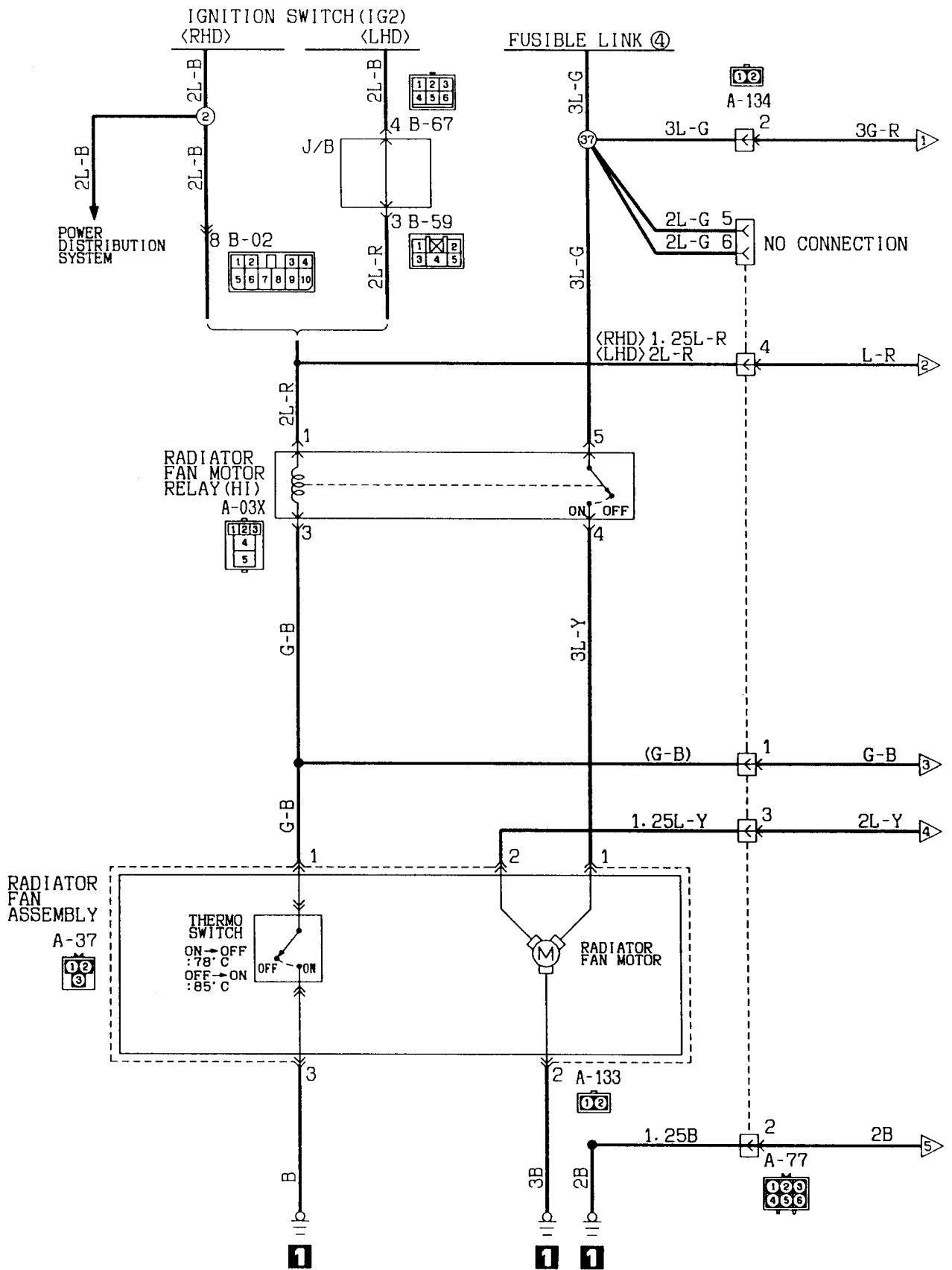
Radiator fan and condenser fan do not operate.

- Check fusible link No. ④.

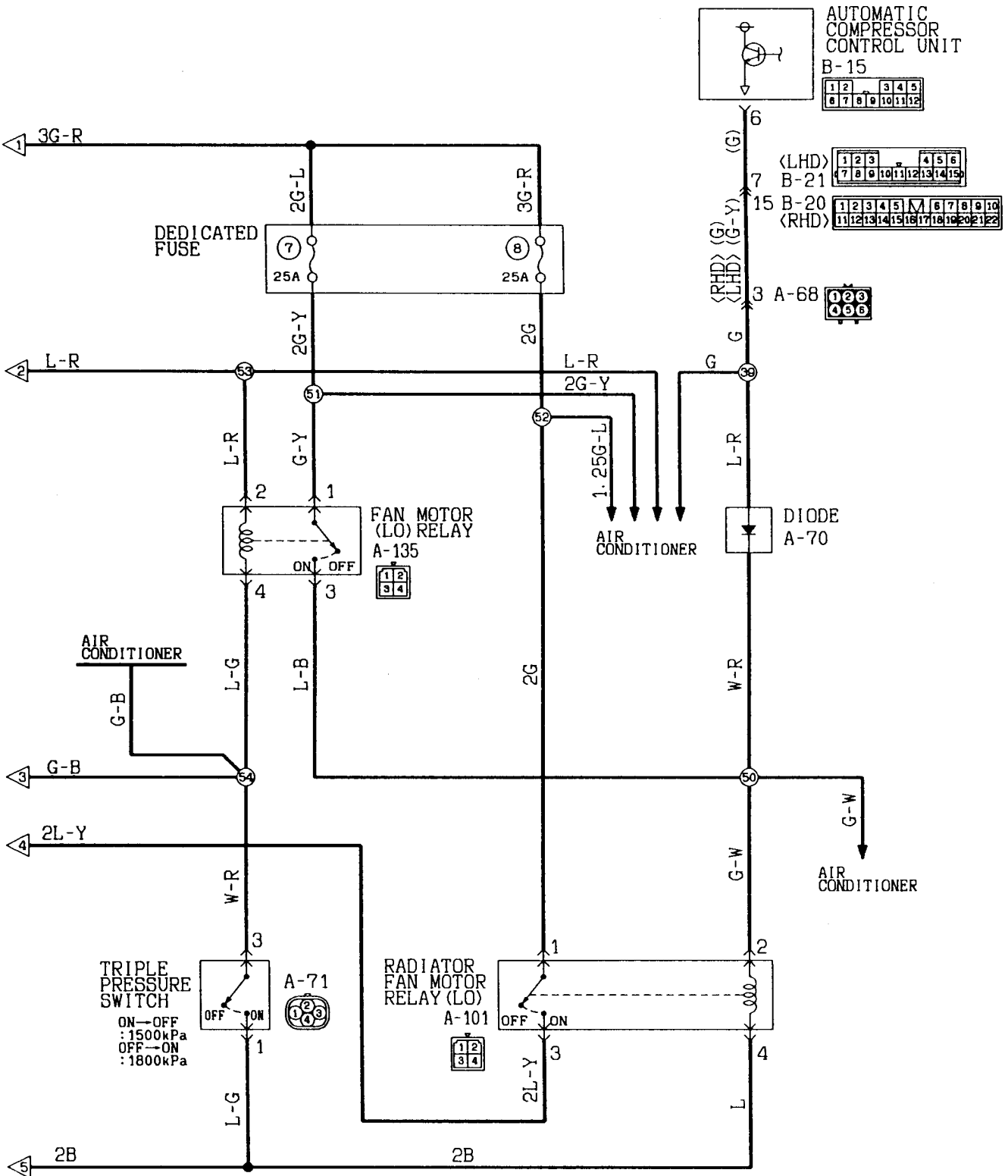
Remarks

- For troubleshooting the engine control unit, see the Troubleshooting in Group 13 Fuel of the separate WORKSHOP MANUAL (Pub. No. PWME9117).

COOLING SYSTEM
4D68



KX35-AC-E0618-EC



Wire colour code
 B:Black LG:Light green G:Green L:Blue W:White Y:Yellow SB:Sky blue
 BR:Brown O:Orange GR:Gray R:Red P:Pink V:Violet

COOLING SYSTEM <4D68> (See P. 4A-107.)

OPERATION

1. When auto compressor control unit outputs LO signal (0 V)

- When the engine coolant temperature reaches 85°C, the thermo switch of radiator is activated.
- This energizes the radiator fan motor relay (HI) causing the radiator fan to rotate at high speed.

2. When auto compressor control unit outputs HI signal (System voltage)

- The radiator fan motor relay (LO) is turned on by the power from the auto compressor control unit, and this is transmitted through the resistor to nonconditionally run the condenser fan at low speed.
- At high temperature is summer, etc. when the refrigerant line pressure on the medium-pressure side becomes high to turn on the triple pressure switch (medium-pressure) or the temperature of the engine coolant rises to 85°C and the thermo switch is turned on, the fan motor low relay becomes also turned on. As the result, the condenser fan runs also at low speed together with the radiator fan.

TROUBLESHOOTING HINTS

1. Radiator fan does not operate.
 - (1) Disconnect the radiator fan assembly connector, and earth the "1" terminal to run the fan.
 - Check of thermo switch.
 - (2) Even if "1" terminal is earthed, the fan does not run.
 - Check radiator fan motor relay (HI).
 - Check radiator fan motor.
2. Neither radiator fan nor condenser fan operates.
 - Check fusible link No. ④.
3. Radiator fan does not rotate at low speed.
 - Check radiator fan motor low relay.
 - Check radiator fan motor relay (LO).

Remark

- For troubleshooting the auto compressor control unit, see the Troubleshooting in Group 55 Heater and Air Conditioner of the separate WORKSHOP MANUAL (Pub. No. PWME9117).

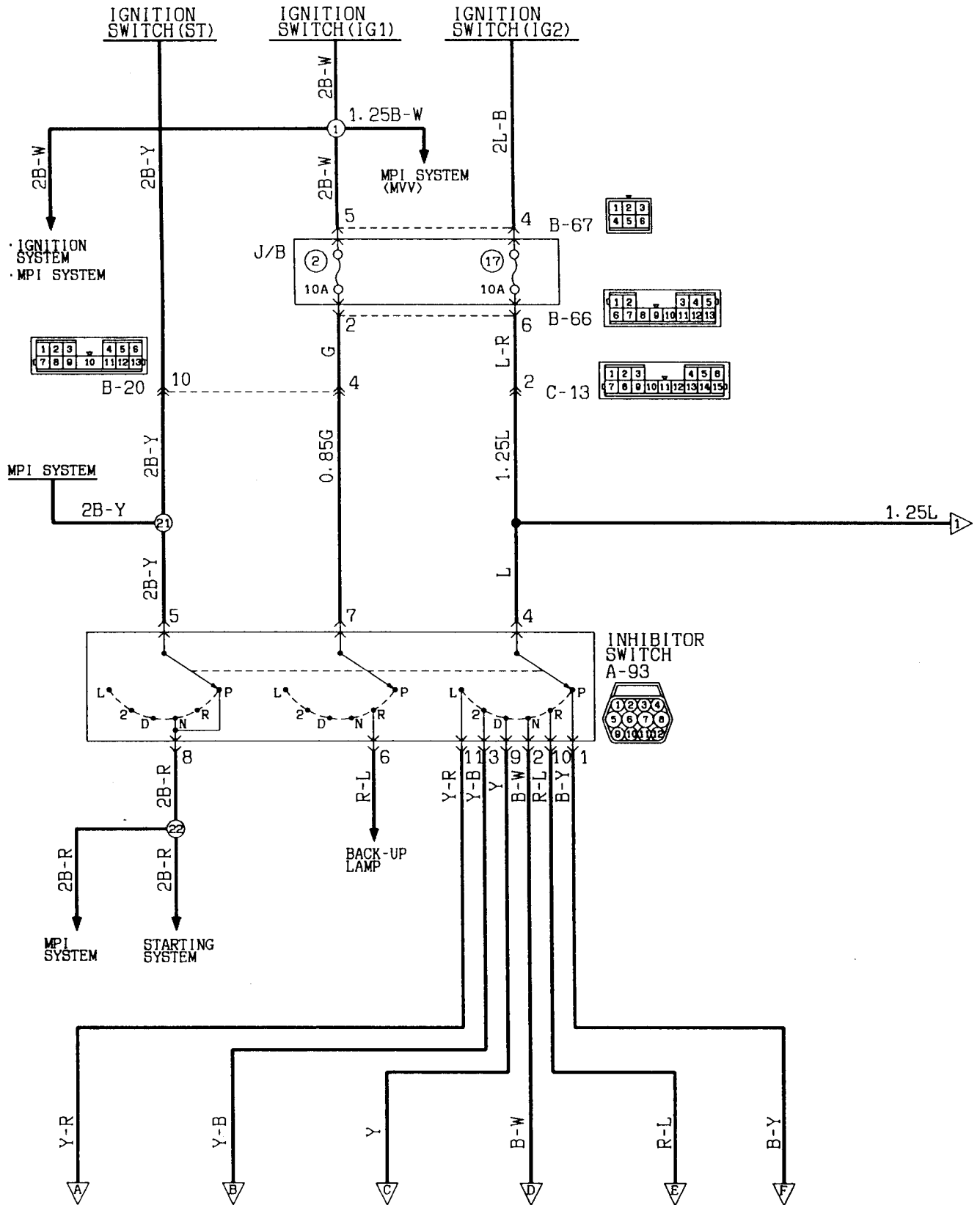
Auto Compressor Control Unit HI Signal Output Conditions

Ignition switch (IG ₂)	ON	Remark • The auto compressor control unit outputs a LO signal (0 V) when any one of the switches and sensors is deactivated.
Blower switch	ON	
A/C switch	ON (ECONO or DRY)	
Air thermo sensor	ON [3.2°C or higher] (DRY mode) ON [8°C or higher] (ECONO mode)	

Fan Operating Conditions

Auto compressor control unit output	Switch position		Fan operating condition		
	Triple pressure switch (medium) [ON with 1,800 kPa or higher]	Thermo switch [ON with 85°C or higher]	Engine coolant temperature switch [OFF with 113°C or higher]	Radiator fan	Condenser fan
LO (0 V)	OFF	OFF	ON	OFF	OFF
		ON	ON	HIGH	HIGH
		ON	OFF	HIGH	HIGH
HI (System voltage)	OFF	OFF	ON	LOW	LOW
		ON	ON	HIGH	HIGH
		ON	OFF	HIGH	HIGH
	ON	OFF	ON	HIGH	HIGH
		ON	ON	HIGH	HIGH
		ON	OFF	HIGH	HIGH

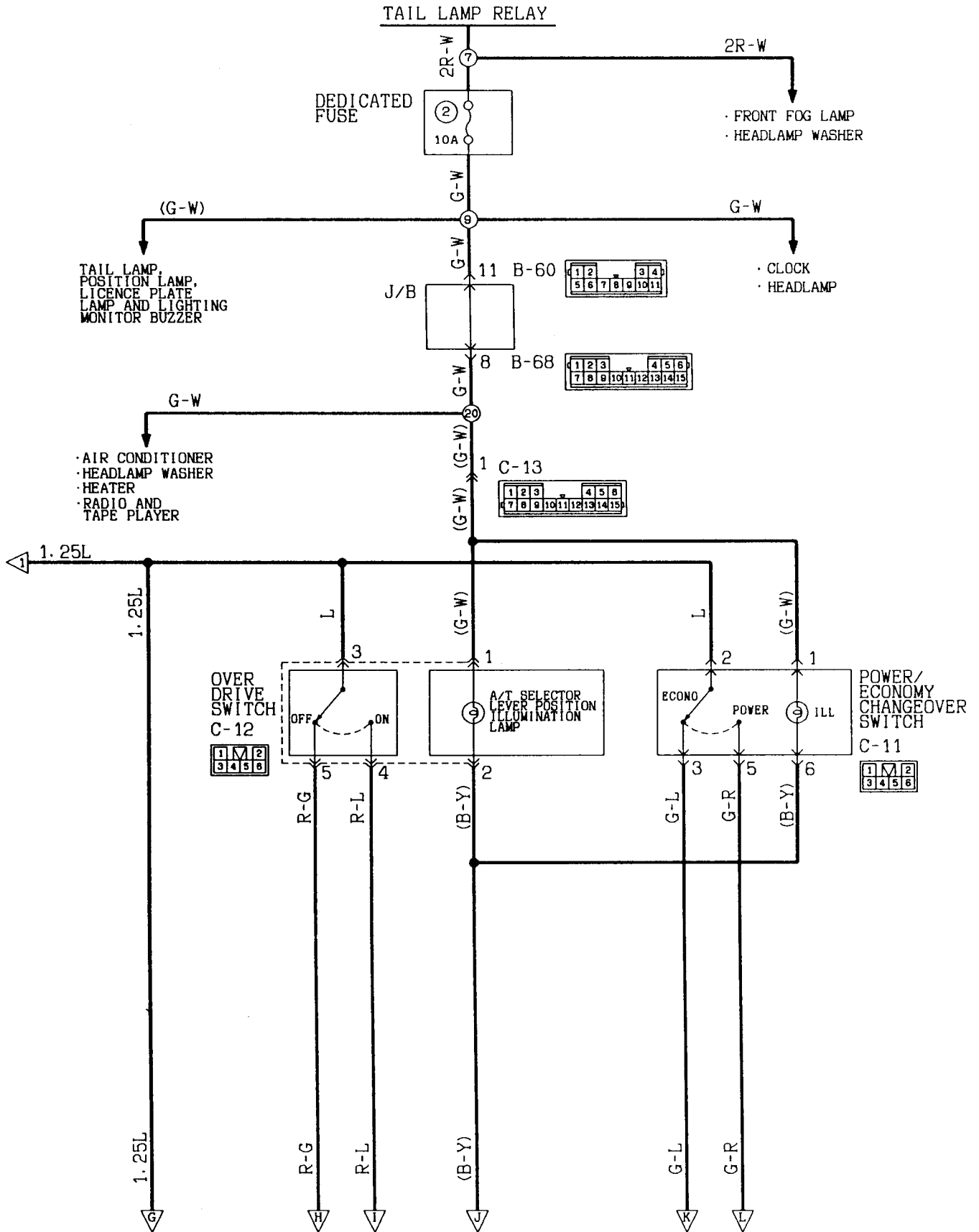
ELC 4-SPEED AUTOMATIC TRANSMISSION
L.H. drive vehicles

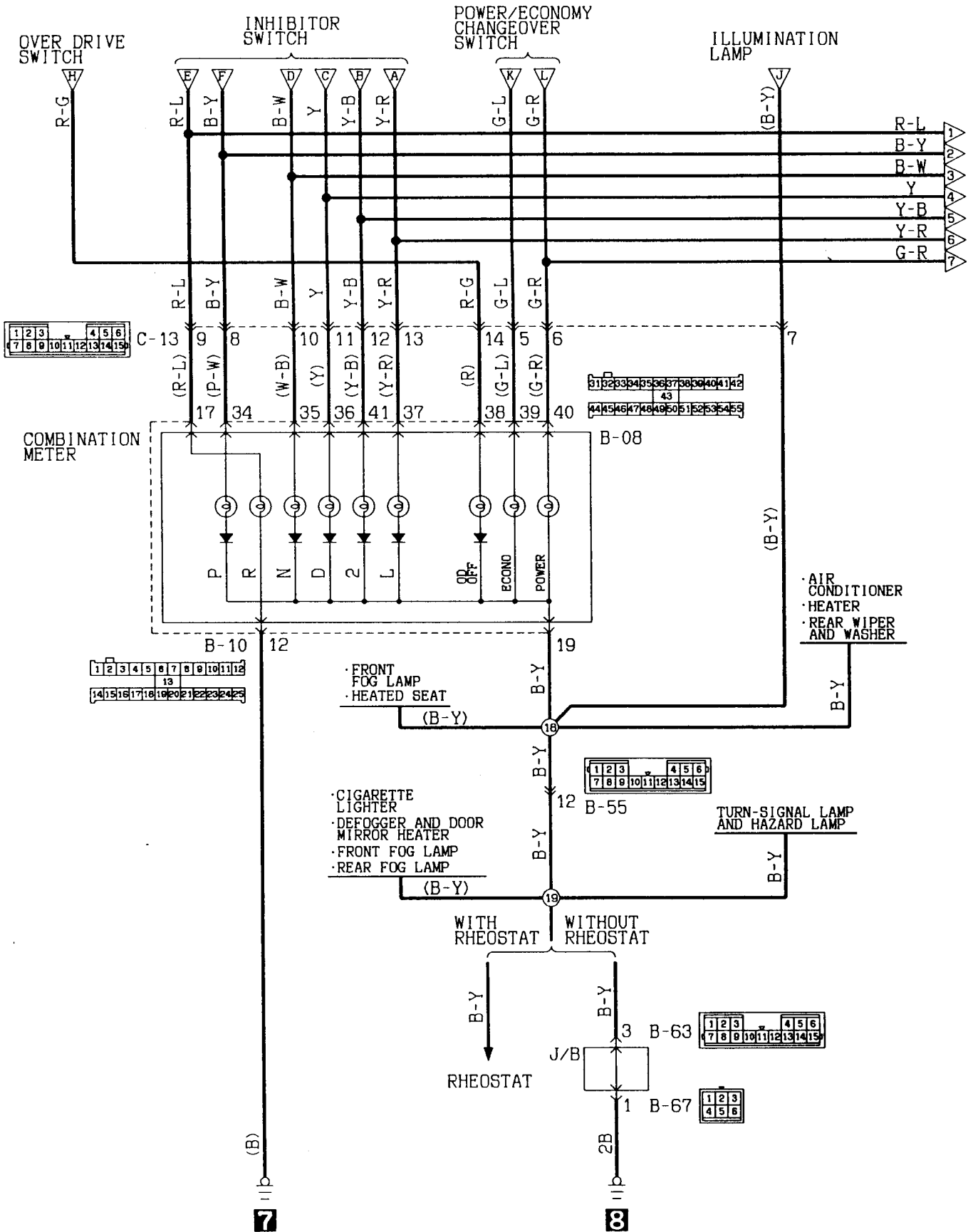


Wire colour code

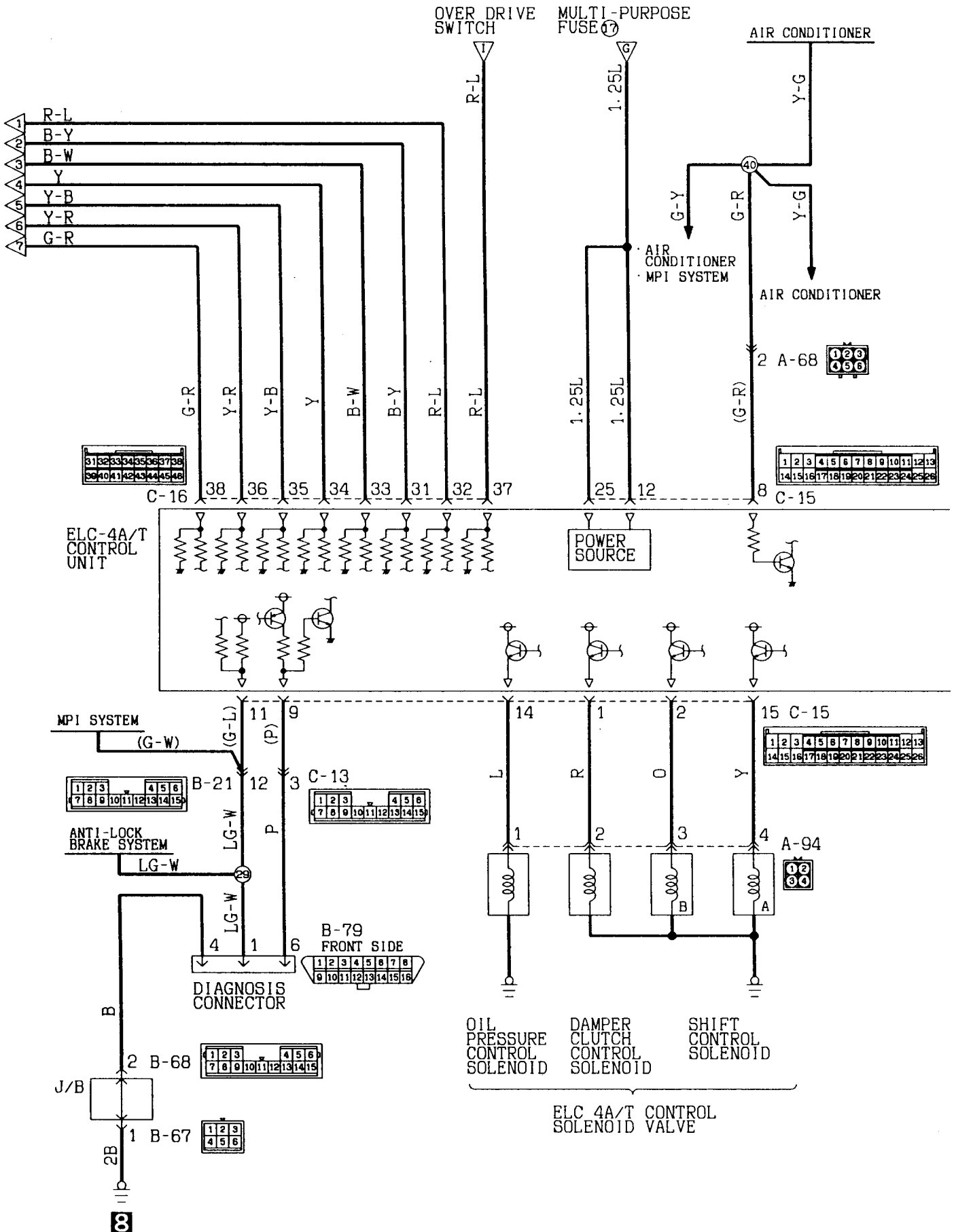
B:Black LG:Light green G:Green L:Blue W:White Y:Yellow SB:Sky blue
BR:Brown O:Orange GR:Gray R:Red P:Pink V:Violet

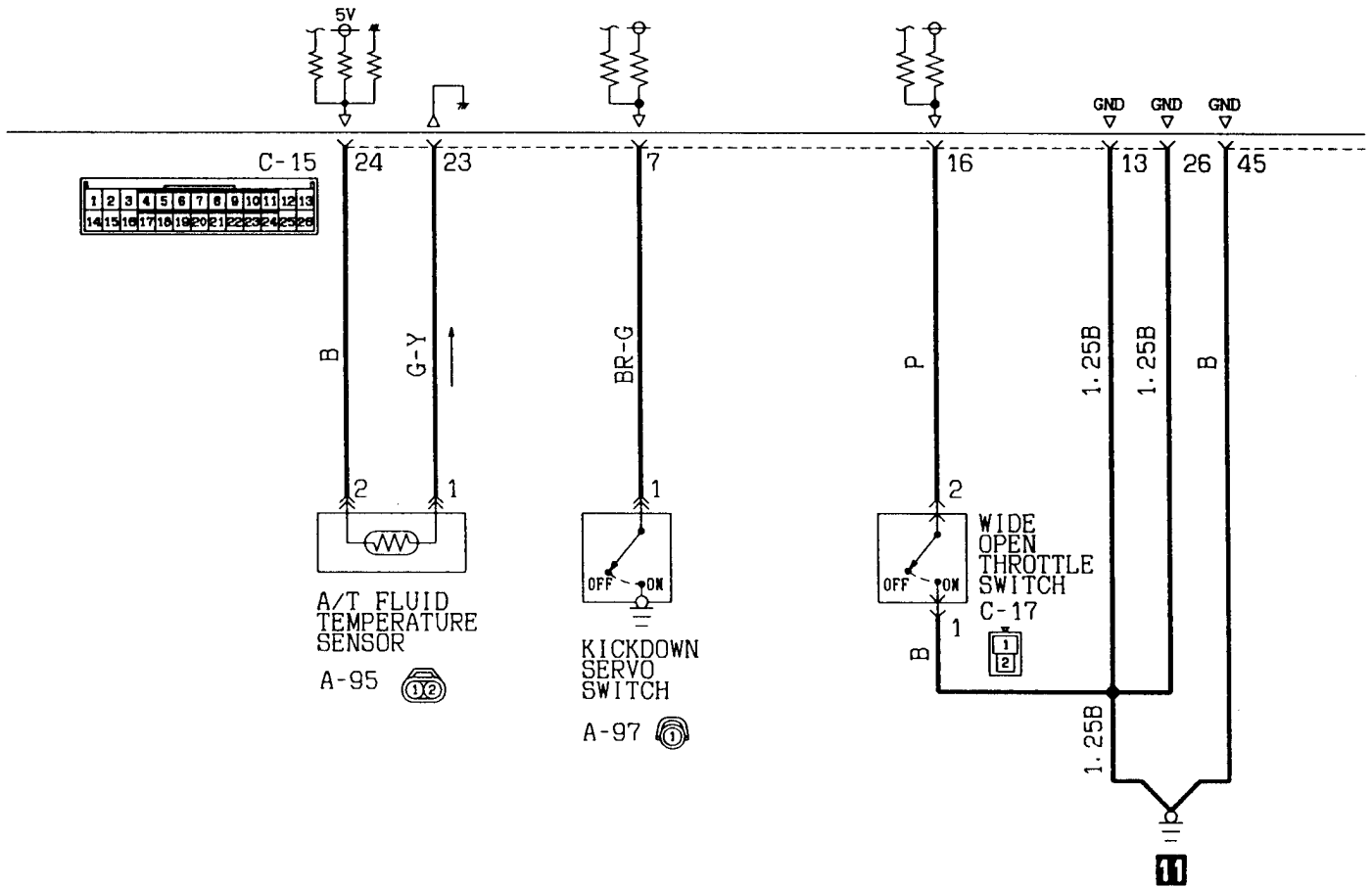
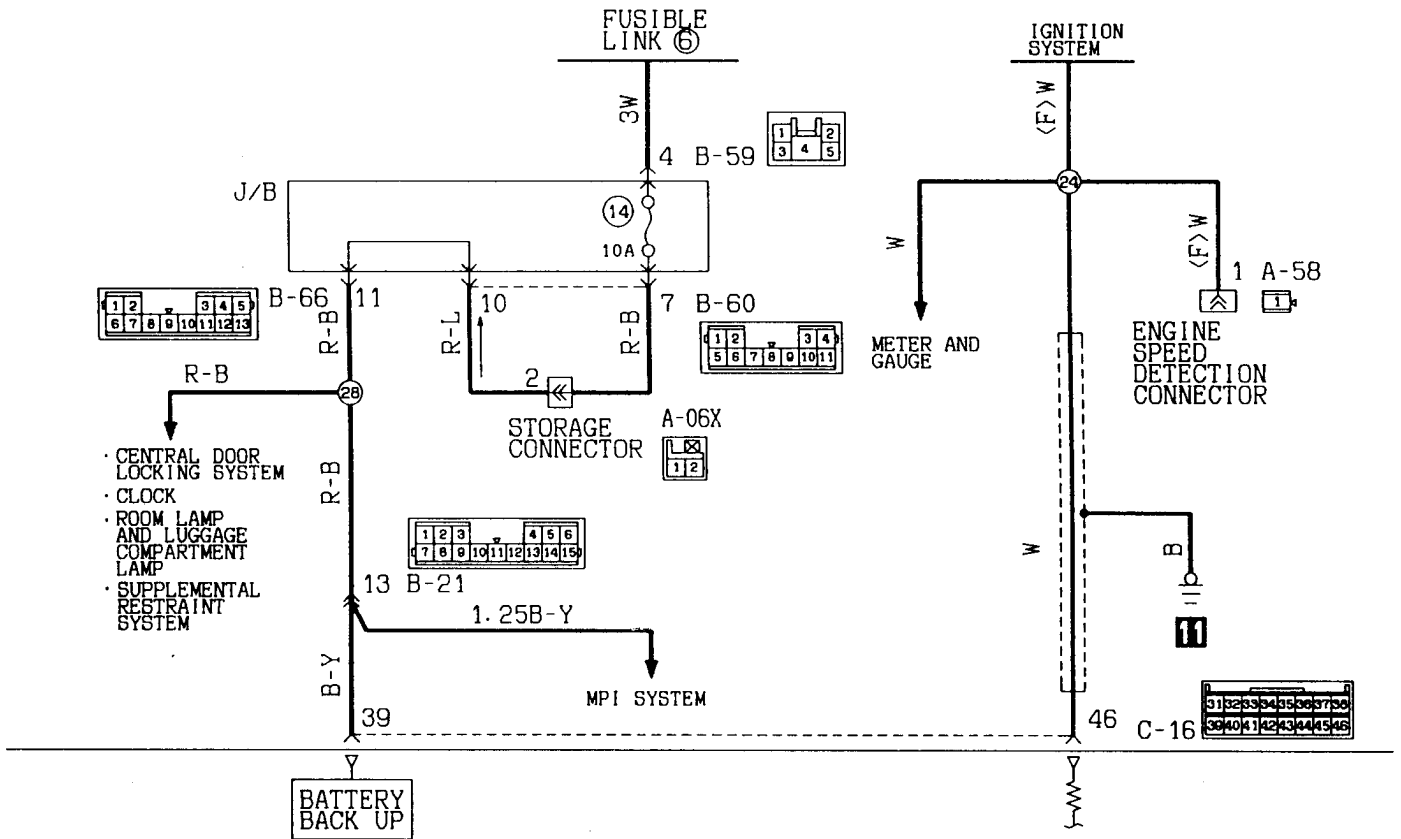
KX35-AC-E0705-EC

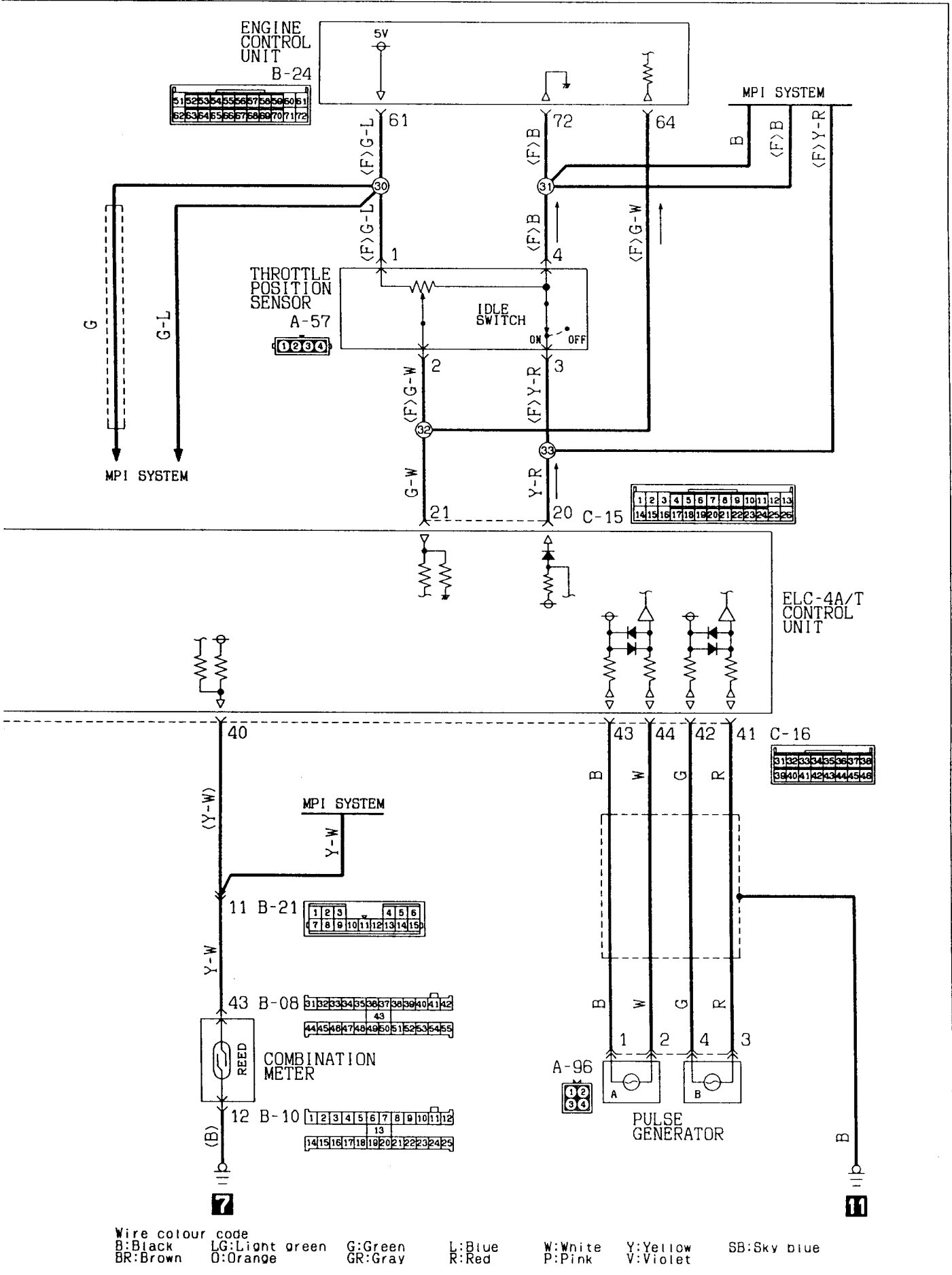




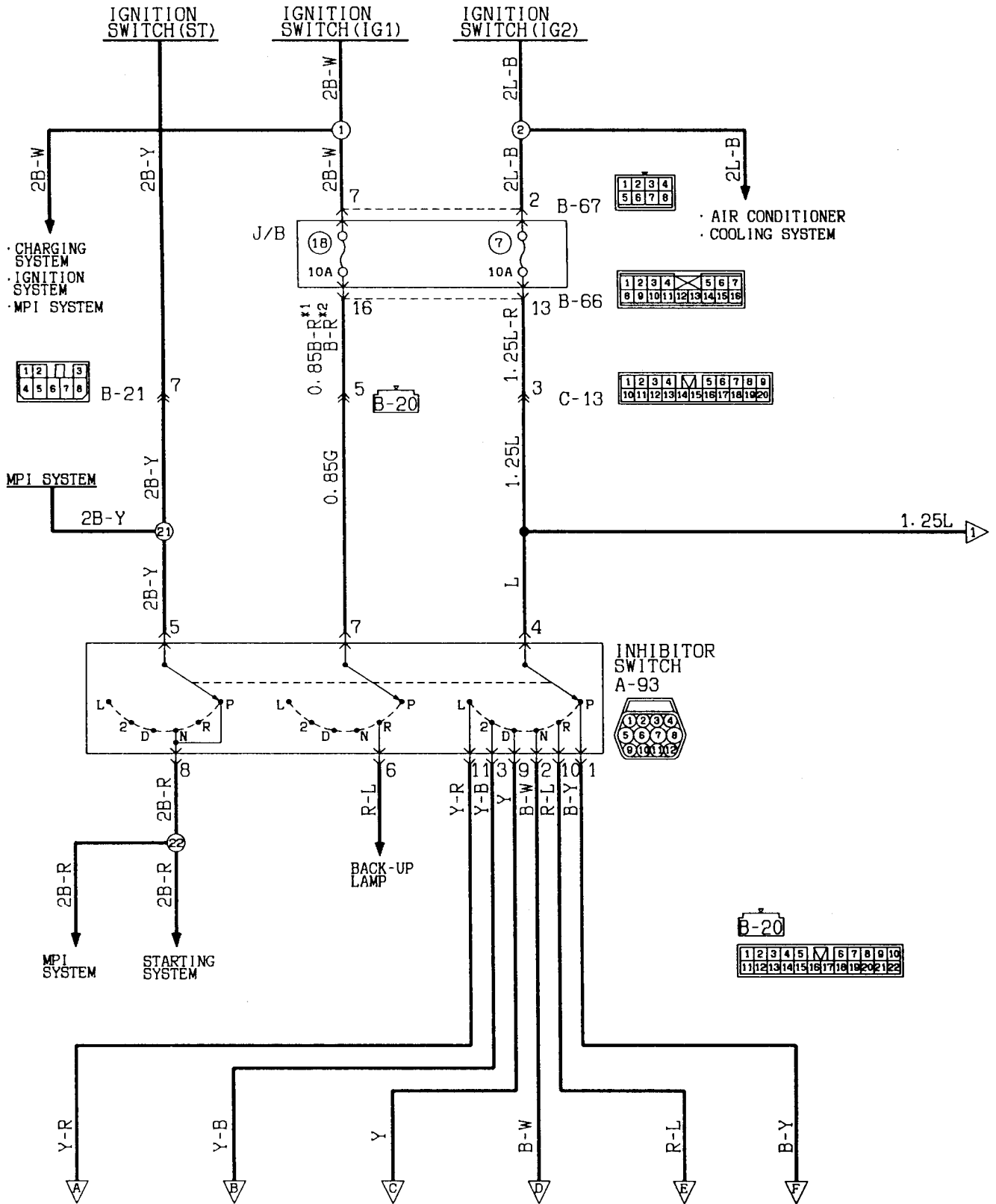
Wire colour code
 B:Black LG:Light green G:Green L:Blue W:White Y:Yellow SB:Sky blue
 BR:Brown O:Orange GR:Gray R:Red P:Pink V:Violet





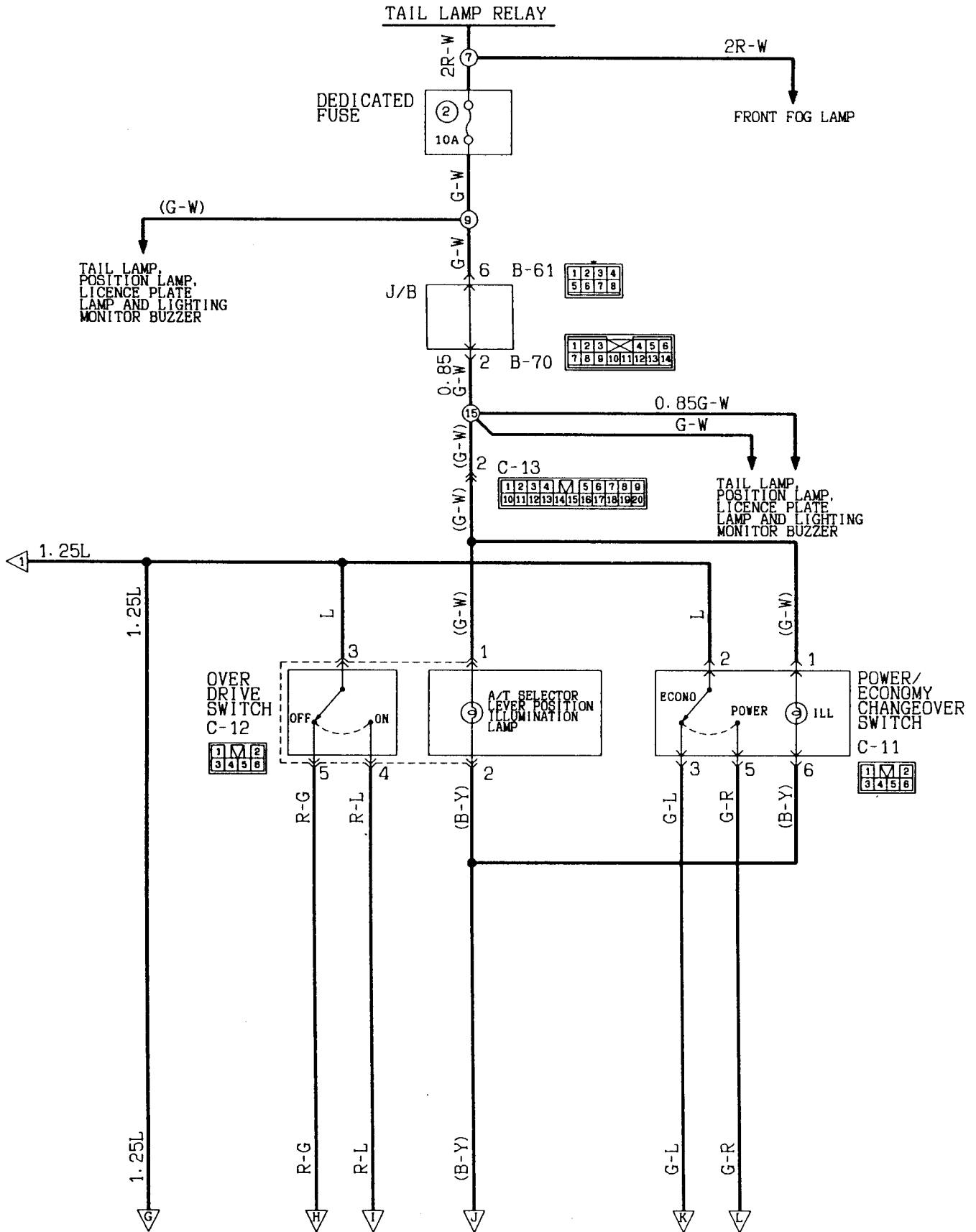


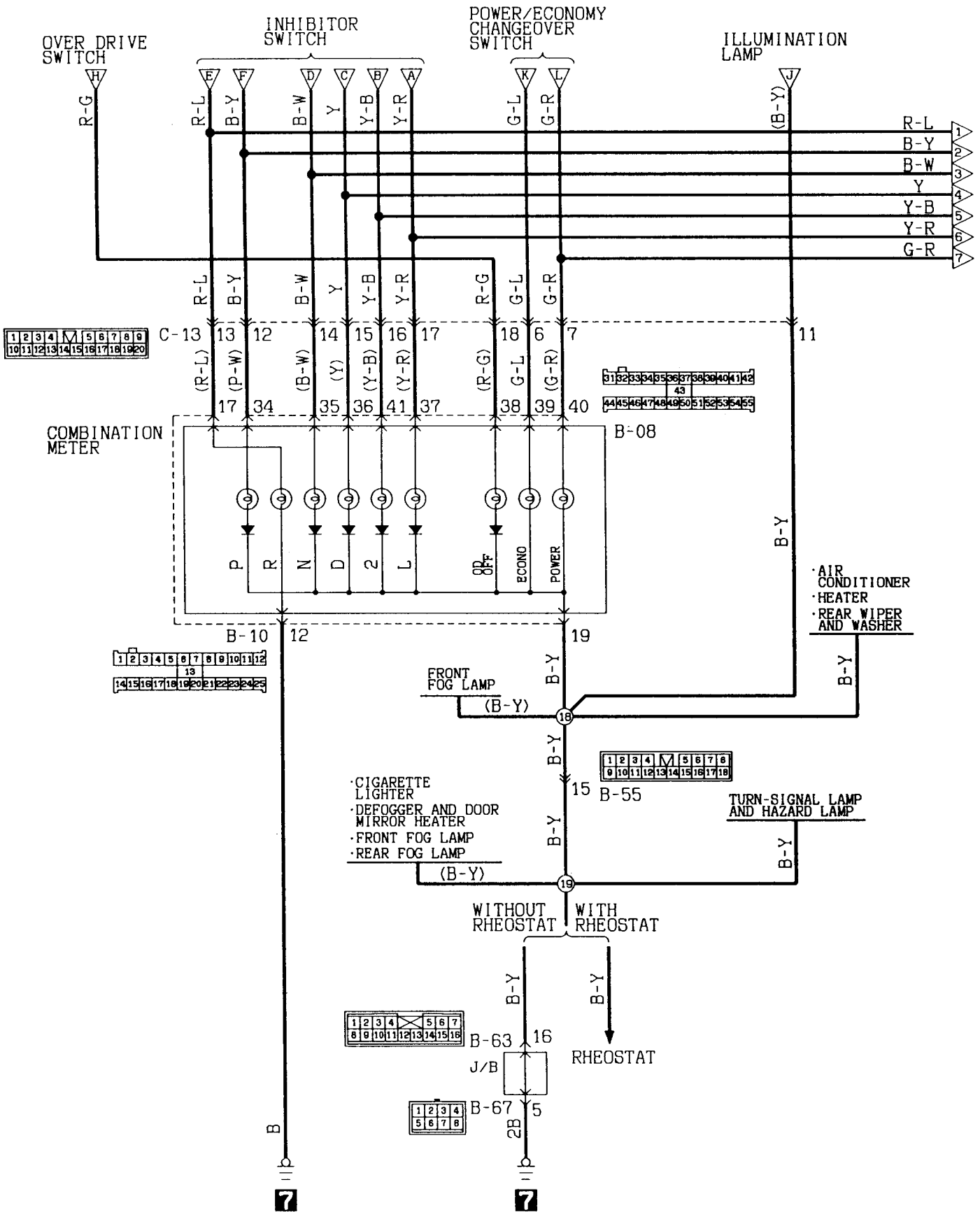
ELC 4-SPEED AUTOMATIC TRANSMISSION
R. H. drive vehicles



Remarks
*1: Vehicles with SRS.
*2: Vehicles without SRS.

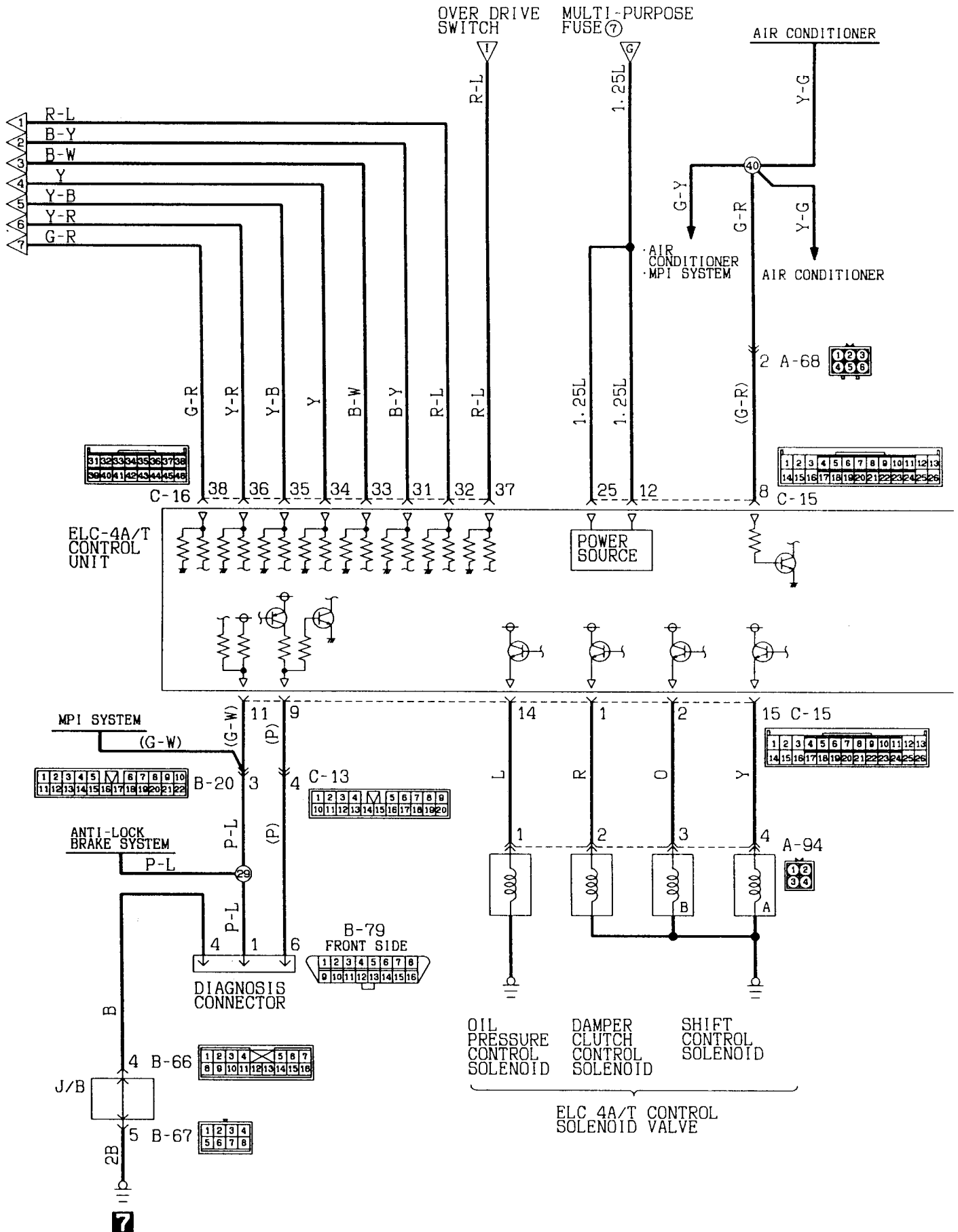
Wire colour code
B:Black LG:Light green G:Green L:Blue W:White Y:Yellow SB:Sky blue
BR:Brown O:Orange GR:Gray R:Red P:Pink V:Violet

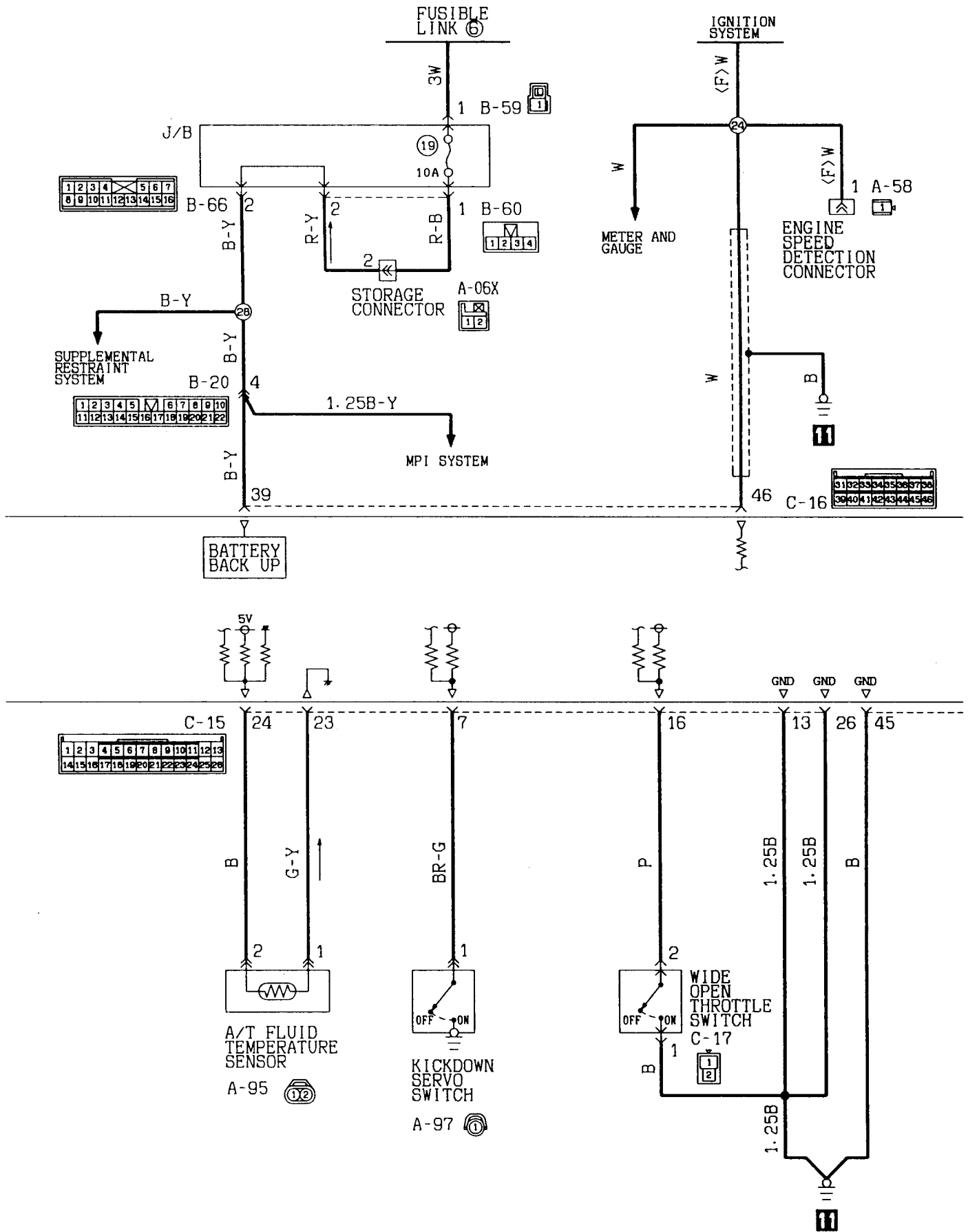


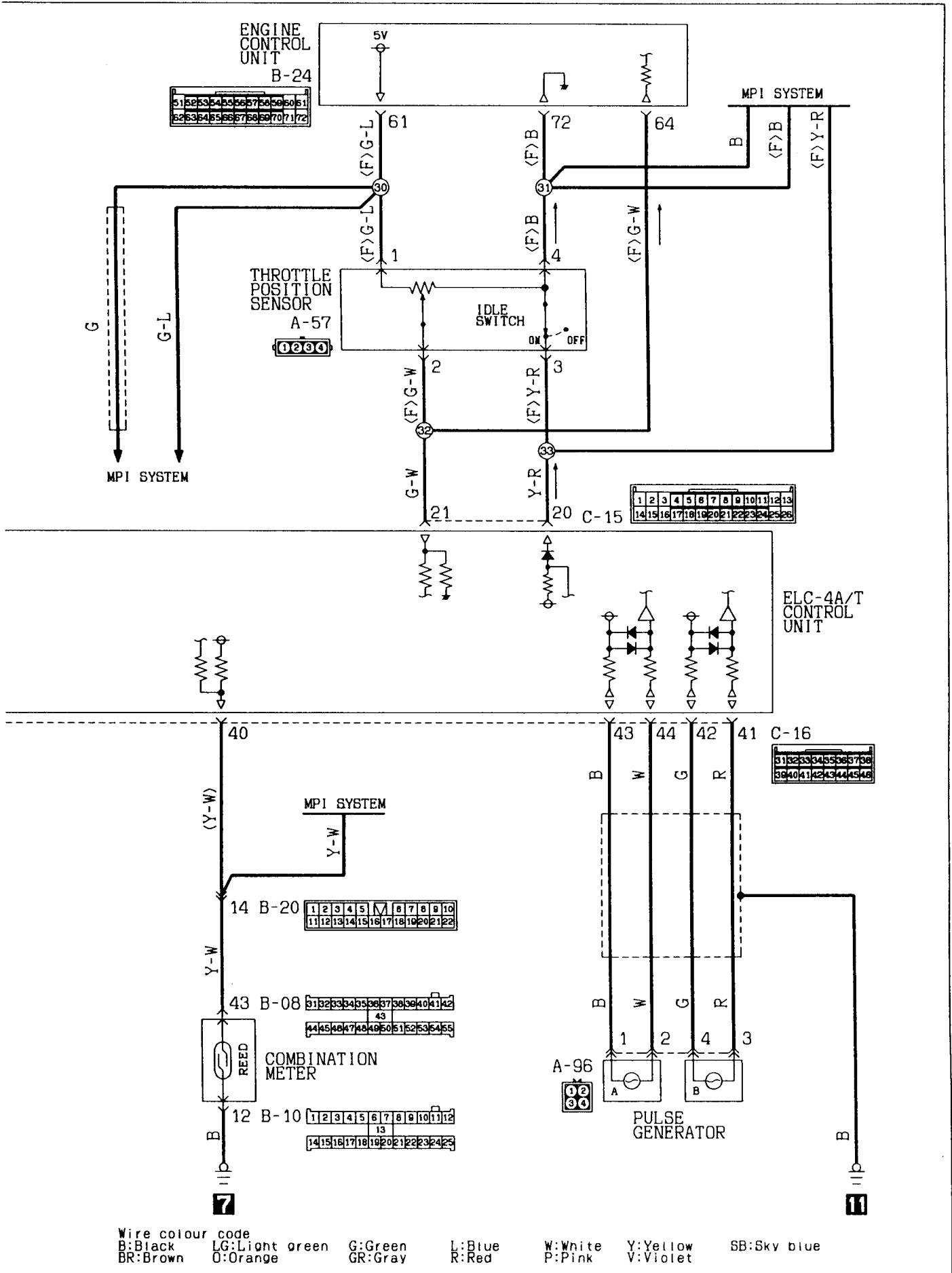


Wire colour code
 B:Black LG:Light green G:Green L:Blue W:White Y:Yellow SB:Sky blue
 BR:Brown O:Orange GR:Gray R:Red P:Pink V:Violet

KX35-AC-E0708A-EC



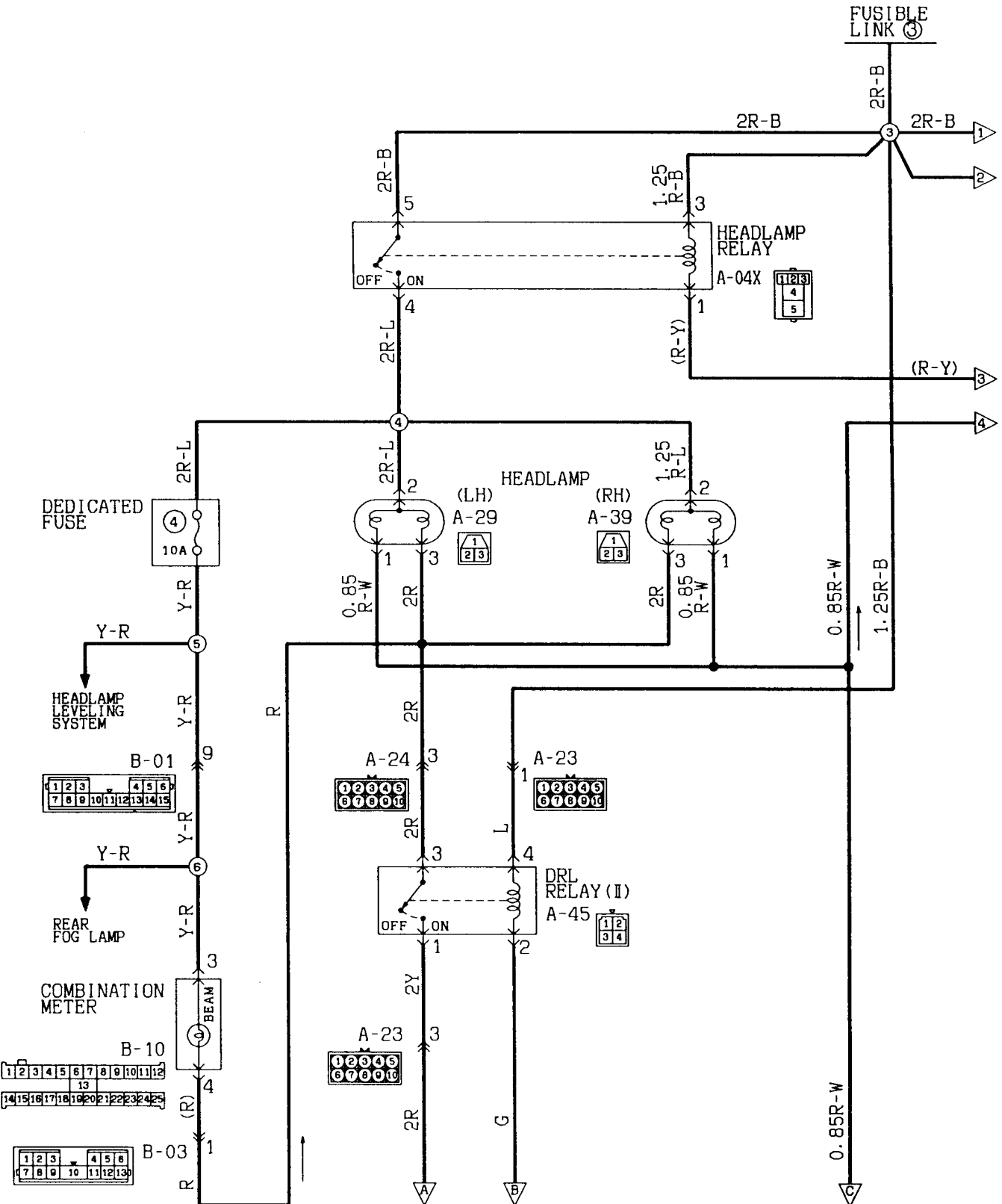




Wire colour code
 B:Black LG:Light green G:Green L:Blue W:White Y:Yellow SB:Sky blue
 BR:Brown O:Orange GR:Gray R:Red P:Pink V:Violet

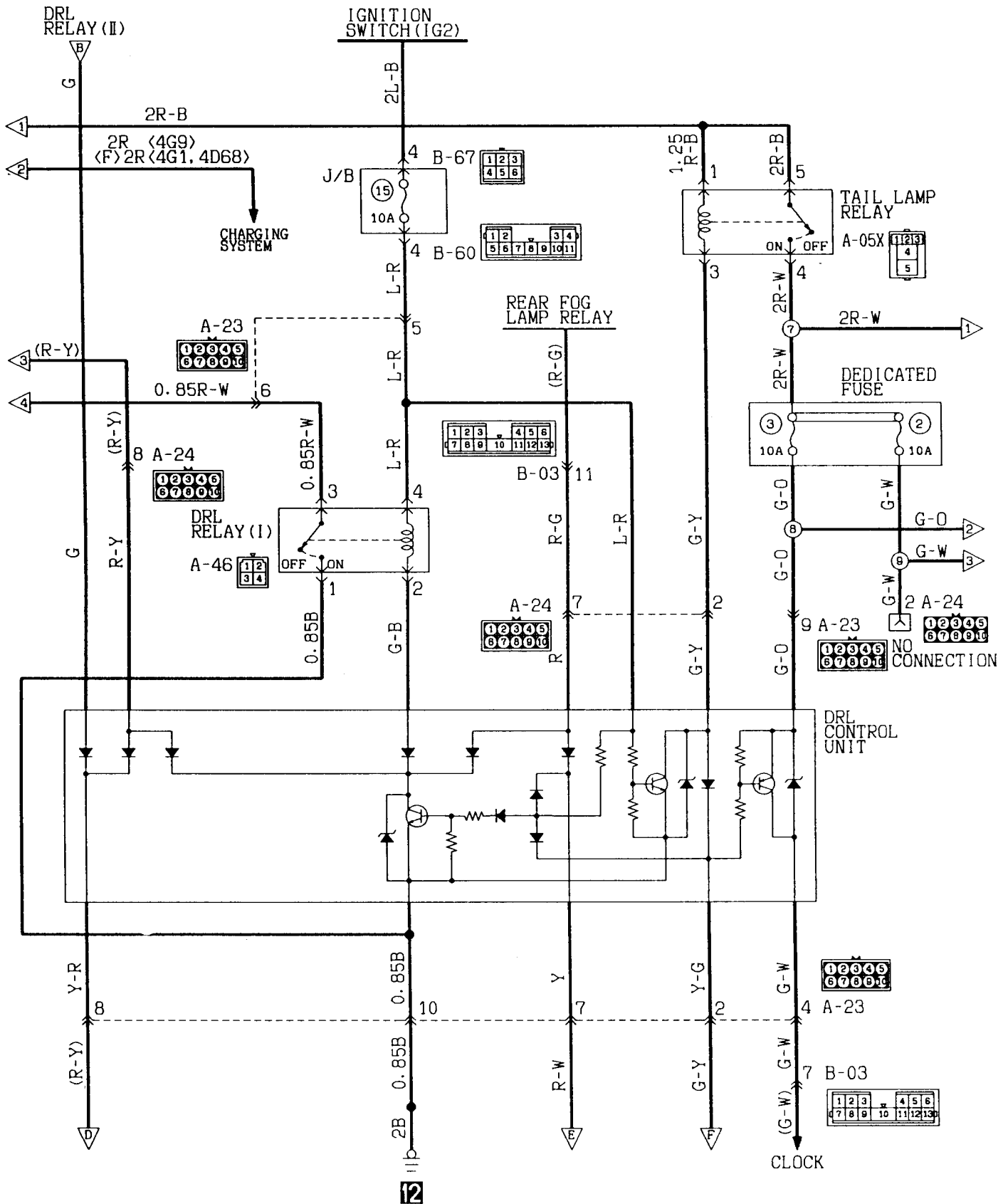
HEADLAMP

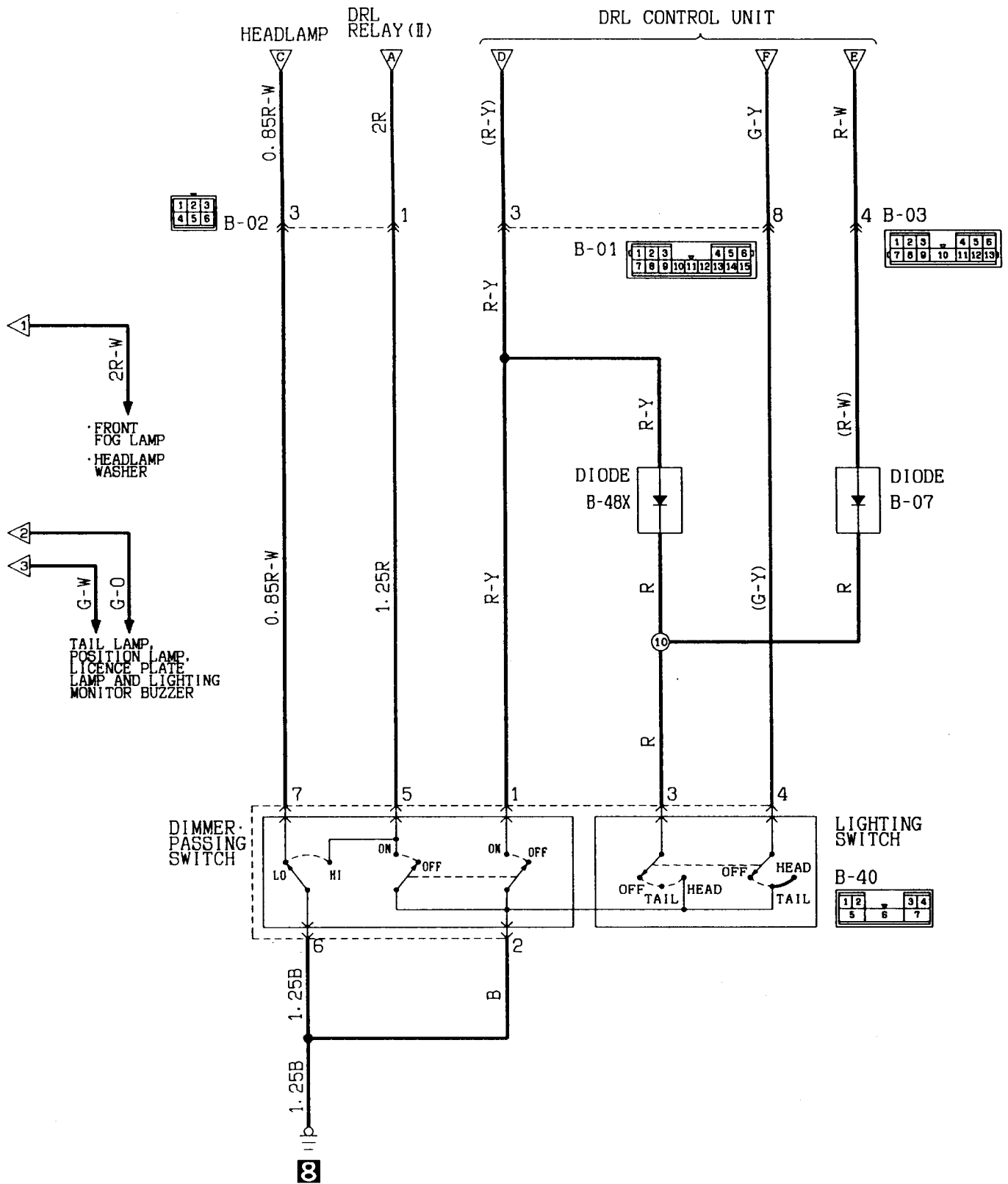
Vehicles with daytime running lamp



Wire colour code
 B:Black LG:Light green G:Green L:Blue W:White Y:Yellow SB:Sky blue
 BR:Brown O:Orange GR:Gray R:Red P:Pink V:Violet

KX35-AC-E0824-EC





Wire colour code
 B:Black LG:Light green G:Green L:Blue W:White Y:Yellow SB:Sky blue
 BR:Brown O:Orange GR:Gray R:Red P:Pink V:Violet

HEADLAMP <Vehicles with daytime running lamp> (See P.4A-122.)**OPERATION**

Headlamp Relay ON Conditions

Ignition switch	Lighting switch	Dimmer/passing switch	Headlamp relay
"ON"	"OFF"	—	ON
—	"HEAD"	—	ON
—	—	"PASS"	ON

<Daytime running lamp operation>

- Turning the ignition switch to the ON position causes the headlamp relay, daytime running lamp relay (I), and tail lamp relay to be energized, which causes the headlamps, tail lamps, etc. to go on.

<Low-beam operation>

- Placing the lighting switch in the HEAD position causes the headlamp relay and daytime running lamp relay (II) to be energized.
- If the dimmer/passing switch is placed in the LO position at this time, the headlamps light up in low beam.

<Upper-beam operation>

- Placing the lighting switch in the HEAD position causes the headlamp relay and daytime running lamp relay (II) to be energized.
- If the dimmer/passing switch is placed in the HI position at this time, the headlamps light up in upper beam.

<Upper-beam indicator lamp>

- This lamp lights up when the upper/passing beams are on, indicating that the headlamps are on in upper beam.

<Passing operation>

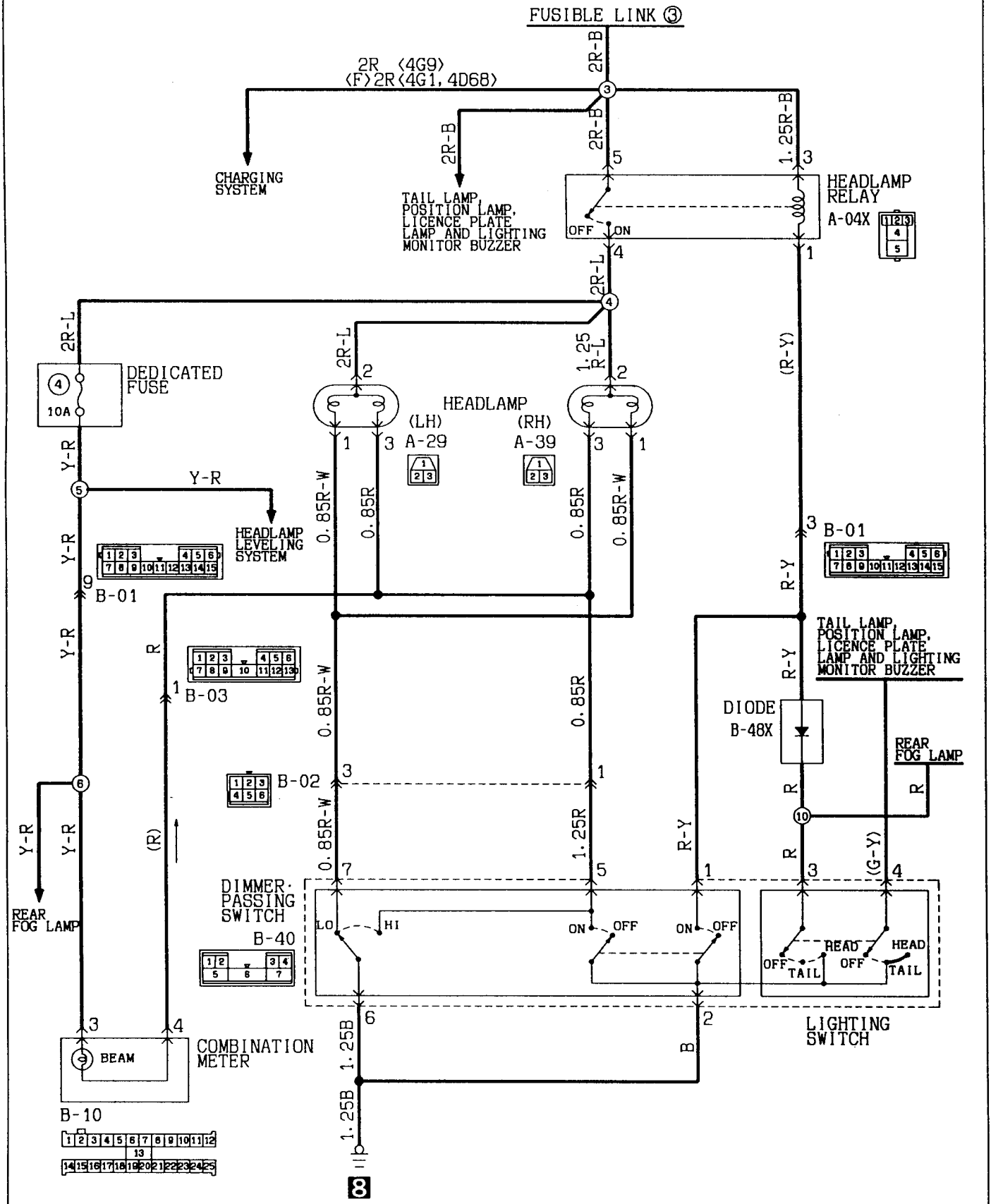
- When the dimmer/passing switch is set to the "ON" position, the headlamp relay is switched ON and the upper beam of the headlamps illuminates.

TROUBLESHOOTING HINTS

1. Headlamps don't go on.
 - 1) But the tail lamps do illuminate.
 - Check the headlamp relay.
 - Check the lighting switch.
 - 2) The tail lamps also don't illuminate.
 - Check the fusible link No. ③.
2. The low beam at both sides doesn't illuminate.
 - Check the dimmer switch LO contacts.
3. The upper beam at both sides doesn't illuminate.
 - 1) The passing signal functions OK.
 - Check the dimmer switch HI contacts.
 - 2) The passing signal doesn't function.
 - Check the dimmer switch.
 - Check the daytime running lamp relay (II).
 - Check the daytime running lamp control unit.
4. One headlamp doesn't illuminate.
 - Check the lamp bulb.
5. Can't switch from low to upper beam or vice-versa.
 - Check the dimmer switch.
6. With the ignition switch at the "ON" position, the headlamps' low beam does not illuminate.
 - Check the daytime running lamp relay (I).
 - Check the daytime running lamp control unit.
7. Upper-beam indicator lamp does not go on.
 - 1) Headlamp upper beams are operational.
 - Check dedicated fuse No. ④.
 - Check the indicator lamp bulb.

HEADLAMP

L.H. drive vehicles without daytime running lamp



Wire colour code
 B:Black LG:Light green G:Green L:Blue W:White Y:Yellow SB:Sky blue
 BR:Brown O:Orange GR:Gray R:Red P:Pink V:Violet

KX35-AC-E0825-EC

HEADLAMP <L.H. drive vehicles without daytime running lamp> (See P.4A-126.)**OPERATION**

Headlamp Relay ON Conditions

Lighting switch	Dimmer/passing switch	Headlamp relay
"HEAD"	—	ON
—	ON	ON

<Low-beam operation>

- Placing the lighting switch in the HEAD position causes the headlamp relay to be energized.
- If the dimmer/passing switch is placed in the LO position at this time, the headlamps light up in low beam.

<Upper-beam operation>

- Placing the lighting switch in the HEAD position causes the headlamp relay to be energized.
- If the dimmer/passing switch is placed in the HI position at this time, the headlamps light up in upper beam.

<Upper-beam indicator lamp>

- This lamp lights up when the upper/passing beams are on, indicating that the headlamps are on in upper beam.

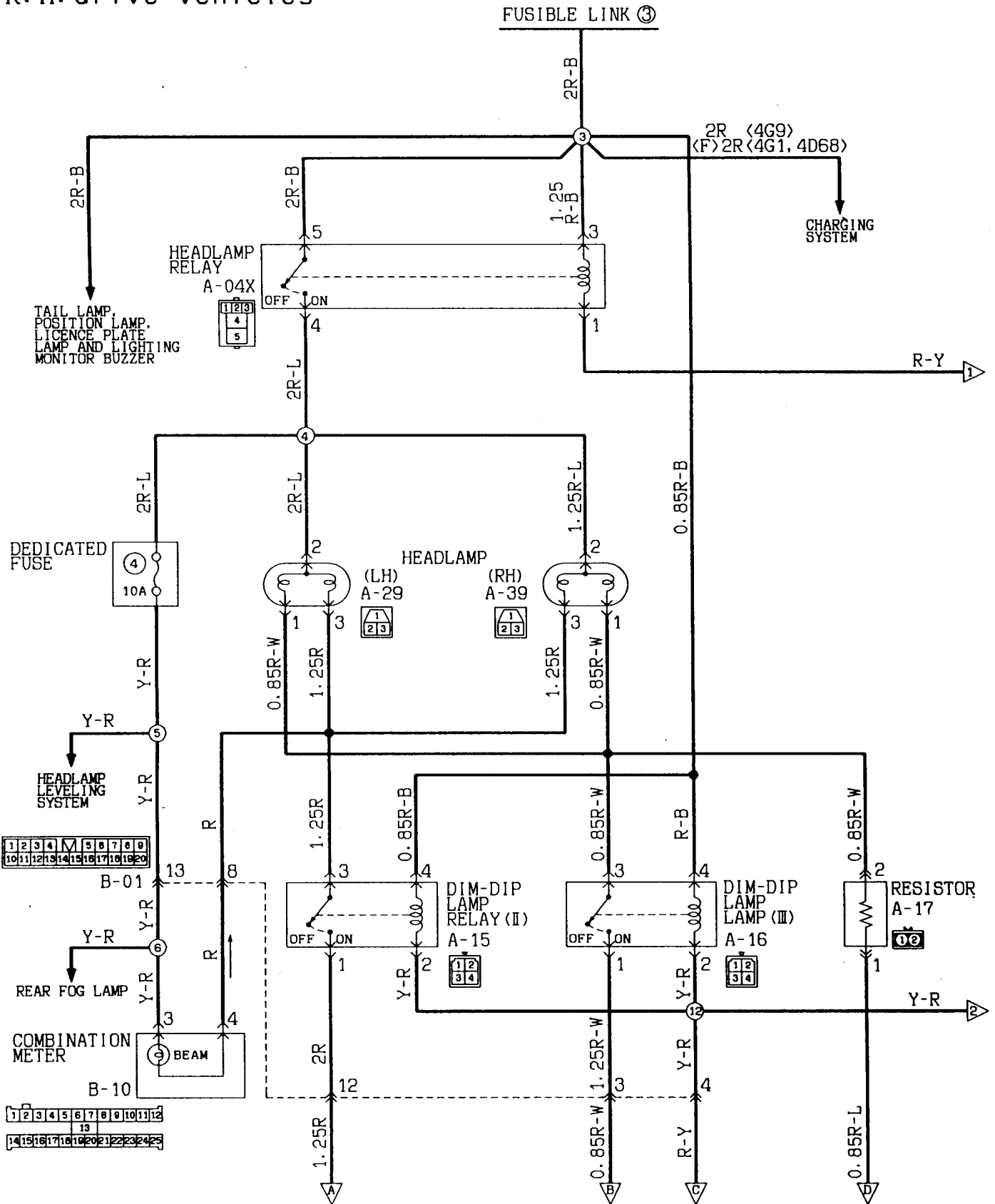
<Passing operation>

- When the dimmer/passing switch is set to the "ON" position, the headlamp relay is switched ON and the upper beam of the headlamps illuminates.

TROUBLESHOOTING HINTS

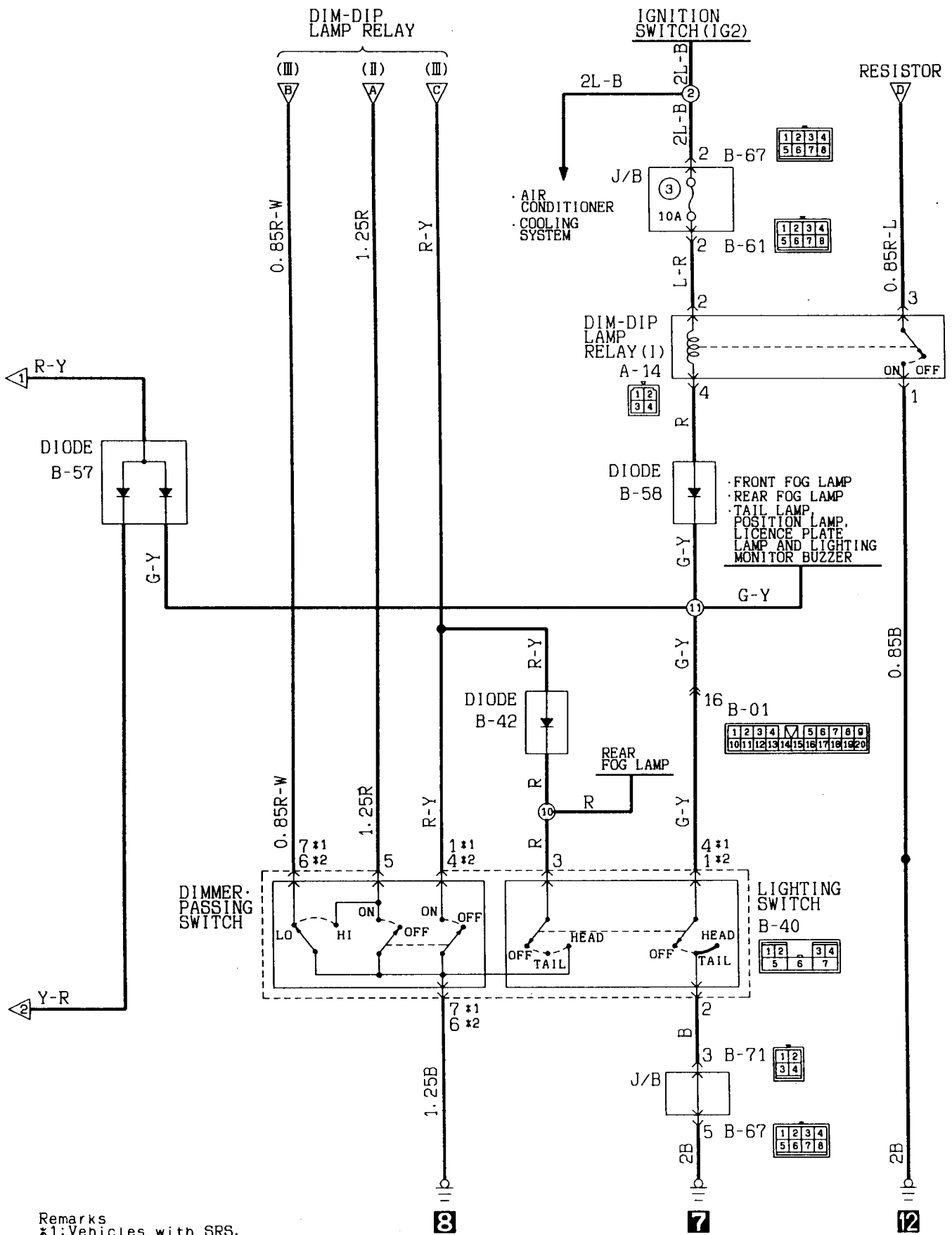
1. Headlamps don't go on.
 - 1) But the tail lamps illuminate.
 - Check the headlamp relay.
 - Check the lighting switch.
 - 2) The tail lamps also don't illuminate.
 - Check the fusible link No. ③.
2. The low beam at both sides doesn't illuminate.
 - Check the dimmer switch LO contacts.
3. The upper beam at both sides doesn't illuminate.
 - 1) The passing signal functions OK.
 - Check the dimmer switch HI contacts.
4. One headlamp doesn't illuminate.
 - Check the lamp bulb.
5. Can't switch from low to upper beam or vice-versa.
 - Check the dimmer switch.
6. Upper-beam indicator lamp does not go on.
 - 1) Headlamp upper beams are operational.
 - Check dedicated fuse No. ④.
 - Check the indicator lamp bulb.

HEADLAMP
R. H. drive vehicles



Wire colour code
 B:Black LG:Light green G:Green L:Blue W:White Y:Yellow SB:Sky blue
 BR:Brown O:Orange GR:Gray R:Red P:Pink V:Violet

KX35-AC-E0826-EC



Remarks
 *1: Vehicles with SRS.
 *2: Vehicles without SRS.

HEADLAMP <R.H. drive vehicles> (See P.4A-128.)**OPERATION**

Headlamp Relay ON Conditions

Ignition switch	Lighting switch	Dimmer/passing switch	Headlamp relay
"ON"	"TAIL"	—	ON
—	"HEAD"	—	ON
—	—	"PASS"	ON

<Dim-dip lamp operation>

- Placing the lighting switch in the TAIL position causes dim-dip lamp relay (I) to be energized.
- This causes the headlamp relay to be also energized resulting in the headlamps being lit up dimly through the circuit by way of resistor.

<Low-beam operation>

- Placing the lighting switch in the HEAD position causes the headlamp relay, dim-dip lamp relay (II) and dim-dip lamp relay (III) to be energized.
- If the dimmer/passing switch is placed in the LO position at this time, the headlamps light up in low beam.

<Upper-beam operation>

- Placing the lighting switch in the HEAD position causes the headlamp relay, dim-dip lamp relay (II) and dim-dip lamp relay (III) to be energized.
- If the dimmer/passing switch is placed in the HI position at this time, the headlamps light up in upper beam.

<Upper-beam indicator lamp>

- This lamp lights up when the upper/passing beams are on, indicating that the headlamps are on in upper beam.

<Passing operation>

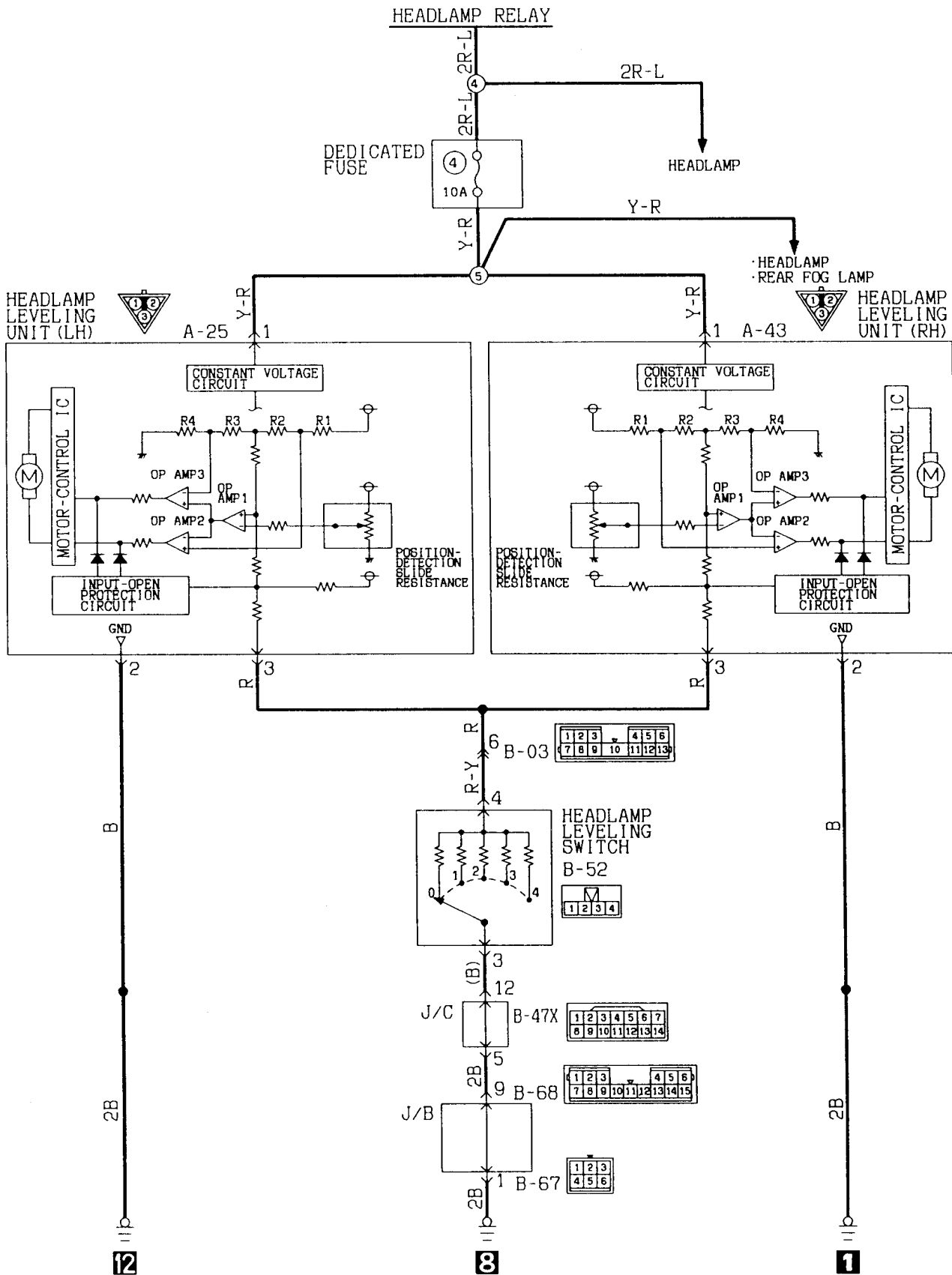
- When the dimmer/passing switch is set to the "ON" position, the headlamp relay is switched ON and the upper beam of the headlamps illuminates.

TROUBLESHOOTING HINTS

1. Headlamps don't go on.
 - 1) But the tail lamps illuminate.
 - Check the headlamp relay.
 - Check the lighting switch.
 - Check the dim-dip lamp relays (II) and (III).
 - 2) The tail lamps also don't illuminate.
 - Check the fusible link No. ③.
2. The low beam at both sides doesn't illuminate.
 - Check the dimmer switch LO contacts.
3. The upper beam at both sides doesn't illuminate.
 - 1) The passing signal functions OK.
 - Check the dimmer switch HI contacts.
4. One headlamp doesn't illuminate.
 - Check the lamp bulb.
5. Can't switch from low to upper beam or vice-versa.
 - Check the dimmer switch.
6. The headlamps' low beam does not illuminate at the "TAIL" position of the lighting switch.
 - 1) The low beam does illuminate, however, when, with lighting switch at the "HEAD" position, the dimmer switch is set to "LO".
 - Check the dim-dip lamp relay (I).
 - Check the resistor.
 - Check the diode.
7. Upper-beam indicator lamp does not go on.
 - 1) Headlamp upper beams are operational.
 - Check dedicated fuse No. ④.
 - Check the indicator lamp bulb.

HEADLAMP LEVELING SYSTEM

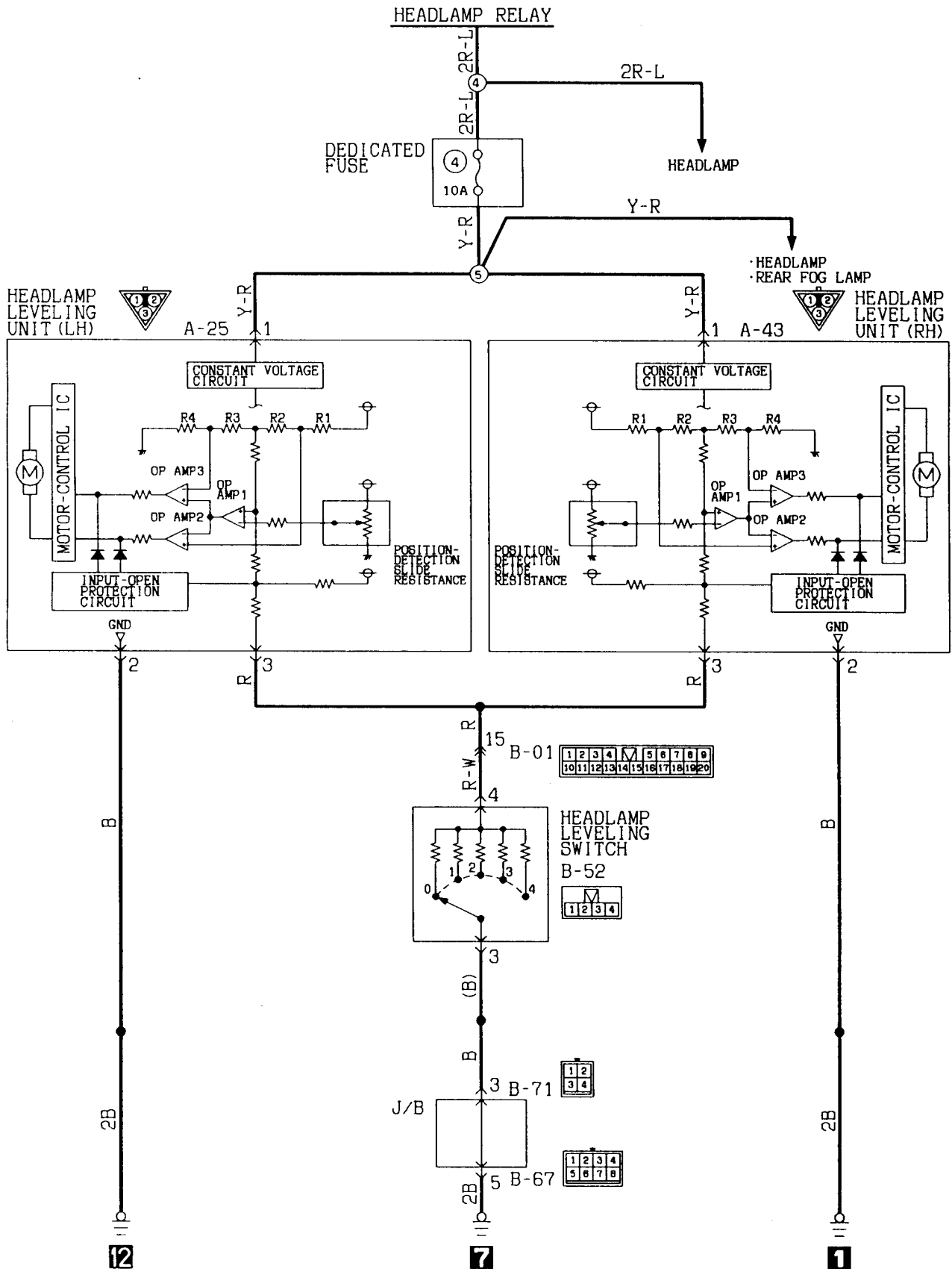
L.H. drive vehicles



Wire colour code
 B:Black LG:Light green G:Green L:Blue W:White Y:Yellow SB:Sky blue
 BR:Brown O:Orange GR:Gray R:Red P:Pink V:Violet

HEADLAMP LEVELING SYSTEM

R. H. drive vehicles



KX35-AC-E0805-EC

Wire colour code
 B:Black LG:Light green G:Green L:Blue W:White Y:Yellow SB:Sky blue
 BR:Brown O:Orange GR:Gray R:Red P:Pink V:Violet

HEADLAMP-LEVELING SYSTEM (See P.4A-131, 132.)**OPERATION****1. Headlamps angle-downward operation**

- When the lighting switch is set to the “HEAD” position, the headlamp relay is switched ON, and battery voltage is applied, through the headlamp-leveling unit, to dedicated fuse No. ④.
- When the headlamp-leveling switch setting is changed from “0” to “1”, the positive (+) input terminal voltage of the comparator OP AMP 1 (located within the headlamp-leveling unit) becomes greater than the negative (–) input terminal standard reference voltage value, and OP AMP 1 outputs HIGH signals to OP AMP 2 and OP AMP 3.
- As a result of these HIGH signals, OP AMP 2 outputs LOW signals and OP AMP 3 outputs HIGH signals to the motor-control IC.
- When this happens, the motor-control IC is switched ON, current flows to the motor, and the motor rotates in the forward direction.
- The rotation of the motor, after passing through the gears and the output shaft, causes the headlamp reflectors to move to a downward angle, thus changing the angle of headlamp illumination.
- At this time, the position-detection sliding resistance is activated in the direction of the low resistance value, after which the OP AMP 1 negative (–) input terminal voltage value and positive (+) input terminal voltage value become equivalent, and OP AMP 2 and OP AMP 3 both output HIGH signals.
- When this happens, the motor-control IC is switched OFF and the motor stops.

NOTE

- (1) The same operation occurs if the headlamp-leveling switch is set to another position.
- (2) The input open protection circuit functions to stop the operation of the motor if there is an abnormal condition, such as damaged or disconnected wiring within the headlamp-leveling unit or of the wiring harness.

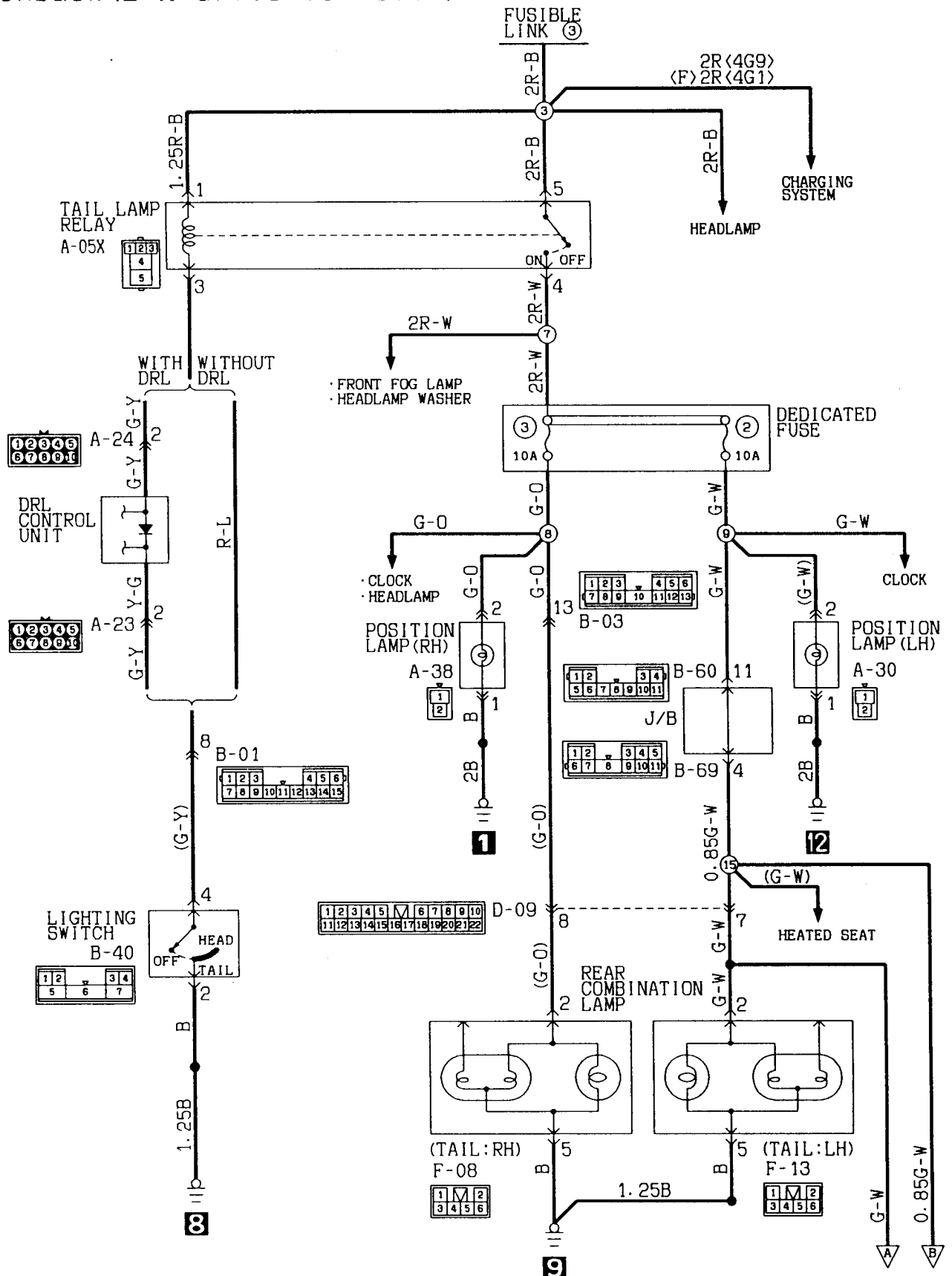
2. Headlamps angle-upward operation

- The headlamp angle-upward operation is the opposite logic of the downward operation; the motor operates in the reverse direction and then stops.

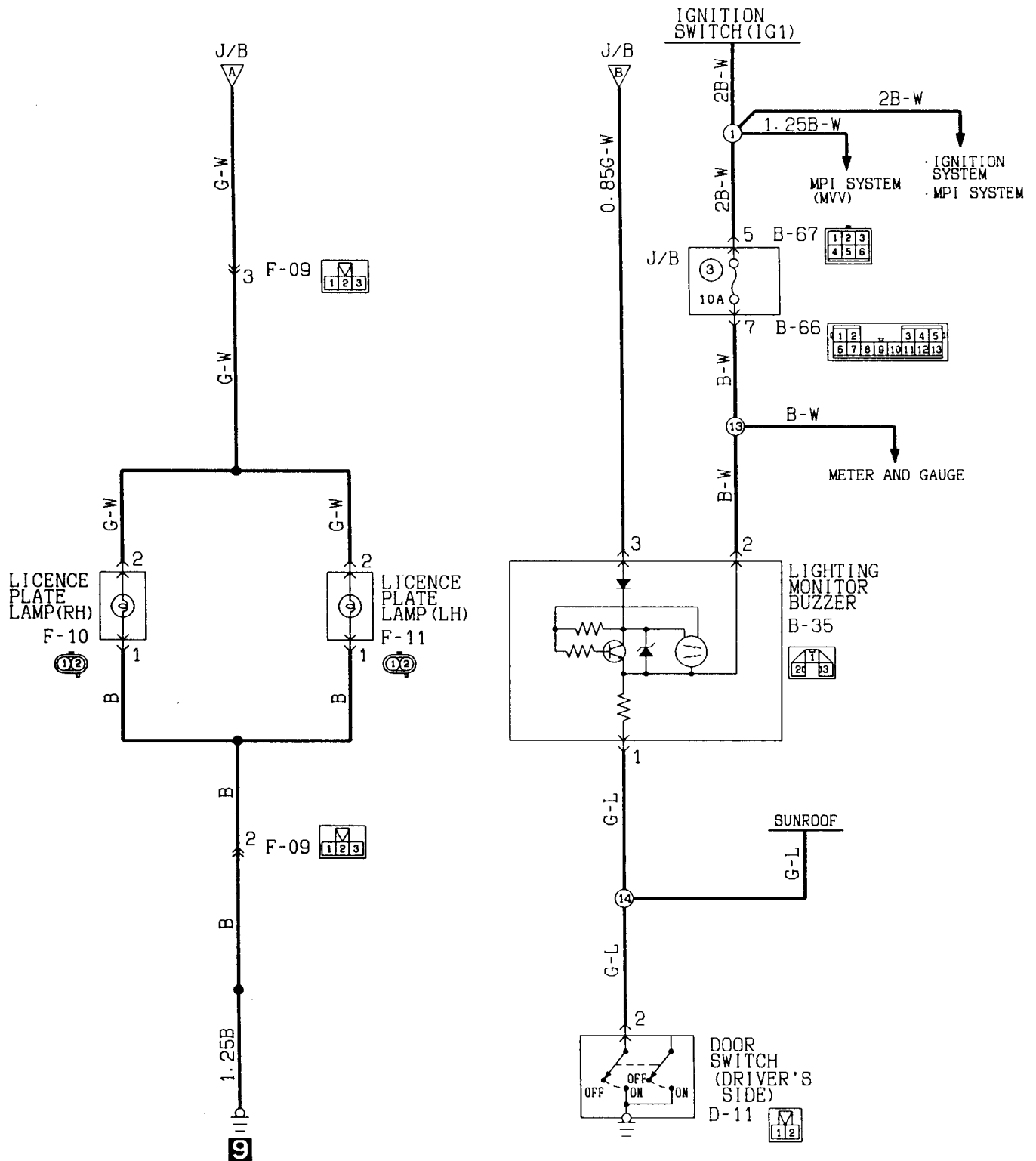
TROUBLESHOOTING HINTS

1. Absolutely no change of the headlamp angle
 - (1) The upper-beam indicator lamp illuminates.
 - Check the headlamp-leveling switch.
 - Check the headlamp-leveling unit.
 - (2) The upper-beam indicator lamp does not illuminate.
 - Check dedicated fuse No. ④.
2. There is one setting of the headlamp-leveling switch at which the headlamp angle does not change.
 - Check the headlamp-leveling switch.

TAIL LAMP, POSITION LAMP, LICENCE PLATE LAMP AND LIGHTING MONITOR BUZZER
Hatchback (L.H. drive vehicles)

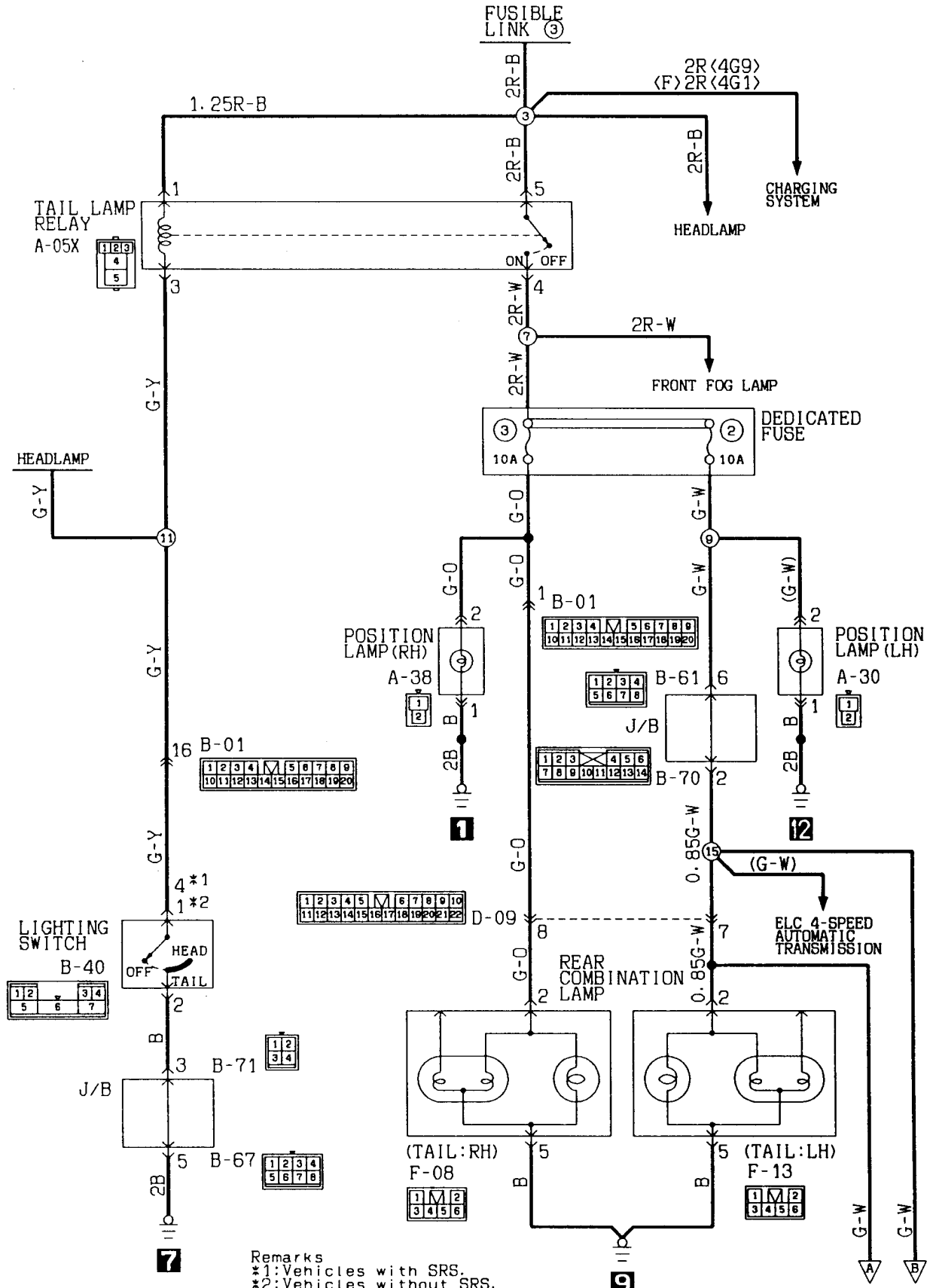


KX35-AC-E0827-EC



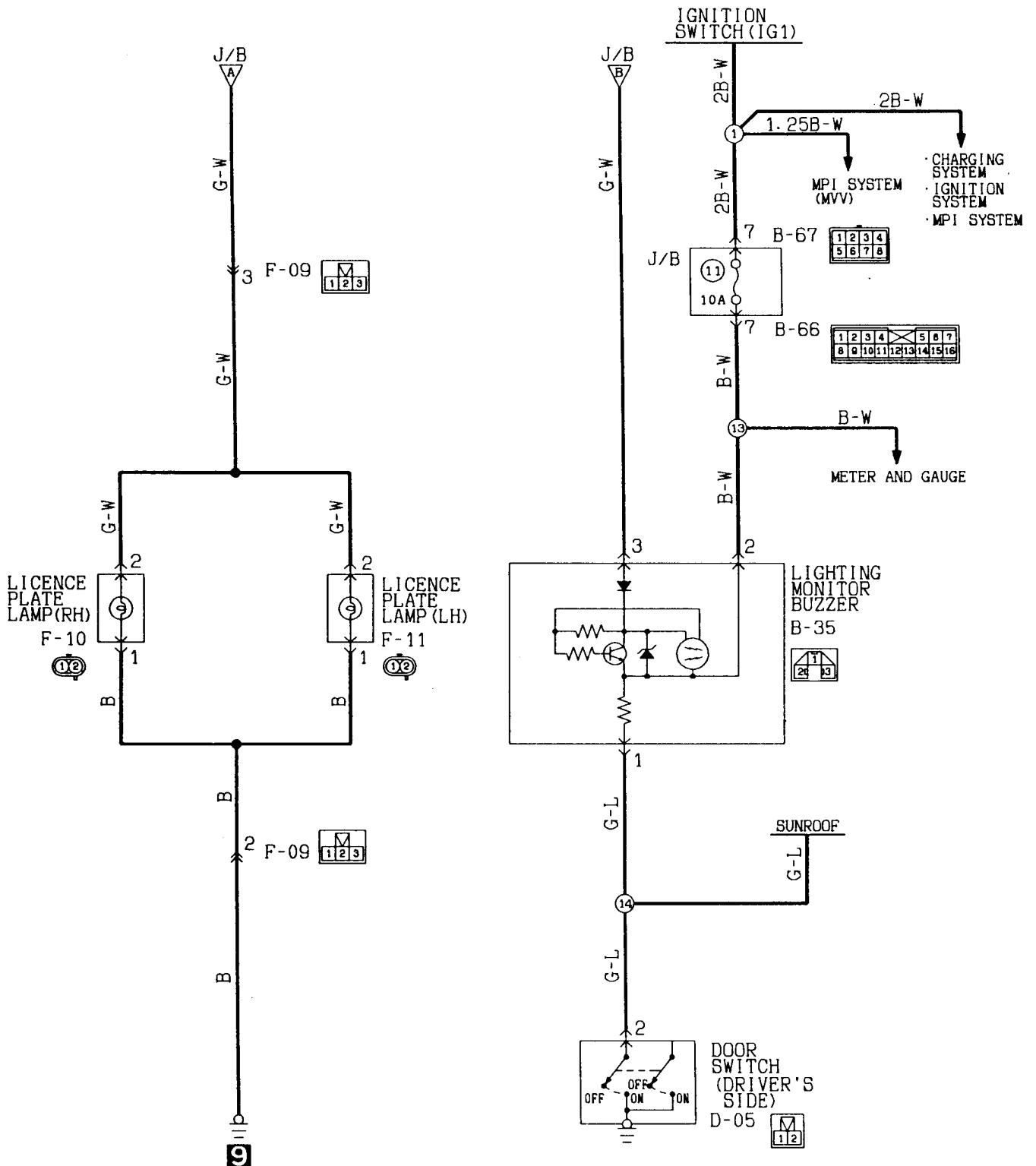
Wire colour code
 B:Black LG:Light green G:Green L:Blue W:White Y:Yellow SB:Sky blue
 BR:Brown O:Orange GR:Gray R:Red P:Pink V:Violet

TAIL LAMP, POSITION LAMP, LICENCE PLATE LAMP AND LIGHTING MONITOR BUZZER
Hatchback (R. H. drive vehicles)

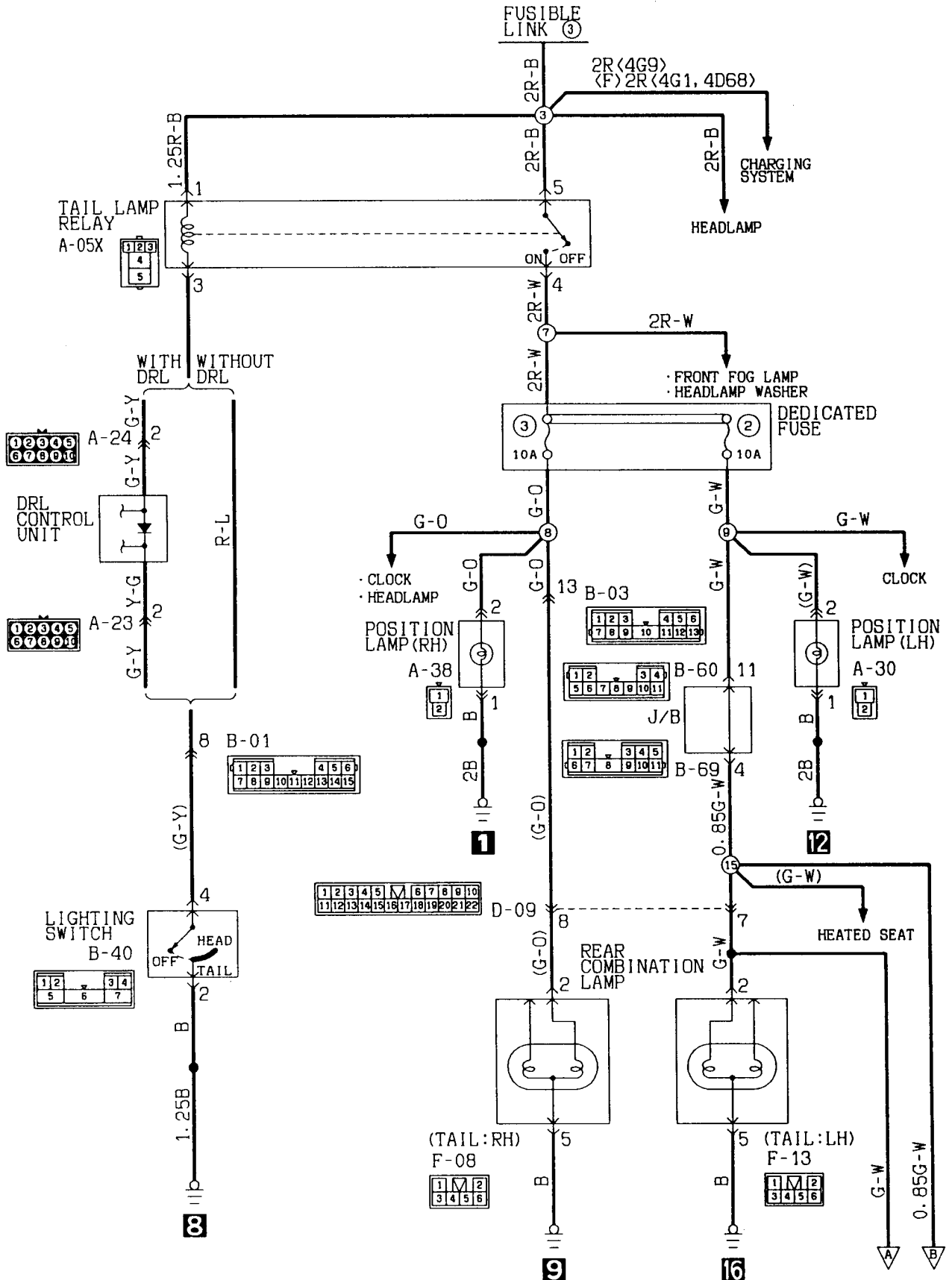


Remarks
 *1: Vehicles with SRS.
 *2: Vehicles without SRS.

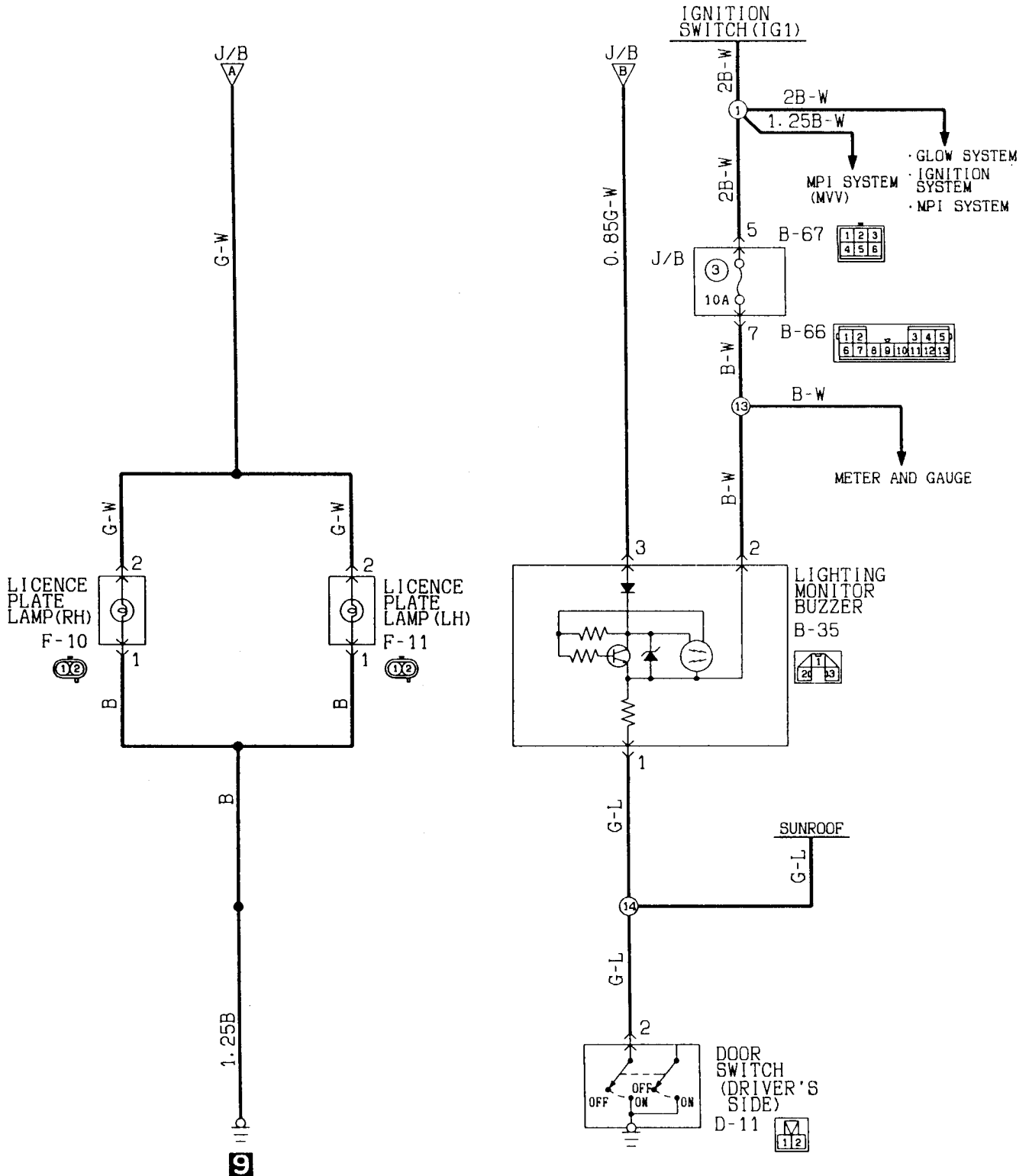
KX35-AC-E0828-EC



TAIL LAMP, POSITION LAMP, LICENCE PLATE LAMP AND LIGHTING MONITOR BUZZER
Sedan (L. H. drive vehicles)

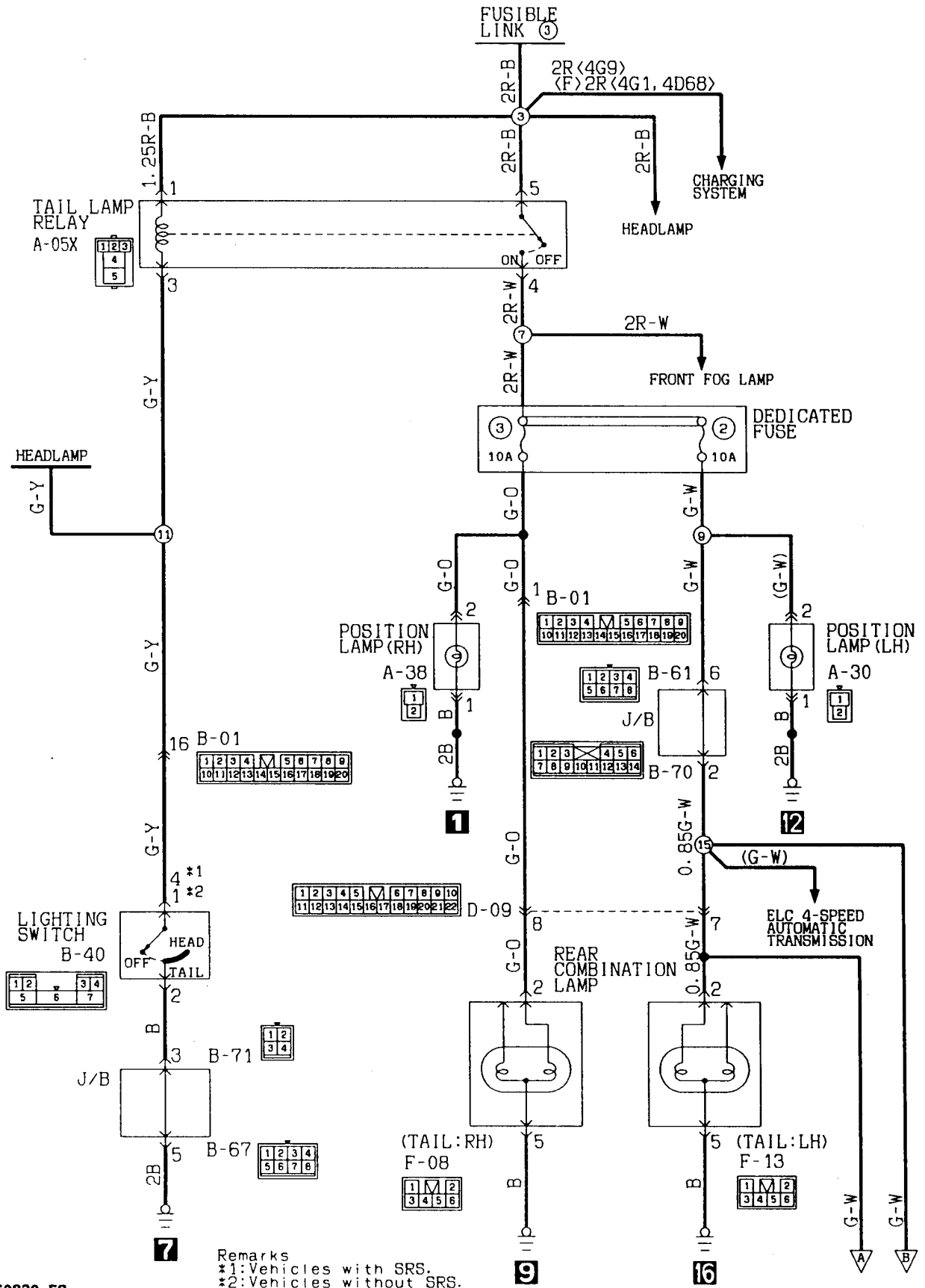


KX35-AC-E0829-EC



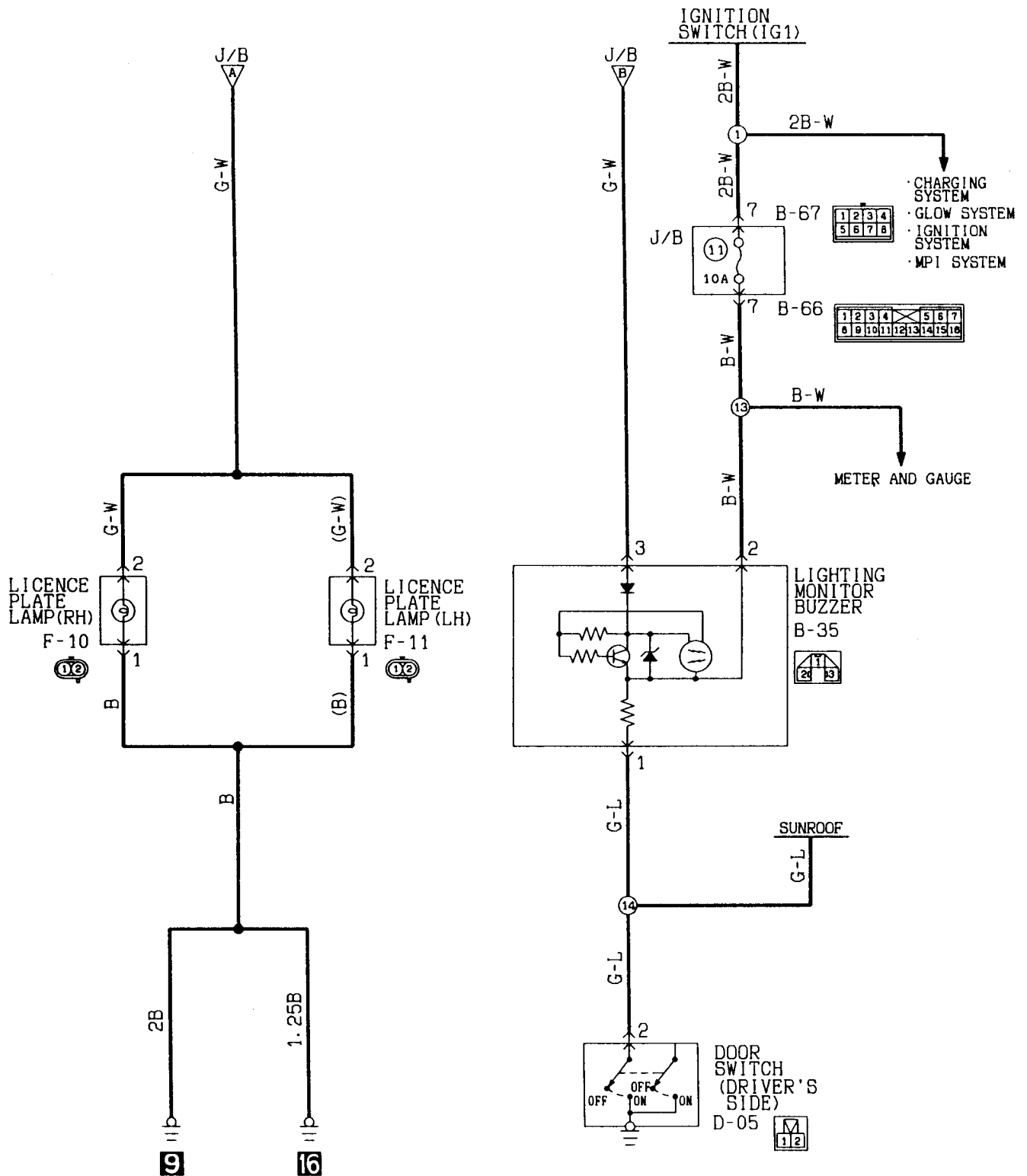
Wire colour code
 B:Black LG:Light green G:Green L:Blue W:White Y:Yellow SB:Sky blue
 BR:Brown O:Orange GR:Gray R:Red P:Pink V:Violet

TAIL LAMP, POSITION LAMP, LICENCE PLATE LAMP AND LIGHTING MONITOR BUZZER
Sedan (R. H. drive vehicles)

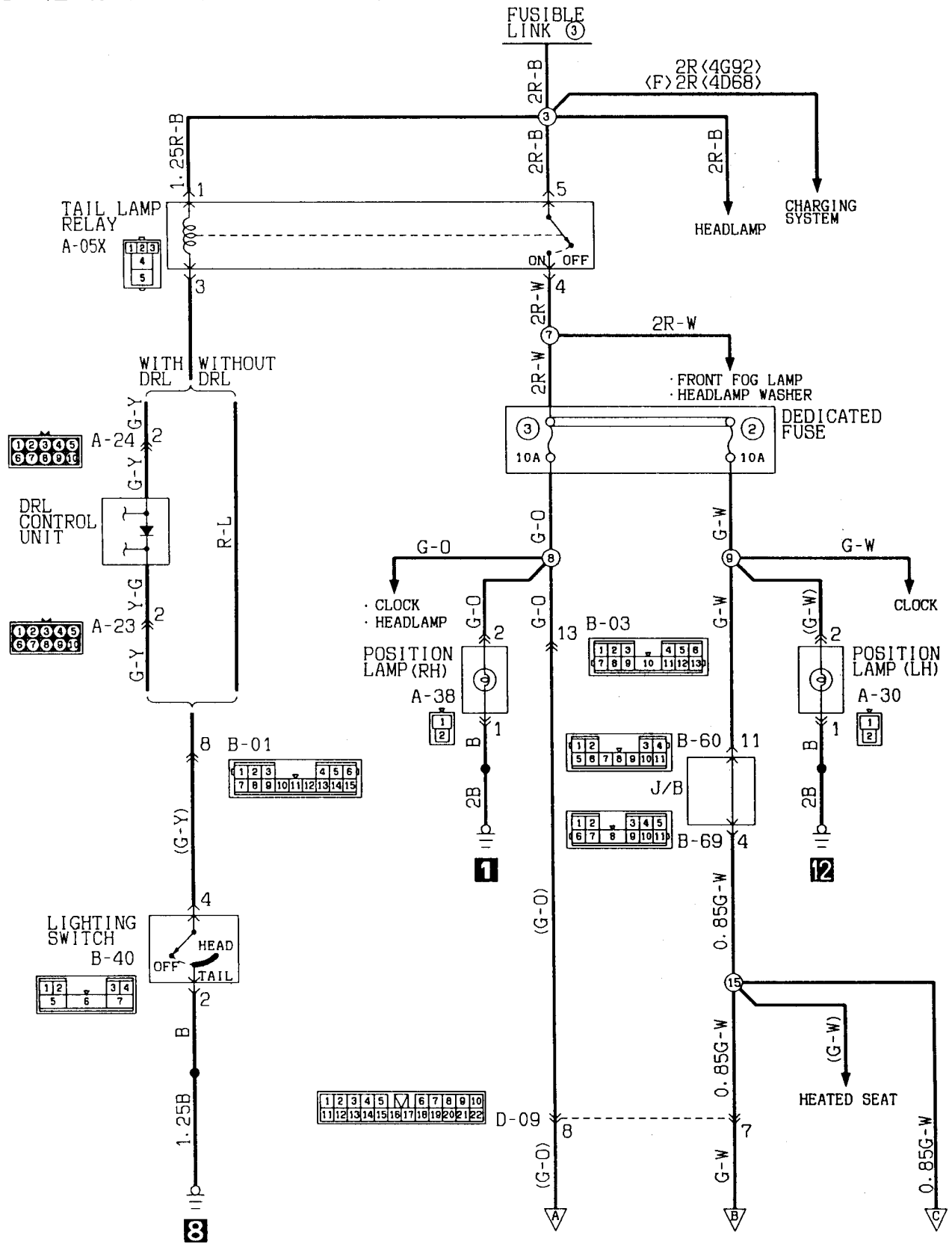


Remarks
*1: Vehicles with SRS.
*2: Vehicles without SRS.

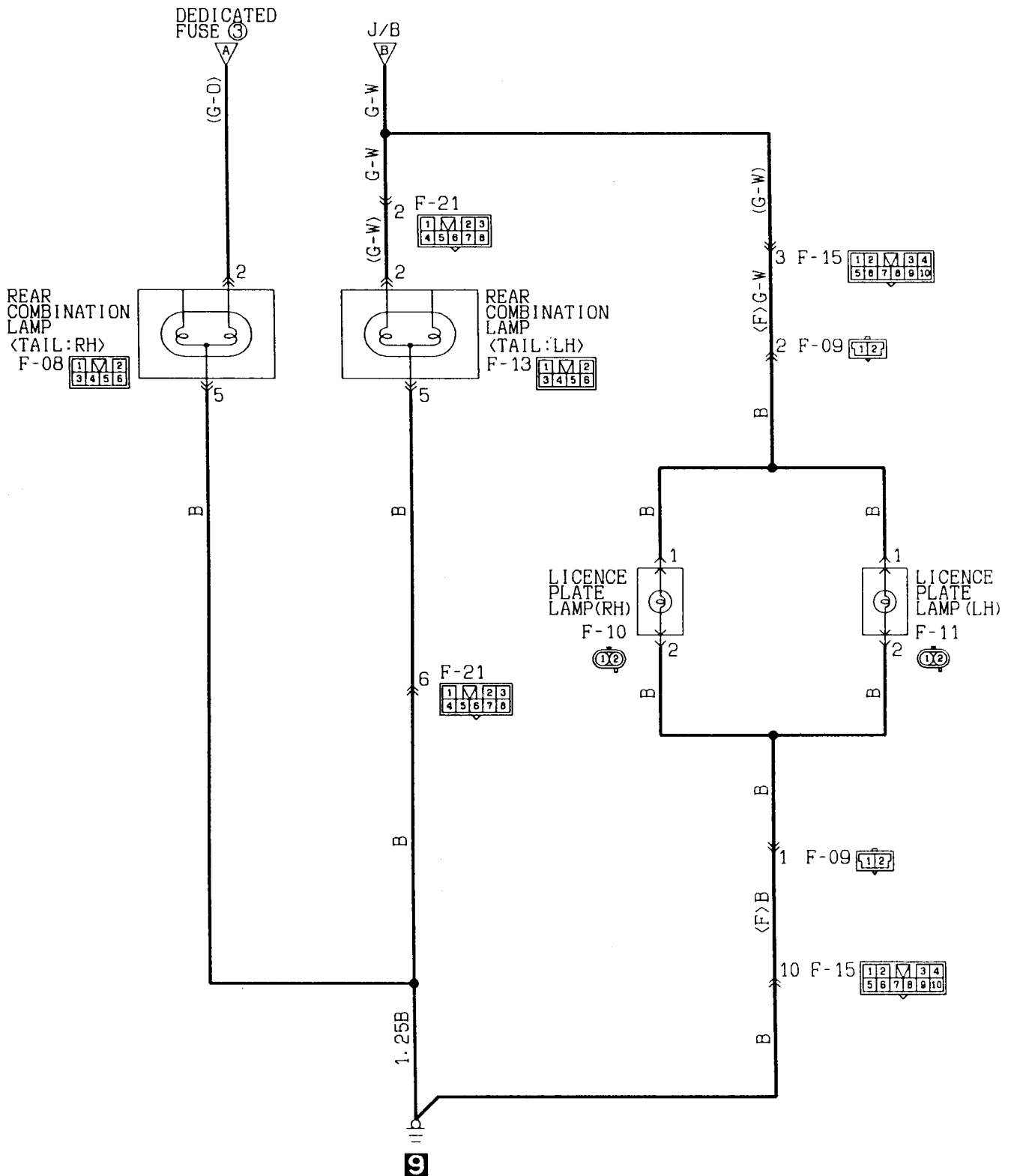
KX35-AC-E0830-EC



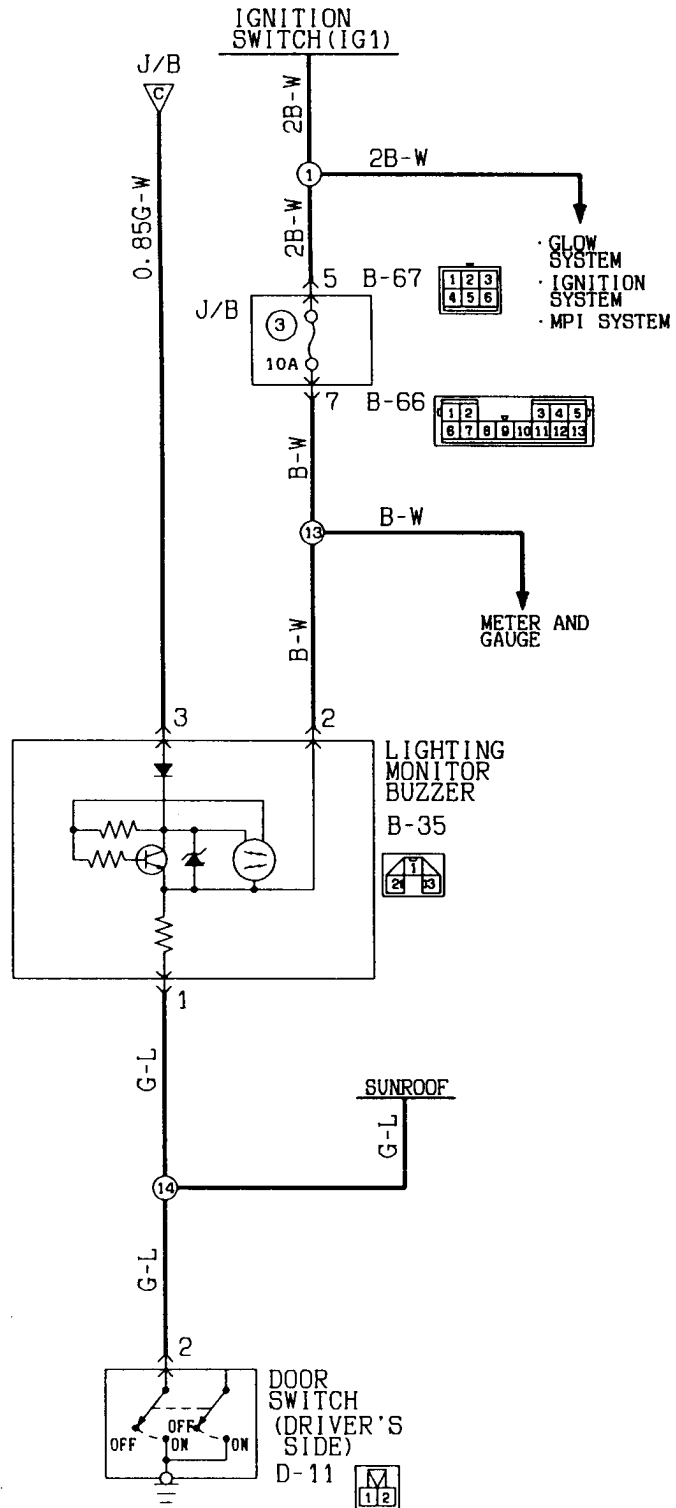
TAIL LAMP, POSITION LAMP, LICENCE PLATE LAMP AND LIGHTING MONITOR BUZZER
Wagon (L.H. drive vehicles)



KX35-AC-E0831-EC

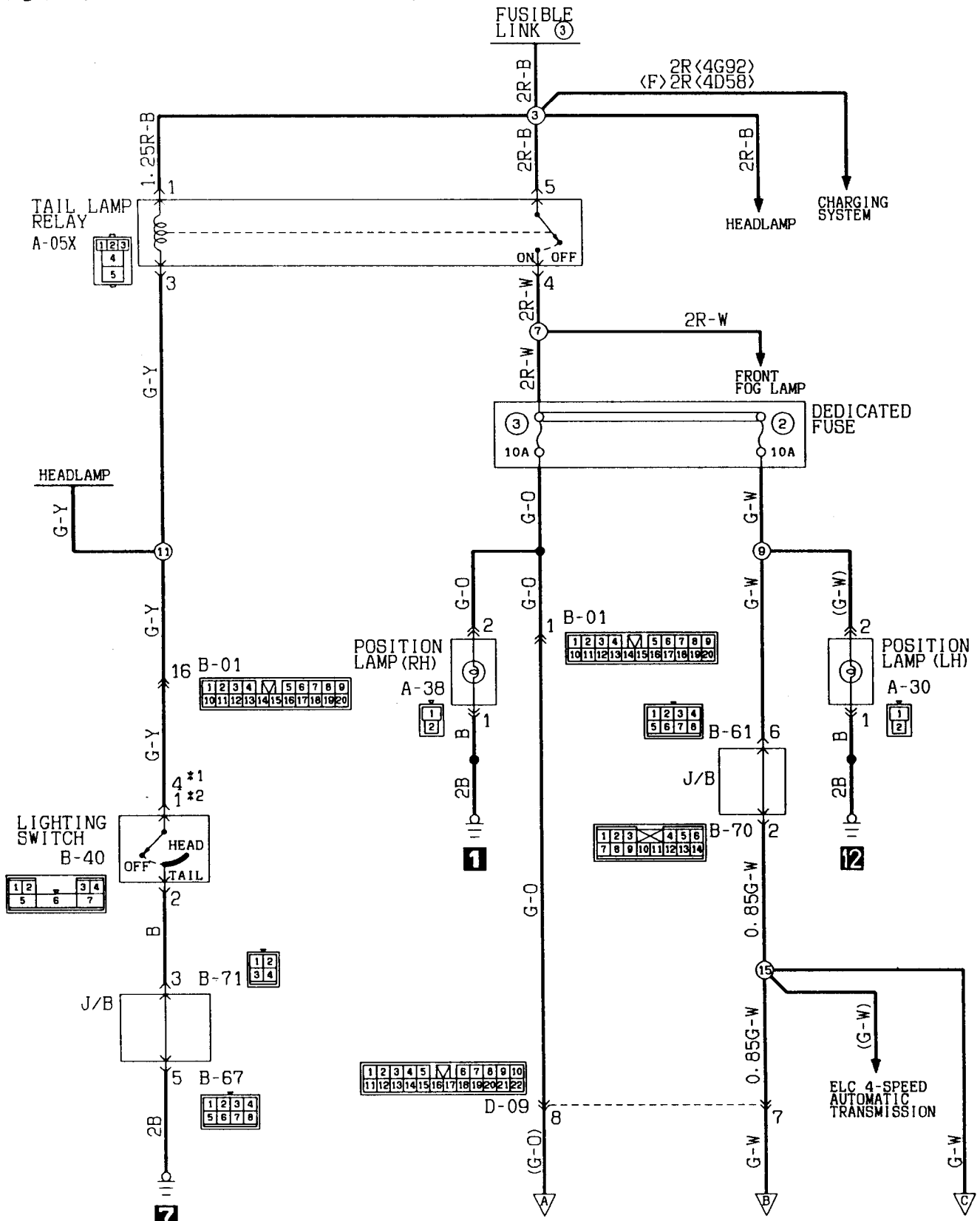


Wire colour code
 B:Black LG:Light green G:Green L:Blue W:White Y:Yellow SB:Sky blue
 BR:Brown O:Orange GR:Gray R:Red P:Pink V:Violet



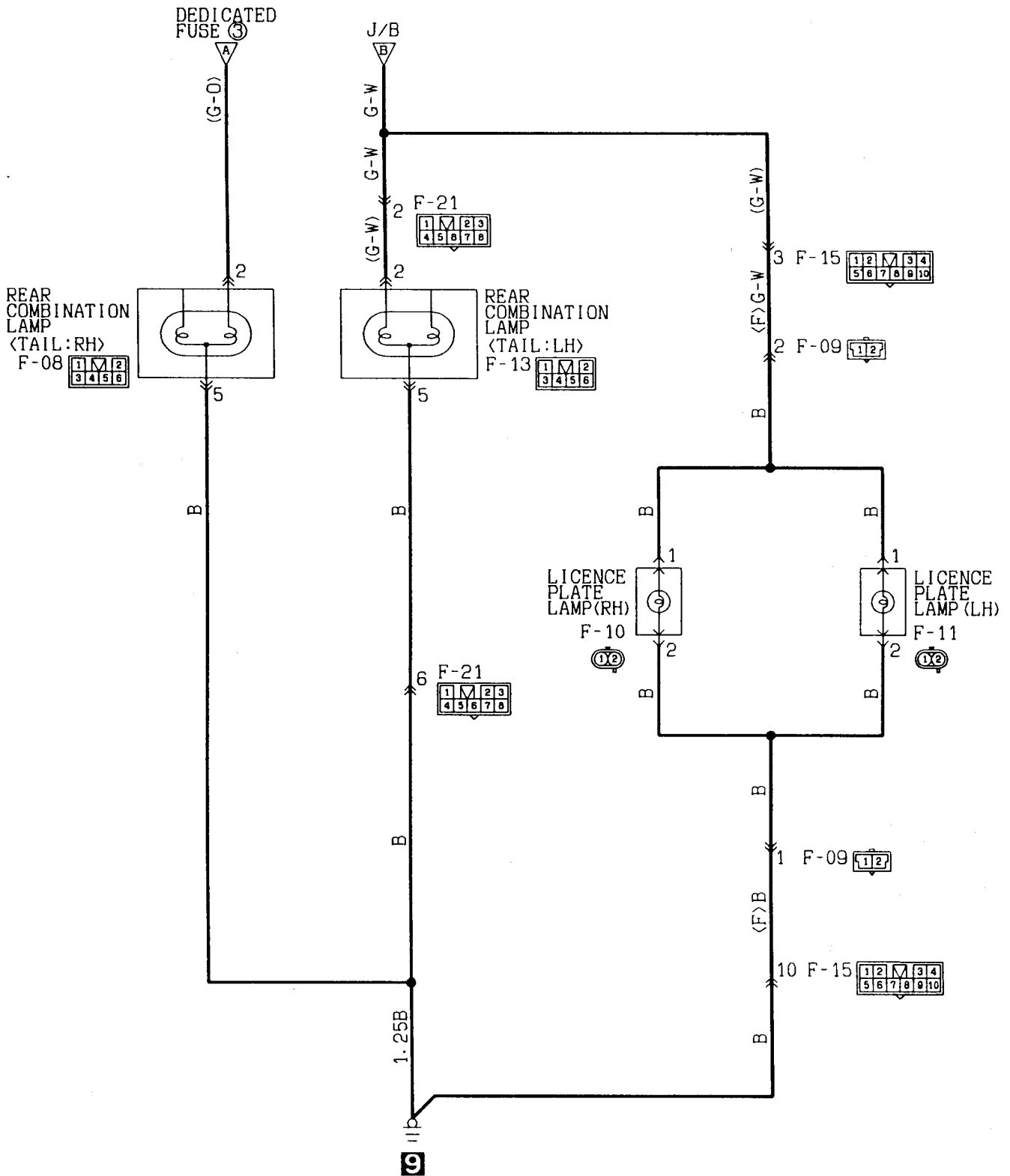
Wire colour code
 B:Black LG:Light green G:Green L:Blue W:White Y:Yellow SB:Sky blue
 BR:Brown O:Orange GR:Gray R:Red P:Pink V:Violet

TAIL LAMP, POSITION LAMP, LICENCE PLATE LAMP AND LIGHTING MONITOR BUZZER
Wagon (R. H. drive vehicles)

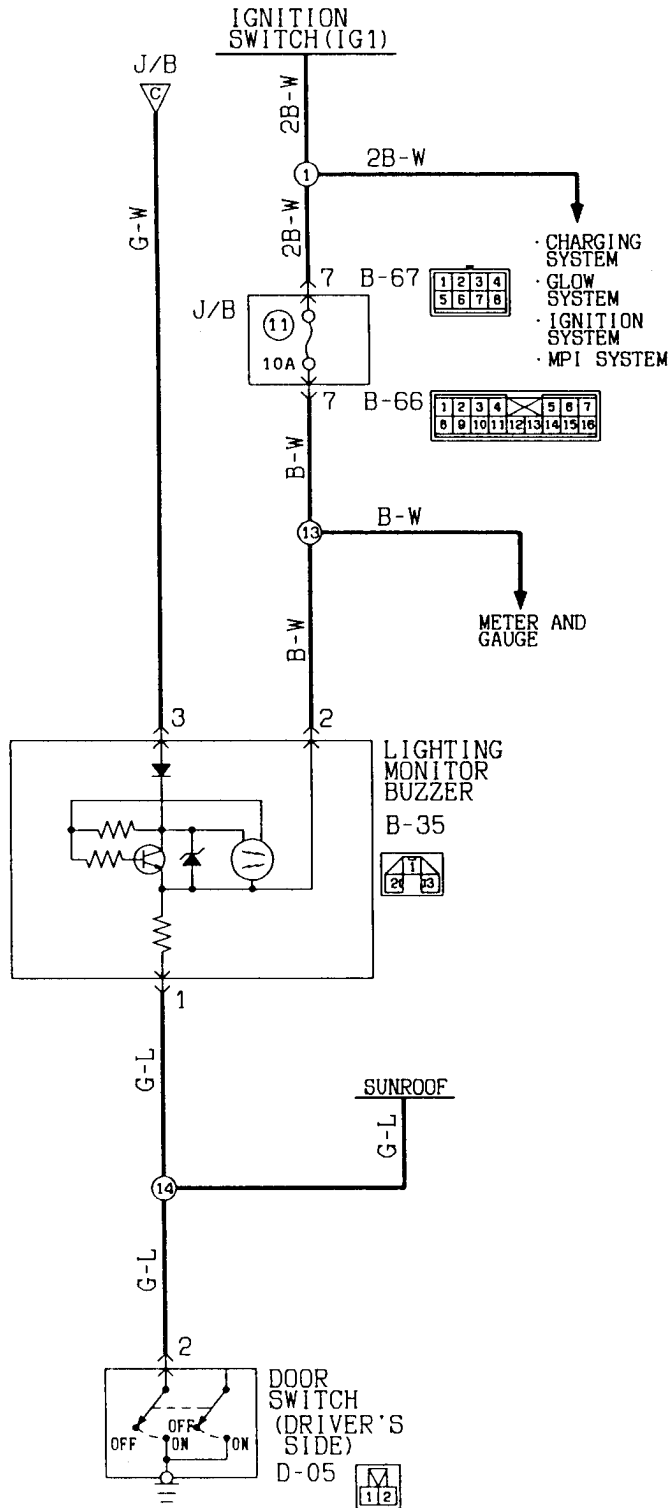


Remarks
*1: Vehicles with SRS.
*2: Vehicles without SRS.

KX35-AC-E0832-EC



Wire colour code
 B:Black LG:Light green G:Green L:Blue W:White Y:Yellow SB:Sky blue
 BR:Brown O:Orange GR:Gray R:Red P:Pink V:Violet



Wire colour code
 B:Black LG:Light green G:Green L:Blue W:White Y:Yellow SB:Sky blue
 BR:Brown O:Orange GR:Gray R:Red P:Pink V:Violet

TAIL LAMP, POSITION LAMP, LICENCE PLATE LAMP AND LIGHTING MONITOR BUZZER (See P.4A-134, 136, 138, 140, 142, 145.)**OPERATION**

- Placing the lighting switch in the "TAIL" or "HEAD" position causes the tail lamp relay to be energized.
For vehicles with daytime running lamps, if the ignition switch is turned to the "ON" position, the tail lamp relay normally is always "ON".
- As a result, current flows by way of dedicated fuse No. ② and No. ③ to each lamp, causing the lamp to go on.

<Lighting monitor buzzer operation>

- When the lighting switch is in the "TAIL" or "HEAD" position, if the ignition switch is turned to the "ACC" or "LOCK" position or if the ignition key is removed, the lighting monitor buzzer will sound when the driver's side door is opened as a warning to the driver.

TROUBLESHOOTING HINTS

1. No lamp go on.
 - 1) Headlamps do not go on, either.
 - Check fusible link No. ③.
 - 2) Headlamps go on.
 - Check tail lamp relay.
 - Check dedicated fuse No. ② and No. ③.
2. Lighting monitor buzzer does not sound.
 - 1) Tail lamps go on.
 - Check lighting monitor buzzer.
 - Check front door switch (driver's side).

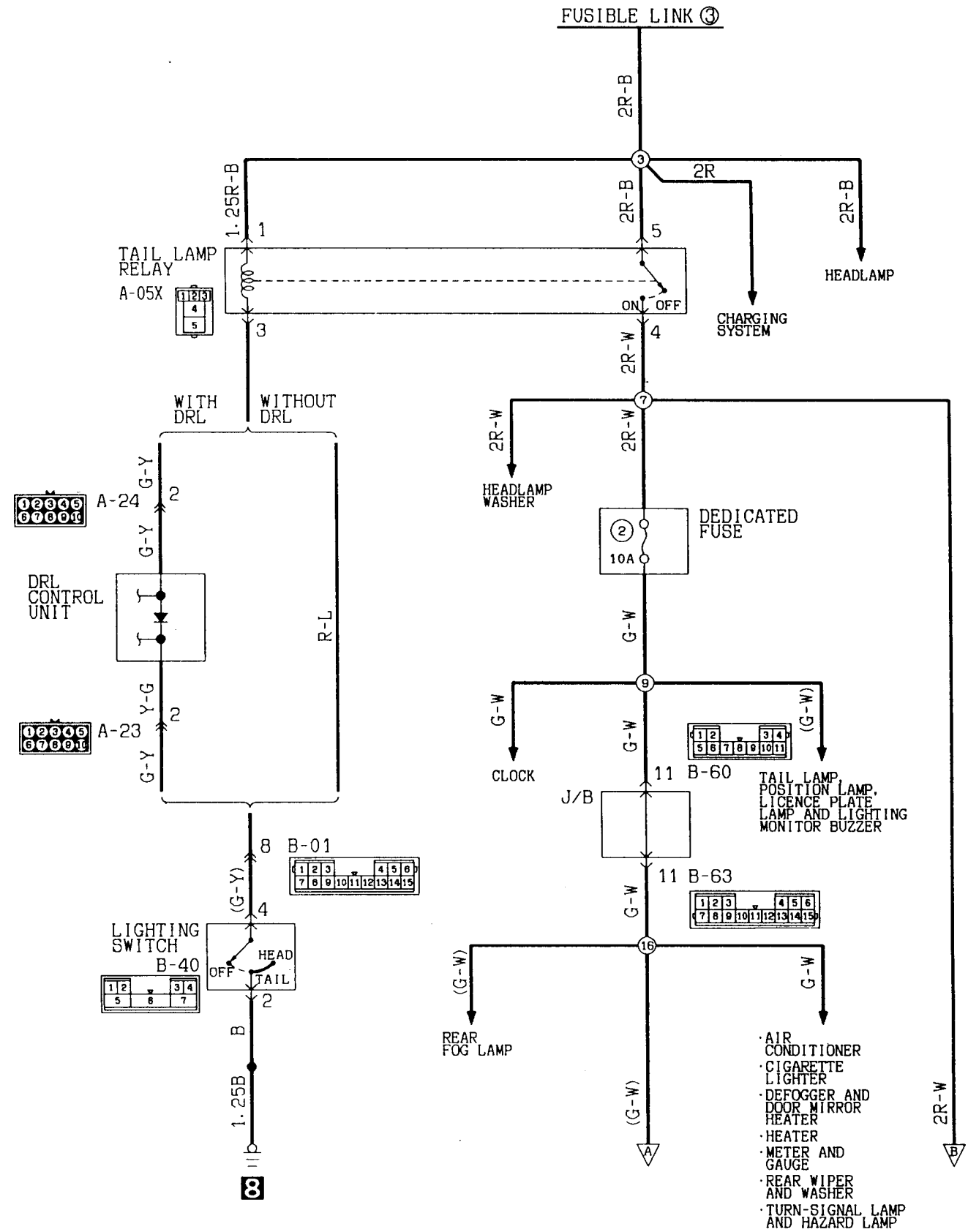
FRONT FOG LAMP (See P.4A-150, 152.)**OPERATION**

- Placing the lighting switch in the "TAIL" or "HEAD" position causes the tail lamp relay to be energized.
For vehicles with daytime running lamps, if the ignition switch is turned to the "ON" position, the tail lamp relay normally is always "ON".
- When the front fog lamp switch is turned "ON" in this condition, the front fog lamp relay will turn "ON" and the front fog lamp goes on.

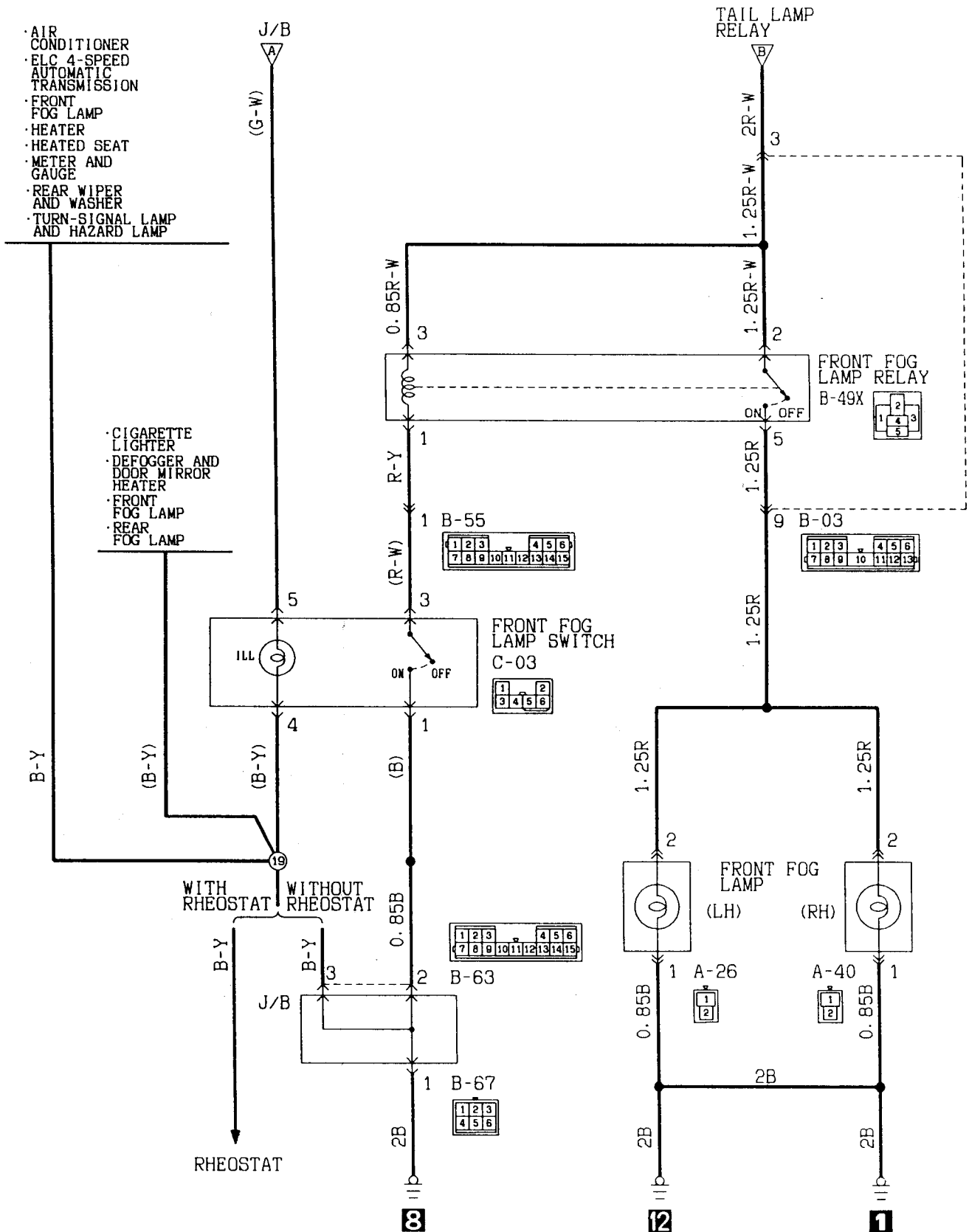
TROUBLESHOOTING HINTS

1. The front fog lamp does not light up.
 - 1) The tail lamp lights up.
 - Check front fog lamp relay.
 - Check front fog lamp switch.

FRONT FOG LAMP
L.H. drive vehicles



KX35-AC-E0833-EC

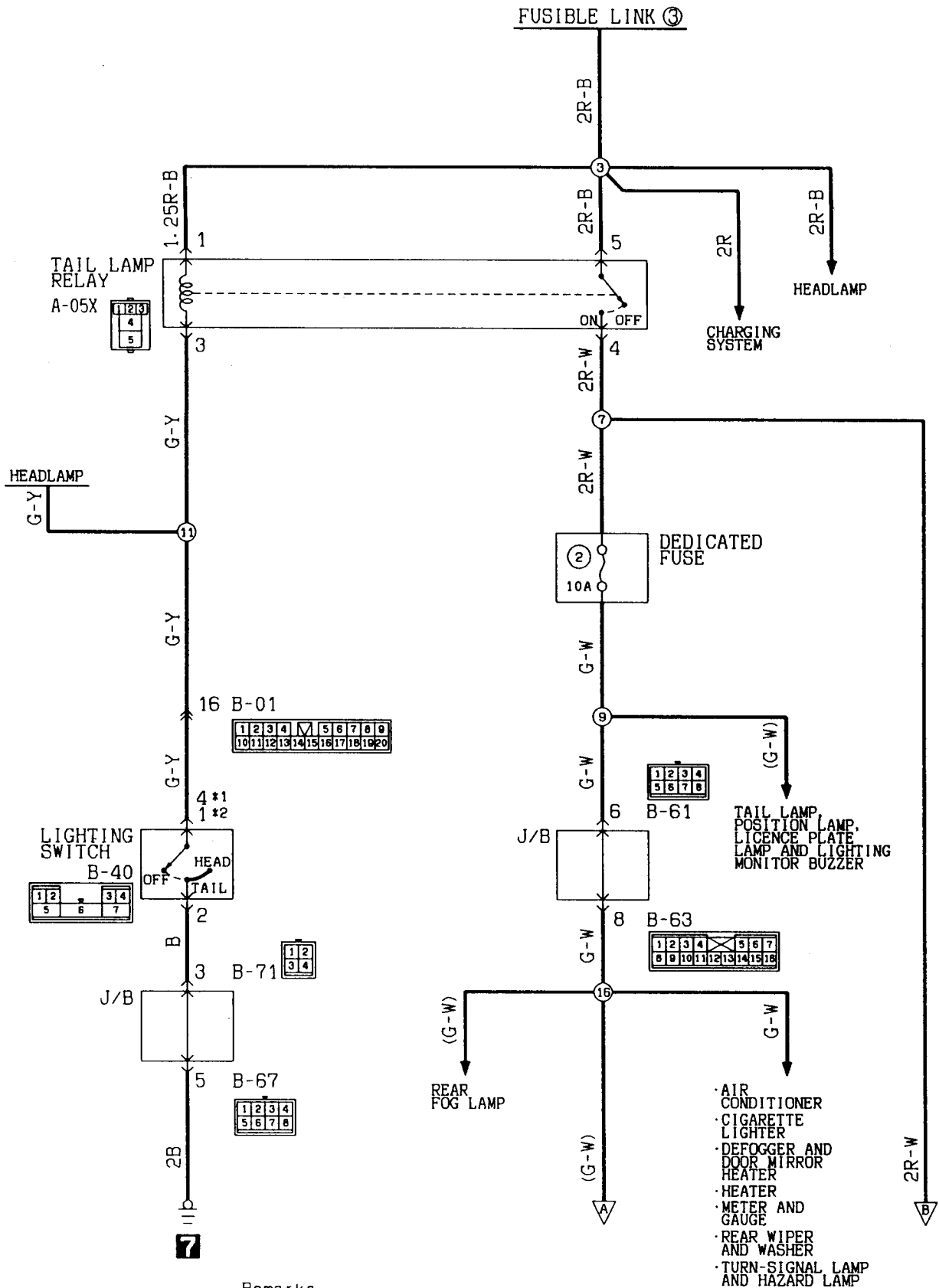


- AIR CONDITIONER
- ELC 4-SPEED AUTOMATIC TRANSMISSION
- FRONT FOG LAMP
- HEATER
- HEATED SEAT
- METER AND GAUGE
- REAR WIPER AND WASHER
- TURN-SIGNAL LAMP AND HAZARD LAMP

- CIGARETTE LIGHTER
- DEFOGGER AND DOOR MIRROR HEATER
- FRONT FOG LAMP
- REAR FOG LAMP

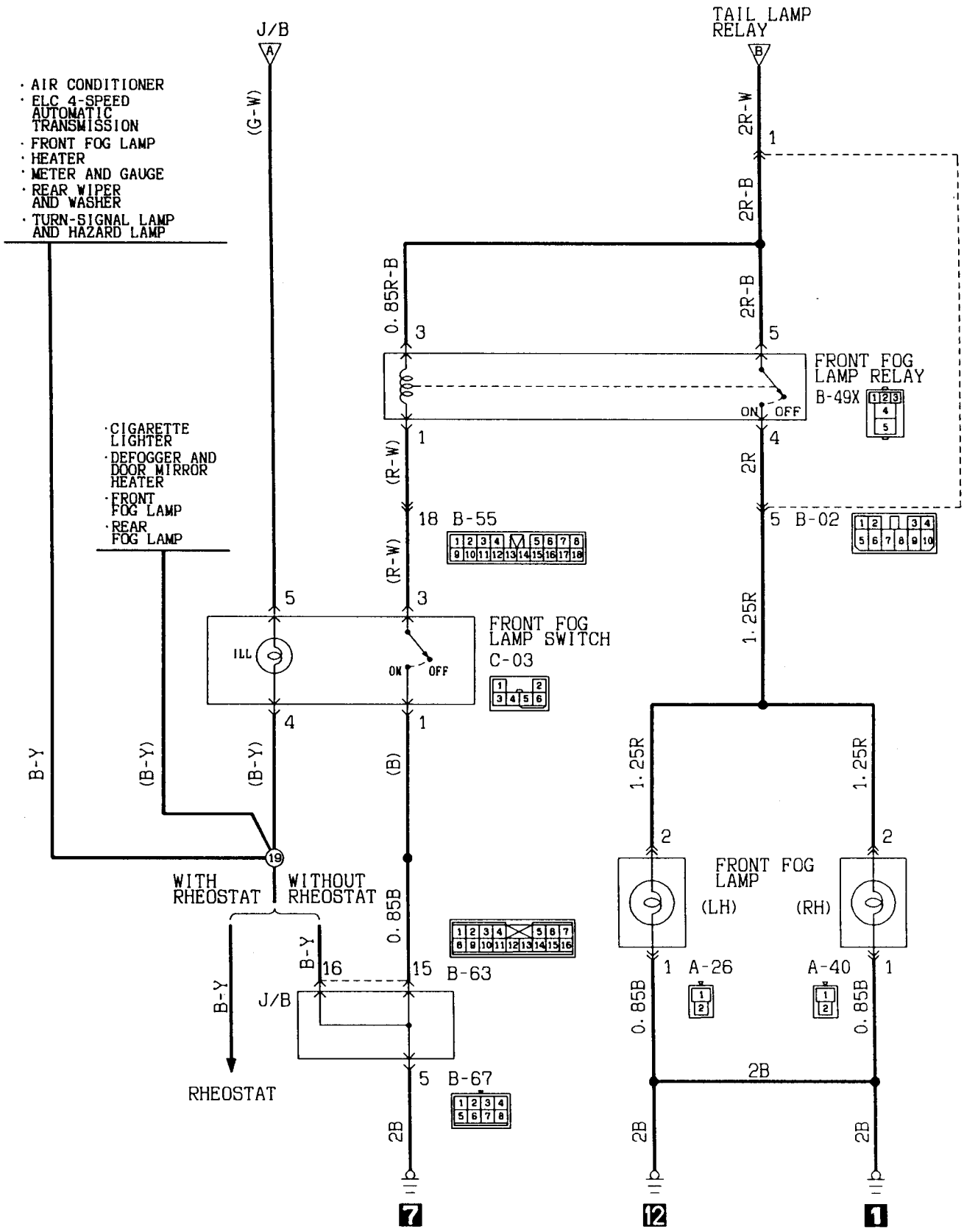
Wire colour code
 B:Black LG:Light green G:Green L:Blue W:White Y:Yellow SB:Sky blue
 BR:Brown O:Orange GR:Gray R:Red P:Pink V:Violet

FRONT FOG LAMP
R. H. drive vehicles



Remarks
*1: Vehicles with SRS.
*2: Vehicles without SRS.

KX35-AC-E0834-EC



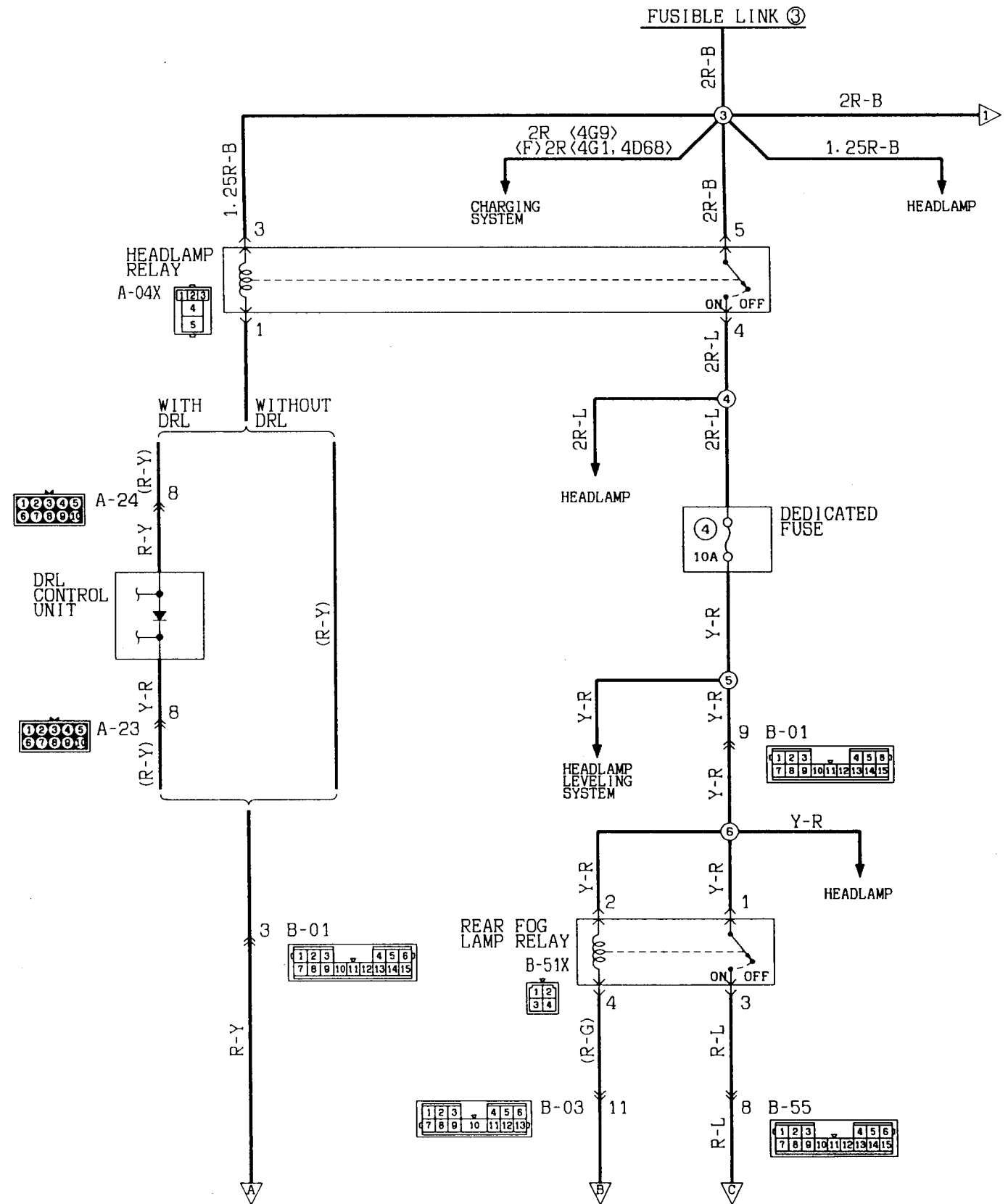
- AIR CONDITIONER
- ELC 4-SPEED AUTOMATIC TRANSMISSION
- FRONT FOG LAMP
- HEATER
- METER AND GAUGE
- REAR WIPER AND WASHER
- TURN-SIGNAL LAMP AND HAZARD LAMP

- CIGARETTE LIGHTER
- DEFOGGER AND DOOR MIRROR HEATER
- FRONT FOG LAMP
- REAR FOG LAMP

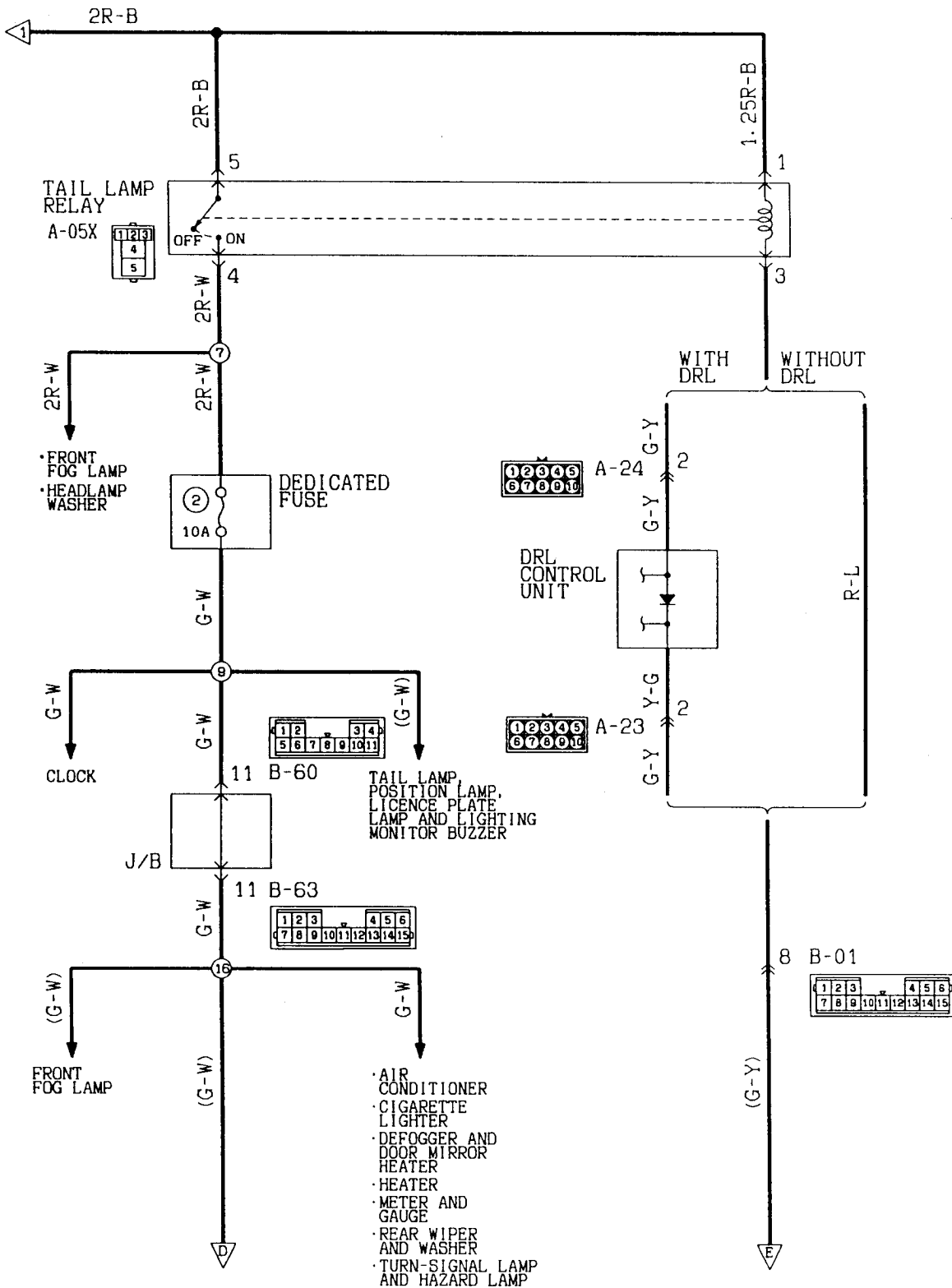
Wire colour code
 B:Black LG:Light green G:Green L:Blue W:White Y:Yellow SB:Sky blue
 BR:Brown O:Orange GR:Gray R:Red P:Pink V:Violet

REAR FOG LAMP

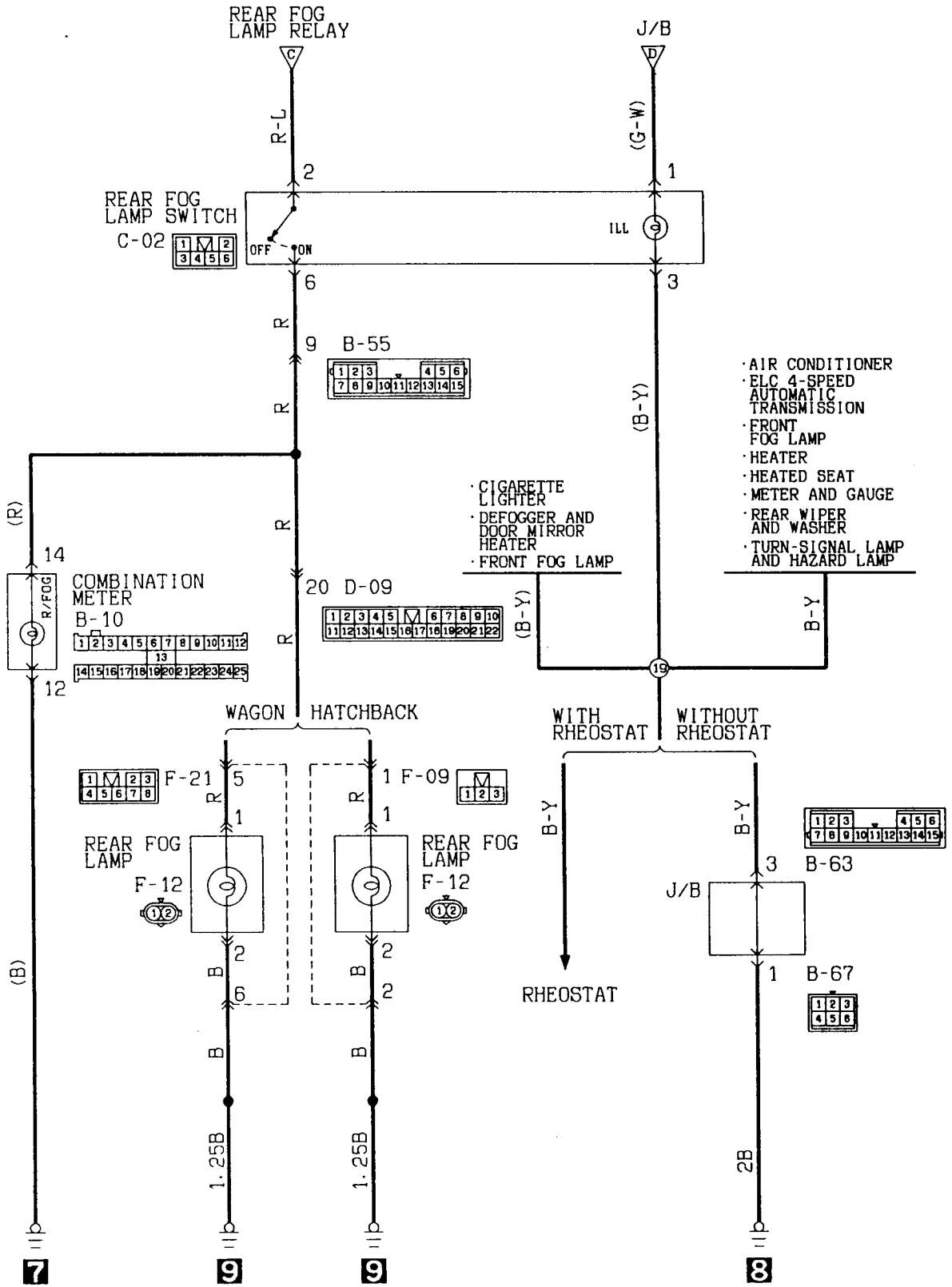
Hatchback and wagon (L.H. drive vehicles)



KX35-AC-E0835-EC

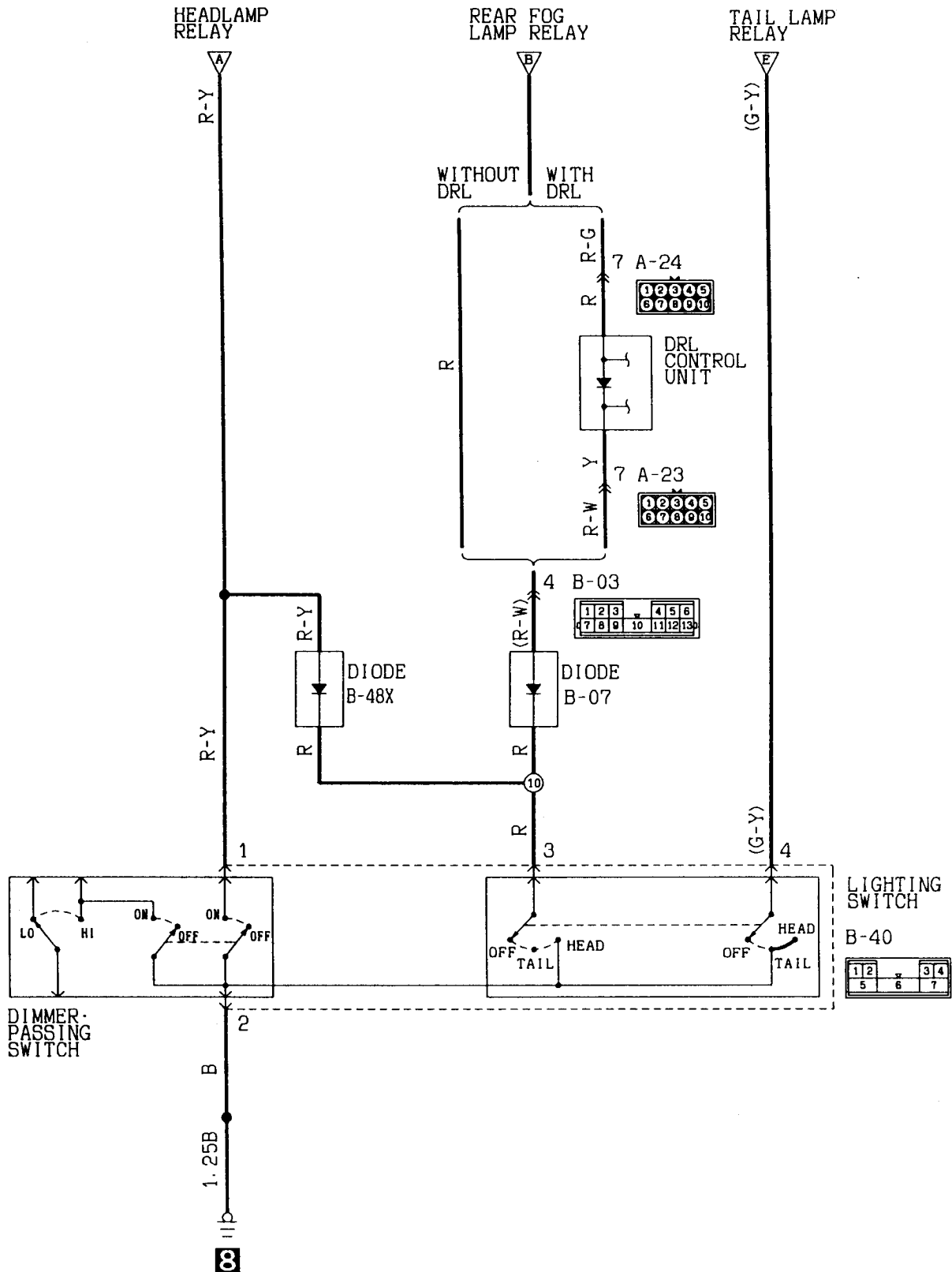


Wire colour code
 B:Black LG:Light green G:Green L:Blue W:White Y:Yellow SB:Sky blue
 BR:Brown O:Orange GR:Gray R:Red P:Pink V:Violet



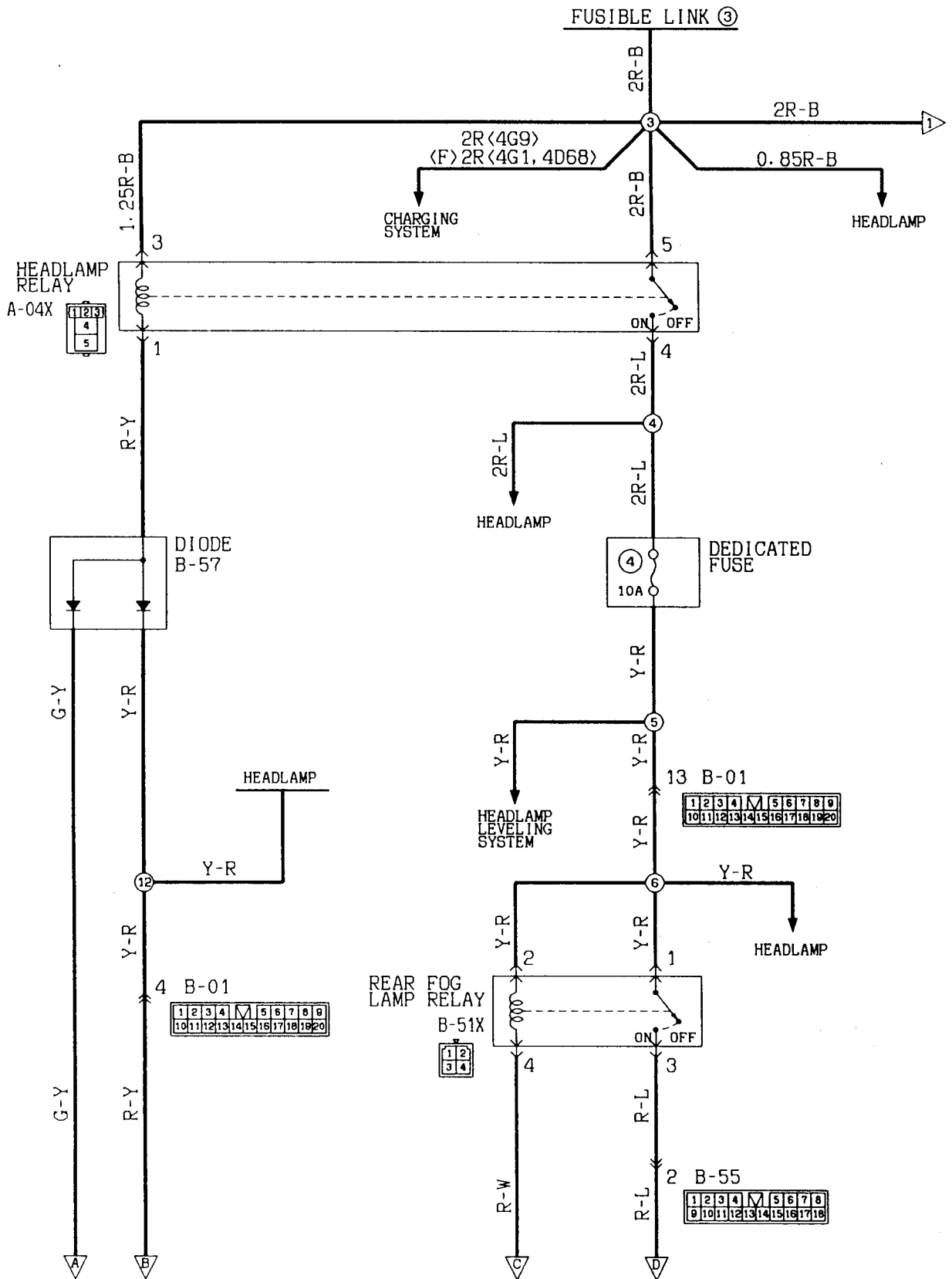
Wire colour code
 B:Black LG:Light green G:Green L:Blue W:White Y:Yellow SB:Sky blue
 BR:Brown O:Orange GR:Gray R:Red P:Pink V:Violet

KX35-AC-E0835A-EC

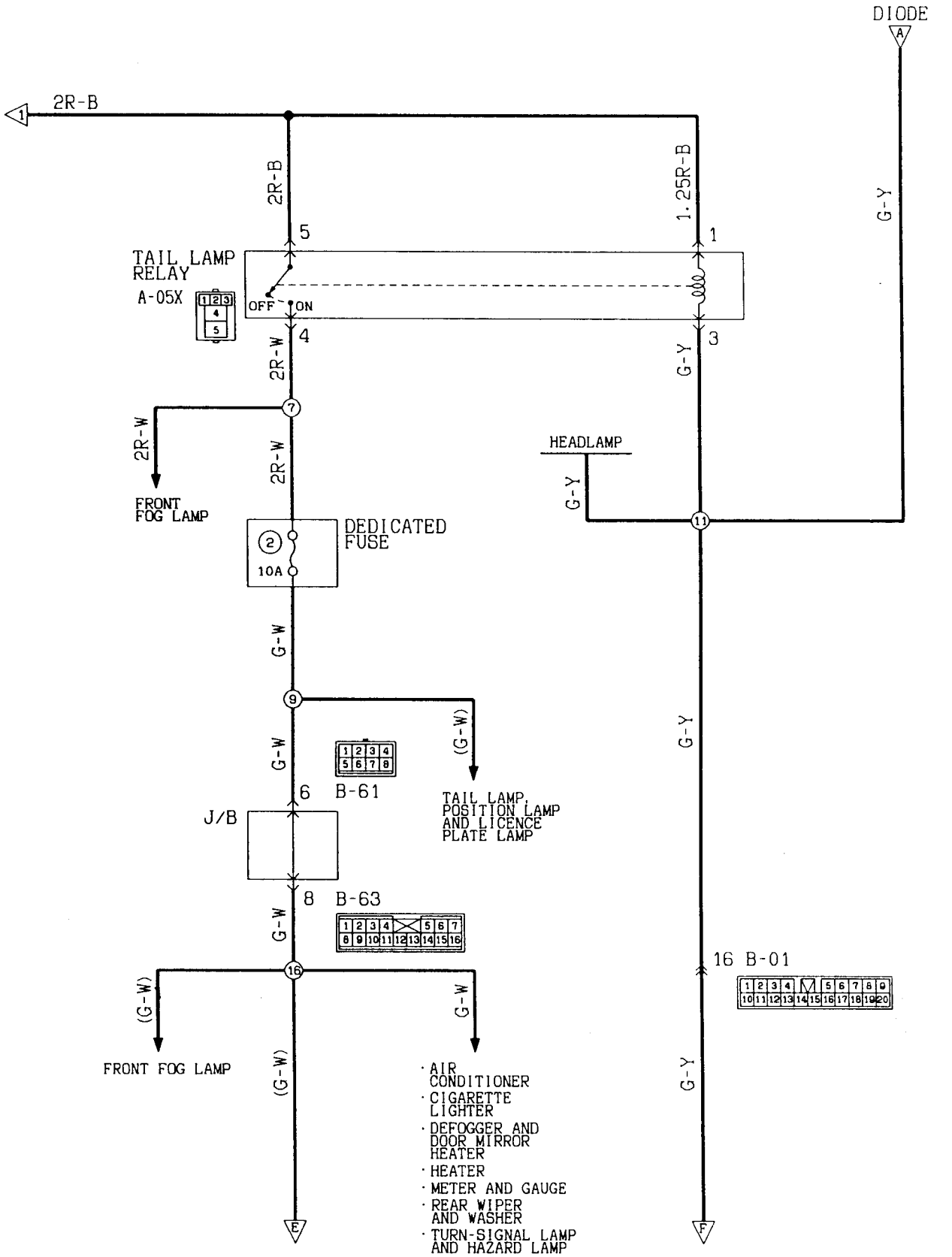


REAR FOG LAMP

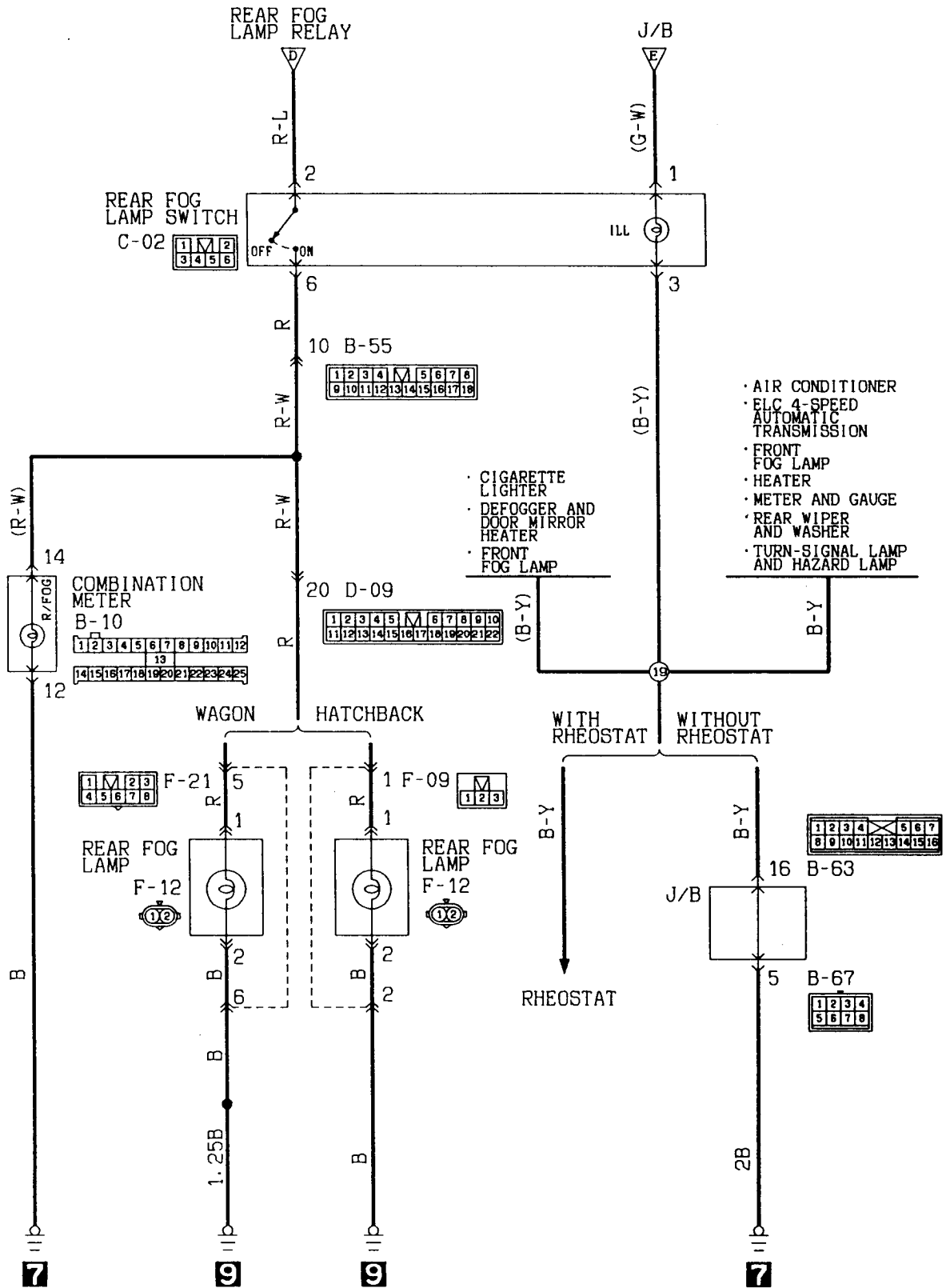
Hatchback and wagon (R. H. drive vehicles)



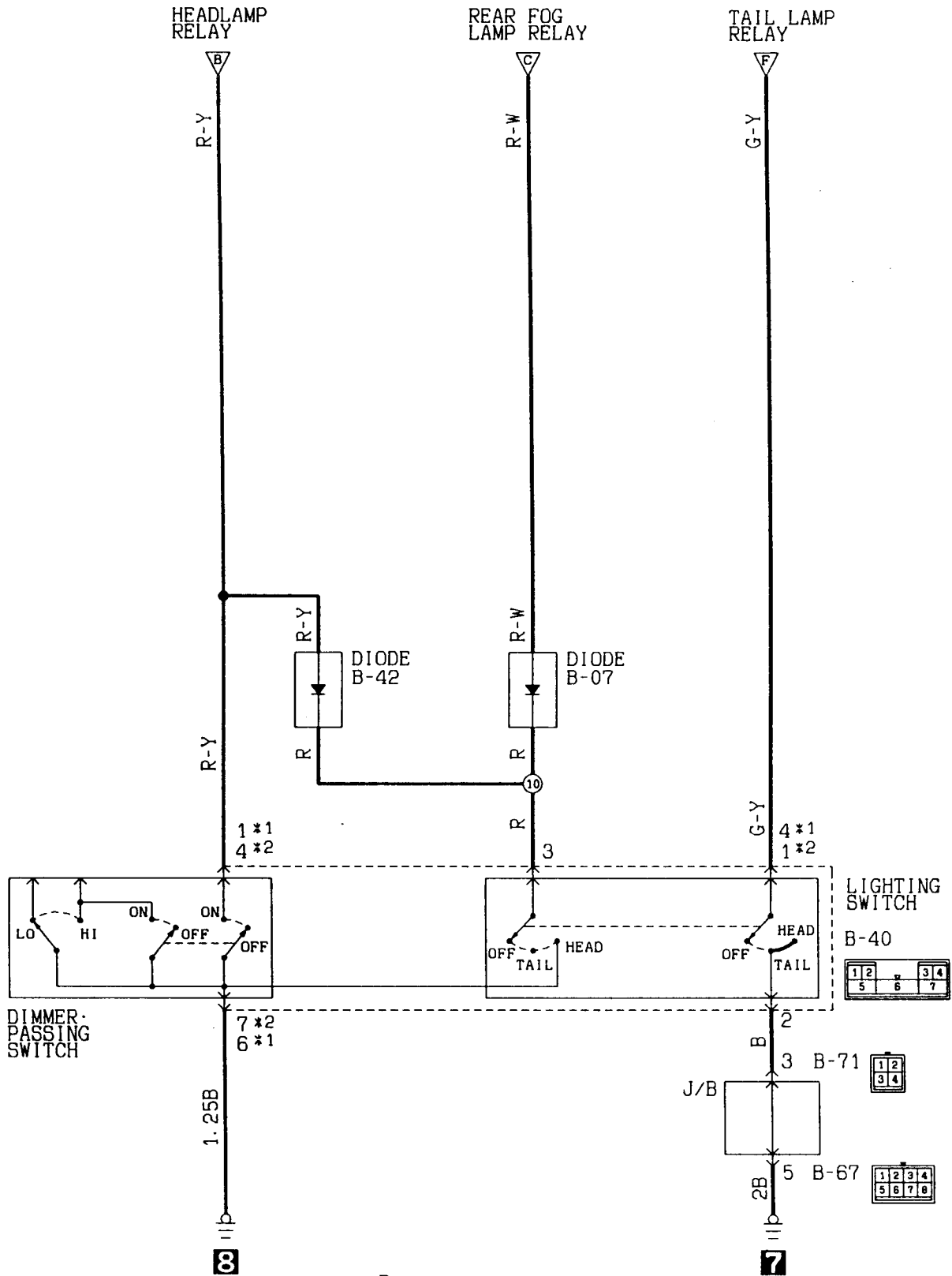
KX35-AC-E0836-EC



Wire colour code
 B:Black LG:Light green G:Green L:Blue W:White Y:Yellow SB:Sky blue
 BR:Brown O:Orange GR:Gray R:Red P:Pink V:Violet



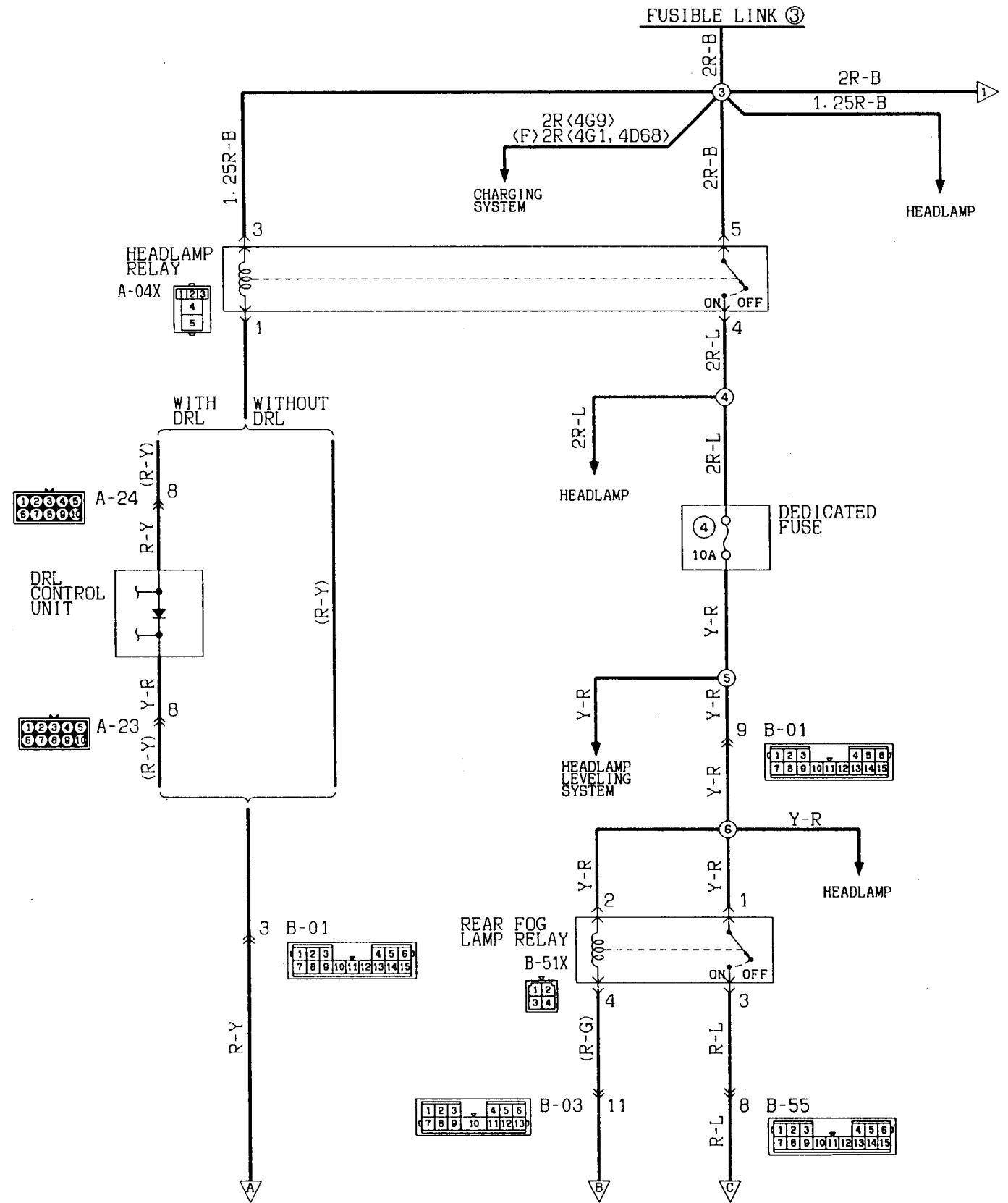
Wire colour code
 B:Black LG:Light green G:Green L:Blue W:White Y:Yellow SB:Sky blue
 BR:Brown O:Orange GR:Gray R:Red P:Pink V:Violet



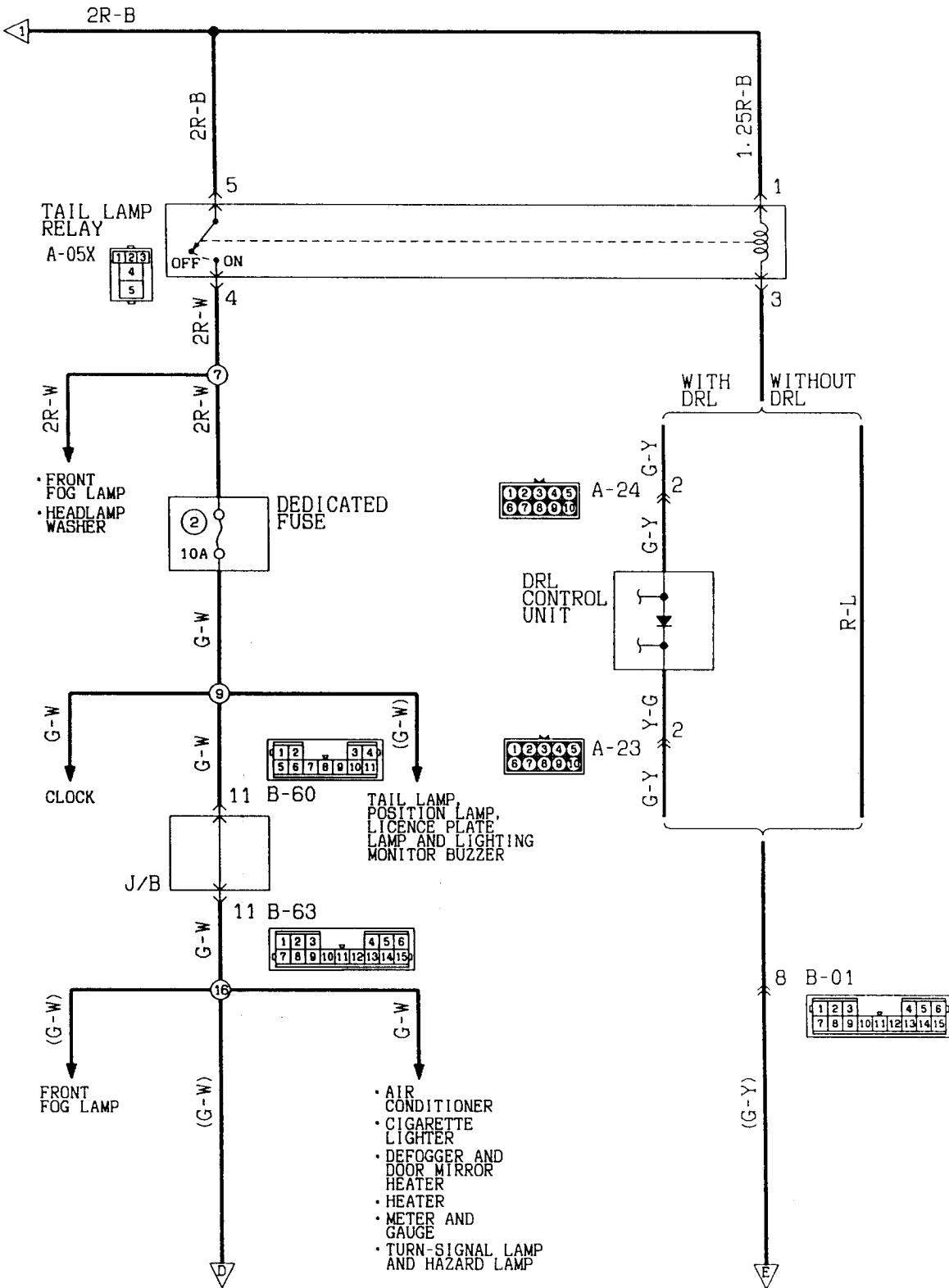
Remarks
 *1: Vehicles with SRS.
 *2: Vehicles without SRS.

REAR FOG LAMP

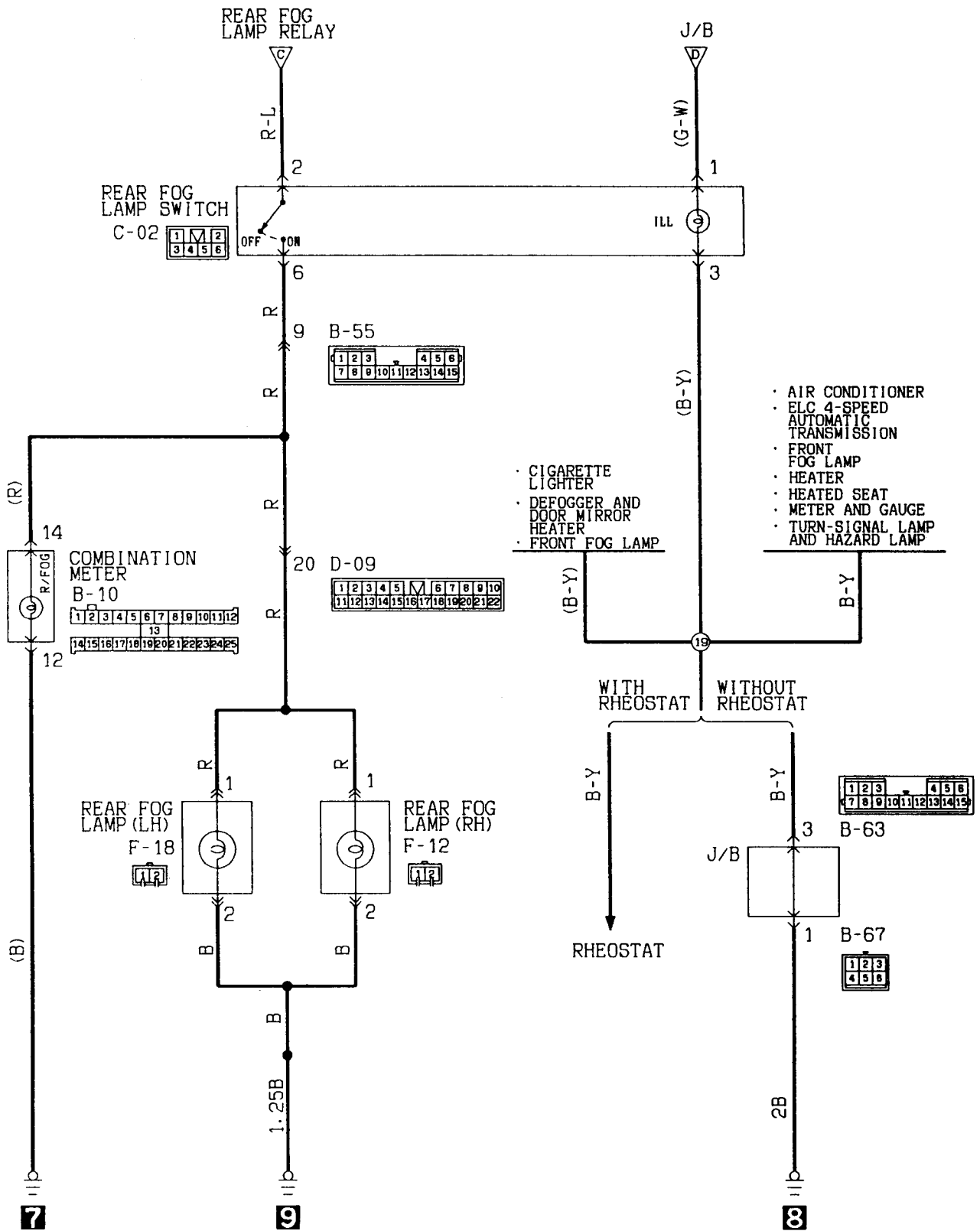
Sedan <L. H. drive vehicles>



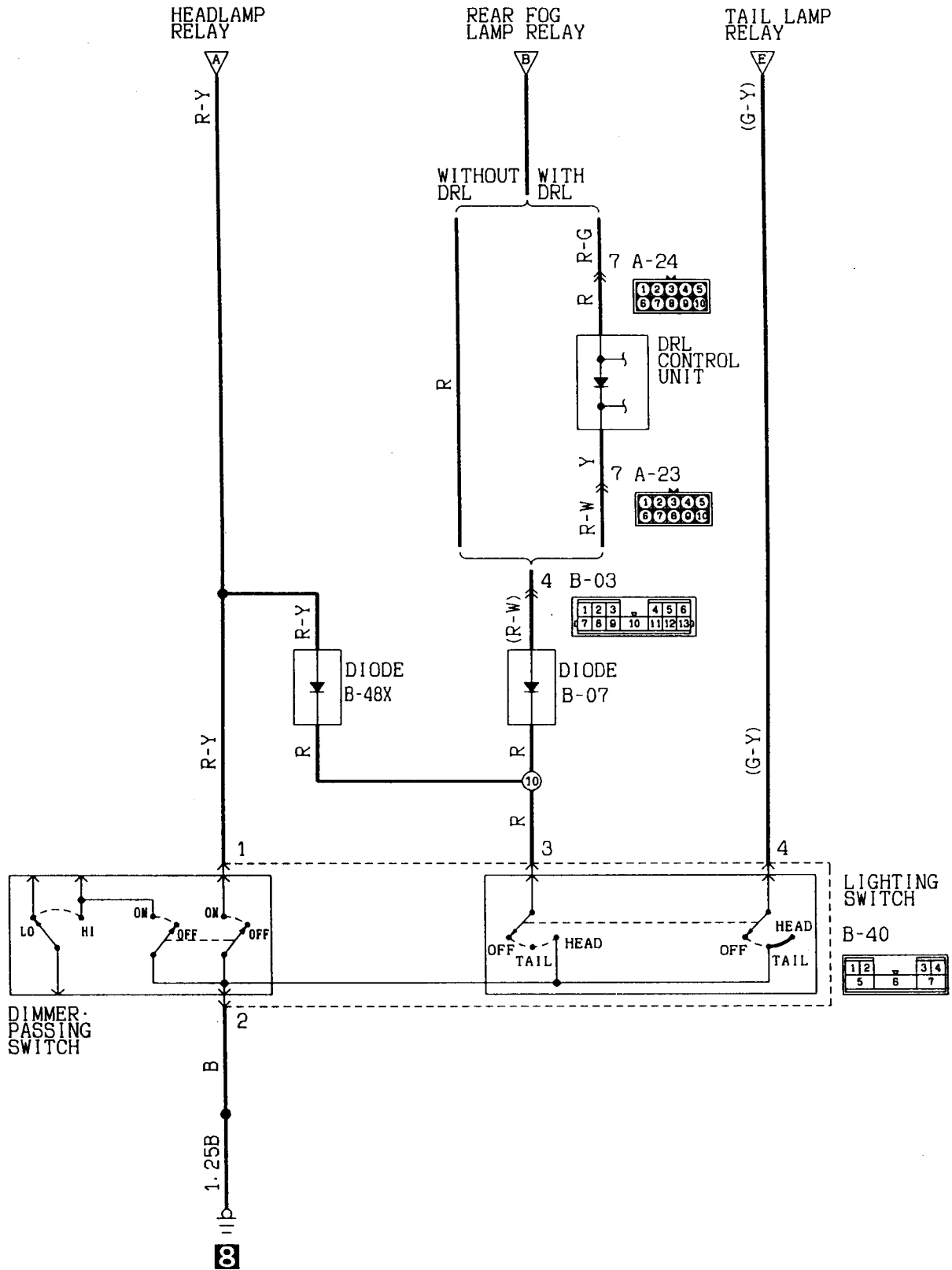
KX35-AC-E0837-EC



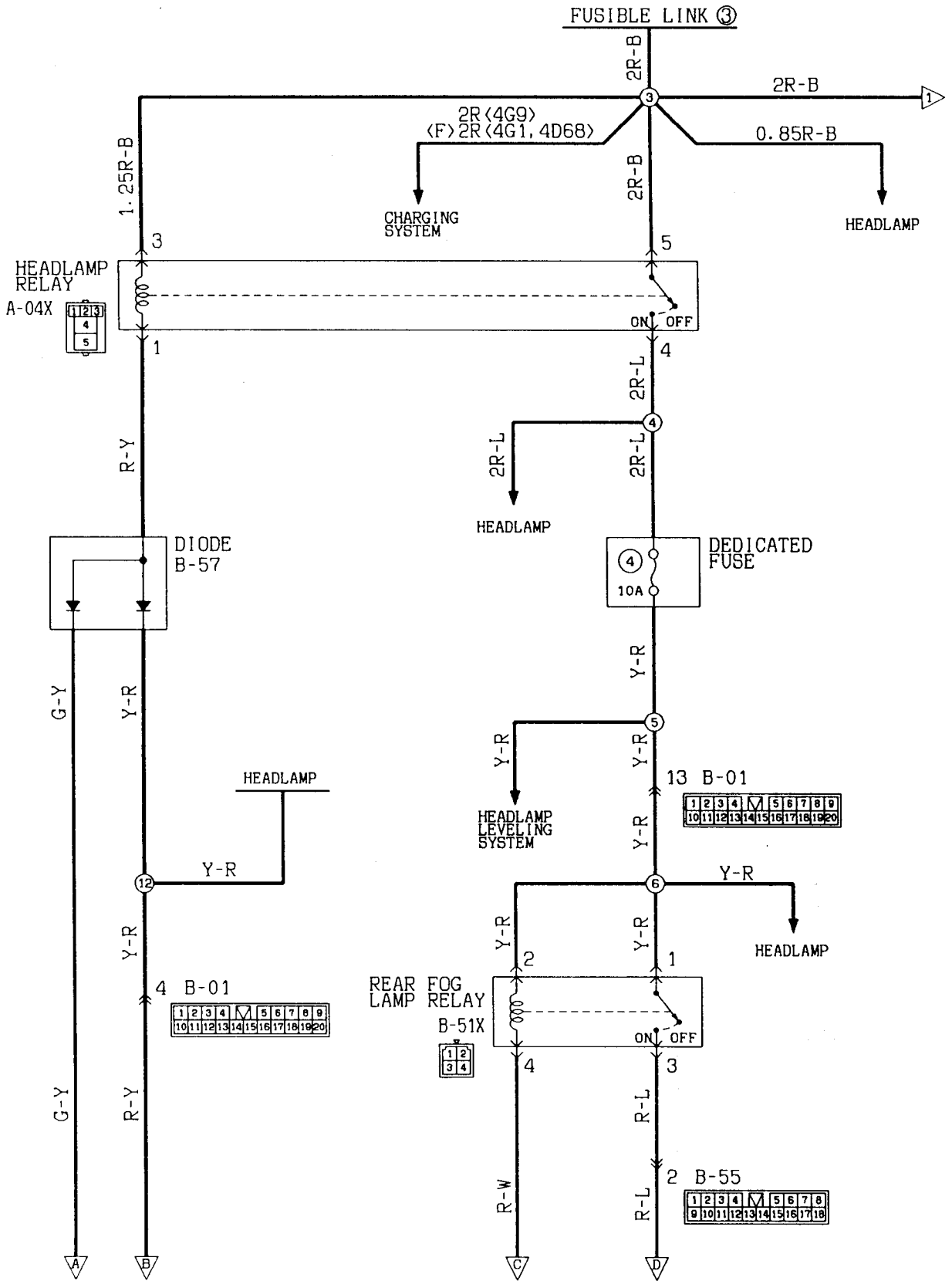
Wire colour code
 B:Black LG:Light green G:Green L:Blue W:White Y:Yellow SB:Sky blue
 BR:Brown O:Orange GR:Gray R:Red P:Pink V:Violet



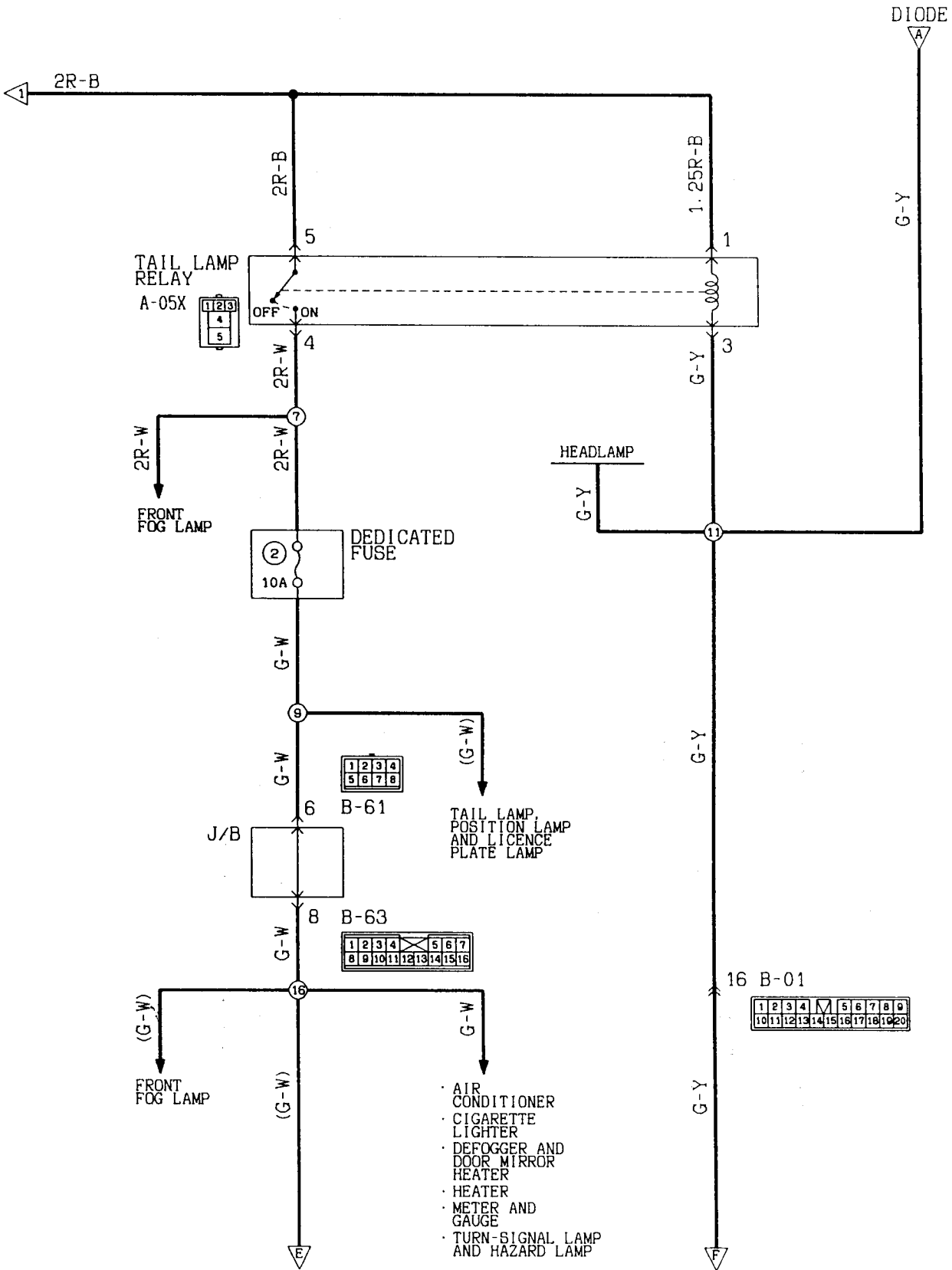
Wire colour code
 B:Black LG:Light green G:Green L:Blue W:White Y:Yellow SB:Sky blue
 BR:Brown O:Orange GR:Gray R:Red P:Pink V:Violet



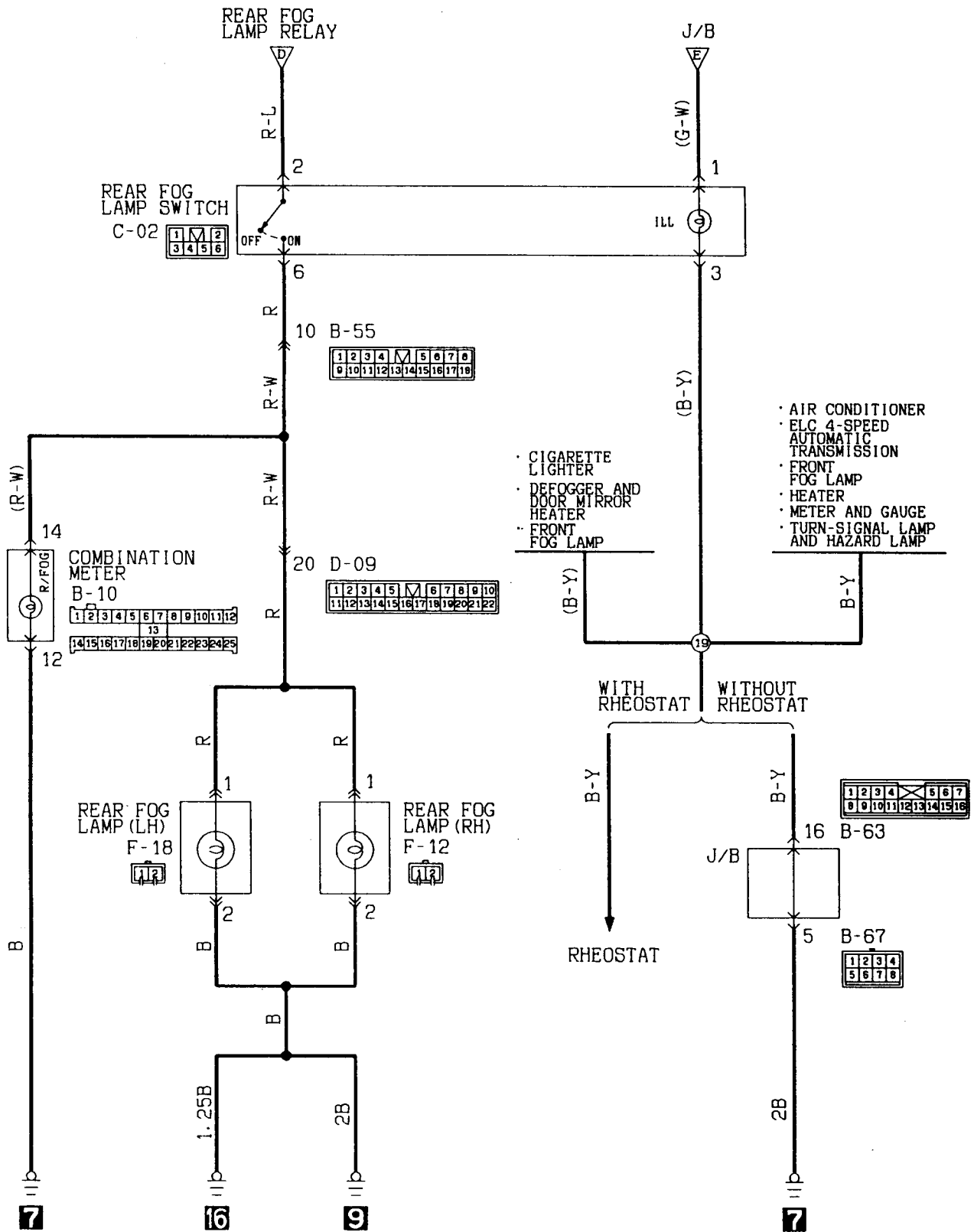
REAR FOG LAMP
Sedan (R. H. drive vehicles)



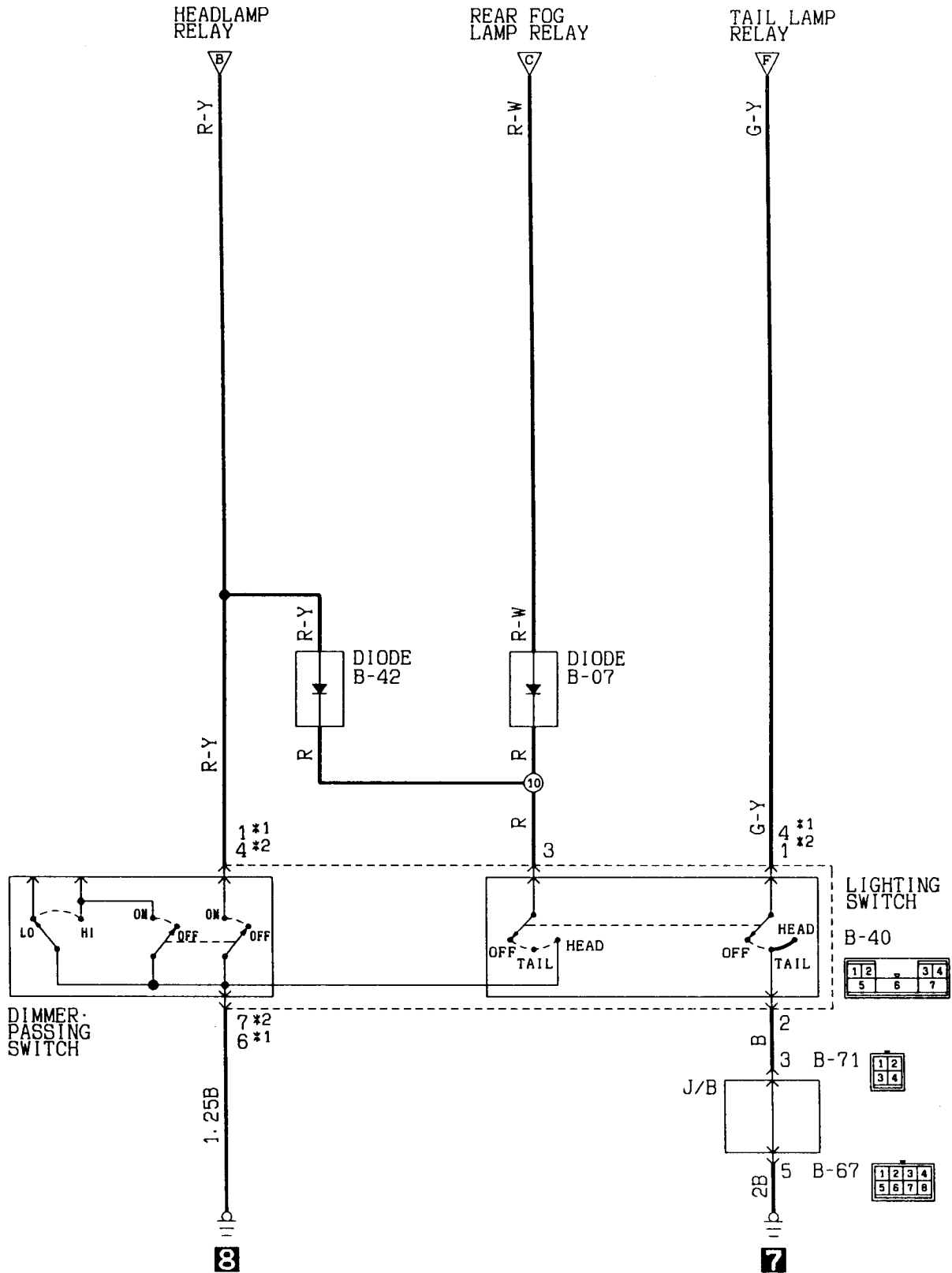
KX35-AC-E0838-EC



Wire colour code
 B:Black LG:Light green G:Green L:Blue W:White Y:Yellow SB:Sky blue
 BR:Brown O:Orange GR:Gray R:Red P:Pink V:Violet



Wire colour code
 B:Black LG:Light green G:Green L:Blue W:White Y:Yellow SB:Sky blue
 BR:Brown O:Orange GR:Gray R:Red P:Pink V:Violet



Remarks
 *1: Vehicles with SRS.
 *2: Vehicles without SRS.

REAR FOG LAMP (See P.4A-154, 158, 162, 166.)**OPERATION**

Rear Fog Lamp Relay ON Conditions

<Vehicles without daytime running lamp>

Ignition switch	Lighting switch	Rear fog lamp relay
—	"HEAD"	ON

<Vehicles with daytime running lamp>

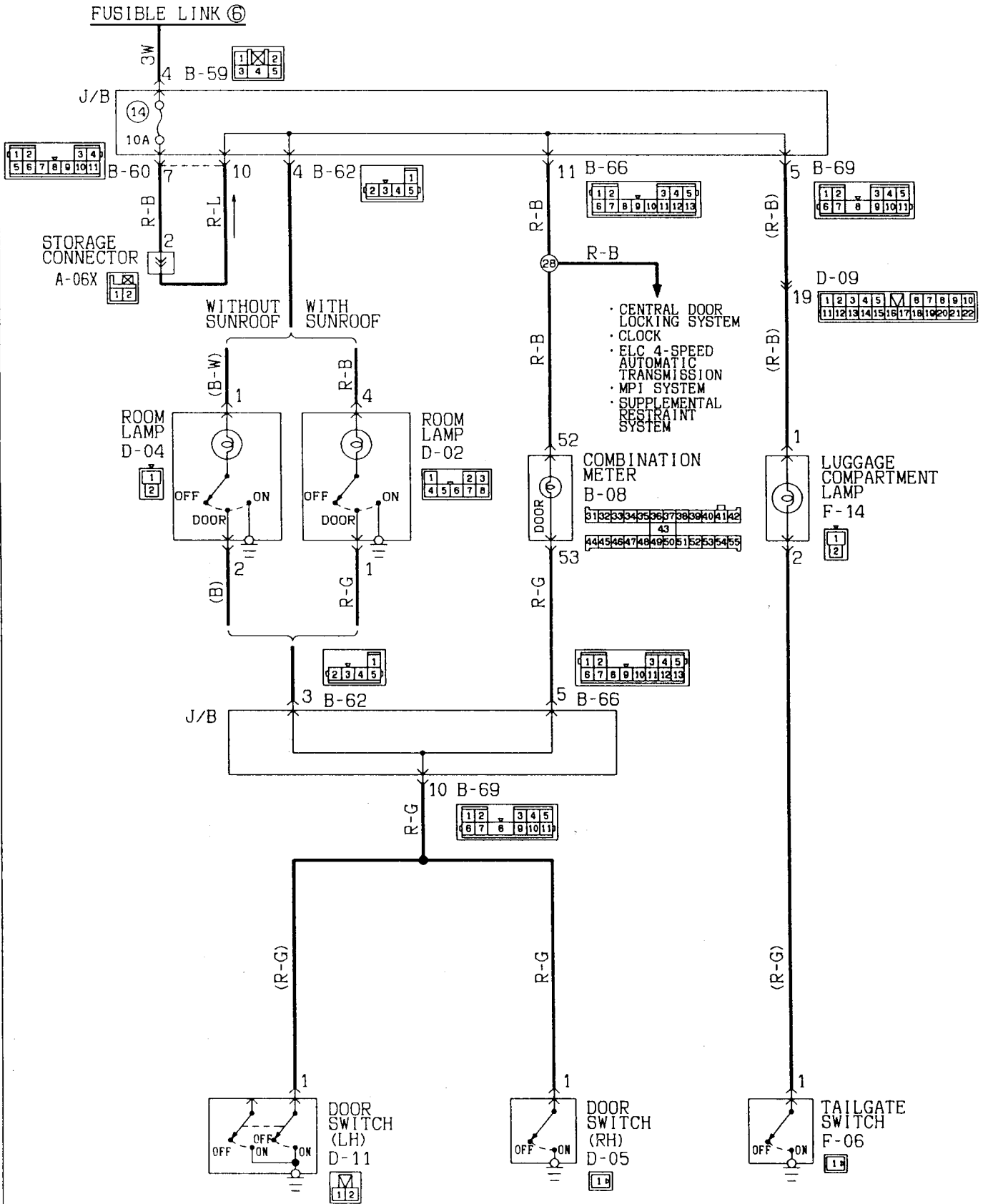
Ignition switch	Lighting switch	Rear fog lamp relay
—	"HEAD"	ON
"ON"	"OFF" or "HEAD"	ON

- Placing the lighting switch in the HEAD position causes the rear fog lamp relay to be energized. For vehicles with daytime running lamps, if the ignition switch is in the "ON" position and the lighting switch is in the "OFF" position, the rear fog lamp relay will be energized.
- When the rear fog lamp switch is turned ON in this condition, the rear fog lamp goes on.

TROUBLESHOOTING HINTS

1. The rear fog lamp doesn't illuminate.
 - 1) Headlamps go on.
 - Check the rear fog lamp relay.
 - Check the rear fog lamp switch.
 - Check the dedicated fuse No. ④.
 - 2) Headlamps do not go on, either.
 - Check the lighting switch.
 - Check the fusible link No. ③.
2. The rear fog lamp at the one side doesn't illuminate.
 - Check the lamp bulb.

ROOM LAMP AND LUGGAGE COMPARTMENT LAMP
Hatchback (L.H. drive vehicles)

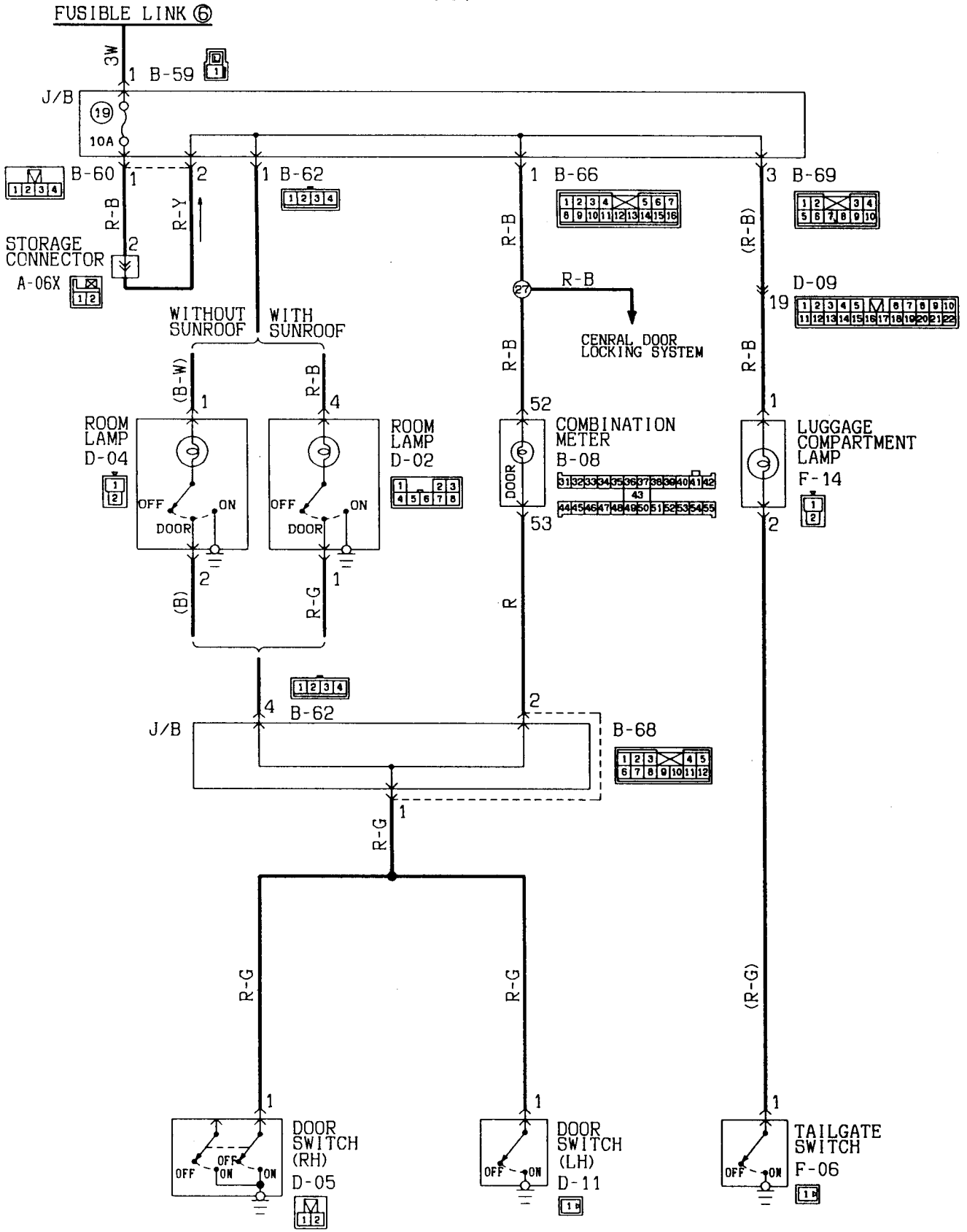


Wire colour code
 B:Black LG:Light green G:Green L:Blue W:White Y:Yellow SB:Sky blue
 BR:Brown O:Orange GR:Gray R:Red P:Pink V:Violet

KX35-AC-E0839-EC

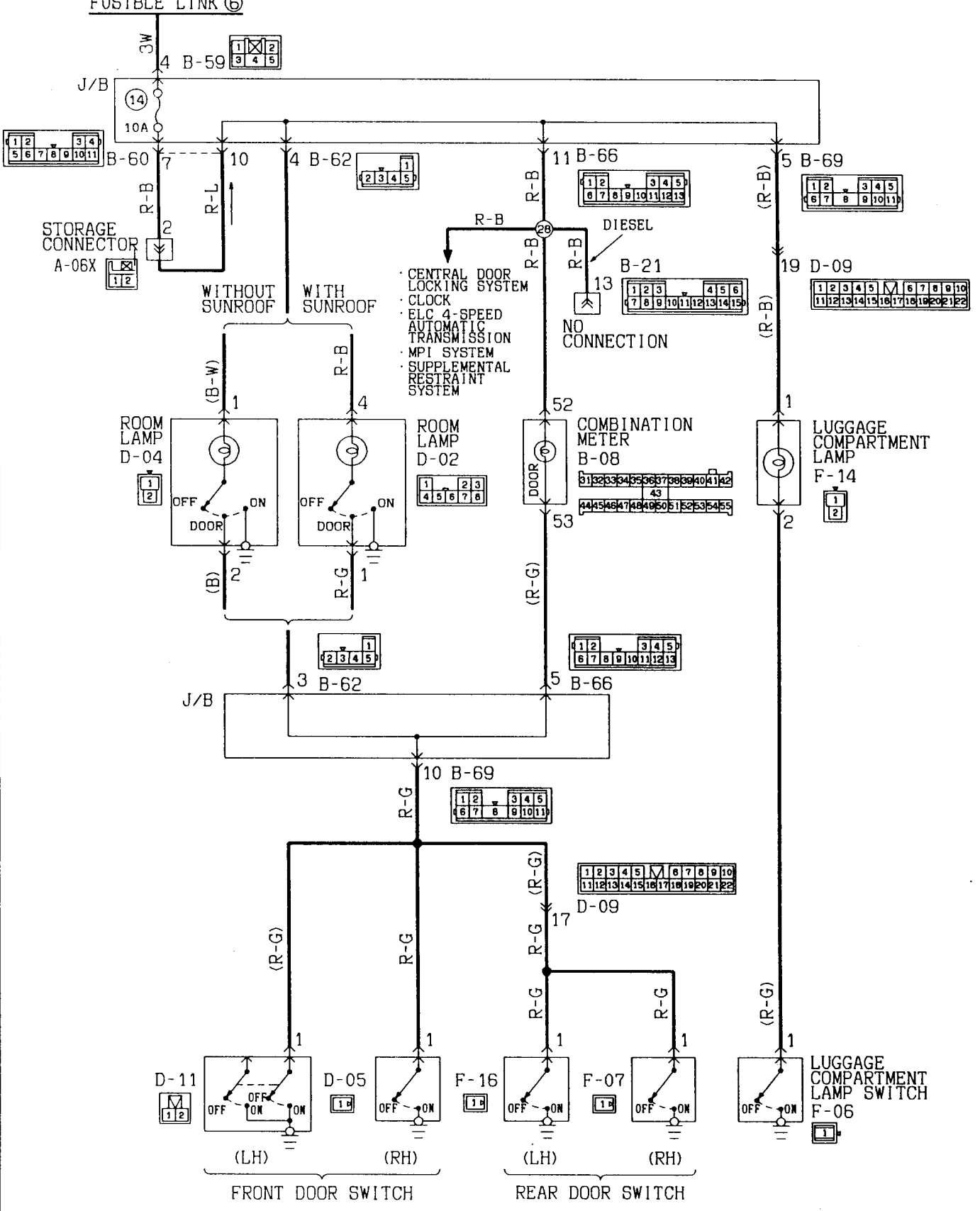
4A-172 CIRCUIT DIAGRAM – Room Lamp and Luggage Compartment Lamp

ROOM LAMP AND LUGGAGE COMPARTMENT LAMP Hatchback (R. H. drive vehicles)



Wire colour code
 B:Black LG:Light green G:Green L:Blue W:White Y:Yellow SB:Sky blue
 BR:Brown O:Orange GR:Gray R:Red P:Pink V:Violet

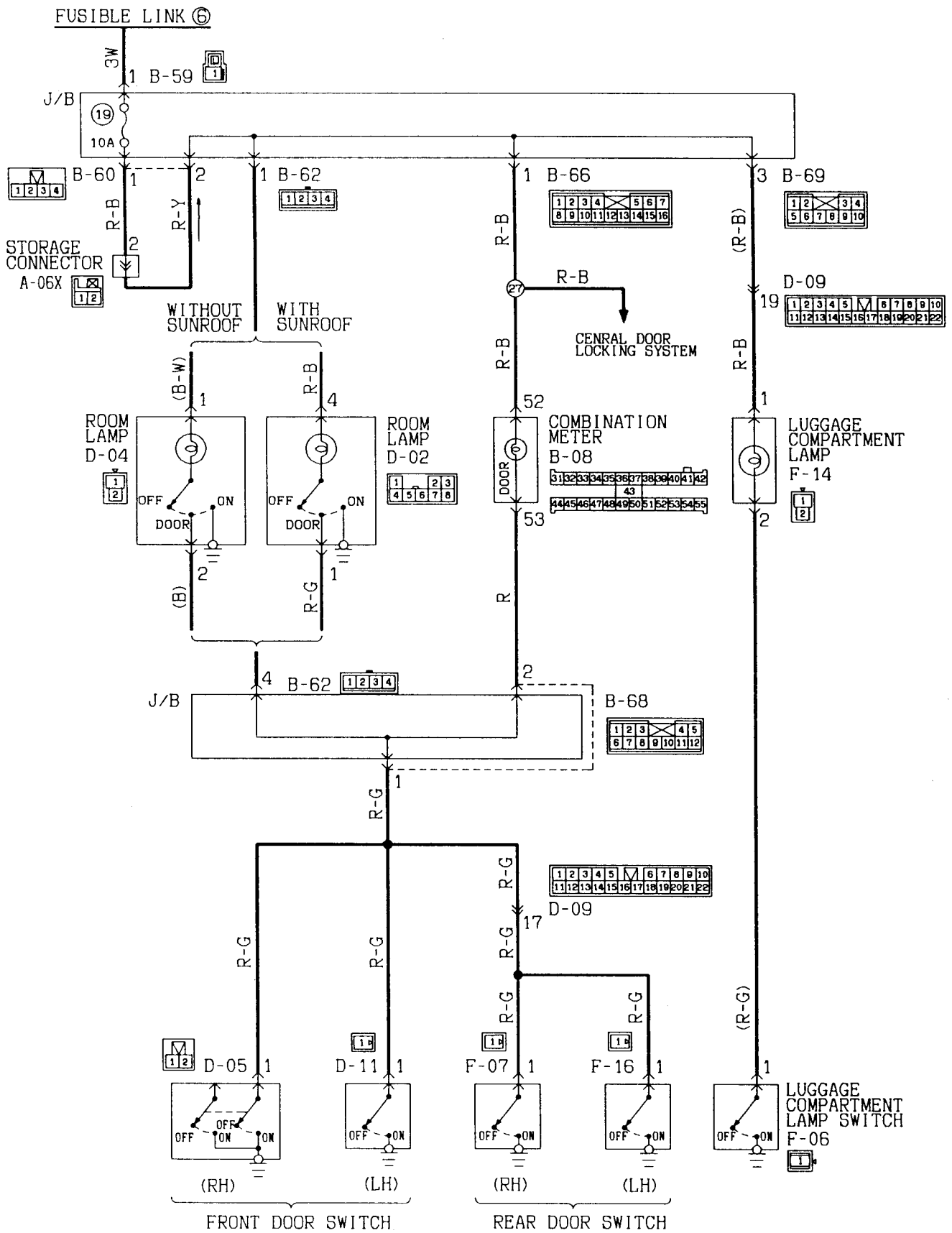
ROOM LAMP AND LUGGAGE COMPARTMENT LAMP
Sedan (L.H. drive vehicles)



Wire colour code
 B:Black LG:Light green G:Green L:Blue W:White Y:Yellow SB:Sky blue
 BR:Brown O:Orange GR:Gray R:Red P:Pink V:Violet

4A-174 CIRCUIT DIAGRAM – Room Lamp and Luggage Compartment Lamp

ROOM LAMP AND LUGGAGE COMPARTMENT LAMP Sedan (R. H. drive vehicles)

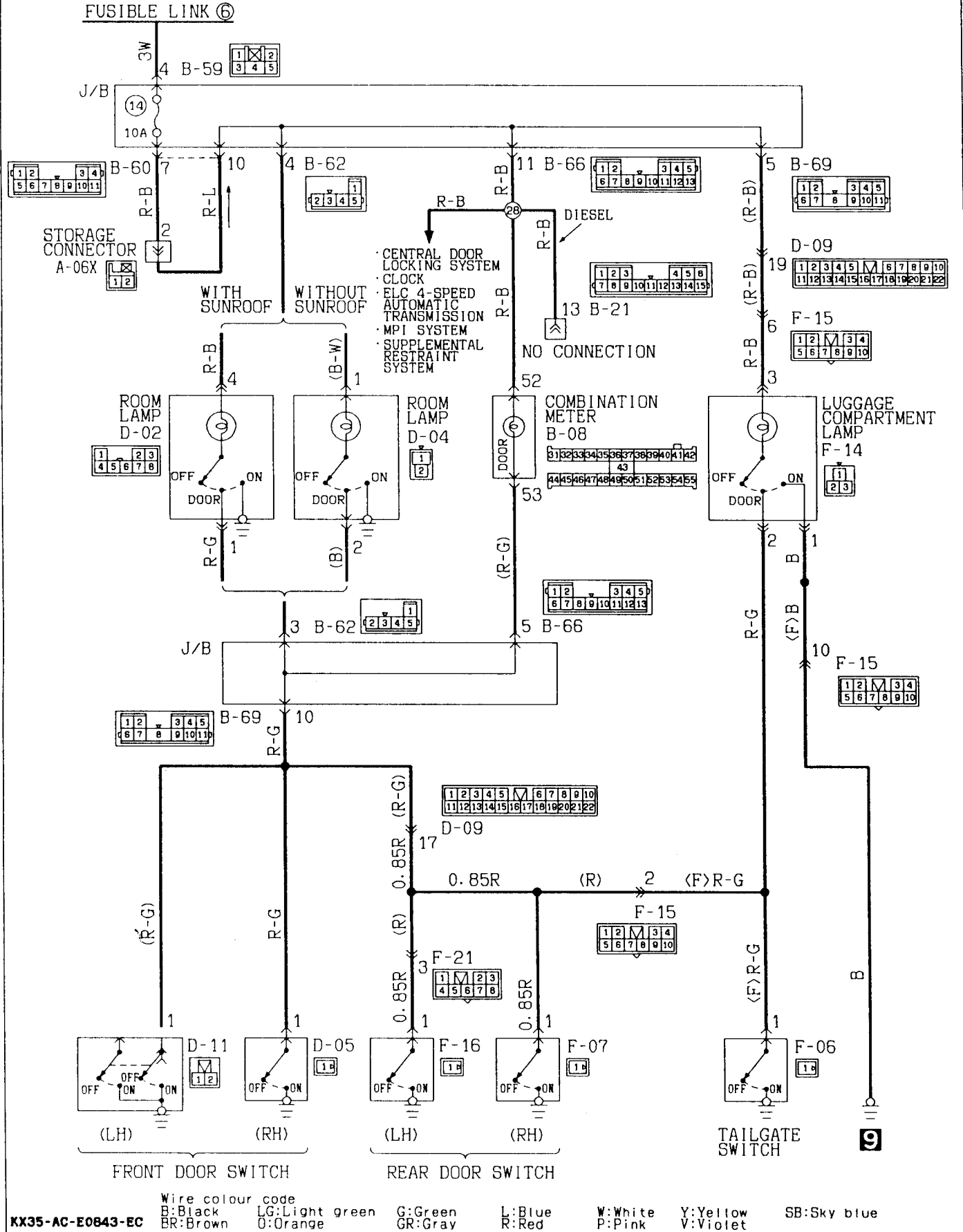


Wire colour code
 B:Black LG:Light green G:Green L:Blue W:White Y:Yellow SB:Sky blue
 BR:Brown O:Orange GR:Gray R:Red P:Pink V:Violet

KX35-AC-E0642-EC

ROOM LAMP AND LUGGAGE COMPARTMENT LAMP

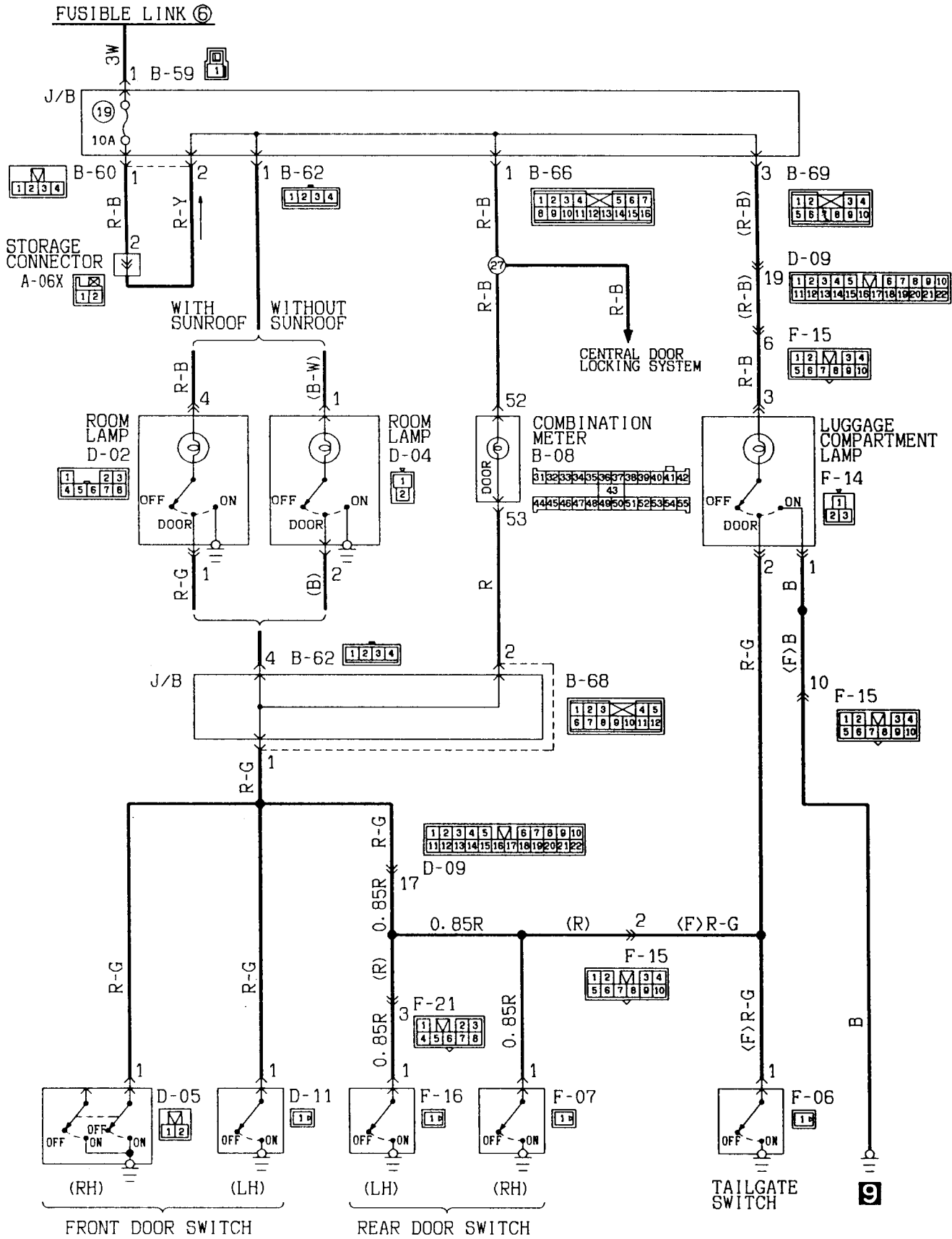
Wagon (L.H. drive vehicles)



4A-176 CIRCUIT DIAGRAM – Room Lamp and Luggage Compartment Lamp

ROOM LAMP AND LUGGAGE COMPARTMENT LAMP

Wagon (R. H. drive vehicles)



Wire colour code
 B:Black LG:Light green G:Green L:Blue W:White Y:Yellow SB:Sky blue
 BR:Brown O:Orange GR:Gray R:Red P:Pink V:Violet

**ROOM LAMP AND LUGGAGE COMPARTMENT LAMP
(See P.4A-171, 172, 173, 174, 175, 176.)**

OPERATION <Hatchback and Sedan>

<Room lamp>

- Placing the room lamp switch in the ON position causes the room lamp to come on at all times.
- Opening any one of the doors with the room lamp switch in the DOOR position causes the room lamp to come on.
- Closing all doors causes the room lamp to go out.

<Luggage compartment lamp>

- Battery voltage is being applied at all times to the luggage compartment lamp through the fusible link No. ⑥, multi-purpose fuse No. ⑭ <L.H. drive vehicles> and multi-purpose fuse No. ⑲ <R.H. drive vehicles>.
- Opening the tailgate or trunk lid turns ON the tailgate switch or luggage compartment lamp switch, causing the luggage compartment lamp to light up.

OPERATION <Wagon>

<Room lamp>

- Placing the room lamp switch in the ON position causes the room lamp to come on at all times.
- Opening any one of the doors or tailgate with the room lamp switch in the DOOR position causes the room lamp to come on.
- Closing all doors or tailgate causes the room lamp to go out.

<Luggage compartment lamp>

- Placing the luggage compartment lamp switch in the ON position causes the luggage compartment lamp to come on at all times.
- Opening any one of the doors or tailgate with the luggage compartment lamp switch in the DOOR position causes the luggage compartment lamp to come on.
- Closing all doors or tailgate causes the luggage compartment lamp to go out.

TROUBLESHOOTING HINTS <Hatchback and Sedan>

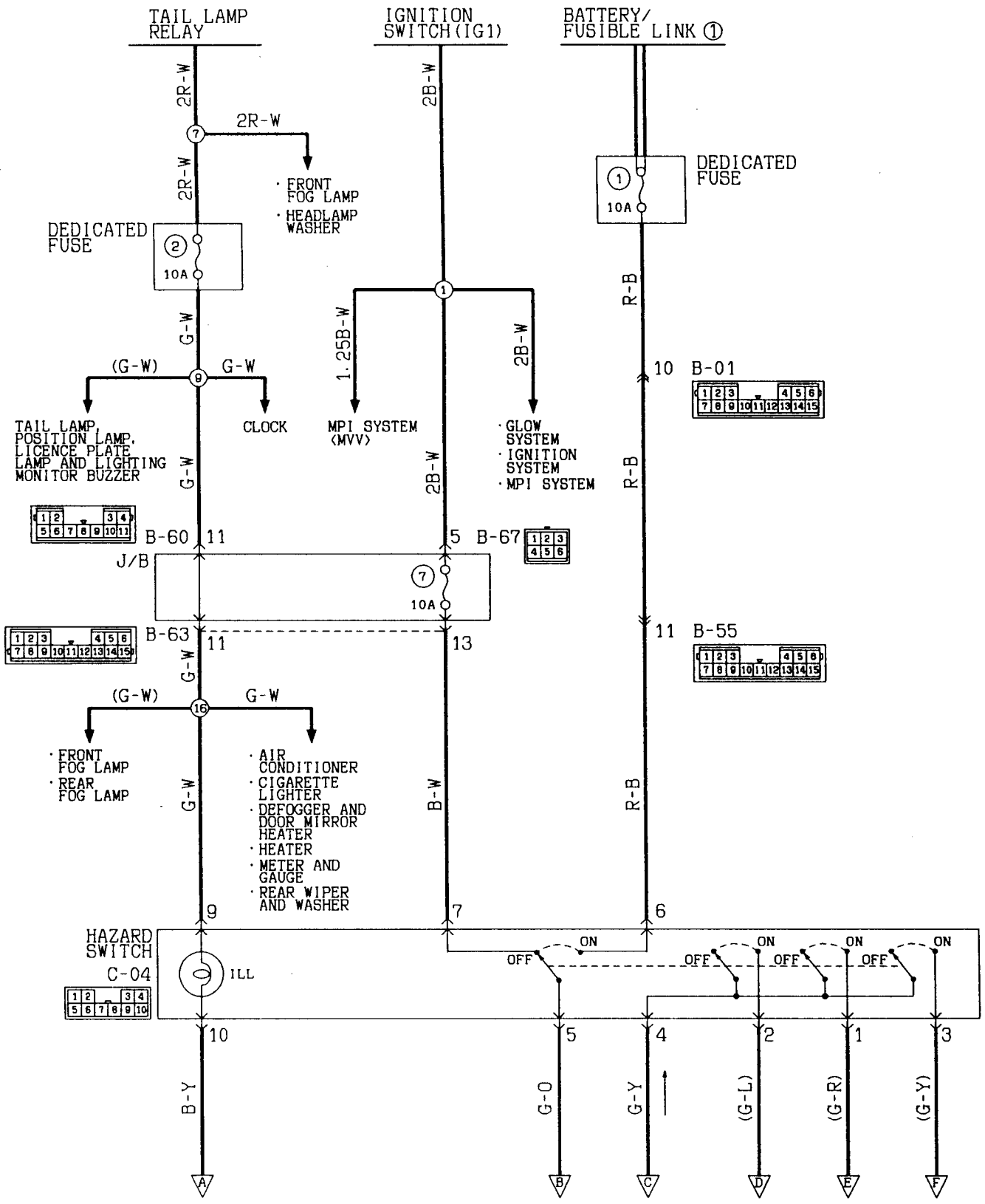
1. Room lamp does not come on.
 - 1) Clock is not operating, either.
 - Check multi-purpose fuse No. ⑭ <L.H. drive vehicles>
 - Check multi-purpose fuse No. ⑲ <R.H. drive vehicles>
 - 2) Room lamp does not come on when any door is opened with the room lamp switch in the DOOR position.
 - Check bulb.
 - Check room lamp switch.
 - 3) Room lamp does not come on when a door is opened with the room lamp switch in the DOOR position.
 - Check door switch (of the suspected door).
2. Luggage compartment lamp does not come on.
 - 1) Room lamp is normal.
 - Check bulb.
 - Check tailgate switch. <Hatchback>
 - Check luggage compartment lamp switch <Sedan>

TROUBLESHOOTING HINTS <Wagon>

1. Room lamp and luggage compartment lamp does not come on.
 - 1) Clock is not operating, either.
 - Check multi-purpose fuse No. ⑭ <L.H. drive vehicles>
 - Check multi-purpose fuse No. ⑲ <R.H. drive vehicles>
 - 2) When the room lamp switch and luggage compartment lamp switch are set to the DOOR position, one of the lamps doesn't illuminate when the door or tailgate is opened.
 - Check bulb that doesn't illuminate.
 - Check switch of lamp that doesn't illuminate.
 - 3) When the room lamp switch or luggage compartment lamp switch is set to the DOOR position, opening one of the doors or the tailgate does not cause the lamps to illuminate.
 - Check door switch (of the suspected door).
 - Check tailgate switch.

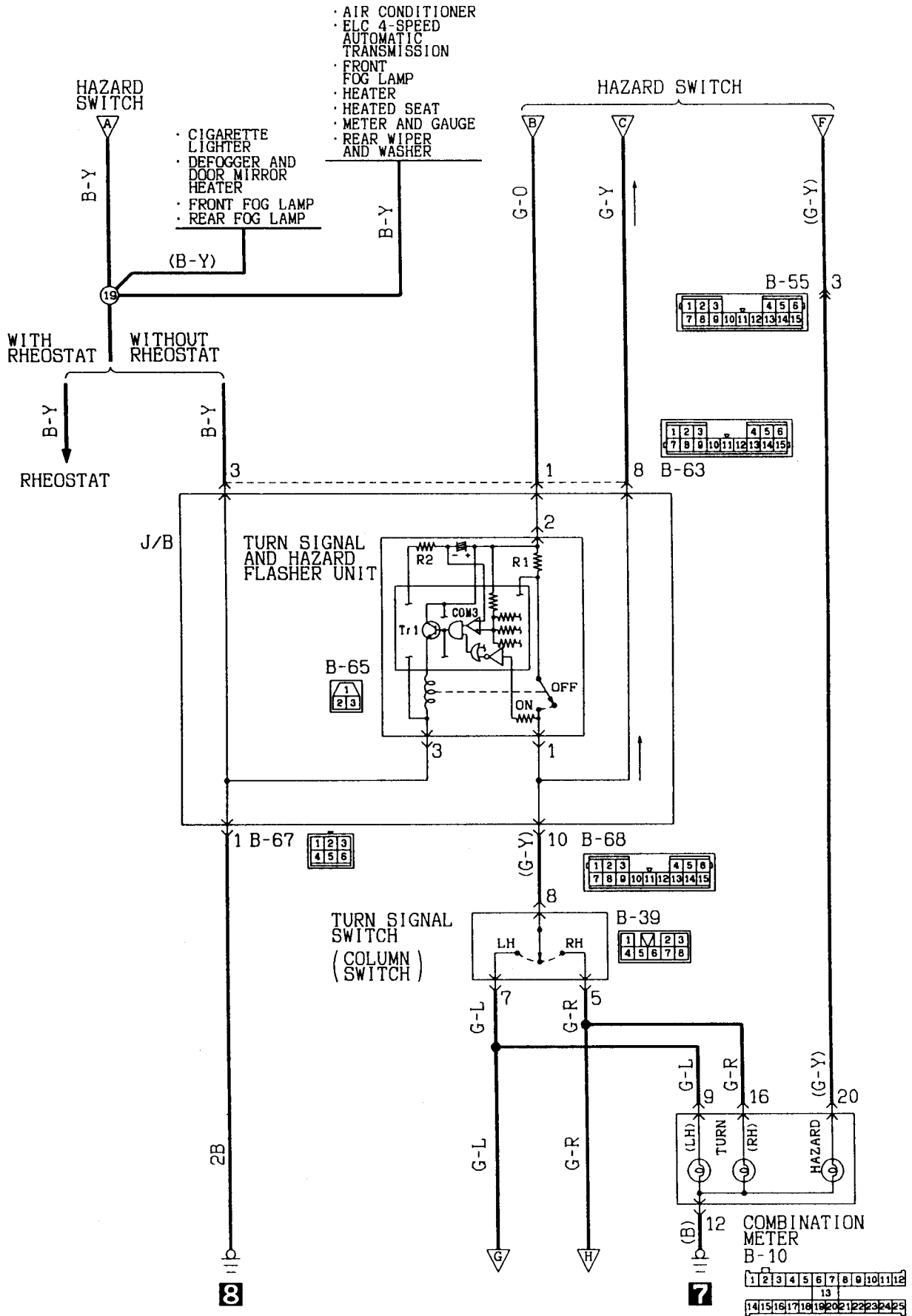
TURN-SIGNAL LAMP AND HAZARD LAMP

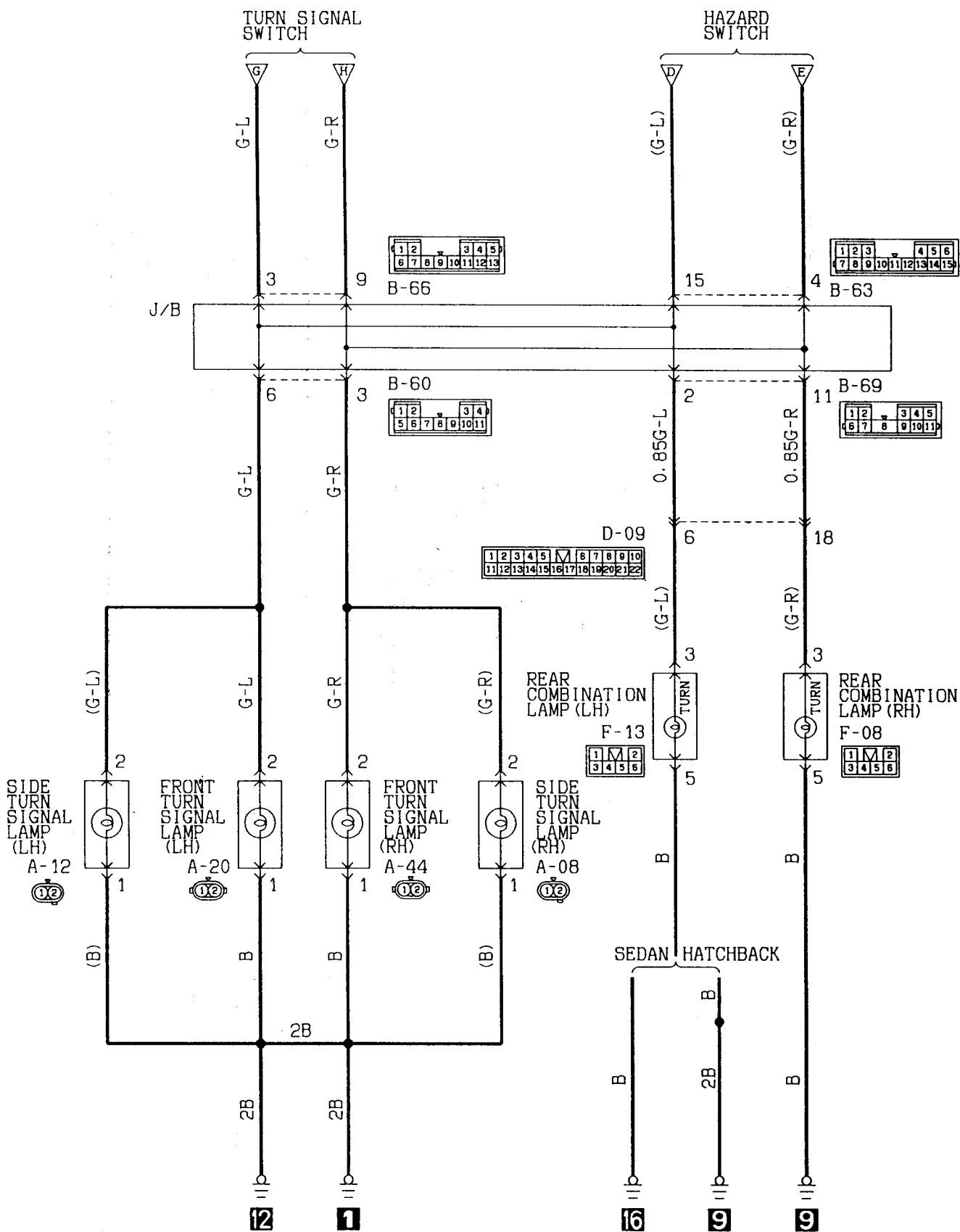
Hatchback and sedan (L.H. drive vehicles)



Wire colour code
 B:Black LG:Light green G:Green L:Blue W:White Y:Yellow SB:Sky blue
 BR:Brown O:Orange GR:Gray R:Red P:Pink V:Violet

KX35-AC-E0919-EC

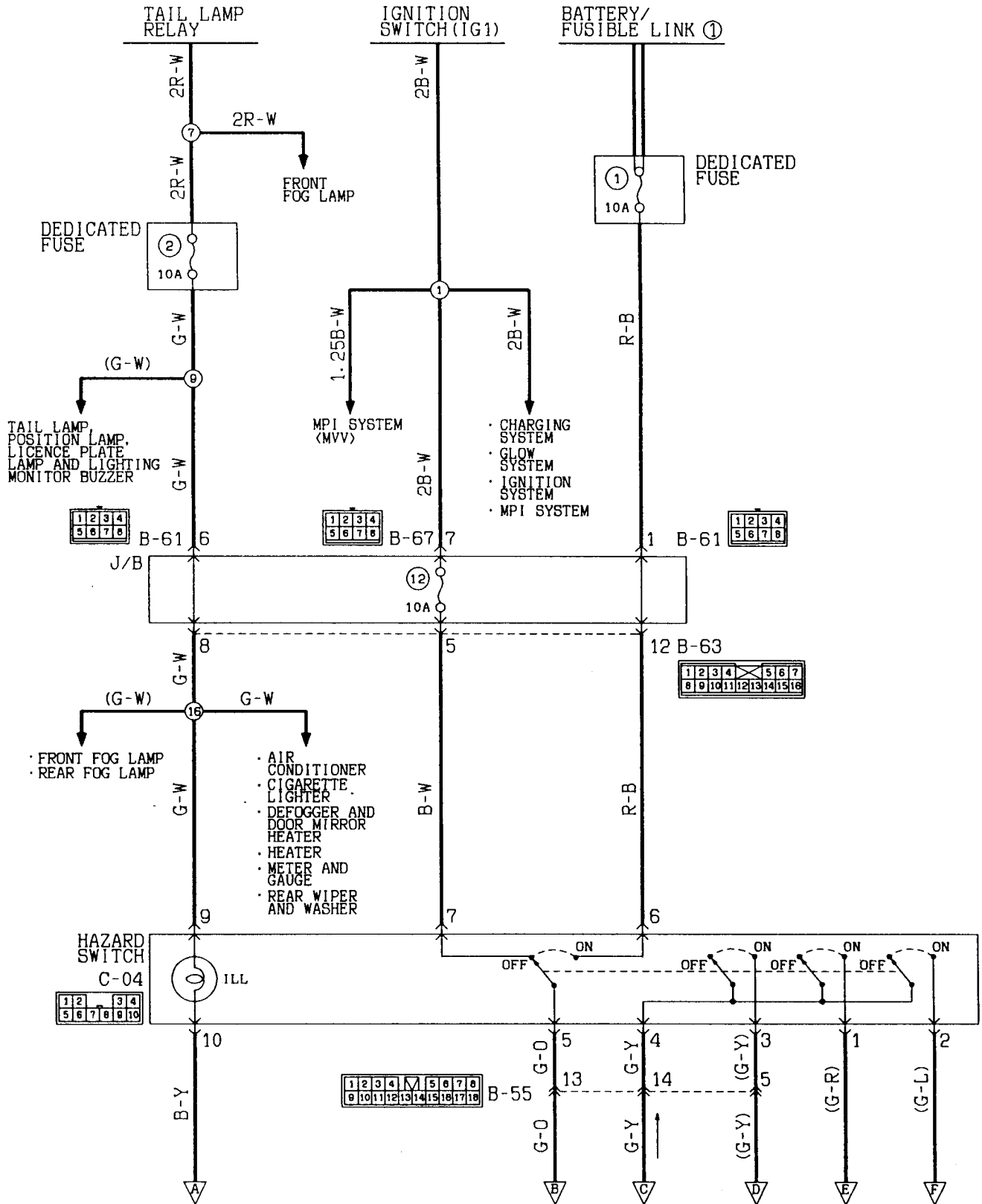




Wire colour code
 B:Black LG:Light green G:Green L:Blue W:White Y:Yellow SB:Sky blue
 BR:Brown O:Orange GR:Gray R:Red P:Pink V:Violet

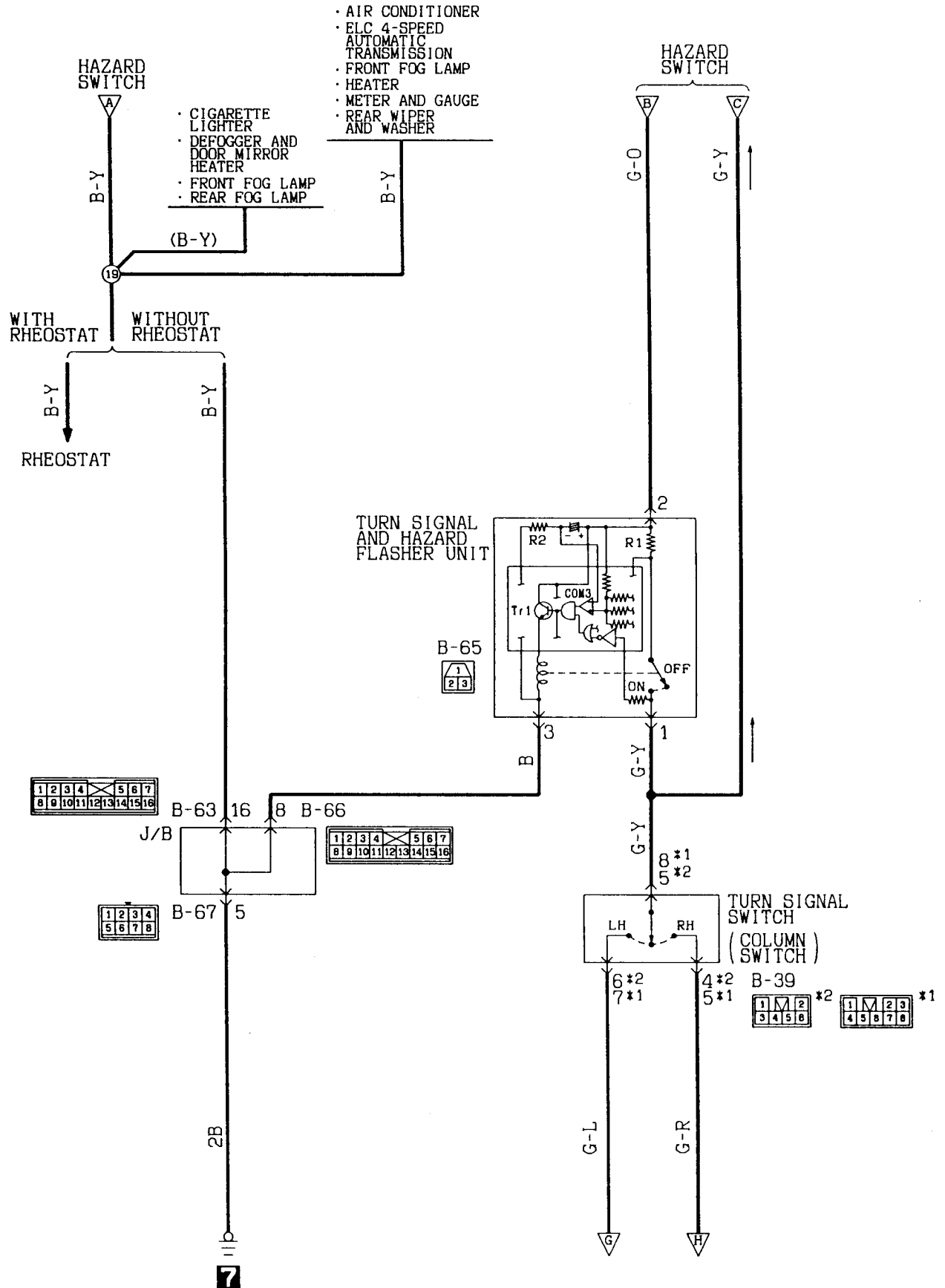
KX35-AC-E0919A-EC

TURN-SIGNAL LAMP AND HAZARD LAMP
Hatchback and sedan<R.H. drive vehicles>

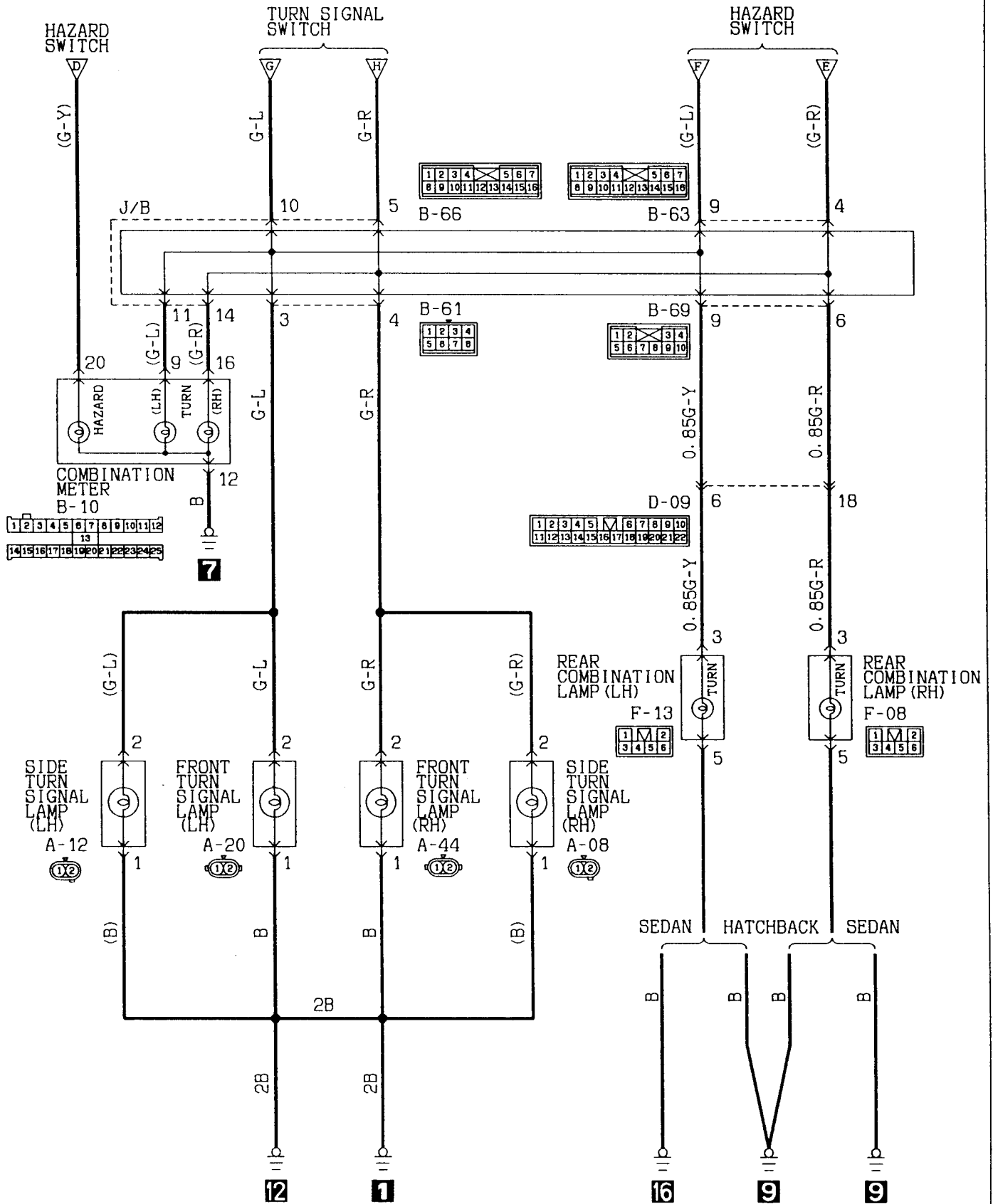


Wire colour code
 B:Black LG:Light green G:Green L:Blue W:White Y:Yellow SB:Sky blue
 BR:Brown O:Orange GR:Gray R:Red P:Pink V:Violet

KX35-AC-E0920-EC



Remarks
 *1: Vehicles with SRS.
 *2: Vehicles without SRS.

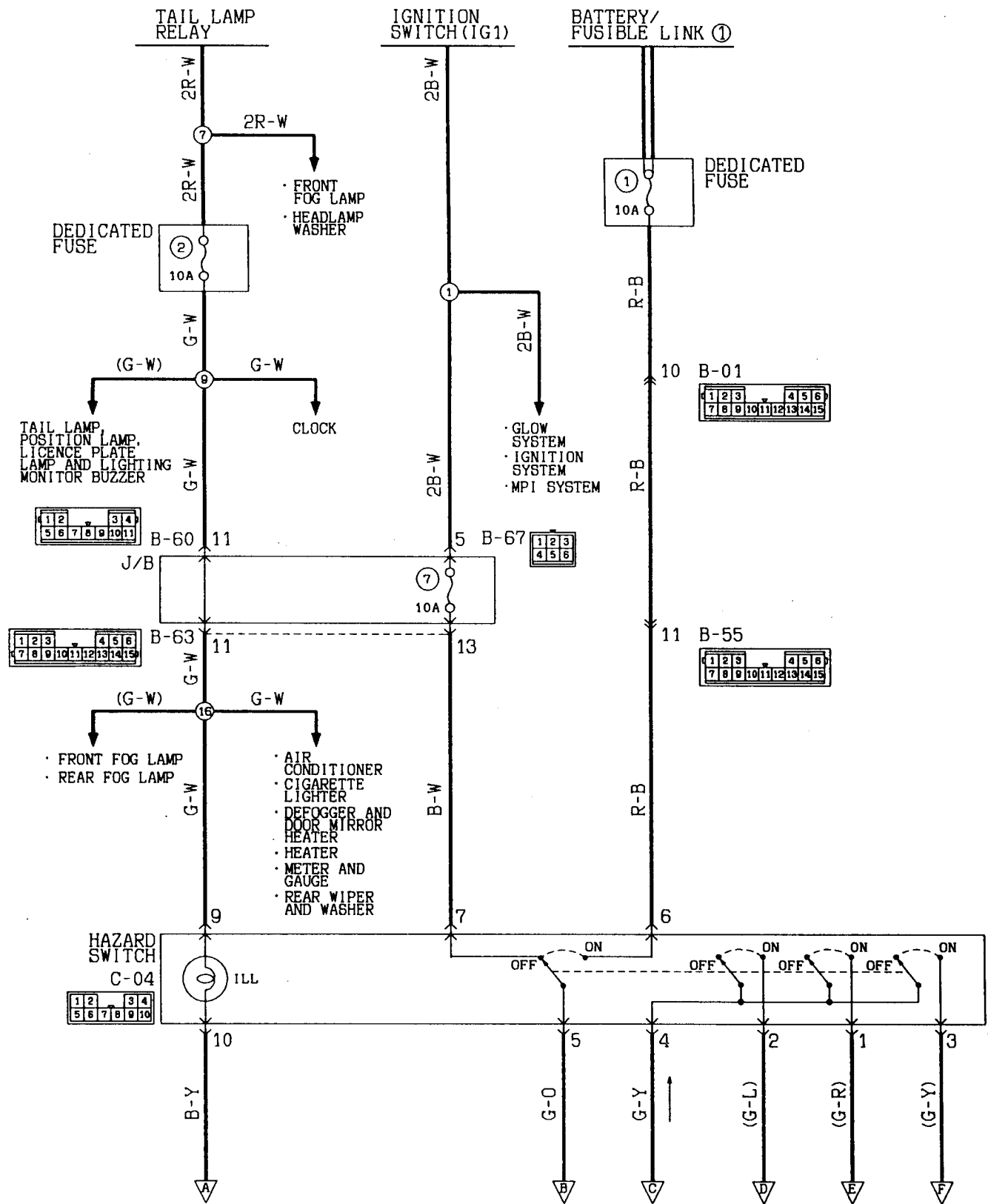


Wire colour code
 B:Black LG:Light green G:Green L:Blue W:White Y:Yellow SB:Sky blue
 BR:Brown O:Orange GR:Gray R:Red P:Pink V:Violet

KX35-AC-E0920A-EC

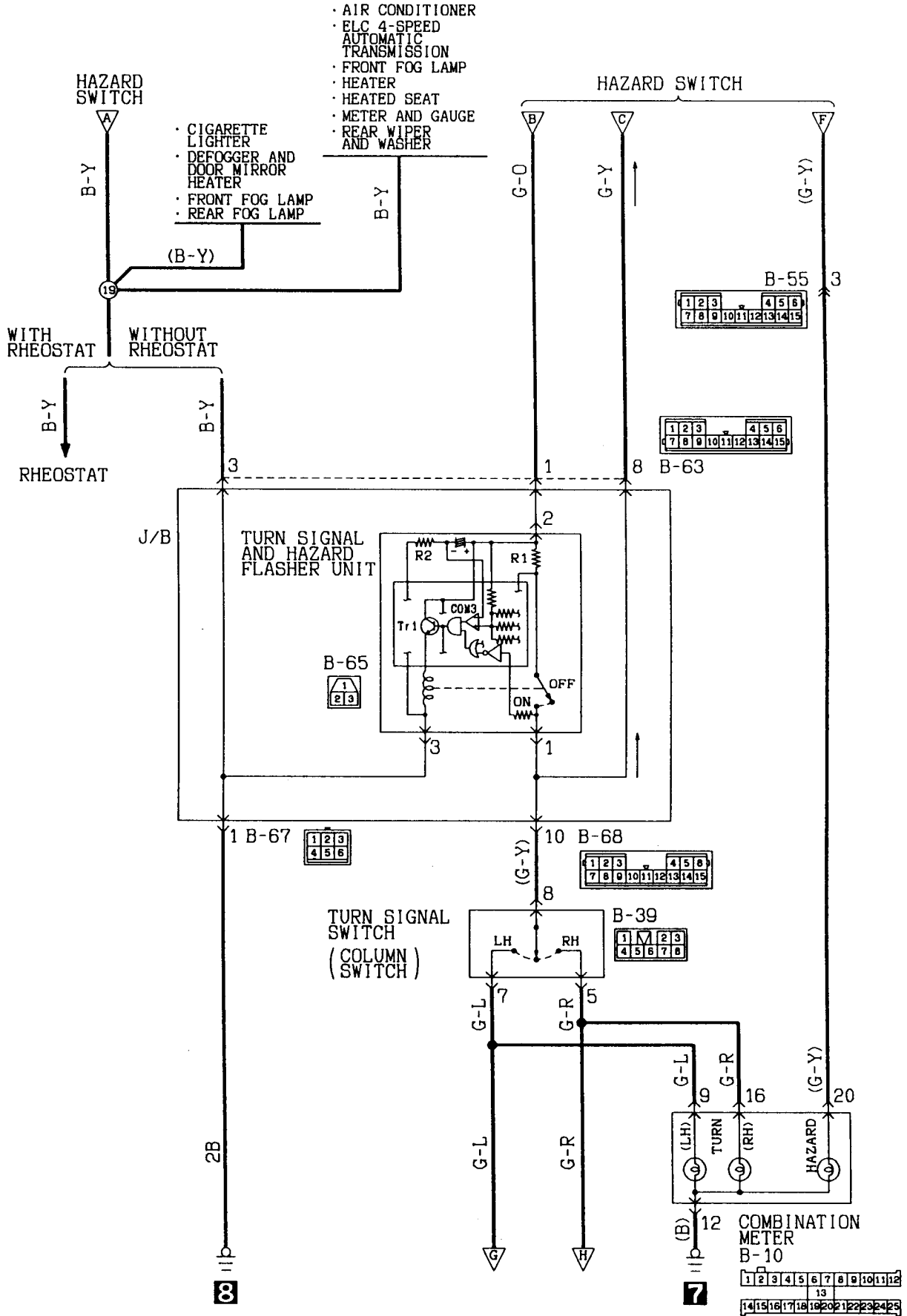
TURN-SIGNAL LAMP AND HAZARD LAMP

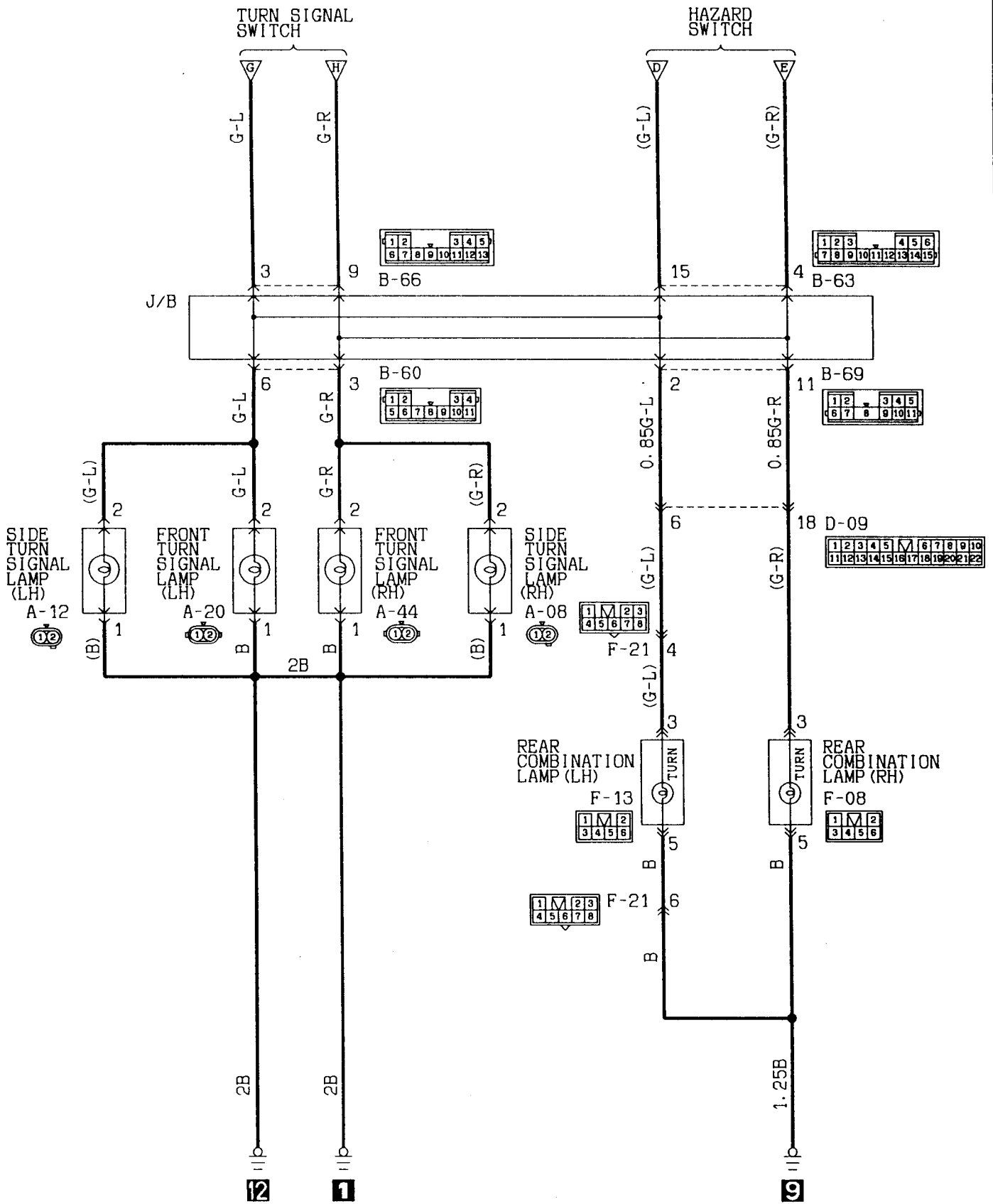
Wagon (L.H. drive vehicles)



Wire colour code
 B:Black LG:Light green G:Green L:Blue W:White Y:Yellow SB:Sky blue
 BR:Brown O:Orange GR:Gray R:Red P:Pink V:Violet

KX35-AC-E0921-EC

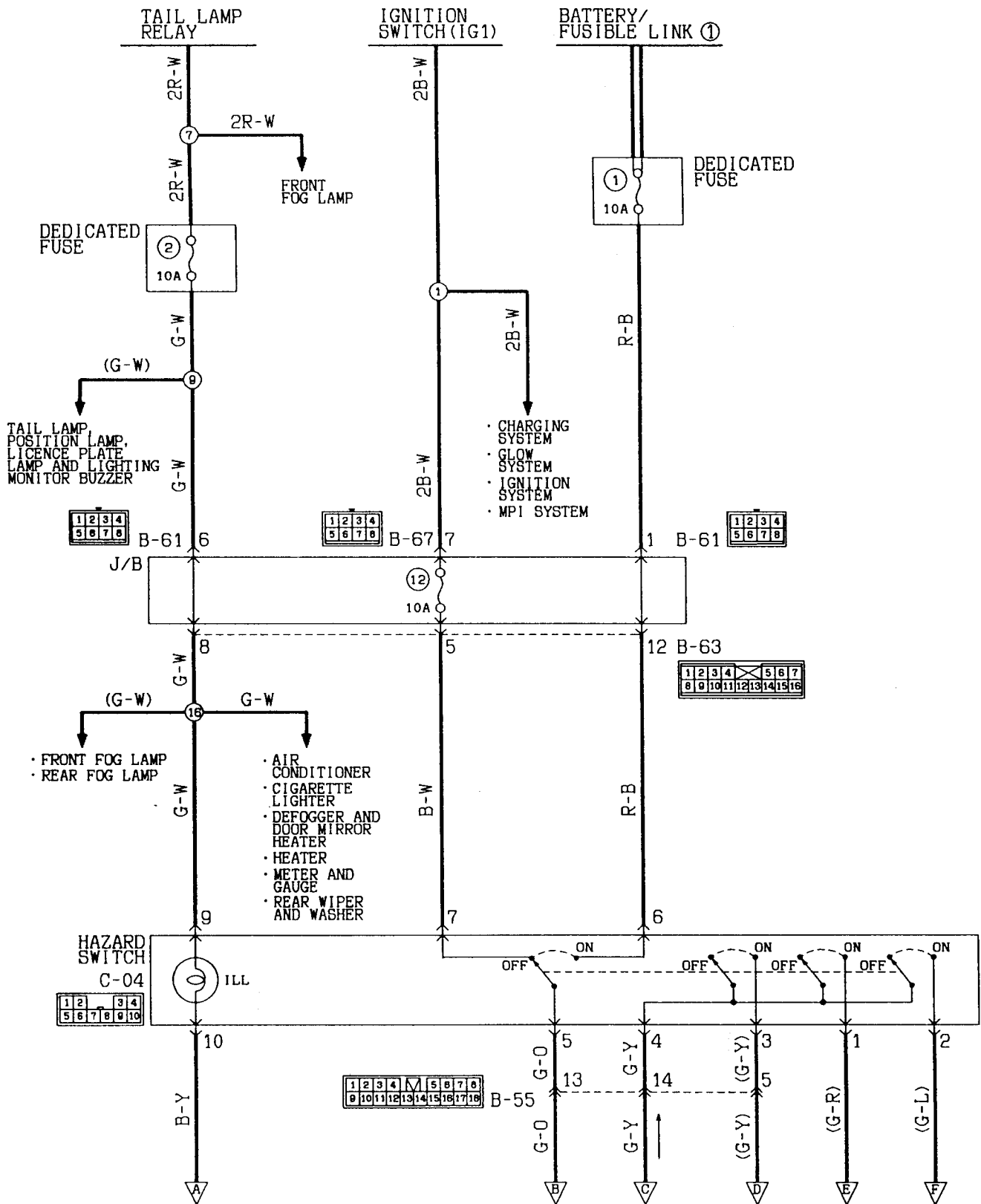




Wire colour code
 B:Black LG:Light green G:Green L:Blue W:White Y:Yellow SB:Sky blue
 BR:Brown O:Orange GR:Gray R:Red P:Pink V:Violet

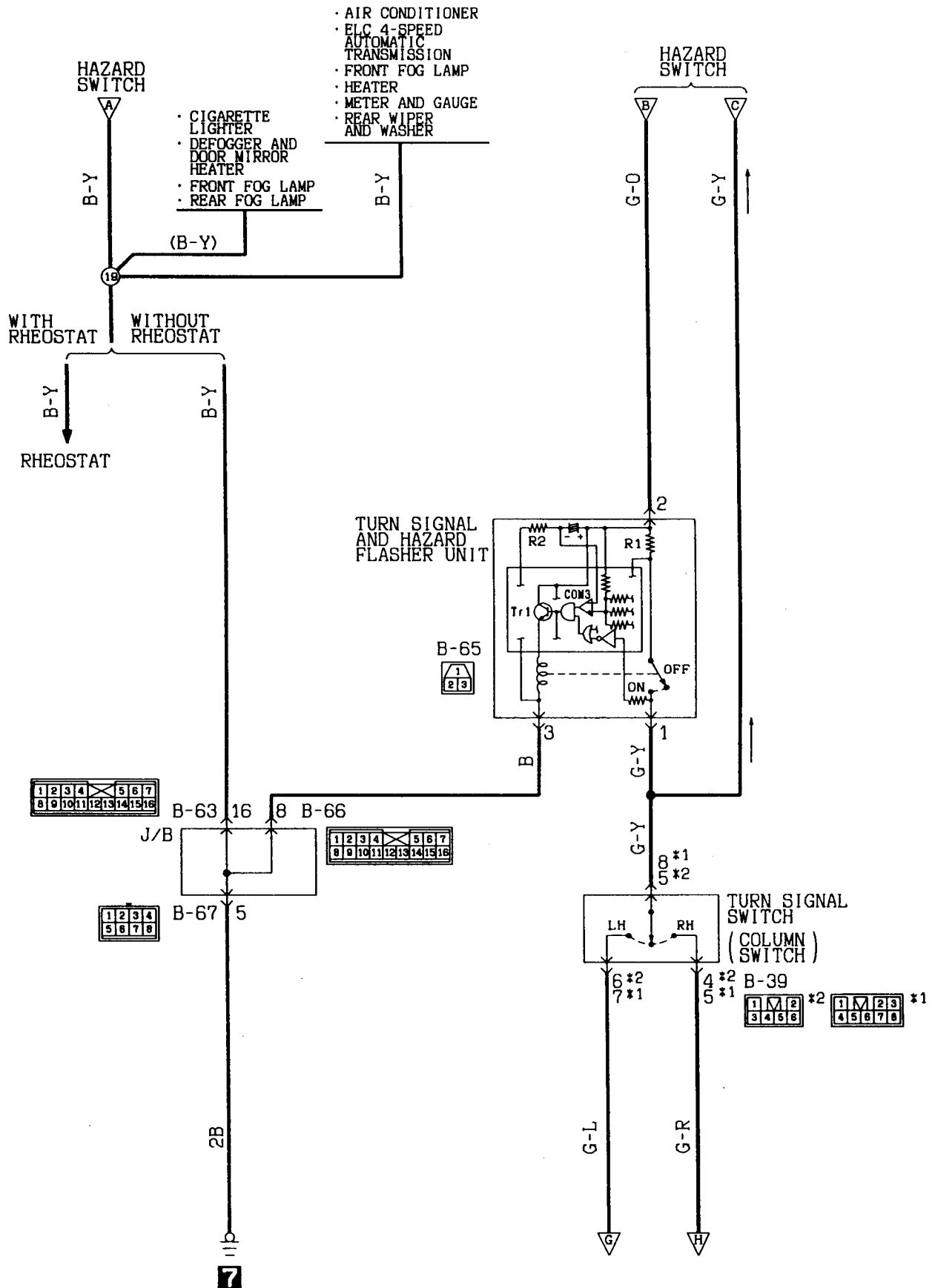
TURN-SIGNAL LAMP AND HAZARD LAMP

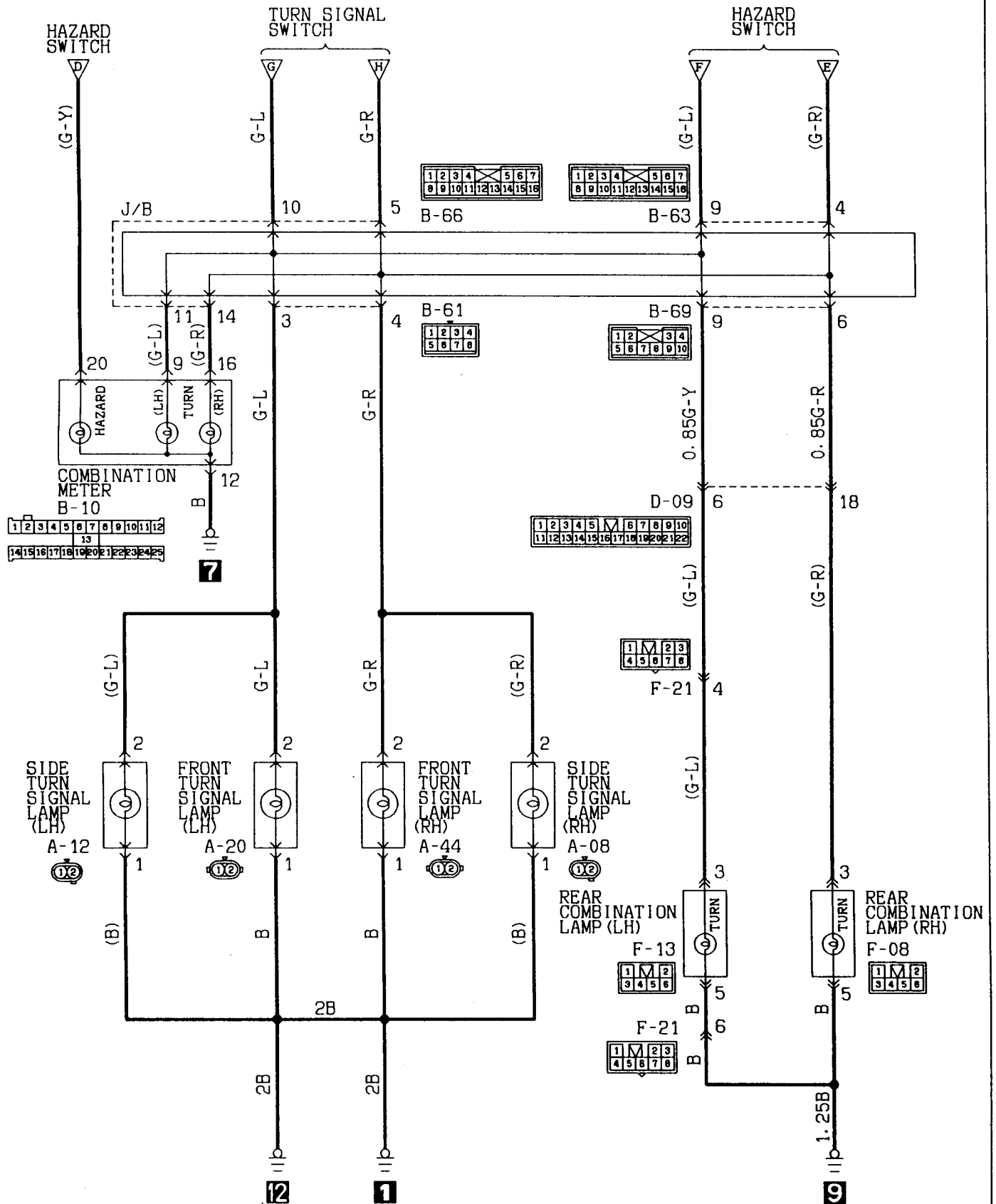
Wagon (R. H. drive vehicles)



Wire colour code
 B:Black LG:Light green G:Green L:Blue W:White Y:Yellow SB:Sky blue
 BR:Brown O:Orange GR:Gray R:Red P:Pink V:Violet

KX35-AC-E0922-EC





Wire colour code
 B:Black LG:Light green G:Green L:Blue W:White Y:Yellow SB:Sky blue
 BR:Brown O:Orange GR:Gray R:Red P:Pink V:Violet

KX35-AC-E0922A-EC

TURN-SIGNAL LAMP AND HAZARD LAMP (See P.4A-178, 181, 184, 187.)**OPERATION****<Turn-signal lamp>****1. In normal operating condition**

- When the ignition switch is placed in the ON position, battery voltage is applied through the hazard switch to the turn-signal and hazard flasher unit.
- When the turn signal switch is turned to the "LH" or "RH" position, the relay contact turns "ON" and "OFF" repeatedly due to the switching operation of the condenser and transistor inside the flasher unit, and the turn signal lamp and the "LH" and "RH" of the turn signal indicator lamp flash.

2. When one bulb is burnt

- When either one of the turn signal lamps is burnt, the resistance of the entire lamp circuit increases, so that the time required for charging and discharging of the condenser is shortened, causing the "ON" "OFF" cycle of the relay to become faster than normal and the number of flashes to increase.

<Hazard lamp>

- When the hazard switch is turned to the "ON" position, current flows via dedicated fuse No. ① to the flasher unit, the flasher unit relay contacts repeatedly close and open, which results in the RH and LH turn-signal lamps, turn-signal indicator lamps, and hazard warning indicator lamps flashing on and off at the same time.

Remark

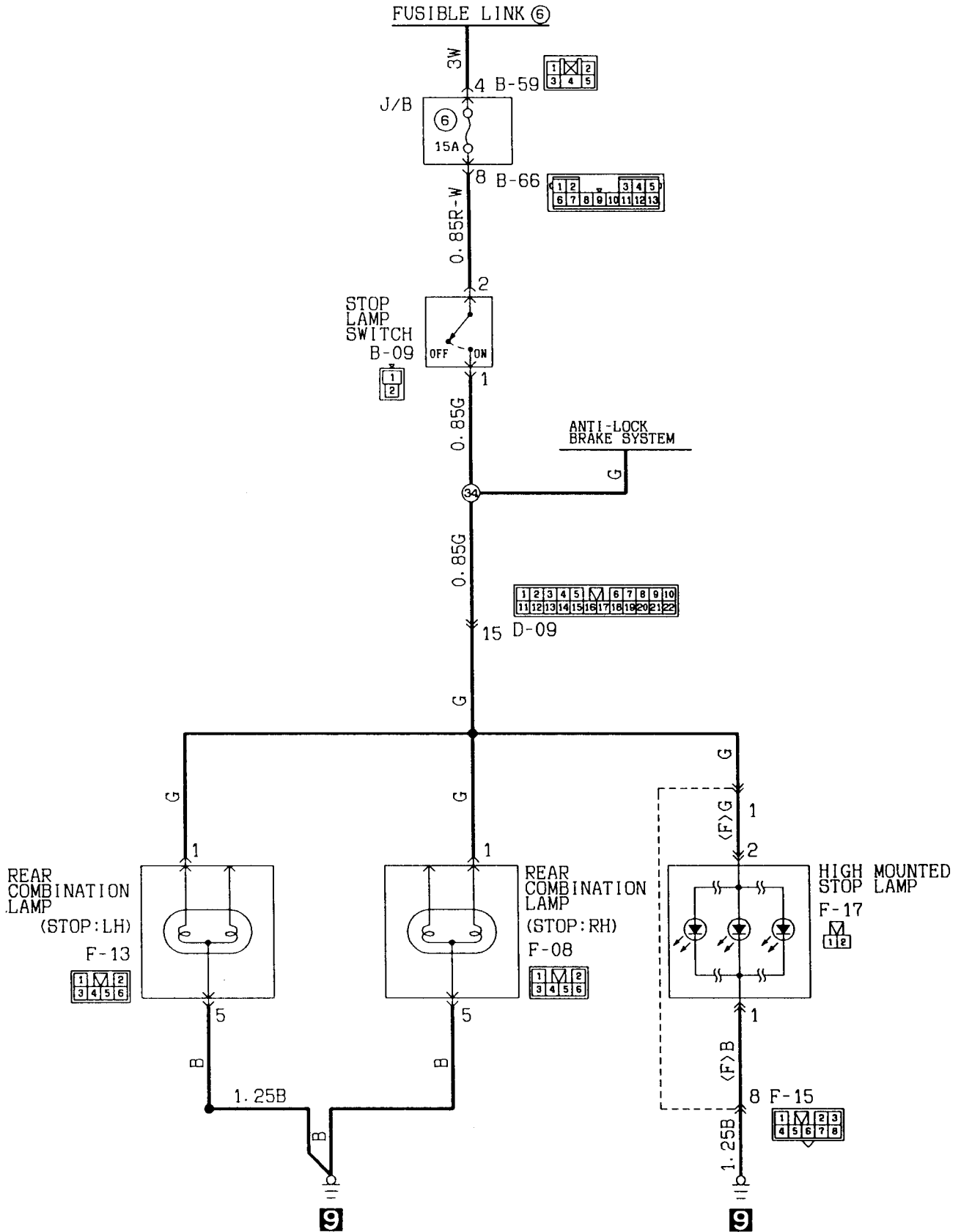
- The number of times the hazard lamps flash on and off does not change even when one bulb is out.

TROUBLESHOOTING HINTS

1. Neither the turn-signal lamps nor hazard lamps operate.
 - Check hazard switch contacts (on power source end).
 - Check flasher unit.
2. All LH or RH turn-signal lamps do not operate.
 - 1) Hazard lamp is fully operational.
 - Check turn-signal switch.
3. Flashing cycle of turn signal lamps is shorter.
 - Check the lamp bulb.
 - Check flasher unit.
4. Hazard lamp does not operate.
 - 1) Turn-signal lamps are operational.
 - Check dedicated fuse No. ①
 - Check hazard switch contacts (on hazard lamp end).

STOP LAMP

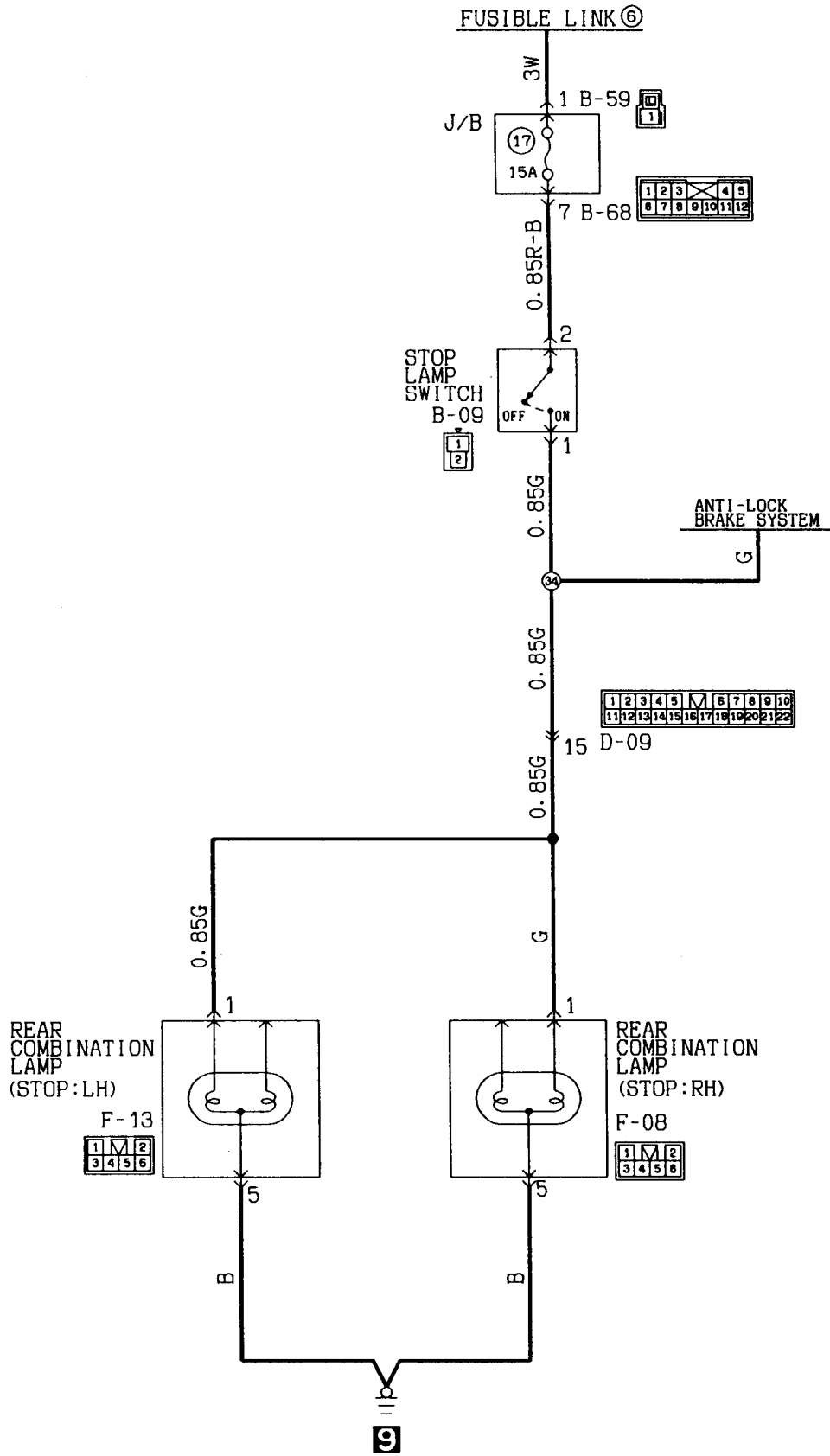
Hatchback (L. H. drive vehicles)



Wire colour code
 B:Black LG:Light green G:Green L:Blue W:White Y:Yellow SB:Sky blue
 BR:Brown O:Orange GR:Gray R:Red P:Pink V:Violet

STOP LAMP

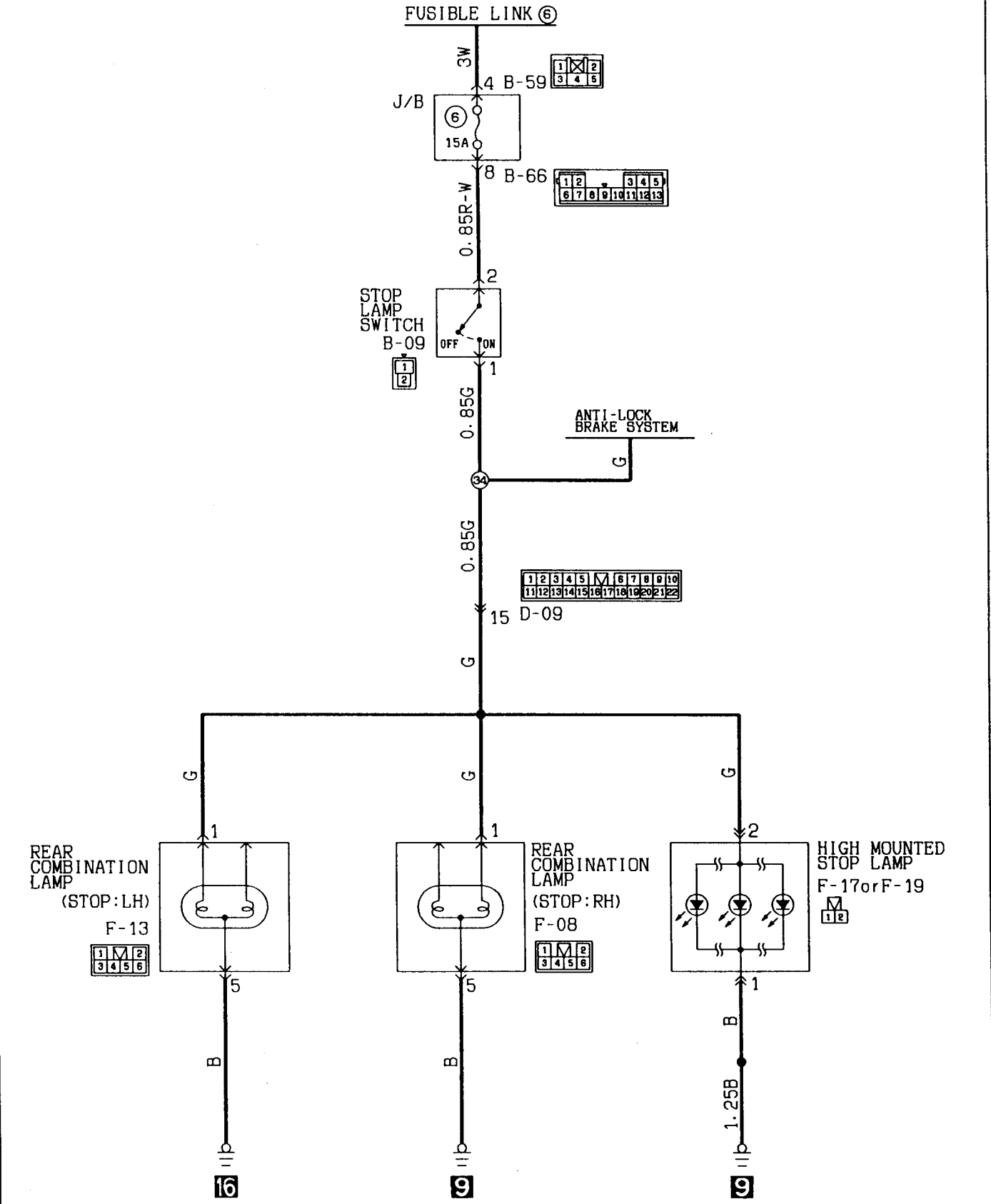
Hatchback (R. H. drive vehicles)



Wire colour code

B:Black LG:Light green G:Green L:Blue W:White Y:Yellow SB:Sky blue
 BR:Brown O:Orange GR:Gray R:Red P:Pink V:Violet

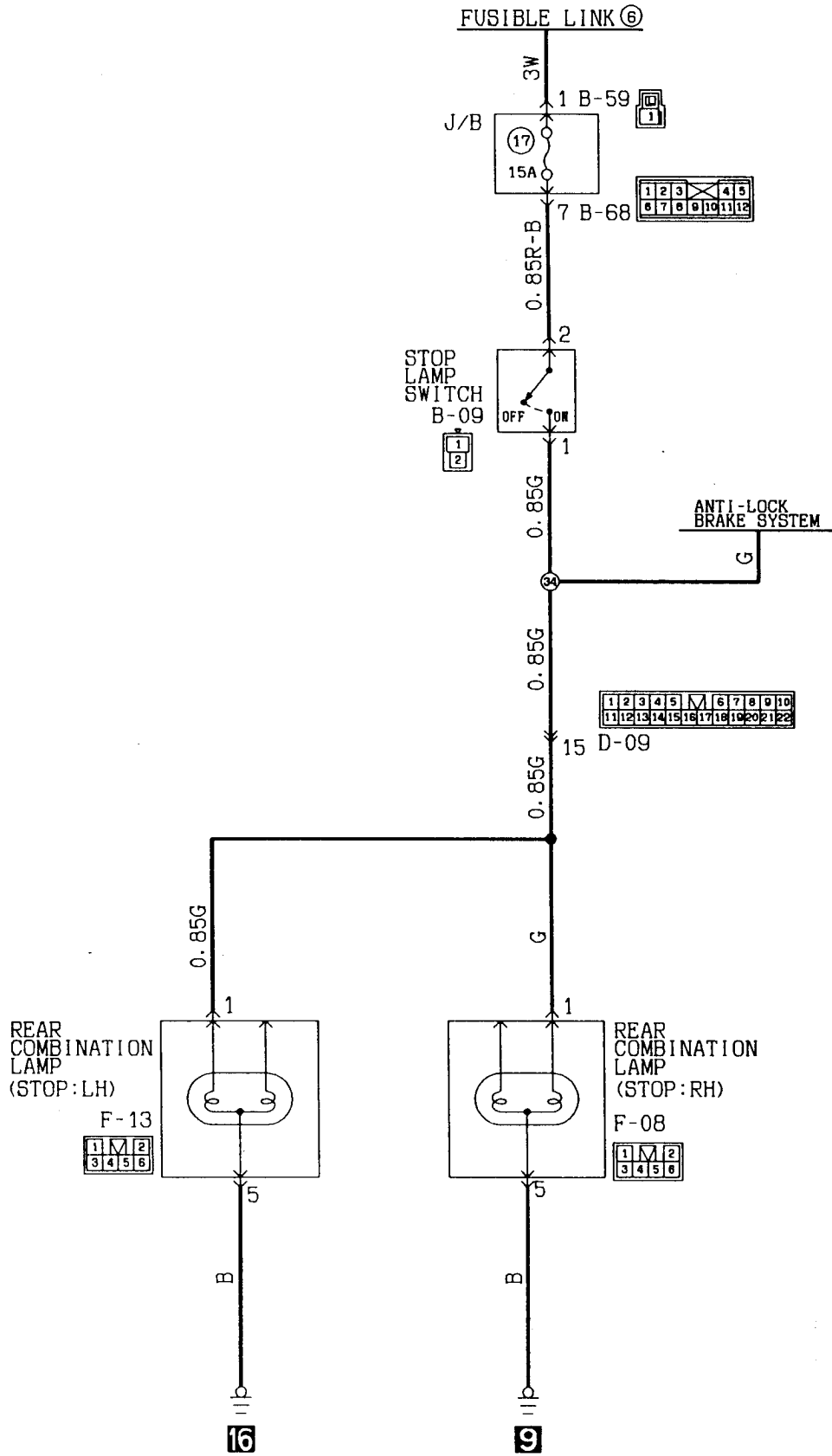
STOP LAMP
Sedan (L. H. drive vehicles)



Wire colour code
 B:Black LG:Light green G:Green L:Blue W:White Y:Yellow SB:Sky blue
 BR:Brown O:Orange GR:Gray R:Red P:Pink V:Violet

KX35-AC-E0924-EC

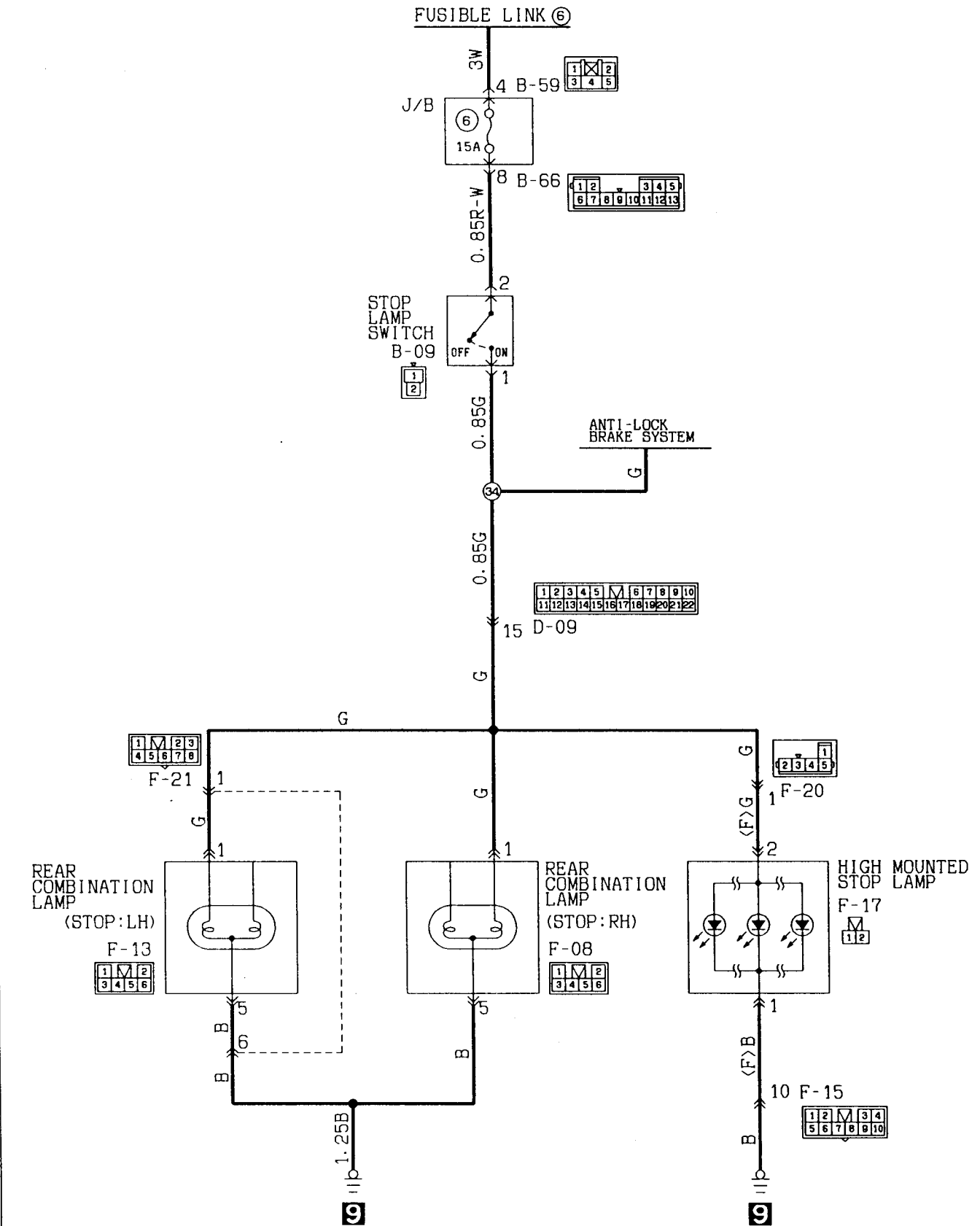
STOP LAMP
Sedan (R. H. drive vehicles)



Wire colour code
 B:Black LG:Light green G:Green L:Blue W:White Y:Yellow SB:Sky blue
 BR:Brown O:Orange GR:Gray R:Red P:Pink V:Violet

STOP LAMP

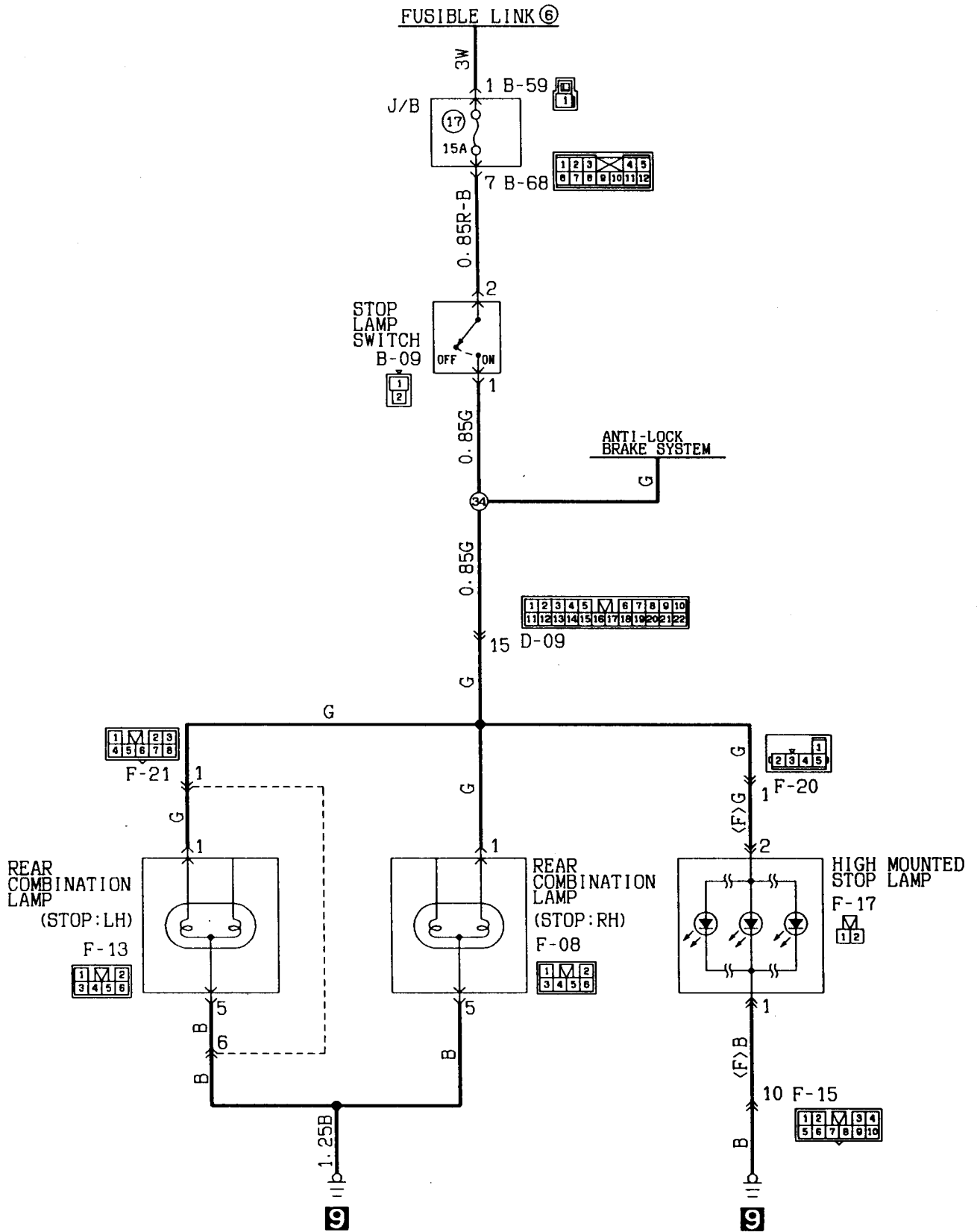
Wagon<L. H. drive vehicles>



Wire colour code
 B:Black LG:Light green G:Green L:Blue W:White Y:Yellow SB:Sky blue
 BR:Brown O:Orange GR:Gray R:Red P:Pink V:Violet

KX35-AC-E0925-EC

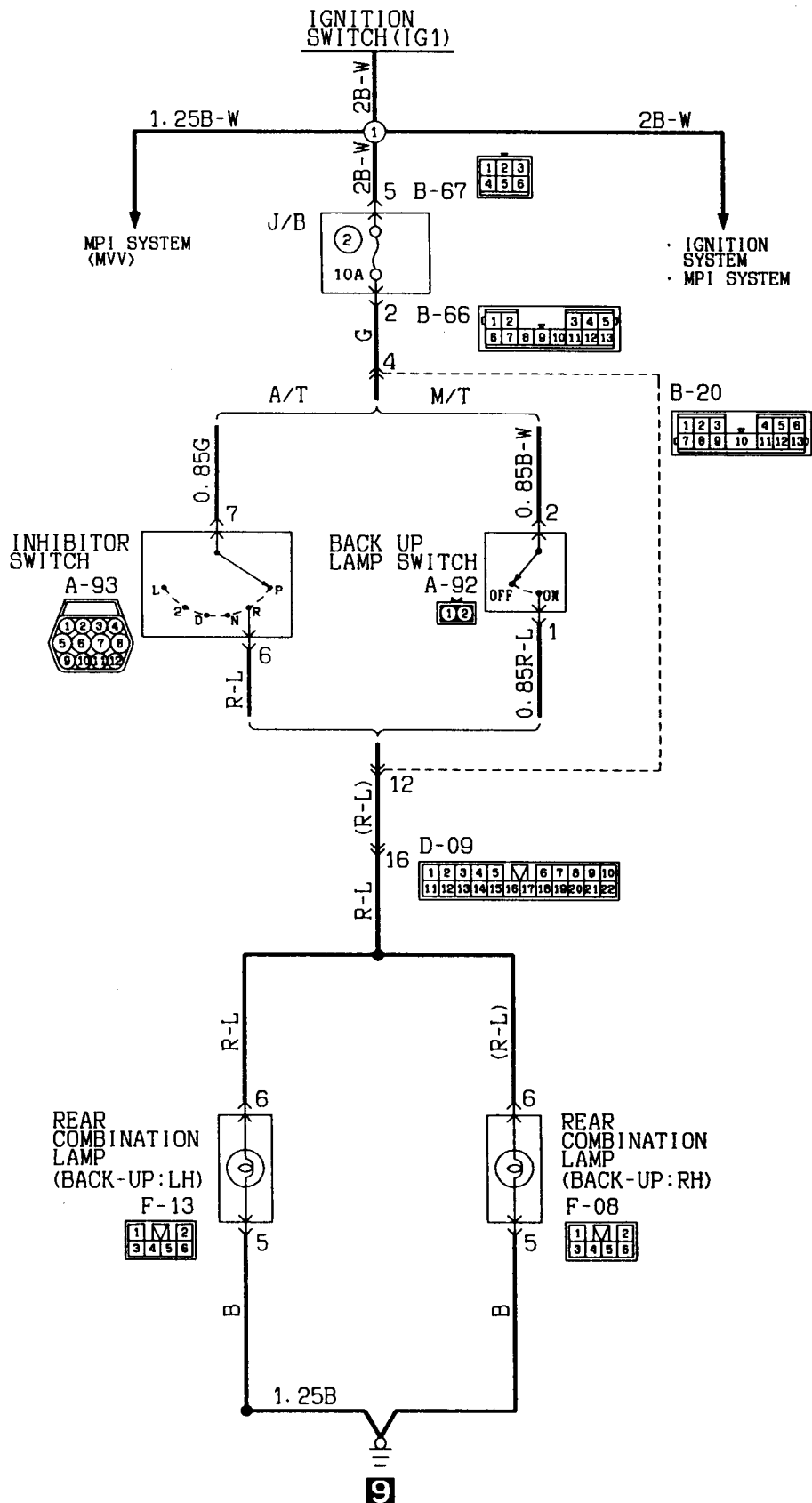
STOP LAMP
Wagon<R. H. drive vehicles>



Wire colour code

B:Black LG:Light green G:Green L:Blue W:White Y:Yellow SB:Sky blue
BR:Brown O:Orange GR:Gray R:Red P:Pink V:Violet

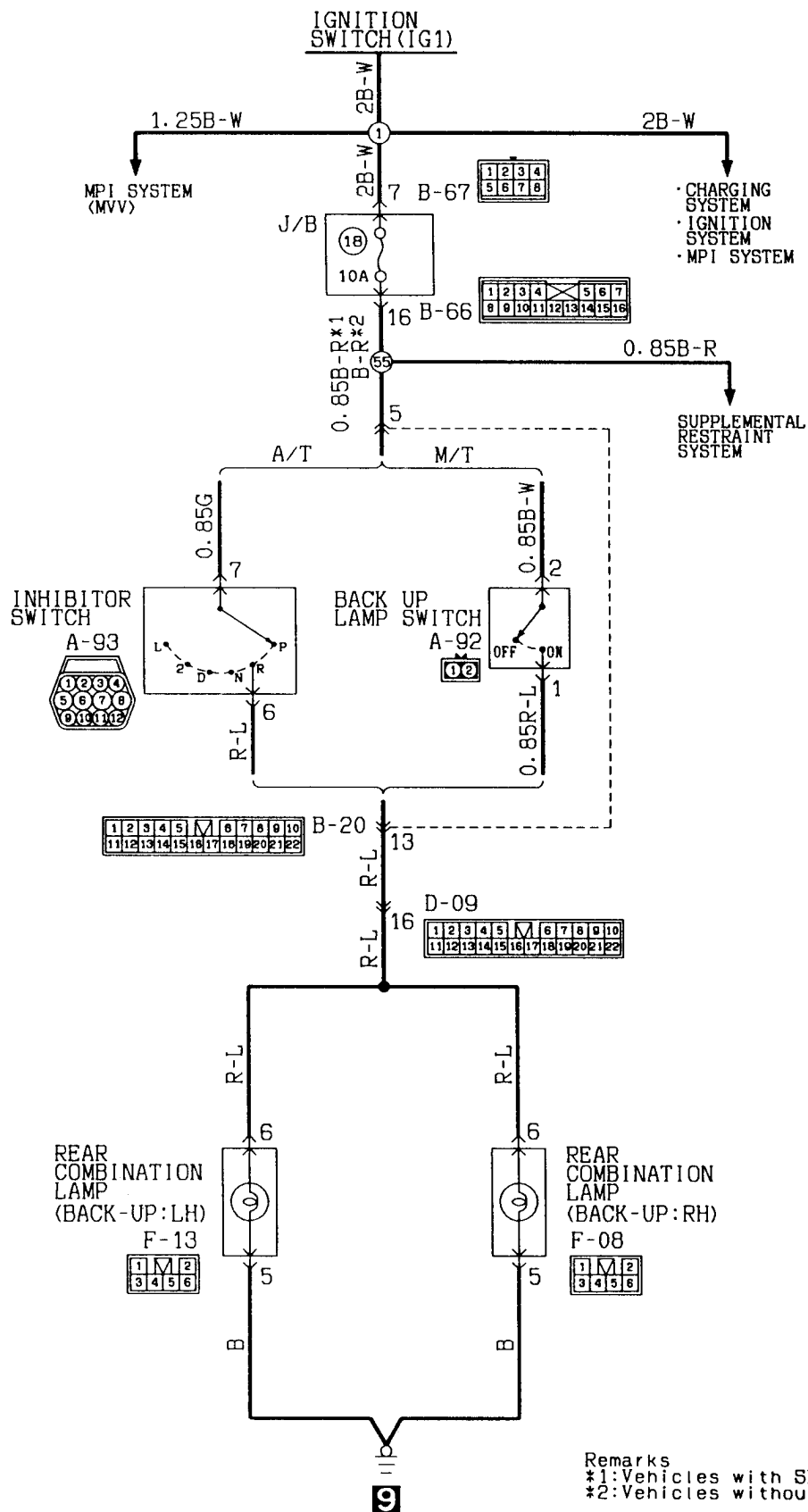
BACK-UP LAMP
Hatchback (L.H. drive vehicles)



Wire colour code
 B:Black LG:Light green G:Green L:Blue W:White Y:Yellow SB:Sky blue
 BR:Brown O:Orange GR:Gray R:Red P:Pink V:Violet

KX35-AC-E0927-EC

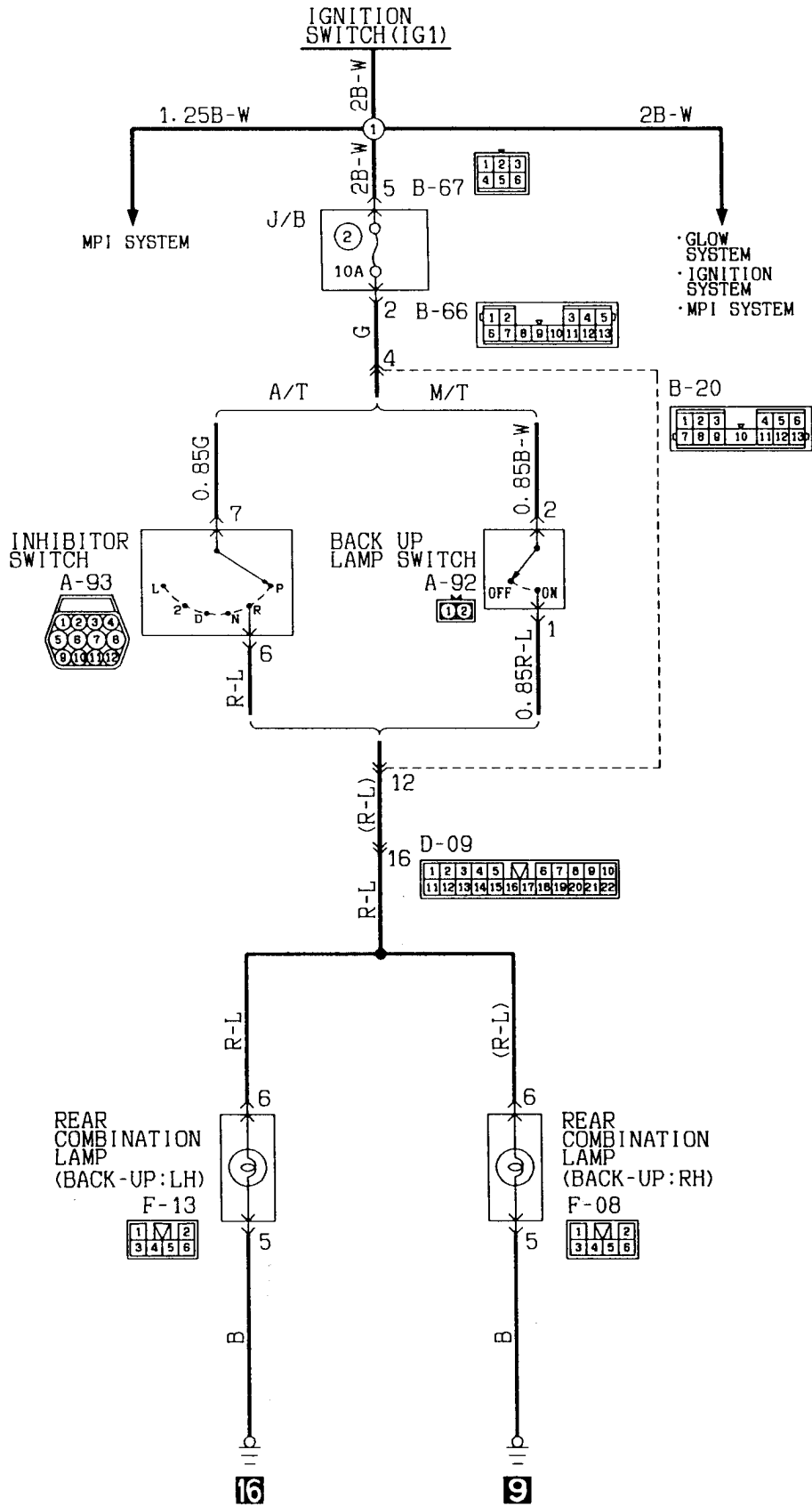
BACK-UP LAMP
Hatchback (R. H. drive vehicles)



Remarks
*1: Vehicles with SRS.
*2: Vehicles without SRS.

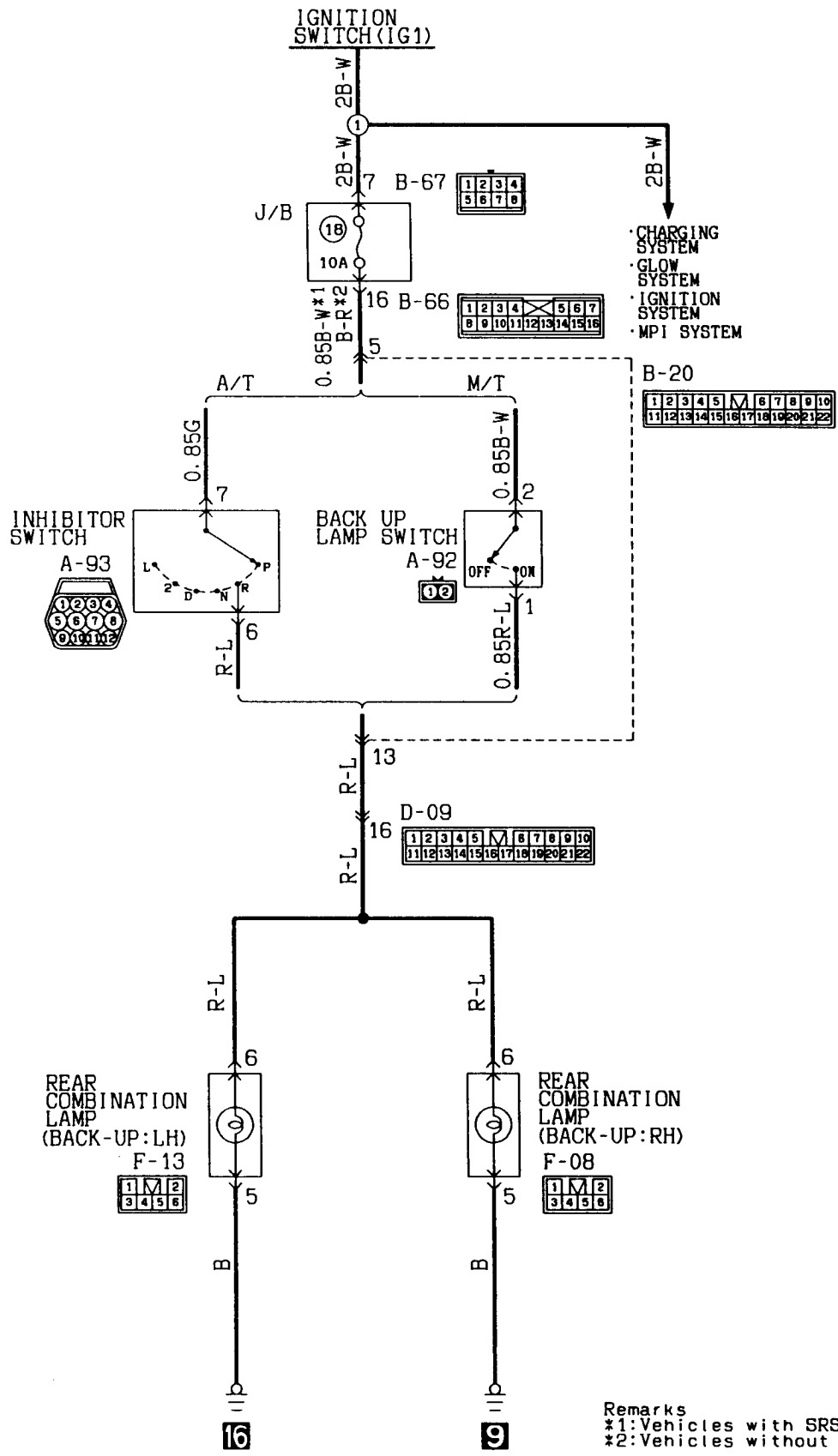
Wire colour code
B:Black LG:Light green G:Green L:Blue W:White Y:Yellow SB:Sky blue
BR:Brown O:Orange GR:Gray R:Red P:Pink V:Violet

BACK-UP LAMP
Sedan <L. H. drive vehicles>



Wire colour code
 B:Black LG:Light green G:Green L:Blue W:White Y:Yellow SB:Sky blue
 BR:Brown O:Orange GR:Gray R:Red P:Pink V:Violet

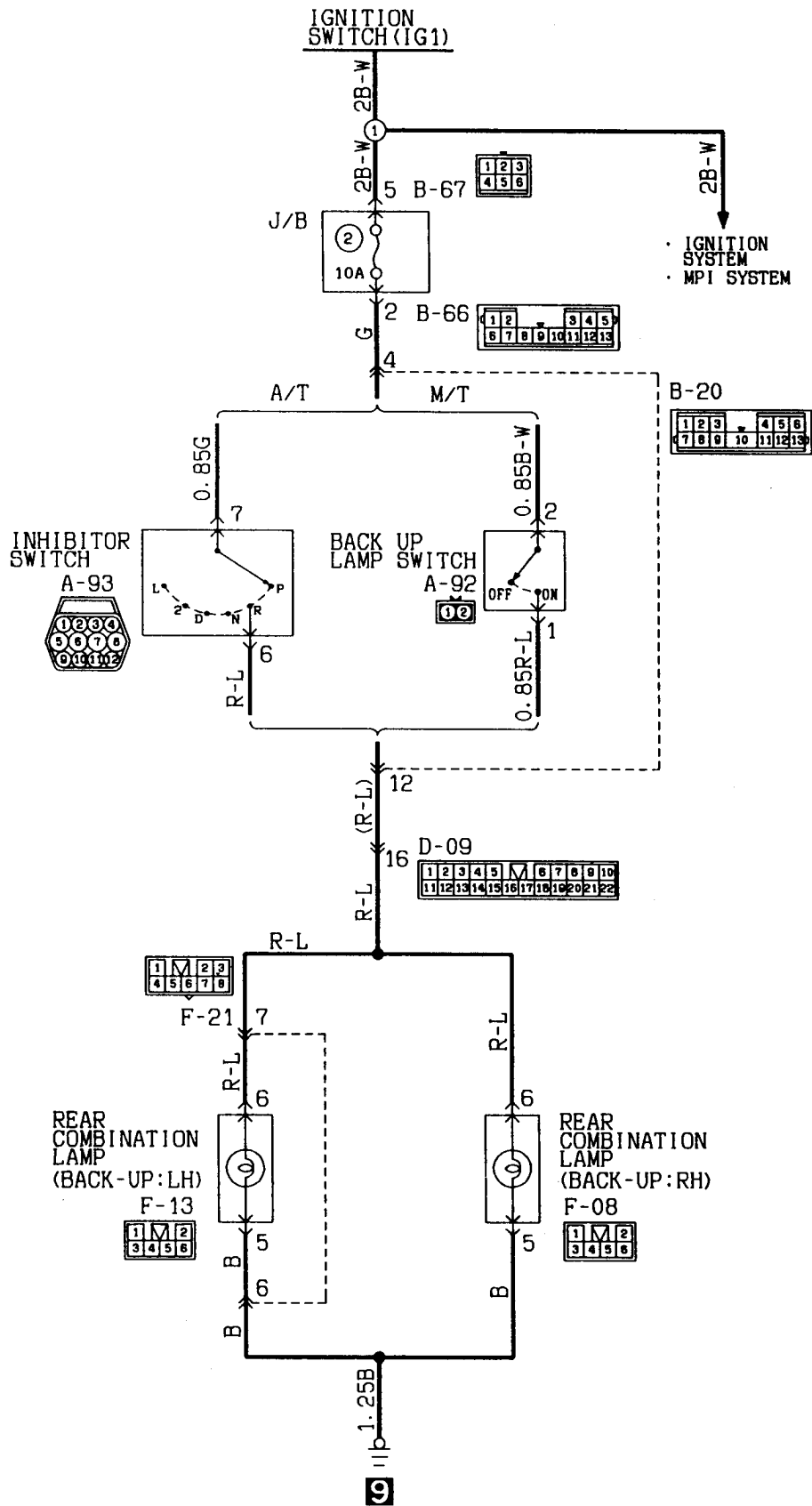
BACK-UP LAMP
Sedan (R. H. drive vehicles)



Remarks
*1: Vehicles with SRS.
*2: Vehicles without SRS.

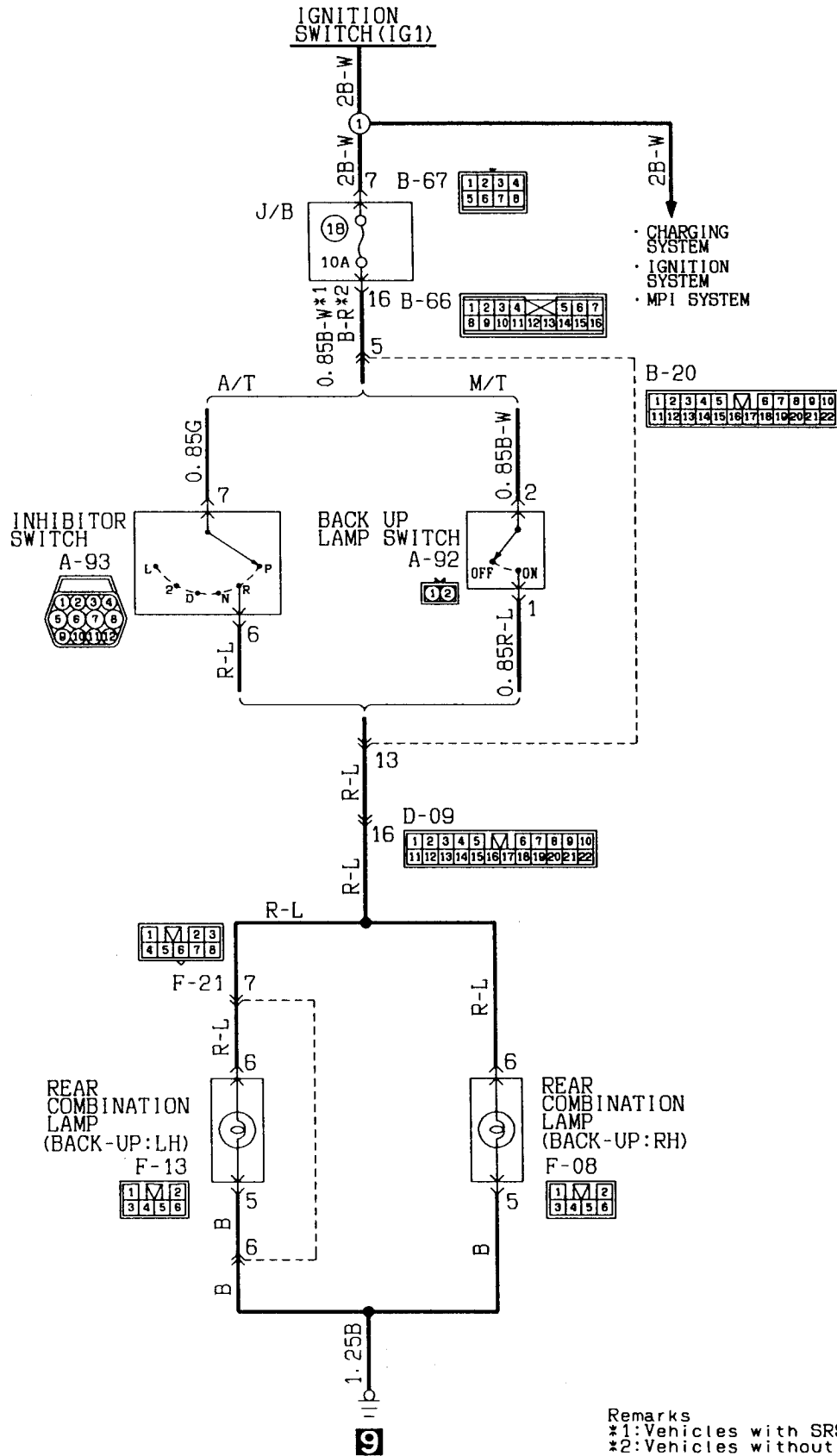
Wire colour code
B: Black LG: Light green G: Green L: Blue W: White Y: Yellow SB: Sky blue
BR: Brown O: Orange GR: Gray R: Red P: Pink V: Violet

BACK-UP LAMP
Wagon (L. H. drive vehicles)



Wire colour code
 B:Black LG:Light green G:Green L:Blue W:White Y:Yellow SB:Sky blue
 BR:Brown O:Orange GR:Gray R:Red P:Pink V:Violet

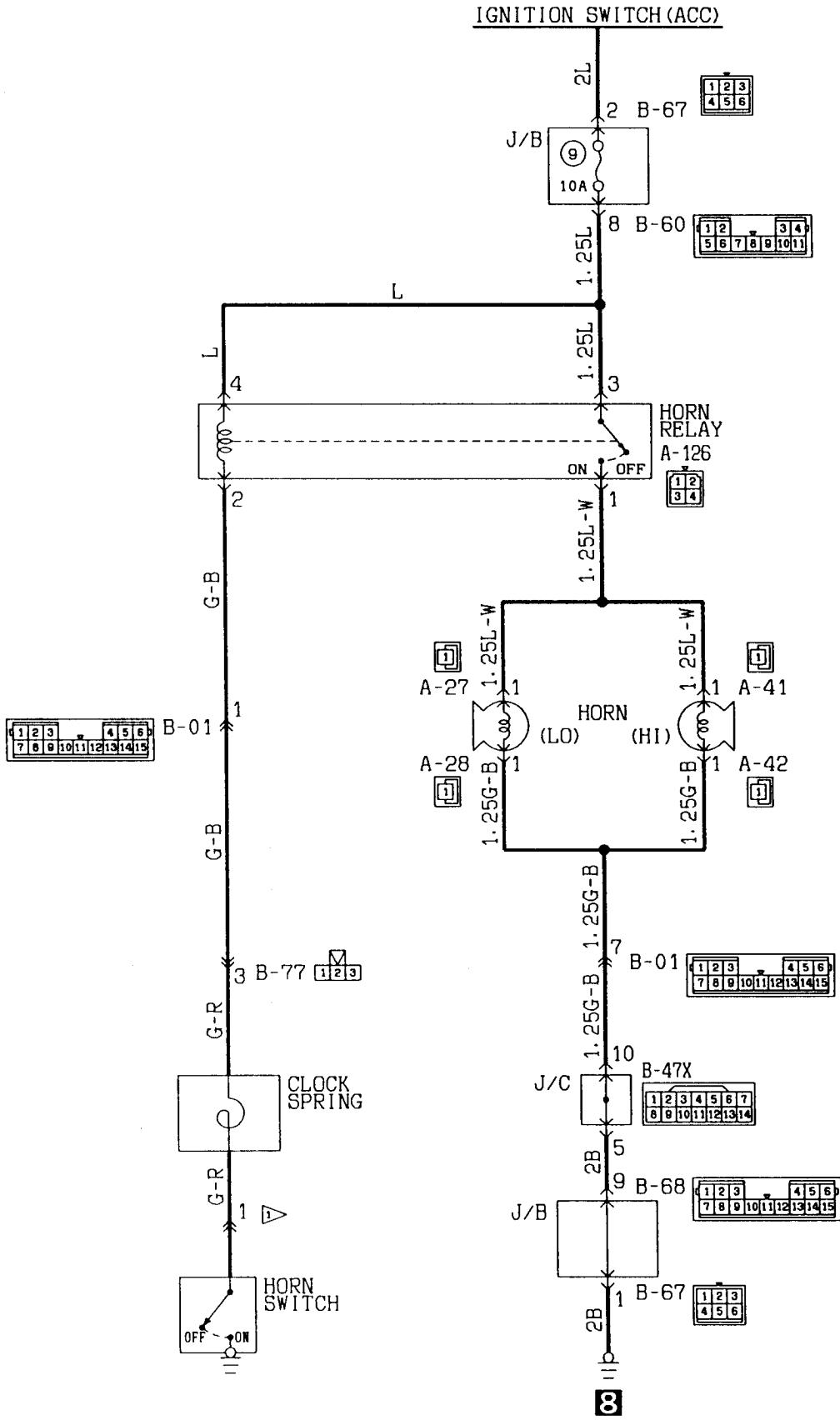
BACK-UP LAMP
Wagon (R. H. drive vehicles)



Remarks
*1: Vehicles with SRS.
*2: Vehicles without SRS.

Wire colour code
B:Black LG:Light green G:Green L:Blue W:White Y:Yellow SB:Sky blue
BR:Brown O:Orange GR:Gray R:Red P:Pink V:Violet

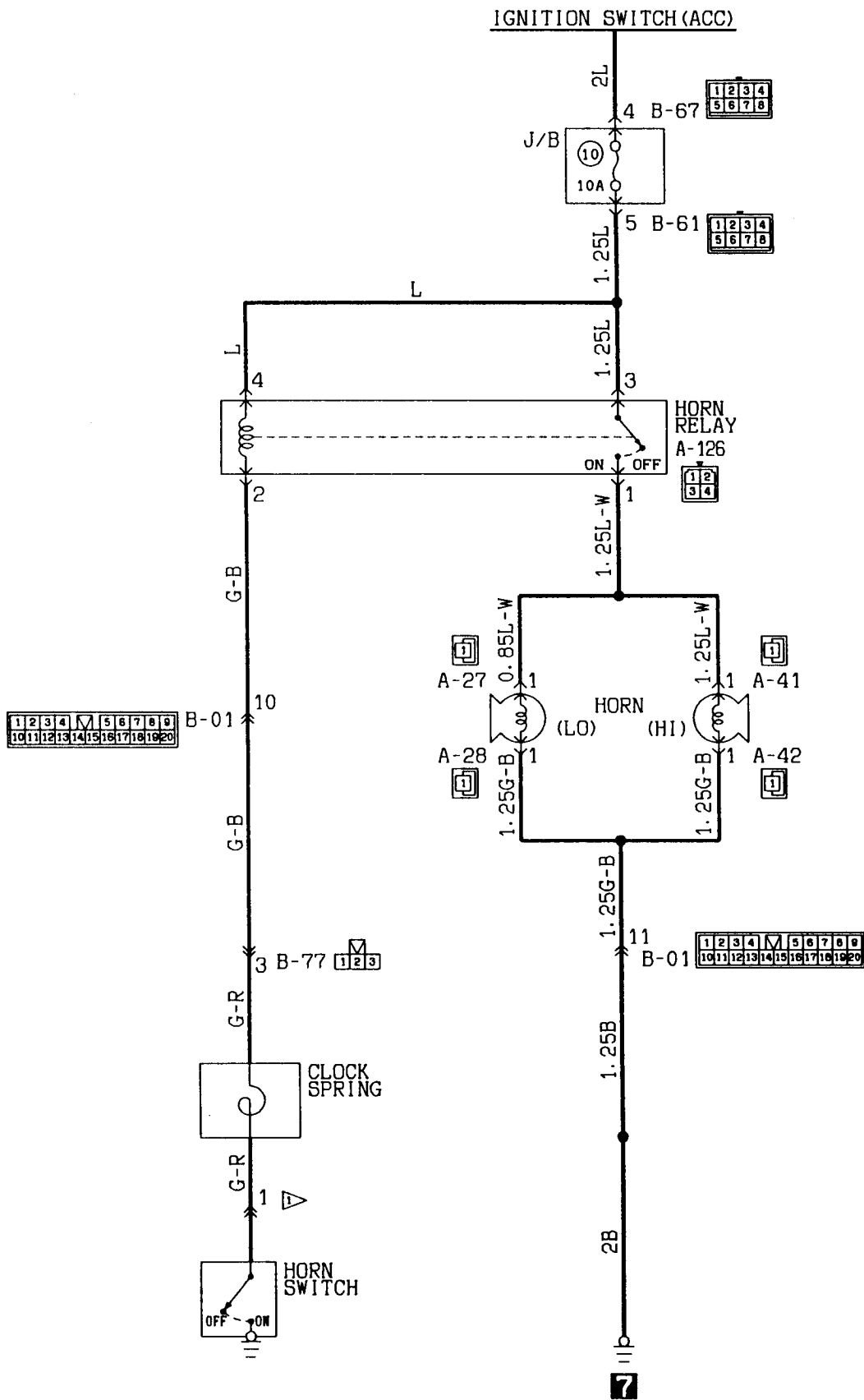
HORN
L.H. drive vehicles with SRS



Wire colour code
 B:Black LG:Light green G:Green L:Blue W:White Y:Yellow SB:Sky blue
 BR:Brown O:Orange GR:Gray R:Red P:Pink V:Violet

KX35-AC-E0933-EC

HORN
R.H. drive vehicles with SRS

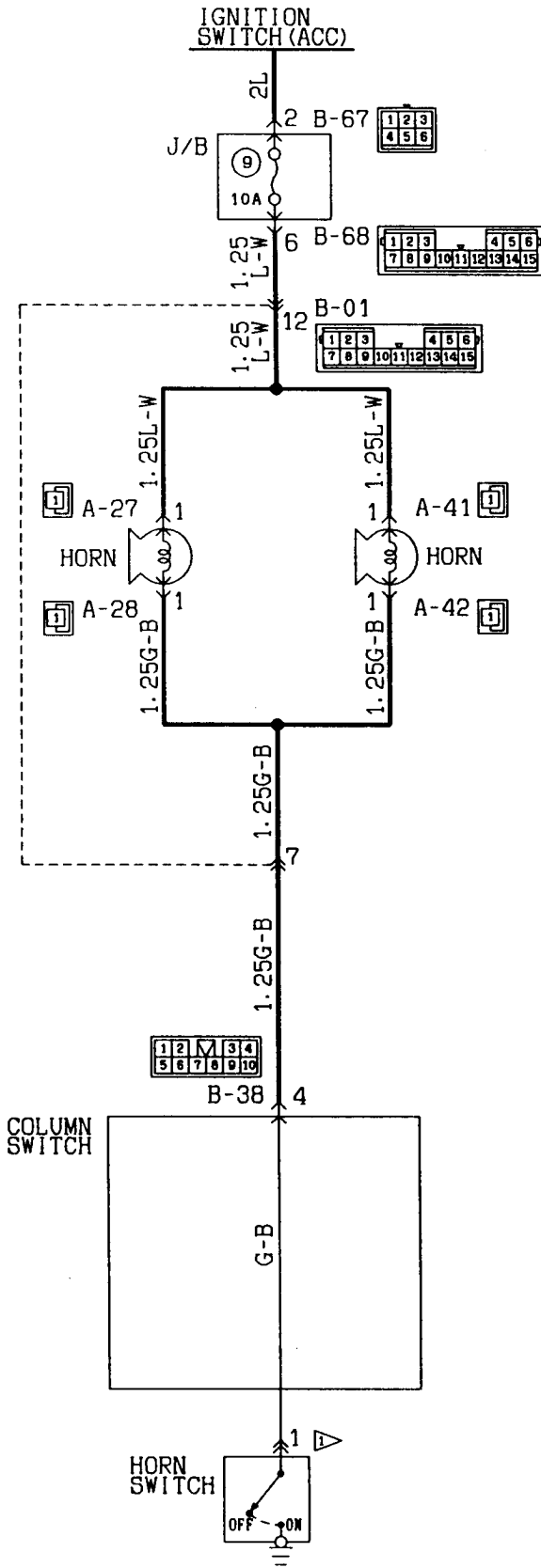


Wire colour code
 B:Black LG:Light green G:Green L:Blue W:White Y:Yellow SB:Sky blue
 BR:Brown O:Orange GR:Gray R:Red P:Pink V:Violet

KX35-AC-E0934-EC

HORN

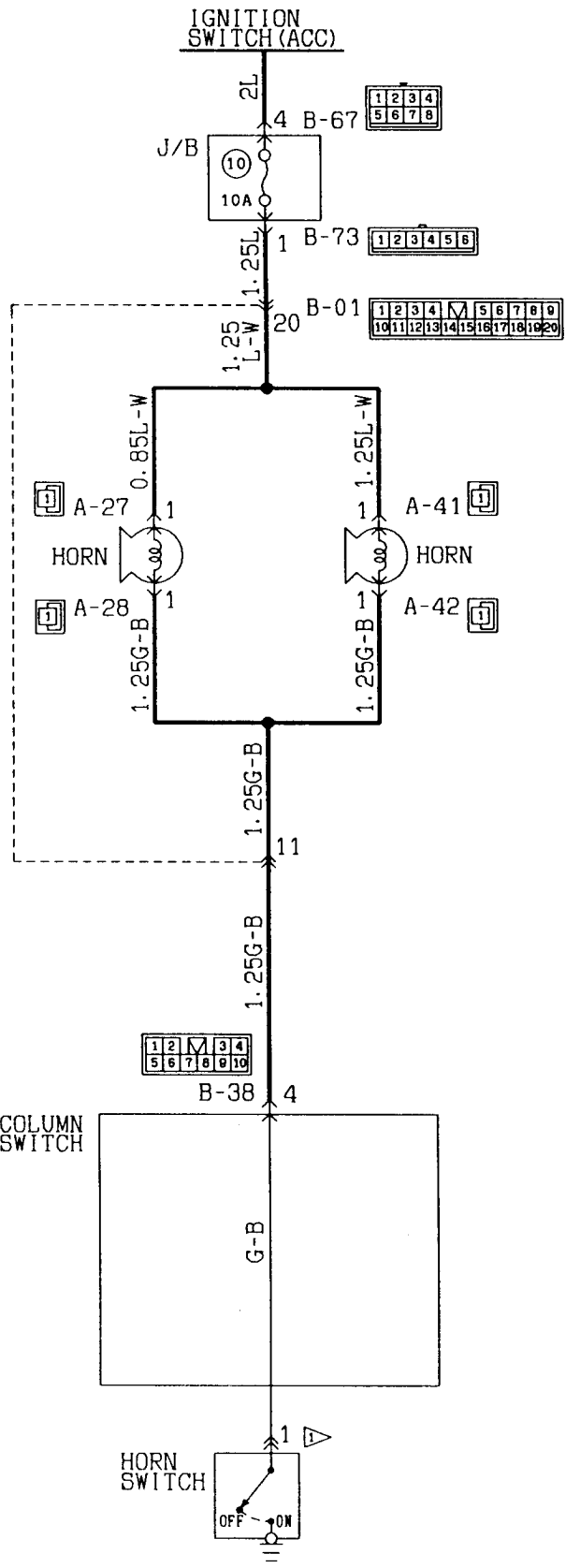
L.H. drive vehicles without SRS



Wire colour code
 B:Black Lt:Light blue G:Green L:Blue W:White Y:Yellow Lg:Light green
 Br:Brown O:Orange Gr:Gray R:Red P:Pink Sb:Silver

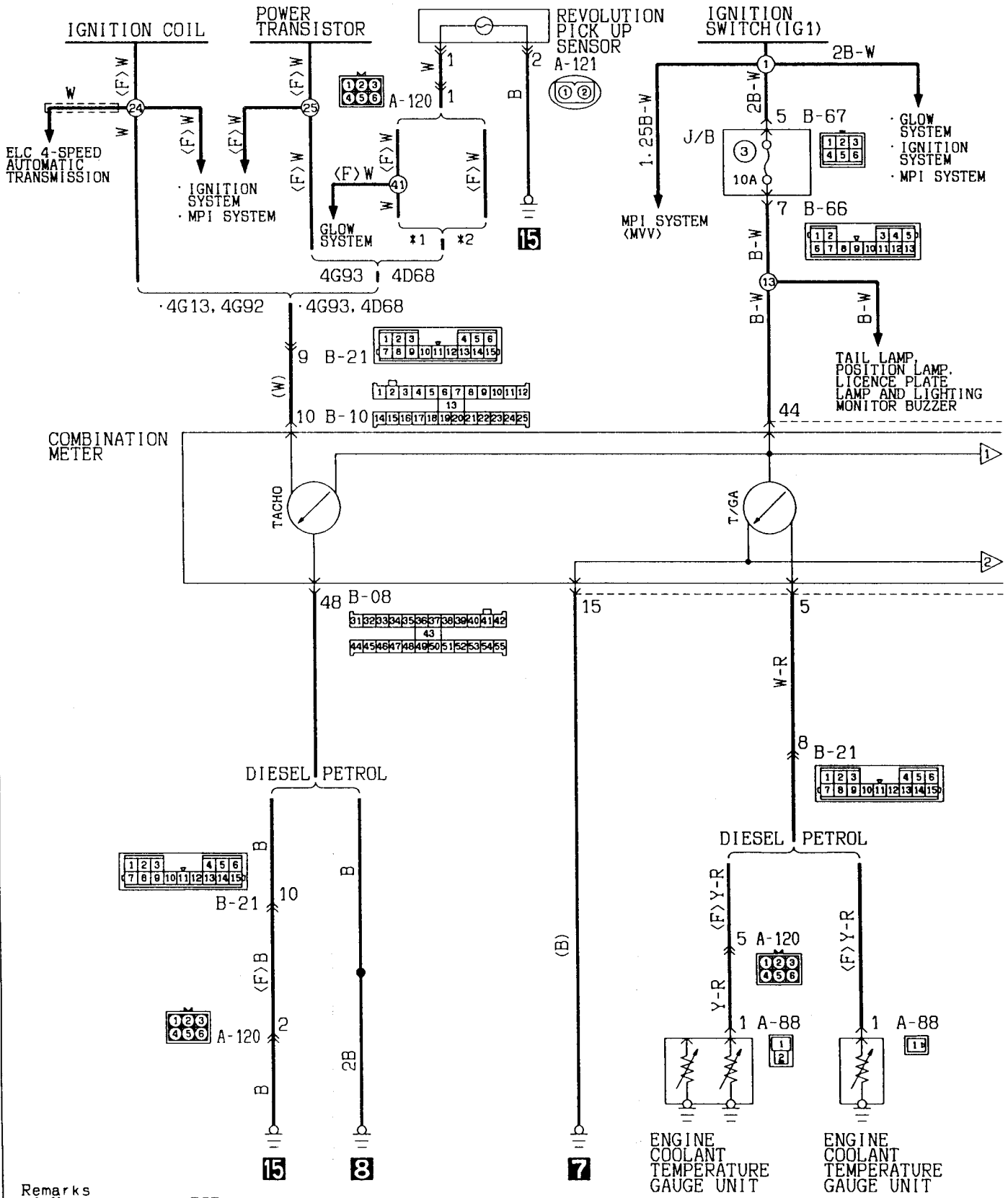
HORN

R. H. drive vehicles without SRS



KX35-AC-E0936-ZC
 Wire colour code
 B:Black Lt:Light blue G:Green L:Blue W:White Y:Yellow Lg:Light green
 Br:Brown O:Orange Gr:Gray R:Red P:Pink Sb:Silver

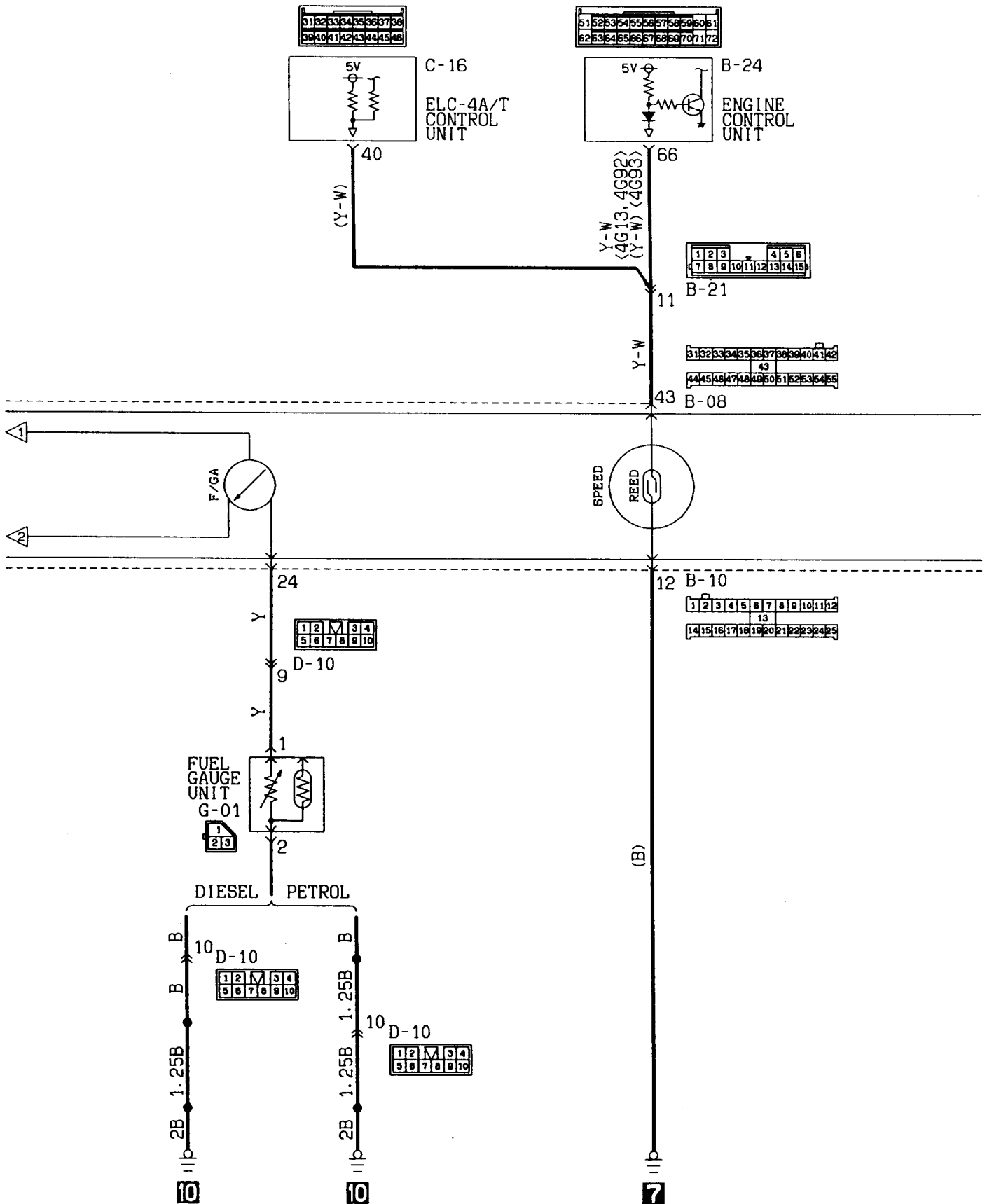
METER AND GAUGE
2WD<L.H. drive vehicles>

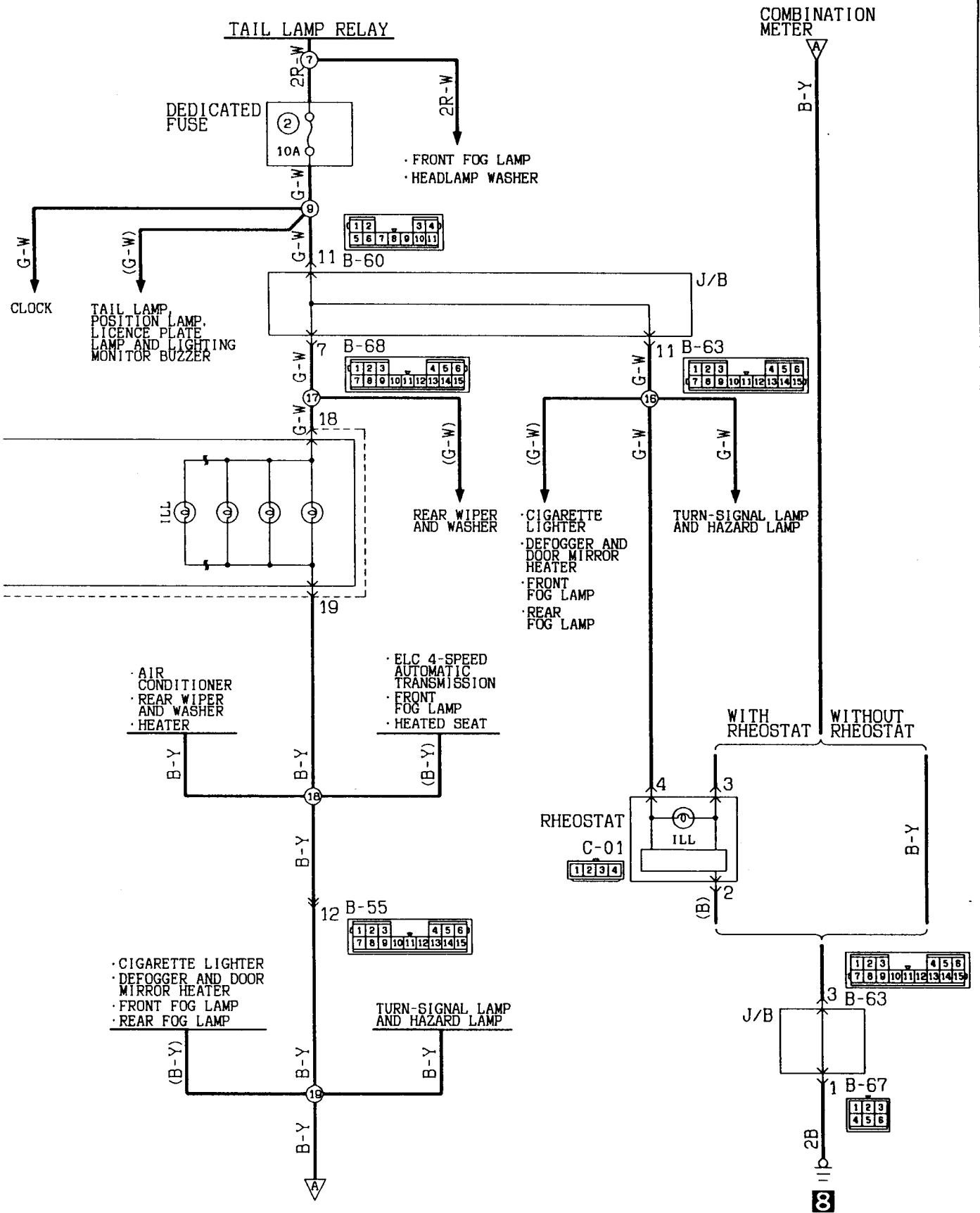


Remarks
*1: Vehicles with EGR system.
*2: Vehicles without EGR system.

Wire colour code
B:Black LG:Light green G:Green L:Blue W:White Y:Yellow SB:Sky blue
BR:Brown O:Orange GR:Gray R:Red P:Pink V:Violet

KX35-AC-E1011-EC



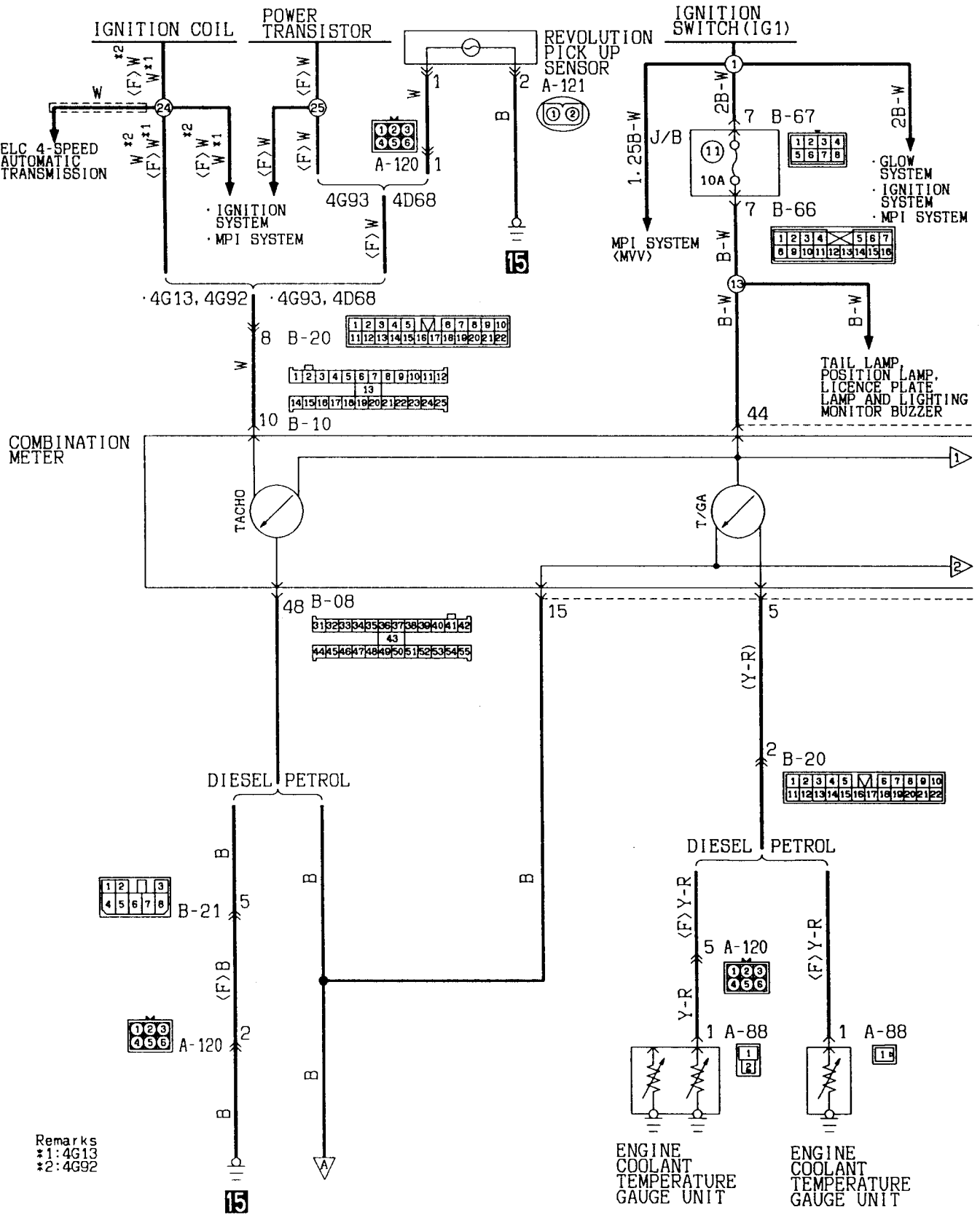


Wire colour code

B:Black LG:Light green G:Green L:Blue W:White Y:Yellow SB:Sky blue
 BR:Brown O:Orange GR:Gray R:Red P:Pink V:Violet

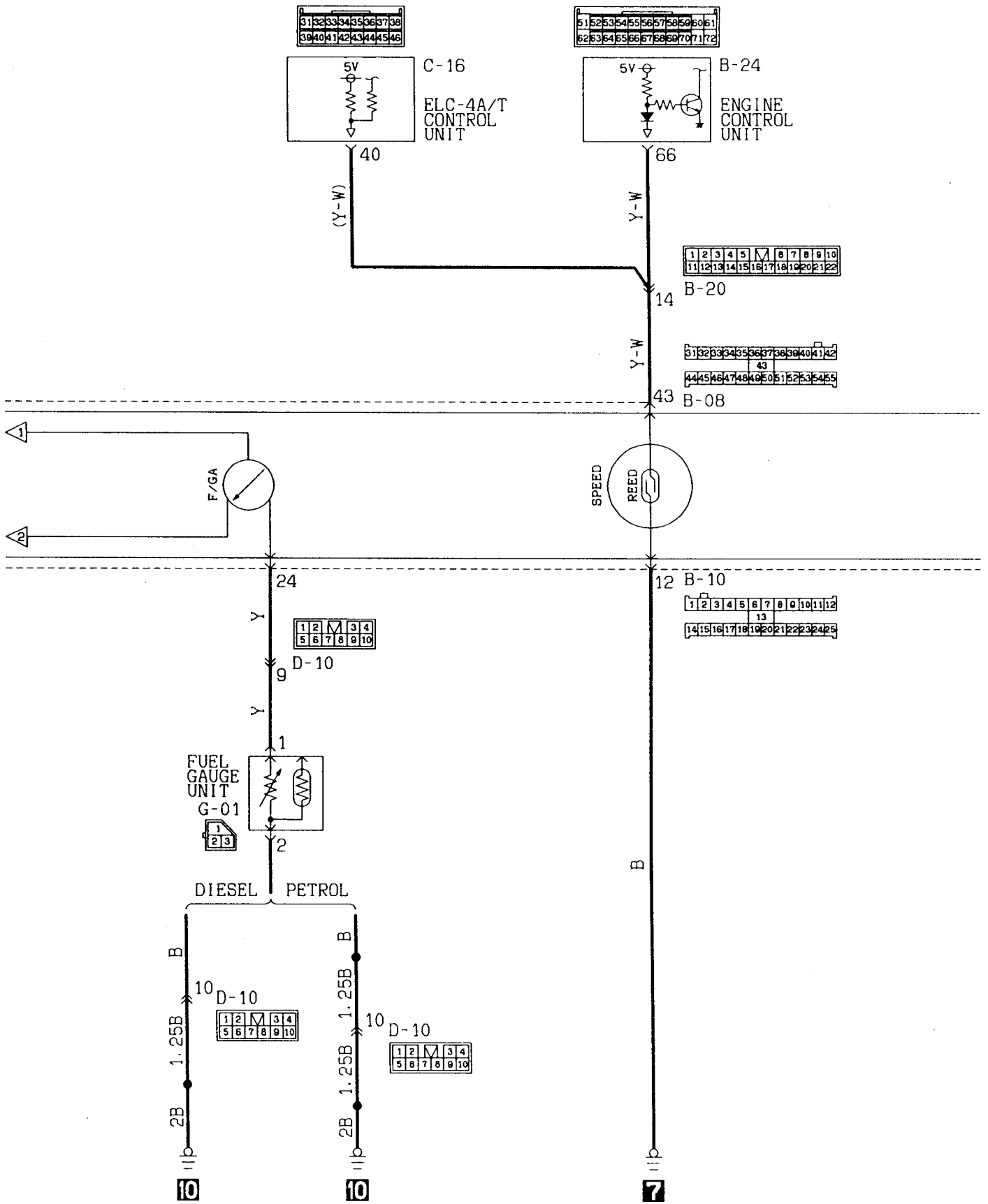
KX35-AC-E1011A-EC

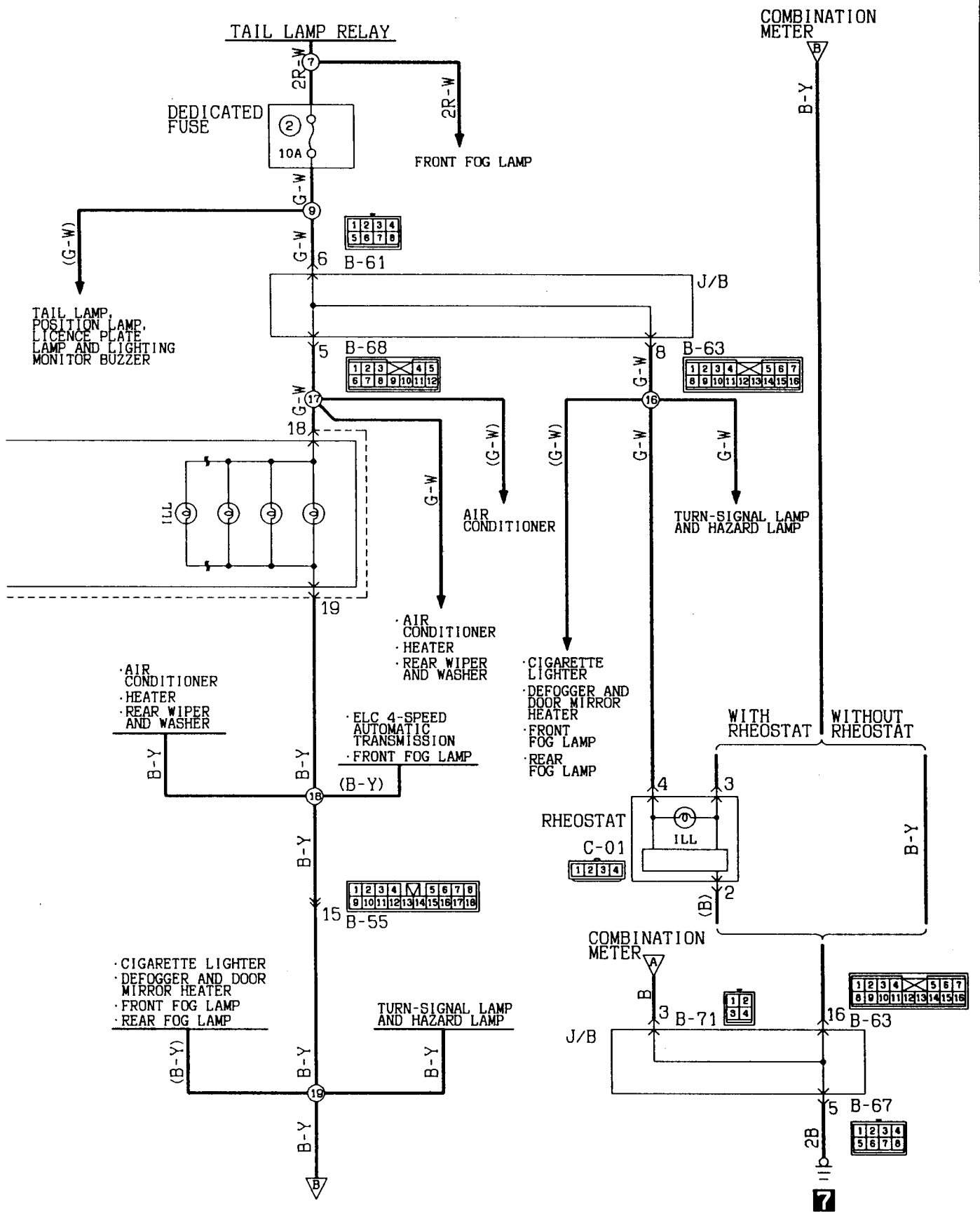
METER AND GAUGE
2WD<R. H. drive vehicles>



Remarks
*1: 4G13
*2: 4G92

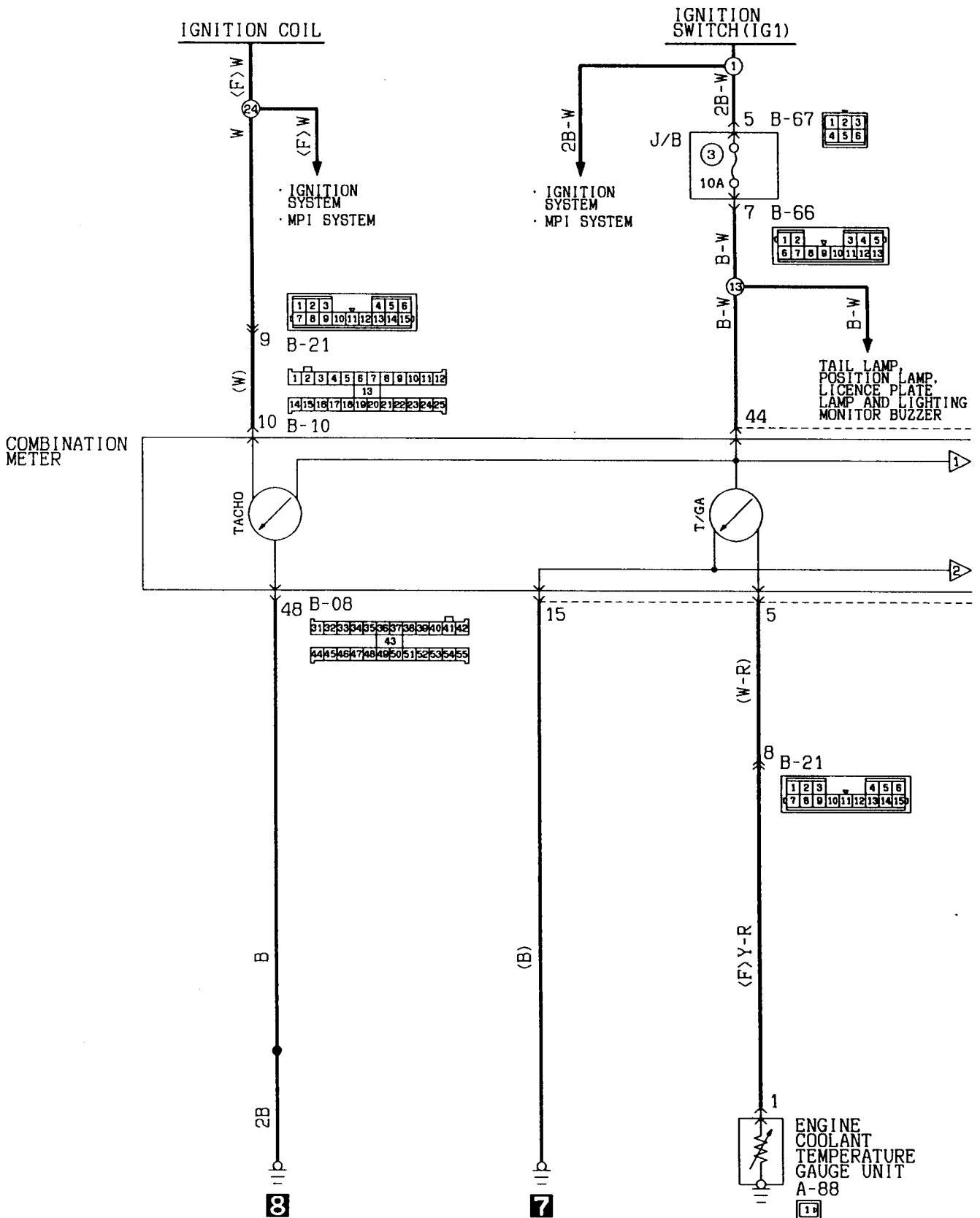
Wire colour code
B: Black LG: Light green G: Green L: Blue W: White Y: Yellow SB: Sky blue
BR: Brown O: Orange GR: Gray R: Red P: Pink V: Violet





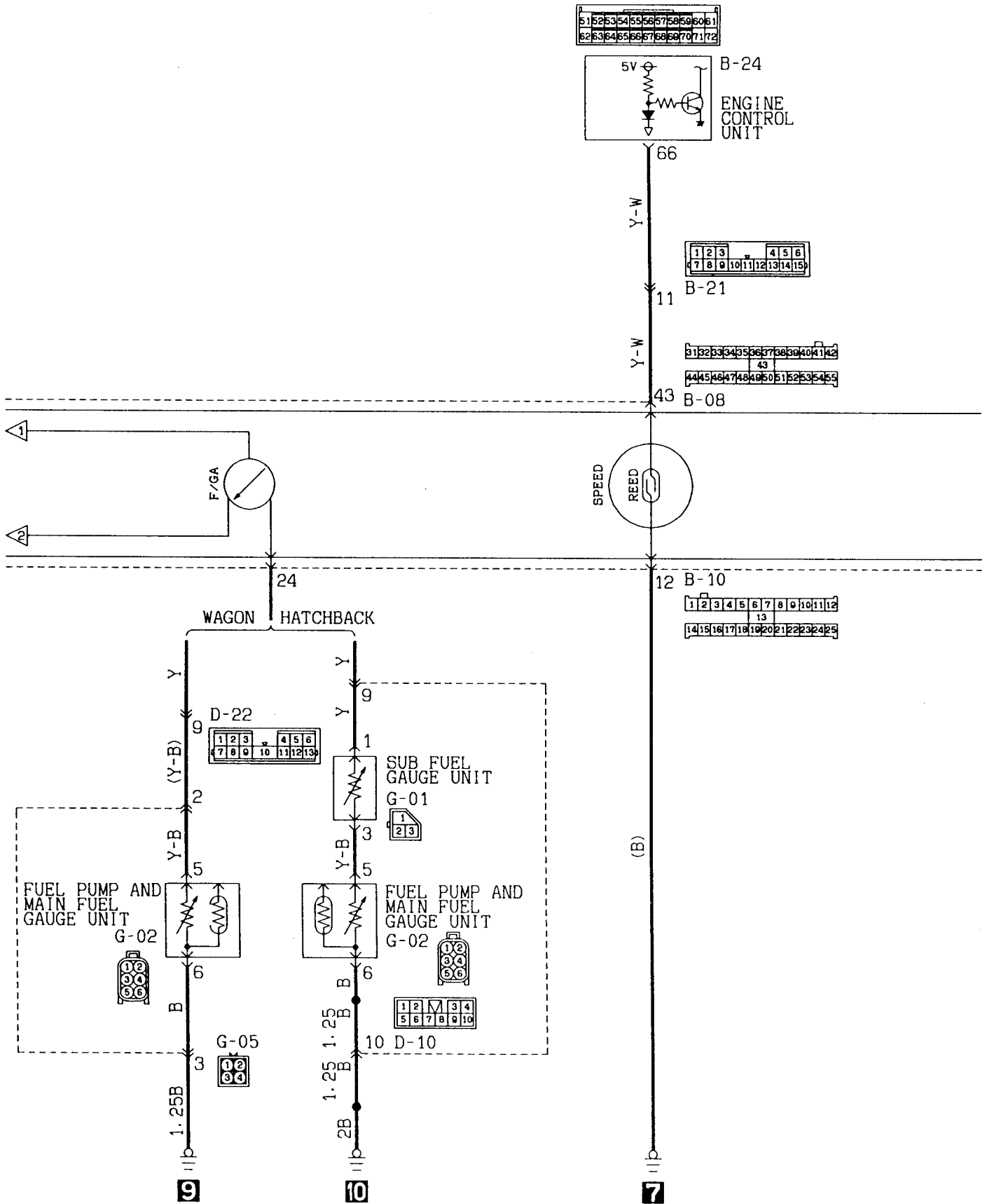
Wire colour code
 B:Black LG:Light green G:Green L:Blue W:White Y:Yellow SB:Sky blue
 BR:Brown O:Orange GR:Gray R:Red P:Pink V:Violet

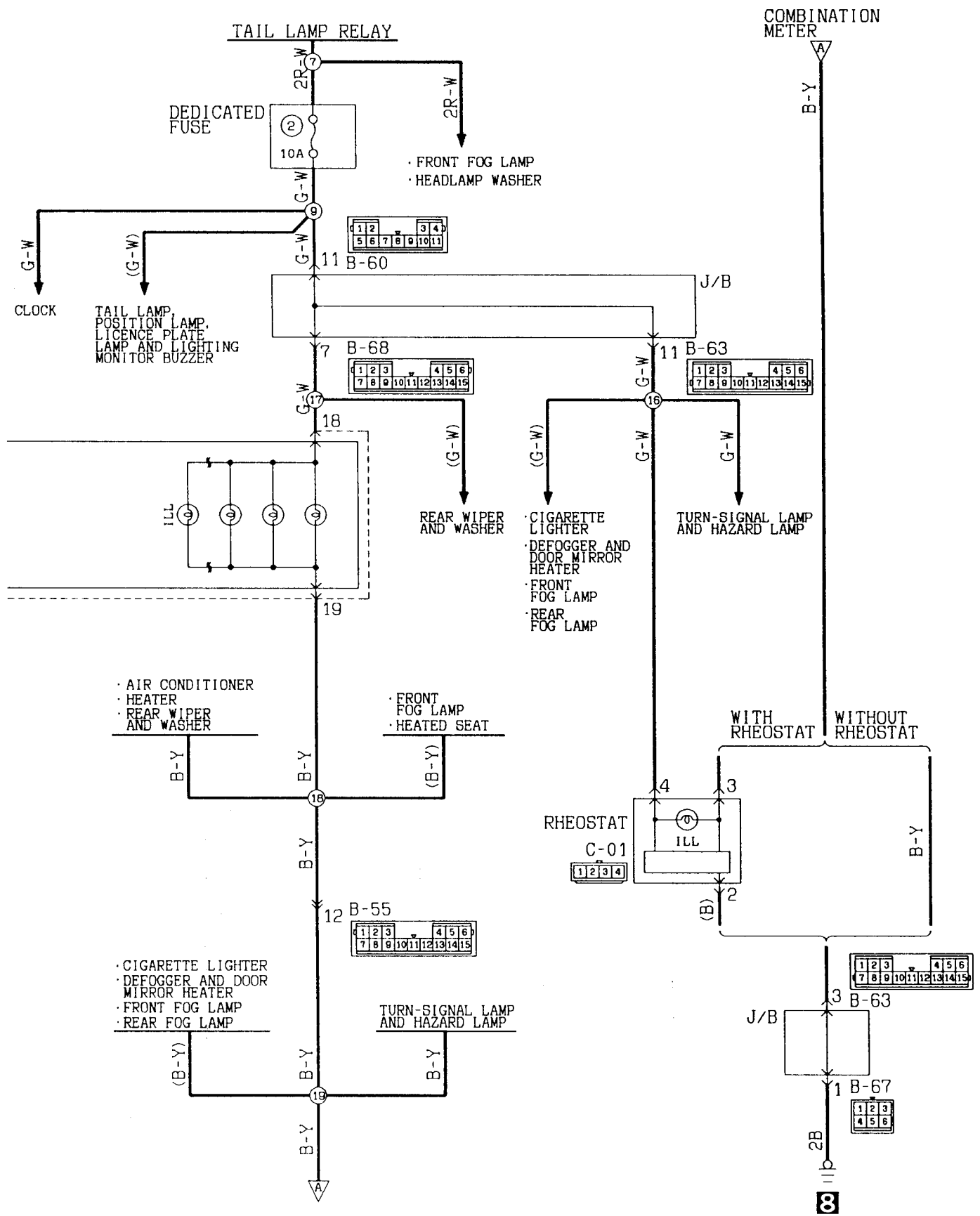
METER AND GAUGE
4WD<L.H. drive vehicles>



Wire colour code
 B:Black LG:Light green G:Green L:Blue W:White Y:Yellow SB:Sky blue
 BR:Brown O:Orange GR:Gray R:Red P:Pink V:Violet

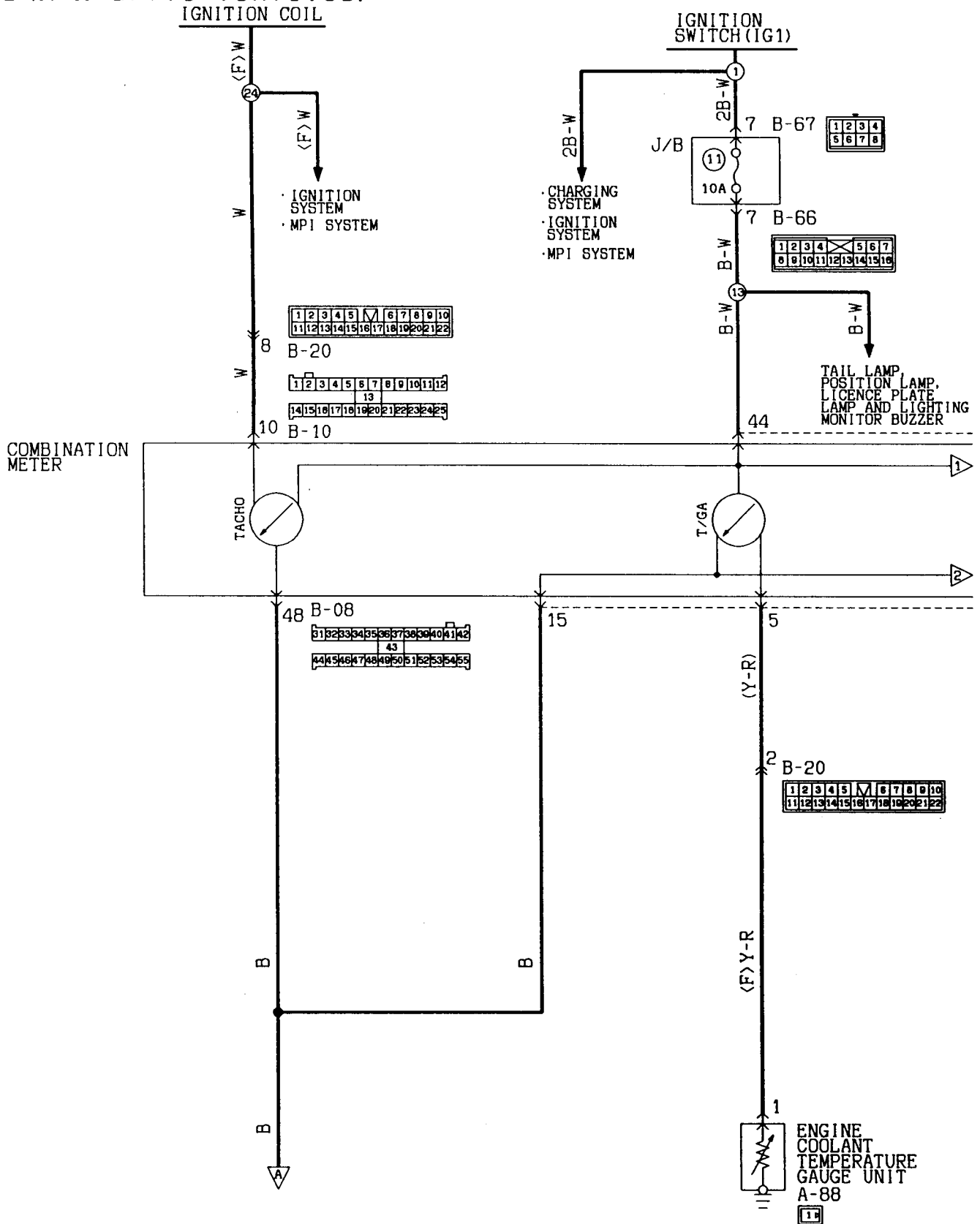
KX35-AC-E1013-EC





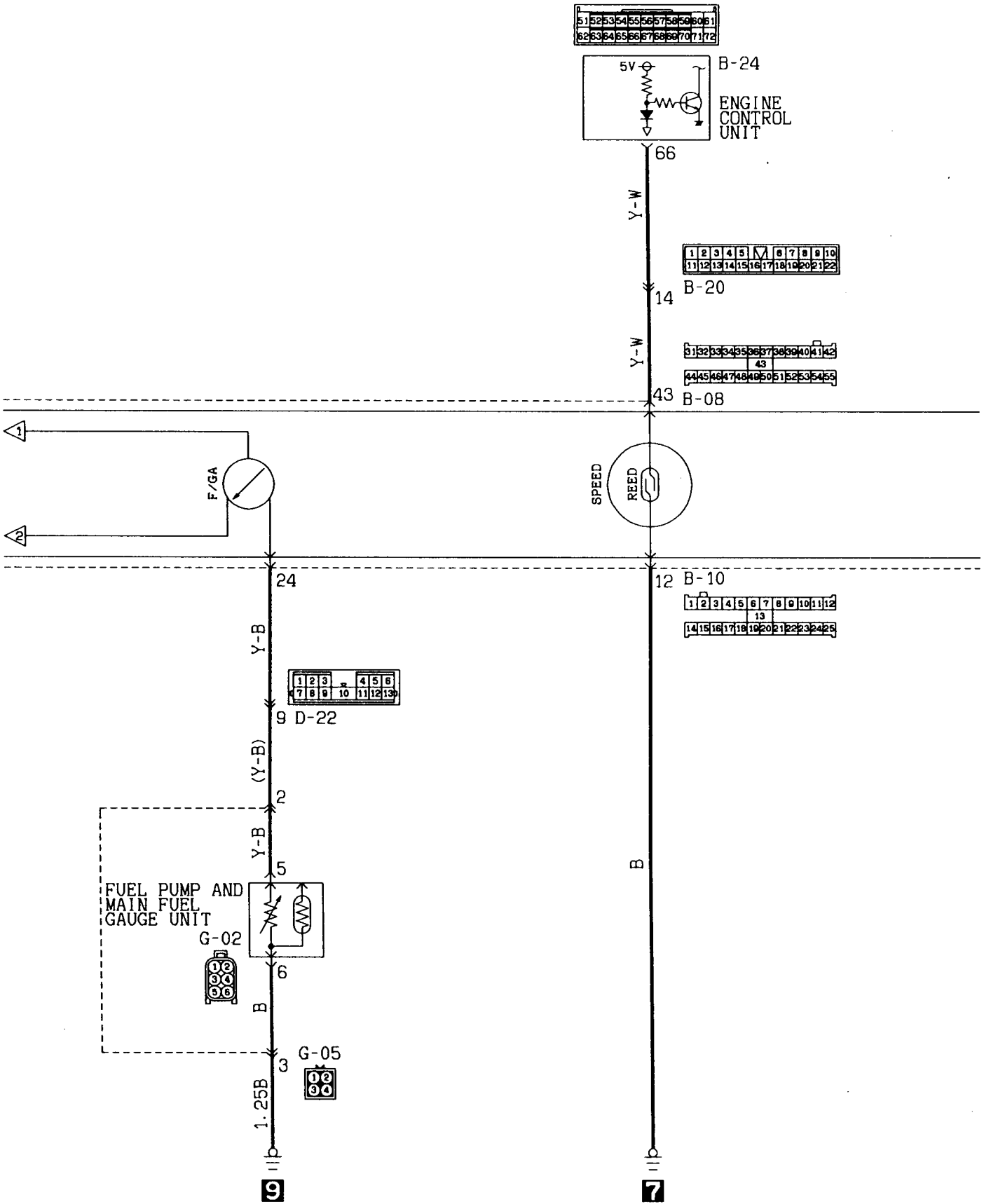
Wire colour code
 B:Black LG:Light green G:Green L:Blue W:White Y:Yellow SB:Sky blue
 BR:Brown O:Orange GR:Gray R:Red P:Pink V:Violet

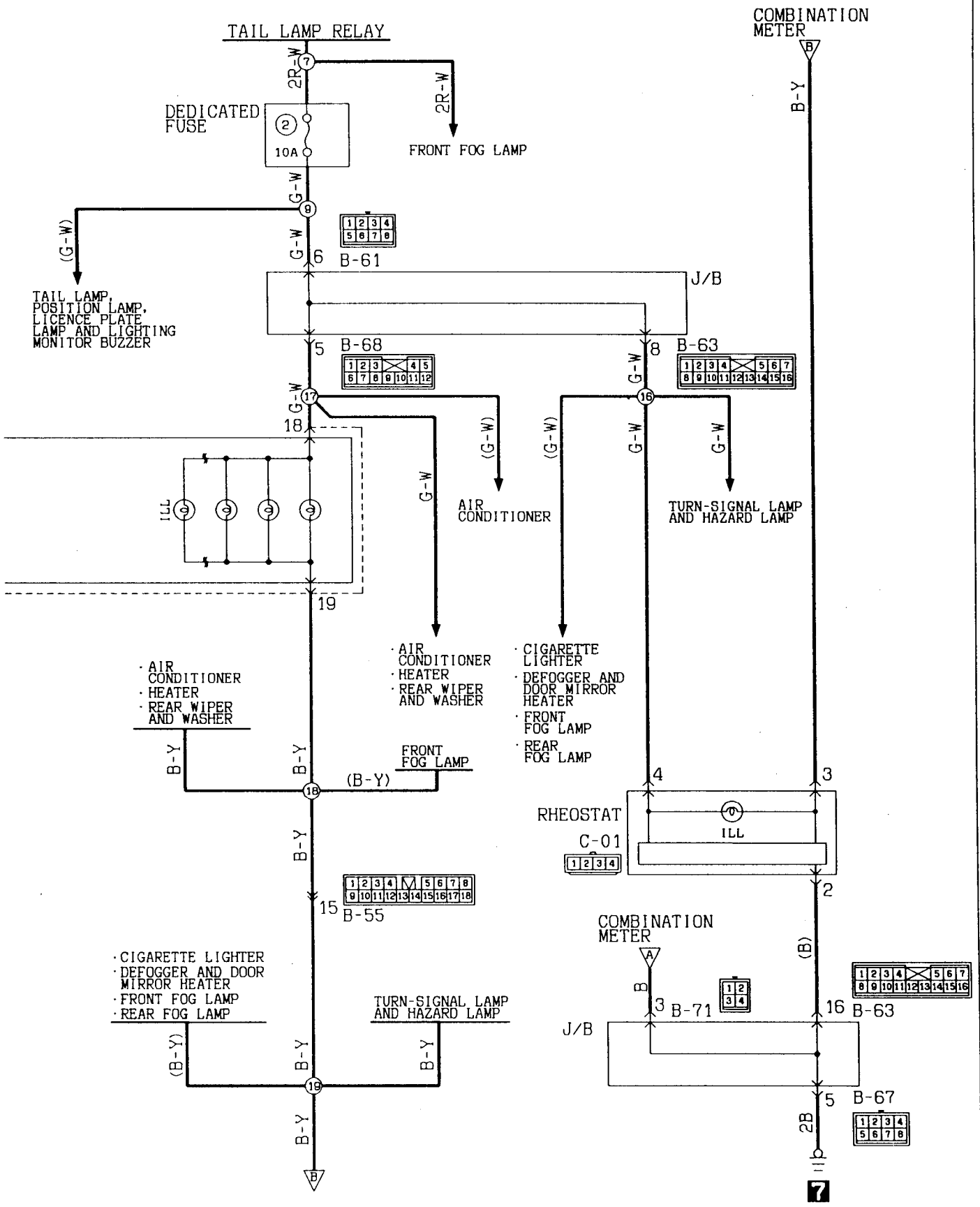
METER AND GAVGE
4WD<R. H. drive vehicles>



Wire colour code
 B:Black LG:Light green G:Green L:Blue W:White Y:Yellow SB:Sky blue
 BR:Brown O:Orange GR:Gray R:Red P:Pink V:Violet

KX35-AC-E1014-EC





Wire colour code

KX35-AC-E1014A-EC

B:Black LG:Light green G:Green L:Blue W:White Y:Yellow SB:Sky blue
BR:Brown O:Orange GR:Gray R:Red P:Pink V:Violet

METER AND GAUGE (See P.4A-207, 210, 213, 216.)**OPERATION****<Fuel gauge>**

- When the ignition switch is at the "ON" position, the fuel gauge is activated.
- When there is much fuel, the unit's resistance is small and the current flowing in the circuit is great, so the gauge's indicator indicates in the "F" area.
- When there is little fuel, the unit's resistance is high and the current flowing in the circuit is small, so the gauge's indicator indicates in the "E" area.

Remark

- Since the fuel gauge is a needle holding type, the reading of the needle will be kept as it is even if the ignition switch is turned off.

<Engine coolant temperature gauge>

- When the ignition switch is at the "ON" position, the engine coolant temperature gauge is activated.
- When the engine coolant temperature is high, the unit's resistance is low and there is a great flow of current in the circuit, so the gauge's indicator indicates in the "H" area.
- When the engine coolant temperature is low, the unit's resistance is high and there is a small flow of current in the circuit, so the gauge's indicator indicates in the "C" area.

<Reed switch>

- This switch generates pulses according to the current vehicle speed and provides a vehicle-speed signal for the control systems using vehicle speeds as an input source (such as engine control system).

TROUBLESHOOTING HINTS

1. Fuel gauge does not operate, or registers incorrectly.

<2WD>

- 1) When terminal "1" is earthed with the fuel gauge unit connector unplugged, the fuel gauge registers "F".
 - Check fuel gauge unit.

<4WD (Hatchback and sedan)>

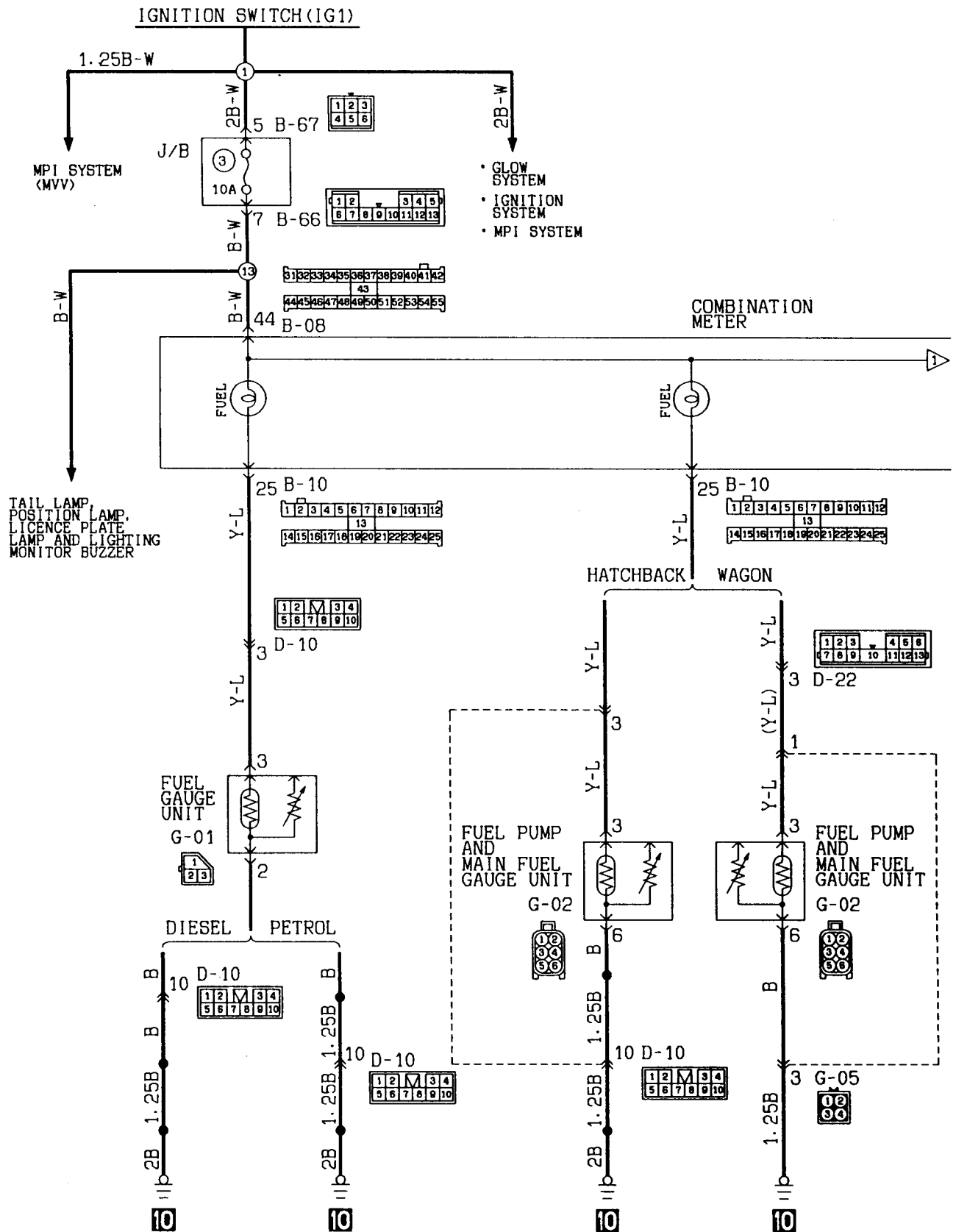
- 1) When terminal "1" is earthed with the sub fuel gauge unit connector unplugged, the fuel gauge registers "F".
 - Check main fuel gauge unit or sub fuel gauge unit.

<4WD (Wagon)>

- 1) When terminal "5" is earthed with the fuel gauge unit connector unplugged, the fuel gauge registers "F".
 - Check fuel gauge unit.
2. Engine coolant temperature gauge does not operate, or registers incorrectly.
 - 1) When the engine coolant temperature gauge is earthed with its connector unplugged, it registers "H".
 - Check engine coolant temperature gauge unit.
3. Vehicle-speed-dependent control systems do not operate.
 - Check reed switch of speedometer.
4. Meter illumination lamp does not come on.
 - 1) Tail lamps do come on.
 - Check rheostat.

FUEL WARNING LAMP
L.H. drive vehicles <2WD>

FUEL WARNING LAMP
L.H. drive vehicles <4WD>



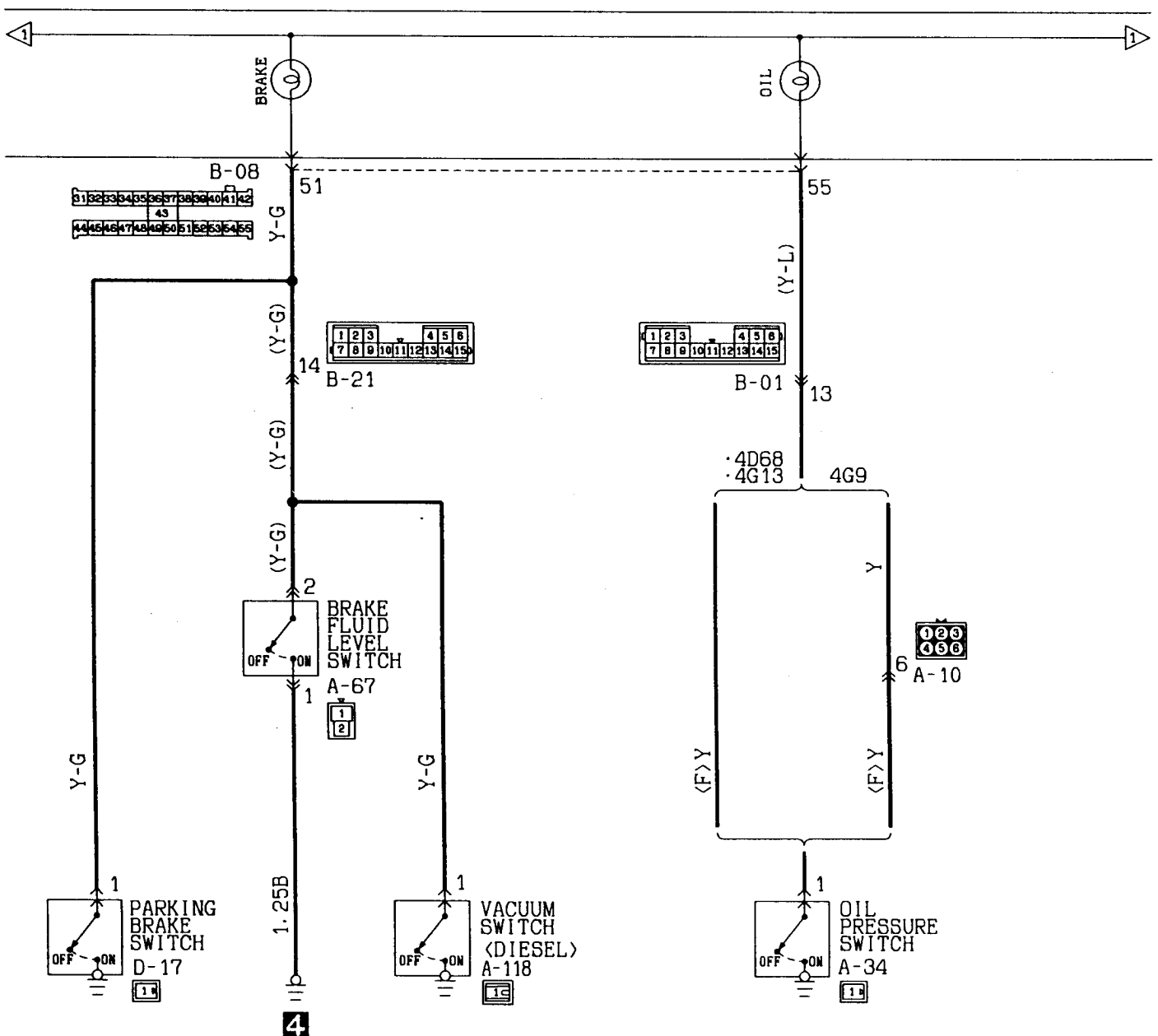
Wire colour code
 B:Black LG:Light green G:Green L:Blue W:White Y:Yellow SB:Sky blue
 BR:Brown O:Orange GR:Gray R:Red P:Pink V:Violet

KX35-AC-E1015-EC

CIRCUIT DIAGRAM – Brake Warning Lamp/Oil Pressure Warning Lamp 4A-221

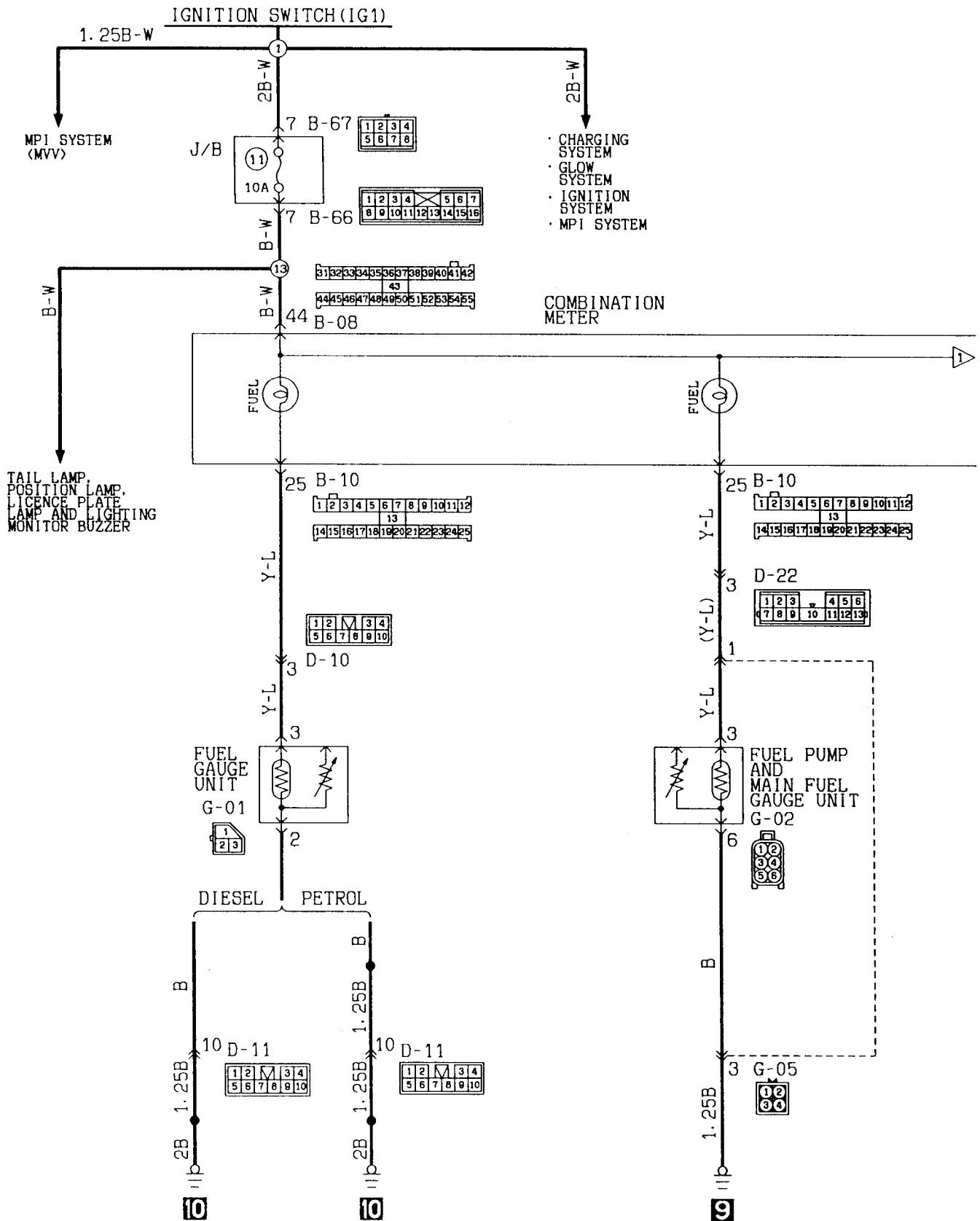
BRAKE WARNING LAMP
L. H. drive vehicles

OIL PRESSURE WARNING LAMP
L. H. drive vehicles



FUEL WARNING LAMP
R. H. drive vehicles (2WD)

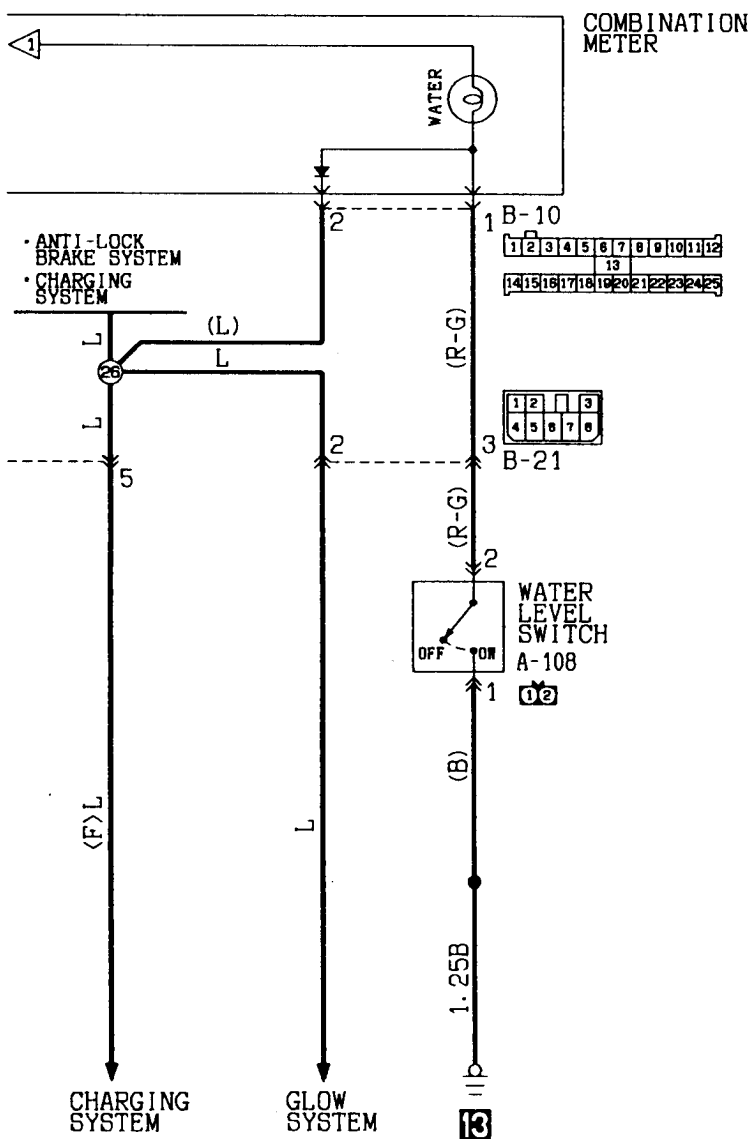
FUEL WARNING LAMP
R. H. drive vehicles (4WD)



Wire colour code
 B:Black LG:Light green G:Green L:Blue W:White Y:Yellow SB:Sky blue
 BR:Brown O:Orange GR:Gray R:Red P:Pink V:Violet

KX35-AC-E1018-EC

FUEL FILTER WARNING LAMP
R. H. drive vehicles <DIESEL>

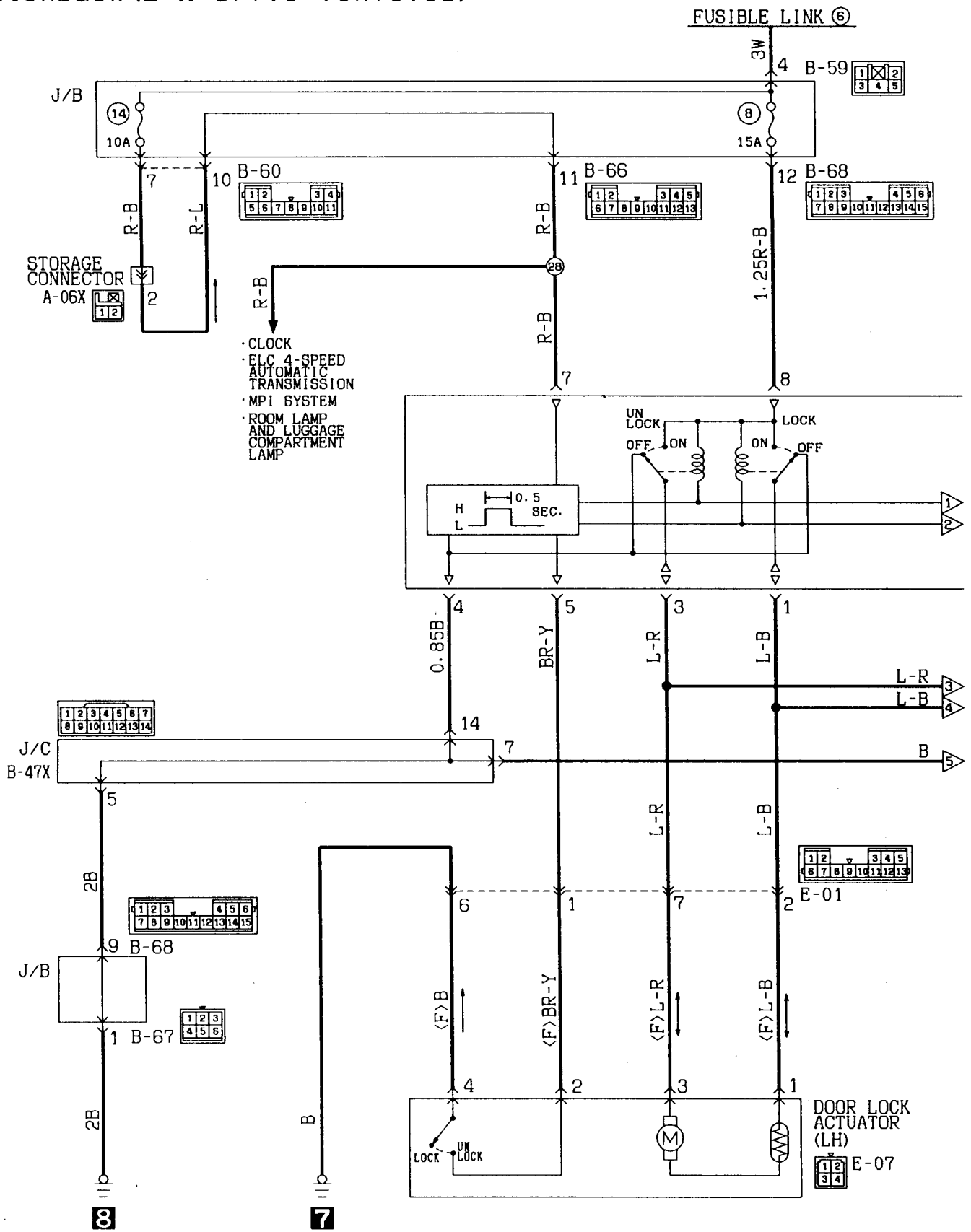


Wire colour code
 B:Black LG:Light green G:Green L:Blue
 BR:Brown O:Orange GR:Gray R:Red
 W:White SB:Sky blue P:Pink Y:Yellow
 V:Violet

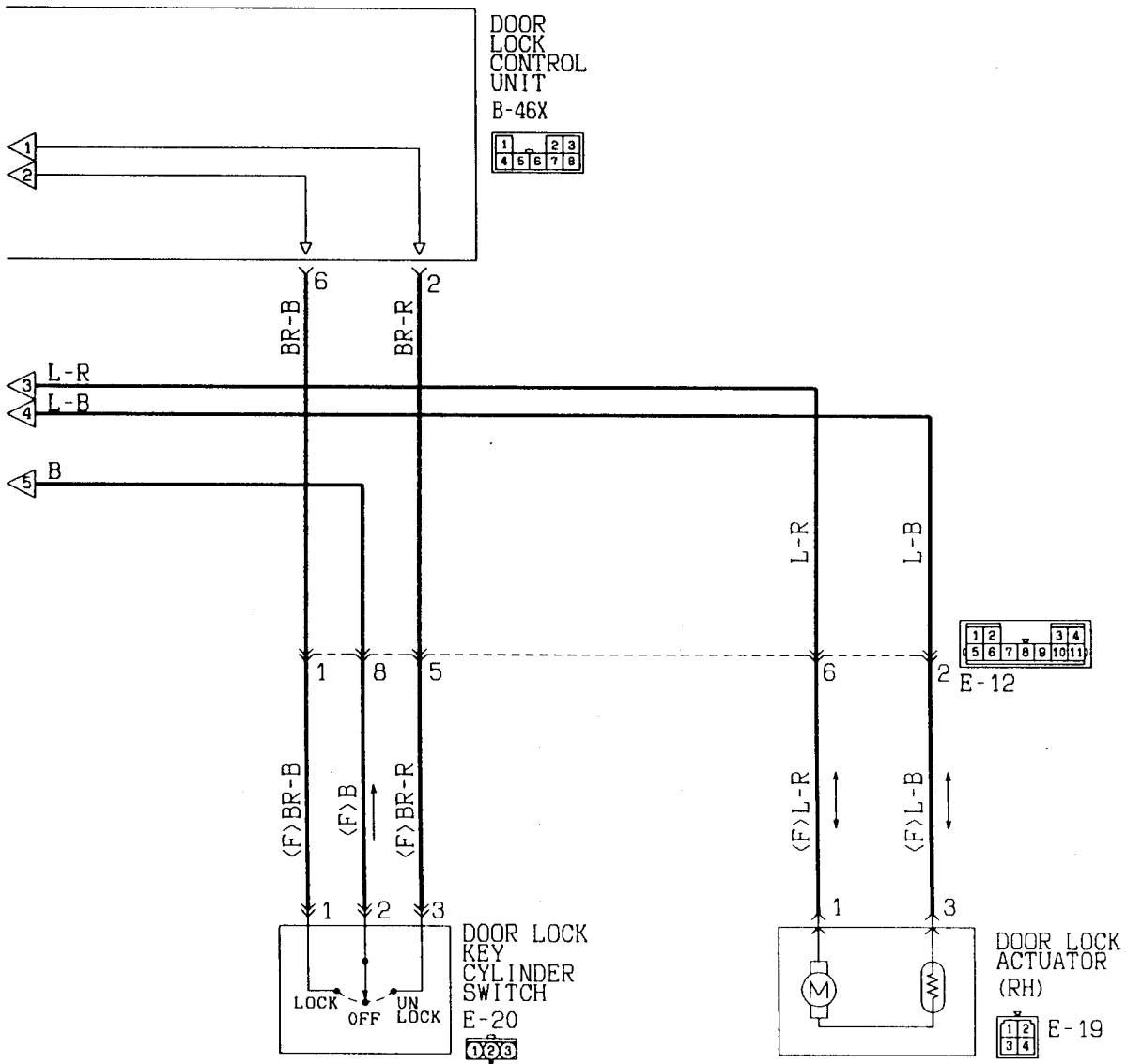
KX35-AC-E1016A-EC

CENTRAL DOOR LOCKING SYSTEM

Hatchback (L.H. drive vehicles)

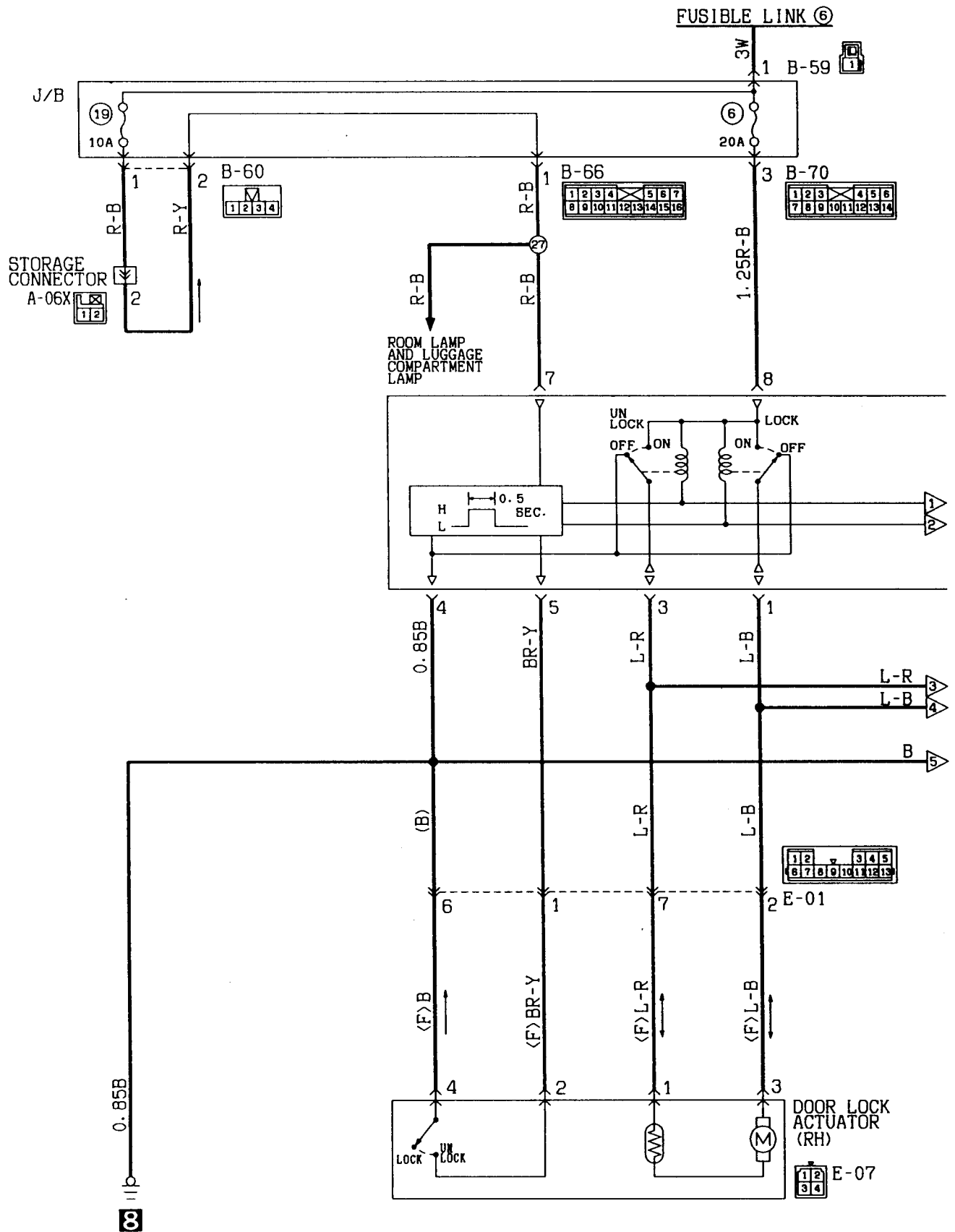


KX35-AC-E1109-EC

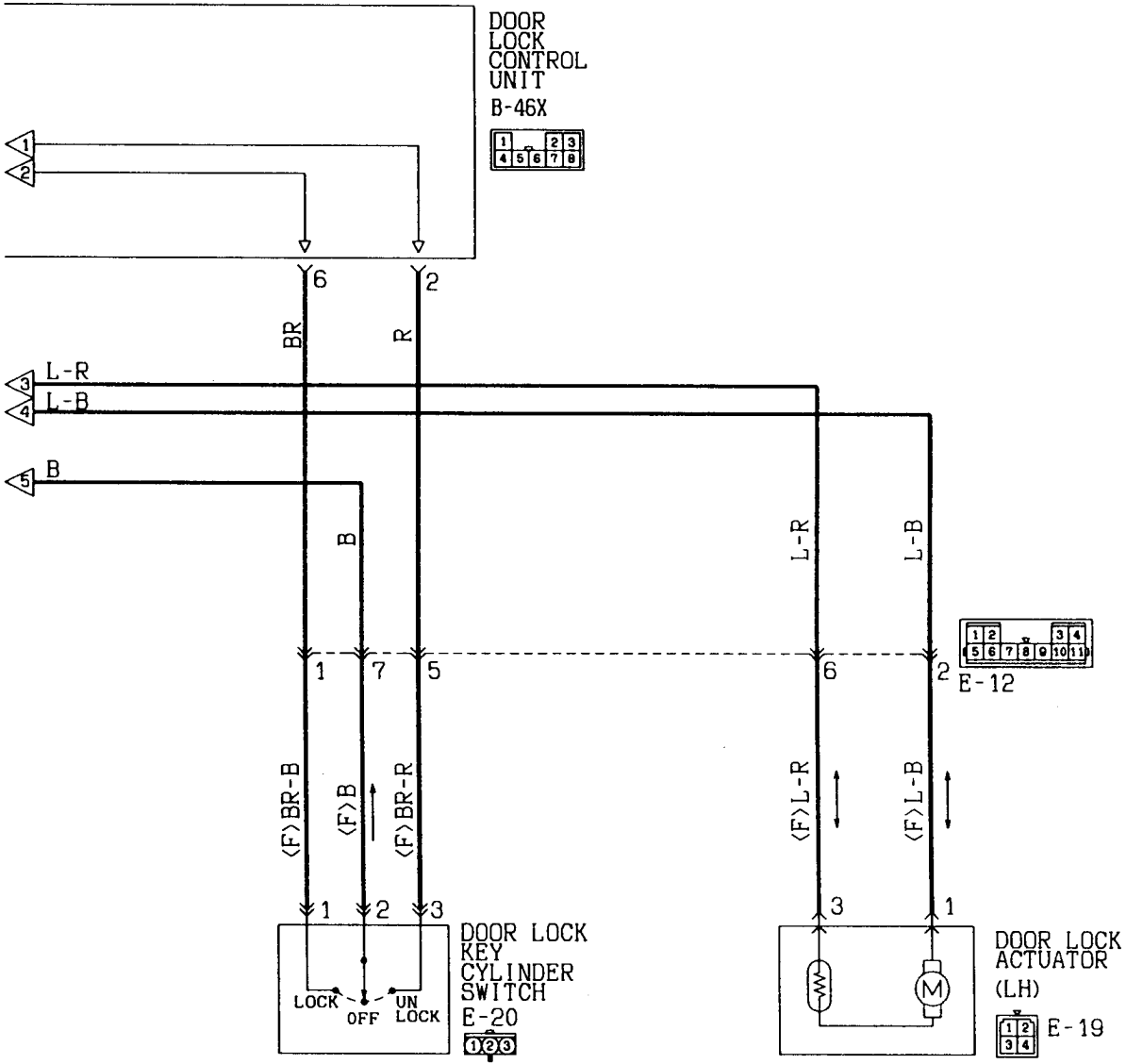


Wire colour code
 B:Black LG:Light green G:Green L:Blue W:White Y:Yellow SB:Sky blue
 BR:Brown O:Orange GR:Gray R:Red P:Pink V:Violet

CENTRAL DOOR LOCKING SYSTEM
Hatchback (R. H. drive vehicles)



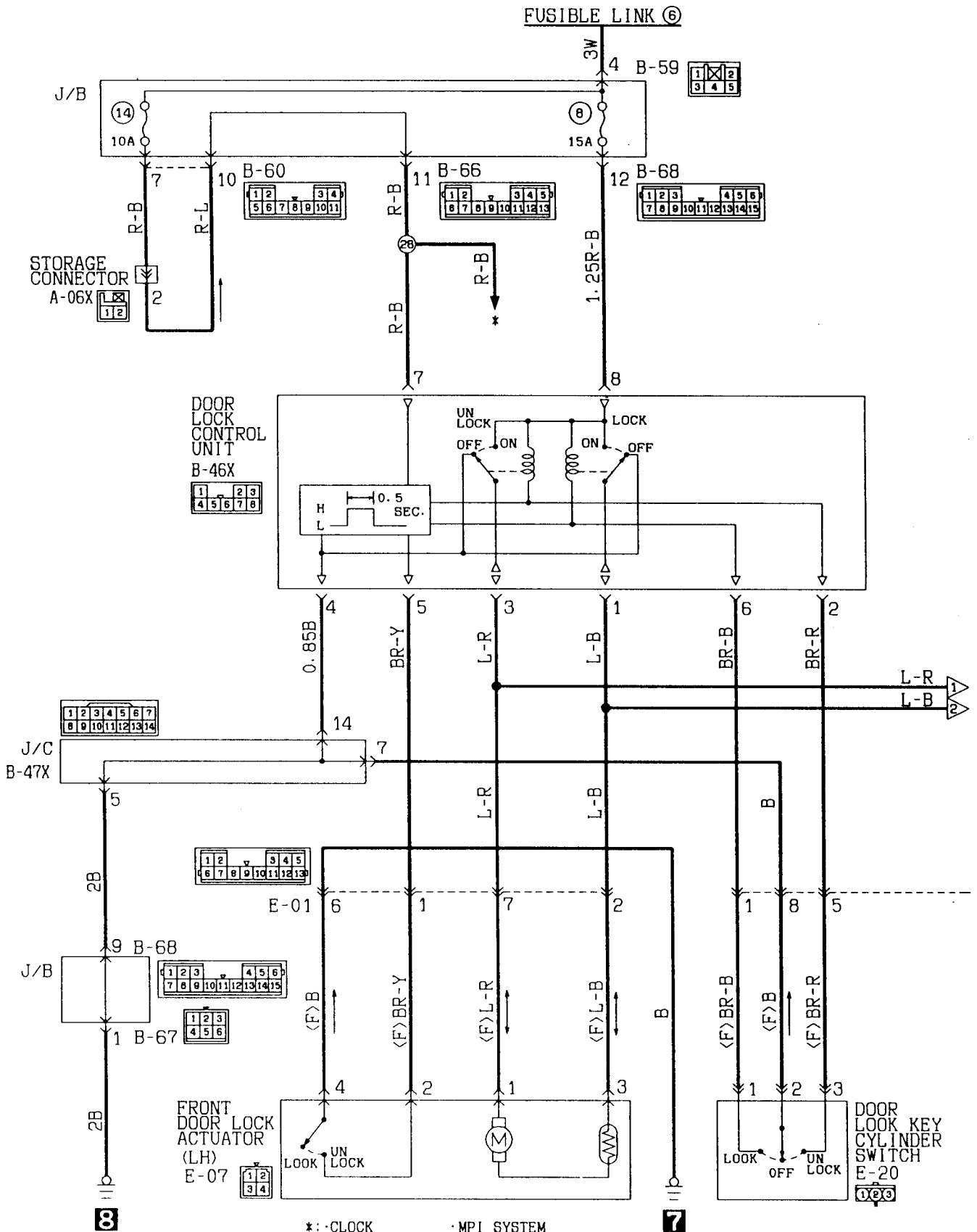
KX35-AC-E1110-EC



Wire colour code
 B:Black LG:Light green G:Green L:Blue W:White Y:Yellow SB:Sky blue
 BR:Brown O:Orange GR:Gray R:Red P:Pink V:Violet

CENTRAL DOOR LOCKING SYSTEM

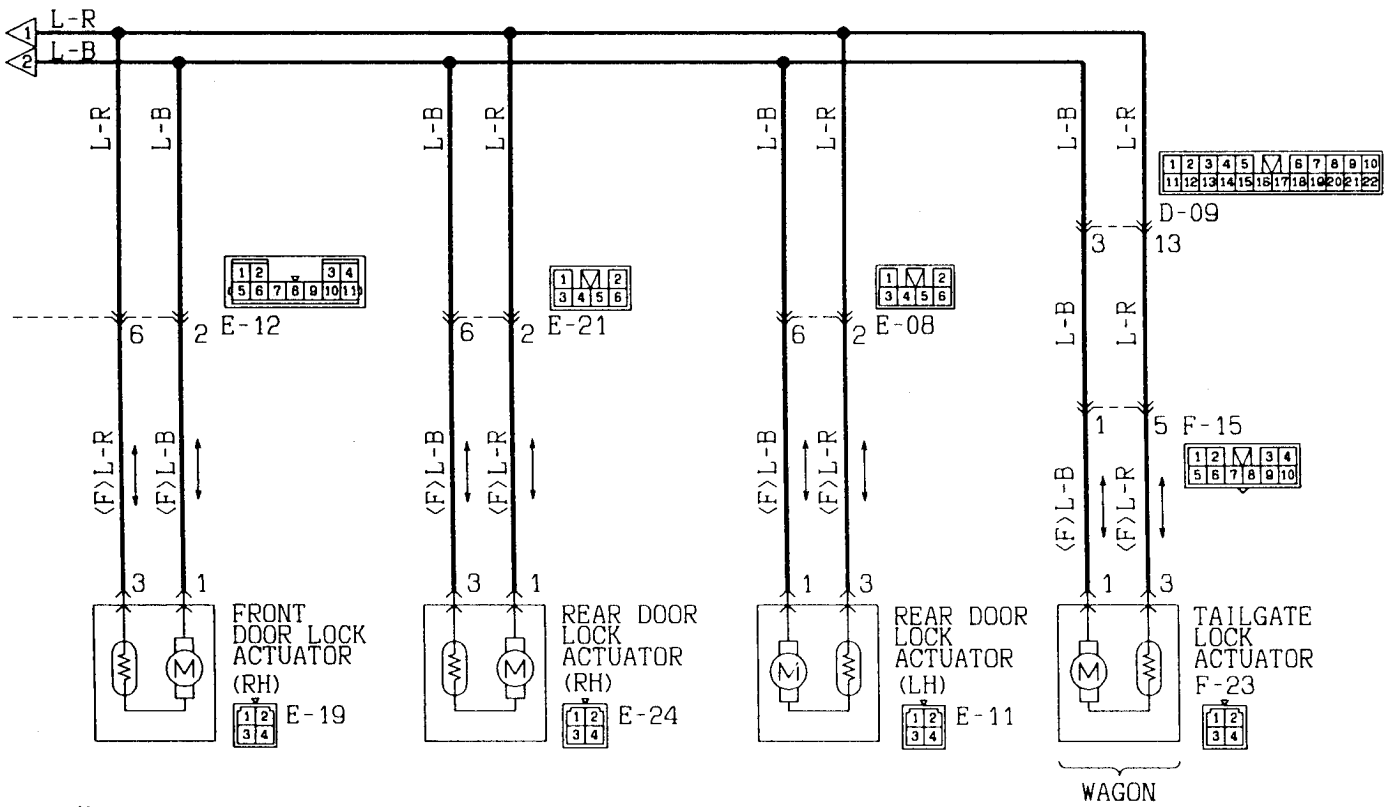
Sedan and wagon (L. H. drive vehicles)



*: -CLOCK
 -ELC 4-SPEED
 AUTOMATIC
 TRANSMISSION

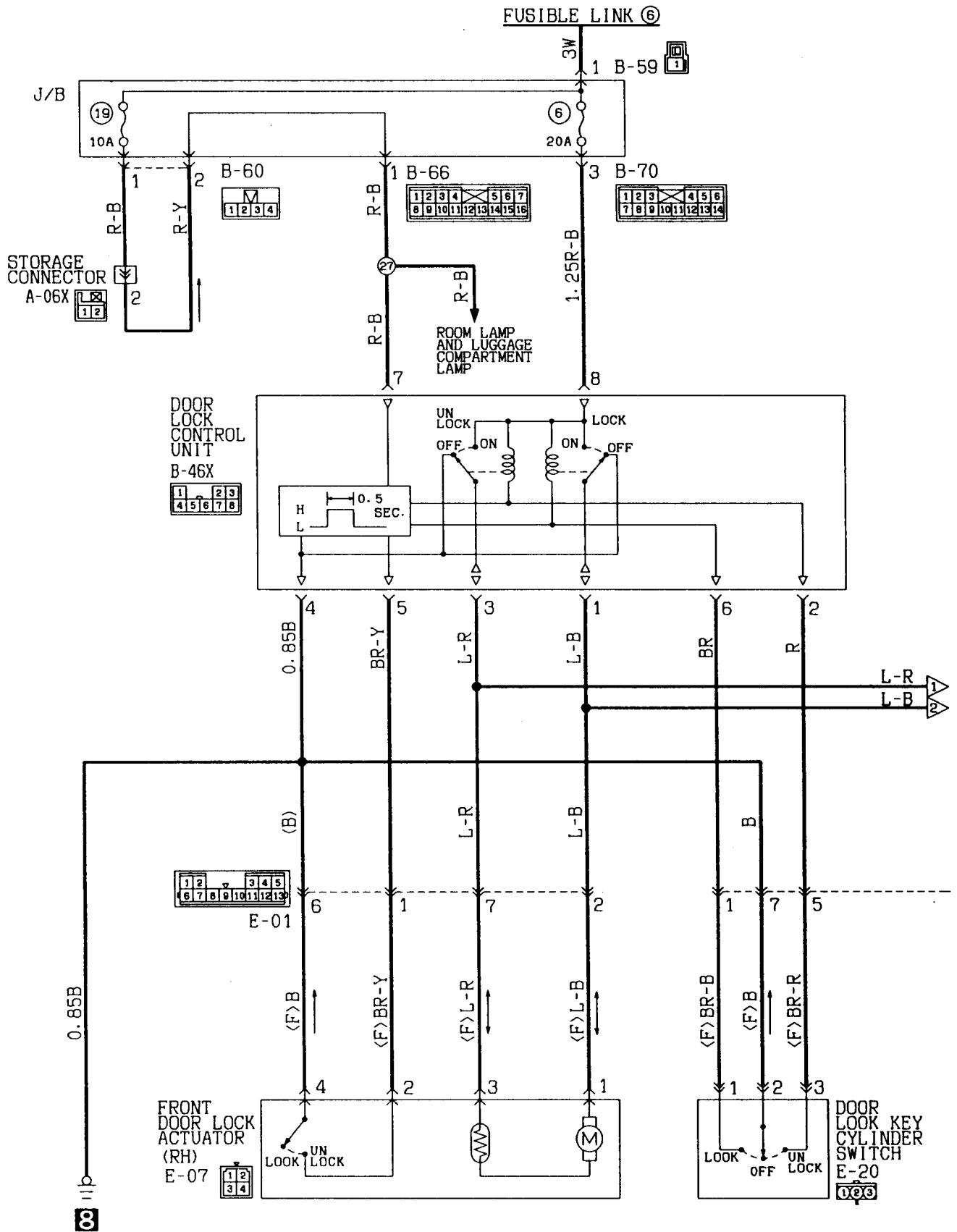
-MPI SYSTEM
 -ROOM LAMP
 AND LUGGAGE
 COMPARTMENT
 LAMP

KX35-AC-E1111-EC

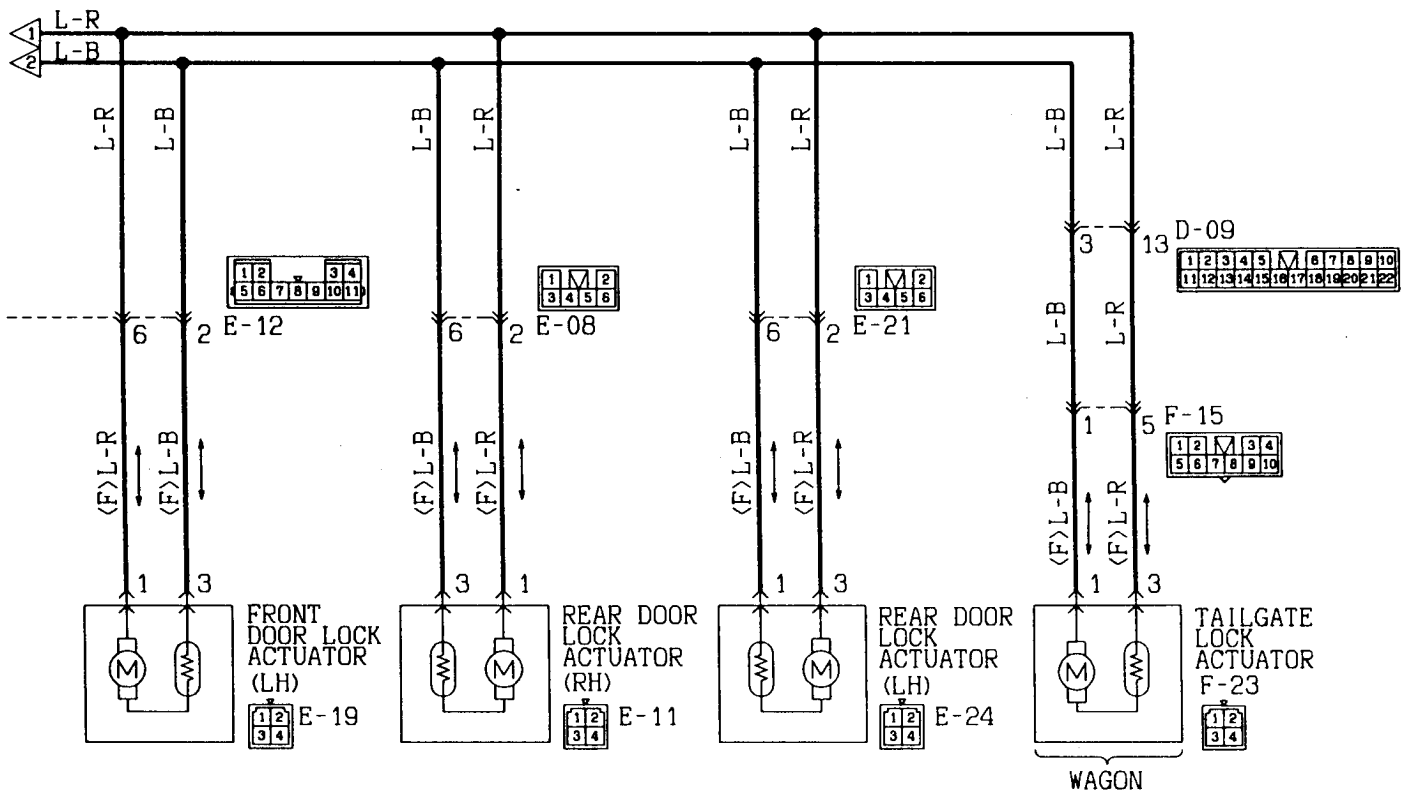


Wire colour code
 B:Black LG:Light green G:Green L:Blue W:White Y:Yellow SB:Sky blue
 BR:Brown O:Orange GR:Gray R:Red P:Pink V:Violet

CENTRAL DOOR LOCKING SYSTEM
Sedan and wagon (R. H. drive vehicles)



KX35-AC-E1112-2C



Wire colour code
 B:Black LG:Light green G:Green L:Blue W:White Y:Yellow SB:Sky blue
 BR:Brown O:Orange GR:Gray R:Red P:Pink V:Violet

CENTRAL DOOR LOCKING SYSTEM (See P.4A-226, 228, 230, 232.)**OPERATION****1. Operation by means of driver's side inside lock knob or door lock key.**

- When the driver's side inside lock knob (including key operation) is in the "LOCK" (or "UNLOCK") position, the driver's side door latch switch turns to "LOCK (OFF)" [or to "UNLOCK (ON)"] and the timer inside the door lock control unit functions to turn the output transistor "ON" for approximately 0.5 seconds. This causes the lock side (or unlock side) power relay inside the door lock control unit to turn "ON", and all actuators operate.

2. Operation by means of passenger's side door lock key.

- When the passenger's side door lock key cylinder switch is turned to "LOCK" (or "UNLOCK") with the key, the lock side (or unlock side) power relay inside the door lock control unit turns "ON", and all actuators operate.

Remark

- Each door lock actuator is provided with a PTC thermistor to prevent the motor from being damaged by overheating. This results in the actuator not properly operation at times when the central door lock is frequently used, the actuator is operational if it resumes normal operation within several minutes.

TROUBLESHOOTING HINTS

1. Any one of the door lock actuators is inoperative.
 - Check the defective door actuator.
2. Door cannot be locked or unlocked with the inside lock knob on the driver's side door. (including key operation)
 - Check door latch switch.
 - Check door lock control unit.
3. Door cannot be locked or unlocked with the passenger's side key.
 - Check door lock key cylinder switch.

POWER WINDOW (See P.4A-236, 237, 238, 240.)**OPERATION**

- When the power window (main or sub) switch is depressed (UP or DOWN) with the ignition switch in the ON position, current flows through fusible link No. ⑦ to the power window motor. This energizes the power window motor causing the door window glass to open or close.
- When the DOWN side of the power window main switch (driver's seat side switch) is depressed all the way, it is locked in the depressed position and the power window motor is operated until the door glass is fully opened.
- When the power window lock switch is placed in the LOCK (OFF) position, operating a switch other than the ones for the driver's side and front passenger's side window (main) does not cause the power window motor to be operated.
- The power window motor is provided with a circuit breaker that protects the motor from damage caused by overcurrent.

Reference: Circuit breaker characteristics

Restricts the motor at room temperature [20 to 25°C];

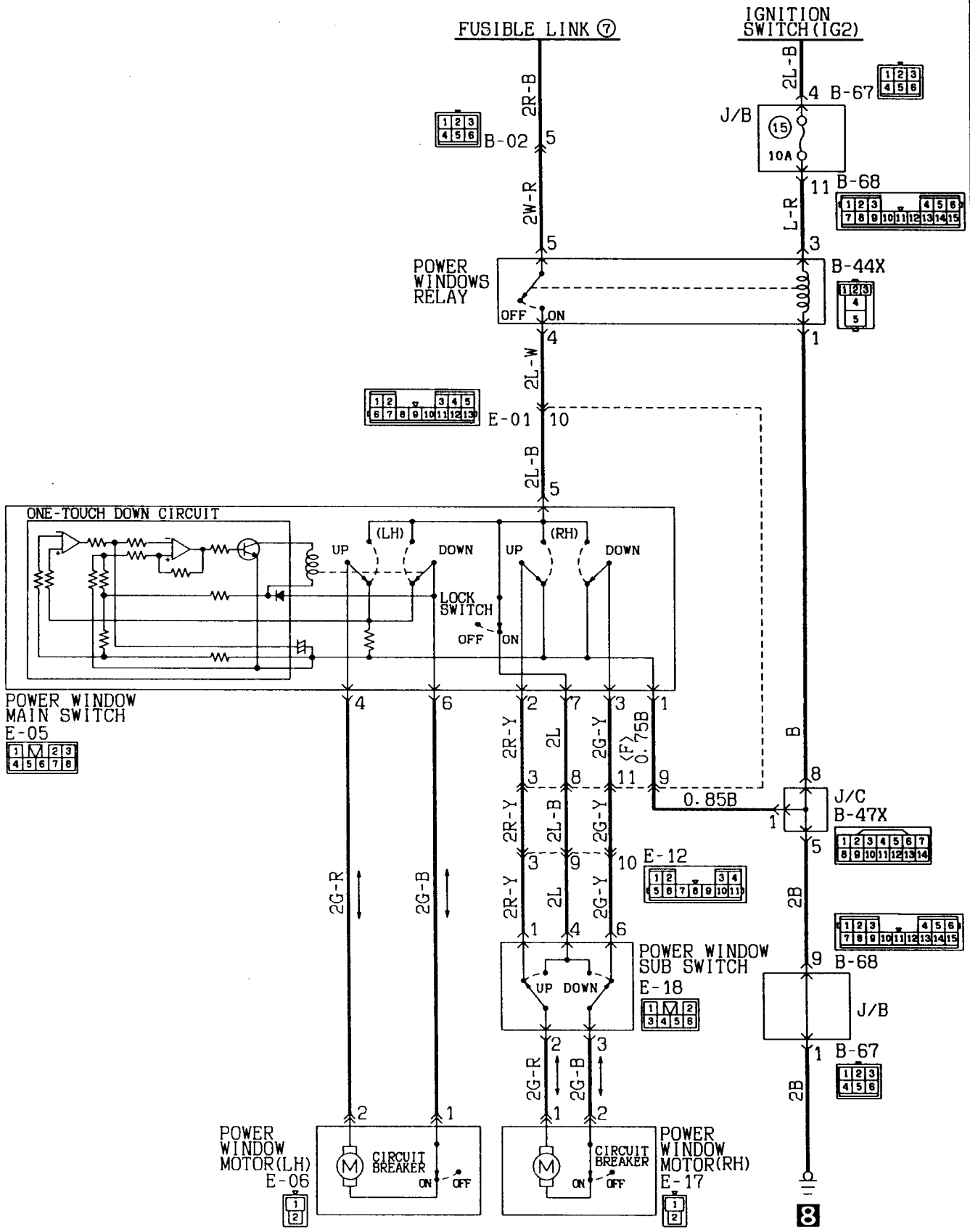
Opens following 4-to-40-sec. initial energization time;

Resets within 60 seconds if left open thereafter.

TROUBLESHOOTING HINTS

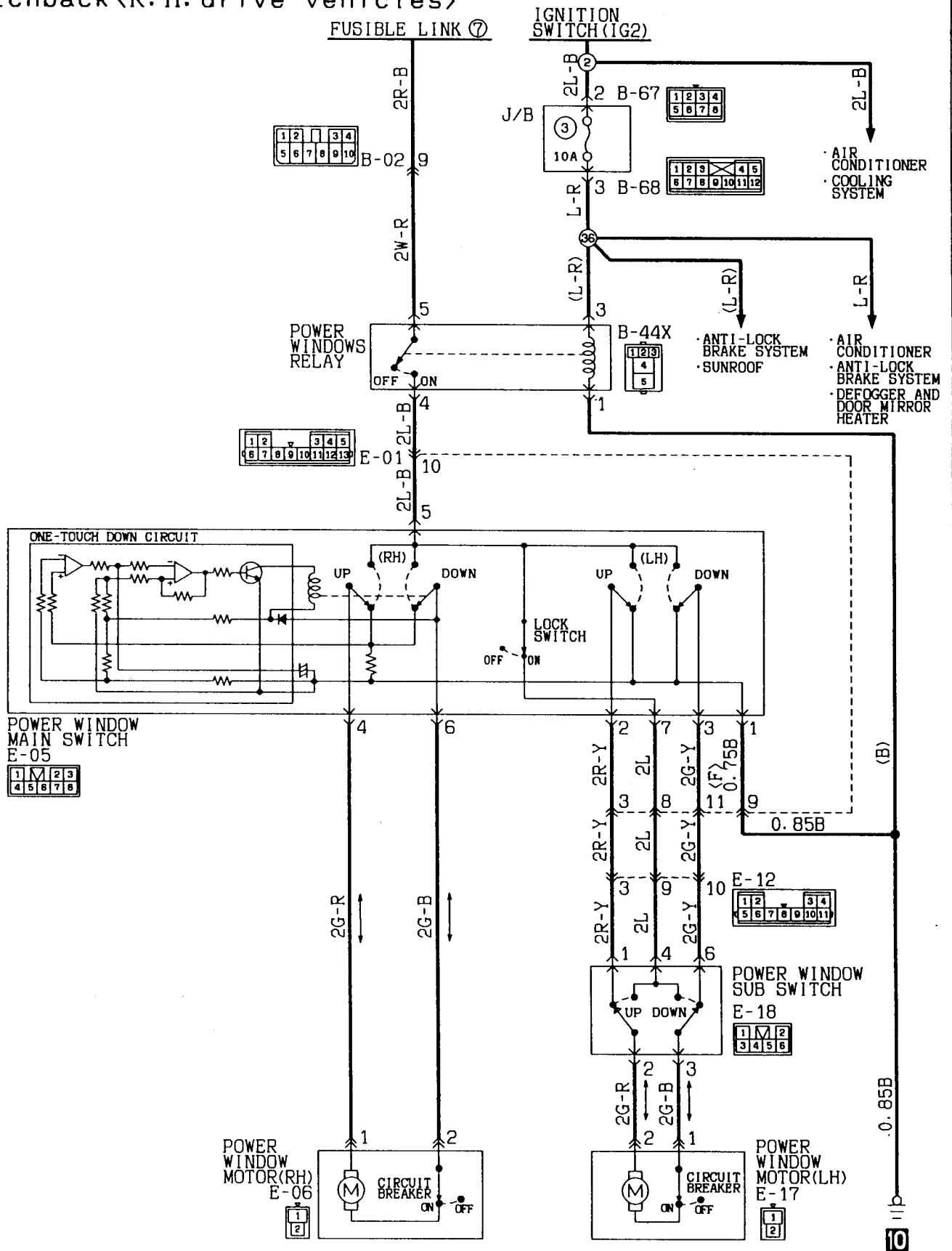
1. All door glasses cannot be opened or closed.
 - Check fusible link No. ⑦.
 - Check multi-purpose fuse No. ⑮ <L.H. drive vehicles>.
 - Check multi-purpose fuse No. ③ <R.H. drive vehicles>.
 - Check power window relay.
 - Check power window main switch.
2. Some door glass cannot be opened or closed.
 - 1) Neither power window main nor sub switch is activated.
 - Check power window main switch.
 - Check defective power window motor.
 - 2) Either power window main or sub switch is inoperative.
 - Check inoperative power window switch.
3. One-touch switch function is not operational.
 - Replace power window main switch.

POWER WINDOW
Hatchback (L. H. drive vehicles)



Wire colour code
 B:Black LG:Light green G:Green L:Blue W:White Y:Yellow SB:Sky blue
 BR:Brown O:Orange GR:Gray R:Red P:Pink V:Violet

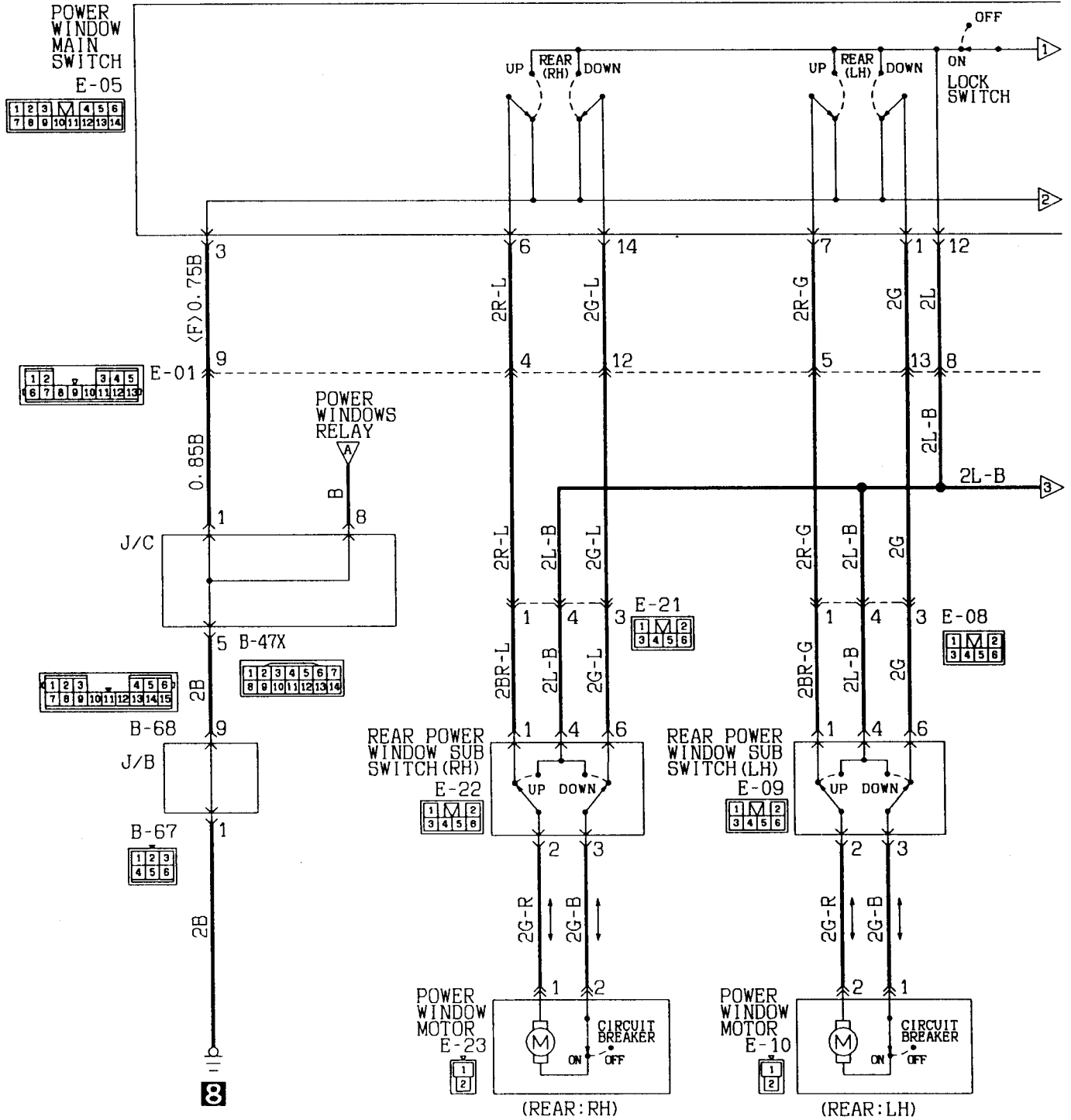
POWER WINDOW
Hatchback (R. H. drive vehicles)



Wire colour code
 B:Black LG:Light green G:Green L:Blue W:White Y:Yellow SB:Sky blue
 BR:Brown O:Orange GR:Gray R:Red P:Pink V:Violet

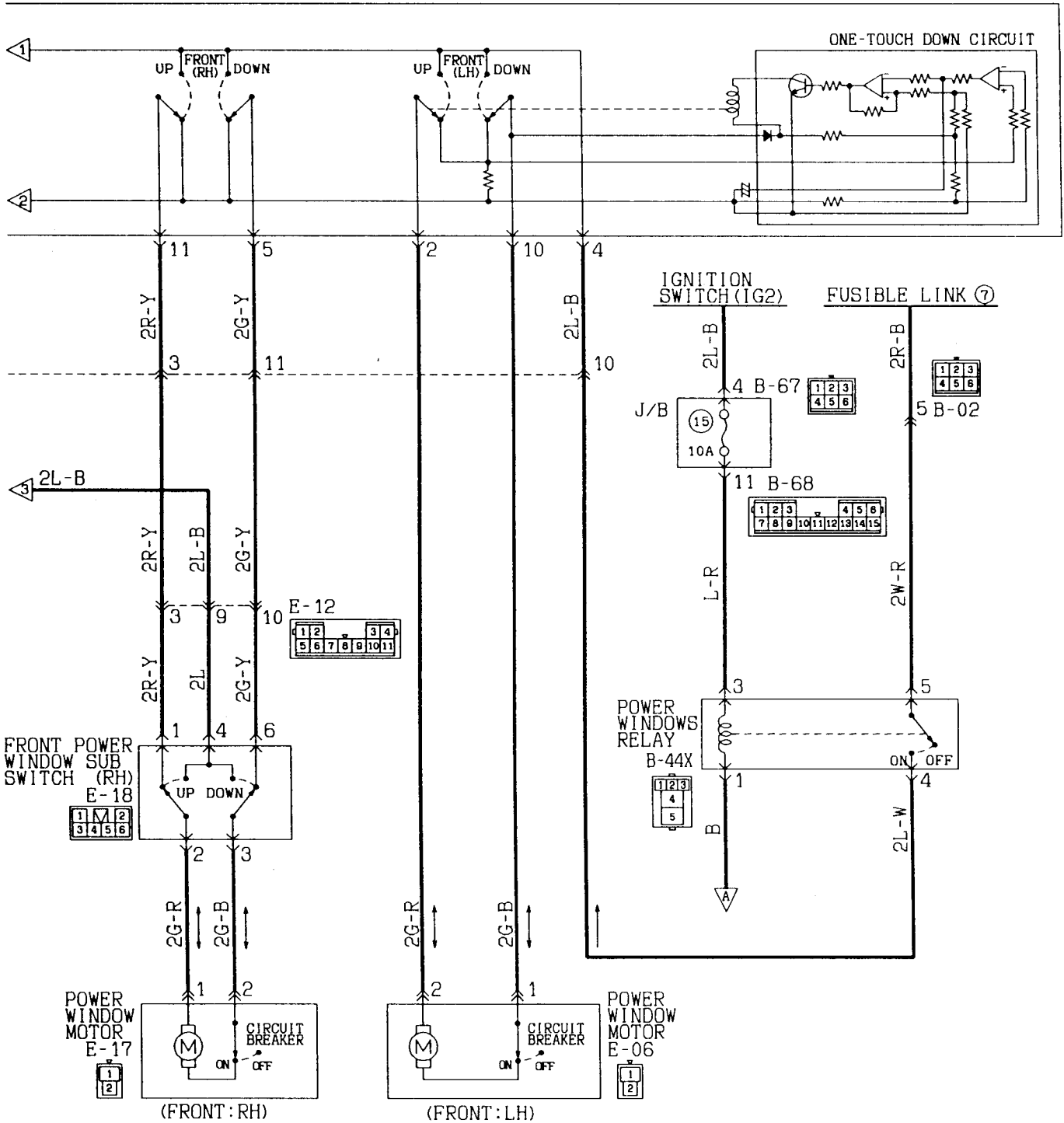
POWER WINDOW

Sedan and wagon (L.H. drive vehicles)



Wire colour code
 B:Black LG:Light green G:Green L:Blue W:White Y:Yellow SB:Sky blue
 BR:Brown O:Orange GR:Gray R:Red P:Pink V:Violet

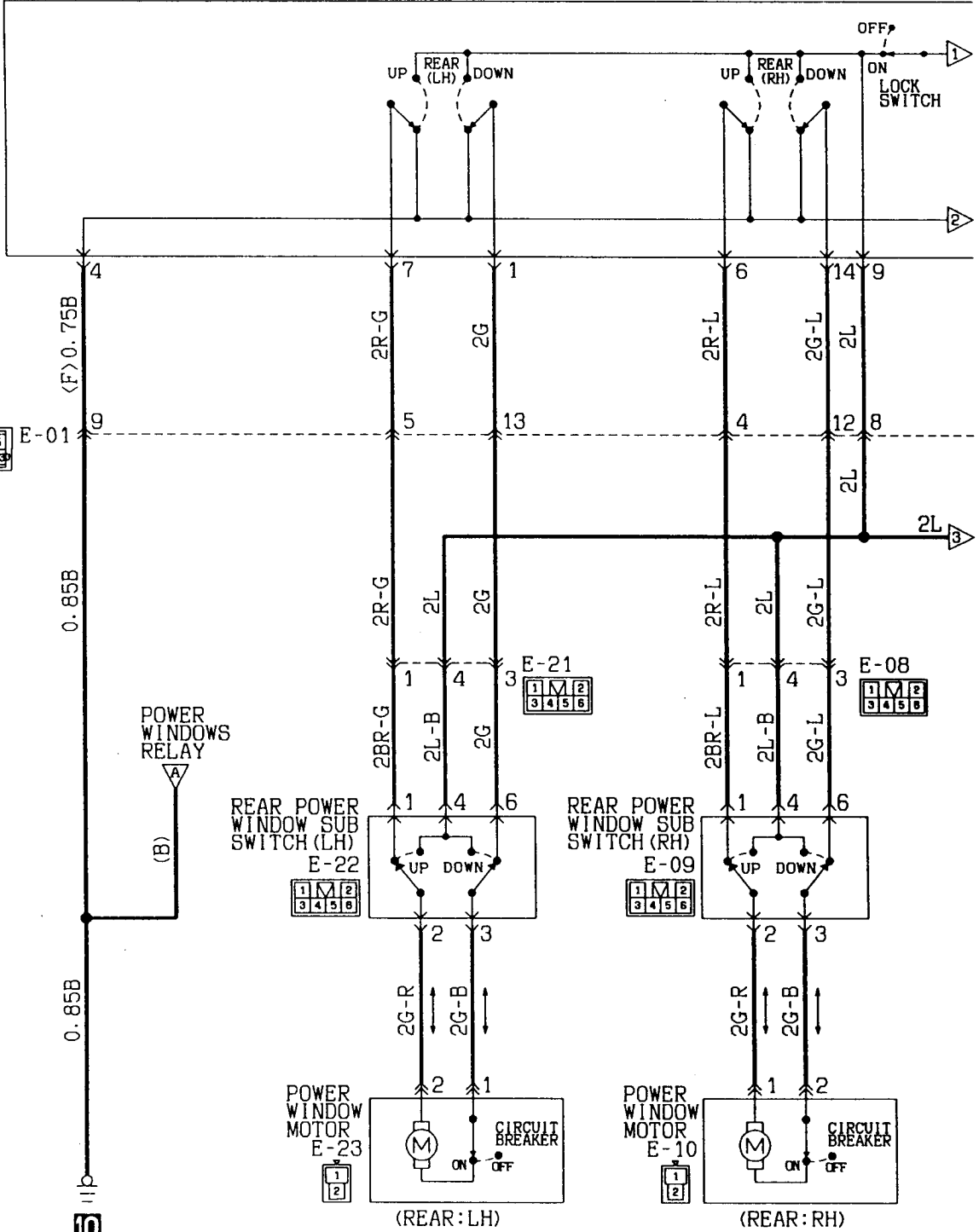
KX35-AC-E1114-EC



POWER WINDOW

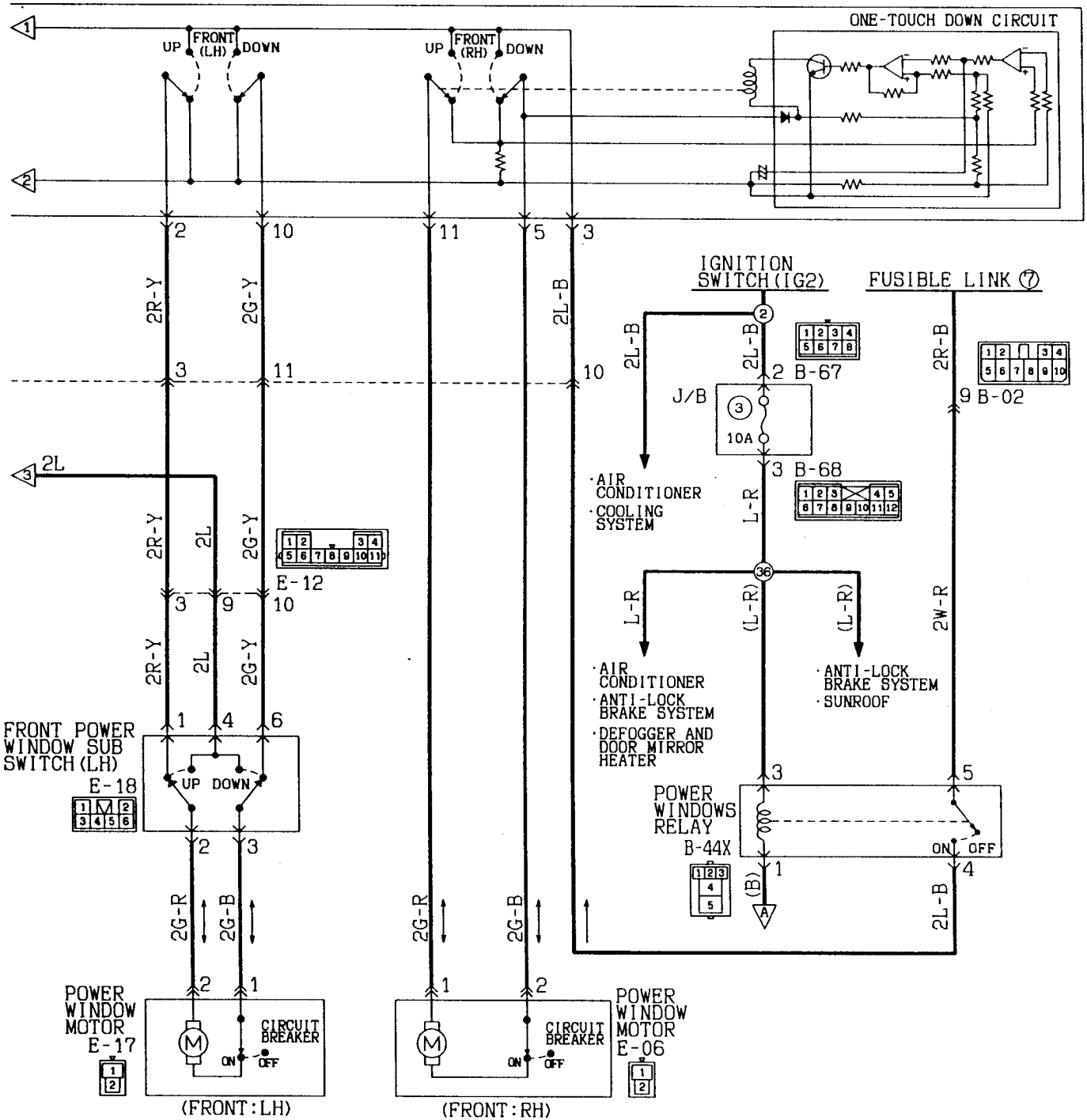
Sedan and wagon (R. H. drive vehicles)

POWER WINDOW
MAIN SWITCH
E-05

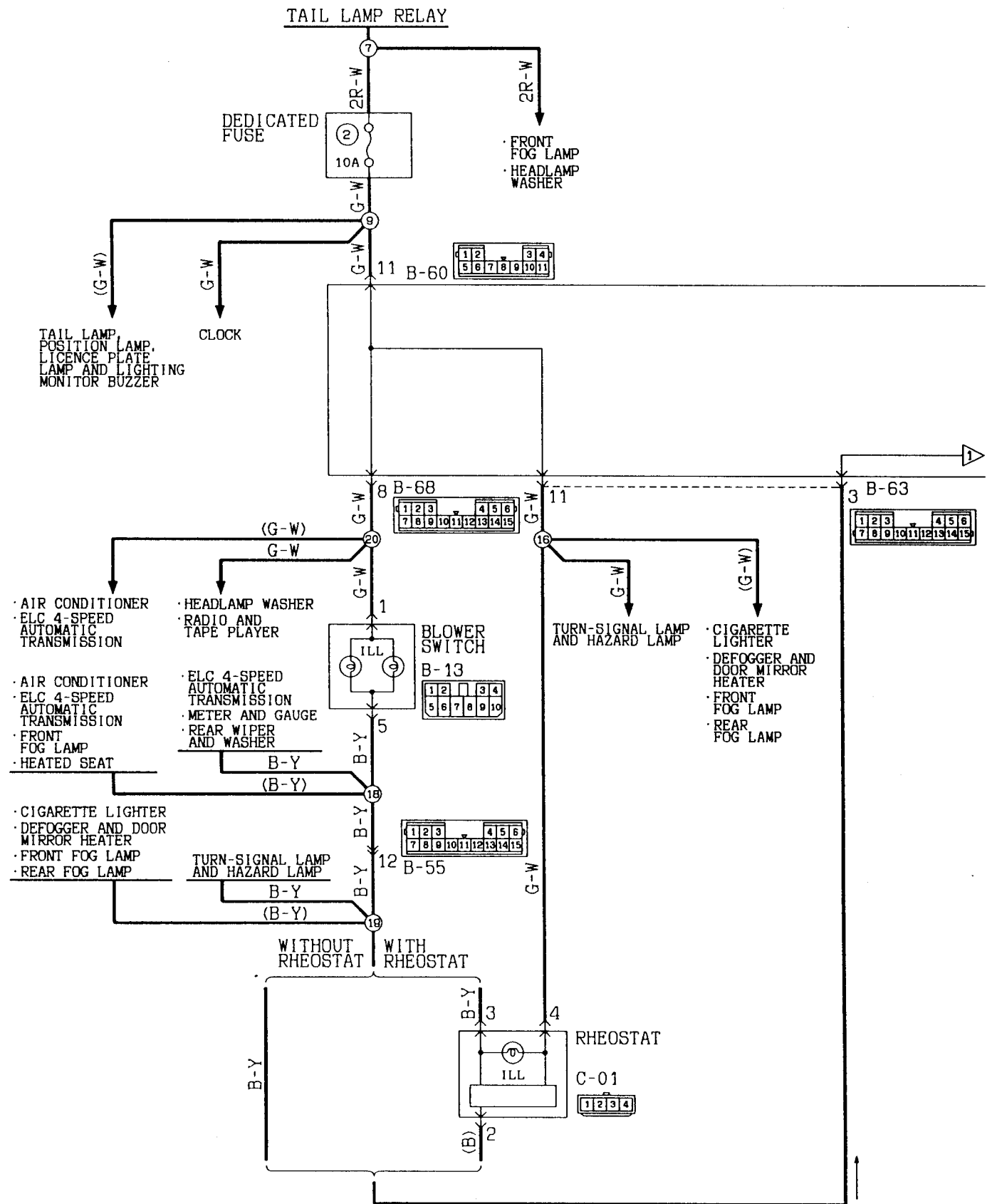


Wire colour code
 B:Black LG:Light green G:Green L:Blue W:White Y:Yellow SB:Sky blue
 BR:Brown O:Orange GR:Gray R:Red P:Pink V:Violet

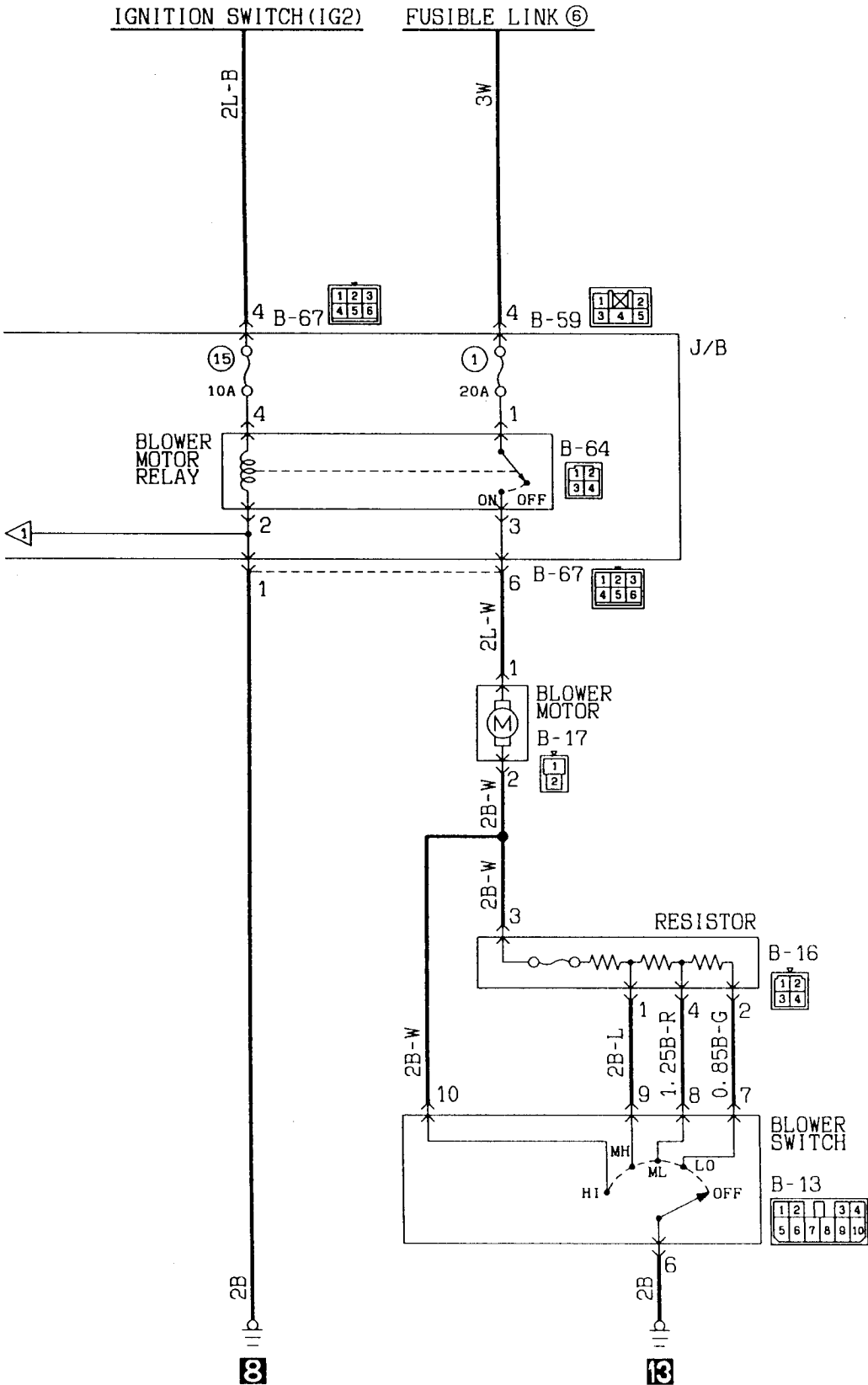
KX35-AC-E1115-EC



HEATER
L. H. drive vehicles

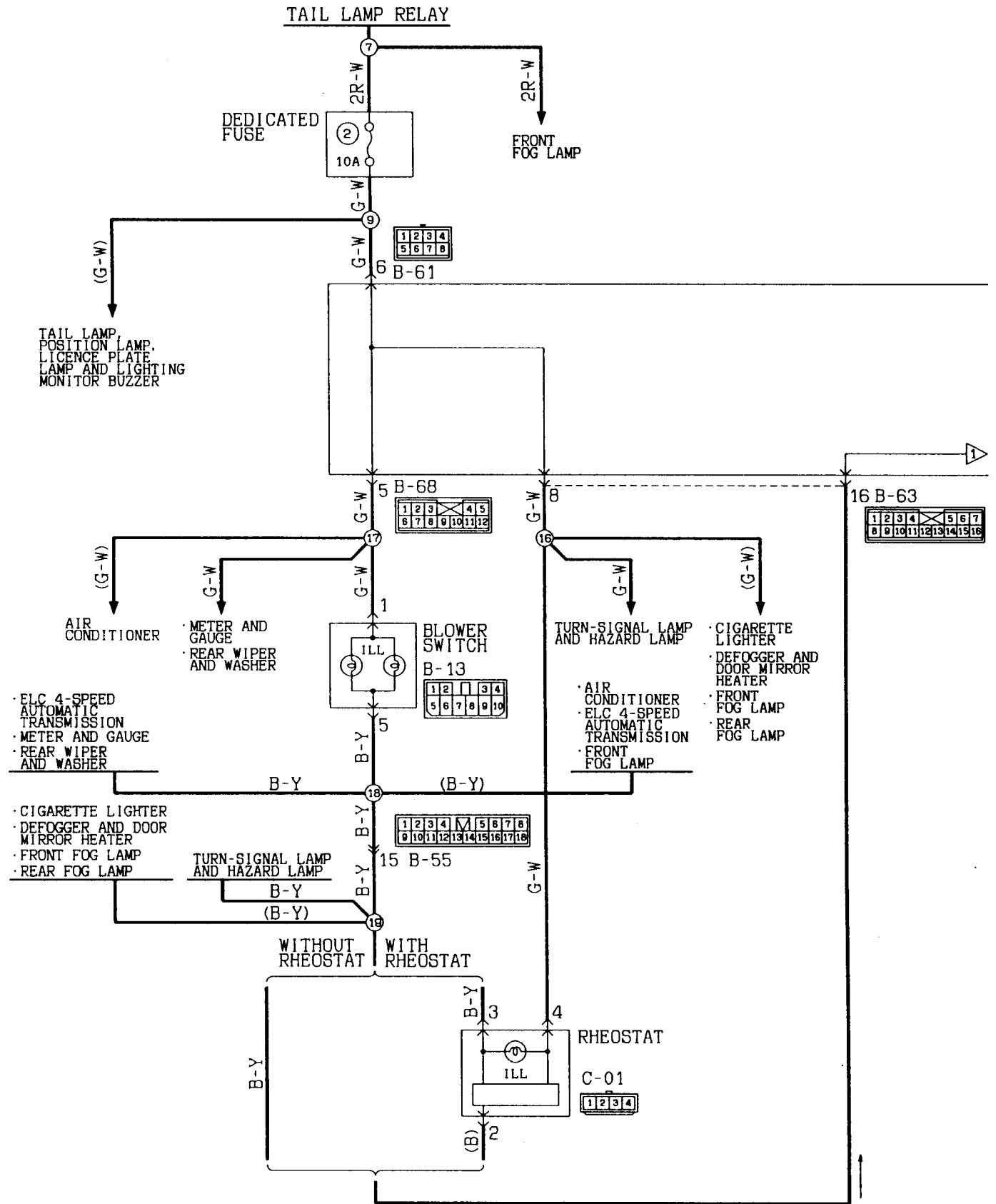


KX35-AC-E 1234-EC

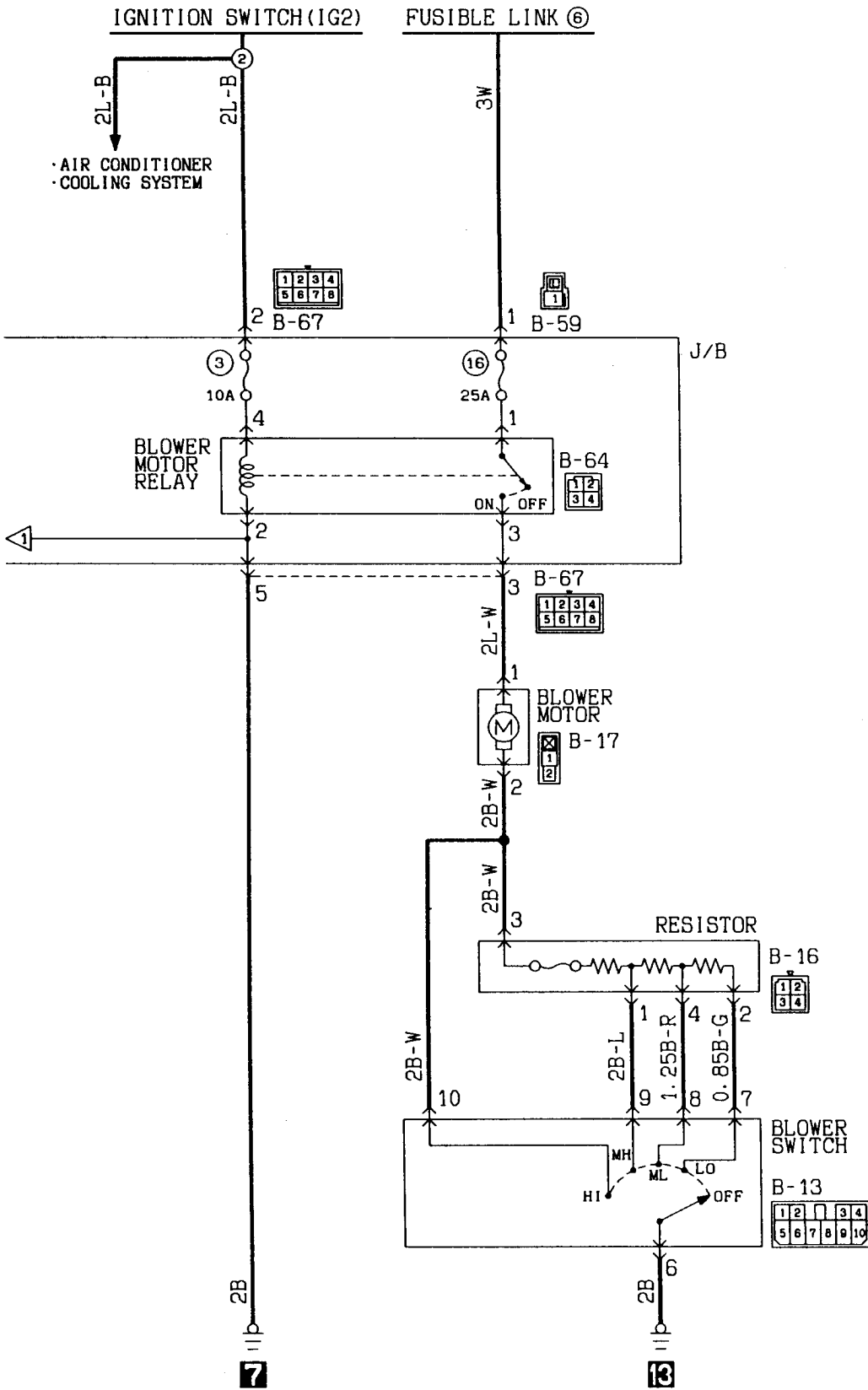


Wire colour code
 B:Black LG:Light green G:Green L:Blue W:White Y:Yellow SB:Sky blue
 BR:Brown O:Orange GR:Gray R:Red P:Pink V:Violet

HEATER
R. H. drive vehicles



KX35-AC-E1235-EC



Wire colour code
 B:Black LG:Light green G:Green L:Blue W:White Y:Yellow SB:Sky blue
 BR:Brown O:Orange GR:Gray R:Red P:Pink V:Violet

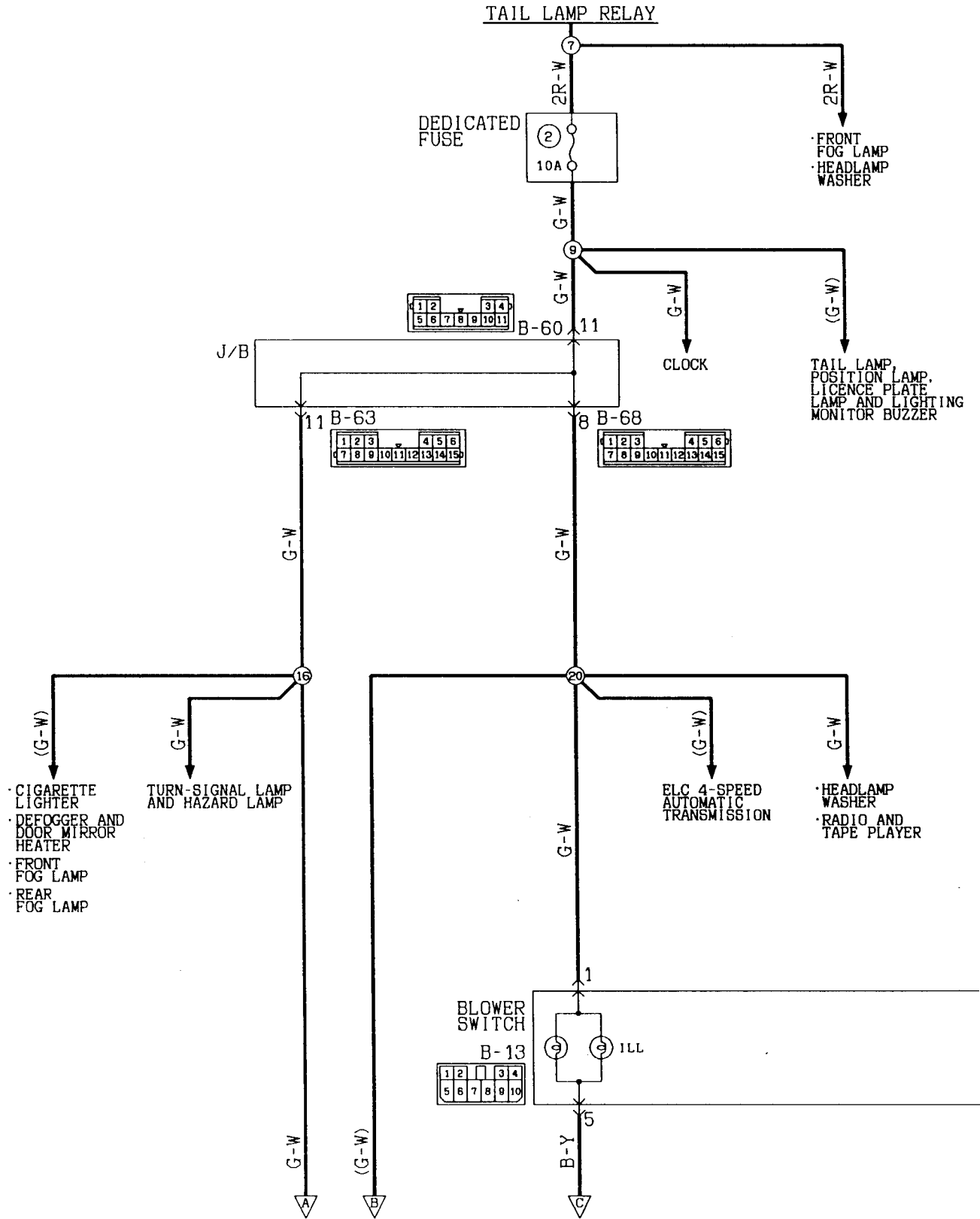
HEATER (See P.4A-242, 244.)**OPERATION**

- When the ignition switch is turned ON, the blower relay is energized. If the blower switch is turned ON (LO, ML, MH, or HI position) in this condition, the blower is activated through the circuit via resistor at a speed corresponding to the blower switch position.

TROUBLESHOOTING HINTS

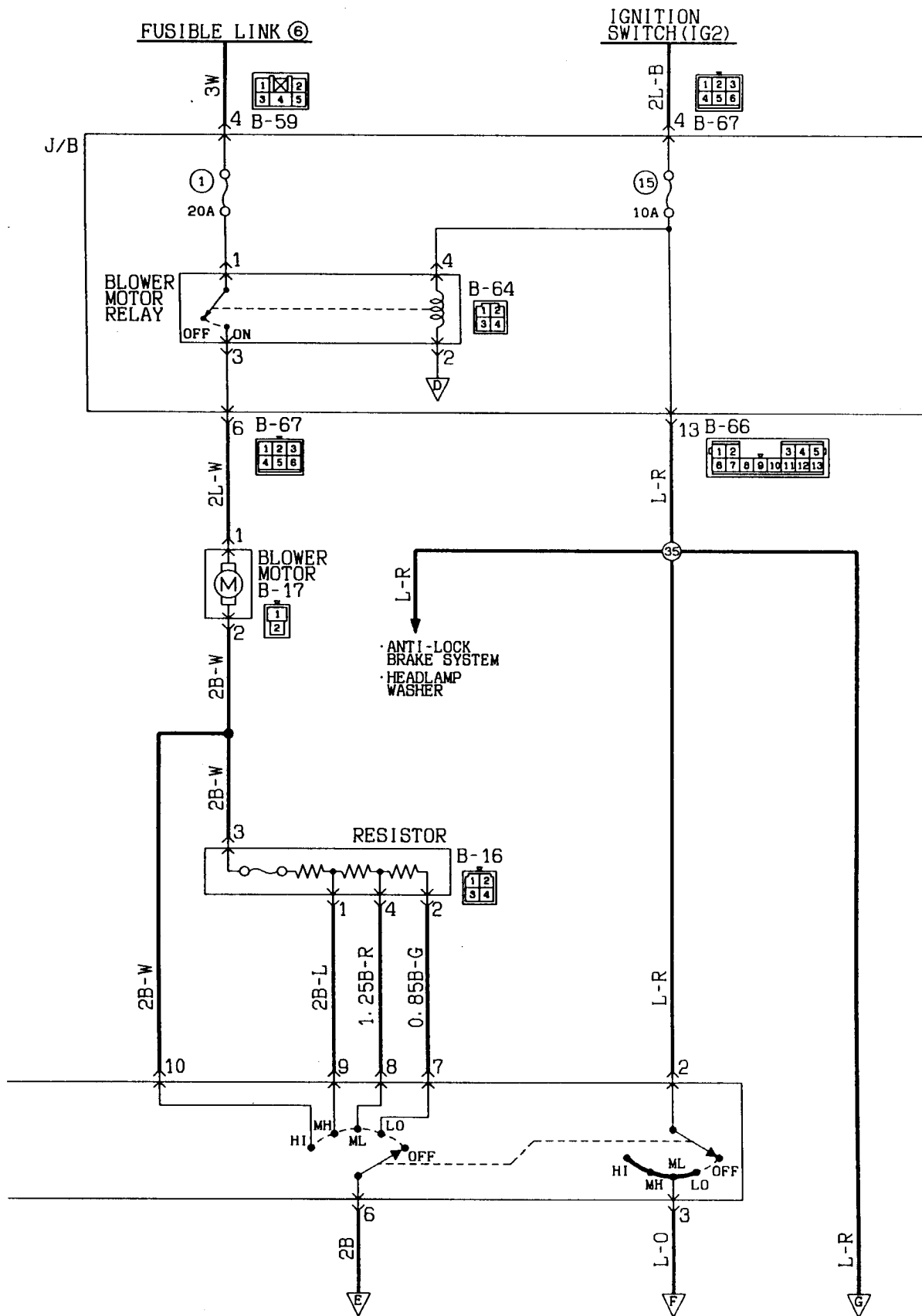
1. Blower motor is energized at one switch position and not energized at another.
 - Check harness and connectors between defective switch position and resistor (or blower motor in HI position).
2. Blower motor is energized only when switch is positioned in HI.
 - Check resistor.
3. Blower motor speed does not represent the switch position.
 - Check blower switch.

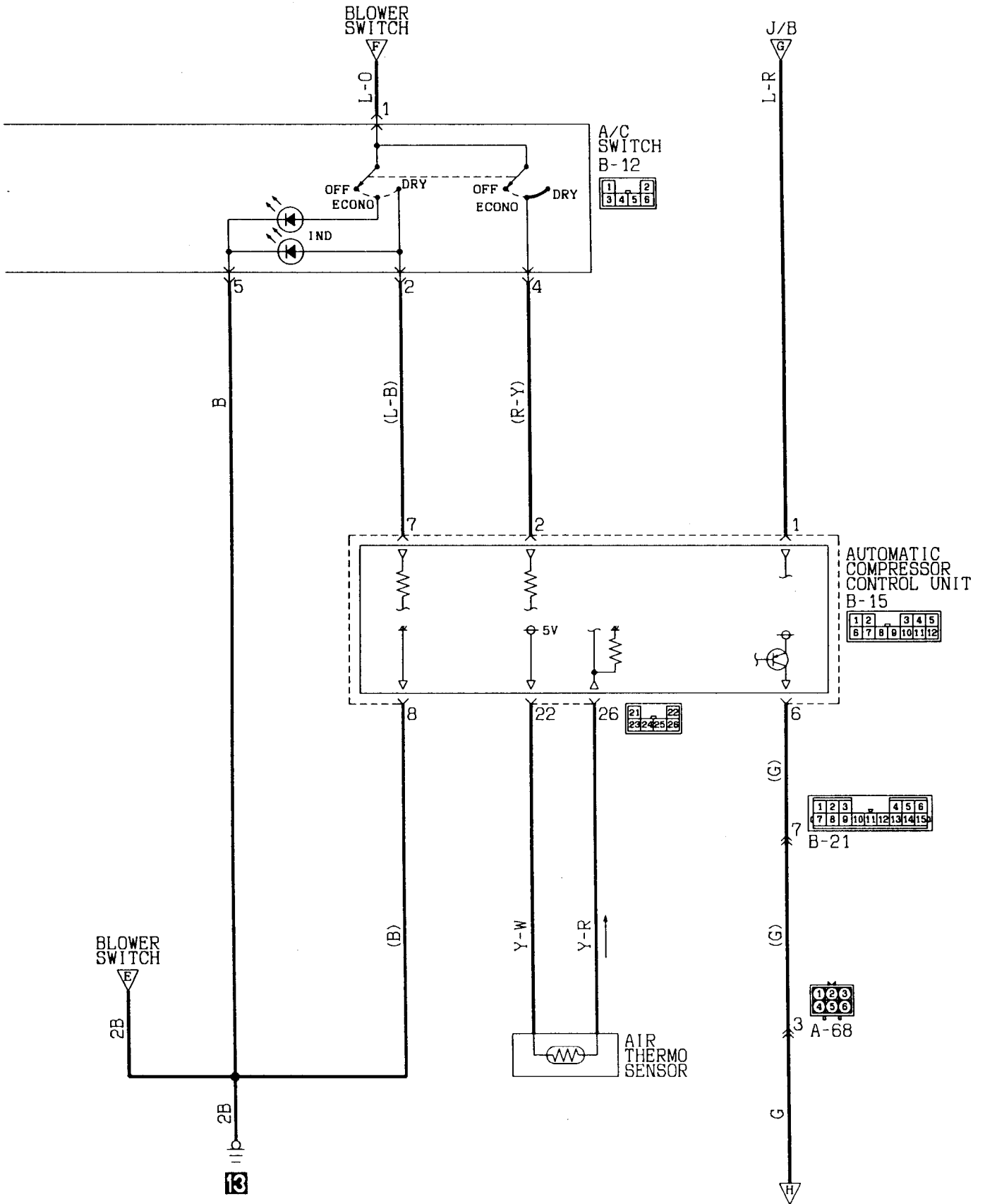
AIR CONDITIONER
4G13<L.H. drive vehicles>

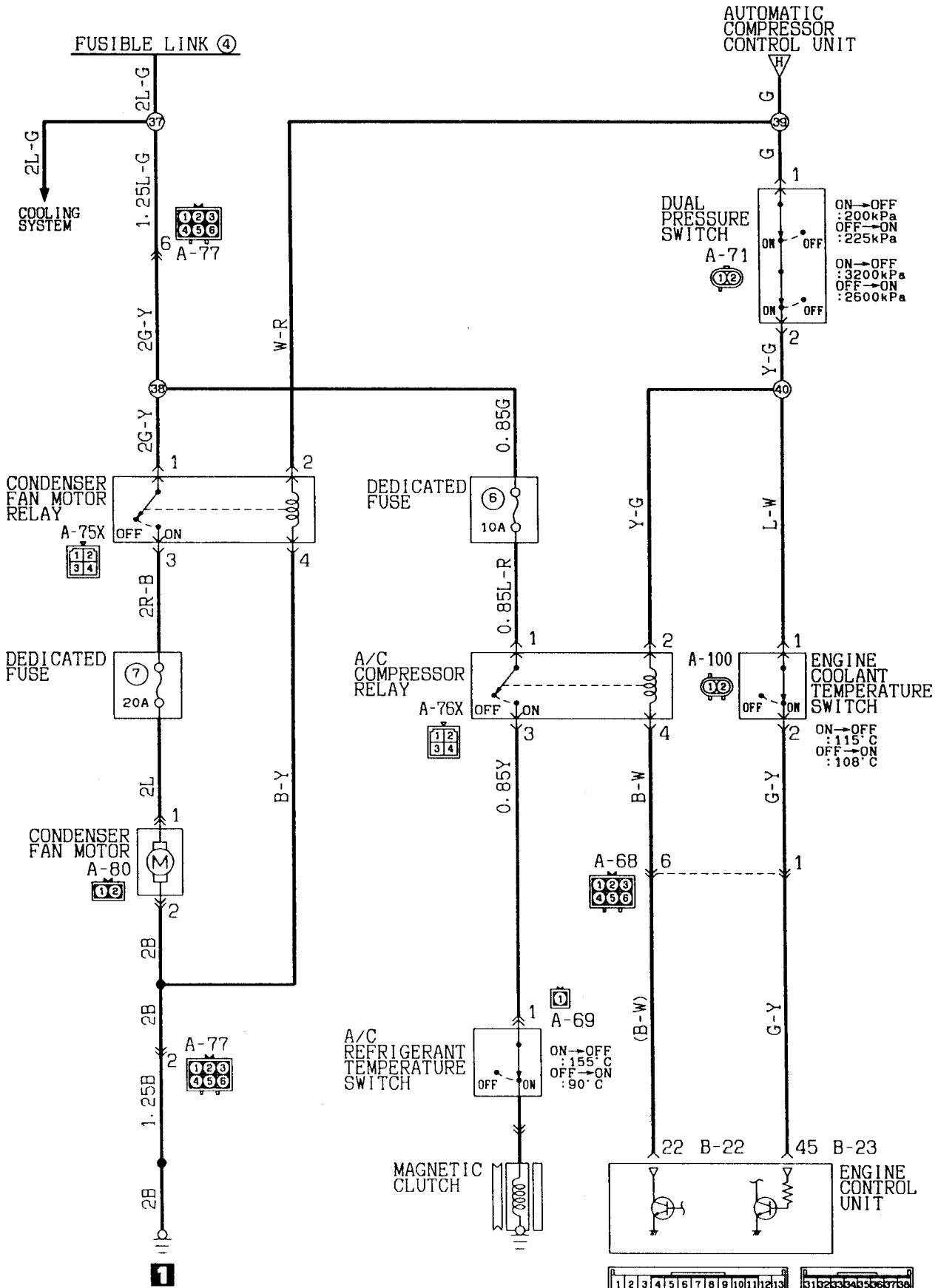


Wire colour code
 B:Black LG:Light green G:Green L:Blue W:White Y:Yellow SB:Sky blue
 BR:Brown O:Orange GR:Gray R:Red P:Pink V:Violet

KX35-AC-E1236-EC







Wire colour code

B:Black LG:Light green G:Green L:Blue W:White Y:Yellow SB:Sky blue
 BR:Brown O:Orange GR:Gray R:Red P:Pink V:Violet

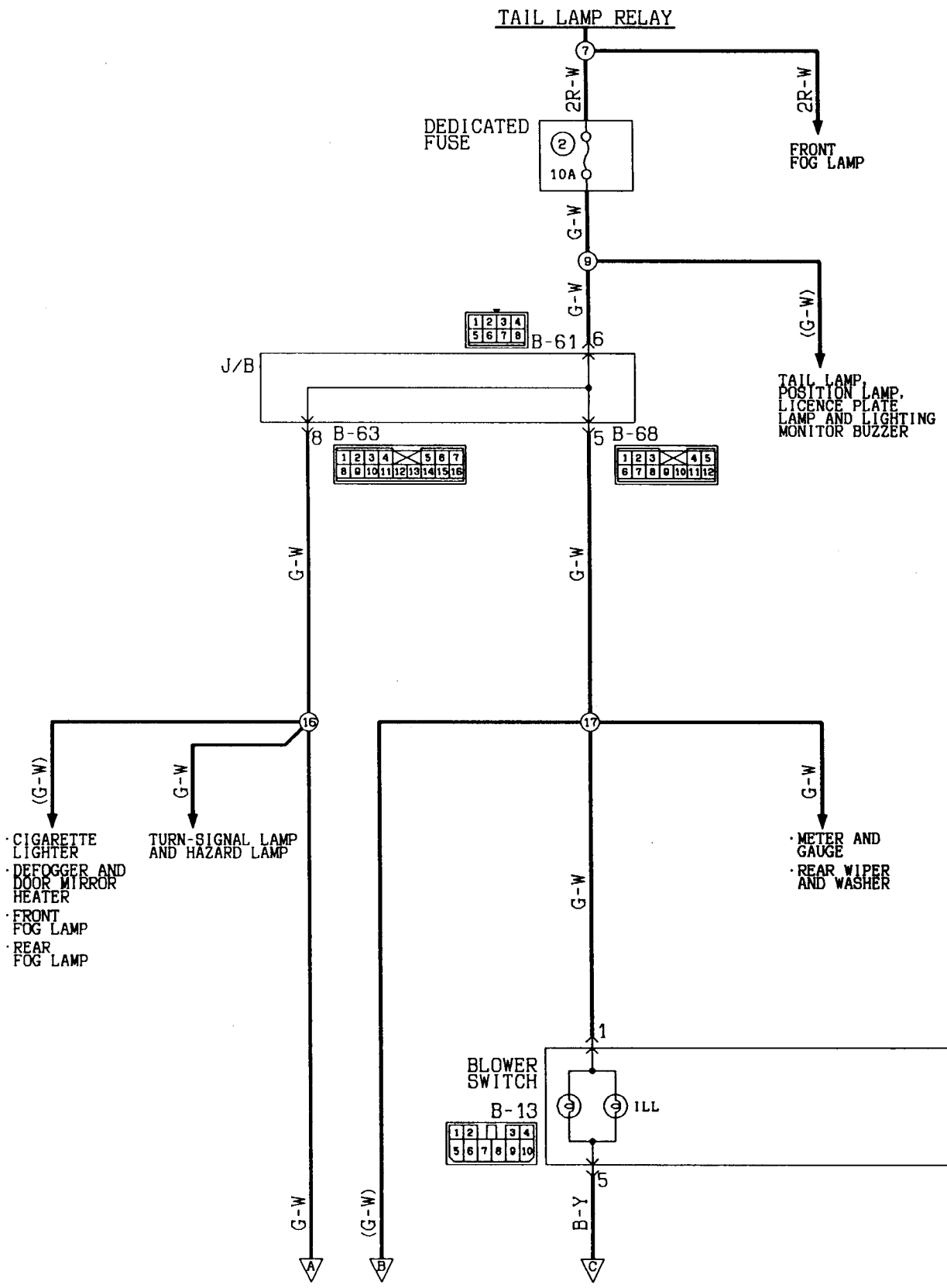
KX35-AC-E1236B-EC

PHME9107-D

ADDED

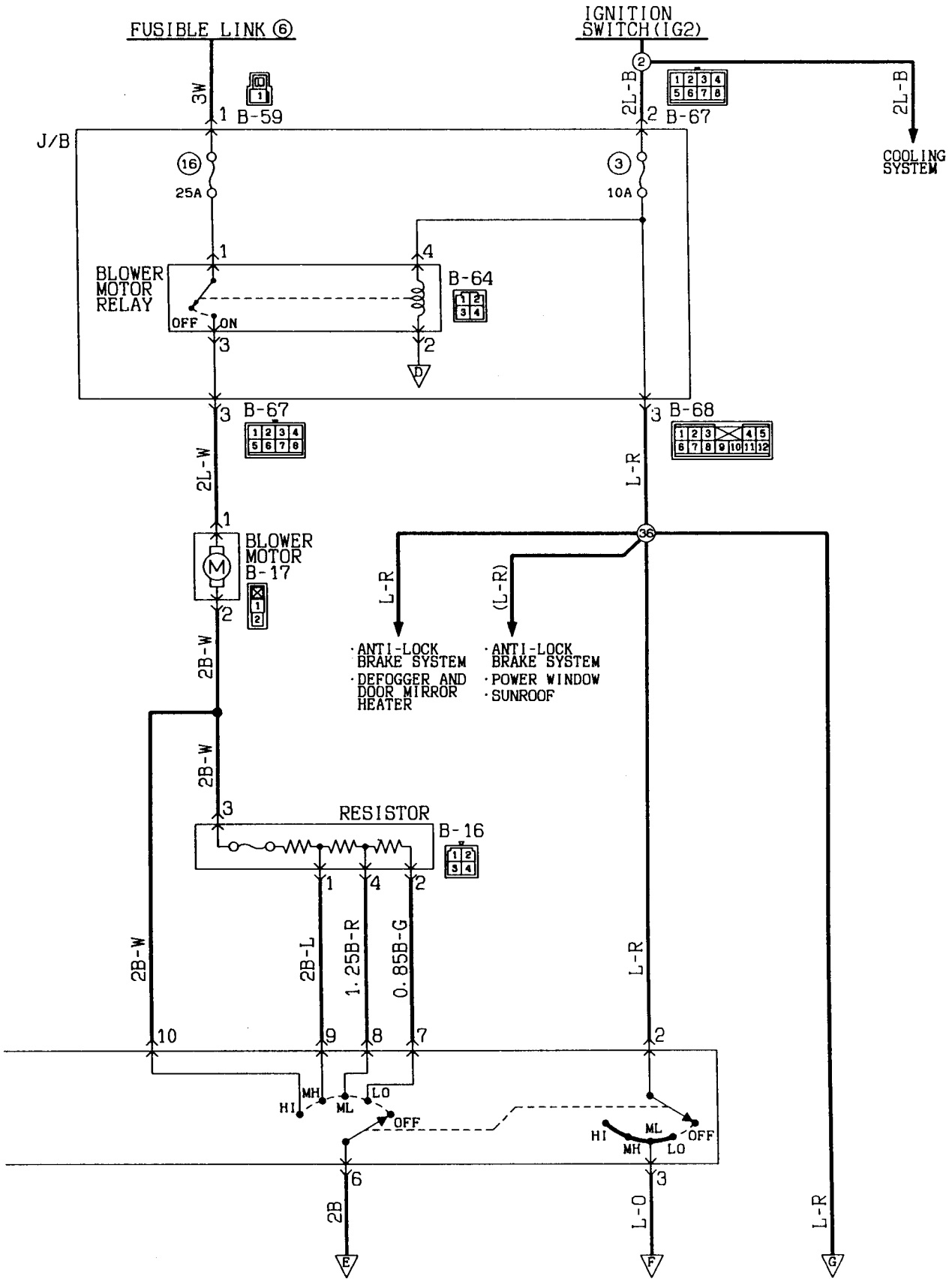
1	2	3	4	5	6	7	8	9	10	11	12	13	31	32	33	34	35	36	37	38
14	15	16	17	18	19	20	21	22	23	24	25	26	39	40	41	42	43	44	45	46

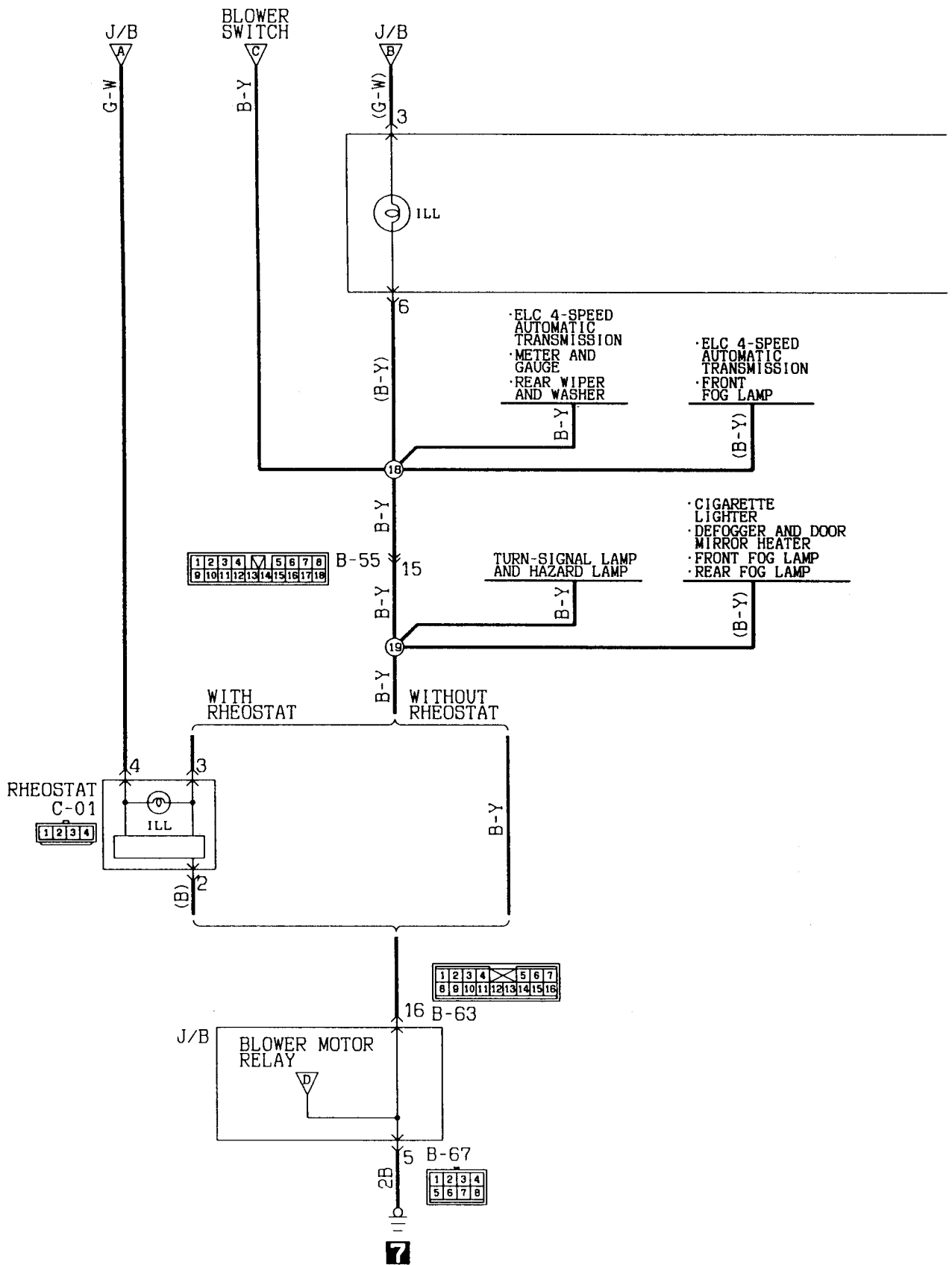
AIR CONDITIONER
4G13<R. H. drive vehicles>



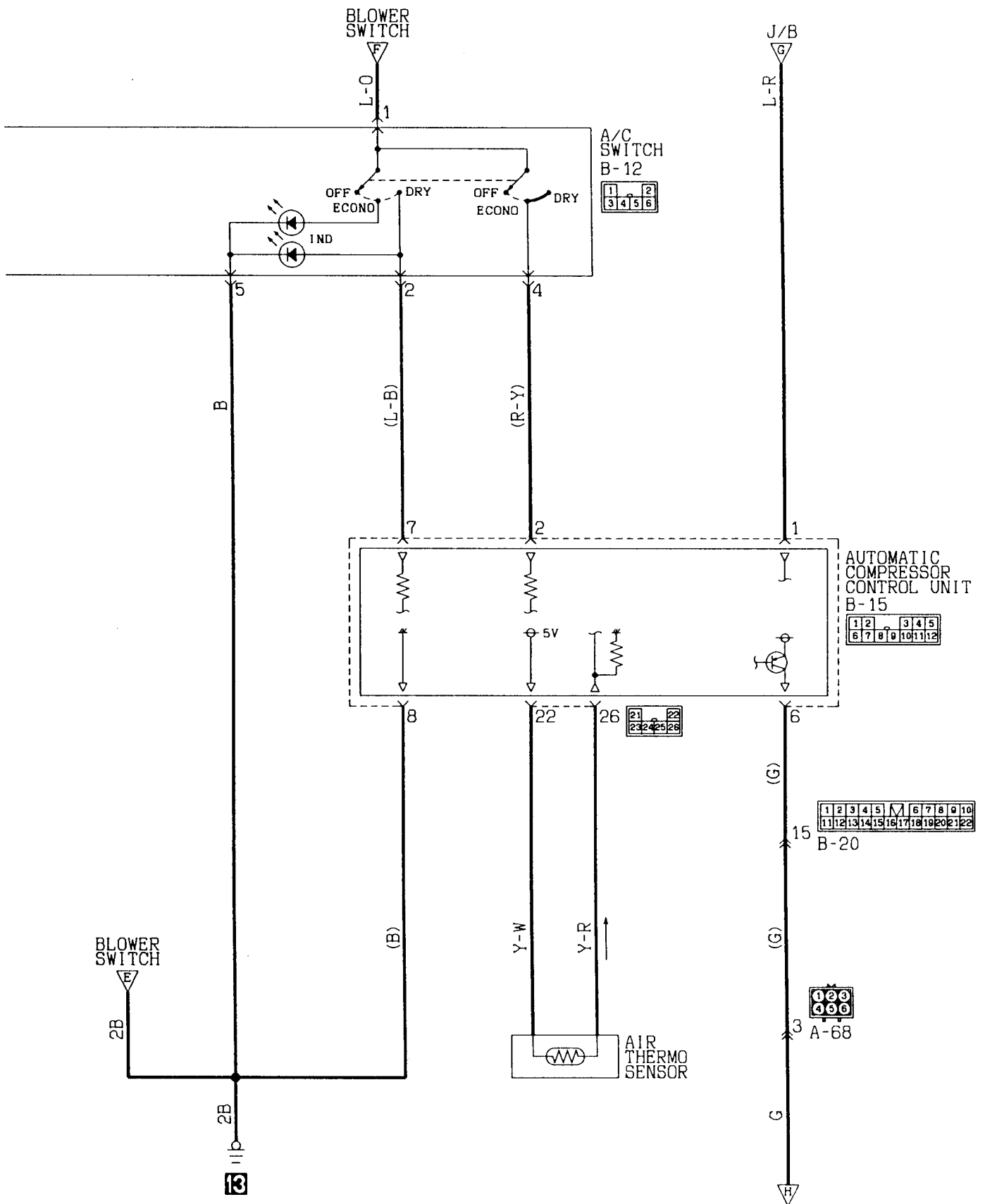
Wire colour code
 B:Black LG:Light green G:Green L:Blue W:White Y:Yellow SB:Sky blue
 BR:Brown O:Orange GR:Gray R:Red P:Pink V:Violet

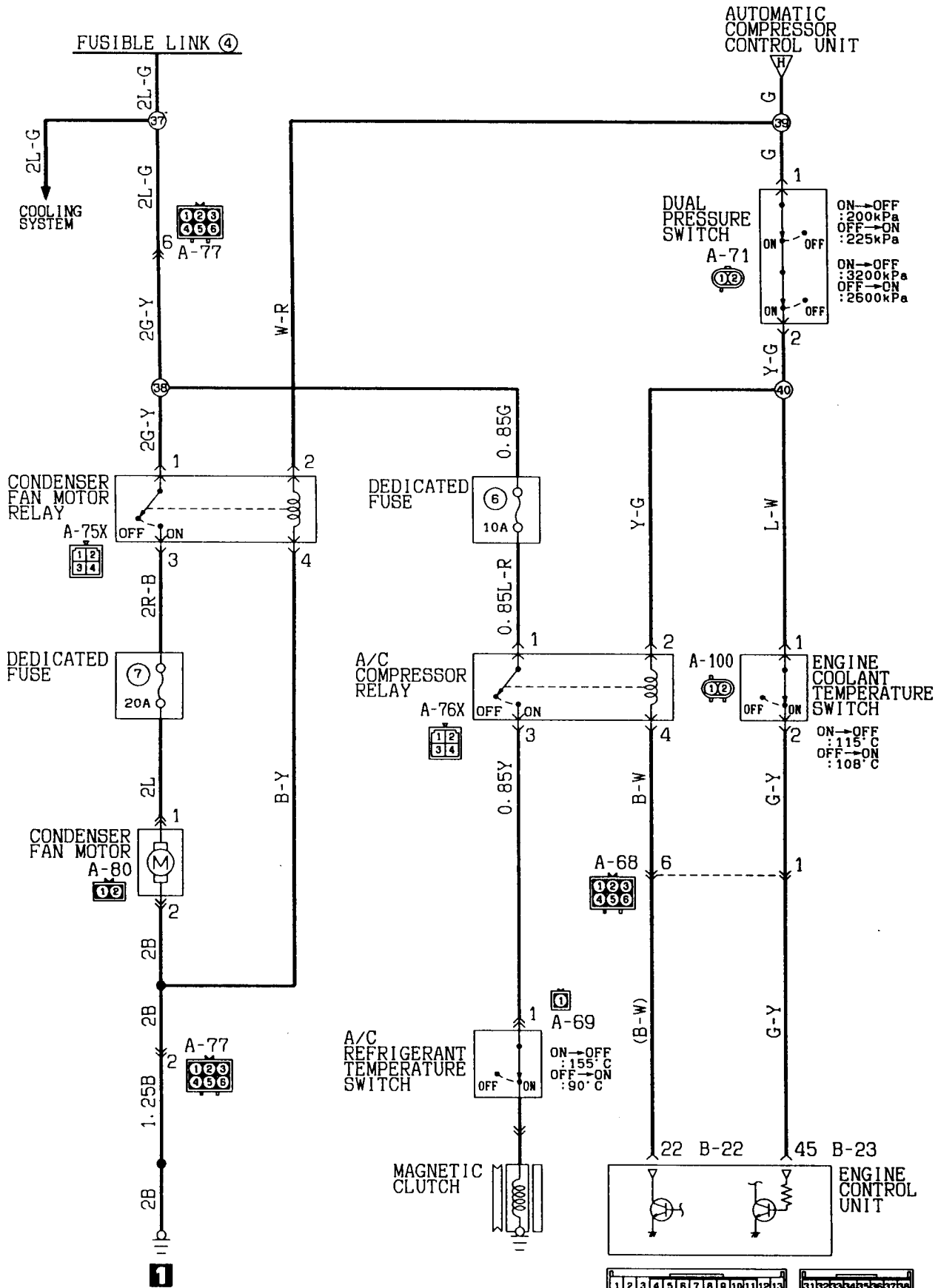
KX35-AC-E1237-EC





Wire colour code
 B:Black LG:Light green G:Green L:Blue W:White Y:Yellow SB:Sky blue
 BR:Brown O:Orange GR:Gray R:Red P:Pink V:Violet





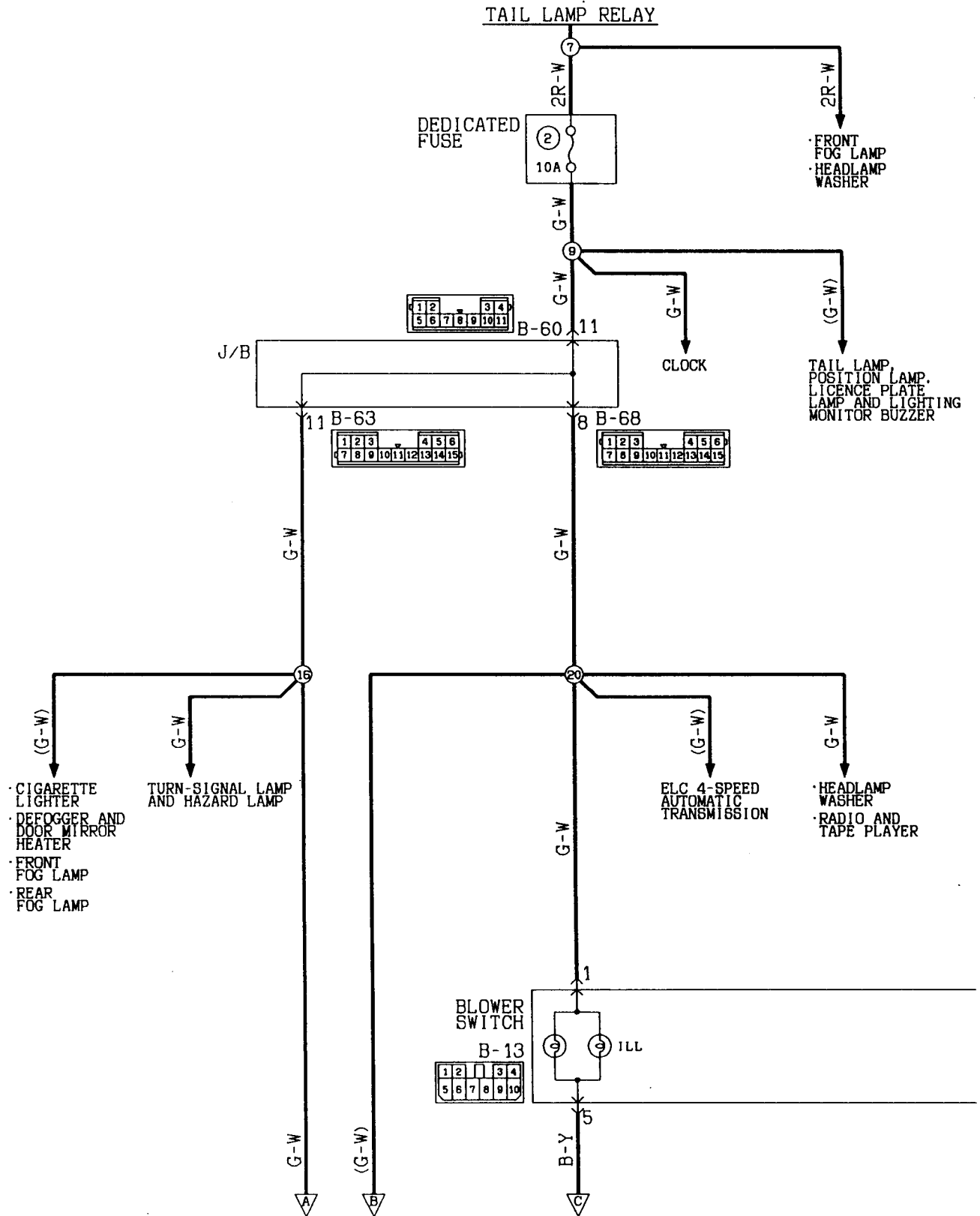
Wire colour code

B:Black LG:Light green G:Green L:Blue W:White Y:Yellow SB:Sky blue
 BR:Brown O:Orange GR:Gray R:Red P:Pink V:Violet

KX35-AC-E1237B-EC

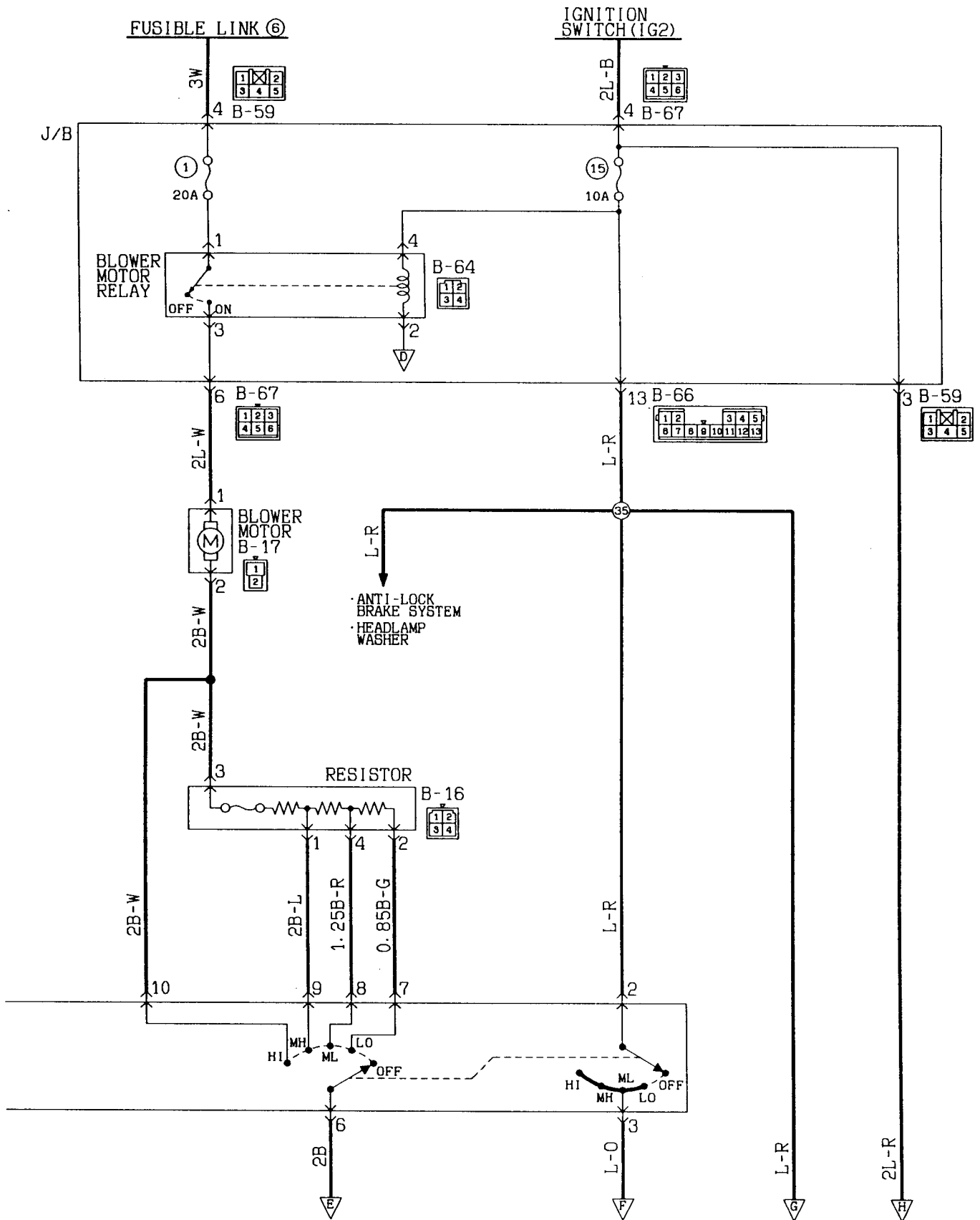
1	2	3	4	5	6	7	8	9	10	11	12	13
14	15	16	17	18	19	20	21	22	23	24	25	26
31	32	33	34	35	36	37	38					
39	40	41	42	43	44	45	46					

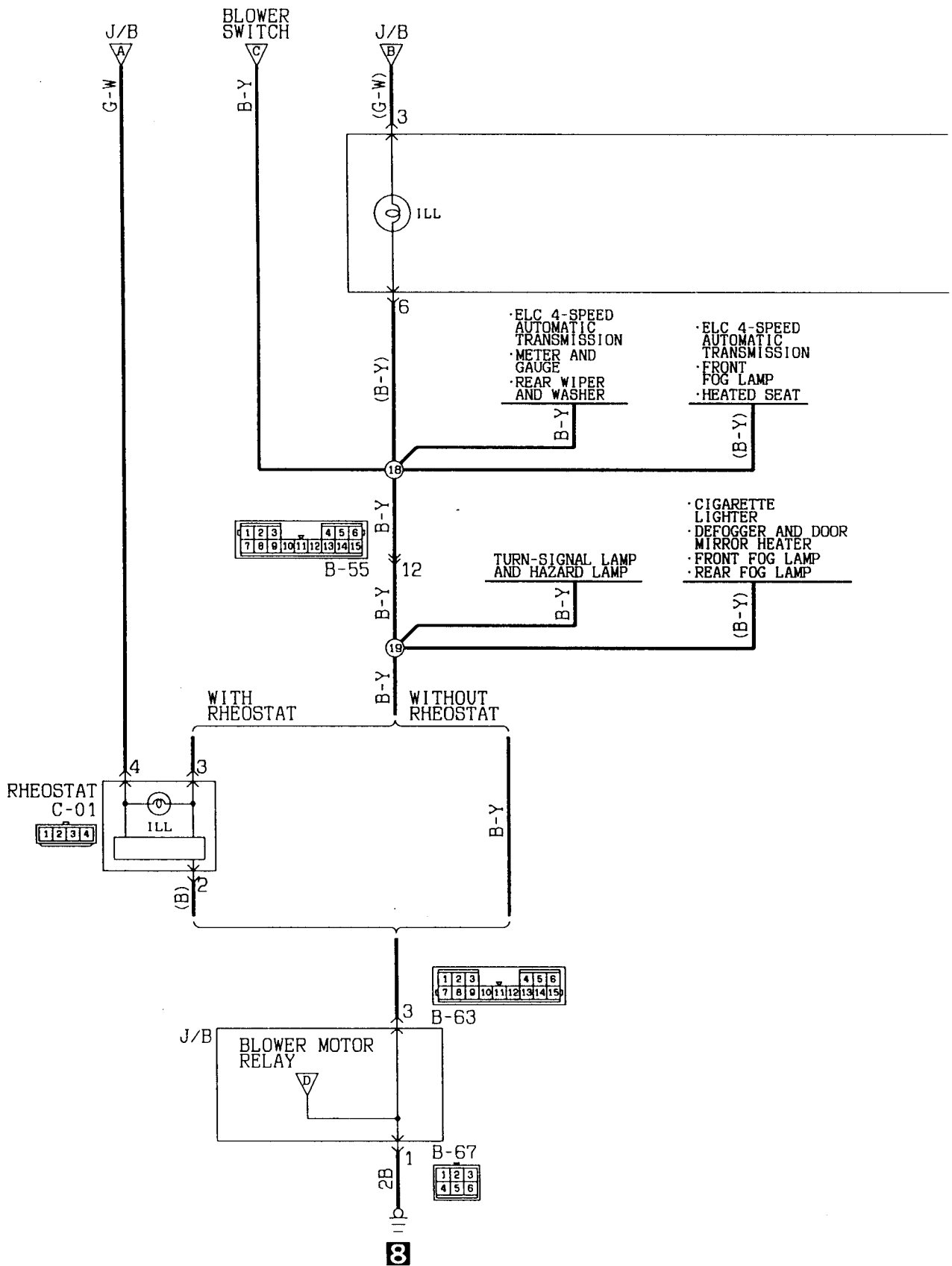
AIR CONDITIONER
4G9<L.H. drive vehicles>



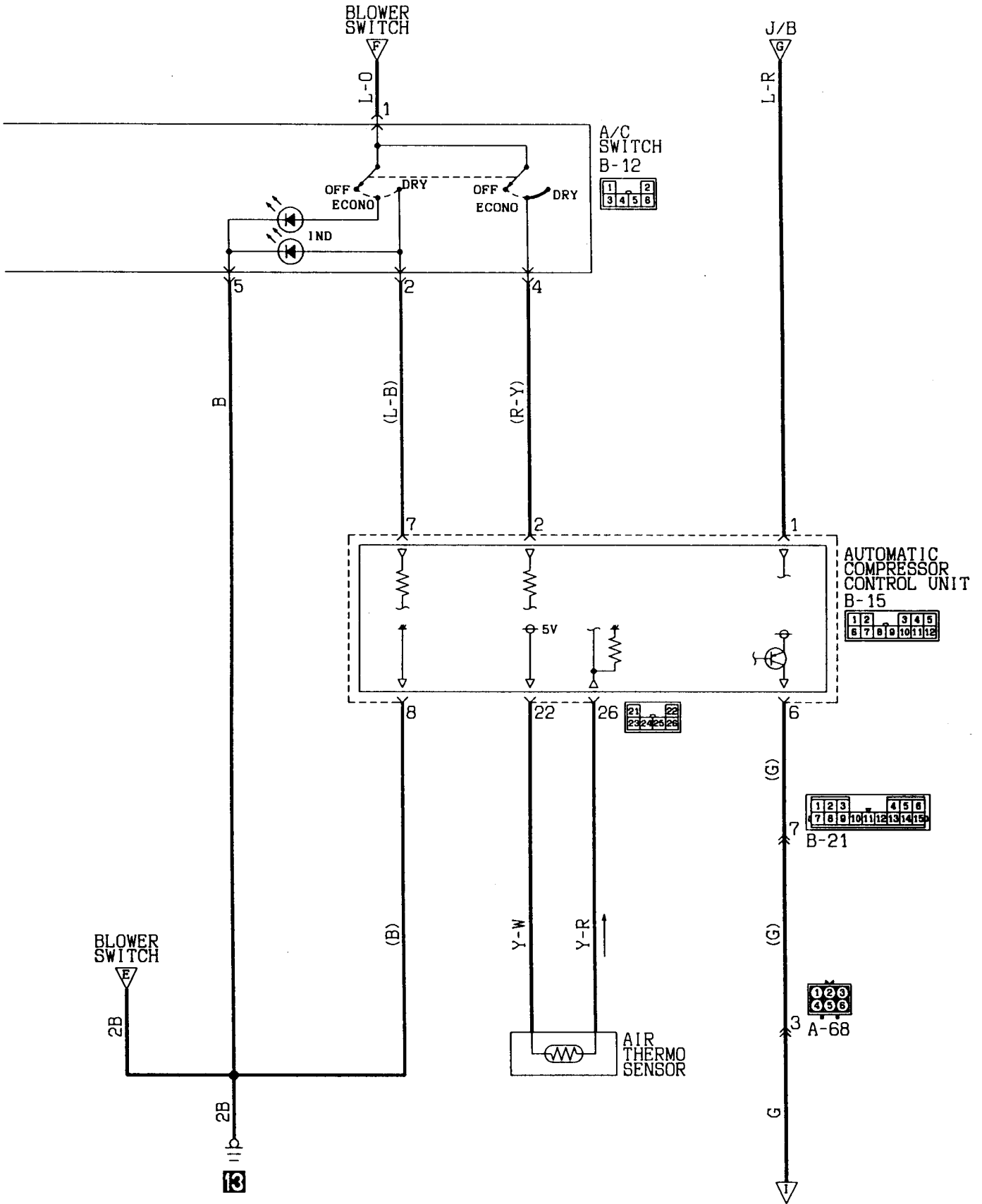
Wire colour code
 B:Black LG:Light green G:Green L:Blue W:White Y:Yellow SB:Sky blue
 BR:Brown O:Orange GR:Gray R:Red P:Pink V:Violet

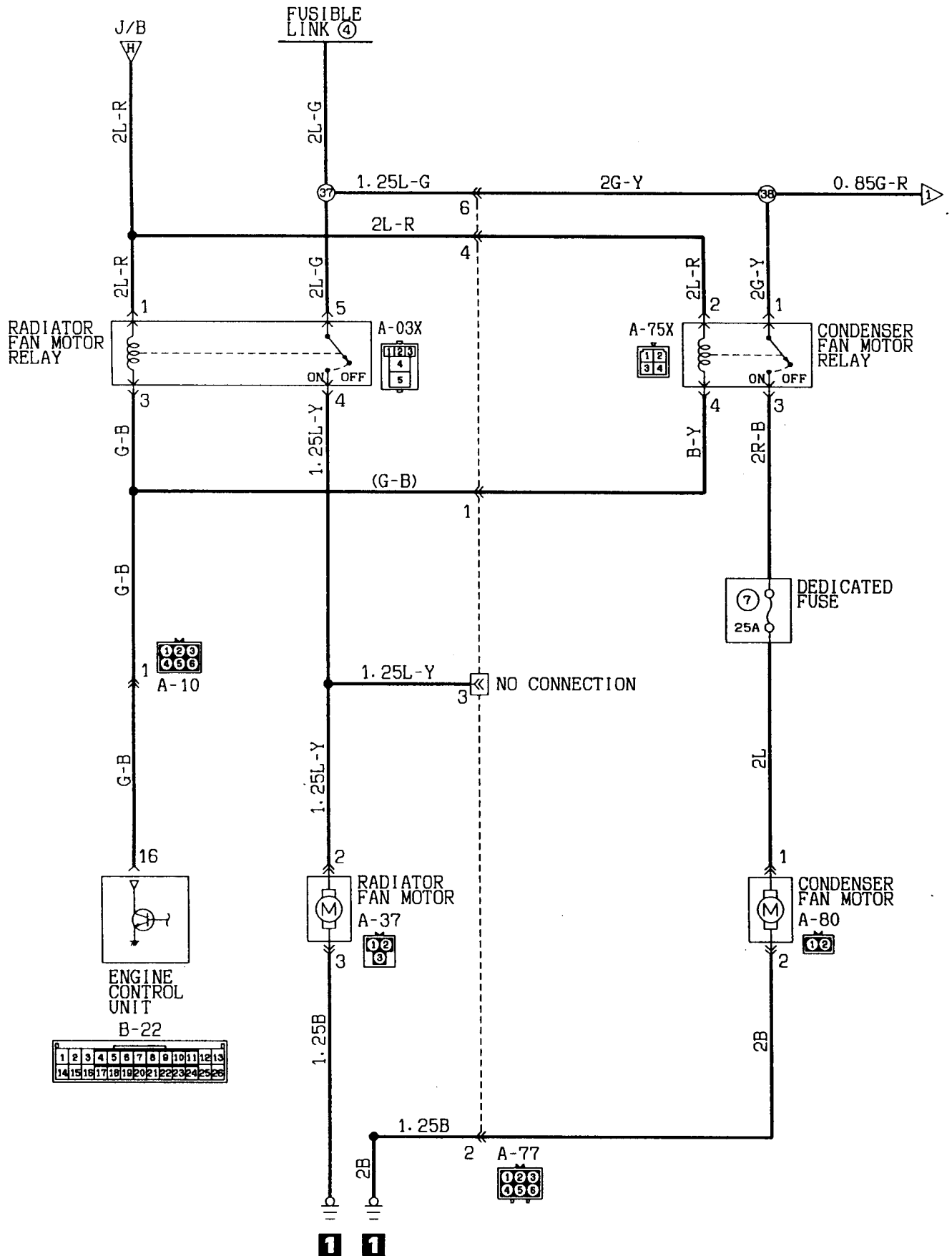
KX35-AC-E1238-EC



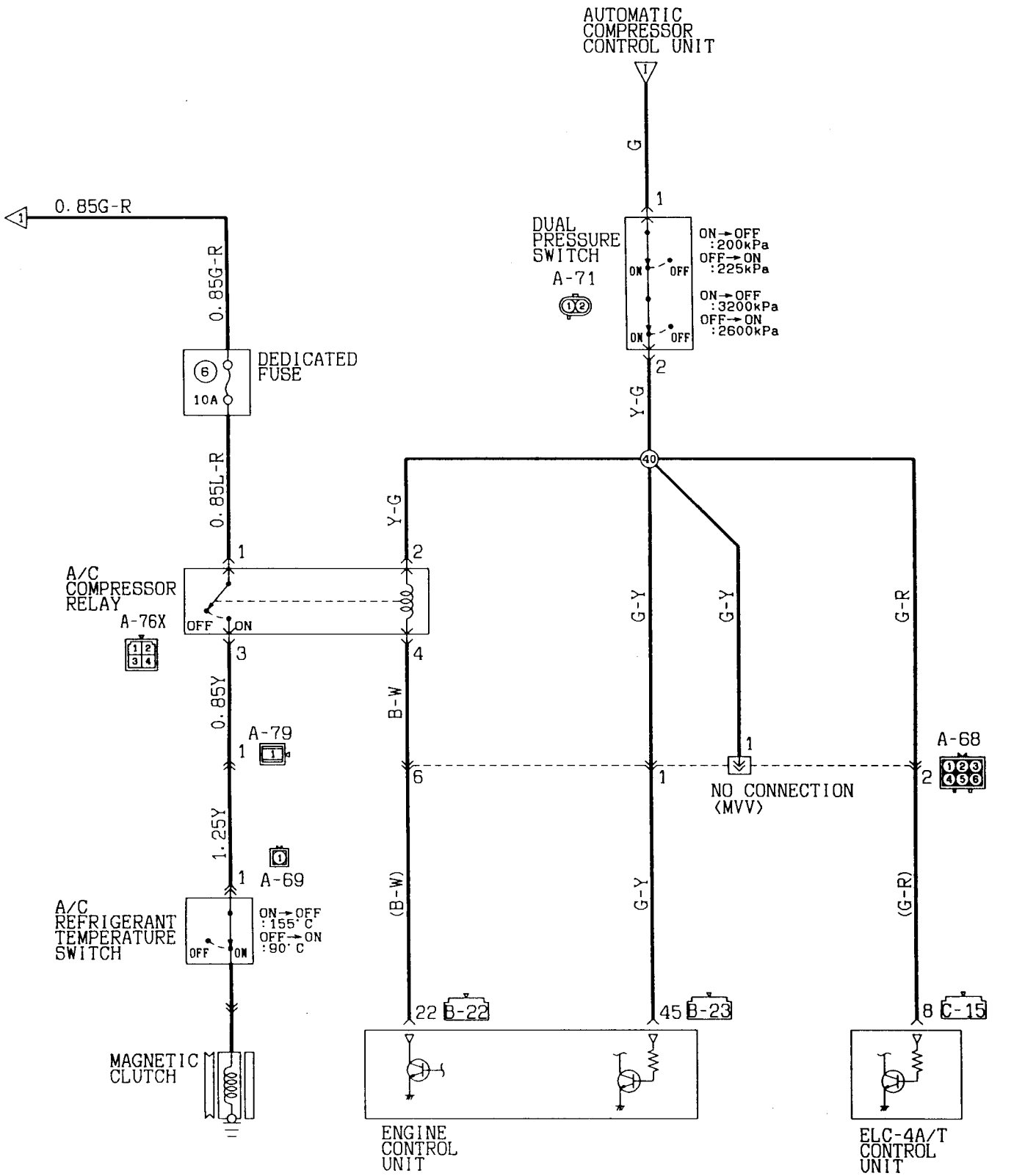


Wire colour code
 B:Black LG:Light green G:Green L:Blue W:White Y:Yellow SB:Sky blue
 BR:Brown O:Orange GR:Gray R:Red P:Pink V:Violet





KX35-AC-E1238B-EC



Wire colour code
 B:Black LG:Light green G:Green L:Blue W:White Y:Yellow SB:Sky blue
 BR:Brown O:Orange GR:Gray R:Red P:Pink V:Violet

B-22

1	2	3	4	5	6	7	8	9	10	11	12	13
14	15	16	17	18	19	20	21	22	23	24	25	26

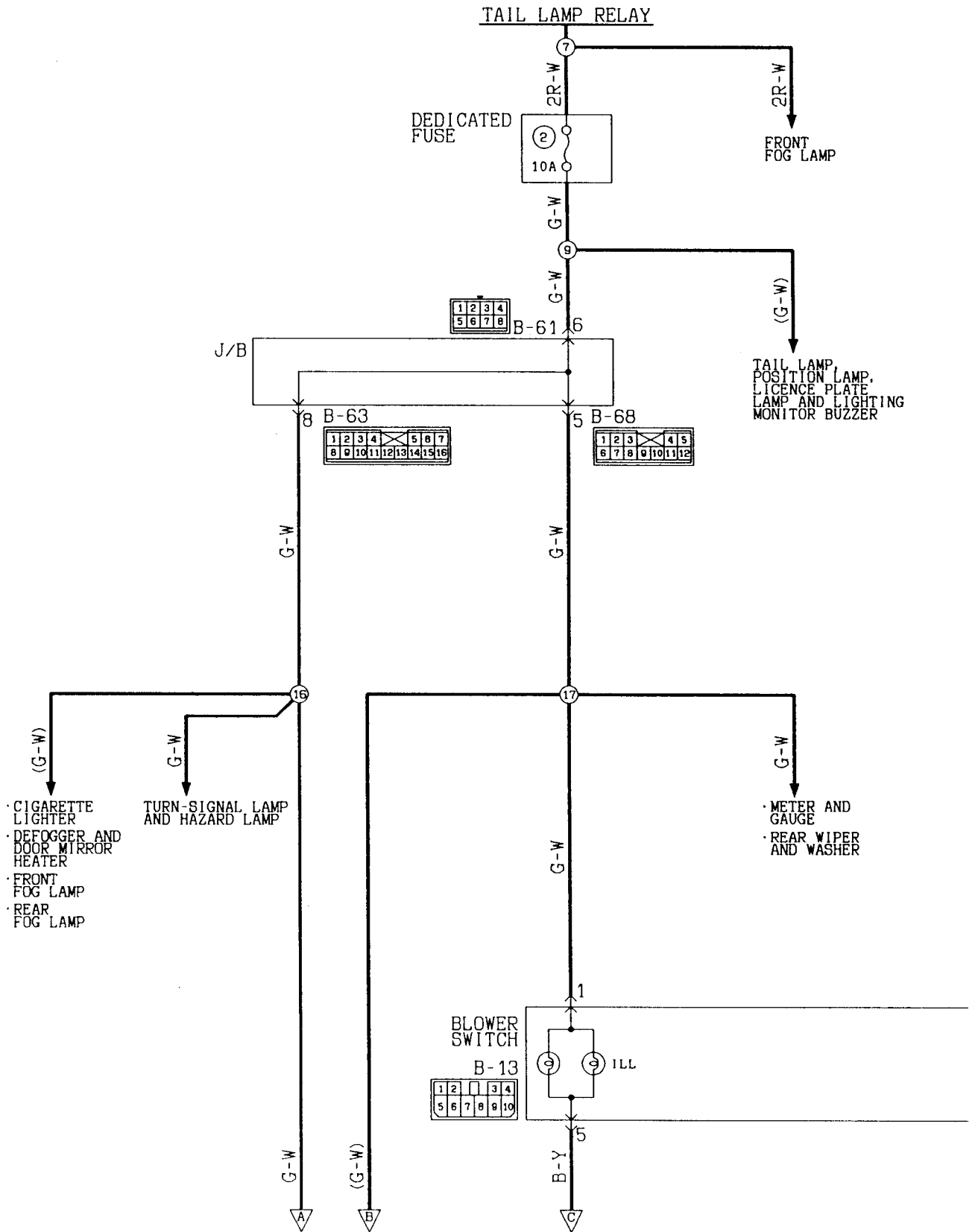
B-23

31	32	33	34	35	36	37	38
39	40	41	42	43	44	45	46

C-15

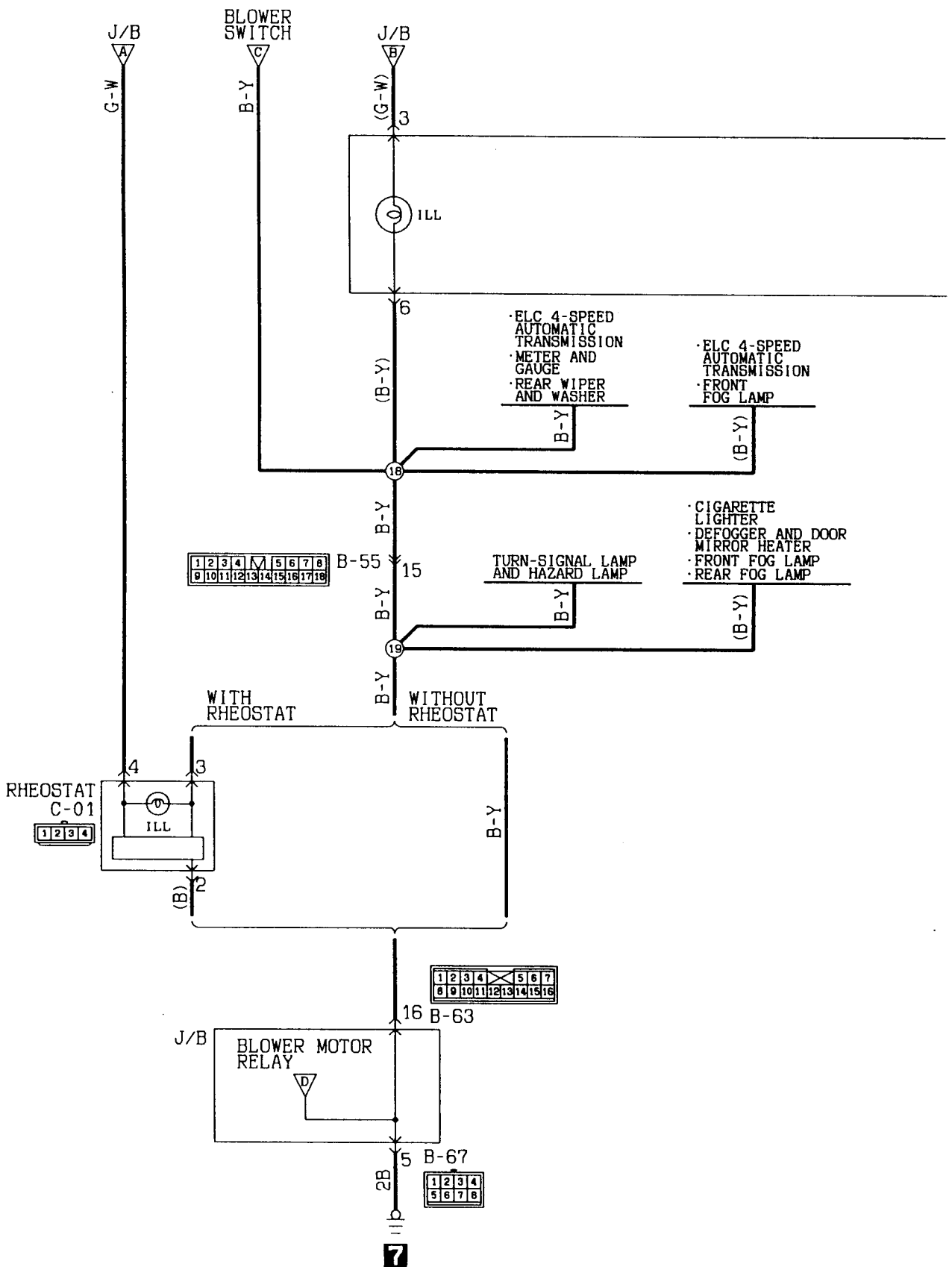
1	2	3	4	5	6	7	8	9	10	11	12	13
14	15	16	17	18	19	20	21	22	23	24	25	26

AIR CONDITIONER
4G9<R.H. drive vehicles>



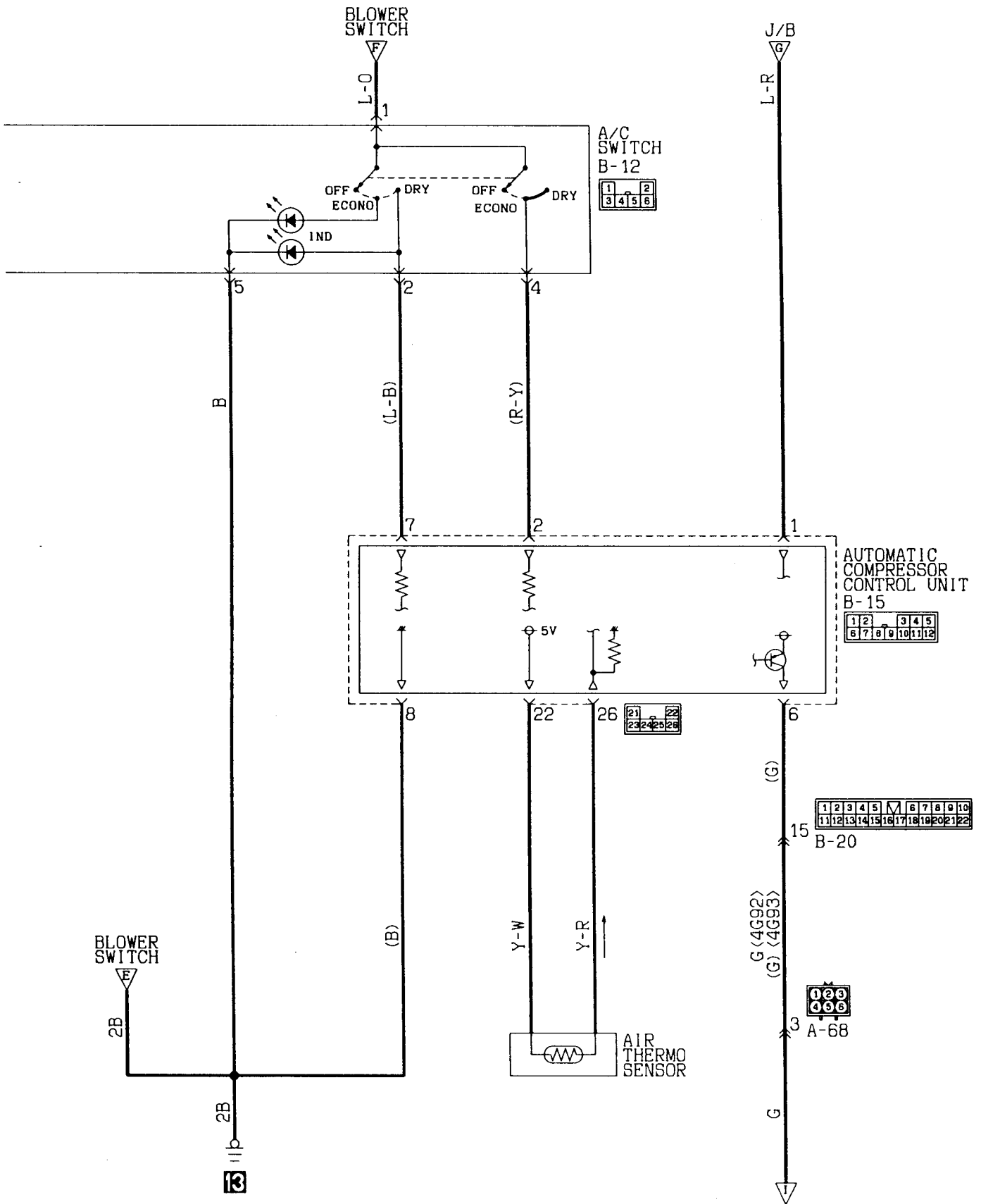
Wire colour code
 B:Black LG:Light green G:Green L:Blue W:White Y:Yellow SB:Sky blue
 BR:Brown O:Orange GR:Gray R:Red P:Pink V:Violet

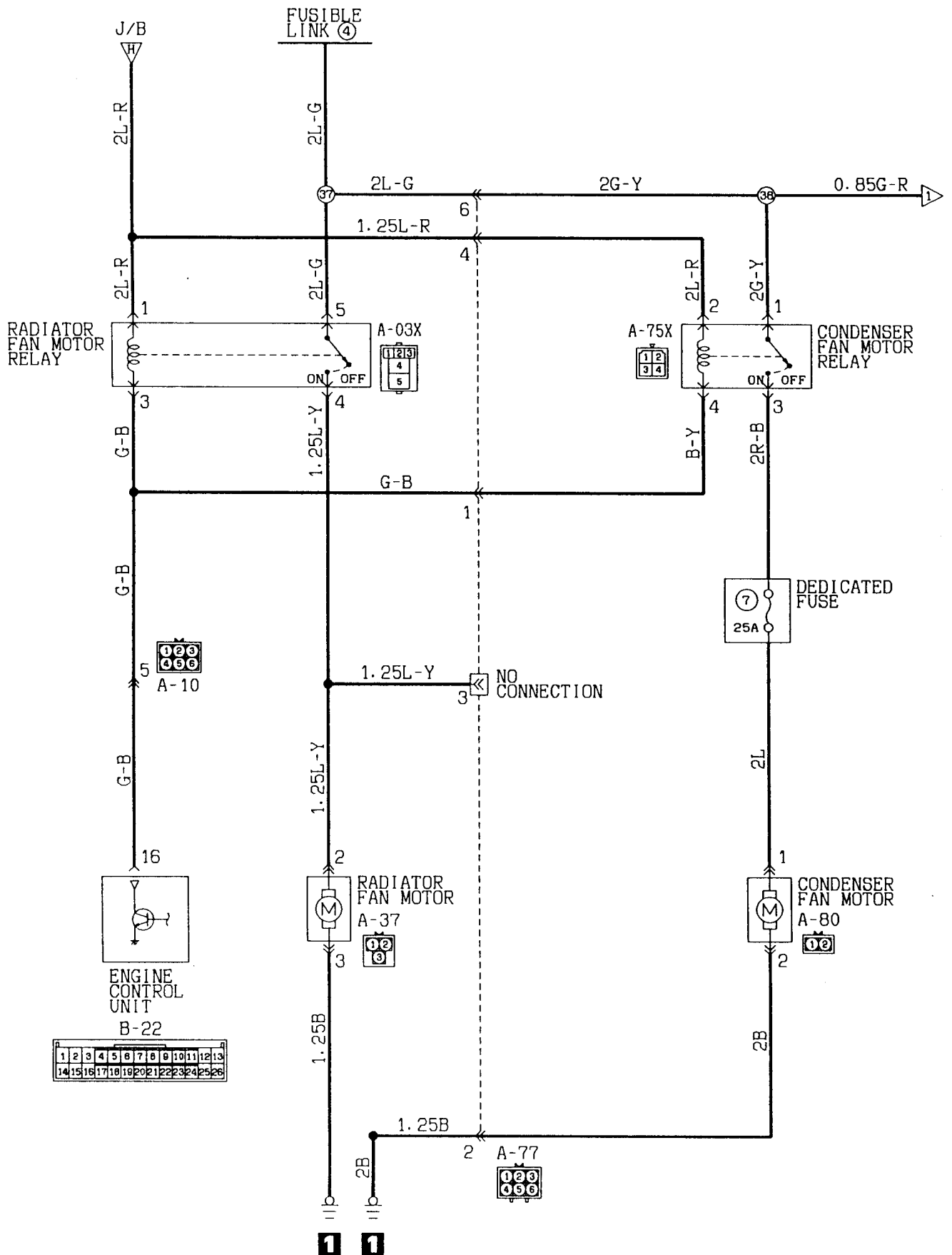
KX35-AC-E1239-EC



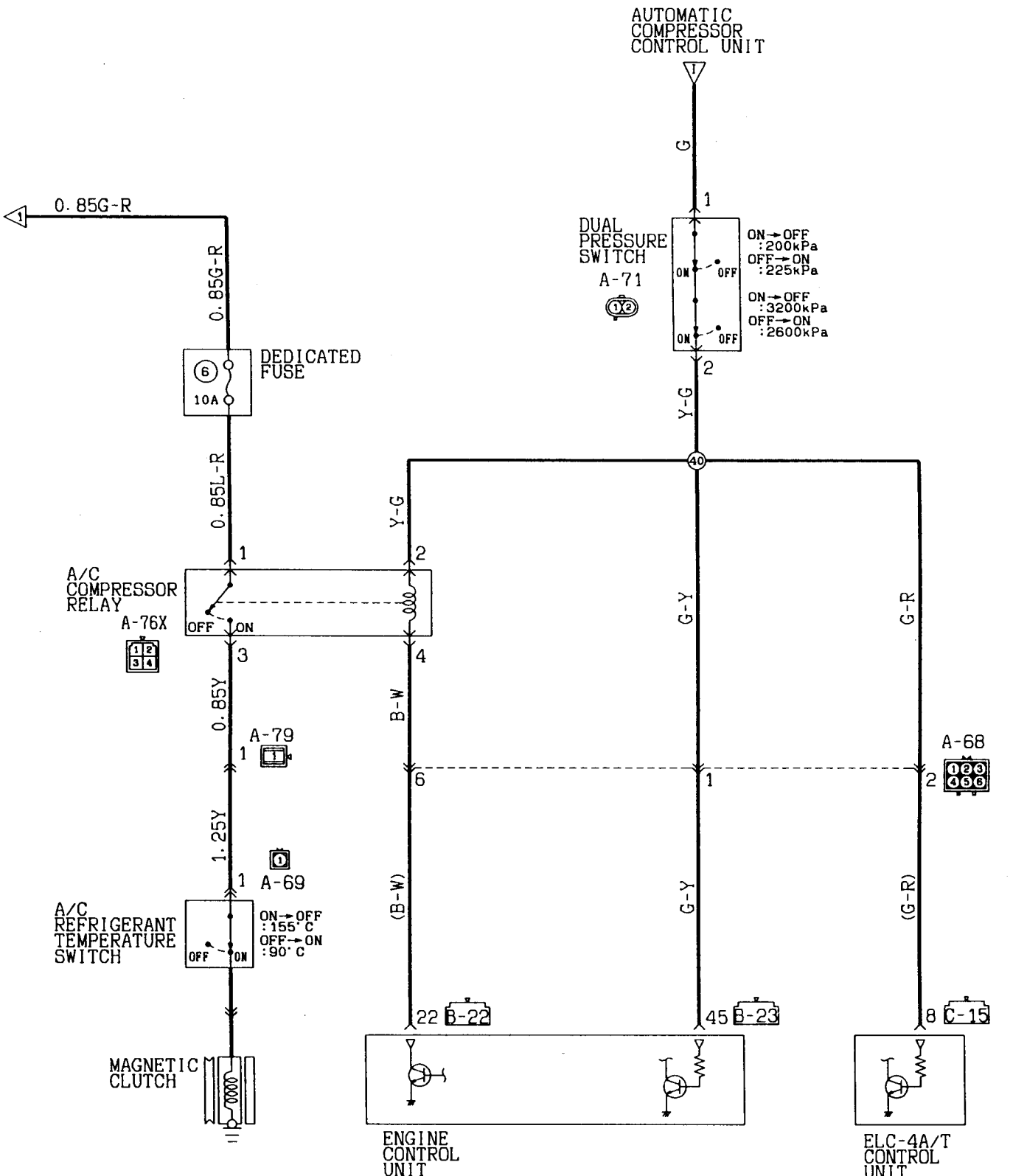
Wire colour code

B:Black LG:Light green G:Green L:Blue W:White Y:Yellow SB:Sky blue
 BR:Brown O:Orange GR:Gray R:Red P:Pink V:Violet

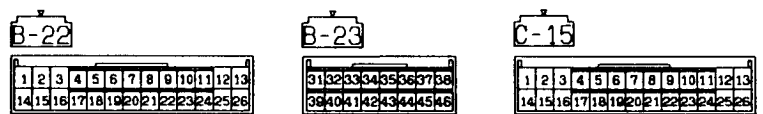




KX35-AC-E1239B-EC



Wire colour code
 B:Black LG:Light green G:Green L:Blue W:White Y:Yellow
 BR:Brown O:Orange GR:Gray R:Red P:Pink V:Violet SB:Sky blue



AIR CONDITIONER <PETROL> (See P.4A-247, 252, 257, 263.)**OPERATION****<Condenser fan and radiator fan control>**

- For the operation of each fan, see COOLING SYSTEM (P.4A-104, 106).

<Compressor control>

- The refrigerant temperature switch, which senses the temperature of the refrigerant, is deactivated with temperature 155°C or higher.
- When the A/C switch is set to the "DRY" mode, the air thermo sensor detects the temperature of the air emitted from the evaporator; the switch is switched OFF if the temperature is 2.2°C or lower. Furthermore, when the A/C switch is set to the "ECONO" mode, the switch is switched off at temperature of 7°C or below.
- The engine coolant temperature switch detects the temperature of the engine coolant, and switches OFF at 115°C or higher.
- The dual pressure switch turns OFF when the refrigerant pressure becomes excessively high or low, thus protecting the compressor circuit. (See Table below.)

- The A/C compressor relay is energized when the refrigerant-temperature switch, the engine coolant temperature switch, the air thermo sensor are ON, and the dual-pressure switch is ON, and the ignition switch, blower switch and A/C switch are all ON.
- However, note that the A/C compressor relay is switched OFF when starting and during low rpm operation until a certain fixed time has passed, depending upon the running conditions, in order to prevent engine stall and engine vibrations. In addition, for 4-speed automatic transmission models, when the throttle valve opening is large (throttle-position sensor output voltage approximately 4V and throttle valve opening approximately 65° or greater) during acceleration, the A/C compressor relay drive transistor (located within the engine control unit) is switched OFF for about five seconds and the A/C compressor relay is switched OFF in order to maintain acceleration performance.

TROUBLESHOOTING HINTS**<Condenser fan and radiator fan control>**

- See COOLING SYSTEM (P.4A-104, 106).

<Compressor control>

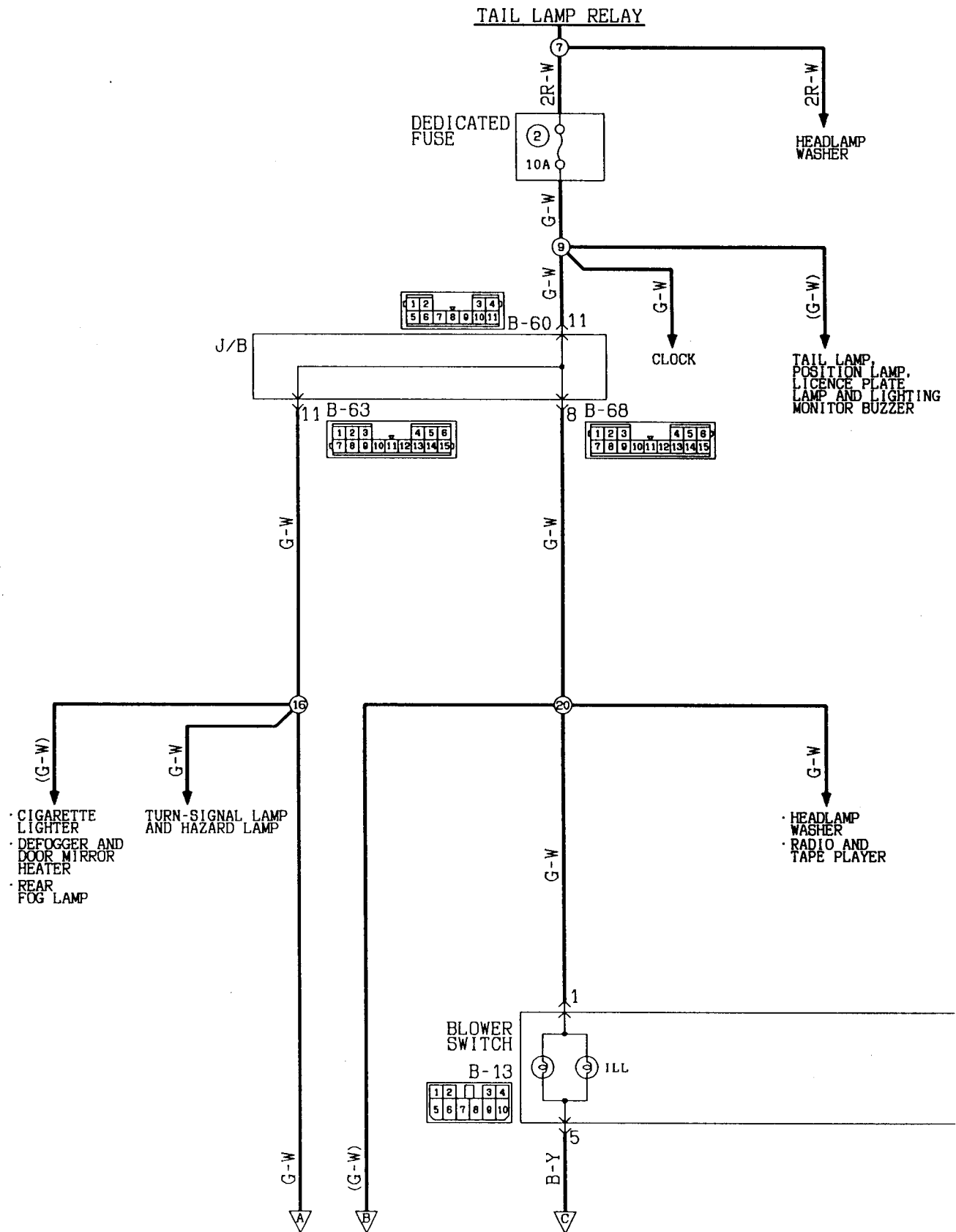
- See the Troubleshooting in Group 55 of the separate WORKSHOP MANUAL (Pub. No. PWME9117).

A/C Compressor Relay ON Conditions

If any one of the switches, sensors or the control unit is OFF, the A/C compressor relay will turn OFF.

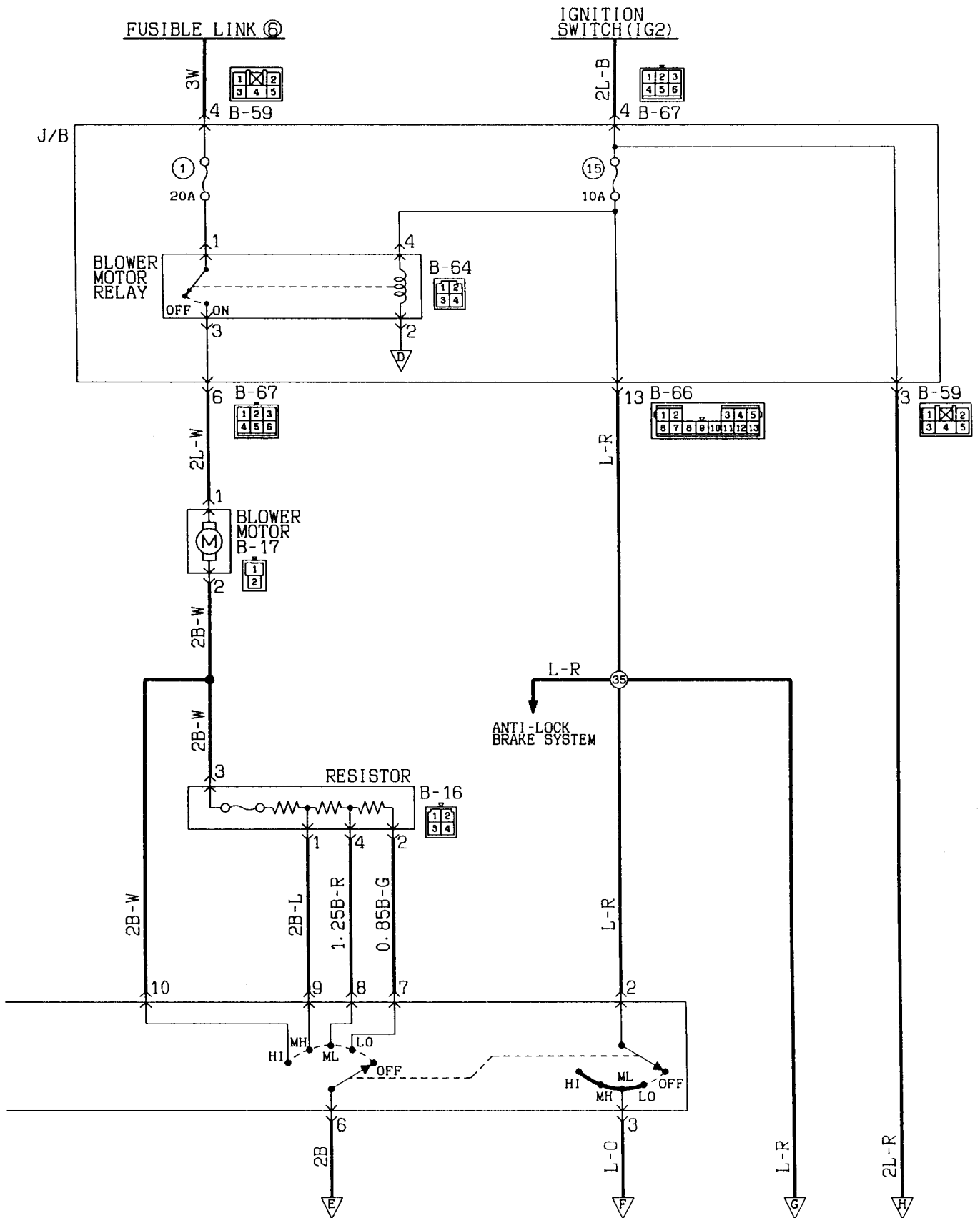
Ignition switch (IG ₂)		ON
Blower switch		ON
A/C switch		ON (ECONO or DRY)
Refrigerant temperature switch		ON [90°C or below]
Air thermo sensor		ON [3.2°C or higher] (DRY mode)
		ON [8°C or higher] (ECONO mode)
Engine coolant temperature switch		ON [108°C or below]
Dual pressure switch	Low-pressure side	ON [225 kPa or higher]
	High-pressure side	ON [2,600 kPa or higher]
A/C compressor relay driving transistor (within engine control unit)		ON

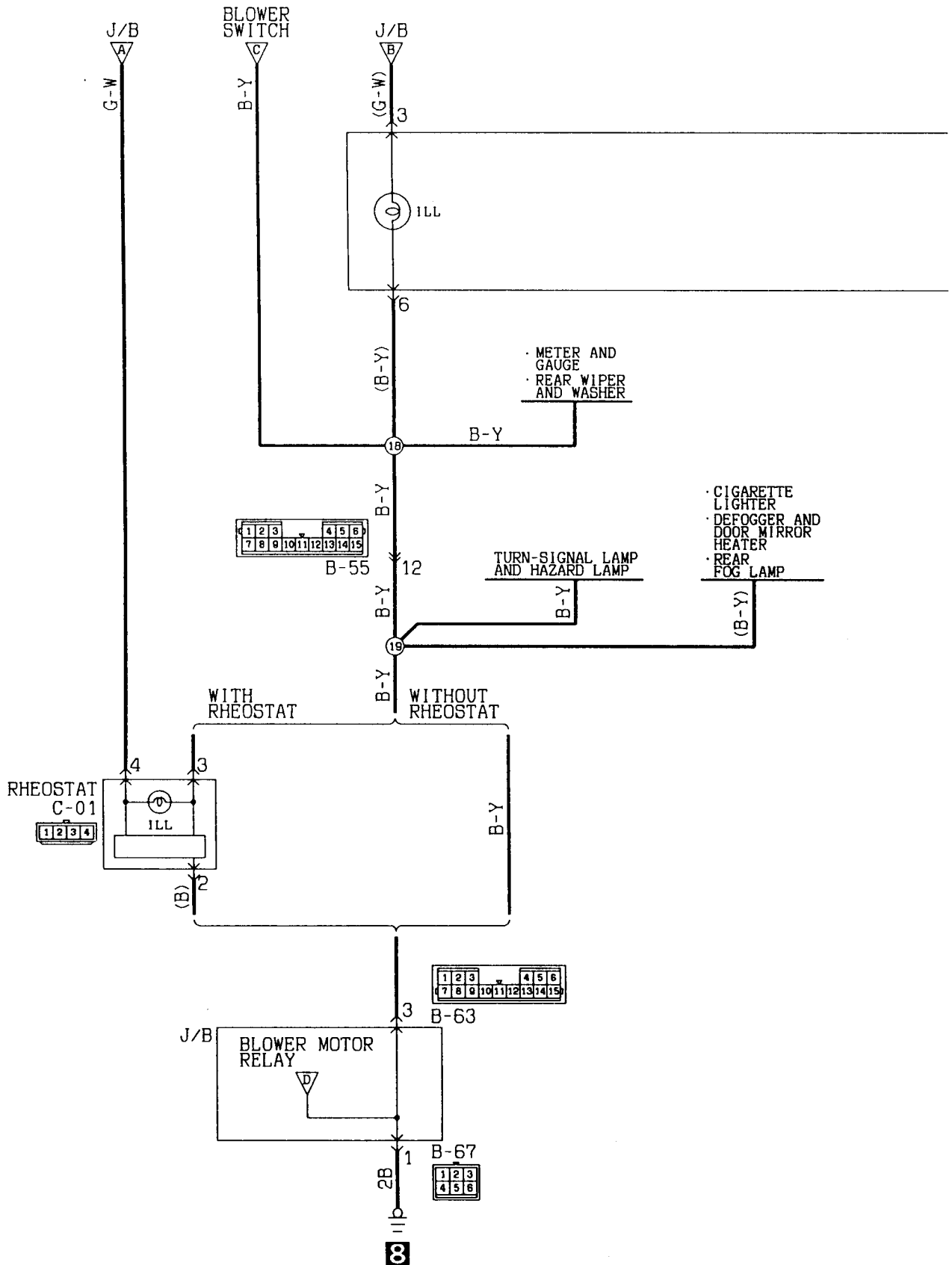
AIR CONDITIONER
4D68 <L. H. drive vehicles>



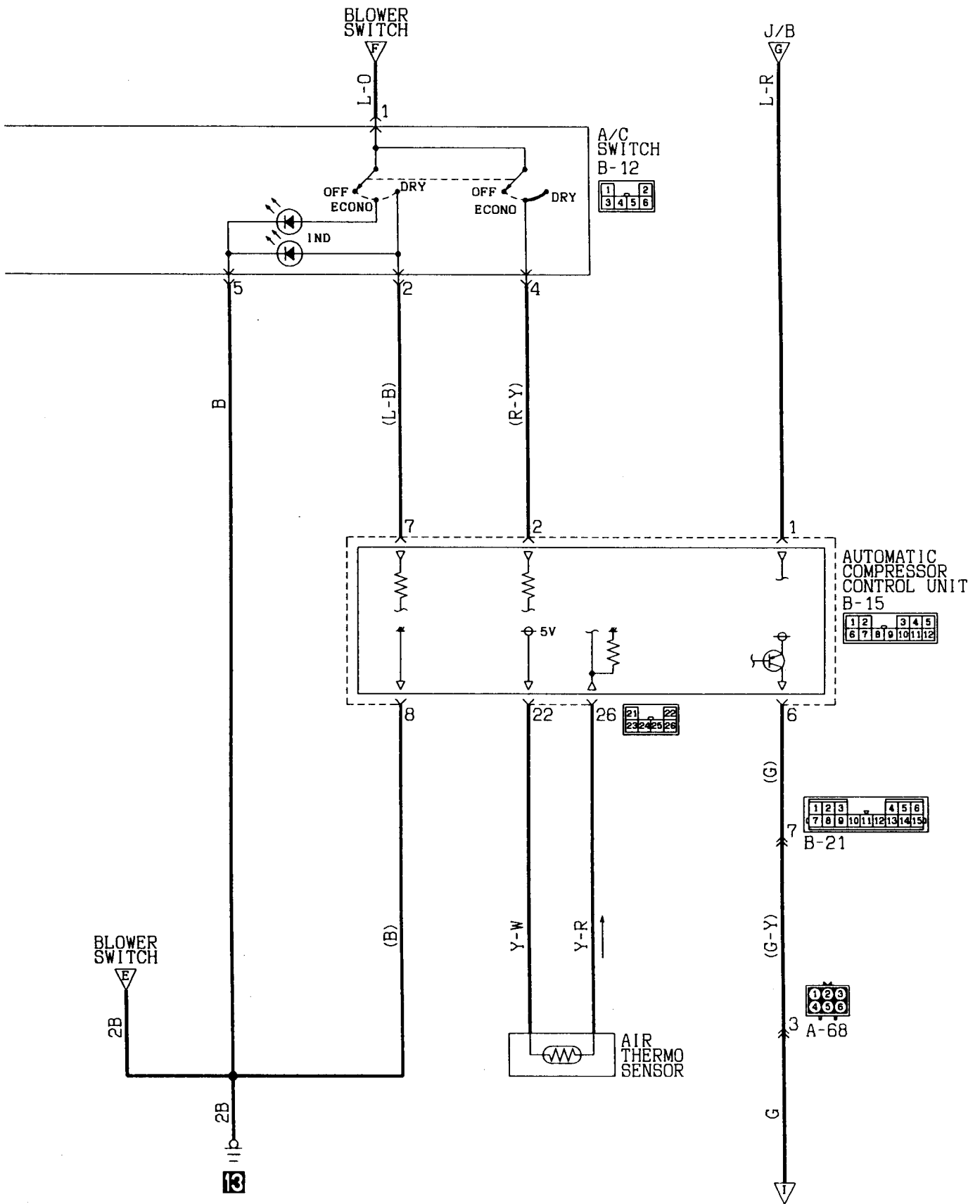
Wire colour code
 B:Black LG:Light green G:Green L:Blue W:White Y:Yellow SB:Sky blue
 BR:Brown O:Orange GR:Gray R:Red P:Pink V:Violet

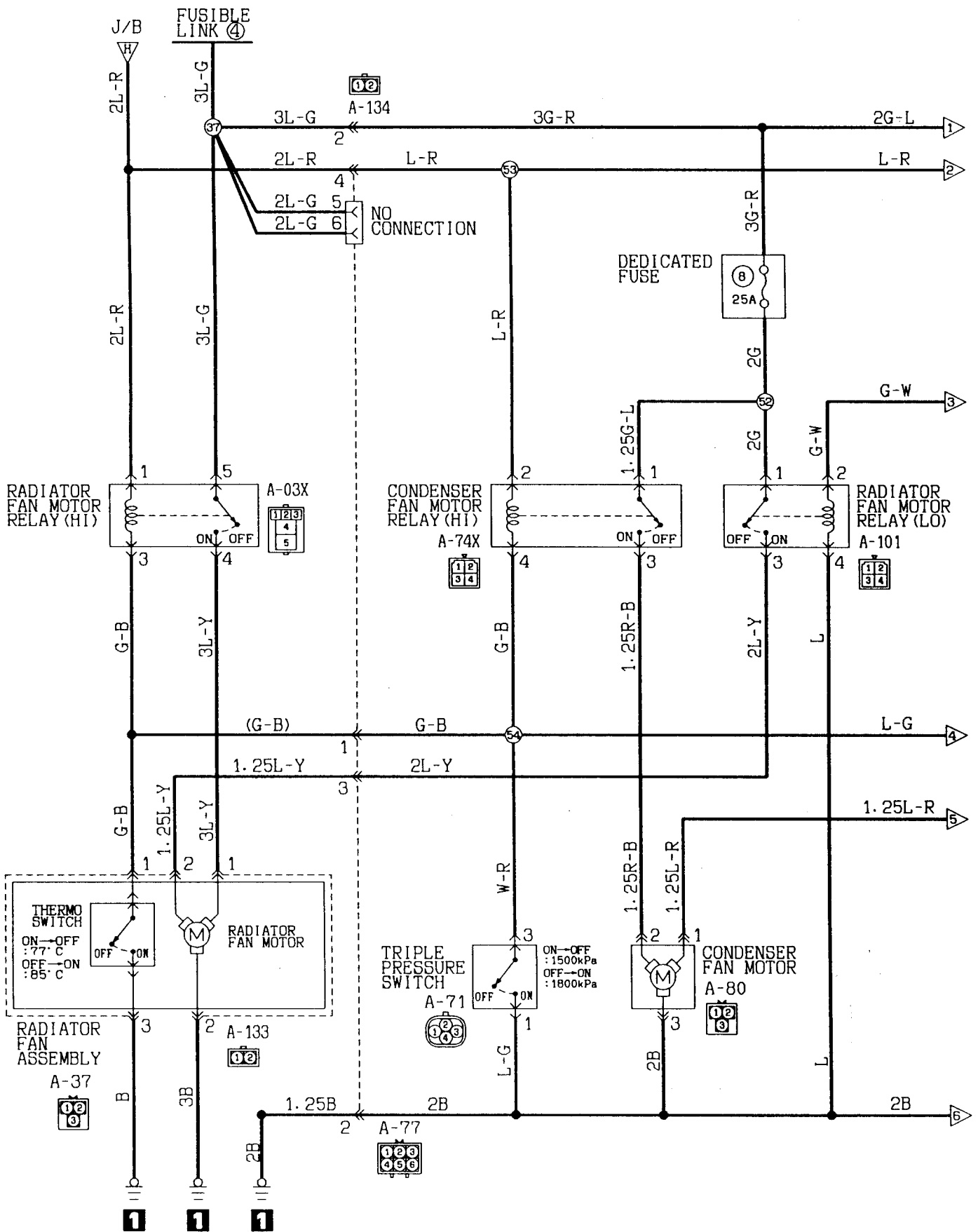
KX35-AC-E1240-EC



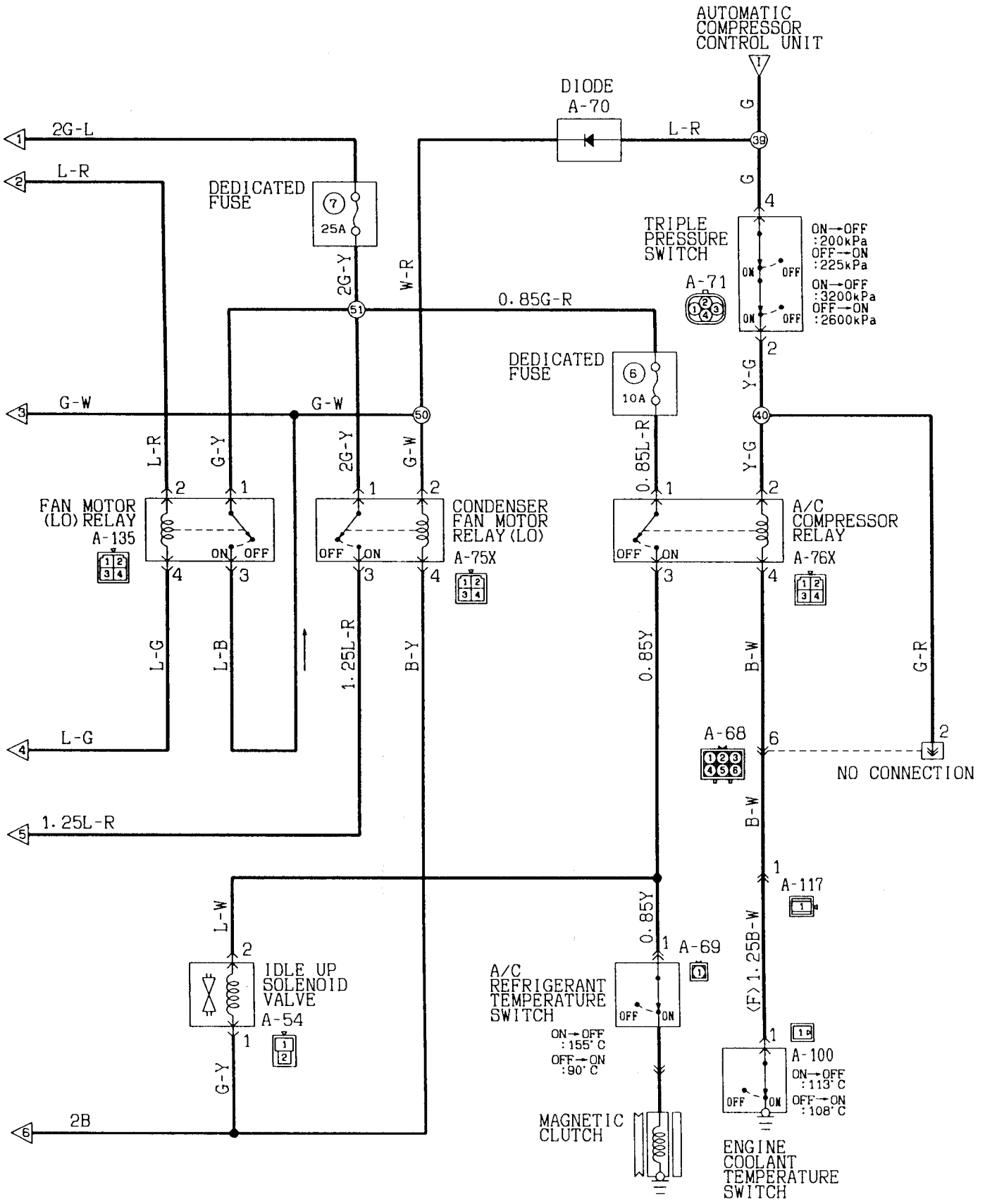


Wire colour code
 B:Black LG:Light green G:Green L:Blue W:White Y:Yellow SB:Sky blue
 BR:Brown O:Orange GR:Gray R:Red P:Pink V:Violet



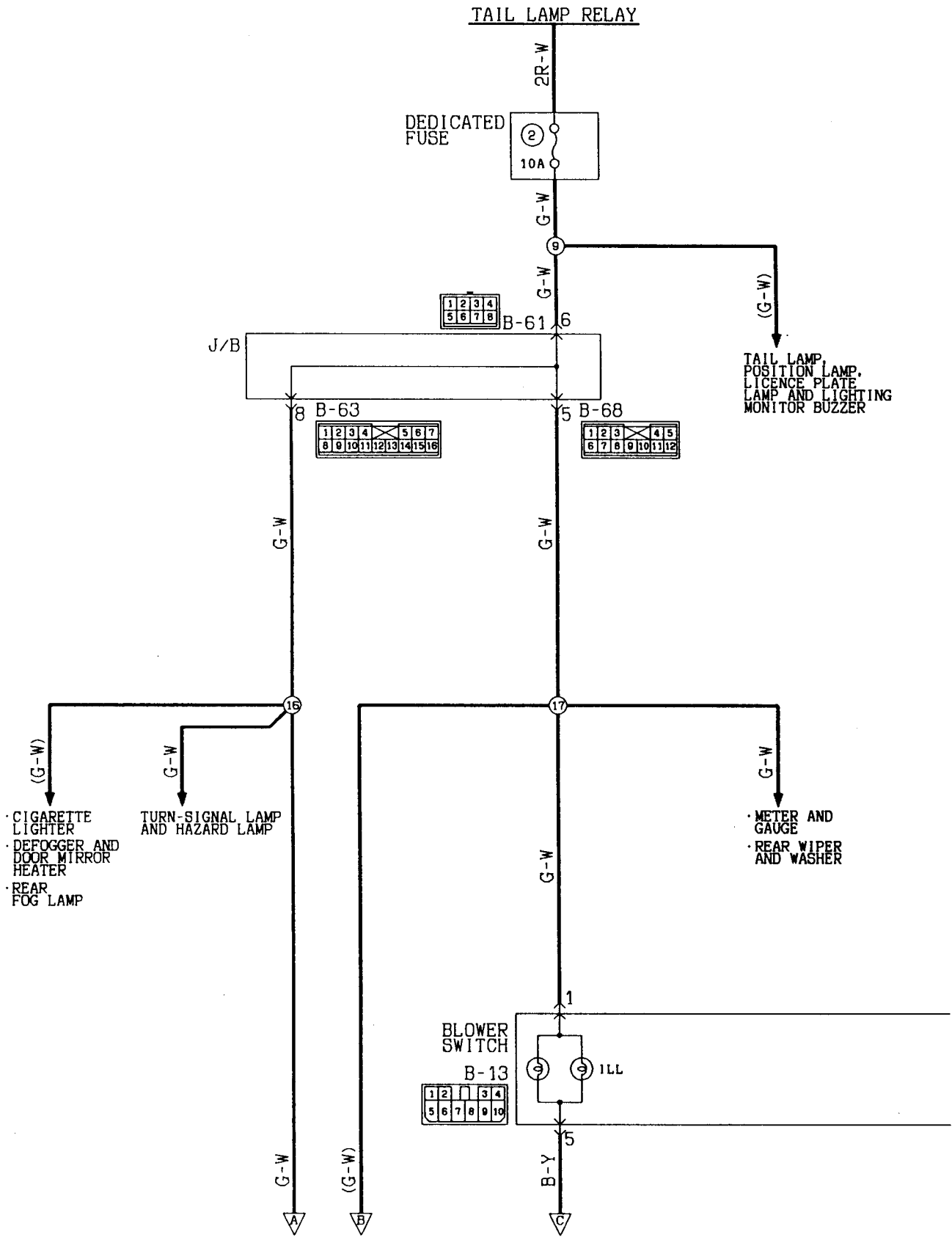


KX35-AC-E1240B-EC



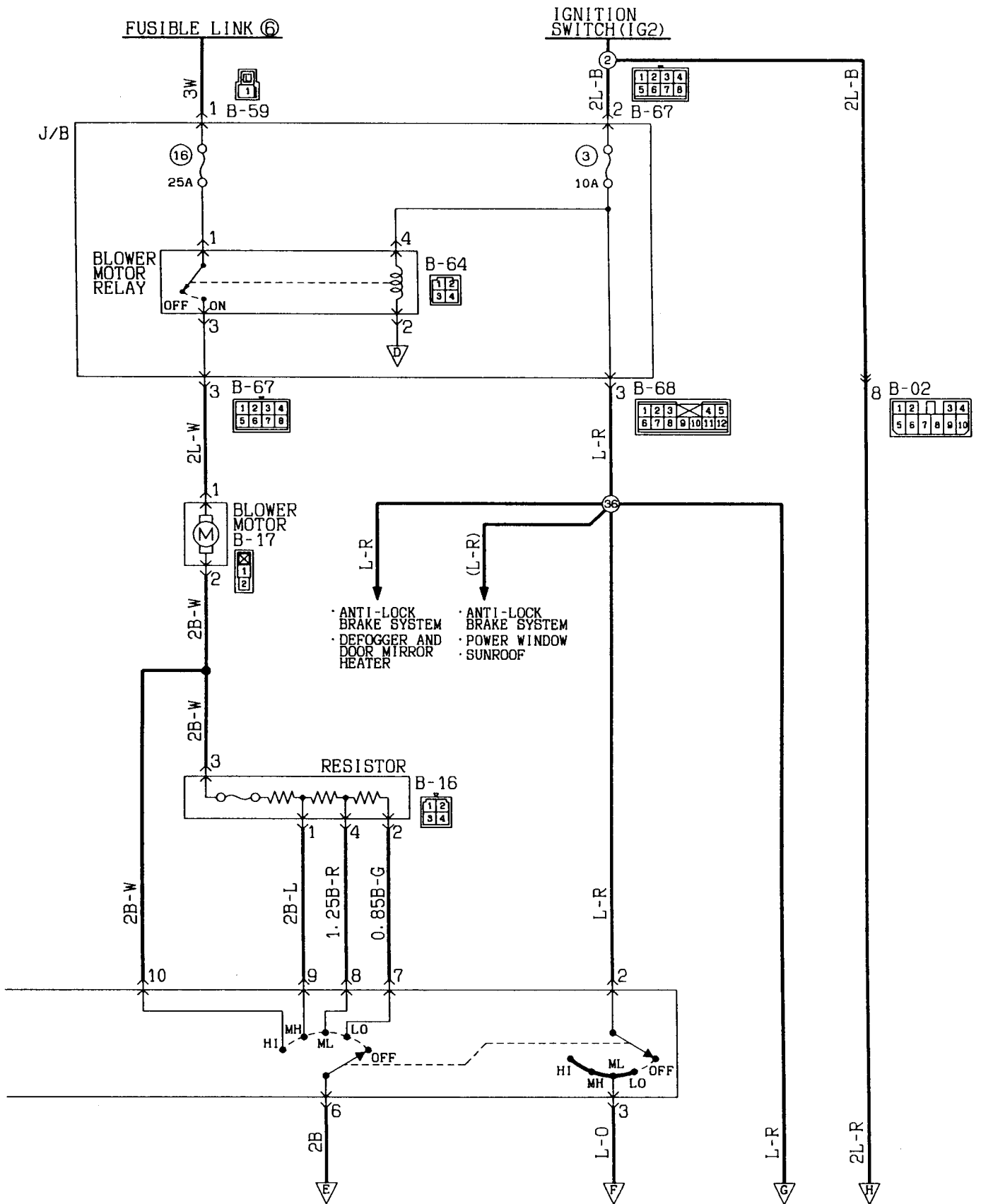
Wire colour code
 B:Black LG:Light green G:Green L:Blue W:White Y:Yellow SB:Sky blue
 BR:Brown O:Orange GR:Gray R:Red P:Pink V:Violet

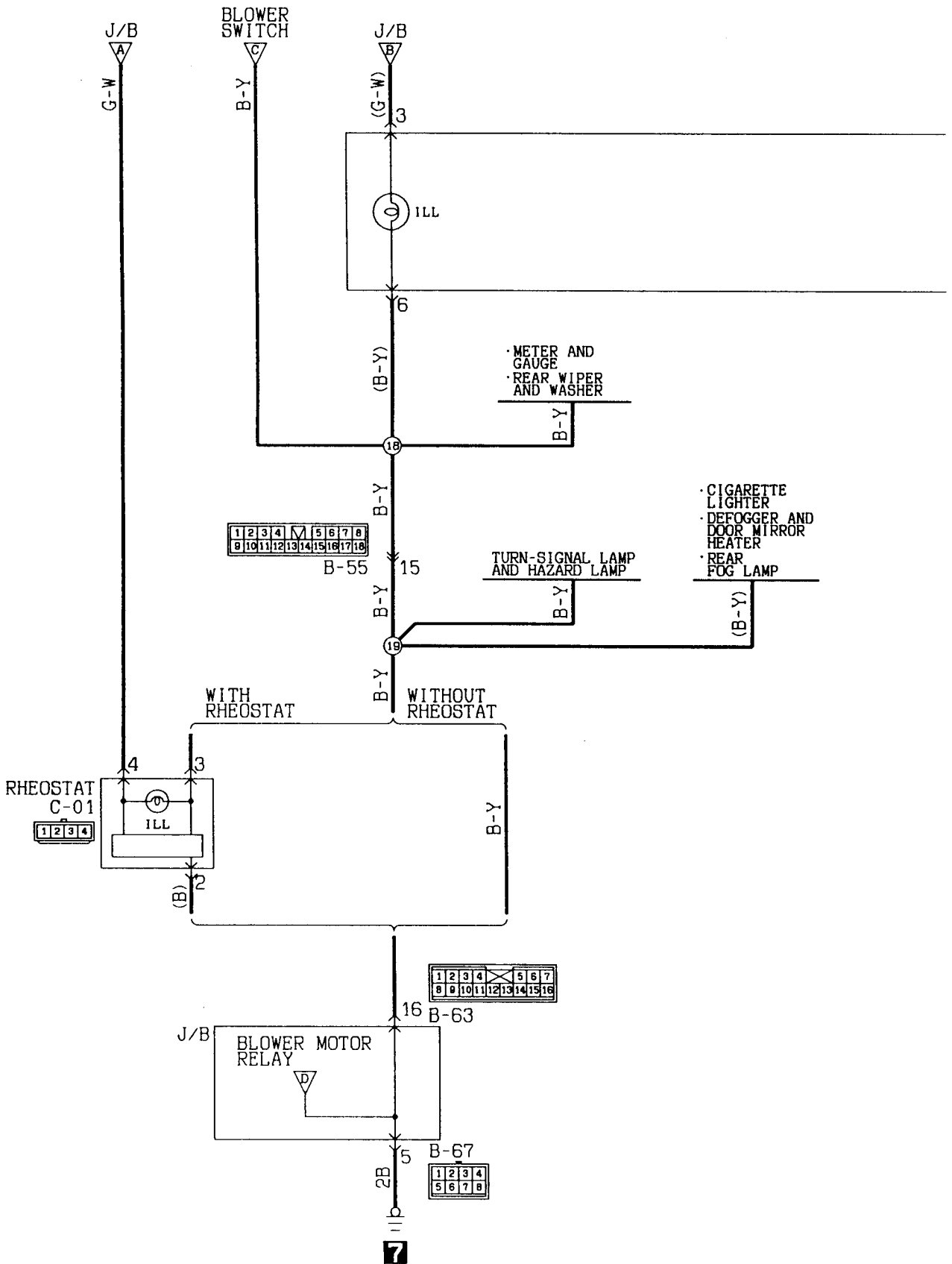
AIR CONDITIONER
4D68<R. H. drive vehicles>



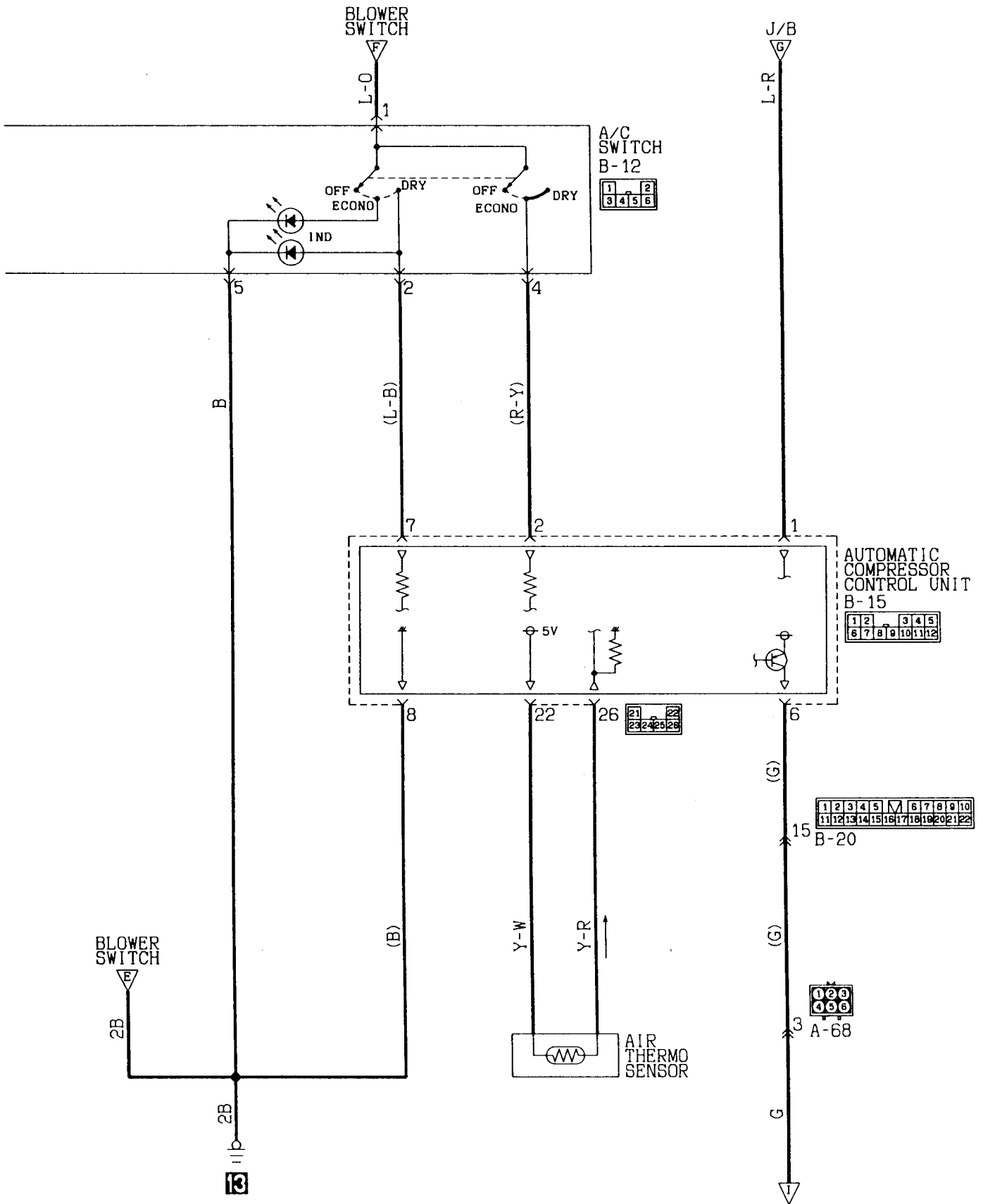
Wire colour code
 B:Black LG:Light green G:Green L:Blue W:White Y:Yellow SB:Sky blue
 BR:Brown O:Orange GR:Gray R:Red P:Pink V:Violet

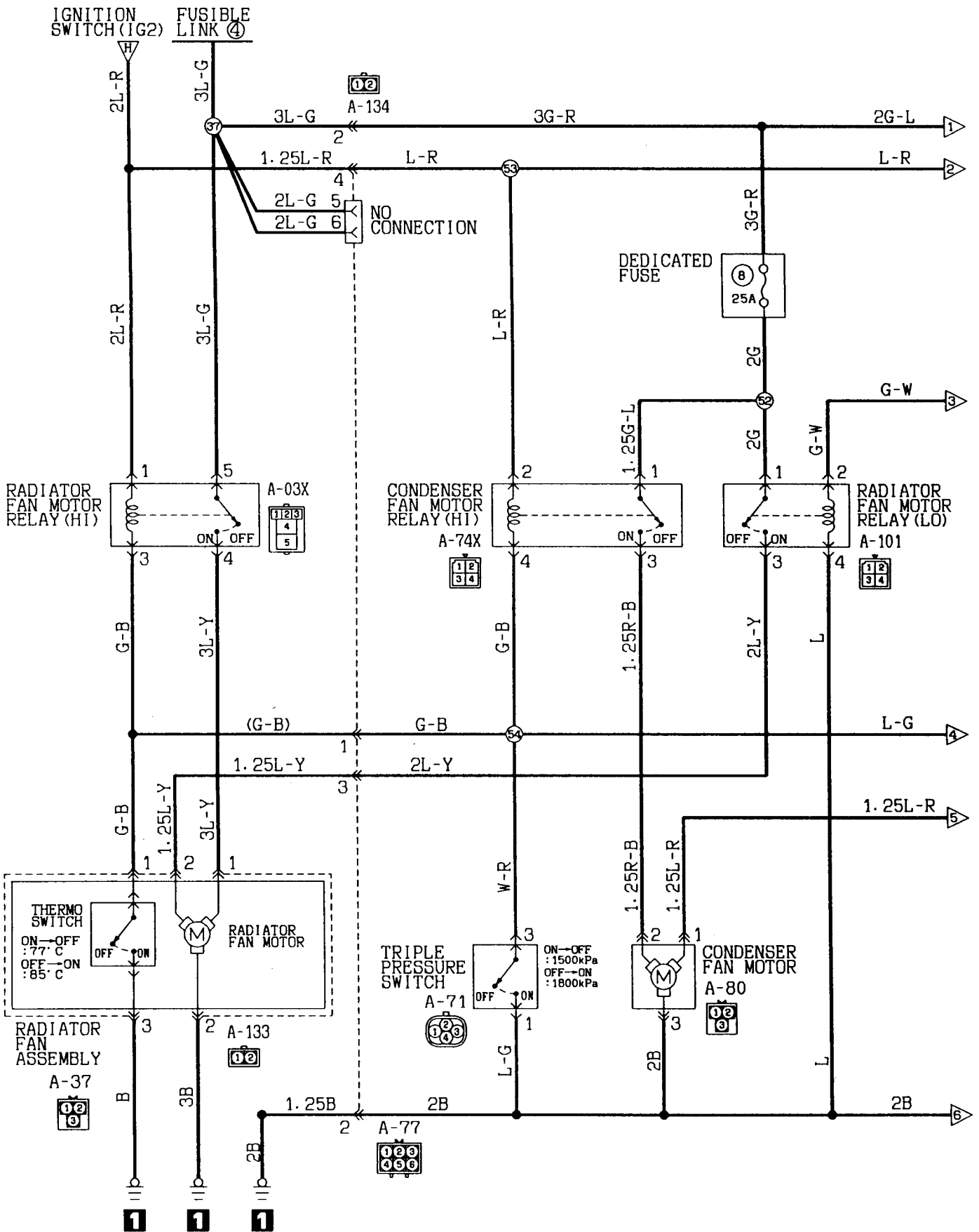
KX35-AC-E1241-EC



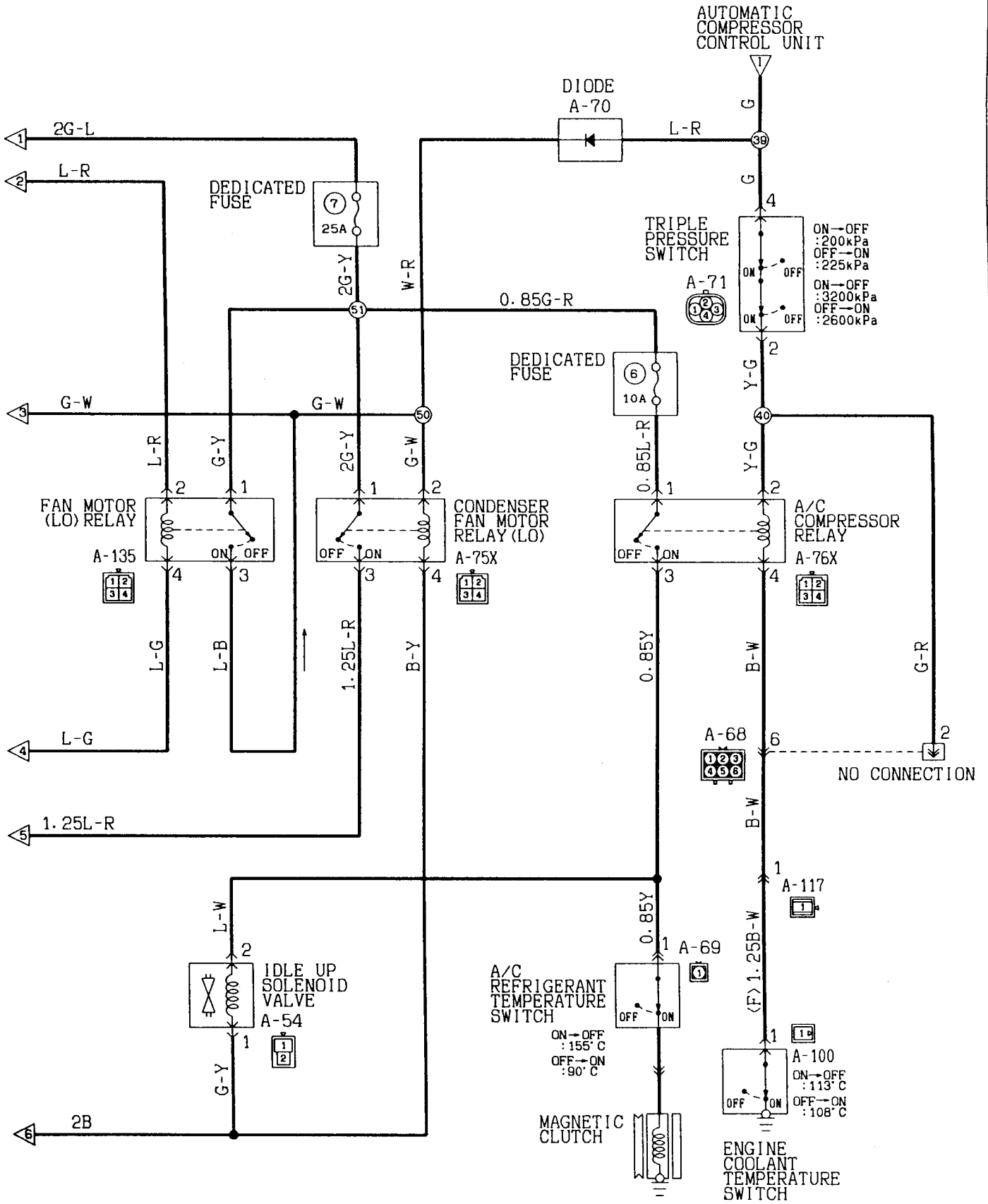


Wire colour code
 B:Black LG:Light green G:Green L:Blue W:White Y:Yellow SB:Sky blue
 BR:Brown O:Orange GR:Gray R:Red P:Pink V:Violet





KX35-AC-E1241B-EC



Wire colour code
 B:Black LG:Light green G:Green L:Blue W:White Y:Yellow SB:Sky blue
 BR:Brown O:Orange GR:Gray R:Red P:Pink V:Violet

AIR CONDITIONER <DIESEL> (See P.4A-270, 276.)

OPERATION

<Condenser fan and radiator fan control>

- For the operation of each fan, see COOLING SYSTEM (P.4A-109).

<Compressor control>

- The refrigerant temperature switch, which senses the temperature of the refrigerant, is deactivated with temperature 155°C or higher.
- When the A/C switch is set to the "DRY" mode, the air thermo sensor detects the temperature of the air emitted from the evaporator; the switch is switched OFF if the temperature is 2.2°C or lower. Furthermore, when the A/C switch is set to "ECONO" mode, the switch is switched off at temperature of 7°C or below.
- The engine coolant temperature switch detects the temperature of the engine coolant, and switches OFF at 113°C or higher.
- The triple pressure switch turns OFF when the refrigerant pressure becomes excessively high or low, thus protecting the compressor circuit. (See Table below.)

- The A/C compressor relay is energized when the refrigerant-temperature switch, the engine coolant temperature switch, the air thermo sensor are ON, and the triple pressure switch is ON, and the ignition switch, blower switch and A/C switch are all ON.

TROUBLESHOOTING HINTS

<Condenser fan and radiator fan control>

- See COOLING SYSTEM (P.4A-109).

<Compressor control>

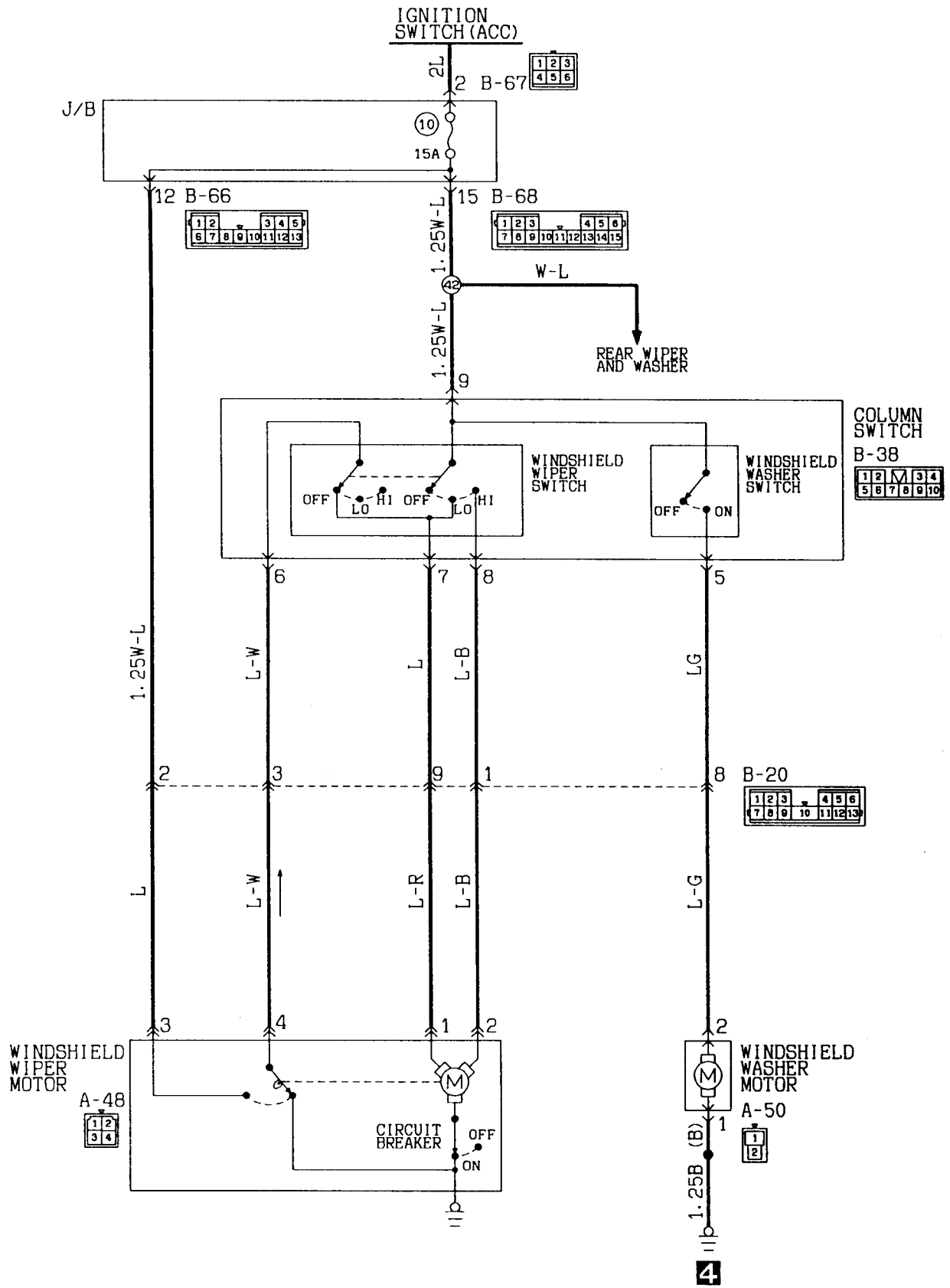
- See the Troubleshooting in Group 55 of the separate WORKSHOP MANUAL (Pub. No. PWME9117).

A/C Compressor Relay ON Conditions

If any one of the switches, sensors or the control unit is OFF, the A/C compressor relay will turn OFF.

Ignition switch (IG ₂)	ON	
Blower switch	ON	
A/C switch	ON (ECONO or DRY)	
Refrigerant temperature switch	ON [90°C or below]	
Air thermo sensor	ON [3.2°C or higher] (DRY mode)	
	ON [8°C or higher] (ECONO mode)	
Engine coolant temperature switch	ON [108°C or below]	
Triple pressure switch	Low-pressure side	ON [225 kPa or higher]
	High-pressure side	ON [2,600 kPa or higher]

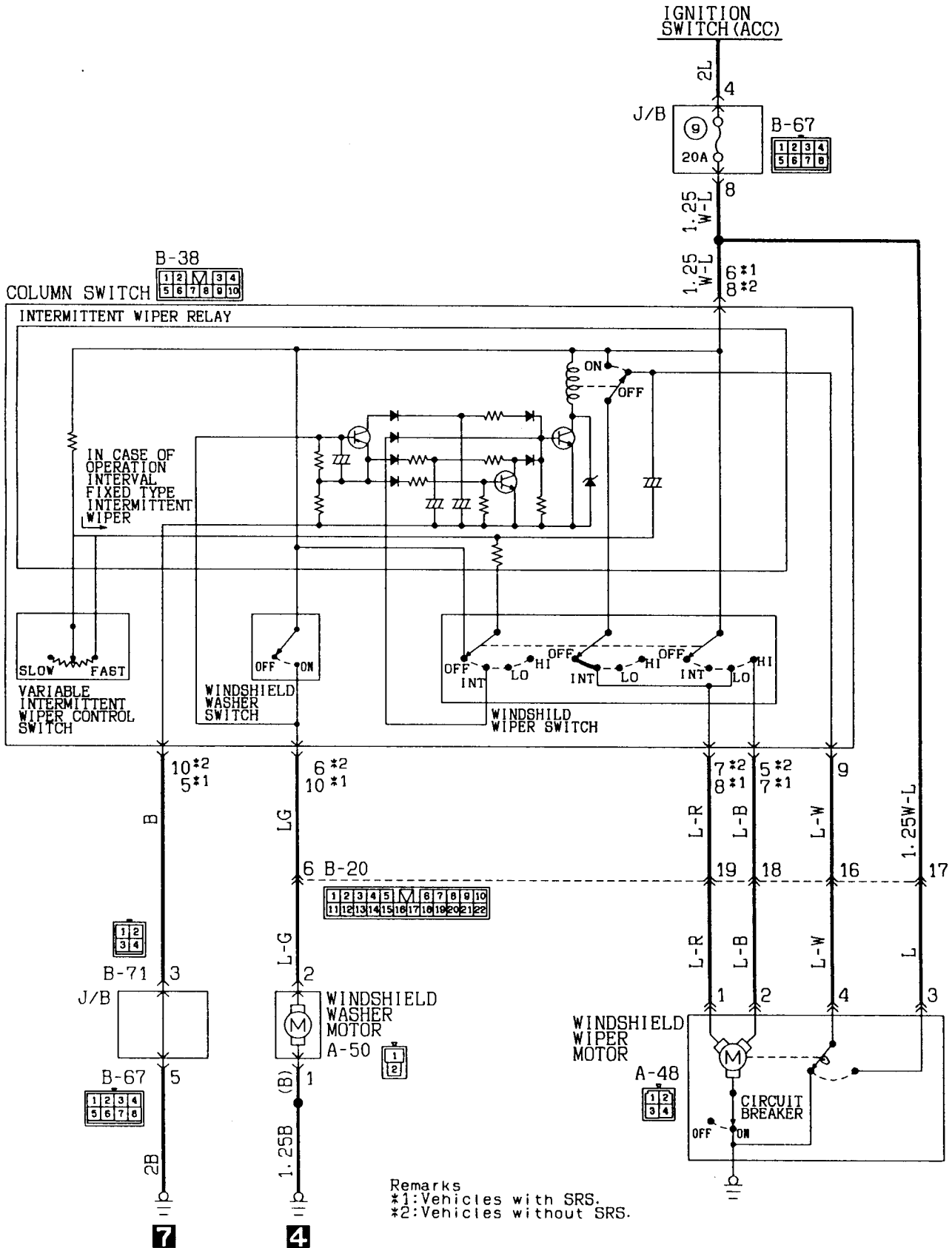
WINDSHIELD WIPER AND WASHER
L.H. drive vehicles without intermittent wiper



Wire colour code
 B:Black LG:Light green G:Green L:Blue W:White Y:Yellow SB:Sky blue
 BR:Brown O:Orange GR:Gray R:Red P:Pink V:Violet

KX35-AC-E1318-EC

WINDSHIELD WIPER AND WASHER
R. H. drive vehicles



Remarks
*1: Vehicles with SRS.
*2: Vehicles without SRS.

Wire colour code
 B: Black LG: Light green G: Green L: Blue W: White Y: Yellow SB: Sky blue
 BR: Brown O: Orange GR: Gray R: Red P: Pink V: Violet

WINDSHIELD WIPER AND WASHER (See P.4A-283, 284, 285.)

OPERATION

<Low-speed (and high-speed) wiper operation>

- When the wiper switch is placed in the LO position with the ignition switch in the ACC or ON position, wipers operate continuously at low speed.
- Placing the wiper switch in the HI position causes the wipers to operate at high speed.

<Auto wiper stop operation>

- When the wiper switch is placed in the OFF position, the cam contacts of wiper motor causes current to flow through the auto wiper stop circuit, allowing the wiper blades to cycle before they reach to the stop positions.

<Intermittent wiper operation>

- When the wiper switch is placed in the INT position with the ignition switch in ACC or ON position, the intermittent wiper relay is energized causing the intermittent wiper relay contacts to close and open repeatedly.
- When the contacts are closed, the wiper motor is energized.
- When the wiper motor is energized, the relay contacts open; however, the cam contacts keep the wiper motor energized until the wiper blades return to their stop position.

<Washer-wiper operation>

- When the washer switch is turned ON, the intermittent wiper relay contacts close causing wipers to cycle two to three times.

Remark

- The washer-wiper operates in the priority even during intermittent operation of the wiper.

TROUBLESHOOTING HINTS

1. Wipers do not operate.
 - 1) Washer is not operative, either.
 - Check multi-purpose fuse No. ⑩. <L.H. drive vehicles>
 - Check multi-purpose fuse No. ⑨. <R.H. drive vehicles>
2. Low-speed (or high speed) wiper operation only is inoperative.
 - Check wiper switch.
3. Wipers do not stop.
 - Check wiper motor.
 - Check intermittent wiper relay.
 - Check wiper switch.
4. Intermittent wiper operation is inoperative.
 - Check terminal voltage of steering-column switch (with a built-in intermittent wiper relay) with the intermittent wiper relay energized.

Terminal No.	Voltage	Check
7 (8*)	0 V	Intermittent wiper relay or wiper switch
	System voltage	Intermittent wiper relay
	0 V ↔ System voltage (alternating)	— (Normal)

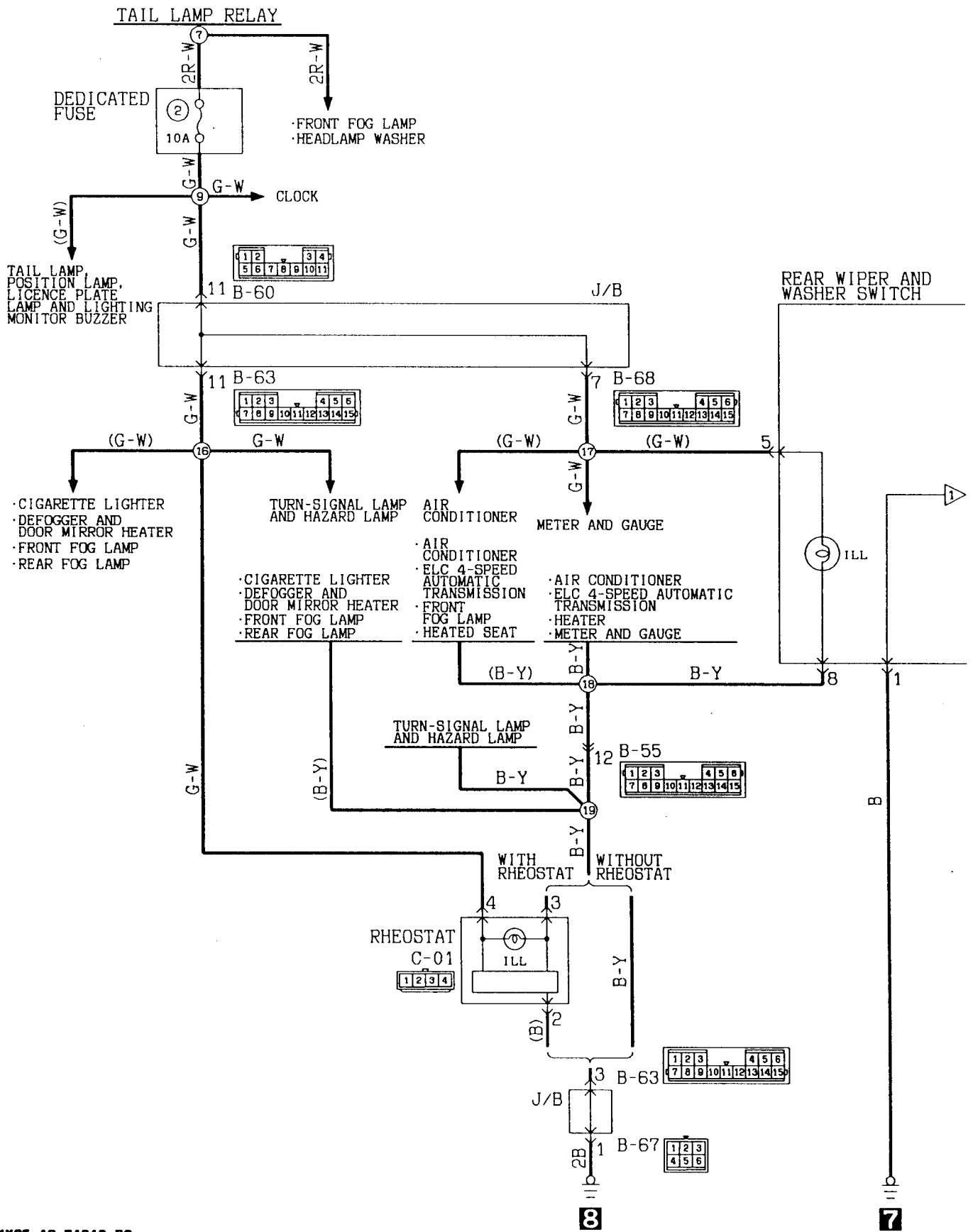
Remark

* : R.H. drive vehicles with SRS

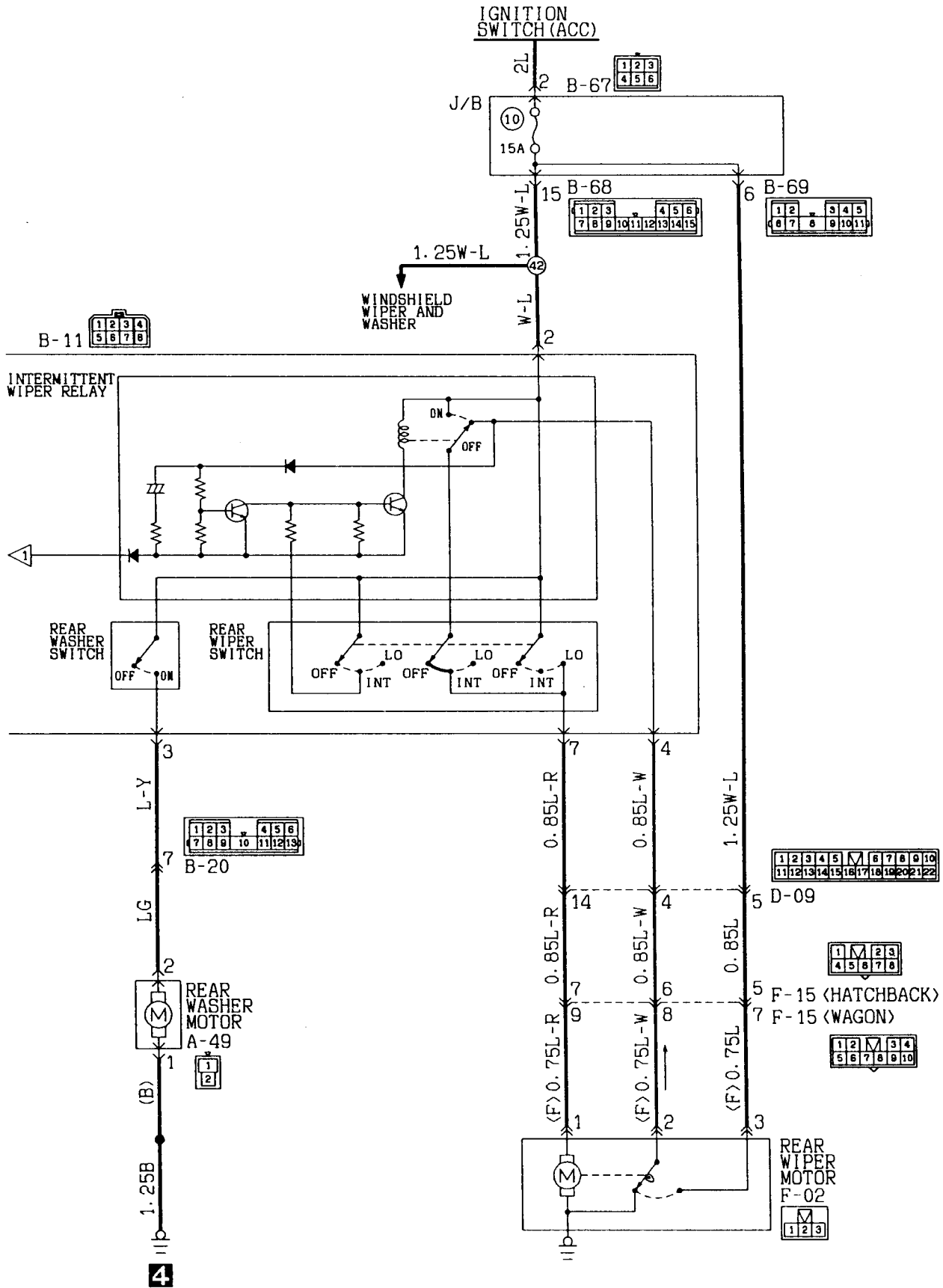
5. The length of pause for intermittent operation cannot be varied.
 - Check variable intermittent wiper control switch.
 - Check intermittent wiper relay.
6. Washer is inoperative.
 - 1) Wiper is operative on washer-wiper operation.
 - Check washer motor.
 - 2) Washer-wiper operation is inoperative also.
 - Check washer switch.
7. Washer-wiper operation is inoperative.
 - Check intermittent wiper relay.

REAR WIPER AND WASHER

L. H. drive vehicles with intermittent wiper



KX35-AC-E1318-EC

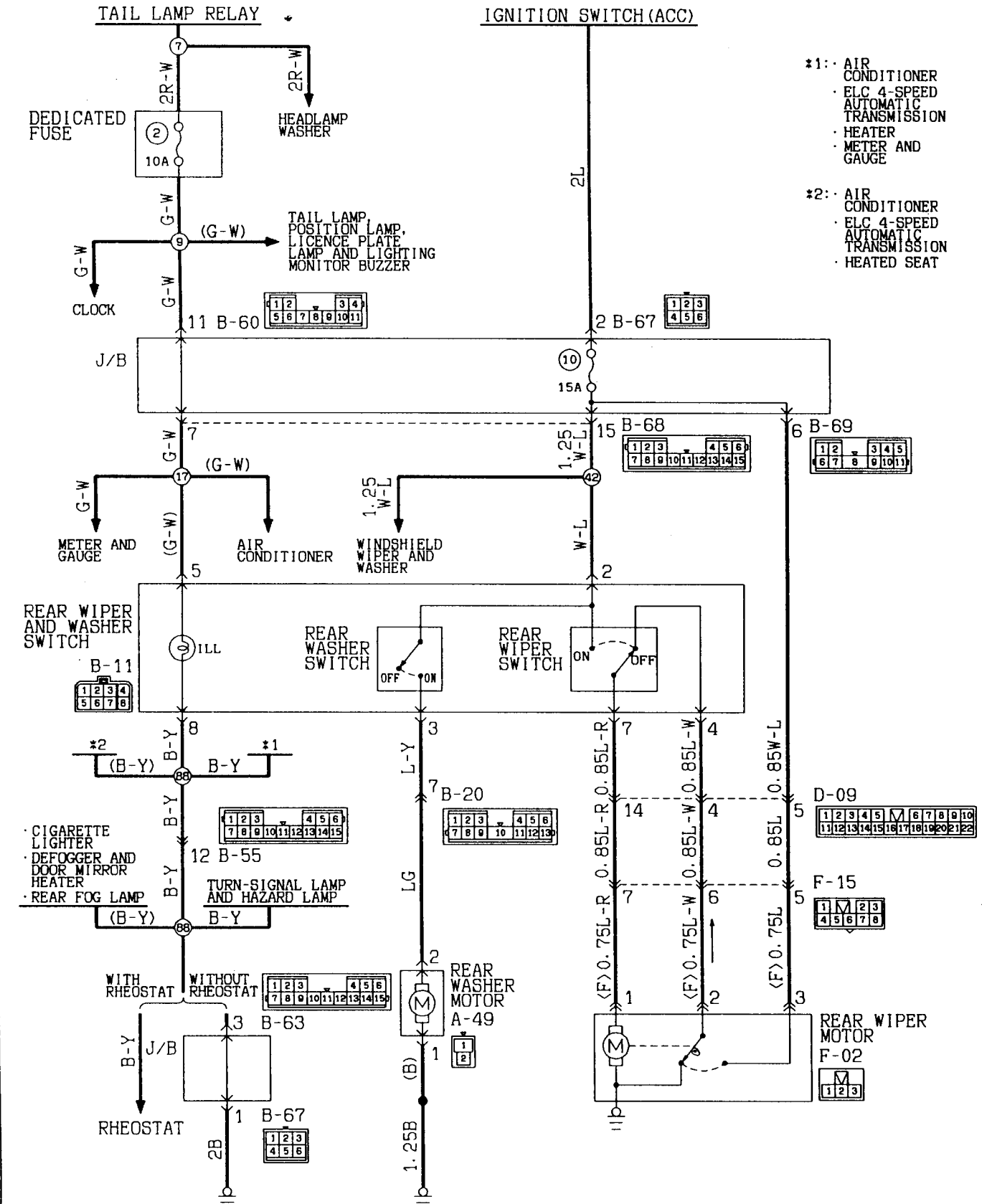


Wire colour code
 B:Black LG:Light green G:Green L:Blue W:White Y:Yellow SB:Sky blue
 BR:Brown O:Orange GR:Gray R:Red P:Pink V:Violet

REAR WIPER AND WASHER

L.H. drive vehicles without intermittent wiper

- *1: AIR CONDITIONER
- ELC 4-SPEED AUTOMATIC TRANSMISSION
- HEATER
- METER AND GAUGE
- *2: AIR CONDITIONER
- ELC 4-SPEED AUTOMATIC TRANSMISSION
- HEATED SEAT

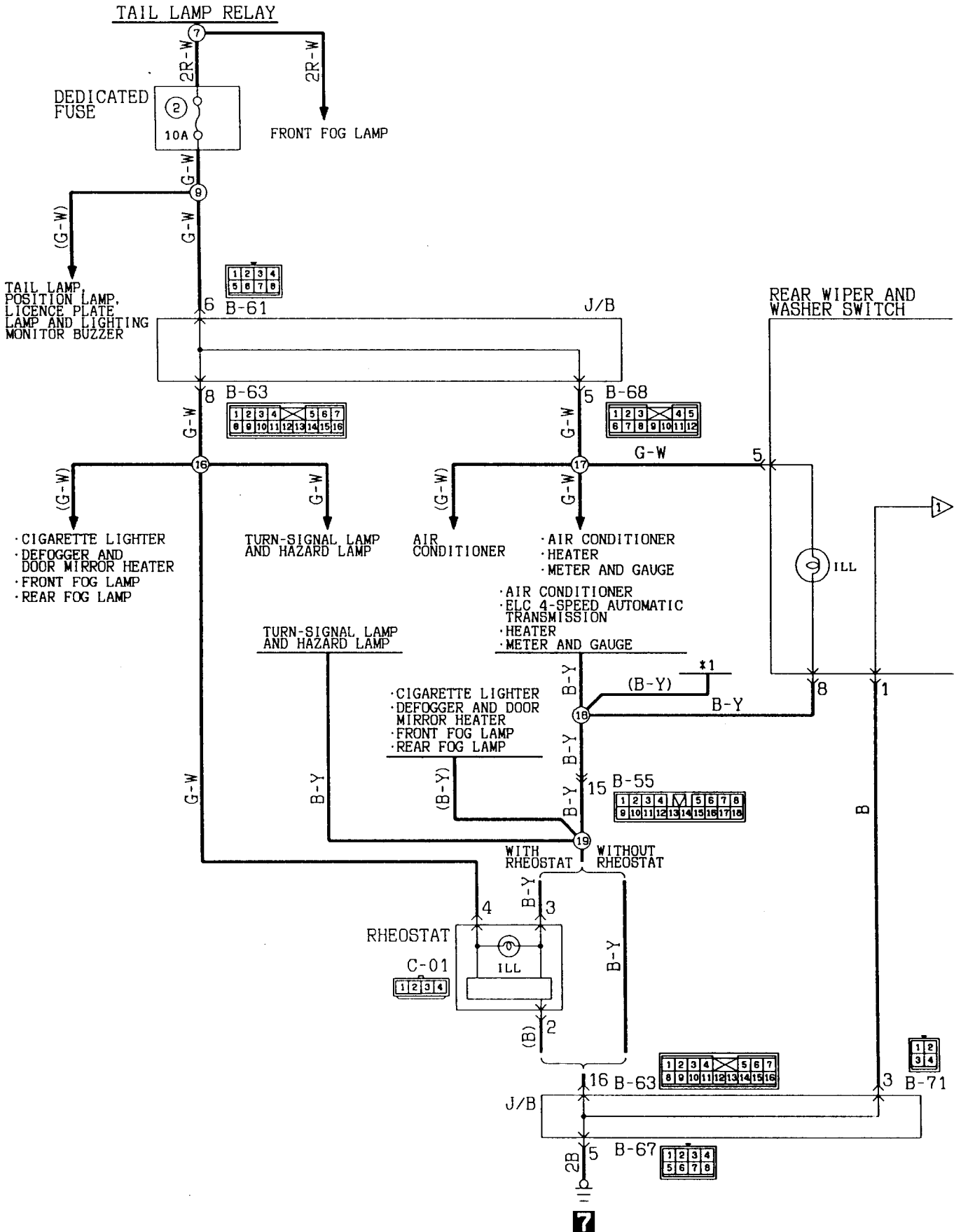


Wire colour code
 B:Black LG:Light green G:Green L:Blue
 BR:Brown O:Orange GR:Gray R:Red
 W:White SB:Sky blue P:Pink Y:Yellow
 V:Violet

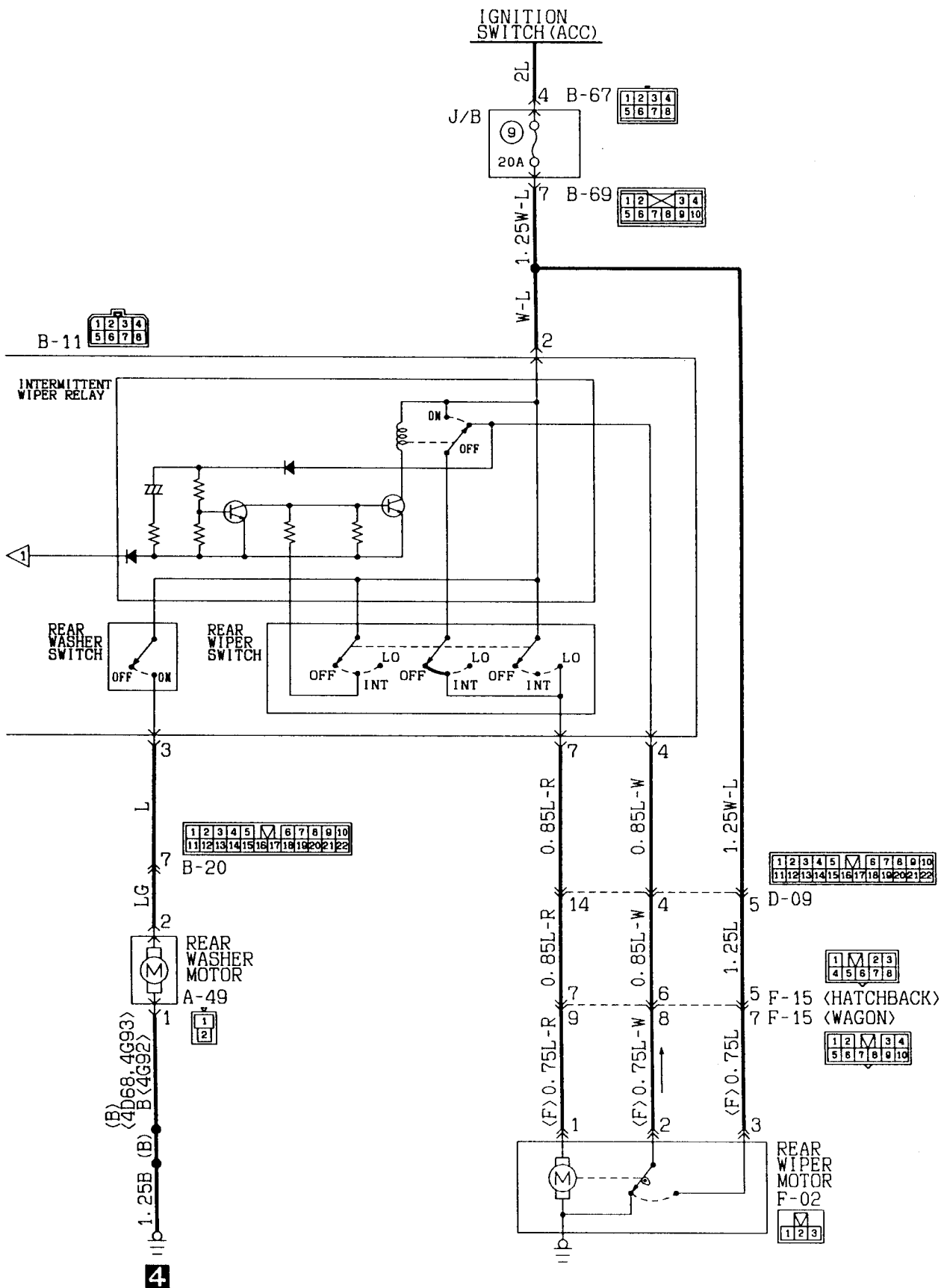
KX35-AC-E1319-EC

REAR WIPER AND WASHER

R. H. drive vehicles with intermittent wiper



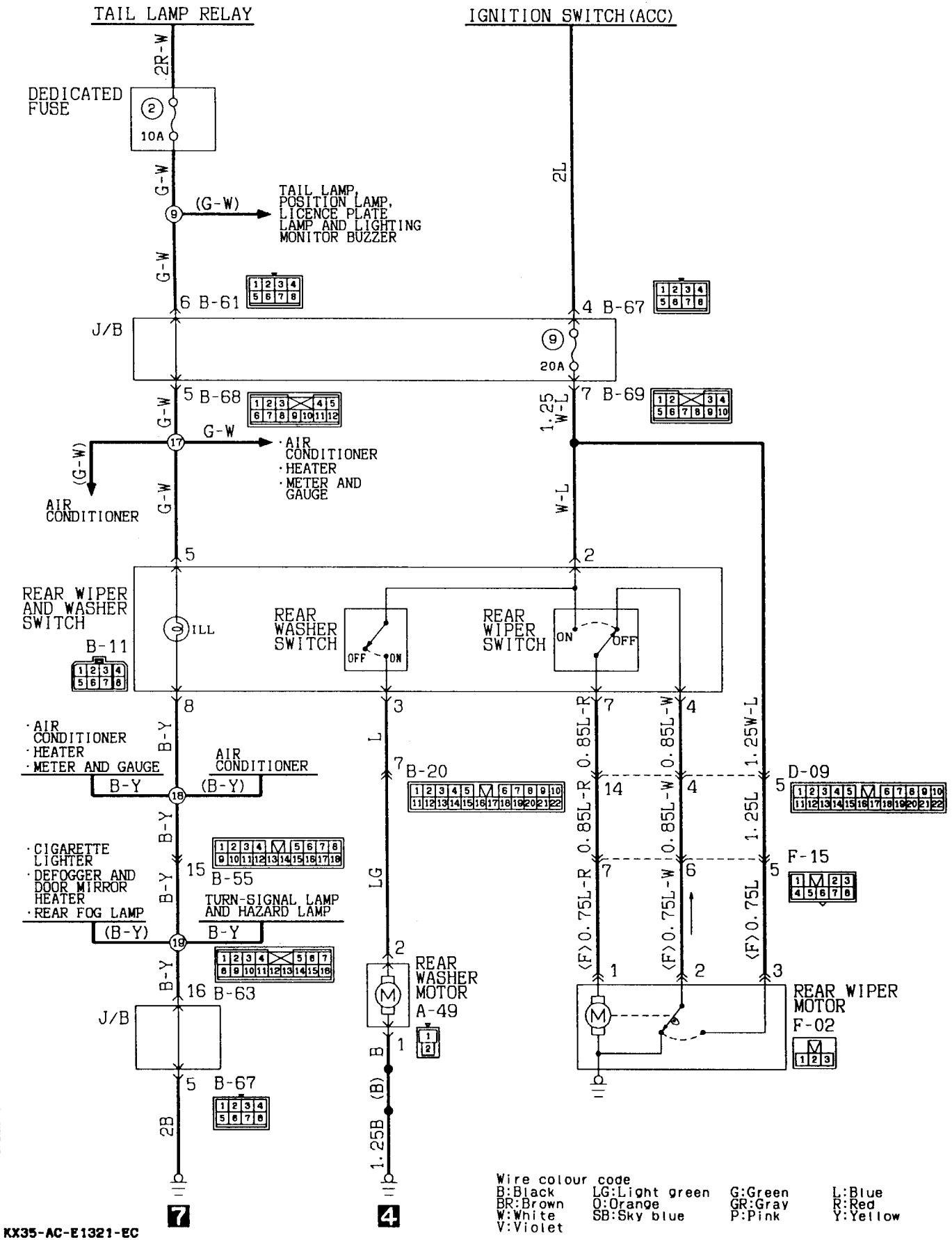
KX35-AC-E1320-EC



Wire colour code
 B:Black LG:Light green G:Green L:Blue W:White Y:Yellow SB:Sky blue
 BR:Brown O:Orange GR:Gray R:Red P:Pink V:Violet

REAR WIPER AND WASHER

R. H. drive vehicles without intermittent wiper



KX35-AC-E1321-EC

REAR WIPER AND WASHER (See P.4A-287, 289, 290, 292.)

OPERATION

<Low-speed wiper operation>

- When the wiper switch is placed in the LO (or ON) position with the ignition switch in the ACC or ON position, wiper operates continuously at low speed.

<Auto wiper stop operation>

- When the wiper switch is placed in the OFF position, the cam contacts of wiper motor causes current to flow through the auto wiper stop circuit, allowing the wiper blades to cycle before they reach to the stop positions.

<Intermittent wiper operation>

- When the wiper switch is placed in the INT position with the ignition switch in ACC or ON position, the intermittent wiper relay is energized causing the intermittent wiper relay contacts to close and open repeatedly.
- When the contacts are closed, the wiper motor is energized.
- When the wiper motor is energized, the relay contacts open; however, the cam contacts keep the wiper motor energized until the wiper blades return to their stop position.

TROUBLESHOOTING HINTS

1. Wiper does not operate.
 - 1) Windshield wiper is not operative, either.
 - Check multi-purpose fuse No. ⑩. <L.H. drive vehicles>
 - Check multi-purpose fuse No. ⑨. <R.H. drive vehicles>
 - 2) Windshield wiper is operative.
 - Check rear wiper motor.
 - Check rear wiper switch.
 - Check rear intermittent wiper relay.
2. Intermittent wiper operation is inoperative.
 - While the intermittent wiper relay is being operated, check the terminal voltage of the rear wiper switch (built into the intermittent wiper relay).

Terminal No.	Voltage	Check
7	0 V	Intermittent wiper relay or rear wiper switch
	System voltage	Intermittent wiper relay
	0 V ↔ System voltage (alternating)	— (Normal)

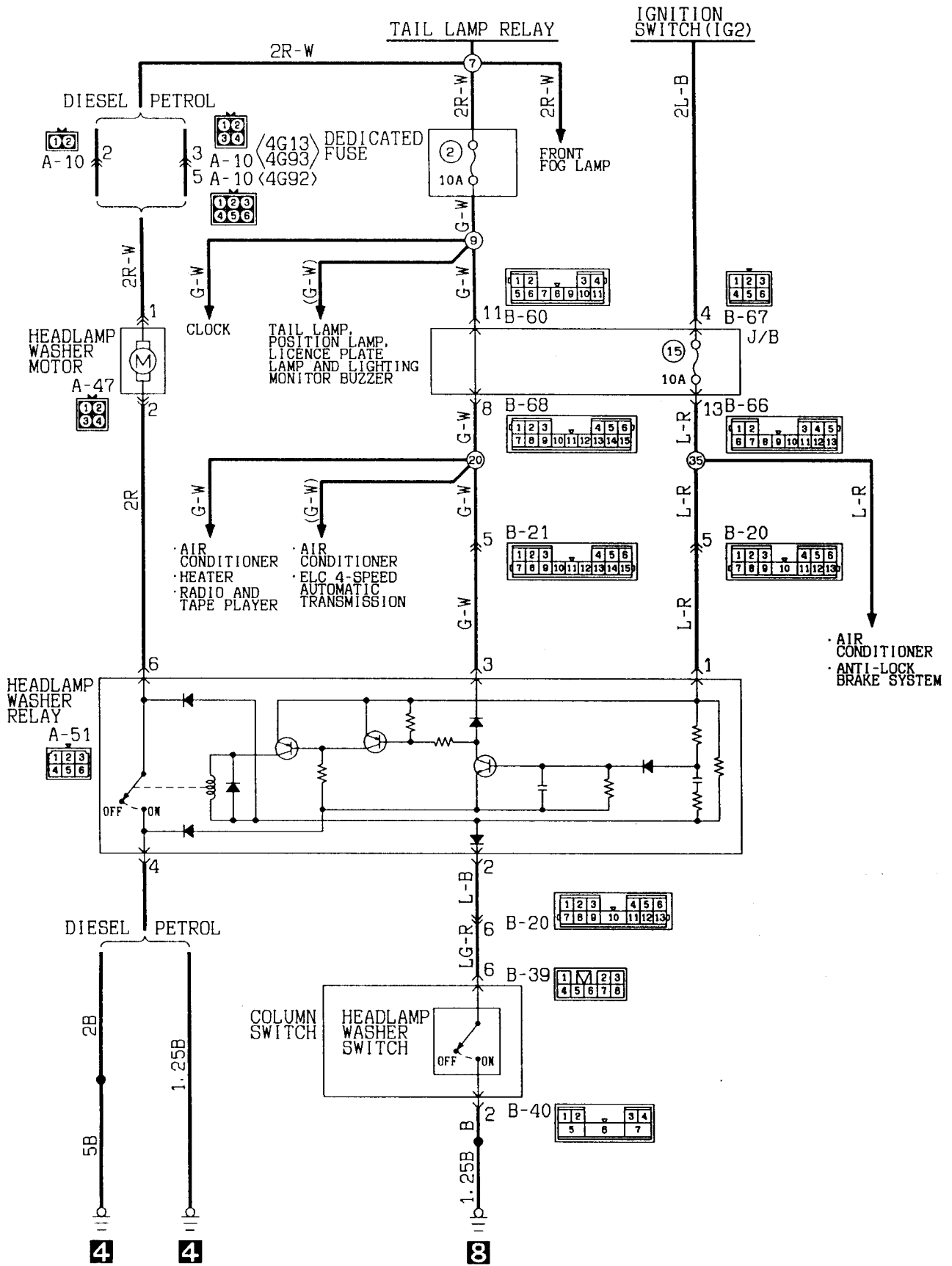
3. Wiper does not stop.
 - Check rear wiper motor.
 - Check rear intermittent wiper relay.
 - Check rear wiper switch.
4. Washer is inoperative.
 - 1) Wiper is operative.
 - Check rear washer motor.
 - Check rear washer switch.

HEADLAMP WASHER (See P.4A-294.)

OPERATION

- When the headlamp washer switch is turned ON with ignition switch in ON and lighting switch in TAIL or HEAD position, the headlamp washer relay is energized causing the headlamp washer motor to start.

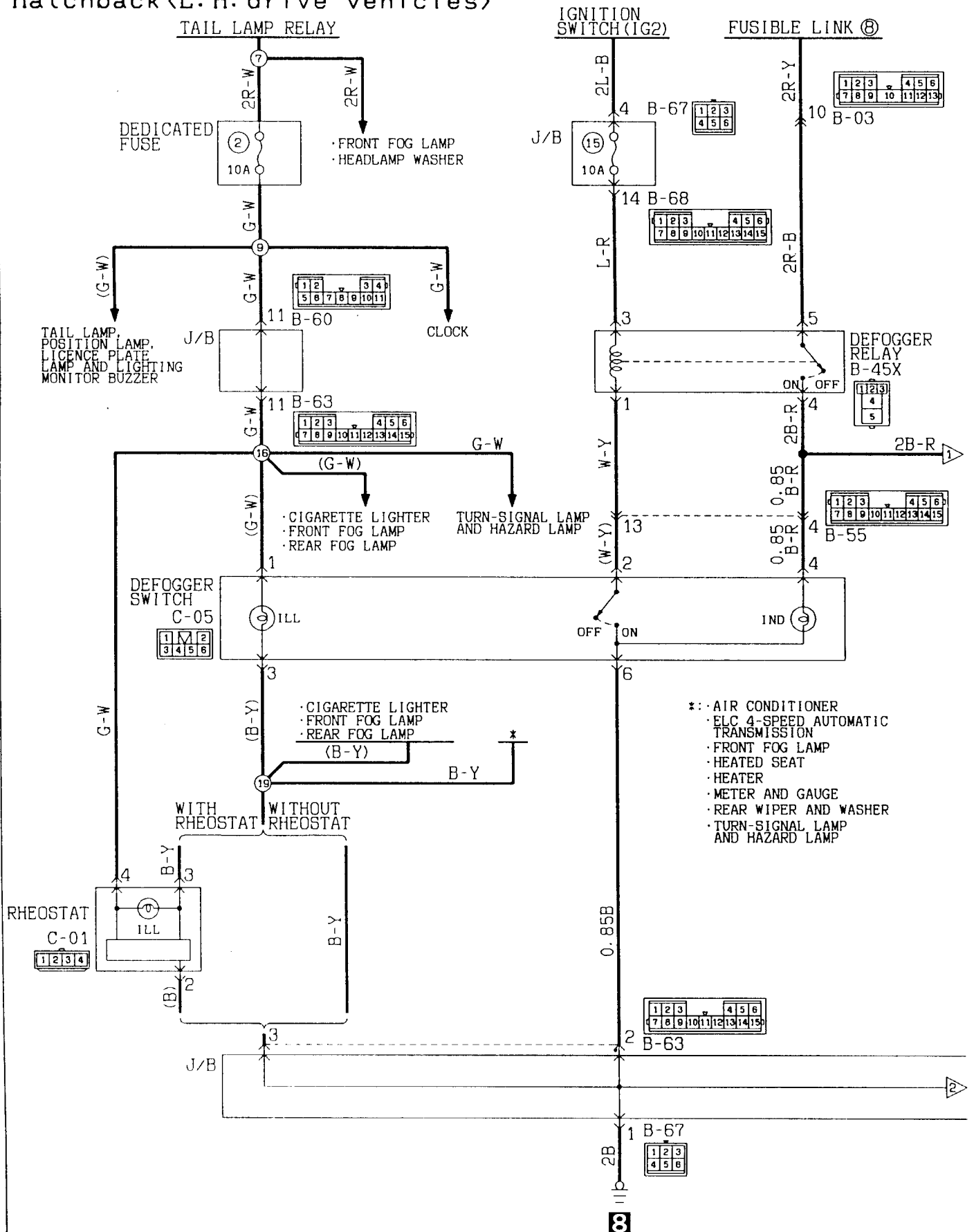
HEADLAMP WASHER

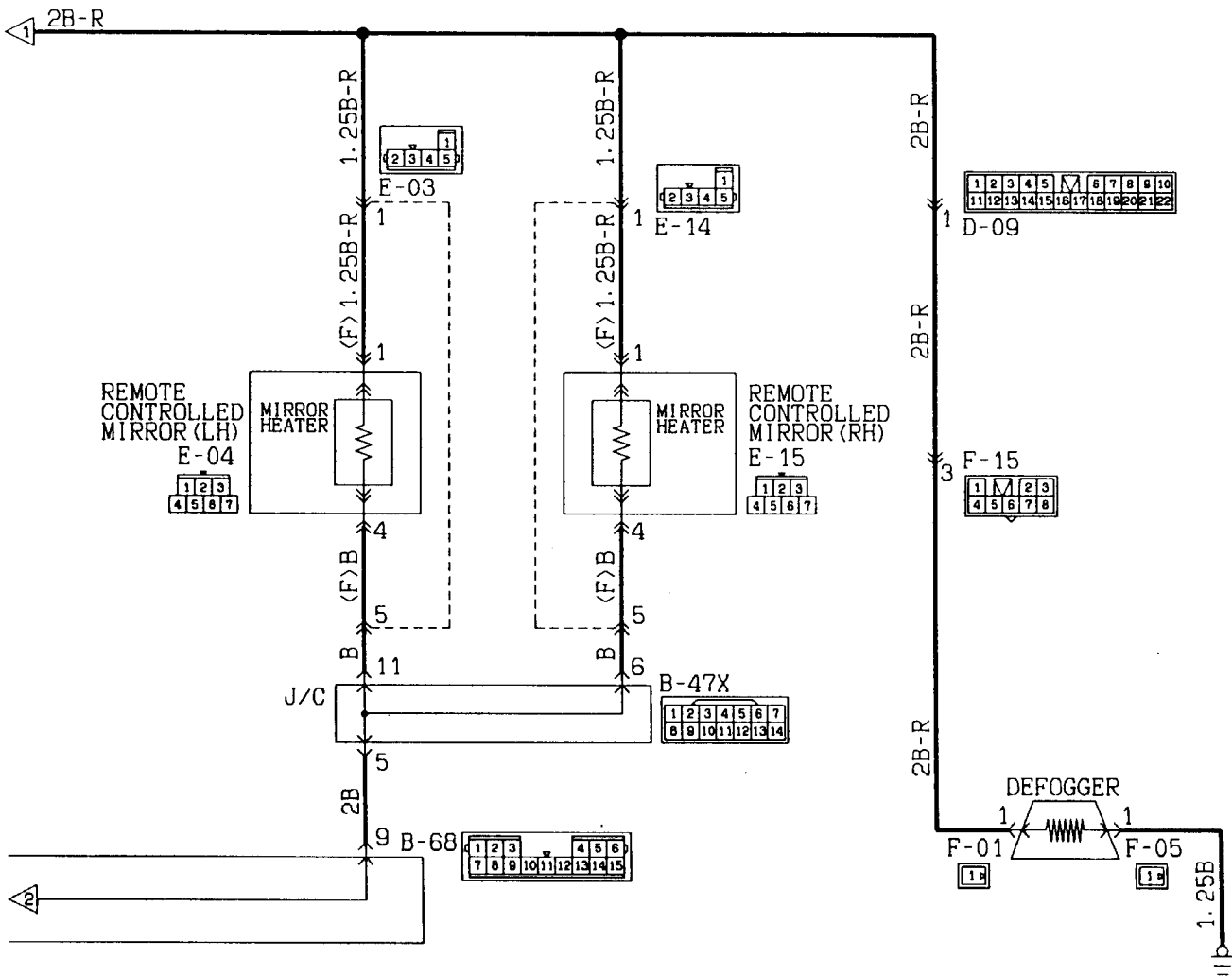


Wire colour code
 B:Black LG:Light green G:Green L:Blue W:White Y:Yellow SB:Sky blue
 BR:Brown O:Orange GR:Gray R:Red P:Pink V:Violet

KX35-AC-E1322-EC

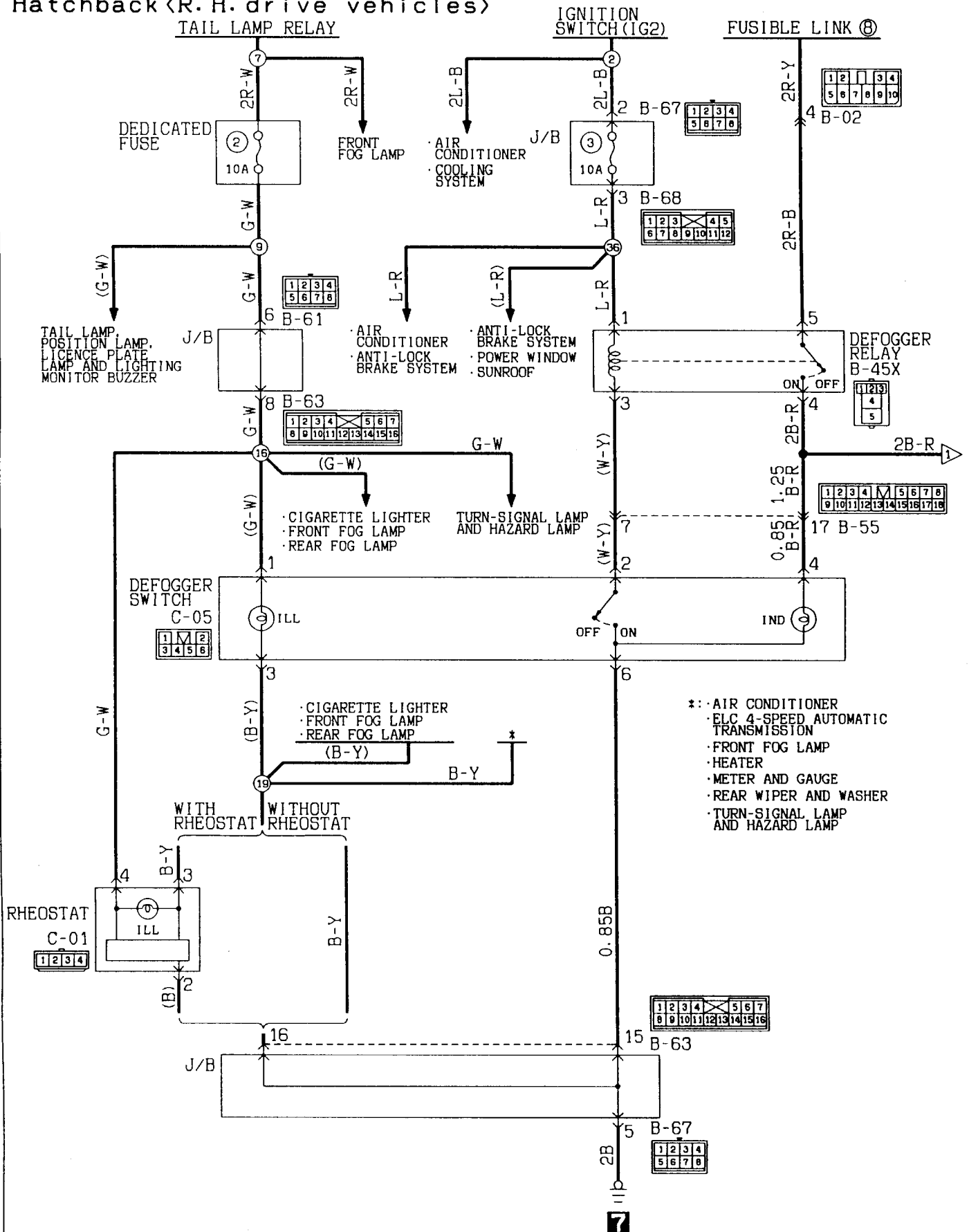
DEFOGGER AND DOOR MIRROR HEATER
Hatchback (L.H. drive vehicles)



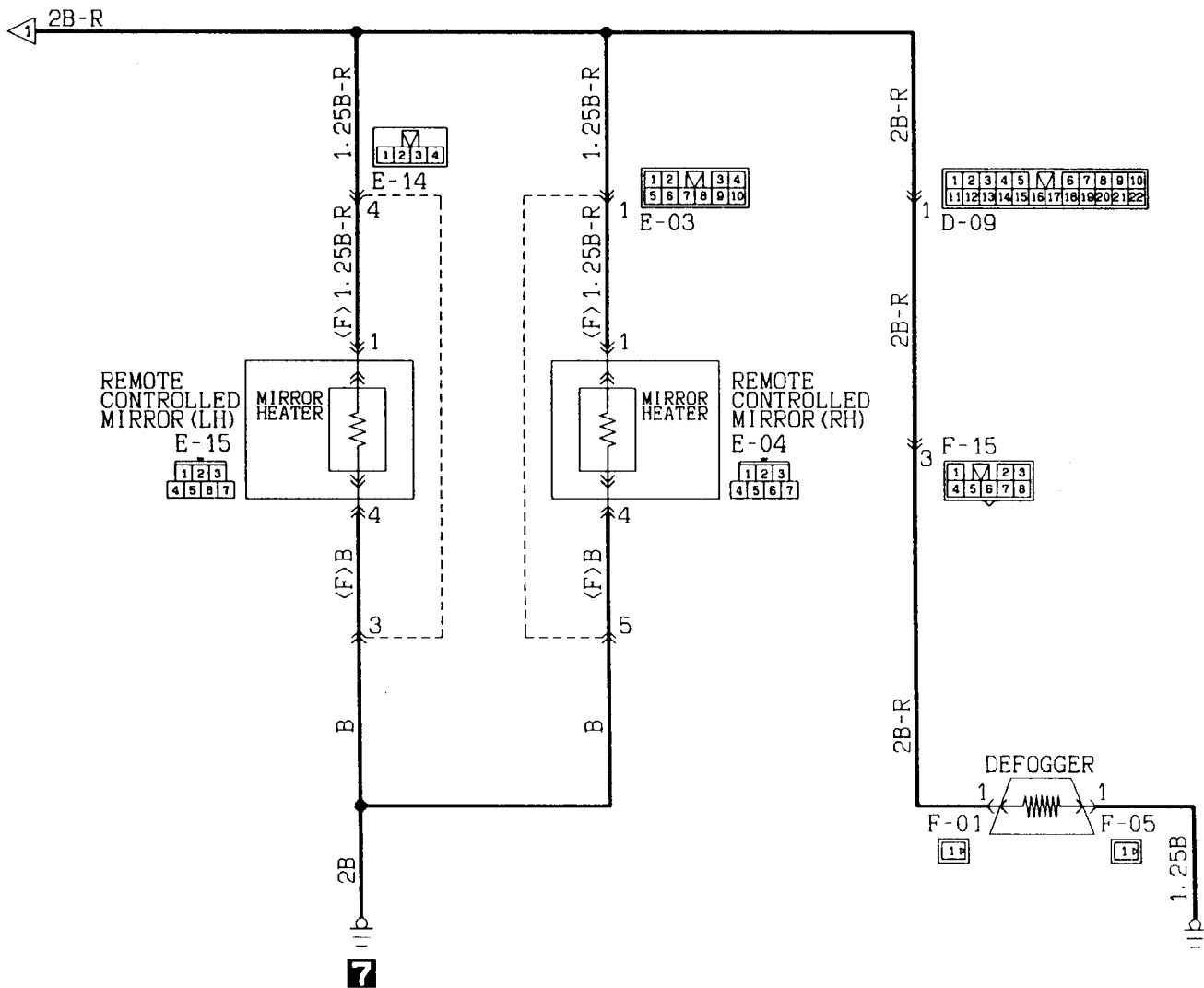


Wire colour code
 B:Black LG:Light green G:Green L:Blue W:White Y:Yellow SB:Sky blue
 BR:Brown O:Orange GR:Gray R:Red P:Pink V:Violet

DEFOGGER AND DOOR MIRROR HEATER
Hatchback (R. H. drive vehicles)

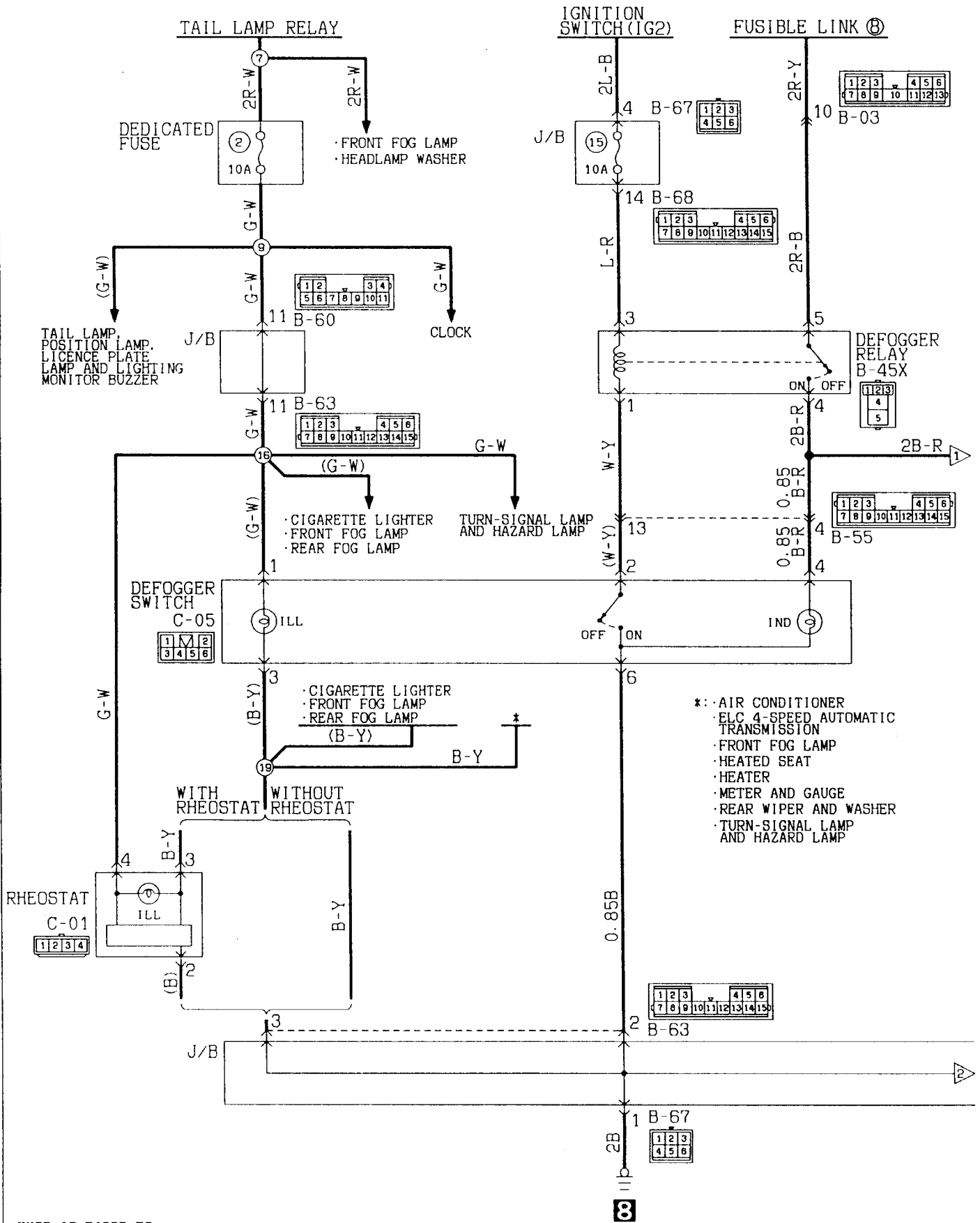


KX35-AC-E1324-EC

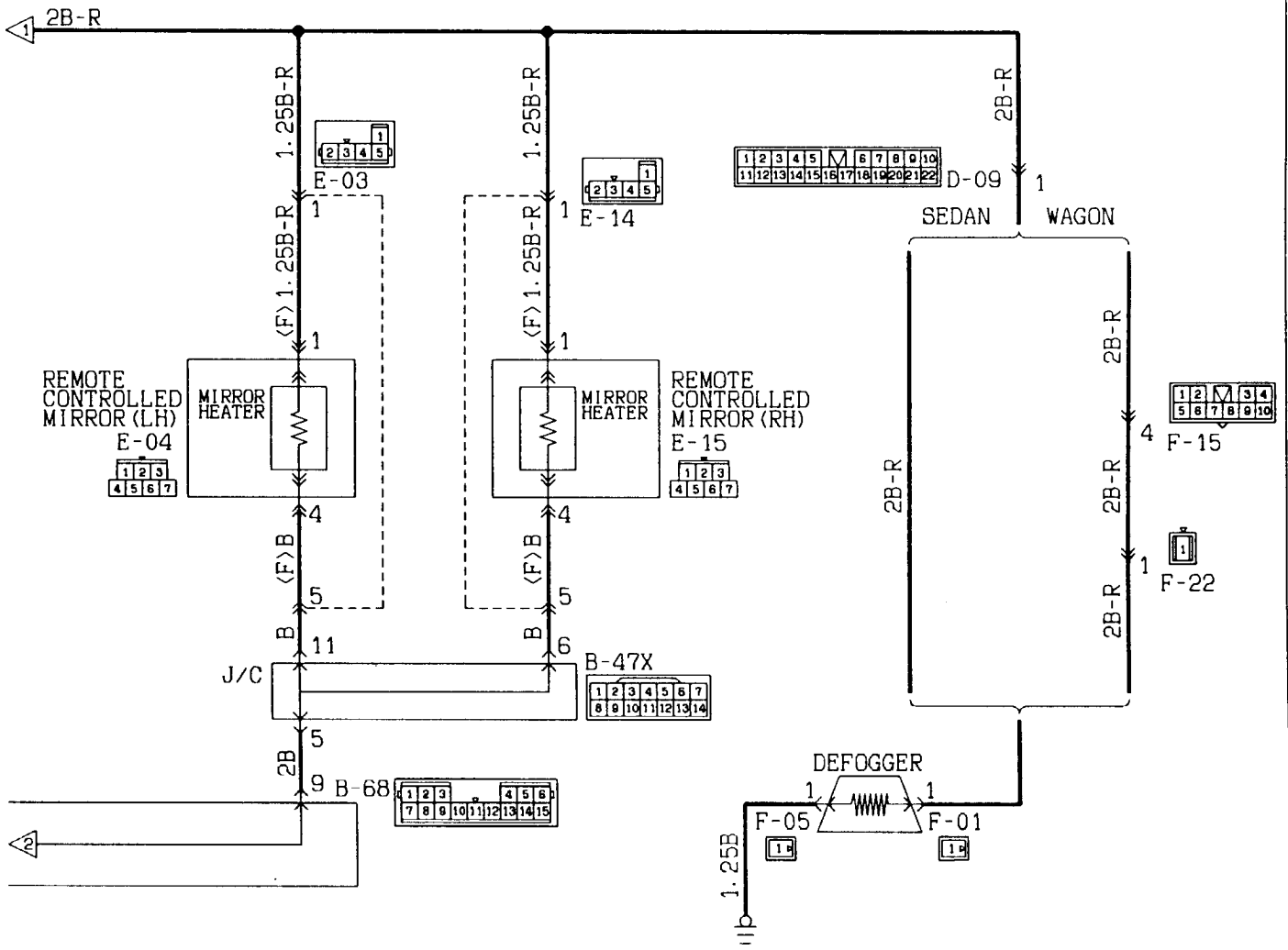


Wire colour code
 B:Black LG:Light green G:Green L:Blue W:White Y:Yellow SB:Sky blue
 BR:Brown O:Orange GR:Gray R:Red P:Pink V:Violet

DEFOGGER AND DOOR MIRROR HEATER
Sedan and wagon (L.H. drive vehicles)



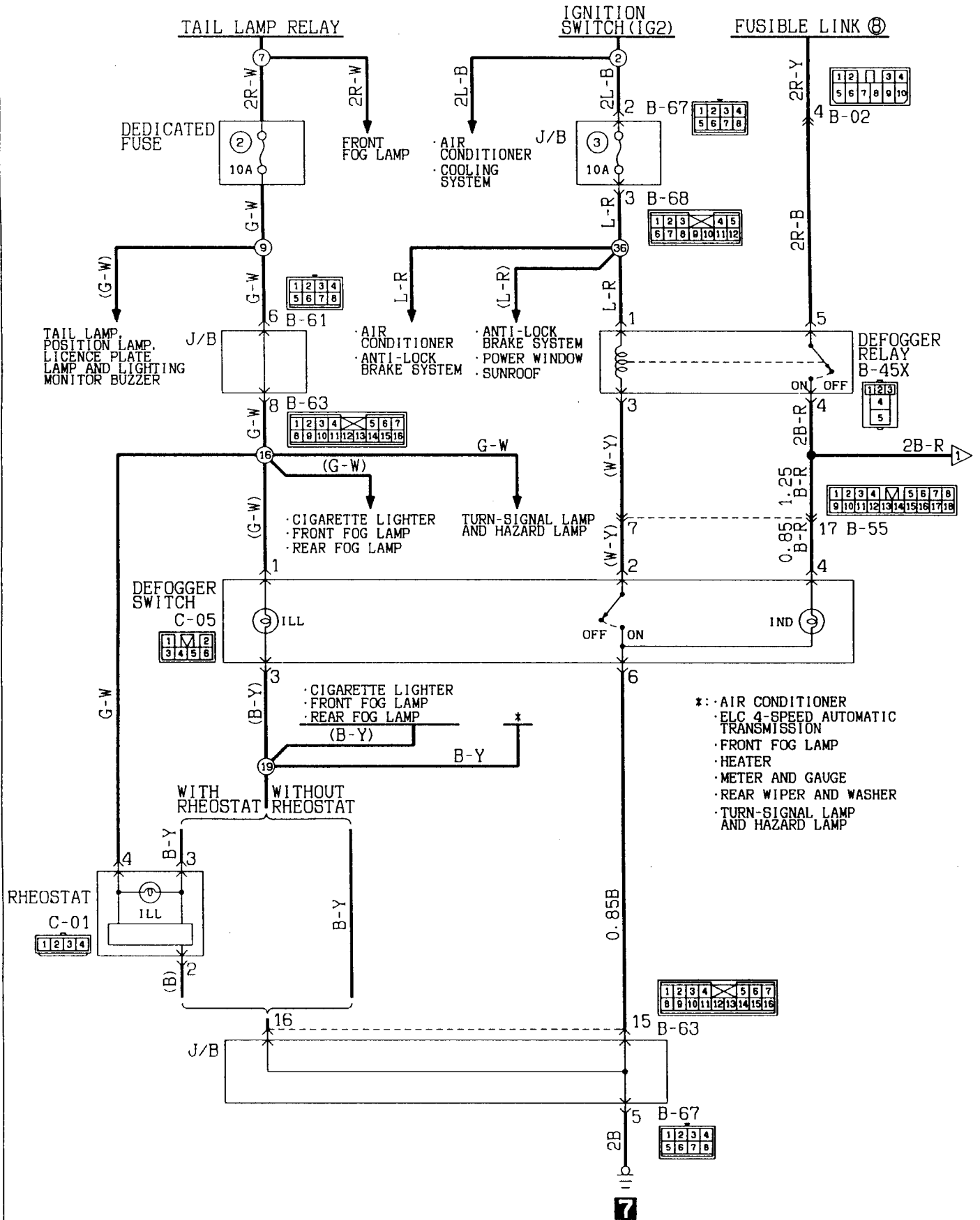
KX35-AC-E1325-EC



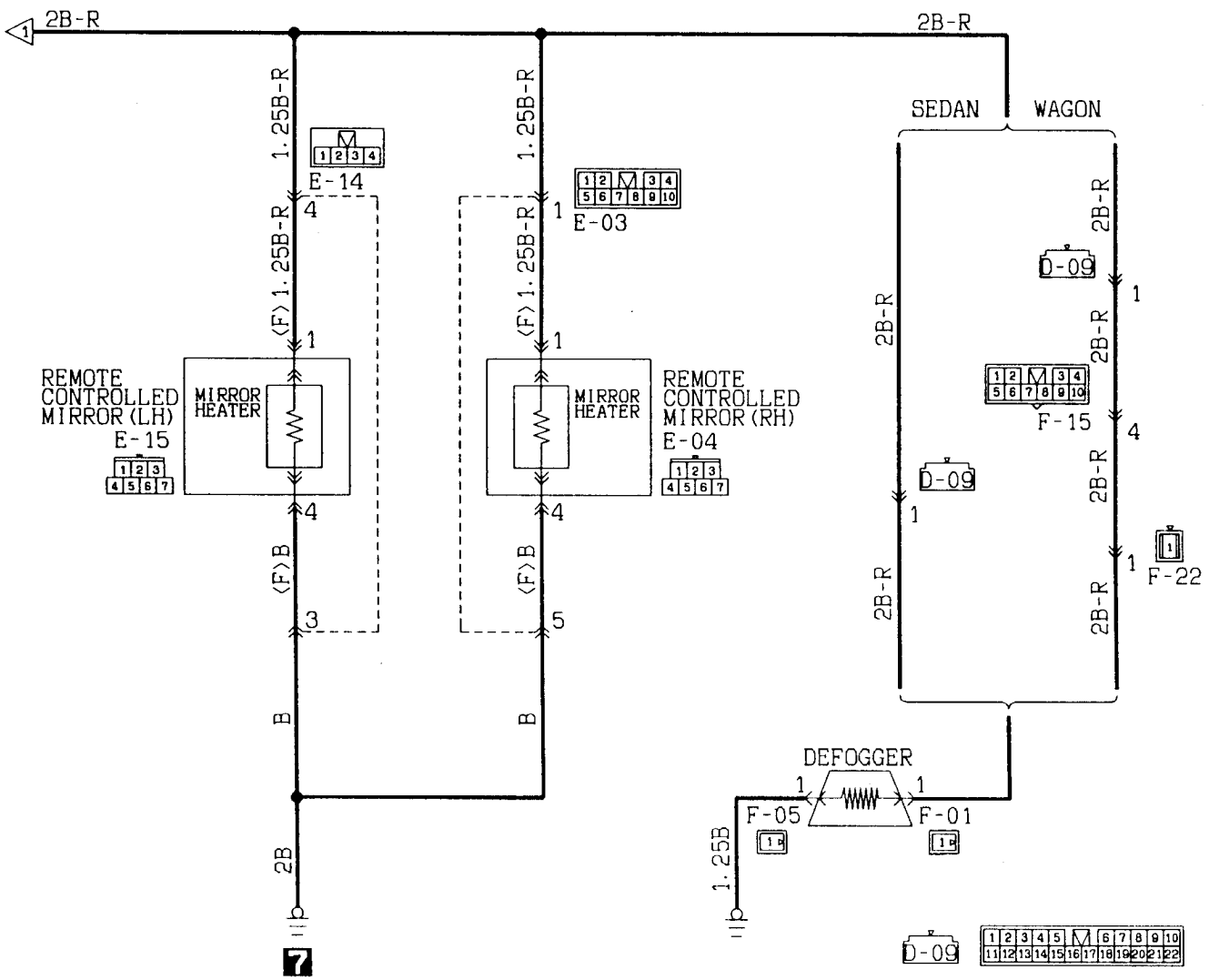
Wire colour code
 B:Black LG:Light green G:Green L:Blue W:White Y:Yellow SB:Sky blue
 BR:Brown O:Orange GR:Gray R:Red P:Pink V:Violet

DEFOGGER AND DOOR MIRROR HEATER

Sedan and wagon (R. H. drive vehicles)

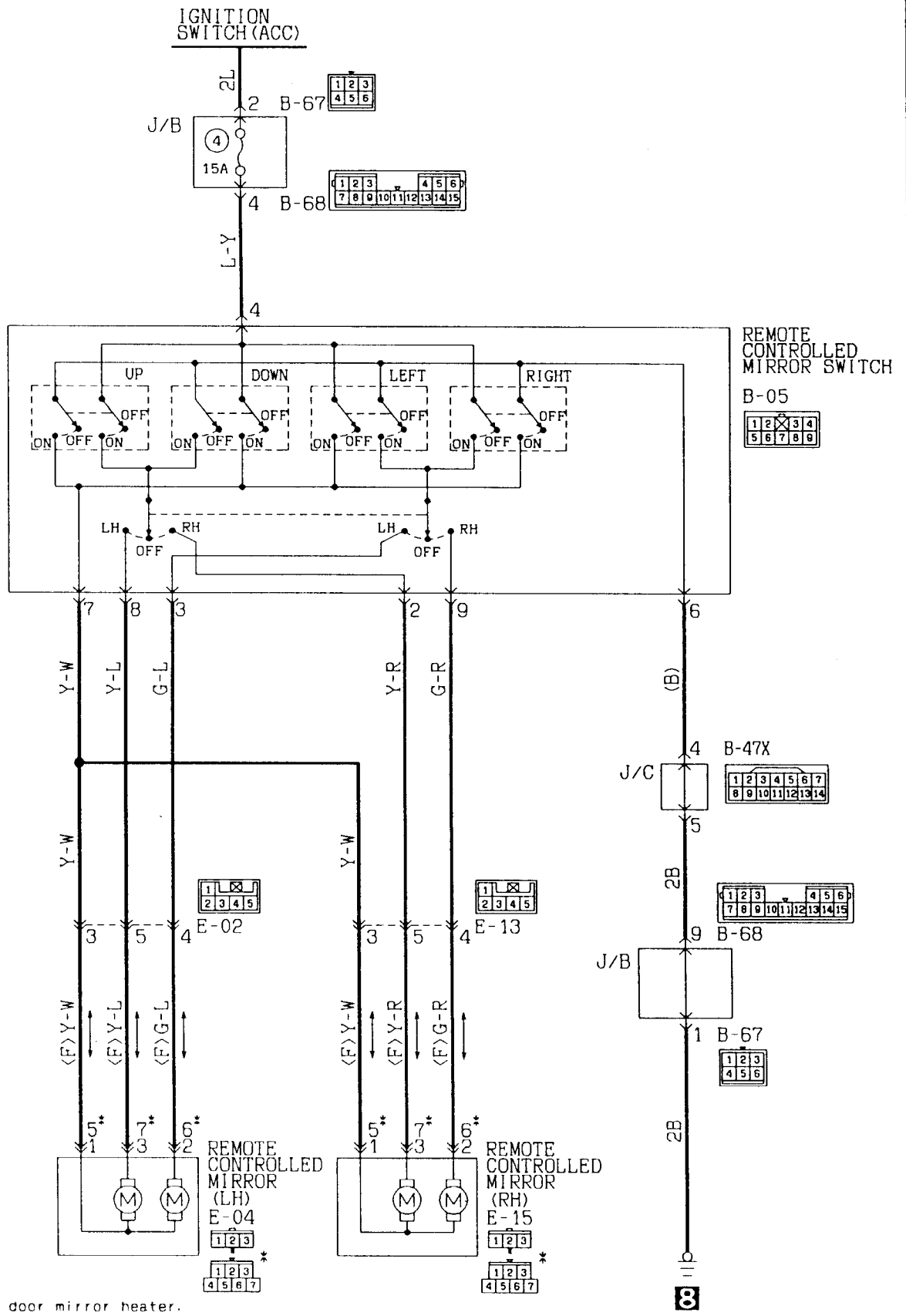


KX35-AC-E1326-EC



Wire colour code
 B:Black LG:Light green G:Green L:Blue W:White Y:Yellow SB:Sky blue
 BR:Brown O:Orange GR:Gray R:Red P:Pink V:Violet

REMOTE CONTROLLED MIRROR
L.H. drive vehicles



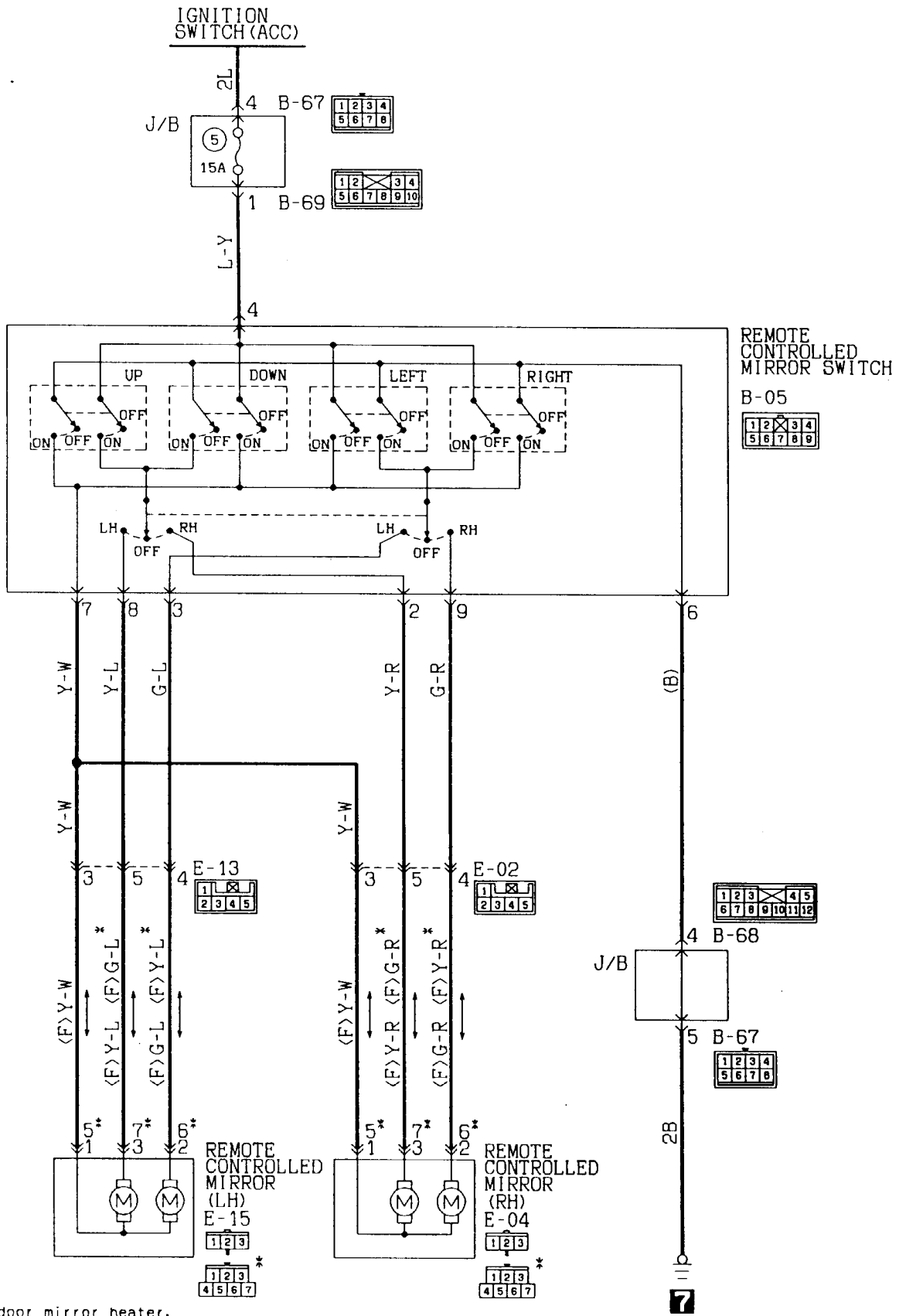
Remark
*: Vehicles with door mirror heater.

Wire colour code
B: Black LG: Light green G: Green L: Blue W: White Y: Yellow SB: Sky blue
BR: Brown O: Orange GR: Gray R: Red P: Pink V: Violet

KX35-AC-E1327-EC

REMOTE CONTROLLED MIRROR

R. H. drive vehicles



Remark

*: Vehicles with door mirror heater.

Wire colour code
 B: Black LG: Light green
 BR: Brown O: Orange

G: Green GR: Gray

L: Blue R: Red

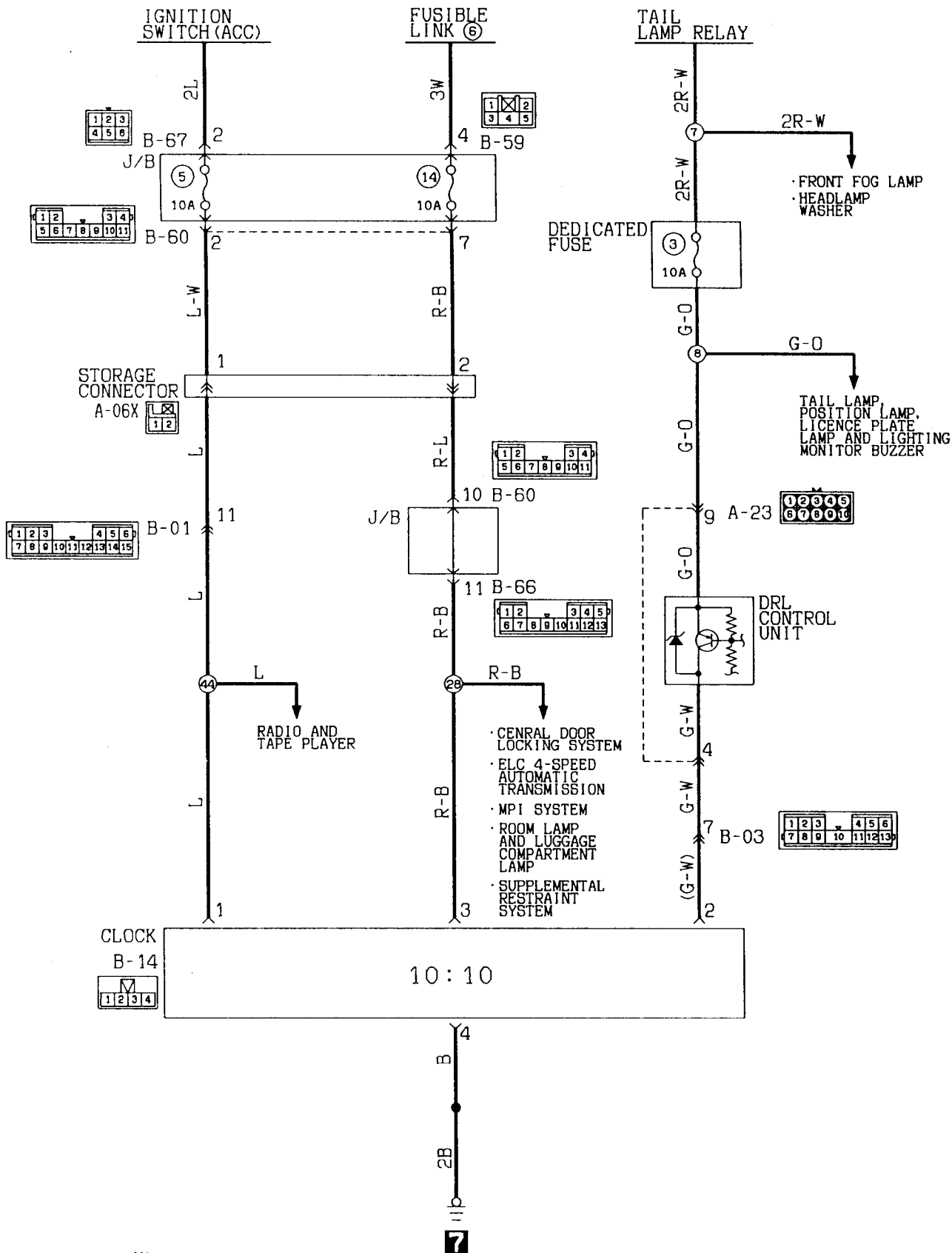
W: White P: Pink

Y: Yellow V: Violet

SB: Sky blue

CLOCK

L.H. drive vehicles with daytime running lamp

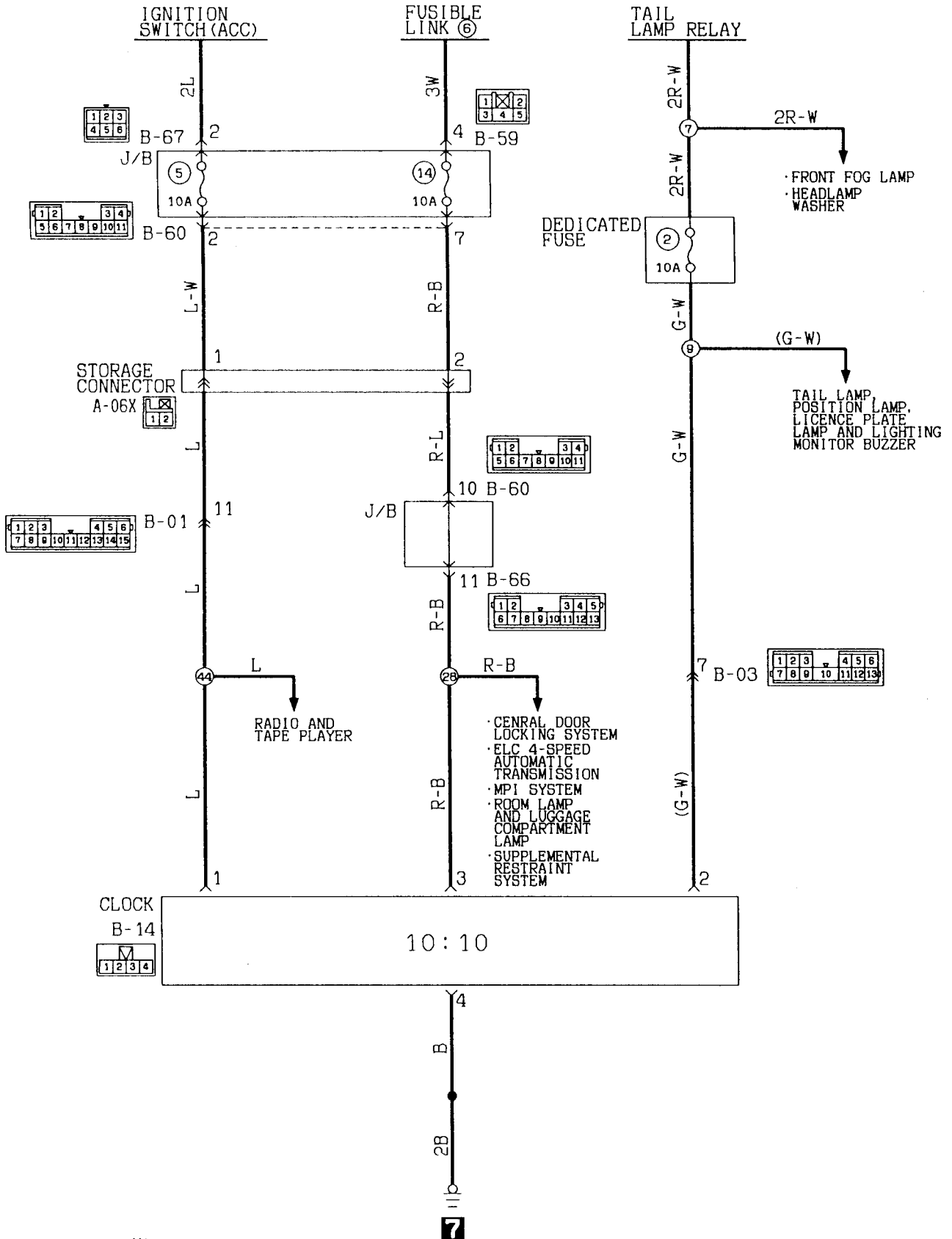


Wire colour code
 B:Black LG:Light green G:Green L:Blue W:White Y:Yellow SB:Sky blue
 BR:Brown O:Orange GR:Gray R:Red P:Pink V:Violet

KX35-AC-E1414-EC

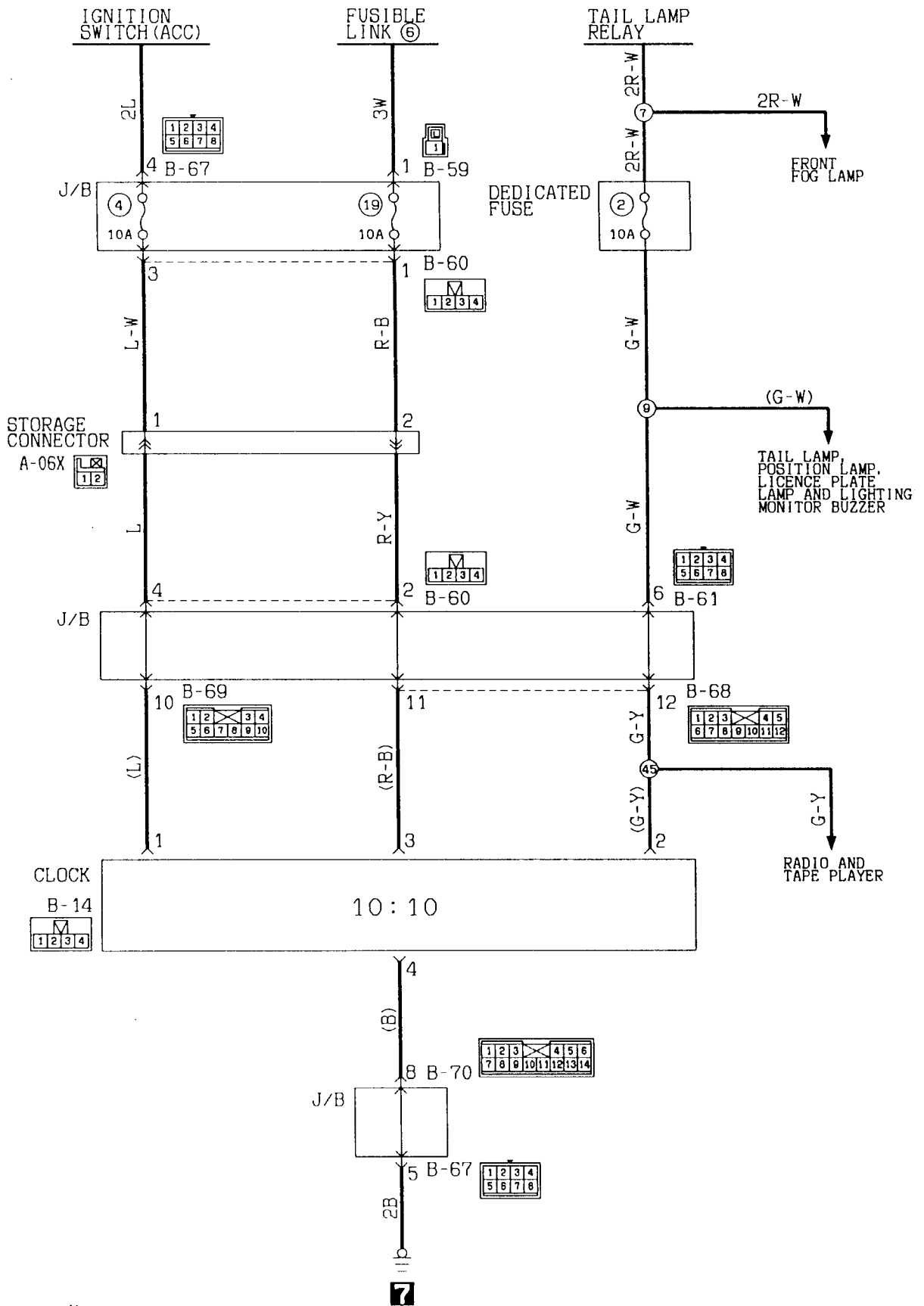
CLOCK

L.H. drive vehicles without daytime running lamp



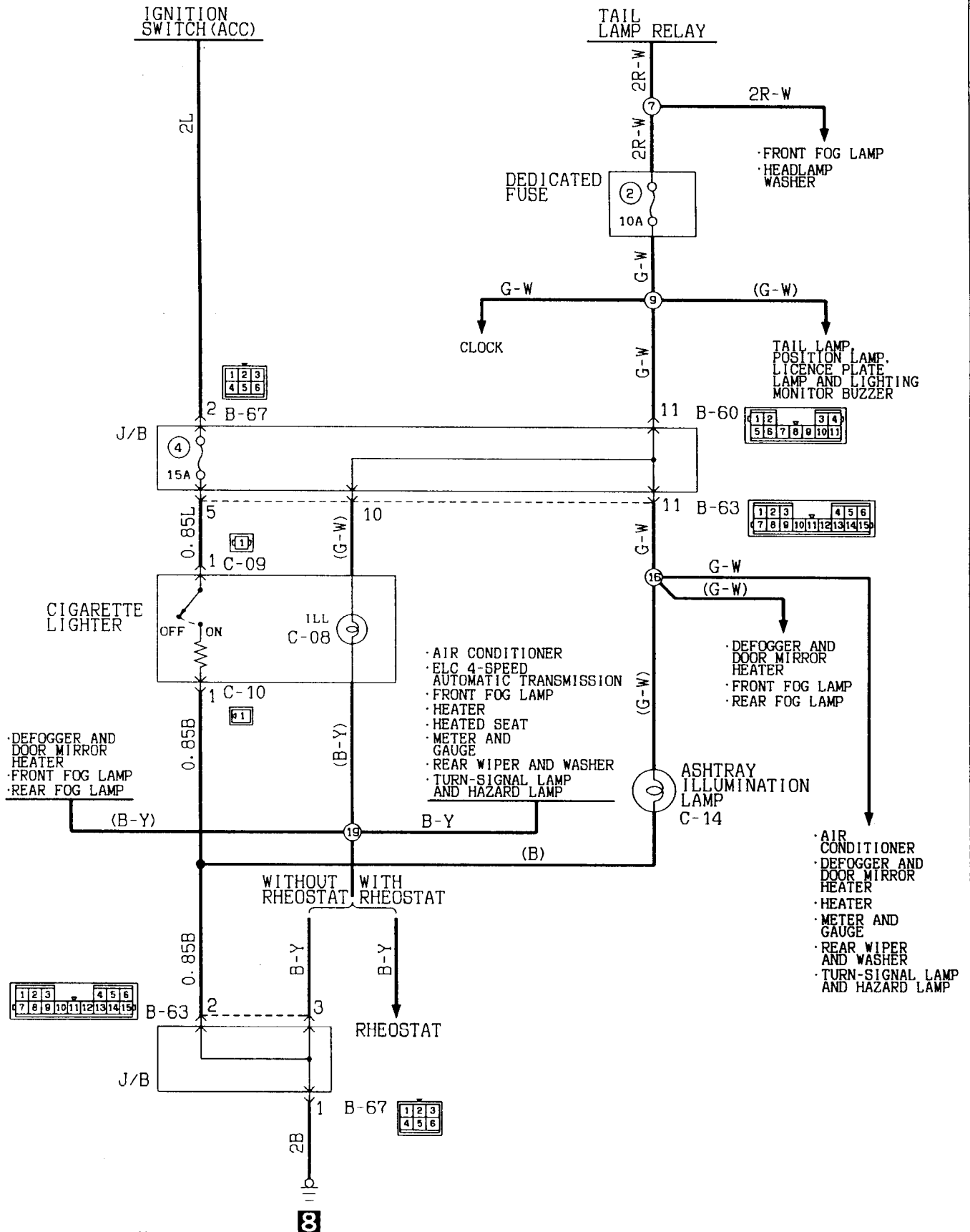
Wire colour code
 B:Black LG:Light green G:Green L:Blue W:White Y:Yellow SB:Sky blue
 BR:Brown O:Orange GR:Gray R:Red P:Pink V:Violet

CLOCK
R. H. drive vehicles



Wire colour code
 B:Black LG:Light green G:Green L:Blue W:White Y:Yellow SB:Sky blue
 BR:Brown O:Orange GR:Gray R:Red P:Pink V:Violet

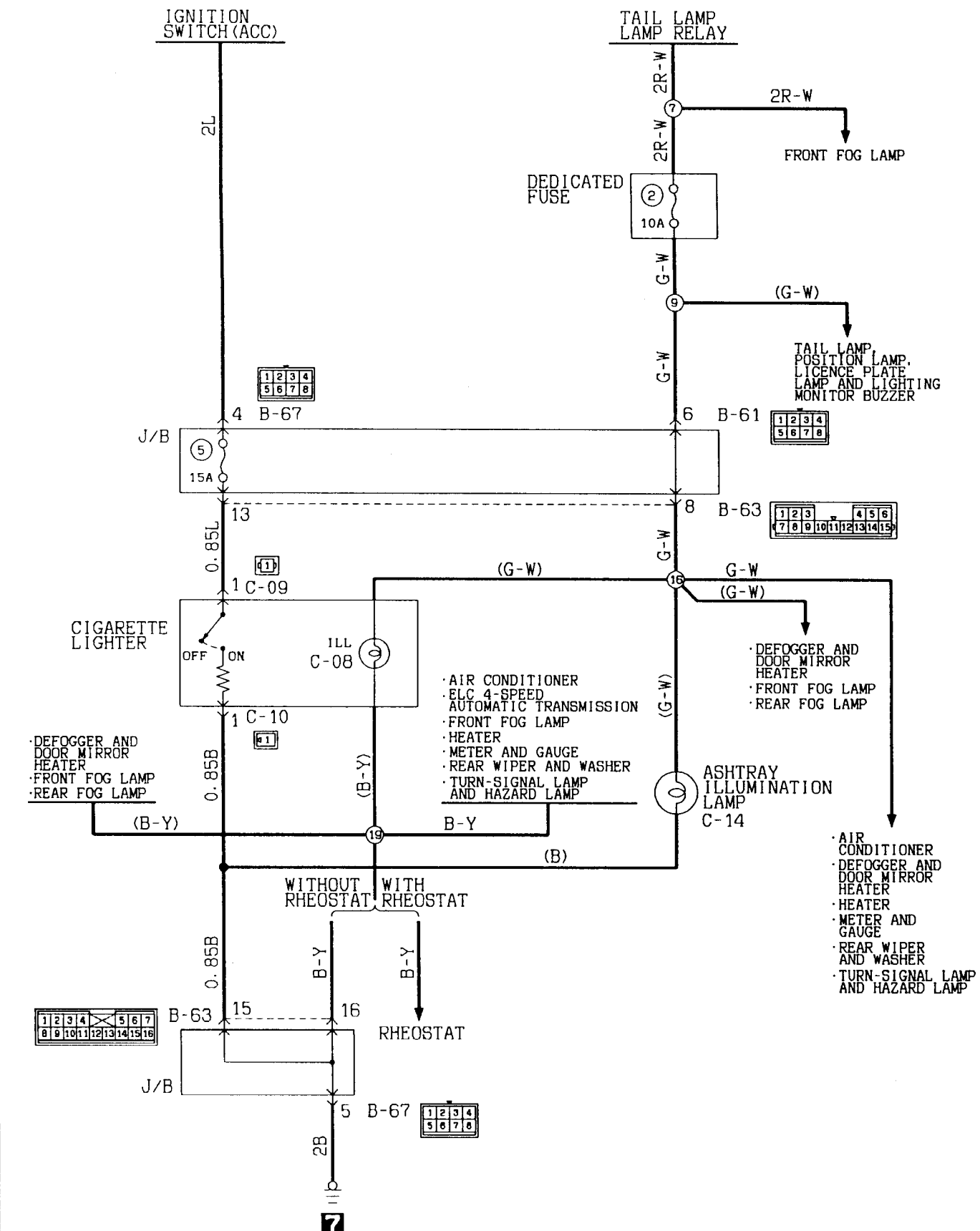
CIGARETTE LIGHTER
L.H. drive vehicles



Wire colour code
 B:Black LG:Light green G:Green L:Blue W:White Y:Yellow SB:Sky blue
 BR:Brown O:Orange GR:Gray R:Red P:Pink V:Violet

CIGARETTE LIGHTER

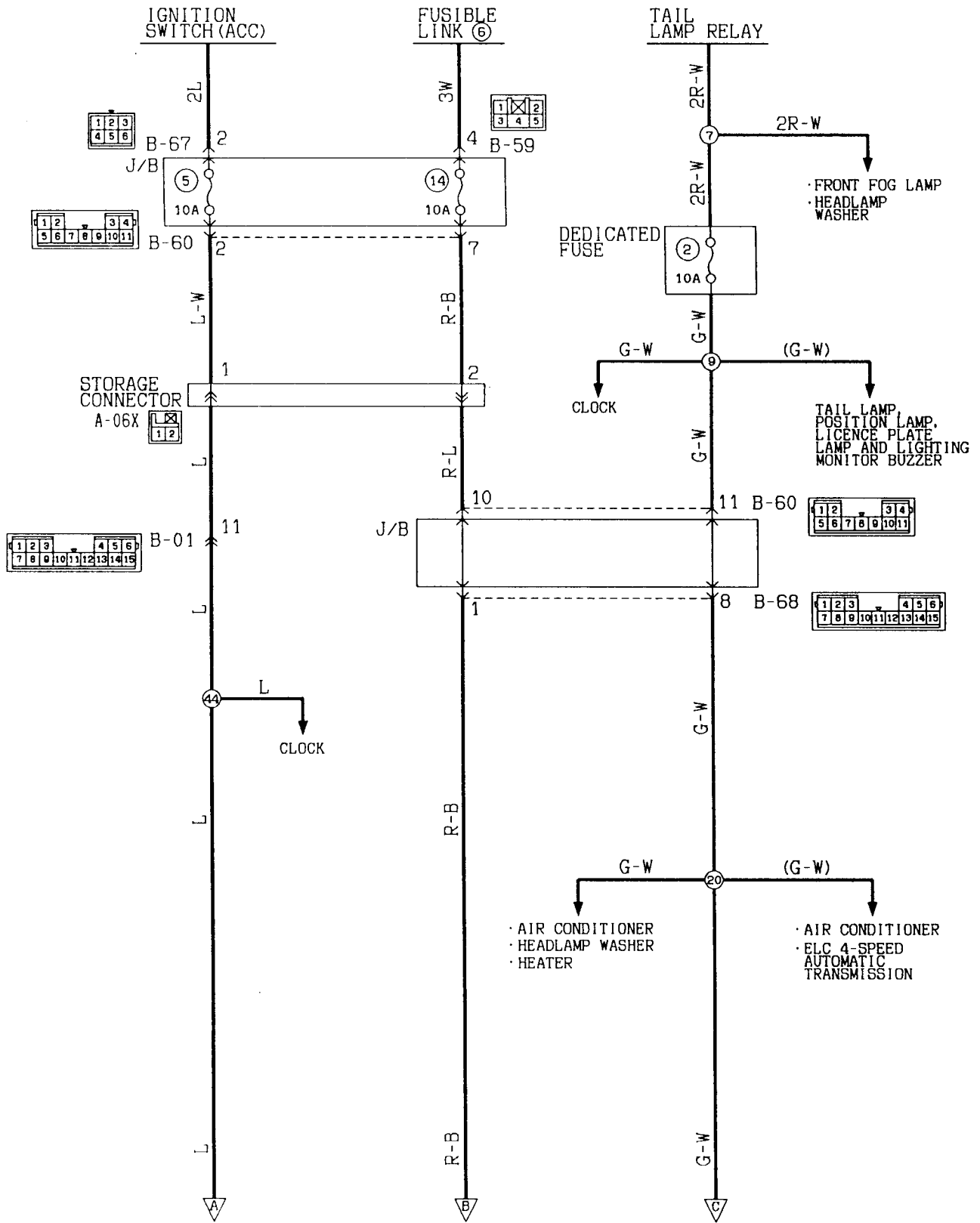
R. H. drive vehicles



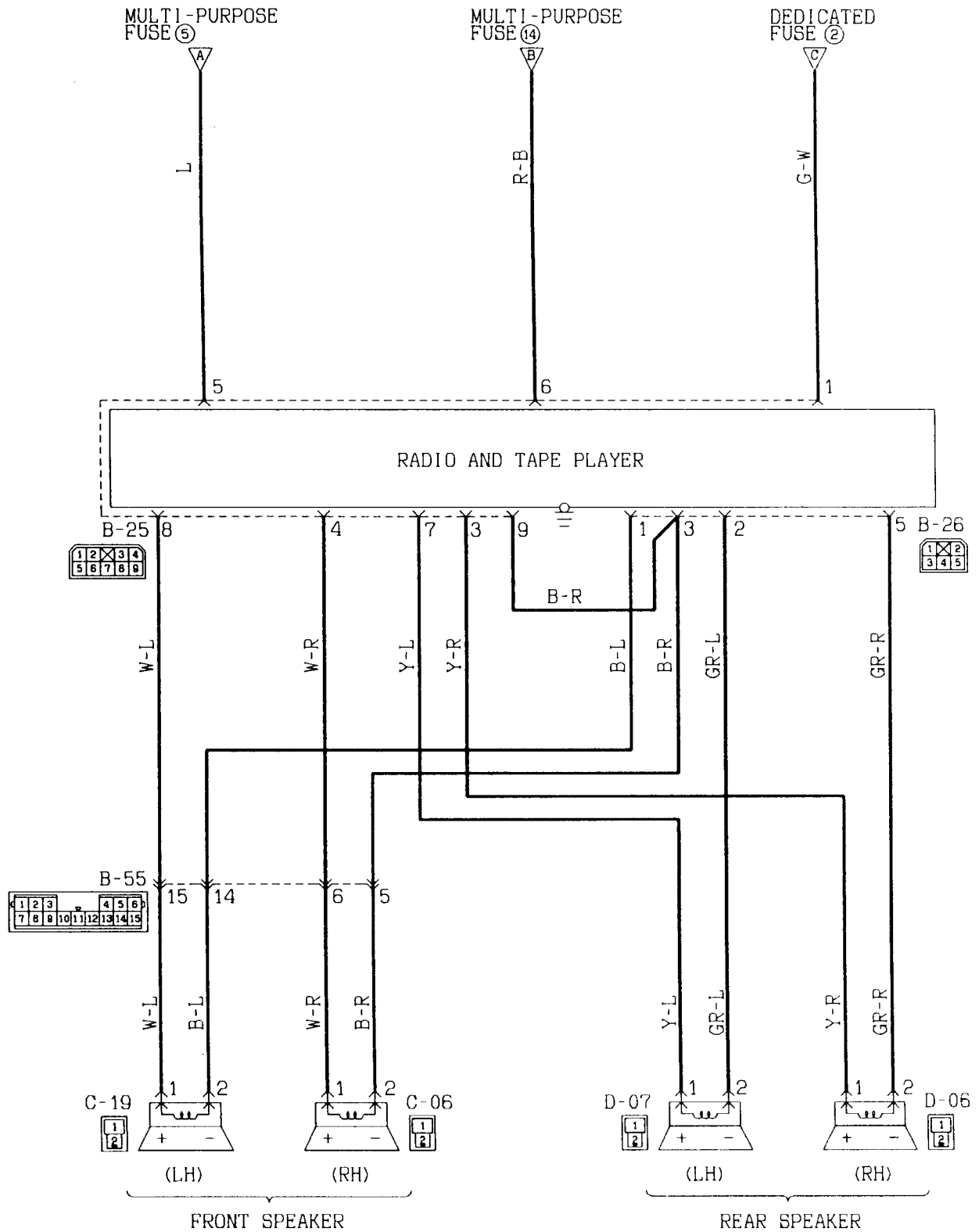
Wire colour code
 B:Black LG:Light green G:Green L:Blue W:White Y:Yellow SB:Sky blue
 BR:Brown O:Orange GR:Gray R:Red P:Pink V:Violet

RADIO AND TAPE PLAYER

Hatchback (L.H. drive vehicles)

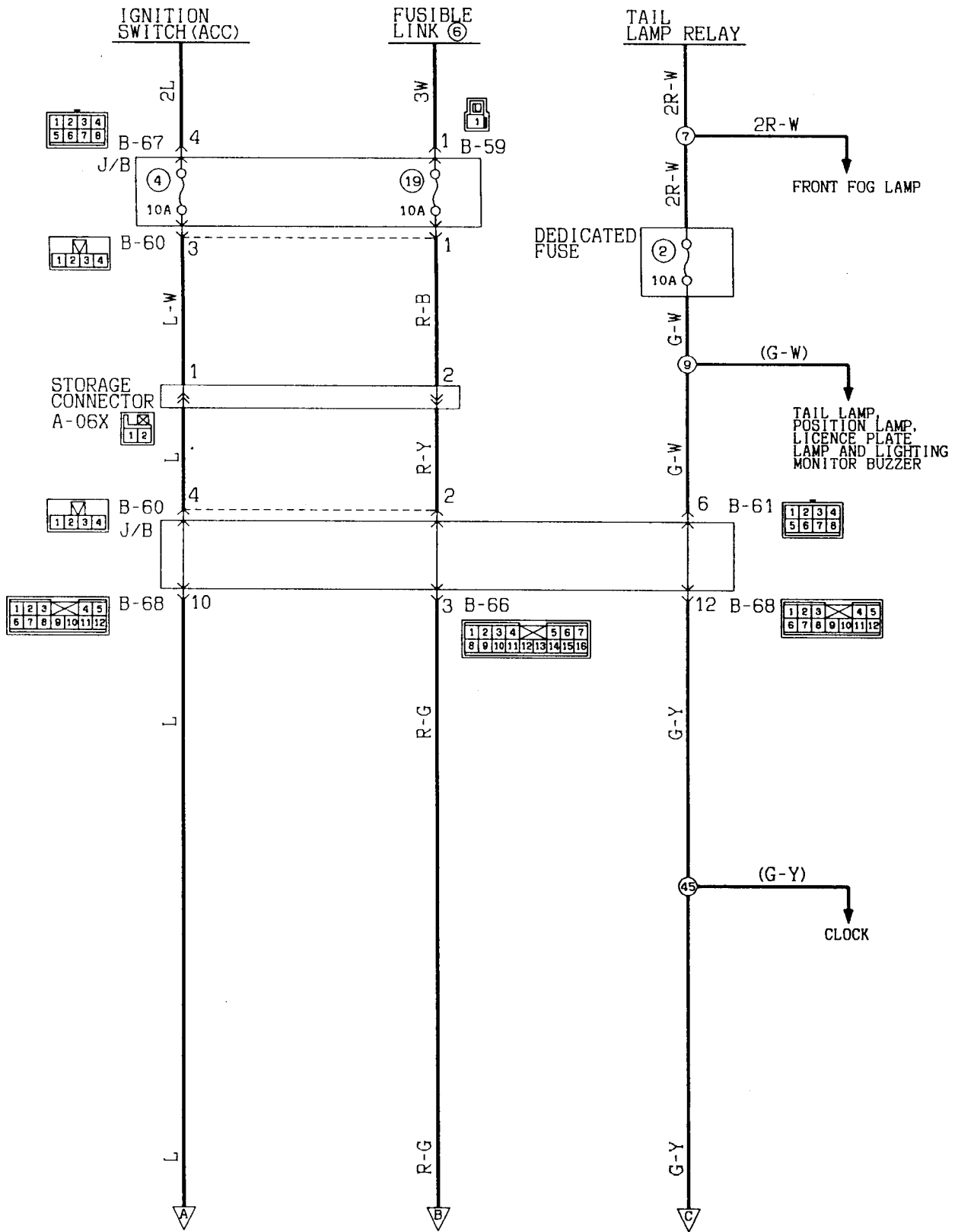


KX35-AC-E1419-EC

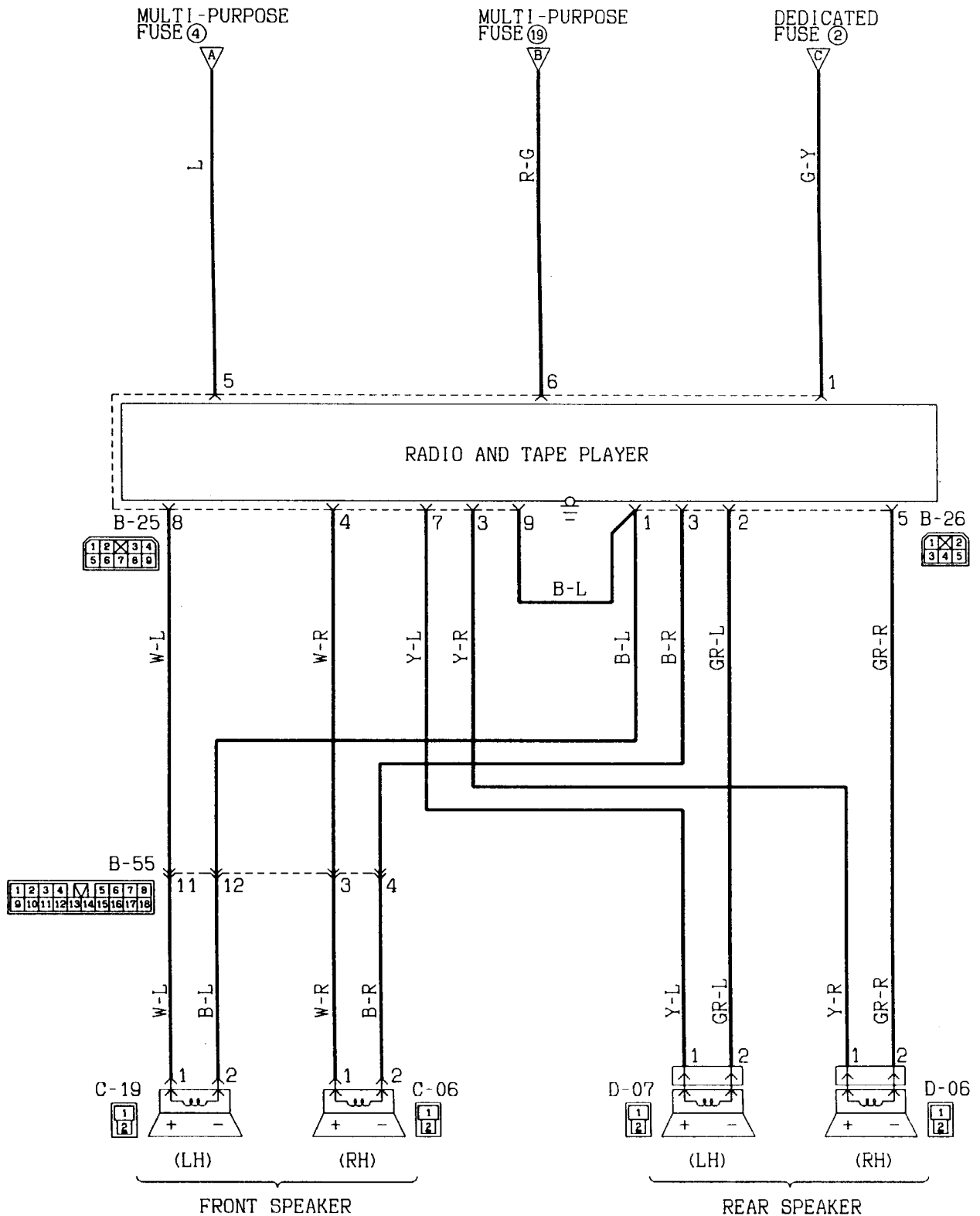


Wire colour code
 B:Black LG:Light green G:Green L:Blue W:White Y:Yellow SB:Sky blue
 BR:Brown O:Orange GR:Gray R:Red P:Pink V:Violet

RADIO AND TAPE PLAYER
Hatchback (R. H. drive vehicles)

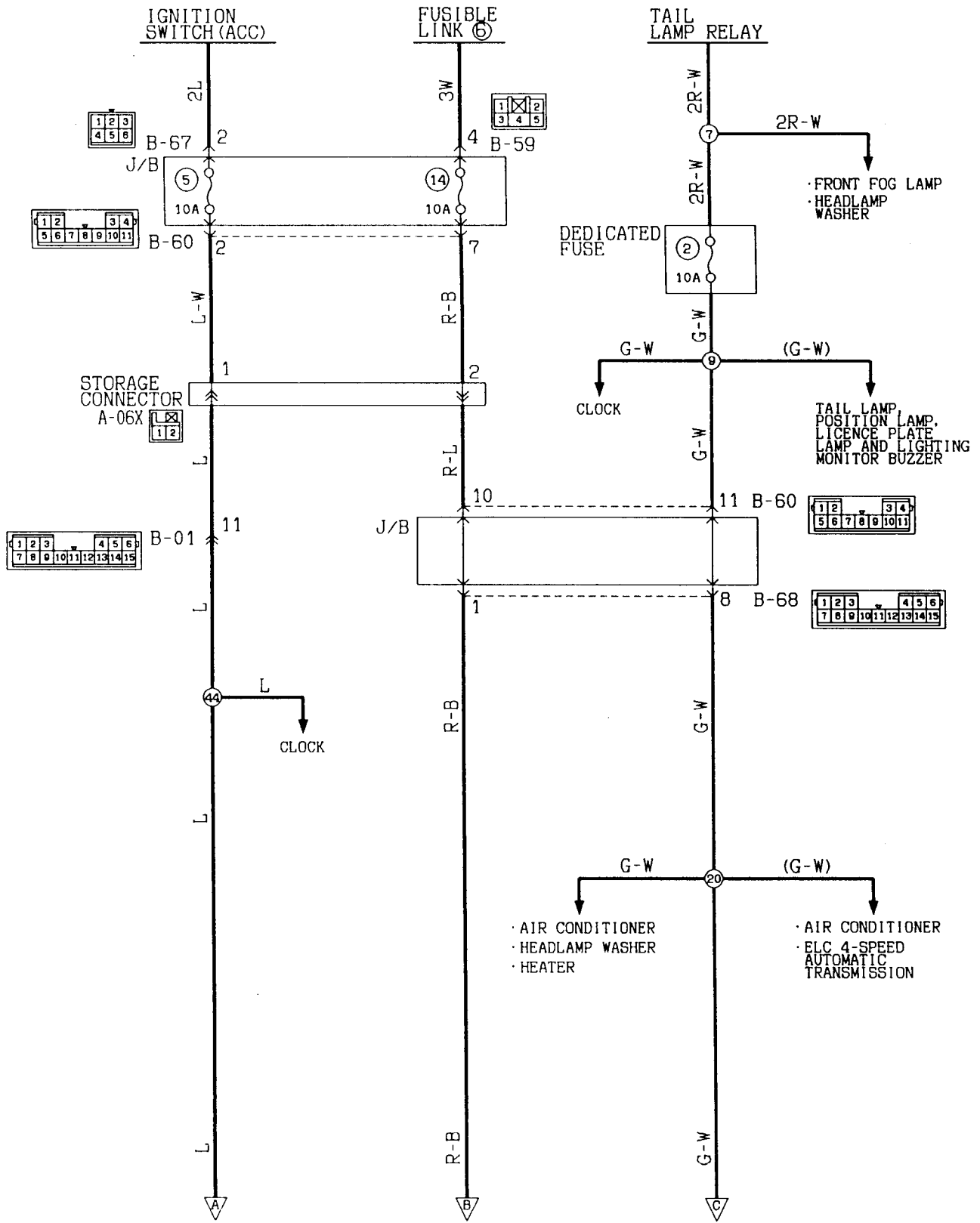


KX35-AC-E1420-EC

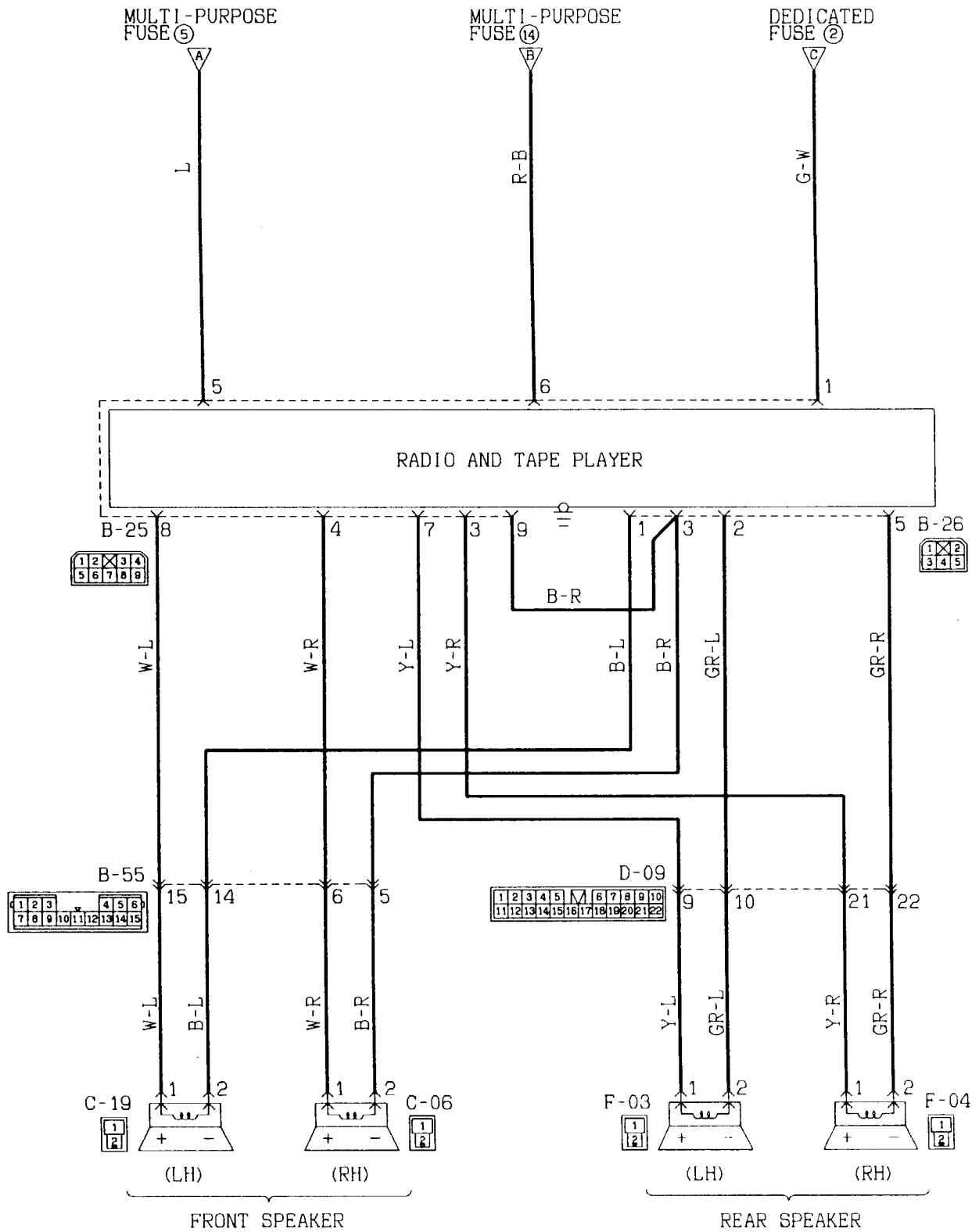


Wire colour code
 B:Black LG:Light green G:Green L:Blue W:White Y:Yellow SB:Sky blue
 BR:Brown O:Orange GR:Gray R:Red P:Pink V:Violet

RADIO AND TAPE PLAYER
Sedan (L.H. drive vehicles)

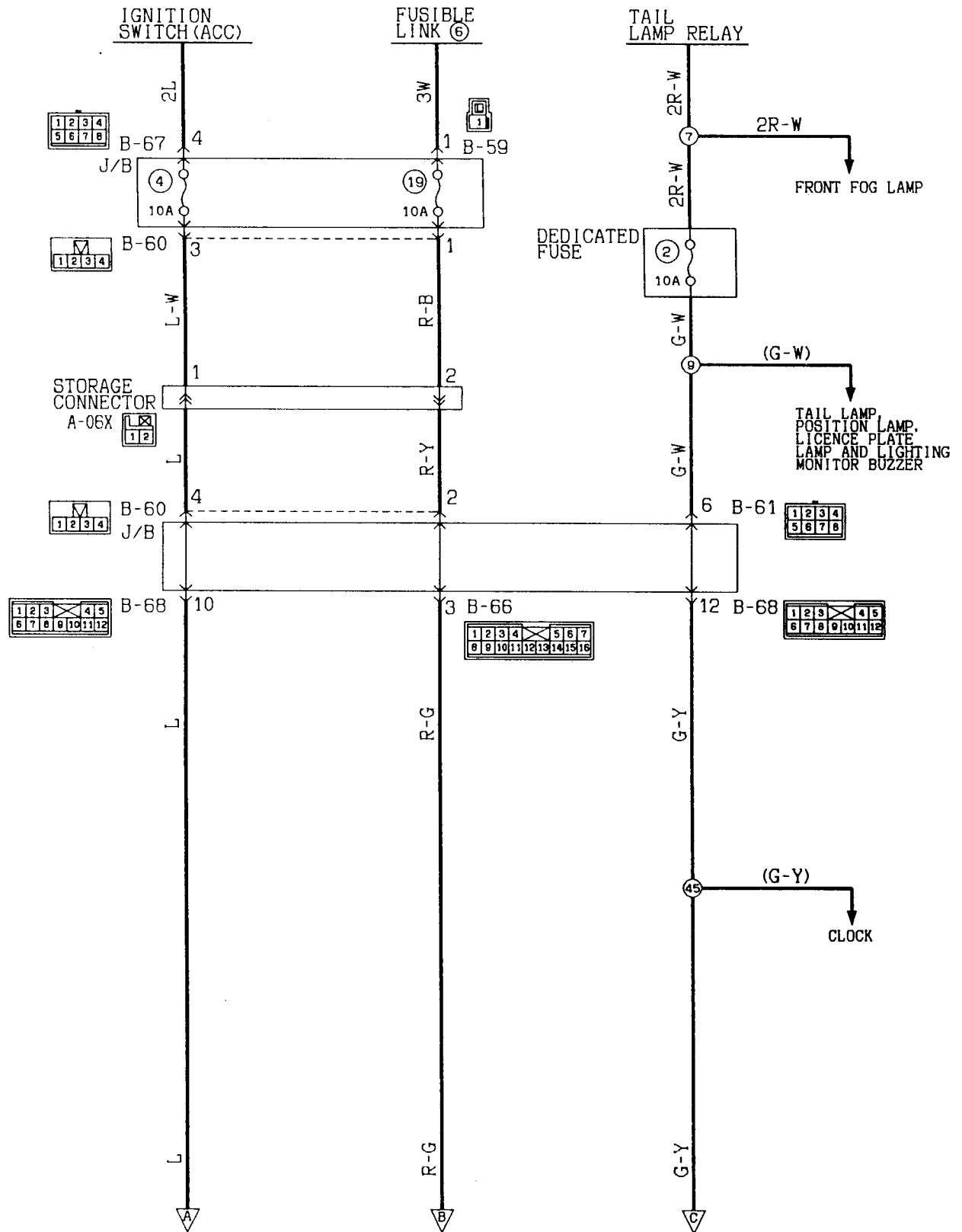


KX35-AC-E1421-EC

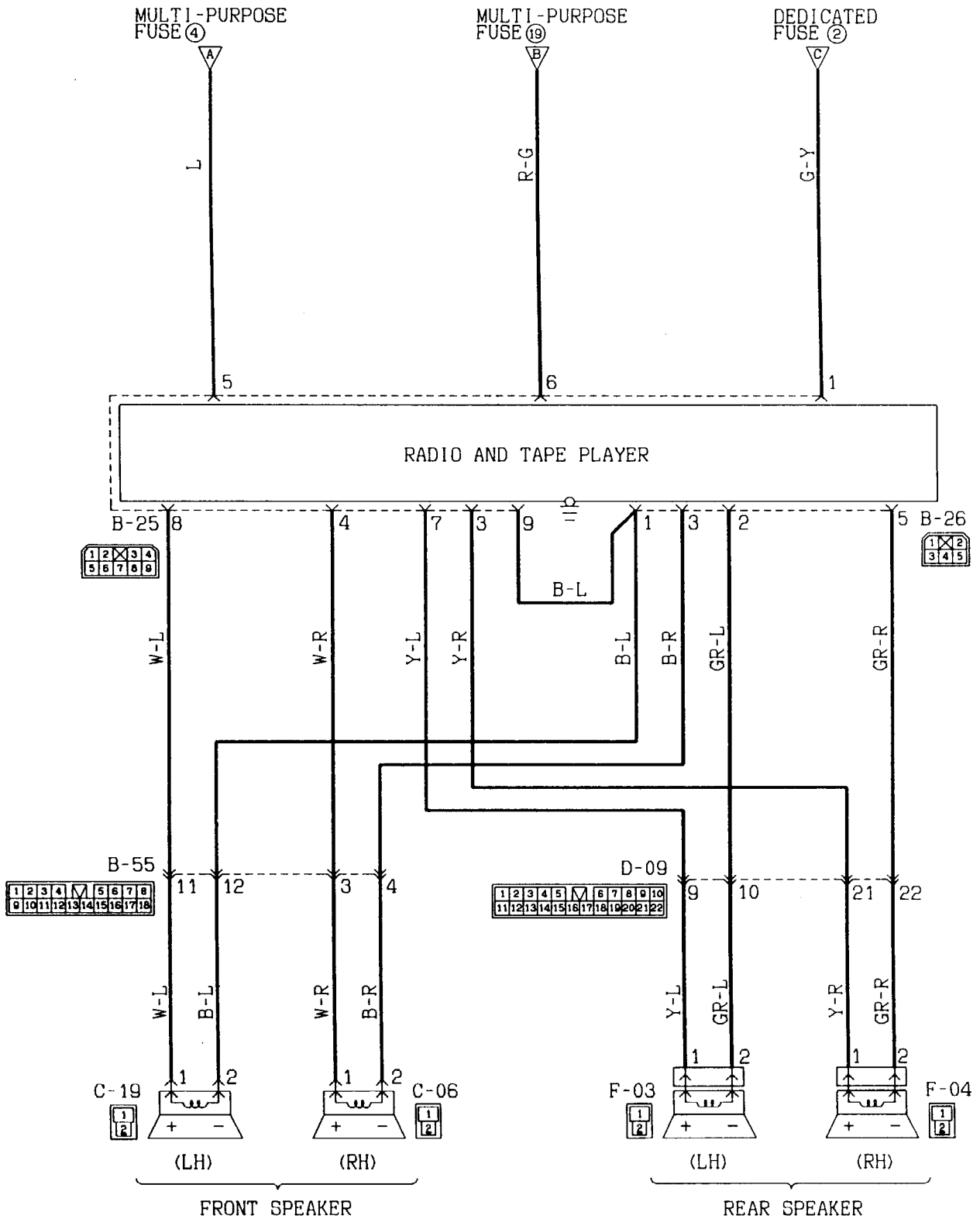


Wire colour code
 B:Black LG:Light green G:Green L:Blue W:White Y:Yellow SB:Sky blue
 BR:Brown O:Orange GR:Gray R:Red P:Pink V:Violet

RADIO AND TAPE PLAYER
Sedan (R. H. drive vehicles)



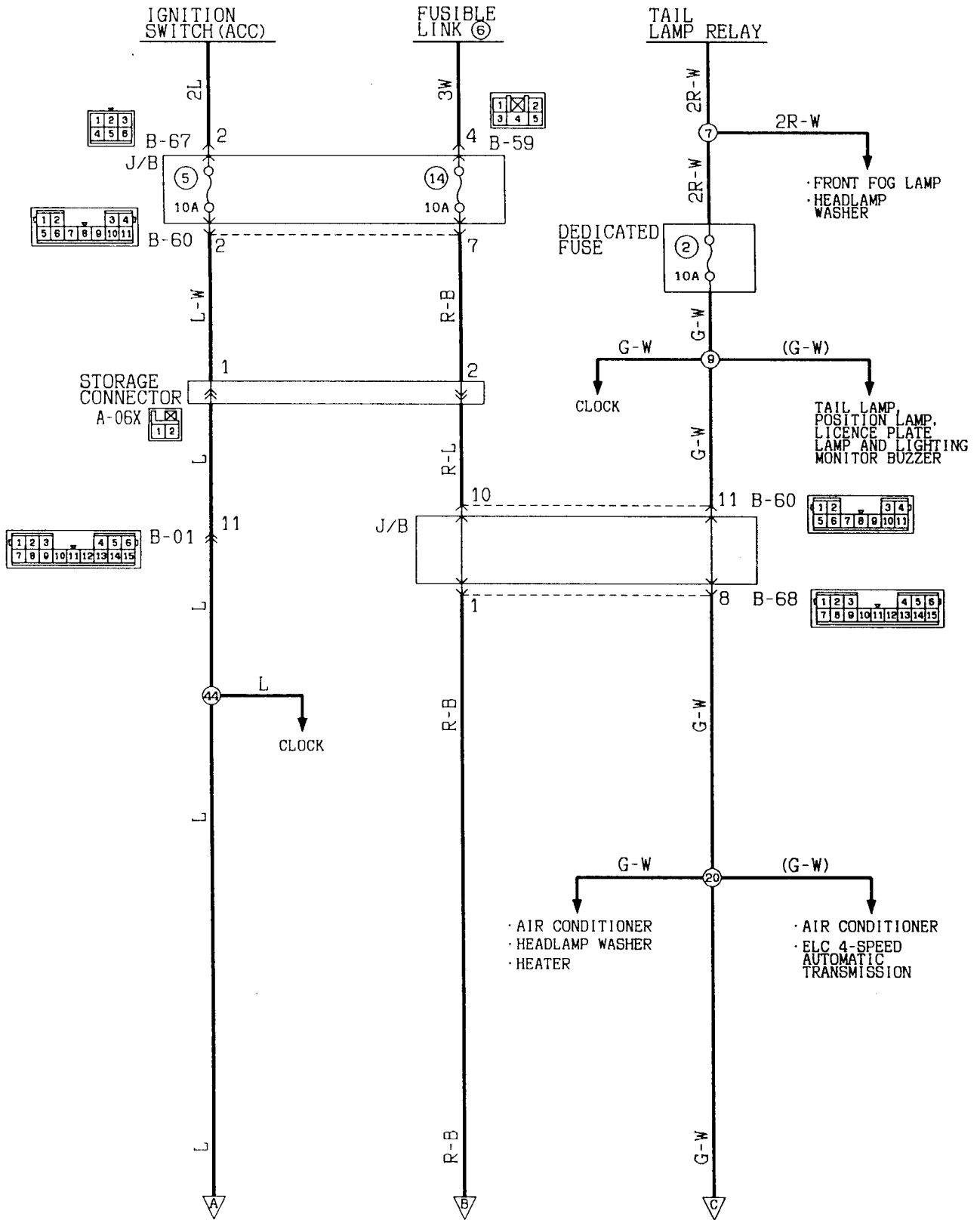
KX35-AC-E1422-EC



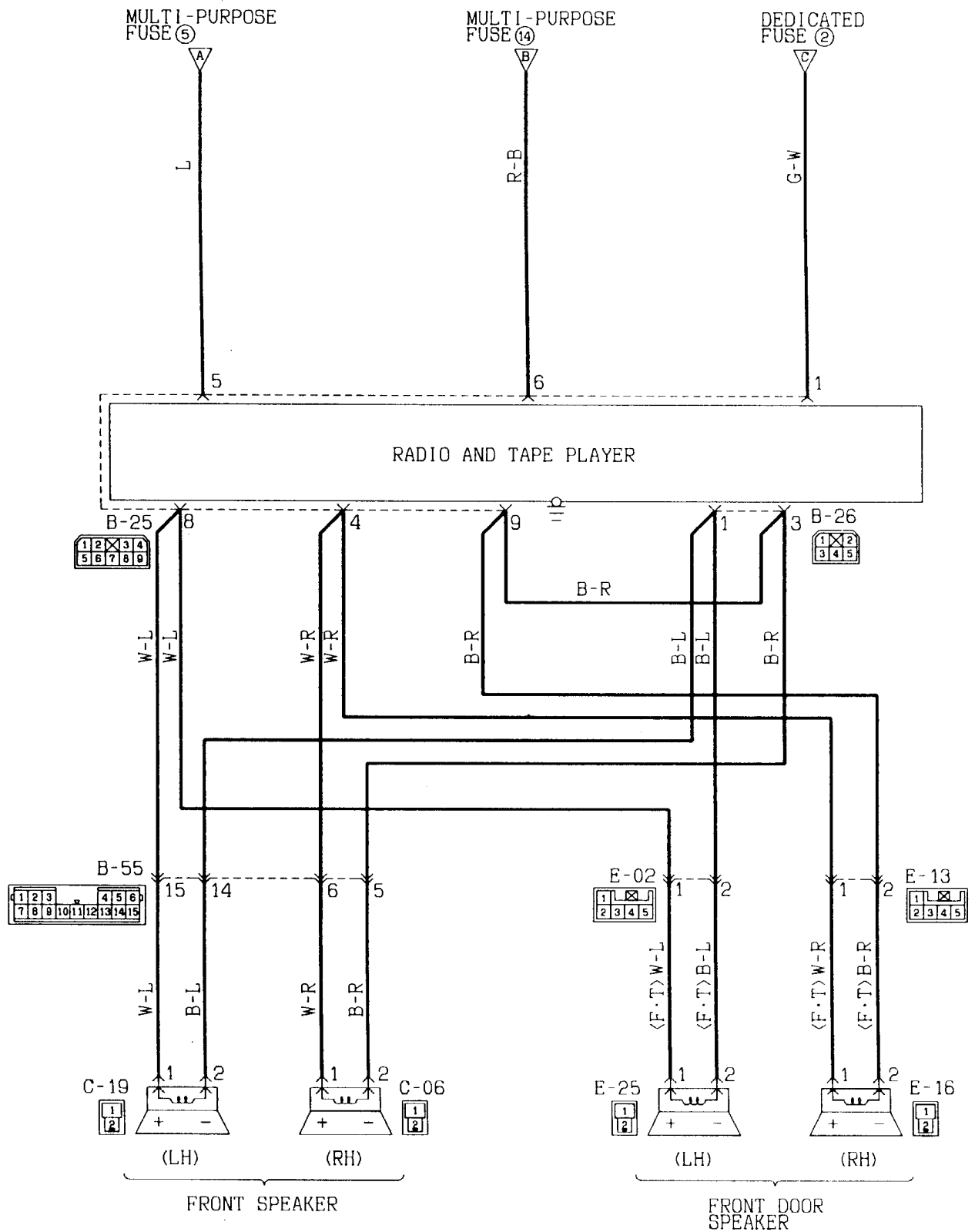
Wire colour code
 B:Black LG:Light green G:Green L:Blue W:White Y:Yellow SB:Sky blue
 BR:Brown O:Orange GR:Gray R:Red P:Pink V:Violet

RADIO AND TAPE PLAYER

Wagon (L. H. drive vehicles)

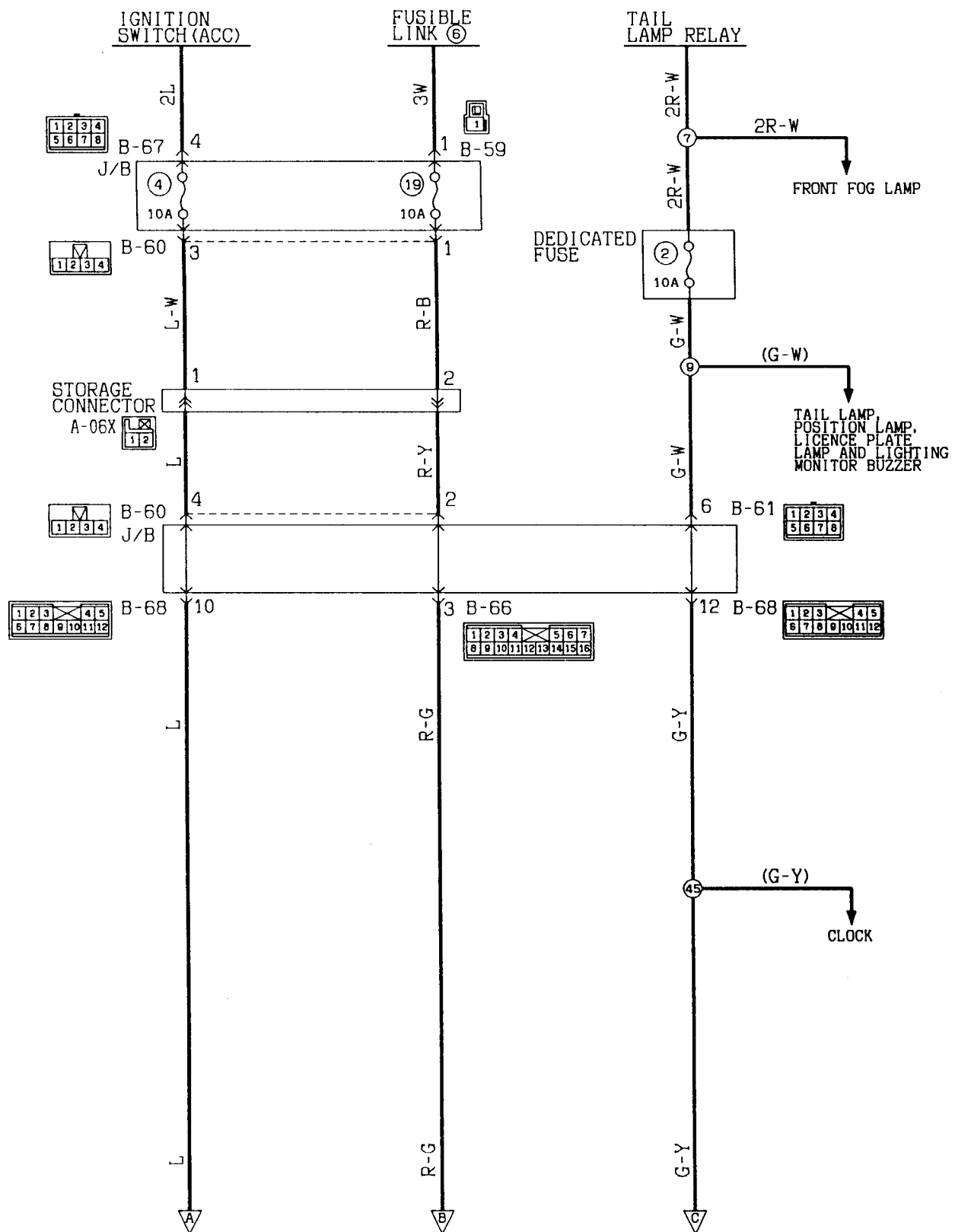


KX35-AC-E1423-EC

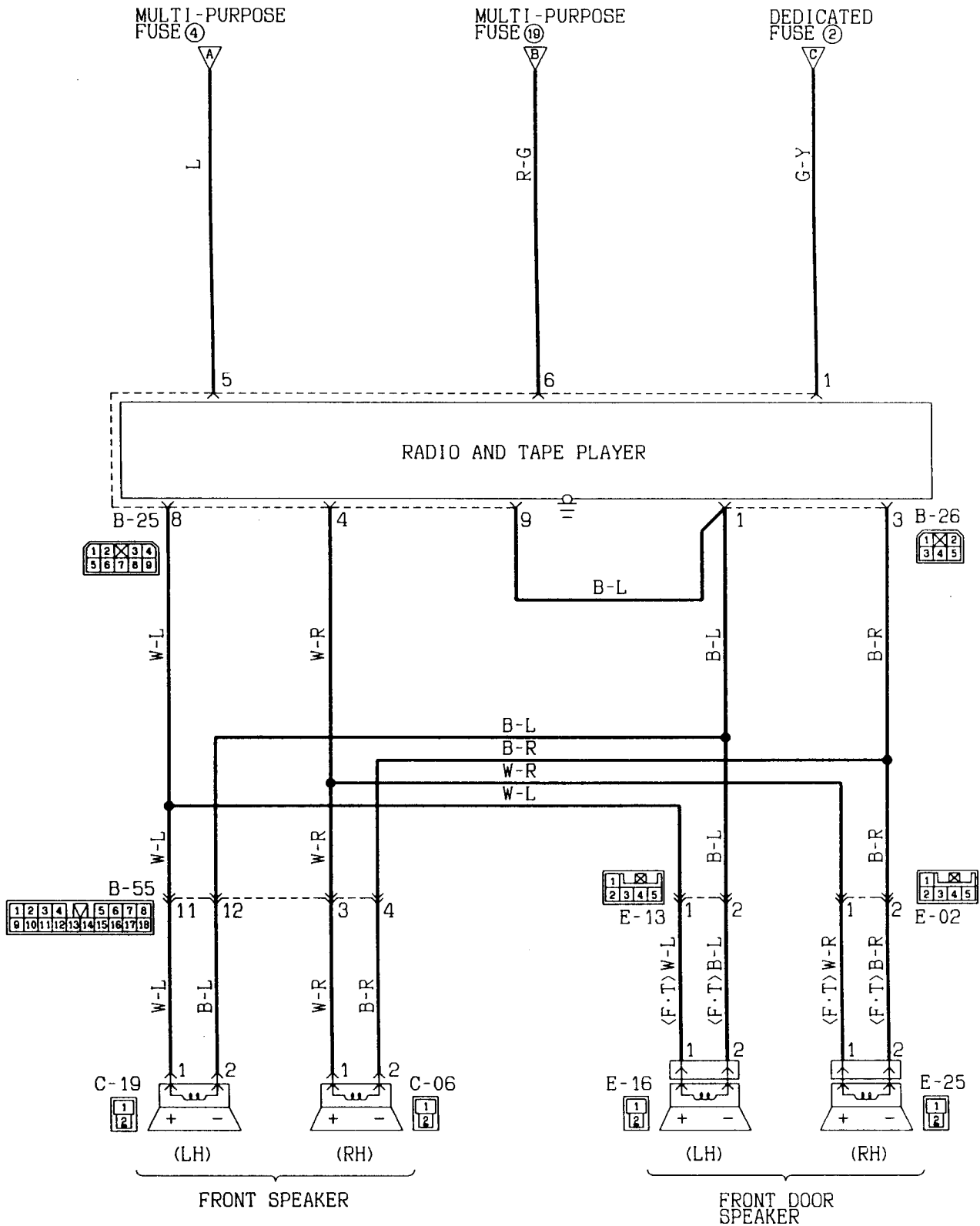


Wire colour code
 B:Black LG:Light green G:Green L:Blue W:White Y:Yellow SB:Sky blue
 BR:Brown O:Orange GR:Gray R:Red P:Pink V:Violet

RADIO AND TAPE PLAYER
Wagon<R. H. drive vehicles>

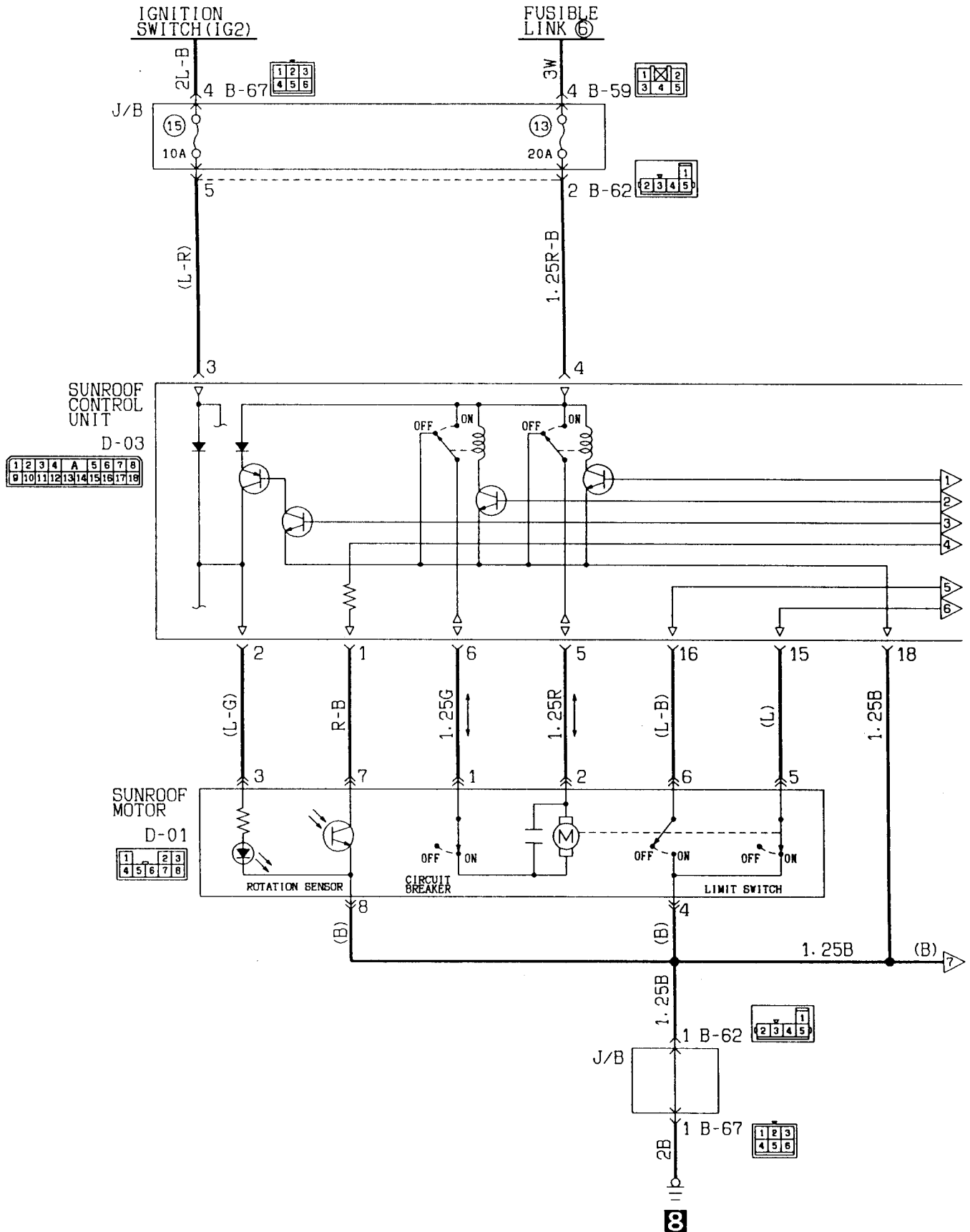


KX35-AC-E1424-EC

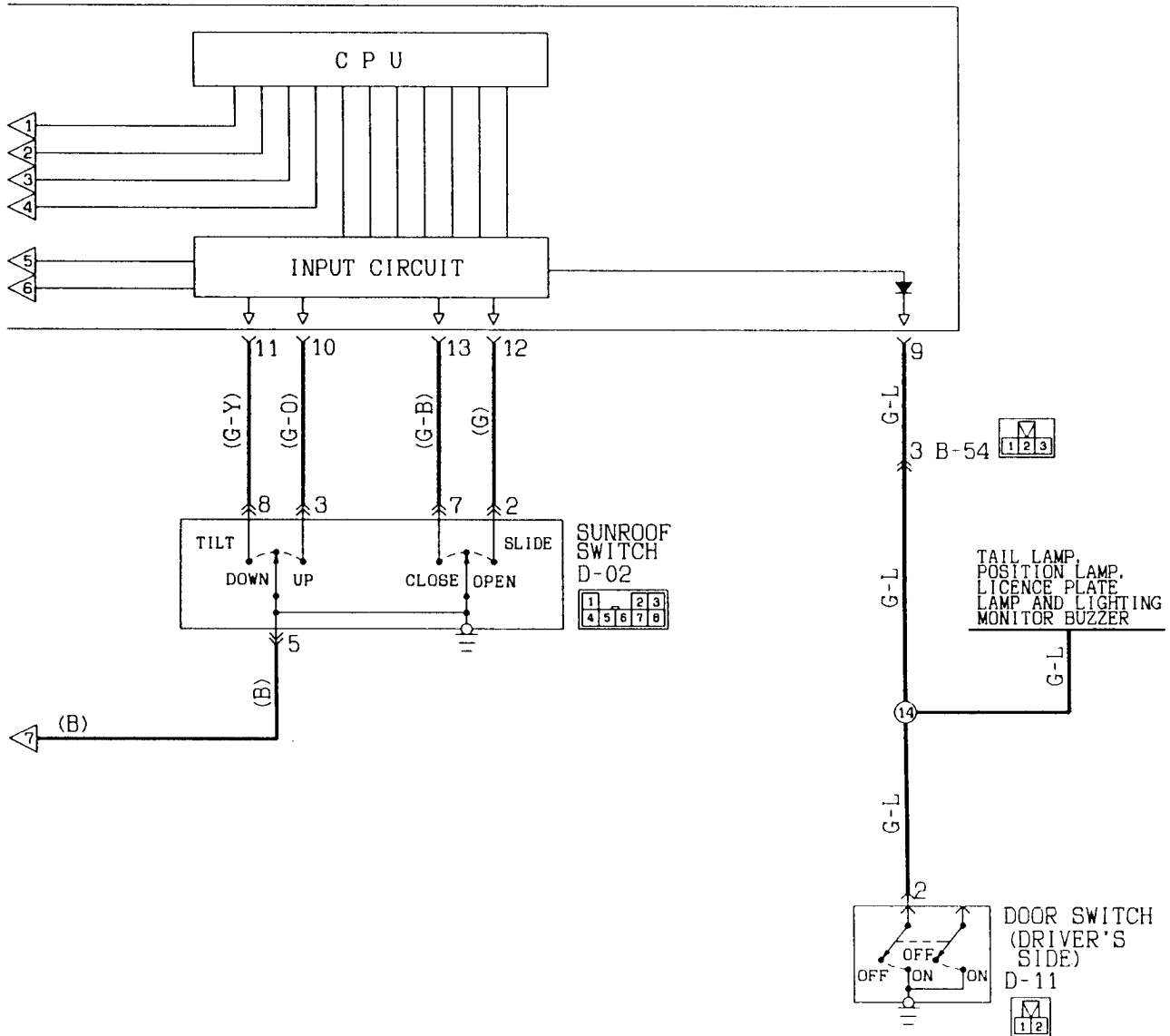


Wire colour code
 B:Black LG:Light green G:Green L:Blue W:White Y:Yellow SB:Sky blue
 BR:Brown O:Orange GR:Gray R:Red P:Pink V:Violet

SUNROOF
L.H. drive vehicles

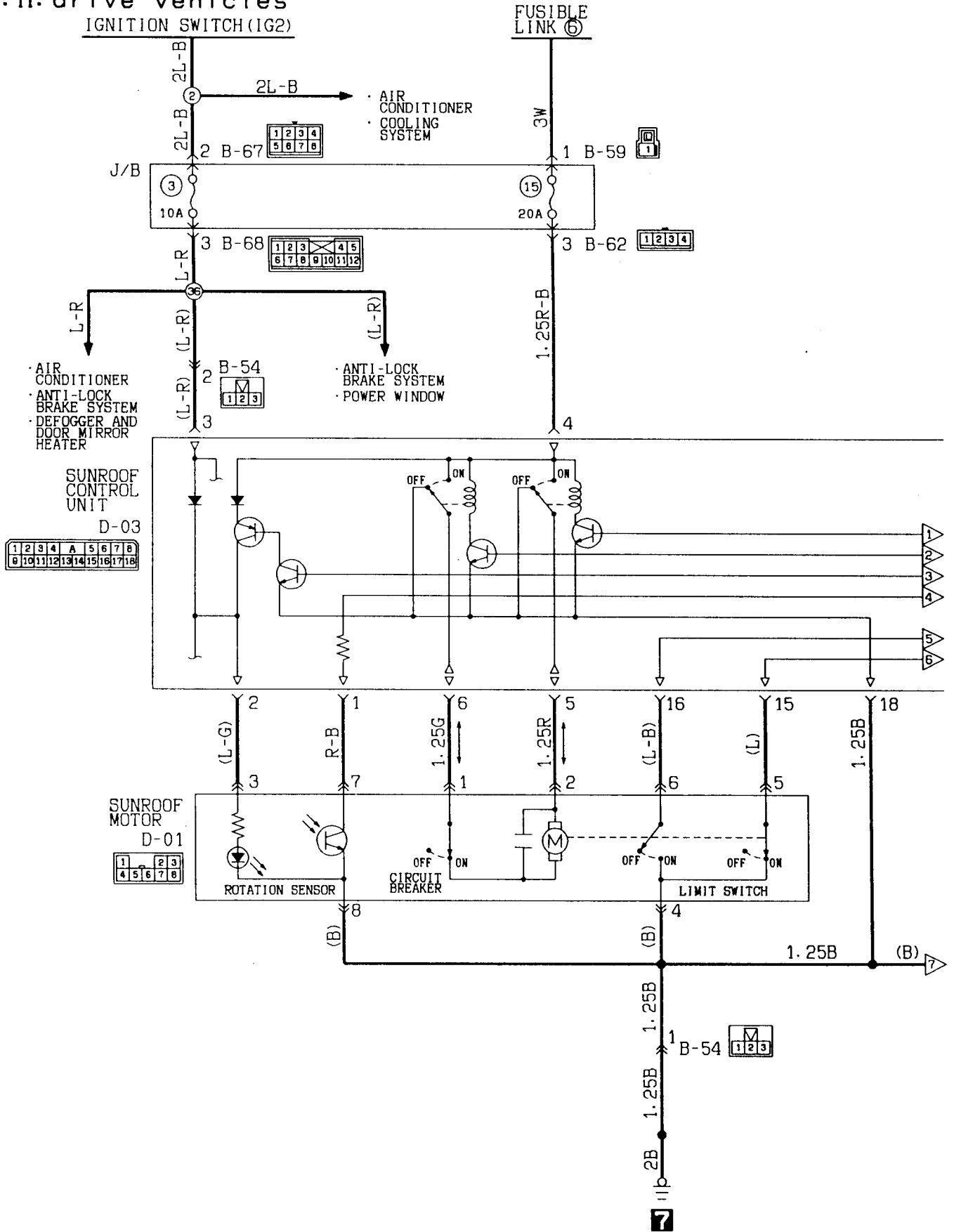


KX35-AC-E1513-EC

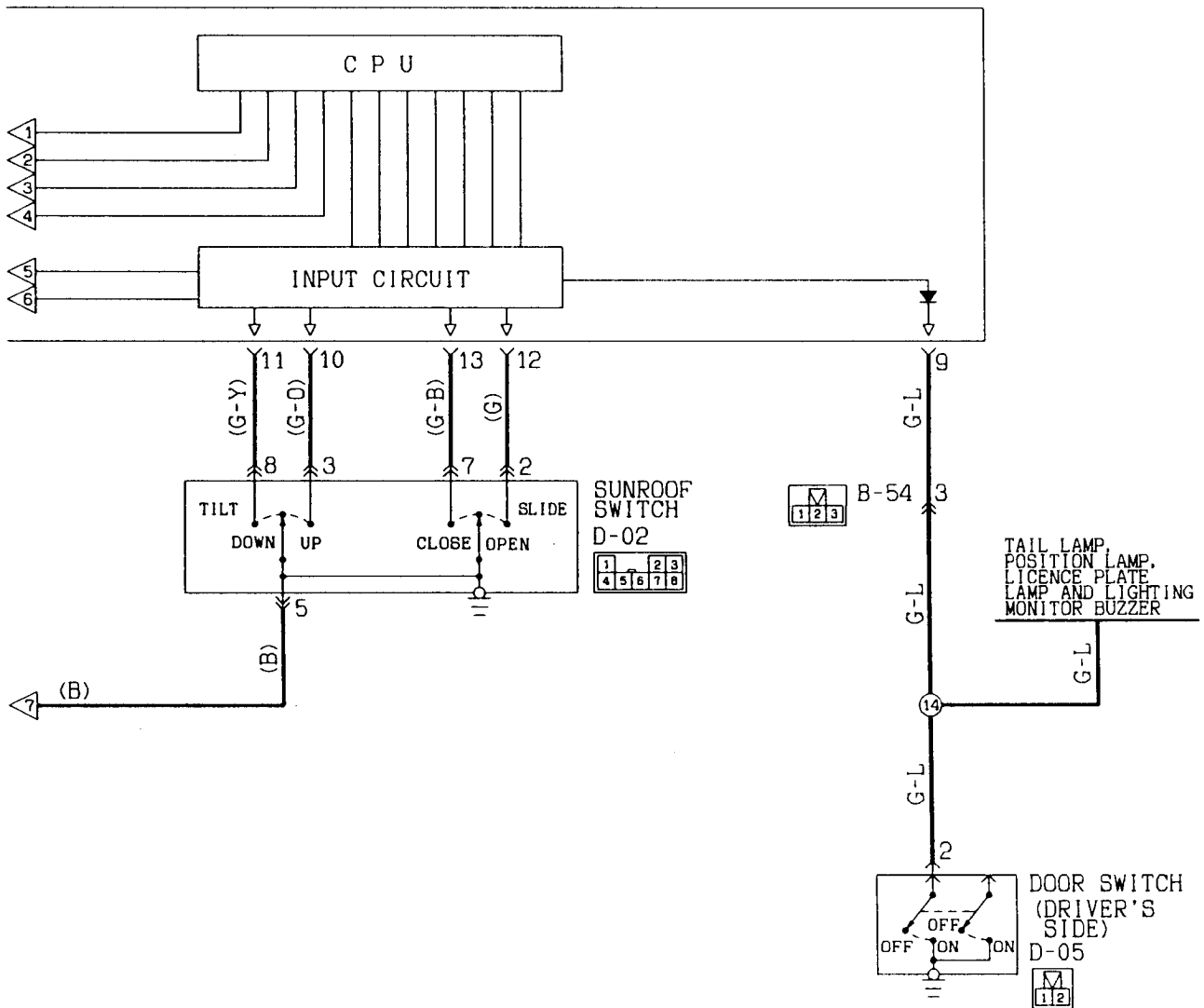


Wire colour code
 B:Black LG:Light green G:Green L:Blue W:White Y:Yellow SB:Sky blue
 BR:Brown O:Orange GR:Gray R:Red P:Pink V:Violet

SUNROOF
R. H. drive vehicles

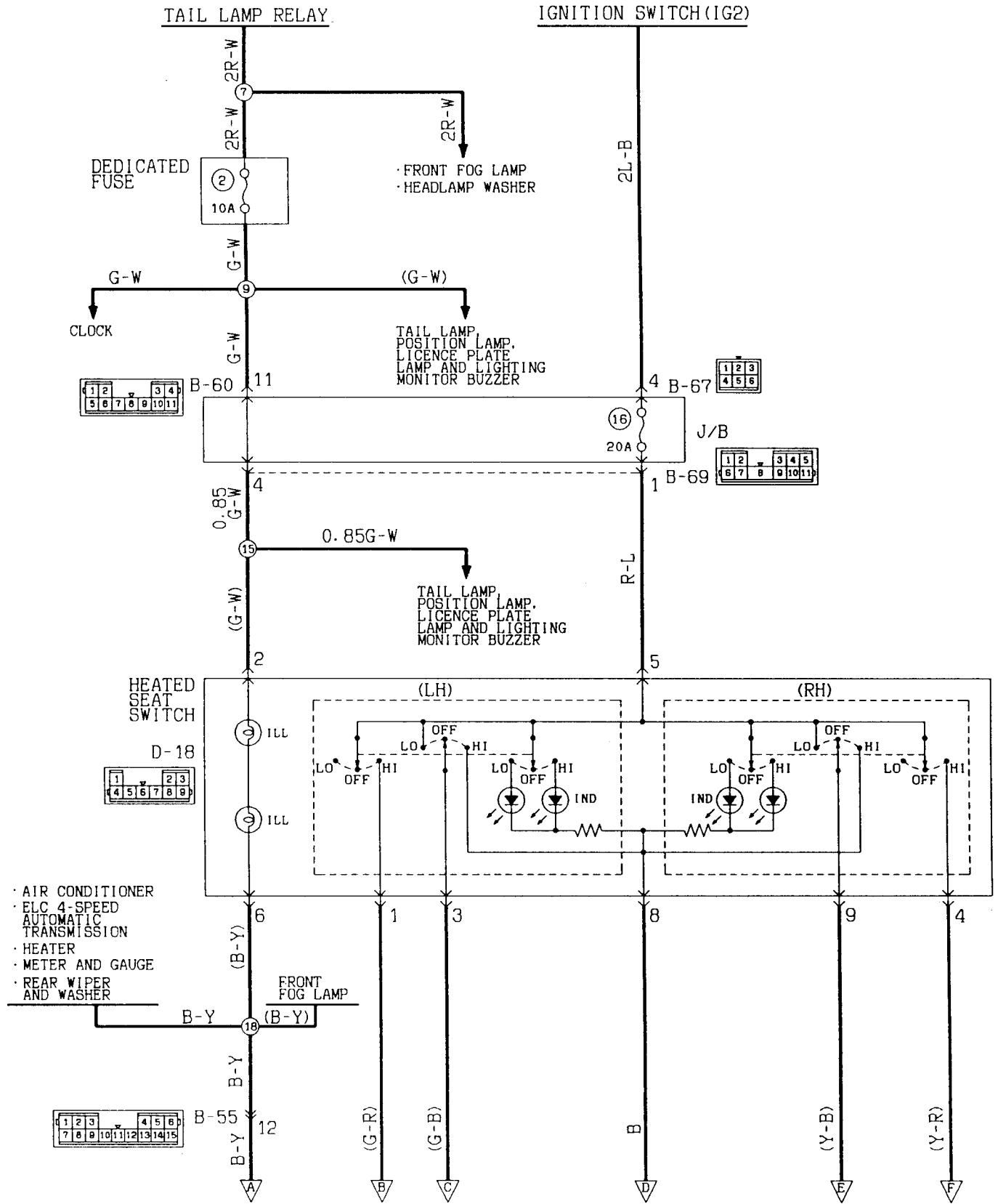


KX35-AC-E1514-EC



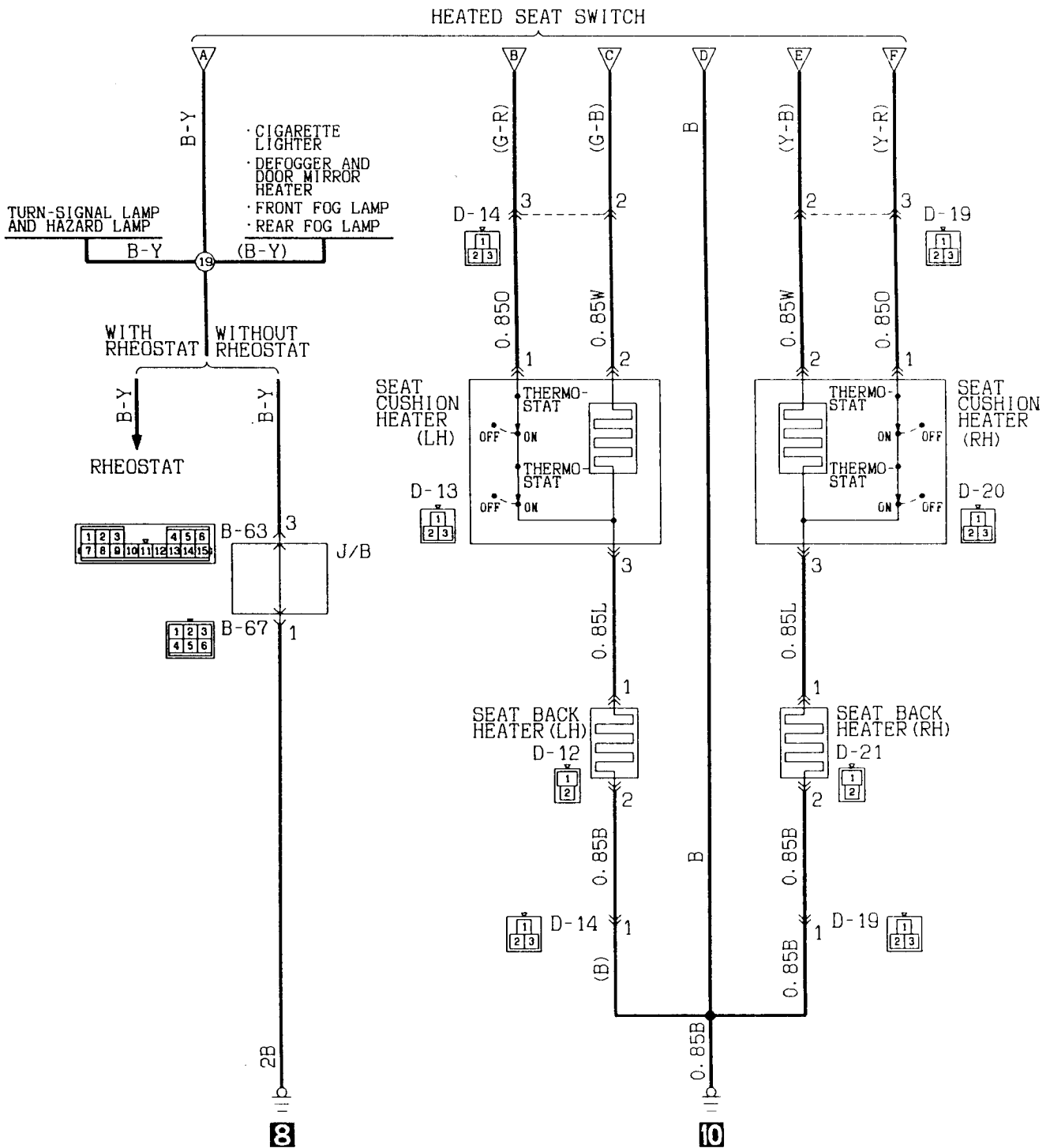
Wire colour code
 B:Black LG:Light green G:Green L:Blue W:White Y:Yellow SB:Sky blue
 BR:Brown O:Orange GR:Gray R:Red P:Pink V:Violet

HEATED SEAT



Wire colour code
 B:Black LG:Light green G:Green L:Blue W:White Y:Yellow SB:Sky blue
 BR:Brown O:Orange GR:Gray R:Red P:Pink V:Violet

KX35-AC-E1515-EC



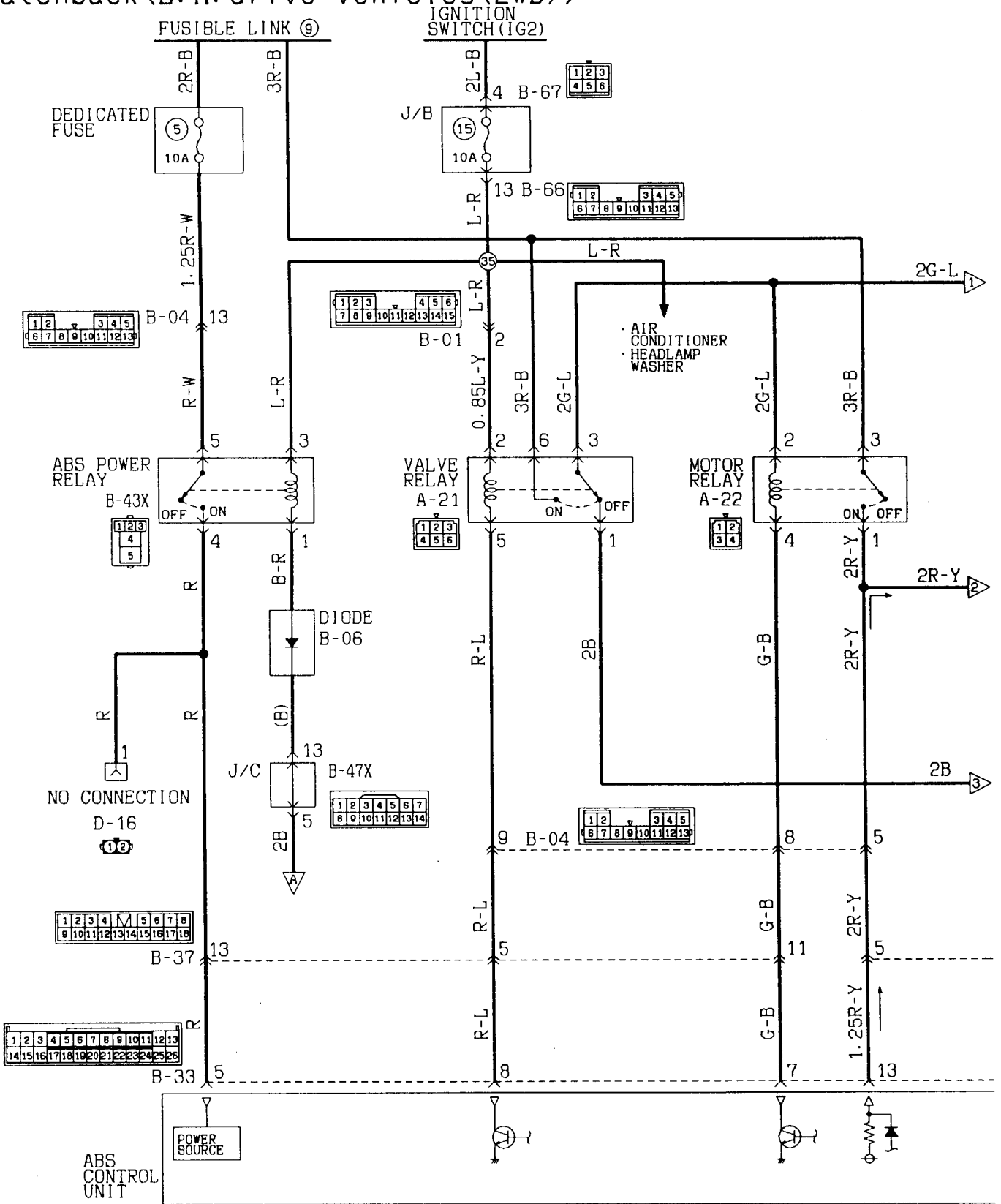
OPERATION

- When the heated seat switch is turned ON (either in LO or HI) with the ignition switch in ON position, the heated seat is activated with operation corresponding to the switch position.

TROUBLESHOOTING HINTS

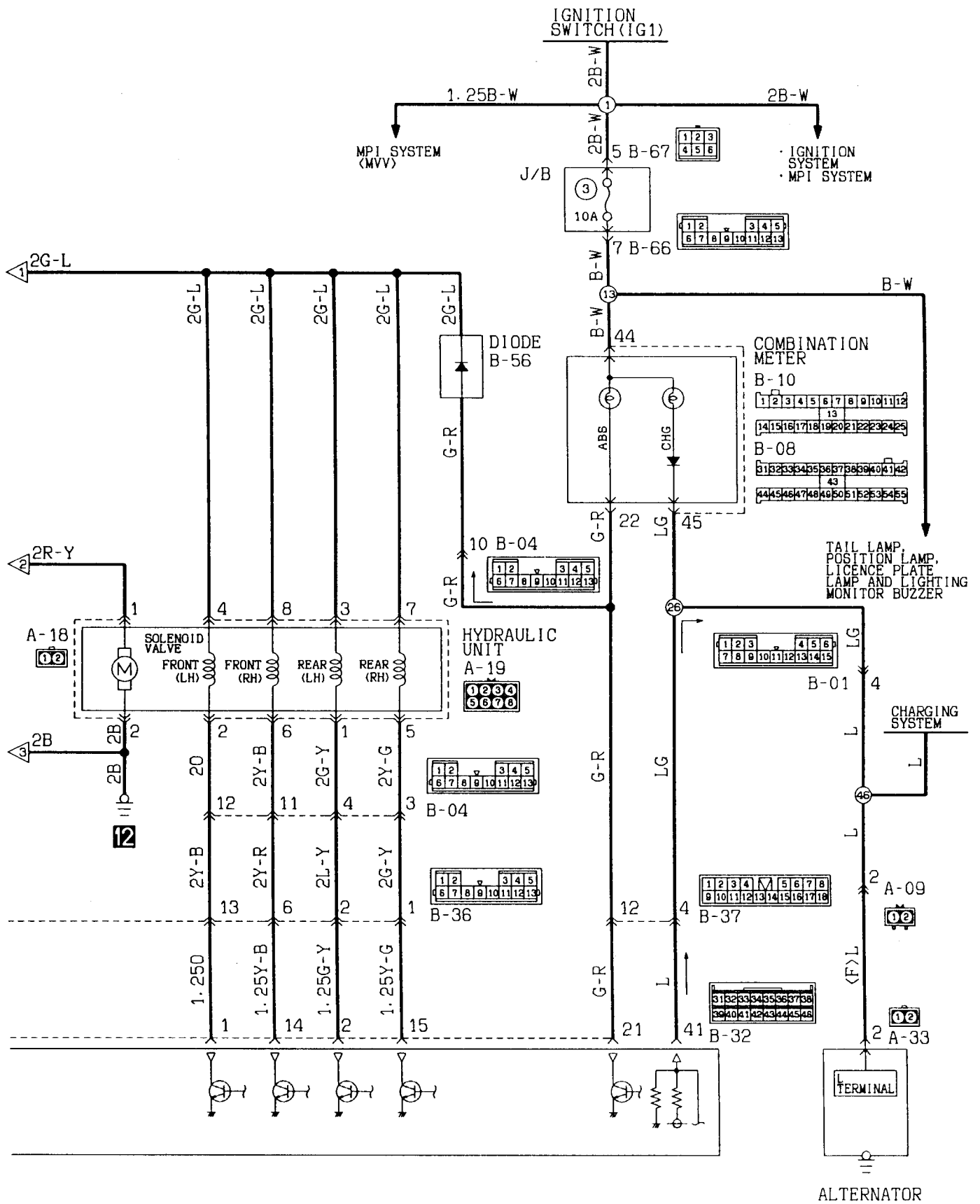
1. The heated seat warms at one place only.
 - Check the heated seat.
2. The heated seat doesn't become warm.
 - Check the dedicated fuse No. ⑩.
 - Check the heated seat switch.

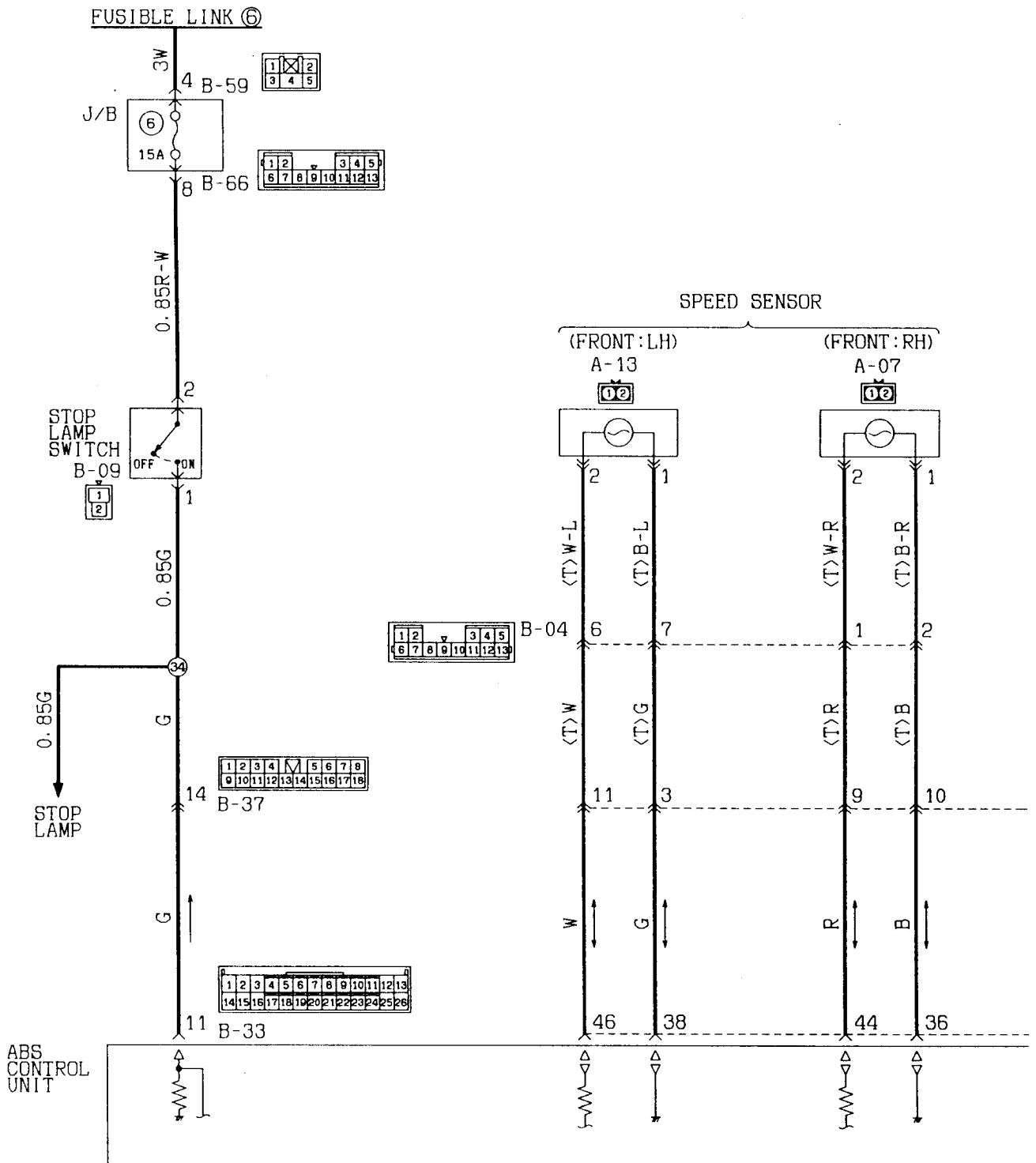
ANTI-LOCK BRAKE SYSTEM
Hatchback (L. H. drive vehicles (2WD))



Wire colour code
 B:Black LG:Light green G:Green L:Blue W:White Y:Yellow SB:Sky blue
 BR:Brown O:Orange GR:Gray R:Red P:Pink V:Violet

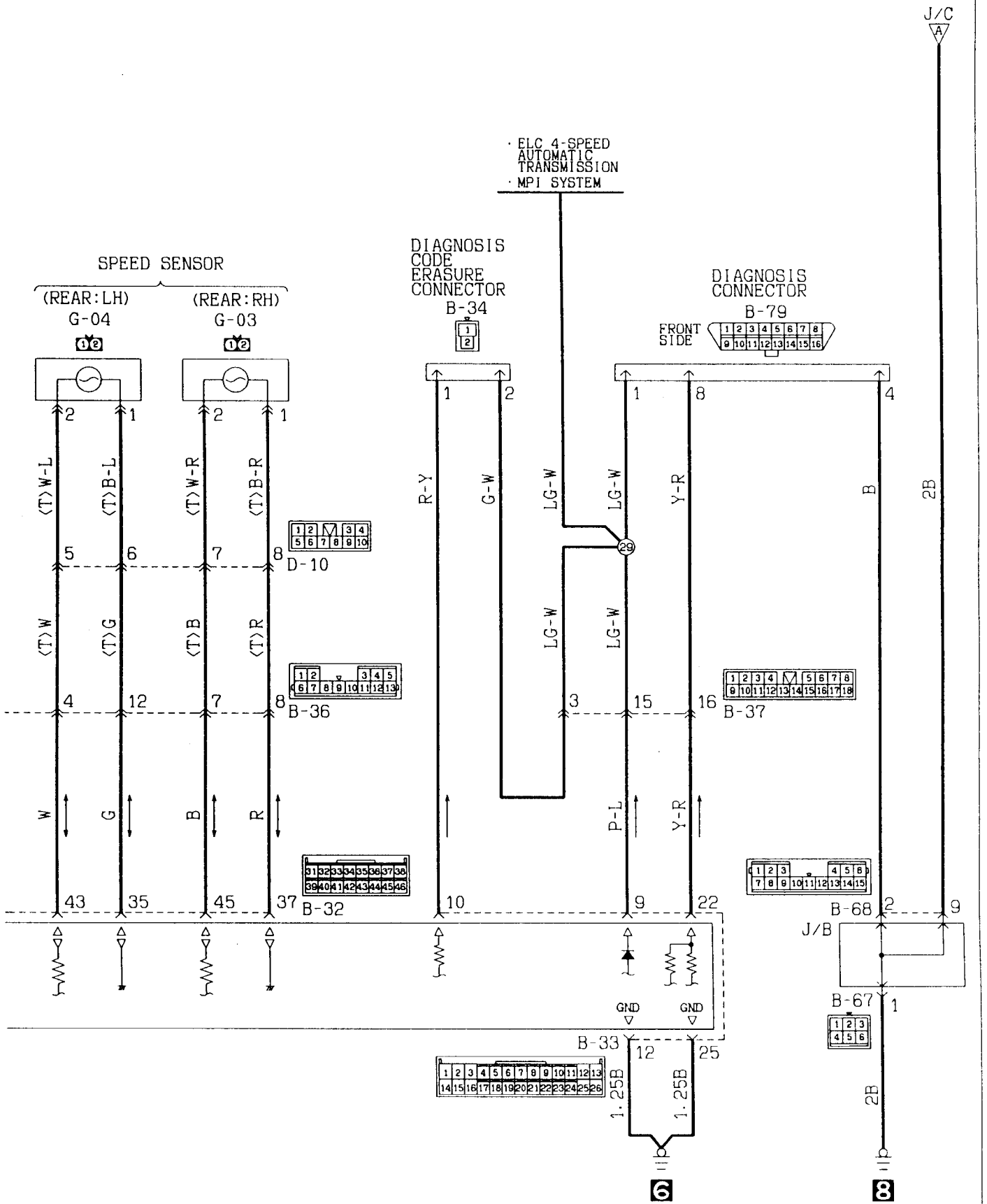
KX35-AC-E1516-EC





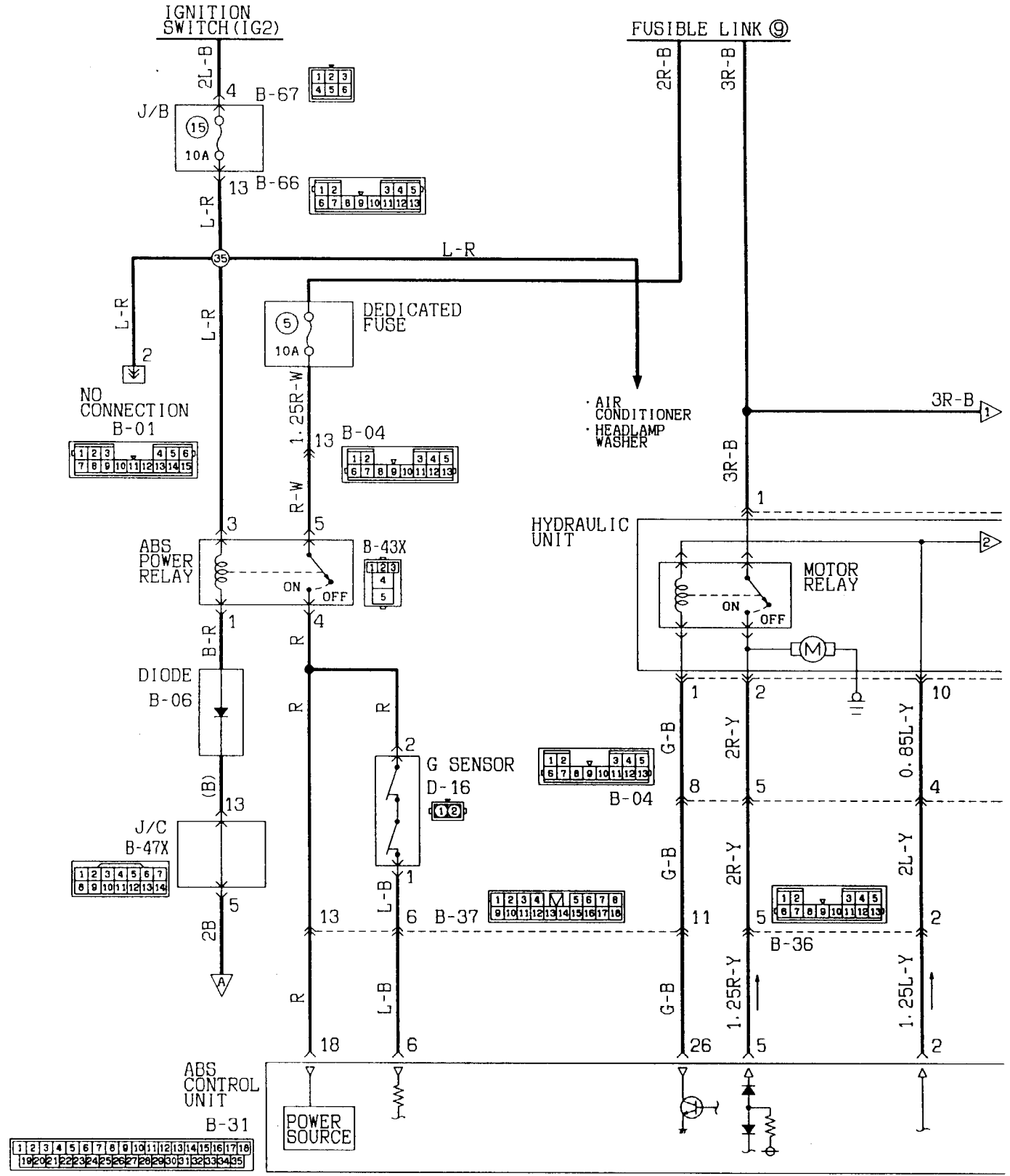
Wire colour code

B:Black LG:Light green G:Green L:Blue W:White Y:Yellow SB:Sky blue
 BR:Brown O:Orange GR:Gray R:Red P:Pink V:Violet



ANTI-LOCK BRAKE SYSTEM

Hatchback (L. H. drive vehicles (4WD))

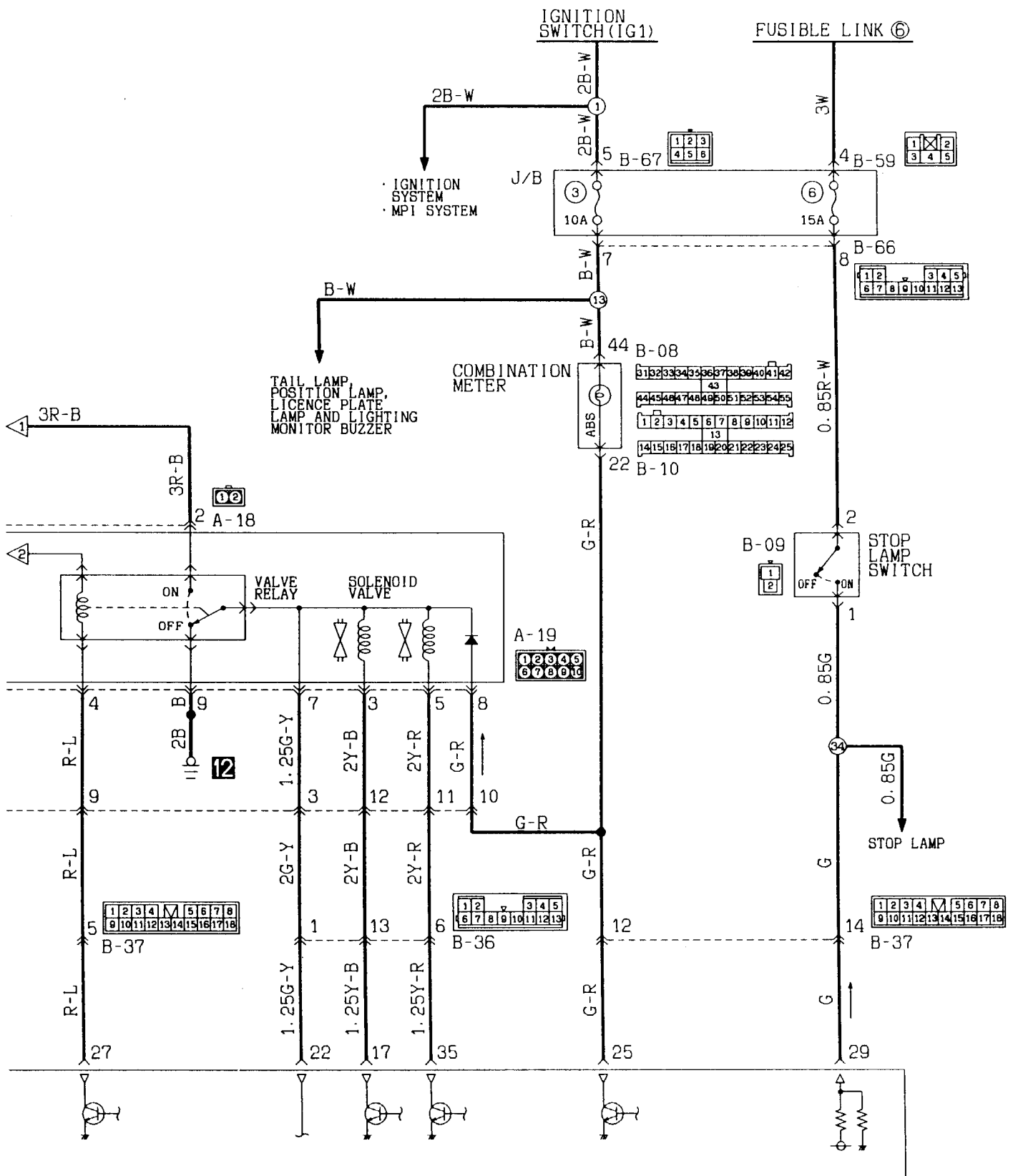


1	2	3	4	5	6	7	8	9	10	11	12	13	14	15	16	17	18
19	20	21	22	23	24	25	26	27	28	29	30	31	32	33	34	35	

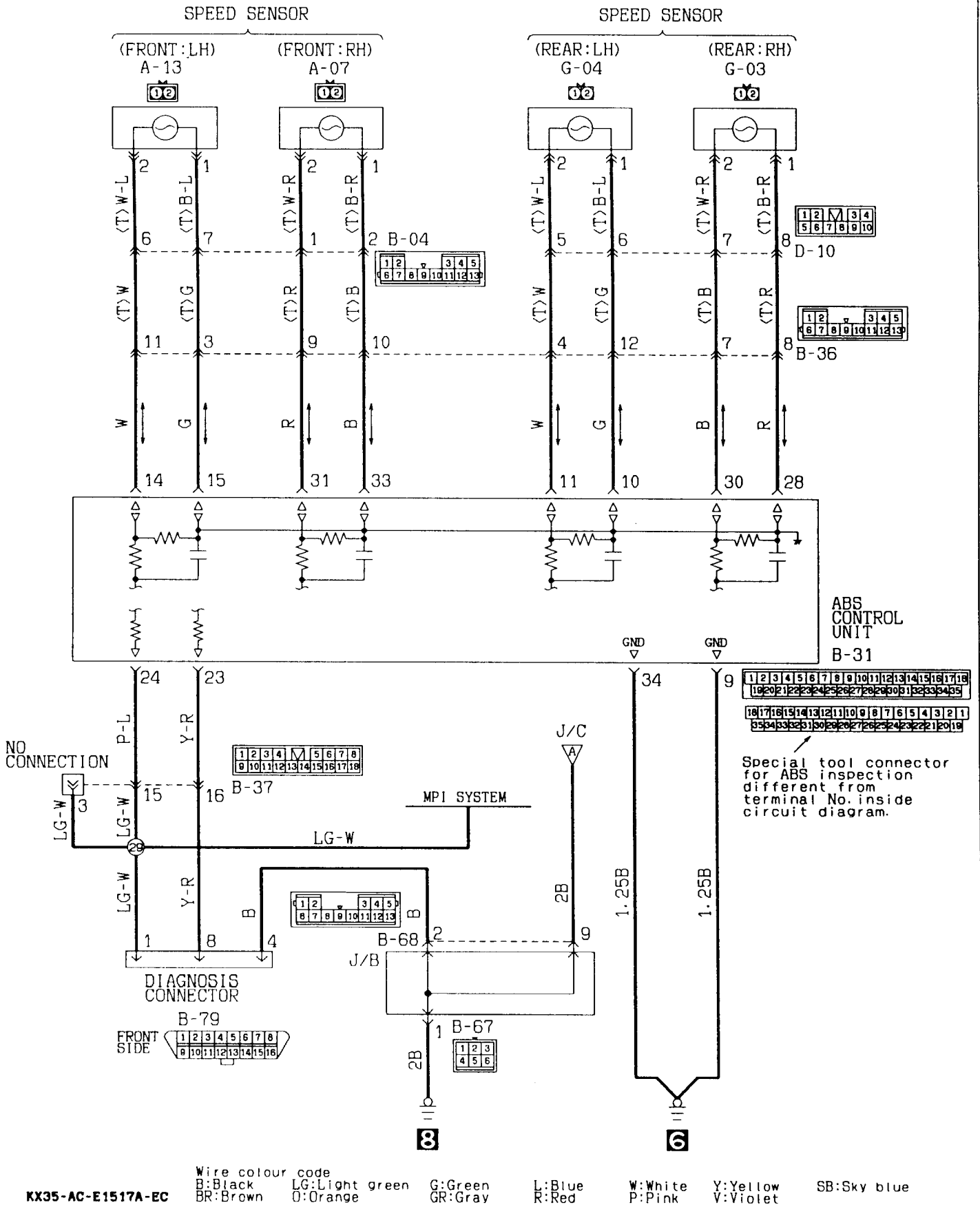
18	17	16	15	14	13	12	11	10	9	8	7	6	5	4	3	2	1
35	34	33	32	31	30	29	28	27	26	25	24	23	22	21	20	19	

Special tool connector for ABS inspection different from terminal NO. inside circuit diagram.

KX35-AC-E1517-EC

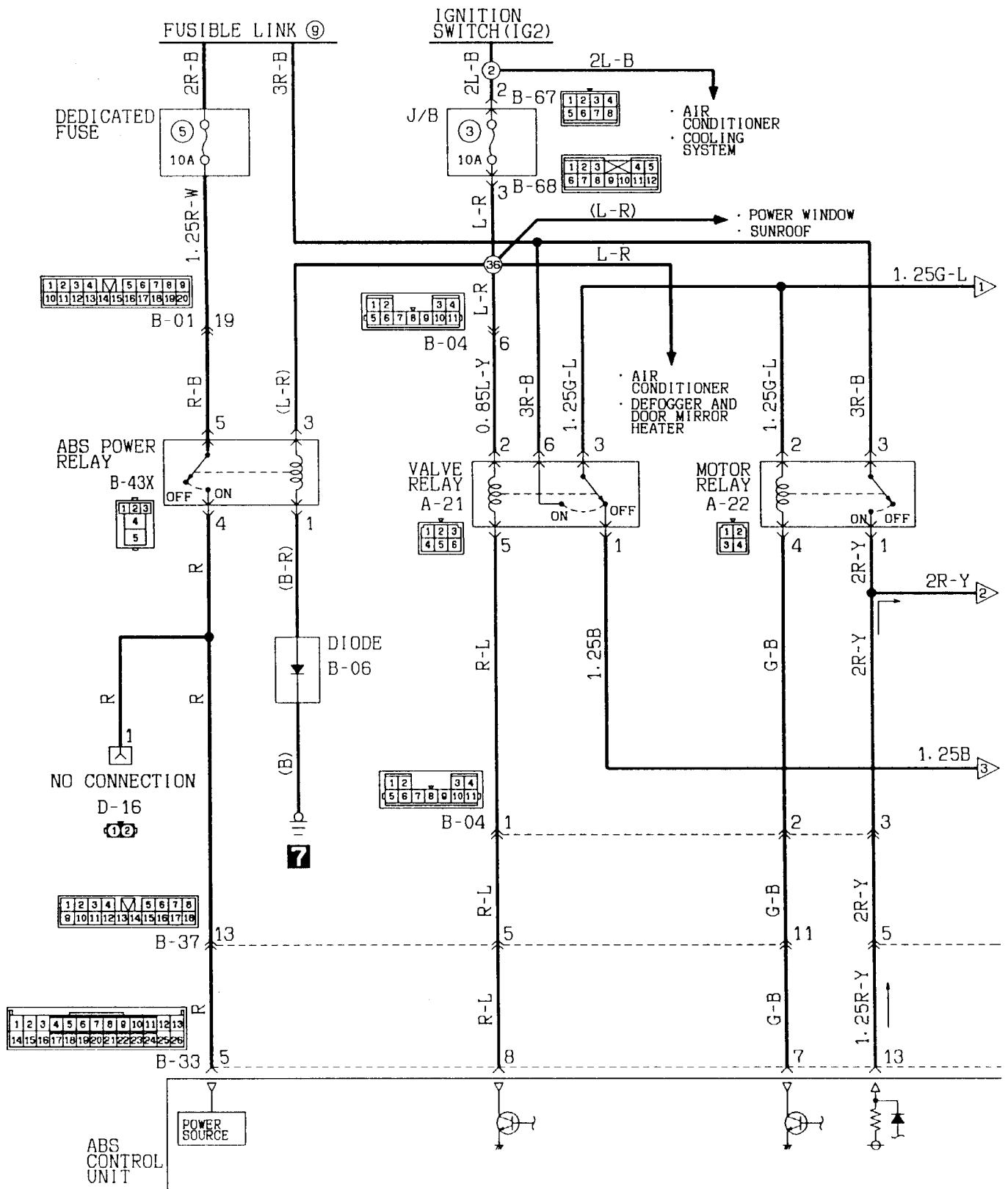


Wire colour code
 B:Black LG:Light green G:Green L:Blue W:White Y:Yellow SB:Sky blue
 BR:Brown O:Orange GR:Gray R:Red P:Pink V:Violet



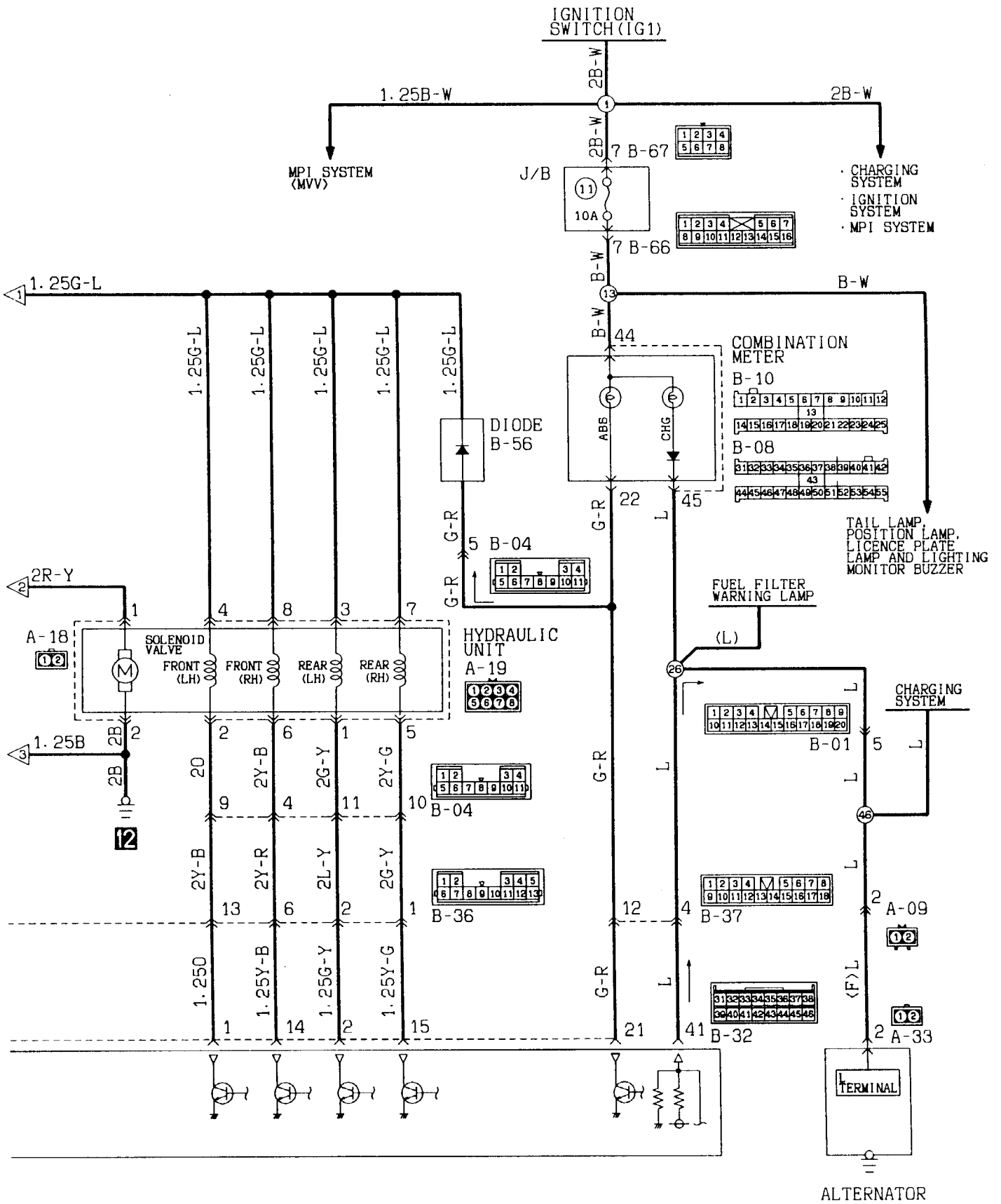
ANTI-LOCK BRAKE SYSTEM

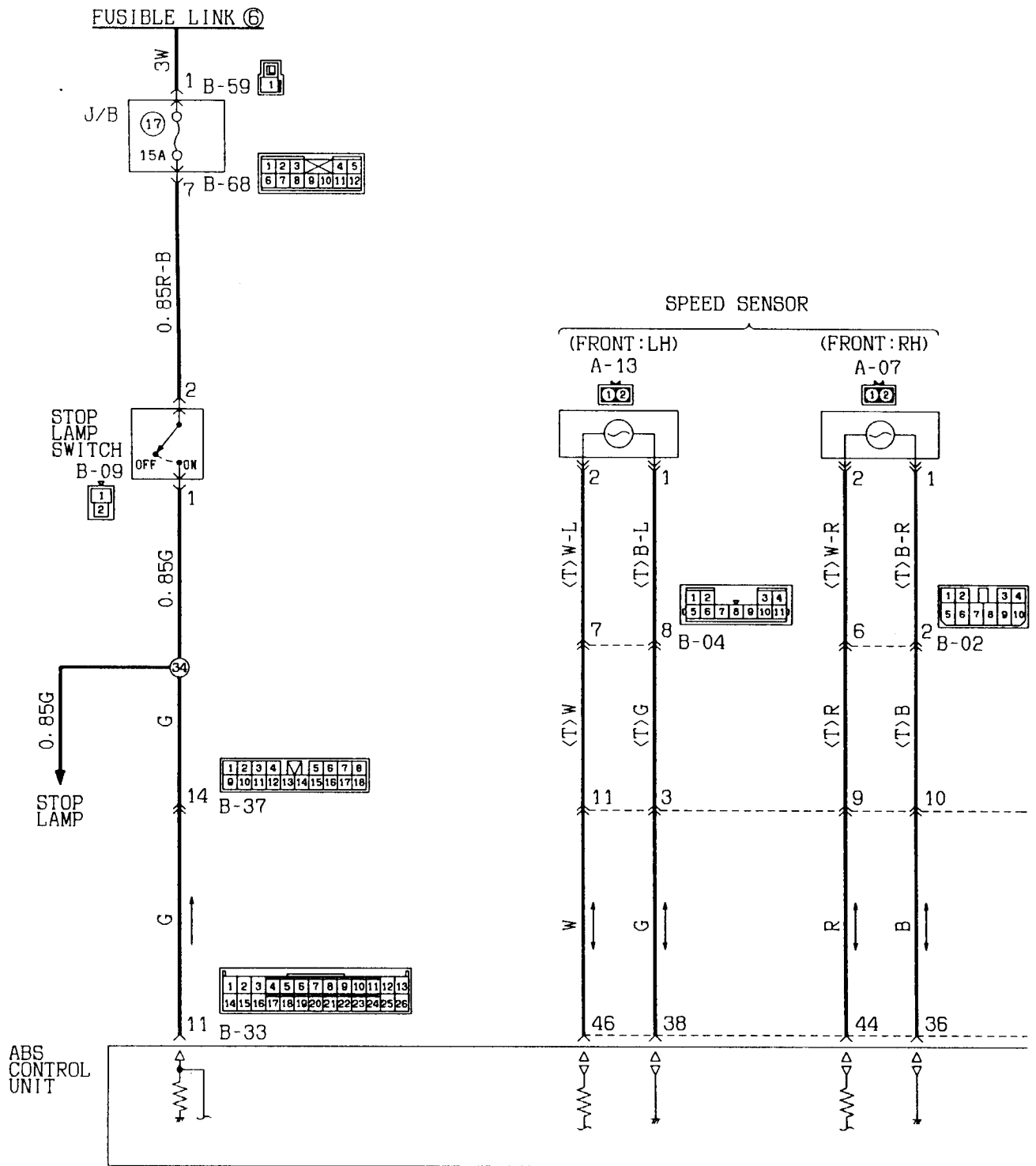
Hatchback (R. H. drive vehicles)



Wire colour code
 B:Black LG:Light green G:Green L:Blue W:White Y:Yellow SB:Sky blue
 BR:Brown O:Orange GR:Gray R:Red P:Pink V:Violet

KX35-AC-E1518-EC

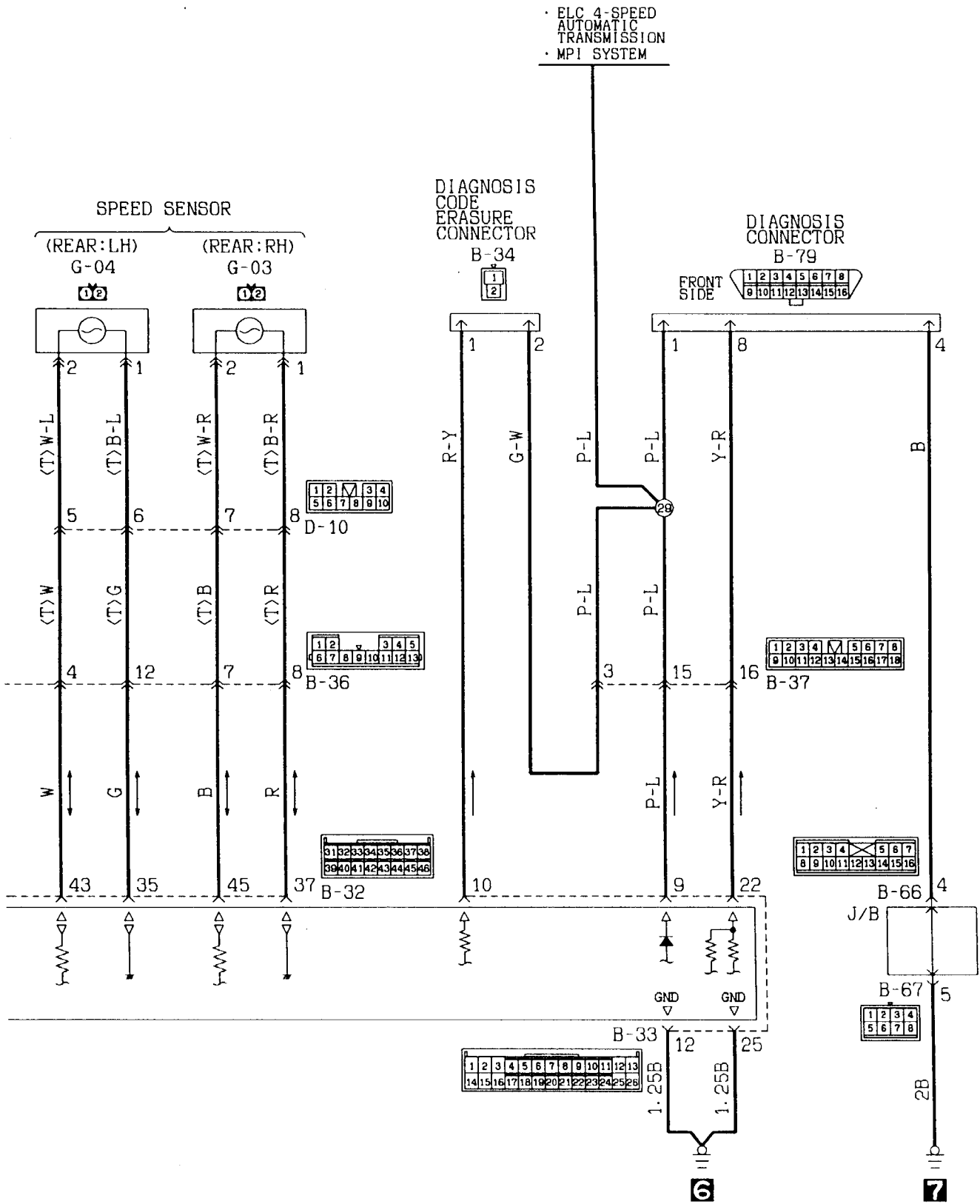




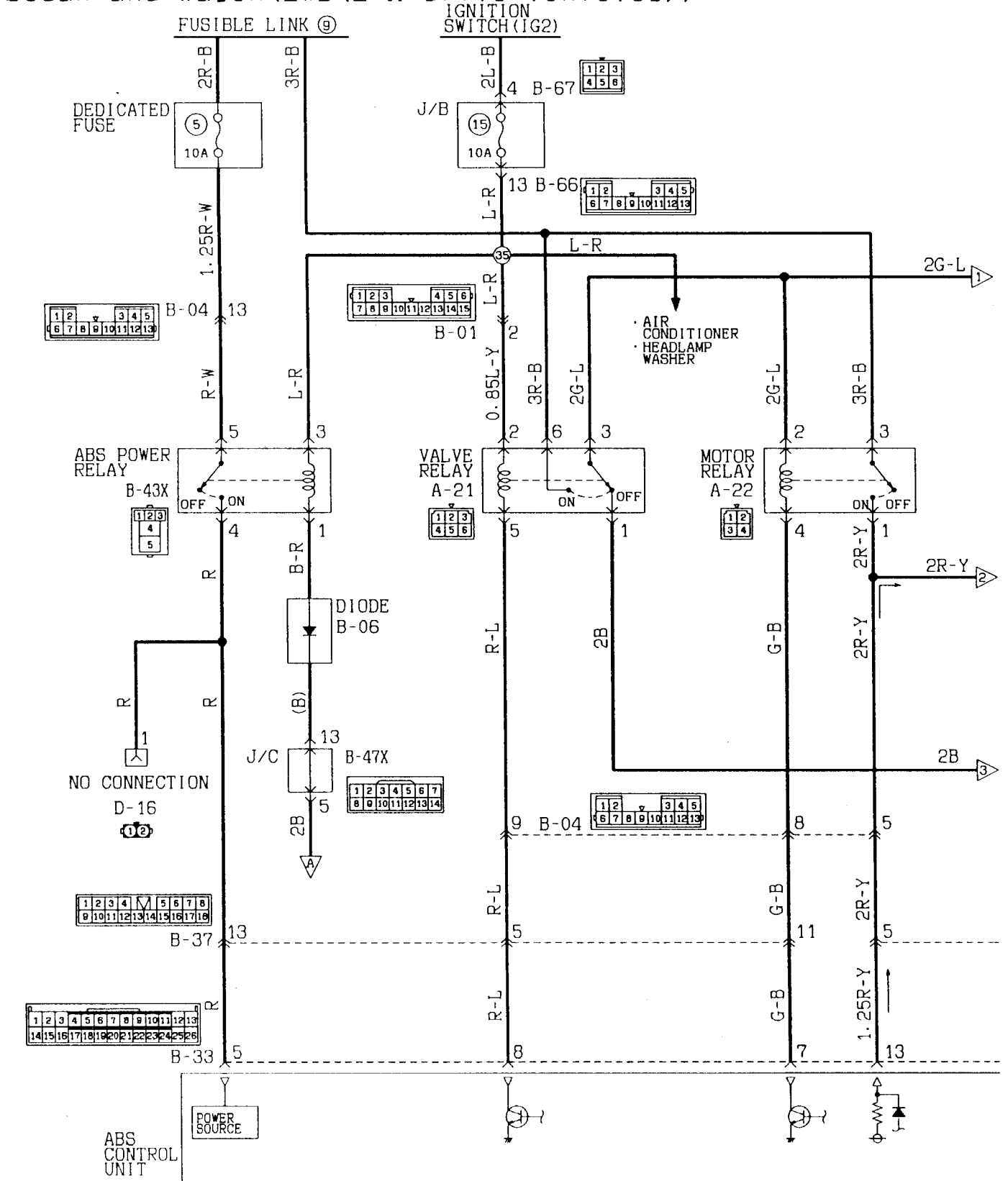
Wire colour code

B:Black LG:Light green G:Green L:Blue W:White Y:Yellow SB:Sky blue
 BR:Brown O:Orange GR:Gray R:Red P:Pink V:Violet

KX35-AC-E1518A-EC

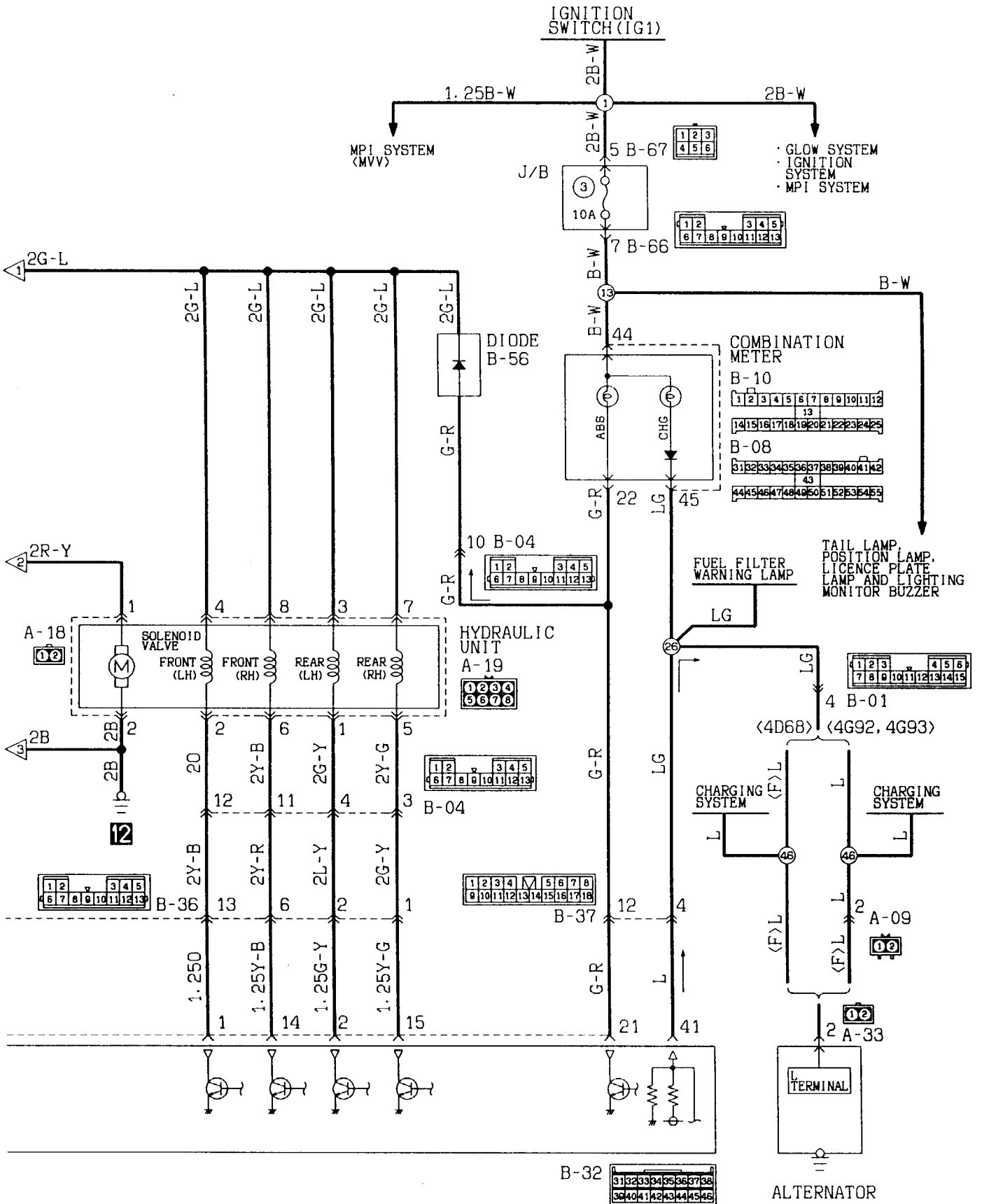


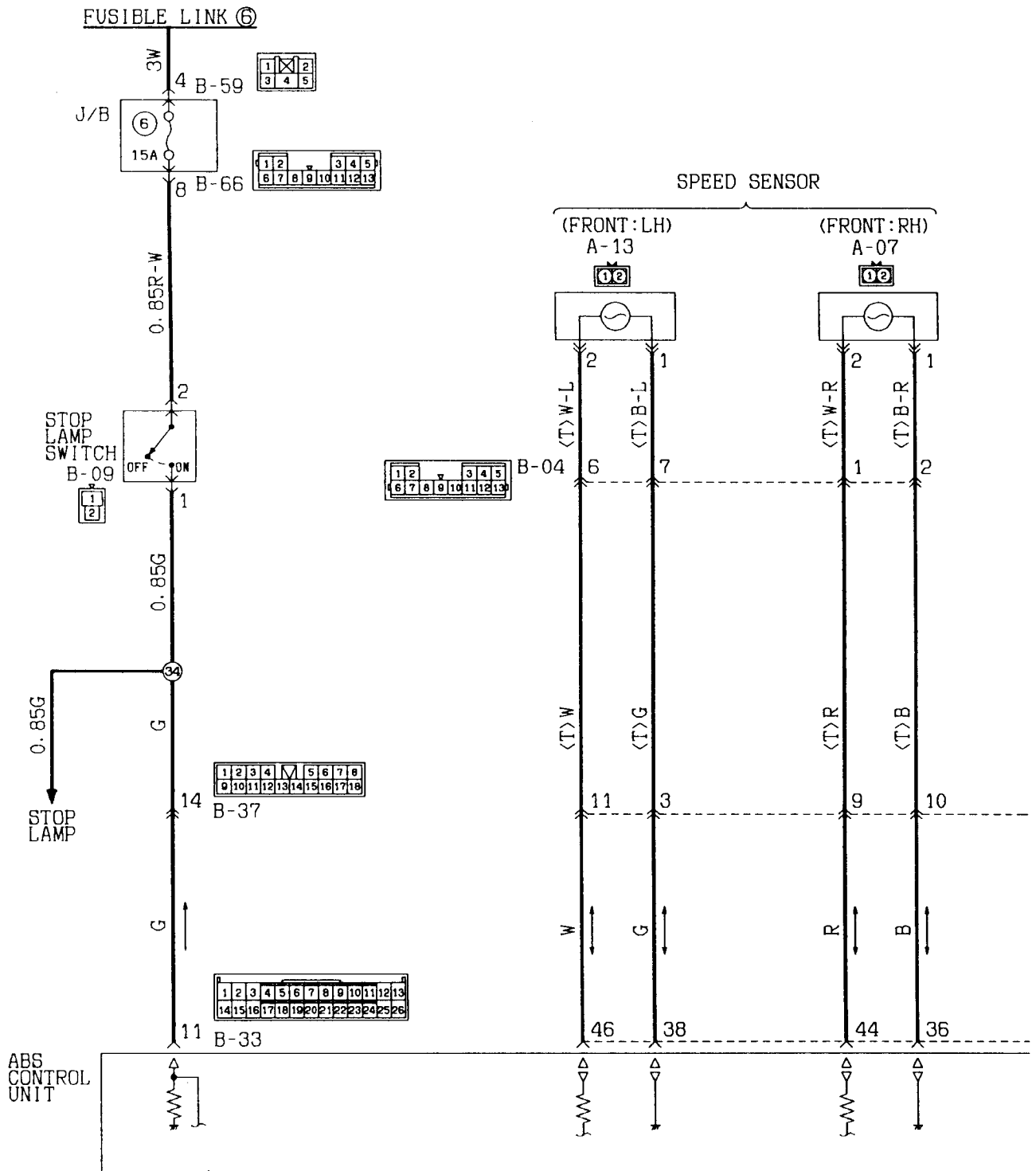
ANTI-LOCK BRAKE SYSTEM
Sedan and wagon (2WD (L.H. drive vehicles))



Wire colour code
 B:Black LG:Light green G:Green L:Blue W:White Y:Yellow SB:Sky blue
 BR:Brown O:Orange GR:Gray R:Red P:Pink V:Violet

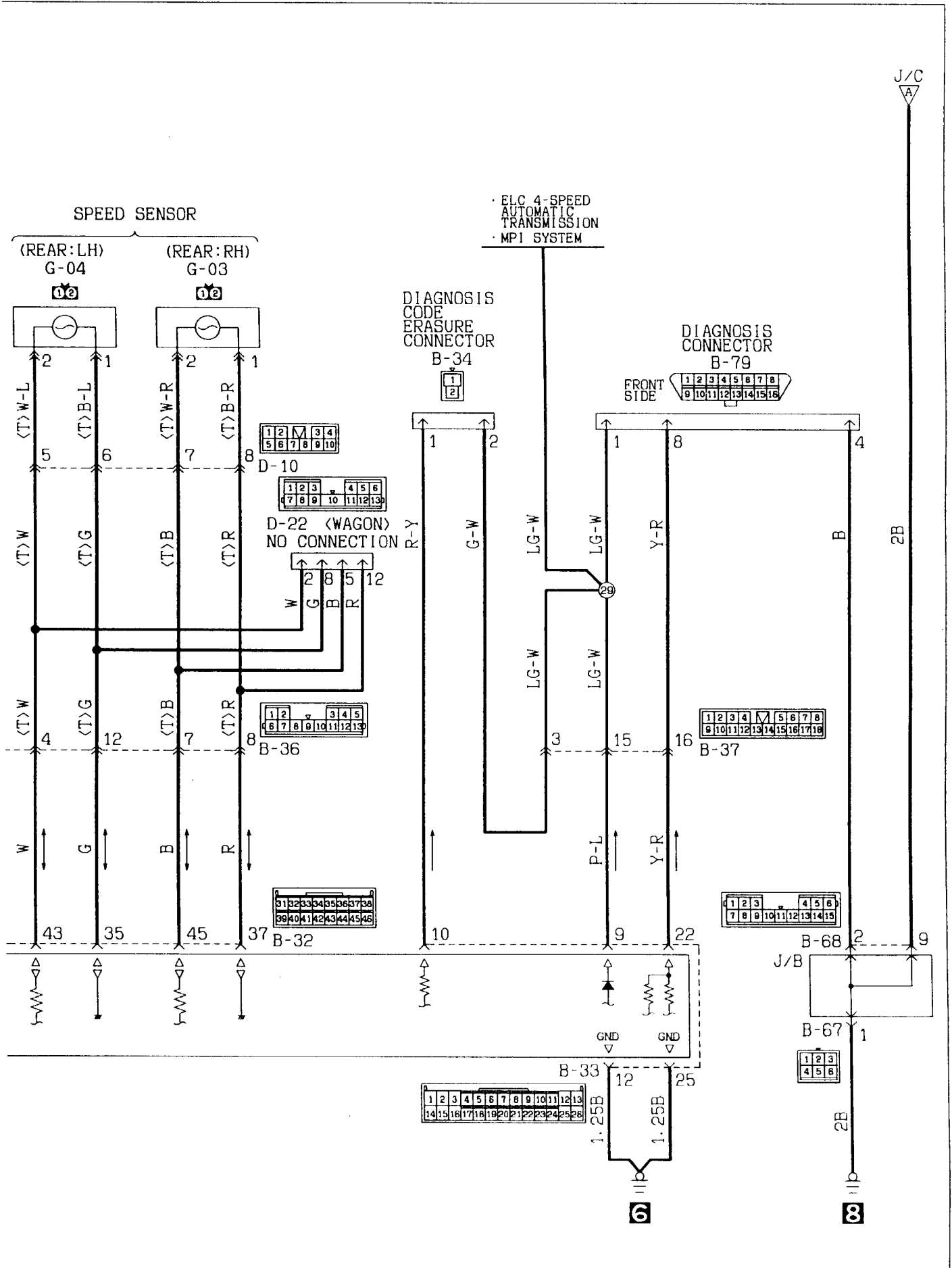
KX35-AC-E1510-EC



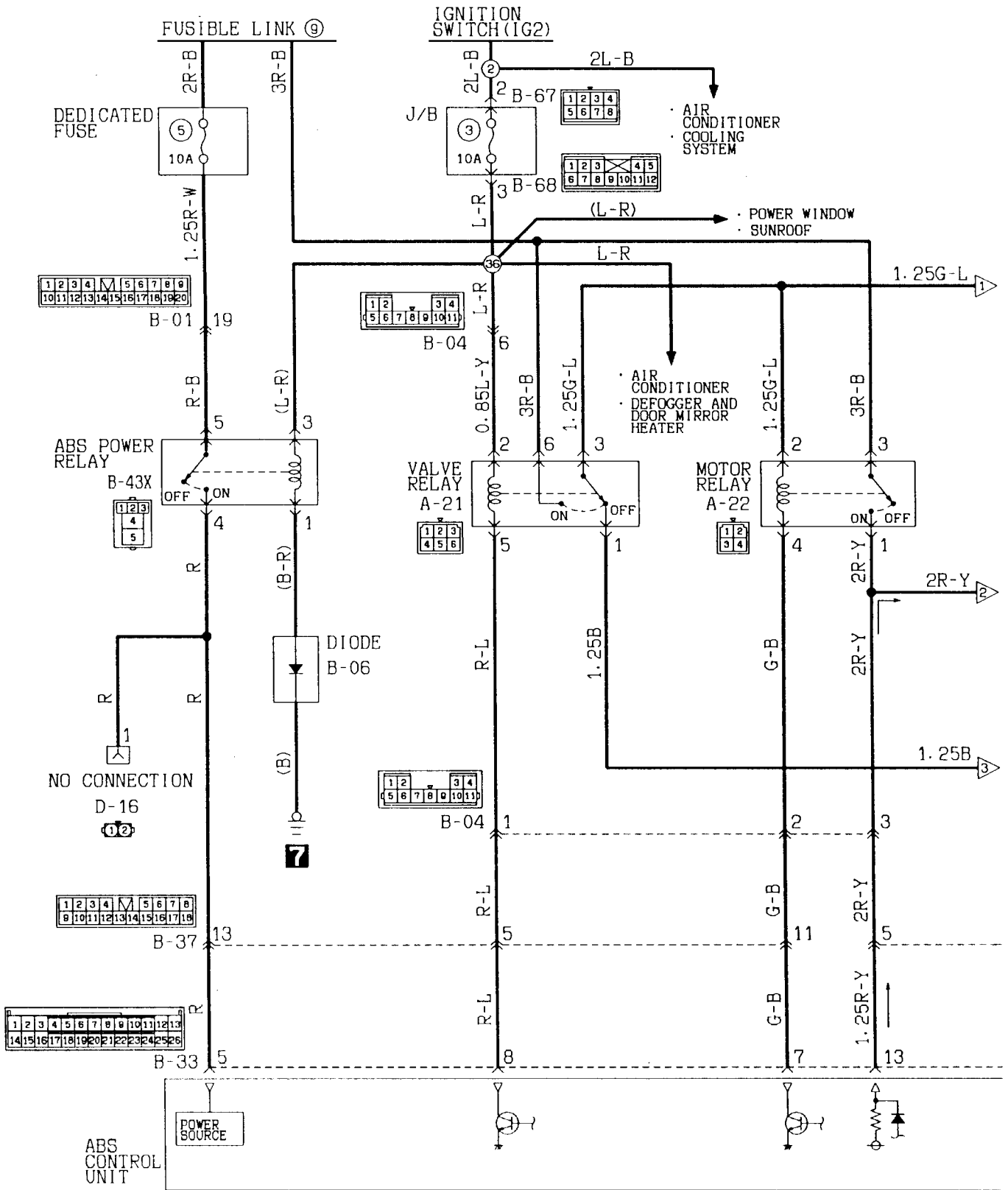


Wire colour code
 B:Black LG:Light green G:Green L:Blue W:White Y:Yellow SB:Sky blue
 BR:Brown O:Orange GR:Gray R:Red P:Pink V:Violet

KX35-AC-E1510A-EC

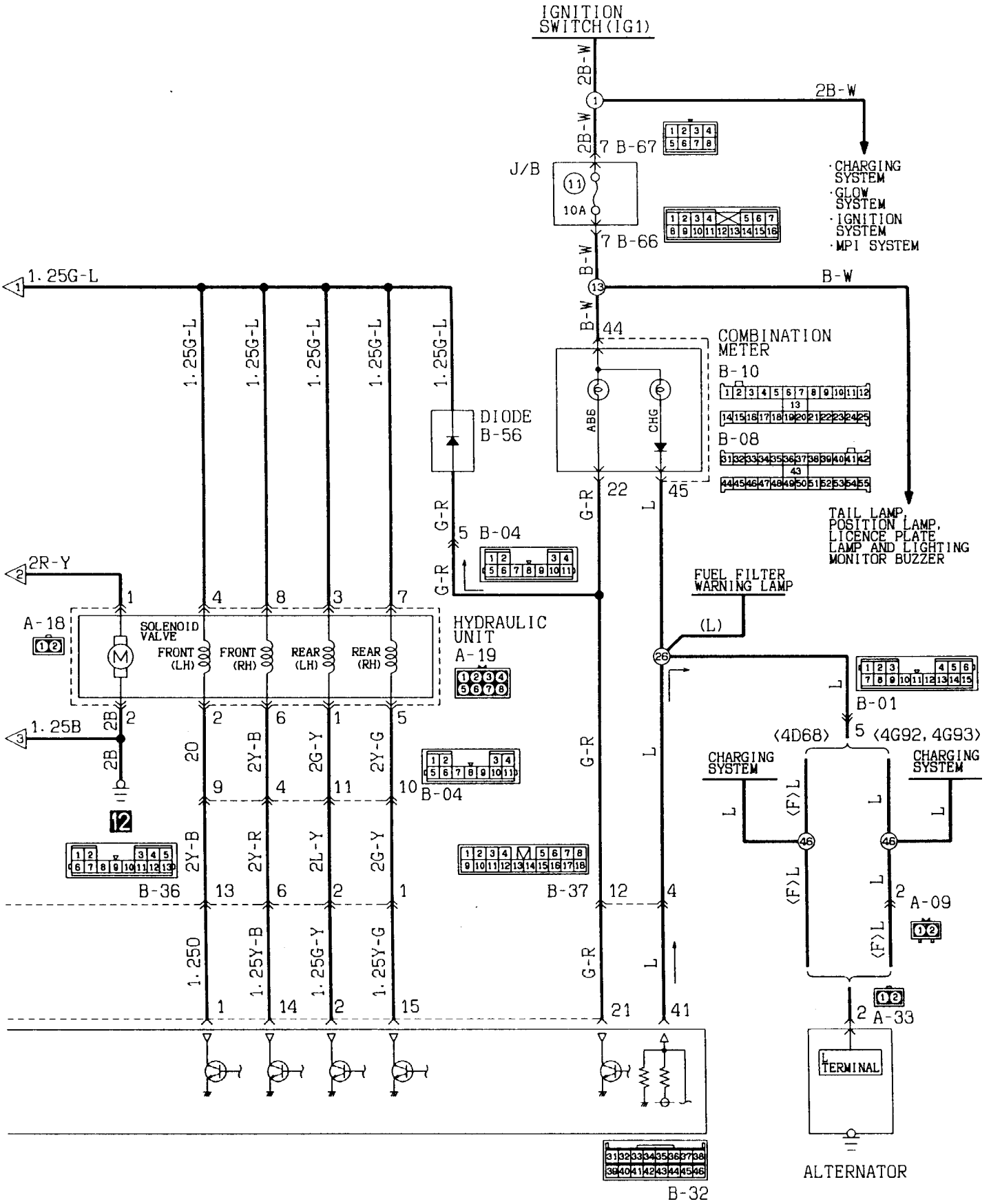


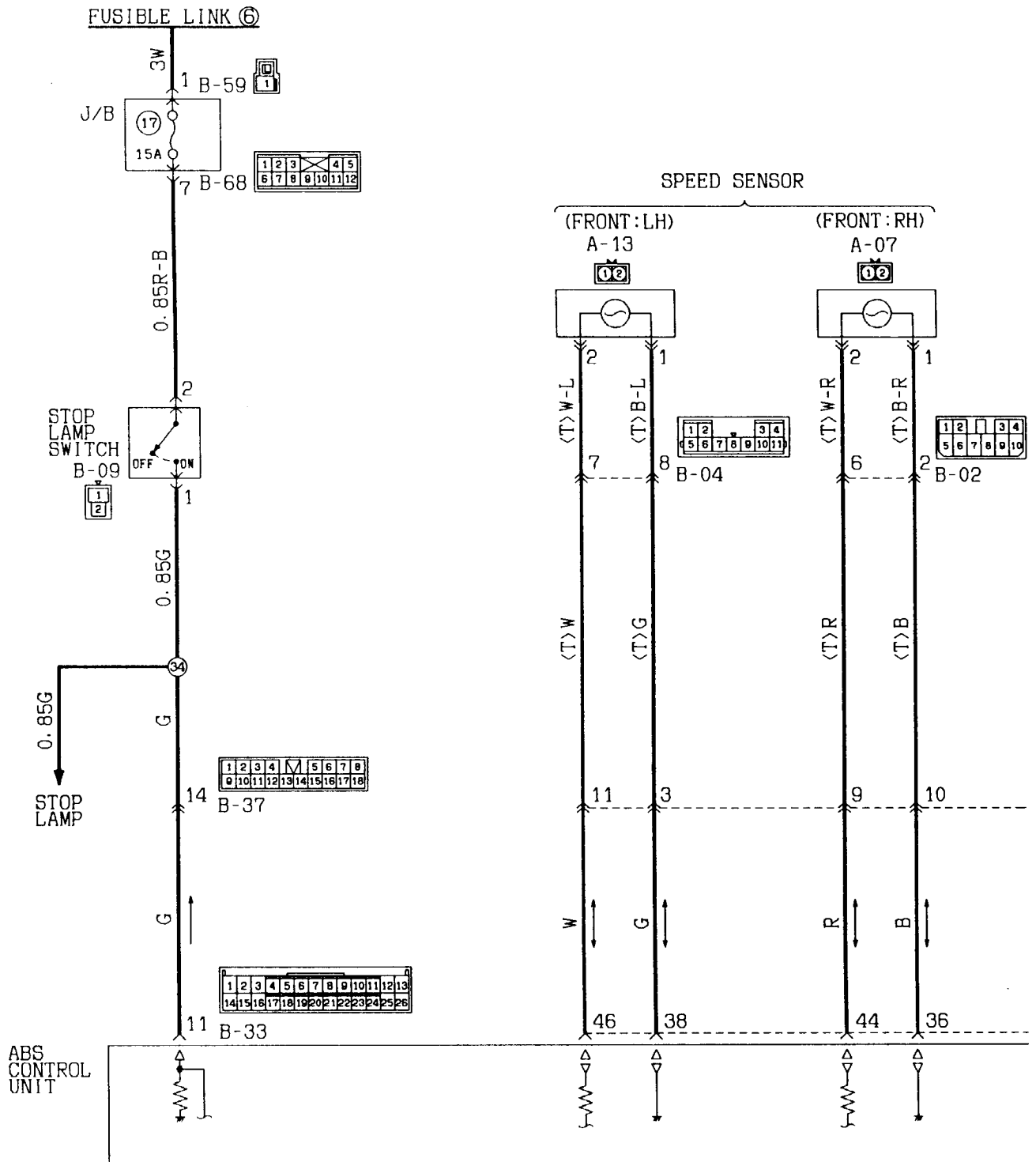
ANTI-LOCK BRAKE SYSTEM
Sedan and wagon (2WD (R. H. drive vehicles))



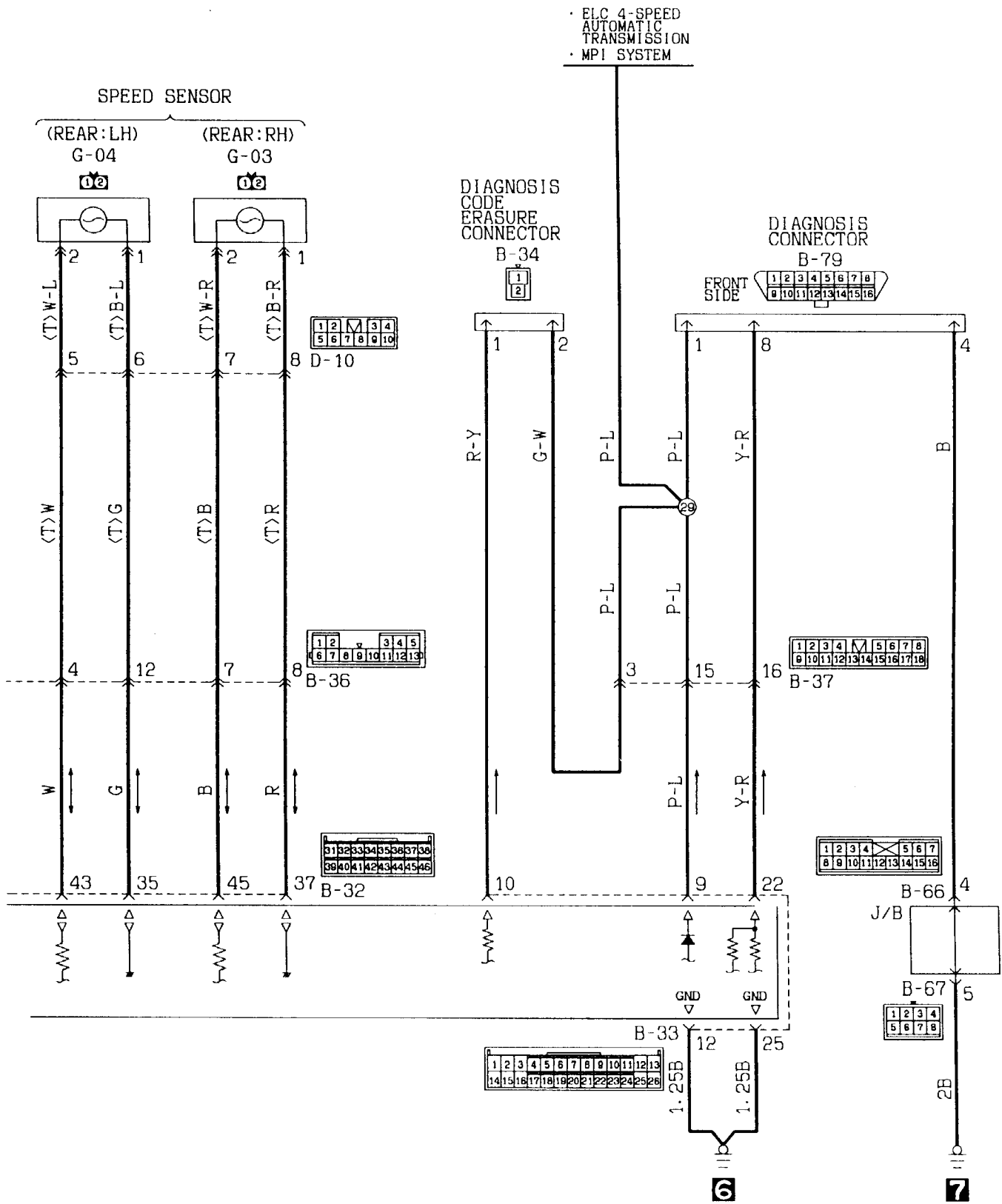
Wire colour code
 B:Black LG:Light green G:Green L:Blue W:White Y:Yellow SB:Sky blue
 BR:Brown O:Orange GR:Gray R:Red P:Pink V:Violet

KX35-AC-E1520-EC

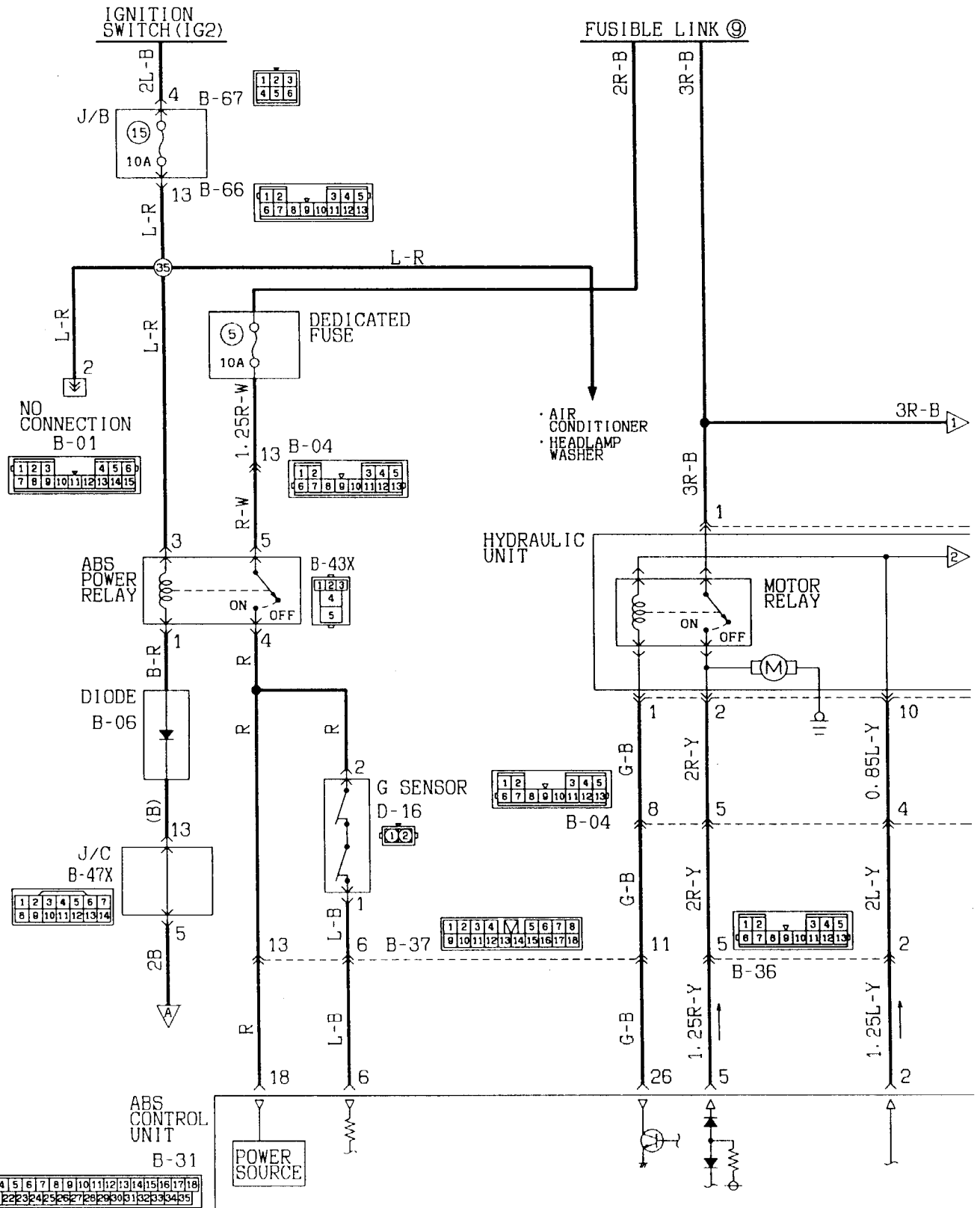




Wire colour code
 B:Black LG:Light green G:Green L:Blue W:White Y:Yellow SB:Sky blue
 BR:Brown O:Orange GR:Gray R:Red P:Pink V:Violet

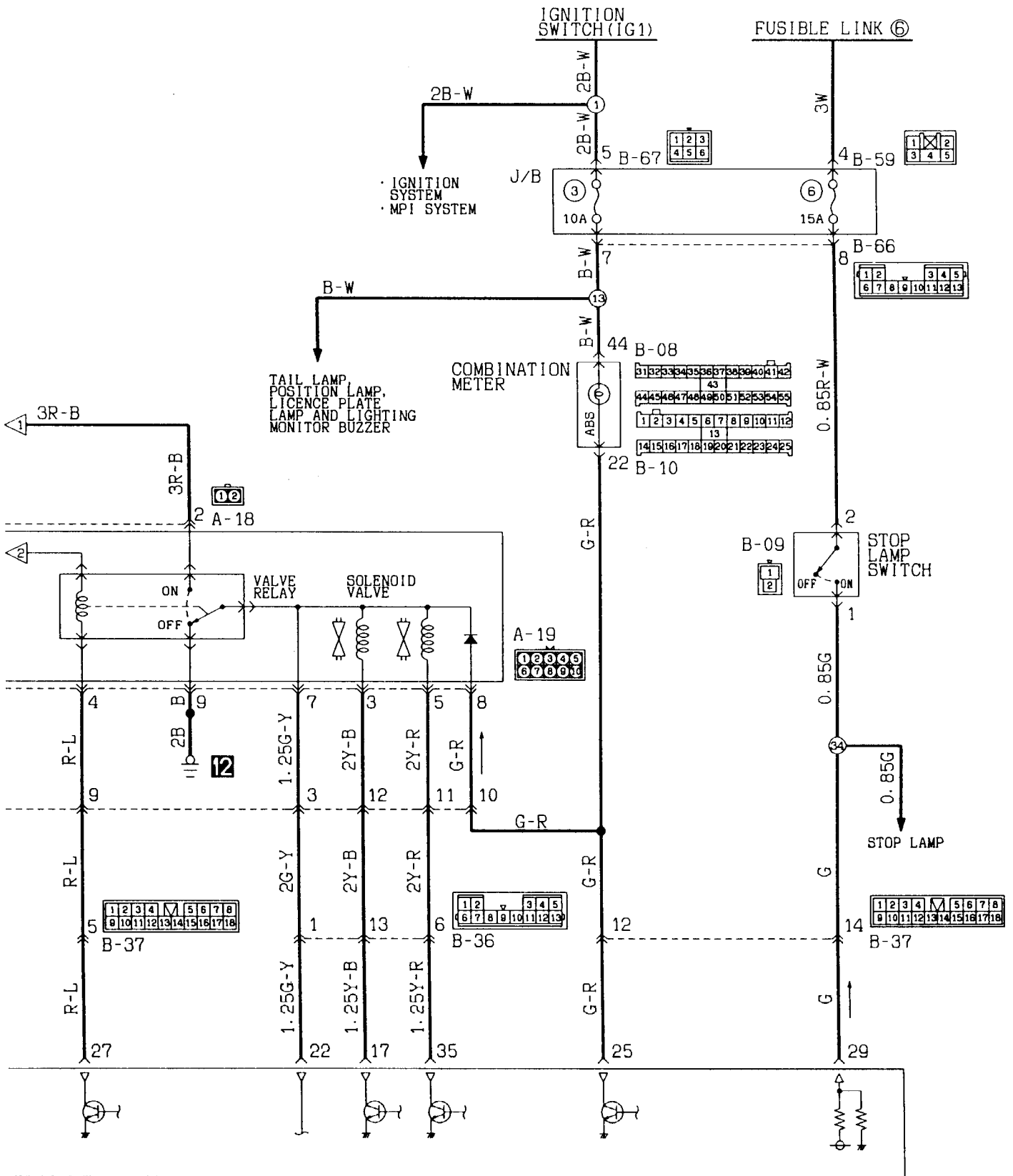


ANTI-LOCK BRAKE SYSTEM
Wagon<4WD(L. H. drive vehicles)>

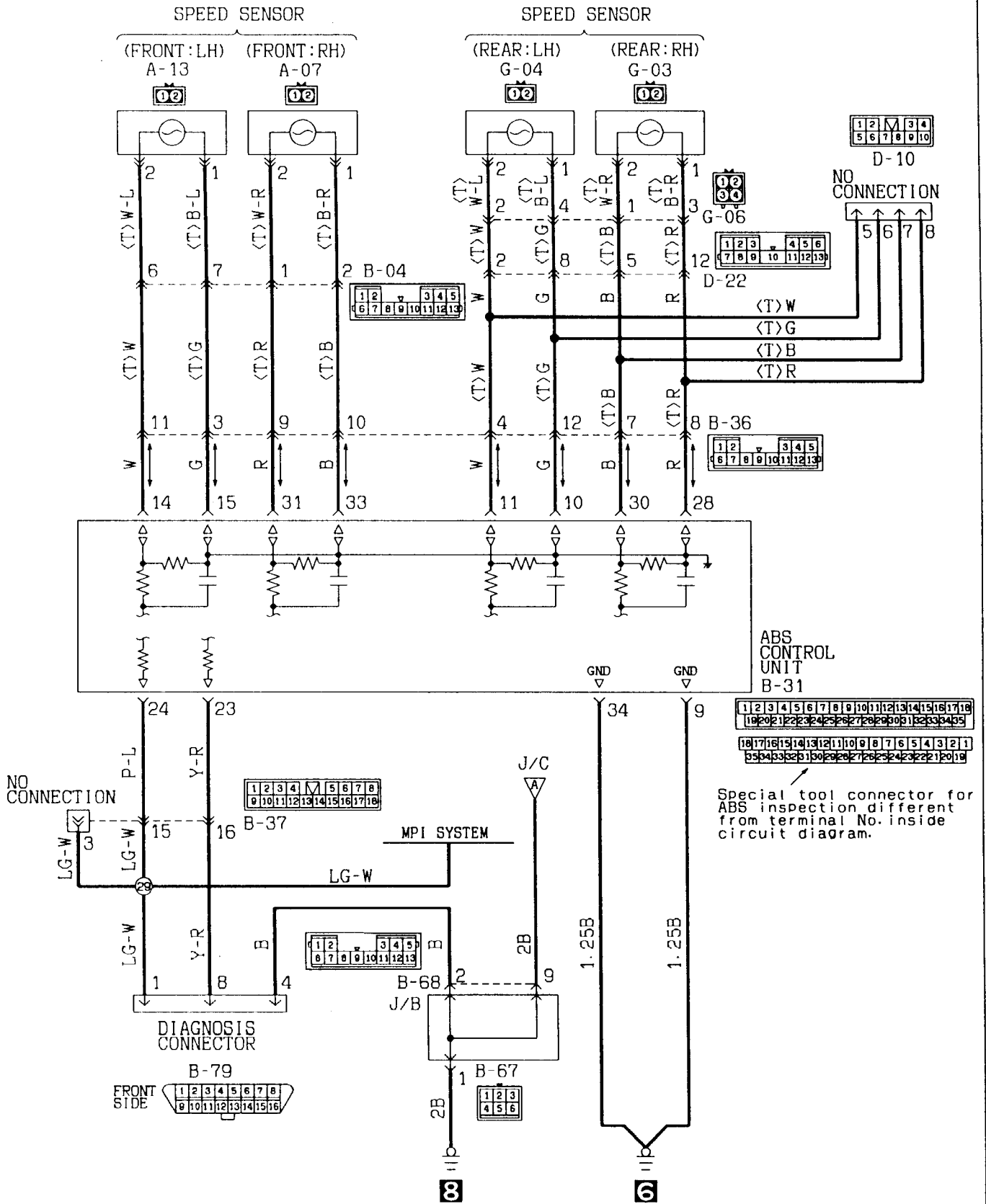


Special tool connector for ABS inspection different from terminal NO. inside circuit diagram.

KX35-AC-E1521-EC



Wire colour code
 B:Black LG:Light green G:Green L:Blue W:White Y:Yellow SB:Sky blue
 BR:Brown O:Orange GR:Gray R:Red P:Pink V:Violet

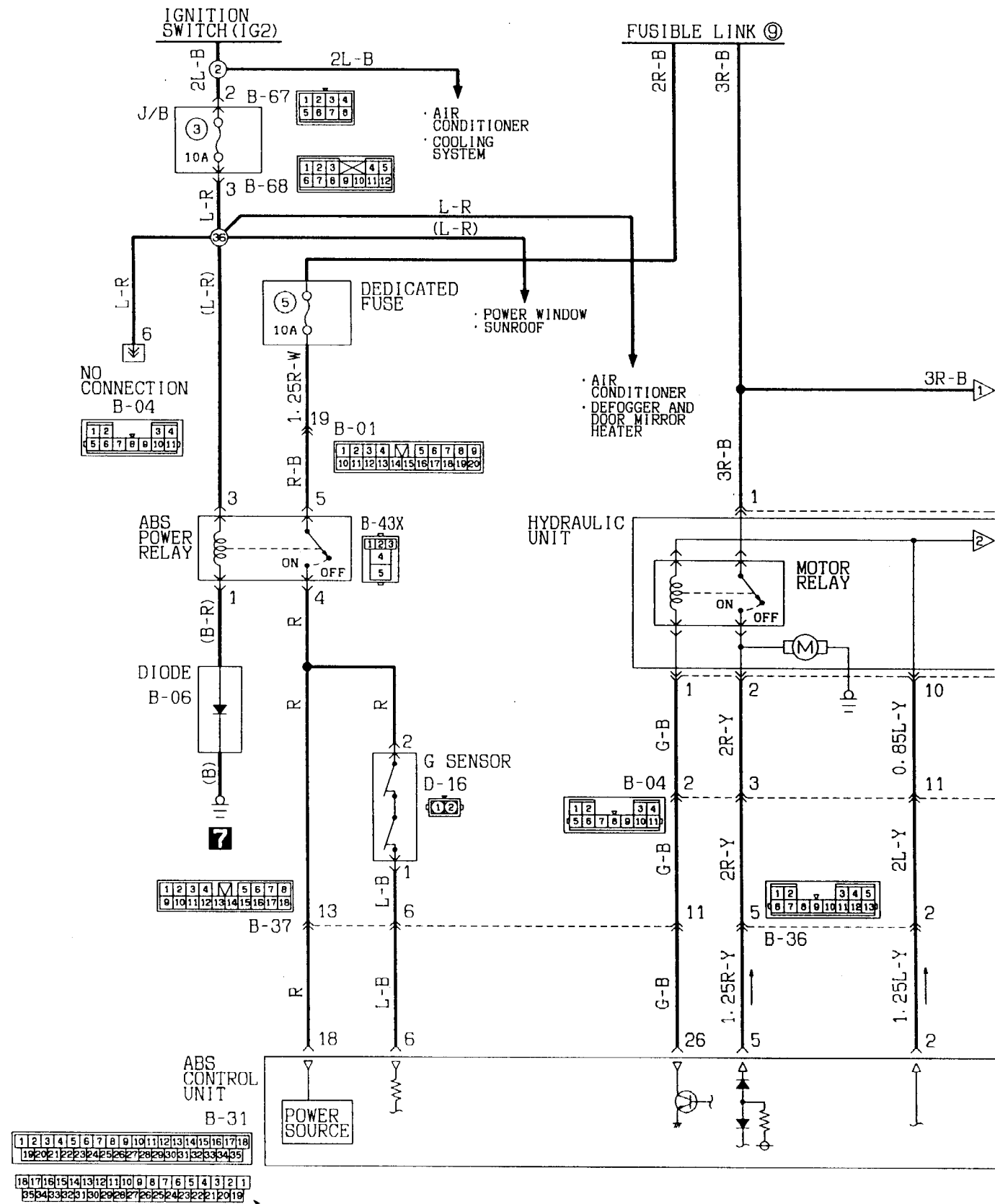


Wire colour code
 B:Black LG:Light green G:Green L:Blue W:White Y:Yellow SB:Sky blue
 BR:Brown O:Orange GR:Gray R:Red P:Pink V:Violet

KX35-AC-E1521A-EC

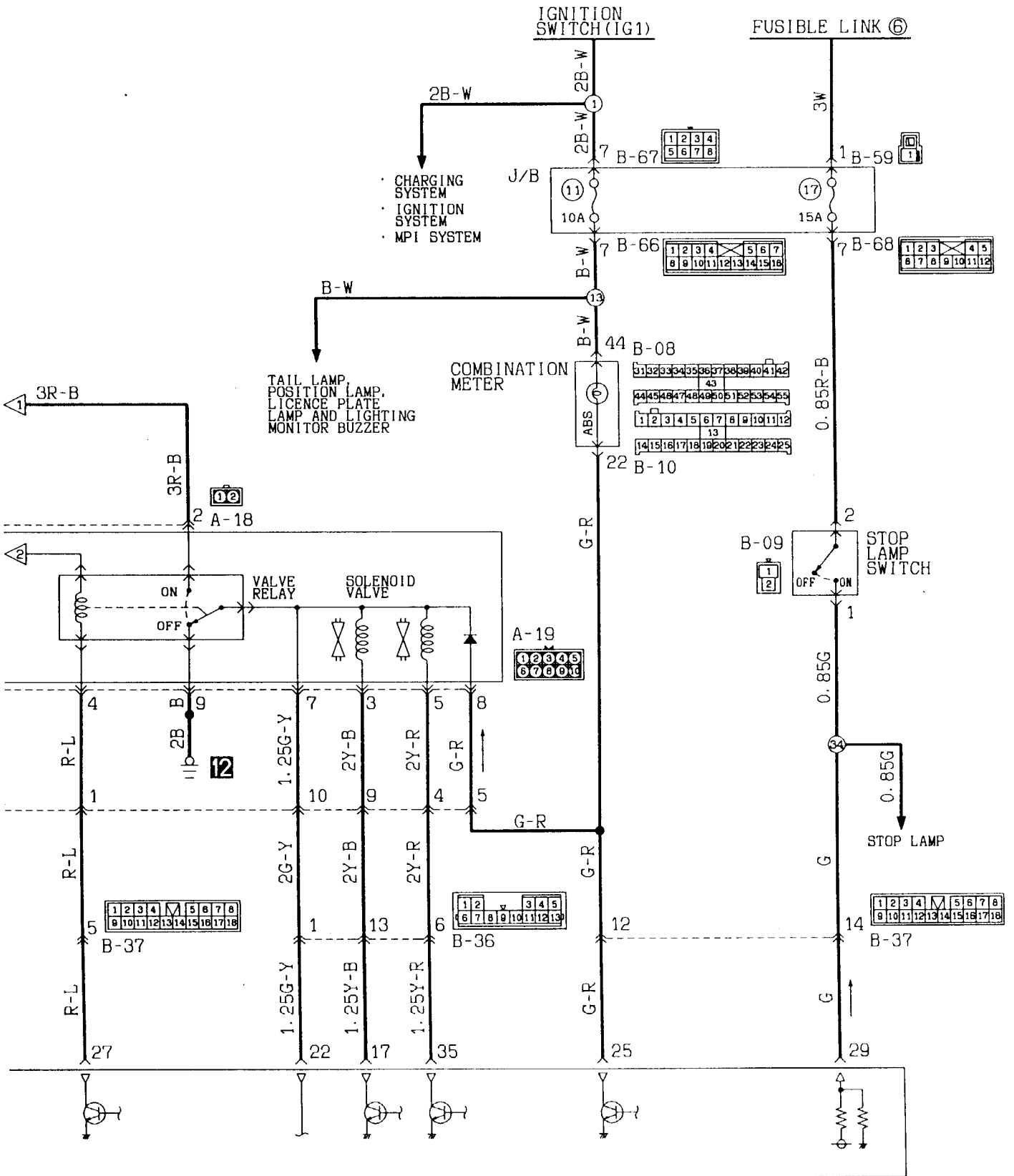
ANTI-LOCK BRAKE SYSTEM

Wagon<4WD (R. H. drive vehicles)>

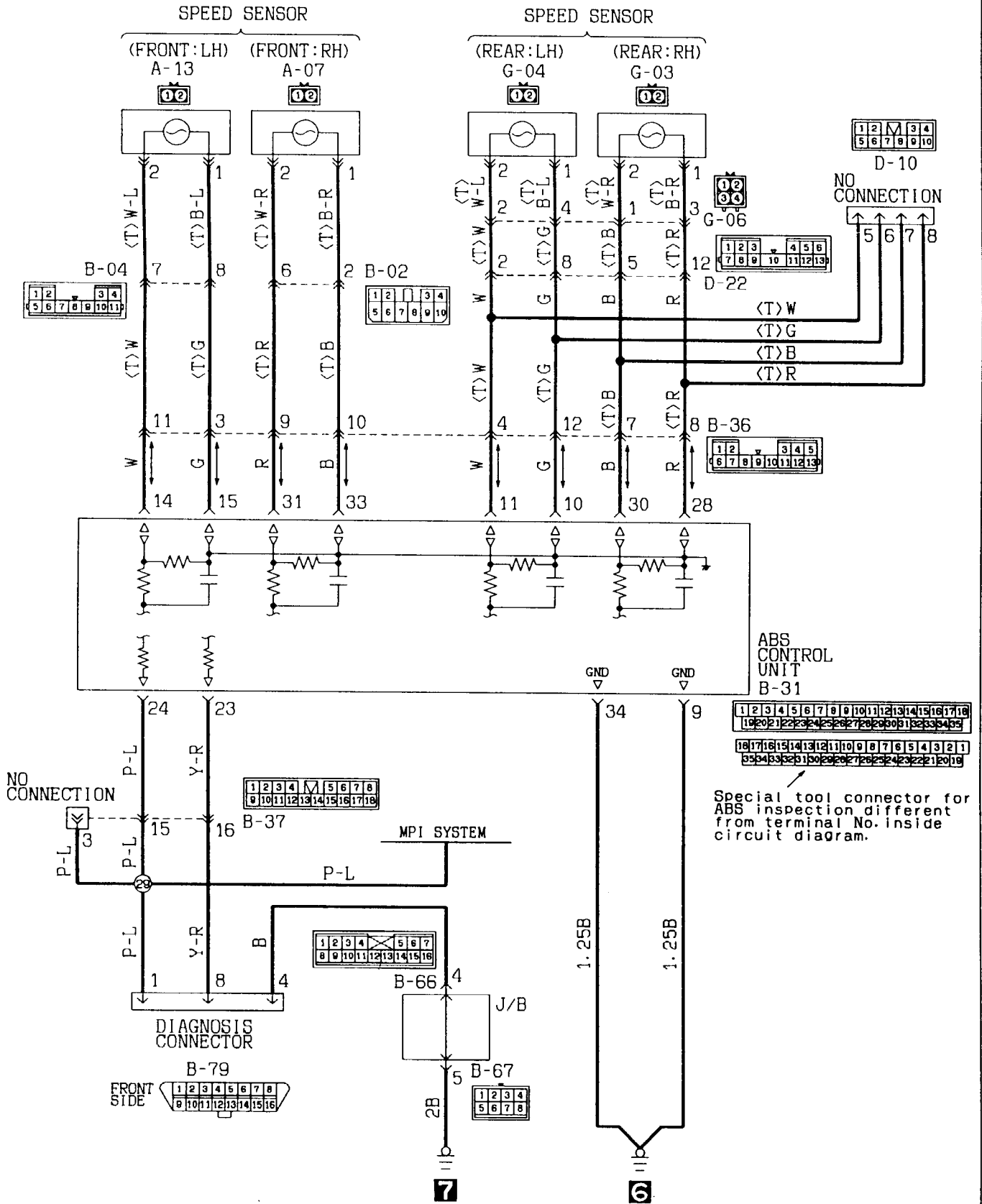


Special tool connector for ABS inspection different from terminal No. inside circuit diagram.

KX35-AC-E1522-EC



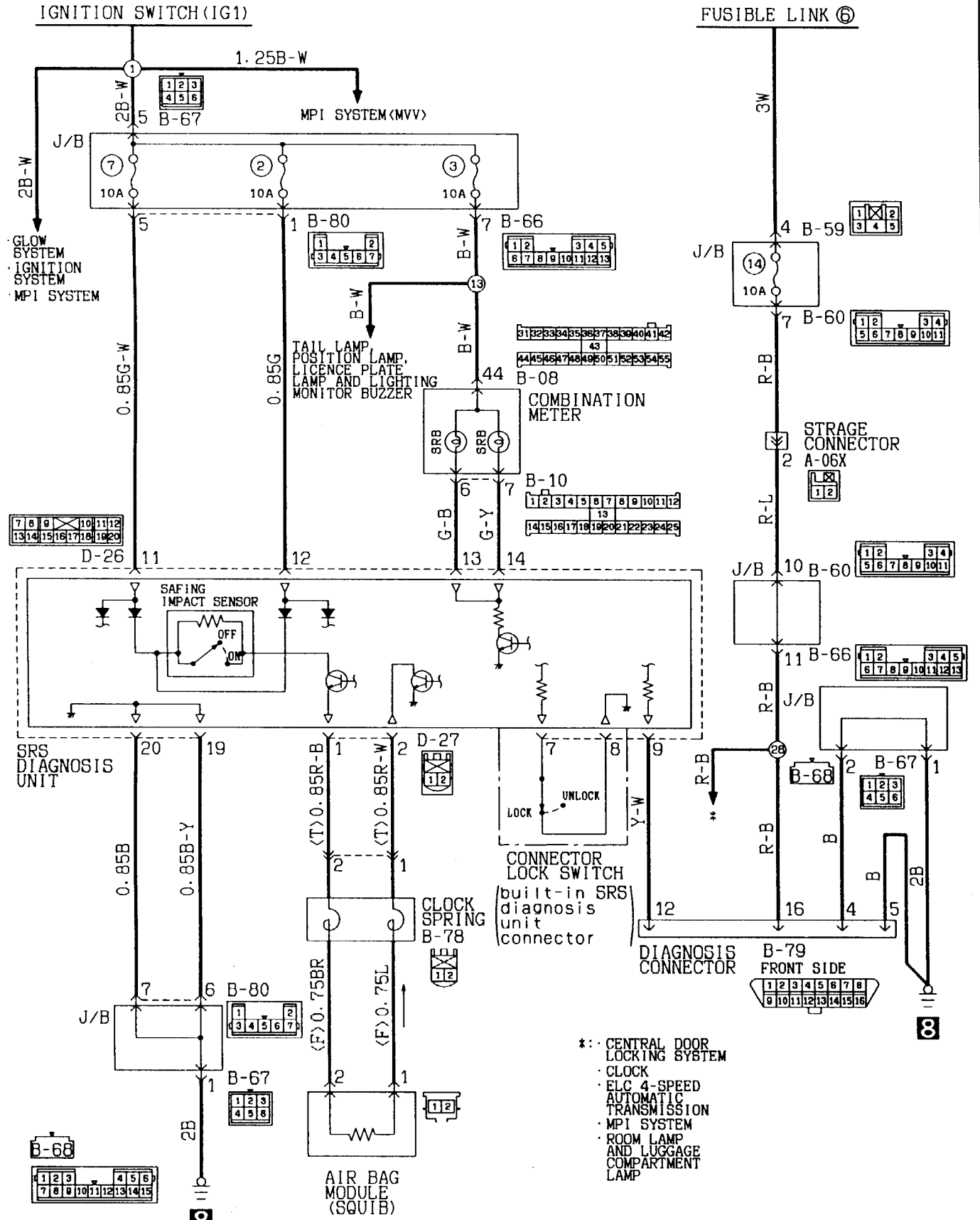
Wire colour code
 B:Black LG:Light green G:Green L:Blue W:White Y:Yellow SB:Sky blue
 BR:Brown O:Orange GR:Gray R:Red P:Pink V:Violet



Wire colour code
 B:Black LG:Light green G:Green L:Blue W:White Y:Yellow SB:Sky blue
 BR:Brown O:Orange GR:Gray R:Red P:Pink V:Violet

SUPPLEMENTAL REATRAINT SYSTEM

L.H. drive vehicles



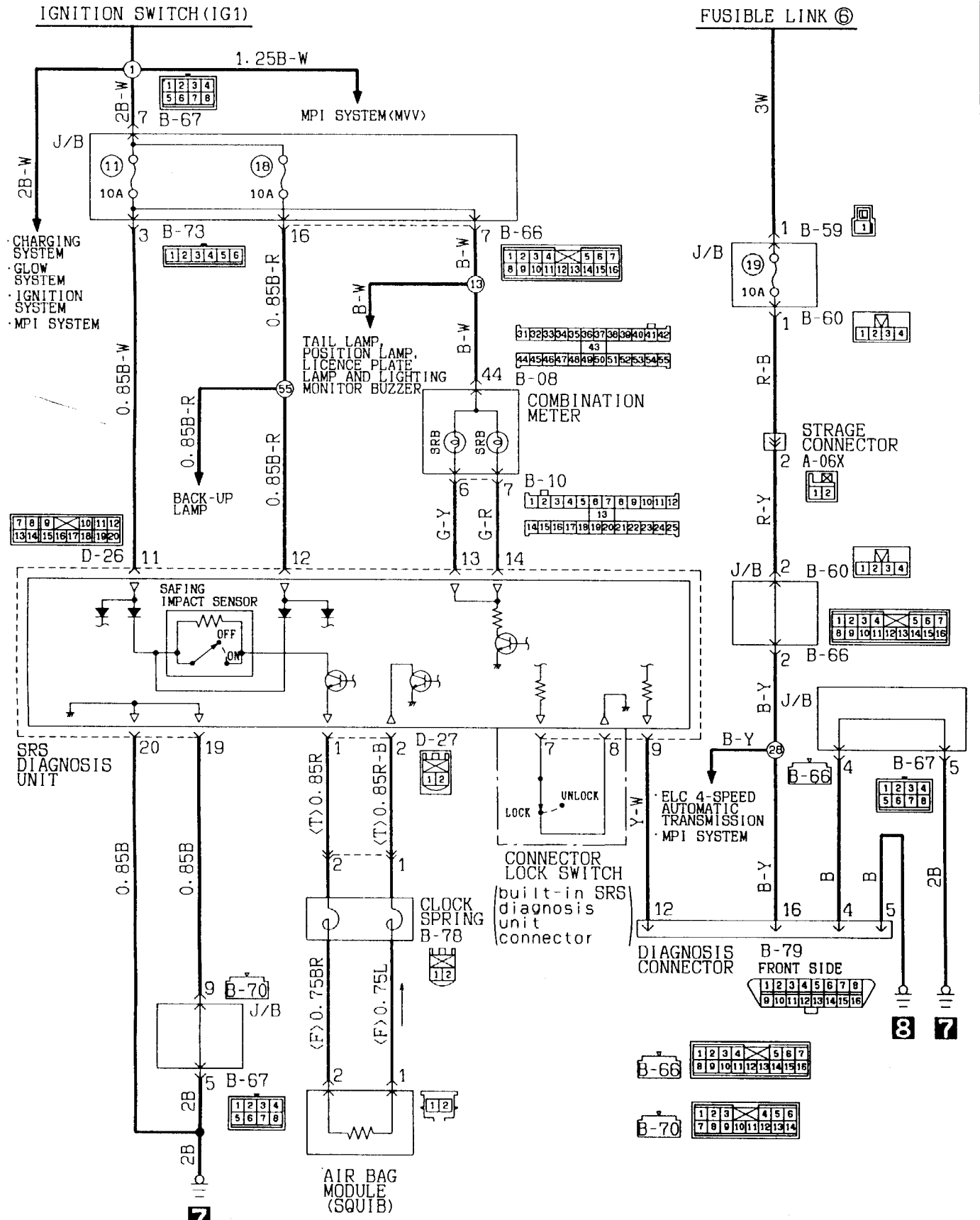
- *: CENTRAL DOOR LOCKING SYSTEM
- CLOCK
- ELC 4-SPEED AUTOMATIC TRANSMISSION
- MPI SYSTEM
- ROOM LAMP AND LUGGAGE COMPARTMENT LAMP

Wire colour code
 B:Black LG:Light green G:Green L:Blue W:White Y:Yellow SB:Sky blue
 BR:Brown O:Orange GR:Gray R:Red P:Pink V:Violet

KX35-AC-E1523-EC

SUPPLEMENTAL REATRAINT SYSTEM

R. H. drive vehicles



Wire colour code
 B:Black LG:Light green G:Green L:Blue W:White Y:Yellow SB:Sky blue
 BR:Brown O:Orange GR:Gray R:Red P:Pink V:Violet

KX35-AC-E1524-EC