

---

# WIRING HARNESS CONFIGURATION DIAGRAMS

## CONTENTS

### DASH PANEL **B**

L.H. drive vehicles .....	2-2
R.H. drive vehicles .....	2-4

### INSTRUMENT PANEL **C**

L.H. drive vehicles .....	2-6
R.H. drive vehicles .....	2-7

### INTERIOR **D**

L.H. drive vehicles .....	2-8
R.H. drive vehicles .....	2-9

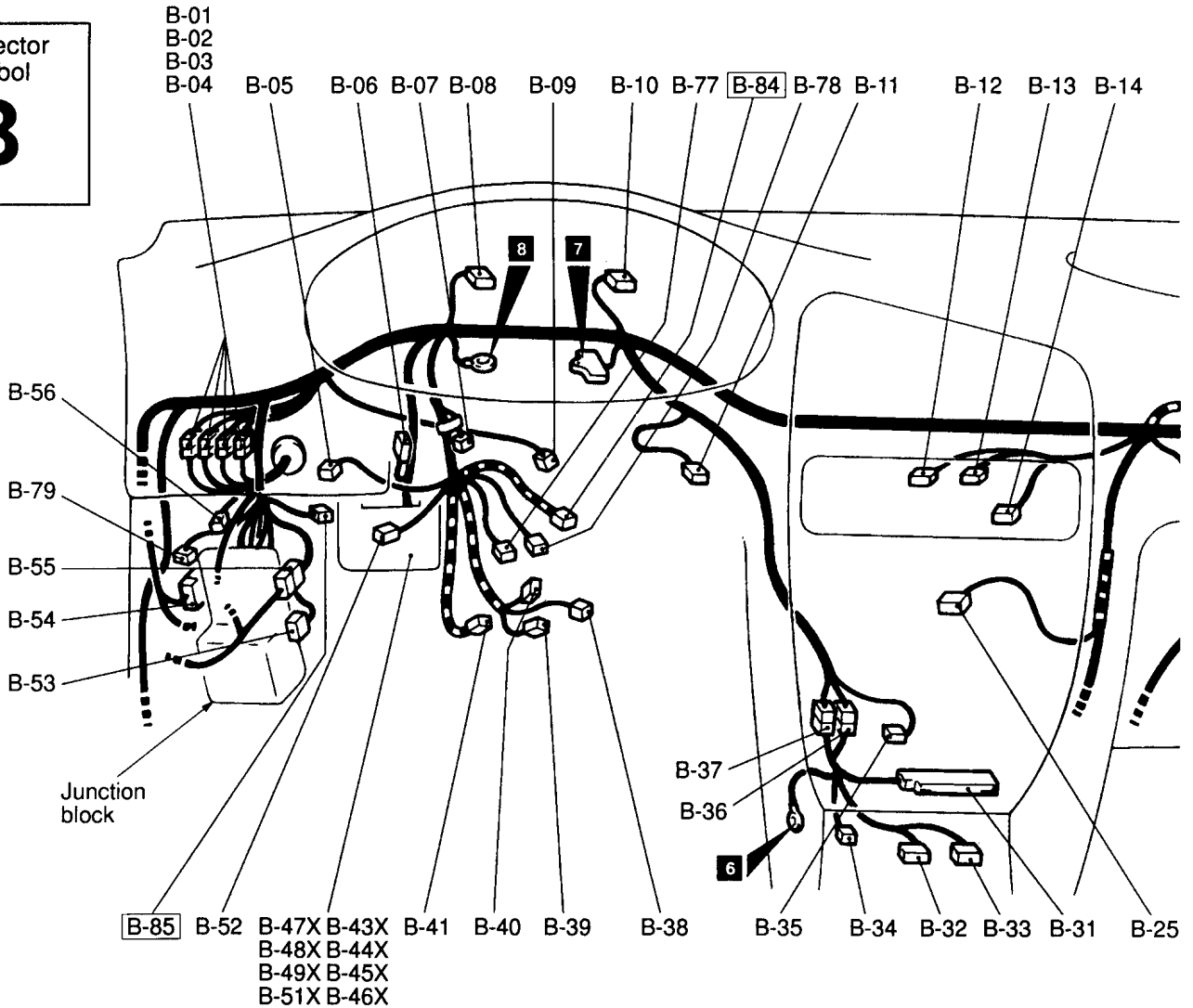
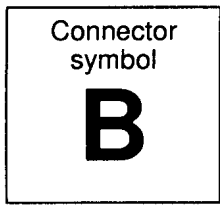
### DOOR **E**

L.H. drive vehicles .....	2-10
R.H. drive vehicles .....	2-11

---

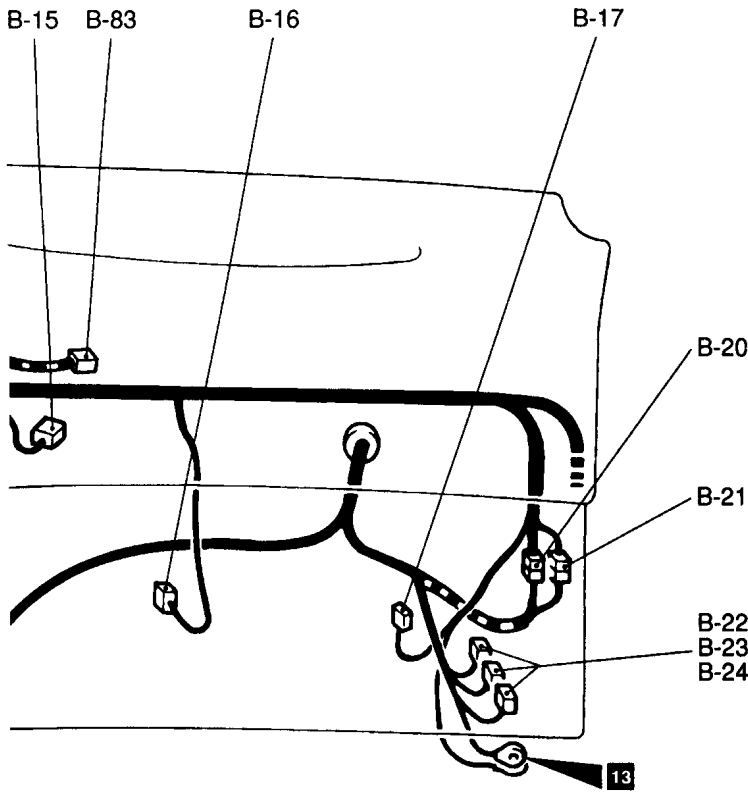
DASH PANEL

L.H. drive vehicles



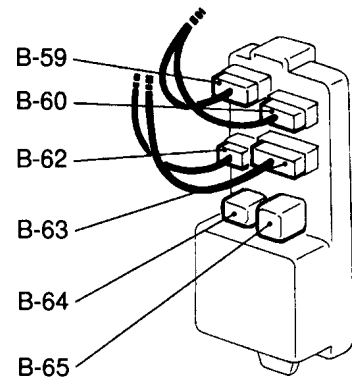
- B-01 } Body wiring harness and front wiring harness
- thru } combination
- B-04 }
- B-05 Remote controlled mirror switch
- B-06 Diode (for ABS circuit)
- B-07 Diode (for rear fog lamp circuit)
- B-08 Combination meter
- B-09 Stop lamp switch
- B-10 Combination meter
- B-11 Rear wiper and washer switch
- B-12 A/C switch
- B-13 Blower switch
- B-14 Clock
- B-15 Automatic compressor control unit
- B-16 Resistor
- B-17 Blower motor
- B-18 -
- B-19 -
- B-20 } Body wiring harness and control wiring harness
- B-21 } combination

- B-22 } Engine control unit
- B-23 }
- B-24 }
- B-25 Radio and tape player
- B-26 } -
- thru }
- B-30 }
- B-31 ABS control unit <4WD>
- B-32 } ABS control unit <2WD>
- B-33 }
- B-34 Diagnosis code erasure connector <ABS - 2WD>
- B-35 Lighting monitor buzzer
- B-36 } Body wiring harness and ABS wiring harness
- B-37 } combination
- B-38 }
- B-39 } Column switch
- B-40 }
- B-41 Ignition switch
- B-42 -



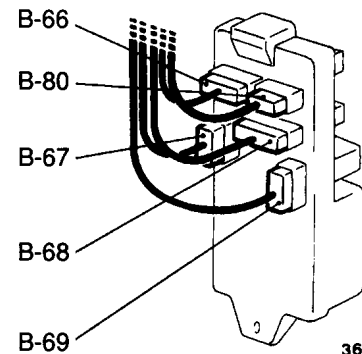
36S0376

Junction block  
(Front side)



36S0076

(Rear side)



36S0244

- B-43X ABS power relay
- B-44X Power window relay
- B-45X Defogger relay
- B-46X Door lock control unit
- B-47X Jumper connector
- B-48X Diode (for headlamp circuit)
- B-49X Front fog lamp relay
- B-50X -
- B-51X Rear fog lamp relay
- B-52 Headlamp leveling switch
- B-53 Diagnosis connector
- B-54 Body wiring harness and roof wiring harness combination <Vehicles with sunroof>
- B-55 Body wiring harness and instrument panel wiring harness combination
- B-56 Diode (for ABS circuit) <2WD>
- B-57 -
- B-58 -
- B-59 } Front wiring harness and junction block combination
- B-60 }
- B-61 -
- B-62 Roof wiring harness and junction block combination

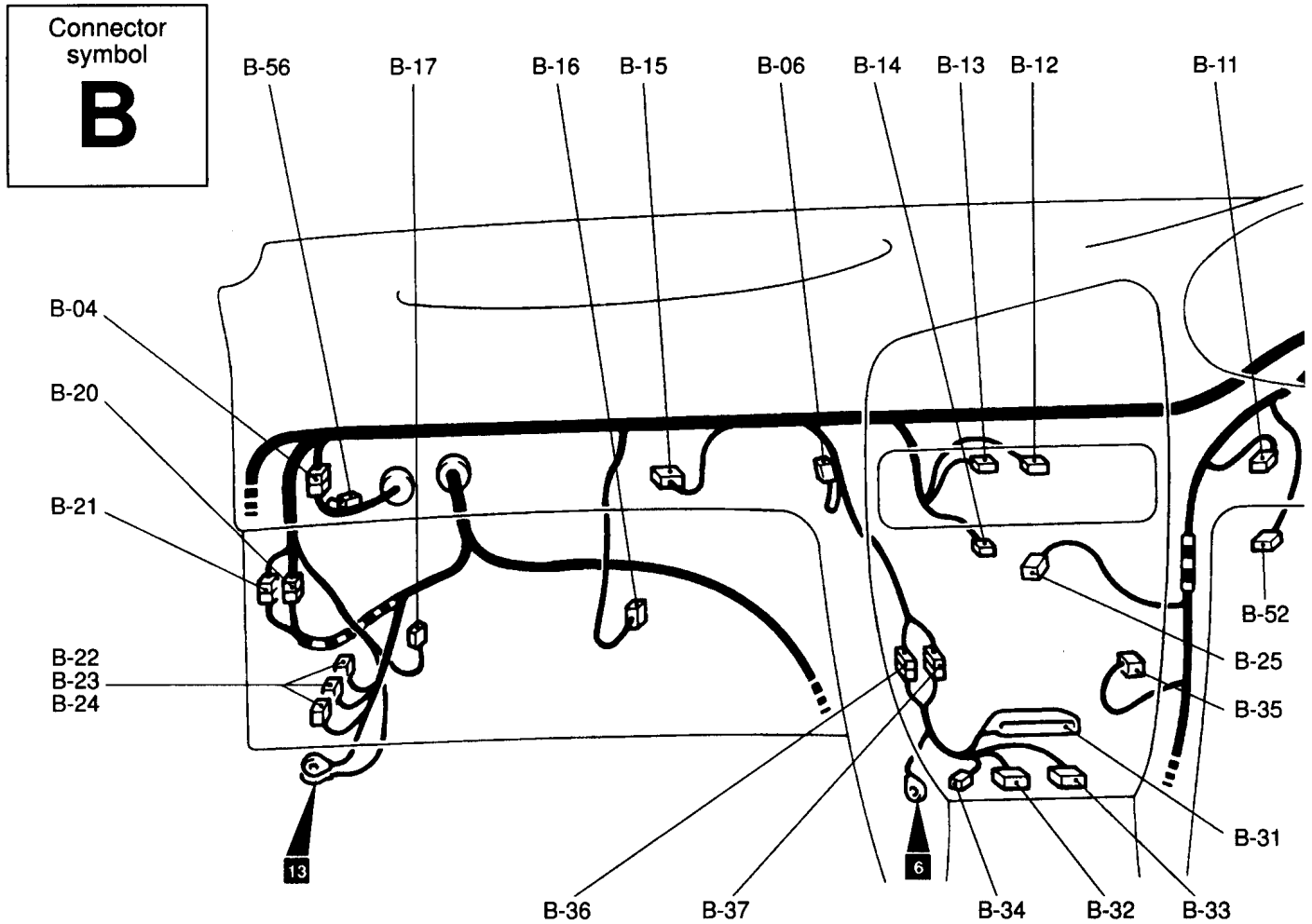
Refer to  
CENTRALIZED  
JUNCTION

- B-63 Instrument panel wiring harness and junction block combination
- B-64 Blower motor relay
- B-65 Turn-signal and hazard flasher unit
- B-66 } Body wiring harness and junction block combination
- B-69 }
- B-70 } -
- B-76 } -
- B-77 } Clock spring
- B-78 }
- B-79 Diagnosis connector
- B-80 Body wiring harness and junction block combination
- B-81 -
- B-82 -
- B-83 Air bag module (squib) (Passenger's side)
- B-84 Ignition key ring antenna
- B-85 Immobilizer-ECU

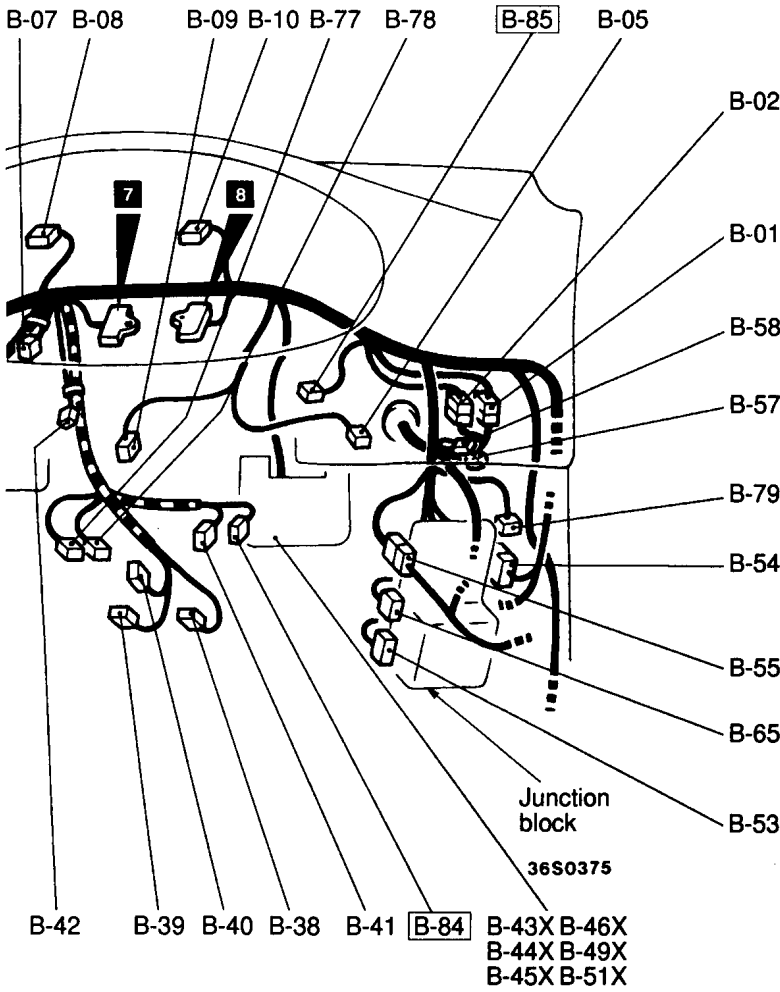
Remark  
Connector numbers enclosed by a frame  are newly added connectors.

# DASH PANEL

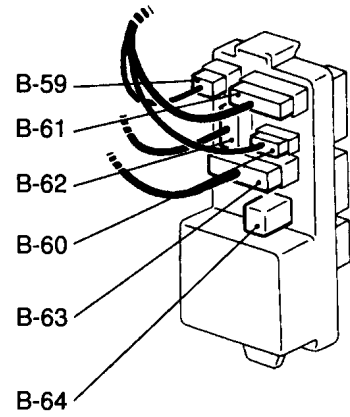
R.H. drive vehicles



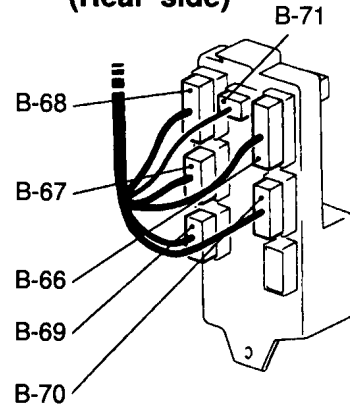
- |   |  |
|---|--|
| B-01 } Body wiring harness and front wiring harness                 |  |
| B-02 } combination  |  |
| B-03 -  |  |
| B-04 Body wiring harness and front wiring harness combination <ABS> |  |
| B-05 Remote controlled mirror switch                                |  |
| B-06 Diode (for ABS circuit)  |  |
| B-07 Diode (for rear fog lamp circuit)                              |  |
| B-08 Combination meter  |  |
| B-09 Stop lamp switch   |  |
| B-10 Combination meter  |  |
| B-11 Rear wiper and washer switch                                   |  |
| B-12 A/C switch   |  |
| B-13 Blower switch  |  |
| B-14 Clock  |  |
| B-15 Automatic compressor control unit                              |  |
| B-16 Resistor   |  |
| B-17 Blower motor   |  |
| B-18 -  |  |
| B-19 -  |  |
| B-20 } Body wiring harness and control wiring harness               |  |
| B-21 } combination  |  |
| B-22 } Engine control unit  |  |
| B-23 }  |  |
| B-24 }  |  |
| B-25 Radio and tape player  |  |
| B-26 thru B-30 } -  |  |
| B-31 ABS control unit <4WD>   |  |
| B-32 } ABS control unit <2WD>                                       |  |
| B-33 }  |  |
| B-34 Diagnosis code erasure connector <ABS - 2WD>                   |  |
| B-35 Lighting monitor buzzer  |  |
| B-36 } Body wiring harness and ABS wiring harness                   |  |
| B-37 } combination  |  |
| B-38 } Column switch  |  |
| B-39 }  |  |
| B-40 }  |  |
| B-41 Ignition switch  |  |
| B-42 Diode (for headlamp circuit)                                   |  |



Junction block (Front side)



(Rear side)



- B-43X ABS power relay
- B-44X Power window relay
- B-45X Defogger relay
- B-46X Door lock control unit
- B-47X -
- B-48X -
- B-49X Front fog lamp relay
- B-50X -
- B-51X Rear fog lamp relay
- B-52 Headlamp leveling switch
- B-53 Diagnosis connector
- B-54 Body wiring harness and roof wiring harness combination <Vehicles with sunroof>
- B-55 Body wiring harness and instrument panel wiring harness combination
- B-56 Diode (for ABS circuit) <2WD>
- B-57 } Diode (for dim-dip lamp circuit)
- B-58 }
- B-59 } Front wiring harness and junction block combination
- B-60 }
- B-61 }

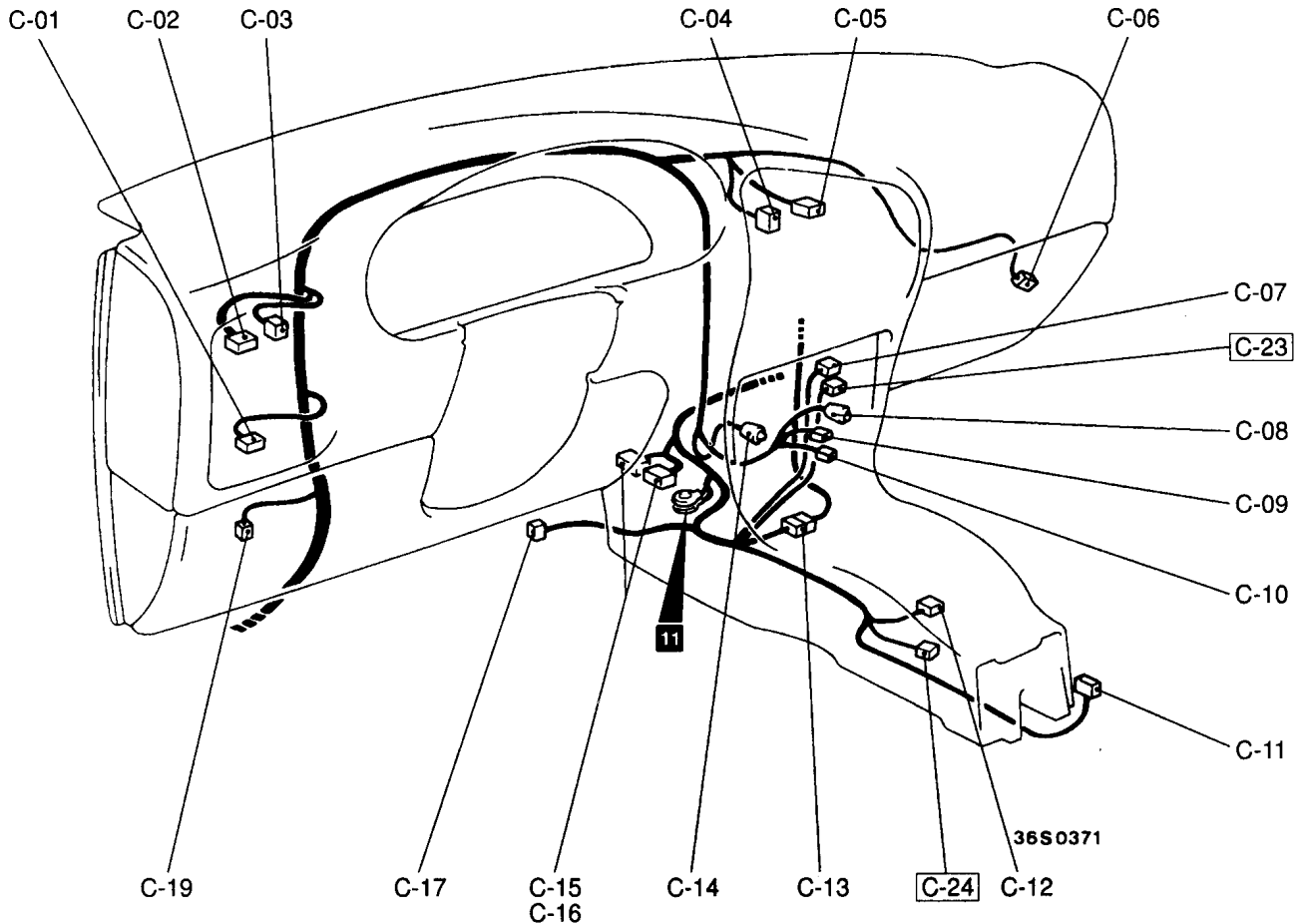
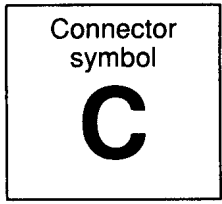
Refer to  
CENTRALIZED  
JUNCTION

- B-62 Roof wiring harness and junction block combination
- B-63 Instrument panel wiring harness and junction block combination
- B-64 Blower motor relay
- B-65 Turn-signal and hazard flasher unit
- B-66 } Body wiring harness and junction block combination
- B-71 }
- B-72 } -
- B-76 }
- B-77 } Clock spring
- B-78 }
- B-79 Diagnosis connector
- B-80 } -
- B-83 }
- B-84 Ignition key ring antenna
- B-85 Immobilizer-ECU

Remark  
Connector numbers enclosed by a frame   are newly added connectors.

INSTRUMENT PANEL

L.H. drive vehicles



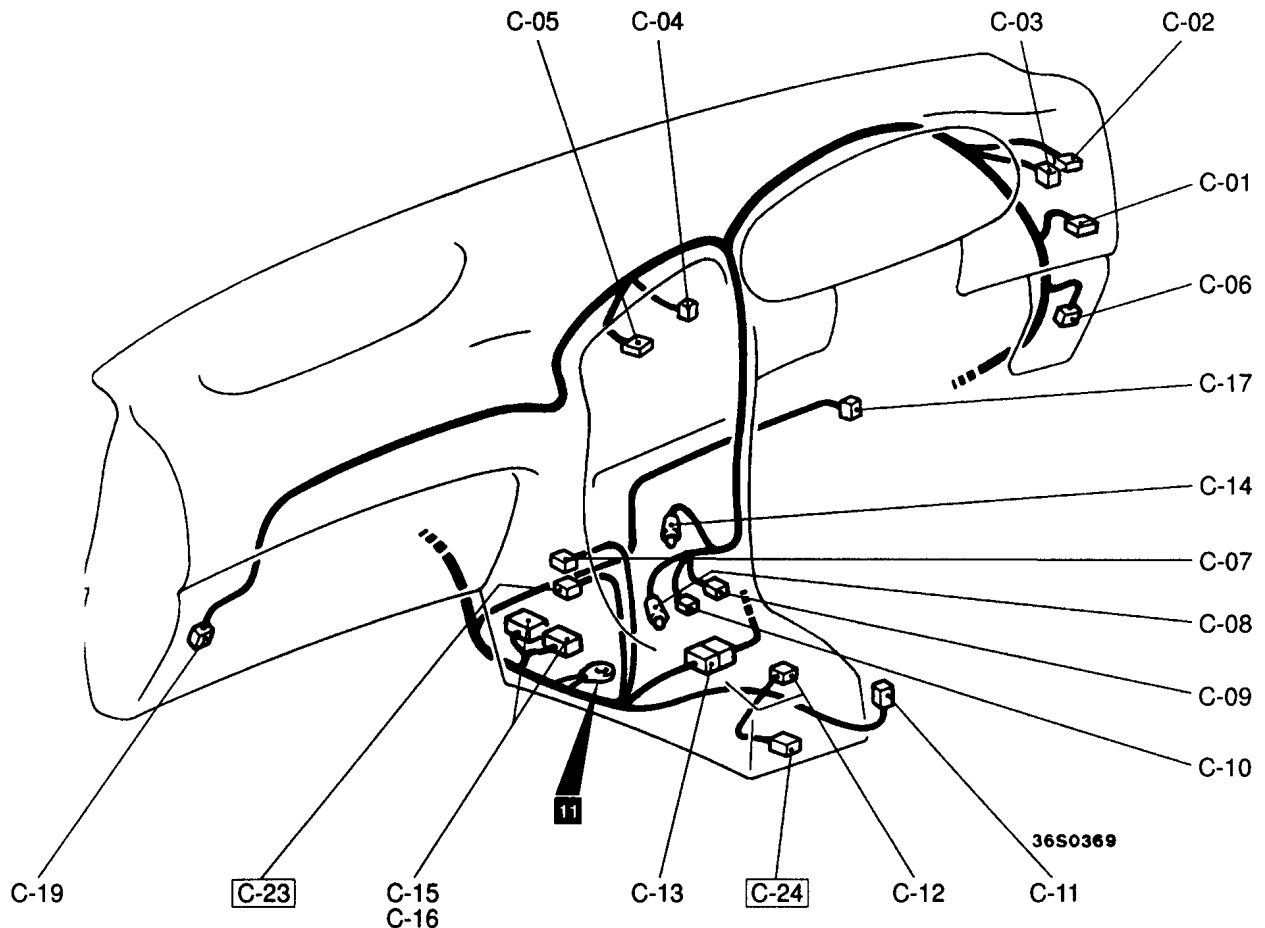
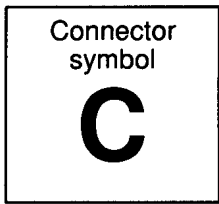
- C-01 Rheostat
- C-02 Rear fog lamp switch
- C-03 Front fog lamp switch
- C-04 Hazard switch
- C-05 Defogger switch
- C-06 Front speaker (RH)
- C-07 Engine control relay
- C-08 Cigarette lighter illumination lamp
- C-09 } Cigarette lighter
- C-10 }
- C-11 Power/Economy changeover switch
- C-12 Over drive switch
- C-13 Control wiring harness and body wiring harness combination <A/T>
- C-14 Ashtray illumination lamp

- C-15 } ELC-4A/T control unit
- C-16 }
- C-17 Wide open throttle switch <A/T>
- C-18 -
- C-19 Front speaker (LH)
- C-20 -
- C-21 -
- C-22 -
- C-23 Fuel pump relay
- C-24 Oxygen sensor (Rear)

Remark  
Connector numbers enclosed by a frame  are newly added connectors.

# INSTRUMENT PANEL

R.H. drive vehicles



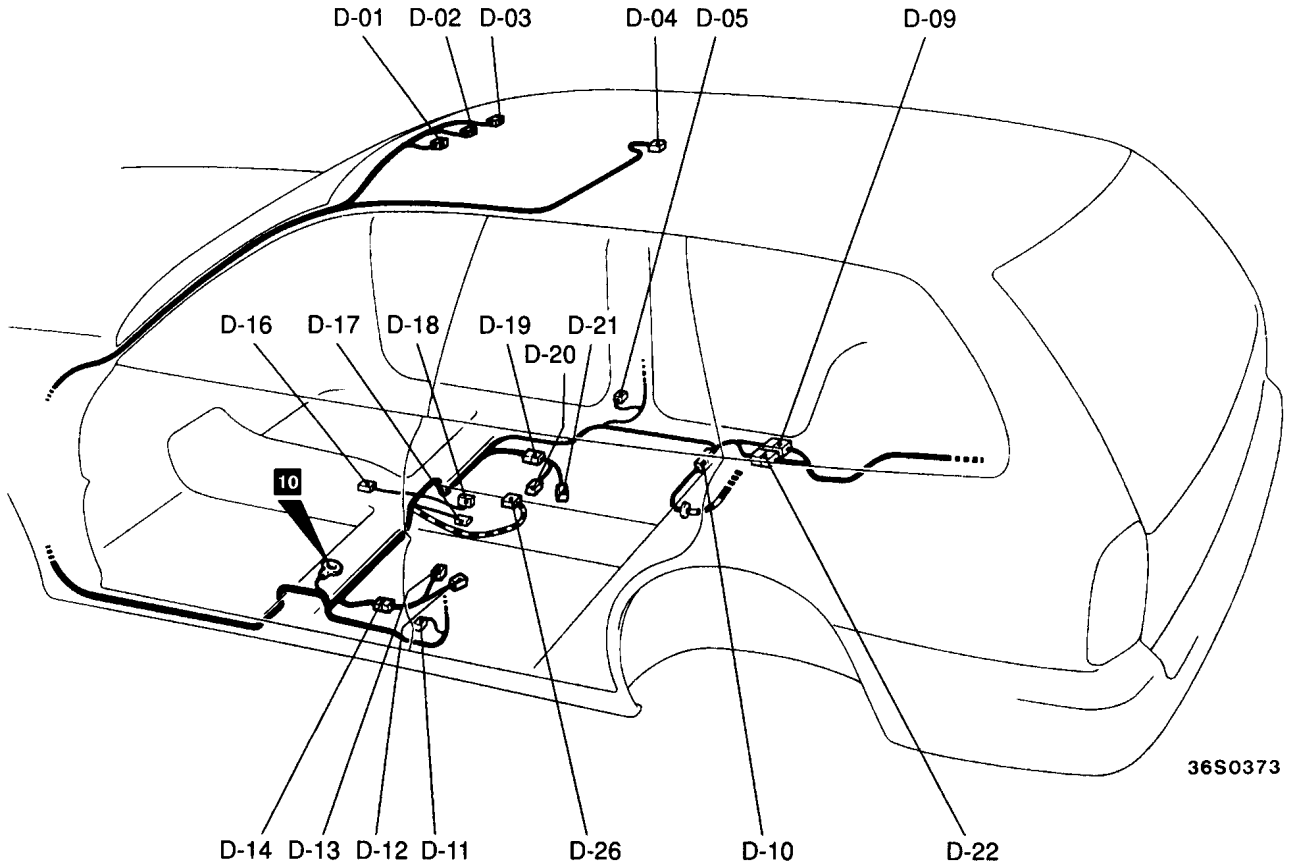
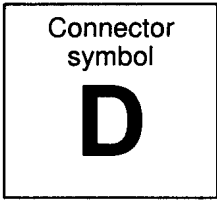
- C-01 Rheostat
- C-02 Rear fog lamp switch
- C-03 Front fog lamp switch
- C-04 Hazard switch
- C-05 Defogger switch
- C-06 Front speaker (RH)
- C-07 Engine control relay
- C-08 Cigarette lighter illumination lamp
- C-09 } Cigarette lighter
- C-10 }
- C-11 Power/Economy changeover switch
- C-12 Over drive switch
- C-13 Control wiring harness and body wiring harness combination <A/T>
- C-14 Ashtray illumination lamp

- C-15 } ELC-4A/T control unit
- C-16 }
- C-17 Wide open throttle switch <A/T>
- C-18 -
- C-19 Front speaker (LH)
- C-20 -
- C-21 -
- C-22 -
- C-23 Fuel pump relay
- C-24 Oxygen sensor (Rear)

Remark  
Connector numbers enclosed by a frame  are newly added connectors.

INTERIOR

L.H. drive vehicles

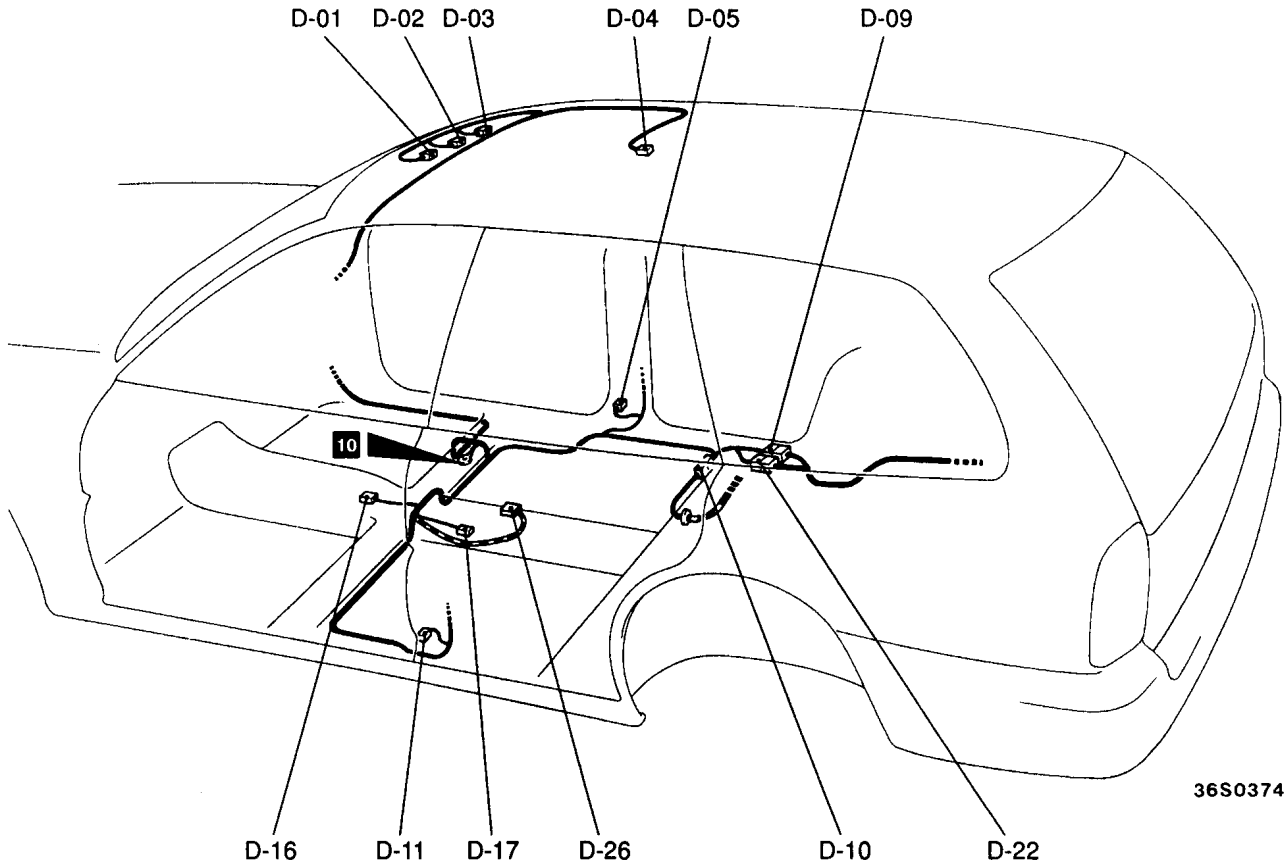
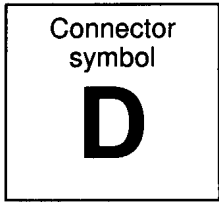


- |      |   |      |   |
|------|---|------|---|
| D-01 | Sunroof motor   | D-14 | Body wiring harness and heated seat wiring harness combination (Driver's side)    |
| D-02 | Sunroof switch and room lamp<br><Vehicles with sunroof>                                   | D-15 | -   |
| D-03 | Sunroof control unit  | D-16 | ABS G sensor <4WD> or no connection   |
| D-04 | Room lamp <Vehicles without sunroof>  | D-17 | Parking brake switch  |
| D-05 | Front door switch (RH)  | D-18 | Heated seat switch  |
| D-06 | -   | D-19 | Body wiring harness and heated seat wiring harness combination (Passenger's side) |
| D-07 | -   | D-20 | Seat cushion heater (Passenger's side)  |
| D-08 | -   | D-21 | Seat back heater (Passenger's side)   |
| D-09 | Body wiring harness and rear wiring harness combination                                   | D-22 | Body wiring harness and rear wiring harness combination <4WD> or no connection    |
| D-10 | Body wiring harness and fuel pump wiring harness combination <2WD> or no connection <4WD> | D-23 | -   |
| D-11 | Front door switch (LH)  | D-24 | -   |
| D-12 | Seat back heater (Driver's side)  | D-25 | -   |
| D-13 | Seat cushion heater (Driver's side)   | D-26 | SRS air bag control unit  |



**INTERIOR**

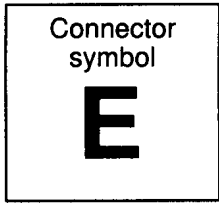
R.H. drive vehicles



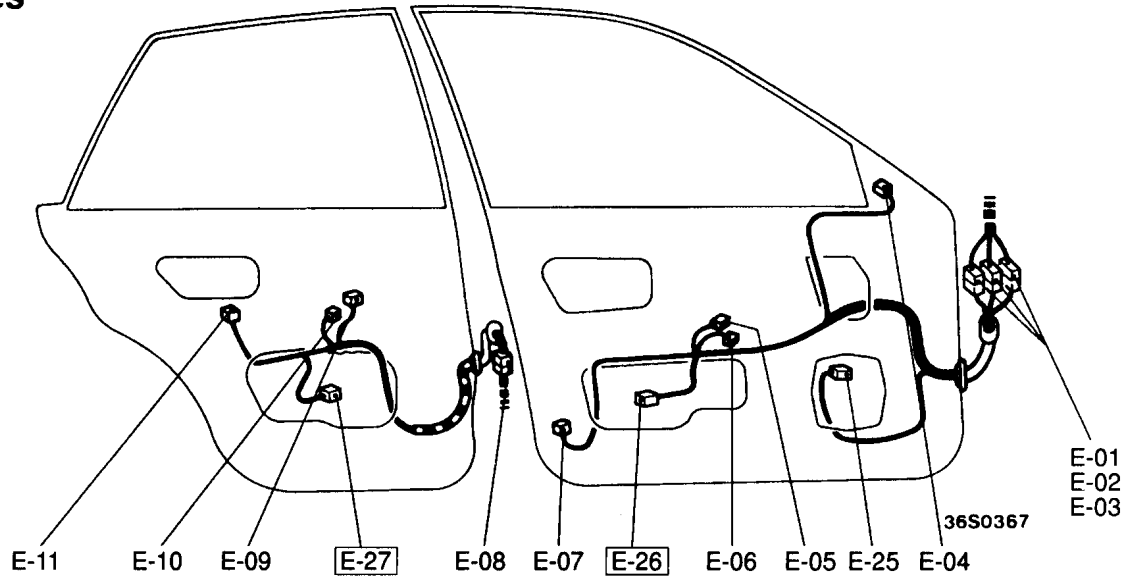
- |      |  |           |   |
|------|--|-----------|---|
| D-01 | Sunroof motor  | D-12      | } -   |
| D-02 | Sunroof switch and room lamp<br><Vehicles with sunroof>                                      | thru D-15 |   |
| D-03 | Sunroof control unit   | D-16      | ABS G sensor <4WD> or no connection   |
| D-04 | Room lamp <Vehicles without sunroof>   | D-17      | Parking brake switch  |
| D-05 | Front door switch (RH)   | D-18      | } -   |
| D-06 | -  | thru D-21 |   |
| D-07 | -  | D-22      | Body wiring harness and rear wiring harness<br>combination <4WD> or no connection |
| D-08 | -  | D-23      | -   |
| D-09 | Body wiring harness and rear wiring harness<br>combination                                   | D-24      | -   |
| D-10 | Body wiring harness and fuel pump wiring harness<br>combination <2WD> or no connection <4WD> | D-25      | -   |
| D-11 | Front door switch (LH)   | D-26      | SRS air bag control unit  |

DOOR

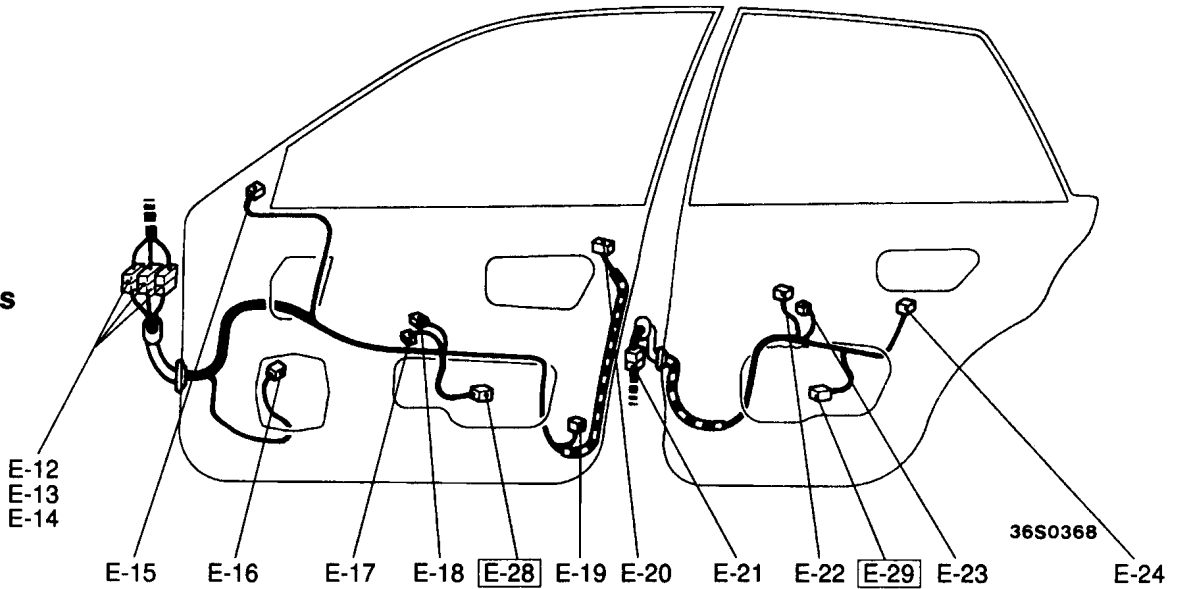
L.H. drive vehicles



<Driver's side door>



<Passenger's side door>



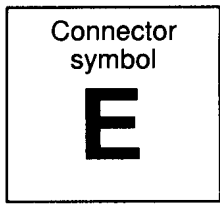
- E-01 } Body wiring harness and front door wiring harness
- E-02 } (LH) combination
- E-03 } Body wiring harness and door wiring harness (LH) combination <Vehicles with door mirror heater>
- E-04 } Remote controlled mirror (LH)
- E-05 } Power window main switch
- E-06 } Front power window motor (LH)
- E-07 } Front door lock actuator (LH)
- E-08 } Body wiring harness and rear door wiring harness (LH) combination
- E-09 } Rear power window sub switch (LH)
- E-10 } Rear power window motor (LH)
- E-11 } Rear door lock actuator (LH)
- E-12 } Body wiring harness and front door wiring harness
- E-13 } (RH) combination
- E-14 } Body wiring harness and door wiring harness (RH) combination <Vehicles with door mirror heater>
- E-15 } Remote controlled mirror (RH)
- E-16 } Door speaker (RH)

- E-17 } Front power window motor (RH)
- E-18 } Front power window sub switch
- E-19 } Front door lock actuator (RH)
- E-20 } Door lock key cylinder switch
- E-21 } Body wiring harness and rear door wiring harness (RH) combination
- E-22 } Rear power window sub switch (RH)
- E-23 } Rear power window motor (RH)
- E-24 } Rear door lock actuator (RH)
- E-25 } Door speaker (LH)
- E-26 } Power window limit switch (Front: LH)
- E-27 } Power window limit switch (Rear: LH)
- E-28 } Power window limit switch (Front: RH)
- E-29 } Power window limit switch (Rear: RH)

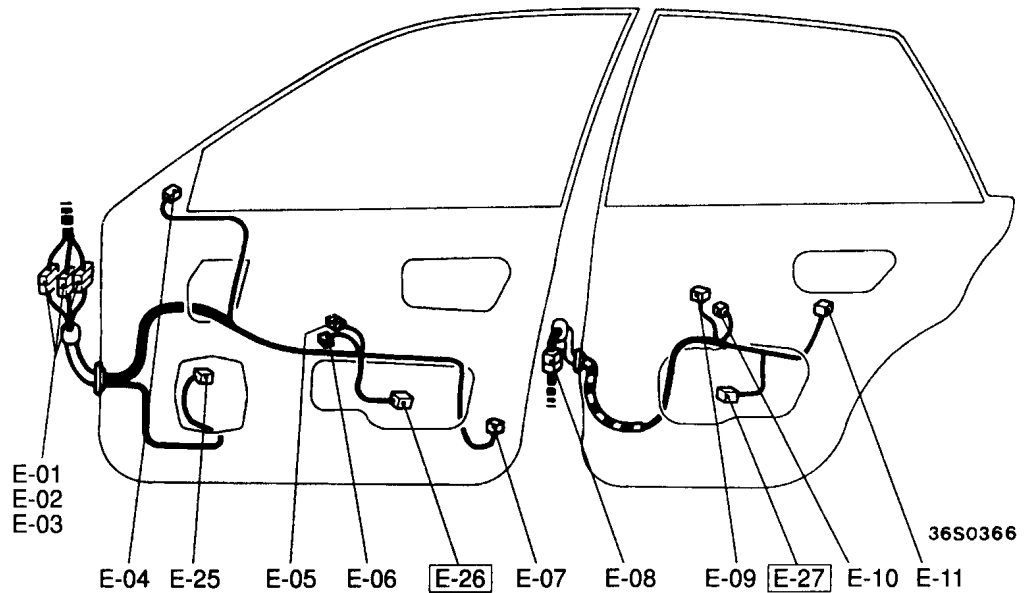
Remark  
Connector numbers enclosed by a frame    are newly added connectors.

**DOOR**

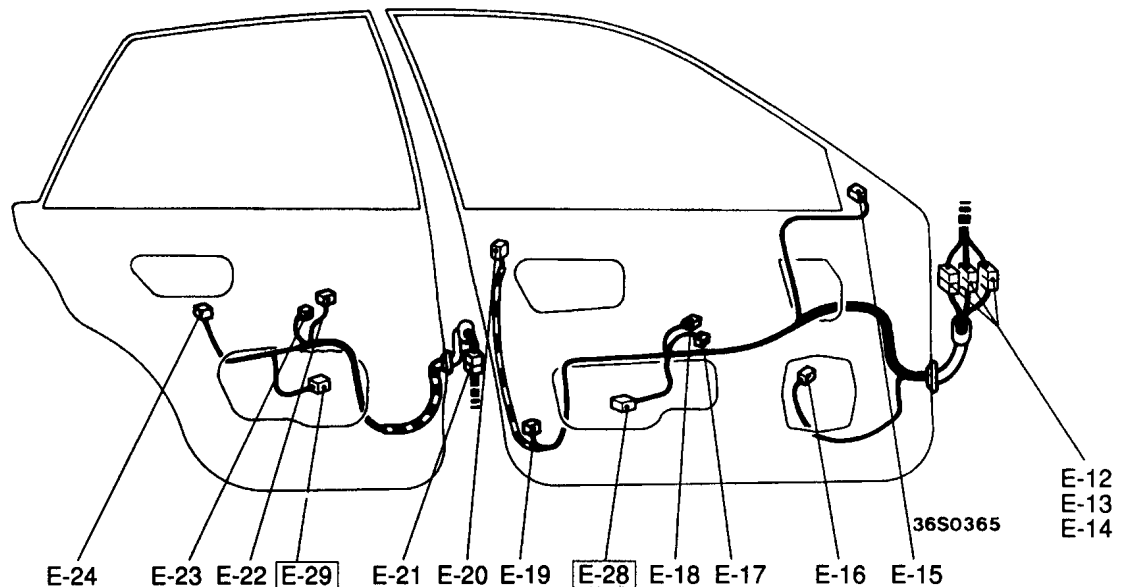
**R.H. drive vehicles**



<Driver's side door>



<Passenger's side door>



- |  |  |   |
|--|--|---|
| E-01 } Body wiring harness and front door wiring harness   | E-17   | Front power window motor (LH)                                     |
| E-02 } (RH) combination  | E-18   | Front power window sub switch                                     |
| E-03 } Body wiring harness and door wiring harness (RH) combination <Vehicles with door mirror heater> | E-19   | Front door lock actuator (LH)                                     |
| E-04   | E-20   | Door lock key cylinder switch                                     |
| E-05   | E-21   | Body wiring harness and rear door wiring harness (LH) combination |
| E-06   | E-22   | Rear power window sub switch (LH)                                 |
| E-07   | E-23   | Rear power window motor (LH)                                      |
| E-08   | E-24   | Rear door lock actuator (LH)                                      |
| E-09   | E-25   | Door speaker (RH)   |
| E-10   | <span style="border: 1px solid black; padding: 0 2px;">E-26</span> | Power window limit switch (Front: RH)                             |
| E-11   | <span style="border: 1px solid black; padding: 0 2px;">E-27</span> | Power window limit switch (Rear: RH)                              |
| E-12 } Body wiring harness and front door wiring harness   | <span style="border: 1px solid black; padding: 0 2px;">E-28</span> | Power window limit switch (Front: LH)                             |
| E-13 } (LH) combination  | <span style="border: 1px solid black; padding: 0 2px;">E-29</span> | Power window limit switch (Rear: LH)                              |
| E-14 } Body wiring harness and door wiring harness (LH) combination <Vehicles with door mirror heater> |  |   |
| E-15   |  |   |
| E-16   |  |   |
- Remark**  
Connector numbers enclosed by a frame  are newly added connectors.