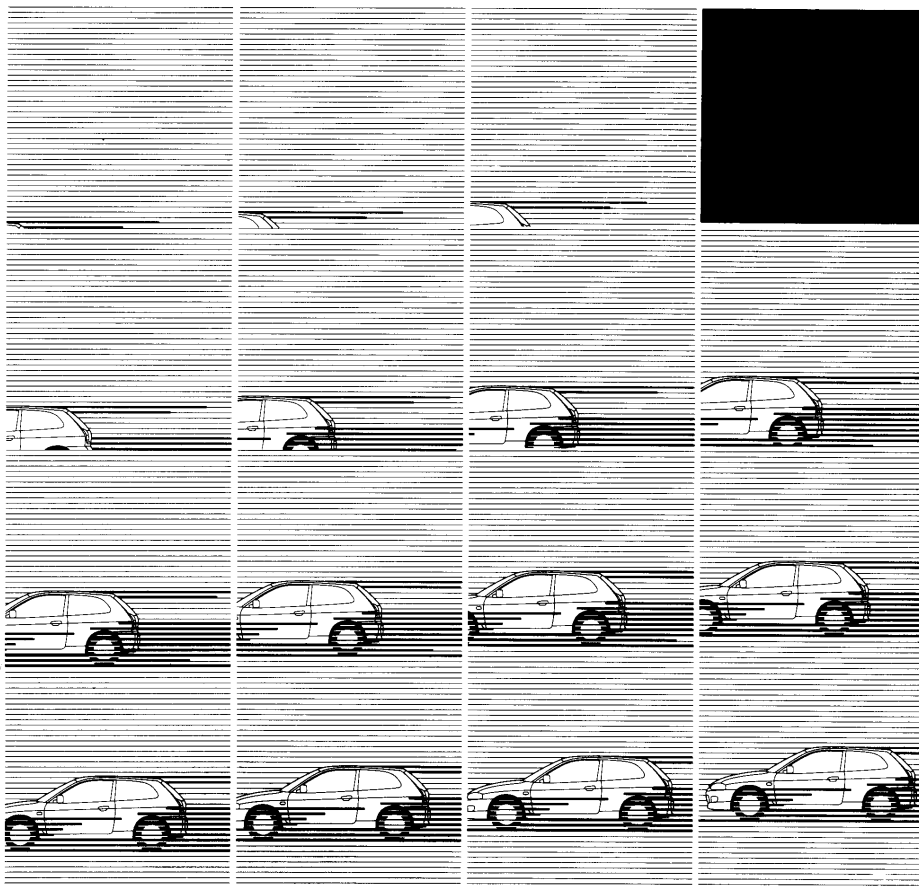




Workshop Manual

electrical wiring

COLT/LANCER '96



Pub. No. PHME9511

MITSUBISHI COLT/LANCER

ELECTRICAL WIRING

FOREWORD

This Electrical Wiring Manual contains information necessary for inspection and servicing of electrical wiring of Mitsubishi COLT/LANCER edited in the form of wiring harness configuration diagrams and function-separated circuit diagrams.

It is recommended that all service mechanics engaged in the servicing of the vehicle refer to the following publications as well as this manual.

TECHNICAL INFORMATION MANUAL
PYME9501

WORKSHOP MANUAL
CHASSIS GROUP PWME9511
BODY REPAIR MANUAL
PBME9501
ENGINE GROUP PWEE□□□□
(Looseleaf edition)

PARTS CATALOGUE B606F006A□

All information, illustrations and product descriptions contained in this manual are current as of time of publication. We, however, reserve the right to make changes at any time without prior notice or obligation.



GROUP INDEX

00109000294

HOW TO READ THE WIRING DIAGRAMS	1
WIRING HARNESS CONFIGURATION DIAGRAMS	2
SINGLE PART INSTALLATION POSITION	3
CIRCUIT DIAGRAM	4
INDEX	

HOW TO USE THIS MANUAL

00100010166

CONTENTS

The preceding page contains GROUP INDEX that lists the group title and group number.

PAGE NUMBERS

All page numbers consist of two sets of digits separated by a dash. The digits preceding the dash identify the number of the group. The digits following the dash represent the consecutive page number within the group. The page number can be found on the top left or right of each page.

OPERATION AND TROUBLESHOOTING HINTS

In the GROUP 4 circuit diagrams, the operation and troubleshooting hints are given on the previous page or following page for each circuit where necessary.

HOW TO READ THE WIRING DIAGRAMS

CONTENTS

00109000300

MODELS	1-3	MARKINGS FOR CONNECTOR EARTHING	1-8
COMPOSITION AND CONTENTS OF WIRING DIAGRAMS	1-4	WIRE COLOUR CODES	1-11
HOW TO READ CONFIGURATION DIAGRAMS	1-5	ABBREVIATION SYMBOLS	1-12
HOW TO READ CIRCUIT DIAGRAMS	1-6		



1-2

NOTES

MODELS

00100030131

<Hatchback>

Model code		Engine model	Transmission model	Fuel supply system
CJ1A	MNDEL6	4G13-SOHC (1, 299mℓ)	F5M41 (5M/T)	MPI
	MNDER6			
	MNJEL6			
	MNJER6		F4A41 (4A/T)	
	MRJEL6			
	MRJER6			
CJ4A	MNJEL6	4G92-SOHC (1, 597mℓ)	F5M41 (5M/T)	MPI <MVV>
	MNJER6		F4A41 (4A/T)	
	MRJEL6			
	MRJER6			
	MNDAL6		F5M41 (5M/T)	
	MNDAR6			

<Sedan>

Model code		Engine model	Transmission model	Fuel supply system
CK1A	SNDEL6	4G13-SOHC (1, 299mℓ)	F5M41 (5M/T)	MPI
	SNDER6			
	SNJEL6			
	SNJER6		F4A41 (4A/T)	
	SRJEL6			
	SRJER6			
CK4A	SNJEL6	4G92-SOHC (1, 597mℓ)	F5M41 (5M/T)	MPI
	SNJER6		F4A41 (4A/T)	
	SRJEL6			
	SRJER6			

COMPOSITION AND CONTENTS OF WIRING DIAGRAMS

00100010173

- (1) This manual consists of wiring harness diagrams, installation locations of individual parts, circuits diagrams and index.
- (2) In each section, all specifications are listed, including optional specifications. Accordingly, some specifications may not be applicable for individual vehicles.

Section	Basic contents
Wiring harness configuration diagrams	Connector locations and harness wiring configurations on actual vehicles are illustrated.
Single part installation position	Locations are shown for each point of relays, electronic control units, sensors, solenoids, solenoid valves, diodes, inspection connectors, spare connectors, fusible links, fuses, etc. In the part's lists, parts are listed in alphabetical order.
Circuit diagrams	<p>Circuits from power supply to earth are shown completely, classified according to system. There is a main division into power circuits, and circuits classified by system. The circuits classified by system also include operation and troubleshooting hints.</p> <ul style="list-style-type: none"> ● Junction block The entire circuit for the junction block is described, because only the part of the junction block needed is normally shown in each circuit diagram. ● Joint connectors The internal circuits for all joint connectors are described, because only the part needed is shown in each circuit diagram. ● Power supply circuits Circuits from the battery to fusible link, dedicated fuses, ignition switch, general purpose fuses, etc. ● Circuits classified by system For each system, the circuits are shown from fuse to earth, excluding the power supply sections. ● Operation The standard operation of each system is briefly described, following the route of current flow. ● Troubleshooting hints This is a brief explanation of the inspection points that serve as hints when troubleshooting. Explanations of the circuits controlled by the electronic control unit are omitted. Refer to the related publications as required.
Index	All components used are listed by connector number and component name.

HOW TO READ CONFIGURATION DIAGRAMS

00100640020

The wiring harness diagrams clearly show the connector locations and harness routings at each site on actual vehicles.

Denotes connector No.

The same connector No. is used throughout the circuit diagrams to facilitate connector location searches.

The first alphabetical symbol indicates the location site of the connector and a number that follows is the unique number. Numbers are assigned to parts in clockwise order on the diagram.

In addition, the number of connector pins and the connector colour (except milk white)* are shown for ease of retrieval.

Example: A-12 (2-B)

- Connector colour (milk white if no colour is indicated)
- Number of connector pins
- Number specific to connector (serial number)
- Connector location site symbol
- A: Engine compartment
- B: Dash panel
- C: Instrument panel
- D: Floor and roof
- E: Door
- F: Luggage compartment

*: Typical connector colours

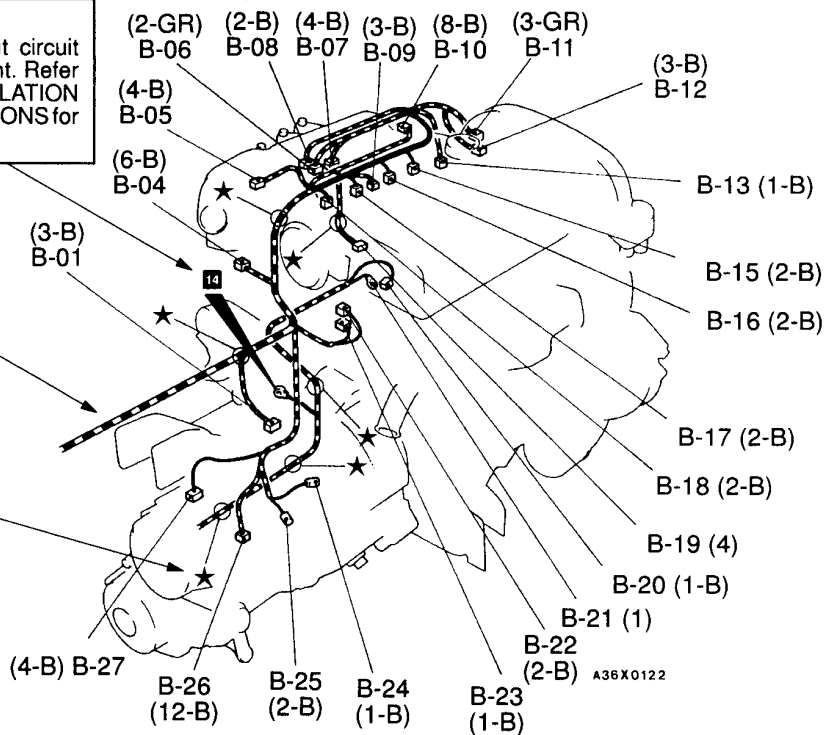
- B: Black
- Y: Yellow
- L: Blue
- G: Green
- R: Red
- BR: Brown
- V: Violet
- O: Orange
- GR: Gray

Denotes earth point. Same earth number is used throughout circuit diagrams to facilitate search of earth point. Refer to GROUP 3 SINGLE PART INSTALLATION POSITION - EARTH MOUNTING LOCATIONS for details of earth points.

Denotes a section covered by a corrugated tube.

The mark ★ shows the standard mounting position of wiring harness.

Indicates the device to which the connector is to be connected.

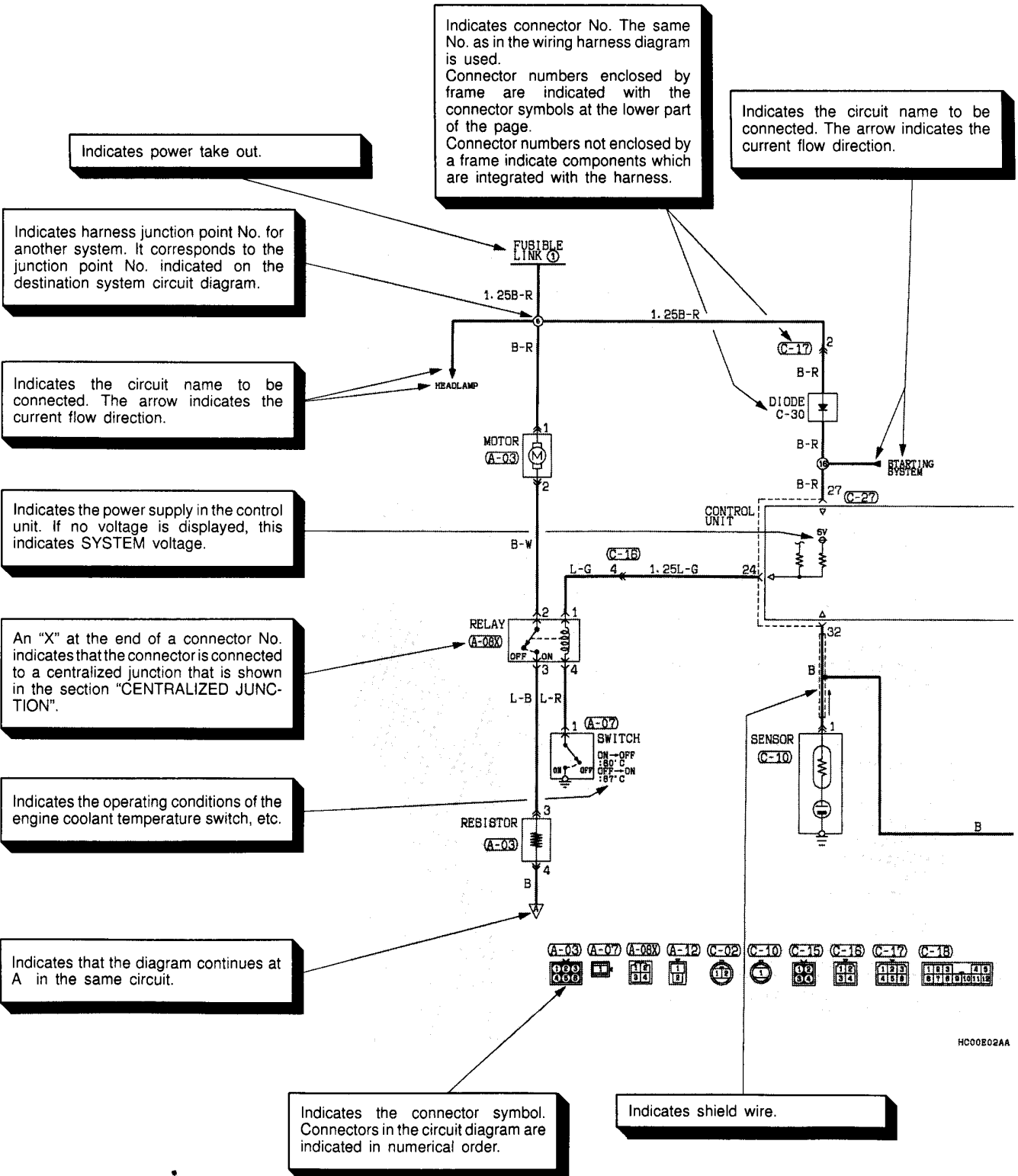


- | | | | |
|------|--------------------------|------|-----------------------|
| B-01 | Vehicle speed sensor | B-16 | Injector No. 2 |
| B-02 | Distributor assembly | B-17 | Injector No. 3 |
| B-03 | Distributor assembly | B-18 | Injector No. 4 |
| B-04 | Idle speed control servo | B-19 | Oxygen sensor (front) |
| B-05 | Throttle position sensor | B-20 | Starter motor |
| | | B-21 | Starter motor |

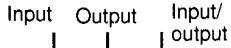
HOW TO READ CIRCUIT DIAGRAMS

00100650023

The circuit of each system from fuse (or fusible link) to earth is shown. The power supply is shown at the top and the earth at the bottom to facilitate understanding of the current flow.



Indicates input/output to/from control unit (current flow direction).



A broken line indicates that these connectors are the same intermediate connectors.

Indicates that the diagram comes from A in the same circuit.

Indicates terminal No.

In case two or more connectors are connected to the same device, markings indicating the same connectors are connected by a broken line.

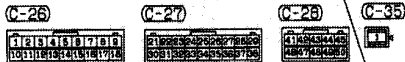
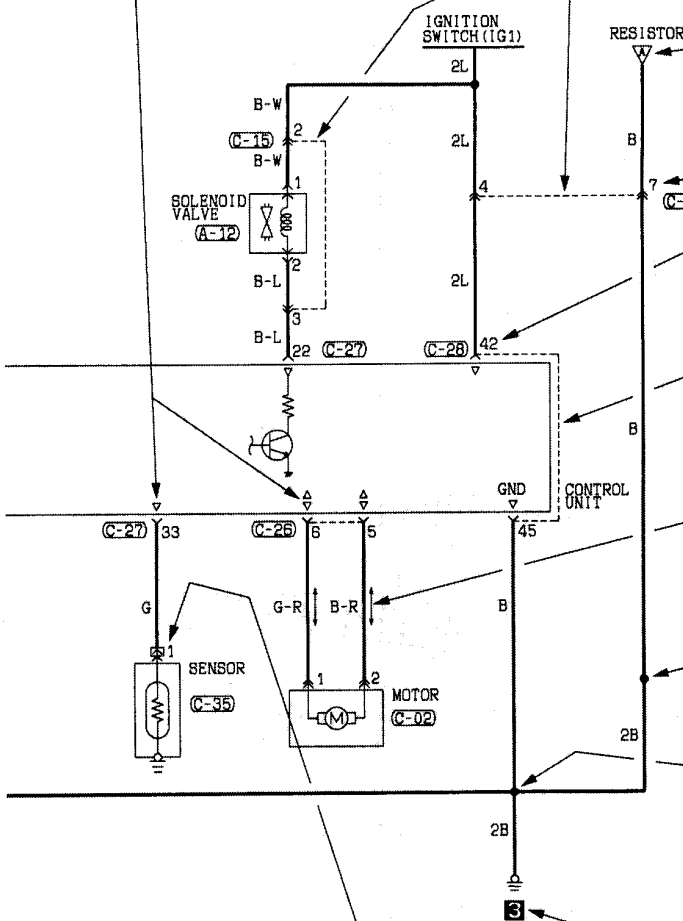
Indicates current flow downward or upward as controlled by the control unit.

Indicates harness junction where wire diameter or colour changes.

Indicates intersections at which the lead wire are not connected.

Indicates intersections at which the lead wires are connected.

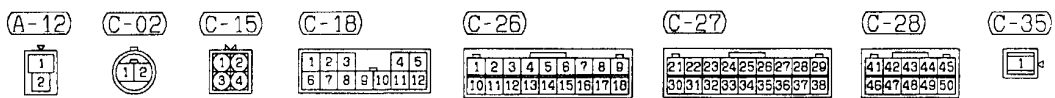
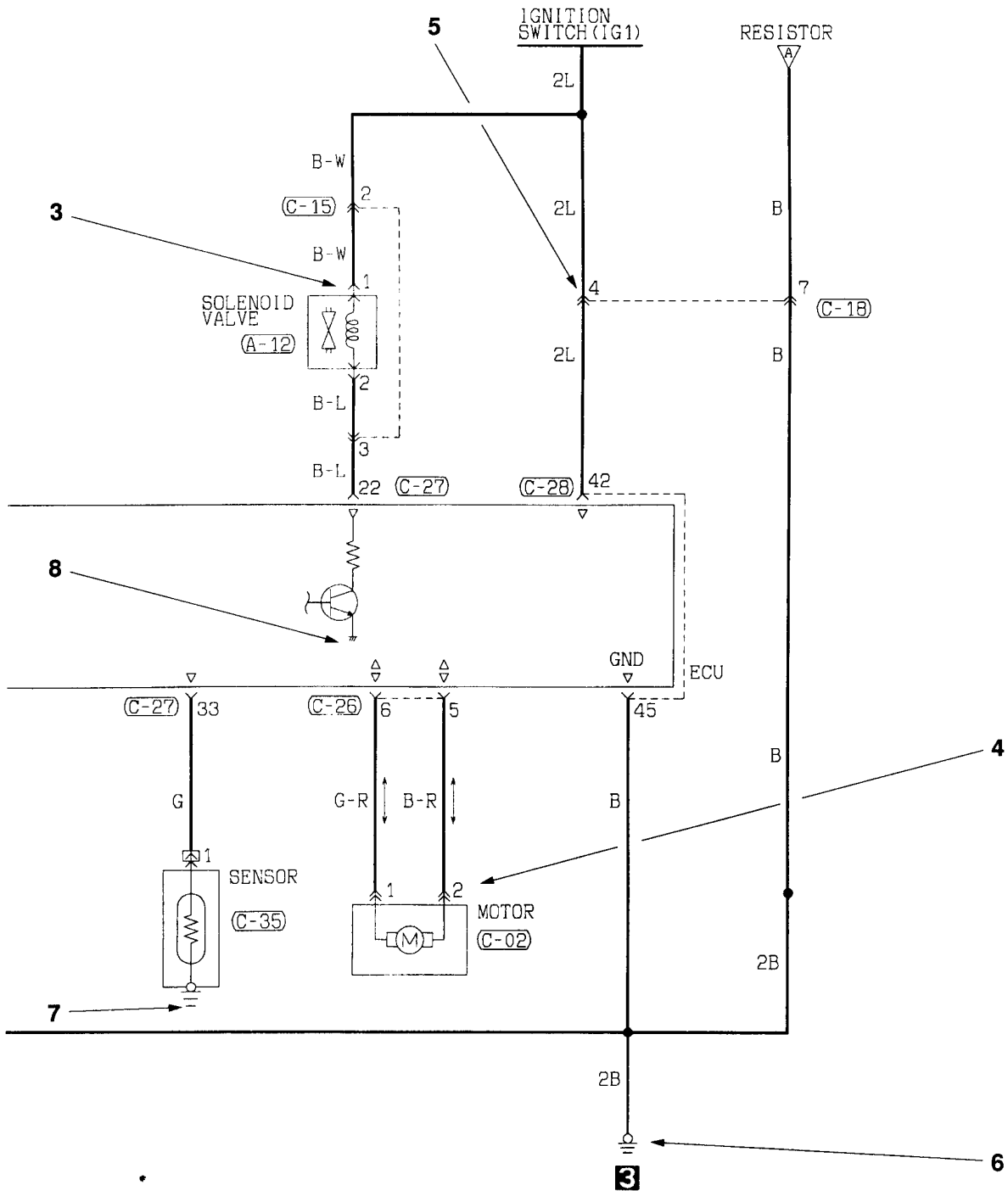
Indicates vehicle body earth point. (Same No. as that of earth point in wiring harness diagram and installation locations of individual parts.)

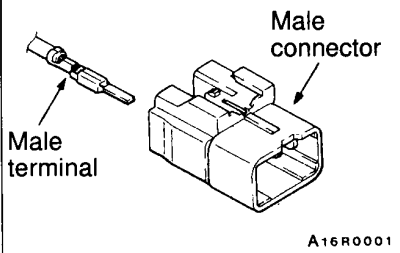
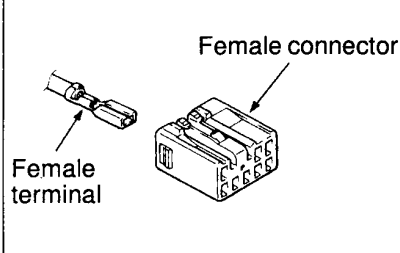

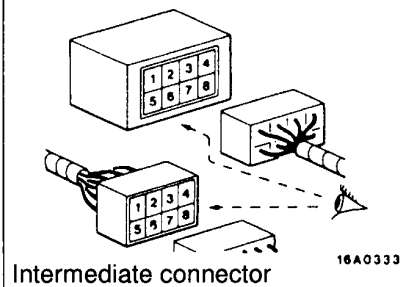



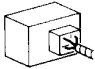
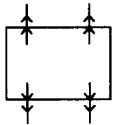
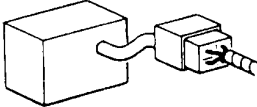
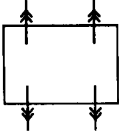
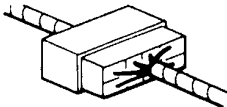

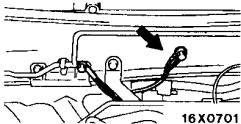

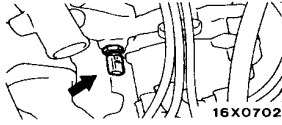

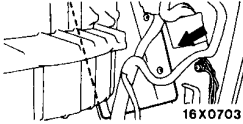

Indicates that the terminal is a spare one if the device (sensors in this case) is not provided.

H000E02AB

MARKINGS FOR CONNECTOR EARTHING



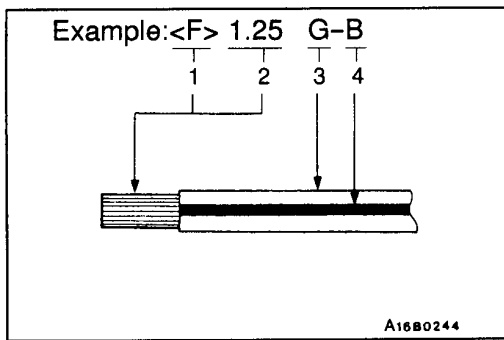
Item	No.	Connector/Earthing	Symbol	Contents
<p>Connector and terminal marking</p>	1	 <p>Male terminal</p> <p>Male connector</p> <p>A16R0001</p>	<p>Male terminal</p> <p>↓</p>	<p>The male and female terminals are indicated as shown. The connector with male terminal(s) is called as male connector and indicated by double connector contour lines, while the connector with female terminal(s) is called as female connector and indicated by single connector contour line.</p>
		 <p>Female terminal</p> <p>Female connector</p> <p>A16R0002</p>	<p>Male connector</p> 	
<p>Connector symbol marking</p>	2	<p>Device</p>  <p>Intermediate connector</p> <p>16A0333</p>	<p>Female terminal</p> <p>Y</p> <p>Female connector</p> 	<p>The symbol indicates the connector as viewed from illustrated direction. At the connection with a device, the connector symbol on the device side is shown, and for an intermediate connector, male connector symbol is shown. For the diagnosis connector, its contents differ from the previous description. Refer to "MUT-II operation instruction" in detail.</p>

Item	No.	Connector/Earthing	Symbol	Contents
Connector connection marking	3	Direct connection type  <small>16X0700</small>		A connection between a device and connector on the harness side is either by direct insertion in the device (direct connection type) or by connection with a harness connector on the device side furnished (harness connection type). The two types are indicated as illustrated.
	4	Harness connection type  <small>16A0334</small>		
	5	Intermediate connector  <small>16A0339</small>		
Earth markings	6	Body earth  <small>16X0701</small>		Earth is either by body earth, device earth or control unit interior earth. These are indicated as illustrated.
	7	Device earth  <small>16X0702</small>		
	8	Earth in control unit  <small>16X0703</small>		

WIRE COLOUR CODES

Wire colours are identified by the follow colour codes.

Code	Wire colour	Code	Wire colour
B	Black	P	Pink
BR	Brown	R	Red
G	Green	SB	Sky blue
GR	Gray	SI	Silver
L	Blue	V	Violet
LG	Light green	W	White
O	Orange	Y	Yellow



If a cable has two colours, the first of the two colour code characters indicates the basic colour (colour of the cable coating) and the second indicates the marking colour

No.	Meaning
1	<F>:Flexible wire
	<T>:Twisted wire
2	Wire size(mm ²)*
3	Basic colour (colour of the cable coating)
4	Marking colour

NOTE

*: No code indicates 0.5 mm².

Cable colour code in parentheses indicates 0.3 mm².

1-12 HOW TO READ THE WIRING DIAGRAMS – Abbreviation Symbols

ABBREVIATION SYMBOLS

The abbreviation symbols used in wiring diagrams are defined below.

1. Abbreviation symbols used for wiring harness

Abbreviation symbol	Meaning	Abbreviation symbol	Meaning
ABS	Anti-skid braking system	ELC-4A/T	Electronic controlled 4-speed automatic transmission
A/C	Air conditioner	ETACS	Electronic time and alarm control system
A/T	Automatic transmission	MPI	Multi-point injection
DRL	Daytime running lamp	M/T	Manual transmission
EGR	Exhaust gas recirculation	SRS	Supplemental restraint system

2. Abbreviation symbols used for combination meters

Abbreviation symbol	Meaning	Abbreviation symbol	Meaning
ABS	Anti-skid braking system warning lamp	OIL	Oil pressure warning lamp
BEAM	High beam indicator lamp	R/FOG	Rear fog lamp indicator lamp
BRAKE	Brake warning lamp	SPEED	Speedometer
CHECK ENGINE	Check engine warning lamp	SRS	Supplemental restraint system warning lamp
CHG	Charging warning lamp	TACHO	Tachometer
DOOR	Door-ajar warning lamp	T/GA	Engine coolant temperature gauge
F/GA	Fuel gauge	TURN (LH)	Turn signal indicator lamp (L.H.)
FUEL	Low fuel warning lamp	TURN (RH)	Turn signal indicator lamp (R.H.)

3. Abbreviation symbols used for switches and relays

Name of switches and relays	Abbreviation symbols	Operation	Name of switches and relays	Abbreviation symbols	Operation
Ignition switch	ACC	When turned to the ACC (ACCESSORY) or ON position, the power circuit will start	Blower switch	LO	Blower operates at low speed
	IG1	Even when at the ST (START) position, the power circuit will start		ML	Blower operates at medium low speed
				MH	Blower operates at medium high speed
	IG2	When at the ST (START) position, the power circuit will not start functioning	Windshield wiper switch	HI	Blower operates at high speed
Dimmer passing switch	LO	Low beams ON		LO	Wipers operate at low speed
				HI	High beams ON
Lighting switch	TAIL	Position, tail, licence plate and instrument panel lamps ON	Variable intermittent wiper control switch	INT	Wipers operate intermittently
	HEAD	Headlamps ON		SLOW	Pause time for intermittent operation lengthen
Room lamp switch	DOOR	Room lamp ON when a door is open	Rear wiper switch	FAST	Pause time for intermittent operation shorten
				LO	Wiper operates at low speed
			Remote control mirror switch	INT	Wiper operates intermittently
Turn signal switch	LH	L.H. turn signal lamps ON	Sunroof switch	LH	L.H. mirror operates
	RH	R.H. turn signal lamps ON		RH	R.H. mirror operates
Door lock actuator	LOCK	Door lock	Heated seat switch	OPEN	Sunroof slides to open
	UN-LOCK	Door unlock		CLOSE	Sunroof slides to close
Door lock key cylinder switch	LOCK	Door lock	Others	UP	Sunroof tilted up
	UN-LOCK	Door unlock		DOWN	Sunroof tilted down
				LO	Normal heating
				HI	Rapid heating
				ON	Switched on
				OFF	Switched off

1-14 HOW TO READ THE WIRING DIAGRAMS – Abbreviation Symbols

4. Other abbreviation symbols

Abbreviation symbol	Meaning	Abbreviation symbol	Meaning
ECU	Electronic control unit	LHD	L.H. drive vehicles
GND	Earth	MVV	Mitsubishi vertical vortex engine
ILL	Illumination lamp	RH	Right hand
IND	Indicator lamp	RHD	R.H. drive vehicles
J/B	Junction block	ROOM	Room lamp
J/C	Joint connector	SPOT	Stop lamp
LH	Left hand		

WIRING HARNESS CONFIGURATION DIAGRAMS

CONTENTS

8010900098

OVERALL WIRING DIAGRAM

Hatchback	2-2
Sedan	2-3

ENGINE COMPARTMENT

4G13 <L.H. drive vehicles>	2-4
4G13 <R.H. drive vehicles>	2-8
4G92 <L.H. drive vehicles>	2-12
4G92 <R.H. drive vehicles>	2-16

DASH PANEL

L.H. drive vehicles	2-20
R.H. drive vehicles	2-26

INSTRUMENT PANEL

L.H. drive vehicles	2-32
R.H. drive vehicles	2-33

FLOOR AND ROOF

Hatchback <L.H. drive vehicles>	2-34
Hatchback <R.H. drive vehicles>	2-35
Sedan <L.H. drive vehicles>	2-36
Sedan <R.H. drive vehicles>	2-37

DOOR

Hatchback	2-38
Sedan	2-40

LUGGAGE COMPARTMENT

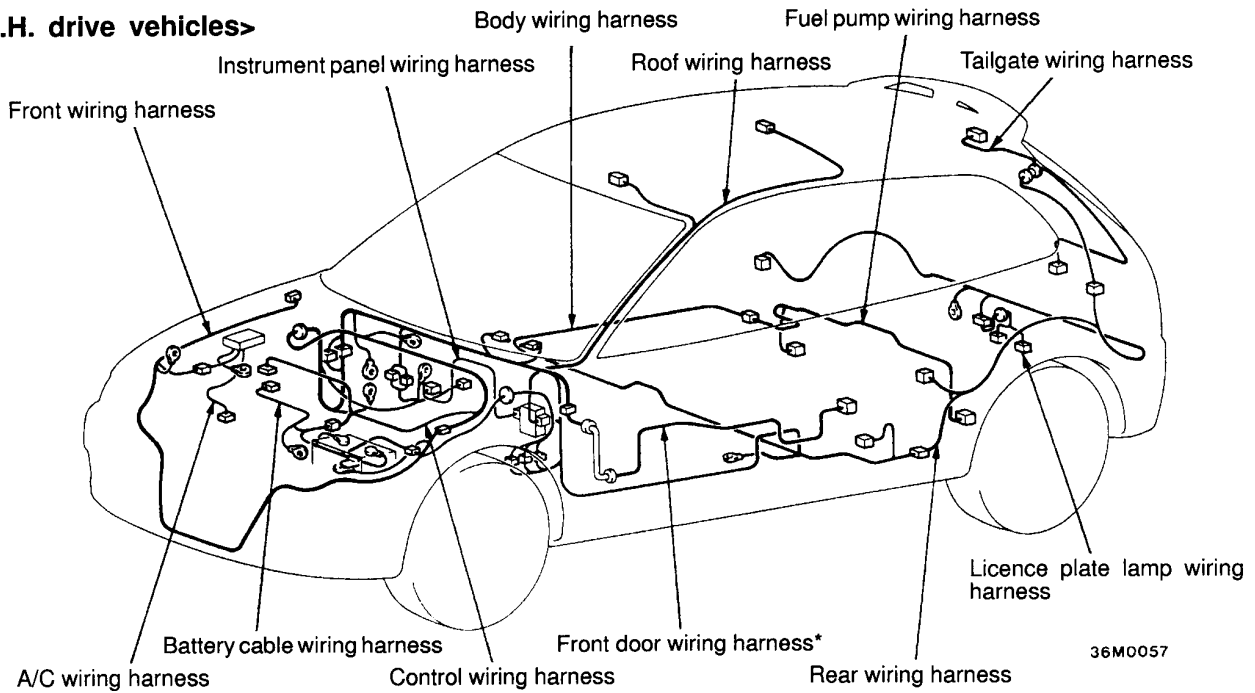
Hatchback <L.H. drive vehicles>	2-42
Hatchback <R.H. drive vehicles>	2-43
Sedan <L.H. drive vehicles>	2-44
Sedan <R.H. drive vehicles>	2-45

OVERALL WIRING DIAGRAM

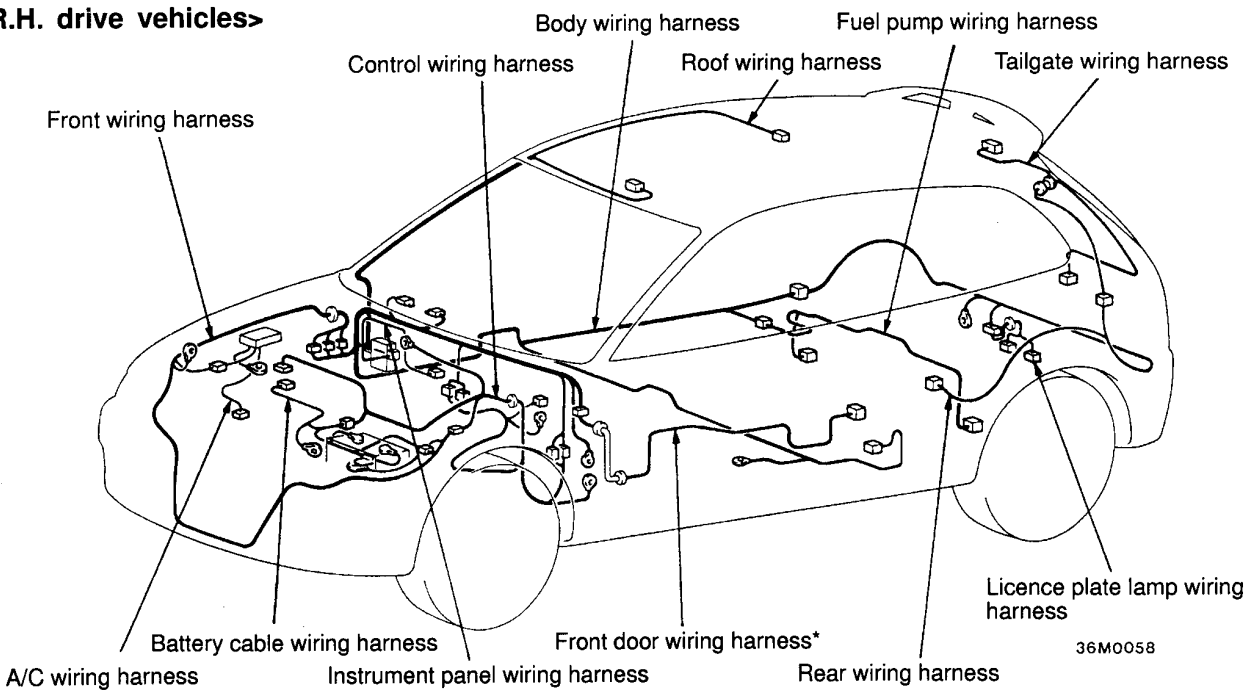
80100010113

Hatchback

<L.H. drive vehicles>



<R.H. drive vehicles>



00004461

Remarks

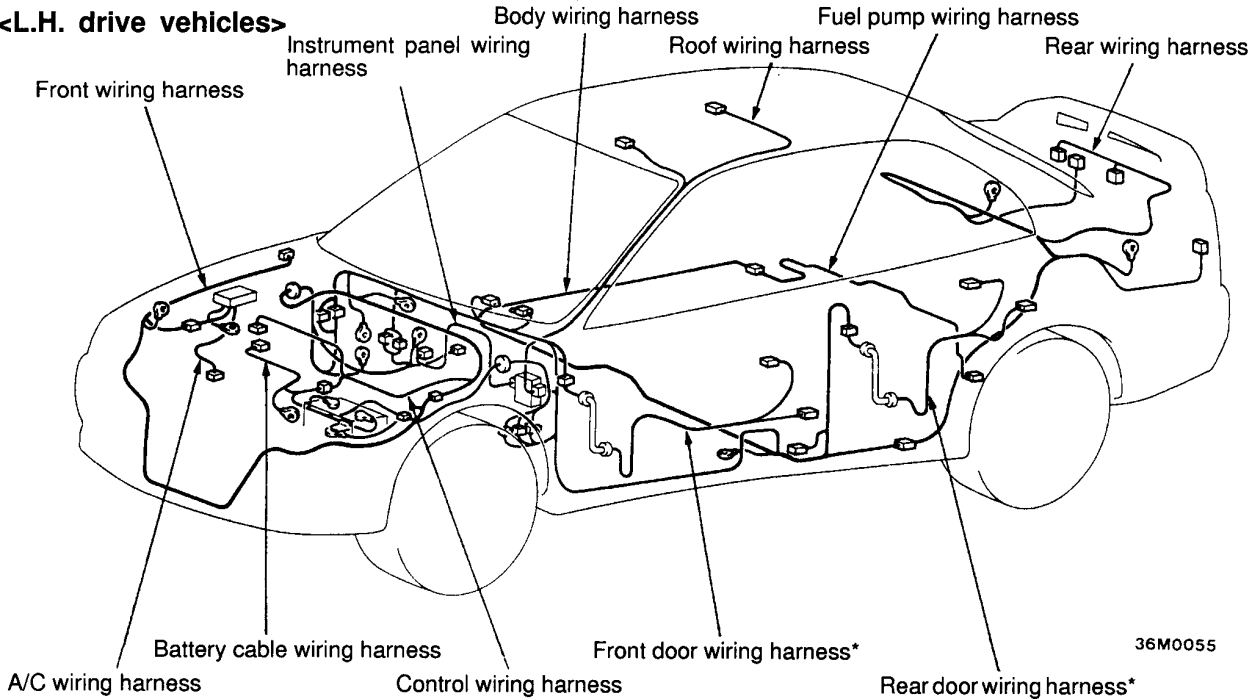
- (1) This illustration shows only major wiring harnesses.
- (2) *:also equipped at the right side.

OVERALL WIRING DIAGRAM

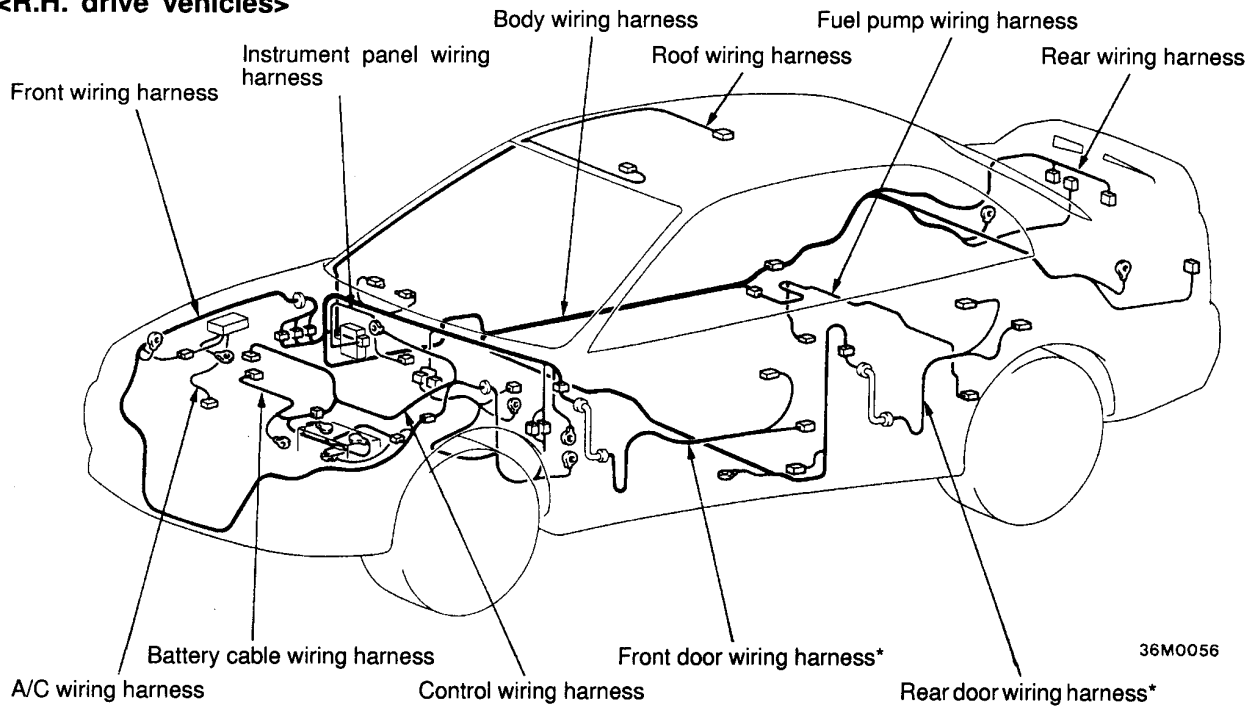
80100010120

Sedan

<L.H. drive vehicles>



<R.H. drive vehicles>



00004462

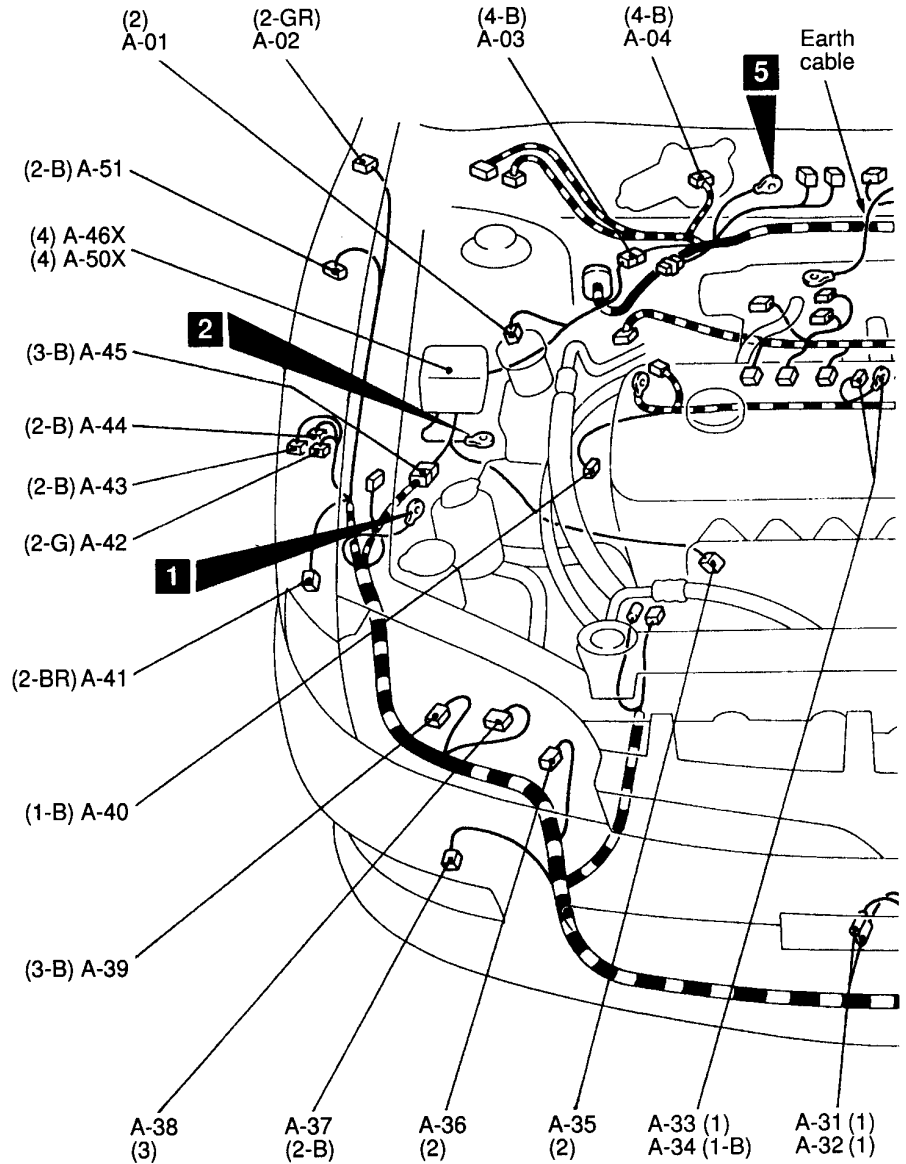
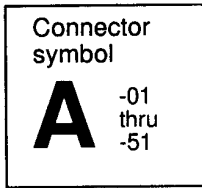
Remarks

- (1) This illustration shows only major wiring harnesses.
- (2) *:also equipped at the right side.

ENGINE COMPARTMENT

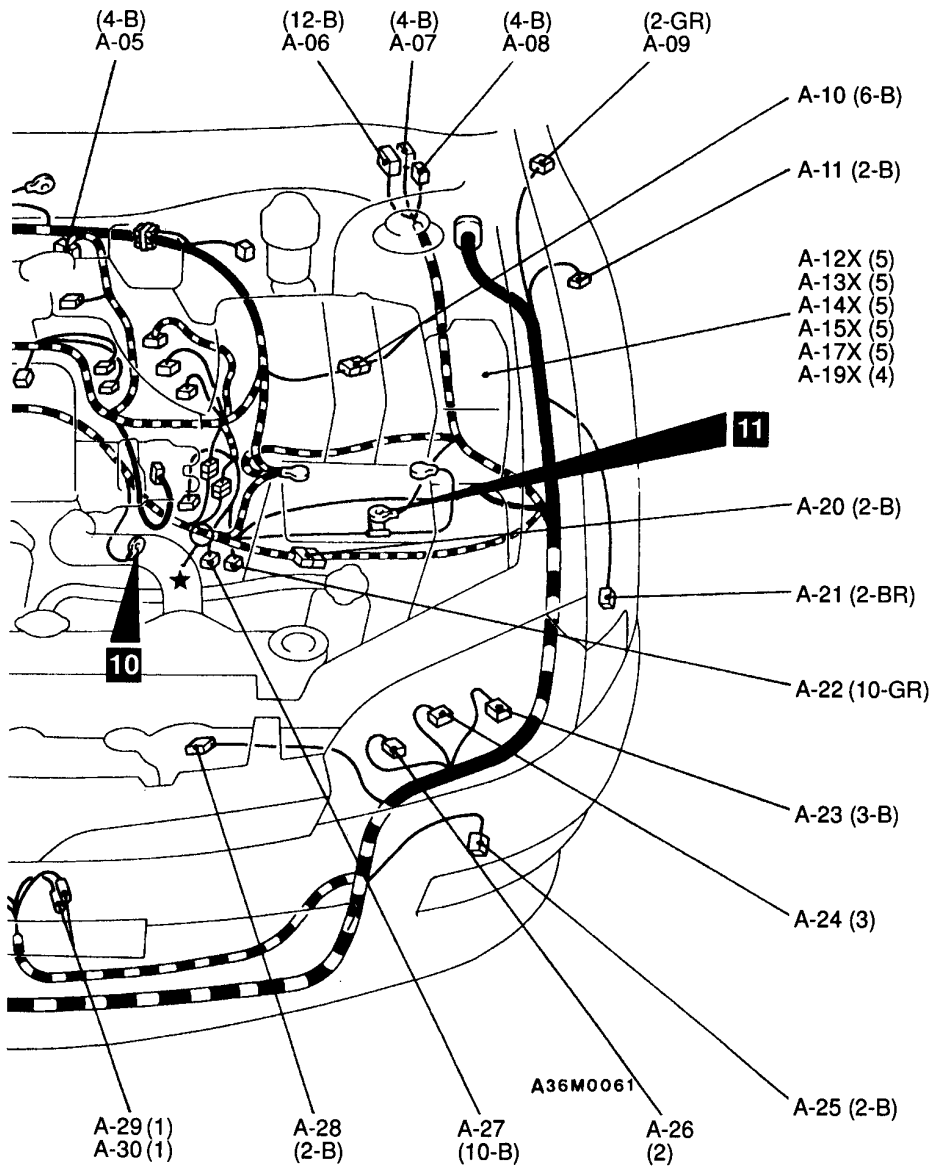
80100030461

4G13 <L.H. drive vehicles>



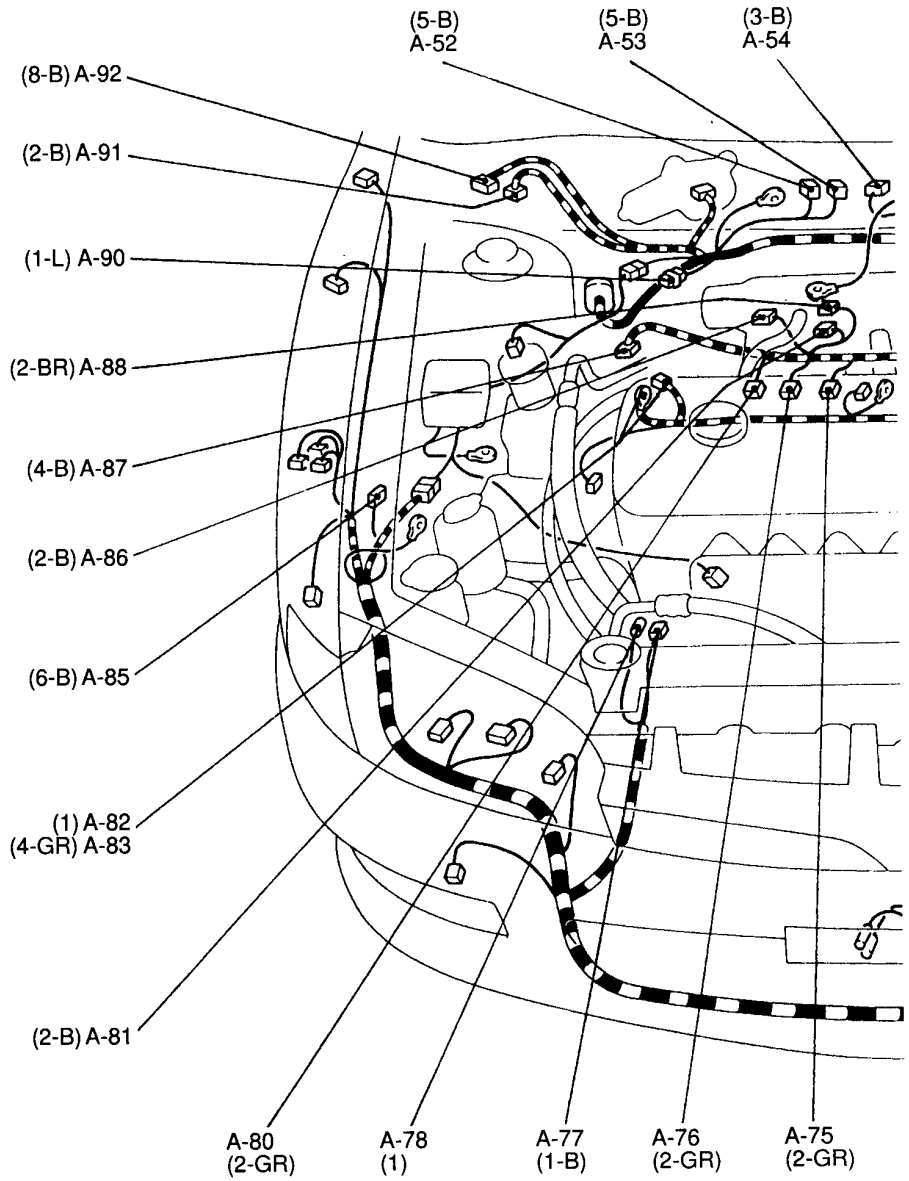
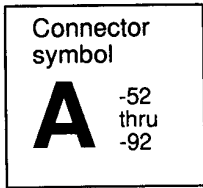
- A-01 Dual pressure switch <A/C>
- A-02 Side turn signal lamp (RH)
- A-03 A/C wiring harness and control wiring harness combination
- A-04 Windshield wiper motor
- A-05 Throttle position sensor
- A-06 DRL-ECU
- A-07 DRL relay 2
- A-08 DRL relay 1
- A-09 Side turn signal lamp (LH)
- A-10 Control wiring harness and front wiring harness combination
- A-11 Wheel speed sensor (front:LH) <ABS>

- A-12X Rear fog lamp relay
- A-13X Horn relay <SRS>
- A-14X Tail lamp relay <DRL>
- A-15X Radiator fan relay
- A-17X Headlamp relay
- A-19X Alternator relay
- A-20 Battery cable wiring harness and front wiring harness combination
- A-21 Front turn signal lamp (LH)
- A-22 A/T control solenoid valve assembly
- A-23 Headlamp (LH)
- A-24 Headlamp leveling unit (LH)

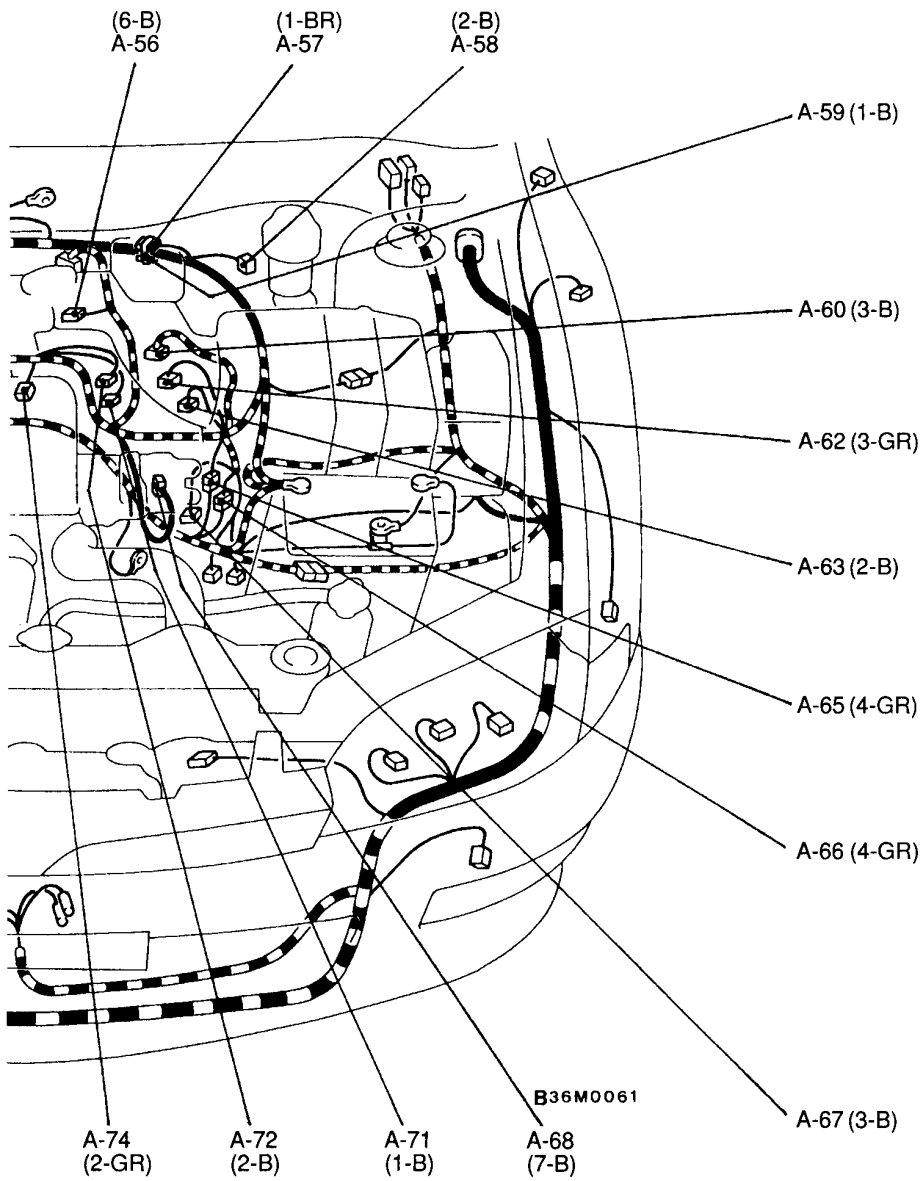


- | | | | |
|------|------------------------|-------|---|
| A-25 | Front fog lamp (LH) | A-38 | Headlamp leveling unit (RH) |
| A-26 | Position lamp (LH) | A-39 | Headlamp (RH) |
| A-27 | Inhibitor switch <A/T> | A-40 | Oil pressure switch |
| A-28 | Radiator fan motor | A-41 | Front turn signal lamp (RH) |
| A-29 | Horn (HI) | A-42 | Rear washer motor |
| A-30 | Horn (HI) | A-43 | Windshield washer motor |
| A-31 | Horn (LO) | A-44 | Headlamp washer motor |
| A-32 | Horn (LO) | A-45 | A/C wiring harness and front wiring harness combination |
| A-33 | Starter | A-46X | Condenser fan relay |
| A-34 | Starter | A-50X | A/C compressor relay |
| A-35 | Condenser fan motor | A-51 | Wheel speed sensor (front:RH) <ABS> |
| A-36 | Position lamp (RH) | | |
| A-37 | Front fog lamp (RH) | | |

4G13 <L.H. drive vehicles>



- | | | | |
|------|--------------------------------------|------|---|
| A-52 | ABS valve relay | A-63 | Back-up lamp switch <M/T> |
| A-53 | ABS motor relay | A-65 | Battery cable wiring harness and control wiring harness combination <M/T> |
| A-54 | Vacuum sensor | A-66 | Battery cable wiring harness and control wiring harness combination <A/T> |
| A-56 | Idle speed control servo | A-67 | Input shaft speed sensor <A/T> |
| A-57 | Ignition timing adjustment connector | A-68 | Distributor assembly |
| A-58 | Brake fluid level sensor | A-71 | Engine coolant temperature gauge unit |
| A-59 | Fuel pump check connector | | |
| A-60 | Vehicle speed sensor | | |
| A-62 | Output shaft speed sensor <A/T> | | |

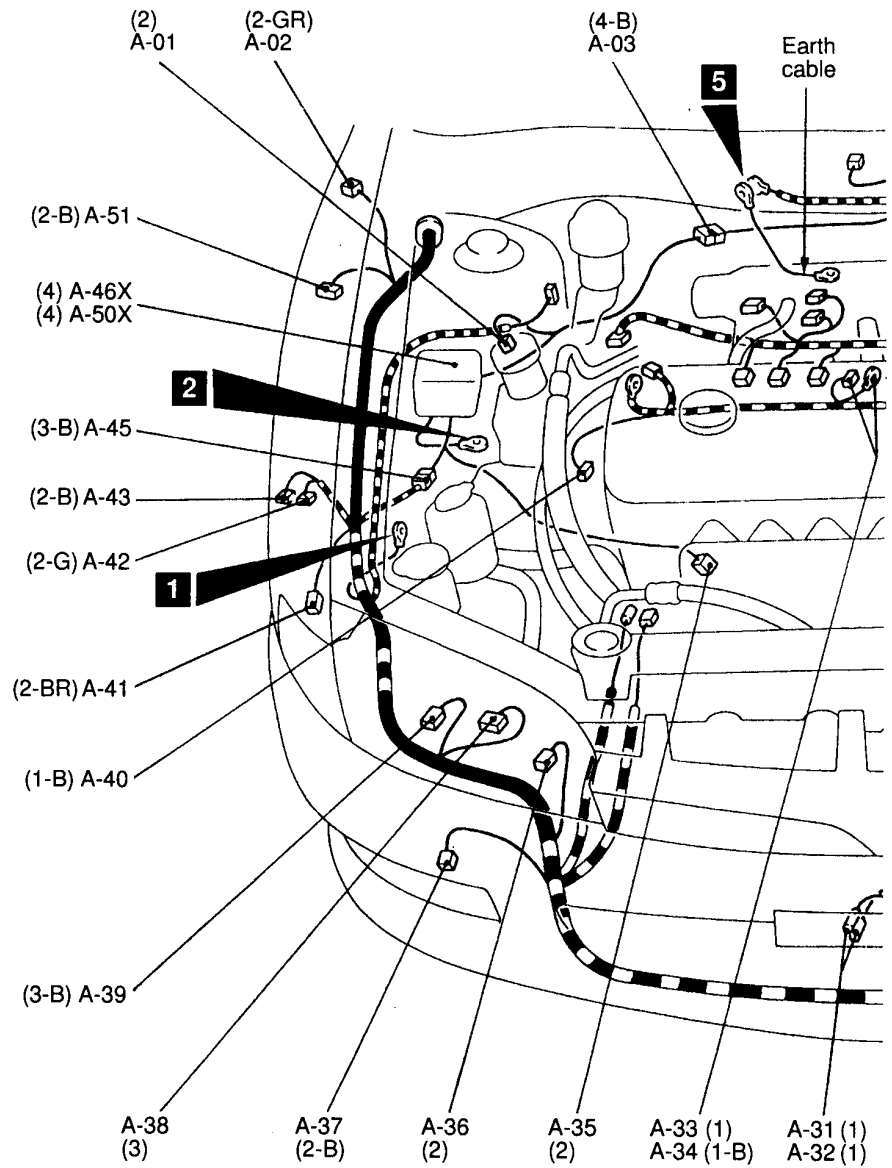
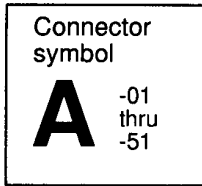


- | | | | |
|------|--|------|----------------------------------|
| A-72 | Engine coolant temperature sensor | A-82 | Alternator |
| A-74 | Injector 4 | A-83 | Alternator |
| A-75 | Injector 3 | A-85 | Headlamp washer relay |
| A-76 | Injector 2 | A-86 | Intake air temperature sensor |
| A-77 | A/C refrigerant temperature switch and magnetic clutch | A-87 | Oxygen sensor (front) |
| A-78 | Power steering oil pressure switch | A-88 | EGR solenoid valve |
| A-80 | Injector 1 | A-90 | Engine speed detection connector |
| A-81 | Purge control solenoid valve | A-91 | ABS hydraulic unit |
| | | A-92 | ABS hydraulic unit |

ENGINE COMPARTMENT

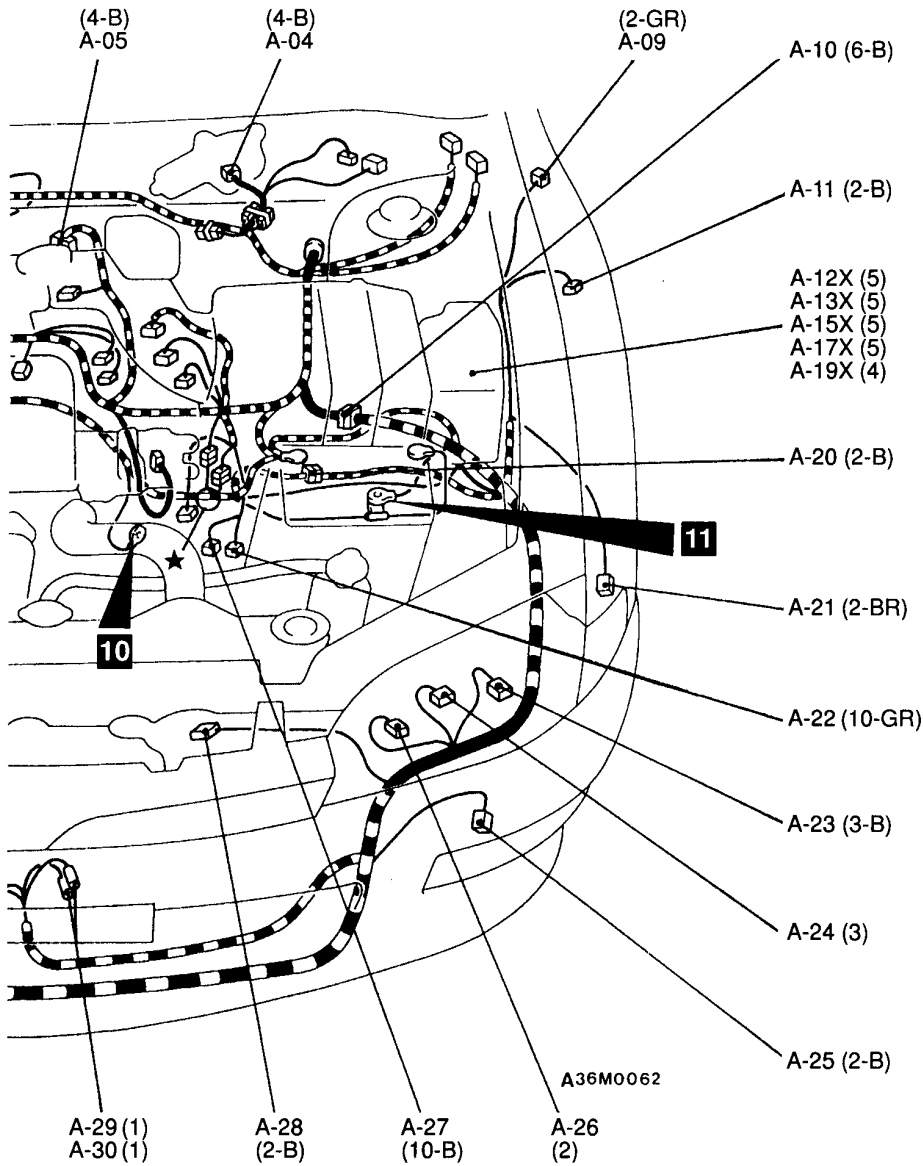
80100030478

4G13 <R.H. drive vehicles>



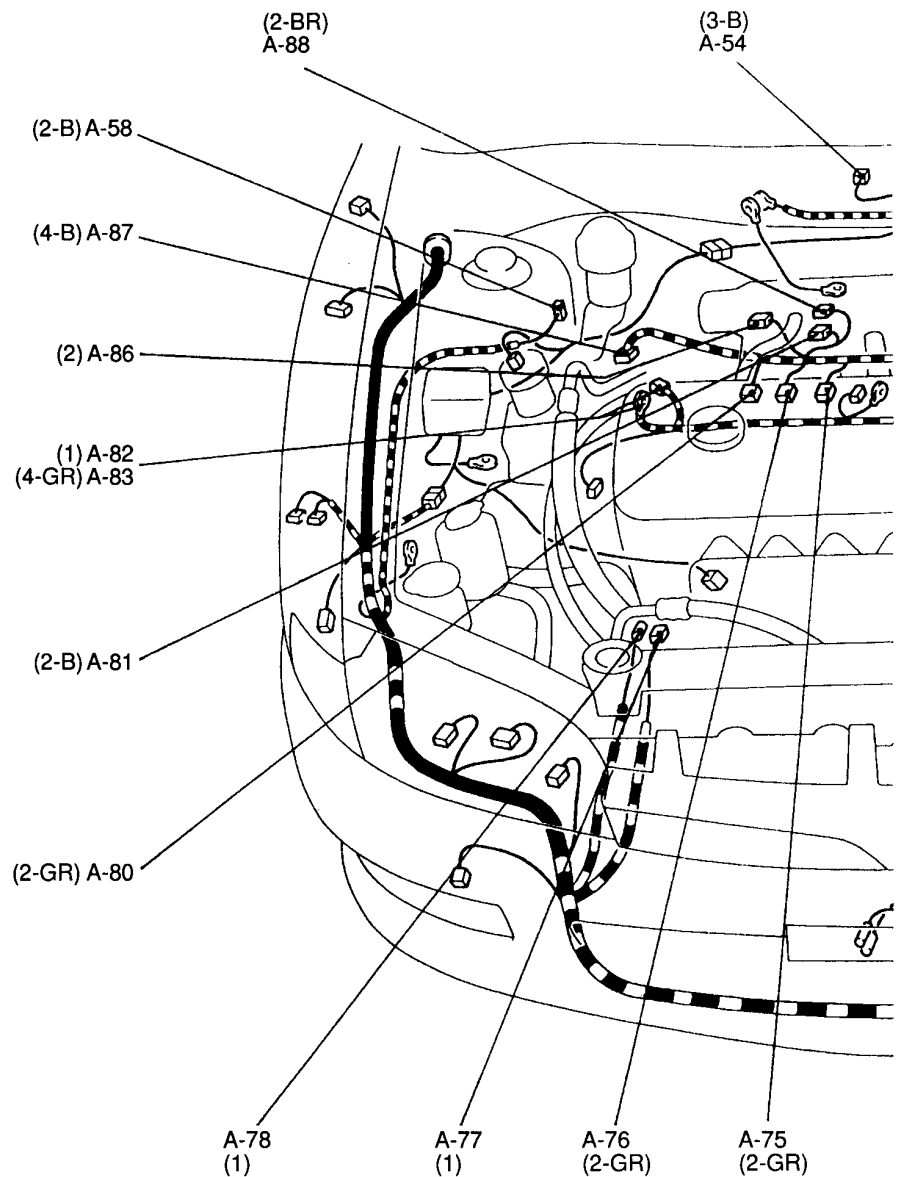
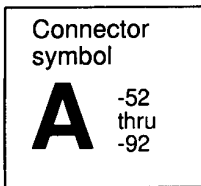
- A-01 Dual pressure switch <A/C>
- A-02 Side turn signal lamp (RH)
- A-03 A/C wiring harness and control wiring harness combination
- A-04 Windshield wiper motor
- A-05 Throttle position sensor
- A-09 Side turn signal lamp (LH)
- A-10 Control wiring harness and front wiring harness combination
- A-11 Wheel speed sensor (front:LH) <ABS>
- A-12X Rear fog lamp relay
- A-13X Horn relay<SRS>

- A-15X Radiator fan relay
- A-17X Headlamp relay
- A-19X Alternator relay
- A-20 Battery cable wiring harness and front wiring harness combination
- A-21 Front turn signal lamp (LH)
- A-22 A/T control solenoid valve assembly
- A-23 Headlamp (LH)
- A-24 Headlamp leveling unit (LH)
- A-25 Front fog lamp (LH)
- A-26 Position lamp (LH)

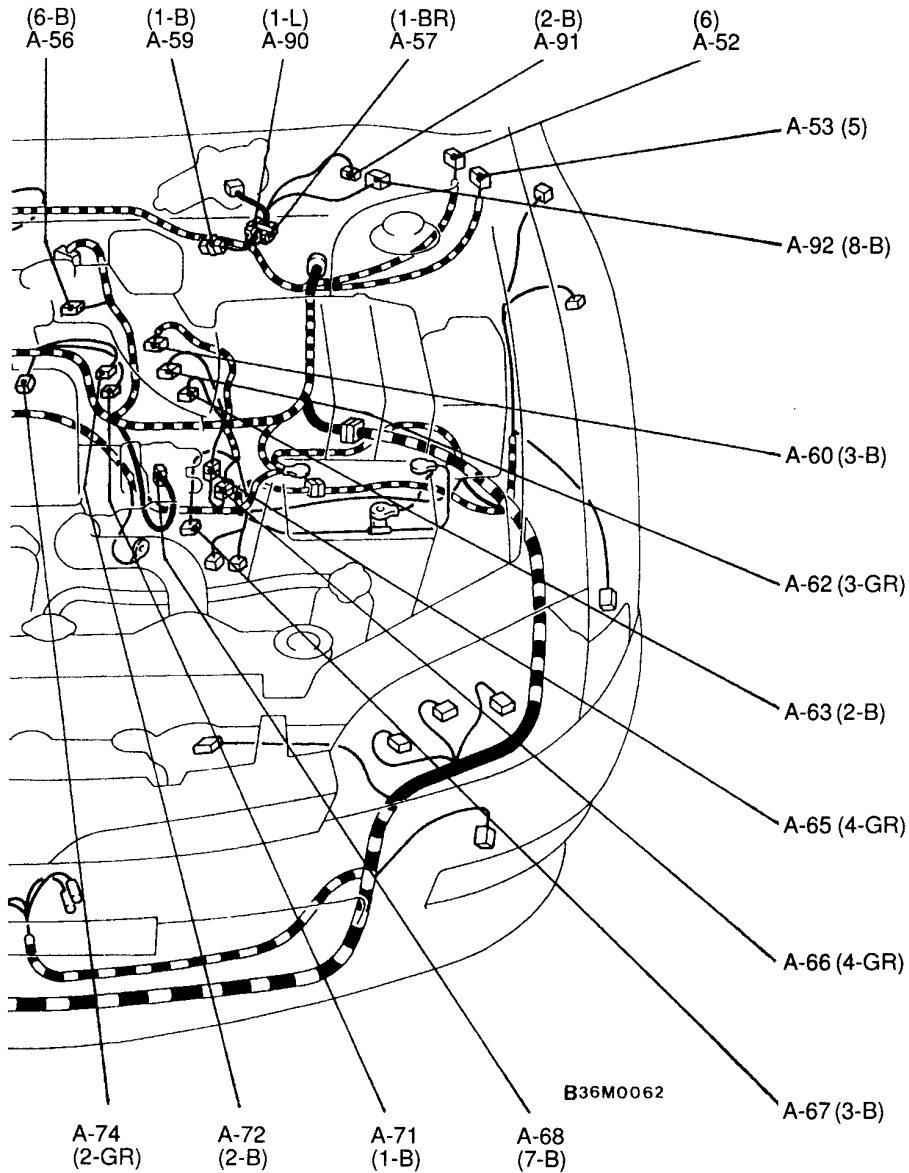


- | | | | |
|------|------------------------|-------|---|
| A-27 | Inhibitor switch <A/T> | A-38 | Headlamp leveling unit (RH) |
| A-28 | Radiator fan motor | A-39 | Headlamp (RH) |
| A-29 | Horn (HI) | A-40 | Oil pressure switch |
| A-30 | Horn (HI) | A-41 | Front turn signal lamp (RH) |
| A-31 | Horn (LO) | A-42 | Rear washer motor |
| A-32 | Horn (LO) | A-43 | Windshield washer motor |
| A-33 | Starter | A-45 | A/C wiring harness and front wiring harness combination |
| A-34 | Starter | A-46X | Condenser fan relay |
| A-35 | Condenser fan motor | A-50X | A/C compressor relay |
| A-36 | Position lamp (RH) | A-51 | Wheel speed sensor (front:RH) <ABS> |
| A-37 | Front fog lamp (RH) | | |

4G13 <R.H. drive vehicles>



- | | | | |
|------|--------------------------------------|------|---|
| A-52 | ABS valve relay | A-63 | Back-up lamp switch <M/T> |
| A-53 | ABS motor relay | A-65 | Battery cable wiring harness and control wiring harness combination <M/T> |
| A-54 | Vacuum sensor | A-66 | Battery cable wiring harness and control wiring harness combination <A/T> |
| A-56 | Idle speed control servo | A-67 | Input shaft speed sensor <A/T> |
| A-57 | Ignition timing adjustment connector | A-68 | Distributor assembly |
| A-58 | Brake fluid level sensor | A-71 | Engine coolant temperature gauge unit |
| A-59 | Fuel pump check connector | | |
| A-60 | Vehicle speed sensor | | |
| A-62 | Output shaft speed sensor <A/T> | | |

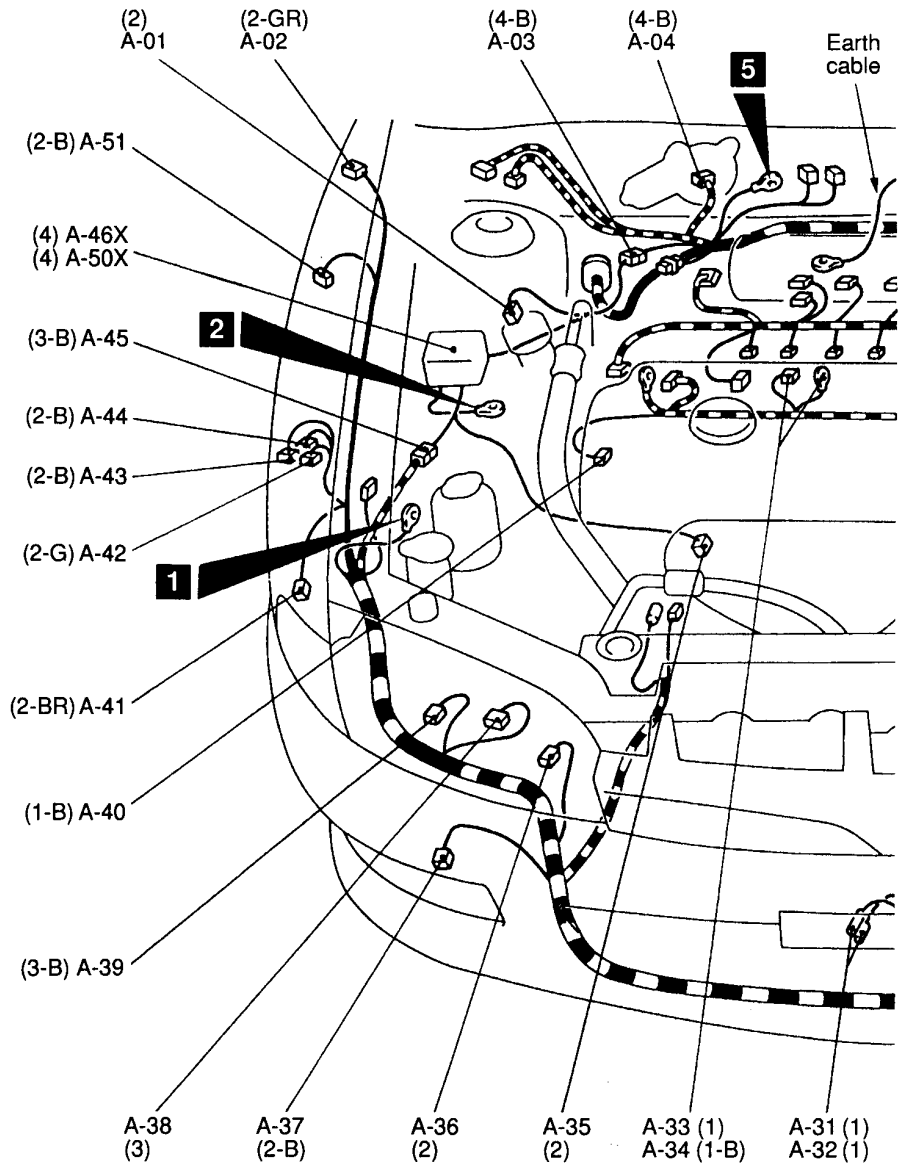
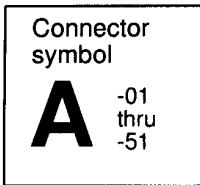


- | | | | |
|------|--|------|----------------------------------|
| A-72 | Engine coolant temperature sensor | A-82 | Alternator |
| A-74 | Injector 4 | A-83 | Alternator |
| A-75 | Injector 3 | A-86 | Intake air temperature sensor |
| A-76 | Injector 2 | A-87 | Oxygen sensor (front) |
| A-77 | A/C refrigerant temperature switch and magnetic clutch | A-88 | EGR solenoid valve |
| A-78 | Power steering oil pressure switch | A-90 | Engine speed detection connector |
| A-80 | Injector 1 | A-91 | ABS hydraulic unit |
| A-81 | Purge control solenoid valve | A-92 | ABS hydraulic unit |

ENGINE COMPARTMENT

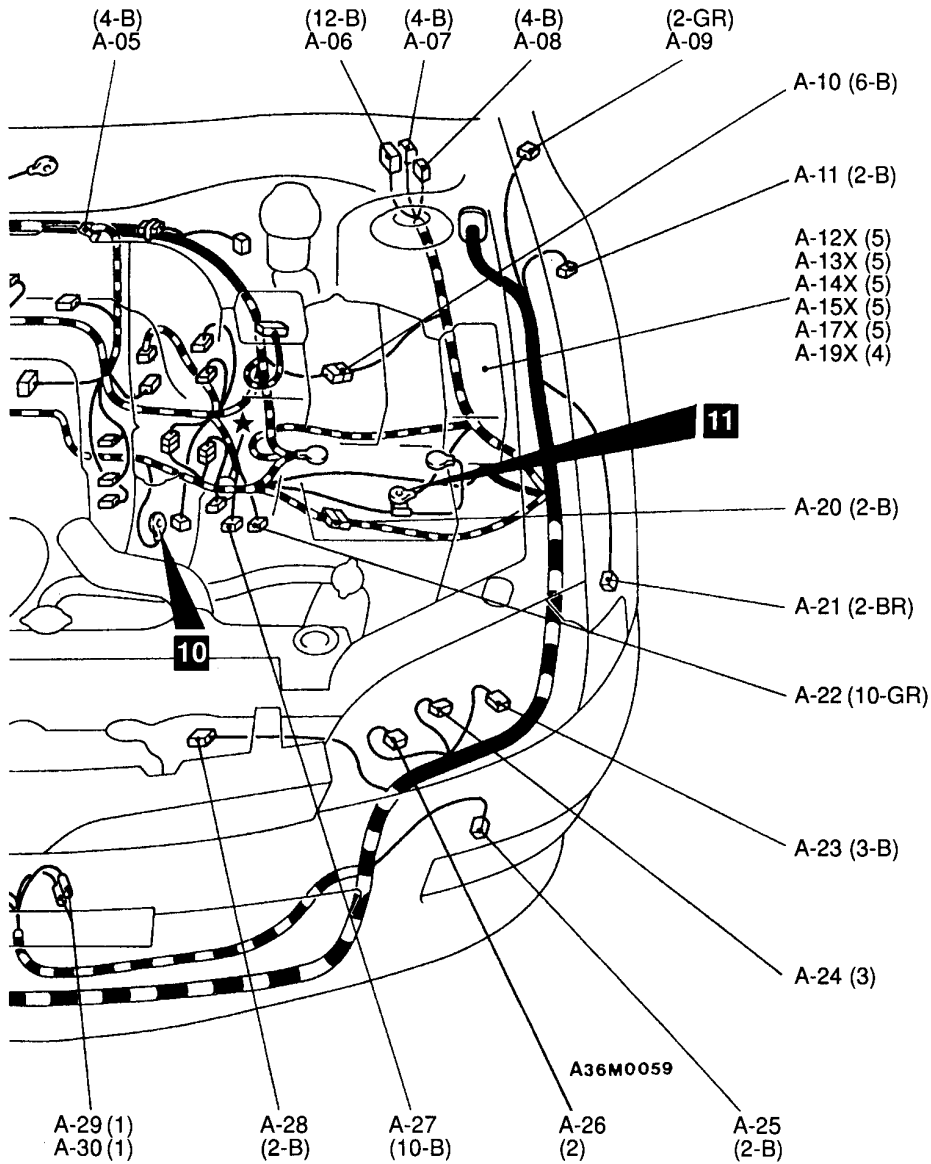
80100030485

4G92 <L.H. drive vehicles>



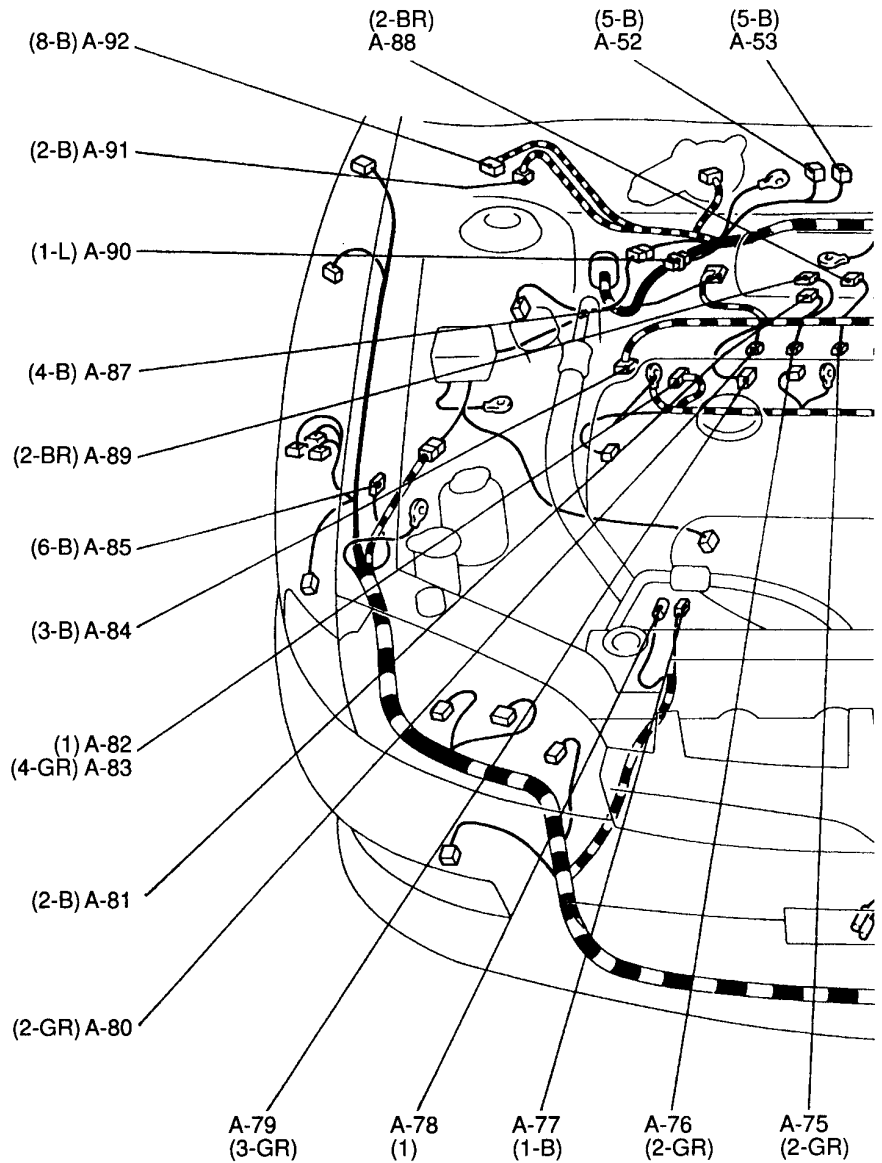
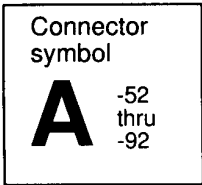
- A-01 Dual pressure switch <A/C>
- A-02 Side turn signal lamp (RH)
- A-03 A/C wiring harness and control wiring harness combination
- A-04 Windshield wiper motor
- A-05 Throttle position sensor
- A-06 DRL-ECU
- A-07 DRL relay 2
- A-08 DRL relay 1
- A-09 Side turn signal lamp (LH)
- A-10 Control wiring harness and front wiring harness combination
- A-11 Wheel speed sensor (front:LH) <ABS>

- A-12X Rear fog lamp relay
- A-13X Horn relay <SRS>
- A-14X Tail lamp relay <DRL>
- A-15X Radiator fan relay
- A-17X Headlamp relay
- A-19X Alternator relay
- A-20 Battery cable wiring harness and front wiring harness combination
- A-21 Front turn signal lamp (LH)
- A-22 A/T control solenoid valve assembly
- A-23 Headlamp (LH)
- A-24 Headlamp leveling unit (LH)

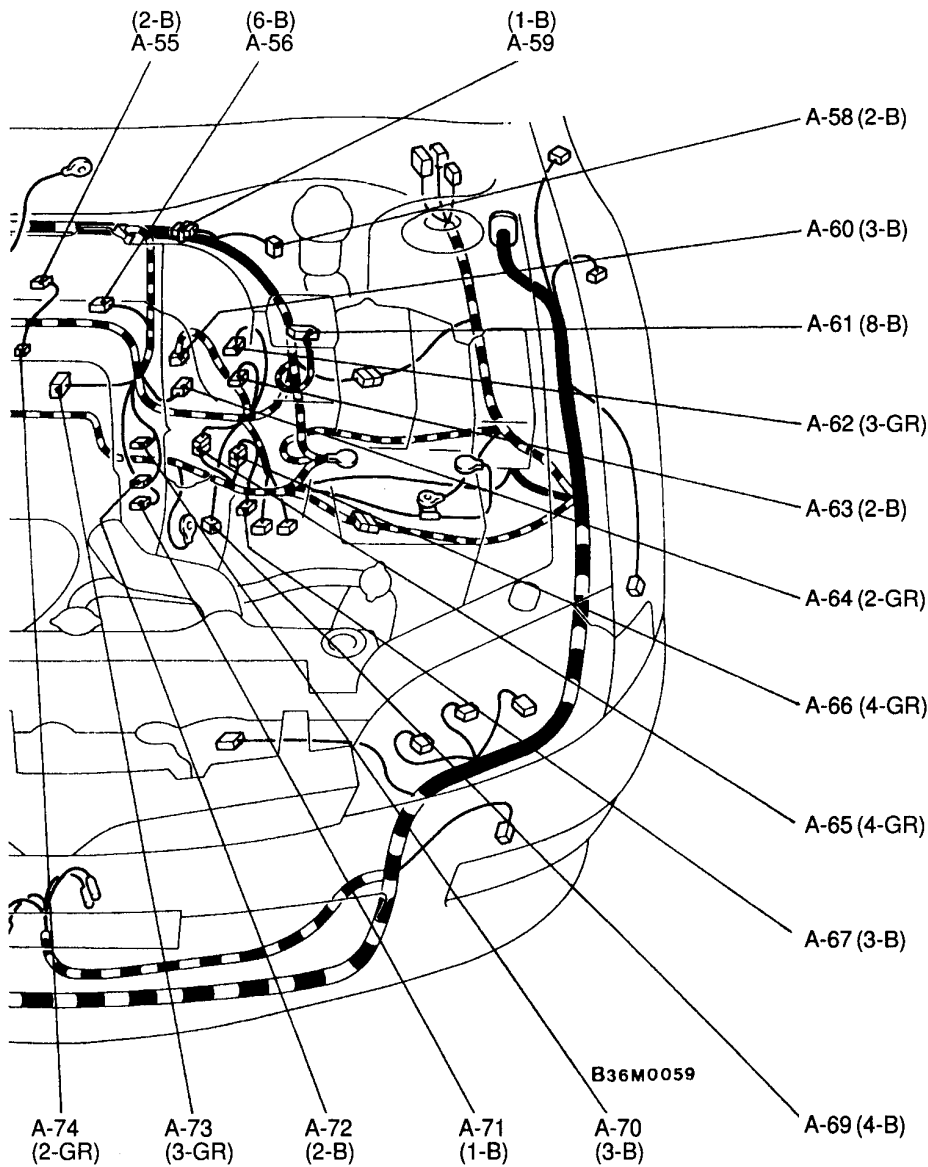


- | | | | |
|------|------------------------|-------|---|
| A-25 | Front fog lamp (LH) | A-38 | Headlamp leveling unit (RH) |
| A-26 | Position lamp (LH) | A-39 | Headlamp (RH) |
| A-27 | Inhibitor switch <A/T> | A-40 | Oil pressure switch |
| A-28 | Radiator fan motor | A-41 | Front turn signal lamp (RH) |
| A-29 | Horn (HI) | A-42 | Rear washer motor |
| A-30 | Horn (HI) | A-43 | Windshield washer motor |
| A-31 | Horn (LO) | A-44 | Headlamp washer motor |
| A-32 | Horn (LO) | A-45 | A/C wiring harness and front wiring harness combination |
| A-33 | Starter | A-46X | Condenser fan relay |
| A-34 | Starter | A-50X | A/C compressor relay |
| A-35 | Condenser fan motor | A-51 | Wheel speed sensor (front:RH) <ABS> |
| A-36 | Position lamp (RH) | | |
| A-37 | Front fog lamp (RH) | | |

4G92 <L.H. drive vehicles>



- | | | | |
|------|---------------------------------|------|---|
| A-52 | ABS valve relay | A-64 | Detonation sensor |
| A-53 | ABS motor relay | A-65 | Battery cable wiring harness and control wiring harness combination <M/T> |
| A-55 | Air bypass solenoid valve <MVV> | A-66 | Battery cable wiring harness and control wiring harness combination <A/T> |
| A-56 | Idle speed control servo | A-67 | Input shaft speed sensor <A/T> |
| A-58 | Brake fluid level sensor | A-69 | Oxygen sensor <MVV> |
| A-59 | Fuel pump check connector | A-70 | Camshaft position sensor |
| A-60 | Vehicle speed sensor | A-71 | Engine coolant temperature gauge unit |
| A-61 | Air flow sensor | A-72 | Engine coolant temperature sensor |
| A-62 | Output shaft speed sensor <A/T> | | |
| A-63 | Back-up lamp switch <M/T> | | |



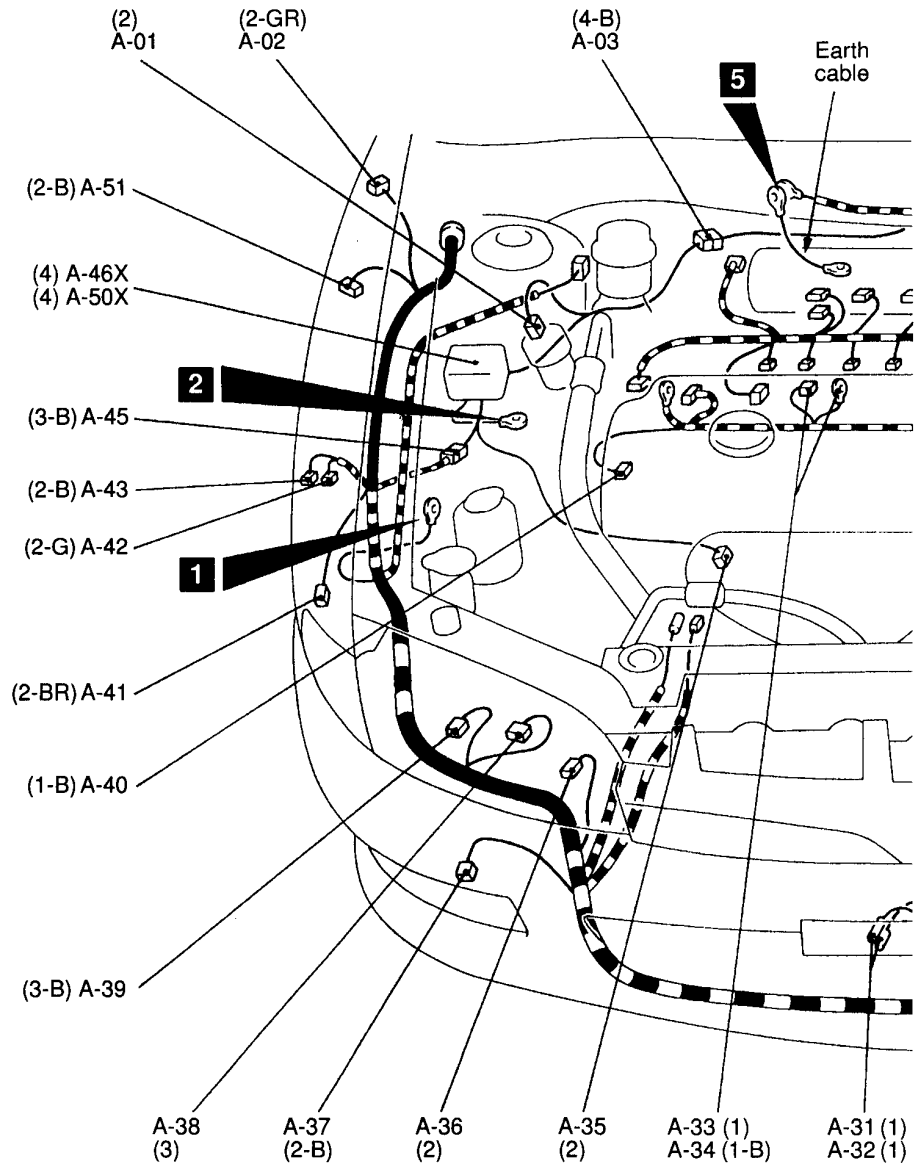
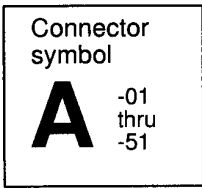
- A-73 Ignition coil 1
- A-74 Injector 4
- A-75 Injector 3
- A-76 Injector 2
- A-77 A/C refrigerant temperature switch and magnetic clutch
- A-78 Power steering oil pressure switch
- A-79 Ignition coil 2
- A-80 Injector 1
- A-81 Purge control solenoid valve

- A-82 Alternator
- A-83 Alternator
- A-84 Crank angle sensor
- A-85 Headlamp washer relay
- A-87 Oxygen sensor <except MVV>
- A-88 EGR solenoid valve <except MVV>
- A-89 EGR solenoid valve <MVV>
- A-90 Engine speed detection connector
- A-91 ABS hydraulic unit
- A-92 ABS hydraulic unit

ENGINE COMPARTMENT

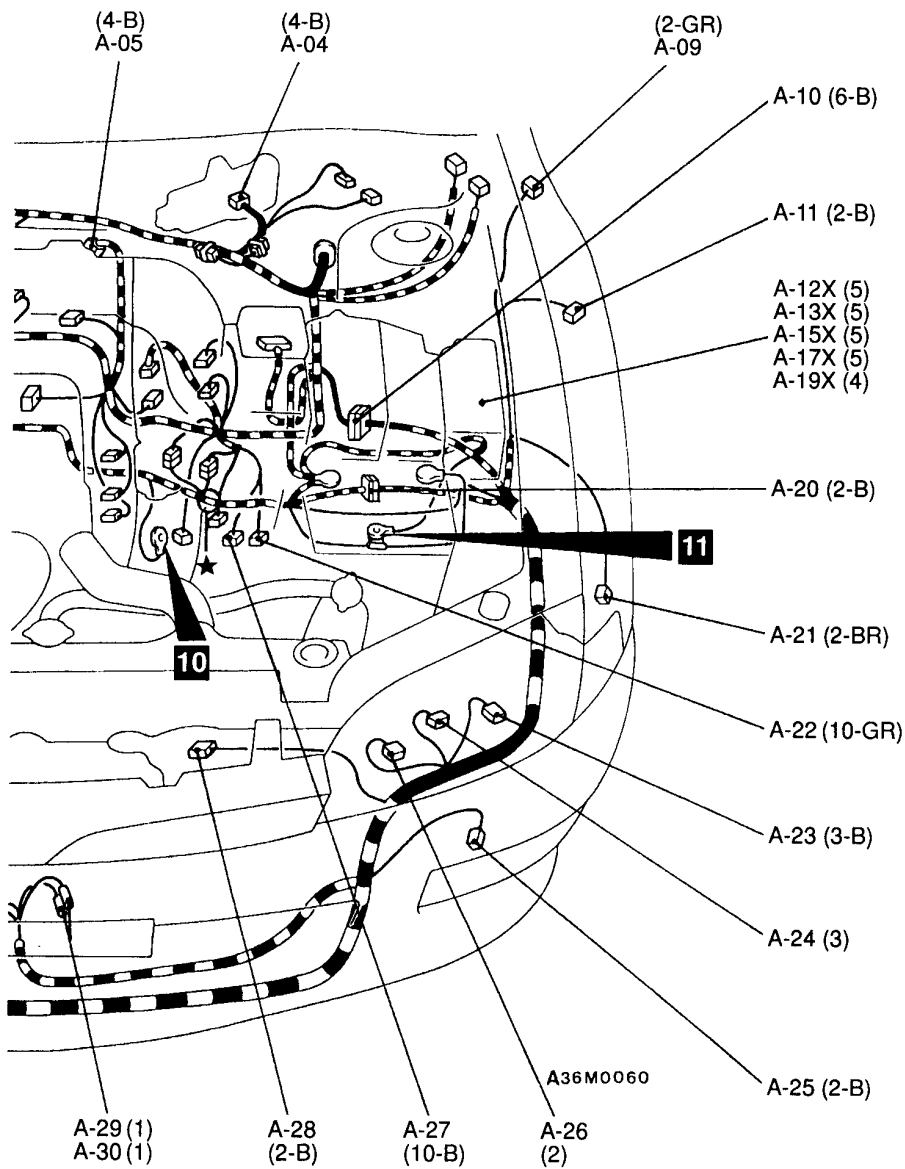
80100030492

4G92 <R.H. drive vehicles>



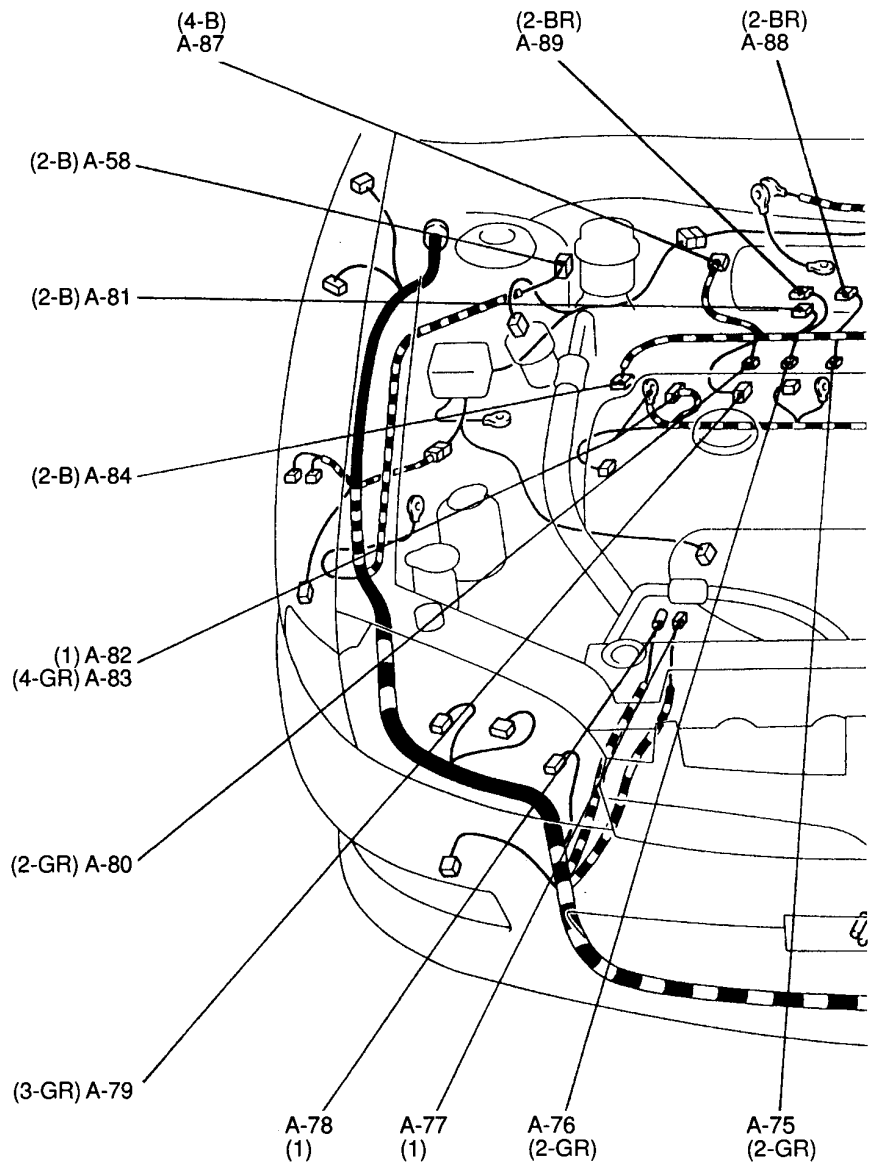
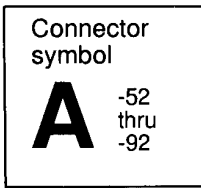
- A-01 Dual pressure switch <A/C>
- A-02 Side turn signal lamp (RH)
- A-03 A/C wiring harness and control wiring harness combination
- A-04 Windshield wiper motor
- A-05 Throttle position sensor
- A-09 Side turn signal lamp (LH)
- A-10 Control wiring harness and front wiring harness combination
- A-11 Wheel speed sensor (front:LH) <ABS>
- A-12X Rear fog lamp relay
- A-13X Horn relay<SRS>

- A-15X Radiator fan relay
- A-17X Headlamp relay
- A-19X Alternator relay
- A-20 Battery cable wiring harness and front wiring harness combination
- A-21 Front turn signal lamp (LH)
- A-22 A/T control solenoid valve assembly
- A-23 Headlamp (LH)
- A-24 Headlamp leveling unit (LH)
- A-25 Front fog lamp (LH)
- A-26 Position lamp (LH)



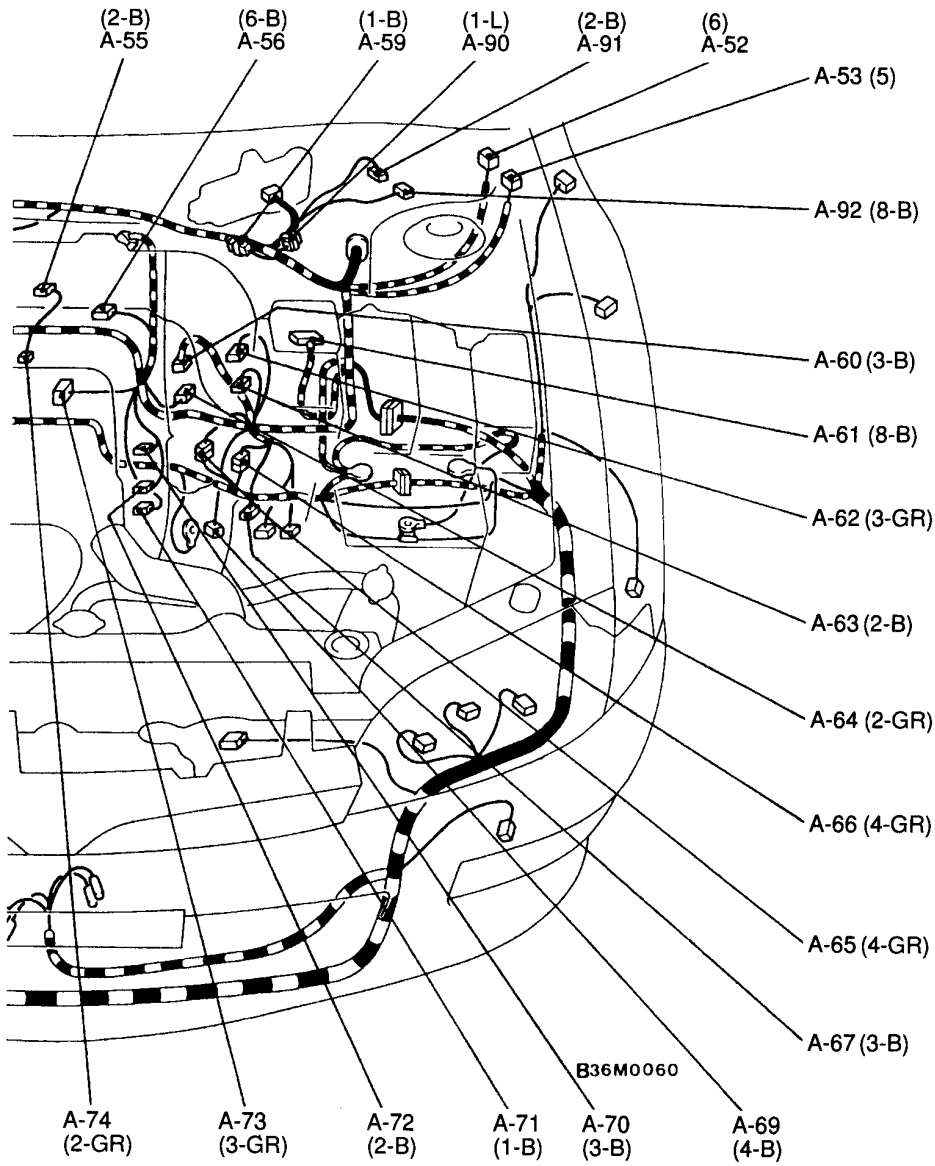
- | | | | |
|------|------------------------|-------|---|
| A-27 | Inhibitor switch <A/T> | A-38 | Headlamp leveling unit (RH) |
| A-28 | Radiator fan motor | A-39 | Headlamp (RH) |
| A-29 | Horn (HI) | A-40 | Oil pressure switch |
| A-30 | Horn (HI) | A-41 | Front turn signal lamp (RH) |
| A-31 | Horn (LO) | A-42 | Rear washer motor |
| A-32 | Horn (LO) | A-43 | Windshield washer motor |
| A-33 | Starter | A-45 | A/C wiring harness and front wiring harness combination |
| A-34 | Starter | A-46X | Condenser fan relay |
| A-35 | Condenser fan motor | A-50X | A/C compressor relay |
| A-36 | Position lamp (RH) | A-51 | Wheel speed sensor (front:RH) <ABS> |
| A-37 | Front fog lamp (RH) | | |

4G92 <R.H. drive vehicles>



- A-52 ABS valve relay
- A-53 ABS motor relay
- A-55 Air bypass solenoid valve <MVV>
- A-56 Idle speed control servo
- A-58 Brake fluid level sensor
- A-59 Fuel pump check connector
- A-60 Vehicle speed sensor
- A-61 Air flow sensor
- A-62 Output shaft speed sensor <A/T>
- A-63 Back-up lamp switch <M/T>

- A-64 Detonation sensor
- A-65 Battery cable wiring harness and control wiring harness combination <M/T>
- A-66 Battery cable wiring harness and control wiring harness combination <A/T>
- A-67 Input shaft position sensor <A/T>
- A-69 Oxygen sensor <MVV>
- A-70 Camshaft position sensor
- A-71 Engine coolant temperature gauge unit

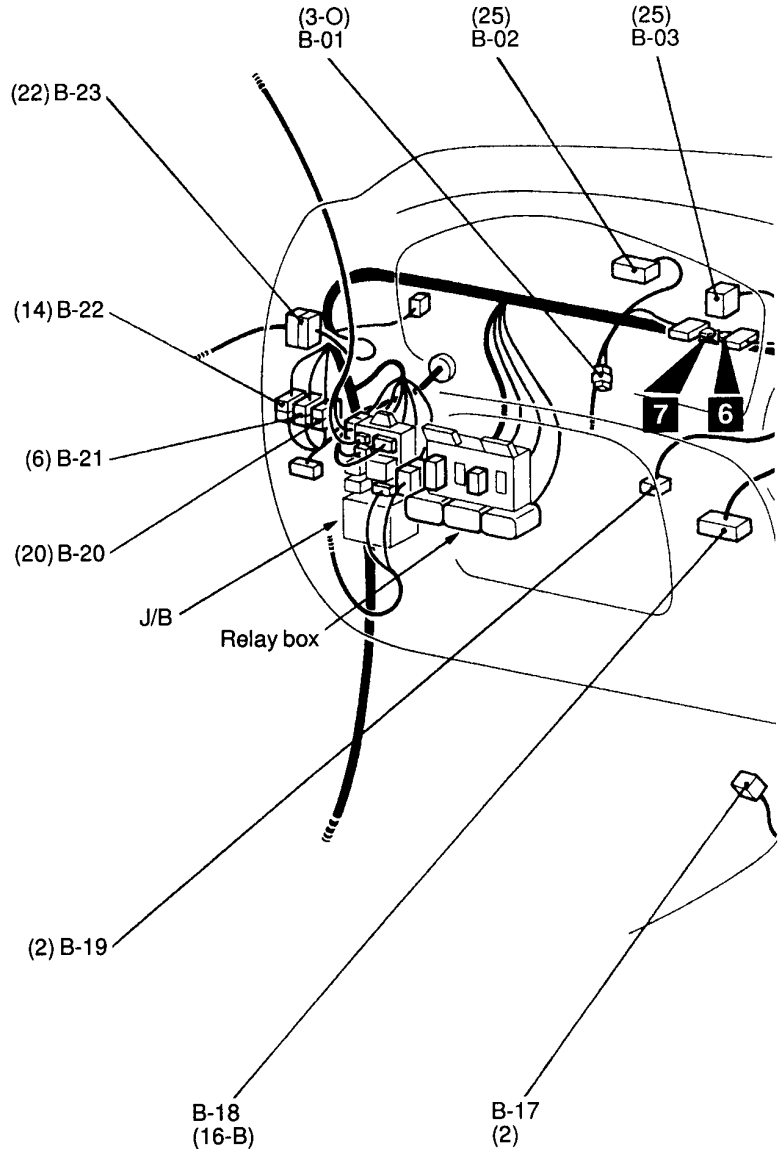
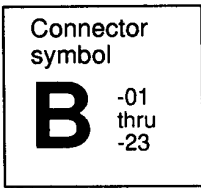


- | | | | |
|------|--|------|----------------------------------|
| A-72 | Engine coolant temperature sensor | A-81 | Purge control solenoid valve |
| A-73 | Ignition coil 1 | A-82 | Alternator |
| A-74 | Injector 4 | A-83 | Alternator |
| A-75 | Injector 3 | A-84 | Crank angle sensor |
| A-76 | Injector 2 | A-87 | Oxygen sensor <except MVV> |
| A-77 | A/C refrigerant temperature switch and magnetic clutch | A-88 | EGR solenoid valve <except MVV> |
| A-78 | Power steering oil pressure switch | A-89 | EGR solenoid valve <MVV> |
| A-79 | Ignition coil 2 | A-90 | Engine speed detection connector |
| A-80 | Injector 1 | A-91 | ABS hydraulic unit |
| | | A-92 | ABS hydraulic unit |

DASH PANEL

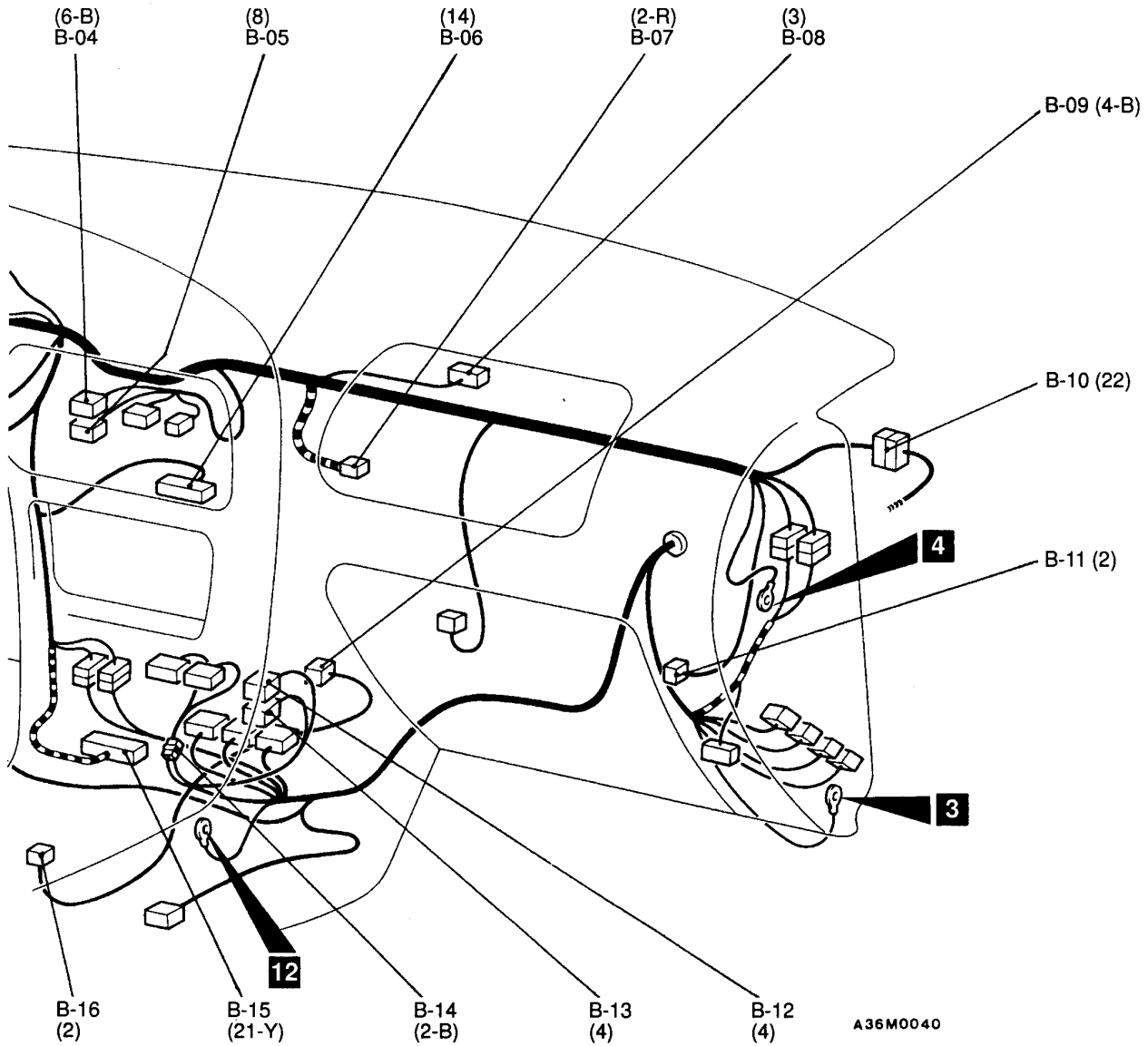
80100060200

L.H. drive vehicles



- B-01 Diode (for headlamp and rear fog lamp circuit)
- B-02 Combination meter
- B-03 Combination meter
- B-04 Defogger switch
- B-05 A/C switch
- B-06 Radio and tape player
- B-07 Air bag module (squib) (passenger's side)
- B-08 Thermostat <A/C>

- B-09 A/T relay
- B-10 Front door wiring harness (passenger's side) and body wiring harness combination
- B-11 Blower motor
- B-12 Fuel pump relay
- B-13 Engine control relay
- B-14 Diode (for ABS circuit)

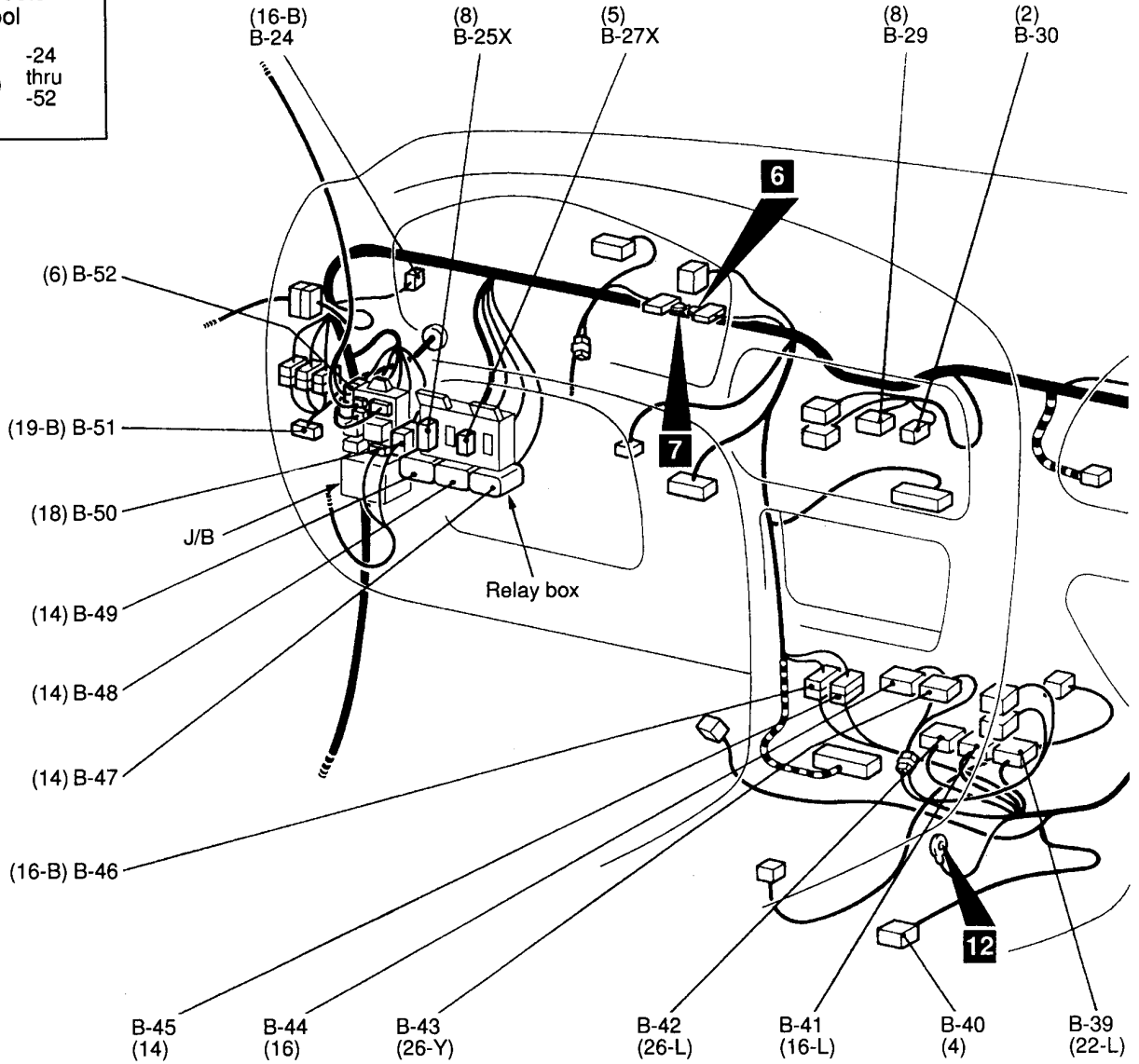


- B-15 SRS-ECU
- B-16 A/T selector lever position illumination lamp
- B-17 Wide open throttle switch <A/T>
- B-18 Diagnosis connector
- B-19 Stop lamp switch
- B-20 Front wiring harness and body wiring harness combination

- B-21 Front wiring harness and body wiring harness combination
- B-22 Front wiring harness and body wiring harness combination
- B-23 Front door wiring harness (driver's side) and body wiring harness combination

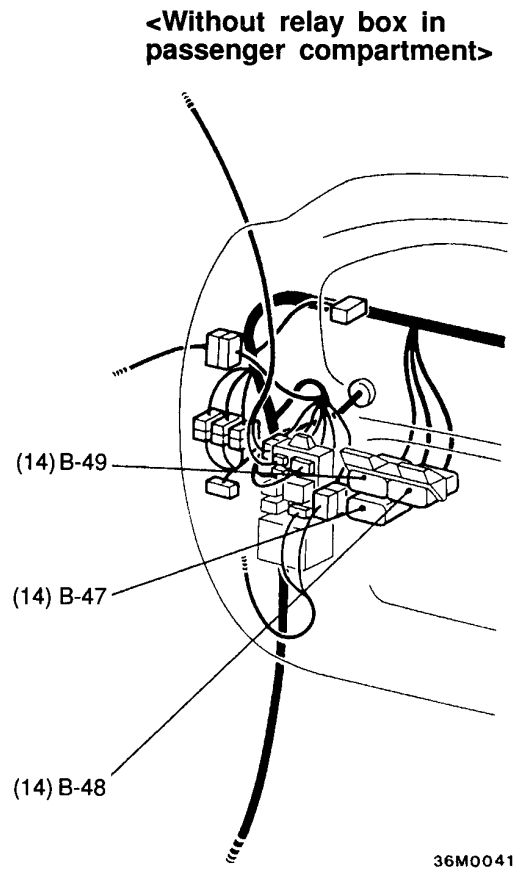
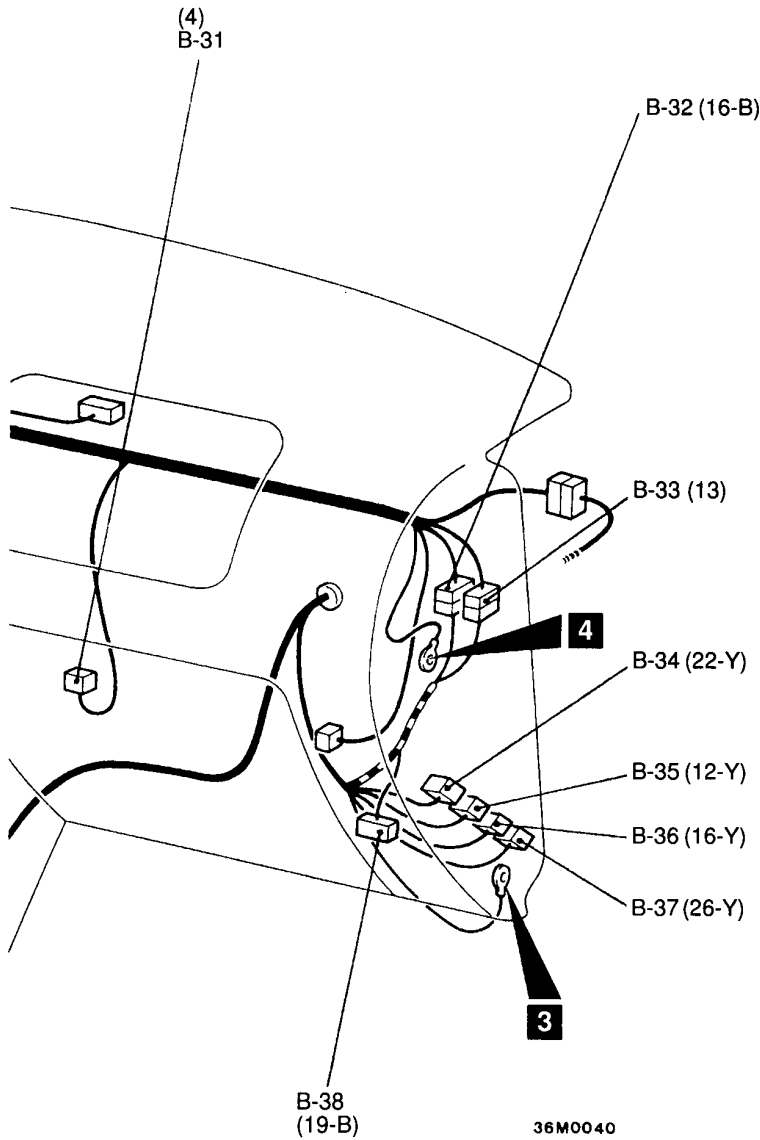
L.H. drive vehicles

Connector symbol
B -24 thru -52



- B-24 Immobilizer-ECU
- B-25X Rear intermittent wiper relay
- B-27X Power window relay
- B-29 Blower switch
- B-30 Blower control illumination lamp
- B-31 Resistor
- B-32 Control wiring harness and body wiring harness combination

- B-33 Control wiring harness and body wiring harness combination
- B-34 Engine ECU
- B-35 Engine ECU
- B-36 Engine ECU
- B-37 Engine ECU
- B-38 J/C (5)

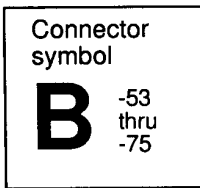


00004463

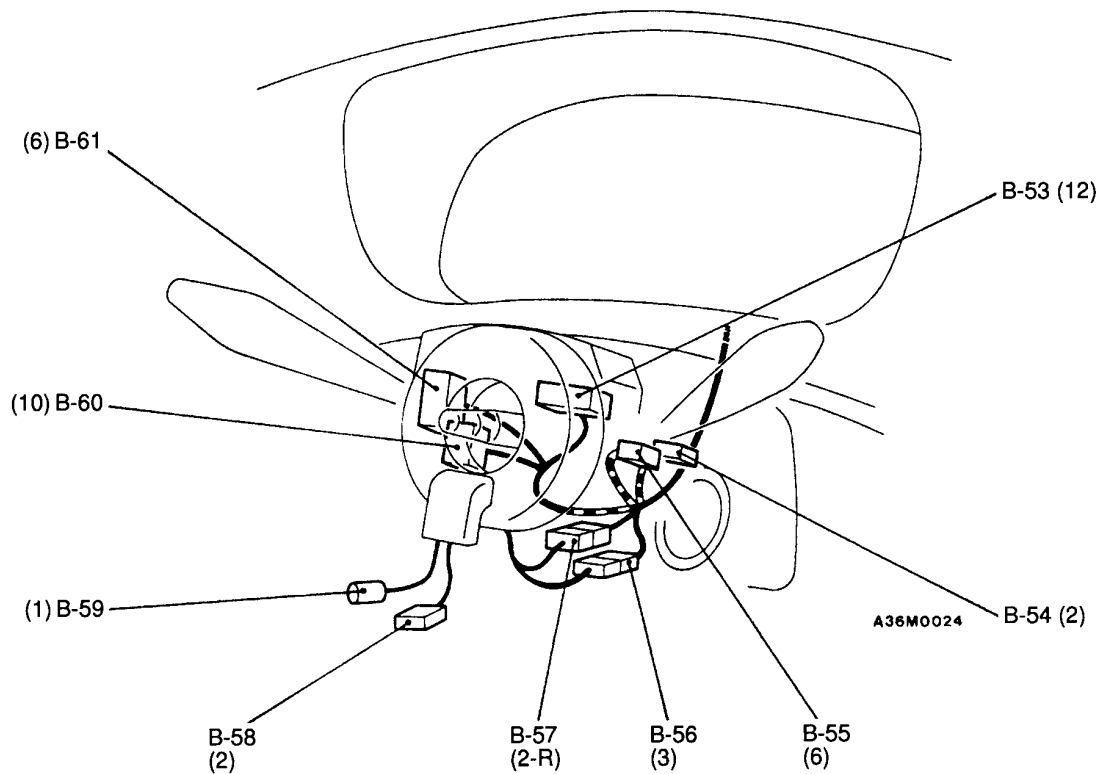
- B-39 ELC-4A/T-ECU
- B-40 Oxygen sensor (rear) <4G13>
- B-41 ELC-4A/T-ECU
- B-42 ELC-4A/T-ECU
- B-43 ABS-ECU
- B-44 ABS-ECU
- B-45 Control wiring harness and body wiring harness combination <A/T>
- B-46 Control wiring harness and body wiring harness combination <ABS>

- B-47 J/C (4)
- B-48 J/C (3)
- B-49 J/C (2)
- B-50 Instrument panel wiring harness and body wiring harness combination
- B-51 J/C (1)
- B-52 Roof wiring harness and body wiring harness combination <Sunroof>

L.H. drive vehicles



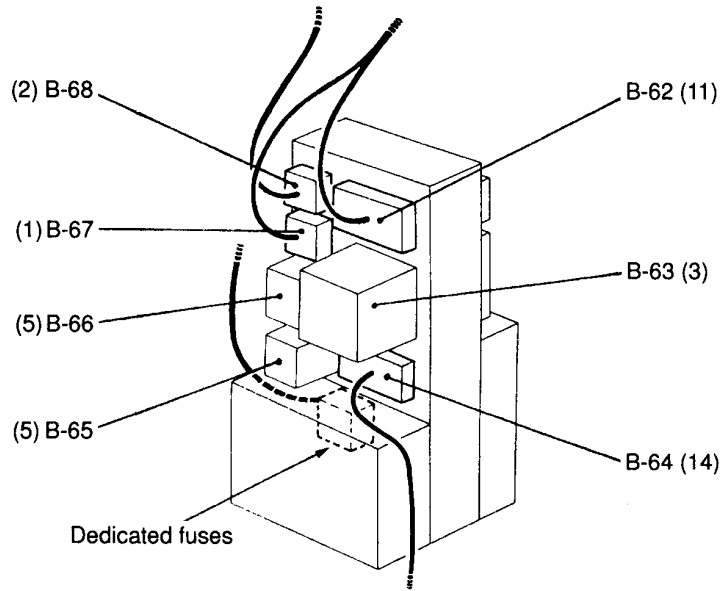
Steering column



B-53	Column switch	B-63	Turn-signal and hazard warning flasher unit
B-54	Ignition key ring antenna <Vehicles with immobilizer system>	B-64	Instrument panel wiring harness and J/B combination
B-55	Ignition switch	B-65	Defogger relay
B-56	Clock spring <SRS>	B-66	Blower relay
B-57	Clock spring <SRS>	B-67	Front wiring harness and J/B combination
B-58	Air bag module (squib) (driver's side)	B-68	Roof wiring harness and J/B combination
B-59	Horn switch <SRS>	B-69	Body wiring harness and J/B combination
B-60	Column switch	B-70	Body wiring harness and J/B combination
B-61	Column switch	B-71	ETACS-ECU
B-62	Front wiring harness and J/B combination		

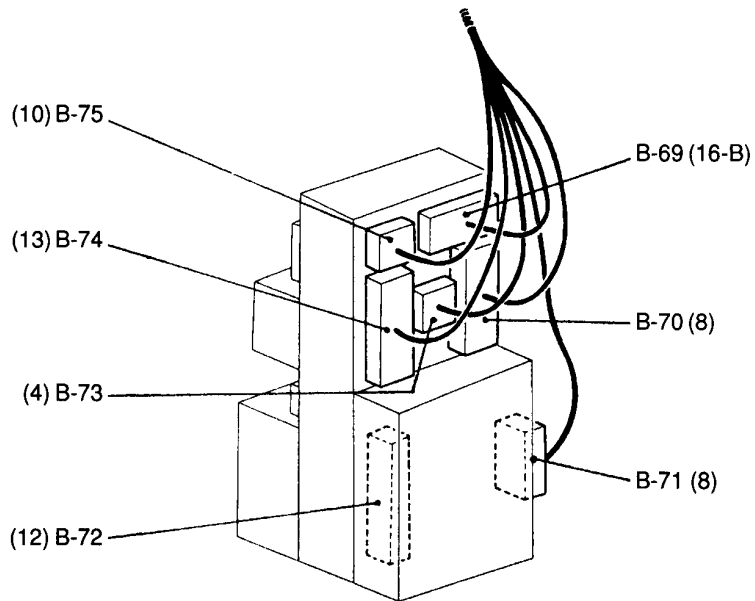
Junction block

(Front view)



36M0054

(Rear view)



36M0053

00004464

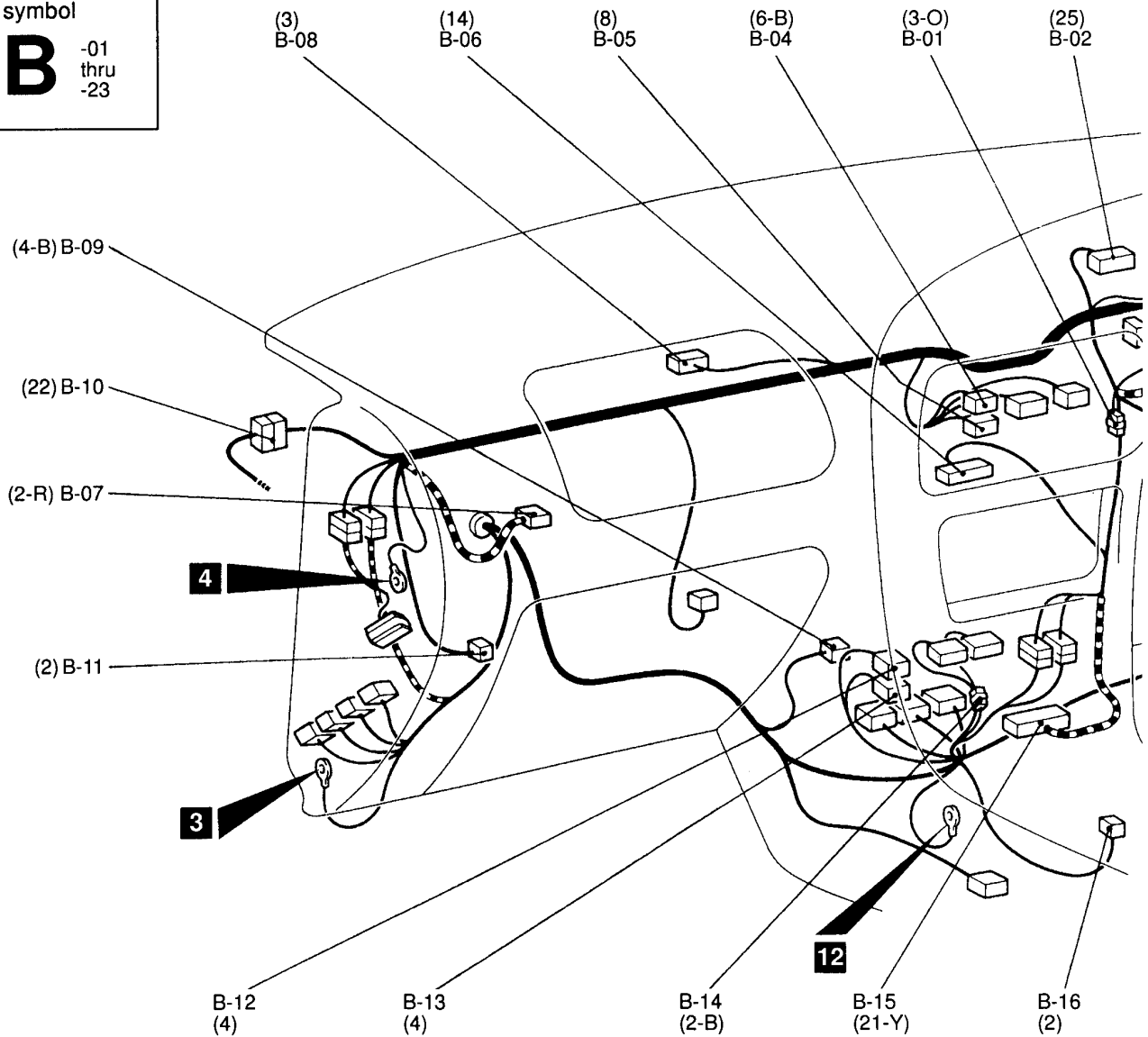
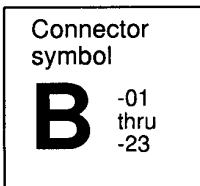
B-72 Buzzer-ECU or ETACS-ECU
 B-73 Body wiring harness and J/B combination <SRS>

B-74 Body wiring harness and J/B combination
 B-75 Body wiring harness and J/B combination

DASH PANEL

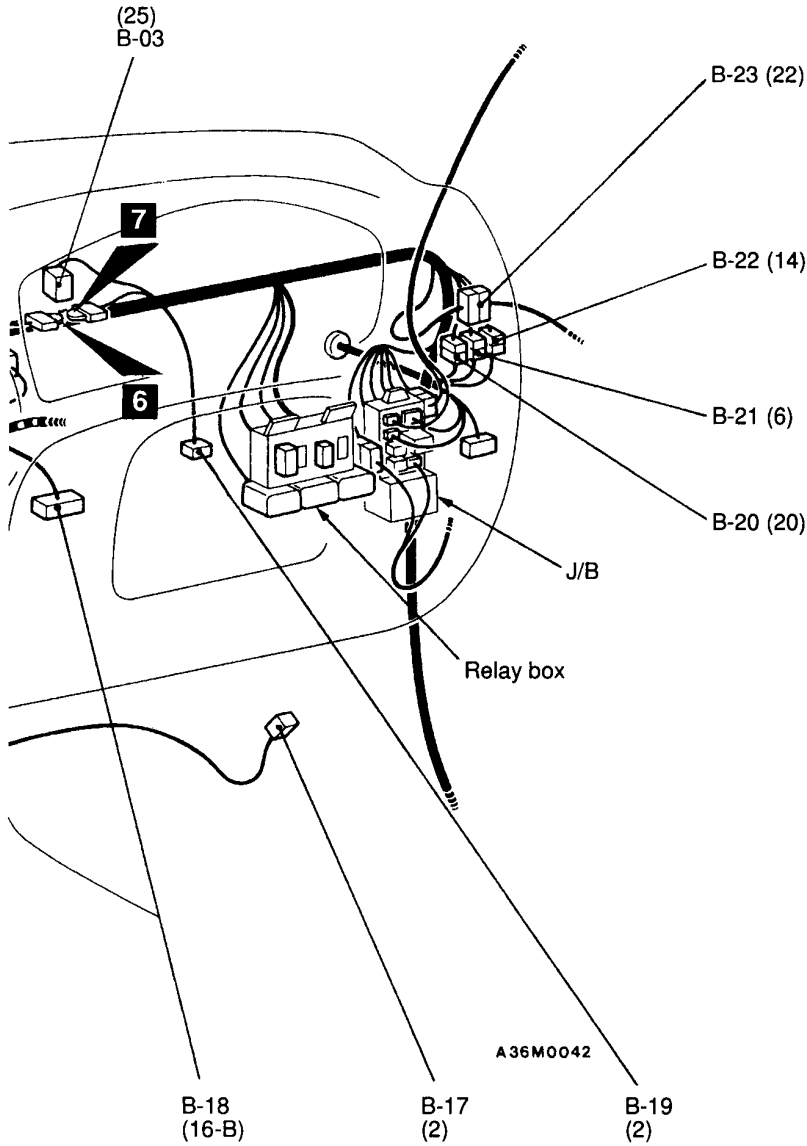
80100060217

R.H. drive vehicles



- B-01 Diode (for headlamp and rear fog lamp circuit)
- B-02 Combination meter
- B-03 Combination meter
- B-04 Defogger switch
- B-05 A/C switch
- B-06 Radio and tape player
- B-07 Air bag module (squib) (passenger's side)
- B-08 Thermostat <A/C>

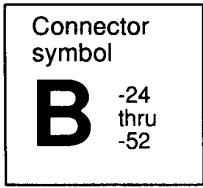
- B-09 A/T relay
- B-10 Front door wiring harness (passenger's side) and body wiring harness combination
- B-11 Blower motor
- B-12 Fuel pump relay
- B-13 Engine control relay
- B-14 Diode (for ABS circuit)



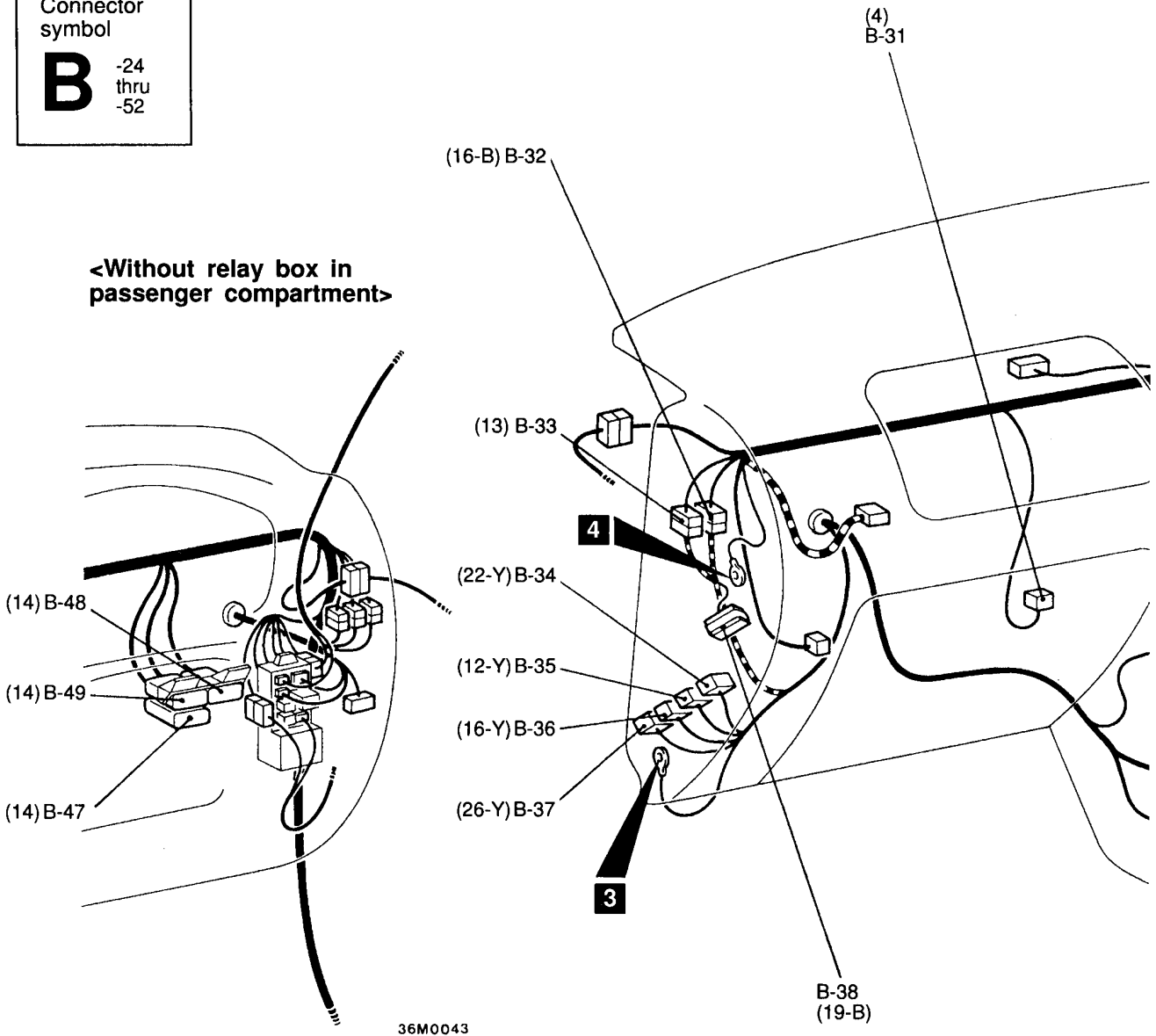
- B-15 SRS-ECU
- B-16 A/T selector lever position illumination lamp
- B-17 Wide open throttle switch <A/T>
- B-18 Diagnosis connector
- B-19 Stop lamp switch
- B-20 Front wiring harness and body wiring harness combination

- B-21 Front wiring harness and body wiring harness combination
- B-22 Front wiring harness and body wiring harness combination
- B-23 Front door wiring harness (driver's side) and body wiring harness combination

R.H. drive vehicles

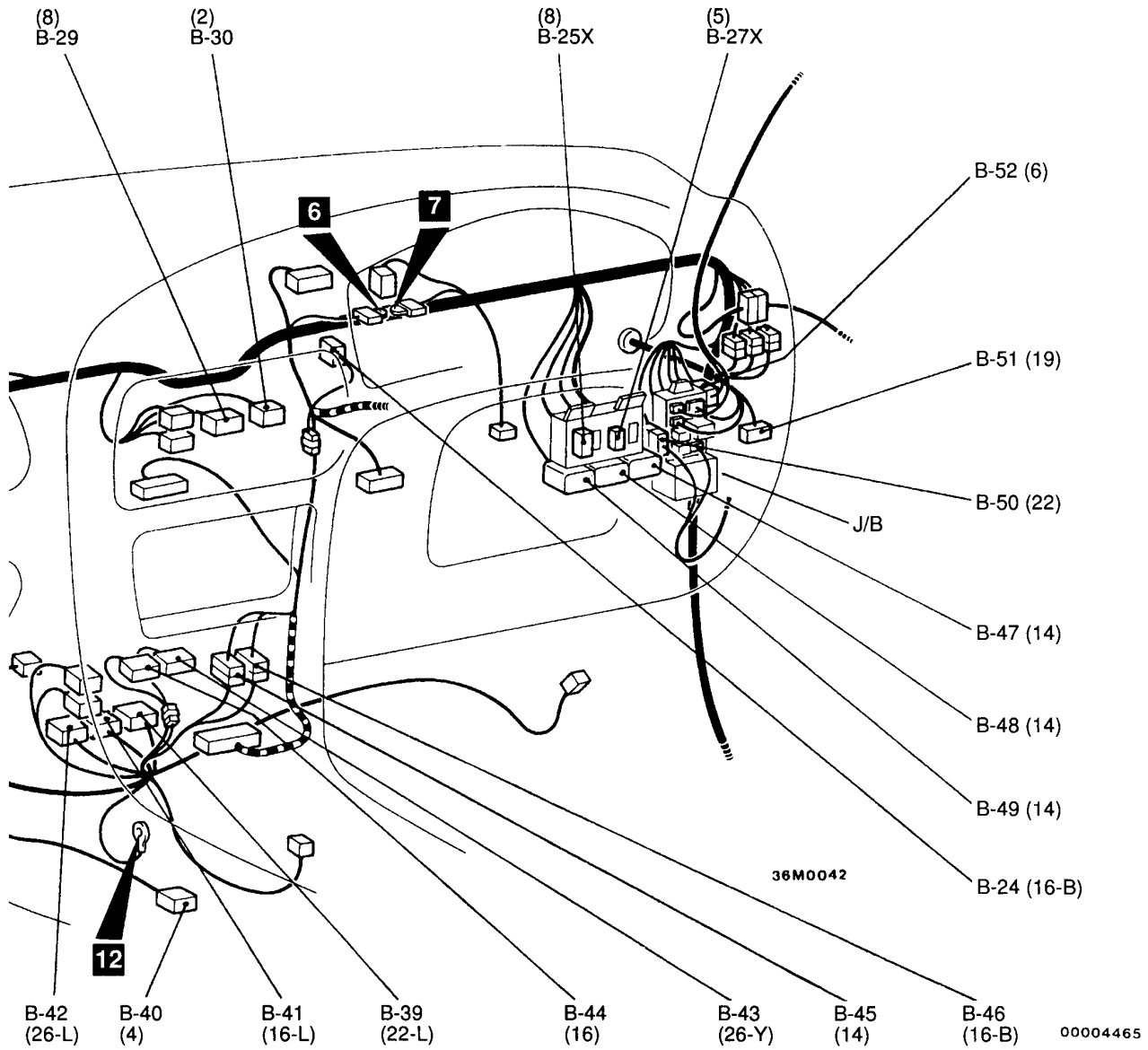


<Without relay box in passenger compartment>



- B-24 Immobilizer-ECU
- B-25X Rear intermittent wiper relay
- B-27X Power window relay
- B-29 Blower switch
- B-30 Blower control illumination lamp
- B-31 Resistor
- B-32 Control wiring harness and body wiring harness combination

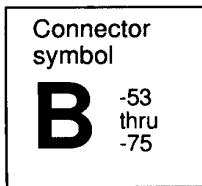
- B-33 Control wiring harness and body wiring harness combination
- B-34 Engine ECU
- B-35 Engine ECU
- B-36 Engine ECU
- B-37 Engine ECU
- B-38 J/C (5)



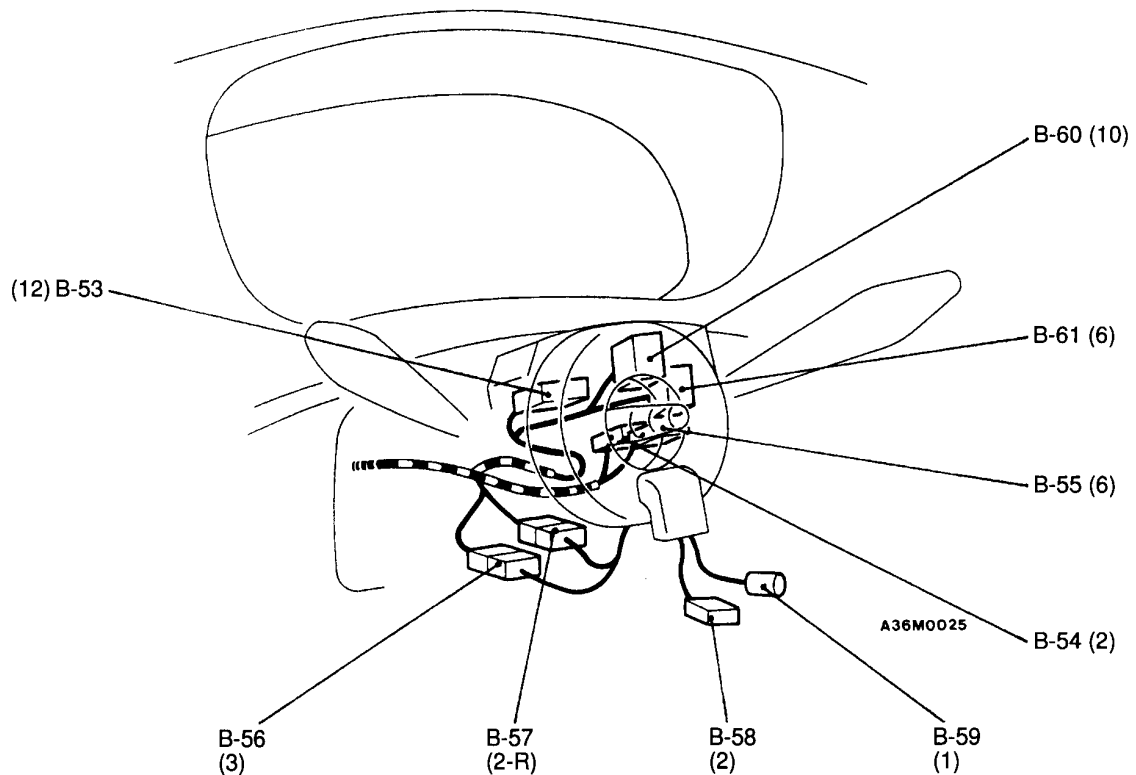
- B-39 ELC-4A/T-ECU
- B-40 Oxygen sensor (rear) <4G13>
- B-41 ELC-4A/T-ECU
- B-42 ELC-4A/T-ECU
- B-43 ABS-ECU
- B-44 ABS-ECU
- B-45 Control wiring harness and body wiring harness combination <A/T>
- B-46 Control wiring harness and body wiring harness combination <ABS>

- B-47 J/C (4)
- B-48 J/C (3)
- B-49 J/C (2)
- B-50 Instrument panel wiring harness and body wiring harness combination
- B-51 J/C (1)
- B-52 Roof wiring harness and body wiring harness combination <Sunroof>

R.H. drive vehicles



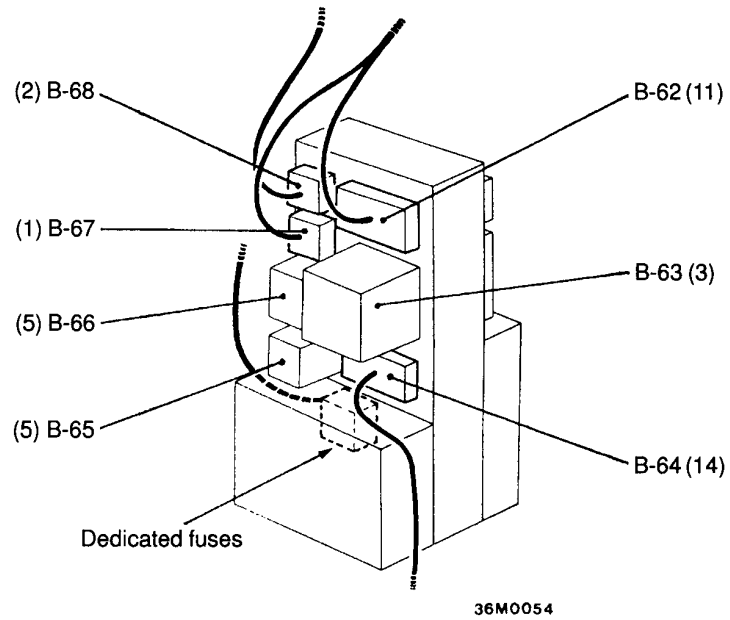
Steering column



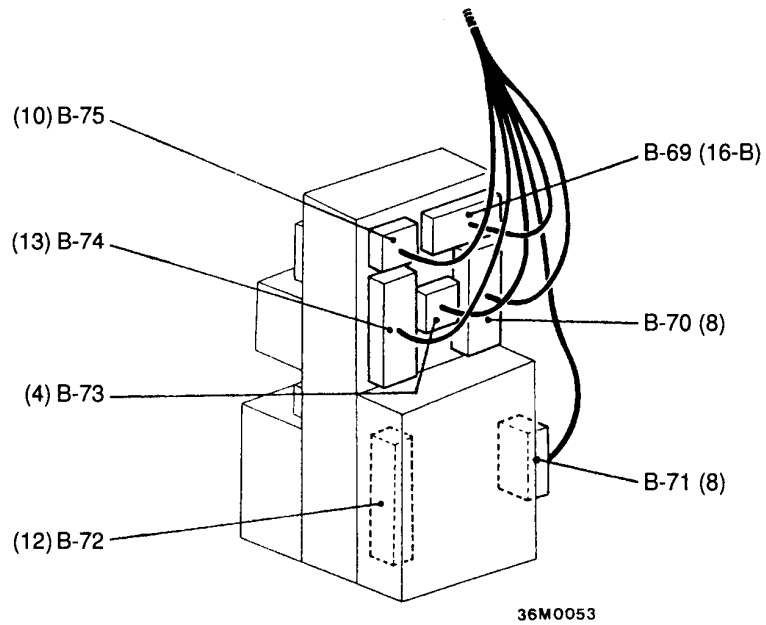
B-53	Column switch	B-63	Turn-signal and hazard warning flasher unit
B-54	Ignition key ring antenna <Vehicles with immobilizer system>	B-64	Instrument panel wiring harness and J/B combination
B-55	Ignition switch	B-65	Defogger relay
B-56	Clock spring <SRS>	B-66	Blower relay
B-57	Clock spring <SRS>	B-67	Front wiring harness and J/B combination
B-58	Air bag module (squib) (driver's side)	B-68	Roof wiring harness and J/B combination
B-59	Horn switch <SRS>	B-69	Body wiring harness and J/B combination
B-60	Column switch	B-70	Body wiring harness and J/B combination
B-61	Column switch	B-71	ETACS-ECU
B-62	Front wiring harness and J/B combination		

Junction block

(Front view)



(Rear view)



00004464

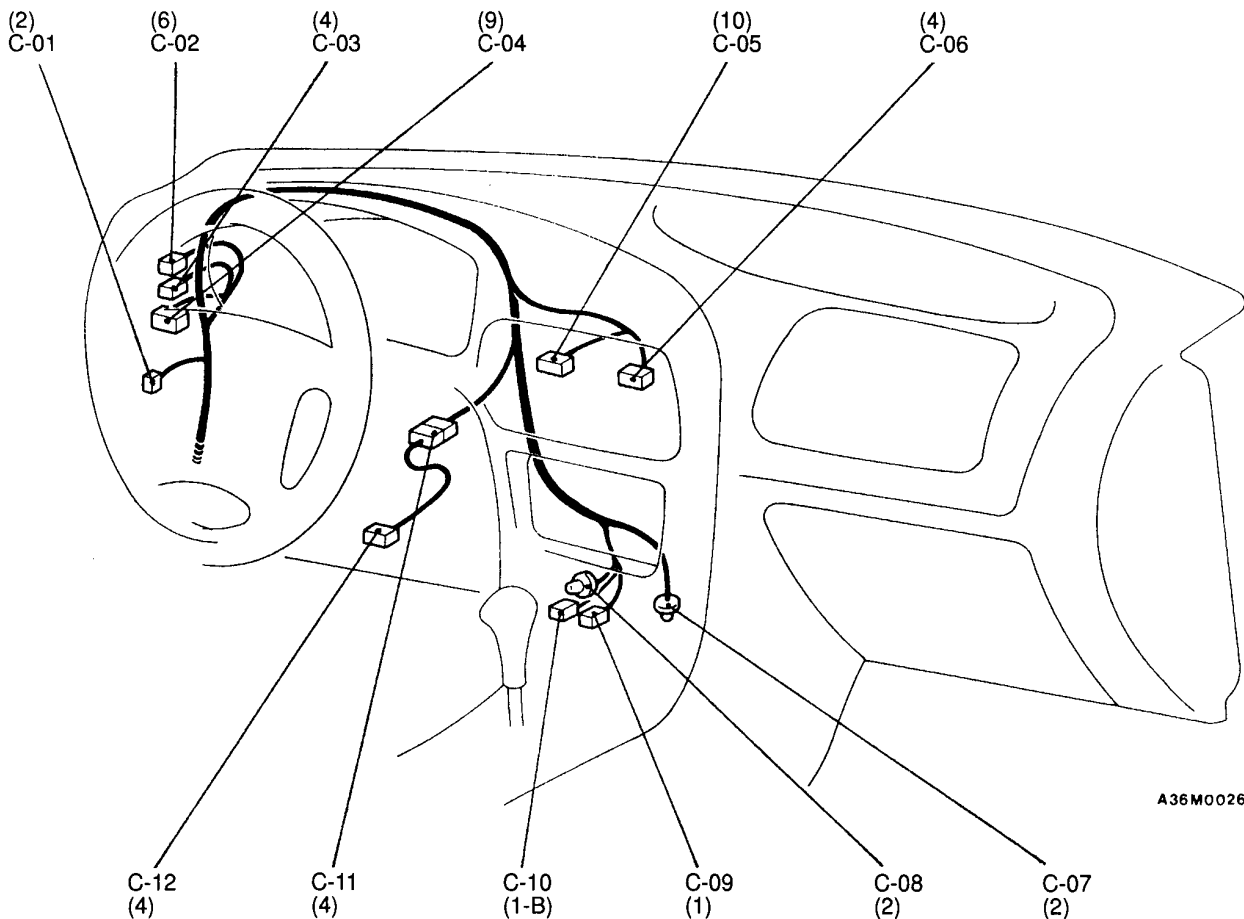
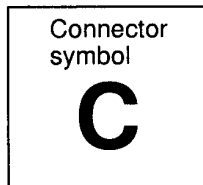
B-72 Buzzer-ECU or ETACS-ECU
 B-73 Body wiring harness and J/B combination <SRS>

B-74 Body wiring harness and J/B combination
 B-75 Body wiring harness and J/B combination

INSTRUMENT PANEL

80100070098

L.H. drive vehicles



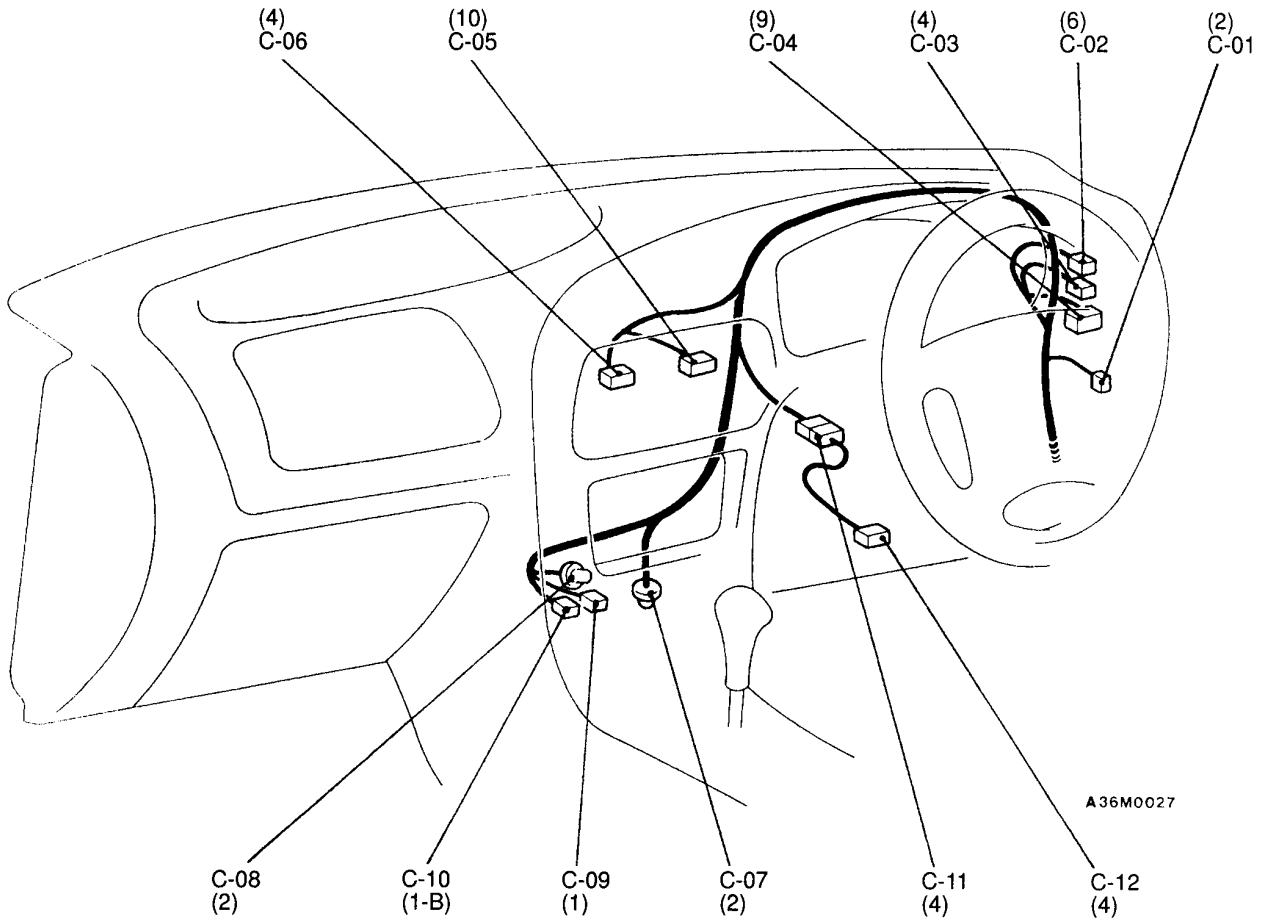
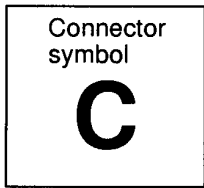
A36M0026

C-01	Rheostat	C-08	Cigarette lighter illumination lamp
C-02	Front fog lamp switch	C-09	Cigarette lighter
C-03	Rear fog lamp switch	C-10	Cigarette lighter
C-04	Remote controlled mirror switch	C-11	Headlamp leveling sub wiring harness and instrument panel wiring harness combination <Sedan>
C-05	Hazard warning switch	C-12	Headlamp leveling switch
C-06	Clock		
C-07	Ashtray illumination lamp		

INSTRUMENT PANEL

80100070104

R.H. drive vehicles

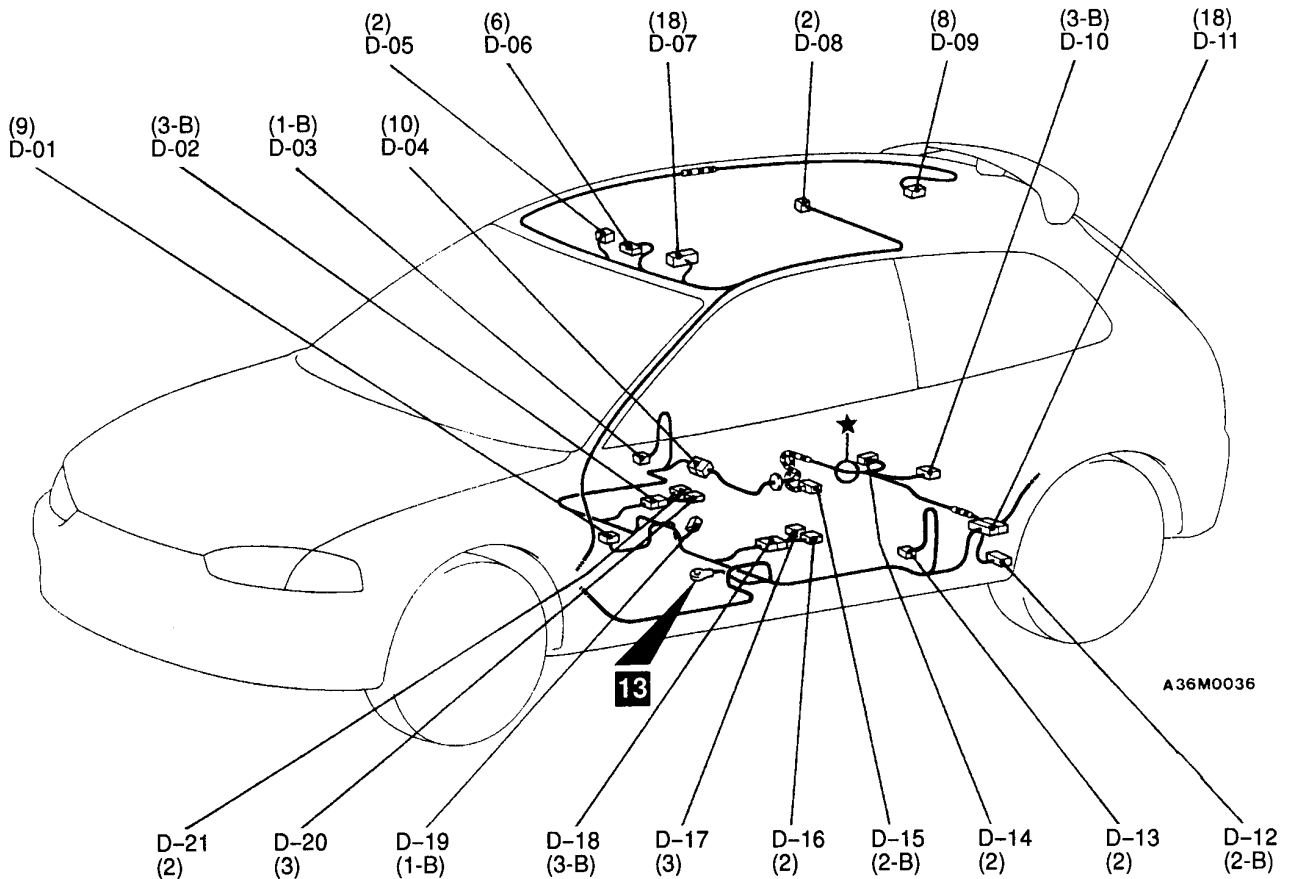
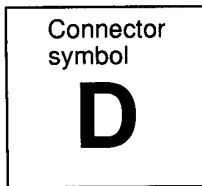


- | | | | |
|------|---------------------------------|------|--|
| C-01 | Rheostat | C-08 | Cigarette lighter illumination lamp |
| C-02 | Front fog lamp switch | C-09 | Cigarette lighter |
| C-03 | Rear fog lamp switch | C-10 | Cigarette lighter |
| C-04 | Remote controlled mirror switch | C-11 | Headlamp leveling sub wiring harness and instrument panel wiring harness combination <Sedan> |
| C-05 | Hazard warning switch | C-12 | Headlamp leveling switch |
| C-06 | Clock | | |
| C-07 | Ashtray illumination lamp | | |

FLOOR AND ROOF

80100090186

Hatchback <L.H. drive vehicles>

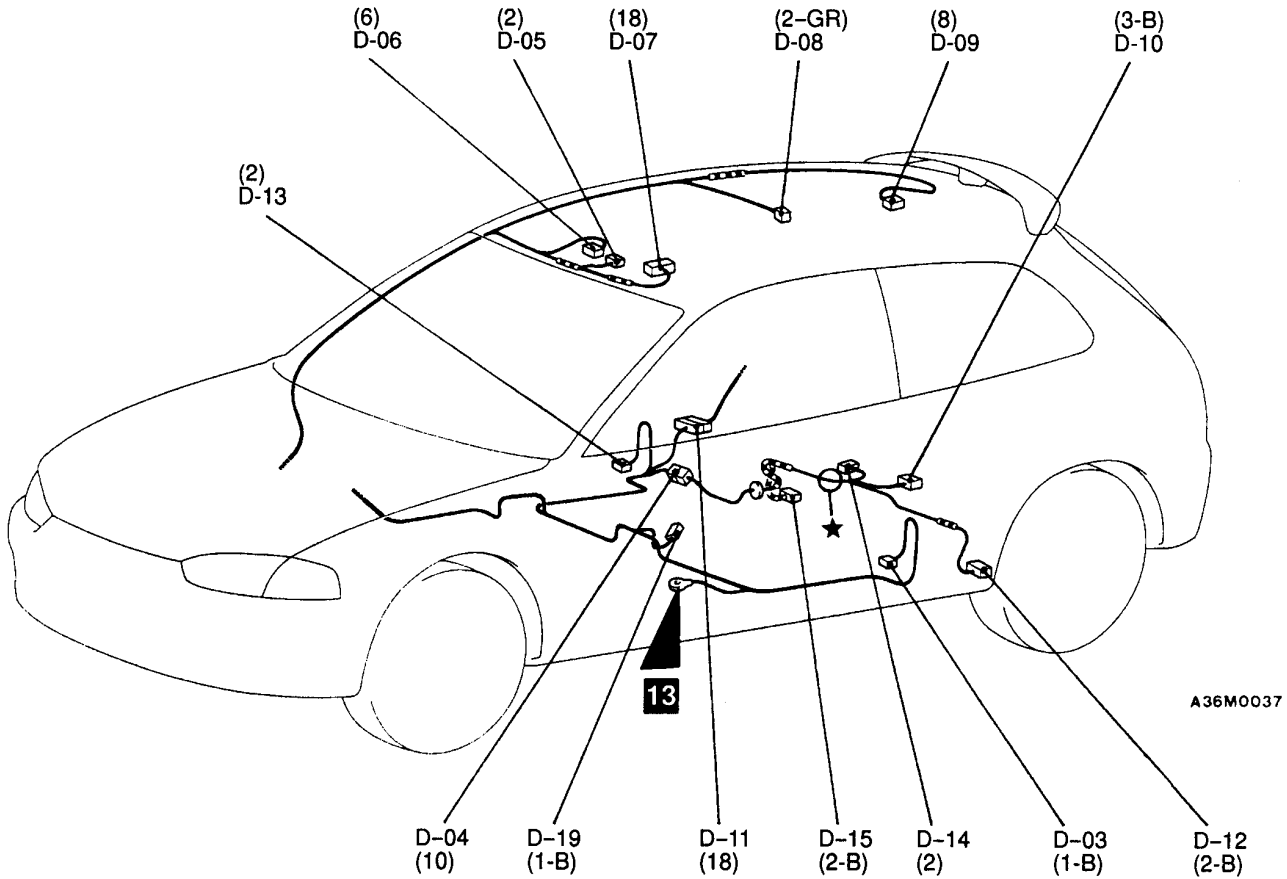
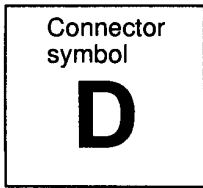


- | | | | |
|------|---|------|---|
| D-01 | Heated seat switch | D-12 | Wheel speed sensor (rear:LH) <ABS> |
| D-02 | Body wiring harness and heated seat wiring harness (RH) combination | D-13 | Front door switch (driver's side) |
| D-03 | Front door switch (passenger's side) | D-14 | Fuel pump |
| D-04 | Fuel pump wiring harness and body wiring harness combination | D-15 | Wheel speed sensor (rear:RH) <ABS> |
| D-05 | Room lamp <with sunroof> | D-16 | Seat back heater (LH) |
| D-06 | Sunroof switch | D-17 | Seat cushion heater (LH) |
| D-07 | Sunroof-ECU | D-18 | Body wiring harness and heated seat wiring harness (LH) combination |
| D-08 | Room lamp <without sunroof> | D-19 | Parking brake switch |
| D-09 | Sunroof motor | D-20 | Seat cushion heater (RH) |
| D-10 | Fuel gauge unit | D-21 | Seat back heater (RH) |
| D-11 | Rear wiring harness and body wiring harness combination | | |

FLOOR AND ROOF

80100090193

Hatchback <R.H. drive vehicles>



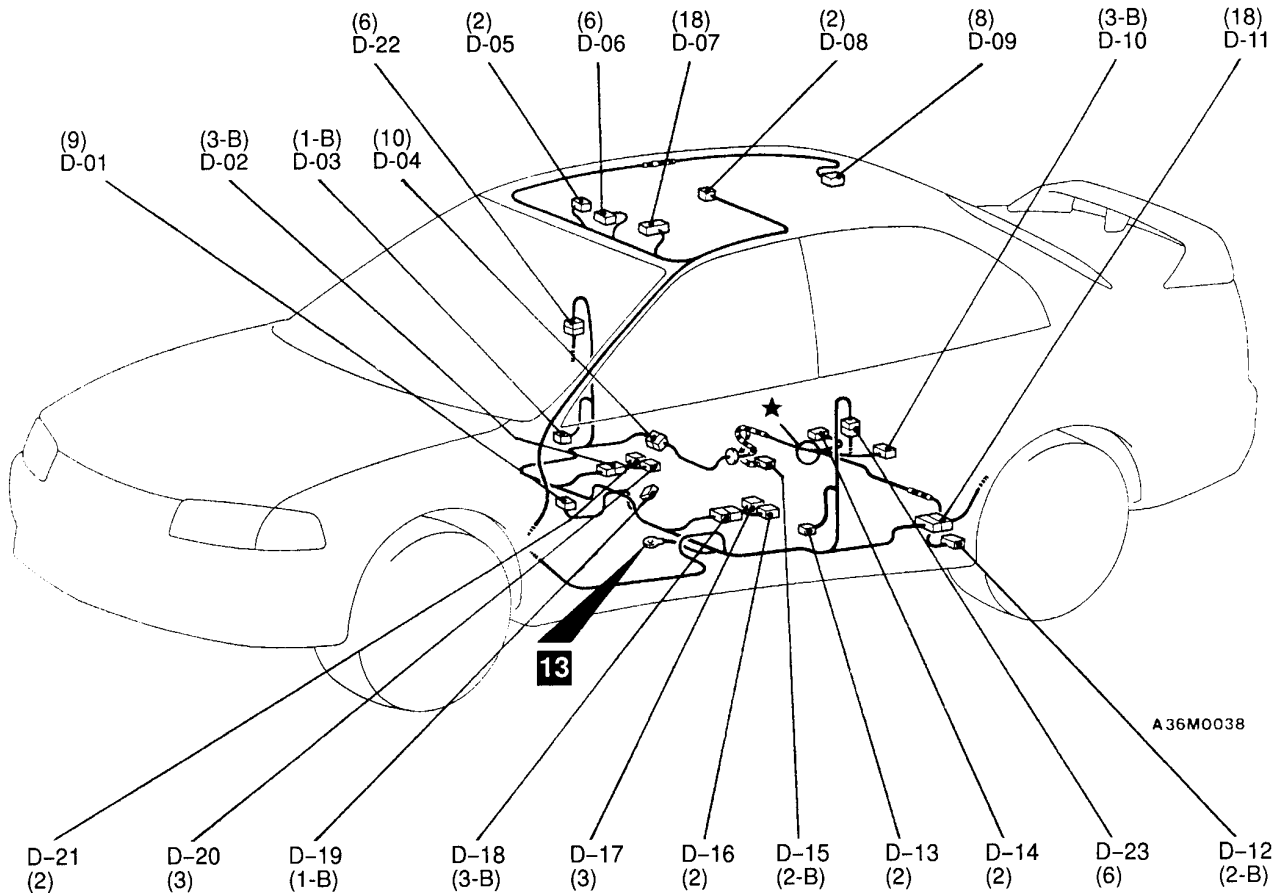
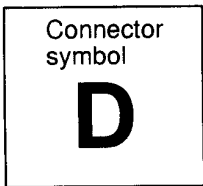
- D-03 Front door switch (passenger's side)
- D-04 Fuel pump wiring harness and body wiring harness combination
- D-05 Room lamp <with sunroof>
- D-06 Sunroof switch
- D-07 Sunroof-ECU
- D-08 Room lamp <without sunroof>
- D-09 Sunroof motor

- D-10 Fuel gauge unit
- D-11 Rear wiring harness and body wiring harness combination
- D-12 Wheel speed sensor (rear:LH) <ABS>
- D-13 Front door switch (driver's side)
- D-14 Fuel pump
- D-15 Wheel speed sensor (rear:RH) <ABS>
- D-19 Parking brake switch

FLOOR AND ROOF

80100090209

Sedan <L.H. drive vehicles>

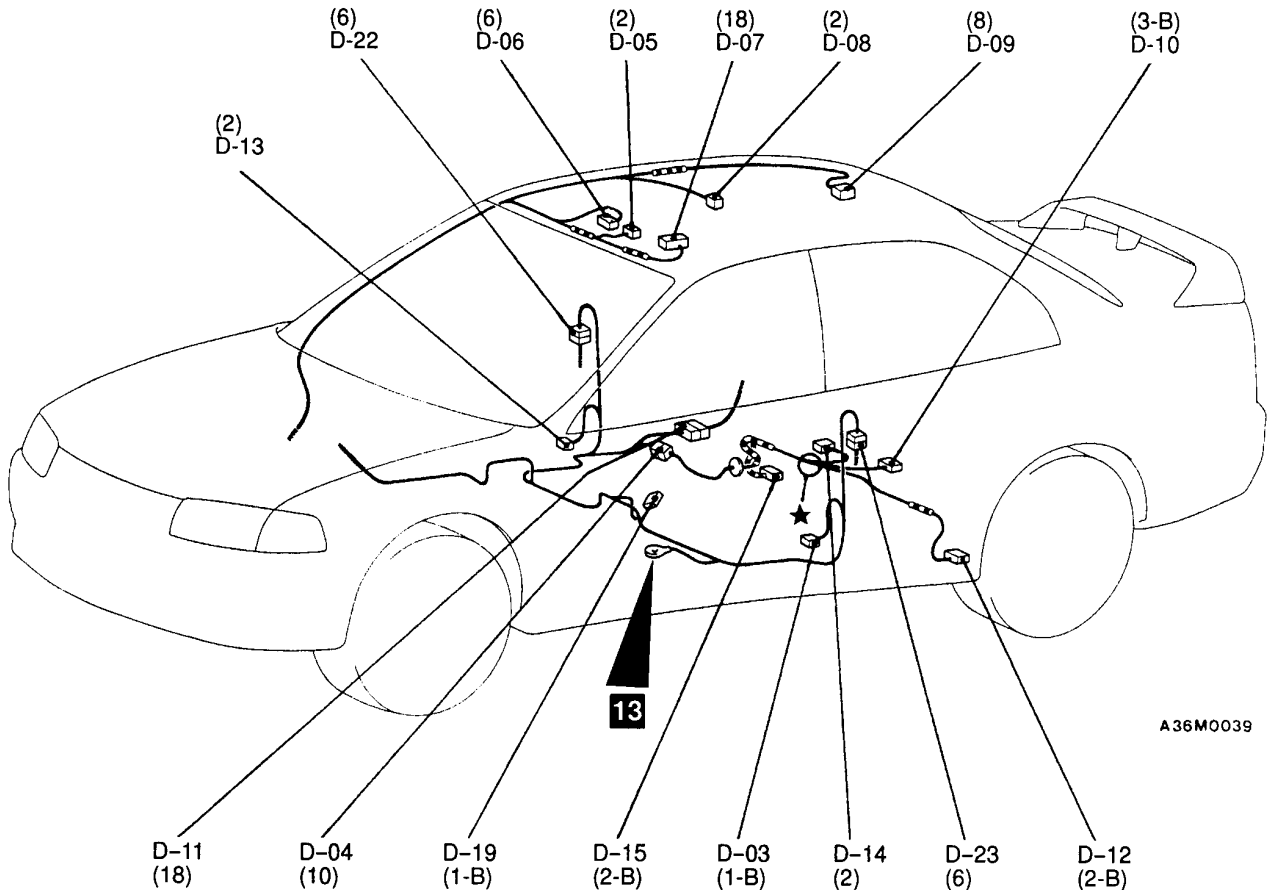
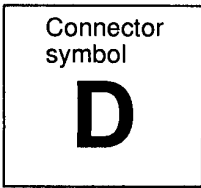


- | | | | |
|------|---|------|---|
| D-01 | Heated seat switch | D-13 | Front door switch (driver's side) |
| D-02 | Body wiring harness and heated seat wiring harness (RH) combination | D-14 | Fuel pump |
| D-03 | Front door switch (passenger's side) | D-15 | Wheel speed sensor (rear:RH) <ABS> |
| D-04 | Fuel pump wiring harness and body wiring harness combination | D-16 | Seat back heater (LH) |
| D-05 | Room lamp <with sunroof> | D-17 | Seat cushion heater (LH) |
| D-06 | Sunroof switch | D-18 | Body wiring harness and heated seat wiring harness (LH) combination |
| D-07 | Sunroof-ECU | D-19 | Parking brake switch |
| D-08 | Room lamp <without sunroof> | D-20 | Seat cushion heater (RH) |
| D-09 | Sunroof motor | D-21 | Seat back heater (RH) |
| D-10 | Fuel gauge unit | D-22 | Rear door wiring harness (RH) and body wiring harness combination |
| D-11 | Rear wiring harness and body wiring harness combination | D-23 | Rear door wiring harness (LH) and body wiring harness combination |
| D-12 | Wheel speed sensor (rear:LH) <ABS> | | |

FLOOR AND ROOF

80100090216

Sedan <R.H. drive vehicles>



- D-03 Front door switch (passenger's side)
- D-04 Fuel pump wiring harness and body wiring harness combination
- D-05 Room lamp <with sunroof>
- D-06 Sunroof switch
- D-07 Sunroof-ECU
- D-08 Room lamp <without sunroof>
- D-09 Sunroof motor
- D-10 Fuel gauge unit
- D-11 Rear wiring harness and body wiring harness combination

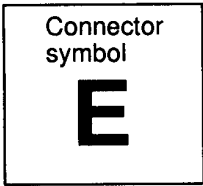
- D-12 Wheel speed sensor (rear:LH) <ABS>
- D-13 Front door switch (driver's side)
- D-14 Fuel pump
- D-15 Wheel speed sensor (rear:RH) <ABS>
- D-19 Parking brake switch
- D-22 Rear door wiring harness (RH) and body wiring harness combination
- D-23 Rear door wiring harness (LH) and body wiring harness combination

DOOR

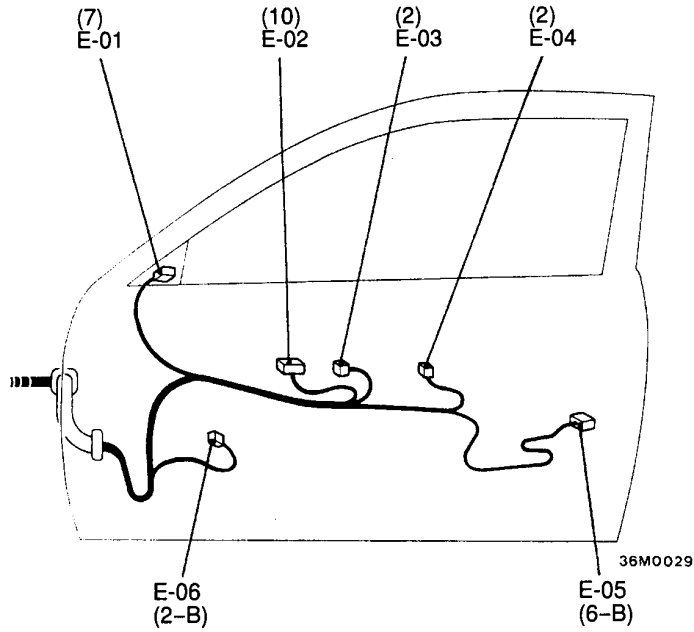
80100140140

Hatchback

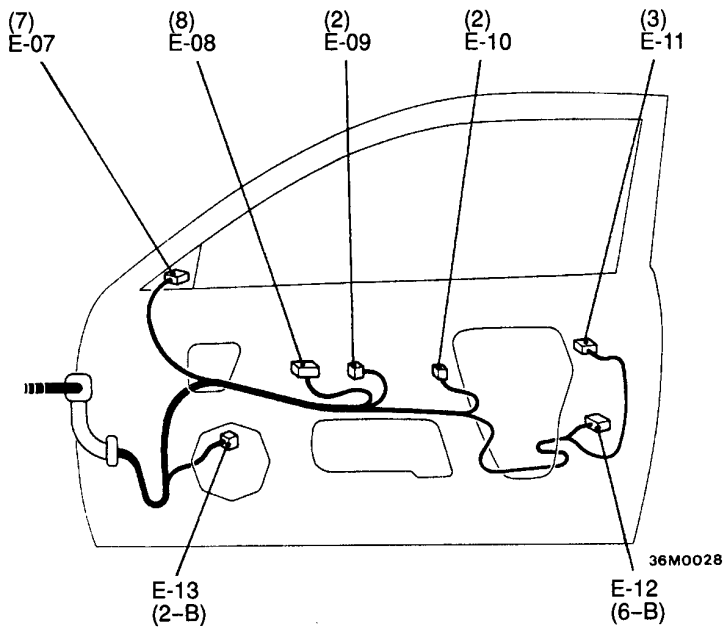
<L.H. drive vehicles>



Driver's side



Passenger's side

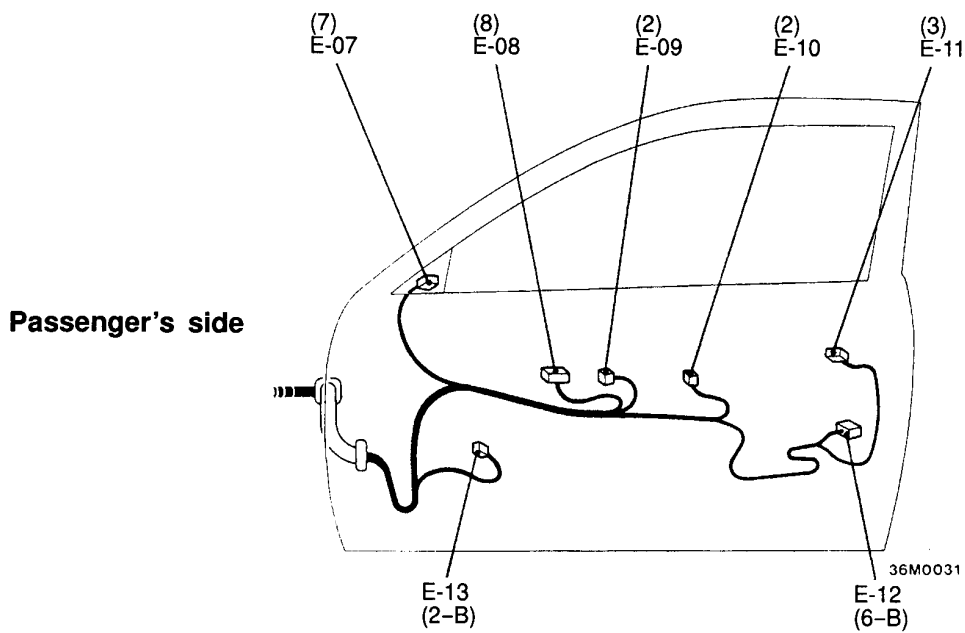
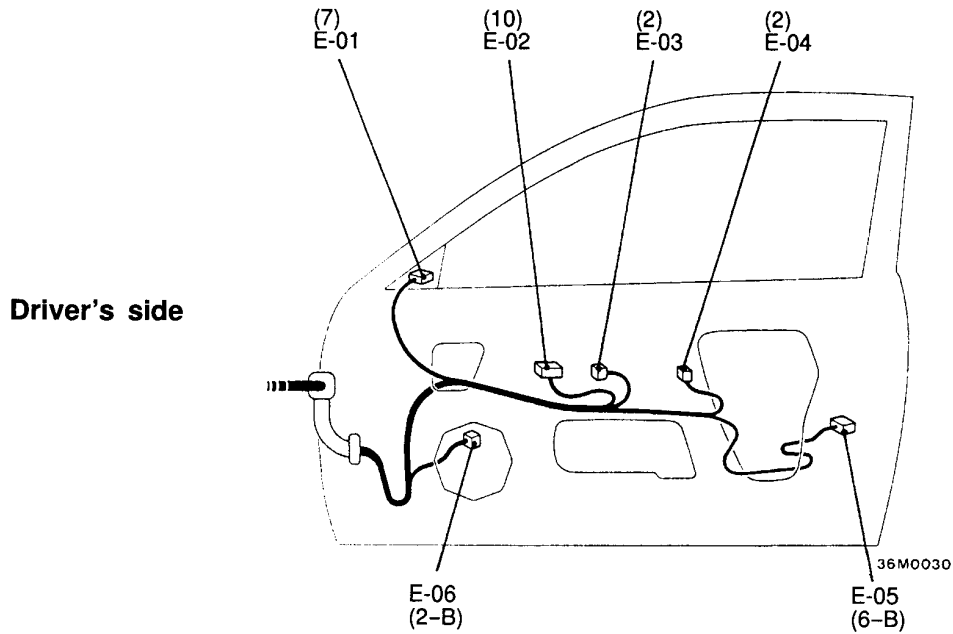


00004466

- E-01 Remote controlled mirror (driver's side)
- E-02 Power window main switch
- E-03 Power window motor (driver's side)
- E-04 Power window limit switch (driver's side)

- E-05 Front door lock actuator (driver's side)
- E-06 Front speaker (driver's side)
- E-07 Remote controlled mirror (passenger's side)
- E-08 Power window sub switch

<R.H. drive vehicles>



00004467

- E-09 Power window motor (passenger's side)
- E-10 Power window limit switch (passenger's side)
- E-11 Door lock key cylinder switch

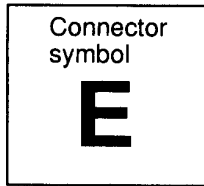
- E-12 Front door lock actuator (passenger's side)
- E-13 Front speaker (passenger's side)

DOOR

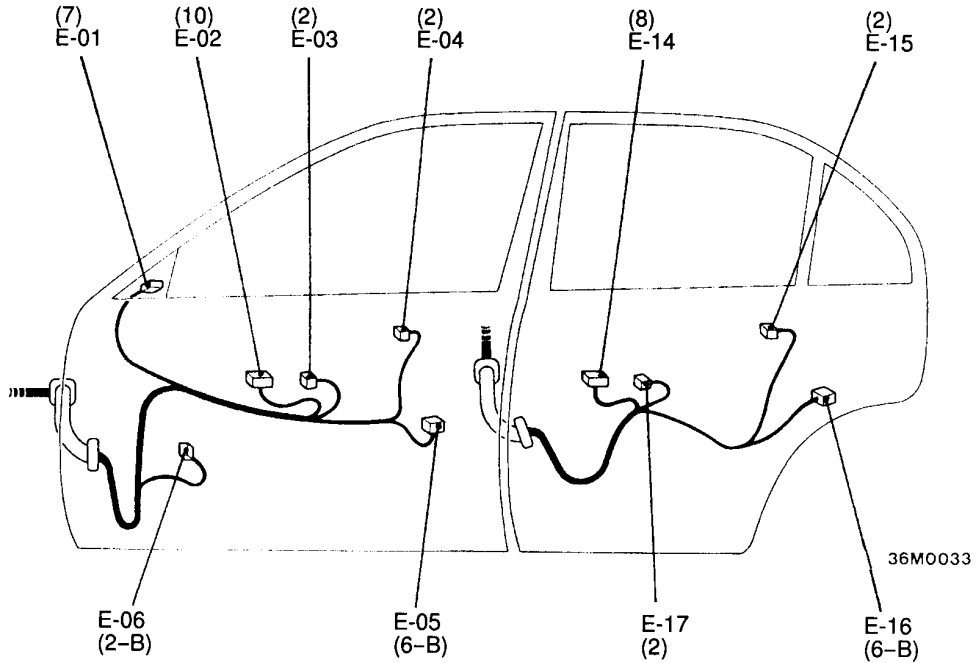
80100140157

Sedan

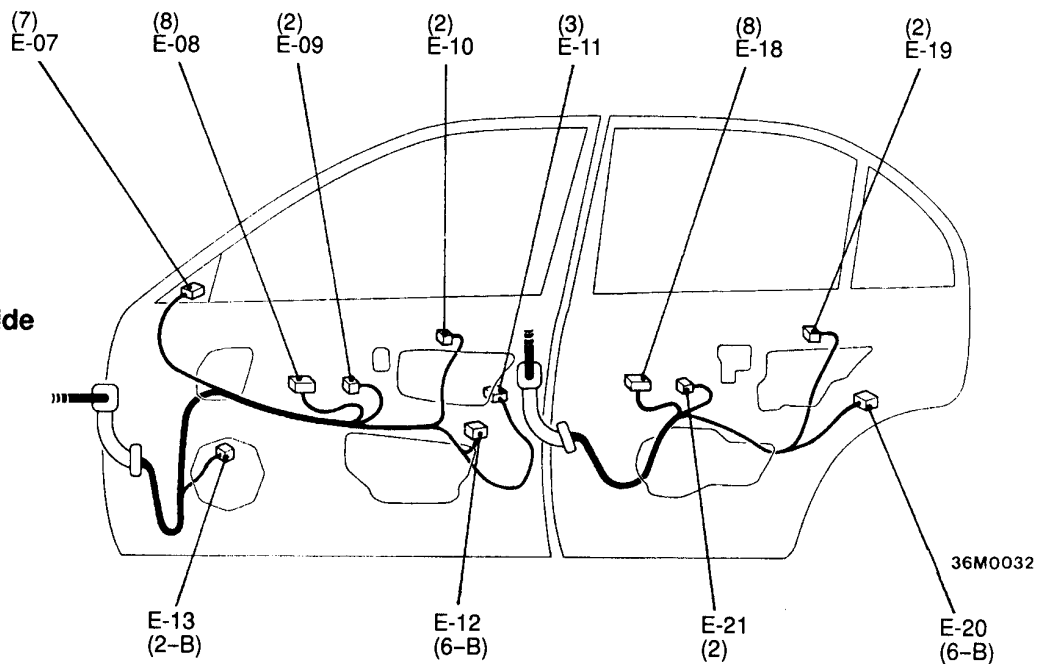
<L.H. drive vehicles>



Driver's side



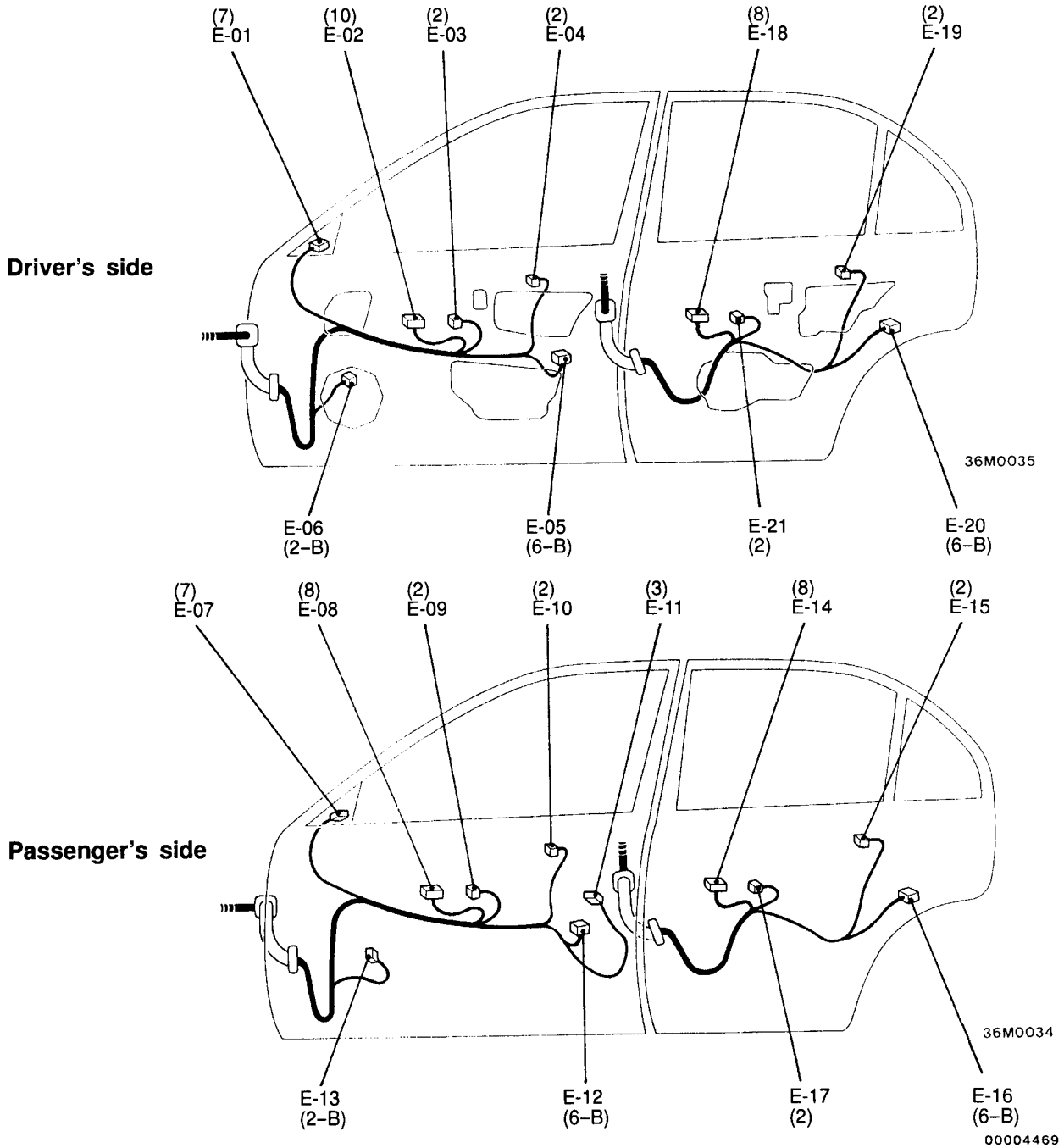
Passenger's side



00004468

- | | |
|--|---|
| E-01 Remote controlled mirror (driver's side) | E-08 Front power window sub switch |
| E-02 Power window main switch | E-09 Front power window motor (passenger's side) |
| E-03 Front power window motor (driver's side) | E-10 Power window limit switch (front passenger's side) |
| E-04 Power window limit switch (driver's side) | E-11 Door lock key cylinder switch |
| E-05 Front door lock actuator (driver's side) | E-12 Front door lock actuator (passenger's side) |
| E-06 Front speaker (driver's side) | |
| E-07 Remote controlled mirror (passenger's side) | |

<R.H. drive vehicles>

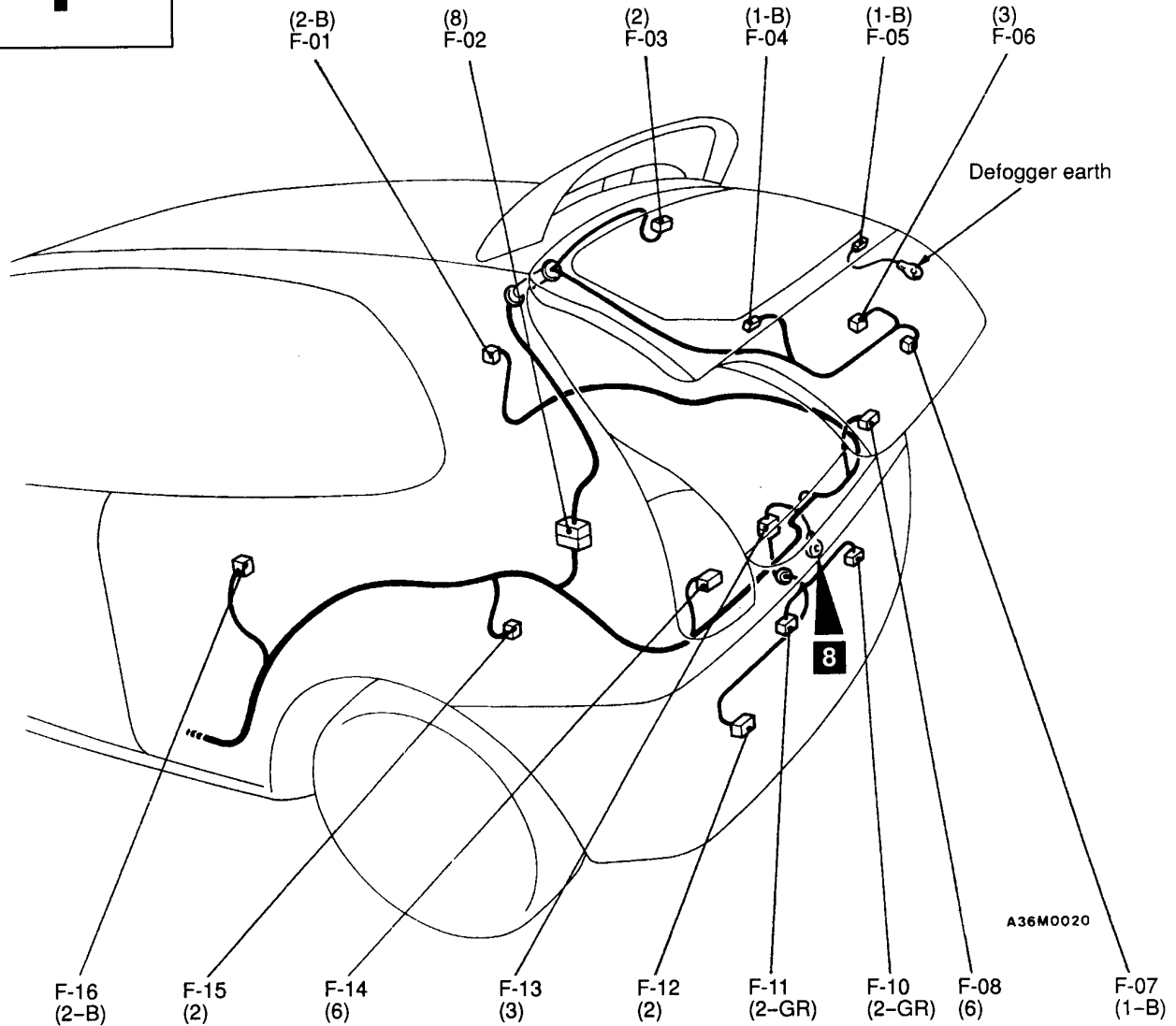
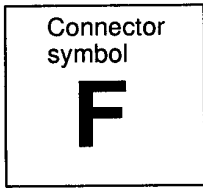


- | | | | |
|------|-------------------------------------|------|-------------------------------------|
| E-13 | Front speaker (passenger's side) | E-18 | Rear power window sub switch (RH) |
| E-14 | Rear power window sub switch (LH) | E-19 | Power window limit switch (rear:RH) |
| E-15 | Power window limit switch (rear:LH) | E-20 | Rear door lock actuator (RH) |
| E-16 | Rear door lock actuator (LH) | E-21 | Rear power window motor (RH) |
| E-17 | Rear power window motor (LH) | | |

LUGGAGE COMPARTMENT

80100150136

Hatchback <L.H. drive vehicles>

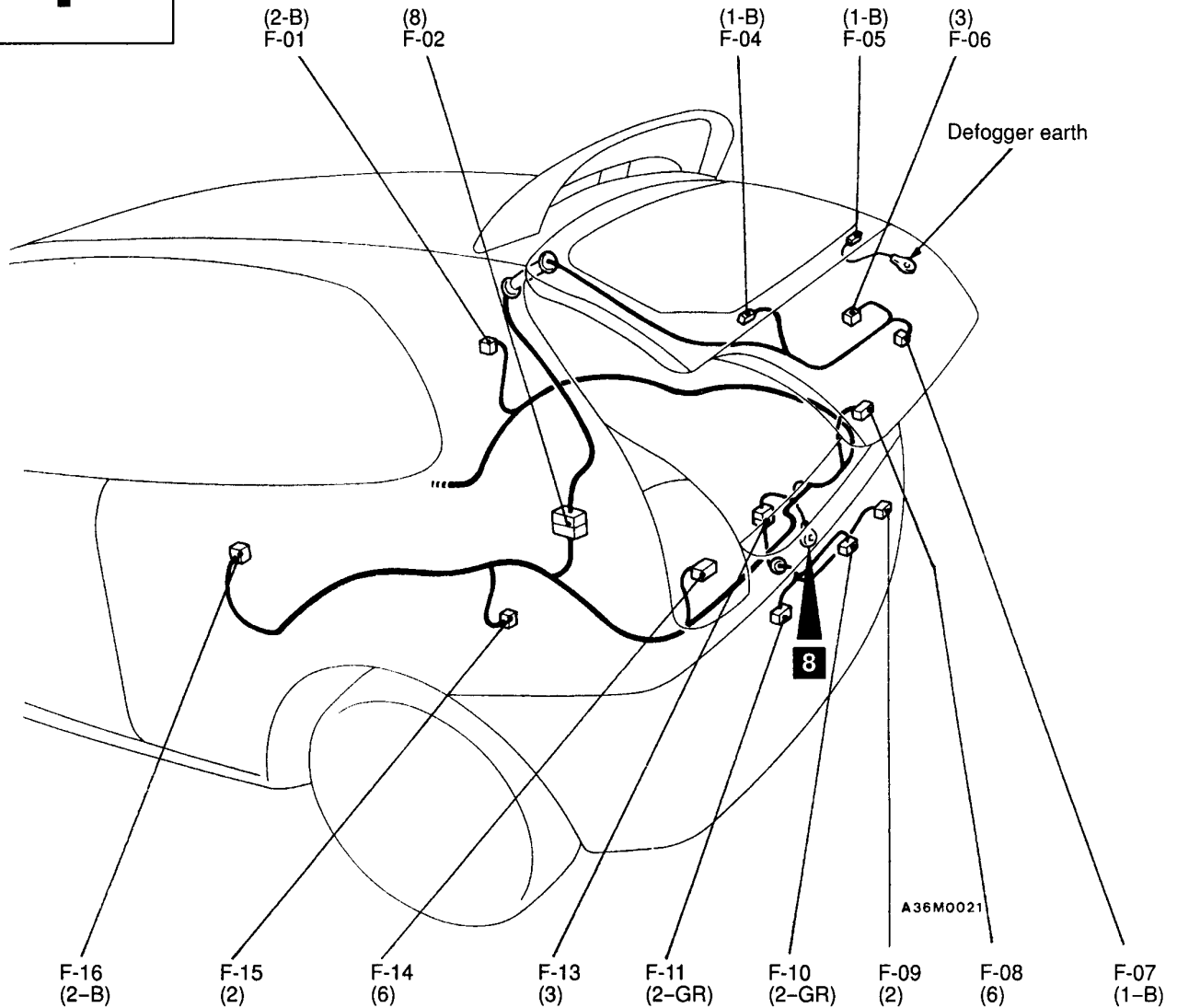
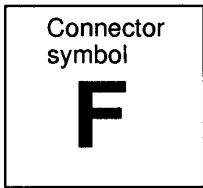


- | | | | |
|------|---|------|---|
| F-01 | Rear speaker (RH) | F-10 | Licence plate lamp (RH) |
| F-02 | Tailgate wiring harness and rear wiring harness combination | F-11 | Licence plate lamp (LH) |
| F-03 | High mounted stop lamp (Tailgate) | F-12 | Rear fog lamp |
| F-04 | Defogger (+) | F-13 | Licence plate lamp wiring harness and rear wiring harness combination |
| F-05 | Defogger (-) | F-14 | Rear combination lamp (LH) |
| F-06 | Rear wiper motor | F-15 | Luggage compartment lamp |
| F-07 | Tailgate switch | F-16 | Rear speaker (LH) |
| F-08 | Rear combination lamp (RH) | | |

LUGGAGE COMPARTMENT

80100150143

Hatchback <R.H. drive vehicles>

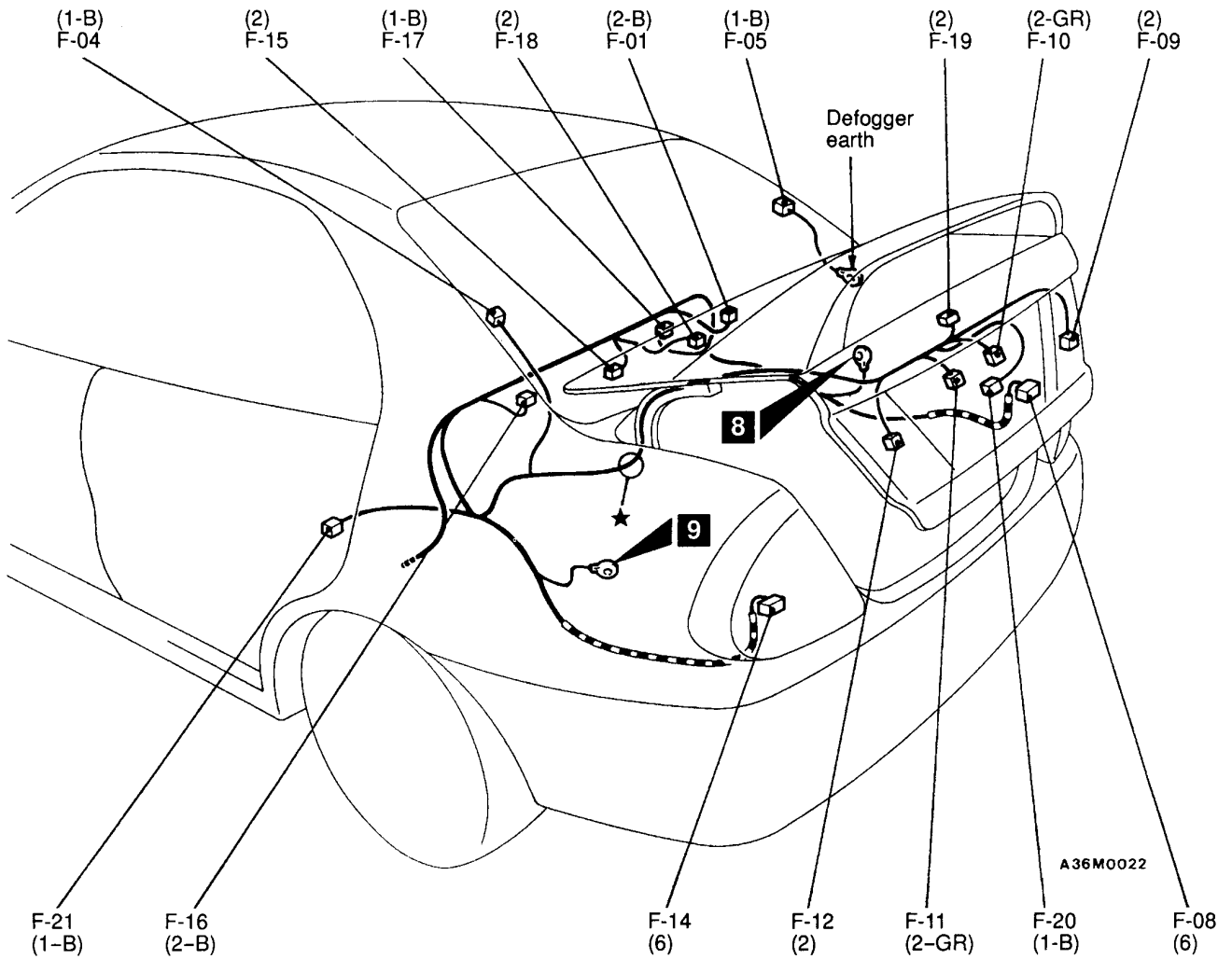
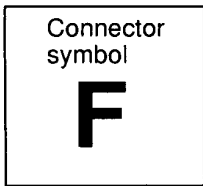


- | | | | |
|------|---|------|---|
| F-01 | Rear speaker (RH) | F-09 | Rear fog lamp |
| F-02 | Tailgate wiring harness and rear wiring harness combination | F-10 | Licence plate lamp (RH) |
| F-04 | Defogger (+) | F-11 | Licence plate lamp (LH) |
| F-05 | Defogger (-) | F-13 | Licence plate lamp wiring harness and rear wiring harness combination |
| F-06 | Rear wiper motor | F-14 | Rear combination lamp (LH) |
| F-07 | Tailgate switch | F-15 | Luggage compartment lamp |
| F-08 | Rear combination lamp (RH) | F-16 | Rear speaker (LH) |

LUGGAGE COMPARTMENT

80100150150

Sedan <L.H. drive vehicles>

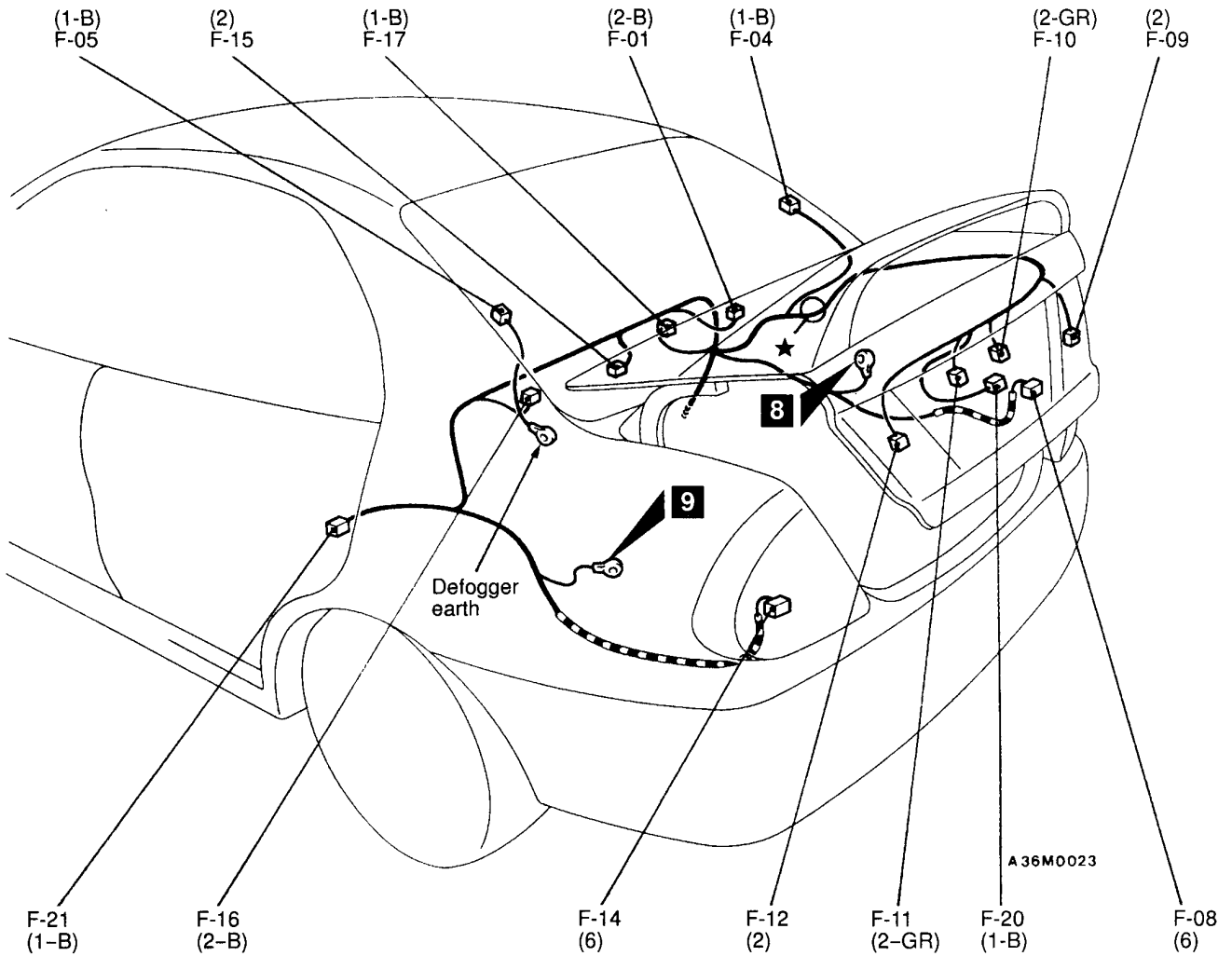
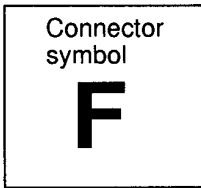


- | | | | |
|------|----------------------------|------|---------------------------------------|
| F-01 | Rear speaker (RH) | F-14 | Rear combination lamp (LH) |
| F-04 | Defogger (+) | F-15 | Luggage compartment lamp |
| F-05 | Defogger (-) | F-16 | Rear speaker (LH) |
| F-08 | Rear combination lamp (RH) | F-17 | Rear door switch (RH) |
| F-09 | Rear fog lamp (RH) | F-18 | High mounted stop lamp (Rear shelf) |
| F-10 | Licence plate lamp (RH) | F-19 | High mounted stop lamp (Rear spoiler) |
| F-11 | Licence plate lamp (LH) | F-20 | Luggage compartment lamp switch |
| F-12 | Rear fog lamp (LH) | F-21 | Rear door switch (LH) |

LUGGAGE COMPARTMENT

80100150167

Sedan <R.H. drive vehicles>



- | | | | |
|------|----------------------------|------|---------------------------------|
| F-01 | Rear speaker (RH) | F-12 | Rear fog lamp (LH) |
| F-04 | Defogger (+) | F-14 | Rear combination lamp (LH) |
| F-05 | Defogger (-) | F-15 | Luggage compartment lamp |
| F-08 | Rear combination lamp (RH) | F-16 | Rear speaker (LH) |
| F-09 | Rear fog lamp (RH) | F-17 | Rear door switch (RH) |
| F-10 | Licence plate lamp (RH) | F-20 | Luggage compartment lamp switch |
| F-11 | Licence plate lamp (LH) | F-21 | Rear door switch (LH) |

SINGLE PART INSTALLATION POSITION

CONTENTS

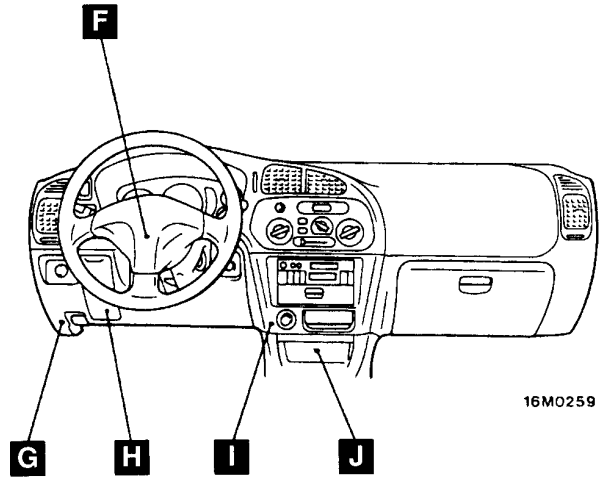
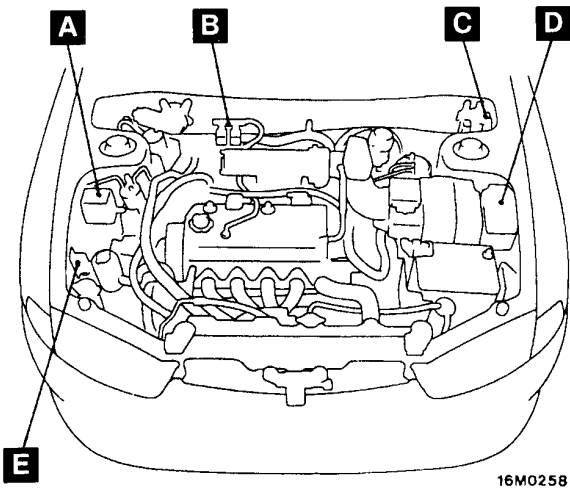
70109000112

RELAY	3-2	INSPECTION CONNECTOR	3-11
ECU	3-4	FUSIBLE LINK AND FUSE	3-12
SENSOR	3-6	EARTH CABLE	3-13
SOLENOID AND SOLENOID VALVE	3-9	EARTH	3-14
DIODE	3-10		

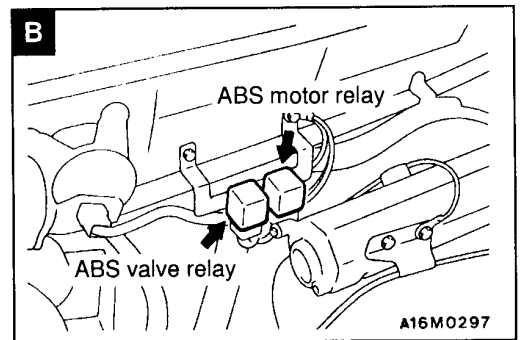
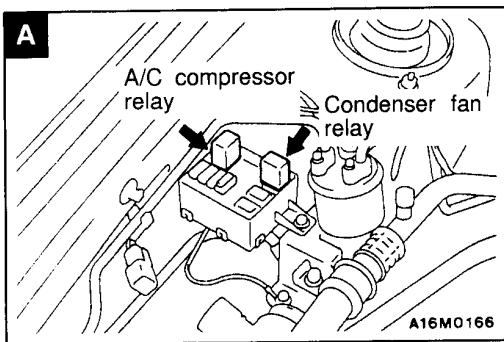
RELAY

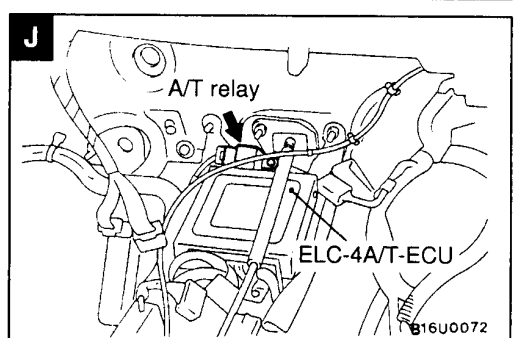
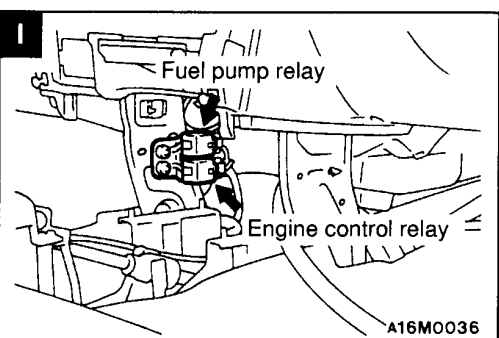
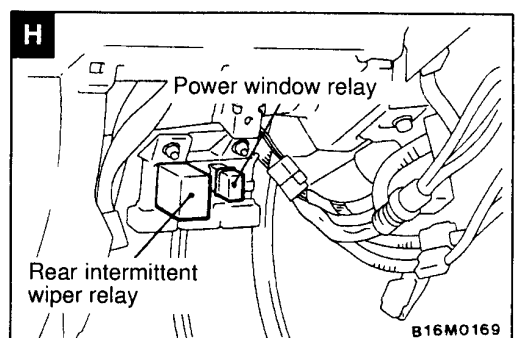
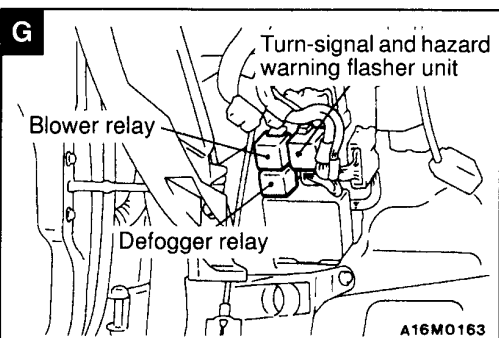
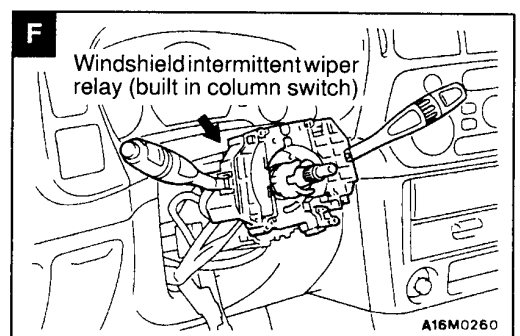
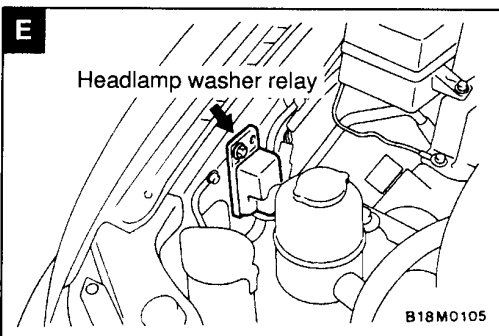
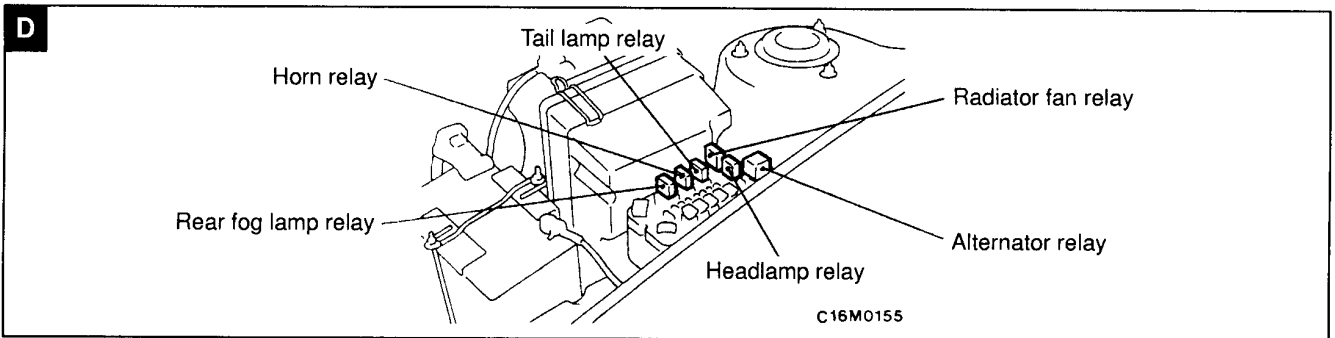
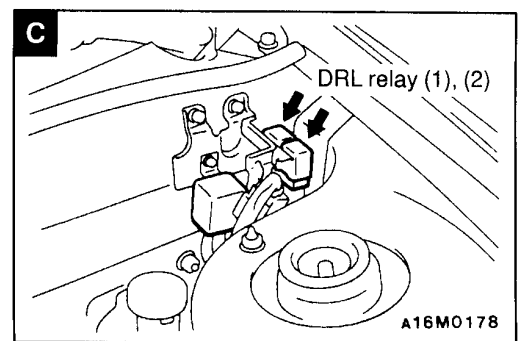
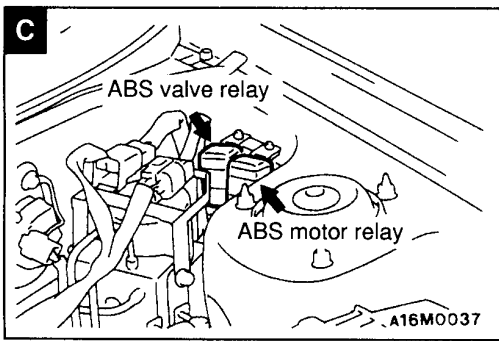
70100040120

Name		Symbol	Name	Symbol
ABS motor relay	LHD	B	Engine control relay	I
	RHD	C	Fuel pump relay	I
ABS valve relay	LHD	B	Headlamp relay	D
	RHD	C	Headlamp washer relay	E
A/C compressor relay		A	Horn relay <SRS>	D
Alternator relay		D	Power window relay	H
A/T relay		J	Radiator fan relay	D
Blower relay		G	Rear fog lamp relay	D
Condenser fan relay <A/C>		A	Rear intermittent wiper relay	H
Defogger relay		G	Tail lamp relay <DRL>	D
DRL relay (1)		C	Turn signal and hazard warning flasher unit	G
DRL relay (2)		C	Windshield intermittent wiper relay (built in column switch)	F



00004636

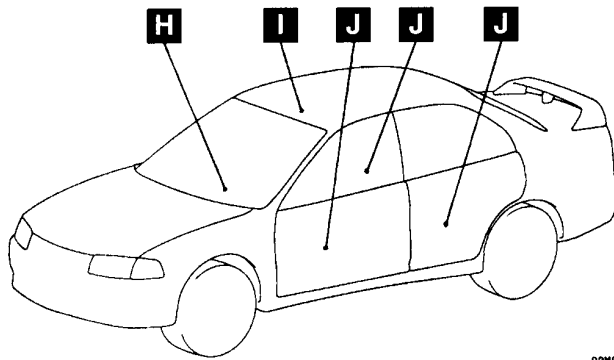
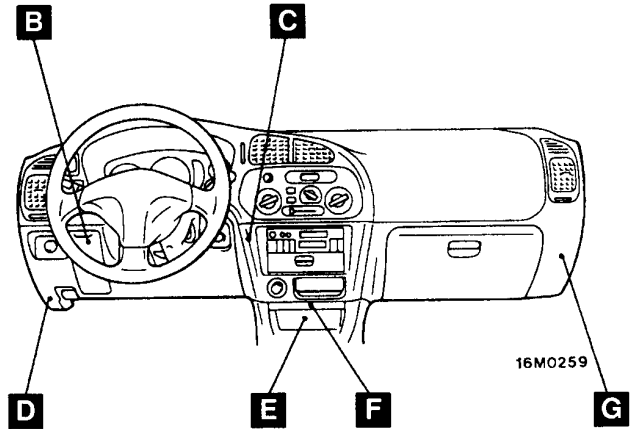
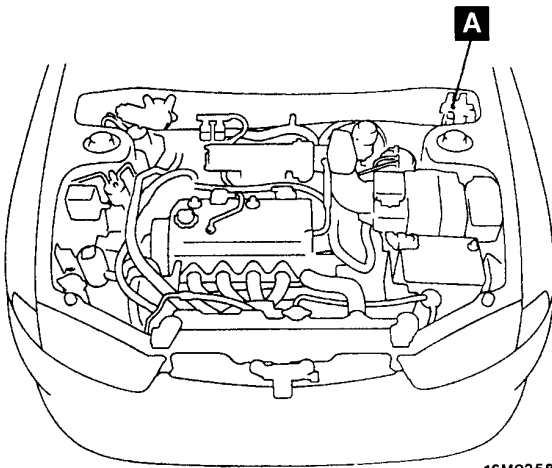




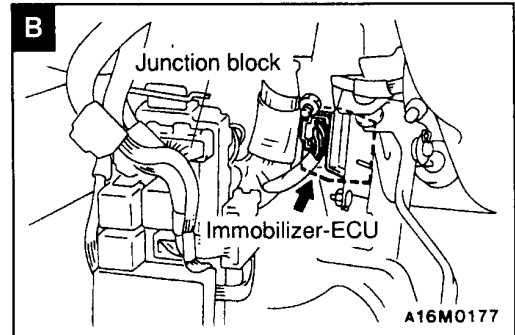
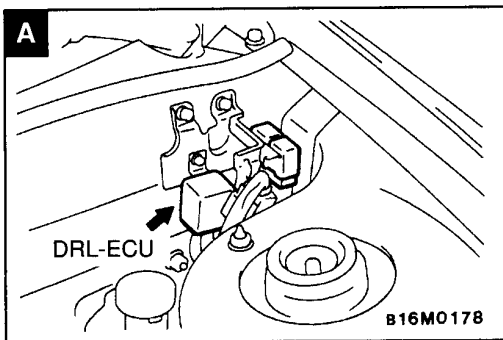
ECU

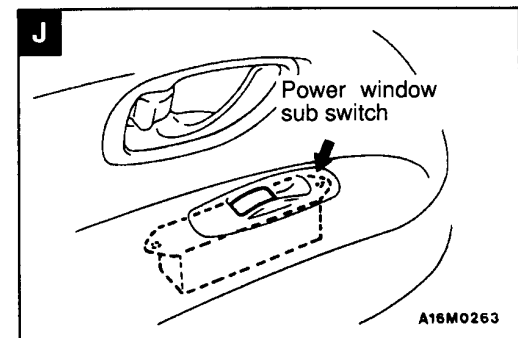
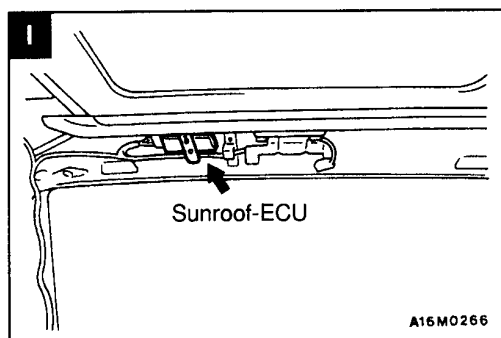
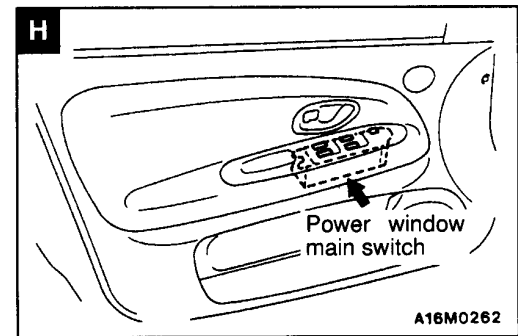
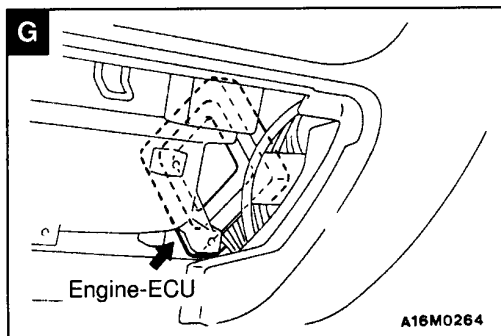
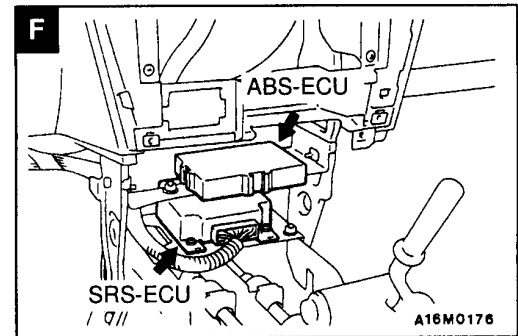
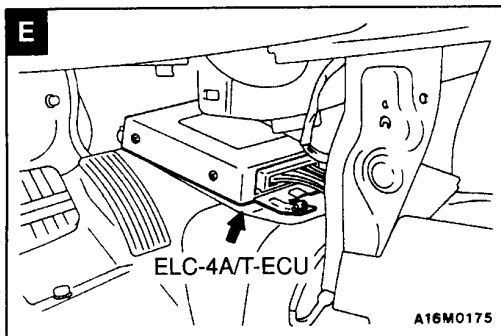
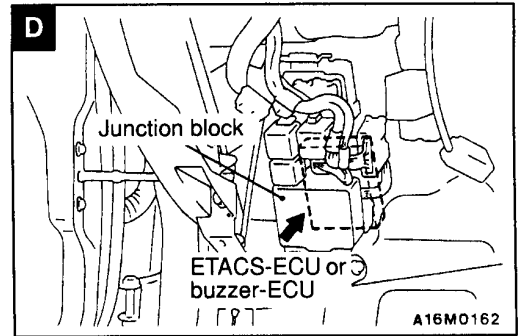
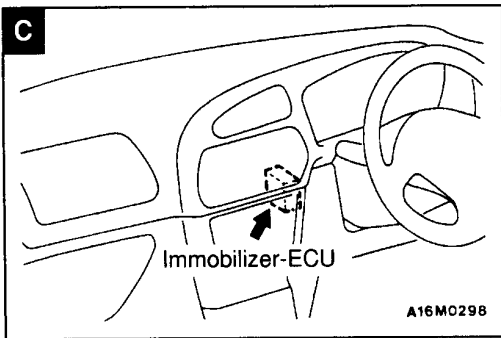
70100050048

Name	Symbol	Name	Symbol
ABS-ECU	F	Immobilizer-ECU	LHD B
Buzzer-ECU	D		RHD C
DRL-ECU	A	Power window main switch (built-in CPU)	H
ELC-4A/T-ECU	E	Power window sub switch (built-in CPU)	J
Engine-ECU	G	SRS-ECU	F
ETACS-ECU	D	Sunroof-ECU	I



00004637

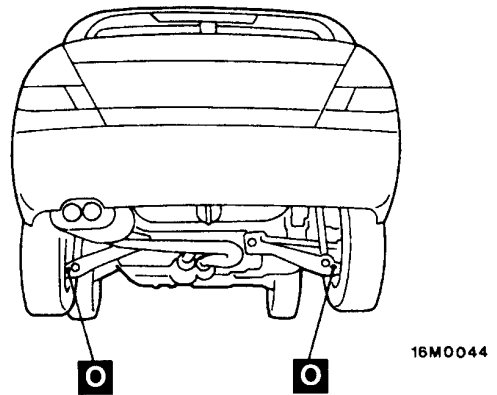
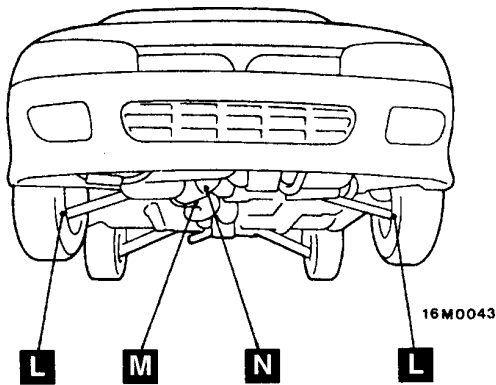
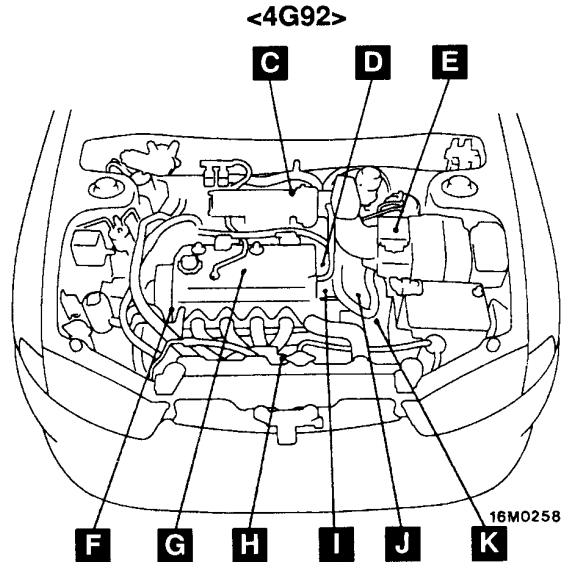
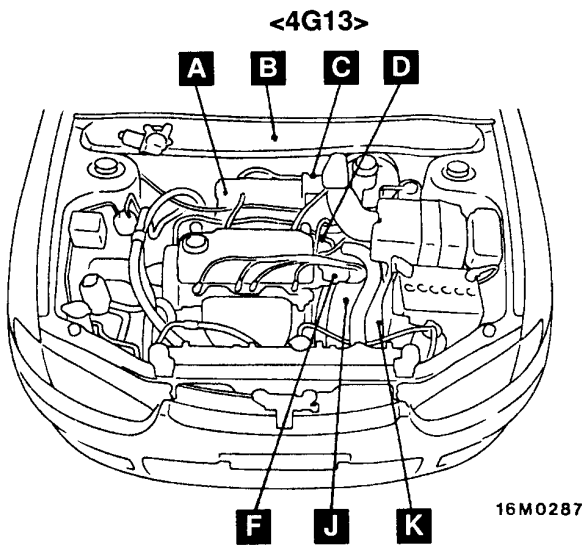


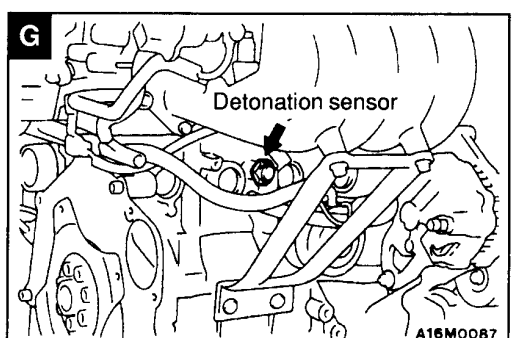
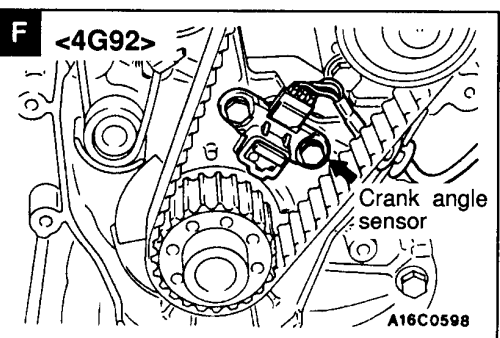
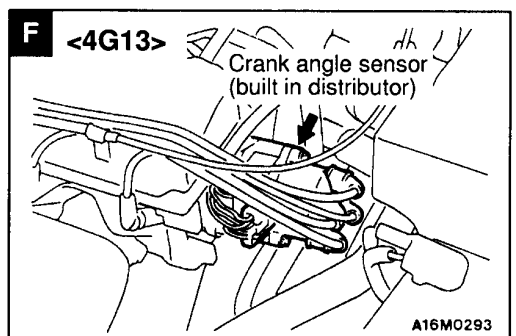
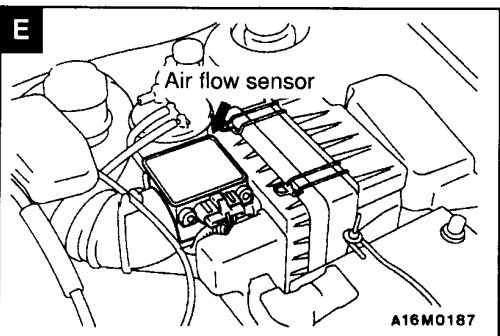
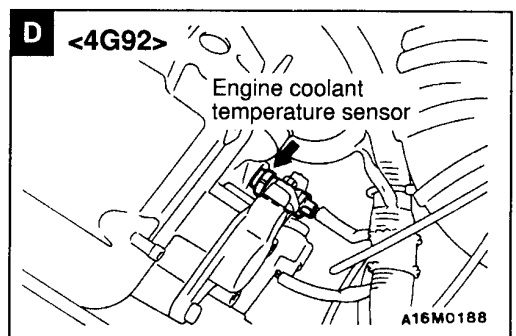
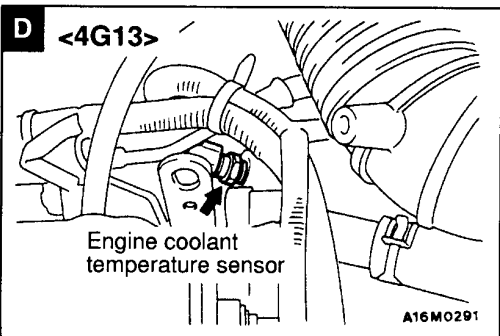
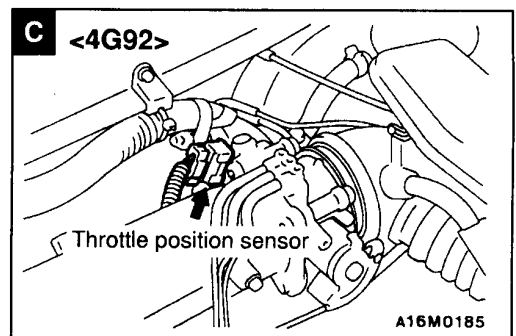
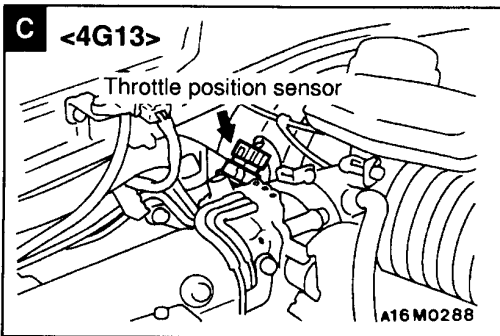
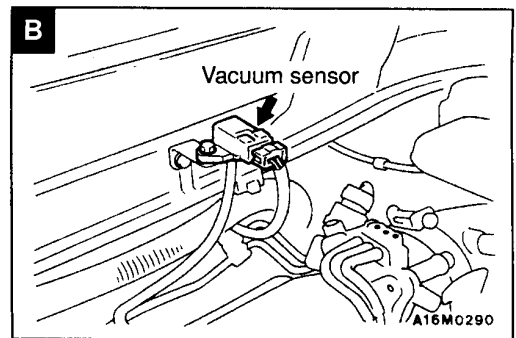
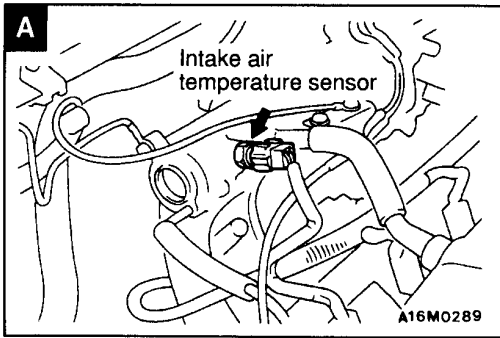


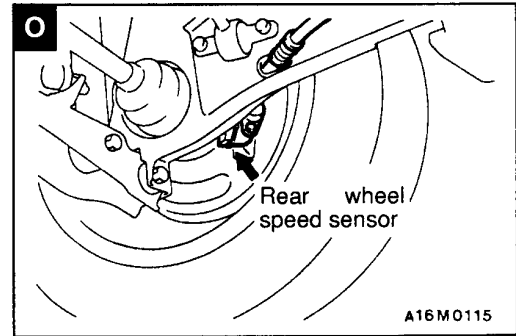
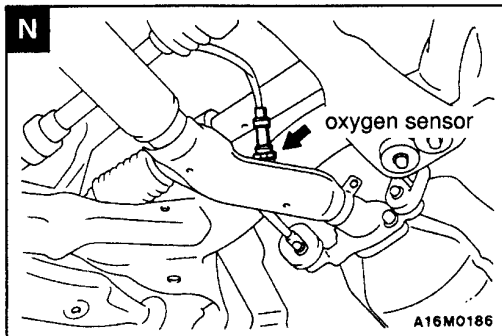
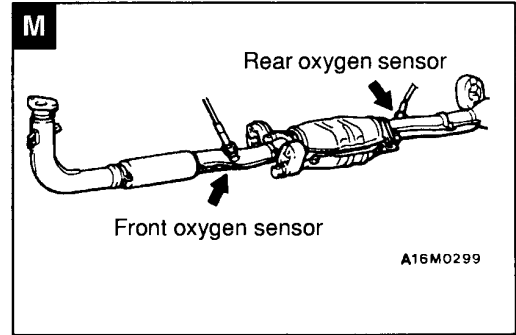
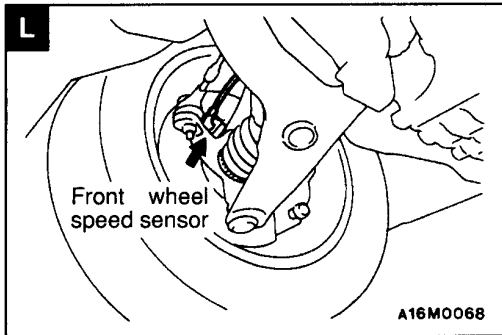
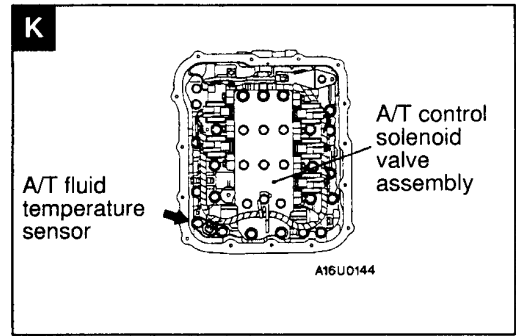
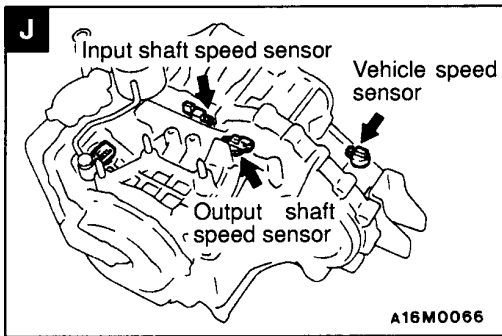
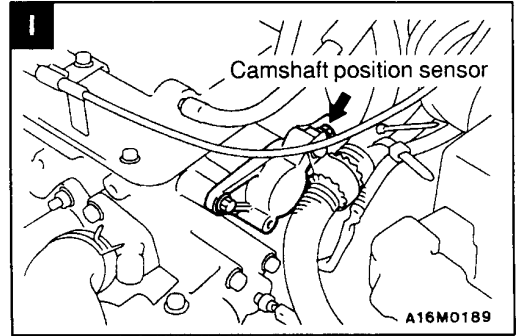
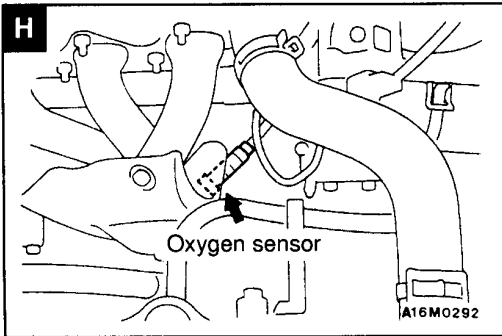
SENSOR

70100060133

Name	Symbol	Name	Symbol
Air flow sensor <4G92>	E	Intake air temperature sensor <4G13>	A
A/T fluid temperature sensor (built in A/T control solenoid valve assembly)	K	Output shaft speed sensor <A/T>	J
Camshaft position sensor <4G92>	I	Oxygen sensor <4G92>	except MVV N MVV H
Crank angle sensor <4G92>	F	Oxygen sensor (front) <4G13>	M
Crank angle sensor <4G13> (built in distributor)	F	Oxygen sensor (rear) <4G13>	M
Detonation sensor <4G92>	G	Rear wheel speed sensor <ABS>	O
Engine coolant temperature sensor	D	Throttle position sensor	C
Front wheel speed sensor <ABS>	L	Vacuum sensor <4G13>	B
Input shaft speed sensor <A/T>	J	Vehicle speed sensor	J



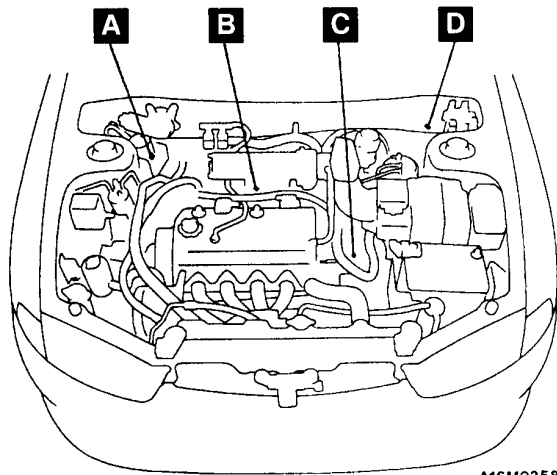




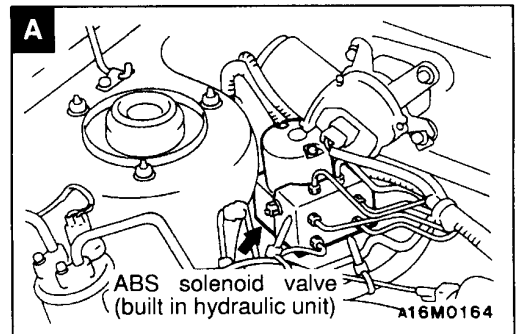
SOLENOID AND SOLENOID VALVE

70100080108

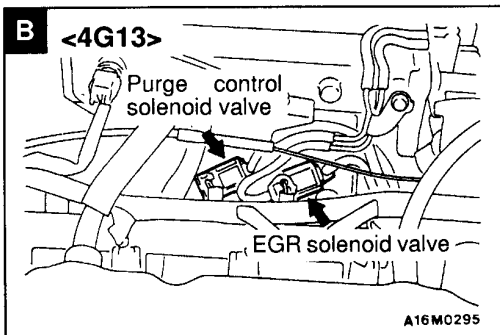
Name		Symbol	Name	Symbol
ABS solenoid valve (built in hydraulic unit)	LHD	A	A/T control solenoid valve assembly	C
	RHD	D	EGR solenoid valve	B
Air bypass solenoid valve <MVV>		B	Purge control solenoid valve	B



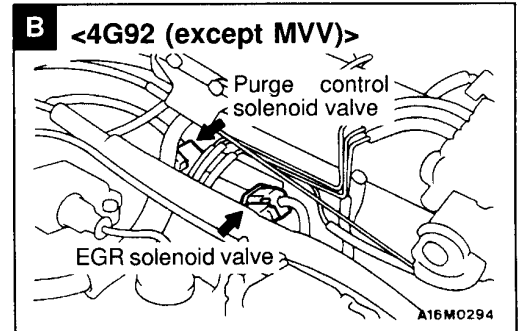
A16M0258



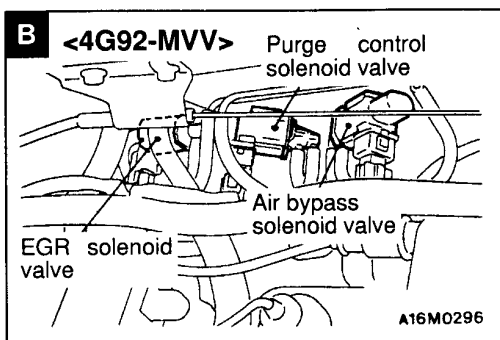
A16M0164



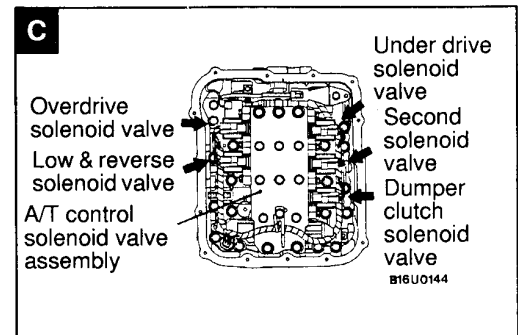
A16M0295



A16M0294

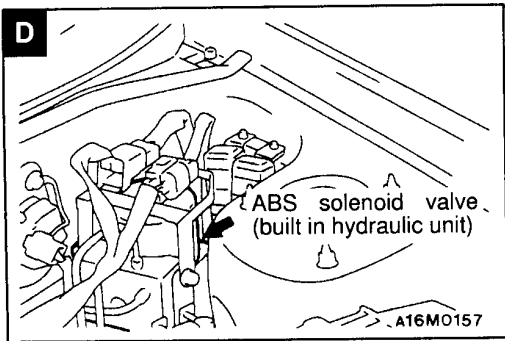


A16M0296



B16U0144

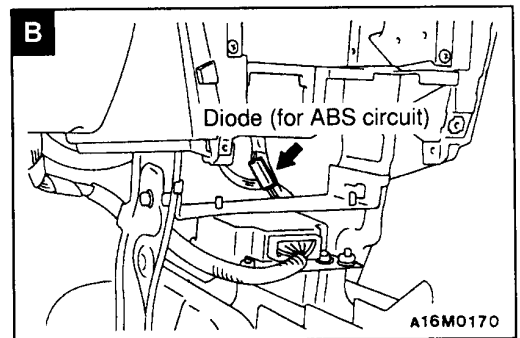
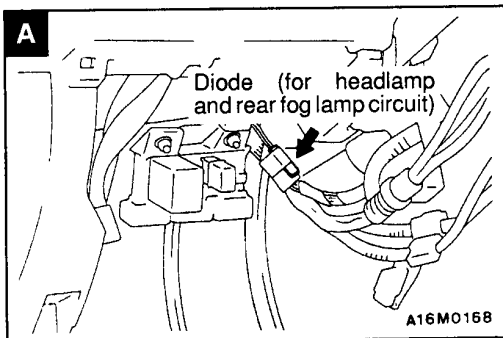
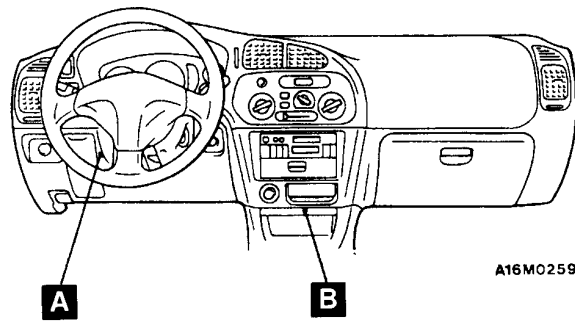
3-10 SINGLE PART INSTALLATION POSITION – Solenoid and Solenoid Valve/ Diode



DIODE

70100090125

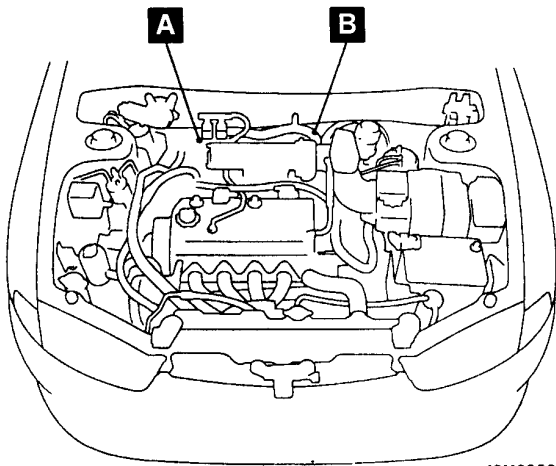
Name	Symbol	Name	Symbol
Diode (for ABS circuit)	B	Diode (for headlamp and rear fog lamp circuit)	A



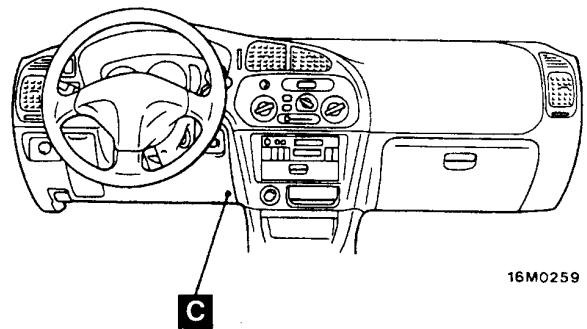
INSPECTION CONNECTOR

70100020117

Name		Symbol	Name	Symbol
Diagnosis connector		C	Fuel pump check connector	B
Engine speed detection connector	LHD	A	Ignition timing adjustment connector <4G13>	B
	RHD	B		

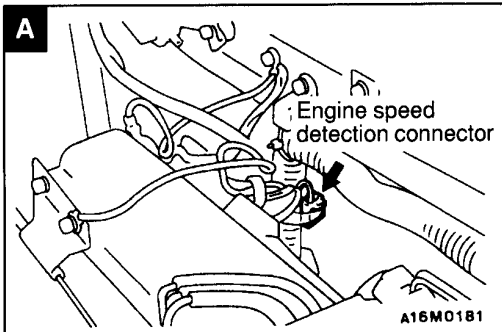


16M0258

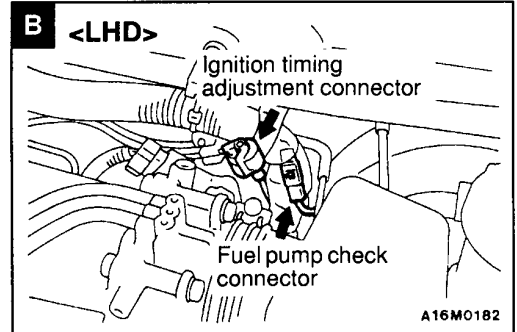


16M0259

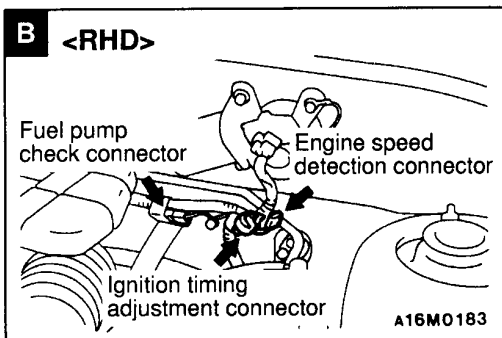
00004639



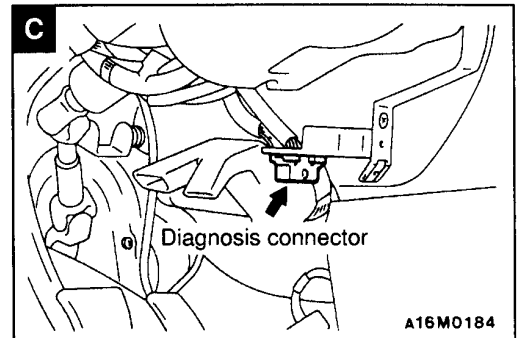
A16M0181



A16M0182



A16M0183



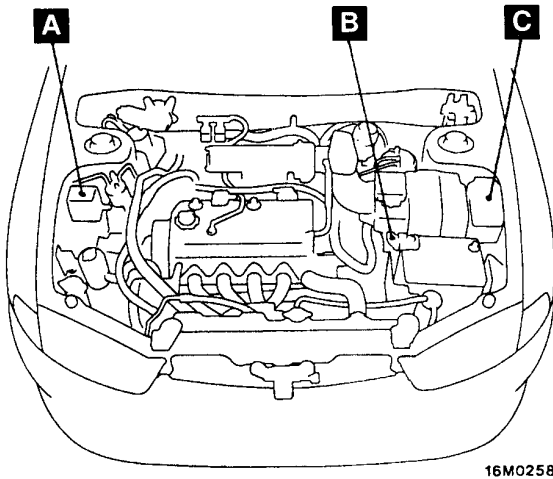
A16M0184

3-12 SINGLE PART INSTALLATION POSITION – Fusible Link and Fuse

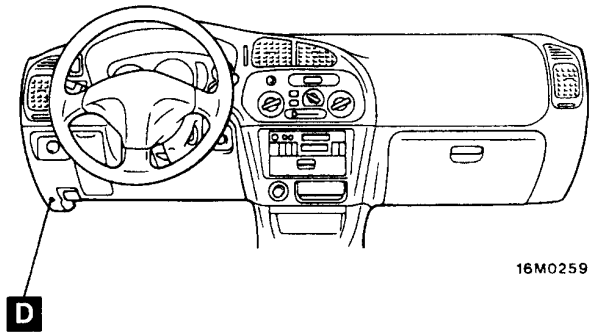
FUSIBLE LINK AND FUSE

70100010114

Name	Symbol	Name	Symbol
Dedicated fuses (No. 1 – 11)	C	Fusible links (No. 1 – 7)	C
Dedicated fuse (No. 12)	A	Fusible link (No. 8)	B
Dedicated fuses (No. 16 – 17)	D	Multi-purpose fuses	D

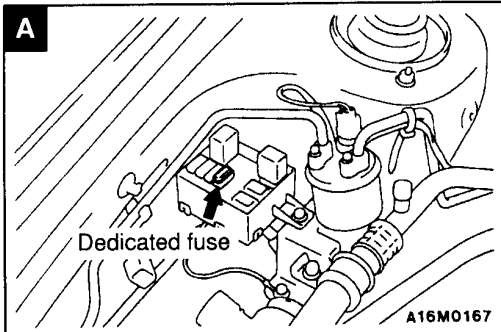


16M0258

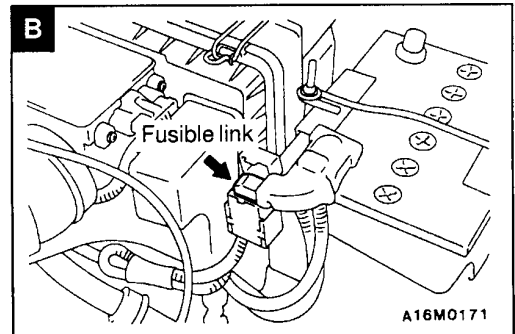


16M0259

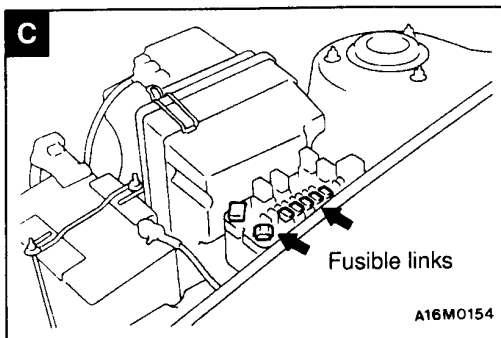
00004640



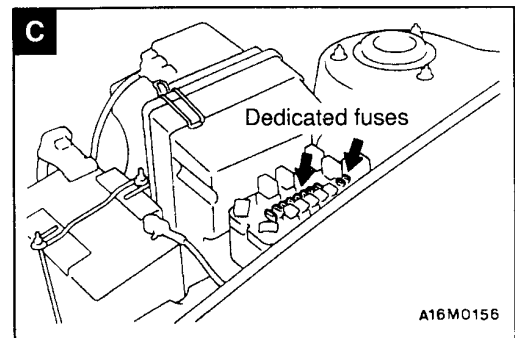
A16M0167



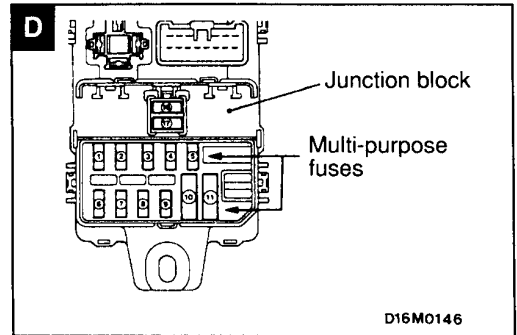
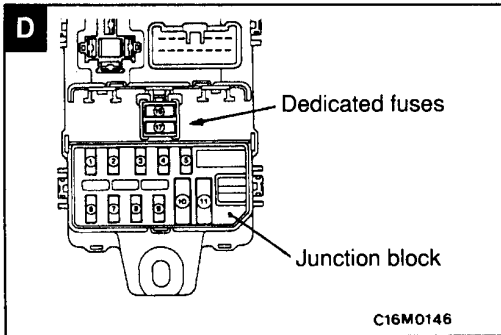
A16M0171



A16M0154

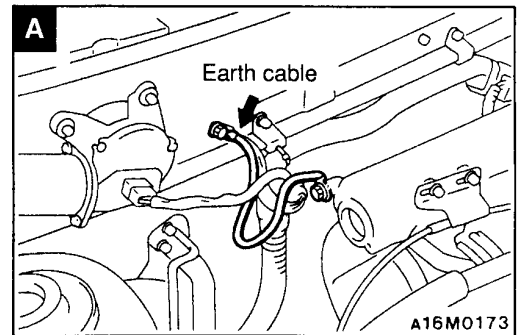
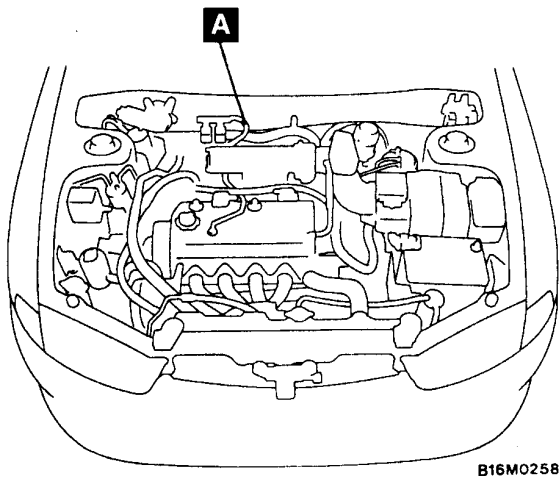


A16M0156



EARTH CABLE

70100100088

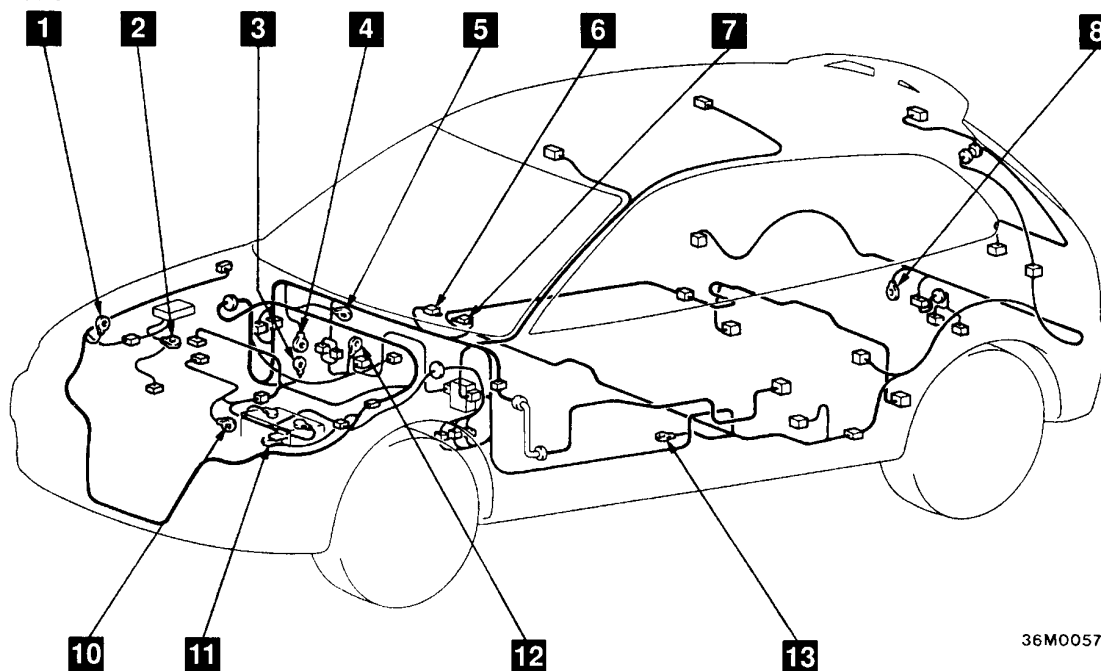


EARTH

70100030141

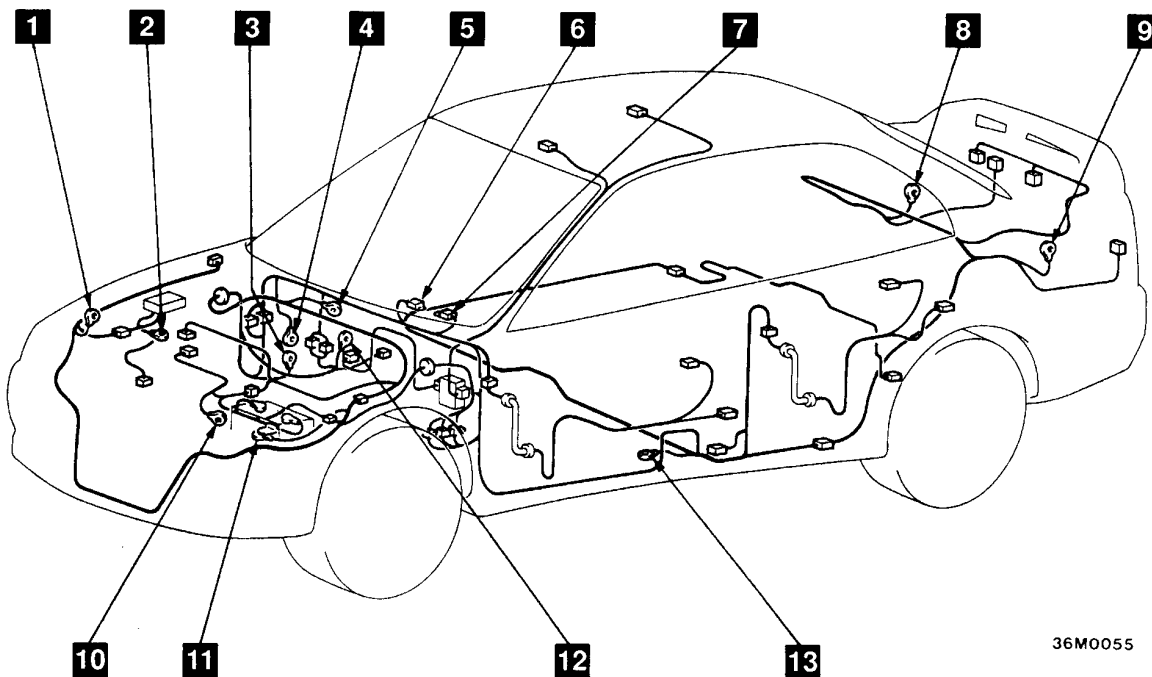
L.H.drive vehicles

<Hatchback>



36M0057

<Sedan>



36M0055

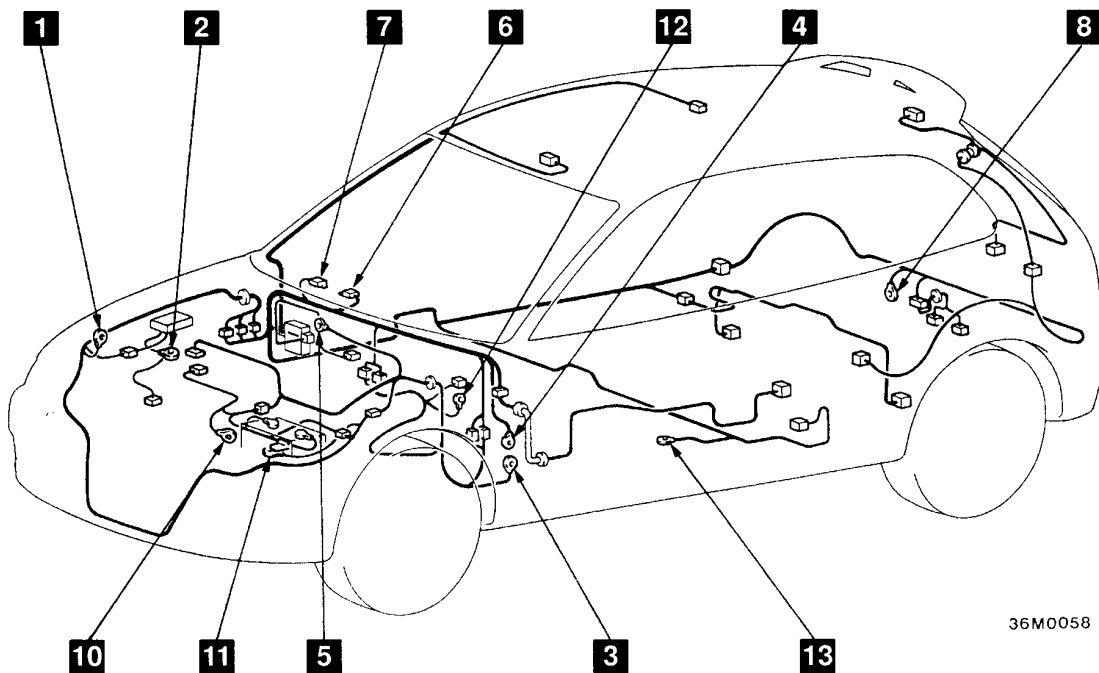
00004641

NOTE

Same earth number are used in the circuit diagram.

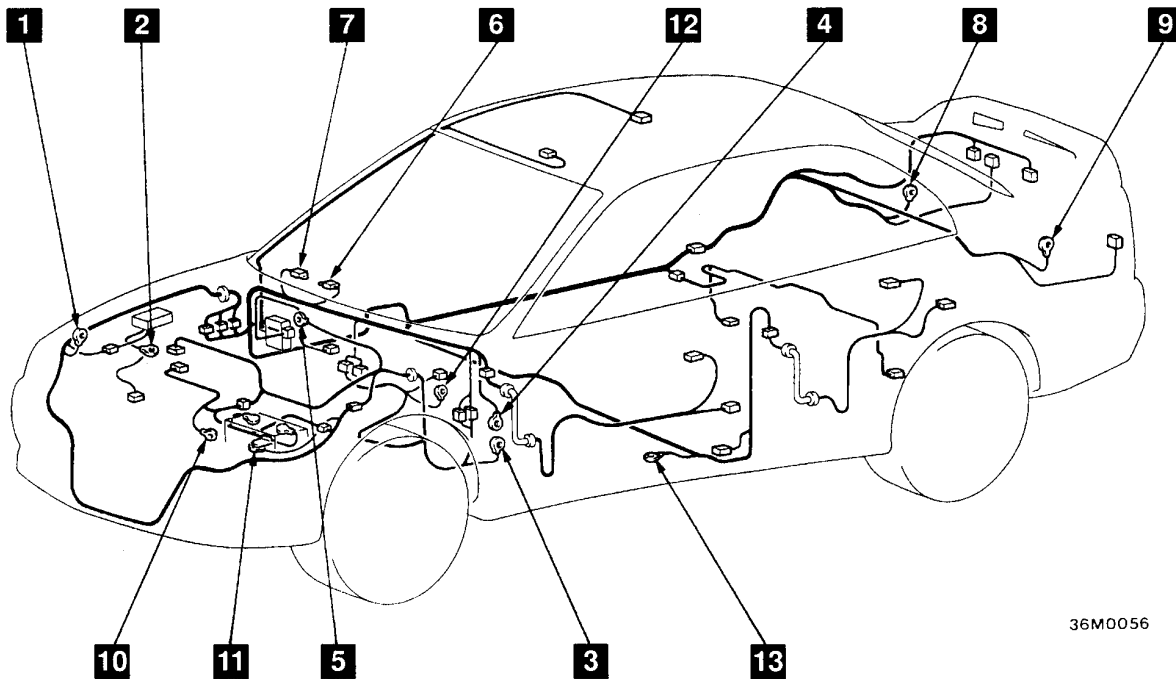
R.H.drive vehicles

<Hatchback>



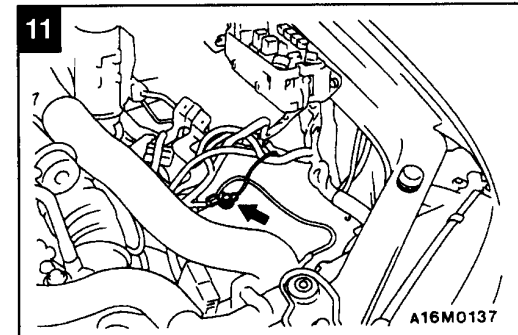
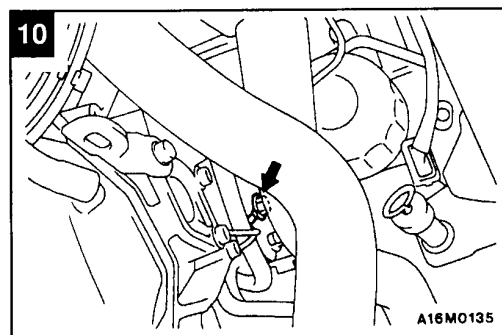
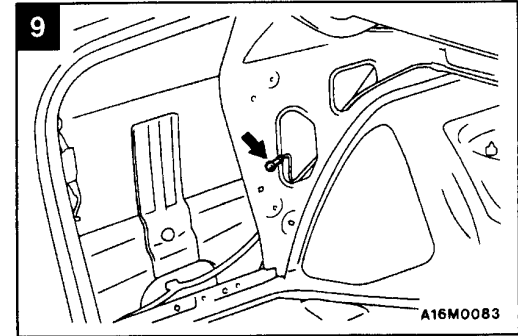
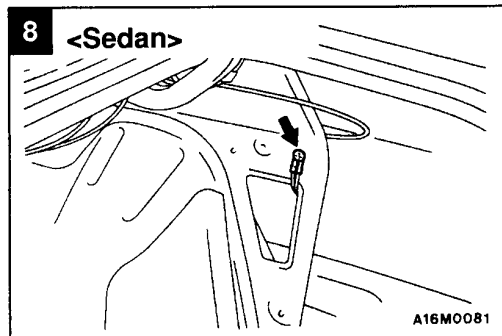
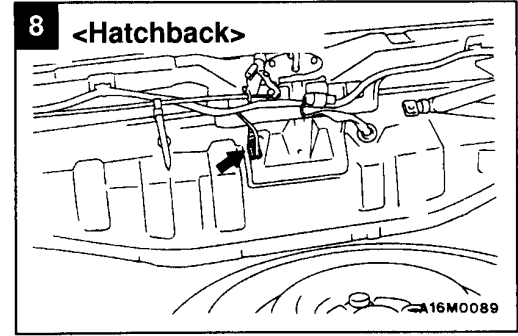
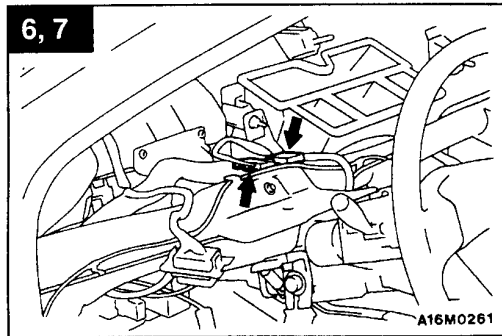
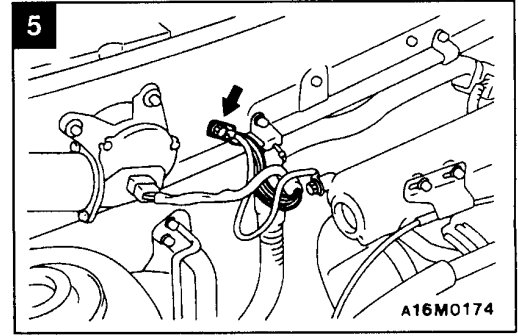
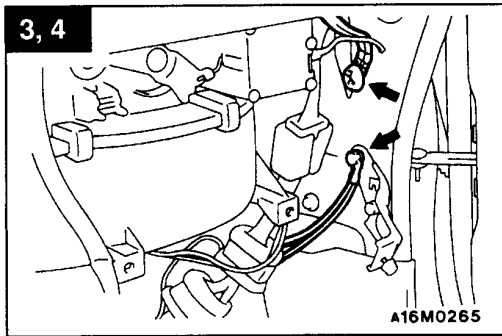
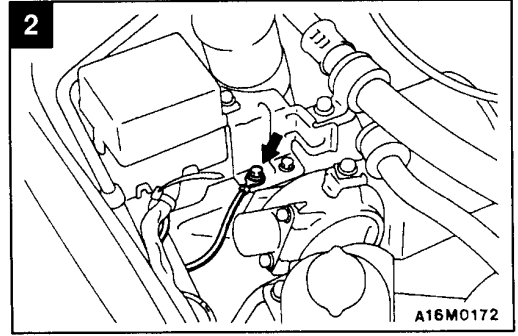
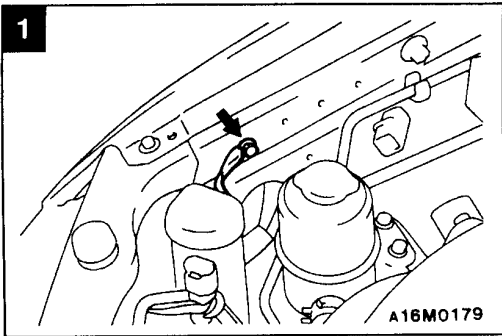
36M0058

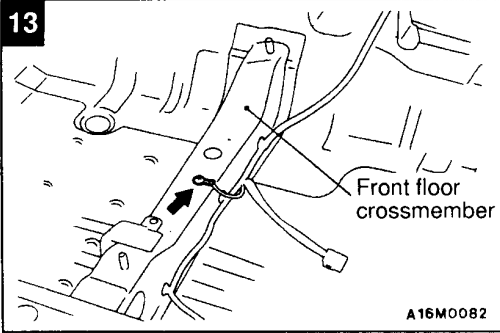
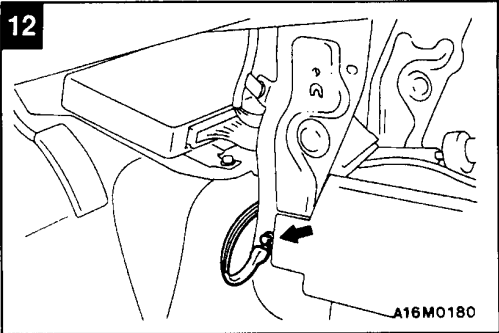
<Sedan>



36M0056

00004642





CIRCUIT DIAGRAM

CONTENTS

90109000103

JUNCTION BLOCK (J/B)	4-4	TAIL LAMP, POSITION LAMP AND LICENCE PLATE LAMP	
JOINT CONNECTOR (J/C)	4-6	Hatchback	
CENTRALIZED JUNCTION	4-7	<Vehicles with daytime running lamp>	4-88
POWER DISTRIBUTION SYSTEM		Hatchback	
Vehicles with daytime running lamp	4-14	<Vehicles without daytime running lamp>	4-90
Vehicles without daytime running lamp	4-20	Sedan	
STARTING SYSTEM	4-25	<Vehicles with daytime running lamp>	4-92
IGNITION SYSTEM		Sedan	
4G13	4-26	<Vehicles without daytime running lamp>	4-94
4G92	4-27	FRONT FOG LAMP	
CHARGING SYSTEM	4-28	Vehicles with daytime running lamp	4-98
MPI SYSTEM		L.H. drive vehicles without daytime running lamp	4-100
4G13 <L.H. drive vehicles>	4-30	R.H. drive vehicles	4-102
4G13 <R.H. drive vehicles>	4-38	REAR FOG LAMP	
4G92 <L.H. drive vehicles>	4-46	Vehicles with daytime running lamp	4-106
4G92 <R.H. drive vehicles>	4-54	L.H. drive vehicles without daytime running lamp	4-110
COOLING SYSTEM	4-62	R.H. drive vehicles	4-112
ELC 4-SPEED AUTOMATIC TRANSMISSION		ROOM LAMP AND LUGGAGE COMPARTMENT LAMP	
L.H. drive vehicles	4-64	Hatchback	4-115
R.H. drive vehicles	4-72	Sedan	4-116
HEADLAMP		HEADLAMP LEVELING SYSTEM	
Vehicles with daytime running lamp	4-80	Hatchback <L.H. drive vehicles>	4-118
Vehicles without daytime running lamp	4-84	Hatchback <R.H. drive vehicles>	4-119
		Sedan <L.H. drive vehicles>	4-120
		Sedan <R.H. drive vehicles>	4-121

TURN-SIGNAL LAMP AND HAZARD WARNING LAMP

- L.H. drive vehicles 4-122
- R.H. drive vehicles 4-126

STOP LAMP

- Hatchback 4-130
- Sedan 4-131

BACK-UP LAMP 4-132**HORN**

- Vehicles with SRS 4-133
- Vehicles without SRS 4-134

METER AND GAUGE 4-136**FUEL WARNING LAMP 4-140****OIL PRESSURE WARNING LAMP 4-140****BRAKE WARNING LAMP 4-141****CENTRAL DOOR LOCKING SYSTEM**

- L.H. drive vehicles 4-144
- R.H. drive vehicles 4-146

POWER WINDOWS

- Hatchback 4-148
- Sedan 4-150

HEATER 4-154**AIR CONDITIONER 4-156****WINDSHIELD WIPER AND WASHER**

- L.H. drive vehicles 4-160
- R.H. drive vehicles 4-161

REAR WIPER AND WASHER 4-164**HEADLAMP WASHER 4-167****DEFOGGER AND DOOR MIRROR HEATER 4-168****REMOTE CONTROLLED MIRROR**

- L.H. drive vehicles 4-170
- R.H. drive vehicles 4-171

RADIO AND TAPE PLAYER 4-172**CLOCK**

- L.H. drive vehicles 4-174
- R.H. drive vehicles 4-175

CIGARETTE LIGHTER 4-176**ANTI-SKID BRAKING SYSTEM (ABS)**

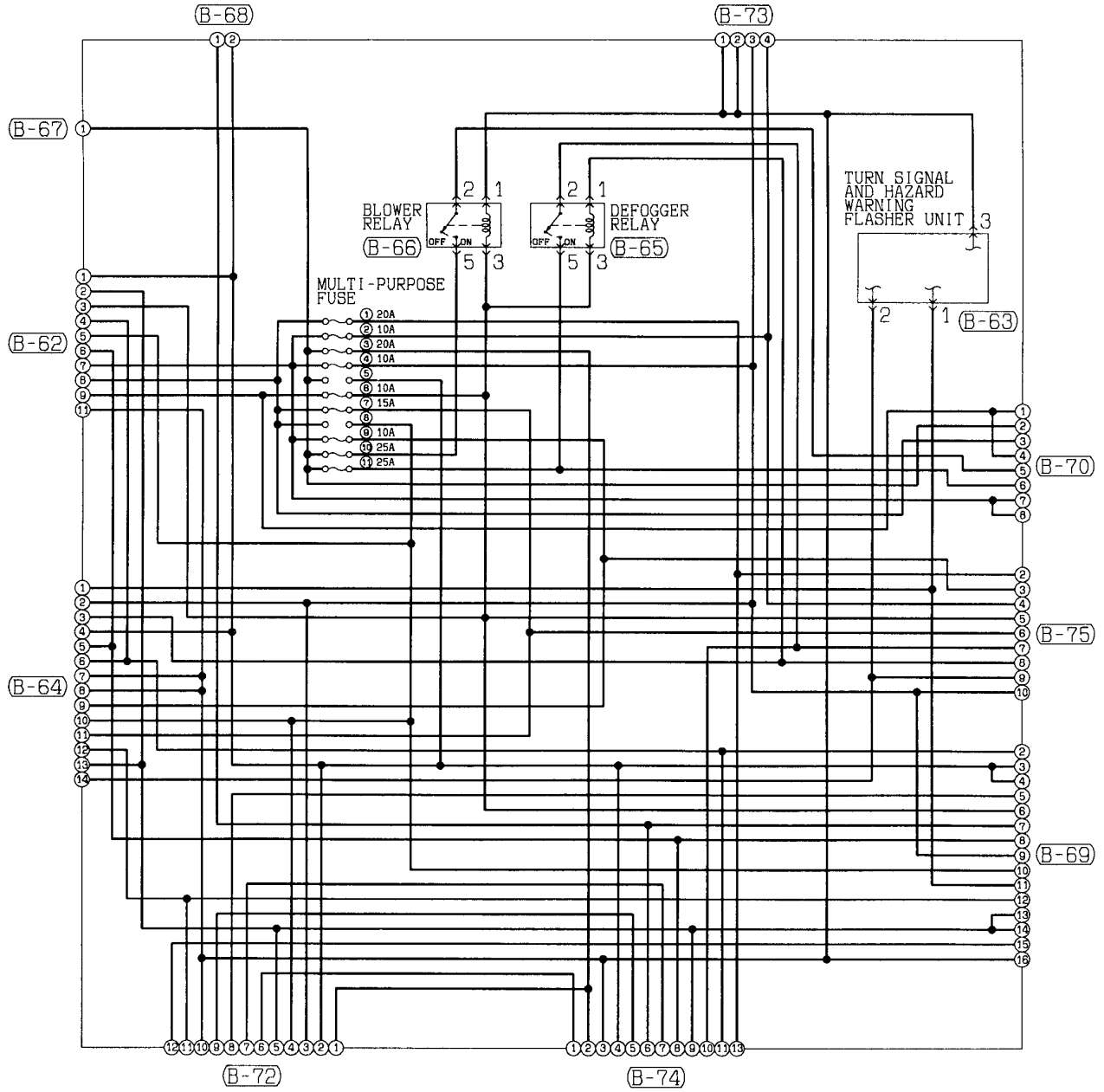
- L.H. drive vehicles 4-178
- R.H. drive vehicles 4-184

SUNROOF 4-190**HEATED SEAT 4-192****IMMOBILIZER SYSTEM 4-194****RHEOSTAT 4-196****SUPPLEMENTAL RESTRAINT SYSTEM (SRS) 4-198****LIGHTING MONITOR BUZZER 4-200**

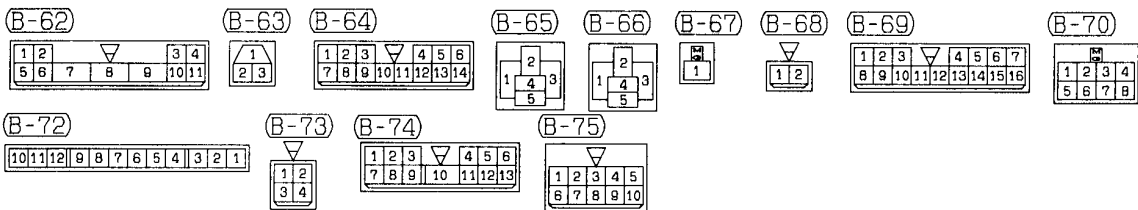
NOTES

JUNCTION BLOCK (J/B)

90100020153

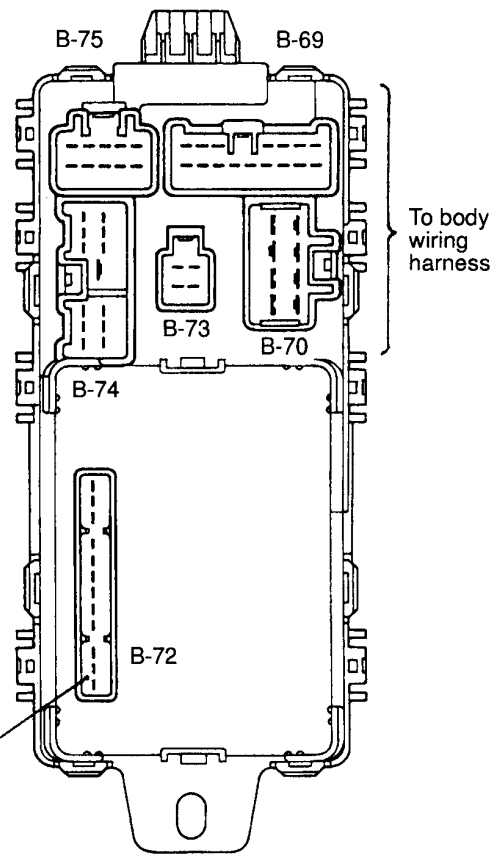
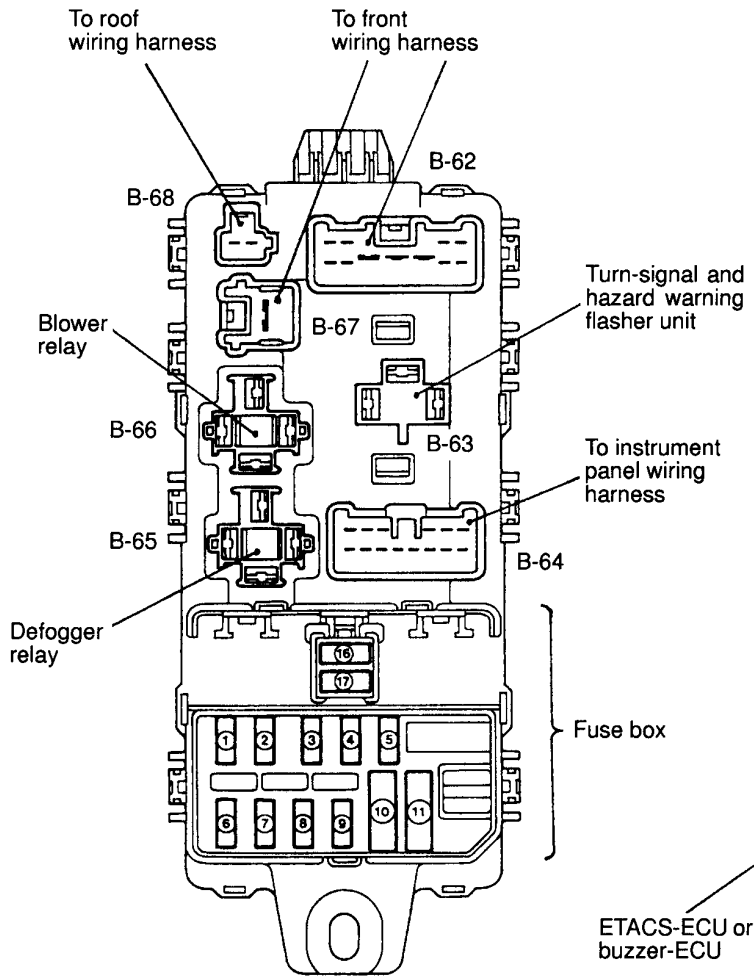


Remark
 Connector numbers are keyed to the configuration diagram(DASH PANEL)
 and each circuit diagram.



Front side

Rear side



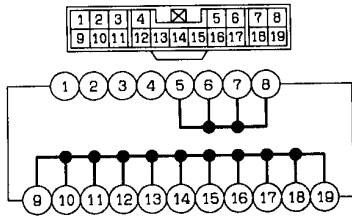
16M0146

16M0147

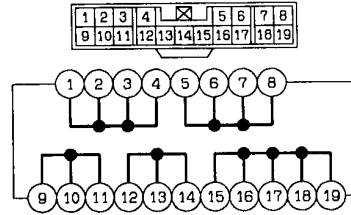
JOINT CONNECTOR (J/C)

90101420037

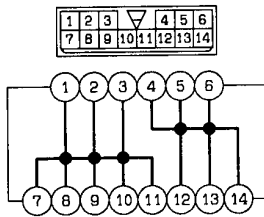
J/C (1) B-51



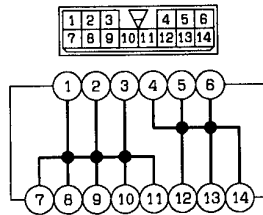
J/C (5) B-38



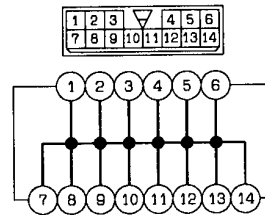
J/C (2) B-49



J/C (3) B-48



J/C (4) B-47



Remark

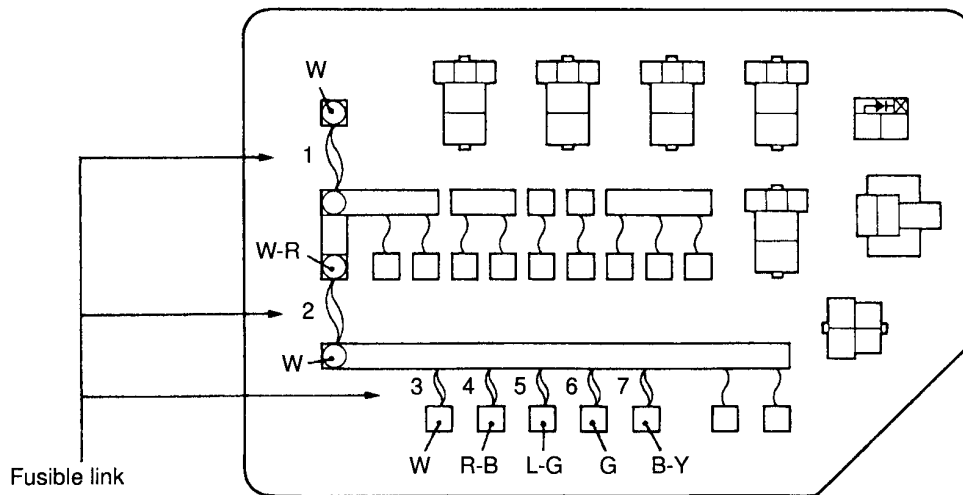
In actual vehicles, any of the terminals connected in J/C are used. The terminals described in the circuit diagram may not be identical to those of the vehicles.

**CENTRALIZED JUNCTION
FUSIBLE LINK**

90100030156

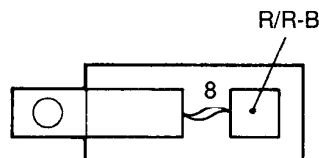
No.	Circuit	Housing colour	Rated capacity (A)
1	Dedicated fuse No. (16) and multi-purpose fuse No. (3), (10), (11)	Yellow	60
2	Fusible link No. (1), dedicated fuse No. (1), (2) and alternator	Blue	100
3	Ignition switch	Pink	30
4	Dedicated fuse No. (7), (8), (9), alternator, fog lamp, headlamp, headlamp leveling system, headlamp washer and tail lamp	Green	40
5	Radiator fan motor	Pink	30
6	Power windows	Pink	30
7	ELC 4-speed automatic transmission, immobilizer system and MPI system	Blue	20
8	Anti-skid braking system	Yellow	60

(Relay box in engine compartment)



A16M0141

(Connected directly to battery positive terminal)

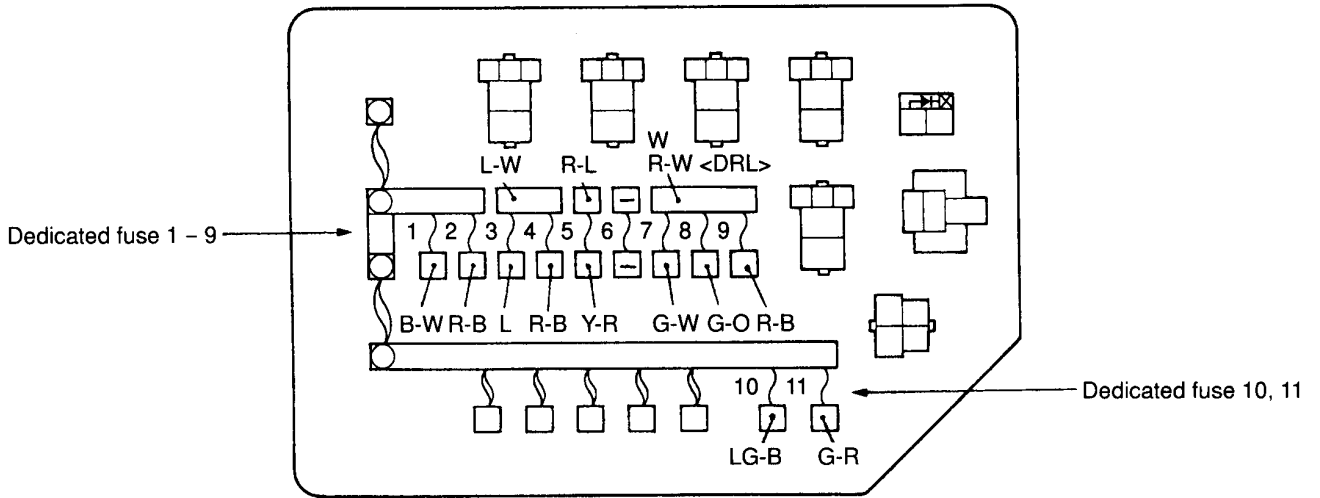


A16M0145

DEDICATED FUSE

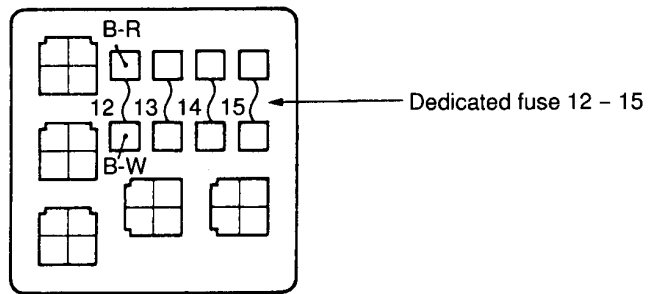
Power supply circuit	No.	Rated capacity (A)	Housing Colour	Circuit
Battery (Fusible link No. 2)/Alternator	1	25	Transparent	A/C compressor and condenser fan motor
	2	10	Red	ECU power supply, luggage compartment lamp, radio, room lamp, meter and gauge and MUT-II power supply
Ignition switch (ACC)	3	10	Red	Clock and radio
	4	10	Red	Horn
Headlamp relay (Fusible link No. 4)	5	10	Red	Headlamp leveling, high beam indicator and rear fog lamp
—	6	—	—	—
Tail lamp relay <with DRL>, Lighting switch <without DRL> (Fusible link No. 4)	7	10	Red	Headlamp washer, tail lamp and illumination lamp
	8	10	Red	Position lamp and tail lamp
	9	15	Blue	Front fog lamp
Battery/Alternator (Fusible link No. 2)	10	10	Red	Hazard warning lamp
	11	15	Blue	Stop lamp
Battery/Alternator (Dedicated fuse No. 1)	12	10	Red	A/C compressor
—	13	—	—	—
—	14	—	—	—
—	15	—	—	—
Battery/Alternator (Fusible link No. 1)	16	20	Yellow	Sunroof
Ignition switch (IG2)	17	10	Red	Heated seat

(Relay box in engine compartment)



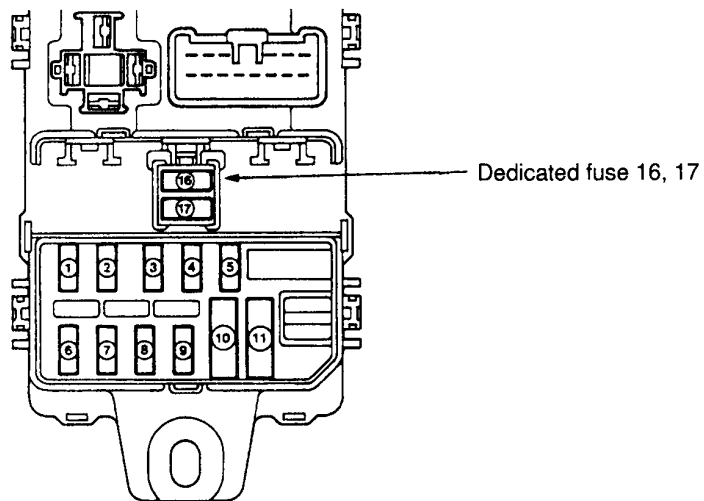
B16M0141

(A/C relay box in engine compartment)



A16M0142

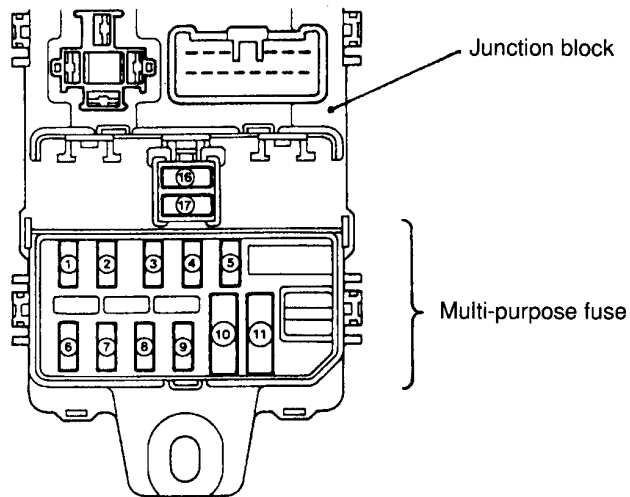
(In junction block)



A16M0146

MULTI-PURPOSE FUSE (In junction block)

Power supply circuit		No.	Rated capacity (A)	Housing colour	Load circuit
Ignition switch	ACC	1	20	Yellow	Intermittent wiper relay, washer motor and wiper motor
	IG1	2	10	Red	A/T indicator lamp, back-up lamp, ELC-4A/T-ECU, input shaft speed sensor, output shaft speed sensor, SRS-ECU and stop lamp
Battery		3	20	Yellow	ETACS-ECU
Ignition switch	IG1	4	10	Red	Combination meter, ETACS-ECU, immobilizer-ECU, SRS-ECU, sunroof-ECU and vehicle speed sensor
Battery		5	—	—	—
Ignition switch	IG2	6	10	Red	ABS-ECU, ABS valve relay, A/C switch, thermostat, blower relay, defogger relay, DRL-ECU, DRL relay (1), headlamp washer relay and power window relay
Battery		7	15	Blue	Cigarette lighter and remote controlled mirror
Ignition switch	ACC	8	—	—	—
	IG1	9	10	Red	Turn-signal and hazard warning flasher unit
Battery		10	25	Trans-parent	Blower motor
		11	25	Trans-parent	Defogger, defogger switch and mirror heater

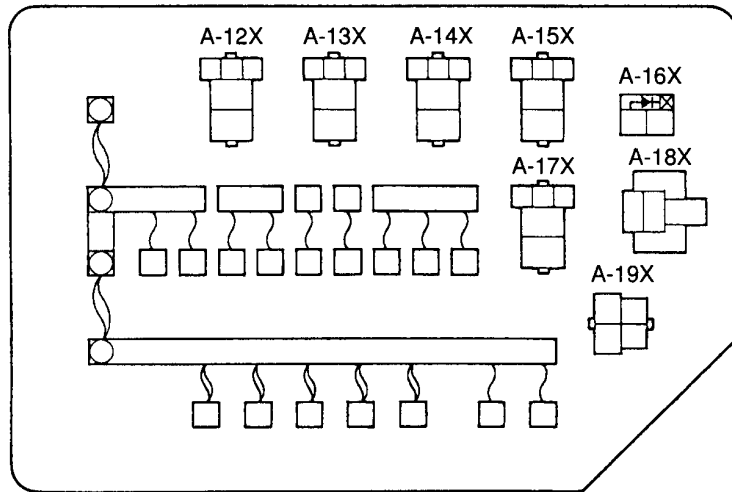


B16M0146

CENTRALIZED RELAY

(Relay box in engine compartment)

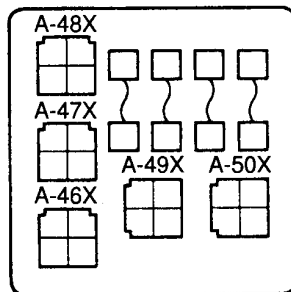
Connector No.	Name	Connector No.	Name
A-12X	Rear fog lamp relay	A-16X	—
A-13X	Horn relay <SRS>	A-17X	Headlamp relay
A-14X	Tail lamp relay <DRL>	A-18X	—
A-15X	Radiator fan relay	A-19X	Alternator relay



16M0141

(A/C relay box in engine compartment)

Connector No.	Name	Connector No.	Name
A-46X	Condenser fan relay	A-49X	—
A-47X	—	A-50X	A/C compressor relay
A-48X	—		



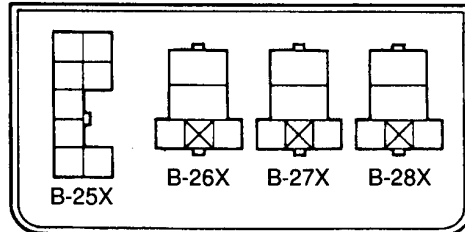
16M0142

4-12

CIRCUIT DIAGRAM

(Relay box in passenger compartment)

Connector No.	Name	Connector No.	Name
B-25X	Rear intermittent wiper relay	B-27X	Power window relay
B-26X	—	B-28X	—



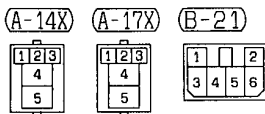
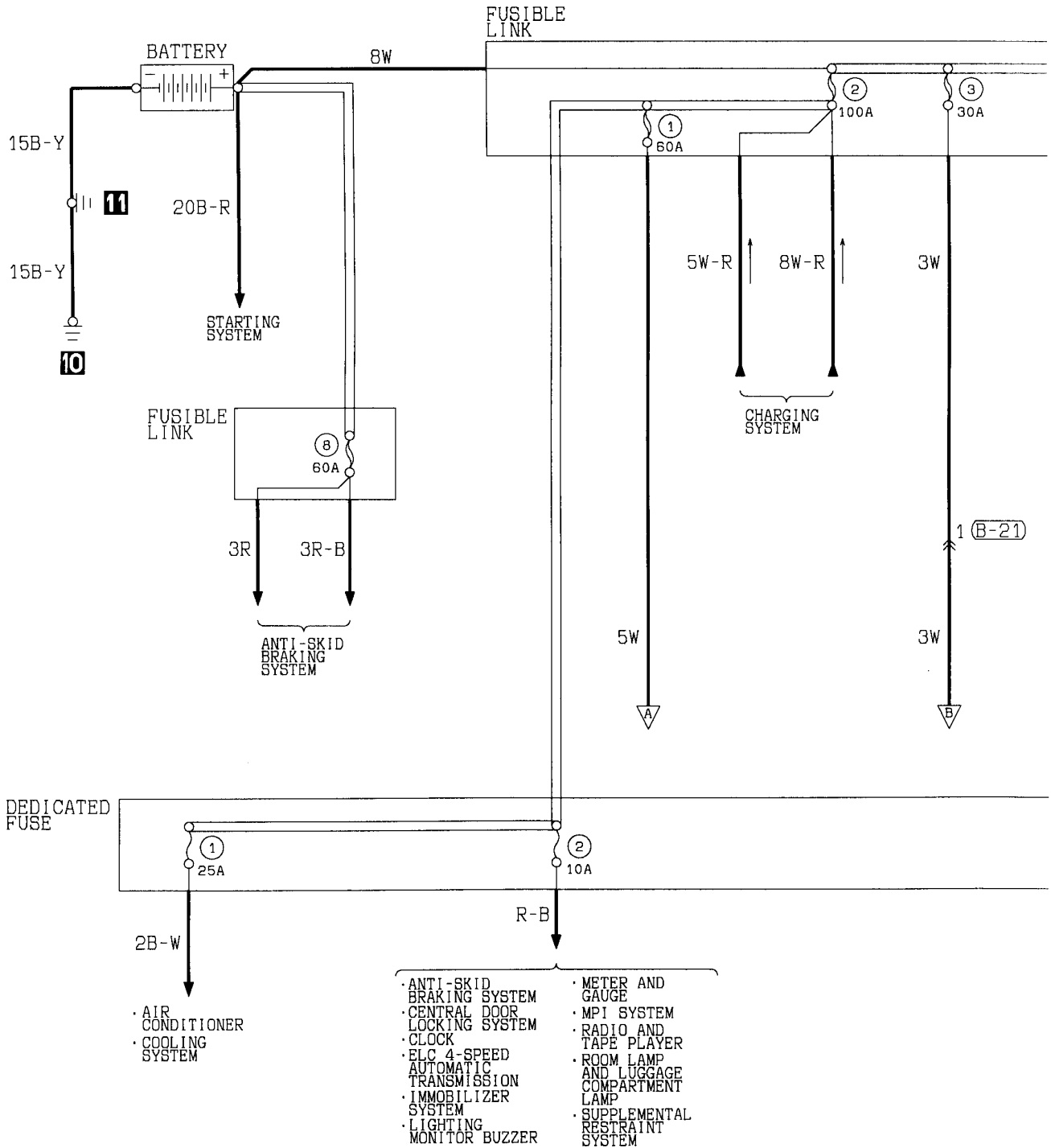
16M0143

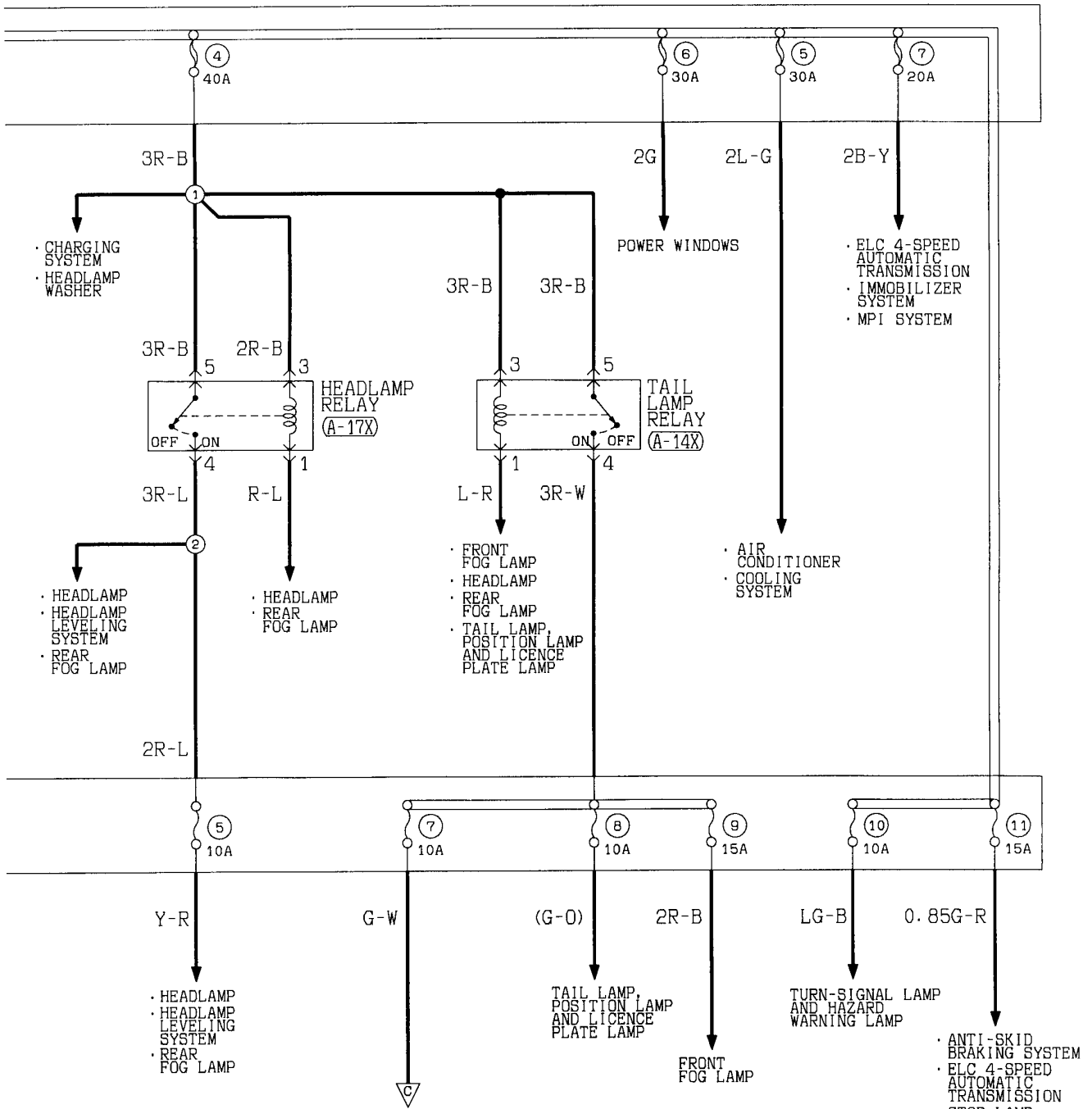
NOTES

POWER DISTRIBUTION SYSTEM

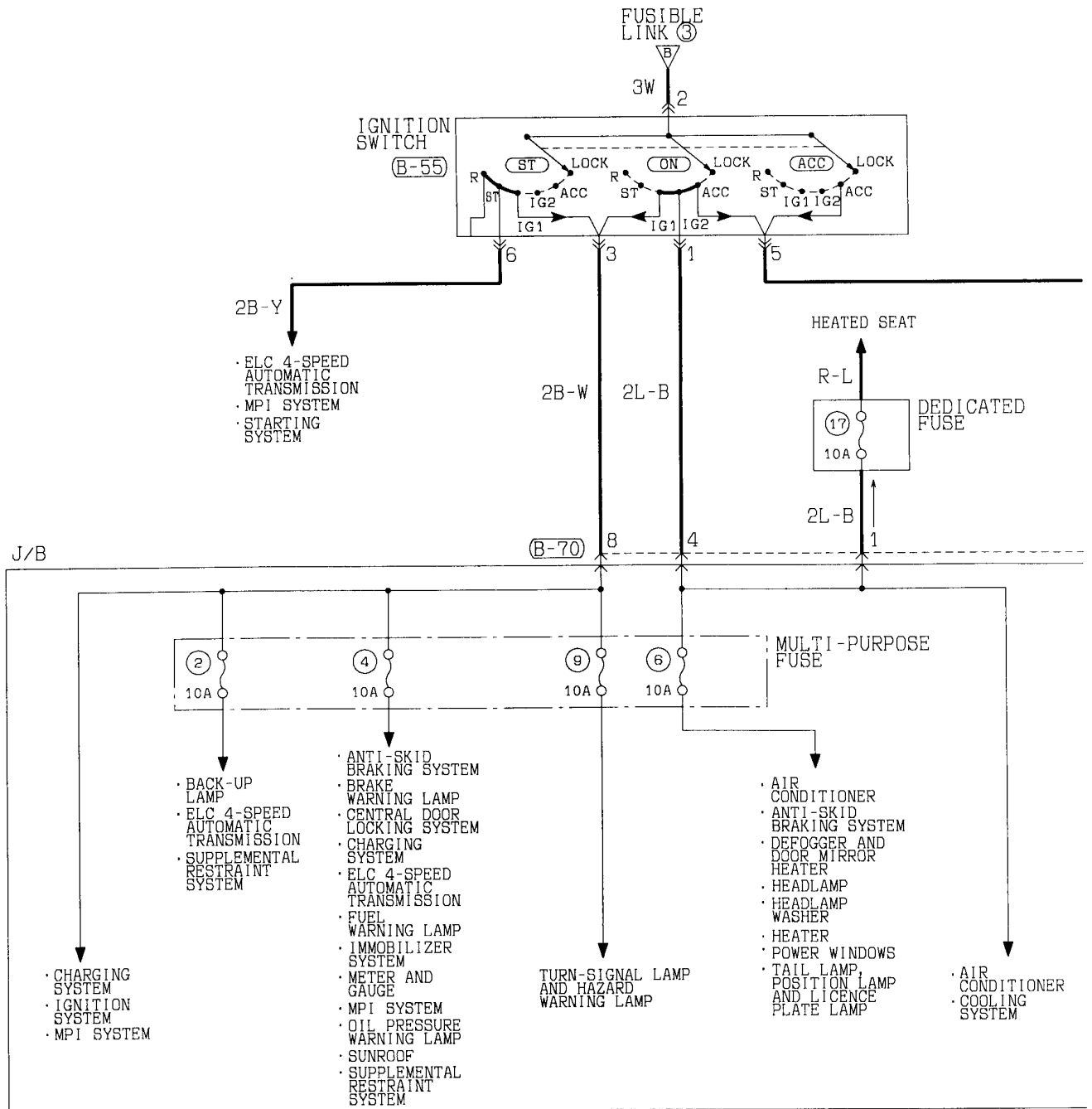
90100040173

Vehicles with daytime running lamp

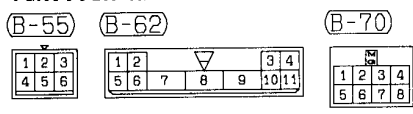


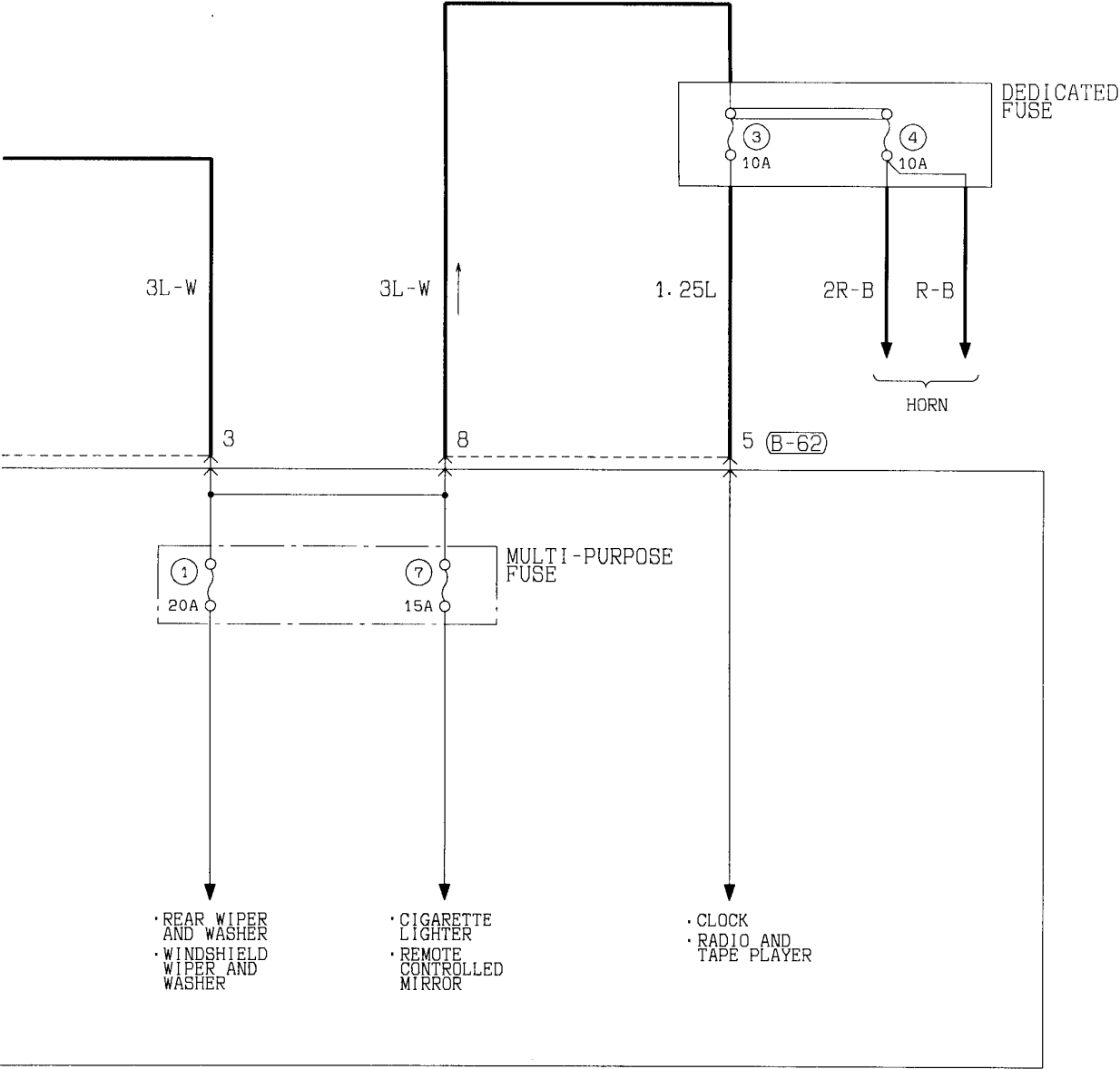


POWER DISTRIBUTION SYSTEM <Vehicles with daytime running lamp>
(CONTINUED)

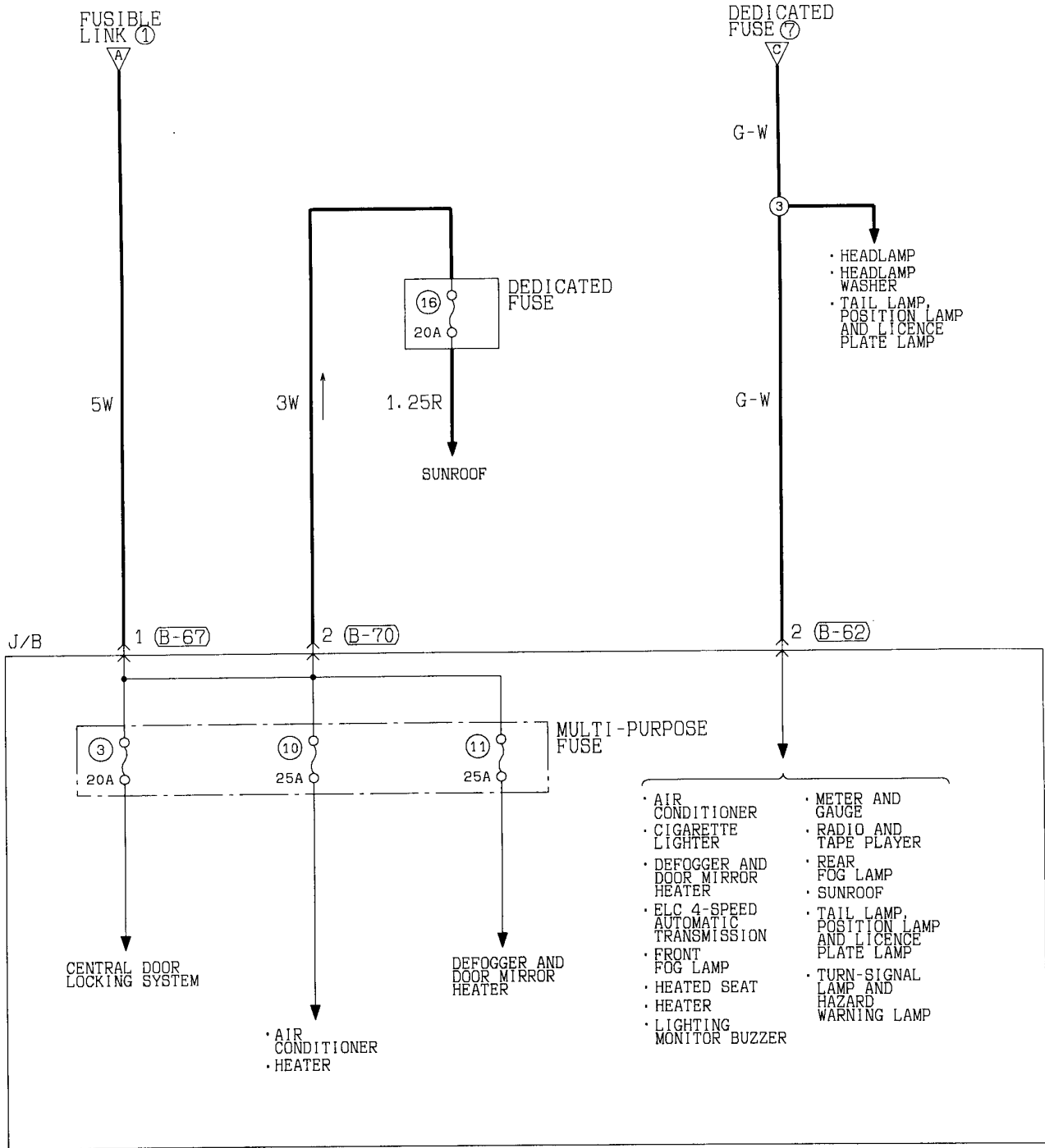


REMARK
THE ABOVE CIRCUIT DIAGRAM SHOWS THE CURRENT FLOW AT THE IGNITION KEY POSITION "ACC", "ON" AND "ST" COMBINED. BE SURE TRACE THE APPROPRIATE CIRCUIT DEPENDING ON THE IGNITION KEY POSITION.

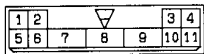




POWER DISTRIBUTION SYSTEM <Vehicles with daytime running lamp>
(CONTINUED)



(B-62)



(B-67)



(B-70)

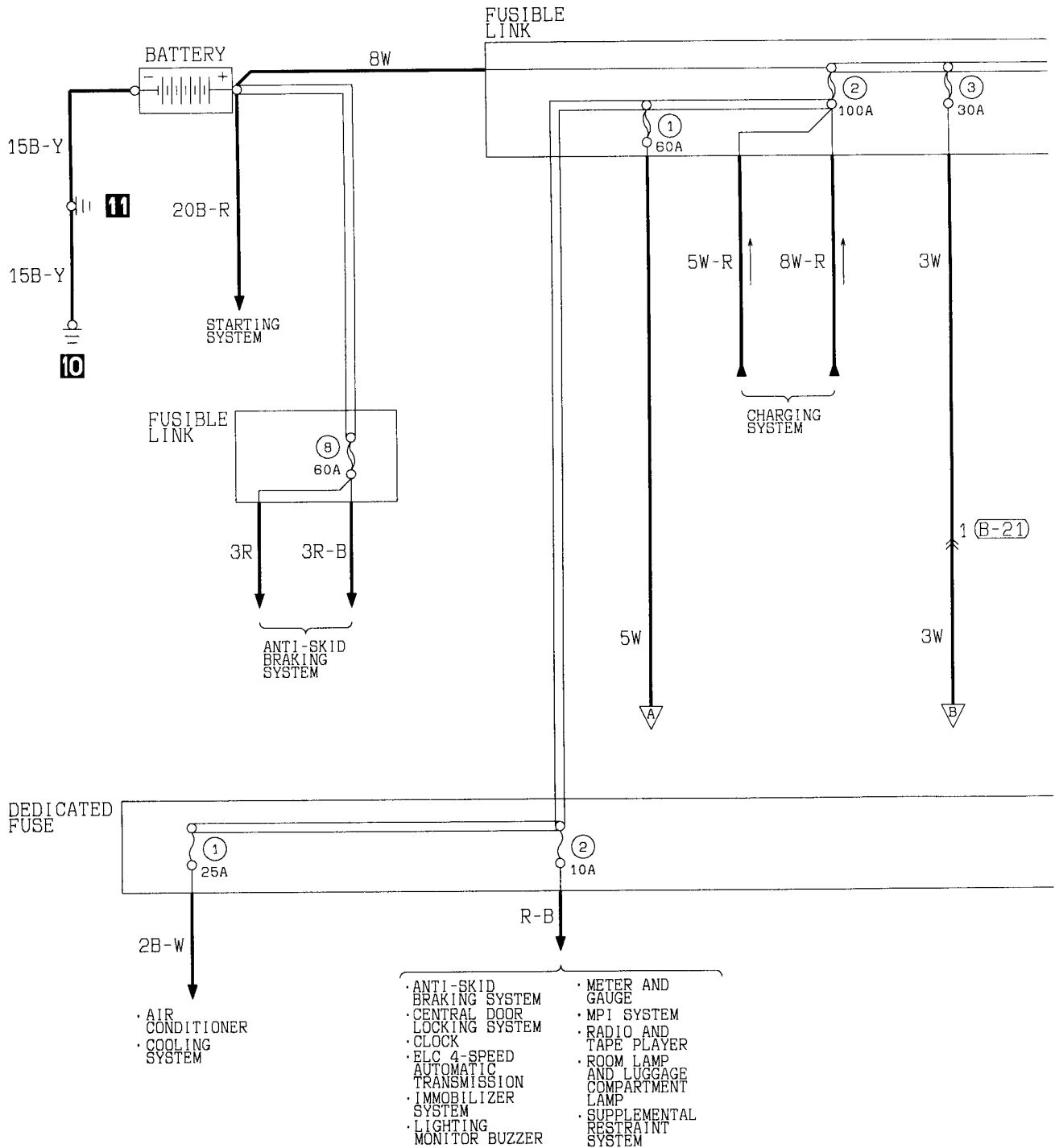


NOTES

POWER DISTRIBUTION SYSTEM

90100040180

Vehicles without daytime running lamp

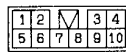
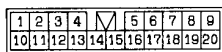


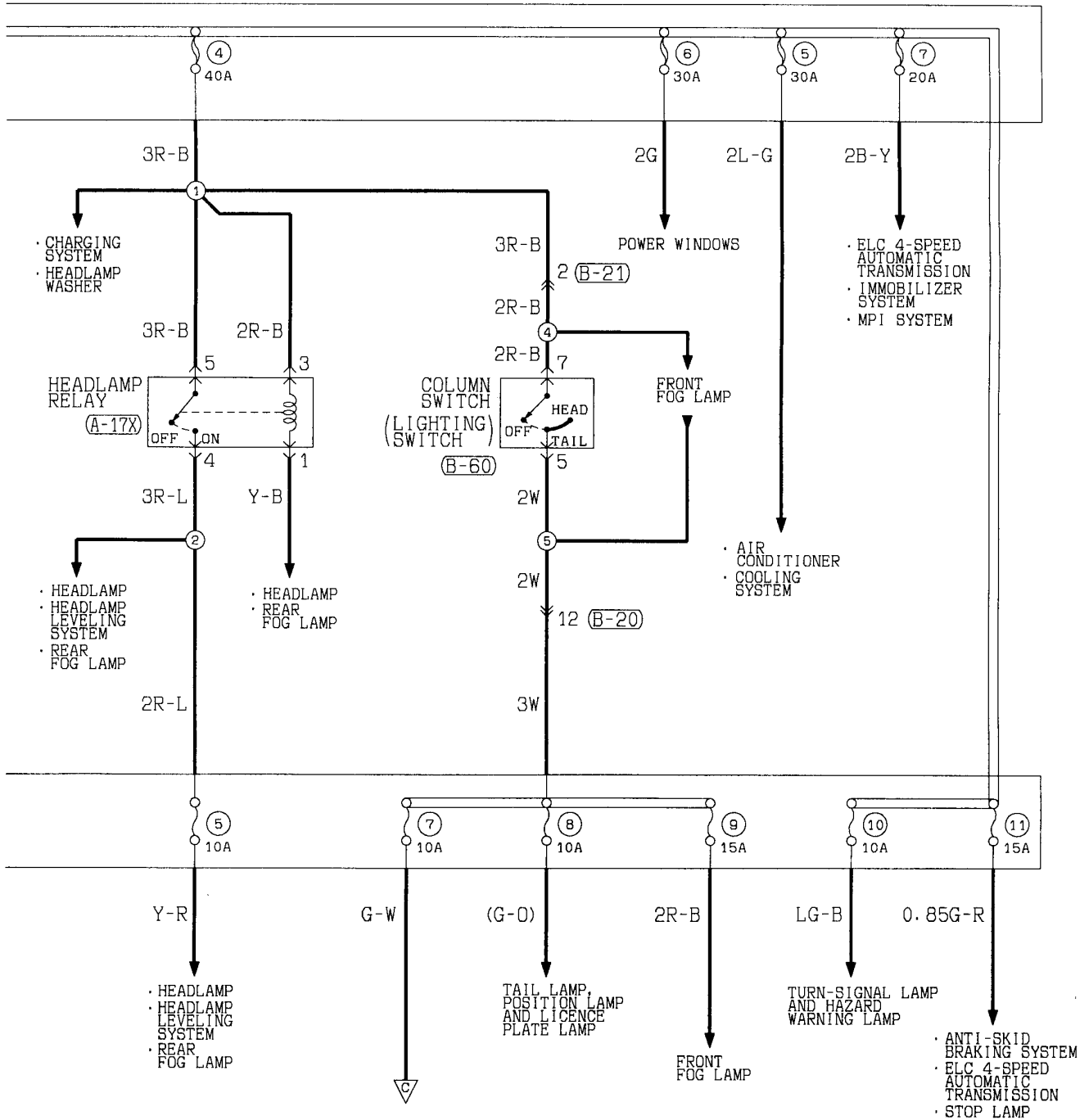
(A-17X)

(B-20)

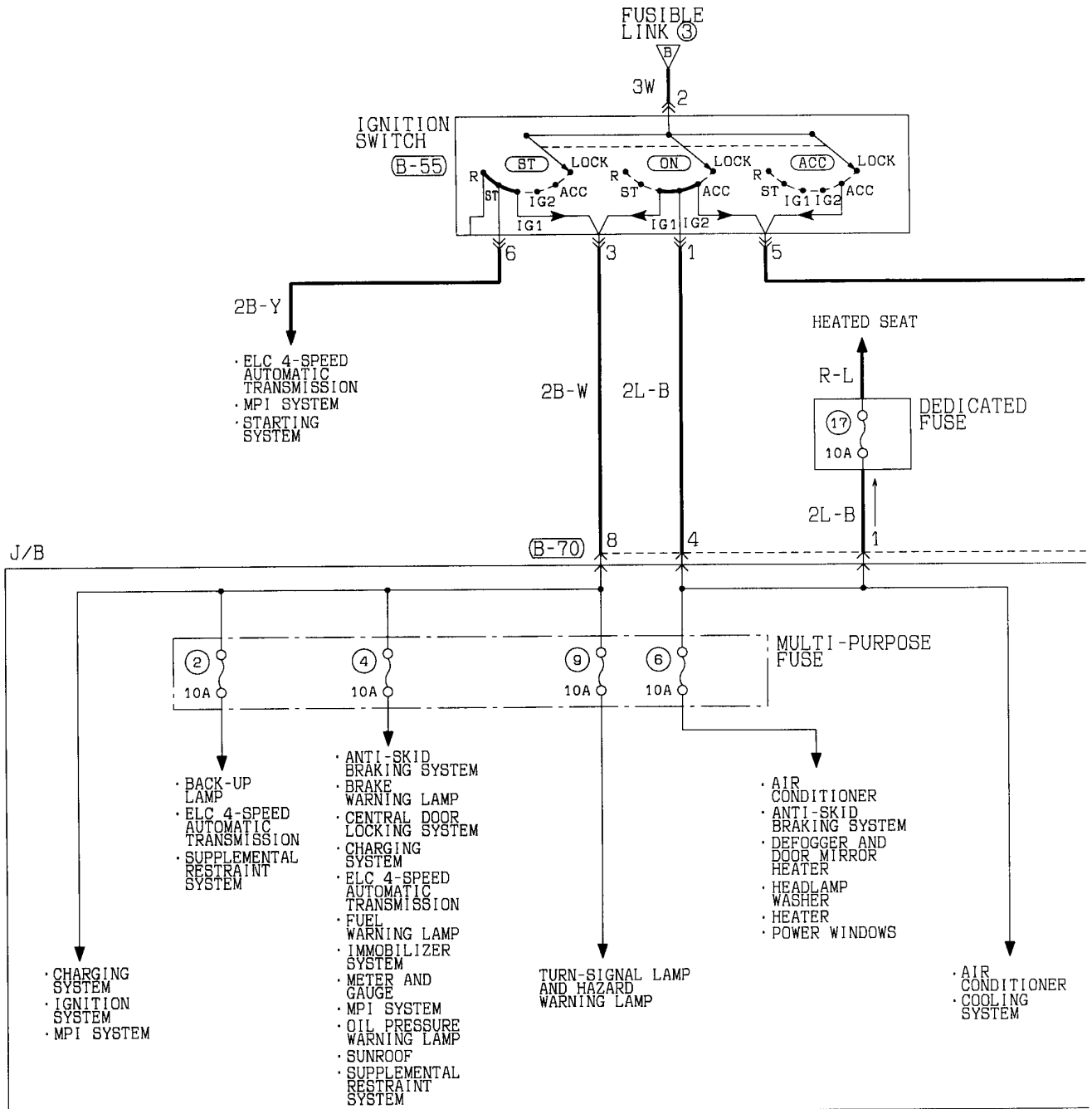
(B-21)

(B-60)

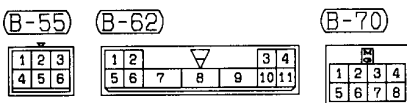


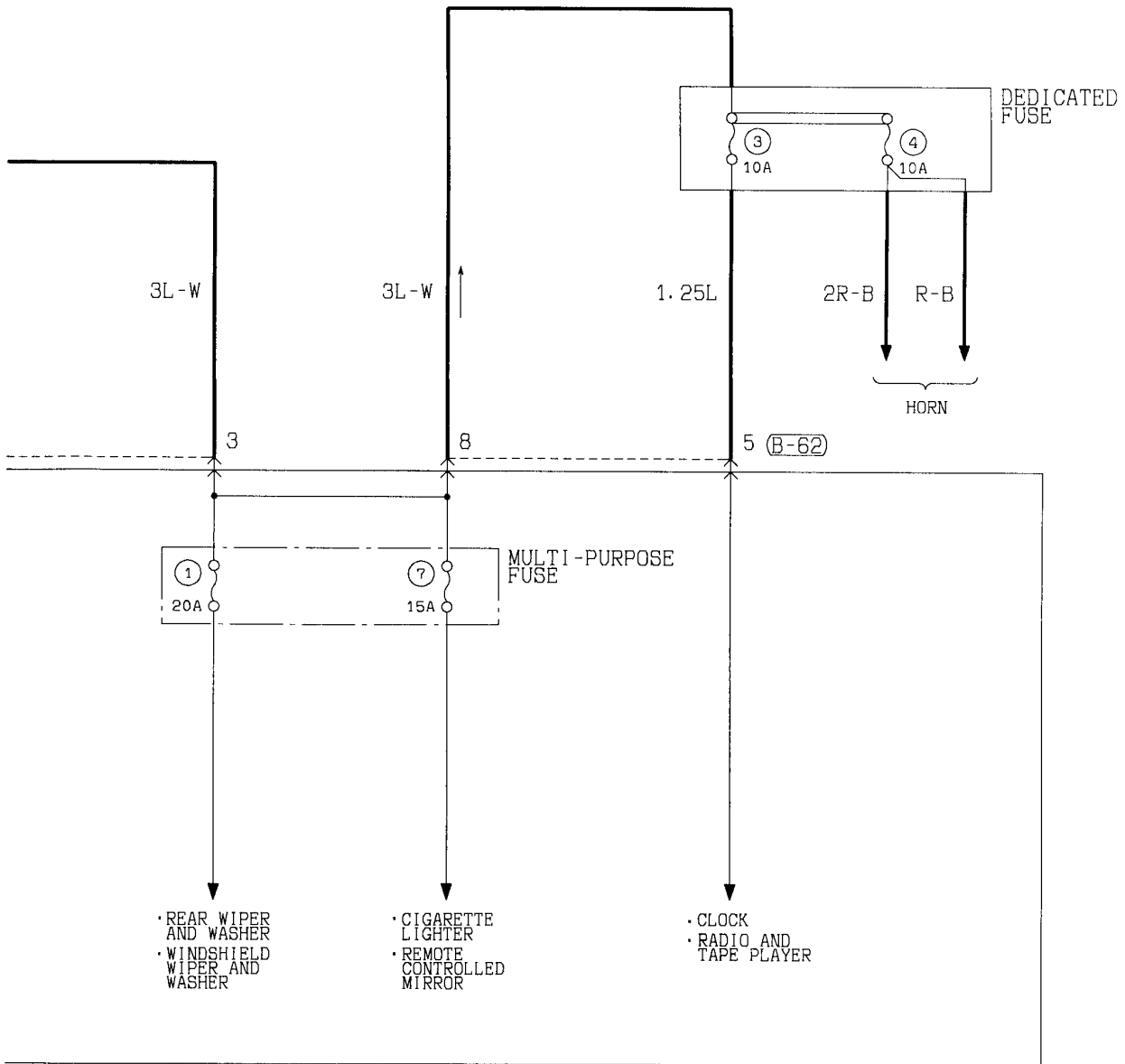


POWER DISTRIBUTION SYSTEM <Vehicles without daytime running lamp>
(CONTINUED)

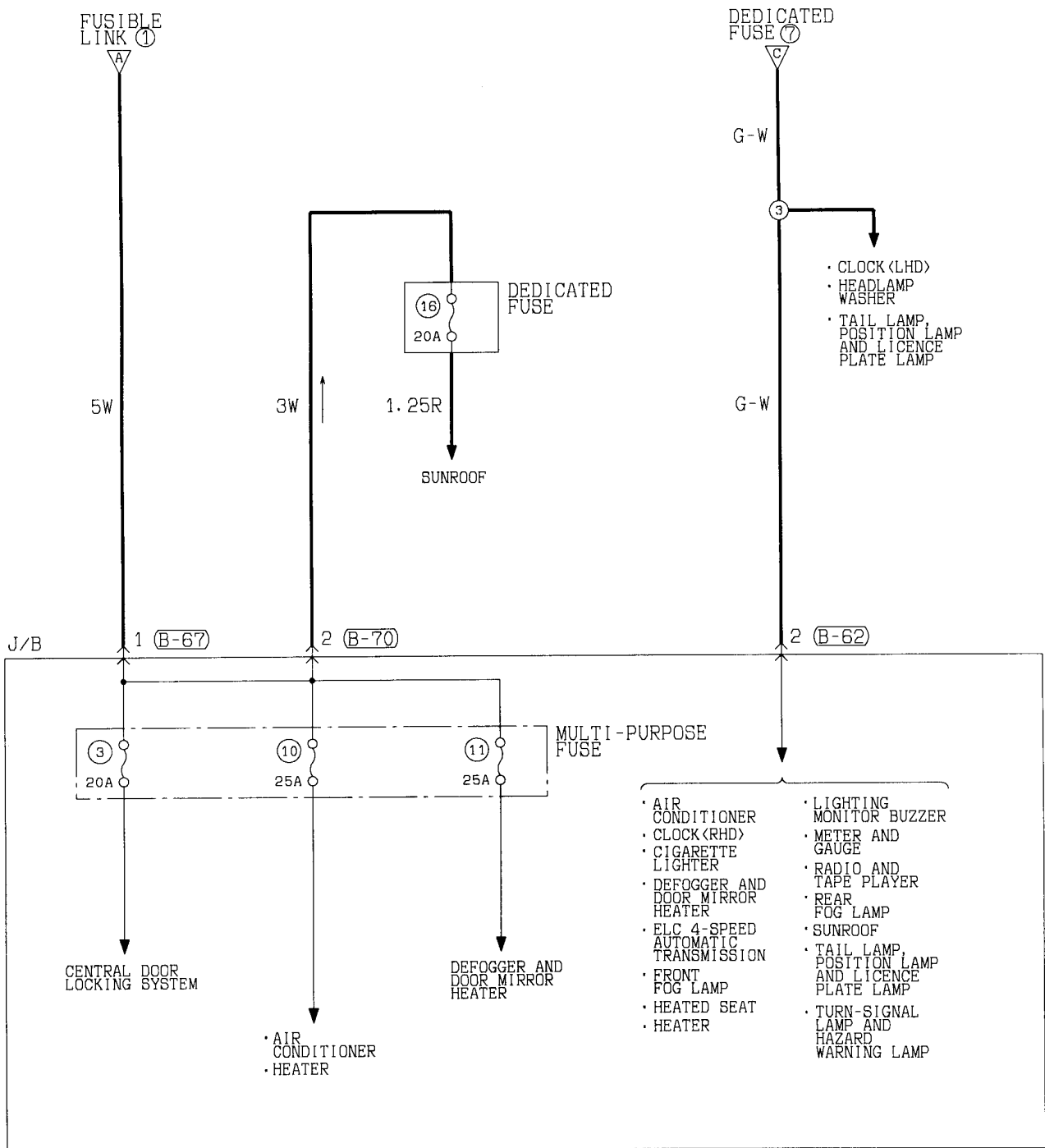


REMARK
THE ABOVE CIRCUIT DIAGRAM SHOWS THE CURRENT FLOW AT THE IGNITION KEY POSITION "ACC", "ON" AND "ST" COMBINED. BE SURE TRACE THE APPROPRIATE CIRCUIT DEPENDING ON THE IGNITION KEY POSITION.

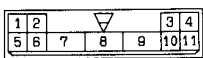




POWER DISTRIBUTION SYSTEM <Vehicles without daytime running lamp>
(CONTINUED)



(B-62)



(B-67)

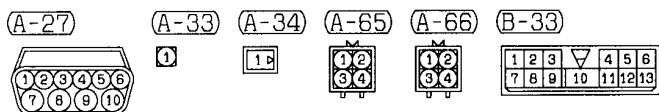
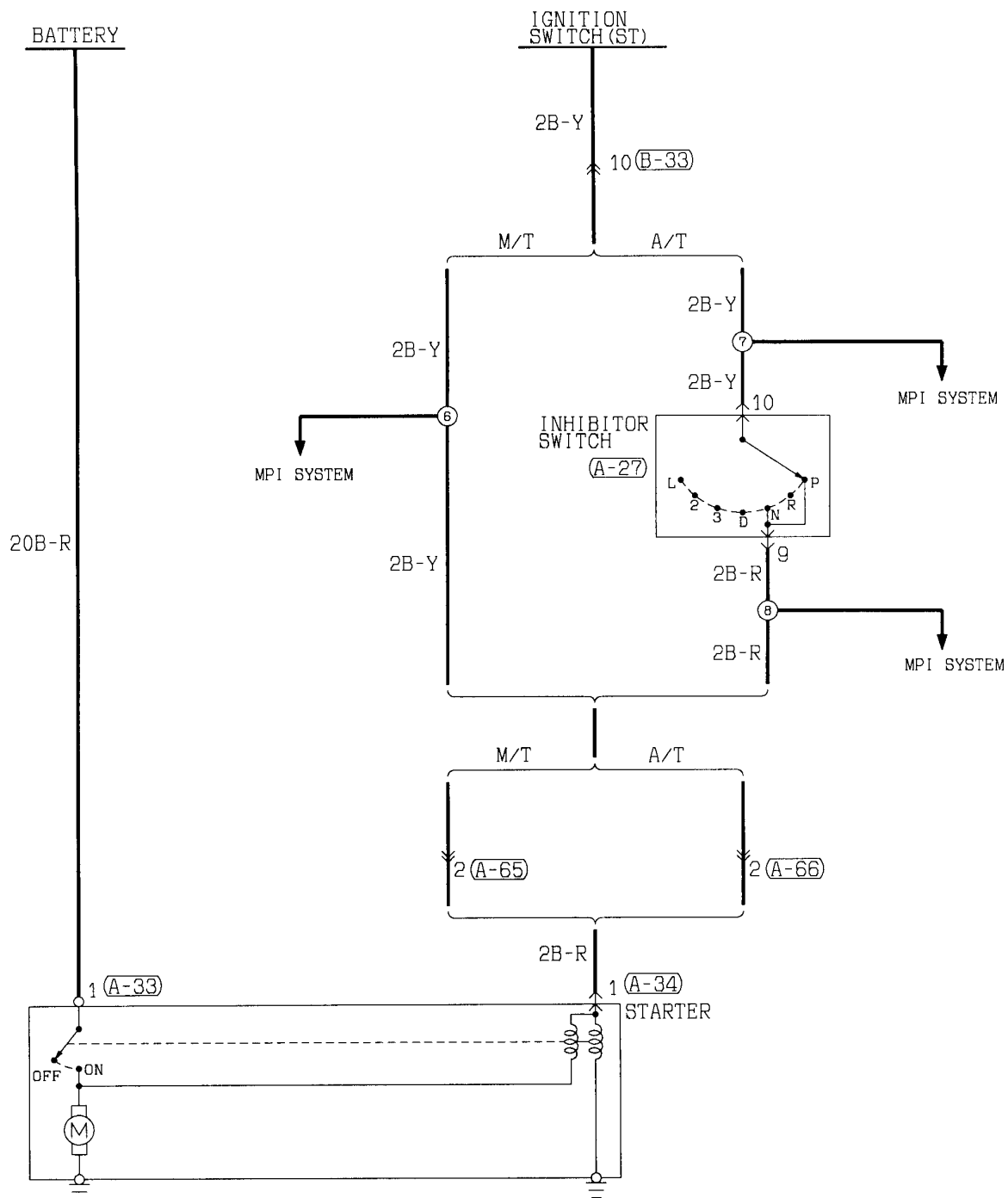


(B-70)



STARTING SYSTEM

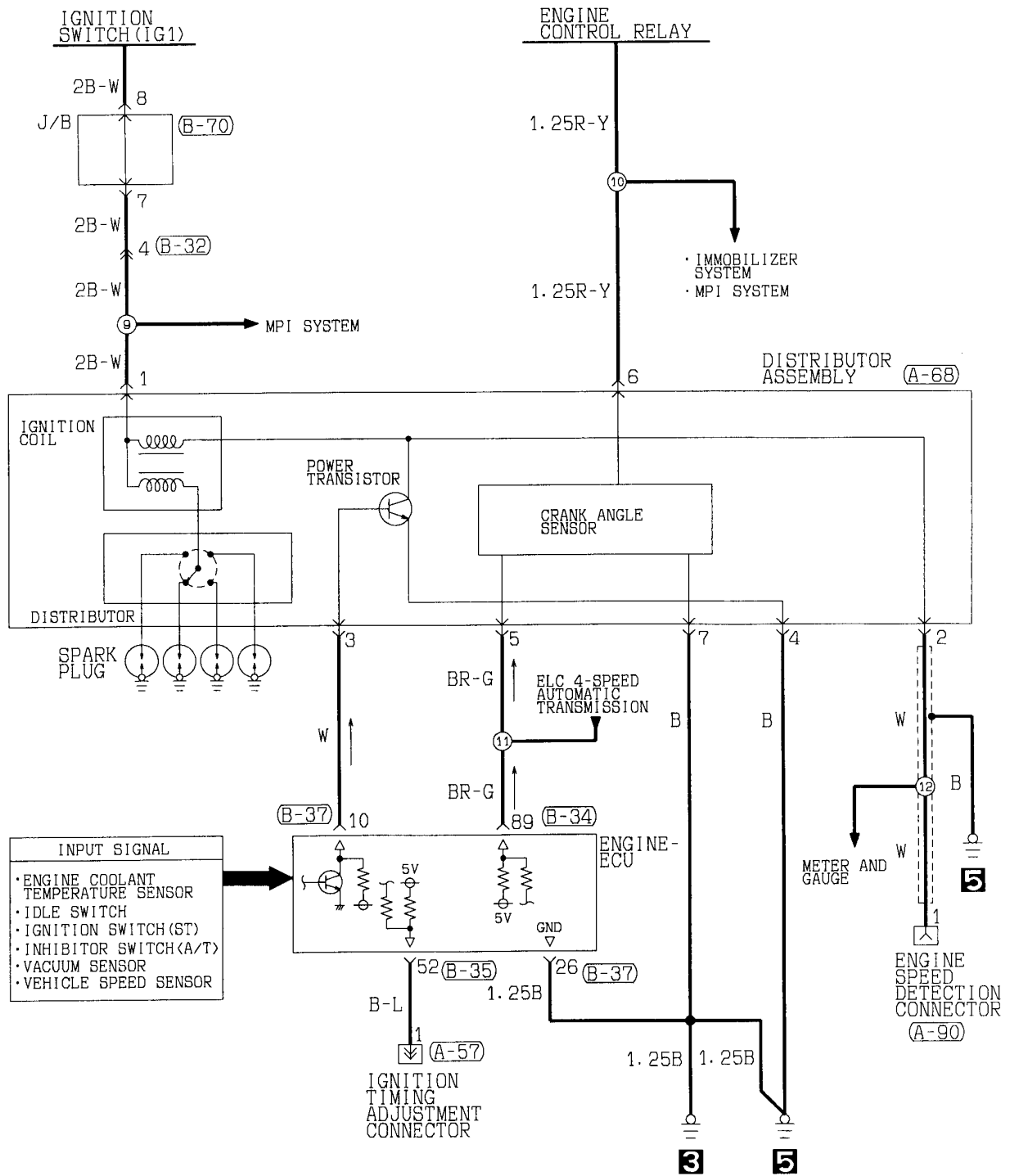
90100050299



IGNITION SYSTEM

90100060254

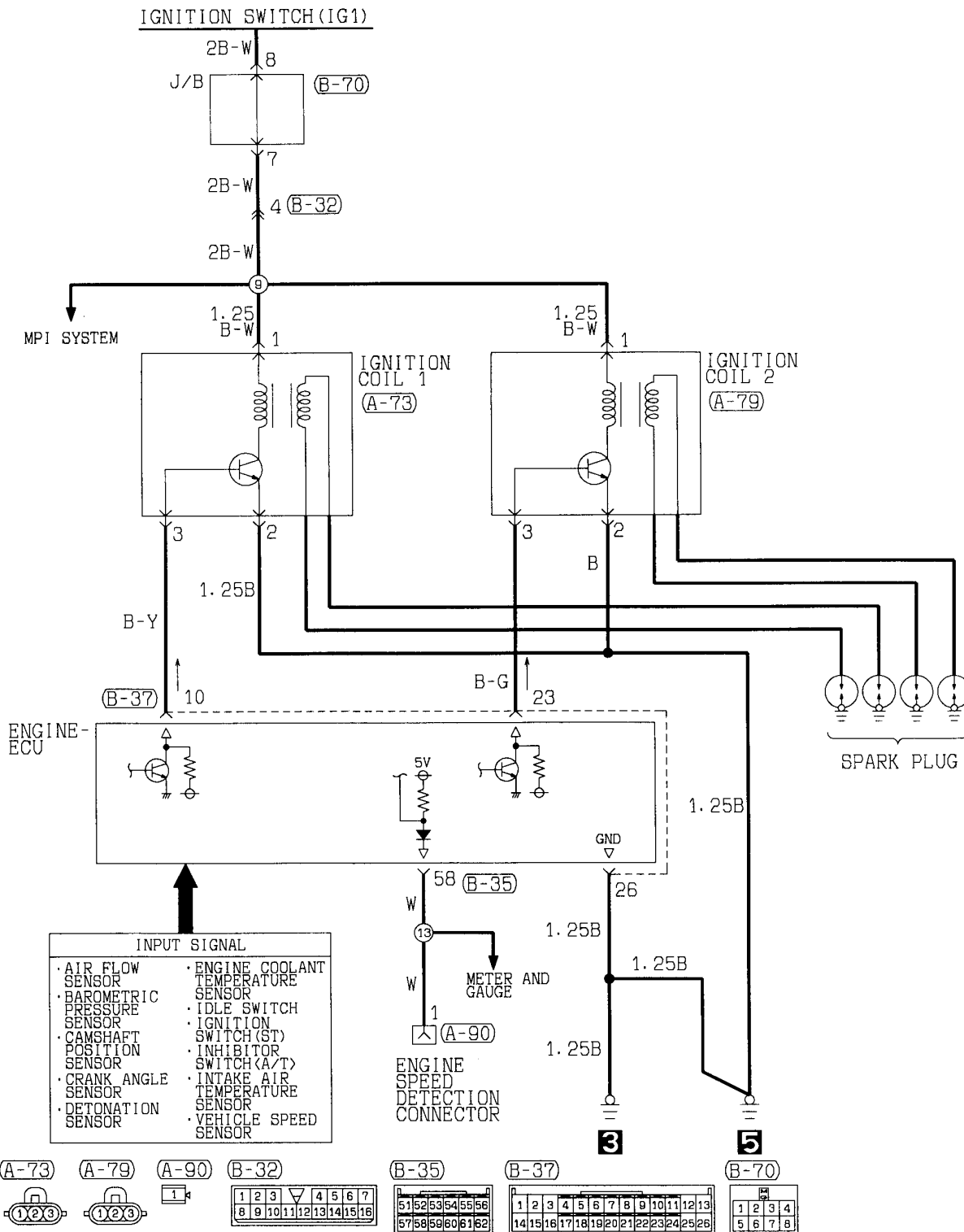
4G13



IGNITION SYSTEM

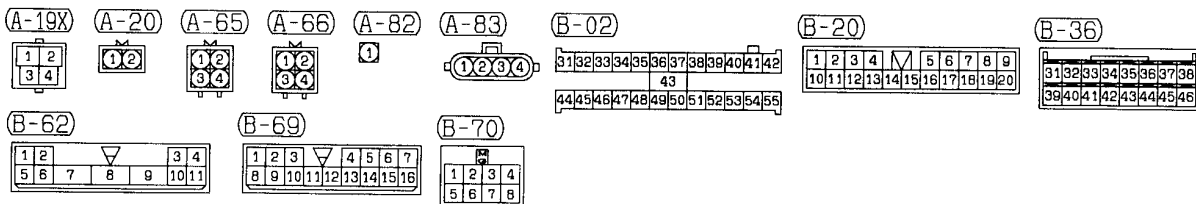
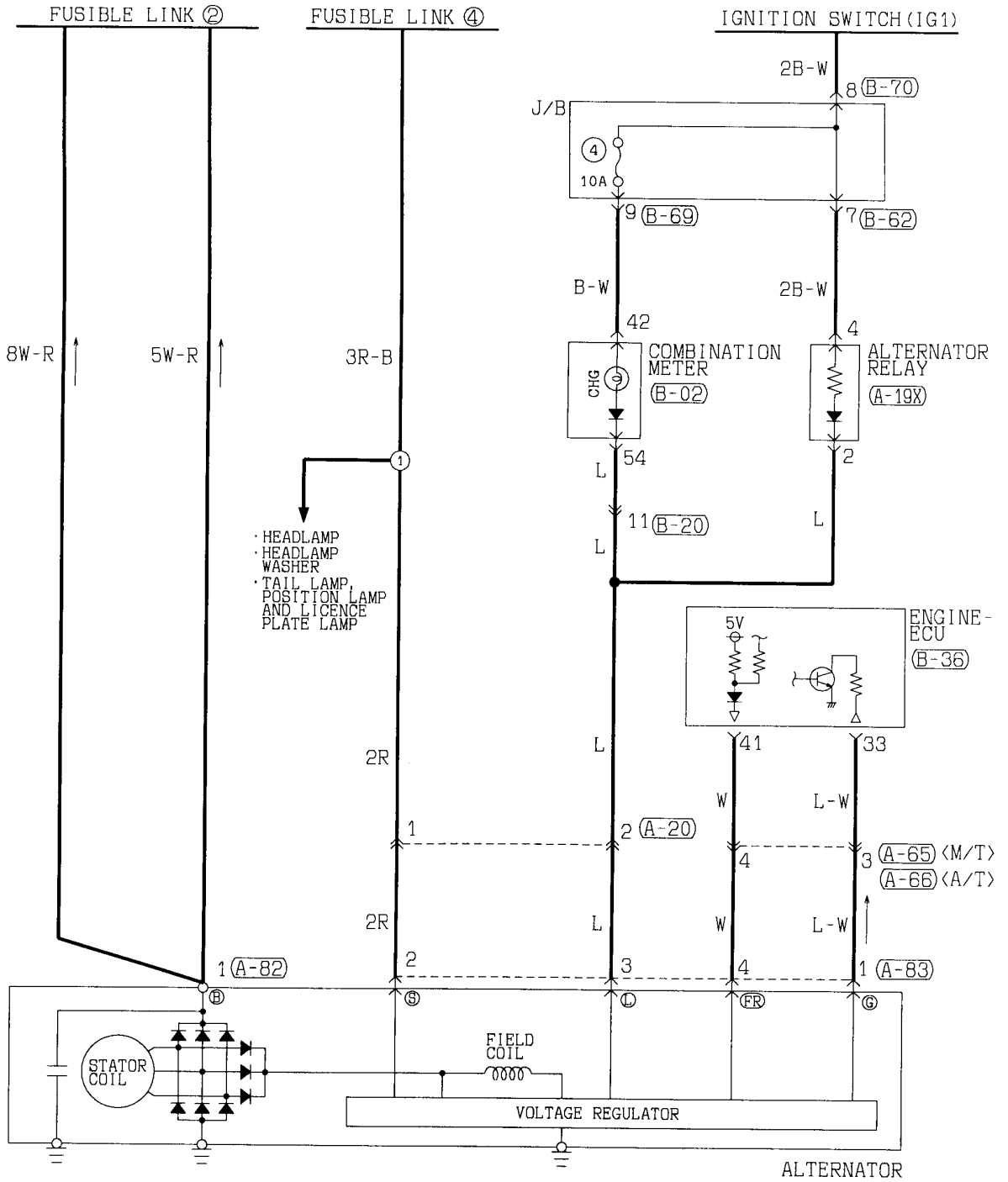
90100060261

4G92



CHARGING SYSTEM

90100070271



CHARGING SYSTEM (See P. 4-28.)**OPERATION****When engine is stationary**

- When the ignition switch is turned to the ON position, current flows the alternator L terminal to the field coil and, at the same time, the charge warning lamp illuminates.

When engine is started and after engine has started

- When the engine is started, the charge warning lamp goes out because of the charging voltage begin applied to the alternator L terminal.
- The battery voltage being applied to the alternator S terminal is monitored by the voltage regulator. Therefore, the amount of electricity produced by the alternator is controlled by allowing and cutting off the current flowing to the field coil.
- The alternator B terminal supplies power to each load.

Remark

- The alternator relay is provided to back up the flow of current to the field coil when the charge warning lamp is open.

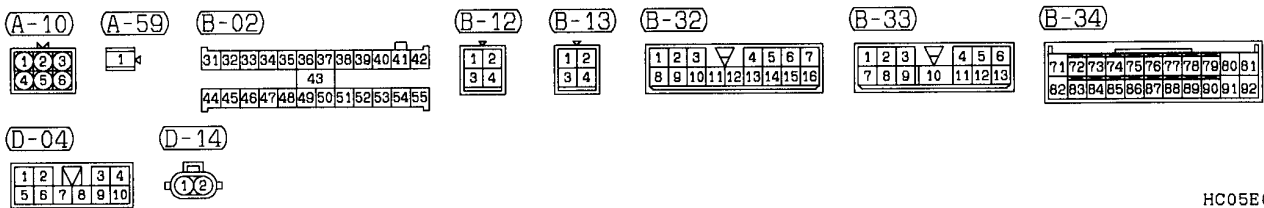
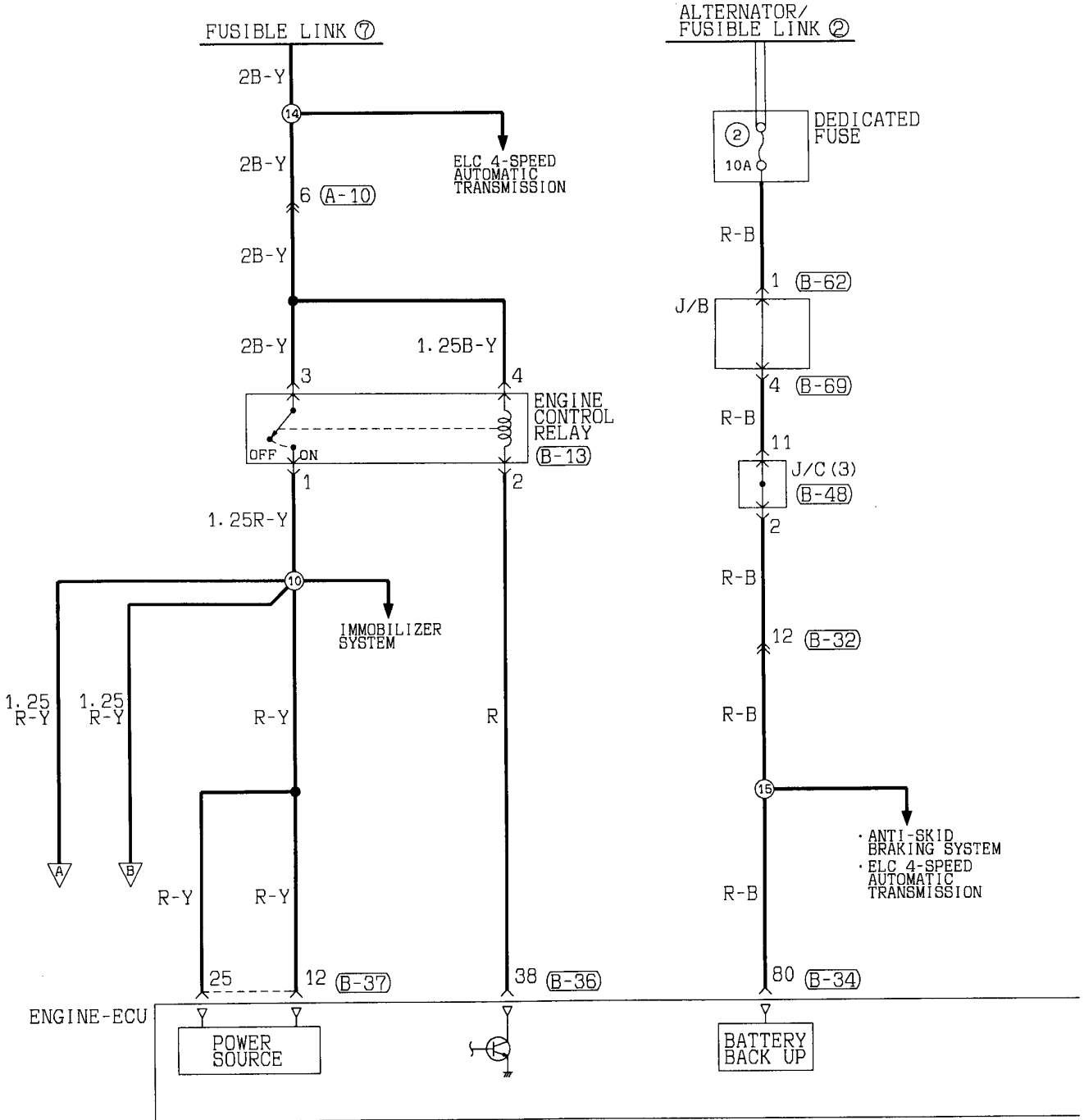
TROUBLESHOOTING HINTS

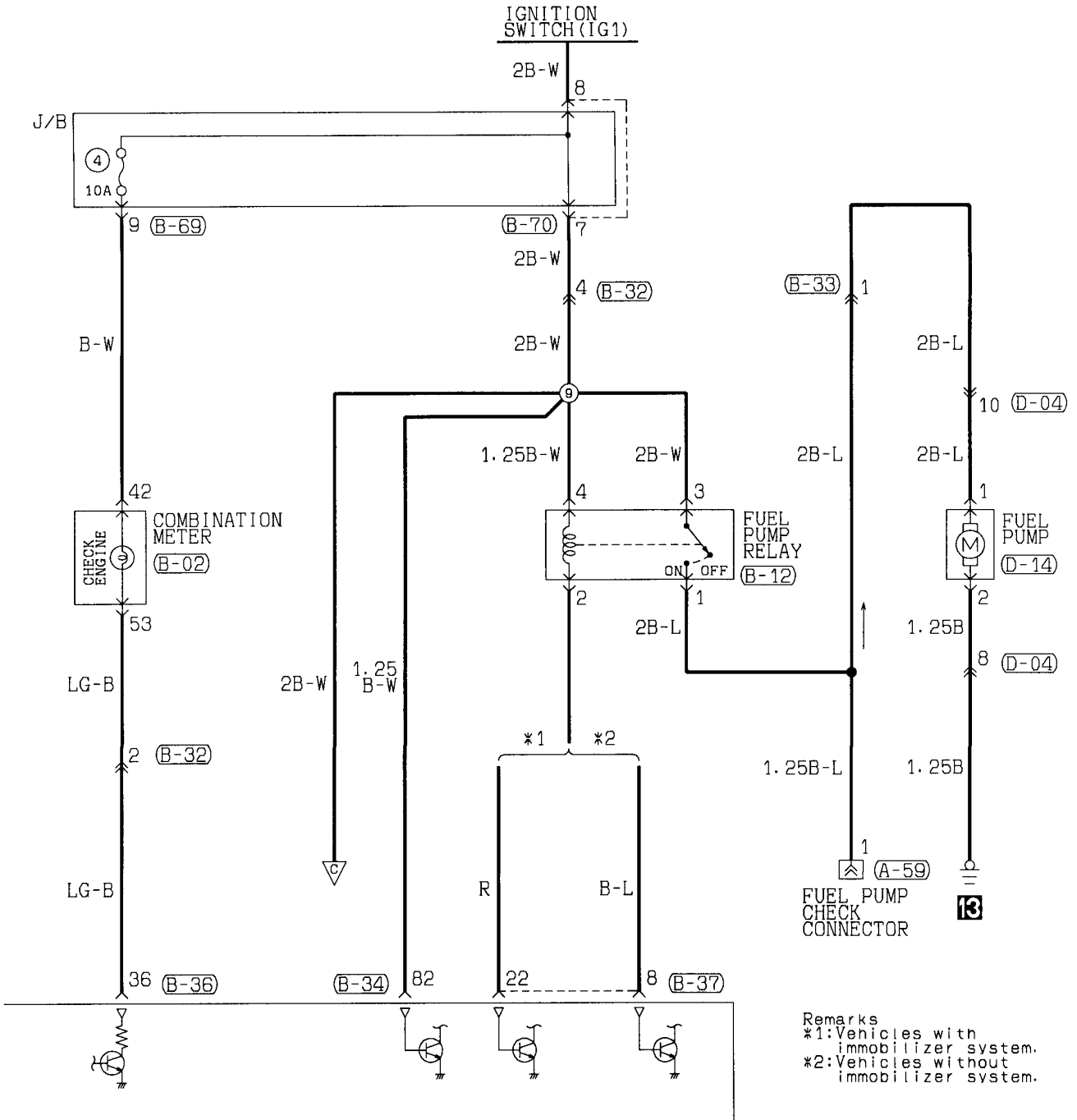
1. Charging indicator lamp does not illuminate when the ignition switch is turned to ON position, before the engine starts.
 - Check multi-purpose fuse No. (4).
 - Check the bulb.
2. Charging indicator lamp fails to switch off once the engine starts.
 - Check voltage regulator of alternator.
3. Discharged or overcharged battery.
 - Check voltage regulator of alternator.
4. Charge warning lamp illuminates dimly.
 - Check combination meter diode (for short).

MPI SYSTEM

90100080410

4G13 <L.H. drive vehicles>





(B-36)

31	32	33	34	35	36	37	38
39	40	41	42	43	44	45	46

(B-37)

1	2	3	4	5	6	7	8	9	10	11	12	13
14	15	16	17	18	19	20	21	22	23	24	25	26

(B-48)

1	2	3	4	5	6		
7	8	9	10	11	12	13	14

(B-62)

1	2	3	4			
5	6	7	8	9	10	11

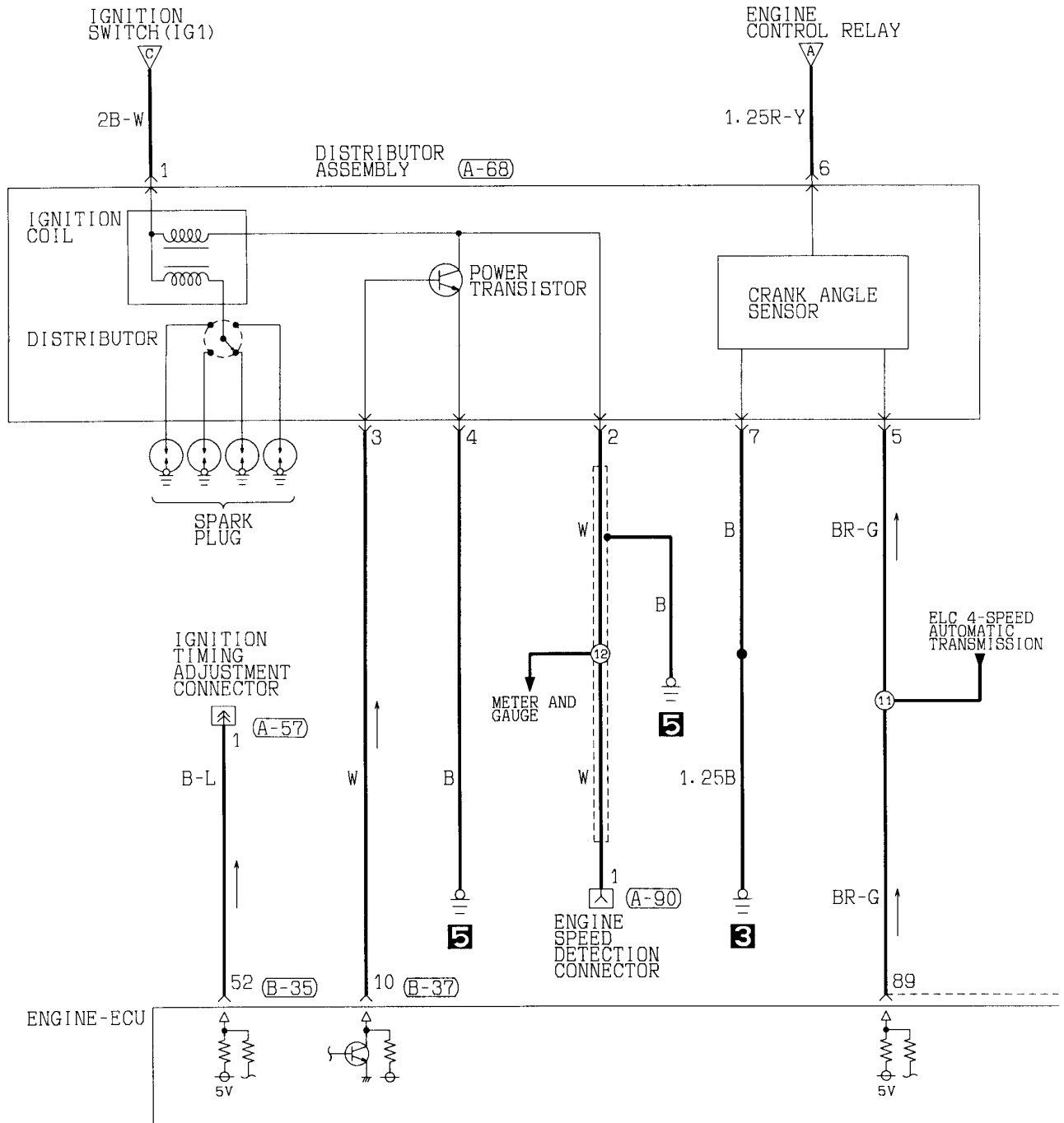
(B-69)

1	2	3	4	5	6	7		
8	9	10	11	12	13	14	15	16

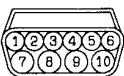
(B-70)

1	2	3	4
5	6	7	8

MPI SYSTEM <4G13 (L.H. drive vehicles)> (CONTINUED)



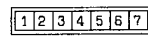
(A-27)



(A-57)



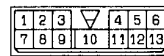
(A-68)



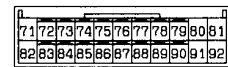
(A-90)



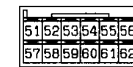
(B-33)

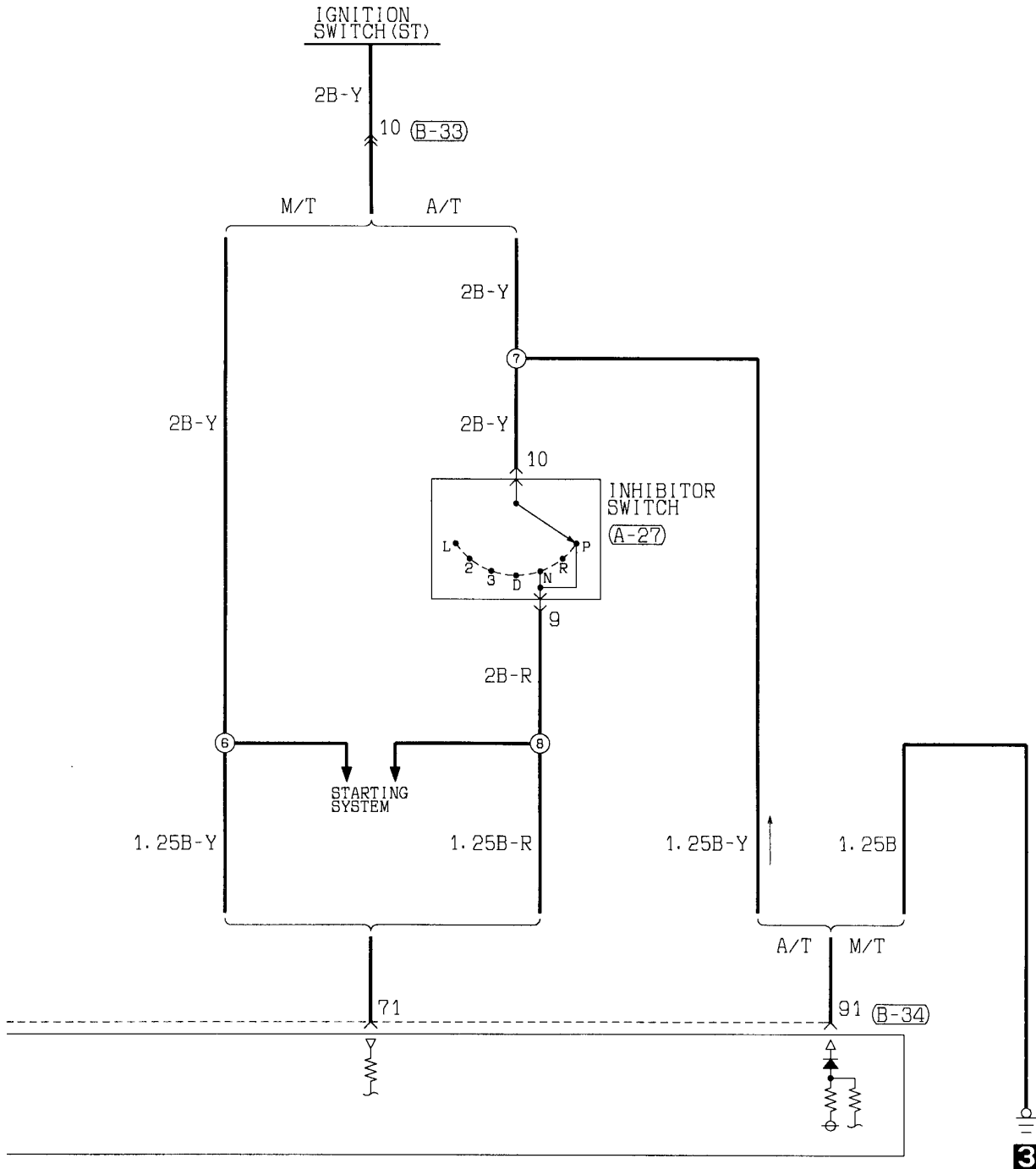


(B-34)



(B-35)

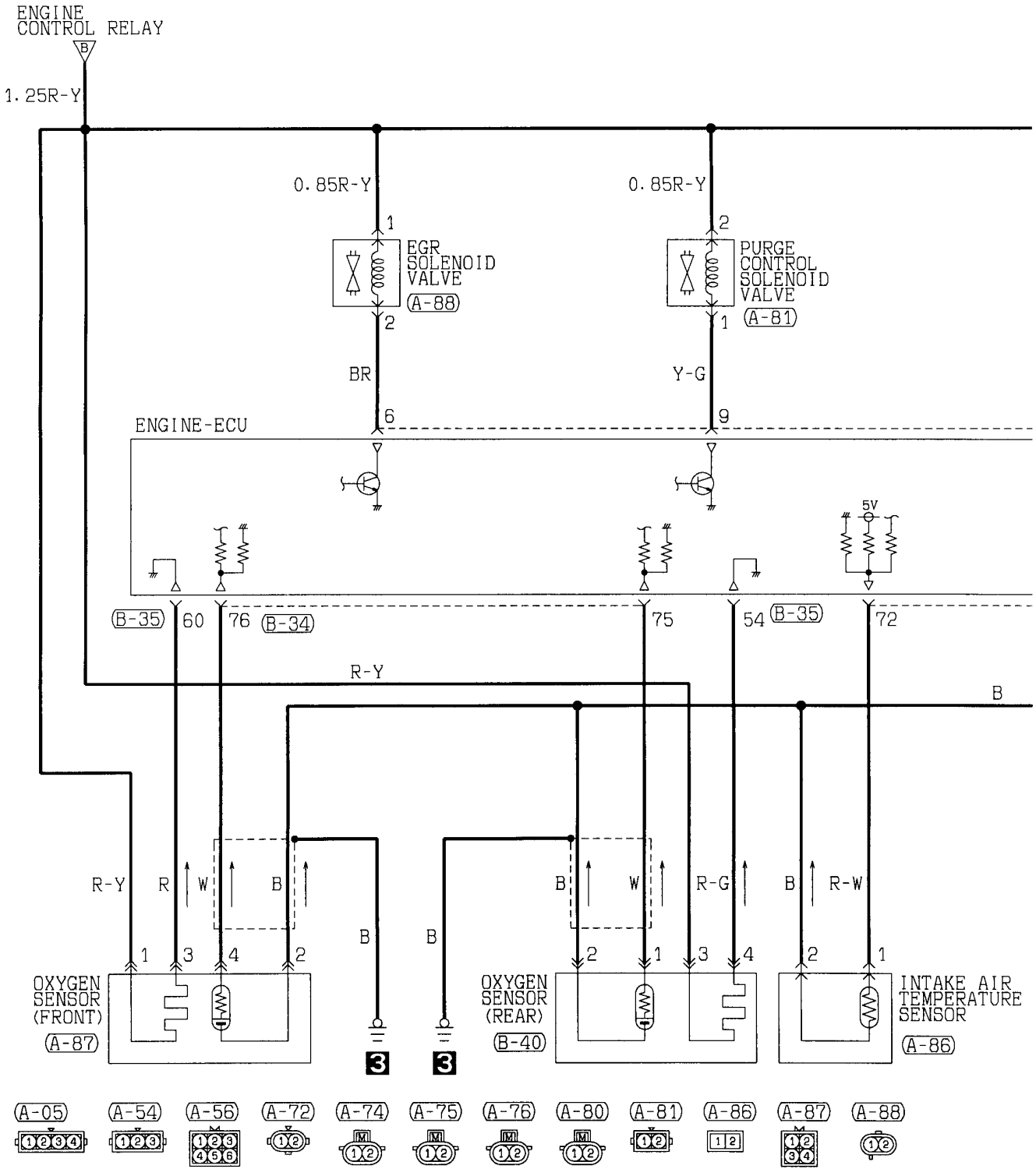


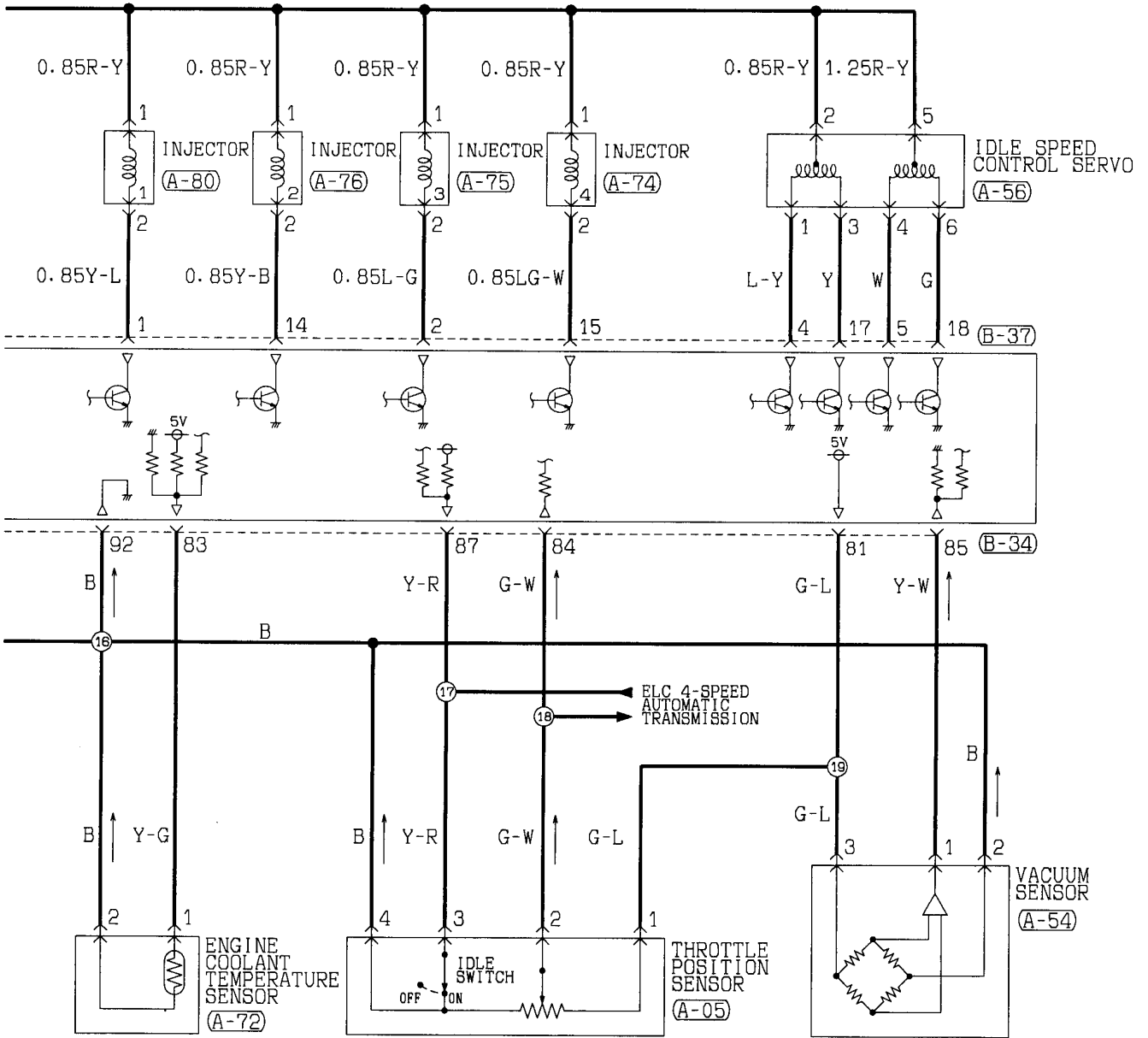


(B-37)

1	2	3	4	5	6	7	8	9	10	11	12	13
14	15	16	17	18	19	20	21	22	23	24	25	26

MPI SYSTEM <4G13 (L.H. drive vehicles)> (CONTINUED)





(B-34)

71	72	73	74	75	76	77	78	79	80	81
82	83	84	85	86	87	88	89	90	91	92

(B-35)

51	52	53	54	55	56
57	58	59	60	61	62

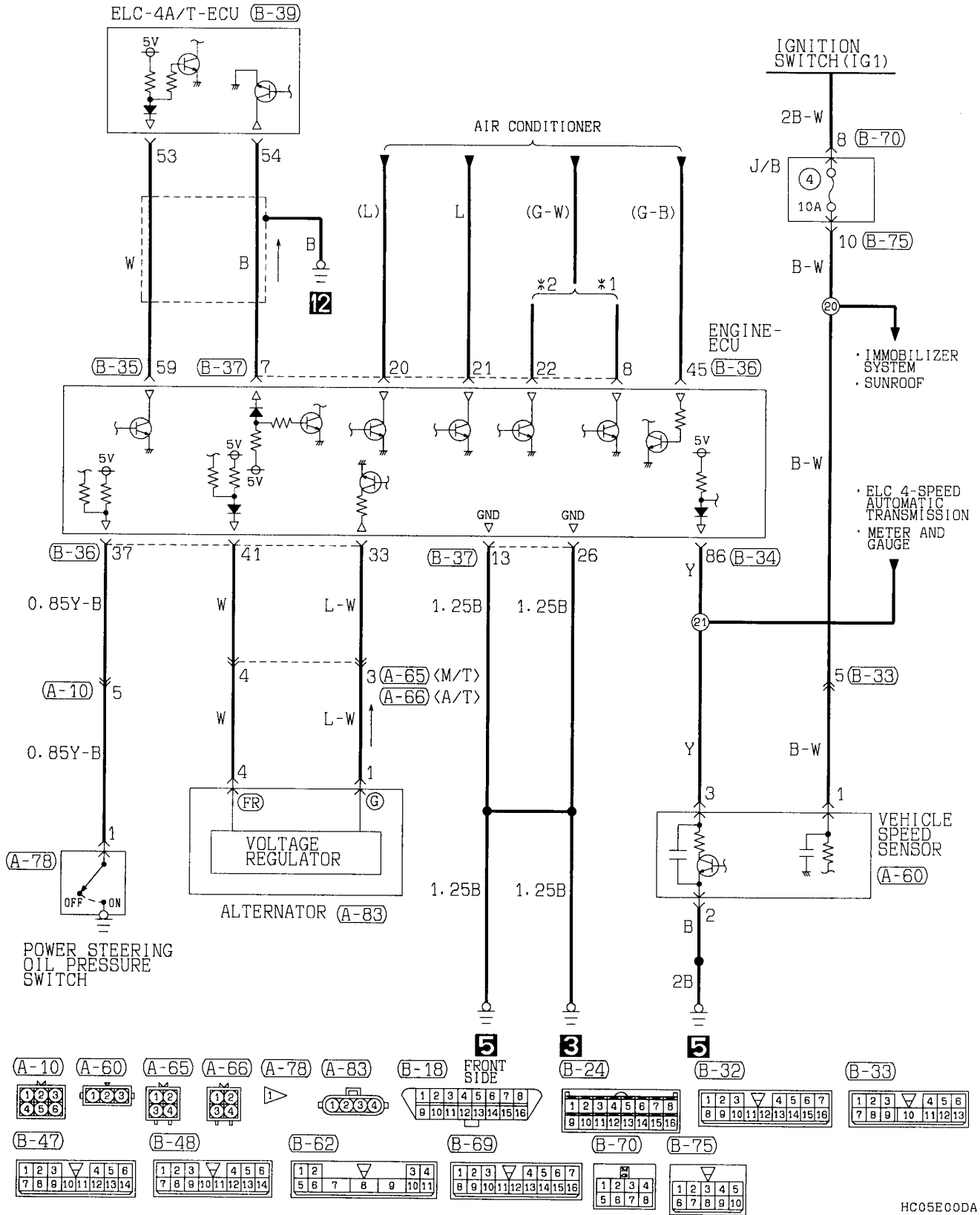
(B-37)

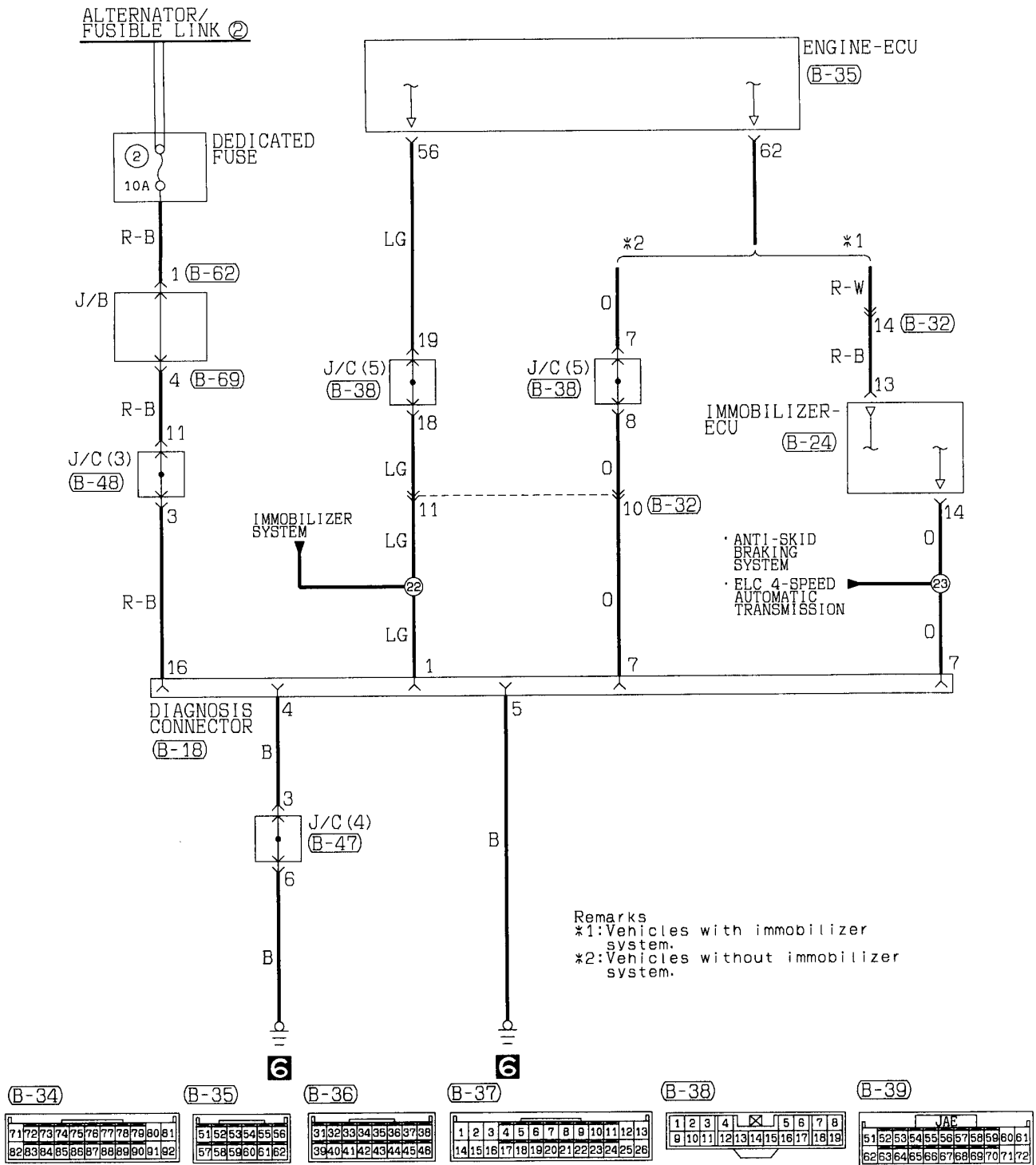
1	2	3	4	5	6	7	8	9	10	11	12	13
14	15	16	17	18	19	20	21	22	23	24	25	26

(B-40)

M			
1	2	3	4

MPI SYSTEM <4G13 (L.H. drive vehicles)> (CONTINUED)

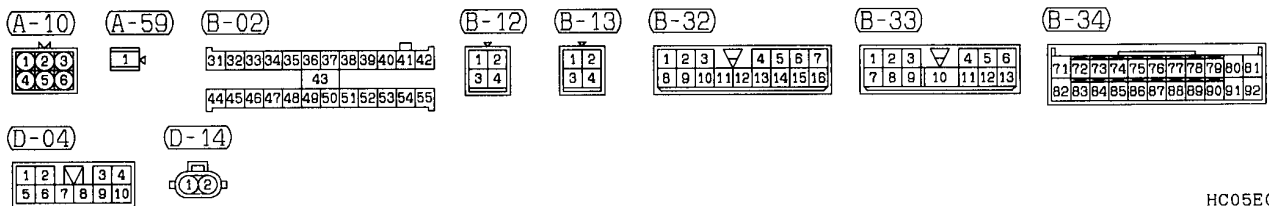
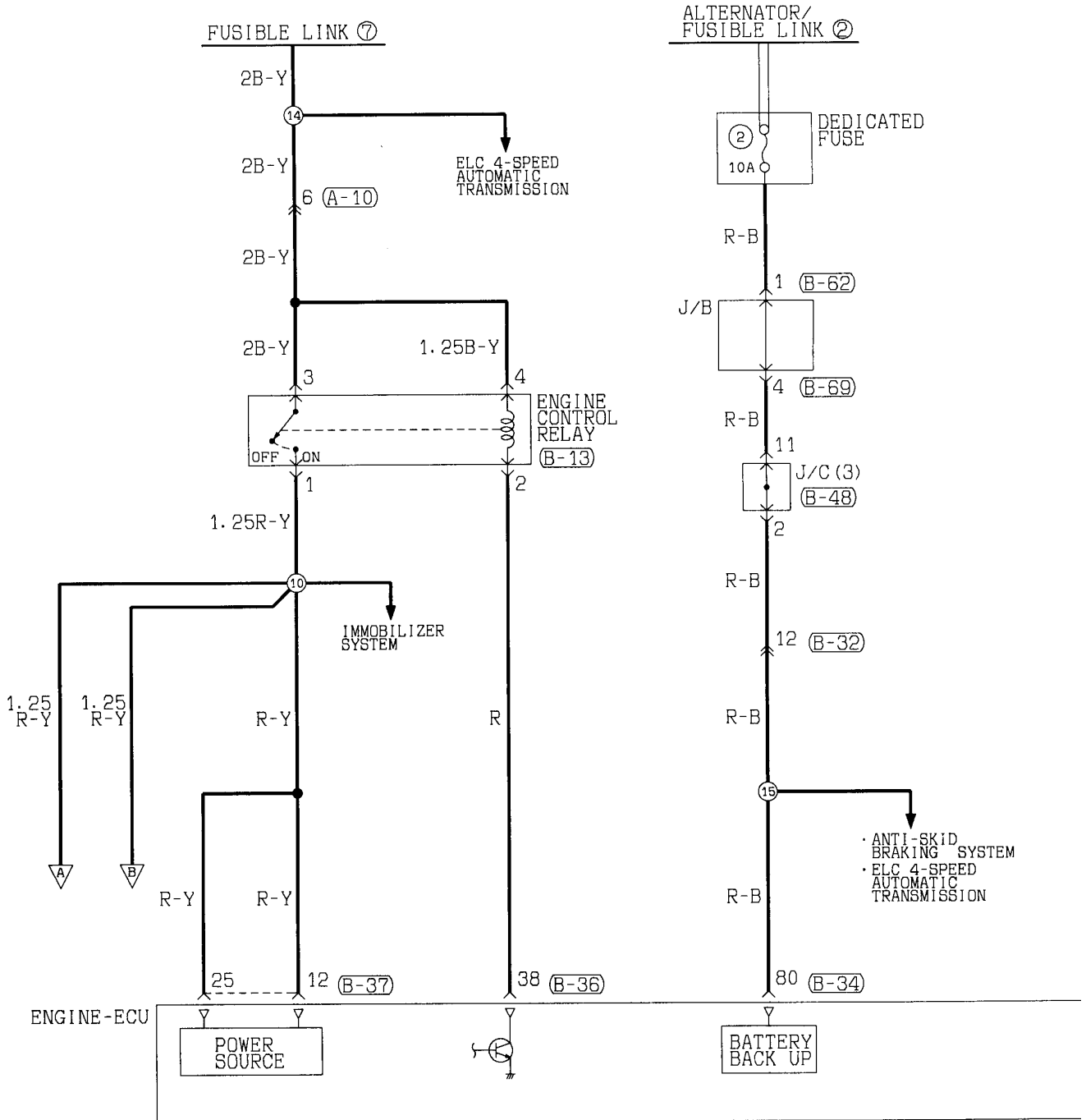


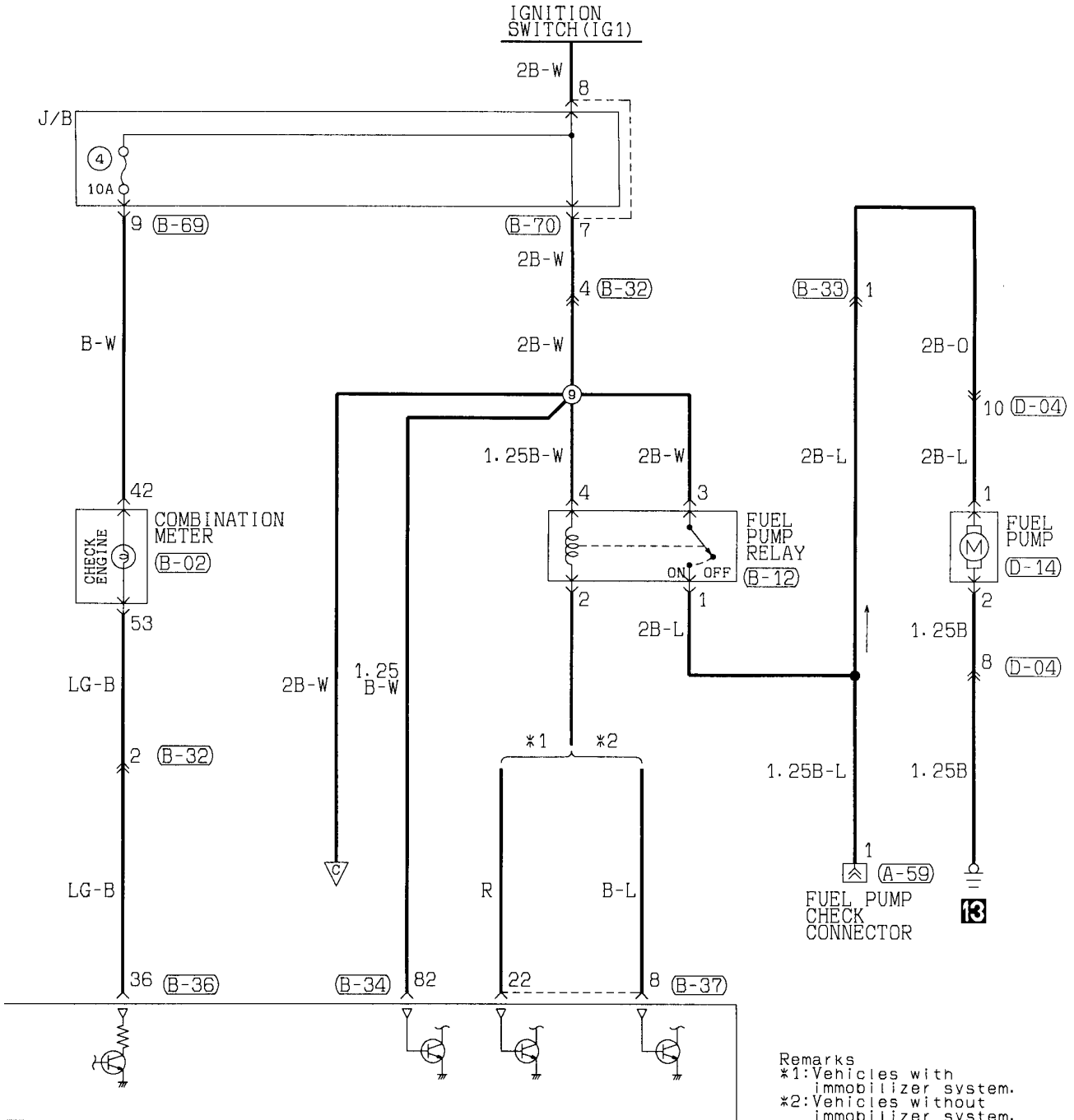


MPI SYSTEM

9010080427

4G13 <R.H. drive vehicles>





(B-36)

31	32	33	34	35	36	37	38
39	40	41	42	43	44	45	46

(B-37)

1	2	3	4	5	6	7	8	9	10	11	12	13
14	15	16	17	18	19	20	21	22	23	24	25	26

(B-48)

1	2	3	4	5	6		
7	8	9	10	11	12	13	14

(B-62)

1	2	3	4			
5	6	7	8	9	10	11

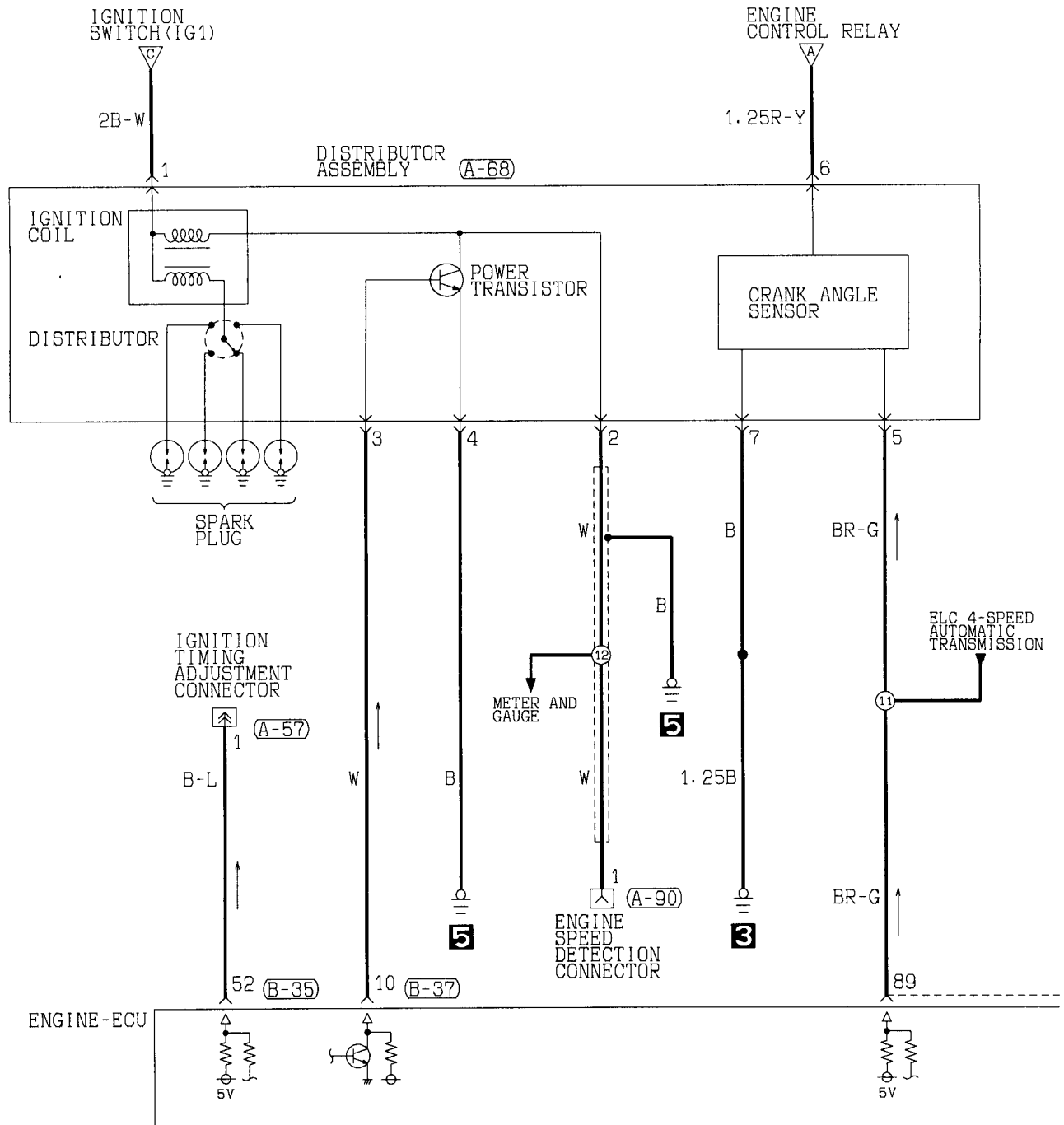
(B-69)

1	2	3	4	5	6	7		
8	9	10	11	12	13	14	15	16

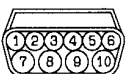
(B-70)

1	2	3	4
5	6	7	8

MPI SYSTEM <4G13 (R.H. drive vehicles)> (CONTINUED)



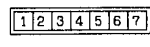
(A-27)



(A-57)



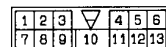
(A-68)



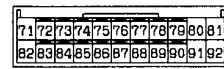
(A-90)



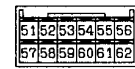
(B-33)

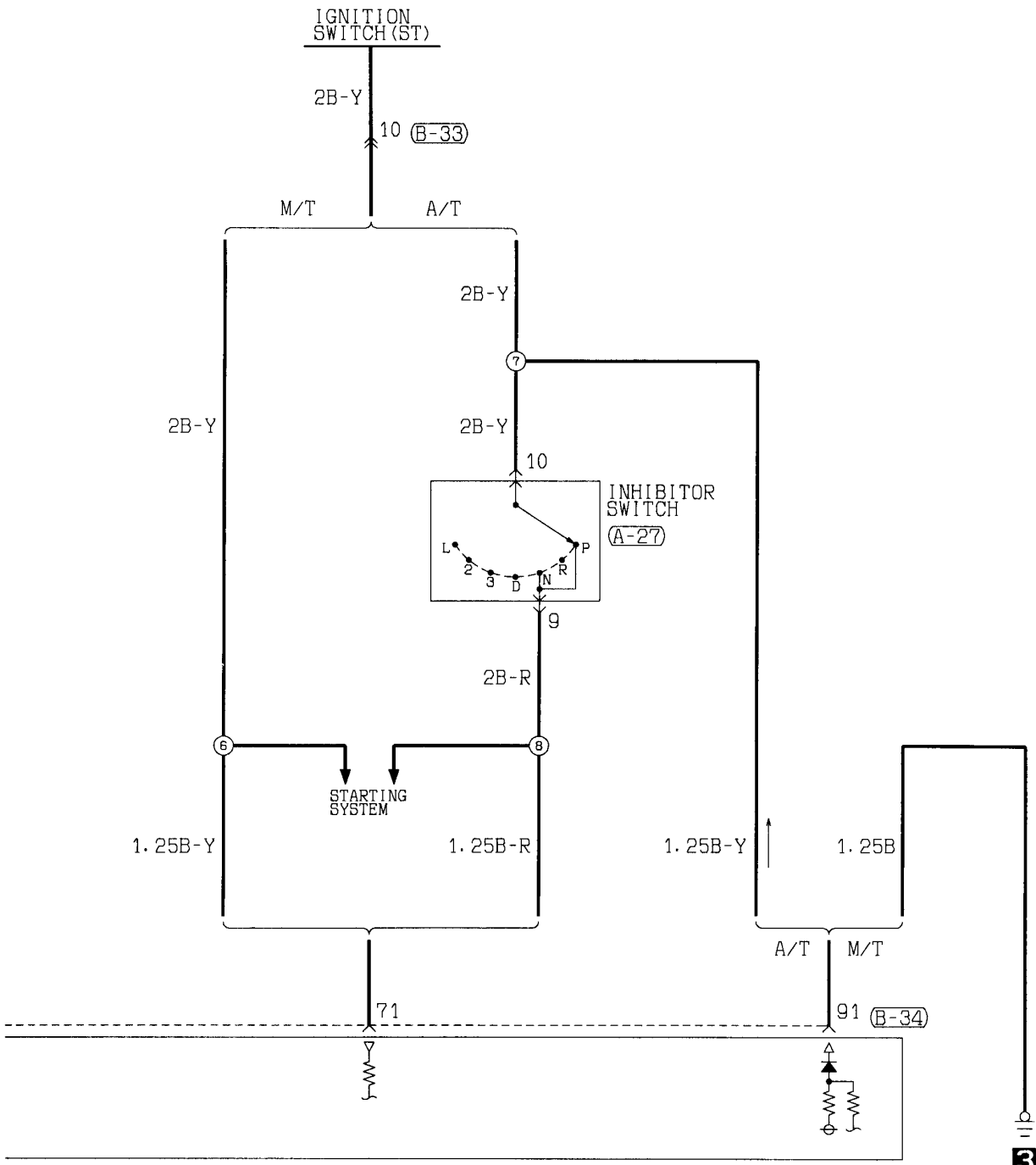


(B-34)



(B-35)

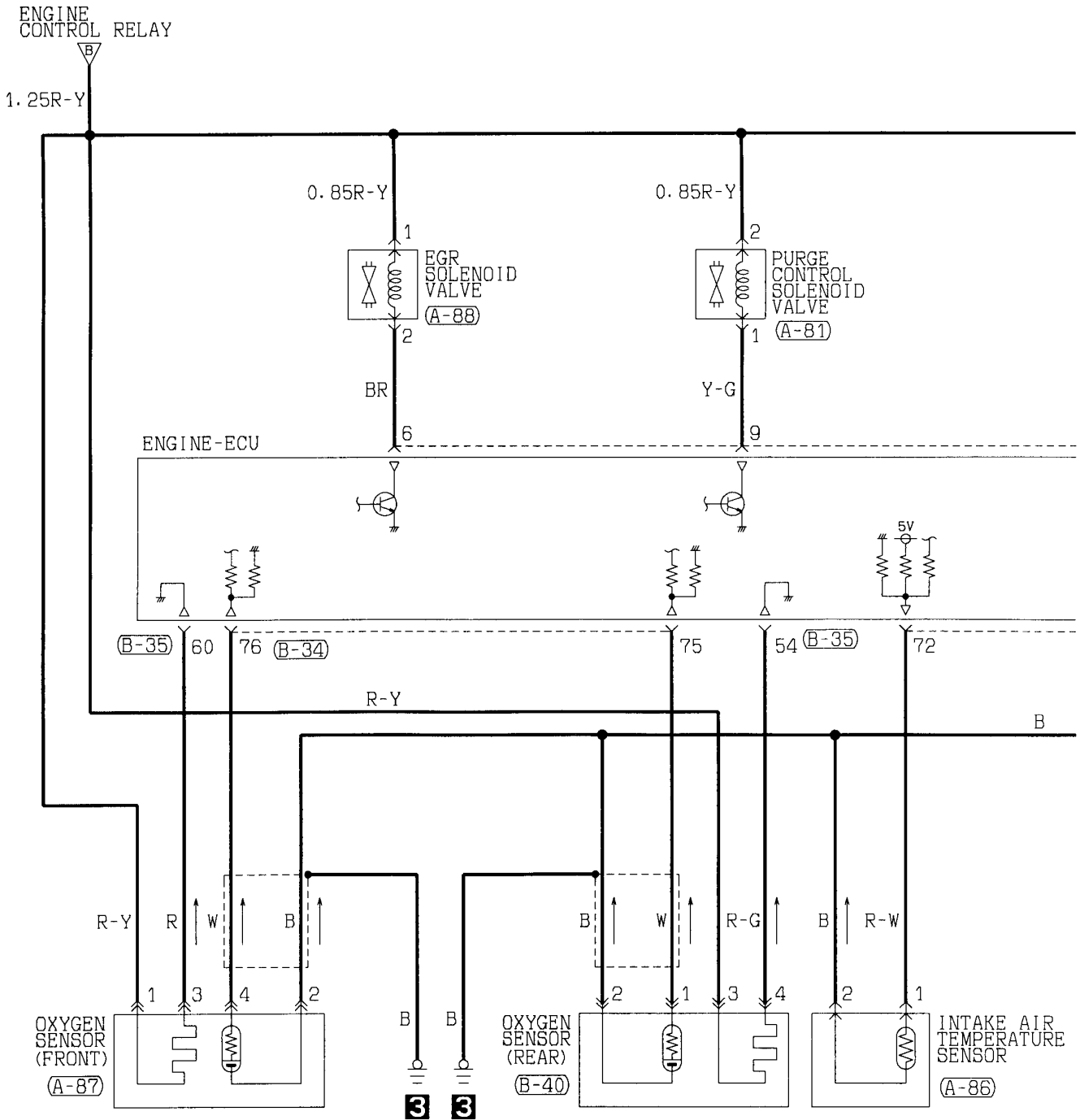




(B-37)

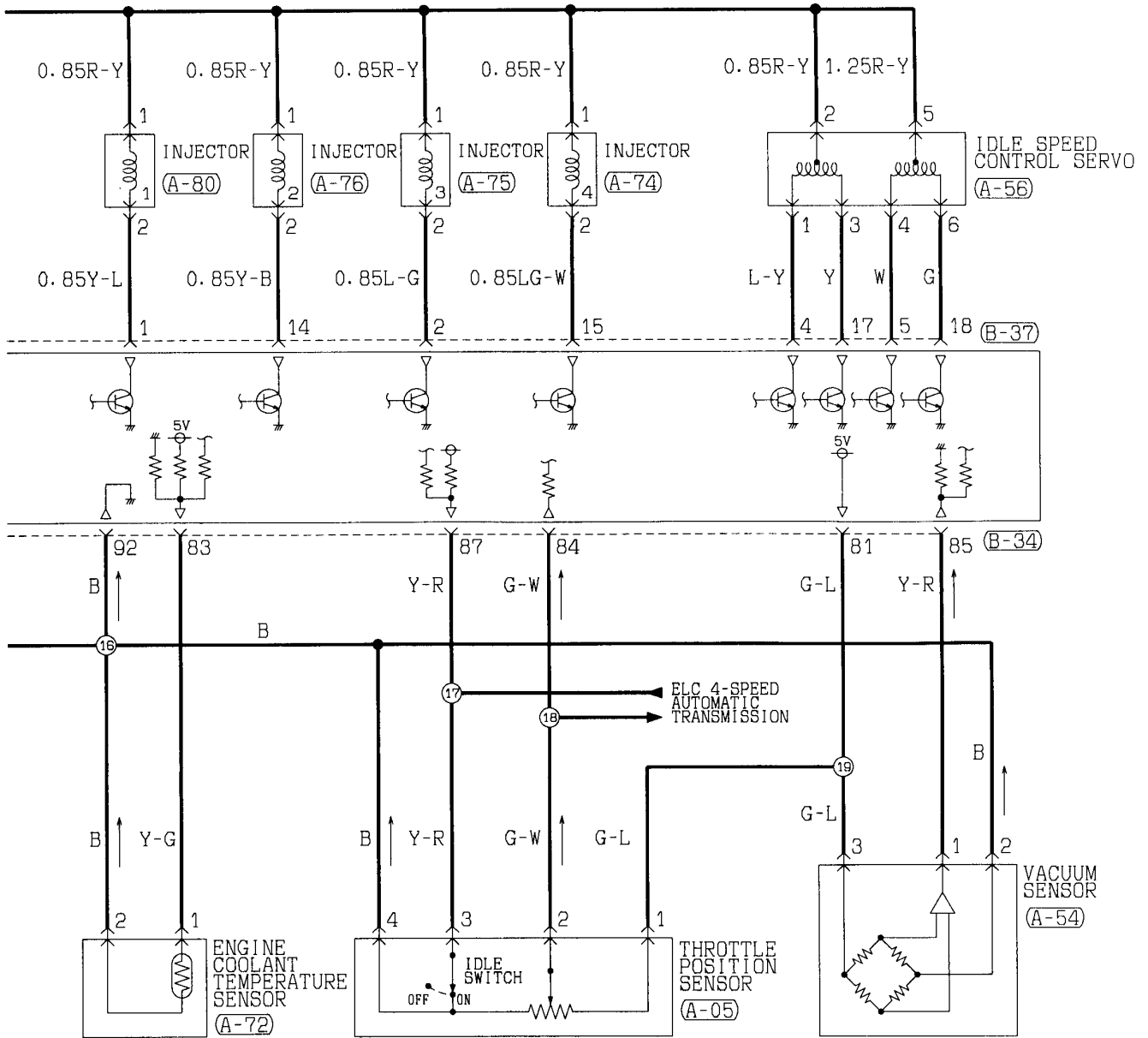
1	2	3	4	5	6	7	8	9	10	11	12	13
14	15	16	17	18	19	20	21	22	23	24	25	26

MPI SYSTEM <4G13 (R.H. drive vehicles)> (CONTINUED)



- (A-05)
- (A-54)
- (A-56)
- (A-72)
- (A-74)
- (A-75)
- (A-76)
- (A-80)
- (A-81)
- (A-86)
- (A-87)
- (A-88)
- (B-34)

71	72	73	74	75	76	77	78	79	80	81
82	83	84	85	86	87	88	89	90	91	92



(B-35)

(B-37)

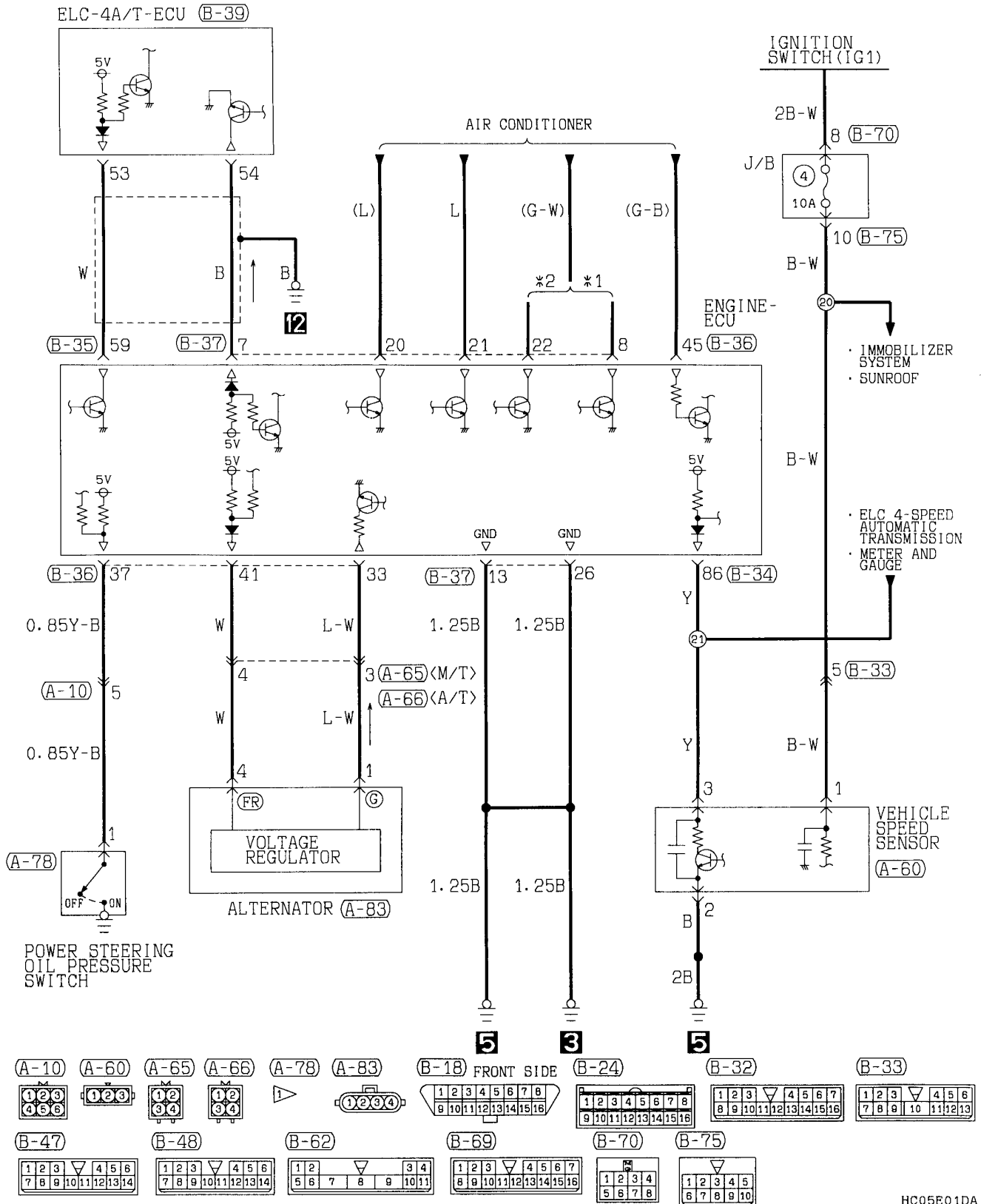
(B-40)

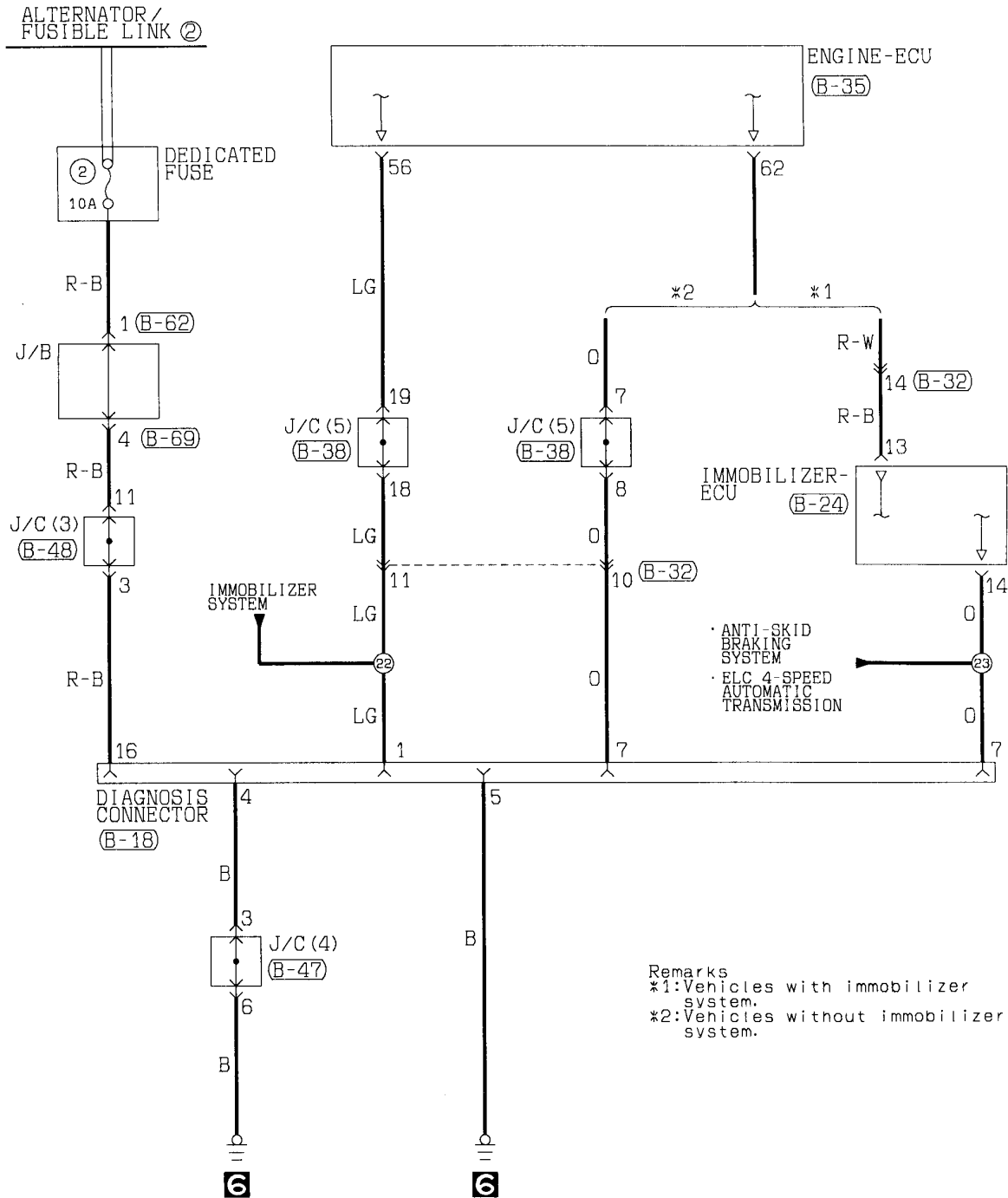
51	52	53	54	55	56
57	58	59	60	61	62

1	2	3	4	5	6	7	8	9	10	11	12	13
14	15	16	17	18	19	20	21	22	23	24	25	26

M			
1	2	3	4

MPI SYSTEM <4G13 (R.H. drive vehicles)> (CONTINUED)





(B-34)

71	72	73	74	75	76	77	78	79	80	81
82	83	84	85	86	87	88	89	90	91	92

(B-35)

51	52	53	54	55	56
57	58	59	60	61	62

(B-36)

31	32	33	34	35	36	37	38
39	40	41	42	43	44	45	46

(B-37)

1	2	3	4	5	6	7	8	9	10	11	12	13
14	15	16	17	18	19	20	21	22	23	24	25	26

(B-38)

1	2	3	4	5	6	7	8			
9	10	11	12	13	14	15	16	17	18	19

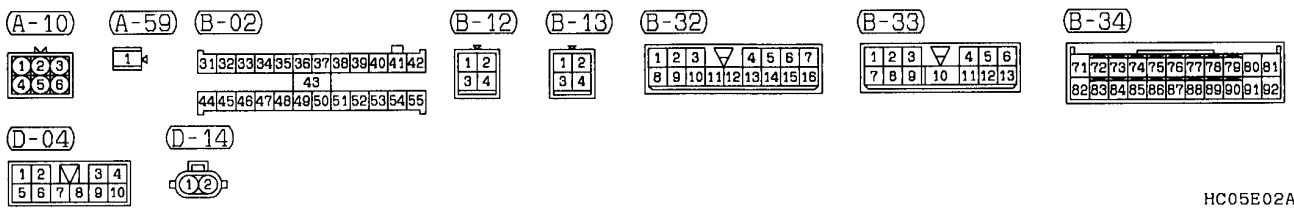
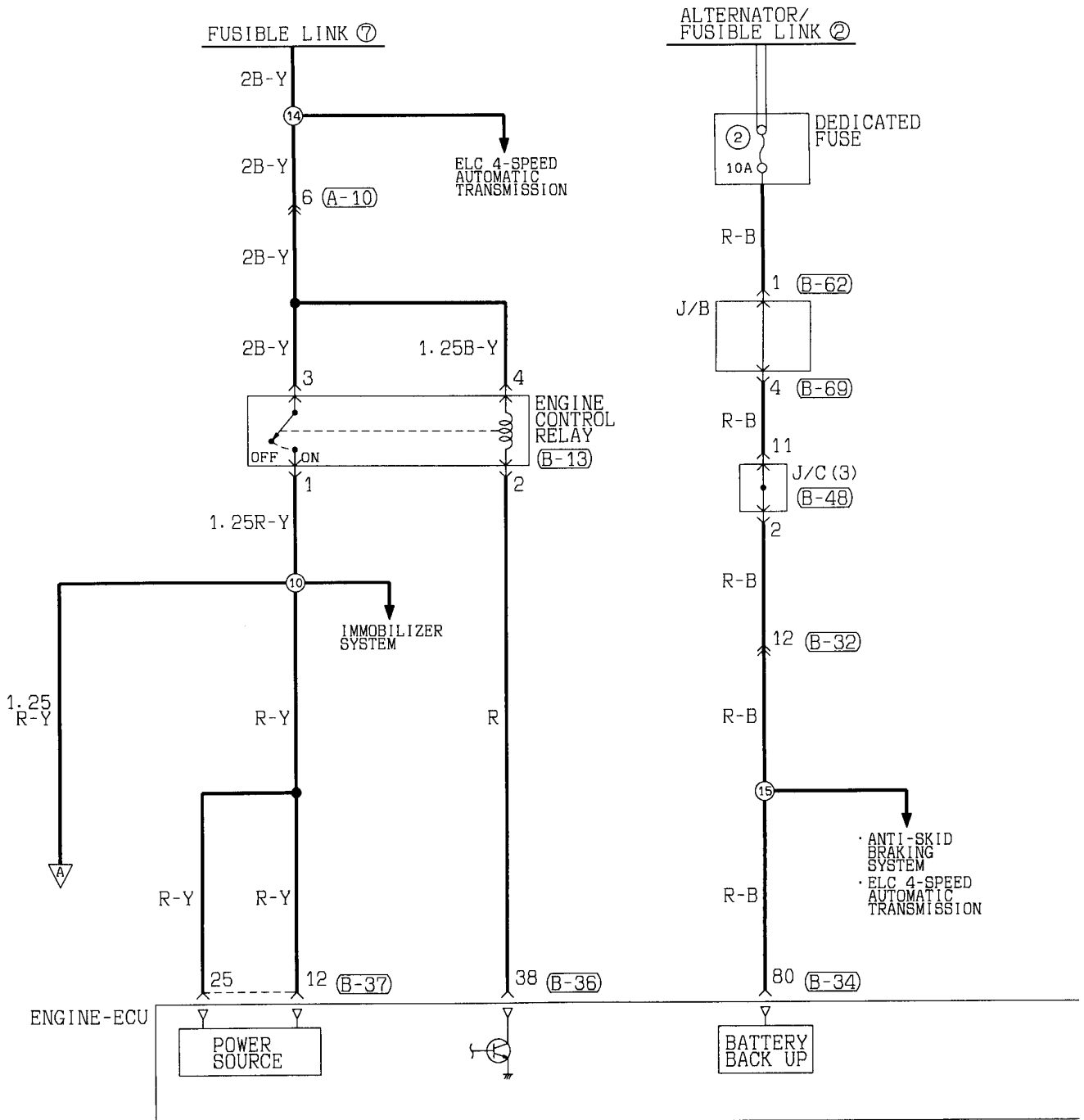
(B-39)

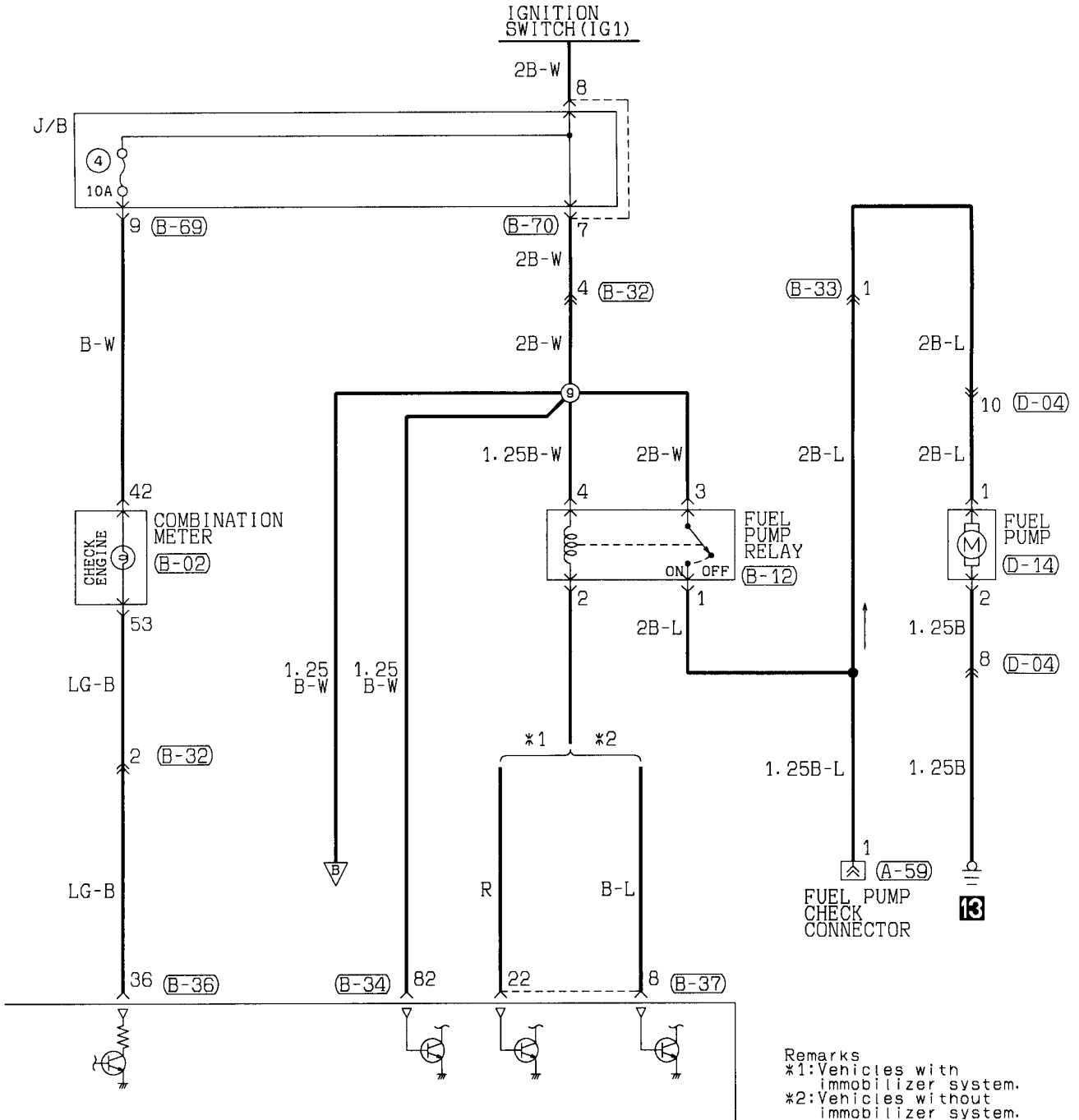
JAE										
1	2	3	4	5	6	7	8	9	10	11
12	13	14	15	16	17	18	19	20	21	22

MPI SYSTEM

90100080434

4G92 <L.H. drive vehicles>





(B-36)

31	32	33	34	35	36	37	38
39	40	41	42	43	44	45	46

(B-37)

1	2	3	4	5	6	7	8	9	10	11	12	13
14	15	16	17	18	19	20	21	22	23	24	25	26

(B-48)

1	2	3	▽	4	5	6	
7	8	9	10	11	12	13	14

(B-62)

1	2	▽	3	4		
5	6	7	8	9	10	11

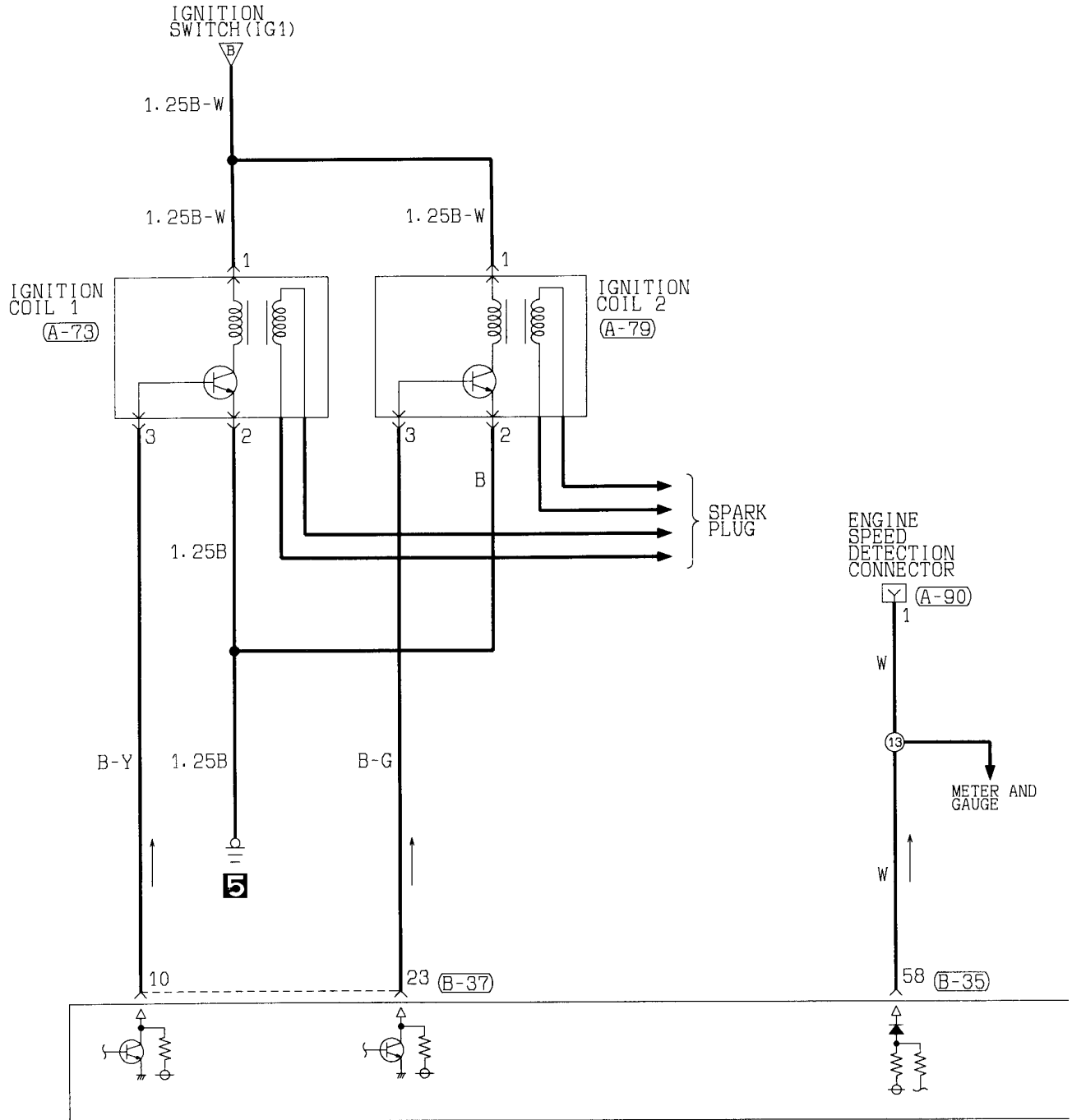
(B-69)

1	2	3	▽	4	5	6	7	
8	9	10	11	12	13	14	15	16

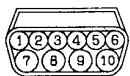
(B-70)

1	2	3	4
5	6	7	8

MPI SYSTEM <4G92 (L.H. drive vehicles)> (CONTINUED)



(A-27)



(A-73)



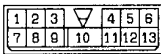
(A-79)



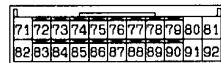
(A-90)



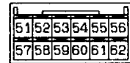
(B-33)



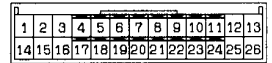
(B-34)

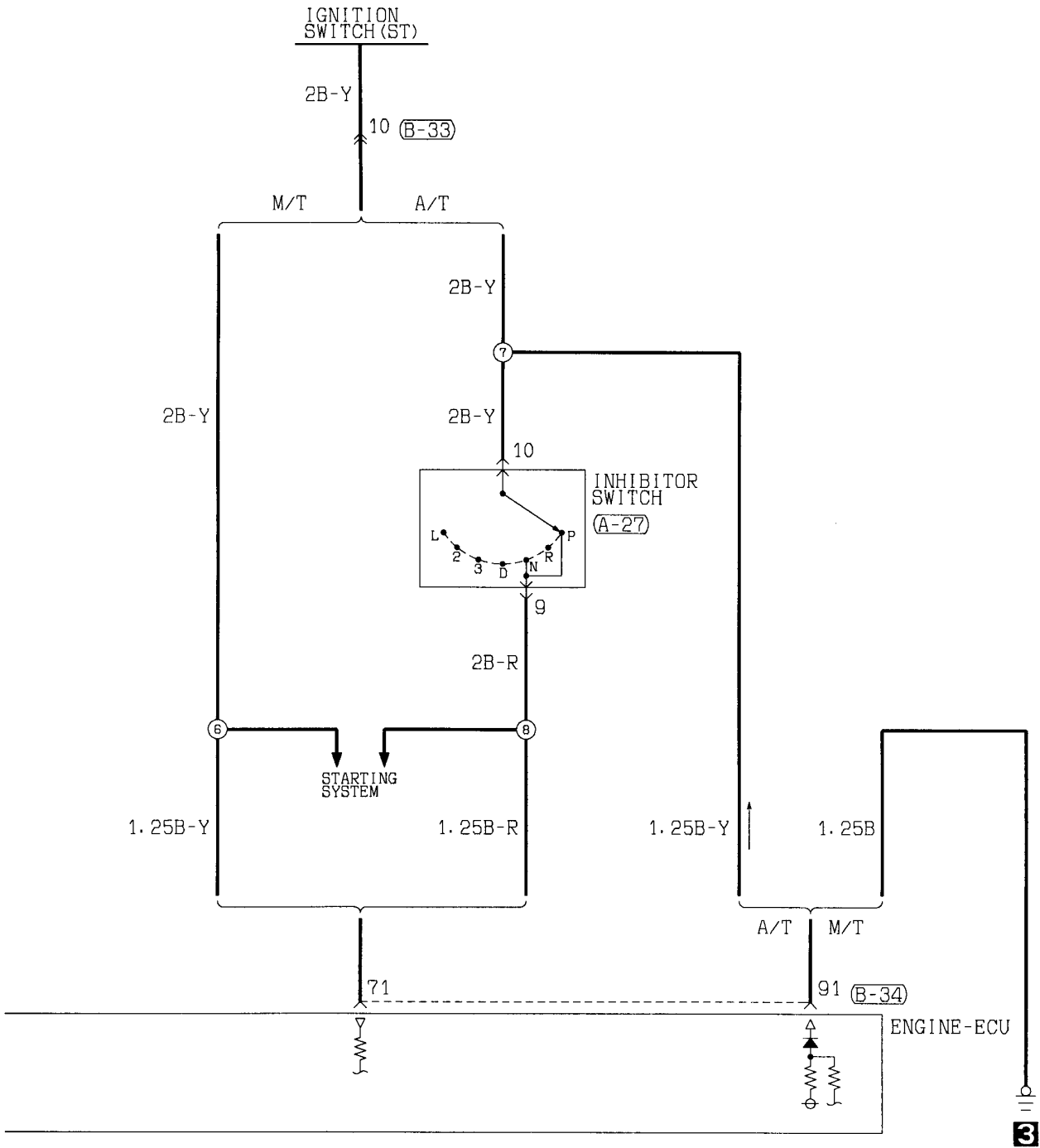


(B-35)

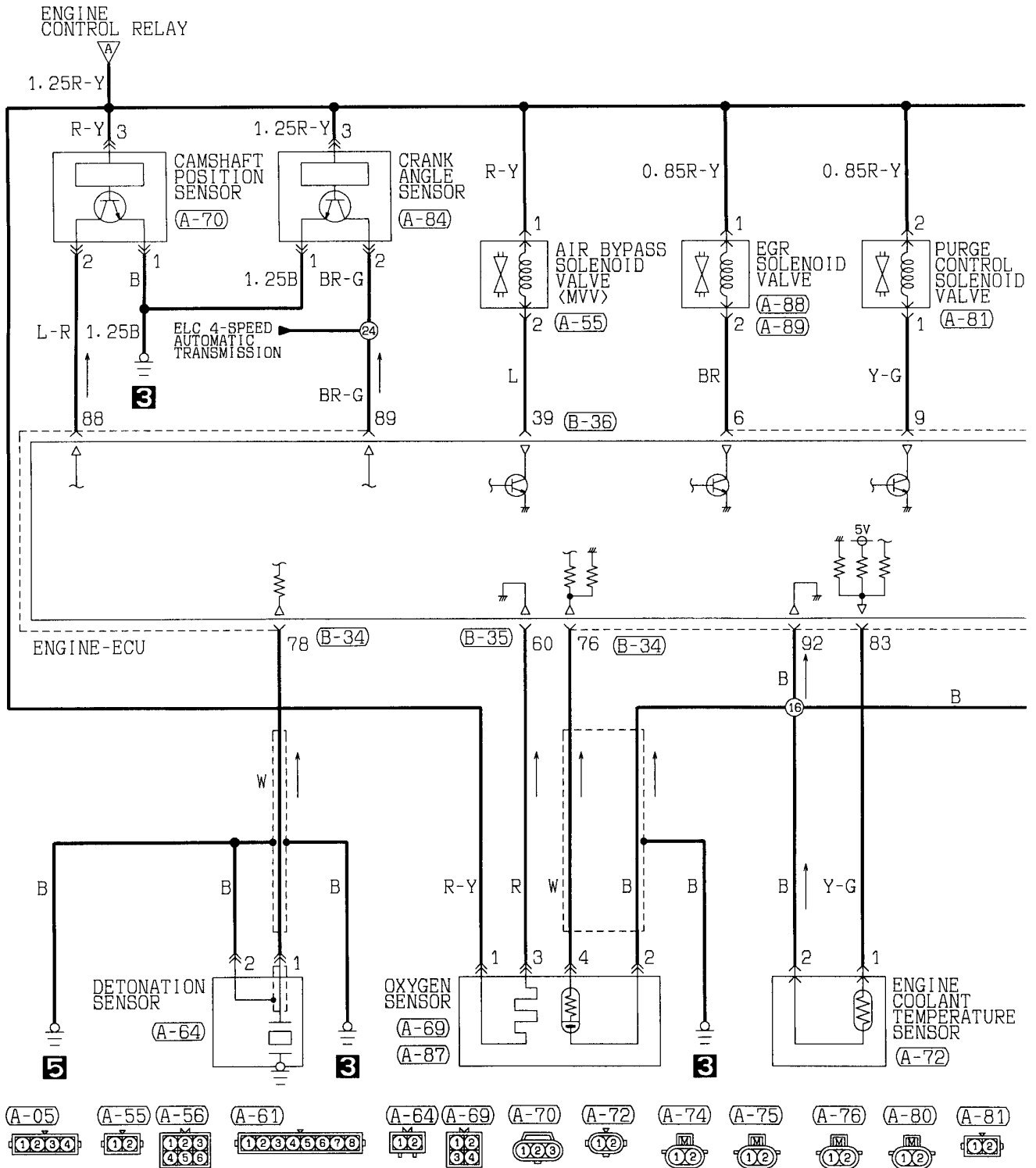


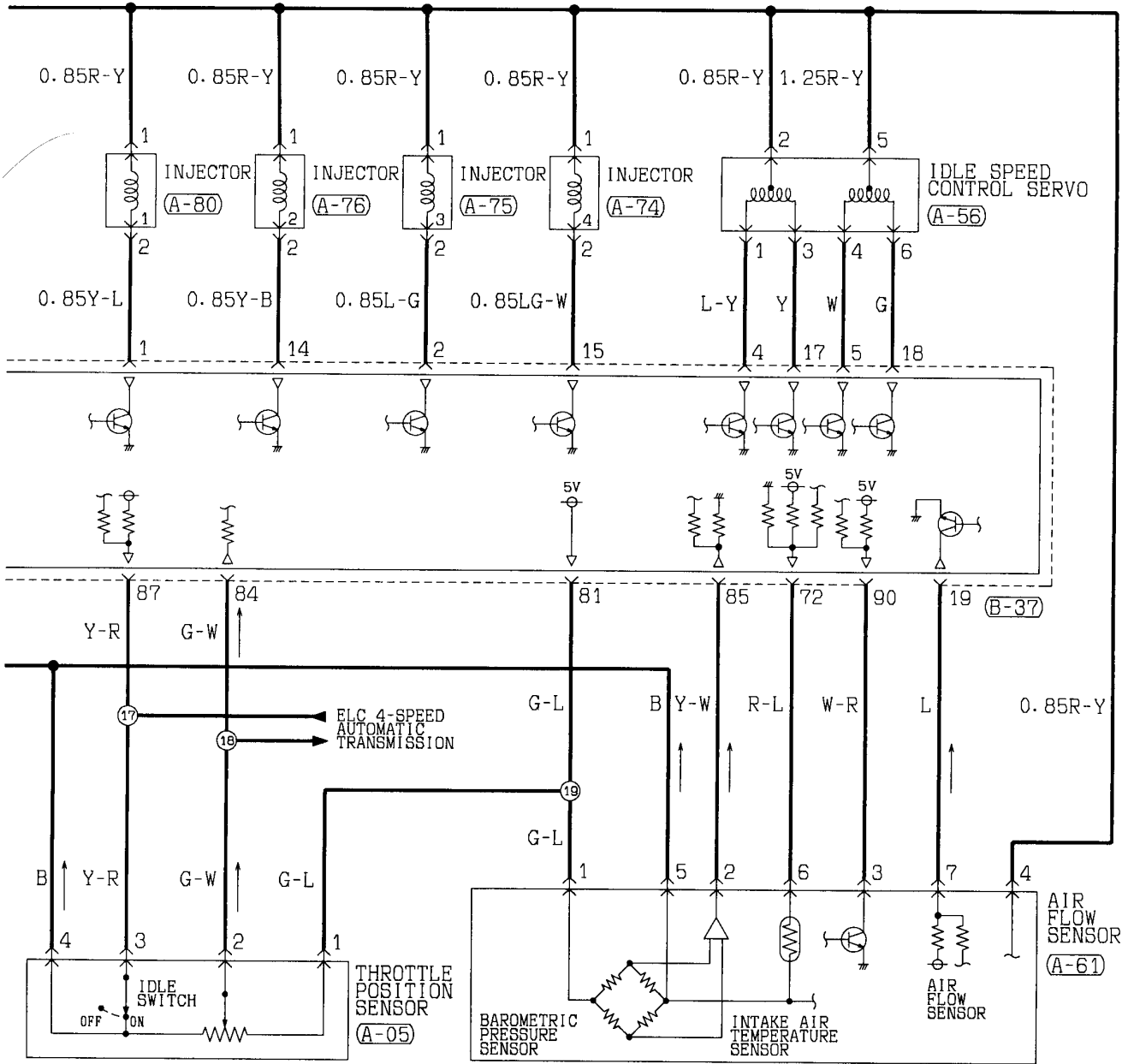
(B-37)





MPI SYSTEM <4G92 (L.H. drive vehicles)> (CONTINUED)





(A-84)

(A-87)

(A-88)

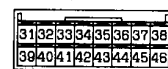
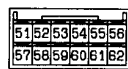
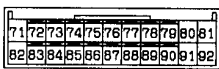
(A-89)

(B-34)

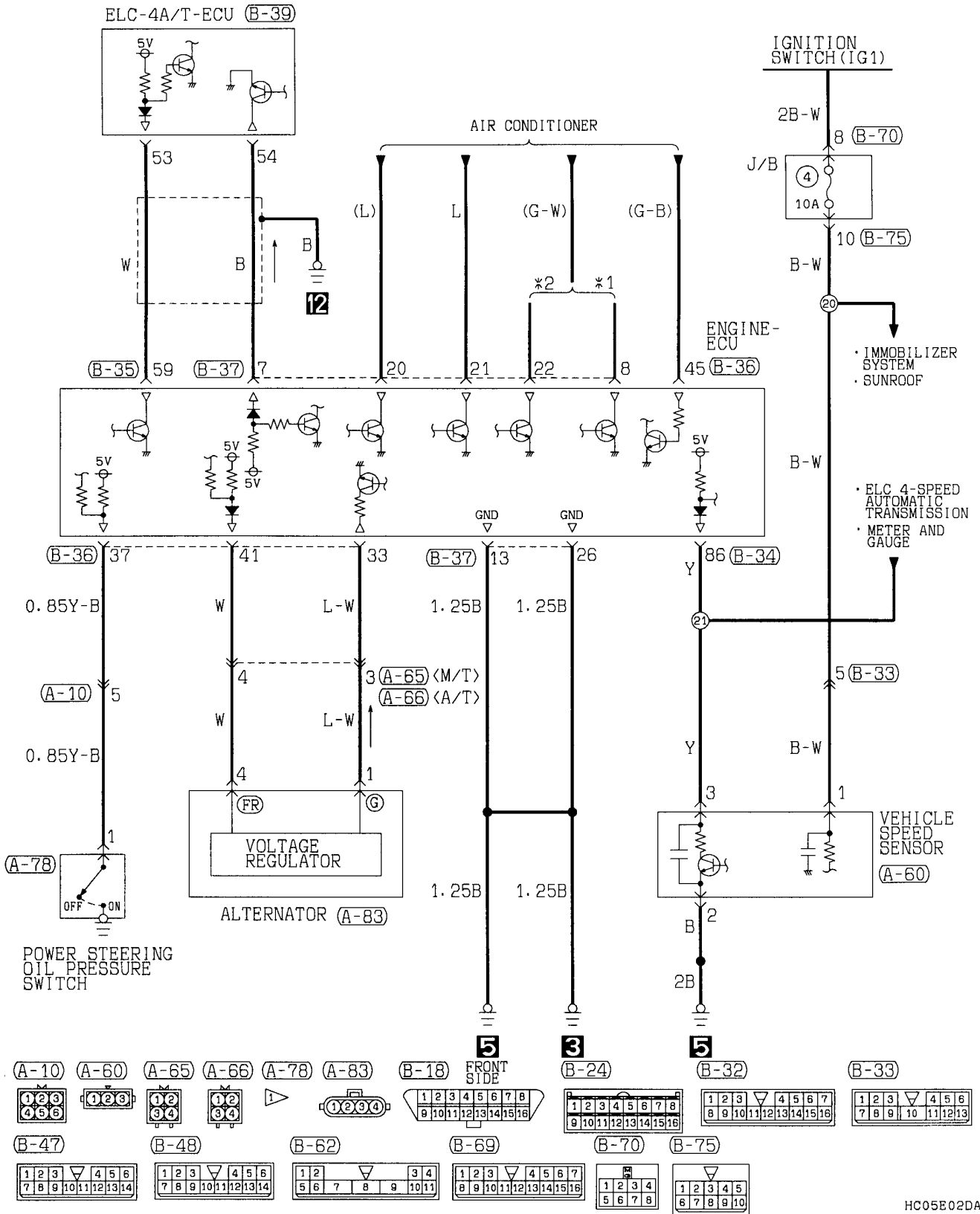
(B-35)

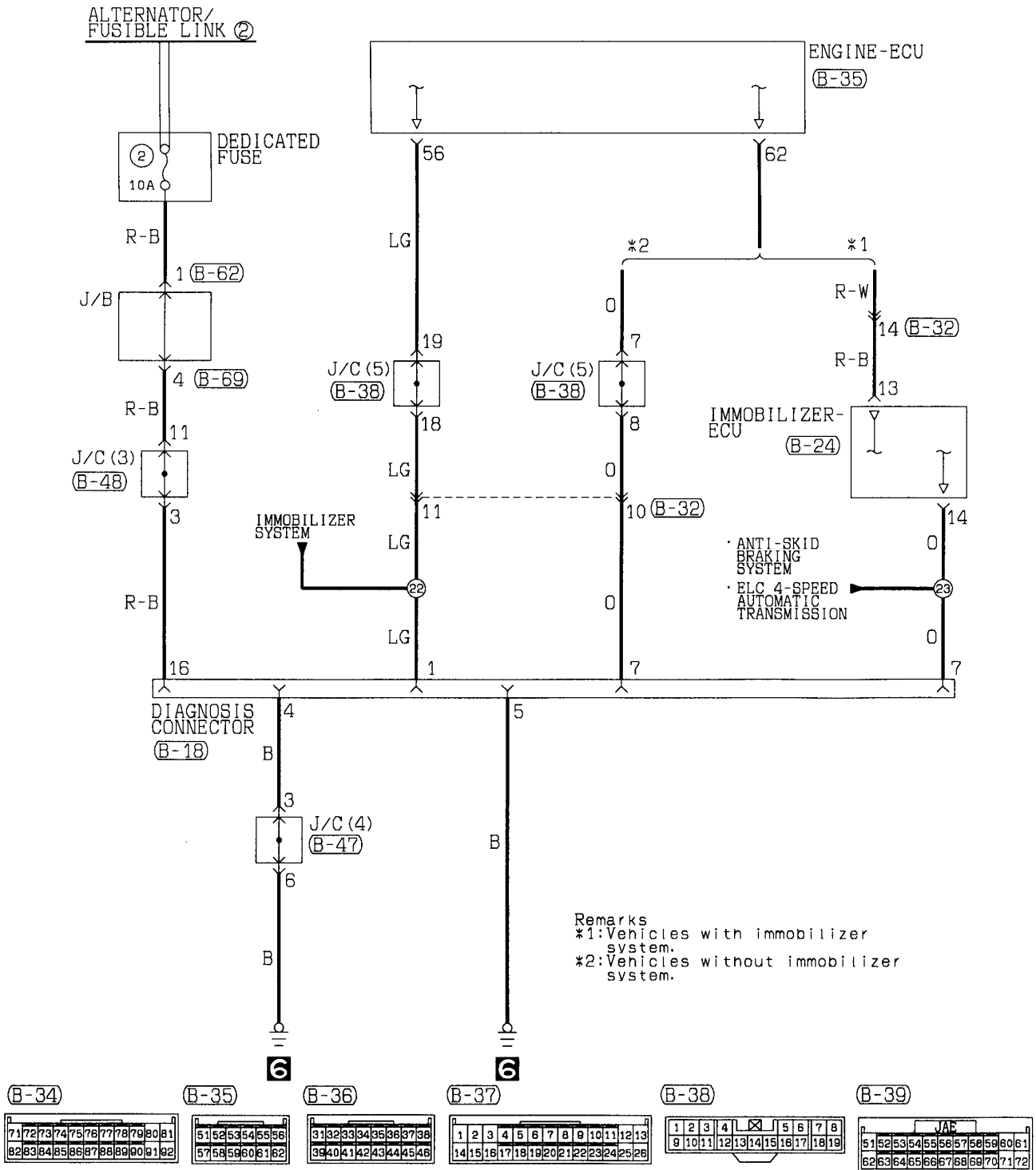
(B-36)

(B-37)



MPI SYSTEM <4G92 (L.H. drive vehicles)> (CONTINUED)

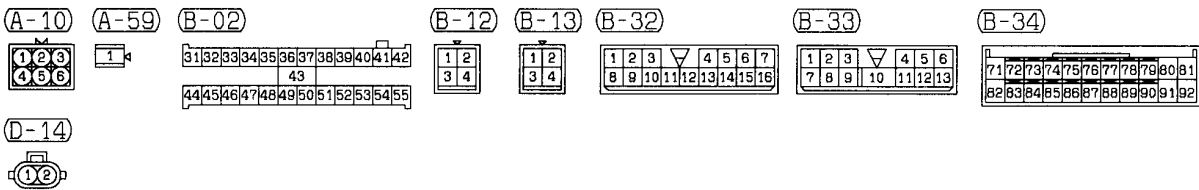
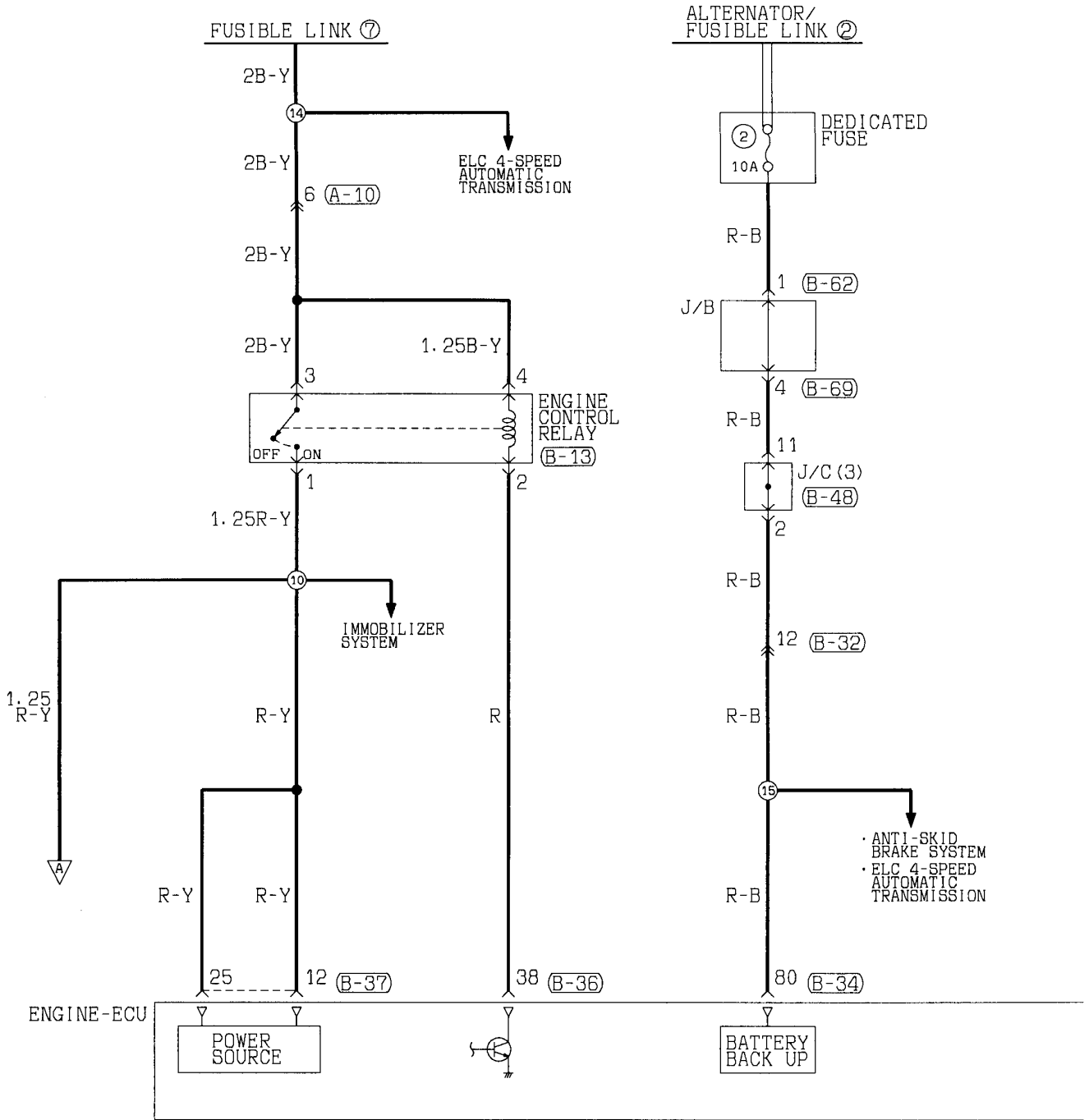


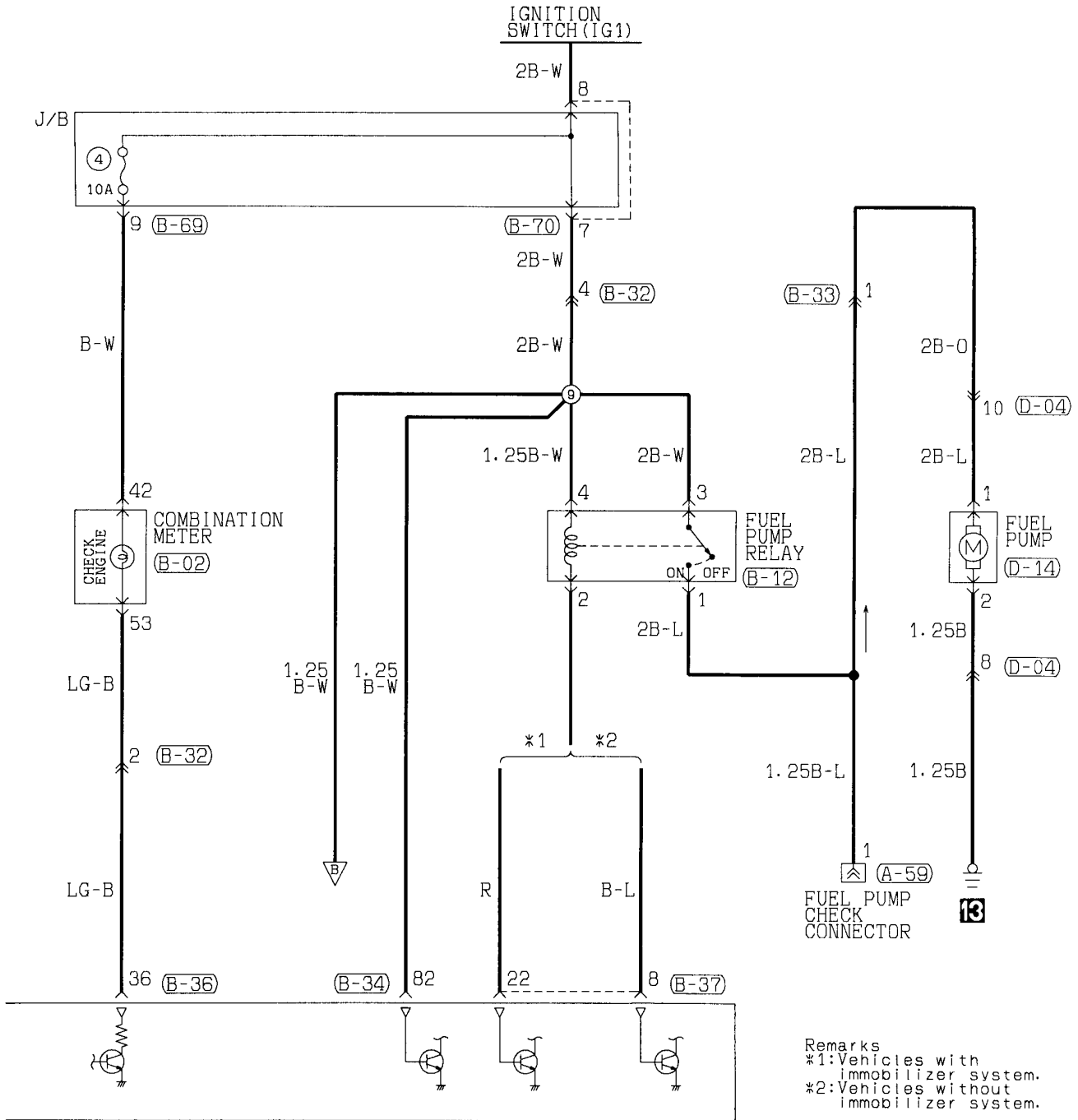


MPI SYSTEM

90100080441

4G92 <R.H. drive vehicles>





(B-36)

31	32	33	34	35	36	37	38
39	40	41	42	43	44	45	46

(B-37)

1	2	3	4	5	6	7	8	9	10	11	12	13
14	15	16	17	18	19	20	21	22	23	24	25	26

(B-48)

1	2	3	▽	4	5	6	
7	8	9	10	11	12	13	14

(B-62)

1	2	▽	3	4		
5	6	7	8	9	10	11

(B-69)

1	2	3	▽	4	5	6	7	
8	9	10	11	12	13	14	15	16

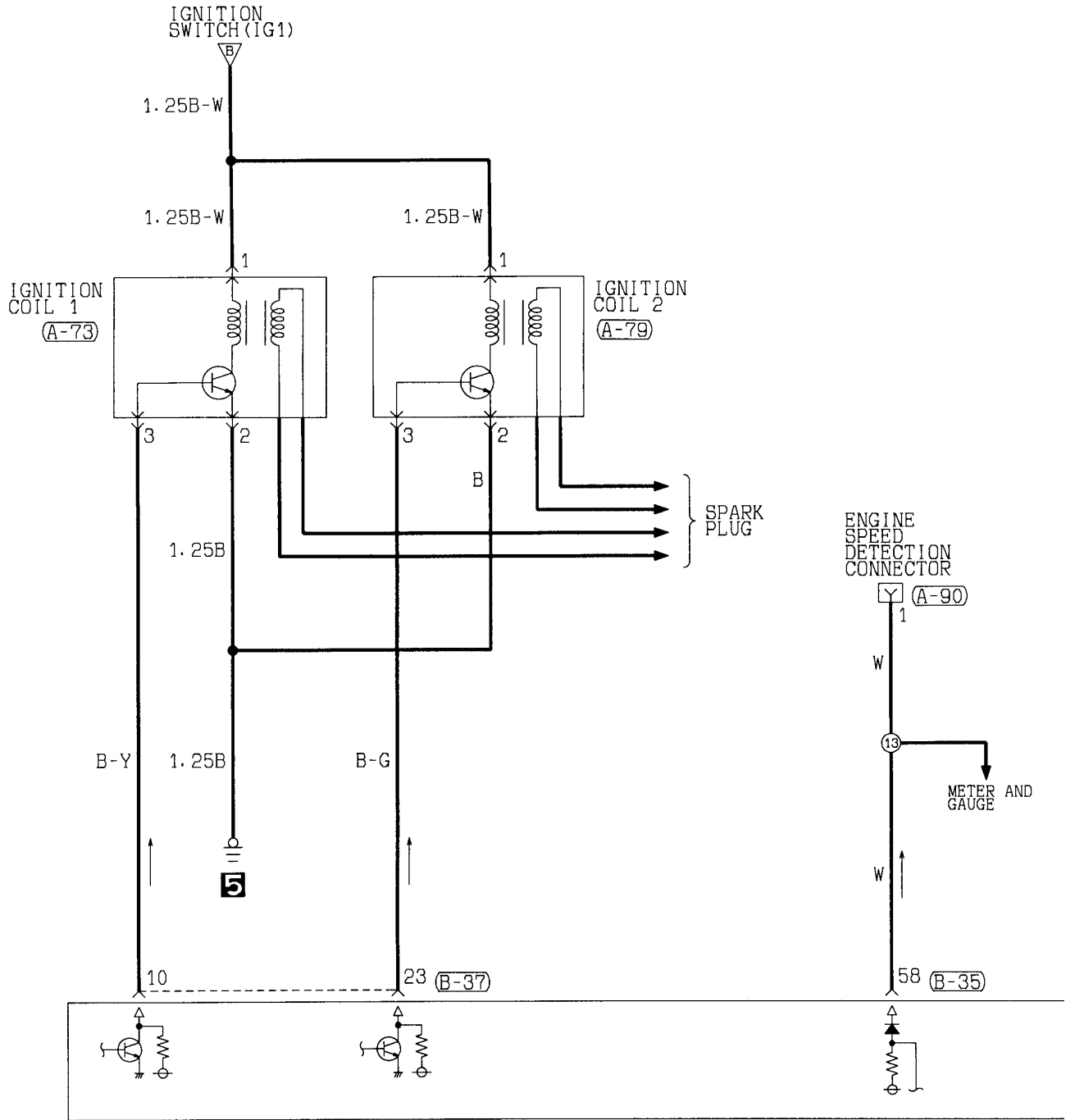
(B-70)

1	2	3	4
5	6	7	8

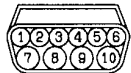
(D-04)

1	2	▽	3	4	
5	6	7	8	9	10

MPI SYSTEM <4G92 (R.H. drive vehicles)> (CONTINUED)



(A-27)



(A-73)



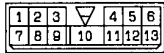
(A-79)



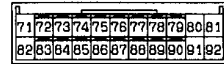
(A-90)



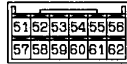
(B-33)



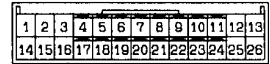
(B-34)

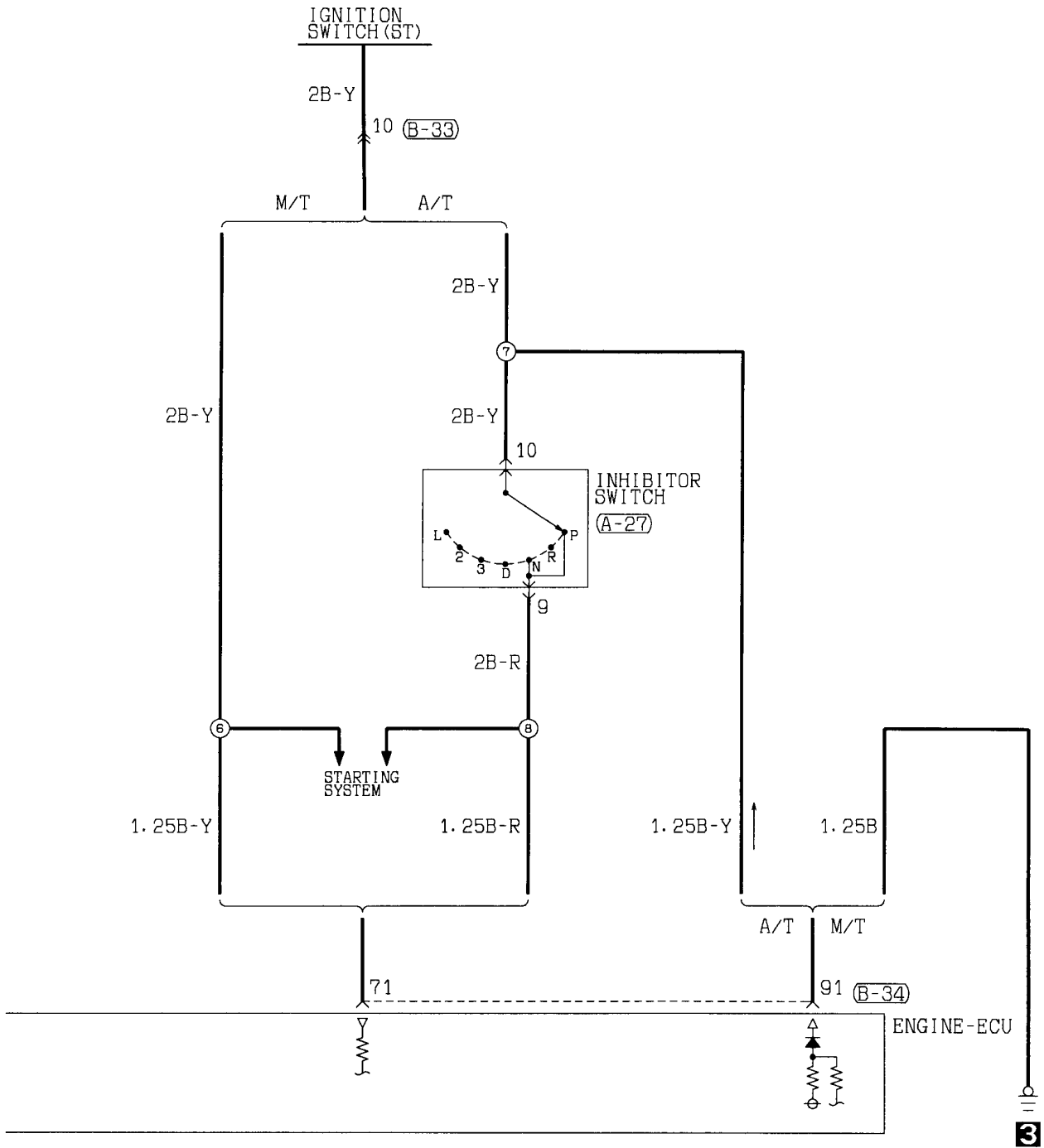


(B-35)

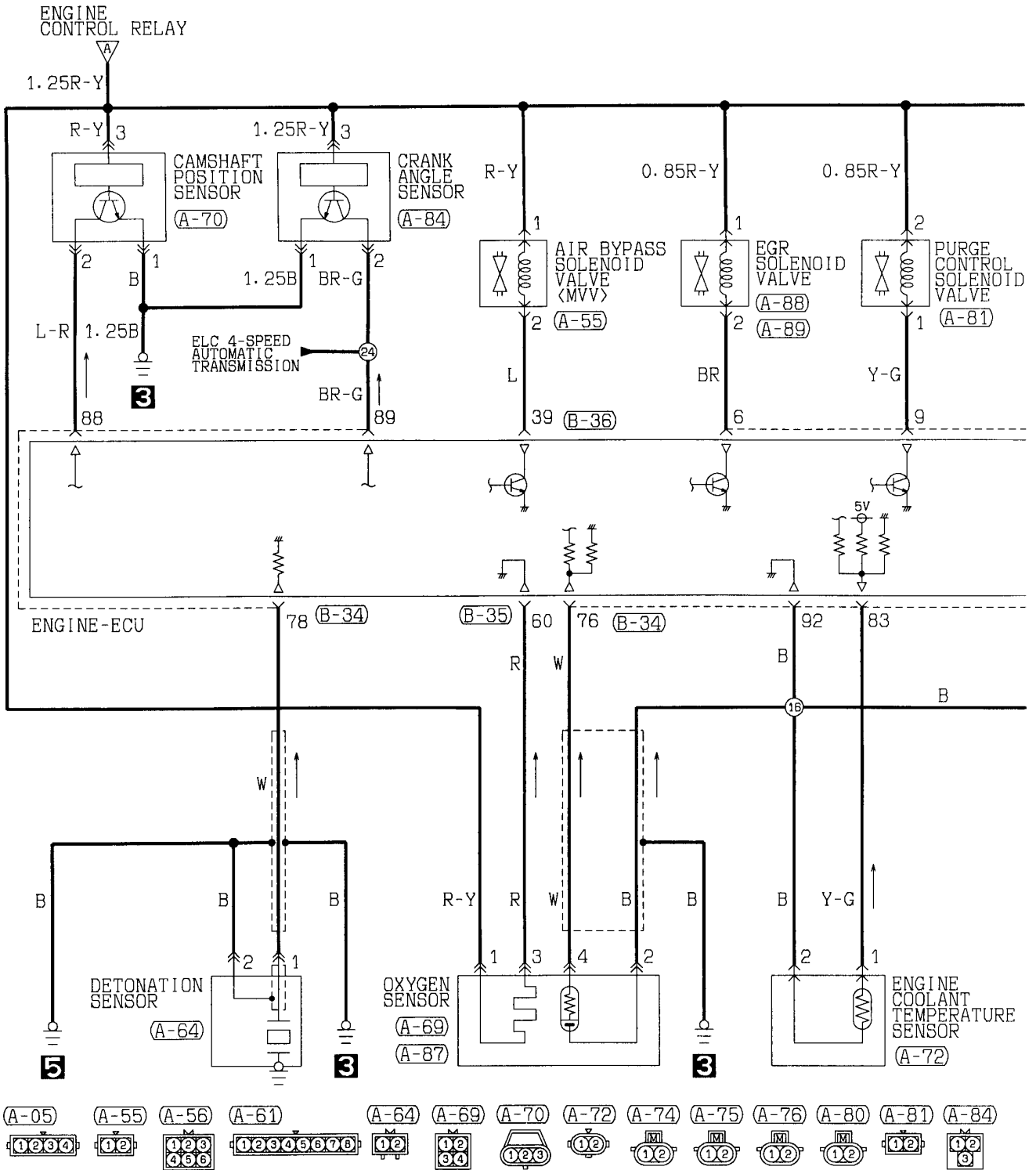


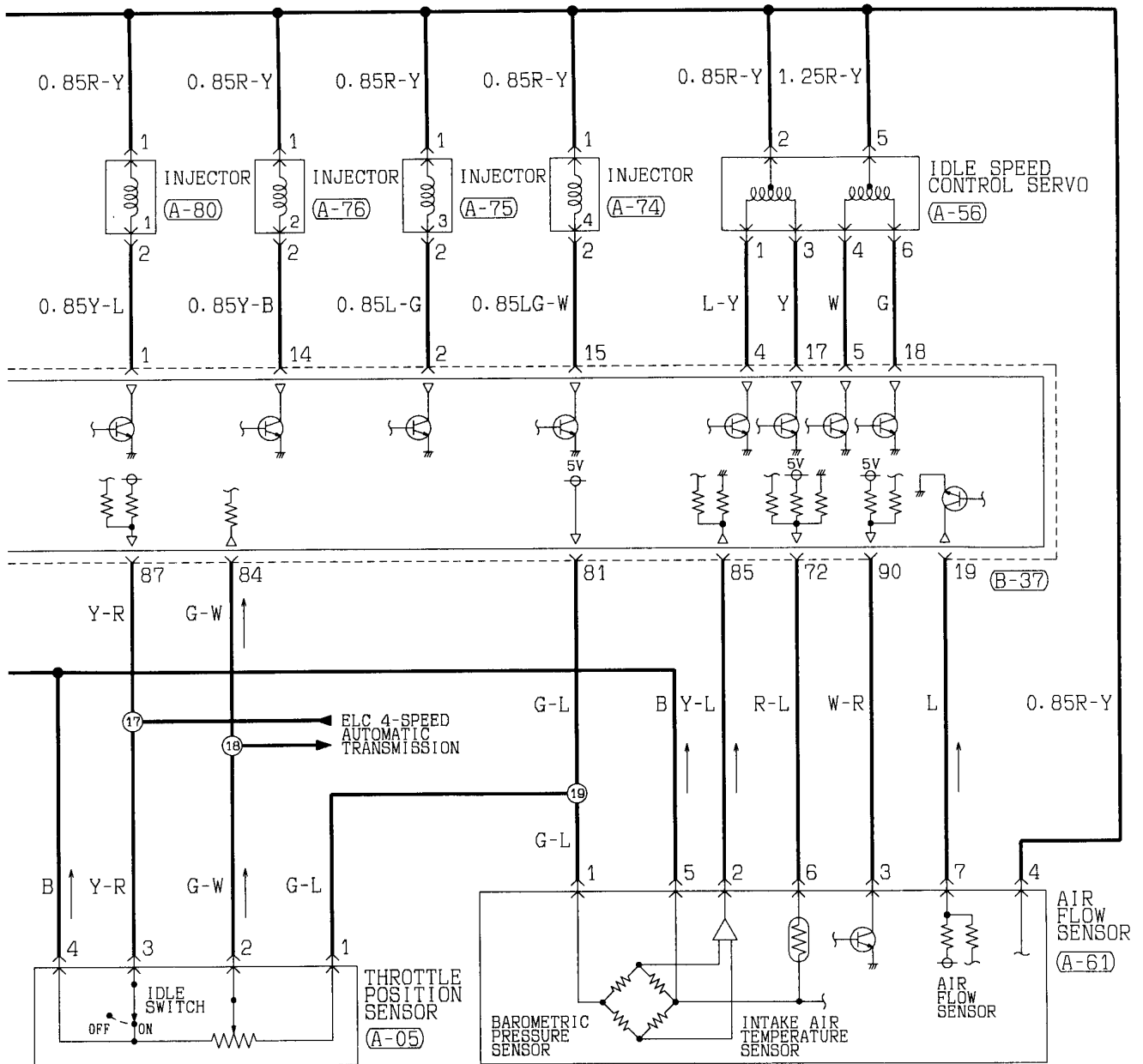
(B-37)



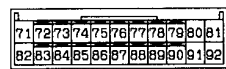


MPI SYSTEM <4G92 (R.H. drive vehicles)> (CONTINUED)

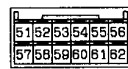




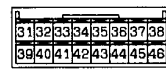
(A-87) (A-88) (A-89) (B-34)



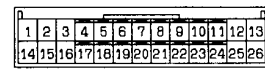
(B-35)



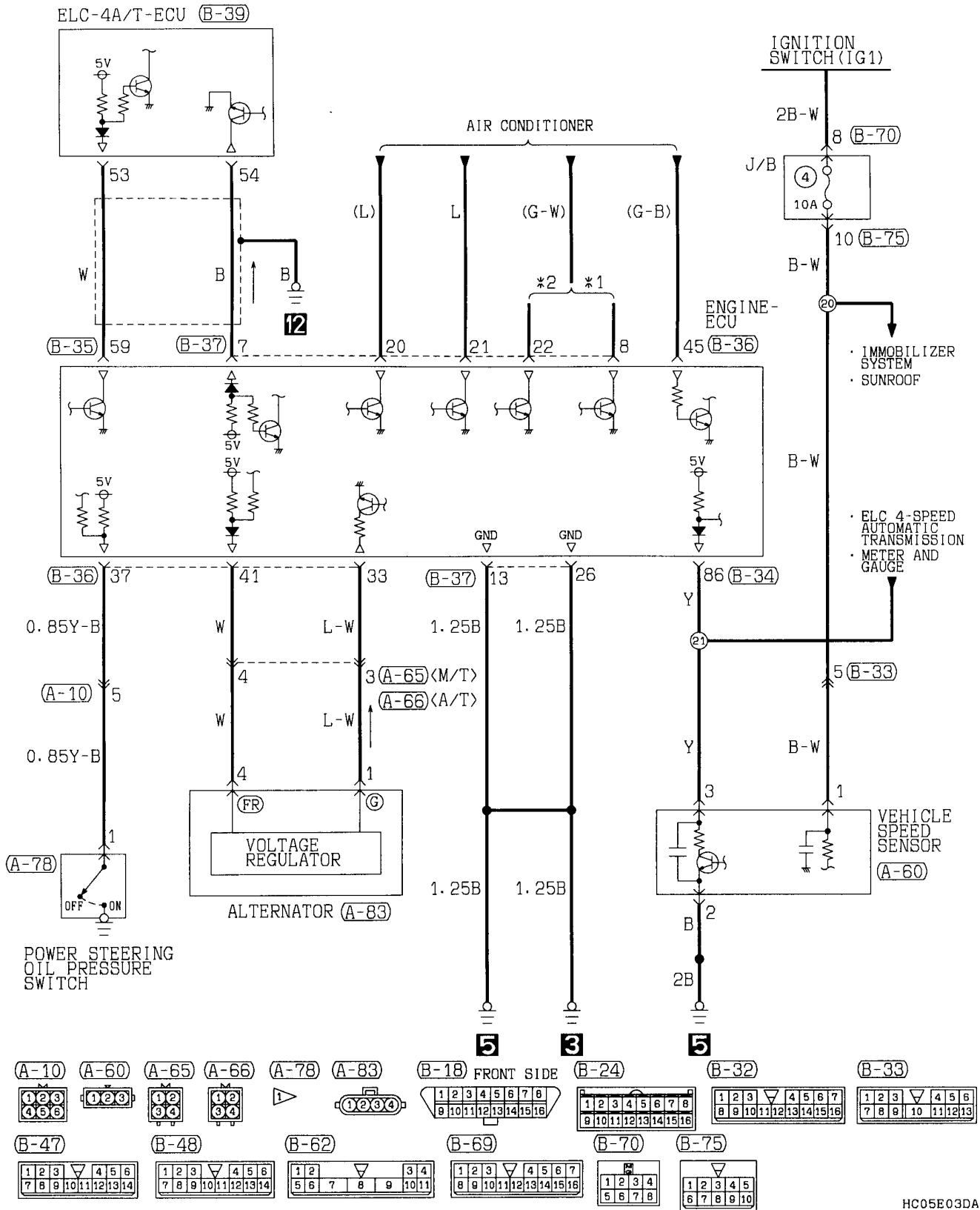
(B-36)

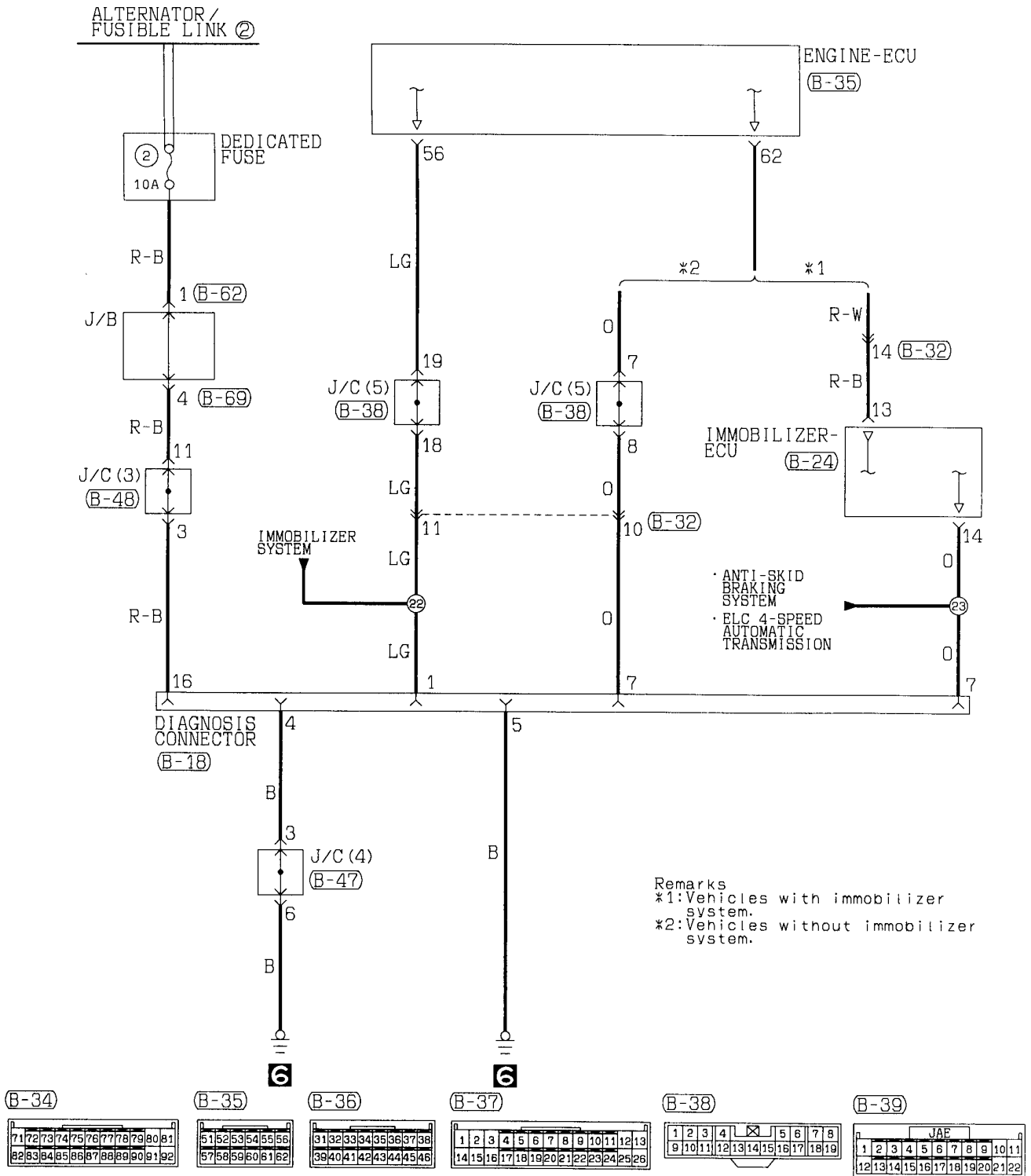


(B-37)



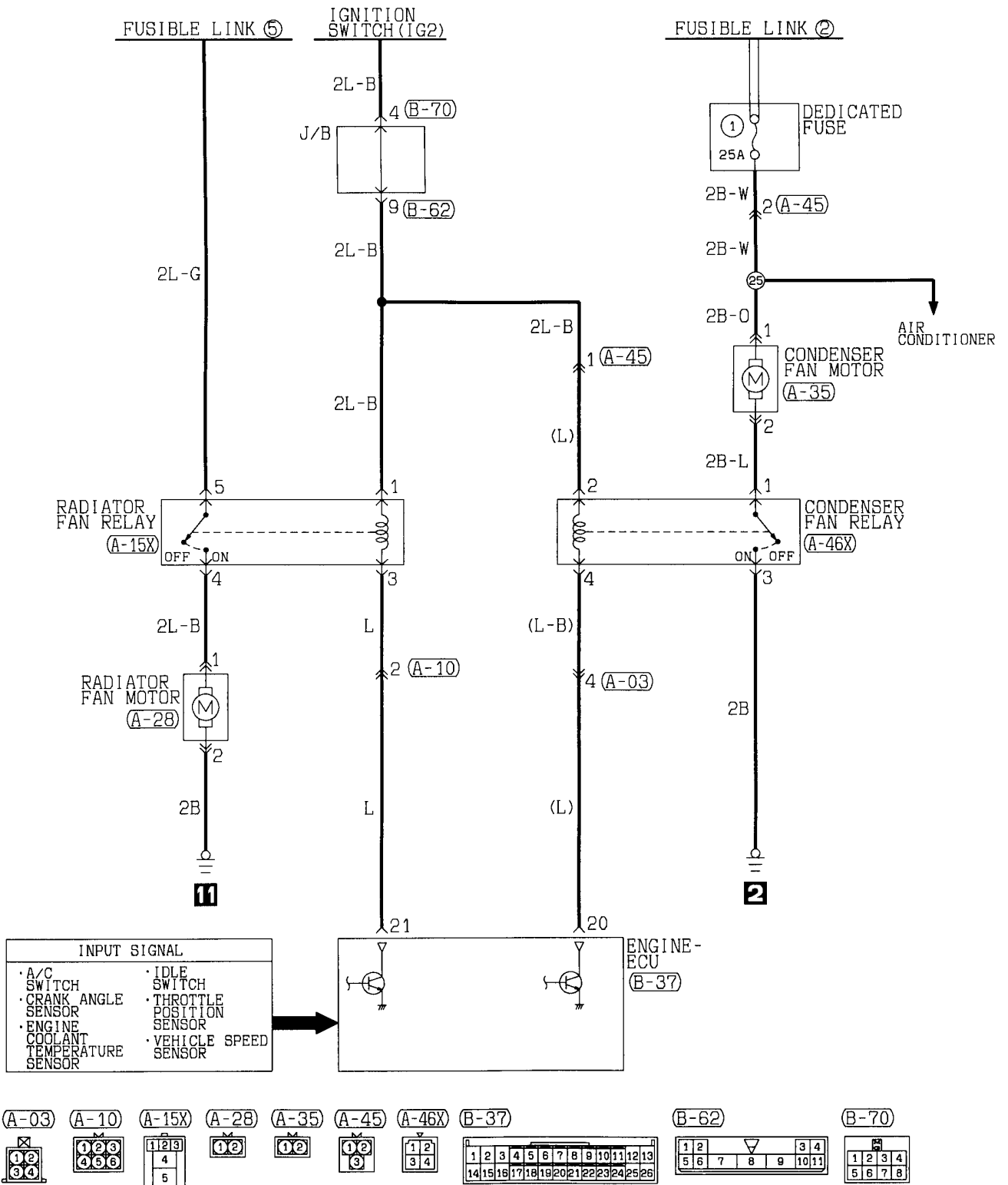
MPI SYSTEM <4G92 (R.H. drive vehicles)> (CONTINUED)





COOLING SYSTEM

90100100246

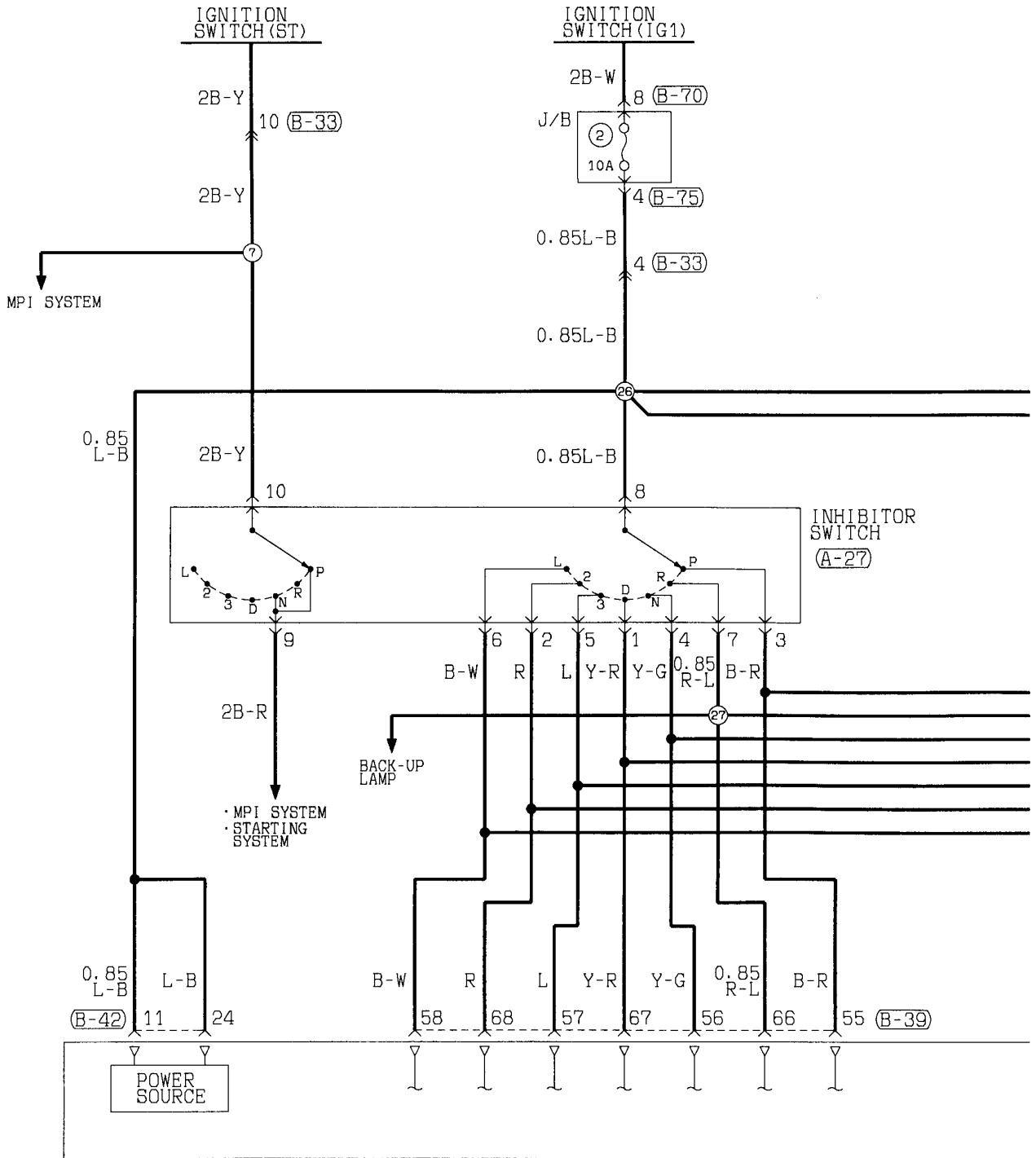


NOTES

ELC 4-SPEED AUTOMATIC TRANSMISSION

90100120167

L.H. drive vehicles



A-27

A-62

A-67

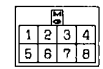
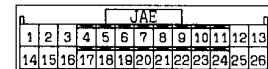
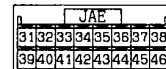
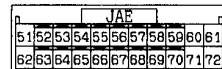
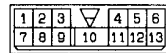
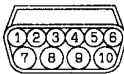
B-33

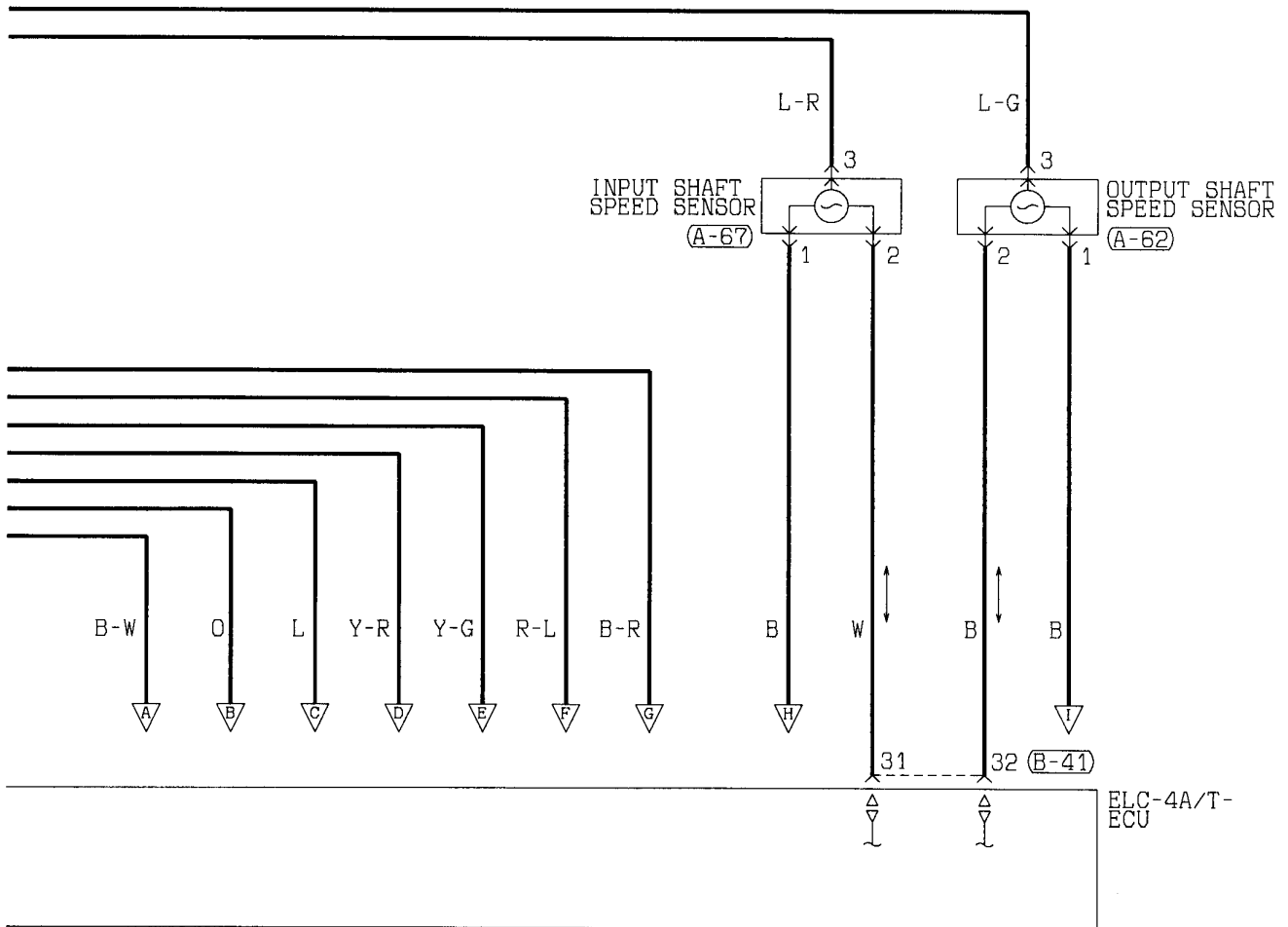
B-39

B-41

B-42

B-70

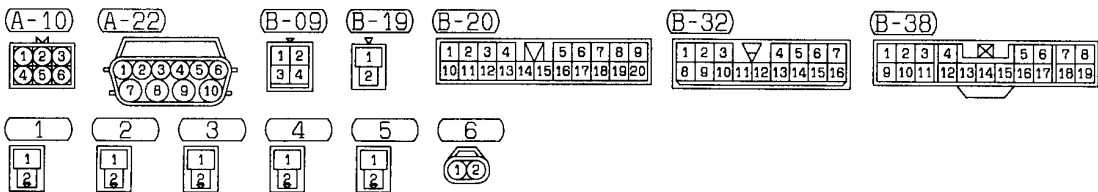
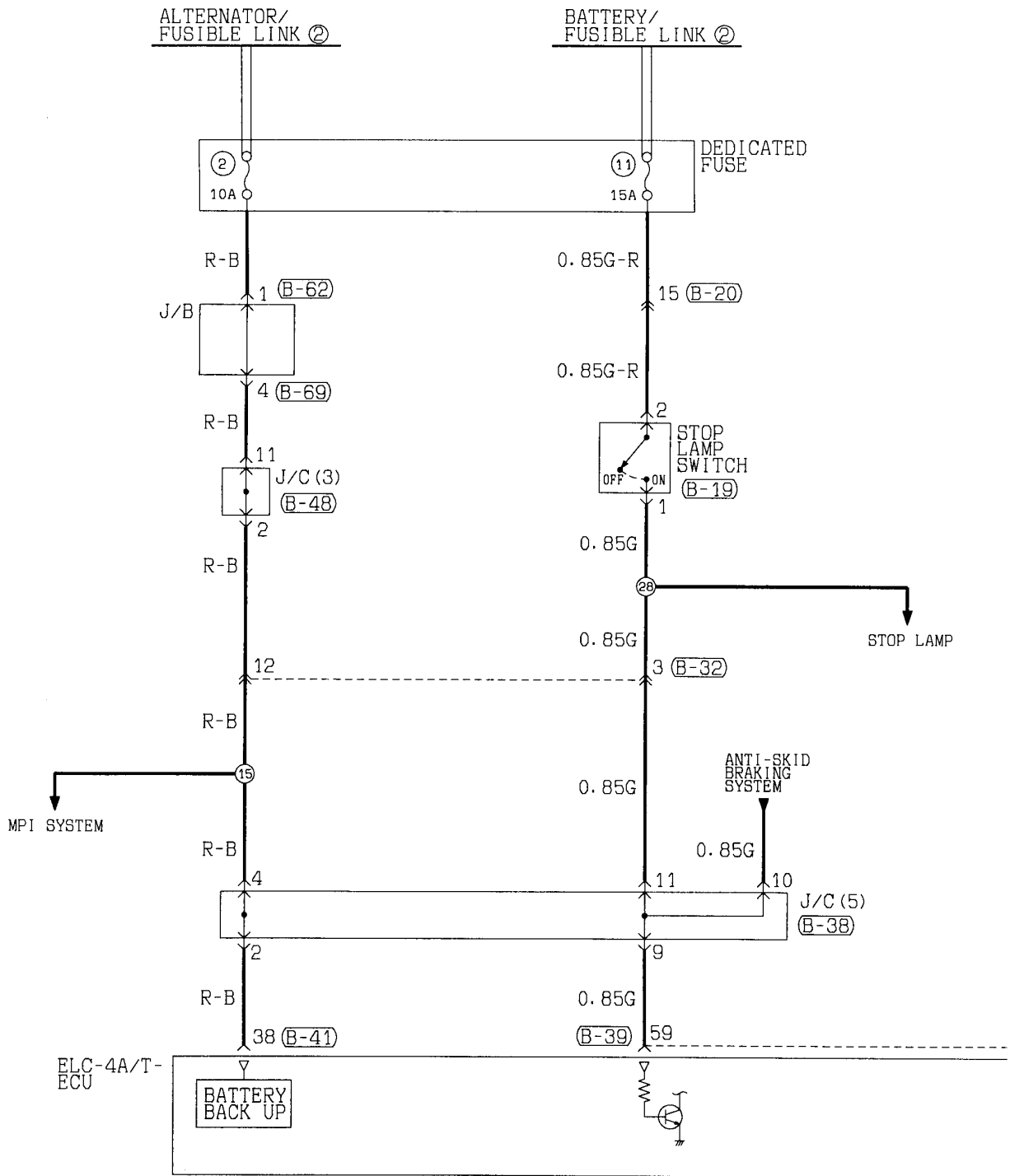




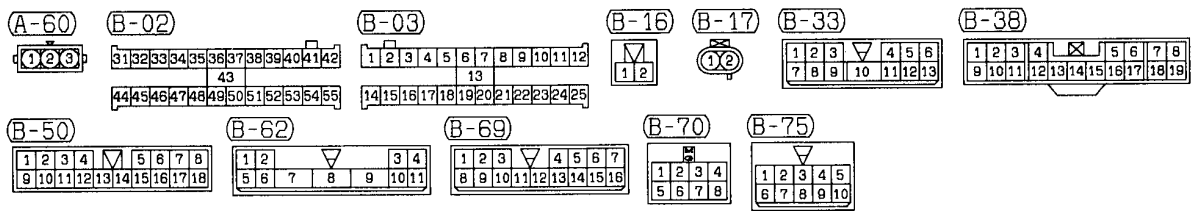
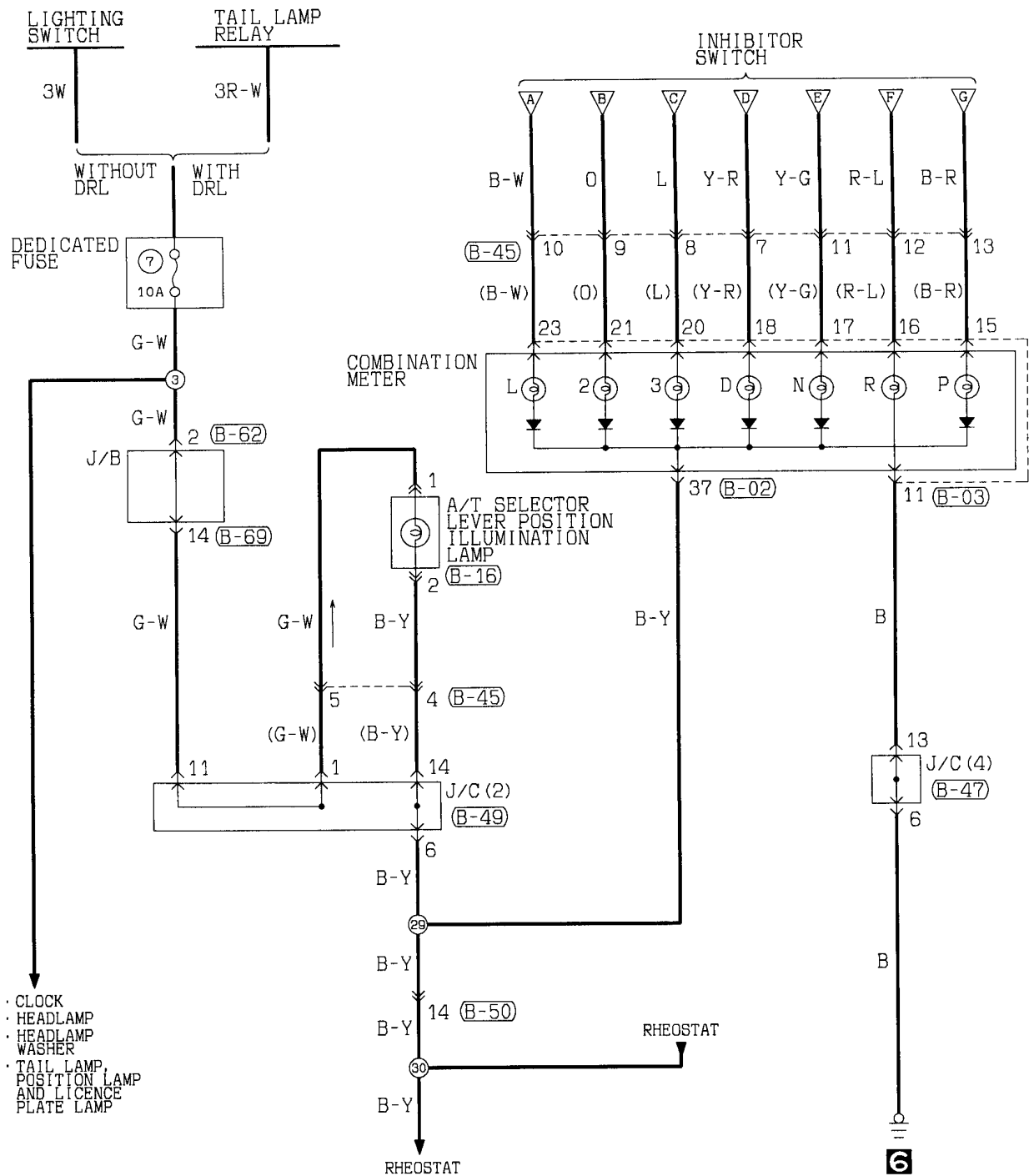
(B-75)

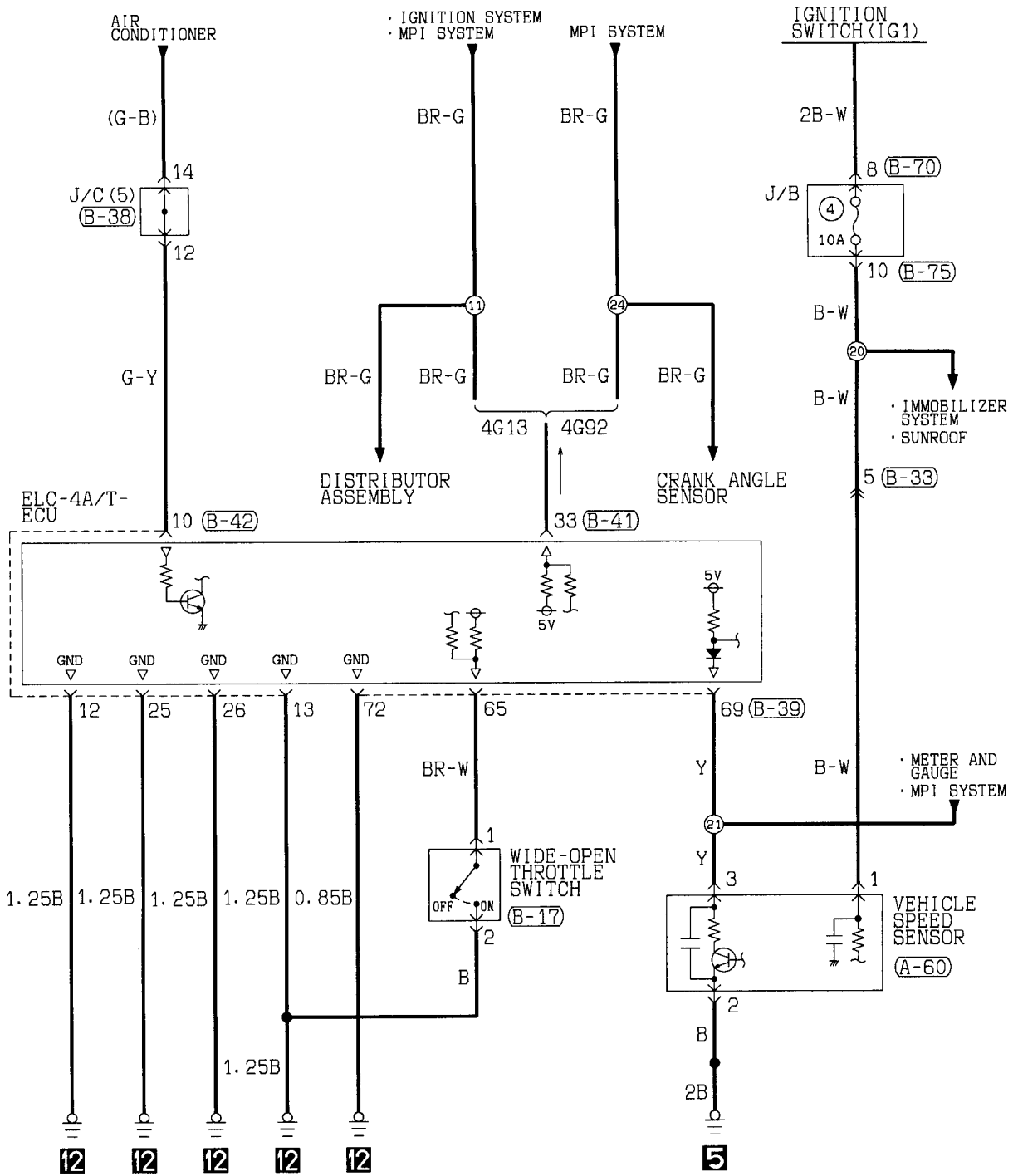
	1	2	3	4	5
6	7	8	9	10	

ELC 4-SPEED AUTOMATIC TRANSMISSION <L.H. drive vehicles> (CONTINUED)



ELC 4-SPEED AUTOMATIC TRANSMISSION <L.H. drive vehicles> (CONTINUED)





(B-39)

JAE													
51	52	53	54	55	56	57	58	59	60	61			
62	63	64	65	66	67	68	69	70	71	72			

(B-41)

JAE													
31	32	33	34	35	36	37	38						
39	40	41	42	43	44	45	46						

(B-42)

JAE													
1	2	3	4	5	6	7	8	9	10	11	12	13	
14	15	16	17	18	19	20	21	22	23	24	25	26	

(B-45)

1	2	3	4	5	6
7	8	9	10	11	12
13	14				

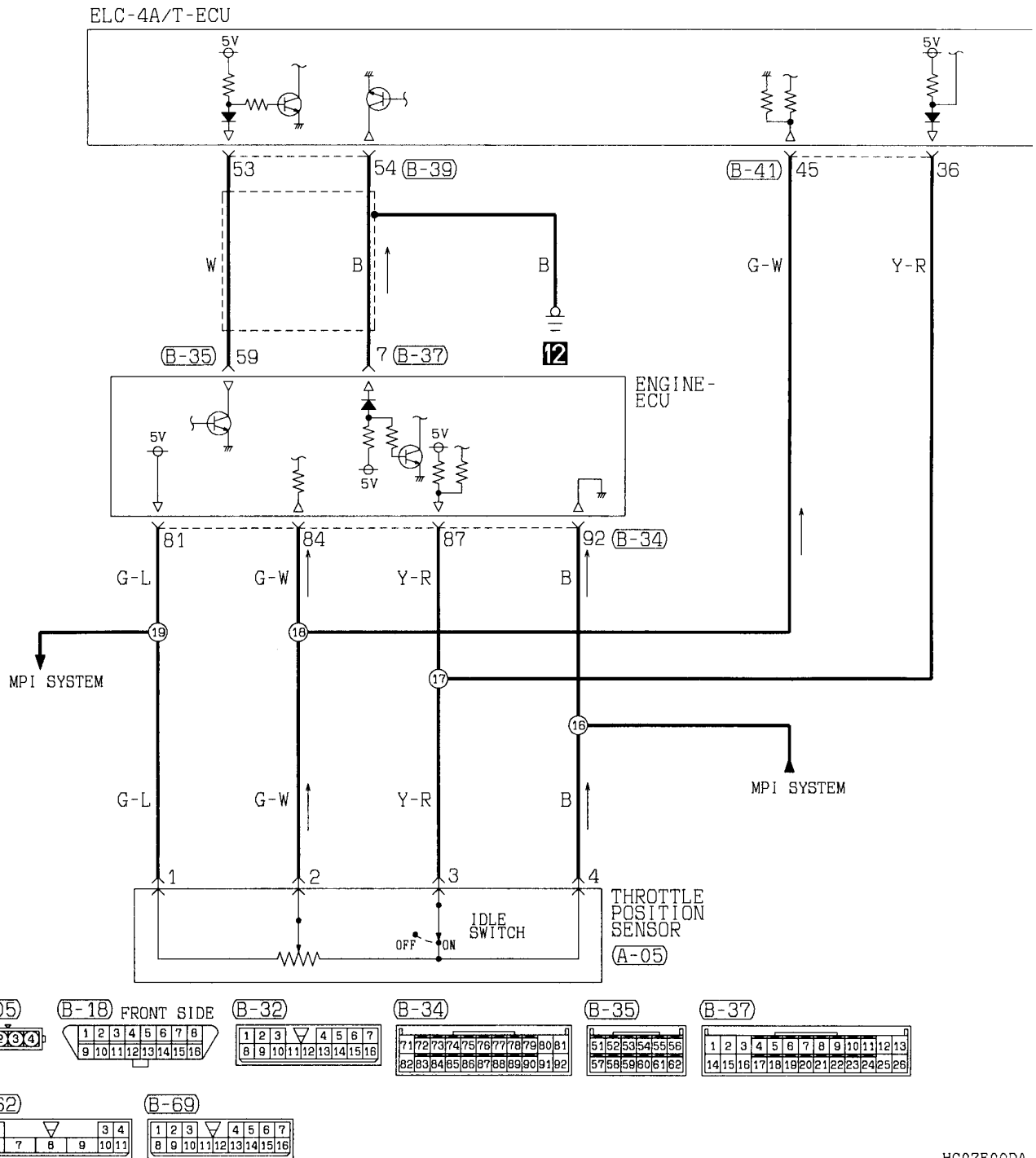
(B-47)

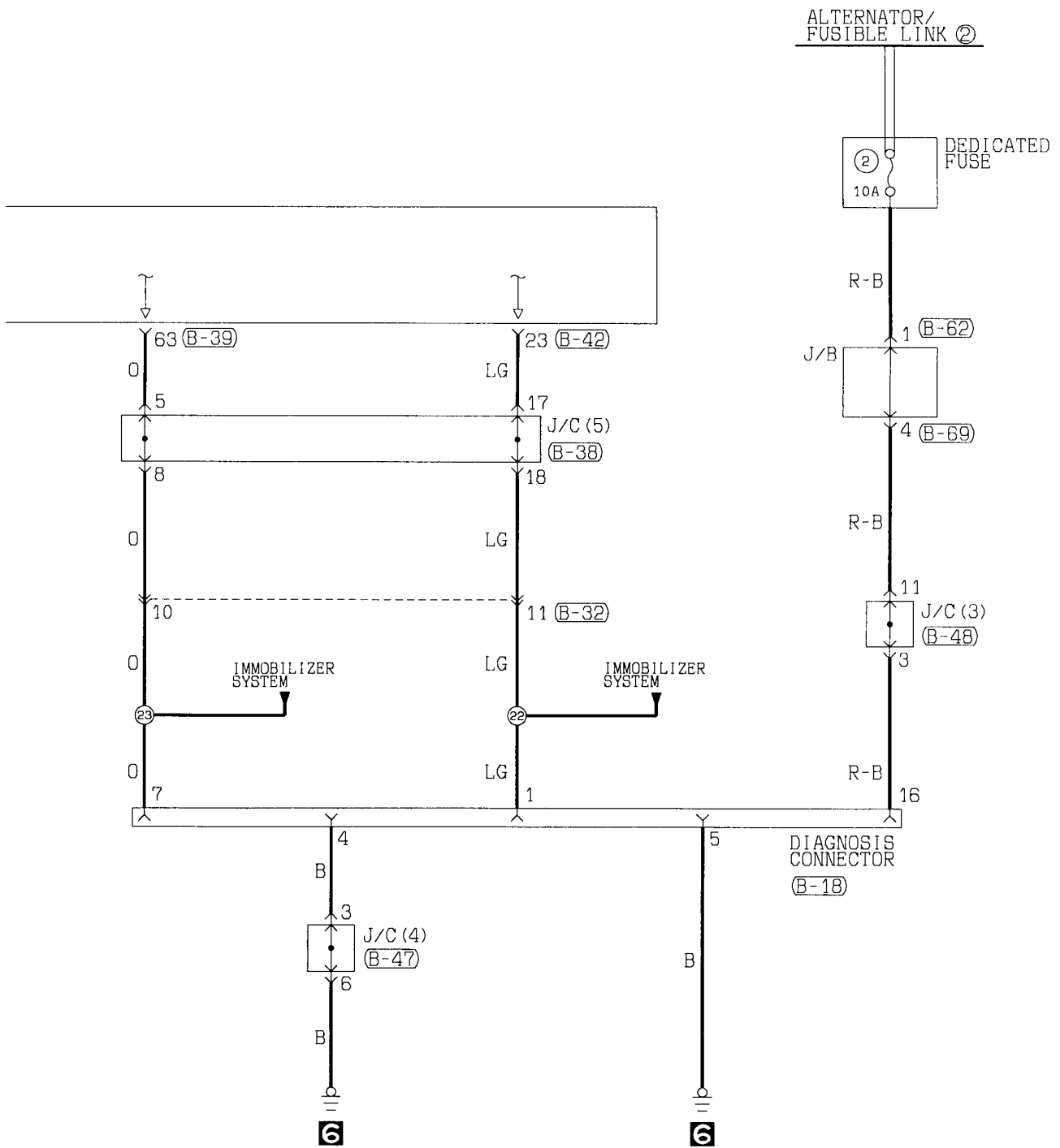
1	2	3	4	5	6
7	8	9	10	11	12
13	14				

(B-49)

1	2	3	4	5	6
7	8	9	10	11	12
13	14				

ELC 4-SPEED AUTOMATIC TRANSMISSION <L.H. drive vehicles> (CONTINUED)





(B-38)

1	2	3	4	5	6	7	8			
9	10	11	12	13	14	15	16	17	18	19

(B-39)

JAE											
51	52	53	54	55	56	57	58	59	60	61	62
63	64	65	66	67	68	69	70	71	72		

(B-41)

JAE											
31	32	33	34	35	36	37	38	39	40	41	42
43	44	45	46								

(B-42)

JAE											
1	2	3	4	5	6	7	8	9	10	11	12
13	14	15	16	17	18	19	20	21	22	23	24
25	26										

(B-47)

1	2	3	4	5	6		
7	8	9	10	11	12	13	14

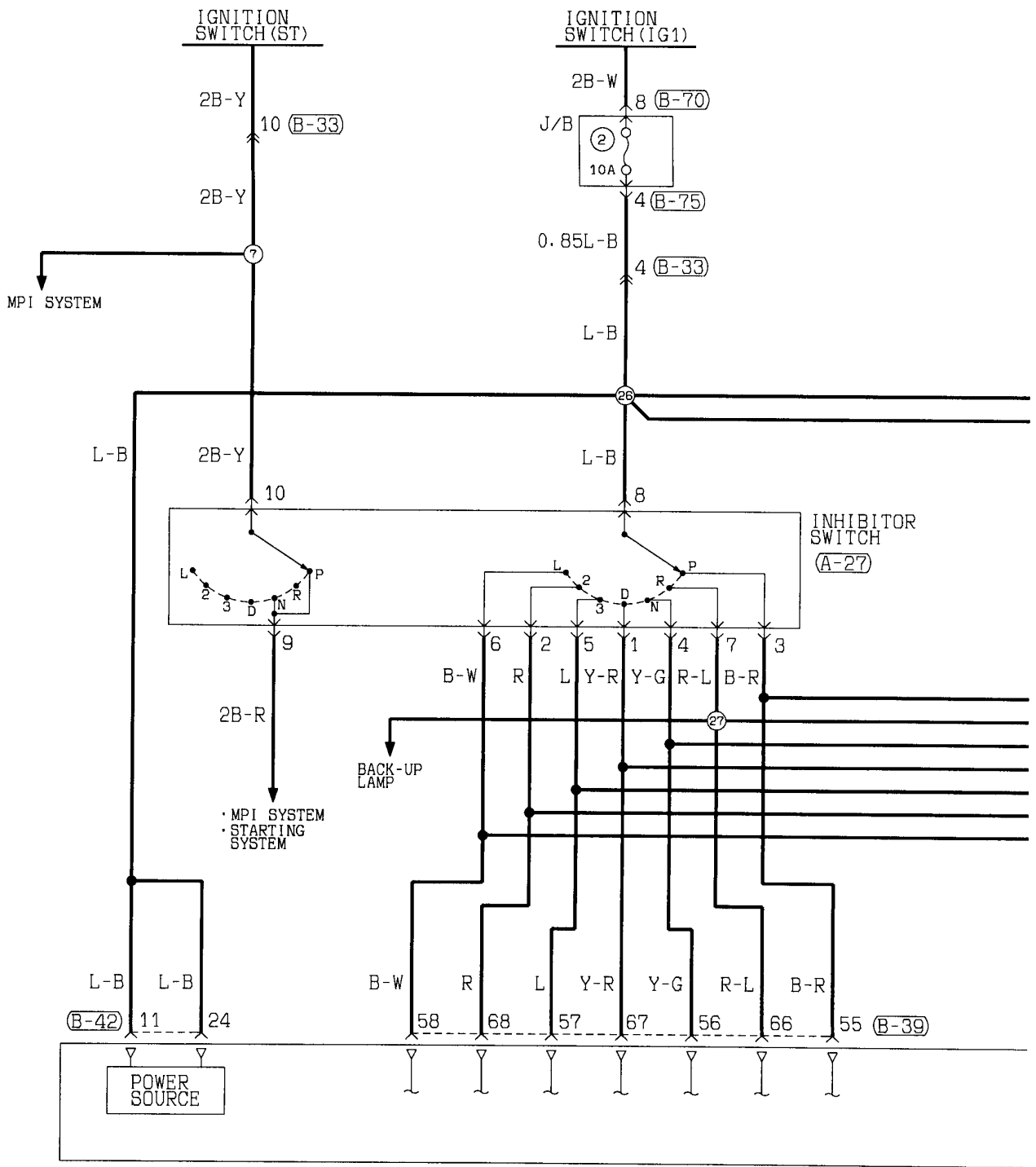
(B-48)

1	2	3	4	5	6		
7	8	9	10	11	12	13	14

ELC 4-SPEED AUTOMATIC TRANSMISSION

90100120174

R.H. drive vehicles



(A-27)

(A-62)

(A-67)

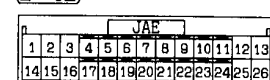
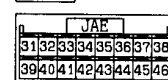
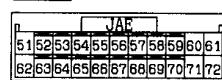
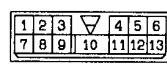
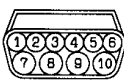
(B-33)

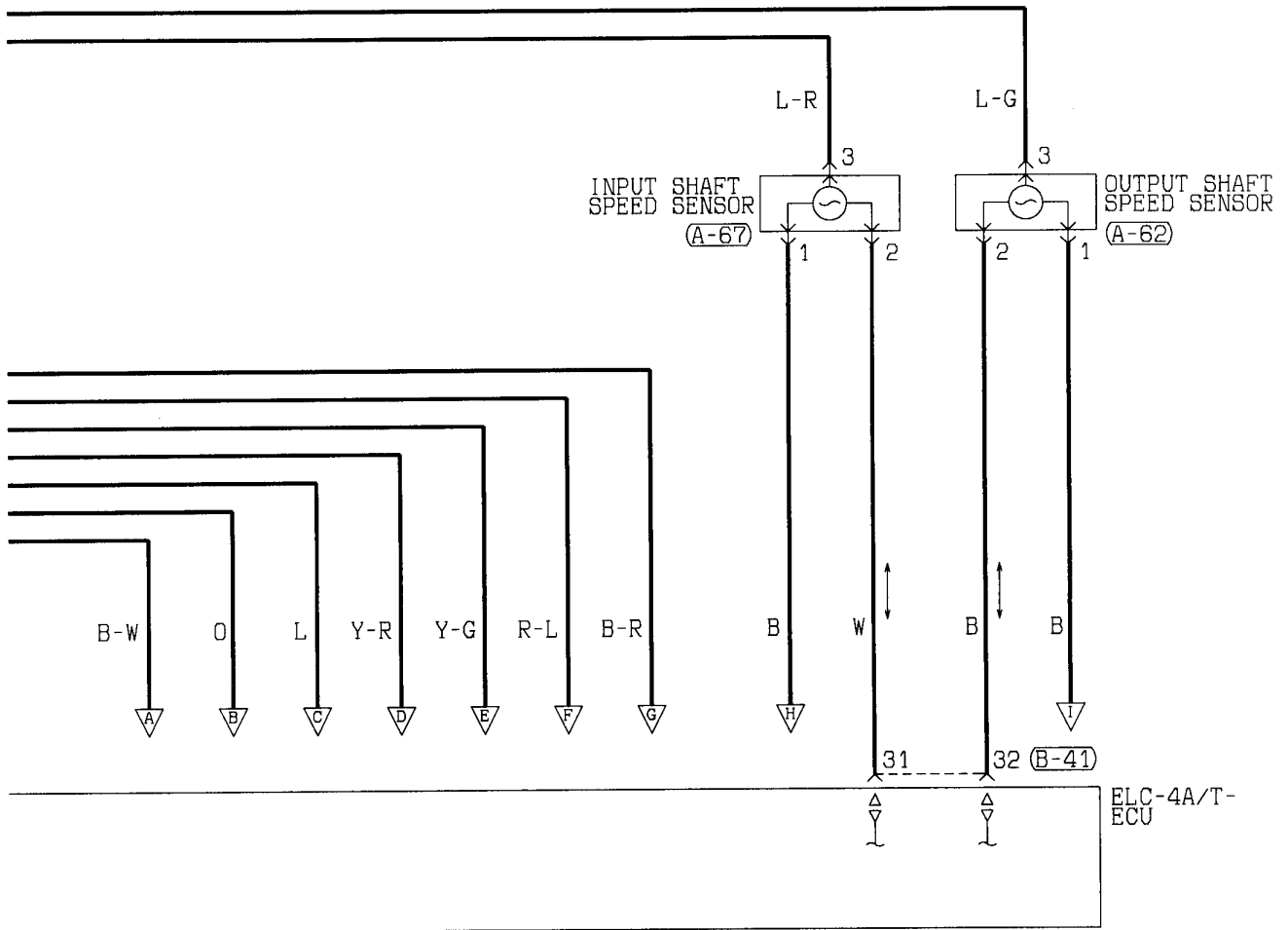
(B-39)

(B-41)

(B-42)

(B-70)

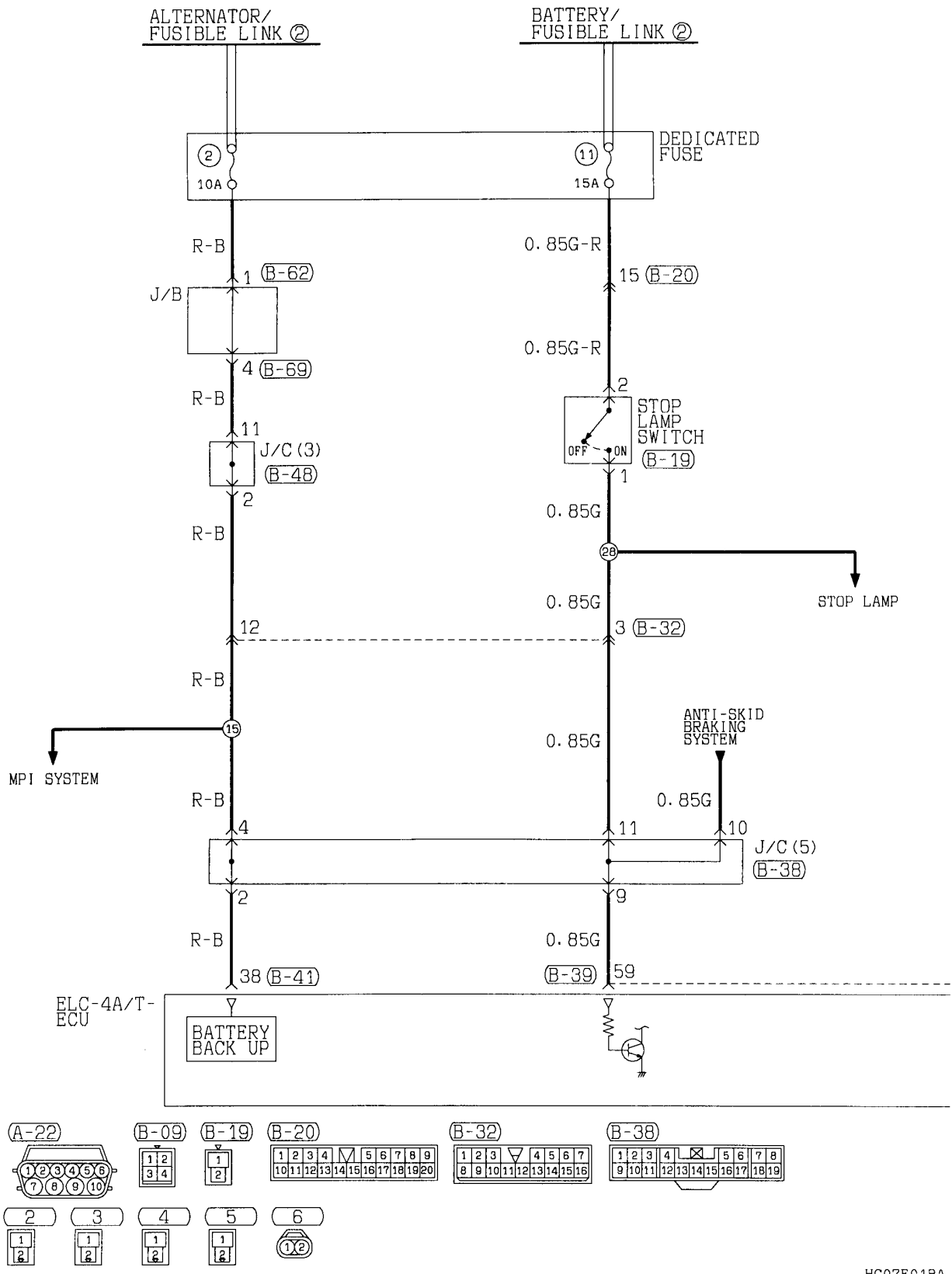


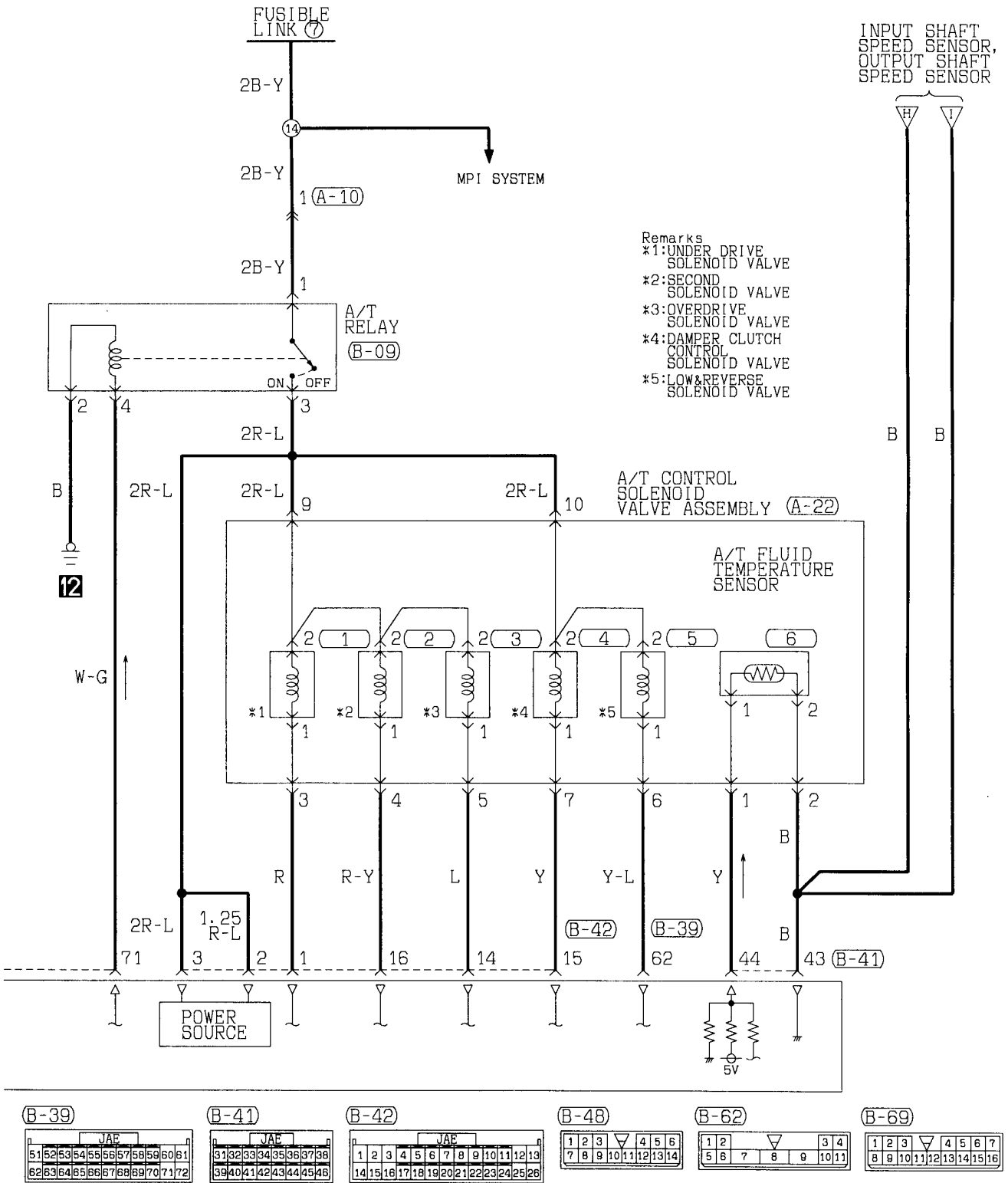


(B-75)

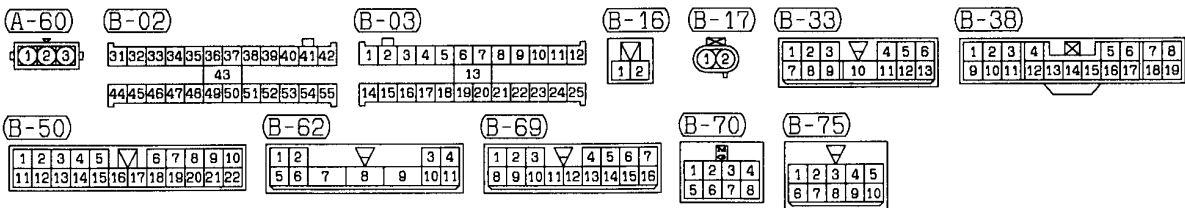
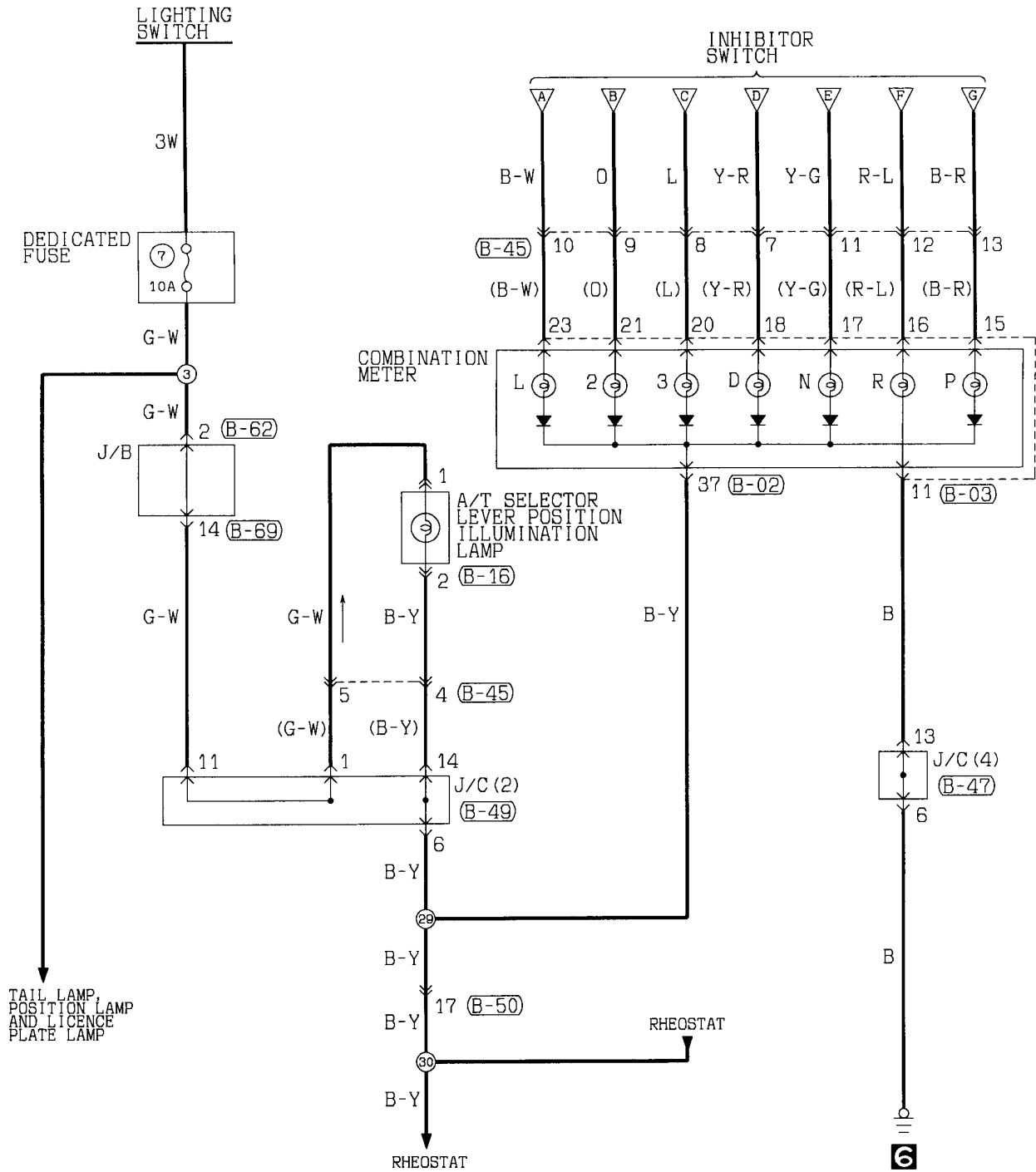
1	2	3	4	5
6	7	8	9	10

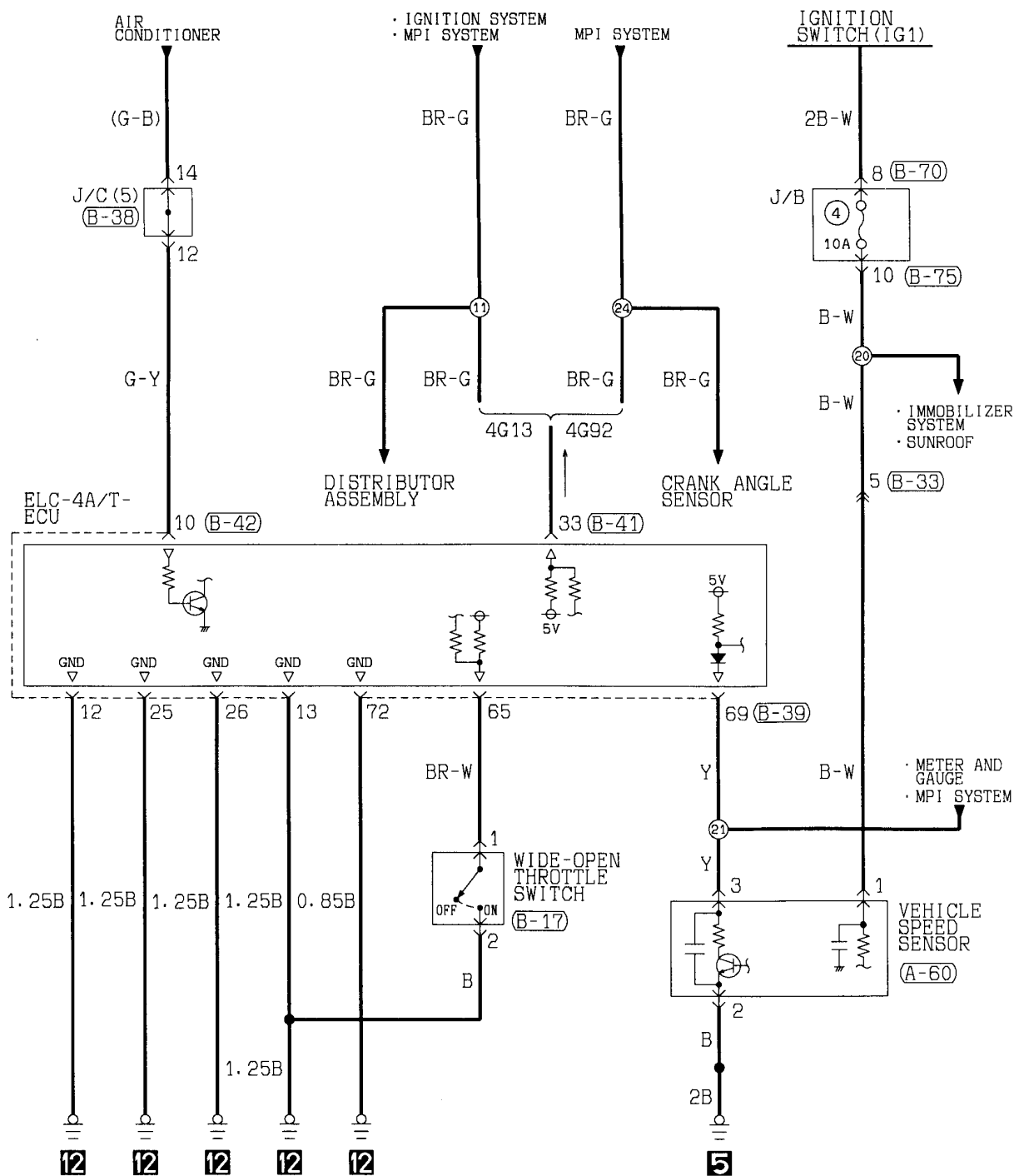
ELC 4-SPEED AUTOMATIC TRANSMISSION <R.H. drive vehicles> (CONTINUED)





ELC 4-SPEED AUTOMATIC TRANSMISSION <R.H. drive vehicles> (CONTINUED)





(B-39)

JAE										
51	52	53	54	55	56	57	58	59	60	61
62	63	64	65	66	67	68	69	70	71	72

(B-41)

JAE							
31	32	33	34	35	36	37	38
39	40	41	42	43	44	45	46

(B-42)

JAE												
1	2	3	4	5	6	7	8	9	10	11	12	13
14	15	16	17	18	19	20	21	22	23	24	25	26

(B-45)

1	2	3	4	5	6		
7	8	9	10	11	12	13	14

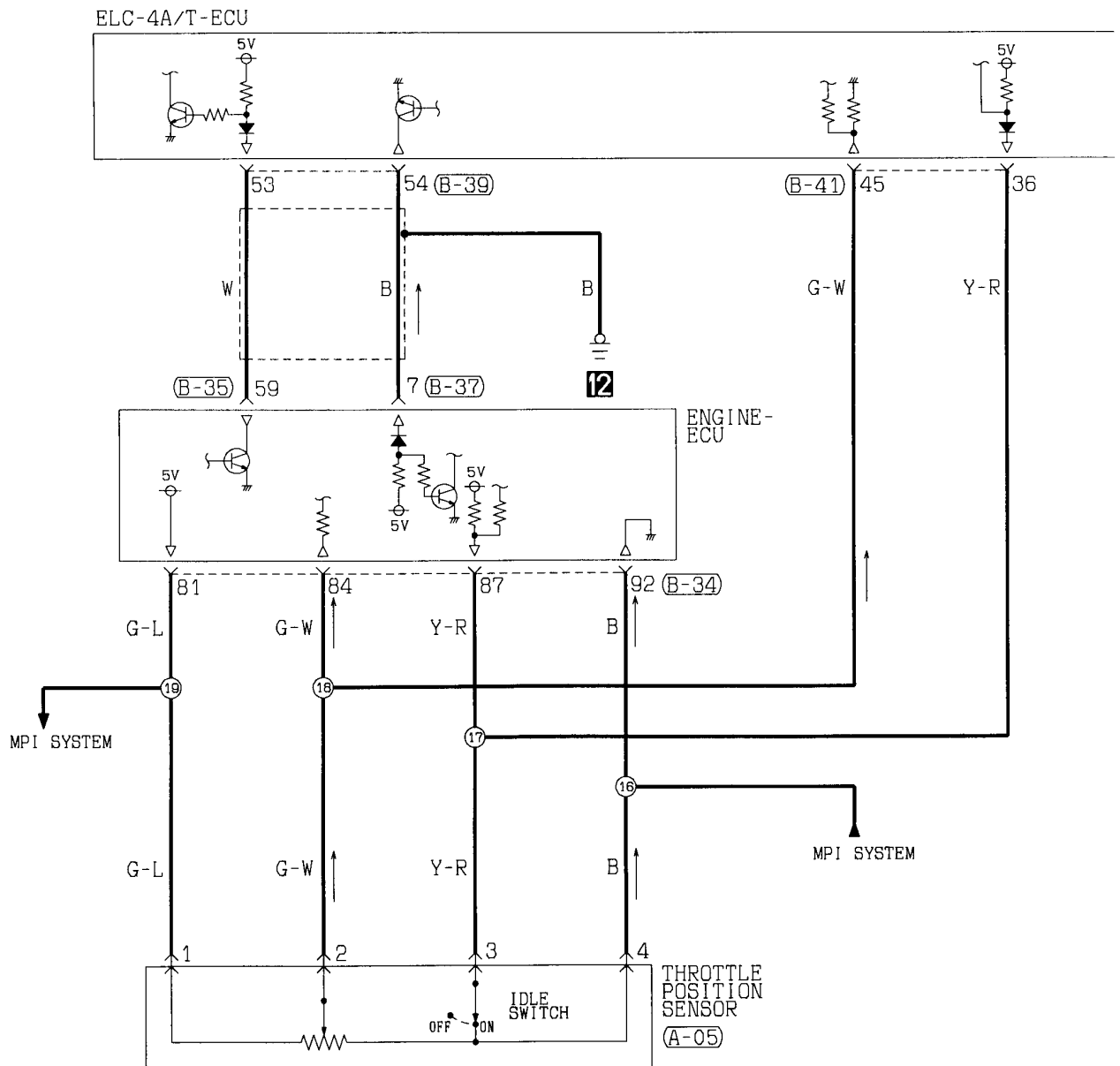
(B-47)

1	2	3	4	5	6		
7	8	9	10	11	12	13	14

(B-49)

1	2	3	4	5	6		
7	8	9	10	11	12	13	14

ELC 4-SPEED AUTOMATIC TRANSMISSION <R.H. drive vehicles> (CONTINUED)



(A-05)

1	2	3	4
5	6	7	8

(B-18) FRONT SIDE

1	2	3	4	5	6	7	8
9	10	11	12	13	14	15	16

(B-32)

1	2	3	4	5	6	7
8	9	10	11	12	13	14
15	16					

(B-34)

71	72	73	74	75	76	77	78	79	80	81
82	83	84	85	86	87	88	89	90	91	92

(B-35)

51	52	53	54	55	56
57	58	59	60	61	62

(B-37)

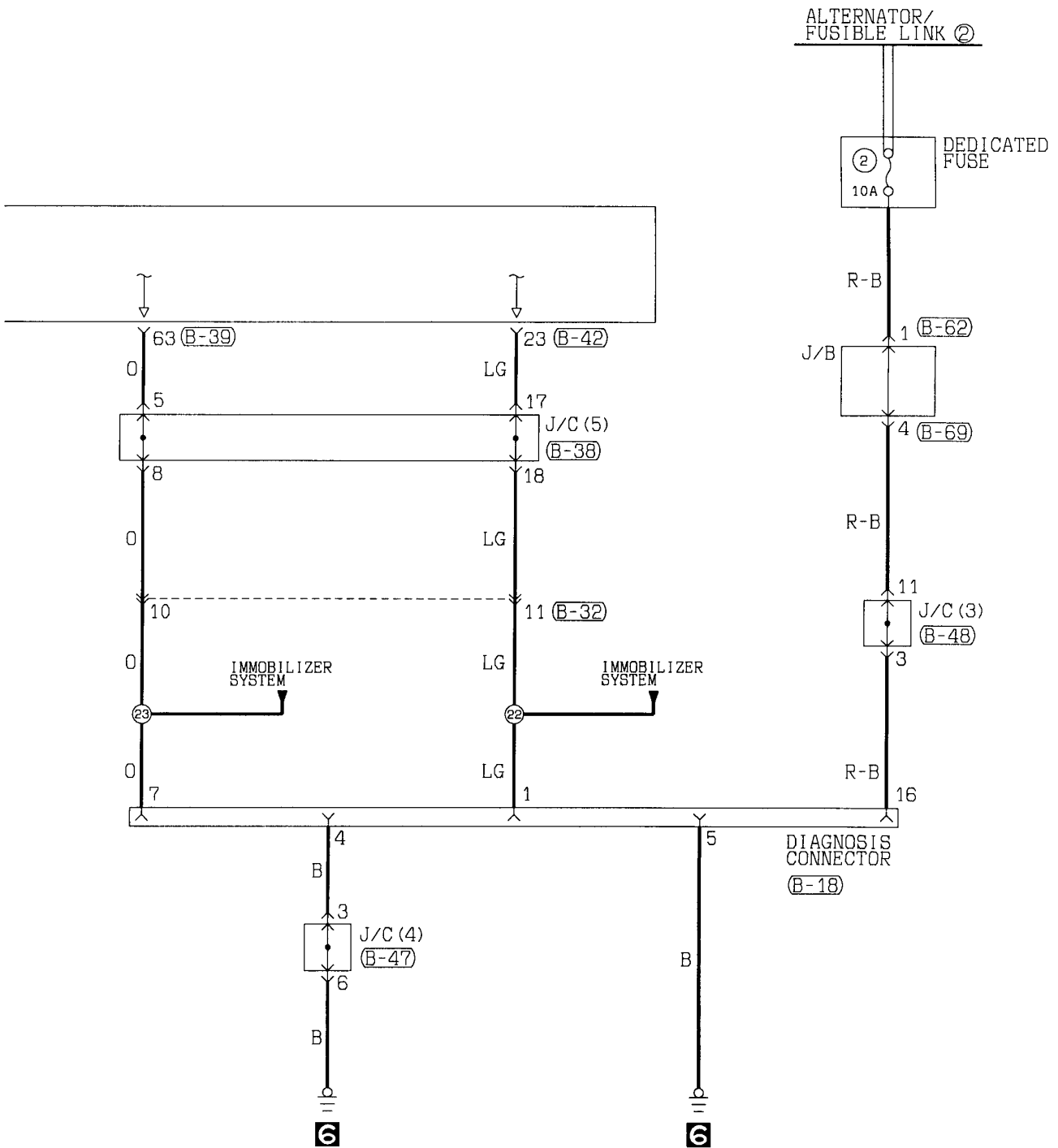
1	2	3	4	5	6	7	8	9	10	11	12	13
14	15	16	17	18	19	20	21	22	23	24	25	26

(B-62)

1	2	3	4
5	6	7	8
9	10	11	

(B-69)

1	2	3	4	5	6	7
8	9	10	11	12	13	14
15	16					



(B-38)

1	2	3	4	5	6	7	8
9	10	11	12	13	14	15	16
17	18	19					

(B-39)

JAE													
51	52	53	54	55	56	57	58	59	60	61			
62	63	64	65	66	67	68	69	70	71	72			

(B-41)

JAE													
31	32	33	34	35	36	37	38						
39	40	41	42	43	44	45	46						

(B-42)

JAE																										
1	2	3	4	5	6	7	8	9	10	11	12	13														
14	15	16	17	18	19	20	21	22	23	24	25	26														

(B-47)

1	2	3	4	5	6
7	8	9	10	11	12
13	14				

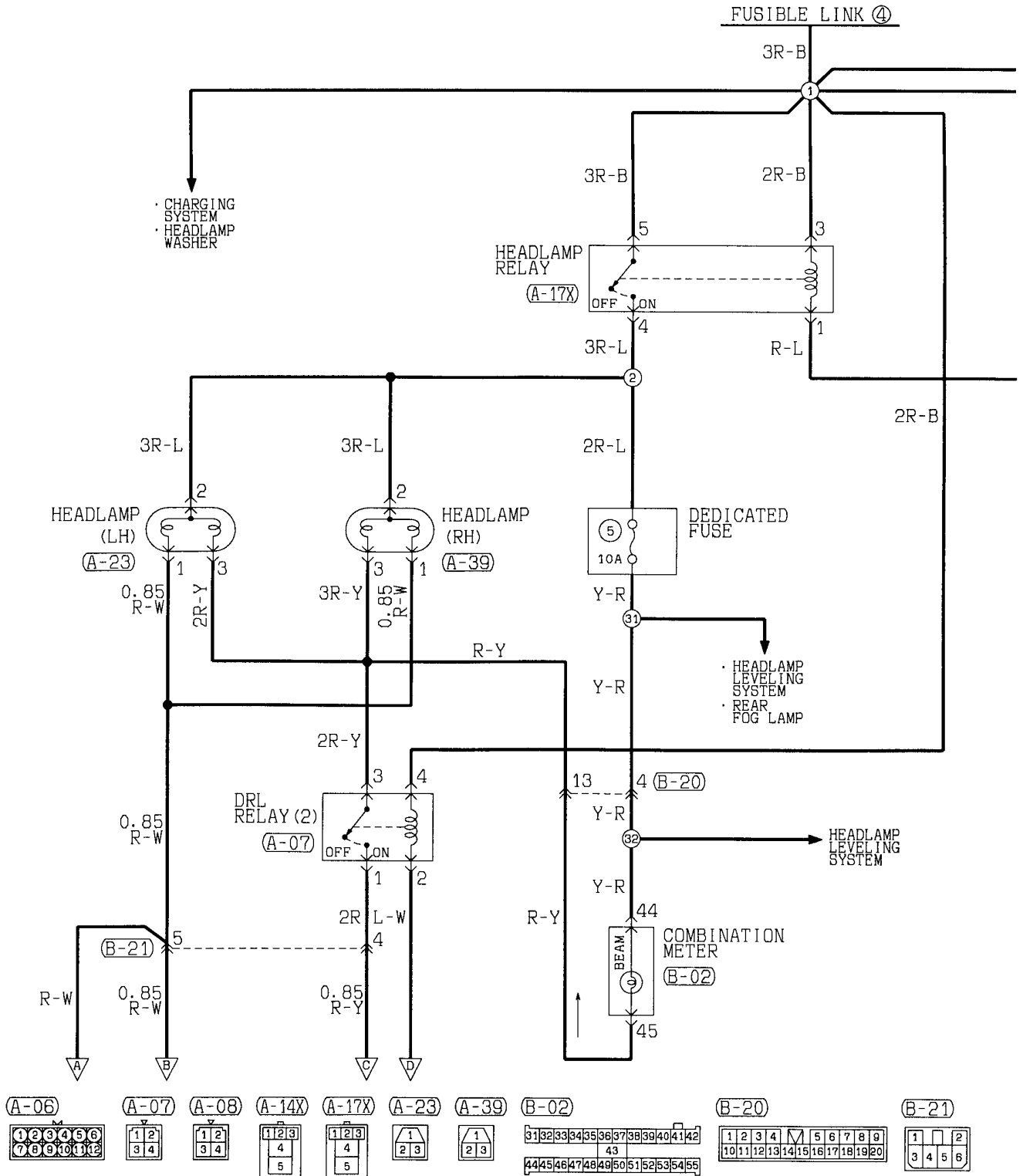
(B-48)

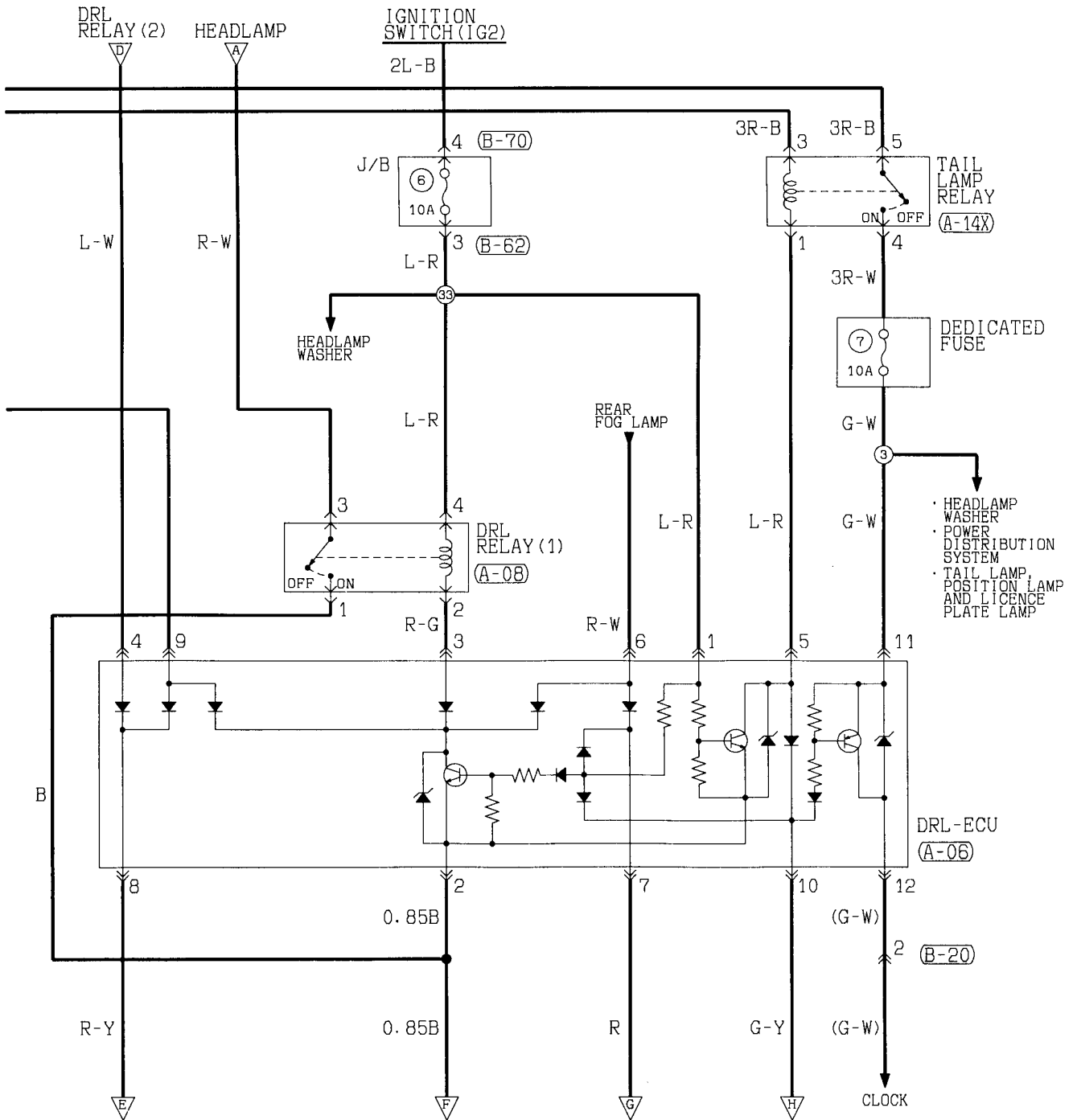
1	2	3	4	5	6
7	8	9	10	11	12
13	14				

HEADLAMP

90100150203

Vehicles with daytime running lamp





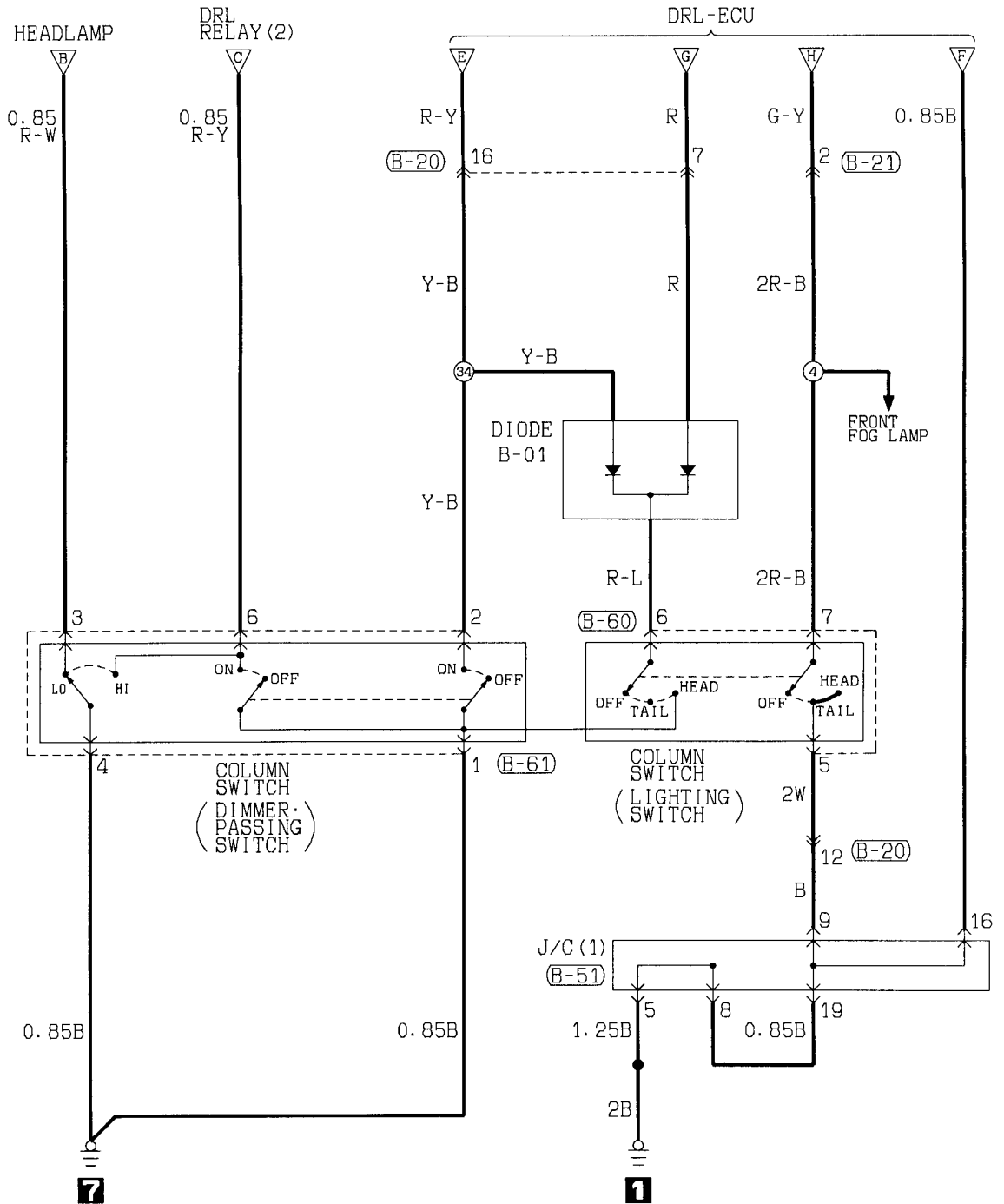
(B-62)

1	2	3	4
5	6	7	8

(B-70)

1	2	3	4
5	6	7	8

HEADLAMP <Vehicles with daytime running lamp> (CONTINUED)



(B-20)

1	2	3	4	M	5	6	7	8	9	
10	11	12	13	14	15	16	17	18	19	20

(B-21)

1		2	
3	4	5	6

(B-51)

1	2	3	4	X	5	6	7	8		
9	10	11	12	13	14	15	16	17	18	19

(B-60)

1	2	M	3	4	
5	6	7	8	9	10

(B-61)

1		2	
3	4	5	6

HEADLAMP <Vehicles with daytime running lamp> (See P. 4-80.)**OPERATION**

Headlamp relay activation requirements

Ignition switch	Lighting switch	Dimmer/passing switch	Headlamp relay
"ON"	"OFF"	-	On
-	"HEAD"	-	On
-	-	"PASS"	On

<Daytime running lamp operation>

- Turning the ignition switch to the ON position causes the headlamp relay, DRL relay 1, and tail lamp relay to be energized, which causes the headlamps, tail lamps, etc. to go on.

<Low-beam operation>

- Placing the lighting switch in the HEAD position causes the headlamp relay and DRL relay 2 to be energized.
- If the dimmer/passing switch is placed in the LO position at this time, the headlamps light up in low beam.

<Upper-beam operation>

- Placing the lighting switch in the HEAD position causes the headlamp relay and DRL relay 2 to be energized.
- If the dimmer/passing switch is placed in the HI position at this time, the headlamps light up in upper beam.

<Upper-beam indicator lamp>

- This lamp lights up when the upper/passing beams are on, indicating that the headlamps are on in upper beam.

<Passing operation>

- When the dimmer/passing switch is set to the "ON" position, the headlamp relay is switched ON and the upper beam of the headlamps illuminates.

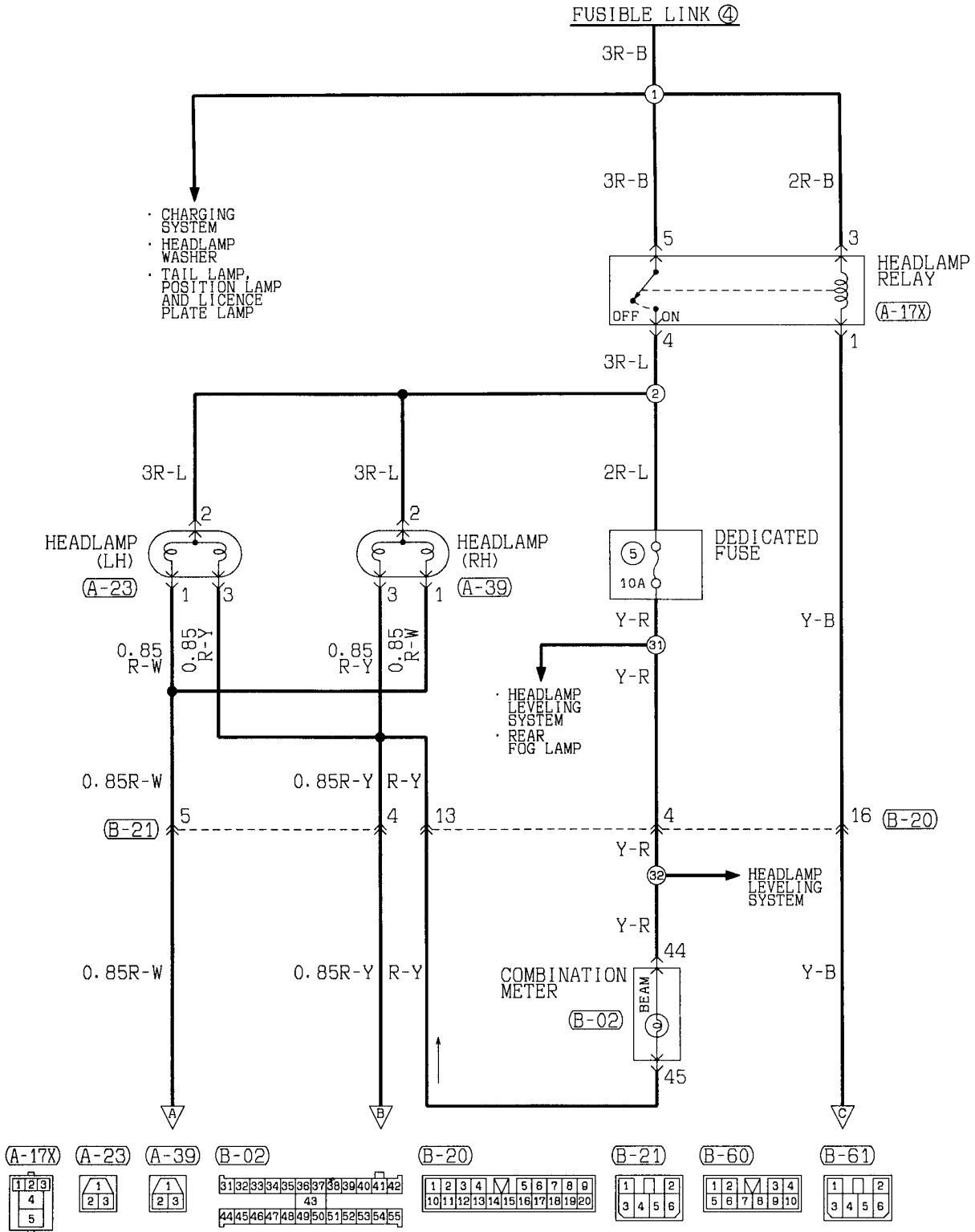
TROUBLESHOOTING HINTS

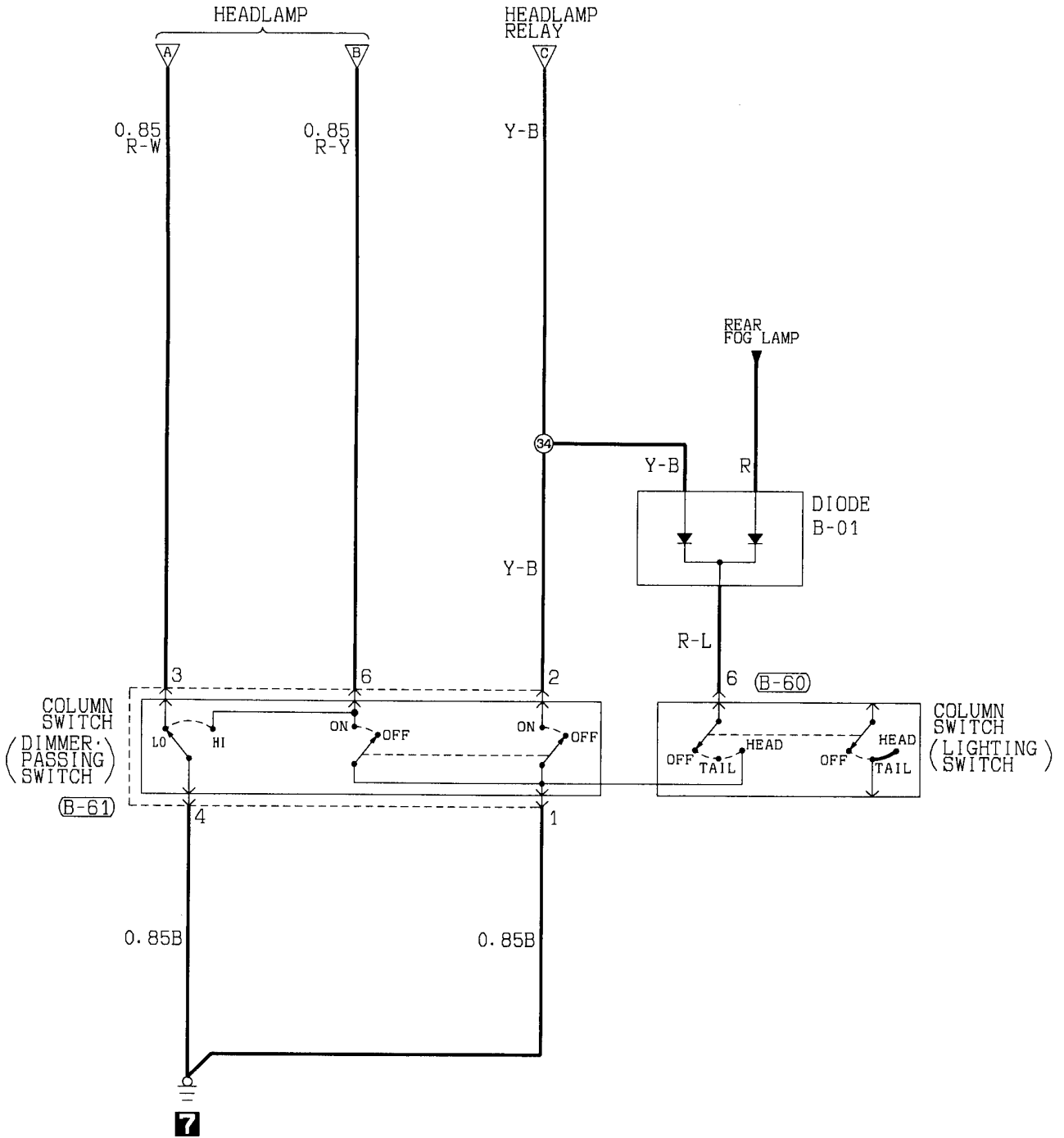
- Headlamps don't go on.
 - But the tail lamps do illuminate.
 - Check the headlamp relay.
 - Check the lighting switch.
 - The tail lamps also don't illuminate.
 - Check the fusible link No. (4).
- The low beam at both sides doesn't illuminate.
 - Check the dimmer switch LO contacts.
- The upper beam at both sides doesn't illuminate.
 - The passing signal functions OK.
 - Check the dimmer switch HI contacts.
 - The passing signal does not function.
 - Check the dimmer switch.
 - Check the DRL relay 2.
 - Check the DRL-ECU.
- One headlamps doesn't illuminate.
 - Check the lamp bulb.
- Can't switch from low to upper beam or vice-versa.
 - Check the dimmer switch.
- With the ignition switch at the "ON" position, the headlamps' low beam does not illuminate.
 - Check the DRL relay 1.
 - Check the DRL-ECU.
- Upper-beam indicator lamp does not go on.
 - Headlamp upper beams are operational.
 - Check dedicated fuse No. (5).
 - Check the indicator lamp bulb.

HEADLAMP

90100150210

Vehicles without daytime running lamp





HEADLAMP <Vehicles without daytime running lamp> (See P. 4-84.)**OPERATION**

Headlamp relay activation requirements

Lighting switch	Dimmer/passing switch	Headlamp relay
"HEAD"	-	On
-	"ON"	On

<Low-beam operation>

- Placing the lighting switch in the HEAD position causes the headlamp relay to be energized.
- If the dimmer/passing switch is placed in the LO position at this time, the headlamps light up in low beam.

<Upper-beam operation>

- Placing the lighting switch in the HEAD position causes the headlamp relay to be energized.
- If the dimmer/passing switch is placed in the HI position at this time, the headlamps light up in upper beam.

<Upper-beam indicator lamp>

- This lamp lights up when the upper/passing beams are on, indicating that the headlamps are on in upper beam.

<Passing operation>

- When the dimmer/passing switch is set to the "ON" position, the headlamp relay is switched ON and the upper beam of the headlamps illuminates.

TROUBLESHOOTING HINTS

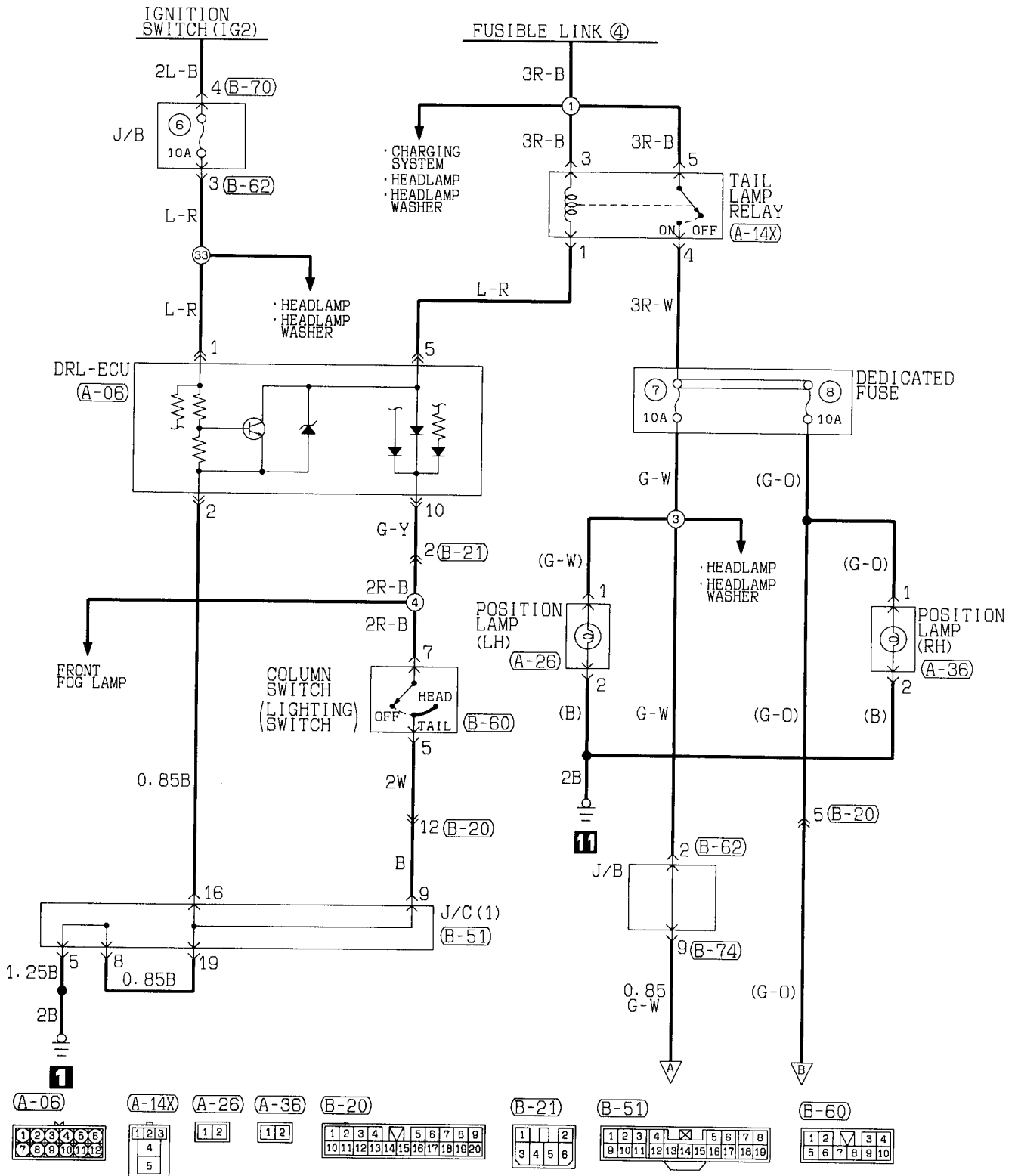
- Headlamps don't go on.
 - But the tail lamps illuminate.
 - Check the headlamp relay.
 - Check the lighting switch.
 - The tail lamps also don't illuminate.
 - Check the fusible link No. (4).
- The low beam at both sides doesn't illuminate.
 - Check the dimmer switch LO contacts.
- The upper beam at both sides doesn't illuminate.
 - The passing signal functions OK.
 - Check the dimmer switch HI contacts.
 - One headlamp doesn't illuminate.
 - Check the lamp bulb.
 - Can't switch from low to upper beam or vice-versa.
 - Check the dimmer switch.
 - Upper-beam indicator lamp does not go on.
 - Headlamp upper beams are operational.
 - Check dedicated fuse No. (5).
 - Check the indicator lamp bulb.

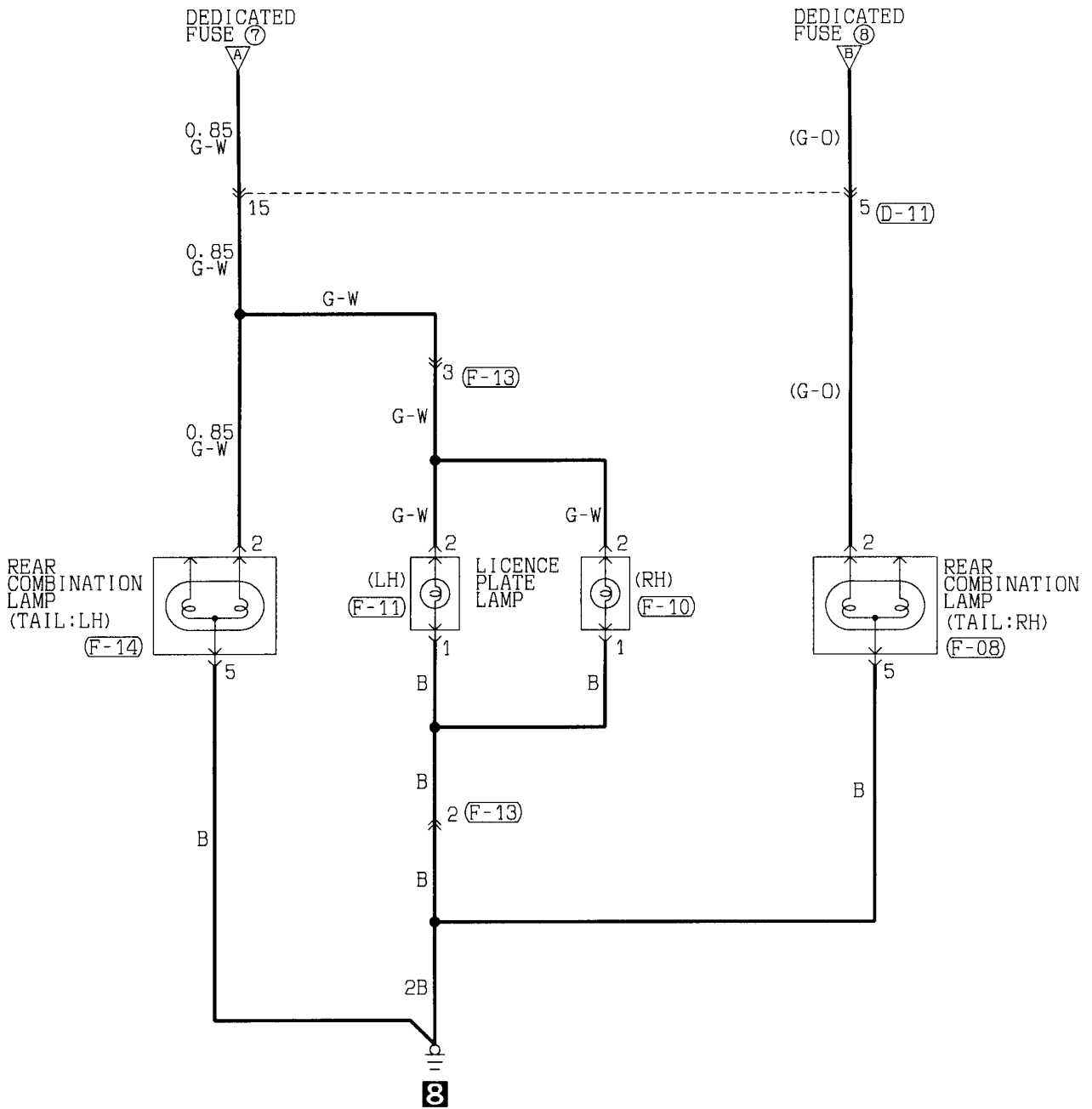
NOTES

TAIL LAMP, POSITION LAMP AND LICENCE PLATE LAMP

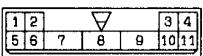
90101260097

Hatchback <Vehicles with daytime running lamp>





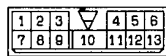
(B-62)



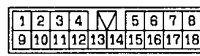
(B-70)



(B-74)



(D-11)



(F-08)



(F-10)



(F-11)



(F-13)



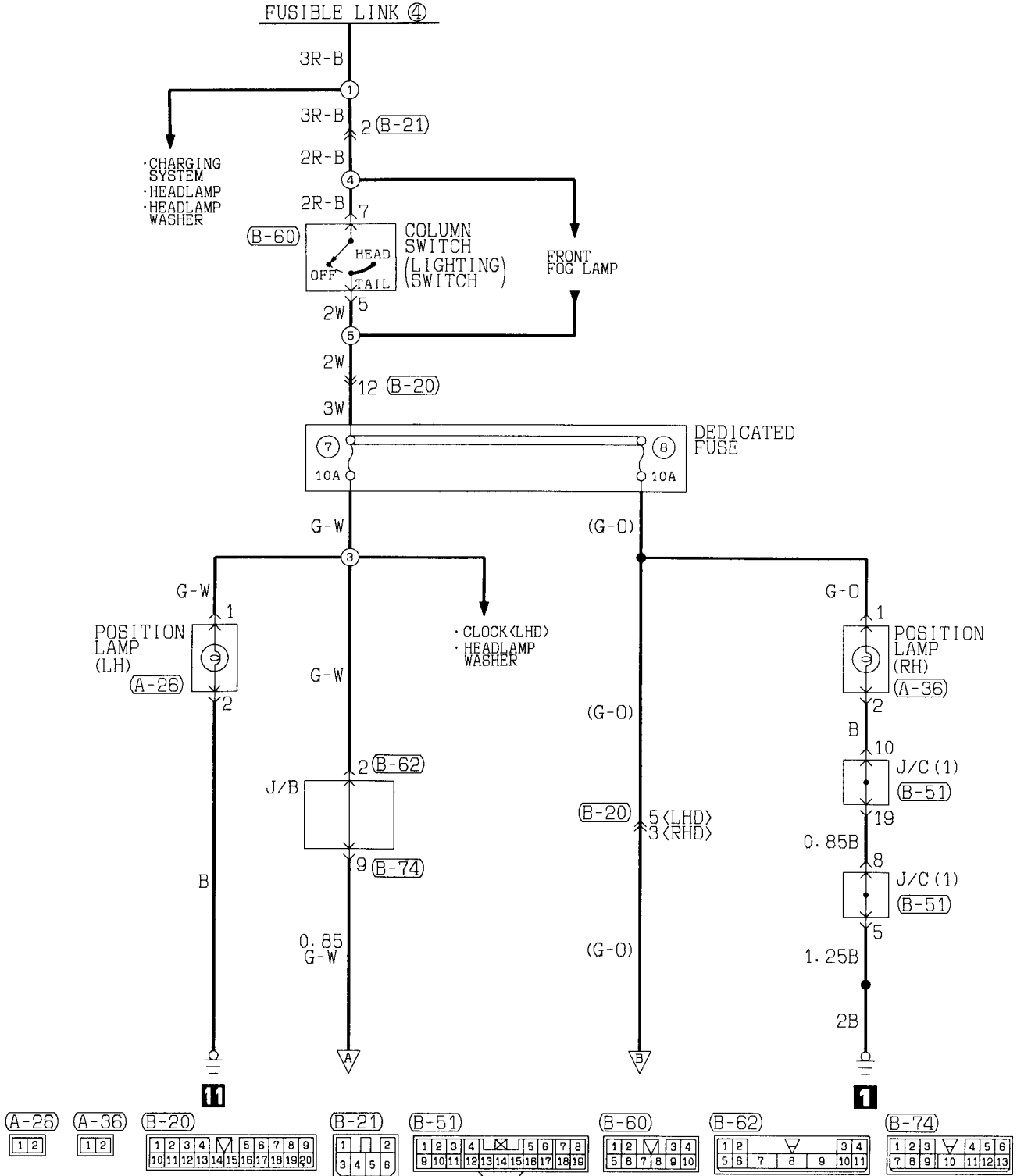
(F-14)

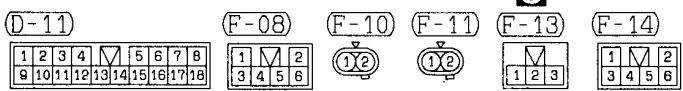
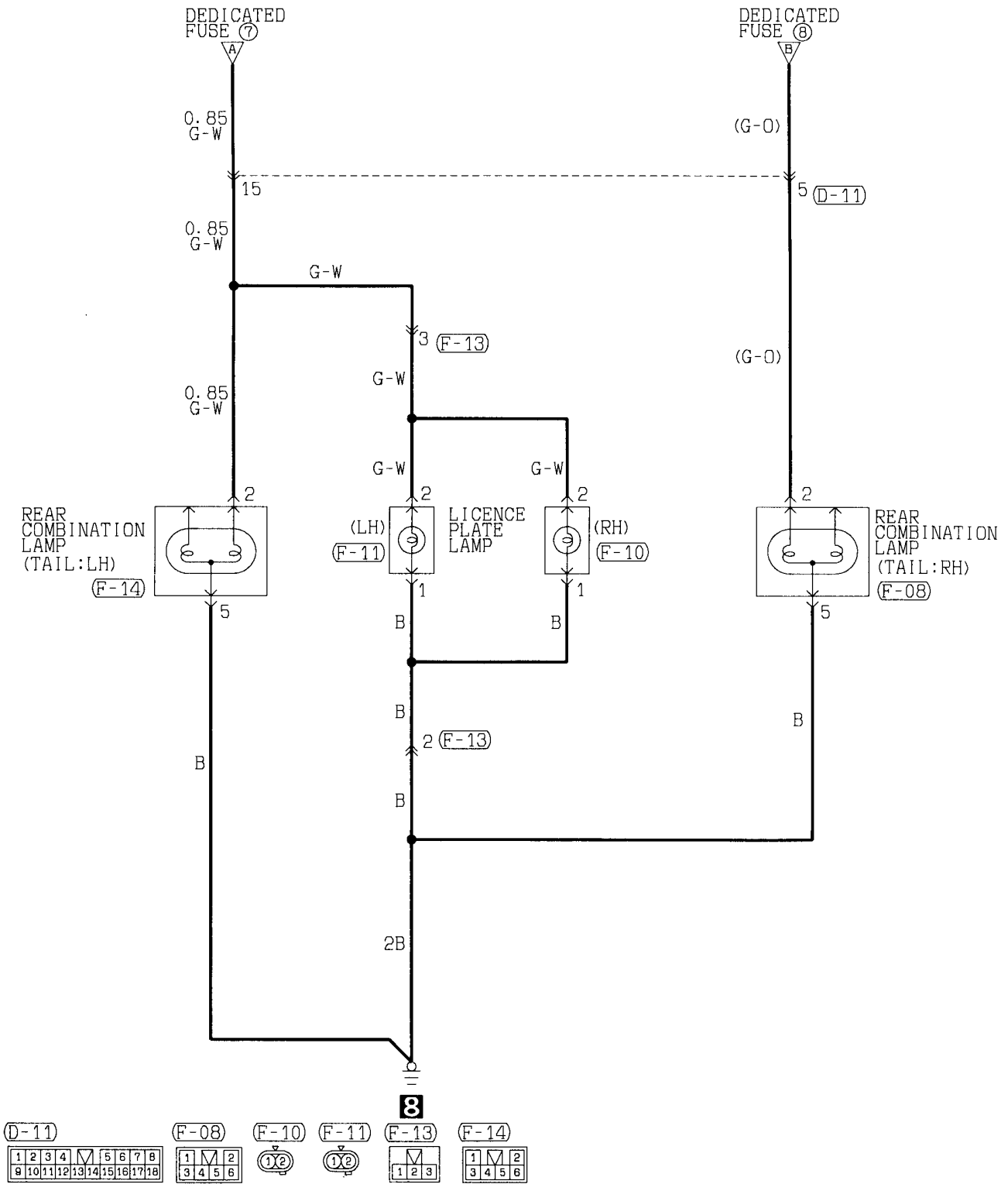


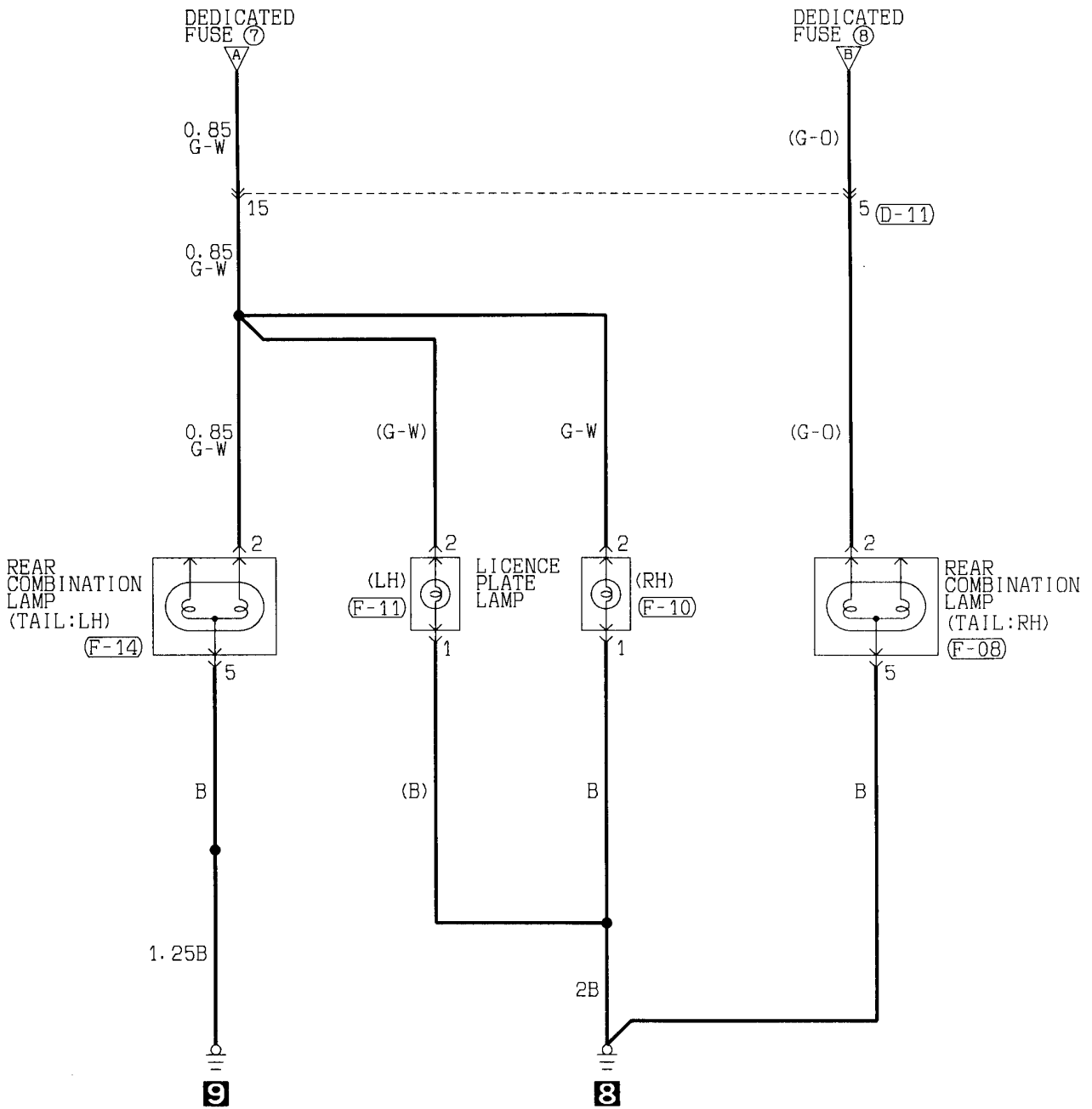
TAIL LAMP, POSITION LAMP AND LICENCE PLATE LAMP

90101260103

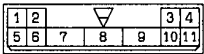
Hatchback <Vehicles without daytime running lamp>







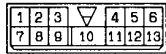
B-62



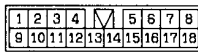
B-70



B-74



D-11



F-08



F-10



F-11



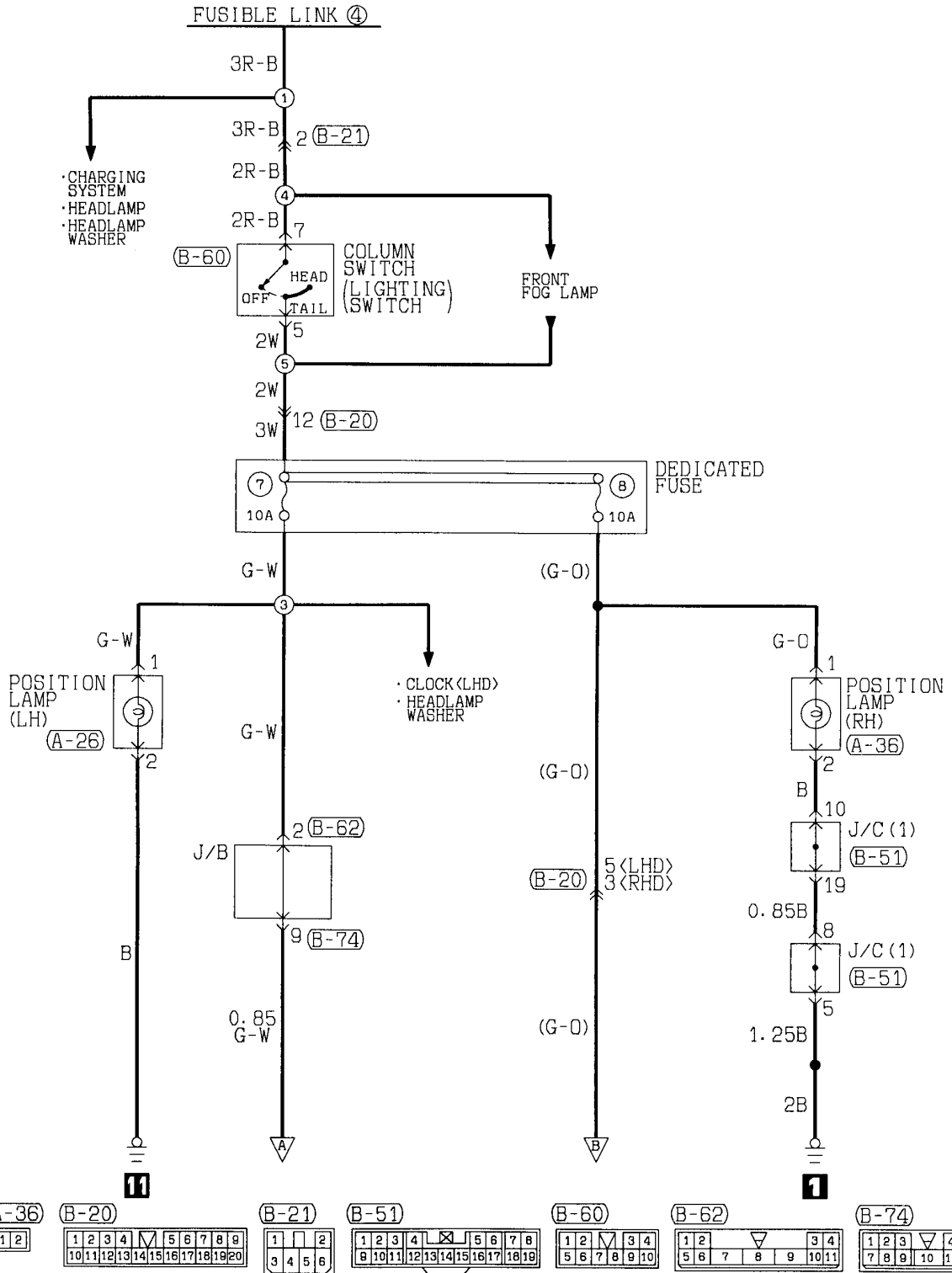
F-14

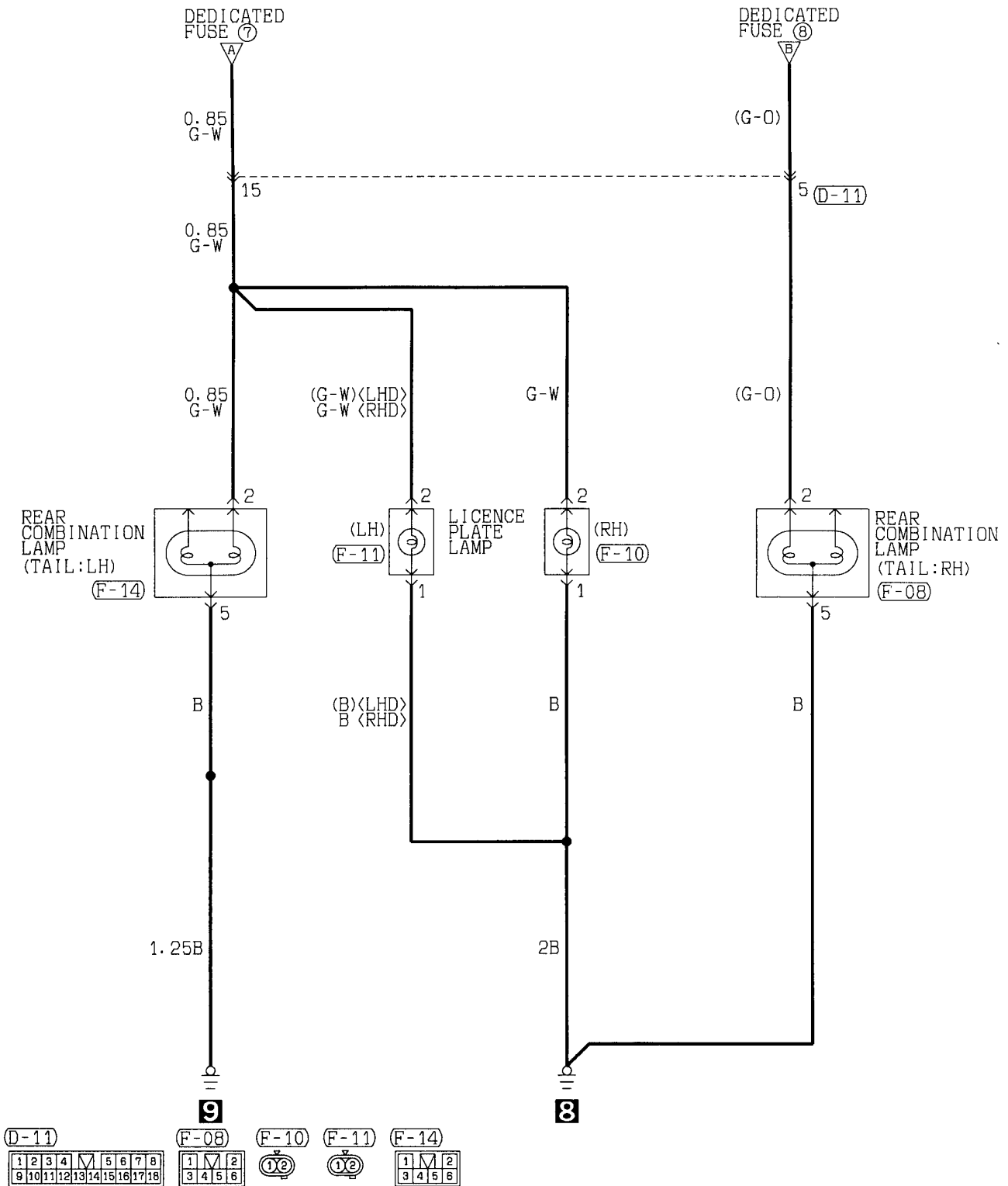


TAIL LAMP, POSITION LAMP AND LICENCE PLATE LAMP

90101260127

Sedan <Vehicles without daytime running lamp>





TAIL LAMP, POSITION LAMP AND LICENCE PLATE LAMP
(See P. 4-88, 90, 92, 94.)**OPERATION**

- Placing the lighting switch in the "TAIL" or "HEAD" position causes the tail lamp relay to be energized.
For vehicles with daytime running lamps, if the ignition switch is turned to the "ON" position, the tail lamp relay normally is always "ON".
- As result, current flows by way of dedicated fuse No. (7) and No. (8) to each lamp, causing the lamp to go on.

TROUBLESHOOTING HINTS

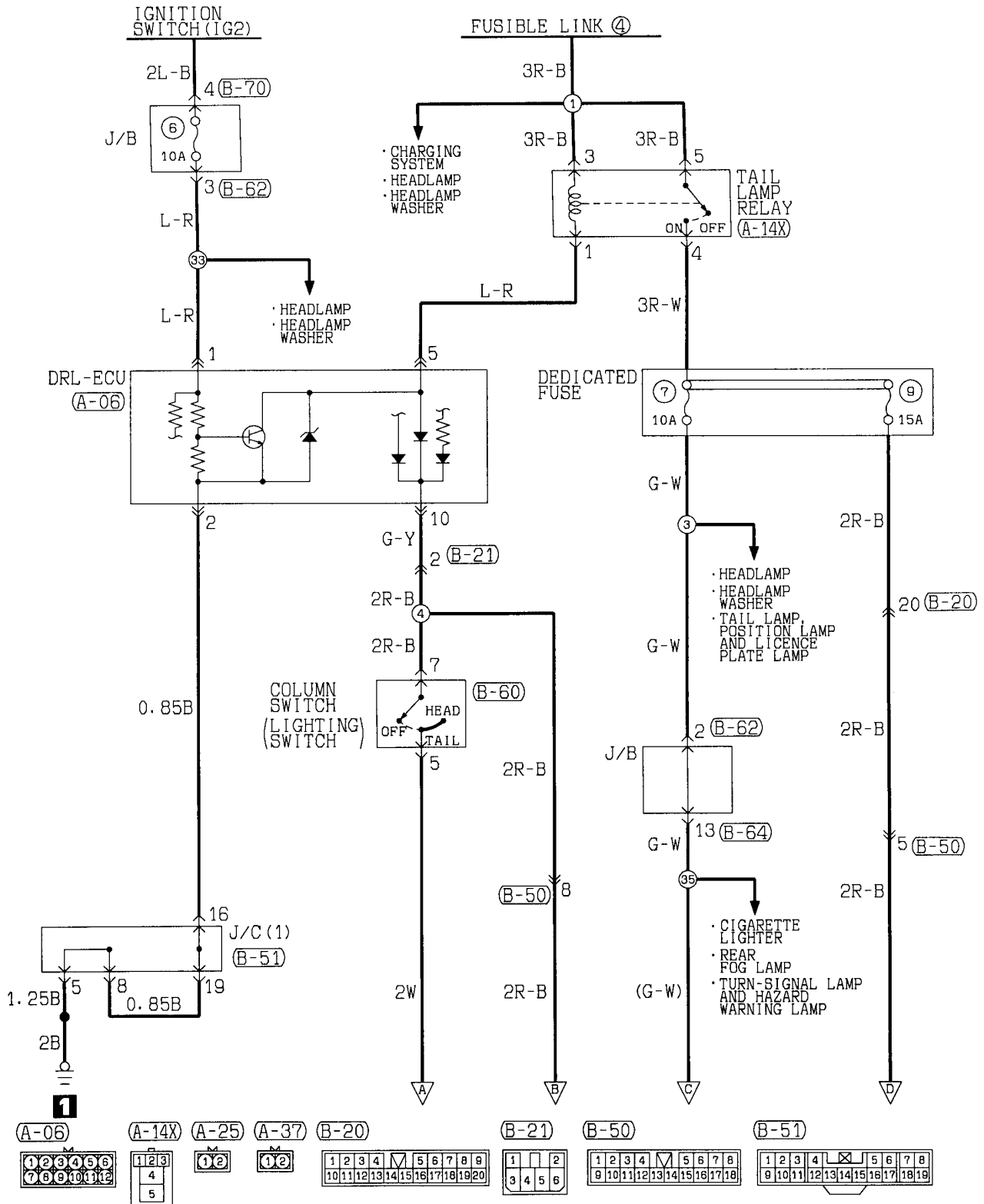
1. No lamp go on.
 - (1) Headlamps do not go on, either.
 - Check fusible link No. (4).
 - (2) Headlamps go on.
 - Check tail lamp relay.
 - Check dedicated fuse No. (7) and No. (8).

NOTES

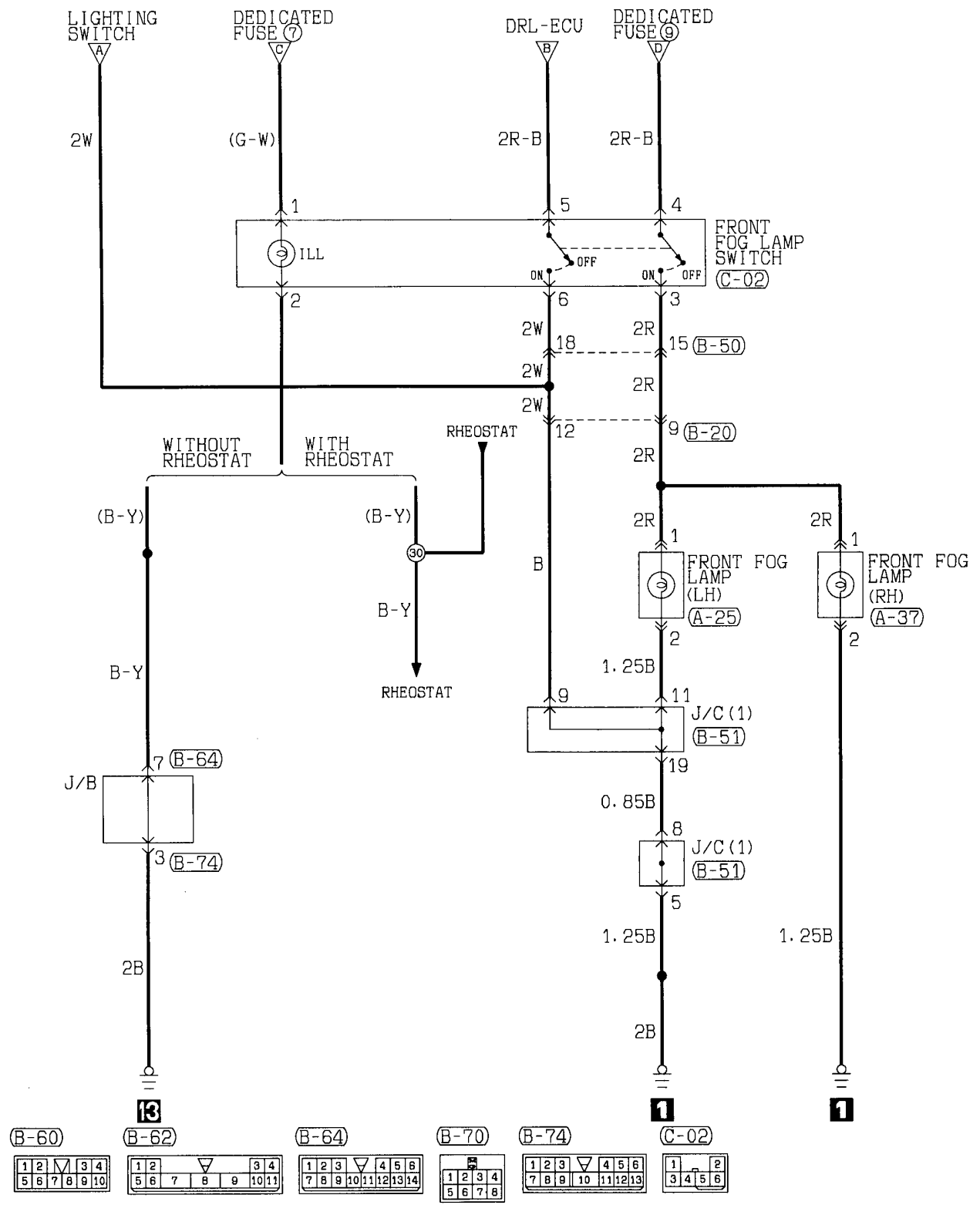
FRONT FOG LAMP

90101190075

Vehicles with daytime running lamp



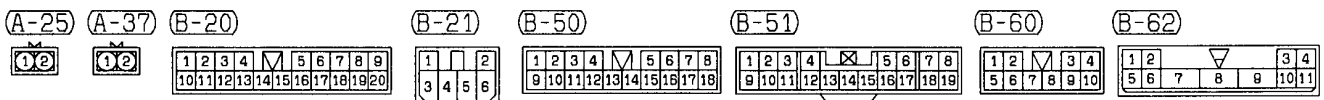
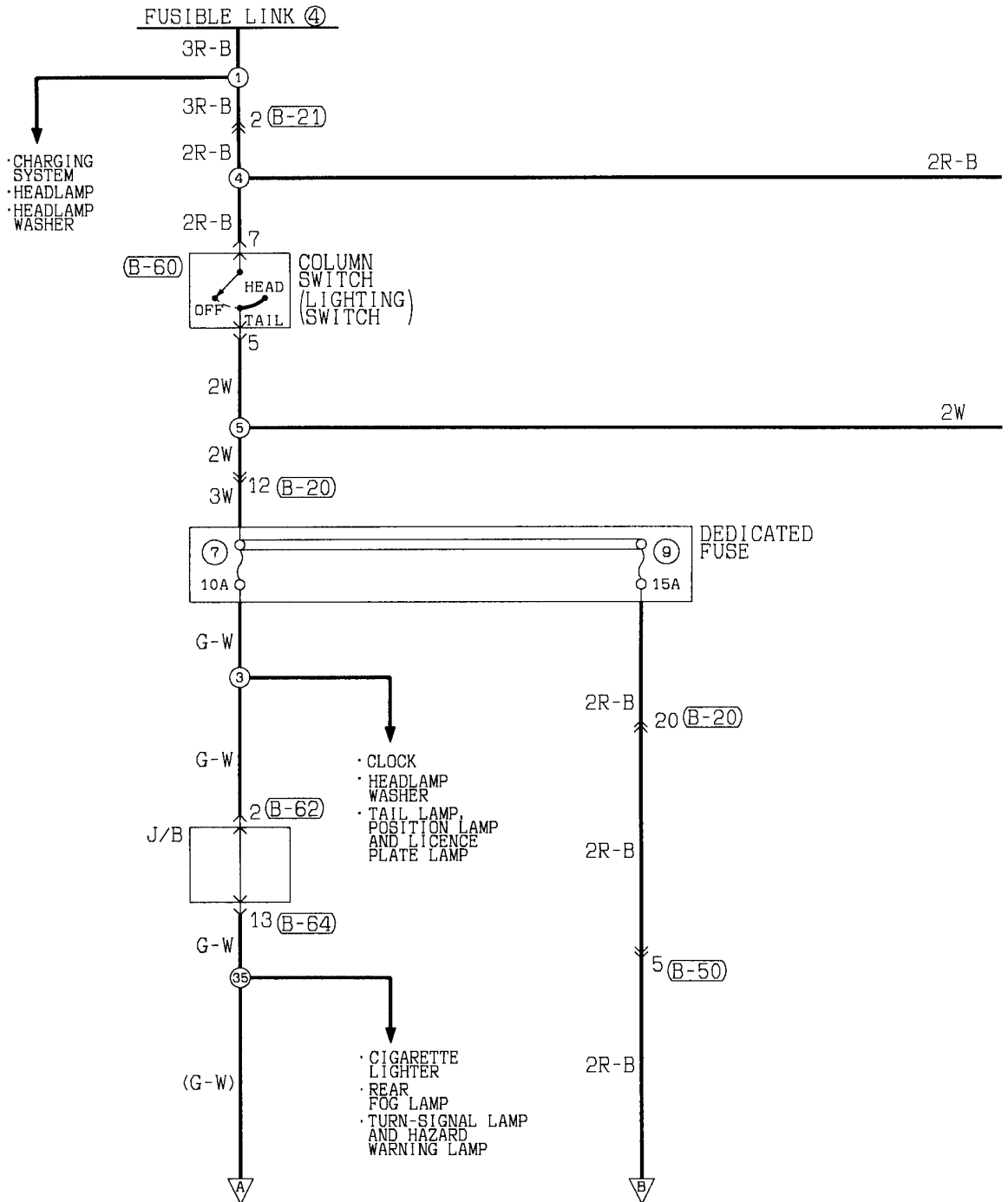
CIRCUIT DIAGRAM

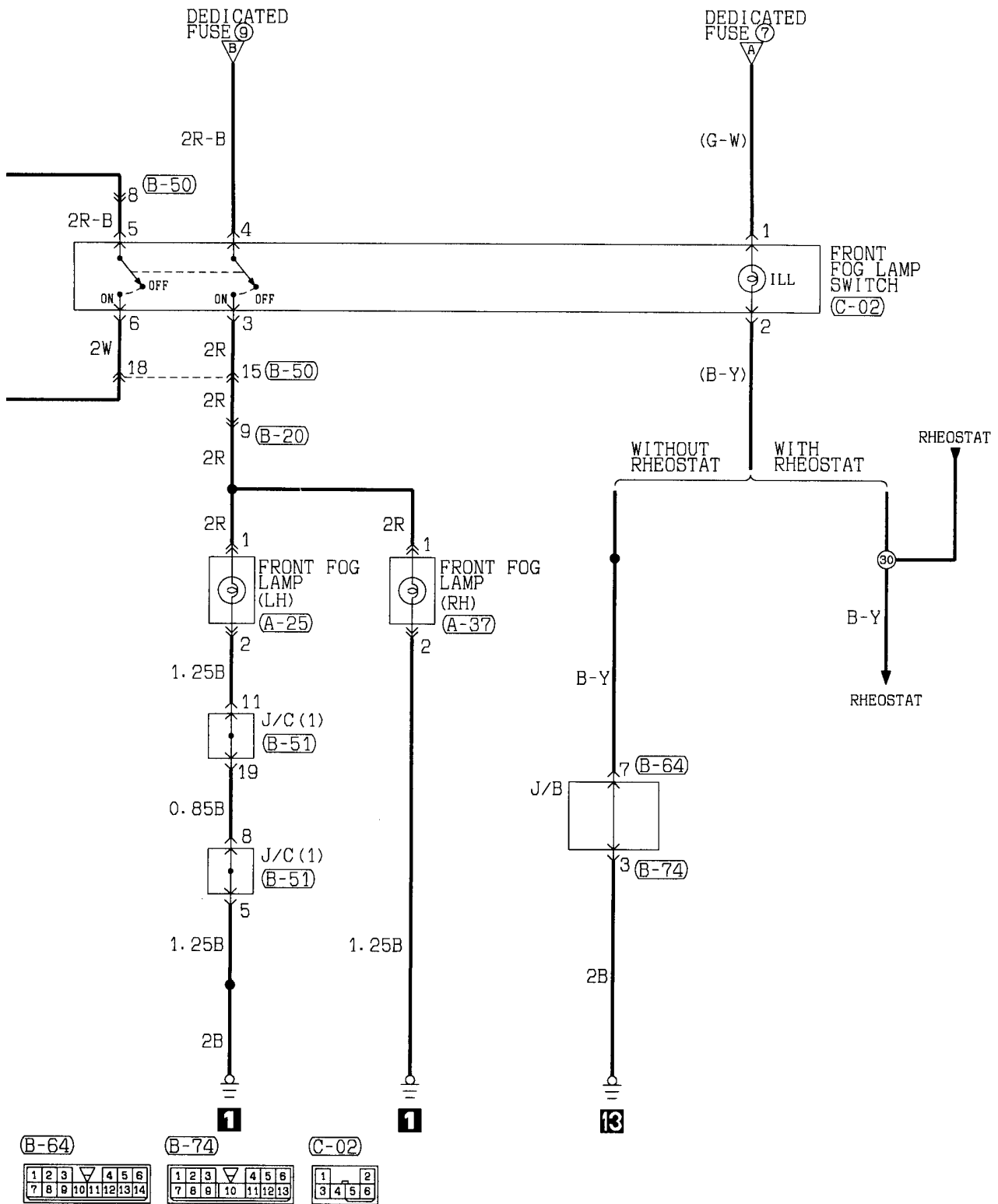


FRONT FOG LAMP

90101190082

L.H. drive vehicles without daytime running lamp

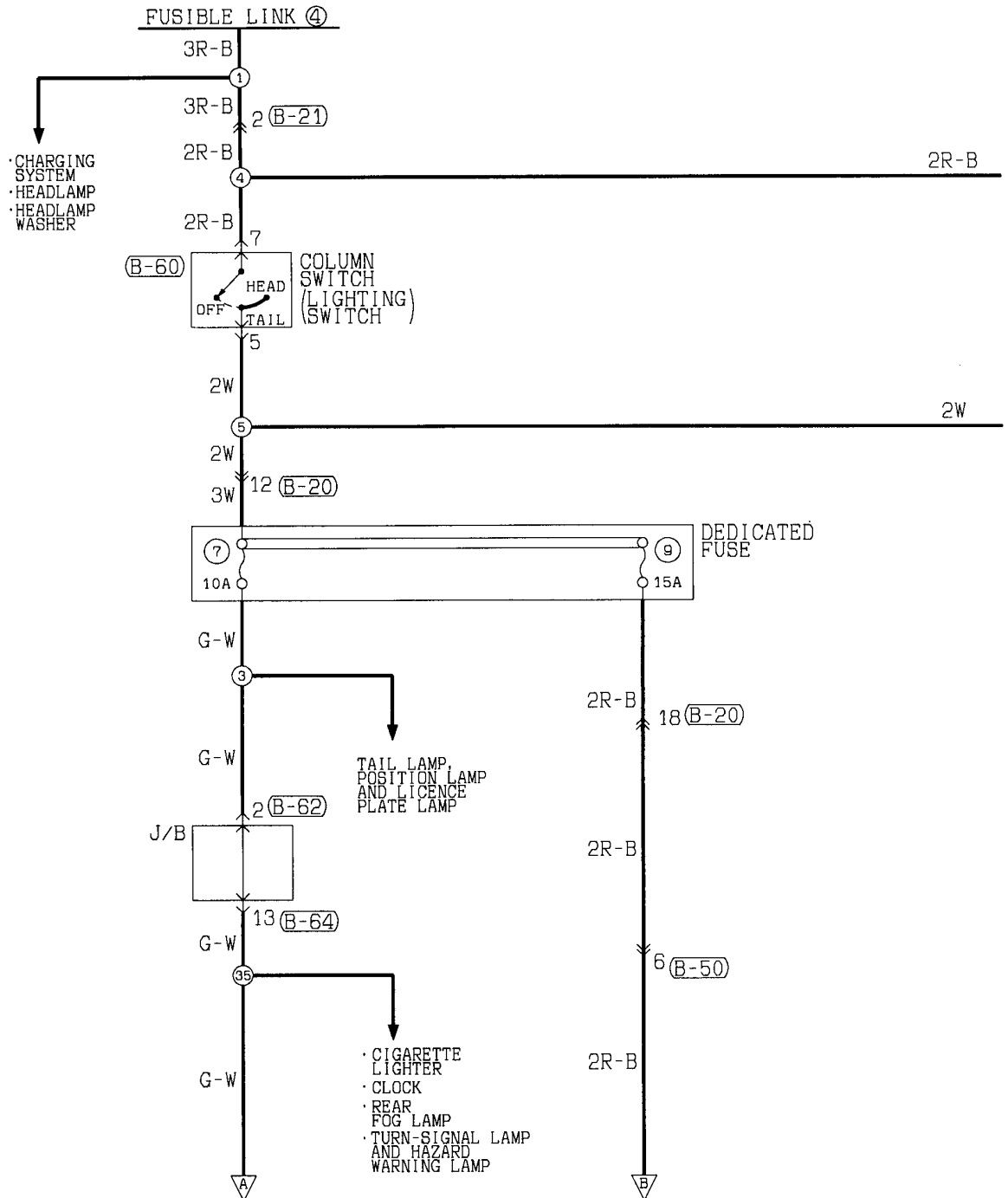




FRONT FOG LAMP

90101190099

R.H. drive vehicles



(A-25)

(A-37)

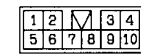
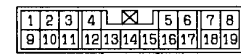
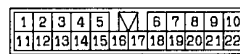
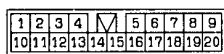
(B-20)

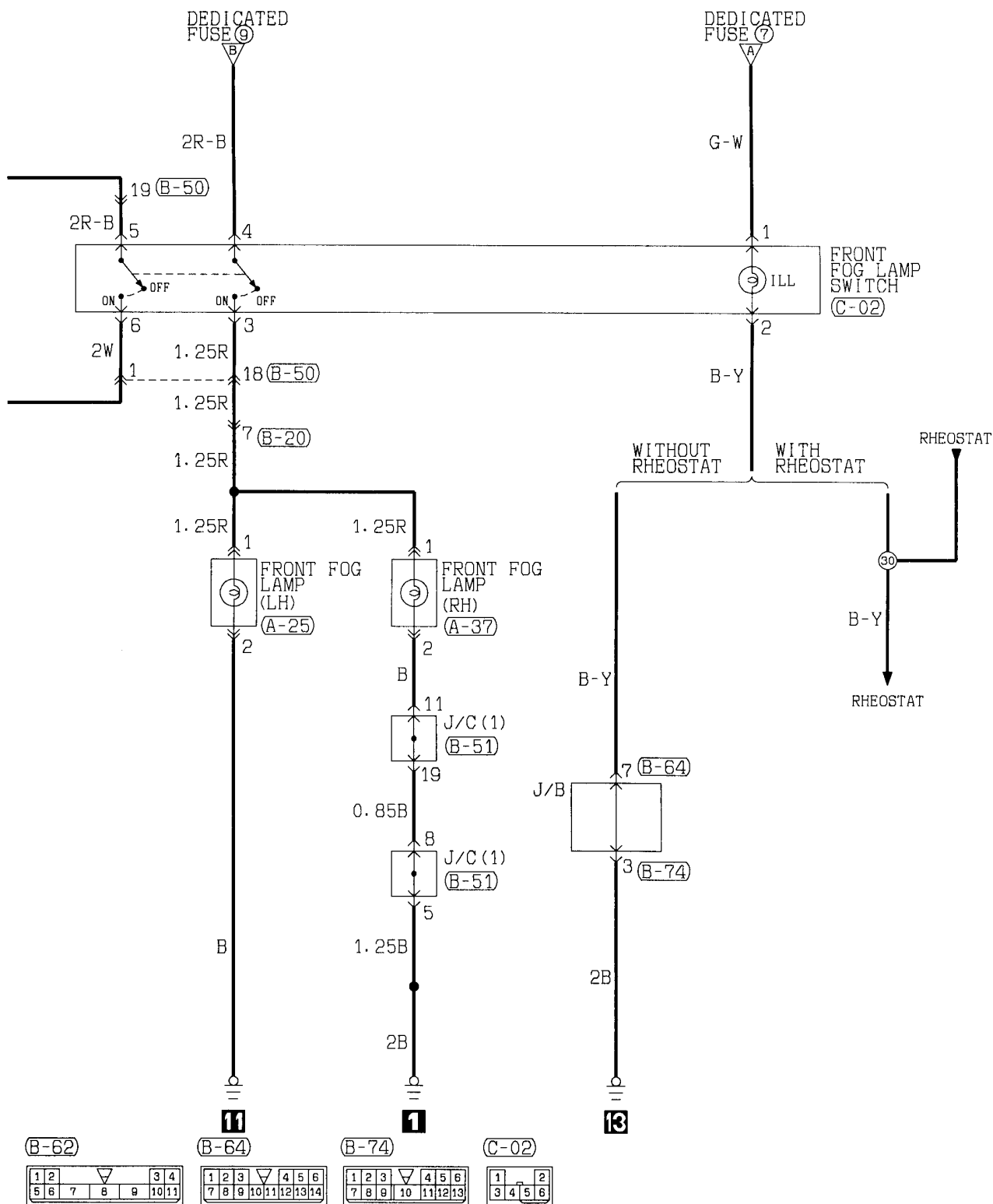
(B-21)

(B-50)

(B-51)

(B-60)





FRONT FOG LAMP (See P. 4-98, 100, 102.)**OPERATION**

- When the front fog lamp switch is moved to the ON position, current flows through dedicated fuse No. (9) and the front fog lamps illuminate.
- At the same time, current flows through dedicated fuse No. (7) so that the tail lamps, position lamps, licence plate lamp and illumination lamp illuminate in the same way as when the lighting switch is moved to the TAIL position.

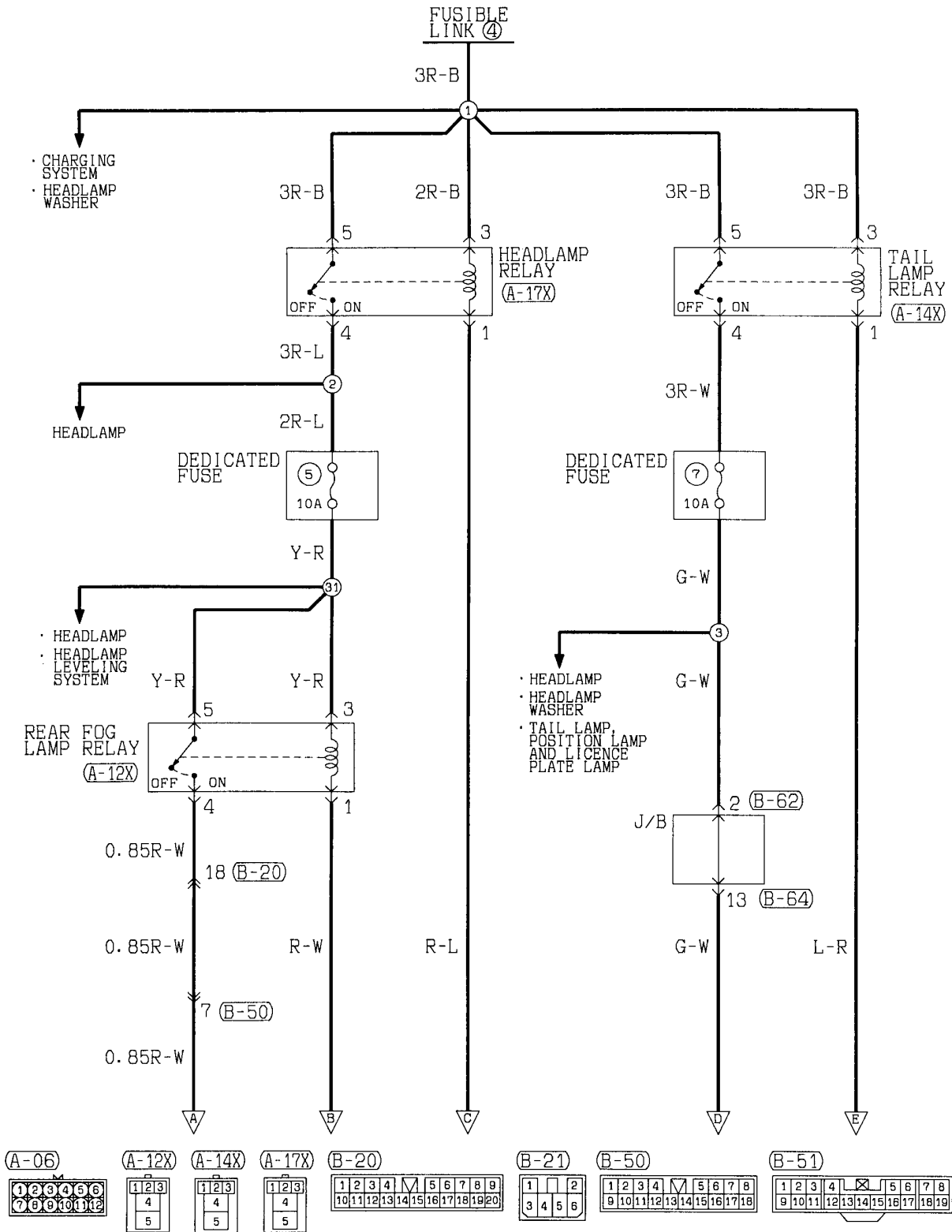
TROUBLESHOOTING HINTS

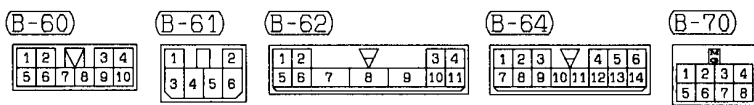
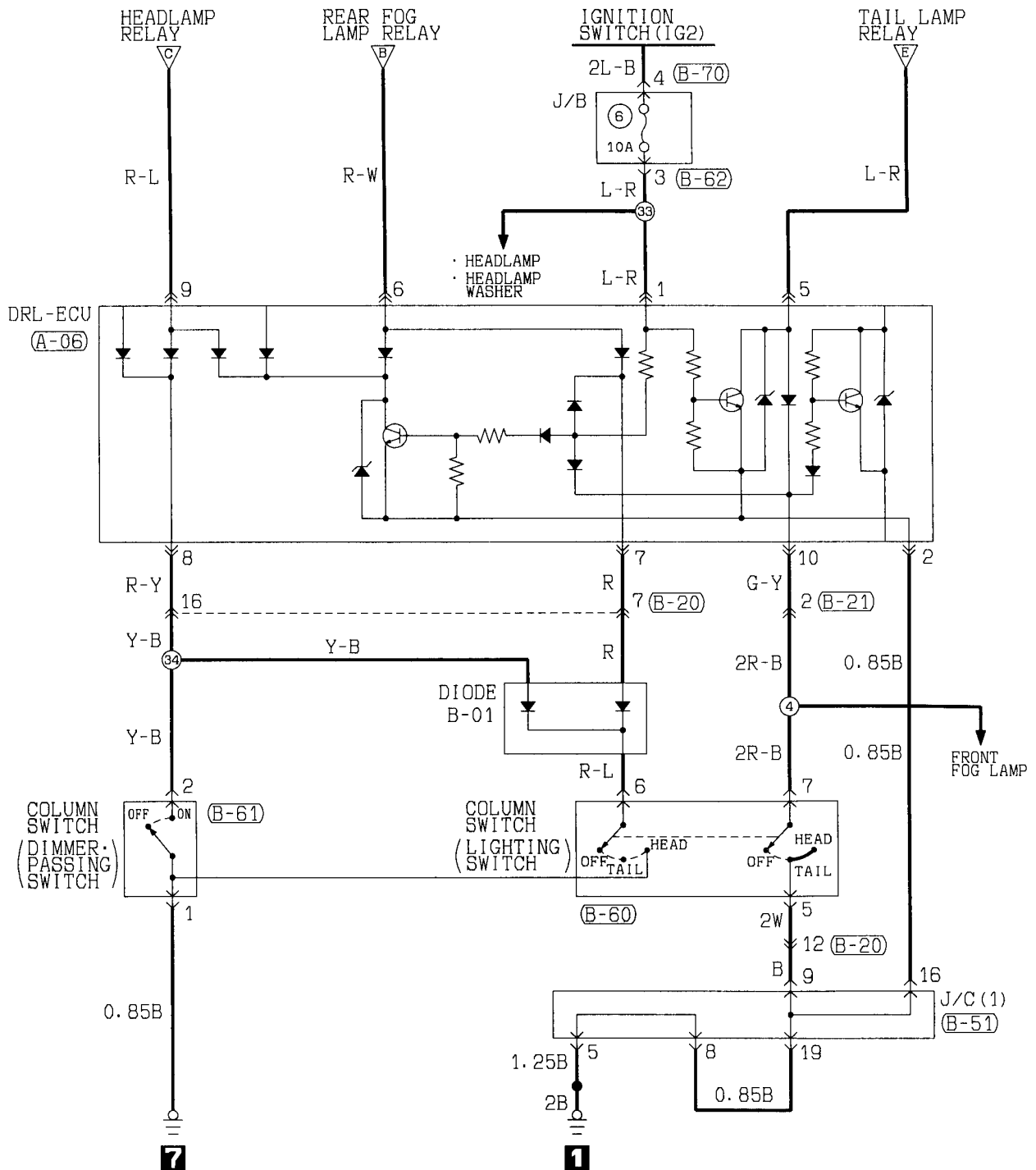
1. The front fog lamp does not illuminate.
 - (1) The tail lamps illuminate.
 - Check dedicated fuse No. (9).
 - Check front fog lamp switch.
 - (2) The tail lamps do not illuminate, either.
 - Check fusible link No. (4).
2. The front fog lamp at the one side doesn't illuminate.
 - Check the lamp bulb.

NOTES

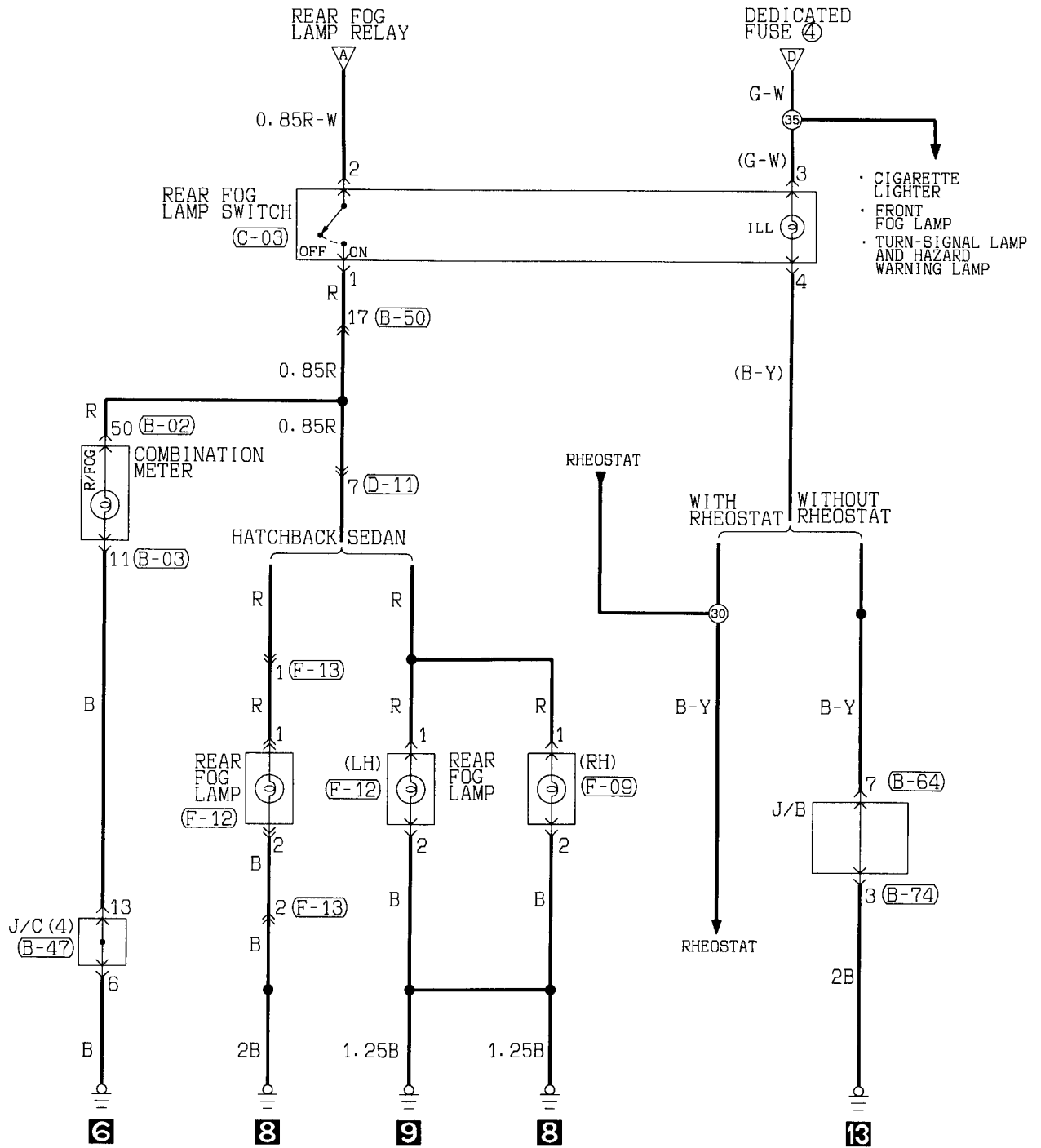
REAR FOG LAMP

Vehicles with daytime running lamp





REAR FOG LAMP <Vehicles with daytime running lamp> (CONTINUED)



(B-02)

3	1	2	3	3	4	3	5	3	6	3	7	3	8	3	9	4	0	4	1	4	2
											43										
4	4	4	5	4	6	4	7	4	8	5	1	5	2	5	3	5	4	5			

(B-03)

1	2	3	4	5	6	7	8	9	10	11	12										
											13										
1	4	1	5	1	6	1	7	1	8	1	9	1	0	1	1	2	3	2	4	2	5

(B-47)

1	2	3	∇	4	5	6	7	8
7	8	9	10	11	12	13	14	

(B-50)

1	2	3	4	M	5	6	7	8	
9	10	11	12	13	14	15	16	17	18

(B-64)

1	2	3	∇	4	5	6	
7	8	9	10	11	12	13	14

(B-74)

1	2	3	∇	4	5	6
7	8	9	10	11	12	13

(C-03)

M	1	2	3	4
---	---	---	---	---

(D-11)

1	2	3	4	M	5	6	7	8	
9	10	11	12	13	14	15	16	17	18

(F-09)

1	2
---	---

(F-12)

<HATCHBACK> <SEDAN>

1	2
---	---

(F-13)

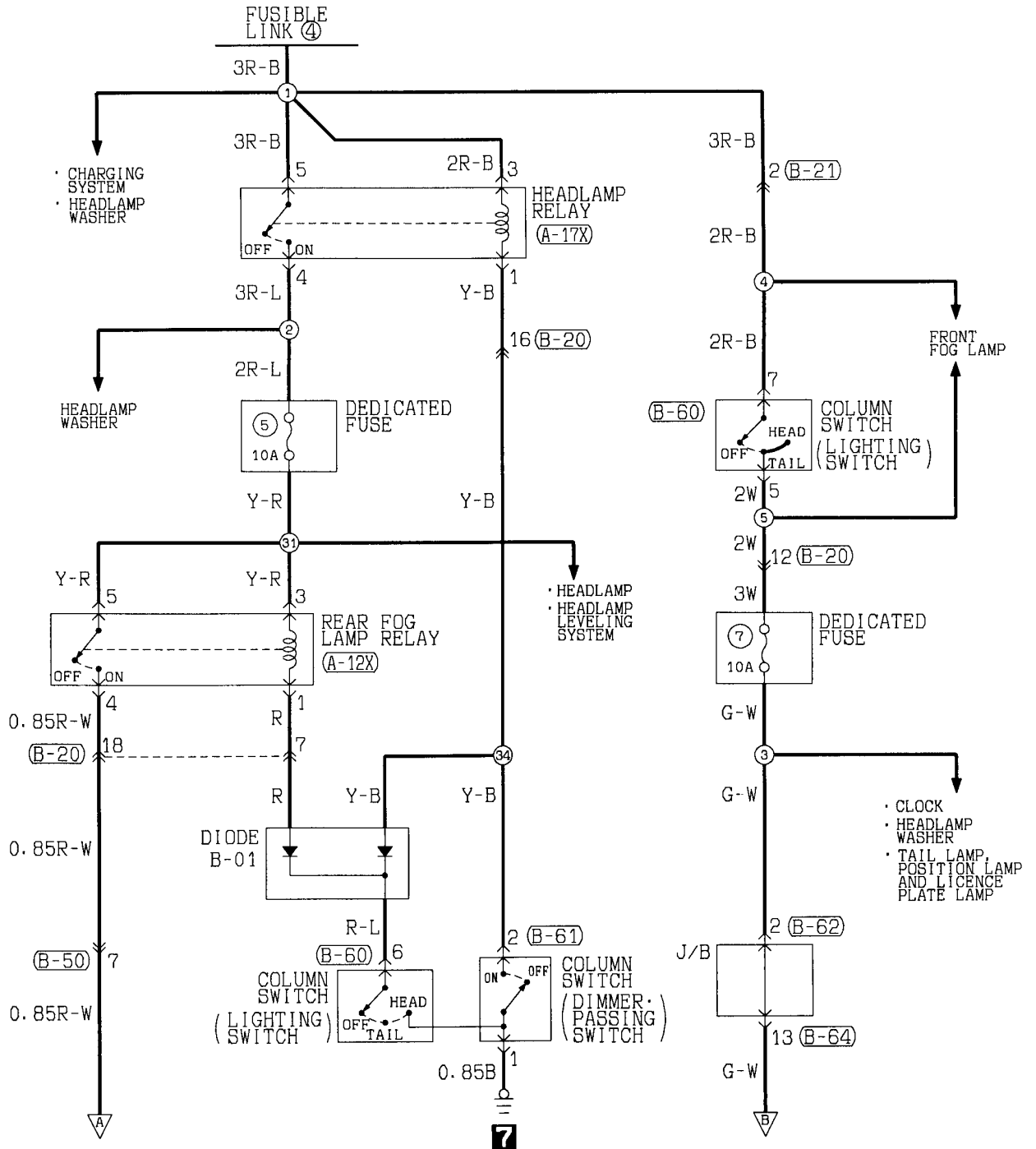
M	1	2	3
---	---	---	---

NOTES

REAR FOG LAMP

90101200082

L.H. drive vehicles without daytime running lamp



(A-12X)

(A-17X)

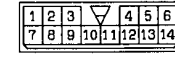
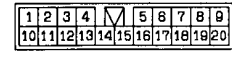
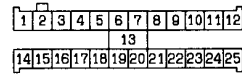
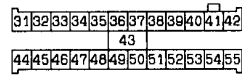
(B-02)

(B-03)

(B-20)

(B-21)

(B-47)

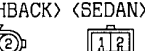
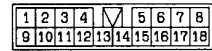


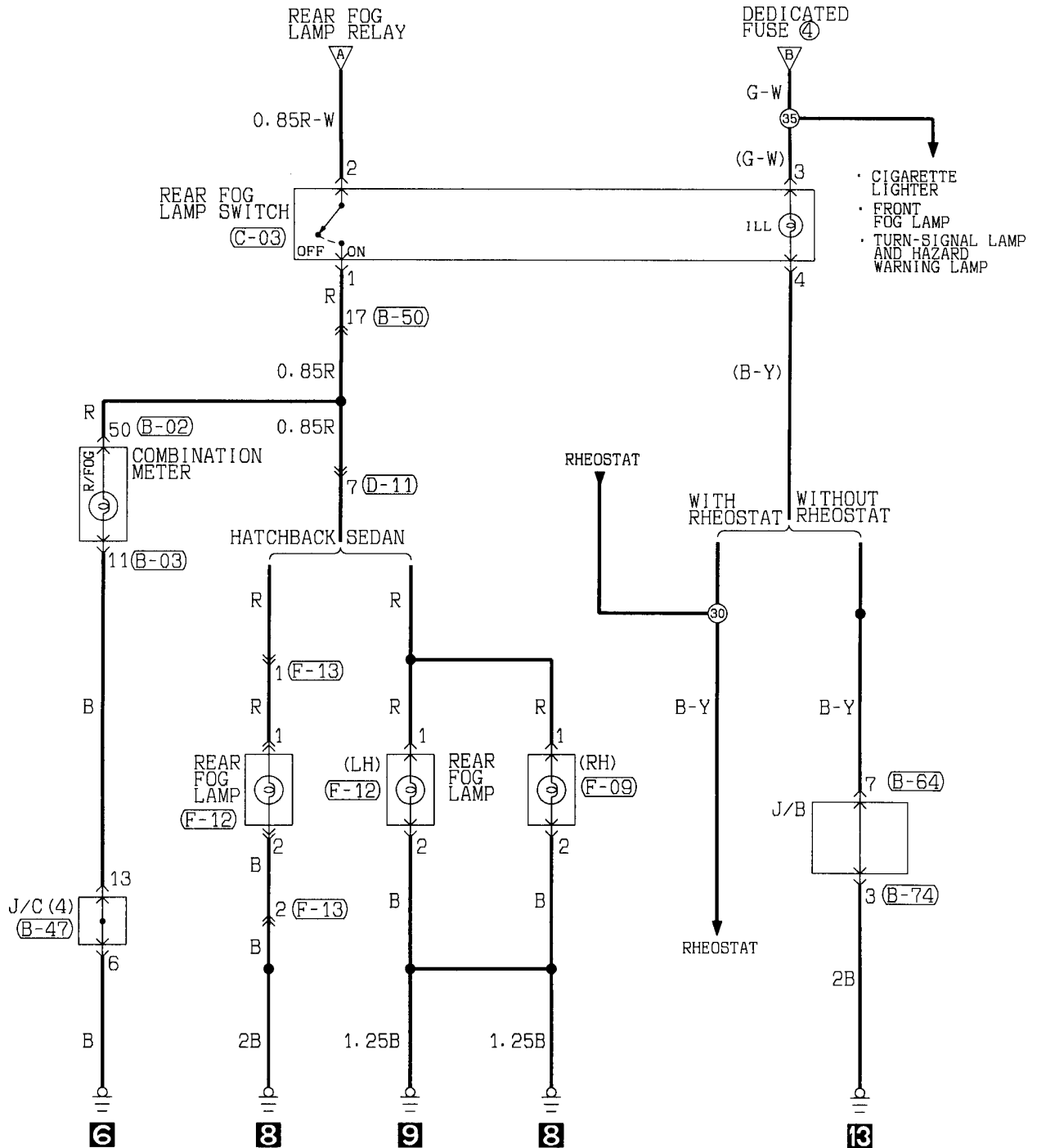
(D-11)

(F-09)

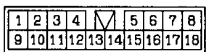
(F-12)

(F-13)

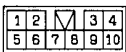




(B-50)



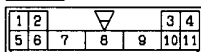
(B-60)



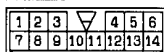
(B-61)



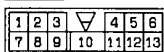
(B-62)



(B-64)



(B-74)



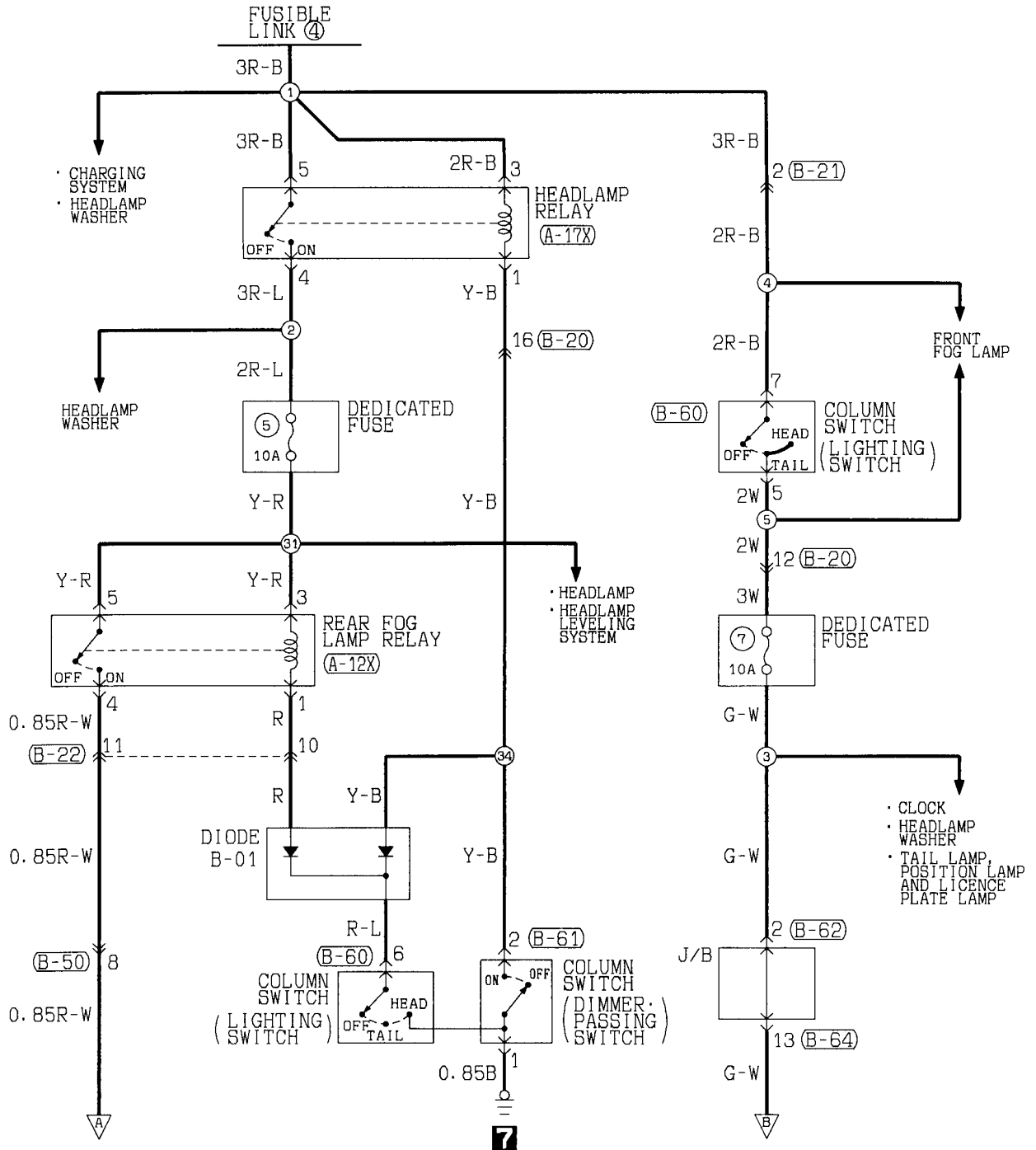
(C-03)



REAR FOG LAMP

9010120099

R.H. drive vehicles



(A-12X)

1	2	3
4		
5		

(A-17X)

1	2	3
4		
5		

(B-02)

3	1	2	3	3	4	3	5	3	6	3	7	3	8	3	9	4	0	1	4	2
43																				
4	4	4	5	4	6	4	7	4	8	5	1	5	2	5	3	5	4	5	5	5

(B-03)

1	2	3	4	5	6	7	8	9	10	11	12																																
13																																											
1	4	1	5	1	6	1	7	1	8	1	9	1	10	1	11	1	12	1	13	1	14	1	15	1	16	1	17	1	18	1	19	1	20	1	21	1	22	1	23	1	24	1	25

(B-20)

1	2	3	4	5	6	7	8	9		
10	11	12	13	14	15	16	17	18	19	20

(B-21)

1	2	3
4	5	6

(B-22)

1	2	3	4	5	6		
7	8	9	10	11	12	13	14

(C-03)

1	2	3	4
5			

(D-11)

1	2	3	4	5	6	7	8		
9	10	11	12	13	14	15	16	17	18

(F-09)

1	2
---	---

(F-12)

1	2
---	---

(F-13)

1	2	3
---	---	---

(C-03)

1	2	3	4
5			

(D-11)

1	2	3	4	5	6	7	8		
9	10	11	12	13	14	15	16	17	18

(F-09)

1	2
---	---

(F-12)

1	2
---	---

(F-13)

1	2	3
---	---	---

(HATCHBACK) (SEDAN)

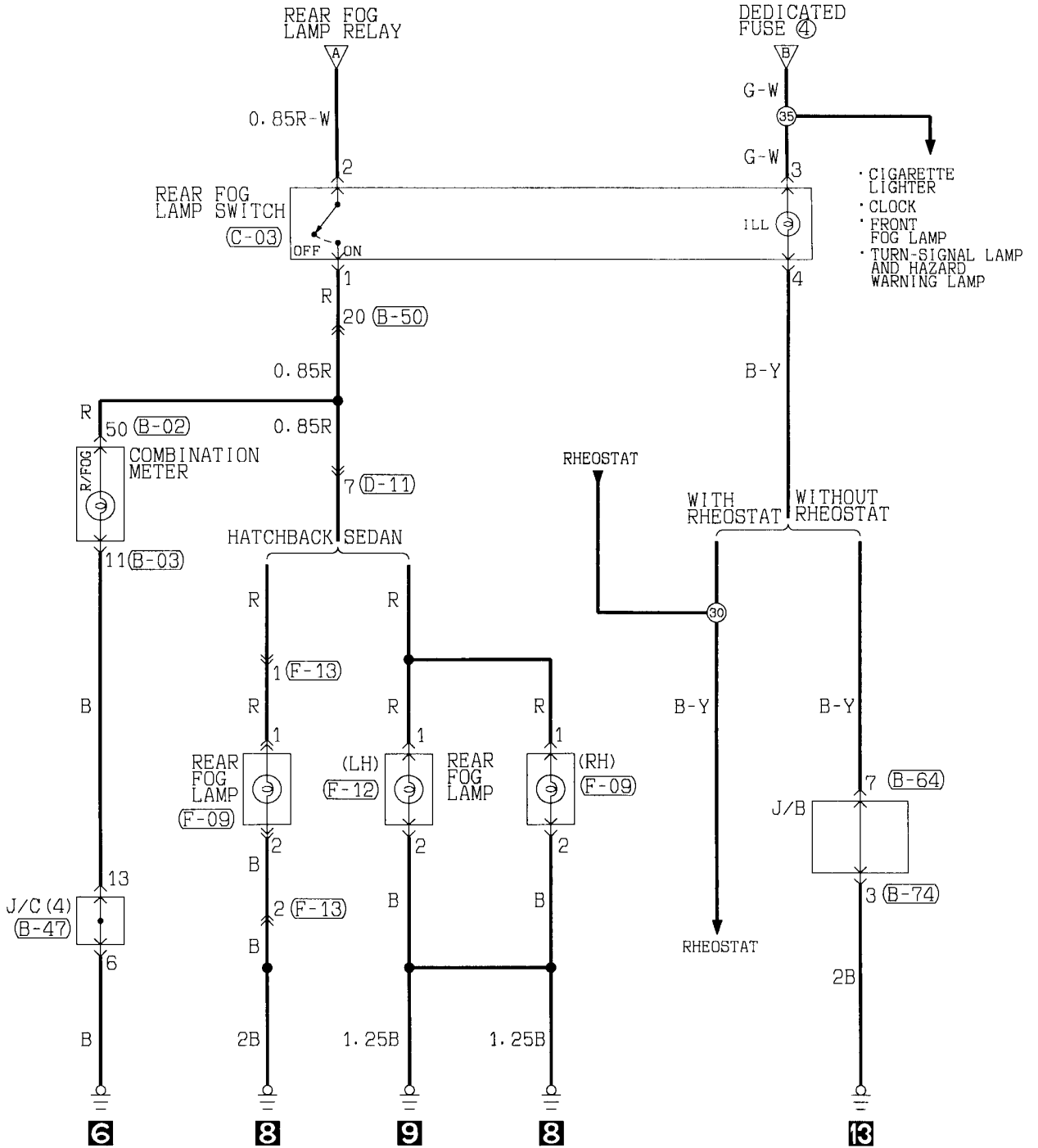
1	2
---	---

(F-12)

1	2
---	---

(F-13)

1	2	3
---	---	---



(B-47)

1	2	3	▽	4	5	6	
7	8	9	10	11	12	13	14

(B-50)

1	2	3	4	5	▽	6	7	8	9	10	
11	12	13	14	15	16	17	18	19	20	21	22

(B-60)

1	2	▽	3	4	
5	6	7	8	9	10

(B-61)

1	□	□	2
3	4	5	6

(B-62)

1	2	▽	3	4		
5	6	7	8	9	10	11

(B-64)

1	2	3	▽	4	5	6	
7	8	9	10	11	12	13	14

(B-74)

1	2	3	▽	4	5	6
7	8	9	10	11	12	13

REAR FOG LAMP (See P. 4-106, 110, 112.)**OPERATION**

Rear fog lamp relay activation requirements

<Vehicles without daytime running lamp>

Ignition switch	Lighting switch	Rear fog lamp relay
-	"HEAD"	On

<Vehicles with daytime running lamp>

Ignition switch	Lighting switch	Rear fog lamp relay
-	"HEAD"	On
"ON"	"OFF" or "HEAD"	On

- Placing the lighting switch in the HEAD position causes the rear fog lamp relay to be energized. For vehicles with daytime running lamps, if the ignition switch is in the "ON" position and the lighting switch is in the "OFF" position, the rear fog lamp relay will be energized.
- When the rear fog lamp switch is turned ON in this condition, the fog lamp goes on.

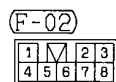
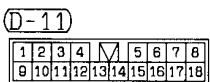
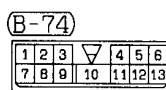
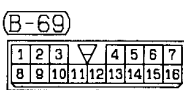
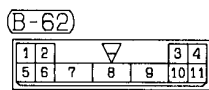
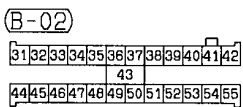
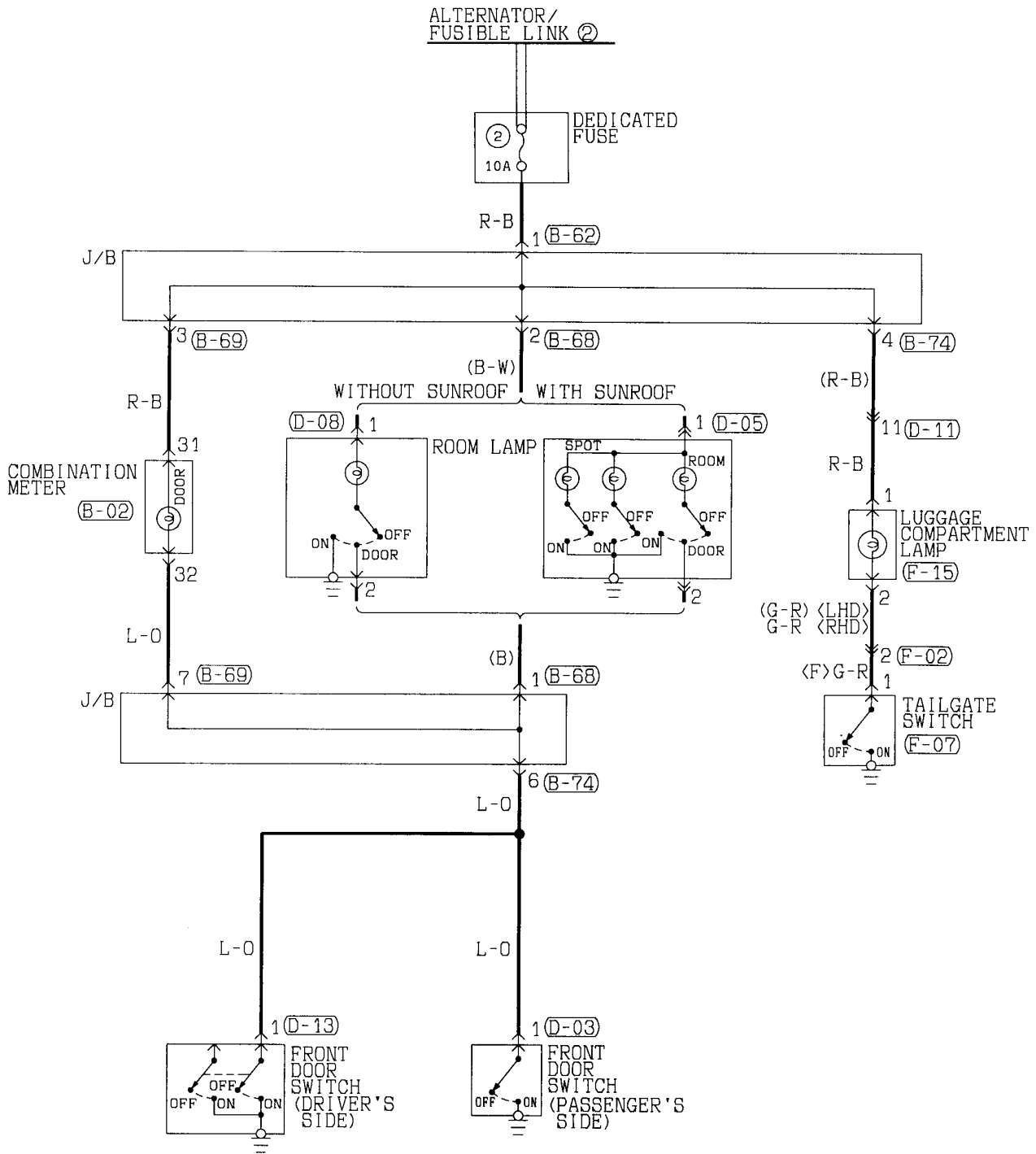
TROUBLESHOOTING HINTS

1. The rear fog lamp doesn't illuminate.
 - (1) Headlamps go on.
 - Check the rear fog lamp relay.
 - Check the rear fog lamp switch.
 - Check the dedicated fuse No. (5).
 - (2) Headlamps do not go on, either.
 - Check the lighting switch.
 - Check the fusible link No. (4).
2. The rear fog lamp at the one side doesn't illuminate.
 - Check the lamp bulb.

ROOM LAMP AND LUGGAGE COMPARTMENT LAMP

90101320030

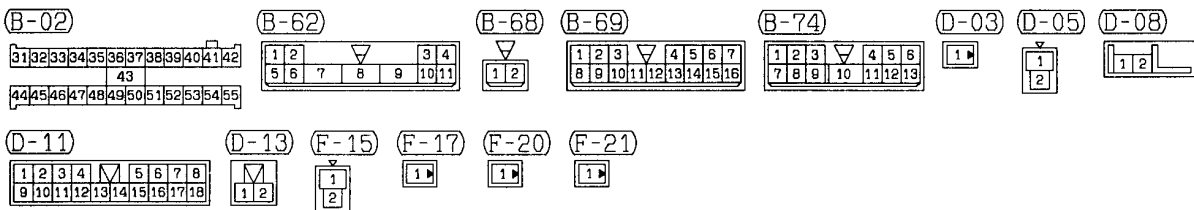
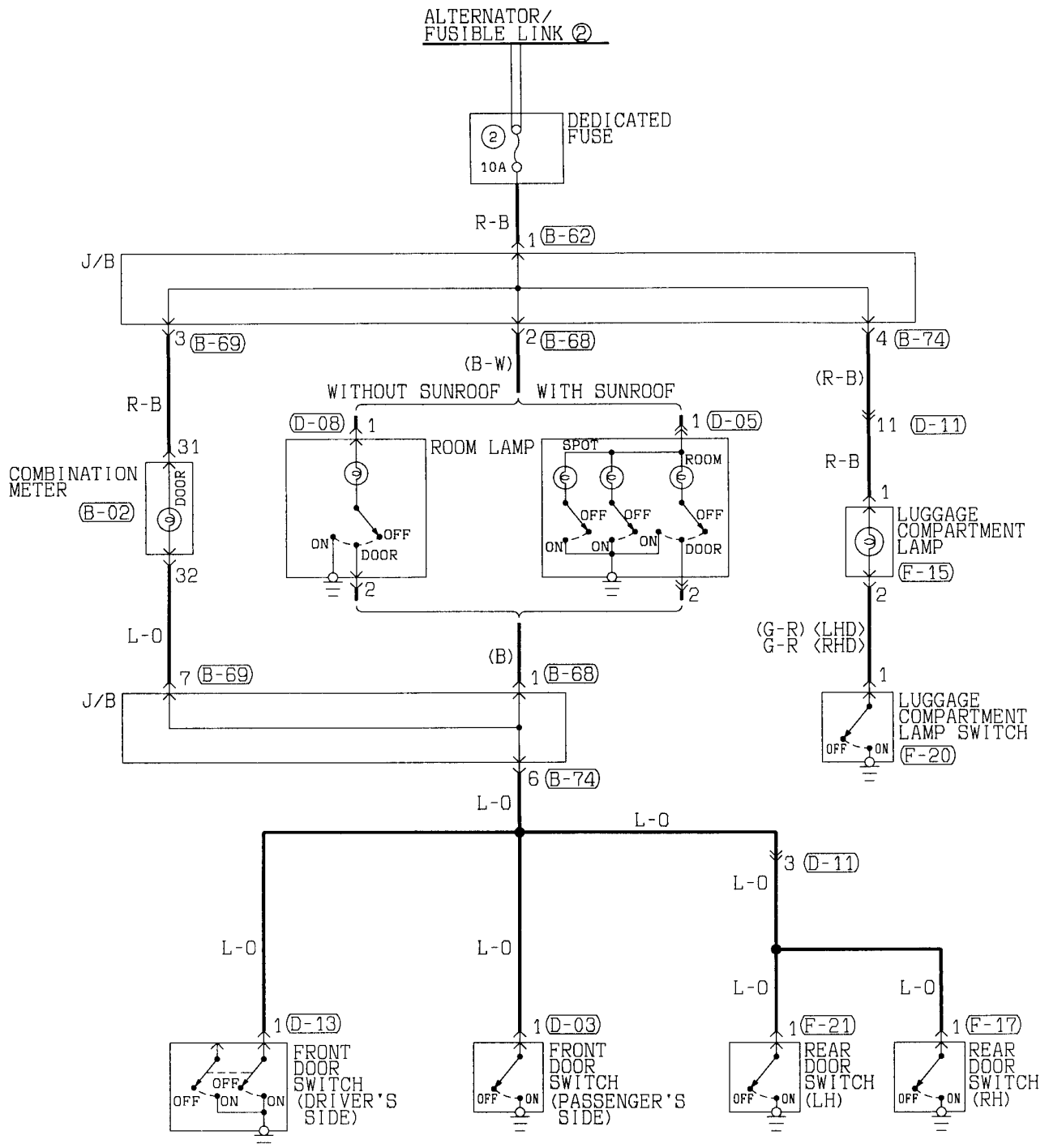
Hatchback



ROOM LAMP AND LUGGAGE COMPARTMENT LAMP

90101320047

Sedan



ROOM LAMP AND LUGGAGE COMPARTMENT LAMP (See P. 4-115, 116.)**OPERATION****<Room lamp>**

- Placing the room lamp switch in the ON position causes the room lamp to illuminate at all times.
- Opening any one of the doors with the room lamp switch in the DOOR position causes the room lamp to illuminate.
- Closing all doors causes the room lamp to switch off.

<Luggage compartment lamp>

- Battery voltage is being applied at all times to the luggage compartment lamp through the fusible link No. (2) and dedicated fuse No. (2).
- Opening the tailgate or trunk lid turns ON the tailgate switch or luggage compartment lamp switch, causing the luggage compartment lamp to illuminate.

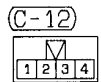
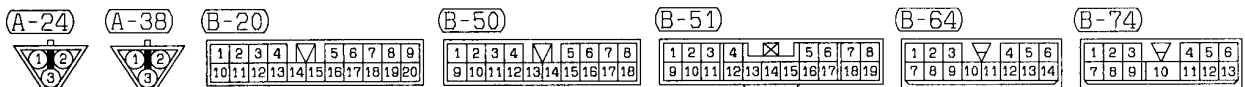
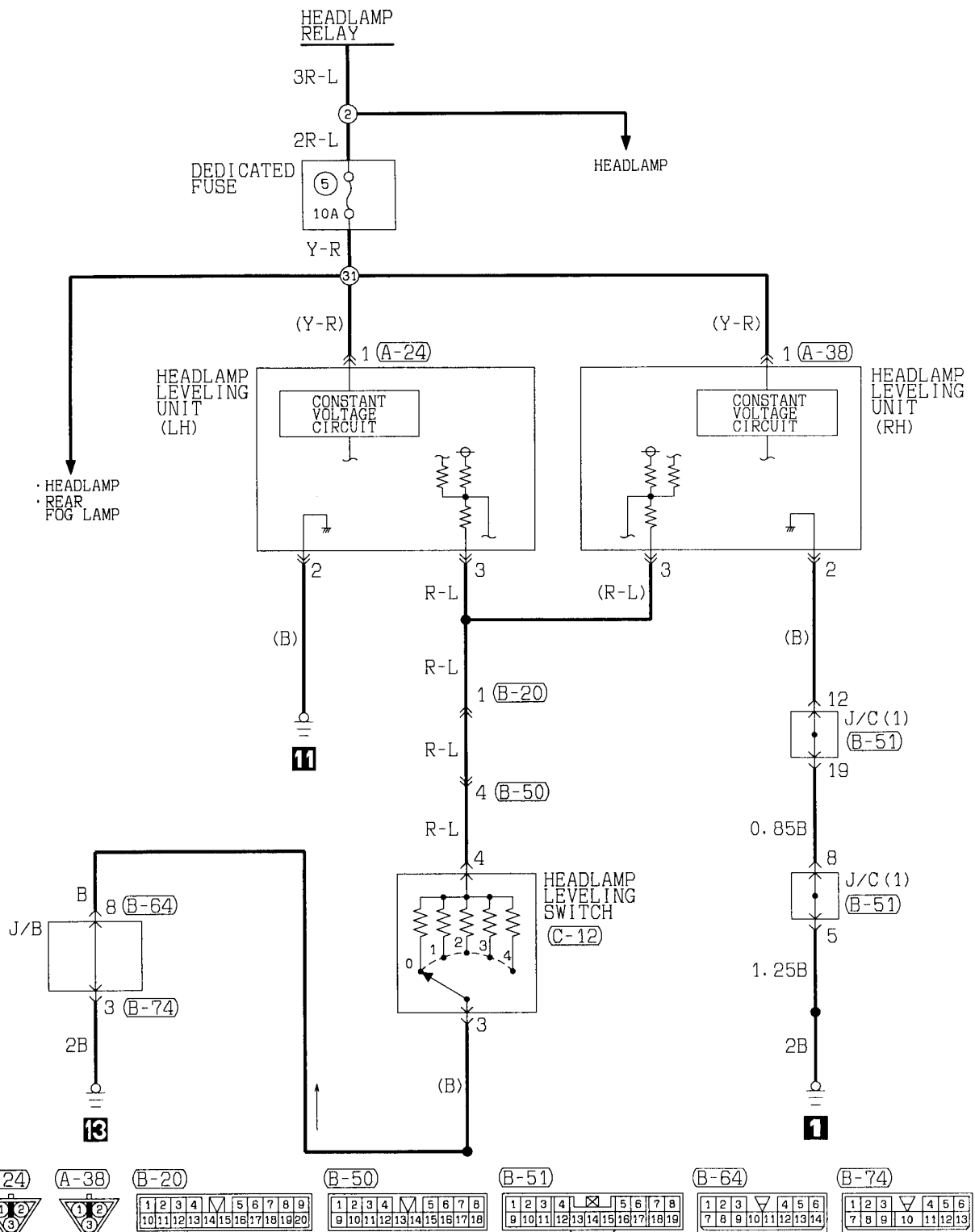
TROUBLESHOOTING HINTS

1. Room lamp does not illuminate.
 - 1) Clock is not operating, either.
 - Check dedicated fuse No. (2).
 - 2) Room lamp does not illuminate when any door is opened with the room lamp switch in the DOOR position.
 - Check the bulb.
 - Check room lamp switch.
 - 3) Room lamp does not illuminate when a door is opened with the room lamp switch in the DOOR position.
 - Check door switch (of the suspected door).
2. Luggage compartment lamp does not illuminate.
 - 1) Room lamp is normal.
 - Check the bulb.
 - Check tailgate switch. <Hatchback>
 - Check luggage compartment lamp switch. <Sedan>

HEADLAMP LEVELING SYSTEM

90101250087

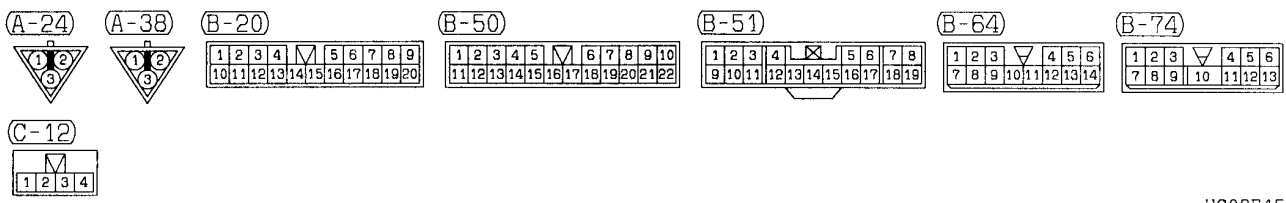
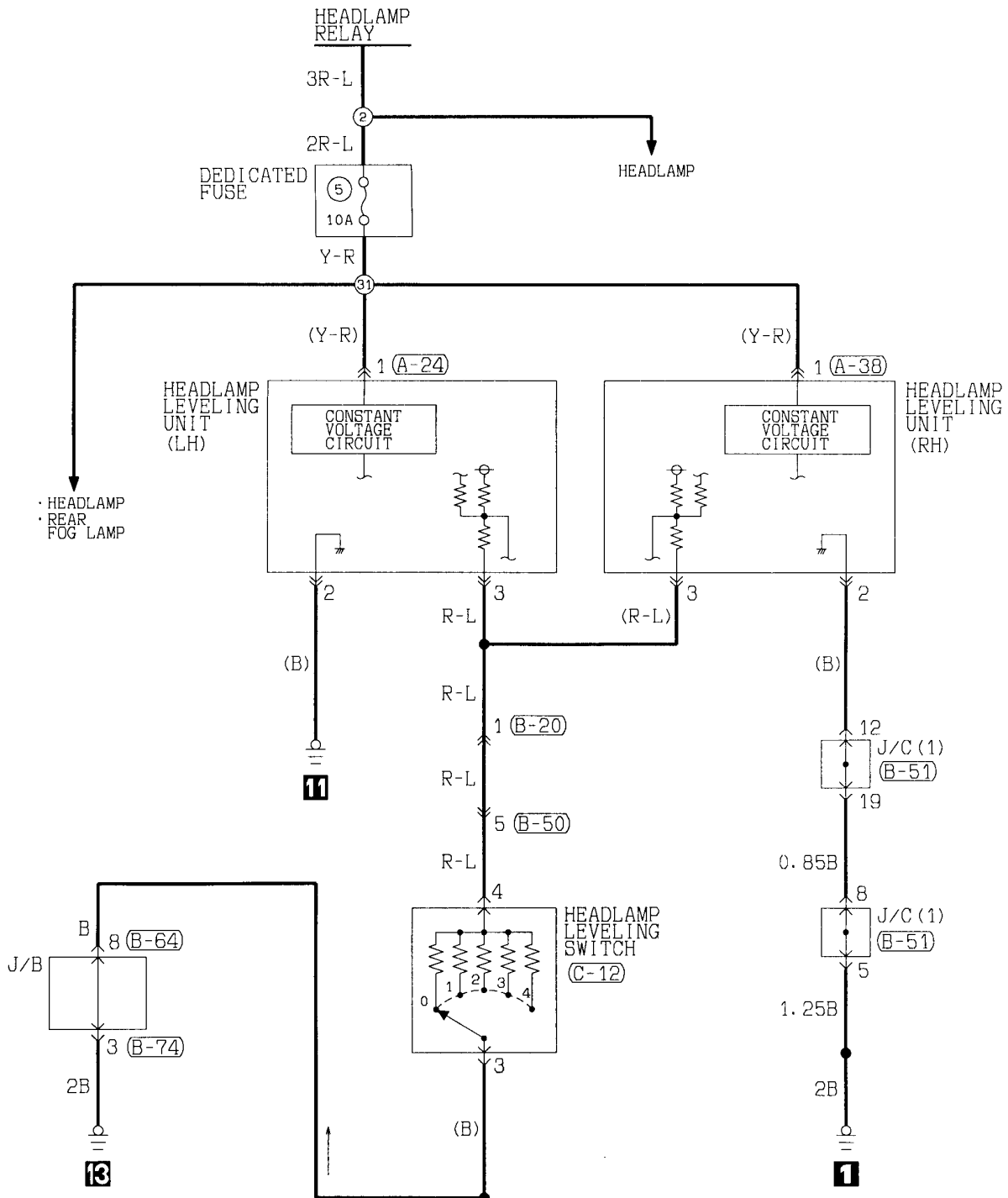
Hatchback <L.H. drive vehicles>



HEADLAMP LEVELING SYSTEM

90101250094

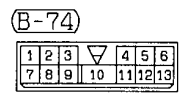
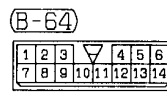
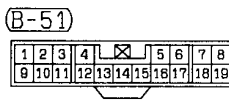
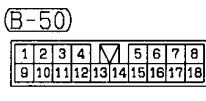
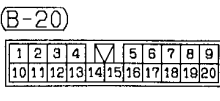
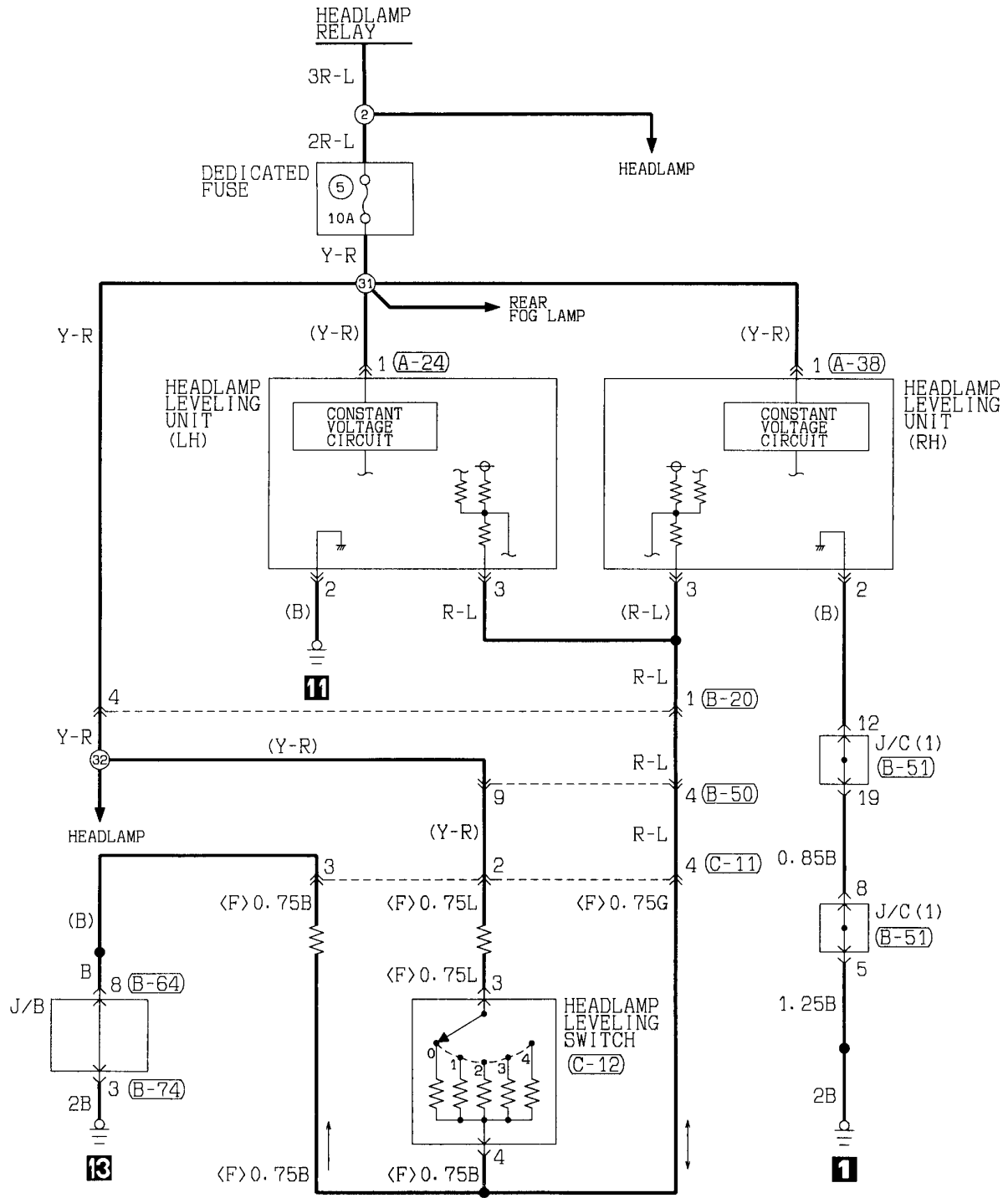
Hatchback <R.H. drive vehicles>



HEADLAMP LEVELING SYSTEM

90101250100

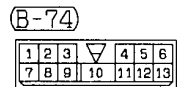
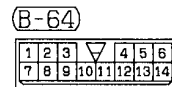
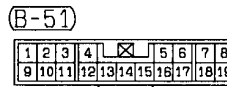
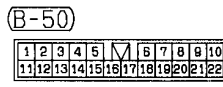
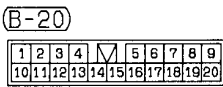
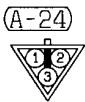
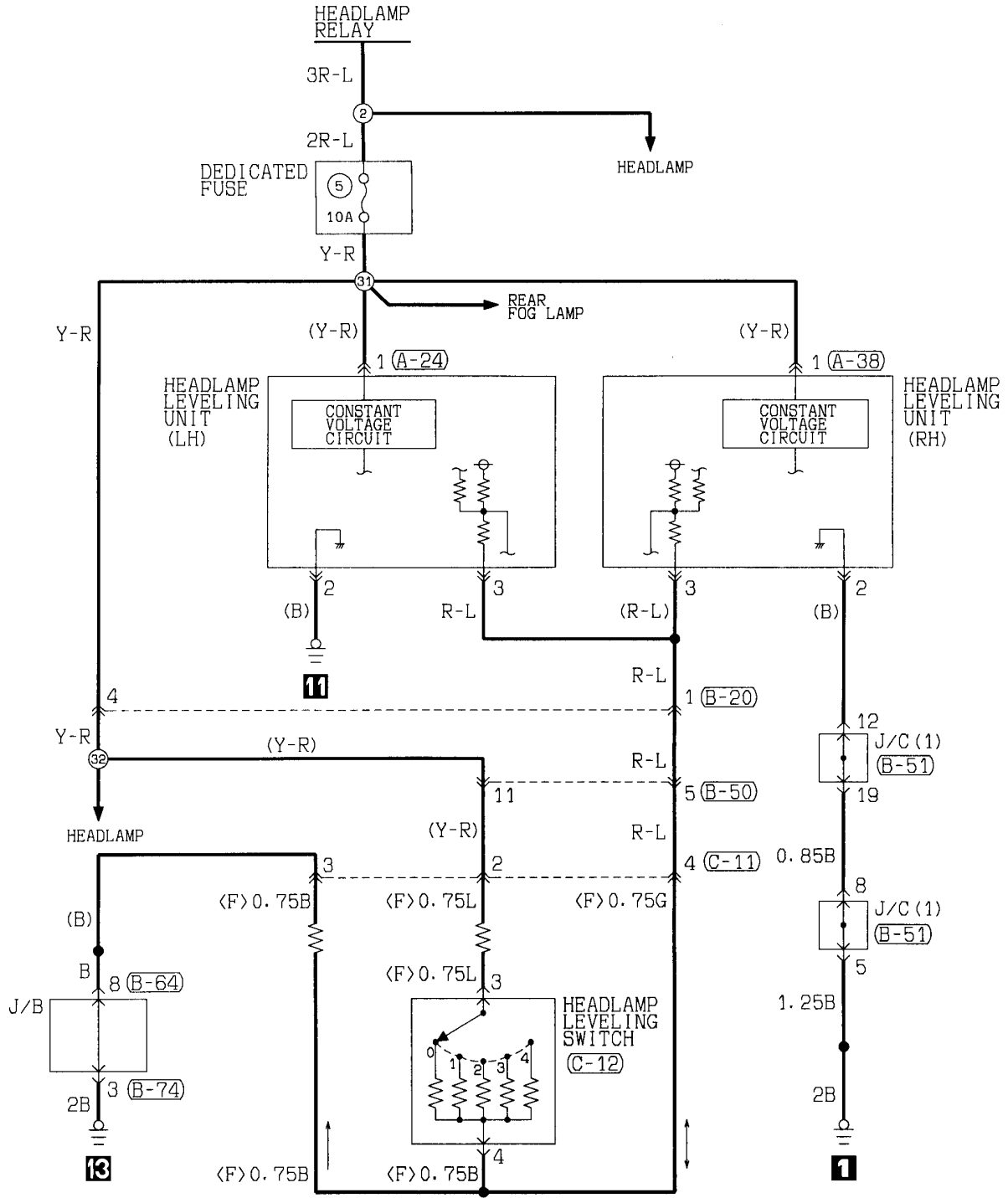
Sedan <L.H. drive vehicles>



HEADLAMP LEVELING SYSTEM

90101250117

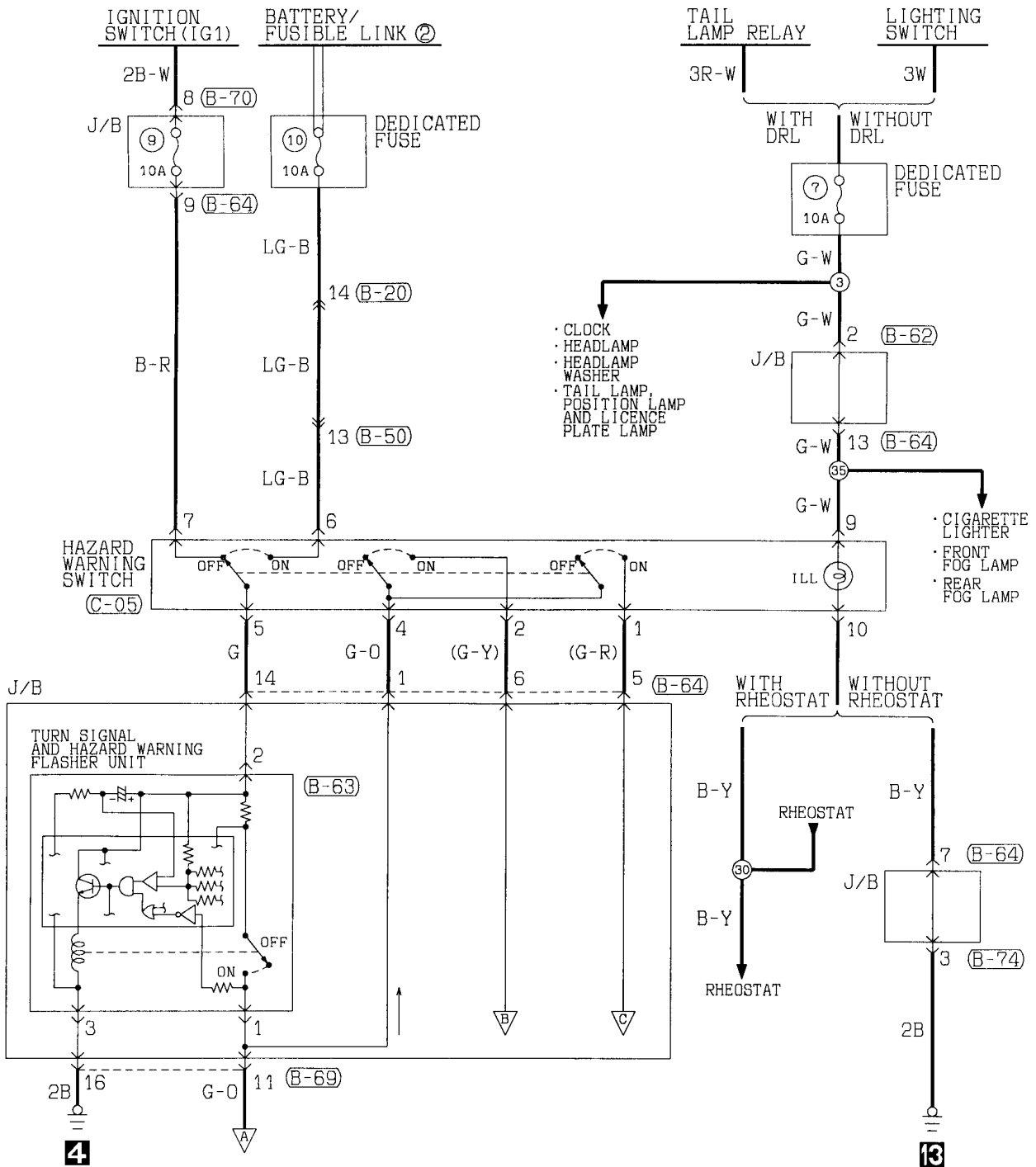
Sedan <R.H. drive vehicles>



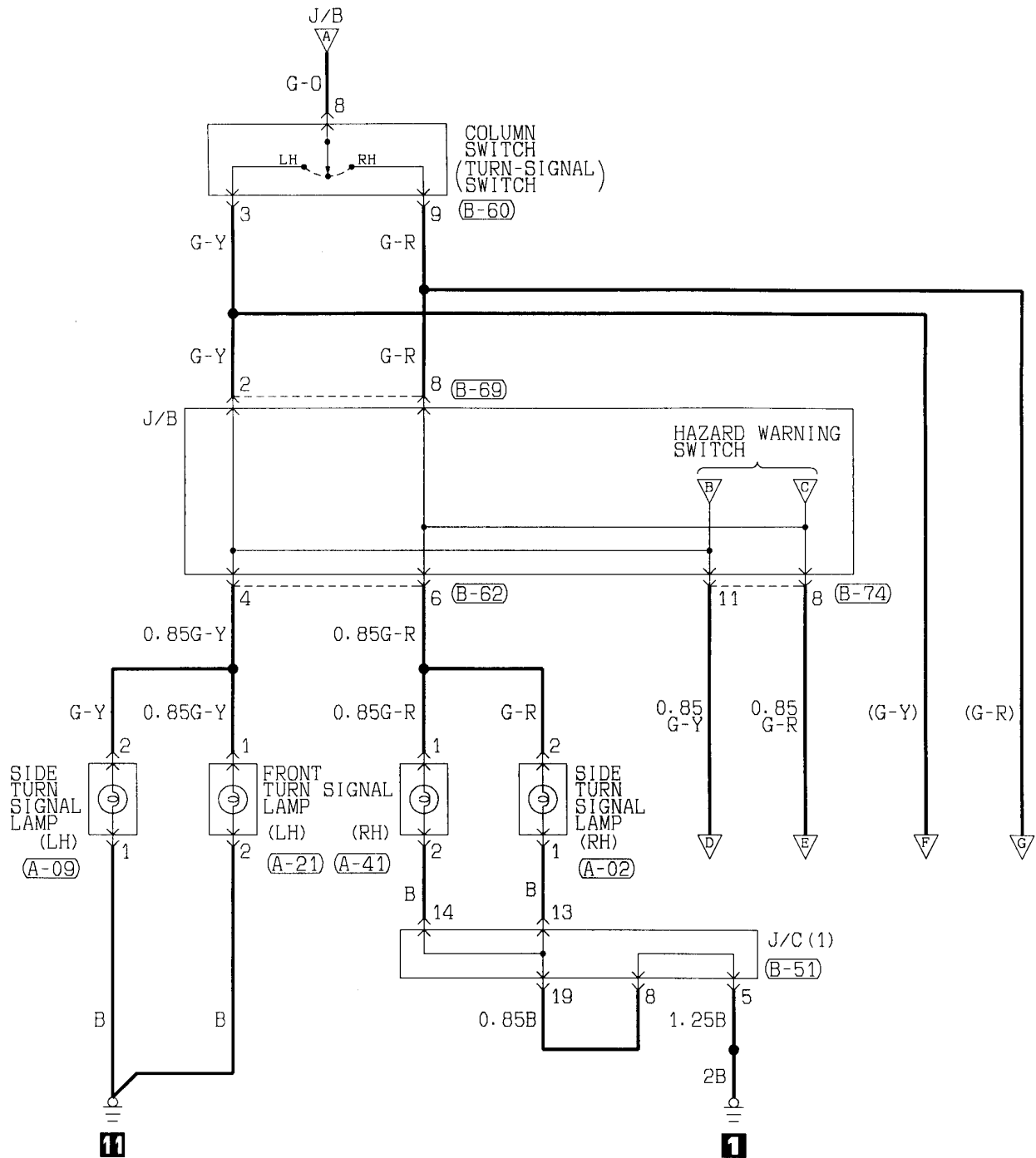
TURN-SIGNAL LAMP AND HAZARD WARNING LAMP

90100290110

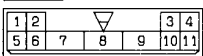
L.H. drive vehicles



A-02	A-09	A-21	A-41	B-20	B-50	B-51	B-60
1	2	3	4	5	6	7	8
9	10	11	12	13	14	15	16
17	18	19	20	21	22	23	24



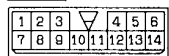
(B-62)



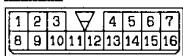
(B-63)



(B-64)



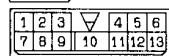
(B-69)



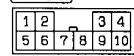
(B-70)



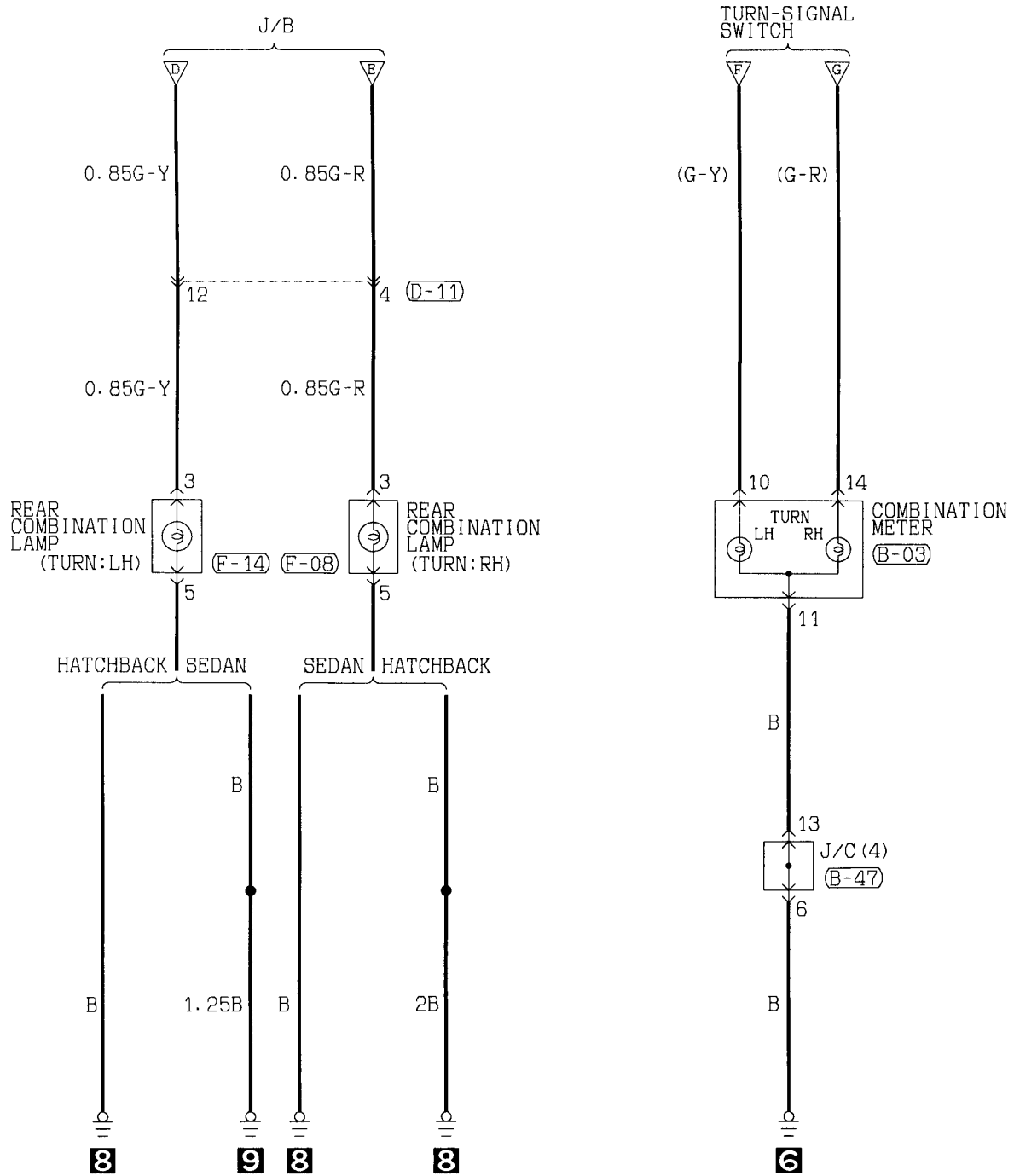
(B-74)



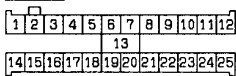
(C-05)



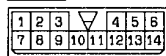
TURN-SIGNAL LAMP AND HAZARD WARNING LAMP <L.H. drive vehicles>
(CONTINUED)



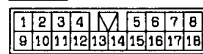
(B-03)



(B-47)



(D-11)



(F-08)



(F-14)

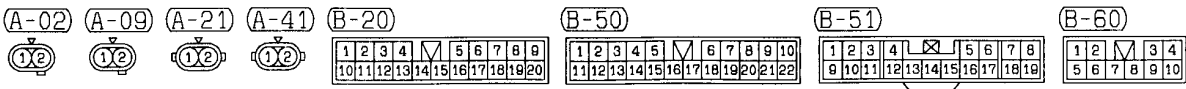
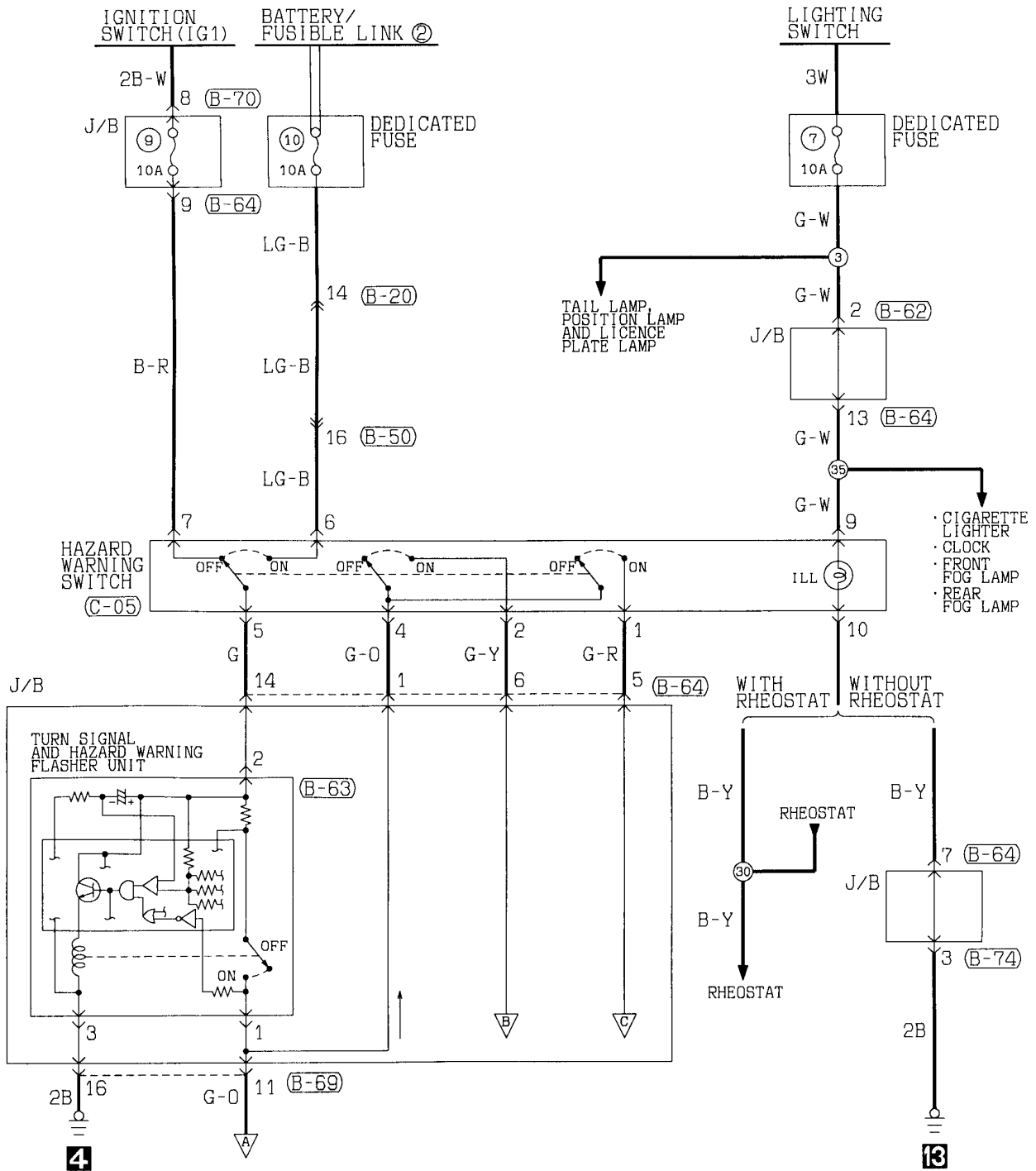


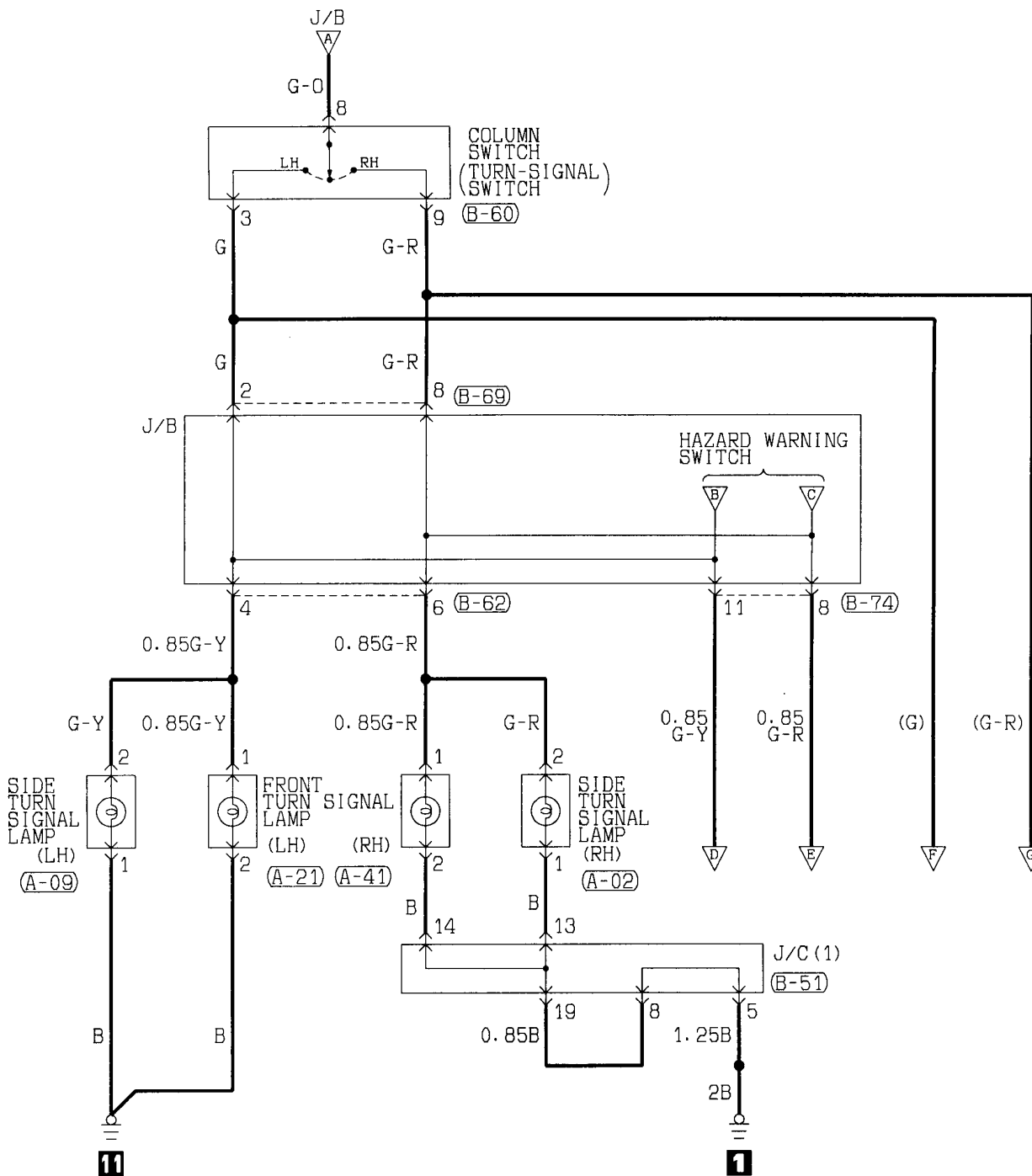
NOTES

TURN-SIGNAL LAMP AND HAZARD WARNING LAMP

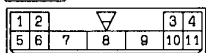
90100290127

R.H. drive vehicles





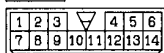
(B-62)



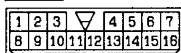
(B-63)



(B-64)



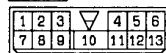
(B-69)



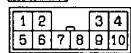
(B-70)



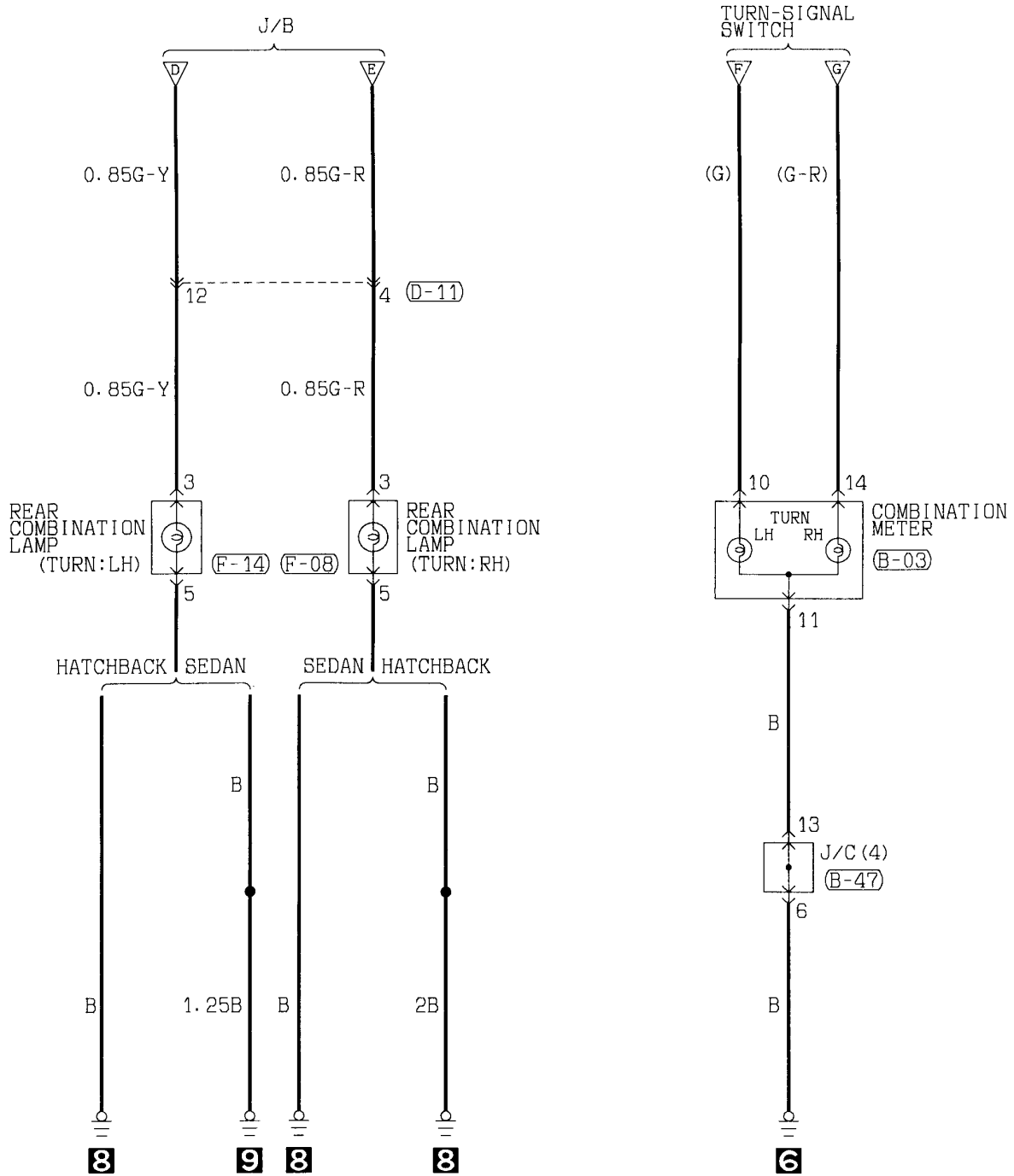
(B-74)



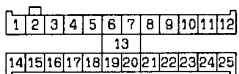
(C-05)



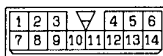
TURN-SIGNAL LAMP AND HAZARD WARNING LAMP <R.H. drive vehicles>
(CONTINUED)



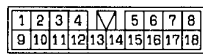
(B-03)



(B-47)



(D-11)



(F-08)



(F-14)



TURN-SIGNAL LAMP AND HAZARD WARNING LAMP (See P. 4-122, 126.)**OPERATION****<Turn-signal lamp>****1. In standard operating condition**

- When the ignition switch is placed in the ON position, battery voltage is applied through the hazard warning switch to the turn-signal and hazard warning flasher unit.
- When the turn signal switch is turned to the "LH" or "RH" position, the relay contact turns "ON" and "OFF" repeatedly due to the switching operation of the capacitor and transistor inside the flasher unit, and the turn signal lamp and the "LH" and "RH" of the turn signal indicator lamp flash.

2. When one bulb is burnt

- When either one of the turn signal lamp is burnt, the resistance of the entire lamp circuit increases, so that the time required for charging and discharging of the capacitor is shortened, causing the "ON" "OFF" cycle of the relay to become faster than standard and the number of flashes to increase.

<Hazard warning lamp>

- When the hazard warning switch is turned to the "ON" position, current flows via dedicated fuse No. (10) to the flasher unit, the flasher unit relay contacts repeatedly close and open, which results in the RH and LH turn-signal lamps, turn-signal indicator lamps, and hazard warning indicator lamps flashing on and off at the same time.

Remark

- The number of times the hazard warning lamps flash on and off does not change even when one bulb is out.

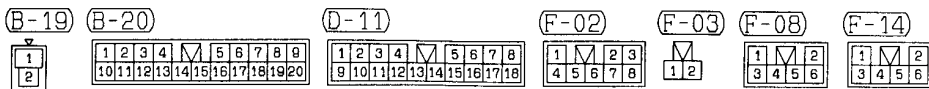
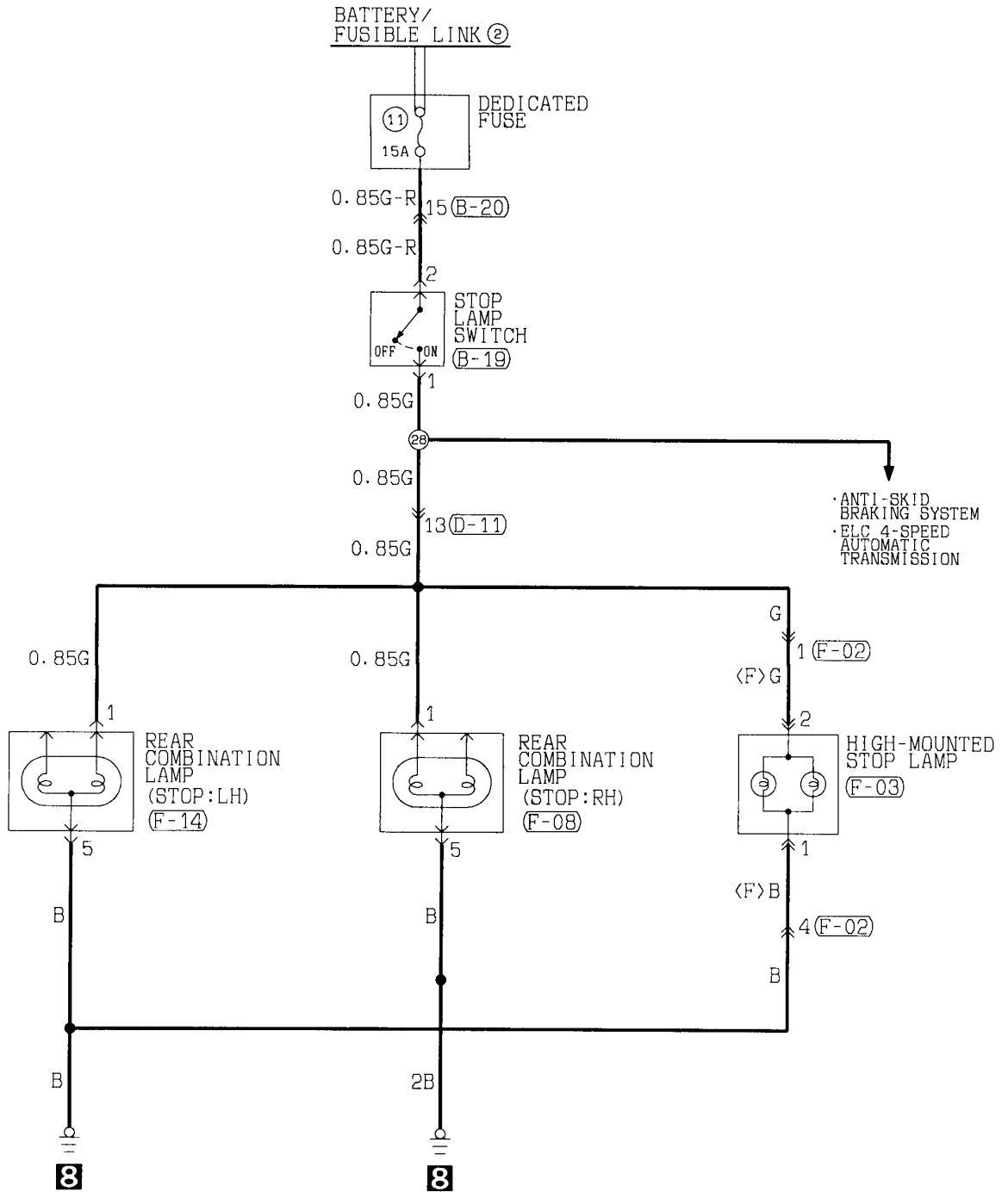
TROUBLESHOOTING HINTS

1. Neither the turn-signal lamp nor hazard warning lamps operate.
 - Check hazard warning switch contacts (on power source end).
 - Check flasher unit.
2. All LH or RH turn-signal lamps do not operate. Hazard warning lamp is fully operational.
 - Check turn-signal switch.
3. Flashing cycle of turn signal lamps is shorter.
 - Check the lamp bulb.
 - Check flasher unit.
4. Hazard warning lamp does not operate. Turn-signal lamps are operational.
 - Check dedicated fuse No. (10).
 - Check hazard warning switch contacts (on hazard lamp end).

STOP LAMP

9010030012

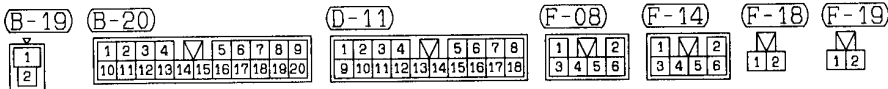
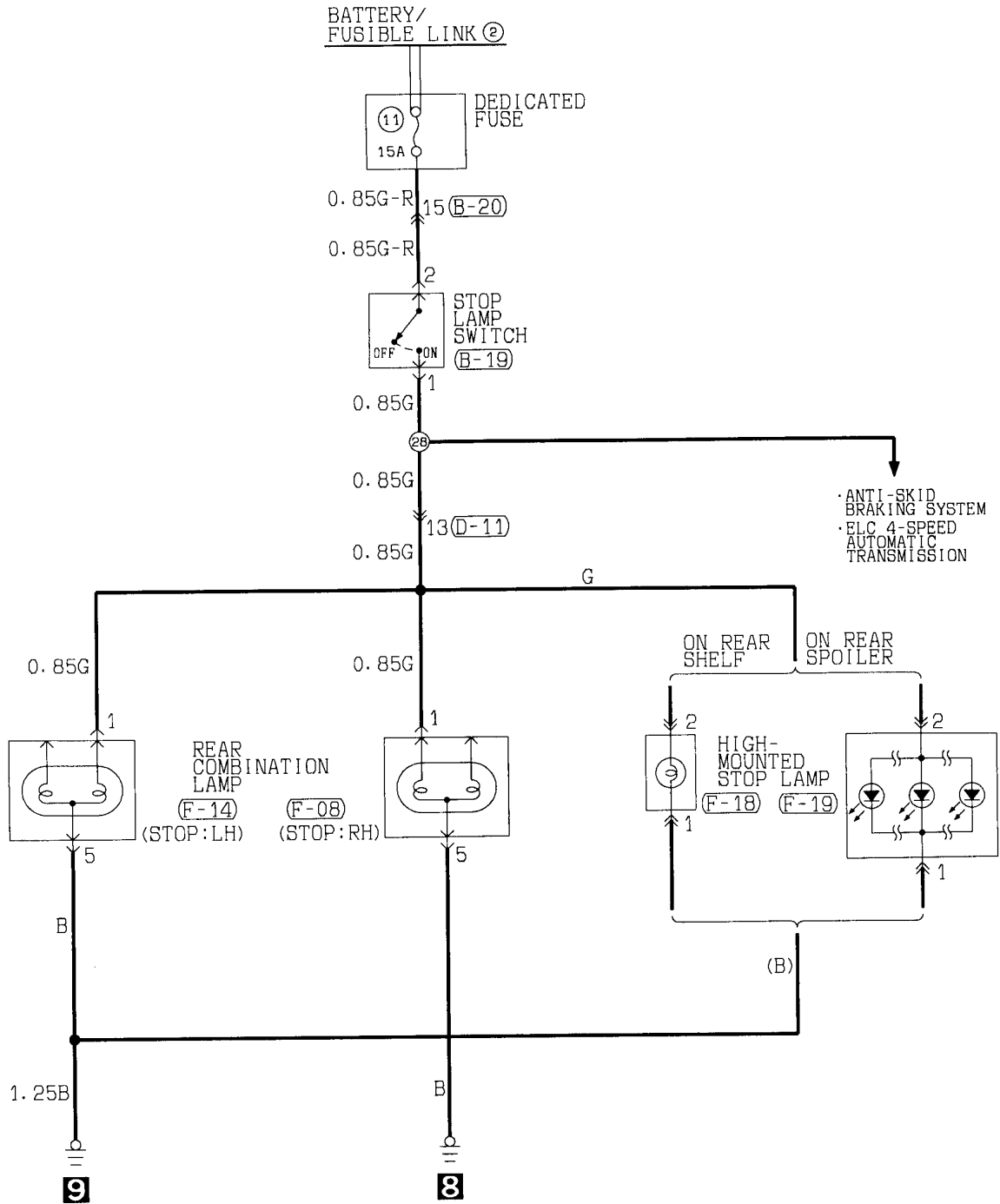
Hatchback



STOP LAMP

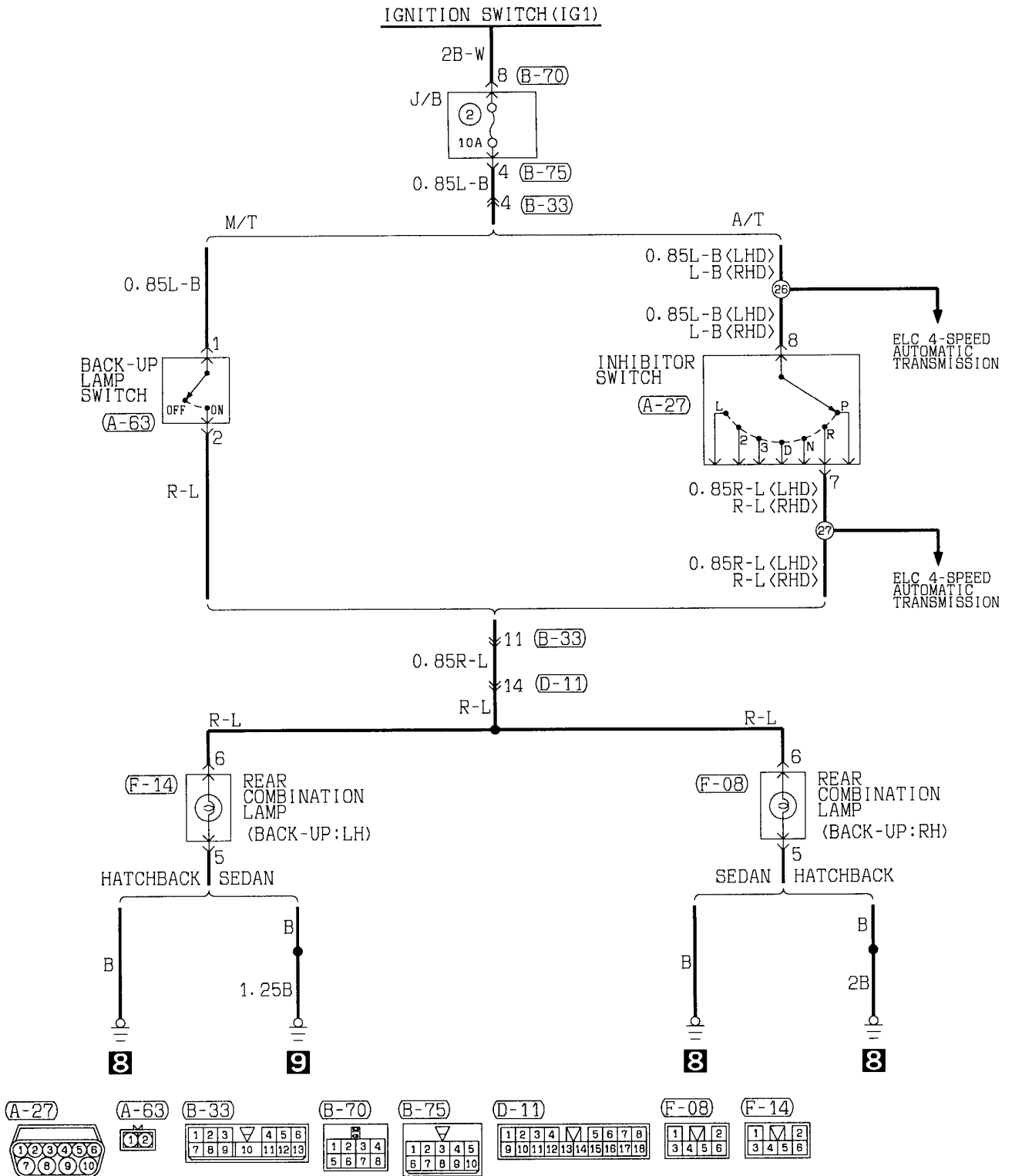
90100300134

Sedan



BACK-UP LAMP

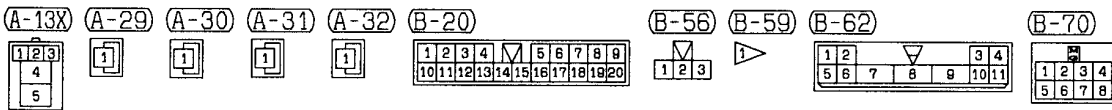
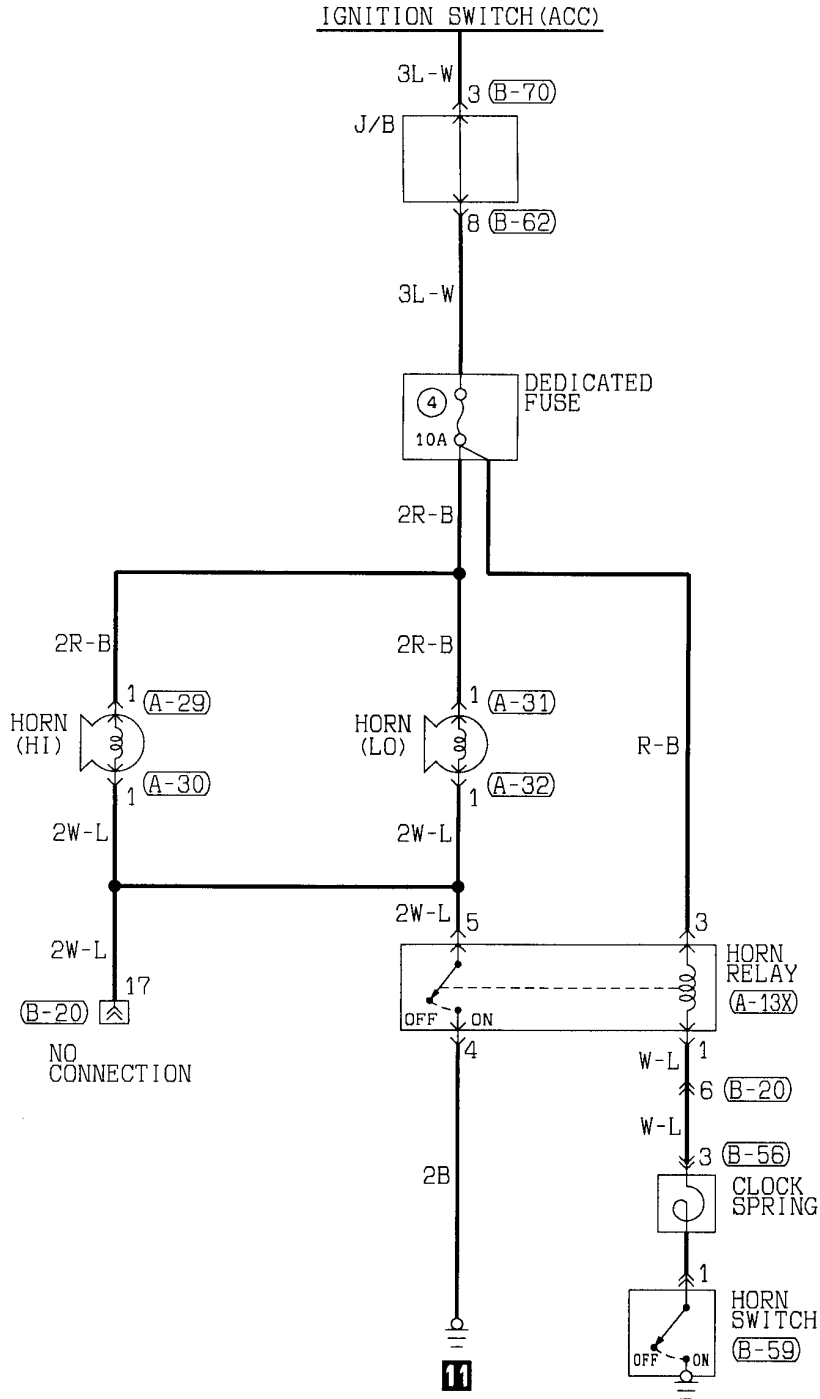
90100310151



HORN

90100330126

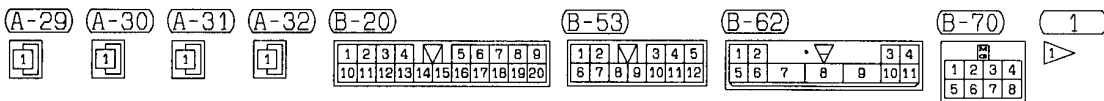
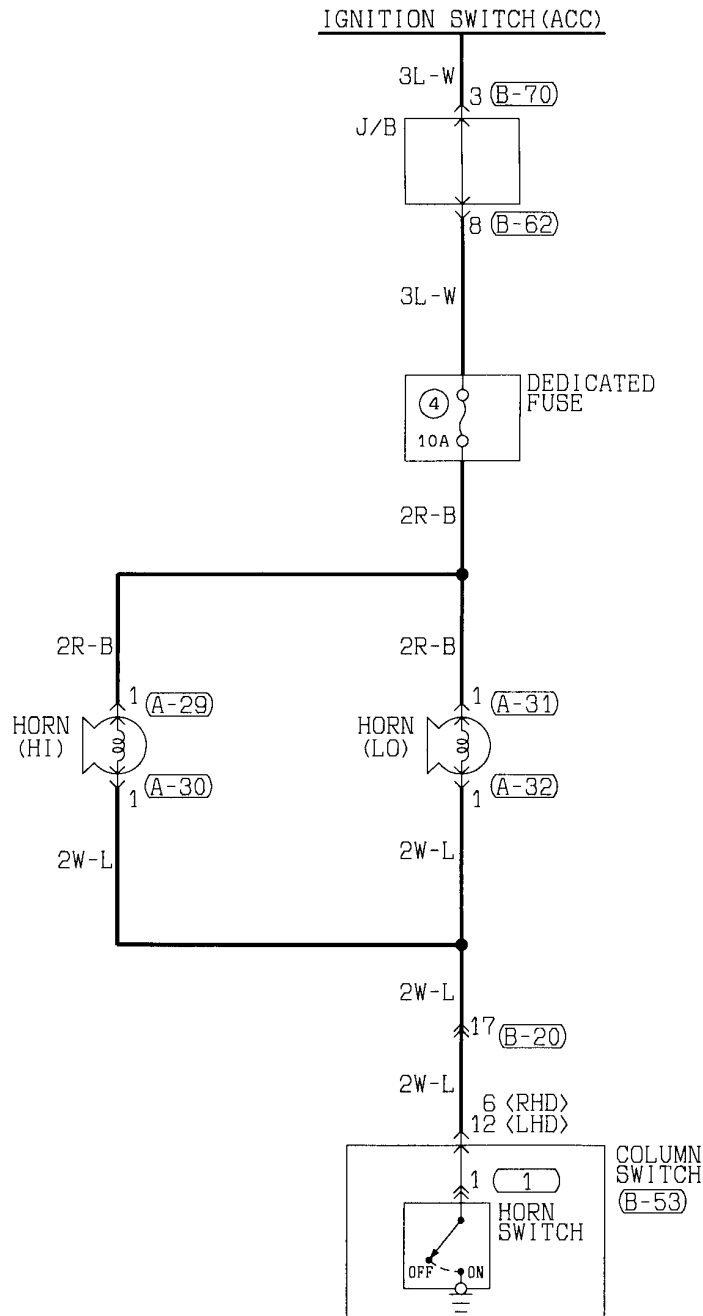
Vehicles with SRS



HORN

90100330133

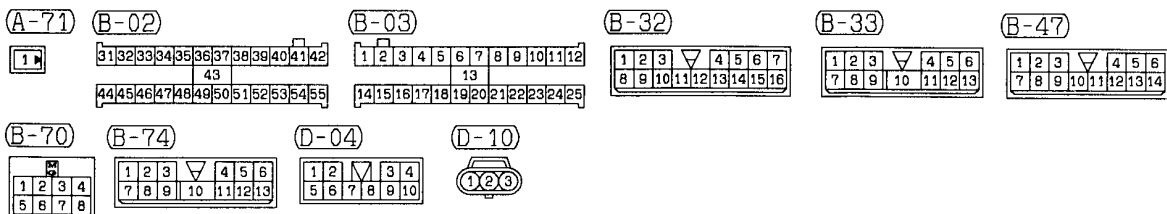
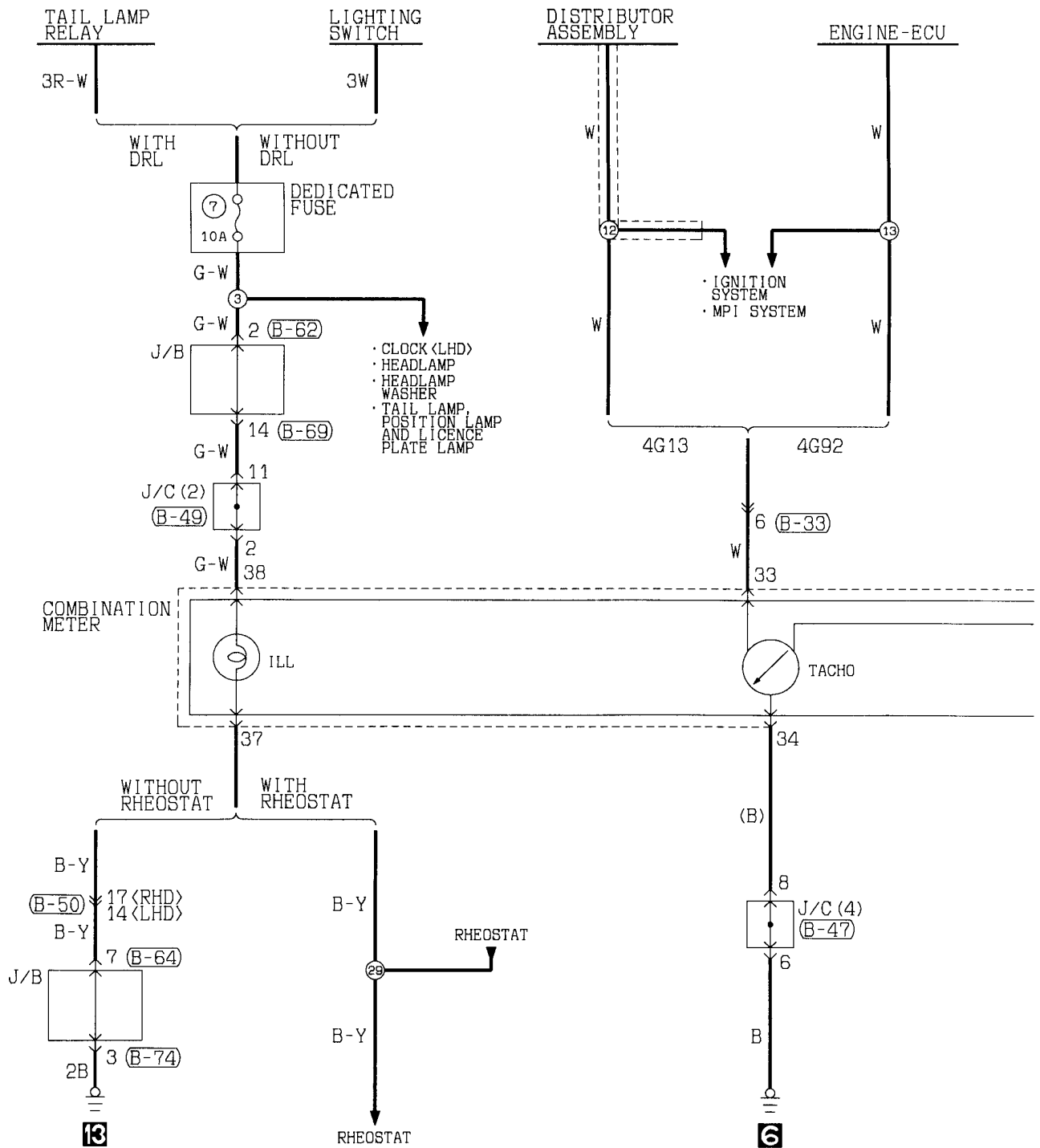
Vehicles without SRS

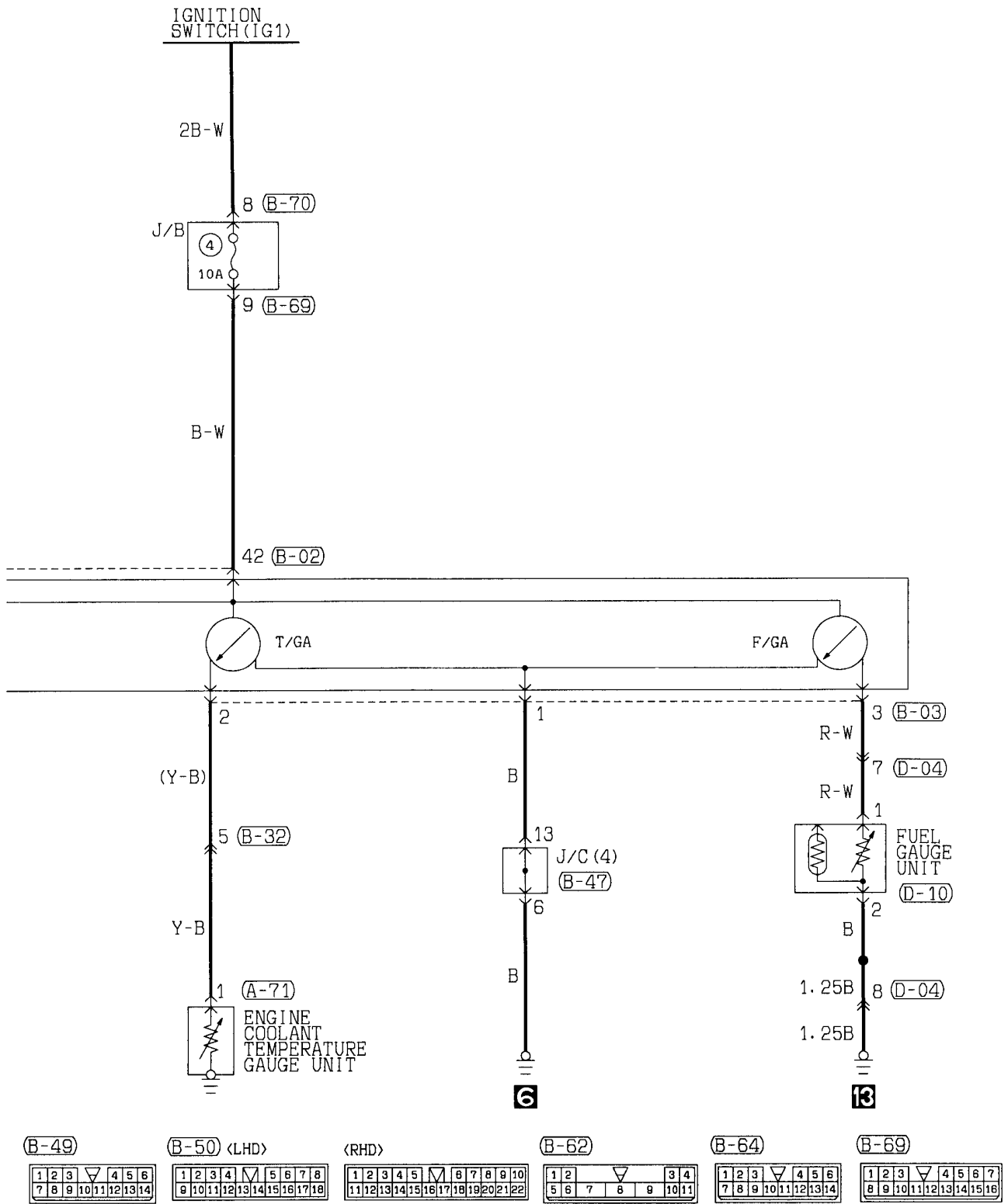


NOTES

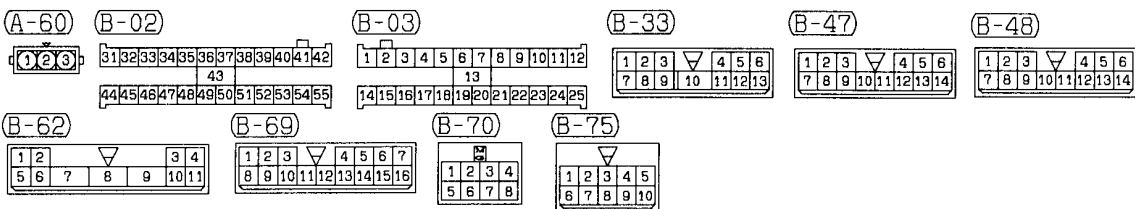
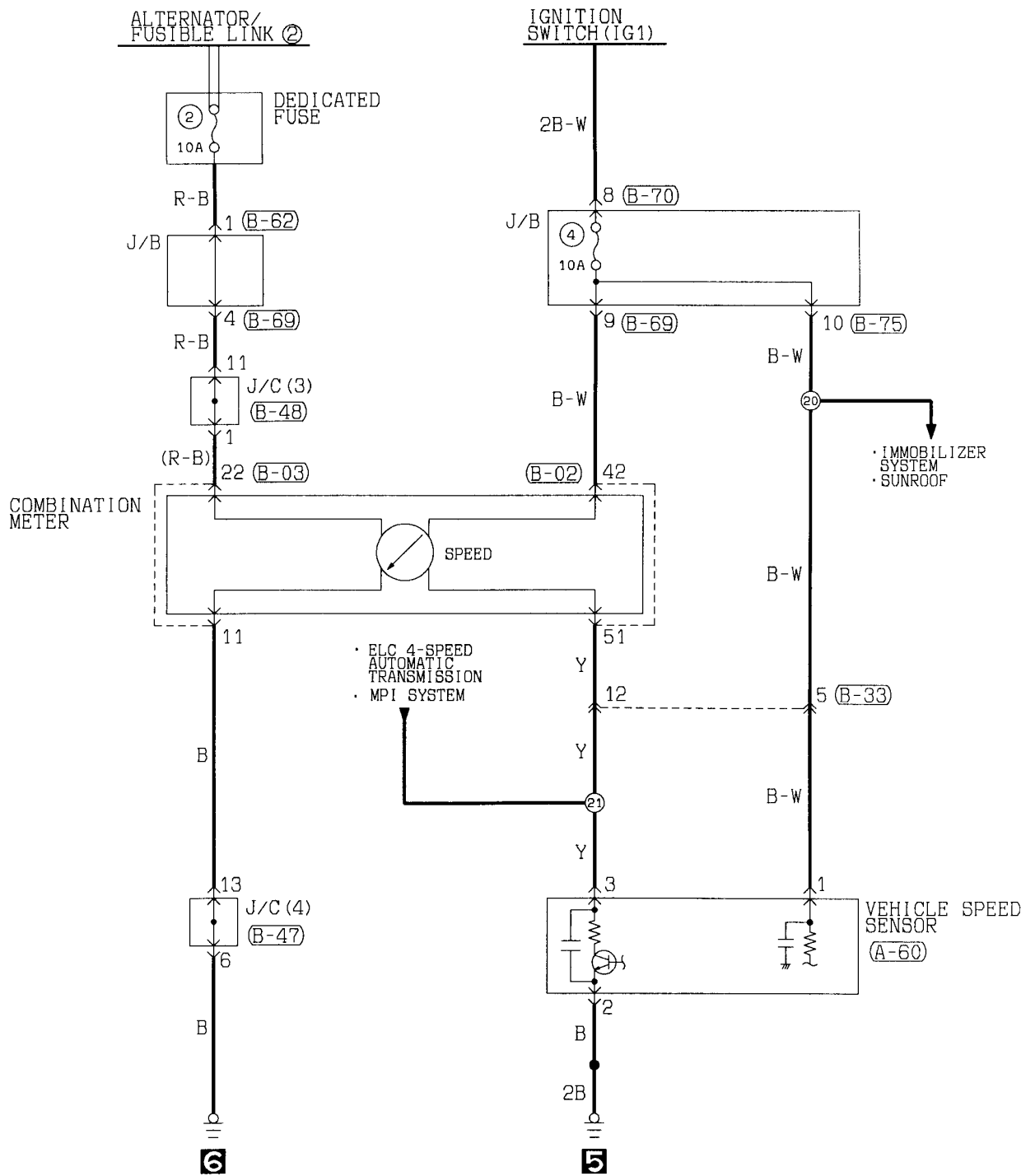
METER AND GAUGE

90100350177





METER AND GAUGE (CONTINUED)



METER AND GAUGE (See P. 4-136.)**OPERATION****<Fuel gauge>**

- When the ignition switch is at the "ON" position, the fuel gauge is activated.
- When there is much fuel, the unit's resistance is small and the current flowing in the circuit is great, so the gauge's indicator indicates in the "F" area.
- When there is little fuel, the unit's resistance is high and the current flowing in the circuit is small, so the gauge's indicator indicates in the "E" area.

<Engine coolant temperature gauge>

- When the ignition switch is at the "ON" position, the engine coolant temperature gauge is activated.
- When the engine coolant temperature is high, the unit's resistance is low and there is a great flow of current in the circuit, so the gauge's indicator indicates in the "H" area.
- When the engine coolant temperature is low, the unit's resistance is high and there is a small flow of current in the circuit, so the gauge's indicator indicates in the "C" area.

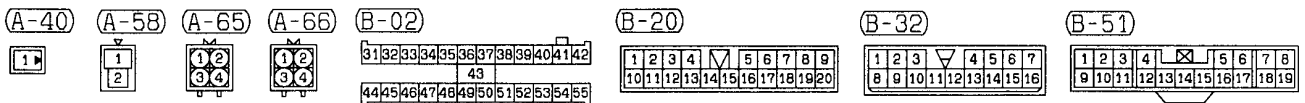
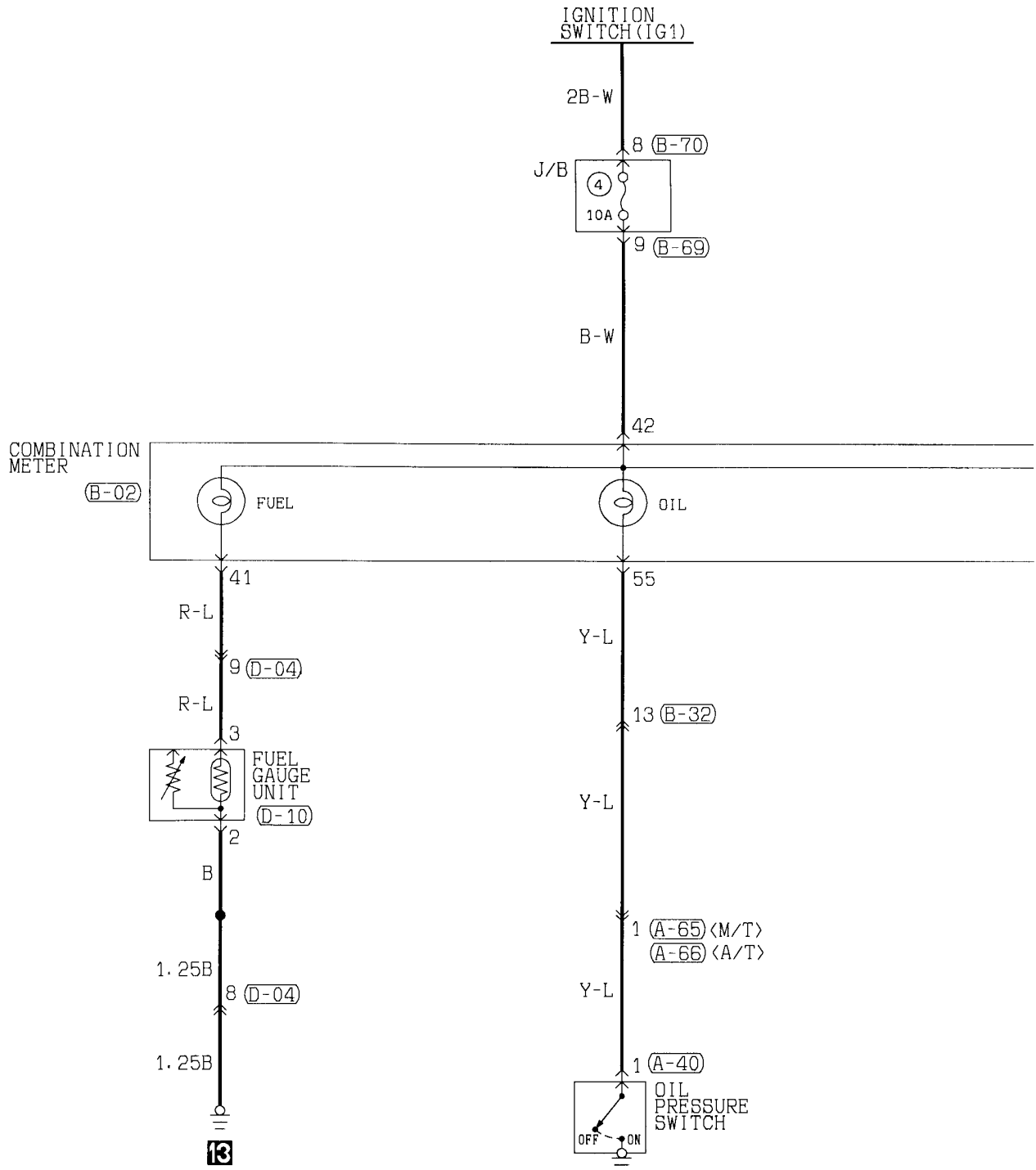
TROUBLESHOOTING HINTS

1. Fuel gauge does not operate, or registers incorrectly.
 - (1) The fuel gauge indicates "F" when the fuel gauge unit connector is disconnected and the "1" terminal is earthed.
 - Check fuel gauge.
2. Engine coolant temperature gauge does not operate, or registers incorrectly.
 - (1) When the engine coolant temperature gauge is earthed with its connector unplugged, it registers "H".
 - Check engine coolant temperature gauge unit.
3. Meter illumination lamp does not illuminate.
 - (1) Tail lamps illuminate.
 - Check rheostat.
 - Check the bulb.
 - Check earth.

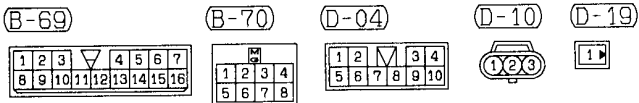
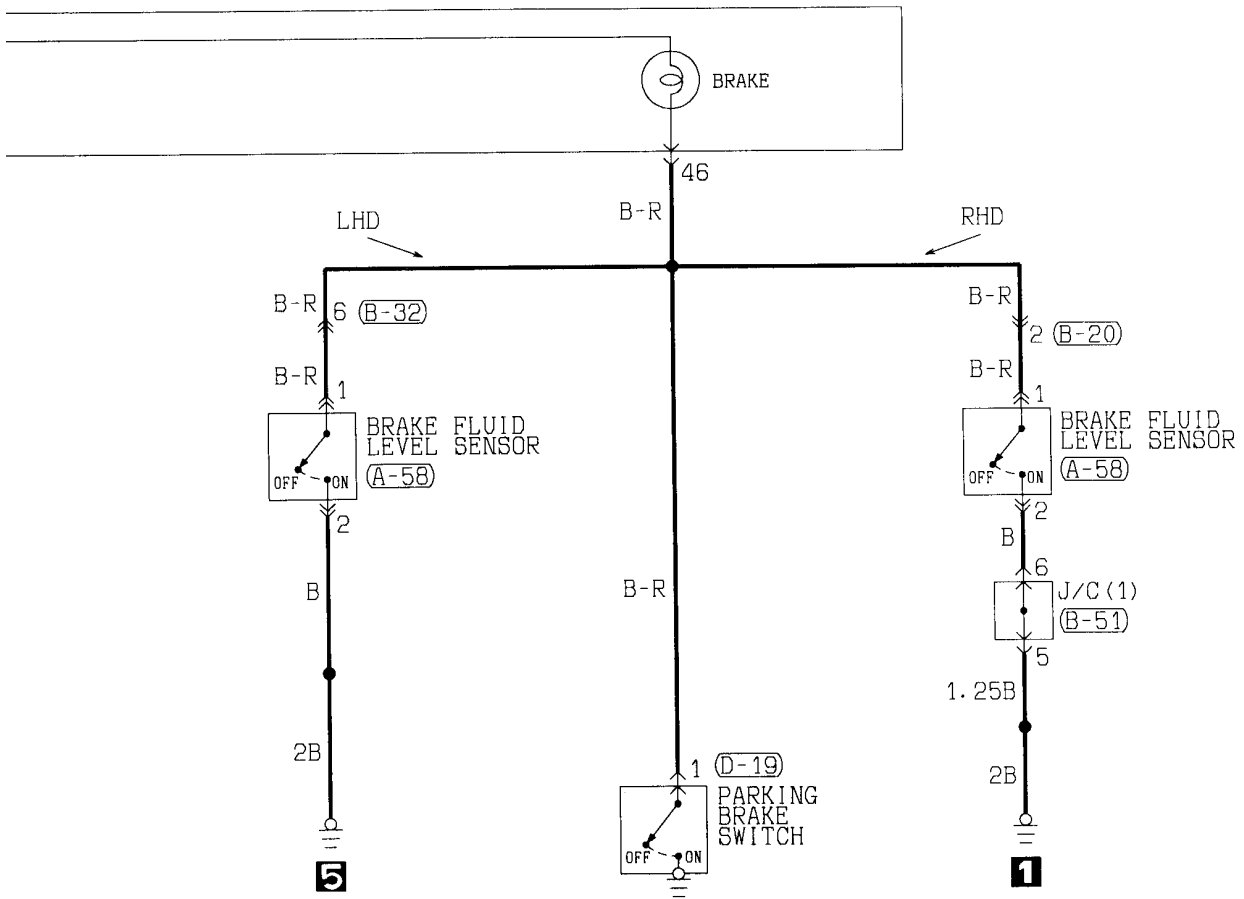
FUEL WARNING LAMP

OIL PRESSURE WARNING LAMP

90101180072



BRAKE WARNING LAMP



FUEL WARNING LAMP (See P. 4-140.)

OIL PRESSURE WARNING LAMP (See P. 4-140.)

BRAKE WARNING LAMP (See. P. 4-141.)

OPERATION

<Fuel warning lamp>

- When the fuel level goes down causing the level sensor to be exposed, with the ignition switch in the ON position, the resistance of level sensor becomes small. When this resistance goes down below the predetermined level, the fuel warning lamp illuminates to warn the driver that the amount of fuel still available for use is small.

<Oil pressure warning lamp>

- When the lubrication system fails after engine starting, resulting in the oil pressure failing to build up, the oil pressure switch turns on causing the oil pressure warning lamp to illuminate.

<Brake warning lamp>

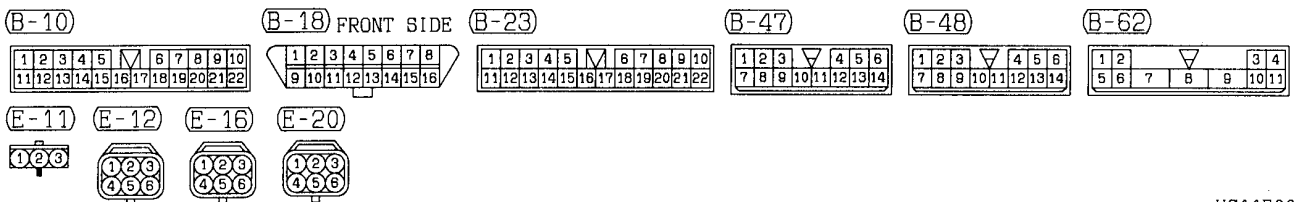
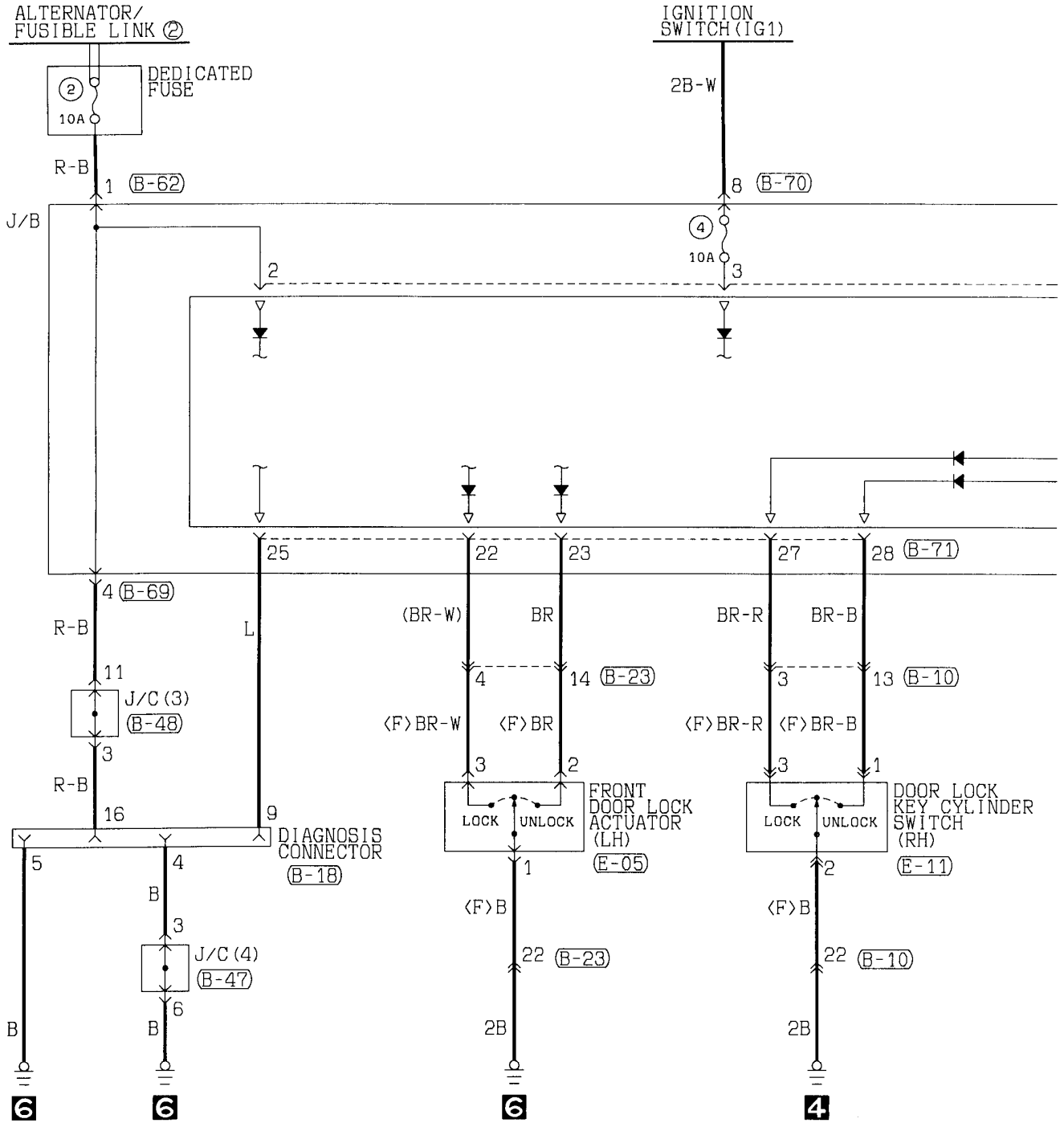
- When the brake fluid level goes down below a predetermined level with the ignition switch in the ON position, the brake fluid level sensor is activated or the parking brake switch is turned on, causing the brake warning lamp to illuminate.

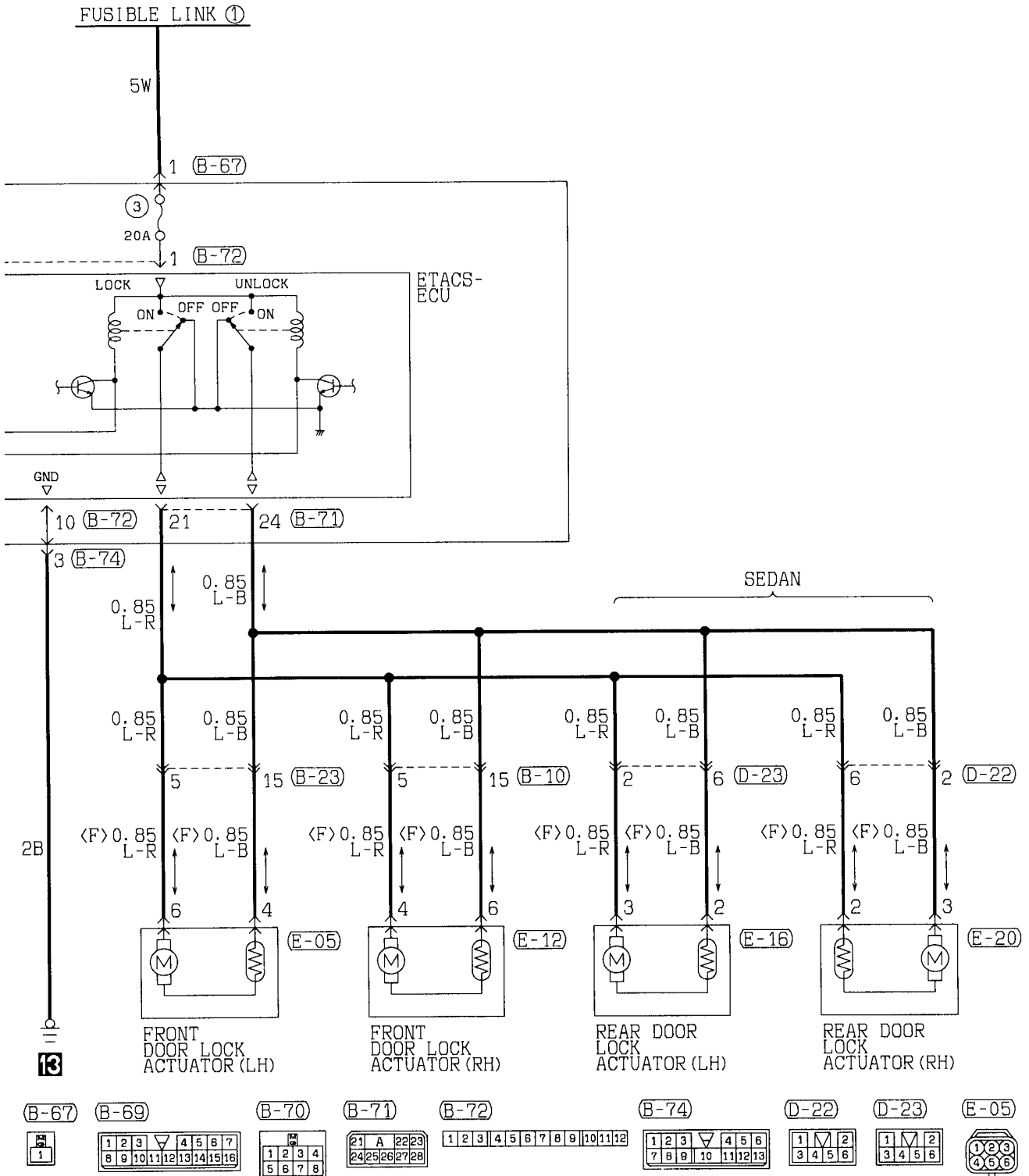
NOTES

CENTRAL DOOR LOCKING SYSTEM

90100470279

L.H. drive vehicles

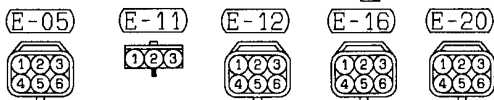
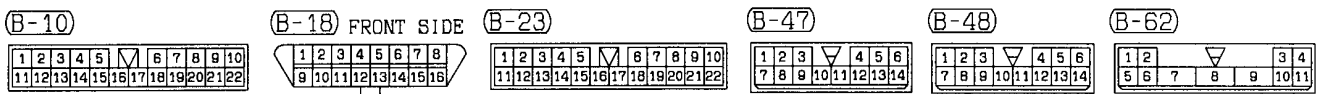
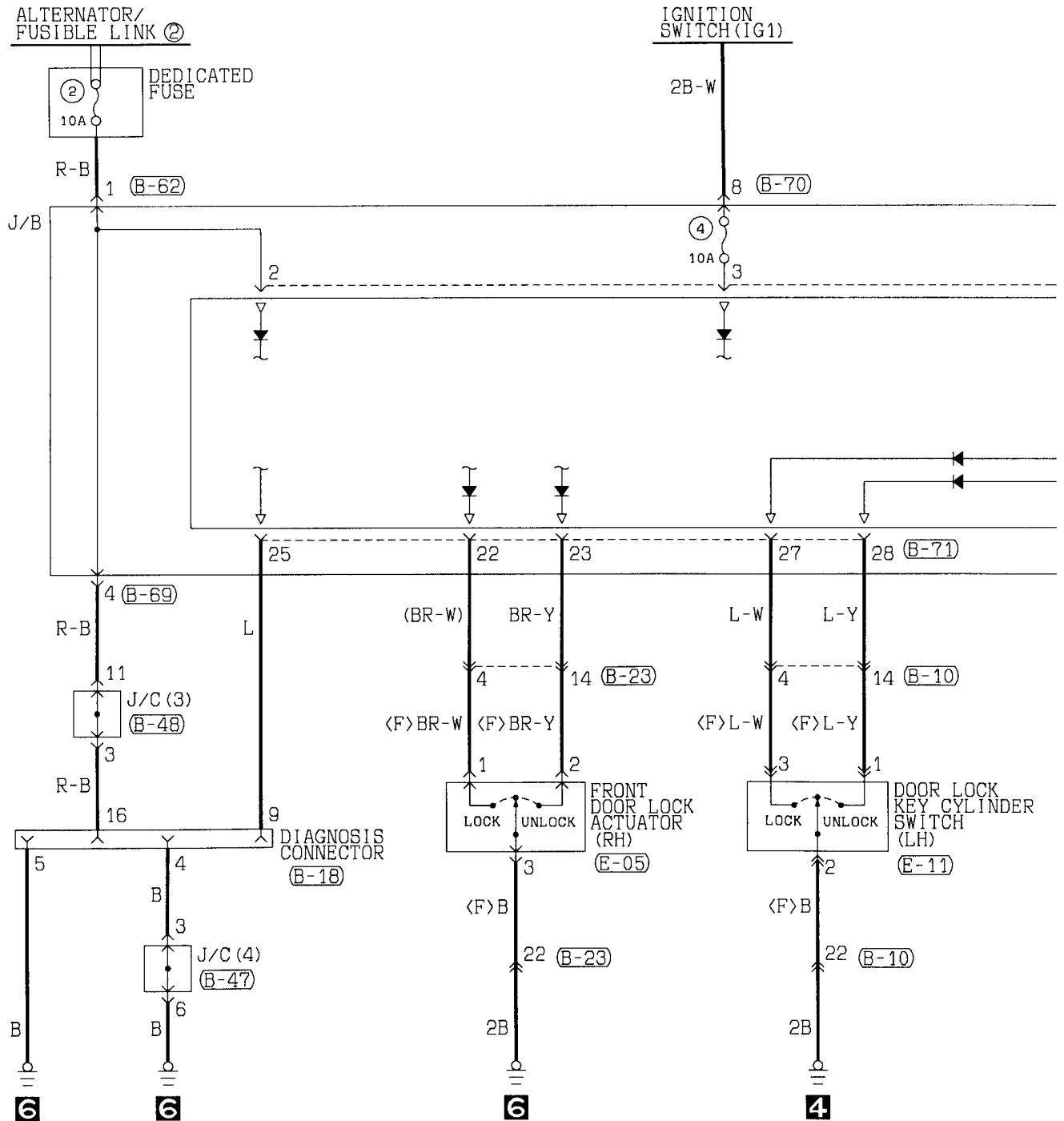


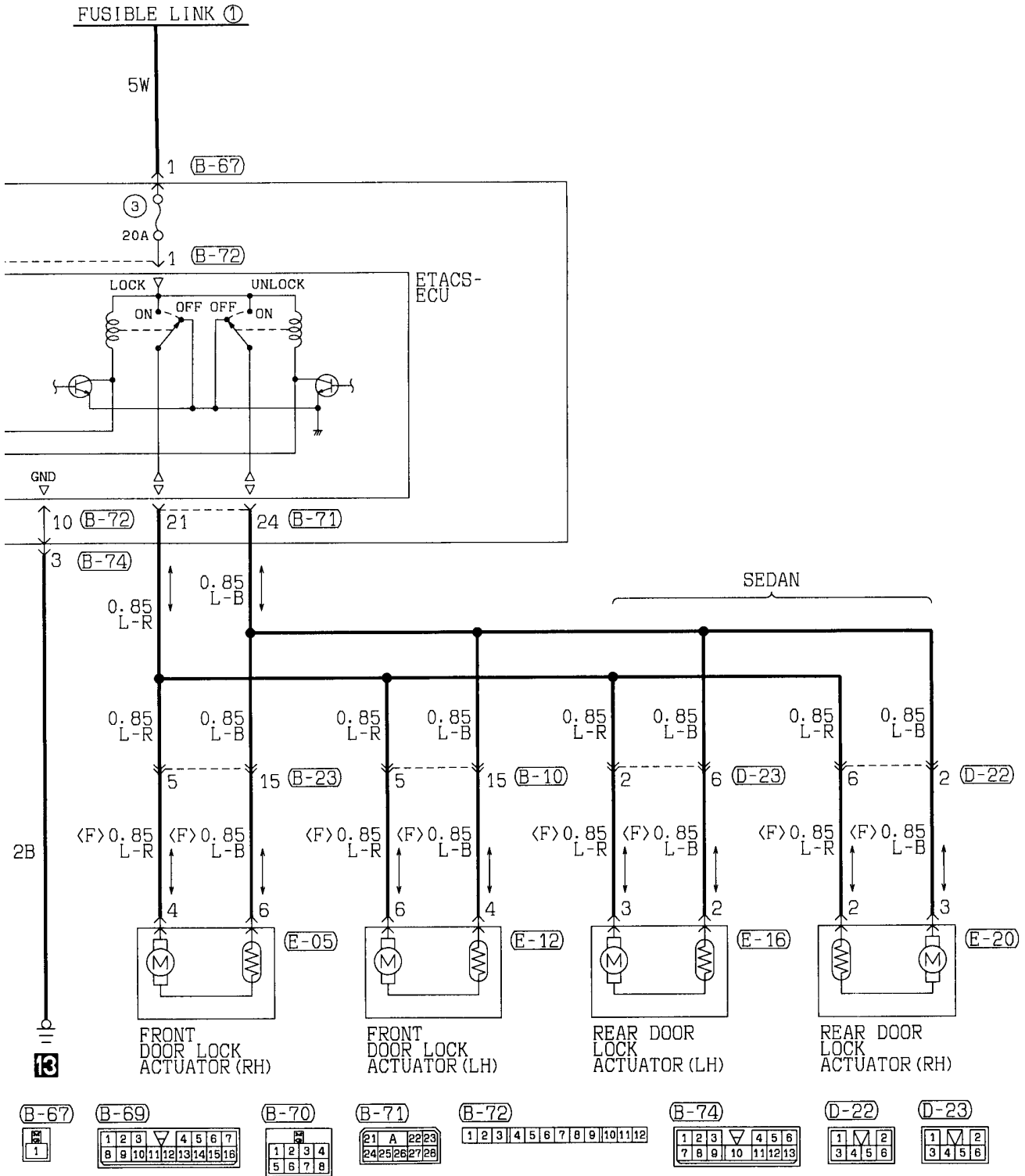


CENTRAL DOOR LOCKING SYSTEM

90100470286

R.H. drive vehicles

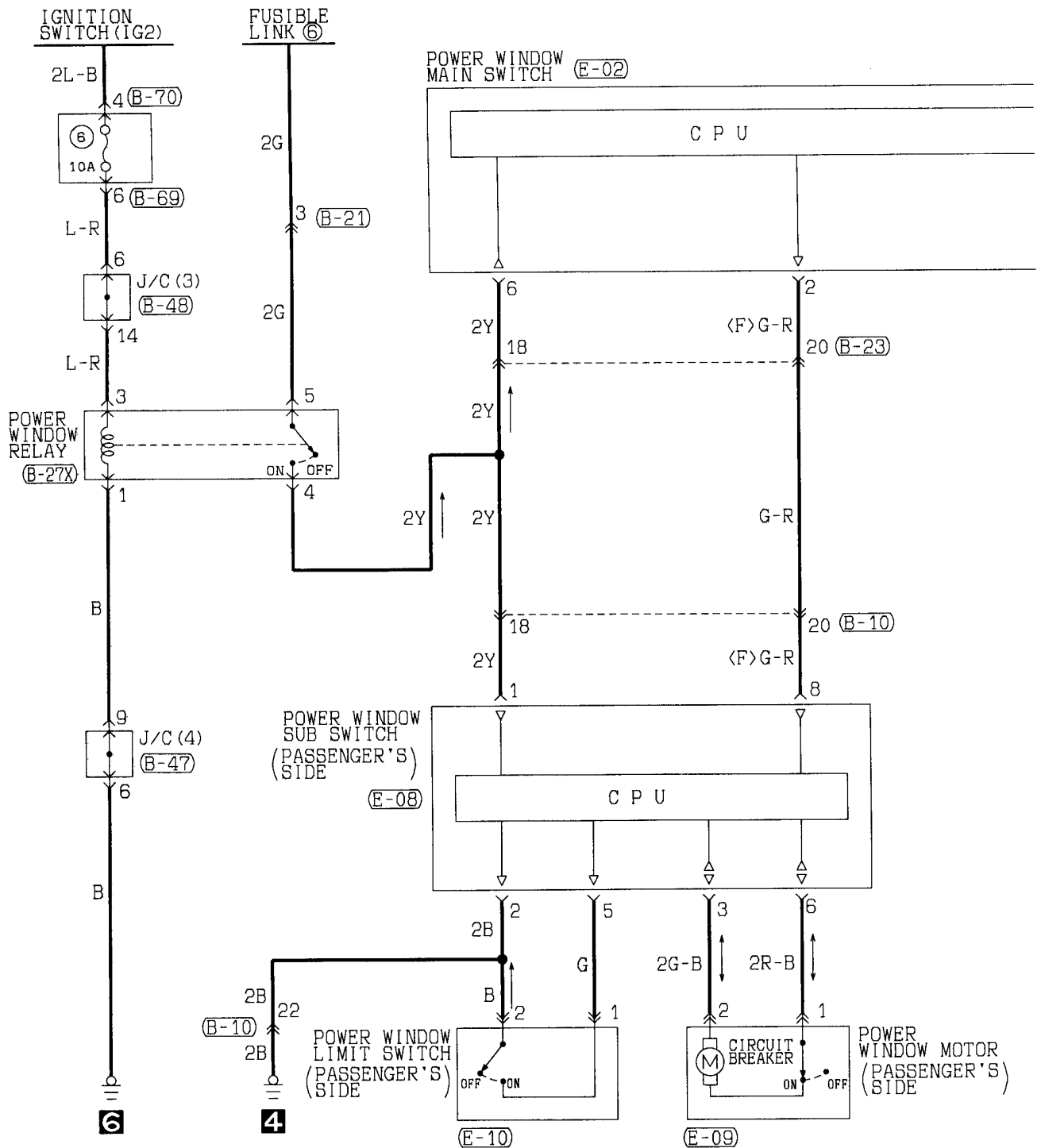




POWER WINDOWS

90100460146

Hatchback



(B-10)

1	2	3	4	5	6	7	8	9	10		
11	12	13	14	15	16	17	18	19	20	21	22

(B-21)

1	2		
3	4	5	6

(B-23)

1	2	3	4	5	6	7	8	9	10		
11	12	13	14	15	16	17	18	19	20	21	22

(B-27X)

1	2	3
4	5	

(B-47)

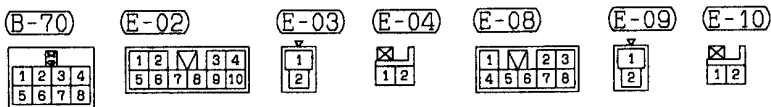
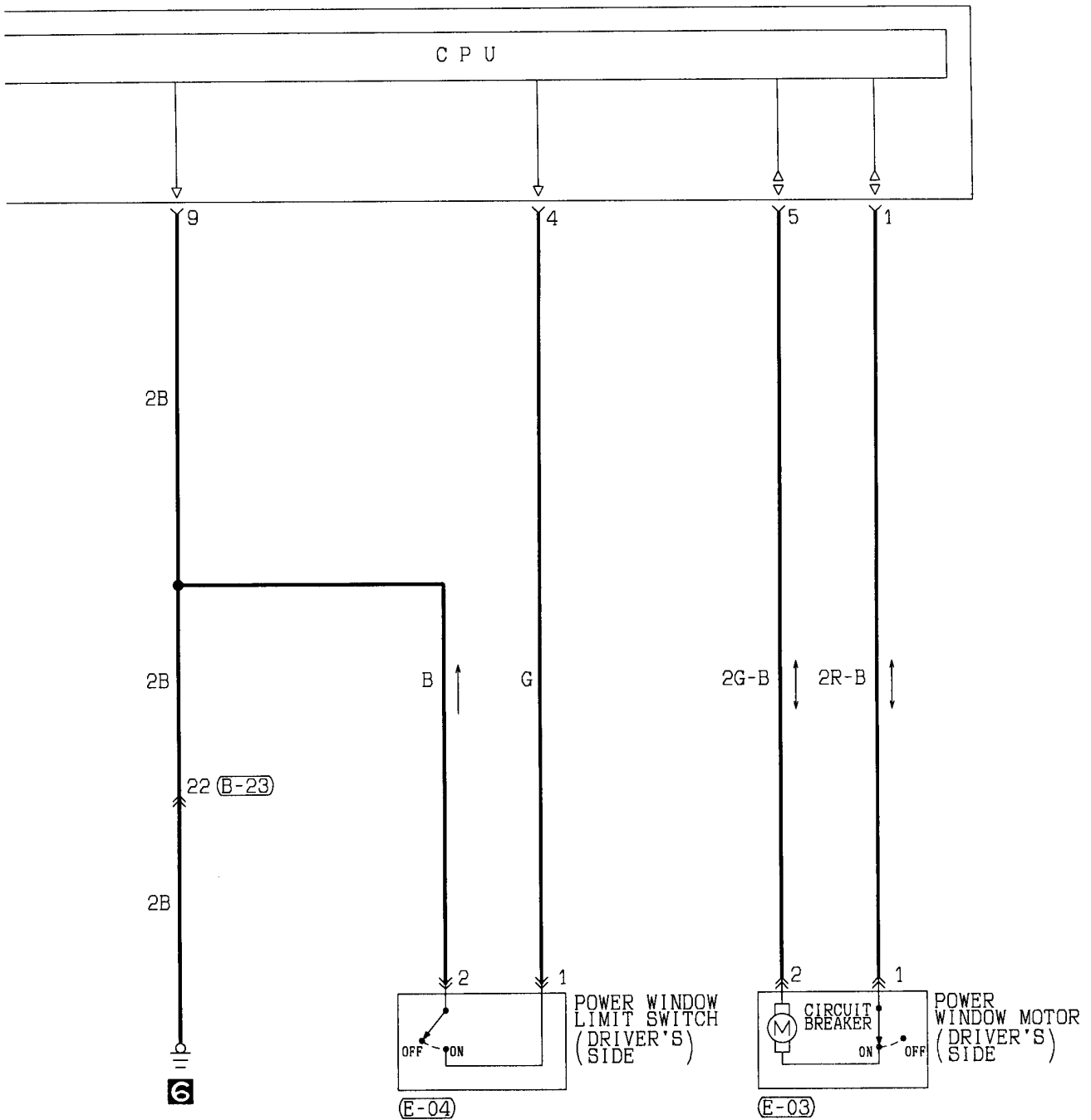
1	2	3	4	5	6		
7	8	9	10	11	12	13	14

(B-48)

1	2	3	4	5	6		
7	8	9	10	11	12	13	14

(B-69)

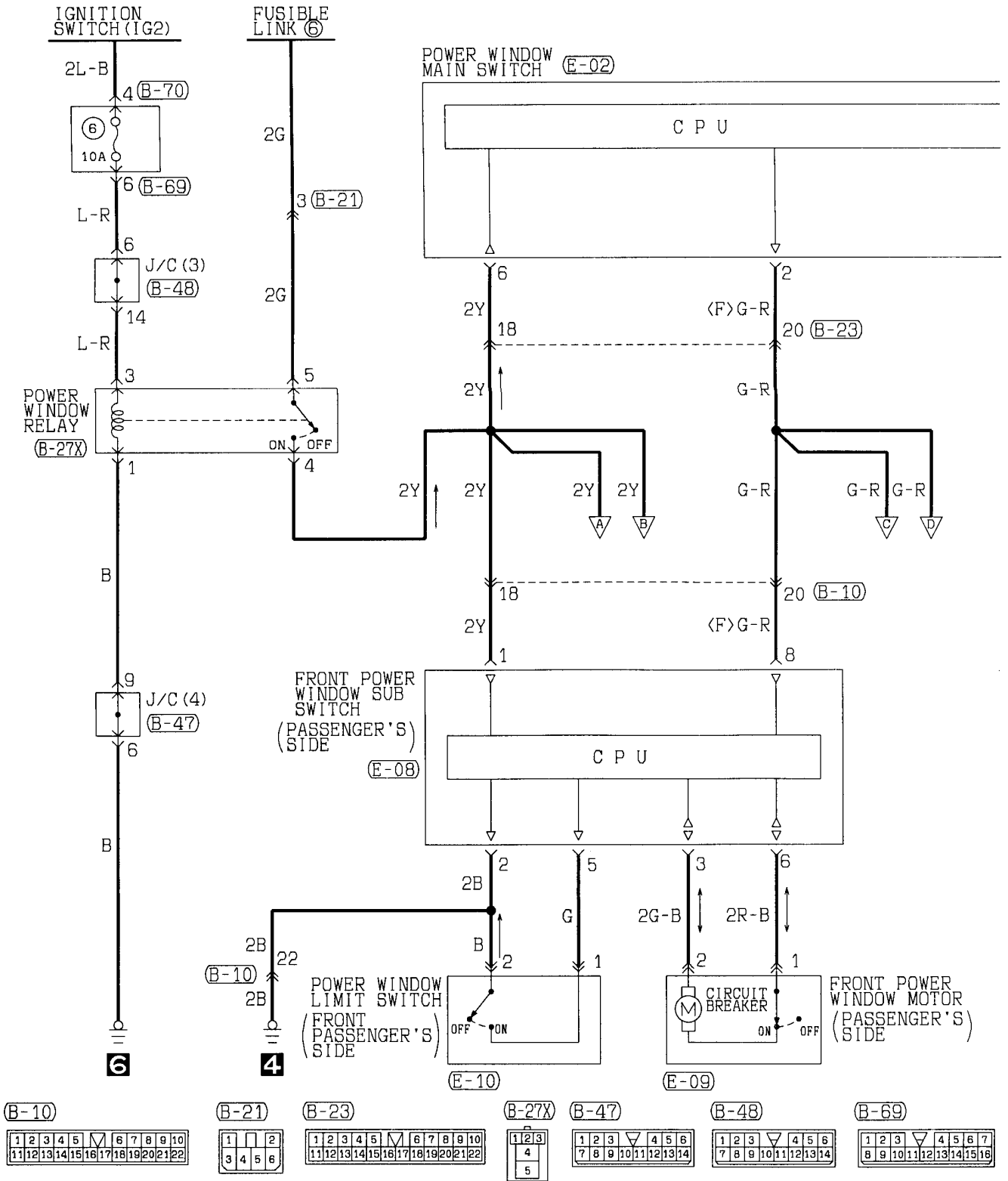
1	2	3	4	5	6	7		
8	9	10	11	12	13	14	15	16

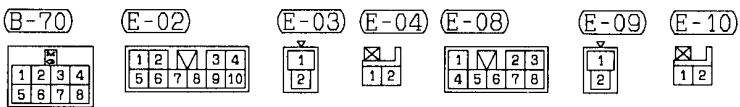
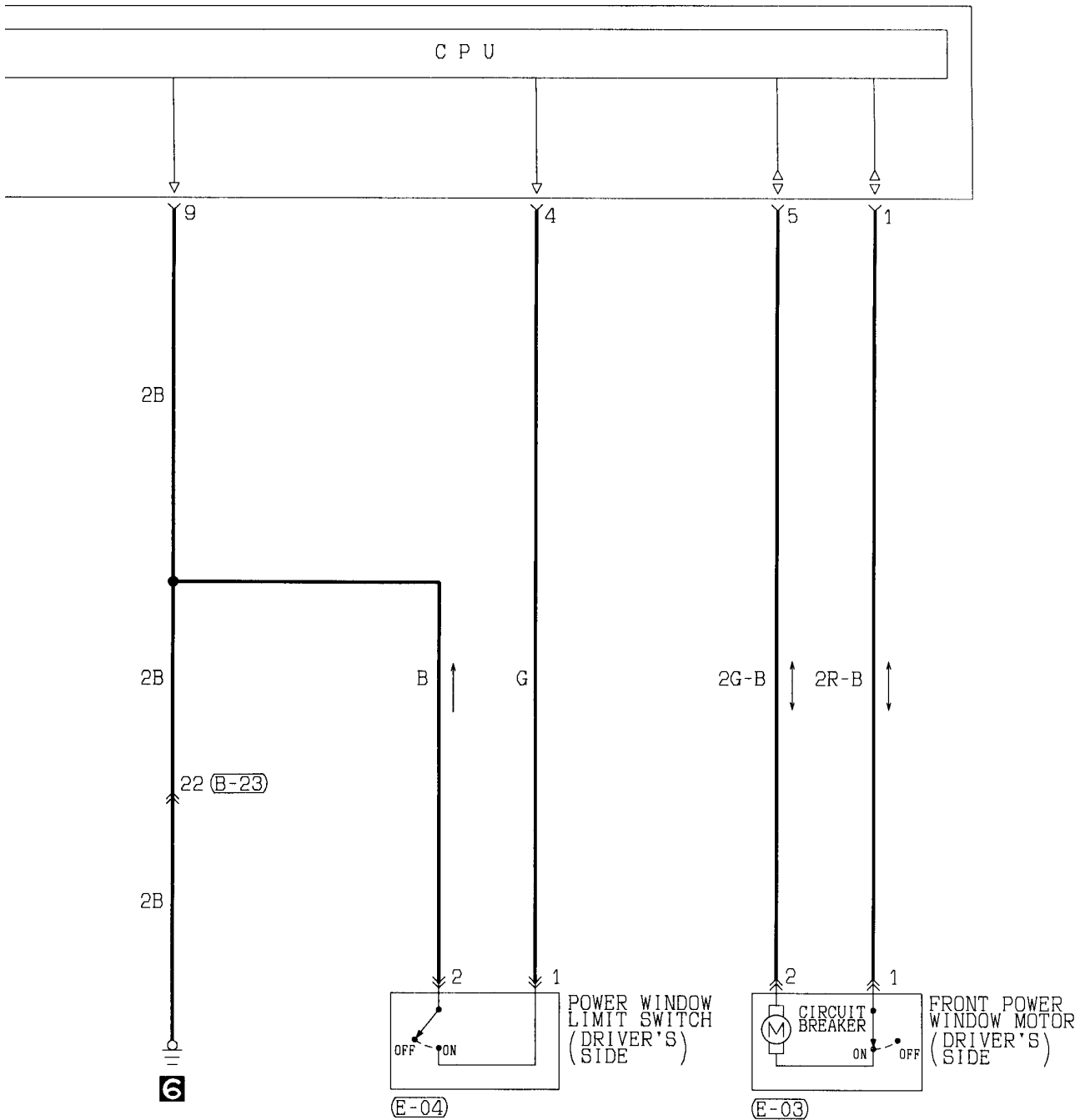


POWER WINDOWS

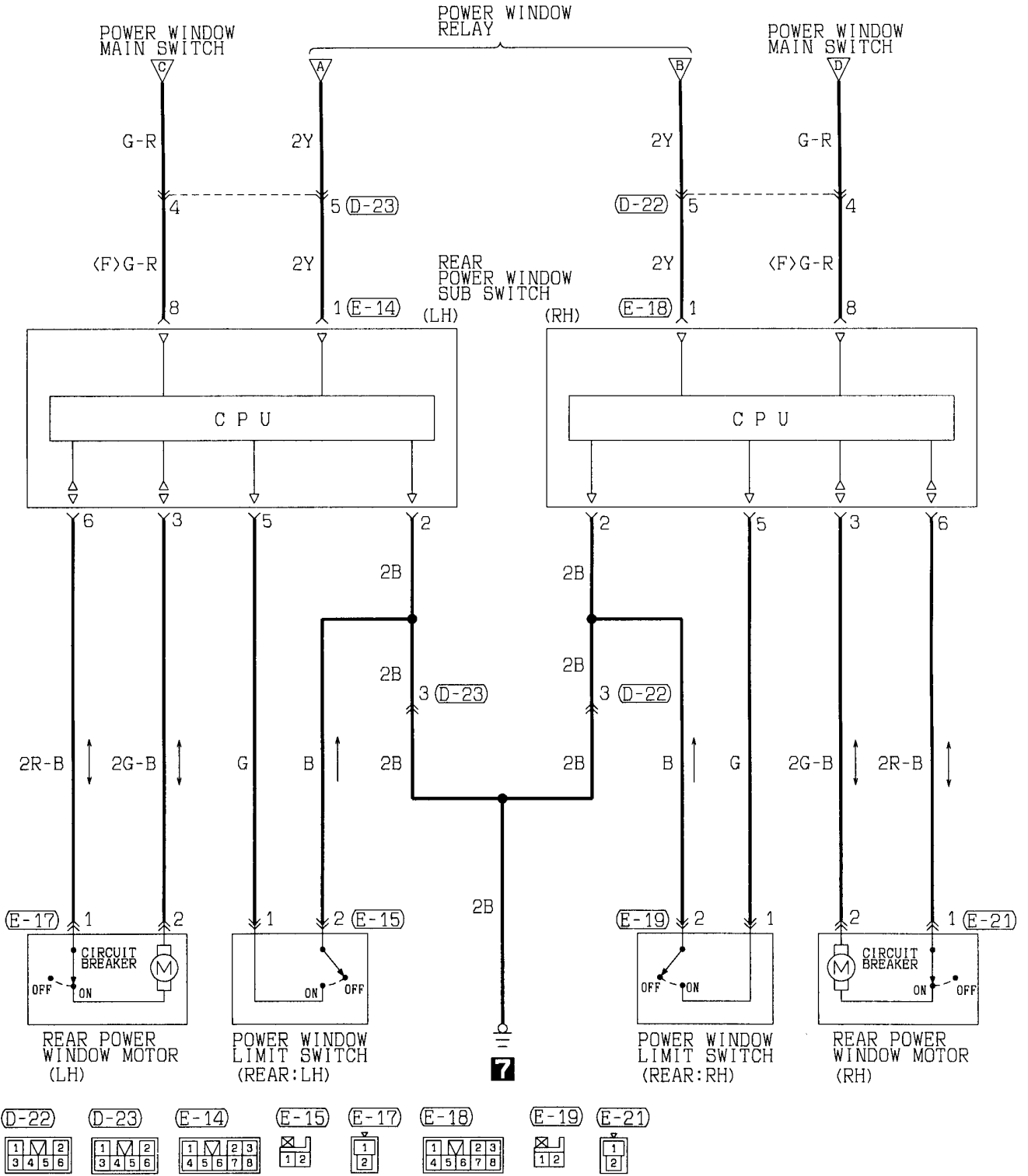
90100460153

Sedan





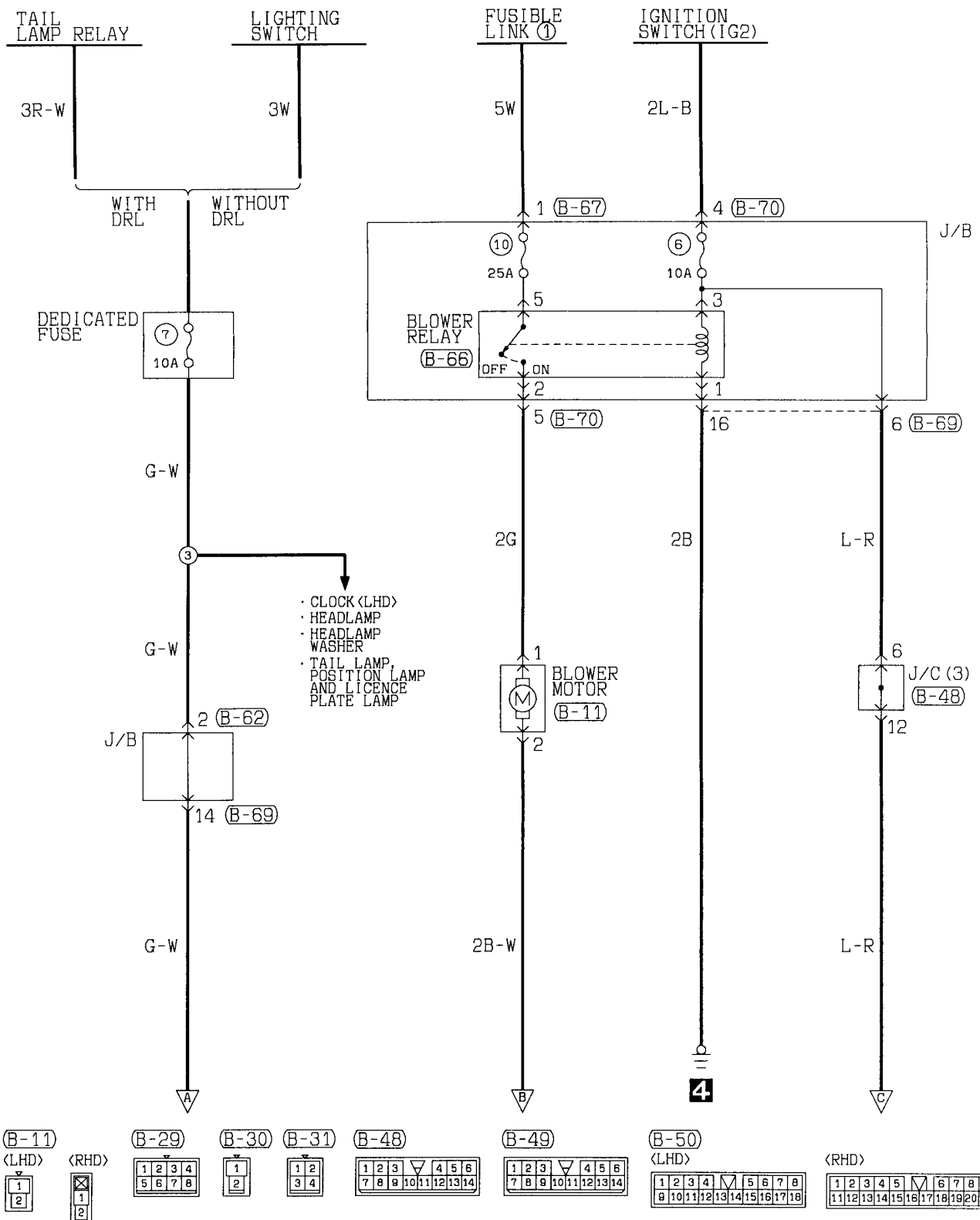
POWER WINDOWS <Sedan> (CONTINUED)

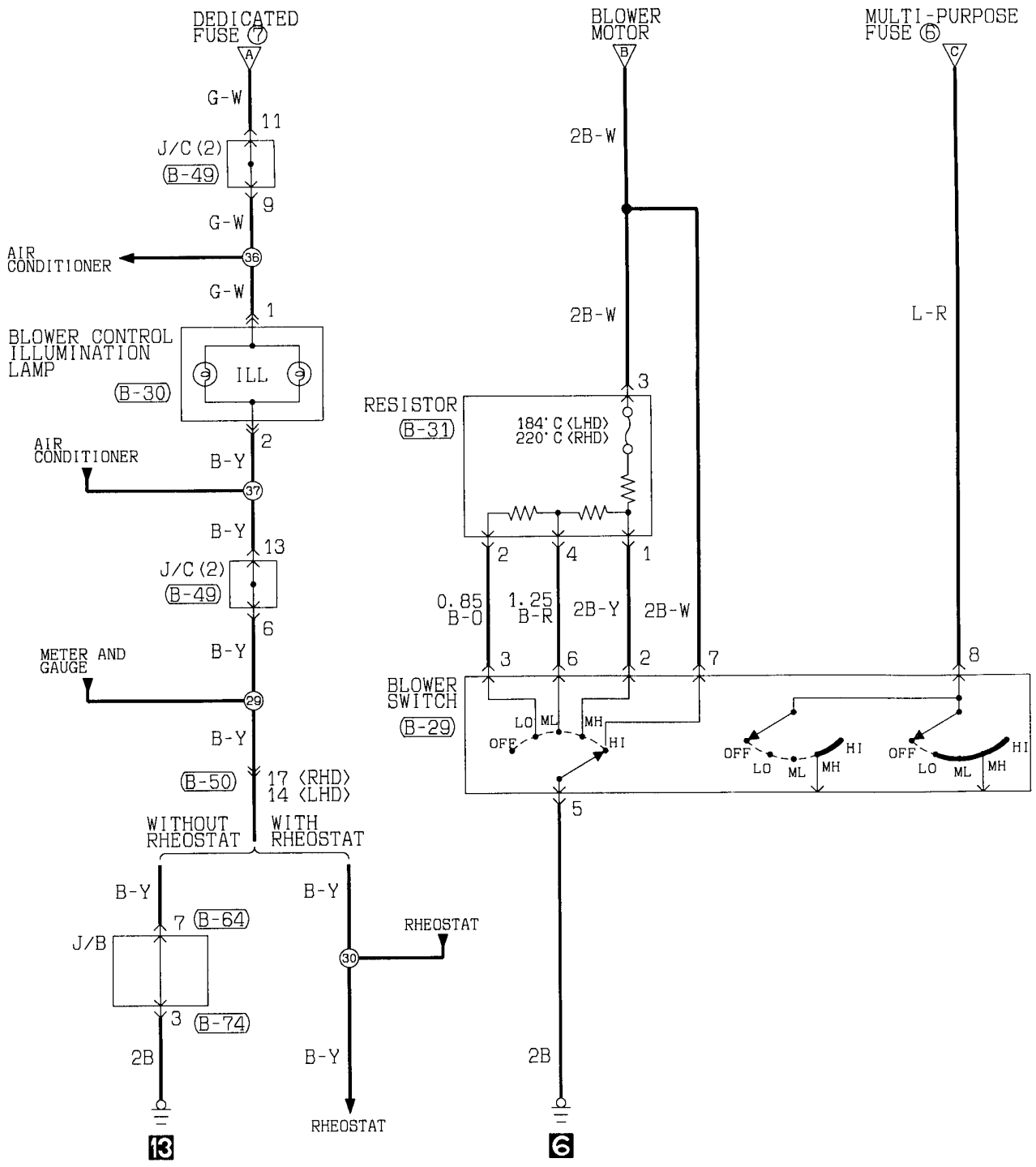


NOTES

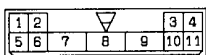
HEATER

90101330057

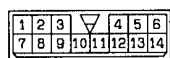




(B-62)



(B-64)



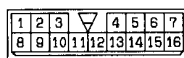
(B-66)



(B-67)



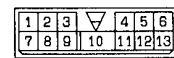
(B-69)



(B-70)

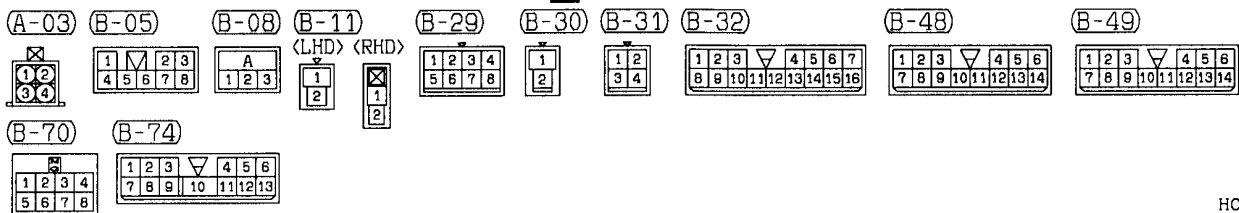
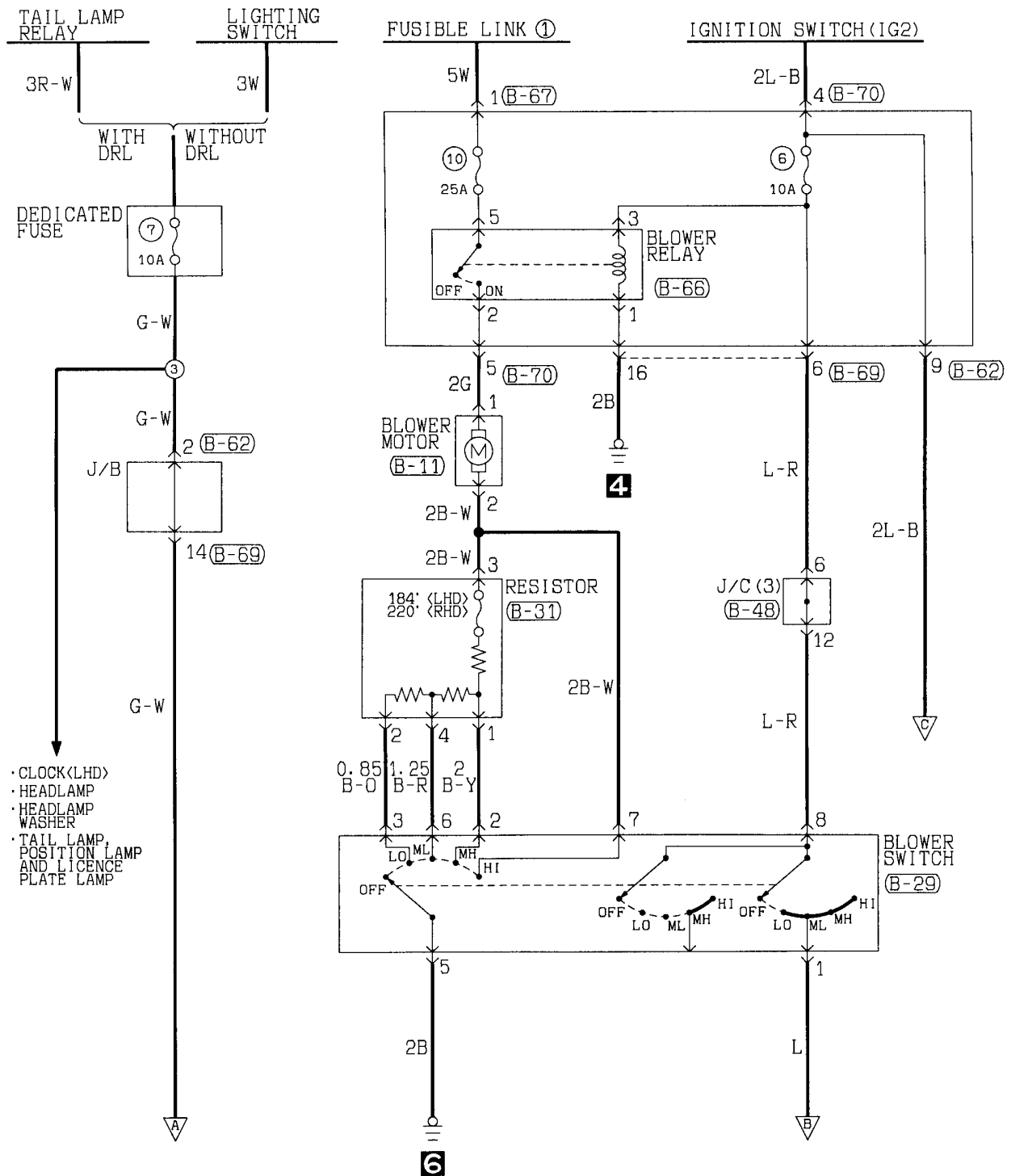


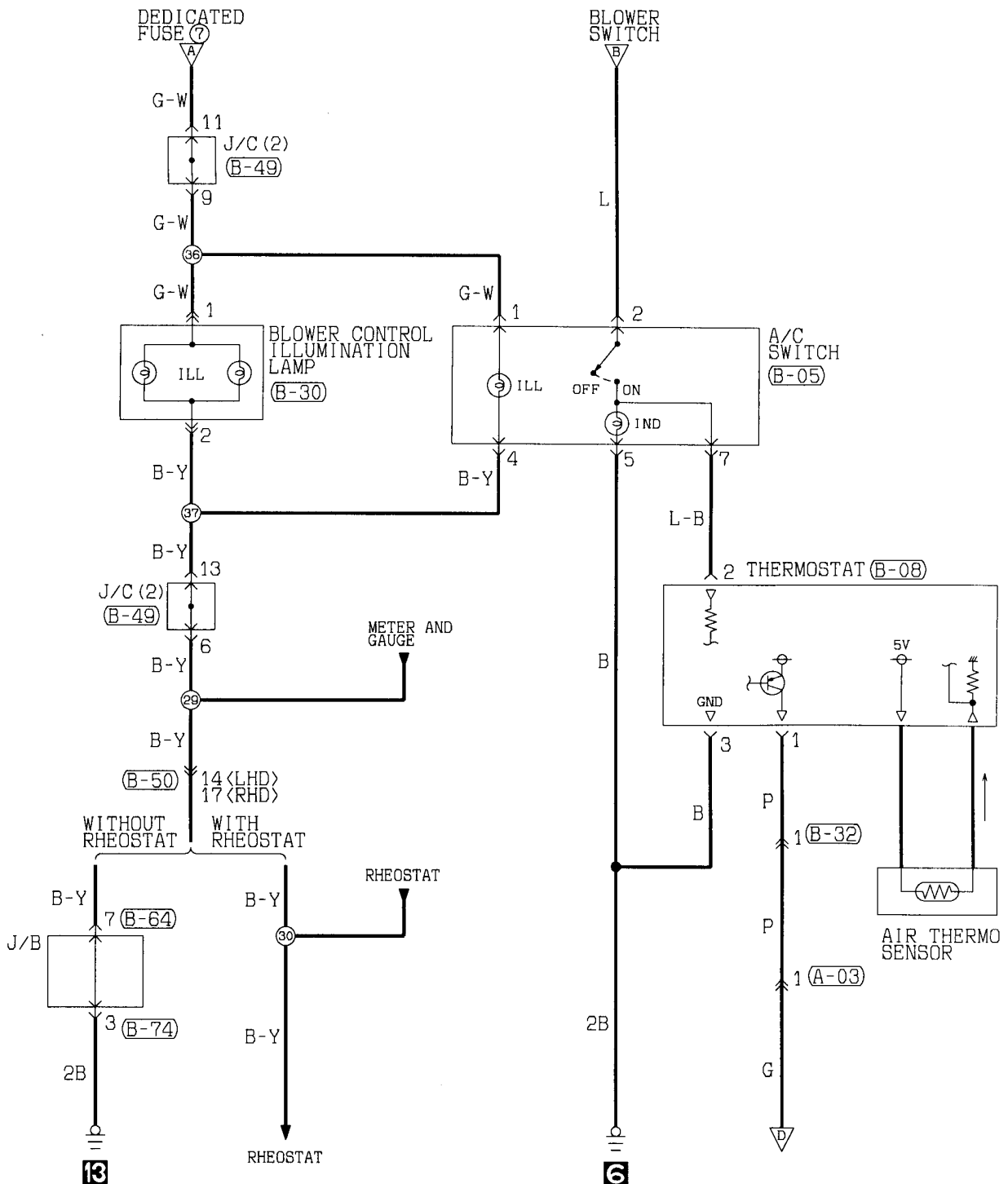
(B-74)



AIR CONDITIONER

90100550089





(B-50)
<LHD>

1	2	3	4	5	6	7	8		
9	10	11	12	13	14	15	16	17	18

<RHD>

1	2	3	4	5	6	7	8	9	10		
11	12	13	14	15	16	17	18	19	20	21	22

(B-62)

1	2	3	4			
5	6	7	8	9	10	11

(B-64)

1	2	3	4	5	6		
7	8	9	10	11	12	13	14

(B-66)

1	2	
3	4	5

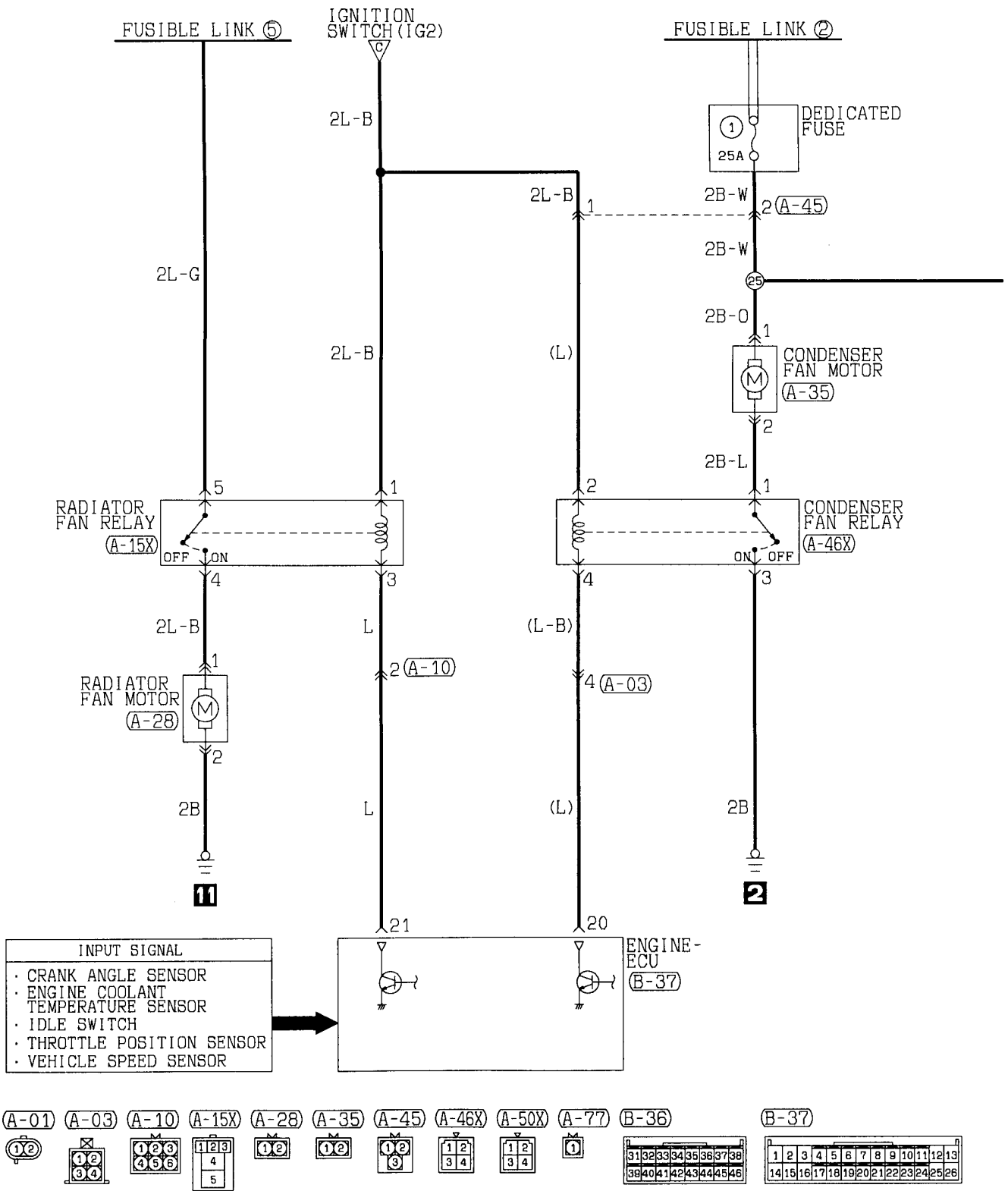
(B-67)

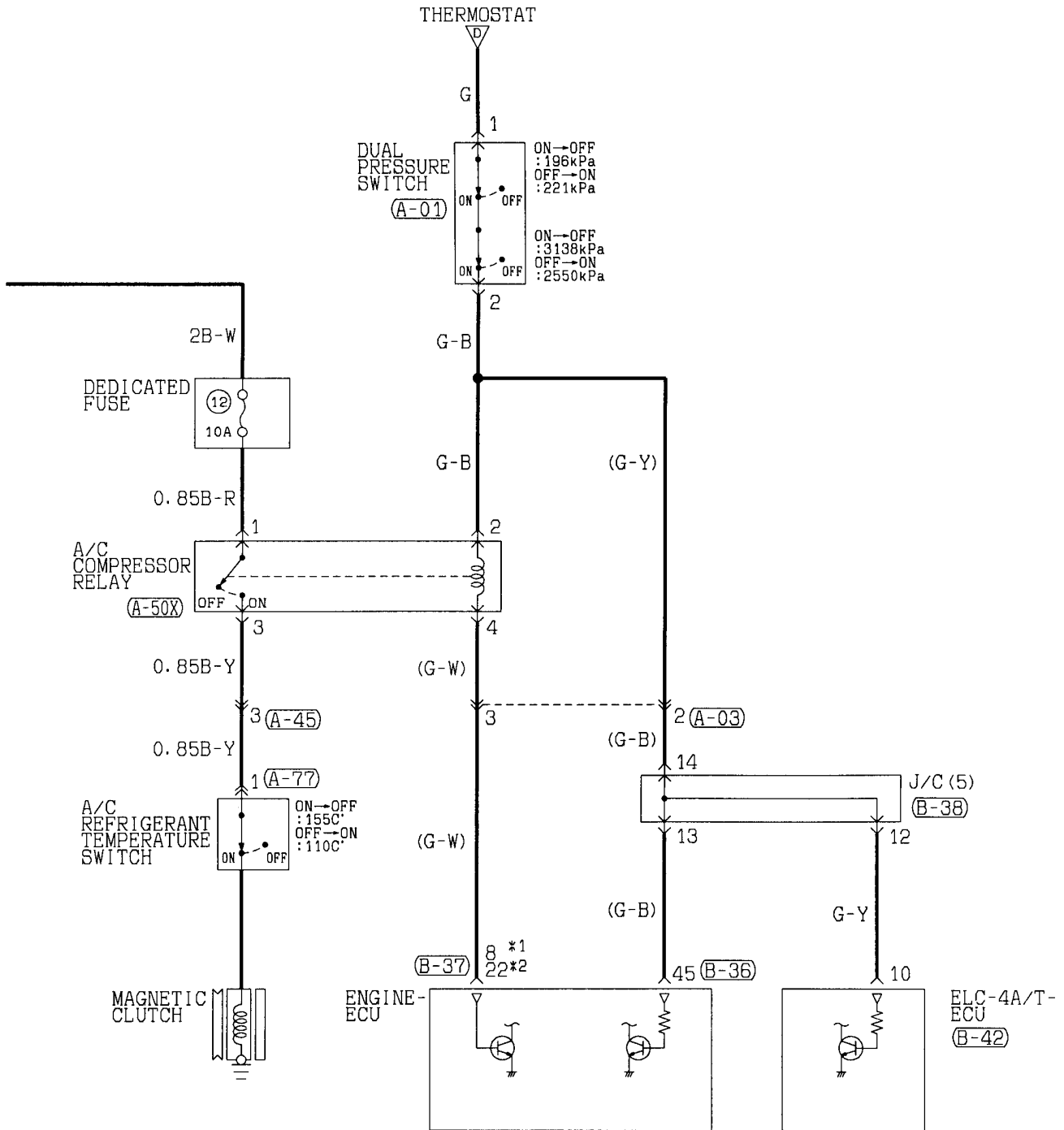
1

(B-69)

1	2	3	4	5	6	7		
8	9	10	11	12	13	14	15	16

AIR CONDITIONER (CONTINUED)





(B-38)

1	2	3	4	5	6	7	8			
9	10	11	12	13	14	15	16	17	18	19

(B-42)

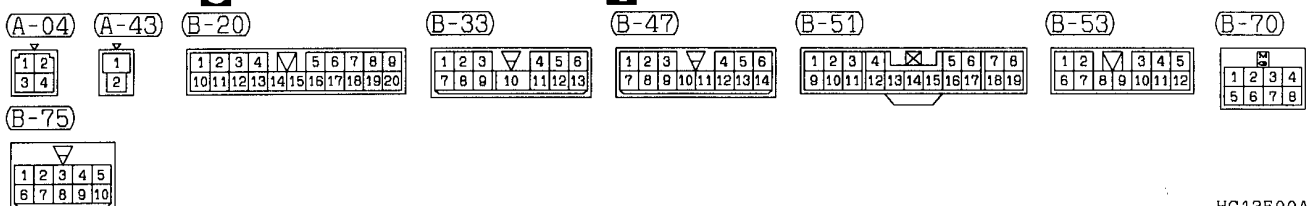
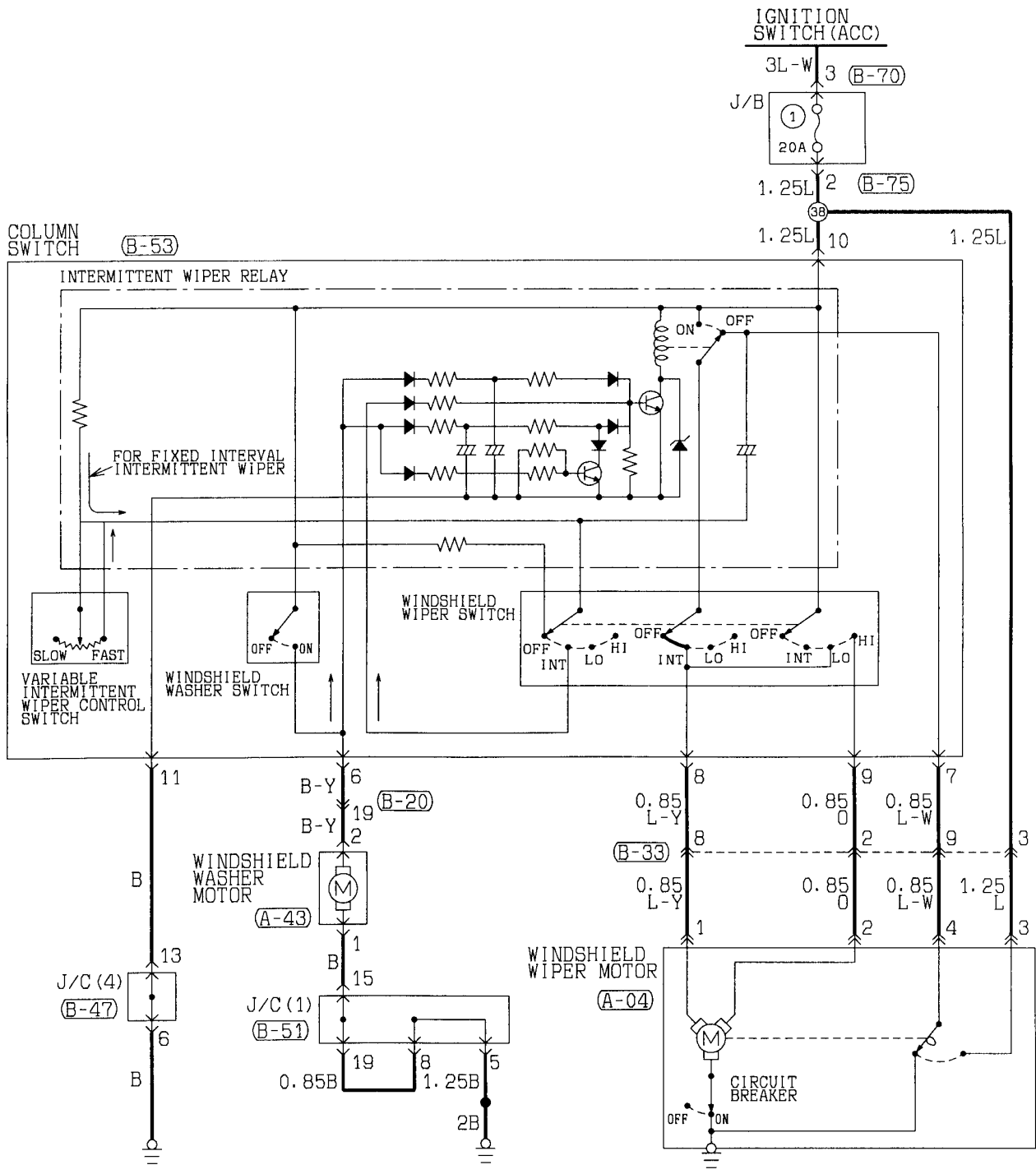
JAE												
1	2	3	4	5	6	7	8	9	10	11	12	13
14	15	16	17	18	19	20	21	22	23	24	25	26

Remarks
*1: Vehicles with immobilizer system.
*2: Vehicles without immobilizer system.

WINDSHIELD WIPER AND WASHER

90100610145

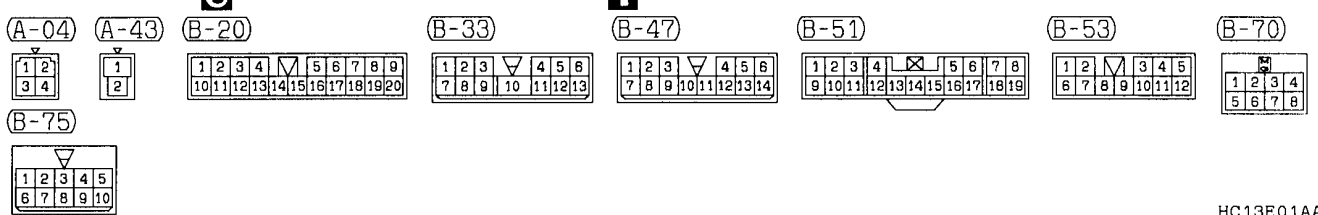
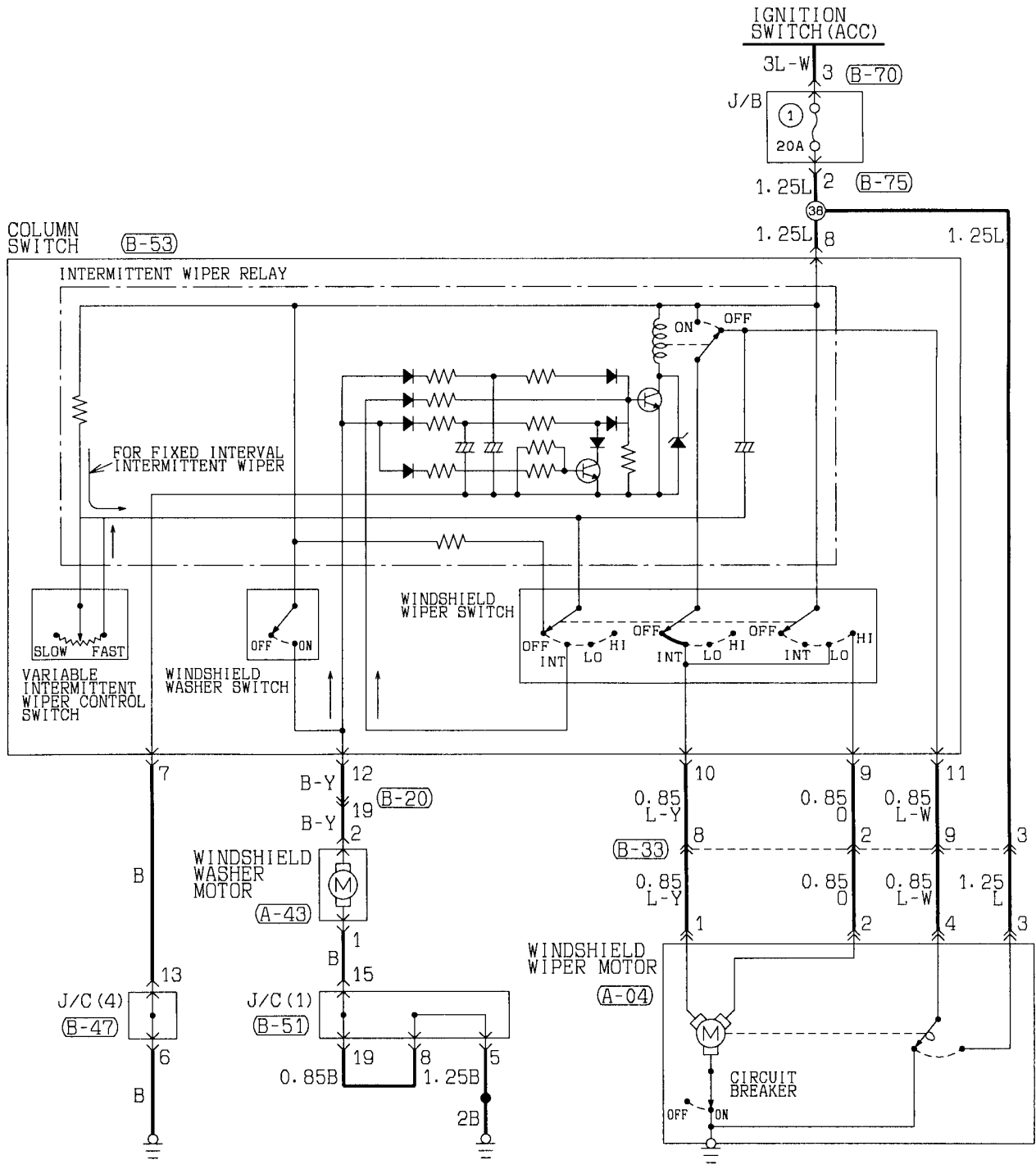
L.H. drive vehicles



WINDSHIELD WIPER AND WASHER

90100610152

R.H. drive vehicles



WINDSHIELD WIPER AND WASHER (See P. 4-160, 161.)

OPERATION

<Low-speed (and high-speed) wiper operation>

- When the wiper switch is placed in the LO position with the ignition switch in the ACC or ON position, wipers operate continuously at low speed.
- Placing the wiper switch in the HI position causes the wipers to operate at high speed.

<Automatic wiper stopping operation>

- When the wiper switch is placed in the OFF position, the cam contacts of wiper motor caused current to flow through the automatic wiper stopping circuit, allowing the wiper blades to cycle before they reach to the stop positions.

<Intermittent wiper operation>

- When the wiper switch is placed in the INT position with the ignition switch in ACC or ON position, the intermittent wiper relay is energized causing the intermittent wiper relay contacts to close and open repeatedly.
- When the contacts are closed, the wiper motor is energized.
- When the wiper motor is energized, the relay contacts open, however, the cam contacts keep the wiper motor energized until the wiper blades return to their stop position.

<Washer-activated wiper operation>

- When the washer switch is turned on, the intermittent wiper relay contacts close causing wipers to cycle two to three times.

TROUBLESHOOTING HINTS

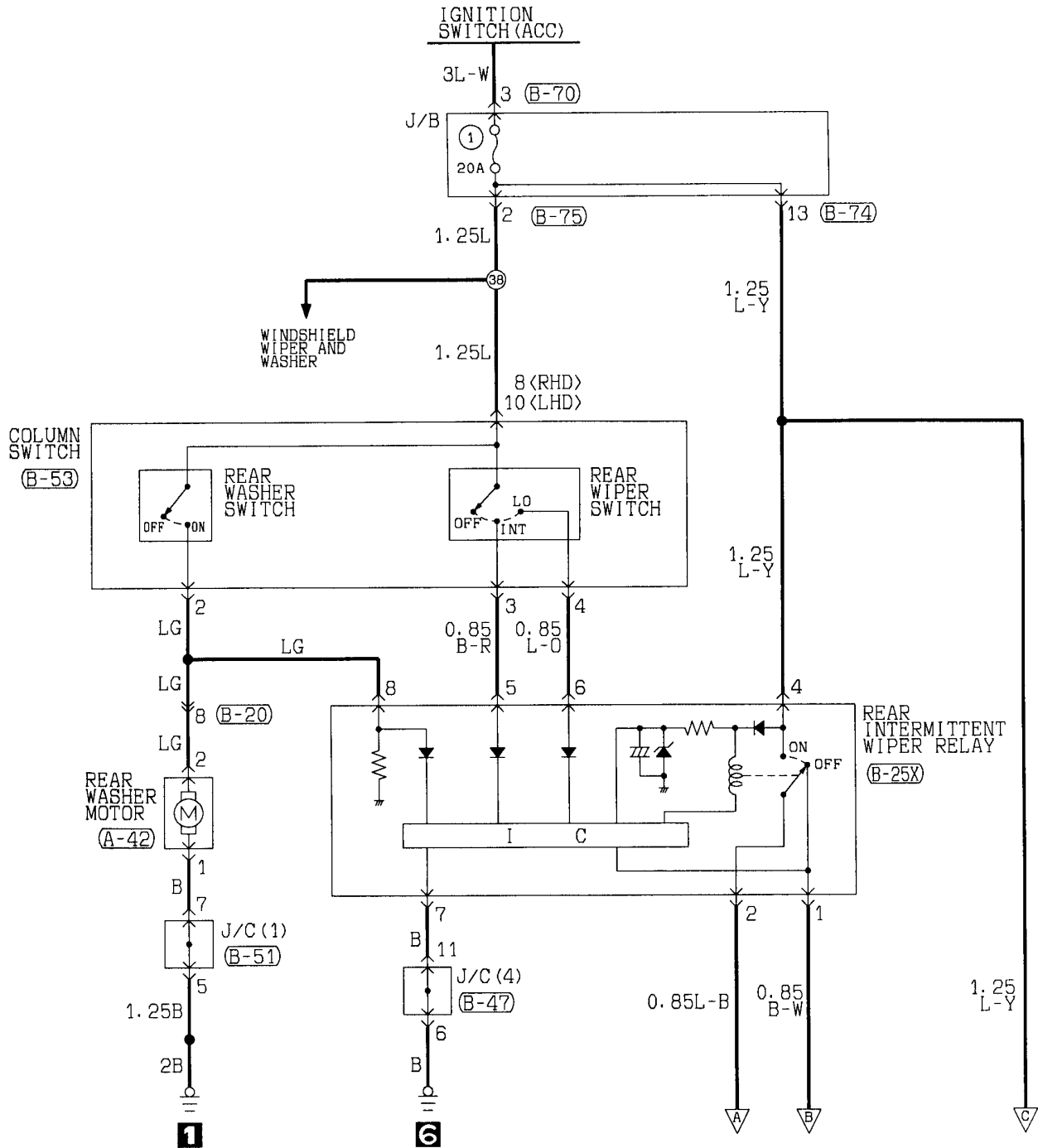
1. Wipers do not operate.
 - (1) Washer is not operative, either.
 - Check multi-purpose fuse No. (1).
 - Check earth.
2. Low-speed (or high-speed) wiper operation only is inoperative.
 - Check wiper switch.
3. Wipers do not stop.
 - Check wiper motor.
 - Check intermittent wiper relay.
 - Check wiper switch.
4. Intermittent wiper operation is inoperative.
 - Check terminal voltage of steering-column switch (with a built-in intermittent wiper relay) with the intermittent wiper relay energized. (see below)
5. The length of pause for intermittent operation cannot be varied.
 - Check variable intermittent wiper control switch.
 - Check intermittent wiper relay.
6. Washer is inoperative.
 - (1) Wiper is operative on washer-activated wiper operation.
 - Check washer motor.
 - (2) Washer-activated wiper operation is inoperative also.
 - Check washer switch.
7. Washer-activated wiper operation is inoperative.
 - Check intermittent wiper relay.

Terminal No.	Voltage	Check
8 <LHD> 10 <RHD>	0V	Intermittent wiper relay or wiper switch
	System voltage	Intermittent wiper relay
	0V ↔ System voltage (alternating)	- (Normal)

NOTES

REAR WIPER AND WASHER

90100620148



(A-42)

1
2

(B-20)

1	2	3	4	5	6	7	8	9		
10	11	12	13	14	15	16	17	18	19	20

(B-25X)

1	2	3		
4	5	6	7	8

(B-47)

1	2	3	4	5	6		
7	8	9	10	11	12	13	14

(B-51)

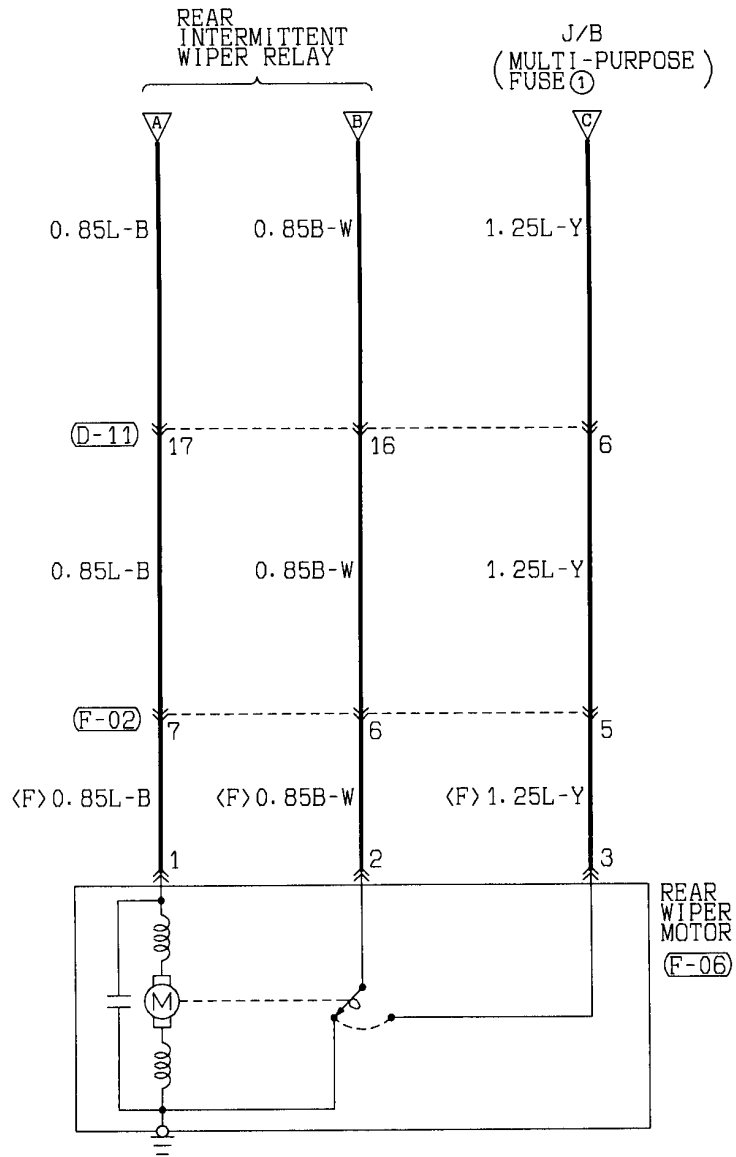
1	2	3	4	5	6	7	8			
9	10	11	12	13	14	15	16	17	18	19

(B-53)

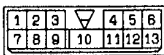
1	2	3	4	5		
6	7	8	9	10	11	12

(B-70)

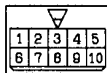
1	2	3	4
5	6	7	8



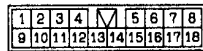
(B-74)



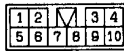
(B-75)



(D-11)



(F-02)



(F-06)



REAR WIPER AND WASHER (See P. 4-164.)**OPERATION****<Low-speed wiper operation>**

- When the wiper switch is placed in the LO position with the ignition switch in the ACC or ON position, wipers operate continuously at low speed.

<Automatic wiper stopping operation>

- When the wiper switch is placed in the OFF position, the cam contacts of wiper motor causes current to flow through the automatic wiper stopping circuit, allowing the wiper blades to cycle before they reach to the stop positions.

<Intermittent wiper operation>

- When the wiper switch is placed in the INT position with the ignition switch in ACC or ON position, the intermittent wiper relay is energized causing the intermittent wiper relay contacts to close and open repeatedly.

- When the contacts are closed, the wiper motor is energized.
- When the wiper motor is energized, the relay contacts open, however, the cam contacts keep the wiper motor energized until the wiper blades return to their stop position.

<Washer-activated wiper operation>

- When the washer switch is turned on, the intermittent wiper relay contacts close causing wipers to cycle two to three times.

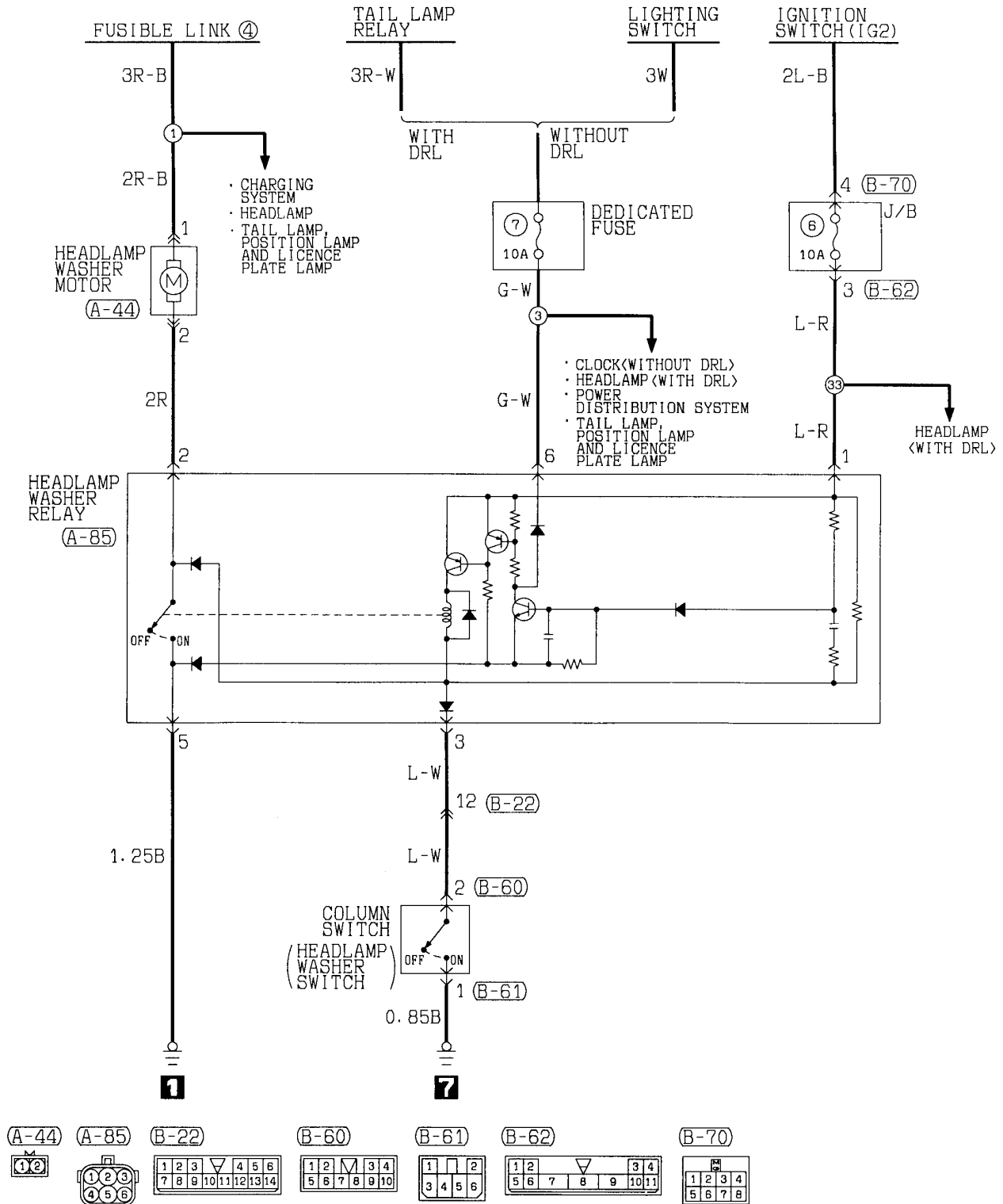
TROUBLESHOOTING HINTS

1. Wipers do not operate.
 - (1) Washer is not operative, either.
 - Check multi-purpose fuse No. (1).
 - Check earth.
 - Check wiper switch.
2. Wipers do not stop.
 - Check wiper motor.
 - Check intermittent wiper relay.
 - Check wiper switch.
3. Intermittent wiper operation is inoperative.
 - Check terminal voltage of the intermittent wiper relay energized. (see below)
4. Washer is inoperative.
 - Check washer motor.
 - Check washer switch.
5. Washer-activated wiper operation is inoperative.
 - Check intermittent wiper relay.

Terminal No.	Voltage	Check
2	0V	Intermittent wiper relay or wiper switch
	System voltage	Intermittent wiper relay
	0V ↔ System voltage (alternating)	- (Standard)

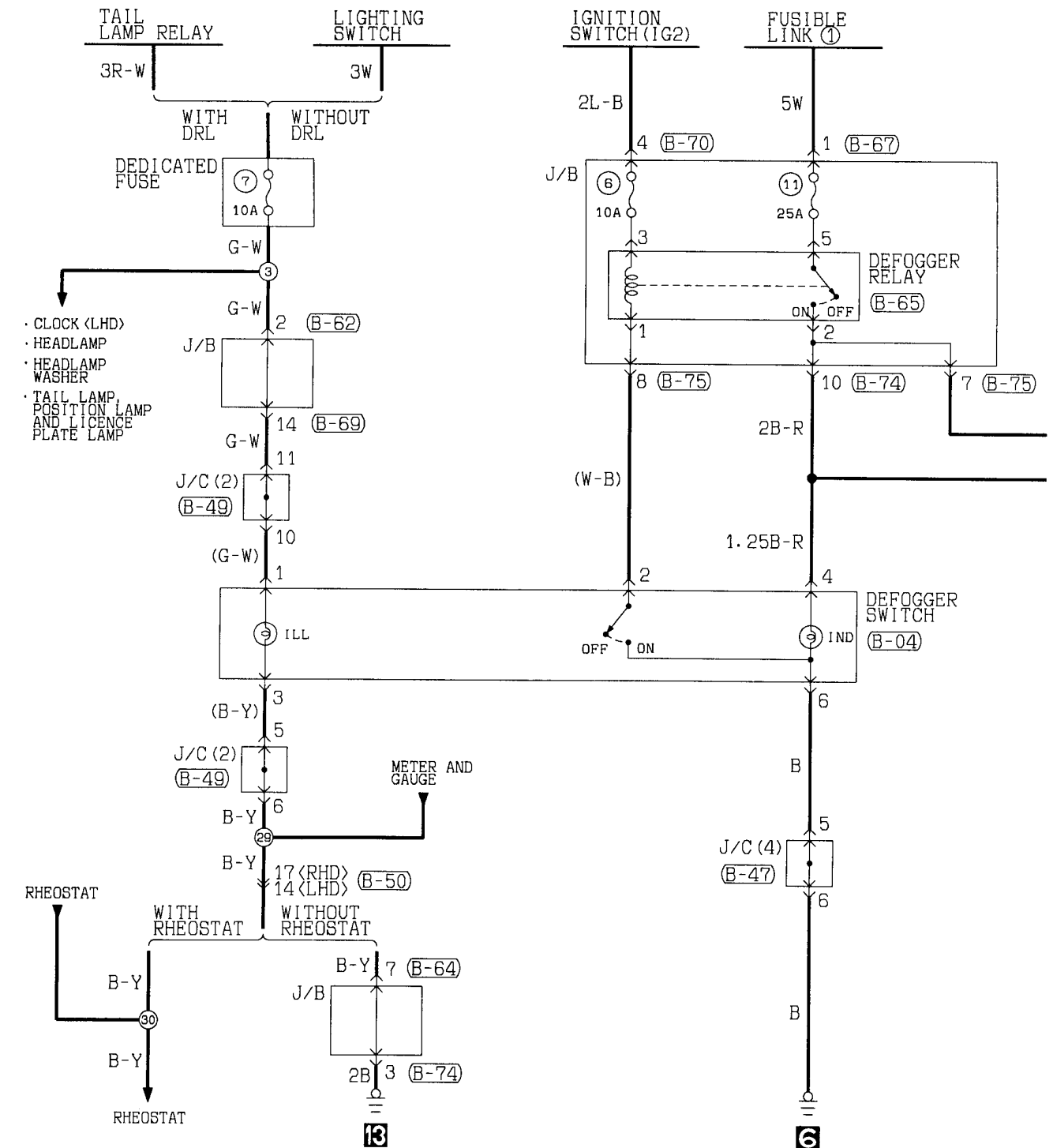
HEADLAMP WASHER

90100630080

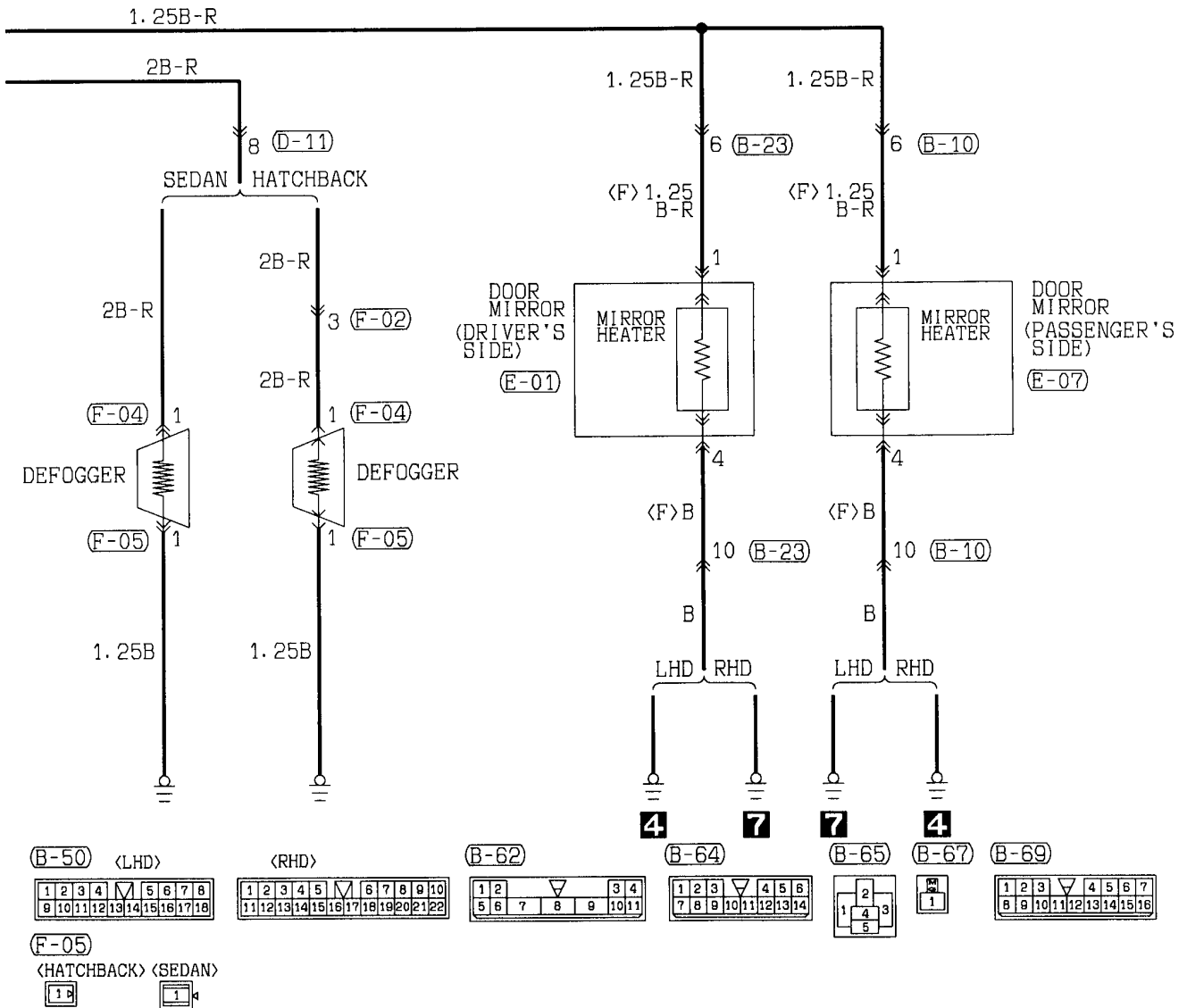


DEFOGGER AND DOOR MIRROR HEATER

90101350046



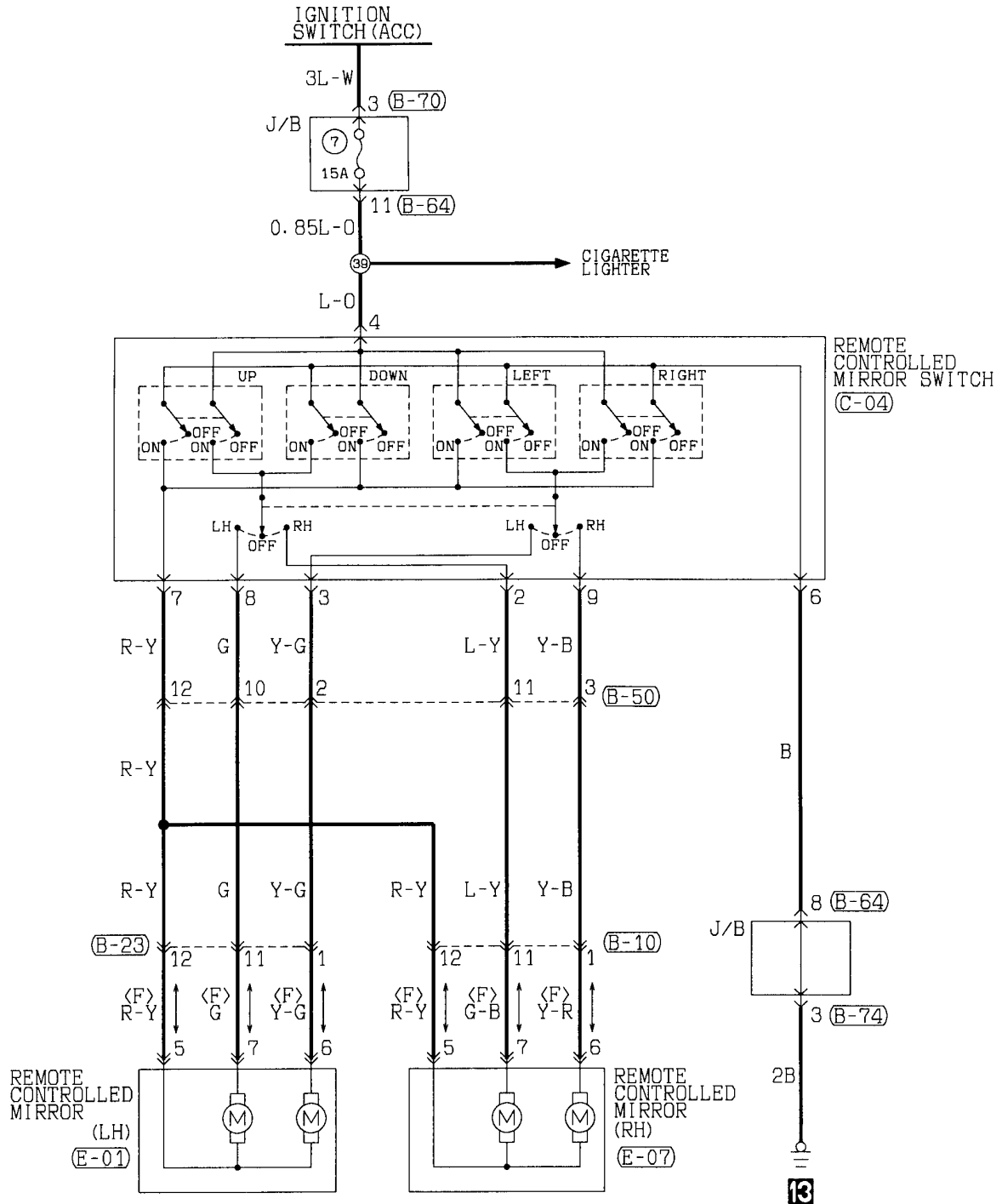
(B-04) 1 M 2 3 4 5 6	(B-10) 1 2 3 4 5 M 6 7 8 9 10 11 12 13 14 15 16 17 18 19 20 21 22	(B-23) 1 2 3 4 5 M 6 7 8 9 10 11 12 13 14 15 16 17 18 19 20 21 22	(B-47) 1 2 3 4 5 6 7 8 9 10 11 12 13 14	(B-49) 1 2 3 4 5 6 7 8 9 10 11 12 13 14
(B-70) 1 2 3 4 5 6 7 8	(B-74) 1 2 3 4 5 6 7 8 9 10 11 12 13	(B-75) 1 2 3 4 5 6 7 8 9 10	(D-11) 1 2 3 4 M 5 6 7 8 9 10 11 12 13 14 15 16 17 18	(E-01) 1 2 3 4 5 6 7
(E-07) 1 2 3 4 5 6 7	(F-02) 1 M 2 3 4 5 6 7 8	(F-04) 1 2 3 4 5 6 7 8	(HATCHBACK) (SEDAN) 1 2 3 4 5 6 7 8 9 10 11 12 13 14 15 16 17 18 19 20 21 22 23 24 25 26 27 28 29 30 31 32 33 34 35 36 37 38 39 40 41 42 43 44 45 46 47 48 49 50 51 52 53 54 55 56 57 58 59 60 61 62 63 64 65 66 67 68 69 70 71 72 73 74 75 76 77 78 79 80 81 82 83 84 85 86 87 88 89 90 91 92 93 94 95 96 97 98 99 100	



REMOTE CONTROLLED MIRROR

90100650123

L.H. drive vehicles



(B-10)

1	2	3	4	5	6	7	8	9	10
11	12	13	14	15	16	17	18	19	20
21	22								

(B-23)

1	2	3	4	5	6	7	8	9	10
11	12	13	14	15	16	17	18	19	20
21	22								

(B-50)

1	2	3	4	5	6	7	8
9	10	11	12	13	14	15	16
17	18						

(B-64)

1	2	3	4	5	6
7	8	9	10	11	12
13	14				

(B-70)

1	2	3	4
5	6	7	8

(B-74)

1	2	3	4	5	6
7	8	9	10	11	12
13					

(C-04)

1	2	3	4
5	6	7	8

(E-01)

1	2	3
4	5	6

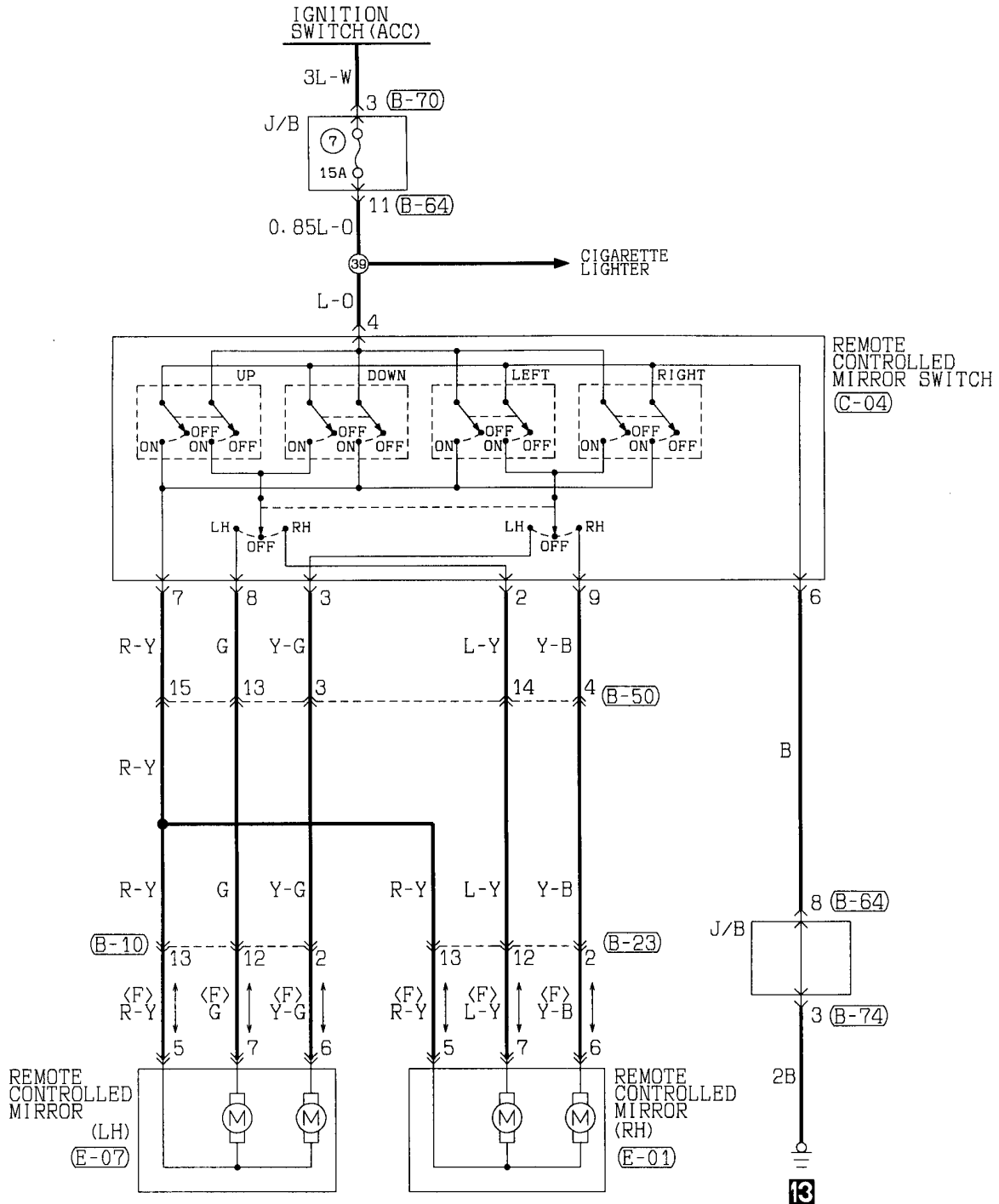
(E-07)

1	2	3
4	5	6

REMOTE CONTROLLED MIRROR

90100650130

R.H. drive vehicles



(B-10)

1	2	3	4	5	M	6	7	8	9	10	
11	12	13	14	15	16	17	18	19	20	21	22

(B-23)

1	2	3	4	5	M	6	7	8	9	10	
11	12	13	14	15	16	17	18	19	20	21	22

(B-50)

1	2	3	4	5	M	6	7	8	9	10	
11	12	13	14	15	16	17	18	19	20	21	22

(B-64)

1	2	3	∇	4	5	6	
7	8	9	10	11	12	13	14

(B-70)

M	1	2	3	4
5	6	7	8	

(B-74)

1	2	3	∇	4	5	6
7	8	9	10	11	12	13

(C-04)

1	2	3	4	
5	6	7	8	9

(E-01)

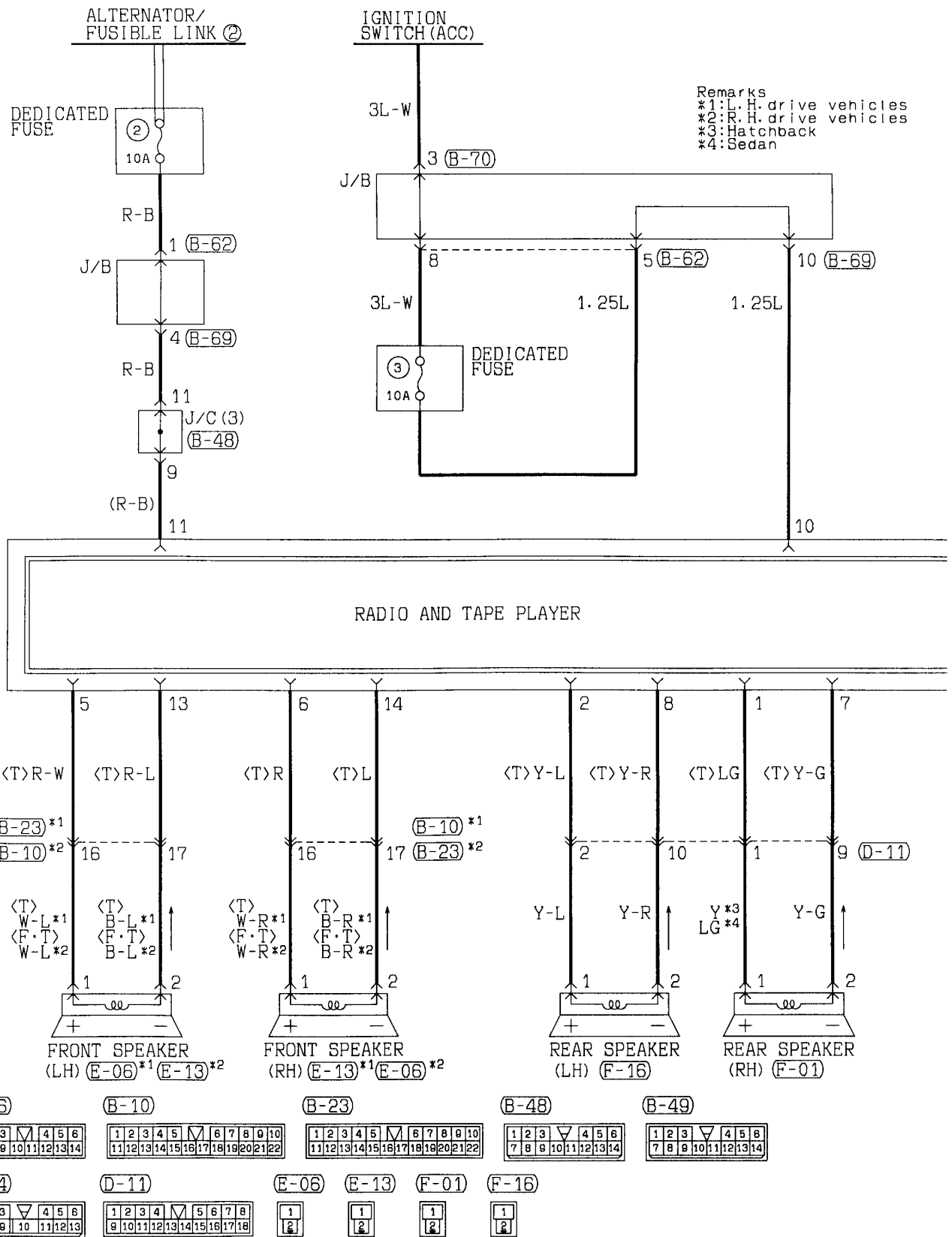
1	2	3	
4	5	6	7

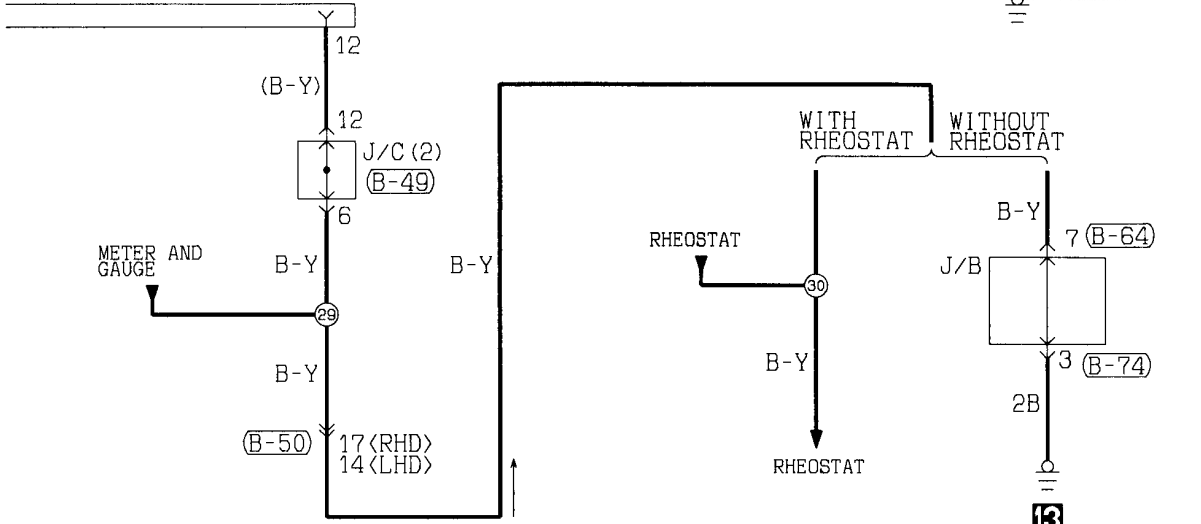
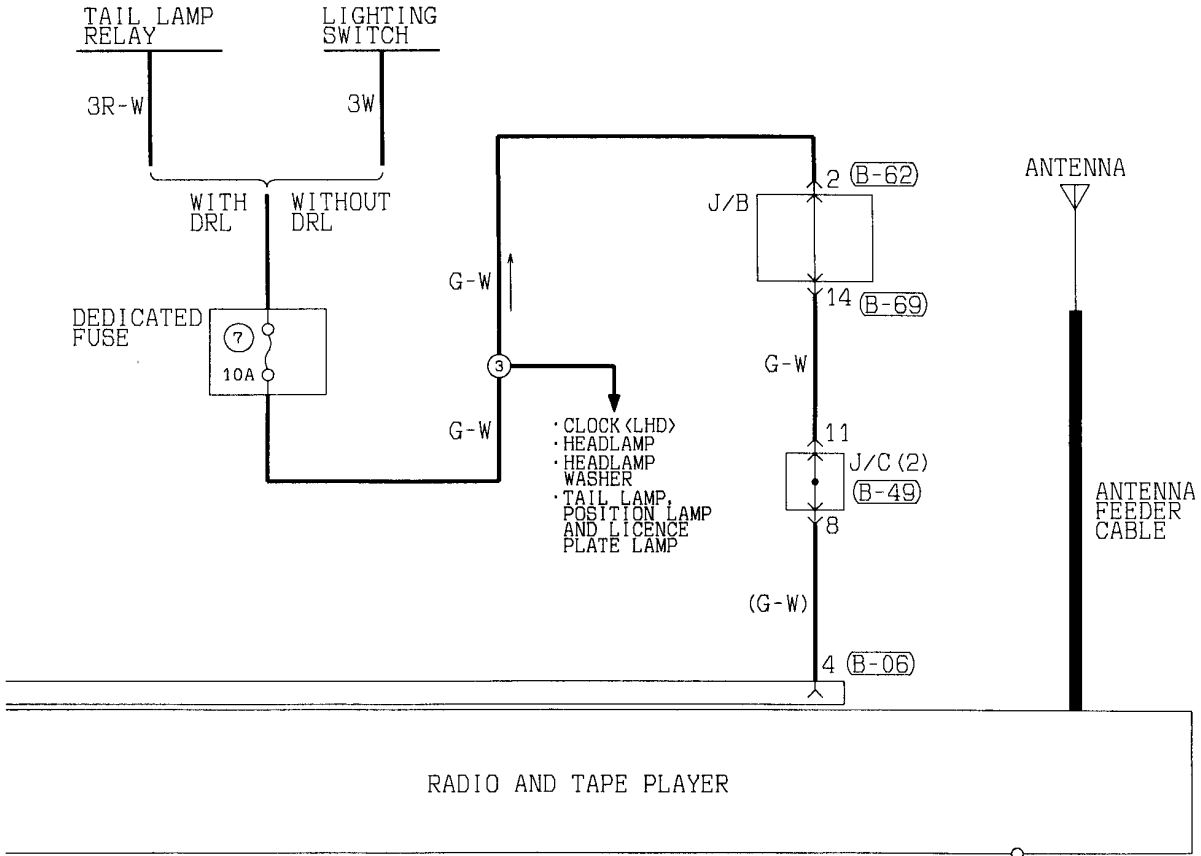
(E-07)

1	2	3	
4	5	6	7

RADIO AND TAPE PLAYER

90100720305





(B-50) (LHD)

1	2	3	4	5	6	7	8		
9	10	11	12	13	14	15	16	17	18

(RHD)

1	2	3	4	5	6	7	8	9	10		
11	12	13	14	15	16	17	18	19	20	21	22

(B-62)

1	2	3	4			
5	6	7	8	9	10	11

(B-64)

1	2	3	4	5	6		
7	8	9	10	11	12	13	14

(B-69)

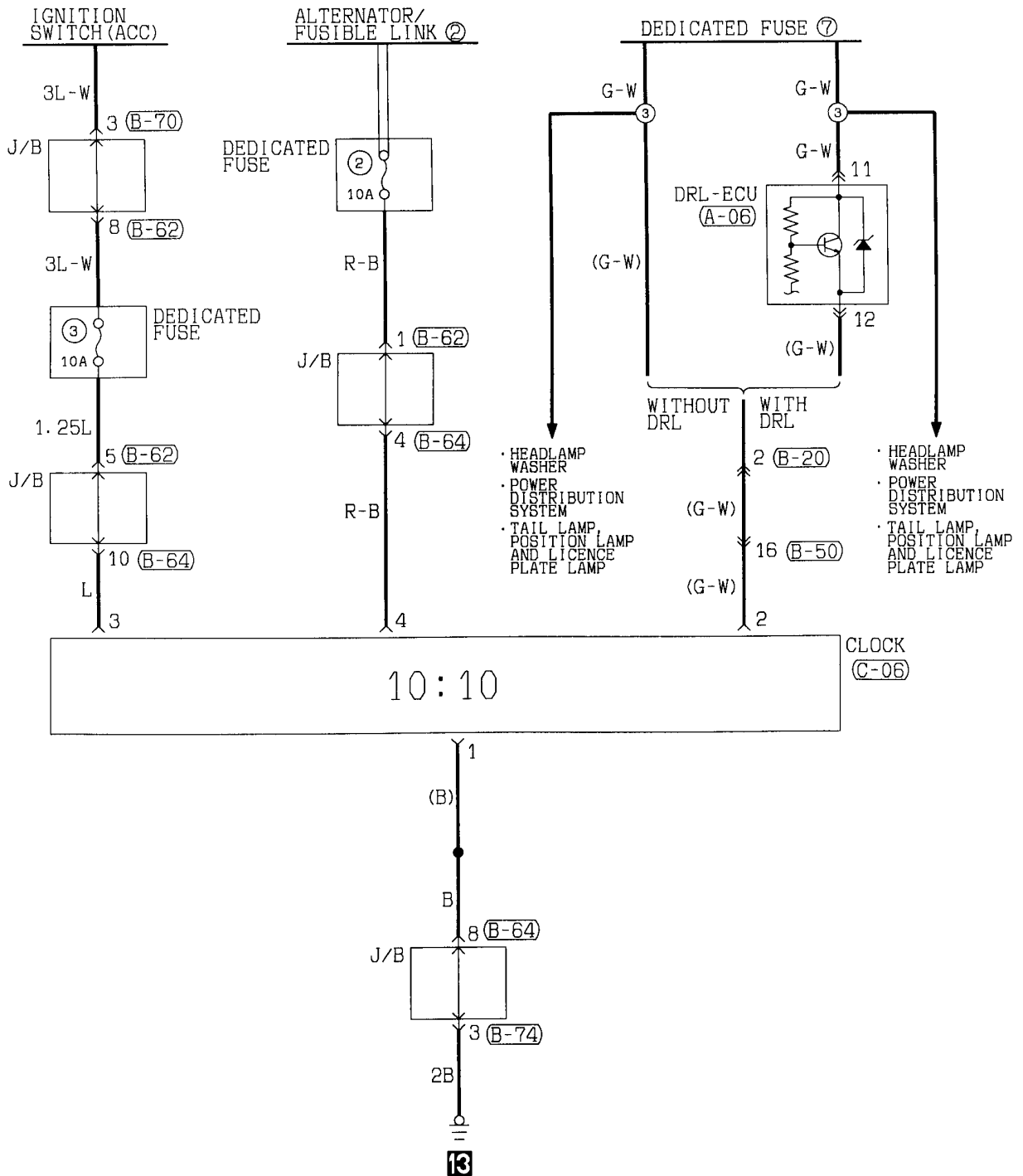
1	2	3	4	5	6	7		
8	9	10	11	12	13	14	15	16

(B-70)

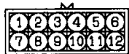
1	2	3	4
5	6	7	8

CLOCK

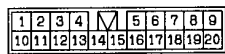
L.H. drive vehicles



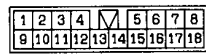
(A-06)



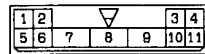
(B-20)



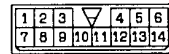
(B-50)



(B-62)



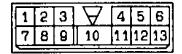
(B-64)



(B-70)



(B-74)



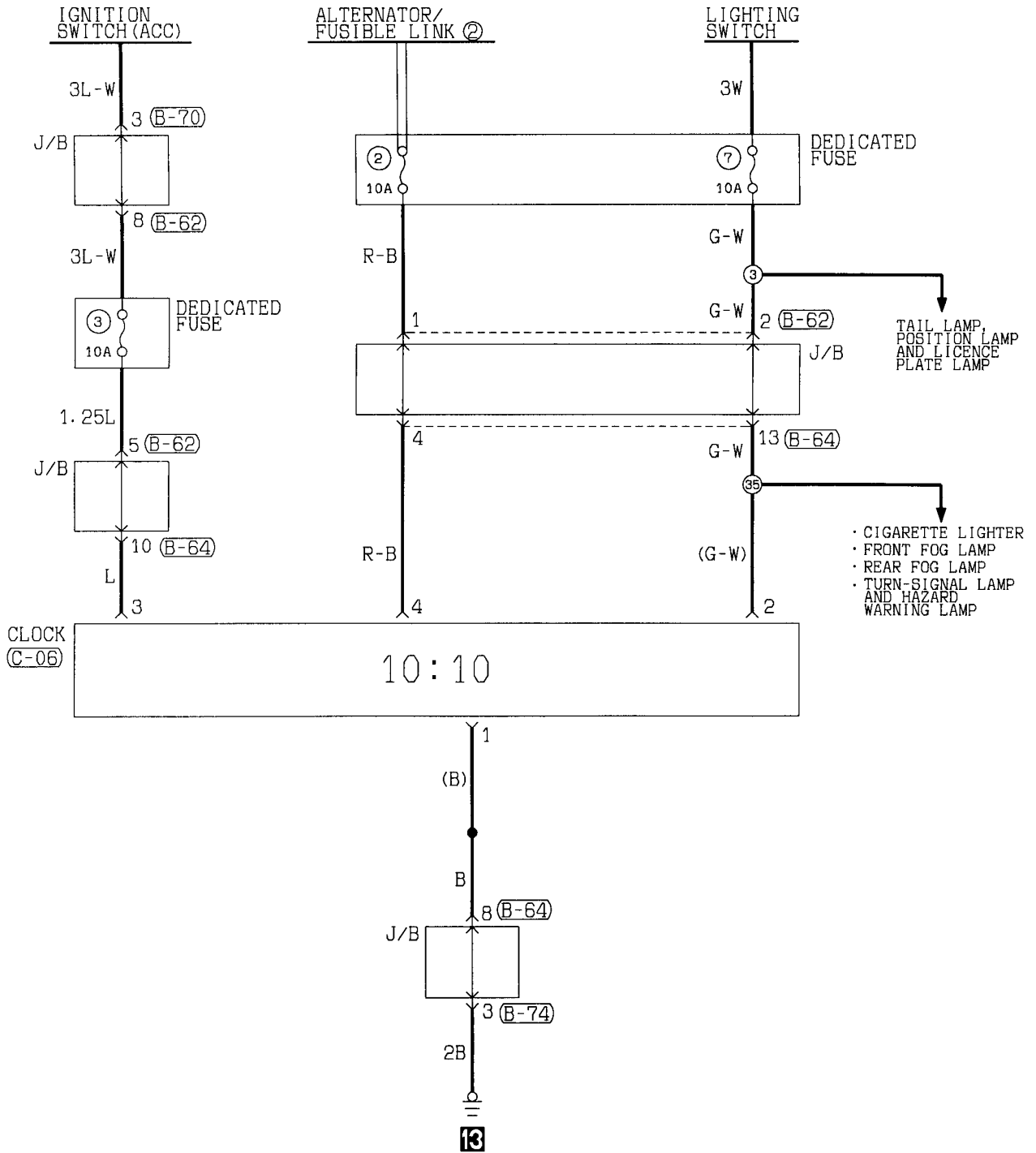
(C-06)



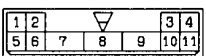
CLOCK

90100770102

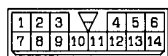
R.H. drive vehicles



(B-62)



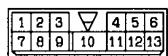
(B-64)



(B-70)



(B-74)

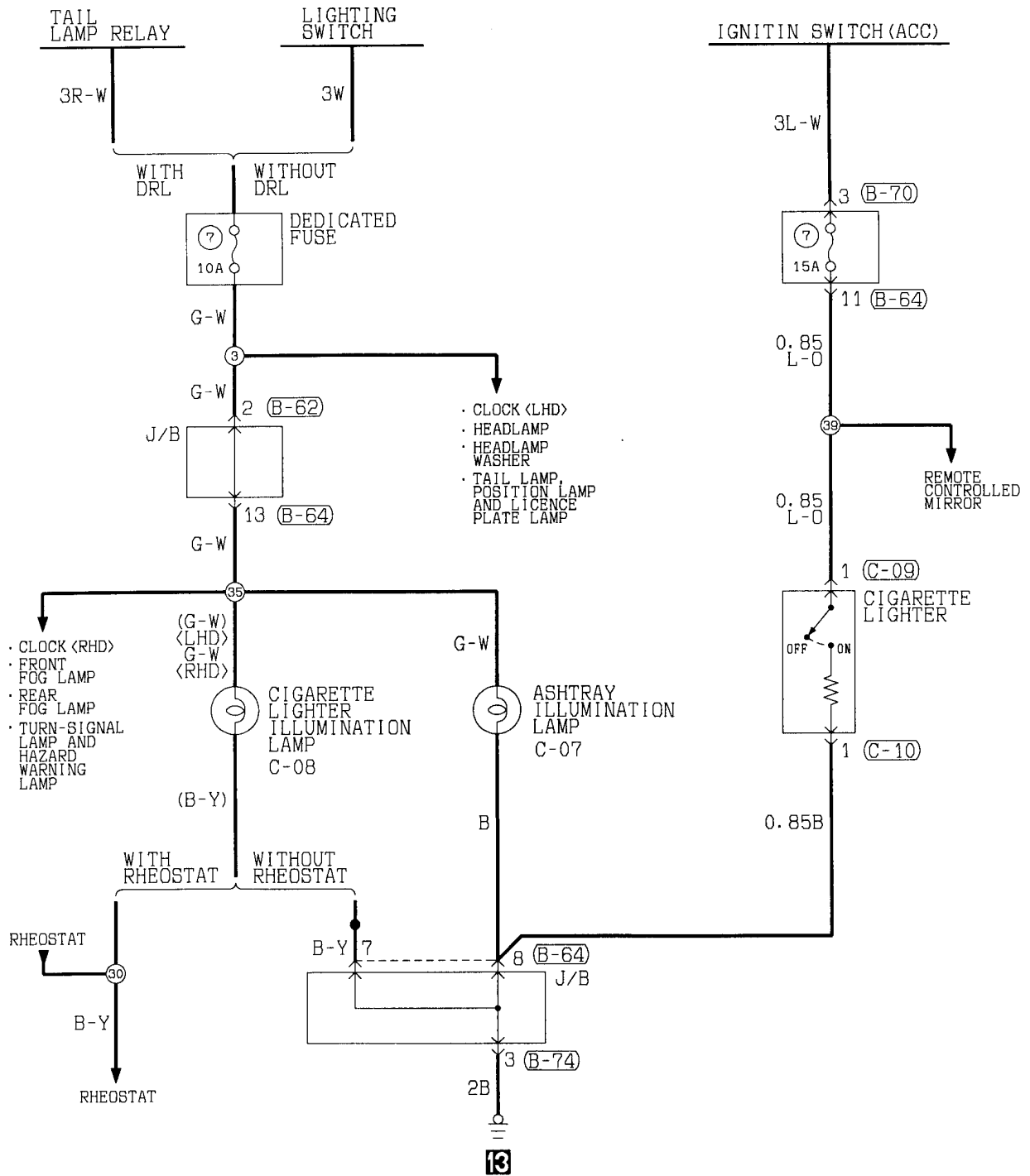


(C-06)

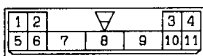


CIGARETTE LIGHTER

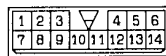
90100780129



(B-62)



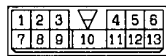
(B-64)



(B-70)



(B-74)



(C-09)



(C-10)

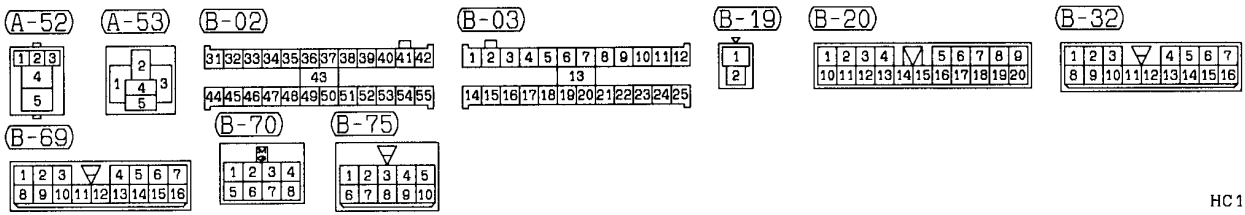
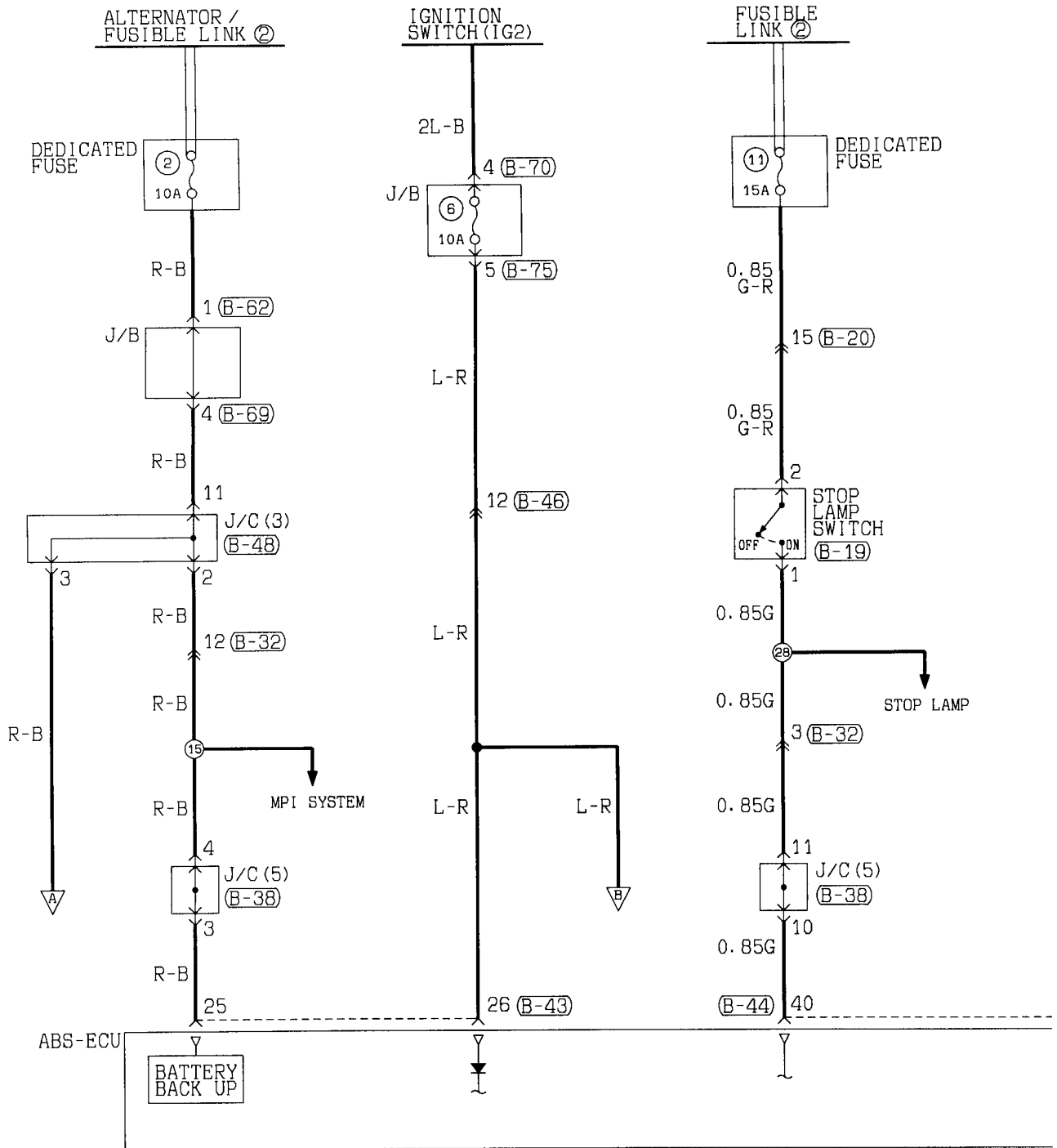


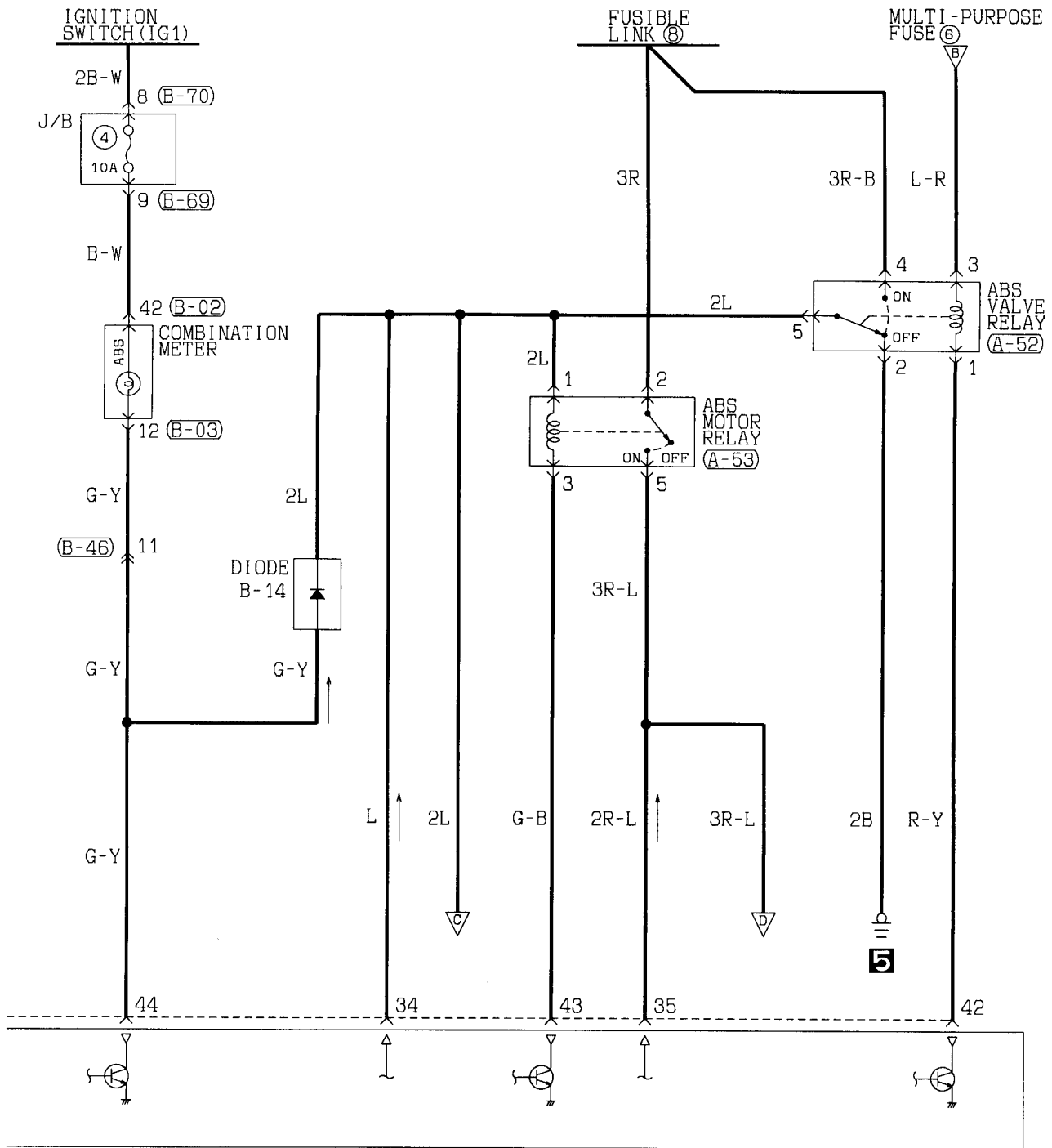
NOTES

ANTI-SKID BRAKING SYSTEM (ABS)

90100840278

L.H. drive vehicles





(B-38)

1	2	3	4	5	6	7	8			
9	10	11	12	13	14	15	16	17	18	19

(B-43)

1	2	3	4	5	6	7	8	9	10	11	12	13
14	15	16	17	18	19	20	21	22	23	24	25	26

(B-44)

31	32	33	34	35	36	37	38
39	40	41	42	43	44	45	46

(B-46)

1	2	3	4	5	6	7		
8	9	10	11	12	13	14	15	16

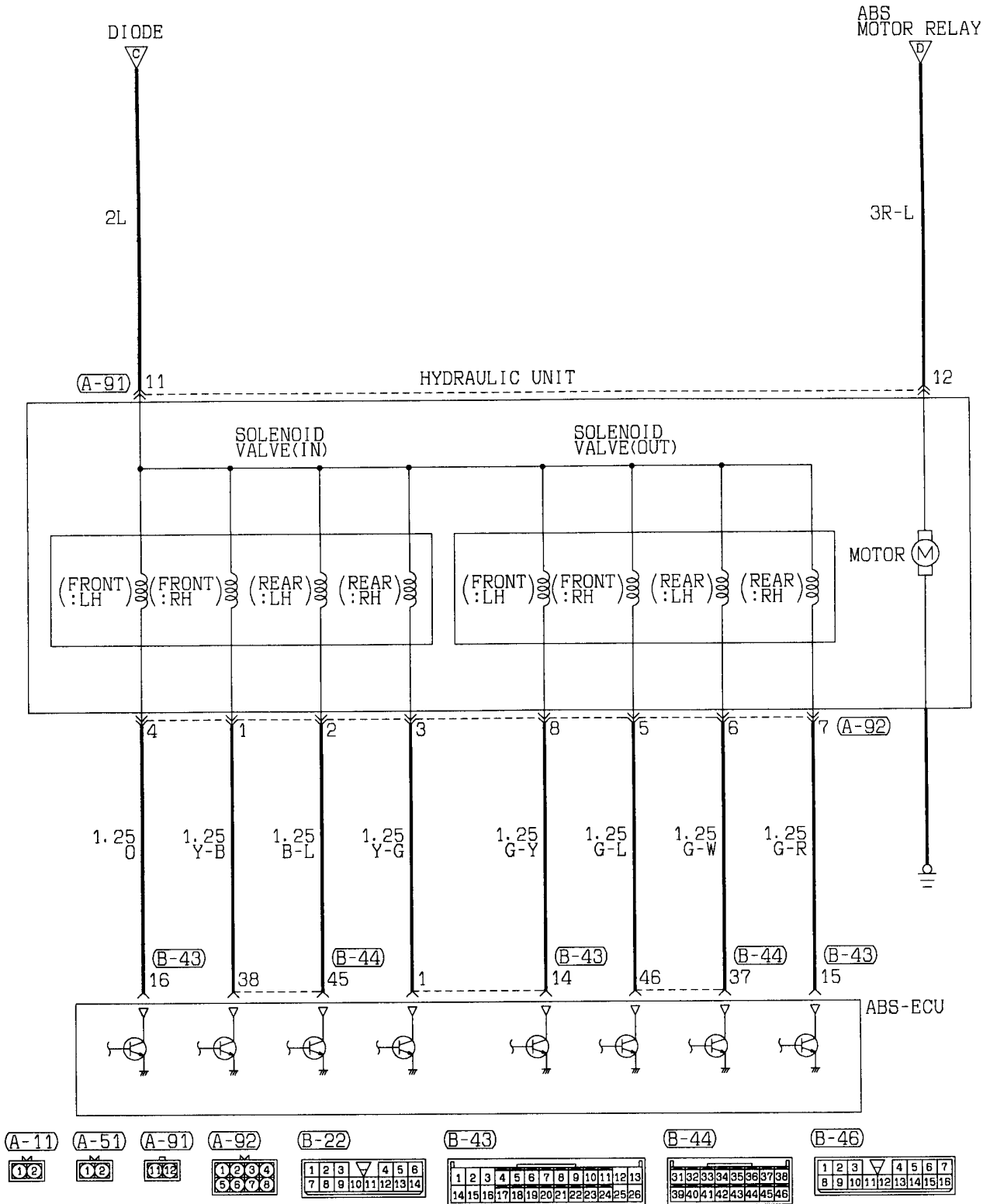
(B-48)

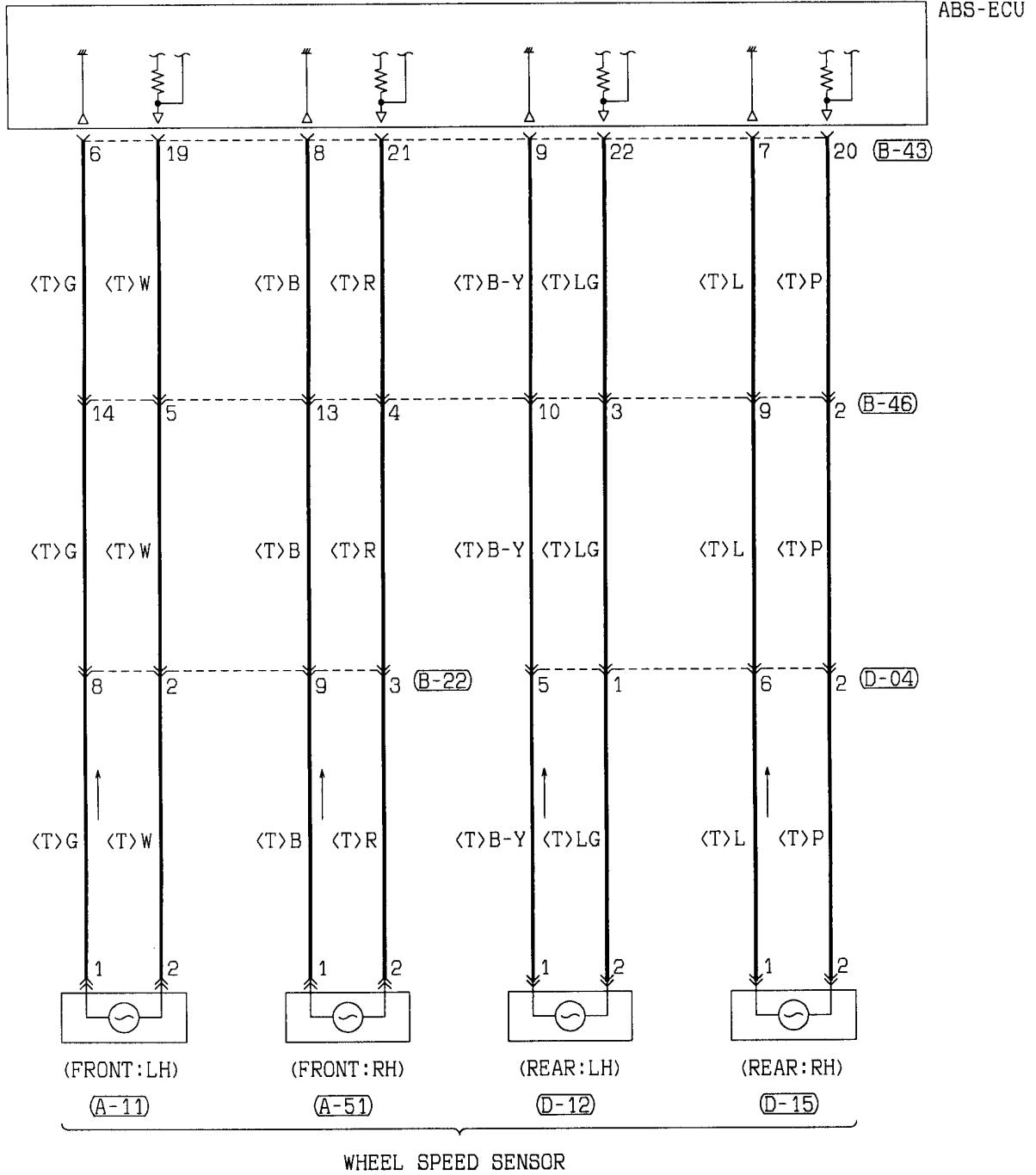
1	2	3	4	5	6		
7	8	9	10	11	12	13	14

(B-62)

1	2	3	4			
5	6	7	8	9	10	11

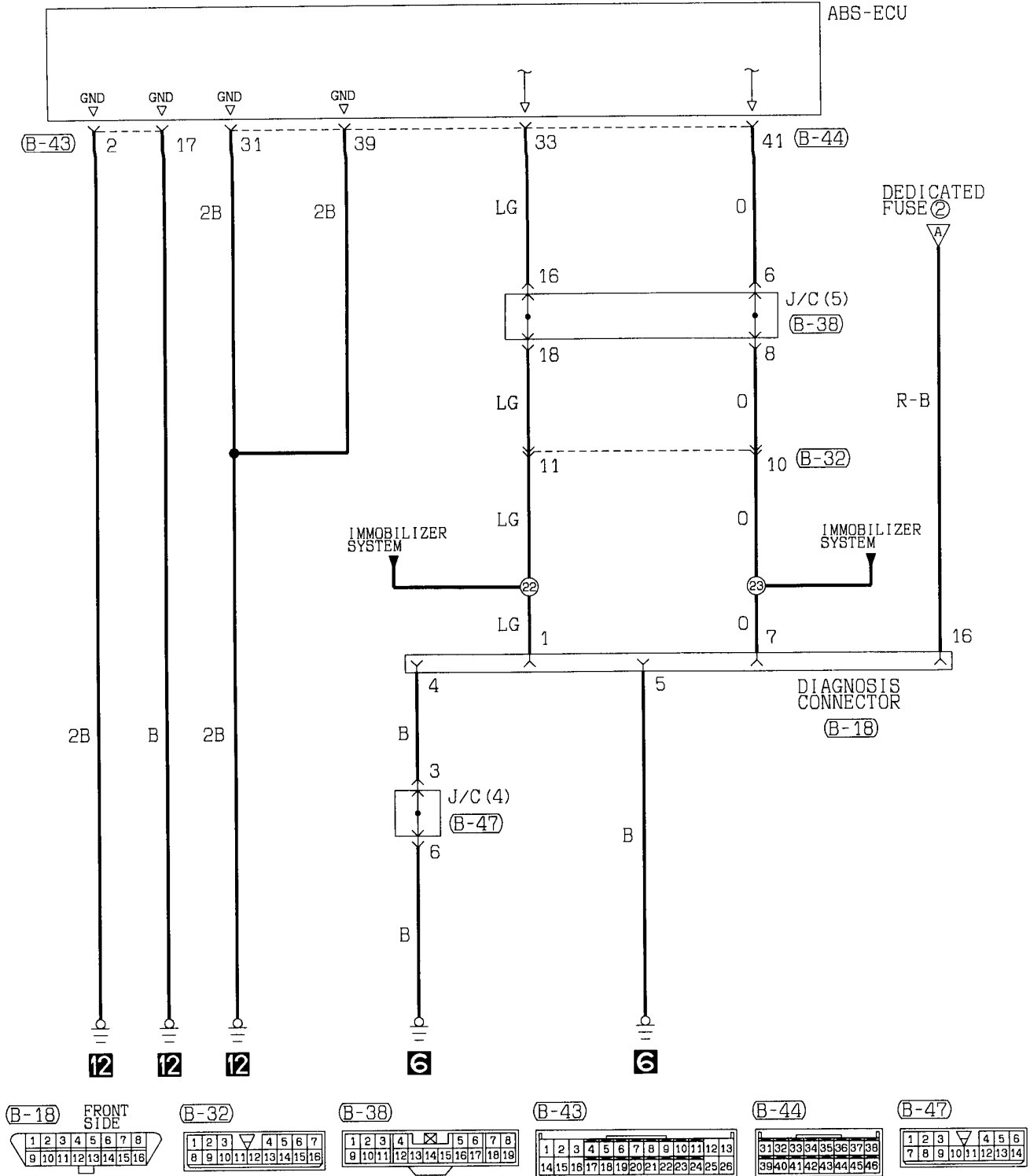
ANTI-SKID BRAKING SYSTEM <L.H. drive vehicles> (CONTINUED)





D-04 D-15
 12 12

ANTI-SKID BRAKING SYSTEM <L.H. drive vehicles> (CONTINUED)

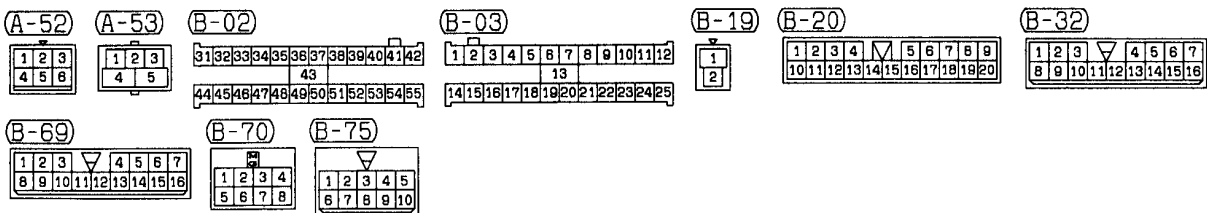
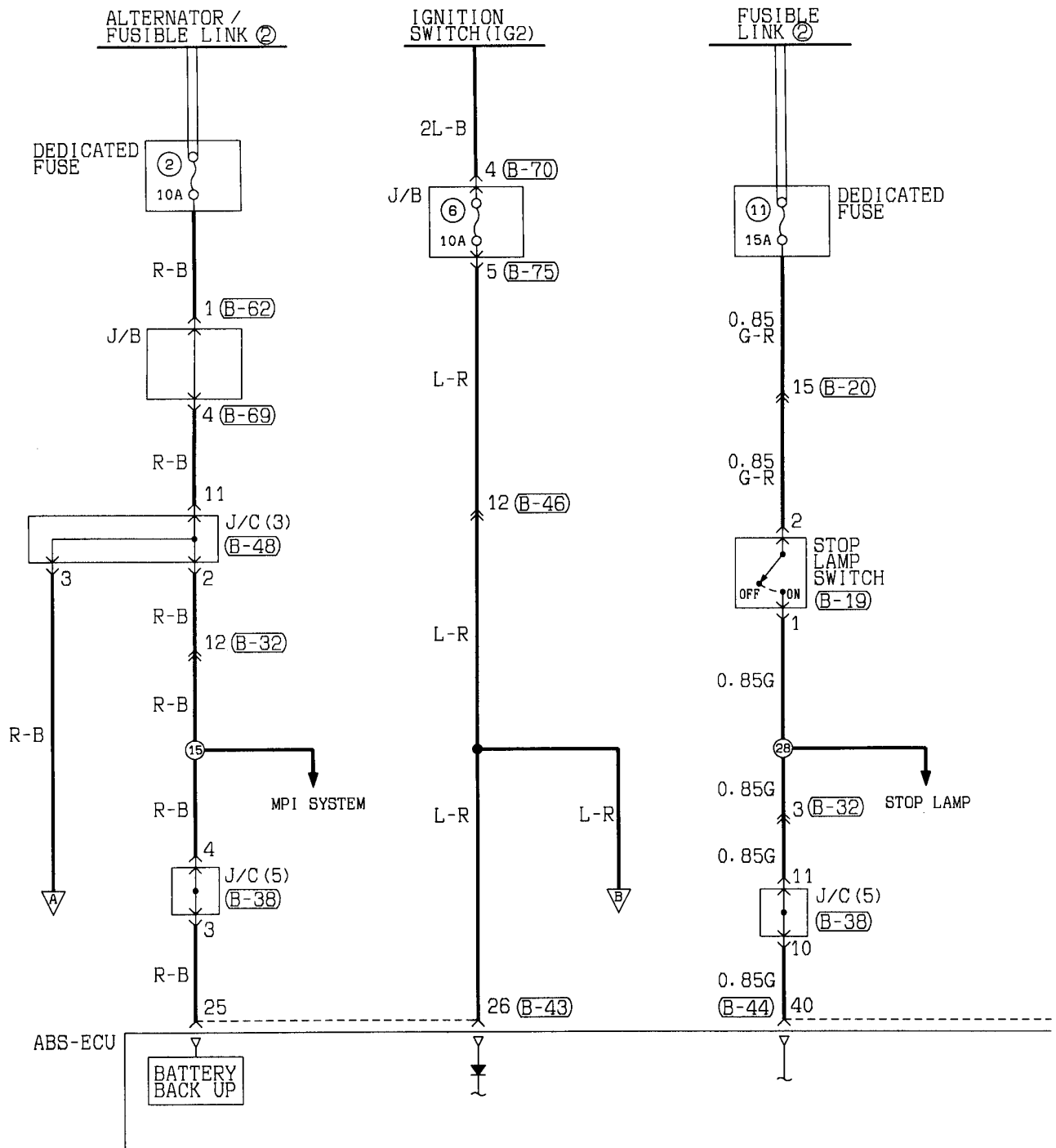


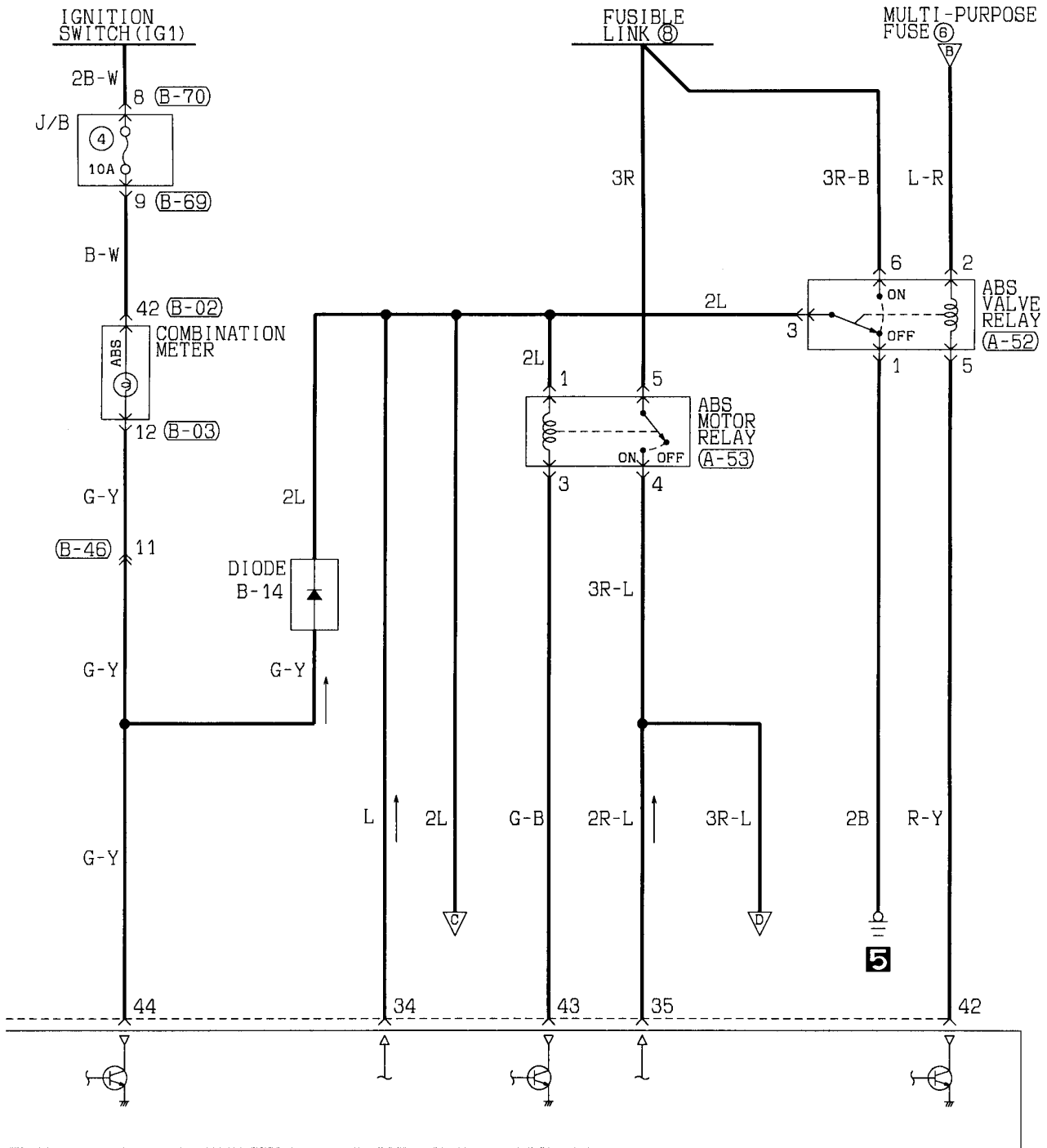
NOTES

ANTI-SKID BRAKING SYSTEM (ABS)

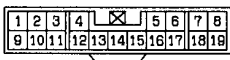
90100840285

R.H. drive vehicles

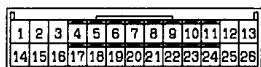




(B-38)



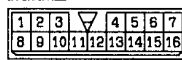
(B-43)



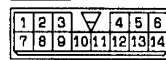
(B-44)



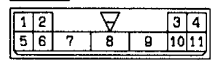
(B-46)



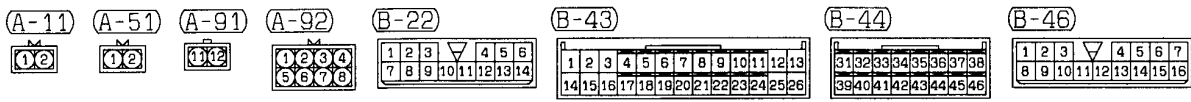
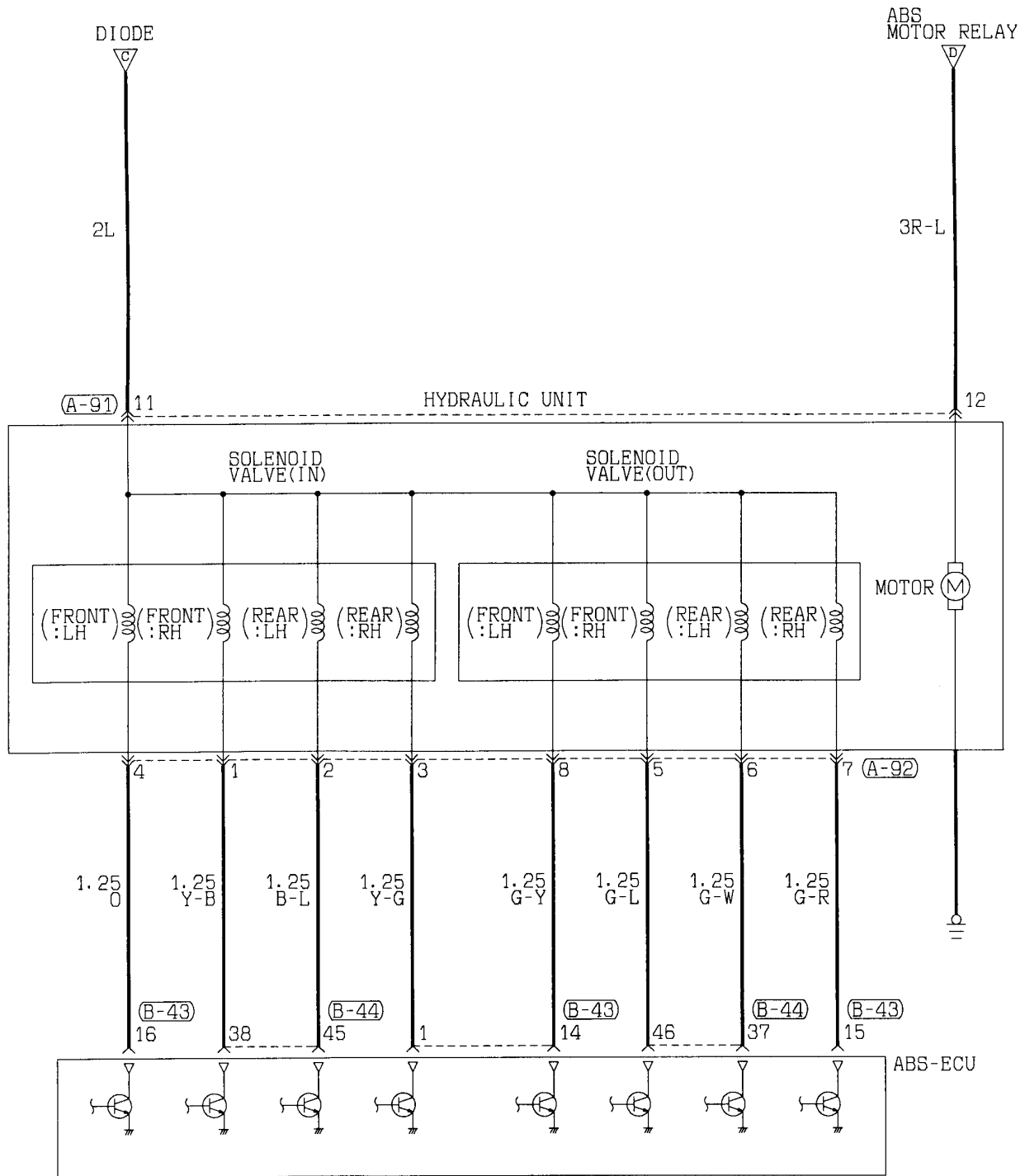
(B-48)

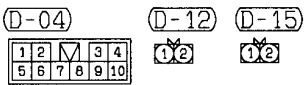
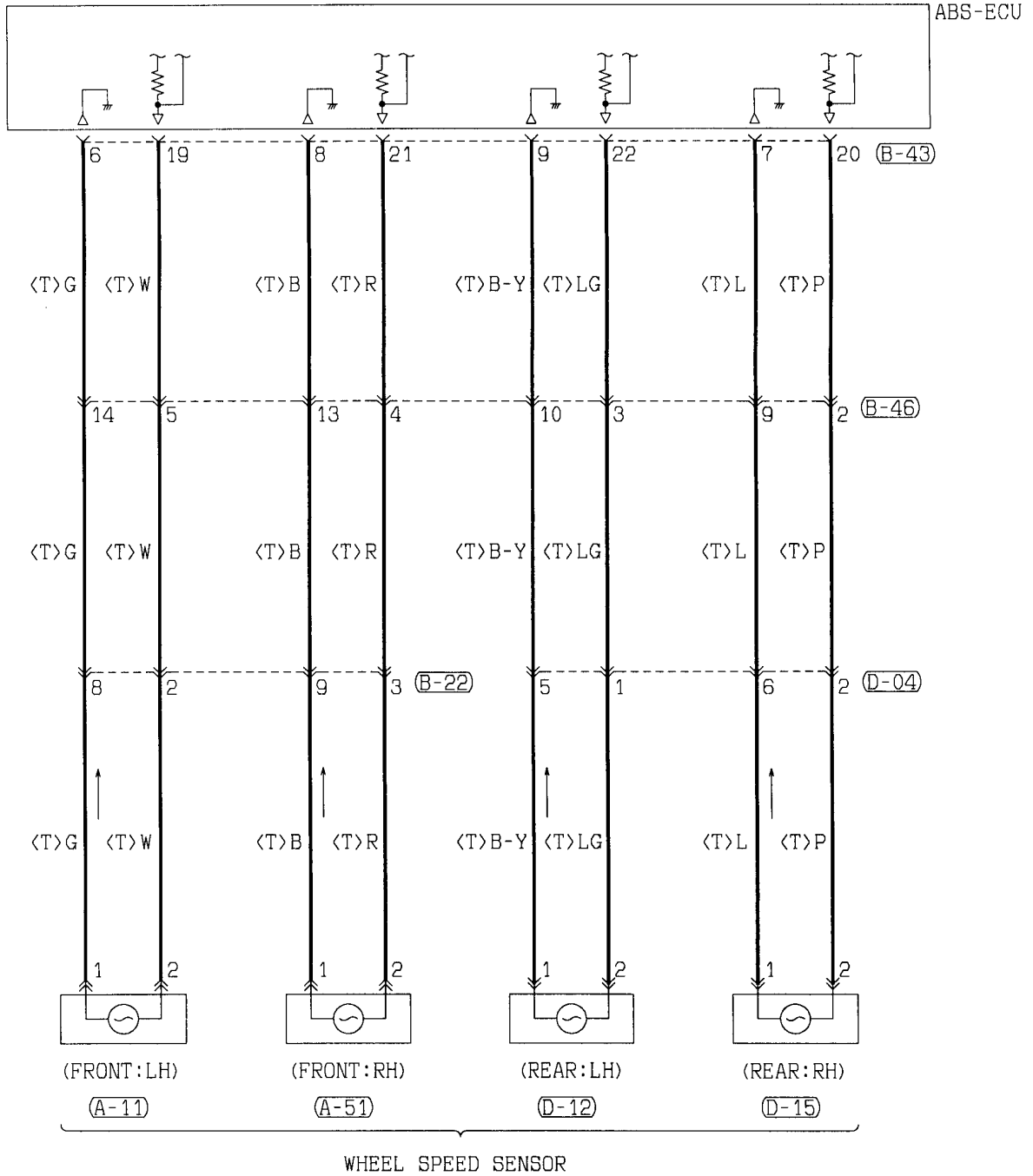


(B-62)

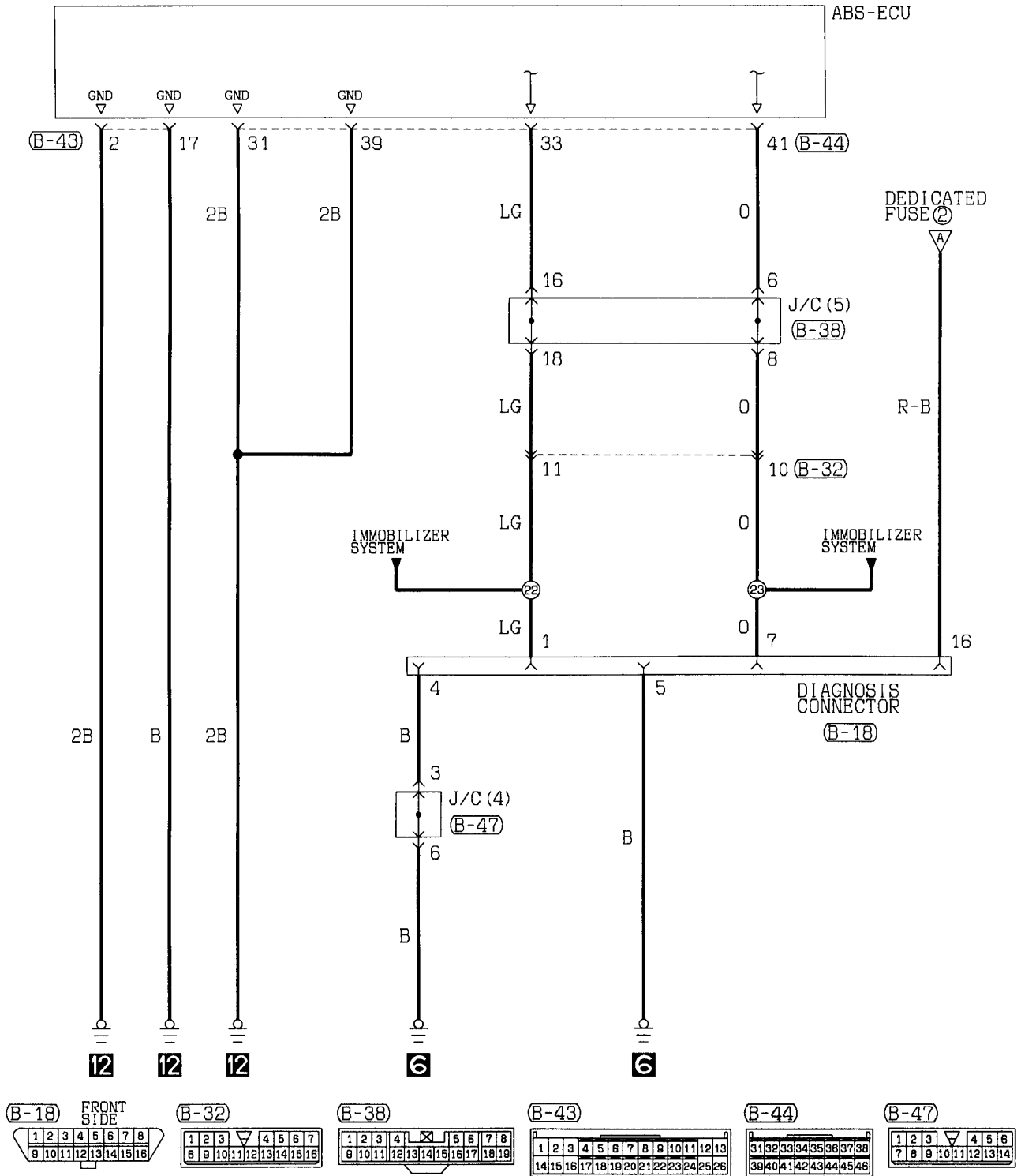


ANTI-SKID BRAKING SYSTEM <R.H. drive vehicles> (CONTINUED)





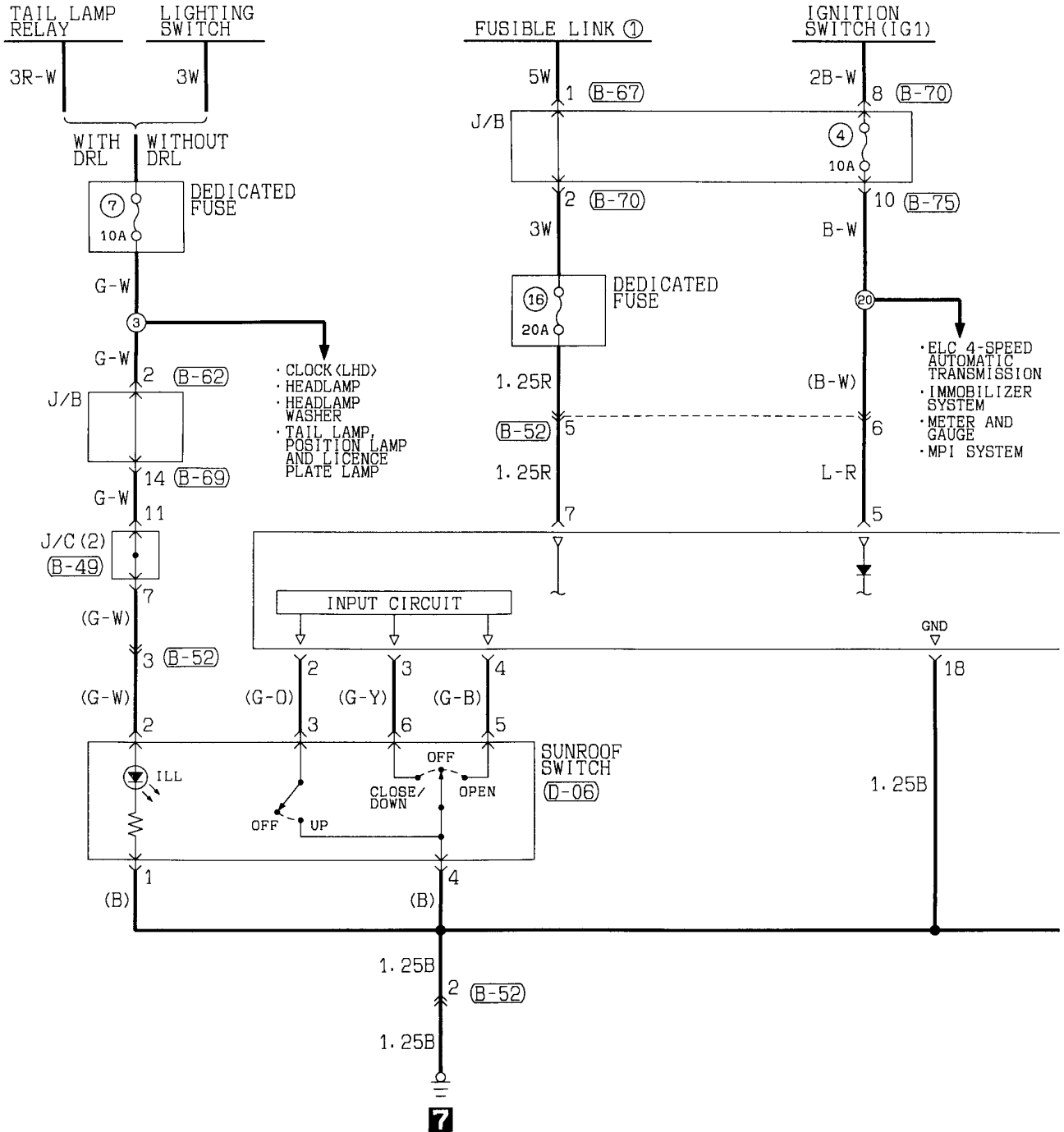
ANTI-SKID BRAKING SYSTEM <R.H. drive vehicles> (CONTINUED)



NOTES

SUNROOF

90100990102



B-49

1	2	3	4	5	6
7	8	9	10	11	12
13	14				

B-52

1	M	2
3	4	5
6		

B-62

1	2	3	4
5	6	7	8
9	10	11	

B-67

1

B-69

1	2	3	4	5	6	7
8	9	10	11	12	13	14
15	16					

B-70

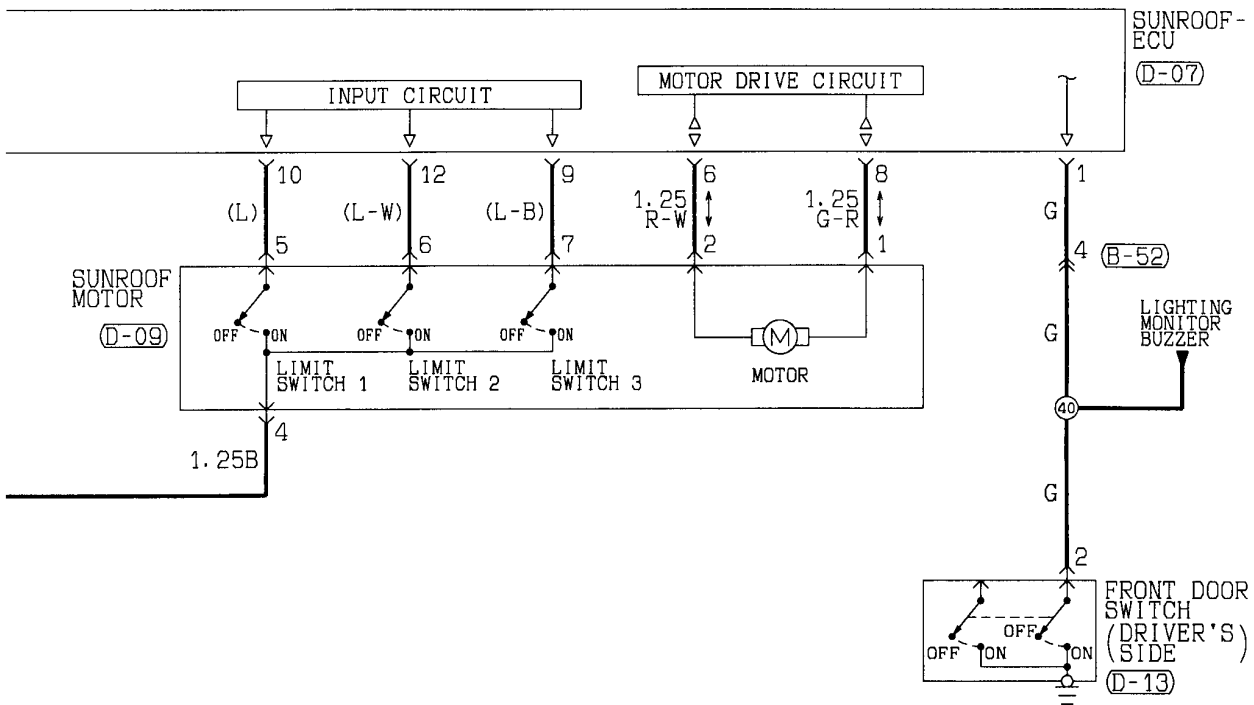
1	2	3	4
5	6	7	8

B-75

1	2	3	4	5
6	7	8	9	10

D-06

1	2	3	4	5	6	7	8
9	10	11	12	13	14	15	16



(D-07)

1	2	3	4	A	5	6	7	8	
9	10	11	12	13	14	15	16	17	18

(D-09)

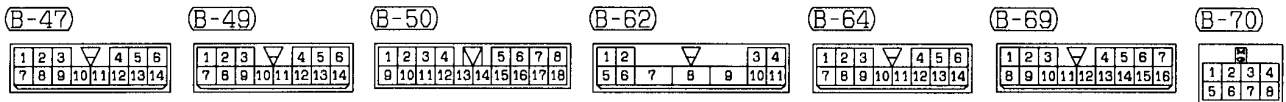
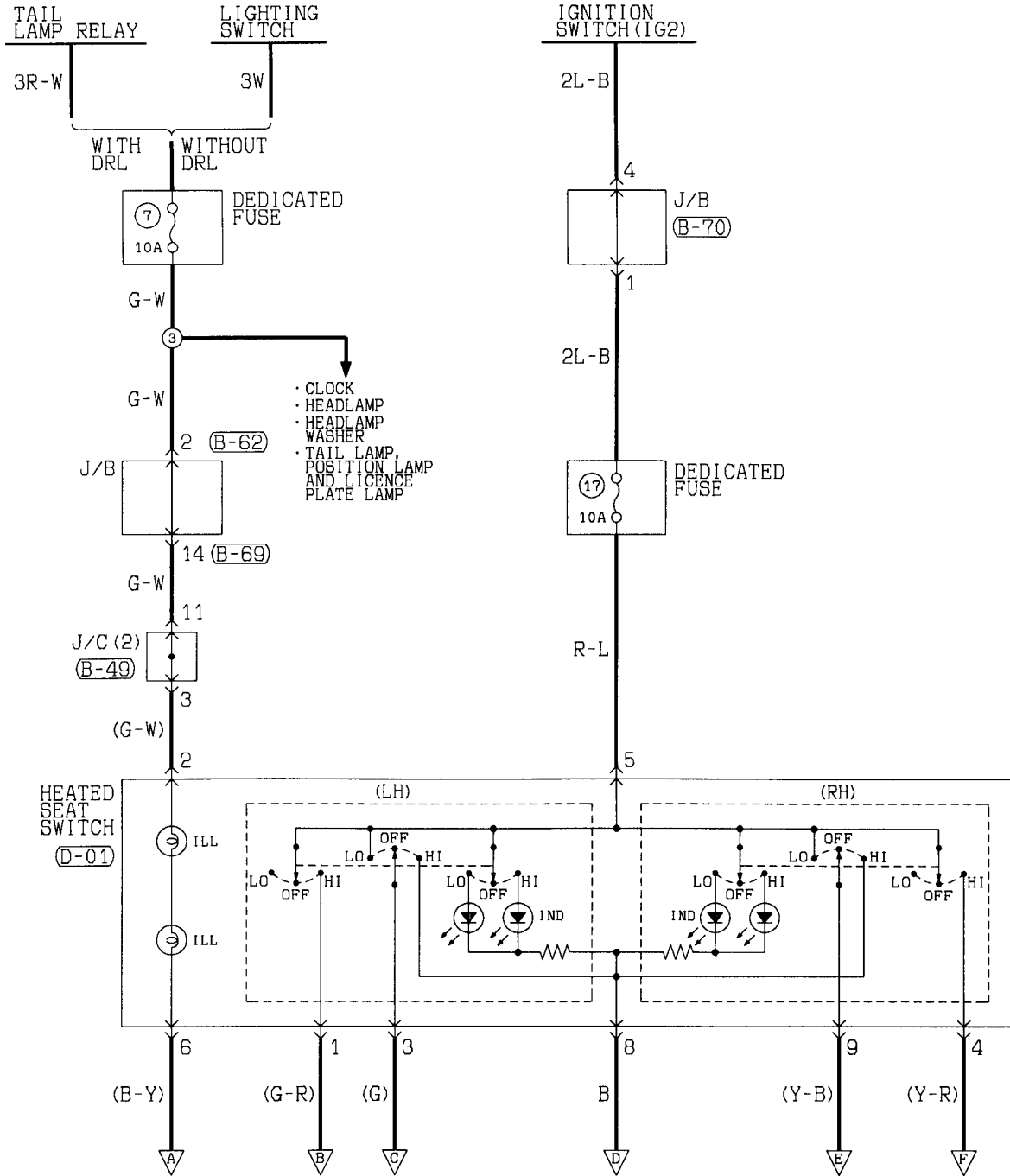
1	2	3		
4	5	6	7	8

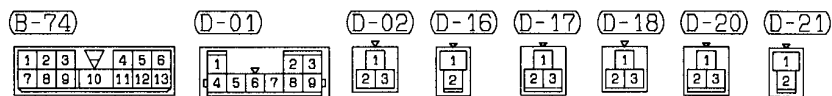
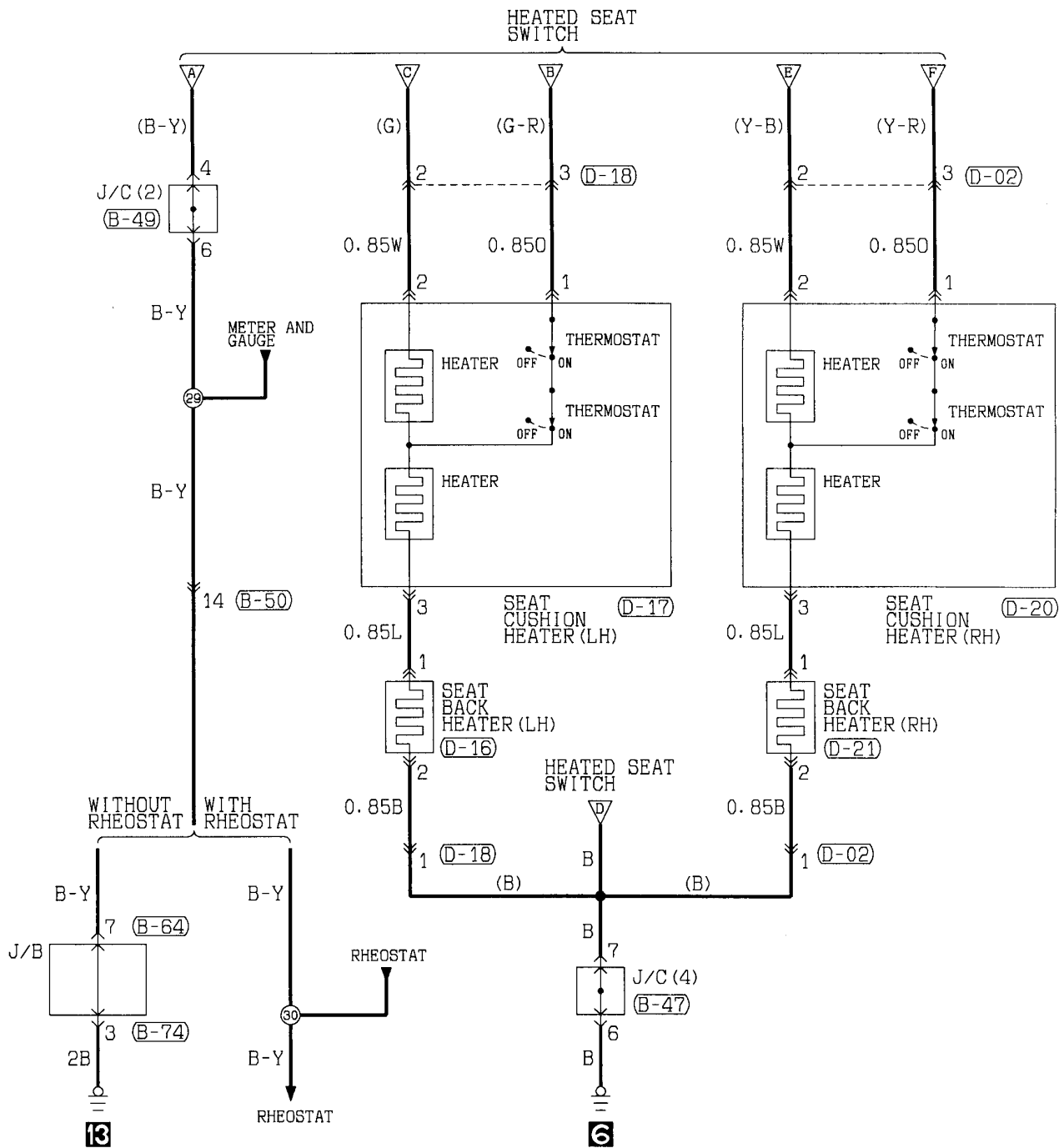
(D-13)

M	
1	2

HEATED SEAT

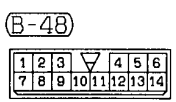
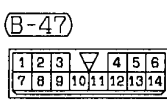
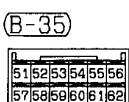
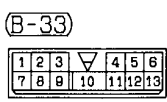
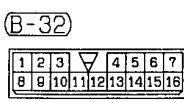
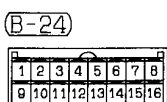
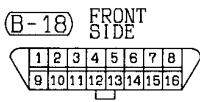
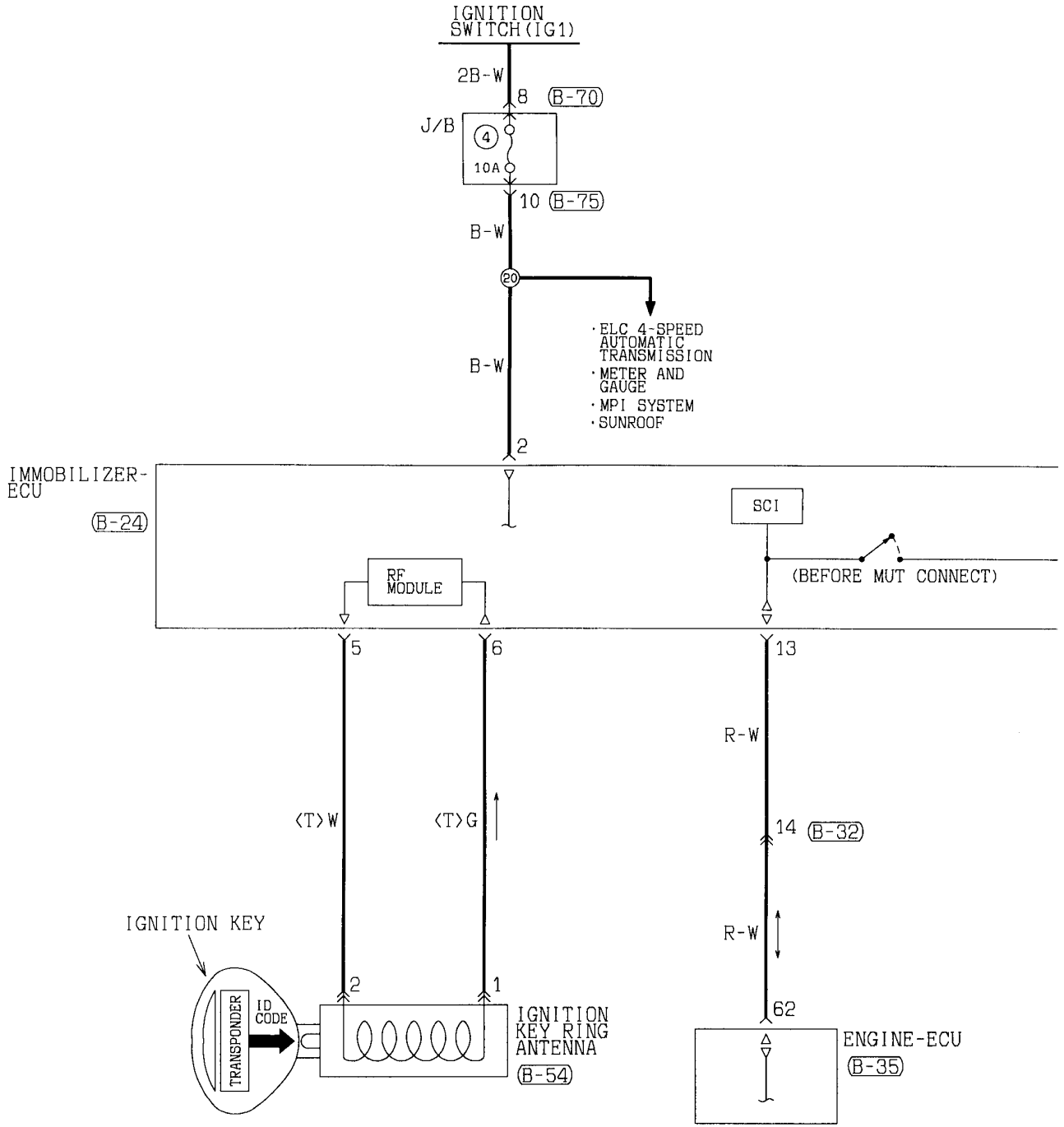
90101070034

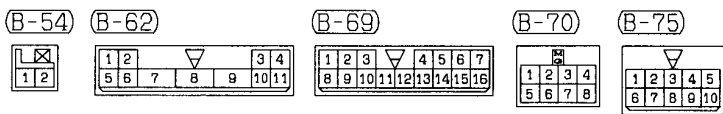
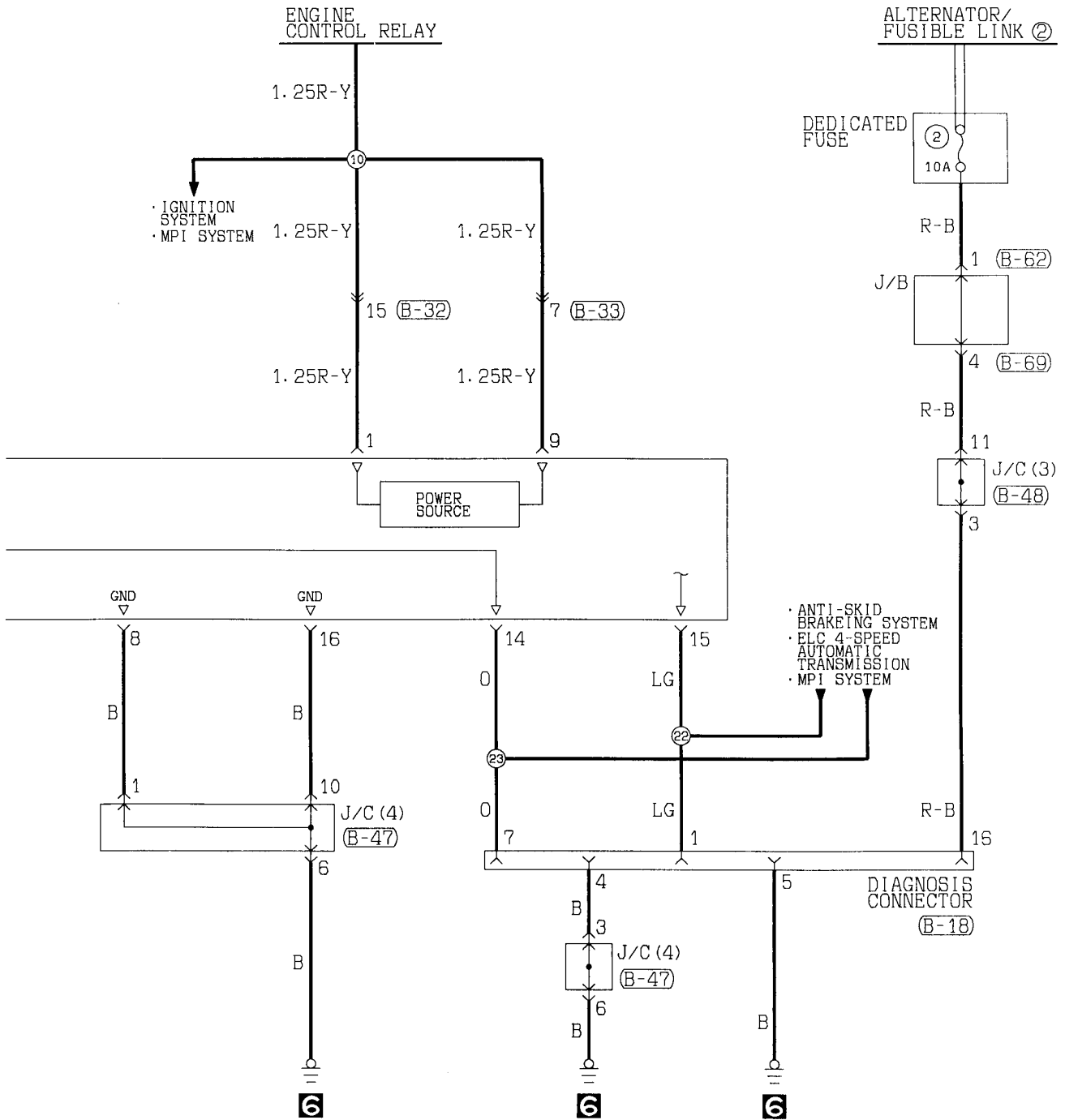




IMMOBILIZER SYSTEM

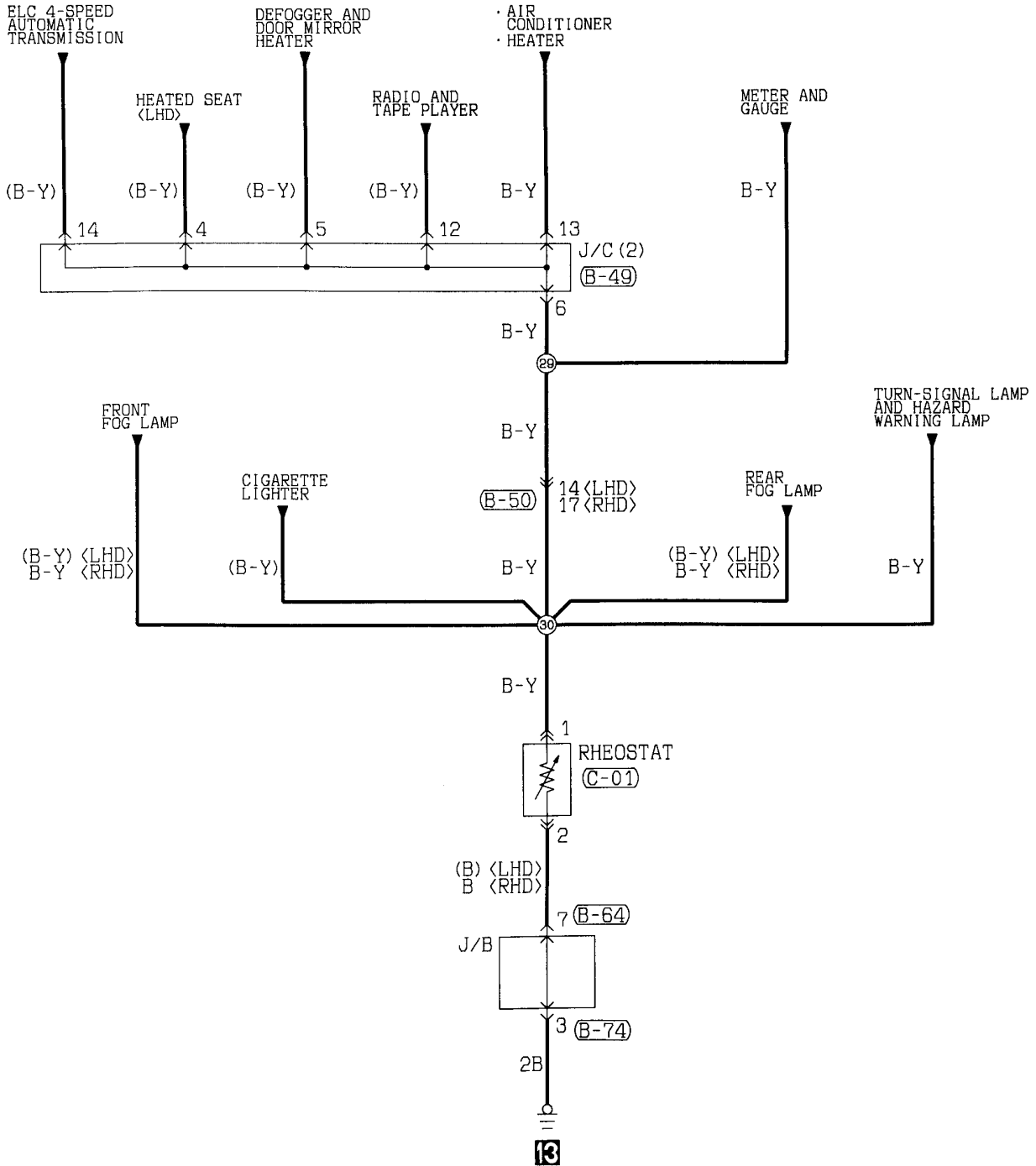
90101360032





RHEOSTAT

90101110026

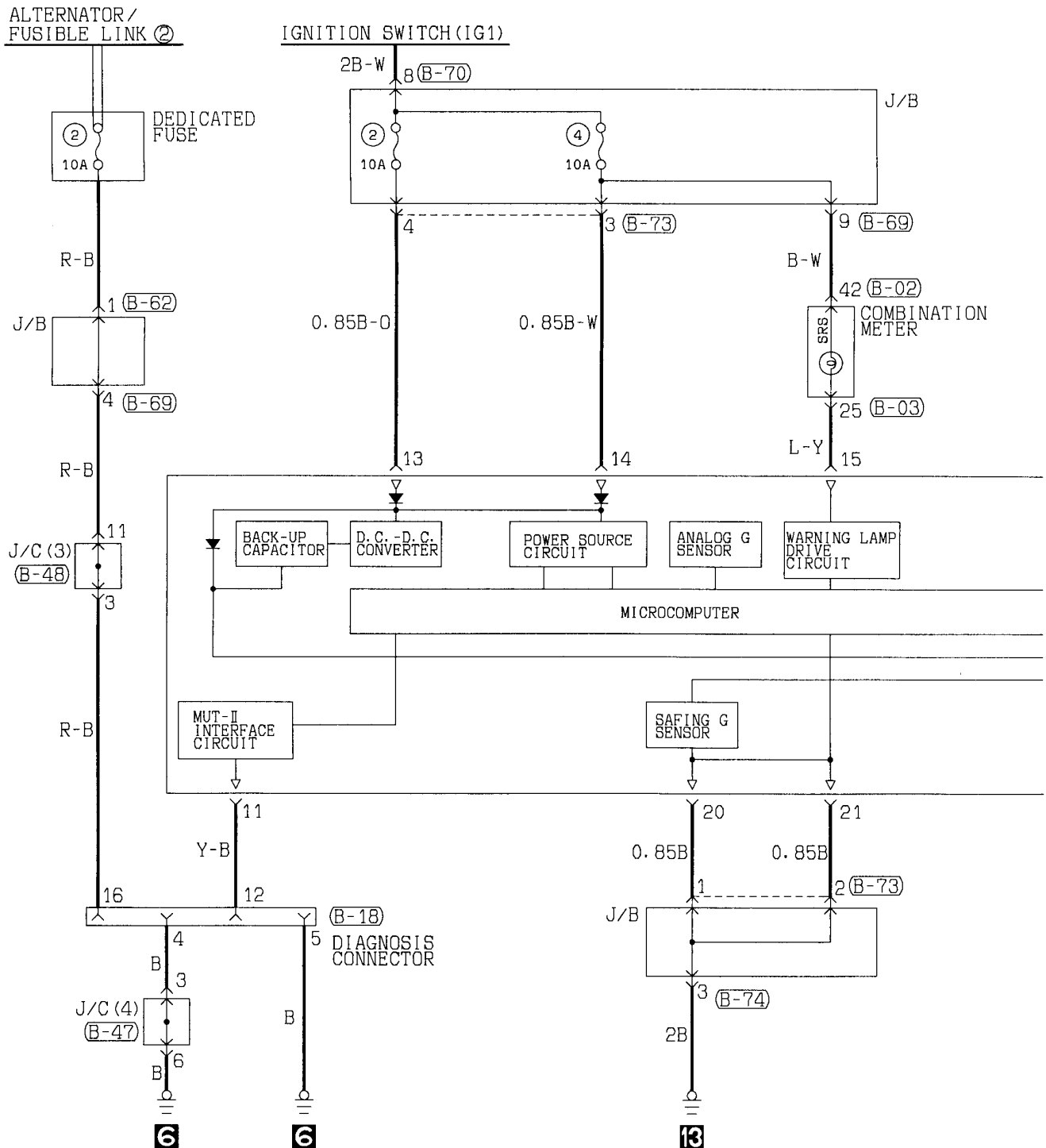


(B-49)	(B-50) <LHD>	<RHD>	(B-64)	(B-74)	(C-01)																																																																																																														
<table border="1"> <tr><td>1</td><td>2</td><td>3</td><td>4</td><td>5</td><td>6</td></tr> <tr><td>7</td><td>8</td><td>9</td><td>10</td><td>11</td><td>12</td></tr> <tr><td>13</td><td>14</td><td></td><td></td><td></td><td></td></tr> </table>	1	2	3	4	5	6	7	8	9	10	11	12	13	14					<table border="1"> <tr><td>1</td><td>2</td><td>3</td><td>4</td><td>5</td><td>6</td><td>7</td><td>8</td></tr> <tr><td>9</td><td>10</td><td>11</td><td>12</td><td>13</td><td>14</td><td>15</td><td>16</td></tr> <tr><td>17</td><td>18</td><td></td><td></td><td></td><td></td><td></td><td></td></tr> </table>	1	2	3	4	5	6	7	8	9	10	11	12	13	14	15	16	17	18							<table border="1"> <tr><td>1</td><td>2</td><td>3</td><td>4</td><td>5</td><td>6</td><td>7</td><td>8</td><td>9</td><td>10</td></tr> <tr><td>11</td><td>12</td><td>13</td><td>14</td><td>15</td><td>16</td><td>17</td><td>18</td><td>19</td><td>20</td></tr> <tr><td>21</td><td>22</td><td></td><td></td><td></td><td></td><td></td><td></td><td></td><td></td></tr> </table>	1	2	3	4	5	6	7	8	9	10	11	12	13	14	15	16	17	18	19	20	21	22									<table border="1"> <tr><td>1</td><td>2</td><td>3</td><td>4</td><td>5</td><td>6</td></tr> <tr><td>7</td><td>8</td><td>9</td><td>10</td><td>11</td><td>12</td></tr> <tr><td>13</td><td>14</td><td></td><td></td><td></td><td></td></tr> </table>	1	2	3	4	5	6	7	8	9	10	11	12	13	14					<table border="1"> <tr><td>1</td><td>2</td><td>3</td><td>4</td><td>5</td><td>6</td></tr> <tr><td>7</td><td>8</td><td>9</td><td>10</td><td>11</td><td>12</td></tr> <tr><td>13</td><td></td><td></td><td></td><td></td><td></td></tr> </table>	1	2	3	4	5	6	7	8	9	10	11	12	13						<table border="1"> <tr><td>1</td></tr> <tr><td>2</td></tr> </table>	1	2
1	2	3	4	5	6																																																																																																														
7	8	9	10	11	12																																																																																																														
13	14																																																																																																																		
1	2	3	4	5	6	7	8																																																																																																												
9	10	11	12	13	14	15	16																																																																																																												
17	18																																																																																																																		
1	2	3	4	5	6	7	8	9	10																																																																																																										
11	12	13	14	15	16	17	18	19	20																																																																																																										
21	22																																																																																																																		
1	2	3	4	5	6																																																																																																														
7	8	9	10	11	12																																																																																																														
13	14																																																																																																																		
1	2	3	4	5	6																																																																																																														
7	8	9	10	11	12																																																																																																														
13																																																																																																																			
1																																																																																																																			
2																																																																																																																			

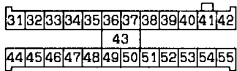
NOTES

SUPPLEMENTAL RESTRAINT SYSTEM (SRS)

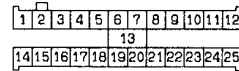
90100970199



(B-02)



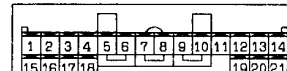
(B-03)



(B-07)



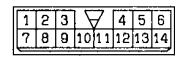
(B-15)

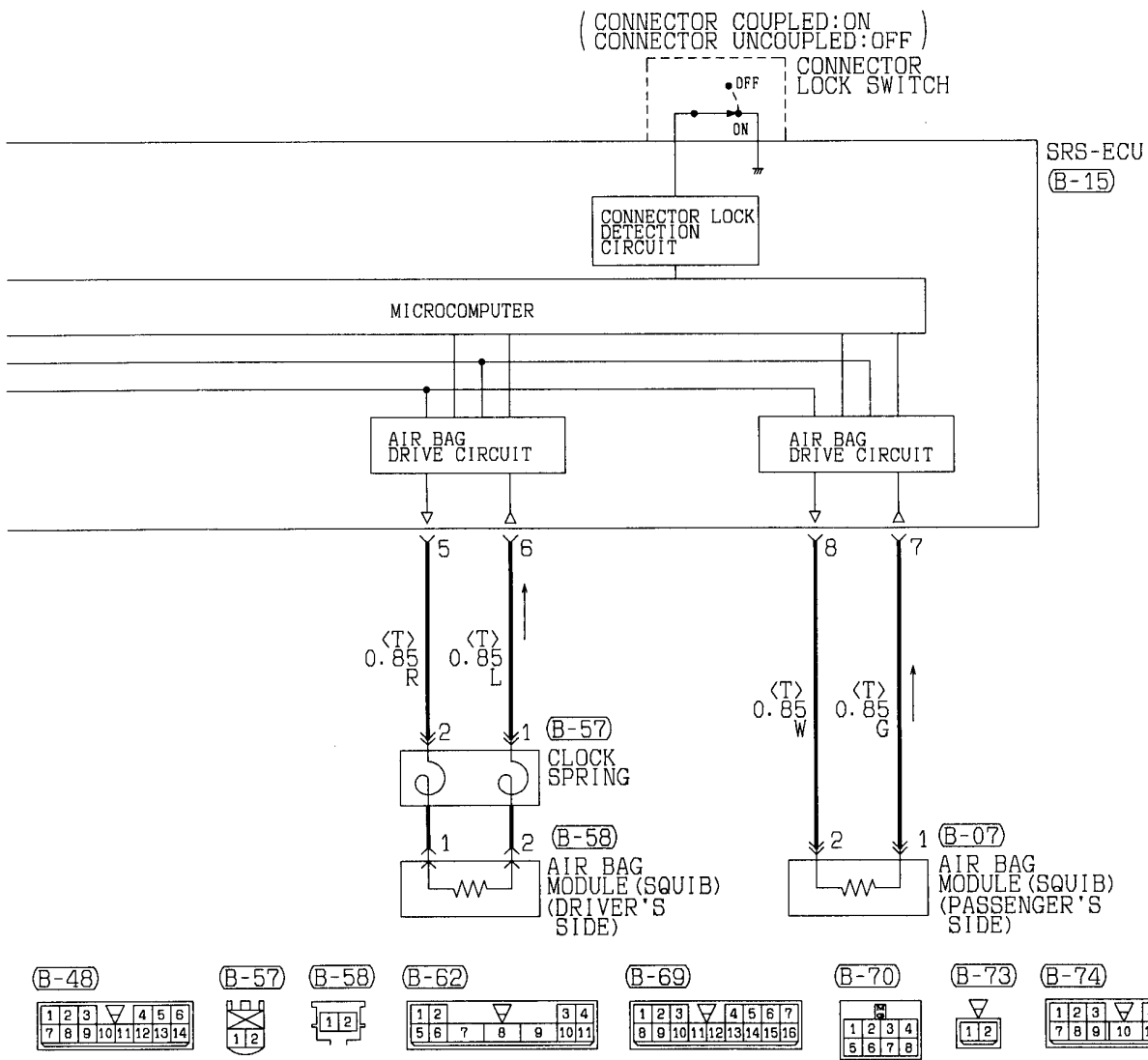


(B-18) FRONT SIDE



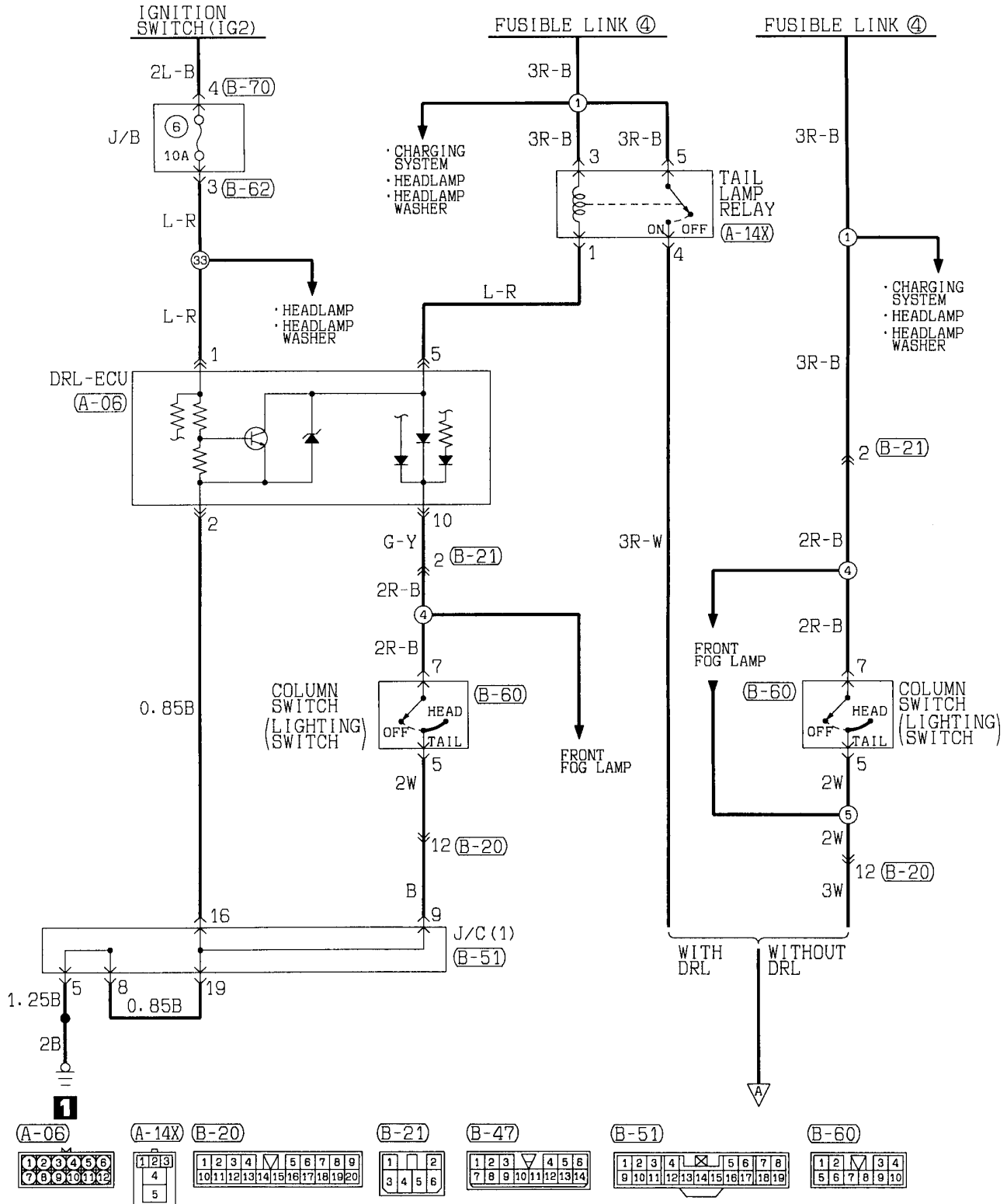
(B-47)

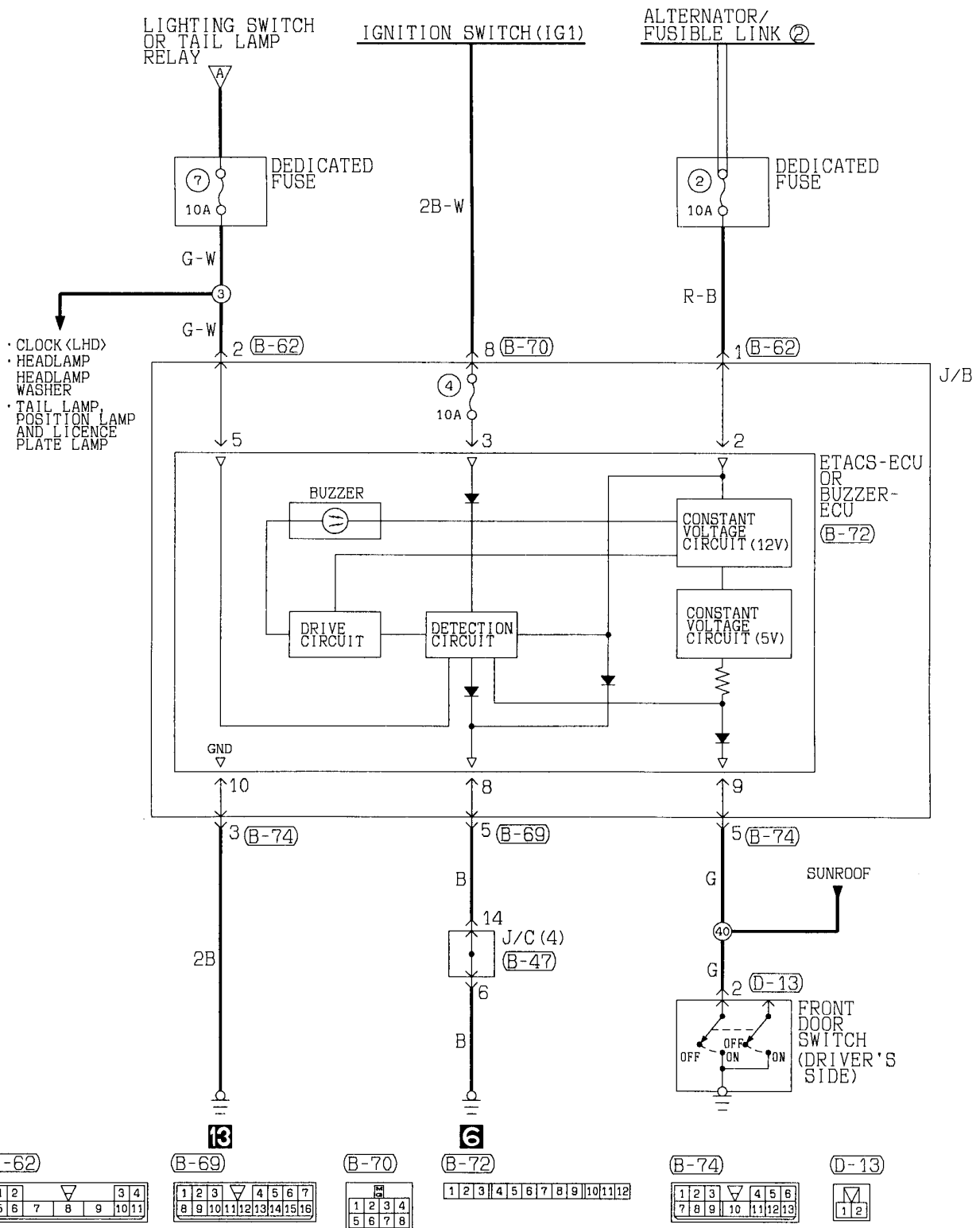




LIGHTING MONITOR BUZZER

90101450043





INDEX (In order of connector No.)

90109010038

	Connector No.	Parts name	Circuit diagram page	Wiring diagram page
A	A-01	Dual pressure switch <A/C>	4-159	2-4, 8, 12, 16
	A-02	Side turn signal lamp (RH)	4-123, 127	2-4, 8, 12, 16
	A-03	A/C wiring harness and control wiring harness combination	4-62, 157, 158, 159	2-4, 8, 12, 16
	A-04	Windshield wiper motor	4-160, 161	2-4, 8, 12, 16
	A-05	Throttle position sensor	4-35, 43, 51, 59, 70, 78	2-4, 8, 12, 16
	A-06	DRL-ECU	4-81, 88, 92, 98, 107, 174, 200	2-4, 12
	A-07	DRL relay 2	4-80	2-4, 12
	A-08	DRL relay 1	4-81	2-4, 12
	A-09	Side turn signal lamp (LH)	4-123, 127	2-4, 8, 12, 16
	A-10	Control wiring harness and front wiring harness combination	4-30, 36, 38, 44, 46, 52, 54, 60, 62, 67, 75, 158	2-4, 8, 12, 16
	A-11	Wheel speed sensor (front:LH) <ABS>	4-181, 187	2-4, 8, 12, 16
	A-12X	Rear fog lamp relay	4-11, 106, 110, 112	2-4, 8, 12, 16
	A-13X	Horn relay <SRS>	4-11, 133	2-4, 8, 12, 16
	A-14X	Tail lamp relay <DRL>	4-11, 15, 81, 88, 92, 98, 106, 200	2-4, 12
	A-15X	Radiator fan relay	4-11, 62, 158	2-4, 8, 12, 16
	A-17X	Headlamp relay	4-11, 15, 21, 80, 84, 106, 110, 112	2-4, 8, 12, 16
	A-19X	Alternator relay	4-11, 28	2-4, 8, 12, 16
	A-20	Battery cable wiring harness and front wiring harness combination	4-28	2-4, 8, 12, 16
	A-21	Front turn signal lamp (LH)	4-123, 127	2-4, 8, 12, 16
	A-22	A/T control solenoid valve assembly	4-67, 75	2-4, 8, 12, 16
	A-23	Headlamp (LH)	4-80, 84	2-4, 8, 12, 16
	A-24	Headlamp leveling unit (LH)	4-118, 119, 120, 121	2-4, 8, 12, 16
	A-25	Front fog lamp (LH)	4-99, 101, 103	2-5, 8, 13, 16
	A-26	Position lamp (LH)	4-88, 90, 92, 94	2-5, 8, 13, 16
	A-27	Inhibitor switch <A/T>	4-25, 33, 41, 49, 57, 64, 72, 132	2-5, 9, 13, 17
	A-28	Radiator fan motor	4-62, 158	2-5, 9, 13, 17
	A-29	Horn (HI)	4-133, 134	2-5, 9, 13, 17
	A-30	Horn (HI)	4-133, 134	2-5, 9, 13, 17
	A-31	Horn (LO)	4-133, 134	2-5, 9, 13, 17

	Connector No.	Parts name	Circuit diagram page	Wiring diagram page
A	A-32	Horn (LO)	4-133, 134	2-5, 9, 13, 17
	A-33	Starter	4-25	2-5, 9, 13, 17
	A-34	Starter	4-25	2-5, 9, 13, 17
	A-35	Condenser fan motor	4-62, 158	2-5, 9, 13, 17
	A-36	Position lamp (RH)	4-88, 90, 92, 94	2-5, 9, 13, 17
	A-37	Front fog lamp (RH)	4-99, 101, 103	2-5, 9, 13, 17
	A-38	Headlamp leveling unit (RH)	4-118, 119, 120, 121	2-5, 9, 13, 17
	A-39	Headlamp (RH)	4-80, 84	2-5, 9, 13, 17
	A-40	Oil pressure switch	4-140	2-5, 9, 13, 17
	A-41	Front turn signal lamp (RH)	4-123, 127	2-5, 9, 13, 17
	A-42	Rear washer motor	4-164	2-5, 9, 13, 17
	A-43	Windshield washer motor	4-160, 161	2-5, 9, 13, 17
	A-44	Headlamp washer motor	4-167	2-5, 13
	A-45	A/C wiring harness and front wiring harness combination	4-62, 158, 159	2-5, 9, 13, 17
	A-46X	Condenser fan relay	4-11, 62, 158	2-5, 9, 13, 17
	A-50X	A/C compressor relay	4-11, 159	2-5, 9, 13, 17
	A-51	Wheel speed sensor (front:RH) <ABS>	4-181, 187	2-5, 9, 13, 17
	A-52	ABS valve relay	4-179, 185	2-6, 10, 14, 18
	A-53	ABS motor relay	4-179, 185	2-6, 10, 14, 18
	A-54	Vacuum sensor <4G13>	4-35, 43	2-6, 10
	A-55	Air bypass solenoid valve <MVV>	4-50, 58	2-14, 18
	A-56	Idle speed control servo	4-35, 43, 51, 59	2-6, 10, 14, 18
	A-57	Ignition timing adjustment connector <4G13>	4-26, 32, 40	2-6, 10
	A-58	Brake fluid level sensor	4-141	2-6, 10, 14, 18
	A-59	Fuel pump check connector	4-31, 39, 47, 55	2-6, 10, 14, 18
	A-60	Vehicle speed sensor	4-36, 44, 52, 60, 69, 77, 138	2-6, 10, 14, 18
	A-61	Air flow sensor <4G92>	4-51, 59	2-14, 18
	A-62	Output shaft speed sensor <A/T>	4-65, 73	2-6, 10, 14, 18
	A-63	Back-up lamp switch <M/T>	4-132	2-6, 10, 14, 18
	A-64	Detonation sensor <4G92>	4-50, 58	2-14, 18

	Connector No.	Parts name	Circuit diagram page	Wiring diagram page
A	A-65	Battery cable wiring harness and control wiring harness combination <M/T>	4-25, 28, 36, 44, 52, 60, 140	2-6, 10, 14, 18
	A-66	Battery cable wiring harness and control wiring harness combination <A/T>	4-25, 28, 36, 44, 52, 60, 140	2-6, 10, 14, 18
	A-67	Input shaft speed sensor <A/T>	4-65, 73	2-6, 10, 14, 18
	A-68	Distributor assembly <4G13>	4-26, 32, 40	2-6, 10
	A-69	Oxygen sensor <MVV>	4-50, 58	2-14, 18
	A-70	Camshaft position sensor <4G92>	4-50, 58	2-14, 18
	A-71	Engine coolant temperature gauge unit	4-137	2-6, 10, 14, 18
	A-72	Engine coolant temperature sensor	4-35, 43, 50, 58	2-7, 11, 14, 19
	A-73	Ignition coil 1 <4G92>	4-27, 48, 56	2-15, 19
	A-74	Injector 4	4-35, 43, 51, 59	2-7, 11, 15, 19
	A-75	Injector 3	4-35, 43, 51, 59	2-7, 11, 15, 19
	A-76	Injector 2	4-35, 43, 51, 59	2-7, 11, 15, 19
	A-77	A/C refrigerant temperature switch and magnetic clutch	4-159	2-7, 11, 15, 19
	A-78	Power steering oil pressure switch	4-36, 44, 52, 60	2-7, 11, 15, 19
	A-79	Ignition coil 2 <4G92>	4-27, 48, 56	2-15, 19
	A-80	Injector 1	4-35, 43, 51, 59	2-7, 11, 15, 19
	A-81	Purge control solenoid valve	4-34, 42, 50, 58	2-7, 11, 15, 19
	A-82	Alternator	4-28	2-7, 11, 15, 19
	A-83	Alternator	4-28, 36, 44, 52, 60	2-7, 11, 15, 19
	A-84	Crank angle sensor <4G92>	4-50, 58	2-15, 19
	A-85	Headlamp washer relay	4-167	2-7, 15
	A-86	Intake air temperature sensor <4G13>	4-34, 42	2-7, 11
	A-87	Oxygen sensor (front) <4G13> or oxygen sensor <4G92(except MVV)>	4-34, 42, 50, 58	2-7, 11, 15, 19
	A-88	EGR solenoid valve <except MVV>	4-34, 42, 50, 58	2-7, 11, 15, 19
	A-89	EGR solenoid valve <MVV>	4-50, 58	2-15, 19
	A-90	Engine speed detection connector	4-26, 27, 32, 40, 48, 56	2-7, 11, 15, 19
A-91	ABS hydraulic unit	4-180, 186	2-7, 11, 15, 19	
A-92	ABS hydraulic unit	4-180, 186	2-7, 11, 15, 19	

	Connector No.	Parts name	Circuit diagram page	Wiring diagram page
B	B-01	Diode (for headlamp and rear fog lamp circuit)	4-82, 85, 107, 110, 112	2-20, 26
	B-02	Combination meter	4-28, 31, 39, 47, 55, 68, 76, 80, 84, 108, 111, 113, 115, 116, 136, 137, 138, 140, 141, 179, 185, 198	2-20, 26
	B-03	Combination meter	4-68, 76, 108, 111, 113, 124, 128, 137, 138, 179, 185, 198	2-20, 26
	B-04	Defogger switch	4-168	2-20, 26
	B-05	A/C switch	4-157	2-20, 26
	B-06	Radio and tape player	4-172, 173	2-20, 26
	B-07	Airbag module (squib) (passenger's side)	4-199	2-20, 26
	B-08	Thermostat<A/C>	4-157	2-20, 26
	B-09	A/T relay	4-67, 75	2-20, 26
	B-10	Front door wiring harness (passenger's side) and body wiring harness combination	4-144, 145, 146, 147, 148, 150, 169, 170, 171, 172	2-20, 26
	B-11	Blower motor	4-154	2-20, 26
	B-12	Fuel pump relay	4-31, 39, 47, 55	2-20, 26
	B-13	Engine control relay	4-30, 38, 46, 54	2-20, 26
	B-14	Diode (for ABS circuit)	4-179, 185	2-20, 26
	B-15	SRS-ECU	4-198, 199	2-21, 27
	B-16	A/T selector lever position illumination lamp	4-68, 76	2-21, 27
	B-17	Wide open throttle switch <A/T>	4-69, 77	2-21, 27
	B-18	Diagnosis connector	4-37, 45, 53, 61, 71, 79, 144, 146, 182, 188, 195, 198	2-21, 27
	B-19	Stop lamp switch	4-66, 74, 130, 131, 178, 184	2-21, 27
	B-20	Front wiring harness and body wiring harness combination	4-21, 28, 66, 74, 80, 81, 82, 84, 88, 90, 92, 94, 98, 99, 100, 101, 102, 103, 106, 107, 110, 112, 118, 119, 120, 121, 122, 126, 130, 131, 133, 134, 141, 160, 161, 164, 174, 178, 184, 200	2-21, 27
	B-21	Front wiring harness and body wiring harness combination	4-14, 20, 21, 80, 82, 84, 88, 90, 92, 94, 98, 100, 102, 107, 110, 112, 148, 150, 200	2-21, 27
	B-22	Front wiring harness and body wiring harness combination	4-112, 167, 181, 187	2-21, 27
	B-23	Front door wiring harness (driver's side) and body wiring harness combination	4-144, 145, 146, 147, 148, 149, 150, 151, 169, 170, 171, 172	2-21, 27

	Connector No.	Parts name	Circuit diagram page	Wiring diagram page
B	B-24	Immobilizer-ECU	4-37, 45, 53, 61, 194, 195	2-22, 28
	B-25X	Rear intermittent wiper relay	4-12, 164	2-22, 28
	B-27X	Power window relay	4-12, 148, 150	2-22, 28
	B-29	Blower switch	4-155, 156	2-22, 28
	B-30	Blower control illumination lamp	4-155, 157	2-22, 28
	B-31	Resistor	4-155, 156	2-22, 28
	B-32	Control wiring harness and body wiring harness combination	4-26, 27, 30, 31, 37, 38, 39, 45, 46, 47, 53, 54, 55, 61, 66, 71, 74, 79, 137, 140, 141, 157, 178, 182, 184, 188, 194, 195	2-22, 28
	B-33	Control wiring harness and body wiring harness combination	4-25, 31, 33, 36, 39, 41, 44, 47, 49, 52, 55, 57, 60, 64, 69, 72, 77, 132, 136, 138, 160, 161, 195	2-22, 28
	B-34	Engine ECU	4-26, 30, 31, 32, 33, 34, 35, 36, 38, 39, 40, 41, 42, 43, 44, 46, 47, 49, 50, 51, 52, 54, 55, 57, 58, 59, 60, 70, 78	2-22, 28
	B-35	Engine ECU	4-26, 27, 32, 34, 36, 37, 40, 42, 44, 45, 48, 50, 52, 53, 56, 58, 60, 61, 70, 78, 194	2-22, 28
	B-36	Engine ECU	4-28, 30, 31, 36, 38, 39, 44, 46, 47, 50, 52, 54, 55, 58, 60, 159	2-22, 28
	B-37	Engine ECU	4-26, 27, 30, 31, 32, 34, 35, 36, 38, 39, 40, 42, 43, 44, 46, 47, 48, 50, 51, 52, 54, 55, 56, 58, 59, 60, 62, 70, 78, 158, 159	2-22, 28
	B-38	J/C (5)	4-6, 37, 45, 53, 61, 66, 69, 71, 74, 77, 79, 159, 178, 182, 184, 188	2-22, 28
	B-39	ELC-4A/T-ECU	4-36, 44, 52, 60, 64, 66, 67, 69, 70, 71, 72, 74, 75, 77, 78, 79	2-23, 29
	B-40	Oxygen sensor (rear) <4G13>	4-34, 42	2-23, 29
	B-41	ELC-4A/T-ECU	4-65, 66, 67, 69, 70, 73, 74, 75, 77, 78	2-23, 29
	B-42	ELC-4A/T-ECU	64, 67, 69, 71, 72, 75, 77, 79, 159	2-23, 29
	B-43	ABS-ECU	4-178, 180, 181, 182, 184, 186, 187, 188	2-23, 29
	B-44	ABS-ECU	4-178, 179, 180, 182, 184, 185, 186, 188	2-23, 29
	B-45	Control wiring harness and body wiring harness combination <A/T>	4-68, 76	2-23, 29
	B-46	Control wiring harness and body wiring harness combination <ABS>	4-178, 179, 181, 184, 185, 187	2-23, 29

	Connector No.	Parts name	Circuit diagram page	Wiring diagram page
B	B-47	J/C (4)	4-6, 37, 45, 53, 61, 68, 71, 76, 79, 108, 111, 113, 124, 128, 136, 137, 138, 144, 146, 148, 150, 160, 161, 164, 168, 182, 188, 193, 195, 198, 201	2-23, 29
	B-48	J/C (3)	4-6, 30, 37, 38, 45, 46, 53, 54, 61, 66, 71, 74, 79, 138, 144, 146, 148, 150, 154, 156, 172, 178, 184, 195, 198	2-23, 29
	B-49	J/C (2)	4-6, 68, 76, 136, 155, 157, 168, 173, 190, 192, 193, 196	2-23, 29
	B-50	Instrument panel wiring harness and body wiring harness combination	4-68, 76, 98, 99, 100, 101, 102, 103, 106, 108, 110, 111, 112, 113, 118, 119, 120, 121, 122, 126, 136, 155, 157, 168, 170, 171, 173, 174, 193, 196	2-23, 29
	B-51	J/C (1)	4-6, 82, 88, 90, 92, 94, 98, 99, 101, 103, 107, 118, 119, 120, 121, 123, 127, 141, 160, 161, 164, 200	2-23, 29
	B-52	Roof wiring harness and body wiring harness combination <Sunroof>	4-190, 191	2-23, 29
	B-53	Column switch	4-134, 160, 161, 164	2-24, 30
	B-54	Ignition key ring antenna <Vehicles with immobilizer system>	4-194	2-24, 30
	B-55	Ignition switch	4-16, 22	2-24, 30
	B-56	Clock spring <SRS>	4-133	2-24, 30
	B-57	Clock spring <SRS>	4-199	2-24, 30
	B-58	Air bag module (squib) (driver's side)	4-199	2-24, 30
	B-59	Horn switch <SRS>	4-133	2-24, 30
	B-60	Column switch	4-21, 82, 85, 88, 90, 92, 94, 98, 100, 102, 107, 110, 112, 123, 127, 167, 200	2-24, 30
	B-61	Column switch	4-82, 85, 107, 110, 112, 167	2-24, 30
B-62	Front wiring harness and J/B combination	4-4, 17, 18, 23, 24, 28, 30, 37, 38, 45, 46, 53, 54, 61, 66, 68, 71, 74, 76, 79, 81, 88, 90, 92, 94, 98, 100, 102, 106, 107, 110, 112, 115, 116, 122, 123, 126, 127, 133, 134, 136, 138, 144, 146, 154, 156, 167, 168, 172, 173, 174, 175, 176, 178, 184, 190, 192, 195, 198, 200, 201	2-24, 30	
B-63	Turn-signal and hazard warning flasher unit	4-4, 122, 126	2-24, 30	

	Connector No.	Parts name	Circuit diagram page	Wiring diagram page
B	B-64	Instrument panel wiring harness and J/B combination	4-4, 98, 99, 100, 101, 102, 103, 106, 108, 110, 111, 112, 113, 118, 119, 120, 121, 122, 126, 136, 155, 157, 168, 170, 171, 173, 174, 175, 176, 193, 196	2-24, 30
	B-65	Defogger relay	4-4, 168	2-24, 30
	B-66	Blower relay	4-4, 154, 156	2-24, 30
	B-67	Front wiring harness and J/B combination	4-4, 18, 24, 145, 147, 154, 156, 168, 190	2-24, 30
	B-68	Roof wiring harness and J/B combination	4-4, 115, 116	2-24, 30
	B-69	Body wiring harness and J/B combination	4-4, 28, 30, 31, 37, 38, 39, 45, 46, 47, 53, 54, 55, 61, 66, 68, 71, 74, 76, 79, 115, 116, 122, 123, 126, 127, 136, 137, 138, 140, 144, 146, 148, 150, 154, 156, 168, 172, 173, 178, 179, 184, 185, 190, 192, 195, 198, 201	2-24, 30
	B-70	Body wiring harness and J/B combination	4-4, 16, 17, 18, 22, 23, 24, 26, 27, 28, 31, 36, 39, 44, 47, 52, 55, 60, 64, 69, 72, 77, 81, 88, 92, 98, 107, 122, 126, 132, 133, 134, 137, 138, 140, 144, 146, 148, 150, 154, 156, 160, 161, 164, 167, 168, 170, 171, 172, 174, 175, 176, 178, 179, 184, 185, 190, 192, 194, 198, 200, 201	2-24, 30
	B-71	ETACS-ECU	4-144, 145, 146, 147	2-24, 30
	B-72	Buzzer-ECU or ETACS-ECU	4-4, 144, 145, 146, 147, 201	2-25, 31
	B-73	Body wiring harness and J/B combination <SRS>	4-4, 198	2-25, 31
	B-74	Body wiring harness and J/B combination	4-4, 88, 90, 92, 94, 99, 101, 103, 108, 111, 113, 115, 116, 118, 119, 120, 121, 122, 123, 126, 127, 136, 145, 147, 155, 157, 164, 168, 170, 171, 173, 174, 175, 176, 193, 196, 198, 201	2-25, 31
B-75	Body wiring harness and J/B combination	4-4, 36, 44, 52, 60, 64, 69, 72, 77, 132, 138, 160, 161, 164, 168, 178, 184, 190, 194	2-25, 31	
C	C-01	Rheostat	4-196	2-32, 33
	C-02	Front fog lamp switch	4-99, 101, 103	2-32, 33
	C-03	Rear fog lamp switch	4-108, 111, 113	2-32, 33
	C-04	Remote controlled mirror switch	4-170, 171	2-32, 33
	C-05	Hazard warning switch	4-122	2-32, 33
	C-06	Clock	4-174, 175	2-32, 33

	Connector No.	Parts name	Circuit diagram page	Wiring diagram page
C	C-07	Ashtray illumination lamp	4-176	2-32, 33
	C-08	Cigarette lighter illumination lamp	4-176	2-32, 33
	C-09	Cigarette lighter	4-176	2-32, 33
	C-10	Cigarette lighter	4-176	2-32, 33
	C-11	Headlamp leveling sub wiring harness and instrument panel wiring harness combination <Sedan>	4-120, 121	2-32, 33
	C-12	Headlamp leveling switch	4-118, 119, 120, 121	2-32, 33
D	D-01	Heated seat switch	4-192	2-34, 36
	D-02	Body wiring harness and heated seat wiring harness (RH) combination	4-193	2-34, 36
	D-03	Front door switch (passenger's side)	4-115, 116	2-34, 35, 36, 37
	D-04	Fuel pump wiring harness and body wiring harness combination	4-31, 39, 47, 55, 137, 140, 181, 187	2-34, 35, 36, 37
	D-05	Room lamp <with sunroof>	4-115, 116	2-34, 35, 36, 37
	D-06	Sunroof switch	4-190	2-34, 35, 36, 37
	D-07	Sunroof-ECU	4-190, 191	2-34, 35, 36, 37
	D-08	Room lamp <without sunroof>	4-115, 116	2-34, 35, 36, 37
	D-09	Sunroof motor	4-191	2-34, 35, 36, 37
	D-10	Fuel gauge unit	4-137, 140	2-34, 35, 36, 37
	D-11	Rear wiring harness and body wiring harness combination	4-89, 91, 93, 95, 108, 111, 113, 115, 116, 124, 127, 130, 131, 132, 165, 169, 172	2-34, 35, 36, 37
	D-12	Wheel speed sensor (rear:LH) <ABS>	4-181, 187	2-34, 35, 36, 37
	D-13	Front door switch (driver's side)	4-115, 116, 191, 201	2-34, 35, 36, 37
	D-14	Fuel pump	4-31, 39, 47, 55	2-34, 35, 36, 37
	D-15	Wheel speed sensor (rear:RH) <ABS>	4-181, 187	2-34, 35, 36, 37
	D-16	Seat back heater (LH)	4-193	2-34, 36
	D-17	Seat cushion heater (LH)	4-193	2-34, 36
	D-18	Body wiring harness and heated seat wiring harness (LH) combination	4-193	2-34, 36
	D-19	Parking brake switch	4-141	2-34, 35, 36, 37
	D-20	Seat cushion heater (RH)	4-193	2-34, 36
	D-21	Seat back heater (RH)	4-193	2-34, 36
	D-22	Rear door wiring harness (RH) and body wiring harness combination	4-145, 147, 152	2-36, 37

	Connector No.	Parts name	Circuit diagram page	Wiring diagram page
D	D-23	Rear door wiring harness (LH) and body wiring harness combination	4-145, 147, 152	2-36, 37
E	E-01	Remote controlled mirror (driver's side)	4-169, 170, 171	2-38, 40
	E-02	Power window main switch	4-148, 149, 150, 151	2-38, 40
	E-03	Power window motor (driver's side)	4-149, 151	2-38, 40
	E-04	Power window limit switch (driver's side)	4-149, 151	2-38, 40
	E-05	Front door lock actuator (driver's side)	4-144, 145, 146, 147	2-38, 40
	E-06	Front speaker (driver's side)	4-172	2-38, 40
	E-07	Remote controlled mirror (passenger's side)	4-169, 170, 171	2-38, 40
	E-08	Power window sub switch	4-148, 150	2-38, 40
	E-09	Power window motor (passenger's side)	4-148, 150	2-39, 40
	E-10	Power window limit switch (passenger's side)	4-148, 150	2-39, 40
	E-11	Door lock key cylinder switch	4-144, 146	2-39, 40
	E-12	Front door lock actuator (passenger's side)	4-145, 147	2-39, 40
	E-13	Front speaker (passenger's side)	4-172	2-39, 41
	E-14	Rear power window sub switch (LH)	4-152	2-41
	E-15	Power window limit switch (rear:LH)	4-152	2-41
	E-16	Rear door lock actuator (LH)	4-145, 147	2-41
	E-17	Rear power window motor (LH)	4-152	2-41
	E-18	Rear power window sub switch (RH)	4-152	2-41
	E-19	Power window limit switch (rear:RH)	4-152	2-41
	E-20	Rear door lock actuator (RH)	4-145, 147	2-41
	E-21	Rear power window motor (RH)	4-152	2-41
F	F-01	Rear speaker (RH)	4-172	2-42, 43, 44, 45
	F-02	Tailgate wiring harness and rear wiring harness combination	4-115, 130, 165, 169	2-42, 43
	F-03	High mounted stop lamp (Tailgate)	4-130	2-42
	F-04	Defogger (+)	4-169	2-42, 43, 44, 45
	F-05	Defogger (-)	4-169	2-42, 43, 44, 45
	F-06	Rear wiper motor	4-165	2-42, 43
	F-07	Tailgate switch	4-115	2-42, 43

	Connector No.	Parts name	Circuit diagram page	Wiring diagram page
F	F-08	Rear combination lamp (RH)	4-89, 91, 93, 95, 124, 127, 130, 131, 132	2-42, 43, 44, 45
	F-09	Rear fog lamp (RH)	4-108, 111, 113	2-43, 44, 45
	F-10	Licence plate lamp (RH)	4-89, 91, 93, 95	2-42, 44, 45
	F-11	Licence plate lamp (LH)	4-89, 91, 93, 95	2-42, 43, 44, 45
	F-12	Rear fog lamp (LH)	4-108, 111, 113	2-42, 44, 45
	F-13	Licence plate lamp wiring harness and rear wiring harness combination	4-89, 91, 108, 111, 113	2-42, 43
	F-14	Rear combination lamp (LH)	4-89, 91, 93, 95, 124, 127, 130, 131, 132	2-42, 43, 44, 45
	F-15	Luggage compartment lamp	4-115, 116	2-42, 43, 44, 45
	F-16	Rear speaker (LH)	4-172	2-42, 43, 44, 45
	F-17	Rear door switch (RH)	4-116	2-44, 45
	F-18	High mounted stop lamp (Rear shelf)	4-131	2-44
	F-19	High mounted stop lamp (Rear spoiler)	4-131	2-44
	F-20	Luggage compartment lamp switch	4-116	2-44, 45
	F-21	Rear door switch (LH)	4-116	2-44, 45

INDEX (In order of parts name)

	Parts name	Connector No.	Circuit diagram page	Wiring diagram page
A	A/C compressor relay	A-50X	4-11, 159	2-5, 9, 13, 17
	A/C refrigerant temperature switch and magnetic clutch	A-77	4-159	2-7, 11, 15, 19
	A/C switch	B-05	4-157	2-20, 26
	A/C wiring harness and control wiring harness combination	A-03	4-62, 157, 158, 159	2-4, 8, 12, 16
	A/C wiring harness and front wiring harness combination	A-45	4-62, 158, 159	2-5, 9, 13, 17
	A/T control solenoid valve assembly	A-22	4-67, 75	2-4, 8, 12, 16
	A/T relay	B-09	4-67, 75	2-20, 26
	A/T selector lever position illumination lamp	B-16	4-68, 76	2-21, 27
	ABS hydraulic unit	A-91	4-180, 186	2-7, 11, 15, 19
	ABS hydraulic unit	A-92	4-180, 186	2-7, 11, 15, 19
	ABS motor relay	A-53	4-179, 185	2-6, 10, 14, 18
	ABS valve relay	A-52	4-179, 185	2-6, 10, 14, 18
	ABS-ECU	B-43	4-178, 180, 181, 182, 184, 186, 187, 188	2-23, 29
	ABS-ECU	B-44	4-178, 179, 180, 182, 184, 185, 186, 188	2-23, 29
	Air bag module (squib) (driver's side)	B-58	4-199	2-24, 30
	Air bag module (squib) (passenger's side)	B-07	4-199	2-20, 26
	Air bypass solenoid valve <MVV>	A-55	4-50, 58	2-14, 18
	Air flow sensor <4G92>	A-61	4-51, 59	2-14, 18
	Alternator	A-82	4-28	2-7, 11, 15, 19
	Alternator	A-83	4-28, 36, 44, 52, 60	2-7, 11, 15, 19
Alternator relay	A-19X	4-11, 28	2-4, 8, 12, 16	
Ashtray illumination lamp	C-07	4-176	2-32, 33	
B	Back-up lamp switch <M/T>	A-63	4-132	2-6, 10, 14, 18
	Battery cable wiring harness and control wiring harness combination <A/T>	A-66	4-25, 28, 36, 44, 52, 60, 140	2-6, 10, 14, 18
	Battery cable wiring harness and control wiring harness combination <M/T>	A-65	4-25, 28, 36, 44, 52, 60, 140	2-6, 10, 14, 18
	Battery cable wiring harness and front wiring harness combination	A-20	4-28	2-4, 8, 12, 16

	Parts name	Connector No.	Circuit diagram page	Wiring diagram page
B	Blower control illumination lamp	B-30	4-155, 157	2-22, 28
	Blower motor	B-11	4-154	2-20, 26
	Blower relay	B-66	4-4, 154, 156	2-24, 30
	Blower switch	B-29	4-155, 156	2-22, 28
	Body wiring harness and heated seat wiring harness (LH) combination	D-18	4-193	2-34, 36
	Body wiring harness and heated seat wiring harness (RH) combination	D-02	4-193	2-34, 36
	Body wiring harness and J/B combination	B-69	4-4, 28, 30, 31, 37, 38, 39, 45, 46, 47, 53, 54, 55, 61, 66, 68, 71, 74, 76, 79, 115, 116, 122, 123, 126, 127, 136, 137, 138, 140, 144, 146, 148, 150, 154, 156, 168, 172, 173, 178, 179, 184, 185, 190, 192, 195, 198, 201	2-24, 30
	Body wiring harness and J/B combination	B-70	4-4, 16, 17, 18, 22, 23, 24, 26, 27, 28, 31, 36, 39, 44, 47, 52, 55, 60, 64, 69, 72, 77, 81, 88, 92, 98, 107, 122, 126, 132, 133, 134, 137, 138, 140, 144, 146, 148, 150, 154, 156, 160, 161, 164, 167, 168, 170, 171, 172, 174, 175, 176, 178, 179, 184, 185, 190, 192, 194, 198, 200, 201	2-24, 30
	Body wiring harness and J/B combination	B-74	4-4, 88, 90, 92, 94, 99, 101, 103, 108, 111, 113, 115, 116, 118, 119, 120, 121, 122, 123, 126, 127, 136, 145, 147, 155, 157, 164, 168, 170, 171, 173, 174, 175, 176, 193, 196, 198, 201	2-25, 31
	Body wiring harness and J/B combination	B-75	4-4, 36, 44, 52, 60, 64, 69, 72, 77, 132, 138, 160, 161, 164, 168, 178, 184, 190, 194	2-25, 31
	Body wiring harness and J/B combination <SRS>	B-73	4-4, 198	2-25, 31
	Brake fluid level sensor	A-58	4-141	2-6, 10, 14, 18
Buzzer-ECU or ETACS-ECU	B-72	4-4, 144, 145, 146, 147, 201	2-25, 31	
C	Camshaft position sensor <4G92>	A-70	4-50, 58	2-14, 18
	Cigarette lighter	C-09	4-176	2-32, 33
	Cigarette lighter	C-10	4-176	2-32, 33
	Cigarette lighter illumination lamp	C-08	4-176	2-32, 33
	Clock	C-06	4-174, 175	2-32, 33
	Clock spring <SRS>	B-56	4-133	2-24, 30
	Clock spring <SRS>	B-57	4-199	2-24, 30

	Parts name	Connector No.	Circuit diagram page	Wiring diagram page
C	Column switch	B-53	4-134, 160, 161, 164	2-24, 30
	Column switch	B-60	4-21, 82, 85, 88, 90, 92, 94, 98, 100, 102, 107, 110, 112, 123, 127, 167, 200	2-24, 30
	Column switch	B-61	4-82, 85, 107, 110, 112, 167	2-24, 30
	Combination meter	B-02	4-28, 31, 39, 47, 55, 68, 76, 80, 84, 108, 111, 113, 115, 116, 136, 137, 138, 140, 141, 179, 185, 198	2-20, 26
	Combination meter	B-03	4-68, 76, 108, 111, 113, 124, 128, 137, 138, 179, 185, 198	2-20, 26
	Condenser fan motor	A-35	4-62, 158	2-5, 9, 13, 17
	Condenser fan relay	A-46X	4-11, 62, 158	2-5, 9, 13, 17
	Control wiring harness and body wiring harness combination	B-32	4-26, 27, 30, 31, 37, 38, 39, 45, 46, 47, 53, 54, 55, 61, 66, 71, 74, 79, 137, 140, 141, 157, 178, 182, 184, 188, 194, 195	2-22, 28
	Control wiring harness and body wiring harness combination	B-33	4-25, 31, 33, 36, 39, 41, 44, 47, 49, 52, 55, 57, 60, 64, 69, 72, 77, 132, 136, 138, 160, 161, 195	2-22, 28
	Control wiring harness and body wiring harness combination <A/T>	B-45	4-68, 76	2-23, 29
	Control wiring harness and body wiring harness combination <ABS>	B-46	4-178, 179, 181, 184, 185, 187	2-23, 29
	Control wiring harness and front wiring harness combination	A-10	4-30, 36, 38, 44, 46, 52, 54, 60, 62, 67, 75, 158	2-4, 8, 12, 16
	Crank angle sensor <4G92>	A-84	4-50, 58	2-15, 19
D	Defogger (+)	F-04	4-169	2-42, 43, 44, 45
	Defogger (-)	F-05	4-169	2-42, 43, 44, 45
	Defogger relay	B-65	4-4, 168	2-24, 30
	Defogger switch	B-04	4-168	2-20, 26
	Detonation sensor <4G92>	A-64	4-50, 58	2-14, 18
	Diagnosis connector	B-18	4-37, 45, 53, 61, 71, 79, 144, 146, 182, 188, 195, 198	2-21, 27
	Diode (for ABS circuit)	B-14	4-179, 185	2-20, 26
	Diode (for headlamp and rear fog lamp circuit)	B-01	4-82, 85, 107, 110, 112	2-20, 26
	Distributor assembly <4G13>	A-68	4-26, 32, 40	2-6, 10
	Door lock key cylinder switch	E-11	4-144, 146	2-39, 40
	DRL relay 1	A-08	4-81	2-4, 12

	Parts name	Connector No.	Circuit diagram page	Wiring diagram page
D	DRL relay 2	A-07	4-80	2-4, 12
	DRL-ECU	A-06	4-81, 88, 92, 98, 107, 174, 200	2-4, 12
	Dual pressure switch <A/C>	A-01	4-159	2-4, 8, 12, 16
E	EGR solenoid valve <except MVV>	A-88	4-34, 42, 50, 58	2-7, 11, 15, 19
	EGR solenoid valve <MVV>	A-89	4-50, 58	2-15, 19
	ELC-4A/T-ECU	B-39	4-36, 44, 52, 60, 64, 66, 67, 69, 70, 71, 72, 74, 75, 77, 78, 79	2-23, 29
	ELC-4A/T-ECU	B-41	4-65, 66, 67, 69, 70, 73, 74, 75, 77, 78	2-23, 29
	ELC-4A/T-ECU	B-42	64, 67, 69, 71, 72, 75, 77, 79, 159	2-23, 29
	Engine control relay	B-13	4-30, 38, 46, 54	2-20, 26
	Engine coolant temperature gauge unit	A-71	4-137	2-6, 10, 14, 18
	Engine coolant temperature sensor	A-72	4-35, 43, 50, 58	2-7, 11, 14, 19
	Engine ECU	B-34	4-26, 30, 31, 32, 33, 34, 35, 36, 38, 39, 40, 41, 42, 43, 44, 46, 47, 49, 50, 51, 52, 54, 55, 57, 58, 59, 60, 70, 78	2-22, 28
	Engine ECU	B-35	4-26, 27, 32, 34, 36, 37, 40, 42, 44, 45, 48, 50, 52, 53, 56, 58, 60, 61, 70, 78, 194	2-22, 28
	Engine ECU	B-36	4-28, 30, 31, 36, 38, 39, 44, 46, 47, 50, 52, 54, 55, 58, 60, 159	2-22, 28
	Engine ECU	B-37	4-26, 27, 30, 31, 32, 34, 35, 36, 38, 39, 40, 42, 43, 44, 46, 47, 48, 50, 51, 52, 54, 55, 56, 58, 59, 60, 62, 70, 78, 158, 159	2-22, 28
	Engine speed detection connector	A-90	4-26, 27, 32, 40, 48, 56	2-7, 11, 15, 19
	ETACS-ECU	B-71	4-144, 145, 146, 147	2-24, 30
F	Front door lock actuator (driver's side)	E-05	4-144, 145, 146, 147	2-38, 40
	Front door lock actuator (passenger's side)	E-12	4-145, 147	2-39, 40
	Front door switch (driver's side)	D-13	4-115, 116, 191, 201	2-34, 35, 36, 37
	Front door switch (passenger's side)	D-03	4-115, 116	2-34, 35, 36, 37
	Front door wiring harness (driver's side) and body wiring harness combination	B-23	4-144, 145, 146, 147, 148, 149, 150, 151, 169, 170, 171, 172	2-21, 27
	Front door wiring harness (passenger's side) and body wiring harness combination	B-10	4-144, 145, 146, 147, 148, 150, 169, 170, 171, 172	2-20, 26
	Front fog lamp (LH)	A-25	4-99, 101, 103	2-5, 8, 13, 16

	Parts name	Connector No.	Circuit diagram page	Wiring diagram page
F	Front fog lamp (RH)	A-37	4-99, 101, 103	2-5, 9, 13, 17
	Front fog lamp switch	C-02	4-99, 101, 103	2-32, 33
	Front speaker (driver's side)	E-06	4-172	2-38, 40
	Front speaker (passenger's side)	E-13	4-172	2-39, 41
	Front turn signal lamp (LH)	A-21	4-123, 127	2-4, 8, 12, 16
	Front turn signal lamp (RH)	A-41	4-123, 127	2-5, 9, 13, 17
	Front wiring harness and body wiring harness combination	B-20	4-21, 28, 66, 74, 80, 81, 82, 84, 88, 90, 92, 94, 98, 99, 100, 101, 102, 103, 106, 107, 110, 112, 118, 119, 120, 121, 122, 126, 130, 131, 133, 134, 141, 160, 161, 164, 174, 178, 184, 200	2-21, 27
	Front wiring harness and body wiring harness combination	B-21	4-14, 20, 21, 80, 82, 84, 88, 90, 92, 94, 98, 100, 102, 107, 110, 112, 148, 150, 200	2-21, 27
	Front wiring harness and body wiring harness combination	B-22	4-112, 167, 181, 187	2-21, 27
	Front wiring harness and J/B combination	B-62	4-4, 17, 18, 23, 24, 28, 30, 37, 38, 45, 46, 53, 54, 61, 66, 68, 71, 74, 76, 79, 81, 88, 90, 92, 94, 98, 100, 102, 106, 107, 110, 112, 115, 116, 122, 123, 126, 127, 133, 134, 136, 138, 144, 146, 154, 156, 167, 168, 172, 173, 174, 175, 176, 178, 184, 190, 192, 195, 198, 200, 201	2-24, 30
	Front wiring harness and J/B combination	B-67	4-4, 18, 24, 145, 147, 154, 156, 168, 190	2-24, 30
	Fuel gauge unit	D-10	4-137, 140	2-34, 35, 36, 37
	Fuel pump	D-14	4-31, 39, 47, 55	2-34, 35, 36, 37
	Fuel pump check connector	A-59	4-31, 39, 47, 55	2-6, 10, 14, 18
Fuel pump relay	B-12	4-31, 39, 47, 55	2-20, 26	
Fuel pump wiring harness and body wiring harness combination	D-04	4-31, 39, 47, 55, 137, 140, 181, 187	2-34, 35, 36, 37	
H	Hazard warning switch	C-05	4-122	2-32, 33
	Headlamp (LH)	A-23	4-80, 84	2-4, 8, 12, 16
	Headlamp (RH)	A-39	4-80, 84	2-5, 9, 13, 17
	Headlamp leveling sub wiring harness and instrument panel wiring harness combination <Sedan>	C-11	4-120, 121	2-32, 33
	Headlamp leveling switch	C-12	4-118, 119, 120, 121	2-32, 33
	Headlamp leveling unit (LH)	A-24	4-118, 119, 120, 121	2-4, 8, 12, 16

	Parts name	Connector No.	Circuit diagram page	Wiring diagram page
H	Headlamp leveling unit (RH)	A-38	4-118, 119, 120, 121	2-5, 9, 13, 17
	Headlamp relay	A-17X	4-11, 15, 21, 80, 84, 106, 110, 112	2-4, 8, 12, 16
	Headlamp washer motor	A-44	4-167	2-5, 13
	Headlamp washer relay	A-85	4-167	2-7, 15
	Heated seat switch	D-01	4-192	2-34, 36
	High mounted stop lamp (Rear shelf)	F-18	4-131	2-44
	High mounted stop lamp (Rear spoiler)	F-19	4-131	2-44
	High mounted stop lamp (Tailgate)	F-03	4-130	2-42
	Horn (HI)	A-29	4-133, 134	2-5, 9, 13, 17
	Horn (HI)	A-30	4-133, 134	2-5, 9, 13, 17
	Horn (LO)	A-31	4-133, 134	2-5, 9, 13, 17
	Horn (LO)	A-32	4-133, 134	2-5, 9, 13, 17
	Horn relay <SRS>	A-13X	4-11, 133	2-4, 8, 12, 16
	Horn switch <SRS>	B-59	4-133	2-24, 30
I	Idle speed control servo	A-56	4-35, 43, 51, 59	2-6, 10, 14, 18
	Ignition coil 1 <4G92>	A-73	4-27, 48, 56	2-15, 19
	Ignition coil 2 <4G92>	A-79	4-27, 48, 56	2-15, 19
	Ignition key ring antenna <Vehicles with immobilizer system>	B-54	4-194	2-24, 30
	Ignition switch	B-55	4-16, 22	2-24, 30
	Ignition timing adjustment connector <4G13>	A-57	4-26, 32, 40	2-6, 10
	Immobilizer-ECU	B-24	4-37, 45, 53, 61, 194, 195	2-22, 28
	Inhibitor switch <A/T>	A-27	4-25, 33, 41, 49, 57, 64, 72, 132	2-5, 9, 13, 17
	Injector 1	A-80	4-35, 43, 51, 59	2-7, 11, 15, 19
	Injector 2	A-76	4-35, 43, 51, 59	2-7, 11, 15, 19
	Injector 3	A-75	4-35, 43, 51, 59	2-7, 11, 15, 19
	Injector 4	A-74	4-35, 43, 51, 59	2-7, 11, 15, 19
	Input shaft speed sensor <A/T>	A-67	4-65, 73	2-6, 10, 14, 18
	Instrument panel wiring harness and body wiring harness combination	B-50	4-68, 76, 98, 99, 100, 101, 102, 103, 106, 108, 110, 111, 112, 113, 118, 119, 120, 121, 122, 126, 136, 155, 157, 168, 170, 171, 173, 174, 193, 196	2-23, 29

	Parts name	Connector No.	Circuit diagram page	Wiring diagram page
I	Instrument panel wiring harness and J/B combination	B-64	4-4, 98, 99, 100, 101, 102, 103, 106, 108, 110, 111, 112, 113, 118, 119, 120, 121, 122, 126, 136, 155, 157, 168, 170, 171, 173, 174, 175, 176, 193, 196	2-24, 30
	Intake air temperature sensor <4G13>	A-86	4-34, 42	2-7, 11
J	J/C (2)	B-49	4-6, 68, 76, 136, 155, 157, 168, 173, 190, 192, 193, 196	2-23, 29
	J/C (3)	B-48	4-6, 30, 37, 38, 45, 46, 53, 54, 61, 66, 71, 74, 79, 138, 144, 146, 148, 150, 154, 156, 172, 178, 184, 195, 198	2-23, 29
	J/C (4)	B-47	4-6, 37, 45, 53, 61, 68, 71, 76, 79, 108, 111, 113, 124, 128, 136, 137, 138, 144, 146, 148, 150, 160, 161, 164, 168, 182, 188, 193, 195, 198, 201	2-23, 29
	J/C (5)	B-38	4-6, 37, 45, 53, 61, 66, 69, 71, 74, 77, 79, 159, 178, 182, 184, 188	2-22, 28
	J/C (1)	B-51	4-6, 82, 88, 90, 92, 94, 98, 99, 101, 103, 107, 118, 119, 120, 121, 123, 127, 141, 160, 161, 164, 200	2-23, 29
L	Licence plate lamp (LH)	F-11	4-89, 91, 93, 95	2-42, 43, 44, 45
	Licence plate lamp (RH)	F-10	4-89, 91, 93, 95	2-42, 44, 45
	Licence plate lamp wiring harness and rear wiring harness combination	F-13	4-89, 91, 108, 111, 113	2-42, 43
	Luggage compartment lamp	F-15	4-115, 116	2-42, 43, 44, 45
	Luggage compartment lamp switch	F-20	4-116	2-44, 45
O	Oil pressure switch	A-40	4-140	2-5, 9, 13, 17
	Output shaft speed sensor <A/T>	A-62	4-65, 73	2-6, 10, 14, 18
	Oxygen sensor (front) <4G13>	A-87	4-34, 42	2-7, 11
	Oxygen sensor (rear) <4G13>	B-40	4-34, 42	2-23, 29
	Oxygen sensor <4G92(except MVV)>	A-87	4-50, 58	2-15, 19
	Oxygen sensor <MVV>	A-69	4-50, 58	2-14, 18
P	Parking brake switch	D-19	4-141	2-34, 35, 36, 37
	Position lamp (LH)	A-26	4-88, 90, 92, 94	2-5, 8, 13, 16
	Position lamp (RH)	A-36	4-88, 90, 92, 94	2-5, 9, 13, 17
	Power steering oil pressure switch	A-78	4-36, 44, 52, 60	2-7, 11, 15, 19
	Power window limit switch (driver's side)	E-04	4-149, 151	2-38, 40

	Parts name	Connector No.	Circuit diagram page	Wiring diagram page
P	Power window limit switch (passenger's side)	E-10	4-148, 150	2-39, 40
	Power window limit switch (rear:LH)	E-15	4-152	2-41
	Power window limit switch (rear:RH)	E-19	4-152	2-41
	Power window main switch	E-02	4-148, 149, 150, 151	2-38, 40
	Power window motor (driver's side)	E-03	4-149, 151	2-38, 40
	Power window motor (passenger's side)	E-09	4-148, 150	2-39, 40
	Power window relay	B-27X	4-12, 148, 150	2-22, 28
	Power window sub switch	E-08	4-148, 150	2-38, 40
	Purge control solenoid valve	A-81	4-34, 42, 50, 58	2-7, 11, 15, 19
R	Radiator fan motor	A-28	4-62, 158	2-5, 9, 13, 17
	Radiator fan relay	A-15X	4-11, 62, 158	2-4, 8, 12, 16
	Radio and tape player	B-06	4-172, 173	2-20, 26
	Rear combination lamp (LH)	F-14	4-89, 91, 93, 95, 124, 127, 130, 131, 132	2-42, 43, 44, 45
	Rear combination lamp (RH)	F-08	4-89, 91, 93, 95, 124, 127, 130, 131, 132	2-42, 43, 44, 45
	Rear door lock actuator (LH)	E-16	4-145, 147	2-41
	Rear door lock actuator (RH)	E-20	4-145, 147	2-41
	Rear door switch (LH)	F-21	4-116	2-44, 45
	Rear door switch (RH)	F-17	4-116	2-44, 45
	Rear door wiring harness (LH) and body wiring harness combination	D-23	4-145, 147, 152	2-36, 37
	Rear door wiring harness (RH) and body wiring harness combination	D-22	4-145, 147, 152	2-36, 37
	Rear fog lamp (LH)	F-12	4-108, 111, 113	2-42, 44, 45
	Rear fog lamp (RH)	F-09	4-108, 111, 113	2-43, 44, 45
	Rear fog lamp relay	A-12X	4-11, 106, 110, 112	2-4, 8, 12, 16
	Rear fog lamp switch	C-03	4-108, 111, 113	2-32, 33
	Rear intermittent wiper relay	B-25X	4-12, 164	2-22, 28
	Rear power window motor (LH)	E-17	4-152	2-41
	Rear power window motor (RH)	E-21	4-152	2-41
	Rear power window sub switch (LH)	E-14	4-152	2-41
	Rear power window sub switch (RH)	E-18	4-152	2-41

	Parts name	Connector No.	Circuit diagram page	Wiring diagram page
R	Rear speaker (LH)	F-16	4-172	2-42, 43, 44, 45
	Rear speaker (RH)	F-01	4-172	2-42, 43, 44, 45
	Rear washer motor	A-42	4-164	2-5, 9, 13, 17
	Rear wiper motor	F-06	4-165	2-42, 43
	Rear wiring harness and body wiring harness combination	D-11	4-89, 91, 93, 95, 108, 111, 113, 115, 116, 124, 127, 130, 131, 132, 165, 169, 172	2-34, 35, 36, 37
	Remote controlled mirror (driver's side)	E-01	4-169, 170, 171	2-38, 40
	Remote controlled mirror (passenger's side)	E-07	4-169, 170, 171	2-38, 40
	Remote controlled mirror switch	C-04	4-170, 171	2-32, 33
	Resistor	B-31	4-155, 156	2-22, 28
	Rheostat	C-01	4-196	2-32, 33
	Roof wiring harness and body wiring harness combination <Sunroof>	B-52	4-190, 191	2-23, 29
	Roof wiring harness and J/B combination	B-68	4-4, 115, 116	2-24, 30
	Room lamp <with sunroof>	D-05	4-115, 116	2-34, 35, 36, 37
Room lamp <without sunroof>	D-08	4-115, 116	2-34, 35, 36, 37	
S	Seat back heater (LH)	D-16	4-193	2-34, 36
	Seat back heater (RH)	D-21	4-193	2-34, 36
	Seat cushion heater (LH)	D-17	4-193	2-34, 36
	Seat cushion heater (RH)	D-20	4-193	2-34, 36
	Side turn signal lamp (LH)	A-09	4-123, 127	2-4, 8, 12, 16
	Side turn signal lamp (RH)	A-02	4-123, 127	2-4, 8, 12, 16
	SRS-ECU	B-15	4-198, 199	2-21, 27
	Starter	A-33	4-25	2-5, 9, 13, 17
	Starter	A-34	4-25	2-5, 9, 13, 17
	Stop lamp switch	B-19	4-66, 74, 130, 131, 178, 184	2-21, 27
	Sunroof motor	D-09	4-191	2-34, 35, 36, 37
	Sunroof switch	D-06	4-190	2-34, 35, 36, 37
	Sunroof-ECU	D-07	4-190, 191	2-34, 35, 36, 37
	T	Tail lamp relay <DRL>	A-14X	4-11, 15, 81, 88, 92, 98, 106, 200
Tailgate switch		F-07	4-115	2-42, 43

	Parts name	Connector No.	Circuit diagram page	Wiring diagram page
T	Tailgate wiring harness and rear wiring harness combination	F-02	4-115, 130, 165, 169	2-42, 43
	Thermostat<A/C>	B-08	4-157	2-20, 26
	Throttle position sensor	A-05	4-35, 43, 51, 59, 70, 78	2-4, 8, 12, 16
	Turn-signal and hazard warning flasher unit	B-63	4-4, 122, 126	2-24, 30
V	Vacuum sensor <4G13>	A-54	4-35, 43	2-6, 10
	Vehicle speed sensor	A-60	4-36, 44, 52, 60, 69, 77, 138	2-6, 10, 14, 18
W	Wheel speed sensor (front:LH) <ABS>	A-11	4-181, 187	2-4, 8, 12, 16
	Wheel speed sensor (front:RH) <ABS>	A-51	4-181, 187	2-5, 9, 13, 17
	Wheel speed sensor (rear:LH) <ABS>	D-12	4-181, 187	2-34, 35, 36, 37
	Wheel speed sensor (rear:RH) <ABS>	D-15	4-181, 187	2-34, 35, 36, 37
	Wide open throttle switch <A/T>	B-17	4-69, 77	2-21, 27
	Windshield washer motor	A-43	4-160, 161	2-5, 9, 13, 17
	Windshield wiper motor	A-04	4-160, 161	2-4, 8, 12, 16