



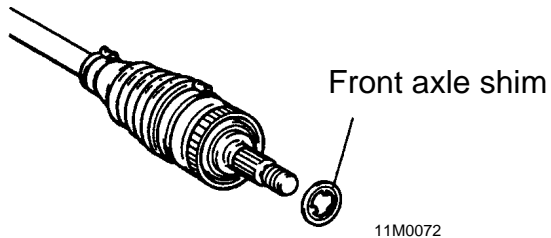
SERVICE BULLETIN

QUALITY INFORMATION ANALYSIS
OVERSEAS SERVICE DEPT. MITSUBISHI MOTORS CORPORATION

SERVICE BULLETIN		No.: MSB-97E26-002	
		Date: 1997-09-26	
Subject: ADDITION OF FRONT AXLE SHIM TO DRIVE SHAFT		<Model> (EC,EXP)COLT (CJ0A)	<M/Y> 96-10 96-10
Group: FRONT AXLE	Draftno: 97-TA-003	(EC,EXP)LANCER (CK0A)	93-10
INFORMATION	OVERSEAS SERVICE DEPT	<i>R. Usami</i> R. USAMI - MANAGER QUALITY INFORMATION ANALYSIS	(EC,EXP) LANCER WAGON(CB0W)

1. Description:

The front axle shim has been added to the axle hub end of the front drive shaft. This has brought about a change in the Disassembly steps.



2. Effective Date:

- Colt/Lancer (CJ/CK) From November 11, 1996
- Lancer Wagon (CB) From January 17, 1997

3. Applicable Manuals:

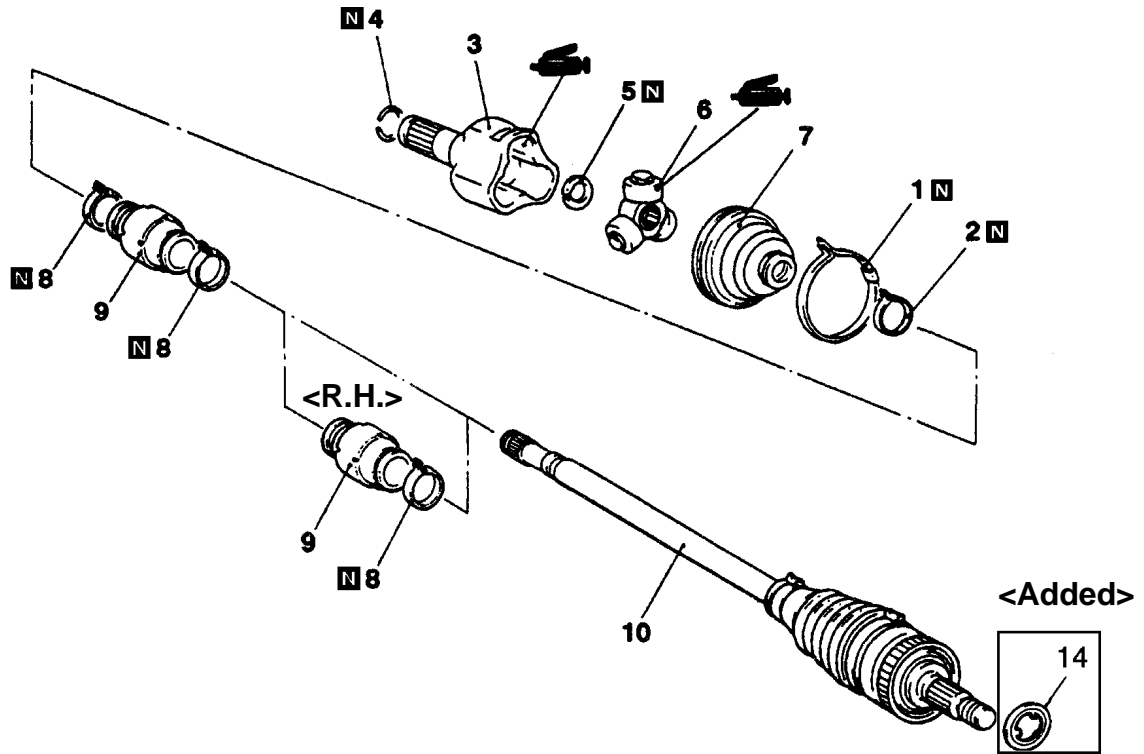
Manual	Pub. No.	Language	Page(s)
'96 COLT/LANCER Workshop Manual chassis	PWME9511	(English)	26-14
	PWMS9512	(Spanish)	
	PWMF9513	(French)	
	PWVG9514	(German)	
	PWMD9515	(Dutch)	
	PWMW9516	(Swedish)	
COLT/LANCER Workshop Manual chassis	PWME9117-A	(English)	26-16, 26-25
	PWMS9118-A	(Spanish)	
	PWMF9119-A	(French)	
	PWVG9120-A	(German)	
	PWMD9121-A	(Dutch)	
	PWMW9122-A	(Swedish)	

4. Details:

'96 COLT/LANCER Workshop Manual chassis, Page 26-14
COLT/LANCER Workshop Manual chassis, Page 26-16
COLT/LANCER Workshop Manual chassis, Page 26-25

DISASSEMBLY AND REASSEMBLY

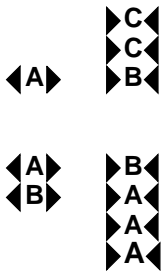
26100370134



11M0038
00004518

<p>T.J. Boot repair kit</p>	<p>T.J. repair kit</p>	<p>R.J. boot repair kit</p>

Disassembly steps



1. T.J. boot band (large)
2. T.J. boot band (small)
3. T.J. case
4. Circlip
5. Snap ring
6. Spider assembly
7. T.J. boot
8. Damper band
9. Dynamic damper
10. R.J. assembly

11. R.J. boot bad (small)
12. R.J. boot band (large)
13. R.J. boot

14. Front axle shim **<Added>**

Caution

1. Never disassemble the R.J. assembly except when replacing the R.J. boot.
2. On vehicles with ABS, be sure not to damage the rotor attached to the R.J. outer race.