

---

**GROUP 13B**

**FUEL SUPPLY**

**CONTENTS**

**GENERAL INFORMATION ..... 13B-2 FUEL TANK ..... 13B-3**

GENERAL INFORMATION

M2134000100253

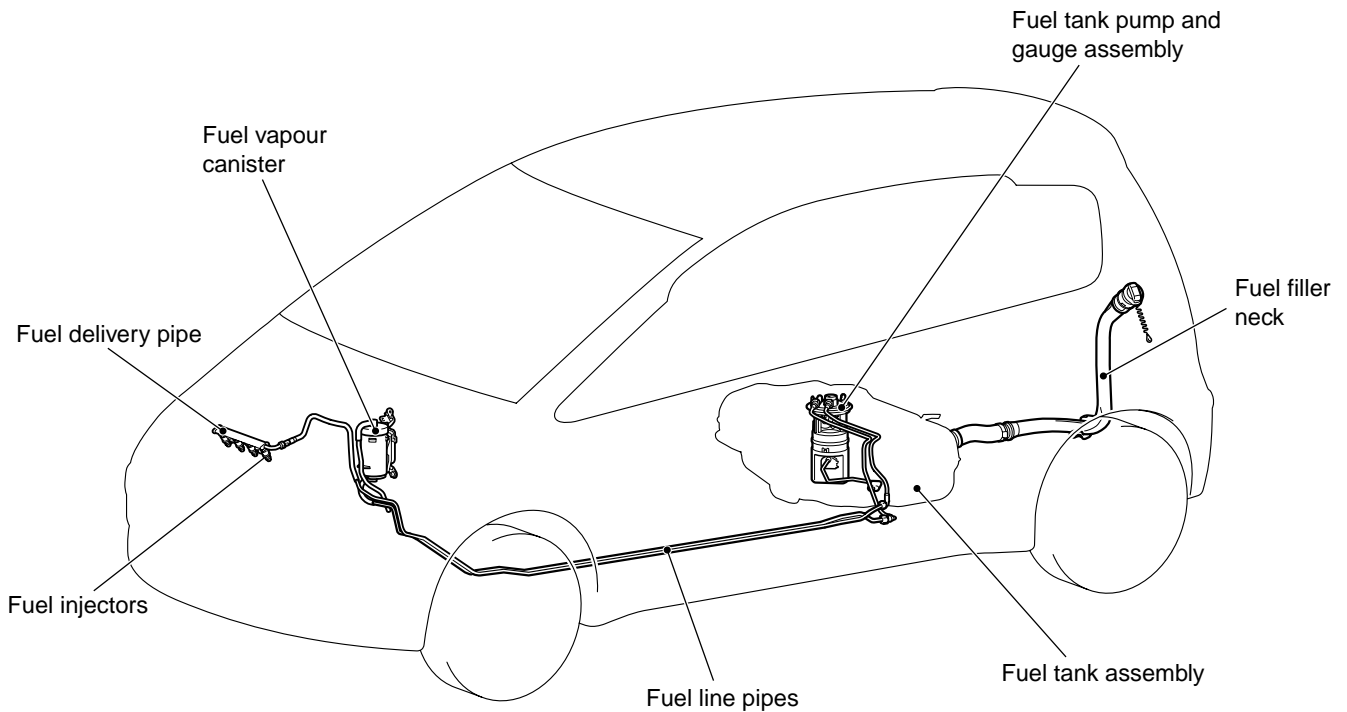
The fuel system consists of the following components:

- Fuel injector
- Fuel delivery pipe

- Fuel tank assembly
- Fuel vapour canister
- Fuel tank pump and gauge assembly

SPECIFICATIONS

Item		Specification	
Fuel tank capacity L		47	
Fuel pump type		Electric	
Fuel filter type		Cartridge (incorporating fuel pump)	
Fuel pump pressure regulator control pressure kPa		324	
Fuel injector	Type	Electro-magnetic	
	Quantity	134	3
		135	4
Evaporative emission control system		Fuel vapour canister	



AC312236AB

This fuel system is designed with consideration for global environment protection to ensure safety at a collision, reduce weight, and improve reliability and quality. This system has the following features:

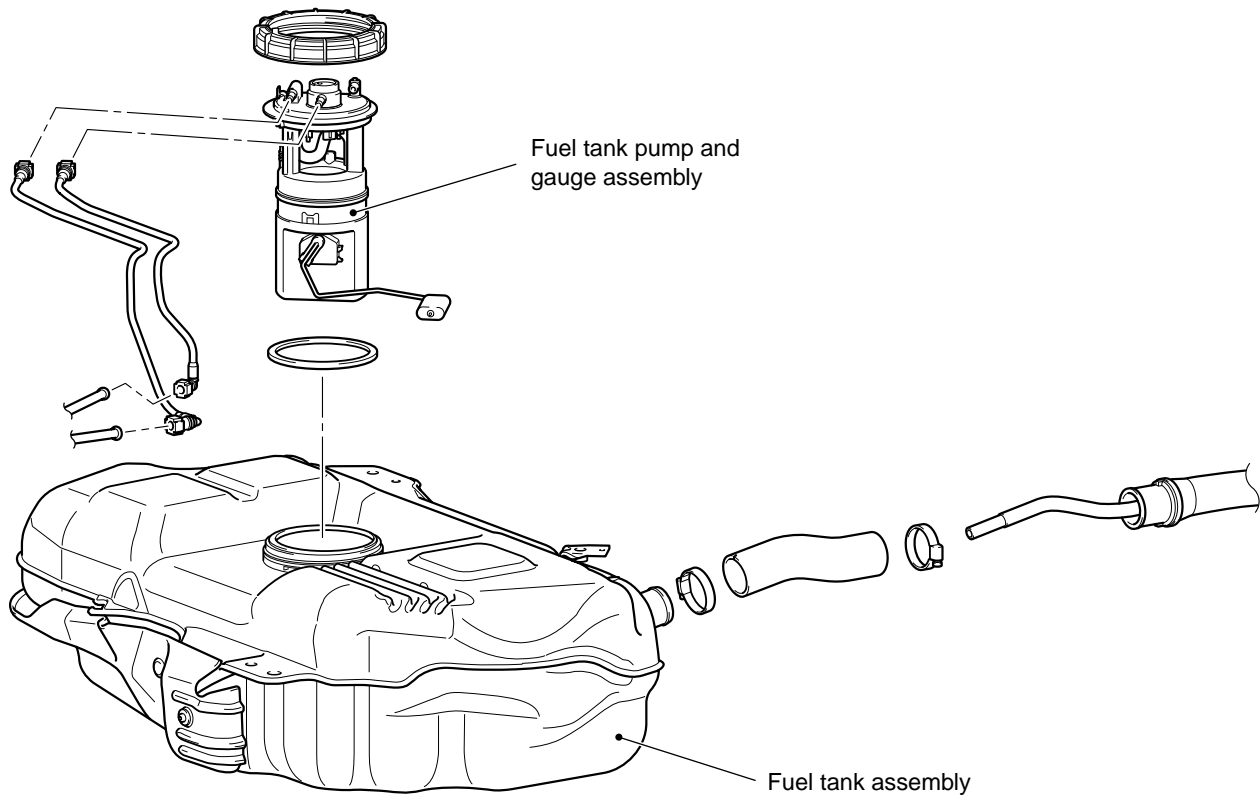
- A fuel return-less system eliminates returned fuel from the engine. The heat that fuel receives from the engine is reduced, minimizing fuel temperature in the fuel tank and controlling the amount of evaporated gas.

- A resin coating is treated on the underfloor fuel line pipes, improving reliability.
- The use of fuel return-less system allows the return pipe and hose to be discontinued, and reduces weight.
- A plastic fuel filler neck is used to reduce weight.

# FUEL TANK

M2134001000293

## CONSTRUCTION DIAGRAM



AC312240AB

The fuel tank assembly is installed under the rear seat floor, and includes the fuel tank pump and gauge assembly. Its features are as follows:

- The fuel tank is located underneath the rear seats to improve safety at a collision.
- A plastic fuel tank is used to reduce weight.

The fuel tank pump and gauge assembly consist of the following components:

- Fuel tank pump
- Fuel tank gauge unit
- Fuel tank filter assembly
- Fuel cut-off valve assembly