

## GROUP 15

# INTAKE AND EXHAUST

## CONTENTS

<b>AIR INTAKE SYSTEM</b> .....	<b>15-2</b>	<b>EXHAUST SYSTEM</b> .....	<b>15-3</b>
AIR DUCT AND AIR CLEANER <134, 135> .....	15-2	EXHAUST PIPE AND MUFFLER <134, 135> .....	15-3
AIR DUCT AND AIR CLEANER <639> ...	15-2	EXHAUST PIPE AND MUFFLER <639>...	15-4
INTERCOOLER <639> .....	15-2		

## AIR INTAKE SYSTEM

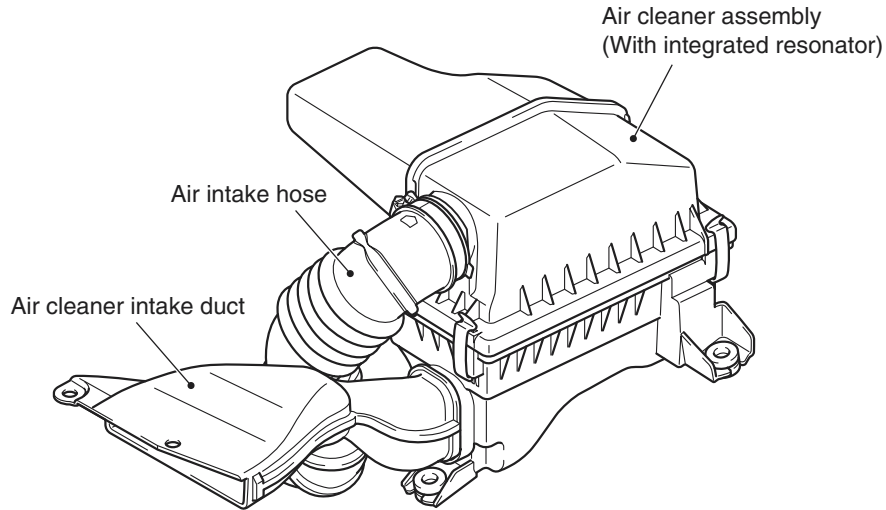
### AIR DUCT AND AIR CLEANER <134, 135>

M2150004000162

Best tuning by means of following component contributes higher engine performance and vehicle silence with simple system.

- Air cleaner intake duct with restriction.
- Resonator integrated air cleaner.
- Cool air intake.

### CONSTRUCTION DIAGRAM



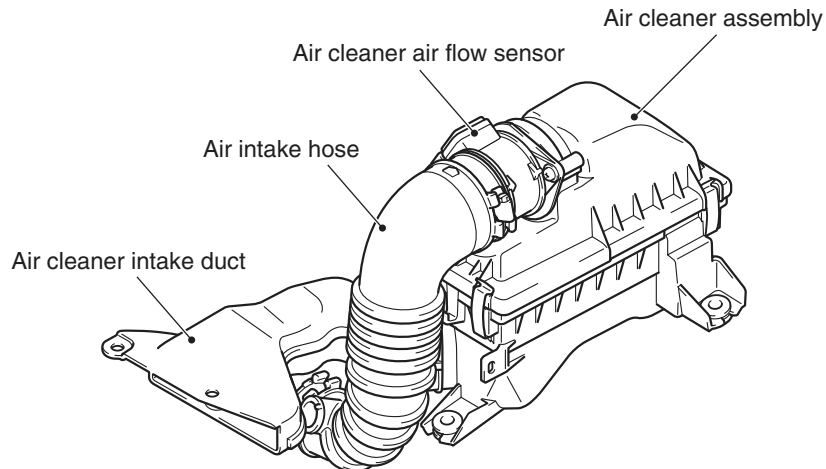
AC311592AB

### AIR DUCT AND AIR CLEANER <639>

M2150004000214

The air intake system consists of the air cleaner intake duct, the air cleaner assembly, the air cleaner air flow sensor, and the air intake hose.

### CONSTRUCTION DIAGRAM



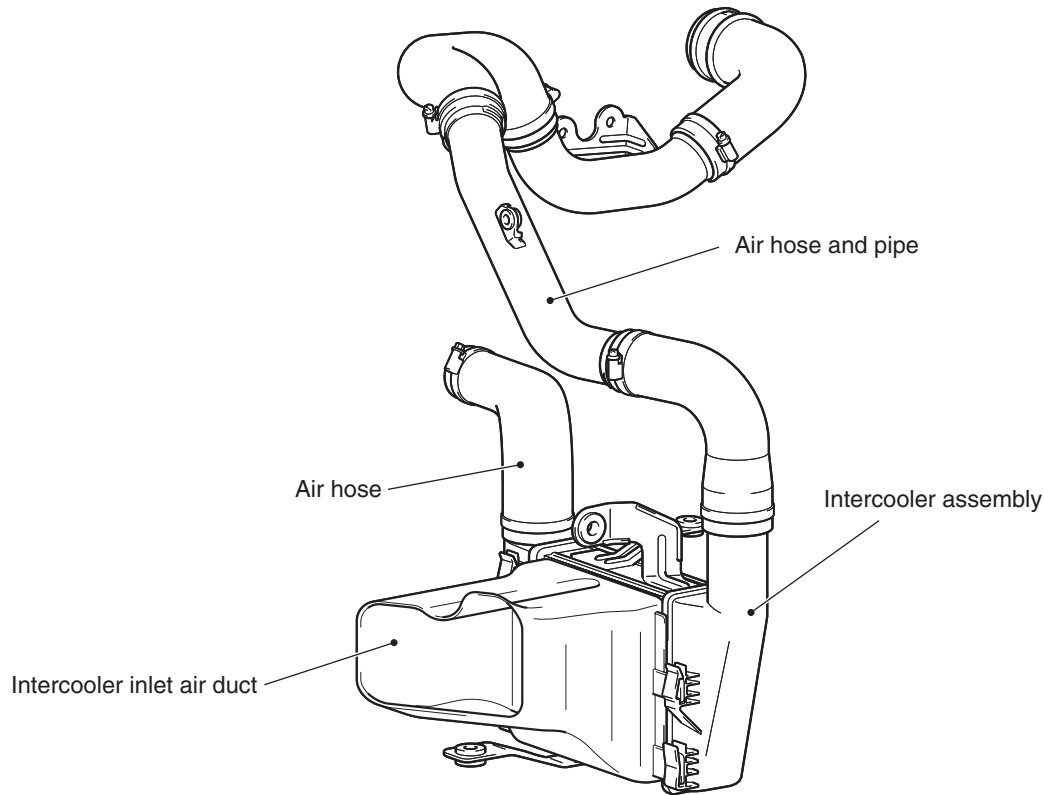
AC400370AB

### INTERCOOLER <639>

M2150007000053

By mounting an air cooled intercooler to reduce the intake air temperature after boosting, engine output has been improved.

CONSTRUCTION DIAGRAM



AC400535 AB

EXHAUST SYSTEM

EXHAUST PIPE AND MUFFLER <134, 135>

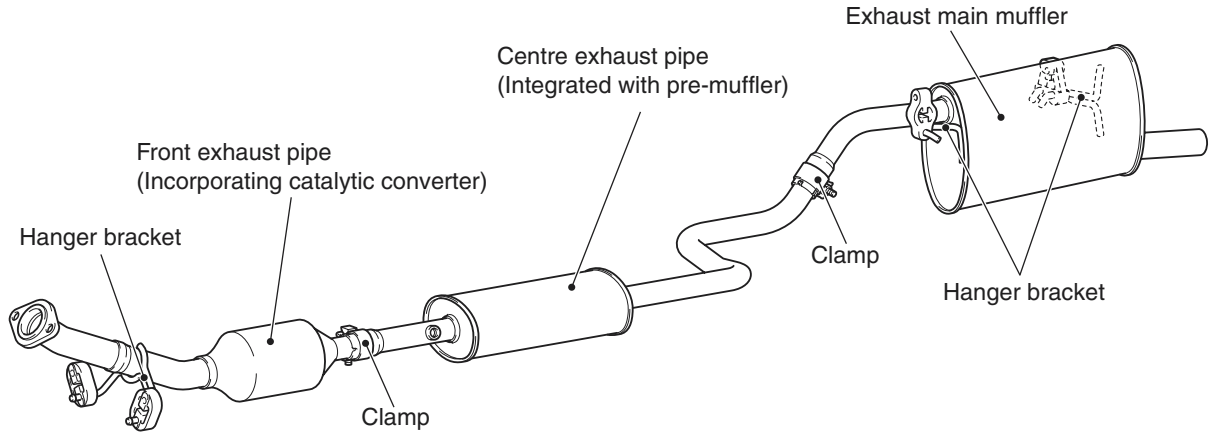
M2150003000147

The exhaust system is compatible in the engine performance and the silence.

- Exhaust system: Commonize exhaust system with 1.1L & 1.3L and emphasize sporty sound for 1.5L.
- Front exhaust pipe (incorporating catalytic converter): Realization of the compatibility of the engine performance and the exhaust gas emission performance.

- Centre exhaust pipe (integrated with pre-muffler): Exhaust noise reduction in adopting the expansion type pre-muffler.
- Exhaust main muffler: Exhaust noise reduction in adopting the resonance and expansion type main muffler.
- Clamp: Weight reduction in adopting clamp connection which is alternative for flange connection.
- Hanger bracket: Weight reduction in adopting hollow pipe hanger bracket.

CONSTRUCTION DIAGRAM



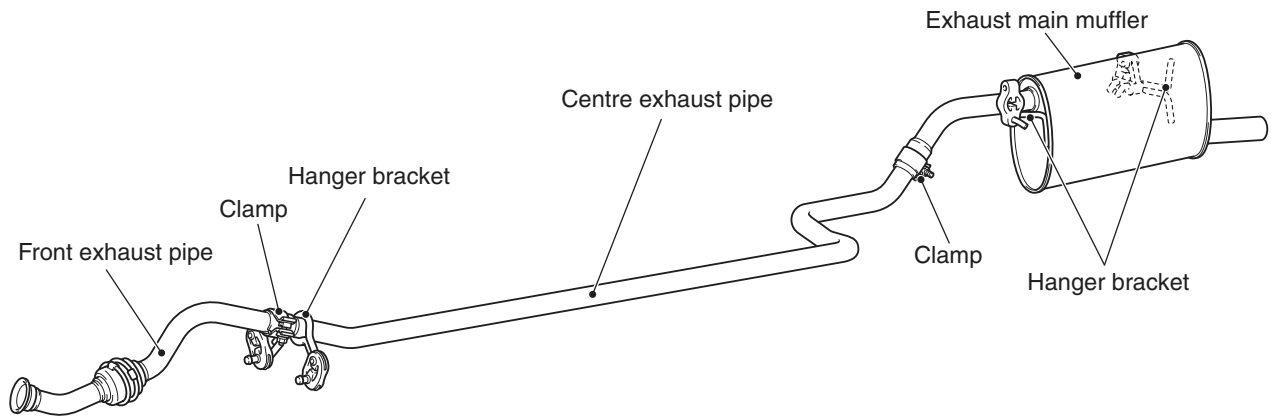
AC310086AB

EXHAUST PIPE AND MUFFLER <639>

M2150003000233

CONSTRUCTION DIAGRAM

The exhaust system consists of the front exhaust pipe, the centre exhaust pipe, and the exhaust main muffler.



AC400372AB