

---

**GROUP 16**

**ENGINE  
ELECTRICAL**

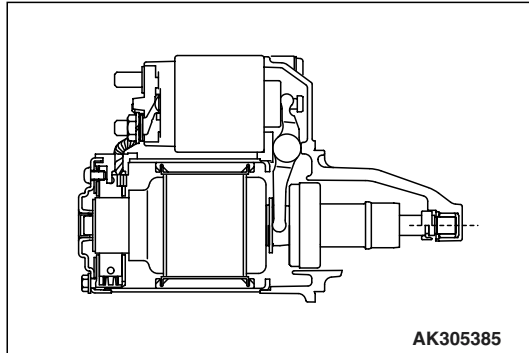
**CONTENTS**

<b>STARTER MOTOR .....</b>	<b>16-2</b>	<b>IGNITION COIL.....</b>	<b>16-2</b>
<b>ALTERNATOR.....</b>	<b>16-2</b>	<b>SPARK PLUG.....</b>	<b>16-3</b>

## STARTER MOTOR

M2161002000085

A simple direct-drive type starter motor is employed.

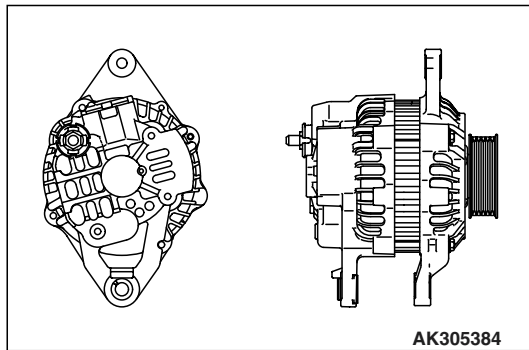


Item	Specification
Rated output kW/V	0.9/12

## ALTERNATOR

M2162001000063

The alternator features a battery voltage sensing system.

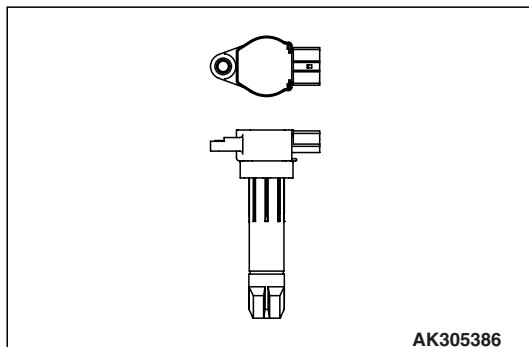


Item	Specification
Rated output V/A	12/85

## IGNITION COIL

M2163001000099

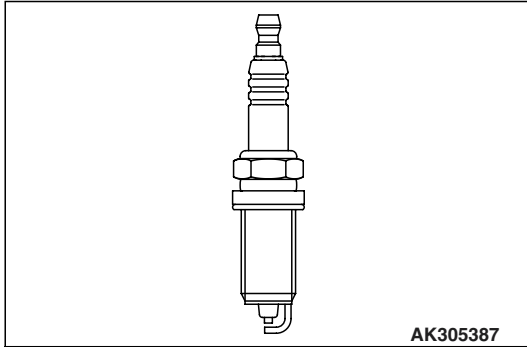
The ignition coil with a built-in power transistor is directly mounted onto each spark plug.



## SPARK PLUG

M2163005000013

The spark plug has a long reach to expand the cooling gallery in the cylinder head.



Manufacturer	Identification No.
Bosch	FR7SE