
GROUP 33

**FRONT
SUSPENSION**

CONTENTS

GENERAL INFORMATION [33-2](#)

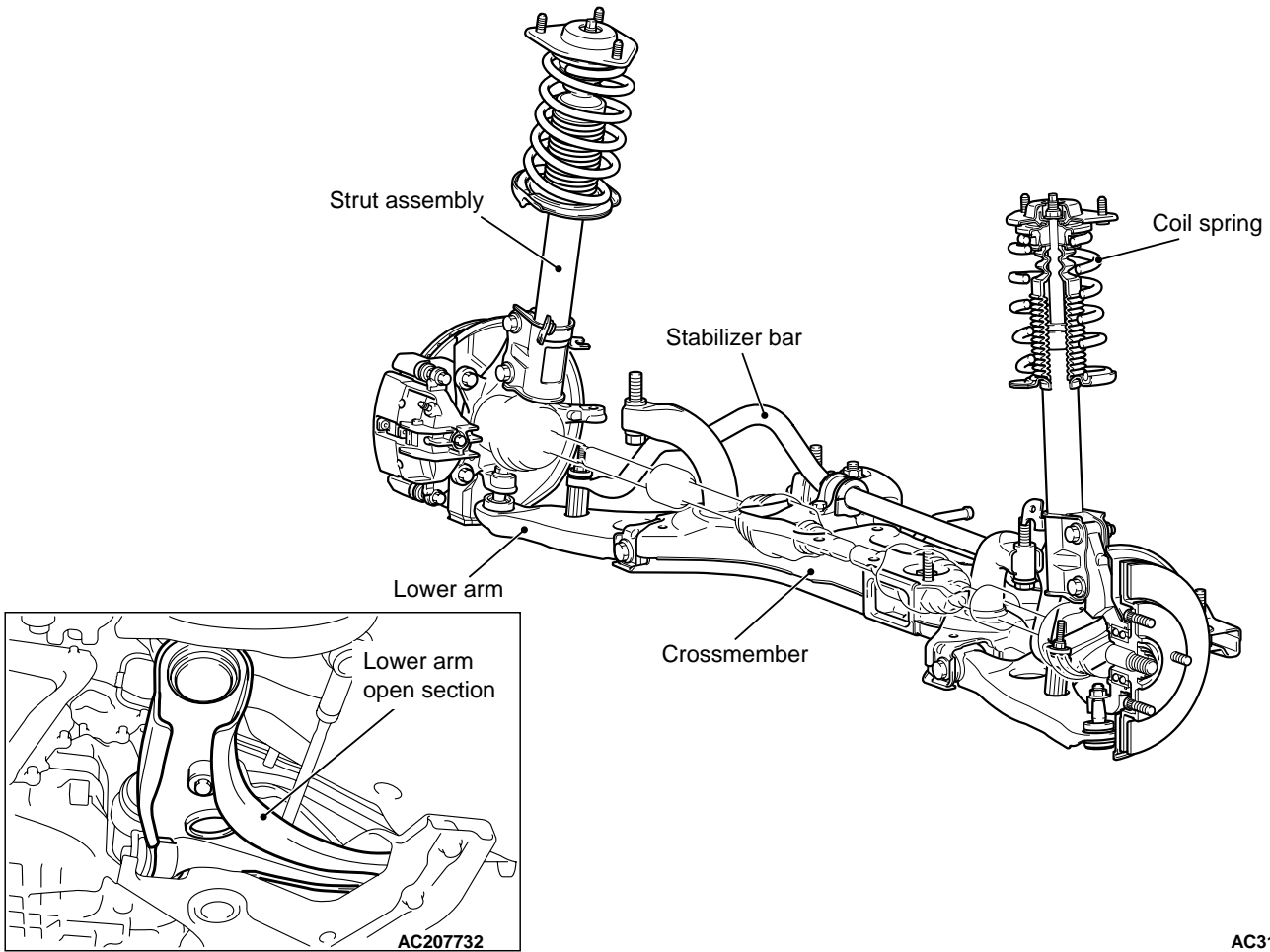
GENERAL INFORMATION

M2330000100330

- McPherson strut suspension has been adopted.
- The steering gear box is installed in the lower position for better cornering performance.
 - The roll centre and the kingpin axle are installed appropriately for better cornering performance.
 - The long stroke engine is adopted for sufficient road holding quality.
 - High-rigid and light-weight flat crossmember is adopted for sufficient suspension rigidity.

- The strut coil spring is installed appropriately for friction reduction and comfortable ride.
- The coil spring of high tension material is adopted for weight reduction.
- The open-section lower arm is adopted for weight reduction.
- For some countries, the high-ground suspension has been adopted.

CONSTRUCTION DIAGRAM



AC310151
AC312974AB

**SPECIFICATIONS
SUSPENSION SYSTEM**

Item	Specification
Suspension type	McPherson strut with coil springs

WHEEL ALIGNMENT

Item		Standard suspension	High-ground suspension
Camber		-0°30'	-0°15'
Caster		2°40'	2°30'
Kingpin inclination		13°20'	13°00'
Toe-in	At the centre of tyre tread (mm)	0	←
	Toe-angle (per wheel)	0°	←
Toe-out angle on turns (inner wheel when outer wheel at 20°)		21°21'	←

COIL SPRING

Item	Specifcation
Wire diameter (mm)	12
Average outside diameter (mm)	108
Free length (mm)	321