
GROUP 51

EXTERIOR

CONTENTS

GENERAL INFORMATION	51-2	WIPER AND WASHER	51-4
BUMPER	51-3	WINDSHIELD WIPER AND WASHER	51-4
AERO PARTS	51-4	REAR WIPER AND WASHER	51-7
		HEADLAMP WASHER	51-8
		OUTSIDE MIRROR.....	51-9

GENERAL INFORMATION

M2510000100387

Completely new front mask with Mitsubishi three-diamond logo clear outline and progressive side view compact, yet stable rear view with these, this vehicle has established a new standard for the design of the new-generation compact car.

FEATURES

BETTER APPEARANCE

1. A new three-diamond mark matched with new front design is adopted.
2. A radiator grille integral with front bumper has been adopted.
3. 2 types of side bezels are available.
4. A rear wiper with resin arm has been adopted.

BETTER AERODYNAMIC CHARACTERISTICS

5. Front air dam has been fitted.
6. Front under cover has been fitted.

7. Low air-resistance door mirrors have been adopted.

BETTER USER-FRIENDLINESS

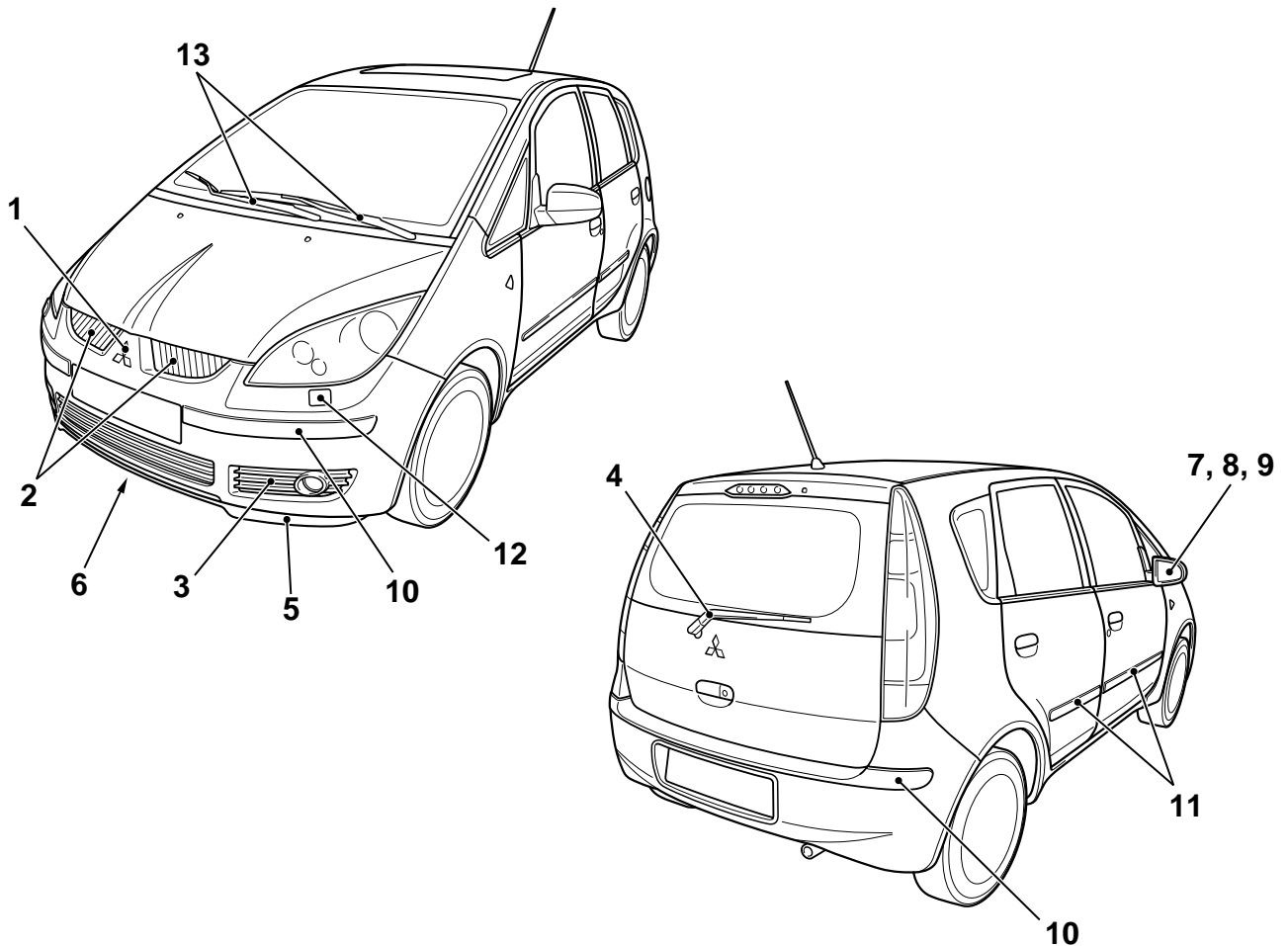
8. Electric remote controlled mirrors have been installed. <Optional>
9. Heated door mirrors have been installed. <Optional>

BETTER PRODUCT PACKAGE

10. Bumper protector has been installed.
11. Side protector moulding has been installed.
12. A headlamp washer has been installed. <Optional>
13. Comes with a vehicle speed sensitive intermittent time variable windshield wiper.

SUPPORT RECYCLING OF RESOURCES

Aggressively uses PP materials that are easy to recycle and easy to stamp material symbols on the plastic (resin) parts.

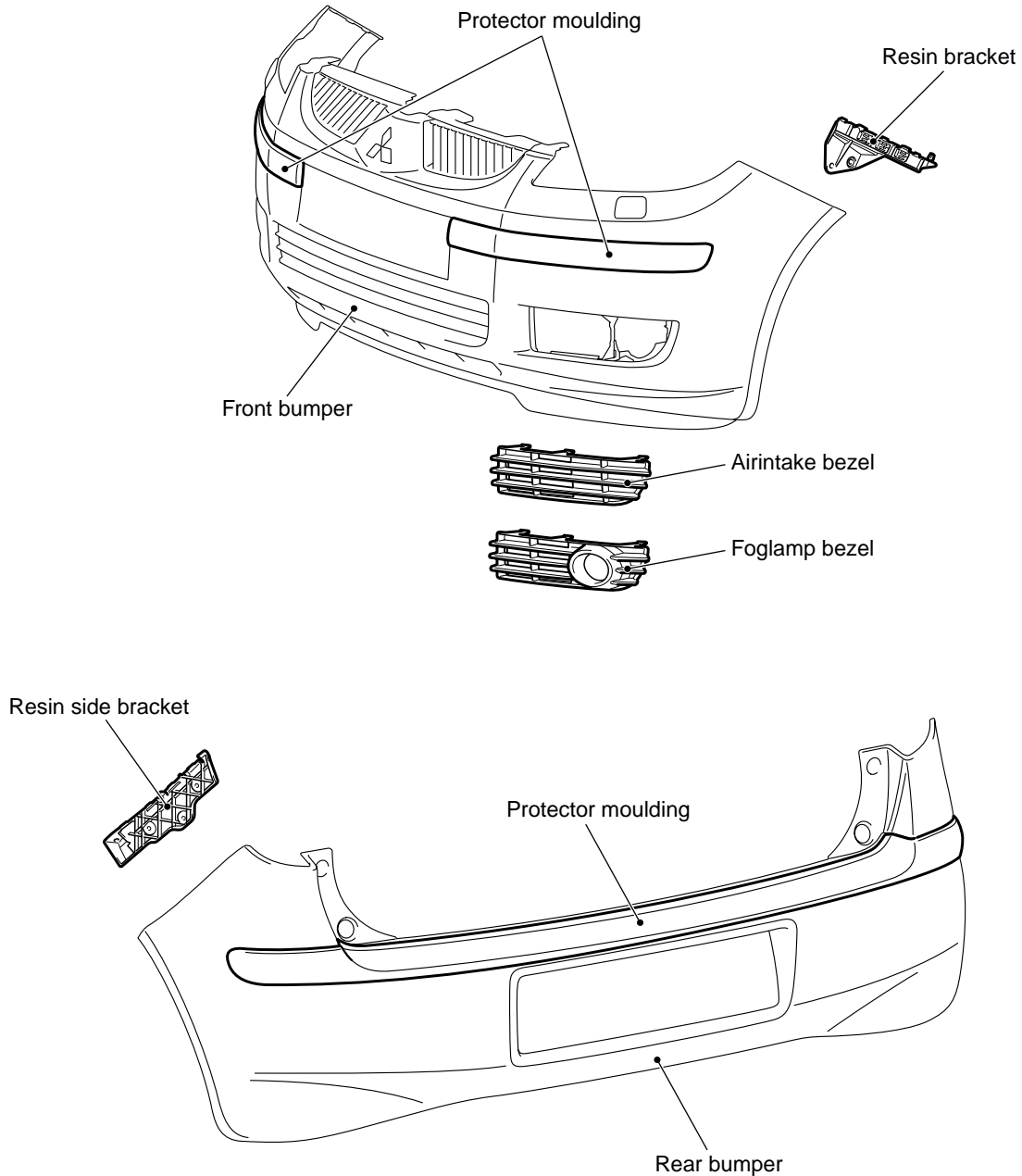


BUMPER

M2510002000331

- The front bumper with air dam reduces the amount of the airflow to the tires. The front bumper is bulged at the corners to smoothen the airflow to the vehicle sides.
- On the bumper, metal reinforcement has been eliminated, and resin side brackets have been adopted.
- Weight saving, reparability, and recycle efficiency have been improved.
- Separated protector or moulding for low repair cost.
- 2 type of bezel.

CONSTRUCTION DIAGRAM

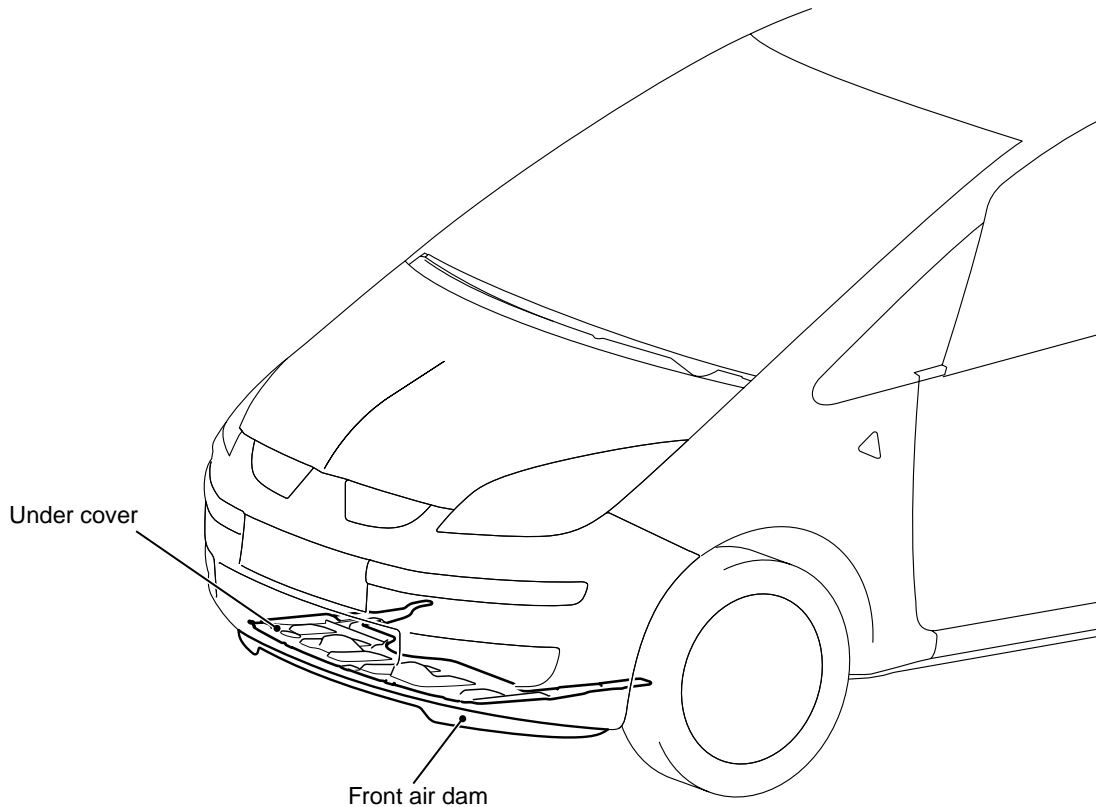


AERO PARTS

M2510003000185

Front air dams and under cover improve aerodynamic characteristics and appearance.

CONSTRUCTION DIAGRAM



AC312376AB

WIPER AND WASHER

WINDSHIELD WIPER AND WASHER

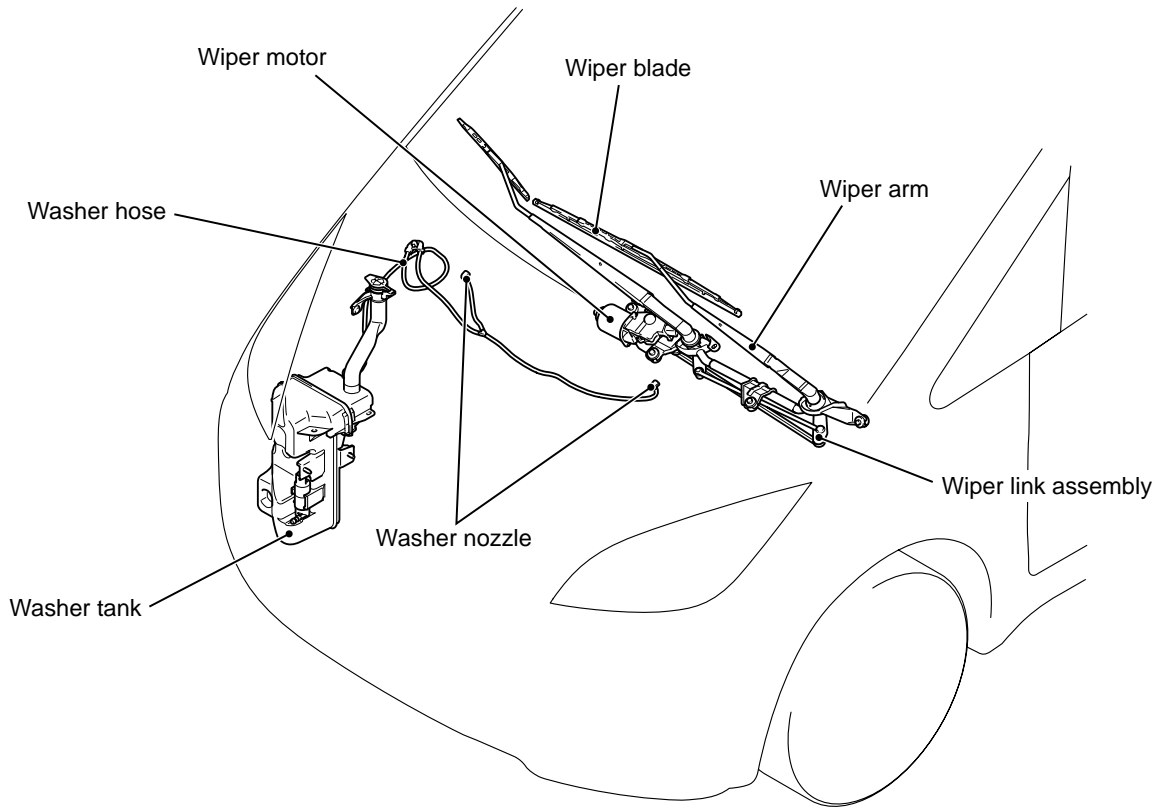
M2510007000143

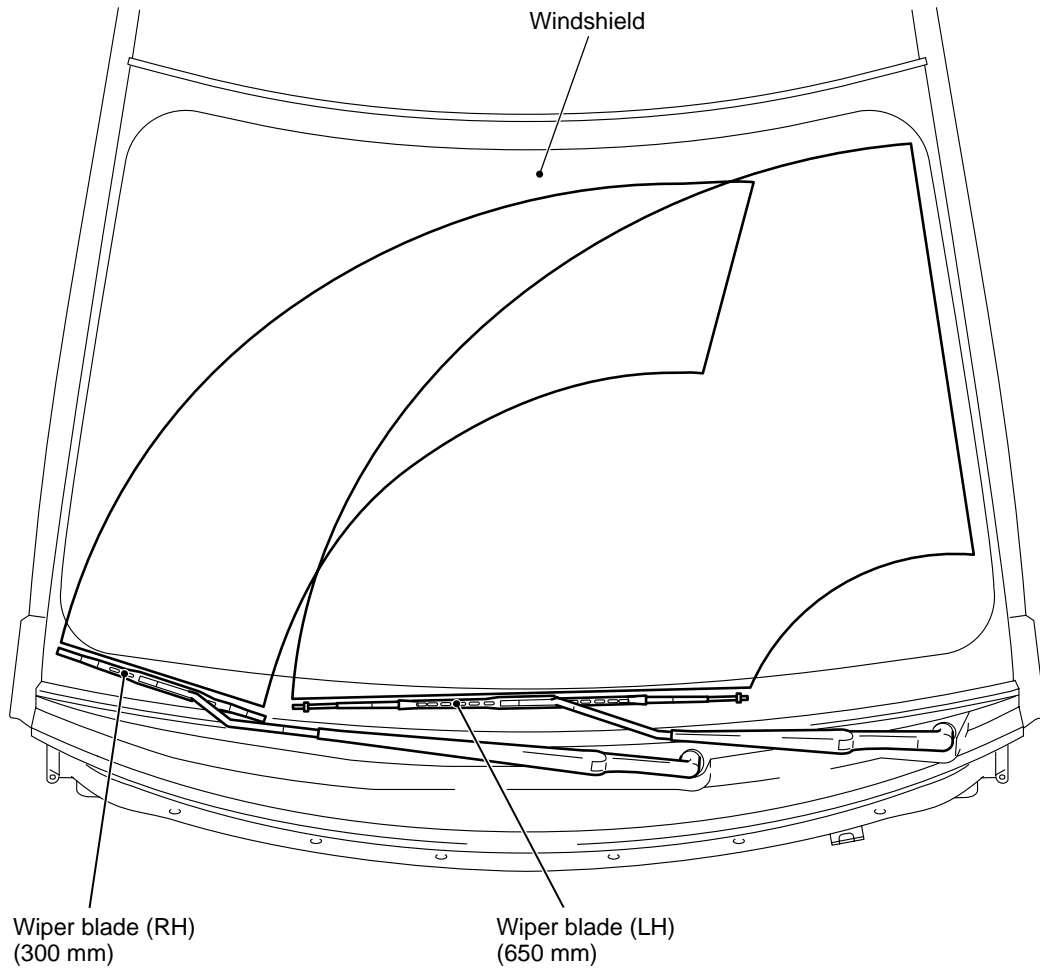
- 2-speed (low/high) windshield wiper has been adopted. A 650-mm wiper blade for the driver-side wiper minimizes the unwiped area on the windshield.
- Due to the adoption of high torque for EU spec. 38 N·m, good wiping performance up to 180 km/h of vehicle speed has attained.
- The intermittent wiper features a vehicle speed sensitive intermittent time variable system.
- The wiper link assembly with frame increases rigidity of the link assembly, achieves smoother operation, and reduces unwiped area and operation noise.
- The mist wiper is turned ON by operating the mist switch in the opposite direction of the wiper switch, achieving clearer operation. Features a mist wiper function that quickly wipes away rain with high speed wiping when the mist switch is ON, slows down when the mist switch is OFF and operates until stopped. When the mist switch is temporarily turned ON, the wiper wipes once at low speed.
- The 2-nozzle 4-jet type windshield washer reduces the variation of the splashing points on the windshield while driving at high speed. The windshield washer secures driver's visibility for improved safety.

- The washer-linked wiper function* has been introduced. The washer fluid can be injected without operating the wiper. When the ignition switch is turned ON while the washer switch ON, the washer motor operates but the wiper does not.

*NOTE: **: The vehicle speed-sensitive intermittent time variable wiper function and the washer-linked wiper function can be switched optionally. Refer to Group 54B, Customise Function P.54B-19.*

CONSTRUCTION DIAGRAM

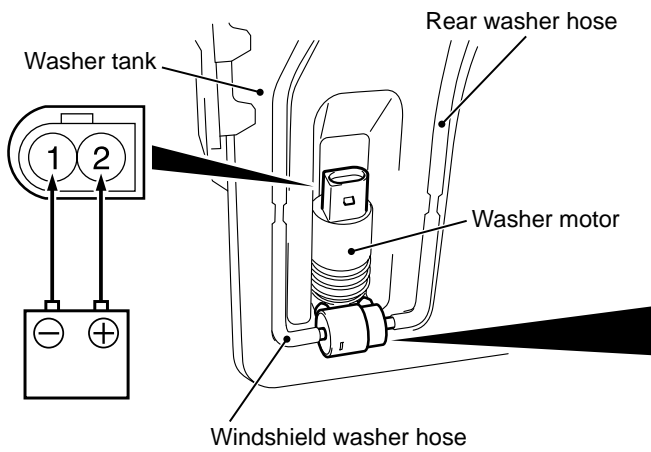




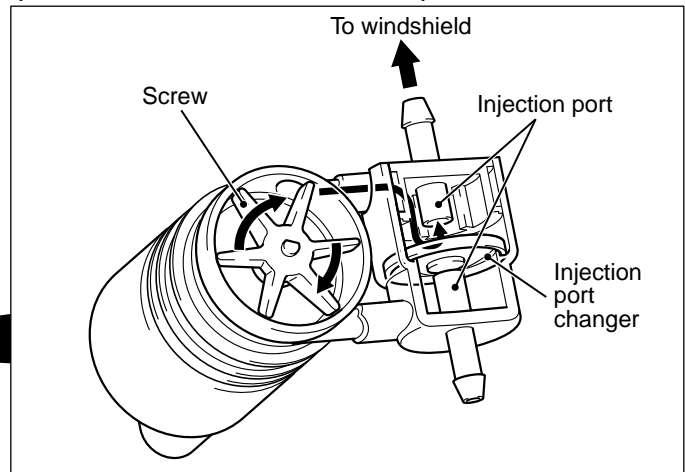
AC311485AB

DESCRIPTION OF CONSTRUCTION AND OPERATION
WASHER MOTOR

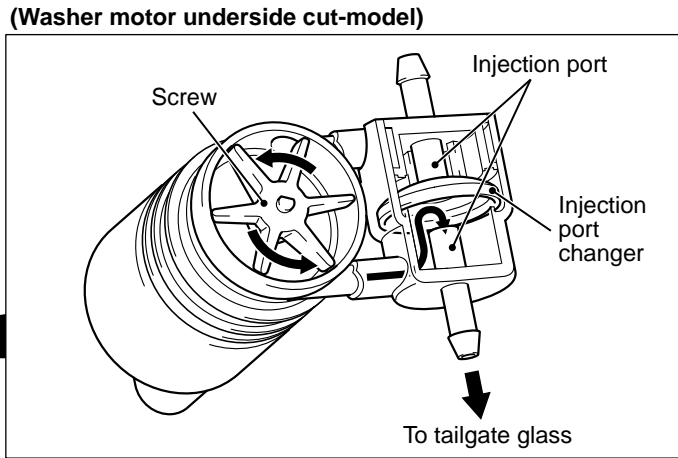
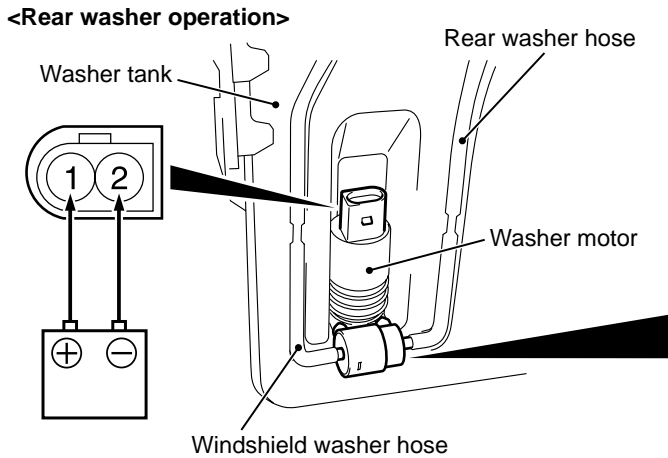
<Windshield washer operation>



(Washer motor underside cut-model)



AC312784 AB



AC312780 AB

When the washer motor operates, the screw in the washer motor is rotated, and the washer fluid is flown into the injection nozzle. The washer motor applies pressure to the injection port changer using the flown washer fluid and screw, closes the opposite injection nozzle, and then injects the washer fluid over the windshield or the tailgate glass. Operation of the windshield washer and the rear washer is switched by reversing the direction of an electric current flow through the washer motor.

REAR WIPER AND WASHER

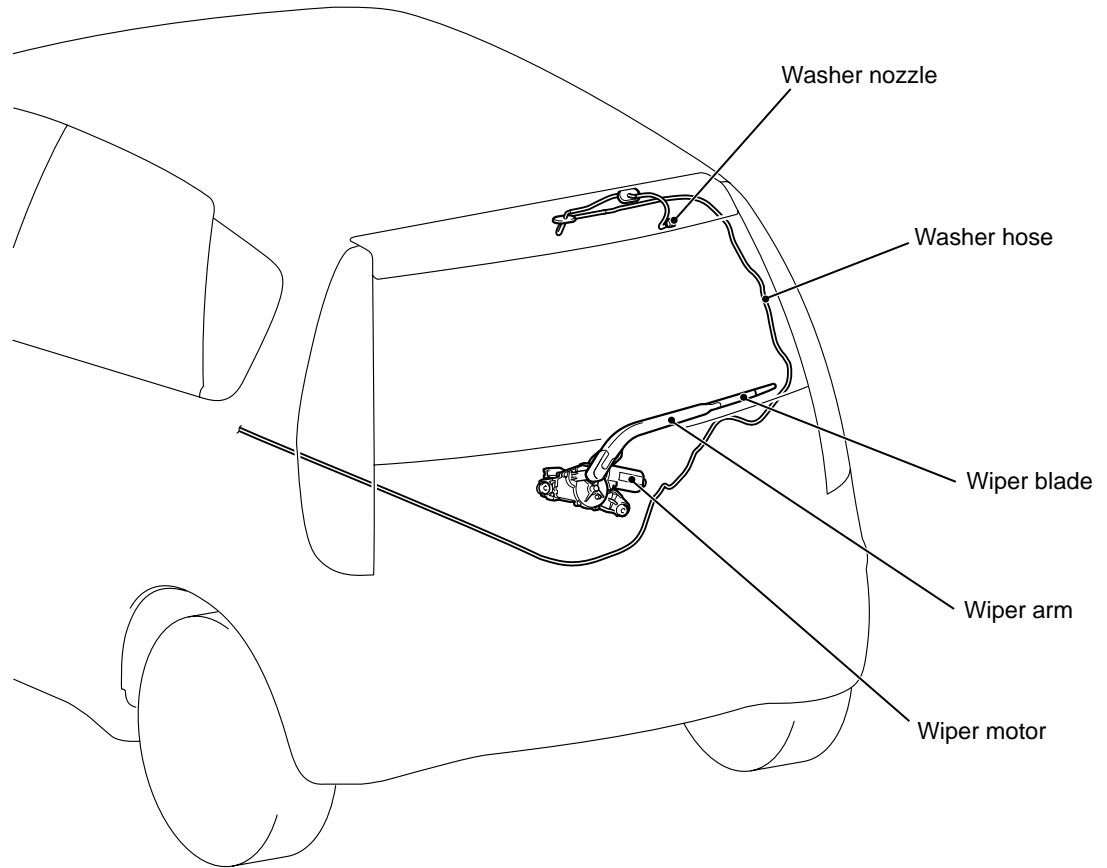
M2510008000124

- A plastic (resin) wiper arm and blade assembly has been adopted for weight reduction, with emphasis on an integrity appearance of the arm and blade for better looking.
- The wiper interval fixed type intermittent wiper has been adopted, thus improving a clear rear view in rainy weather.

- The washer tank is commonly shared with the windshield washer.
- The initial continuous operation function has been adopted. In this function, the rear wiper performs continuous low-speed operation for 2 to 3 cycles to sweep the raindrops away from the rear screen after the rear wiper switch is turned on, and then proceeds with the intermittent operation.
- The washer-linked wiper function* has been introduced. The washer fluid can be injected without operating the wiper optionally. When the ignition switch is turned ON with the washer switch ON, the washer motor operates but the wiper does not.

*NOTE: *: The washer-linked wiper function can be enabled or disabled optionally. Refer to GROUP 54B, Customize Function P.54B-19.*

CONSTRUCTION DIAGRAM



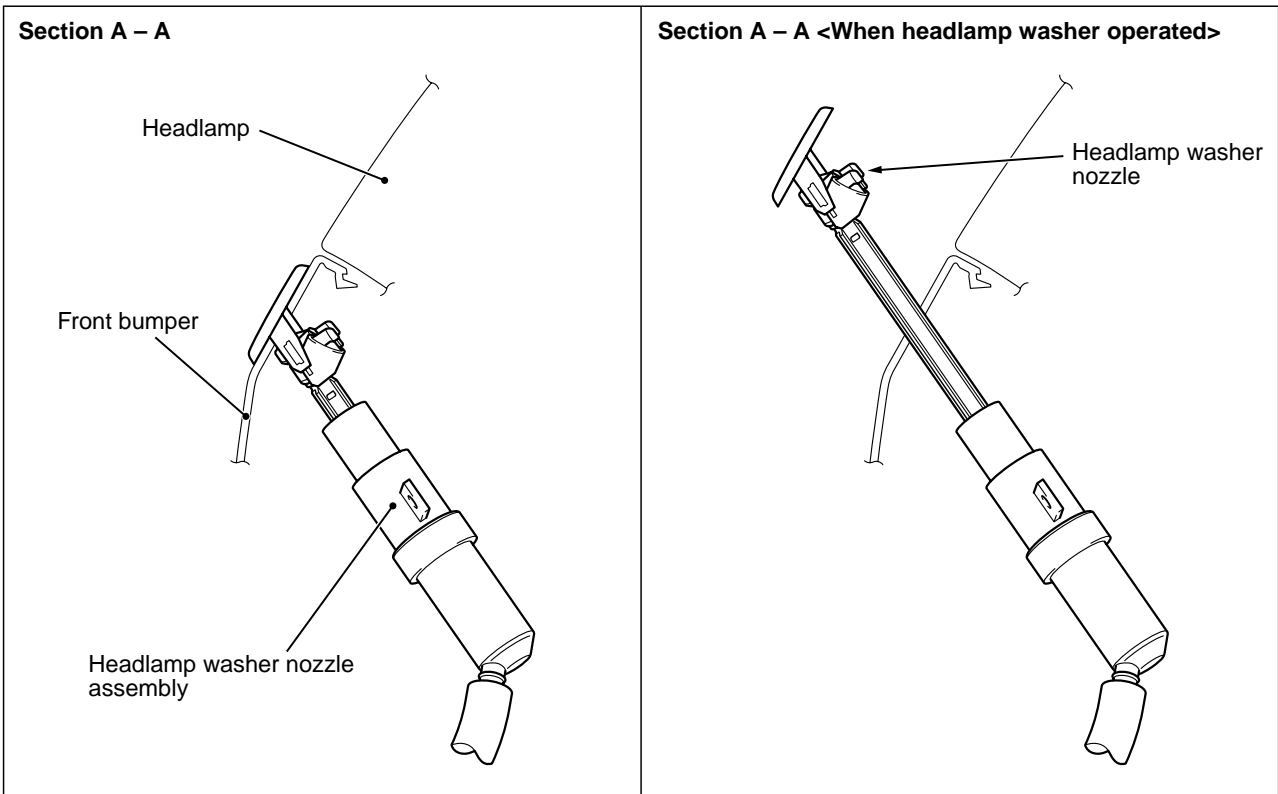
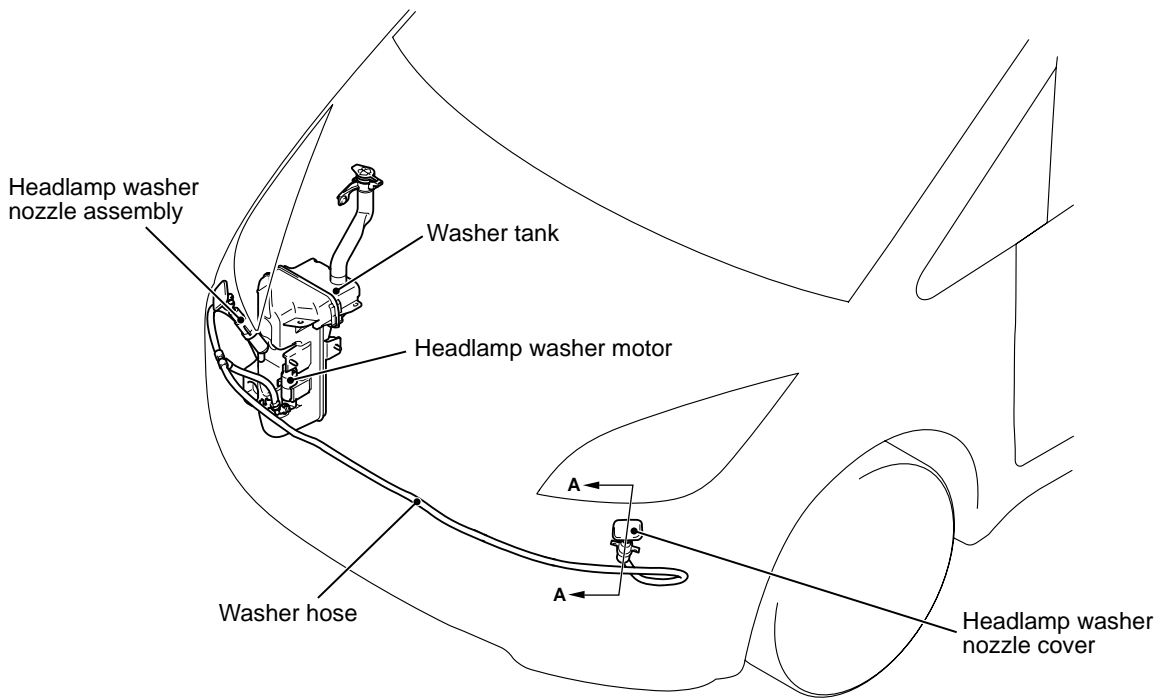
AC311520AB

HEADLAMP WASHER

M2510000500103

A headlamp washer mechanism that thrusts out and retracts nozzles, utilizing the water pressure produced by motor has been adopted as an option. This mechanism contributes to better appearances of vehicles when their washer nozzles are not in use. The headlamp washer tank used for this mechanism is also used for the windshield and rear window washers.

CONSTRUCTION DIAGRAM



AC312389AB

OUTSIDE MIRROR

The door mirror has the following characteristics:

- Aero dynamic form has good performance of wind noise and avoidance of rain dropping on mirror surface.
- A power remote controlled door mirror.

- A heated door mirror.
- Aspherical mirror on driver side.

CONSTRUCTION DIAGRAM

