
GROUP 52A**INTERIOR****CONTENTS**

GENERAL INFORMATION	52A-2	SEAT BELT	52A-9
INSTRUMENT PANEL AND FLOOR CONSOLE	52A-3	TRIMS	52A-10
		INTERIOR TRIMS	52A-10
		DOOR TRIM	52A-11
SEAT	52A-4	LUGGAGE ROOM	52A-12
FRONT SEAT	52A-4	FLOOR CARPET	52A-13
REAR SEAT	52A-7		
MULTI SEAT ARRANGE	52A-7		

GENERAL INFORMATION

M2520000100407

The interior features beautiful, sporty look, designed considering passengers' utility, roominess, and safety. Various measures have been taken actively to protect the environment and recycle resources.

FEATURES

Quality improvement

- The interior is fully trimmed.
- Two-tone instrument panel and door trim
- Attachment of TPO (Thermo Plastic Olefin) covering to door trim

Usability improvement

- Cup holder (front/rear)
- Heated seat <Option>
- Picnic tray (front seat) <Option>
- Armrest (rear seat) <Option>
- Wide variety of seat arrangement
- Rear seat with reclining angle and slide amount adjustment mechanisms
- Luggage hook, belt line hook

Convenient boxes

- Centre panel box with lid
- Glove box

- Card holder, pen holder, coin holder
- Cool box <LH drive vehicles-Option>
- Door pocket (front door trim)

Safety improvement

- Rear collision protection front seat
- Front seat belt with force limiter mechanism
- ELR three-point seat belt (front)
- ELR three-point seat belt/child seat fastening mechanism (ALR) switching seat belt (rear)
- ISO-FIX child seat fixing bar (rear seat)
- Floor carpet with heel stopper structure
- Instrument panel, floor console, and trims made of fire-retarding material

Consideration for the optimum driving position

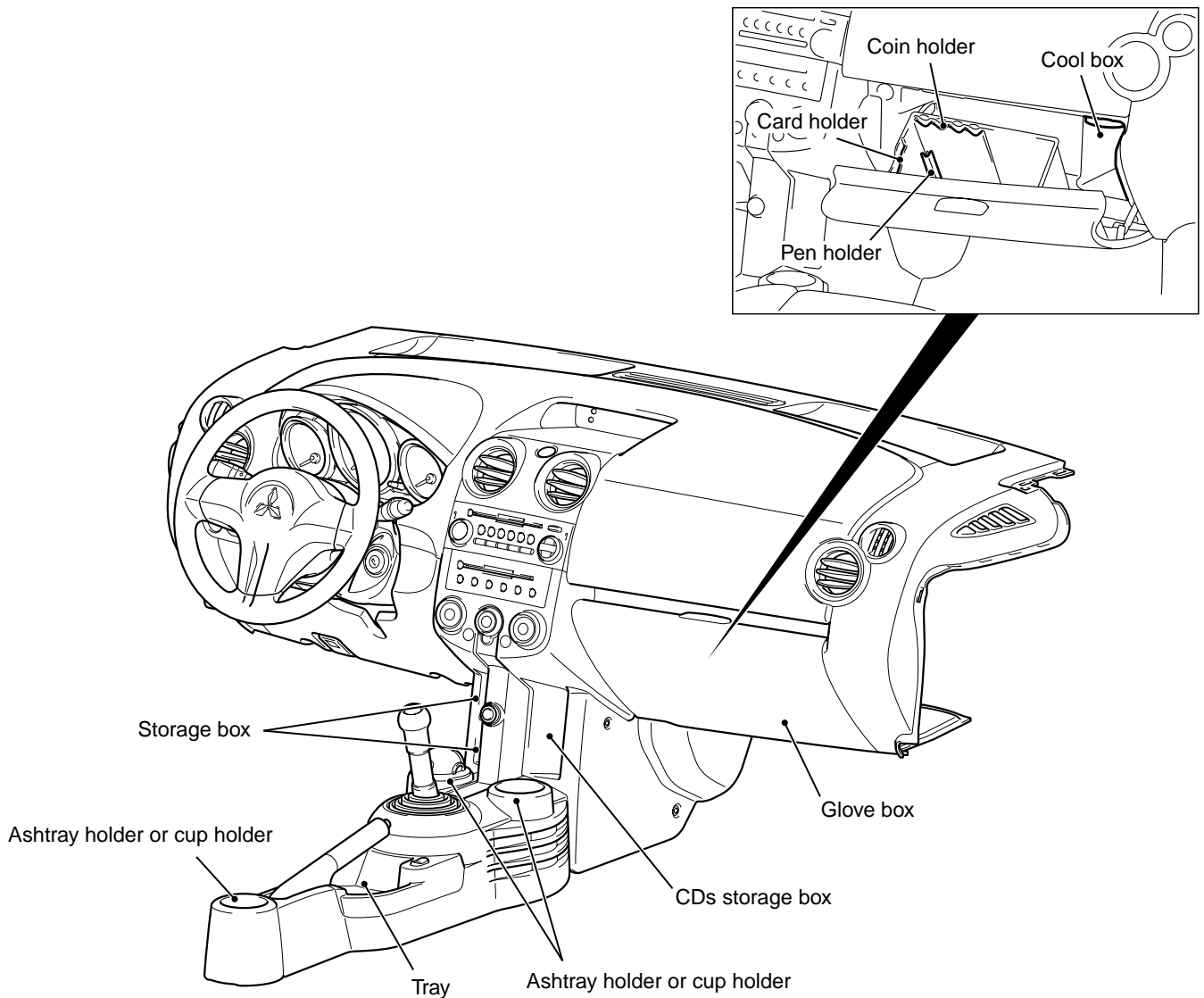
- Seat height adjustment (driver's seat) <Option>
- Head restraint with height adjustment (front, rear)
- One-touch adjustable seat belt anchor (front seat belt)

Measures for resource recycling

Aggressively use PP materials that are easy to recycle and easy to stamp material symbols on the plastic (resin) parts.

INSTRUMENT PANEL AND FLOOR CONSOLE

M2520001000254



AC313017AB

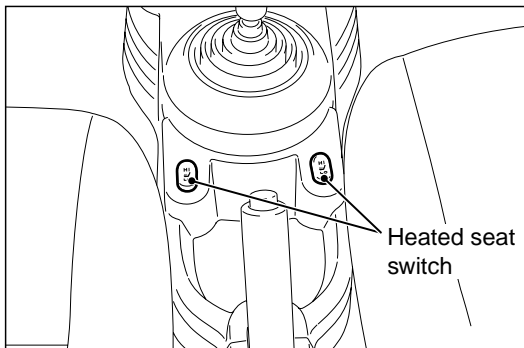
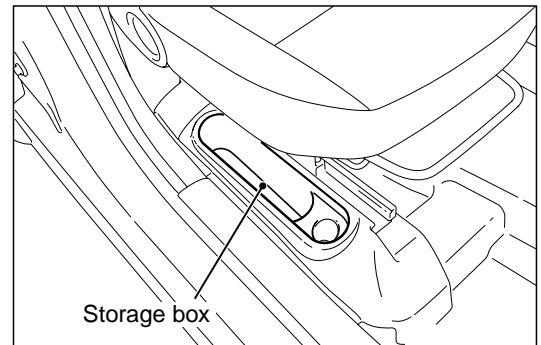
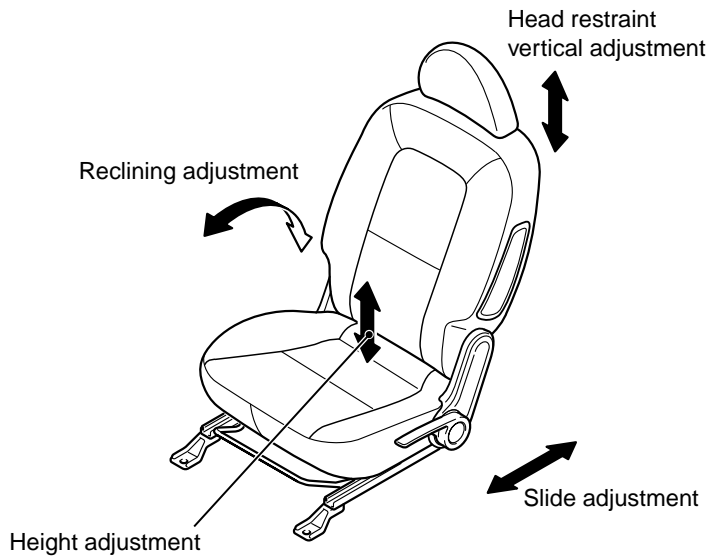
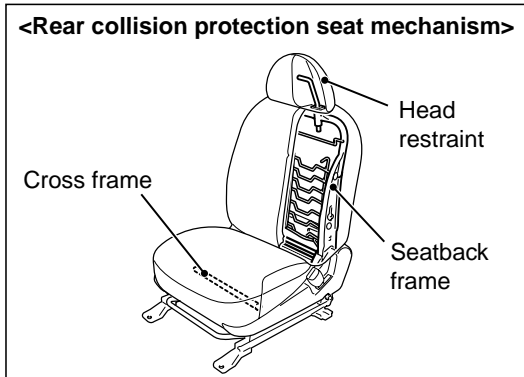
The instrument panel and floor console have the following features.

- The instrument panel has been coloured in two tones separately at the upper and lower halves for improved marketability.
- The instrument panel and the passenger airbag flap have been integrated for improved appearance and quality. Reduced noise and weight have also been achieved.
- A storage box (separated into two) and a CD storage box have been equipped.
- The glove box incorporates a card holder, pen holder, coin holder and cool box (option) for improved passengers' convenience.
- The floor console incorporates a cup holder (for both front and rear passengers) which can also be used as an ashtray, and a tray. The ashtray fits in all the cup holders.

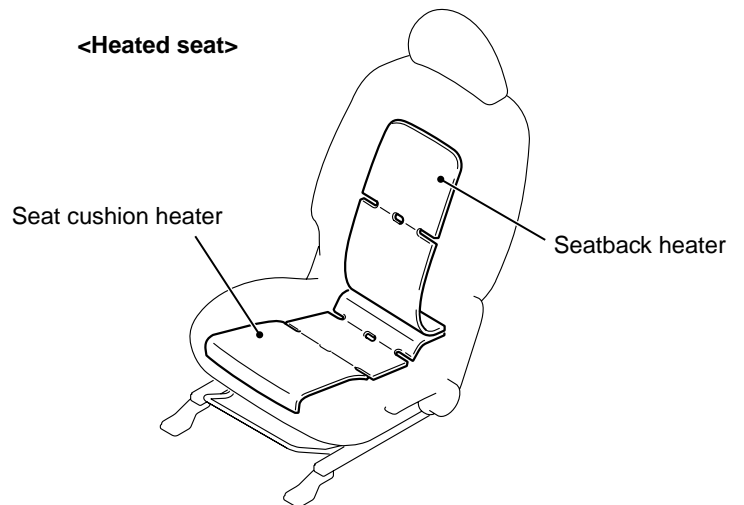
SEAT

FRONT SEAT

M2520004000297



<Heated seat>



AC313058AB

The front seat offers the following advantages.

- The seats are designed to be adjustable in the reclining and sliding directions.

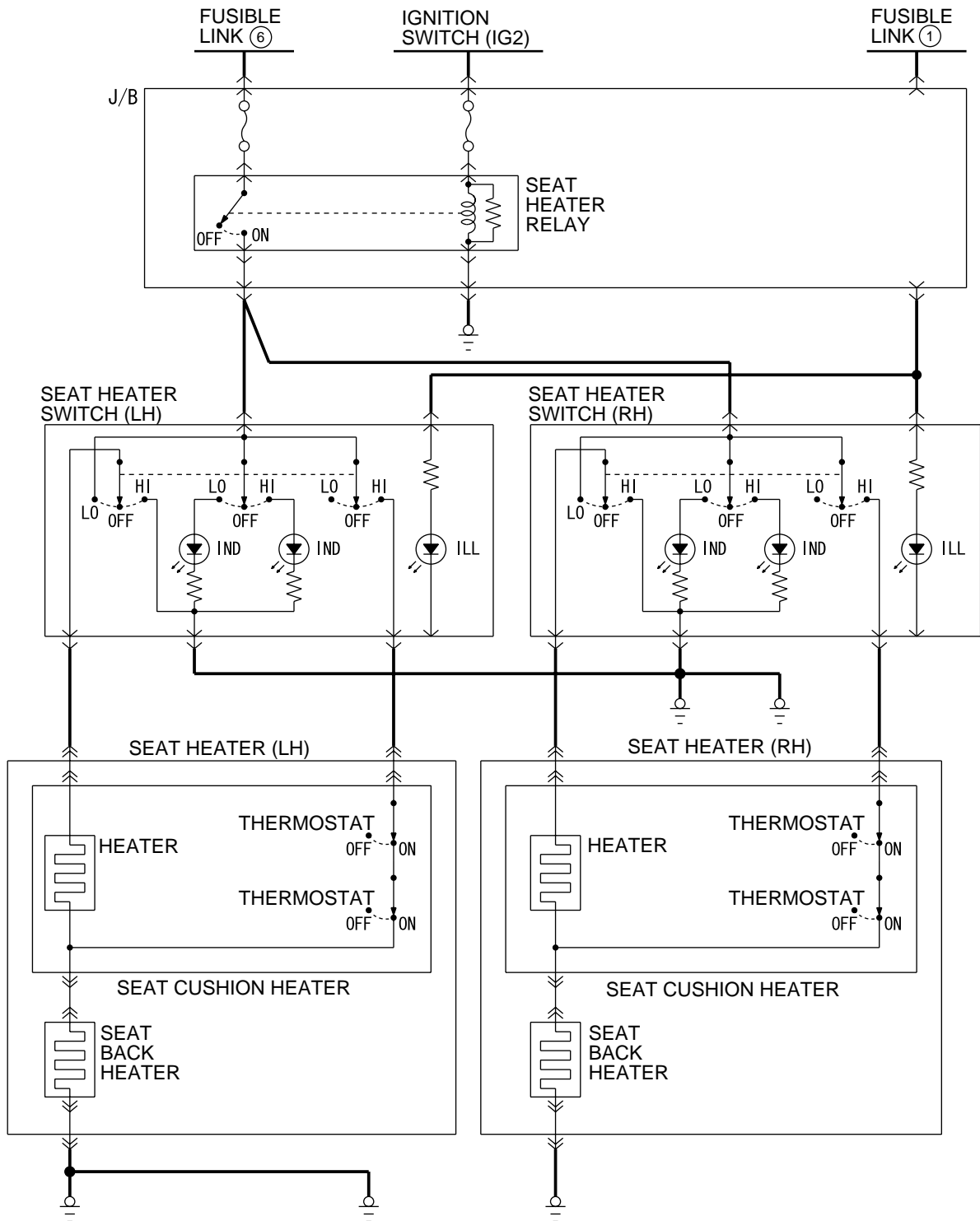
- Head restraints with height adjustment have been installed.

- Seat height adjustment function has been introduced to the driver's seat <Option>. Since this function raises and lowers the seat cushion together with the seatback, the driver's waist position in relation to the seatback is always kept constant. This enhances riding comfort and achieves optimum driving position. Pump type seat height adjustment lever has been adopted for convenient use.
- Completely folding down the front seat back forward provides a picnic tray or long luggage space.<Option>
- A storage box has been fitted in the rail cover.
- The rear-end collision protection seat structure (backward layout of seatback frame and optimization of head restraint position) has been adopted to improve safety during rear-end collision at lower vehicle speed. The cross frame has been installed below the seat cushion to reduce the forward travel distance of the passengers during frontal collision and has improved safety.

SPECIFICATIONS FOR HEATED SEAT

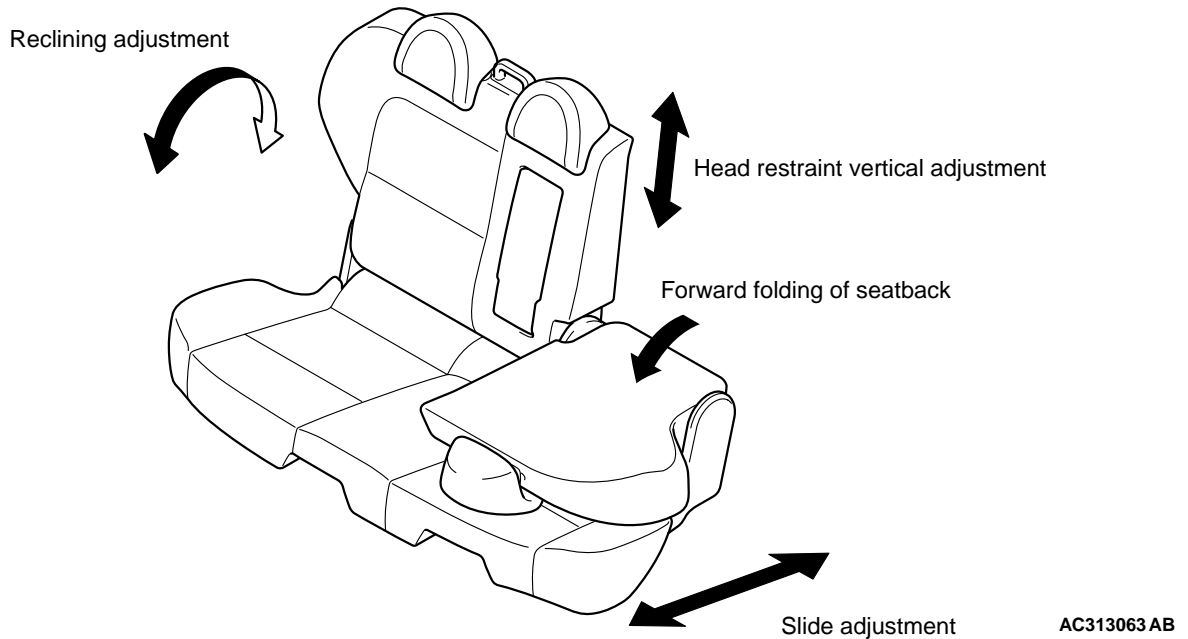
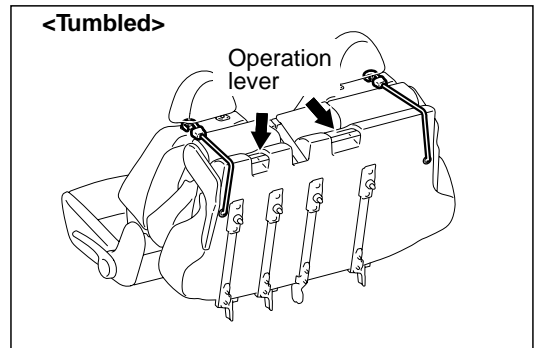
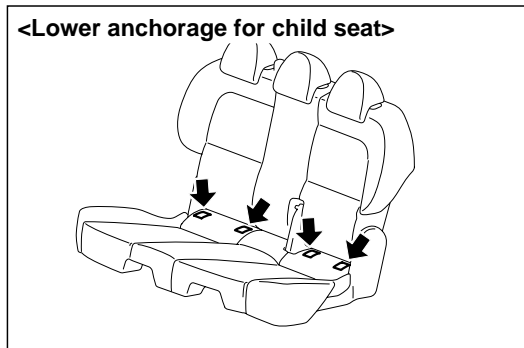
ITEM		SPECIFICATION
ENERGY CONSUMPTION W	HIGH	Approximately 89
	LOW	Approximately 22
THERMOSTAT °C	from ON to OFF	42 ± 3
	from OFF to ON	39 ± 3

HEATED SEAT SYSTEM CIRCUIT DIA-
GRAM



REAR SEAT

M2520007000230



The rear seats offer the following advantages.

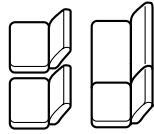
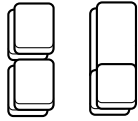
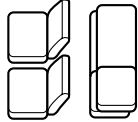
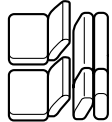
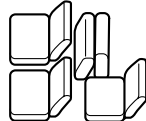

- 6: 6:4 split folding bench seat has been adopted.
- Reclining adjustment and slide adjustment have been adopted to improve amenity.
- The centre armrest has been adopted for improved rear seat passengers' comfort.<Option>
- The head restraint can be adjusted up and down.
- The child seat fixing bar complied with ISO-FIX has been installed for all models as a standard equipment

- Reclining lever-operated foldable seat back, lever-operated tumble mechanism, and removable seat have enabled wide variety of seat arrangement.

MULTI SEAT ARRANGE

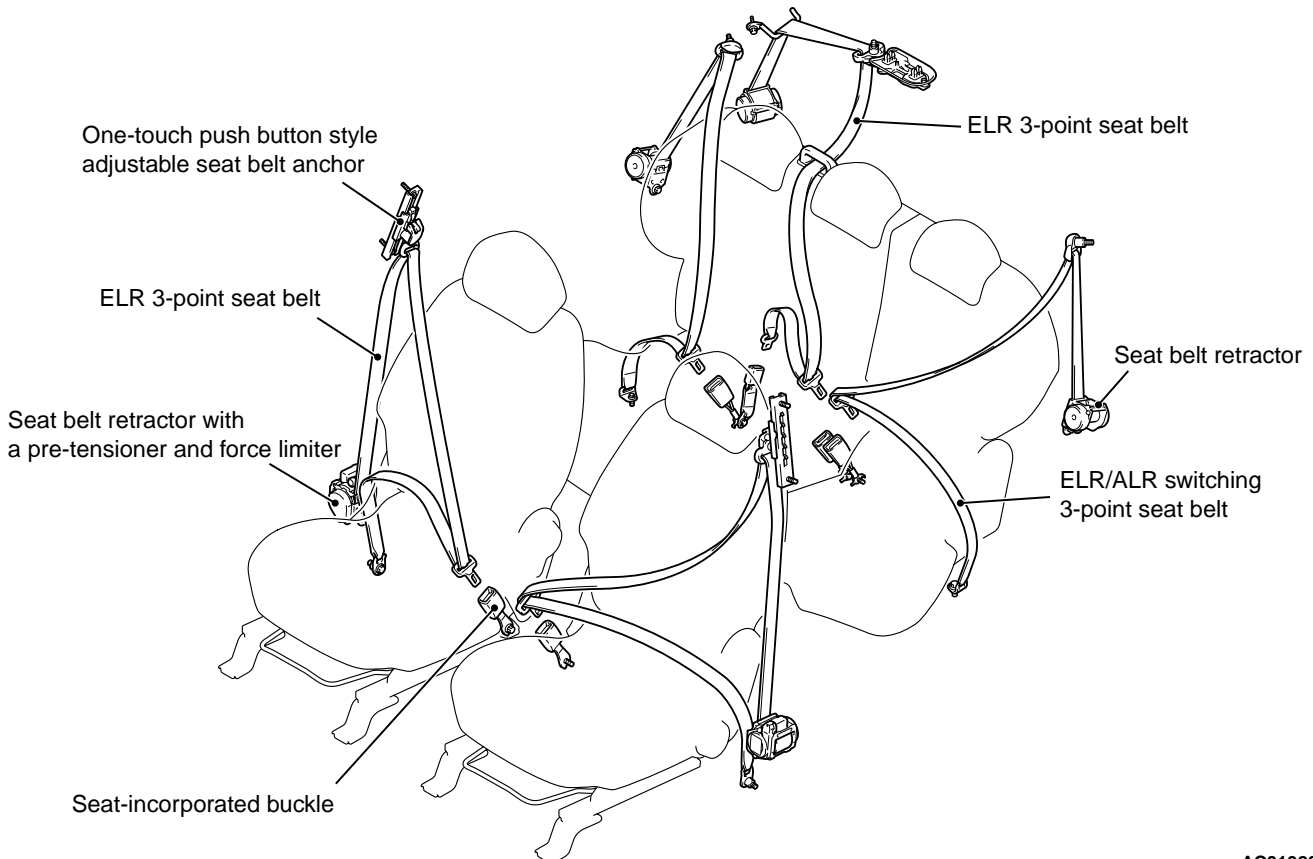
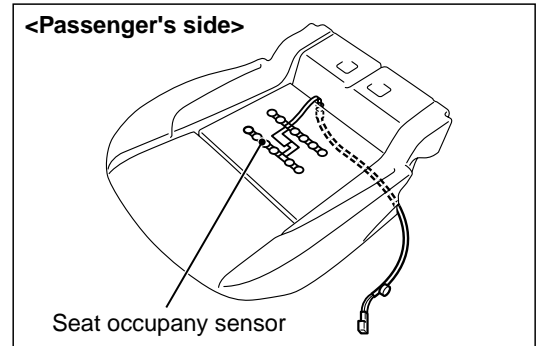
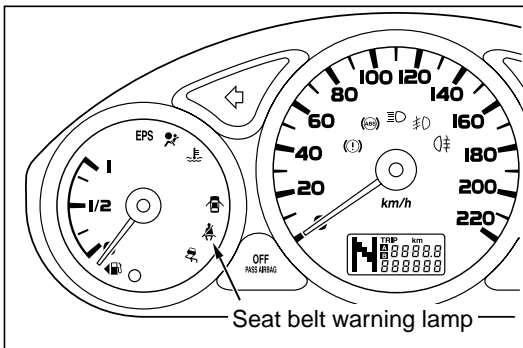
M2520008000040

This vehicle offers a wide variety of seat arrangement as usage.

Item		
Normal		 <p>AC312294</p>
Flat arrangement		 <p>AC312295</p>
Rear seat back folded forward		 <p>AC312296</p>
Rear seat tumbled	2 passengers	 <p>AC312297</p>
	3 passengers	 <p>AC312298</p>
Rear seat removed		 <p>AC312299</p>

SEAT BELT

M2520010000252



AC313290 AB

<FRONT SEAT BLET>

- An ELR three-point seat belts used.
- Seat belt retractor have a pre-tensioner and force limiter.
- One-touch push button style adjustable seat belt anchors and seat-incorporated buckles ensure optimum belt fitting and placement.

- A warning lamp is included on the combination meter to encourage the driver and the front passenger <Option> to fasten the seat belt when the belt is not connected.

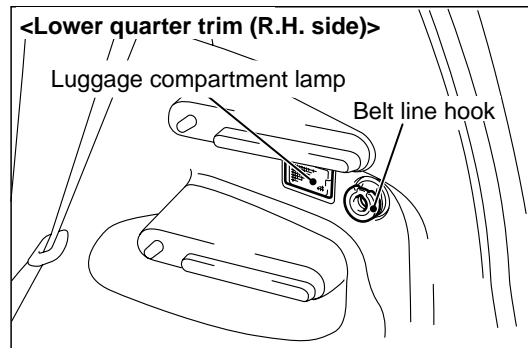
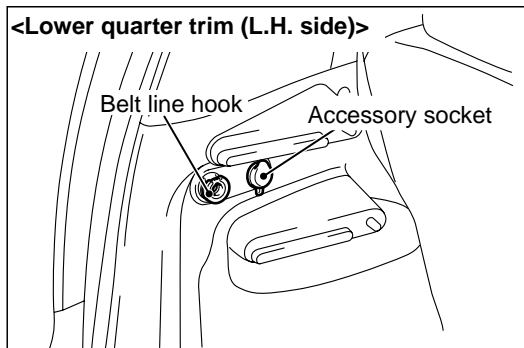
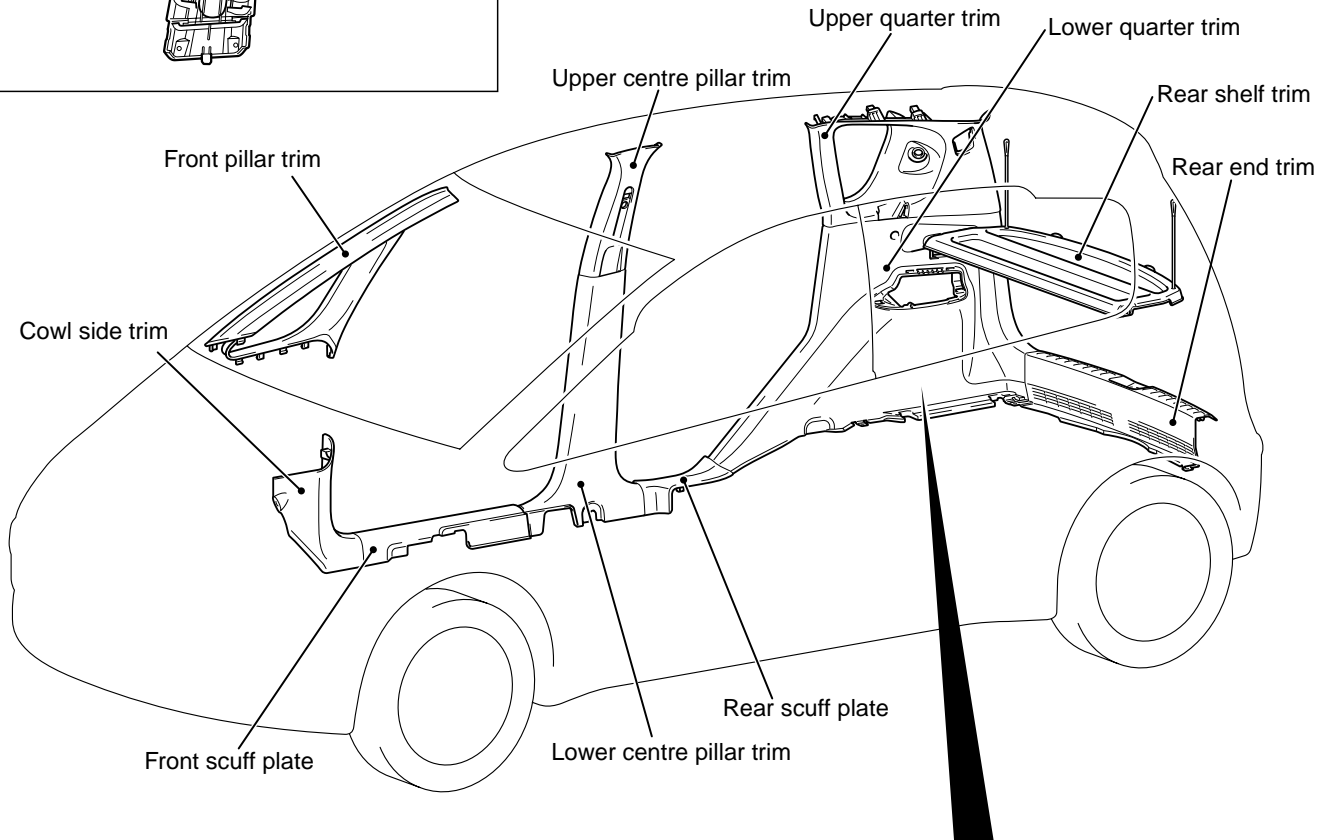
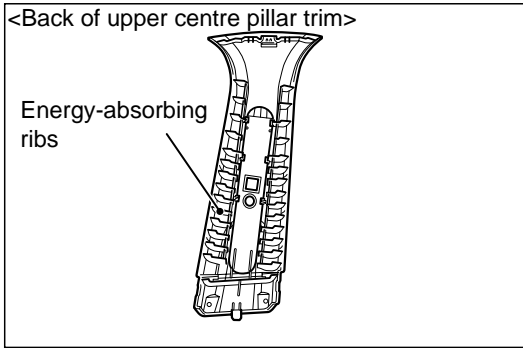
<REAR SEAT BELT>

3-point seat belt with Automatic Locking Retractor (ALR)/ELR changeover mechanism (LH/RH), ELR 3-point seat belt (Centre) have been installed.

TRIMS

INTERIOR TRIMS

M2520012000195



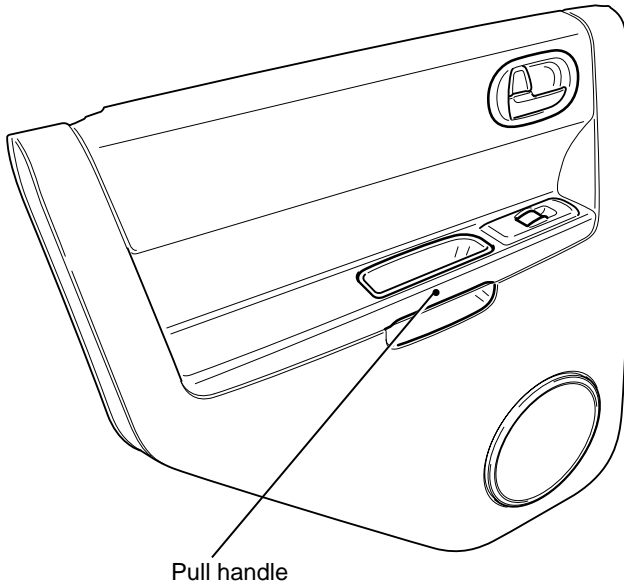
AC312933AB

- The interior trim is a full trim to improve quality.
- Energy-absorbing ribs have been provided on the reverse side of the centre pillar trim upper to protect the passengers' heads in a side collision. For improved safety, trims are made of splinterless plastic materials.
- A beltline hook for attaching a luggage net or a shopping bag has been equipped on the lower quarter trim on both sides for increased storage capacity.
- Material codes are shown on trim to facilitate recycling.

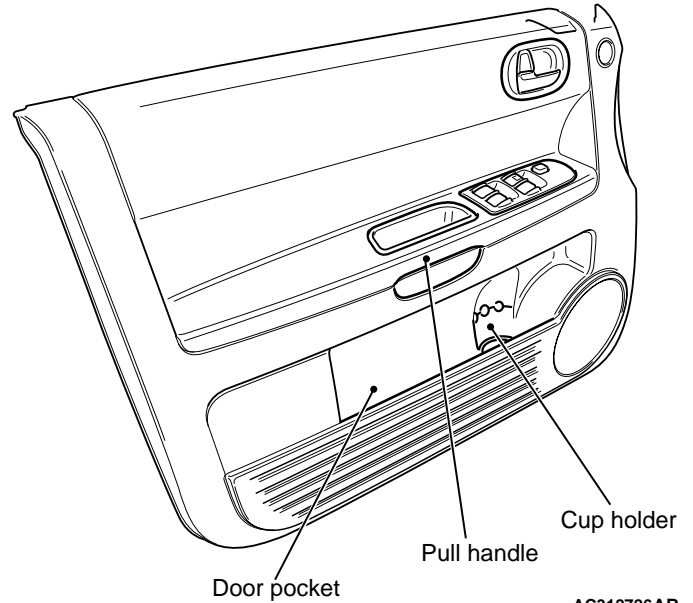
DOOR TRIM

M2520012300185

<Rear door trim>



<Front door trim>

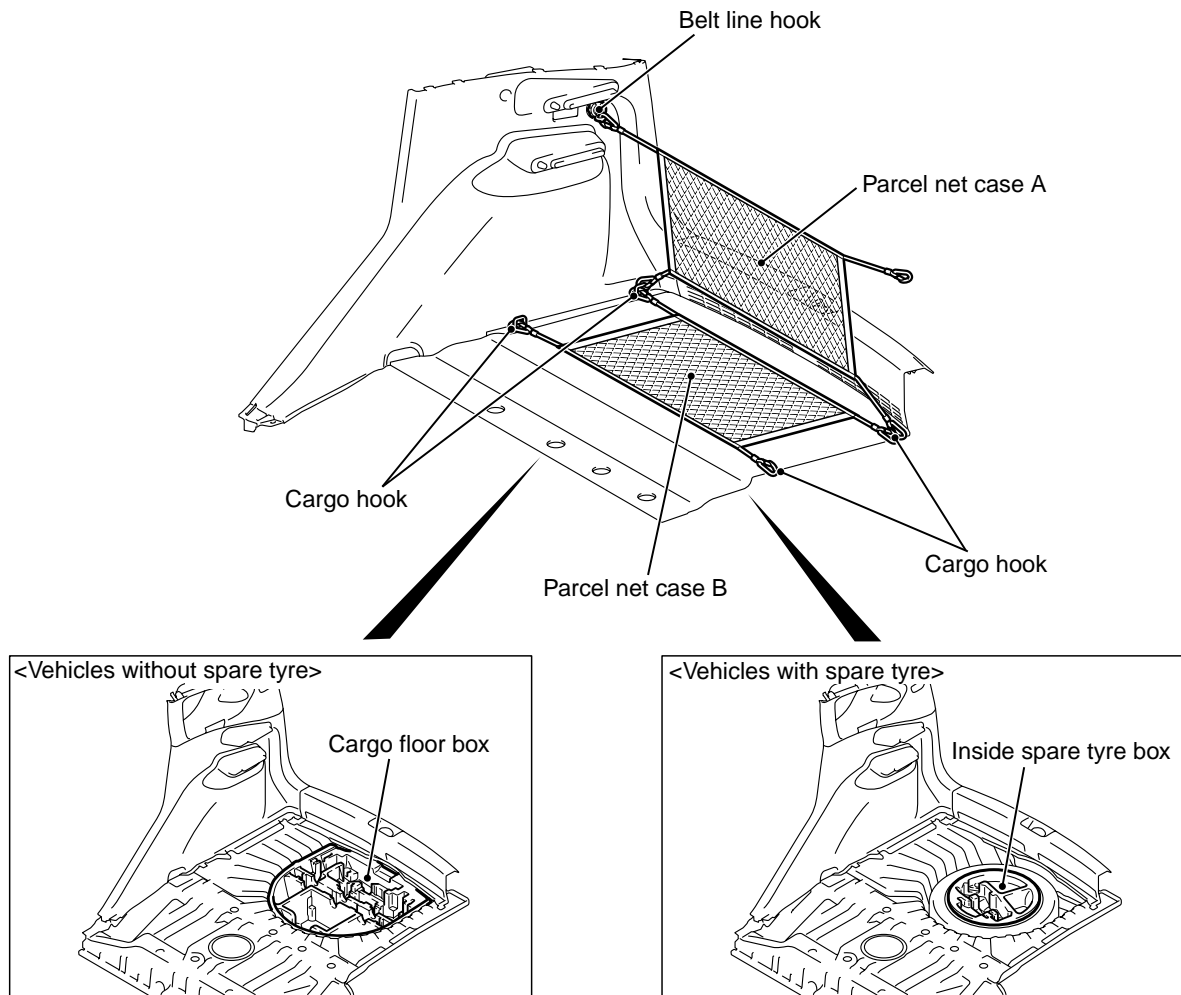


AC312726AB

- For improved safety, door trims are made of splinterless plastic material to protect the passengers during a side collision.
- For improved passengers' convenience, a cup holder (for a drink can, small-sized plastic bottle, or ashtray) and a door pocket that can accommodate a road map have been provided in the front door trim.
- A pull handle with horizontal grip has been adopted for easy opening/closing of the doors.
- Two-tone door trim fabric coordinated with the instrument panel has been adopted for improved quality.

LUGGAGE ROOM

M2520013000109

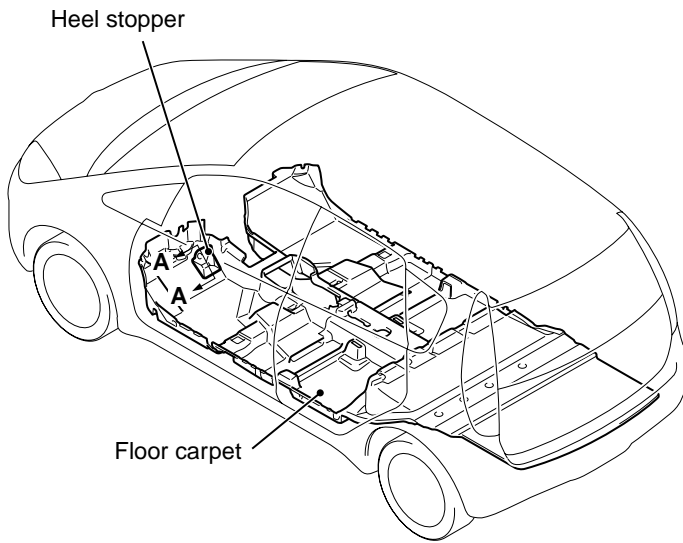


AC313275AB

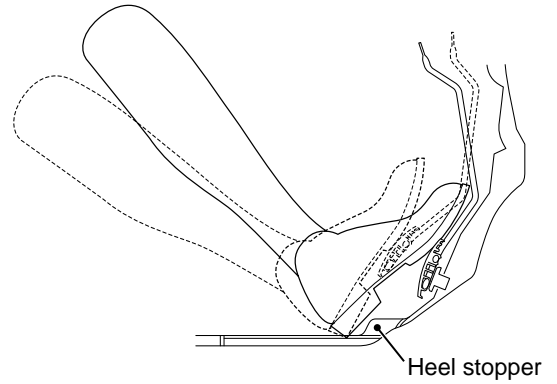
- For improved passengers' convenience, cargo hooks (4) and beltline hooks (2) for holding luggage have been provided.
- For improved passengers' convenience, an accessory socket has been provided in the LH lower quarter trim.
- A cargo floor box (for vehicles without spare tyres) or an inside spare wheel box (for vehicles with spare tyres) has been equipped under the luggage board.
- A parcel net (for small items) is optionally available for improved passengers' convenience. The parcel net can be attached in two ways.

FLOOR CARPET

M2520015000075



Section A – A



Heel stopper has been adopted on the floor carpet of the driver's side footwell. The heel stopper prevents the forward movement of the driver's legs during collision and minimizes the severity of an injury.