

GROUP 80

CONFIGURATION DIAGRAMS

CONTENTS

**OVERALL CONFIGURATION
DIAGRAM**

OVERALL WIRING DIAGRAM <SEDAN (LHD)>	80-2
OVERALL WIRING DIAGRAM <SEDAN (RHD)>	80-3
OVERALL WIRING DIAGRAM <WAGON (LHD)>	80-4
OVERALL WIRING DIAGRAM <WAGON (RHD)>	80-5

ENGINE COMPARTMENT

ENGINE COMPARTMENT <LHD>	80-6
ENGINE COMPARTMENT <RHD>	80-8

ENGINE AND TRANSMISSION

ENGINE AND TRANSMISSION <4G1-MPI (LHD)>	80-10
ENGINE AND TRANSMISSION <4G1-MPI (RHD)>	80-14
ENGINE AND TRANSMISSION <4G6-MPI (LHD)>	80-18
ENGINE AND TRANSMISSION <4G6-MPI (RHD)>	80-22

DASH PANEL

DASH PANEL <LHD>	80-26
DASH PANEL <RHD>	80-32

FLOOR AND ROOF

FLOOR AND ROOF <SEDAN (LHD)>	80-38
FLOOR AND ROOF <SEDAN (RHD)>	80-40
FLOOR AND ROOF <WAGON (LHD)>	80-42
FLOOR AND ROOF <WAGON (RHD)>	80-44

DOOR

DOOR <LHD>	80-46
DOOR <RHD>	80-48

**TRUNK
(LUGGAGE COMPARTMENT)**

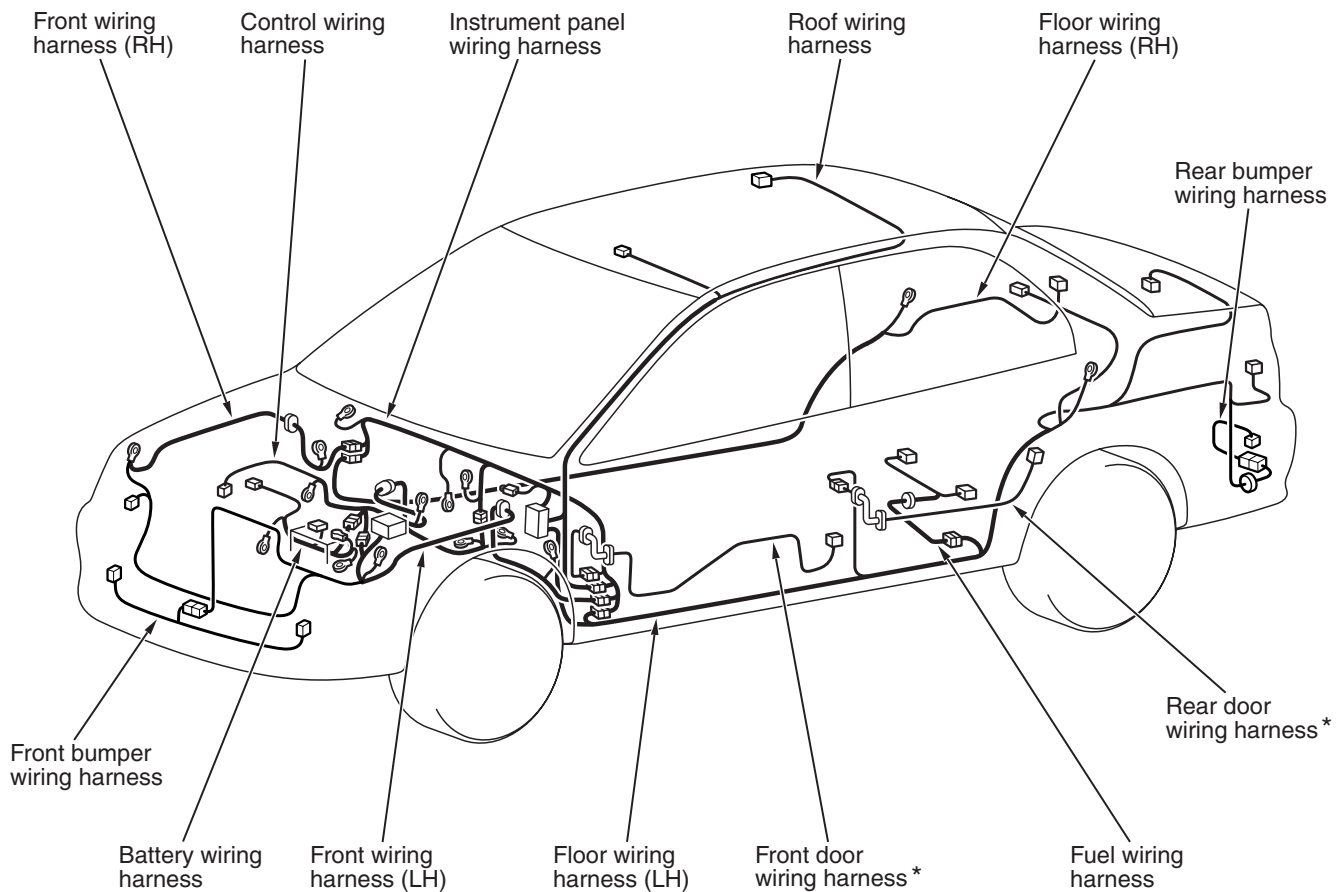
TRUNK (LUGGAGE COMPARTMENT) <SEDAN (LHD)>	80-50
TRUNK (LUGGAGE COMPARTMENT) <SEDAN (RHD)>	80-51

TAILGATE

TAILGATE <WAGON (LHD)>	80-52
TAILGATE <WAGON (RHD)>	80-53

OVERALL CONFIGURATION DIAGRAM**OVERALL WIRING DIAGRAM <SEDAN (LHD)>**

M1801000101302



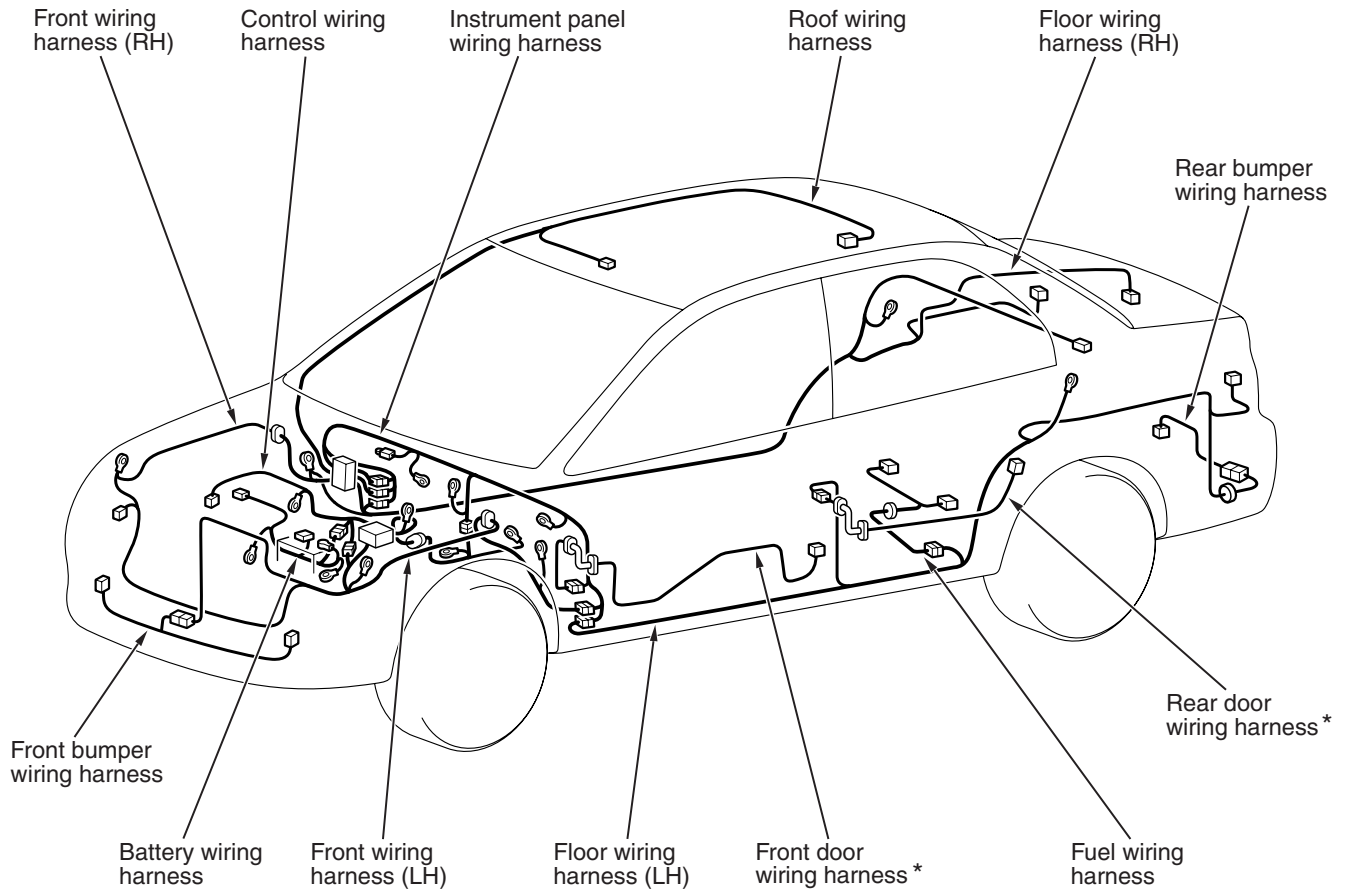
AC301175 AB

NOTE:

1. This illustration shows only major wiring harnesses.
2. *: also equipped at the right side.

OVERALL WIRING DIAGRAM <SEDAN (RHD)>

M1801000101313



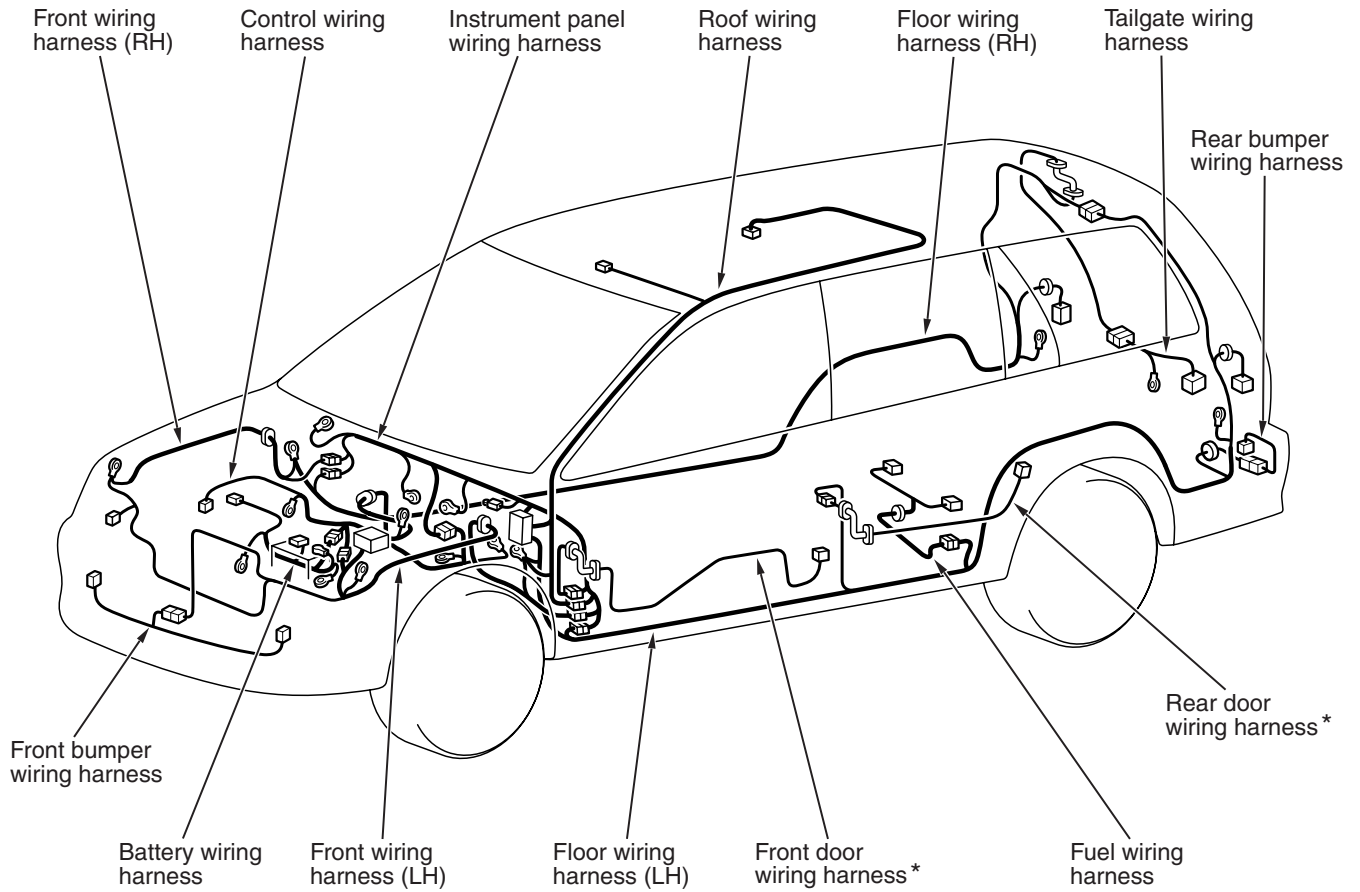
AC301176 AB

NOTE:

1. This illustration shows only major wiring harnesses.
2. *: also equipped at the right side.

OVERALL WIRING DIAGRAM <WAGON (LHD)>

M1801000101324



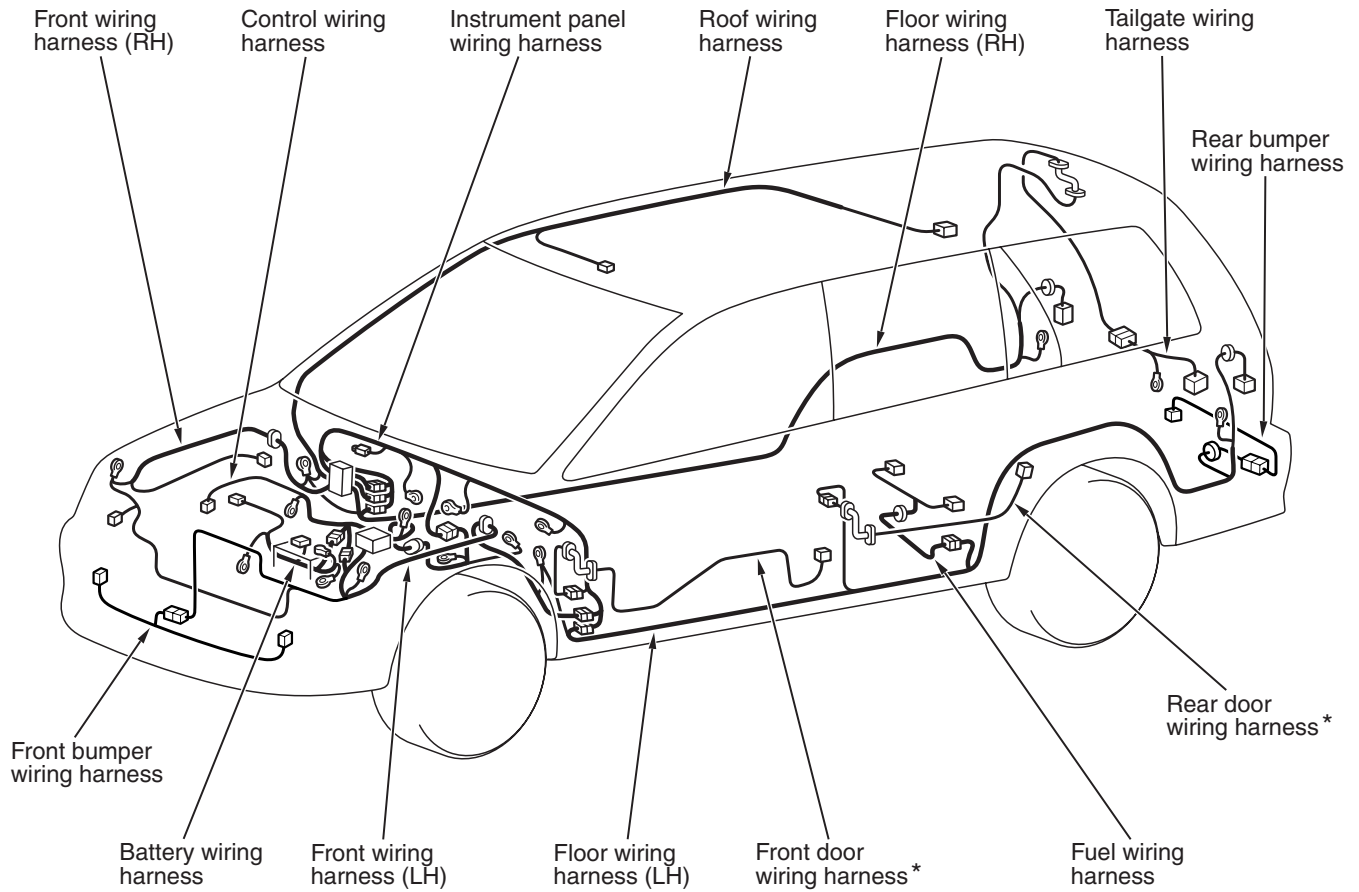
AC301177AB

NOTE:

1. This illustration shows only major wiring harnesses.
2. *: also equipped at the right side.

OVERALL WIRING DIAGRAM <WAGON (RHD)>

M1801000101335



AC301178 AB

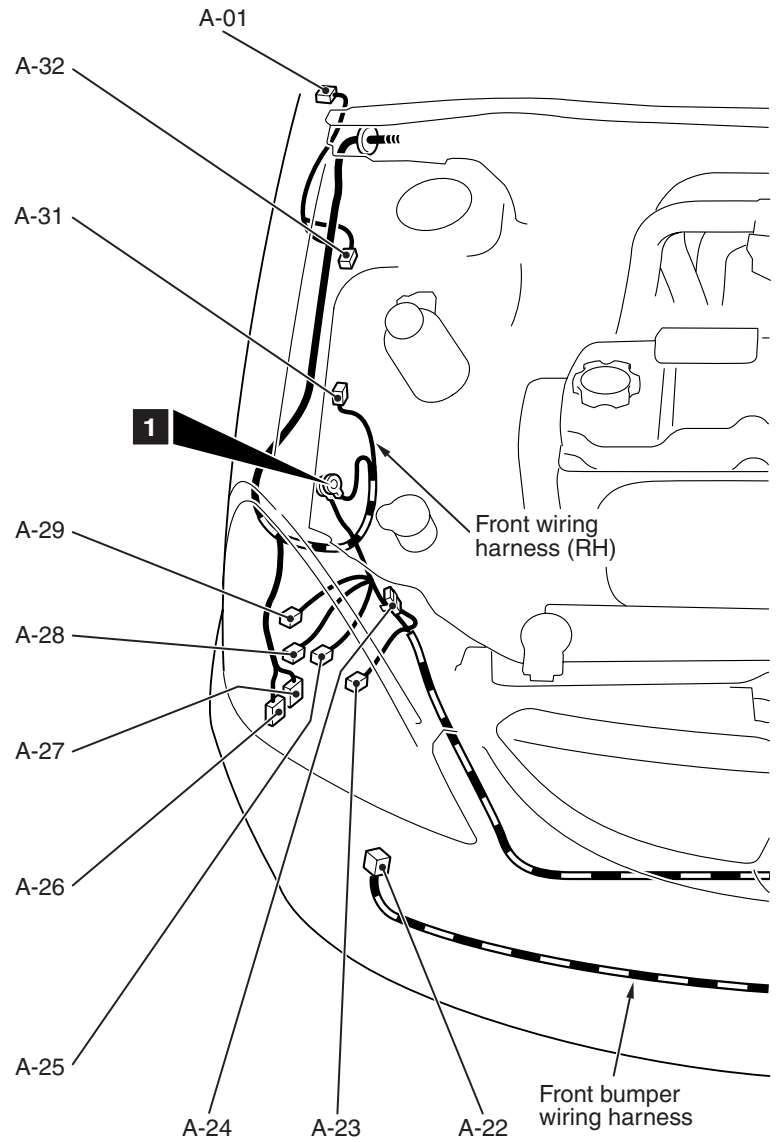
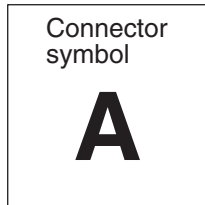
NOTE:

1. This illustration shows only major wiring harnesses.
2. *: also equipped at the right side.

ENGINE COMPARTMENT

ENGINE COMPARTMENT <LHD>

M1801000302440

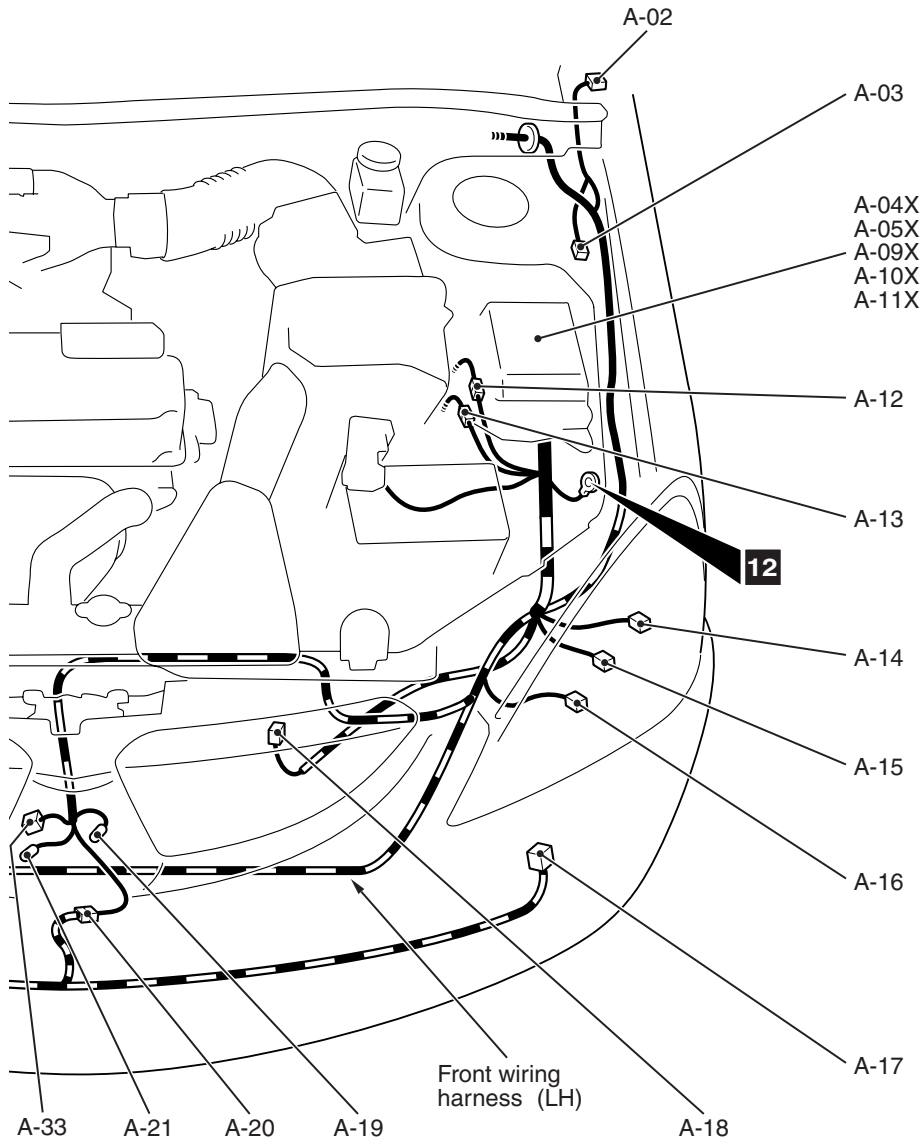
Connector colour
code

B : Black
BR : Brown
G : Green
GR : Grey
L : Blue
None : Milk white
O : Orange
R : Red
V : Violet
Y : Yellow

A-01	(2-GR)	Side turn signal lamp (RH)
A-02	(2-GR)	Side turn signal lamp (LH)
A-03	(2-B)	Wheel speed sensor (Front: LH)
A-04X	(4)	Front fog lamp relay or spare connector (for front fog lamp)
A-05X	(4)	Horn relay
A-09X	(4)	Fan control relay
A-10X	(11)	Front-ECU

A-11X	(11)	Front-ECU
A-12	(2-B)	Front wiring harness (LH) and control wiring harness combination
A-13	(12-B)	Front wiring harness (LH) and control wiring harness combination
A-14	(3-B)	Headlamp (LH)
A-15	(6-B)	Front combination lamp (LH)
A-16	(2)	Front turn signal lamp (LH)

AC301123AC

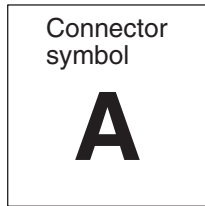


AC502048AB

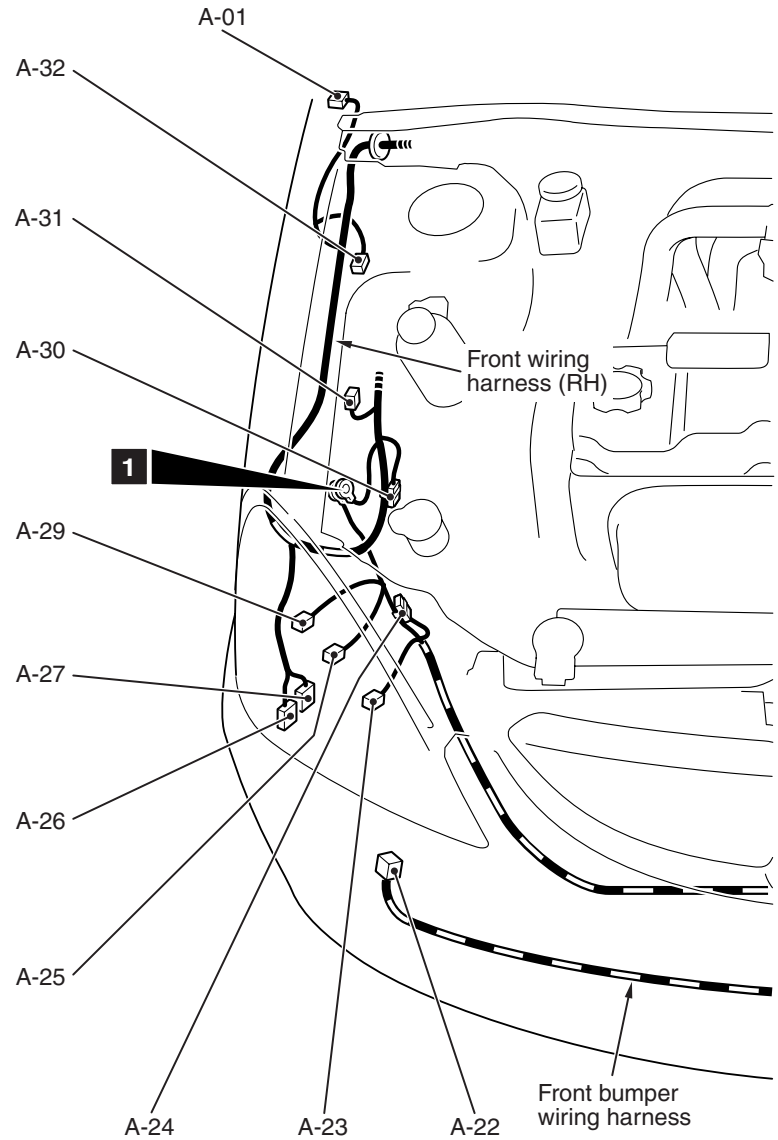
- | | | | | | |
|------|--------|---|------|--------|---------------------------------------|
| A-17 | (2-B) | Front fog lamp (LH) | A-25 | (6-B) | Front combination lamp (RH) |
| A-18 | (3-GR) | Cooling fan motor drive control unit | A-26 | (2) | Windshield washer motor |
| A-19 | (1-B) | Horn (HI) | A-27 | (2-G) | Rear washer motor |
| A-20 | (2-B) | Front wiring harness (LH) and front bumper wiring harness combination | A-28 | (2-B) | Headlamp washer motor |
| A-21 | (1-B) | Horn (LO) | A-29 | (3-B) | Headlamp (RH) |
| A-22 | (2-B) | Front fog lamp (RH) | A-31 | (2-BR) | Dual pressure switch |
| A-23 | (2) | Front turn signal lamp (RH) | A-32 | (2-B) | Wheel speed sensor (Front: RH) |
| A-24 | (1) | Spare connector (for front fog lamp) | A-33 | (2-BR) | Outside thermo sensor <Automatic A/C> |

ENGINE COMPARTMENT <RHD>

M1801000302451



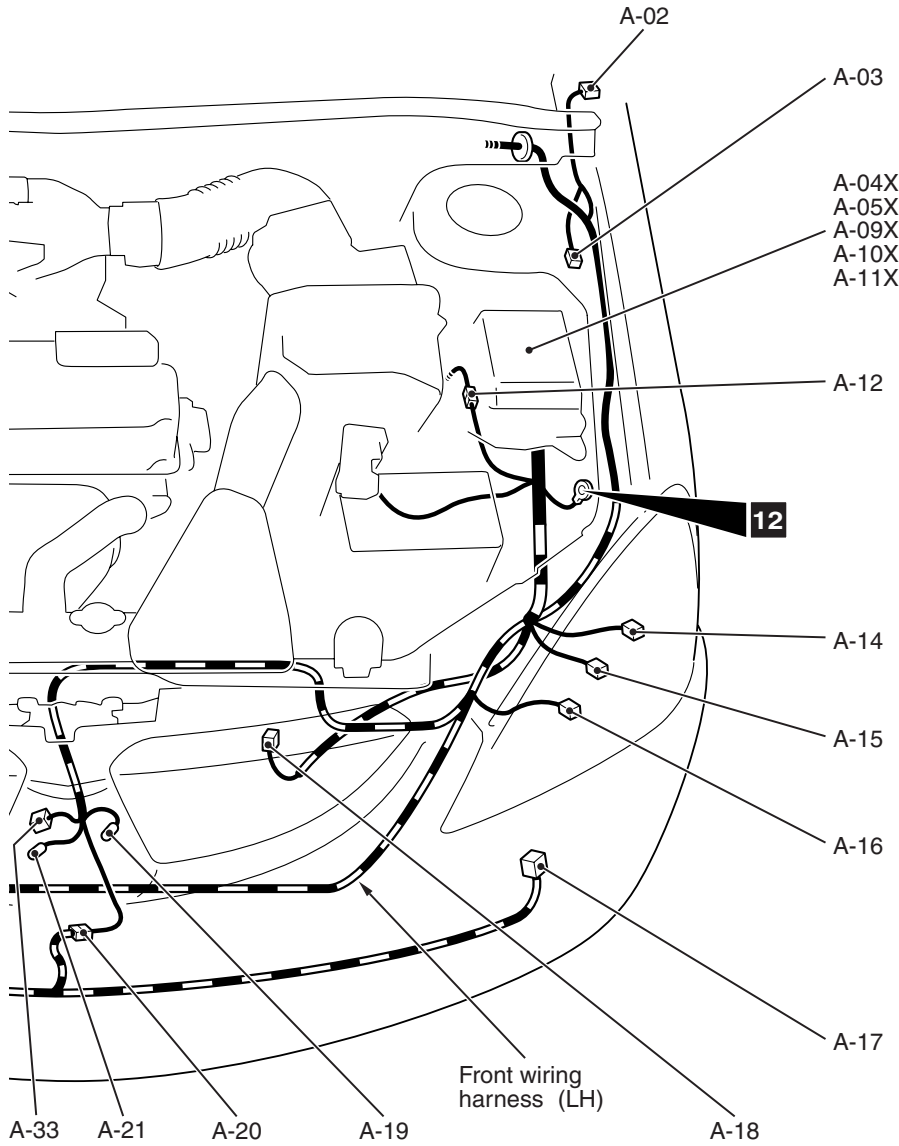
Connector colour code
 B : Black
 BR : Brown
 G : Green
 GR : Grey
 L : Blue
 None : Milk white
 O : Orange
 R : Red
 V : Violet
 Y : Yellow



AC301126AC

A-01	(2-GR)	Side turn signal lamp (RH)
A-02	(2-GR)	Side turn signal lamp (LH)
A-03	(2-B)	Wheel speed sensor (Front: LH)
A-04X	(4)	Front fog lamp relay or spare connector (for front fog lamp)
A-05X	(4)	Horn relay
A-09X	(4)	Fan control relay
A-10X	(11)	Front-ECU

A-11X	(11)	Front-ECU
A-12	(2-B)	Front wiring harness (LH) and control wiring harness combination
A-14	(3-B)	Headlamp (LH)
A-15	(6-B)	Front combination lamp (LH)
A-16	(2)	Front turn signal lamp (LH)
A-17	(2-B)	Front fog lamp (LH)



- A-18 (3-GR) Cooling fan motor drive control unit
- A-19 (1-B) Horn (HI)
- A-20 (2-B) Front wiring harness (LH) and front bumper wiring harness combination
- A-21 (1-B) Horn (LO)
- A-22 (2-B) Front fog lamp (RH)
- A-23 (2) Front turn signal lamp (RH)
- A-24 (1) Spare connector (for front fog lamp)

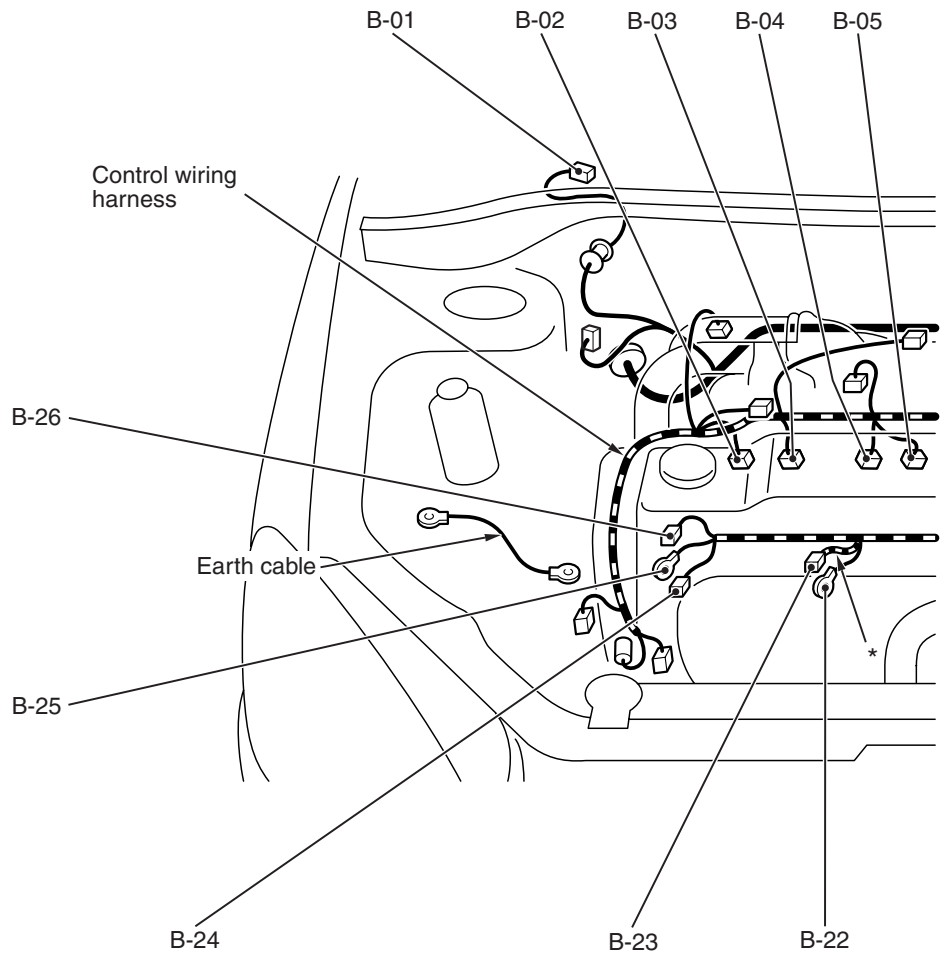
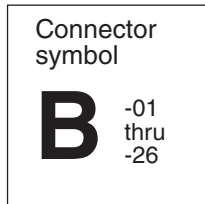
- A-25 (6-B) Front combination lamp (RH)
- A-26 (2) Windshield washer motor
- A-27 (2-G) Rear washer motor
- A-29 (3-B) Headlamp (RH)
- A-30 (2-GR) No connection
- A-31 (2-BR) Dual pressure switch
- A-32 (2-B) Wheel speed sensor (Front: RH)
- A-33 (2-BR) Outside thermo sensor <Automatic A/C>

AC502049AB

ENGINE AND TRANSMISSION

ENGINE AND TRANSMISSION <4G1-MPI (LHD)>

M1801000401949



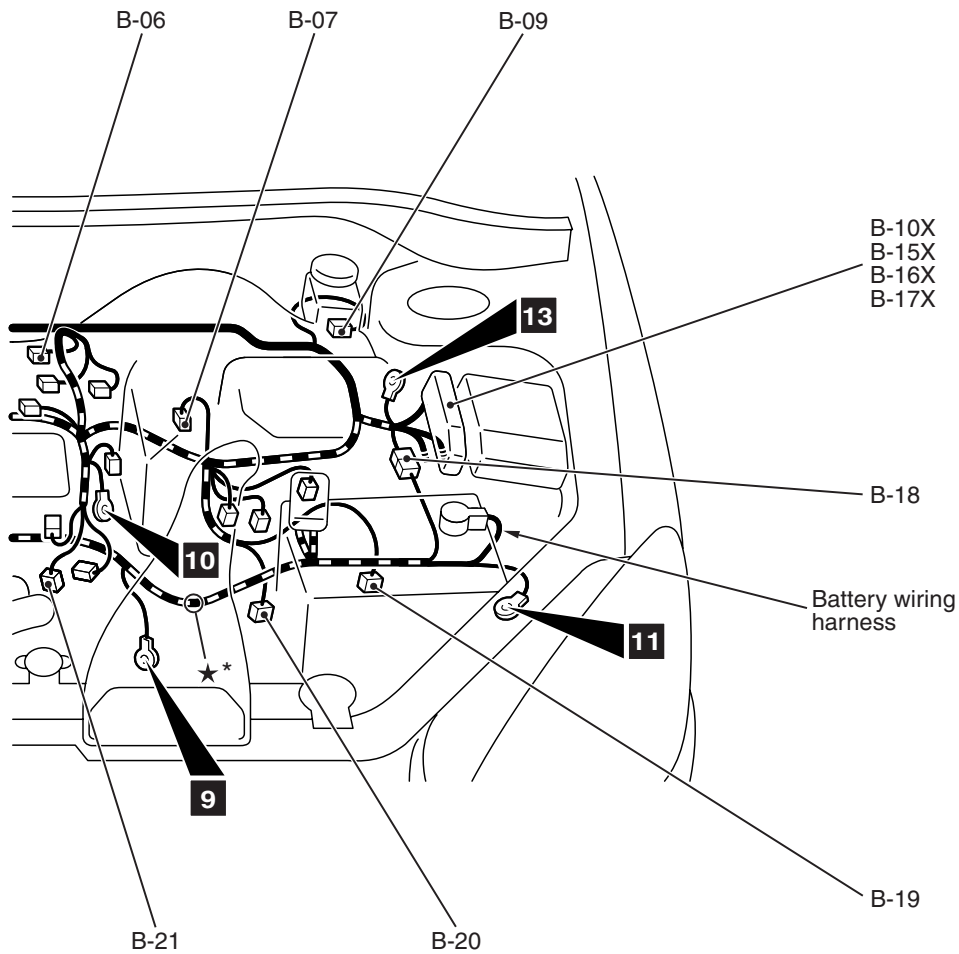
Connector colour code

B : Black
 BR : Brown
 G : Green
 GR : Grey
 L : Blue
 None : Milk white
 O : Orange
 R : Red
 V : Violet
 Y : Yellow

AC301129AD

B-01 (5-GR) Windshield wiper motor
 B-02 (2-GR) Fuel injector 1
 B-03 (2-GR) Fuel injector 2
 B-04 (2-GR) Fuel injector 3
 B-05 (2-GR) Fuel injector 4
 B-06 (3-GR) Throttle body throttle sensor

B-07 (3-B) Vehicle speed sensor <M/T>
 B-09 (2-GR) Brake fluid level indicator switch
 B-10X (1) Engine speed detection connector
 B-15X (4) A/T control relay
 B-16X (4) Engine control relay
 B-17X (4) A/C compressor relay



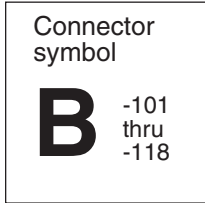
AC301130AB

- B-18 (6-B) Control wiring harness and battery wiring harness combination
- B-19 (10-GR) A/T control solenoid valve assembly
- B-20 (10-B) Inhibitor switch <A/T>
- B-21 (4-B) Engine control oxygen sensor (Front)
- B-22 (1) Starter
- B-23 (1-B) Starter
- B-24 (1-B) Engine oil pressure switch

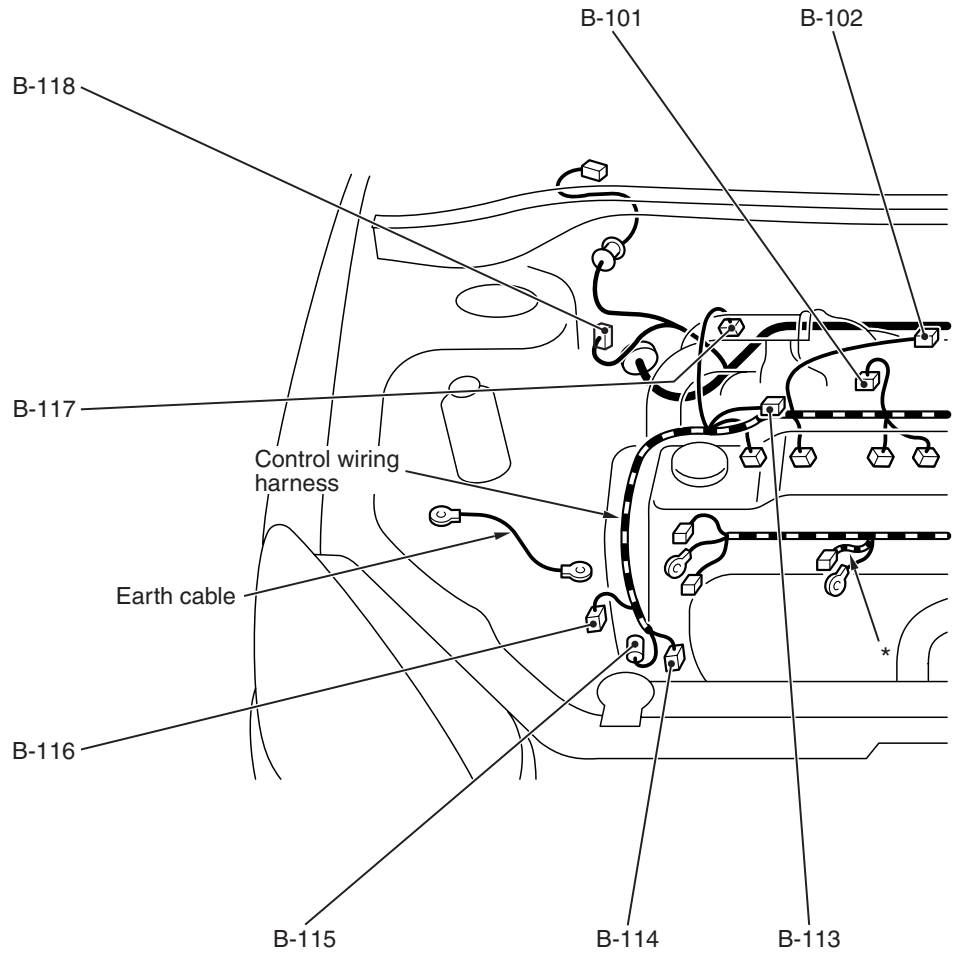
- B-25 (1) Alternator
- B-26 (4-GR) Alternator

NOTE: On A/T only, the standard routing positions for the corrugated tube and wiring harness are marked by.*

ENGINE AND TRANSMISSION <4G1-MPI (LHD)> (CONTINUED)



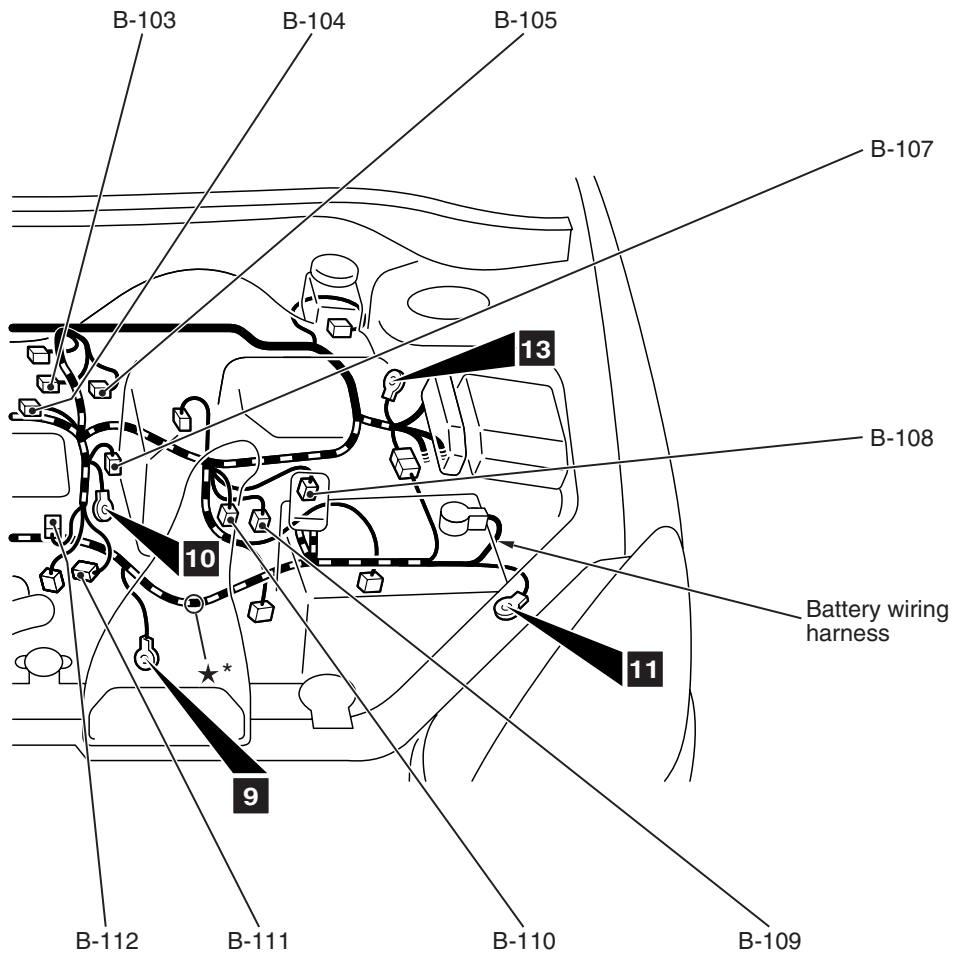
- Connector colour code
- B : Black
 - BR : Brown
 - G : Green
 - GR : Grey
 - L : Blue
 - None : Milk white
 - O : Orange
 - R : Red
 - V : Violet
 - Y : Yellow



AC301129AE

- B-101 (2-BR) Emission solenoid valve (EGR system)
- B-102 (4-GR) Inlet manifold absolute pressure sensor
- B-103 (6-B) Throttle body idle speed control servo
- B-104 (3-GR) Ignition coil 1
- B-105 (2-B) Emission solenoid valve (Purge control system)

- B-107 (3-B) Camshaft position sensor
- B-108 (3-GR) Output shaft speed sensor <A/T>
- B-109 (3-B) Input shaft speed sensor <A/T>
- B-110 (2-B) Back-up lamp switch <M/T>
- B-111 (2-B) Water temperature sensor unit



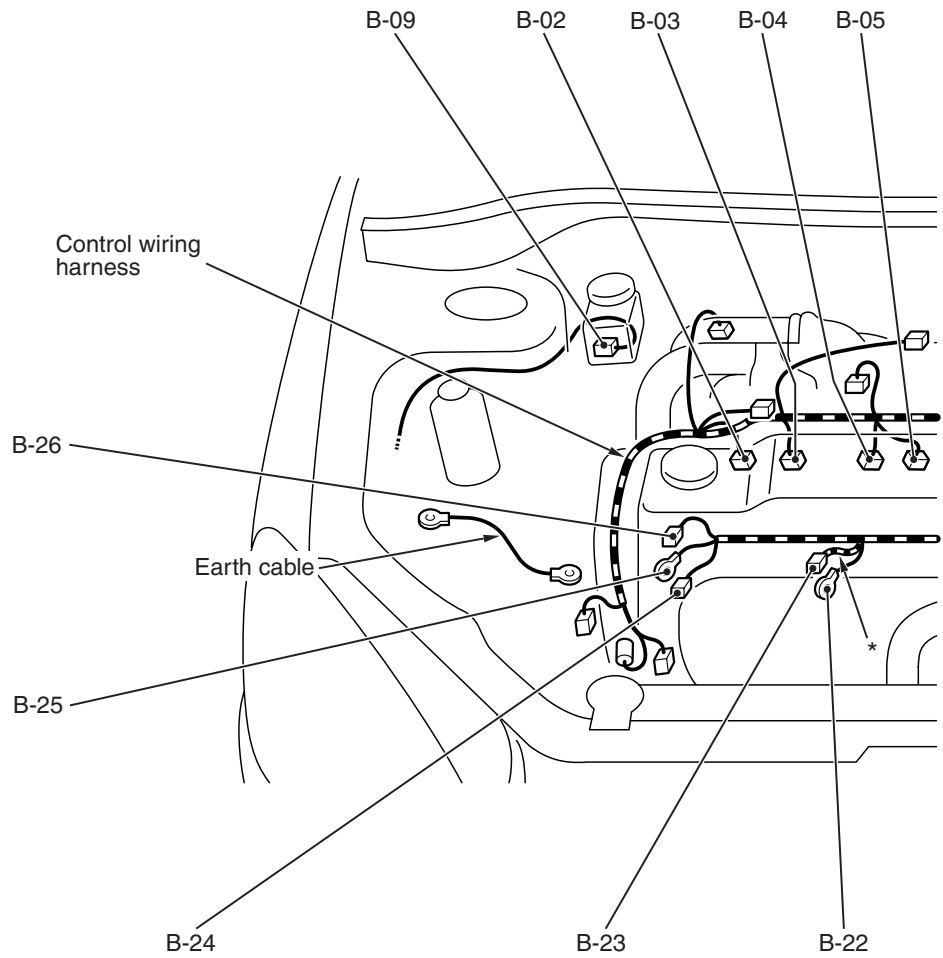
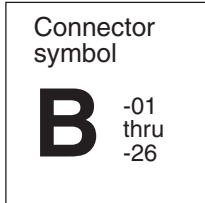
AC301130AC

- B-112 (1-B) Water temperature gauge unit
- B-113 (3-GR) Ignition coil 2
- B-114 (1-B) A/C compressor
- B-115 (1) Power steering fluid pressure switch
- B-116 (3-B) Engine crank angle sensor
- B-117 (2-GR) Engine control detonation sensor
- B-118 (28-GR) ABS-ECU

NOTE: On A/T only, the standard routing positions for the corrugated tube and wiring harness are marked by.*

ENGINE AND TRANSMISSION <4G1-MPI (RHD)>

M1801000401950

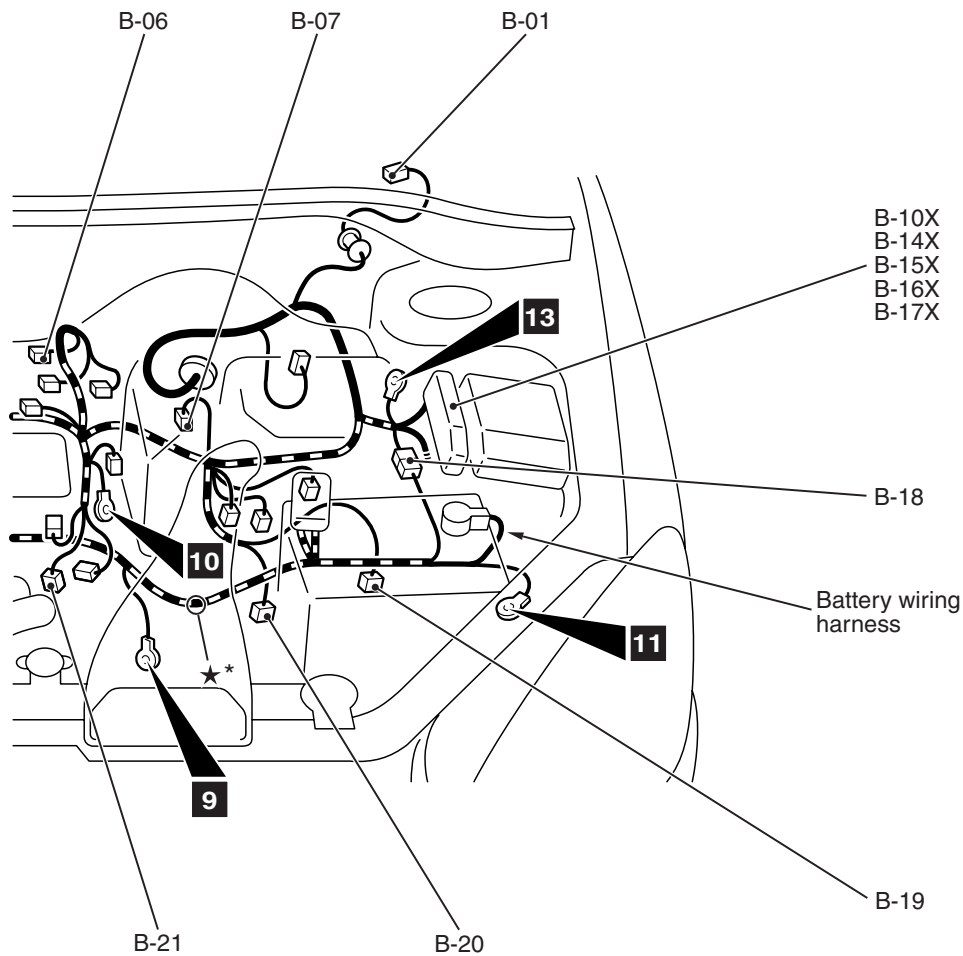


- Connector colour code
- B : Black
 - BR : Brown
 - G : Green
 - GR : Grey
 - L : Blue
 - None : Milk white
 - O : Orange
 - R : Red
 - V : Violet
 - Y : Yellow

AC301132AD

- B-01 (5-GR) Windshield wiper motor
- B-02 (2-GR) Fuel injector 1
- B-03 (2-GR) Fuel injector 2
- B-04 (2-GR) Fuel injector 3
- B-05 (2-GR) Fuel injector 4
- B-06 (3-GR) Throttle body throttle sensor

- B-07 (3-B) Vehicle speed sensor <M/T>
- B-09 (2-GR) Brake fluid level indicator switch
- B-10X (1) Engine speed detection connector
- B-14X (4) Ignition coil relay
- B-15X (4) A/T control relay
- B-16X (4) Engine control relay



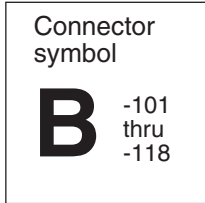
AC301133 AB

- B-17X (4) A/C compressor relay
- B-18 (6-B) Control wiring harness and battery wiring harness combination
- B-19 (10-GR) A/T control solenoid valve assembly
- B-20 (10-B) Inhibitor switch <A/T>
- B-21 (4-B) Engine control oxygen sensor (Front)
- B-22 (1) Starter
- B-23 (1-B) Starter
- B-24 (1-B) Engine oil pressure switch

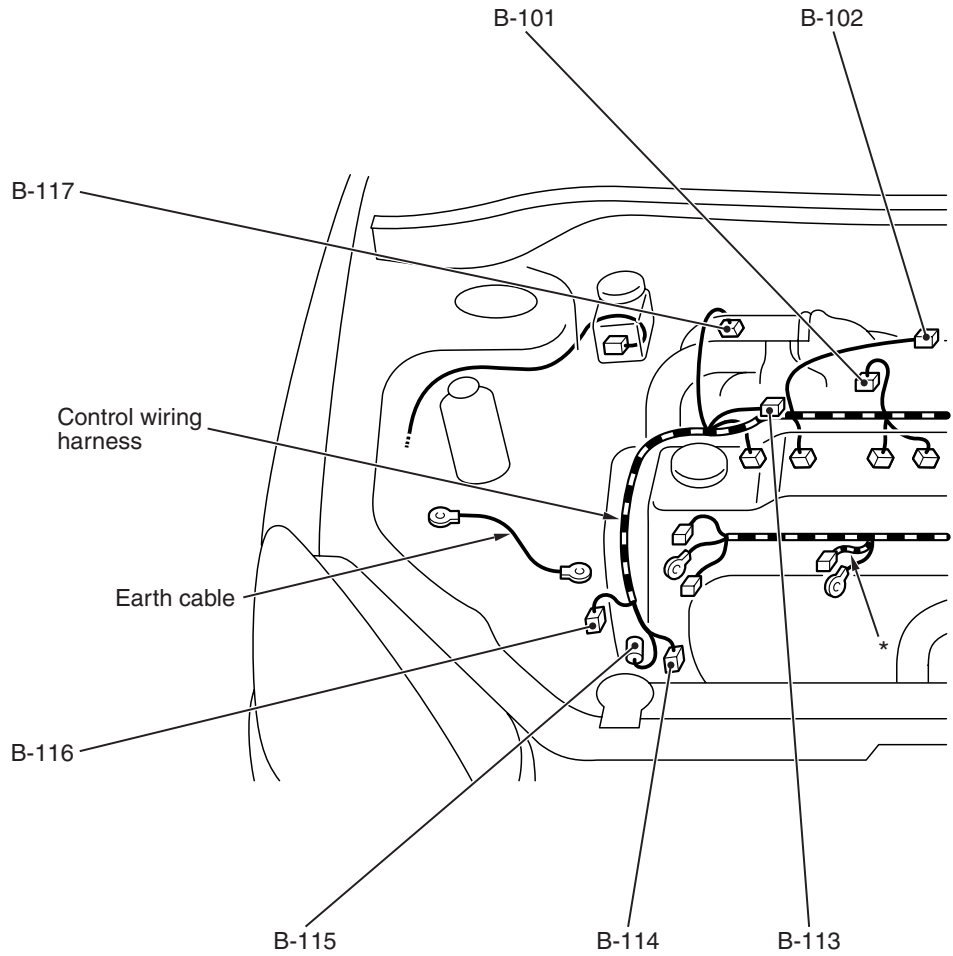
- B-25 (1) Alternator
- B-26 (4-GR) Alternator

NOTE: On A/T only, the standard routing positions for the corrugated tube and wiring harness are marked by.*

ENGINE AND TRANSMISSION <4G1-MPI (RHD)> (CONTINUED)



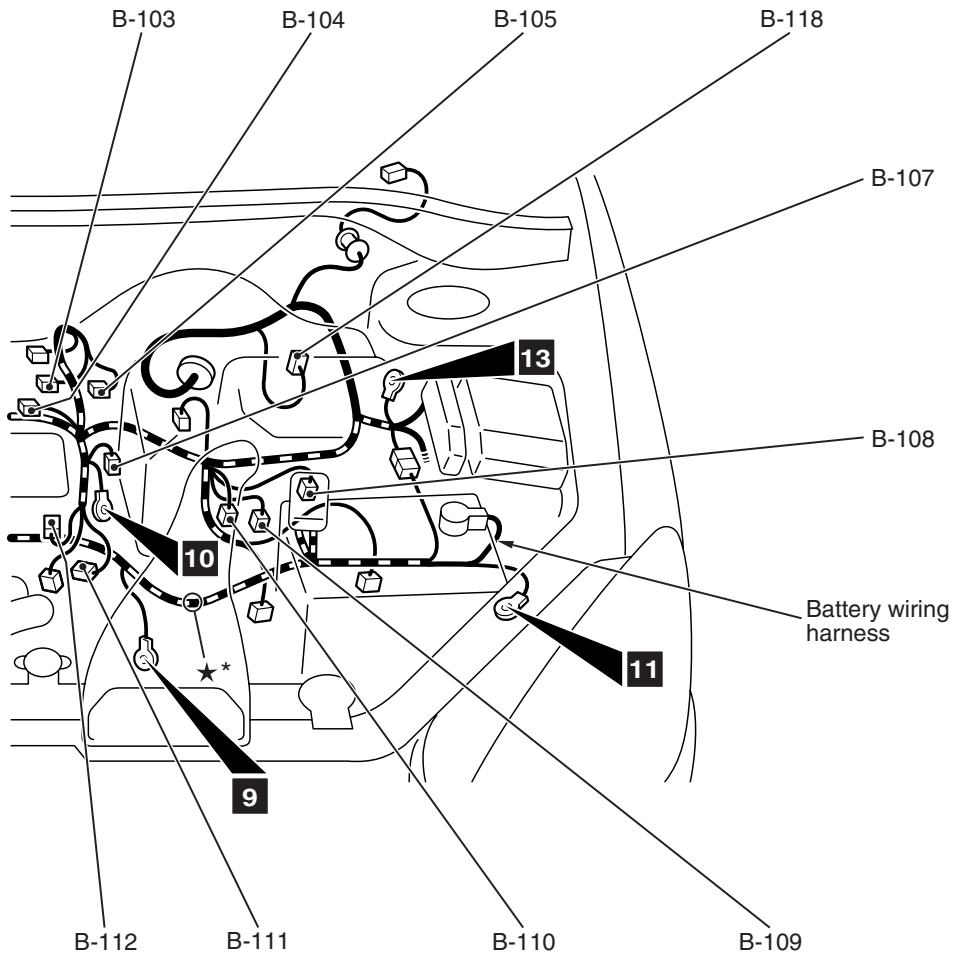
- Connector colour code
- B : Black
 - BR : Brown
 - G : Green
 - GR : Grey
 - L : Blue
 - None : Milk white
 - O : Orange
 - R : Red
 - V : Violet
 - Y : Yellow



AC301132AE

- B-101 (2-BR) Emission solenoid valve (EGR system)
- B-102 (4-GR) Inlet manifold absolute pressure sensor
- B-103 (6-B) Throttle body idle speed control servo
- B-104 (3-GR) Ignition coil 1
- B-105 (2-B) Emission solenoid valve (Purge control system)

- B-107 (3-B) Camshaft position sensor
- B-108 (3-GR) Output shaft speed sensor <A/T>
- B-109 (3-B) Input shaft speed sensor <A/T>
- B-110 (2-B) Back-up lamp switch <M/T>



AC301133 AC

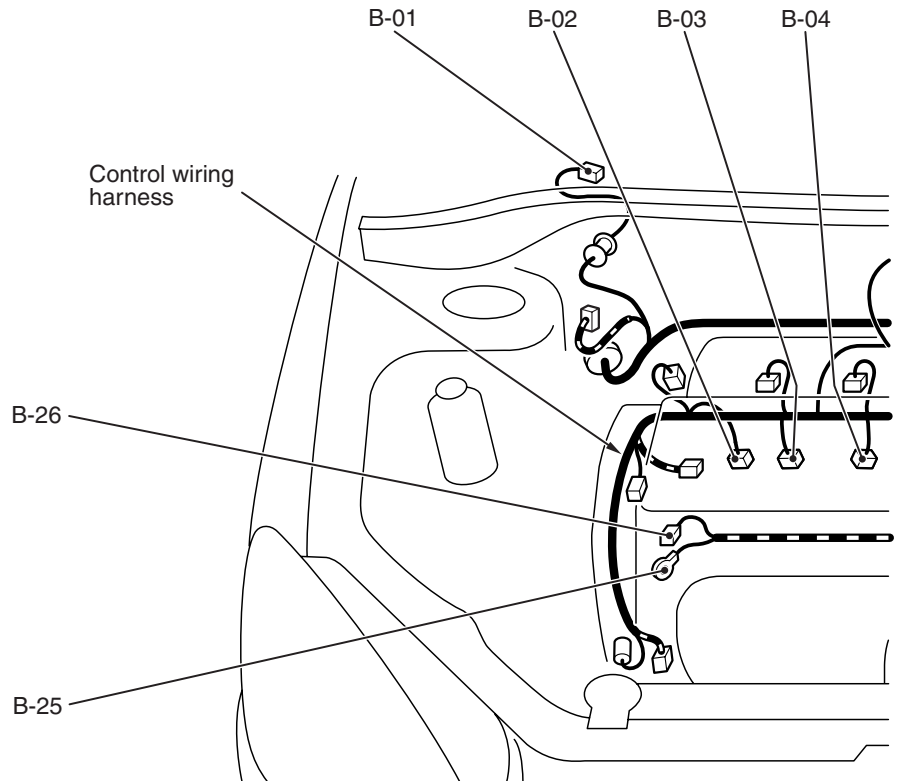
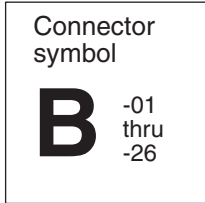
- B-111 (2-B) Water temperature sensor unit
- B-112 (1-B) Water temperature gauge unit
- B-113 (3-GR) Ignition coil 2
- B-114 (1-B) A/C compressor
- B-115 (1) Power steering fluid pressure switch
- B-116 (3-B) Engine crank angle sensor
- B-117 (2-GR) Engine control detonation sensor

B-118 (28-GR) ABS-ECU

NOTE: On A/T only, the standard routing positions for the corrugated tube and wiring harness are marked by.*

ENGINE AND TRANSMISSION <4G6-MPI (LHD)>

M1801000401961

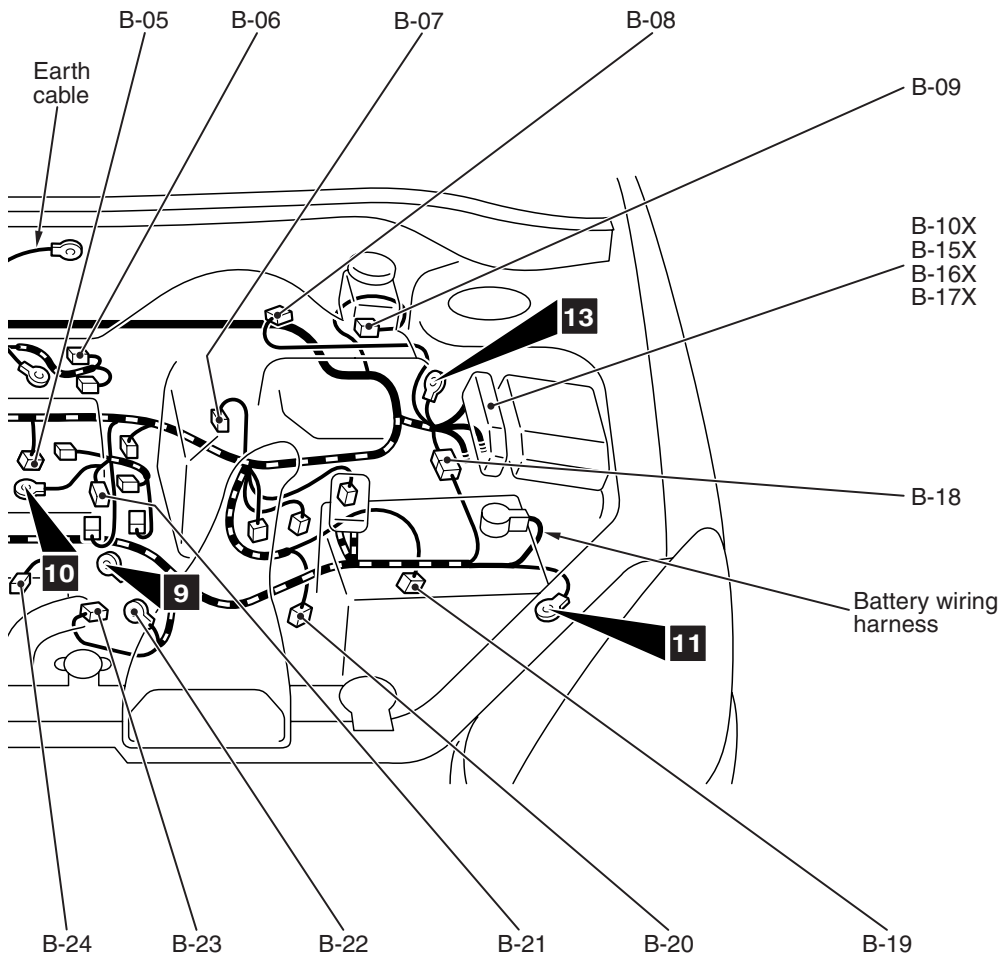


- Connector colour code
- B : Black
 - BR : Brown
 - G : Green
 - GR : Grey
 - L : Blue
 - None : Milk white
 - O : Orange
 - R : Red
 - V : Violet
 - Y : Yellow

AC301135AD

- B-01 (5-GR) Windshield wiper motor
- B-02 (2-GR) Fuel injector 1
- B-03 (2-GR) Fuel injector 2
- B-04 (2-GR) Fuel injector 3
- B-05 (2-GR) Fuel injector 4
- B-06 (4-B) Throttle body throttle sensor

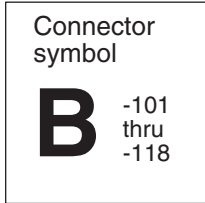
- B-07 (3-B) Vehicle speed sensor <M/T>
- B-08 (7-B) Air cleaner air flow sensor
- B-09 (2-GR) Brake fluid level indicator switch
- B-10X (1) Engine speed detection connector
- B-15X (4) A/T control relay



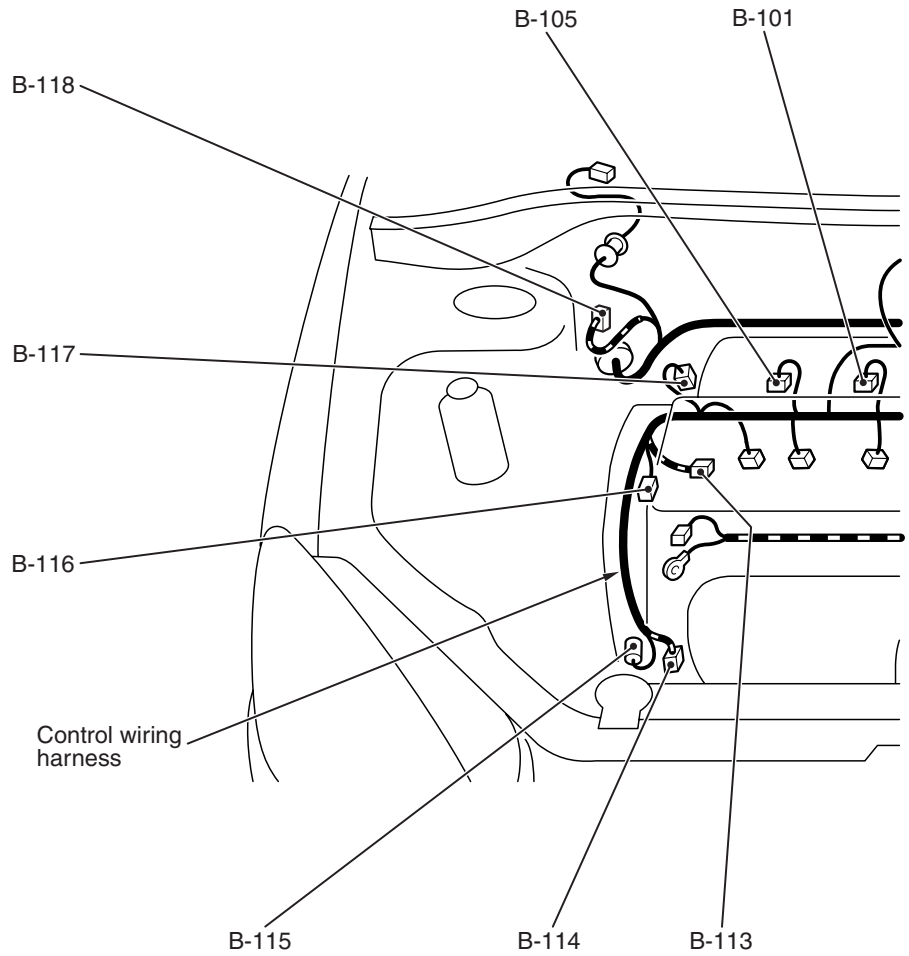
AC502050AB

B-16X (4)	Engine control relay	B-21 (4-B)	Engine control oxygen sensor (Front)
B-17X (4)	A/C compressor relay	B-22 (1)	Starter
B-18 (6-B)	Control wiring harness and battery wiring harness combination	B-23 (1-B)	Starter
B-19 (10-GR)	A/T control solenoid valve assembly	B-24 (1-B)	Engine oil pressure switch
B-20 (10-B)	Inhibitor switch <A/T>	B-25 (1)	Alternator
		B-26 (4-GR)	Alternator

ENGINE AND TRANSMISSION <4G6-MPI (LHD)> (CONTINUED)

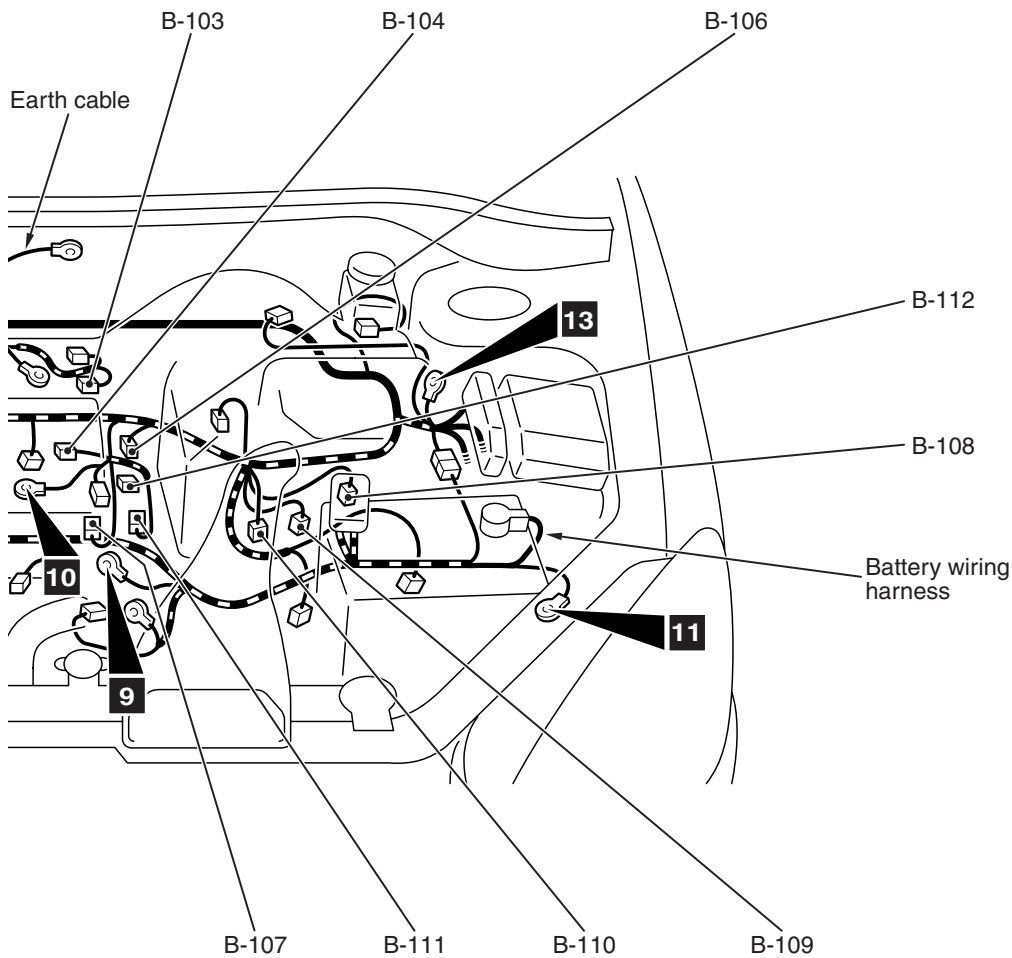


- Connector colour code
- B : Black
 - BR : Brown
 - G : Green
 - GR : Grey
 - L : Blue
 - None : Milk white
 - O : Orange
 - R : Red
 - V : Violet
 - Y : Yellow



AC301135AE

B-101 (2-BR)	Emission solenoid valve (EGR system)	B-107 (3-B)	Camshaft position sensor
B-103 (6-B)	Throttle body idle speed control servo	B-108 (3-GR)	Output shaft speed sensor <A/T>
B-104 (3-GR)	Ignition coil 1	B-109 (3-B)	Input shaft speed sensor <A/T>
B-105 (2-B)	Emission solenoid valve (Purge control system)	B-110 (2-B)	Back-up lamp switch <M/T>
B-106 (1-B)	Capacitor		



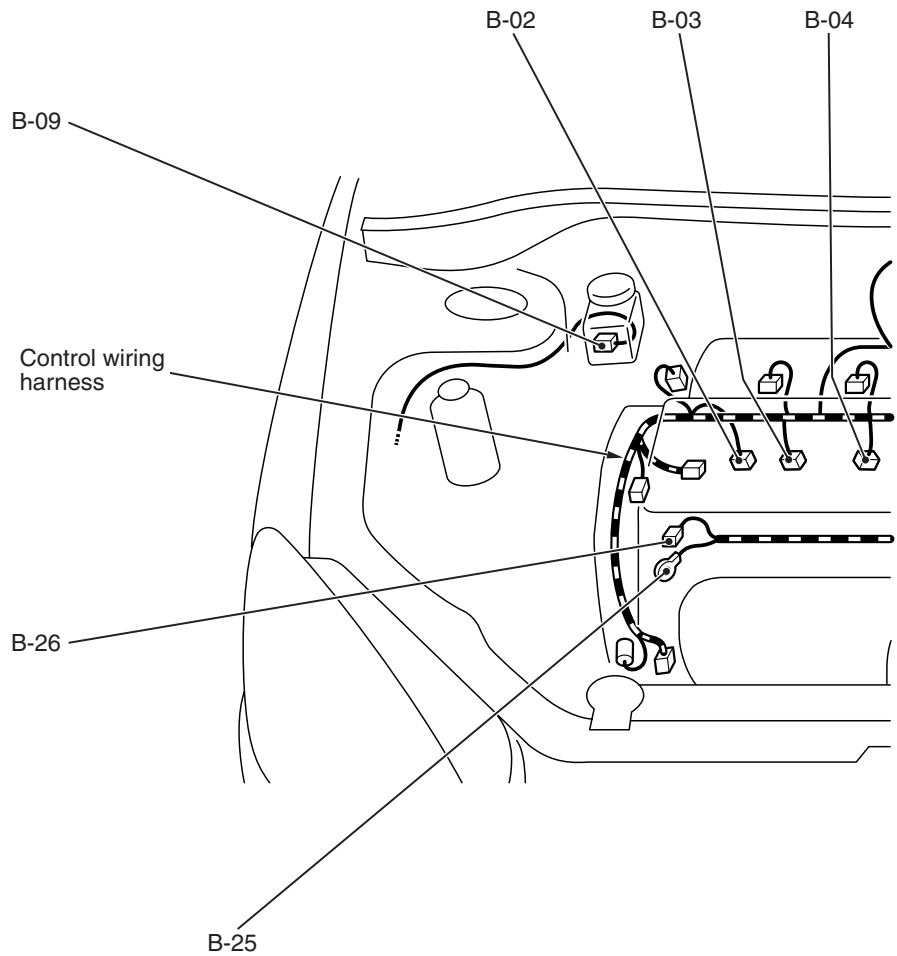
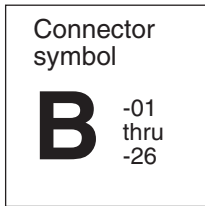
AC502050AC

B-111 (2-B) Water temperature sensor unit
 B-112 (1-B) Water temperature gauge unit
 B-113 (3-GR) Ignition coil 2
 B-114 (1-B) A/C compressor

B-115 (1-B) Power steering fluid pressure switch
 B-116 (3-B) Engine crank angle sensor
 B-117 (2-GR) Engine control detonation sensor
 B-118 (28-GR) ABS-ECU

ENGINE AND TRANSMISSION <4G6-MPI (RHD)>

M1801000401972

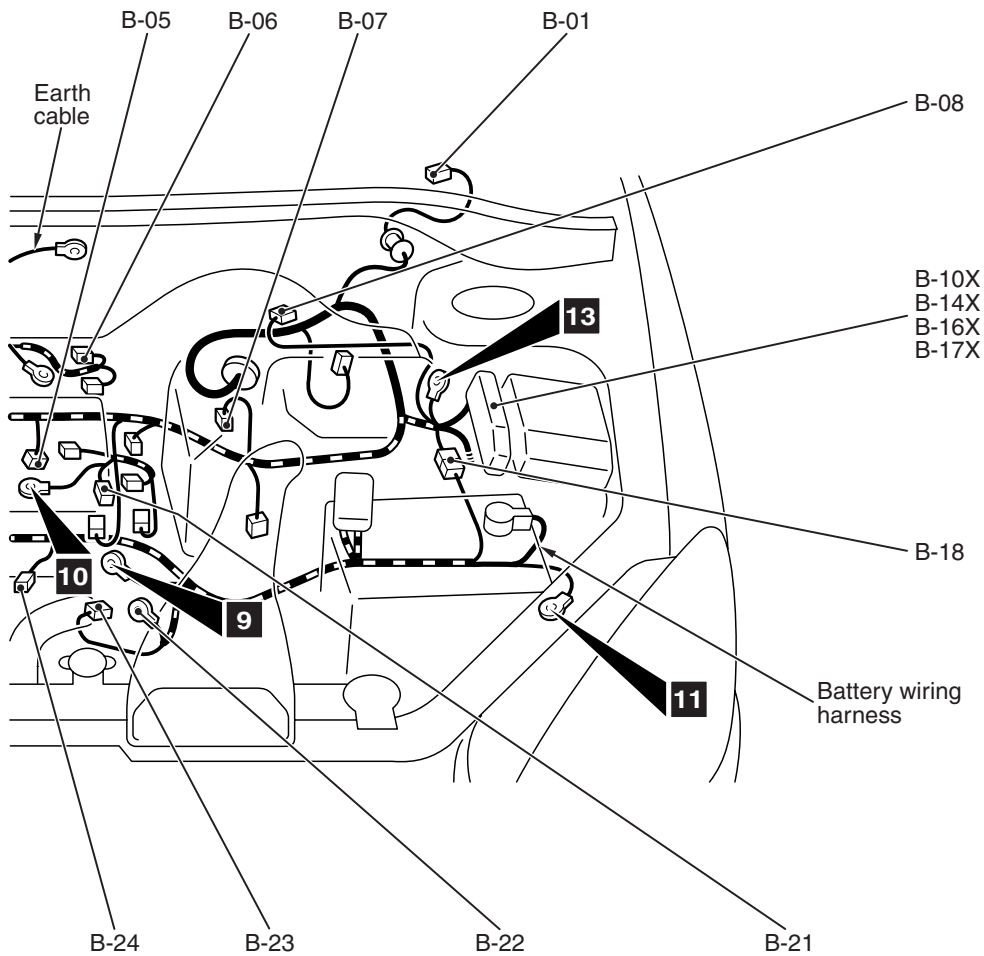


- Connector colour code
- B : Black
 - BR : Brown
 - G : Green
 - GR : Grey
 - L : Blue
 - None : Milk white
 - O : Orange
 - R : Red
 - V : Violet
 - Y : Yellow

AC301138AD

- B-01 (5-GR) Windshield wiper motor
- B-02 (2-GR) Fuel injector 1
- B-03 (2-GR) Fuel injector 2
- B-04 (2-GR) Fuel injector 3
- B-05 (2-GR) Fuel injector 4
- B-06 (4-B) Throttle body throttle sensor

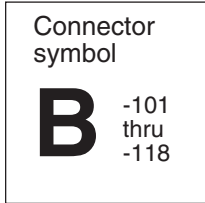
- B-07 (3-B) Vehicle speed sensor
- B-08 (7-B) Air cleaner air flow sensor
- B-09 (2-GR) Brake fluid level indicator switch
- B-10X (1) Engine speed detection connector
- B-14X (4) Ignition coil relay



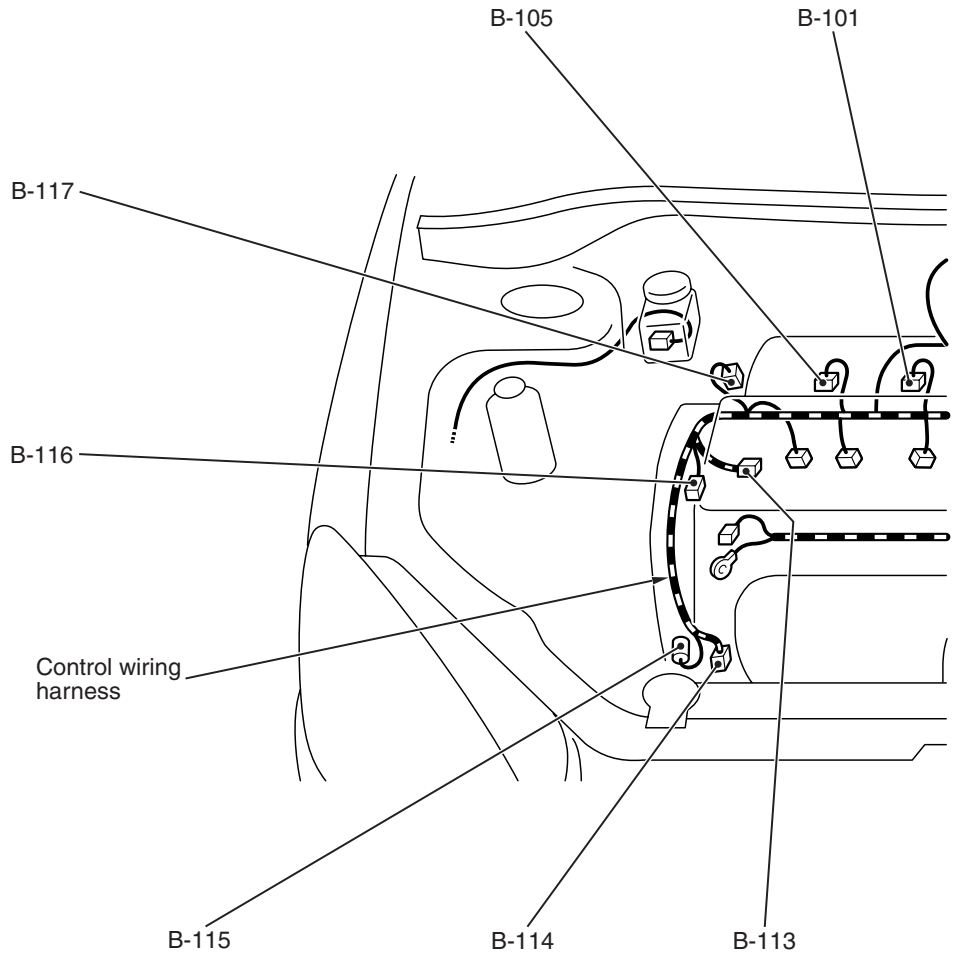
B-16X (4)	Engine control relay	B-22 (1)	Starter
B-17X (4)	A/C compressor relay	B-23 (1-B)	Starter
B-18 (6-B)	Control wiring harness and battery wiring harness combination	B-24 (1-B)	Engine oil pressure switch
B-21 (4-B)	Engine control oxygen sensor (Front)	B-25 (1)	Alternator
		B-26 (4-GR)	Alternator

AC301139 AB

ENGINE AND TRANSMISSION <4G6-MPI (RHD)> (CONTINUED)



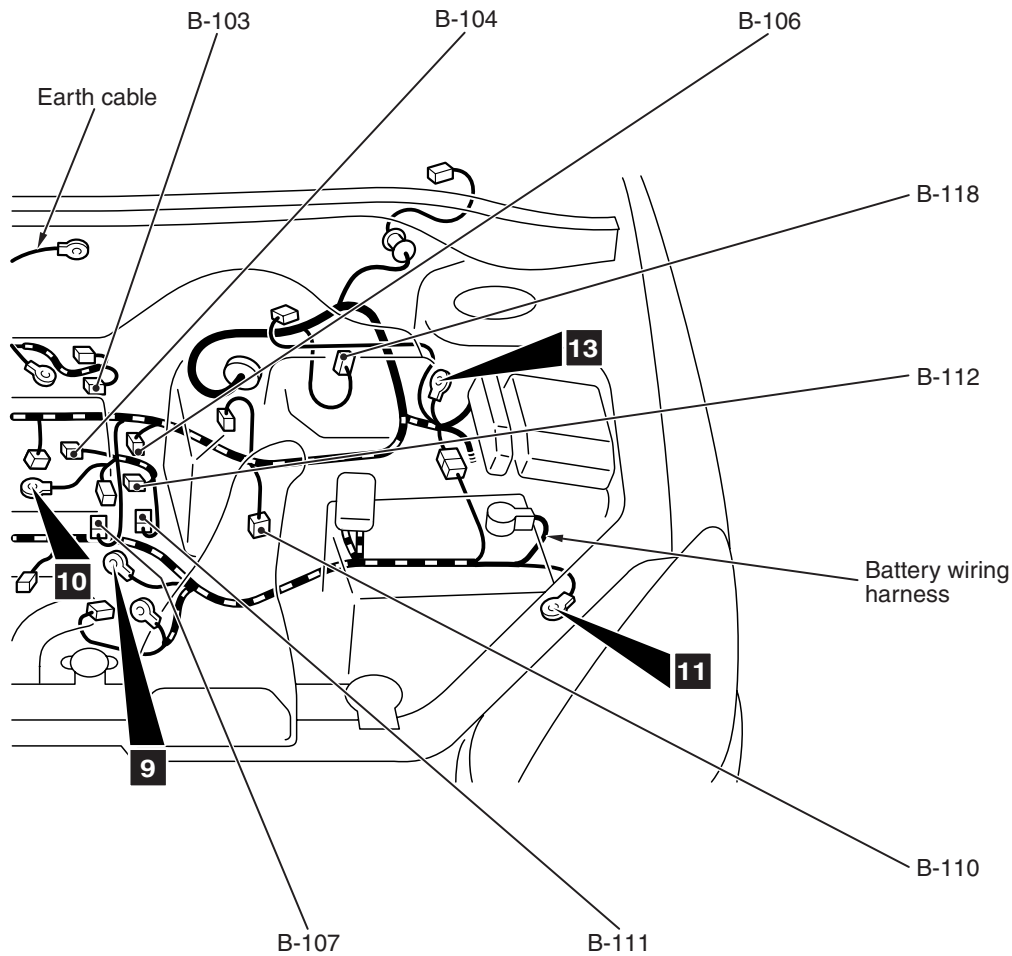
Connector colour code
 B : Black
 BR : Brown
 G : Green
 GR : Grey
 L : Blue
 None : Milk white
 O : Orange
 R : Red
 V : Violet
 Y : Yellow



AC301138AE

- B-101 (2-BR) Emission solenoid valve (EGR system)
- B-103 (6-B) Throttle body idle speed control servo
- B-104 (3-GR) Ignition coil 1
- B-105 (2-B) Emission solenoid valve (Purge control system)

- B-106 (1-B) Capacitor
- B-107 (3-B) Camshaft position sensor
- B-110 (2-B) Back-up lamp switch



AC301139 AC

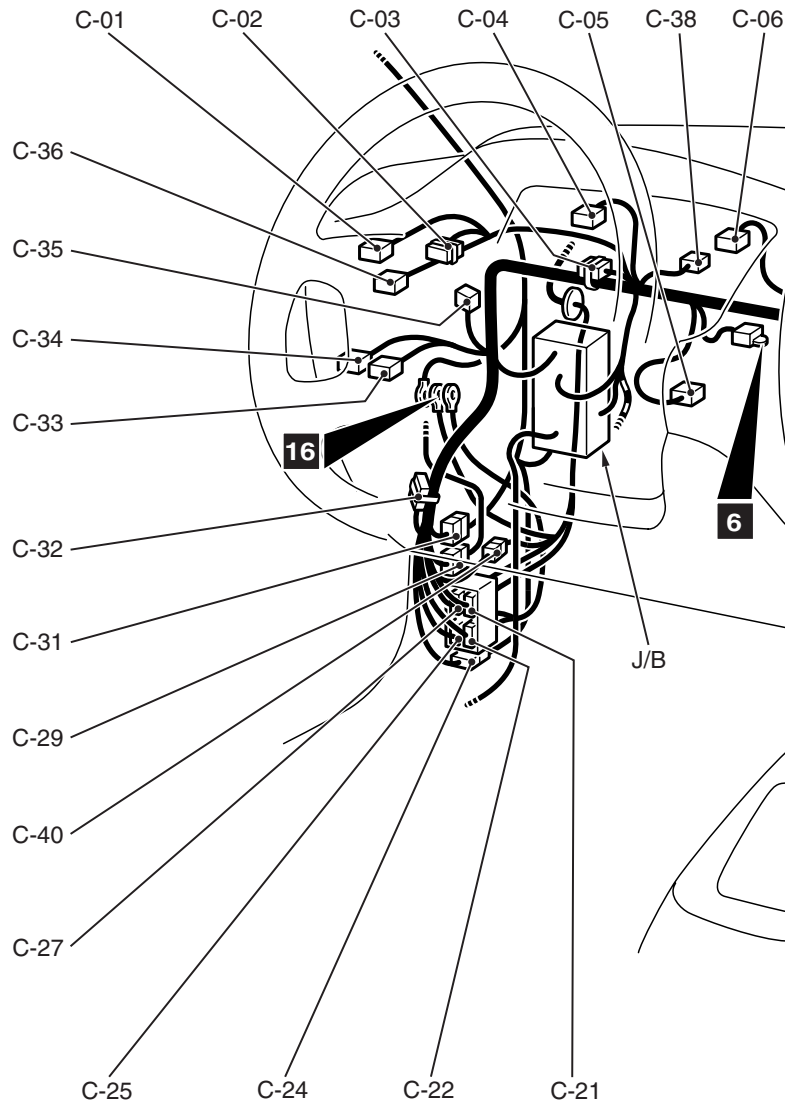
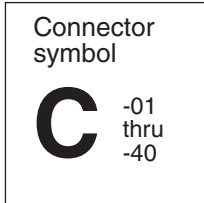
B-111 (2-B) Water temperature sensor unit
 B-112 (1-B) Water temperature gauge unit
 B-113 (3-GR) Ignition coil 2
 B-114 (1-B) A/C compressor

B-115 (1-B) Power steering fluid pressure switch
 B-116 (3-B) Engine crank angle sensor
 B-117 (2-GR) Engine control detonation sensor
 B-118 (28-GR) ABS-ECU

DASH PANEL

DASH PANEL <LHD>

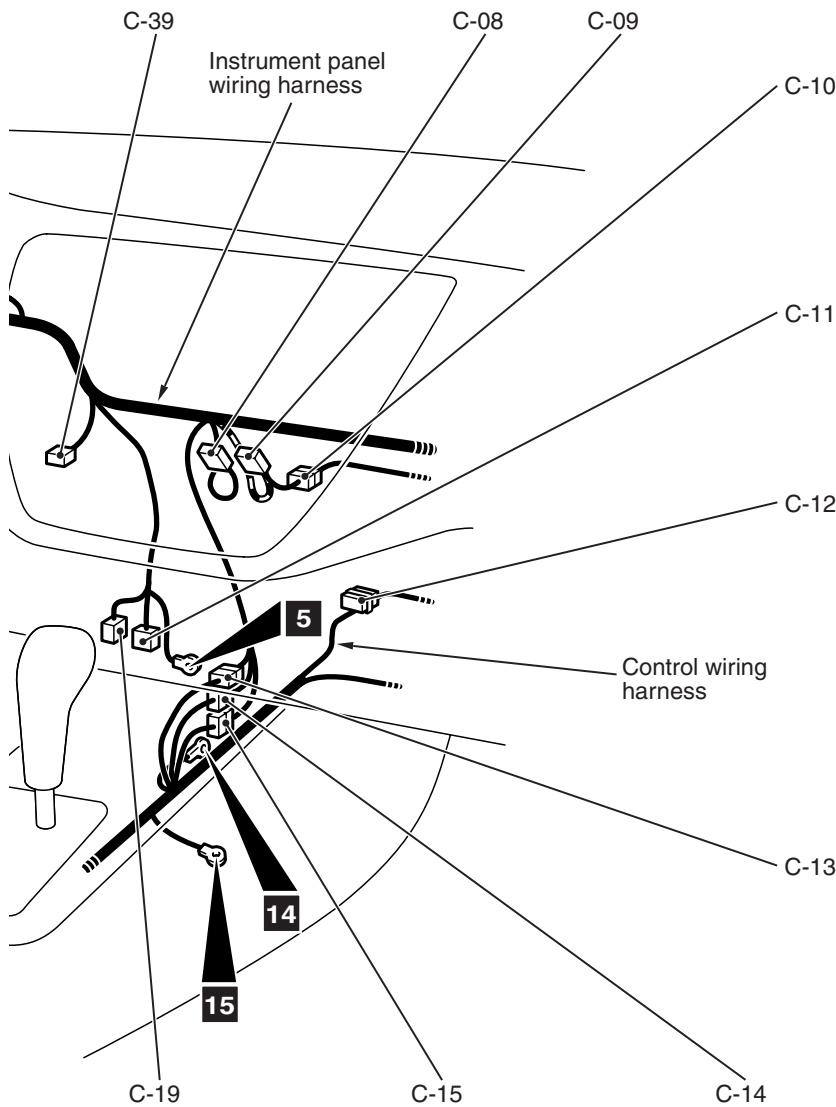
M1801000602054



- Connector colour code
- B : Black
 - BR : Brown
 - G : Green
 - GR : Grey
 - L : Blue
 - None : Milk white
 - O : Orange
 - R : Red
 - V : Violet
 - Y : Yellow

AC502051AB

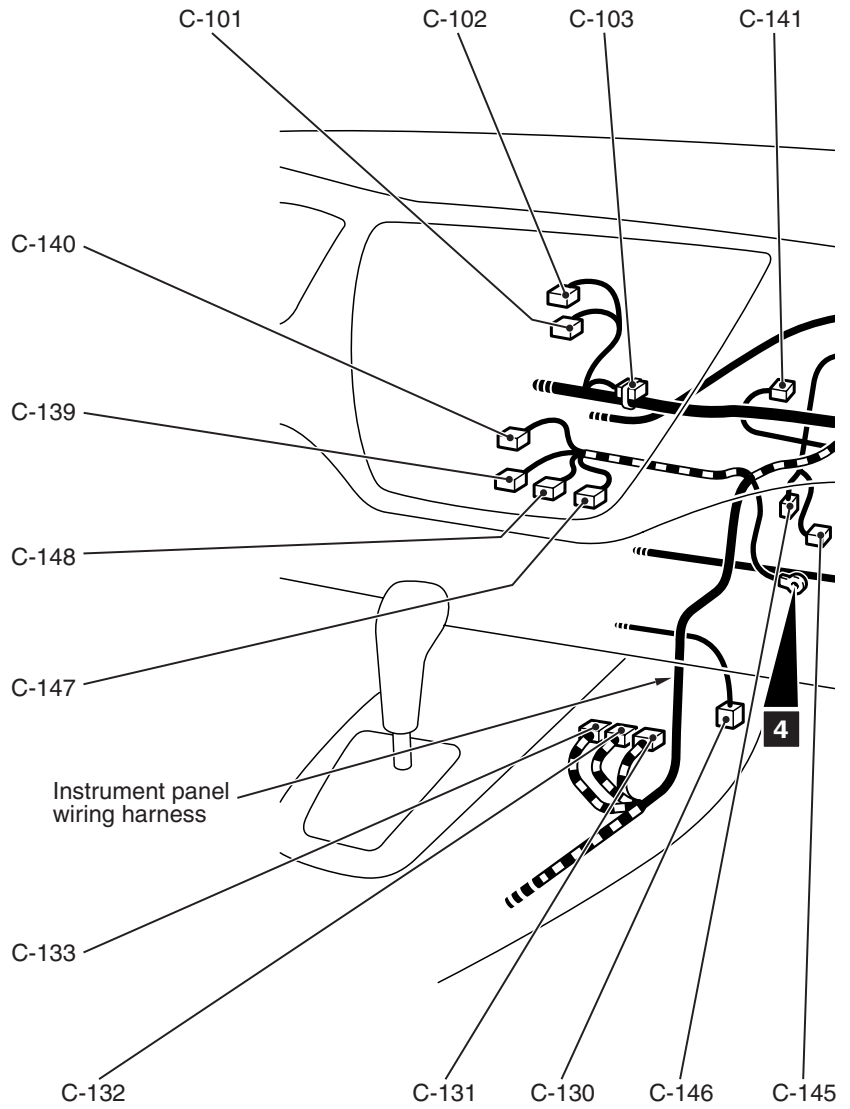
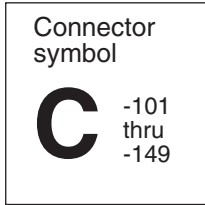
C-01	(6)	Fog lamp switch	C-12	(33)	J/C (6)
C-02	(1)	Spare connector (for front fog lamp switch)	C-13	(25)	Instrument panel wiring harness and control wiring harness combination
C-03	(22-B)	J/C (5)	C-14	(10-GR)	Instrument panel wiring harness and control wiring harness combination
C-04	(21)	Combination meter	C-15	(22-L)	Instrument panel wiring harness and control wiring harness combination
C-05	(4)	Stop lamp switch	C-19	(12)	Diagnosis connector
C-06	(21-L)	Combination meter	C-21	(3)	Front wiring harness (LH) and instrument panel wiring harness combination
C-08	(1-B)	Spare connector (for audio)	C-22	(13)	Instrument panel wiring harness and floor wiring harness (LH) combination
C-09	(14)	Spare connector (for audio)			
C-10	(1)	Instrument panel wiring harness and antenna feeder cable combination			
C-11	(16-B)	Diagnosis connector			



AC502052AB

C-24	(6-L)	Instrument panel wiring harness and roof wiring harness combination	C-36	(11-B)	Remote controlled mirror switch
C-25	(11-B*)	Instrument panel wiring harness and floor wiring harness (LH) combination	C-38	(5)	Photo sensor <Automatic A/C>
C-27	(25)	Front wiring harness (LH) and instrument panel wiring harness combination	C-39	(2-B)	Inside air temperature sensor <Automatic A/C>
C-29	(20)	Instrument panel wiring harness and front door wiring harness (LH) combination	C-40	(2)	Front wiring harness (LH) and instrument panel wiring harness combination <Automatic A/C>
C-31	(6)	Instrument panel wiring harness and roof wiring harness combination	NOTE: The connector colour marked by * is for the female side. For the male side, the colour is grey for Sedan, and milk white for Wagon.		
C-32	(22-B)	J/C (4)			
C-33	(6-L)	Rheostat			
C-34	(6-GR)	Headlamp levelling switch			
C-35	(22-L)	J/C (2)			

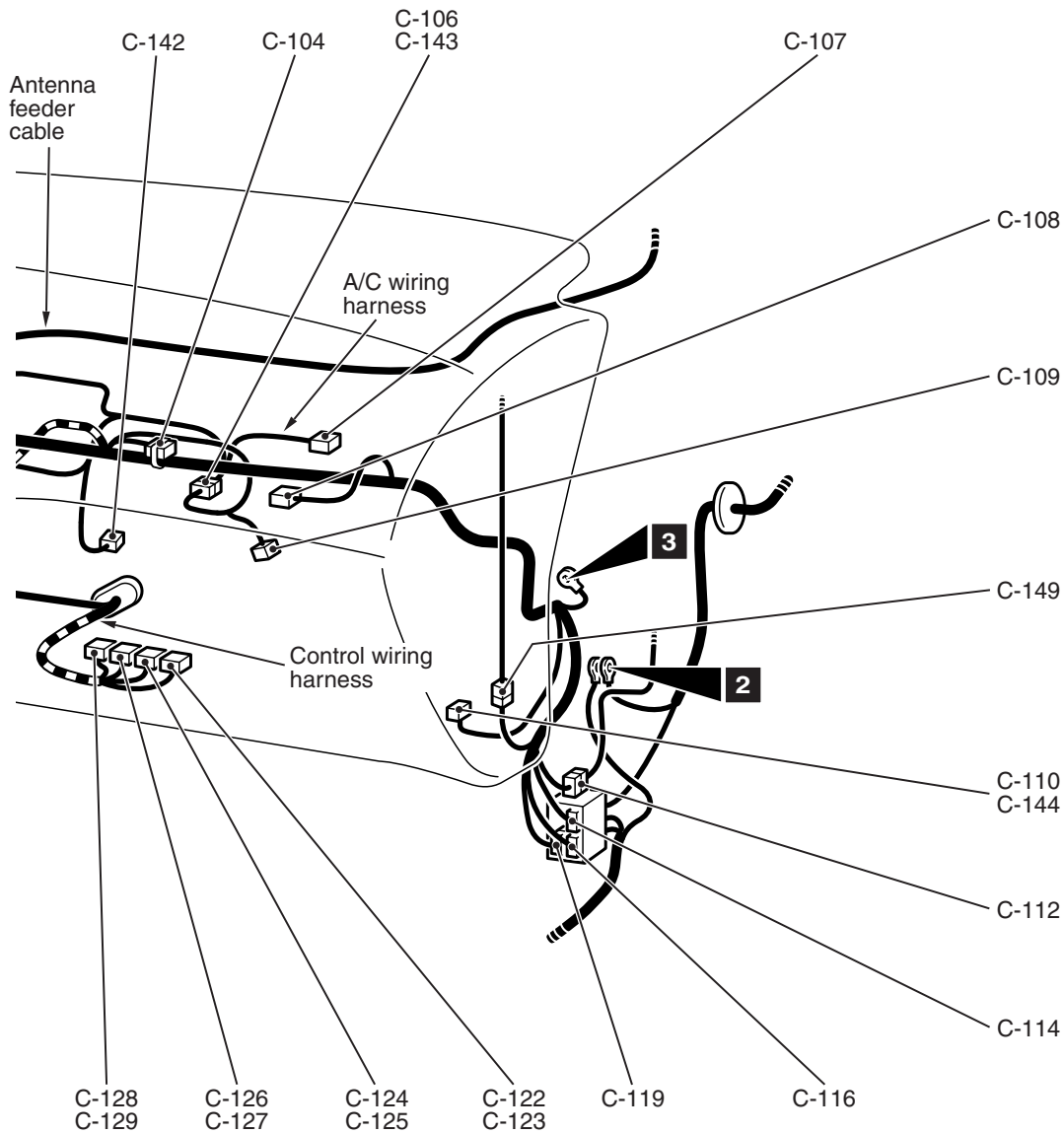
DASH PANEL <LHD> (CONTINUED)



- Connector colour code
- B : Black
 - BR : Brown
 - G : Green
 - GR : Grey
 - L : Blue
 - None : Milk white
 - O : Orange
 - R : Red
 - V : Violet
 - Y : Yellow

AC502053AC

C-101 (4)	Hazard warning lamp switch	C-114 (25)	Front wiring harness (RH) and instrument panel wiring harness combination
C-102 (4)	Clock	C-116 (9-GR*)	Instrument panel wiring harness and floor wiring harness (RH) combination
C-103 (22-GR)	J/C (1)	C-119 (13)	Instrument panel wiring harness and floor wiring harness (RH) combination
C-104 (22-GR)	J/C (3)	C-122 (35-GR)	Engine-A/T-ECU <A/T>
C-106 (7)	Instrument panel wiring harness and A/C wiring harness combination <Manual A/C>	C-123 (26-Y)	Engine-ECU <M/T>
C-107 (7)	Outside /Inside air selection damper control motor	C-124 (26-GR)	Engine-A/T-ECU <A/T>
C-108 (2-R)	Passenger's (front) air bag module (squib)	C-125 (16-Y)	Engine-ECU <M/T>
C-109 (4)	Resistor <Manual A/C>	C-126 (28-GR)	Engine-A/T-ECU <A/T>
C-110 (2)	Blower motor <Manual A/C>	C-127 (12-Y)	Engine-ECU <M/T>
C-112 (16)	Instrument panel wiring harness and front door wiring harness (RH) combination		



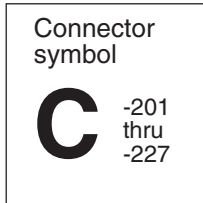
AC502054AB

- C-128 (30-GR) Engine-A/T-ECU <A/T>
- C-129 (22-Y) Engine-ECU <M/T>
- C-130 (4) Engine control oxygen sensor (Rear)
- C-131 (20-Y) SRS-ECU
- C-132 (28-Y) SRS-ECU
- C-133 (20-Y) SRS-ECU
- C-139 (16-B) A/C-ECU or heater control unit
- C-140 (6) Blower switch
- C-141 (6) Air mixing door control motor and potentiometer <Automatic A/C>
- C-142 (2) Air thermo sensor <Automatic A/C>
- C-143 (13) Instrument panel wiring harness and A/C wiring harness combination <Automatic A/C>
- C-144 (6) Blower motor <Automatic A/C>

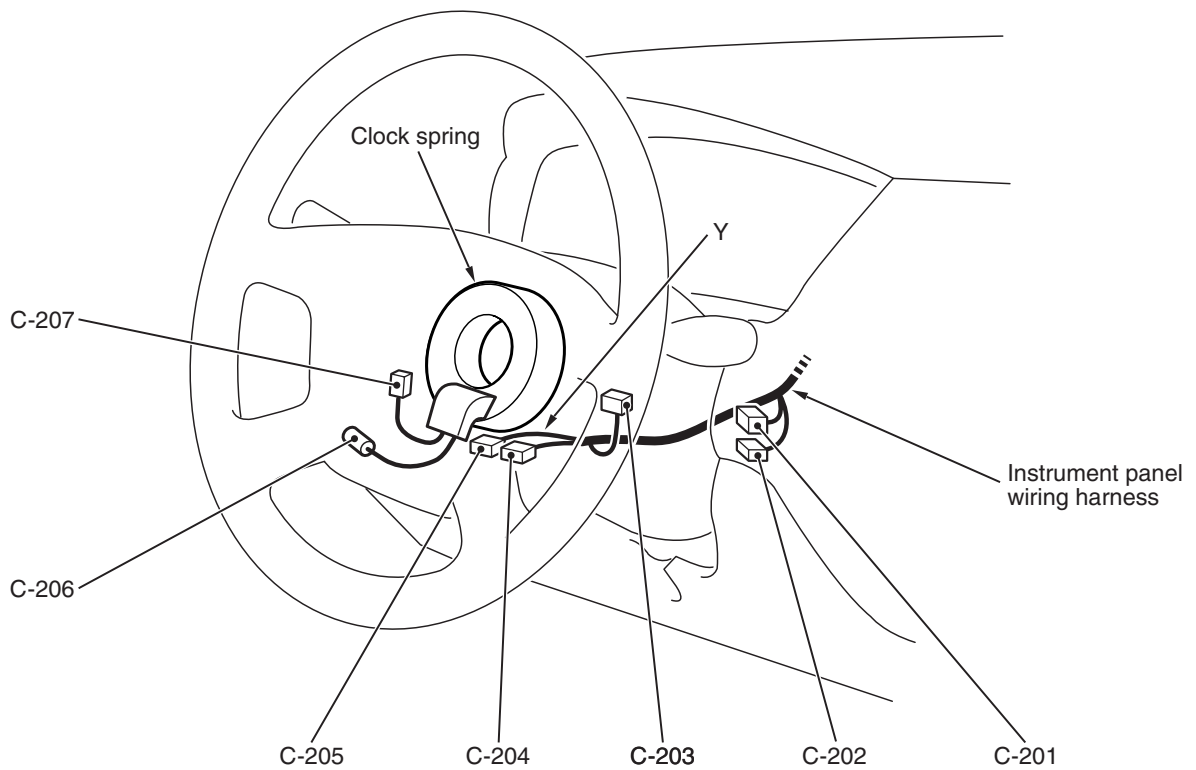
- C-145 (6) Mode selection damper control motor and potentiometer <Automatic A/C>
- C-146 (2) Heater water temperature sensor <Automatic A/C>
- C-147 (20-B) A/C-ECU <Automatic A/C>
- C-148 (16-B) A/C-ECU <Automatic A/C>
- C-149 (2) Instrument panel wiring harness and tweeter wiring harness combination

*NOTE: The connector colour marked by * is for the female side. For the male side, the colour is grey for Sedan, and milk white for Wagon.*

DASH PANEL <LHD> (CONTINUED)



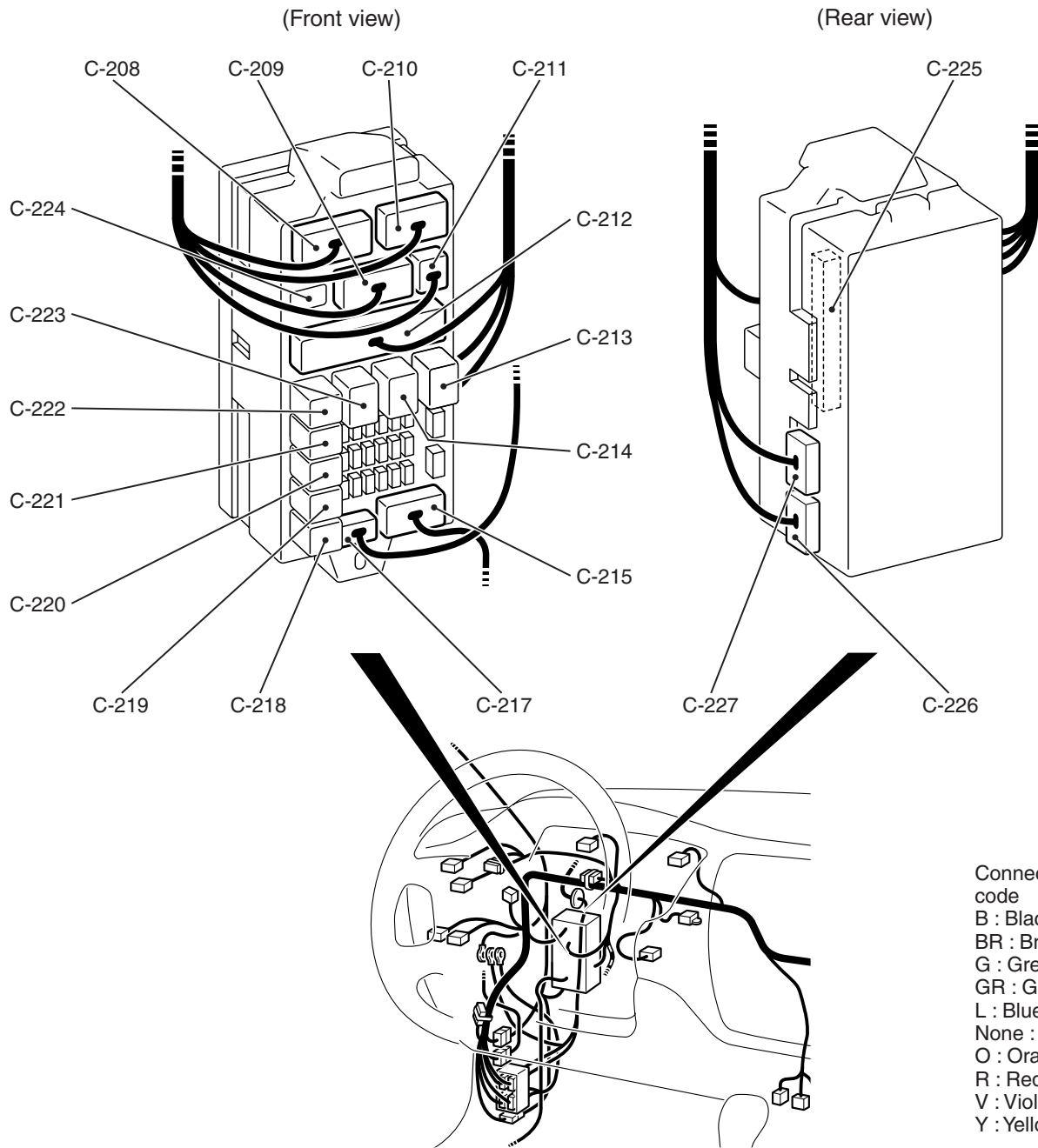
STEERING COLUMN



AC301179 AB

C-201 (6)	Ignition switch	C-209 (14)	Instrument panel wiring harness and J/B combination
C-202 (7)	Key reminder switch	C-210 (6)	Instrument panel wiring harness and J/B combination
C-203 (10)	Column switch	C-211 (1-B)	Instrument panel wiring harness and J/B combination
C-204 (6)	Clock spring	C-212 (28)	Instrument panel wiring harness and J/B combination
C-205 (4-Y)	Clock spring		
C-206 (1)	Horn switch		
C-207 (2)	Driver's air bag module (squib)		
C-208 (13)	Instrument panel wiring harness and J/B combination		

JUNCTION BLOCK

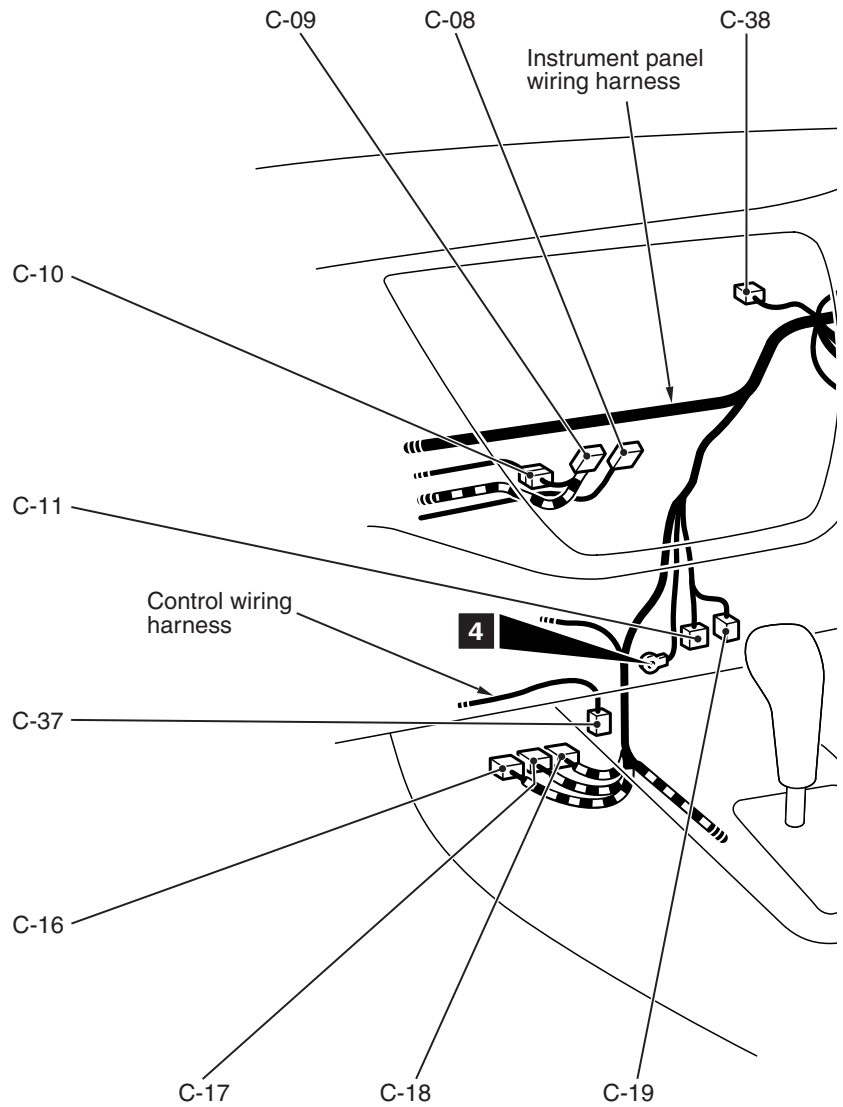
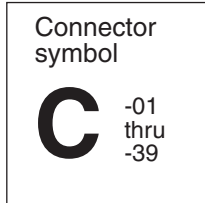


AC302010AC

- | | | | |
|------------|---|---------------|---------------------|
| C-213 (5) | Rear window defogger relay | C-221 (4) | Heated seat relay |
| C-214 (5) | Blower relay | C-222 (4) | Fuel pump relay (1) |
| C-215 (15) | Floor wiring harness (LH) and J/B combination | C-223 (5) | Power window relay |
| C-217 (3) | Roof wiring harness and J/B combination | C-224 (2) | No connection |
| C-218 (4) | Rear fog lamp relay | C-225 (20) | ETACS-ECU |
| C-219 (4) | Accessory socket relay | C-226 (24) | ETACS-ECU |
| C-220 (4) | Fuel pump relay (2) | C-227 (24-GR) | ETACS-ECU |

DASH PANEL <RHD>

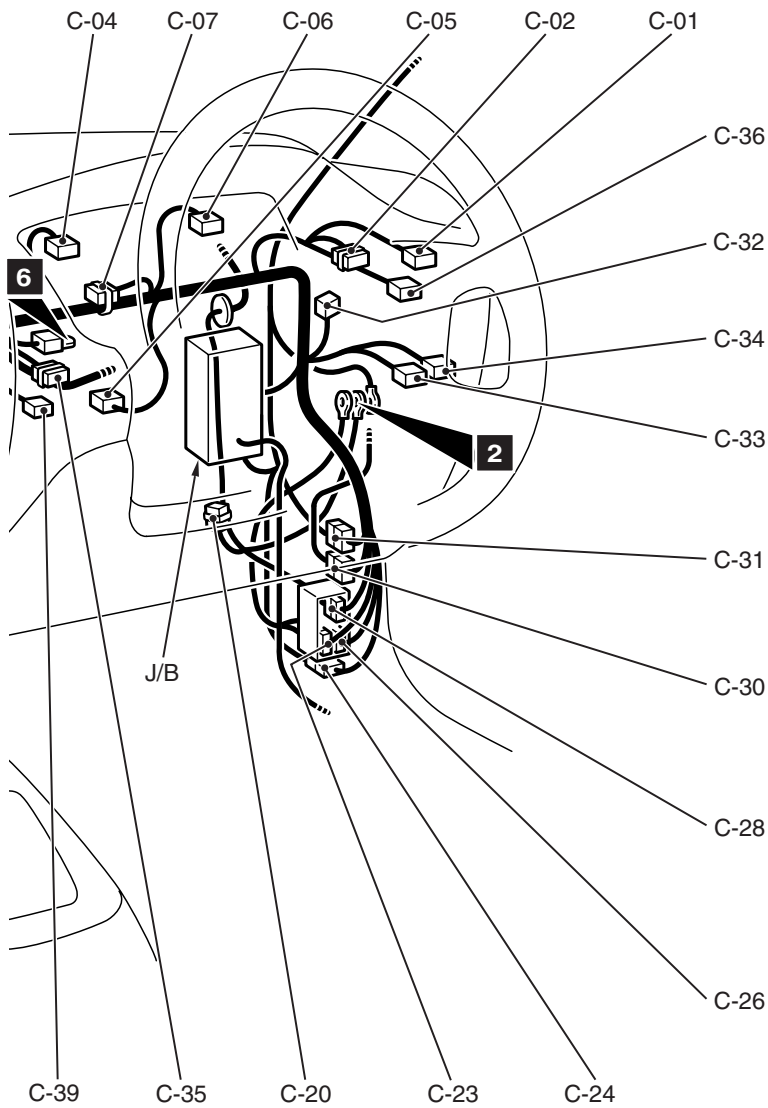
M1801000602065



- Connector colour code
- B : Black
 - BR : Brown
 - G : Green
 - GR : Grey
 - L : Blue
 - None : Milk white
 - O : Orange
 - R : Red
 - V : Violet
 - Y : Yellow

AC502055AC

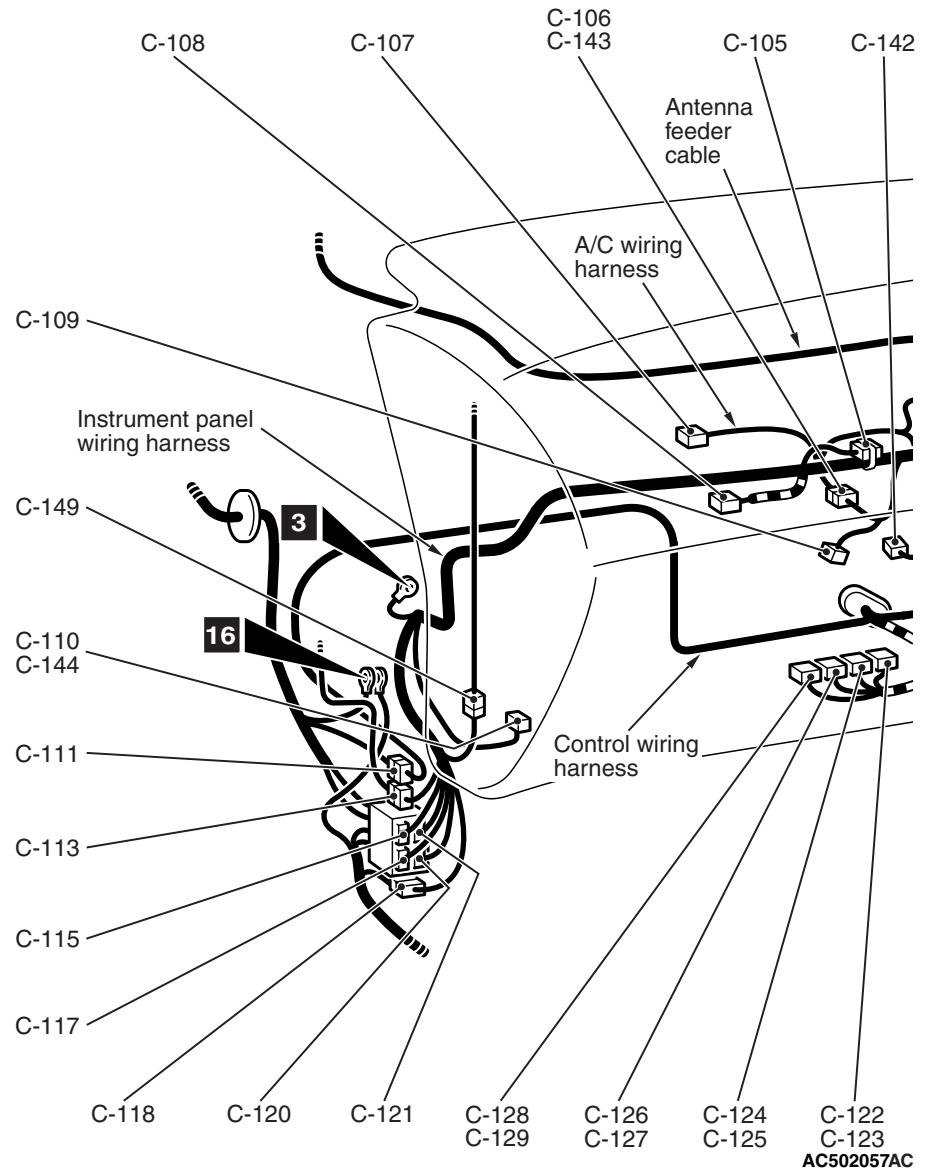
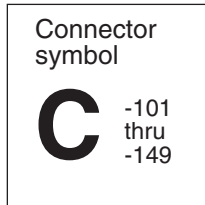
C-01	(6)	Fog lamp switch	C-11	(16-B)	Diagnosis connector
C-02	(1)	Spare connector (for front fog lamp switch)	C-16	(20-Y)	SRS-ECU
C-04	(21)	Combination meter	C-17	(28-Y)	SRS-ECU
C-05	(4)	Stop lamp switch	C-18	(20-Y)	SRS-ECU
C-06	(21-L)	Combination meter	C-19	(12)	Diagnosis connector
C-07	(22-GR)	J/C (3)	C-20	(2)	No connection
C-08	(1-B)	Spare connector (for audio)	C-23	(13)	Instrument panel wiring harness and floor wiring harness (RH) combination
C-09	(14)	Spare connector (for audio)			
C-10	(1)	Instrument panel wiring harness and antenna feeder cable combination			



C-24	(6-L)	Instrument panel wiring harness and roof wiring harness combination	C-32	(22-B)	J/C (4)
C-26	(9-GR)	Instrument panel wiring harness and floor wiring harness (RH) combination	C-33	(6-L)	Rheostat
C-28	(25)	Front wiring harness (RH) and instrument panel wiring harness combination	C-34	(6-GR)	Headlamp levelling switch
C-30	(20)	Instrument panel wiring harness and front door wiring harness (RH) combination	C-35	(22-L)	J/C (2)
C-31	(6)	Instrument panel wiring harness and roof wiring harness combination	C-36	(11-B)	Remote controlled mirror switch
			C-37	(4)	Engine control oxygen sensor (Rear)
			C-38	(5)	Photo sensor <Automatic A/C>
			C-39	(2-B)	Inside air temperature sensor <Automatic A/C>

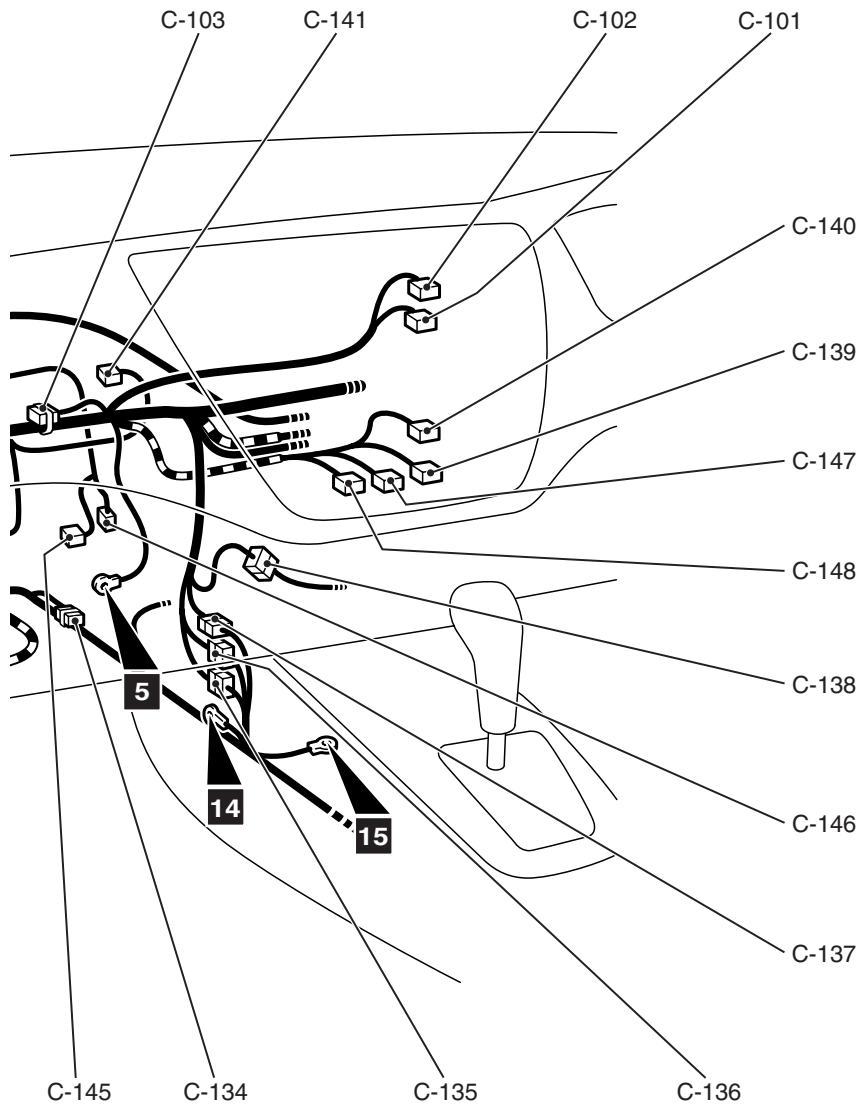
AC502056AB

DASH PANEL <RHD> (CONTINUED)



- Connector colour code
- B : Black
 - BR : Brown
 - G : Green
 - GR : Grey
 - L : Blue
 - None : Milk white
 - O : Orange
 - R : Red
 - V : Violet
 - Y : Yellow

C-101 (4)	Hazard warning lamp switch	C-115 (25)	Front wiring harness (LH) and instrument panel wiring harness combination
C-102 (4)	Clock	C-117 (11-B*)	Instrument panel wiring harness and floor wiring harness (LH) combination
C-103 (22-GR)	J/C (1)	C-118 (6-L)	Instrument panel wiring harness and floor wiring harness (LH) combination
C-105 (13)	J/C (5)	C-120 (13)	Instrument panel wiring harness and floor wiring harness (LH) combination
C-106 (7)	Instrument panel wiring harness and A/C wiring harness combination <Manual A/C>	C-121 (3)	Front wiring harness (LH) and instrument panel wiring harness combination
C-107 (7)	Outside /Inside air selection damper control motor	C-122 (35-GR)	Engine-A/T-ECU <A/T>
C-108 (2-R)	Passenger's (front) air bag module (squib)	C-123 (26-Y)	Engine-ECU <M/T>
C-109 (4)	Resistor <Manual A/C>	C-124 (26-GR)	Engine-A/T-ECU <A/T>
C-110 (2)	Blower motor <Manual A/C>	C-125 (16-Y)	Engine-ECU <M/T>
C-111 (12)	Front wiring harness (LH) and control wiring harness combination	C-126 (28-GR)	Engine-A/T-ECU <A/T>
C-113 (16)	Instrument panel wiring harness and front door wiring harness (LH) combination		

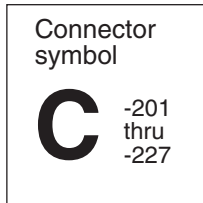


AC502058AB

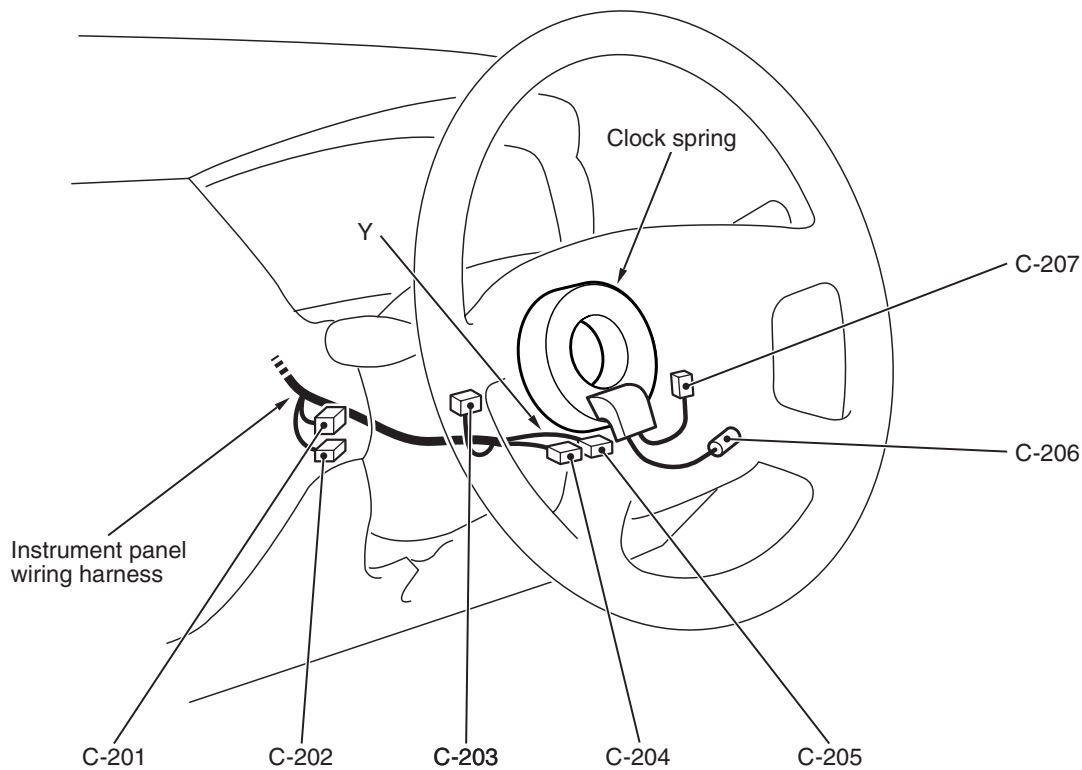
C-127 (12-Y)	Engine-ECU <M/T>	C-142 (2)	Air thermo sensor <Automatic A/C>
C-128 (30-GR)	Engine-A/T-ECU <A/T>	C-143 (13)	Instrument panel wiring harness and A/C wiring harness combination <Automatic A/C>
C-129 (22-Y)	Engine-ECU <M/T>	C-144 (6)	Blower motor <Automatic A/C>
C-134 (33)	J/C (6)	C-145 (6)	Mode selection damper control motor and potentiometer <Automatic A/C>
C-135 (22-L)	Instrument panel wiring harness and control wiring harness combination	C-146 (2)	Heater water temperature sensor <Automatic A/C>
C-136 (10-GR)	Instrument panel wiring harness and control wiring harness combination	C-147 (20-B)	A/C-ECU <Automatic A/C>
C-137 (25)	Instrument panel wiring harness and control wiring harness combination	C-148 (16-B)	A/C-ECU <Automatic A/C>
C-138 (3)	Instrument panel wiring harness and Instrument panel wiring harness combination	C-149 (2)	Instrument panel wiring harness and tweeter wiring harness combination
C-139 (12-B)	A/C-ECU or heater control unit		
C-140 (6)	Blower switch		
C-141 (6)	Air mixing door control motor and potentiometer <Automatic A/C>		

*NOTE: The connector colour marked by * is for the female side. For the male side, the colour is grey.*

DASH PANEL <RHD> (CONTINUED)



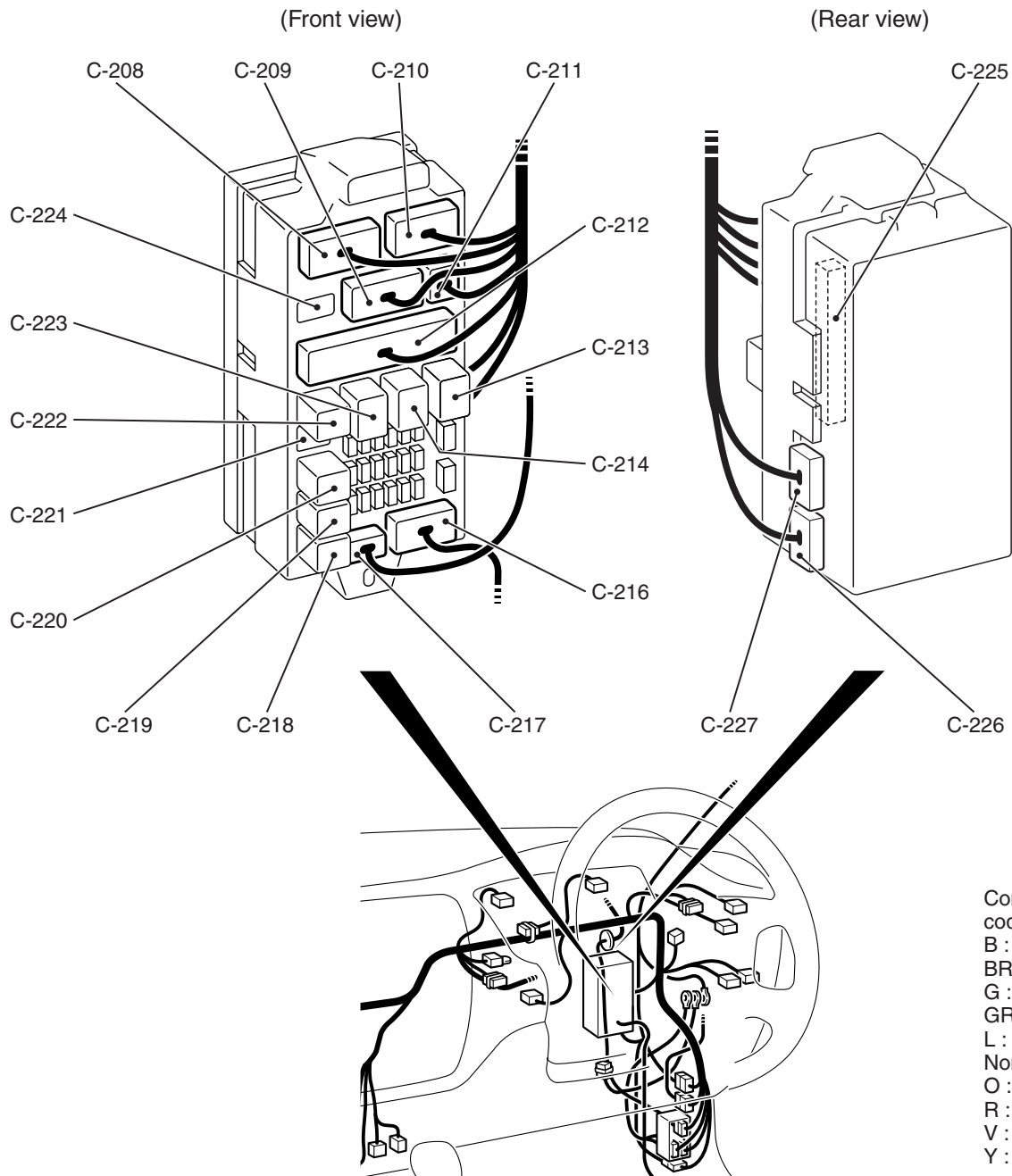
STEERING COLUMN



AC206572 AC

C-201 (6)	Ignition switch	C-209 (14)	Instrument panel wiring harness and J/B combination
C-202 (7)	Key reminder switch	C-210 (6)	Instrument panel wiring harness and J/B combination
C-203 (10)	Column switch	C-211 (1-B)	Instrument panel wiring harness and J/B combination
C-204 (6)	Clock spring	C-212 (28)	Instrument panel wiring harness and J/B combination
C-205 (4-Y)	Clock spring		
C-206 (1)	Horn switch		
C-207 (2)	Driver's air bag module (squib)		
C-208 (13)	Instrument panel wiring harness and J/B combination		

JUNCTION BLOCK



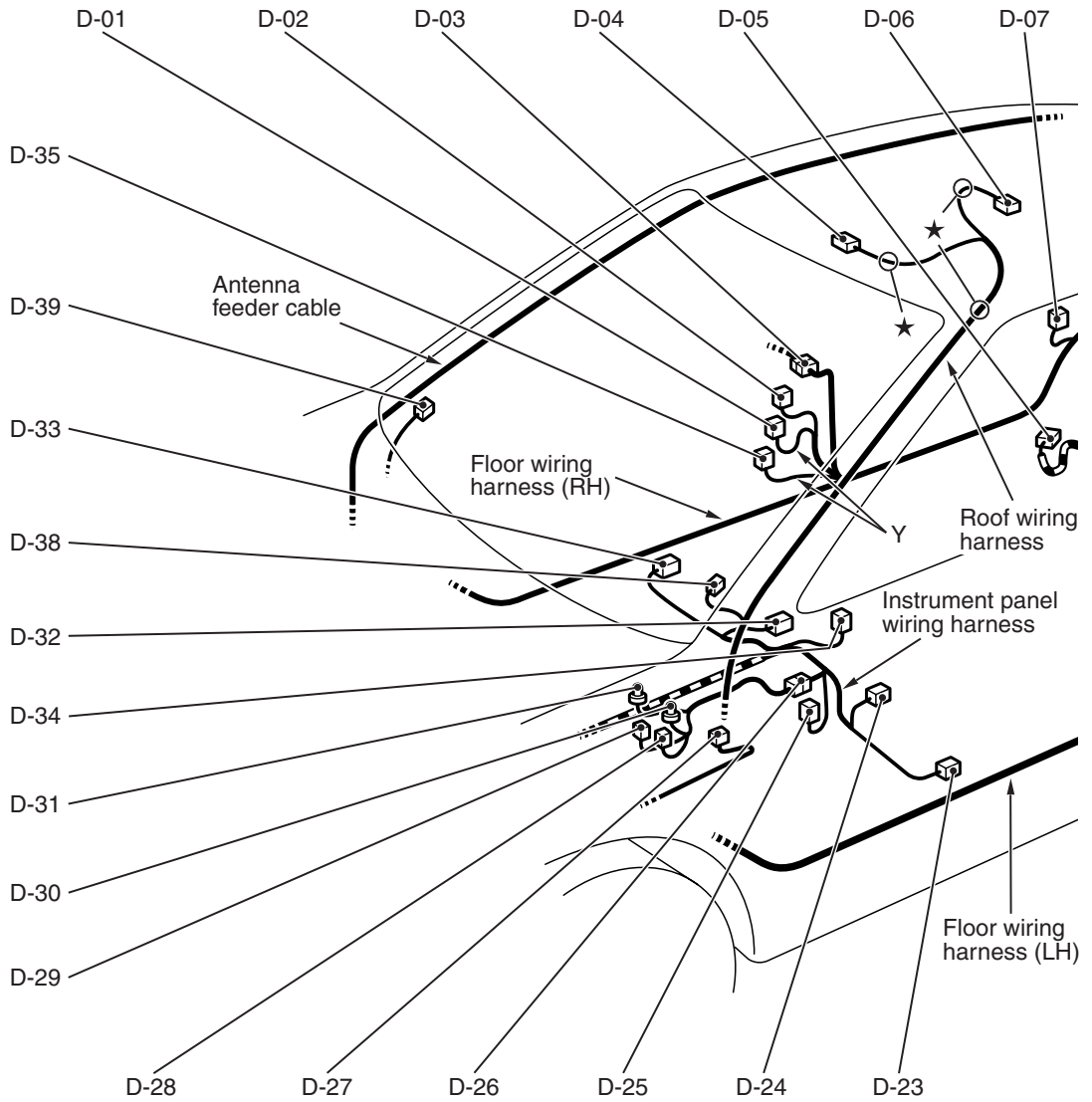
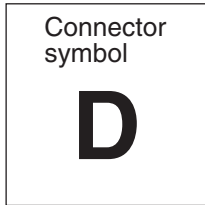
AC302011AC

C-213 (5)	Rear window defogger relay	C-221 (4)	No connection
C-214 (5)	Blower relay	C-222 (4)	Fuel pump relay (1)
C-216 (15)	Floor wiring harness (RH) and J/B combination	C-223 (5)	Power window relay
C-217 (3)	Roof wiring harness and J/B combination	C-224 (2)	No connection
C-218 (4)	Rear fog lamp relay	C-225 (20)	ETACS-ECU
C-219 (4)	Accessory socket relay	C-226 (24)	ETACS-ECU
C-220 (4)	Fuel pump relay (2)	C-227 (24-GR)	ETACS-ECU

FLOOR AND ROOF

FLOOR AND ROOF <SEDAN (LHD)>

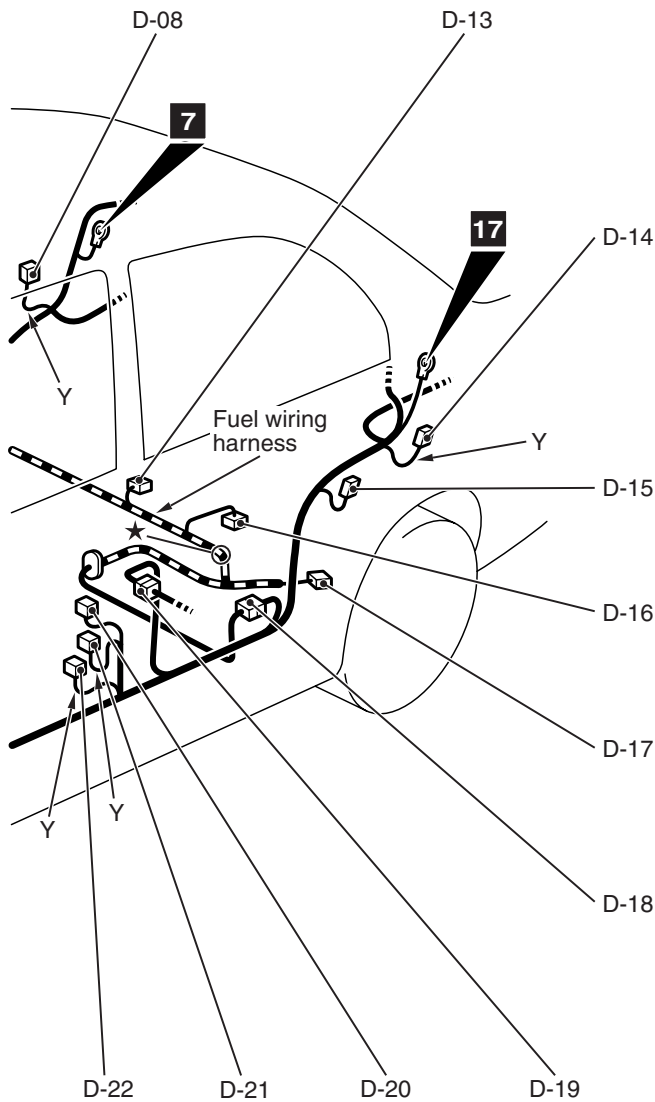
M1801000902088



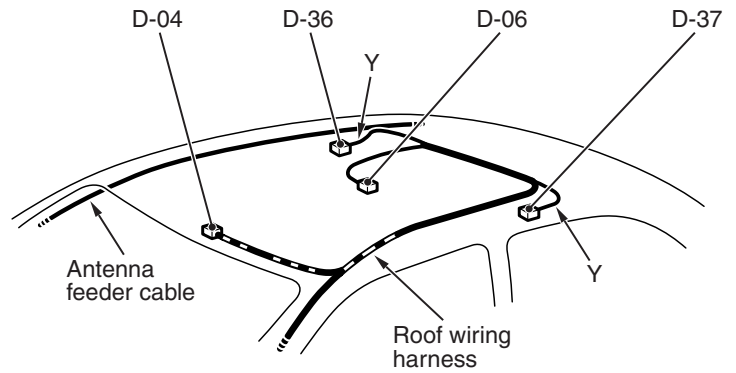
- Connector colour code
- B : Black
 - BR : Brown
 - G : Green
 - GR : Grey
 - L : Blue
 - None : Milk white
 - O : Orange
 - R : Red
 - V : Violet
 - Y : Yellow

AC502059AC

D-01	(2)	Side impact sensor (Front: RH)	D-14	(2-Y)	Side impact sensor (Rear: LH)
D-02	(3)	Door switch (Front: RH)	D-15	(3)	Door switch (Rear: LH)
D-03	(8)	Floor wiring harness (RH) and rear door wiring harness (RH) combination	D-16	(5-GR)	Fuel tank pump
D-04	(2)	Front room lamp	D-17	(2-B)	Wheel speed sensor (Rear: LH)
D-05	(2-B)	Wheel speed sensor (Rear: RH)	D-18	(8)	Floor wiring harness (LH) and fuel wiring harness combination
D-06	(2-GR)	Rear room lamp	D-19	(8)	Floor wiring harness (LH) and rear door wiring harness (LH) combination
D-07	(3)	Door switch (Rear: RH)	D-20	(3)	Door switch (Front: LH)
D-08	(2-Y)	Side impact sensor (Rear: RH)			
D-13	(3-B)	Fuel tank gauge unit			



<Vehicles with curtain air bag>



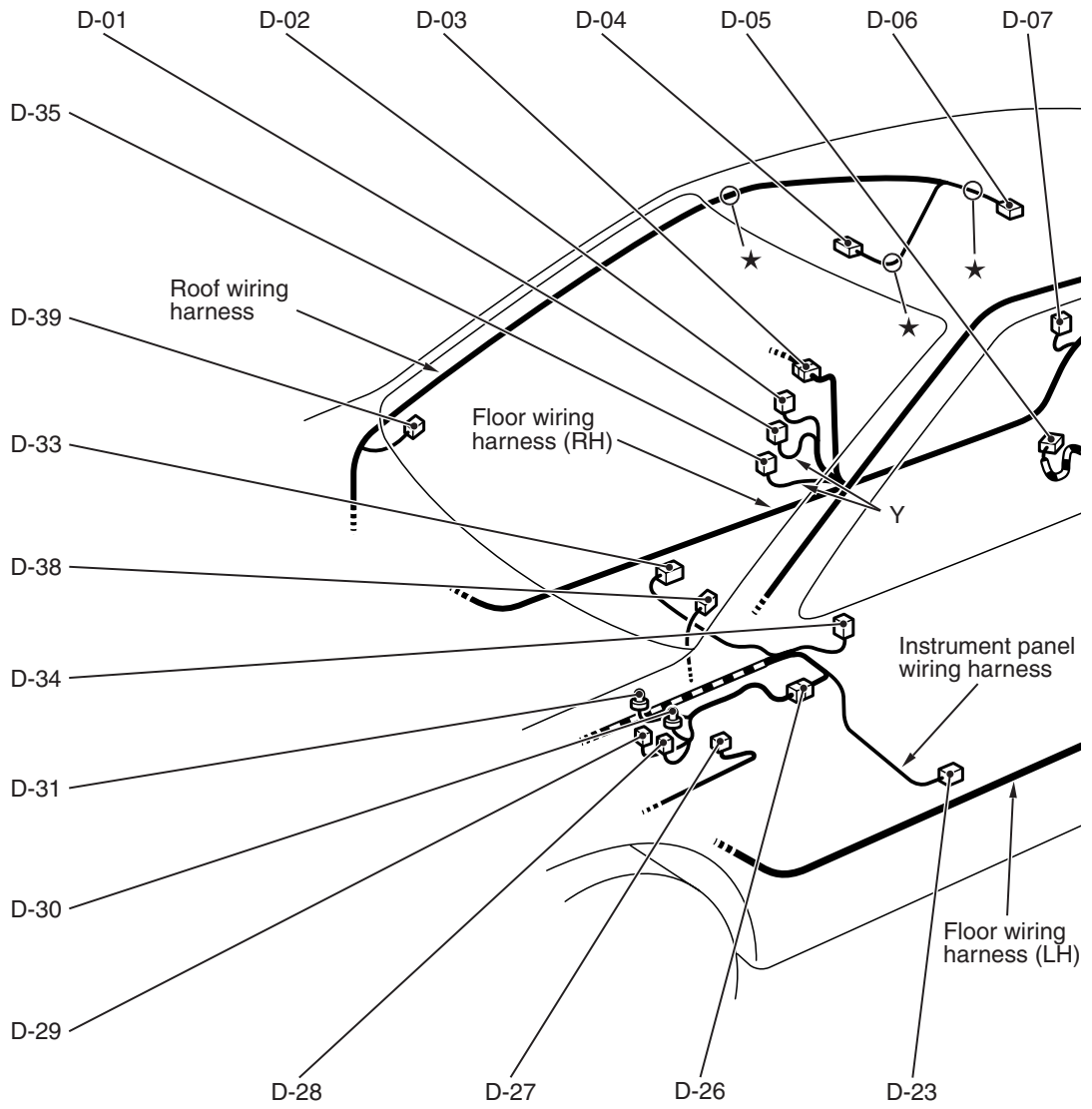
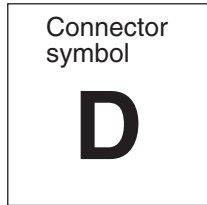
- D-21 (2) Side impact sensor (Front: LH)
- D-22 (2-B) Seat belt pre-tensioner (LH)
- D-23 (2-R) Side air bag module (squib) (LH)
- D-24 (3) Heated seat assembly (LH)
- D-25 (9) Heated seat switch
- D-26 (4) Instrument panel wiring harness and console wiring harness combination
- D-27 (6) Shift switch assembly
- D-28 (1) Cigarette lighter
- D-29 (1-B) Cigarette lighter

- D-30 (2-B) Cigarette lighter illumination lamp
- D-31 (2-B) Ashtray illumination lamp
- D-32 (3) Heated seat assembly (RH)
- D-33 (2-R) Side air bag module (squib) (RH)
- D-34 (1-B) Parking brake switch
- D-35 (2-B) Seat belt pre-tensioner (RH)
- D-36 (2-B) Curtain air bag module (squib) (RH)
- D-37 (2-B) Curtain air bag module (squib) (LH)
- D-38 (2) Tweeter (LH)
- D-39 (2) Tweeter (RH)

AC301180AB

FLOOR AND ROOF <SEDAN (RHD)>

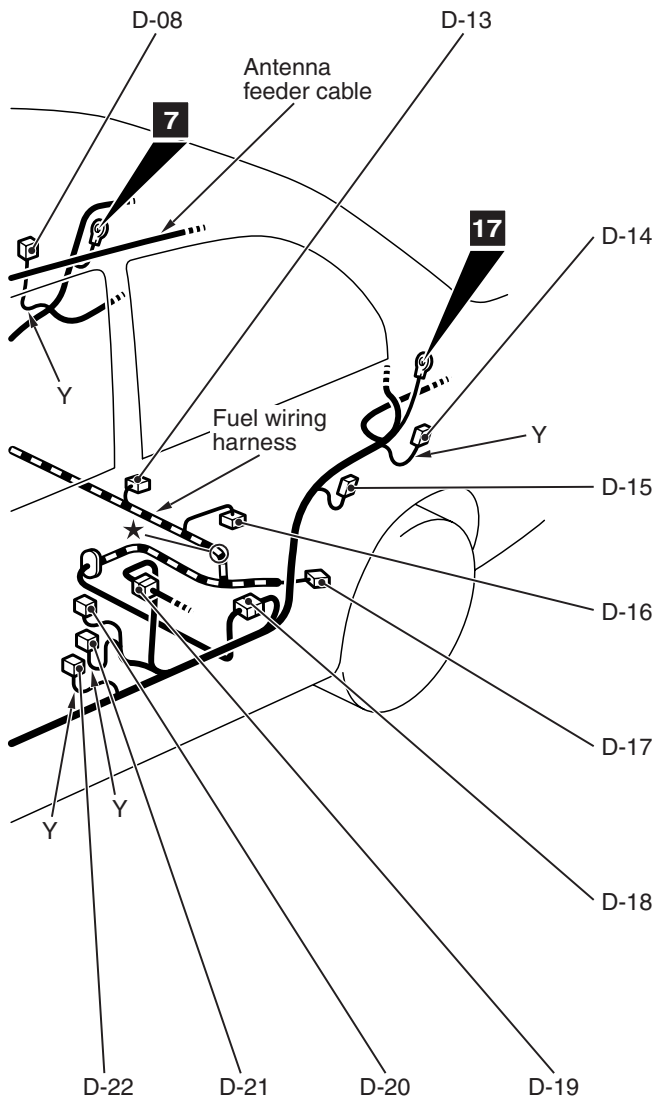
M1801000902099



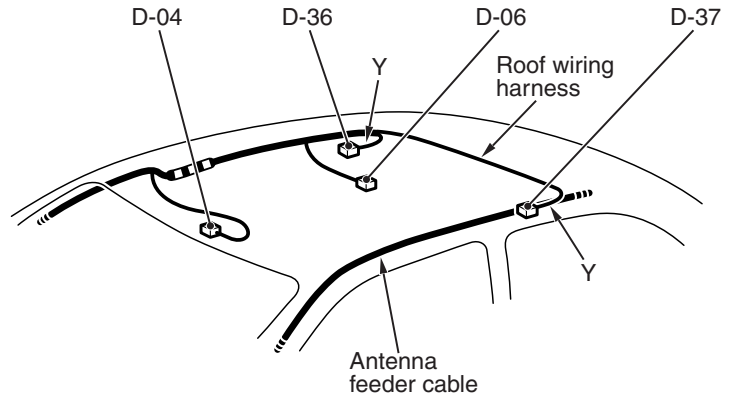
- Connector colour code
- B : Black
 - BR : Brown
 - G : Green
 - GR : Grey
 - L : Blue
 - None : Milk white
 - O : Orange
 - R : Red
 - V : Violet
 - Y : Yellow

D-01	(2)	Side impact sensor (Front: RH)	D-14	(2-Y)	Side impact sensor (Rear: LH)
D-02	(3)	Door switch (Front: RH)	D-15	(3)	Door switch (Rear: LH)
D-03	(8)	Floor wiring harness (RH) and rear door wiring harness (RH) combination	D-16	(5-GR)	Fuel tank pump
D-04	(2)	Front room lamp	D-17	(2-B)	Wheel speed sensor (Rear: LH)
D-05	(2-B)	Wheel speed sensor (Rear: RH)	D-18	(8)	Floor wiring harness (LH) and fuel wiring harness combination
D-06	(2-GR)	Rear room lamp	D-19	(8)	Floor wiring harness (LH) and rear door wiring harness (LH) combination
D-07	(3)	Door switch (Rear: RH)	D-20	(3)	Door switch (Front: LH)
D-08	(2-Y)	Side impact sensor (Rear: RH)			
D-13	(3-B)	Fuel tank gauge unit			

AC502060AC



<Vehicles with curtain air bag>



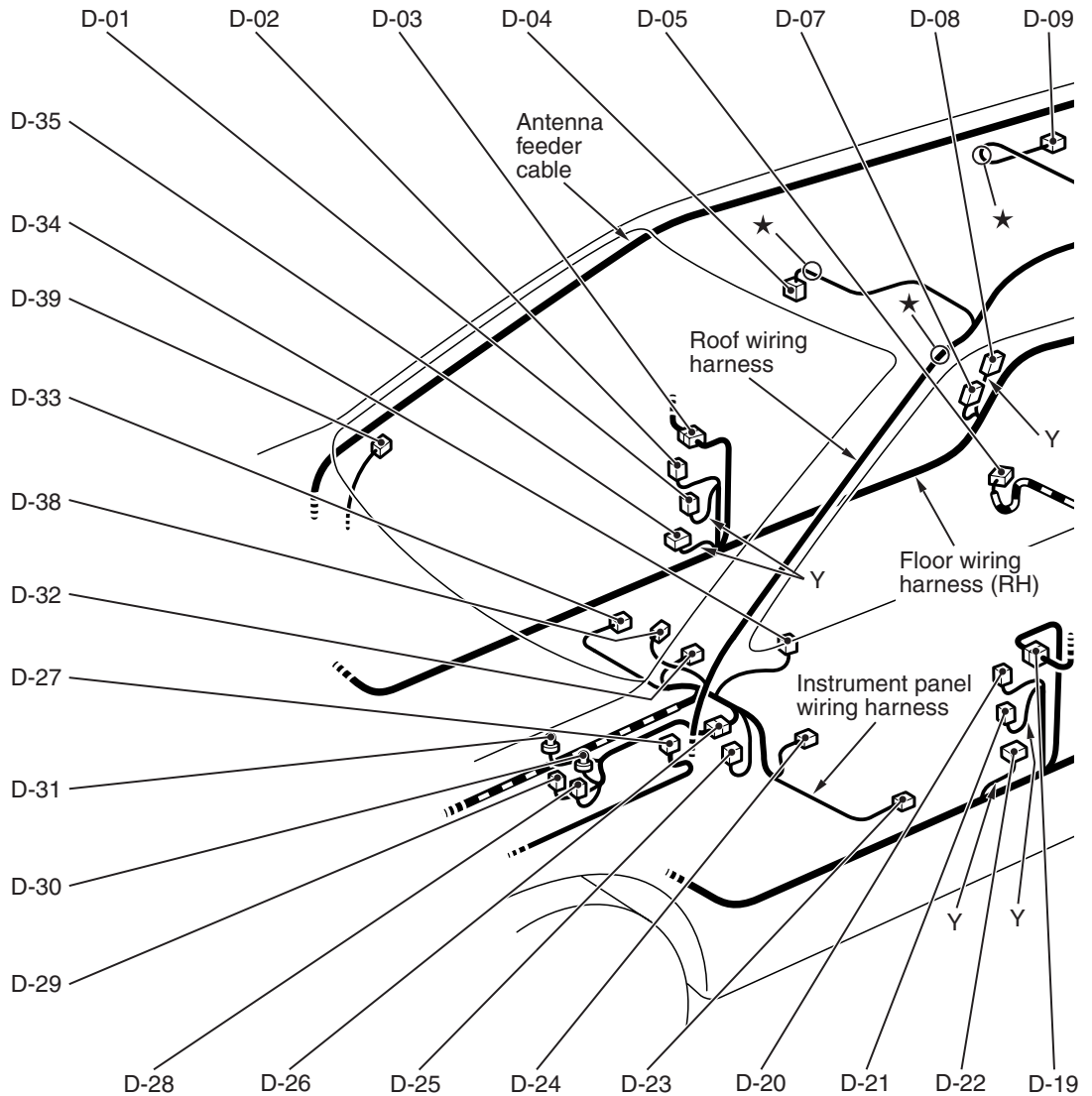
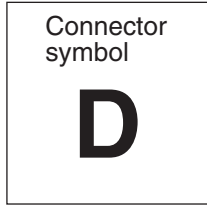
- D-21 (2) Side impact sensor (Front: LH)
- D-22 (2-B) Seat belt pre-tensioner (LH)
- D-23 (2-R) Side air bag module (squib) (LH)
- D-26 (4) Instrument panel wiring harness and console wiring harness combination
- D-27 (6) Shift switch assembly
- D-28 (1) Cigarette lighter
- D-29 (1-B) Cigarette lighter
- D-30 (2-B) Cigarette lighter illumination lamp

- D-31 (2-B) Ashtray illumination lamp
- D-33 (2-R) Side air bag module (squib) (RH)
- D-34 (1-B) Parking brake switch
- D-35 (2-B) Seat belt pre-tensioner (RH)
- D-36 (2-B) Curtain air bag module (squib) (RH)
- D-37 (2-B) Curtain air bag module (squib) (LH)
- D-38 (2) Tweeter (LH)
- D-39 (2) Tweeter (RH)

AC301181AB

FLOOR AND ROOF <WAGON (LHD)>

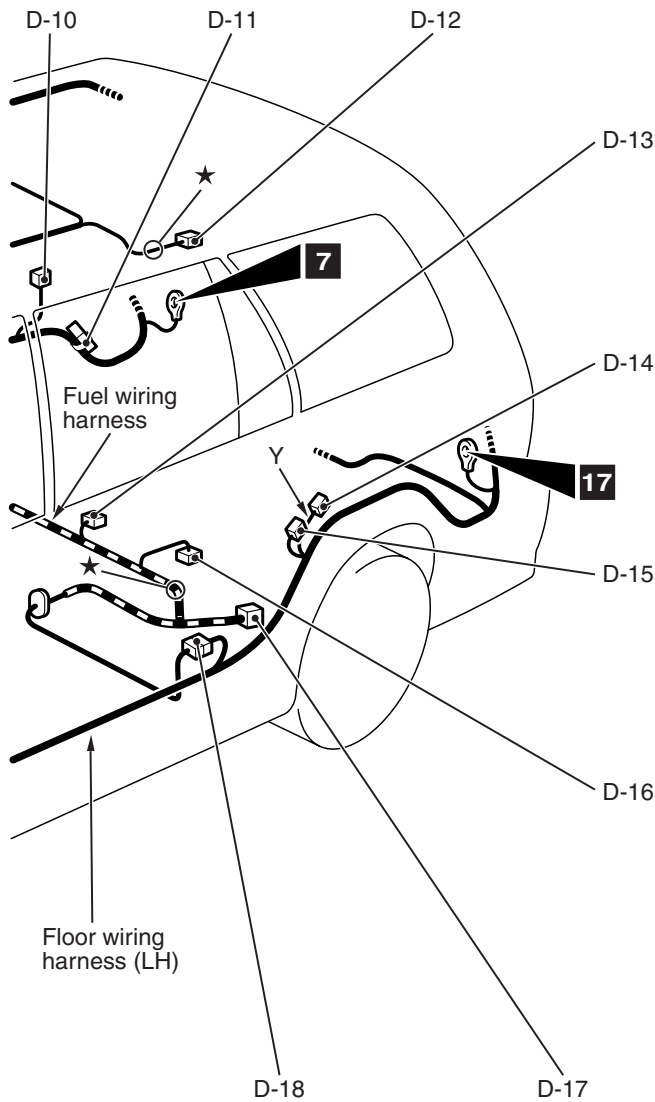
M1801000902107



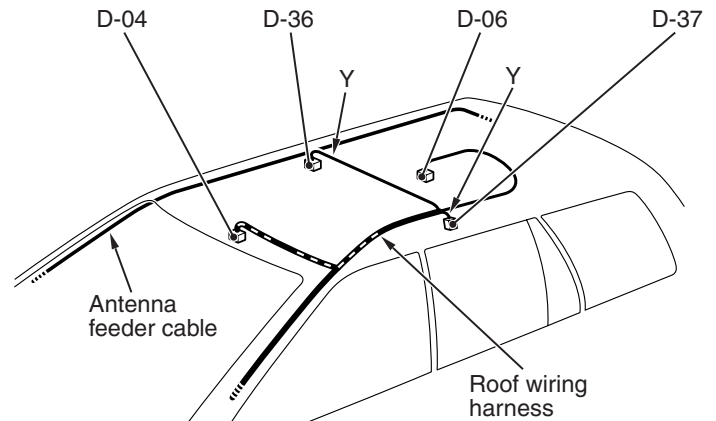
- Connector colour code
- B : Black
 - BR : Brown
 - G : Green
 - GR : Grey
 - L : Blue
 - None : Milk white
 - O : Orange
 - R : Red
 - V : Violet
 - Y : Yellow

AC502061AC

D-01	(2)	Side impact sensor (Front: RH)	D-10	(3)	Luggage room lamp
D-02	(3)	Door switch (Front: RH)	D-11	(2-B)	Diode (for luggage room lamp circuit)
D-03	(8)	Floor wiring harness (RH) and rear door wiring harness (RH) combination	D-12	(3)	Rear personal lamp (LH)
D-04	(2)	Front room lamp	D-13	(3-B)	Fuel tank gauge unit
D-05	(2-B)	Wheel speed sensor (Rear: RH)	D-14	(2-Y)	Side impact sensor (Rear: LH)
D-06	(2-GR)	Rear room lamp	D-15	(3)	Door switch (Rear: LH)
D-07	(3)	Door switch (Rear: RH)	D-16	(5-GR)	Fuel tank pump
D-08	(2-Y)	Side impact sensor (Rear: RH)	D-17	(2-B)	Wheel speed sensor (Rear: LH)
D-09	(3)	Rear personal lamp (RH)	D-18	(8)	Floor wiring harness (LH) and fuel wiring harness combination



<Vehicles with curtain air bag>



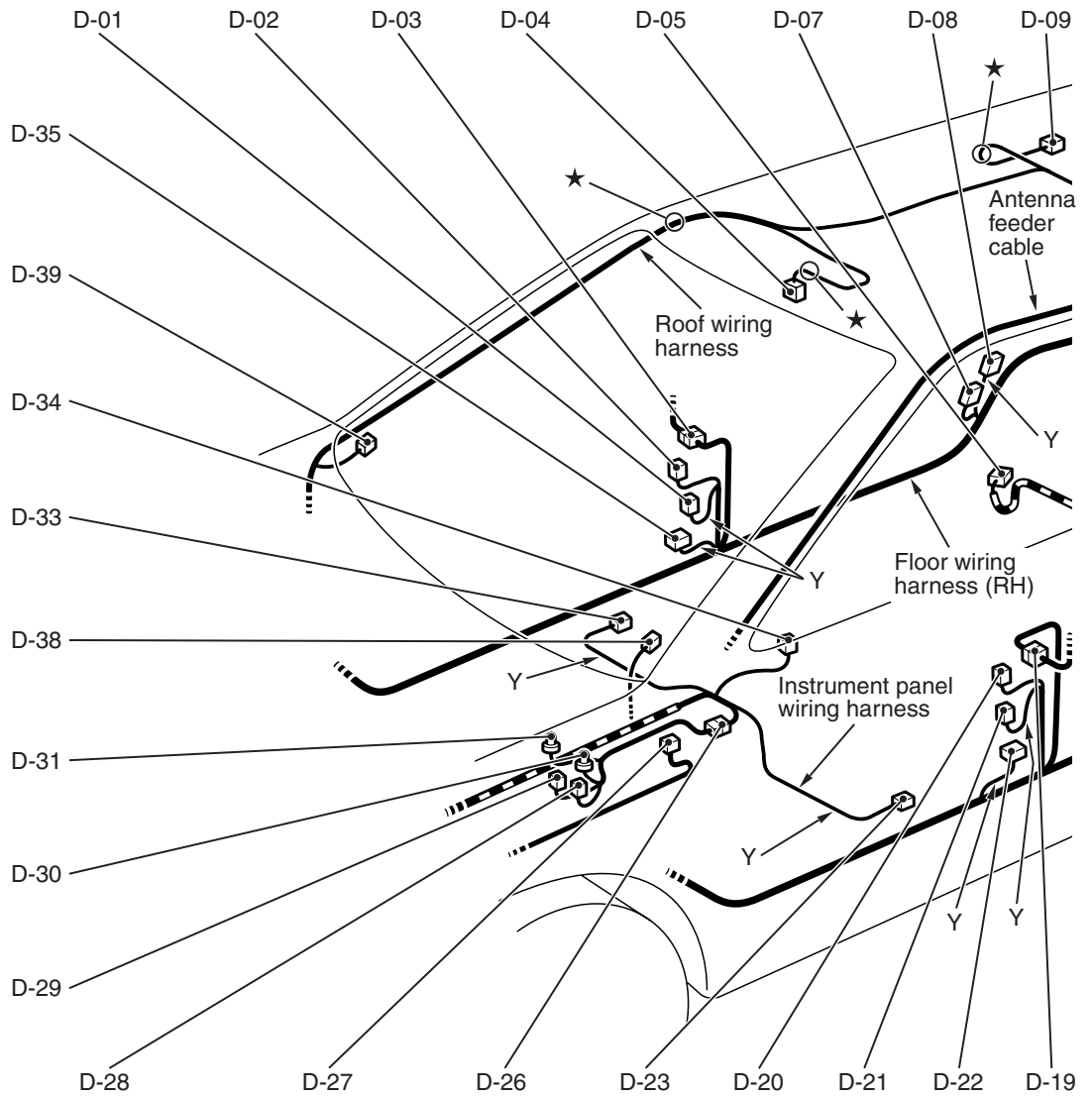
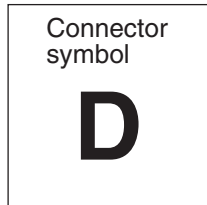
- D-19 (8) Floor wiring harness (LH) and rear door wiring harness (LH) combination
- D-20 (3) Door switch (Front: LH)
- D-21 (2) Side impact sensor (Front: LH)
- D-22 (2-B) Seat belt pre-tensioner (LH)
- D-23 (2-R) Side air bag module (squib) (LH)
- D-24 (3) Heated seat assembly (LH)
- D-25 (9) Heated seat switch
- D-26 (4) Instrument panel wiring harness and console wiring harness combination
- D-27 (6) Shift switch assembly
- D-28 (1) Cigarette lighter

- D-29 (1-B) Cigarette lighter
- D-30 (2-B) Cigarette lighter illumination lamp
- D-31 (2-B) Ashtray illumination lamp
- D-32 (3) Heated seat assembly (RH)
- D-33 (2-R) Side air bag module (squib) (RH)
- D-34 (1-B) Parking brake switch
- D-35 (2-B) Seat belt pre-tensioner (RH)
- D-36 (2-B) Curtain air bag module (squib) (RH)
- D-37 (2-B) Curtain air bag module (squib) (LH)
- D-38 (2) Tweeter (LH)
- D-39 (2) Tweeter (RH)

AC301824 AB

FLOOR AND ROOF <WAGON (RHD)>

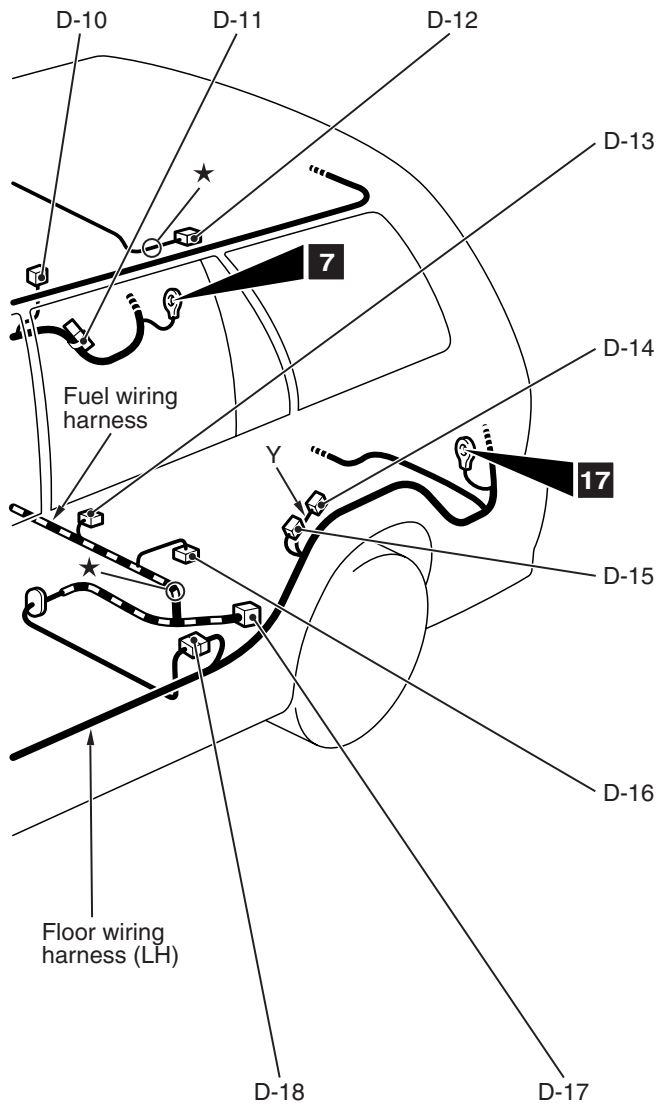
M1801000902118



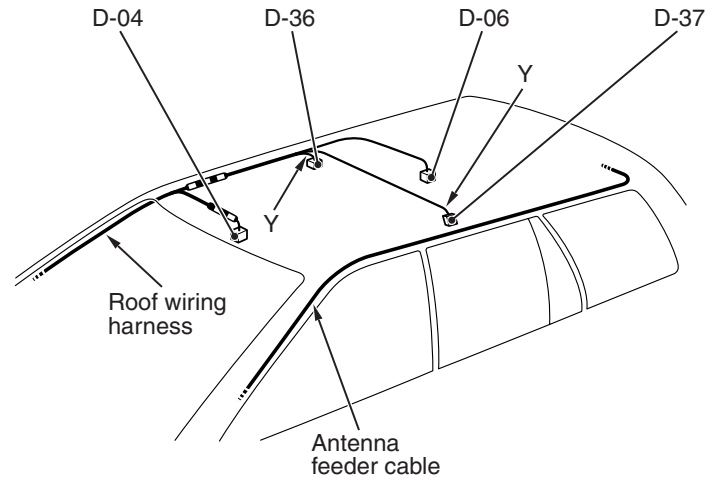
- Connector colour code
- B : Black
 - BR : Brown
 - G : Green
 - GR : Grey
 - L : Blue
 - None : Milk white
 - O : Orange
 - R : Red
 - V : Violet
 - Y : Yellow

AC502062AB

D-01	(2)	Side impact sensor (Front: RH)	D-10	(3)	Luggage room lamp
D-02	(3)	Door switch (Front: RH)	D-11	(2-B)	Diode (for luggage room lamp circuit)
D-03	(8)	Floor wiring harness (RH) and rear door wiring harness (RH) combination	D-12	(3)	Rear personal lamp (LH)
D-04	(2)	Front room lamp	D-13	(3-B)	Fuel tank gauge unit
D-05	(2-B)	Wheel speed sensor (Rear: RH)	D-14	(2-Y)	Side impact sensor (Rear: LH)
D-06	(2-GR)	Rear room lamp	D-15	(3)	Door switch (Rear: LH)
D-07	(3)	Door switch (Rear: RH)	D-16	(5-GR)	Fuel tank pump
D-08	(2-Y)	Side impact sensor (Rear: RH)	D-17	(2-B)	Wheel speed sensor (Rear: LH)
D-09	(3)	Rear personal lamp (RH)	D-18	(8)	Floor wiring harness (LH) and fuel wiring harness combination



<Vehicles with curtain air bag>



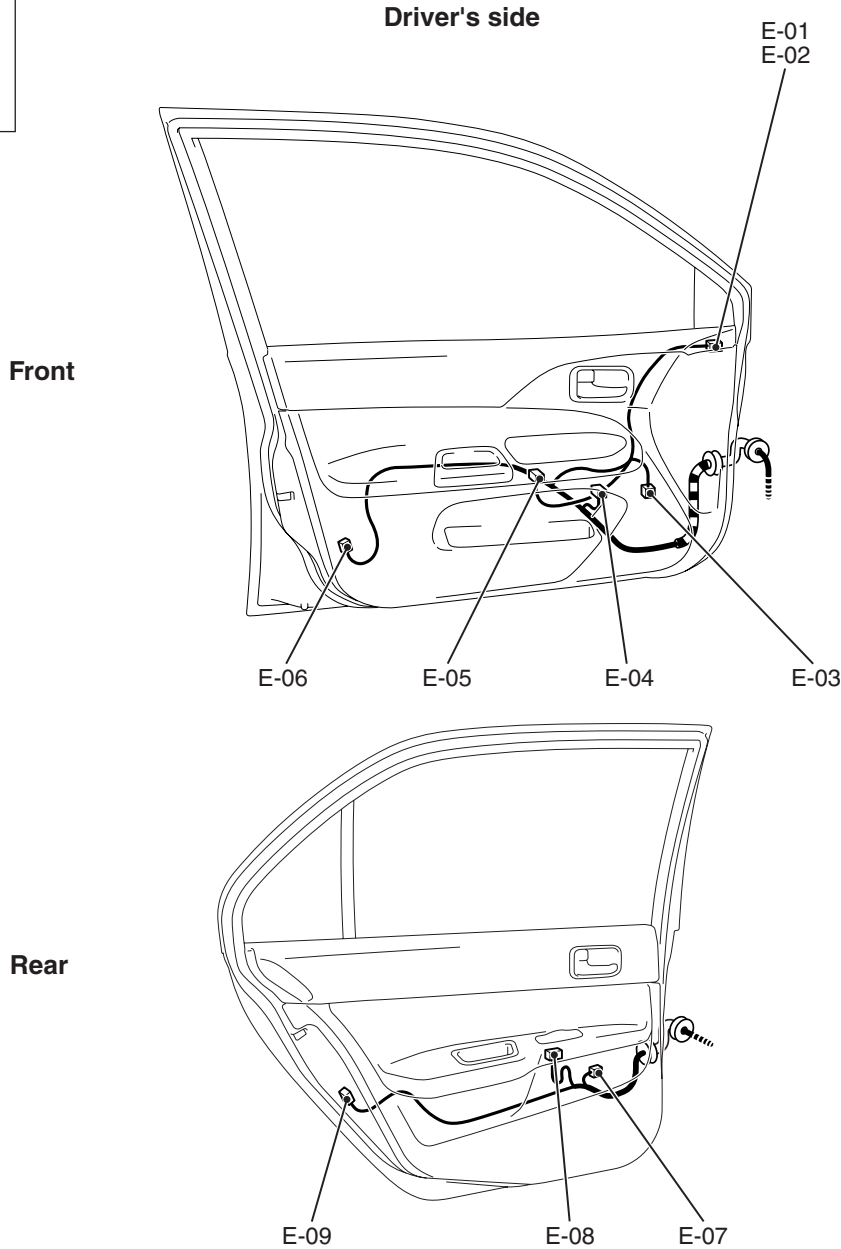
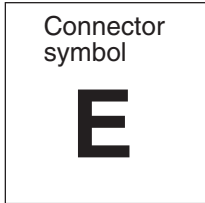
- D-19 (8) Floor wiring harness (LH) and rear door wiring harness (LH) combination
- D-20 (3) Door switch (Front: LH)
- D-21 (2) Side impact sensor (Front: LH)
- D-22 (2-B) Seat belt pre-tensioner (LH)
- D-23 (2-R) Side air bag module (squib) (LH)
- D-26 (4) Instrument panel wiring harness and console wiring harness combination
- D-27 (6) Shift switch assembly
- D-28 (1) Cigarette lighter

- D-29 (1-B) Cigarette lighter
- D-30 (2-B) Cigarette lighter illumination lamp
- D-31 (2-B) Ashtray illumination lamp
- D-33 (2-R) Side air bag module (squib) (RH)
- D-34 (1-B) Parking brake switch
- D-35 (2-B) Seat belt pre-tensioner (RH)
- D-36 (2-B) Curtain air bag module (squib) (RH)
- D-37 (2-B) Curtain air bag module (squib) (LH)
- D-38 (2) Tweeter (LH)
- D-39 (2) Tweeter (RH)

DOOR

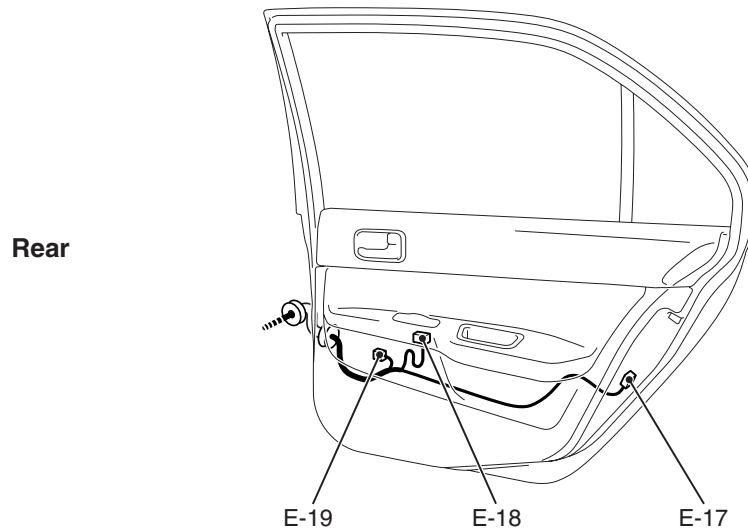
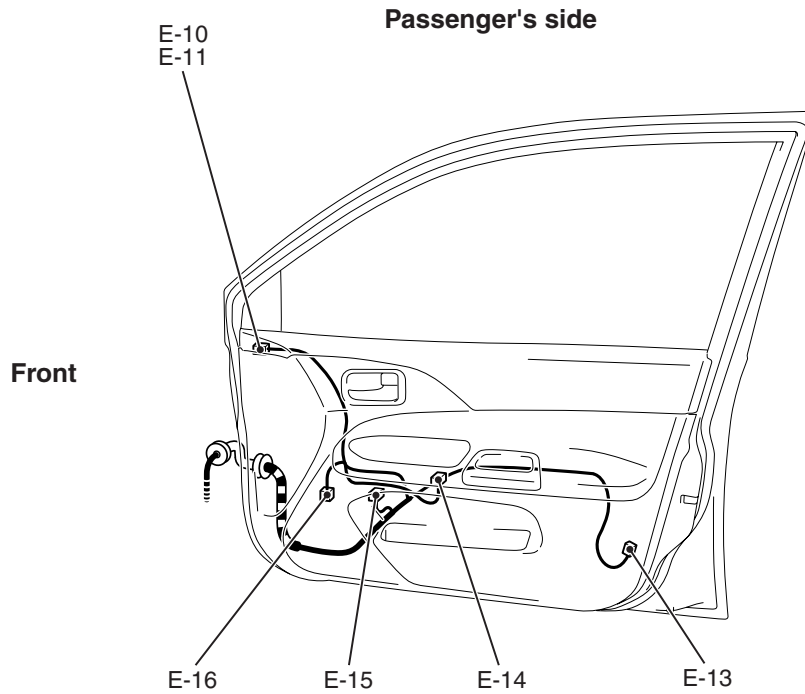
DOOR <LHD>

M1801001401458



AC301826 AB

- | | | | | | |
|------|--------|---|------|--------|---|
| E-01 | (3) | Remote controlled mirror (LH) <Vehicles without door mirror heater> | E-06 | (6-B) | Front door lock actuator (LH) |
| E-02 | (7) | Remote controlled mirror (LH) <Vehicles with door mirror heater> | E-07 | (6-GR) | Rear power window motor (LH) |
| E-03 | (2) | Front door speaker (LH) | E-08 | (8) | Rear power window sub switch (LH) |
| E-04 | (6-GR) | Front power window motor (LH) | E-09 | (6-B) | Rear door lock actuator (LH) |
| E-05 | (14) | Power window main switch | E-10 | (3) | Remote controlled mirror (RH) <Vehicles without door mirror heater> |



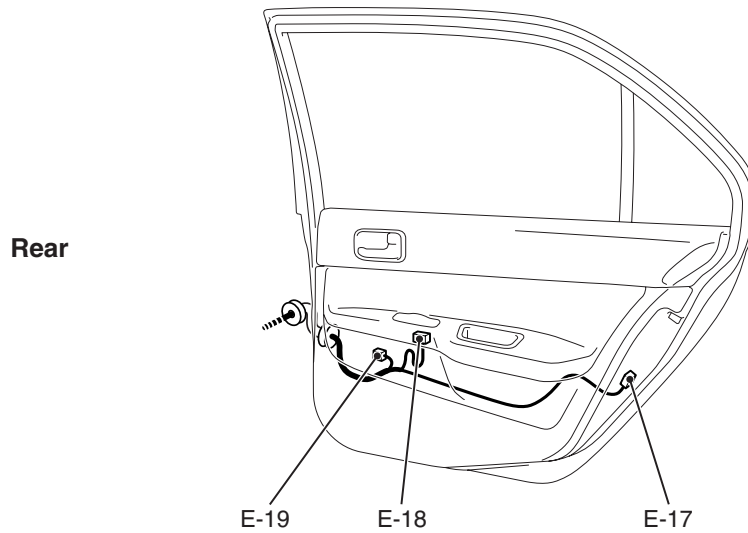
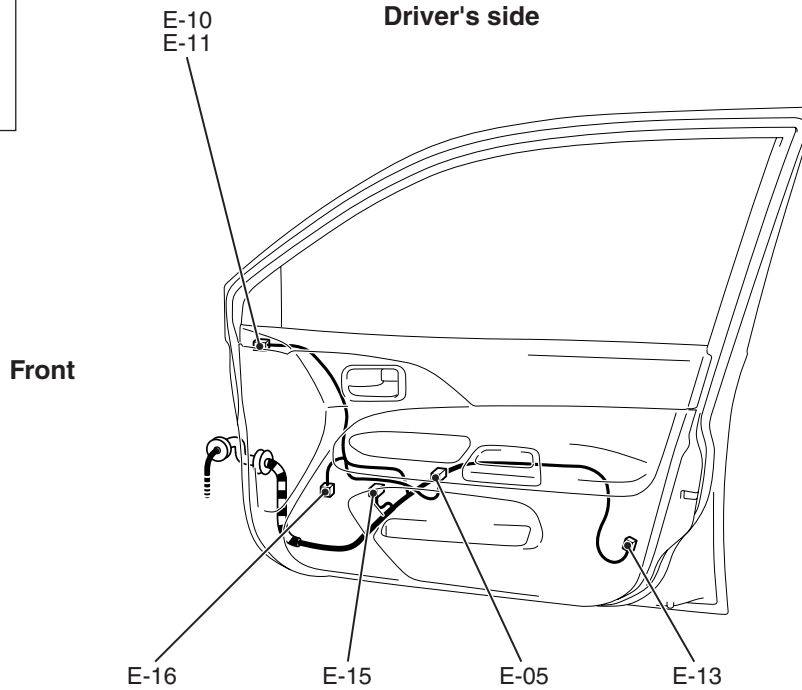
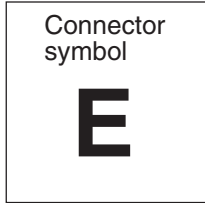
Connector colour
code
B : Black
BR : Brown
G : Green
GR : Grey
L : Blue
None : Milk white
O : Orange
R : Red
V : Violet
Y : Yellow

AC502063AB

E-11	(7)	Remote controlled mirror (RH) <Vehicles with door mirror heater>	E-16	(2)	Front door speaker (RH)
E-13	(6-B)	Front door lock actuator (RH)	E-17	(6-B)	Rear door lock actuator (RH)
E-14	(8)	Front power window sub switch (RH)	E-18	(8)	Rear power window sub switch (RH)
E-15	(6-GR)	Front power window motor (RH)	E-19	(6-GR)	Rear power window motor (RH)

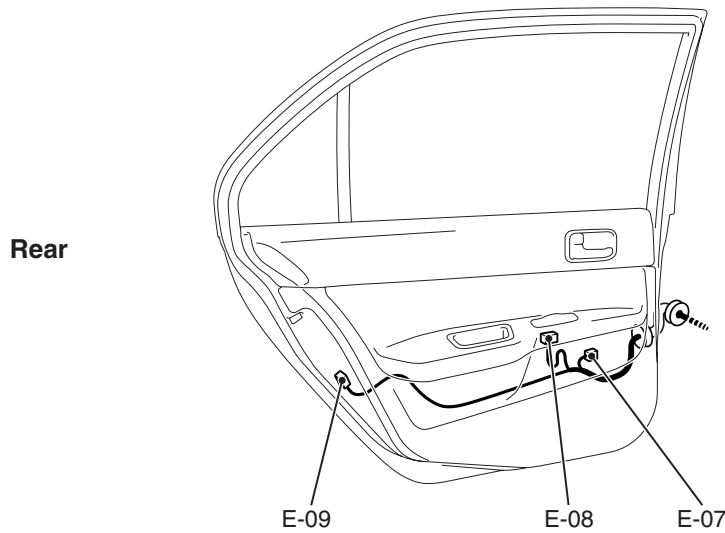
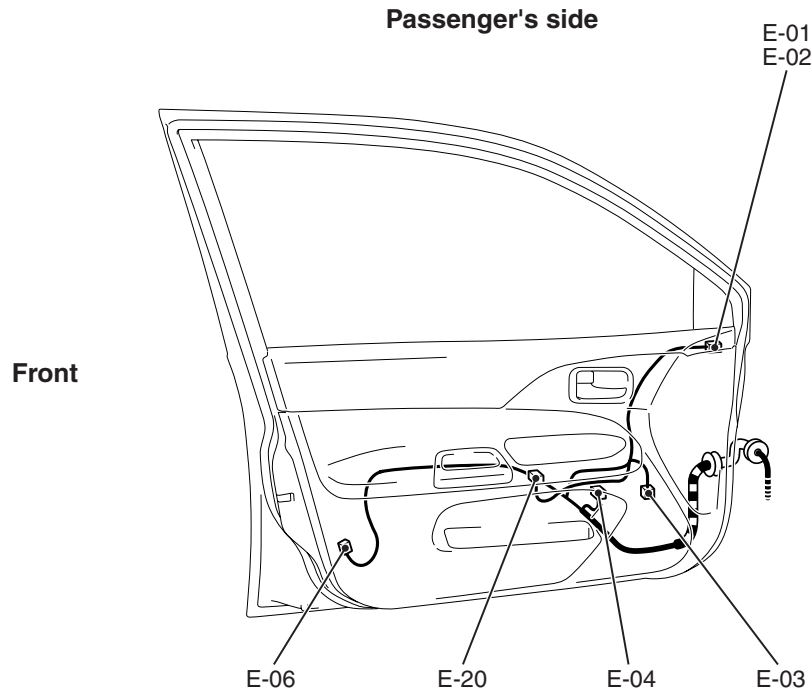
DOOR <RHD>

M1801001401469



AC301883 AB

- | | | | | | |
|------|--------|---|------|--------|---|
| E-01 | (3) | Remote controlled mirror (LH) <Vehicles without door mirror heater> | E-06 | (6-B) | Front door lock actuator (LH) |
| E-02 | (7) | Remote controlled mirror (LH) <Vehicles with door mirror heater> | E-07 | (6-GR) | Rear power window motor (LH) |
| E-03 | (2) | Front door speaker (LH) | E-08 | (8) | Rear power window sub switch (LH) |
| E-04 | (6-GR) | Front power window motor (LH) | E-09 | (6-B) | Rear door lock actuator (LH) |
| E-05 | (14) | Power window main switch | E-10 | (3) | Remote controlled mirror (RH) <Vehicles without door mirror heater> |



Connector colour code
 B : Black
 BR : Brown
 G : Green
 GR : Grey
 L : Blue
 None : Milk white
 O : Orange
 R : Red
 V : Violet
 Y : Yellow

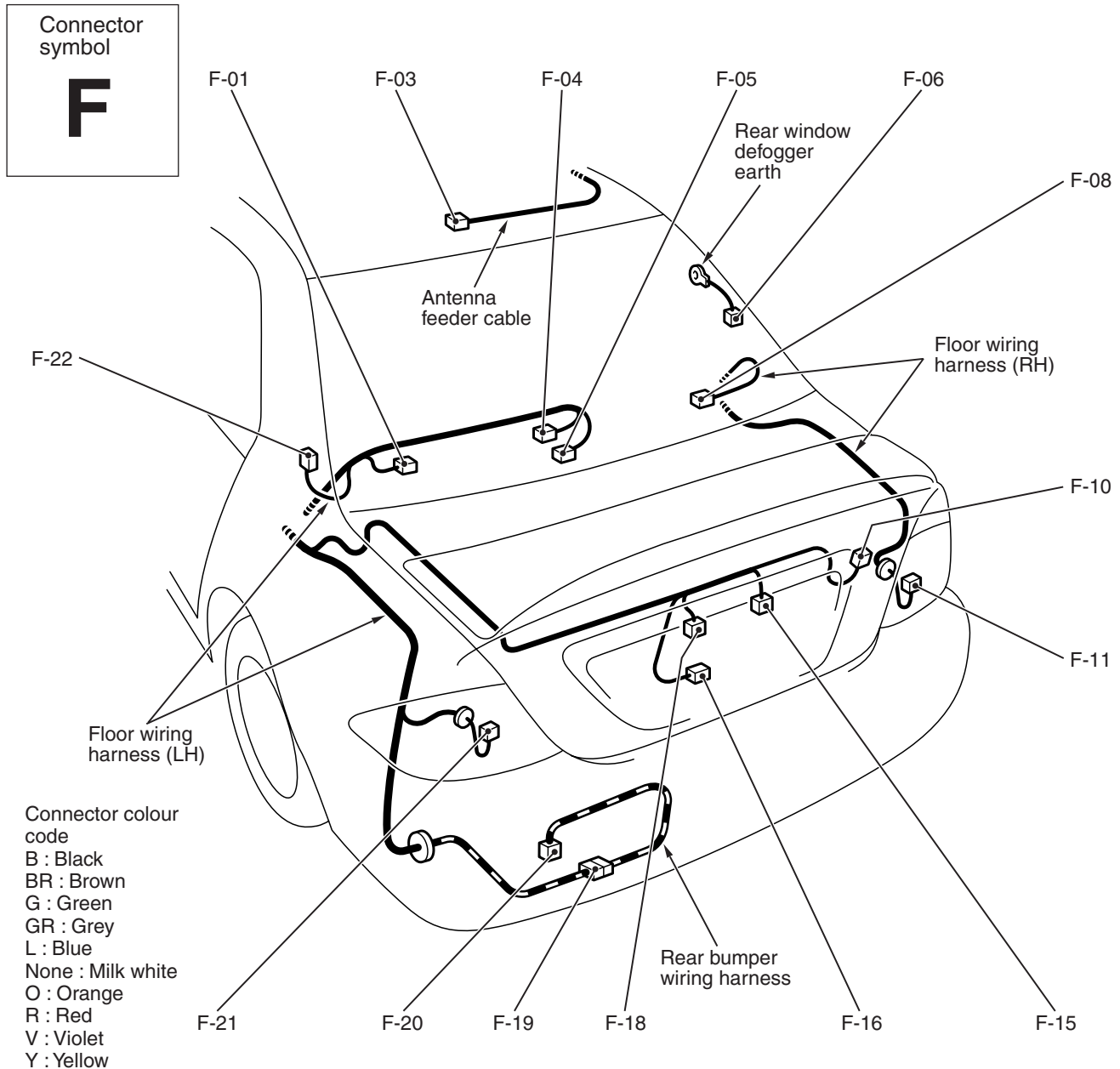
AC502064AB

E-11	(7)	Remote controlled mirror (RH) <Vehicles with door mirror heater>	E-17	(6-B)	Rear door lock actuator (RH)
E-13	(6-B)	Front door lock actuator (RH)	E-18	(8)	Rear power window sub switch (RH)
E-15	(6-GR)	Front power window motor (RH)	E-19	(6-GR)	Rear power window motor (RH)
E-16	(2)	Front door speaker (RH)	E-20	(8)	Front power window sub switch (LH)

TRUNK (LUGGAGE COMPARTMENT)

TRUNK (LUGGAGE COMPARTMENT) <SEDAN (LHD)>

M1801001500708

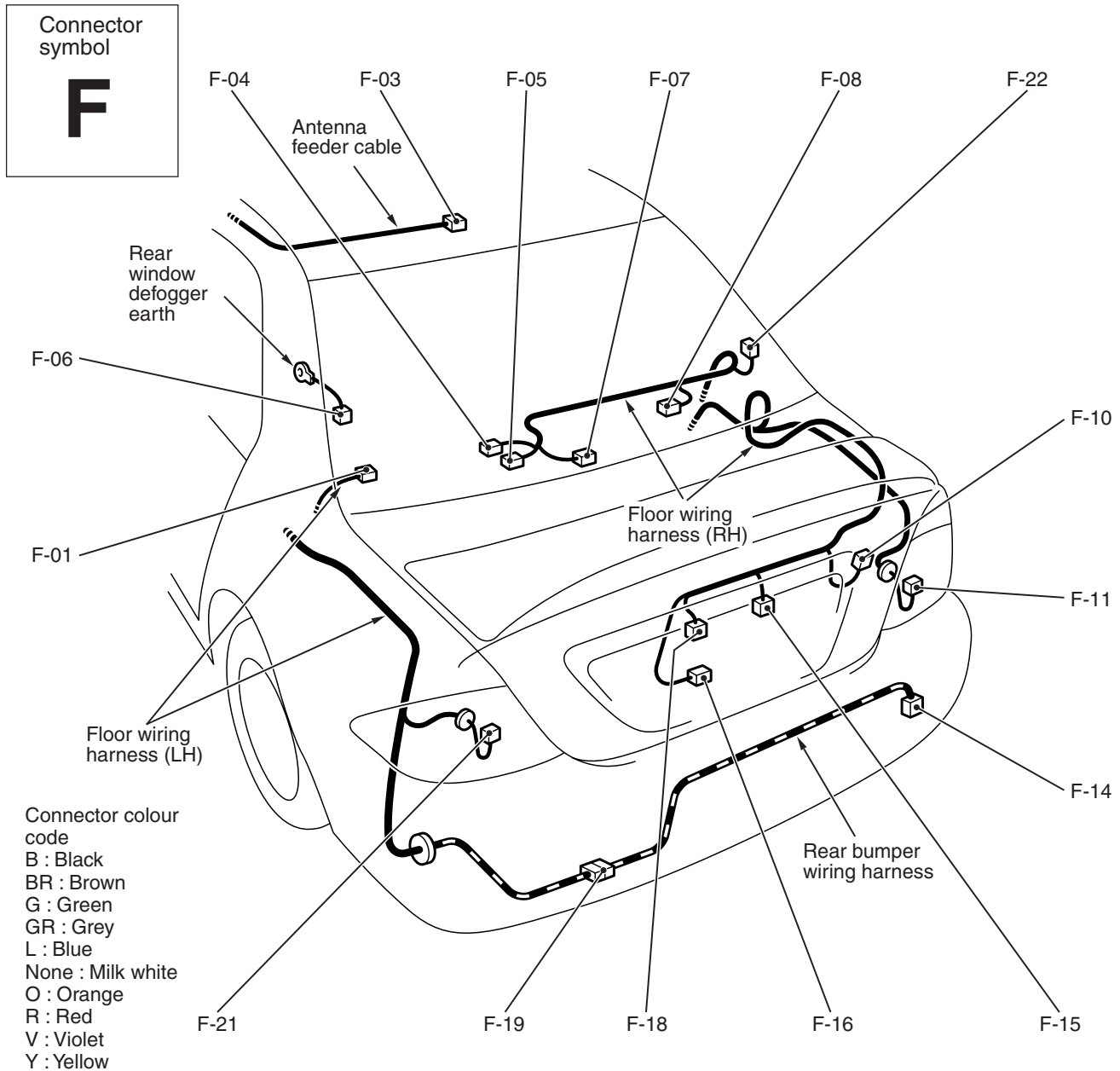


AC301171AE

F-01	(2)	Rear speaker (LH)	F-15	(2-GR)	Licence plate lamp (RH)
F-03	(1)	Roof antenna	F-16	(1-B)	Trunk lid latch switch
F-04	(2)	Luggage compartment lamp	F-18	(2-GR)	Licence plate lamp (LH)
F-05	(2)	High mount stop lamp <Rear shelf>	F-19	(2-GR)	Floor wiring harness (LH) and rear bumper wiring harness combination
F-06	(1-B)	Rear window defogger (-)	F-20	(2)	Rear fog lamp
F-08	(2)	Rear speaker (RH)	F-21	(6-B)	Rear combination lamp (LH)
F-10	(2)	High mount stop lamp <Rear spoiler>	F-22	(1)	Rear window defogger (+)
F-11	(6-B)	Rear combination lamp (RH)			

TRUNK (LUGGAGE COMPARTMENT) <SEDAN (RHD)>

M1801001500719



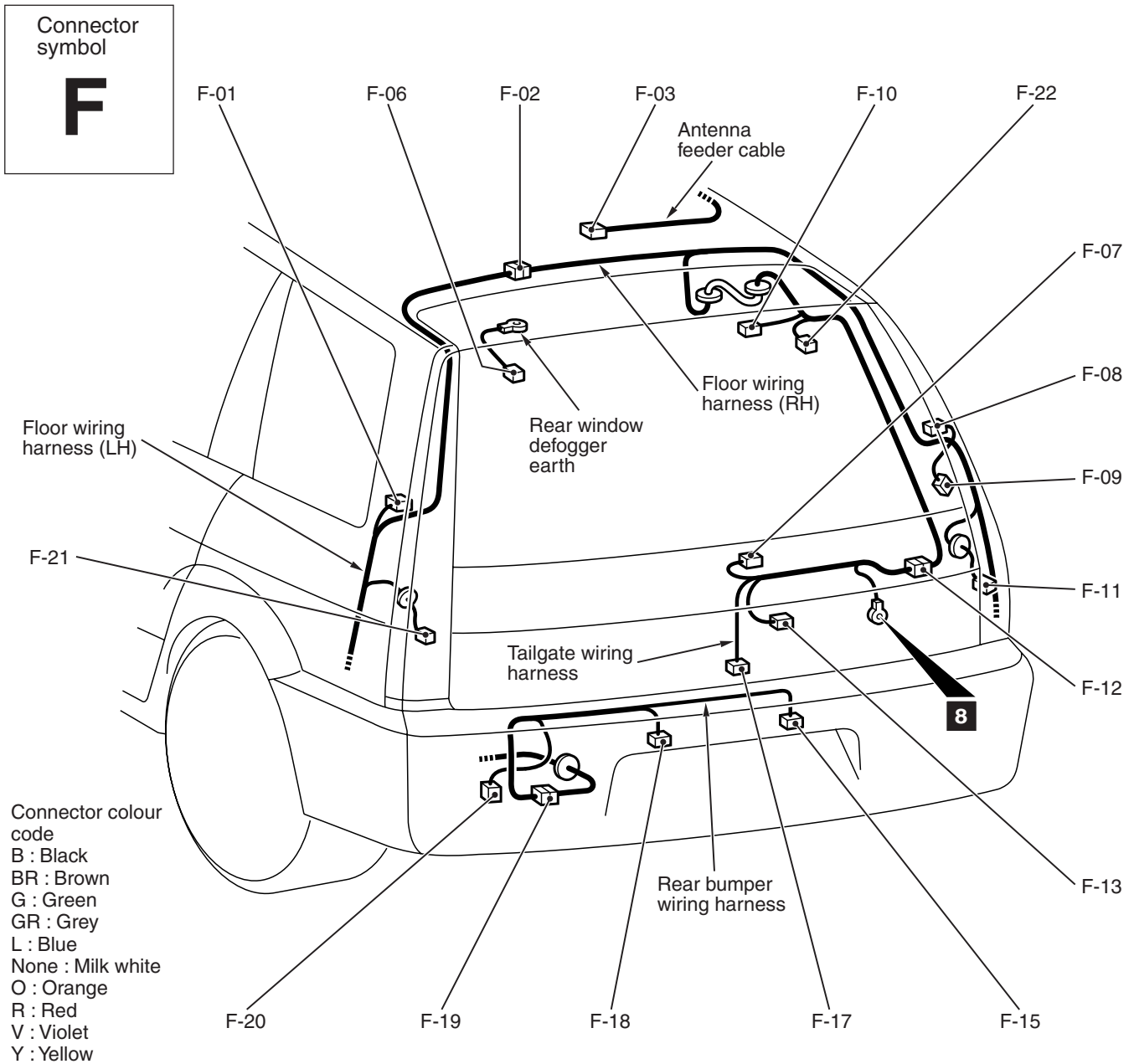
AC301172AE

F-01	(2)	Rear speaker (LH)	F-14	(2)	Rear fog lamp
F-03	(1)	Roof antenna	F-15	(2-GR)	Licence plate lamp (RH)
F-04	(2)	Luggage compartment lamp	F-16	(1-B)	Trunk lid latch switch
F-05	(2)	High mount stop lamp <Rear shelf>	F-18	(2-GR)	Licence plate lamp (LH)
F-06	(1-B)	Rear window defogger (-)	F-19	(2-GR)	Floor wiring harness (LH) and rear bumper wiring harness combination
F-07	(4)	No connection	F-21	(6-B)	Rear combination lamp (LH)
F-08	(2)	Rear speaker (RH)	F-22	(1)	Rear window defogger (+)
F-10	(2)	High mount stop lamp <Rear spoiler>			
F-11	(6-B)	Rear combination lamp (RH)			

TAILGATE

TAILGATE <WAGON (LHD)>

M1801001900858

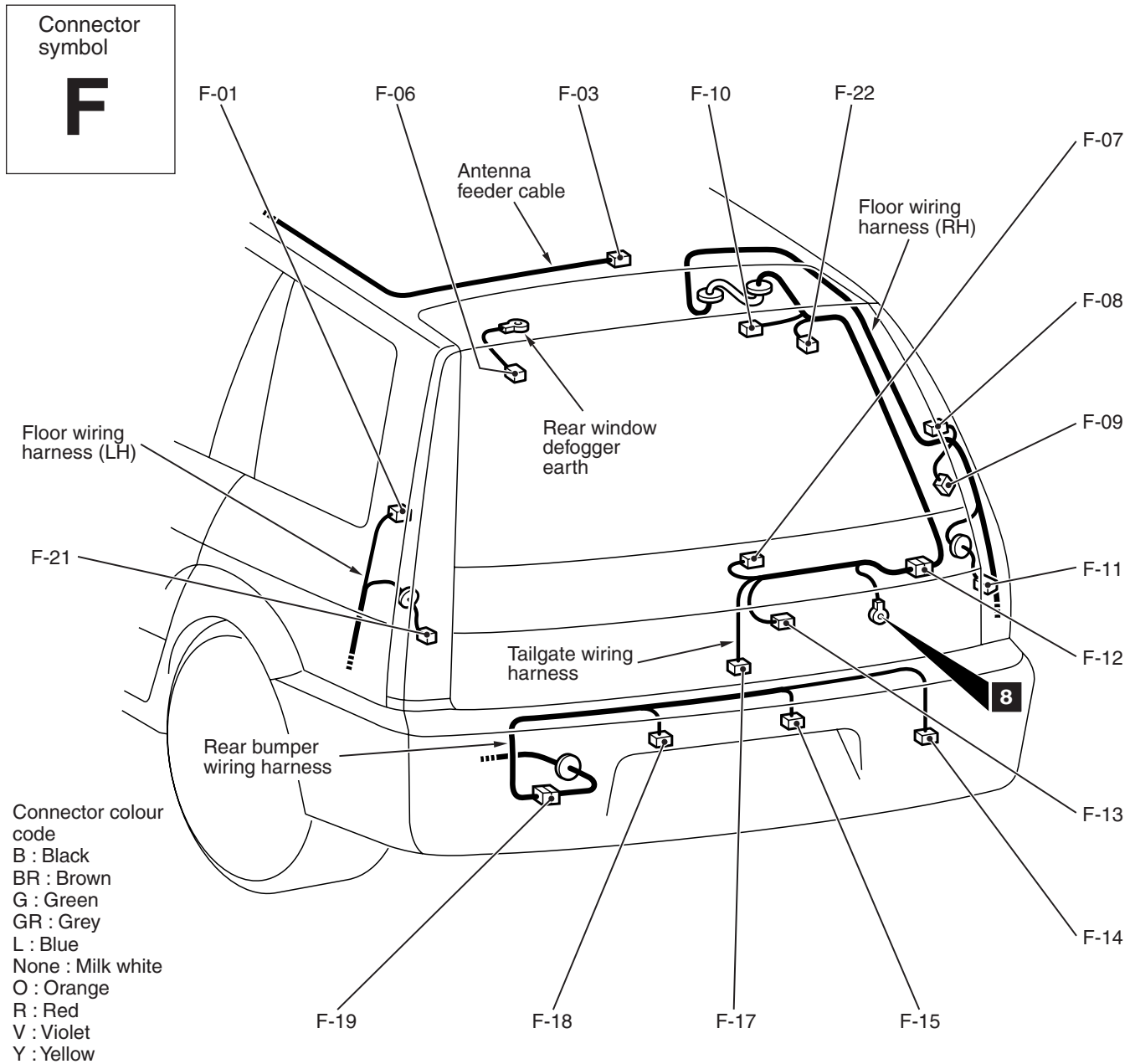


AC301173AE

F-01	(2)	Rear speaker (LH)	F-13	(2-B)	Tailgate lock actuator
F-02	(6)	Floor wiring harness (LH) and Floor wiring harness (RH) combination	F-15	(2-GR)	Licence plate lamp (RH)
F-03	(1)	Roof antenna	F-17	(1)	Tailgate switch
F-06	(1)	Rear window defogger (-)	F-18	(2-GR)	Licence plate lamp (LH)
F-07	(4)	Rear wiper motor	F-19	(4-GR)	Floor wiring harness (LH) and rear bumper wiring harness combination
F-08	(2)	Rear speaker (RH)	F-20	(2)	Rear fog lamp
F-09	(2)	Accessory socket	F-21	(6-B)	Rear combination lamp (LH)
F-10	(2)	High mount stop lamp <Rear spoiler>	F-22	(1)	Rear window defogger (+)
F-11	(6-B)	Rear combination lamp (RH)			
F-12	(8)	Floor wiring harness (RH) and tailgate wiring harness combination			

TAILGATE <WAGON (RHD)>

M1801001900869



AC301174AE

F-01	(2)	Rear speaker (LH)	F-13	(2-B)	Tailgate lock actuator
F-03	(1)	Roof antenna	F-14	(2)	Rear fog lamp
F-06	(1)	Rear window defogger (-)	F-15	(2-GR)	Licence plate lamp (RH)
F-07	(4)	Rear wiper motor	F-17	(1)	Tailgate switch
F-08	(2)	Rear speaker (RH)	F-18	(2-GR)	Licence plate lamp (LH)
F-09	(2)	Accessory socket	F-19	(4-GR)	Floor wiring harness (LH) and rear bumper wiring harness combination
F-10	(2)	High mount stop lamp <Rear spoiler>	F-21	(6-B)	Rear combination lamp (LH)
F-11	(6-B)	Rear combination lamp (RH)	F-22	(1)	Rear window defogger (+)
F-12	(8)	Floor wiring harness (RH) and tailgate wiring harness combination			

NOTES