

GROUP 70

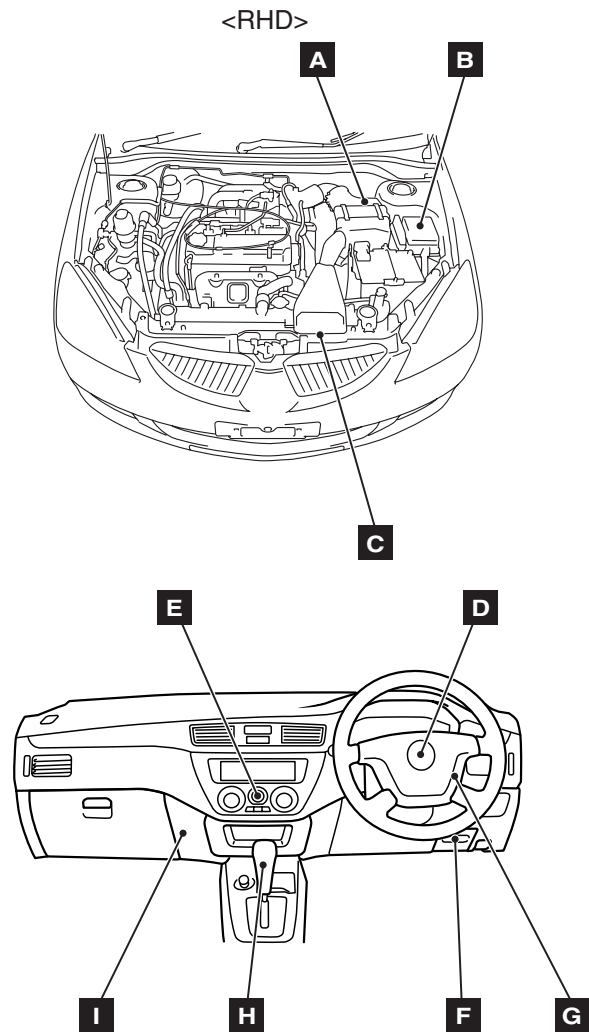
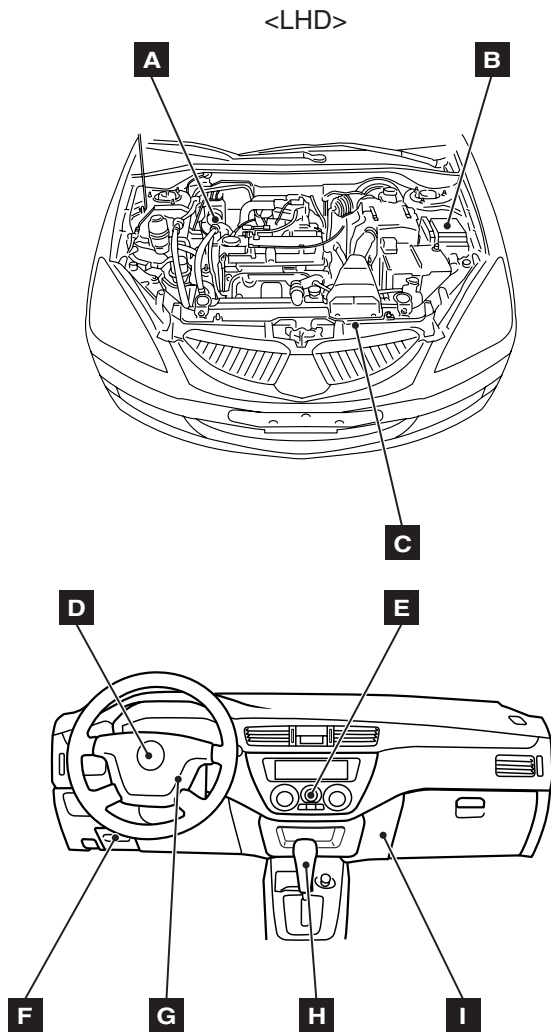
**COMPONENT
LOCATIONS**

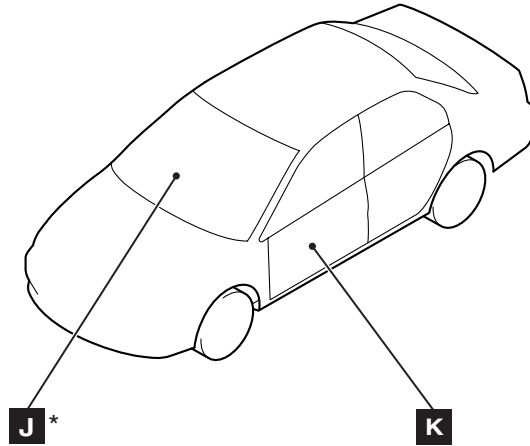
CONTENTS

ECU	70-2	SOLENOID VALVE.....	70-12
RELAY	70-5	DIODE.....	70-13
SENSOR.....	70-6	EARTH	70-14
FUSIBLE LINK AND FUSE	70-10	INSPECTION CONNECTOR AND SPARE CONNECTOR	70-18
EARTH CABLE	70-11		

ECU

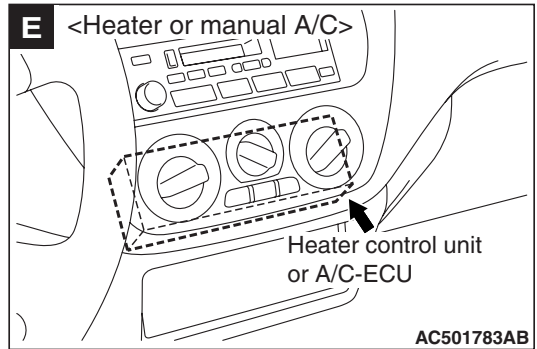
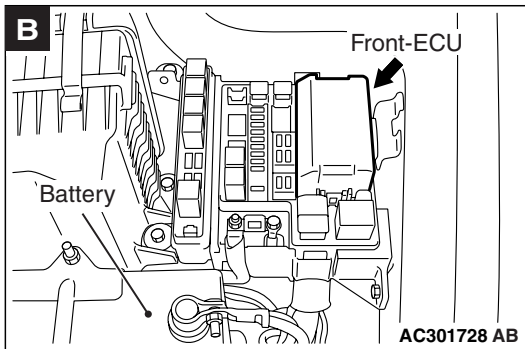
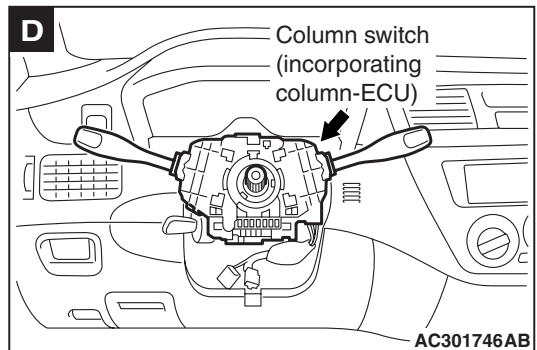
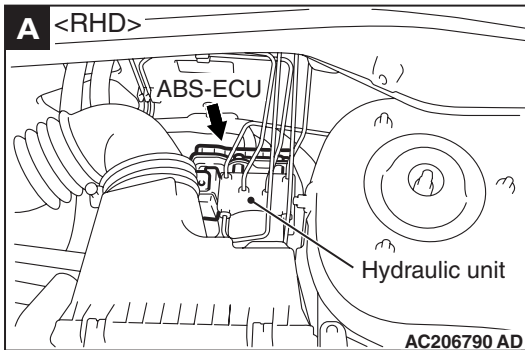
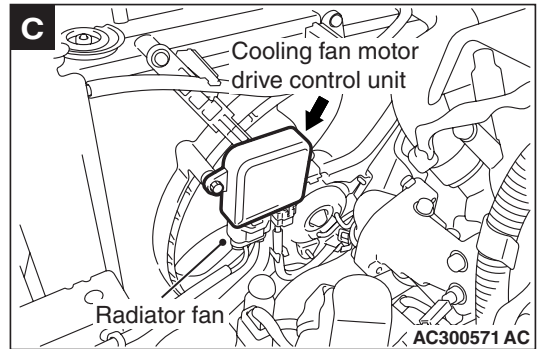
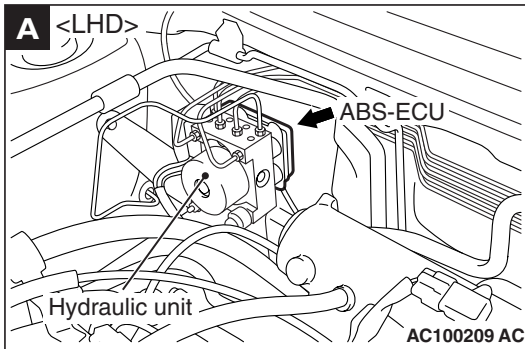
Name	Symbol	Name	Symbol
A/C-ECU	E	Front-ECU	B
ABS-ECU	A	Heater control unit <without A/C>	E
Column switch (incorporating Column-ECU)	D	Immobilizer-ECU	G
Engine-A/T-ECU <A/T>	I	Power window main switch (incorporating ECU)	K
Engine-ECU <M/T>	I	Power window sub switch (incorporating ECU)	J
ETACS-ECU	F	SRS-ECU	H
Cooling fan motor drive control unit	C		

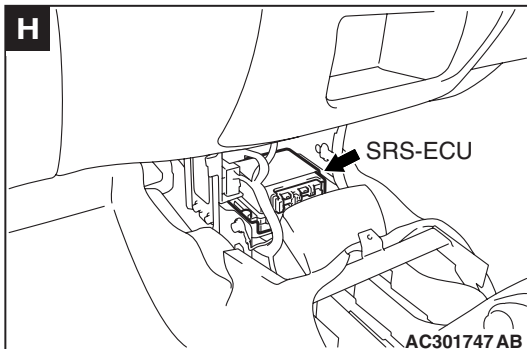
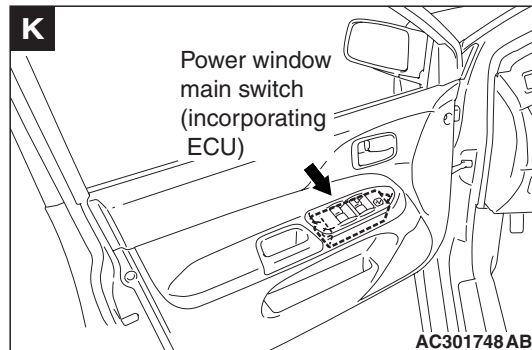
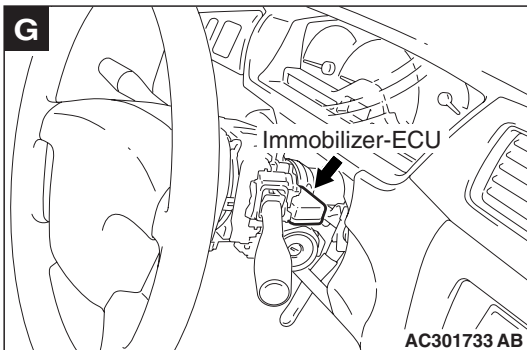
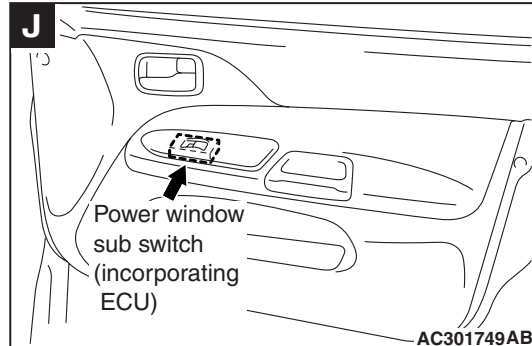
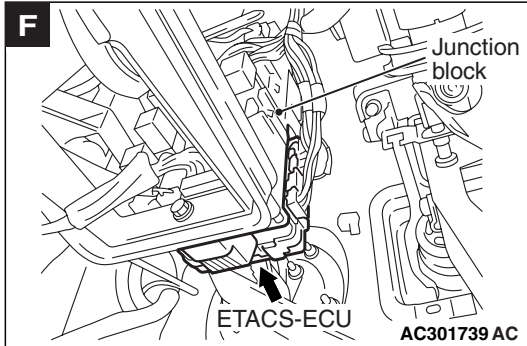
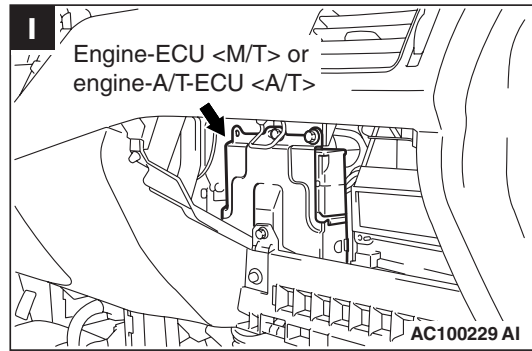
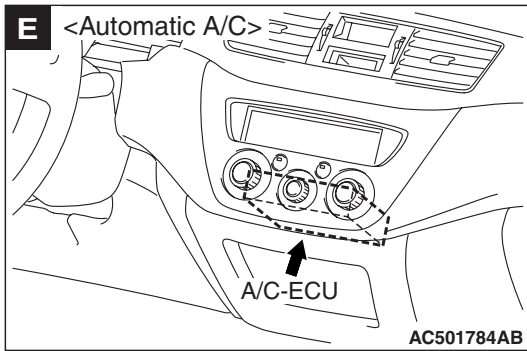




AC304537AE

NOTE: *: also equipped on the rear doors.

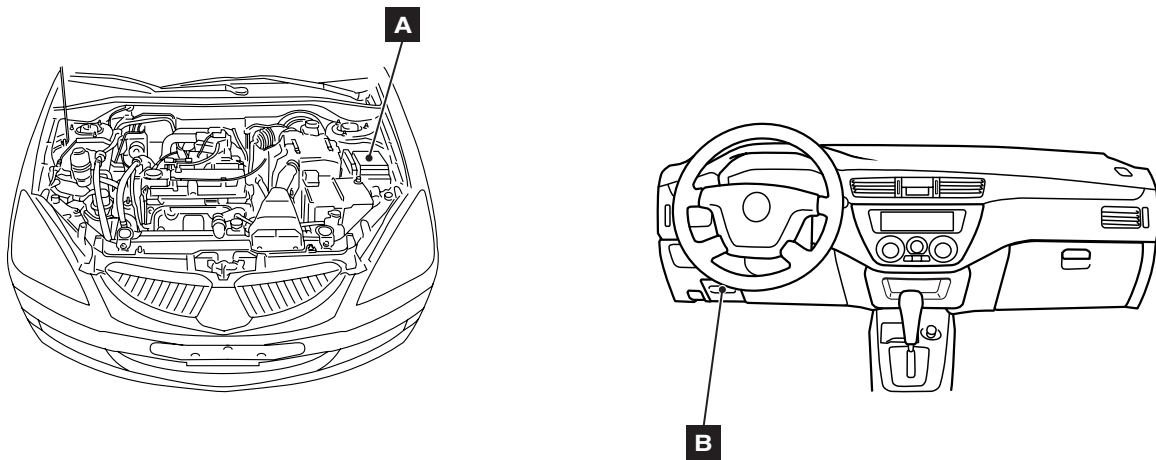




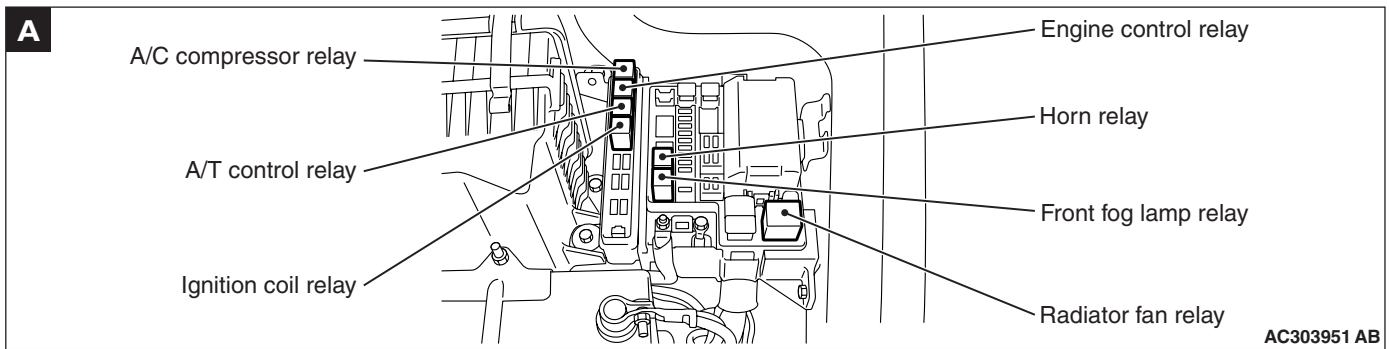
RELAY

M1701000400369

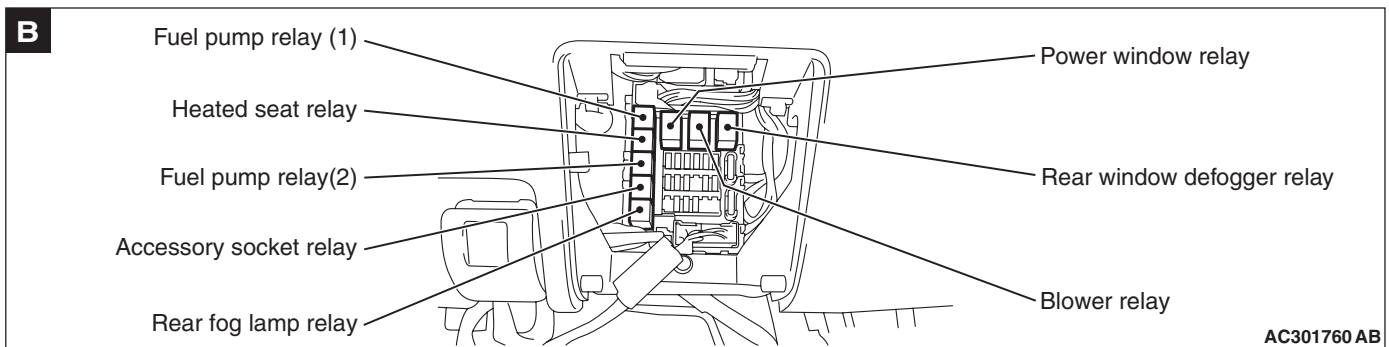
Name	Symbol	Name	Symbol
A/C compressor relay	A	Heated seat relay	B
A/T control relay	A	Horn relay	A
Accessory socket relay	B	Ignition coil relay	A
Blower relay	B	Power window relay	B
Engine control relay	A	Radiator fan relay	A
Front fog lamp relay	A	Rear fog lamp relay	B
Fuel pump relay (1)	B	Rear window defogger relay	B
Fuel pump relay (2)	B		



AC301758 AB



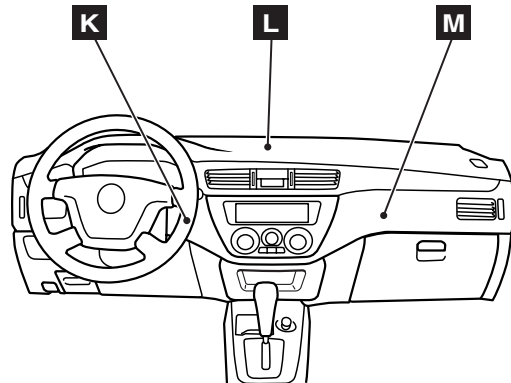
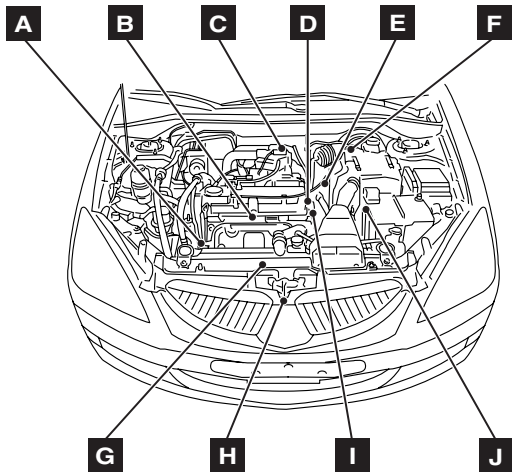
AC303951 AB



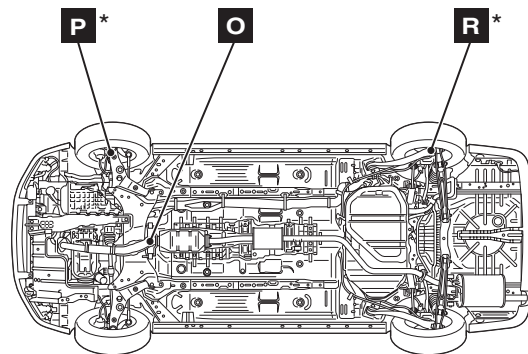
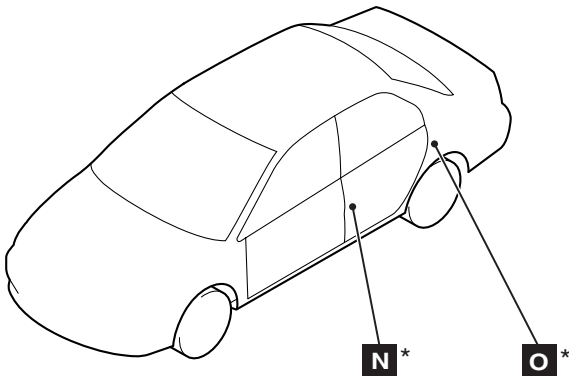
AC301760 AB

SENSOR

Name	Symbol	Name	Symbol
Air cleaner air flow sensor <4G6>	F	Output shaft speed sensor <A/T>	J
Air thermo sensor	M	Outside thermo sensor<Automatic A/C>	H
Camshaft position sensor	D	Photo sensor <Automatic A/C>	L
Engine control detonation sensor	B	Side impact sensor (Front)	N
Engine control oxygen sensor (Front)	G	Side impact sensor (Rear)	O
Engine control oxygen sensor (Rear)	Q	Throttle body throttle sensor	C
Engine crank angle sensor	A	Vehicle speed sensor <M/T>	E
Heater water temperature sensor <Automatic A/C>	M	Water temperature sensor unit	I
Inlet manifold absolute pressure sensor (incorporating intake air temperature sensor) <4G1>	C	Wheel speed sensor (Front)	P
Input shaft speed sensor <A/T>	J	Wheel speed sensor (Rear)	R
Inside air temperature sensor <Automatic A/C>	K		

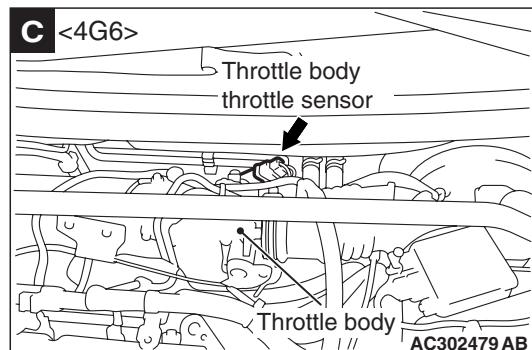
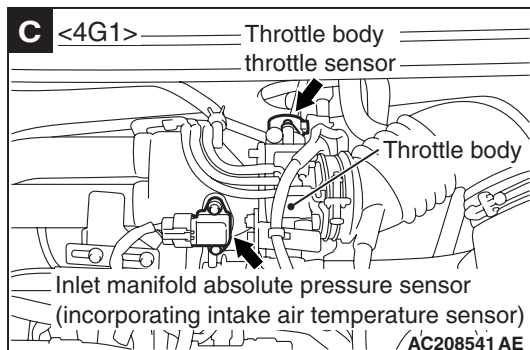
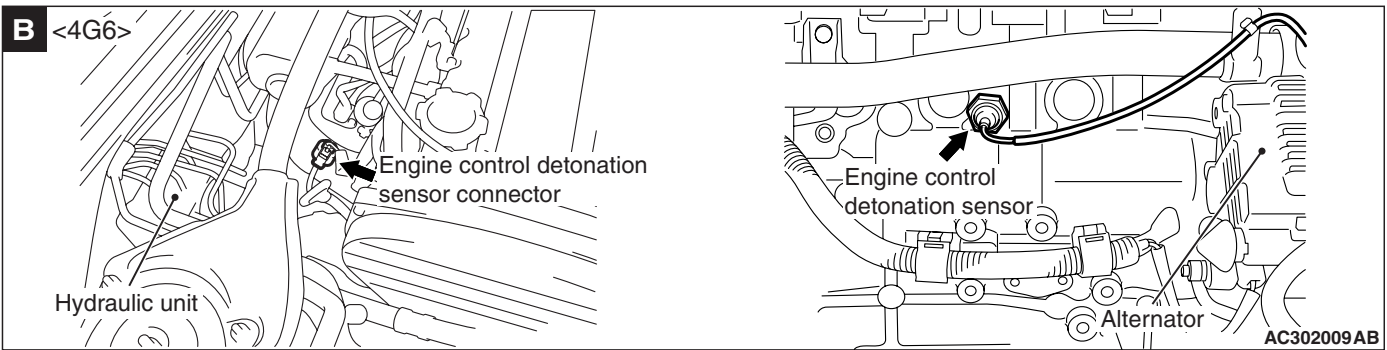
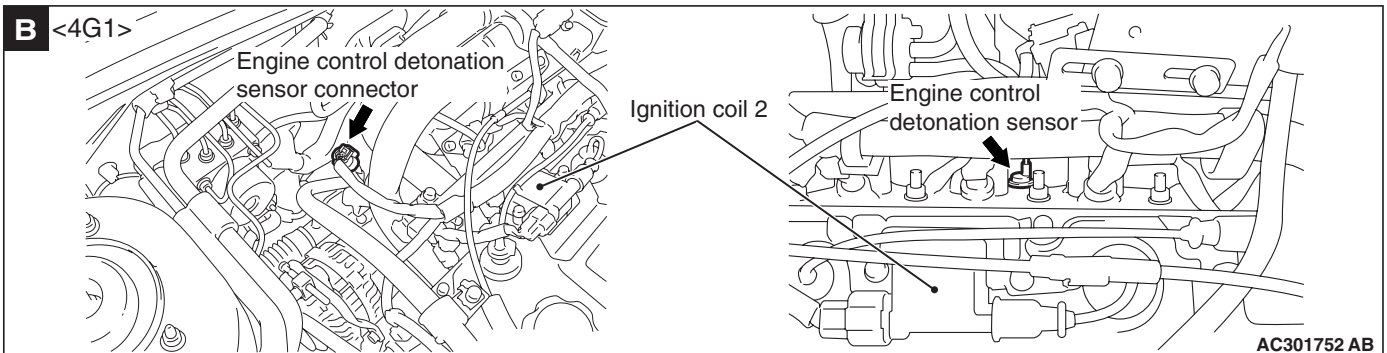
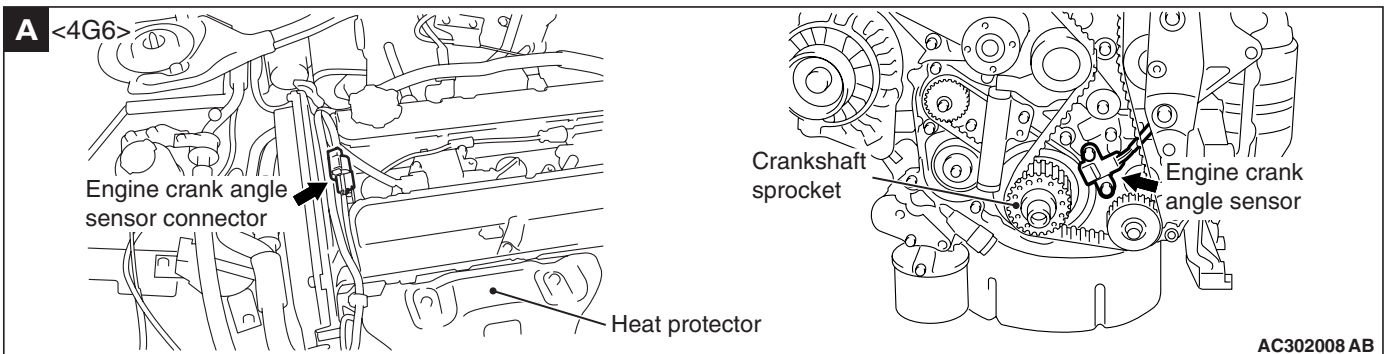
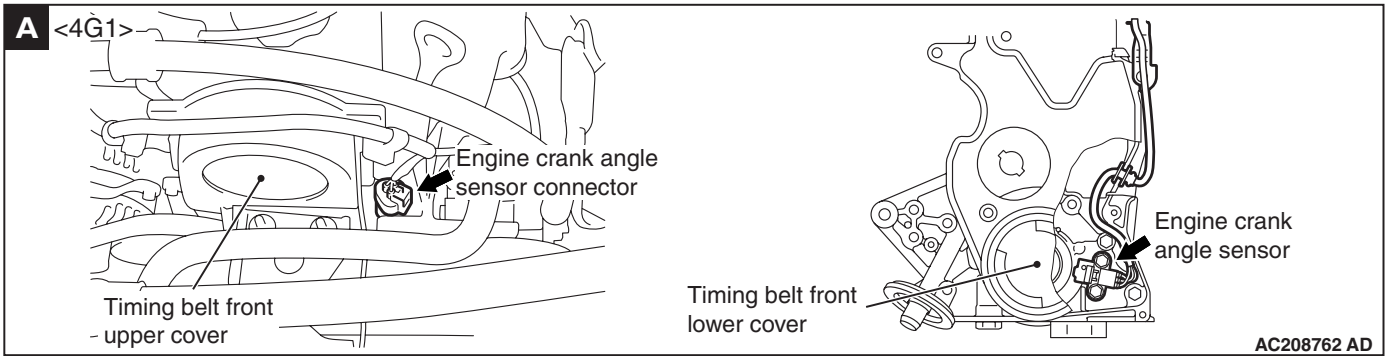


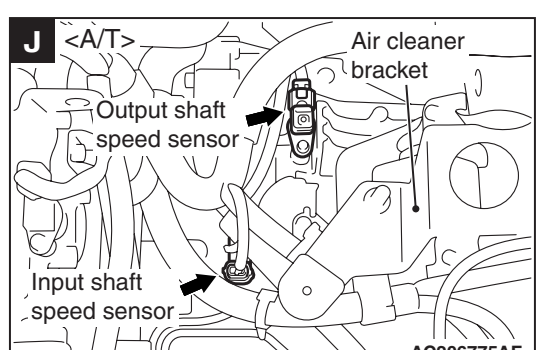
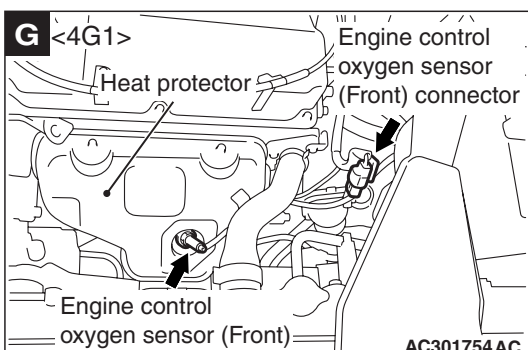
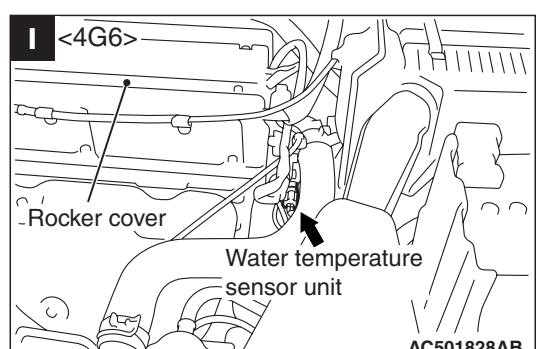
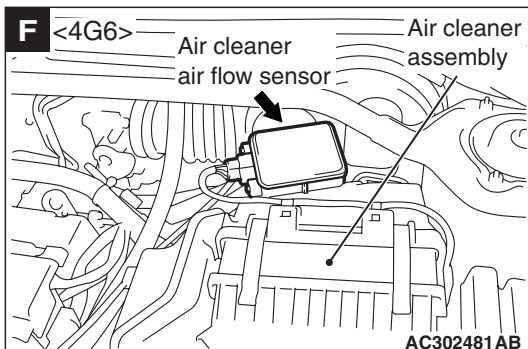
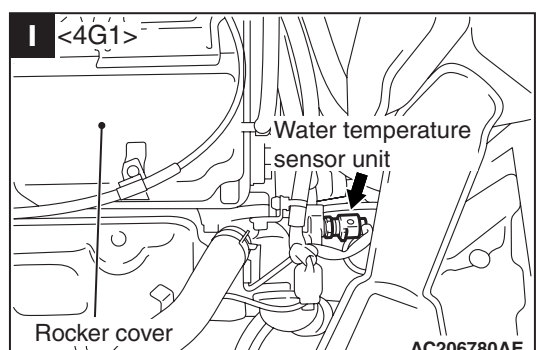
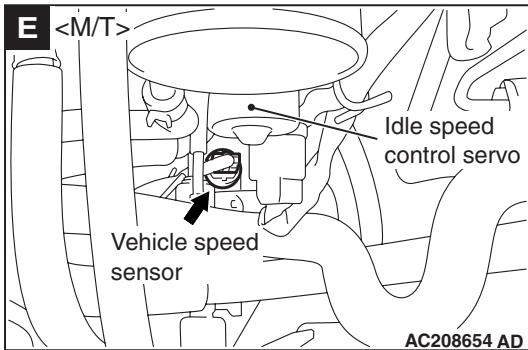
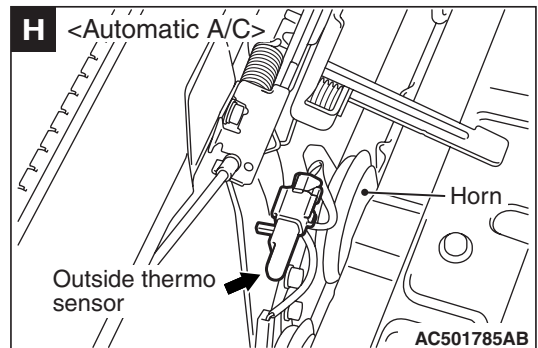
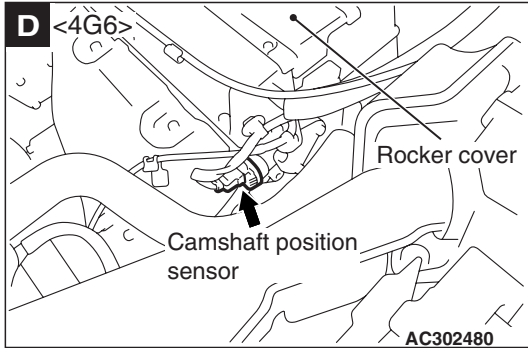
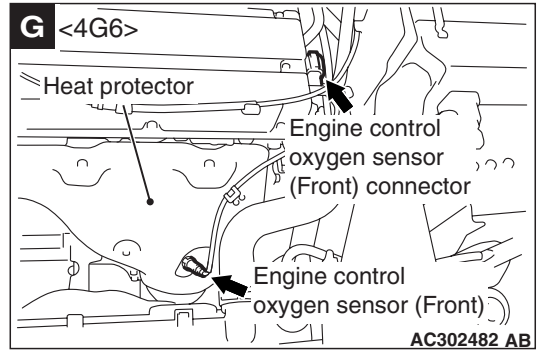
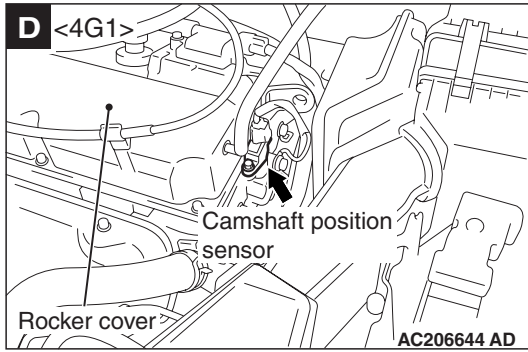
AC501790AB

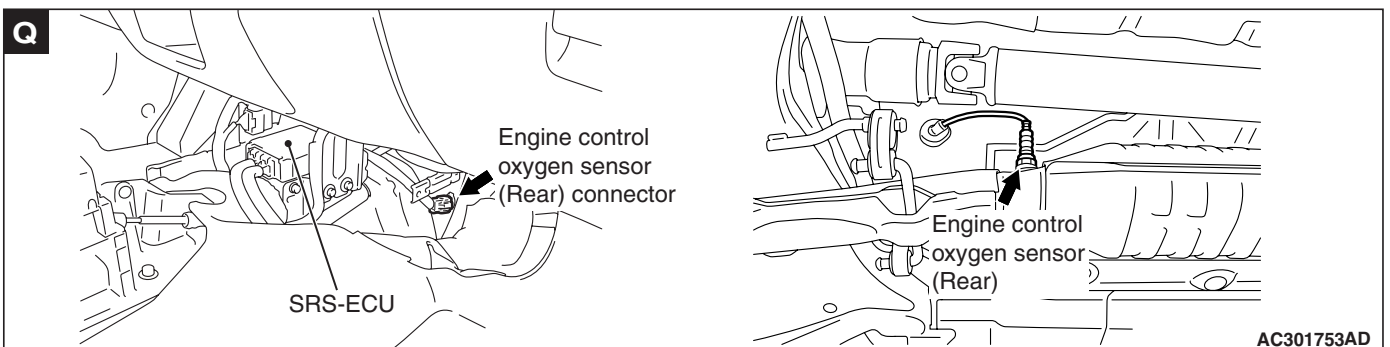
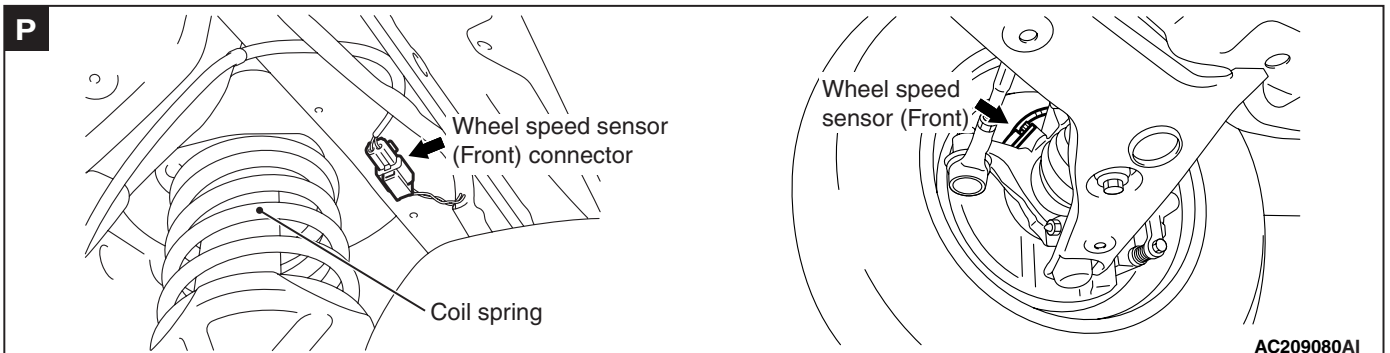
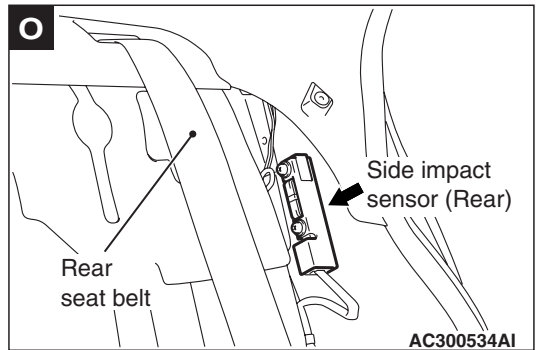
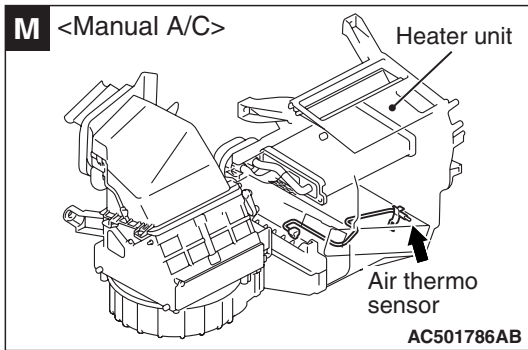
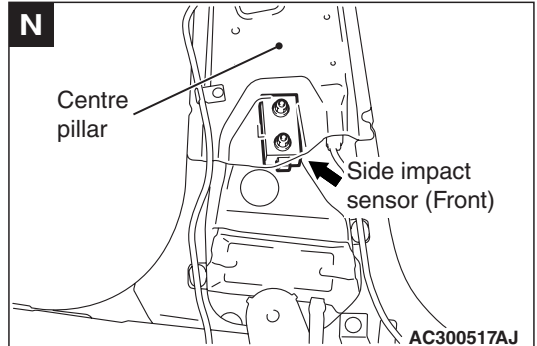
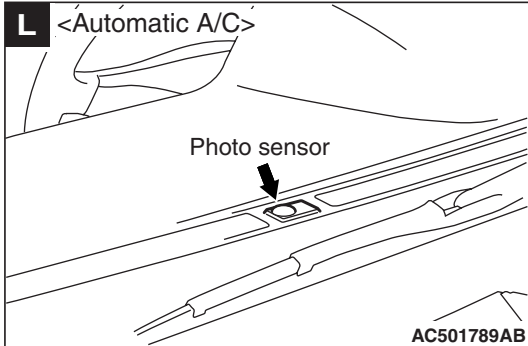
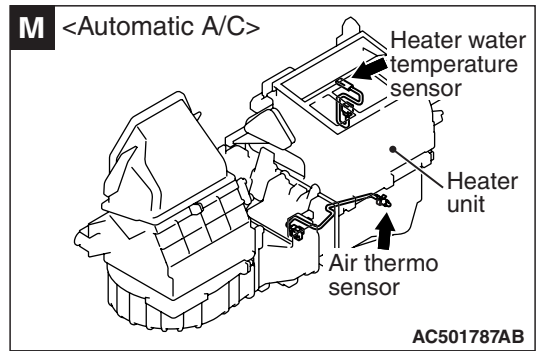
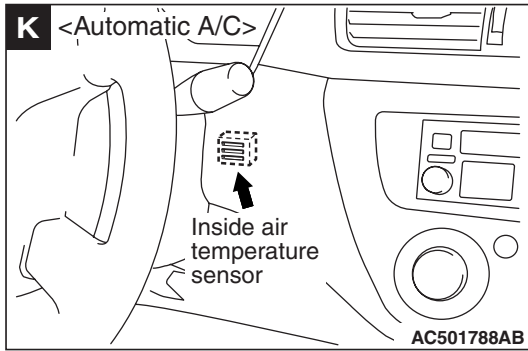


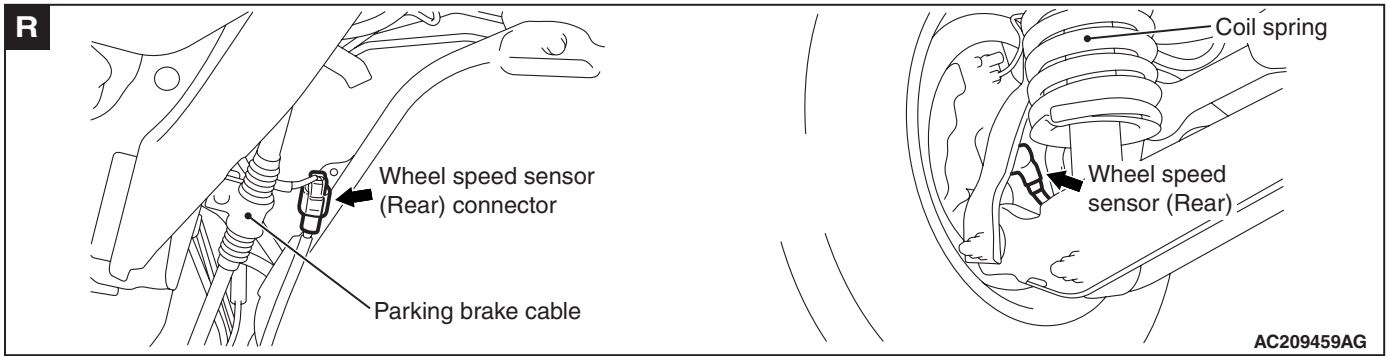
AC501791AB

NOTE: *: also equipped at the right side.





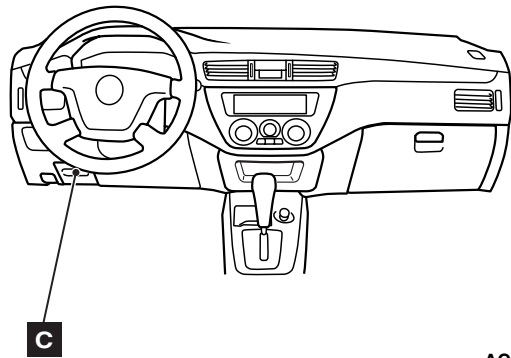
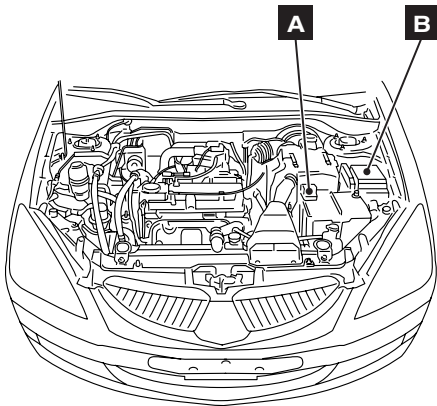




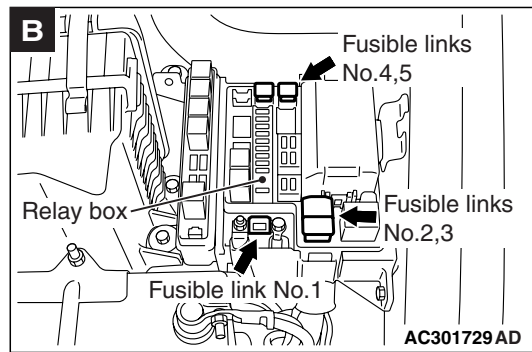
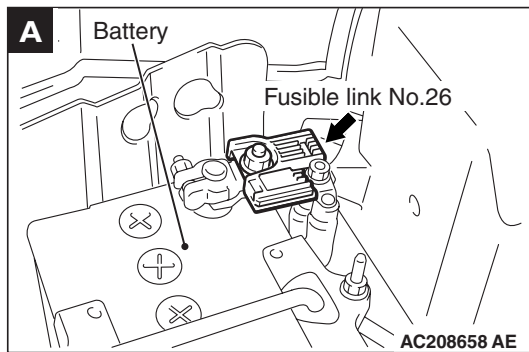
FUSIBLE LINK AND FUSE

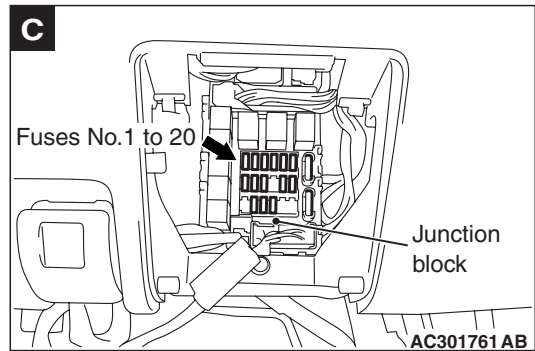
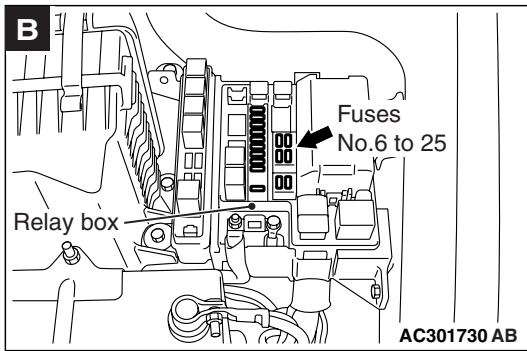
M1701000100476

Name	Symbol	Name	Symbol
Fuses No.1 to 20 (Passenger compartment)	C	Fusible links No.1 to 5 (Engine compartment)	B
Fuses No.6 to 25 (Engine compartment)	B	Fusible link No.26 (Battery positive terminal)	A



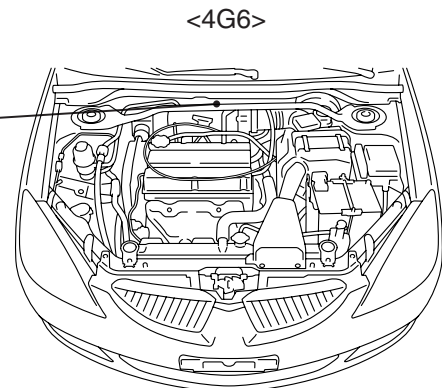
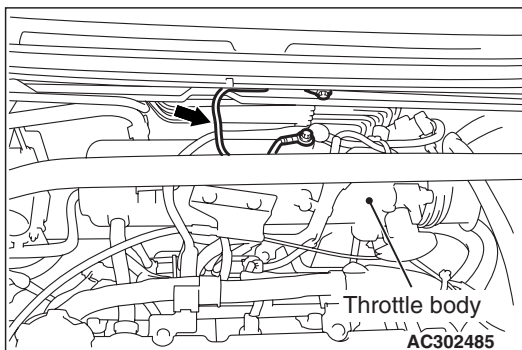
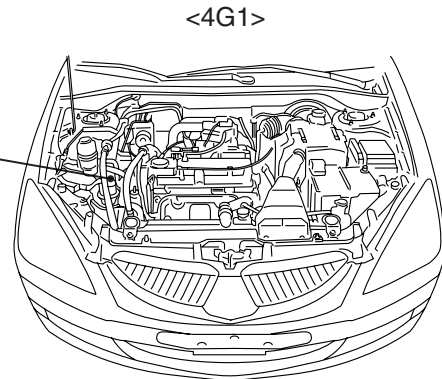
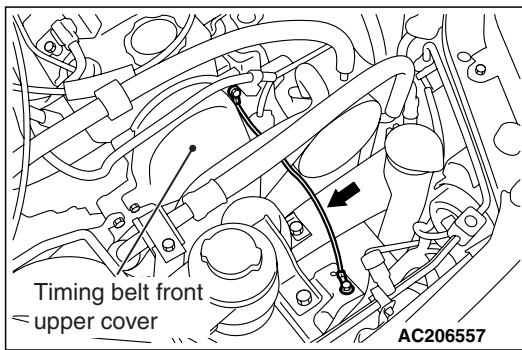
AC301758 AD





EARTH CABLE

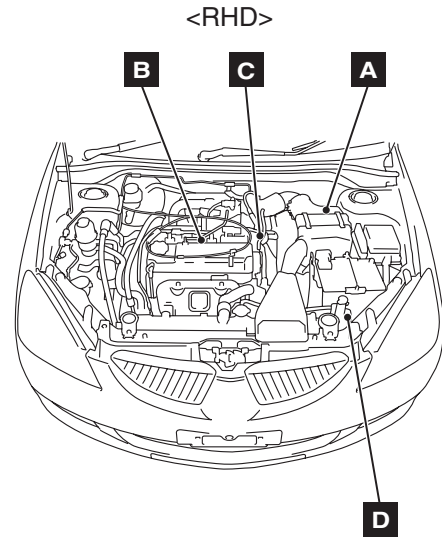
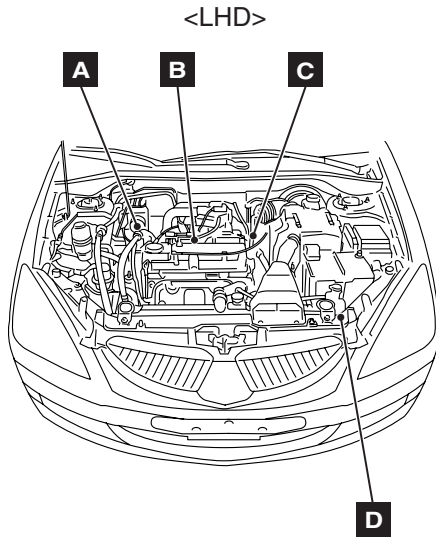
M1701001000308



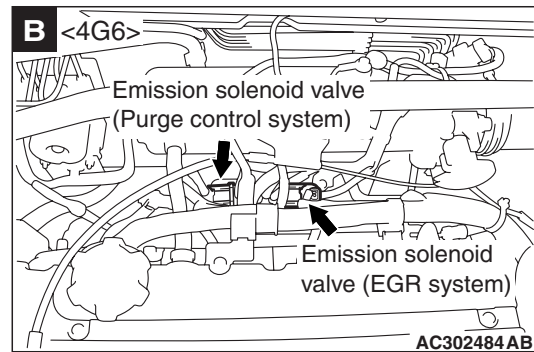
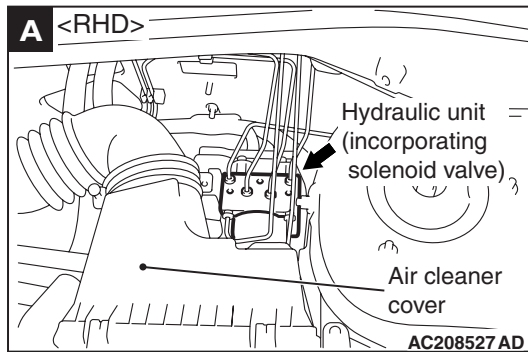
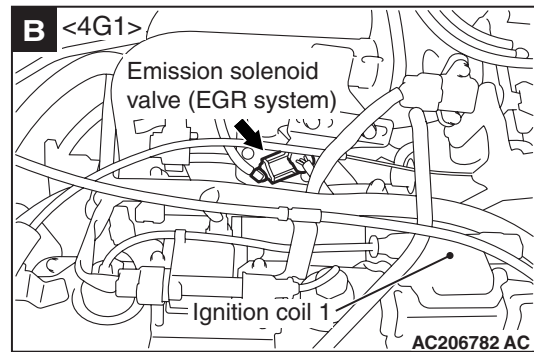
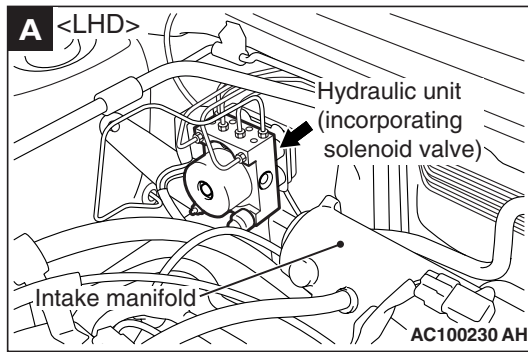
AC303148AB

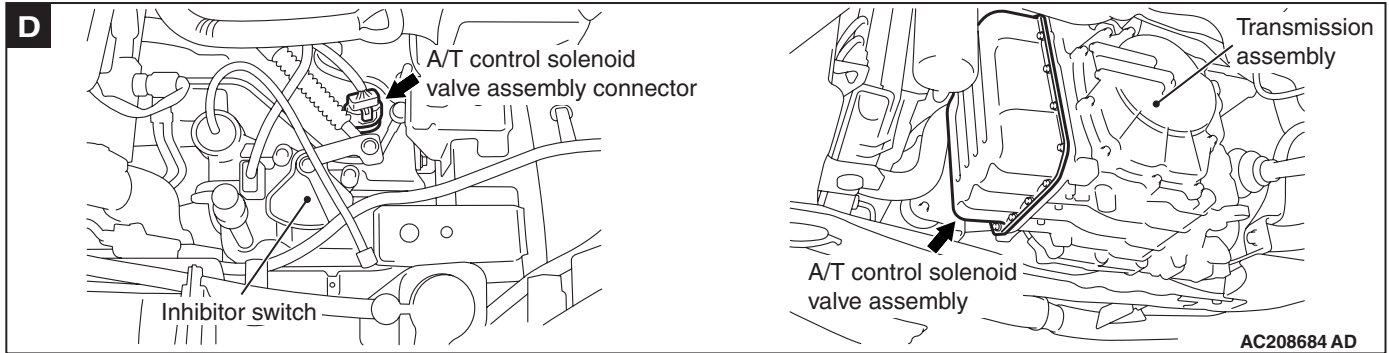
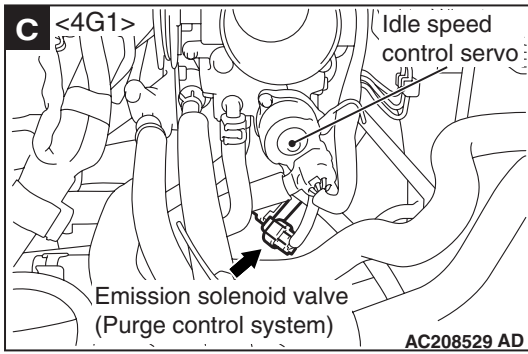
SOLENOID VALVE

Name	Symbol	Name	Symbol
A/T control solenoid valve assembly	D	Emission solenoid valve (Purge control system) <4G6>	B
Emission solenoid valve (EGR system)	B	Hydraulic unit (incorporating solenoid valve)	A
Emission solenoid valve (Purge control system) <4G1>	C		



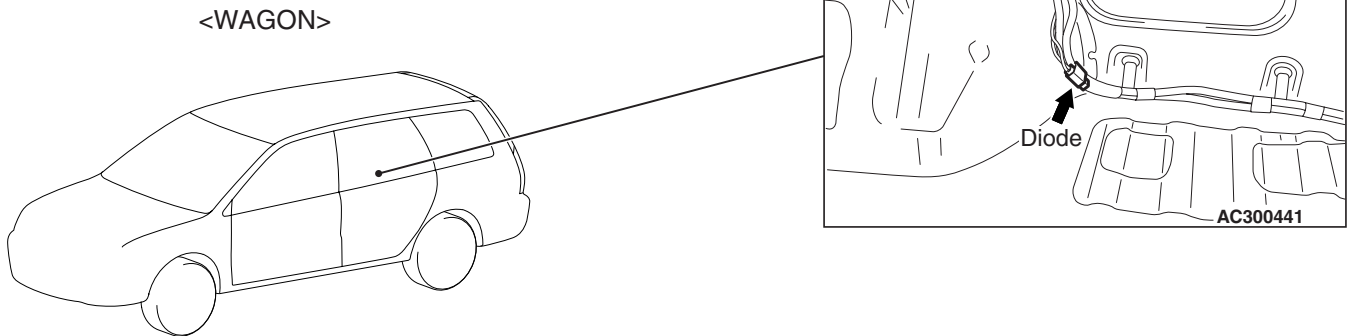
AC302007 AB





DIODE

M1701000900223

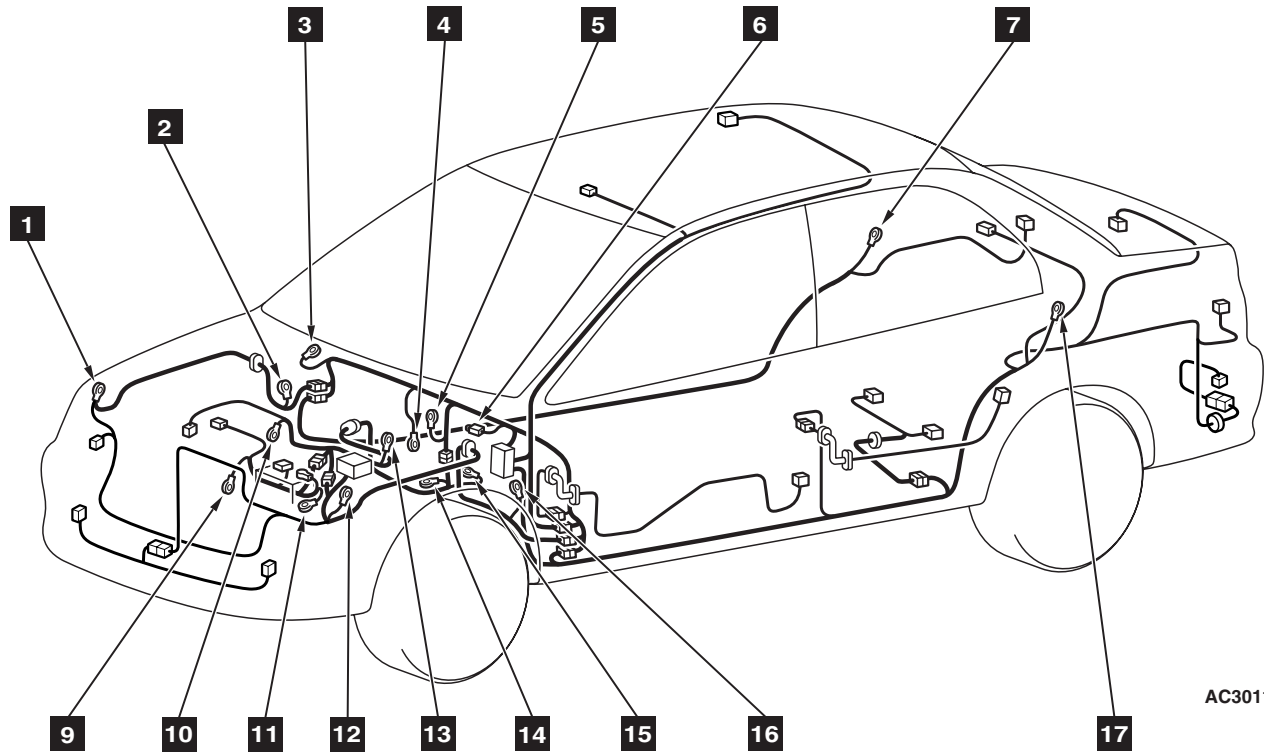


AC301240 AD

EARTH

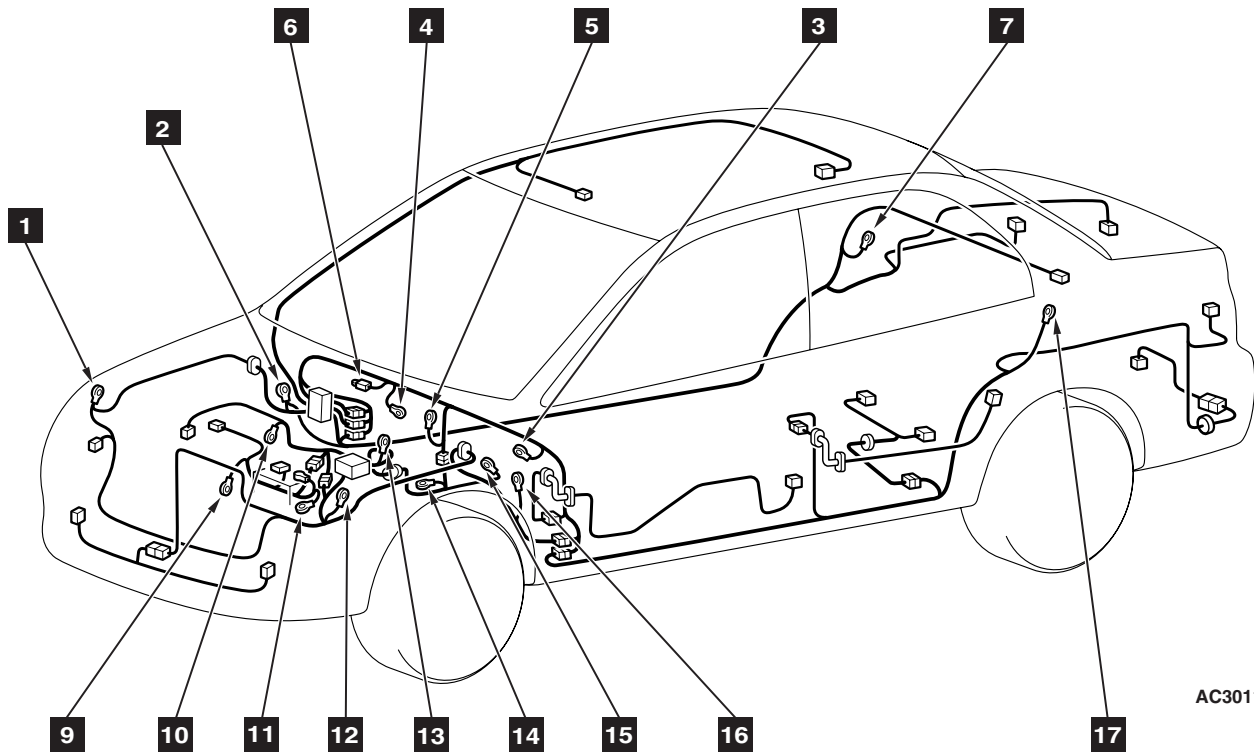
M1701000300362

<SEDAN-L.H. drive vehicles>



AC301175

<SEDAN-R.H. drive vehicles>

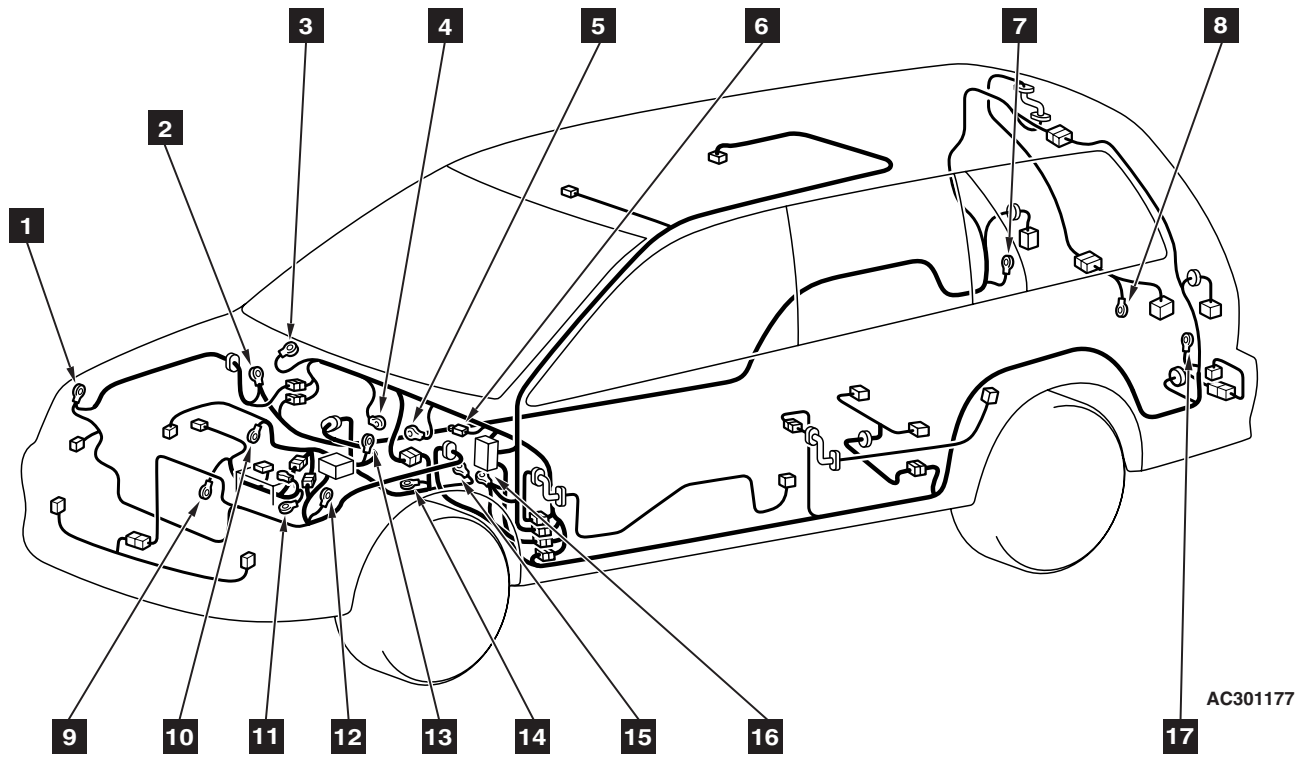


AC301176

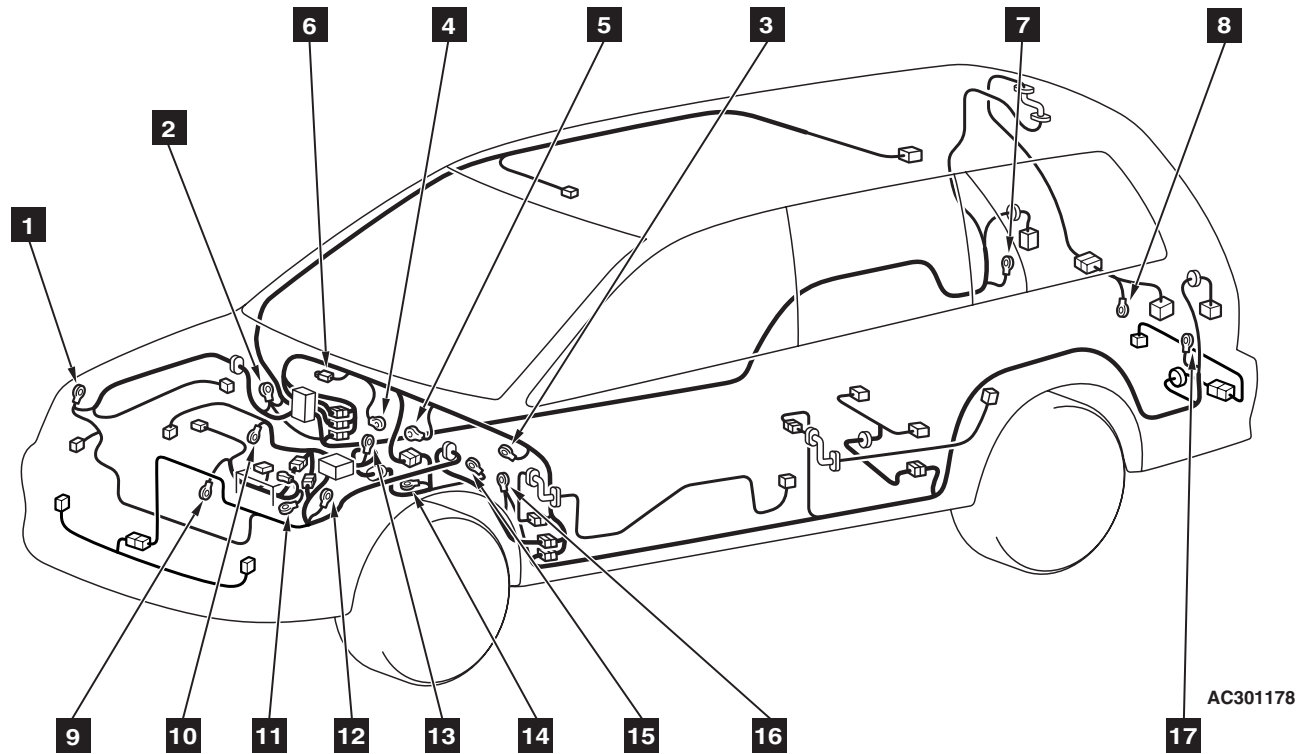
AC301751AB

NOTE: Same earth numbers are used in the circuit diagram.

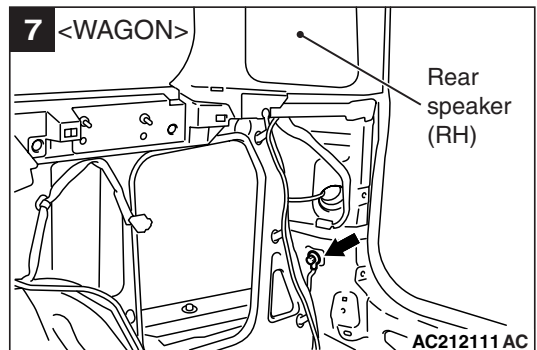
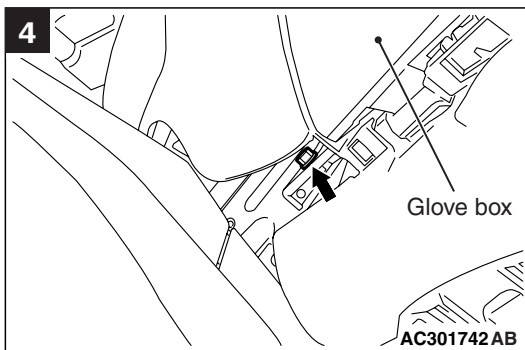
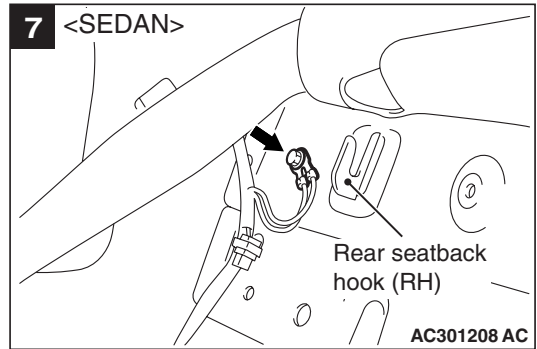
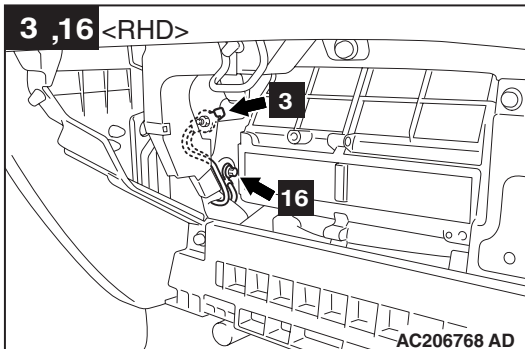
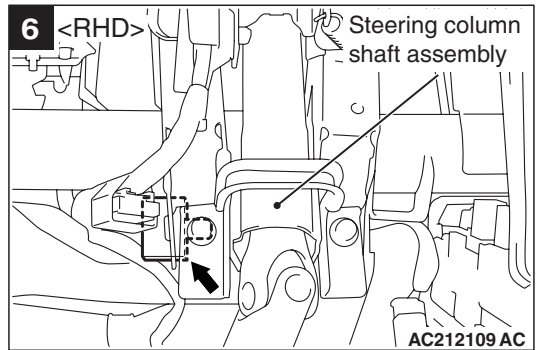
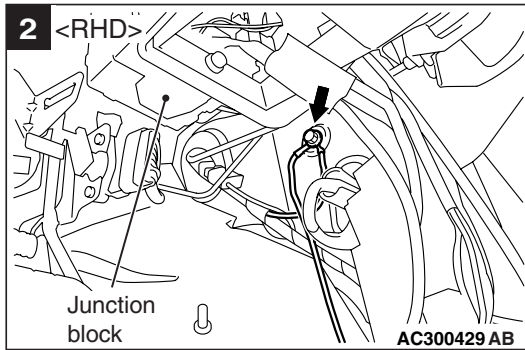
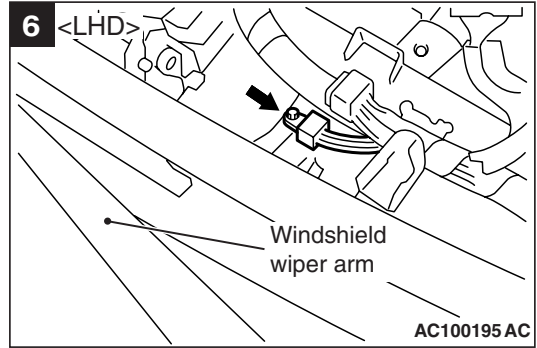
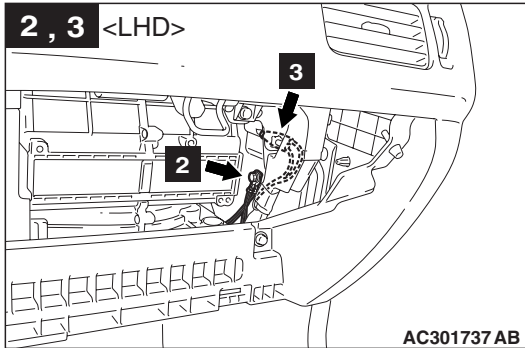
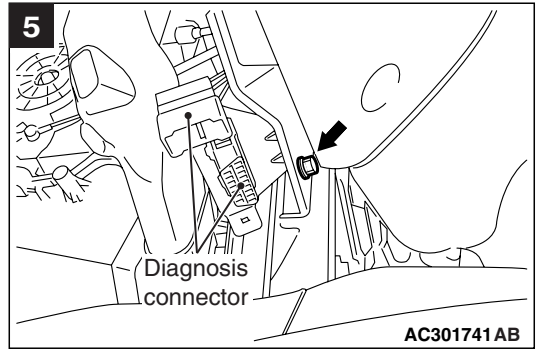
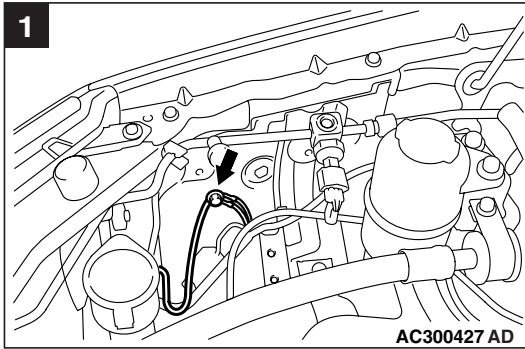
<WAGON-L.H. drive vehicles>

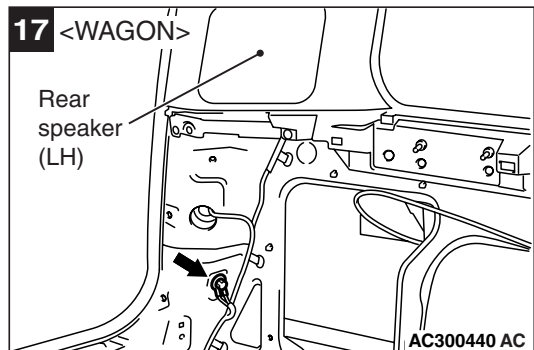
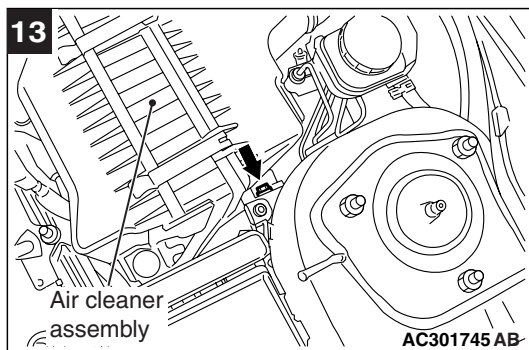
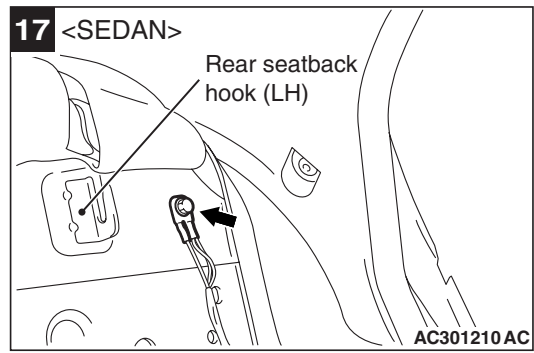
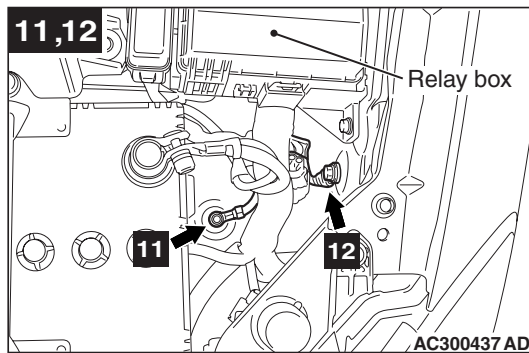
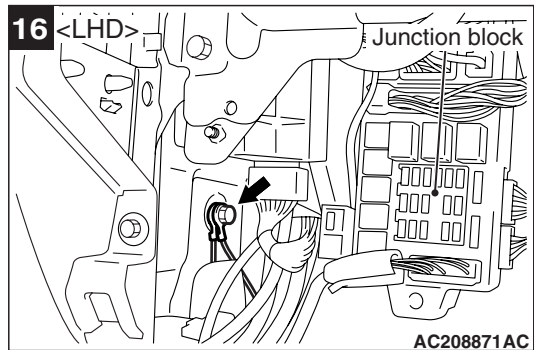
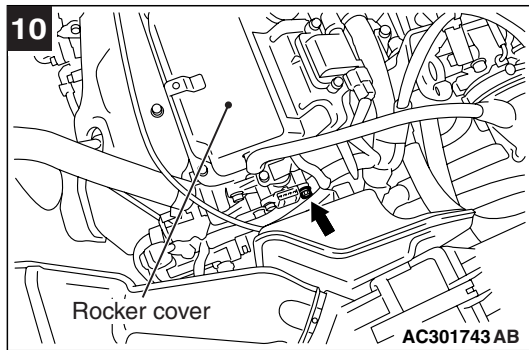
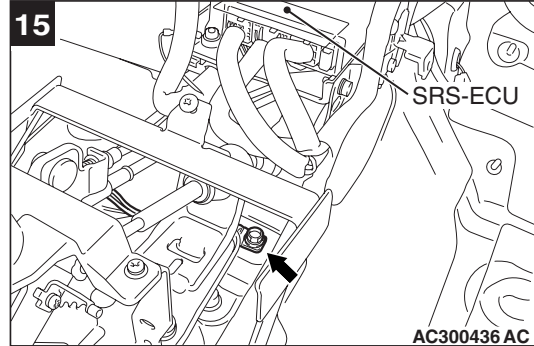
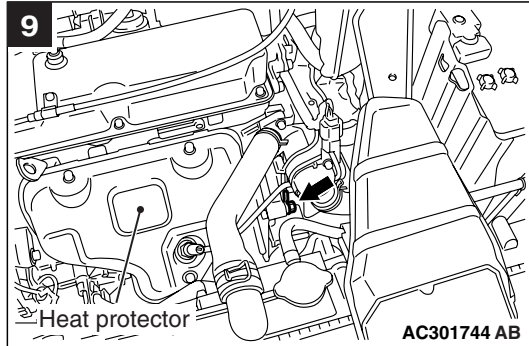
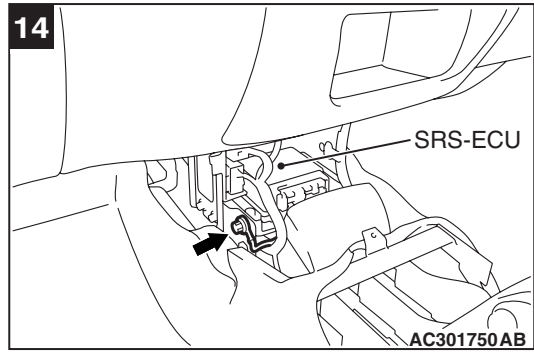
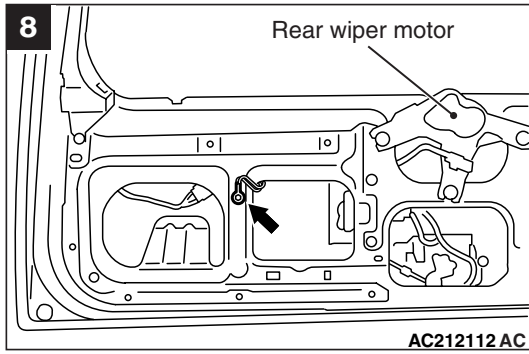


<WAGON-R.H. drive vehicles>



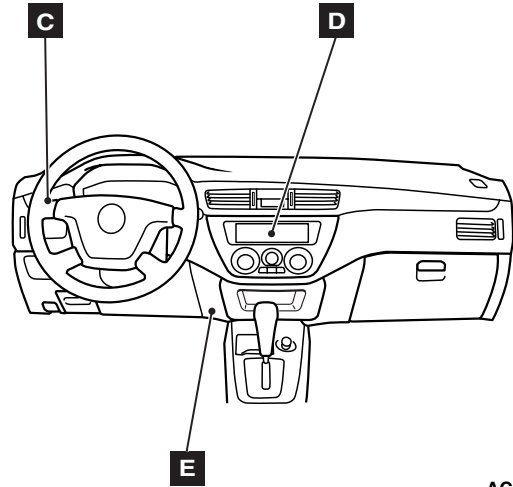
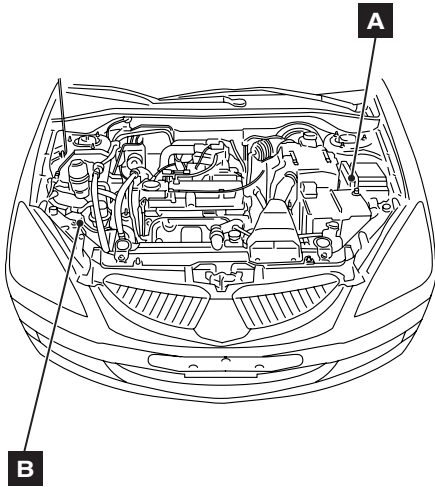
NOTE: Same earth numbers are used in the circuit diagram.



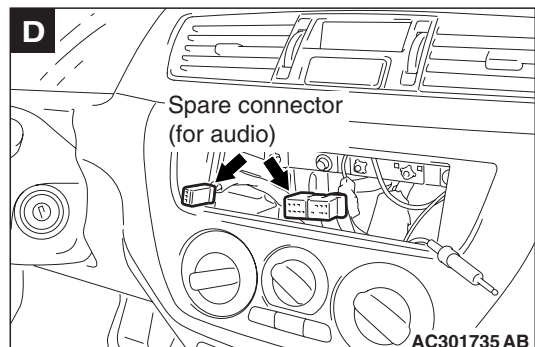
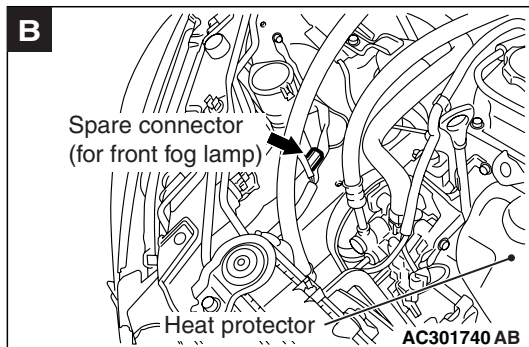
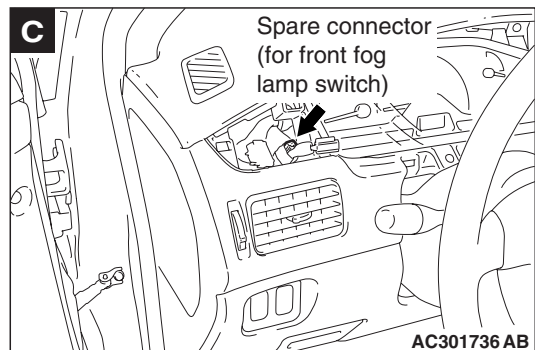
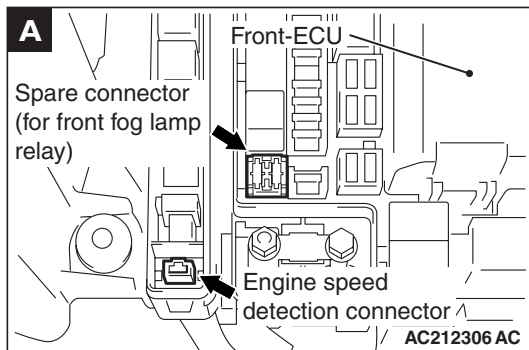


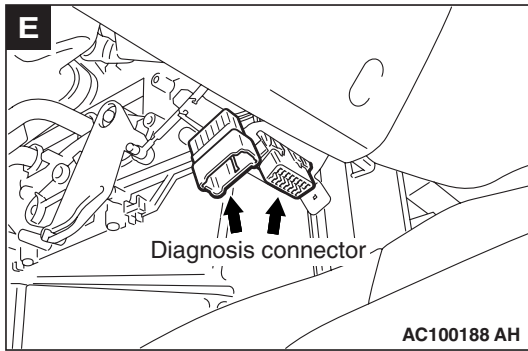
INSPECTION CONNECTOR AND SPARE CONNECTOR

Name	Symbol	Name	Symbol
Diagnosis connector	E	Spare connector (for front fog lamp relay)	A
Engine speed detection connector	A	Spare connector (for front fog lamp switch)	C
Spare connector (for front fog lamp)	B	Spare connector (for audio)	D



AC301758AC





NOTES