
GROUP 27

REAR AXLE

CONTENTS

GENERAL INFORMATION [27-2](#)

GENERAL INFORMATION

M2270000100478

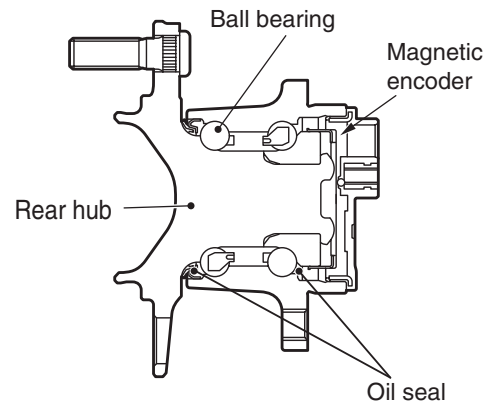
The rear axle has the following features:

- The wheel bearing is a unit ball bearing (double-row angular contact ball bearing) which incorporates the oil seals and is highly resistant to thrust loads.
- The number of parts has been reduced by integrating the magnetic encoder for ABS wheel speed detection into the wheel bearing. <Vehicles with ABS>

SPECIFICATIONS

Item		Specification
Wheel bearing	Type	Unit ball bearing (double-row angular contact ball bearing)

CONSTRUCTION DIAGRAM



AC606273 AB