

GROUP 2

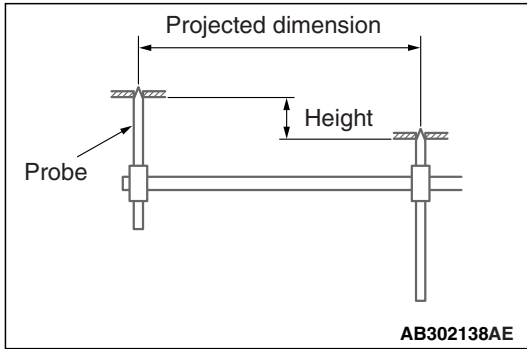
BODY DIMENSIONS

CONTENTS

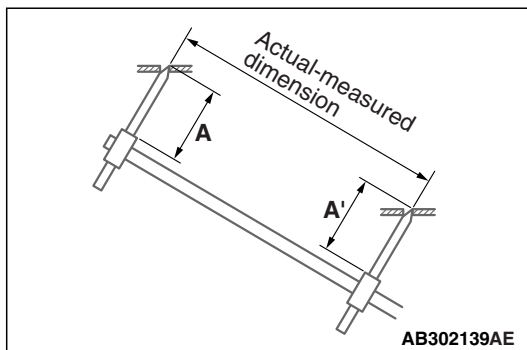
BODY DIMENSIONS AND MEASUREMENT METHODS	2-2	TYPE B (ACTUAL-MEASUREMENT DIMENSIONS)	2-10
TYPE A (PROJECTED DIMENSIONS)	2-4	UNDER BODY.....	2-10
UNDER BODY	2-4	SUSPENSION INSTALLATION DIMENSIONS	2-12
SUSPENSION INSTALLATION DIMENSIONS	2-7	FRONT BODY.....	2-14
		SIDE BODY	2-18
		REAR BODY	2-20
		INTERIOR	2-22

BODY DIMENSIONS AND MEASUREMENT METHODS

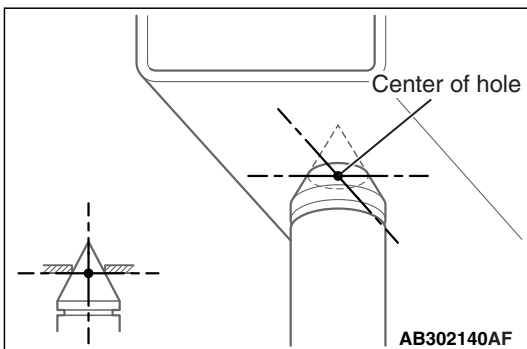
M4020001000448



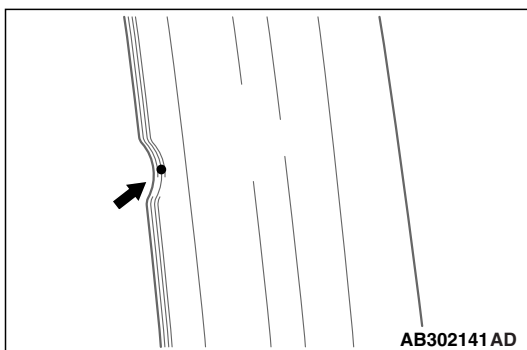
- Type A (projected dimensions) is the dimension when a measurement location is projected onto the plane.
NOTE: The height indicates a distance from the assumed standard line established 100 mm below the lowest measurement point.



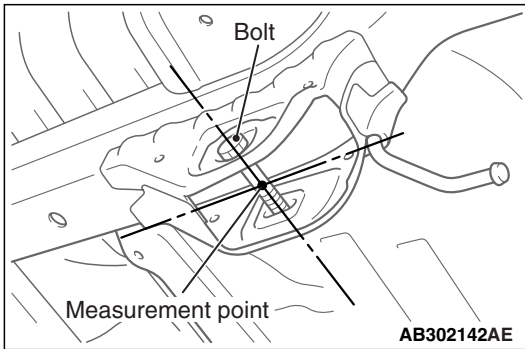
- Type B (actual-measurement dimensions) is the actual distance between the measurement points. Measure using a tracking gauge or a measuring tape, etc.
NOTE:
 - Make the lengths of the tracking gauge probes the same ($A=A'$).
 - Do not bend or twist the measuring tape.



- Insert the tracking gauge probes securely into the measurement holes.
- When the standard dimensions in the illustration are enclosed by rectangle, this indicates that the symmetrical left and right positions have the same dimensions.



- When using a notch for dimension measurement, set the measuring point at the center of the notch.



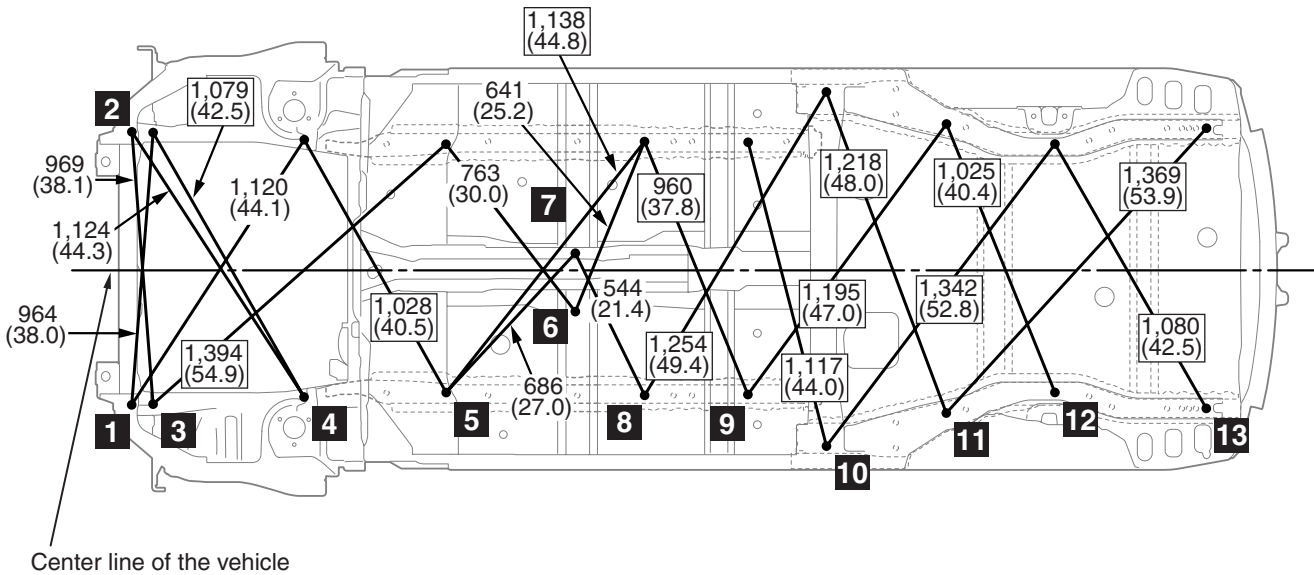
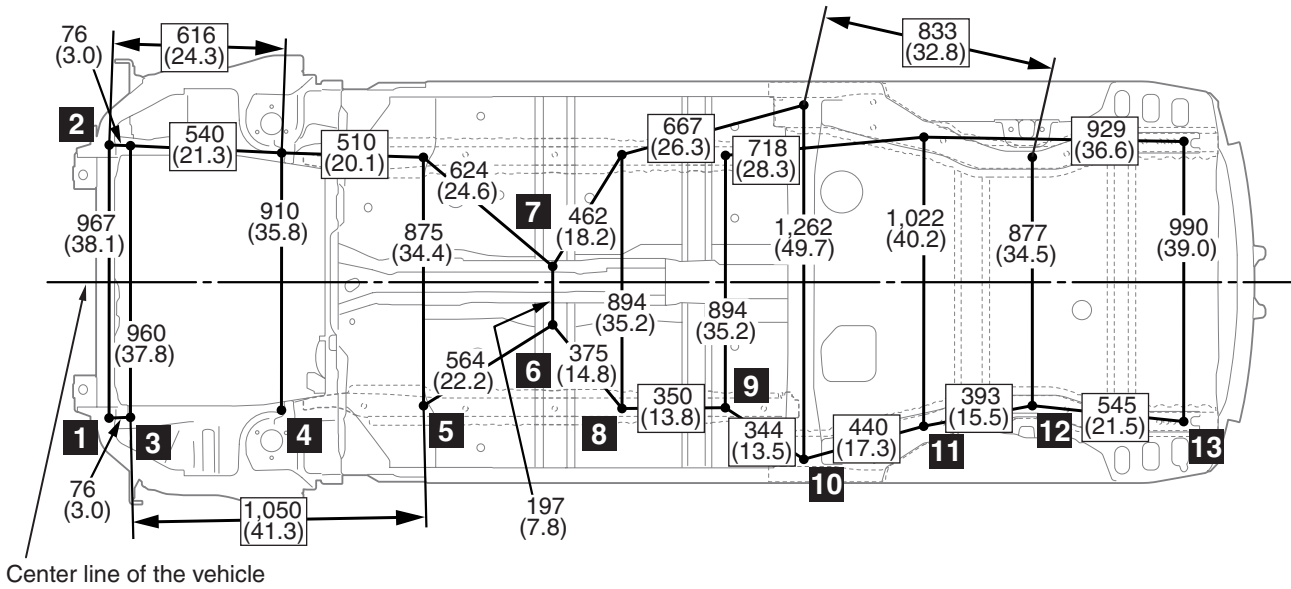
- When measuring the suspension mounting arm, or link mounting position, use the suspension mounting bolt, etc. (Type B only)
- The body center points are shown for the purpose of checking the position of the left and right symmetry location.

TYPE A (PROJECTED DIMENSIONS)

UNDER BODY

M4020005001636

mm (in)



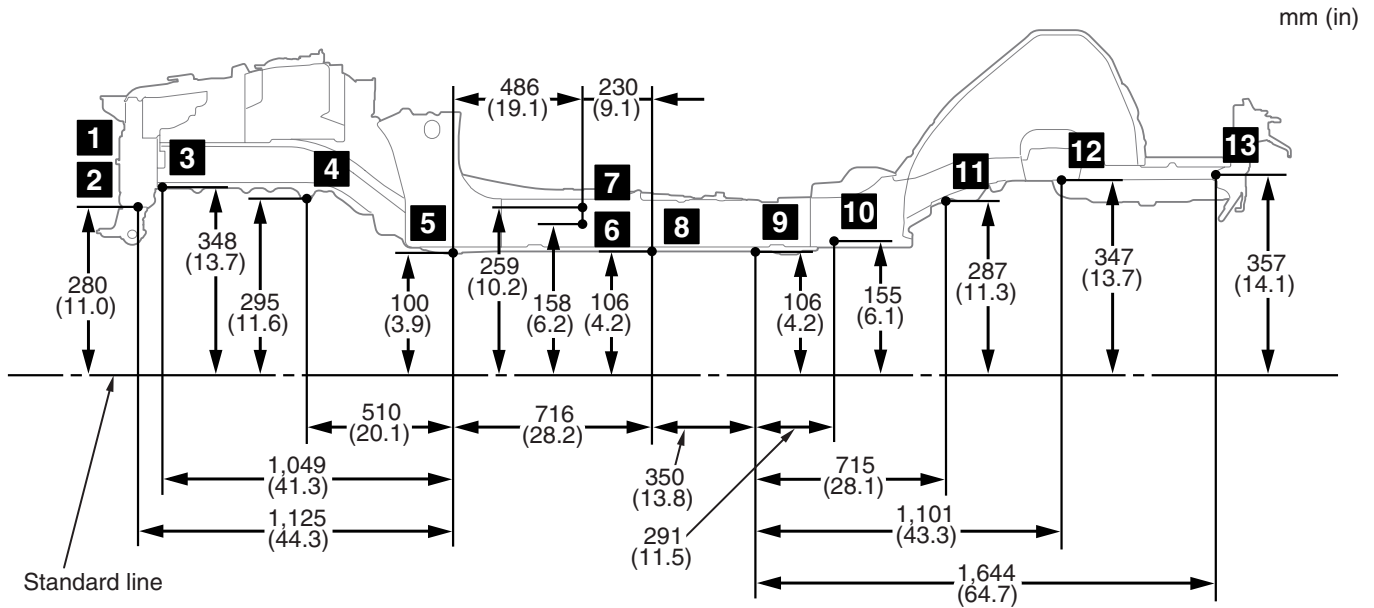
AB600969AB

No.	Standard measurement point	Hole shape	Size mm (in)
1	Center of front end crossmember lower water draining hole (left side)	Round	8 (0.31)
2	Center of front end crossmember lower water draining hole (right side)	Round	8 (0.31)
3*	Center of front sidemember inner positioning hole	Round	25 (0.98)
4*	Center of front suspension crossmember mounting hole	Round	15.5 (0.61)
5*	Center of front sidemember rear water draining hole	Round	16 (0.63)
6	Center of center bearing mounting hole (left side)	Round	11 (0.43)
7	Center of center bearing mounting hole (right side)	Round	11 (0.43)
8*	Center of front floor sidemember front positioning hole	Round	16 (0.63)
9*	Center of front floor sidemember front positioning hole	Round	16 (0.63)

**BODY DIMENSIONS
TYPE A (PROJECTED DIMENSIONS)**

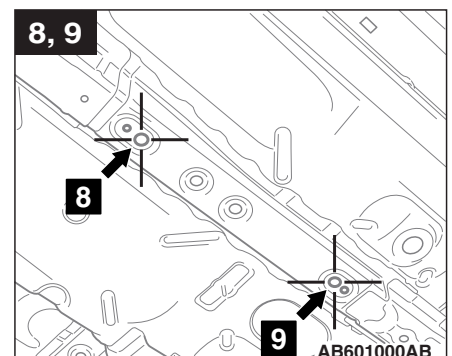
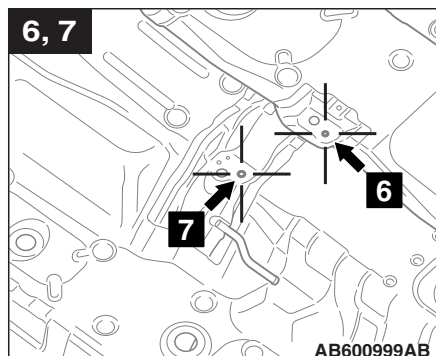
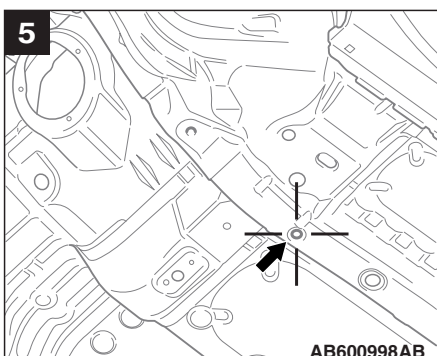
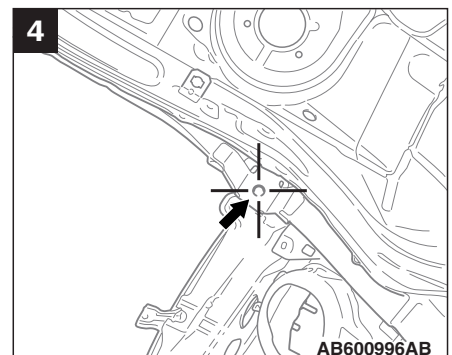
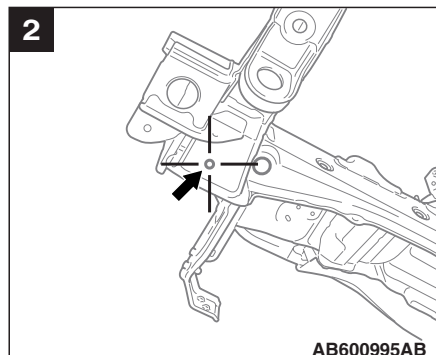
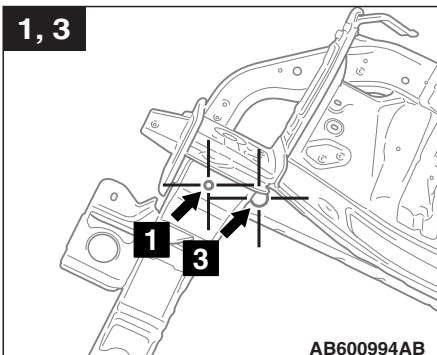
No.	Standard measurement point	Hole shape	Size mm (in)
10*	Center of rear floor sidemember lower positioning hole	Oblong	33.9×18 (1.335×0.71)
11*	Center of rear suspension bracket front water draining hole	Round	16 (0.63)
12*	Center of rear floor sidemember lower positioning hole	Round	25 (0.98)
13*	Center of rear floor extension sidemember water draining hole	Round	14 (0.55)

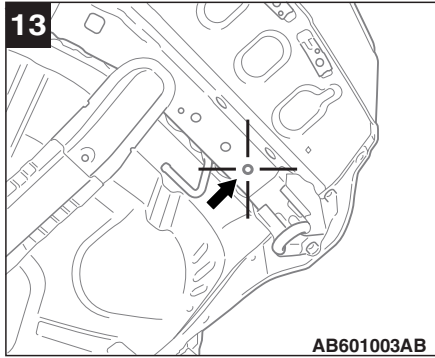
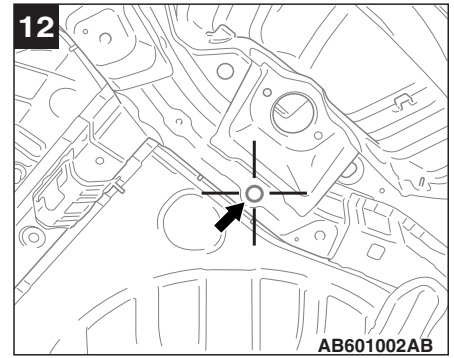
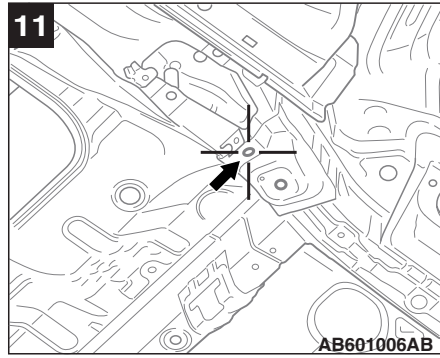
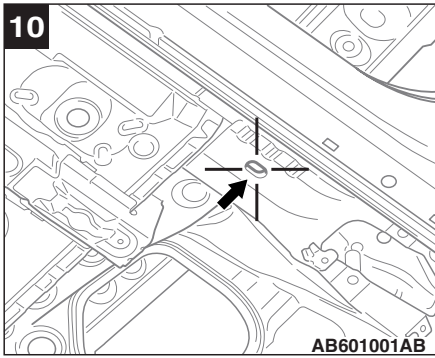
*NOTE: The * mark indicates the mounting position for the frame centering gauge.*



AB600970AB

NOTE: The assumed standard line is established 100 mm (3.9in) below the measurement point No.5.

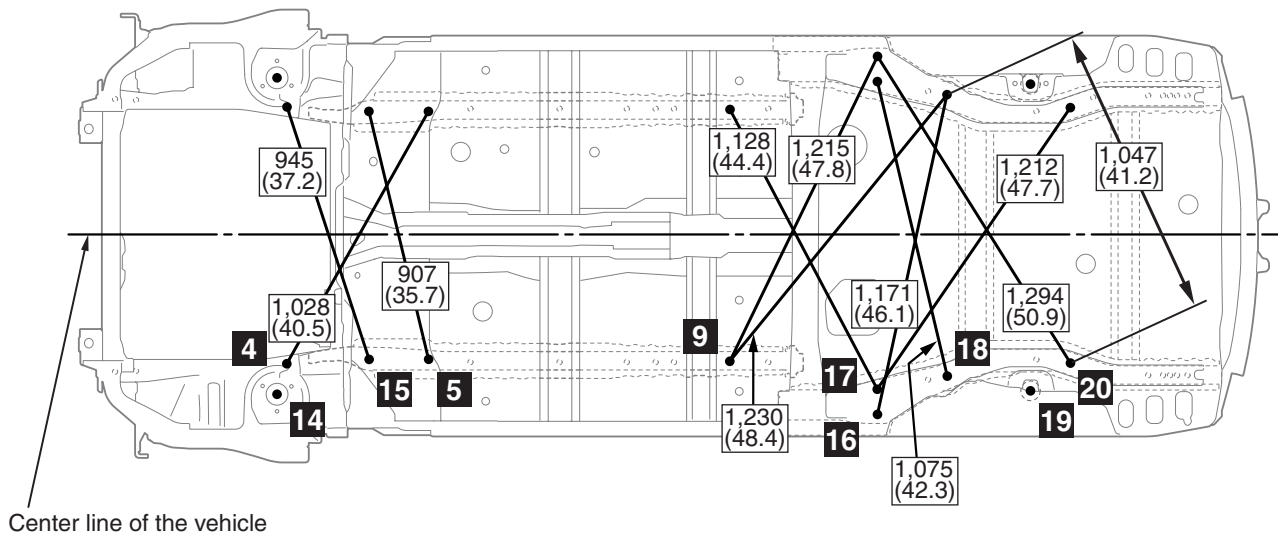
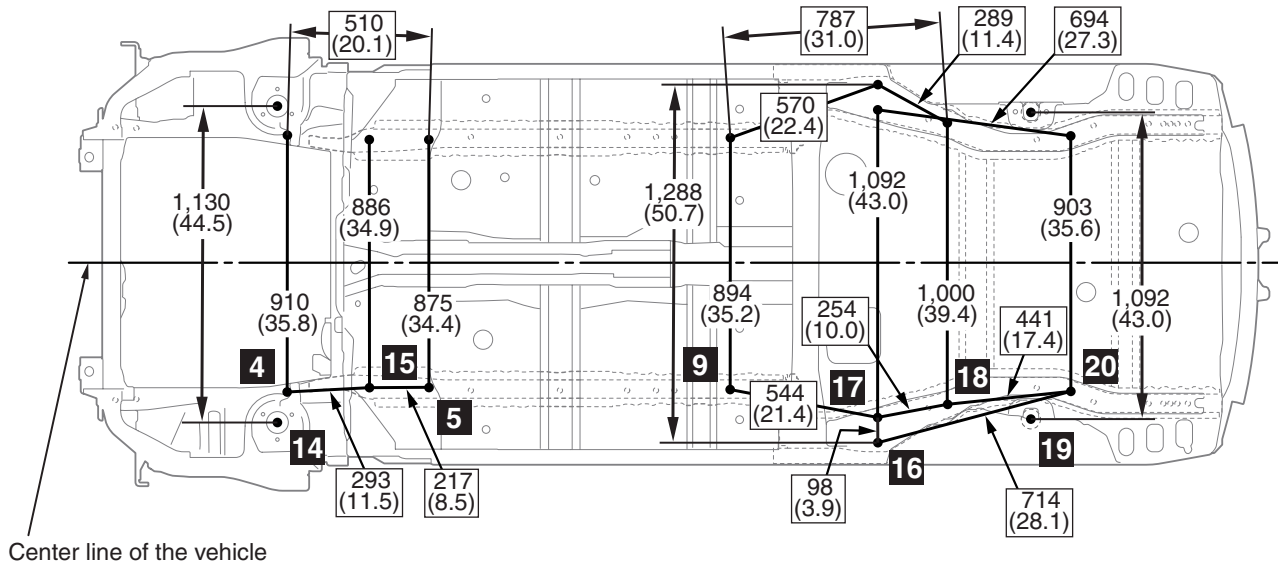




SUSPENSION INSTALLATION DIMENSIONS

M4020013001222

mm (in)

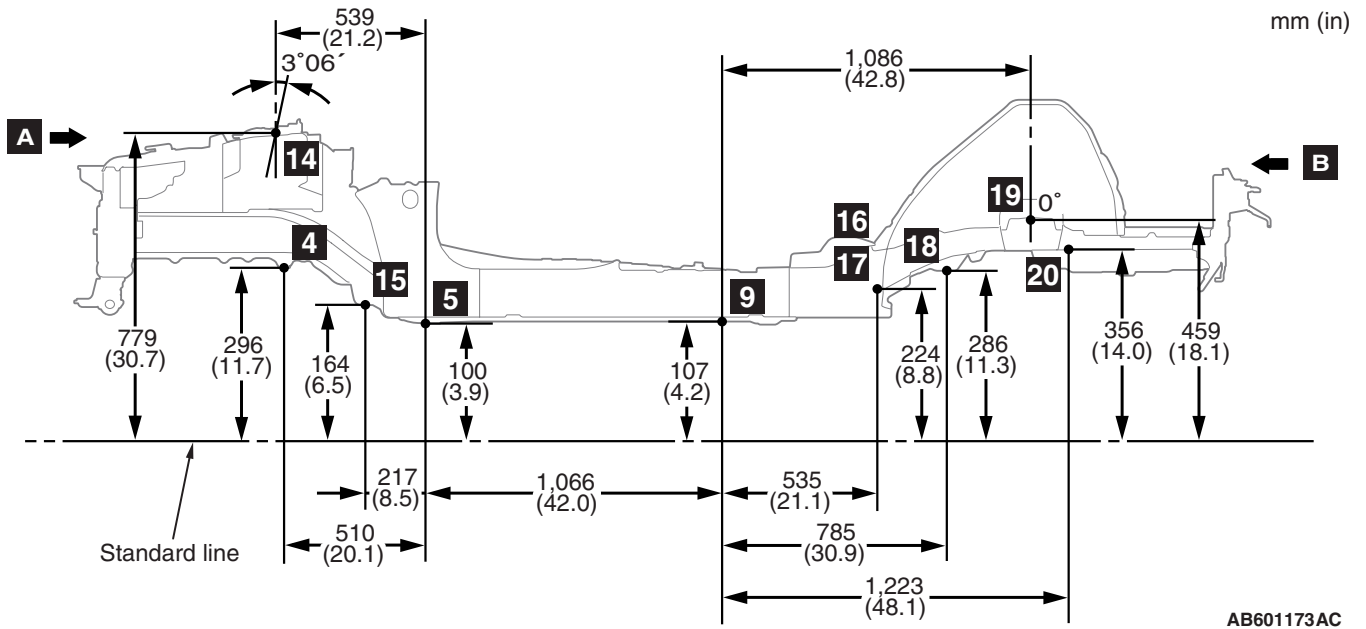
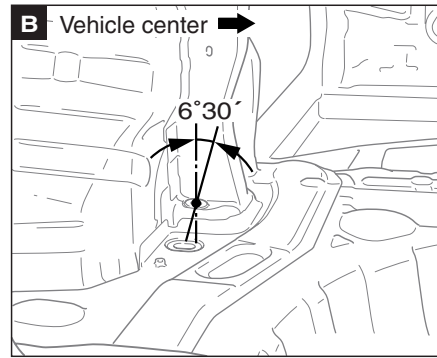
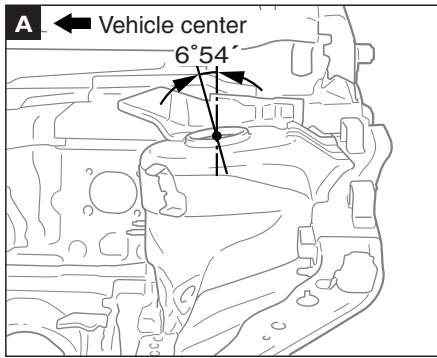


AB601172AB

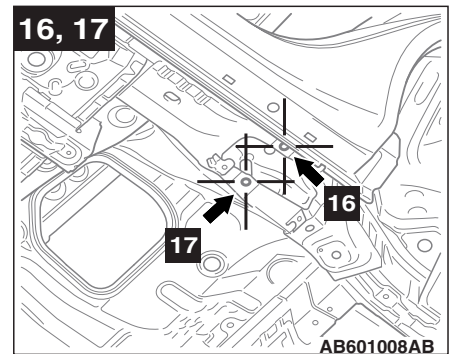
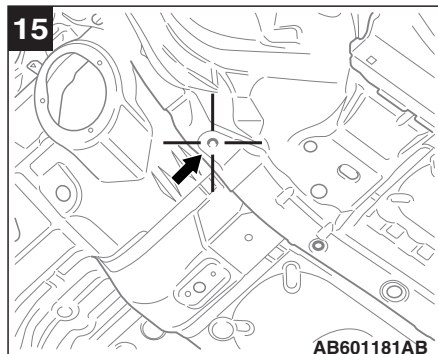
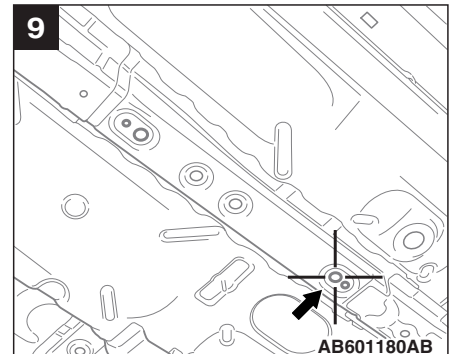
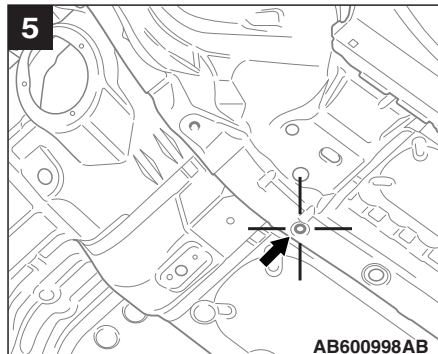
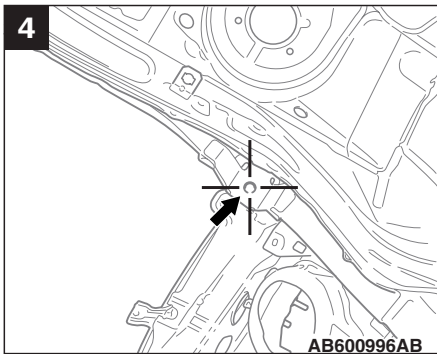
No.	Standard measurement point	Hole shape	Size mm (in)
4	Center of front suspension crossmember mounting hole	Round	15.5 (0.61)
5	Center of front sidemember rear water draining hole	Round	16 (0.63)
9	Center of front floor sidemember front positioning hole	Round	16 (0.63)
14	Center of front shock absorber mounting hole	Round	80 (3.15)
15	Center of front suspension crossmember mounting hole	Round	15.5 (0.61)
16	Center of trailing arm mounting hole	Round	14 (0.55)
17	Center of trailing arm mounting hole	Round	14 (0.55)
18	Center of rear suspension crossmember mounting hole	Round	15 (0.59)
19	Center of rear shock absorber mounting hole	Round	64 (2.52)
20	Center of rear suspension crossmember mounting hole	Round	15 (0.59)

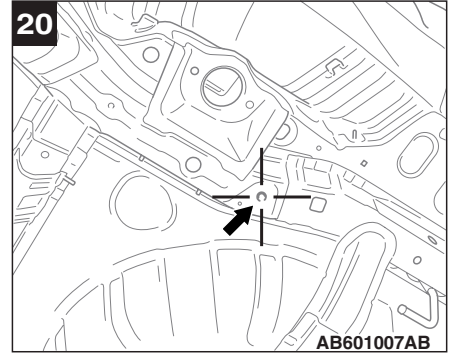
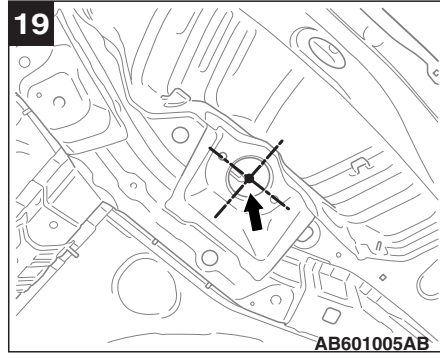
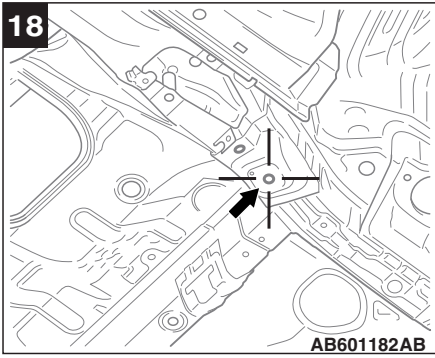
TSB Revision

**BODY DIMENSIONS
TYPE A (PROJECTED DIMENSIONS)**



NOTE: The assumed standard line is established 100 mm (3.9in) below the measurement point No.5.



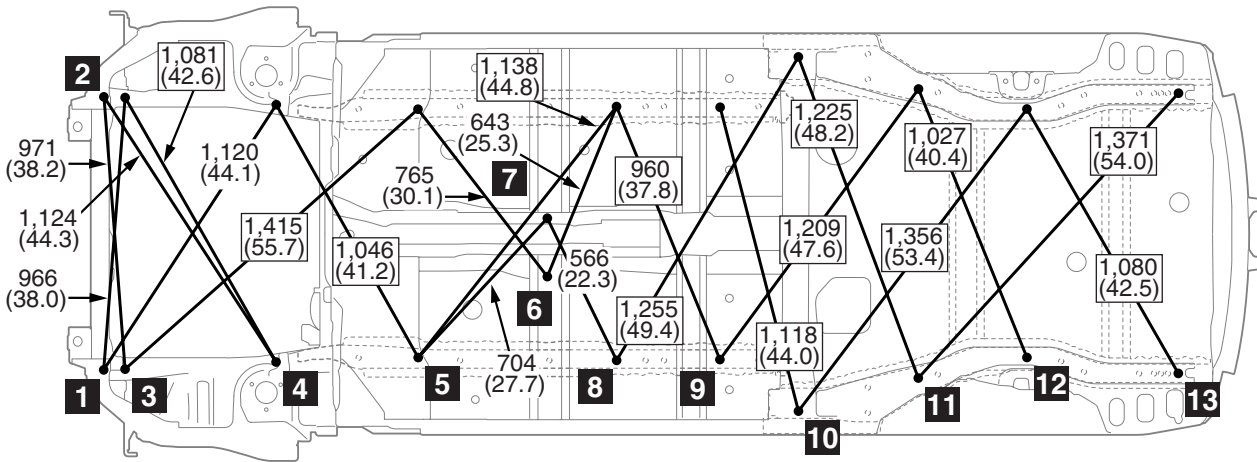
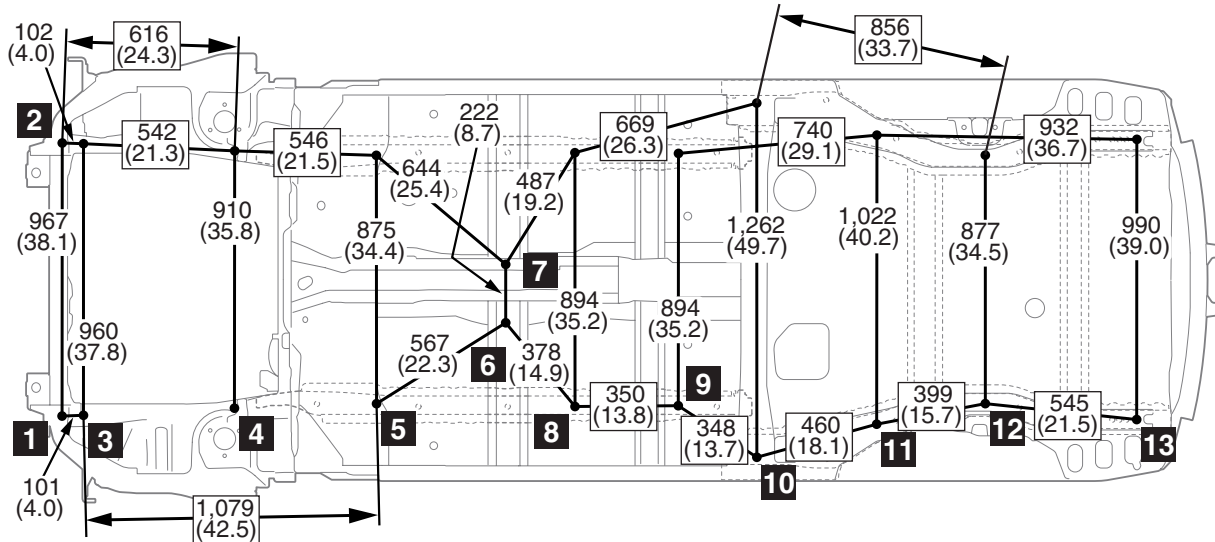


TYPE B (ACTUAL-MEASUREMENT DIMENSIONS)

UNDER BODY

M4020005001647

mm (in)



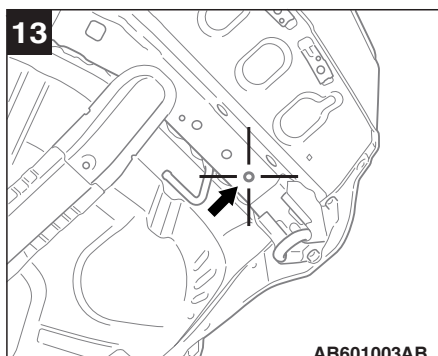
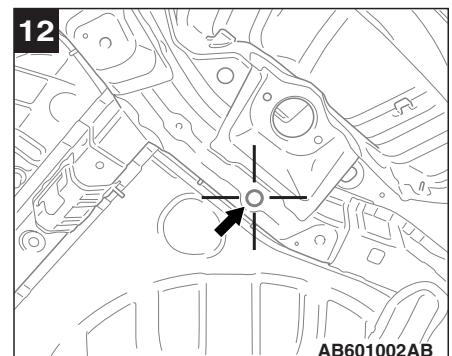
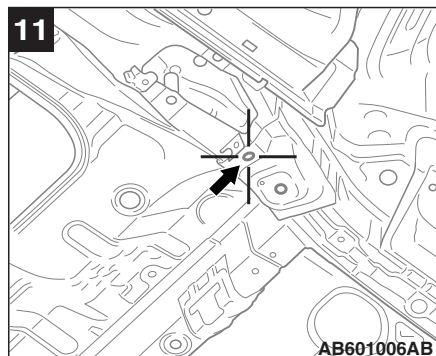
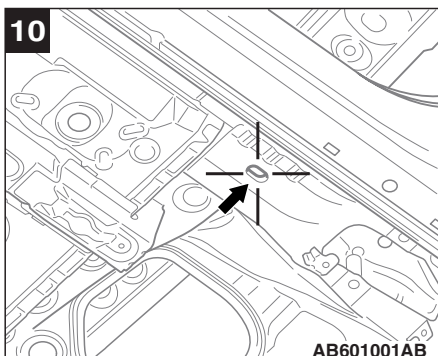
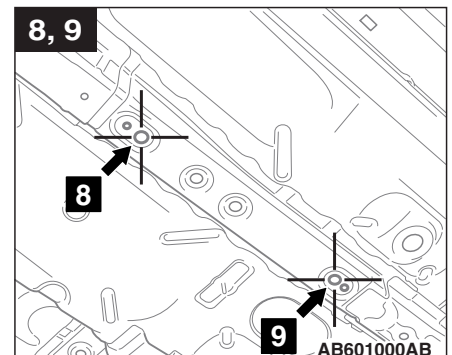
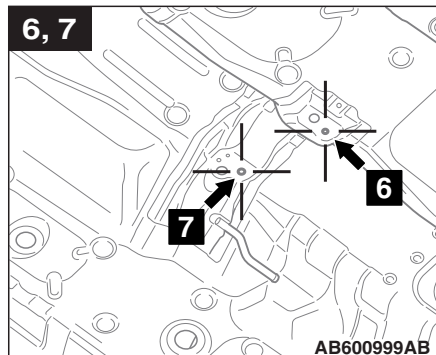
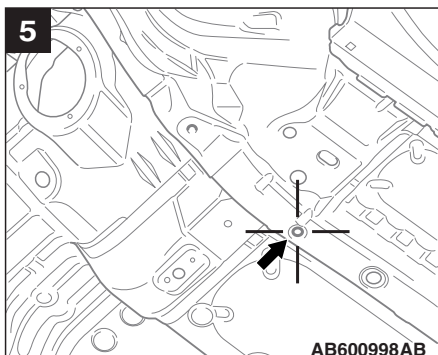
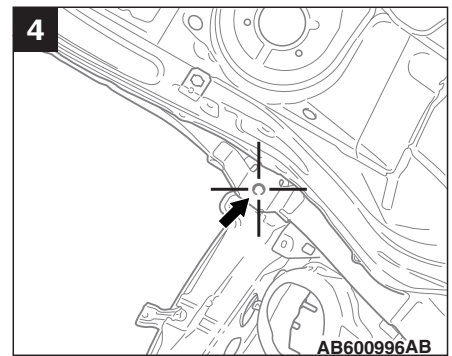
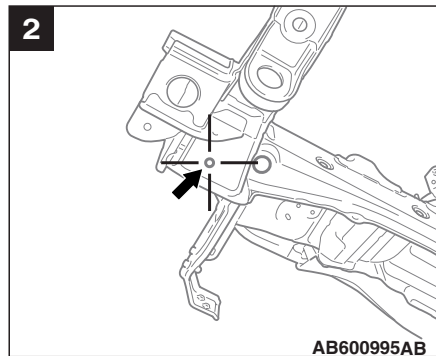
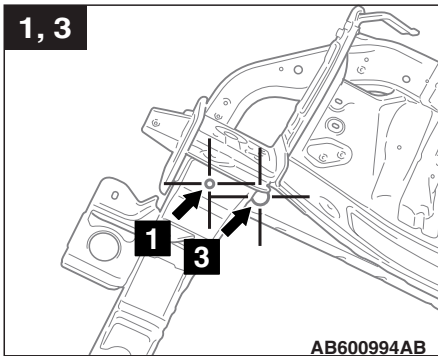
AB600969AC

No.	Standard measurement point	Hole shape	Size mm (in)
1	Center of front end crossmember lower water draining hole (left side)	Round	8 (0.31)
2	Center of front end crossmember lower water draining hole (right side)	Round	8 (0.31)
3*	Center of front sidemember inner positioning hole	Round	25 (0.98)
4*	Center of front suspension crossmember mounting hole	Round	15.5 (0.61)
5*	Center of front sidemember rear water draining hole	Round	16 (0.63)
6	Center of center bearing mounting hole (left side)	Round	11 (0.43)
7	Center of center bearing mounting hole (right side)	Round	11 (0.43)
8*	Center of front floor sidemember front positioning hole	Round	16 (0.63)
9*	Center of front floor sidemember front positioning hole	Round	16 (0.63)

**BODY DIMENSIONS
TYPE B (ACTUAL-MEASUREMENT DIMENSIONS)**

No.	Standard measurement point	Hole shape	Size mm (in)
10*	Center of rear floor sidemember lower positioning hole	Oblong	33.9×18 (1.335×0.71)
11*	Center of rear suspension bracket front water draining hole	Round	16 (0.63)
12*	Center of rear floor sidemember lower positioning hole	Round	25 (0.98)
13*	Center of rear floor extension sidemember water draining hole	Round	14 (0.55)

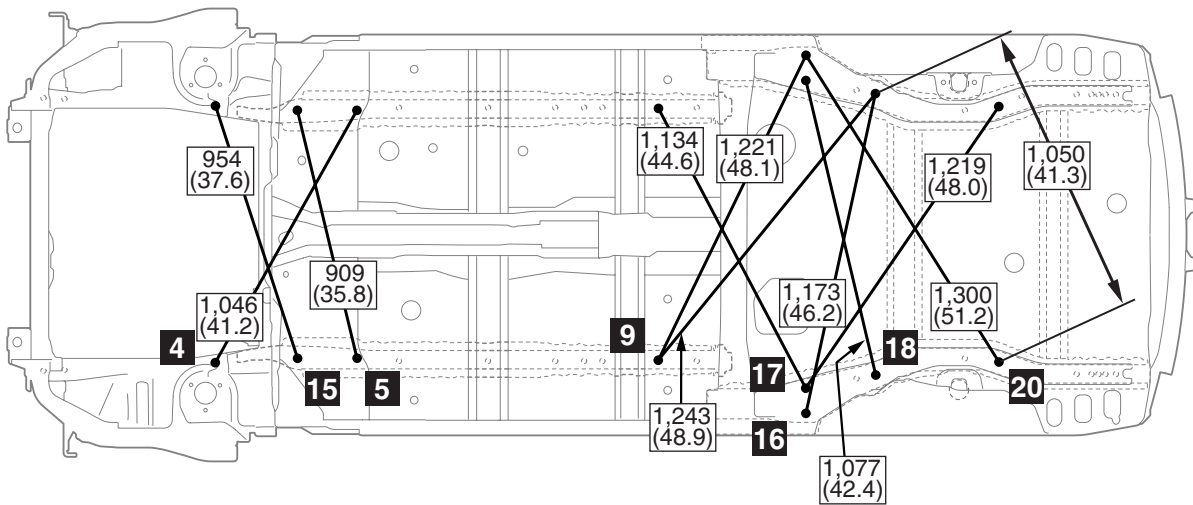
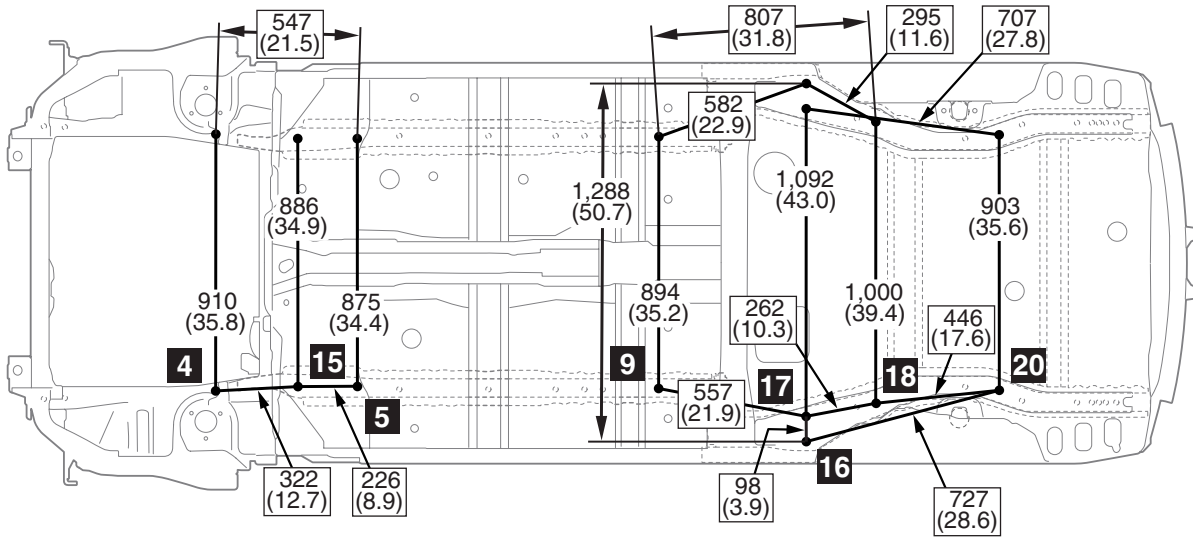
*NOTE: The * mark indicates the mounting position for the frame centering gauge.*



SUSPENSION INSTALLATION DIMENSIONS

M4020013001233

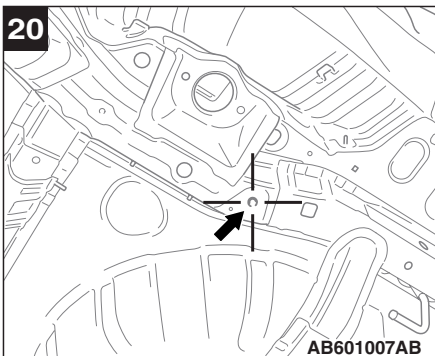
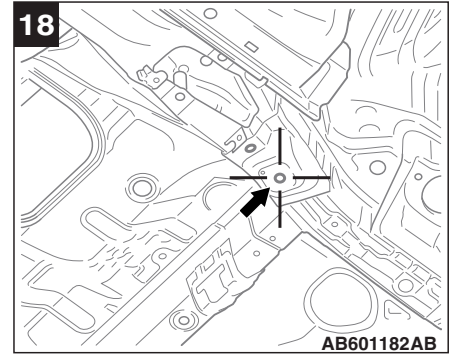
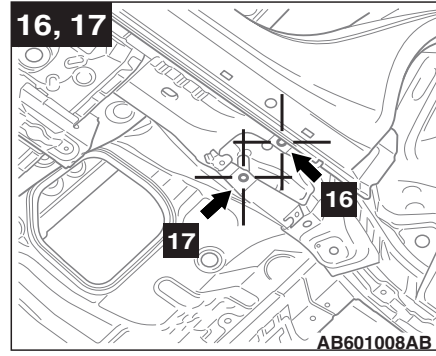
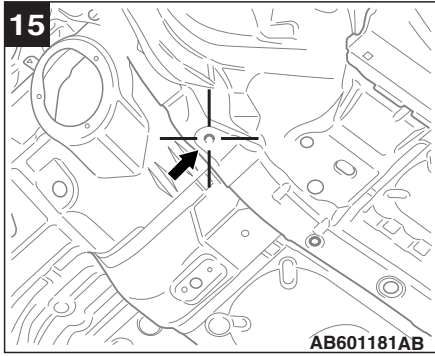
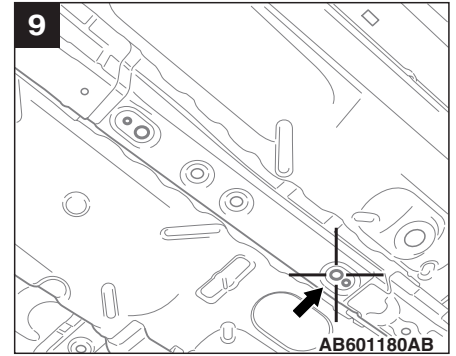
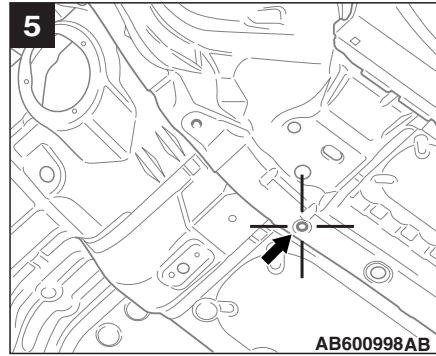
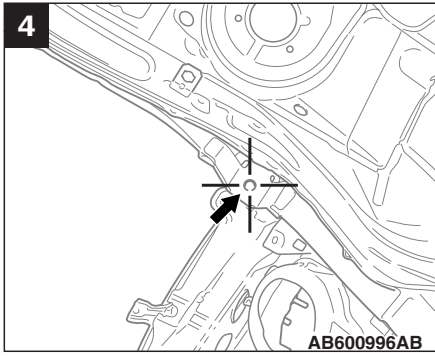
mm (in)



AB601190AB

No.	Standard measurement point	Hole shape	Size mm (in)
4	Center of front suspension crossmember mounting hole	Round	15.5 (0.61)
5	Center of front sidemember rear water draining hole	Round	16 (0.63)
9	Center of front floor sidemember front positioning hole	Round	16 (0.63)
15	Center of front suspension crossmember mounting hole	Round	15.5 (0.61)
16	Center of trailing arm mounting hole	Round	14 (0.55)
17	Center of trailing arm mounting hole	Round	14 (0.55)
18	Center of rear suspension crossmember mounting hole	Round	15 (0.59)
20	Center of rear suspension crossmember mounting hole	Round	15 (0.59)

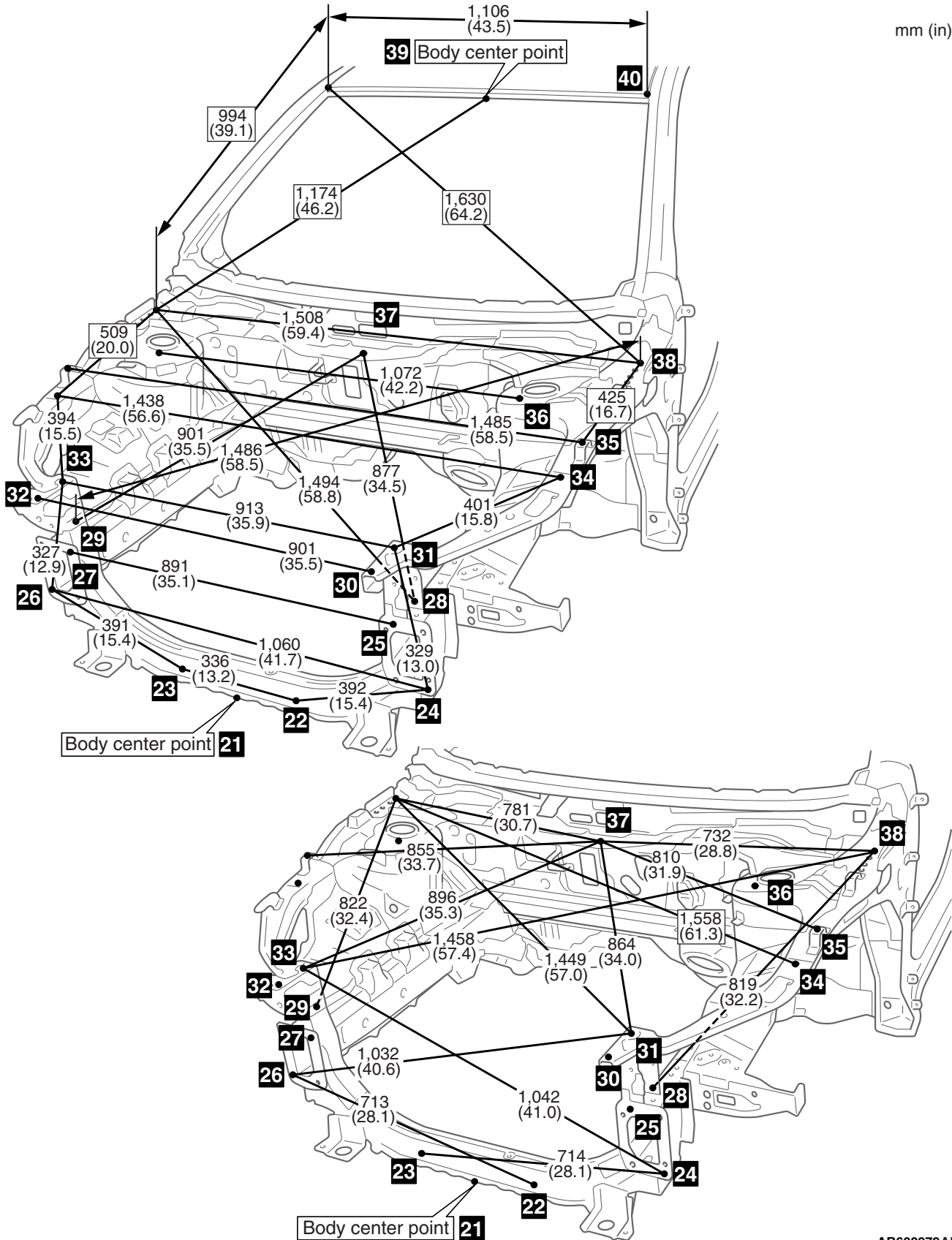
**BODY DIMENSIONS
TYPE B (ACTUAL-MEASUREMENT DIMENSIONS)**



FRONT BODY

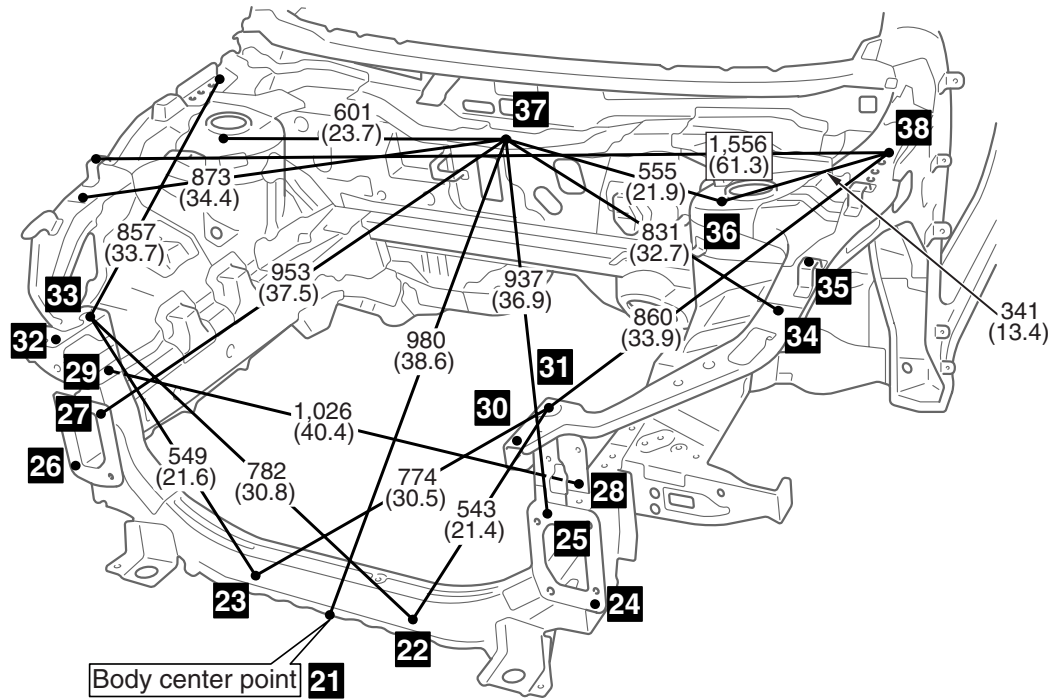
M4020006000829

mm (in)



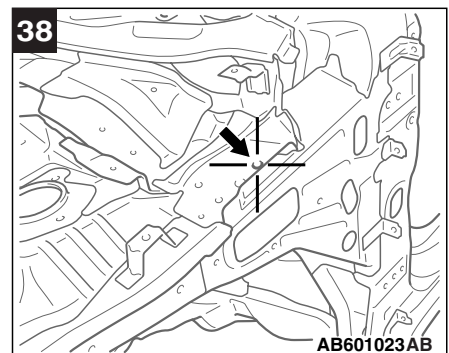
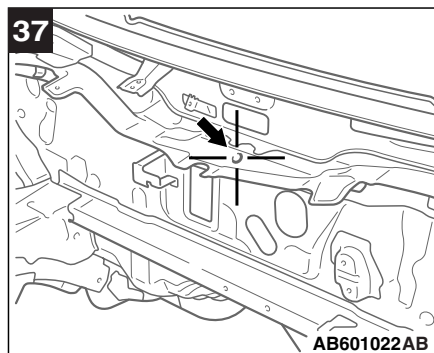
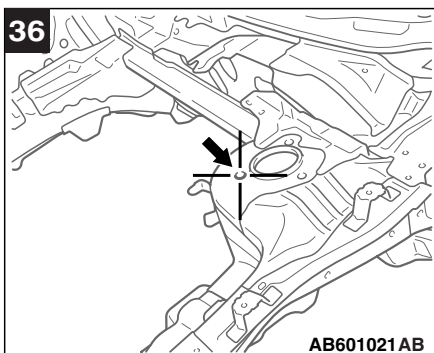
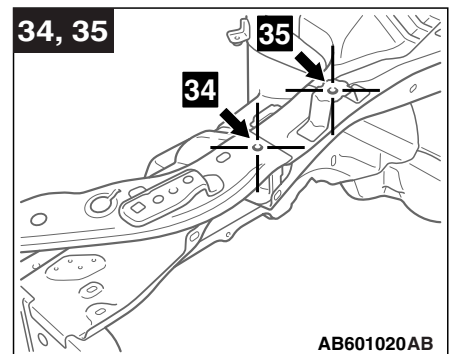
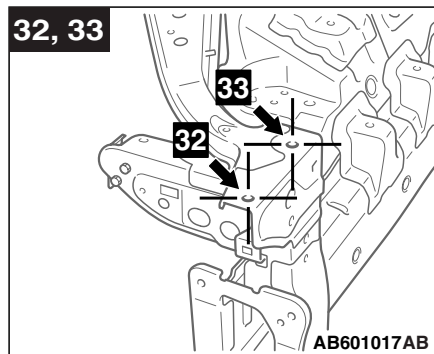
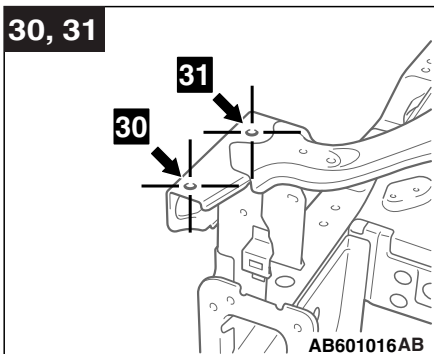
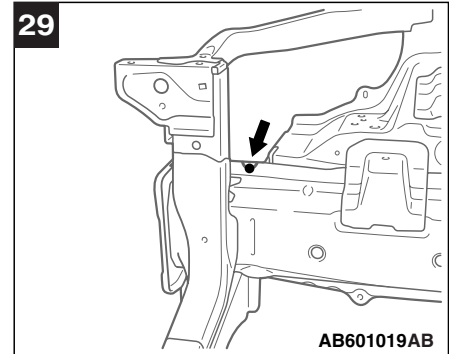
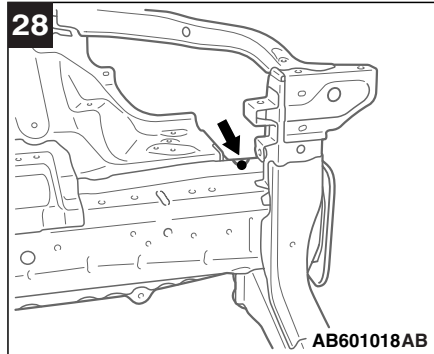
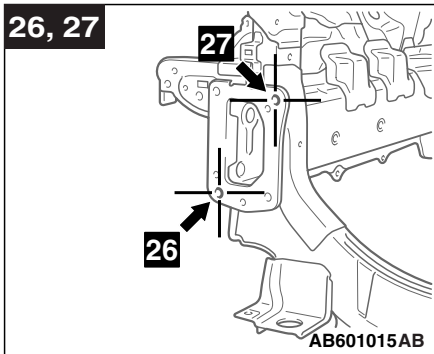
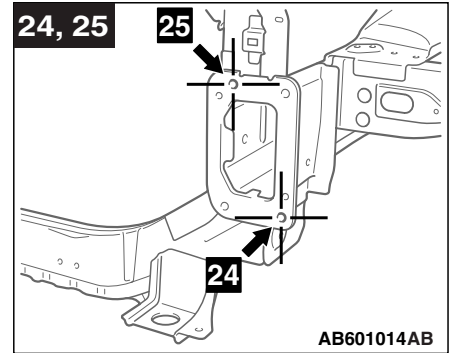
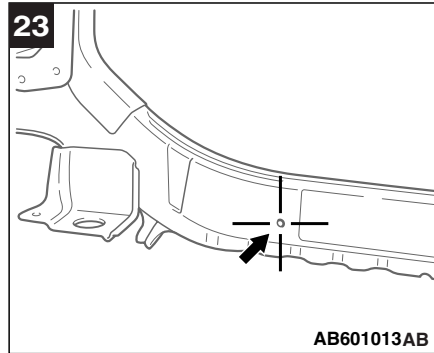
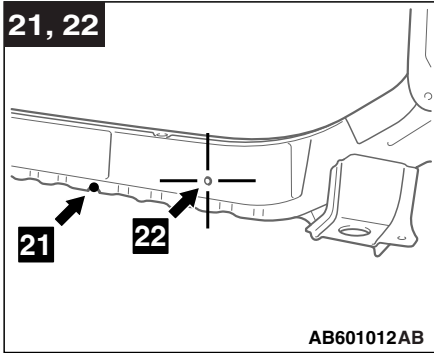
**BODY DIMENSIONS
TYPE B (ACTUAL-MEASUREMENT DIMENSIONS)**

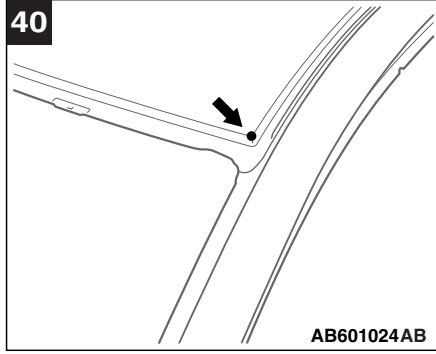
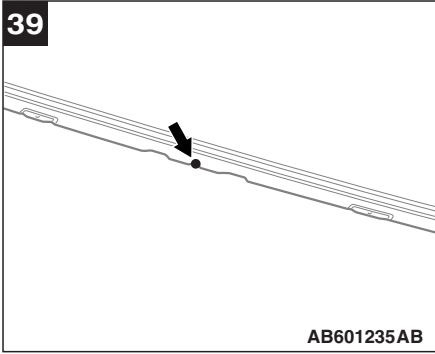
mm (in)



AB601191AC

No.	Standard measurement point	Hole shape	Size mm (in)
21	Center of front end crossmember positioning notch (Body center point)	–	–
22	Center of inter cooler bracket mounting hole	Round	9 (0.35)
23	Center of inter cooler bracket mounting hole	Round	9 (0.35)
24	Center of front bumper beam mounting hole	Round	9 (0.35)
25	Center of front bumper beam mounting hole	Round	9 (0.35)
26	Center of front bumper beam mounting hole	Round	9 (0.35)
27	Center of front bumper beam mounting hole	Round	9 (0.35)
28	Center of front sidemember inner positioning notch	–	–
29	Center of front sidemember inner positioning notch	–	–
30	Center of front end upper bar mounting hole	Round	6.6 (0.26)
31	Center of front end upper bar mounting hole	Round	6.6 (0.26)
32	Center of front end upper bar mounting hole	Round	6.6 (0.26)
33	Center of front end upper bar mounting hole	Round	6.6 (0.26)
34	Center of front end upper bar side positioning hole	Round	6 (0.24)
35	Center of front fender mounting hole	Round	6.6 (0.26)
36	Center of front strut mounting hole	Round	11.5 (0.45)
37	Center of cowl top lower panel front mounting hole	Round	6.6 (0.26)
38	Center of hood hinge mounting hole	Round	9 (0.35)
39	Center of roof panel positioning notch (Body center point)	–	–
40	Corner of roof panel	–	–

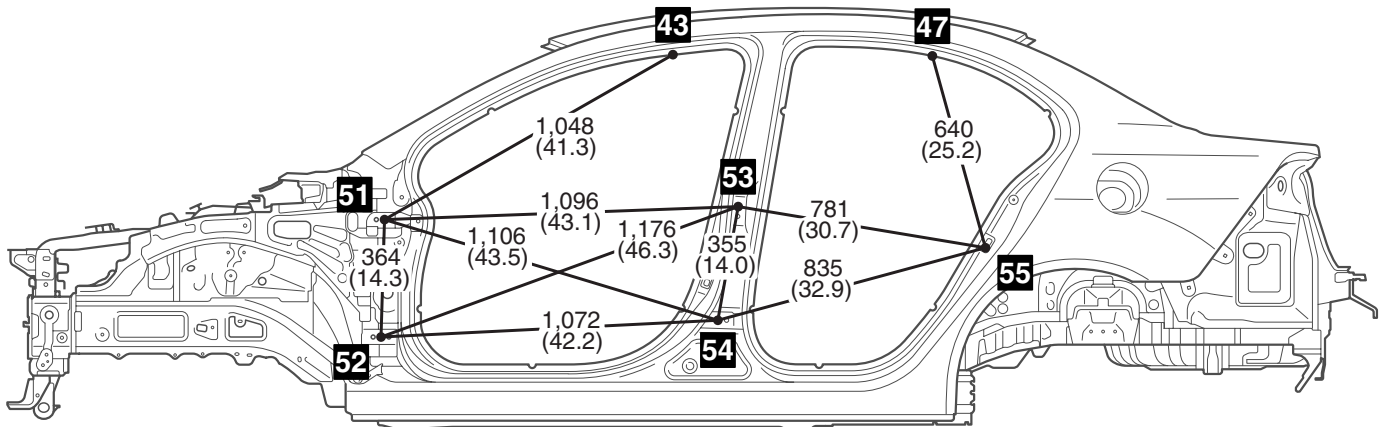
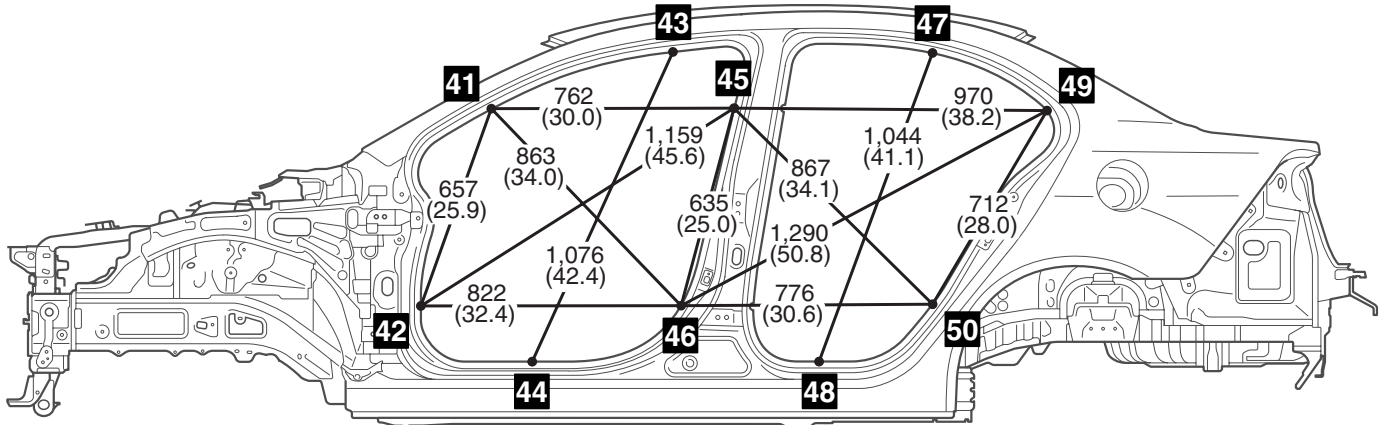




SIDE BODY

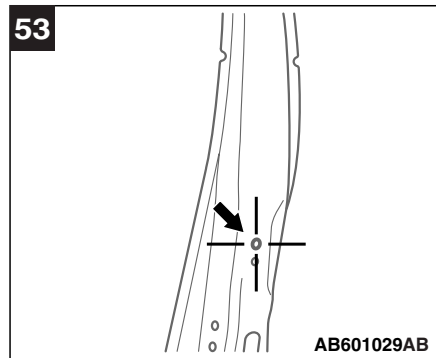
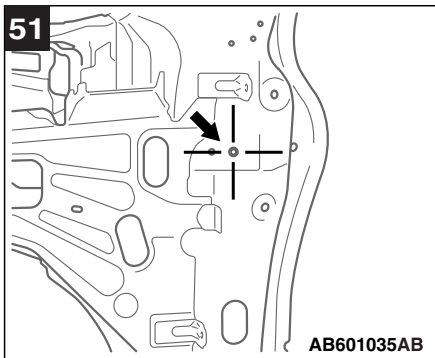
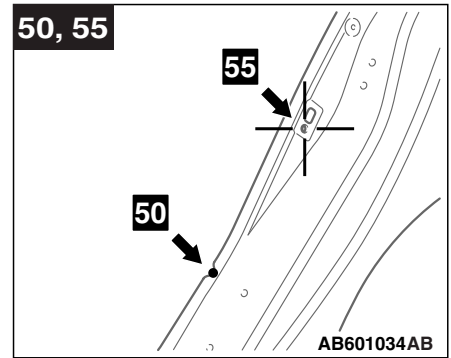
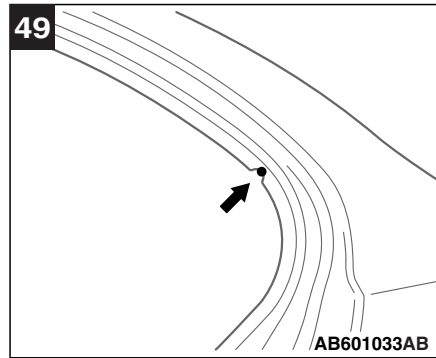
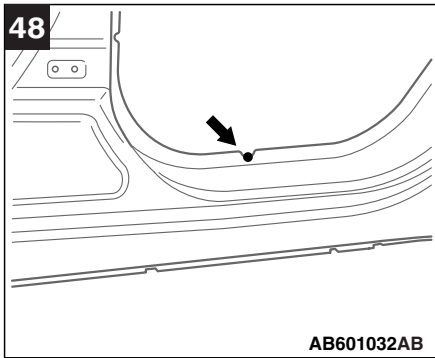
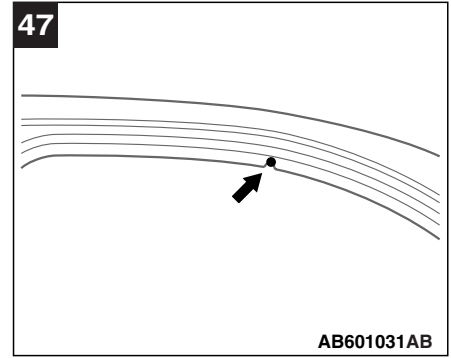
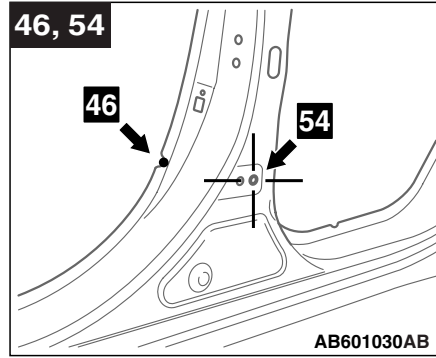
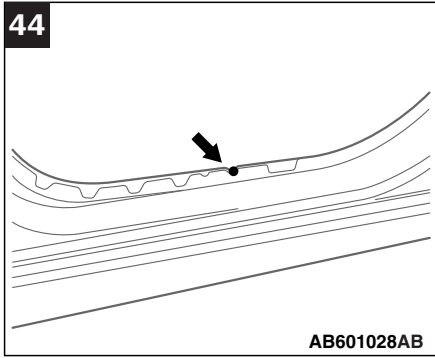
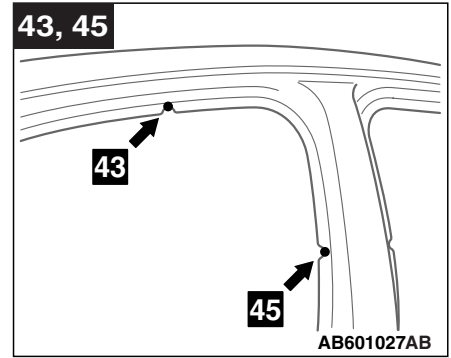
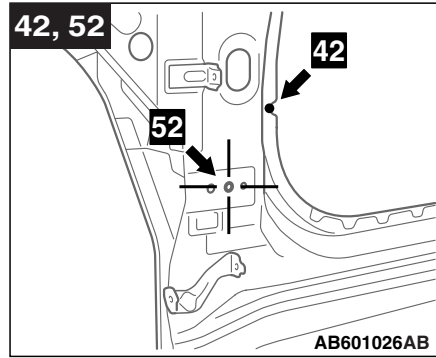
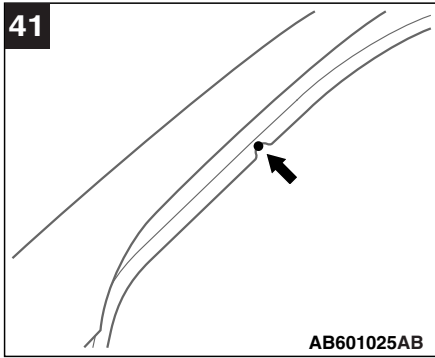
M4020007000769

mm (in)



AB600980AB

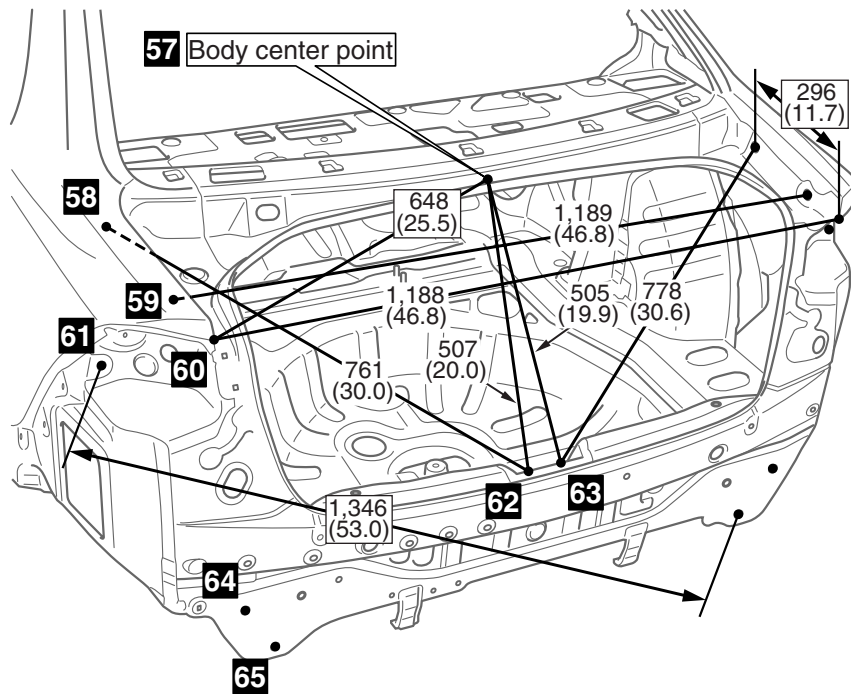
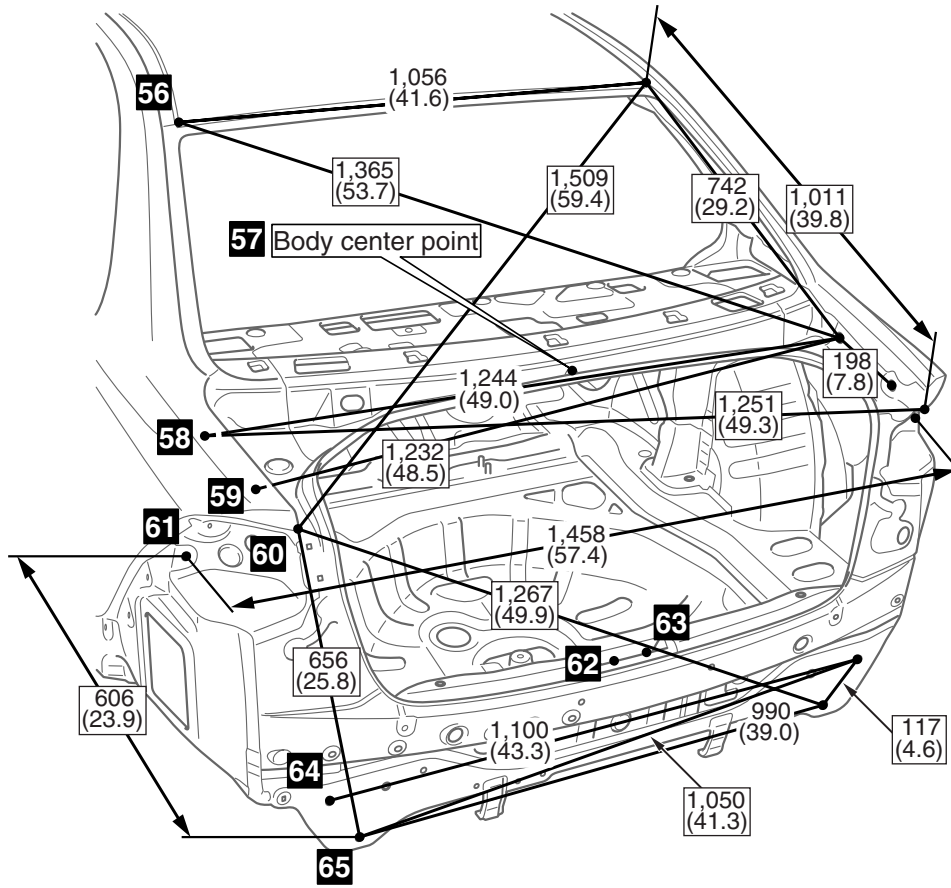
No.	Standard measurement point	Hole shape	Size mm (in)
41	Front pillar positioning notch (upper)	-	-
42	Front pillar positioning notch (lower)	-	-
43	Side roof rail positioning notch (front)	-	-
44	Side sill positioning notch (front)	-	-
45	Center pillar positioning notch (upper)	-	-
46	Center pillar positioning notch (lower)	-	-
47	Side roof rail positioning notch (rear)	-	-
48	Side sill positioning notch (rear)	-	-
49	Quarter panel positioning notch (upper)	-	-
50	Quarter panel positioning notch (lower)	-	-
51	Center of front door hinge mounting hole (upper)	Round	11 (0.43)
52	Center of front door hinge mounting hole (lower)	Round	11 (0.43)
53	Center of rear door hinge mounting hole (upper)	Round	11 (0.43)
54	Center of rear door hinge mounting hole (lower)	Round	11 (0.43)
55	Center of rear door switch mounting hole	Round	5 (0.20)



REAR BODY

M4020008000803

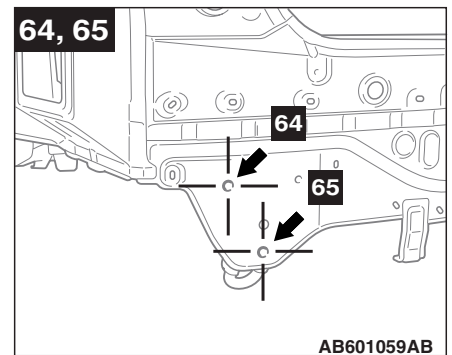
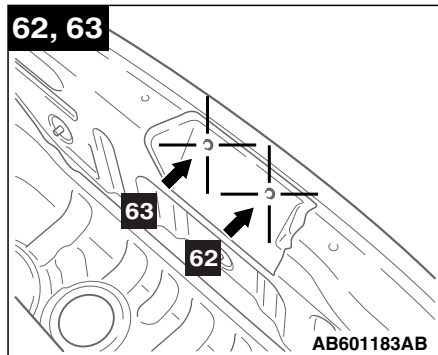
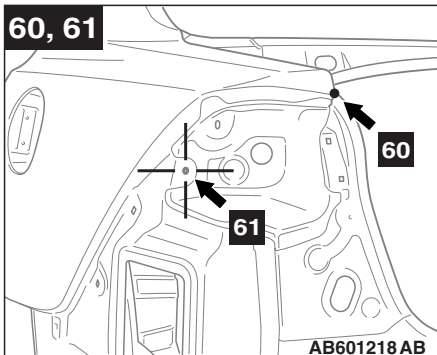
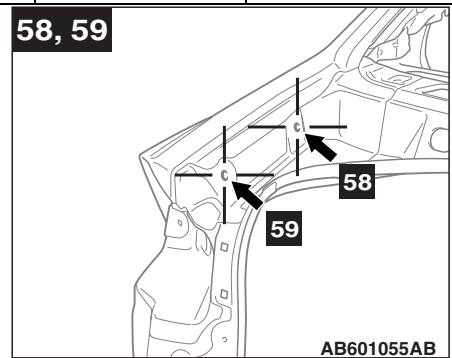
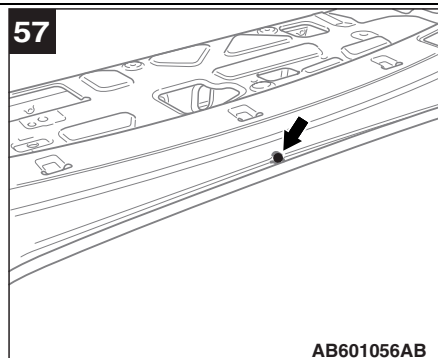
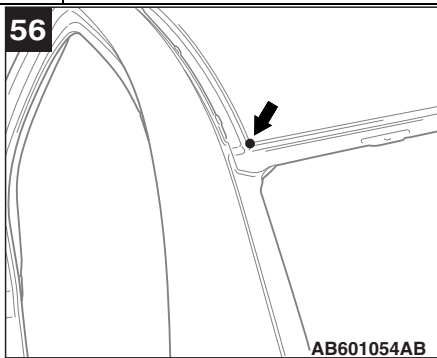
mm (in)



AB600983AC

**BODY DIMENSIONS
TYPE B (ACTUAL-MEASUREMENT DIMENSIONS)**

No.	Standard measurement point	Hole shape	Size mm (in)
56	Corner of roof panel	–	–
57	Body center point of rear shelf panel	–	–
58	Center of trunk lid hinge mounting hole	Round	9 (0.35)
59	Center of trunk lid hinge mounting hole	Round	9 (0.35)
60	Corner of side outer panel	–	–
61	Center of rear combination lamp mounting hole	Round	8 (0.31)
62	Center of striker mounting hole (left side)	Round	6.6 (0.26)
63	Center of striker mounting hole (right side)	Round	6.6 (0.26)
64	Center of rear bumper mounting hole	Round	15 (0.59)
65	Center of rear bumper mounting hole	Round	15 (0.59)

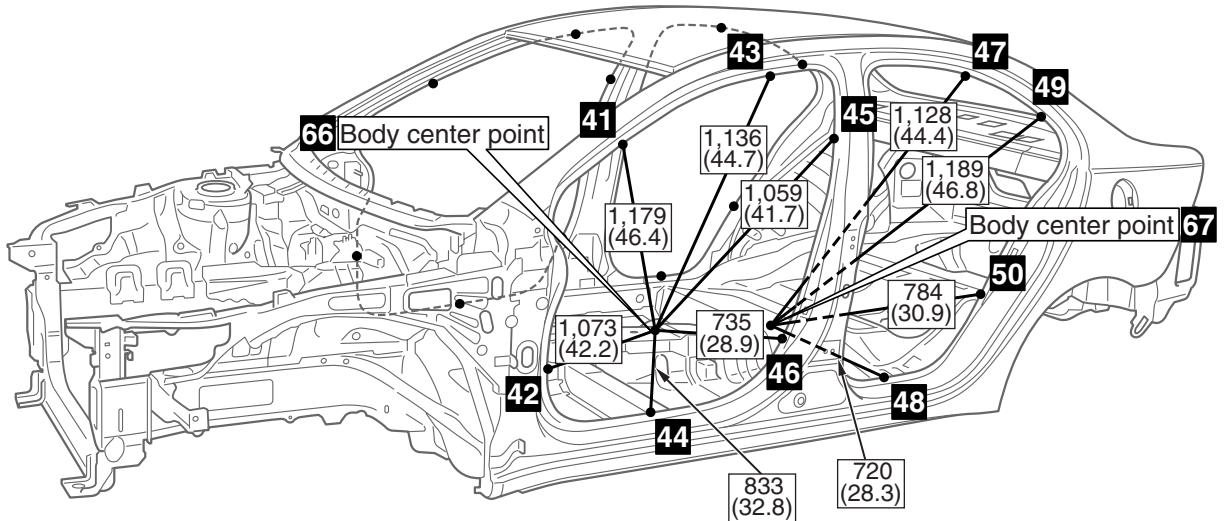
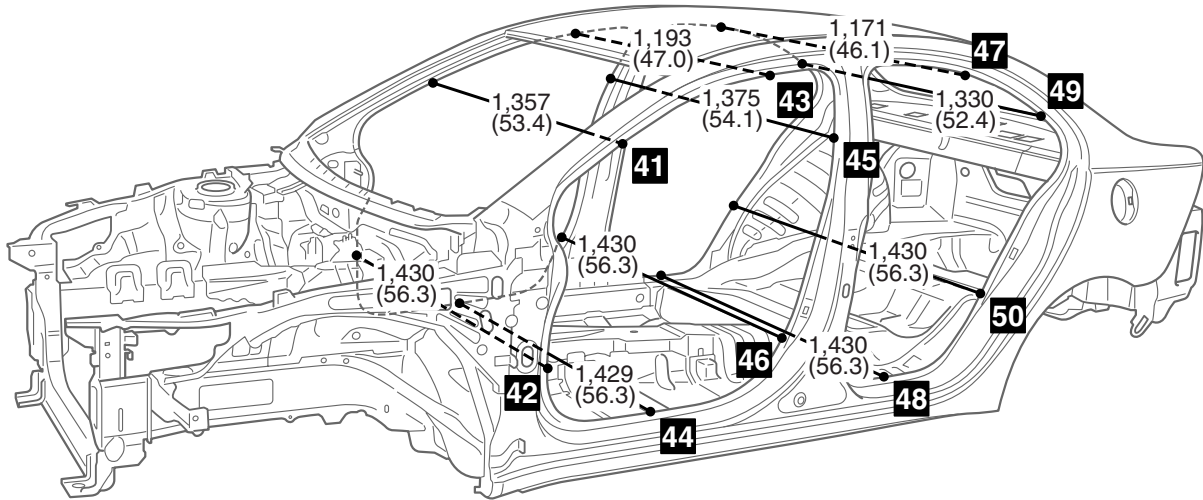


BODY DIMENSIONS
TYPE B (ACTUAL-MEASUREMENT DIMENSIONS)

INTERIOR

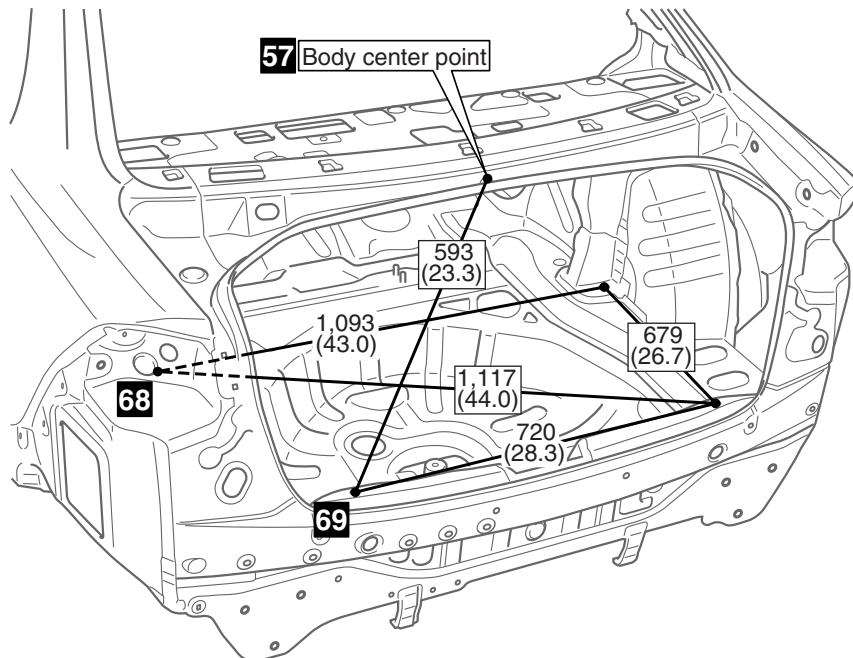
M4020009000873

mm (in)



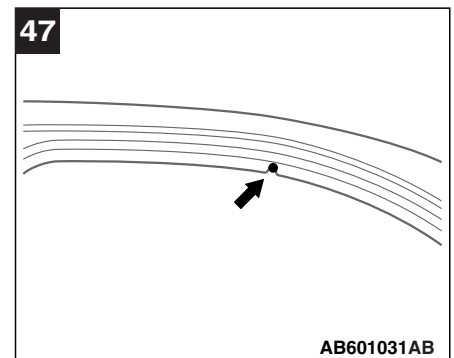
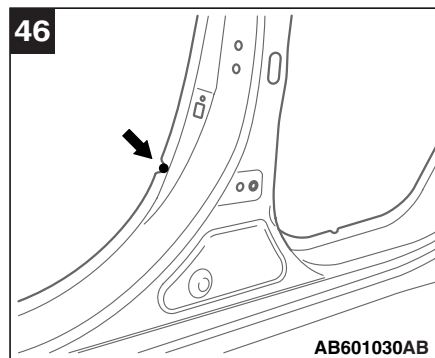
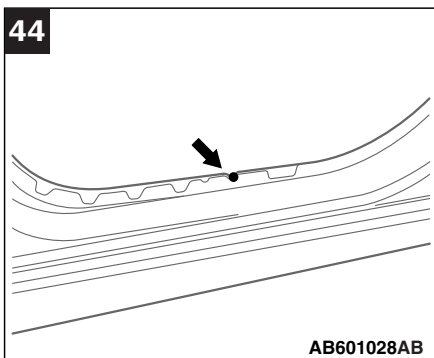
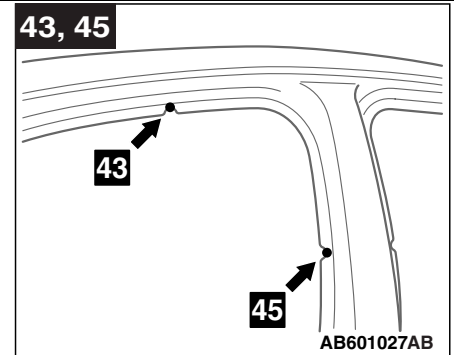
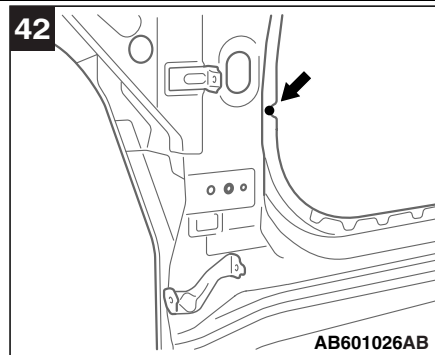
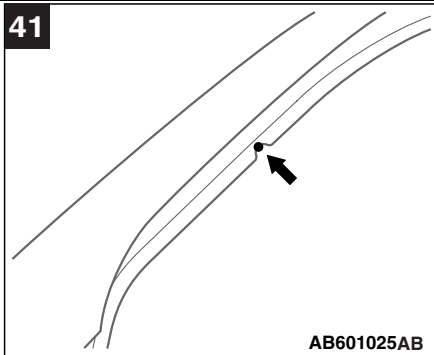
AB600982AB

mm (in)

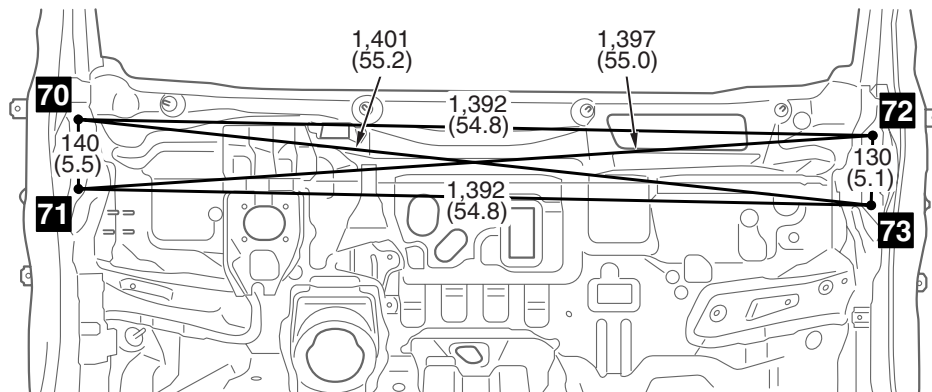
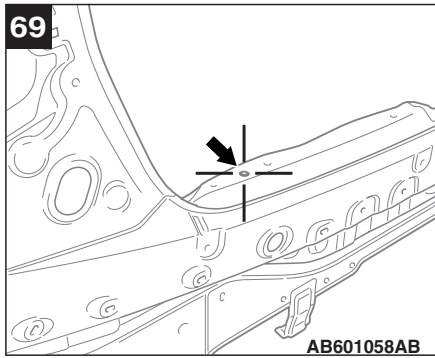
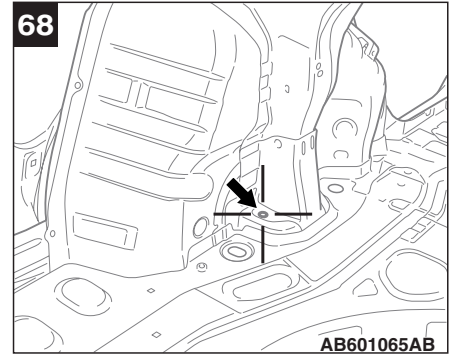
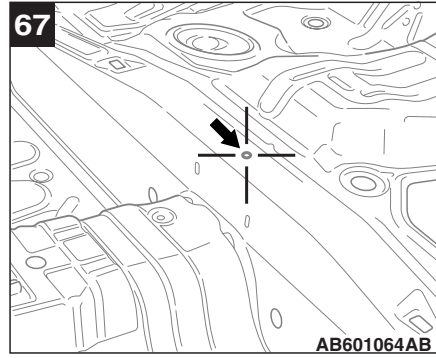
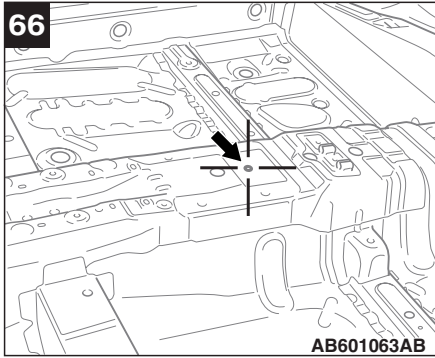
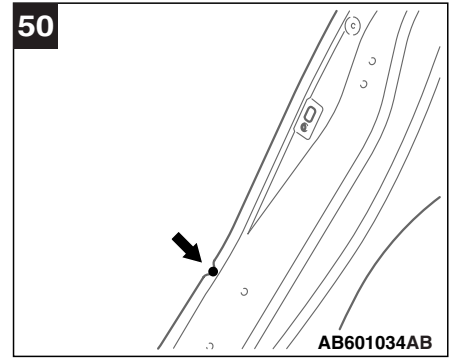
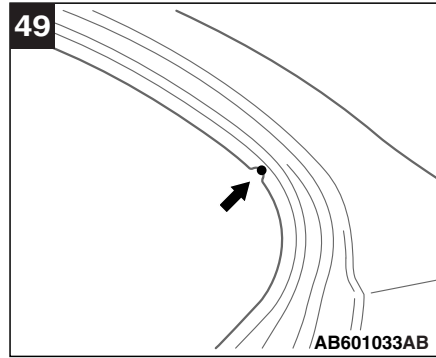
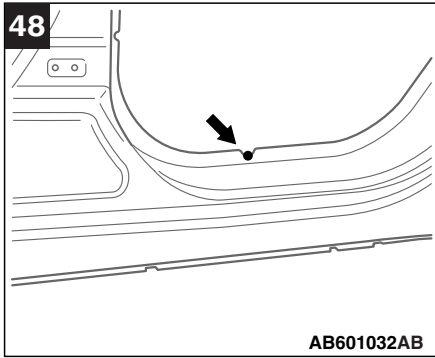


AB601145AB

No.	Standard measurement point	Hole shape	Size mm (in)
41	Front pillar positioning notch (upper)	—	—
42	Front pillar positioning notch (lower)	—	—
43	Side roof rail positioning notch (front)	—	—
44	Side sill positioning notch (front)	—	—
45	Center pillar positioning notch (upper)	—	—
46	Center pillar positioning notch (lower)	—	—
47	Side roof rail positioning notch (rear)	—	—
48	Side sill positioning notch (rear)	—	—
49	Quarter panel positioning notch (upper)	—	—
50	Quarter panel positioning notch (lower)	—	—
57	Body center point of rear shelf panel	—	—
66	Center of backbone reinforcement positioning hole (Body center point)	Round	11 (0.43)
67	Body center point of rear floor pan front (Body center point)	—	—
68	Center of rear shock absorber mounting hole	Round	14 (0.55)
69	Center of rear end trim mounting hole	Round	8.5 (0.335)



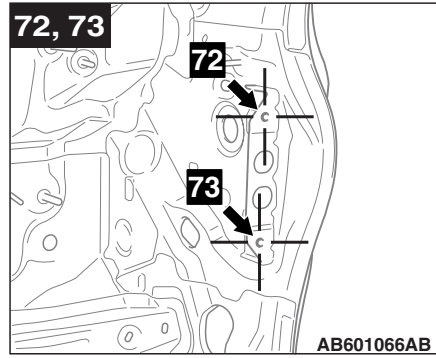
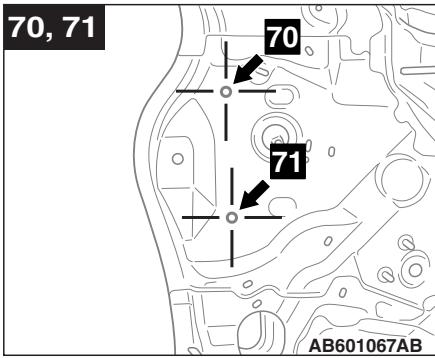
BODY DIMENSIONS
TYPE B (ACTUAL-MEASUREMENT DIMENSIONS)



mm (in)

AB600984AB

No.	Standard measurement point	Hole shape	Size mm (in)
70	Center of deck crossmember mounting hole (left-upper)	Round	13 (0.51)
71	Center of deck crossmember mounting hole (left-lower)	Round	13 (0.51)
72	Center of deck crossmember mounting hole (right-upper)	Round	9 (0.35)
73	Center of deck crossmember mounting hole (right-lower)	Round	9 (0.35)



NOTES