

GROUP 70

**COMPONENT
LOCATIONS**

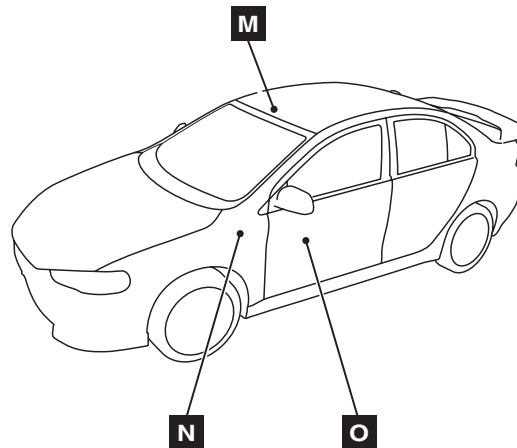
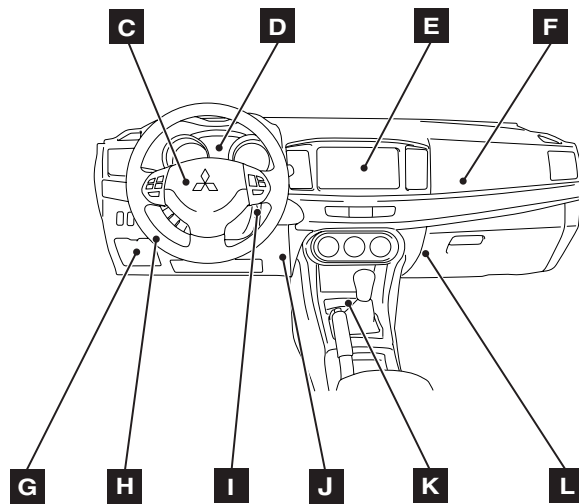
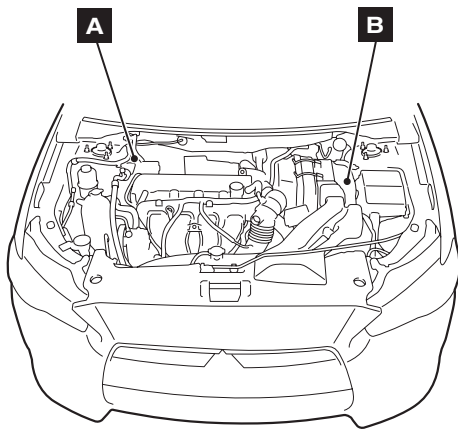
CONTENTS

CONTROL UNIT.....	70-2	GROUNDING CABLE.....	70-13
OTHER DEVICES	70-5	SOLENOID AND SOLENOID VALVE	70-14
SENSOR.....	70-6	RELAY	70-16
FUSIBLE LINK, FUSE AND IOD OR STORAGE CONNECTOR	70-12	INSPECTION TERMINAL.....	70-17
		GROUNDING	70-18

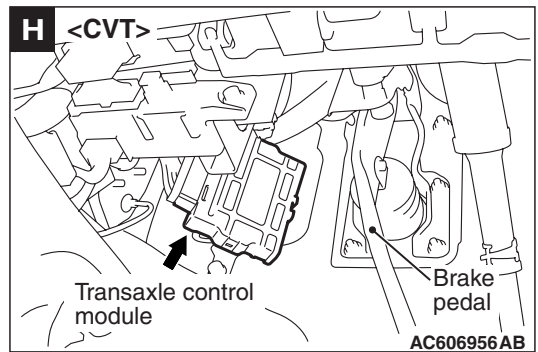
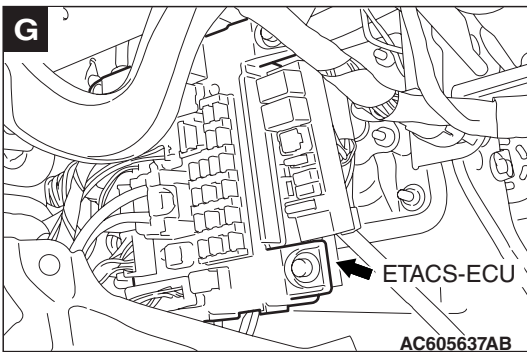
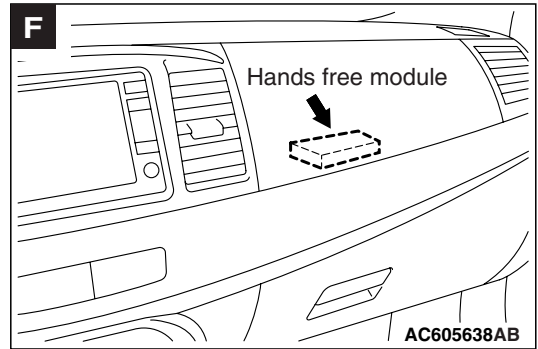
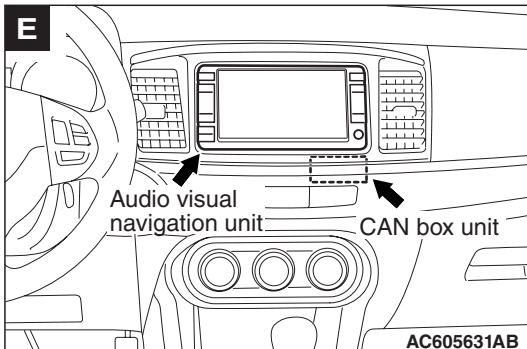
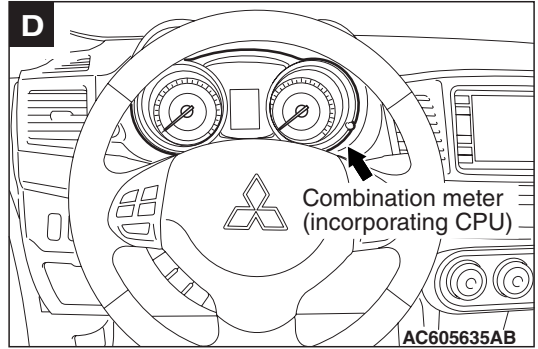
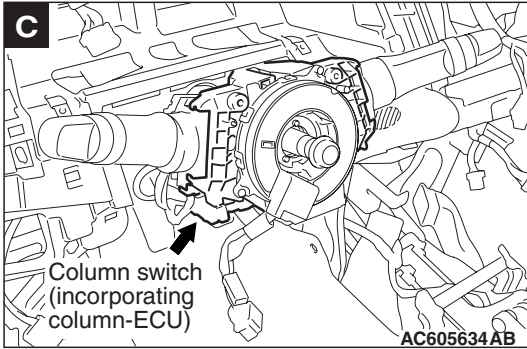
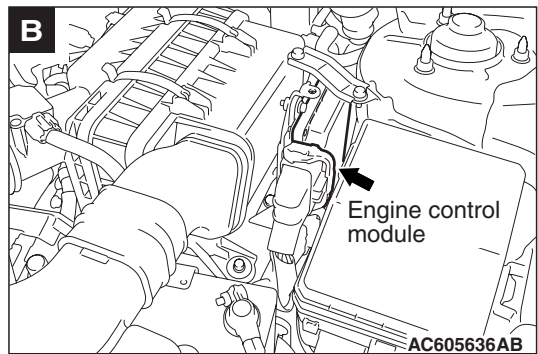
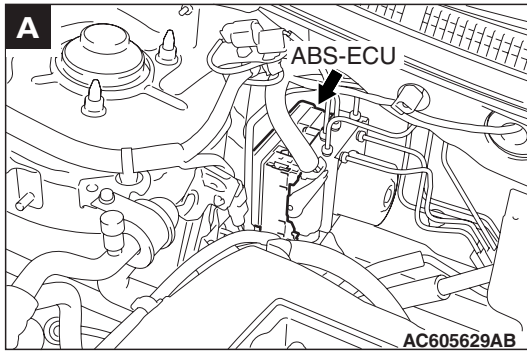
CONTROL UNIT

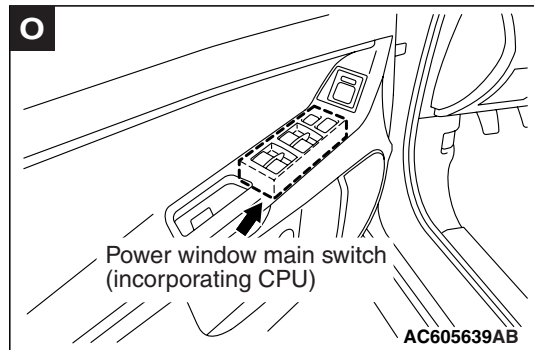
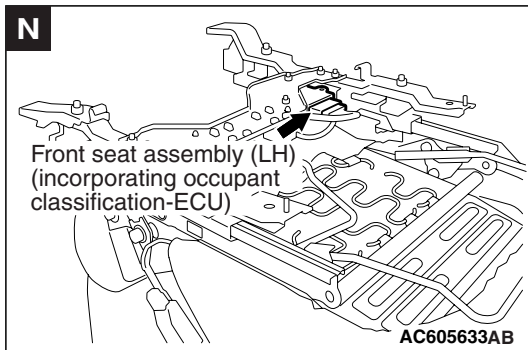
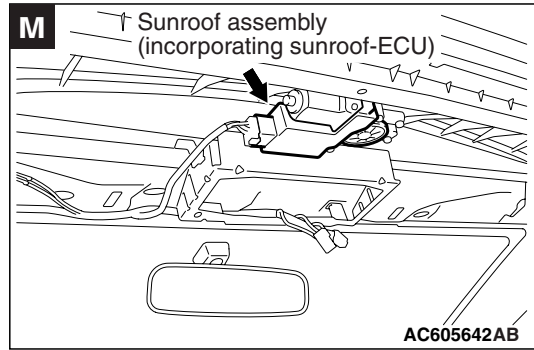
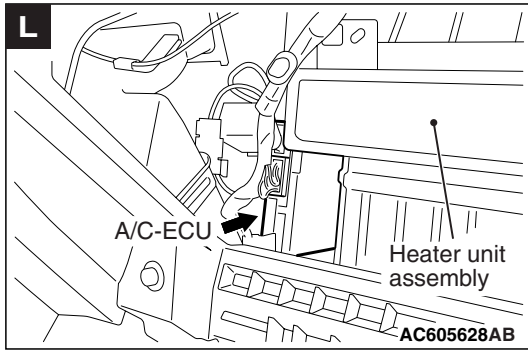
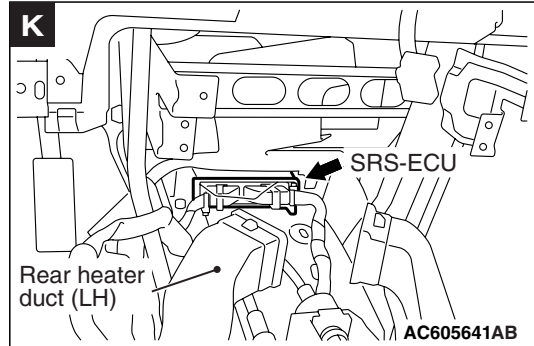
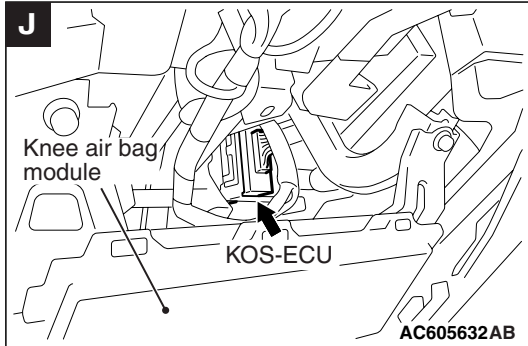
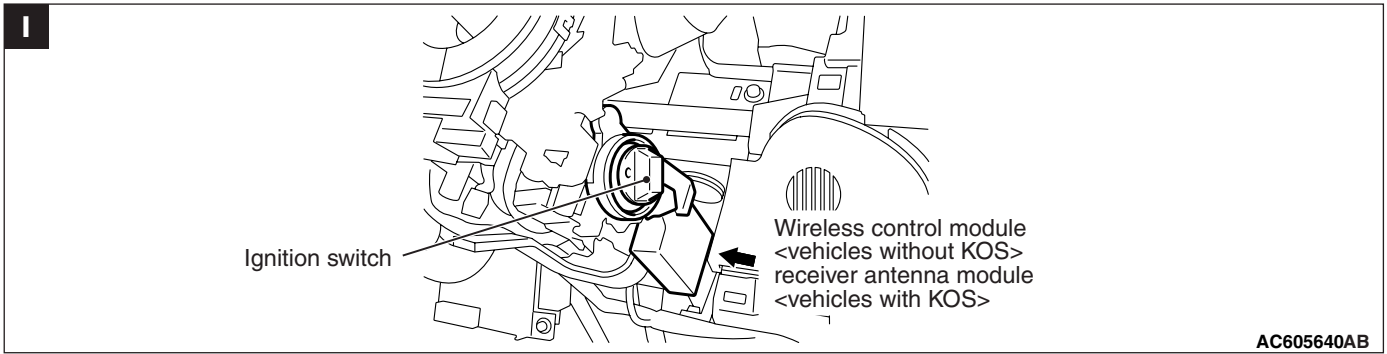
M1701000700650

NAME	SYMBOL	NAME	SYMBOL
A/C-ECU	L	Hands free module	F
ABS-ECU	A	KOS-ECU	J
Audio visual navigation unit	E	Power window main switch (incorporating CPU)	O
CAN box unit	E		
Column switch (incorporating column-ECU)	C	Receiver antenna module <vehicles with KOS>	I
Combination meter (incorporating CPU)	D	SRS-ECU	K
Engine control module	B	Sunroof assembly (incorporating sunroof-ECU)	M
ETACS-ECU	G	Transaxle control module <CVT>	H
Front seat assembly (LH) (incorporating occupant classification-ECU)	N	Wireless control module <vehicles without KOS>	I



AC607488AB

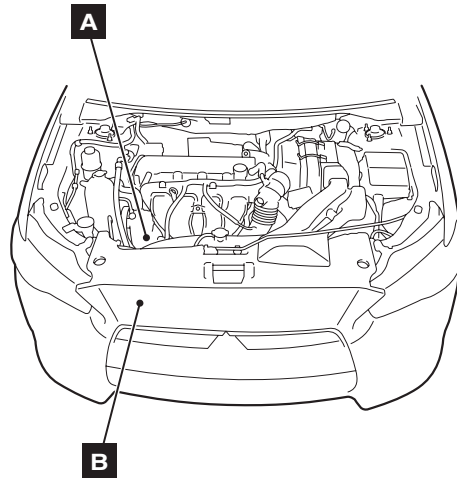




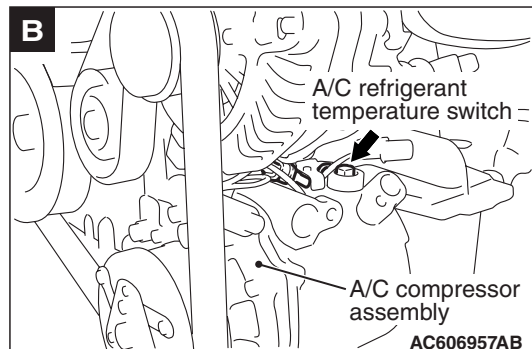
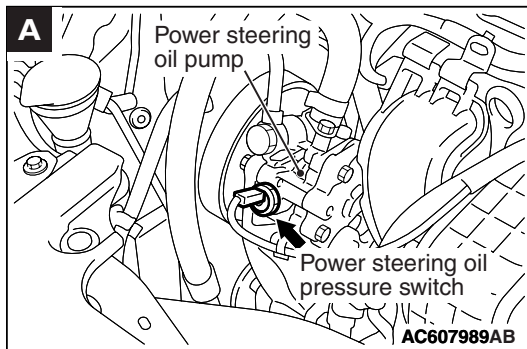
OTHER DEVICES

M1701005600476

NAME	SYMBOL	NAME	SYMBOL
A/C compressor assembly (incorporating A/C refrigerant temperature switch)	B	Power steering oil pressure switch	A



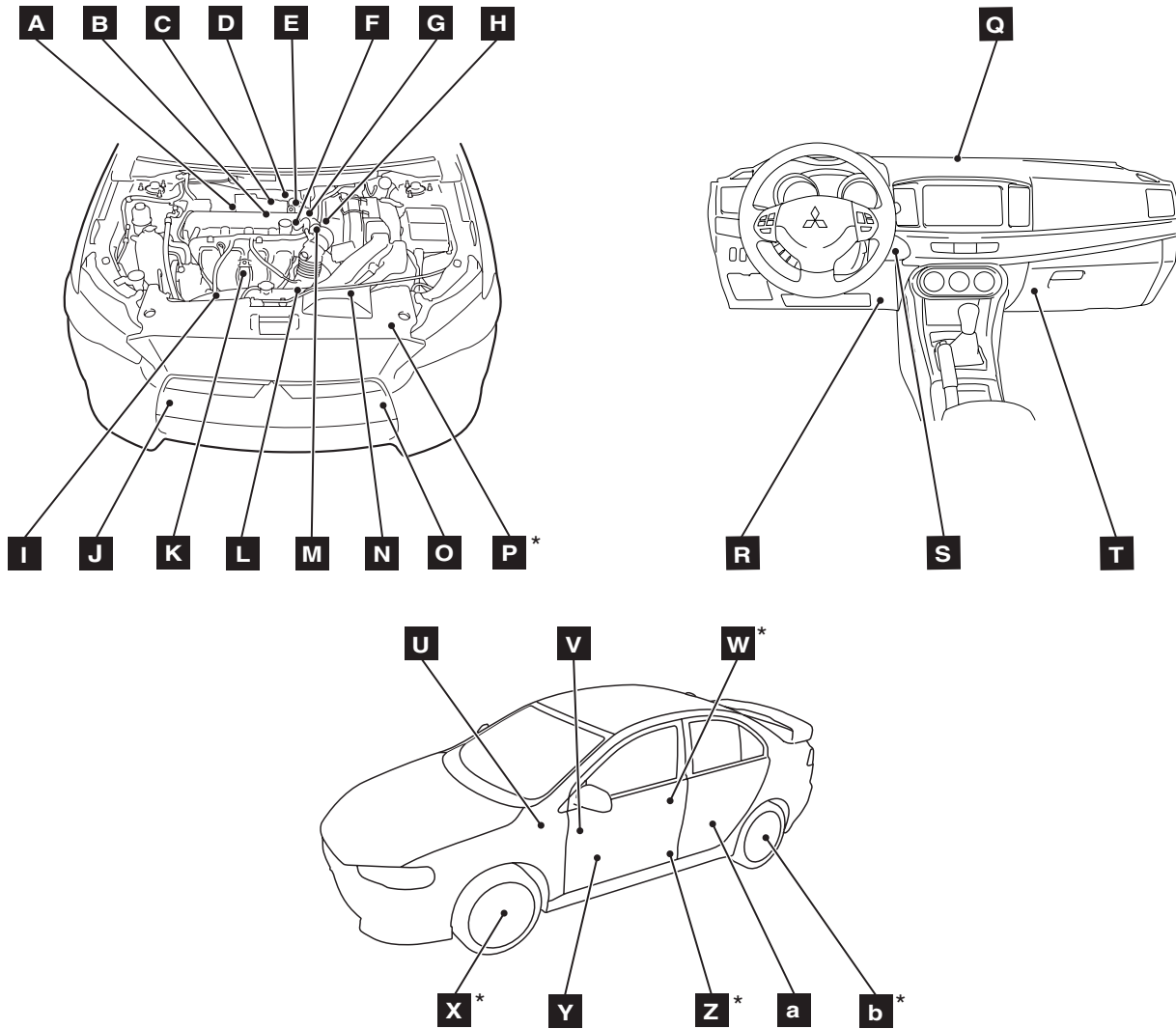
AC607873AB



SENSOR

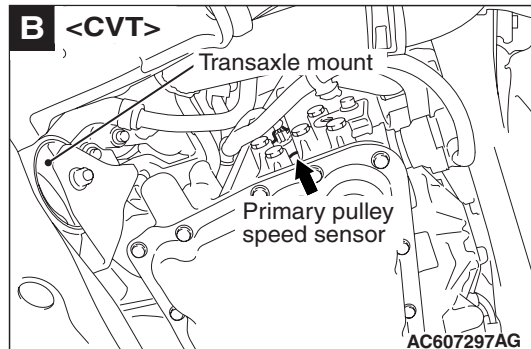
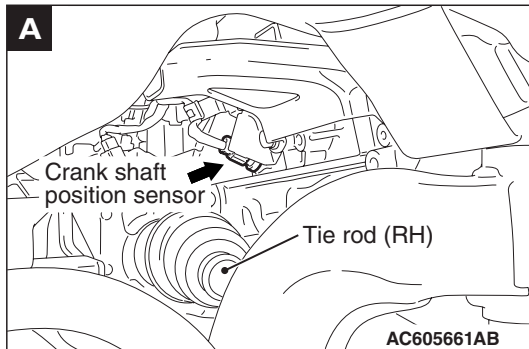
M1701000601270

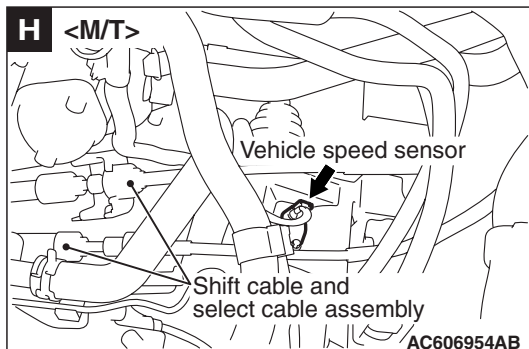
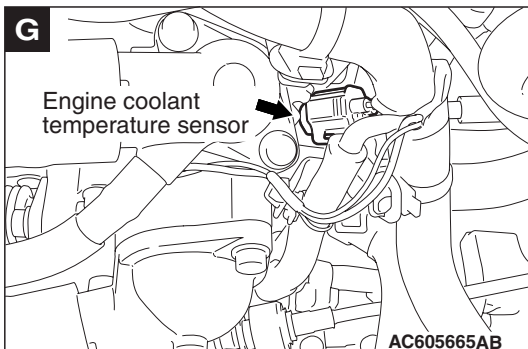
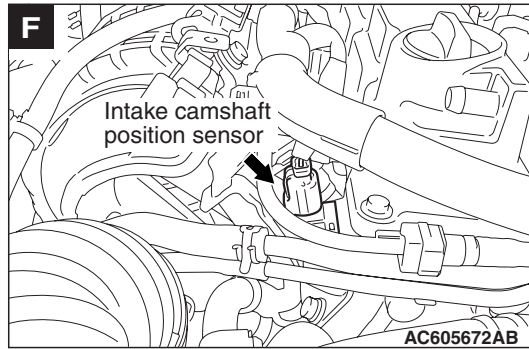
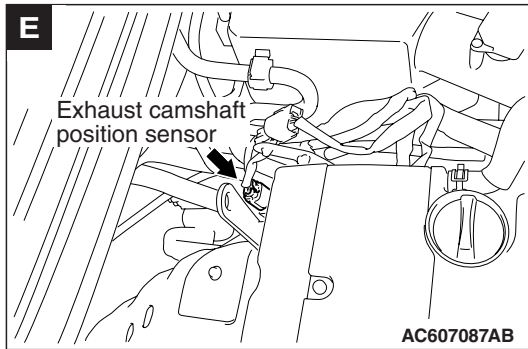
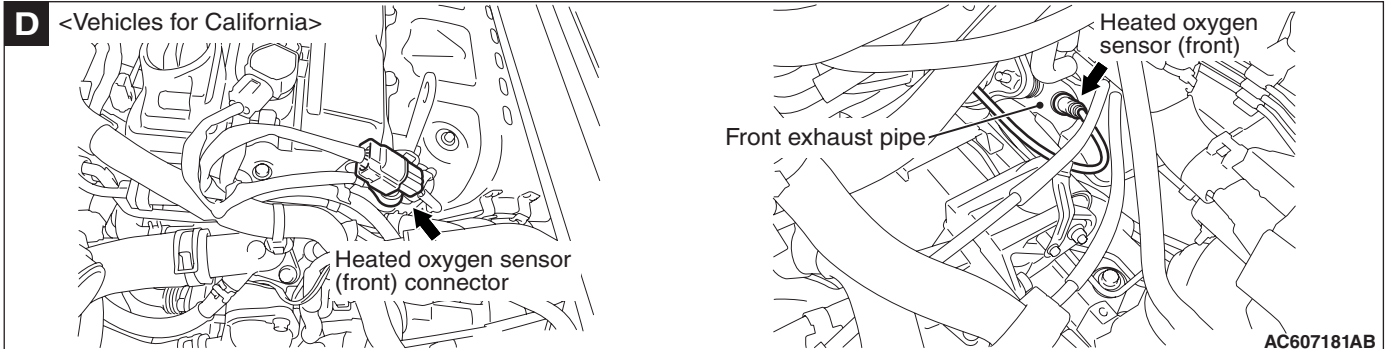
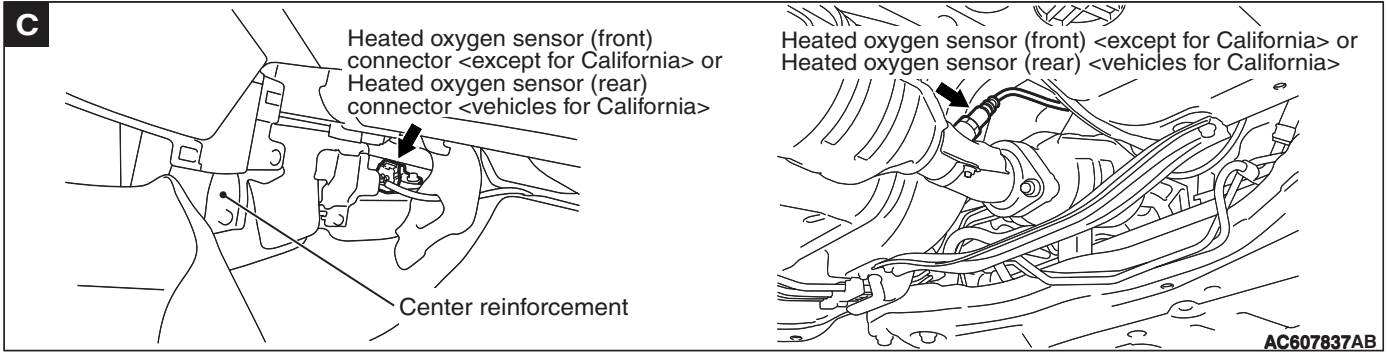
NAME	SYMBOL	NAME	SYMBOL
A/C pressure sensor	J	Photo sensor	Q
Accelerator pedal position sensor	R	Primary pulley speed sensor <CVT>	B
Air thermo sensor	T	Rear wheel speed sensor	b
Ambient temperature sensor	O	Heated oxygen sensor (3rd) <vehicles for California>	V
Crankshaft position sensor	A		
Engine coolant temperature sensor	G	Heated oxygen sensor (front) <except for California>	C
Exhaust camshaft position sensor	E		
Front impact sensor	P	Heated oxygen sensor (front) <vehicles for California>	D
Front wheel speed sensor	X		
Front passenger's seat (incorporating weight sensor)	U	Heated oxygen sensor (rear) <except for California>	V
Fuel pump module (incorporating fuel level sensor (main) and fuel tank temperature sensor)	a	Heated oxygen sensor (rear) <vehicles for California>	C
		Seat slide sensor	Y
Fuel tank differential pressure sensor	a	Secondary pulley speed sensor <CVT>	N
Intake camshaft position sensor	F	Side impact sensor	Z
Interior temperature sensor	S	Throttle body assembly (incorporating throttle position sensor)	L
Knock sensor	K		
Manifold absolute pressure sensor	I	Unlock sensor	W
Mass airflow sensor	M	Vehicle speed sensor <M/T>	H

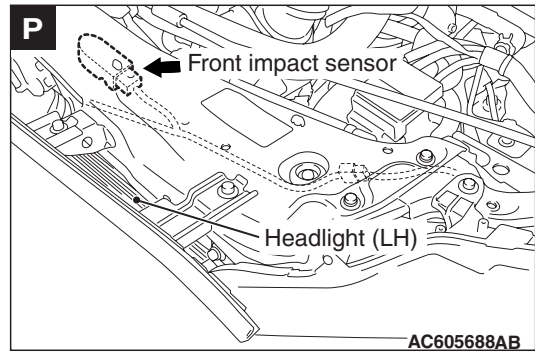
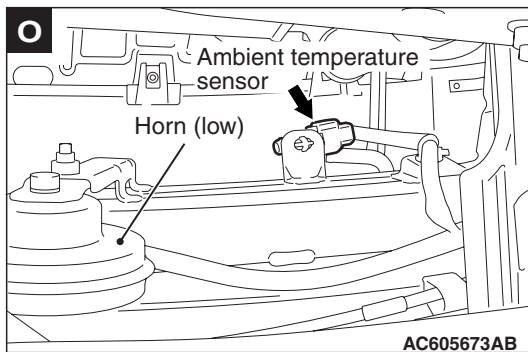
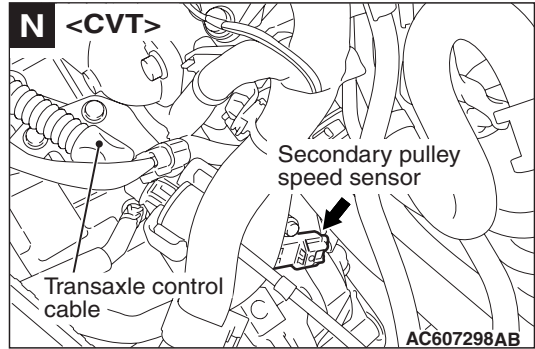
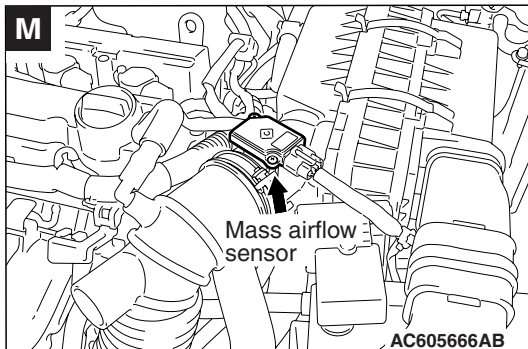
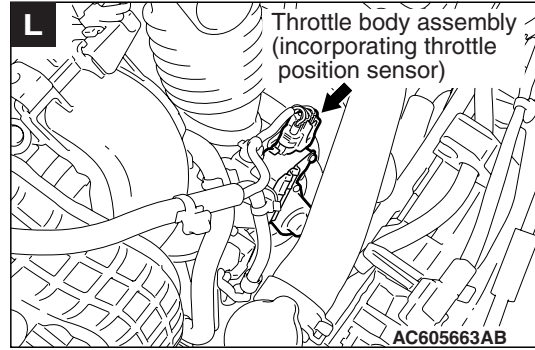
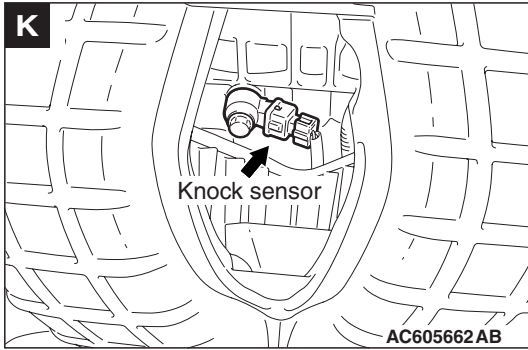
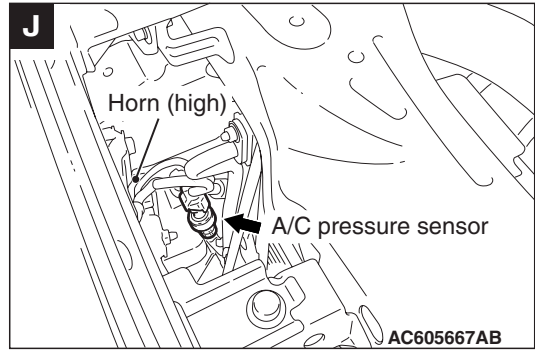
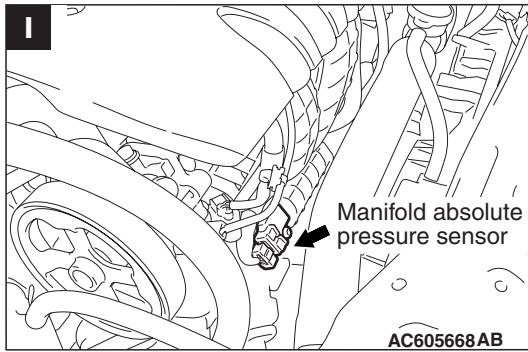


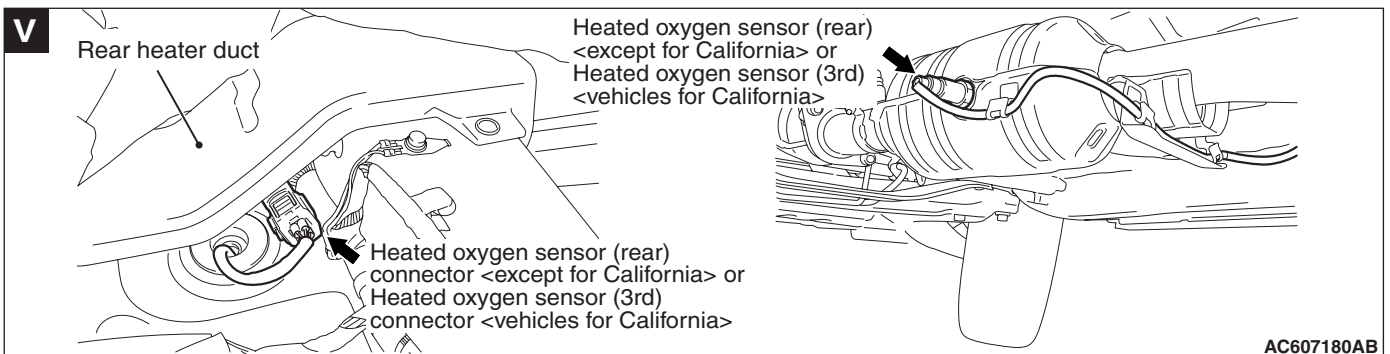
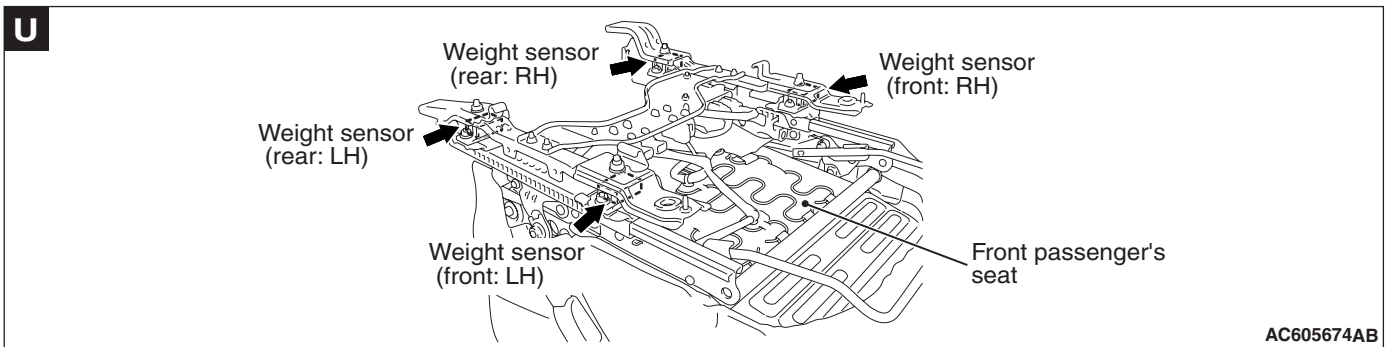
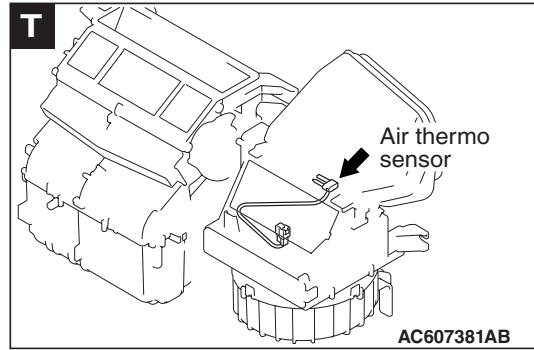
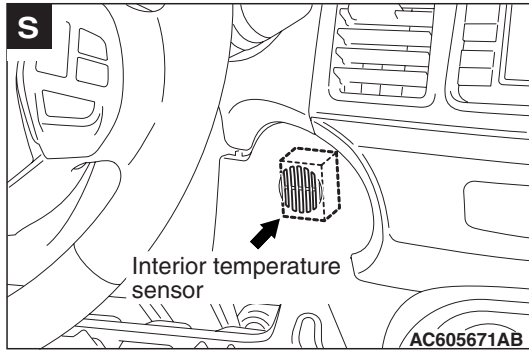
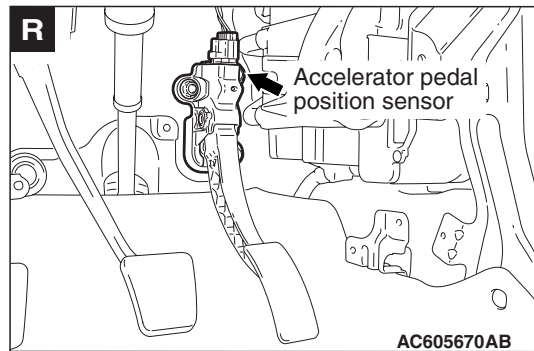
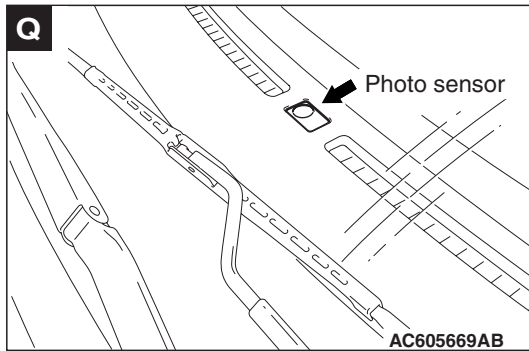
AC607488AC

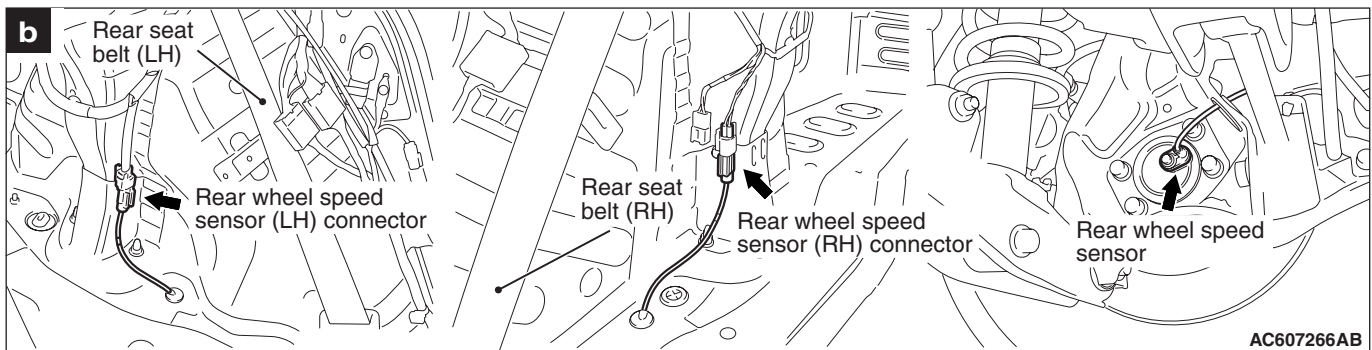
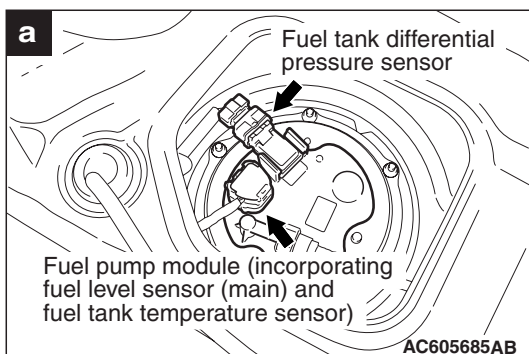
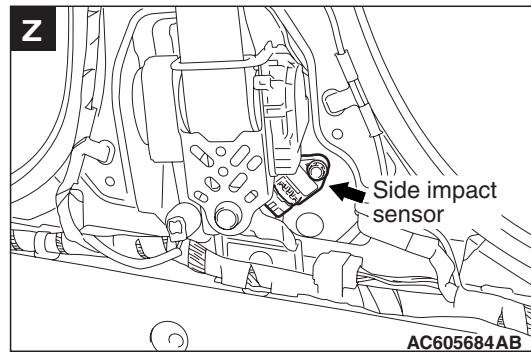
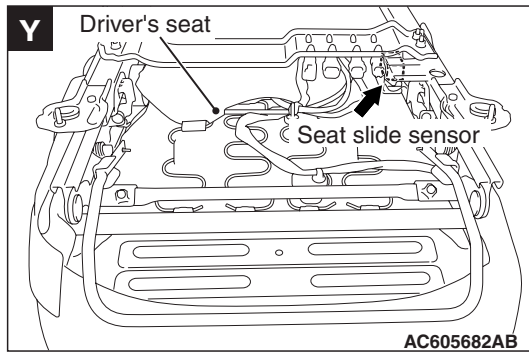
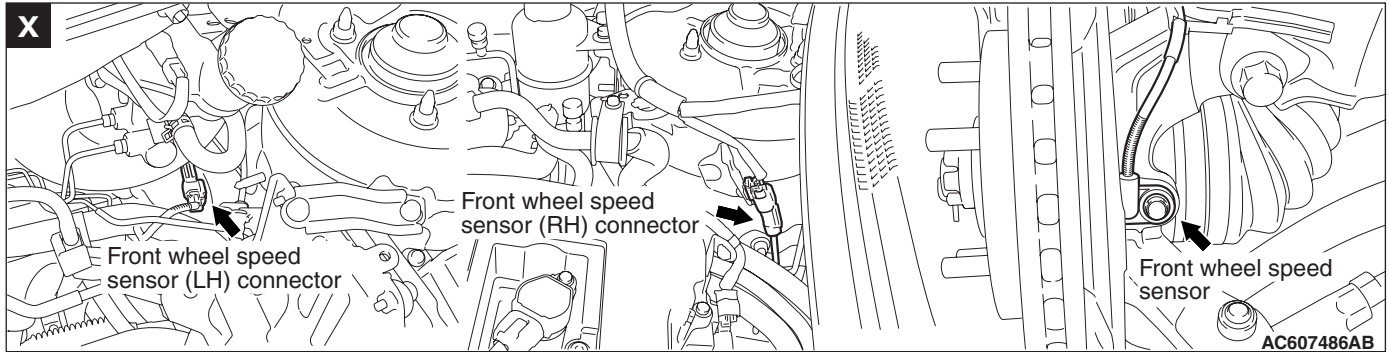
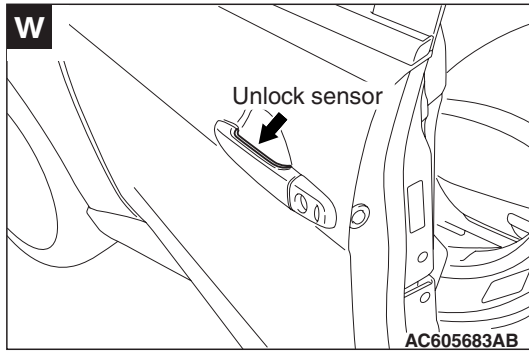
NOTE: The * symbols indicate equipped at both sides.







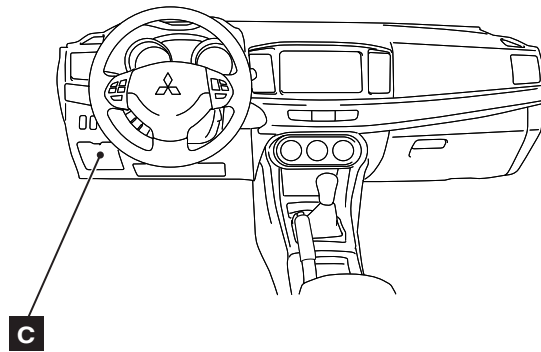
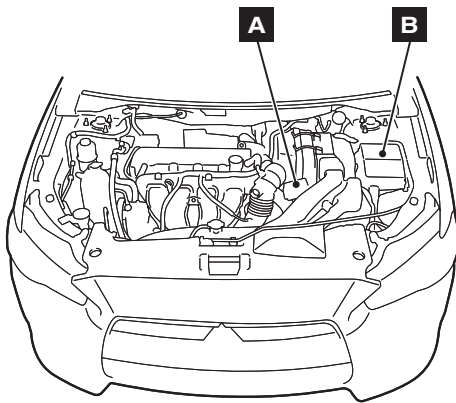




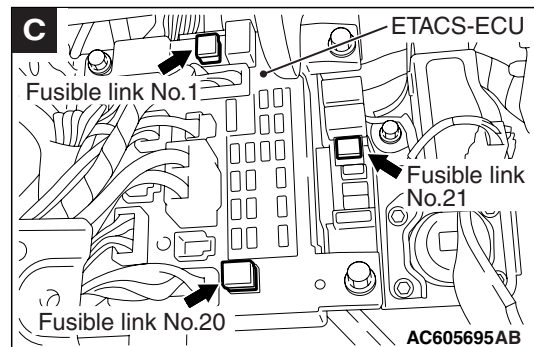
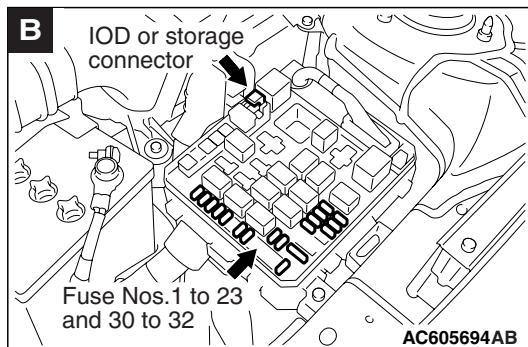
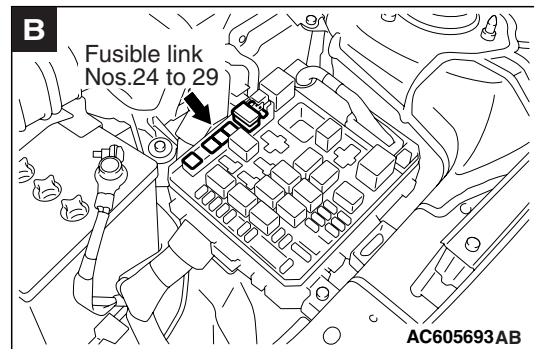
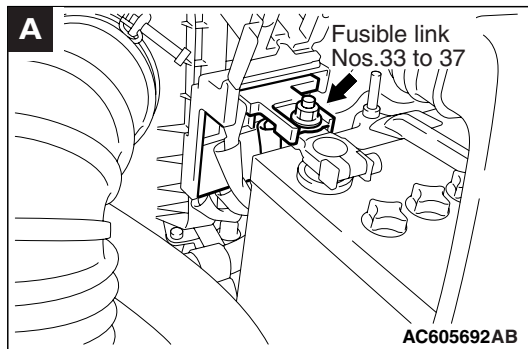
FUSIBLE LINK, FUSE AND IOD OR STORAGE CONNECTOR

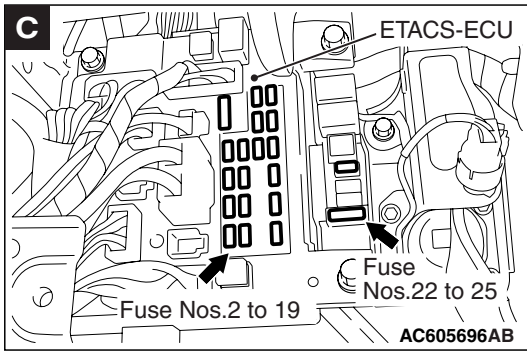
M1701000100993

NAME	SYMBOL	NAME	SYMBOL
Fuse Nos.1 to 23 and No.30 to 32 (Engine compartment relay box)	B	Fusible link No. 21 (Passenger's compartment relay box)	C
Fuse Nos.2 to 19 (ETACS-ECU)	C	Fusible link Nos.24 to 29 (Engine compartment relay box)	B
Fuse Nos.22 to 25 (Passenger's compartment relay box)	C	Fusible link Nos.33 to 37 (Connected directly to battery positive terminal)	A
Fusible link Nos.1 and No.20 (ETACS-ECU)	C	IOD or storage connector	B



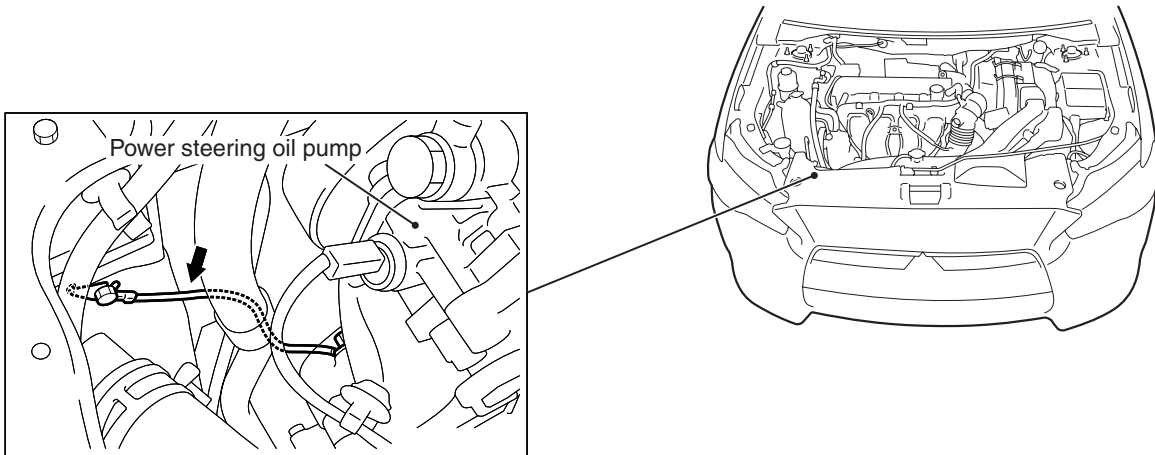
AC607487AC





GROUNDING CABLE

M1701001000795

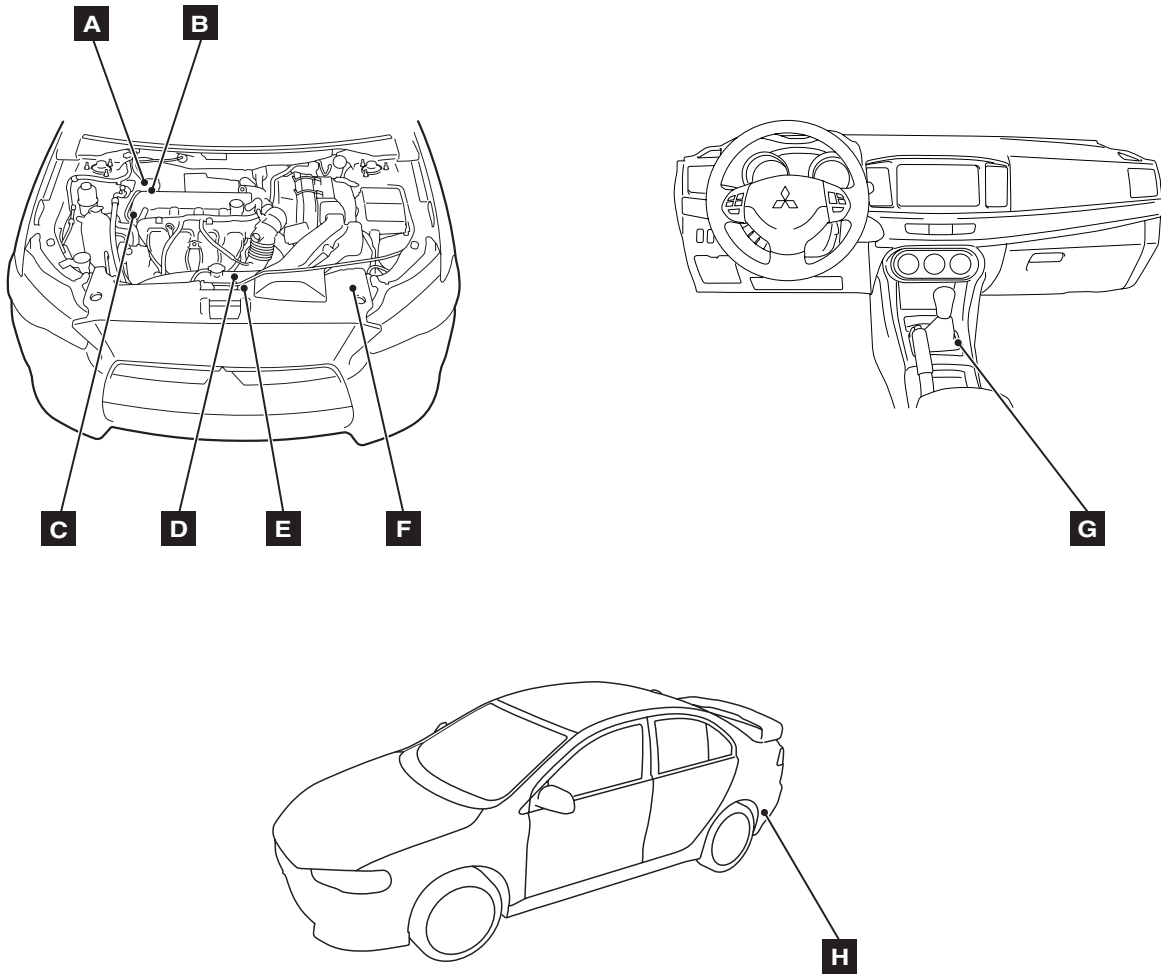


AC607843AB

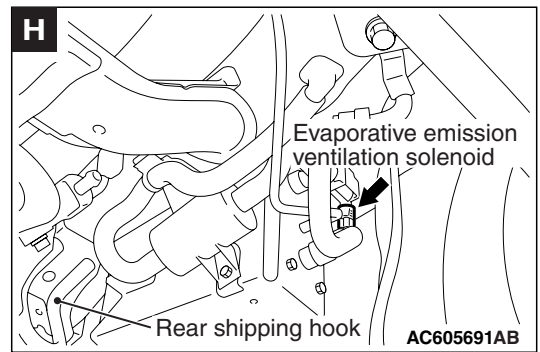
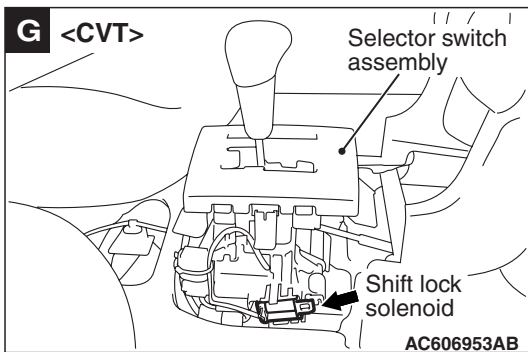
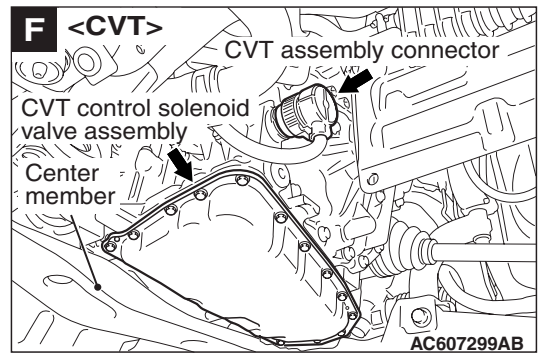
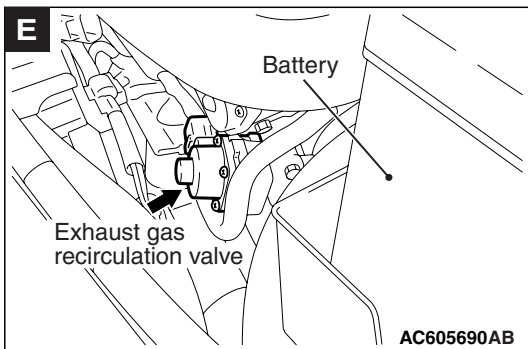
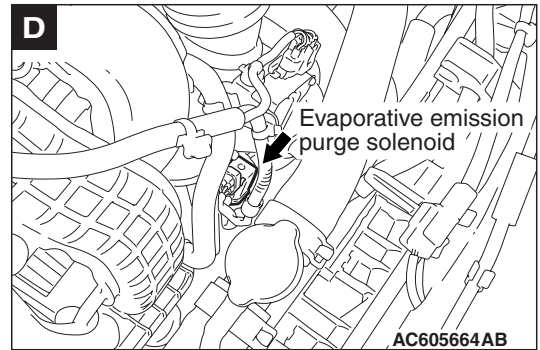
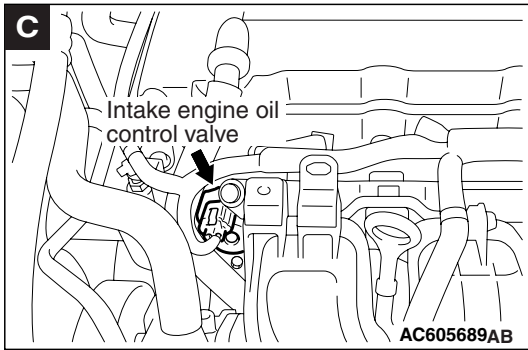
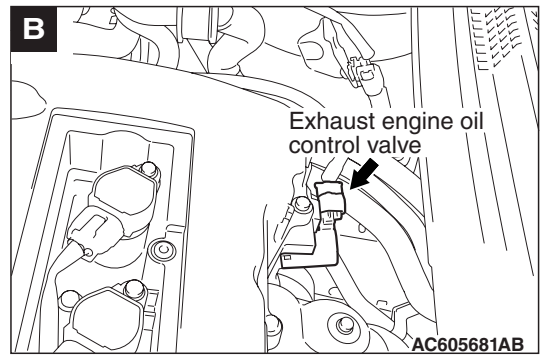
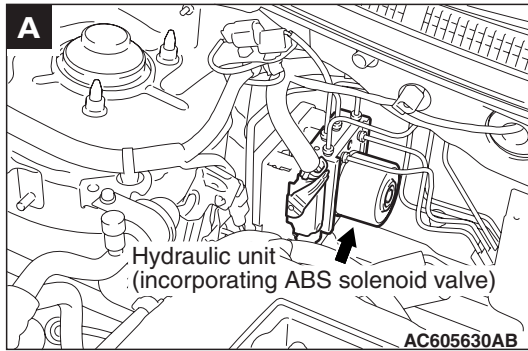
SOLENOID AND SOLENOID VALVE

M1701000801025

NAME	SYMBOL	NAME	SYMBOL
CVT assembly <CVT>	F	Exhaust gas recirculation valve	E
Evaporative emission purge solenoid	D	Hydraulic unit (incorporating ABS solenoid valve)	A
Evaporative emission ventilation solenoid	H	Intake engine oil control valve (for intake side)	C
Exhaust engine oil control valve (for exhaust side)	B	Selector switch assembly <CVT> (incorporating shift lock solenoid)	G

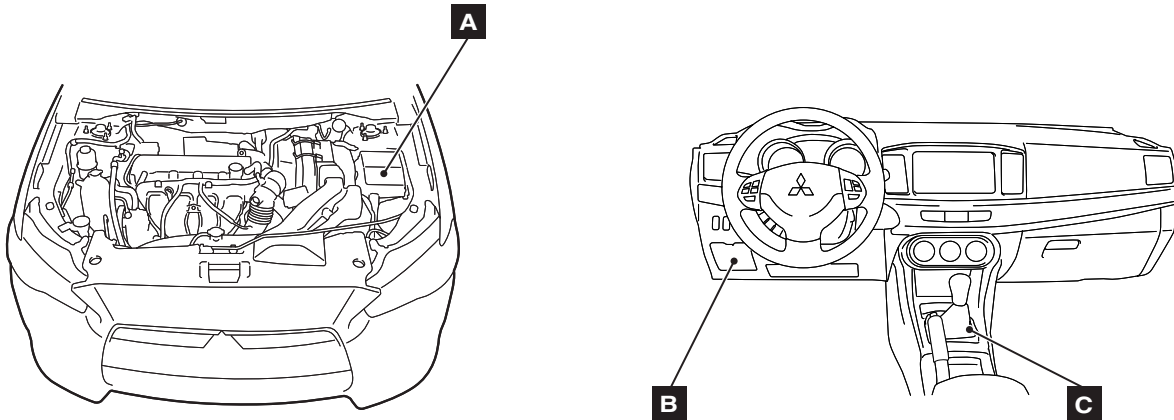


AC607488AD

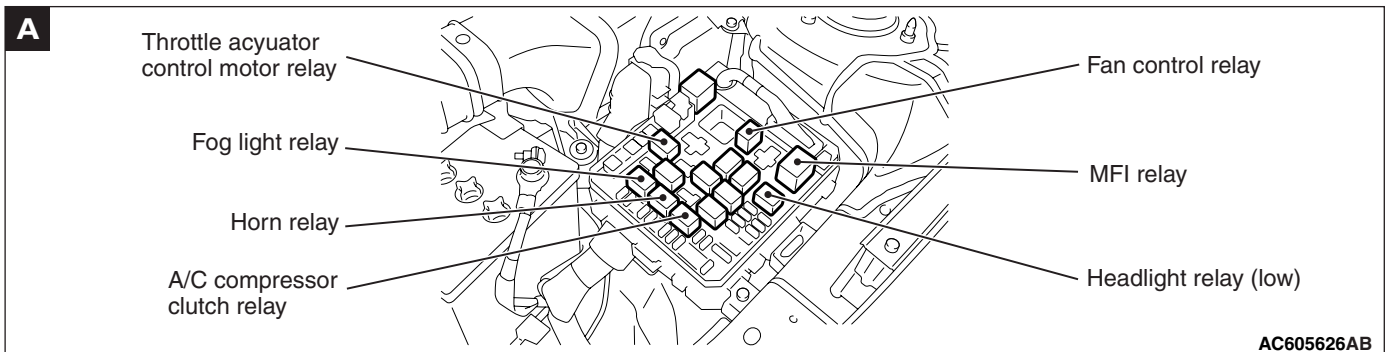


RELAY

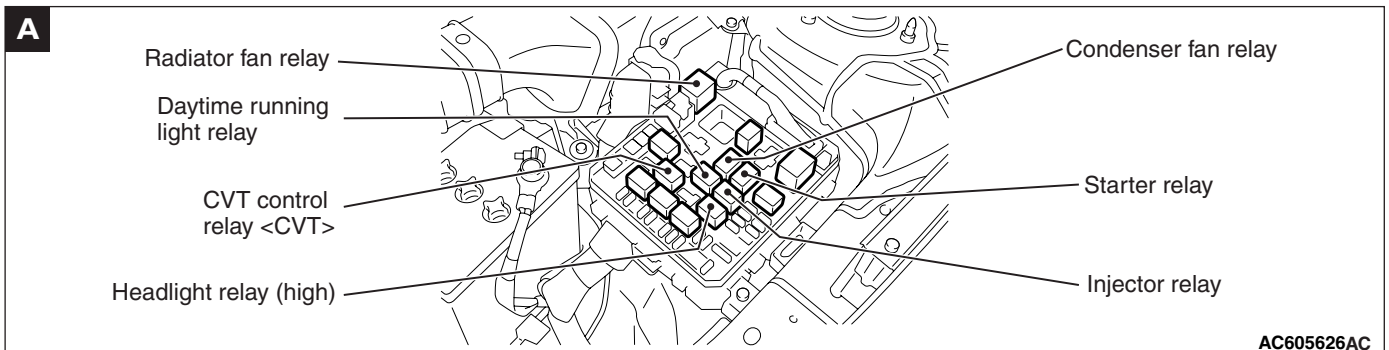
NAME	SYMBOL	NAME	SYMBOL
A/C compressor clutch relay	A	Heated seat relay	B
CVT control relay <CVT>	A	Horn relay	A
Blower relay	B	Injector relay	A
Condenser fan relay	A	MF1 relay	A
Daytime running light relay	A	Radiator fan relay	A
Fan control relay	A	Rear window defogger relay	B
Fog light relay	A	Selector switch assembly (incorporating shift lock control relay) <CVT>	C
Headlight relay (high)	A	Starter relay	A
Headlight relay (low)	A	Throttle actuator control motor relay	A



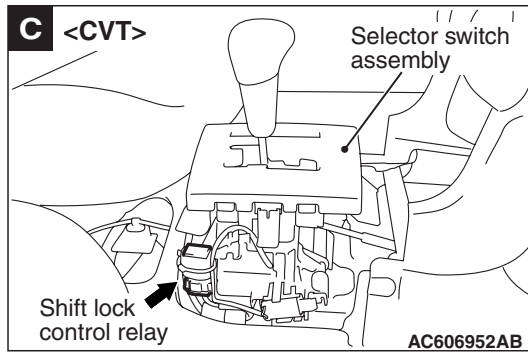
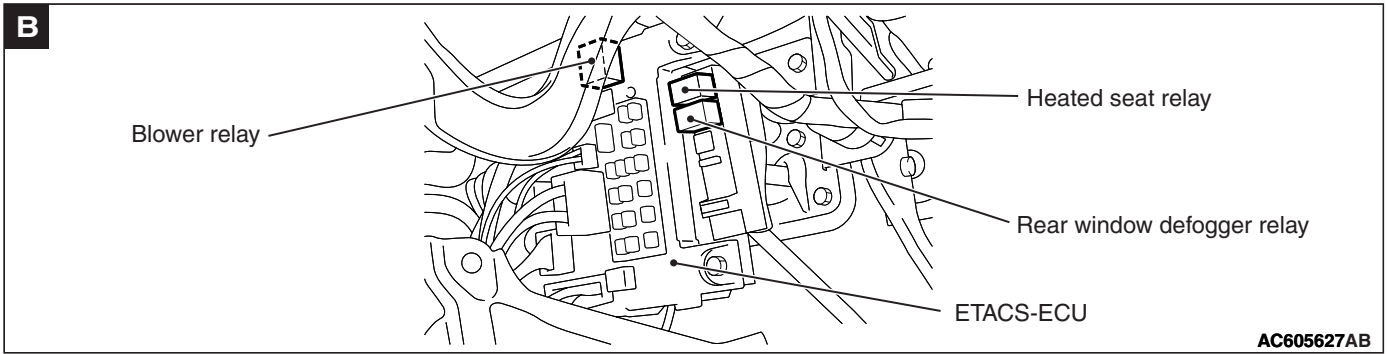
AC607487AB



AC605626AB

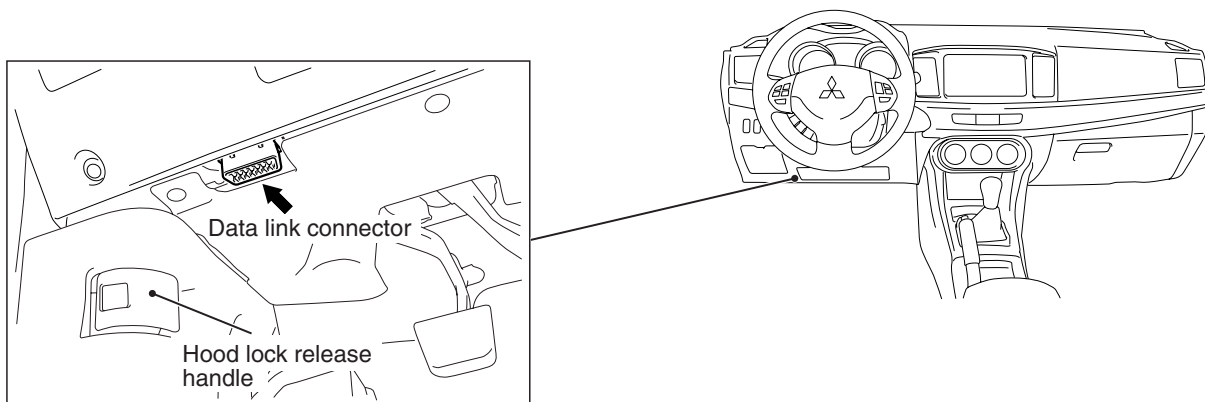


AC605626AC



INSPECTION TERMINAL

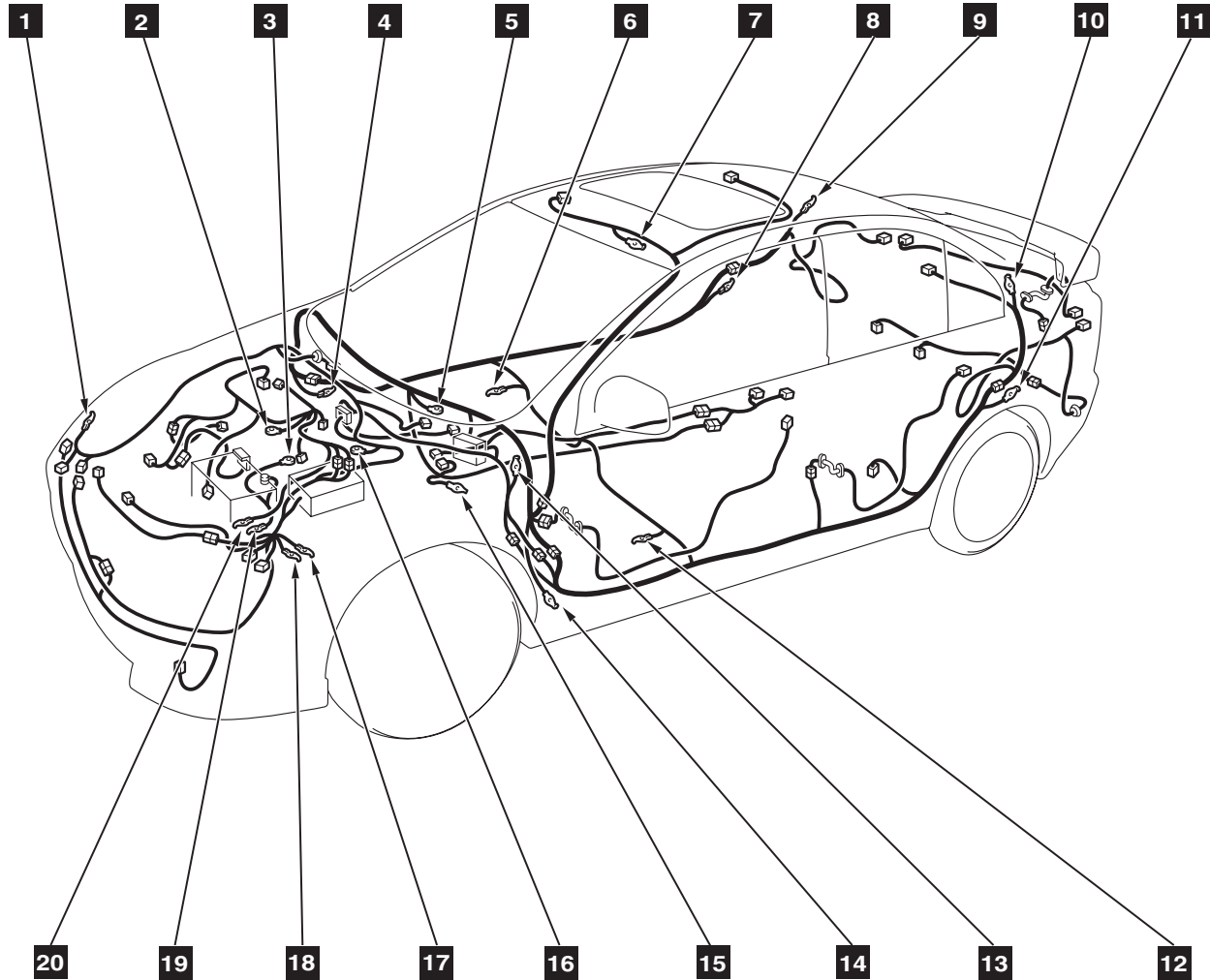
M1701000200848



AC607489AB

GROUNDING

M1701000301053



AC607582AB

NOTE: 1 to 20 numbers correspond to the body ground point numbers in CIRCUIT DIAGRAMS.

