

---

**GROUP 16**

**ENGINE  
ELECTRICAL**

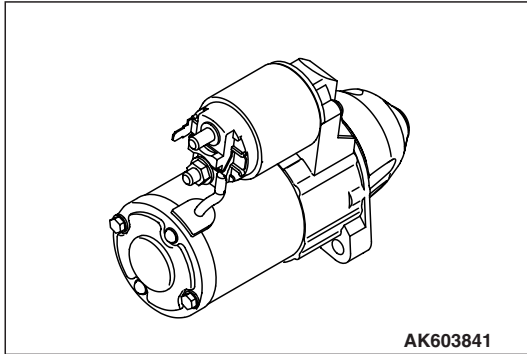
**CONTENTS**

<b>STARTER MOTOR .....</b>	<b>16-2</b>	<b>IGNITION COIL.....</b>	<b>16-2</b>
<b>ALTERNATOR.....</b>	<b>16-2</b>	<b>SPARK PLUG.....</b>	<b>16-3</b>

## STARTER MOTOR

M2161002000160

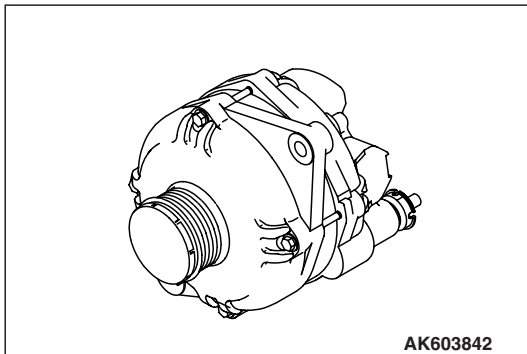
The starter motor is a reduction drive planetary gear type.



## ALTERNATOR

M2162001000126

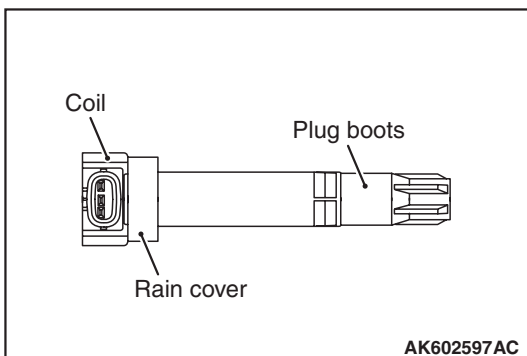
The alternator is a battery detection type.  
It uses a pulley with a one-way clutch.



## IGNITION COIL

M2163001000174

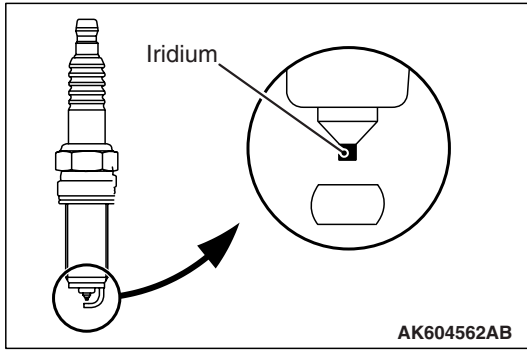
The ignition coil is a plug-top type.



## SPARK PLUG

M2163005000068

Iridium-tipped spark plugs are used.



---

## NOTES