
GROUP 21**CLUTCH****CONTENTS**

GENERAL INFORMATION.....	21-2	CONCENTRIC SLAVE CYLINDER ..	21-3
---------------------------------	-------------	-------------------------------------	-------------

GENERAL INFORMATION

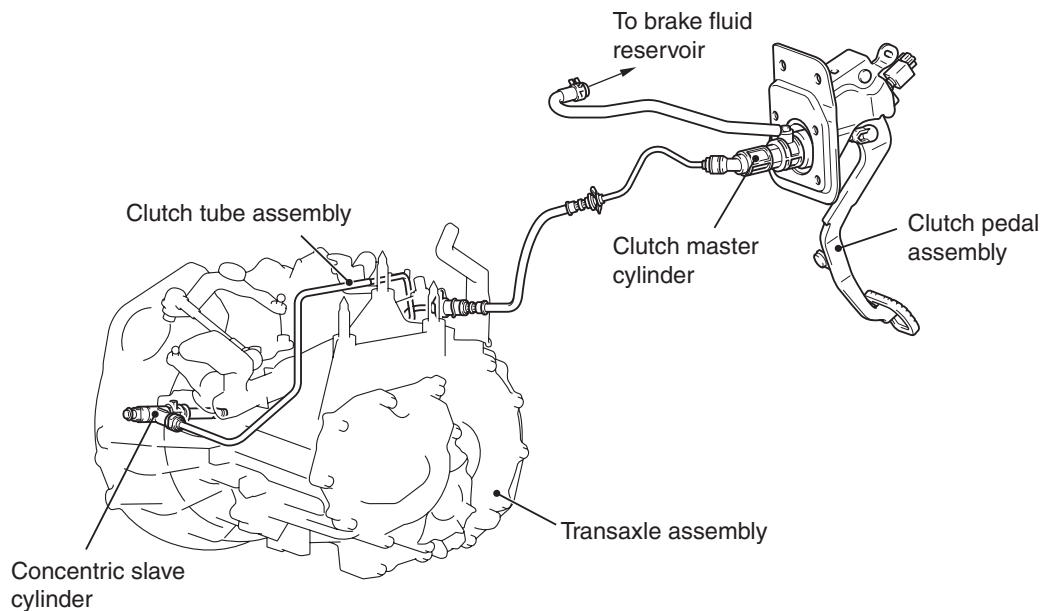
M2210000100483

The clutch is a dry single-disc, diaphragm type; hydraulic pressure is used for the clutch control. The clutch shares a brake fluid reservoir with the brake system.

SPECIFICATIONS

Item	Specification
Clutch disc type	Dry single plate type
Clutch disc facing diameter OD x ID mm	225 × 155
Clutch cover type	Diaphragm spring type
Clutch cover setting load N (lb)	4,320 ± 350 (971 ± 78)
Control system	Hydraulic type
Master cylinder ID mm	15.87
Clutch fluid	Brake fluid DOT 3 or DOT 4 (commonly used as brake fluid)

CONSTRUCTION DIAGRAM

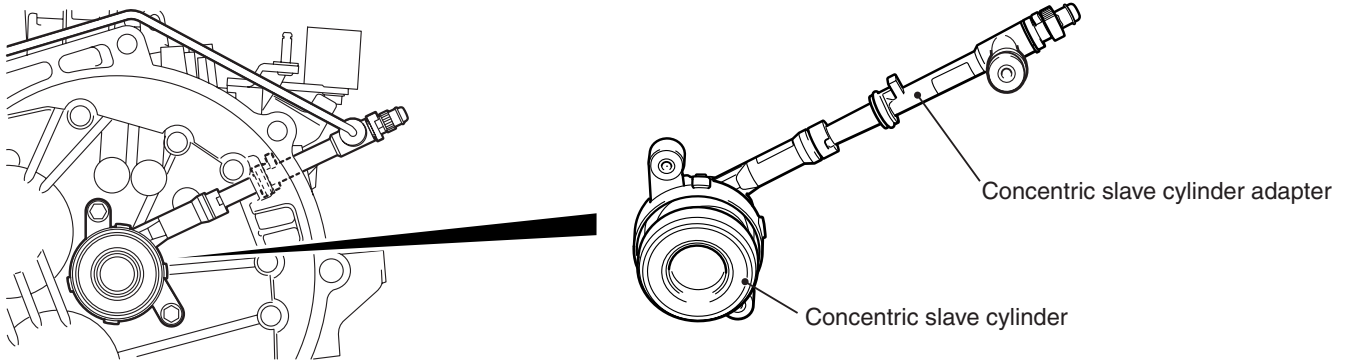


AC609976AB

CONCENTRIC SLAVE CYLINDER

M2210005000049

To reduce the clutch pedal force, the clutch control method is by hydraulic pressure only.



AC503210AB

NOTES