
GROUP 36

PARKING BRAKES

CONTENTS

GENERAL INFORMATION 36-2

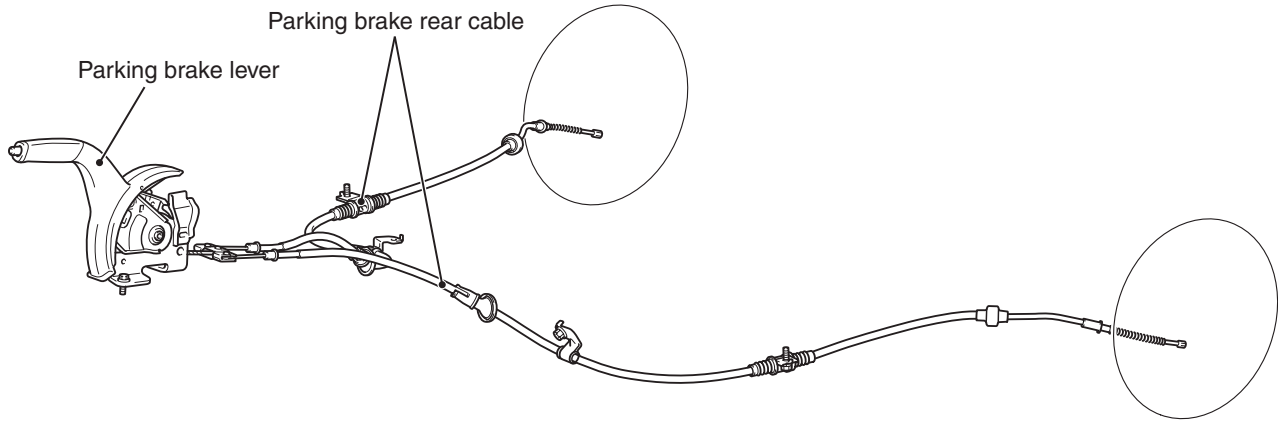
GENERAL INFORMATION

M2360000100753

A parking brake lever is used to operate the mechanical rear-wheel acting type parking brake.

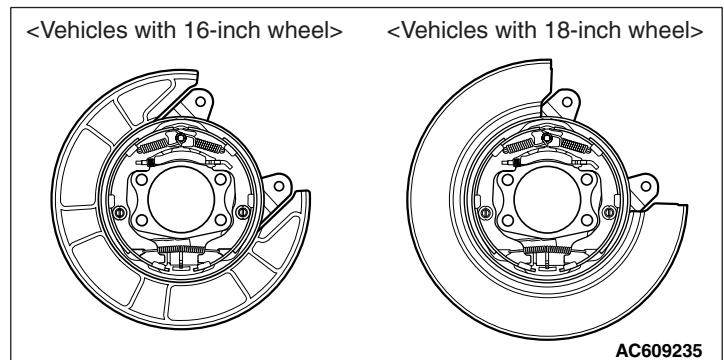
CONSTRUCTION DIAGRAM

<Vehicles with rear drum brake>

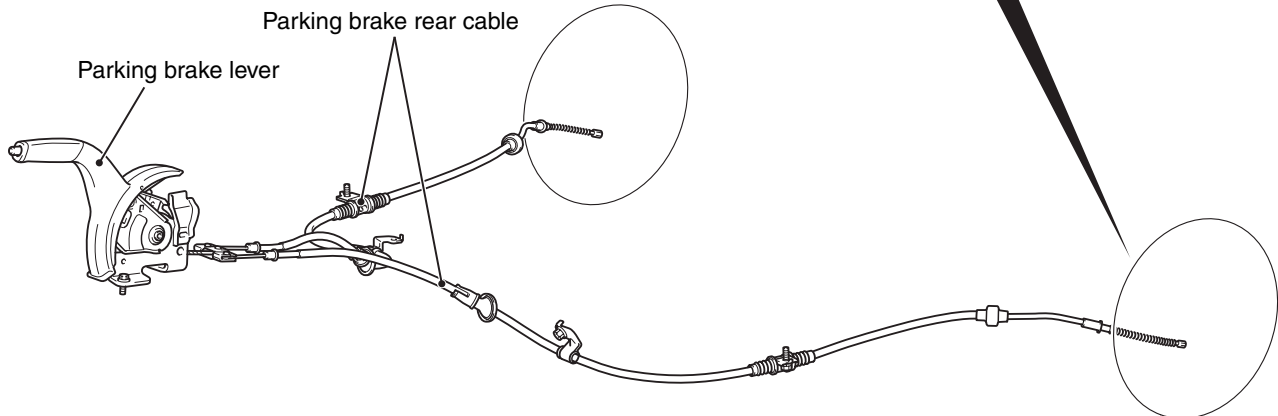


AC609233AC

<Vehicles with rear disc brake>



AC609235



AC609234AB