



MITSUBISHI COLT

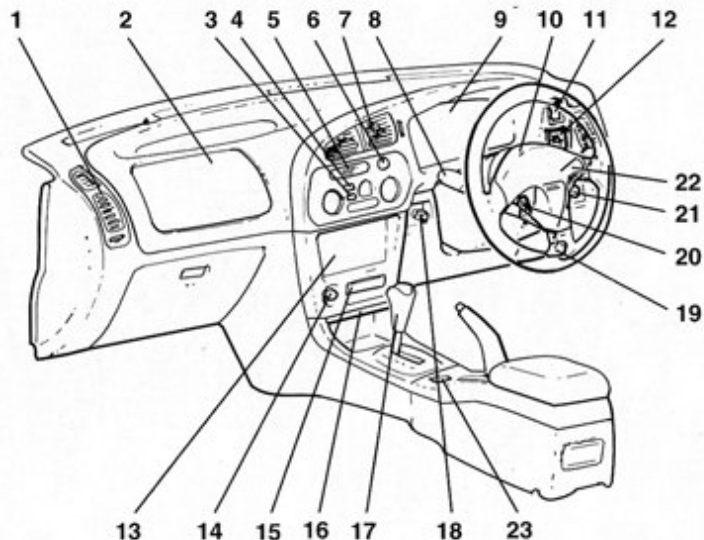
Owner's Manual



Overview - Instruments and Controls

EB21ASDa

RHD



- 1 - Side ventilator → p. 6-17
- 2 - Supplemental restraint system (for front passenger's seat)* → p. 3-13
- 3 - Heater/Air conditioning* → p. 6-19
- 4 - Rear window demister switch → p. 4-17
- 5 - Digital clock → p. 6-30
- 6 - Hazard warning flasher switch → p. 4-16
- 7 - Centre ventilator → p. 6-17
- 8 - Windscreen wiper and washer switch → p. 4-12
Rear window wiper and washer switch → p. 4-15
- 9 - Meters and gauges → p. 4-2
- 10 - Supplemental restraint system (for driver's seat)* → p. 3-13
- 11 - Front fog lamp switch* → p. 4-17
Rear fog lamp switch → p. 4-18
- 12 - Electric remote-controlled exterior rear-view mirror* → p. 5-23
- 13 - Audio* → p. 6-2
- 14 - Cigarette lighter → p. 6-29
- 15 - Ashtray (for front seat) → p. 6-30
- 16 - Cup holder* → p. 6-32
- 17 - Gearshift or selector lever → p. 5-10, 5-12
- 18 - Headlight levelling switch* → p. 4-11
- 19 - Bonnet release lever → p. 2-6
- 20 - Ignition switch → p. 5-8
- 21 - Rheostat (meter illumination control)* → p. 4-19
- 22 - Combination switch (headlights, turn-signal, etc.) → p. 4-9
- 23 - Heated seat switch* → p. 3-7

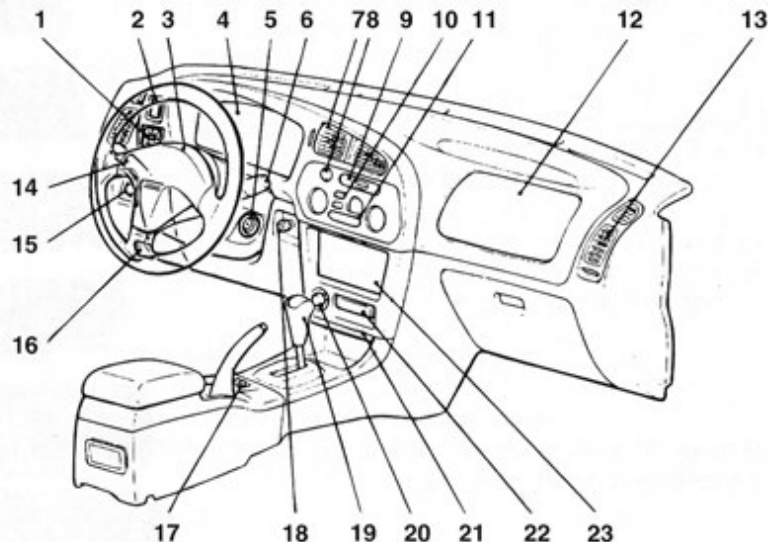
B21A079

Overview - Instruments and Controls

EB21ASGii

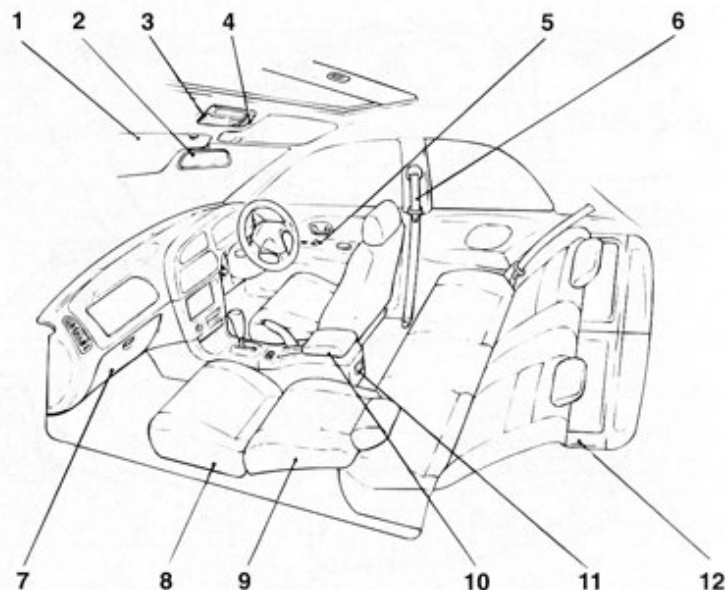
- 1 - Electric remote-controlled exterior rear-view mirror* → p. 5-23
- 2 - Front fog lamp switch* → p. 4-17
Rear fog lamp switch → p. 4-18
- 3 - Supplemental restraint system (for driver's seat)* → p. 3-13
- 4 - Meters and gauges → p. 4-2
- 5 - Ignition switch → p. 5-8
- 6 - Windscreen wiper and washer switch → p. 4-12
Rear window wiper and washer switch → p. 4-15
- 7 - Centre ventilator → p. 6-17
- 8 - Hazard warning flasher switch → p. 4-16
- 9 - Digital clock → p. 6-30
- 10 - Rear window demister switch → p. 4-17
- 11 - Heater/Air conditioning* → p. 6-19
- 12 - Supplemental restraint system (for front passenger's seat)* → p. 3-13
- 13 - Side ventilator → p. 6-17
- 14 - Combination switch (headlights, turn-signal, etc.) → p. 4-9
- 15 - Rheostat (meter illumination control)* → p. 4-19
- 16 - Bonnet release lever → p. 2-6
- 17 - Heated seat switch* → p. 3-7
- 18 - Headlight levelling switch* → p. 4-11
- 19 - Gearshift or selector lever → p. 5-10, 5-12
- 20 - Cigarette lighter → p. 6-29
- 21 - Cup holder* → p. 6-32
- 22 - Ashtray (for front seat) → p. 6-30
- 23 - Audio* → p. 6-2

LHD



B21A080

RHD



B21B088

- 1 - Sun visor → p. 6-27
- 2 - Rear-view mirror → p. 5-23
- 3 - Room lamp → p. 4-20
- 4 - Sunroof switch* → p. 2-12
- 5 - Power window switches* → p. 2-10
- 6 - Seat belt → p. 3-8
- 7 - Glove box → p. 6-31
- 8 - Seat → p. 3-2
- 9 - Side air bag system (front seat only)* → p. 3-17
- 10 - Floor console box* → p. 6-32
- 11 - Ashtray (for rear seat)* → p. 6-30
- 12 - Rear shelf panel → p. 6-33

Indication of applicability

EB21C-A

Optional equipment marked with "*" may differ according to the country where it is sold in or the sales classification; refer to the sales catalogue.

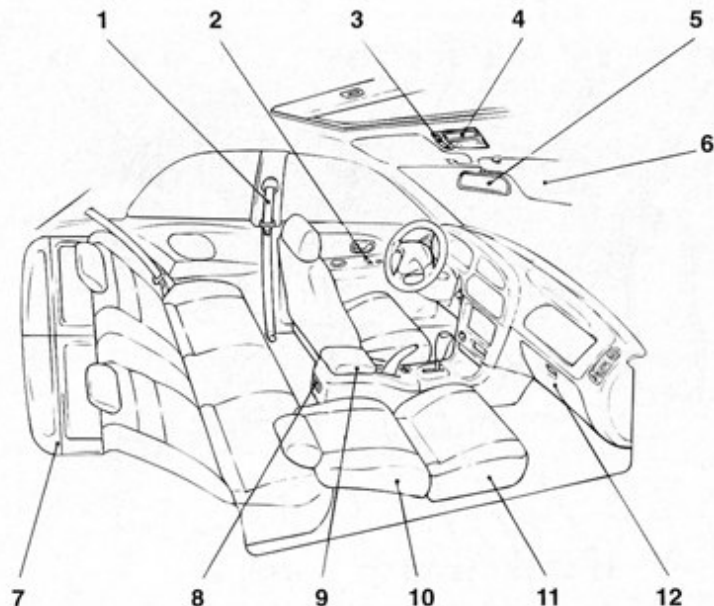
- 1 - Seat belt → p. 3-8
- 2 - Power window switch* → p. 2-10
- 3 - Sunroof switch* → p. 2-12
- 4 - Room lamp → p. 4-20
- 5 - Rear-view mirror → p. 5-23
- 6 - Sun visor → p. 6-27
- 7 - Rear shelf panel → p. 6-33
- 8 - Ashtray (for rear seat) → p. 6-30
- 9 - Floor console box* → p. 6-32
- 10 - Side air bag system (front seat only)* → p. 3-17
- 11 - Seat → p. 3-2
- 12 - Glove box → p. 6-31

Indication of applicability

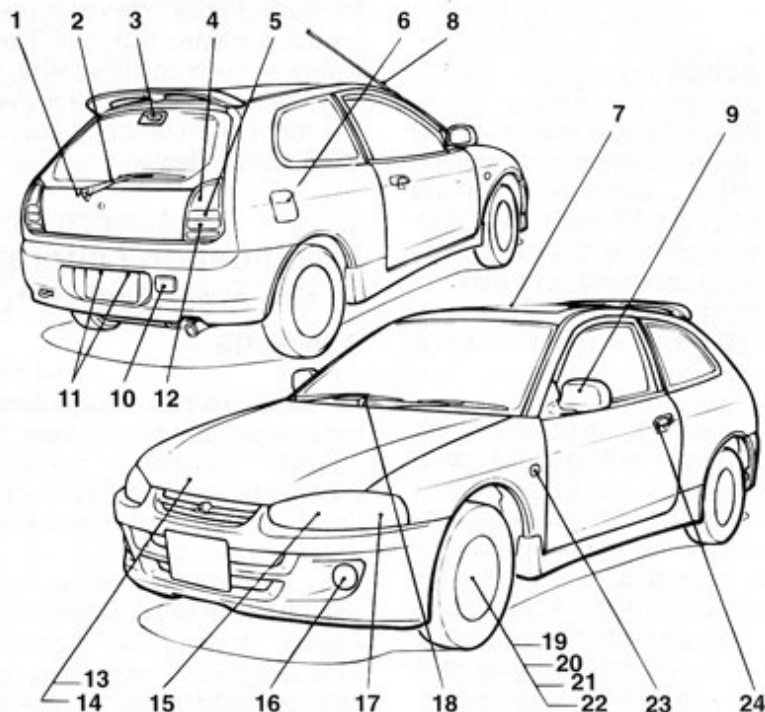
EB21C-A

Optional equipment marked with "*" may differ according to the country where it is sold in or the sales classification; refer to the sales catalogue.

LHD

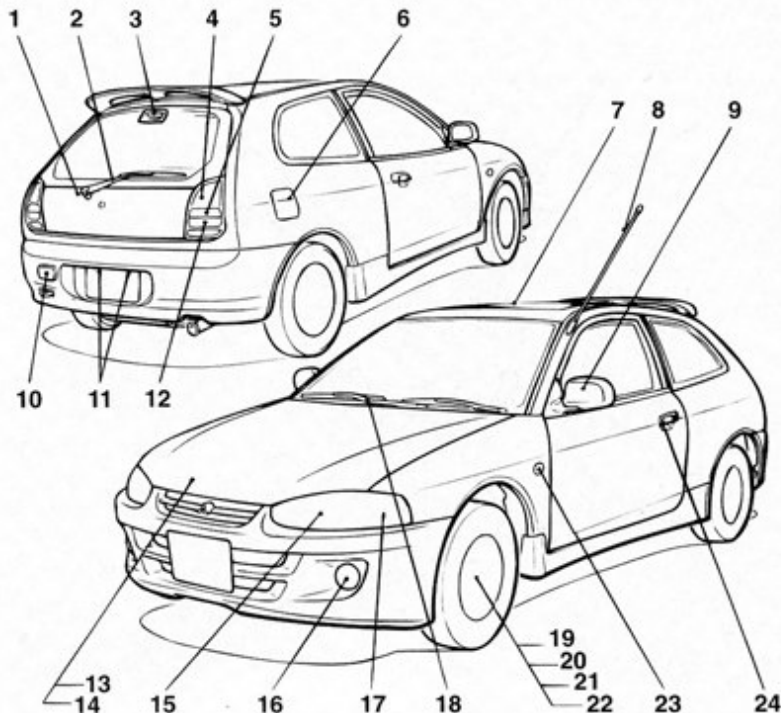


B21B089

RHD

- 1 - Tailgate → p. 2-8
- 2 - Rear window wiper → p. 4-15
- 3 - High-mounted stop lamp* → p. 8-28
- 4 - Stop and tail lamps → p. 8-27
- 5 - Rear turn-signal lamps → p. 8-27
- 6 - Fuel filler → p. 5-3
- 7 - Sunroof* → p. 2-12
- 8 - Pillar antenna → p. 6-17
- 9 - Exterior rear-view mirrors → p. 5-23
- 10 - Rear fog lamp → p. 8-28
- 11 - Licence-plate lamps → p. 8-29
- 12 - Reversing lamps → p. 8-22
- 13 - Bonnet → p. 2-6
- 14 - Engine compartment → p. 10-9
- 15 - Headlights → p. 4-9
- 16 - Front fog lamps* → p. 4-17
- 17 - Front turn-signal lamps → p. 8-25
- 18 - Windscreen wiper → p. 4-12
- 19 - Tyre inflation pressure → p. 9-10
- 20 - Changing tyres → p. 8-9
- 21 - Tyre rotation → p. 9-10
- 22 - Tyre chains → p. 9-11
- 23 - Side turn-signal lamps → p. 8-27
- 24 - Locking and unlocking → p. 2-1

- 1 - Tailgate → p. 2-8
- 2 - Rear window wiper → p. 4-15
- 3 - High-mounted stop lamp* → p. 8-28
- 4 - Stop and tail lamps → p. 8-27
- 5 - Rear turn-signal lamps → p. 8-27
- 6 - Fuel filler → p. 5-3
- 7 - Sunroof* → p. 2-12
- 8 - Pillar antenna → p. 6-17
- 9 - Exterior rear-view mirrors → p. 5-23
- 10 - Rear fog lamp → p. 8-28
- 11 - Licence-plate lamps → p. 8-29
- 12 - Reversing lamps → p. 8-22
- 13 - Bonnet → p. 2-6
- 14 - Engine compartment → p. 10-9
- 15 - Headlights → p. 4-9
- 16 - Front fog lamps* → p. 4-17
- 17 - Front turn-signal lamps → p. 8-25
- 18 - Windscreen wiper → p. 4-12
- 19 - Tyre inflation pressure → p. 9-10
- 20 - Changing tyres → p. 8-9
- 21 - Tyre rotation → p. 9-10
- 22 - Tyre chains → p. 9-11
- 23 - Side turn-signal lamps → p. 8-25
- 24 - Locking and unlocking → p. 2-1

LHD**B21D013**