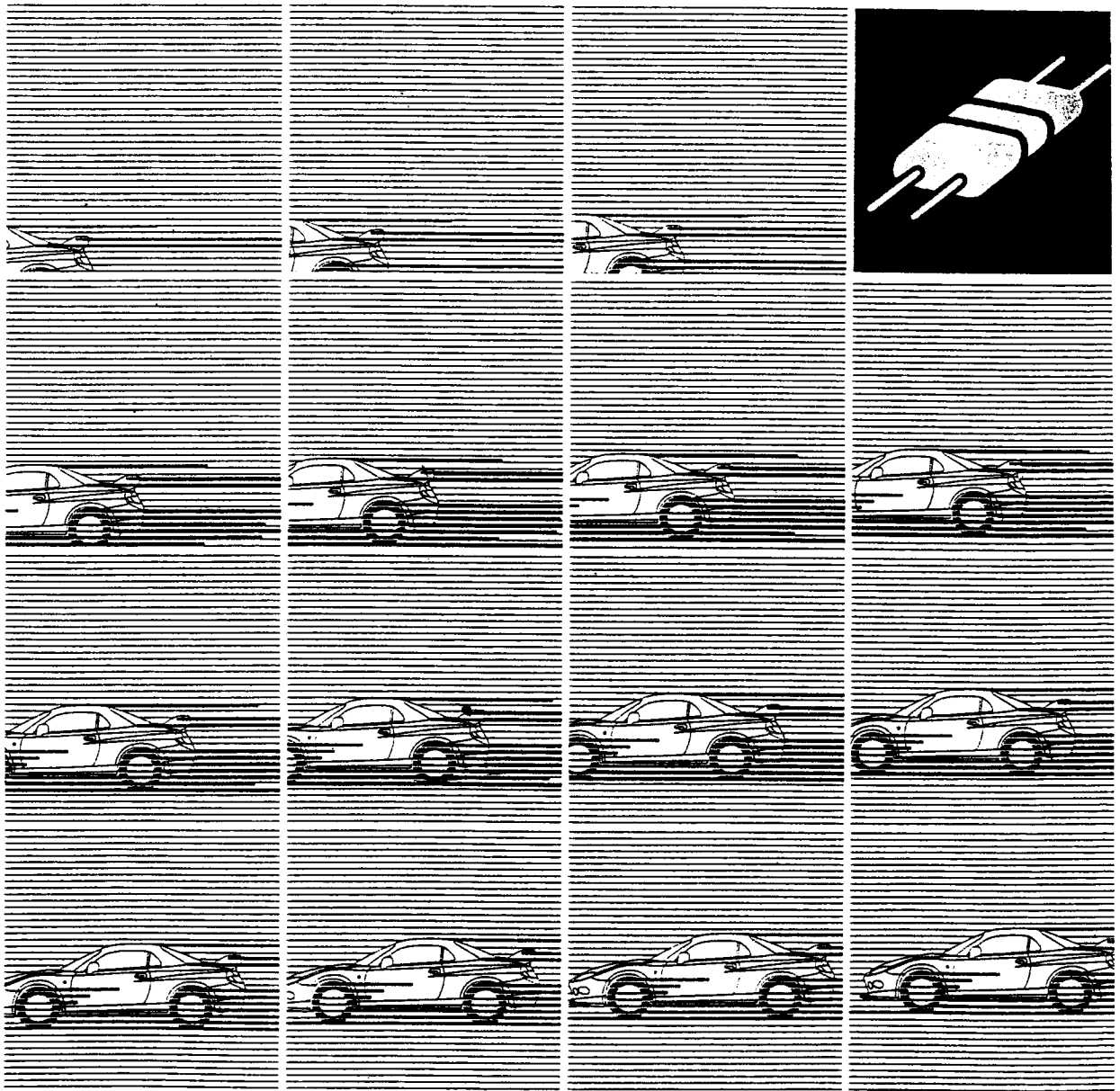




# Workshop Manual

## electrical wiring

### FTO '98



# FTO

## ELECTRICAL WIRING

### FOREWORD

This Electrical Wiring Manual contains information necessary for inspection and servicing of electrical wiring of Mitsubishi FTO edited in the form of wiring harness configuration diagrams and function-separated circuit diagrams.

It is recommended that all service mechanics engaged in the servicing of the vehicle refer to the following publications as well as this manual.

TECHNICAL INFORMATION MANUAL  
PYME9801

WORKSHOP MANUAL  
CHASSIS GROUP  
PWME9801

BODY REPAIR MANUAL  
PBME9801

ENGINE GROUP  
PWEE9801

PARTS CATALOGUE  
B806G208A

All information, illustrations and product descriptions contained in this manual are current as of time of publication. We, however, reserve the right to make changes at any time without prior notice or obligation.

## GROUP INDEX

HOW TO READ THE WIRING  
DIAGRAMS .....

1

WIRING HARNESS  
CONFIGURATION DIAGRAMS ...

2

SINGLE PART INSTALLATION  
POSITION .....

3

CIRCUIT DIAGRAM .....

4

INDEX .....



# **HOW TO USE THIS MANUAL**

## **CONTENTS**

The preceding page contains GROUP INDEX that lists the group title and group number.

## **PAGE NUMBERS**

All page numbers consist of two sets of digits separated by a dash. The digits preceding the dash identify the number of the group. The digits following the dash represent the consecutive page number within the group. The page number can be found on the top left or right of each page.

## **OPERATION AND TROUBLESHOOTING HINTS**

In the GROUP 4 circuit diagrams, the operation and troubleshooting hints are given on the previous page or following page for each circuit where necessary.

---

# HOW TO READ THE WIRING DIAGRAMS

## CONTENTS

MODELS .....	1-2	HOW TO READ CIRCUIT DIAGRAMS .....	1-4
COMPOSITION AND CONTENTS OF WIRING DIAGRAMS .....	1-2	MARKINGS FOR CONNECTOR EARTHING .....	1-6
HOW TO READ CONFIGURATION DIAGRAMS .....	1-3	WIRE COLOUR CODES .....	1-9
		ABBREVIATION SYMBOLS .....	1-10

---

## MODELS

Model code		Engine model	Transmission model	Fuel supply system
DE3A	HNGHR	6A12 <V6-MIVEC> (1,998 $\text{cm}^3$ )	F5M42 (2WD-5M/T)	MPI
	HYGHR		F5A42 (2WD-5A/T)	

## COMPOSITION AND CONTENTS OF WIRING DIAGRAMS

- (1) This manual consists of wiring harness diagrams, installation locations of individual parts, circuits diagrams and index.
- (2) In each section, all specifications are listed, including optional specifications. Accordingly, some specifications may not be applicable for individual vehicles.

Section	Basic contents
Wiring harness configuration diagrams	Connector locations and harness wiring configurations on actual vehicles are illustrated.
Single part installation position	Locations are shown for each point of relays, electronic control units, sensors, solenoids, solenoid valves, diodes, inspection connectors, spare connectors, fusible links, fuses, etc. In the part's lists, parts are listed in alphabetical order.
Circuit diagrams	<p>Circuits from power supply to earth are shown completely, classified according to system. There is a main division into power circuits, and circuits classified by system. The circuits classified by system also include operation and troubleshooting hints.</p> <ul style="list-style-type: none"> <li>■ Junction block The entire circuit for the junction block is described, because only the part of the junction block needed <i>is</i> normally shown in each circuit diagram.</li> <li>● Joint connectors The internal circuits for all joint connectors are described, because only the part needed is shown in each circuit diagram.</li> <li>● Power supply circuits Circuits from the battery to fusible link, dedicated fuses, ignition switch, general purpose fuses, etc.</li> <li>● Circuits classified by system For each system, the circuits are shown from fuse to earth, excluding the power supply sections.</li> <li>■ Operation The standard operation of each system is briefly described, following the route of current flow.</li> <li>● Troubleshooting hints This is a brief explanation of the inspection points that serve as hints when troubleshooting. Explanations of the circuits controlled by the electronic control unit are omitted. Refer to the related publications as required.</li> </ul>
Index	All components used are listed by connector number and component name.

## HOW TO READ CONFIGURATION DIAGRAMS

The wiring harness diagrams clearly show the connector locations and harness routings at each site on actual vehicles.

Denotes connector No.  
The same connector No. is used throughout the circuit diagrams to facilitate connector location searches.  
The first alphabetical symbol indicates the location site of the connector and a number that follows is the unique number. Numbers are assigned to parts in clockwise order on the diagram.

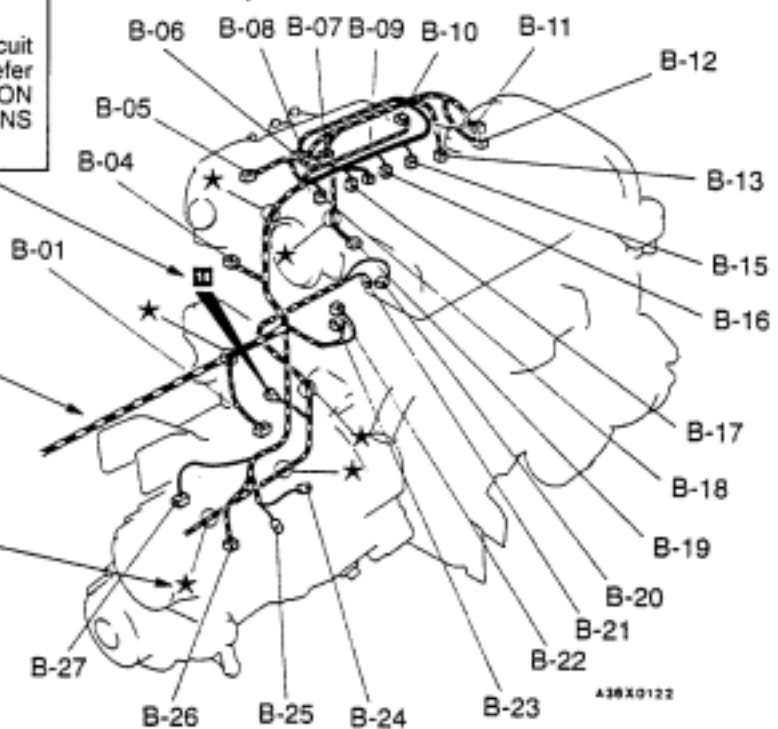
Example: A-12  
 Number specific to connector (serial number)  
 Connector location site symbol  
 A: Engine compartment  
 B: Dash panel  
 C: Instrument panel  
 D: Floor and roof  
 E: Door  
 F: Luggage compartment

Denotes earth point.  
Same earth number is used throughout circuit diagrams to facilitate search of earth point. Refer to GROUP 3 SINGLE PART INSTALLATION POSITION – EARTH MOUNTING LOCATIONS for details of earth points.

Denotes a section covered by a corrugated tube.

The mark ★ shows the standard mounting position of wiring harness.

Indicates the device to which the connector is to be connected.



- |            |                          |             |                       |
|------------|--------------------------|-------------|-----------------------|
| B-01 (3-B) | Vehicle speed sensor     | B-16 (2-GR) | Injector No. 2        |
| B-02 (6)   | Distributor assembly     | B-17 (2-GR) | Injector No. 3        |
| B-03 (2)   | Distributor assembly     | B-18 (2-GR) | Injector No. 4        |
| B-04 (6-B) | Idle speed control servo | B-19 (4)    | Oxygen sensor (front) |
| B-05 (4-B) | Throttle position sensor | B-20 (1-BR) | Starter motor         |

The number of connector pins and the connector colour (except milk white)\* are shown for ease of retrieval.

\*: Typical connector colours

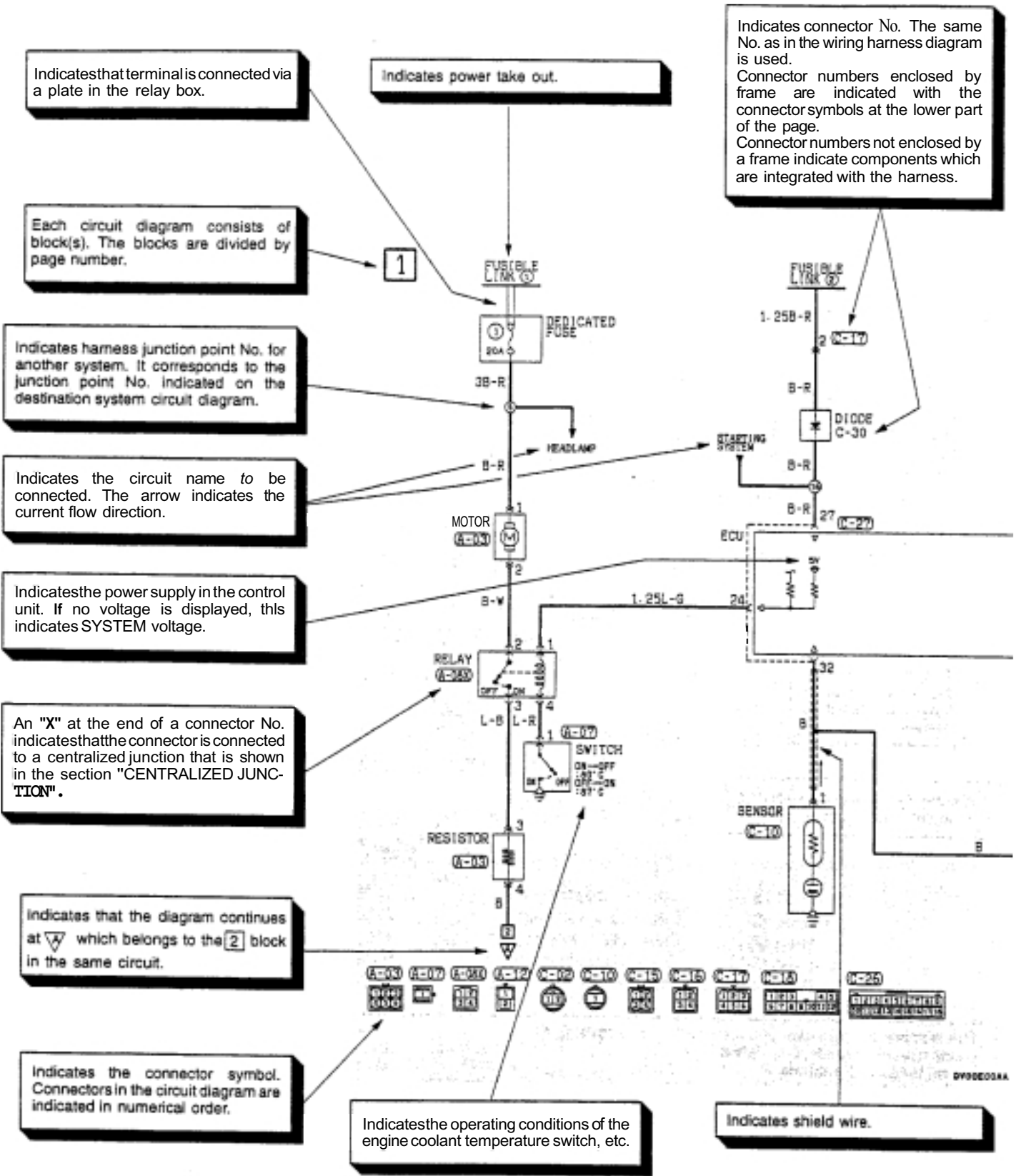
- B: Black
- Y: Yellow
- L: Blue
- G: Green
- R: Red
- BR: Brown
- V: Violet
- O: Orange
- GR: Gray

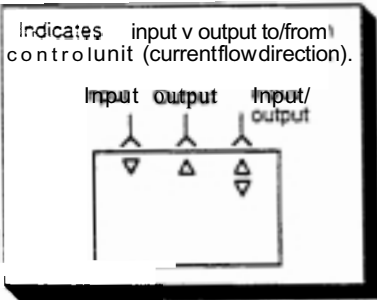
Example: (2-B)

Connector colour (milk white if no colour is indicated)  
Number of connector pins

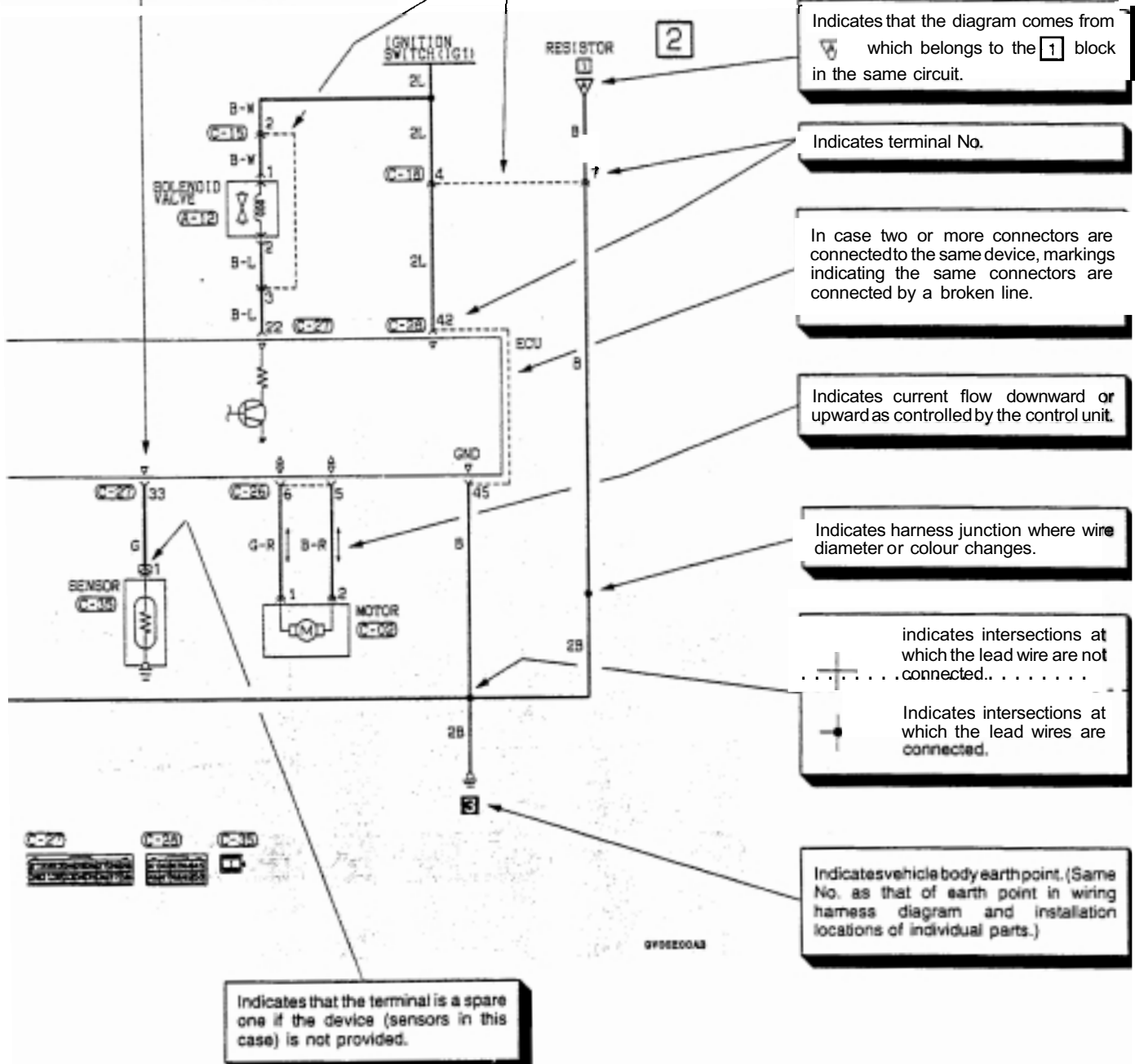
# HOW TO READ CIRCUIT DIAGRAMS

The circuit of each system from fuse (or fusible link) to earth is shown. The power supply is shown at the top and the earth at the bottom to facilitate understanding of the current flow.





A broken line indicates that these connectors are the same intermediate connectors.



Indicates that the diagram comes from [1] which belongs to the [1] block in the same circuit.

Indicates terminal No.

In case two or more connectors are connected to the same device, markings indicating the same connectors are connected by a broken line.

Indicates current flow downward or upward as controlled by the control unit.

Indicates harness junction where wire diameter or colour changes.

indicates intersections at which the lead wire are not connected.

Indicates intersections at which the lead wires are connected.

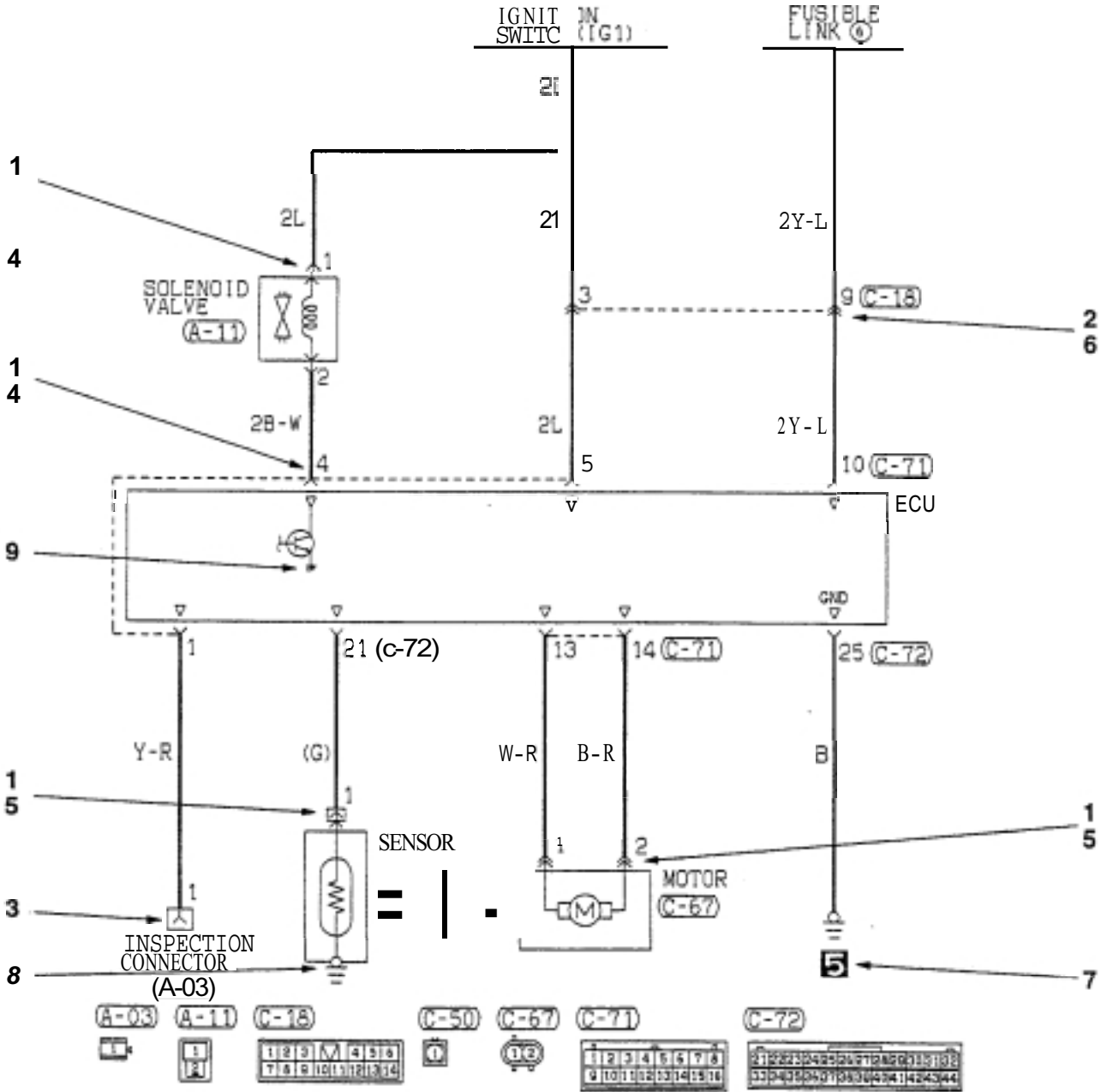
Indicates vehicle body earth point. (Same No. as that of earth point in wiring harness diagram and installation locations of individual parts.)

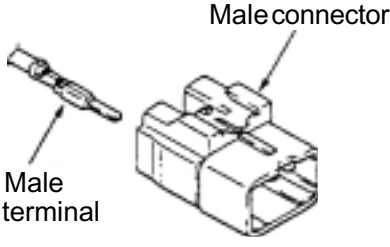


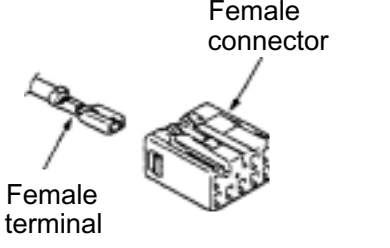


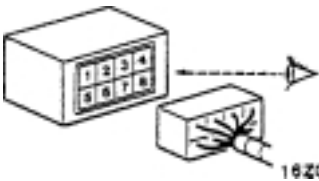

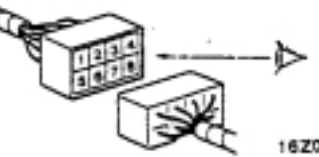

Indicates that the terminal is a spare one if the device (sensors in this case) is not provided.

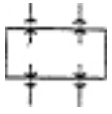

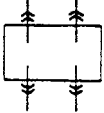




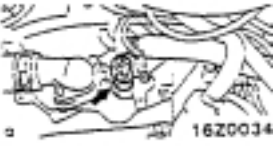



970820048



MARKINGS FOR CONNECTOR EARTHING

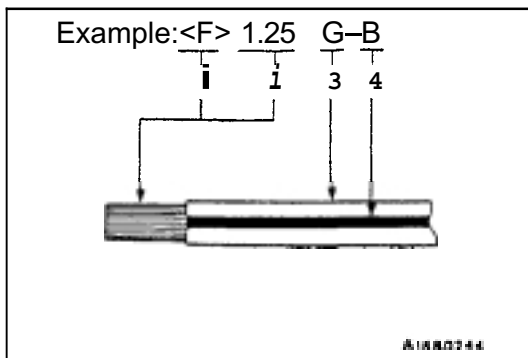


Item	No.	Connector/Earthing	Symbol	Contents
Connector and terminal marking	-		<p>Male terminal</p>  <p>1620021</p>	<p>The male and female terminals are indicated as shown. The connector with male terminal(s) is called as male connector and indicated by double connector contour lines, while the connector with female terminal(s) is called as female connector and indicated by single connector contour line.</p>
		<p>Male connector</p>  <p>1620016</p>		
		<p>Female terminal</p>  <p>1620022</p>		
	<p>Female connector</p>  <p>1620017</p>			
Connector symbol marking	1	<p>Device</p> 	 <p>1620016</p>	<p>The symbol indicates the vehicle connector as viewed from the illustrated direction. At the connection with a device, the connector symbol on the device side is shown, and for an intermediate connector, a male connector symbol is shown. For spare connectors and check connectors, no device is connected, and so the harness-side connector symbol is shown for these connectors. The details for the diagnosis connector differ from the above description. For details, refer to the "MUT-II operation instructions".</p>
	2	<p>Intermediate connector</p> 		
	3	<p>Spare connector, check connector</p> 		

Item	No.	Connector/Earthing	Symbol	Contents
Connector connection marking	4	Direct connection type  1620026	 1620023	A connection between a device and connector on the harness side is either by direct insertion in the device (direct connection type) or by connection with a harness connector on the device side furnished (harness connection type). The two types are indicated as illustrated.
	5	Harness connection type   1620027	 1620024	
	6	Intermediate connector   1620028	 1620025	
Earth markings	7	Body earth   1620033	 7620018	Earth is either by body earth, device earth or control unit interior earth. These are indicated as illustrated.
	8	Device earth   1620034	 1620019	
	9	Earth in control unit   1620032	 1620020	

**WIRE COLOUR CODES**

Code	Wire colour	Code	Wire colour
B	Black	P	Pink
BR	Brown	R	Red
G	Green	SB	Sky blue
GR	Gray	SI	Silver
L	Blue	V	Violet
IG	Light green	W	White
O	Orange	Y	Yellow



If a cable has two colours, the first of the two colour code characters indicates the basic colour (colour of the cable coating) and the second indicates the marking colour.

No.	Meaning
1	<F>:Flexible wire
	<T>:Twistedwire
2	Wire size(mm <sup>2</sup> )*
3	Basic colour (colour of the cable coating)
4	Marking colour

**NOTE**

\*: No code indicates 0.5 mm<sup>2</sup>.

Cable colour code in parentheses indicates 0.3 mm<sup>2</sup>.

## 1-10 HOW TO READ THE WIRING DIAGRAMS – Abbreviation Symbols

### ABBREVIATION SYMBOLS

The abbreviation symbols used in wiring diagrams are defined below.

#### 1. Abbreviation symbols used for wiring harness

Abbreviation symbol	Meaning	Abbreviation symbol	Meaning
A / C	Air conditioner	M/T	Manual transmission
A / T	Automatic transmission	MIVEC	Mitsubishi innovative valve timing and lift electronic control system
ABS	Anti-skid braking system	MPI	Muiti-point injection
DOHC	Double overhead camshaft	SRS	Supplemental restraint system
INVECS-III	Intelligent& innovative vehicles electronic control system	TCL	Traction control system

#### 2. Abbreviations symbols used for combination meters

Abbreviation symbol	Meaning	Abbreviation symbol	Meaning
ABS	ABS warning lamp	SPEED	Speedometer
BEAM	High beam indicator lamp	SRS	Supplemental restraint system warning lamp
BRAKE	Brake warning lamp	T/GA	Engine coolant temperature gauge
CHECK ENGINE	Check engine warning lamp	TACHO	Tachometer
CHG	Charging warning lamp	TCL	TCL indicator lamp
DOOR	Door-ajar warning lamp	TCL OFF	TCL-OFF indicator lamp
F/GA	Fueigauge	TURN (LH)	Turn signal indicator lamp
FUEL	Low fuel warning lamp	TURN(RH)	
OIL	Oil pressure warning lamp	VOLT	Voltmeter
SEAT BELT	Seat belt warning lamp	WASHER	Washer fluid level warning lamp

3. Abbreviation symbols used for switches and relays

Name of switches and relays	Abbreviation symbols	Operation	Name of switches and relays	Abbreviation symbols	Operation
A/T shift switch	STANDARD MODE	Shift changes occur automatically in D range	Power window switch	UP	Window glass closes
	SPORT	Manual shift changes between 1st and 4th are possible		DOWN	Window glass opens
A/T select switch	DOWN	Downshifting occurs one gear at a time		AUTO	Window glass is fully closed or opened
	UP			LOCK	Window glass except driver's side is fully closed or opened action
Ignition switch	ACC	When turned to the ACC (ACCESSORY) or ON position, the power circuit will start.	Blower switch	LO	Blower operates at low speed
	IG1	Even when at the ST (START) position, the power circuit will start.		ML	Blower operates at medium low speed
	IG2	When 'at the ST (START) position, the power circuit will not start functioning.		MH	Blower operates at medium high speed
intermittent wiper control switch		Pause time for intermittent operation lengthen		HI	Blower operates at high speed
Sunroof switch	CLOSE	Sunroof closes	Motor antenna switch		
	OPEN	Sunroof opens		HALF	The antenna moves out to the half-extended position.
Switch and relay	OFF	Switched off	Lighting switch	TAIL	Tail , clearance , license plate and illumination lamps on
	ON	Switched on		HEAD	Headlamps on
Turn-signal lamp switch	LH	LH turn-signal lamps ON	Remote-controlled mirror switch	LH	LH mirror operates
	RH	RH turn-signal lamps ON		RH	RH mirror operates
Dimmer passing switch	LO	Low beams ON	Rearwiper washer switch	INT	Wiper operates intermittently
	HI	High beams ON		R/WA	Washer operates
Door lock actuator	LOCK	Door locked	Wiper switch	LO	Wipers operate at low speed
	UN-LOCK	Door unlocked		HI	Wipers operate at high speed
				INT	Wipers operate intermittently

## 1-12 HOW TO READ THE WIRING DIAGRAMS – Abbreviation Symbols

---

Abbreviation symbols	Meaning	Abbreviation symbols	Meaning
ECU	Electronic control unit	J/B	Junction block
<b>GND</b>	Earth	J/C	Joint connector
ILL	Illumination lamp	LH	Left
IND	Indicator lamp	RH	Right



---

# WIRING HARNESS CONFIGURATION DIAGRAMS

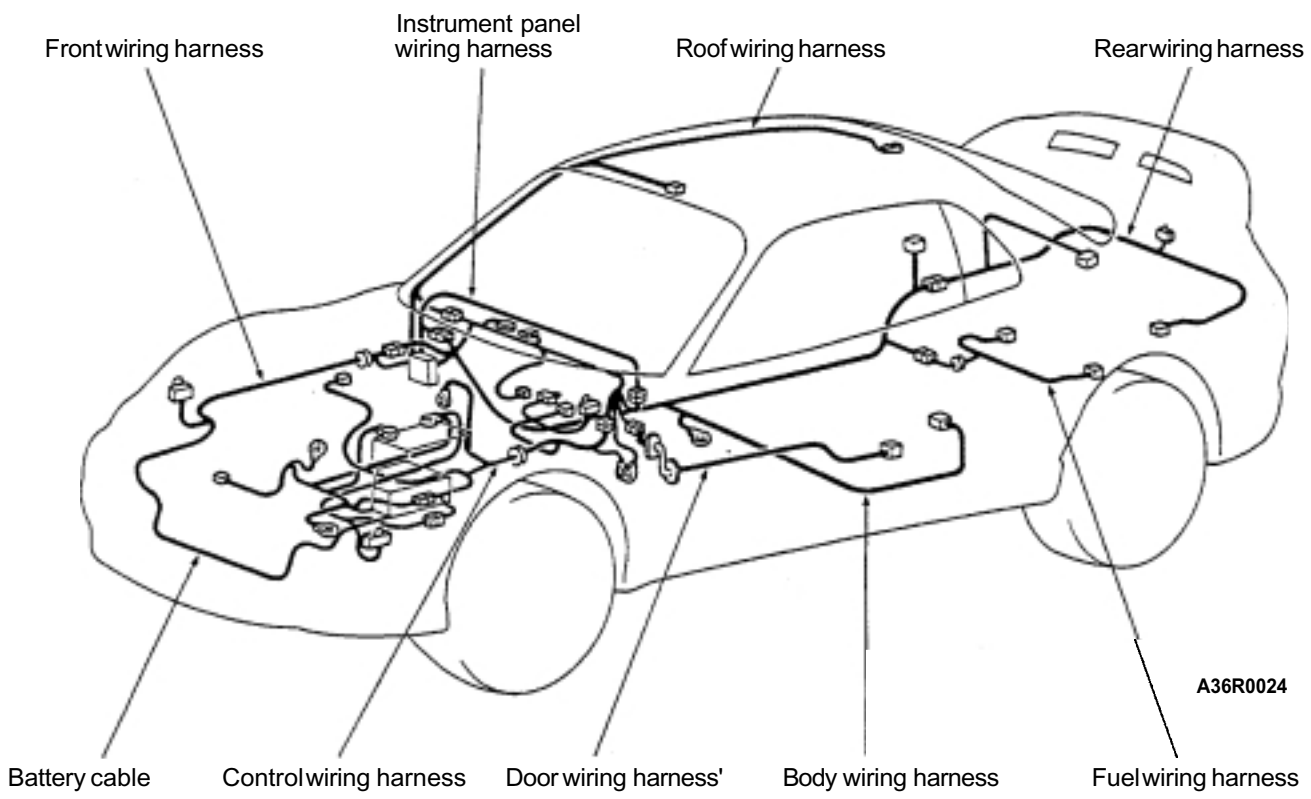
## CONTENTS

OVERALL WIRING DIAGRAM .....	2-2	FLOOR AND ROOF .....	2-13
ENGINE COMPARTMENT .....	2-4	DOOR .....	2-14
DASH PANEL .....	2-8	LUGGAGE COMPARTMENT .....	2-15
INSTRUMENT PANEL .....	2-12		

---



OVERALL WIRING DIAGRAM

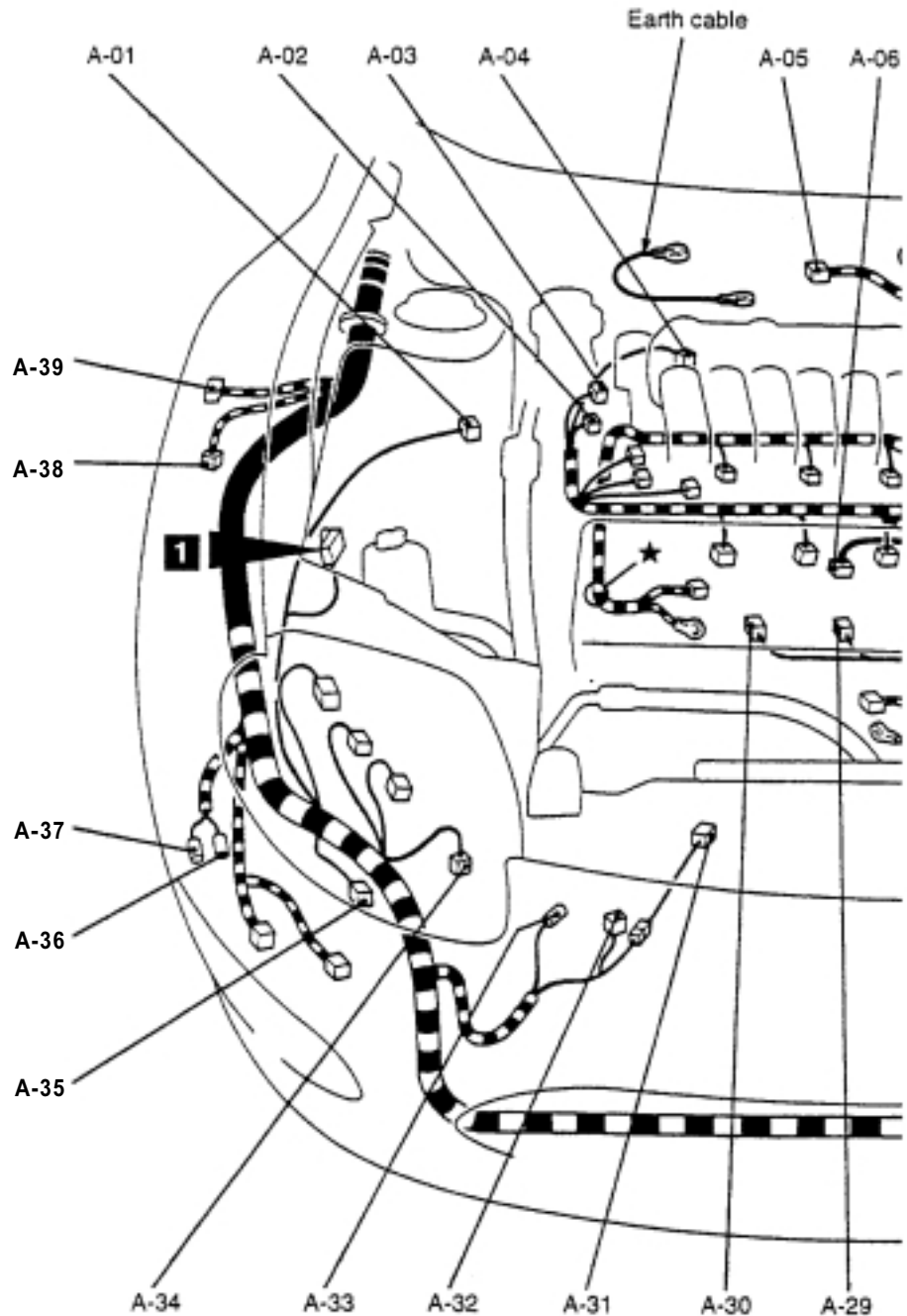
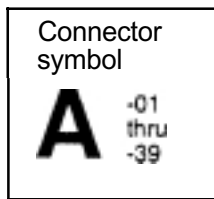


Remarks  
(1) This illustration shows only major wiring harnesses.  
(2) \*: also equipped at the right side.

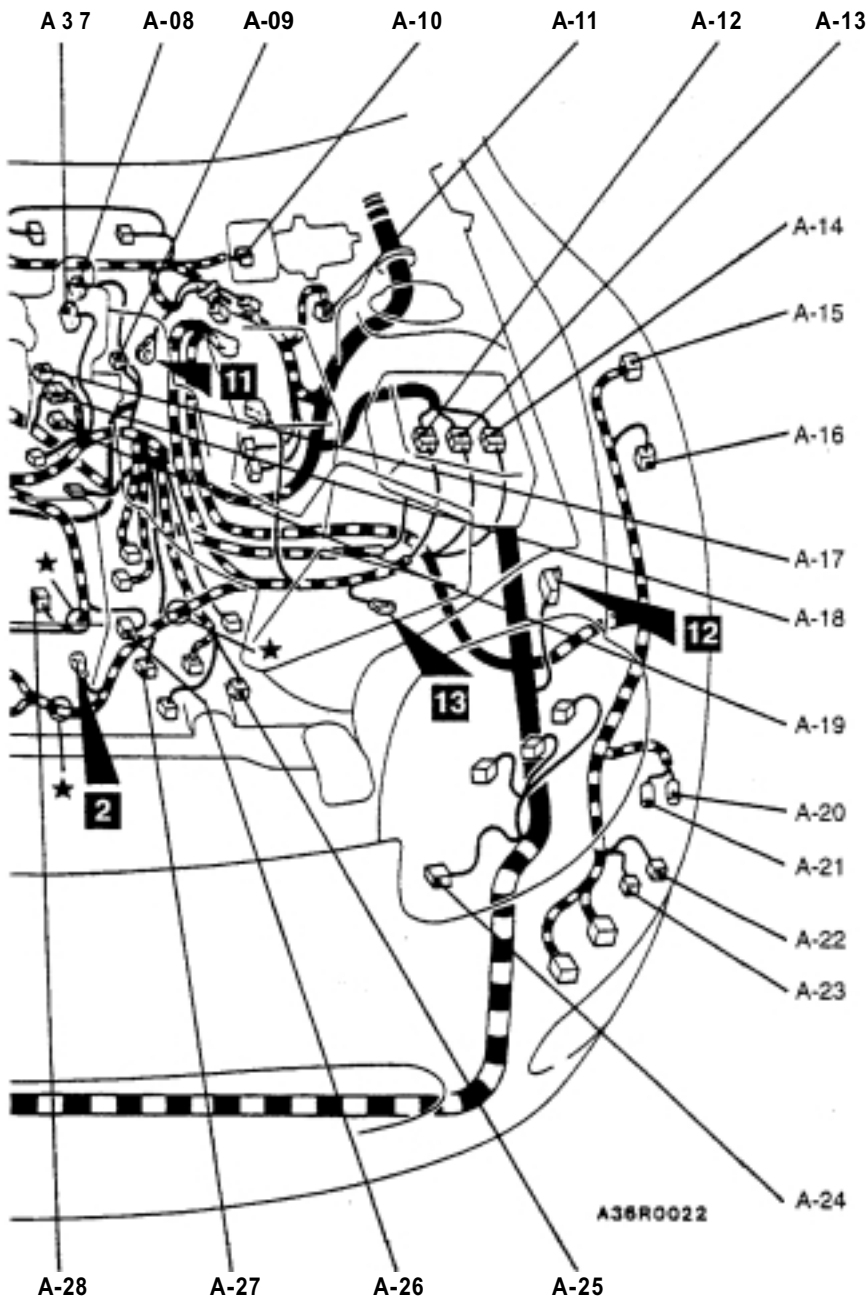
NOTES

1  
2  
3  
4  
5  
6  
7  
8  
9  
10  
11  
12  
13  
14  
15  
16  
17  
18  
19  
20  
21  
22  
23  
24  
25  
26  
27  
28  
29  
30  
31  
32  
33  
34  
35  
36  
37  
38  
39  
40  
41  
42  
43  
44  
45  
46  
47  
48  
49  
50  
51  
52  
53  
54  
55  
56  
57  
58  
59  
60  
61  
62  
63  
64  
65  
66  
67  
68  
69  
70  
71  
72  
73  
74  
75  
76  
77  
78  
79  
80  
81  
82  
83  
84  
85  
86  
87  
88  
89  
90  
91  
92  
93  
94  
95  
96  
97  
98  
99  
100

## ENGINE COMPARTMENT

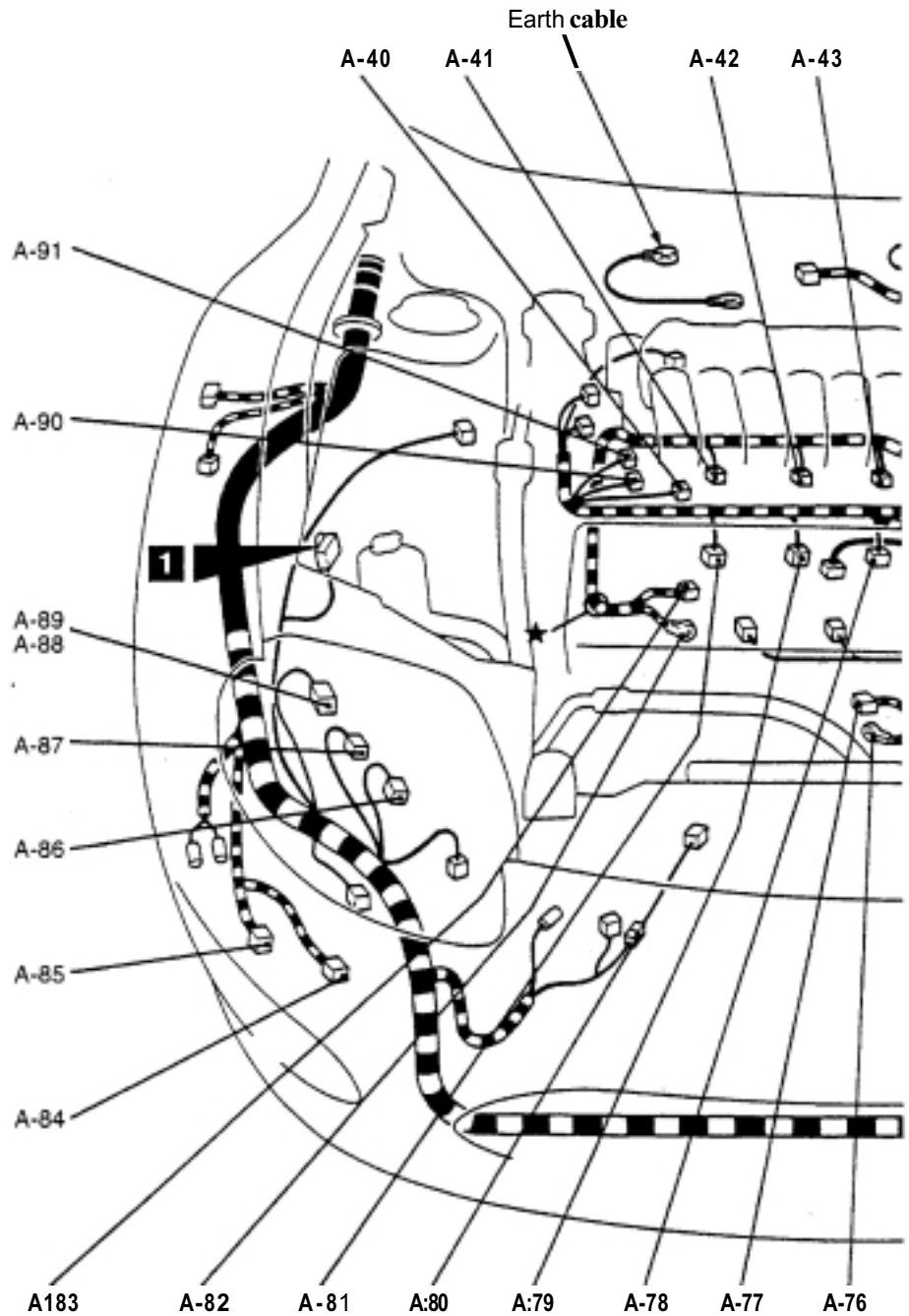
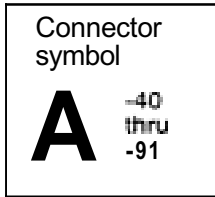


A-01 (2-B)	Brake fluid level sensor	A-12 (1-B)	Control wiring harness and battery cable combination
A-02 (4-B)	Variable induction control servo	A-13 (12-B)	Control wiring harness and front wiring harness combination
A-03 (2-B)	Variable induction control servo	A-14 (10-B)	Control wiring harness and front wiring harness combination <ABS>
A-04 (2-GR)	Intake air temperature sensor	A-15 (2-GR)	Side turn signal lamp (LH)
A-05 (3-B)	Atmospheric pressure sensor	A-16 (2-B)	Front speed sensor (LH) <ABS>
A-06 (3-B)	Vehicle speed sensor	A-17 (2-B)	Oil control valve (right bank side)
A-07 (4-B)	Throttle position sensor	A-18 (8-B)	Control wiring harness and injector wiring harness combination
A-08 (4-B)	Accelerator pedal position sensor	A-19 (2-GR)	Detonation sensor
A-09 (6-B)	Idle speed control servo		
A-10 (4-B)	Windshield wiper motor		
A-11 (2-BR)	Dual pressure switch		

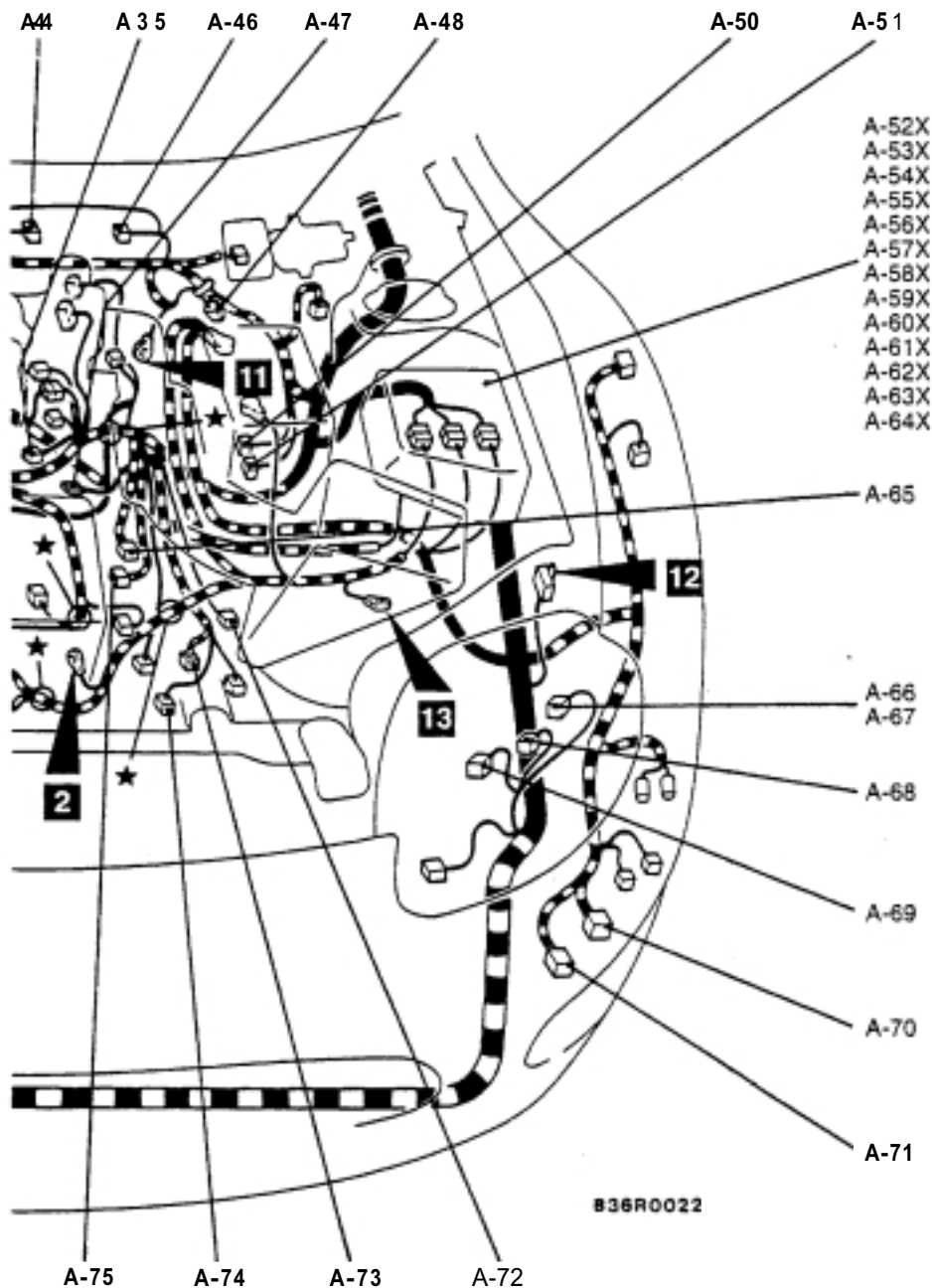


- |                     |                                       |                    |                                    |
|---------------------|---------------------------------------|--------------------|------------------------------------|
| <b>A-20</b> (1)     | Horn (LO)                             | <b>A-30</b> (3-GR) | Ignition coil B                    |
| <b>A-21</b> (1)     | Horn (LO)                             | <b>A-31</b> (1-B)  | Oil pressure switch                |
| <b>A-22</b> (4-B)   | Windshield washer motor               | <b>A-32</b> (1-8)  | A/C compressor assembly            |
| <b>A-23</b> (2-B)   | Rear washer motor                     | <b>A-33</b> (1)    | Power steering oil pressure switch |
| <b>A-24</b> (2-B)   | Radiator fan motor                    | <b>A-34</b> (2-B)  | Condenser fan motor                |
| <b>A-25</b> (10-GR) | A/T control solenoid valve assembly   | <b>A-35</b> (2-8)  | Outside thermo sensor <A/C>        |
| <b>A-26</b> (1-B)   | Engine coolant temperature gauge unit | <b>A-36</b> (1)    | Horn (HI)                          |
| <b>A-27</b> (2-B)   | Back-up lamp switch <M/T>             | <b>A-37</b> (1)    | Horn (HI)                          |
| <b>A-28</b> (13-GR) | Ignition coil C                       | <b>A-38</b> (2-B)  | Front speed sensor (RH) <ABS>      |
| <b>A-29</b> (3 4 3) | Ignition coil A                       | <b>A-39</b> (2-GR) | Side turn signal lamp (RH)         |

## ENGINE COMPARTMENT



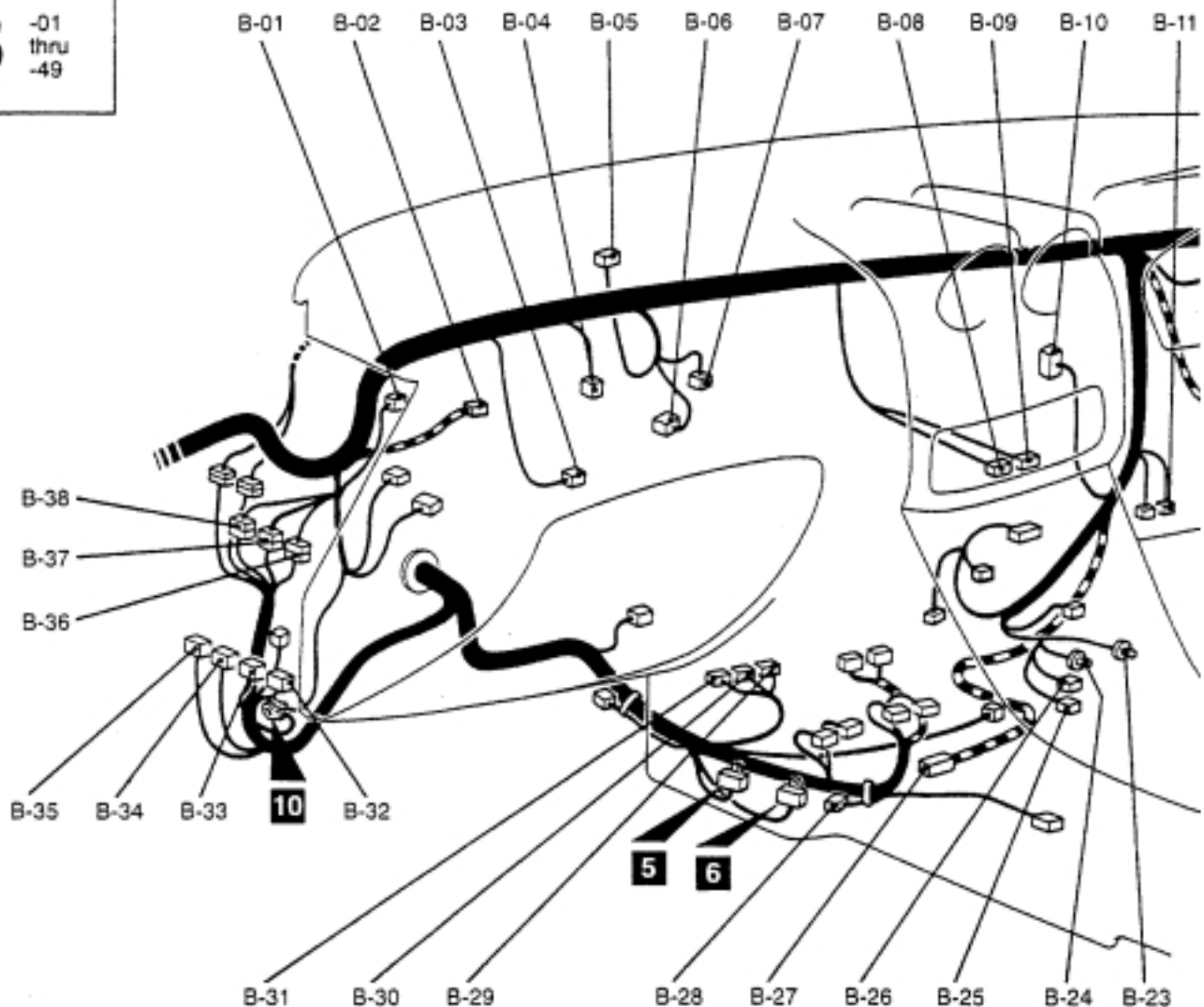
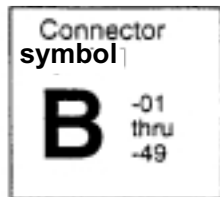
<b>A-40 (2-B)</b>	Oil control valve (left bank side)	<b>A-54X (5)</b>	Headlamp relay
<b>A-41 (2-GR)</b>	Injector No.1	<b>A-55X (5)</b>	A/C compressor relay
<b>A-42 (2-GR)</b>	Injector No.3	<b>A-56X (5)</b>	Condenser fan relay
<b>A-43 (2-GR)</b>	Injector No.5	<b>A-57X (5)</b>	Radiator fan relay
<b>A-44 (2-B)</b>	Vacuum solenoid valve <TCL>	<b>A-58X (5)</b>	Horn relay
<b>A-45 (1)</b>	Capacitor	<b>A-59X (4)</b>	Alternator relay
<b>A-46 (2-6)</b>	Ventilation solenoid valve <TCL>	<b>A-60X (5)</b>	Power window relay
<b>A-47 (1)</b>	Capacitor	<b>A-61X (5)</b>	Headlamp relay <vehicles> with discharge type headlamp>
<b>A-48 (1)</b>	Engine speed detection connector	<b>A-62X (5)</b>	No connection
<b>A-50 (8-B)</b>	Hydraulic unit <ABS>	<b>A-63X (5)</b>	No connection
<b>A-51 (2-6)</b>	Hydraulic unit <ABS>	<b>A-64X (5)</b>	No connection
<b>A-52X (5)</b>	ABS valve relay	<b>A-65 (4-B)</b>	Ignition failure sensor
<b>A-53X (5)</b>	ABS motor relay		



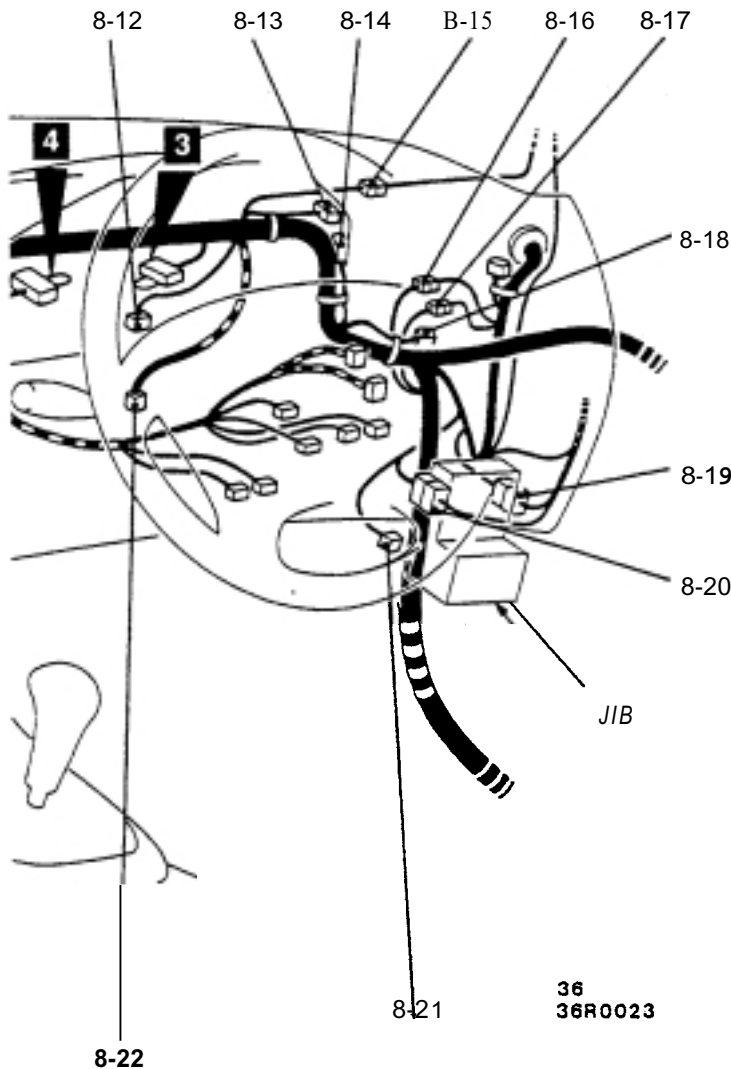
836R0022

- |             |   |             |  |
|-------------|---|-------------|--|
| A-66 (4-B)  | Headlamp (LH) <discharge type>                                | A-80 (1-B)  | Front wiring harness and oil pressure wiring harness combination |
| A-67 (2-B)  | Headlamp (LH) <except discharge type>                         | A-81 (2-GR) | Injector No.2  |
| A-68 (2-GR) | Position lamp (LH) <vehicles without discharge type headlamp> | A-82 (1)    | Alternator   |
| A-69 (2-B)  | Headlamp (LH)   | A-83 (4-GR) | Alternator   |
| A-70 (2-GR) | Front turn signal lamp (LH)                                   | A-84 (2-B)  | Fog lamp (RH)  |
| A-71 (2-6)  | Fog lamp (LH)   | A-85 (2-GR) | Front turn signal lamp (RH)                                      |
| A-72 (2-GR) | Output shaft speed sensor <A/T>                               | A-86 (2-B)  | Headlamp (RH)  |
| A-73 (3-B)  | Input shaft speed sensor <A/T>                                | A-87 (2-GR) | Position lamp (RH) <vehicles without discharge type headlamp>    |
| A-74 (10-B) | Inhibitor switch <A/T>  | A-88 (2-B)  | Headlamp (RH) <except discharge type>                            |
| A-75 (2-B)  | Engine coolant temperature sensor                             | A-89 (4-B)  | Headlamp (RH) <discharge type>                                   |
| A-76 (1)    | Starter   | A-90 (3-GR) | Camshaft position sensor   |
| A-77 (1-B)  | Starter   | A-91 (3-B)  | Crank angle sensor   |
| A-78 (2-GR) | Injector No.6   |             |  |
| A-79 (2-GR) | Injector No.4   |             |  |

## DASH PANEL

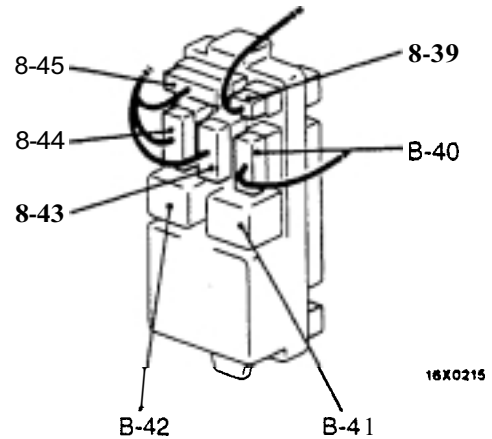


B-01 (2)	Outside/inside air selection damper control motor <A/C>	B-15 (6)	Body wiring harness and roof wiring harness combination
B-02 (2-R)	Air bag module (LH)	B-16 (4)	Front wiring harness and body wiring harness combination
8-03 (4-B)	Power transistor <A/C>	8-17 (18)	Front wiring harness and body wiring harness combination
8-04 (2)	Air thermo sensor <A/C>	B-18 (4)	J/C (5)
8-05 (2)	Photo sensor <A/C>	B-19 (22)	Body wiring harness and instrument panel wiring harness combination
B-06 (6)	Air mixing damper control motor and potentiometer <A/C>	8-20 (14)	Body wiring harness and instrument panel wiring harness combination
B-07 (2)	Heater water temperature sensor	8-21 (3)	Turn-signal and hazard warning flasher unit
8-08 (16-B)	NC-ECU	B-22 (2)	Stop lamp switch
B-09 (20-B)	NC-ECU	8-23 (2)	Ashtray illumination lamp
B-10 (6)	Mode selection damper control motor and potentiometer <A/C>	B-24 (2)	Cigarette lighter illumination lamp
B-11 (16-B)	Diagnosis connector	8-25 (1-B)	Cigarette lighter
8-12 (8)	Door lock-ECU		
B-13 (33)	JIC (2)		
B-14 (33)	JIC (3)		



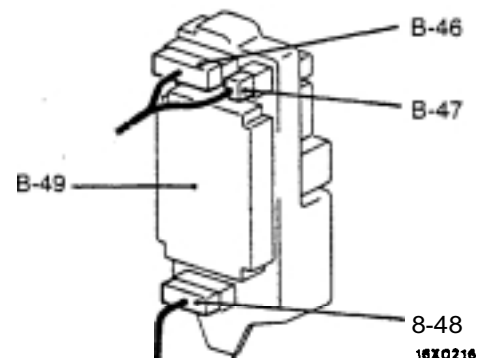
36  
36R0023

Junction block  
(Front side)



16X0215

(Rear side)



16X0216

00008 423

Connector colour code

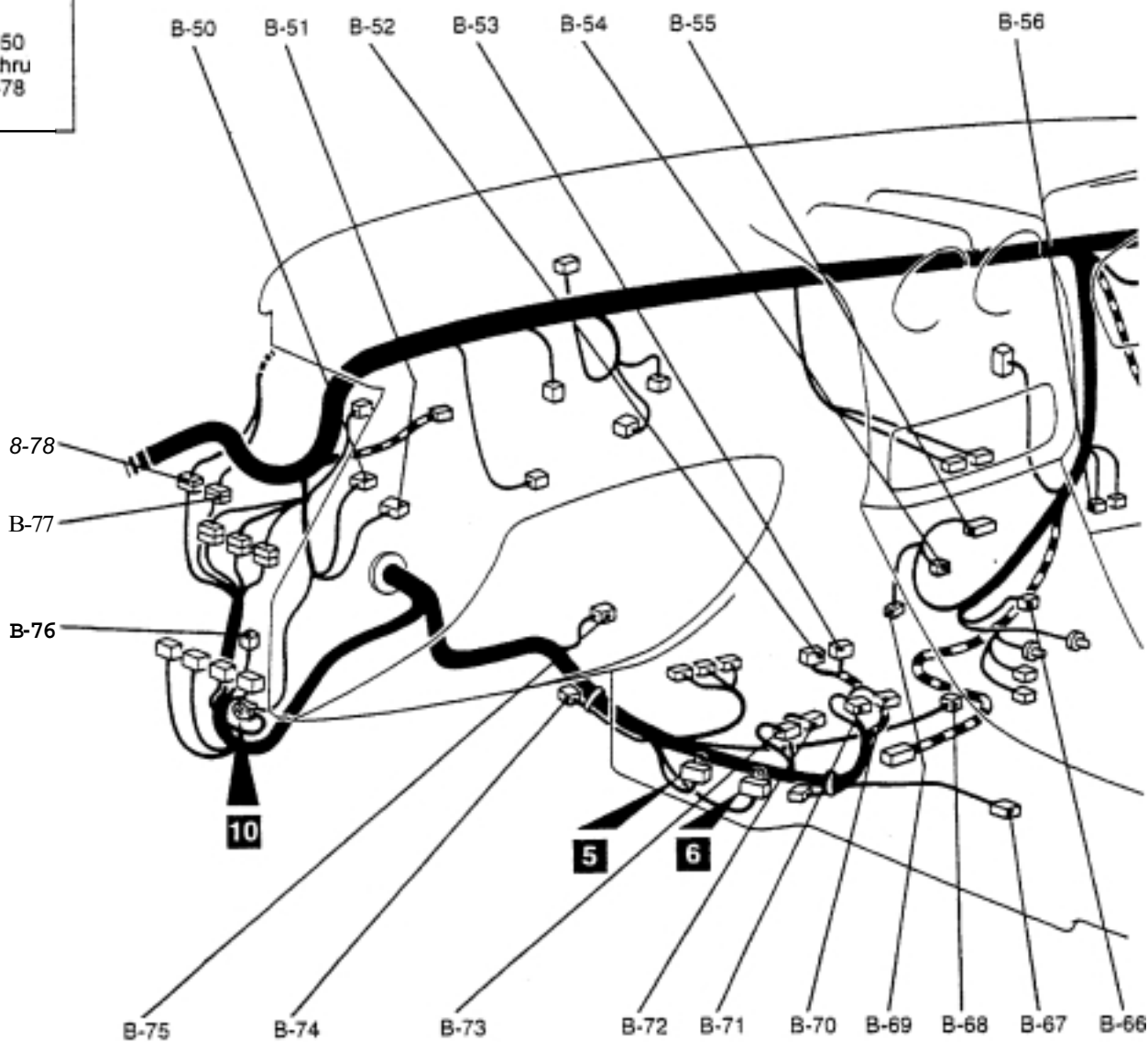
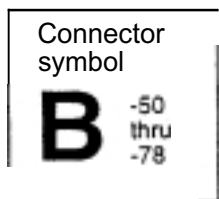
B :Black	LG :Light green
BR :Brown	O :Orange
G :Green	P :Pink
GR :Gray	R :Red
L :Blue	Y :Yellow
V :Violet	W :White
SB :Sky blue	

8-26 (1)	Cigarette lighter
8-27 (22-Y)	SRS-ECU
8-28 (2-8)	Diode (for ABS circuit)
8-29 (22-L)	PJT-ECU
8-30 (16-L)	A/T-ECU
B-31 (26-L)	A/T-ECU
5-32 (26-G)	Engine-ECU
8-33 (16-G)	Engine-ECU
B-34 (12-G)	Engine-ECU
B-35 (22-G)	Engine-ECU
8-36 (18)	Body wiring harness and control wiring harness combination
B-37 (20)	Body wiring harness and control wiring harness combination <ABS>

8-38 (8)	Body wiring harness and control wiring harness combination <A/T>
B-39 (4-B)	J/B and roof wiring harness
8-40 (22-8)	J/B and instrument panel wiring harness combination
8-41 (5-B)	Blower relay
8-42 (5-B)	Defogger relay
8-43 (20-8)	J/B and body wiring harness
8-44 (10-B)	J/B and body wiring harness
B-45 (18-8)	J/B and body wiring harness
8-46 (18-B)	J/B and front wiring harness
8-47 (1-B)	J/B and front wiring harness
8-48 (19-B)	J/B and body wiring harness
8-49 (20-B)	Buzzer-ECU

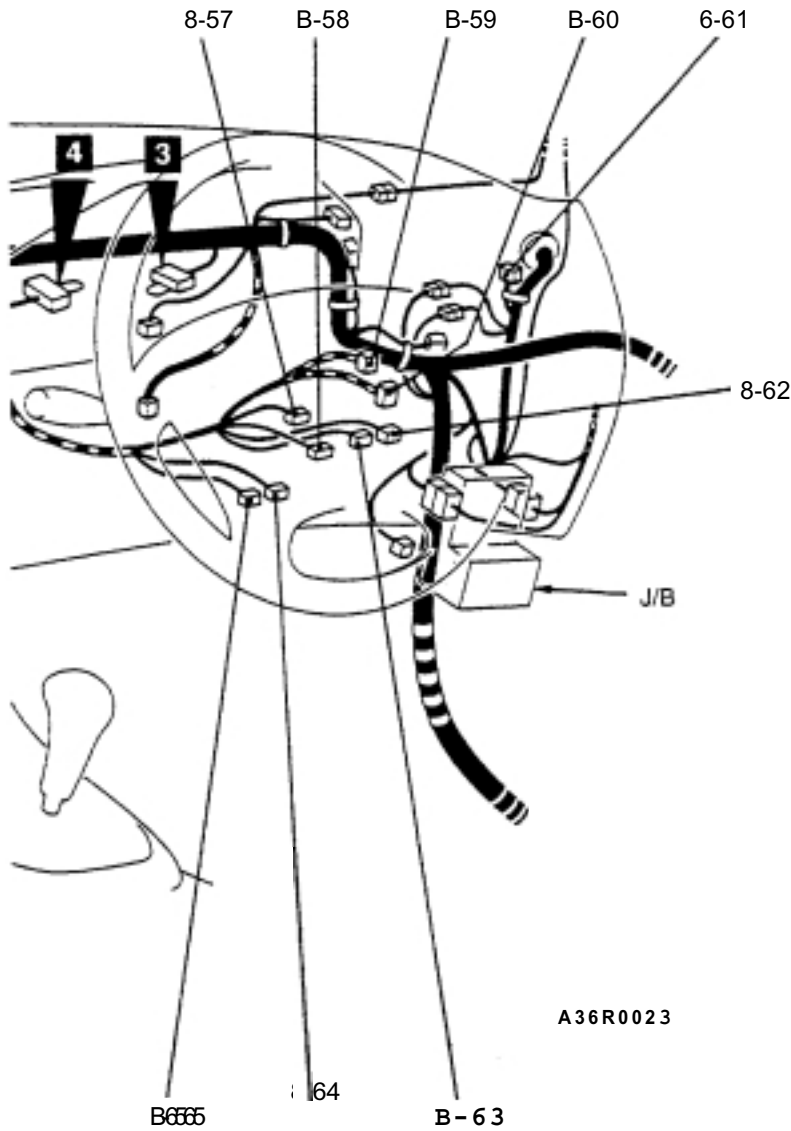


DASH PANEL



- 8-50 (2) Blower motor
- 8-51 (4-B) Blower high speed relay
- 8-52 (26) ABS-ECU
- 8-53 (16) ABS-ECU
- 8-54 (1) No connection
- 8-55 (14) Radio
- 8-56 (12) Diagnosis connector
- 8-57 (12) Column switch

- 8-58 (5) Steering wheel sensor <TCL>
- B-59 (10) Column switch
- 8-60 (6) Column switch
- 8-61 (22) J/C (6)
- 8-62 (6) Ignition-switch
- 8-63 (5-B) Key reminder switch
- 8-64 (3) Clock spring <SRS>
- 9-65 (2-R) Clock spring <SRS >

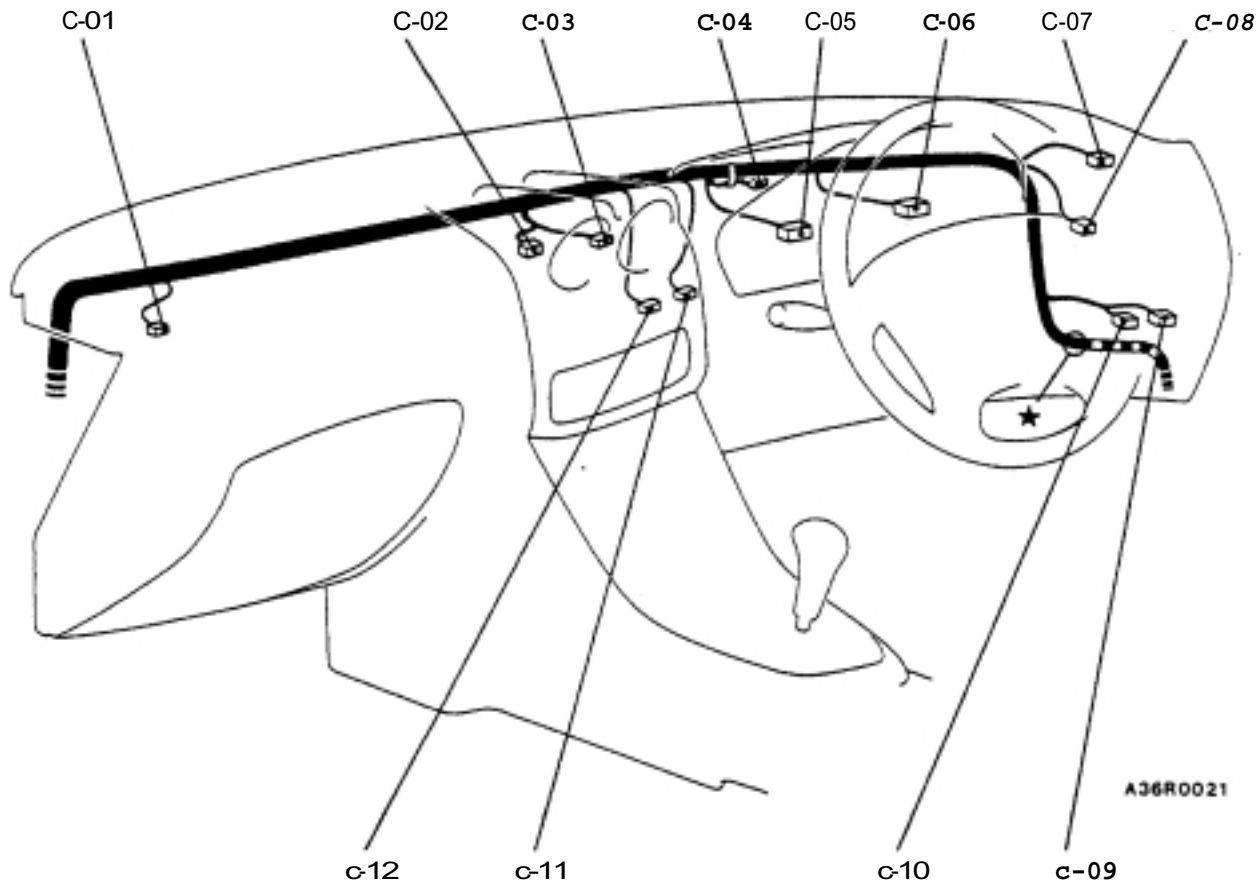
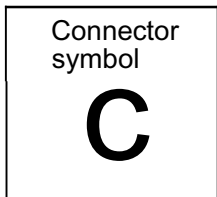


Connector colour code  
 B :Black  
 BR :Brown  
 G :Green  
 GR :Gray  
 L :Blue  
 V :Violet  
 SB :Sky blue  
 LG :Light green  
 O :Orange  
 P :Pink  
 R :Red  
 Y :Yellow  
 W :White

- B-56 (2) Diagnosis code erasure connector
- B-57 (8) Shift switch assembly <A/T>
- B-58 (4) Oxygen sensor
- B-59 (3-B) No connection
- B-70 (16-B) TCL-ECU
- B-71 (26-B) TCL-ECU
- B-72 (4) Engine control relay
- B-73 (4) Fuel pump relay

- 8-74 (2-B) Diode (for ABS circuit)
- 8-75 (4) A/T control relay
- 8-76 (22) JIC (1)
- 8-77 (18-8) Control wiring harness and instrument panel wiring harness combination
- 8-78 (10-B) Control wiring harness and instrument panel wiring harness combination

INSTRUMENT PANEL

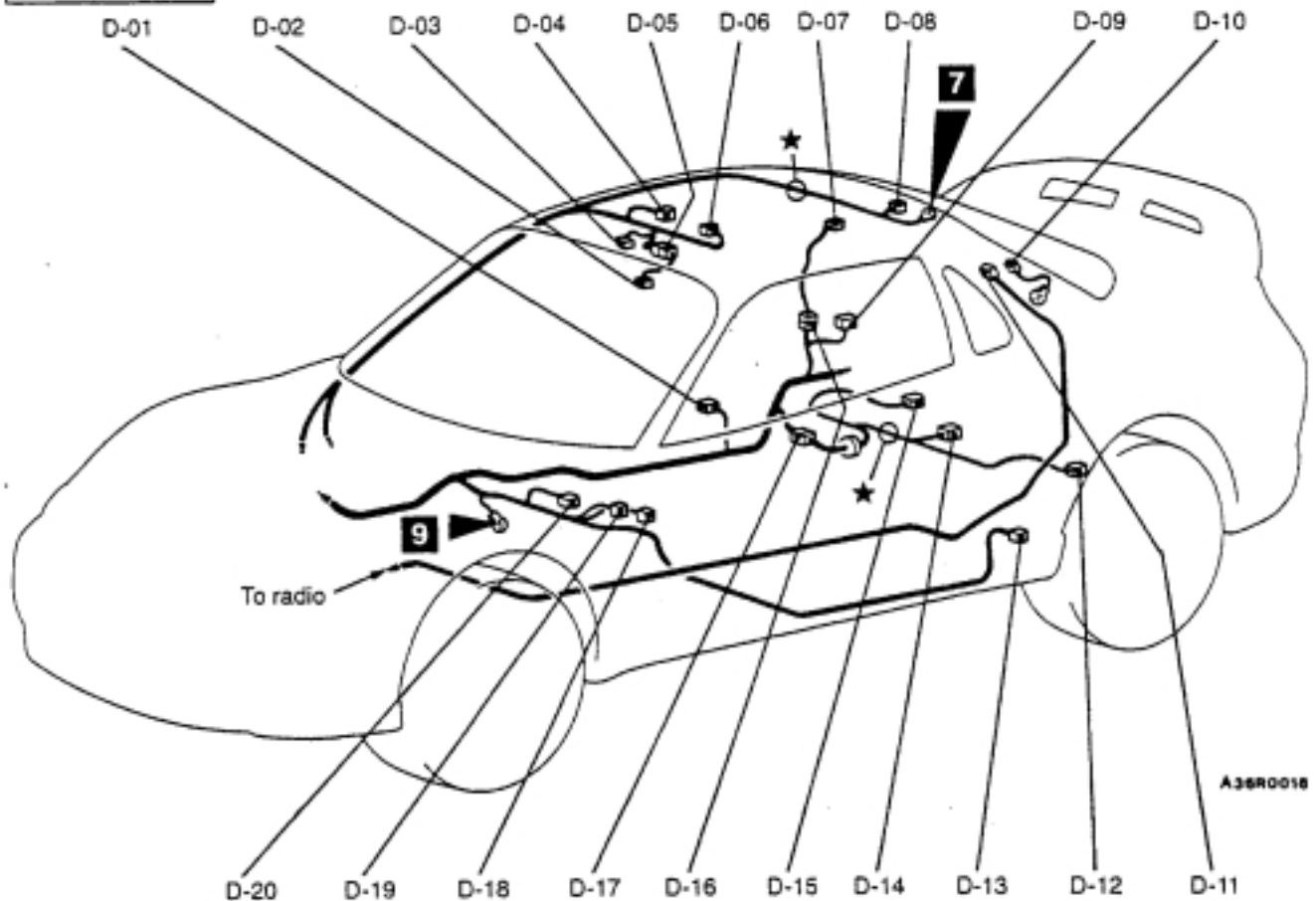
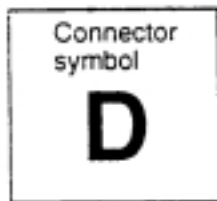


- Connector colour code
- |              |                 |
|--------------|-----------------|
| B :Black     | LG :Light green |
| BR :Brown    | O :Orange       |
| G :Green     | P :Pink         |
| GR :Gray     | R :Red          |
| L :Blue      | Y :Yellow       |
| V :Violet    | W :White        |
| SB :Sky blue |                 |

- C-01 (2-B) Instrument panel speaker (LH)
- c-02 (4) Clock
- C-03 (6) Voltmeter
- C-04 (33) J/C (4)
- C-05 (25) Combination meter
- C-06 (25) Combination meter

- C-07 (2-B) Instrument panel speaker (RH)
- C-08 (6) Fog lamp switch
- C-09 (16-9) Remote controlled mirror switch
- C-10 (6) TCL switch
- C-11 (10-B) Motor antenna switch
- C-12 (10) Hazard warning switch

FLOOR AND ROOF

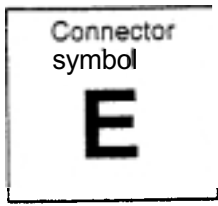


Connector colour code

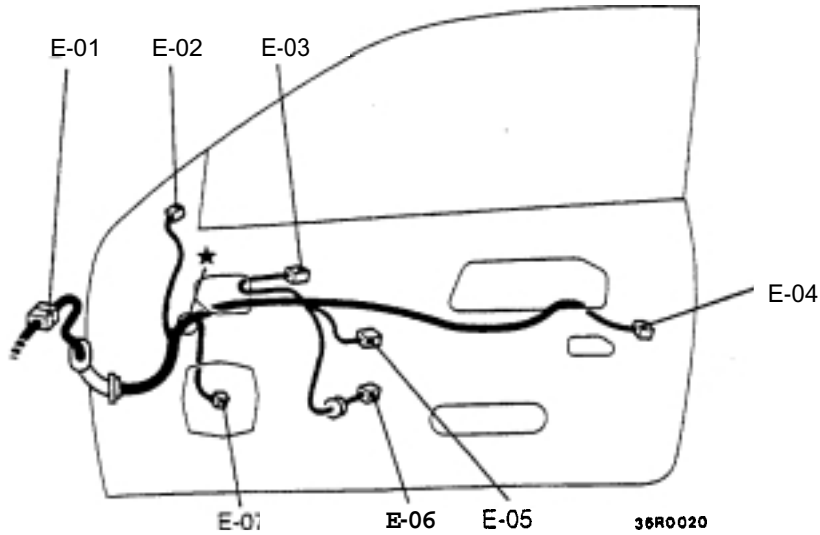
B :Black	LG :Light green
BR :Brown	O :Orange
G :Green	P :Pink
GR :Gray	R :Red
L :Blue	Y :Yellow
V :Violet	W :White
SB :Sky blue	

D-01 (2-B)	Door switch (RH)	D-12 (2-B)	Rear speed sensor (LH) <ABS>
D-02 (4)	Map lamp	D-13 (1-B)	Door switch (LH)
D-03 (3-B)	Sunroof switch	D-14 (6)	Fuel pump assembly
D-04 (10)	Sunroof ECU	D-15 (2-B)	Rear speed sensor (RH) <ABS>
D-05 (3)	Roof wiring harness and map lamp sub wiring harness combination	D-16 (3)	Body wiring harness and defogger cable combination
D-06 (2)	Sunroof motor	D-17 (8)	Body wiring harness and fuel wiring harness combination
D-07 (1)	Defogger (+)	D-18 (1)	Parking brake switch
D-08 (2)	High-mounted stop lamp	D-19 (2)	Seat belt switch
D-09 (20)	Keyless entry receiver-ECU	D-20 (2)	No connection
D-10 (1)	Defogger (-)		
D-11 (1-B)	Glass antenna		

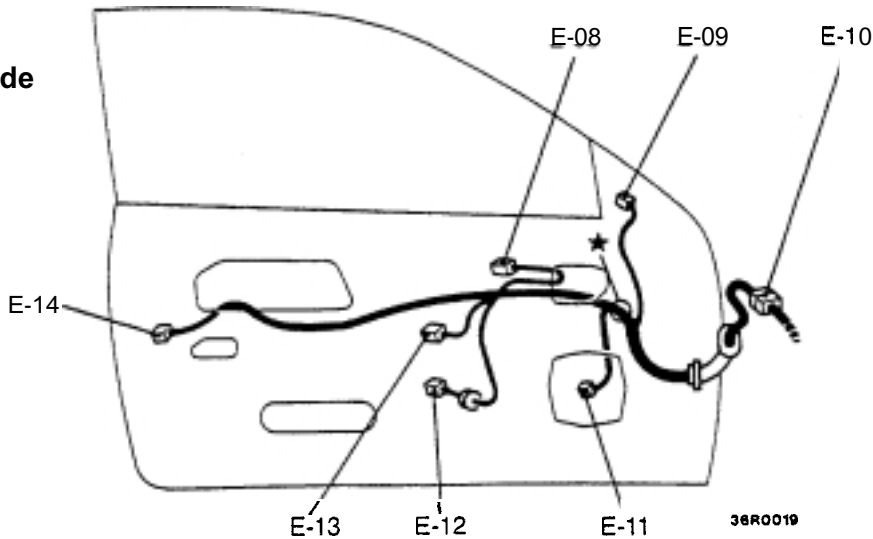
DOOR



Driver's side



Passenger's side

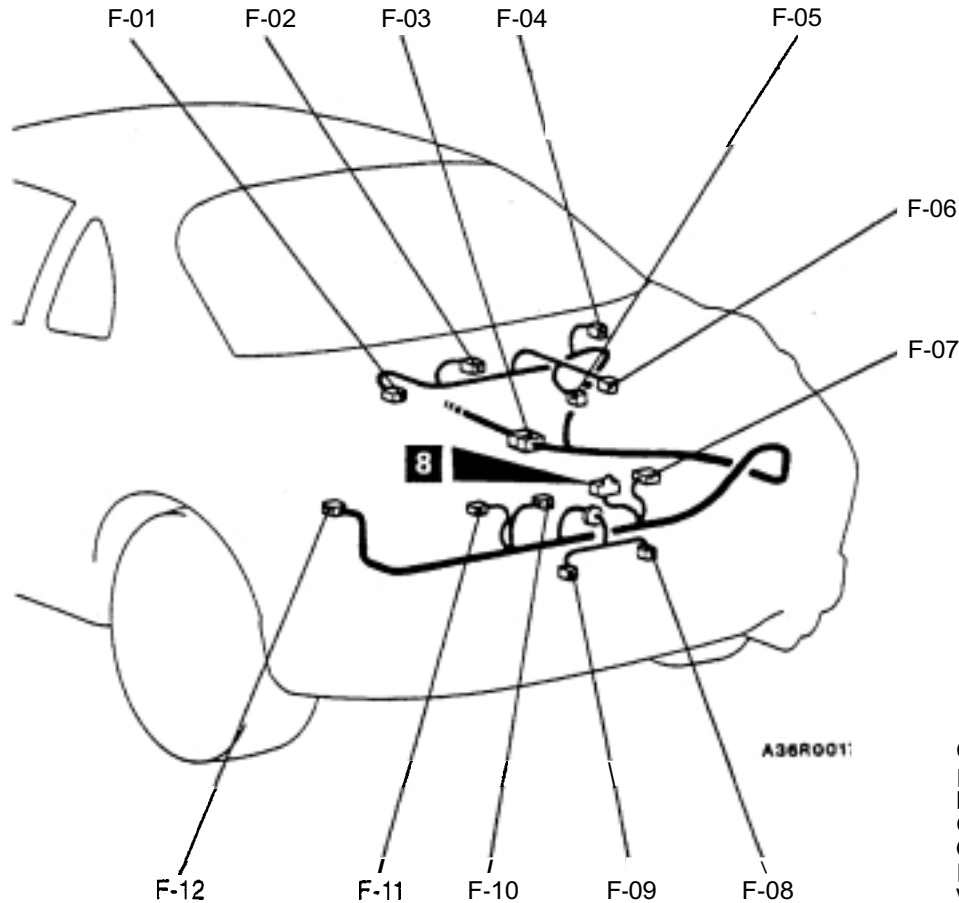
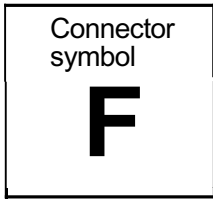


- Connector colour code  
 B :Black  
 BR :Brown  
 G :Green  
 GR :Gray  
 I :Blue  
 V :Violet  
 SB :Sky blue  
 LG :Light green  
 O :Orange  
 P :Pink  
 R :Red  
 Y :Yellow  
 W :White

00008424

<b>E-01 (32)</b>	Body wiring harness and door wiring harness (RH) combination	<b>E-08 (8)</b>	Powerwindow sub switch
<b>E-02 (7)</b>	Remote controlled mirror (RH)	<b>E-09 (7)</b>	Remote controlled mirror (LH)
<b>E-03 (10)</b>	Powerwindow main switch	<b>E-10 (20-B)</b>	Body wiring harness and door wiring harness (LH) combination
<b>E-04 (4)</b>	Door lock actuator (RH)	<b>E-11 (2-B)</b>	Door speaker (LH)
<b>E-05 (2)</b>	Power window motor (RH)	<b>E-12 (2)</b>	Limit switch (LH)
<b>E-06 (2)</b>	Limit switch (RH)	<b>E-13 (2)</b>	Power window motor (LH)
<b>E-07 (2-B)</b>	Door speaker (RH)	<b>E-14 (4)</b>	Door lock actuator (LH)

LUGGAGE COMPARTMENT



- Connector colour code
- B :Black
  - BR :Brown
  - G :Green
  - GR :Gray
  - L :Blue
  - V :Violet
  - SB :Sky blue
  - LG :Light green
  - O :Orange
  - P :Pink
  - R :Red
  - Y :Yellow
  - W :White

- |            |   |             |                                 |
|------------|---|-------------|---------------------------------|
| F-01 (2-B) | Rear speaker (LH)                                       | F-07 (6)    | Rear combination lamp (RH)      |
| F-02 (2)   | Luggage compartment lamp                                | F-08 (2-GR) | License plate lamp (RH)         |
| F-03 (22)  | Body wiring harness and rear wiring harness combination | F-09 (2-GR) | License plate lamp (LH)         |
| F-04 (2-6) | Rear speaker (RH)                                       | F-10 (1-B)  | Luggage compartment lamp switch |
| F-05 (8)   | Rear intermittent wiper relay                           | F-11 (6)    | Rear combination lamp (LH)      |
| F-06 (3)   | Rear wiper motor  | F-12 (6)    | Motor antenna assembly          |

---

NOTES



---

# SINGLE PART INSTALLATION POSITION

## CONTENTS

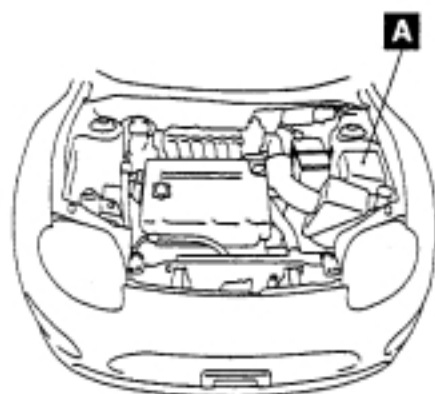
RELAY .....	3-2	INSPECTION CONNECTOR .....	3-9
ECU .....	3-3	FUSIBLE LINK AND FUSE .....	3-10
SENSOR .....	3-5	EARTH CABLE .....	3-11
SOLENOID VALVE .....	3-7	EARTH .....	3-11
DIODE .....	3-8		

---

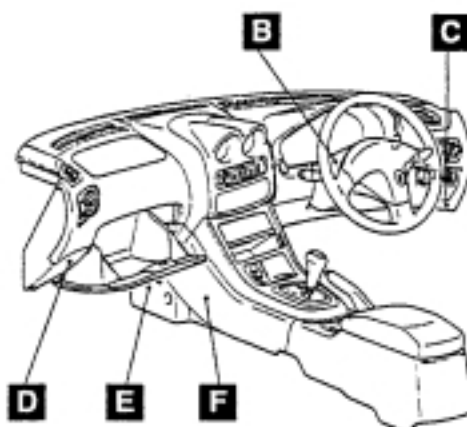


## RELAY

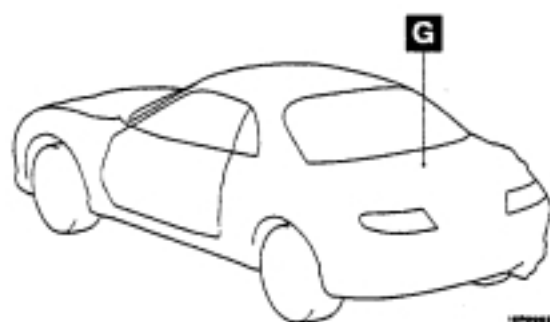
Name	Symbol	Name	Symbol
ABS motor relay	A	Engine control relay	F
ABS valve relay	A	Fuel pump relay	F
Alternator relay	A	Headlamp relay	A
A/C compressor relay	A	Headlamp relay <Vehicles with discharge type headlamp>	A
A/T relay	E	Horn relay	A
		Power window relay	A
Blower high speed relay	D	Radiator fan relay	A
Blower relay	C	Rear intermittent wiper relay	G
Condenser fan relay	A	Turn-signal and hazard warning flasher unit	C
Defogger relay	C	Windshield intermittent wiper relay	B



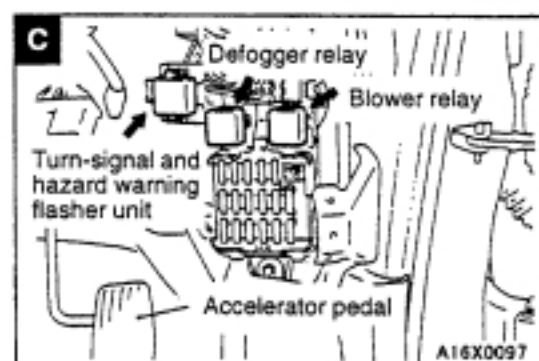
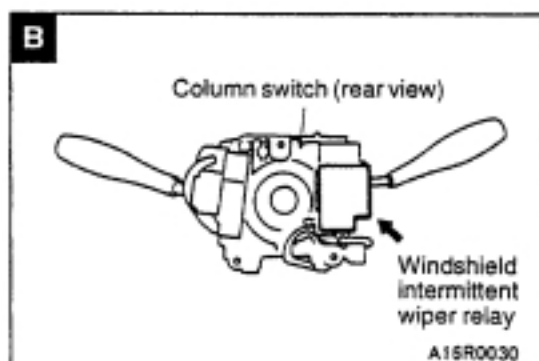
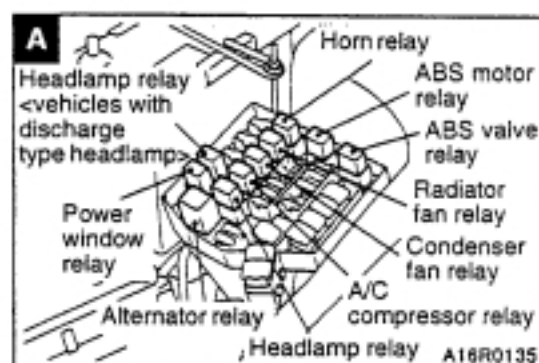
16R0009

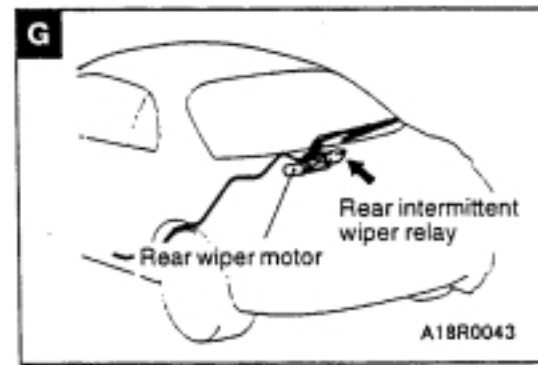
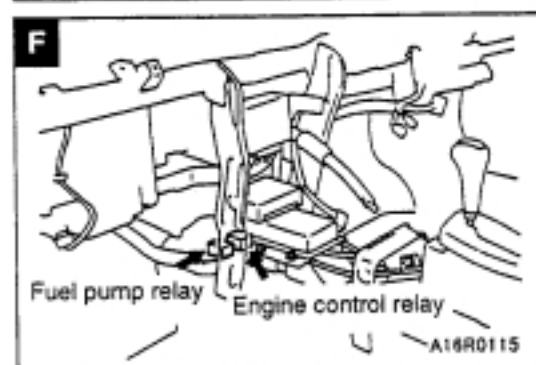
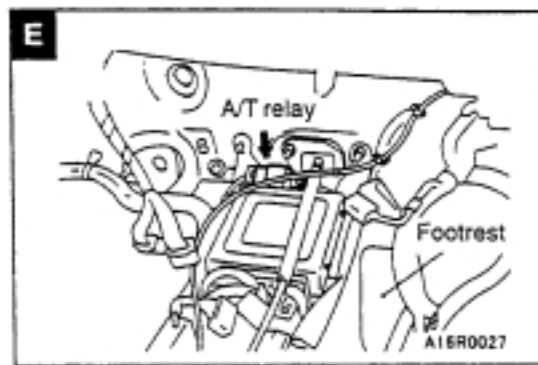
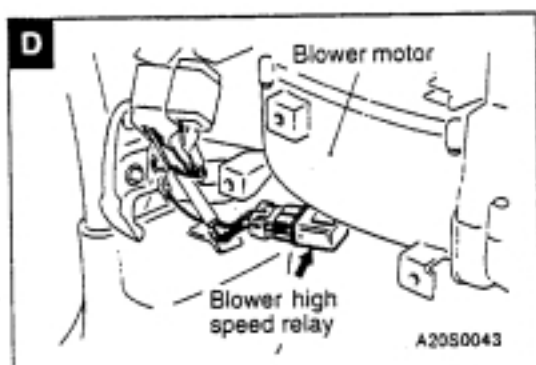


B21A046



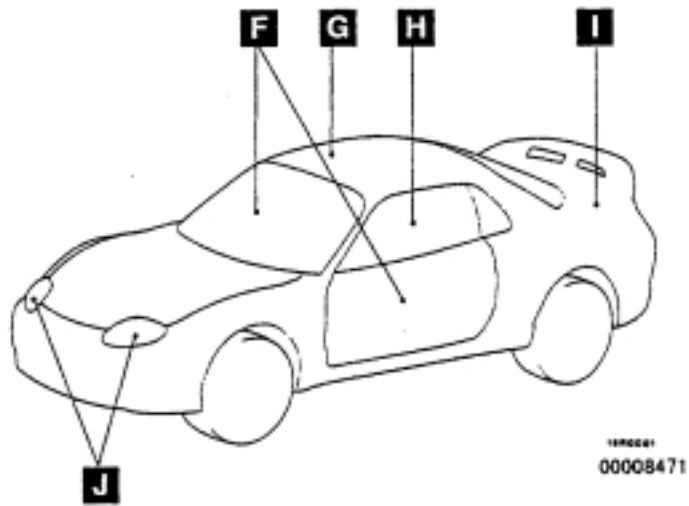
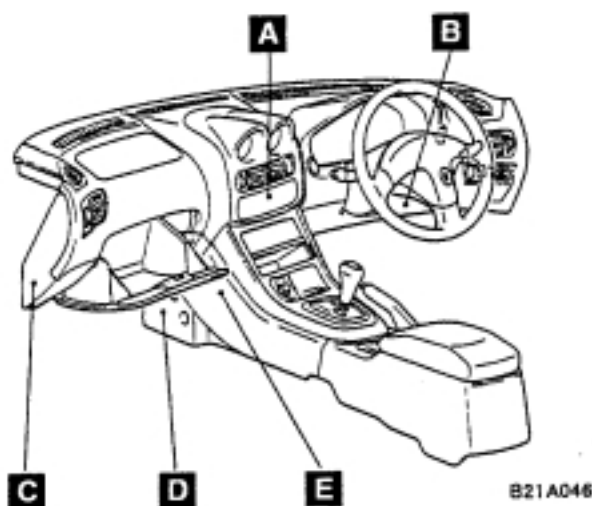
00008470

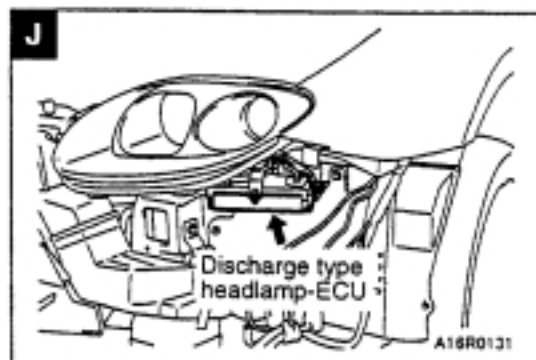
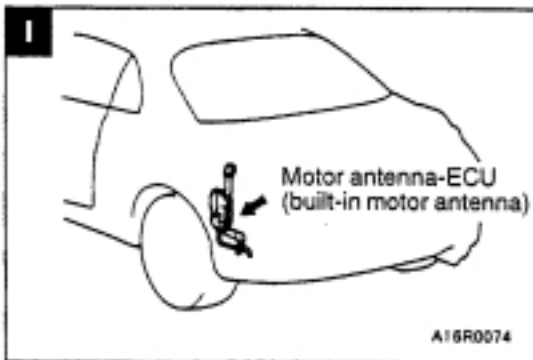
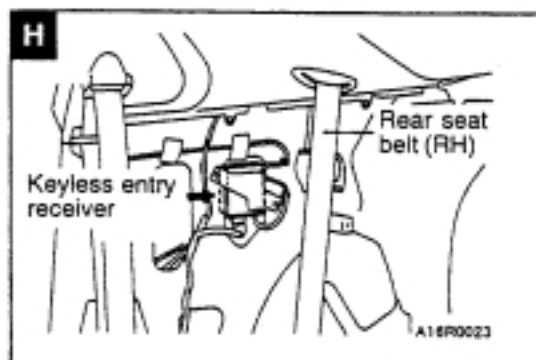
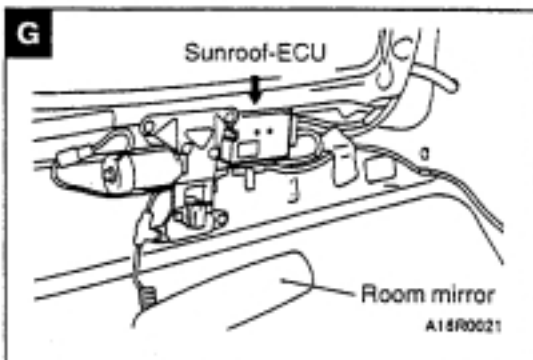
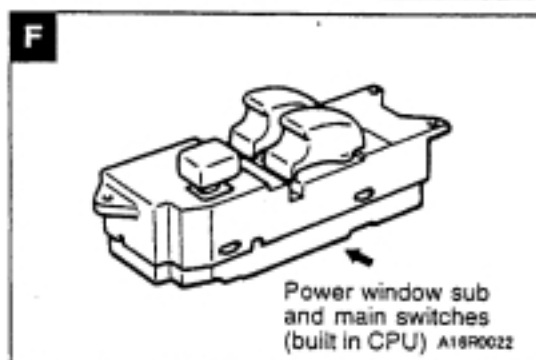
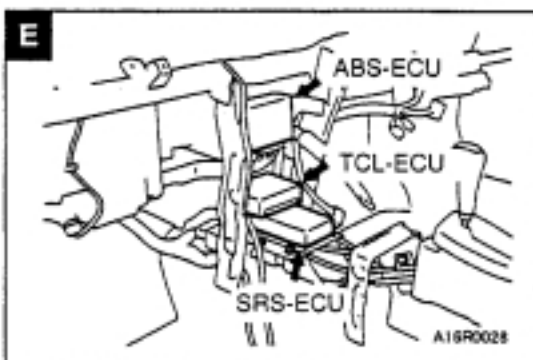
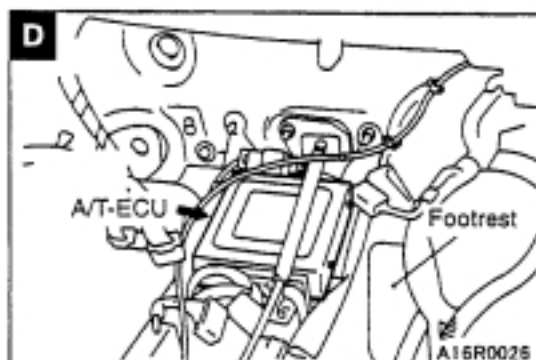
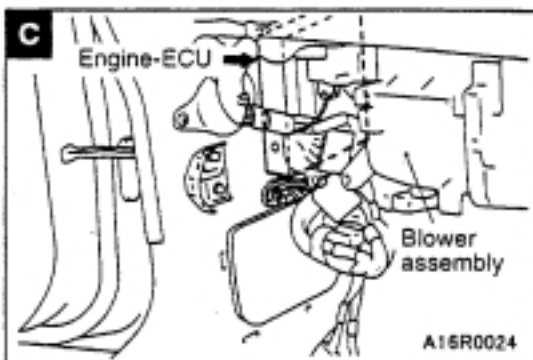
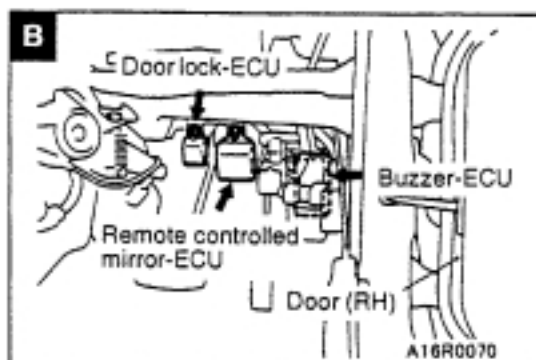
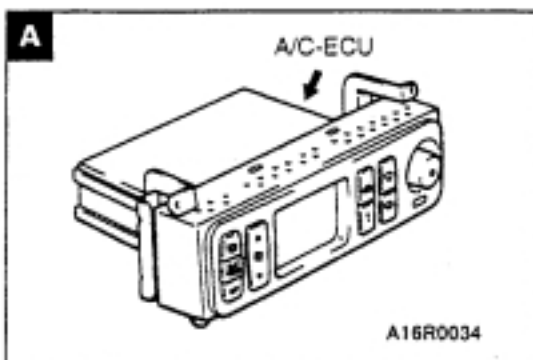




**ECU**

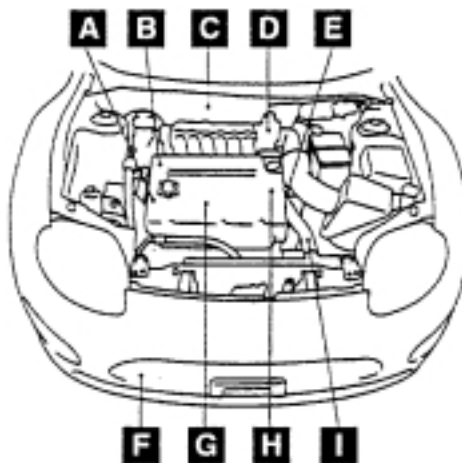
Name	Symbol	Name	Symbol
ABS-ECU	E	Motor antenna-ECU (Motor antenna assembly)	I
A/C-ECU	A		
A/T-ECU	D	Power window sub switch	F
Buzzer-ECU	B	Power window main switch	F
Discharge type headlamp-ECU	J	Remote controlled mirror-ECU	B
Door lock-ECU	B	SRS-ECU	E
Engine-ECU	C	Sunroof-ECU	G
Keyless entry receiver	H	TCL-ECU	E



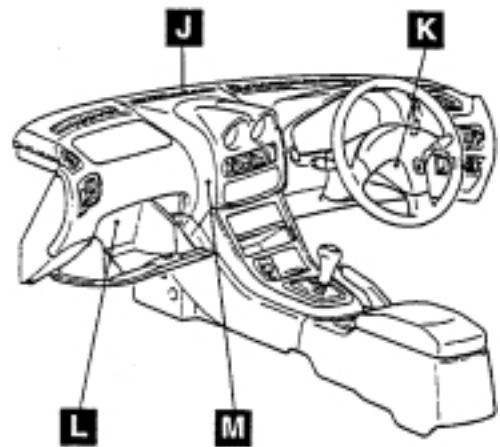


**SENSOR**

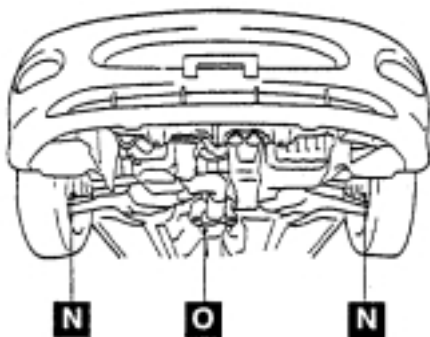
Name	Symbol	Name	Symbol
Accelerator pedal position sensor	D	Ignition failure sensor	E
Air thermo sensor <Full automatic air conditioner>	L	Intake air control valve position sensor (built-in variable induction control servo)	B
Atmospheric pressure sensor	C	Intake air temperature sensor	B
A/T fluid temperature sensor (built-in A/T control solenoid valve assembly)	I	Outside temperature sensor <Full automatic air conditioner>	F
Camshaft position sensor	A	Oxygen sensor	O
Crank angle sensor	A	Photo sensor <Full automatic air conditioner>	J
Detonation sensor	G	Rear speed sensor <ABS>	P
Engine coolant temperature sensor (for engine control)	E	Steering wheel sensor <TCL>	K
Front speed sensor <ABS>	N	Throttle position sensor	D
Heater water temperature sensor <Full automatic air conditioner>	M	Vehicle speed sensor	H



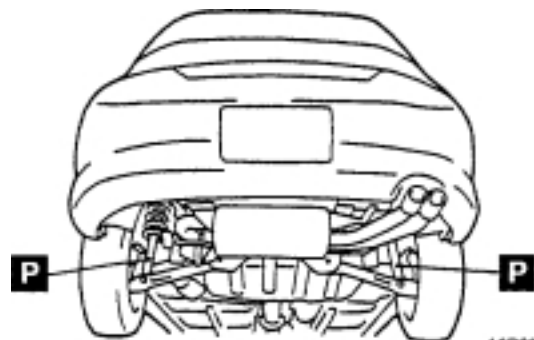
16R0009



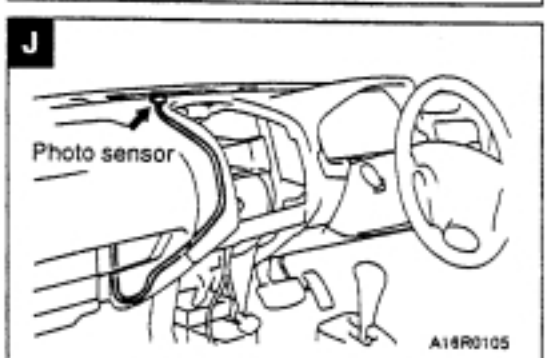
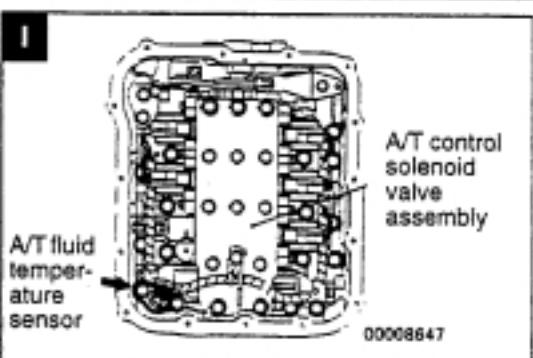
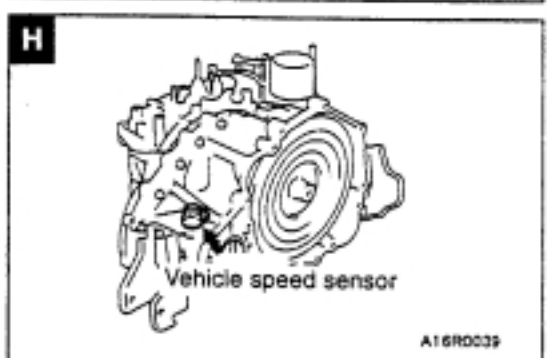
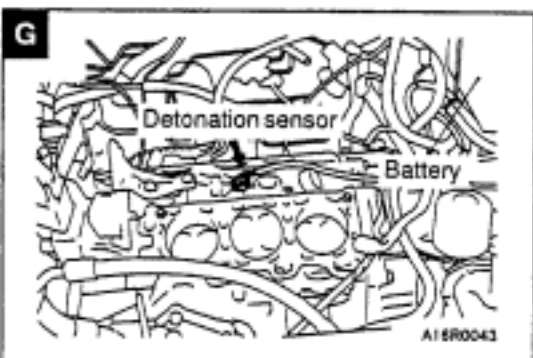
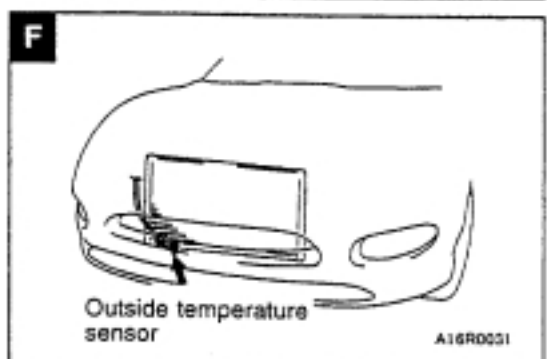
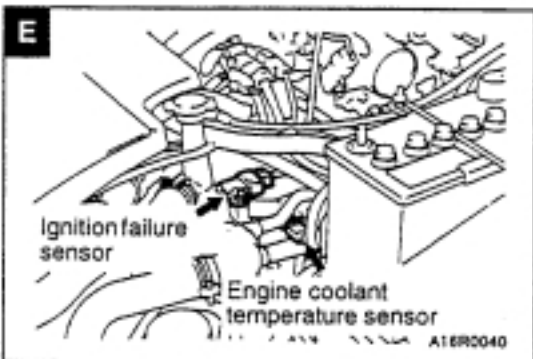
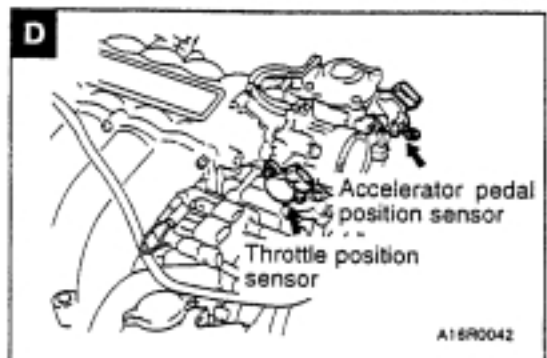
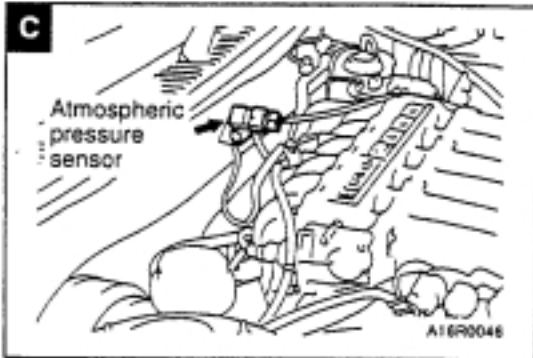
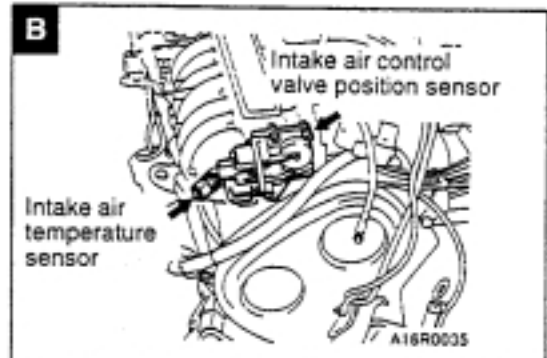
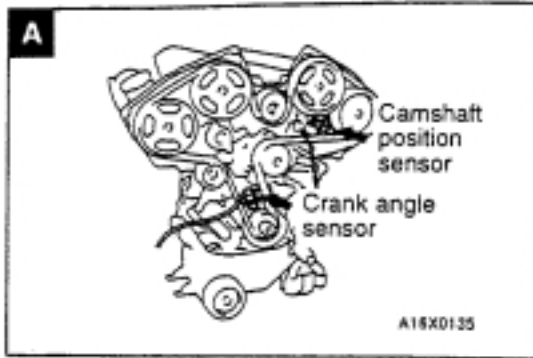
B21A046

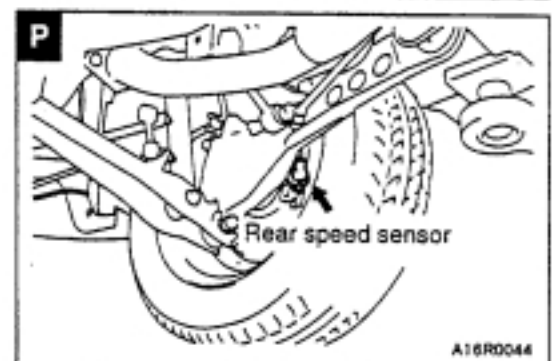
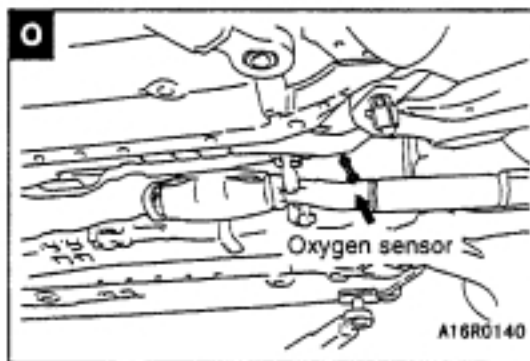
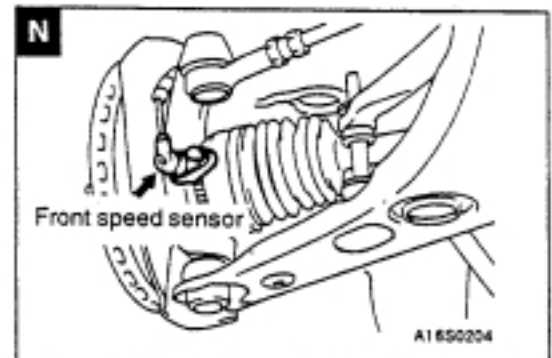
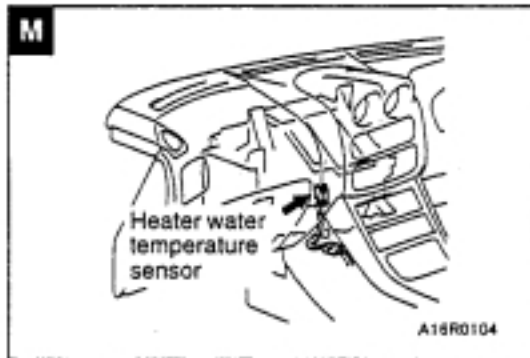
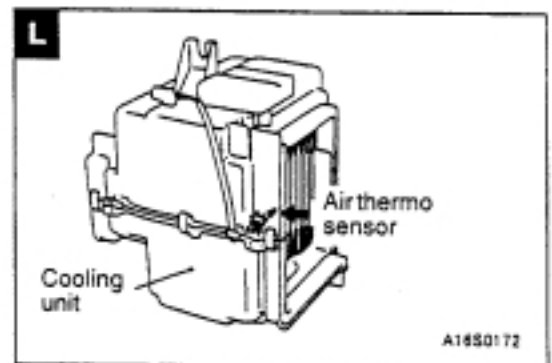
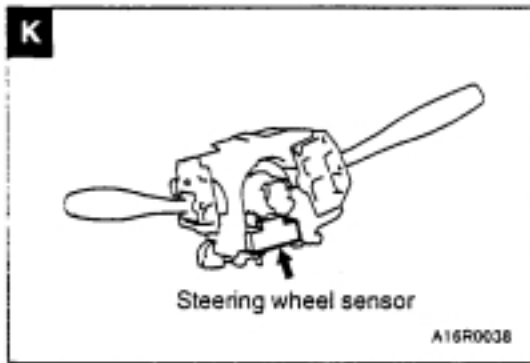


16R0010



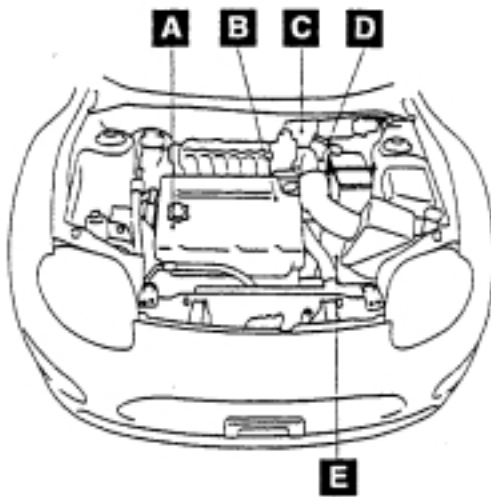
16R0011



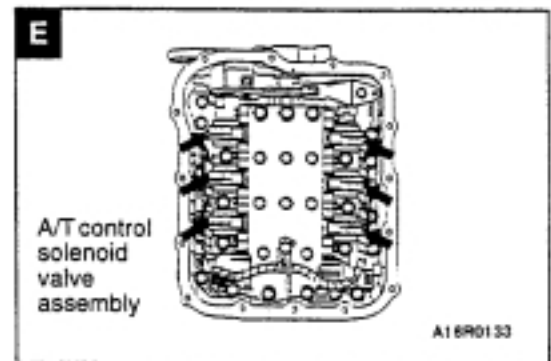
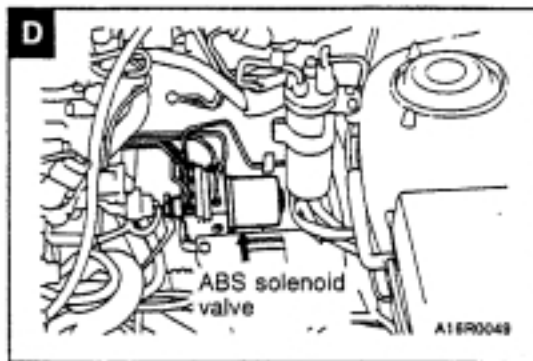
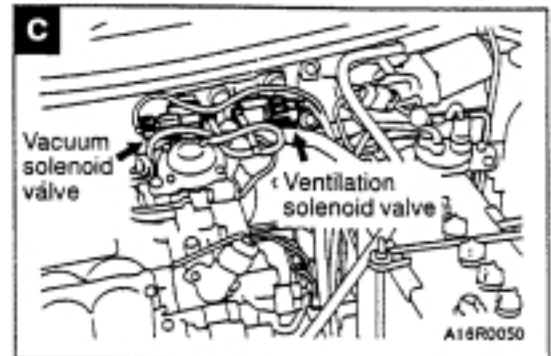
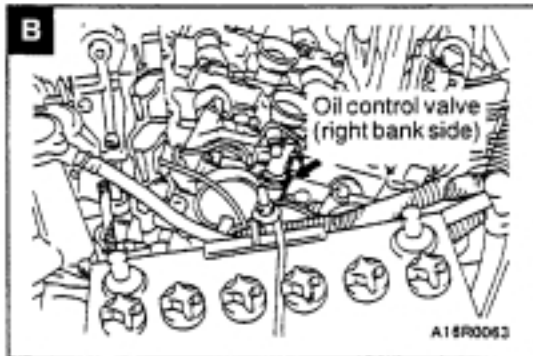
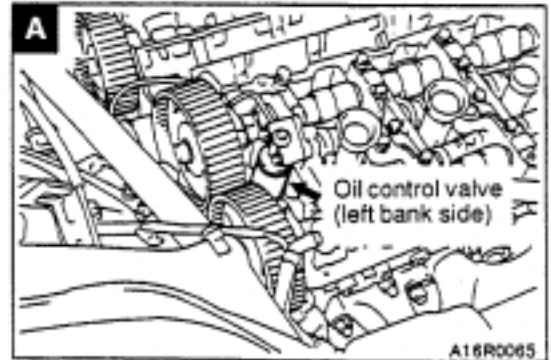


## SOLENOID VALVE

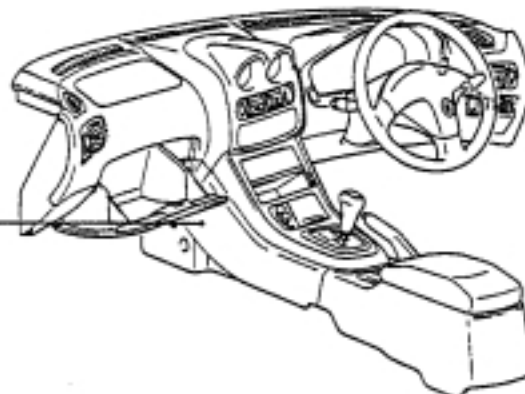
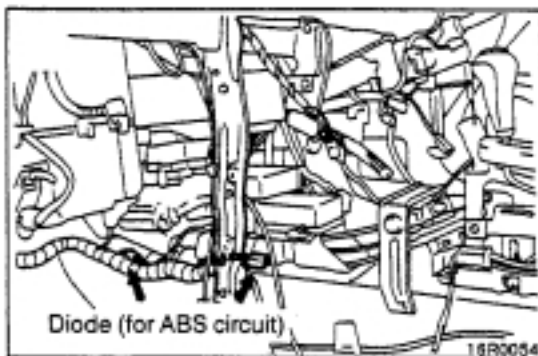
Name	Symbol	Name	Symbol
A/T control solenoid valve assembly	E	Oil control valve (right bank side)	B
ABS solenoid valve (built-in hydraulic unit)	D	Vacuum solenoid valve <TCL>	C
Oil control valve (left bank side)	A	Ventilation solenoid valve <TCL>	C



A16R0009



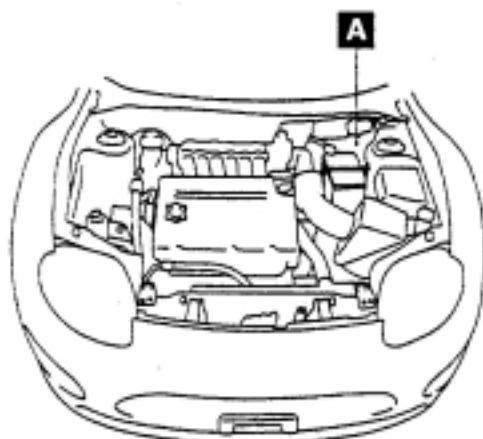
**DIODE**



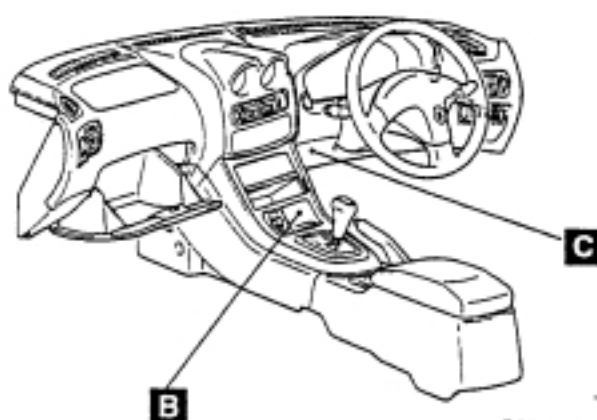
B21A046

# INSPECTION CONNECTOR

Name	Symbol	Name	Symbol
Diagnosis code erase connector <ABS>	B	Engine speed detection connector	A
Diagnosis connector	C		

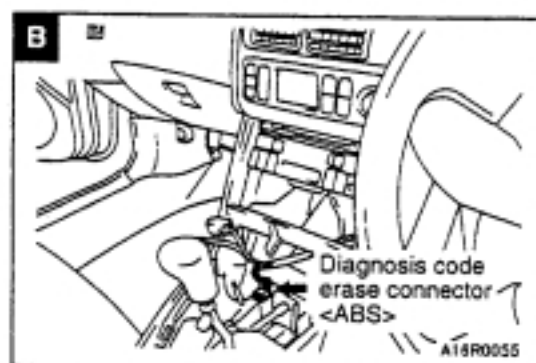
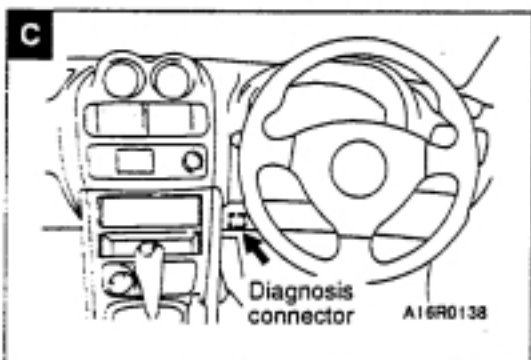
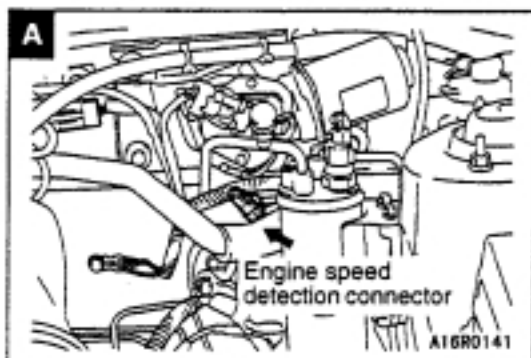


16R0009



B21A046

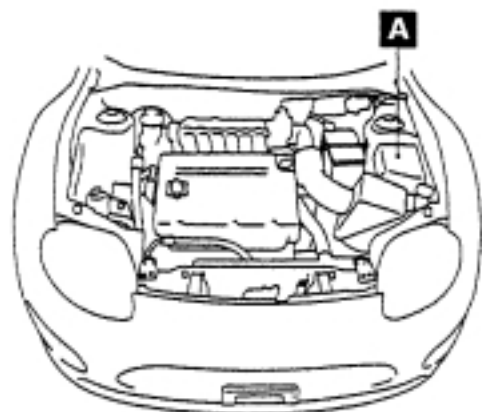
00003474



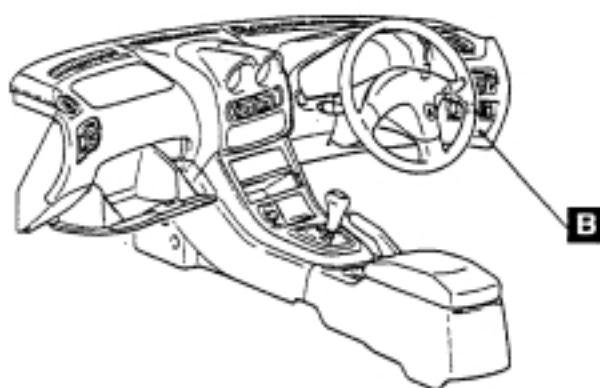


FUSIBLE LINK AND FUSE

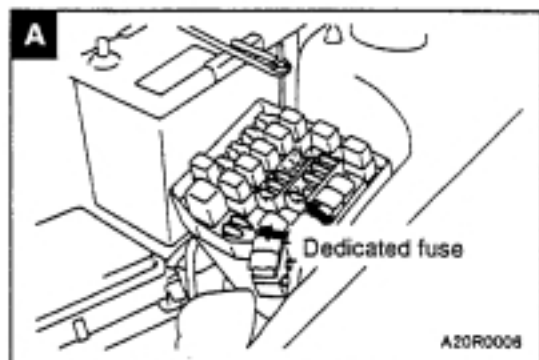
Name	Symbol	Name	Symbol
Dedicated fuse	A	Multi-purpose fuse	B
Fusible link	A		



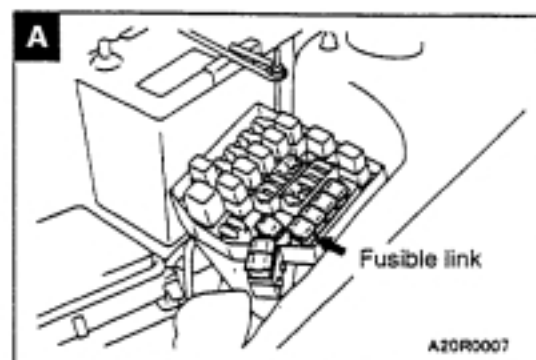
15R0009



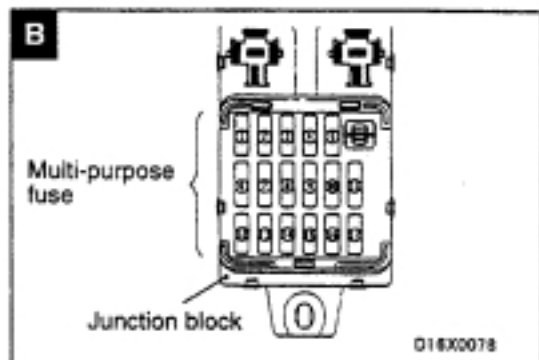
B21A046  
00008475



A20R0008

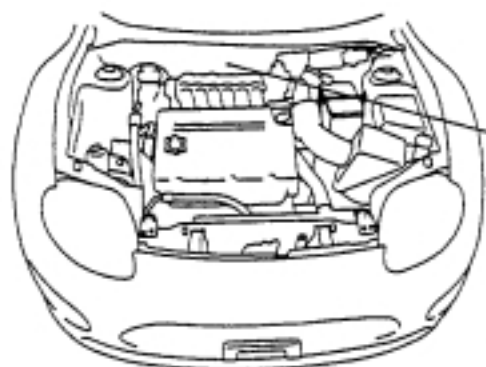


A20R0007

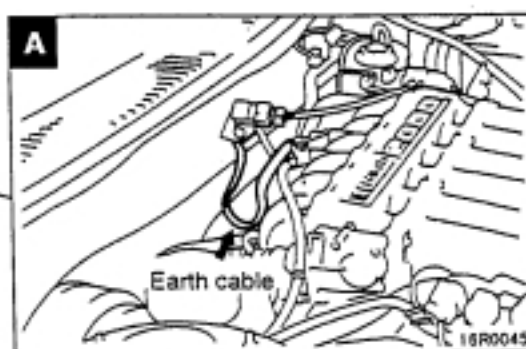


016X0078

## EARTH CABLE

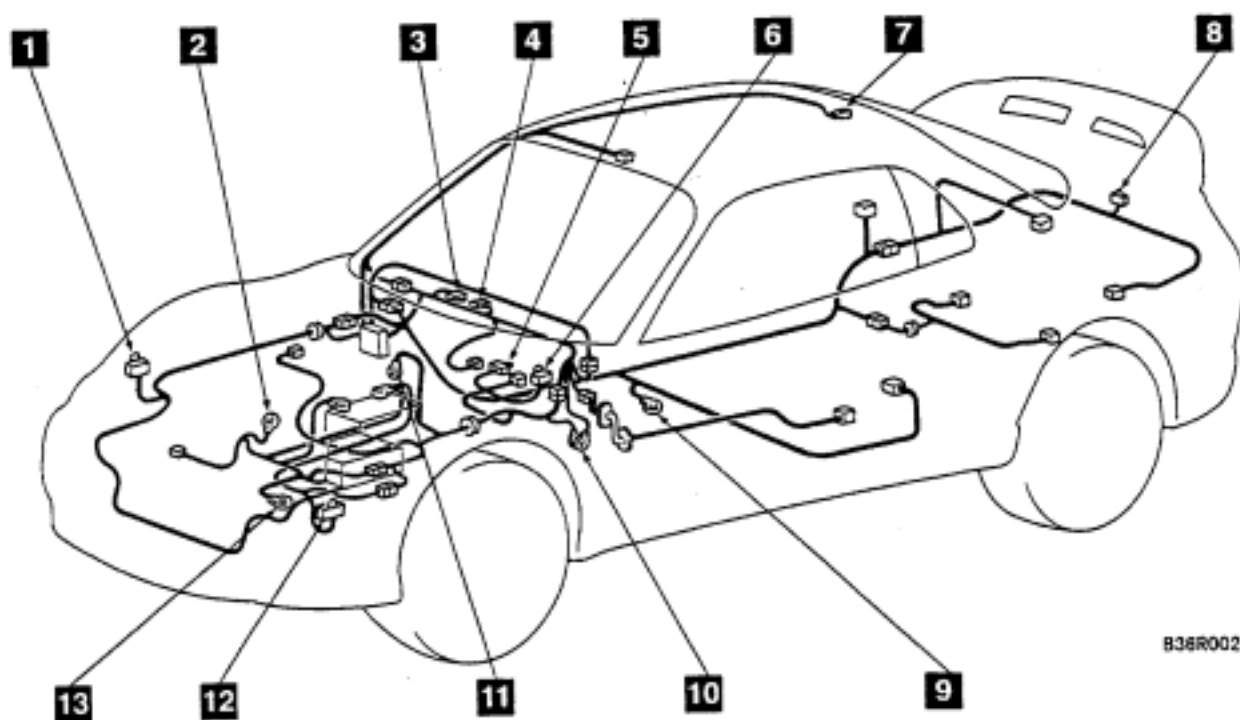


16R0009

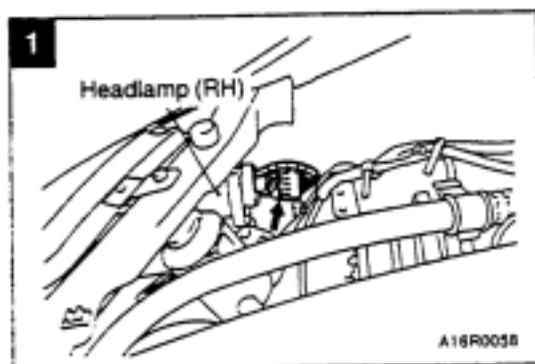


0000476

## EARTH

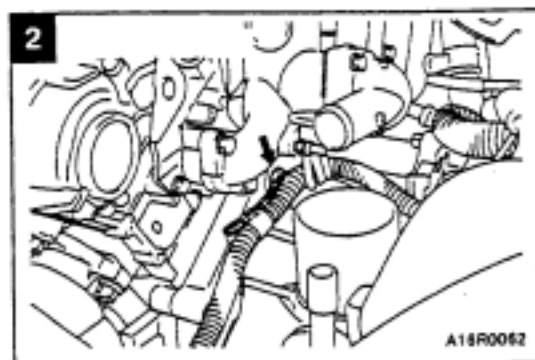


836R0024

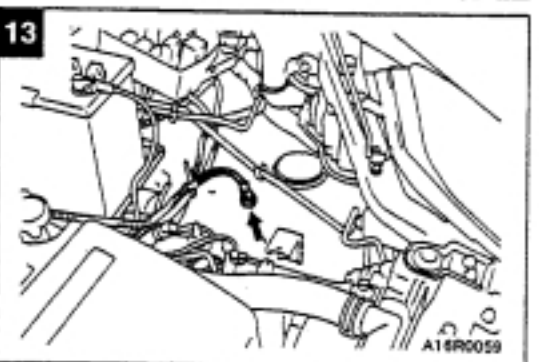
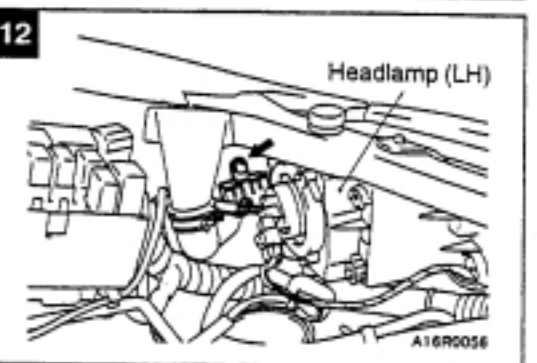
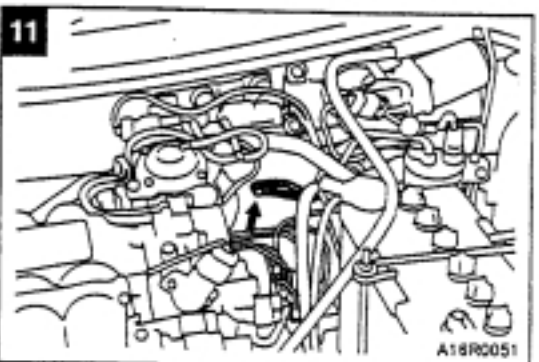
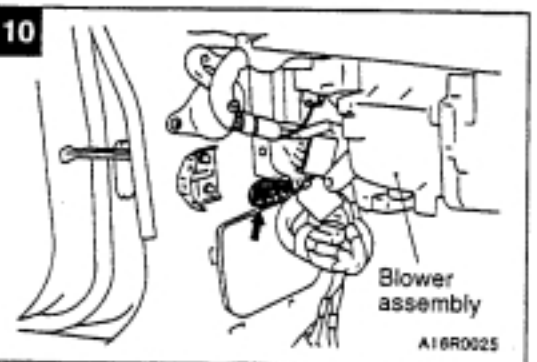
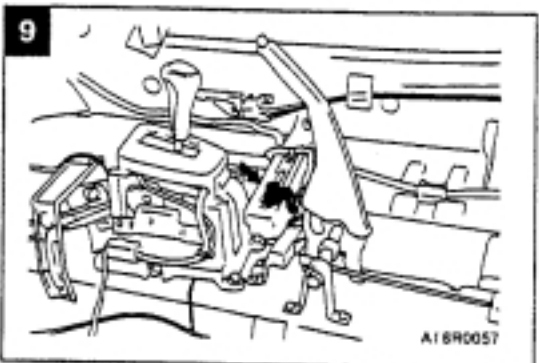
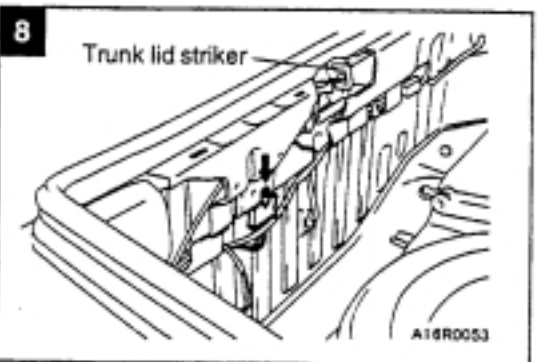
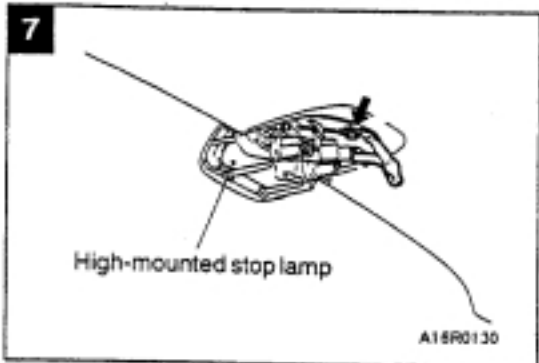
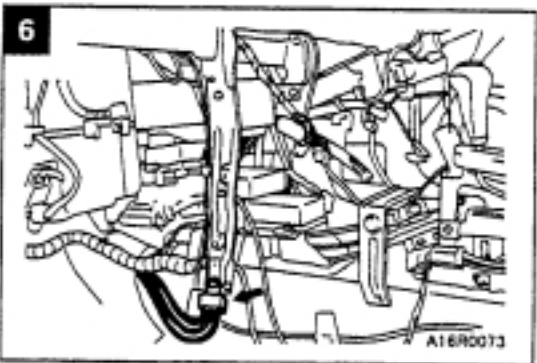
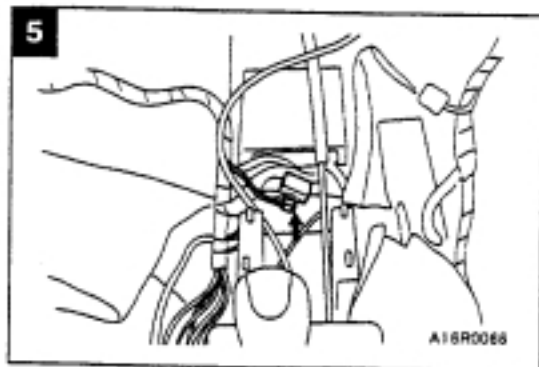
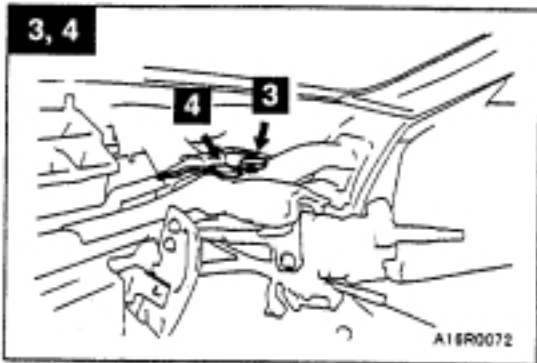


Headlamp (RH)

A16R0058



A16R0062



# CIRCUIT DIAGRAM

## CONTENTS

JUNCTION BLOCK (J/B) .....	4-4	IGNITION KEY CYLINDER ILLUMINATION LAMP .....	4-63
JOINT CONNECTOR (J/C) .....	4-6	MAP LAMP AND LUGGAGE COMPARTMENT LAMP .....	4-64
CENTRALIZED JUNCTION .....	4-9	TURN-SIGNAL LAMP AND HAZARD WARNING LAMP .....	4-66
POWER DISTRIBUTION SYSTEM .....	4-14	STOP LAMP .....	4-68
STARTING SYSTEM .....	4-19	BACK-UP LAMP <M/T> .....	4-69
IGNITION SYSTEM .....	4-20	BACK-UP LAMP AND REVERSE (R) POSITION WARNING BUZZER <A/T> .....	4-70
CHARGING SYSTEM .....	4-22	HORN .....	4-71
ENGINE CONTROL SYSTEM		METER AND GAUGE .....	4-72
Vehicles without TCL .....	4-24	OIL PRESSURE WARNING LAMP .....	4-74
Vehicles with TCL .....	4-32	FUEL WARNING LAMP .....	4-74
COOLING SYSTEM .....	4-39	BRAKE WARNING LAMP .....	4-75
INVECS-II 5A/T		SEAT BELT WARNING LAMP .....	4-75
Vehicles without TCL .....	4-40	POWER WINDOWS .....	4-76
Vehicles with TCL .....	4-48	CENTRAL DOOR LOCKING AND KEYLESS ENTRY SYSTEMS .....	4-78
HEADLAMP		FULL-AUTO AIR CONDITIONER .....	4-82
Except for discharge type .....	4-56	WINDSHIELD WIPER AND WASHER .....	4-88
Discharge type .....	4-58		
TAIL LAMP, POSITION LAMP AND LICENSE PLATE LAMP			
Vehicles without discharge type headlamp ...	4-60		
Vehicles with discharge type headlamp .....	4-61		
FOG LAMP .....	4-62		

---

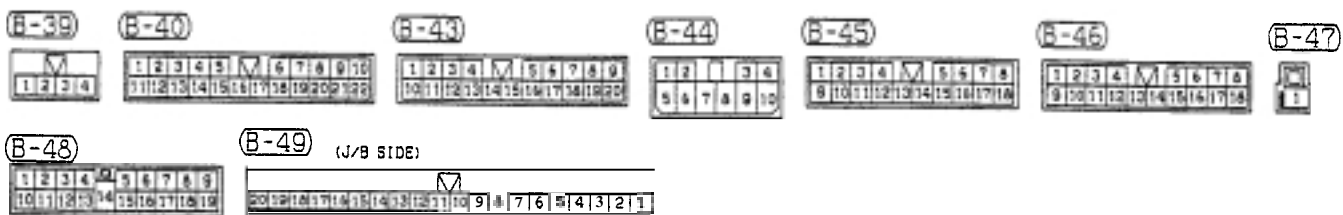
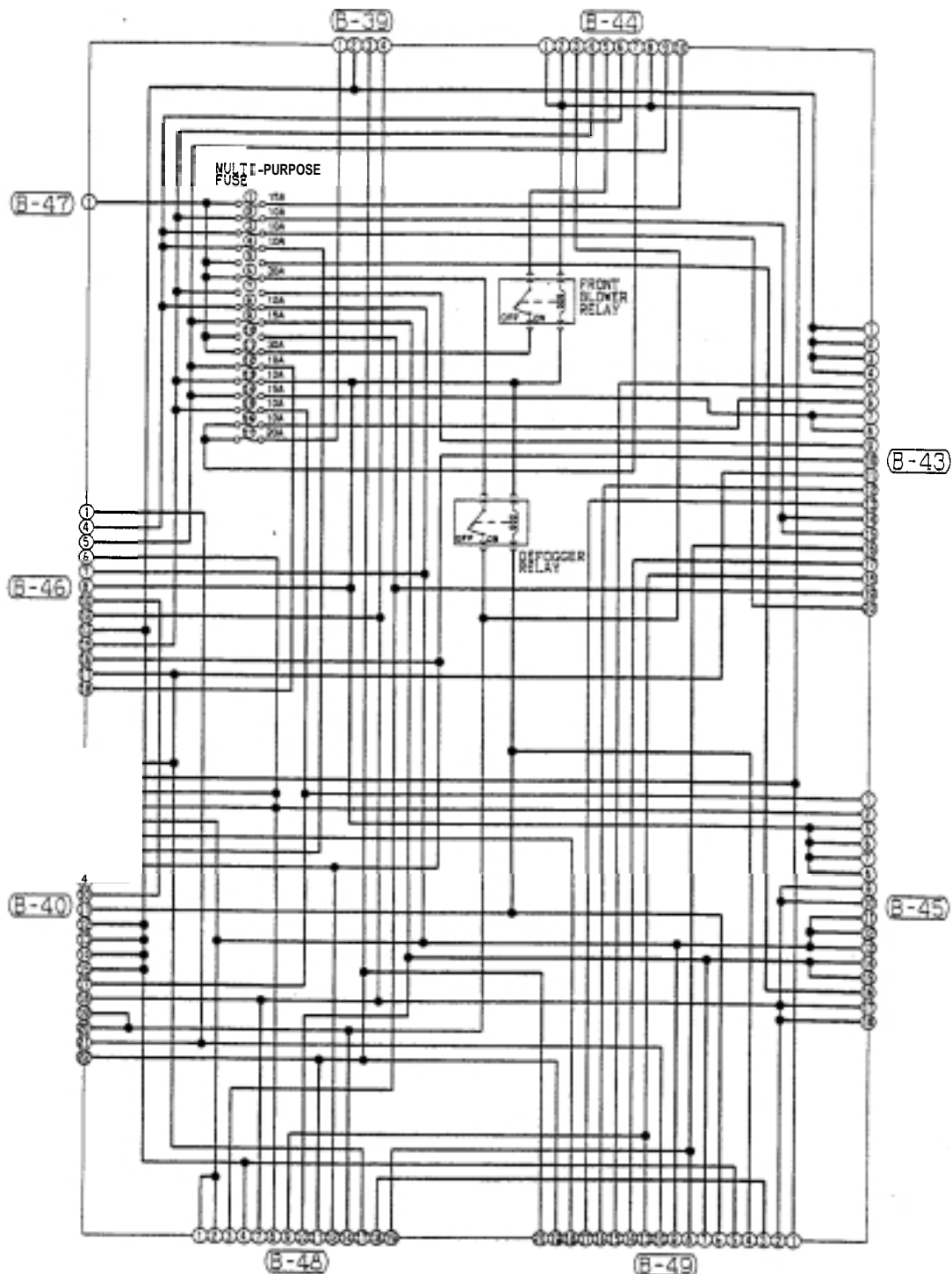
REAR WIPER AND WASHER .....	4-90	LIGHTING MONITOR BUZZER .....	4-101
DEFOGGER.....	4-92	KEY REMINDER BUZZER .....	4-102
ELECTRIC RETRACTABLE REMOTE-CONTROLLED MIRROR .....	4-94	SUNROOF .....	4-103
RADIO .....	4-96	ANTI-SKID BRAKING SYSTEM (ABS) ...	4-104
CLOCK .....	4-99	TRACTION CONTROL SYSTEM (TCL) ...	4-108
CIGARETTE LIGHTER AND ASHTRAY ILLUMINATION LAMP .....	4-100	SUPPLEMENTAL RESTRAINT SYSTEM (SRS) .....	4-112

---

---

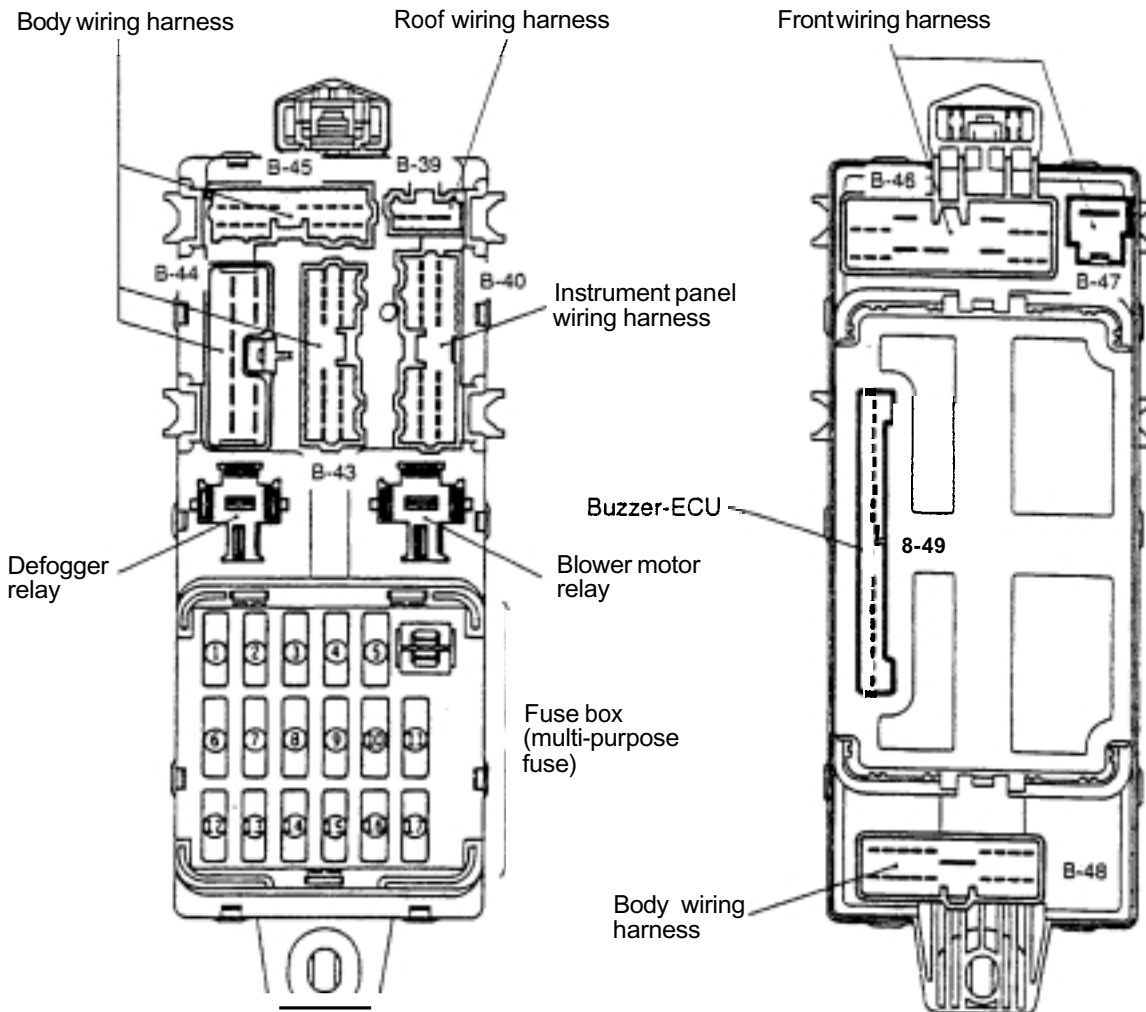
NOTES

JUNCTION BLOCK (J/B)



**Front side**

**Rear side**

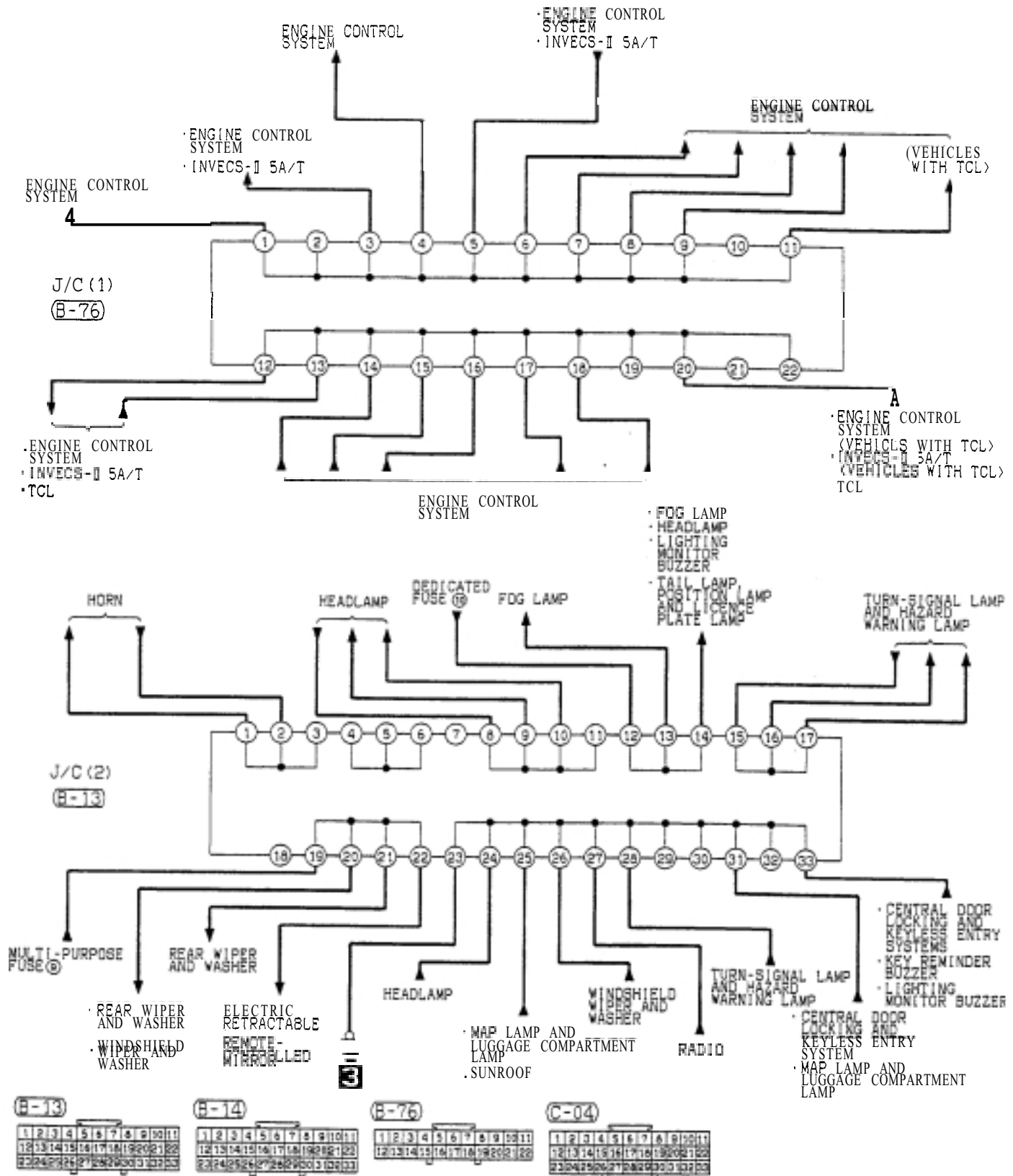


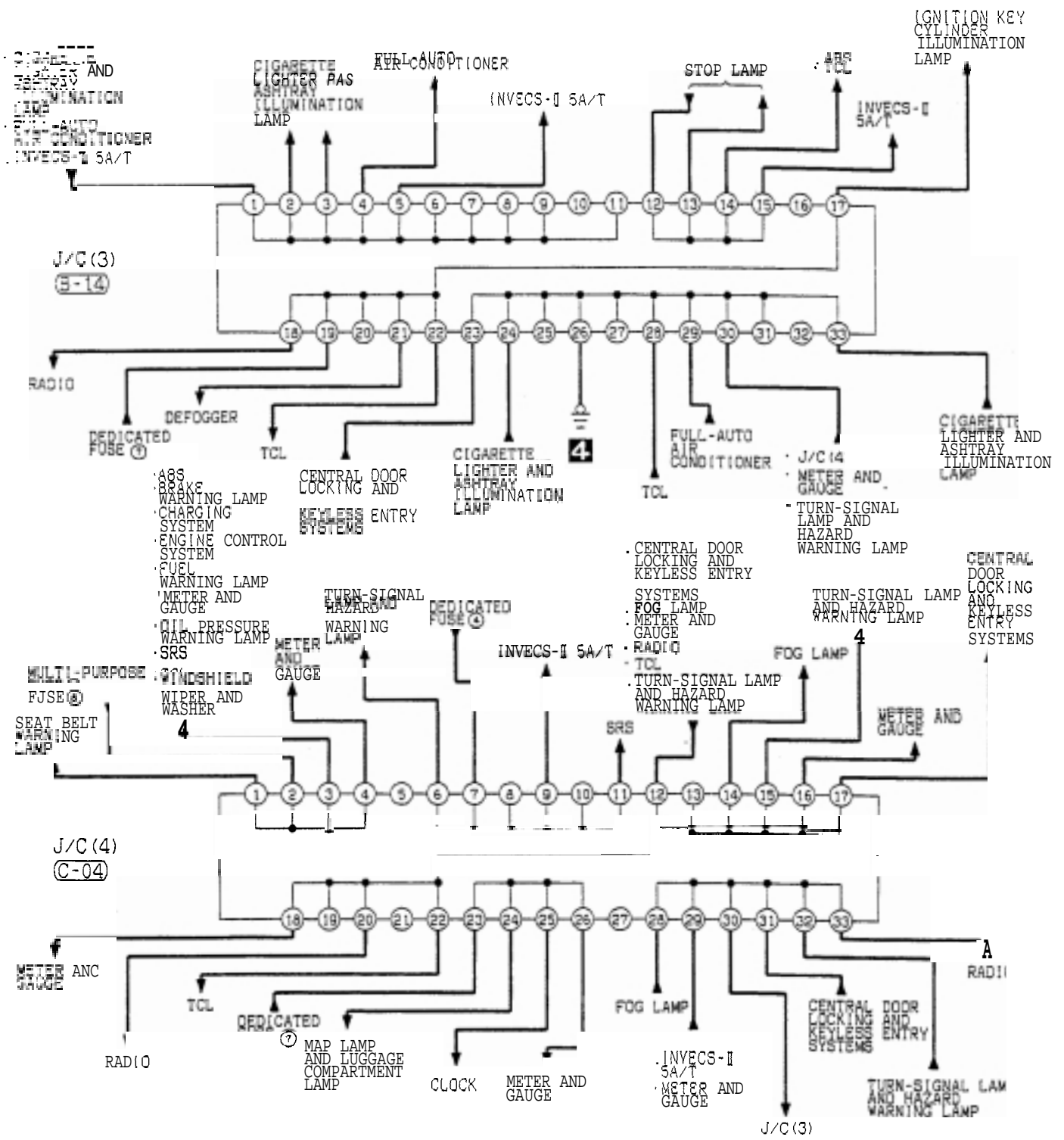
16X0078

16X0079  
00008477



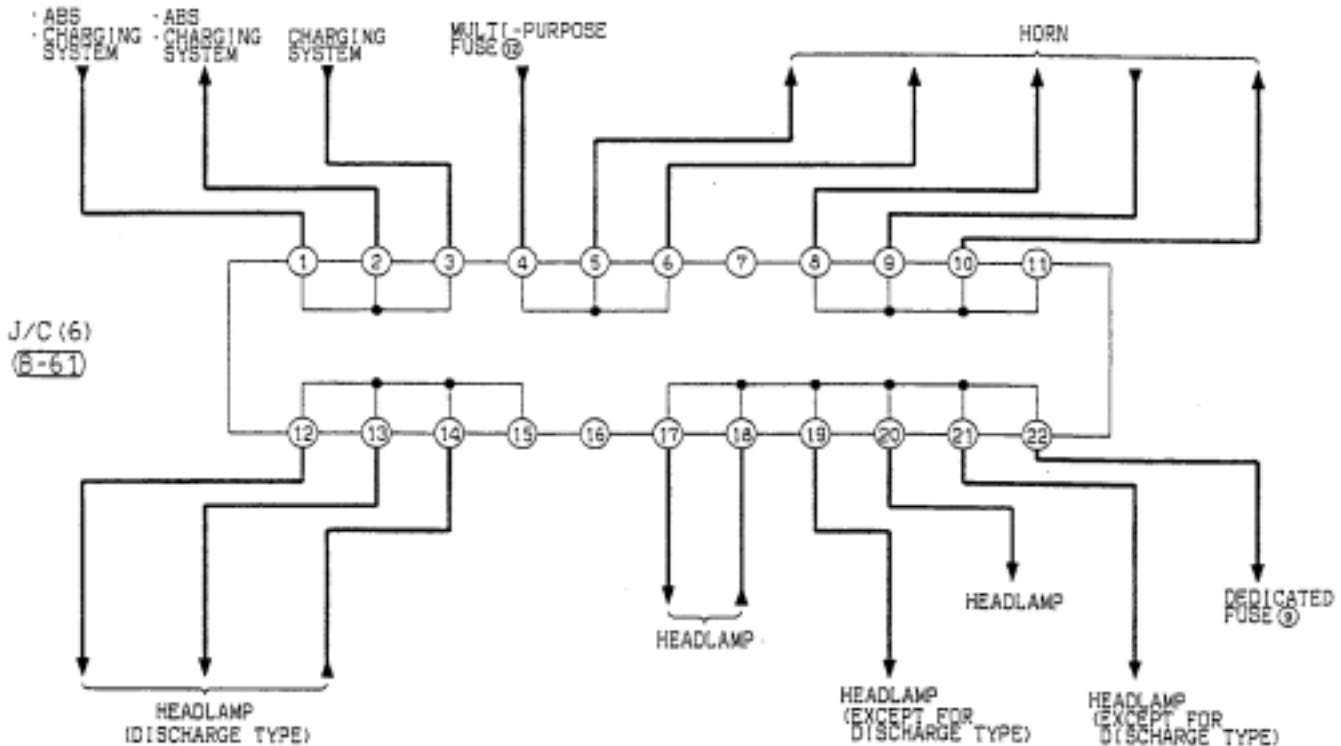
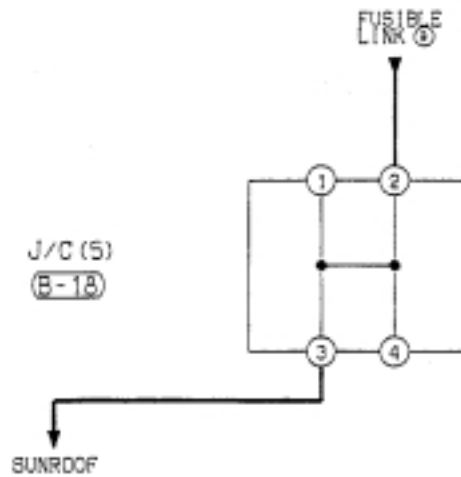
JOINT CONNECTOR (J/C)





REMARK  
 IN ACTUAL VEHICLES, ANY OF THE TERMINALS CONNECTED IN J/C ARE USED. THE TERMINALS  
 DESCRIBED IN THE CIRCUIT DIAGRAM MAY NOT BE IDENTICAL TO THOSE OF THE VEHICLES.

JOINT CONNECTOR (J/C) (CONTINUED)



(B-18)

(B-61)

13
34

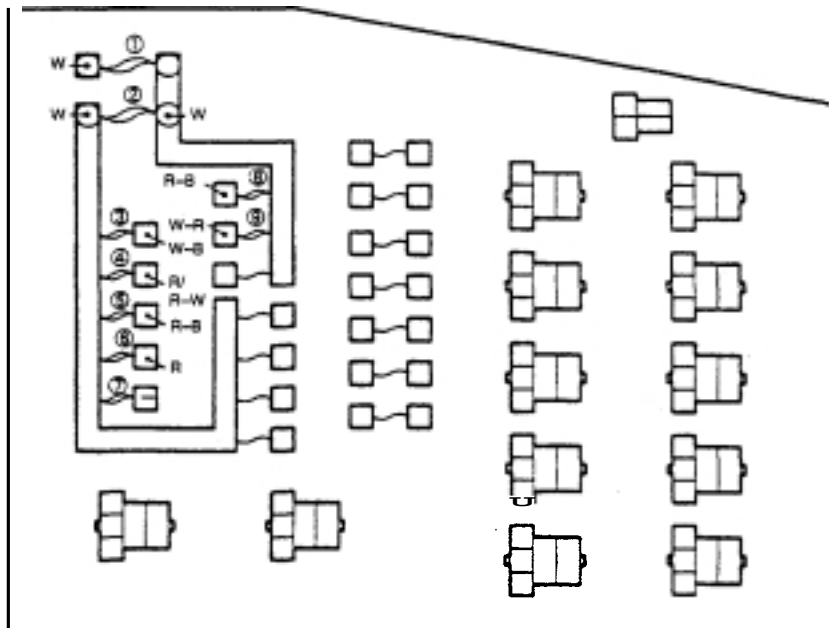
1	2	3	4	5	6	7	8	9	10	11
12	13	14	15	16	17	18	19	20	21	22

REMARK  
IN ACTUAL VEHICLES, ANY OF THE TERMINALS CONNECTED IN J/C ARE USED. THE TERMINALS DESCRIBED IN THE CIRCUIT DIAGRAM MAY NOT BE IDENTICAL TO THOSE OF THE VEHICLES.

**CENTRALIZED JUNCTION**

**FUSIBLE LINK (RELAY BOX INSIDE ENGINE ROOM)**

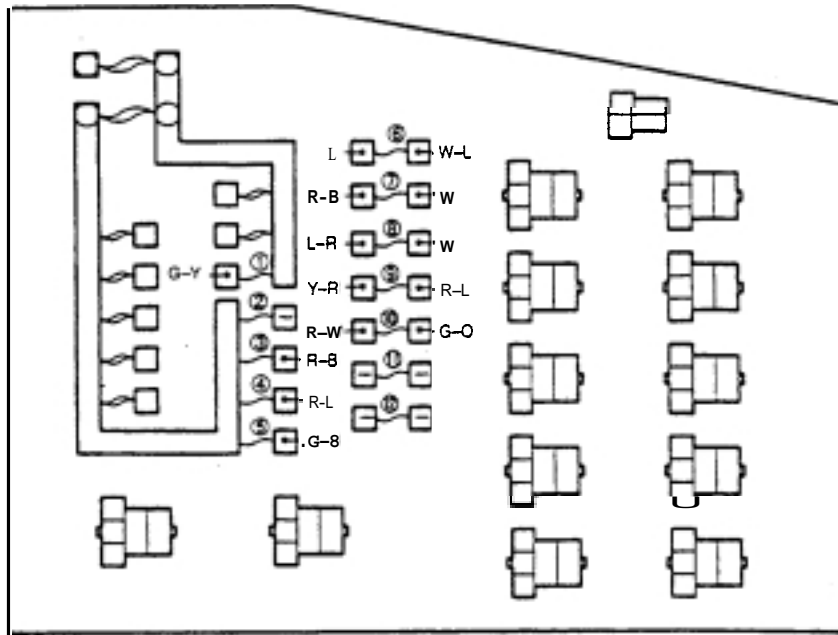
No.	Circuit	Type	Housing color	Rated capacity (A)
1	Dedicated fuse No. (7), (8), multi-purpose fuse No. (1), (6), (11)	Screw type	Yellow	50
2	Fusible link No. (1), (8), (9), dedicated fuse No.(1) (when engine stops), Fusible link No. (3), (4), (5), (6), dedicated fuse No.(3), (4), (5) (when engine starts)	Screw type	Dark blue	100
3	INVECS-II 5AVT, TCL. engine control	Connector type	Blue	20
4	Dedicated fuse No.(10), charging, headlamp	Connector type	Green	40
5	Full-auto air conditioner, cooling	Connector type	Pink	30
6	Ignition switch	Connector type	Green	40
7	-	-	-	-
8	ABS	Connector type	Red	50
9	Multi-purpose fuse No. (16), (17), power window	Connector type	Pink	30



A16R0106

## DEDICATED FUSE (RELAY BOX INSIDE ENGINE ROOM)

Power supply circuit	Fuse No.	Rated capacity (A)	Housing color	Circuit
Battery (fusible link No.2)/Alternator	1	30	Pink	Condenser fan
-	2	-	-	-
Battery/alternator (fusible link No.2)	3	15	Blue	Fog lamp
	4	10	Red	Turn-signal and hazard warning lamp
	5	15	Blue	Stop lamp
Ignition switch (ACC)	6	15	Blue	Keyless entry receiver, motor antenna assembly, spare connector for radio
Battery (fusible link No. 1, 2)/alternator (fusible link No.1)	7	10	Red	A/C-ECU power supply, TCL-ECU power supply, MUT-II power supply, engine-ECU power supply, key cylinder illumination lamp, keyless entry receiver, speedometer, trunk room lamp, clock, door-ajar indicator lamp, buzzer-ECU power supply, map lamp, motor antenna assembly, spare connector for radio
	a	10	Red	A/C compressor
Headlamp relay <vehicles without discharge type headlamp>	9	10	Red	High beam indicator lamp
Headlamp relay (dedicated fuse No.11) <vehicles with discharge type headlamp>				
Battery (fusible link No.4)/alternator (fusible link No.2, 4)	10	10	Red	Illumination lamp, tail lamp, position lamp, license plate lamp, buzzer-ECU
Headlamp relay <vehicles with discharge type headlamp>	11	20	Yellow	Dedicated fuse No.9 (high beam indicator lamp), headlamp (LH)
	12	20	Yellow	Headlamp (RH)



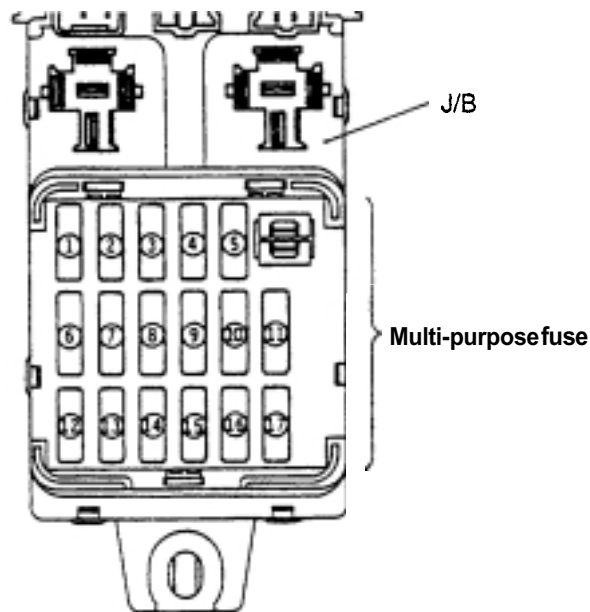
B16R0106

**MULTI-PURPOSE FUSE (INSIDE J/B)**

Power supply circuit	Fuse No.	Rated capacity (A)	Housing color	Load circuit
Battery (fusible link No.1, 2)/alternator (fusible link No.1)	1	15	Blue	Door lock-ECU
Ignition switch	IG2	2	Red	TCL-ECU
	IG1	3	Red	A/T-ECU, A/T indicator lamp, output/input shaft speed sensor, back-up lamp, buzzer-ECU
		4	10	Red
-	5	-	-	-
Battery (fusible link No.1, 2)/alternator (fusible link No.1)	6	30	Pink	Defogger
-	7	-	-	-
Ignition switch	IG1	8	Red	SRS-ECU, combination meter, sunroof-ECU, vehicle speed sensor, steering wheel sensor <vehicles with TCL>, buzzer-ECU, motor antenna assembly, voltmeter

CIRCUIT DIAGRAM

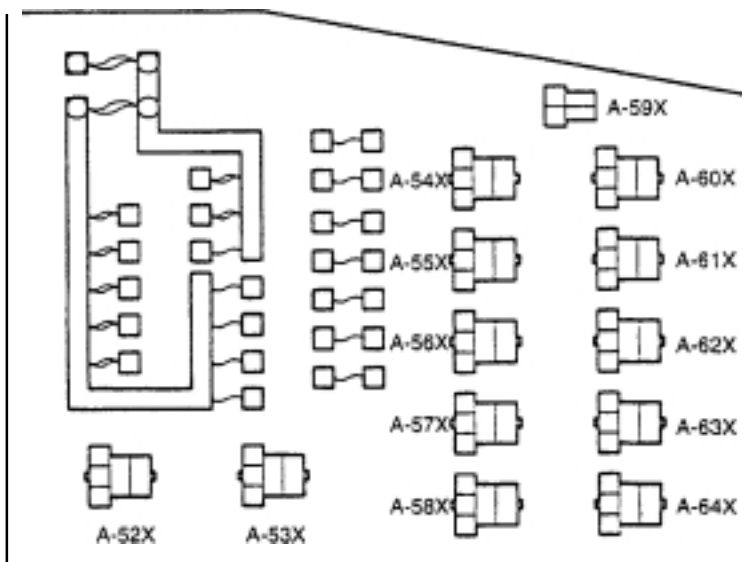
Power supply circuit		Fuse No.	Rated capacity (A)	Housing color	Load circuit
Ignition switch	ACC	9	15	Blue	Windshield intermittent wiper relay, windshield wiper motor, remote-controlled mirror, rear intermittent wiper relay, rear washer motor, rear wiper motor
-		10	-	-	-
Battery (fusible link No.1, 2)/alternator (fusible link No.1)		11	30	Pink	Blower motor
Ignition switch	ACC	12	10	Red	Horn
	IG2	13	10	Red	A/C-ECU, ABS-ECU, ABS valve relay, defogger relay, power window relay, blower high speed relay, blower motor relay
	ACC	14	15	Blue	Cigarette lighter
	IG2	15	10	Red	-
Battery (fusible link No.2, 9)/alternator (fusible link No.9)		16	10	Red	-
		17	20	Yellow	Sunroof-ECU



E16X0078

CENTRALIZED RELAY (RELAY BOX INSIDE ENGINE ROOM)

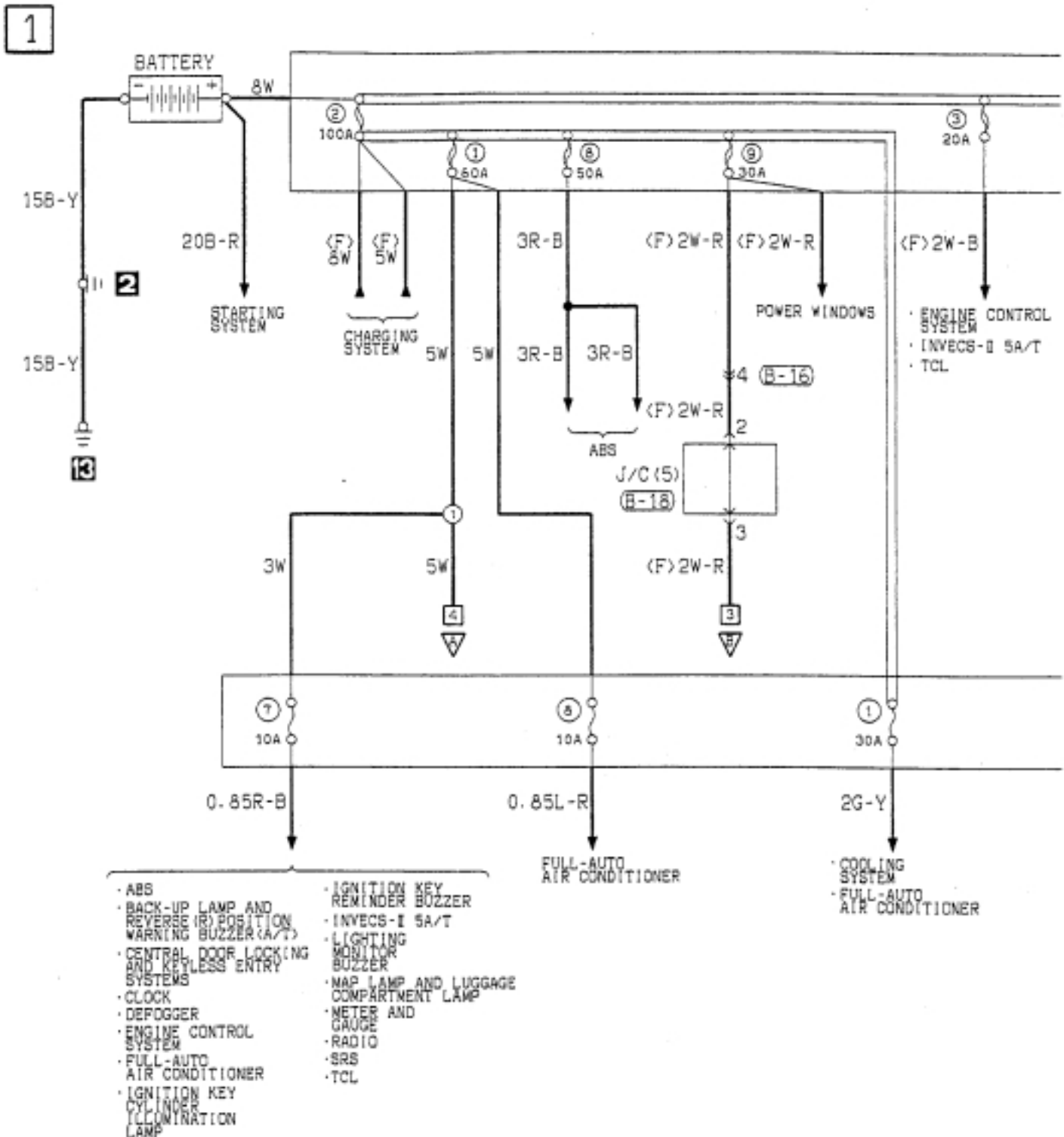
Connector NO.	Name	Connector No.	Name
A-52X	ABS valve relay	A-59X	Alternator relay
A-53X	ABS motor relay	A-60X	Power window relay
A-54X	Headlamp relay	A-61X	Headlamp relay (vehicles with discharge type headlamp)
A-55X	A/C compressor relay	A-62X	-
A-56X	Condenser fan relay	A-63X	-
A-57X	Radiator fan relay	A-64X	-
A-58X	Horn relay	-	-



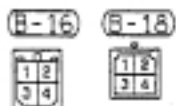
10P01104



POWER DISTRIBUTION SYSTEM

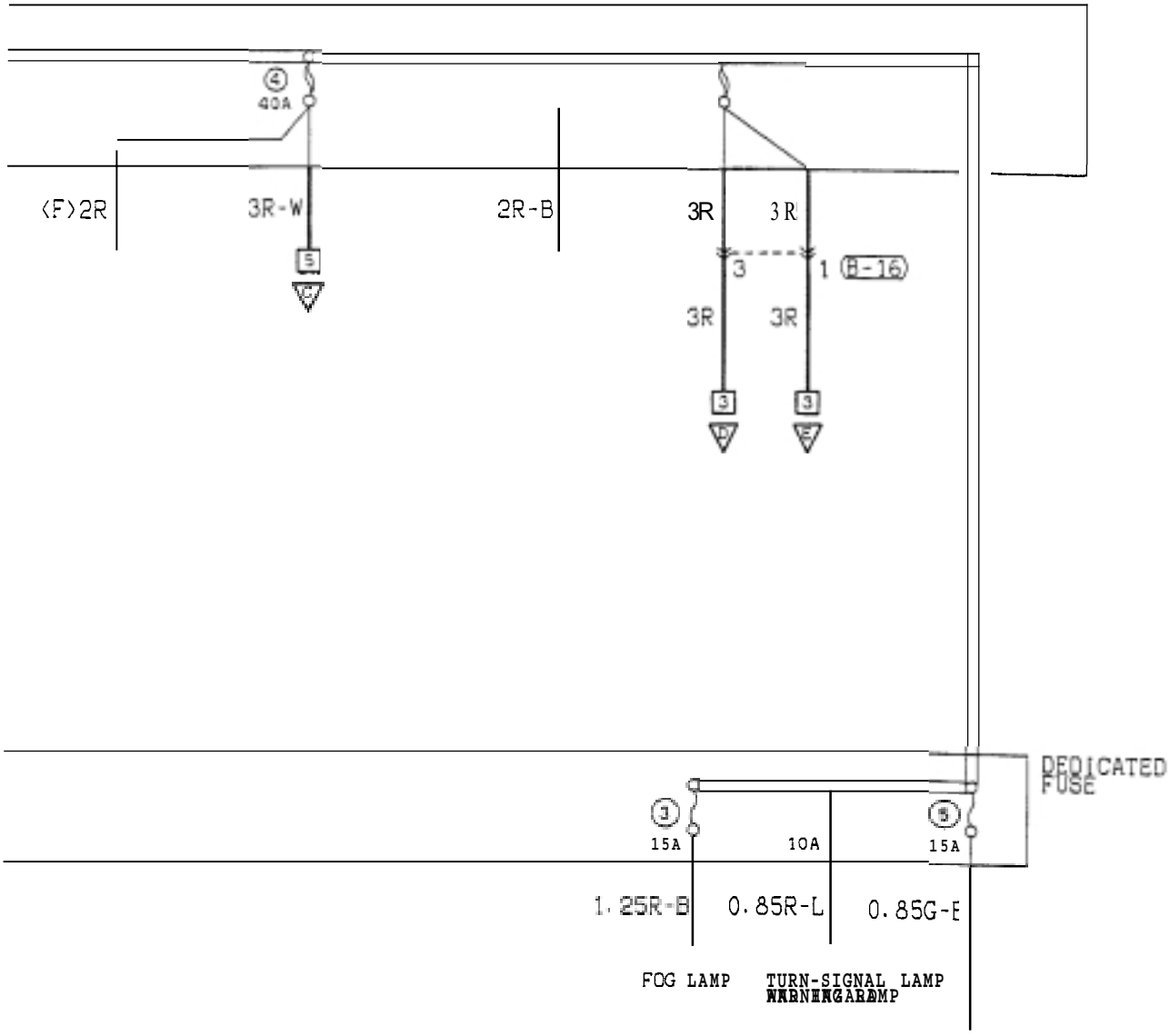


- ABS
- BACK-UP LAMP AND REVERSE (R) POSITION WARNING BUZZER (A/T)
- CENTRAL DOOR LOCKING AND KEYLESS ENTRY SYSTEMS
- CLOCK
- DEFOGGER
- ENGINE CONTROL SYSTEM
- FULL-AUTO AIR CONDITIONER
- IGNITION KEY CYLINDER ILLUMINATION LAMP
- IGNITION KEY REMINDER BUZZER
- INVECS-I 5A/T
- LIGHTING MONITOR BUZZER
- MAP LAMP AND LUGGAGE COMPARTMENT LAMP
- METER AND GAUGE
- RADIO
- SRS
- TCL
- COOLING SYSTEM
- FULL-AUTO AIR CONDITIONER



2

FUSIBLE LINK



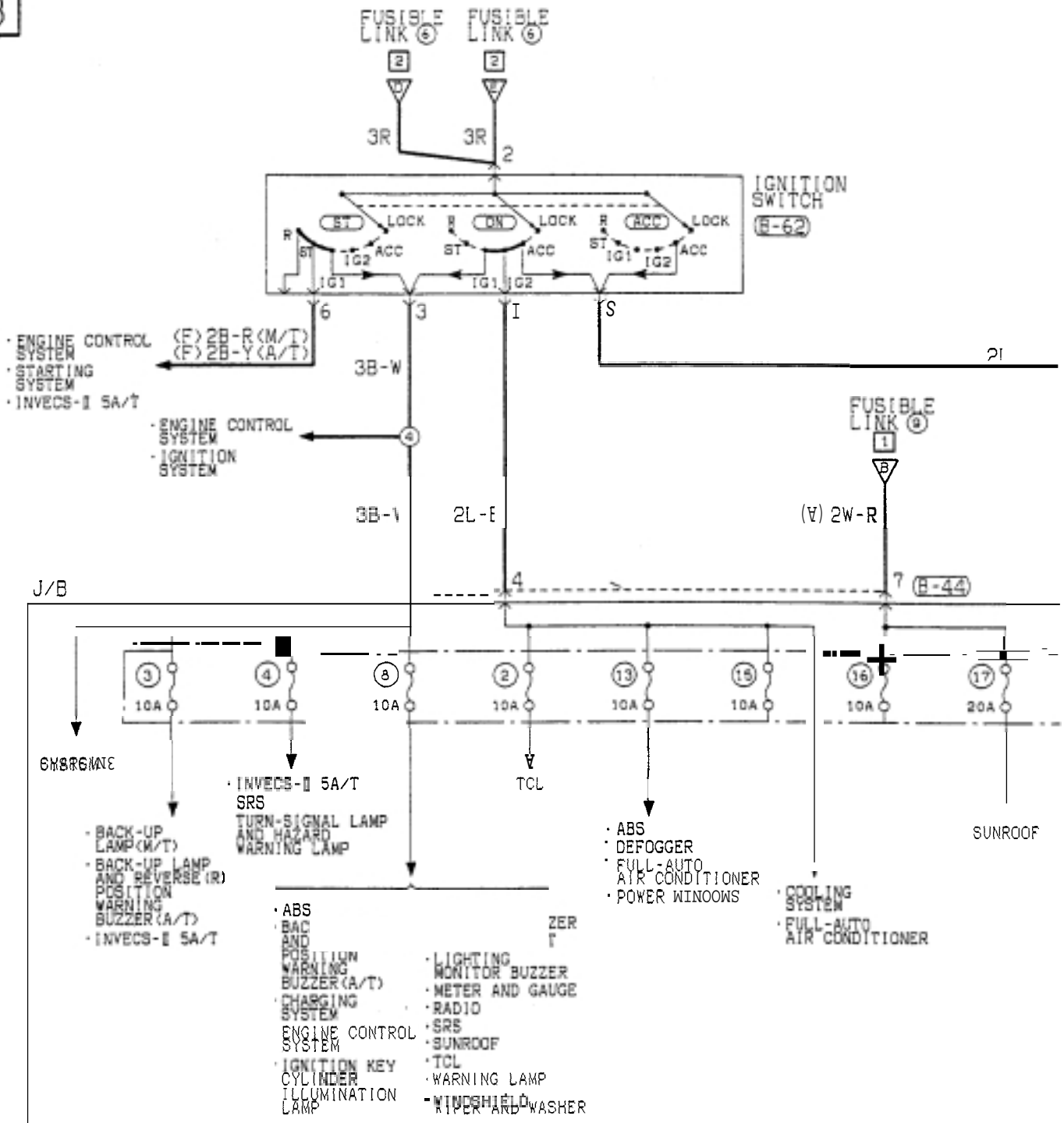
- ABS
- INVECS-II SA/T
- STOP LAMP
- TCL

Wire colour code

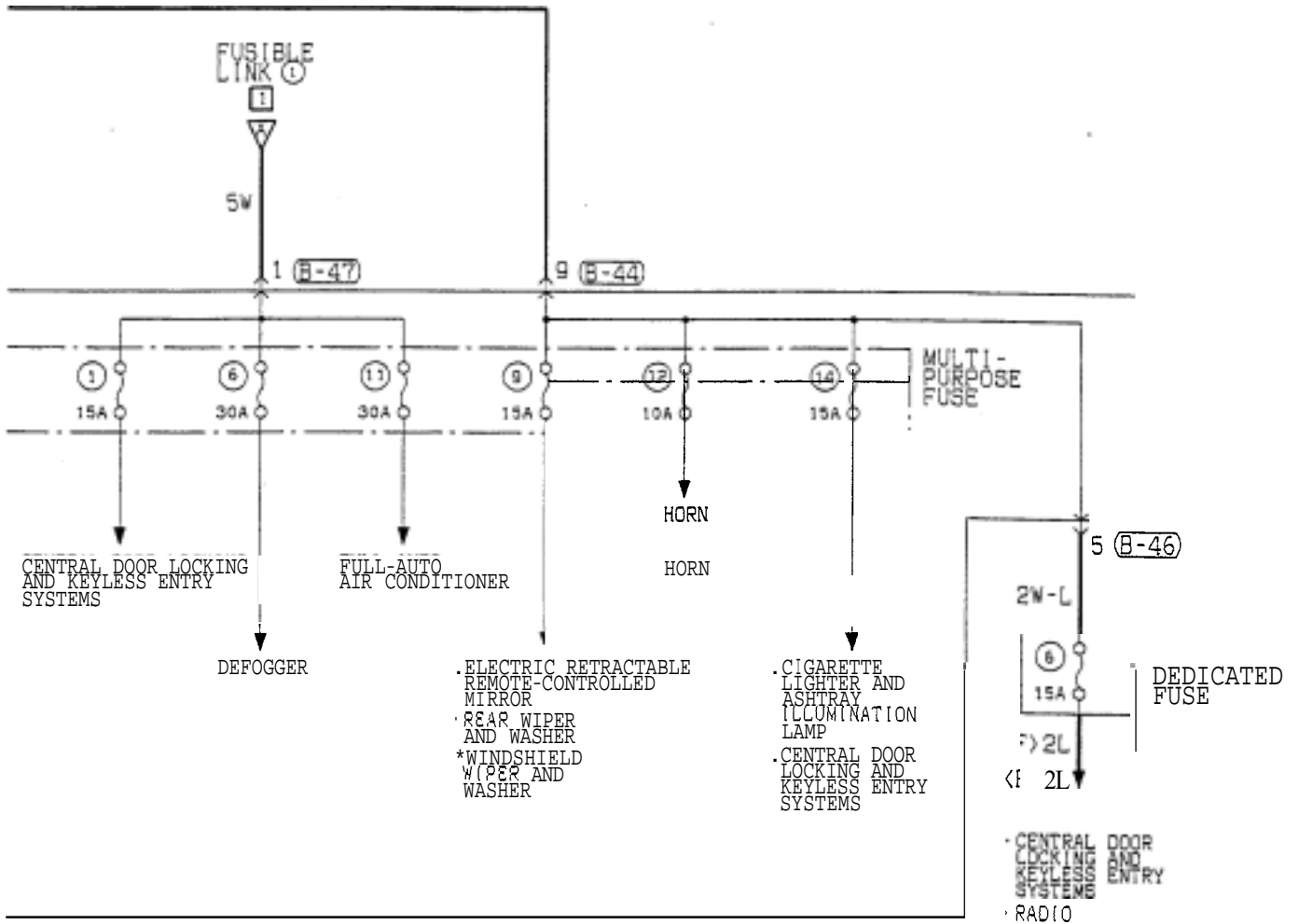
B : Black    LG : Light green    G : Green    L : Blue    W : White    Y : Yellow    SB : Sky blue  
 BR : Brown    O : Orange    GR : Gray    R : Red    P : Pink    V : Violet

POWER DISTRIBUTION SYSTEM (CONTINUED)

3



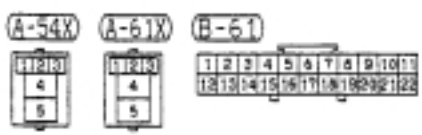
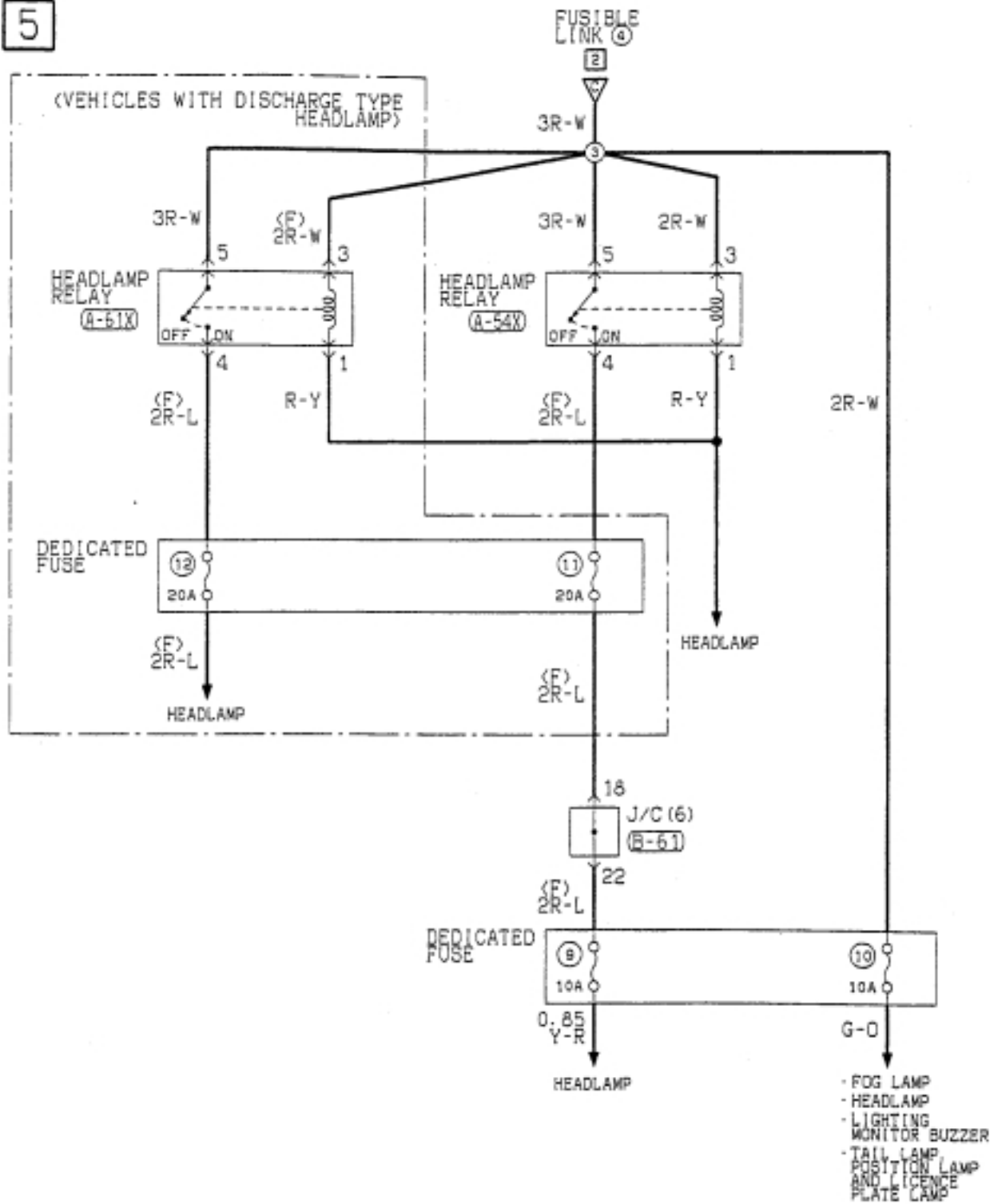
4



Wire colour code  
 BK:Black LG:Light green G:Green L:Blue W:White Y:Yellow SB:Sky blue  
 BR:Brown O:Orange GR:Gray R:Red P:Pink V:Violet

POWER DISTRIBUTION SYSTEM (CONTINUED)

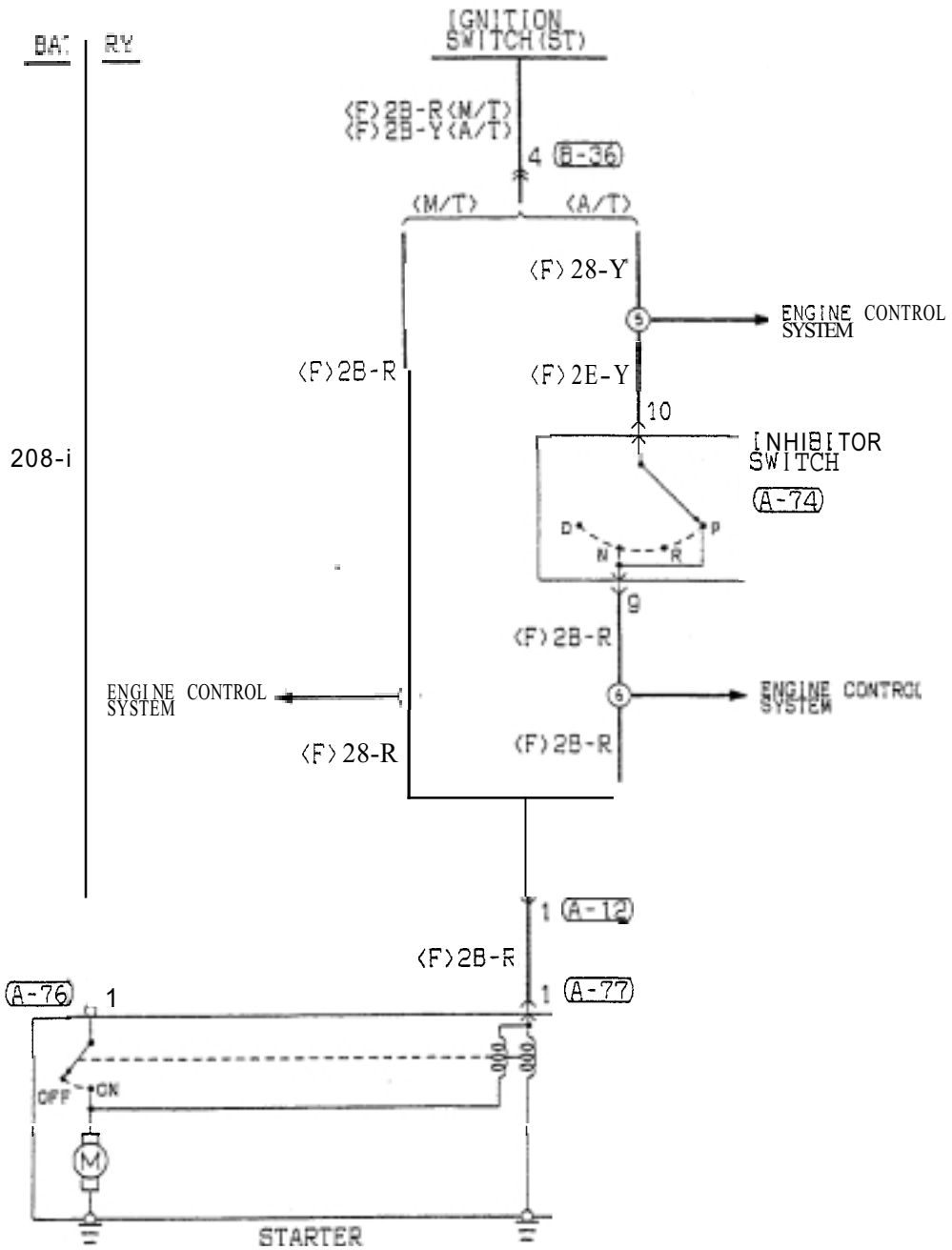
5



Wire colour code  
 BK:Black LG:Light green G:Green L:Blue W:White Y:Yellow SB:Sky blue  
 BR:Brown O:Orange GR:Gray R:Red P:Pink V:Violet

STARTING SYSTEM

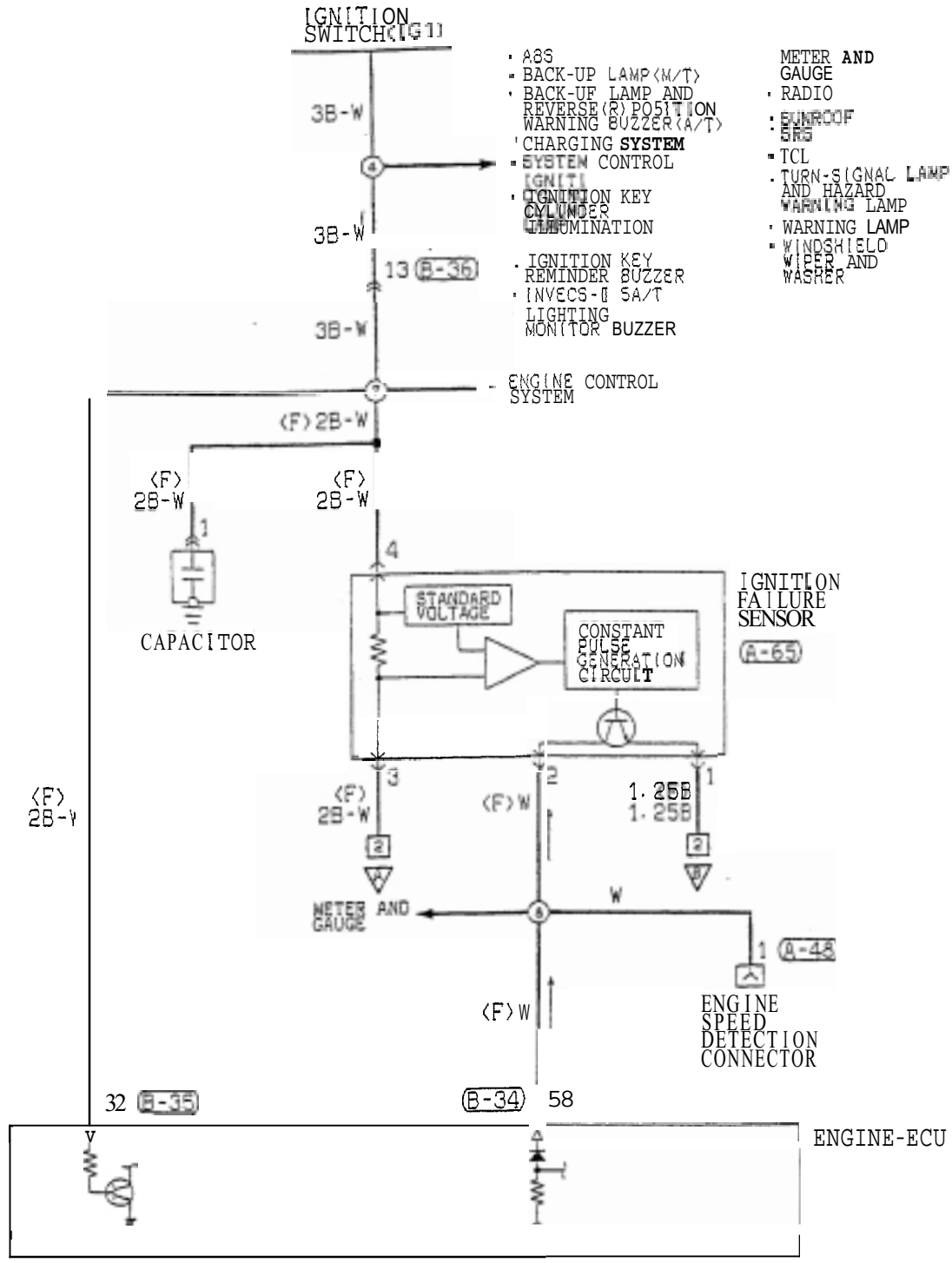
1



Wire colour code  
 BK:Black LG:Light green G:Green B:Blue W:White Y:Yellow SB:Sky blue  
 BR:Brown O:Orange GR:Gray R:Red P:Pink V:Violet

IGNITION SYSTEM

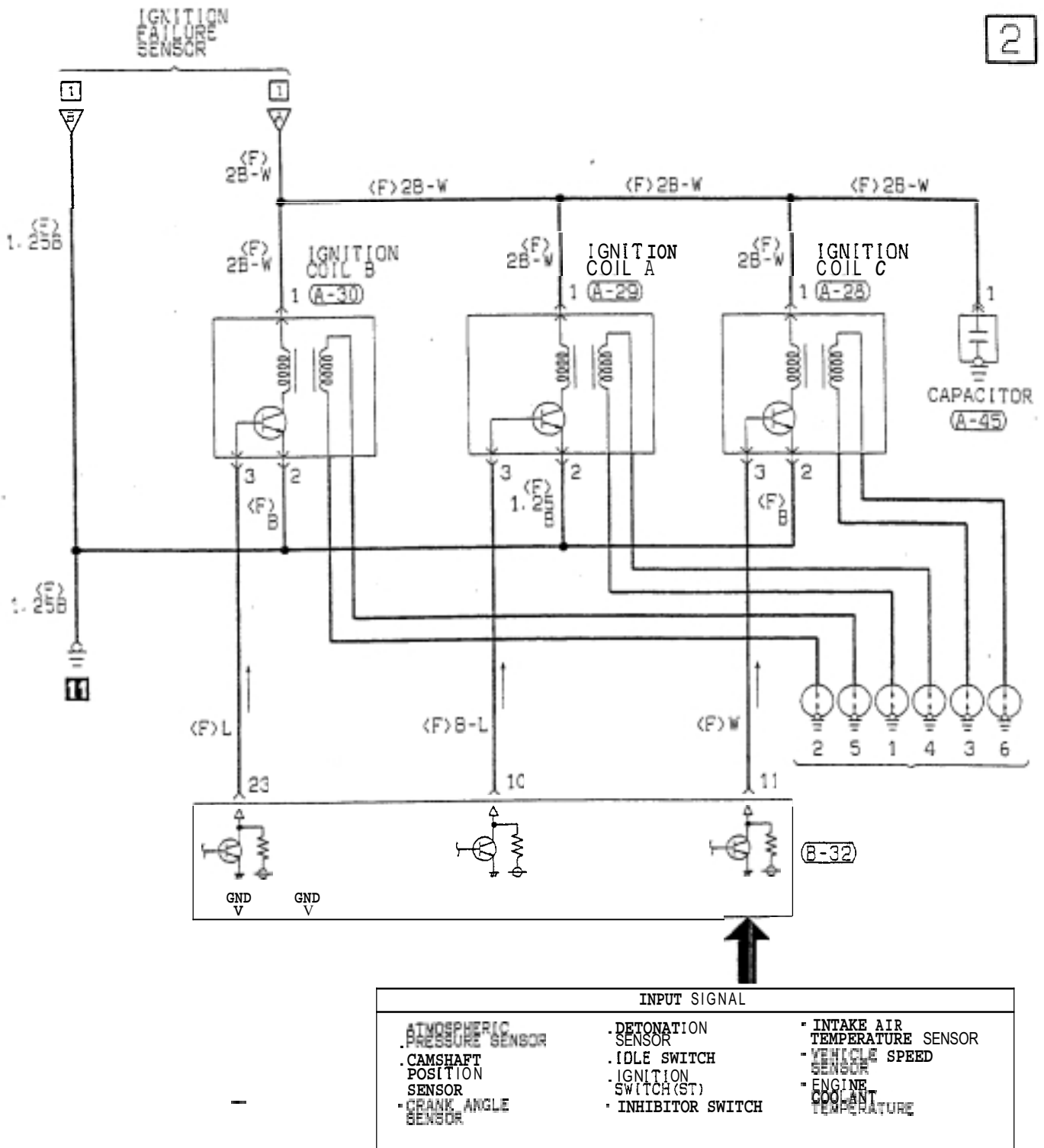
1



- ABS
- BACK-UP LAMP (M/T)
- BACK-UP LAMP AND REVERSE (R) POSITION WARNING BUZZER (A/T)
- CHARGING SYSTEM
- SYSTEM CONTROL (IGNITI)
- IGNITION KEY CYLINDER ILLUMINATION
- IGNITION KEY REMINDER BUZZER
- INVECS-II SA/T LIGHTING MONITOR BUZZER
- METER AND GAUGE
- RADIO
- SUNROOF
- SRS
- TCL
- TURN-SIGNAL LAMP AND HAZARD WARNING LAMP
- WARNING LAMP
- WINDSHIELD WIPER AND WASHER



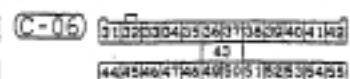
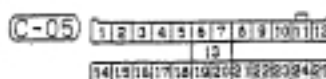
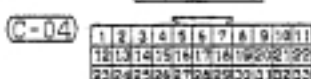
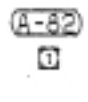
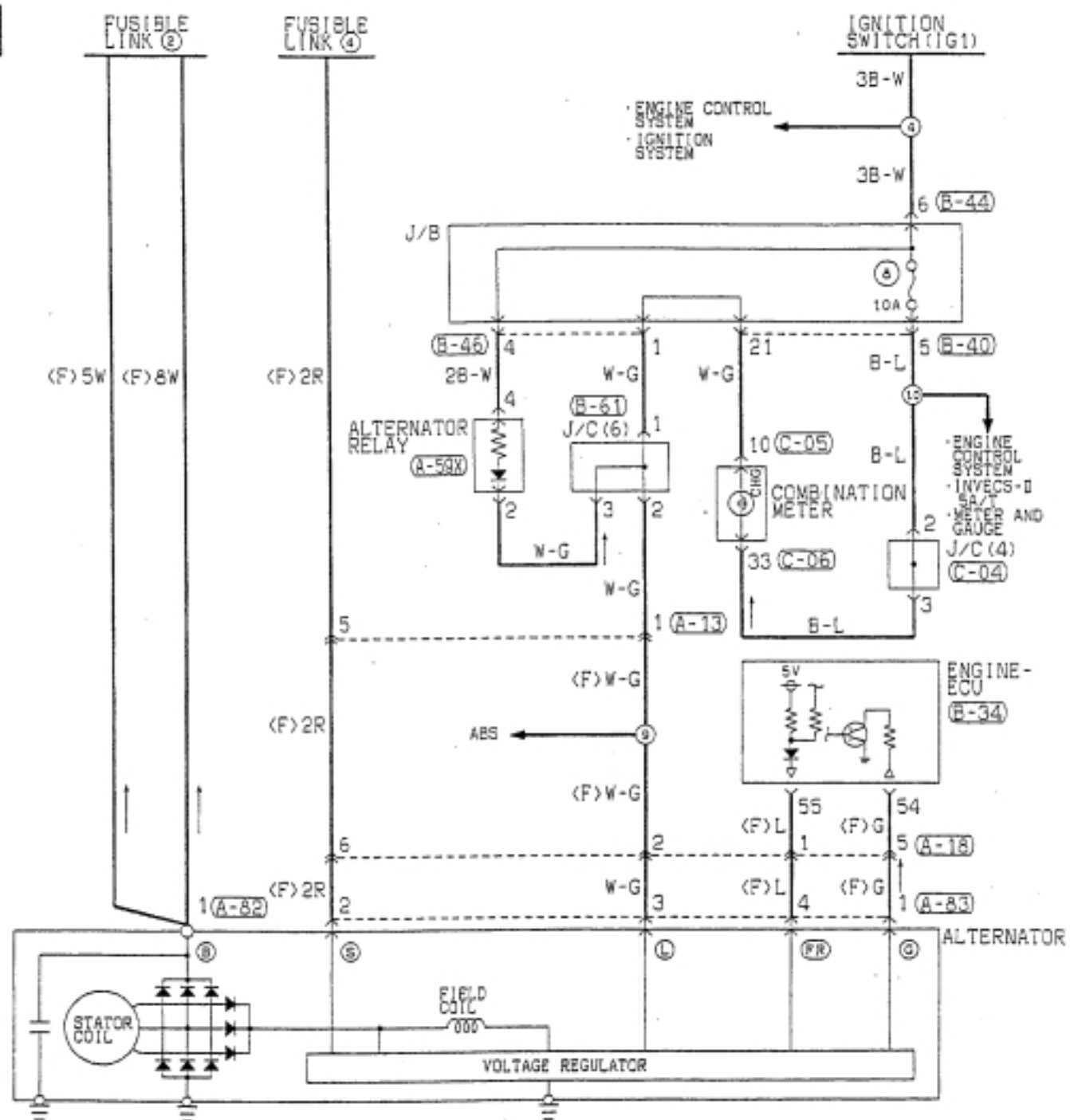
2





CHARGING SYSTEM

1

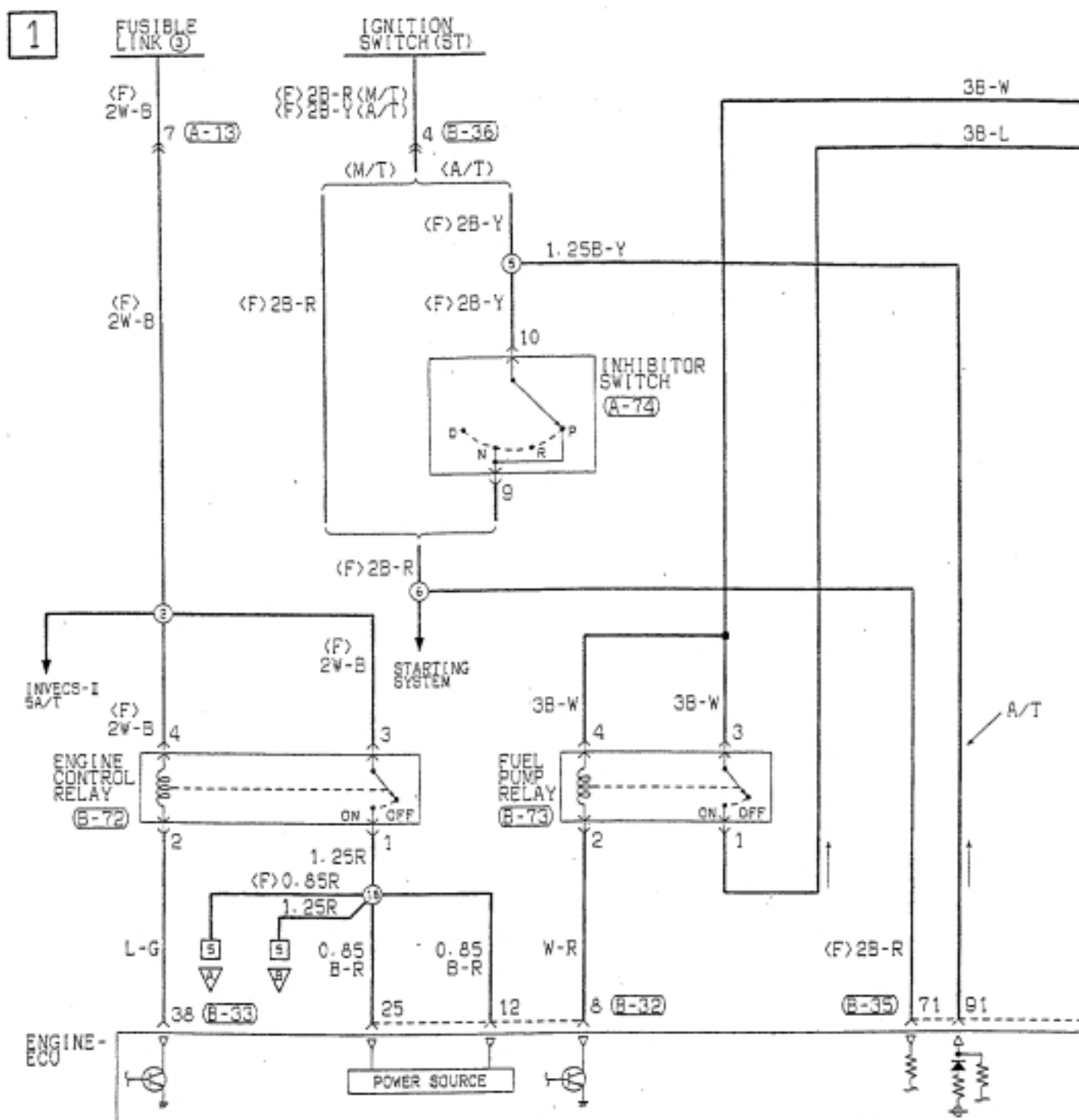


---

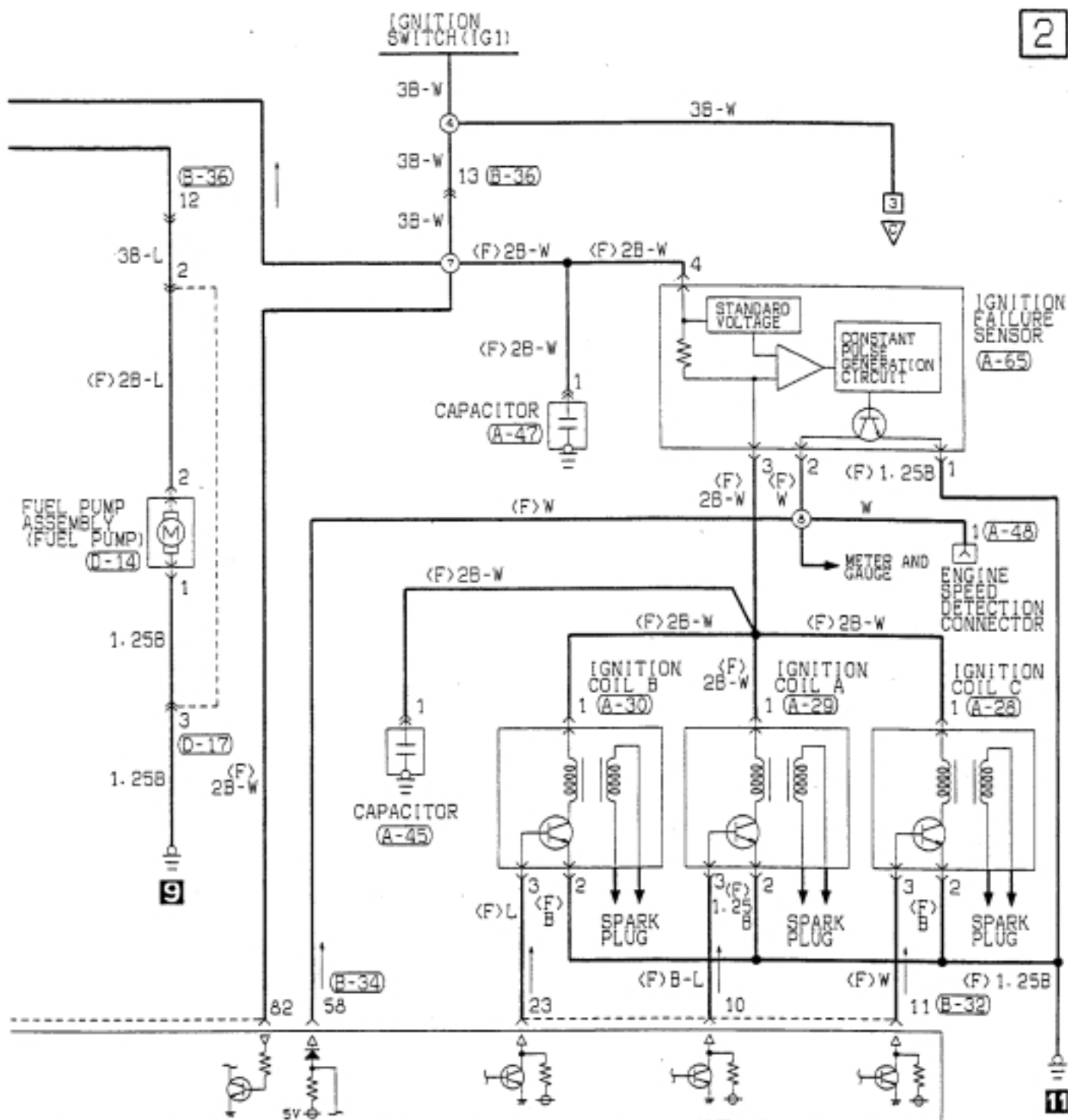
NOTES

## ENGINE CONTROL SYSTEM

Vehicles without TCL



2



**B-32**

1	2	3	4	5	6	7	8	9	10	11	12	13
14	15	16	17	18	19	20	21	22	23	24	25	26

**B-33**

1	2	3	4	5	6	7	8	9	10	11	12	13
14	15	16	17	18	19	20	21	22	23	24	25	26

**B-34**

1	2	3	4	5	6	7	8	9	10	11	12	13
14	15	16	17	18	19	20	21	22	23	24	25	26

**B-35**

1	2	3	4	5	6	7	8	9	10	11	12	13
14	15	16	17	18	19	20	21	22	23	24	25	26

**B-36**

1	2	3	4	5	6	7	8	9	10	11	12	13
14	15	16	17	18	19	20	21	22	23	24	25	26

**B-72**

1	2	3	4
---	---	---	---

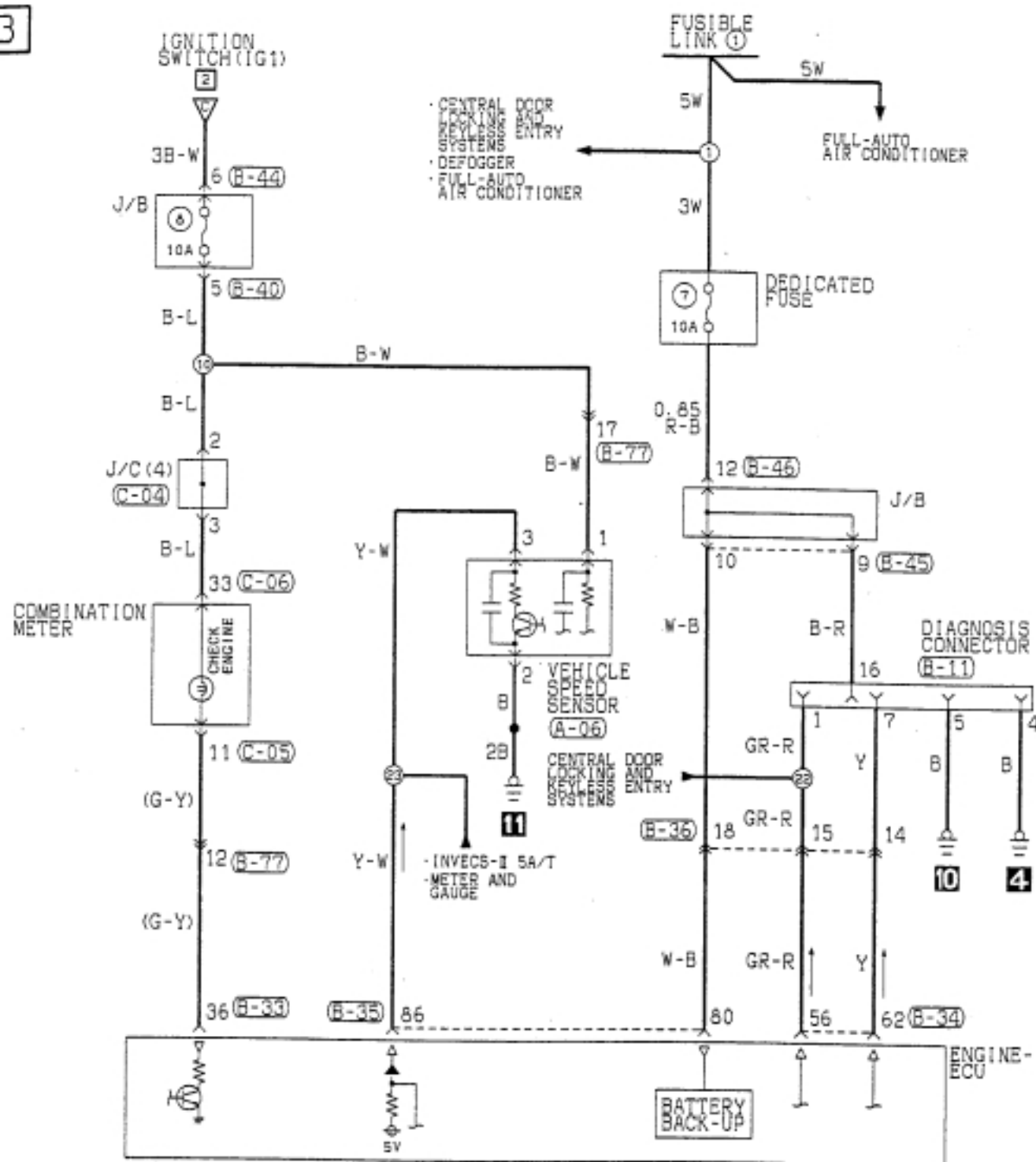
**B-73**

1	2	3	4
---	---	---	---

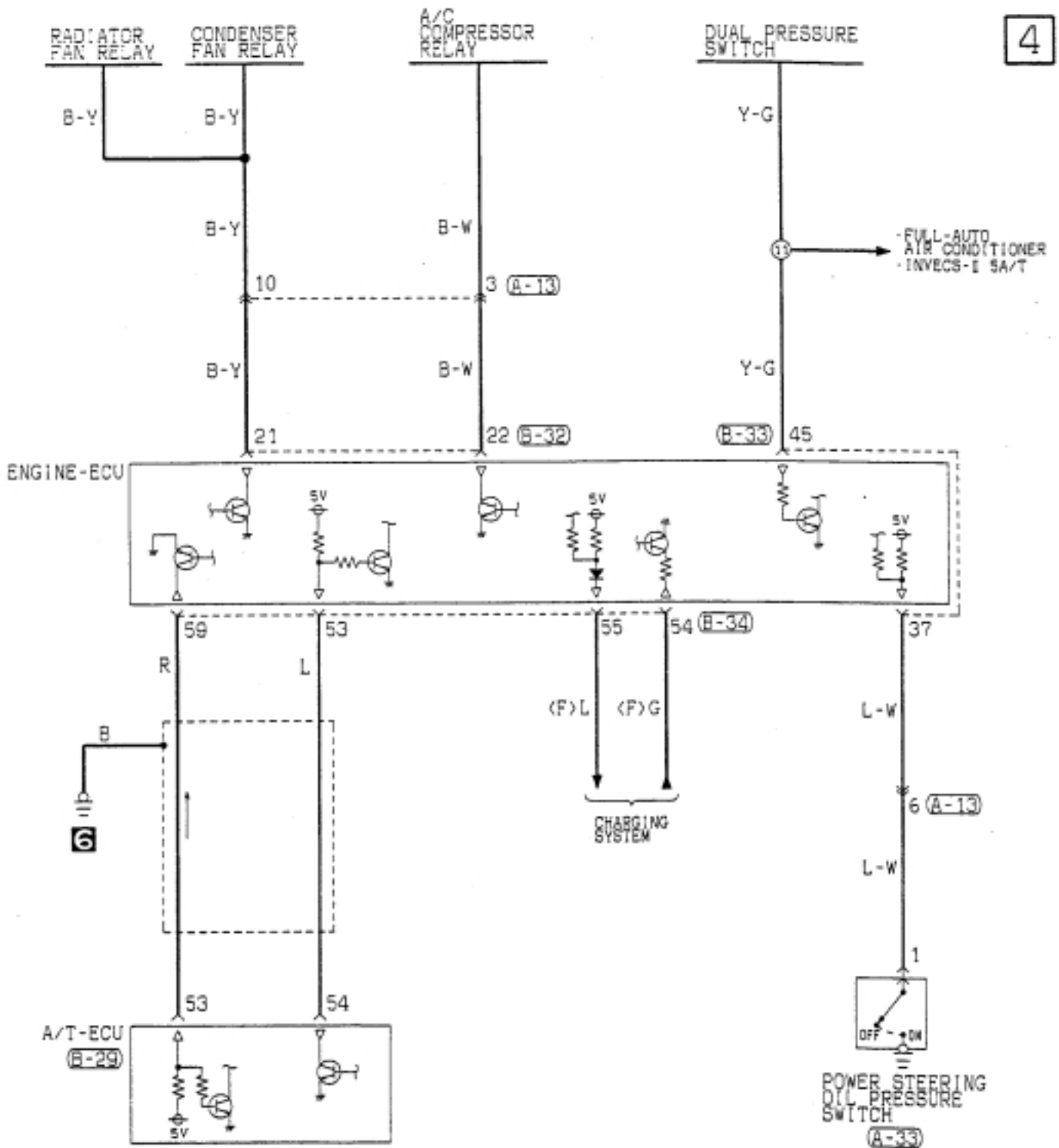
Wire colour code  
 LG: Light green G: Green L: Blue W: White Y: Yellow SB: Sky blue  
 BK: Black O: Orange GR: Gray R: Red P: Pink V: Violet

ENGINE CONTROL SYSTEM  
Vehicles without TCL (CONTINUED)

3



4



E-33

3	1	2	3	4	5	6	7	8
39	40	41	42	43	44	45	46	47

H-34

1	2	3	4	5	6	7	8
9	10	11	12	13	14	15	16

B-35

1	2	3	4	5	6	7	8	9	10
11	12	13	14	15	16	17	18	19	20

B-36

1	2	3	4	M	6	7	8
9	10	11	12	13	14	15	16

B-40

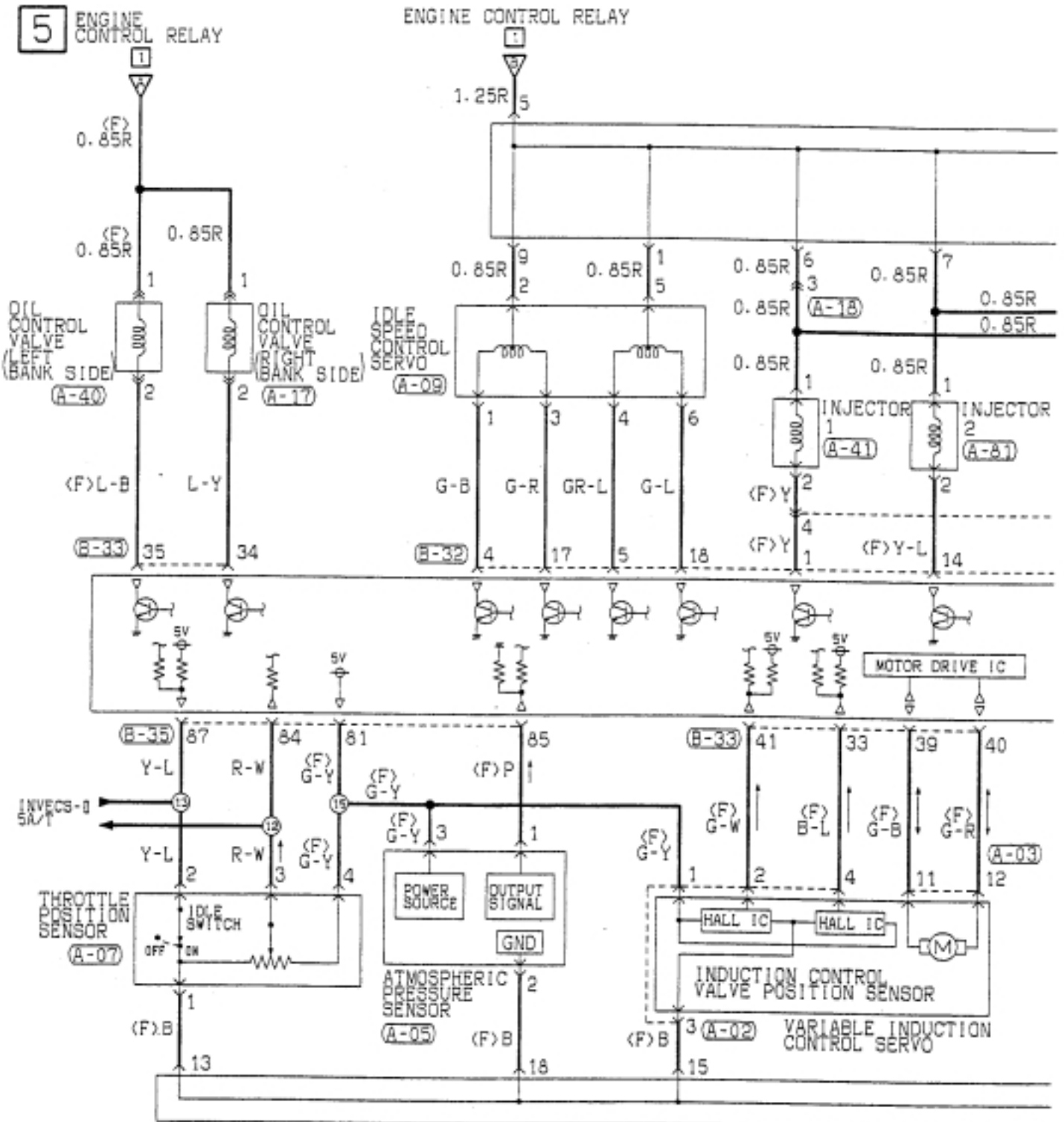
1	2	3	4	5	M	7	8	9	10
11	12	13	14	15	16	17	18	19	20

B-44

1	2	3	4
5	6	7	8
9	10	11	12

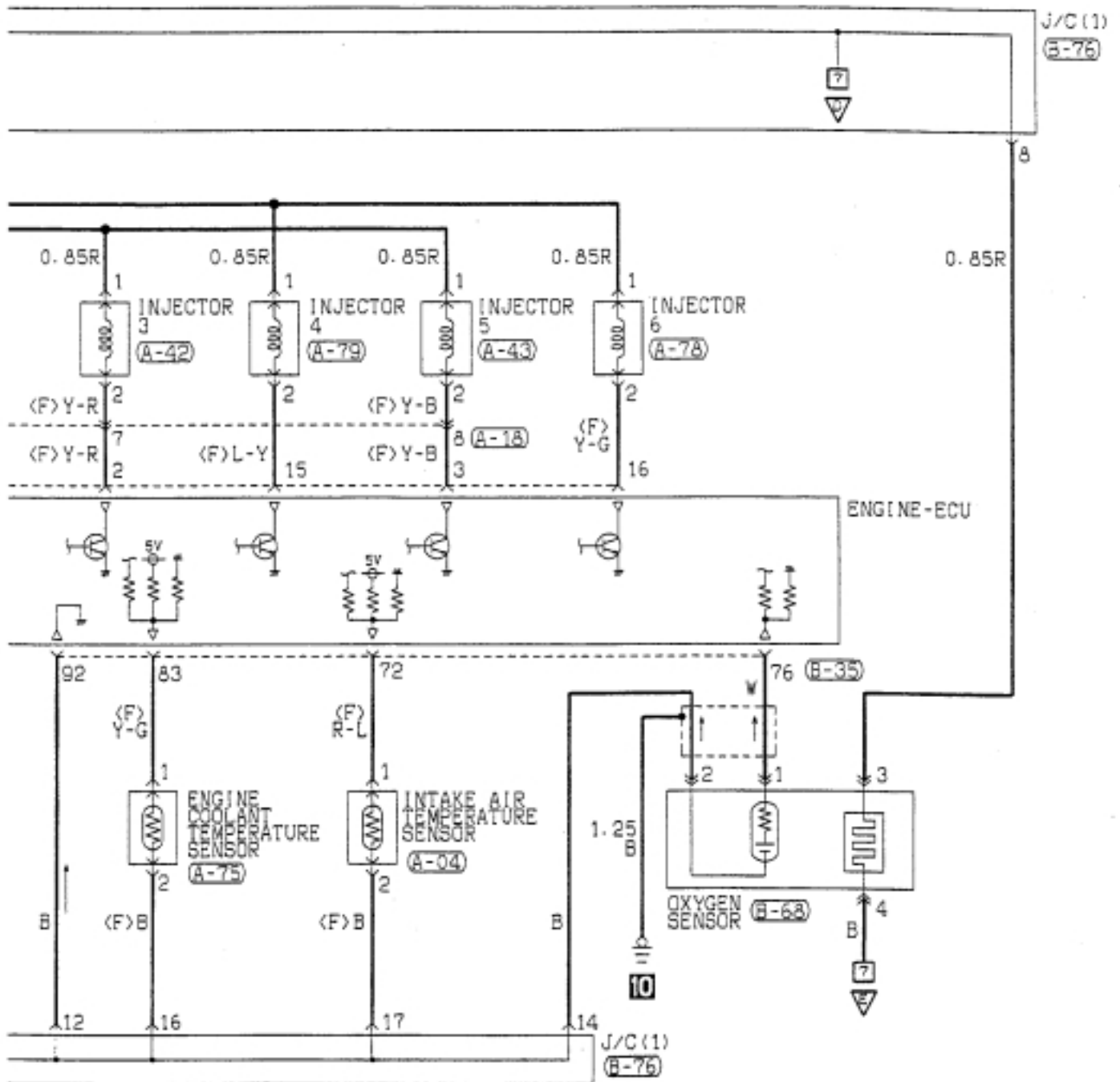
Wire colour code  
 G:Black LG:Light green G:Green L:Blue W:White Y:Yellow SB:Sky blue  
 BR:Brown O:Orange GR:Gray R:Red P:Pink V:Violet

ENGINE CONTROL SYSTEM  
Vehicles without TCL (CONTINUED)



- A-02
- A-03
- A-04
- A-05
- A-07
- A-09
- A-17
- A-18
- A-40
- A-41
- A-42
- A-43
- A-75
- A-78

6



A-79

A-81

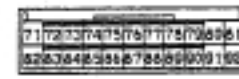
B-32

B-33

B-35

B-68

B-76

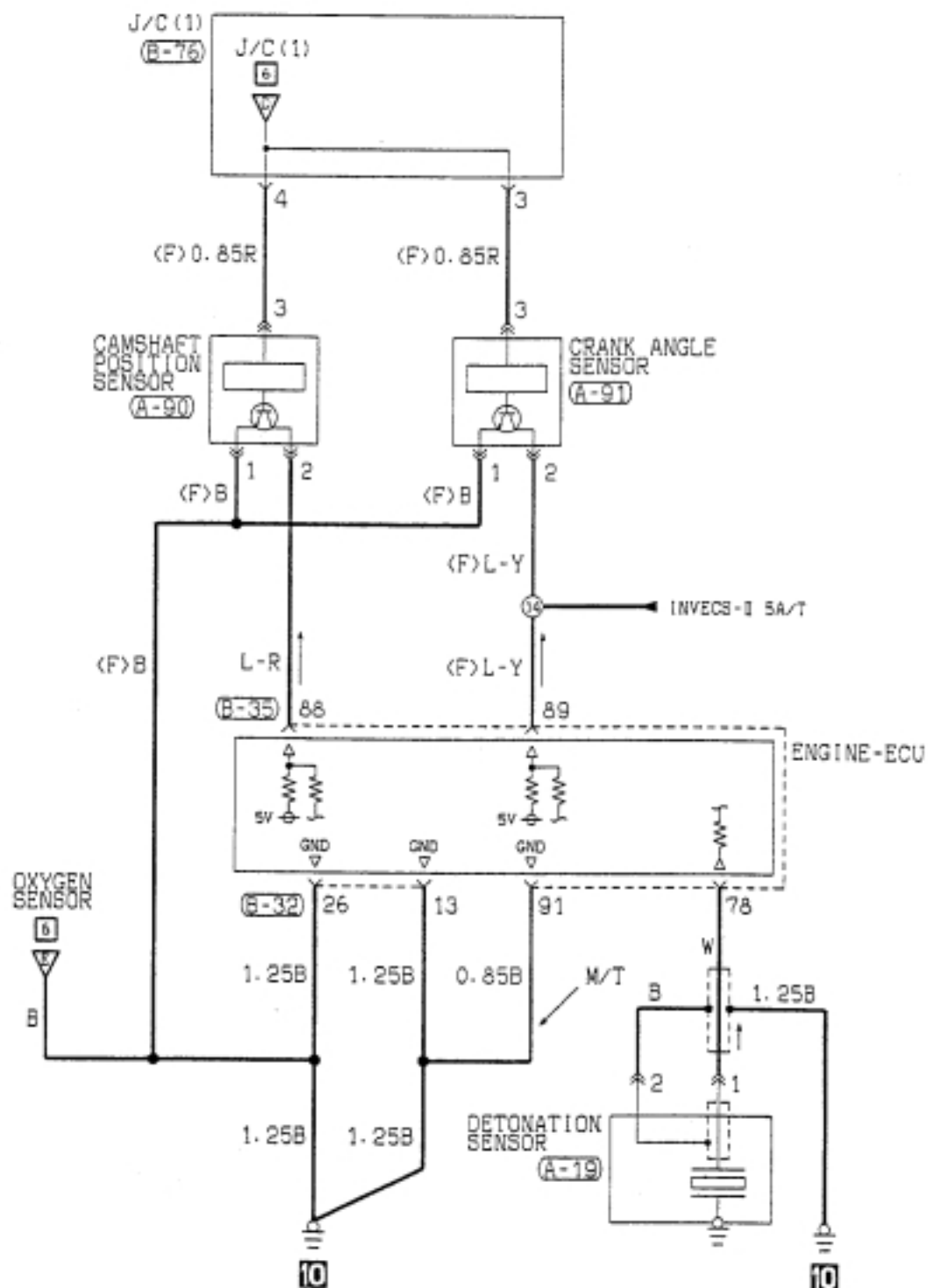


Wire colour code  
 BK:Black LG:Light green G:Green L:Blue W:White Y:Yellow SB:Sky blue  
 BR:Brown O:Orange GR:Gray R:Red P:Pink V:Violet

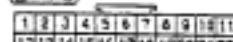


**ENGINE CONTROL SYSTEM**  
**Vehicles without TCL (CONTINUED)**

7


**A-19**   **A-90**   **A-91**   **B-32**

**B-35**

**B-76**


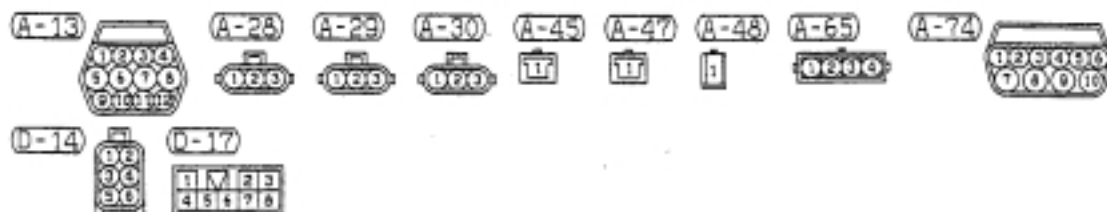
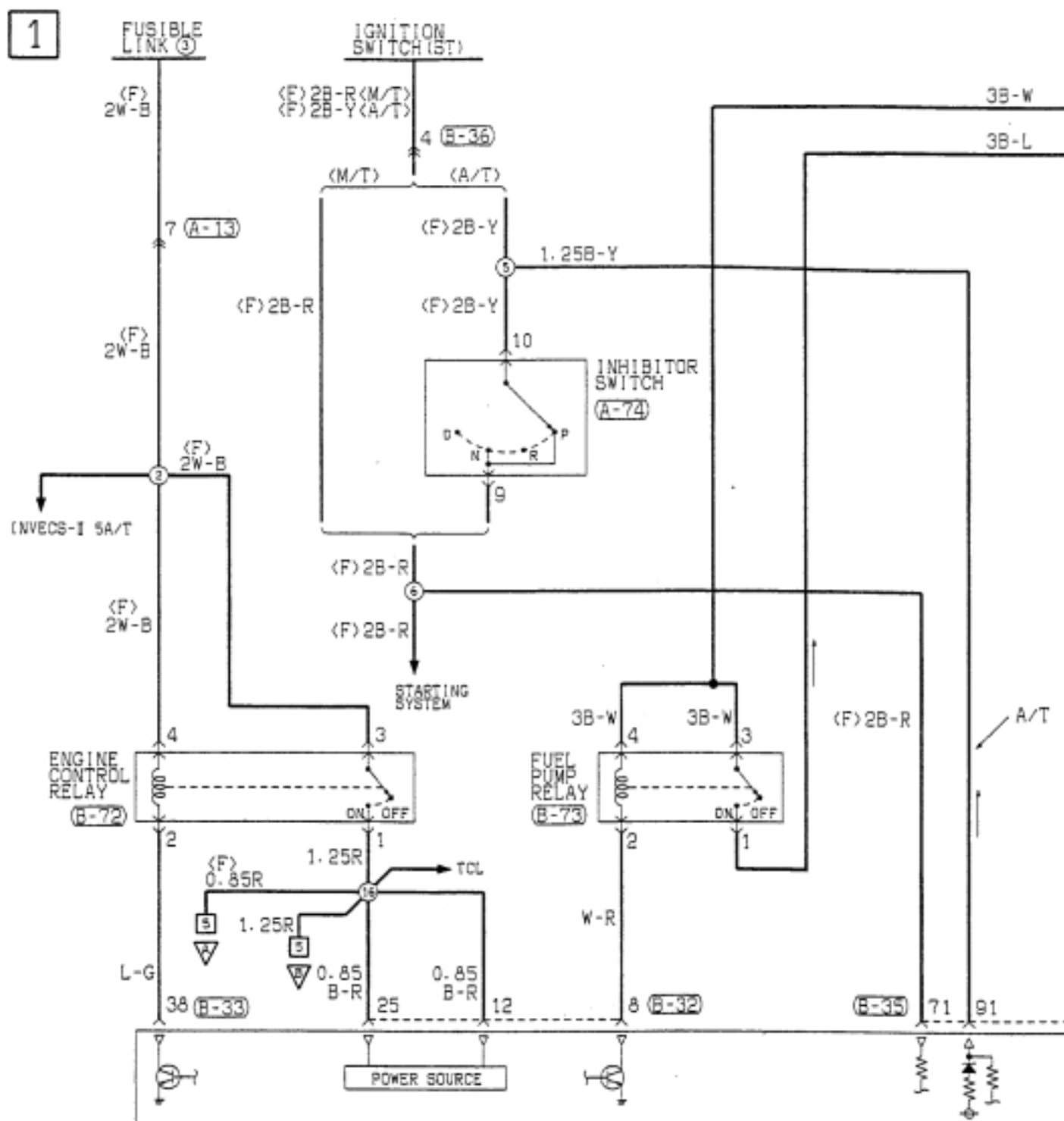
Wire colour code  
 B:Black   LG:Light green   G:Green   L:Blue   W:White   Y:Yellow   SB:Sky blue  
 BR:Brown   O:Orange   GR:Gray   R:Red   P:Pink   V:Violet

---

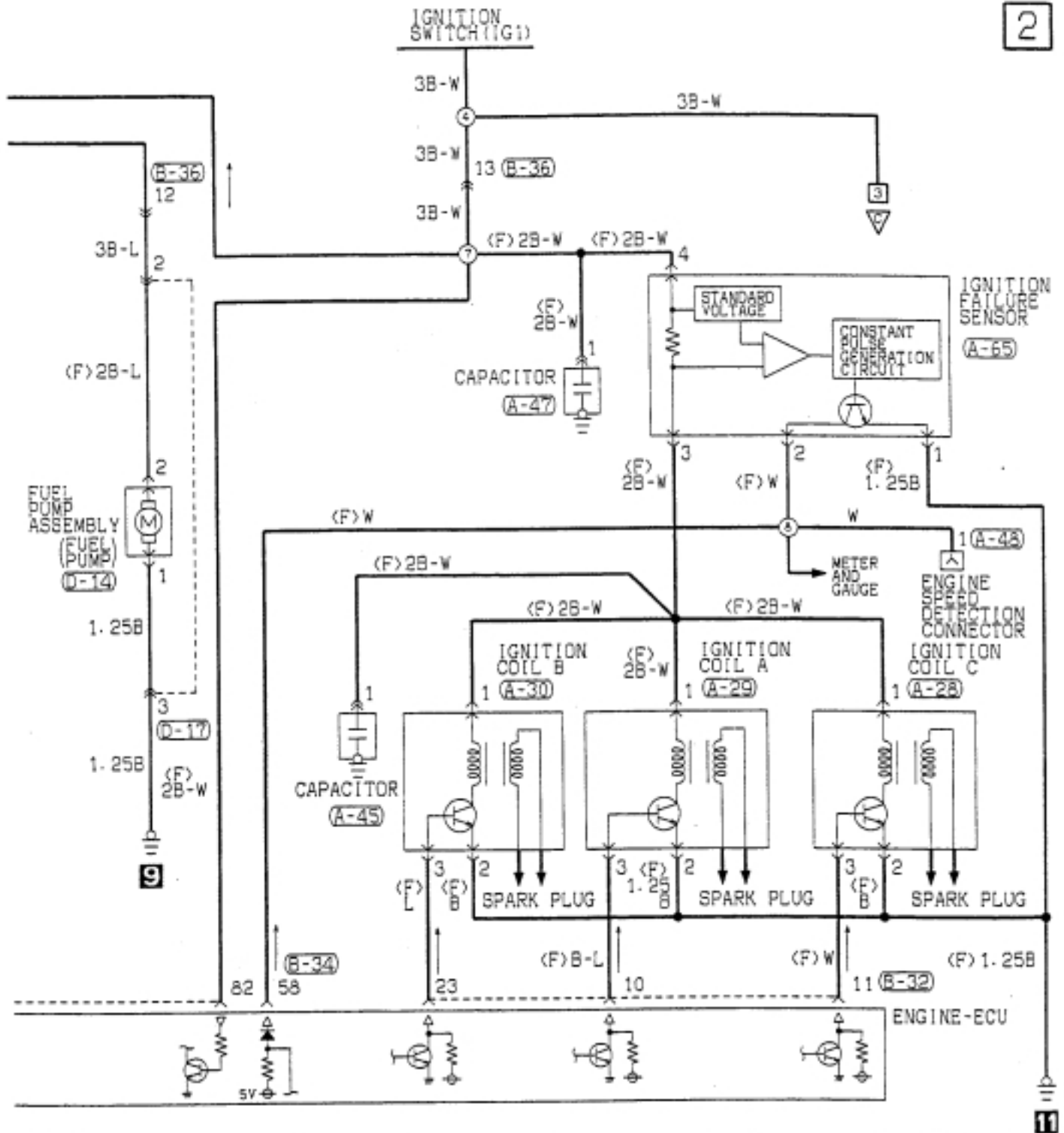
NOTES

# ENGINE CONTROL SYSTEM

Vehicles with TCL



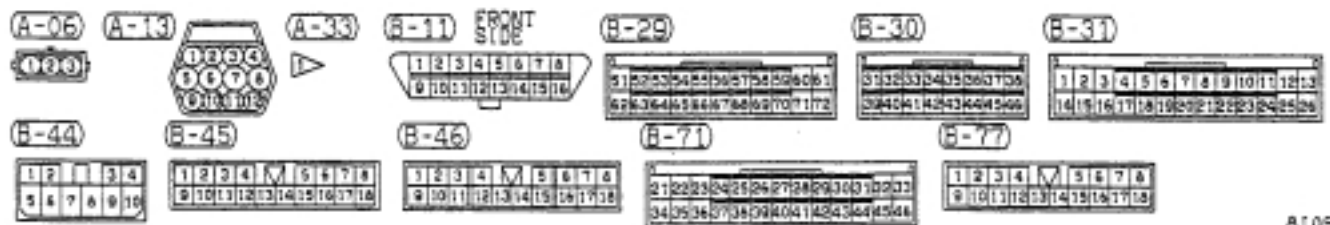
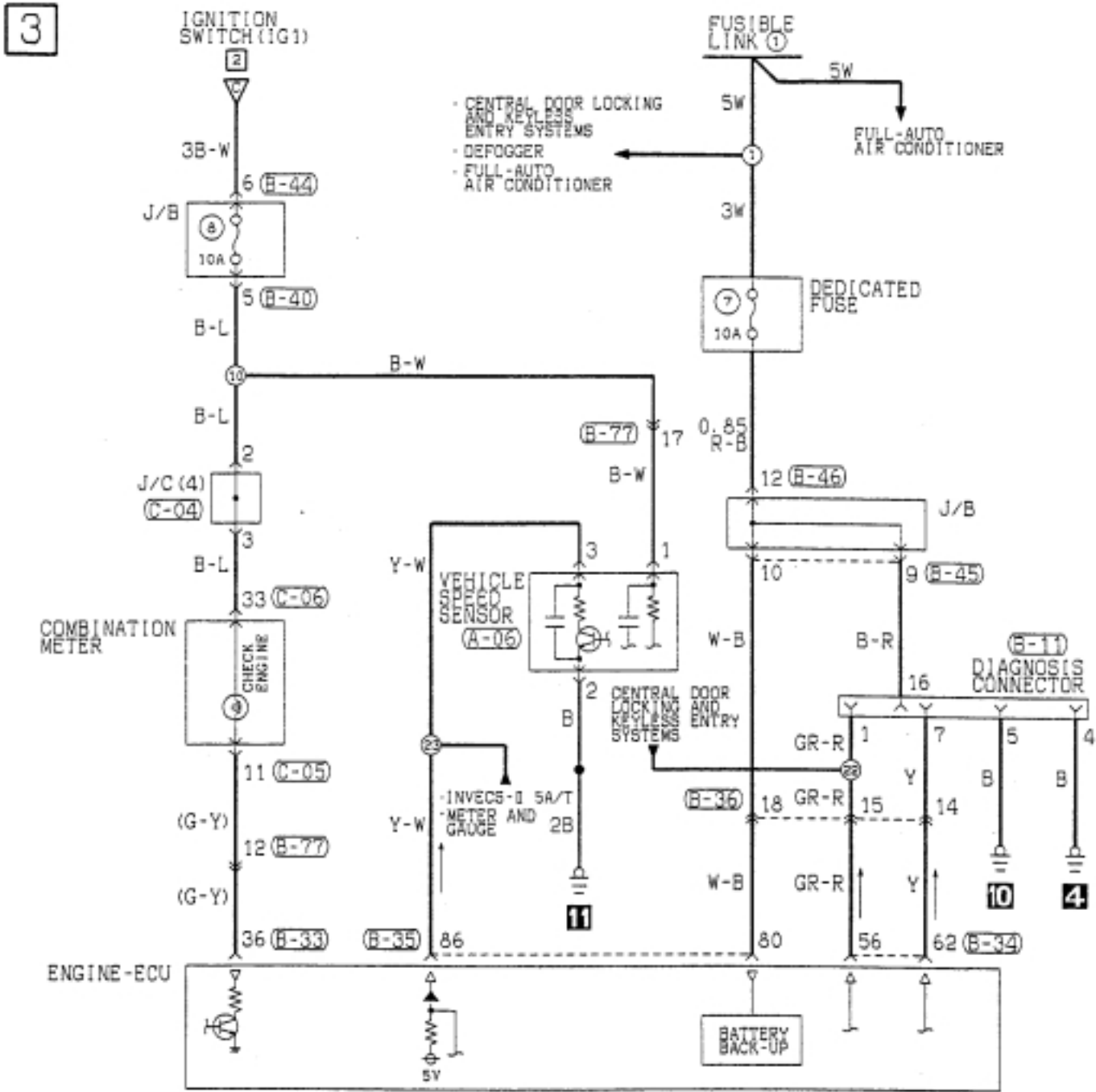
2



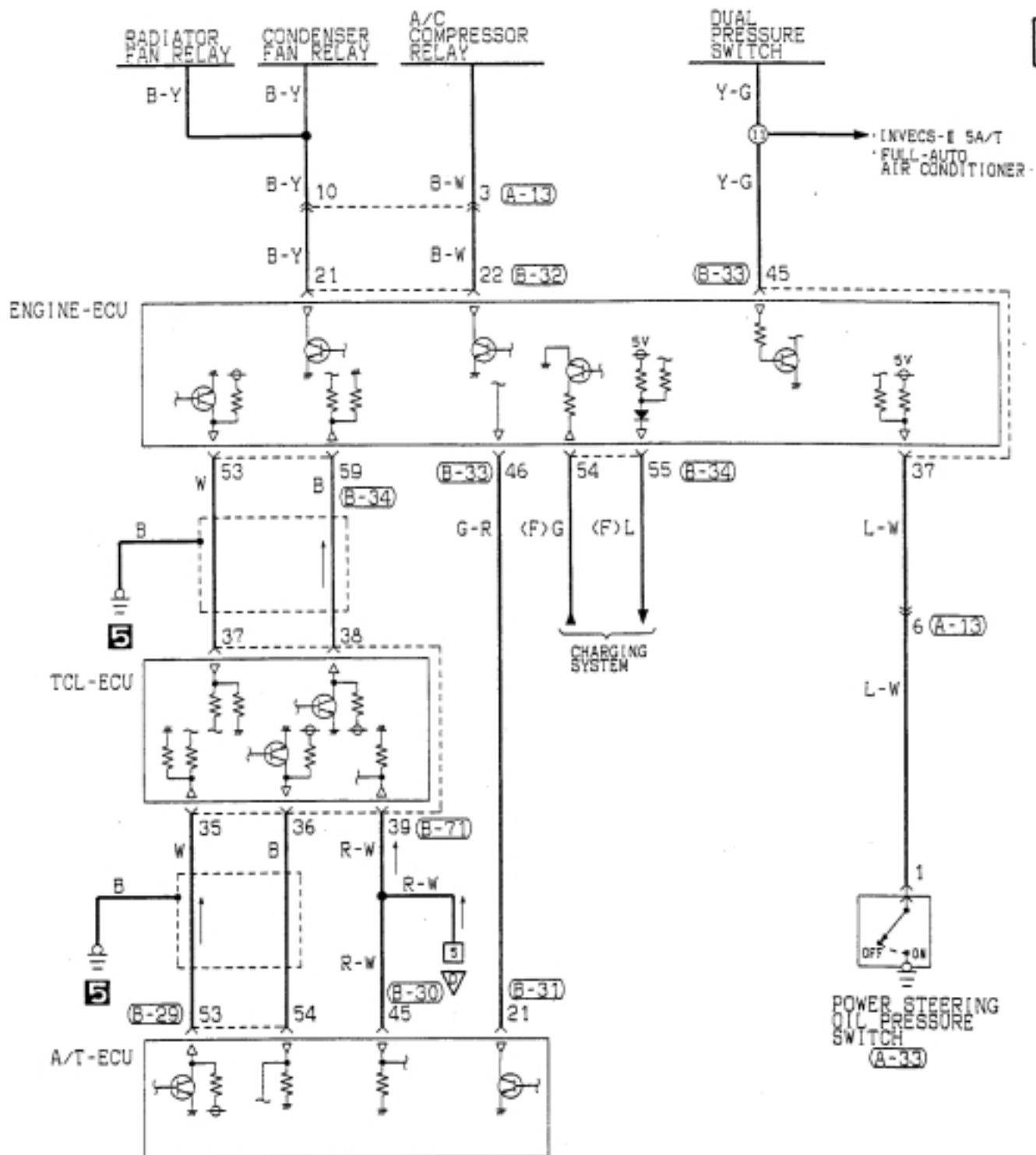
<b>(B-32)</b> 1 2 3 4 5 6 7 8 9 10 11 12 13 14 15 16 17 18 19 20 21 22 23 24 25 26	<b>(B-33)</b> 31 32 33 34 35 36 37 38 39 40 41 42 43 44 45 46	<b>(B-34)</b> 51 52 53 54 55 56 57 58 59 60 61 62	<b>(B-35)</b> 71 72 73 74 75 76 77 78 79 80 81 82 83 84 85 86 87 88 89 90	<b>(B-36)</b> 1 2 3 4 5 6 7 8 9 10 11 12 13 14 15 16 17 18	<b>(B-72)</b> 11 2 3 4	<b>(B-73)</b> 11 2 3 4
--	---	---	---	--	------------------------------	------------------------------

Wire colour code  
 BK: Black LG: Light green G: Green L: Blue W: White Y: Yellow SB: Sky blue  
 BR: Brown O: Orange GR: Gray R: Red P: Pink V: Violet

ENGINE CONTROL SYSTEM  
Vehicles with TCL (CONTINUED)



4



B-32

1	2	3	4	5	6	7	8	9	10	11	12	13
14	15	16	17	18	19	20	21	22	23	24	25	26

B-33

31	32	33	34	35	36	37	38
39	40	41	42	43	44	45	46

B-34

53	54	55	56	57	58
59	60	61	62	63	64

B-35

71	72	73	74	75	76	77	78	79	80	81
82	83	84	85	86	87	88	89	90	91	92

B-36

1	2	3	4	M	5	6	7	8	
9	10	11	12	13	14	15	16	17	18

B-40

1	2	3	4	5	M	6	7	8	9	10	
11	12	13	14	15	16	17	18	19	20	21	22

C-04

1	2	3	4	5	6	7	8	9	10	11	12
13	14	15	16	17	18	19	20	21	22	23	24
25	26	27	28	29	30	31	32	33	34	35	36

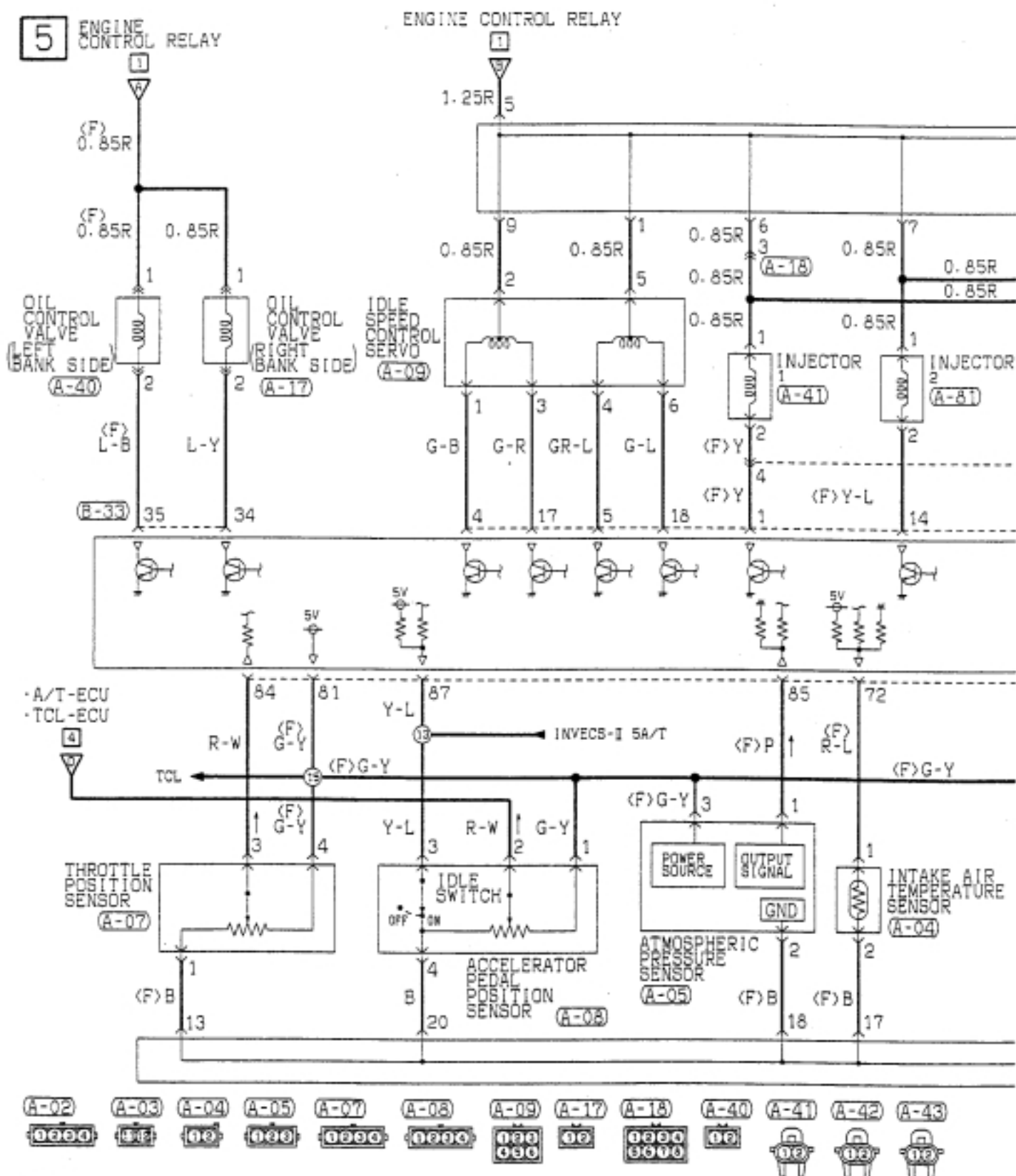
C-05

1	2	3	4	5	6	7	8	9	10	11	12
13	14	15	16	17	18	19	20	21	22	23	24

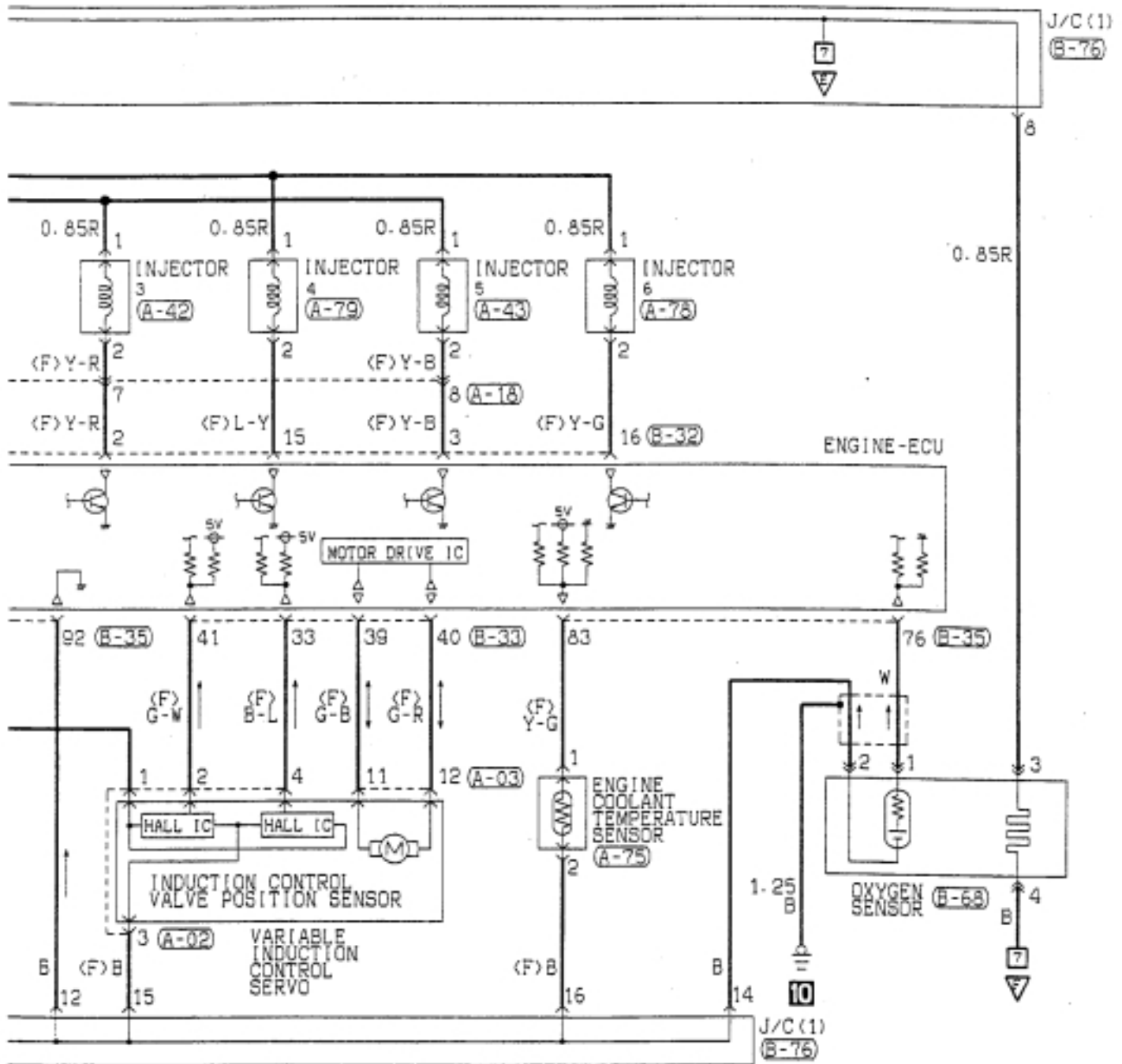
C-06

37	38	39	40	41	42	43	44	45	46	47	48	49	50
51	52	53	54	55	56	57	58	59	60	61	62	63	64

**ENGINE CONTROL SYSTEM**  
Vehicles with TCL (CONTINUED)



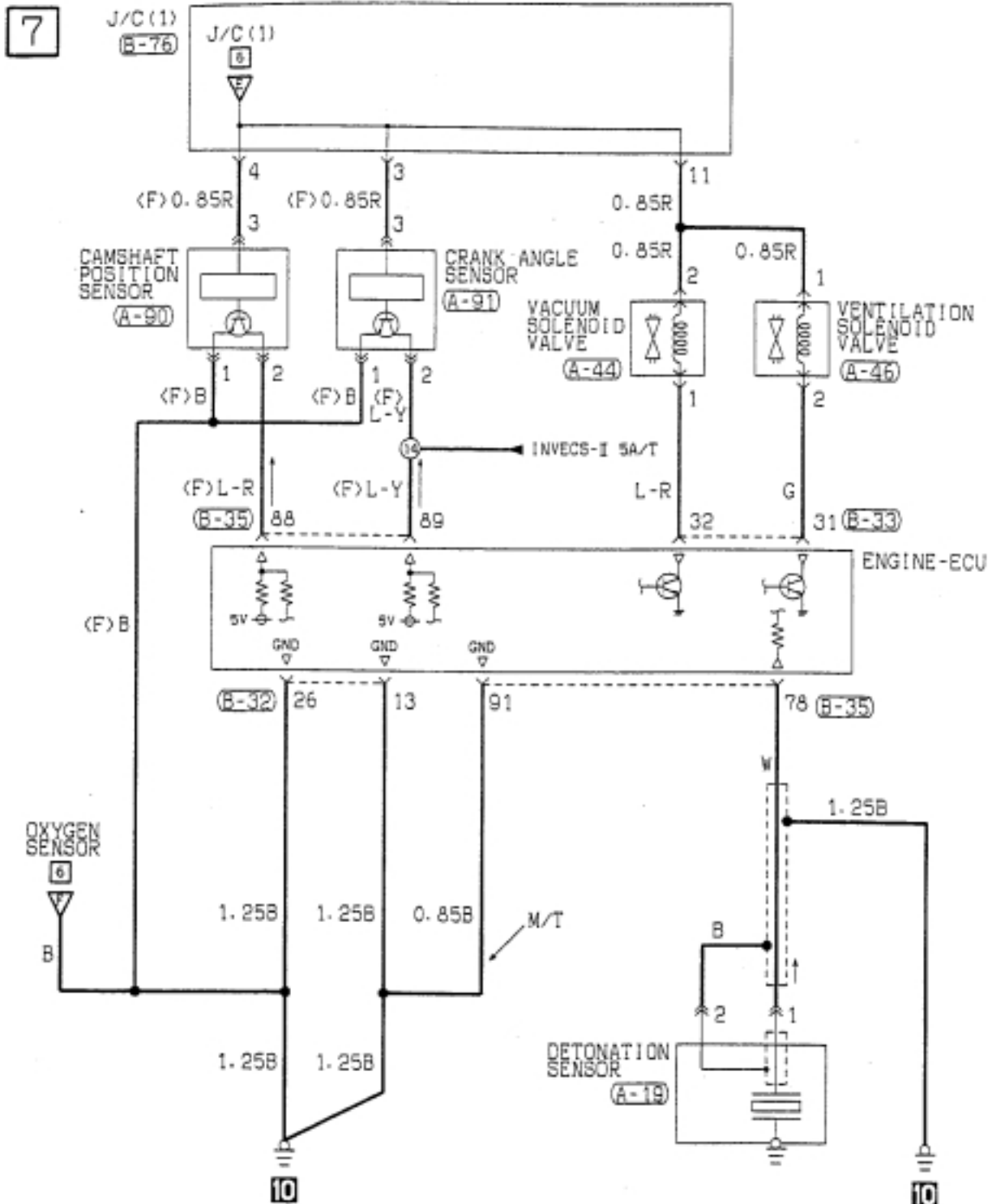
6



Wire colour code  
 BR: Brown    LG: Light green    G: Green    L: Blue    W: White    Y: Yellow    SB: Sky blue  
 BK: Black    O: Orange    GR: Gray    R: Red    P: Pink    V: Violet



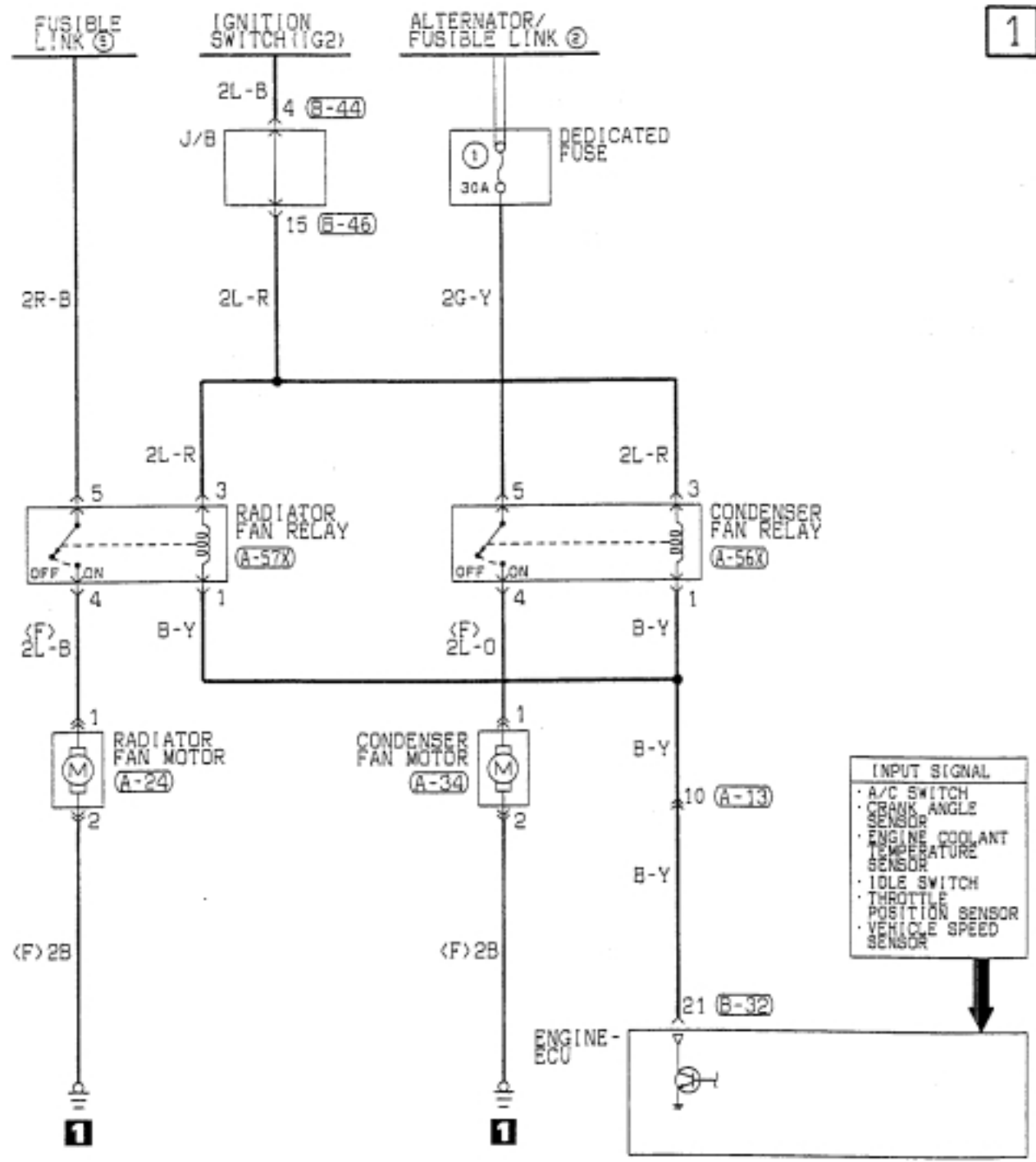
ENGINE CONTROL SYSTEM  
Vehicles with TCL (CONTINUED)



<b>A-19</b> 00	<b>A-44</b> 1 2	<b>A-46</b> 12	<b>A-90</b> 000	<b>A-91</b> 00	<b>B-32</b> 1 2 3 4 5 6 7 8 9 10 11 12 13 14 15 16 17 18 19 20 21 22 23 24 25 26	<b>B-33</b> 31 32 33 34 35 36 37 38 39 40 41 42 43 44 45 46	<b>B-35</b> 71 72 73 74 75 76 77 78 79 80 81 82 83 84 85 86 87 88 89 90 91 92
<b>B-76</b> 1 2 3 4 5 6 7 8 9 10 11 12 13 14 15 16 17 18 19 20 21 22					Wire colour code B : Black    LG : Light green    G : Green BR : Brown    O : Orange    GR : Gray W : White    SB : Sky blue    P : Pink V : Violet	L : Blue CR : Red Y : Yellow	

COOLING SYSTEM

1



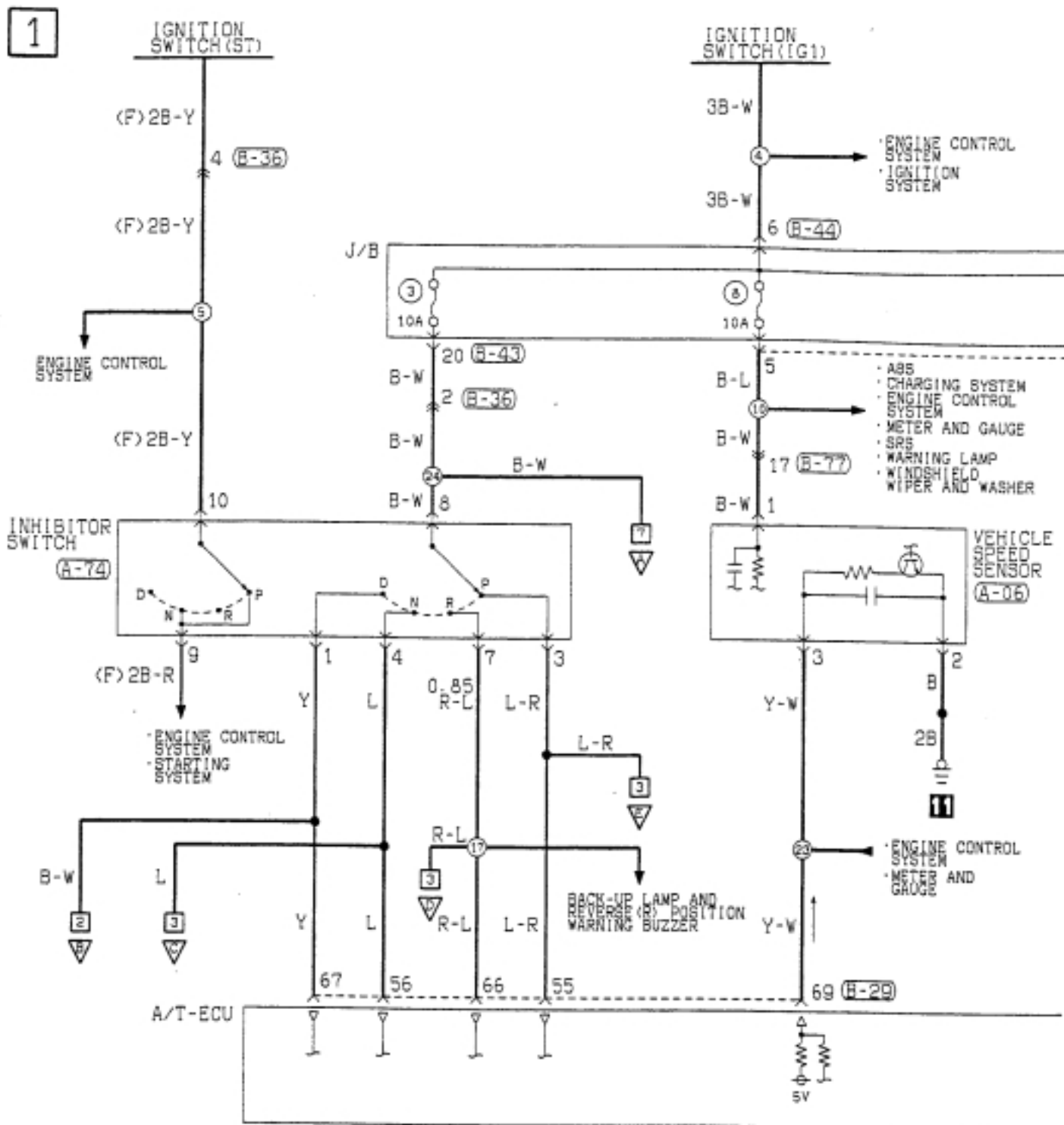
- INPUT SIGNAL
- A/C SWITCH
  - CRANK ANGLE SENSOR
  - ENGINE COOLANT TEMPERATURE SENSOR
  - IDLE SWITCH
  - THROTTLE POSITION SENSOR
  - VEHICLE SPEED SENSOR



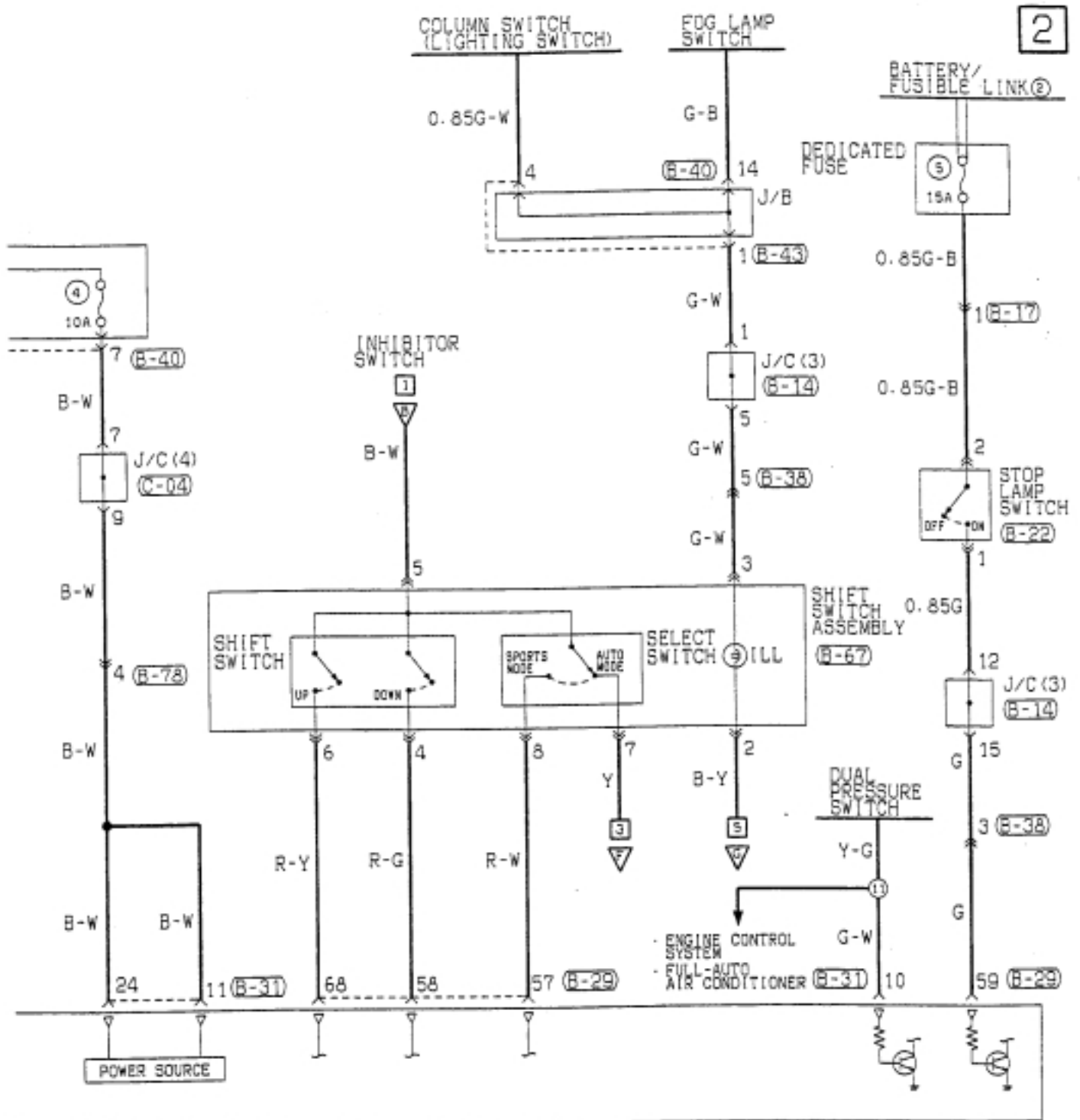
Wire colour code  
 BK:Black LG:Light green G:Green L:Blue W:White Y:Yellow SB:Sky blue  
 BR:Brown O:Orange GR:Gray R:Red P:Pink V:Violet

INVECS-II 5A/T

Vehicles without TCL



<b>A-06</b> 0 0 0	<b>A-74</b> 0 0 0 0 0 0 0 0 0 0 0	<b>B-14</b> 1 2 3 4 5 6 7 8 9 10 11 12 13 14 15 16 17 18 19 20 21 22 23 24 25 26 27 28 29 30 31 32 33	<b>B-17</b> 1 2 3 4 5 6 7 8 9 10 11 12 13 14 15 16 17 18	<b>B-22</b> 1 2	<b>B-29</b> 0 1 2 3 4 5 6 7 8 9 10 11 12 13 14 15 16 17 18 19 20 21 22	<b>B-31</b> 1 2 3 4 5 6 7 8 9 10 11 12 13 14 15 16 17 18 19 20 21 22 23 24 25
<b>B-77</b> 0 1 2 3 4 5 6 7 8 9 10 11 12 13 14 15 16 17 18	<b>B-78</b> 0 1 2 3 4 5 6 7 8 9 10	<b>C-04</b> 1 2 3 4 5 6 7 8 9 10 11 12 13 14 15 16 17 18 19 20 21 22 23 24 25 26 27 28 29 30 31 32 33				



2

(B-36)

(B-38)

(B-40)

(B-43)

(B-44)

(B-67)

1	2	3	4	5	6	7	8	9	10
11	12	13	14	15	16	17	18	19	20

1	2	3	4	5	6	7	8
---	---	---	---	---	---	---	---

1	2	3	4	5	6	7	8	9	10
11	12	13	14	15	16	17	18	19	20

1	2	3	4	5	6	7	8	9	10
11	12	13	14	15	16	17	18	19	20

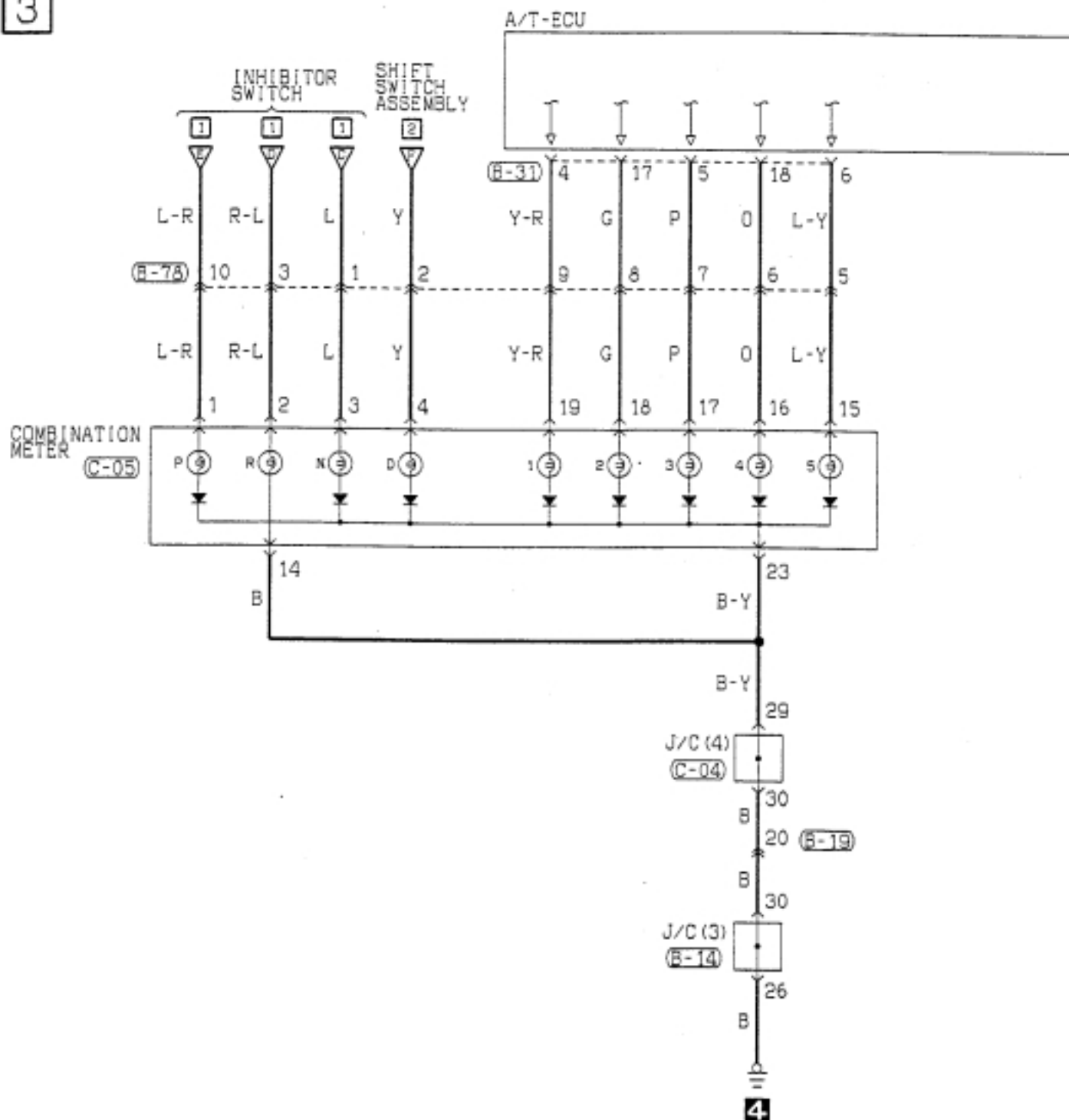
1	2	3	4	5	6	7	8	9	10
---	---	---	---	---	---	---	---	---	----

1	2	3	4	5	6	7	8
---	---	---	---	---	---	---	---

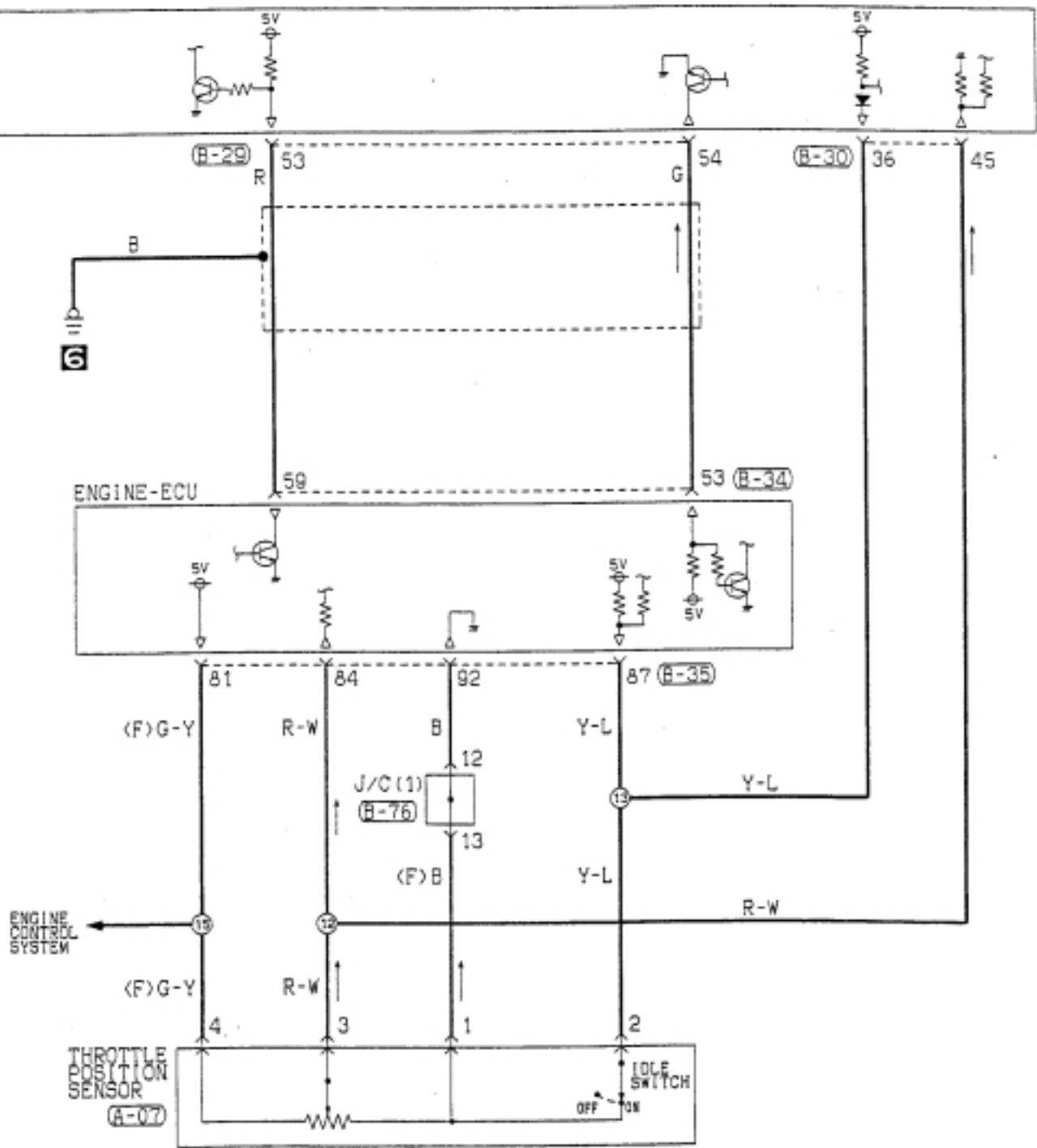
Wire colour code  
 BK: Black LG: Light green G: Green L: Blue W: White Y: Yellow SB: Sky blue  
 BR: Brown O: Orange GR: Gray R: Red P: Pink V: Violet

INVECS-II 5A/T  
Vehicles without TCL (CONTINUED)

3



4



(B-34)

1	2	3	4	5	6	7	8	9	10	11
12	13	14	15	16	17	18	19	20	21	22

(B-35)

1	2	3	4	5	6	7	8	9	10	11	12	13	14	15	16	17	18	19	20	21	22
---	---	---	---	---	---	---	---	---	----	----	----	----	----	----	----	----	----	----	----	----	----

(B-76)

1	2	3	4	5	6	7	8	9	10	11
12	13	14	15	16	17	18	19	20	21	22

(B-78)

1	2	3	4	5	6	7	8	9	10
---	---	---	---	---	---	---	---	---	----

(C-04)

1	2	3	4	5	6	7	8	9	10	11	12	13	14	15	16	17	18	19	20	21	22
---	---	---	---	---	---	---	---	---	----	----	----	----	----	----	----	----	----	----	----	----	----

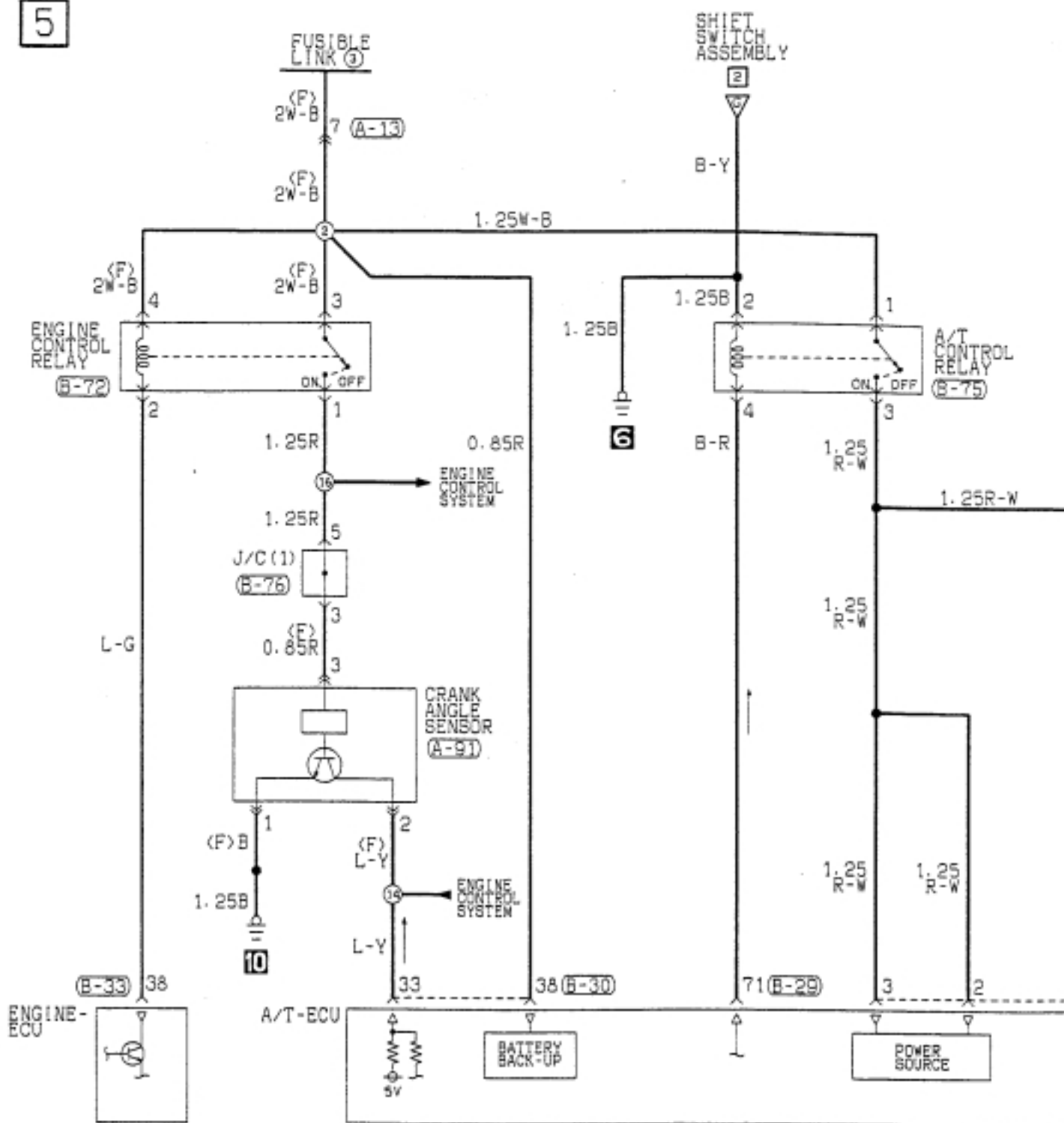
(C-05)

1	2	3	4	5	6	7	8	9	10	11	12	13	14	15	16	17	18	19	20	21	22
---	---	---	---	---	---	---	---	---	----	----	----	----	----	----	----	----	----	----	----	----	----

Wire colour CODE  
 BK:Black LG:Light Green G:Green L:Blue W:White Y:Yellow SB:Sky blue  
 BR:Brown O:Orange GR:Gray R:Red P:Pink V:Violet

INVECS-II 5A/T  
Vehicles without TCL (CONTINUED)

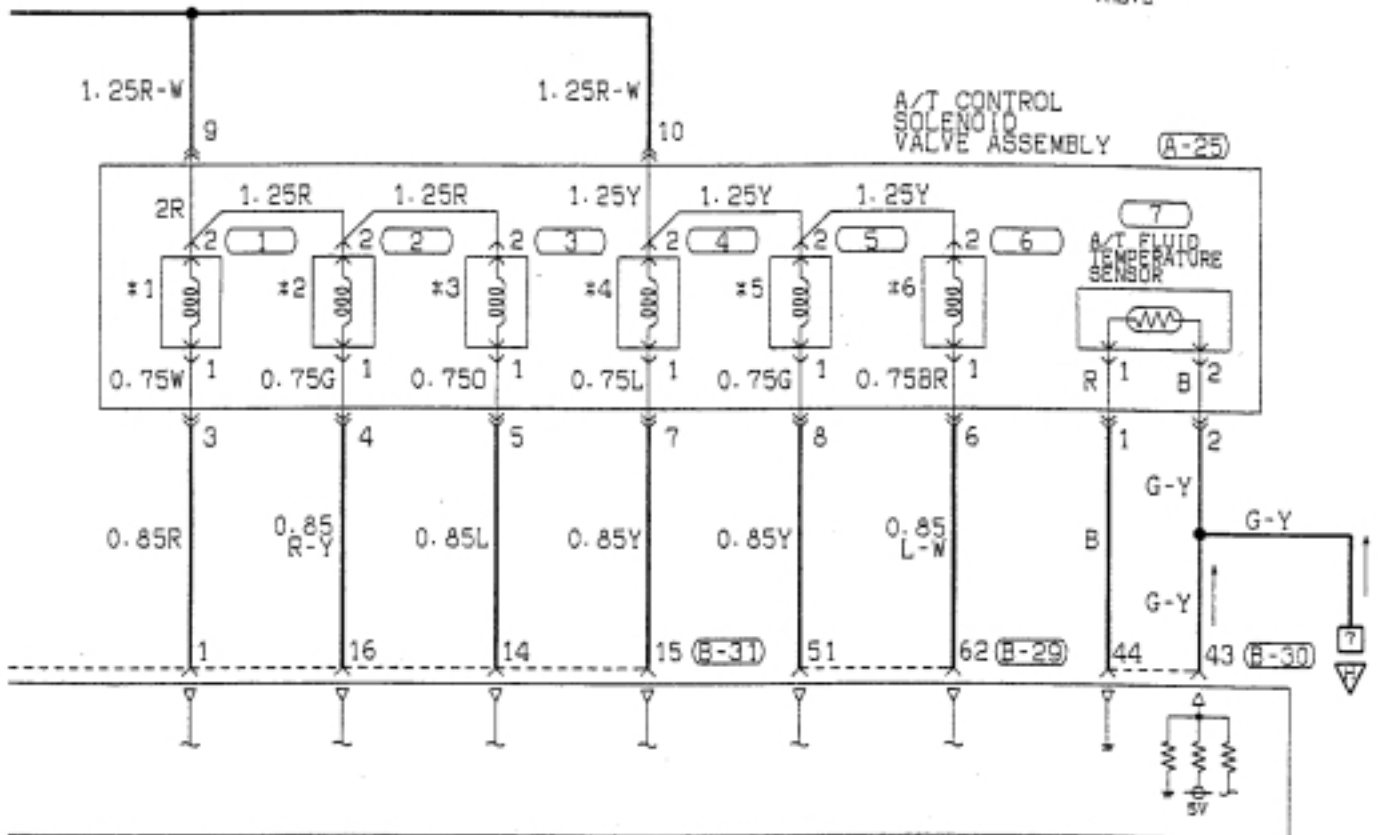
5



- A-13
- A-25
- A-91
- B-29
- B-30
- B-31
- B-33

6

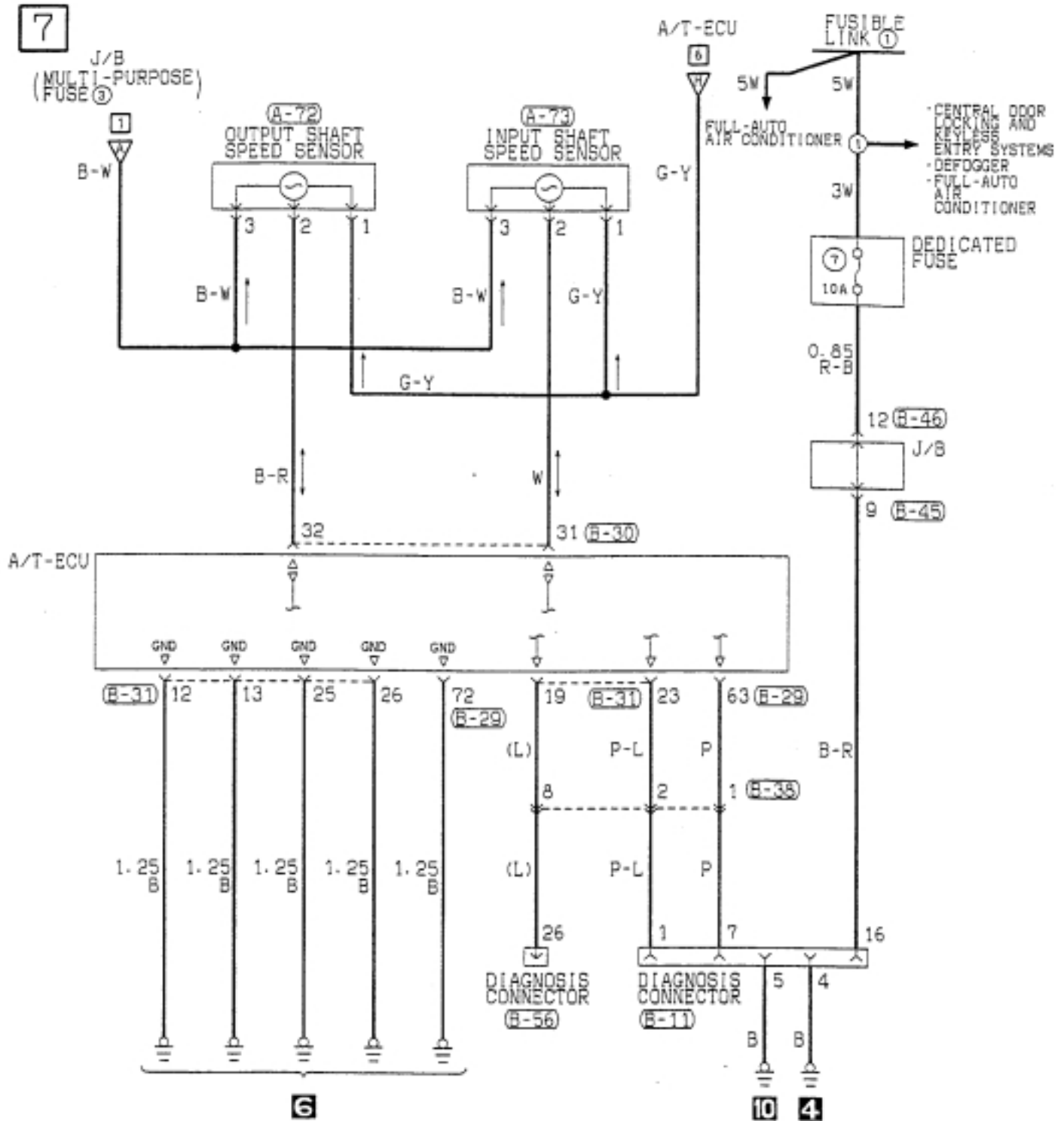
- REMARK
- #1: UNDERDRIVE SOLENOID VALVE
  - #2: SECOND SOLENOID VALVE
  - #3: OVERDRIVE SOLENOID VALVE
  - #4: DAMPER CLUTCH CONTROL SOLENOID VALVE
  - #5: REDUCTION SOLENOID VALVE
  - #6: LOW AND REVERSE SOLENOID VALVE



Mira colour code  
 B : Black LG : Light green G : Green L : Blue W : White Y : Yellow SB : Sky blue  
 BR : Brown O : Orange GR : Gray R : Red P : Pink V : Violet



INVECS-II 5A/T  
Vehicles without TCL (CONTINUED)



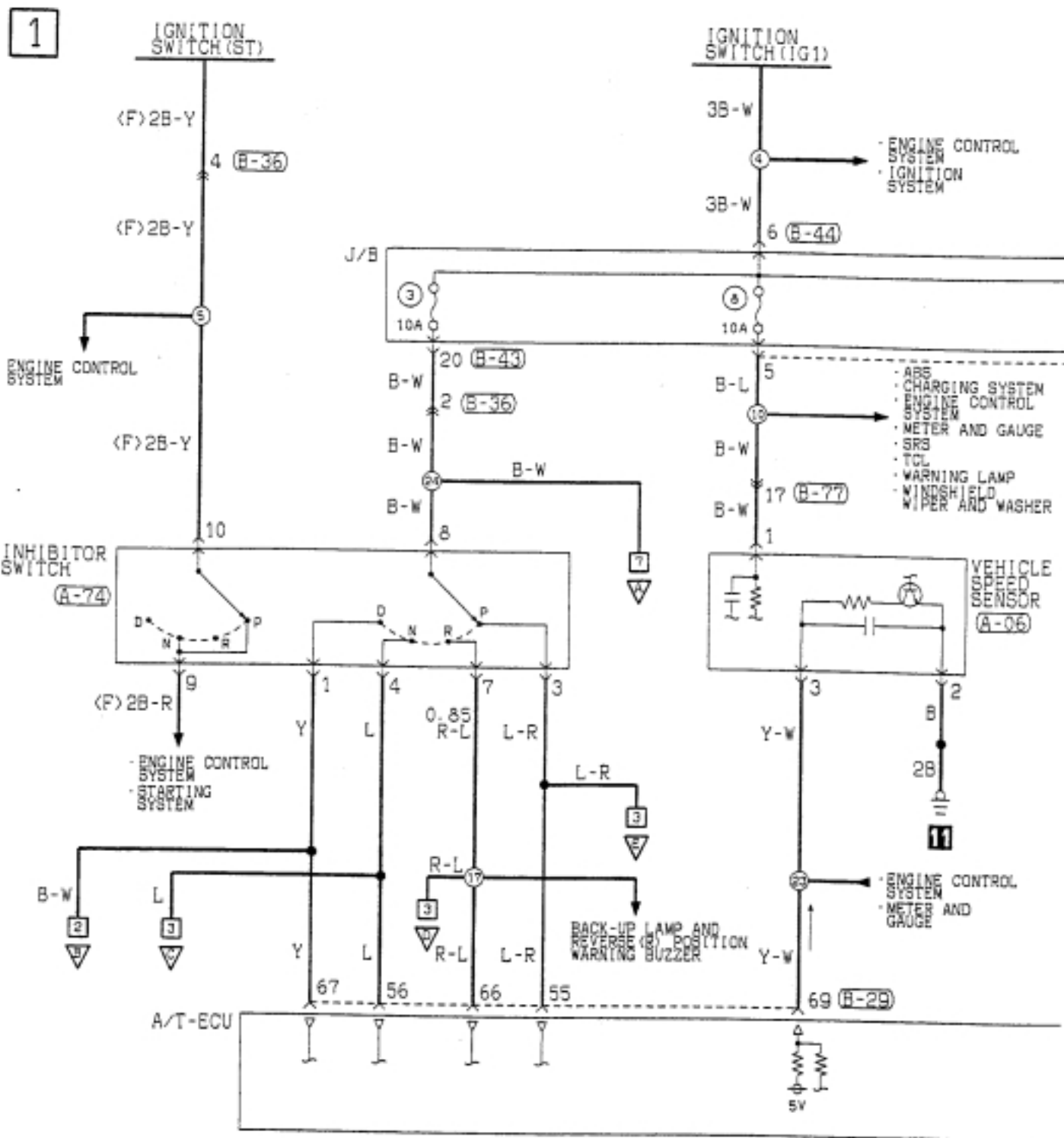
<b>A-72</b> ① ② ③	<b>A-73</b> ① ② ③	<b>B-11</b> FRONT SIDE ① ② ③ ④ ⑤ ⑥ ⑦ ⑧ ⑨ ⑩ ⑪ ⑫ ⑬ ⑭ ⑮ ⑯	<b>B-29</b> ① ② ③ ④ ⑤ ⑥ ⑦ ⑧ ⑨ ⑩ ⑪ ⑫ ⑬ ⑭ ⑮ ⑯ ⑰ ⑱ ⑲ ⑳ ㉑ ㉒ ㉓ ㉔ ㉕ ㉖ ㉗ ㉘ ㉙ ㉚ ㉛ ㉜ ㉝ ㉞ ㉟ ㊱ ㊲ ㊳ ㊴ ㊵ ㊶ ㊷ ㊸ ㊹ ㊺	<b>B-30</b> ① ② ③ ④ ⑤ ⑥ ⑦ ⑧ ⑨ ⑩ ⑪ ⑫ ⑬ ⑭ ⑮ ⑯ ⑰ ⑱ ⑲ ⑳ ㉑ ㉒ ㉓ ㉔ ㉕ ㉖ ㉗ ㉘ ㉙ ㉚ ㉛ ㉜ ㉝ ㉞ ㉟ ㊱ ㊲ ㊳ ㊴ ㊵ ㊶ ㊷ ㊸ ㊹ ㊺	<b>B-31</b> ① ② ③ ④ ⑤ ⑥ ⑦ ⑧ ⑨ ⑩ ⑪ ⑫ ⑬ ⑭ ⑮ ⑯ ⑰ ⑱ ⑲ ⑳ ㉑ ㉒ ㉓ ㉔ ㉕ ㉖ ㉗ ㉘ ㉙ ㉚ ㉛ ㉜ ㉝ ㉞ ㉟ ㊱ ㊲ ㊳ ㊴ ㊵ ㊶ ㊷ ㊸ ㊹ ㊺	<b>B-38</b> ① ② ③ ④ ⑤ ⑥ ⑦ ⑧ ⑨ ⑩ ⑪ ⑫ ⑬ ⑭ ⑮ ⑯ ⑰ ⑱ ⑲ ⑳ ㉑ ㉒ ㉓ ㉔ ㉕ ㉖ ㉗ ㉘ ㉙ ㉚ ㉛ ㉜ ㉝ ㉞ ㉟ ㊱ ㊲ ㊳ ㊴ ㊵ ㊶ ㊷ ㊸ ㊹ ㊺
<b>B-45</b> ① ② ③ ④ ⑤ ⑥ ⑦ ⑧ ⑨ ⑩ ⑪ ⑫ ⑬ ⑭ ⑮ ⑯ ⑰ ⑱ ⑲ ⑳ ㉑ ㉒ ㉓ ㉔ ㉕ ㉖ ㉗ ㉘ ㉙ ㉚ ㉛ ㉜ ㉝ ㉞ ㉟ ㊱ ㊲ ㊳ ㊴ ㊵ ㊶ ㊷ ㊸ ㊹ ㊺	<b>B-46</b> ① ② ③ ④ ⑤ ⑥ ⑦ ⑧ ⑨ ⑩ ⑪ ⑫ ⑬ ⑭ ⑮ ⑯ ⑰ ⑱ ⑲ ⑳ ㉑ ㉒ ㉓ ㉔ ㉕ ㉖ ㉗ ㉘ ㉙ ㉚ ㉛ ㉜ ㉝ ㉞ ㉟ ㊱ ㊲ ㊳ ㊴ ㊵ ㊶ ㊷ ㊸ ㊹ ㊺	<b>B-56</b> FRONT SIDE ① ② ③ ④ ⑤ ⑥ ⑦ ⑧ ⑨ ⑩ ⑪ ⑫ ⑬ ⑭ ⑮ ⑯ ⑰ ⑱ ⑲ ⑳ ㉑ ㉒ ㉓ ㉔ ㉕ ㉖ ㉗ ㉘ ㉙ ㉚ ㉛ ㉜ ㉝ ㉞ ㉟ ㊱ ㊲ ㊳ ㊴ ㊵ ㊶ ㊷ ㊸ ㊹ ㊺	Wire colour code B : Black LG : Light green G : Green L : Blue BR : Brown O : Orange GR : Gray R : Red W : White SB : Sky blue PR : Pink Y : Yellow V : Violet			

---

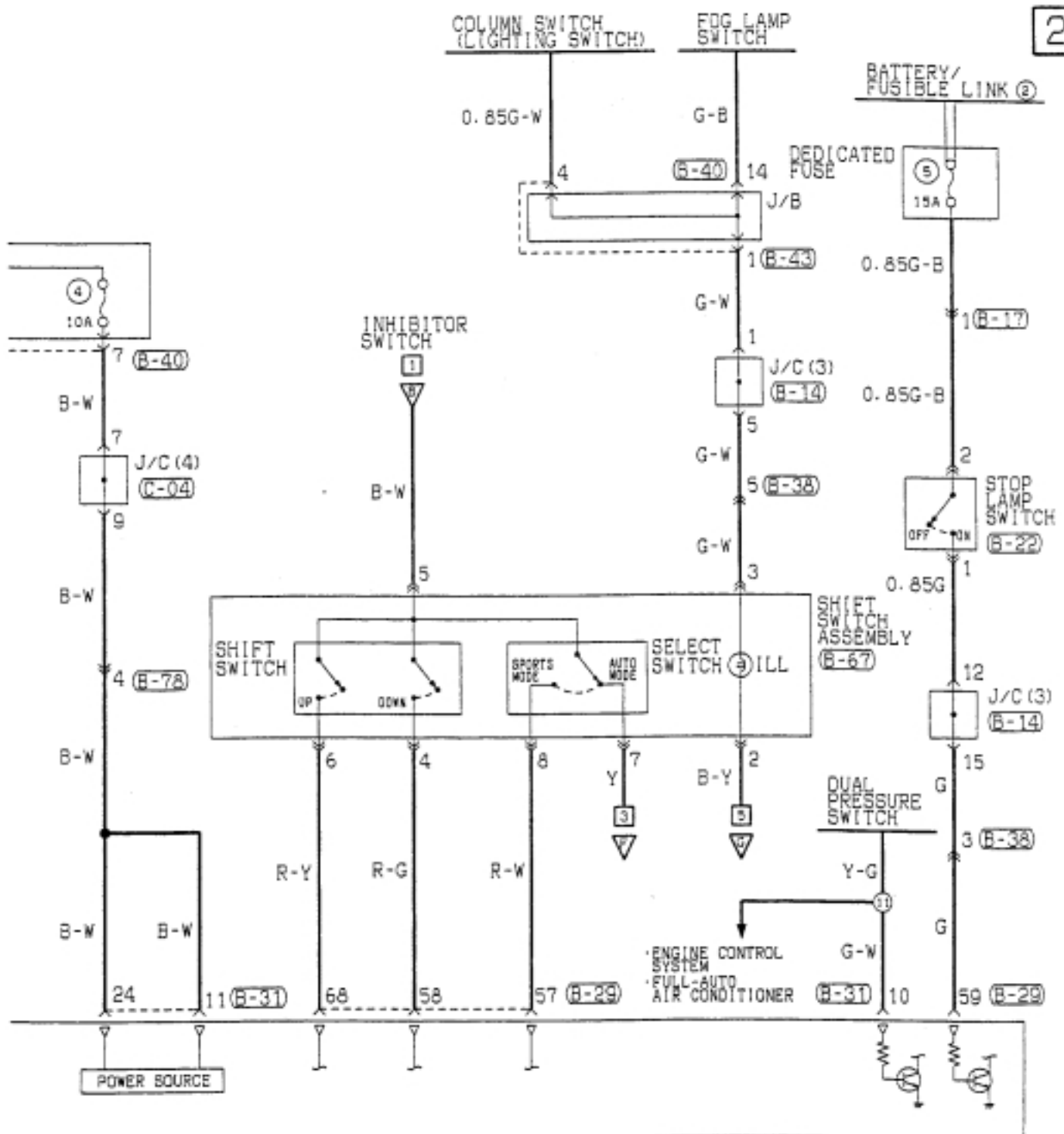
NOTES

INVECS-II 5A/T

Vehicles with TCL



<b>A-06</b> 000	<b>A-74</b> 000000 000000	<b>B-14</b> 1 2 3 4 5 6 7 8 9 10 11 12 13 14 15 16 17 18 19 20 21 22 23 24 25 26 27 28 29 30 31 32 33	<b>B-17</b> 1 2 3 4 5 6 7 8 9 10 11 12 13 14 15 16 17 18	<b>B-22</b> 1 2	<b>B-29</b> 1 2 3 4 5 6 7 8 9 10 11 12 13 14 15 16 17 18 19 20 21 22 23 24 25 26	<b>B-31</b> 1 2 3 4 5 6 7 8 9 10 11 12 13 14 15 16 17 18 19 20 21 22 23 24 25 26
<b>B-77</b> 1 1 2 3 4 5 6 7 8 9 10 11 12 13 14 15 16 17 18	<b>B-78</b> 1 2 3 4 5 6 7 8 9 10	<b>C-04</b> 1 2 3 4 5 6 7 8 9 10 11 12 13 14 15 16 17 18 19 20 21 22 23 24 25 26 27 28 29 30 31 32 33				



2

B-36

1	2	3	4	5	6	7	8	9	10
11	12	13	14	15	16	17	18	19	20

B-38

1	2	3	4	5	6	7	8
9	10	11	12	13	14	15	16

B-40

1	2	3	4	5	6	7	8	9	10
11	12	13	14	15	16	17	18	19	20

B-43

1	2	3	4	5	6	7	8	9	10
11	12	13	14	15	16	17	18	19	20

B-44

1	2	3	4
5	6	7	8

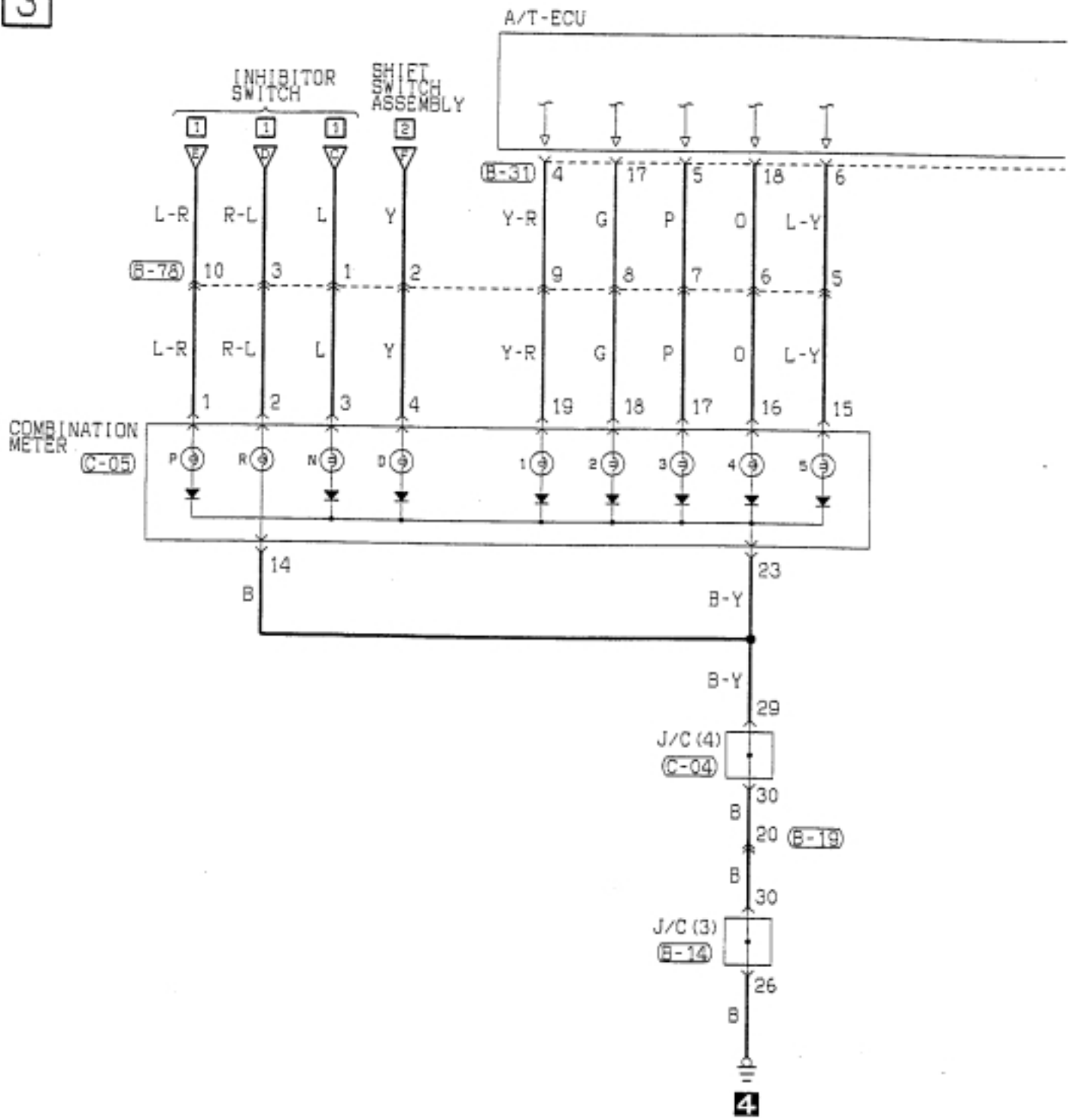
B-67

1	2	3	4
5	6	7	8

Wire colour code  
 BR:Black LG:Light green G:Green L:Blue W:White Y:Yellow SB:Sky blue  
 BR:Brown O:Orange GR:Gray R:Red P:Pink V:Violet

INVECS-II 5A/T  
Vehicles with TCL (CONTINUED)

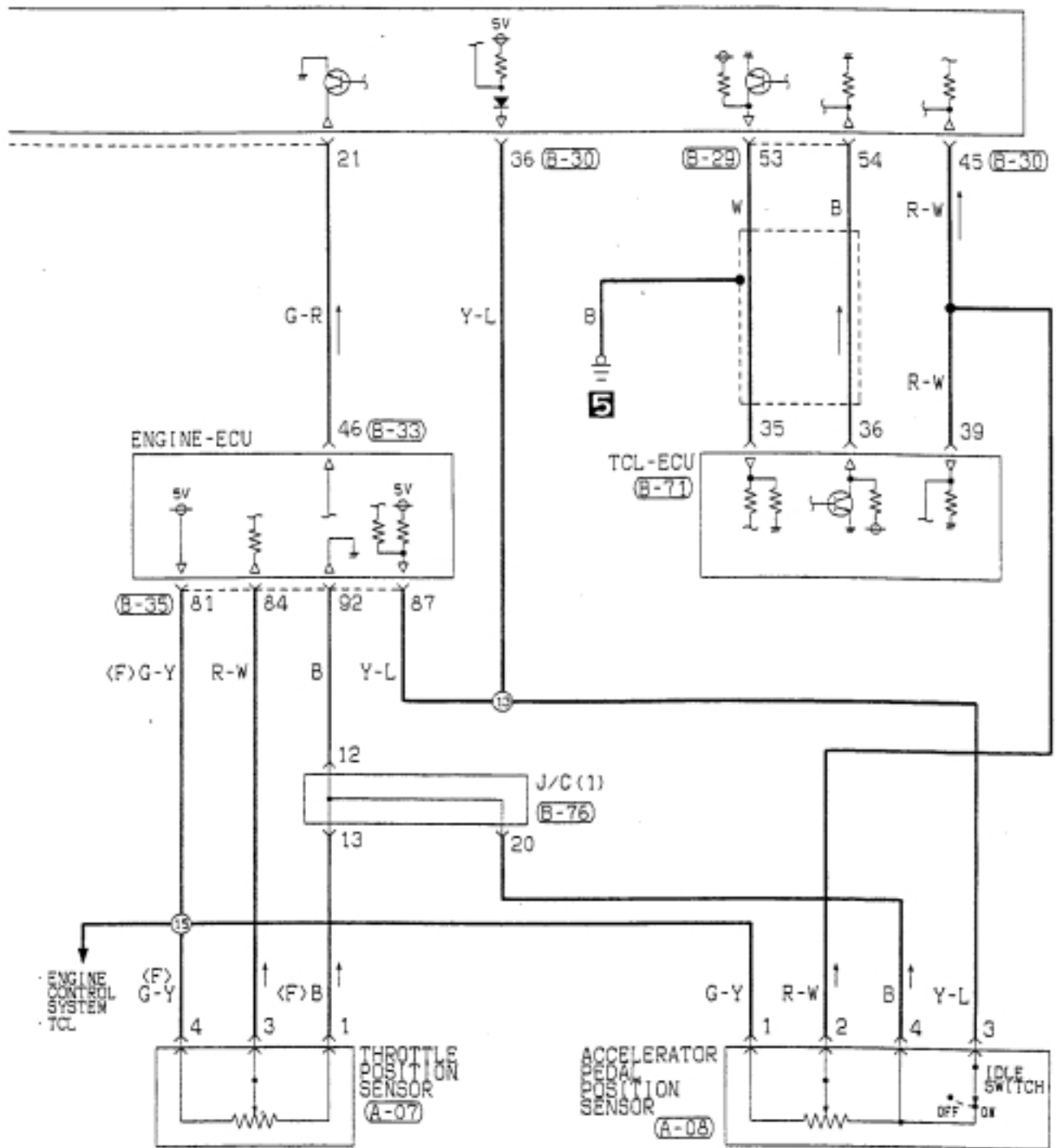
3



4



4



B-31

1	2	3	4	5	6	7	8	9	10	11	12	13
14	15	16	17	18	19	20	21	22	23	24	25	26

B-33

1	2	3	4	5	6	7	8	9	10	11	12	13	14	15	16	17	18	19	20	21	22	23	24	25	26	27	28	29	30	31	32	33	34	35	36	37	38	39	40	41	42	43	44	45	46	47	48	49	50
---	---	---	---	---	---	---	---	---	----	----	----	----	----	----	----	----	----	----	----	----	----	----	----	----	----	----	----	----	----	----	----	----	----	----	----	----	----	----	----	----	----	----	----	----	----	----	----	----	----

B-35

1	2	3	4	5	6	7	8	9	10	11	12	13	14	15	16	17	18	19	20	21	22	23	24	25	26	27	28	29	30	31	32	33	34	35	36	37	38	39	40	41	42	43	44	45	46	47	48	49	50
---	---	---	---	---	---	---	---	---	----	----	----	----	----	----	----	----	----	----	----	----	----	----	----	----	----	----	----	----	----	----	----	----	----	----	----	----	----	----	----	----	----	----	----	----	----	----	----	----	----

B-71

1	2	3	4	5	6	7	8	9	10	11	12	13	14	15	16	17	18	19	20	21	22	23	24	25	26	27	28	29	30	31	32	33	34	35	36	37	38	39	40	41	42	43	44	45	46	47	48	49	50
---	---	---	---	---	---	---	---	---	----	----	----	----	----	----	----	----	----	----	----	----	----	----	----	----	----	----	----	----	----	----	----	----	----	----	----	----	----	----	----	----	----	----	----	----	----	----	----	----	----

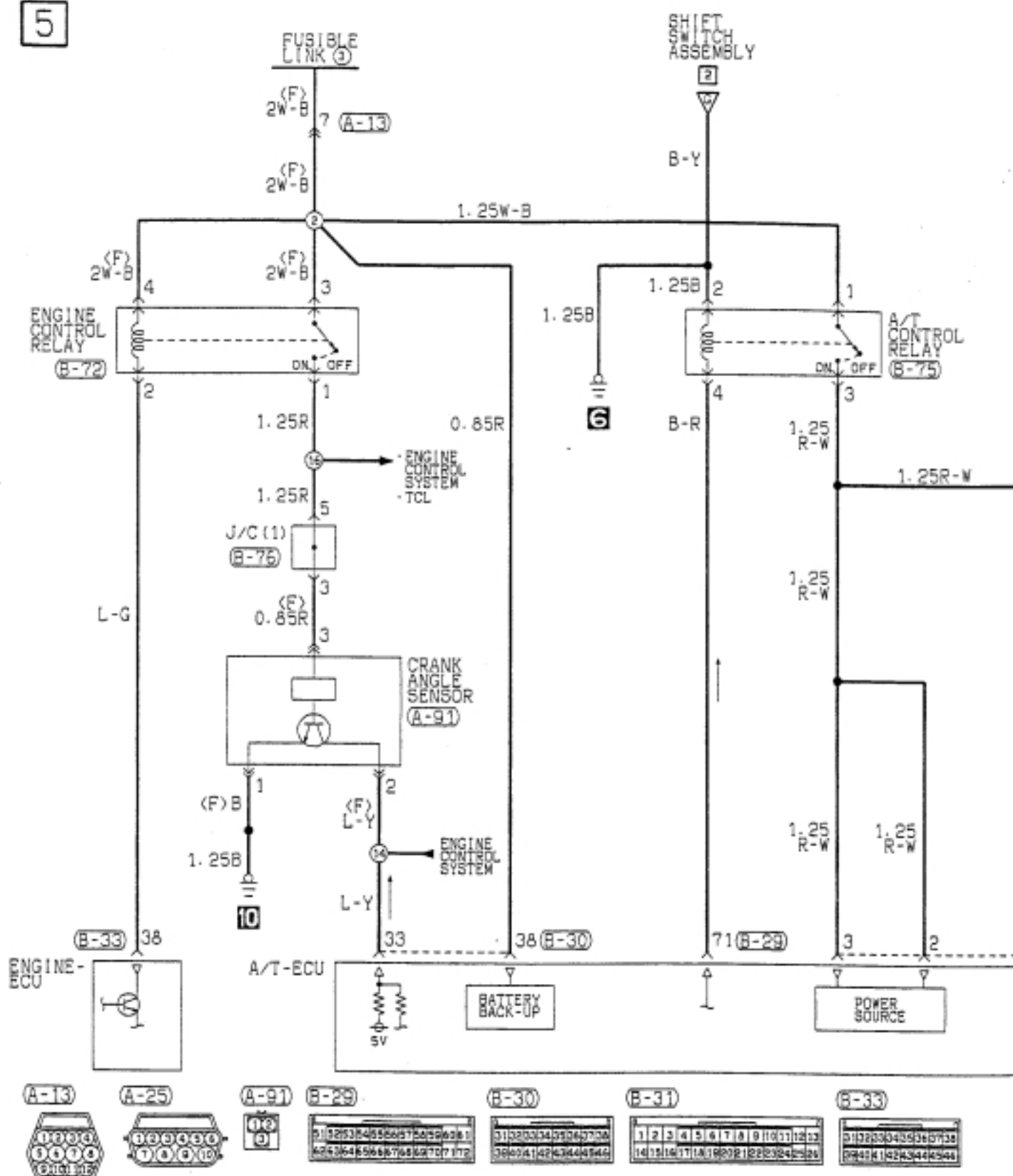
B-76

1	2	3	4	5	6	7	8	9	10	11	12	13	14	15	16	17	18	19	20	21	22	23	24	25	26	27	28	29	30	31	32	33	34	35	36	37	38	39	40	41	42	43	44	45	46	47	48	49	50
---	---	---	---	---	---	---	---	---	----	----	----	----	----	----	----	----	----	----	----	----	----	----	----	----	----	----	----	----	----	----	----	----	----	----	----	----	----	----	----	----	----	----	----	----	----	----	----	----	----

Wire colour code  
 BK:Black LG:Light green G:Green L:Blue W:White Y:Yellow SB:Sky blue  
 BR:Brown O:Orange GR:Gray R:Red P:Pink V:Violet

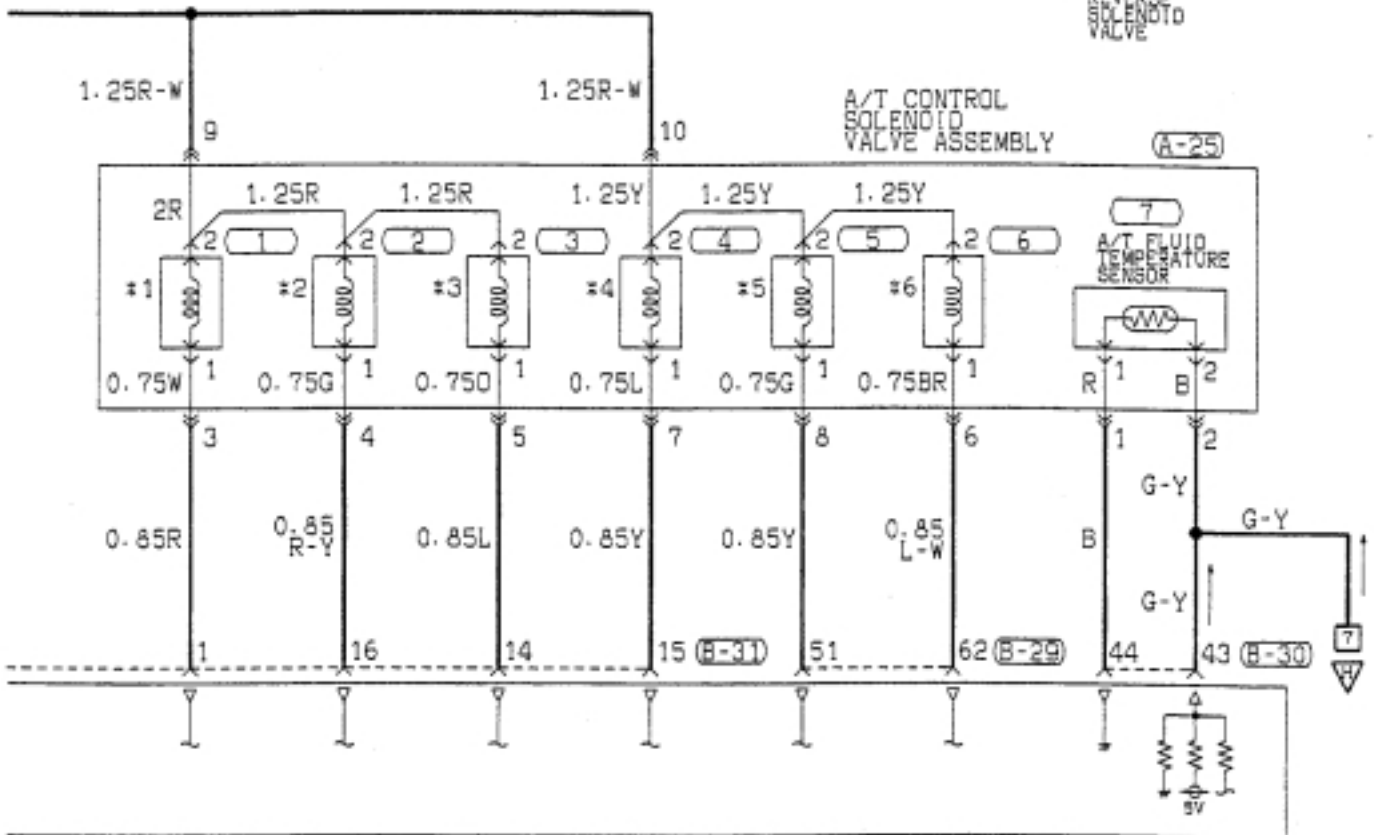
INVECS-II 5A/T  
Vehicles with TCL (CONTINUED)

5



6

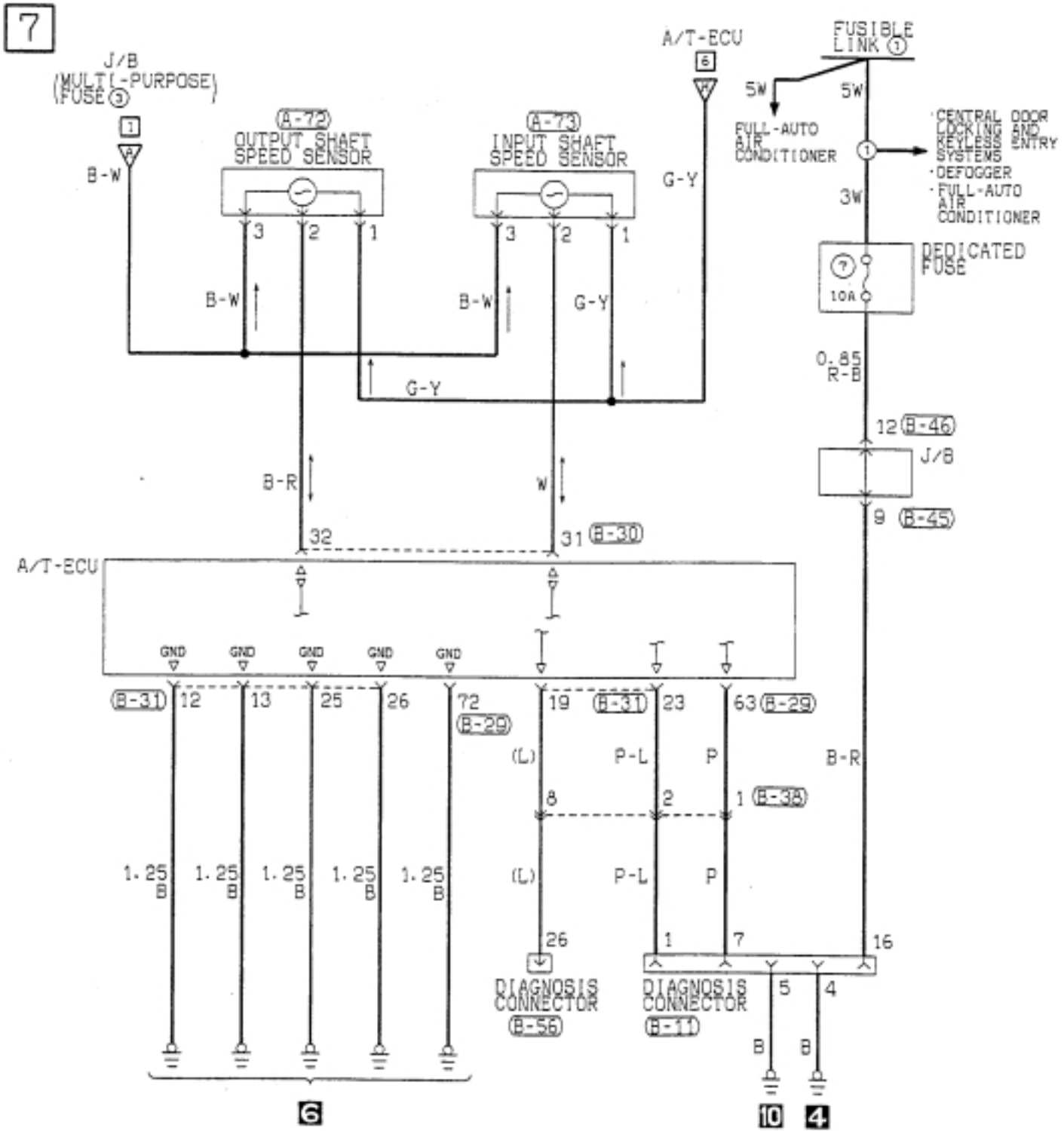
- REMARK
- #1: UNDERDRIVE SOLENOID VALVE
  - #2: SECOND SOLENOID VALVE
  - #3: OVERDRIVE SOLENOID VALVE
  - #4: DAMPER CLUTCH CONTROL SOLENOID VALVE
  - #5: REDUCTION SOLENOID VALVE
  - #6: LOW AND REVERSE SOLENOID VALVE



Wire colour code  
 BK:Black LG:Light green G:Green L:Blue W:White Y:Yellow SB:Sky blue  
 BR:Brown O:Orange GR:Gray R:Red P:Pink V:Violet



INVECS-II 5A/T  
Vehicles with TCL (CONTINUED)



			FRONT STOE				
1 2 3 4 5 6 7 8	1 2 3 4 5 6 7 8	1 2 3 4 5 6 7 8	9 10 11 12 13 14 15 16	1 2 3 4 5 6 7 8 9 10 11 12 13 14 15 16 17 18	1 2 3 4 5 6 7 8 9 10 11 12 13 14 15 16 17 18	1 2 3 4 5 6 7 8 9 10 11 12 13 14 15 16 17 18 19 20 21 22 23 24 25 26	1 2 3 4 5 6 7 8
			FRONT STOE	Wire colour code			
1 2 3 4 5 6 7 8	1 2 3 4 5 6 7 8	1 2 3 4 5 6 7 8	9 10 11 12 13 14 15 16	B : Black	LG : Light green	G : Green	L : Blue
9 10 11 12 13 14 15 16 17 18	9 10 11 12 13 14 15 16 17 18	1 2 3 4 5 6 7 8	9 10 11 12 13 14 15 16 17 18	BR : Brown	O : Orange	GR : Gray	Y : Yellow
				W : White	SB : Sky blue	PGR : Pink	
				V : Violet			

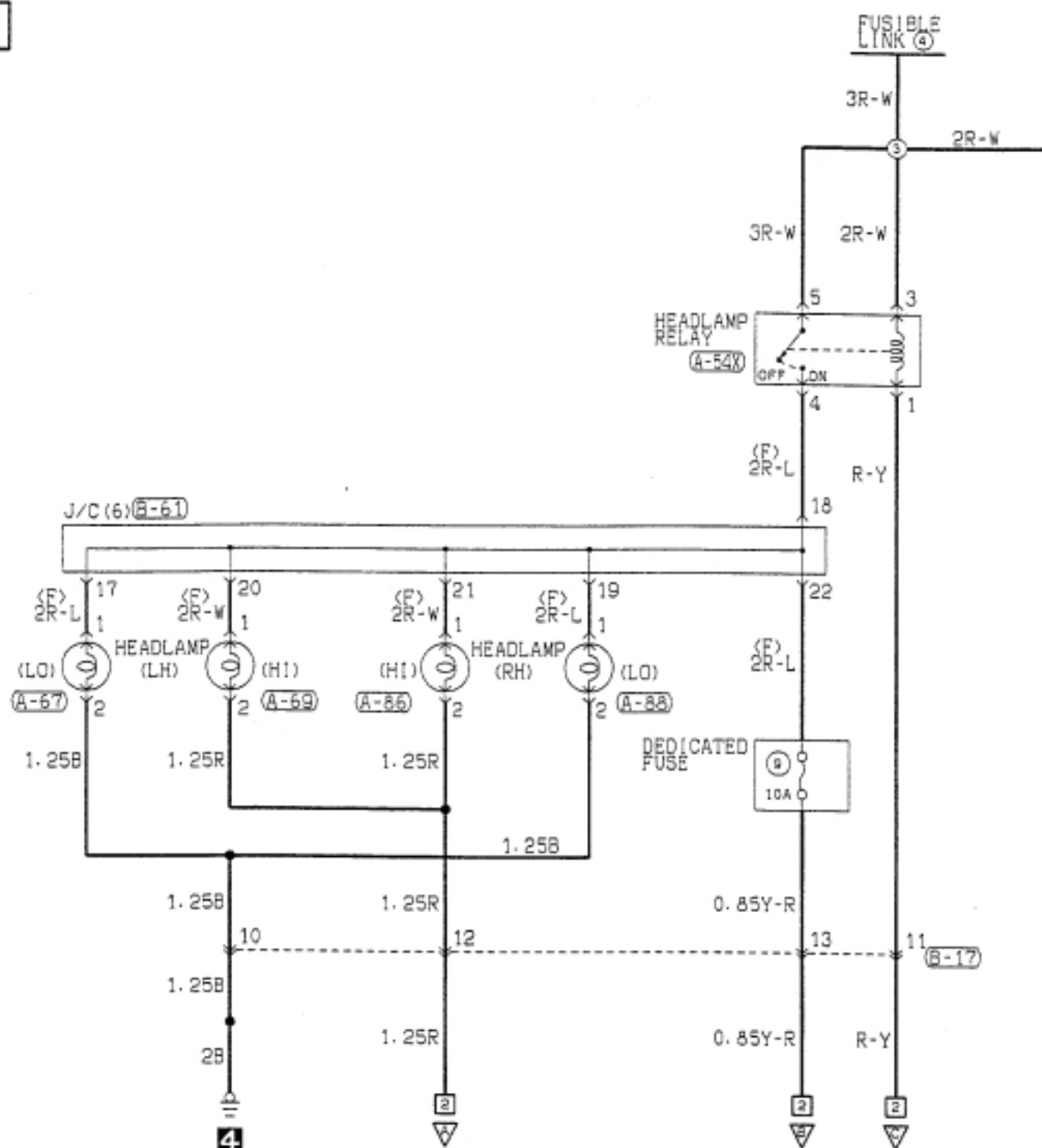
---

NOTES

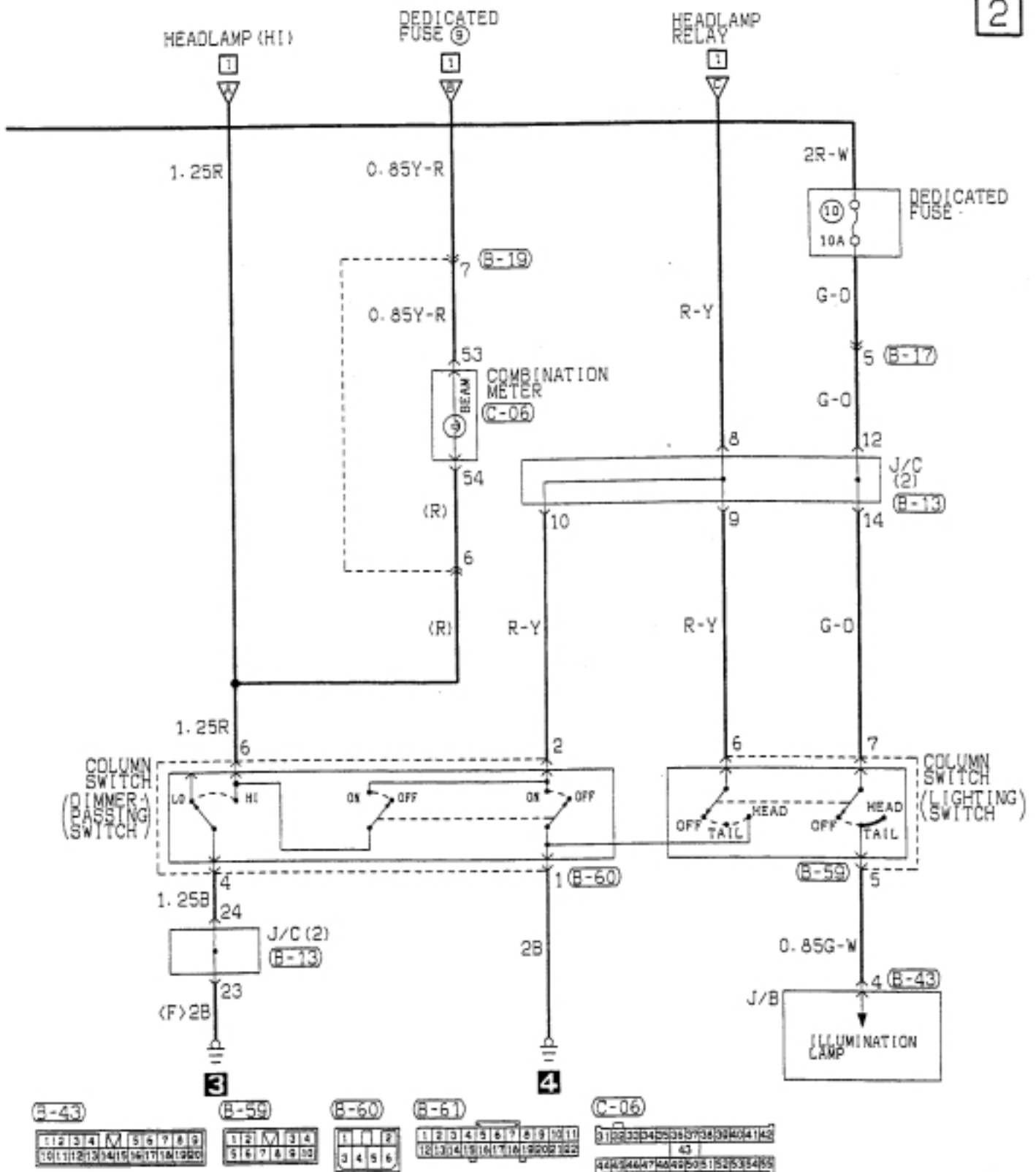
# HEADLAMP

Except for discharge type

1



2

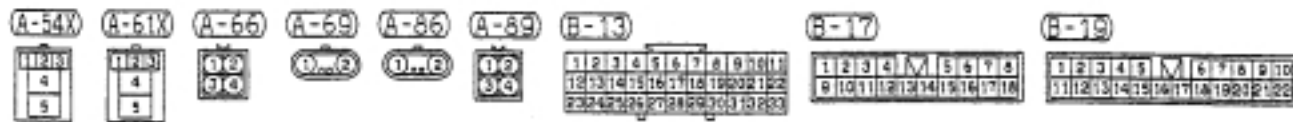
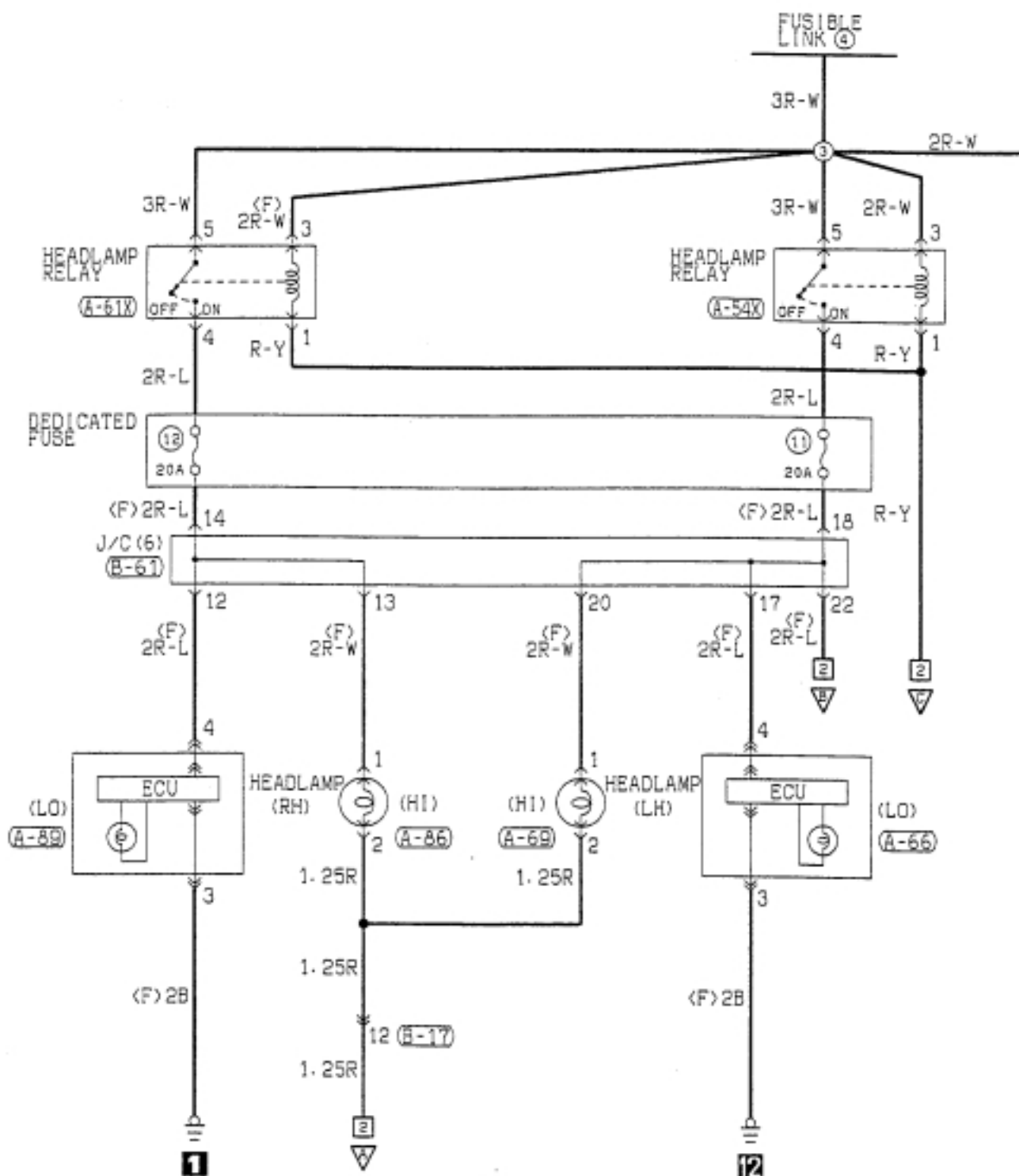


Wire colour code  
 B: Black LG: Light green G: Green L: Blue W: White Y: Yellow SB: Sky blue  
 BR: Brown O: Orange GR: Gray R: Red P: Pink V: Violet

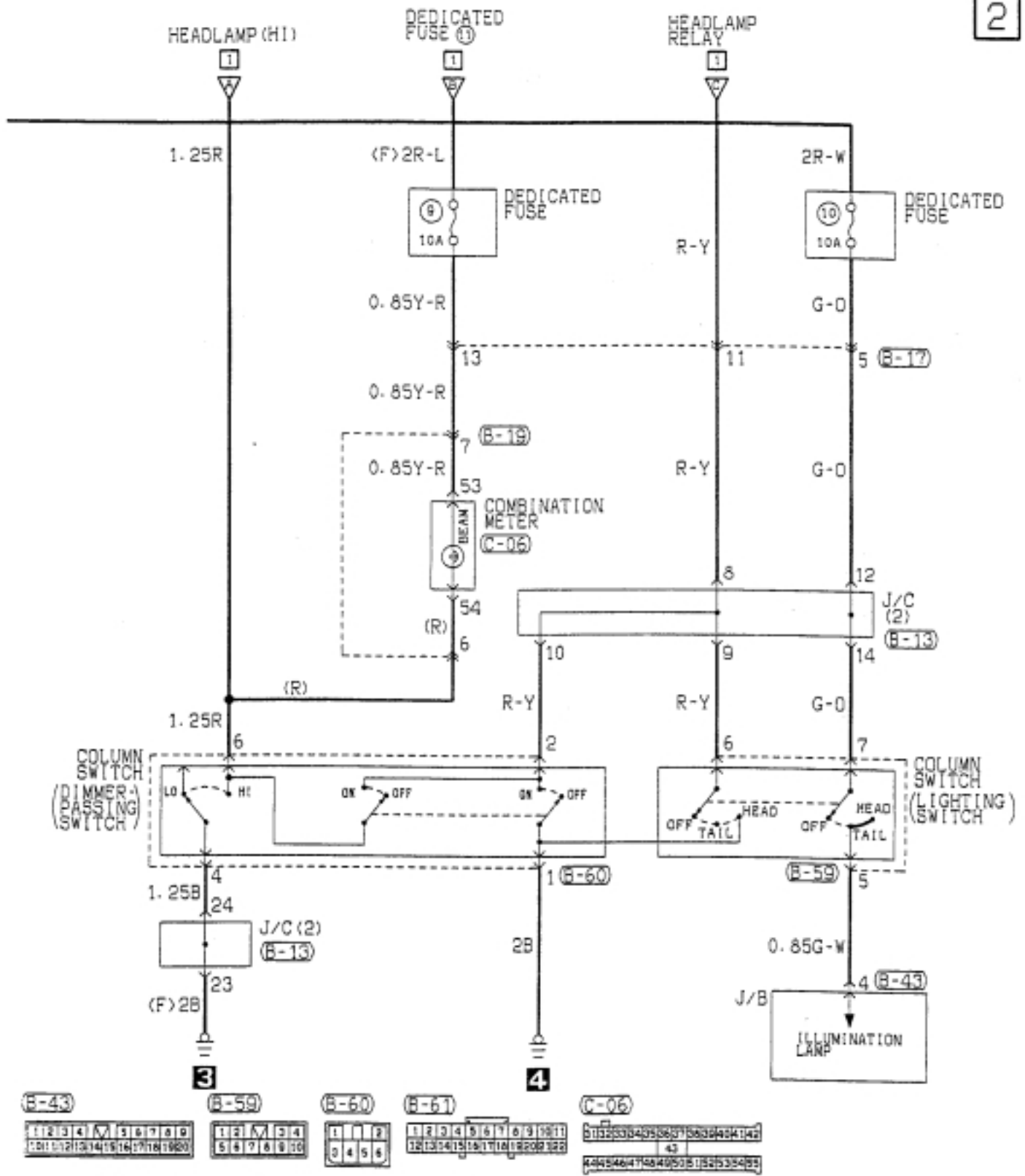
# HEADLAMP

Discharge type

1



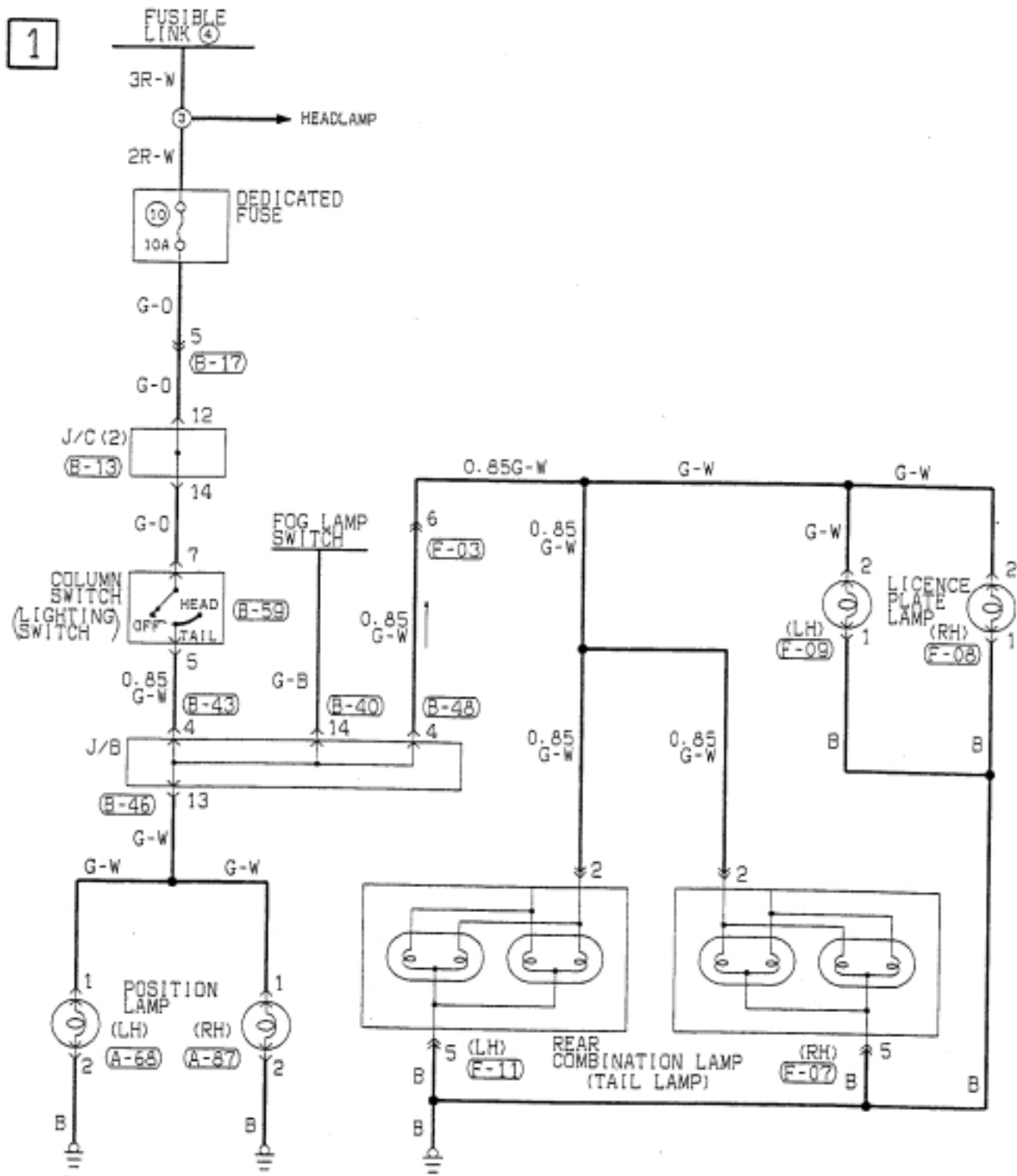
2



Wire colour code  
 B: Black LG: Light green G: Green L: Blue W: White Y: Yellow SB: Sky blue  
 BR: Brown O: Orange GR: Gray R: Red P: Pink V: Violet

# TAIL LAMP, POSITION LAMP AND LICENSE PLATE LAMP

Vehicles without discharge type headlamp

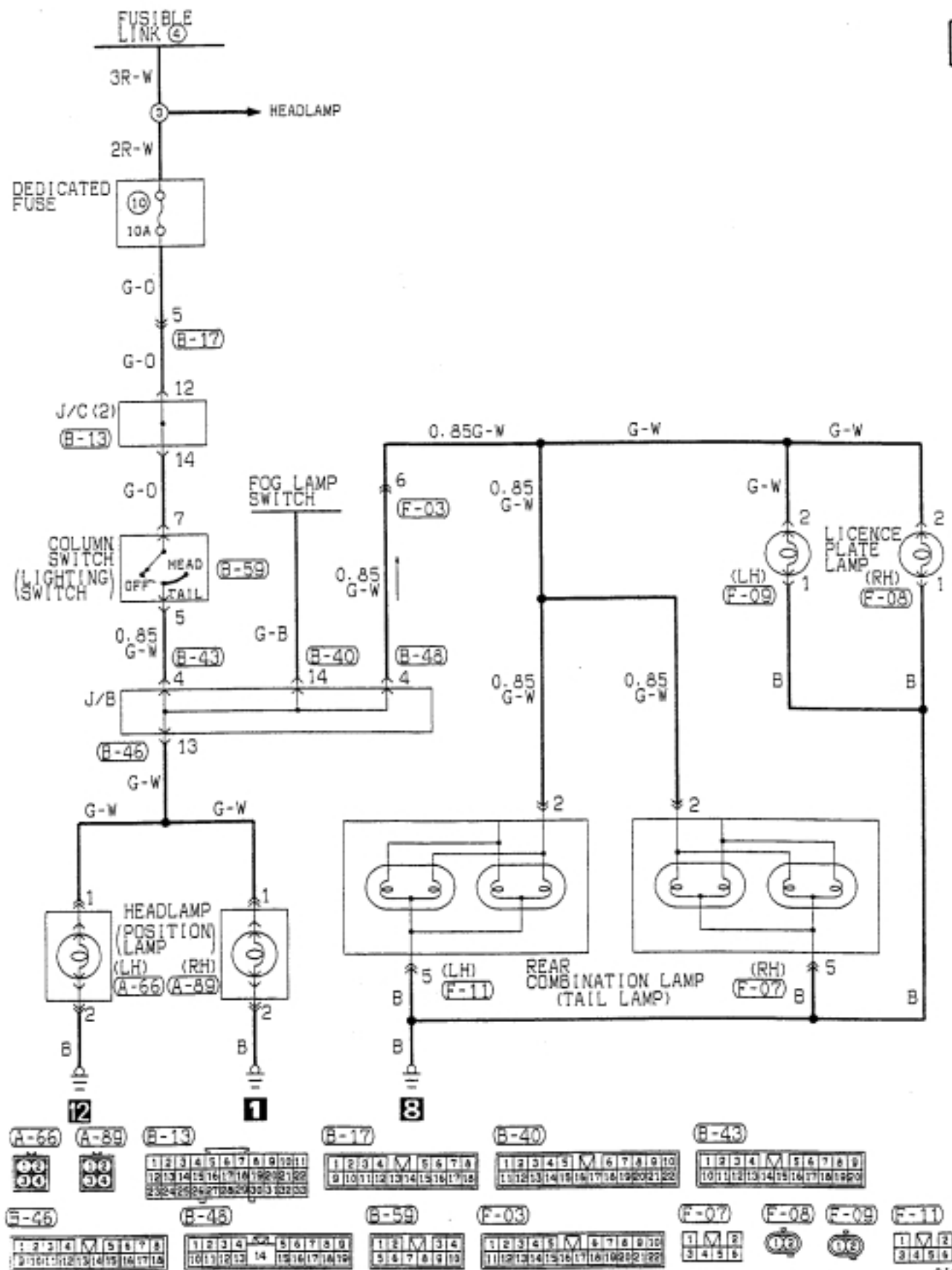


- A-68
- A-87
- B-13
- B-17
- B-40
- B-43
- B-46
- B-48
- B-59
- F-03
- F-07
- F-08
- F-09
- F-11

# TAIL LAMP, POSITION LAMP AND LICENSE PLATE LAMP

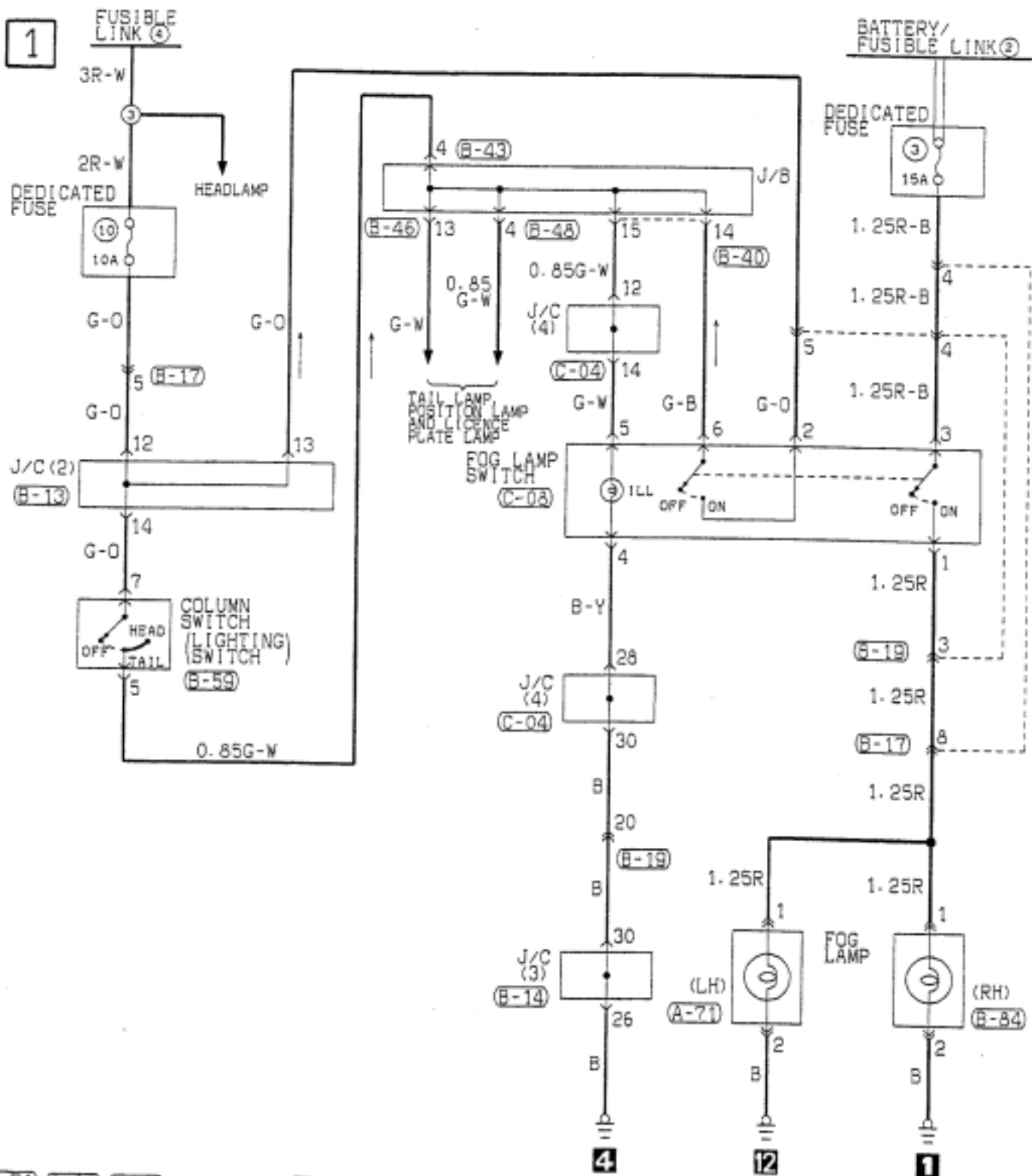
Vehicles with discharge type headlamp

1





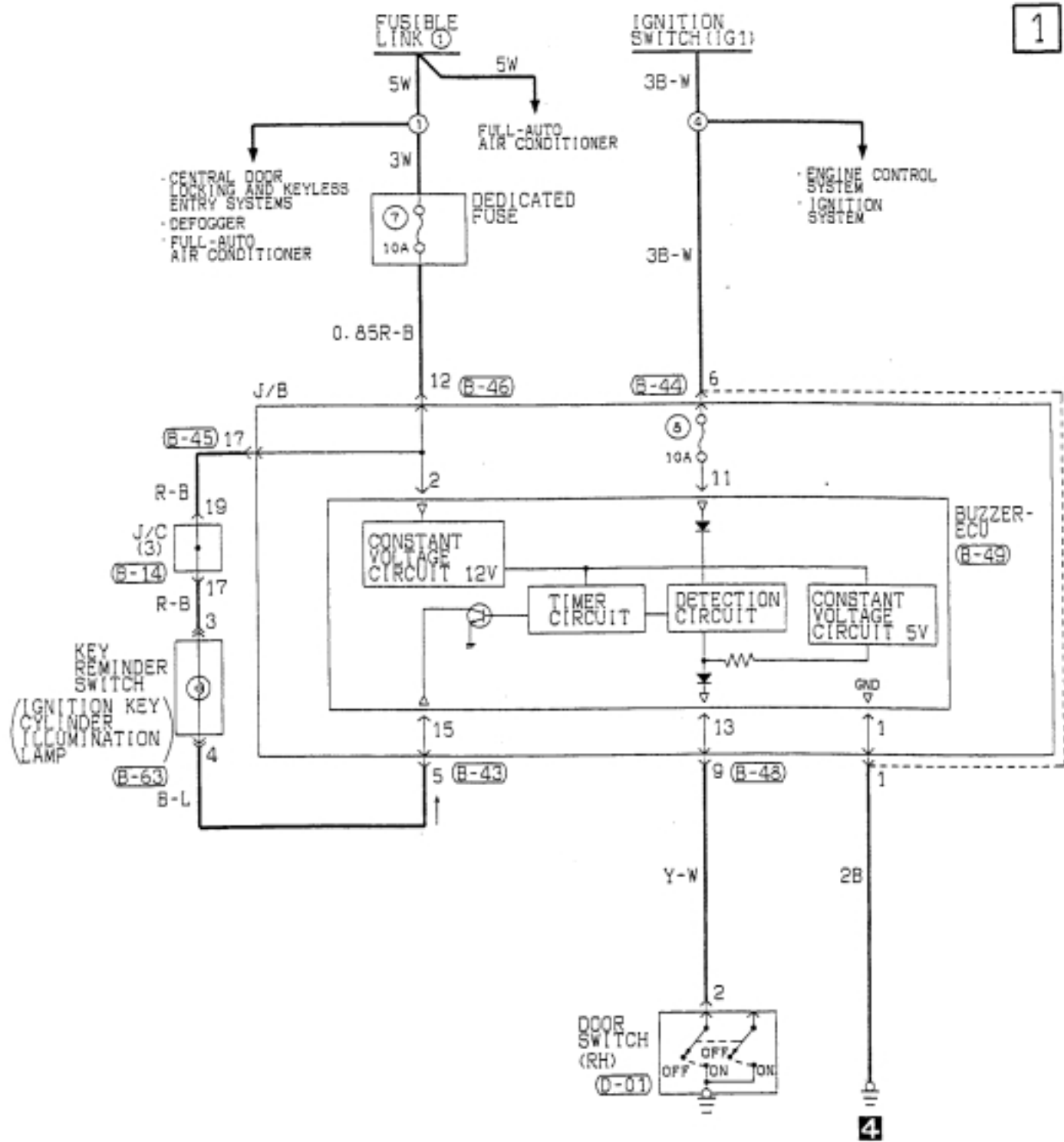
FOG LAMP



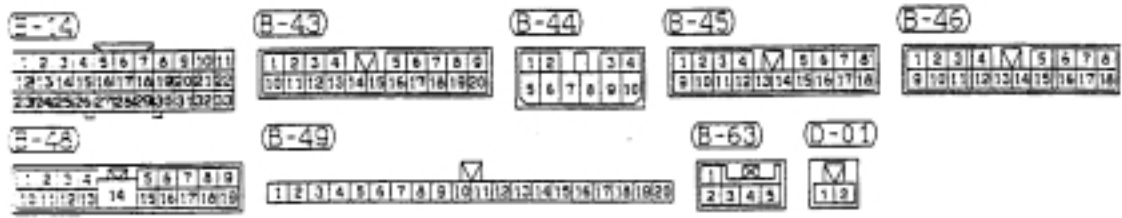
<b>A-71</b> 00	<b>A-84</b> 00	<b>B-13</b> 1 2 3 4 5 6 7 8 9 10 11 12 13 14 15 16 17 18 19 20 21 22 23 24 25 26 27 28 29 30 31 32 33	<b>B-14</b> 1 2 3 4 5 6 7 8 9 10 11 12 13 14 15 16 17 18 19 20 21 22 23 24 25 26 27 28 29 30 31 32 33	<b>B-17</b> 1 2 3 4 M 5 6 7 8 9 10 11 12 13 14 15 16 17 18	<b>B-19</b> 1 2 3 4 5 M 6 7 8 9 10 11 12 13 14 15 16 17 18 19 20 21 22	<b>B-40</b> 1 2 3 4 5 M 6 7 8 9 10 11 12 13 14 15 16 17 18 19 20 21 22
<b>B-43</b> 1 2 3 4 M 5 6 7 8 9 10 11 12 13 14 15 16 17 18 19 20	<b>B-46</b> 1 2 3 4 M 5 6 7 8 9 10 11 12 13 14 15 16 17 18	<b>B-48</b> 1 2 3 4 5 6 7 8 9 10 11 12 13 14 15 16 17 18 19	<b>B-59</b> 1 2 M 3 4 5 6 7 8 9 10	<b>C-04</b> 1 2 3 4 5 6 7 8 9 10 11 12 13 14 15 16 17 18 19 20 21 22 23 24 25 26 27 28 29 30 31 32 33	<b>C-08</b> 1 2 3 4 5 6	

IGNITION KEY CYLINDER ILLUMINATION LAMP

1

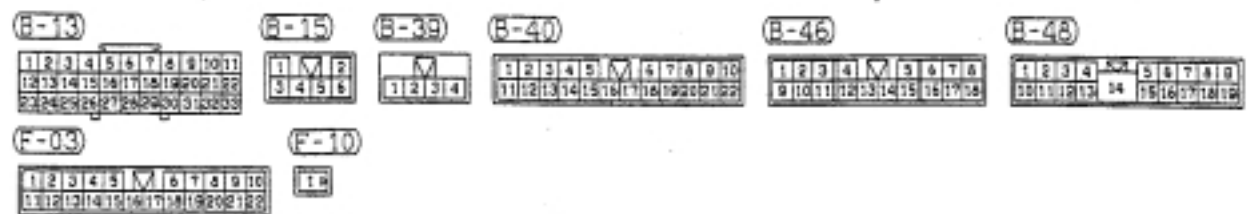
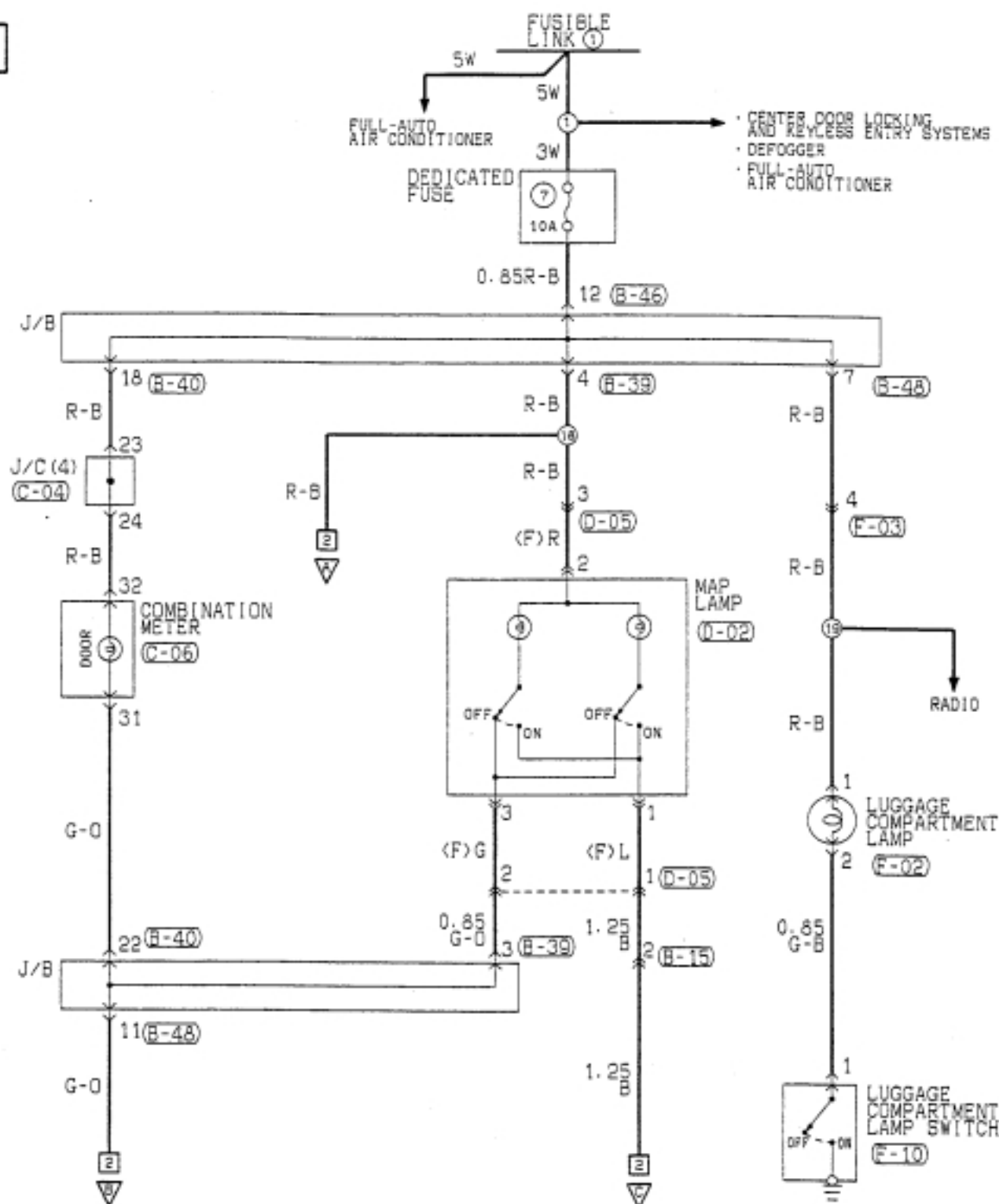


4

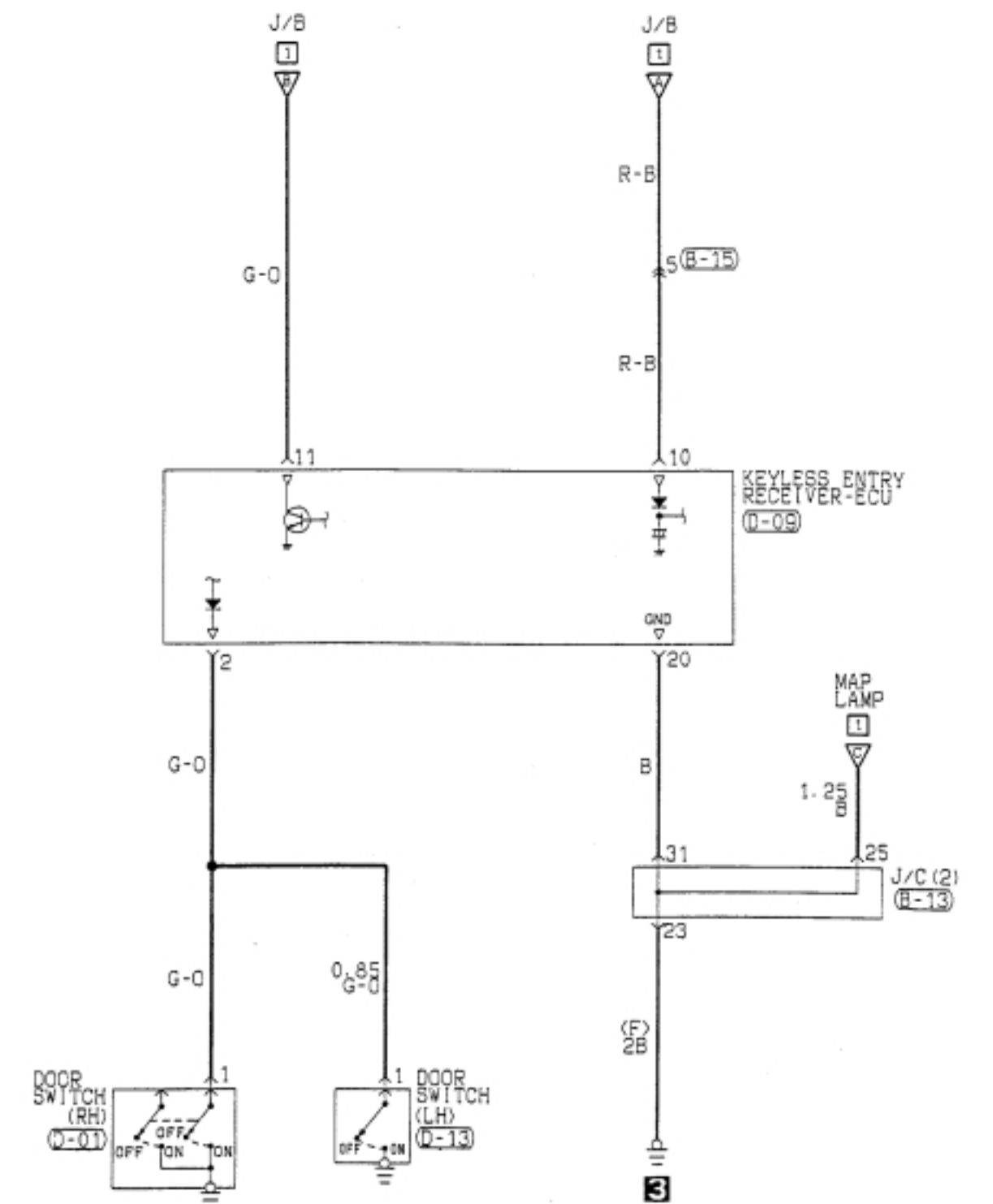


MAP LAMP AND LUGGAGE COMPARTMENT LAMP

1

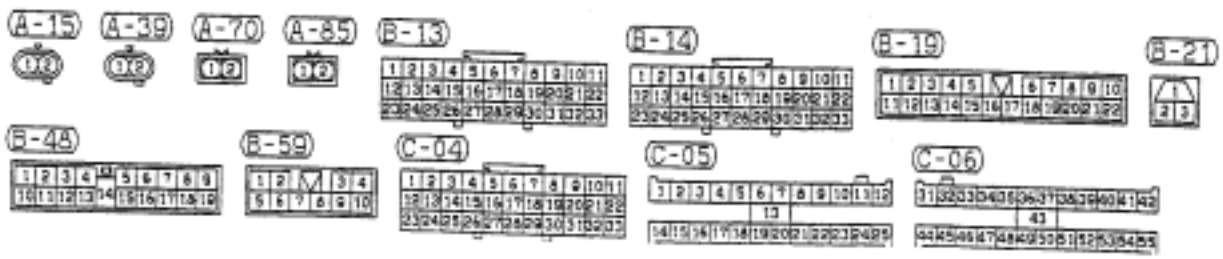
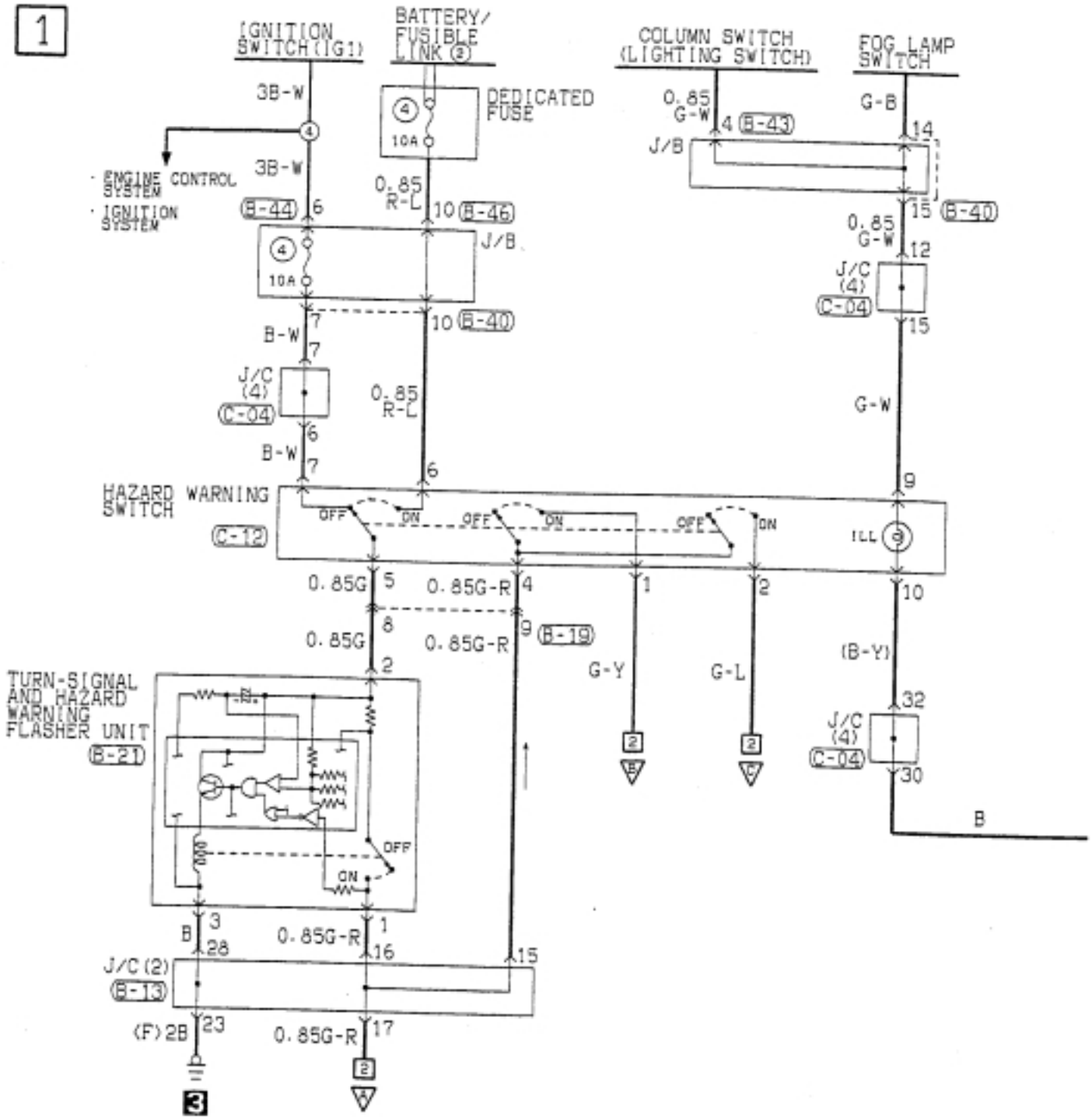


2

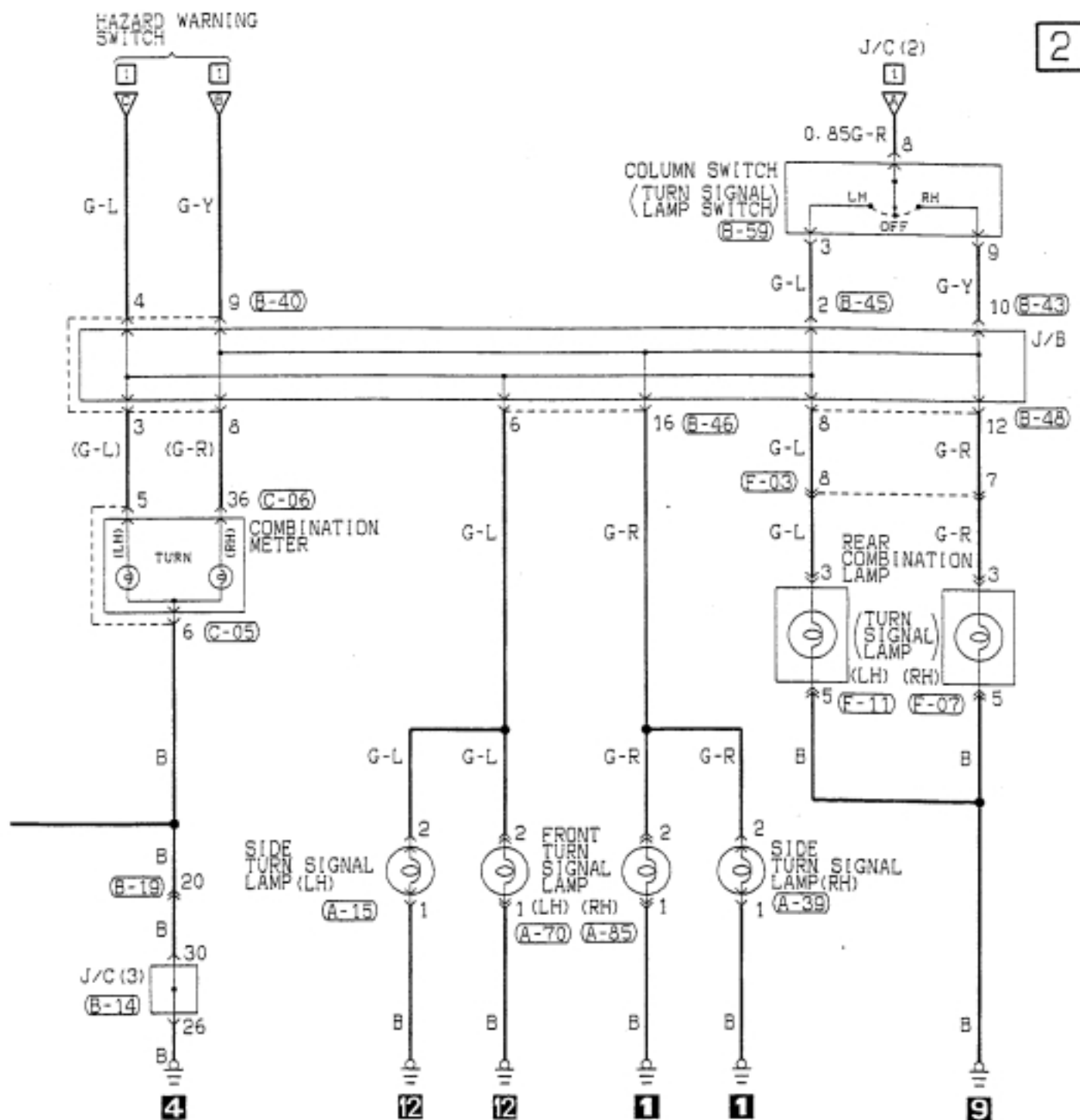


Wire colour code  
 BK: Black LG: Light green G: Green L: Blue W: White Y: Yellow SB: Sky blue  
 BR: Brown O: Orange GR: Gray R: Red P: Pink V: Violet

# TURN-SIGNAL LAMP AND HAZARD WARNING LAMP



2



B-40

1	2	3	4	5	6	7	8	9	10
11	12	13	14	15	16	17	18	19	20

B-43

1	2	3	4	5	6	7	8	9	10
11	12	13	14	15	16	17	18	19	20

B-44

1	2	3	4
5	6	7	8

B-45

1	2	3	4	5	6	7	8
9	10	11	12	13	14	15	16

B-46

1	2	3	4	5	6	7	8
9	10	11	12	13	14	15	16

C-12

1	2	3	4
5	6	7	8

F-03

1	2	3	4	5	6	7	8	9	10
11	12	13	14	15	16	17	18	19	20

F-07

1	2	3
4	5	6

F-11

1	2	3
4	5	6

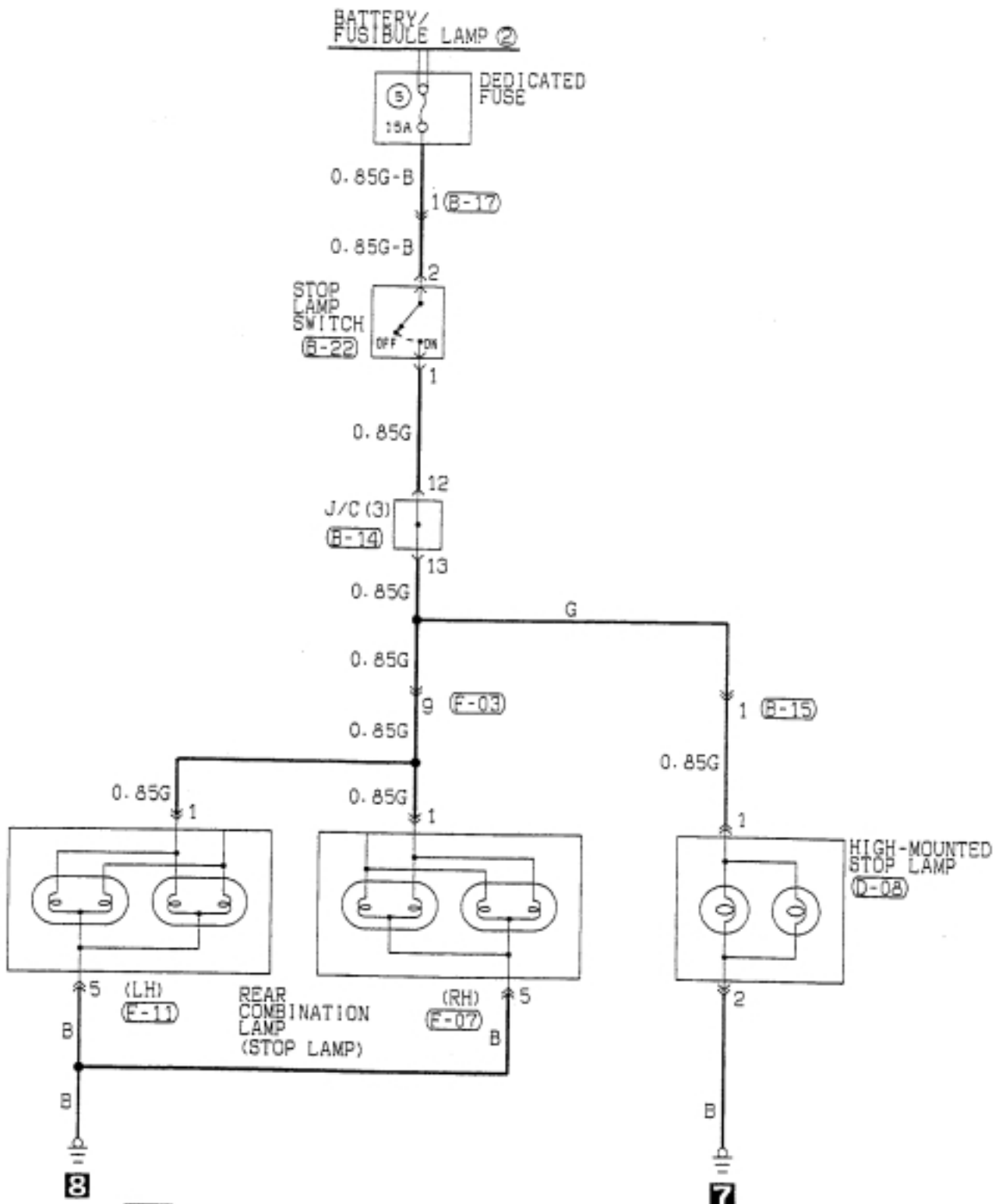
Wire colour code  
 B: Black  
 BR: Brown  
 W: White  
 V: Violet  
 CG: Light green  
 O: Orange  
 SB: Sky blue

G: Green  
 GR: Gray  
 P: Pink

L: Blue  
 R: Red  
 Y: Yellow

STOP LAMP

1

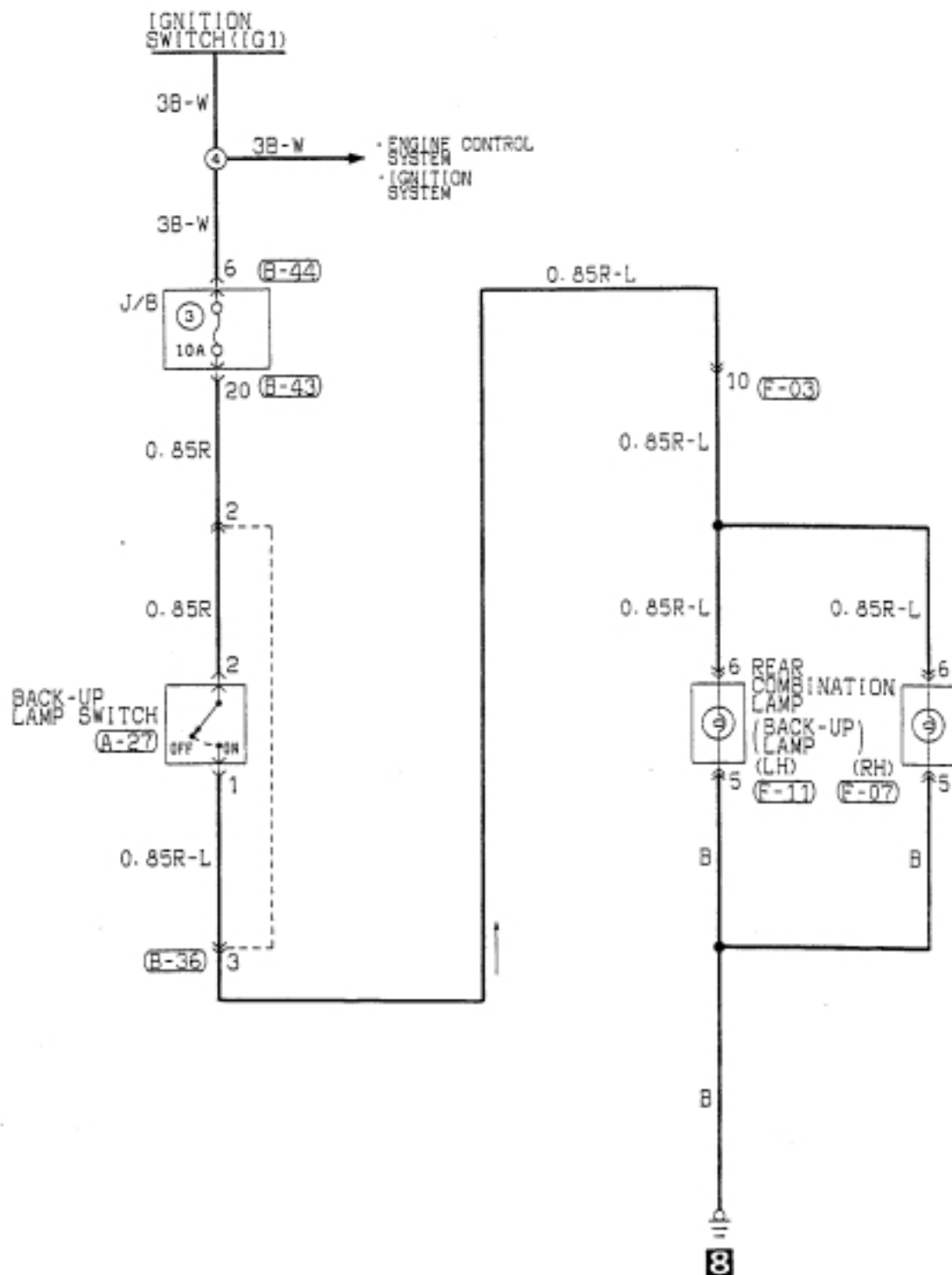


(B-14)	(B-15)	(B-17)	(B-22)	(D-08)	(F-03)	(F-07)	(F-11)
1 2 3 4 5 6 7 8 9 10 11 12 13 14 15 16 17 18 19 20 21 22 23 24 25 26 27 28 29 30 31 32 33	1 1 1 2 3 4 5 6	1 2 3 4 5 6 7 8 9 10 11 12 13 14 15 16 17 18	1 2	1 2	3 2 3 4 5 6 7 8 9 10 11 12 13 14 15 16 17 18 19 20 21 22	1 1 1 2 3 4 5 6	1 1 1 2 3 4 5 6

Wire colour code  
 BK: Black LG: Light green G: Green L: Blue W: White Y: Yellow SB: Sky blue  
 BR: Brown O: Orange GR: Gray R: Red P: Pink V: Violet

BACK-UP LAMP <M/T>

1

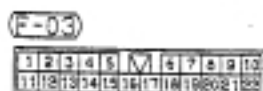
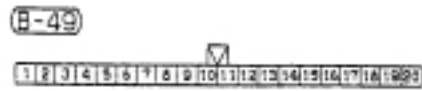
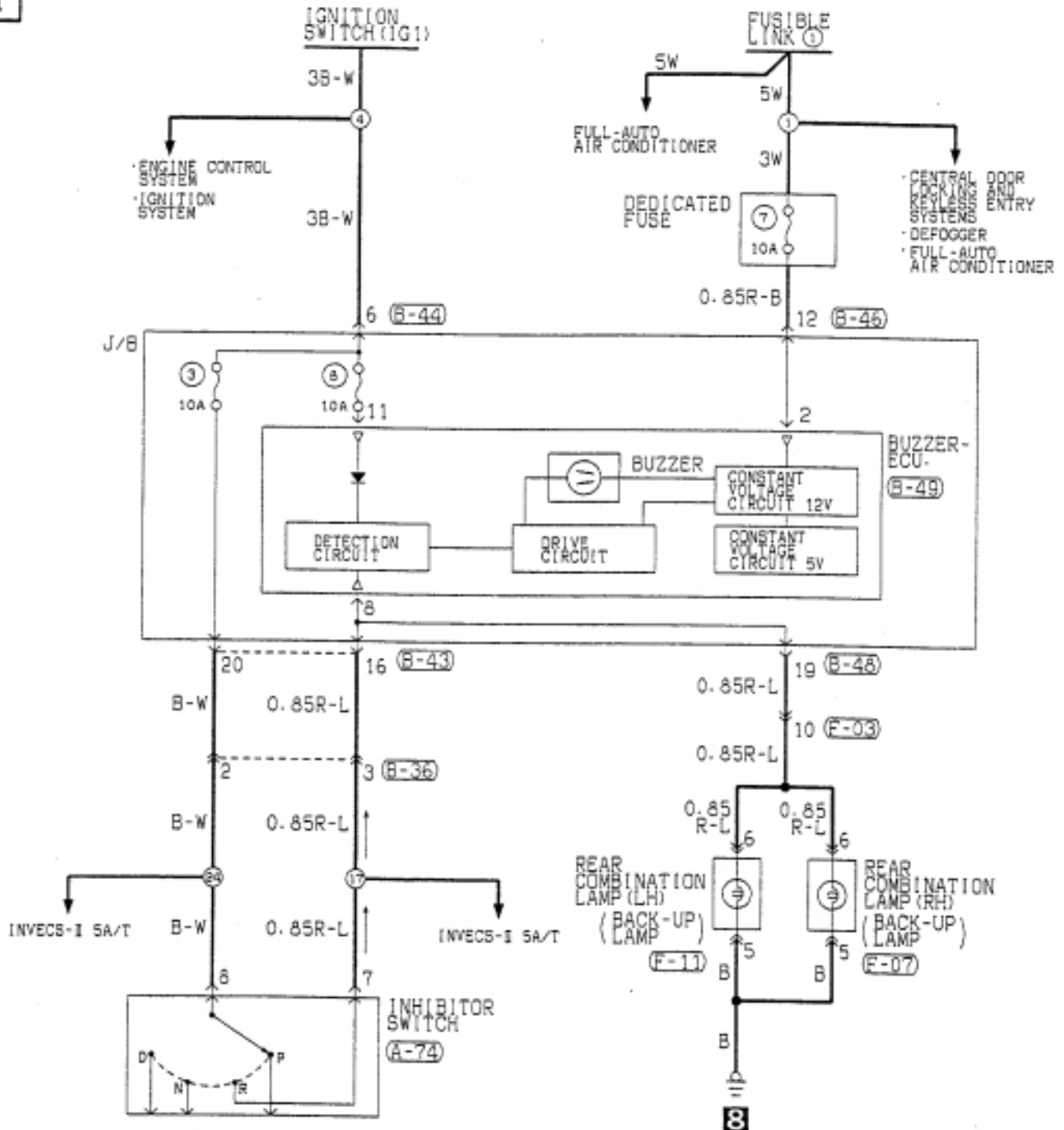


<b>A-27</b>	<b>B-36</b>	<b>B-43</b>	<b>B-44</b>	<b>F-03</b>	<b>F-07</b>	<b>F-11</b>						
1 2 3 4 5 6 7 8 9 10 11 12 13 14 15 16 17 18	1 2 3 4 5 6 7 8 9 10 11 12 13 14 15 16 17 18 19 20	1 2 3 4 5 6 7 8 9 10 11 12 13 14 15 16 17 18 19 20	1 2 3 4 5 6 7 8 9 10	1 2 3 4 5 6 7 8 9 10 11 12 13 14 15 16 17 18 19 20	1 2 3 4 5 6	1 2 3 4 5 6						
Wire colour code	BR: Brown	O: Orange	LG: Light green	G: Green	GR: Gray	L: Blue	R: Red	W: White	P: Pink	Y: Yellow	V: Violet	SB: Sky blue



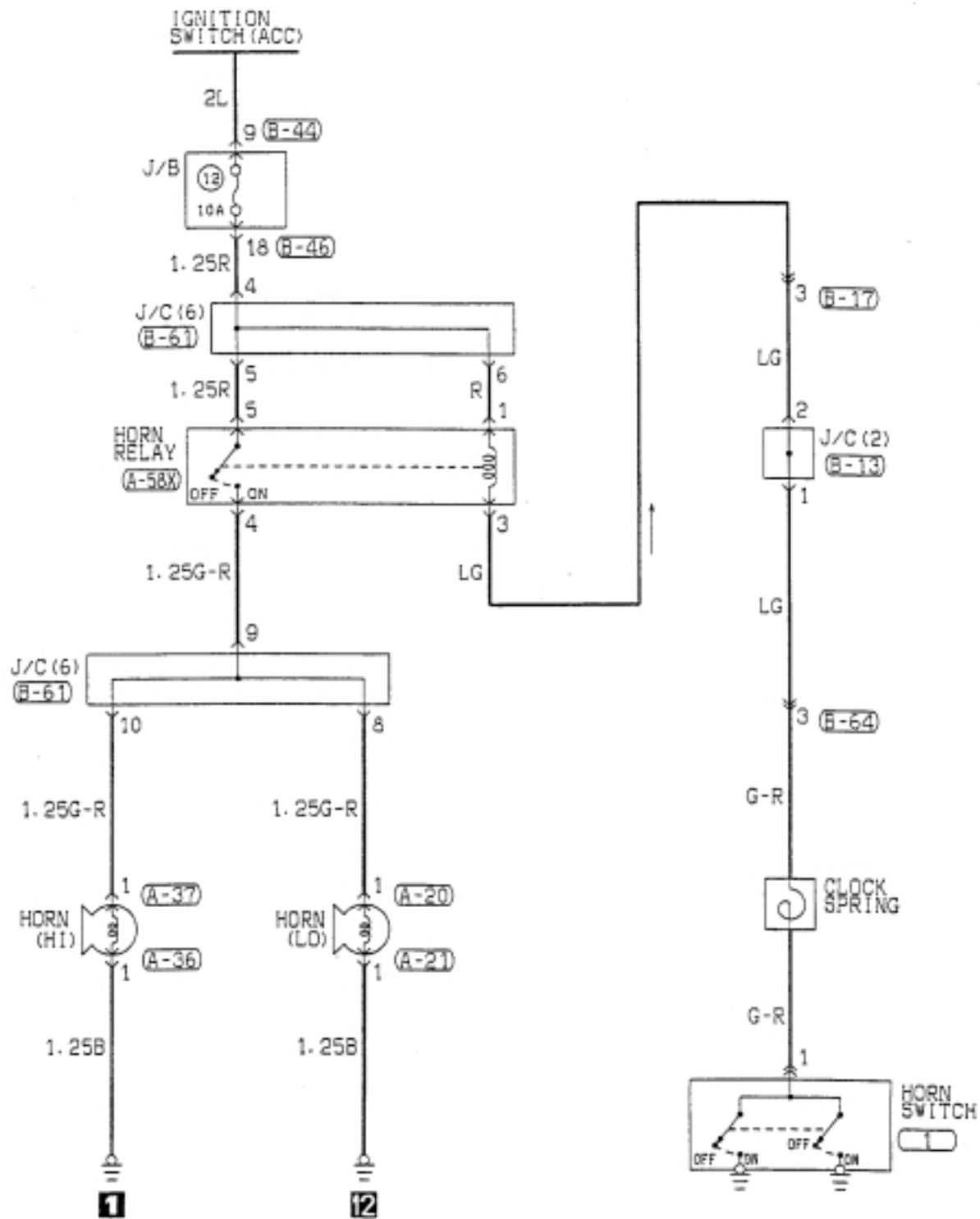
BACK-UP LAMP AND REVERSE (R) POSITION WARNING BUZZER <AT>

1



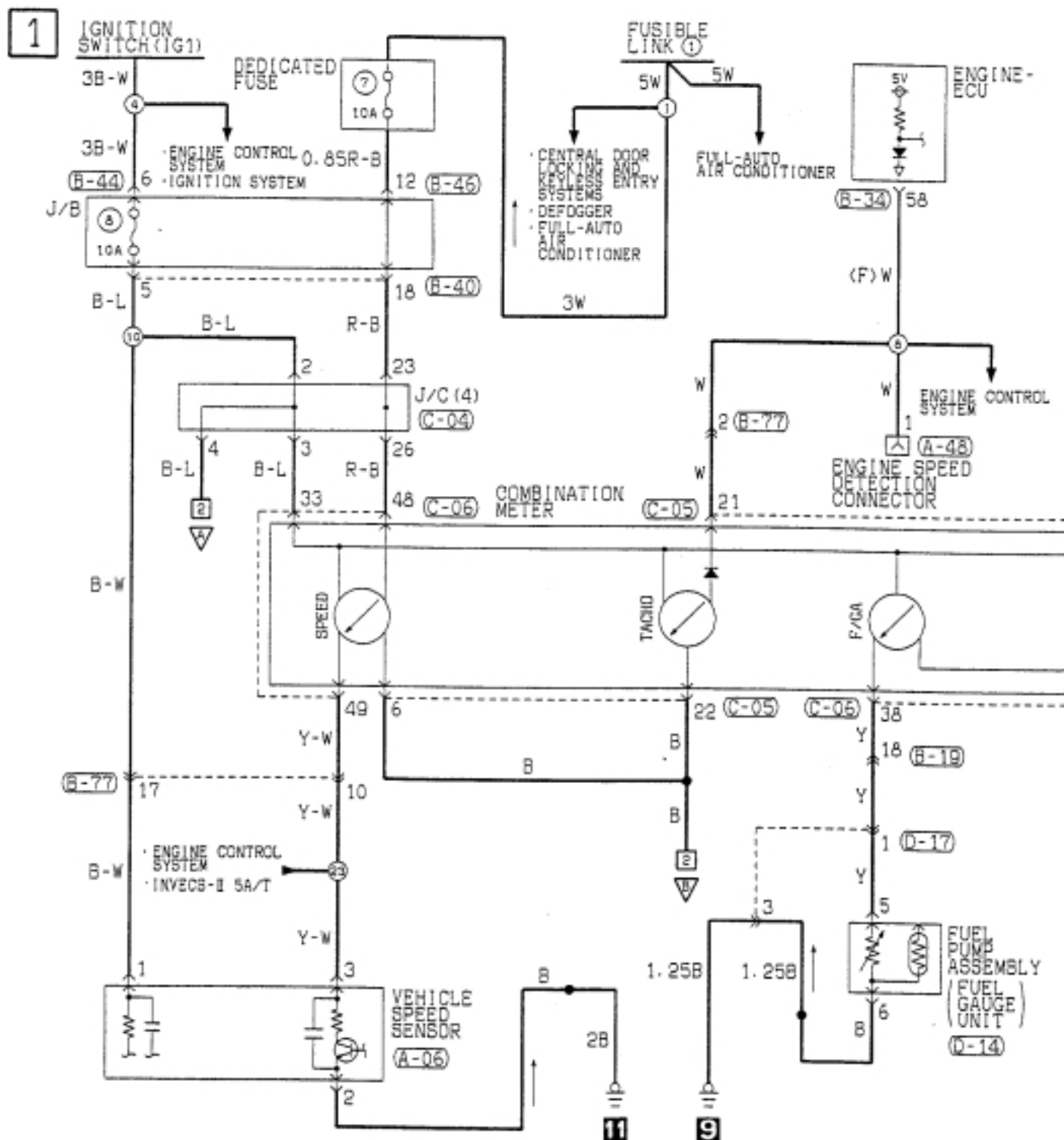
HORN

1



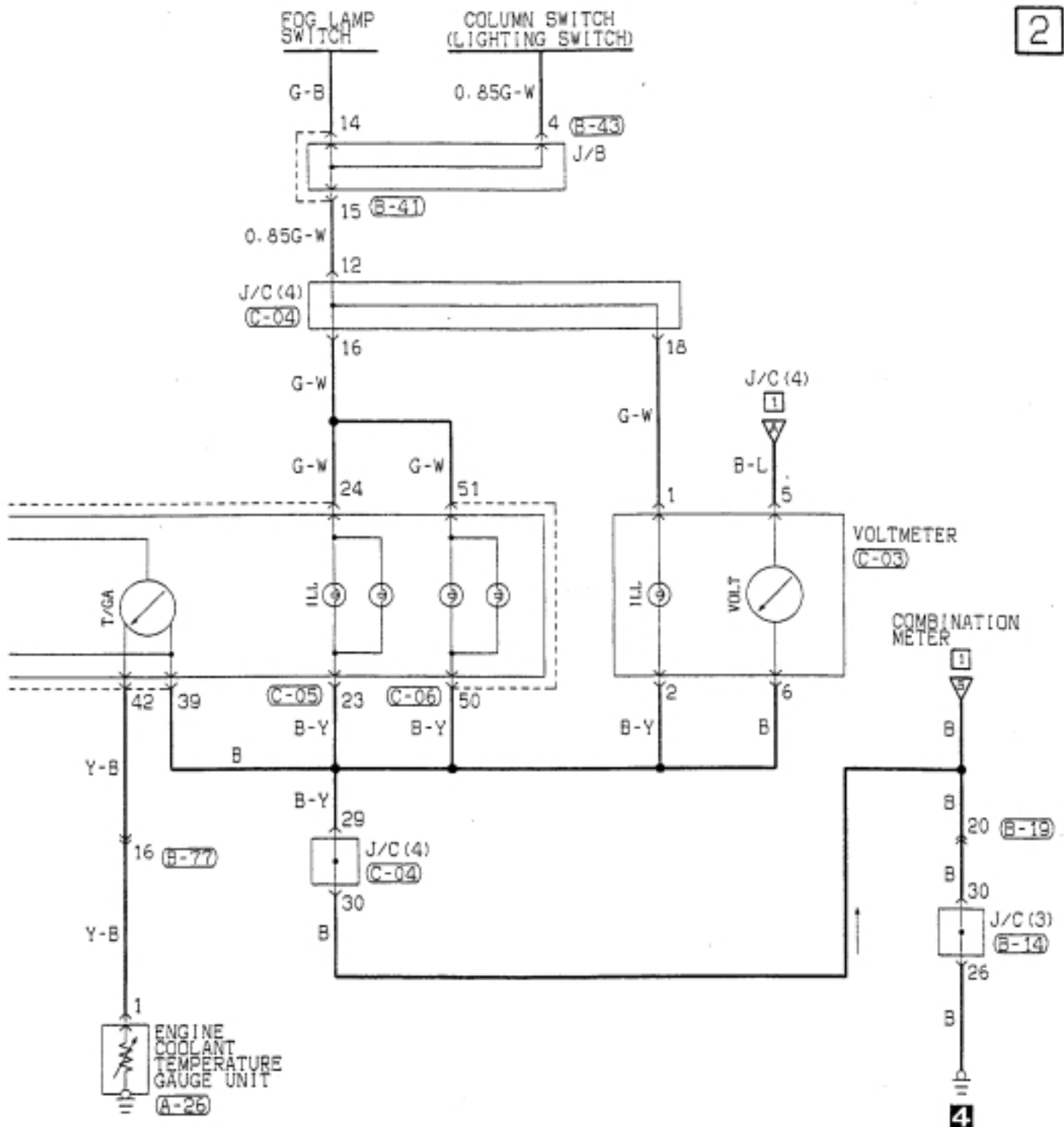
<b>A-20</b> 1 2 3 4 5 6 7 8 9 10 11 12 13 14 15 16 17 18 19 20 21 22 23 24 25 26 27 28 29 30 31 32 33	<b>A-21</b> 1 2 3 4 5 6 7 8 9 10 11 12 13 14 15 16 17 18 19 20 21 22 23 24 25 26 27 28 29 30 31 32 33	<b>A-36</b> 1 2 3 4 5 6 7 8 9 10 11 12 13 14 15 16 17 18 19 20 21 22 23 24 25 26 27 28 29 30 31 32 33	<b>A-37</b> 1 2 3 4 5 6 7 8 9 10 11 12 13 14 15 16 17 18 19 20 21 22 23 24 25 26 27 28 29 30 31 32 33	<b>A-58X</b> 1 2 3 4 5 6 7 8 9 10 11 12 13 14 15 16 17 18 19 20 21 22 23 24 25 26 27 28 29 30 31 32 33	<b>B-13</b> 1 2 3 4 5 6 7 8 9 10 11 12 13 14 15 16 17 18 19 20 21 22 23 24 25 26 27 28 29 30 31 32 33	<b>B-17</b> 1 2 3 4 5 6 7 8 9 10 11 12 13 14 15 16 17 18 19 20 21 22 23 24 25 26 27 28 29 30 31 32 33	<b>B-44</b> 1 2 3 4 5 6 7 8 9 10 11 12 13 14 15 16 17 18 19 20 21 22 23 24 25 26 27 28 29 30 31 32 33	<b>B-46</b> 1 2 3 4 5 6 7 8 9 10 11 12 13 14 15 16 17 18 19 20 21 22 23 24 25 26 27 28 29 30 31 32 33
<b>B-61</b> 1 2 3 4 5 6 7 8 9 10 11 12 13 14 15 16 17 18 19 20 21 22 23 24 25 26 27 28 29 30 31 32 33	<b>B-64</b> 1 2 3 4 5 6 7 8 9 10 11 12 13 14 15 16 17 18 19 20 21 22 23 24 25 26 27 28 29 30 31 32 33	<p>Wire colour code</p> <p>B: Black LG: Light green G: Green L: Blue</p> <p>BR: Brown O: Orange GR: Gray R: Red</p> <p>W: White SB: Sky blue P: Pink Y: Yellow</p> <p>V: Violet</p>						

METER AND GAUGE



<b>A-06</b> 000	<b>A-26</b> 1	<b>A-48</b> 1	<b>B-14</b> 1 2 3 4 5 6 7 8 9 10 11 12 13 14 15 16 17 18 19 20 21 22 23 24 25 26 27 28 29 30 31 32 33	<b>B-19</b> 1 2 3 4 5 6 7 8 9 10 11 12 13 14 15 16 17 18 19 20 21 22	<b>B-34</b> 1 2 3 4 5 6 7 8 9 10 11 12 13 14 15 16 17 18 19 20 21 22	<b>B-40</b> 1 2 3 4 5 6 7 8 9 10 11 12 13 14 15 16 17 18 19 20 21 22
<b>C-05</b> 1 2 3 4 5 6 7 8 9 10 11 12 13	<b>C-06</b> 1 2 3 4 5 6 7 8 9 10 11 12 13 14 15 16 17 18 19 20 21 22 23 24 25	<b>D-14</b> 1 2 3 4 5 6 7 8 9 10 11 12 13 14 15 16 17 18 19 20 21 22 23 24 25 26 27 28 29 30 31 32 33 34 35 36 37 38 39 40 41 42 43 44 45 46 47 48 49 50 51 52 53 54 55 56 57 58 59 60 61 62 63 64 65 66 67 68 69 70 71 72 73 74 75 76 77 78 79 80 81 82 83 84 85 86 87 88 89 90 91 92 93 94 95 96 97 98 99 100	<b>D-17</b> 1 2 3 4 5 6 7 8			

2



B-43

B-44

B-46

B-77

C-03

C-04

1	2	3	4	5	6	7	8	9
10	11	12	13	14	15	16	17	18

1	2	3	4
5	6	7	8

1	2	3	4	5	6	7	8
9	10	11	12	13	14	15	16

1	2	3	4	5	6	7	8
9	10	11	12	13	14	15	16

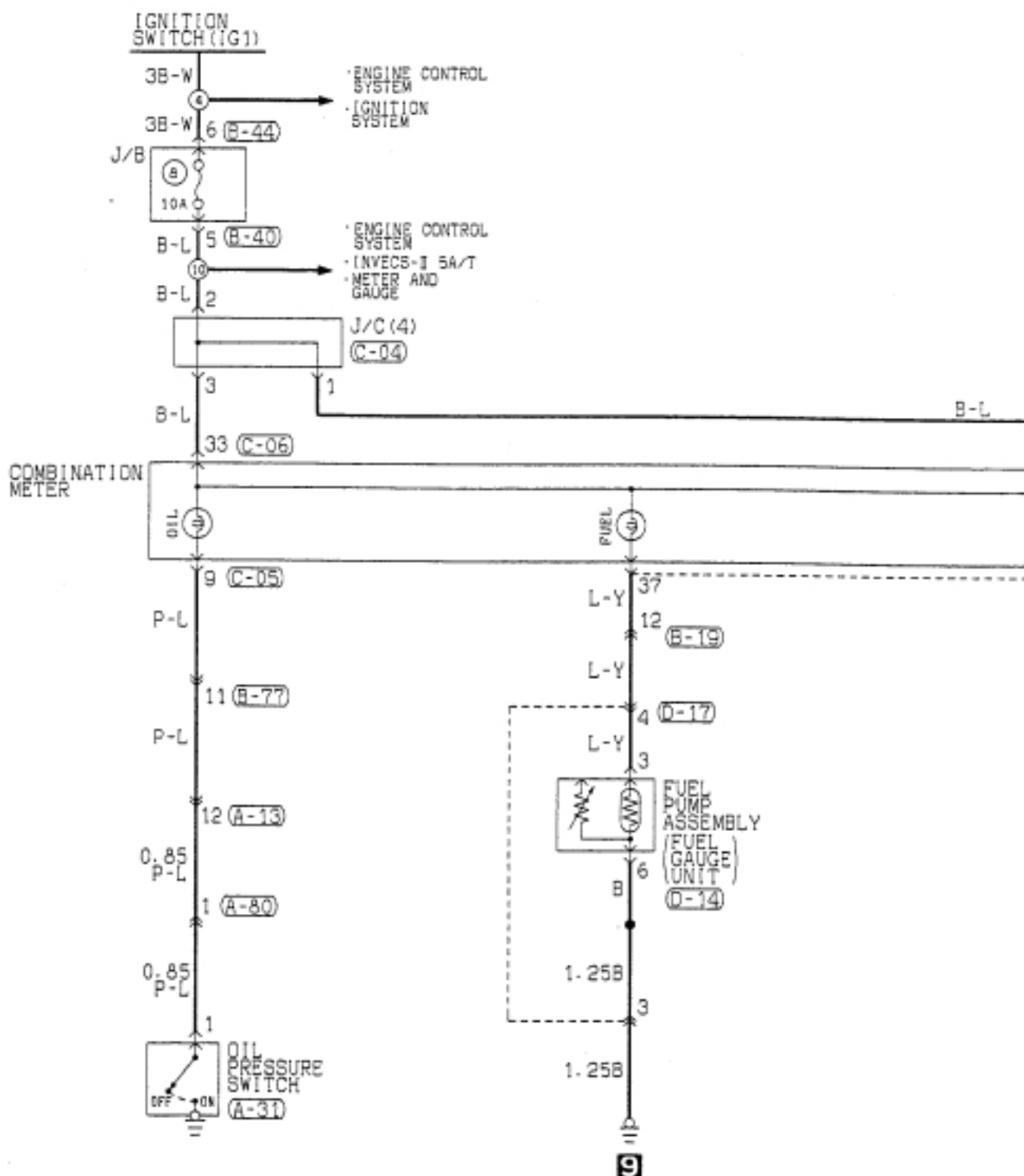
1	2	3	4	5	6
---	---	---	---	---	---

1	2	3	4	5	6	7	8	9	10	11
12	13	14	15	16	17	18	19	20	21	22

Wire colour code  
 BK:Black LG:Light green G:Green L:Blue W:White Y:Yellow SB:Sky blue  
 BR:Brown O:Orange GR:Gray R:Red P:Pink V:Violet

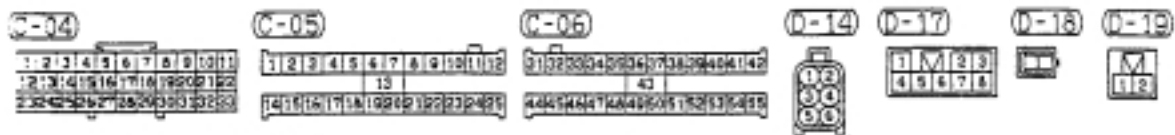
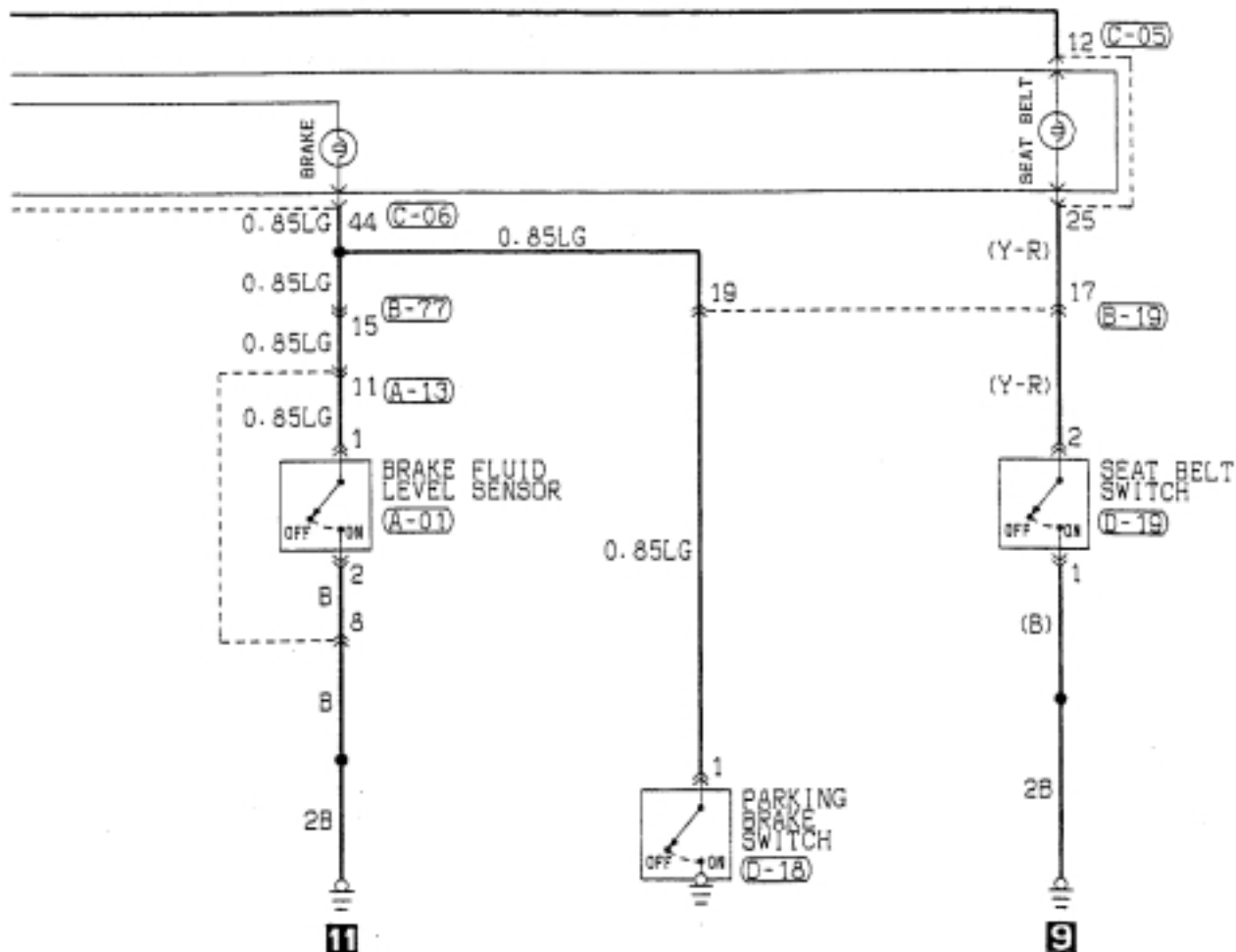
OIL PRESSURE WARNING LAMP  
FUEL WARNING LAMP

1



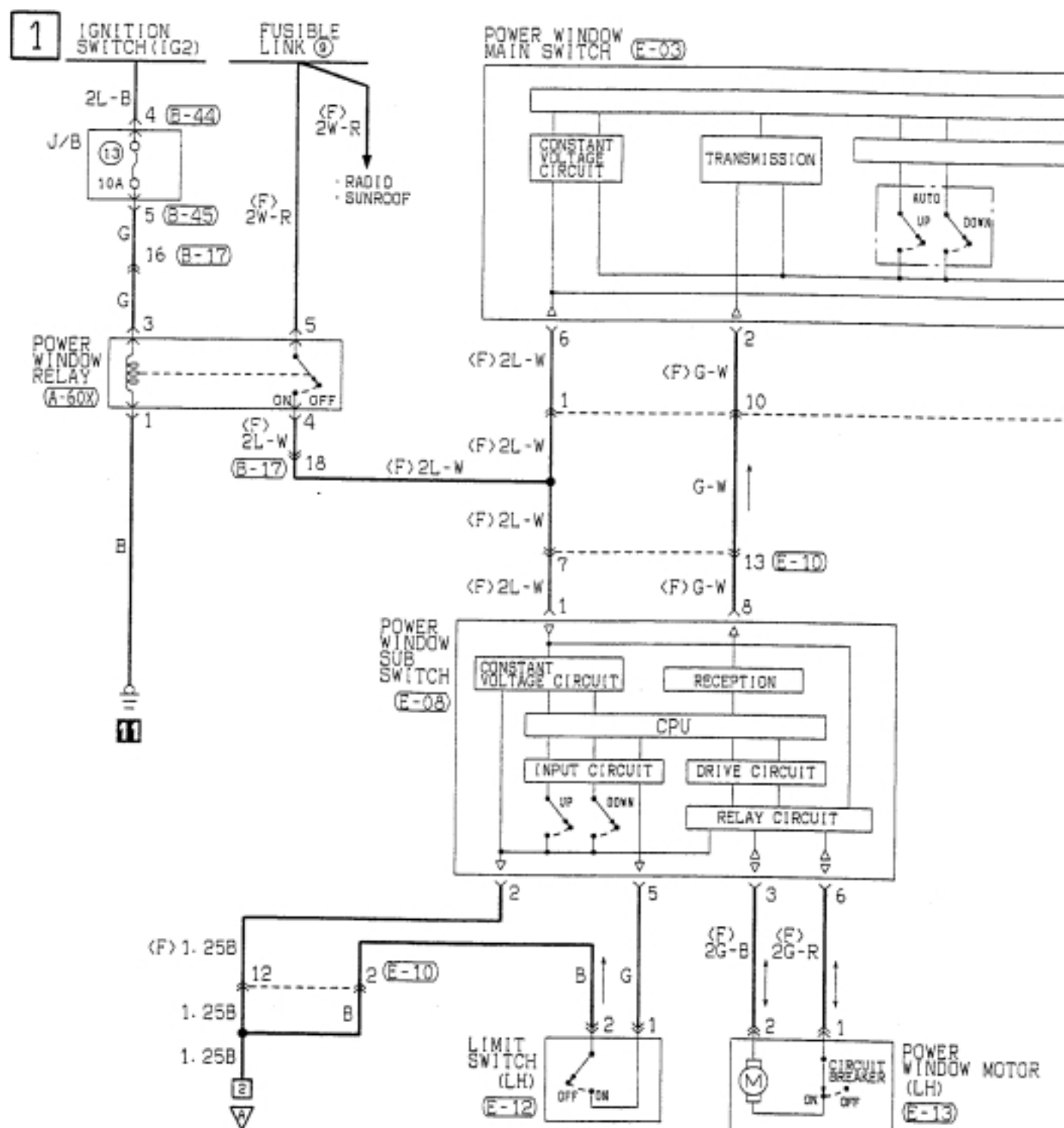
**BRAKE WARNING LAMP  
SEAT BELT WARNING LAMP**

2

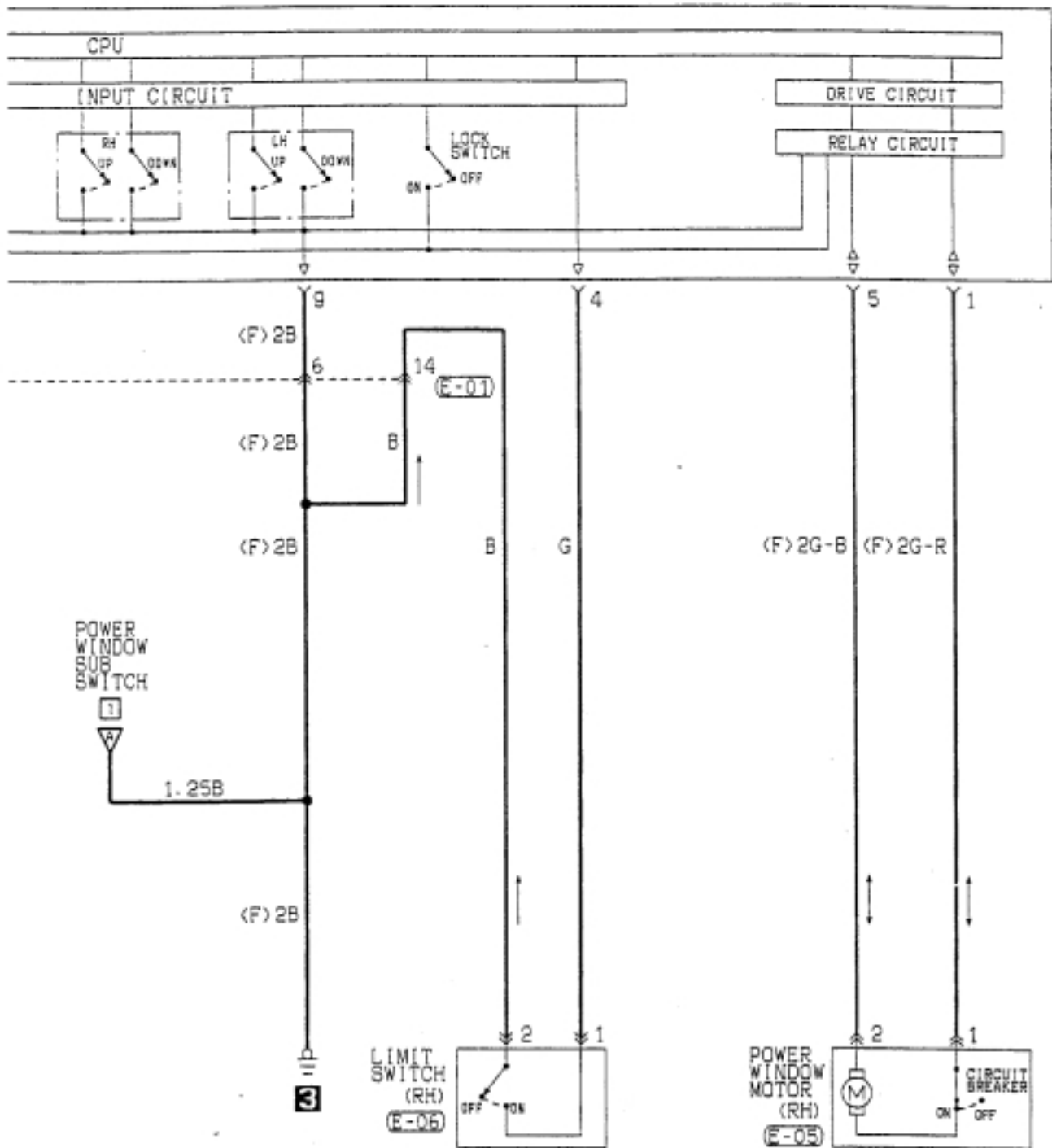


Wire colour code  
 BK:Black LG:Light green G:Green L:Blue W:White Y:Yellow SB:Sky blue  
 BR:Brown O:Orange GR:Gray R:Red P:Pink V:Violet

## POWER WINDOWS



2



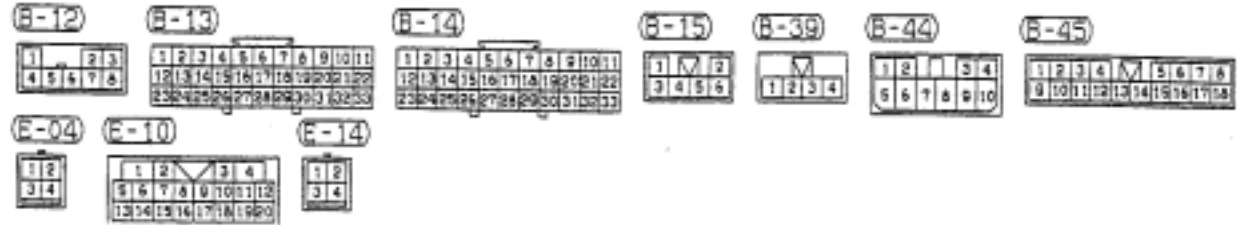
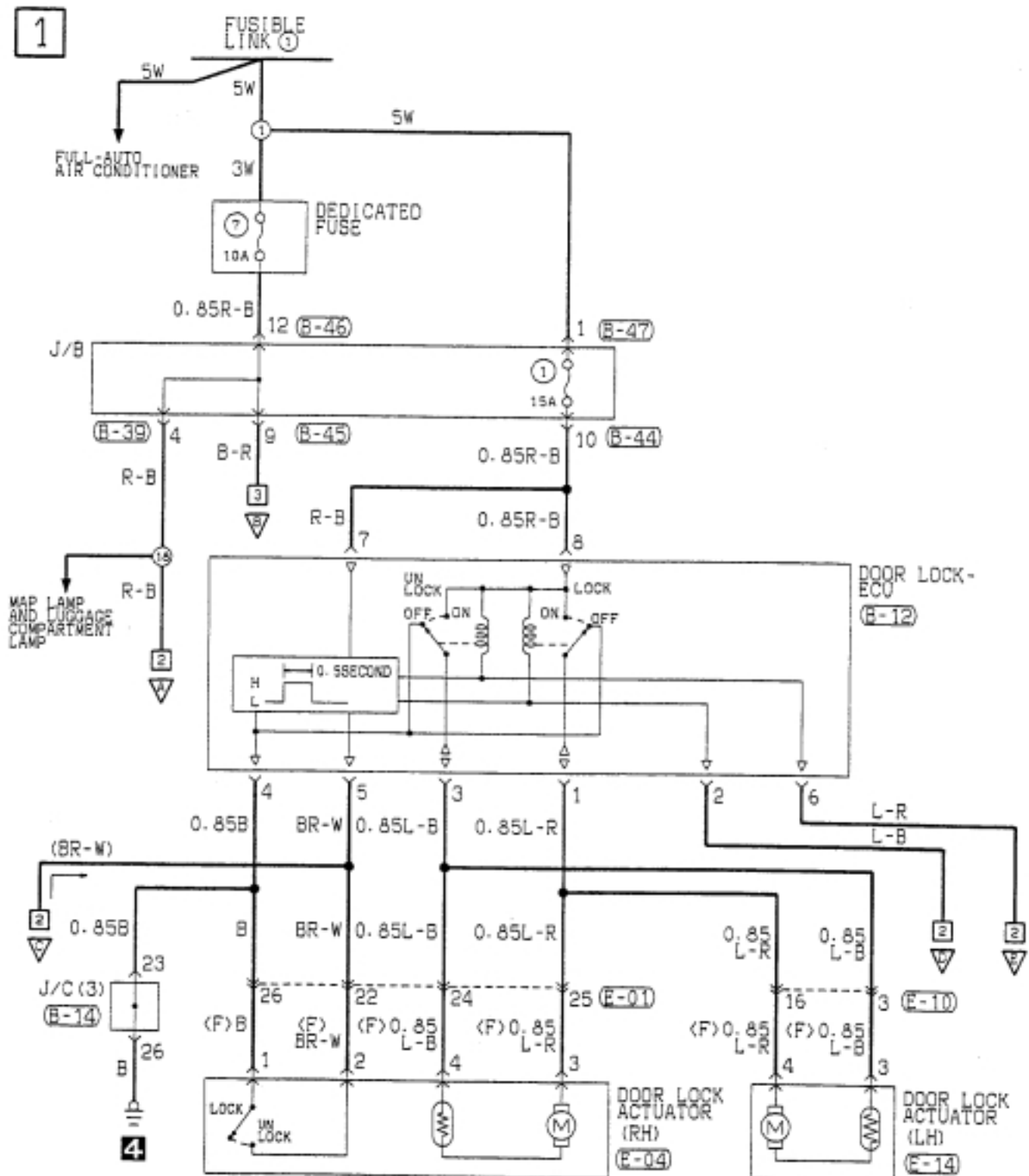
E-08 E-10 E-12 E-13



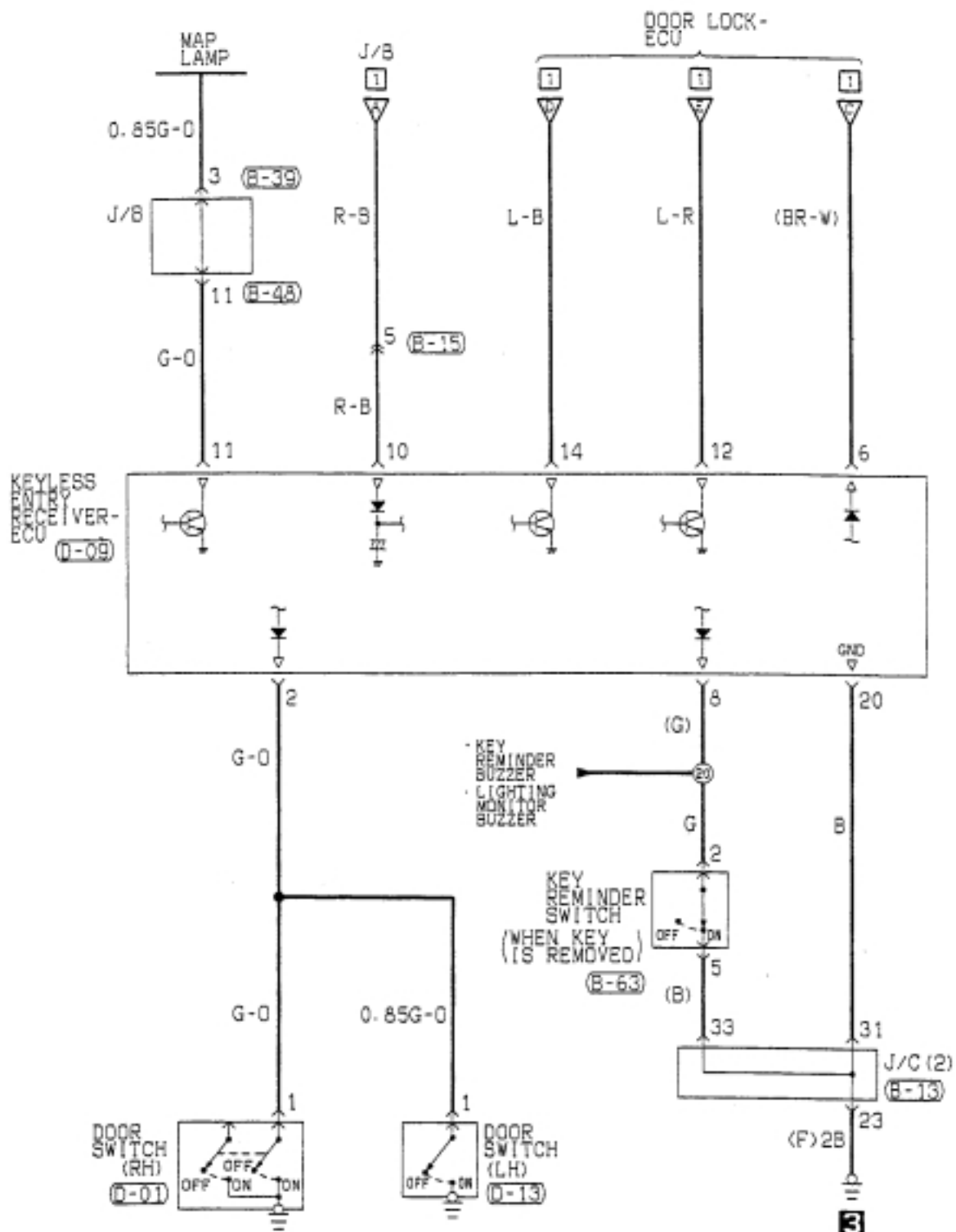
Wire colour code  
 BK:Black LG:Light green G:Green L:Blue W:White Y:Yellow SB:Sky blue  
 BR:Brown O:Orange GR:Gray R:Red P:Pink V:Violet



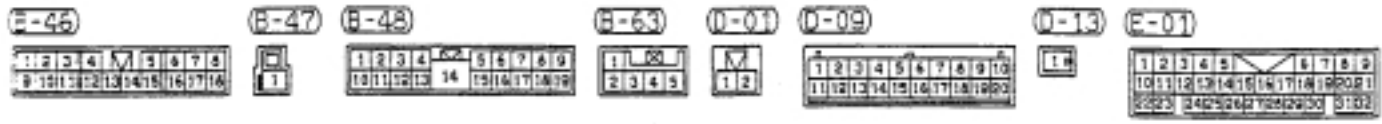
CENTRAL DOOR LOCKING AND KEYLESS ENTRY SYSTEMS



2



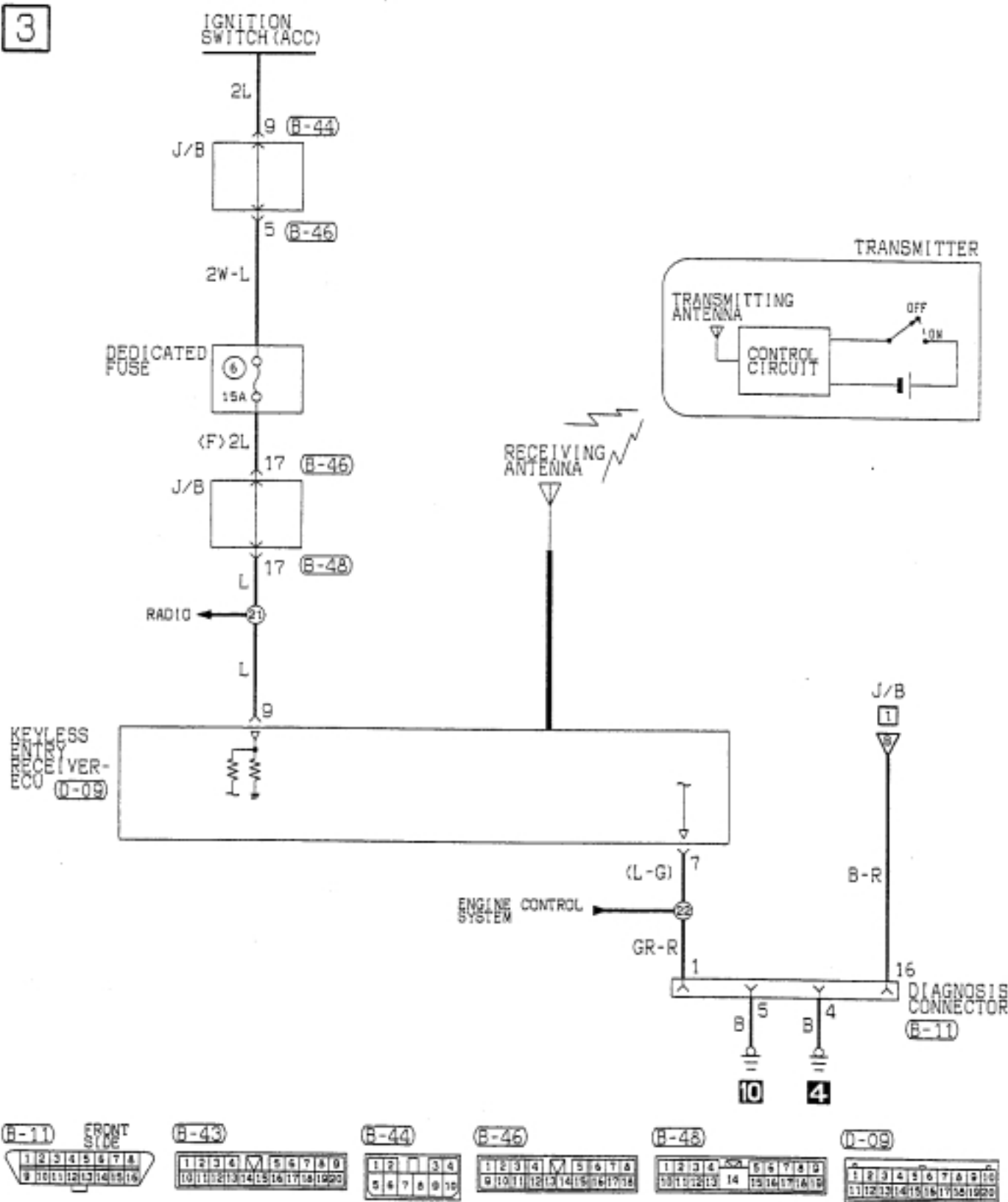
3



Wire colour code  
 B : Black LG : Light green G : Green L : Blue W : White Y : Yellow SB : Sky blue  
 BR : Brown O : Orange GR : Gray R : Red P : Pink V : Violet

CENTRAL DOOR LOCKING AND KEYLESS ENTRY SYSTEMS (CONTINUED)

3



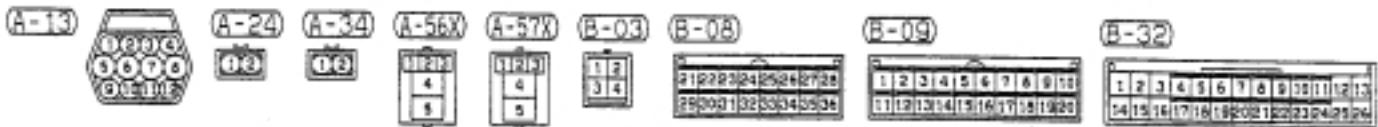
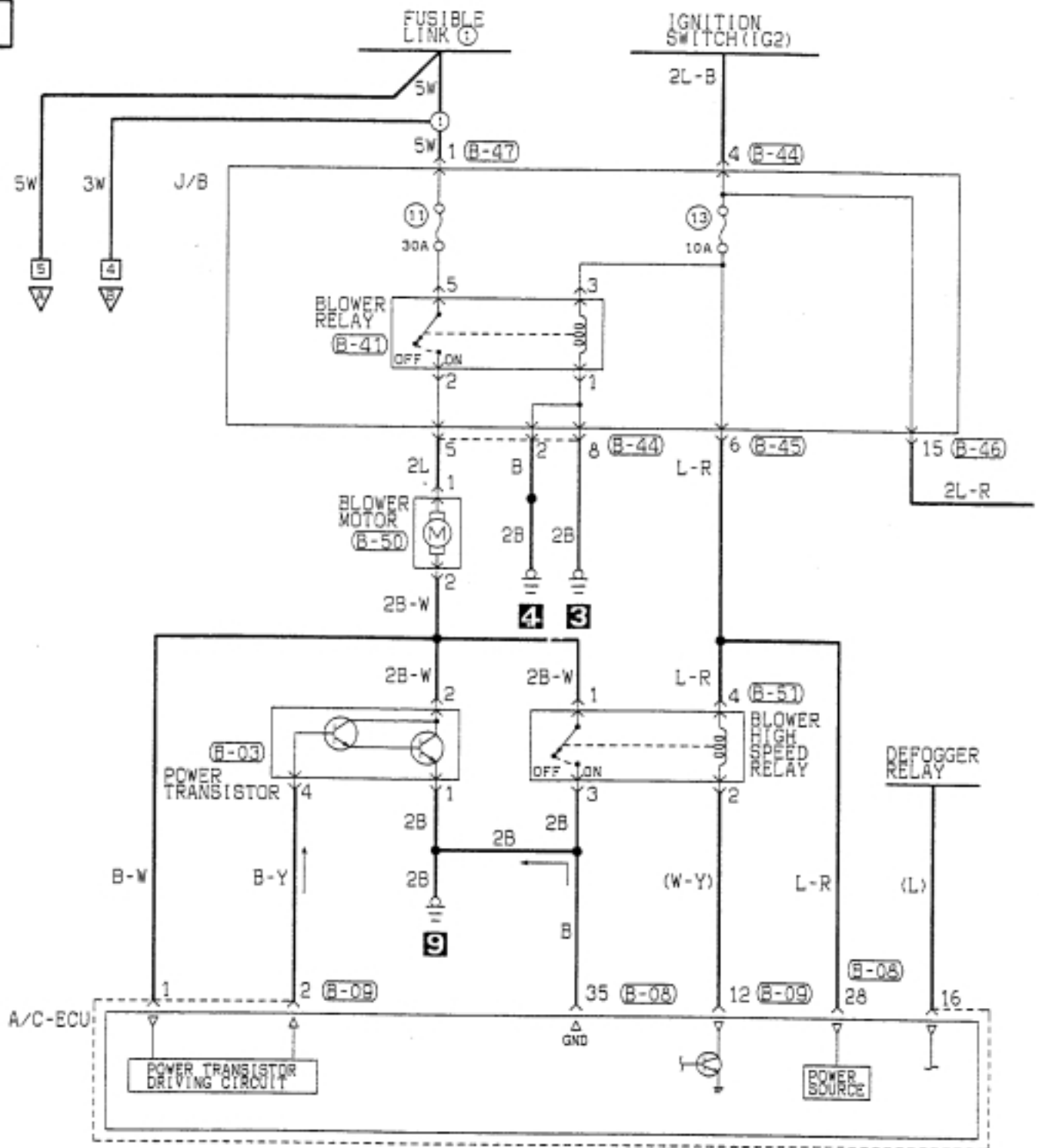
Wire colour code  
 B : Black    LG : Light green    G : Green    L : Blue    W : White    Y : Yellow    SB : Sky blue  
 BR : Brown    O : Orange    GR : Gray    R : Red    P : Pink    V : Violet

---

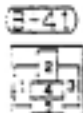
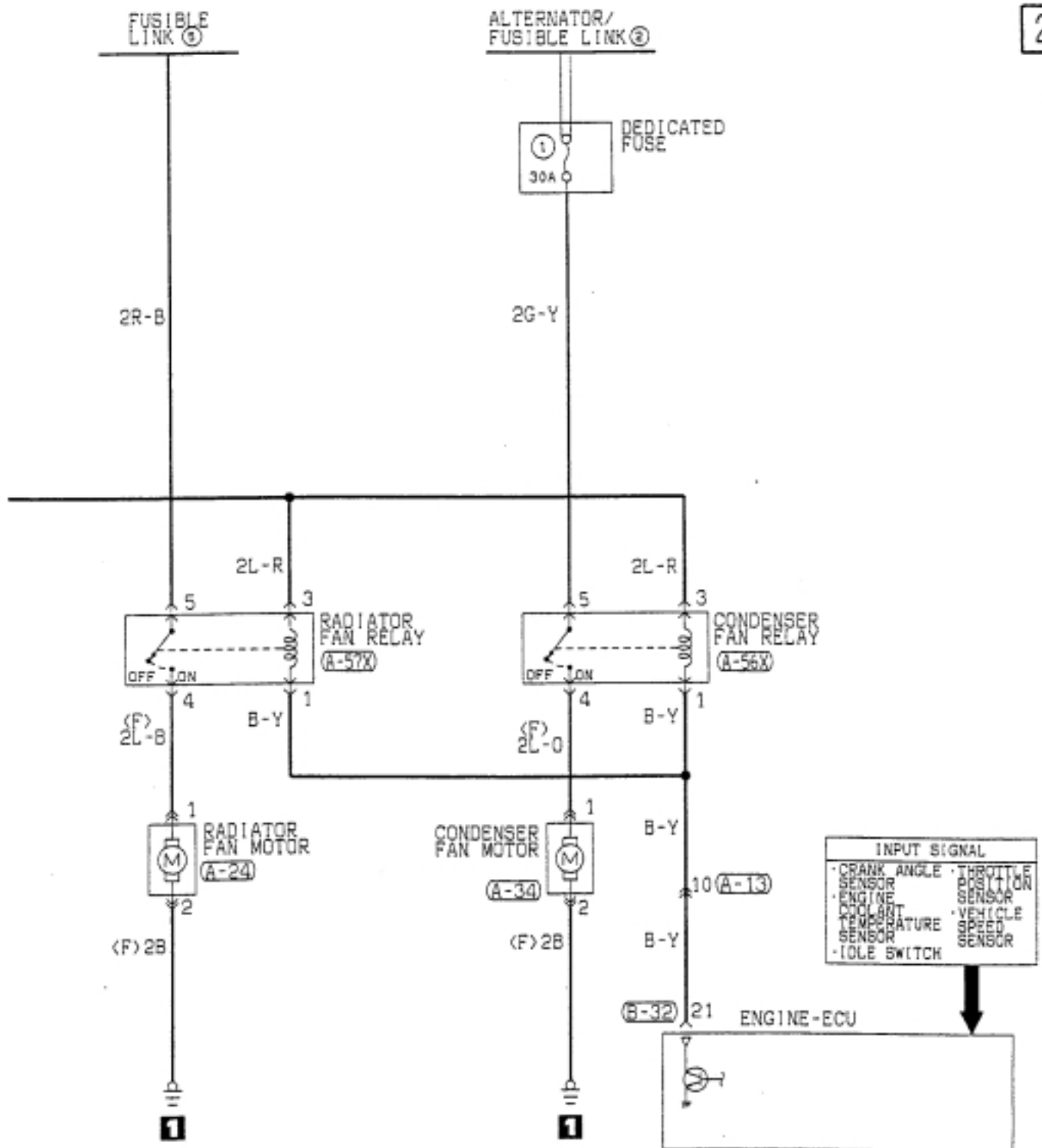
NOTES

FULL-AUTO AIR CONDITIONER

1

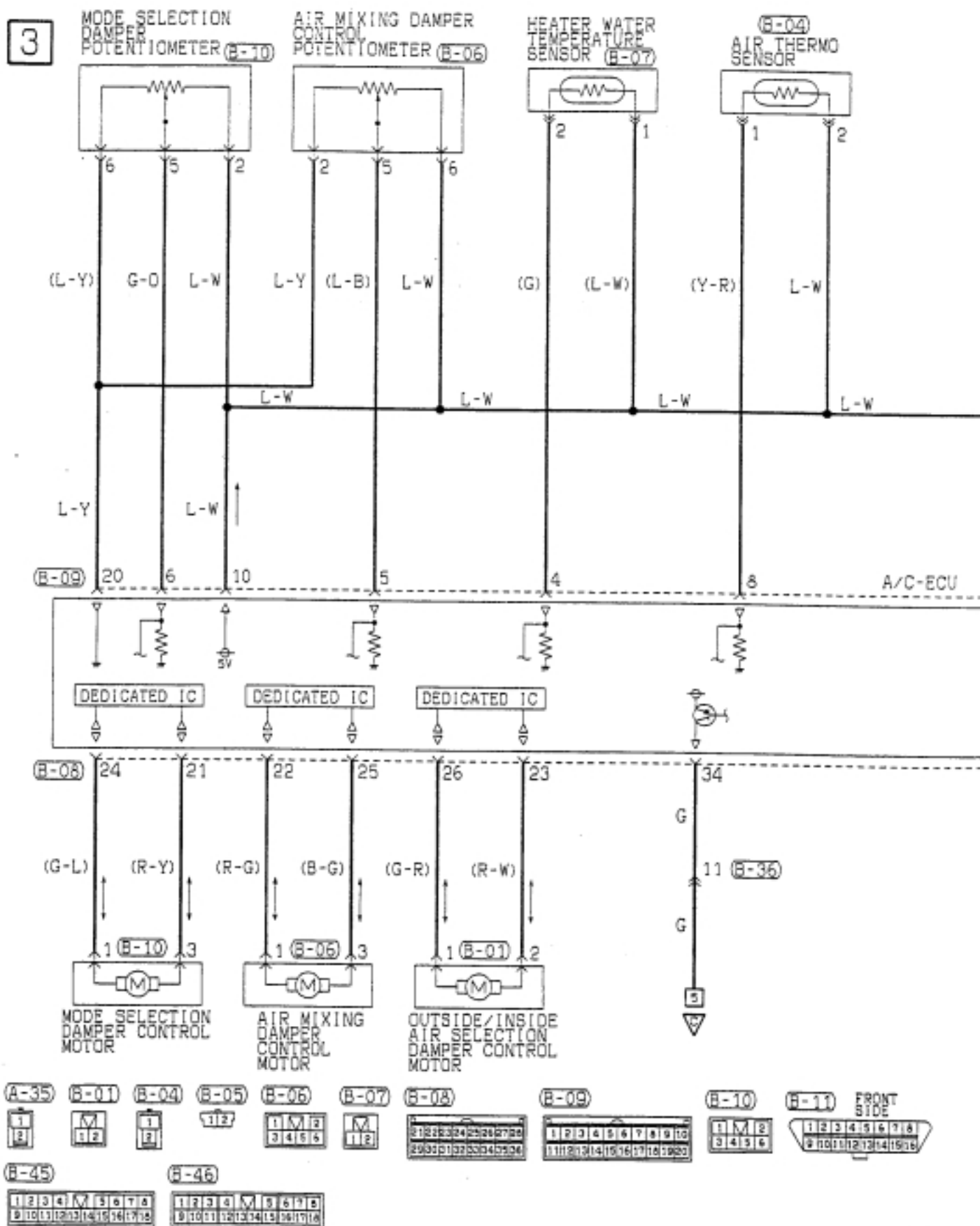


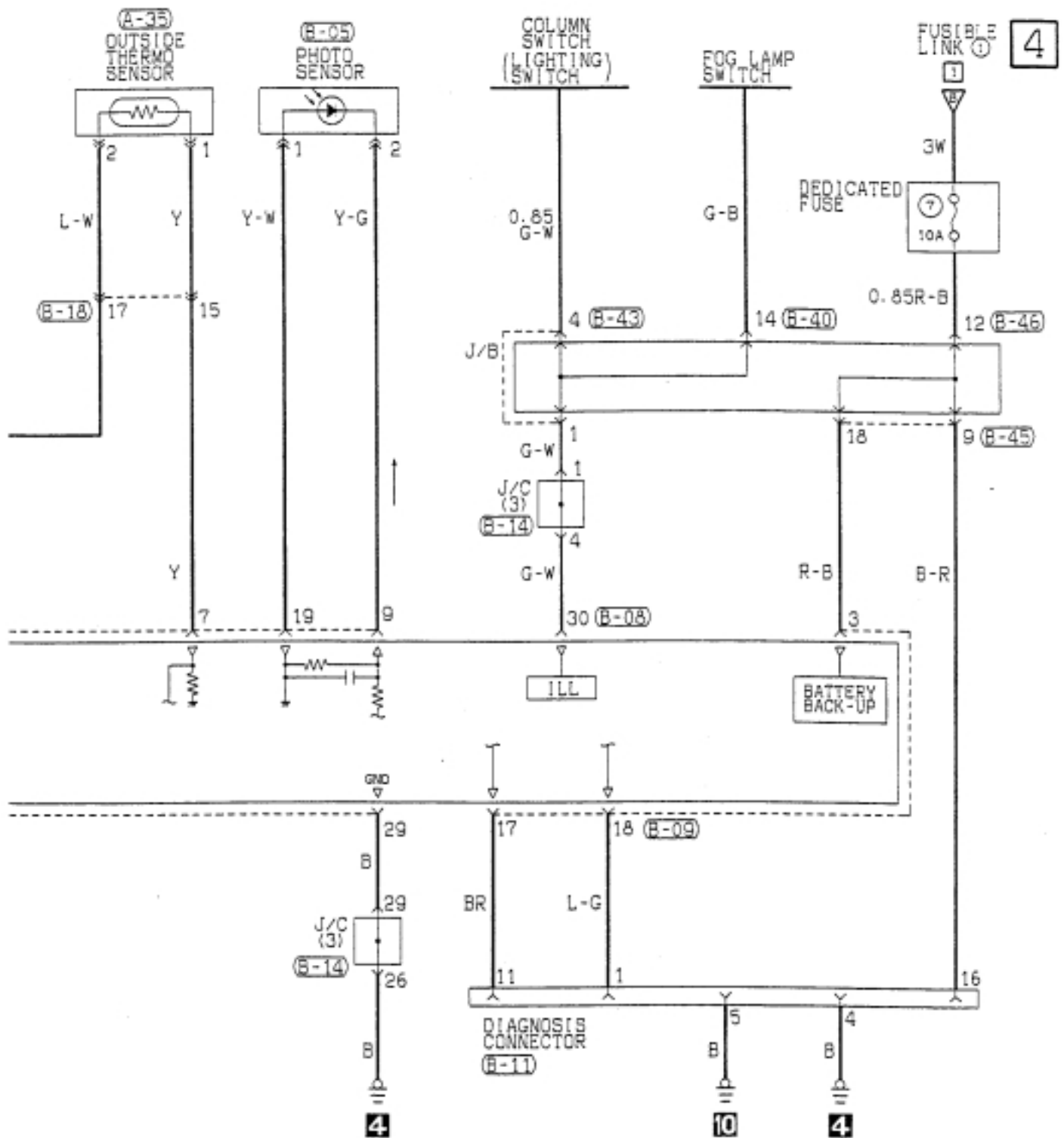
2



Wire colour code  
 BK:Black LG:Light green G:Green L:Blue W:White Y:Yellow SB:Sky blue  
 BR:Brown O:Orange GR:Gray R:Red P:Pink V:Violet

FULL-AUTO AIR CONDITIONER (CONTINUED)





(B-14)

1	2	3	4	5	6	7	8	9	10	11
12	13	14	15	16	17	18	19	20	21	22
23	24	25	26	27	28	29	30	31	32	33

(B-17)

1	2	3	4	M	6	7	8
9	10	11	12	13	14	15	16
17	18	19	20	21	22	23	24

(B-36)

1	2	3	4	M	6	7	8
9	10	11	12	13	14	15	16
17	18	19	20	21	22	23	24

(B-40)

1	2	3	4	5	M	7	8	9	10
11	12	13	14	15	16	17	18	19	20
21	22	23	24	25	26	27	28	29	30

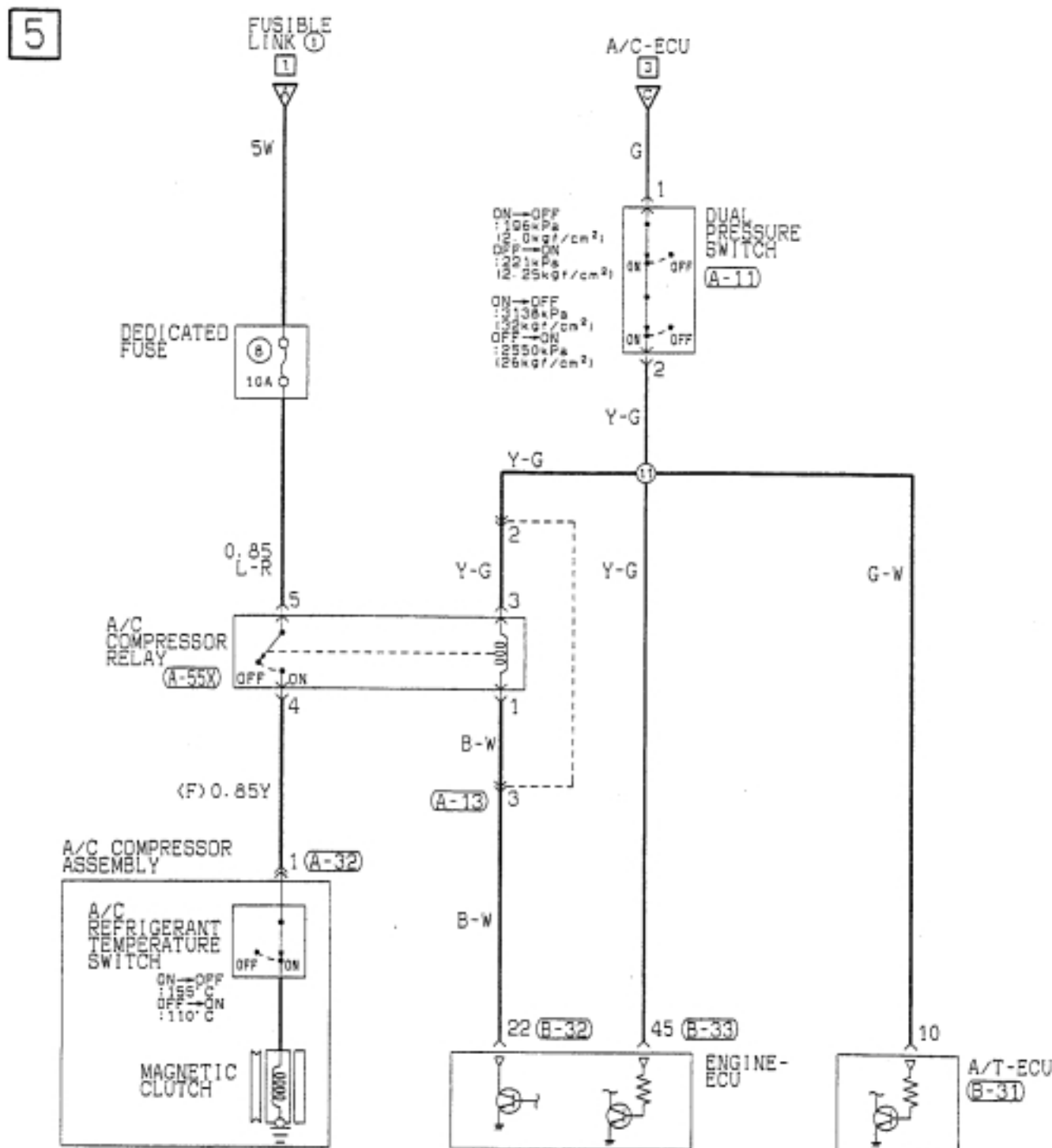
(B-43)

1	2	3	4	M	6	7	8	9
10	11	12	13	14	15	16	17	18
19	20	21	22	23	24	25	26	27

Wire colour code  
 BK: Black LG: Light green G: Green L: Blue W: White Y: Yellow SB: Sky blue  
 BR: Brown O: Orange GR: Gray R: Red P: Pink V: Violet



FULL-AUTO AIR CONDITIONER (CONTINUED)



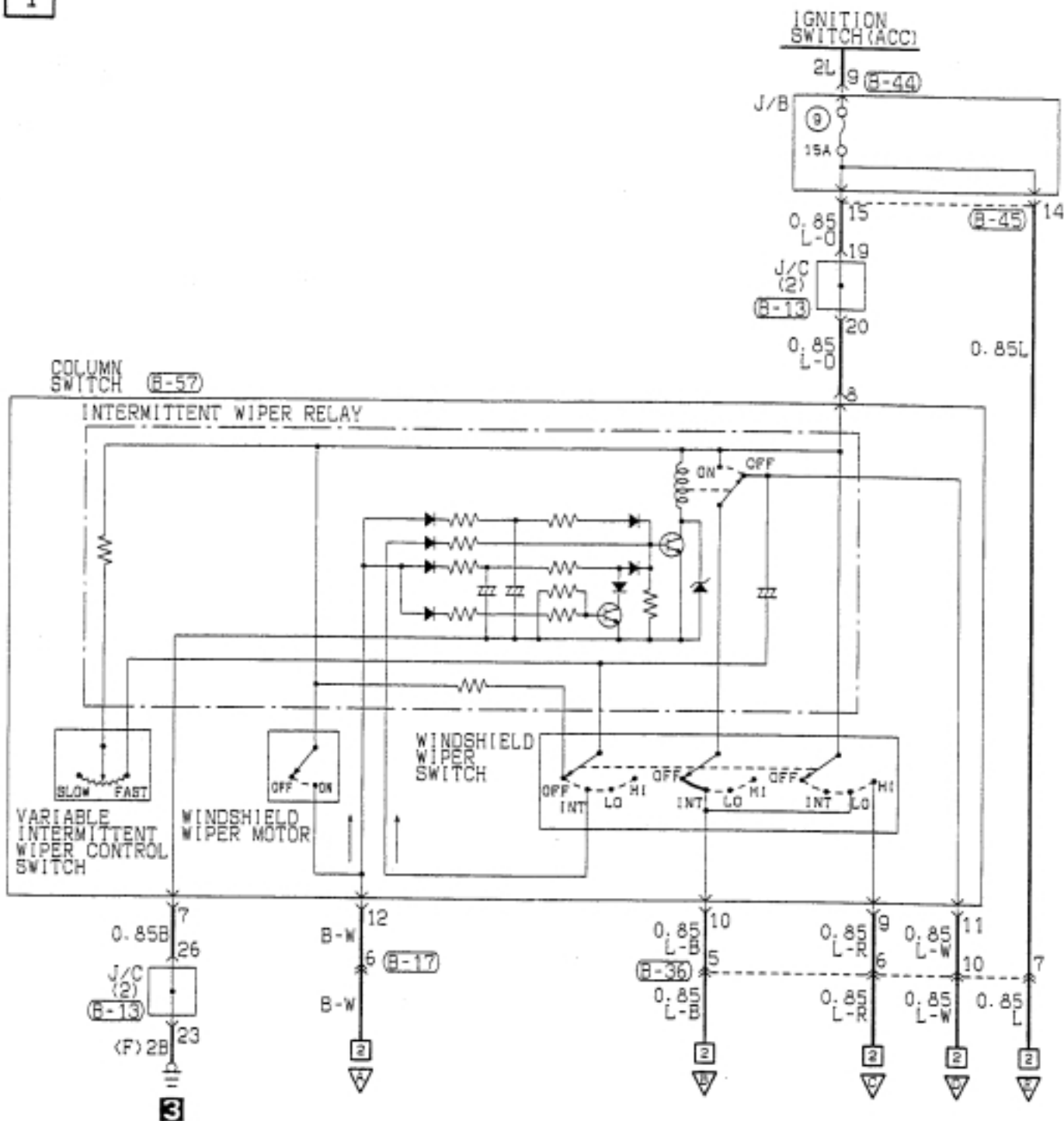
Wire colour code  
 B:Black LG:Light green G:Green L:Blue W:White Y:Yellow SB:Sky blue  
 BR:Brown O:Orange GR:Gray R:Red P:Pink V:Violet

---

NOTES

WINDSHIELD WIPER AND WASHER

1



A-10

1	2	3	4
5	6	7	8

A-22

0	1	2
3	4	5

B-13

1	2	3	4	5	6	7	8	9	10	11
12	13	14	15	16	17	18	19	20	21	22
23	24	25	26	27	28	29	30	31	32	33

B-17

1	2	3	4	5	6	7	8	9	10	11	12	13	14	15	16	17	18
---	---	---	---	---	---	---	---	---	----	----	----	----	----	----	----	----	----

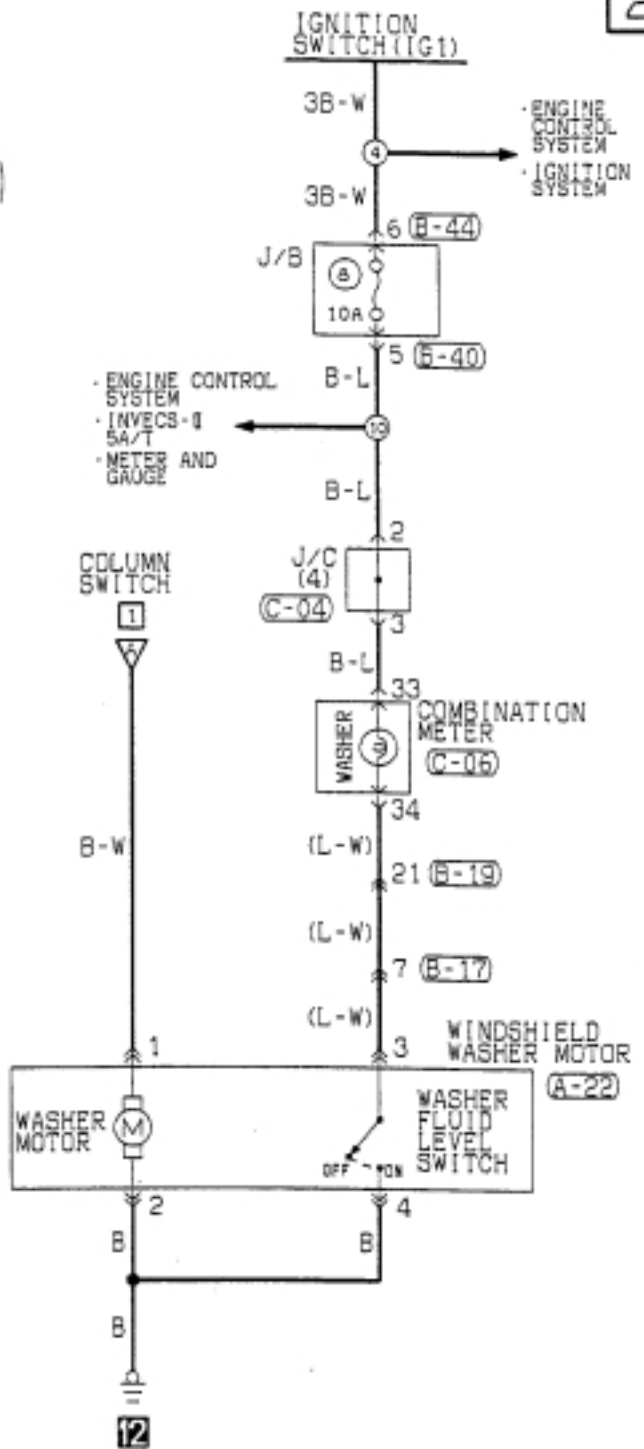
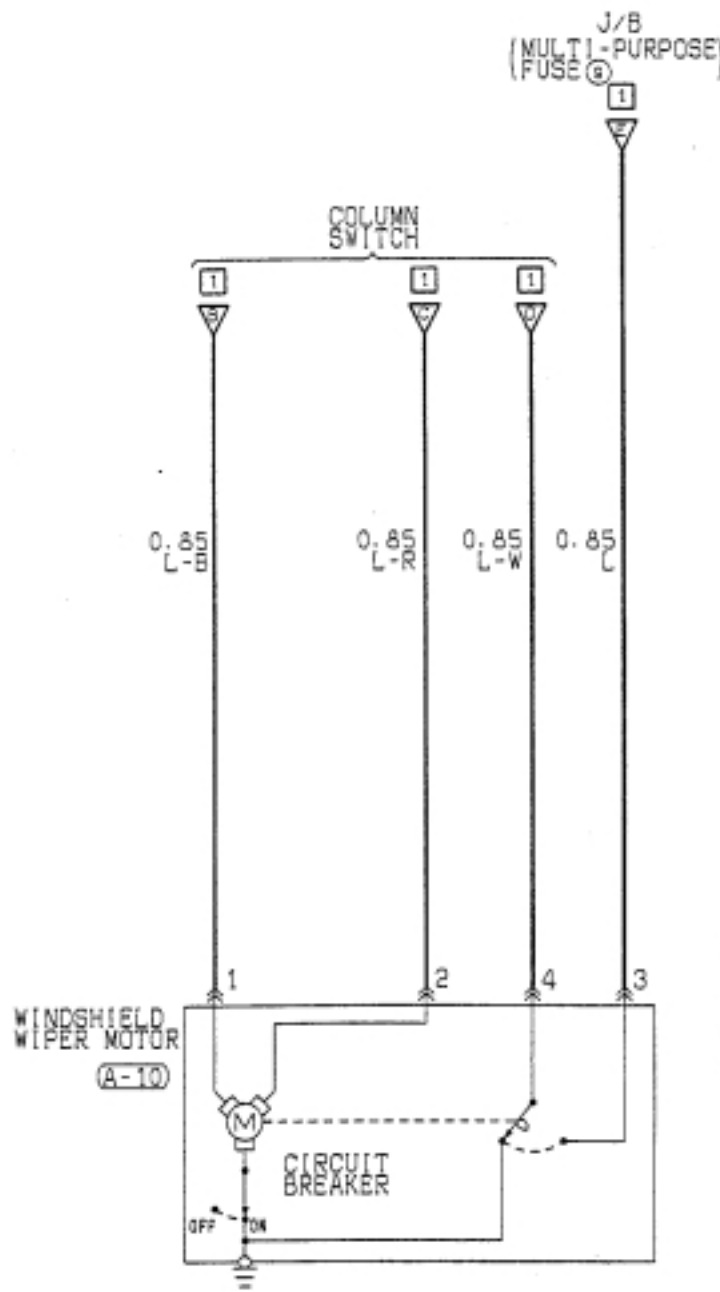
B-19

1	2	3	4	5	6	7	8	9	10	11	12	13	14	15	16	17	18	19	20	21	22
---	---	---	---	---	---	---	---	---	----	----	----	----	----	----	----	----	----	----	----	----	----

B-36

1	2	3	4	5	6	7	8	9	10	11	12	13	14	15	16	17	18
---	---	---	---	---	---	---	---	---	----	----	----	----	----	----	----	----	----

2



(E-40)

1	2	3	4	5	6	7	8	9	10
11	12	13	14	15	16	17	18	19	20

(E-44)

1	2	3	4
5	6	7	8

(E-45)

1	2	3	4	5	6	7	8
9	10	11	12	13	14	15	16

(E-57)

1	2	3	4	5
6	7	8	9	10

(C-04)

1	2	3	4	5	6	7	8	9	10
11	12	13	14	15	16	17	18	19	20
21	22	23	24	25	26	27	28	29	30
31	32	33	34	35	36	37	38	39	40

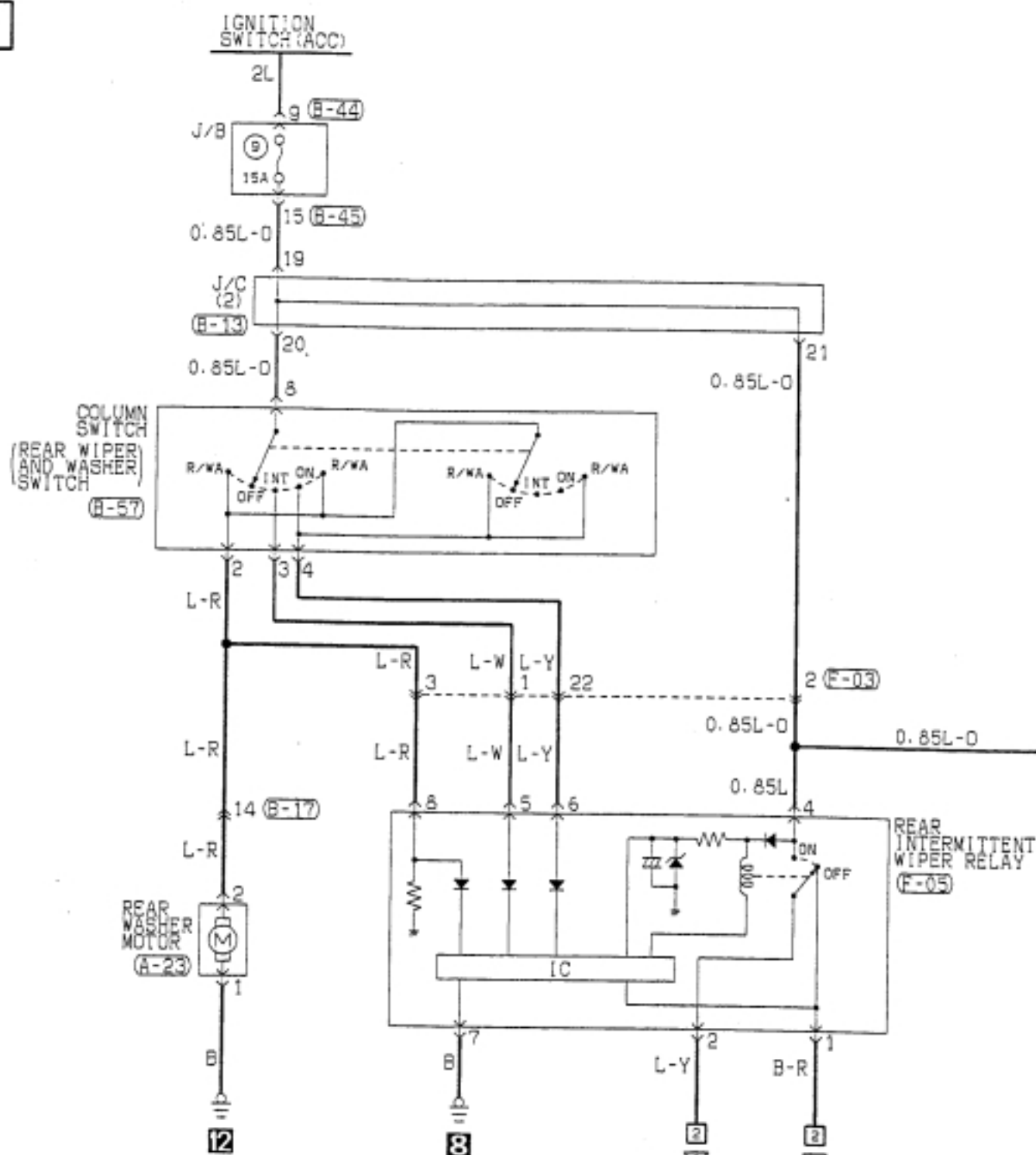
(C-06)

1	2	3	4	5	6	7	8	9	10
11	12	13	14	15	16	17	18	19	20
21	22	23	24	25	26	27	28	29	30
31	32	33	34	35	36	37	38	39	40

Wire colour code  
 BB: Black LG: Light green G: Green L: Blue W: White Y: Yellow SB: Sky blue  
 BR: Brown O: Orange GR: Gray R: Red P: Pink V: Violet

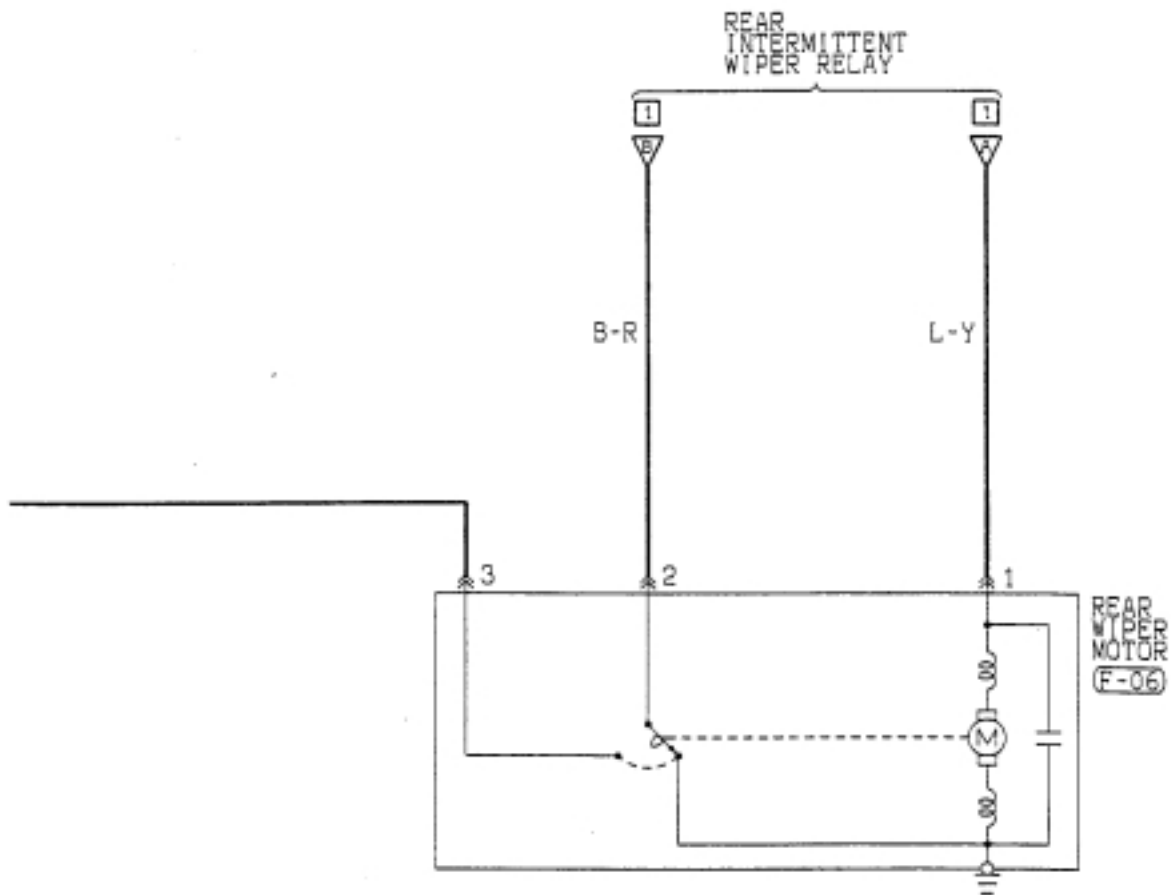
REAR WIPER AND WASHER

1



<b>A-23</b>	<b>B-13</b>	<b>B-17</b>	<b>B-44</b>	<b>B-45</b>	<b>B-57</b>
1 2	1 2 3 4 5 6 7 8 9 10 11 12 13 14 15 16 17 18 19 20 21 22	1 2 3 4 5 6 7 8	1 2 3 4 5 6 7 8 9 10	1 2 3 4 5 6 7 8 9 10 11 12 13 14 15 16 17 18	1 2 3 4 5 6 7 8 9 10 11 12

2



F-00

1	2	3	4	5	6	7	8	9	10
11	12	13	14	15	16	17	18	19	20

F-05

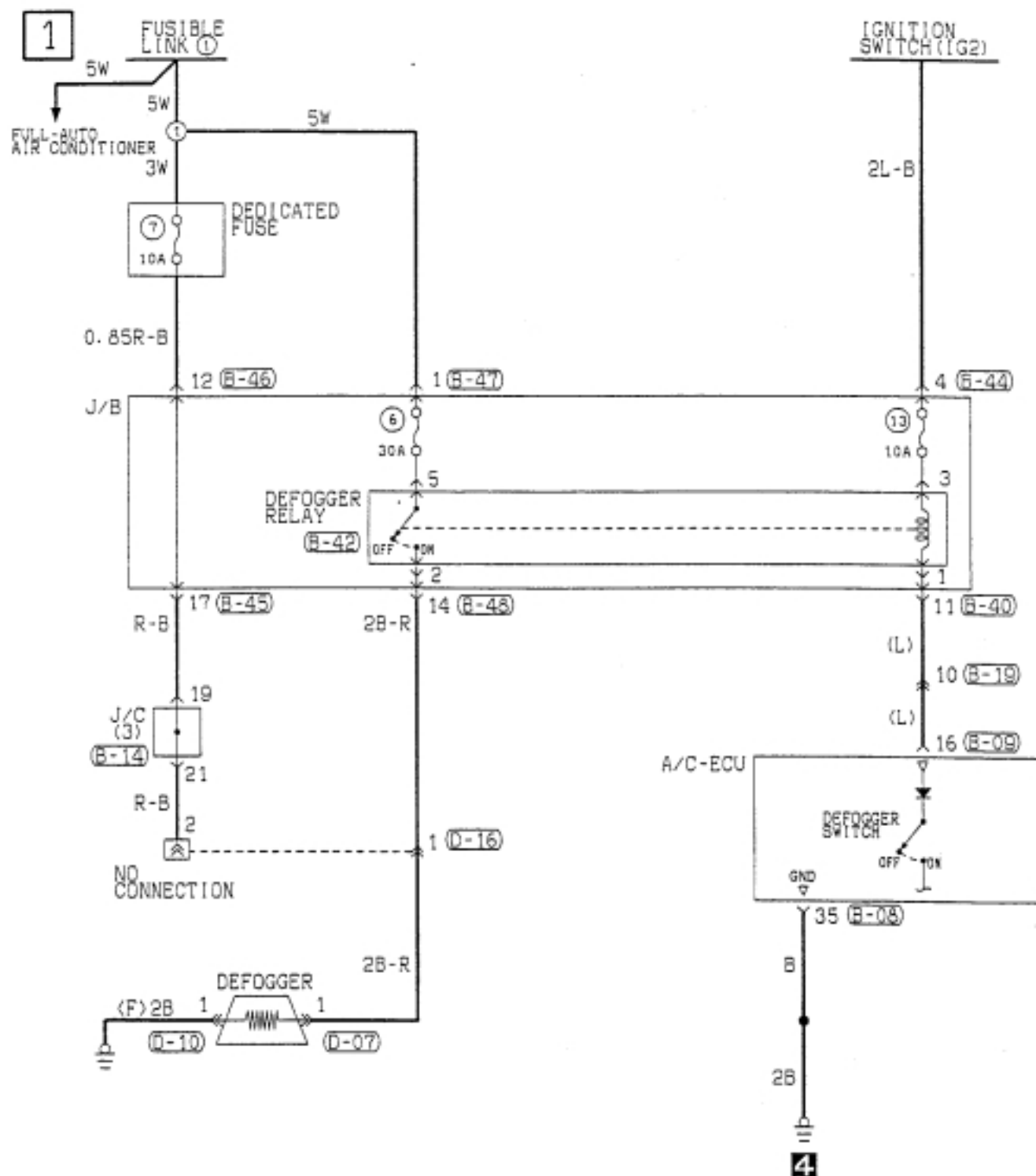
1	2	3
4	5	6

F-06

M		
1	2	3

Wire colour code  
 BK:Black LG:Light green G:Green L:Blue W:White Y:Yellow SB:Sky blue  
 BR:Brown O:Orange GR:Gray R:Red P:Pink V:Violet

DEFOGGER

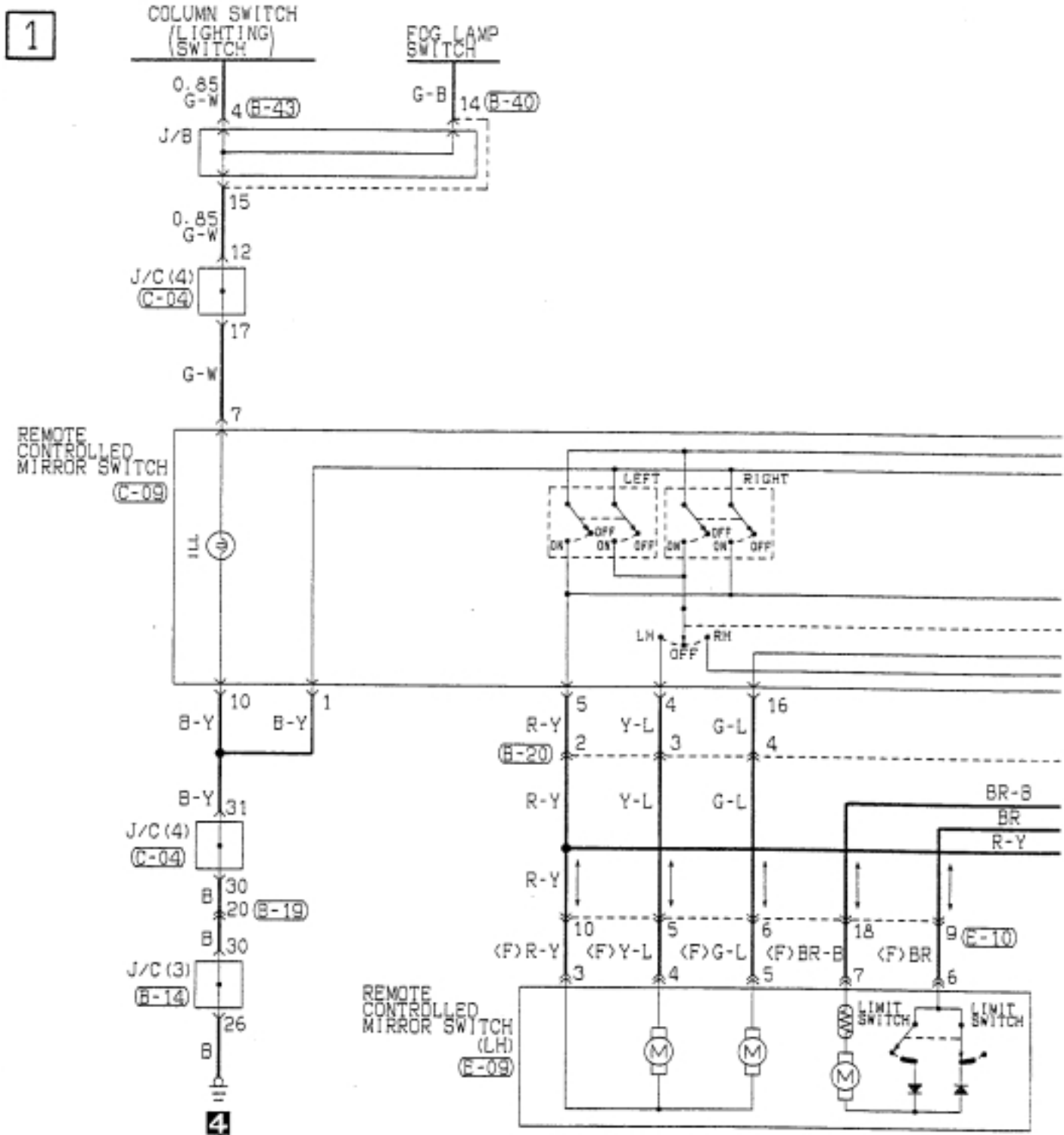


---

NOTES



ELECTRIC RETRACTABLE REMOTE-CONTROLLED MIRROR



B-13

1	2	3	4	5	6	7	8	9	10	11
12	13	14	15	16	17	18	19	20	21	22
23	24	25	26	27	28	29	30	31	32	33

B-14

1	2	3	4	5	6	7	8	9	10	11
12	13	14	15	16	17	18	19	20	21	22
23	24	25	26	27	28	29	30	31	32	33

B-19

1	2	3	4	5	6	7	8	9	10	11
12	13	14	15	16	17	18	19	20	21	22
23	24	25	26	27	28	29	30	31	32	33

B-20

1	2	3	4	5	6	7	8	9	10	11
12	13	14	15	16	17	18	19	20	21	22
23	24	25	26	27	28	29	30	31	32	33

B-40

1	2	3	4	5	6	7	8	9	10	11
12	13	14	15	16	17	18	19	20	21	22
23	24	25	26	27	28	29	30	31	32	33

E-02

0	0	0	0	0	0	0	0	0	0	0
---	---	---	---	---	---	---	---	---	---	---

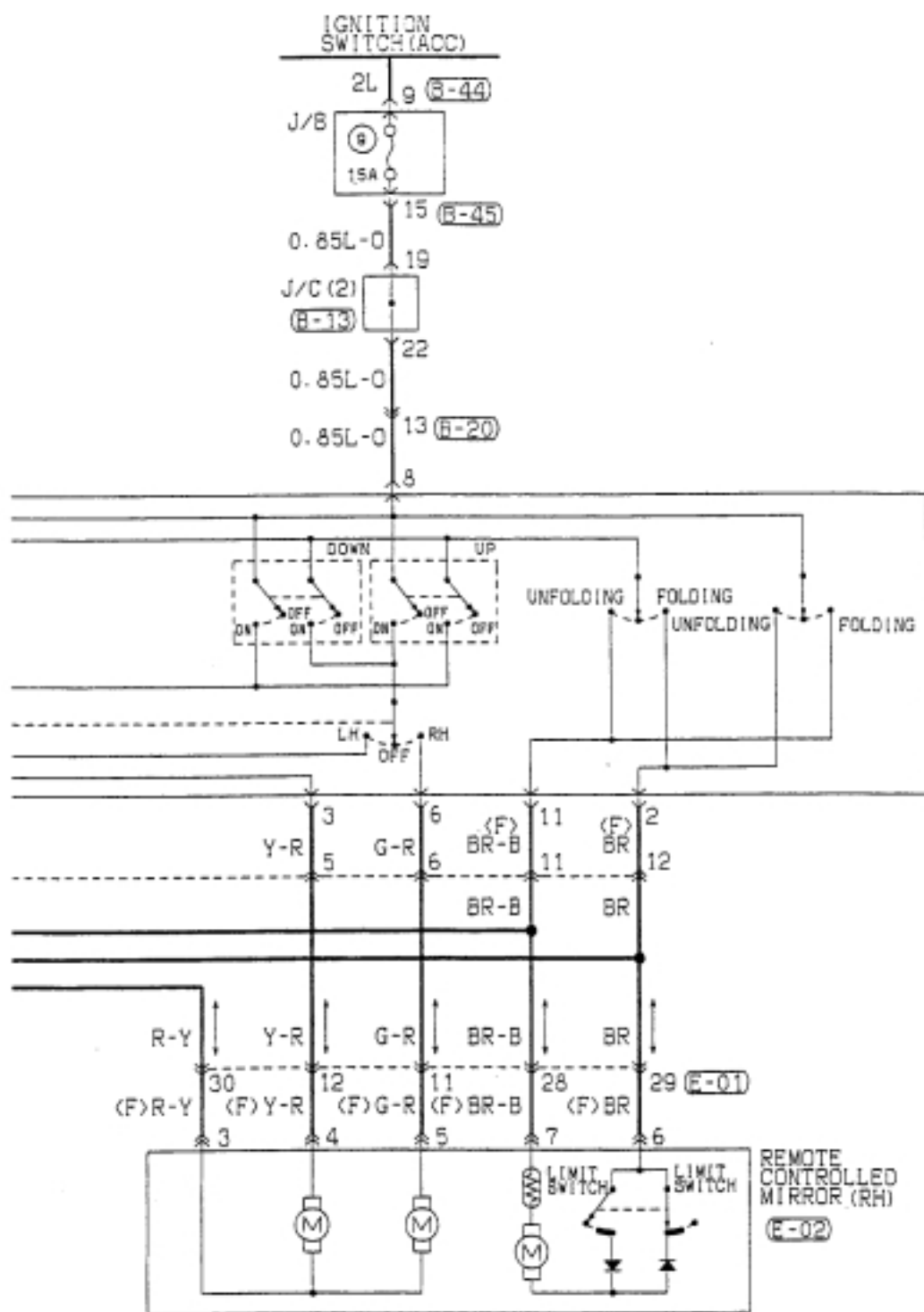
E-09

0	0	0	0	0	0	0	0	0	0	0
---	---	---	---	---	---	---	---	---	---	---

E-10

1	2	3	4
5	6	7	8
9	10	11	12
13	14	15	16
17	18	19	20

2



B-43

1	2	3	4	5	6	7	8	9		
10	11	12	13	14	15	16	17	18	19	20

B-44

1	2	3	4		
5	6	7	8	9	10

B-45

1	2	3	4	5	6	7	8	9	10
11	12	13	14	15	16	17	18	19	20

C-04

1	2	3	4	5	6	7	8	9	10	11
12	13	14	15	16	17	18	19	20	21	22
23	24	25	26	27	28	29	30	31	32	33

C-09

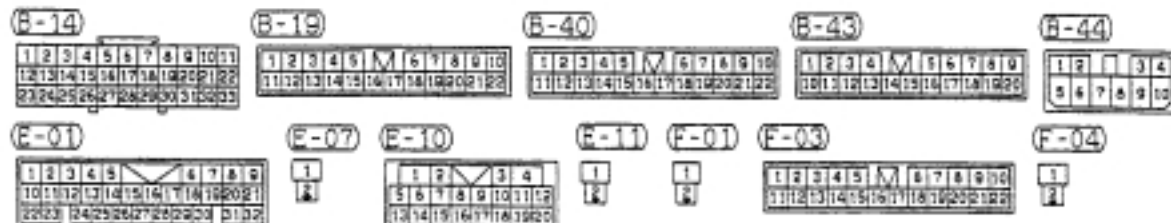
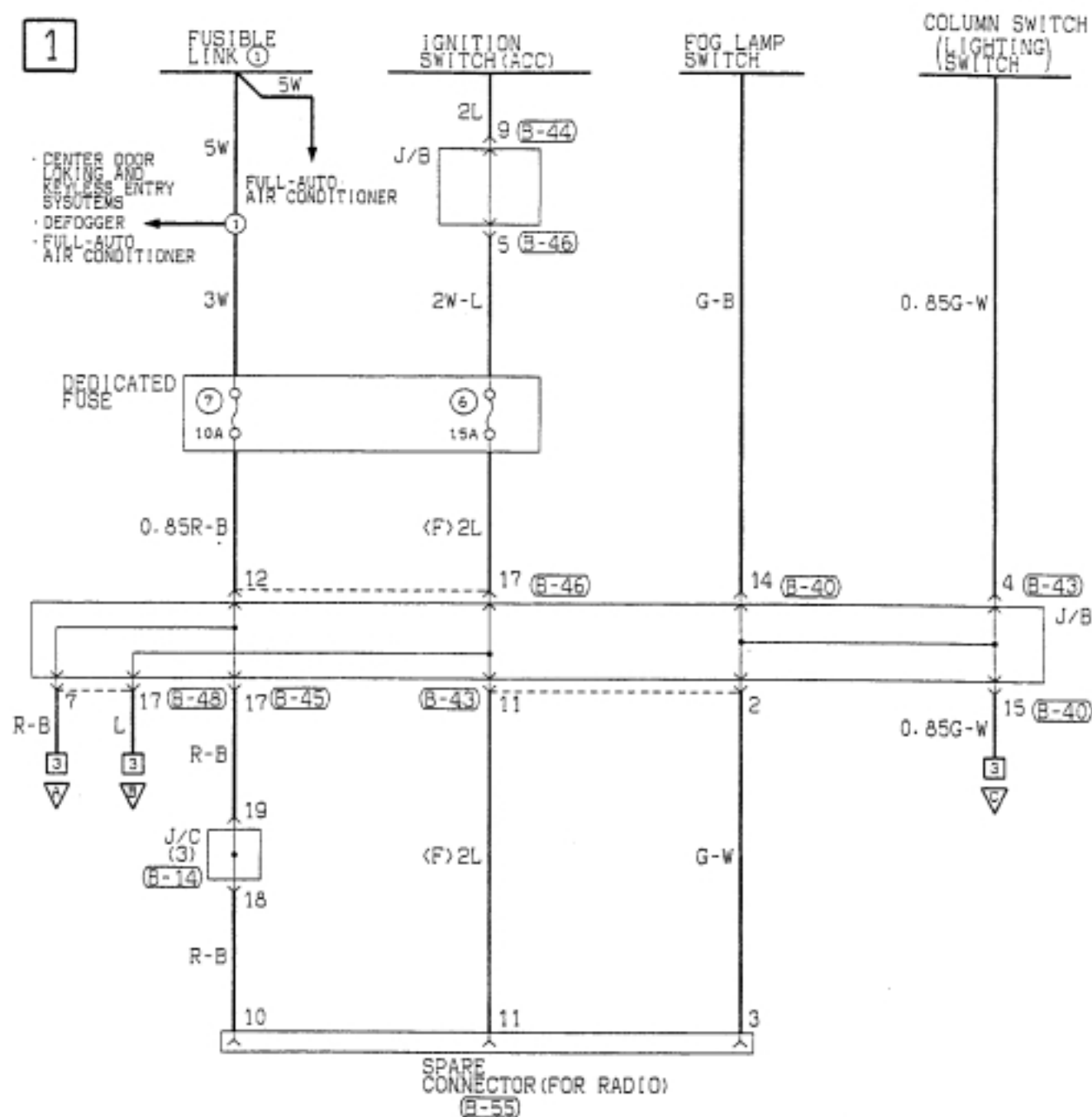
1	2	3	4	5	6	7	8
9	10	11	12	13	14	15	16

E-01

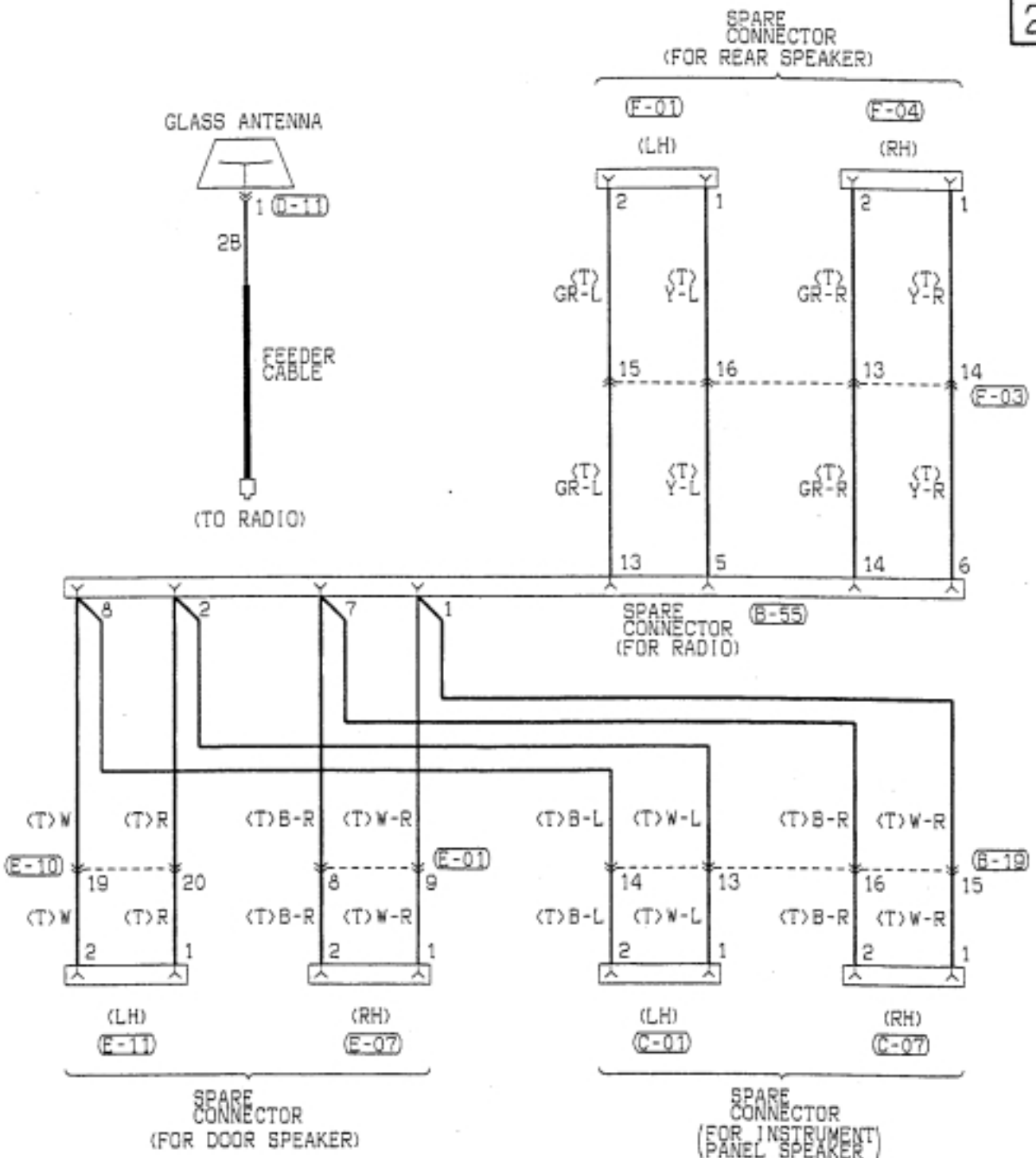
1	2	3	4	5	6	7	8	9			
10	11	12	13	14	15	16	17	18	19	20	
21	22	23	24	25	26	27	28	29	30	31	32

Wire colour code  
 B : Black    LG : Light green    G : Green    L : Blue    W : White    Y : Yellow  
 BR : Brown    O : Orange    GR : Gray    R : Red    P : Pink    V : Violet    SB : Sky blue

RADIO



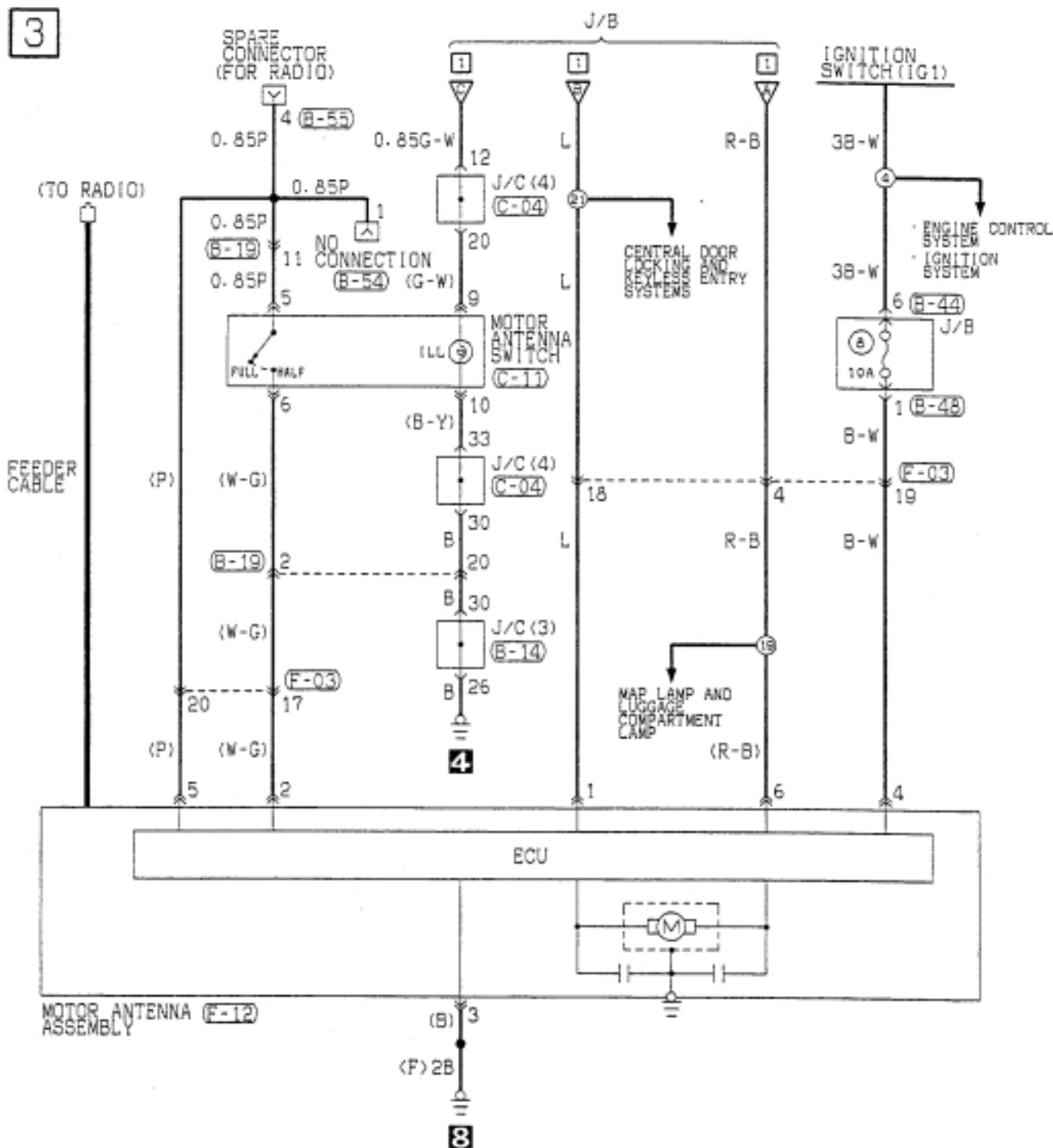
2



<b>E-45</b>	<b>B-46</b>	<b>B-48</b>	<b>B-55</b>	<b>C-01</b>	<b>C-07</b>	<b>D-11</b>
1 2 3 4 5 6 7 8 9 10 11 12 13 14 15 16 17 18	1 2 3 4 5 6 7 8 9 10 11 12 13 14 15 16 17 18	1 2 3 4 5 6 7 8 9 10 11 12 13 14 15 16 17 18	1 2 3 4 5 6 7 8 9 10 11 12 13 14	1 2	1 2	1 2

Wire colour code  
 B : Black    LG : Light green    G : Green    L : Blue    W : White    Y : Yellow    SB : Sky blue  
 BR : Brown    O : Orange    GR : Gray    R : Red    P : Pink    V : Violet

RADIO (CONTINUED)



**B-14**

1	2	3	4	5	6	7	8	9	10	11
12	13	14	15	16	17	18	19	20	21	22
23	24	25	26	27	28	29	30	31	32	33

**B-19**

1	2	3	4	5	M	6	7	8	9	10
11	12	13	14	15	16	17	18	19	20	21
22	23	24	25	26	27	28	29	30	31	32

**B-44**

1	2	3	4
5	6	7	8
9	10		

**B-48**

1	2	3	4	5	6	7	8	9
10	11	12	13	14	15	16	17	18
19	20	21	22	23	24	25	26	27

**B-54** **B-55**

1	2	3	M	4	5	6
7	8	9	10	11	12	13

**C-04**

1	2	3	4	5	6	7	8	9	10	11
12	13	14	15	16	17	18	19	20	21	22
23	24	25	26	27	28	29	30	31	32	33

**C-11**

1	2	3	4
5	6	7	8
9	10		

**F-03**

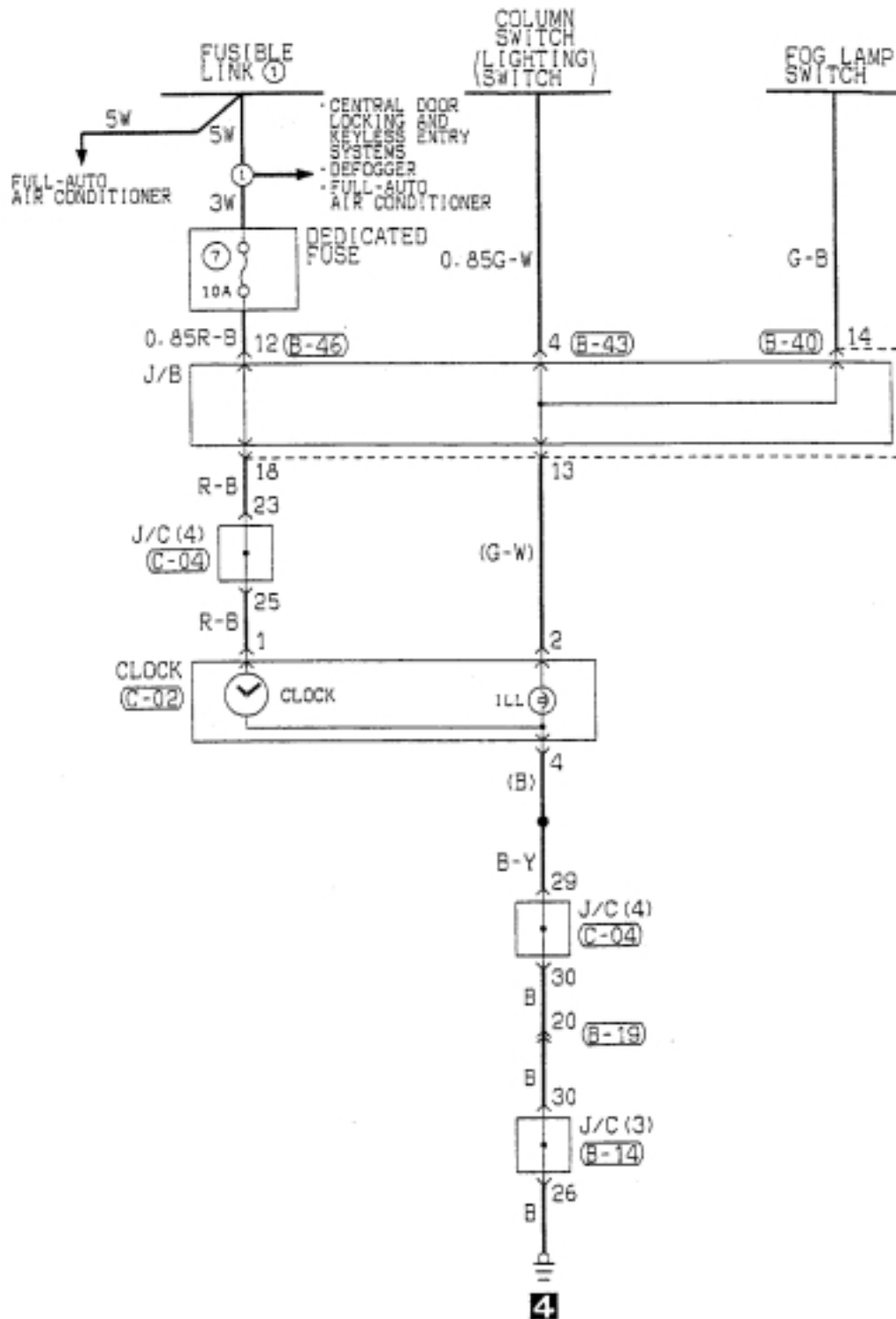
1	2	3	4	5	M	6	7	8	9	10
11	12	13	14	15	16	17	18	19	20	21
22	23	24	25	26	27	28	29	30	31	32

**F-12**

1	2	3	4	5
---	---	---	---	---

CLOCK

1



B-14

1	2	3	4	5	6	7	8	9	10	11
12	13	14	15	16	17	18	19	20	21	22
23	24	25	26	27	28	29	30	31	32	33

B-19

1	2	3	4	5	6	7	8	9	10
11	12	13	14	15	16	17	18	19	20
21	22	23	24	25	26	27	28	29	30

B-40

1	2	3	4	5	6	7	8	9	10
11	12	13	14	15	16	17	18	19	20
21	22	23	24	25	26	27	28	29	30

B-43

1	2	3	4	5	6	7	8	9	10
11	12	13	14	15	16	17	18	19	20
21	22	23	24	25	26	27	28	29	30

B-46

1	2	3	4	5	6	7	8	9	10
11	12	13	14	15	16	17	18	19	20
21	22	23	24	25	26	27	28	29	30

C-02

1	2	3	4
---	---	---	---

C-04

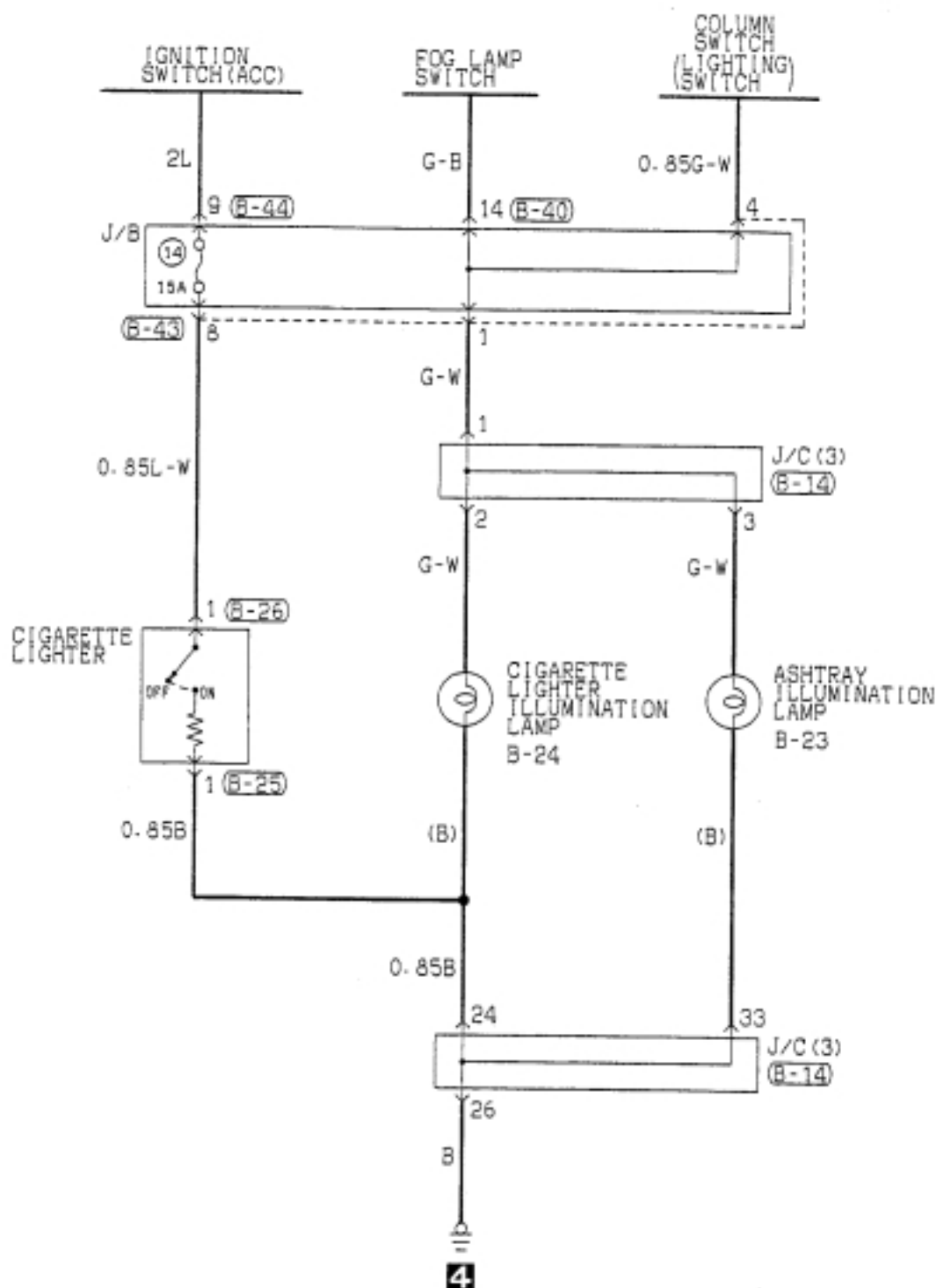
1	2	3	4	5	6	7	8	9	10	11
12	13	14	15	16	17	18	19	20	21	22
23	24	25	26	27	28	29	30	31	32	33

Wire colour code

B : Black LG : Light green G : Green L : Blue W : White Y : Yellow SB : Sky blue  
 BR : Brown O : Orange GR : Gray R : Red P : Pink V : Violet

CIGARETTE LIGHTER AND ASHTRAY ILLUMINATION LAMP

1



(B-14)

1	2	3	4	5	6	7	8	9	10	11
12	13	14	15	16	17	18	19	20	21	22
23	24	25	26	27	28	29	30	31	32	33

(B-25)

1
---

(B-26)

1
---

(B-40)

1	2	3	4	5	6	7	8	9	10	11
12	13	14	15	16	17	18	19	20	21	22

(B-43)

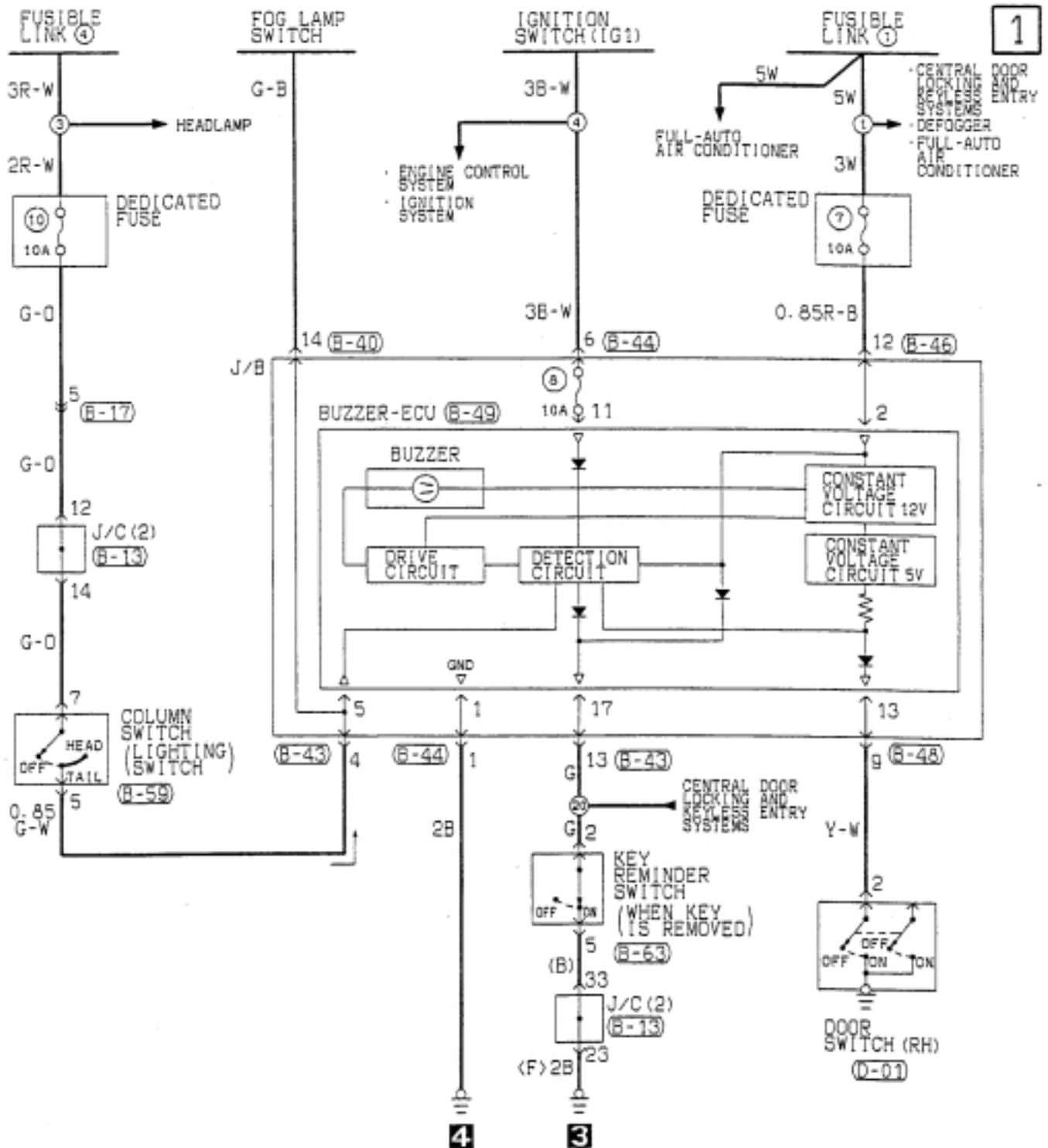
1	2	3	4	5	6	7	8	9	10	11
12	13	14	15	16	17	18	19	20	21	22

(B-44)

1	2	3	4
5	6	7	8
9	10	11	12

Wire colour code  
 B : Black    LG : Light green    G : Green    L : Blue    W : White    Y : Yellow    SB : Sky blue  
 BR : Brown    O : Orange    GR : Gray    R : Red    P : Pink    V : Violet

LIGHTING MONITOR BUZZER



**B-13**

1	2	3	4	5	6	7	8	9	10	11
12	13	14	15	16	17	18	19	20	21	22
23	24	25	26	27	28	29	30	31	32	33

**B-17**

1	2	3	4	M	6	7	8
9	10	11	12	13	14	15	16

**B-40**

1	2	3	4	5	M	7	8	9	10
11	12	13	14	15	16	17	18	19	20
21	22	23	24	25	26	27	28	29	30

**B-43**

1	2	3	4	M	6	7	8	9
10	11	12	13	14	15	16	17	18
19	20	21	22	23	24	25	26	27

**B-44**

1	2	3	4
5	6	7	8
9	10	11	12

**B-46**

1	2	3	4	M	6	7	8
9	10	11	12	13	14	15	16
17	18	19	20	21	22	23	24

**B-48**

1	2	3	4	M	6	7	8	9
10	11	12	13	14	15	16	17	18
19	20	21	22	23	24	25	26	27

**B-49**

1	2	3	4	5	6	7	8	9	10	M	12	13	14	15	16	17	18	19	20
---	---	---	---	---	---	---	---	---	----	---	----	----	----	----	----	----	----	----	----

**B-59**

1	2	M	3	4
5	6	7	8	9
10	11	12	13	14

**B-63**

1	M	3	4
5	6	7	8
9	10	11	12

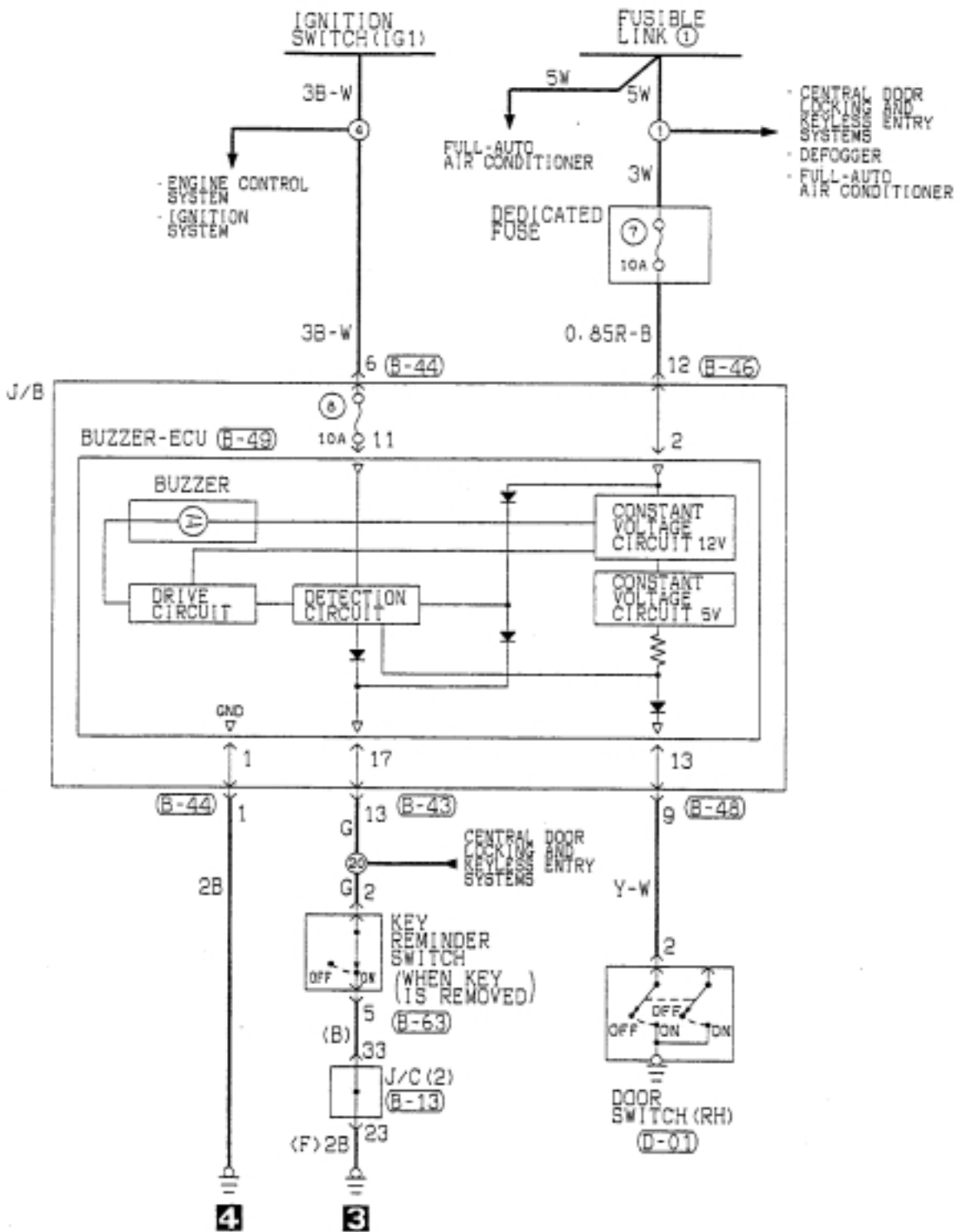
**D-01**

M	
1	2



KEY REMINDER BUZZER

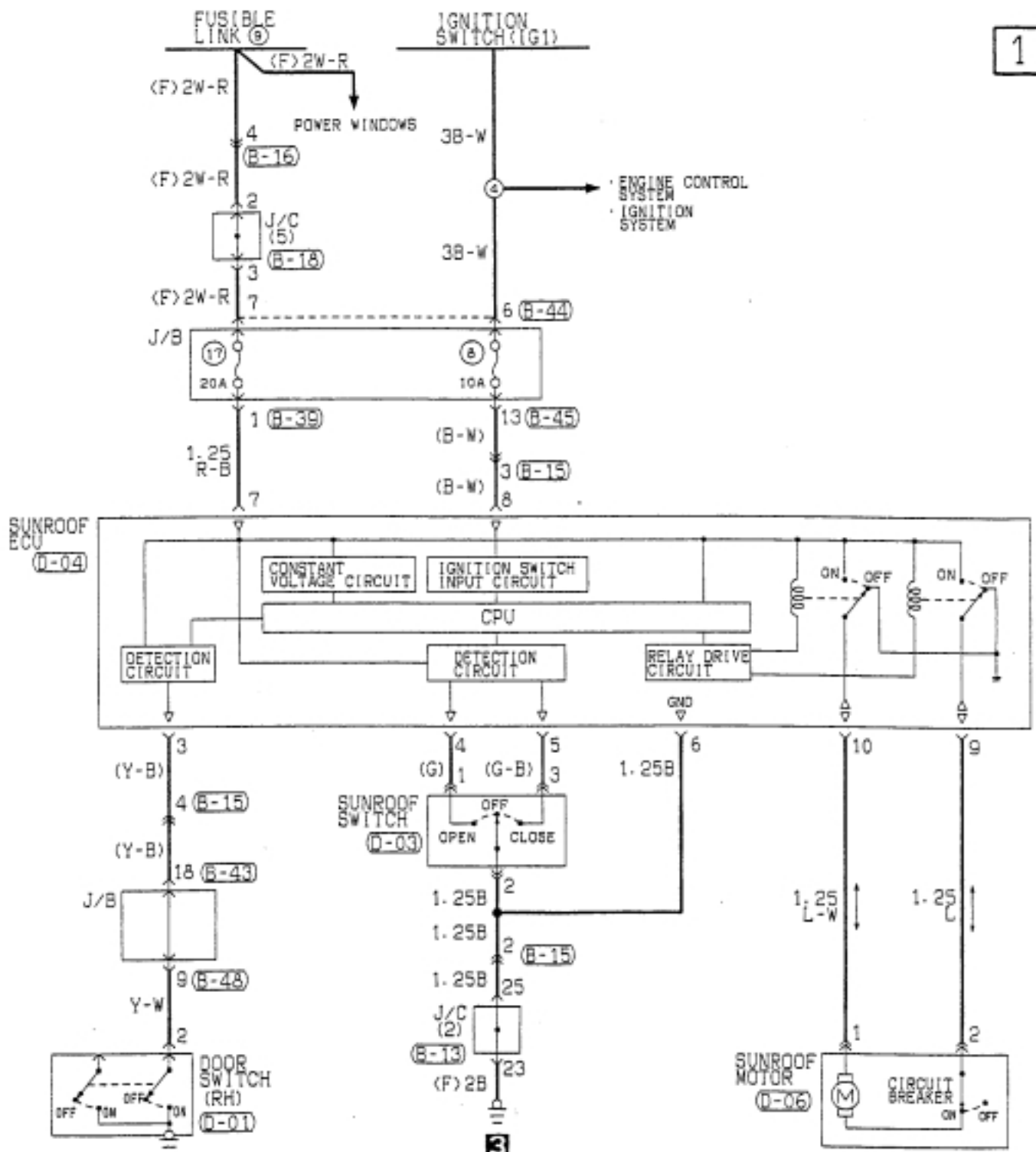
1



<b>(B-13)</b>	<b>(B-43)</b>	<b>(B-44)</b>	<b>(B-46)</b>	<b>(B-48)</b>	
1 2 3 4 5 6 7 8 9 10 11	1 2 3 4 5 6 7 8 9	1 2 3 4	1 2 3 4 5 6 7 8	1 2 3 4 5 6 7 8	
12 13 14 15 16 17 18 19 20 21 22	10 11 12 13 14 15 16 17 18 19 20	5 6 7 8 9 10	9 10 11 12 13 14 15 16 17 18	10 11 12 13 14 15 16 17 18 19	
<b>(B-49)</b>	<b>(B-63)</b>	<b>(D-01)</b>	Wire colour code		
1 2 3 4 5 6 7 8 9 10 11 12 13 14 15 16 17 18 19 20	1 2 3 4 5 6 7 8 9 10	1 2 3 4 5 6 7 8 9 10	BB: Black	LG: Light green	G: Green
			BR: Brown	O: Orange	GR: Gray
			W: White	SB: Sky blue	P: Pink
			V: Violet		Y: Yellow

SUNROOF

1



3

B-13

1	2	3	4	5	6	7	8	9	10	11
12	13	14	15	16	17	18	19	20	21	22
23	24	25	26	27	28	29	30	31	32	33

B-15

1	M	2
3	4	5

B-16

1	2
3	4

B-18

1	2
3	4

B-39

M			
1	2	3	4

B-43

1	2	3	4	M	5	6	7	8	9	
10	11	12	13	14	15	16	17	18	19	20

B-44

1	2	3	4		
5	6	7	8	9	10

B-45

1	2	3	4	M	5	6	7	8	
9	10	11	12	13	14	15	16	17	18

B-48

1	2	3	4	M	5	6	7	8	9
10	11	12	13	14	15	16	17	18	19

D-01

M	
1	2

D-03

1	2
3	4

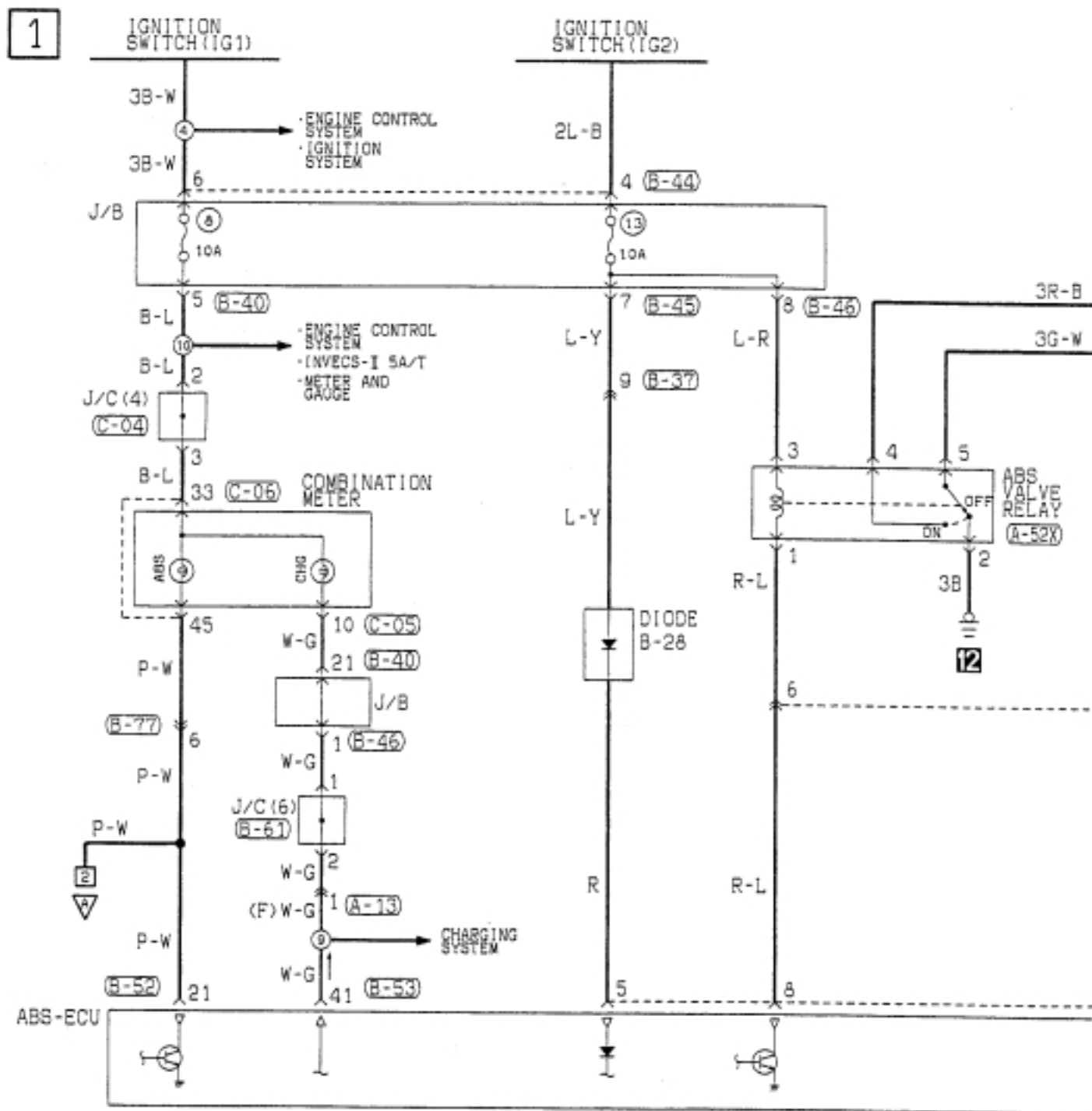
D-04

1	2	3	4	5	6	7	8	9	10
---	---	---	---	---	---	---	---	---	----

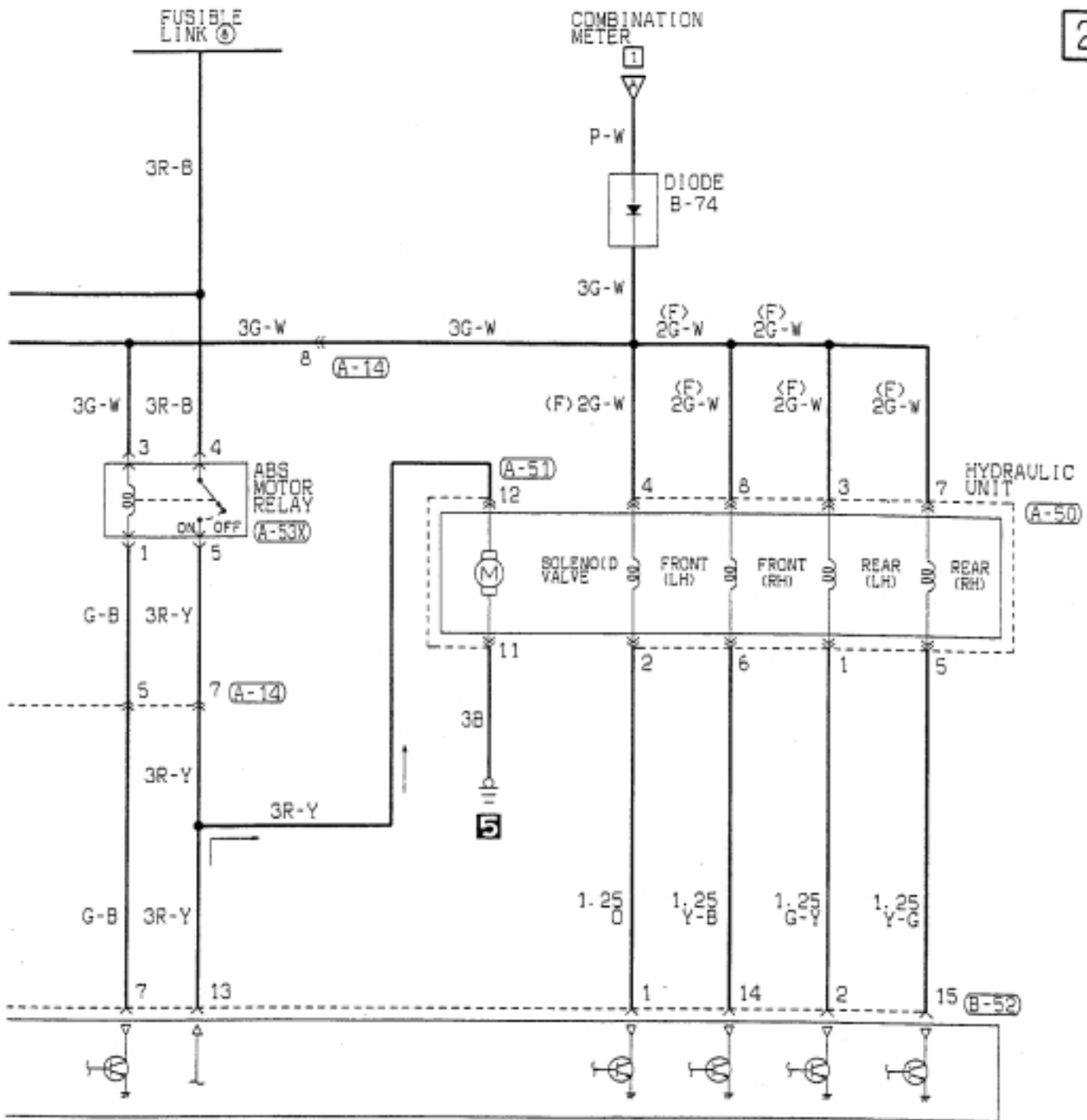
D-06

M	
1	2

ANTI-SKID BRAKING SYSTEM (ABS)



2



(B-44)

1	2	3	4
5	6	7	8

(B-45)

1	2	3	4	M	5	6	7	8
9	10	11	12	13	14	15	16	17

(B-46)

1	2	3	4	M	5	6	7	8
9	10	11	12	13	14	15	16	17

(B-52)

1	2	3	4	5	6	7	8	9	10	11	12	13
14	15	16	17	18	19	20	21	22	23	24	25	26

(B-53)

1	2	3	4	5	6	7	8
9	10	11	12	13	14	15	16

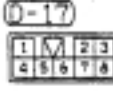
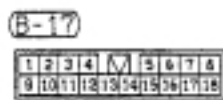
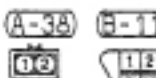
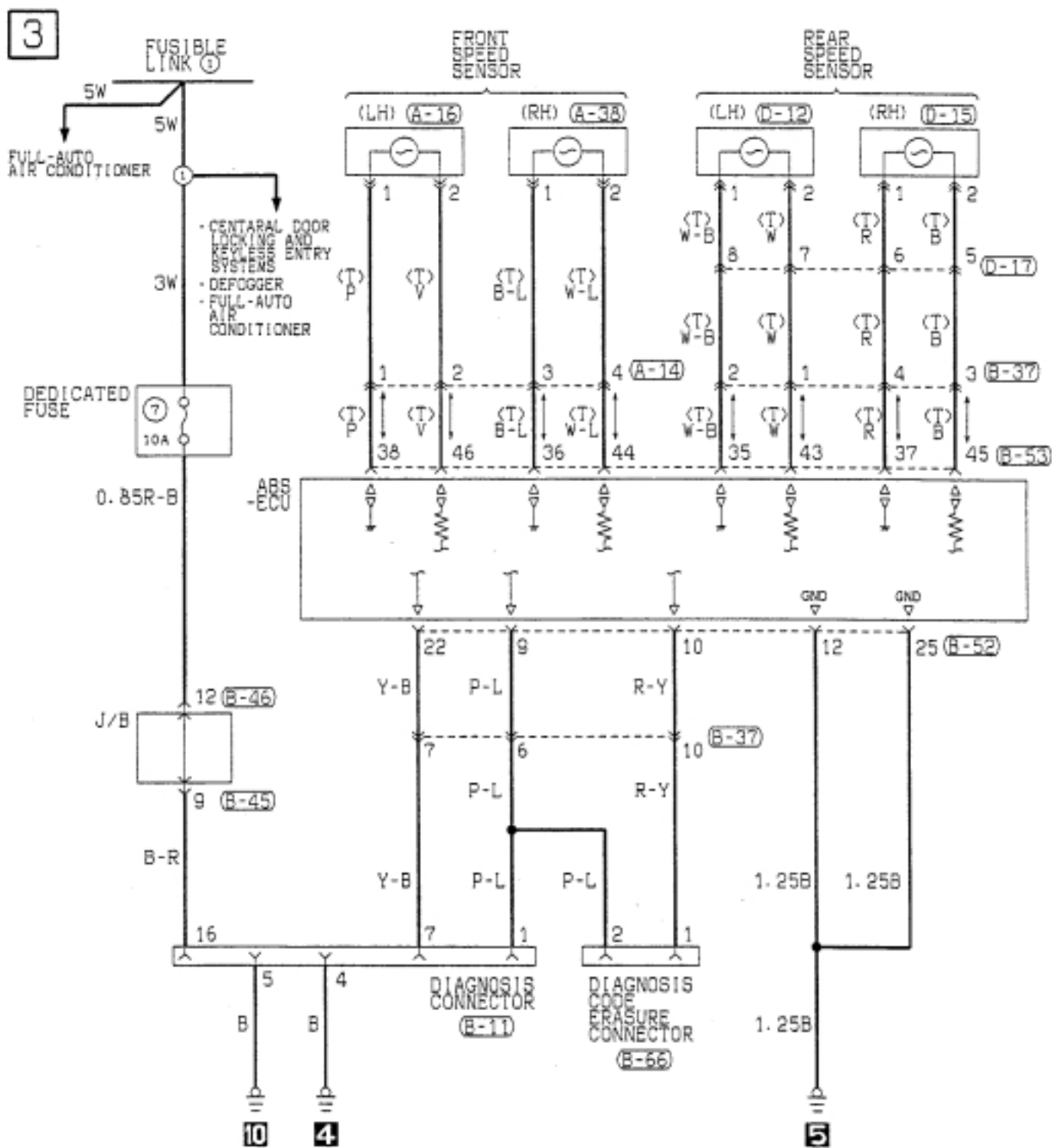
(B-77)

1	2	3	4	M	5	6	7	8
9	10	11	12	13	14	15	16	17

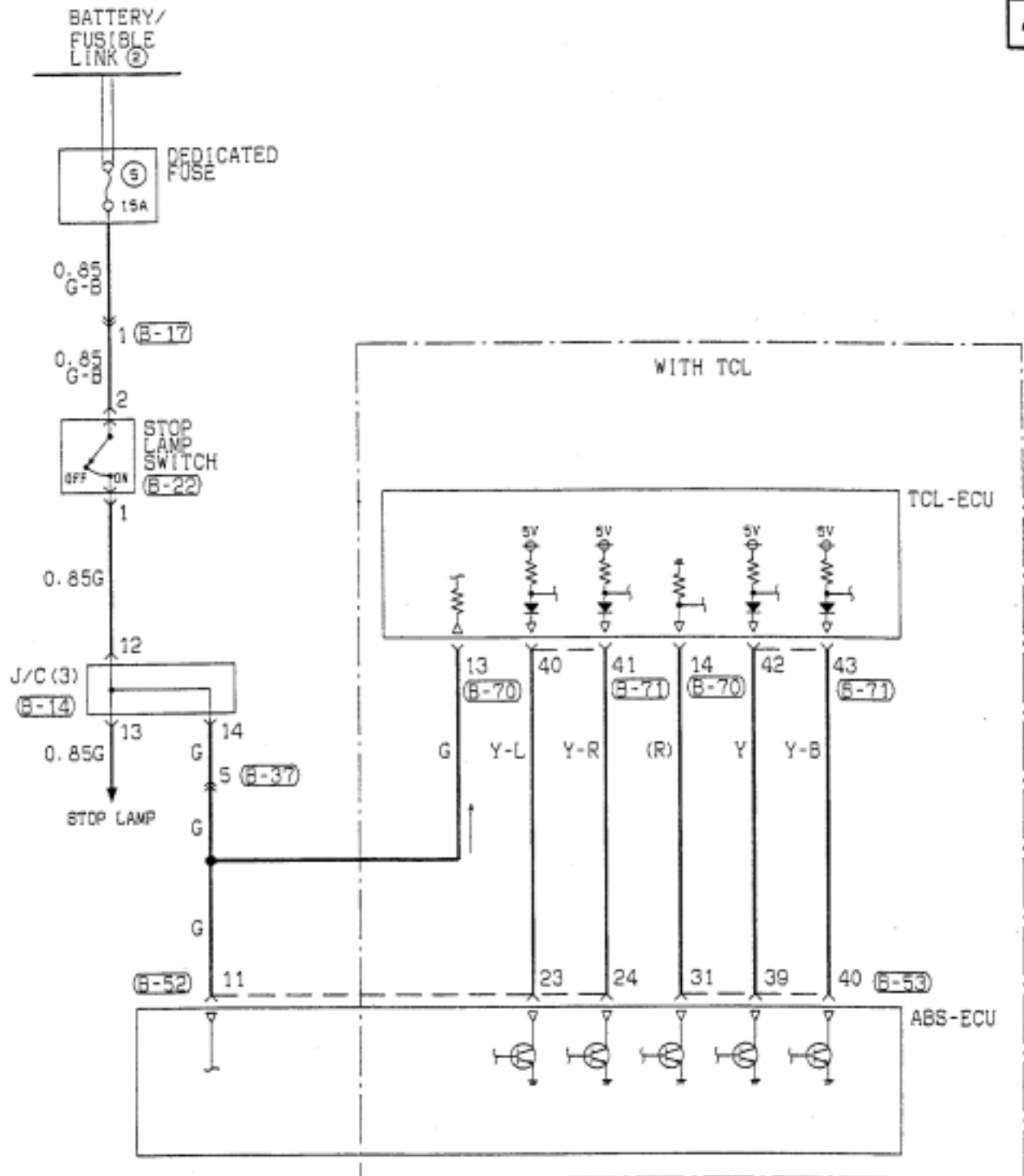
Wire colour code

BB:Black LG:Light green G:Green L:Blue W:White Y:Yellow SB:Sky blue  
 BR:Brown O:Orange GR:Gray R:Red P:Pink V:Violet

ANTI-SKID BRAKING SYSTEM (ABS) (CONTINUED)



4



B-45

1	2	3	4	M	5	6	7	8	
9	10	11	12	13	14	15	16	17	18

B-46

1	2	3	4	M	5	6	7	8	
9	10	11	12	13	14	15	16	17	18

B-52

1	2	3	4	5	6	7	8	9	10	11	12	13
14	15	16	17	18	19	20	21	22	23	24	25	26

B-53

31	32	33	34	35	36	37	38
39	40	41	42	43	44	45	46

B-66

1
2

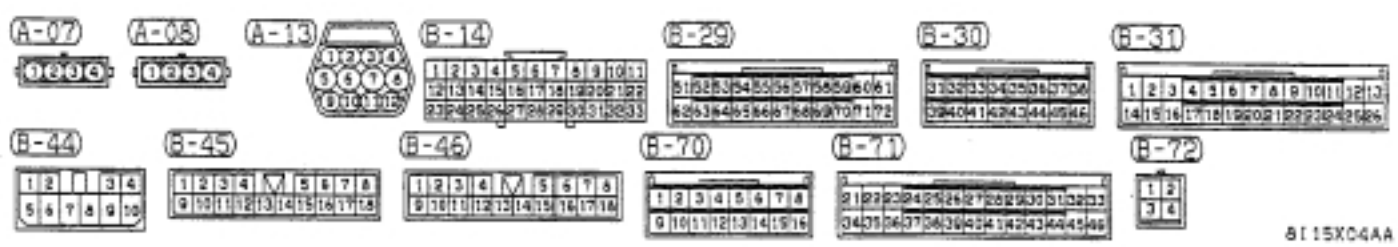
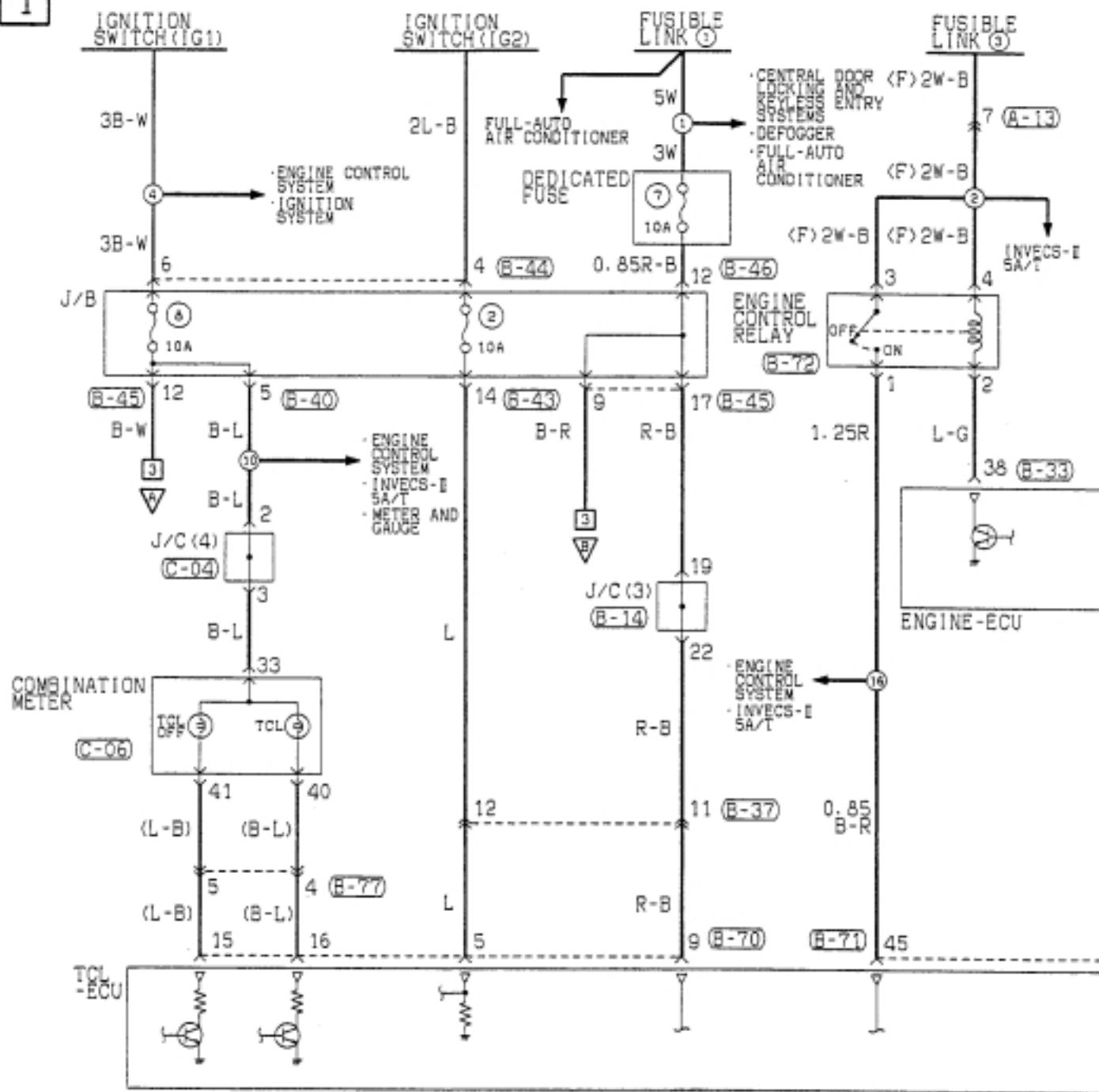
B-70

1	2	3	4	5	6	7	8
9	10	11	12	13	14	15	16

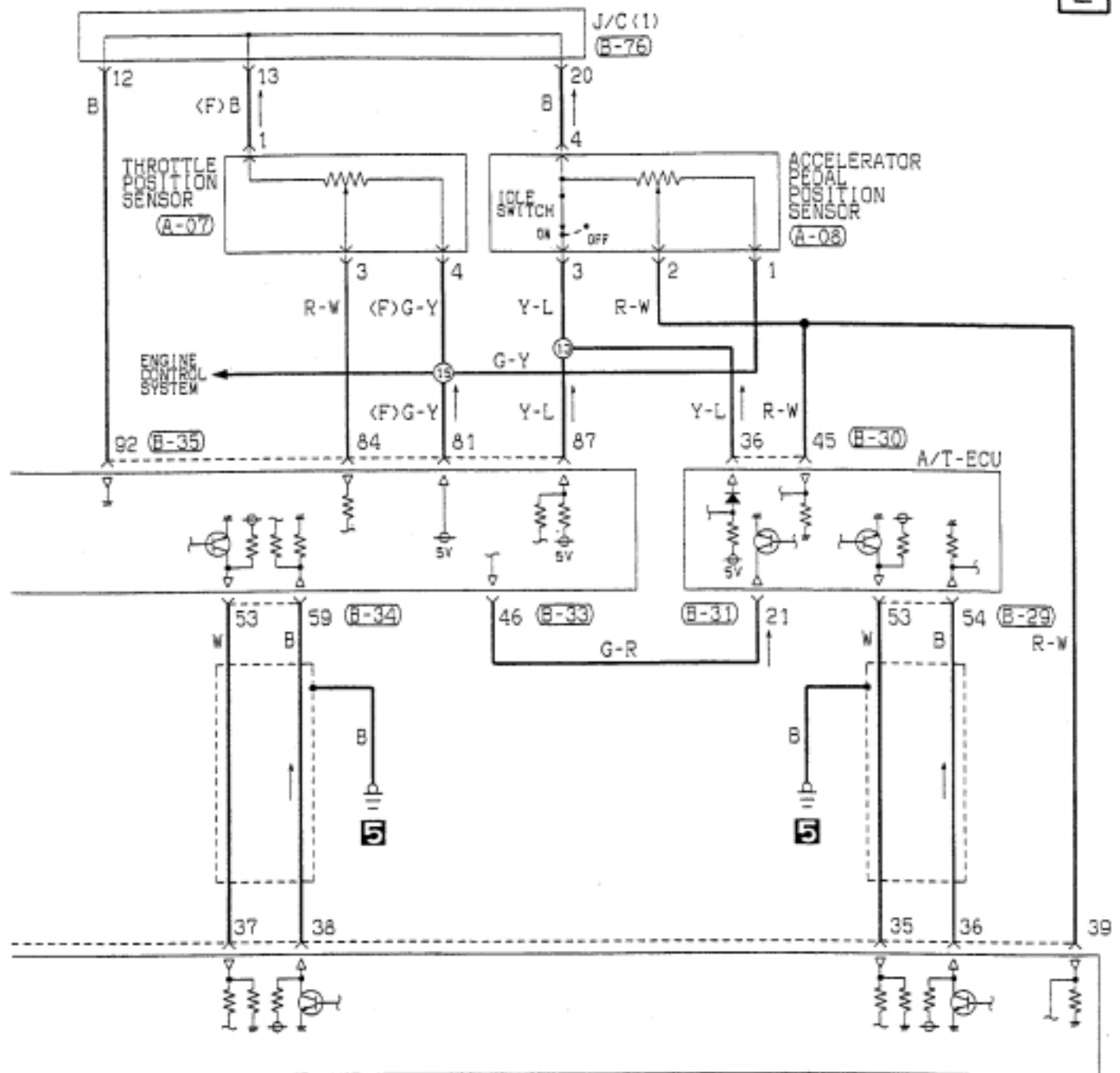
Wire colour code  
 BK:Black LG:Light green G:Green L:Blue W:White Y:Yellow SB:Sky blue  
 BR:Brown O:Orange GR:Gray R:Red P:Pink V:Violet

TRACTION CONTROL SYSTEM (TCL)

1



2



B-32

1	2	3	4	5	6	7	8	9	10
11	12	13	14	15	16	17	18	19	20

B-34

1	2	3	4	5	6	7	8	9	10
11	12	13	14	15	16	17	18	19	20

B-35

1	2	3	4	5	6	7	8	9	10
11	12	13	14	15	16	17	18	19	20

B-37

1	2	3	4	5	6	7	8	9	10
11	12	13	14	15	16	17	18	19	20

B-40

1	2	3	4	5	6	7	8	9	10
11	12	13	14	15	16	17	18	19	20

B-43

1	2	3	4	5	6	7	8	9	10
11	12	13	14	15	16	17	18	19	20

B-76

1	2	3	4	5	6	7	8	9	10
11	12	13	14	15	16	17	18	19	20

B-77

1	2	3	4	5	6	7	8	9	10
11	12	13	14	15	16	17	18	19	20

C-04

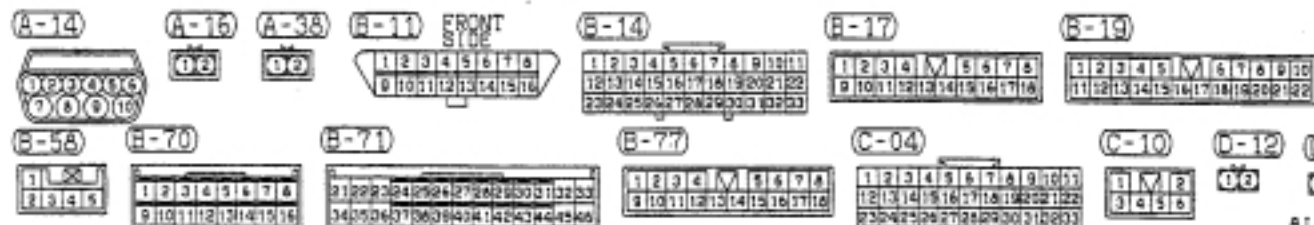
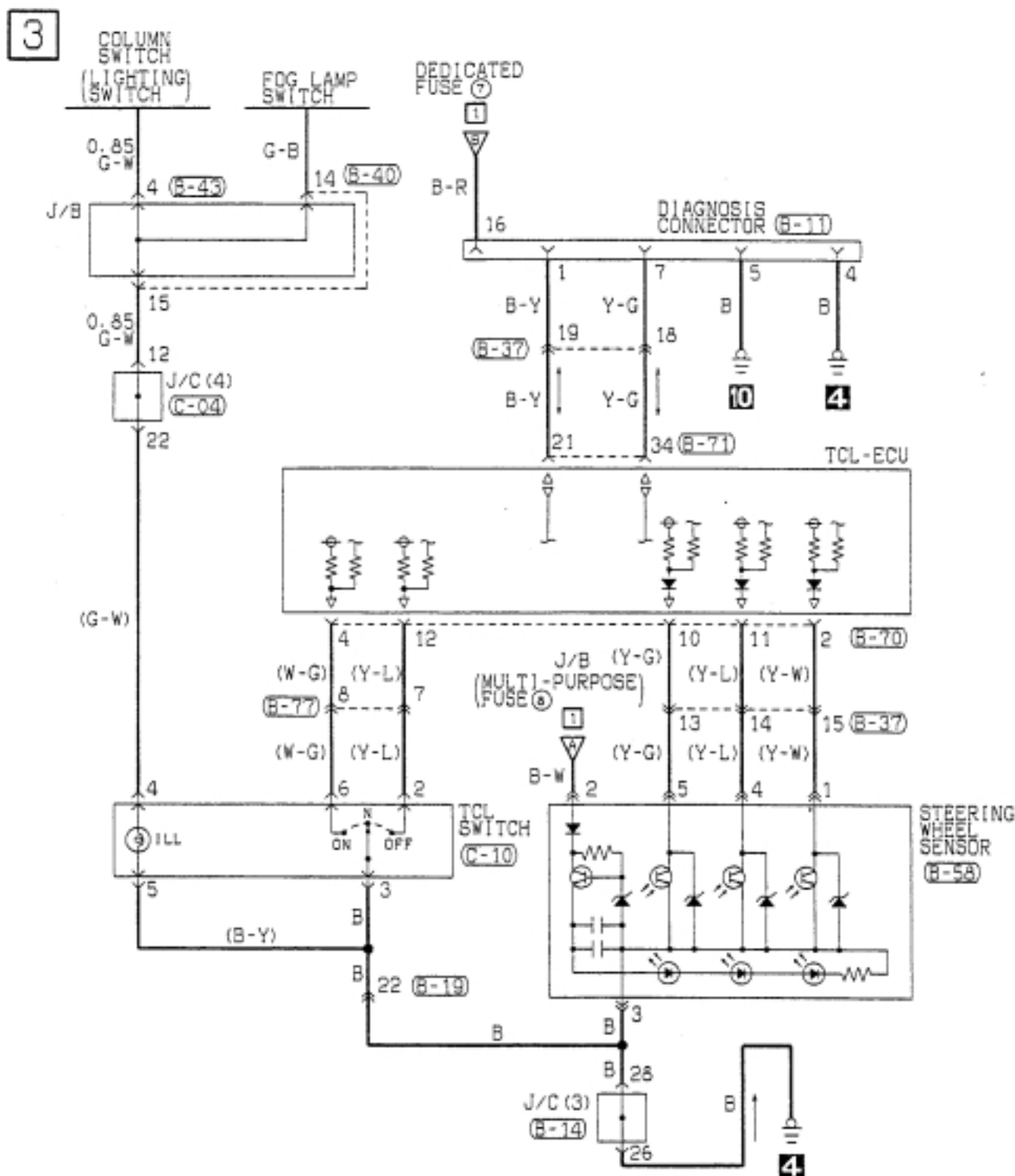
1	2	3	4	5	6	7	8	9	10
11	12	13	14	15	16	17	18	19	20

C-06

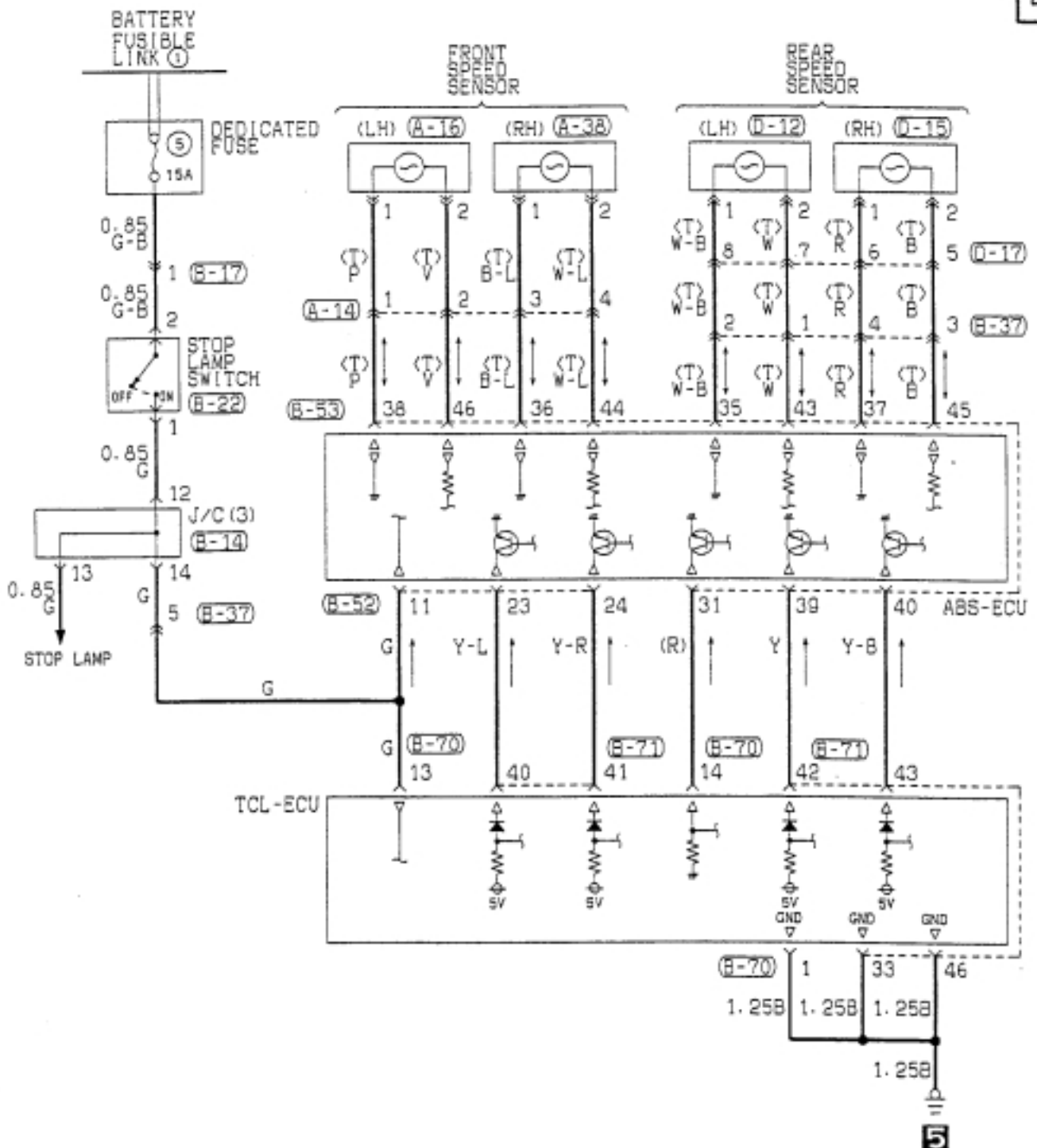
1	2	3	4	5	6	7	8	9	10
11	12	13	14	15	16	17	18	19	20



TRACTION CONTROL SYSTEM (TCL) (CONTINUED)



4



B-22



B-37



B-40



B-43



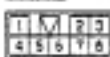
B-52



B-53



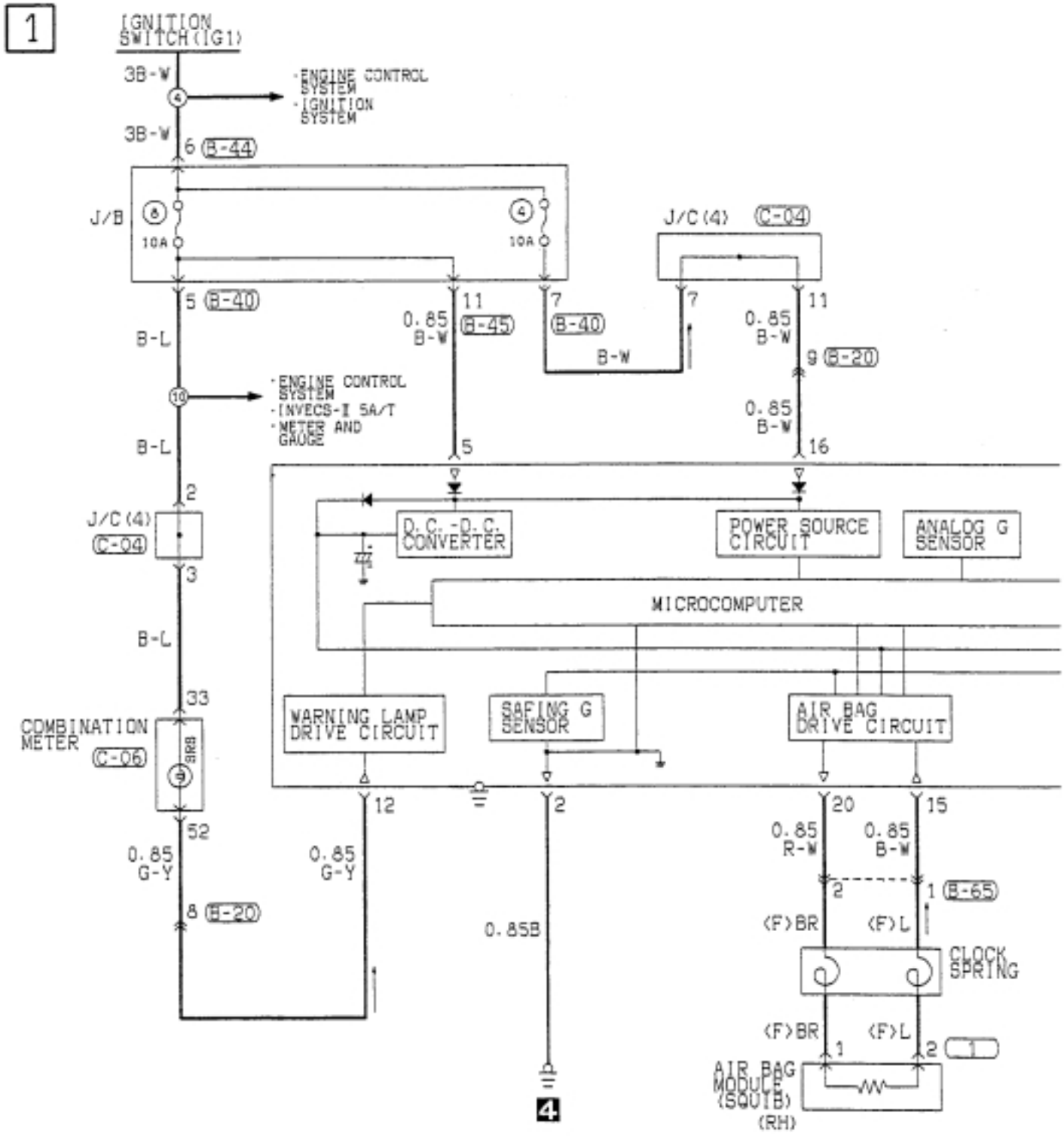
D-17



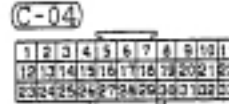
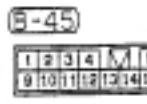
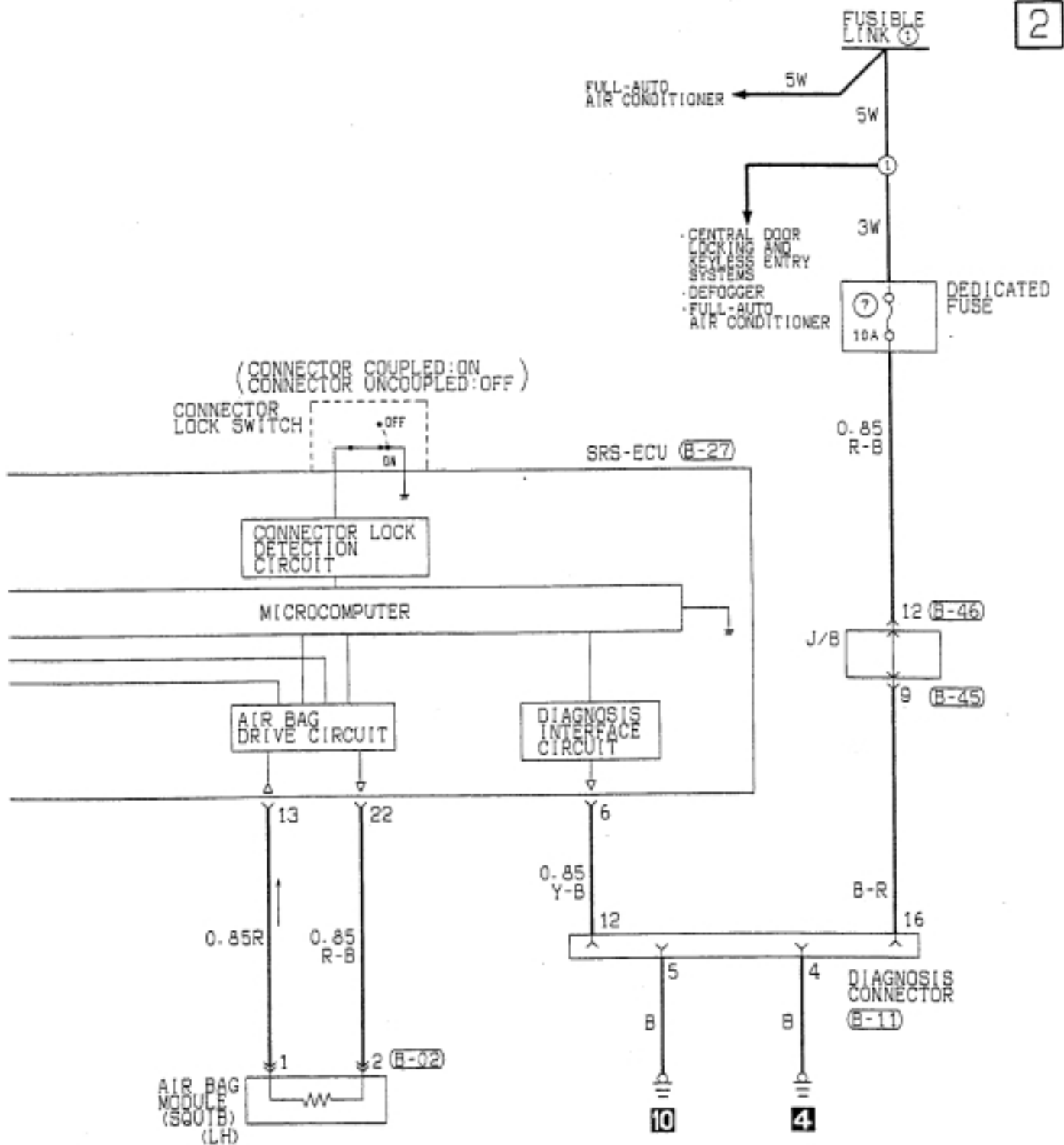
Wire colour code

B : Black LG : Light green G : Green L : Blue W : White Y : Yellow SB : Sky blue  
 BR : Brown O : Orange GR : Gray R : Red P : Pink V : Violet

SUPPLEMENTAL RESTRAINT SYSTEM (SRS)



2



Wire colour code  
 B: Black LG: Light green G: Green L: Blue W: White Y: Yellow SB: Sky blue  
 BR: Brown O: Orange GR: Gray R: Red P: Pink V: Violet

---

NOTES

## INDEX (In order of connector No.)

	Connector No.	Parts name	Circuit diagram page	Wiring diagram page
A	A-01	Brake fluid level sensor	4-75	2-4
	A-02	Variable induction control servo	4-28, 37	2-4
	A-03	Variable induction control servo	4-28, 37	2-4
	A-04	Intake air temperature sensor	4-29, 36	2-4
	A-05	Atmospheric pressure sensor	4-28, 36	2-4
	A-06	Vehicle speed sensor	4-26, 34, 40, 48, 72	2-4
	A-07	Throttle position sensor	4-28, 36, 43, 51, 109	2-5
	A-08	Accelerator pedal position sensor	4-36, 51, 109	2-5
	A-09	Idle speed control servo	4-28, 36	2-5
	A-10	Windshield wiper motor	4-89	2-5
	A-11	Dual pressure switch	4-86	2-5
	A-12	Control wiring harness and battery cable combination	4-19	2-5
	A-13	Control wiring harness and front wiring harness combination	4-22, 24, 27, 32, 35, 39, 44, 52, 74, 75, 83, 86, 104, 108	2-5
	A-14	Control wiring harness and front wiring harness combination <ABS>	4-104, 105, 106, 111	2-5
	A-15	Side turn signal lamp (LH)	4-67	2-5
	A-16	Front speed sensor (LH) <ABS>	4-106, 111	2-5
	A-17	Oil control valve (right bank side)	4-28, 36	2-5
	A-18	Control wiring harness and injector wiring harness combination	4-22, 28, 29, 36, 37	2-5
	A-19	Detonation sensor	4-30, 38	2-5
	A-20	Horn (LO)	4-71	2-5
	A-21	Horn (LO)	4-71	2-5
	A-22	Windshield washer motor	4-89	2-5
	A-23	Rear washer motor	4-90	2-5
	A-24	Radiator fan motor	4-39, 83	2-5
	A-25	A/T control solenoid valve assembly	4-45, 53	2-5
	A-26	Engine coolant temperature gauge unit	4-73	2-5
	A-27	Back-up lamp switch <M/T>	4-69	2-5
	A-28	Ignition coil C	4-21, 25, 33	2-5
	A-29	Ignition coil A	4-21, 25, 33	2-4

	Connector No.	Parts name	Circuit diagram page	Wiring diagram page
A	A-30	Ignition coil B	4-21, 25, 33	2-4
	A-31	Oil pressure switch	4-74	2-4
	A-32	A/C compressor assembly	4-86	2-4
	A-33	Power steering oil pressure switch	4-27, 35	2-4
	A-34	Condenser fan motor	4-39, 83	2-4
	A-35	Outside thermo sensor <A/C>	4-85	2-4
	A-36	Horn (HI)	4-71	2-4
	A-37	Horn (HI)	4-71	2-4
	A-38	Front speed sensor (RH) <ABS>	4-106, 111	2-4
	A-39	Side turn signal lamp (RH)	4-67	2-4
	A-40	Oil control valve (left bank side)	4-28, 36	2-6
	A-41	Injector No.1	4-28, 36	2-6
	A-42	Injector No.3	4-29, 37	2-6
	A-43	Injector No.5	4-29, 37	2-6
	A-44	Vacuum solenoid valve <TCL>	4-38	2-7
	A-45	Capacitor	4-21, 25, 33	2-7
	A-46	Ventilation solenoid valve <TCL>	4-38	2-7
	A-47	Capacitor	4-20, 25, 33	2-7
	A-48	Engine speed detection connector	4-20, 25, 33, 72	2-7
	A-50	Hydraulic unit <ABS>	4-105	2-7
	A-51	Hydraulic unit <ABS>	4-105	2-7
	A-52X	ABS valve relay	4-13, 104	2-7
	A-53X	ABS motor relay	4-13, 105	2-7
	A-54X	Headlamp relay	4-13, 18, 56, 58	2-7
	A-55X	A/C compressor relay	4-13, 86	2-7
	A-56X	Condenser fan relay	4-13, 39, 83	2-7
	A-57X	Radiator fan relay	4-13, 39, 83	2-7
	A-58X	Horn relay	4-13, 71	2-7
	A-59X	Alternator relay	4-13, 22	2-7
	A-60X	Power window relay	4-13, 76	2-7
	A-61X	Headlamp relay <vehicles with discharge type headlamp>	4-13, 18, 58	2-7

	Connector No.	Parts name	Circuit diagram page	Wiring diagram page
A	A-62X	No connection	4-13	2-7
	A-63X	No connection	4-13	2-7
	A-64X	No connection	4-13	2-7
	A-65	Ignition failure sensor	4-20, 25, 33	2-7
	A-66	Headlamp (LH) <discharge type>	4-58, 61	2-7
	A-67	Headlamp (LH) <except discharge type>	4-56	2-7
	A-68	Position lamp (LH) <vehicles without discharge type headlamp>	4-60	2-7
	A-69	Headlamp (LH)	4-56, 58	2-7
	A-70	Front turn signal lamp (LH)	4-67	2-7
	A-71	Fog lamp (LH)	4-62	2-7
	A-72	Output shaft speed sensor <A/T>	4-46, 54	2-7
	A-73	Input shaft speed sensor <A/T>	4-46, 54	2-7
	A-74	Inhibitor switch <A/T>	4-19, 24, 32, 40, 48, 70	2-7
	A-75	Engine coolant temperature sensor	4-29, 37	2-7
	A-76	Starter	4-19	2-6
	A-77	Starter	4-19	2-6
	A-78	Injector No.6	4-29, 37	2-6
	A-79	Injector No.4	4-29, 37	2-6
	A-80	Front wiring harness and oil pressure wiring harness combination	4-74	2-6
	A-81	Injector No.2	4-28, 36	2-6
	A-82	Alternator	4-22	2-6
	A-83	Alternator	4-22	2-6
	A-84	Fog lamp (RH)	4-62	2-6
	A-85	Front turn signal lamp (RH)	4-67	2-6
	A-86	Headlamp (RH)	4-56, 58	2-6
	A-87	Position lamp (RH) <vehicles without discharge type headlamp>	4-60	2-6
	A-88	Headlamp (RH) <except discharge type>	4-56	2-6
	A-89	Headlamp (RH) <discharge type>	4-58, 61	2-6
	A-90	Camshaft position sensor	4-30, 38	2-6
	A-91	Crank angle sensor	4-30, 38, 44, 52	2-6



	Connector No.	Parts name	Circuit diagram page	Wiring diagram page
B	B-01	Outside/inside air selection damper control motor <A/C>	4-84	2-8
	B-02	Air bag module (LH)	4-113	2-8
	B-03	Power transistor <A/C>	4-82	2-8
	B-04	Air thermo sensor <A/C>	4-84	2-8
	B-05	Photo sensor <A/C>	4-85	2-8
	B-06	Air mixing damper control motor and potentiometer <A/C>	4-84	2-8
	B-07	Heater water temperature sensor <A/C>	4-84	2-8
	B-08	A/C-ECU	4-82, 84, 85, 92	2-8
	B-09	A/C-ECU	4-82, 84, 85, 92	2-8
	B-10	Mode selection damper control motor and potentiometer <A/C>	4-84	2-8
	B-11	Diagnosis connector	4-26, 34, 46, 54, 80, 85, 106, 110, 113	2-8
	B-12	Door lock-ECU	4-78	2-9
	B-13	J/C (2)	4-6, 57, 59, 60, 61, 62, 65, 66, 71, 79, 88, 90, 95, 101, 102, 103	2-9
	B-14	J/C (3)	4-7, 41, 42, 49, 50, 62, 63, 67, 68, 73, 78, 85, 92, 94, 96, 98, 99, 100, 107, 108, 110, 111	2-9
	B-15	Body wiring harness and roof wiring harness combination	4-64, 65, 68, 79, 103	2-9
	B-16	Front wiring harness and body wiring harness combination	4-14, 15, 103	2-9
	B-17	Front wiring harness and body wiring harness combination	4-41, 49, 56, 57, 58, 59, 60, 61, 62, 68, 71, 76, 88, 89, 90, 101, 107, 111	2-9
	B-18	J/C (5)	4-8, 14, 85, 103	2-9
	B-19	Body wiring harness and instrument panel wiring harness combination	4-42, 50, 57, 59, 62, 66, 67, 72, 73, 74, 75, 89, 92, 94, 97, 98, 99	2-9
	B-20	Body wiring harness and instrument panel wiring harness combination	4-94, 95, 112	2-9
	B-21	Turn-signal and hazard warning flasher unit	4-66	2-9
	B-22	Stop lamp switch	4-41, 49, 68, 107, 111	2-9
	B-23	Ashtray illumination lamp	4-100	2-8
	B-24	Cigarette lighter illumination lamp	4-100	2-8
	B-25	Cigarette lighter	4-100	2-8

	Connector No.	Parts name	Circuit diagram page	Wiring diagram page
B	B-26	Cigarette lighter	4-100	2-8
	B-27	SRS-ECU	4-112, 113	2-8
	B-28	Diode (for ABS circuit)	4-104	2-8
	B-29	A/T-ECU	4-27, 35, 40, 41, 43, 44, 45, 46, 48, 49, 51, 52, 53, 54, 109	2-8
	B-30	A/T-ECU	4-35, 43, 44, 45, 46, 51, 52, 53, 54, 109	2-8
	B-31	A/T-ECU	4-35, 41, 42, 44, 45, 46, 49, 50, 51, 52, 53, 54, 86, 109	2-8
	B-32	Engine-ECU	4-21, 24, 25, 27, 28, 29, 30, 32, 33, 35, 36, 37, 38, 39, 83, 86	2-8
	B-33	Engine-ECU	4-24, 26, 27, 28, 32, 34, 35, 36, 37, 38, 44, 51, 52, 86, 108, 109	2-8
	B-34	Engine-ECU	4-20, 22, 25, 26, 27, 33, 34, 35, 43, 72, 109	2-8
	B-35	Engine-ECU	4-20, 24, 25, 26, 28, 29, 30, 32, 33, 34, 36, 37, 38, 43, 51, 109	2-8
	B-36	Body wiring harness and control wiring harness combination	4-19, 20, 24, 25, 26, 32, 33, 34, 40, 48, 69, 70, 84, 88	2-8
	B-37	Body wiring harness and control wiring harness combination <ABS>	4-104, 106, 107, 108, 110, 111	2-8
	B-38	Body wiring harness and control wiring harness combination <A/T>	4-41, 46, 49, 54	2-8
	B-39	J/B and roof wiring harness combination	4-4, 5, 64, 78, 79, 103	2-9
	B-40	J/B and instrument panel wiring harness combination	4-4, 5, 22, 26, 34, 40, 41, 48, 49, 60, 61, 62, 64, 66, 67, 72, 74, 85, 89, 92, 94, 96, 99, 100, 101, 104, 108, 110, 112	2-9
	B-41	Blower relay	4-73, 82	2-9
	B-42	Defogger relay	4-92	2-9
	B-43	J/B and body wiring harness combination	4-4, 5, 40, 41, 48, 49, 57, 59, 60, 61, 62, 63, 66, 67, 69, 70, 73, 85, 94, 96, 99, 100, 101, 102, 103, 108, 110	2-9
	B-44	J/B and body wiring harness combination	4-4, 5, 16, 17, 22, 26, 34, 39, 40, 48, 63, 66, 69, 70, 71, 72, 74, 76, 78, 80, 82, 88, 89, 90, 92, 95, 96, 98, 100, 101, 102, 103, 104, 108, 112	2-9
	B-45	J/B and body wiring harness combination	4-4, 5, 26, 34, 46, 54, 63, 67, 76, 78, 82, 85, 88, 90, 92, 95, 96, 103, 104, 106, 108, 112, 113	2-9

	Connector No.	Parts name	Circuit diagram page	Wiring diagram page
B	B-46	J/B and front wiring harness combination	4-4, 5, 17, 22, 26, 34, 39, 46, 54, 60, 61, 62, 63, 64, 66, 67, 70, 71, 72, 78, 80, 82, 85, 92, 96, 99, 101, 102, 104, 106, 108, 113	2-9
	B-47	J/B and front wiring harness combination	4-4, 5, 17, 78, 82, 92	2-9
	B-48	J/B and body wiring harness combination	4-4, 5, 60, 61, 62, 63, 64, 67, 70, 79, 80, 92, 96, 98, 101, 102, 103	2-9
	B-49	Buzzer-ECU	4-4, 5, 63, 70, 101, 102	2-9
	B-50	Blower motor	4-82	2-10
	B-51	Blower high speed relay	4-82	2-10
	B-52	ABS-ECU	4-104, 105, 106, 107, 111	2-10
	B-53	ABS-ECU	4-104, 106, 107, 111	2-10
	B-54	No connection	4-98	2-10
	B-55	Radio	4-96, 97, 98	2-10
	B-56	Diagnosis connector	4-46, 54	2-10
	B-57	Column switch	4-88, 90	2-11
	B-58	Steering wheel sensor <TCL>	4-110	2-11
	B-59	Column switch	4-57, 59, 60, 61, 62, 67, 101	2-11
	B-60	Column switch	4-57, 59	2-11
	B-61	J/C (6)	4-8, 18, 22, 56, 58, 71, 104	2-11
	B-62	Ignition switch	4-16	2-11
	B-63	Key reminder switch	4-63, 79, 101, 102	2-11
	B-64	Clock spring <SRS>	4-71	2-11
	B-65	Clock spring <SRS>	4-112	2-11
	B-66	Diagnosis code erasure connector <ABS>	4-106	2-10
	B-67	Shift switch assembly <A/T>	4-41, 49	2-10
	B-68	Oxygen sensor	4-29, 37	2-10
	B-69	No connection	-	2-10
	B-70	TCL-ECU	4-107, 108, 110, 111	2-10
	B-71	TCL-ECU	4-35, 51, 107, 108, 109, 110, 111	2-10
	B-72	Engine control relay	4-24, 32, 44, 52, 108	2-10
	B-73	Fuel pump relay	4-24, 32	2-10
	B-74	Diode (for ABS circuit)	4-105	2-10
	B-75	A/T control relay	4-44, 52	2-10

	Connector No.	Parts name	Circuit diagram page	Wiring diagram page
B	B-76	J/C (1)	4-6, 28, 29, 30, 36, 37, 38, 43, 44, 51, 52, 109	2-10
	B-77	Control wiring harness and instrument panel wiring harness combination	4-26, 34, 40, 48, 72, 73, 74, 75, 104, 108, 110	2-10
	B-78	Control wiring harness and instrument panel wiring harness combination <A/T>	4-41, 42, 49, 50	2-10
C	C-01	Instrument panel speaker (LH)	4-97	2-12
	C-02	Clock	4-99	2-12
	C-03	Voltmeter	4-73	2-12
	C-04	J/C (4)	4-7, 22, 26, 34, 41, 42, 49, 50, 62, 64, 66, 72, 73, 74, 89, 94, 98, 99, 104, 108, 110, 112	2-12
	C-05	Combination meter	4-22, 26, 34, 42, 50, 67, 72, 73, 74, 75, 104	2-12
	C-06	Combination meter	4-22, 26, 34, 57, 59, 64, 67, 72, 73, 74, 75, 89, 104, 108, 112	2-12
	C-07	Instrument panel speaker (RH)	4-97	2-12
	C-08	Fog lamp switch	4-62	2-12
	C-09	Remote controlled mirror switch	4-94, 95	2-12
	C-10	TCL switch	4-110	2-12
	C-11	Motor antenna switch	4-98	2-12
	C-12	Hazard warning switch	4-66	2-12
D	D-01	Door switch (RH)	4-63, 65, 79, 101, 102, 103	2-13
	D-02	Map lamp	4-64	2-13
	D-03	Sunroof switch	4-103	2-13
	D-04	Sunroof ECU	4-103	2-13
	D-05	Roof wiring harness and map lamp sub wiring harness combination	4-64	2-13
	D-06	Sunroof motor	4-103	2-13
	D-07	Defogger (+)	4-92	2-13
	D-08	High-mounted stop lamp	4-68	2-13
	D-09	Keyless entry receiver-ECU	4-65, 79, 80	2-13
	D-10	Defogger (-)	4-92	2-13
	D-11	Glass antenna	4-97	2-13
	D-12	Rear speed sensor (LH) <ABS>	4-106, 111	2-13
	D-13	Door switch (LH)	4-65, 79	2-13

	Connector No.	Parts name	Circuit diagram page	Wiring diagram page
D	D-14	Fuel pump assembly	4-25, 33, 72, 74	2-13
	D-15	Rear speed sensor (RH) <ABS>	4-106, 111	2-13
	D-16	Body wiring harness and defogger cable combination	4-92	2-13
	D-17	Body wiring harness and fuel wiring harness combination	4-25, 33, 72, 74, 106, 111	2-13
	D-18	Parking brake switch	4-75	2-13
	D-19	Seat belt switch	4-75	2-13
	D-20	No connection	-	2-13
E	E-01	Body wiring harness and door wiring harness (RH) combination	4-76, 77, 78, 95, 97	2-14
	E-02	Remote controlled mirror (RH)	4-95	2-14
	E-03	Power window main switch	4-76, 77	2-14
	E-04	Door lock actuator (RH)	4-78	2-14
	E-05	Power window motor (RH)	4-77	2-14
	E-06	Limit switch (RH)	4-77	2-14
	E-07	Door speaker (RH)	4-97	2-14
	E-08	Power window sub switch	4-76	2-14
	E-09	Remote controlled mirror (LH)	4-94	2-14
	E-10	Body wiring harness and door wiring harness (LH) combination	4-76, 78, 94, 97	2-14
	E-11	Door speaker (LH)	4-97	2-14
	E-12	Limit switch (LH)	4-76	2-14
	E-13	Power window motor (LH)	4-76	2-14
	E-14	Door lock actuator (LH)	4-78	2-14
F	F-01	Rear speaker (LH)	4-97	2-15
	F-02	Luggage compartment lamp	4-64	2-15
	F-03	Body wiring harness and rear wiring harness combination	4-60, 61, 64, 67, 68, 69, 70, 90, 97, 98	2-15
	F-04	Rear speaker (RH)	4-97	2-15
	F-05	Rear intermittent wiper relay	4-90	2-15
	F-06	Rear wiper motor	4-91	2-15
	F-07	Rear combination lamp (RH)	4-60, 61, 67, 68, 69, 70	2-15
	F-08	License plate lamp (RH)	4-60, 61	2-15

	Connector No.	Parts name	Circuit diagram page	Wiring diagram page
F	F-09	License plate lamp (LH)	4-60, 61	2-15
	F-10	Luggage compartment lamp switch	4-64	2-15
	F-11	Rear combination lamp (LH)	4-60, 61, 67, 68, 69, 70	2-15
	F-12	Motor antenna assembly	4-98	2-15

## INDEX (In order of parts name)

	Parts name	Connector No.	Circuit diagram page	Wiring diagram page
A	A/C compressor assembly	A-32	4-86	2-4
	A/C compressor relay	A-55X	4-13, 86	2-7
	A/C-ECU	B-08	4-82, 84, 85, 92	2-8
	A/C-ECU	B-09	4-82, 84, 85, 92	2-8
	A/T control relay	B-75	4-44, 52	2-10
	A/T control solenoid valve assembly	A-25	4-45, 53	2-5
	A/T-ECU	B-29	4-27, 35, 40, 41, 43, 44, 45, 46, 48, 49, 51, 52, 53, 54, 109	2-8
	A/T-ECU	B-30	4-35, 43, 44, 45, 46, 51, 52, 53, 54, 109	2-8
	A/T-ECU	B-31	4-35, 41, 42, 44, 45, 46, 49, 50, 51, 52, 53, 54, 86, 109	2-8
	ABS motor relay	A-53X	4-13, 105	2-7
	ABS valve relay	A-52X	4-13, 104	2-7
	ABS-ECU	B-52	4-104, 105, 106, 107, 111	2-10
	ABS-ECU	B-53	4-104, 106, 107, 111	2-10
	Accelerator pedal position sensor	A-08	4-36, 51, 109	2-5
	Air bag module (LH)	B-02	4-113	2-8
	Air mixing damper control motor and potentiometer <A/C>	B-06	4-84	2-8
	Air thermo sensor <A/C>	B-04	4-84	2-8
	Alternator	A-82	4-22	2-6
	Alternator	A-83	4-22	2-6
	Alternator relay	A-59X	4-13, 22	2-7
Ashtray illumination lamp	B-23	4-100	2-8	
Atmospheric pressure sensor	A-05	4-28, 36	2-4	
B	Back-up lamp switch <M/T>	A-27	4-69	2-5
	Blower high speed relay	B-51	4-82	2-10
	Blower motor	B-50	4-82	2-10
	Blower relay	B-41	4-73, 82	2-9
	Body wiring harness and control wiring harness combination	B-36	4-19, 20, 24, 25, 26, 32, 33, 34, 40, 48, 69, 70, 84, 88	2-8
	Body wiring harness and control wiring harness combination <A/T>	B-38	4-41, 46, 49, 54	2-8

	Parts name	Connector No.	Circuit diagram page	Wiring diagram page
B	Body wiring harness and control wiring harness combination <ABS>	B-37	4-104, 106, 107, 108, 110, 111	2-8
	Body wiring harness and defogger cable combination	D-16	4-92	2-13
	Body wiring harness and door wiring harness (LH) combination	E-10	4-76, 78, 94, 97	2-14
	Body wiring harness and door wiring harness (RH) combination	E-01	4-76, 77, 78, 95, 97	2-14
	Body wiring harness and fuel wiring harness combination	D-17	4-25, 33, 72, 74, 106, 111	2-13
	Body wiring harness and instrument panel wiring harness combination	B-19	4-42, 50, 57, 59, 62, 66, 67, 72, 73, 74, 75, 89, 92, 94, 97, 98, 99	2-9
	Body wiring harness and instrument panel wiring harness combination	B-20	4-94, 95, 112	2-9
	Body wiring harness and rear wiring harness combination	F-03	4-60, 61, 64, 67, 68, 69, 70, 90, 97, 98	2-15
	Body wiring harness and roof wiring harness combination	B-15	4-64, 65, 68, 79, 103	2-9
	Brake fluid level sensor	A-01	4-75	2-4
	Buzzer-ECU	B-49	4-4, 5, 63, 70, 101, 102	2-9
C	Camshaft position sensor	A-90	4-30, 38	2-6
	Capacitor	A-45	4-21, 25, 33	2-7
	Capacitor	A-47	4-20, 25, 33	2-7
	Cigarette lighter	B-25	4-100	2-8
	Cigarette lighter	B-26	4-100	2-8
	Cigarette lighter illumination lamp	B-24	4-100	2-8
	Clock	C-02	4-99	2-12
	Clock spring <SRS>	B-64	4-71	2-11
	Clock spring <SRS>	B-65	4-112	2-11
	Column switch	B-57	4-88, 90	2-11
	Column switch	B-59	4-57, 59, 60, 61, 62, 67, 101	2-11
	Column switch	B-60	4-57, 59	2-11
	Combination meter	C-05	4-22, 26, 34, 42, 50, 67, 72, 73, 74, 75, 104	2-12
	Combination meter	C-06	4-22, 26, 34, 57, 59, 64, 67, 72, 73, 74, 75, 89, 104, 108, 112	2-12
	Condenser fan motor	A-34	4-39, 83	2-4



	Parts name	Connector No.	Circuit diagram page	Wiring diagram page
C	Condenser fan relay	A-56X	4-13, 39, 83	2-7
	Control wiring harness and battery cable combination	A-12	4-19	2-5
	Control wiring harness and front wiring harness combination	A-13	4-22, 24, 27, 32, 35, 39, 44, 52, 74, 75, 83, 86, 104, 108	2-5
	Control wiring harness and front wiring harness combination <ABS>	A-14	4-104, 105, 106, 111	2-5
	Control wiring harness and injector wiring harness combination	A-18	4-22, 28, 29, 36, 37	2-5
	Control wiring harness and instrument panel wiring harness combination	B-77	4-26, 34, 40, 48, 72, 73, 74, 75, 104, 108, 110	2-10
	Control wiring harness and instrument panel wiring harness combination <A/T>	B-78	4-41, 42, 49, 50	2-10
	Crank angle sensor	A-91	4-30, 38, 44, 52	2-6
D	Defogger (+)	D-07	4-92	2-13
	Defogger (-)	D-10	4-92	2-13
	Defogger relay	B-42	4-92	2-9
	Detonation sensor	A-19	4-30, 38	2-5
	Diagnosis code erasure connector <ABS>	B-66	4-106	2-10
	Diagnosis connector	B-11	4-26, 34, 46, 54, 80, 85, 106, 110, 113	2-8
	Diagnosis connector	B-56	4-46, 54	2-10
	Diode (for ABS circuit)	B-28	4-104	2-8
	Diode (for ABS circuit)	B-74	4-105	2-10
	Door lock actuator (LH)	E-14	4-78	2-14
	Door lock actuator (RH)	E-04	4-78	2-14
	Door lock-ECU	B-12	4-78	2-9
	Door speaker (LH)	E-11	4-97	2-14
	Door speaker (RH)	E-07	4-97	2-14
	Door switch (LH)	D-13	4-65, 79	2-13
	Door switch (RH)	D-01	4-63, 65, 79, 101, 102, 103	2-13
	Dual pressure switch	A-11	4-86	2-5
E	Engine control relay	B-72	4-24, 32, 44, 52, 108	2-10
	Engine coolant temperature gauge unit	A-26	4-73	2-5
	Engine coolant temperature sensor	A-75	4-29, 37	2-7

	Parts name	Connector No.	Circuit diagram page	Wiring diagram page
E	Engine speed detection connector	A-48	4-20, 25, 33, 72	2-7
	Engine-ECU	B-32	4-21, 24, 25, 27, 28, 29, 30, 32, 33, 35, 36, 37, 38, 39, 83, 86	2-8
	Engine-ECU	B-33	4-24, 26, 27, 28, 32, 34, 35, 36, 37, 38, 44, 51, 52, 86, 108, 109	2-8
	Engine-ECU	B-34	4-20, 22, 25, 26, 27, 33, 34, 35, 43, 72, 109	2-8
	Engine-ECU	B-35	4-20, 24, 25, 26, 28, 29, 30, 32, 33, 34, 36, 37, 38, 43, 51, 109	2-8
F	Fog lamp (LH)	A-71	4-62	2-7
	Fog lamp (RH)	A-84	4-62	2-6
	Fog lamp switch	C-08	4-62	2-12
	Front speed sensor (LH) <ABS>	A-16	4-106, 111	2-5
	Front speed sensor (RH) <ABS>	A-38	4-106, 111	2-4
	Front turn signal lamp (LH)	A-70	4-67	2-7
	Front turn signal lamp (RH)	A-85	4-67	2-6
	Front wiring harness and body wiring harness combination	B-16	4-14, 15, 103	2-9
	Front wiring harness and body wiring harness combination	B-17	4-41, 49, 56, 57, 58, 59, 60, 61, 62, 68, 71, 76, 88, 89, 90, 101, 107, 111	2-9
	Front wiring harness and oil pressure wiring harness combination	A-80	4-74	2-6
	Fuel pump assembly	D-14	4-25, 33, 72, 74	2-13
Fuel pump relay	B-73	4-24, 32	2-10	
G	Glass antenna	D-11	4-97	2-13
H	Hazard warning switch	C-12	4-66	2-12
	Headlamp (LH)	A-69	4-56, 58	2-7
	Headlamp (LH) <discharge type>	A-66	4-58, 61	2-7
	Headlamp (LH) <except discharge type>	A-67	4-56	2-7
	Headlamp (RH)	A-86	4-56, 58	2-6
	Headlamp (RH) <discharge type>	A-89	4-58, 61	2-6
	Headlamp (RH) <except discharge type>	A-88	4-56	2-6
	Headlamp relay	A-54X	4-13, 18, 56, 58	2-7
	Headlamp relay <vehicles with discharge type headlamp>	A-61X	4-13, 18, 58	2-7

	Parts name	Connector No.	Circuit diagram page	Wiring diagram page
H	Heater water temperature sensor <A/C>	B-07	4-84	2-8
	High-mounted stop lamp	D-08	4-68	2-13
	Horn (HI)	A-36	4-71	2-4
	Horn (HI)	A-37	4-71	2-4
	Horn (LO)	A-20	4-71	2-5
	Horn (LO)	A-21	4-71	2-5
	Horn relay	A-58X	4-13, 71	2-7
	Hydraulic unit <ABS>	A-50	4-105	2-7
	Hydraulic unit <ABS>	A-51	4-105	2-7
I	Idle speed control servo	A-09	4-28, 36	2-5
	Ignition coil A	A-29	4-21, 25, 33	2-4
	Ignition coil B	A-30	4-21, 25, 33	2-4
	Ignition coil C	A-28	4-21, 25, 33	2-5
	Ignition failure sensor	A-65	4-20, 25, 33	2-7
	Ignition switch	B-62	4-16	2-11
	Inhibitor switch <A/T>	A-74	4-19, 24, 32, 40, 48, 70	2-7
	Injector No.1	A-41	4-28, 36	2-6
	Injector No.2	A-81	4-28, 36	2-6
	Injector No.3	A-42	4-29, 37	2-6
	Injector No.4	A-79	4-29, 37	2-6
	Injector No.5	A-43	4-29, 37	2-6
	Injector No.6	A-78	4-29, 37	2-6
	Input shaft speed sensor <A/T>	A-73	4-46, 54	2-7
	Instrument panel speaker (LH)	C-01	4-97	2-12
	Instrument panel speaker (RH)	C-07	4-97	2-12
	Intake air temperature sensor	A-04	4-29, 36	2-4
J	J/B and body wiring harness combination	B-43	4-4, 5, 40, 41, 48, 49, 57, 59, 60, 61, 62, 63, 66, 67, 69, 70, 73, 85, 94, 96, 99, 100, 101, 102, 103, 108, 110	2-9
	J/B and body wiring harness combination	B-44	4-4, 5, 16, 17, 22, 26, 34, 39, 40, 48, 63, 66, 69, 70, 71, 72, 74, 76, 78, 80, 82, 88, 89, 90, 92, 95, 96, 98, 100, 101, 102, 103, 104, 108, 112	2-9

	Parts name	Connector No.	Circuit diagram page	Wiring diagram page
J	J/B and body wiring harness combination	B-45	4-4, 5, 26, 34, 46, 54, 63, 67, 76, 78, 82, 85, 88, 90, 92, 95, 96, 103, 104, 106, 108, 112, 113	2-9
	J/B and body wiring harness combination	B-48	4-4, 5, 60, 61, 62, 63, 64, 67, 70, 79, 80, 92, 96, 98, 101, 102, 103	2-9
	J/B and front wiring harness combination	B-46	4-4, 5, 17, 22, 26, 34, 39, 46, 54, 60, 61, 62, 63, 64, 66, 67, 70, 71, 72, 78, 80, 82, 85, 92, 96, 99, 101, 102, 104, 106, 108, 113	2-9
	J/B and front wiring harness combination	B-47	4-4, 5, 17, 78, 82, 92	2-9
	J/B and instrument panel wiring harness combination	B-40	4-4, 5, 22, 26, 34, 40, 41, 48, 49, 60, 61, 62, 64, 66, 67, 72, 74, 85, 89, 92, 94, 96, 99, 100, 101, 104, 108, 110, 112	2-9
	J/B and roof wiring harness combination	B-39	4-4, 5, 64, 78, 79, 103	2-9
	J/C (1)	B-76	4-6, 28, 29, 30, 36, 37, 38, 43, 44, 51, 52, 109	2-10
	J/C (2)	B-13	4-6, 57, 59, 60, 61, 62, 65, 66, 71, 79, 88, 90, 95, 101, 102, 103	2-9
	J/C (3)	B-14	4-7, 41, 42, 49, 50, 62, 63, 67, 68, 73, 78, 85, 92, 94, 96, 98, 99, 100, 107, 108, 110, 111	2-9
	J/C (4)	C-04	4-7, 22, 26, 34, 41, 42, 49, 50, 62, 64, 66, 72, 73, 74, 89, 94, 98, 99, 104, 108, 110, 112	2-12
	J/C (5)	B-18	4-8, 14, 85, 103	2-9
	J/C (6)	B-61	4-8, 18, 22, 56, 58, 71, 104	2-11
K	Key reminder switch	B-63	4-63, 79, 101, 102	2-11
	Keyless entry receiver-ECU	D-09	4-65, 79, 80	2-13
L	License plate lamp (LH)	F-09	4-60, 61	2-15
	License plate lamp (RH)	F-08	4-60, 61	2-15
	Limit switch (LH)	E-12	4-76	2-14
	Limit switch (RH)	E-06	4-77	2-14
	Luggage compartment lamp	F-02	4-64	2-15
	Luggage compartment lamp switch	F-10	4-64	2-15
M	Map lamp	D-02	4-64	2-13
	Mode selection damper control motor and potentiometer <A/C>	B-10	4-84	2-8
	Motor antenna assembly	F-12	4-98	2-15

	Parts name	Connector No.	Circuit diagram page	Wiring diagram page
M	Motor antenna switch	C-11	4-98	2-12
N	No connection	A-62X	4-13	2-7
	No connection	A-63X	4-13	2-7
	No connection	A-64X	4-13	2-7
	No connection	B-54	4-98	2-10
	No connection	B-69	-	2-10
	No connection	D-20	-	2-13
O	Oil control valve (left bank side)	A-40	4-28, 36	2-6
	Oil control valve (right bank side)	A-17	4-28, 36	2-5
	Oil pressure switch	A-31	4-74	2-4
	Output shaft speed sensor <A/T>	A-72	4-46, 54	2-7
	Outside thermo sensor <A/C>	A-35	4-85	2-4
	Outside/inside air selection damper control motor <A/C>	B-01	4-84	2-8
	Oxygen sensor	B-68	4-29, 37	2-10
P	Parking brake switch	D-18	4-75	2-13
	Photo sensor <A/C>	B-05	4-85	2-8
	Position lamp (LH) <vehicles without discharge type headlamp>	A-68	4-60	2-7
	Position lamp (RH) <vehicles without discharge type headlamp>	A-87	4-60	2-6
	Power steering oil pressure switch	A-33	4-27, 35	2-4
	Power transistor <A/C>	B-03	4-82	2-8
	Power window main switch	E-03	4-76, 77	2-14
	Power window motor (LH)	E-13	4-76	2-14
	Power window motor (RH)	E-05	4-77	2-14
	Power window relay	A-60X	4-13, 76	2-7
	Power window sub switch	E-08	4-76	2-14
R	Radiator fan motor	A-24	4-39, 83	2-5
	Radiator fan relay	A-57X	4-13, 39, 83	2-7
	Radio	B-55	4-96, 97, 98	2-10
	Rear combination lamp (LH)	F-11	4-60, 61, 67, 68, 69, 70	2-15
	Rear combination lamp (RH)	F-07	4-60, 61, 67, 68, 69, 70	2-15

	Parts name	Connector No.	Circuit diagram page	Wiring diagram page
R	Rear intermittent wiper relay	F-05	4-90	2-15
	Rear speaker (LH)	F-01	4-97	2-15
	Rear speaker (RH)	F-04	4-97	2-15
	Rear speed sensor (LH) <ABS>	D-12	4-106, 111	2-13
	Rear speed sensor (RH) <ABS>	D-15	4-106, 111	2-13
	Rear washer motor	A-23	4-90	2-5
	Rear wiper motor	F-06	4-91	2-15
	Remote controlled mirror (LH)	E-09	4-94	2-14
	Remote controlled mirror (RH)	E-02	4-95	2-14
	Remote controlled mirror switch	C-09	4-94, 95	2-12
	Roof wiring harness and map lamp sub wiring harness combination	D-05	4-64	2-13
S	Seat belt switch	D-19	4-75	2-13
	Shift switch assembly <A/T>	B-67	4-41, 49	2-10
	Side turn signal lamp (LH)	A-15	4-67	2-5
	Side turn signal lamp (RH)	A-39	4-67	2-4
	SRS-ECU	B-27	4-112, 113	2-8
	Starter	A-76	4-19	2-6
	Starter	A-77	4-19	2-6
	Steering wheel sensor <TCL>	B-58	4-110	2-11
	Stop lamp switch	B-22	4-41, 49, 68, 107, 111	2-9
	Sunroof ECU	D-04	4-103	2-13
	Sunroof motor	D-06	4-103	2-13
	Sunroof switch	D-03	4-103	2-13
	T	TCL switch	C-10	4-110
TCL-ECU		B-70	4-107, 108, 110, 111	2-10
TCL-ECU		B-71	4-35, 51, 107, 108, 109, 110, 111	2-10
Throttle position sensor		A-07	4-28, 36, 43, 51, 109	2-5
Turn-signal and hazard warning flasher unit		B-21	4-66	2-9
V	Vacuum solenoid valve <TCL>	A-44	4-38	2-7
	Variable induction control servo	A-02	4-28, 37	2-4
	Variable induction control servo	A-03	4-28, 37	2-4

	Parts name	Connector No.	Circuit diagram page	Wiring diagram page
V	Vehicle speed sensor	A-06	4-26, 34, 40, 48, 72	2-4
	Ventilation solenoid valve <TCL>	A-46	4-38	2-7
	Voltmeter	C-03	4-73	2-12
W	Windshield washer motor	A-22	4-89	2-5
	Windshield wiper motor	A-10	4-89	2-5