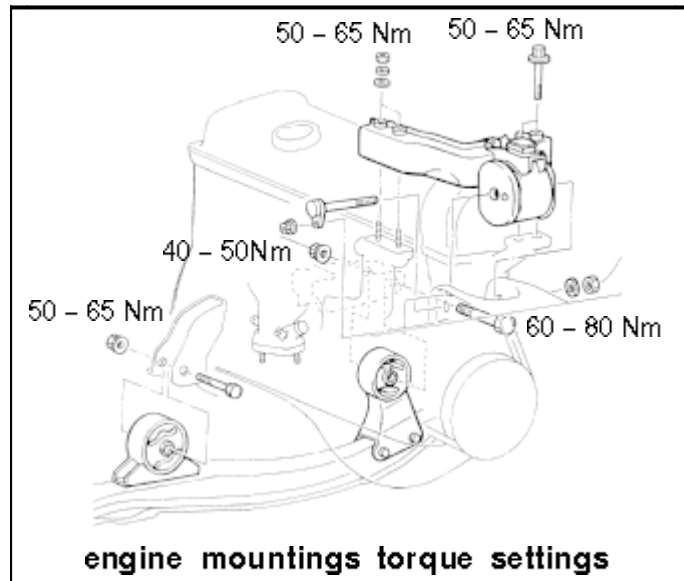


Engine - General

Removal and installation



Before removing the engine; remove the gearbox; see *Drive-line*. Remove bonnet and radiator. Disconnect all engine electrical and cable connections. Disconnect the fuel lines. Remove air-conditioning compressor, power steering pump. Hang aside. Support the engine with a hoist. Undo the engine mounting brackets and lift the engine out of the engine compartment.

Refit the components in reverse order of removal. Fill the engine and cooling system as specified. Check that all pipes and joints are connected properly.

V-belts

Adjust

Apply 100 N at the point shown in the illustration. Set the belt tension; see the values in the table.

V-belt tension	
alternator	7,0 - 10,0 mm
air-conditioning compressor	
checks	7,0 - 8,0 mm
new belt	5,0 - 6,0 mm
used belt	7,0 - 8,0 mm
power steering pump	6,0 - 9,0 mm

