

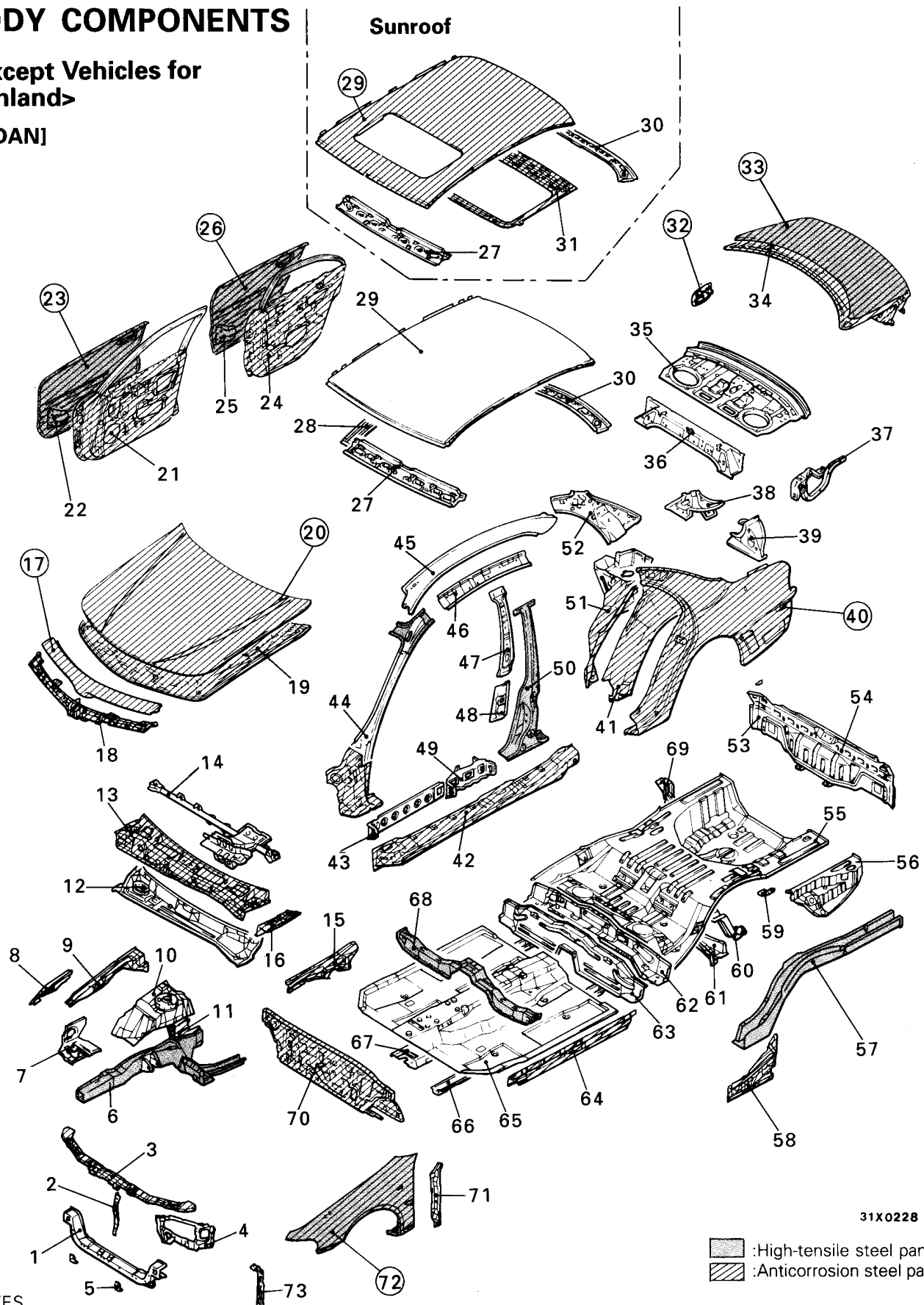
1 BODY CONSTRUCTION

BODY COMPONENTS.....	1-2
BODY CONSTRUCTION CHARACTERISTICS	1-10
BODY MAIN CROSS-SECTIONAL VIEWS	1-10
MAINTENANCE, SERVICEABILITY.....	1-12
FRONT BODY.....	1-13
SIDE BODY	1-20
UNDER BODY	1-23
REAR BODY	1-29
ROOF.....	1-30
DOOR.....	1-32
NOTES REGARDING PANEL REPLACEMENT	1-33
TOWING BAR MOUNTING LOCATIONS.....	1-35
SILENCER APPLICATION LOCATIONS.....	1-36

BODY COMPONENTS

<Except Vehicles for Finland>

[SEDAN]



31X0228

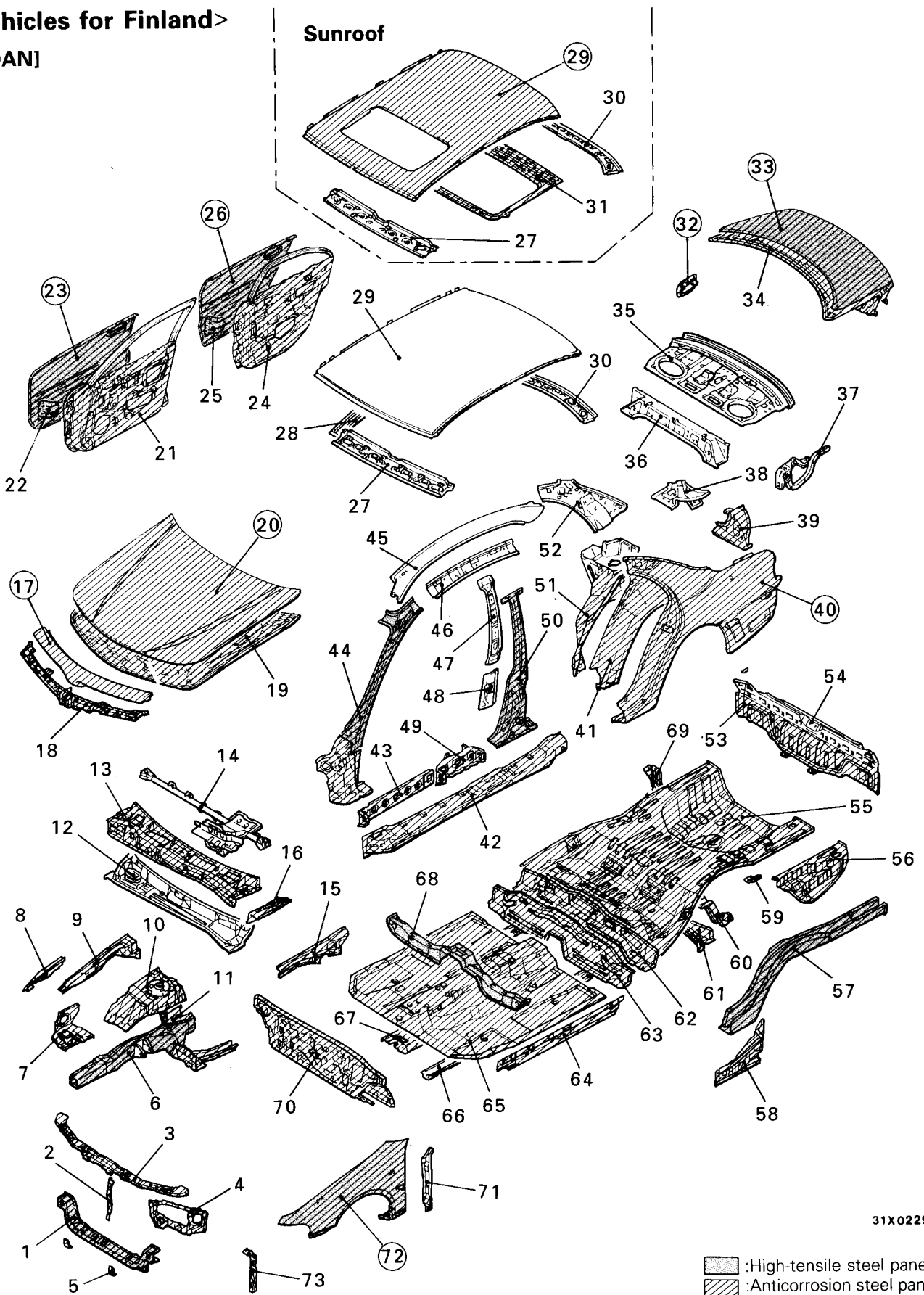
NOTES

- (1) Number with ○ indicates steel panels which have been galvanized on both sides, and which have a flush plating with outstanding paint finish on the surfaces.
- (2) The material of the item (6) is a high-tensile anticorrosion steel panel for vehicles for GCC. In addition, anti-corrosion steel panels are used for (7) and (10).

- | | |
|--|-------------------------------------|
| 1. Front end crossmember | 37. Trunk lid hinge |
| 2. Hood lock stay | 38. Rear shelf brace, upper |
| 3. Front end upper bar | 39. Rear lamp bracket |
| 4. Headlamp support panel | 40. Quarter panel, outer |
| 5. Front bumper bracket | 41. Quarter panel, inner |
| 6. Front sidemember | 42. Front floor side sill, outer |
| 7. Shield plate | 43. Side sill reinforcement, front |
| 8. Front upper frame, outer | 44. Front pillar |
| 9. Front upper frame, inner | 45. Side roof rail, outer |
| 10. Spring house panel | 46. Side roof rail, inner |
| 11. Front floor side sill, inner, front | 47. Center pillar inner extension |
| 12. Cowl top panel, inner | 48. Center pillar, inner |
| 13. Cowl top panel, outer | 49. Side sill reinforcement, center |
| 14. Front deck crossmember | 50. Center pillar, outer |
| 15. Front upper frame outer extension | 51. Rear wheelhouse panel, inner |
| 16. Front upper frame inner extension | 52. Rear pillar, inner |
| 17. Header panel, outer | 53. Rear end panel, outer |
| 18. Header panel, inner | 54. Rear end panel, inner |
| 19. Hood inner panel | 55. Rear floor pan |
| 20. Hood outer panel | 56. Rear floor side brace |
| 21. Front door inner panel | 57. Rear floor sidemember |
| 22. Front door side door beam | 58. Rear floor side sill, inner |
| 23. Front door outer panel | 59. Jack bracket |
| 24. Rear door inner panel | 60. Garage jack bracket |
| 25. Rear door side door beam | 61. Rear floor crossmember |
| 26. Rear door outer panel | 62. Rear seat crossmember, rear |
| 27. Front roof rail, inner | 63. Rear seat crossmember, front |
| 28. Roof bow | 64. Rear floor side sill, inner |
| 29. Roof panel | 65. Front floor pan |
| 30. Rear roof rail, inner | 66. Front floor sidemember |
| 31. Roof panel reinforcement (vehicles with sunroof) | 67. Backbone reinforcement |
| 32. Fuel filler door | 68. Front floor crossmember |
| 33. Trunk lid outer panel | 69. Shipping bracket |
| 34. Trunk lid inner panel | 70. Dash panel |
| 35. Rear shelf panel | 71. Front fender insulator |
| 36. Rear shelf brace extension | 72. Front fender |
| | 73. Front end cover |

<Vehicles for Finland>

[SEDAN]



31X0229

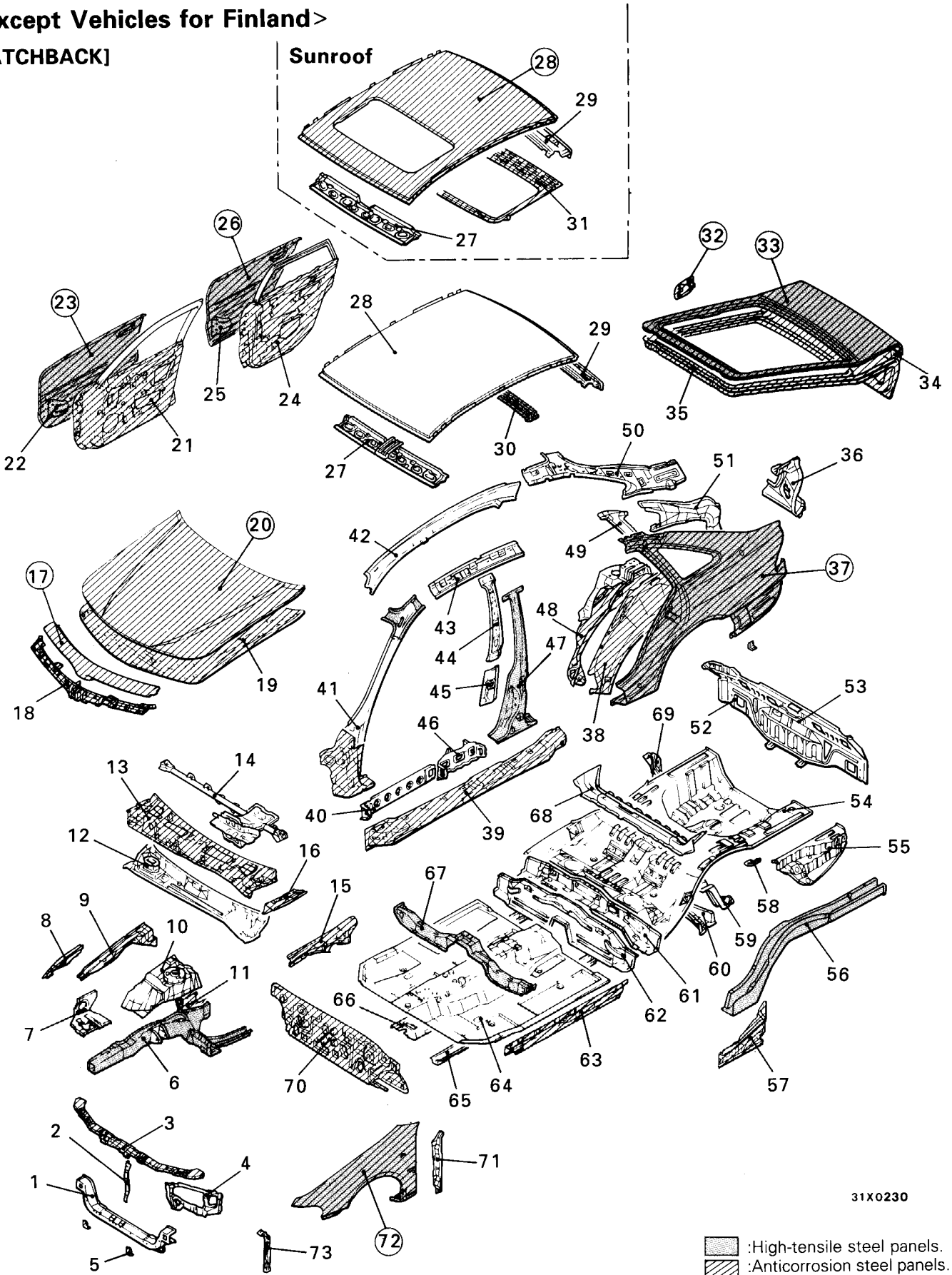
NOTES

Number with ○ indicates steel panels which have been galvanized on both sides, and which have a flush plating with outstanding paint finish on the surfaces.

- | | |
|--|-------------------------------------|
| 1. Front end crossmember | 37. Trunk lid hinge |
| 2. Hood lock stay | 38. Rear shelf brace, upper |
| 3. Front end upper bar | 39. Rear lamp bracket |
| 4. Headlamp support panel | 40. Quarter panel, outer |
| 5. Front bumper bracket | 41. Quarter panel, inner |
| 6. Front sidemember | 42. Front floor side sill, outer |
| 7. Shield plate | 43. Side sill reinforcement, front |
| 8. Front upper frame, outer | 44. Front pillar |
| 9. Front upper frame, inner | 45. Side roof rail, outer |
| 10. Spring house panel | 46. Side roof rail, inner |
| 11. Front floor side sill, inner, front | 47. Center pillar inner extension |
| 12. Cowl top panel, inner | 48. Center pillar, inner |
| 13. Cowl top panel, outer | 49. Side sill reinforcement, center |
| 14. Front deck crossmember | 50. Center pillar, outer |
| 15. Front upper frame outer extension | 51. Rear wheelhouse panel, inner |
| 16. Front upper frame inner extension | 52. Rear pillar, inner |
| 17. Header panel, outer | 53. Rear end panel, outer |
| 18. Header panel, inner | 54. Rear end panel, inner |
| 19. Hood inner panel | 55. Rear floor pan |
| 20. Hood outer panel | 56. Rear floor side brace |
| 21. Front door inner panel | 57. Rear floor sidemember |
| 22. Front door side door beam | 58. Rear floor side sill, inner |
| 23. Front door outer panel | 59. Jack bracket |
| 24. Rear door inner panel | 60. Garage jack bracket |
| 25. Rear door side door beam | 61. Rear floor crossmember |
| 26. Rear door outer panel | 62. Rear seat crossmember, rear |
| 27. Front roof rail, inner | 63. Rear seat crossmember, front |
| 28. Roof bow | 64. Rear floor side sill, inner |
| 29. Roof panel | 65. Front floor pan |
| 30. Rear roof rail, inner | 66. Front floor sidemember |
| 31. Roof panel reinforcement (vehicles with sunroof) | 67. Backbone reinforcement |
| 32. Fuel filler door | 68. Front floor crossmember |
| 33. Trunk lid outer panel | 69. Shipping bracket |
| 34. Trunk lid inner panel | 70. Dash panel |
| 35. Rear shelf panel | 71. Front fender insulator |
| 36. Rear shelf brace extension | 72. Front fender |
| | 73. Front end cover |

<Except Vehicles for Finland>

[HATCHBACK]



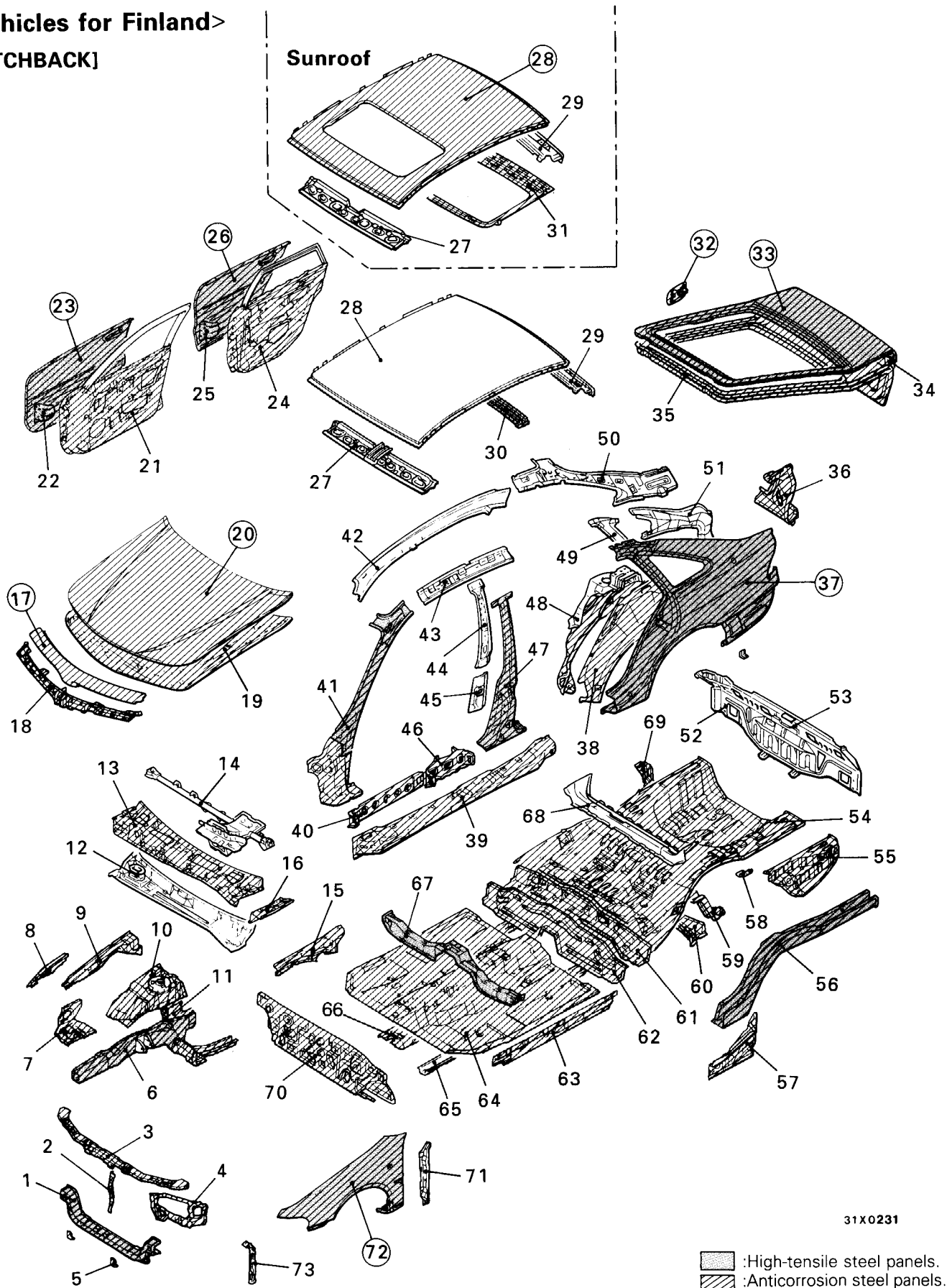
31X0230

NOTES

Number with ○ indicates steel panels which have been galvanized on both sides, and which have a flush plating with outstanding paint finish on the surfaces.

1. Front end crossmember
2. Hood lock stay
3. Front end upper bar
4. Headlamp support panel
5. Front bumper bracket
6. Front sidemember
7. Shield plate
8. Front upper frame, outer
9. Front upper frame, inner
10. Spring house panel
11. Front floor side sill, inner, front
12. Cowl top panel, inner
13. Cowl top panel, outer
14. Front deck crossmember
15. Front upper frame outer extension
16. Front upper frame inner extension
17. Header panel, outer
18. Header panel, inner
19. Hood inner panel
20. Hood outer panel
21. Front door inner panel
22. Front door side door beam
23. Front door outer panel
24. Rear door inner panel
25. Rear door side door beam
26. Rear door outer panel
27. Front roof rail
28. Roof panel
29. Rear roof rail
30. Roof bow
31. Roof panel reinforcement (vehicles with sunroof)
32. Fuel filler door
33. Tailgate outer panel, upper
34. Tailgate outer panel, lower
35. Tailgate inner panel
36. Rear lamp bracket
37. Quarter panel, outer
38. Quarter panel, inner
39. Front floor side sill, outer
40. Side sill reinforcement, front
41. Front pillar
42. Side roof rail, outer
43. Side roof rail, inner
44. Center pillar inner extension
45. Center pillar, inner
46. Side sill reinforcement, center
47. Center pillar, outer
48. Rear wheelhouse panel, inner
49. Rear pillar, inner
50. Rear end panel, inner
51. Gate pillar reinforcement, upper
52. Rear end panel, outer
53. Rear end panel, inner
54. Rear floor pan
55. Rear floor side brace
56. Rear floor sidemember
57. Rear floor side sill, inner
58. Jack bracket
59. Garage jack bracket
60. Rear floor crossmember
61. Rear seat crossmember, rear
62. Rear seat crossmember, front
63. Rear floor side sill, inner
64. Front floor pan
65. Front floor sidemember
66. Backbone reinforcement
67. Front floor crossmember
68. Rear floor crossmember, upper
69. Shipping bracket
70. Dash panel
71. Front fender insulator
72. Front fender
73. Front end cover

<Vehicles for Finland>
[HATCHBACK]



31X0231

▨ :High-tensile steel panels.
▩ :Anticorrosion steel panels.

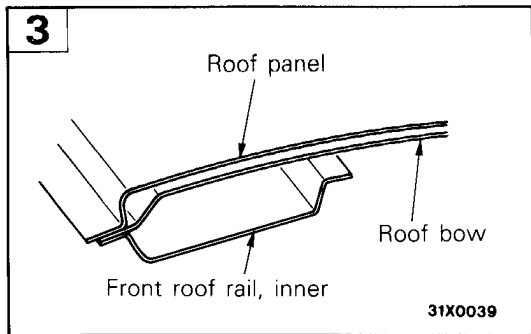
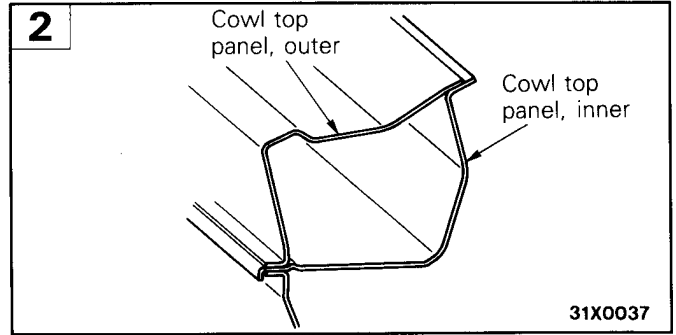
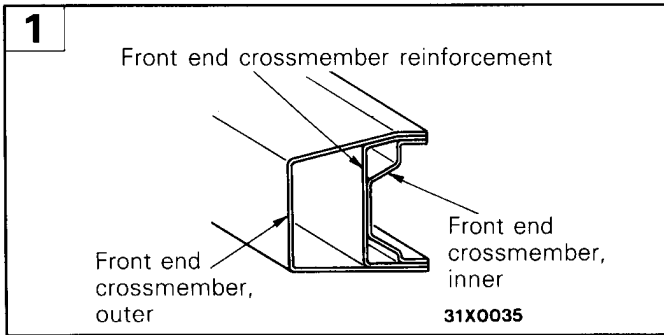
NOTES

Number with ○ indicates steel panels which have been galvanized on both sides, and which have a flush plating with outstanding paint finish on the surfaces.

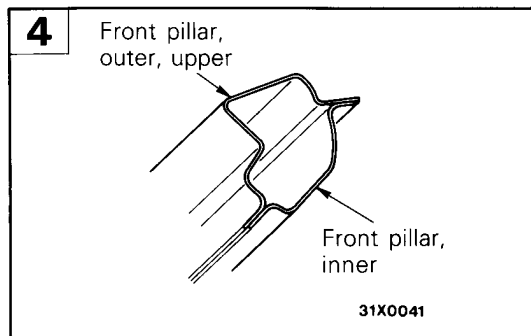
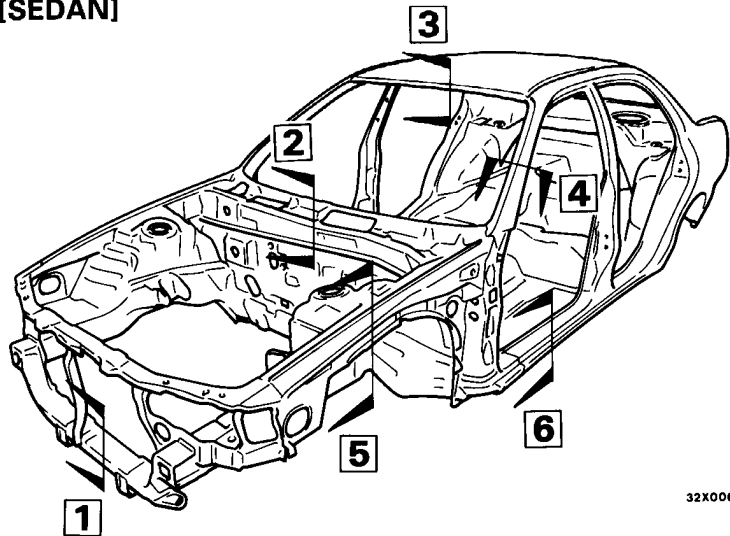
1. Front end crossmember
2. Hood lock stay
3. Front end upper bar
4. Headlamp support panel
5. Front bumper bracket
6. Front sidemember
7. Shield plate
8. Front upper frame, outer
9. Front upper frame, inner
10. Spring house panel
11. Front floor side sill, inner, front
12. Cowl top panel, inner
13. Cowl top panel, outer
14. Front deck crossmember
15. Front upper frame outer extension
16. Front upper frame inner extension
17. Header panel, outer
18. Header panel, inner
19. Hood inner panel
20. Hood outer panel
21. Front door inner panel
22. Front door side door beam
23. Front door outer panel
24. Rear door inner panel
25. Rear door side door beam
26. Rear door outer panel
27. Front roof rail
28. Roof panel
29. Rear roof rail
30. Roof bow
31. Roof panel reinforcement (vehicles with sunroof)
32. Fuel filler door
33. Tailgate outer panel, upper
34. Tailgate outer panel, lower
35. Tailgate inner panel
36. Rear lamp bracket
37. Quarter panel, outer
38. Quarter panel, inner
39. Front floor side sill, outer
40. Side sill reinforcement, front
41. Front pillar
42. Side roof rail, outer
43. Side roof rail, inner
44. Center pillar inner extension
45. Center pillar, inner
46. Side sill reinforcement, center
47. Center pillar, outer
48. Rear wheelhouse panel, inner
49. Rear pillar, inner
50. Rear end panel, inner
51. Gate pillar reinforcement, upper
52. Rear end panel, outer
53. Rear end panel, inner
54. Rear floor pan
55. Rear floor side brace
56. Rear floor sidemember
57. Rear floor side sill, inner
58. Jack bracket
59. Garage jack bracket
60. Rear floor crossmember
61. Rear seat crossmember, rear
62. Rear seat crossmember, front
63. Rear floor side sill, inner
64. Front floor pan
65. Front floor sidemember
66. Backbone reinforcement
67. Front floor crossmember
68. Rear floor crossmember, upper
69. Shipping bracket
70. Dash panel
71. Front fender insulator
72. Front fender
73. Front end cover

BODY CONSTRUCTION CHARACTERISTICS

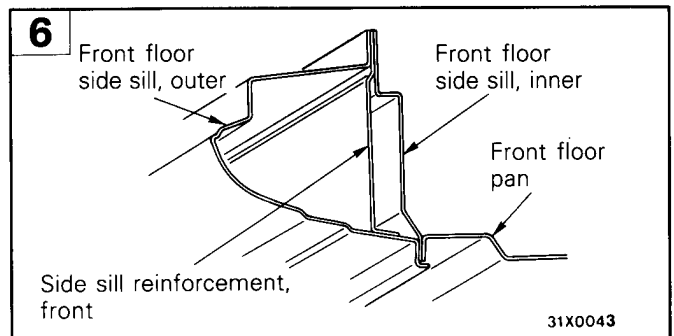
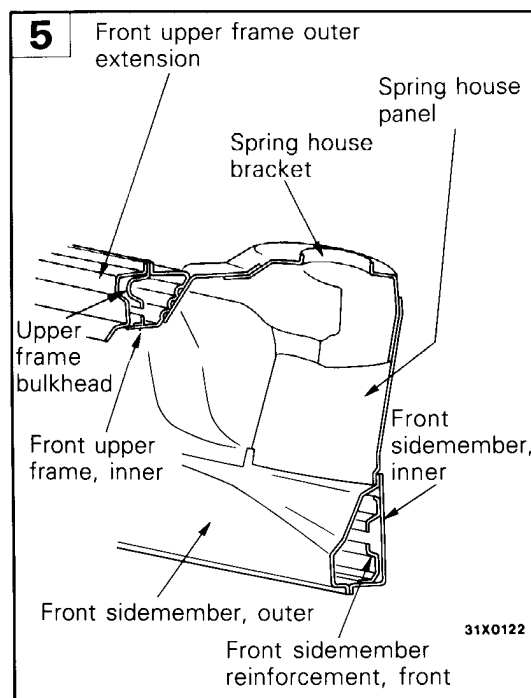
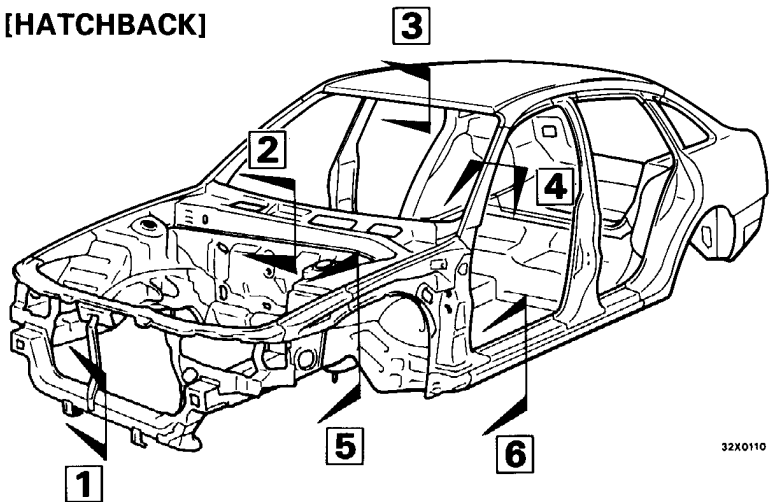
BODY MAIN CROSS-SECTIONAL VIEWS

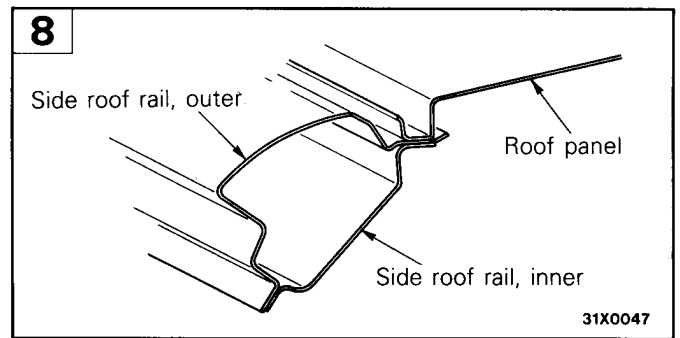
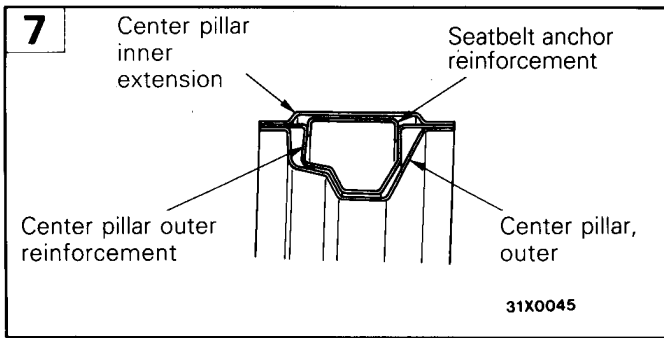


[SEDAN]

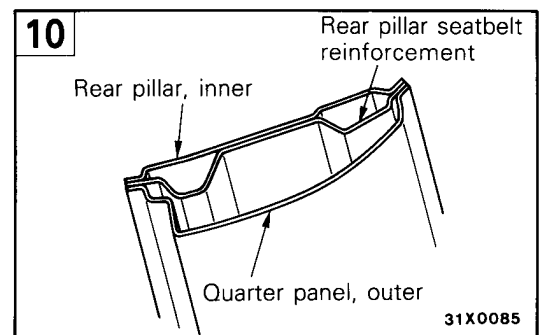
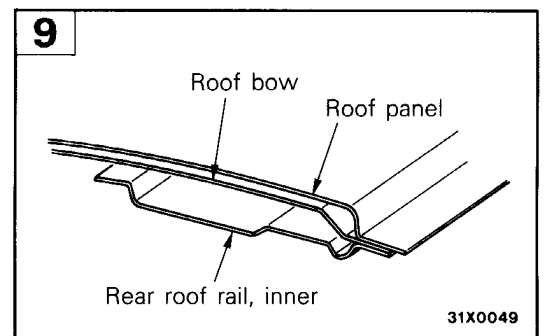
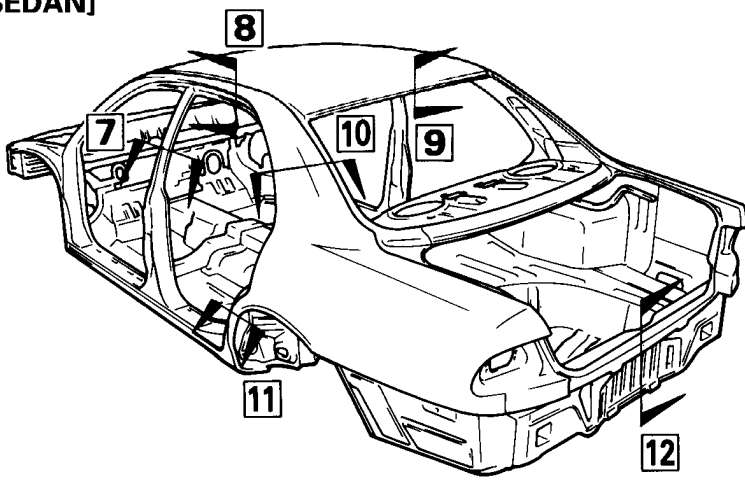


[HATCHBACK]

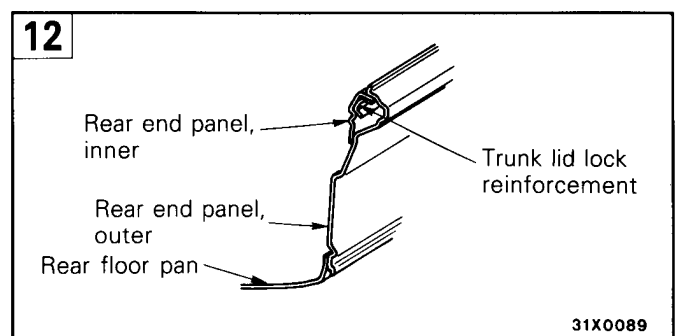
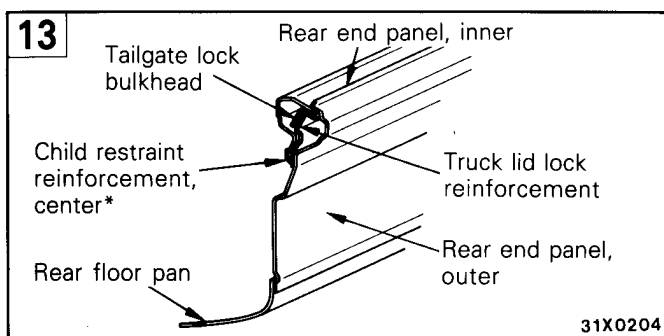
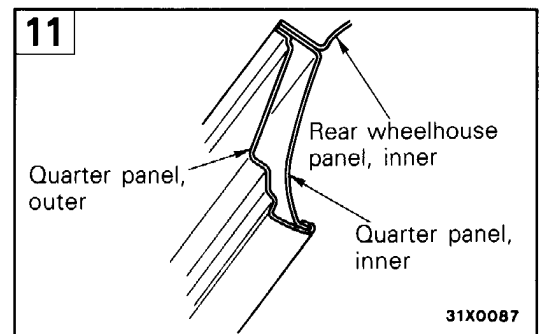
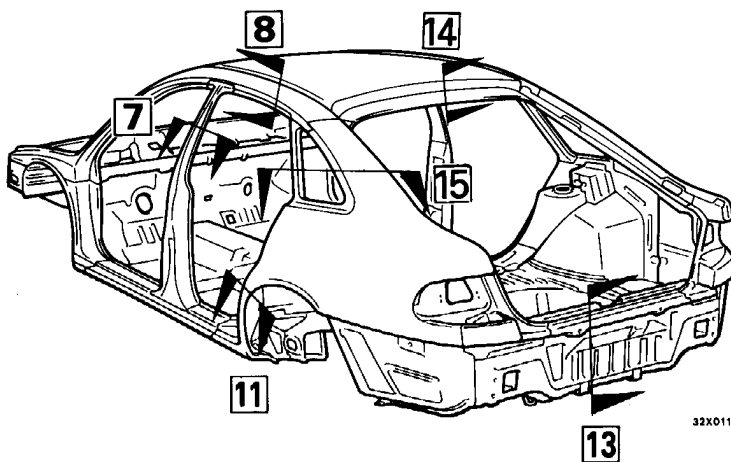




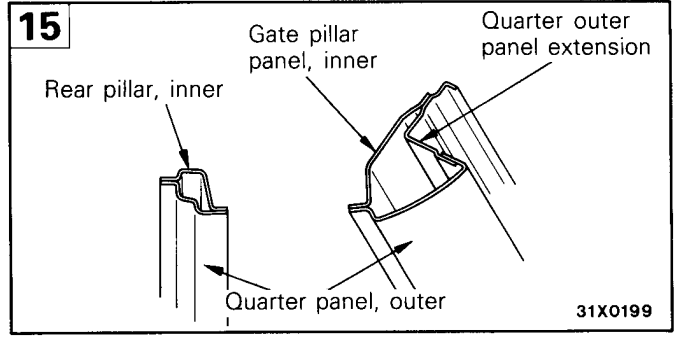
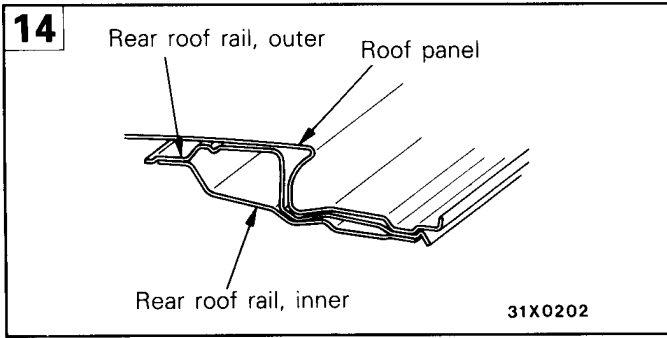
[SEDAN]



[HATCHBACK]



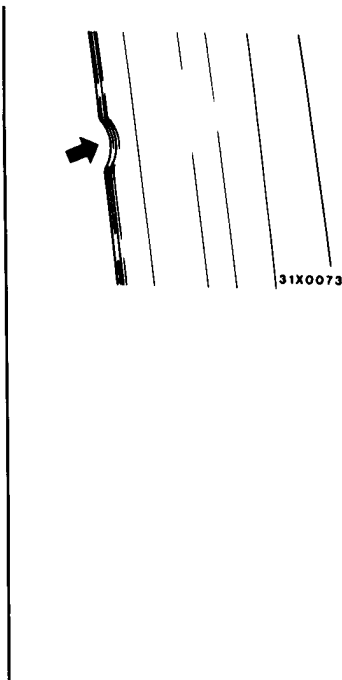
NOTE
*:vehicles for Australia



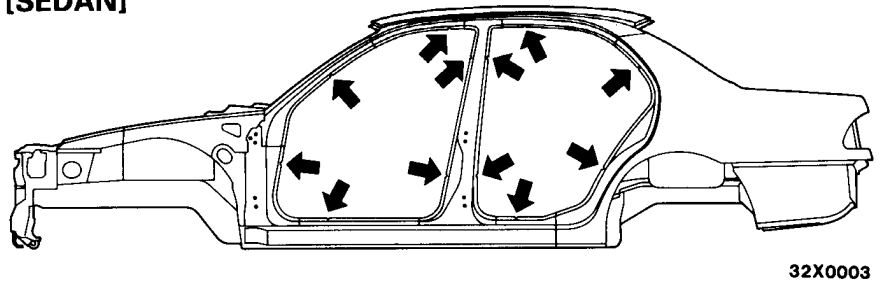
MAINTENANCE, SERVICEABILITY

SIDE STRUCTURE

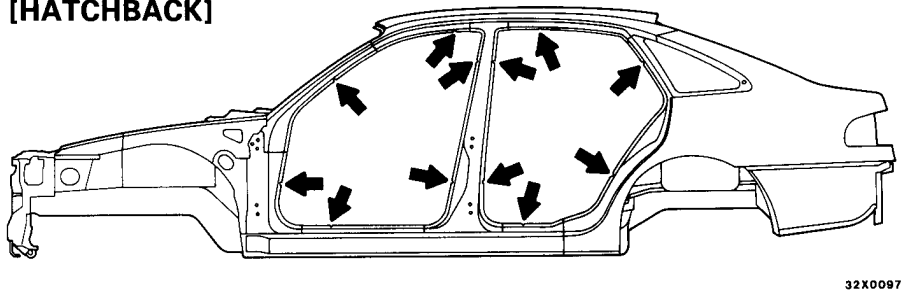
The door opening section is provided with panel positioning notches to improve workability when replacing panels.



[SEDAN]

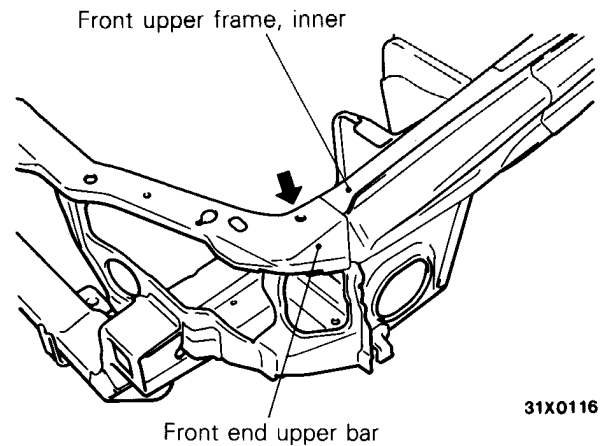
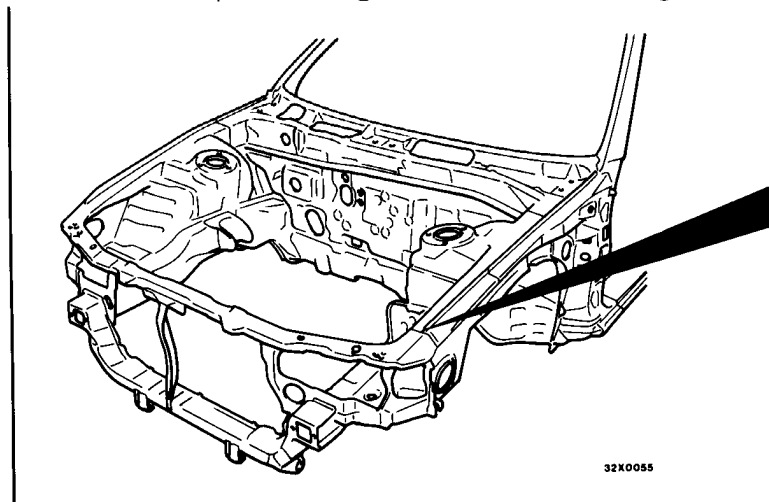


[HATCHBACK]



HEADLAMP SUPPORT

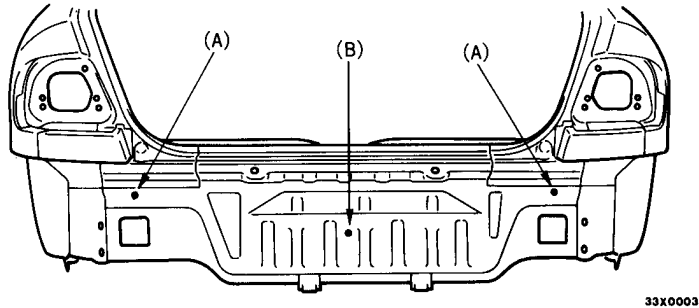
Mating holes are provided at the overlapping part of the front end upper bar and the front upper frame inner for use in position alignment, thus facilitating the assembly of new parts.



REAR END PANEL

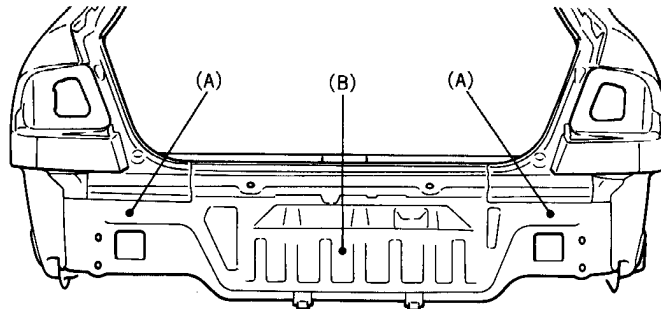
Projections have been provided on the rear end panel to improve assembling workability during cut panel replacement. Projections marked with (A) are in symmetrical left and right positions, and projection (B) is at the body centre point.

[SEDAN]



33X0003

[HATCHBACK]



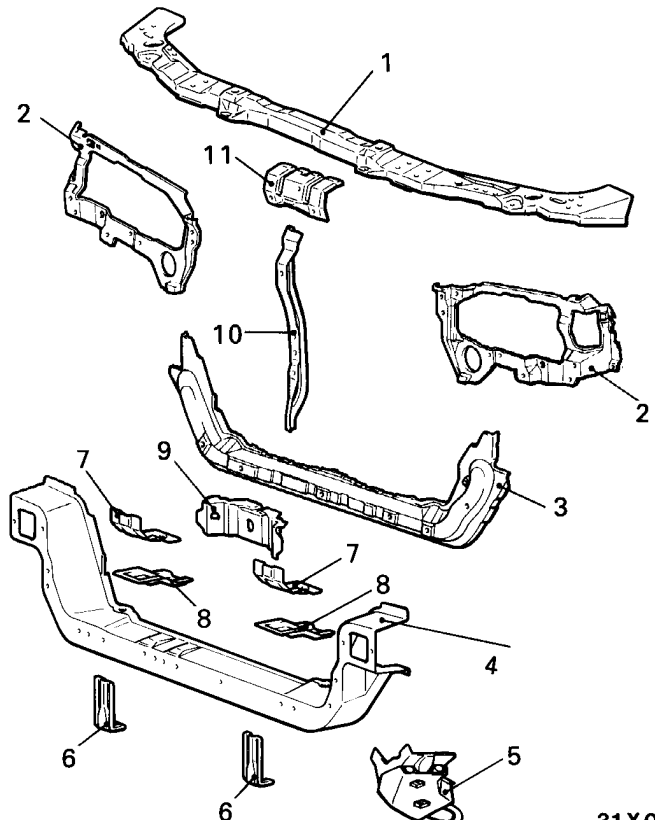
33X0157

FRONT BODY

HEADLAMP SUPPORT

The structure whereby the front sidemember passes through the headlamp support has been abolished, and a structure which is better suited to panel replacement has been adopted.

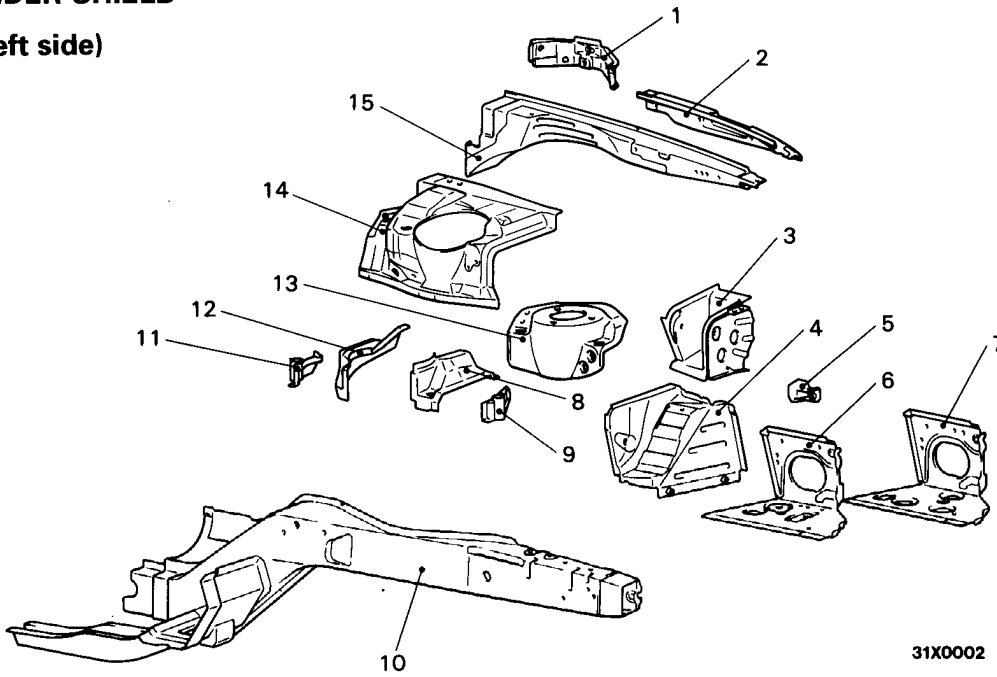
1. Front end upper bar
2. Headlamp support panel
3. Front end crossmember, inner
4. Front end crossmember, outer
5. Shipping bracket
6. Front bumper bracket, lower
7. Radiator bracket (A)
8. Radiator bracket (B)
9. Front end crossmember reinforcement
10. Hood lock stay
11. Hood lock reinforcement



31X0148

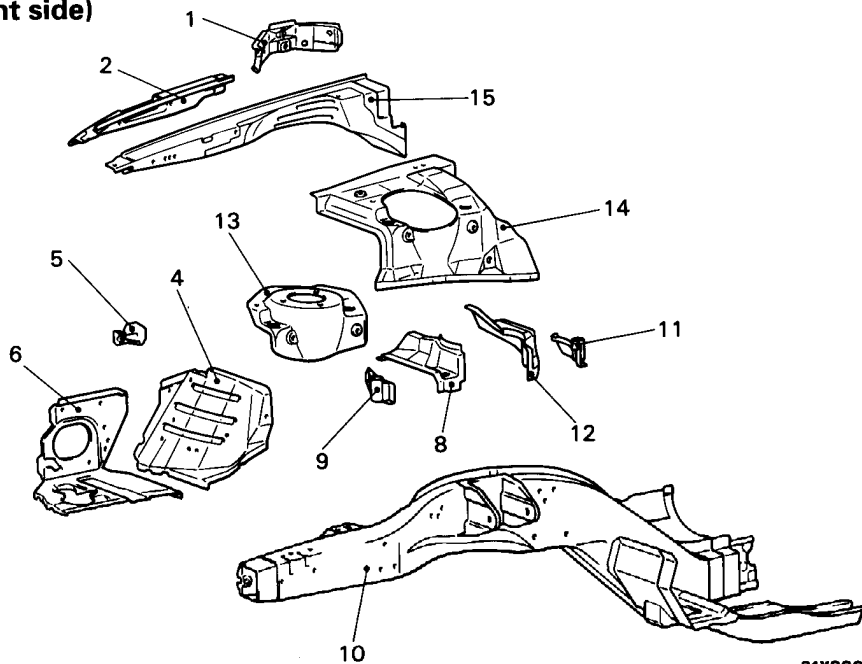
FENDER SHIELD

(Left side)



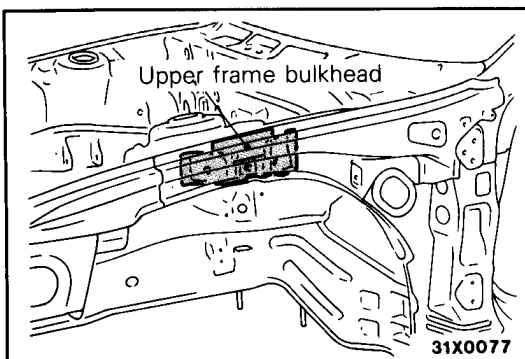
31X0002

(Right side)



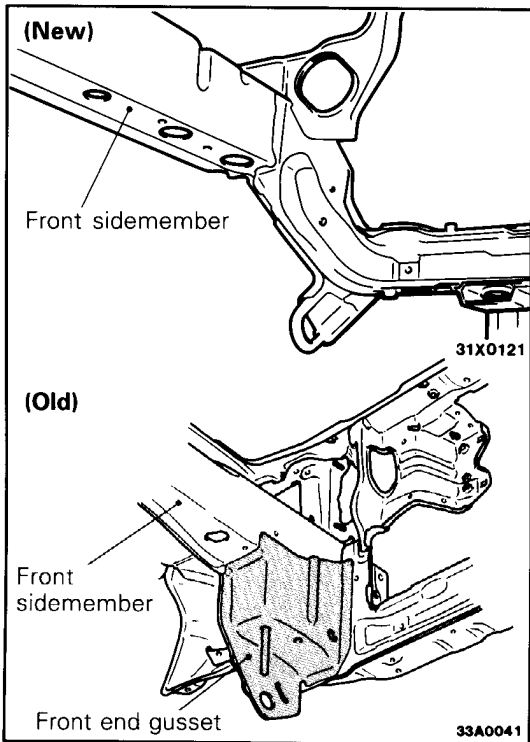
31X0003

1. Upper frame bulkhead
2. Front upper frame, outer
3. Engine mount bracket
4. Front fender shield
5. Fender bracket
6. Shield plate
7. Shield plate (Vehicles with ECS)
8. Spring house reinforcement, front
9. Upper arm pipe support, front
10. Front sidemember
11. Upper arm pipe support, rear
12. Spring house reinforcement, rear
13. Spring house bracket
14. Spring house panel
15. Front upper frame, inner



31X0077

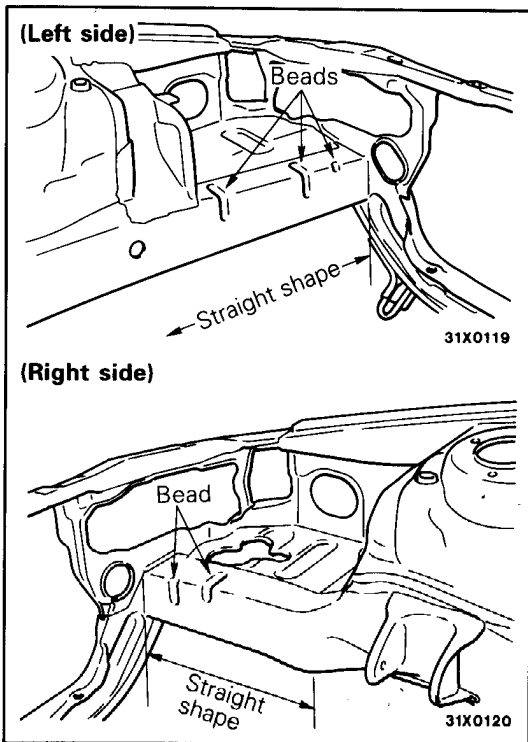
(1) The bulkhead is located inside the upper frame to improve the suspension attaching part strength.



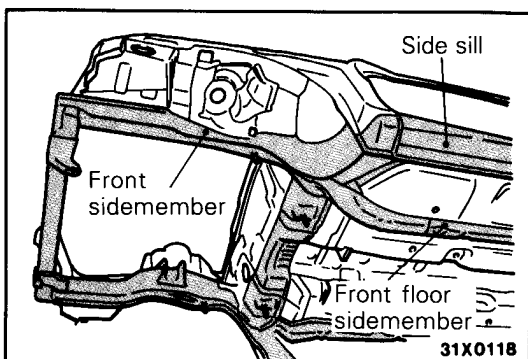
Front sidemember impact safety

A body structure which provides a higher level of safety by controlling the crash mode during impact has been adopted in new models.

- (1) By abolishing the front end gusset, a structure whereby the end of the front sidemember absorbs shocks caused during low-speed impacts has been adopted.



- (2) The forward section of the front sidemember has been made straight, and crash beads have also been added. Because of this, shocks caused during medium-speed impacts are absorbed by these crash beads in order from the forward end of the front sidemember.

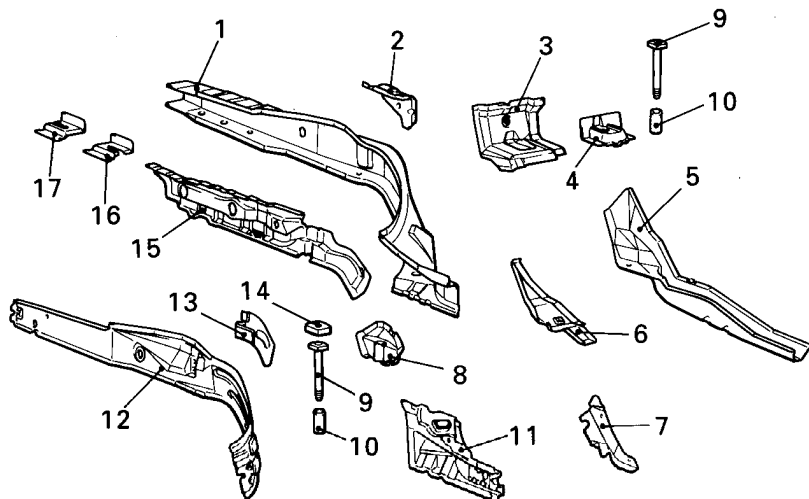


- (3) A perimeter frame structure whereby the front sidemember and side sill are continuous has been adopted. Because of this, shocks caused during highspeed impacts are dispersed from the front sidemember to the side sill and front floor sidemember and are absorbed. This results in a reduction of the effects received inside the passenger compartment, thereby improving safety.

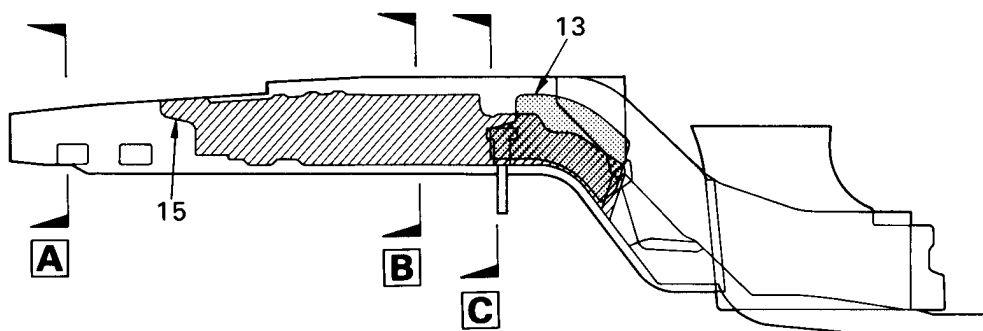
FRONT SIDEMEMBER REINFORCEMENTS

(Left side)

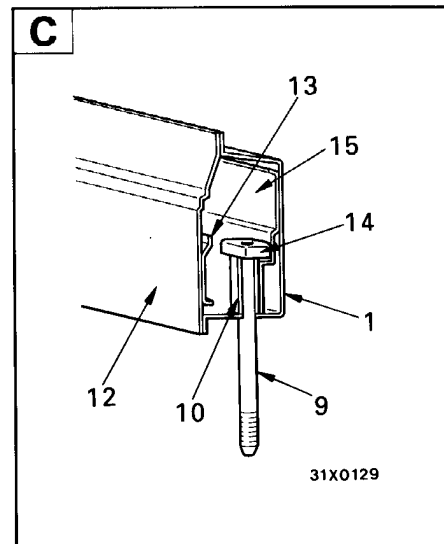
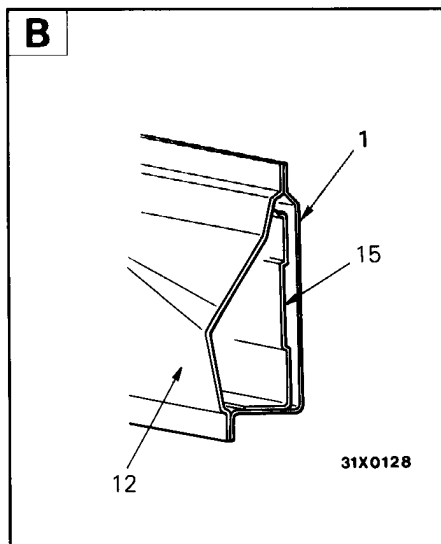
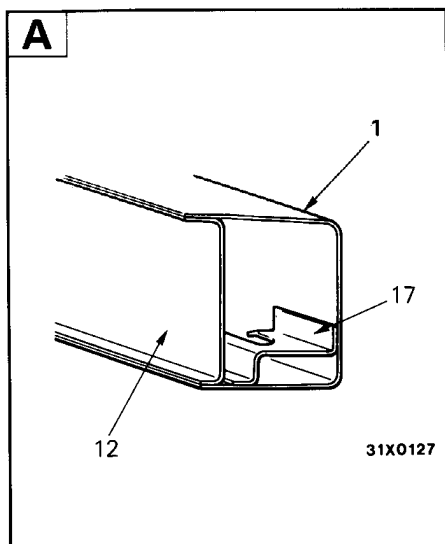
- 1. Front sidemember, inner
- 2. Front sidemember to dash panel gusset
- 3. Dash panel crossmember, side
- 4. Pipe support
- 5. Front sidemember, rear
- 6. Dash panel extension, front
- 7. Dash panel extension, rear
- 8. Pipe support, rear
- 9. Square head bolt
- 10. Pipe
- 11. Front floor side sill, inner, front
- 12. Front sidemember, outer
- 13. Front sidemember outer reinforcement
- 14. Retainer
- 15. Front sidemember reinforcement, front
- 16. Front bumper stay bracket (B)
- 17. Front bumper stay bracket (A)



31X0193

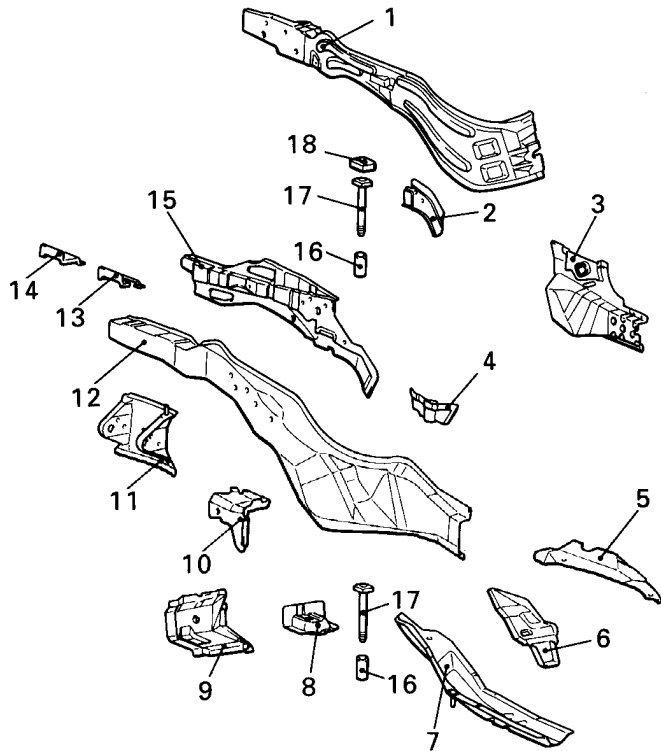


31X0191

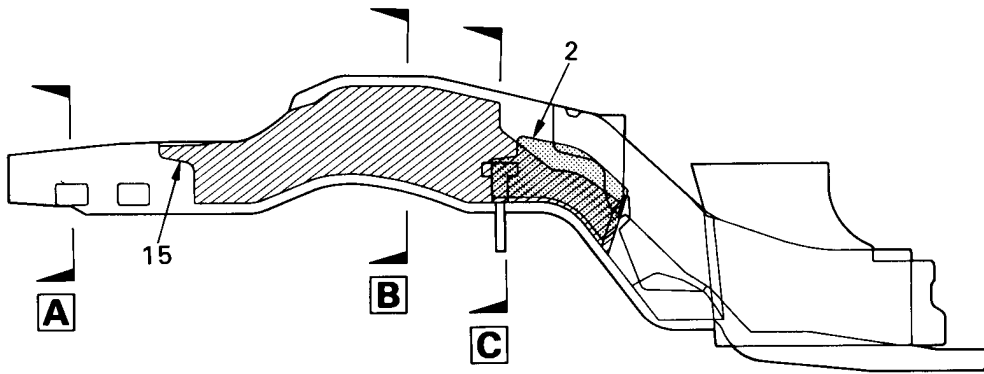


(Right side)

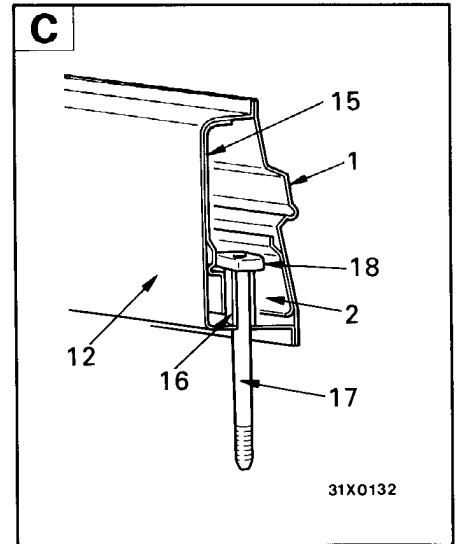
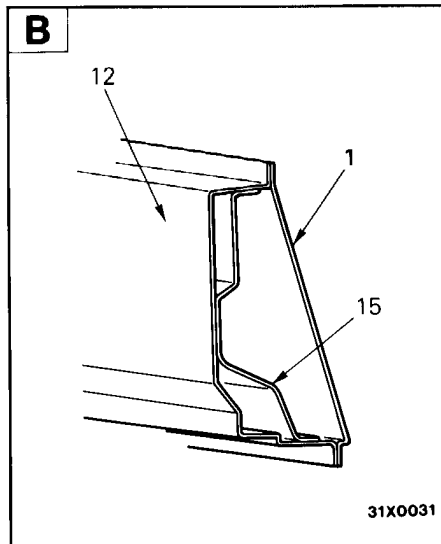
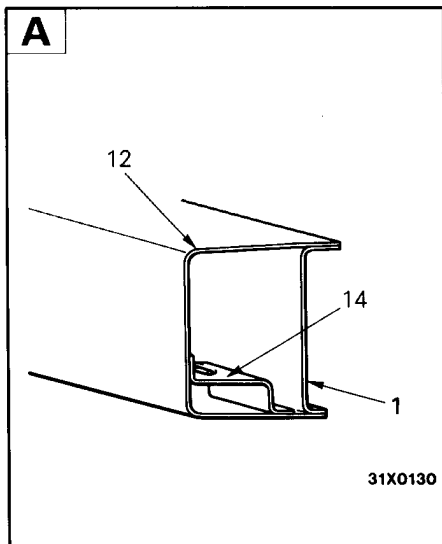
1. Front sidemember, outer
2. Front sidemember outer reinforcement
3. Front floor side sill, inner, front
4. Pipe support
5. Dash panel extension, rear
6. Dash panel extension, front
7. Front sidemember, rear
8. Pipe support
9. Dash panel crossmember, side
10. Front sidemember to dash panel gusset
11. Transmission mounting bracket
12. Front sidemember, inner
13. Front bumper stay bracket (B)
14. Front bumper stay bracket (A)
15. Front sidemember reinforcement, front
16. Pipe
17. Square head bolt
18. Retainer



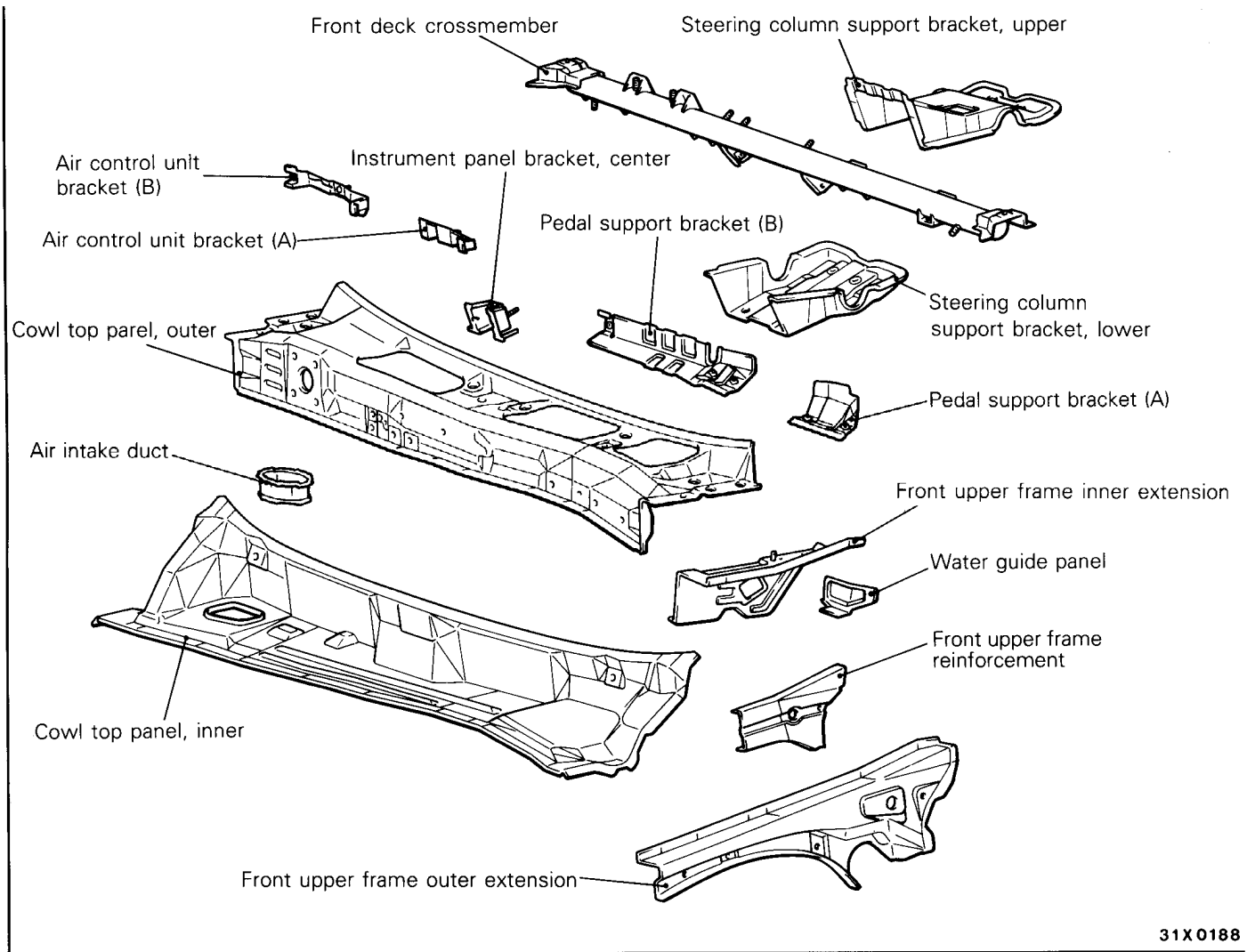
31X0194



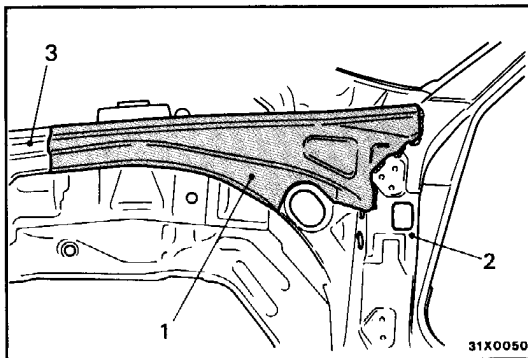
31X0192



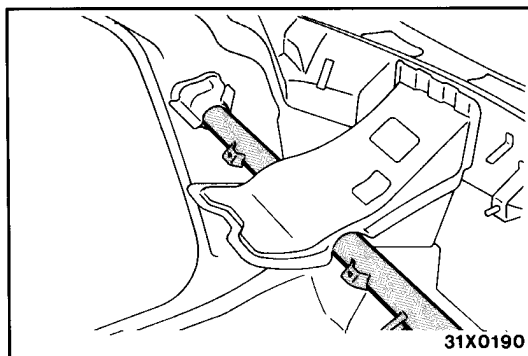
FRONT DECK



31X0188

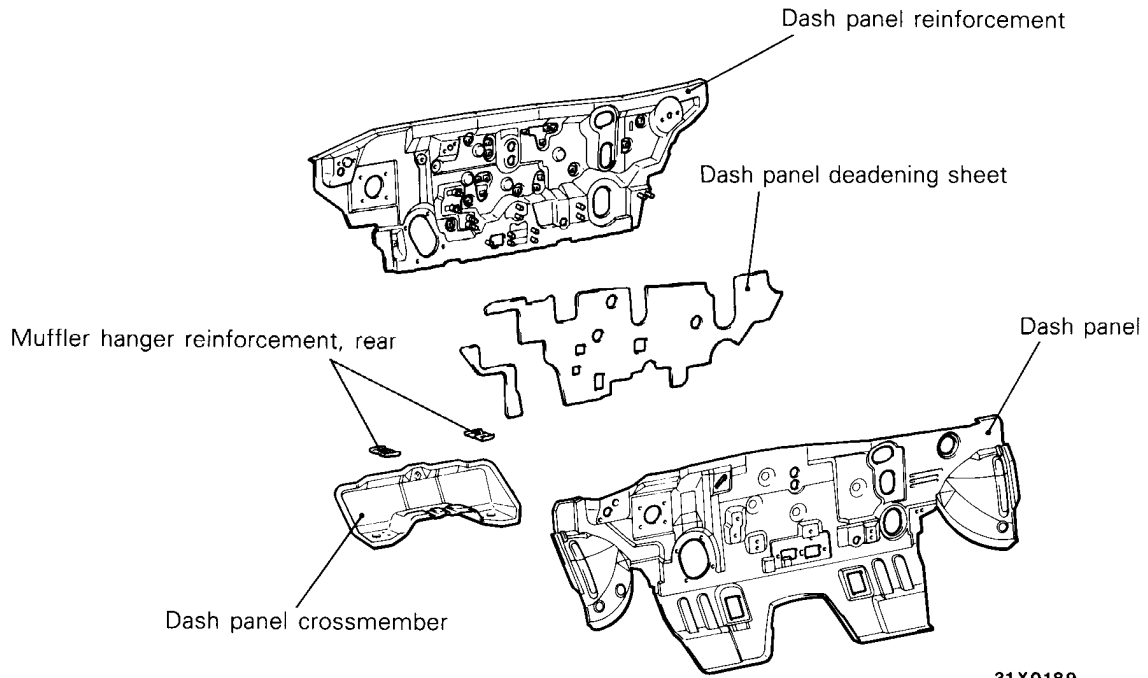


- (1) A large-sized front upper frame outer extension is used to increase the joint rigidity with the front pillar.
1. Front upper frame outer extension
 2. Front pillar, outer, lower
 3. Front upper frame, outer

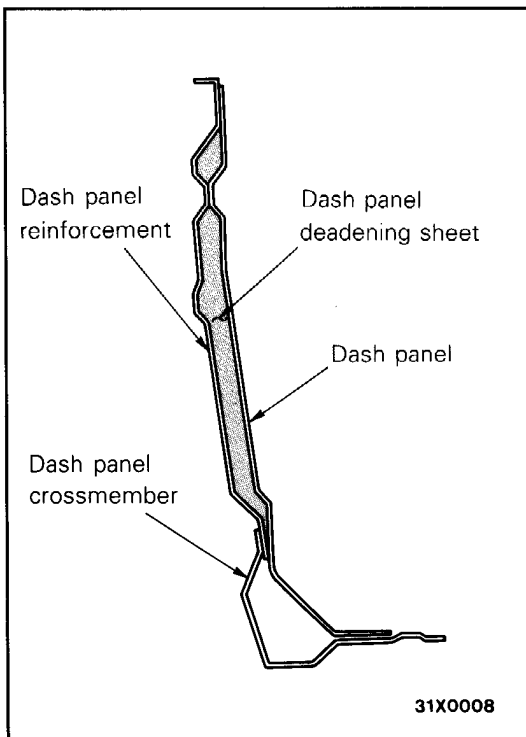


- (2) A highly rigid front deck crossmember has been adopted and the support rigidity of the steering wheel has been increased in order to suppress the reversing of the steering wheel during forward impacts so as to maintain passengers' survival space.

DASH PANEL



31X0189



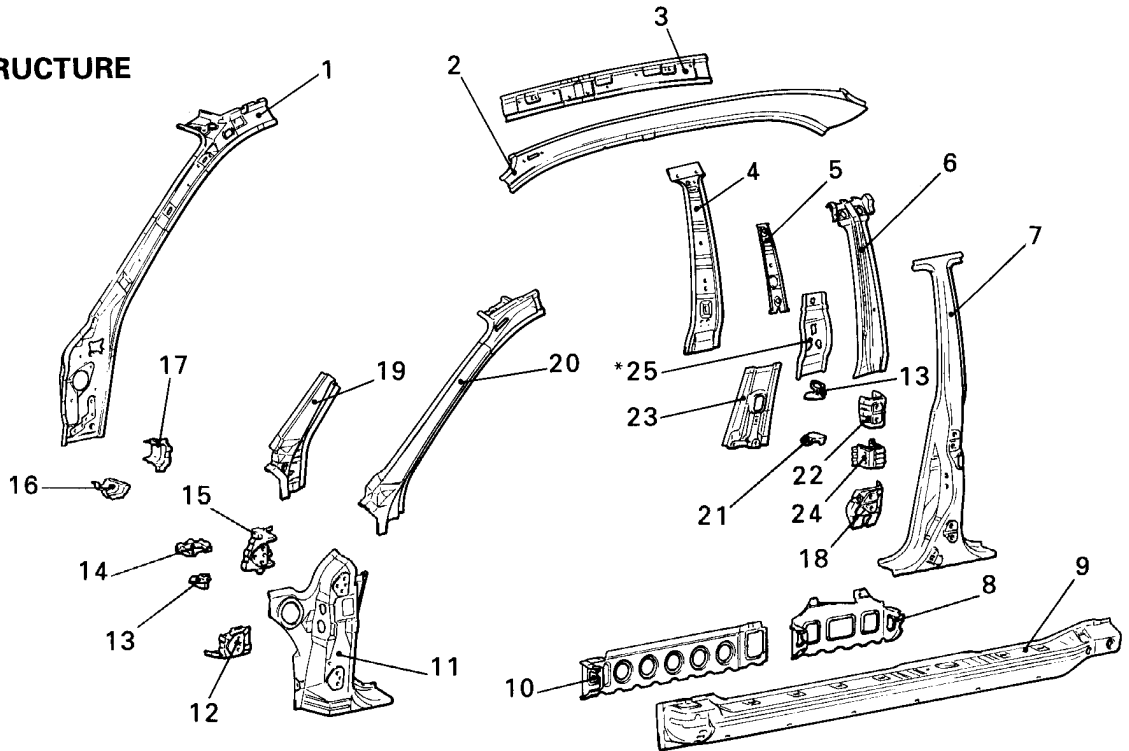
31X0008

- (1) A double-wall construction with a deadening sheet (foam rubber sheet) placed between the dash panel and the dash panel reinforcement is used to provide improved noise insulation.

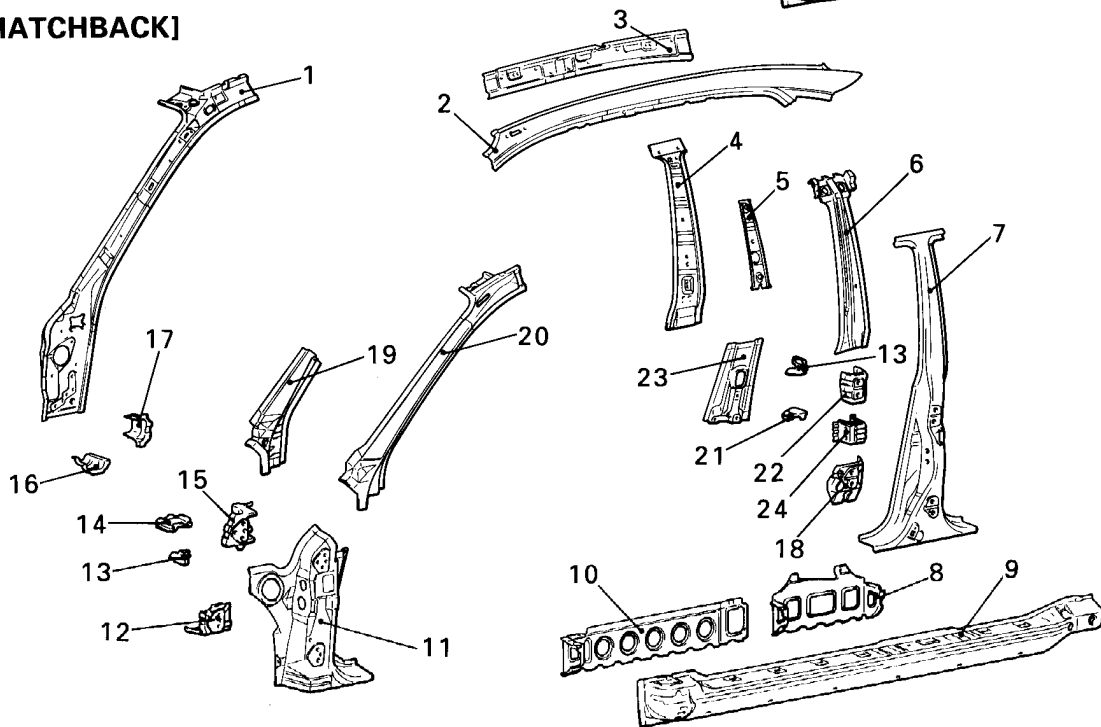
SIDE BODY

FRONT SIDE STRUCTURE

[SEDAN]



[HATCHBACK]



31X0195

31X0181

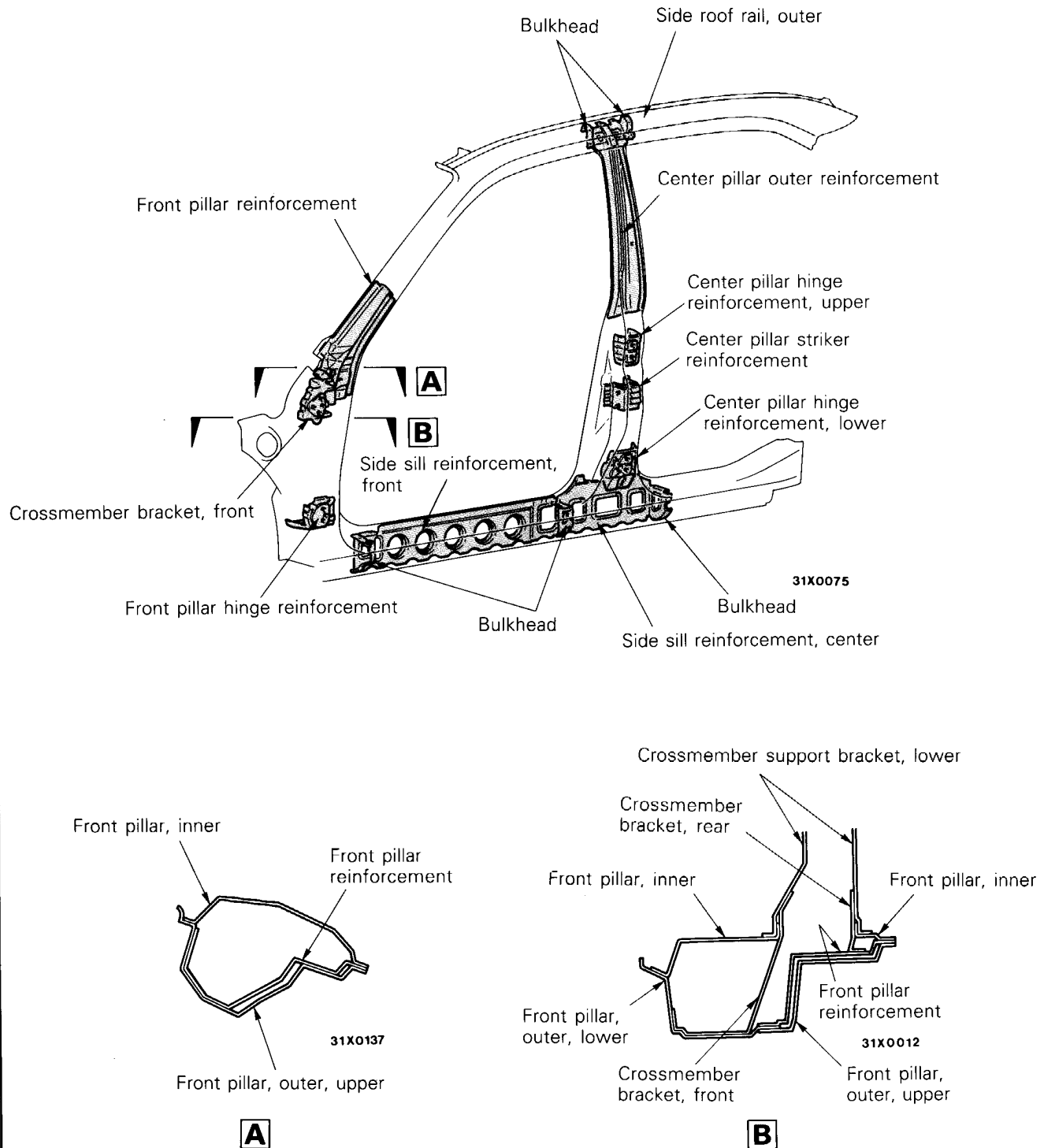
- | | | |
|--------------------------------------|--|--|
| 1. Front pillar, inner | 11. Front pillar, outer, lower | 21. Rear door checker reinforcement |
| 2. Side roof rail, outer | 12. Front pillar hinge reinforcement | 22. Center pillar hinge reinforcement, upper |
| 3. Side roof rail, inner | 13. Door checker bracket | 23. Center pillar, inner |
| 4. Center pillar inner extension | 14. Front door checker reinforcement | 24. Center pillar striker reinforcement |
| 5. Seatbelt anchor reinforcement | 15. Crossmember bracket, front | *25. Center pillar inner reinforcement |
| 6. Center pillar outer reinforcement | 16. Crossmember support, lower | |
| 7. Center pillar, outer | 17. Crossmember bracket, rear | |
| 8. Side sill reinforcement, center | 18. Center pillar hinge reinforcement, lower | |
| 9. Front floor side sill, outer | 19. Front pillar reinforcement | |
| 10. Side sill reinforcement, front | 20. Front pillar, outer, upper | |

NOTE

*:Vehicles for GCC

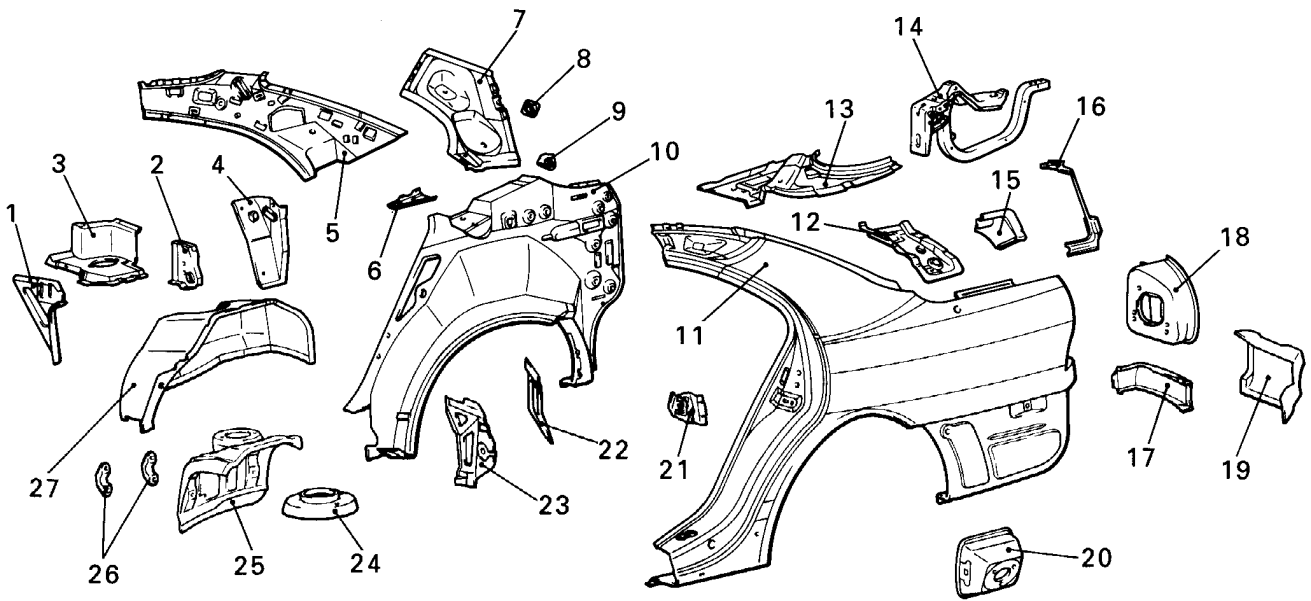
FRONT SIDE STRUCTURE REINFORCEMENTS

- (1) A large-sized reinforcement is positioned inside the front pillar to increase the joint rigidity with the front deck.
- (2) Reinforcements which are integrated with the bulkhead are located at the front and centre of the side sill to increase body rigidity and to improve resistance in the event of a side impact.
- (3) The deck crossmember passes through the inside of the front pillar to provide improved steering support rigidity, while also improving flexural and torsional rigidity.
- (4) A center pillar outer reinforcement has been provided inside the center pillar outer to increase the joint rigidity between the center pillar and the side roof rail outer.



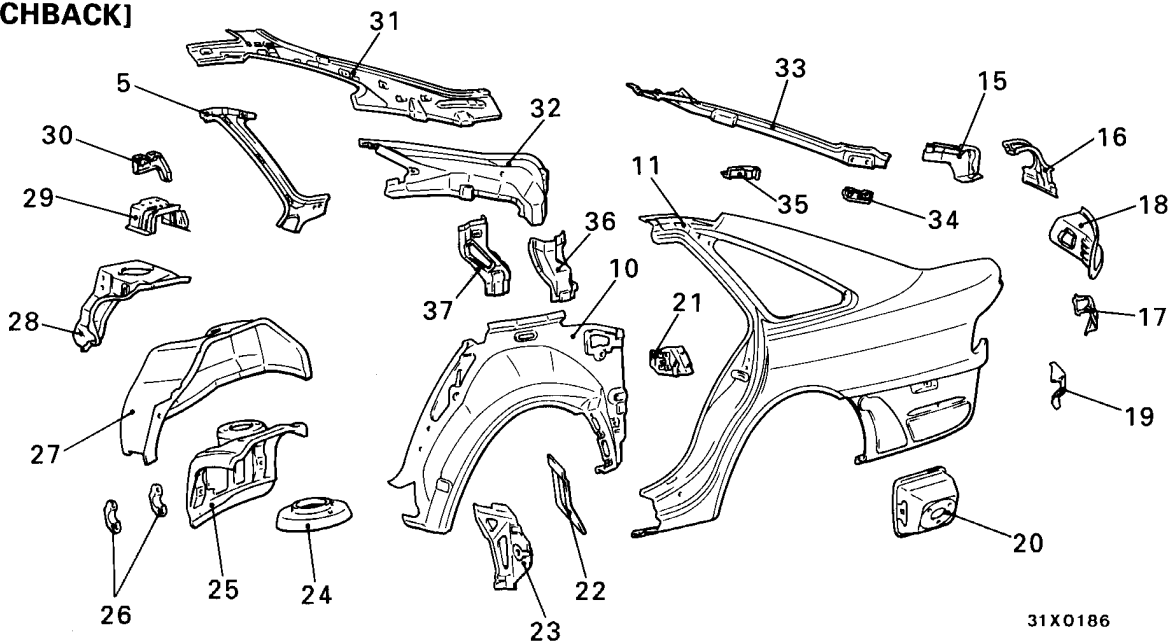
REAR SIDE STRUCTURE

[SEDAN]



31X0187

[HATCHBACK]



31X0186

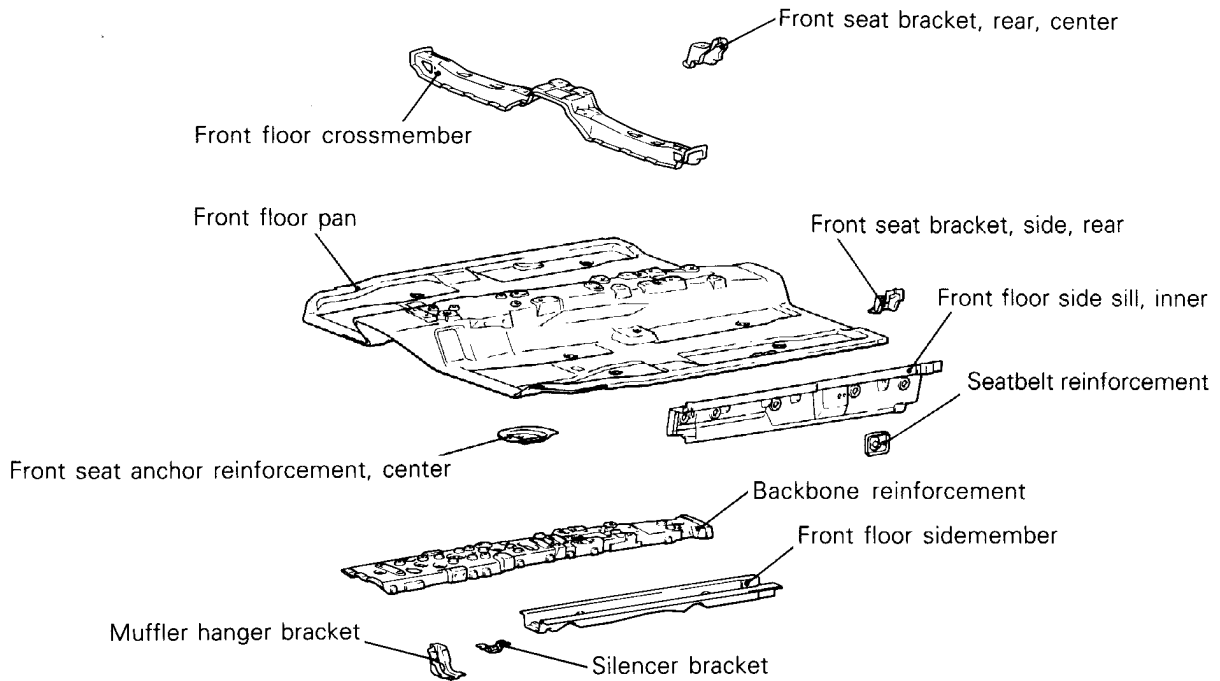
- | | | |
|--|-----------------------------------|--------------------------------------|
| 1. Seatback brace, lower | 13. Rear shelf brace, upper | 28. Rear floor side crossmember |
| 2. Rear deck corner plate | 14. Trunk lid hinge | 29. Rear seatbelt bracket (B) |
| 3. Rear deck crossmember extension, front | 15. Quarter corner upper panel | 30. Rear seatbelt bracket (A) |
| 4. Rear deck crossmember extension, rear | 16. Quarter corner lower panel | 31. Gate pillar panel, inner |
| 5. Rear pillar, inner | 17. Quarter corner panel | 32. Gate pillar reinforcement, upper |
| 6. Guide plate, rear (vehicles with sunroof) | 18. Rear lamp bracket | 33. Quarter panel outer extension |
| 7. Rear pillar seatbelt reinforcement | 19. Rear lamp bracket extension | 34. Damper reinforcement |
| 8. Seatbelt washer | 20. Fuel filler neck bracket | 35. Gas spring reinforcement |
| 9. Seatbelt reinforcement | 21. Striker reinforcement | 36. Gate pillar reinforcement, lower |
| 10. Quarter panel, inner | 22. Shield plate, rear | 37. Gate pillar inner panel, lower |
| 11. Quarter panel, outer | 23. Shield plate, front | |
| 12. Rear shelf brace, lower | 24. Rear spring house bracket | |
| | 25. Spring house panel | |
| | 26. Upper arm reinforcement, rear | |
| | 27. Rear wheelhouse panel, inner | |

UNDER BODY

FRONT FLOOR

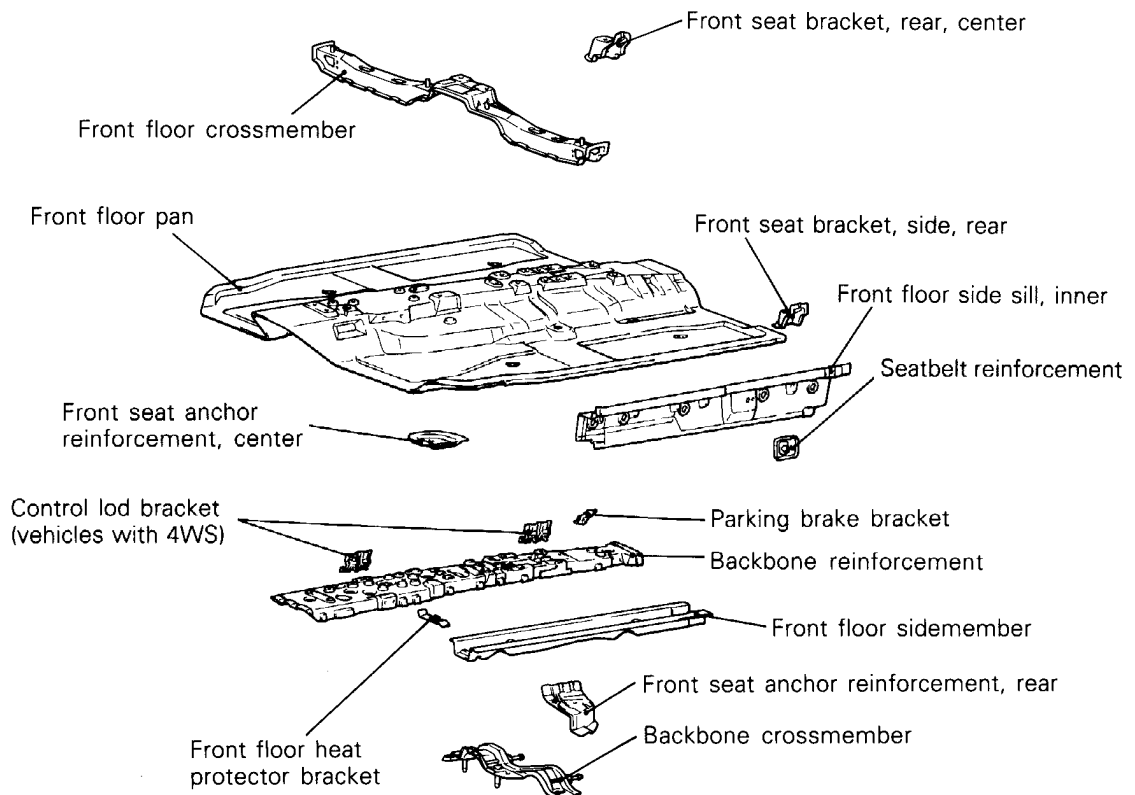
A beadless floor pan has been used as a front floor to reduce the air resistance of under floor.

<2WD>



31X0152

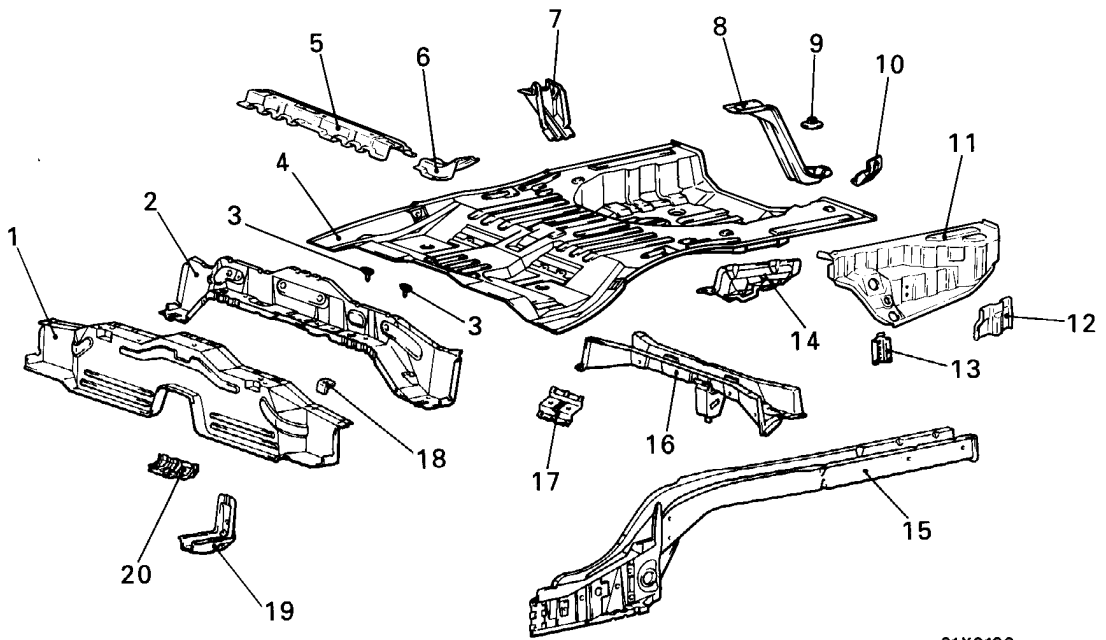
<4WD>



31X0153

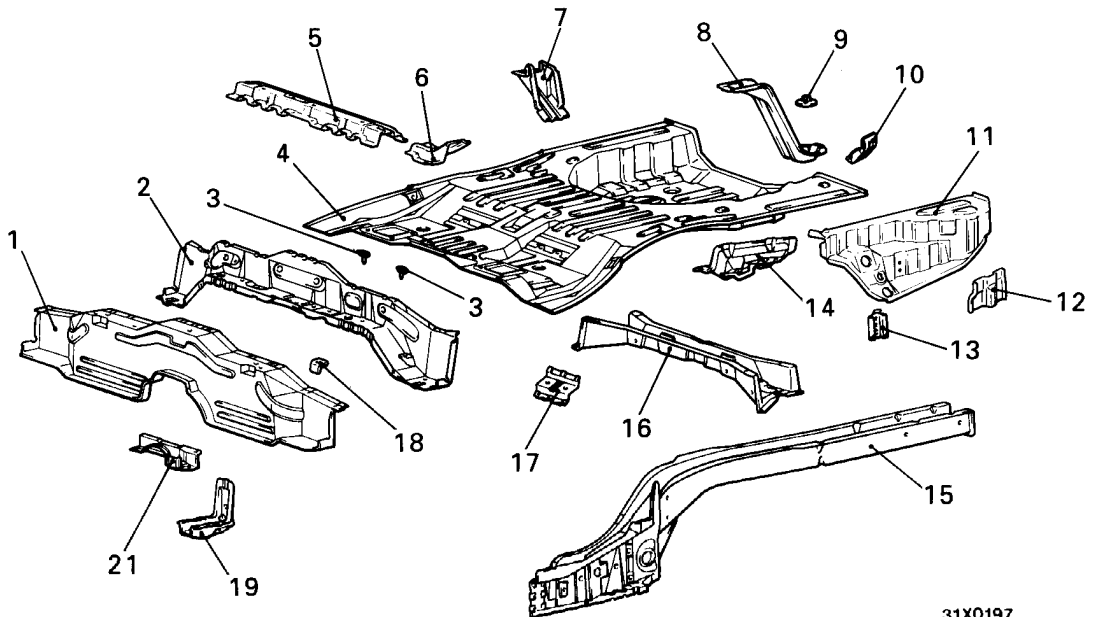
REAR FLOOR

<2WD>



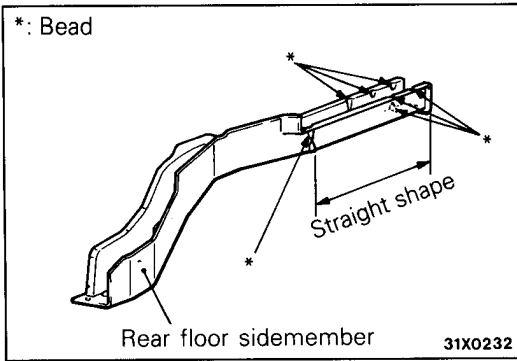
31X0196

<4WD>



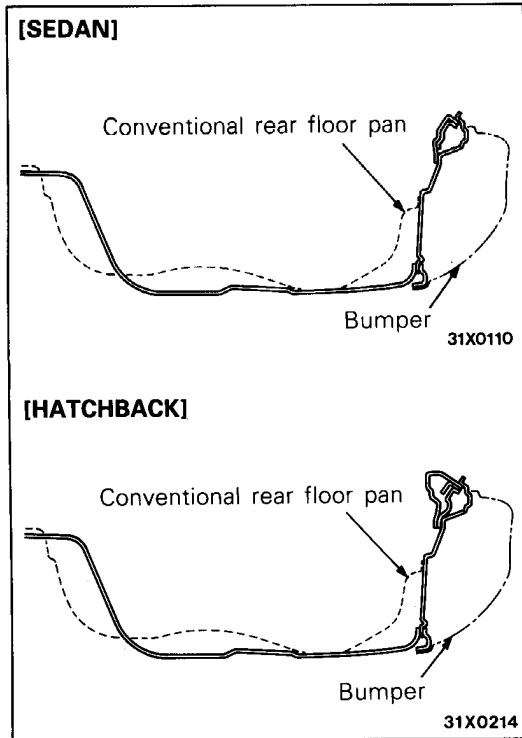
31X0197

- | | |
|--|--|
| <ul style="list-style-type: none"> 1. Rear seat crossmember, front 2. Rear seat crossmember, rear 3. Fuel tank support reinforcement 4. Rear floor pan 5. Rear floor crossmember, upper (HATCHBACK) 6. Rear floor crossmember upper gusset (HATCHBACK) 7. Shipping bracket (RH) 8. Garage jack bracket 9. Spare tyre bracket 10. Jack bracket 11. Rear floor side brace | <ul style="list-style-type: none"> 12. Rear floor side brace extension (HATCHBACK) 13. Washer tank bracket 14. Shipping bracket (LH) 15. Rear floor sidemember 16. Rear floor crossmember 17. Rear floor seatbelt reinforcement 18. Rear seat cushion reinforcement 19. Front floor sidemember extension 20. Muffler hanger reinforcement, center 21. Center bearing bracket |
|--|--|



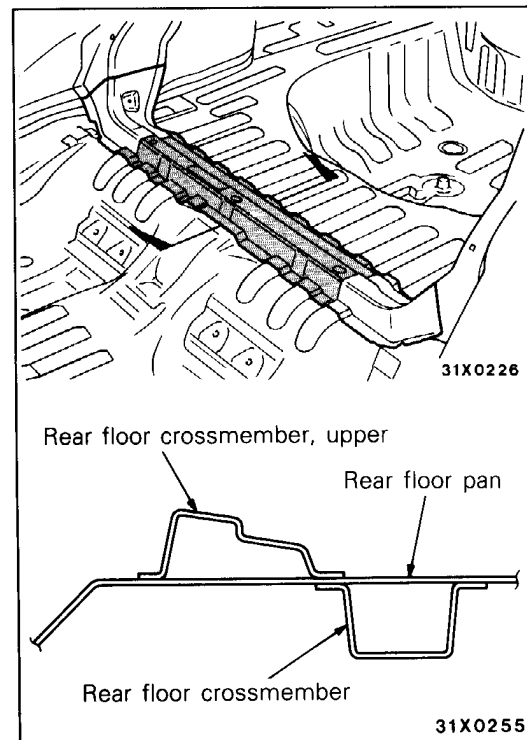
Rear floor sidemember

The rear section of the rear floor sidemember has been made straight, and crash beads have also been added. Because of this, shocks caused during impacts are absorbed by the structure at the straight section. This results in a reduction of the effects received inside the passenger compartment and provides a body structure with a higher degree of safety.



Rear floor fan

The tyre well section in the rear floor pan is of a structure which improves the aerodynamic characteristics of the section underneath the floor.



Rear floor crossmember, upper

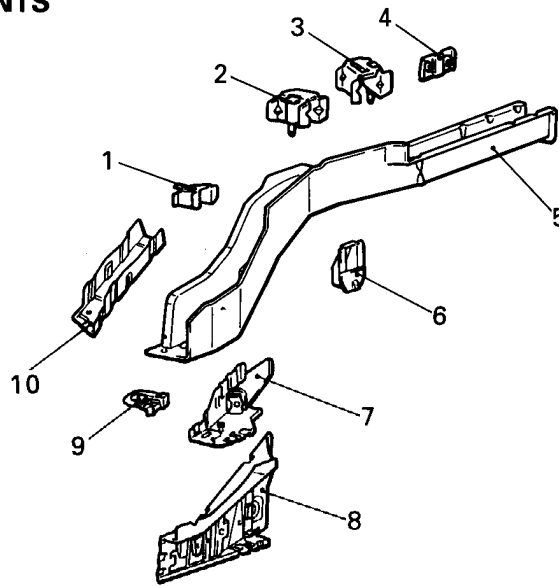
[HATCHBACK]

The rear floor crossmember upper has installed onto the rear floor pan to increase the torsional rigidity.

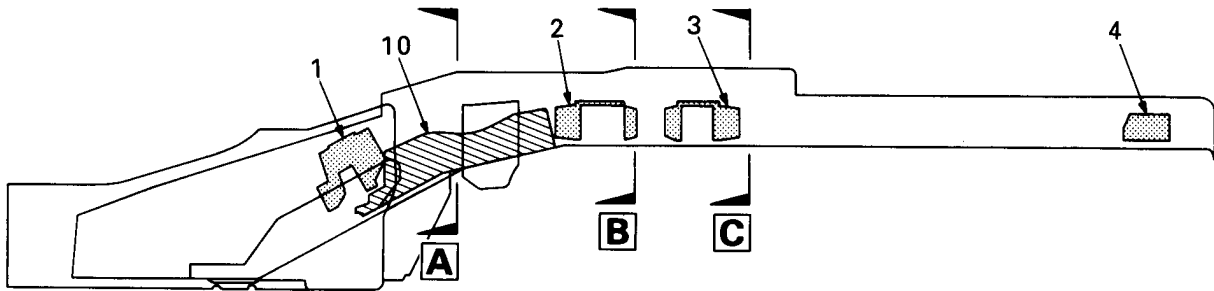
REAR FLOOR SIDEMEMBER REINFORCEMENTS

<2WD (Except GCC)>

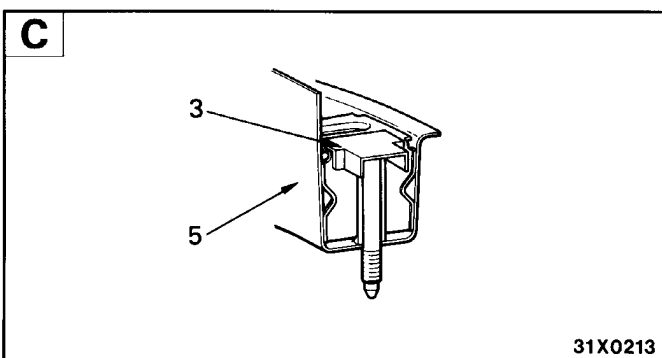
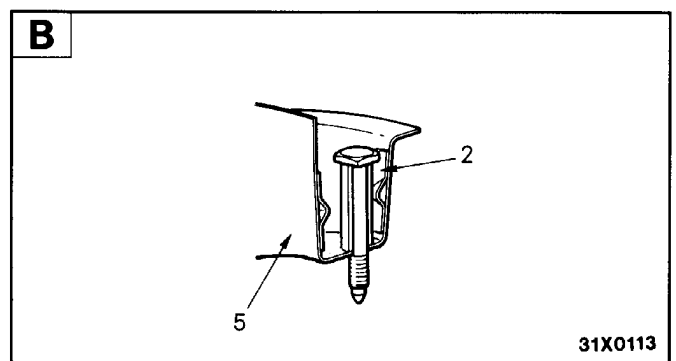
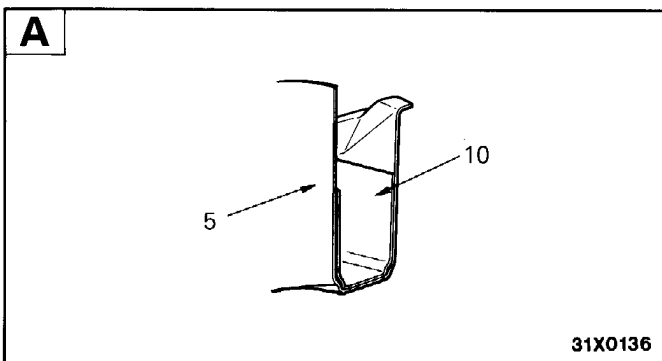
1. Sidemember seatbelt reinforcement
2. Rear suspension support bulkhead, front
3. Rear suspension support bulkhead, rear
4. Muffler hanger reinforcement, rear
5. Rear floor sidemember
6. Fuel tank bracket, rear
7. Trailing arm bracket
8. Rear floor side sill, inner
9. Fuel tank bracket, front
10. Rear floor sidemember reinforcement



31X0029

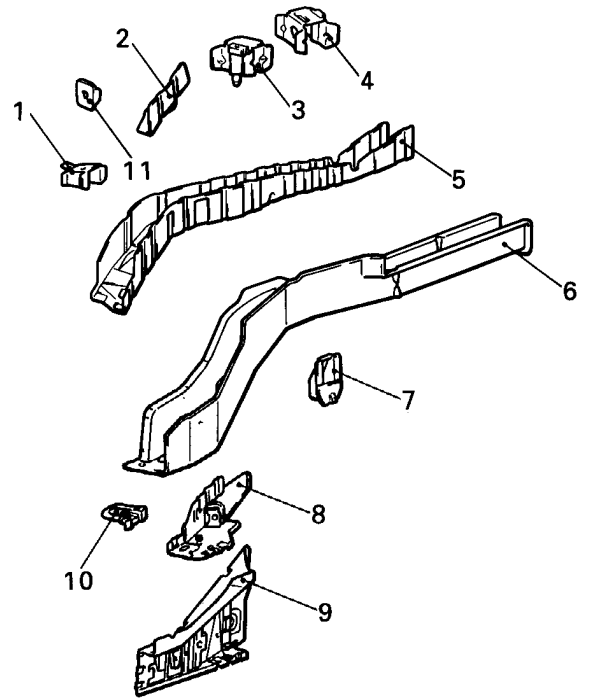


31X0208

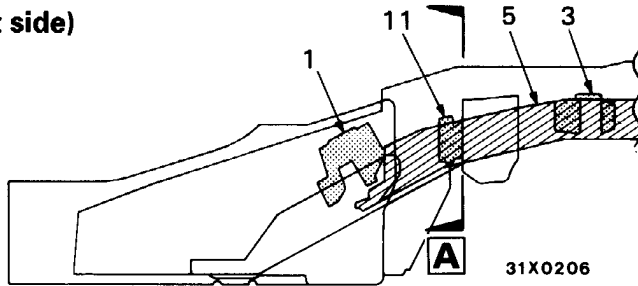


<2WD (vehicles for GCC)>

1. Sidemember seatbelt reinforcement
2. Rear floor sidemember reinforcement, front (Left side only)
3. Rear suspension support bulkhead, front
4. Rear suspension support bulkhead, rear
5. Rear floor sidemember reinforcement
6. Rear floor sidemember
7. Fuel tank bracket, rear (Right side only)
8. Trailing arm bracket
9. Rear floor side sill, inner
10. Fuel tank bracket, front
11. Rear floor sidemember bulkhead, front (Right side only)

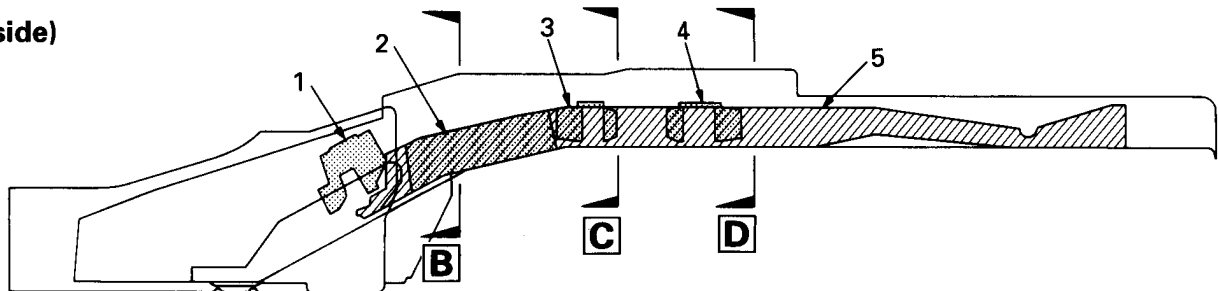


(Right side)

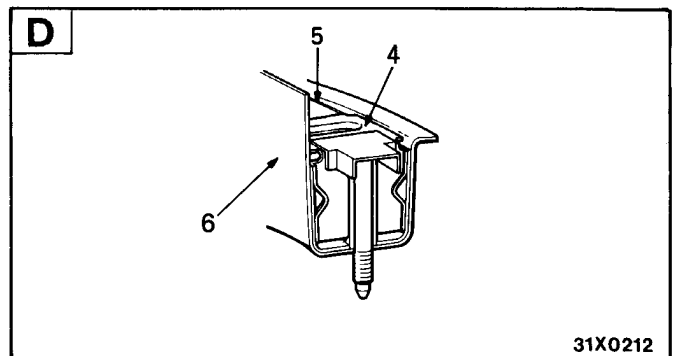
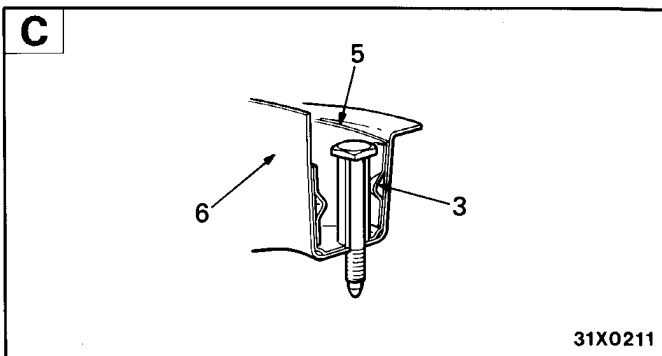
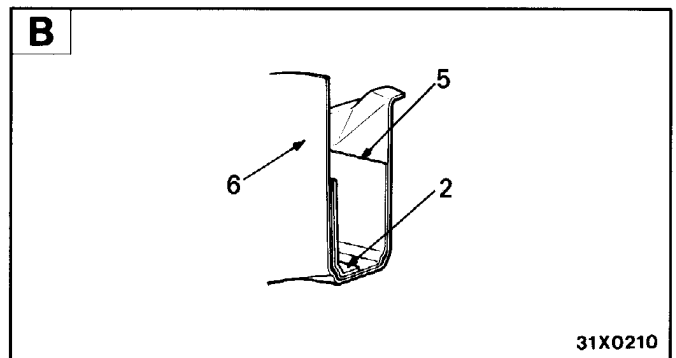
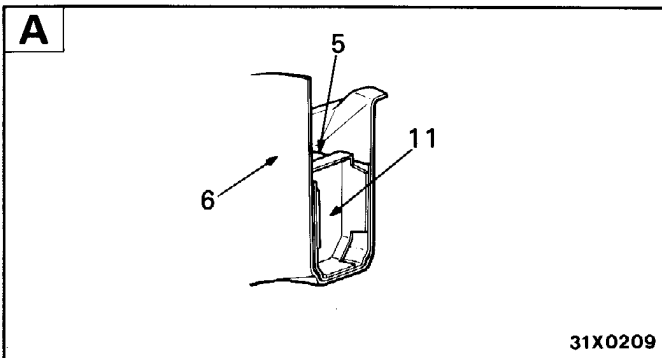


31X0215

(Left side)

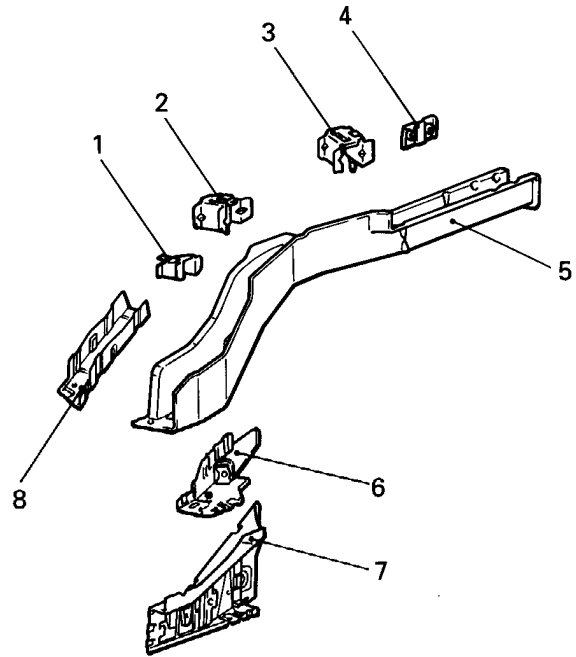


31X0207

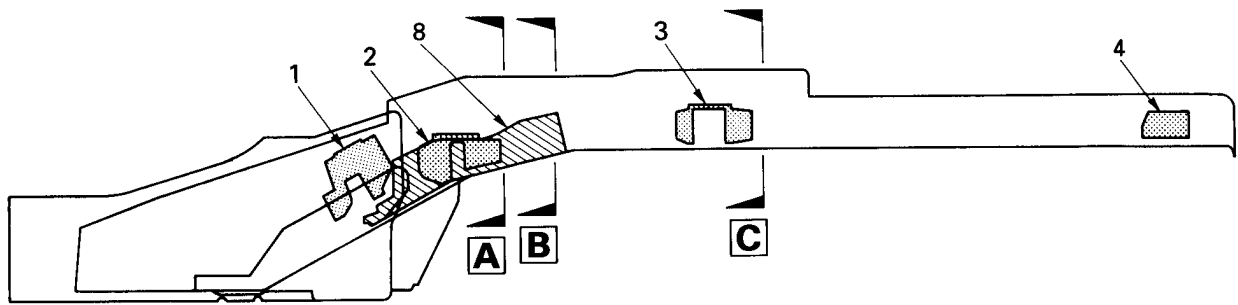


<4WD>

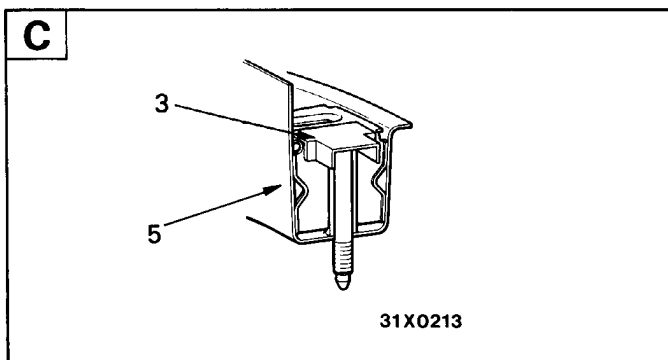
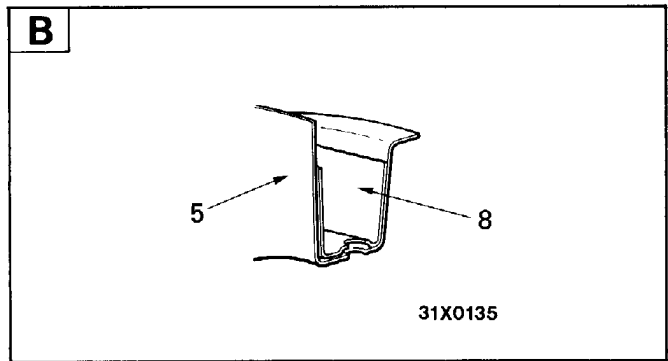
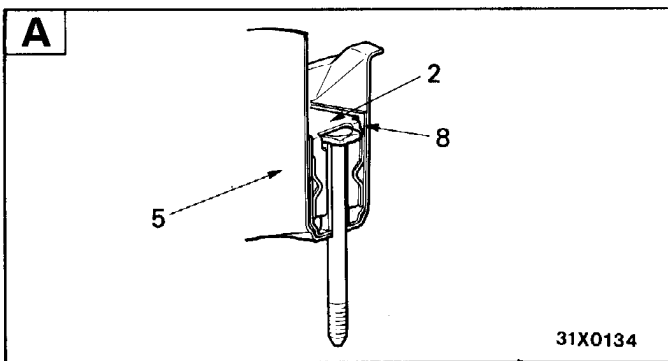
1. Sidemember seatbelt reinforcement
2. Rear suspension support bulkhead, front
3. Rear suspension support bulkhead, rear
4. Muffler hanger reinforcement, rear
5. Rear floor sidemember
6. Trailing arm bracket
7. Rear floor side sill, inner
8. Rear floor sidemember reinforcement



31X0124



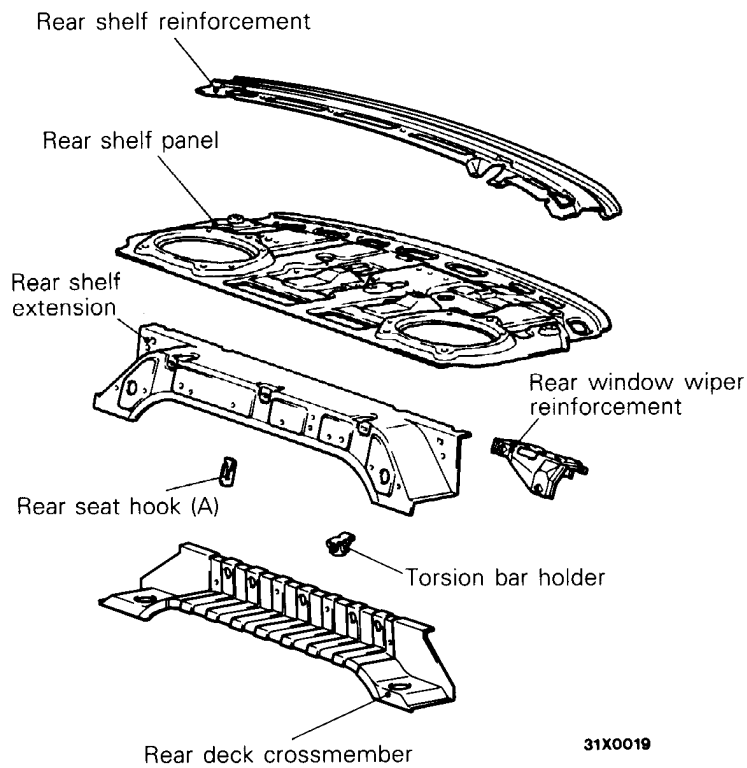
31X0126



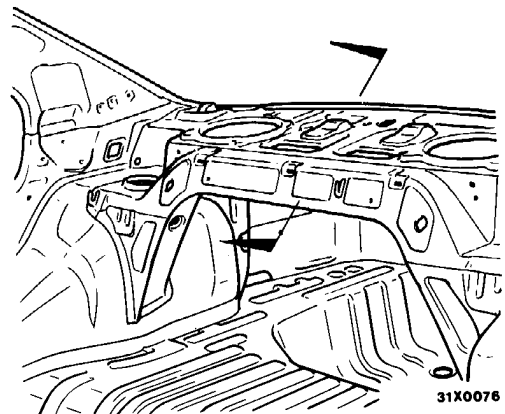
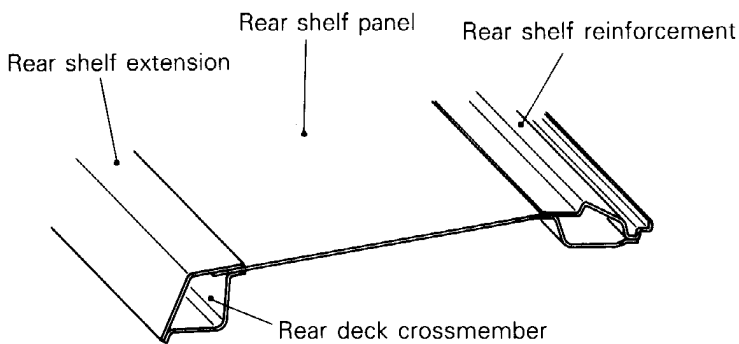
REAR BODY

REAR DECK

[SEDAN]

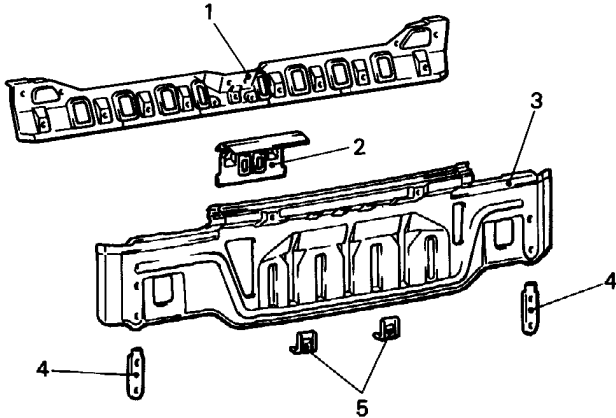


- (1) The front and rear part of the rear deck is a closed cross-sectional construction in order to increase the bending and torsional rigidity of the body.
- (2) The rear shelf crossmember has been installed to the suspension attaching part so that not only the strength of attaching part but the rigidity of side body is further increased.



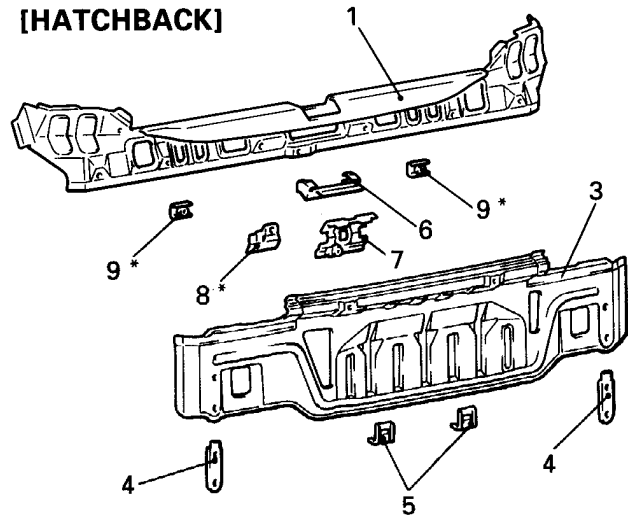
REAR END PANEL

[SEDAN]



31X0021

[HATCHBACK]



31X0183

- 1. Rear end panel, inner
- 2. Trunk lid lock reinforcement
- 3. Rear end panel, outer
- 4. Bumper reinforcement rear end

- 5. Rear bumper bracket, lower
- 6. Tailgate lock bulkhead
- 7. Tailgate lock reinforcement
- *8. Child restraint reinforcement, center

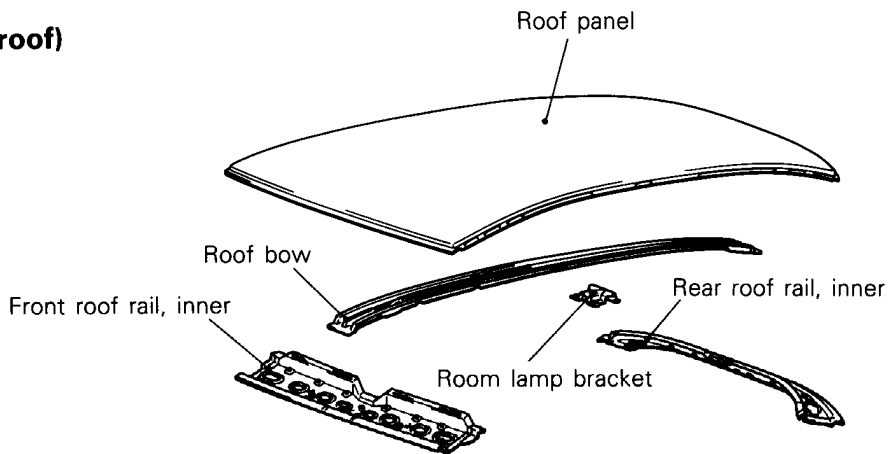
- *9. Child restraint reinforcement

*: Vehicles for Australia

ROOF

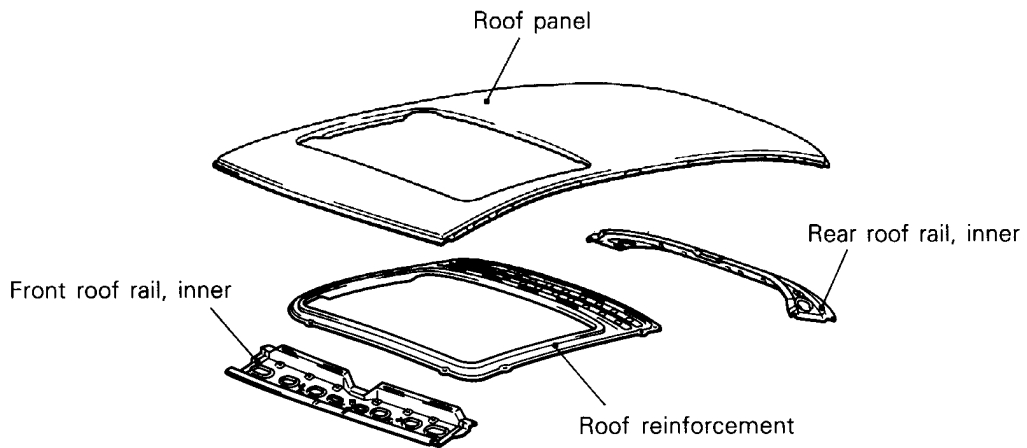
[SEDAN]

(Standard roof)



31X0023

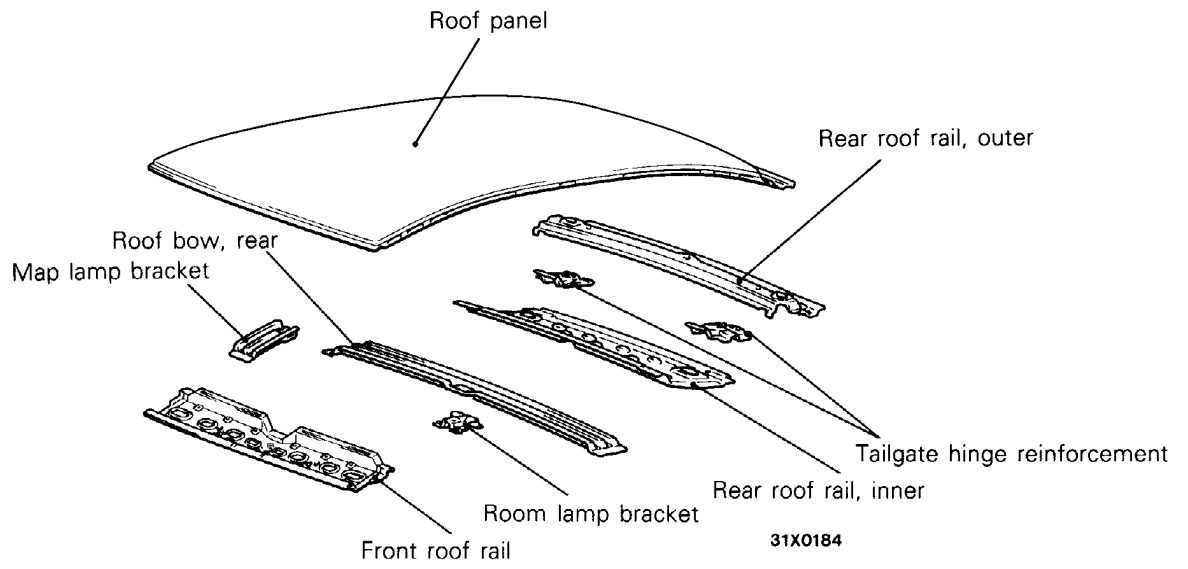
(Sunroof)



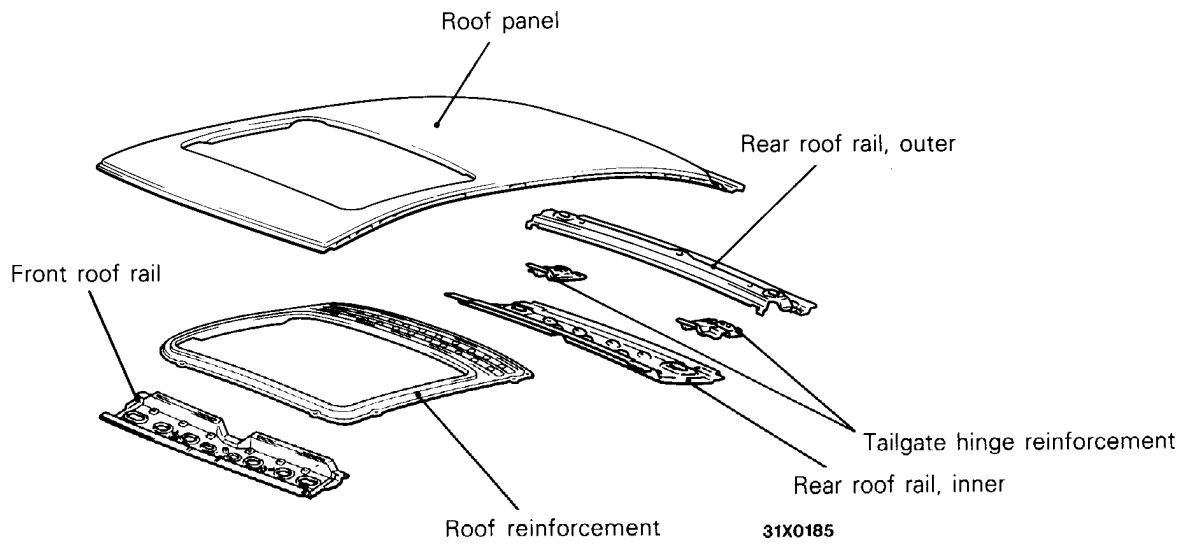
31X0024

[HATCHBACK]

(Standard roof)



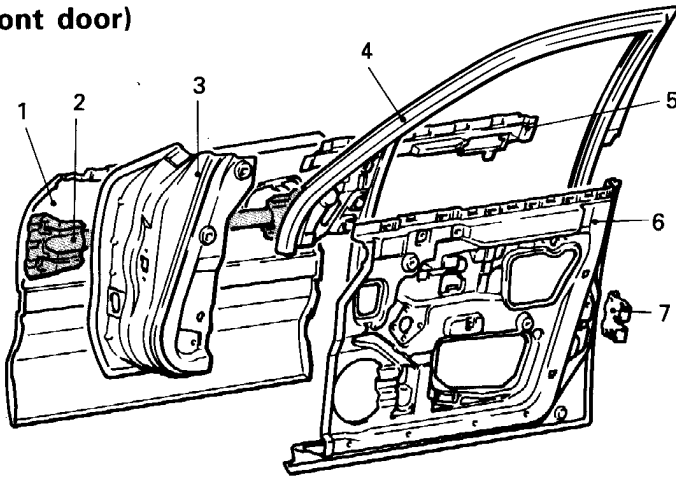
(Sunroof)



DOOR

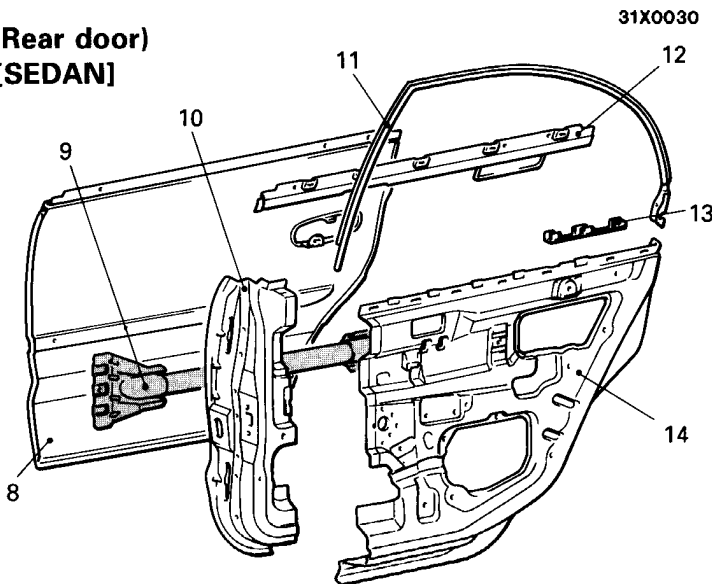
For the safety of passengers in the event of a side impact, a reinforcement (side door beam) has been installed inside the doors.

(Front door)

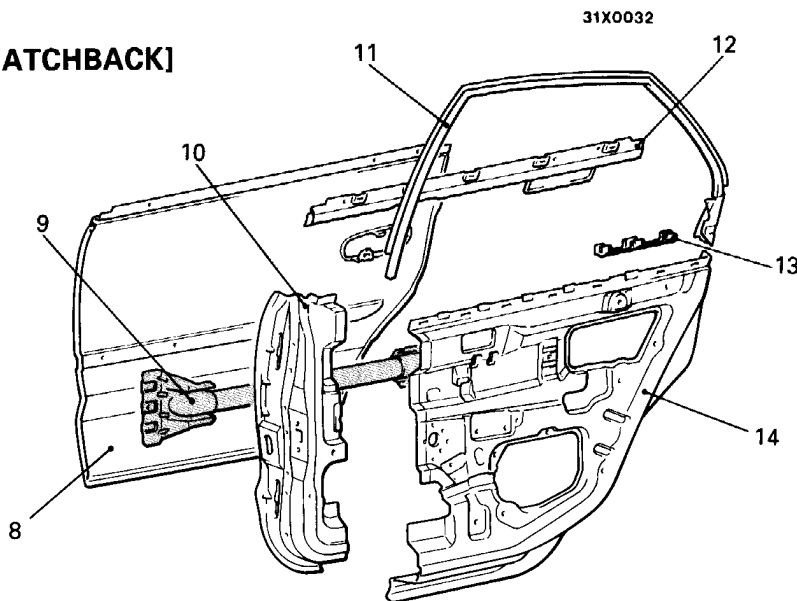


1. Front door outer panel
2. Front door side door beam
3. Front door hinge panel
4. Front door window sash
5. Front door beltline outer reinforcement
6. Front door inner panel
7. Front door latch reinforcement
8. Rear door outer panel
9. Rear door side door beam
10. Rear door hinge panel
11. Rear door window sash
12. Rear door beltline outer reinforcement
13. Rear door beltline bracket
14. Rear door inner panel

**(Rear door)
[SEDAN]**



[HATCHBACK]

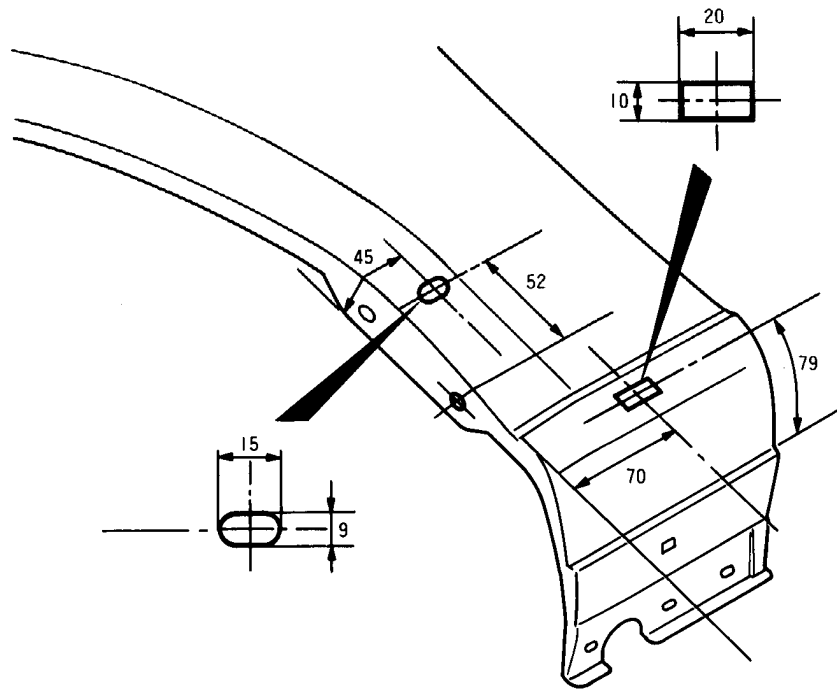


NOTES REGARDING PANEL REPLACEMENT

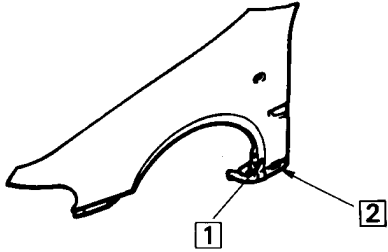
Some accessory parts are not equipped with holes for installation. When replacing such panels, make mounting holes to correspond to the installed parts.

FRONT FENDER

mm



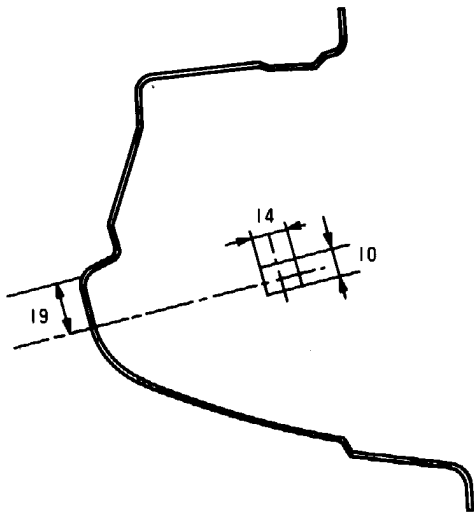
31X0095

Illustration	Hole name	Hole shape – Size mm
 <p>31X0096</p>	<p>1 Side air dam installation hole <Vehicles with side air dam></p> <p>2 Side air dam installation hole <Vehicles with side air dam></p>	<p>○ – 9 × 15</p> <p>□ – 10 × 20</p>

1-34 BODY CONSTRUCTION – Notes Regarding Panel Replacement

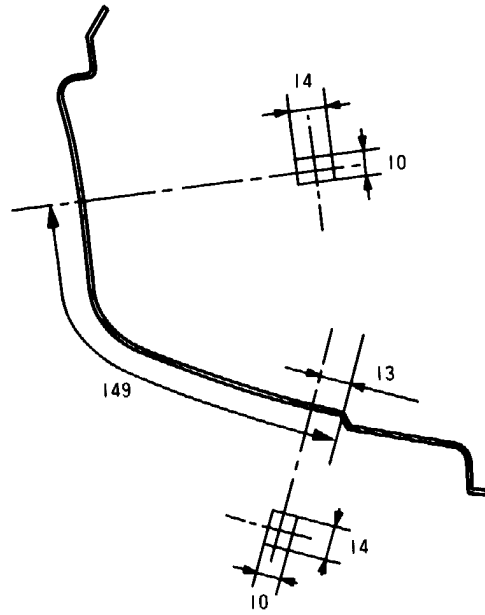
QUARTER PANEL, OUTER

mm



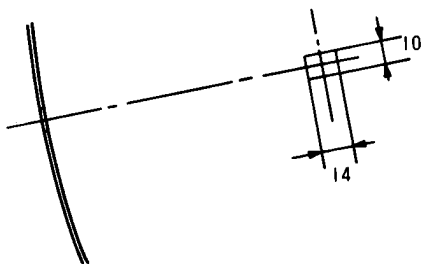
A

31X0103



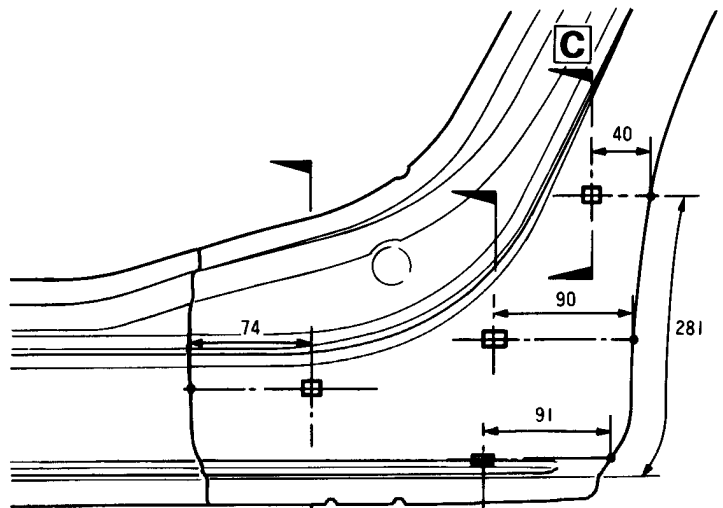
B

31X0102



C

33X0099

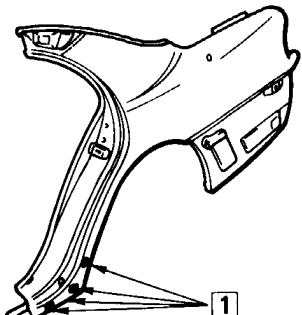


A

B

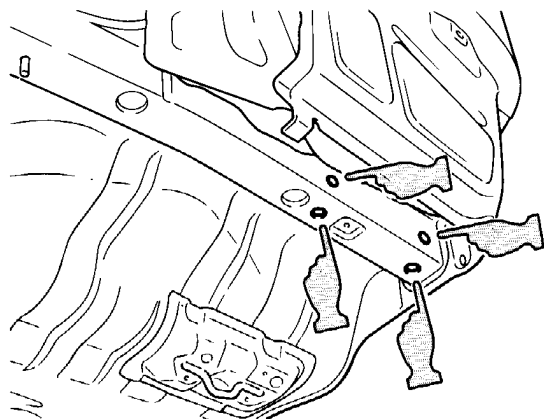
C

31X0101

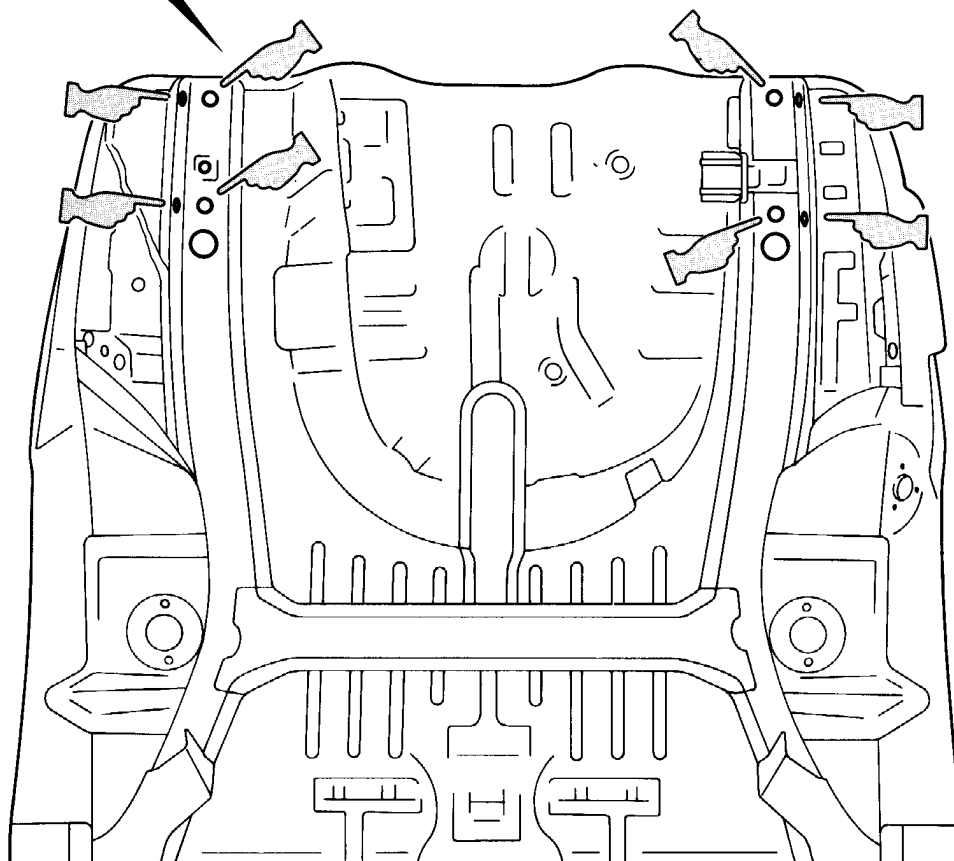
Illustration	Hole name	Hole shape – Size mm
 <p>31X0100</p>	<p>1 Side air dam installation hole <Vehicles with side air dam></p>	<p>□ – 10 × 14</p>

TOWING BAR MOUNTING LOCATIONS

( :Eight mounting locations)



31X0217



31X0216

(Rear floor, under)

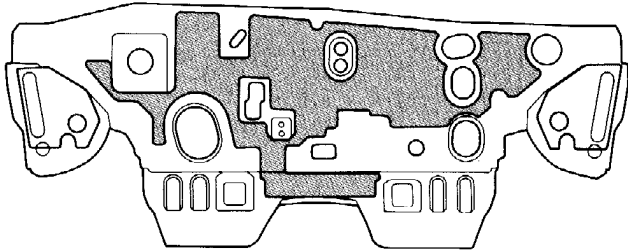
SILENCER APPLICATION LOCATIONS

In order to reduce vibration and screen out heat from the exhaust gas, silencers (melting sheets) are applied to the top of the floor and to the passenger compartment side of the dash panel, etc.

[SEDAN]

<Petrol-powered vehicles>

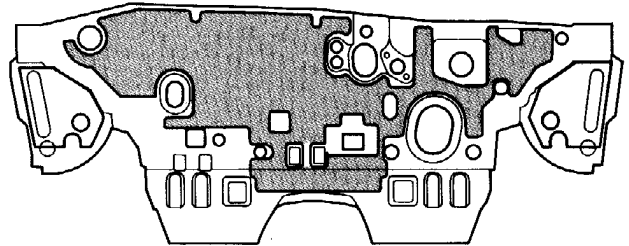
L.H. drive vehicles



Passenger compartment side of the dash panel

31X0220

R.H. drive vehicles

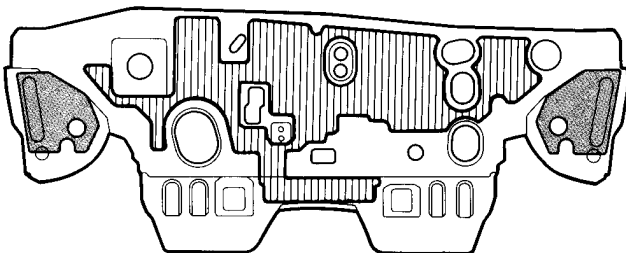


Passenger compartment side of the dash panel

31X0173

<Diesel-powered vehicles>

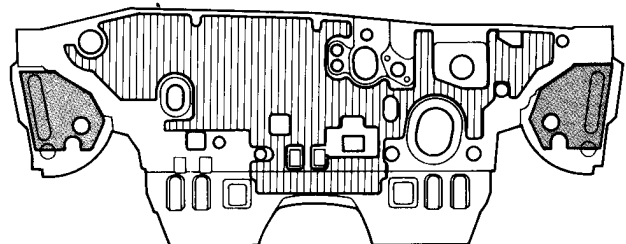
L.H. drive vehicles



Passenger compartment side of the dash panel

31X0222

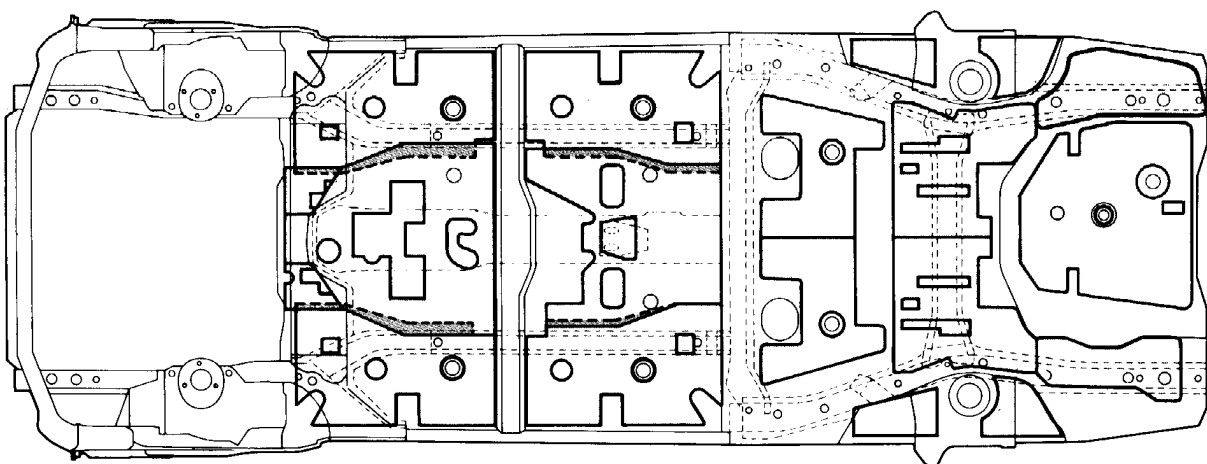
R.H. drive vehicles



Passenger compartment side of the dash panel

31X0221

<Petrol-powered vehicles (1800)>



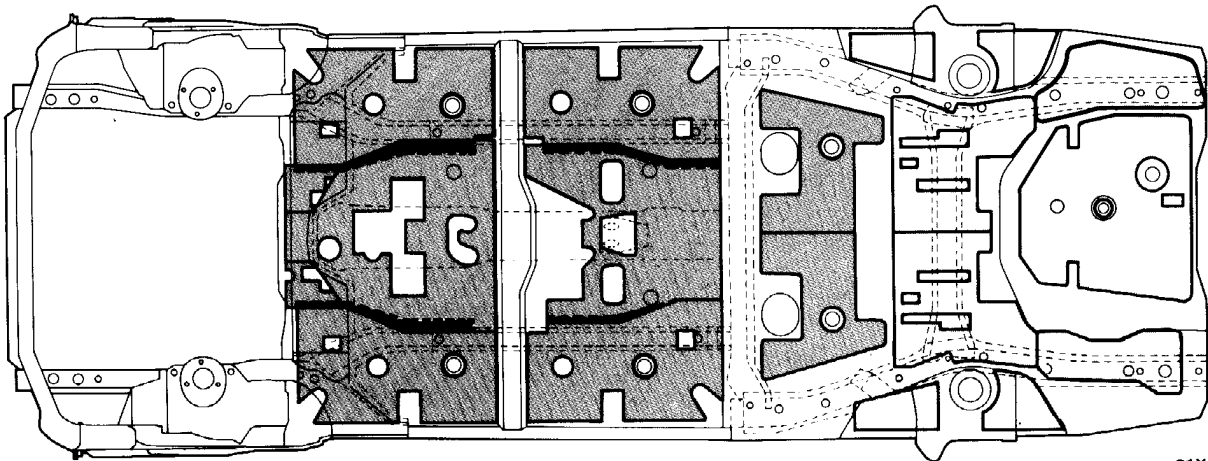
31X0175

□ :1.6 mm thick

■ :3.2 mm (two layers of 1.6 mm) thick silencer

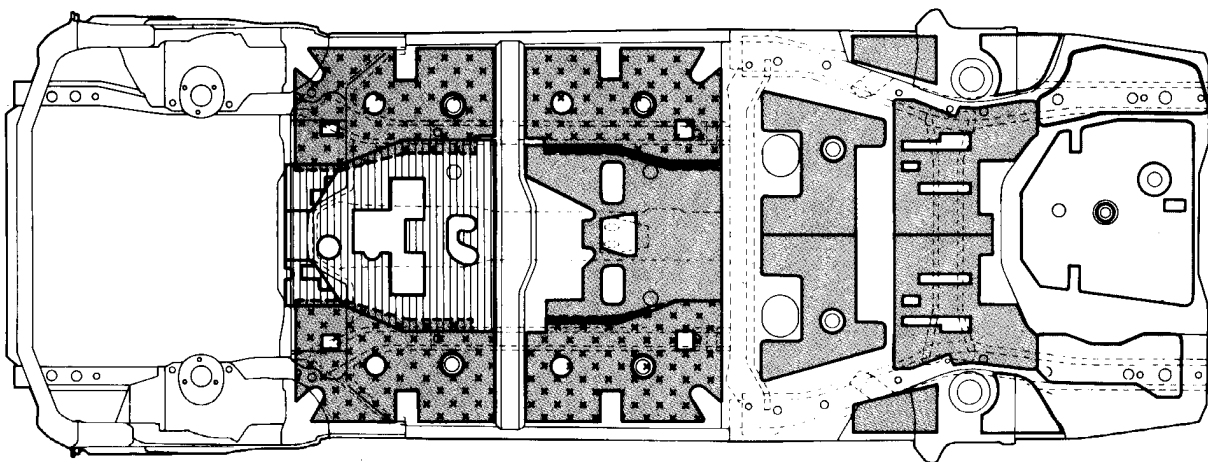
▨ :4.8 mm (three layers of 1.6 mm) thick silencer

<Petrol-powered vehicles (2000, 2500)>

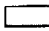





31X0175

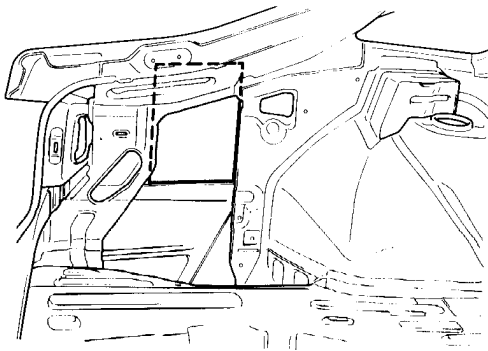
<Diesel-powered vehicles>



31X0176

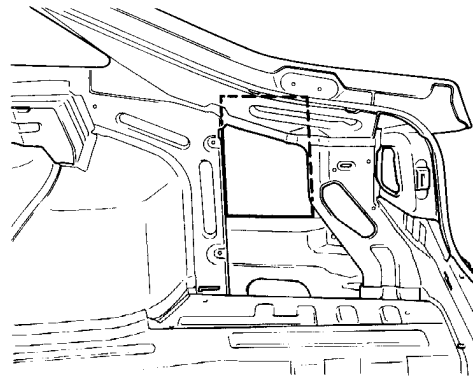
-  : 1.6 mm thick
-  : 3.2 mm (two layers of 1.6 mm) thick silencer
-  : 4.8 mm (three layers of 1.6 mm) thick silencer
-  : Apply RSS sheet at the top of silencer

[HATCHBACK]



31X0223

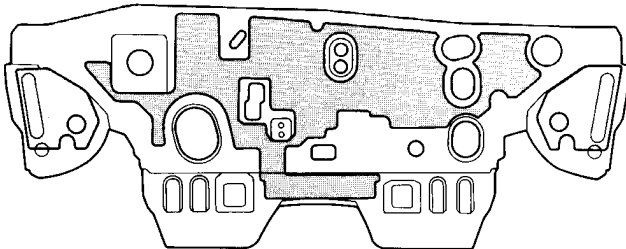
(Left side)



31X0224

(Right side)

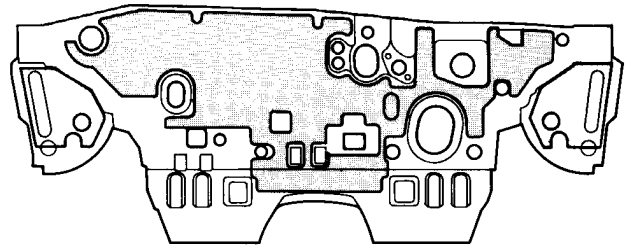
L.H. drive vehicles



Passenger compartment side of the dash panel

31X0220

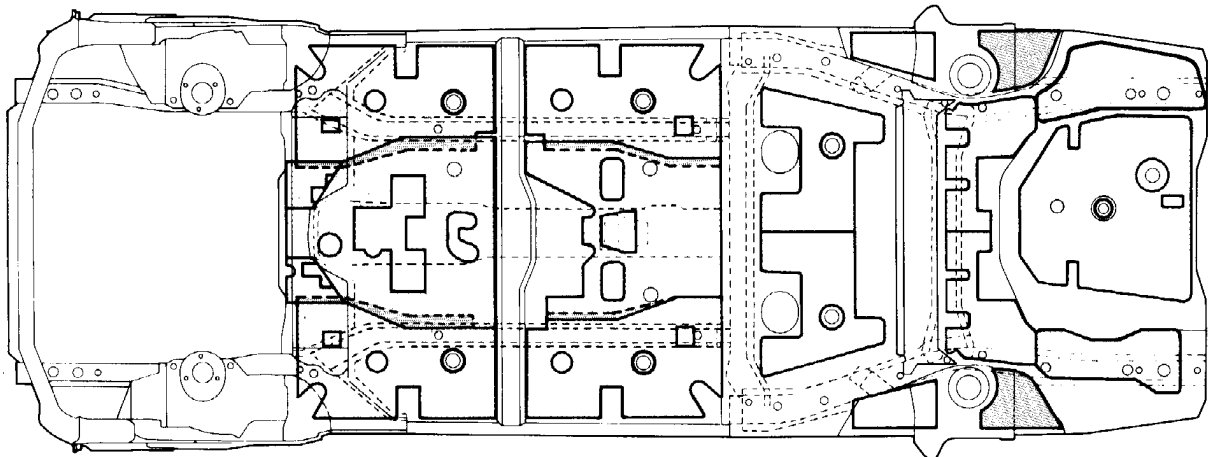
R.H. drive vehicles



Passenger compartment side of the dash panel

31X0173

<Petrol-powered vehicles (1800)>

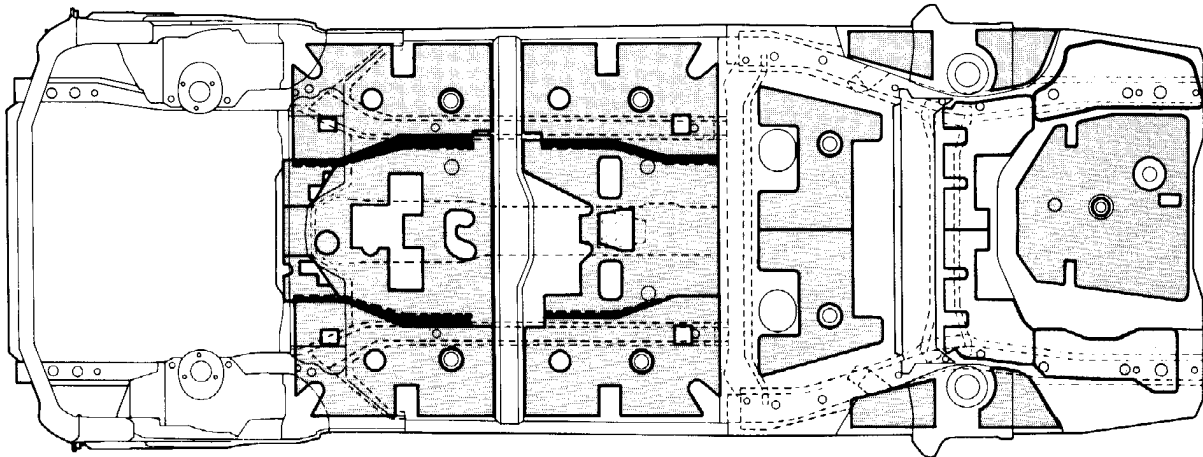


31X0218

□ :1.6 mm thick

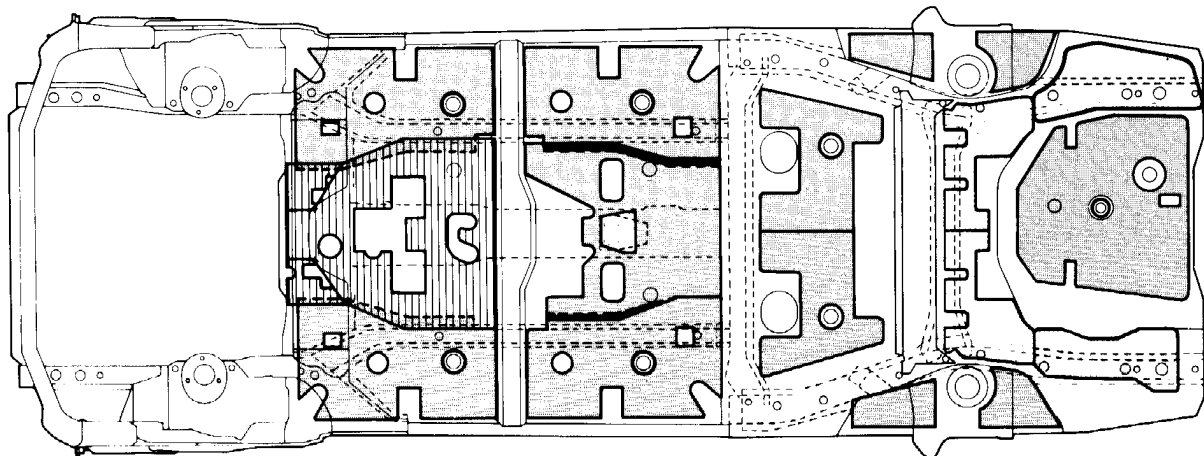
▨ :3.2 mm (two layers of 1.6 mm) thick silencer

<Petrol-powered engine (2000, 2500)>

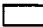




31X0218

<Diesel-powered engine>



31X0219

-  :1.6 mm thick
-  :3.2 mm (two layers of 1.6 mm) thick silencer
-  :4.8 mm (three layers of 1.6 mm) thick silencer