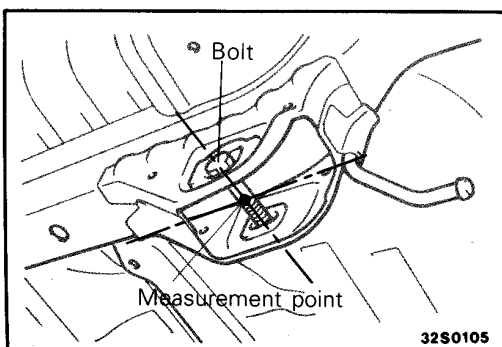
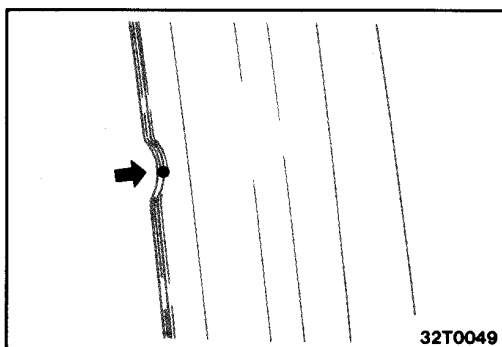
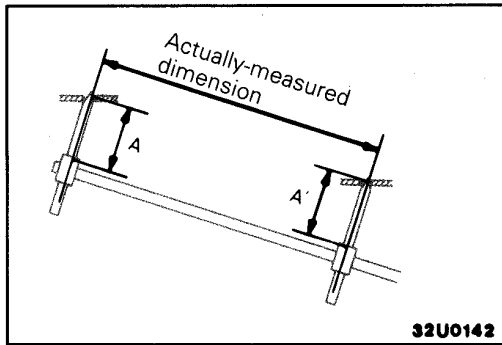
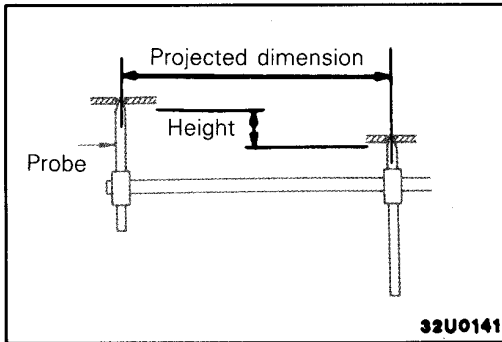


2 BODY DIMENSIONS

BODY DIMENSIONS AND MEASUREMENT	
METHODS	2-2
[SEDAN]	
TYPE A	
(PROJECTED DIMENSIONS)	2-3
UNDER BODY	2-3
SUSPENSION MOUNTING SURFACE	
INCLINATION	2-5
TYPE B	
(ACTUAL-MEASUREMENT DIMENSIONS)	2-6
UNDER BODY	2-6
SIDE BODY	2-8
UPPER BODY	2-9
ENGINE COMPARTMENT	2-10
INTERIOR	2-11
[HATCHBACK]	
TYPE A	
(PROJECTED DIMENSIONS)	2-12
UNDER BODY	2-12
SUSPENSION MOUNTING SURFACE	
INCLINATION	2-14
TYPE B	
(ACTUAL-MEASUREMENT DIMENSIONS)	2-15
UNDER BODY	2-15
SIDE BODY	2-17
UPPER BODY	2-18
ENGINE COMPARTMENT	2-19
INTERIOR	2-20



BODY DIMENSIONS AND MEASUREMENT METHODS

STANDARD DIMENSION INDICATIONS AND MEASUREMENT METHODS

- (1) Type A (projected dimensions)
Indicates the dimension when a measurement location is projected onto a plane. The difference in height of the measurement points should be taken into consideration when measuring.
- (2) Type B (actual-measurement dimensions)
Indicates the actual distance between the measurement points.
Measure using a tracking gauge or a measuring tape, etc.

NOTES

- Make the lengths of the tracking gauge probes the same ($A=A'$).
 - Do not bend or twist the measuring tape.
- (3) Insert the tracking gauge probes securely into the measurement holes.
 - (4) When the standard dimensions in the illustration are enclosed by \square , this indicates that the symmetrical left and right positions have the same dimensions.
 - (5) When using a notch for dimension measurement, make the measuring point at the centre of the notch.
 - (6) When measuring the suspension mounting arm or the link mounting position, use the suspension mounting bolt as the measuring point.

BODY CENTRE POINT

The body centre points are shown for the purpose of checking the position of the left and right symmetry locations.

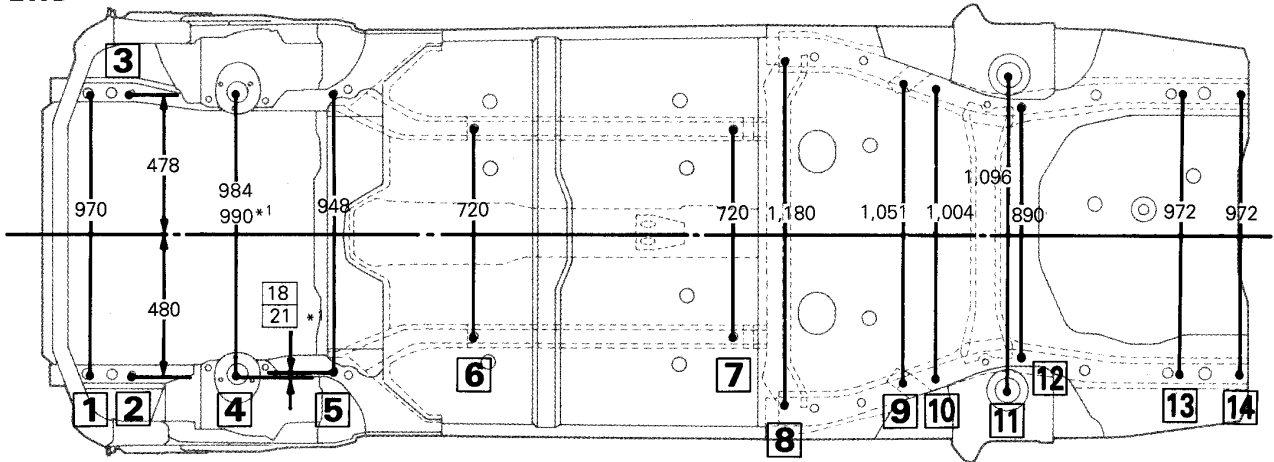
[SEDAN]

mm

TYPE A (PROJECTED DIMENSIONS)

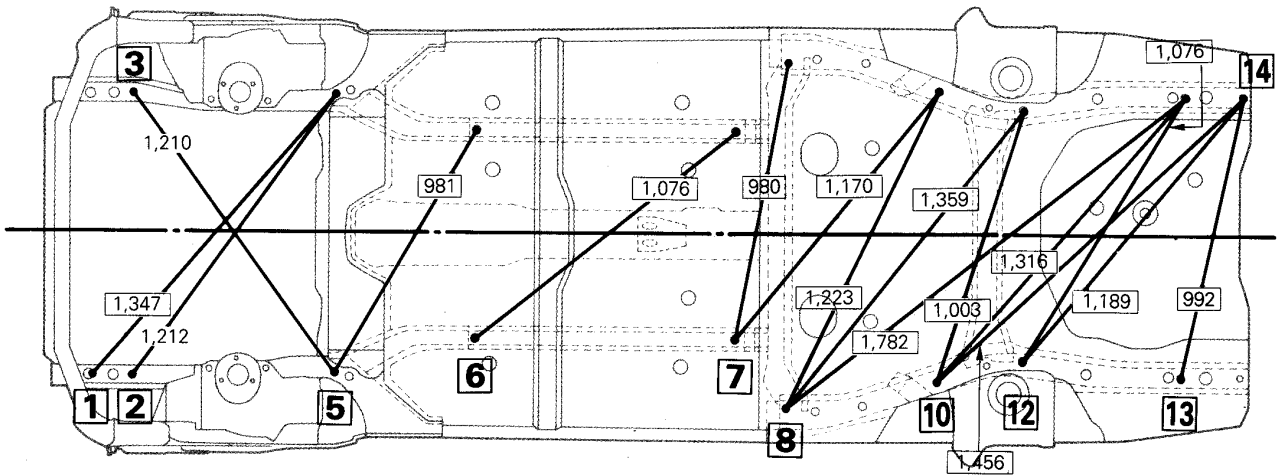
UNDER BODY

<2WD>

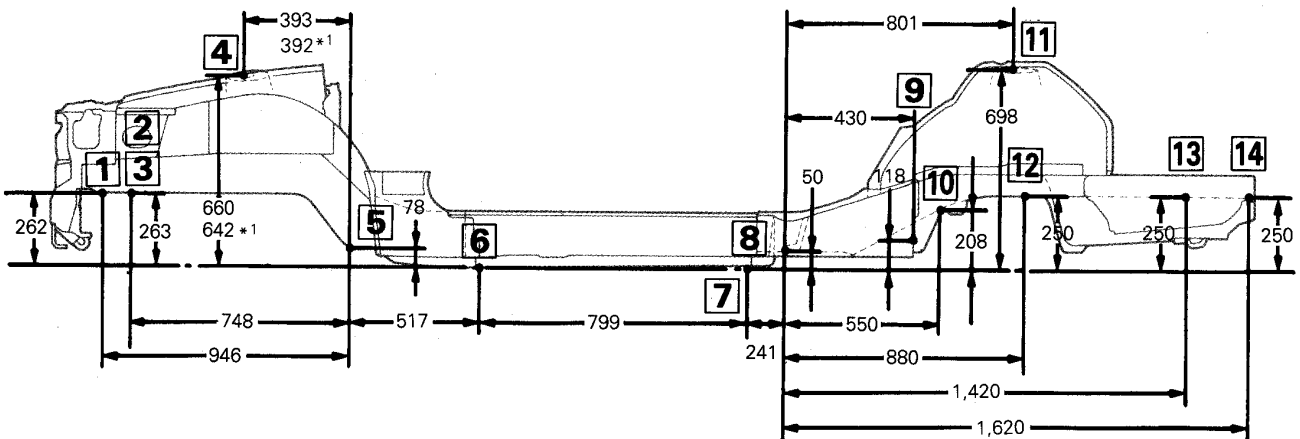


32X0028

2



32X0029



NOTE

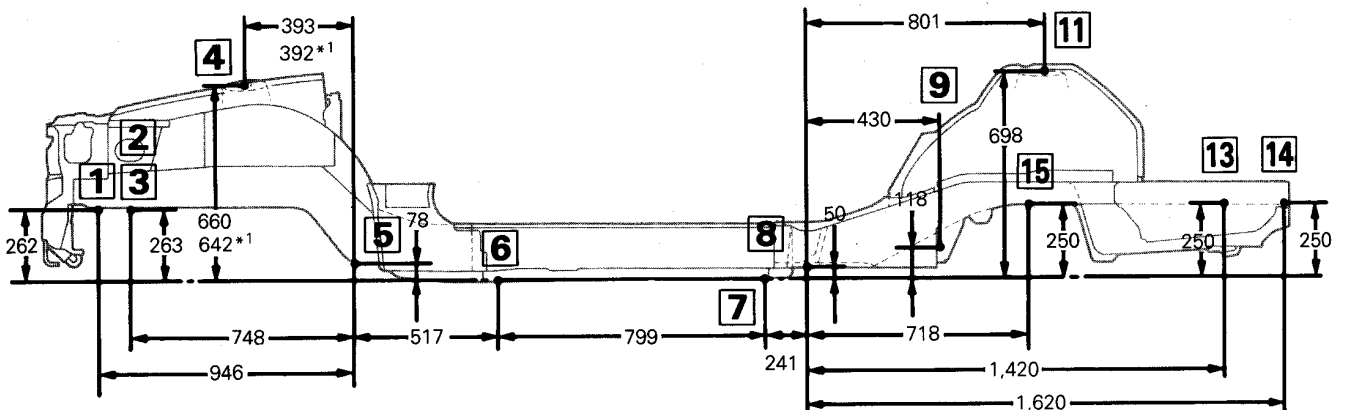
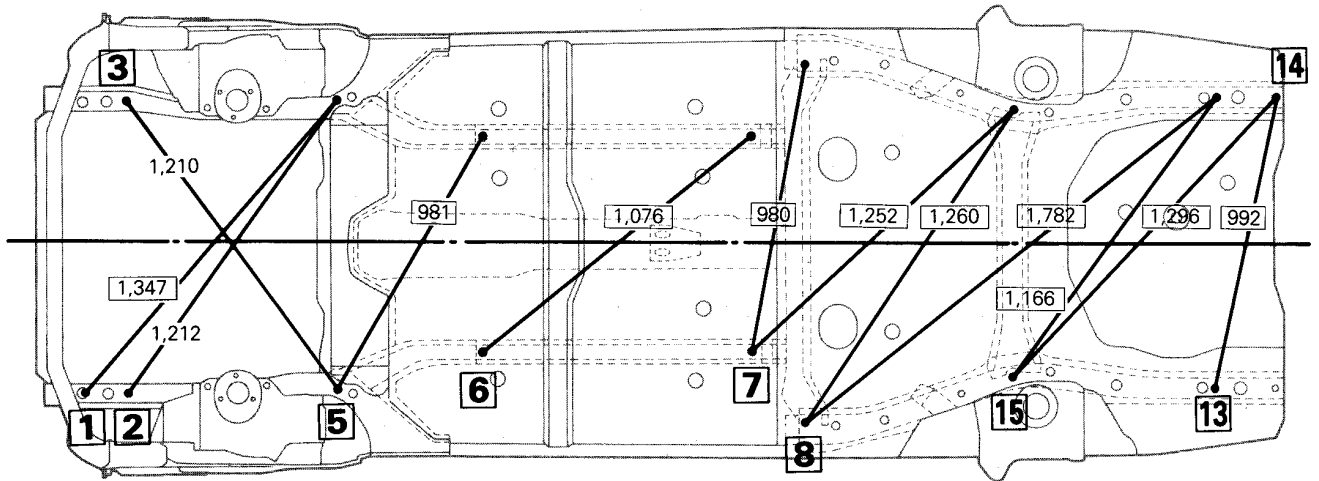
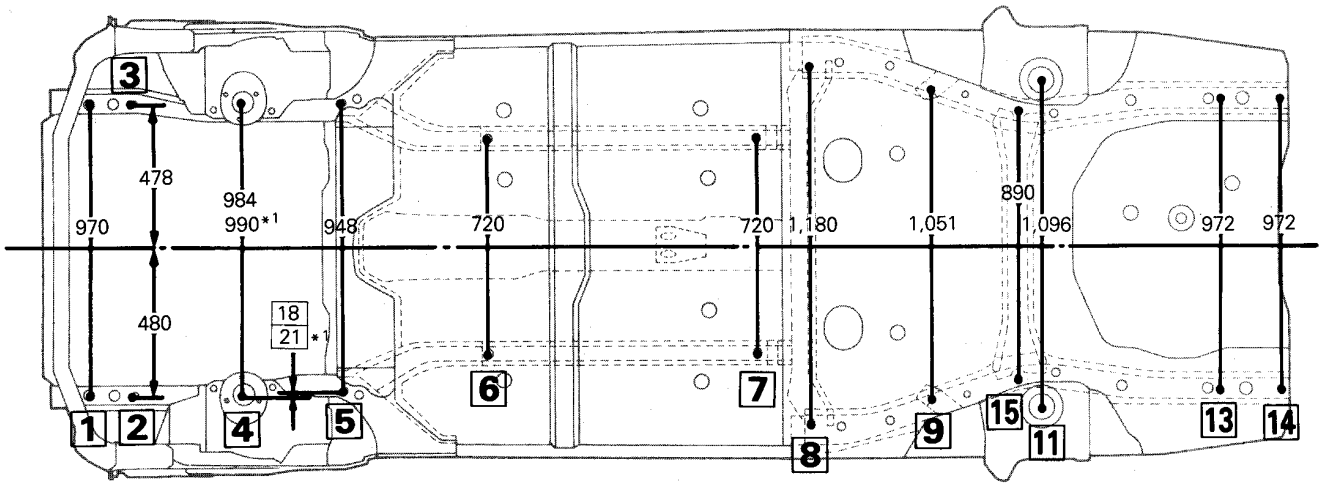
*1: Vehicles with ECS

32X0030

2-4 BODY DIMENSIONS – Type A (Projected Dimensions) [SEDAN]

<4WD>

mm



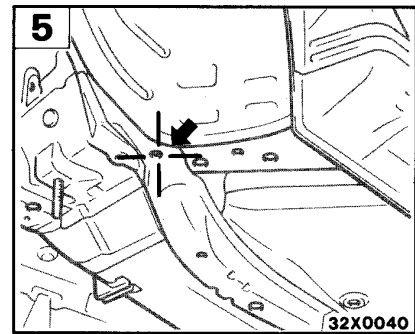
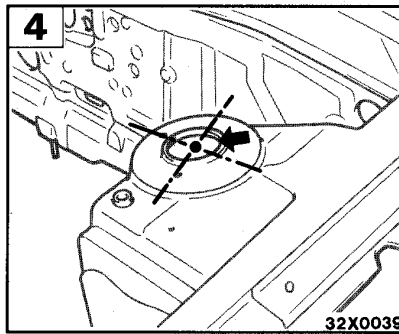
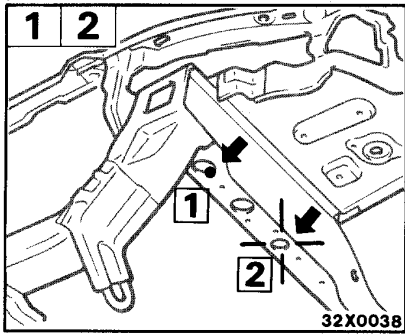
32X0033

NOTE

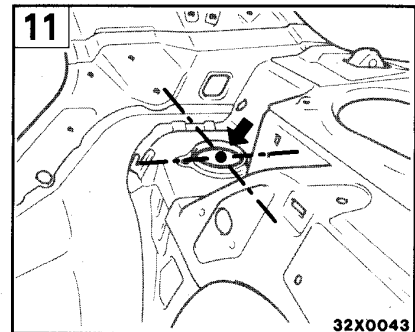
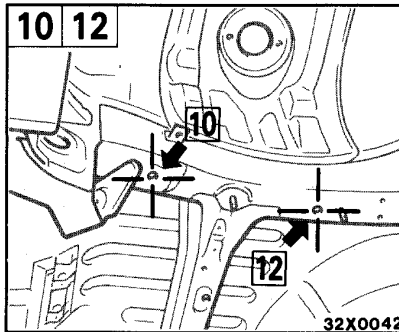
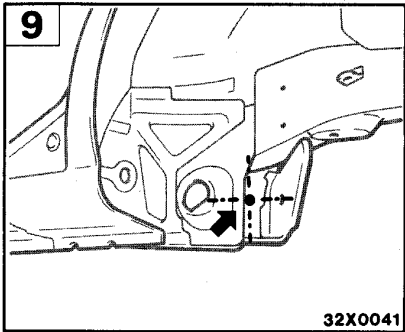
*1: Vehicles with ECS

No.	Standard measurement point	Hole shape - Size mm	No.	Standard measurement point	Hole shape - Size mm
1*	Rear edge of front sidemember drain hole	○-35	8*	Centre of rear floor sidemember drain hole	○-20
2	Centre of front sidemember drain hole (Left side)	○-25	9	Reference point of trailing arm mounting	—
3	Centre of front sidemember drain hole (Right side)	○-25	10	Centre of rear floor sidemember drain hole <2WD>	○-15
4	Centre of front shock absorber mounting hole	○-82	11	Centre of rear shock absorber mounting hole	○-60
	Centre of front shock absorber mounting hole (Vehicles with ECS)	○-82	12*	Centre of rear floor sidemember drain hole <2WD>	○-20
5*	Centre of crossmember mounting hole	○-15	13*	Centre of towing bar mounting hole	○-13
6*	Centre of front floor sidemember drain hole	○-12	14	Centre of towing bar mounting hole	○-15
7*	Centre of front floor sidemember positioning hole	○-17.5	15*	Centre of rear floor sidemember drain hole <4WD>	○-15

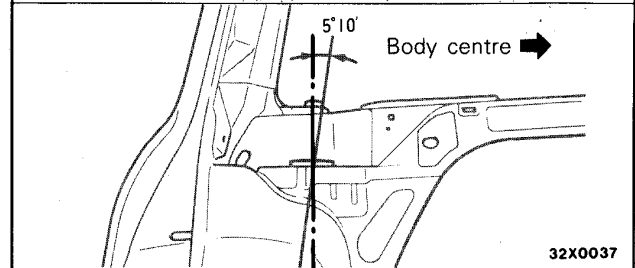
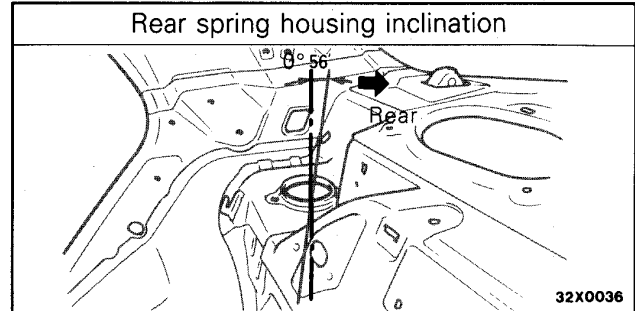
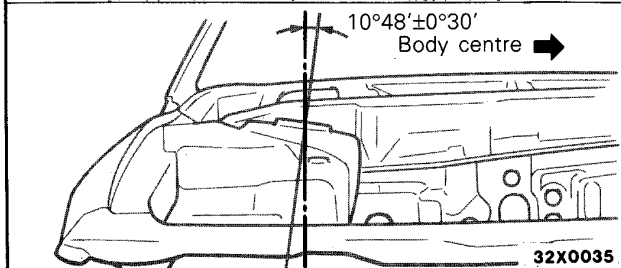
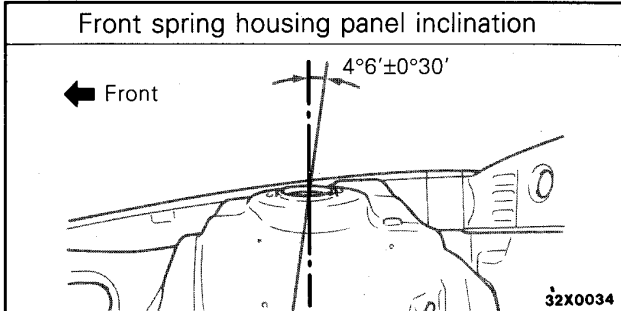
NOTE: The * mark indicates the mounting position for the frame centering gauge.



2



SUSPENSION MOUNTING SURFACE INCLINATION



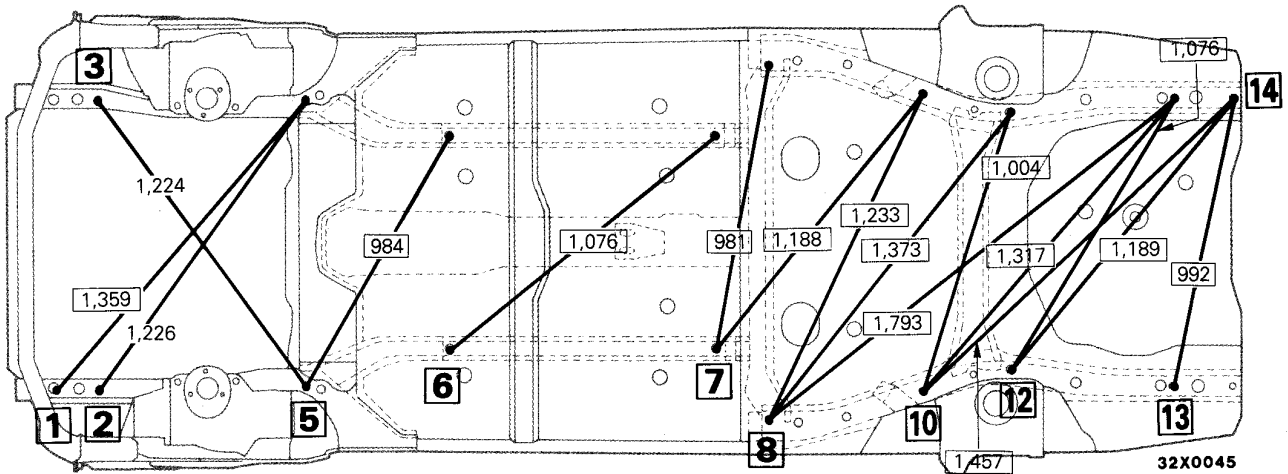
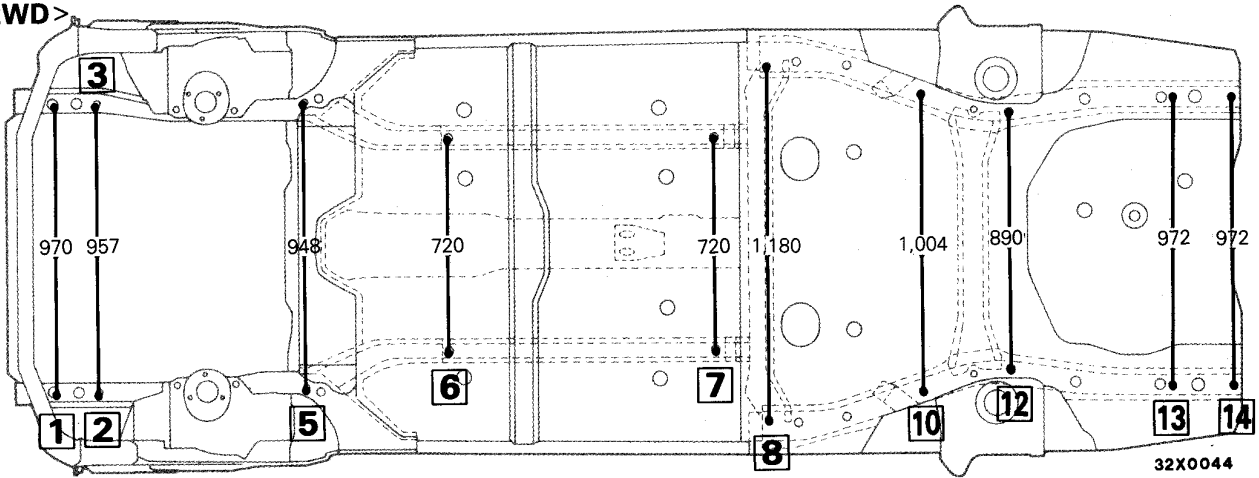
2-6 BODY DIMENSIONS – Type B (Actual-measurement Dimensions) [SEDAN]

TYPE B (ACTUAL-MEASUREMENT DIMENSIONS)

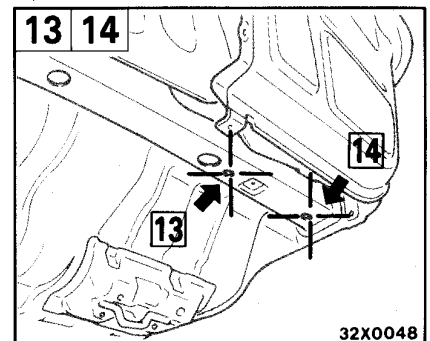
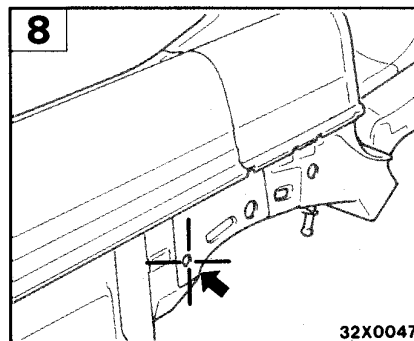
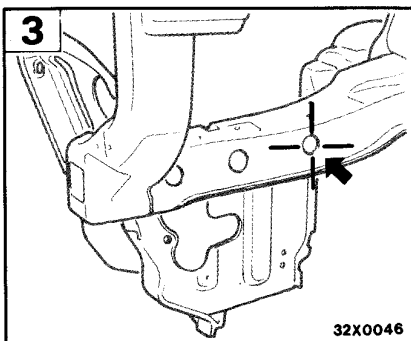
mm

UNDER BODY

<2WD>



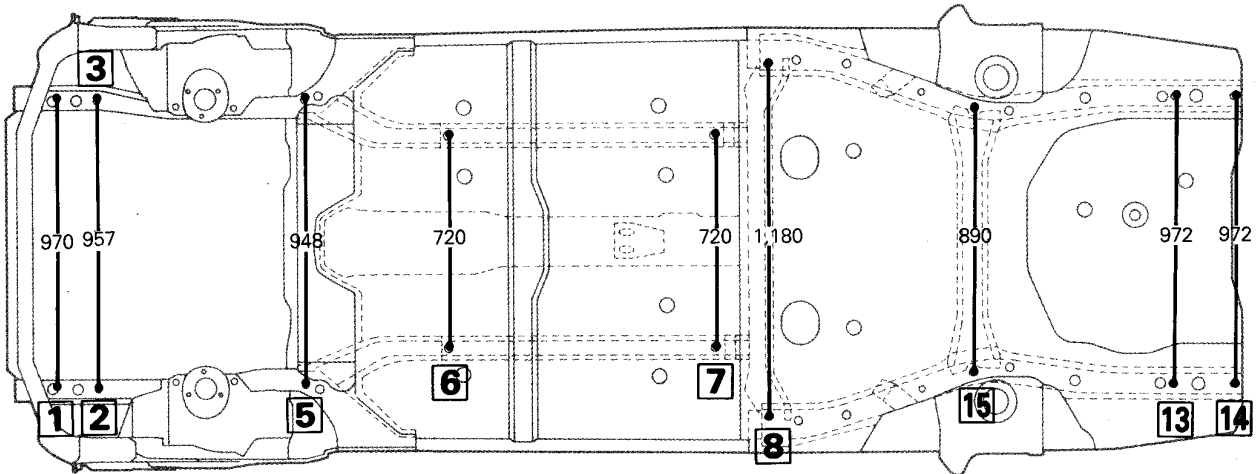
No.	Standard measurement point	Hole shape - Size mm	No.	Standard measurement point	Hole shape - Size mm
1	Rear edge of front sidemember drain hole	○-35	8	Centre of rear floor sidemember drain hole	○-20
2	Centre of front sidemember drain hole (Left side)	○-25	10	Centre of rear floor sidemember drain hole	○-15
3	Centre of front sidemember drain hole (Right side)	○-25	12	Centre of rear floor sidemember drain hole	○-20
5	Centre of crossmember mounting hole	○-15	13	Centre of towing bar mounting hole	○-13
6	Centre of front floor sidemember drain hole	○-12	14	Centre of towing bar mounting hole	○-15
7	Centre of front floor sidemember positioning hole	○-17.5			



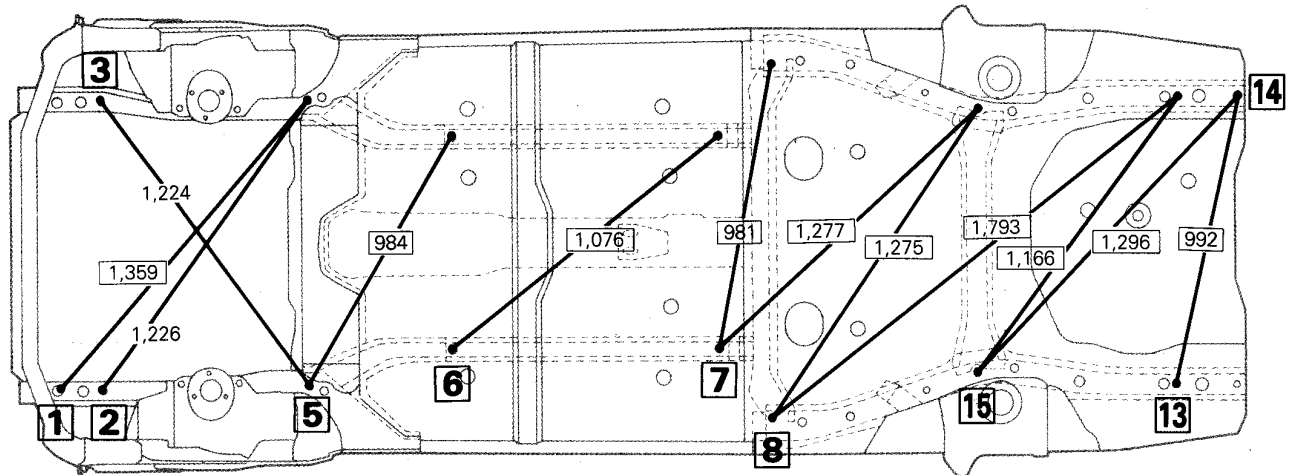
BODY DIMENSIONS – Type B (Actual-measurement Dimensions) [SEDAN] 2-7

<4WD>

mm

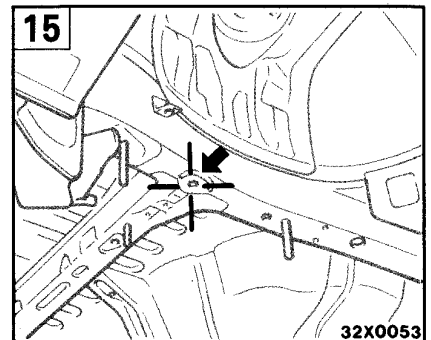
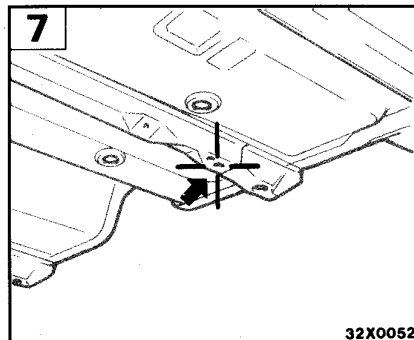
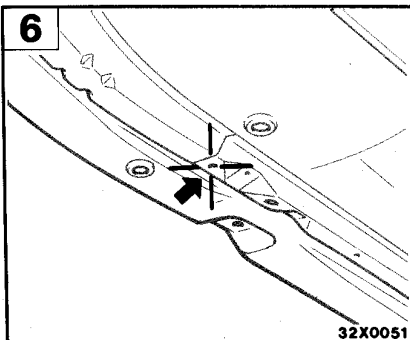


32X0049



32X0050

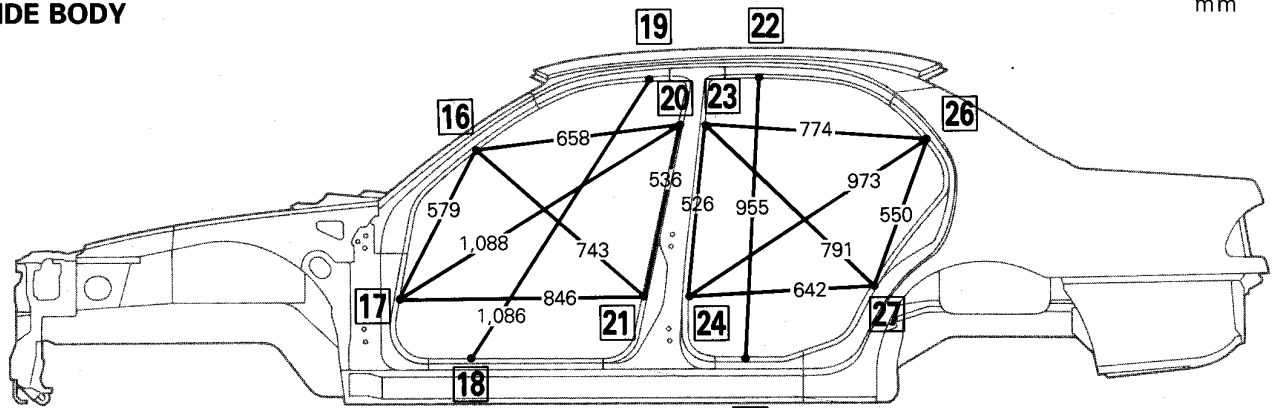
No.	Standard measurement point	Hole shape - Size mm	No.	Standard measurement point	Hole shape - Size mm
1	Rear edge of front sidemember drain hole	○-35	7	Centre of front floor sidemember positioning hole	○-17.5
2	Centre of front sidemember drain hole (Left side)	○-25	8	Centre of rear floor sidemember drain hole	○-20
3	Centre of front sidemember drain hole (Right side)	○-25	13	Centre of towing bar mounting hole	○-13
5	Centre of crossmember mounting hole	○-15	14	Centre of towing bar mounting hole	○-15
6	Centre of front floor sidemember drain hole	○-12	15	Centre of rear floor sidemember drain hole	○-15



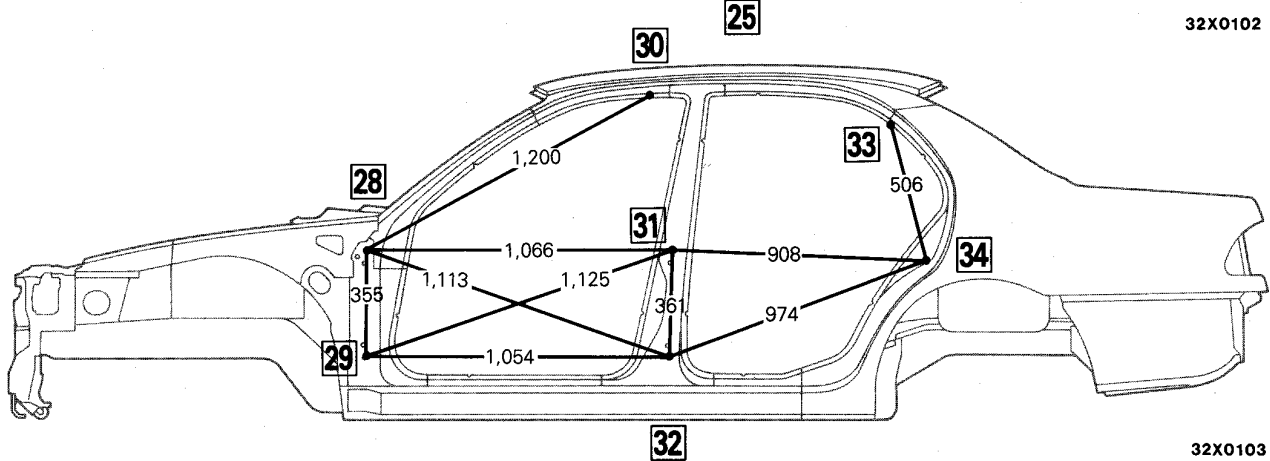
2-8 BODY DIMENSIONS – Type B (Actual-measurement Dimensions) [SEDAN]

SIDE BODY

mm

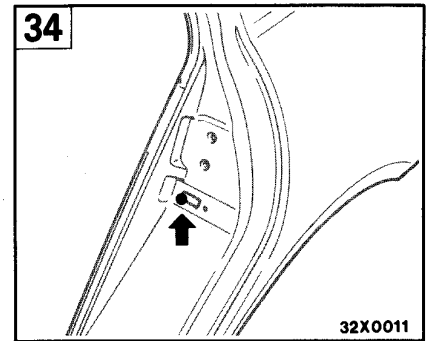
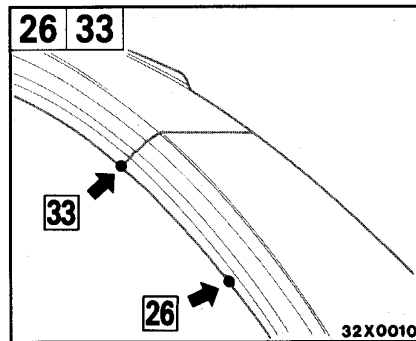
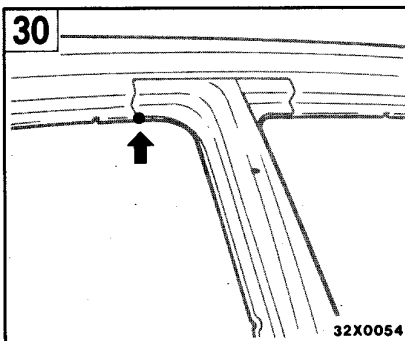


32X0102



32X0103

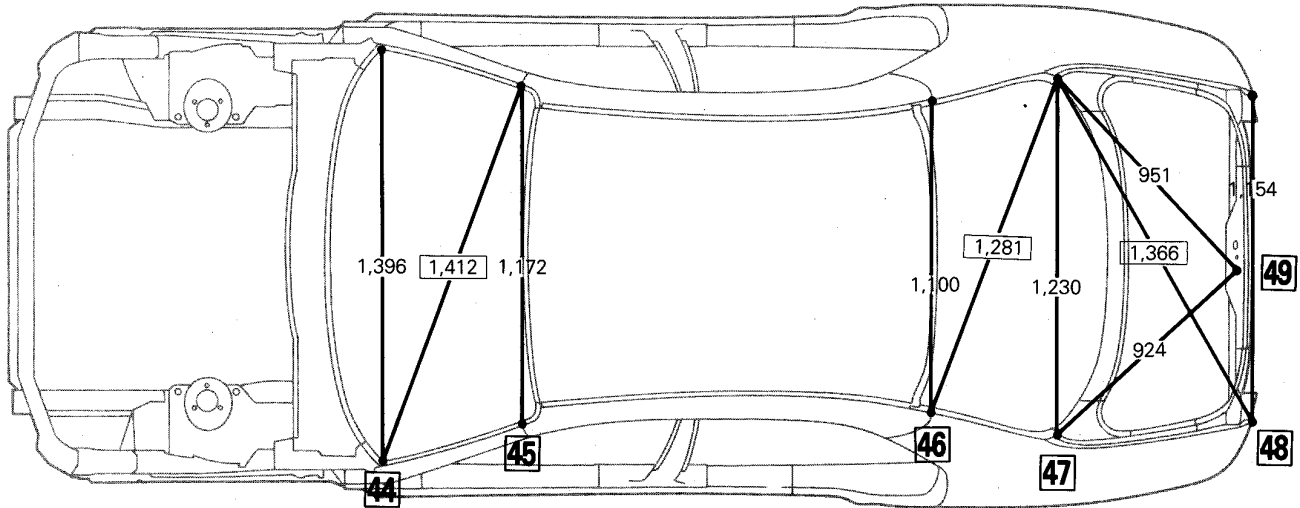
No.	Standard measurement point	Hole shape - Size mm	No.	Standard measurement point	Hole shape - Size mm
16	Front pillar outer positioning notch (Upper section)	—	26	Quarter panel outer positioning notch (Upper section)	—
17	Front pillar outer positioning notch (Lower section)	—	27	Quarter panel outer positioning notch (Lower section)	—
18	Side sill outer positioning notch (Front section)	—	28	Centre of front door hinge mounting hole (Upper section)	○-12
19	Side roof rail outer positioning notch (Front section)	—	29	Centre of front door hinge mounting hole (Lower section)	○-12
20	Center pillar outer positioning notch (Upper section)	—	30	Joint of side roof rail outer and center pillar	—
21	Center pillar outer positioning notch (Lower section)	—	31	Centre of rear door hinge mounting hole (Upper section)	○-12
22	Side roof rail outer positioning notch (Rear section)	—	32	Centre of rear door hinge mounting hole (Lower section)	○-12
23	Center pillar outer positioning notch (Upper section)	—	33	Joint of side roof rail outer and quarter panel outer	—
24	Center pillar outer positioning notch (Lower section)	—	34	Corner of rear door switch mounting hole	○-31.5 x 13
25	Side sill outer positioning notch (Rear section)	—			



BODY DIMENSIONS – Type B (Actual-measurement Dimensions) [SEDAN] 2-9

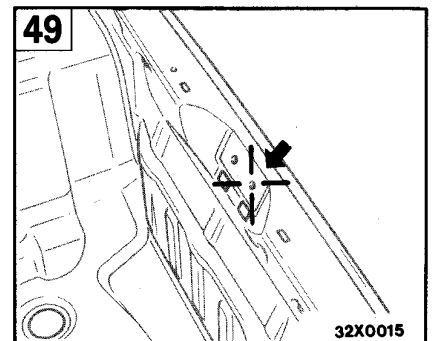
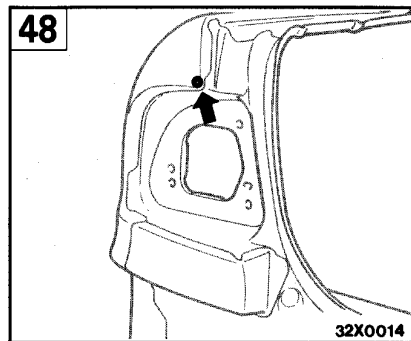
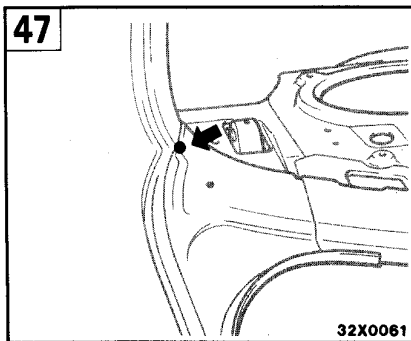
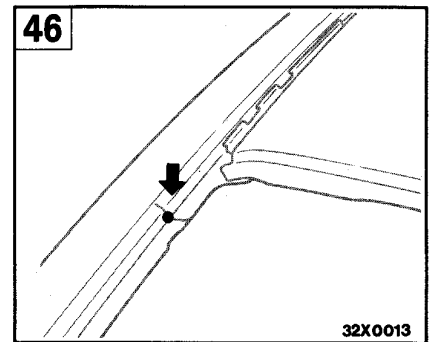
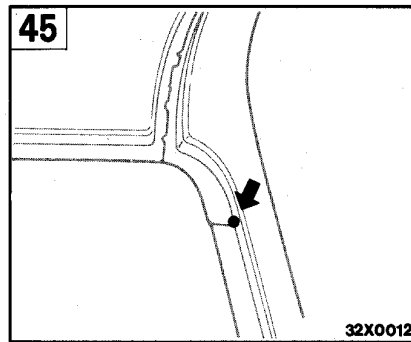
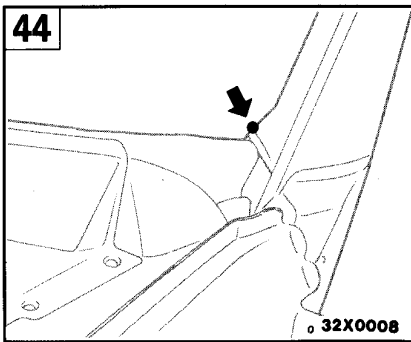
UPPER BODY

mm



32X0060

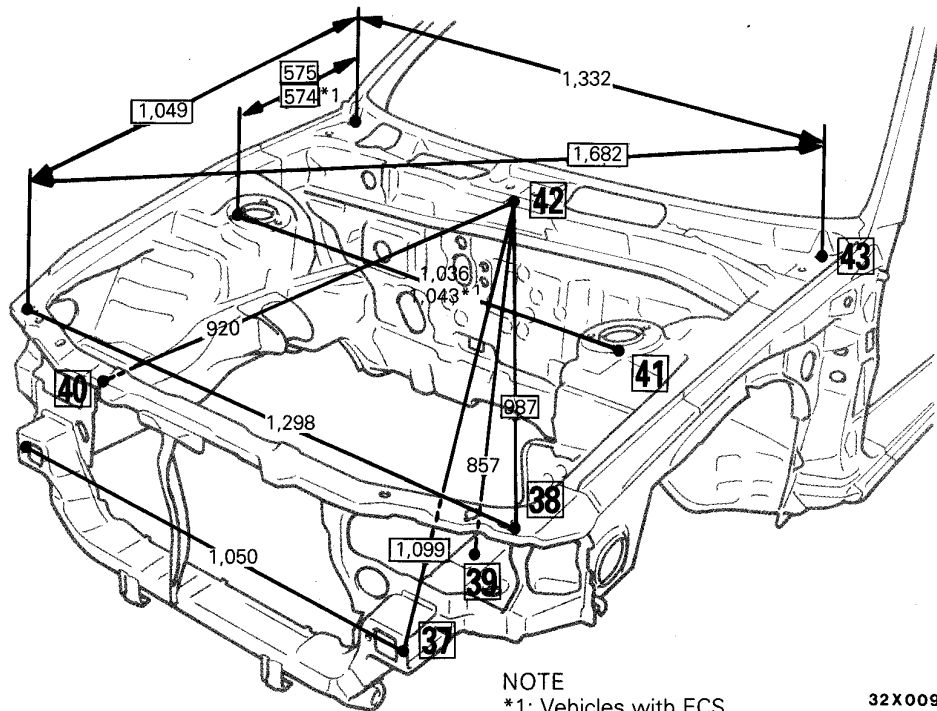
No.	Standard measurement point	Hole shape - Size mm	No.	Standard measurement point	Hole shape - Size mm
44	Front pillar lower section	—	47	Joint of quarter panel outer and rear shelf upper brace	—
45	Joint of front pillar and side roof rail outer	—	48	Corner of quarter panel outer	—
46	Joint of quarter panel outer and side roof rail outer	—	49	Centre of trunk lid striker mounting hole	○-9



2-10 BODY DIMENSIONS – Type B (Actual-measurement Dimensions) [SEDAN]

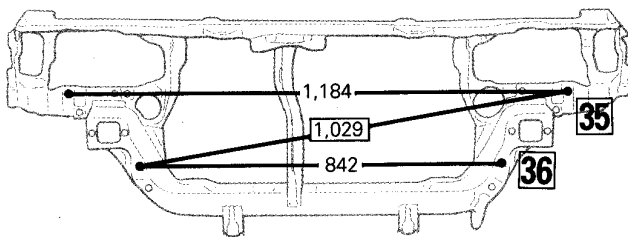
ENGINE COMPARTMENT

mm

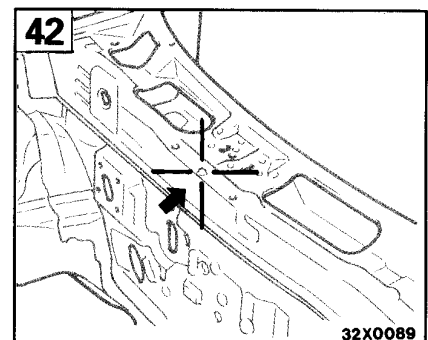
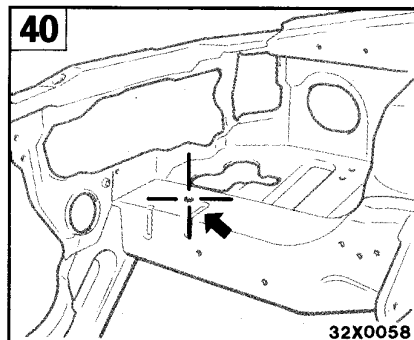
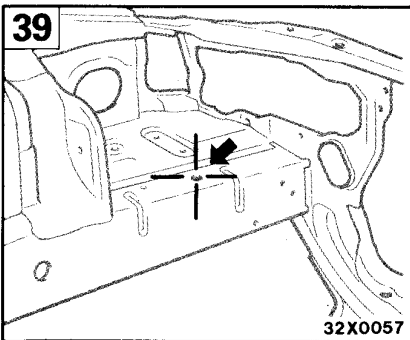
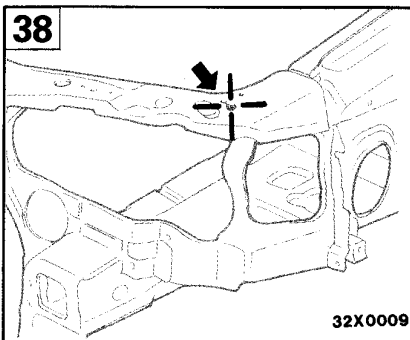


NOTE
*1: Vehicles with ECS

32X0096



32X0056

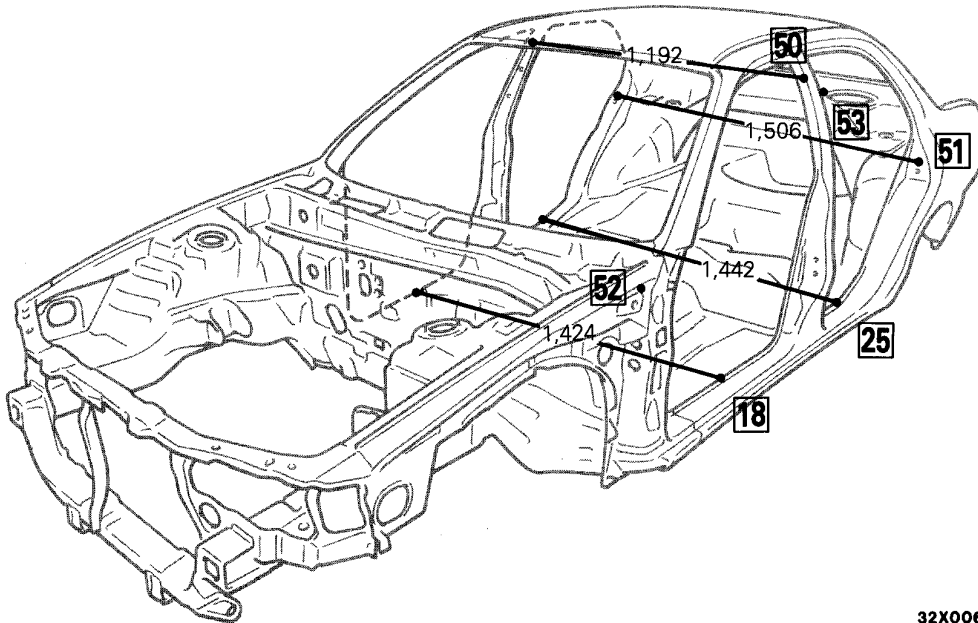


No.	Standard measurement point	Hole shape	Size mm
35	Centre of headlamp support panel positioning hole	○	12
36	Centre of ECS oil cooler mounting hole	○	9
37	Centre of air guide panel mounting hole	○	7
38	Centre of front fender mounting hole	○	6.6
39	Centre of ECS mounting hole	○	9
40	Centre of cooler receiver mounting hole	○	6.6
41	Centre of front shock absorber mounting hole	○	11.5 × 12.5
	Centre of front shock absorber mounting hole (Vehicles with ECS)	○	11.5 × 12.5
42	Body centre point	—	—
43	Centre of hood hinge mounting hole	○	12

BODY DIMENSIONS – Type B (Actual-measurement Dimensions) [SEDAN] 2-11

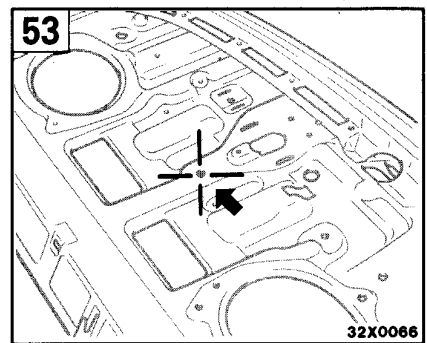
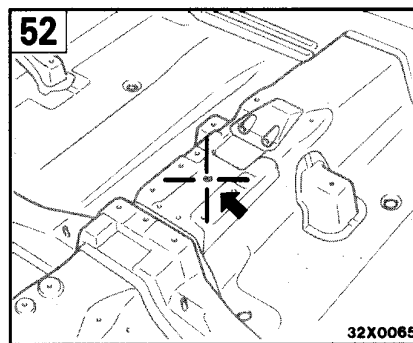
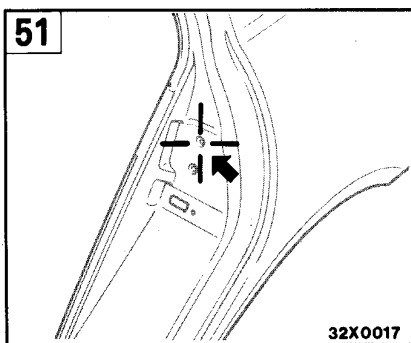
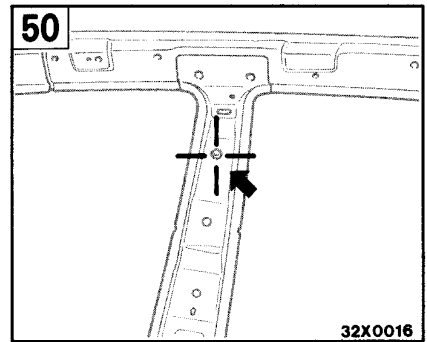
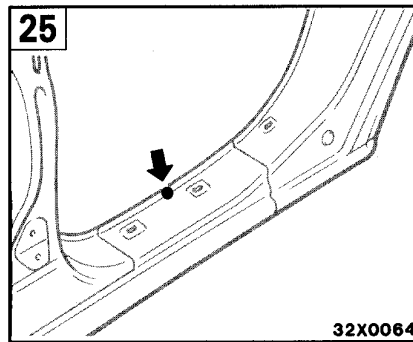
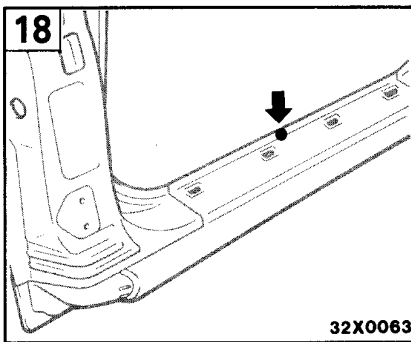
INTERIOR

mm



32X0062

No.	Standard measurement point	Hole shape - Size mm	No.	Standard measurement point	Hole shape - Size mm
18	Side sill outer positioning notch (Front section)	—	51	Centre of rear door striker mounting hole	○-14
25	Side sill outer positioning notch (Rear section)	—	52	Body centre point	○-9.7
50	Centre of seat belt anchor mounting hole	○-14	53	Body centre point	○-9



2-12 BODY DIMENSIONS – Type A (Projected Dimensions) [HATCHBACK]

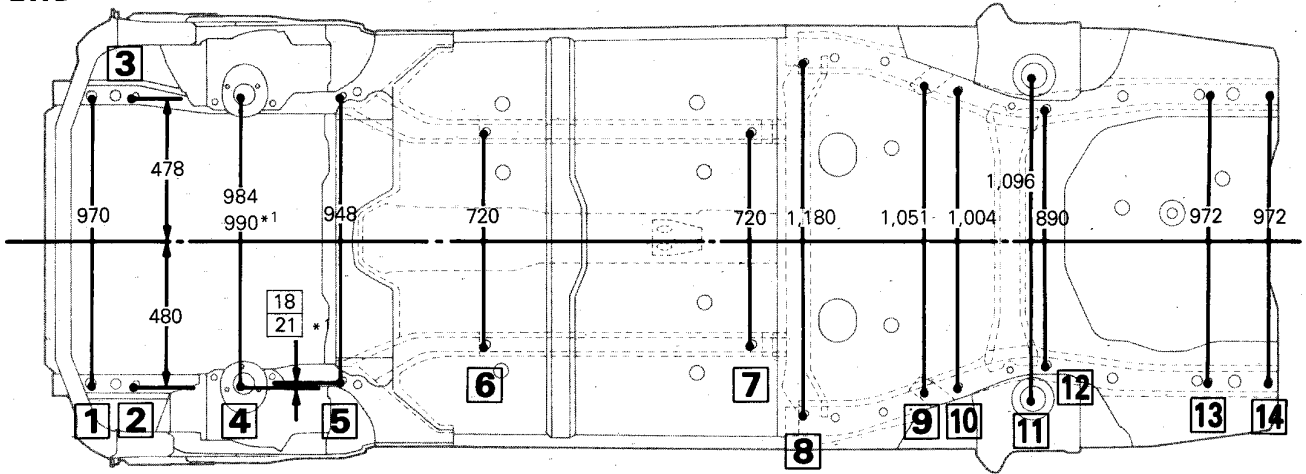
[HATCHBACK]

mm

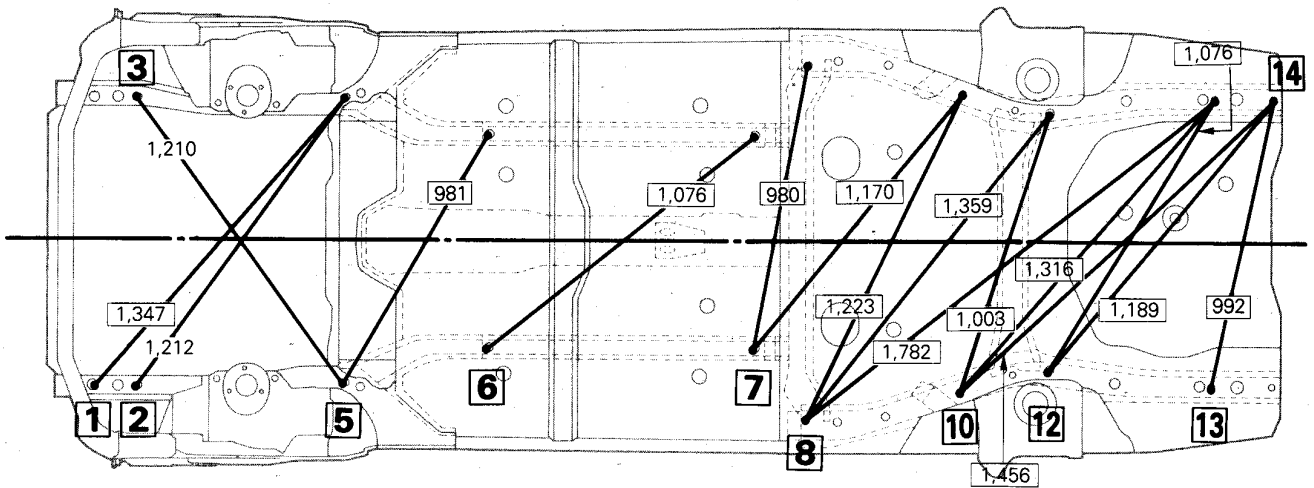
TYPE A (PROJECTED DIMENSIONS)

UNDER BODY

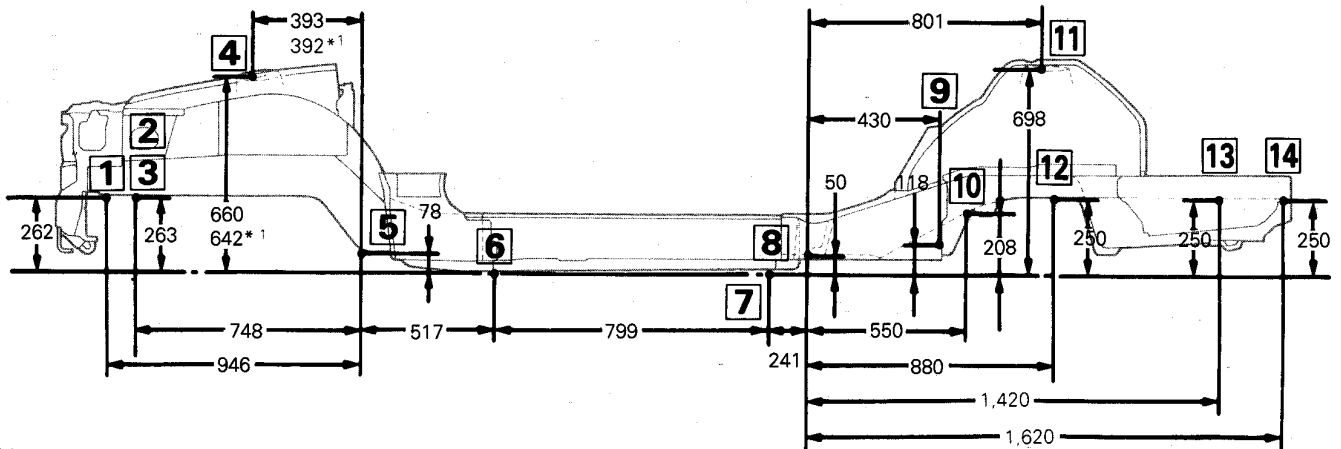
<2WD>



32X0028



32X0029



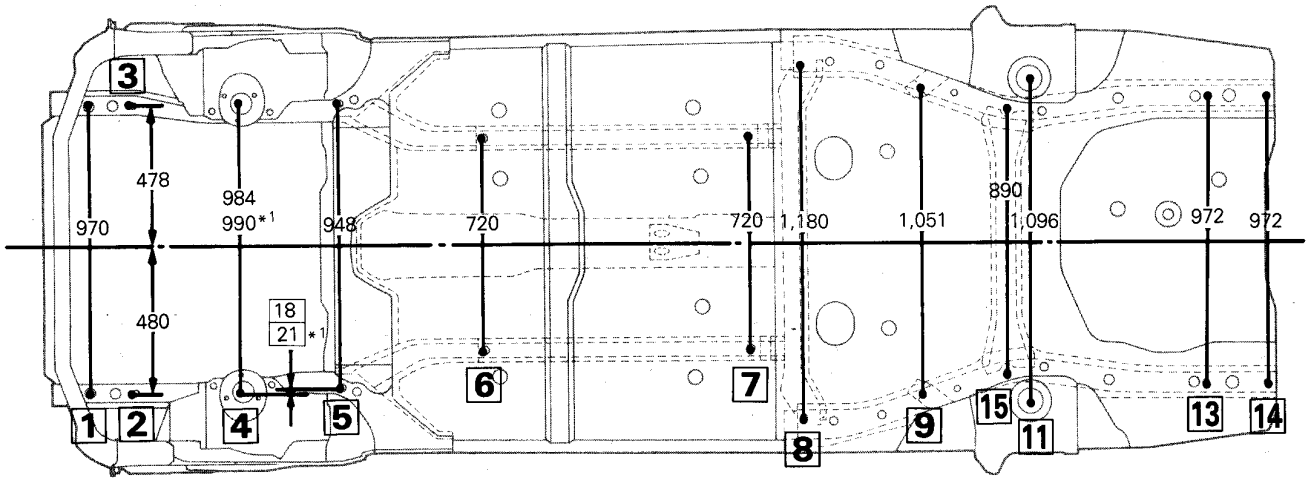
32X0030

NOTE

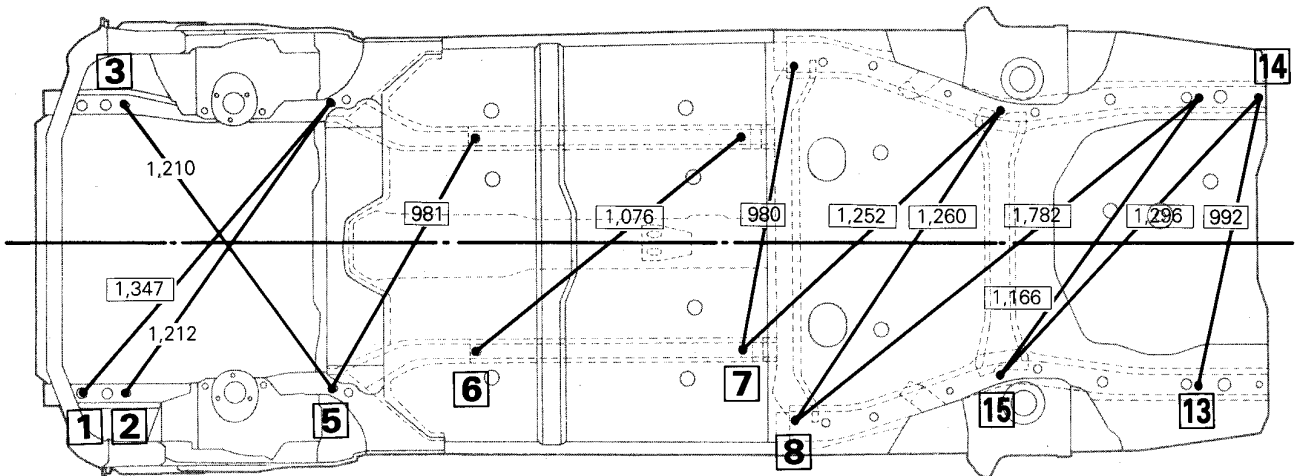
*1: Vehicles with ECS

<4WD>

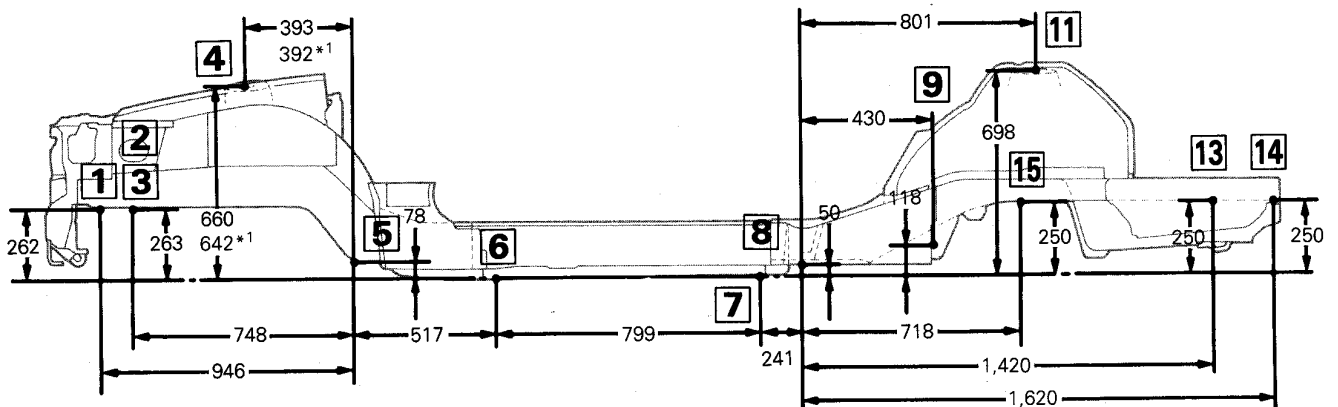
mm



32X0031



32X0032



32X0033

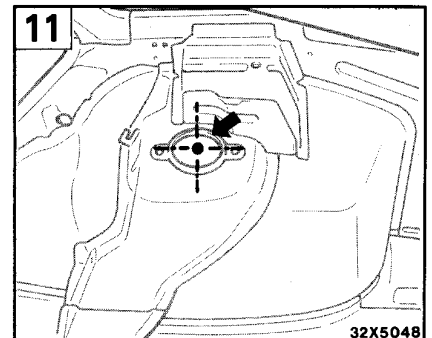
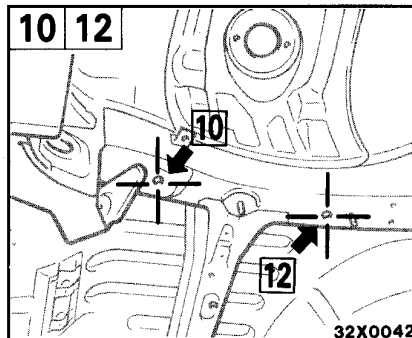
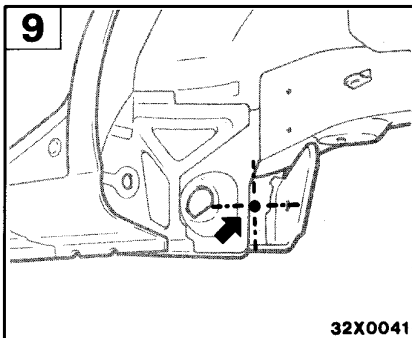
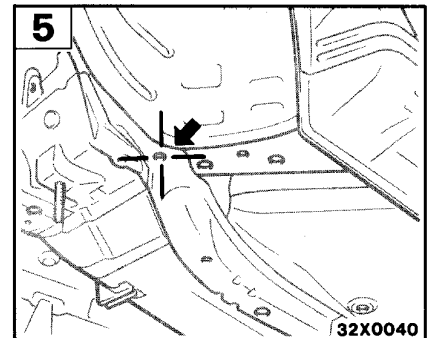
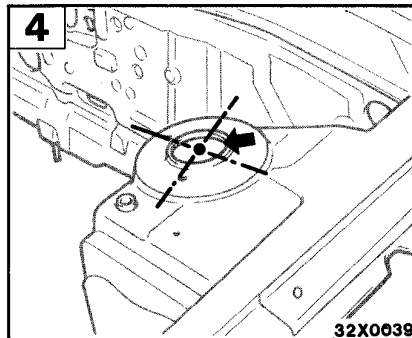
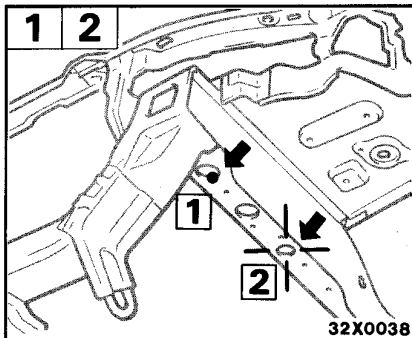
NOTE

*1: Vehicles with ECS

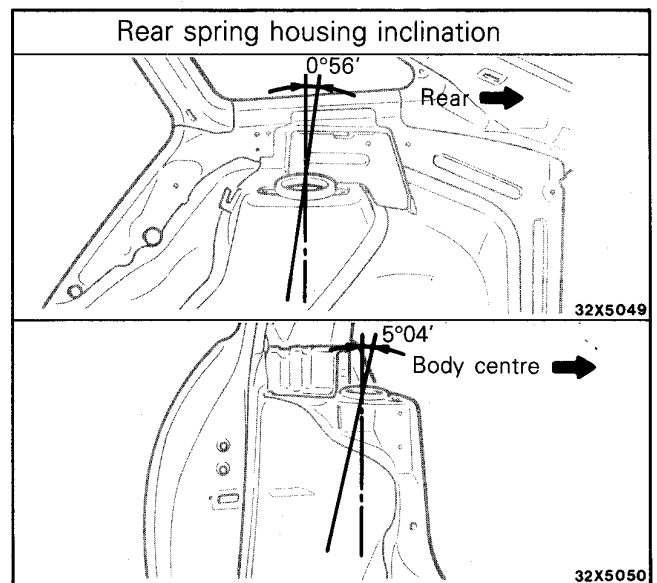
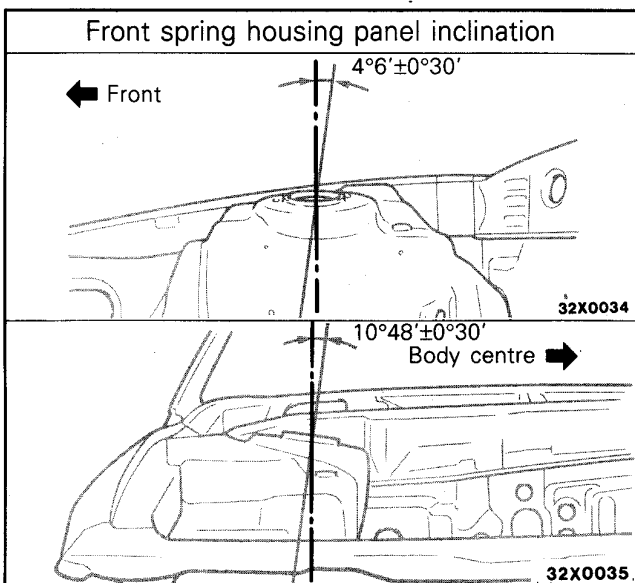
2-14 BODY DIMENSIONS – Type A (Projected Dimensions) [HATCHBACK]

No.	Standard measurement point	Hole shape – Size mm	No.	Standard measurement point	Hole shape – Size mm
1*	Rear edge of front sidemember drain hole	○-35	8*	Centre of rear floor sidemember drain hole	○-20
2	Centre of front sidemember drain hole (Left side)	○-25	9	Reference point of trailing arm mounting	—
3	Centre of front sidemember drain hole (Right side)	○-25	10	Centre of rear floor sidemember drain hole <2WD>	○-15
4	Centre of front shock absorber mounting hole	○-82	11	Centre of rear shock absorber mounting hole	○-60
	Centre of front shock absorber mounting hole (Vehicles with ECS)	○-82	12*	Centre of rear floor sidemember drain hole <2WD>	○-20
5*	Centre of crossmember mounting hole	○-15	13*	Centre of towing bar mounting hole	○-13
6*	Centre of front floor sidemember drain hole	○-12	14	Centre of towing bar mounting hole	○-15
7*	Centre of front floor sidemember positioning hole	○-17.5	15*	Centre of rear floor sidemember drain hole <4WD>	○-15

NOTE: The * mark indicates the mounting position for the frame centering gauge.



SUSPENSION MOUNTING SURFACE INCLINATION



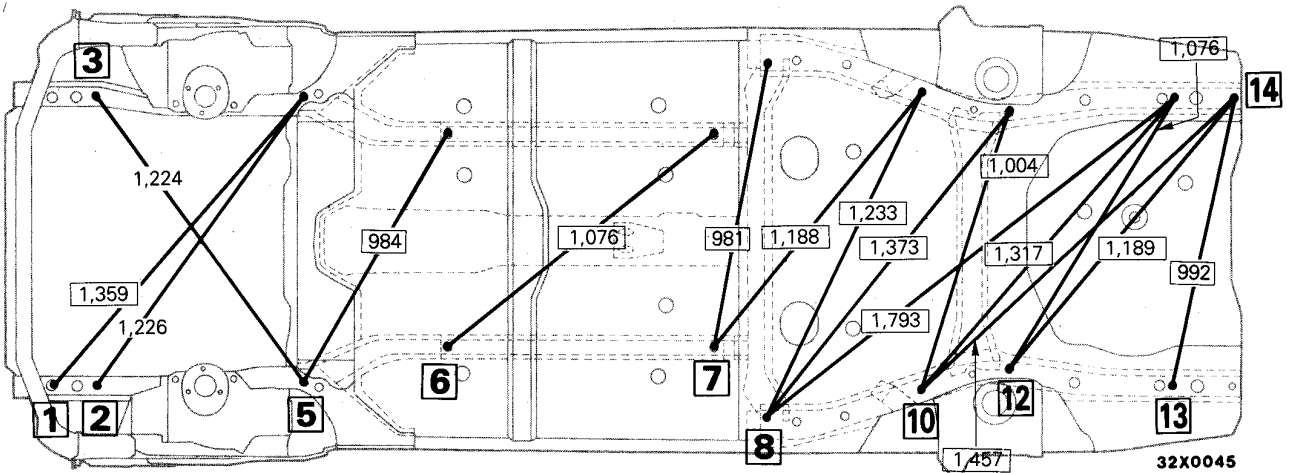
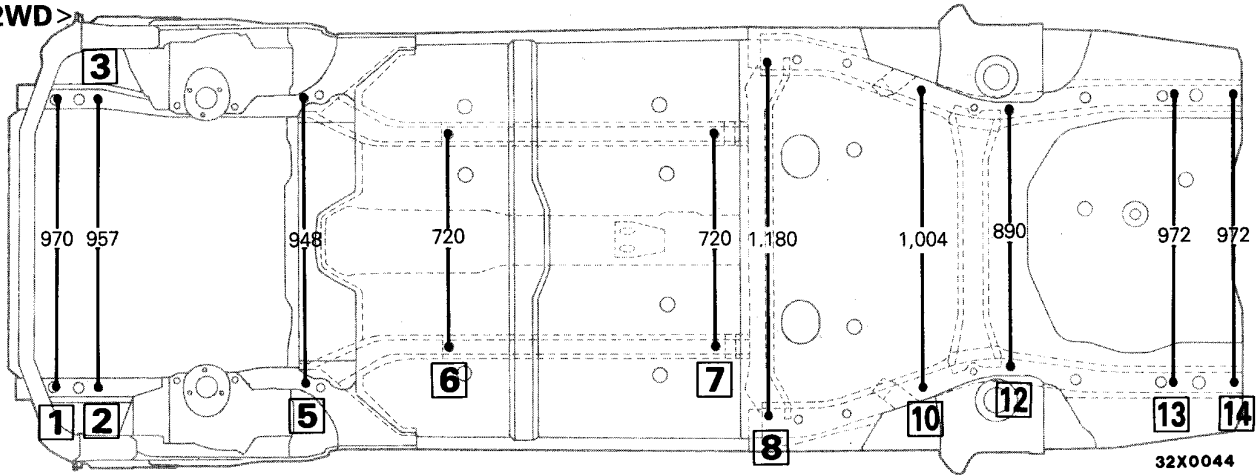
BODY DIMENSIONS – Type B (Actual-measurement Dimensions) [HATCHBACK] 2-15

TYPE B (ACTUAL-MEASUREMENT DIMENSIONS)

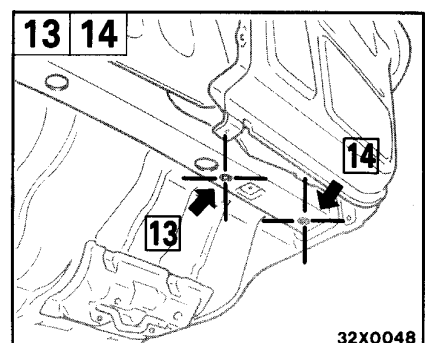
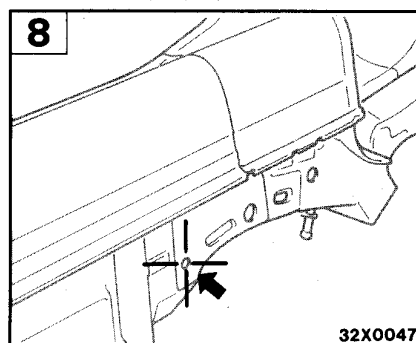
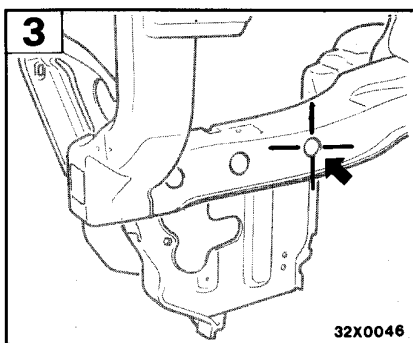
mm

UNDER BODY

<2WD>



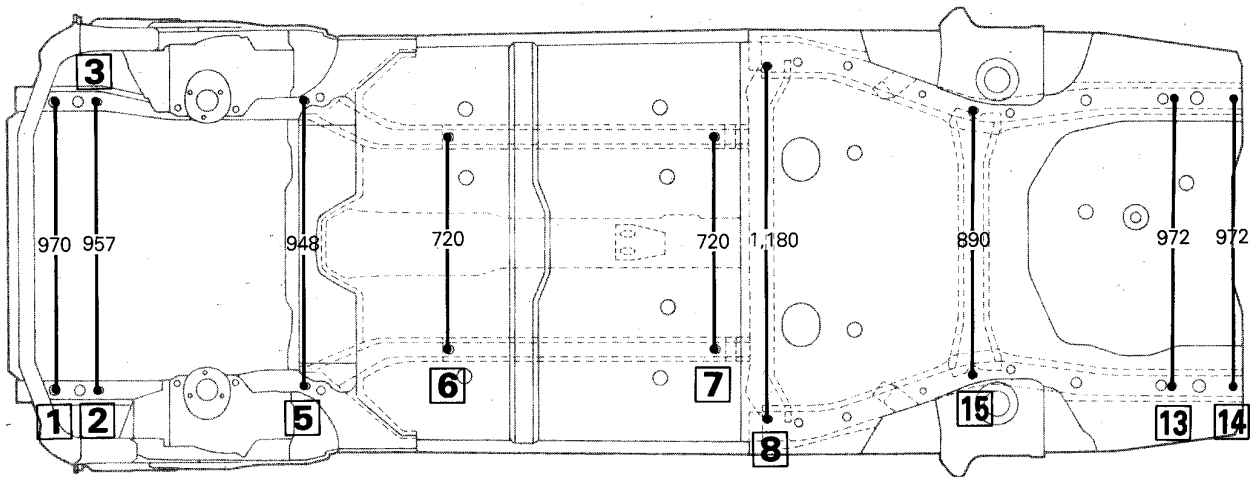
No.	Standard measurement point	Hole shape - Size mm	No.	Standard measurement point	Hole shape - Size mm
1	Rear edge of front sidemember drain hole	○-35	8	Centre of rear floor sidemember drain hole	○-20
2	Centre of front sidemember drain hole (Left side)	○-25	10	Centre of rear floor sidemember drain hole	○-15
3	Centre of front sidemember drain hole (Right side)	○-25	12	Centre of rear floor sidemember drain hole	○-20
5	Centre of crossmember mounting hole	○-15	13	Centre of towing bar mounting hole	○-13
6	Centre of front floor sidemember drain hole	○-12	14	Centre of towing bar mounting hole	○-15
7	Centre of front floor sidemember positioning hole	○-17.5			



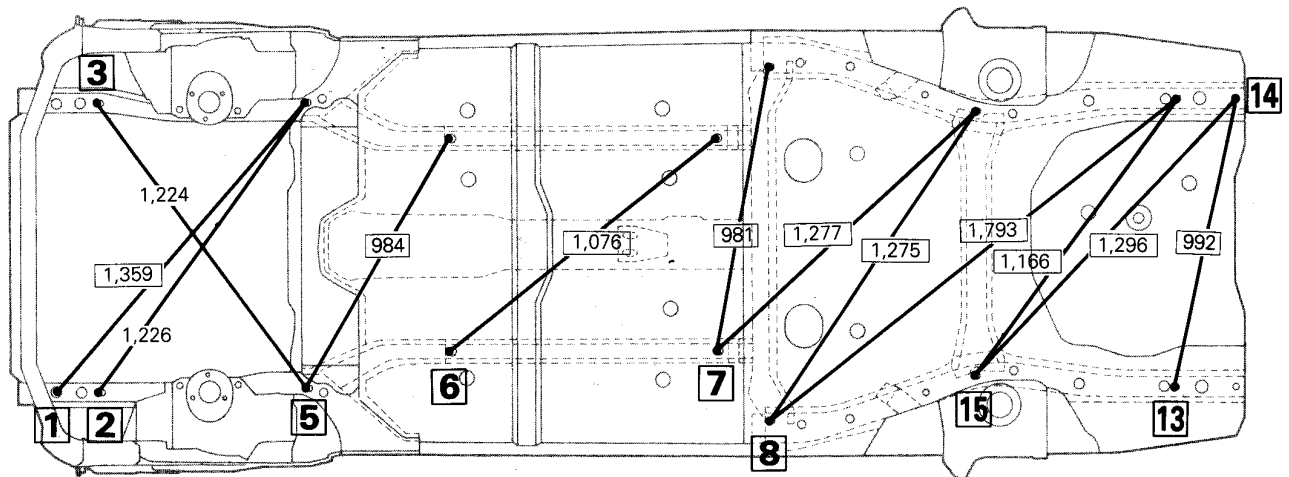
2-16 BODY DIMENSIONS – Type B (Actual-measurement Dimensions) [HATCHBACK]

<4WD>

mm

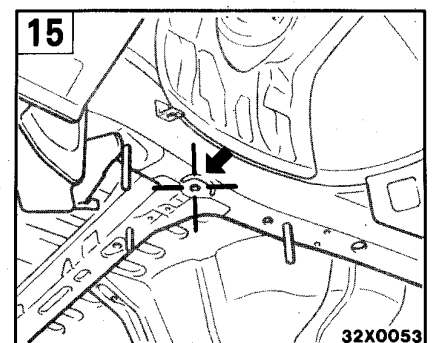
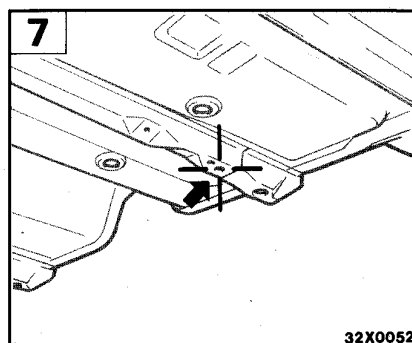
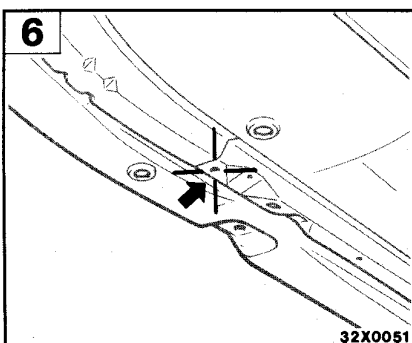


32X0049



32X0050

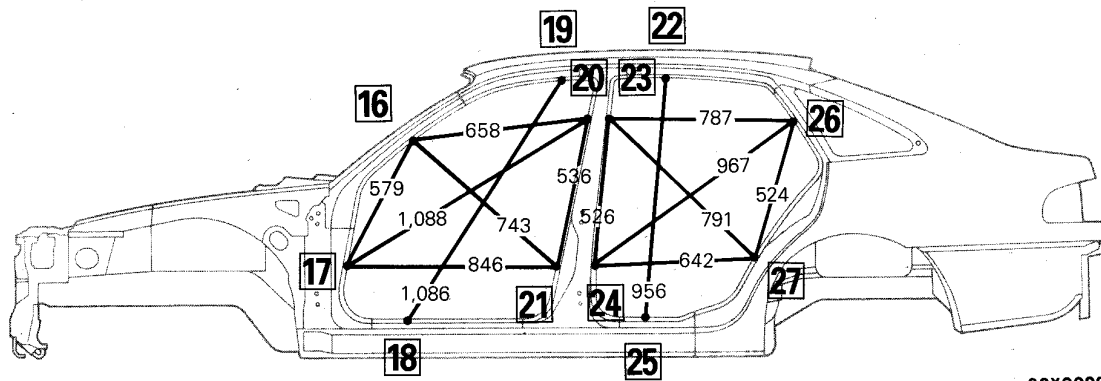
No.	Standard measurement point	Hole shape - Size mm	No.	Standard measurement point	Hole shape - Size mm
1	Rear edge of front sidemember drain hole	○-35	7	Centre of front floor sidemember positioning hole	○-17.5
2	Centre of front sidemember drain hole (Left side)	○-25	8	Centre of rear floor sidemember drain hole	○-20
3	Centre of front sidemember drain hole (Right side)	○-25	13	Centre of towing bar mounting hole	○-13
5	Centre of crossmember mounting hole	○-15	14	Centre of towing bar mounting hole	○-15
6	Centre of front floor sidemember drain hole	○-12	15	Centre of rear floor sidemember drain hole	○-15



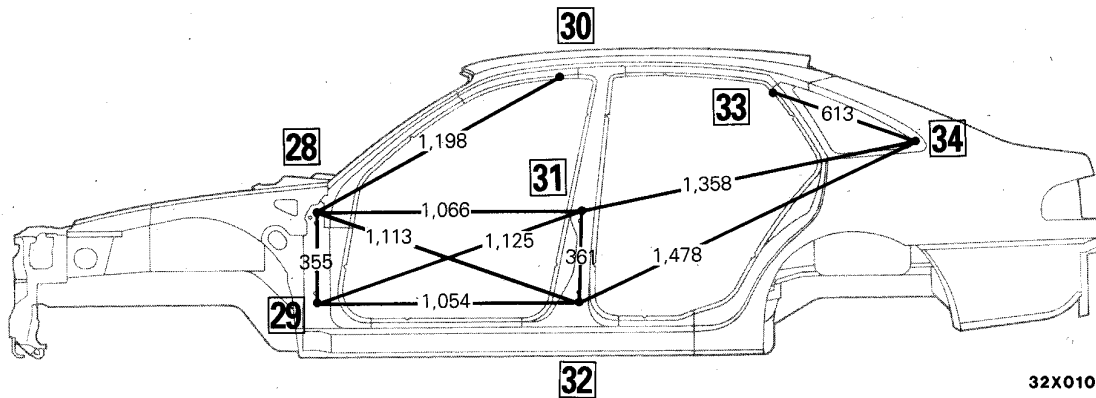
BODY DIMENSIONS – Type B (Actual-measurement Dimensions) [HATCHBACK] 2-17

SIDE BODY

mm

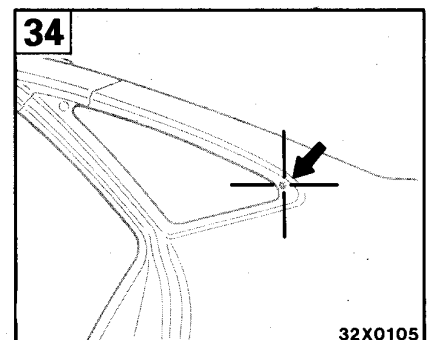
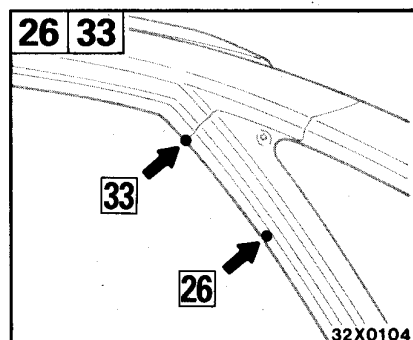
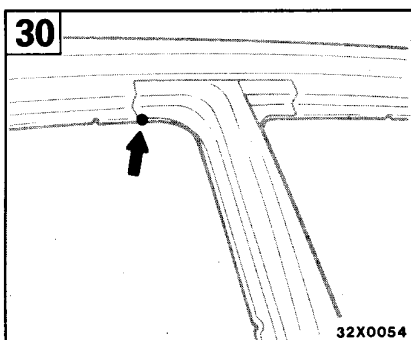


32X0099



32X0100

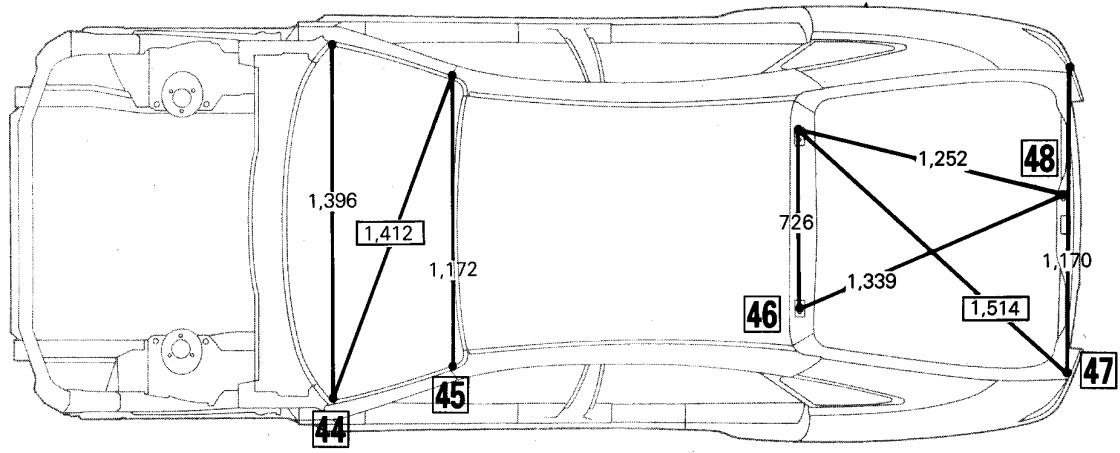
No.	Standard measurement point	Hole shape - Size mm	No.	Standard measurement point	Hole shape - Size mm
16	Front pillar outer positioning notch (Upper section)	—	26	Quarter panel outer positioning notch (Upper section)	—
17	Front pillar outer positioning notch (Lower section)	—	27	Quarter panel outer positioning notch (Lower section)	—
18	Side sill outer positioning notch (Lower section)	—	28	Centre of front door hinge mounting hole (Upper section)	○-12
19	Side roof rail outer positioning notch (Front section)	—	29	Centre of front door hoinge mounting hole (Lower section)	○-12
20	Center pillar outer positioning notch (Upper section)	—	30	Joint of side roof rail outer and center pillar	—
21	Center pillar outer positioning notch (Lower section)	—	31	Centre of rear door hinge mounting hole (Upper section)	○-12
22	Side roof rail outer positioning notch (Rear section)	—	32	Centre of rear door hinge mounting hole (Lower section)	○-12
23	Center pillar outer positioning notch (Upper section)	—	33	Joint of side roof rail outer and quarter panel outer	—
24	Center pillar outer positioning notch (Lower section)	—	34	Centre of quarter panel outer positioning hole	○-7
25	Side sill outer positioning notch (Rear section)	—			



2-18 BODY DIMENSIONS – Type B (Actual-measurement Dimensions) [HATCHBACK]

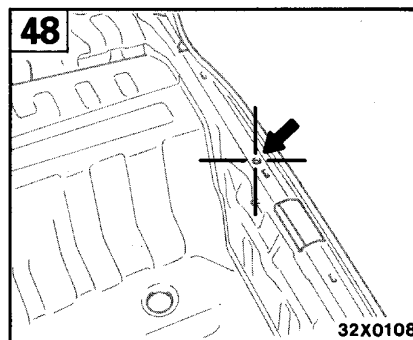
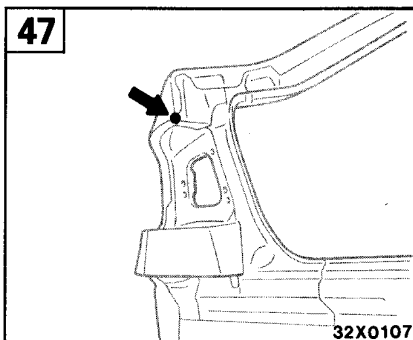
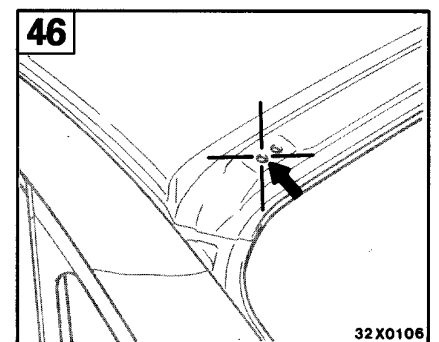
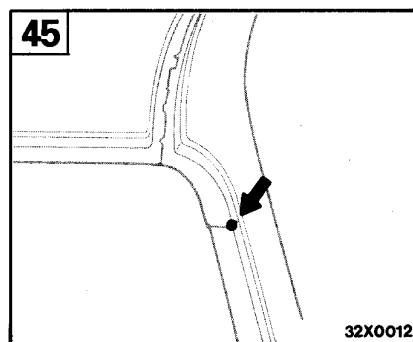
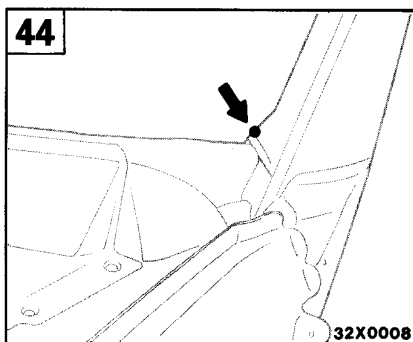
UPPER BODY

mm



32X0101

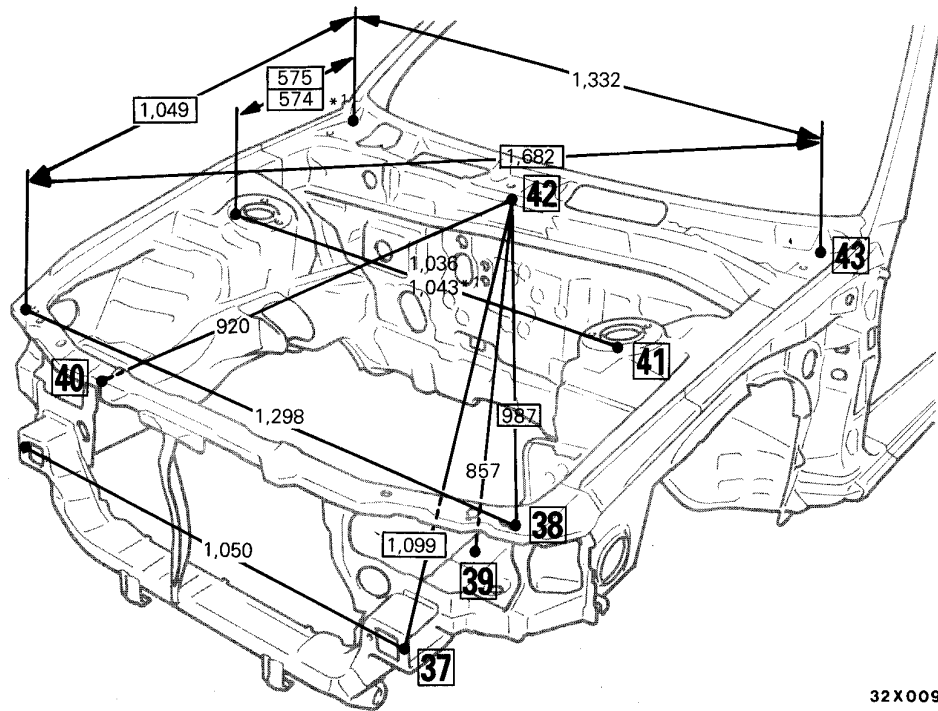
No.	Standard measurement point	Hole shape - Size mm	No.	Standard measurement point	Hole shape - Size mm
44	Front pillar lower section	—	47	Corner of quarter panel outer	—
45	Joint of front pillar and side roof rail outer	—	48	Centre of rear end panel inner positioning hole	○-8
46	Centre of tailgate hinge mounting hole	○-12			



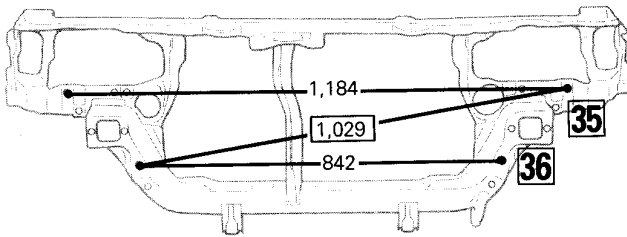
BODY DIMENSIONS – Type B (Actual-measurement Dimensions) [HATCHBACK] 2-19

ENGINE COMPARTMENT

mm



32X0096

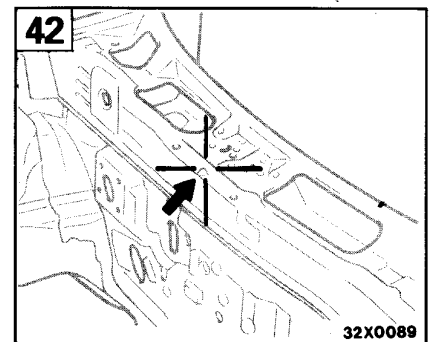
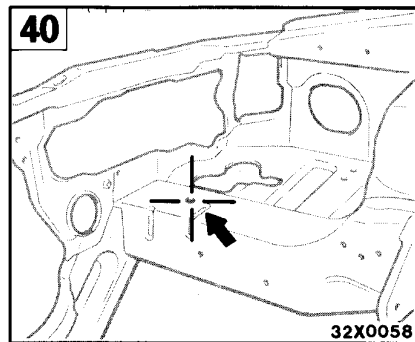
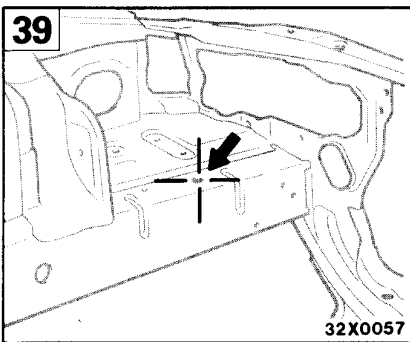
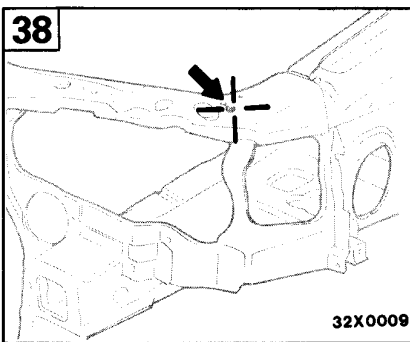


32X0056

NOTE

*1: Vehicles with ECS

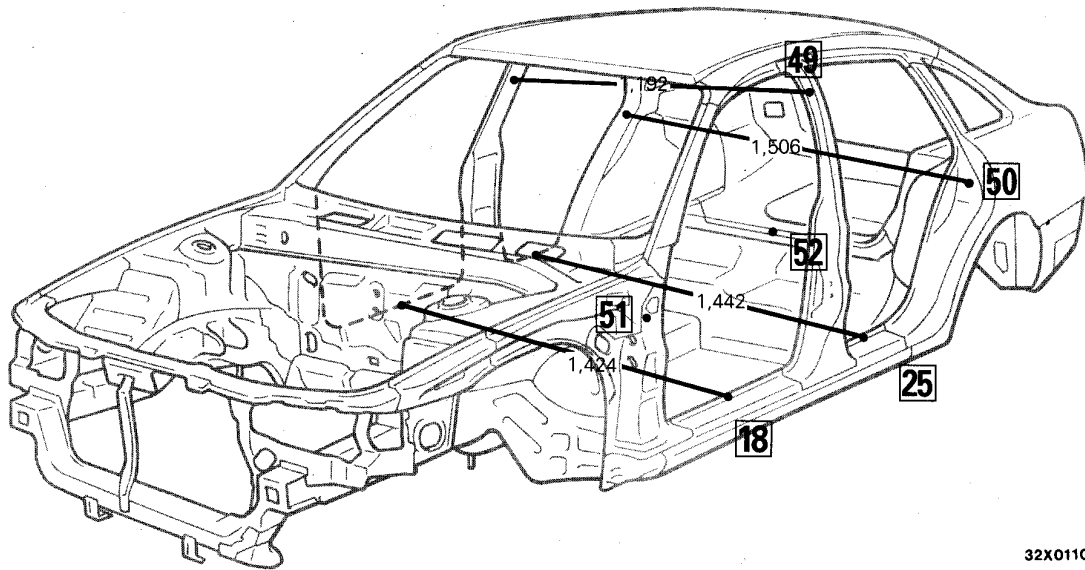
No.	Standard measurement point	Hole shape	Size mm
35	Centre of headlamp support panel positioning hole	○	12
36	Centre of ECS oil cooler mounting hole	○	9
37	Centre of air guide panel mounting hole	○	7
38	Centre of front fender mounting hole	○	6.6
39	Centre of ECS mounting hole	○	9
40	Centre of cooler receiver mounting hole	○	6.6
41	Centre of front shock absorber mounting hole	○	11.5 × 12.5
	Centre of front shock absorber mounting hole (Vehicles with ECS)	○	11.5 × 12.5
42	Body centre point	—	—
43	Centre of hood hinge mounting hole	○	12



2-20 BODY DIMENSIONS – Type B (Actual-measurement Dimensions) [HATCHBACK]

INTERIOR

mm



No.	Standard measurement point	Hole shape - Size mm	No.	Standard measurement point	Hole shape - Size mm
18	Side sill outer positioning notch (Front section)	—	50	Centre of rear door striker mounting hole	○-14
25	Side sill outer positioning notch (Rear section)	—	51	Body centre point	○-9.7
49	Centre of seat belt anchor mounting hole	○-14	52	Body centre point	○-15

