

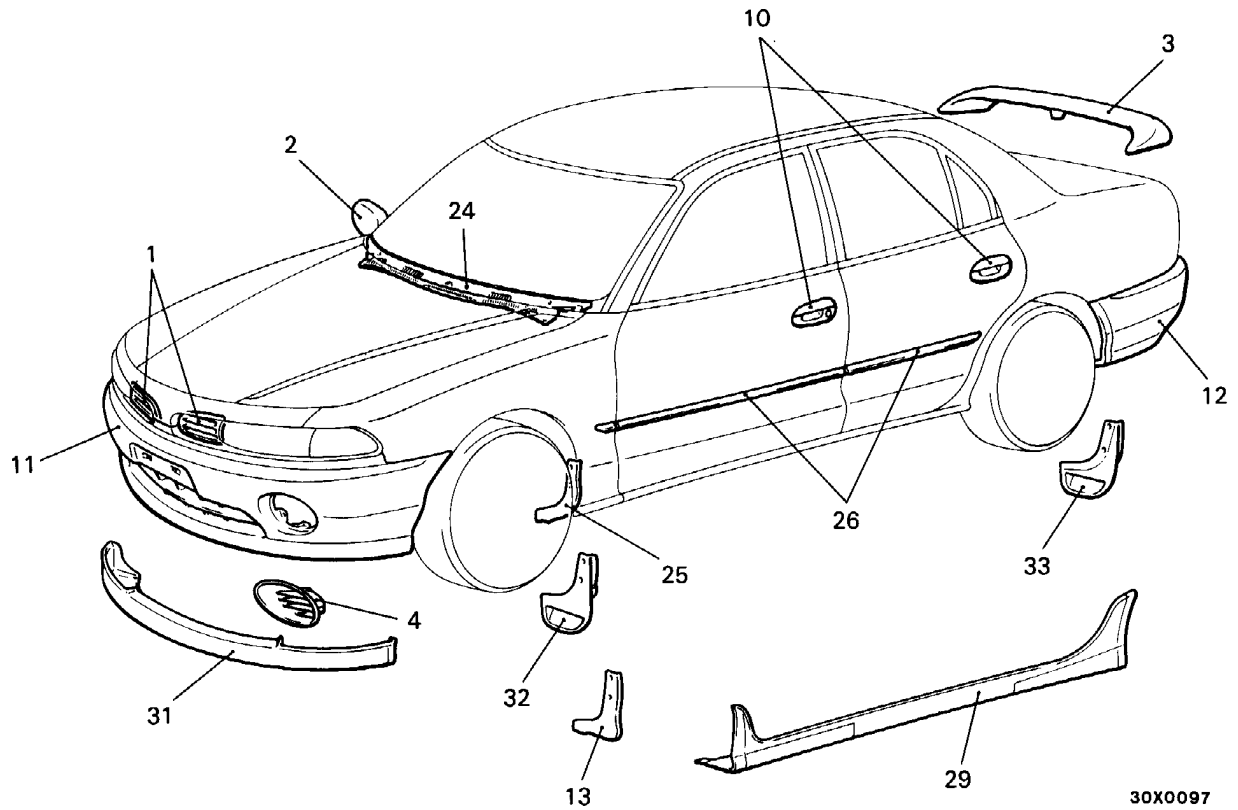
5 SYNTHETIC-RESIN PARTS

LOCATION OF SYNTHETIC-RESIN PARTS 5-2

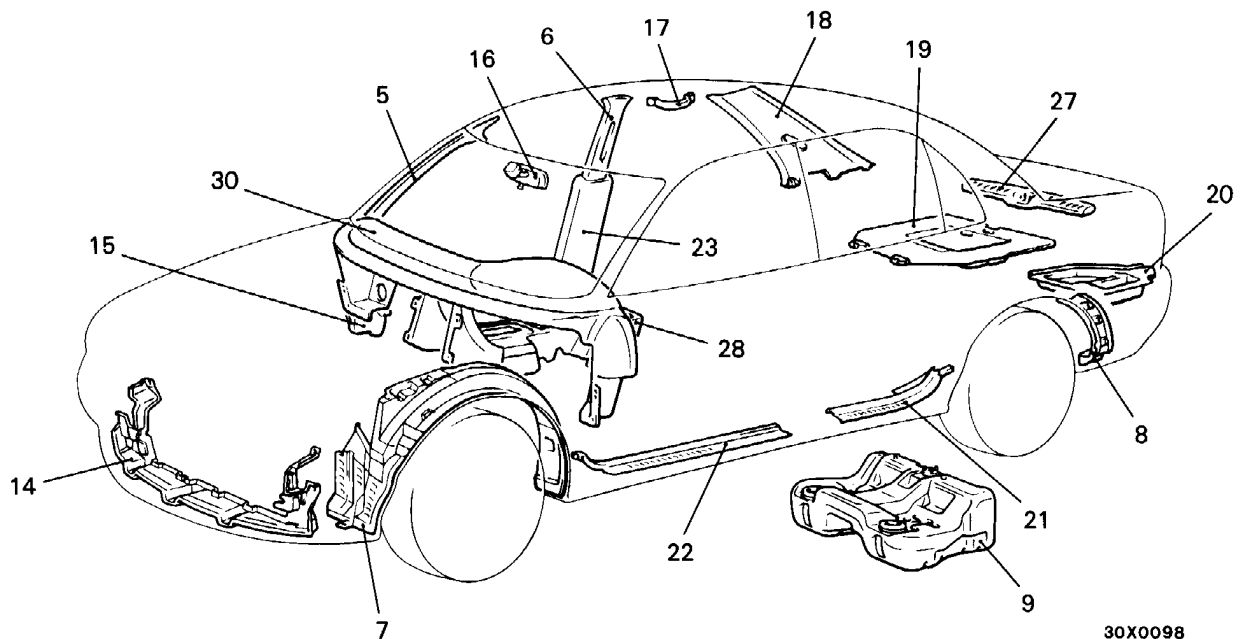
LOCATION OF SYNTHETIC-RESIN PARTS

The location and material of each of the principal synthetic-resin parts are shown below:

[SEDAN]



30X0097



30X0098

NOTES

Each synthetic-resin part is marked in an unobtrusive location to indicate the specific material.

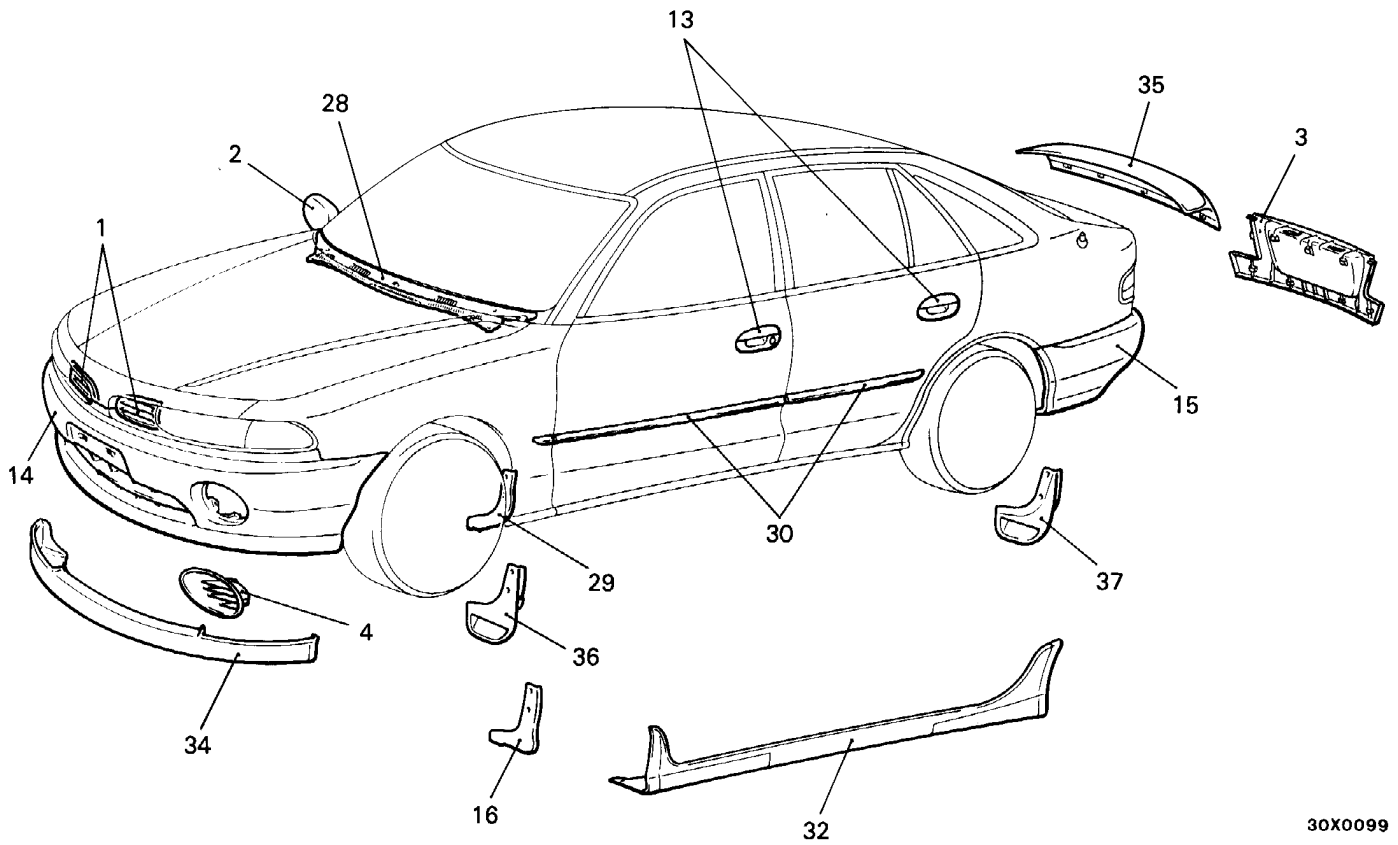
No.	Part name	Name of resin	Abbreviation	Heat-withstand temp. [°C]
1	Radiator grille	ABS resin	ABS	75 – 100
2	Door mirror			
3	Air spoiler, rear			
4	Air inlet garnish			
5	Front pillar trim			
6	Center pillar trim, upper			
7	Splash shield, front	High-density polyethylene	HDPE	70 – 90
8	Splash shield, rear			
9	Fuel tank (4WD)	High-density polyethylene Modified polyethylene Polyamide 6	HDPE MODPE PA6	70 – 90
10	Door outside handle	Polyamide 6	PA6	160 – 180
11	Front bumper face	Polypropylene	PP	60 – 100
12	Rear bumper face			
13	Side air dam, front			
14	Air guide panel			
15	Cowl side trim			
16	Room mirror			
17	Asist grip			
18	Rear pillar trim			
19	Trunk floor board			
20	Trunk side box (Vehicles without the rear wiper)			
21	Rear scuff plate			
22	Front scuff plate			
23	Center pillar trim, lower			
24	Front deck garnish	Polypropylene form	PP-F	100 – 110
25	Stone guard			
26	Side protector moulding			
27	Rear end trim cover			
28	Floor console			
29	Side air dam, rear	Polyurethane	PUR	80
30	Instrument pad	Polyvinyl chloride/ Polyurethane	PVC/ PUR	65 – 80
31	Air dam panel	Glass fiber-reinforced RIM urethane	R-RIM	100 – 120
32	Front mud guard	Thermoplastic elastomer	TPE	80 – 100
33	Rear mud guard	Thermoplastic rubber	TPR	80

NOTES

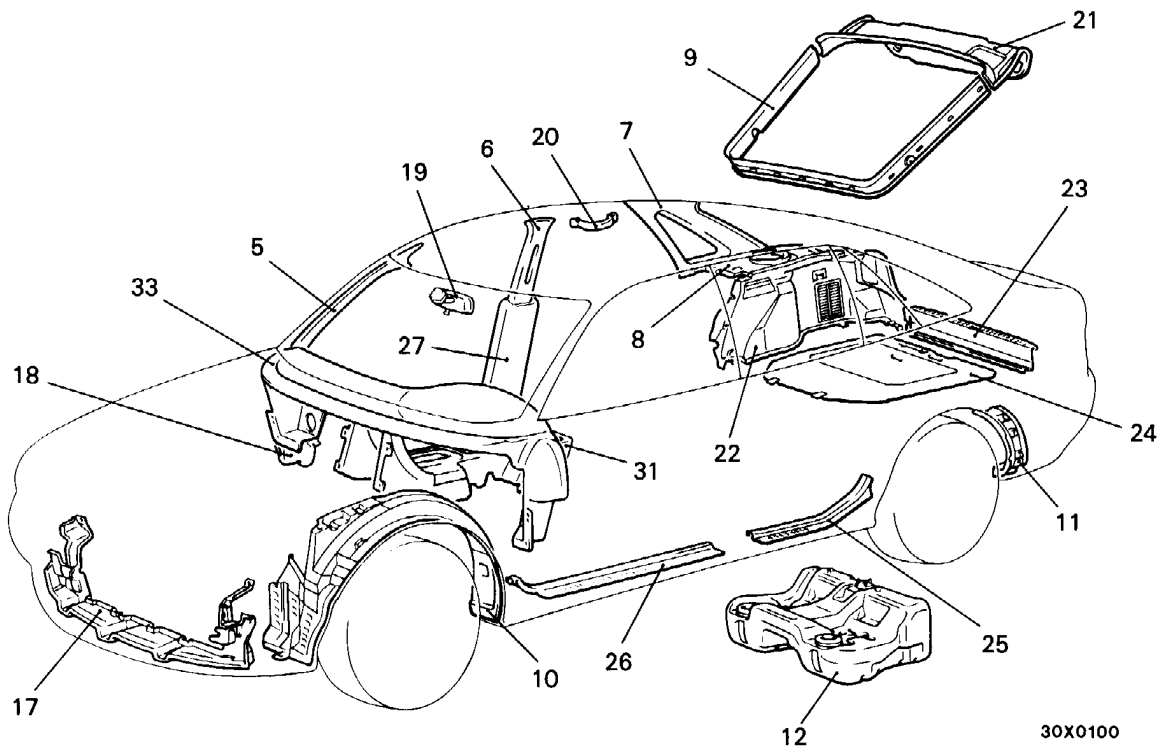
- (1) The indicated heat-resistance temperature for parts which are composed of two or more types of materials is the value for the material with the lowest heat-resistance temperature.
- (2) The fuel tank is of a 5-layer construction and is made from three different kinds of resin.
- (3) Materials before a slash (/) are outside materials, and those after the slash are inside materials.

5-4 SYNTHETIC-RESIN PARTS – Location of Synthetic-resin Parts

[HATCHBACK]



30X0099



30X0100

NOTES

Each synthetic-resin part is marked in an unobtrusive location to indicate the specific material.

No.	Part name	Name of resin	Abbreviation	Heat-withstand temp. [°C]
1	Radiator grille	ABS resin	ABS	75 – 100
2	Door mirror			
3	Tailgate garnish			
4	Air inlet garnish			
5	Front pillar trim			
6	Center pillar trim, upper			
7	Rear pillar trim			
8	Side shelf			
9	Tailgate trim, upper			
10	Splash shield, front	High-density polyethylene	HDPE	70 – 90
11	Splash shield, rear			
12	Fuel tank (4WD)	High-density polyethylene Modified polyethylene Polyamide 6	HDPE MODPE PA6	70 – 90
13	Door outside handle	Polyamide 6	PA6	160 – 180
14	Front bumper face	Polypropylene	PP	60 – 100
15	Rear bumper face			
16	Side air dam, front			
17	Air guide panel			
18	Cowl side trim			
19	Room mirror			
20	Assist grip			
21	Tailgate trim, lower			
22	Rear side trim			
23	Rear end trim			
24	Trunk floor board			
25	Rear scuff plate	Polypropylene	PP-F	100 – 110
26	Front scuff plate			
27	Center pillar trim, lower			
28	Front deck garnish			
29	Stone guard	Polyurethane	PUR	80
30	Side protector moulding			
31	Floor console			
32	Side air dam, rear	Polyvinyl chloride/ Polyurethane	PVC/ PUR	65 – 80
33	Instrument pad			
34	Air dam panel	Glass fiber-reinforced RIM urethane	R-RIM	100 – 120
35	Air spoiler, rear	Glass fiber-reinforced plastic	SMC	200
36	Front mud guard	Thermoplastic elastomer	TPE	80 – 100
37	Rear mud guard	Thermoplastic rubber	TPR	80

NOTES

- (1) The indicated heat-resistance temperature for parts which are composed of two or more types of materials is the value for the material with the lowest heat-resistance temperature.
- (2) The fuel tank is of a 5-layer construction and is made from three different kinds of resin.
- (3) Materials before a slash (/) are outside materials, and those after the slash are inside materials.