

# 1 BODY CONSTRUCTION

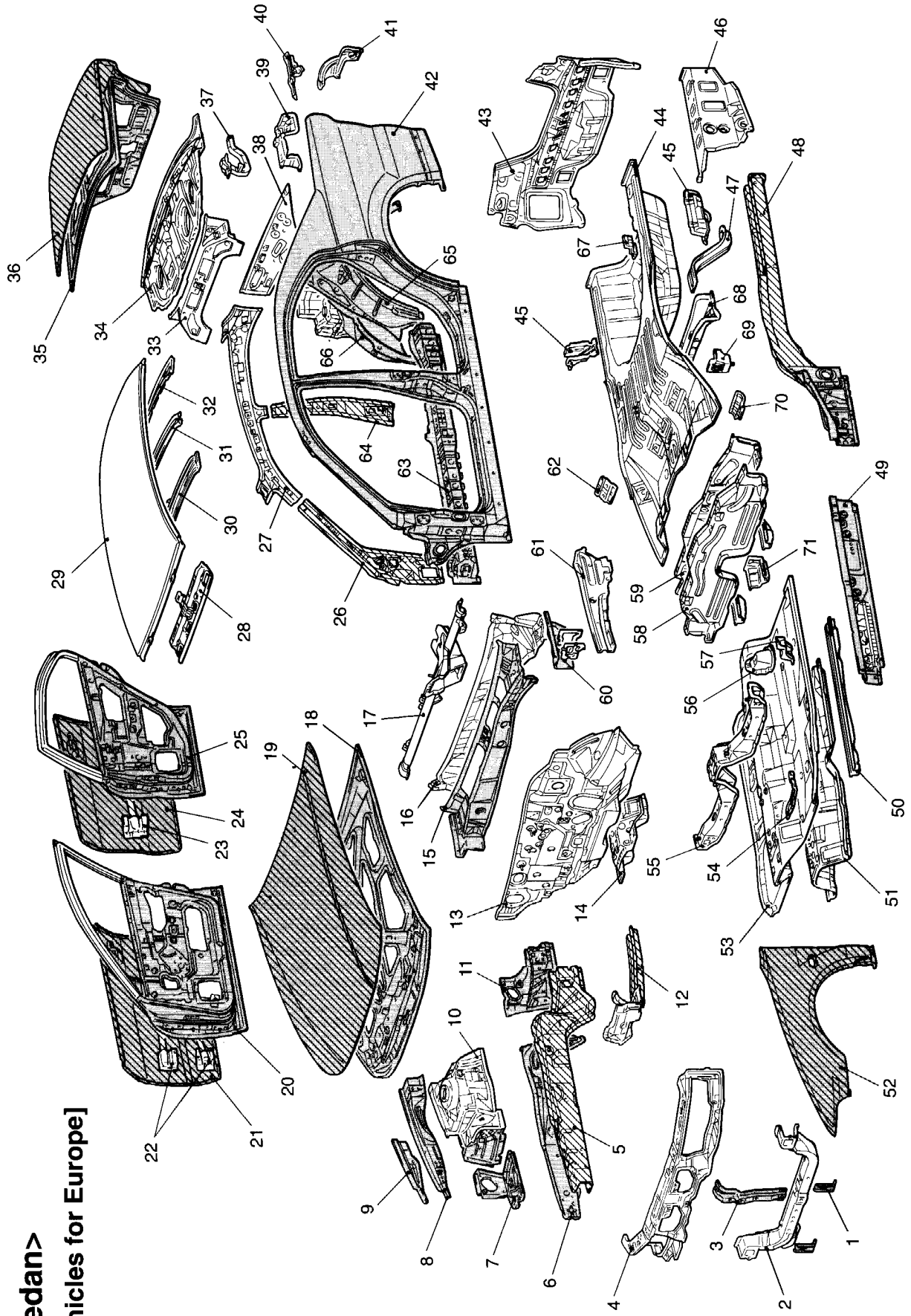
1

<b>BODY COMPONENTS</b> .....	<b>1-2</b>
<b>BODY CONSTRUCTION CHARACTERISTICS</b> .....	<b>1-8</b>
<b>BODY MAIN CROSS-SECTIONAL VIEWS</b> .....	<b>1-8</b>
<b>MAINTENANCE, SERVICEABILITY</b> .....	<b>1-12</b>
<b>FRONT BODY</b> .....	<b>1-15</b>
<b>SIDE BODY</b> .....	<b>1-20</b>
<b>REAR BODY</b> .....	<b>1-23</b>
<b>ROOF</b> .....	<b>1-24</b>
<b>UNDER BODY</b> .....	<b>1-25</b>
<b>DOOR</b> .....	<b>1-29</b>
<b>TOWING BAR MOUNTING LOCATIONS</b> .....	<b>1-30</b>
<b>SILENCER APPLICATION LOCATIONS</b> .....	<b>1-31</b>
<b>SILENCER SPRAYING LOCATIONS</b> .....	<b>1-31</b>
<b>FOAMING AGENT USAGE LOCATIONS</b> .....	<b>1-34</b>
<b>STIFFENER AND DAMPING SHEET APPLICATION LOCATIONS</b> .....	<b>1-35</b>

# BODY COMPONENTS

<Sedan>

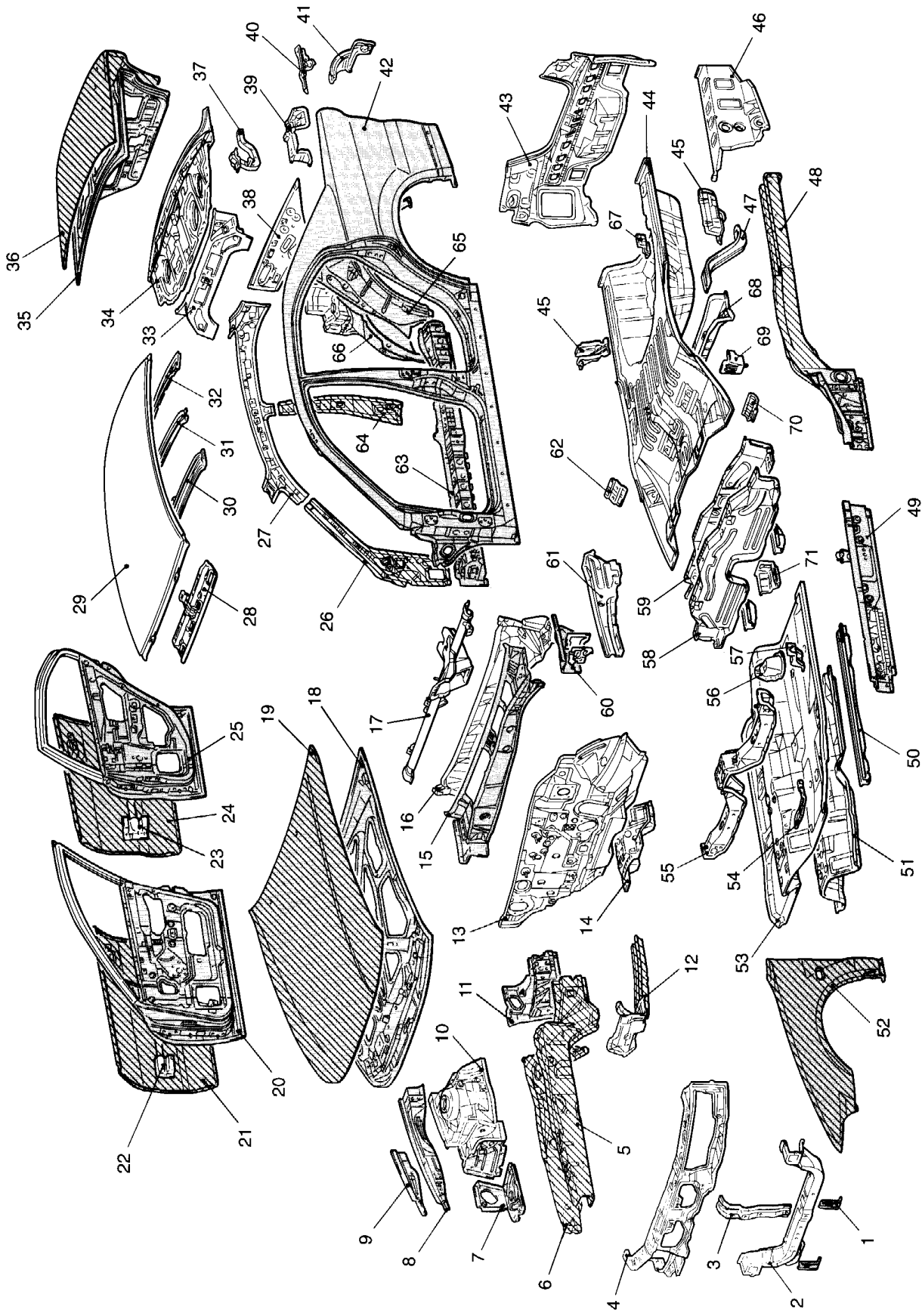
[Vehicles for Europe]



 : High-tensile steel panels  
 : Anticorrosion steel panels.

1. Bumper bracket
2. Front end crossmember
3. Hood lock stay
4. Headlamp support panel
5. Front sidemember, inner
6. Front sidemember, outer
7. Shield plate
8. Front upper frame, inner
9. Front upper frame, outer
10. Spring house panel
11. Front floor side sill, inner, front
12. Front sidemember, rear
13. Dash panel
14. Backbone reinforcement extension, front
15. Cowl top panel, outer
16. Cowl top panel, inner
17. Deck crossmember
18. Hood inner panel
19. Hood outer panel
20. Front door inner panel
21. Front door outer panel
22. Front door side door beam
23. Rear door side door beam
24. Rear door outer panel
25. Rear door inner panel
26. Front pillar, inner
27. Side roof rail, inner
28. Front roof rail
29. Roof panel
30. Roof bow
31. Rear roof bow
32. Rear roof rail
33. Rear shelf extension
34. Rear shelf panel
35. Trunk lid inner panel
36. Trunk lid outer panel
37. Trunk lid hinge
38. Rear pillar, inner
39. Rear shelf brace
40. Quarter corner panel
41. Rear end outer extension
42. Side outer panel
43. Rear end panel
44. Rear floor pan
45. Shipping bracket
46. Rear floor side brace
47. Garage jack bracket
48. Rear floor sidemember
49. Front floor side sill, inner
50. Front floor sidemember
51. Backbone reinforcement
52. Front fender
53. Front floor pan
54. Side sill to floor brace
55. Front floor crossmember
56. Front seat rear center bracket
57. Front seat rear side bracket
58. Rear seat front crossmember
59. Rear seat rear crossmember
60. Front upper frame extension, inner
61. Front upper frame extension, outer
62. Rear seat back side bracket
63. Side sill reinforcement
64. Center pillar, inner
65. Quarter panel, inner
66. Rear wheelhouse, inner
67. Jack bracket
68. Rear floor crossmember
69. Fuel tank support rear bracket
70. Muffler hanger rear reinforcement
71. Backbone reinforcement extension, rear

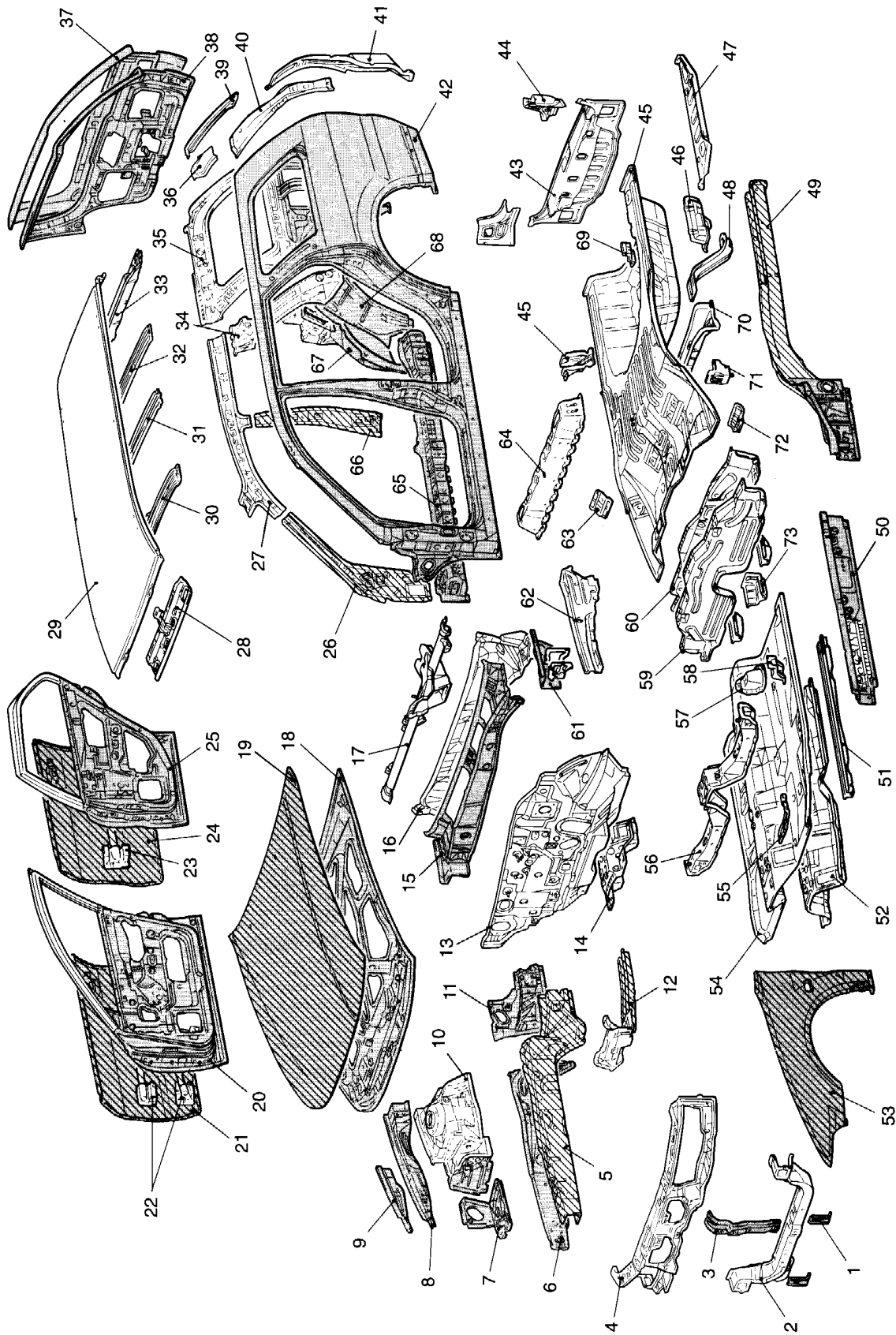
[Vehicles for General Export]



▨ : High-tensile steel panels.  
▩ : Anticorrosion steel panels.

1. Bumper bracket
2. Front end crossmember
3. Hood lock stay
4. Headlamp support panel
5. Front sidemember, inner
6. Front sidemember, outer
7. Shield plate
8. Front upper frame, inner
9. Front upper frame, outer
10. Spring house panel
11. Front floor side sill, inner, front
12. Front sidemember, rear
13. Dash panel
14. Backbone reinforcement extension, front
15. Cowl top panel, outer
16. Cowl top panel, inner
17. Deck crossmember
18. Hood inner panel
19. Hood outer panel
20. Front door inner panel
21. Front door outer panel
22. Front door side door beam
23. Rear door side door beam
24. Rear door outer panel
25. Rear door inner panel
26. Front pillar, inner
27. Side roof rail, inner
28. Front roof rail
29. Roof panel
30. Roof bow
31. Rear roof bow
32. Rear roof rail
33. Rear shelf extension
34. Rear shelf panel
35. Trunk lid inner panel
36. Trunk lid outer panel
37. Trunk lid hinge
38. Rear pillar, inner
39. Rear shelf brace
40. Quarter corner panel
41. Rear end outer extension
42. Side outer panel
43. Rear end panel
44. Rear floor pan
45. Shipping bracket
46. Rear floor side brace
47. Garage jack bracket
48. Rear floor sidemember
49. Front floor side sill, inner
50. Front floor sidemember
51. Backbone reinforcement
52. Front fender
53. Front floor pan
54. Side sill to floor brace
55. Front floor crossmember
56. Front seat rear center bracket
57. Front seat rear side bracket
58. Rear seat front crossmember
59. Rear seat rear crossmember
60. Front upper frame extension, inner
61. Front upper frame extension, outer
62. Rear seat back side bracket
63. Side sill reinforcement
64. Center pillar, inner
65. Quarter panel, inner
66. Rear wheelhouse, inner
67. Jack bracket
68. Rear floor crossmember
69. Fuel tank support rear bracket
70. Muffler hanger rear reinforcement
71. Backbone reinforcement extension, rear

<Wagon>

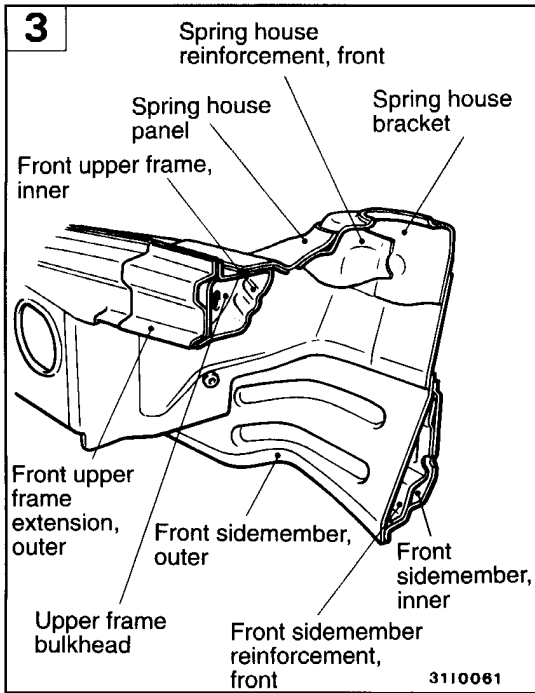
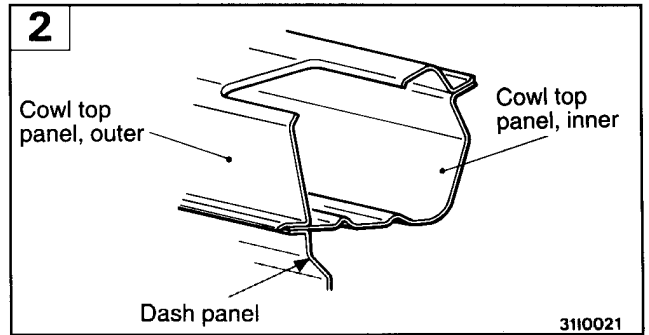
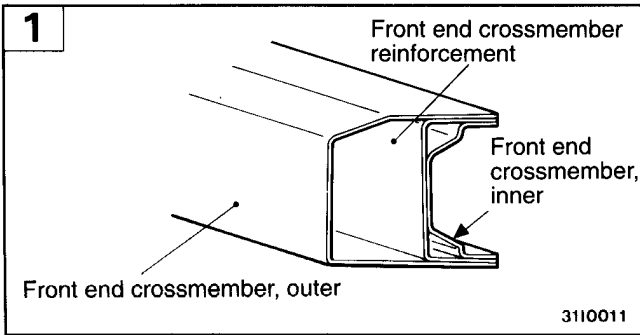


 : High-tensile steel panels.  
 : Anticorrosion steel panels.

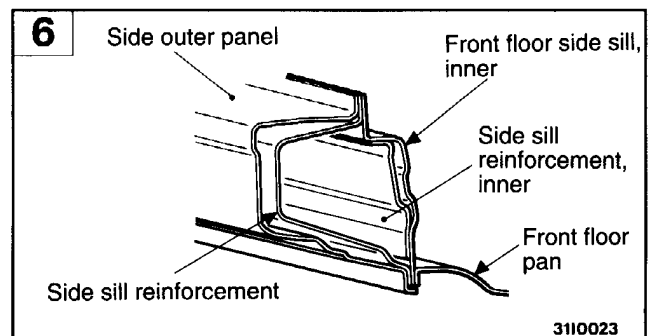
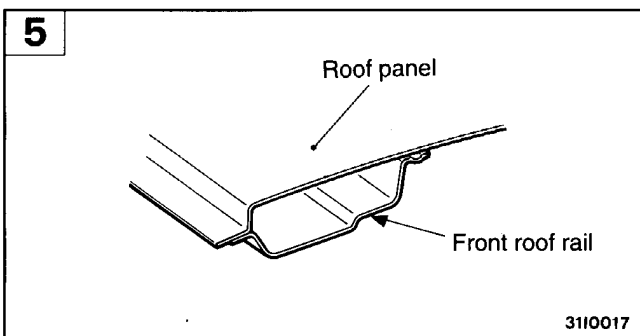
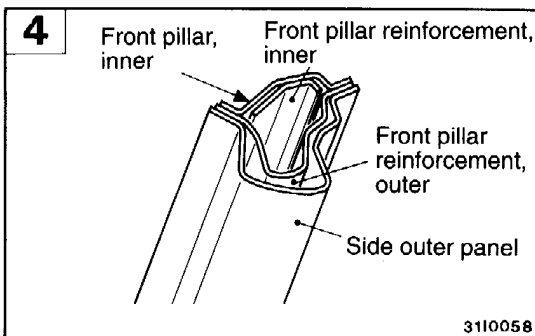
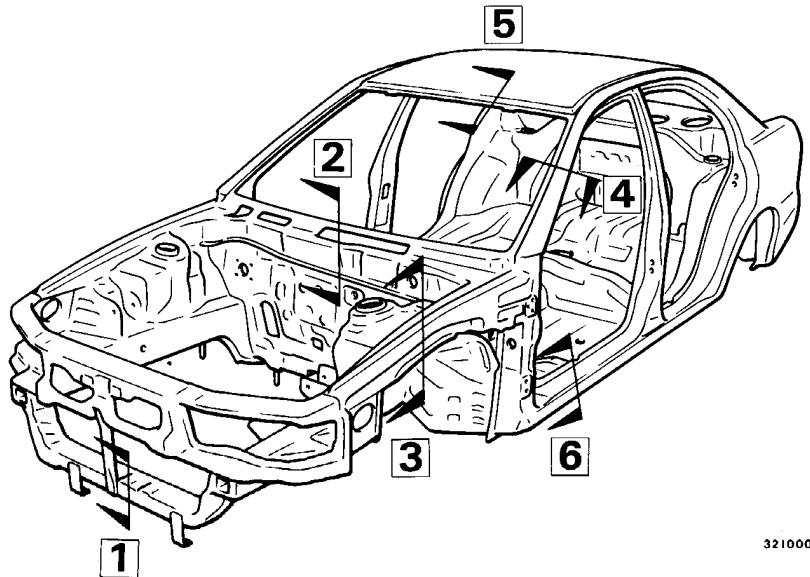
1. Bumper bracket
2. Front end crossmember
3. Hood lock stay
4. Headlamp support panel
5. Front sidemember, inner
6. Front sidemember, outer
7. Shield plate
8. Front upper frame, inner
9. Front upper frame, outer
10. Spring house panel
11. Front floor side sill, inner, front
12. Front sidemember, rear
13. Dash panel
14. Backbone reinforcement extension, front
15. Cowl top panel, outer
16. Cowl top panel, inner
17. Deck crossmember
18. Hood inner panel
19. Hood outer panel
20. Front door inner panel
21. Front door outer panel
22. Front door side door beam
23. Rear door side door beam
24. Rear door outer panel
25. Rear door inner panel
26. Front pillar, inner
27. Side roof rail, inner
28. Front roof rail
29. Roof panel
30. Front roof bow
31. Center roof bow
32. Rear roof bow
33. Rear roof rail
34. Rear pillar reinforcement
35. Quarter inner panel, upper
36. Gate pillar upper reinforcement
37. Tailgate outer panel
38. Tailgate inner panel
39. Quarter outer extension, upper
40. Gate pillar reinforcement, center
41. Quarter outer extension, lower
42. Side outer panel
43. Rear end panel
44. Rear end inner extension
45. Rear floor pan
46. Shipping bracket
47. Rear floor side brace
48. Garage jack bracket
49. Rear floor sidemember
50. Front floor side sill, inner
51. Front floor sidemember
52. Backbone reinforcement
53. Front fender
54. Front floor pan
55. Side sill to floor brace
56. Front floor crossmember
57. Front seat rear center bracket
58. Front seat rear side bracket
59. Rear seat front crossmember
60. Rear seat rear crossmember
61. Front upper frame extension, inner
62. Front upper frame extension, outer
63. Rear seat back side bracket
64. Rear floor crossmember, upper
65. Side sill reinforcement
66. Center pillar, inner
67. Rear wheelhouse, inner
68. Quarter inner panel, lower
69. Jack bracket
70. Rear floor crossmember
71. Fuel tank support rear bracket
72. Muffler hanger rear reinforcement
73. Backbone reinforcement extension, rear

BODY CONSTRUCTION CHARACTERISTICS

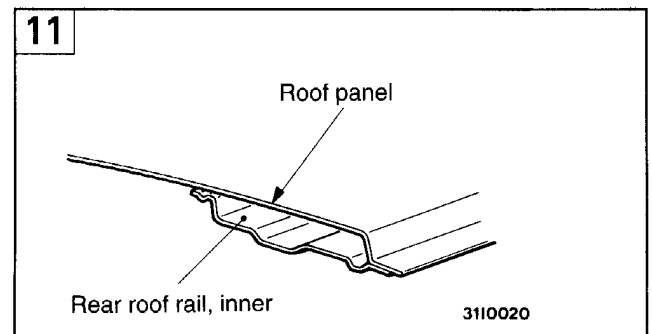
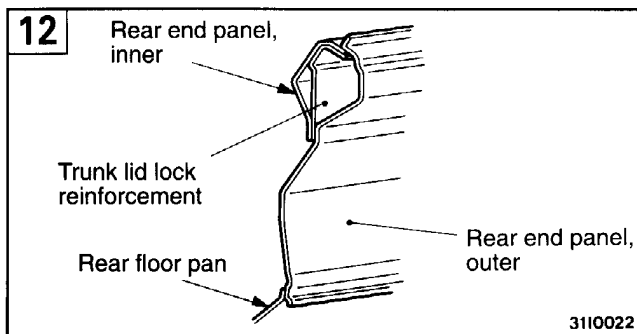
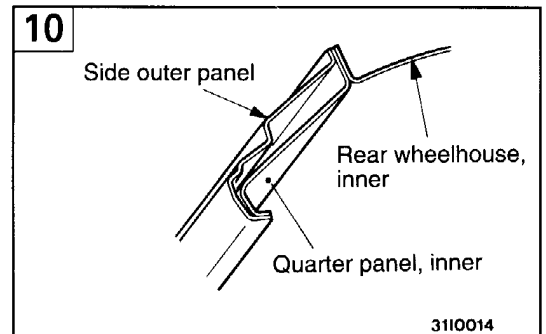
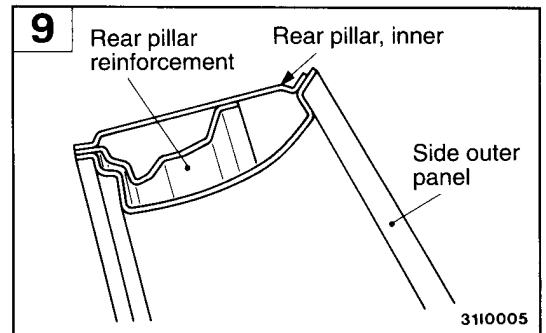
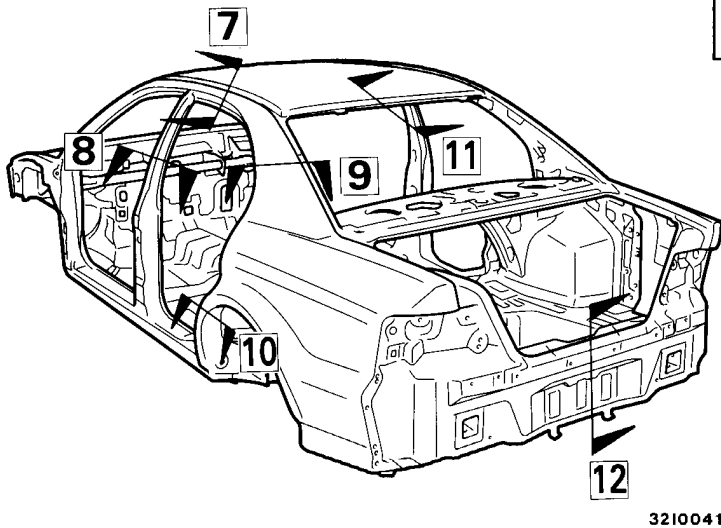
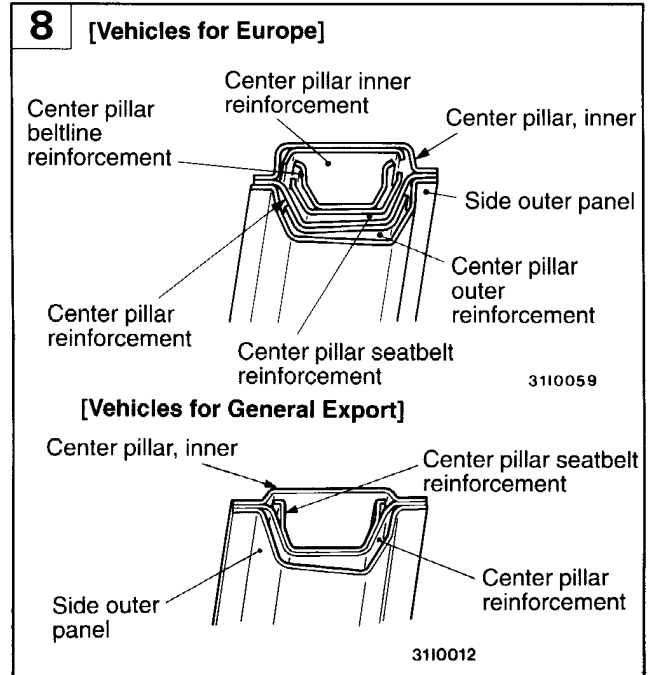
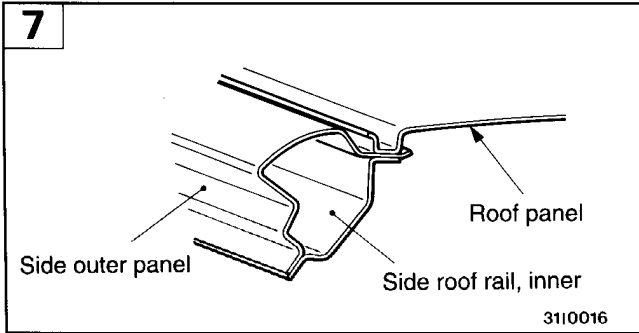
BODY MAIN CROSS-SECTIONAL VIEWS

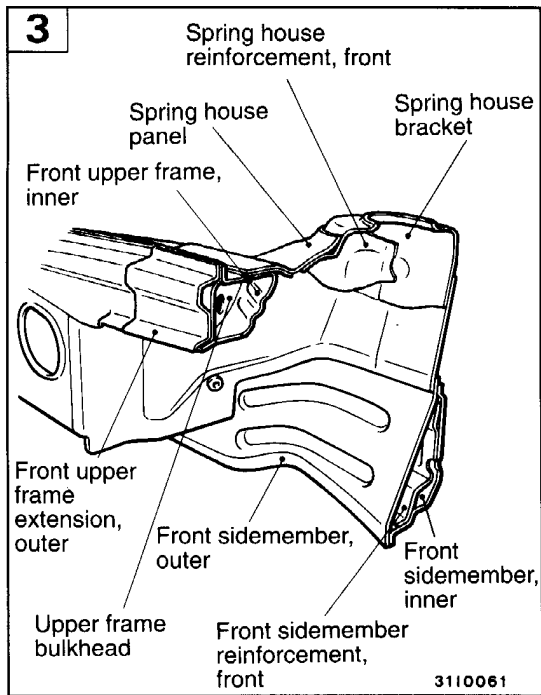
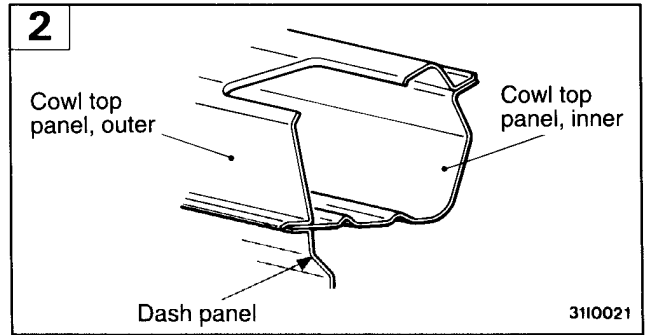
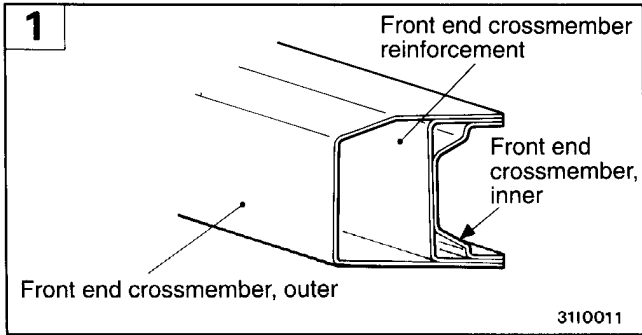


<Sedan>

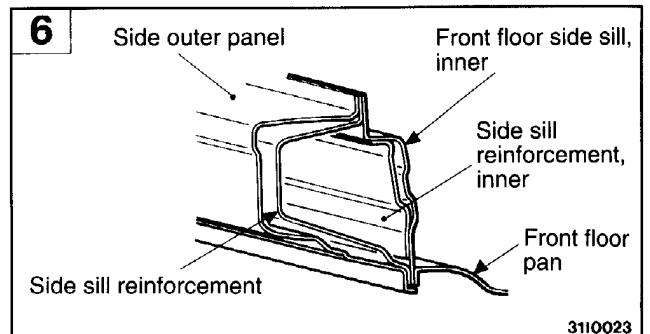
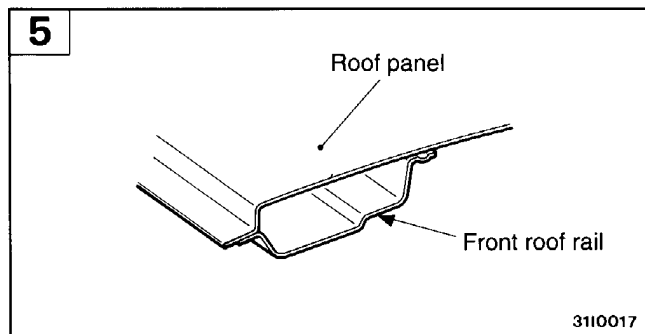
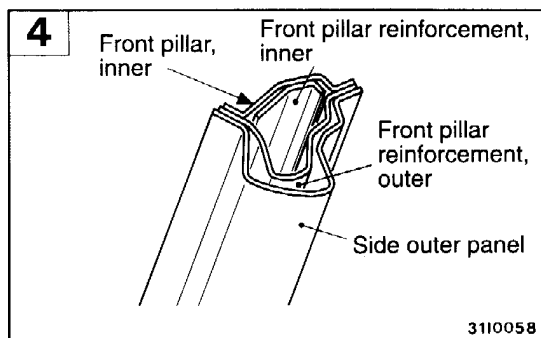
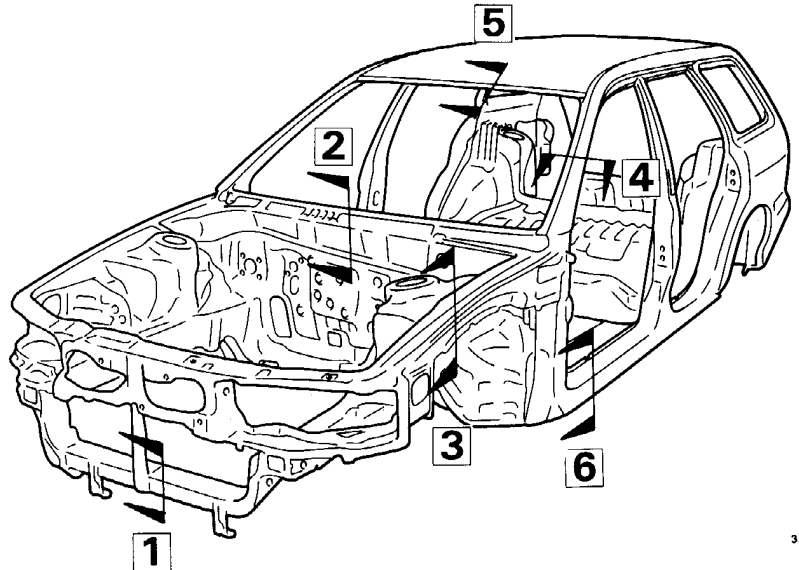


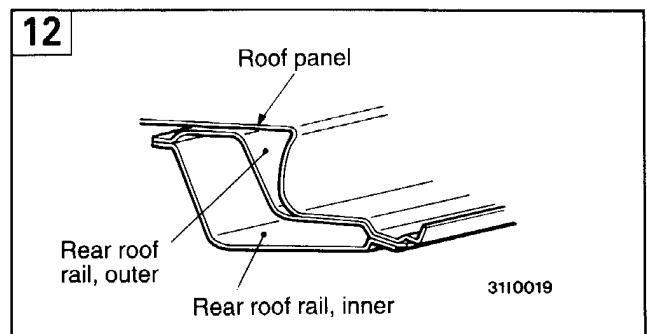
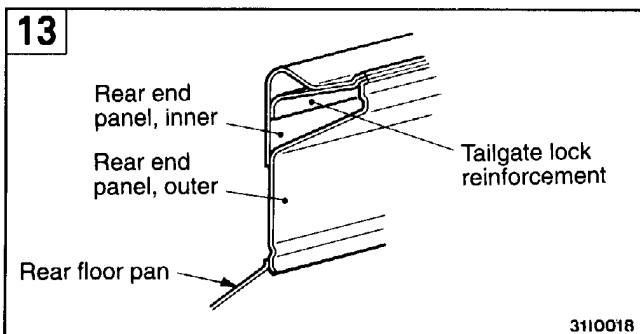
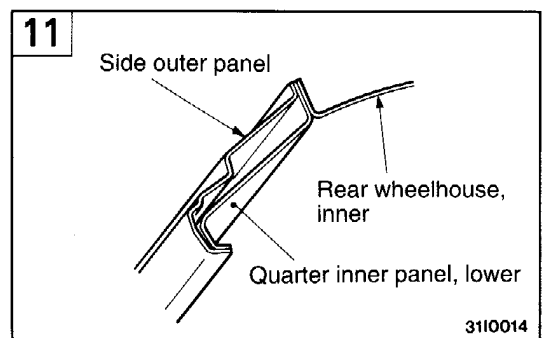
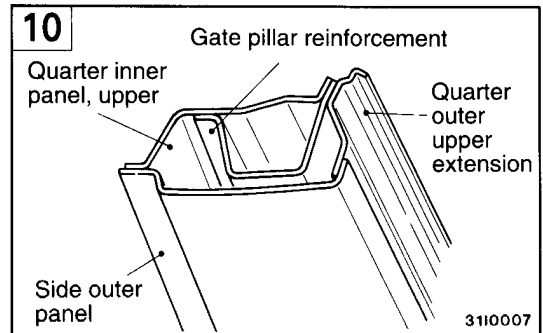
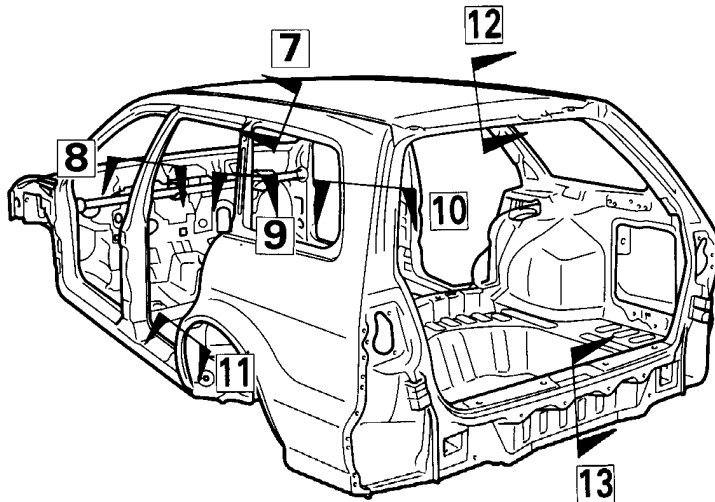
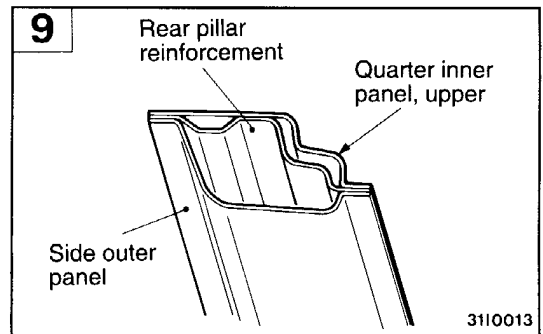
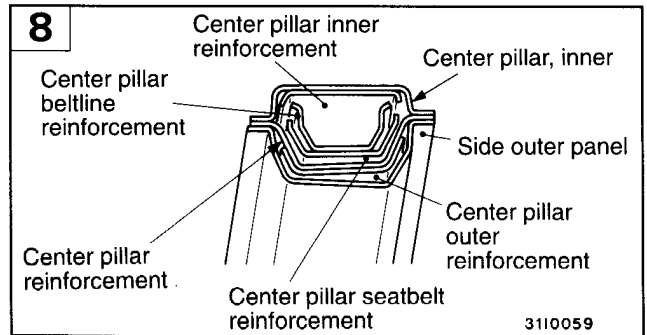
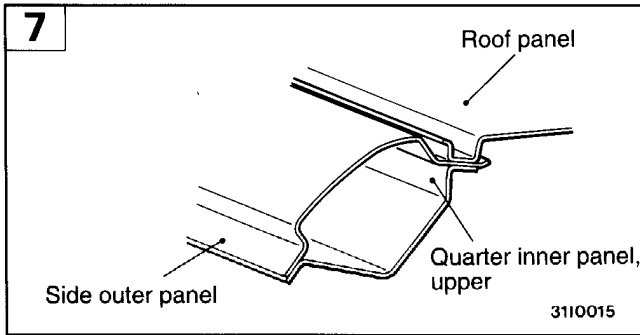






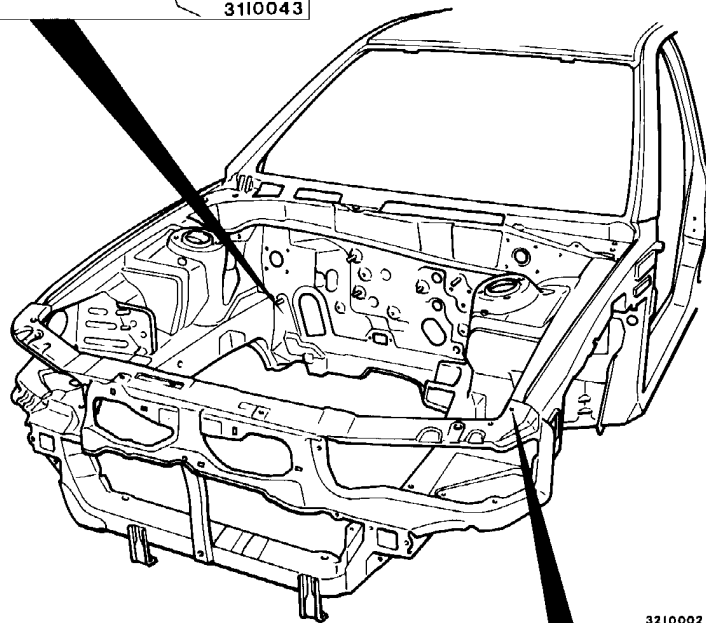
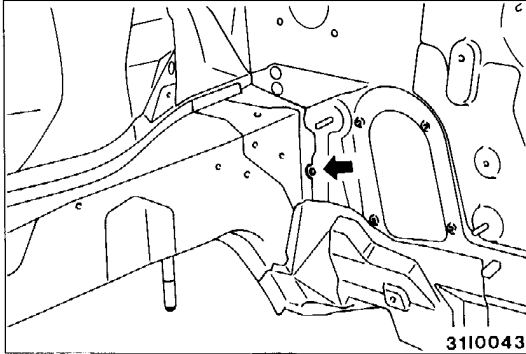
<Wagon>



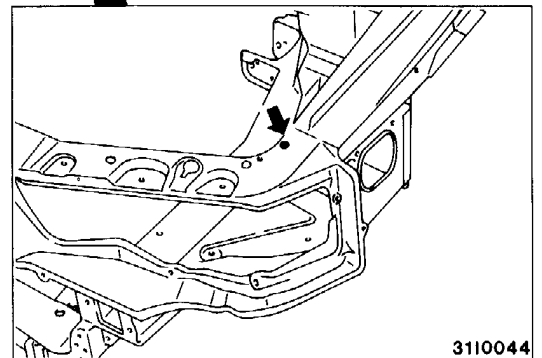


**MAINTENANCE, SERVICEABILITY**  
**HEADLAMP SUPPORT, FENDER SHIELD**

The overlapping parts indicated in the illustrations below have been provided with positioning projections, notches and holes to make installation work easier.

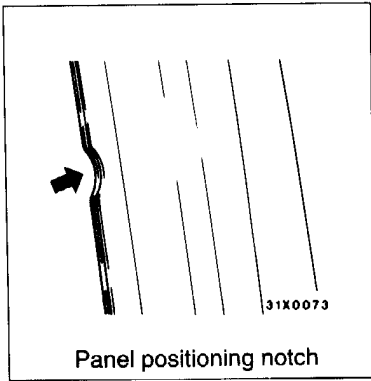


3210002

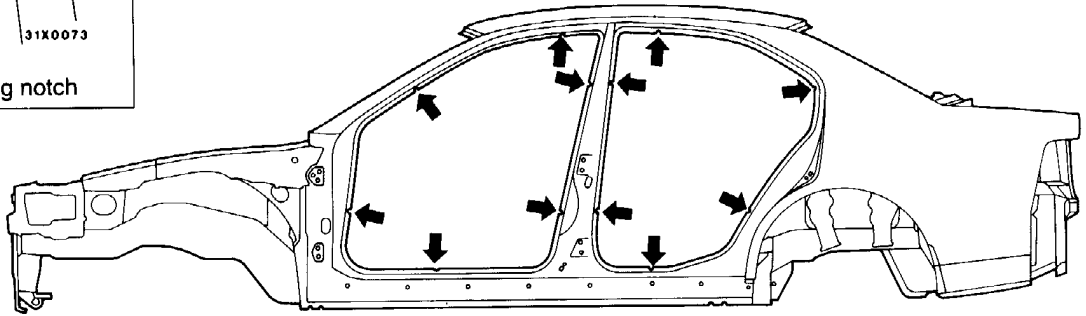


**SIDE STRUCTURE**

The door opening section is provided with panel positioning notches to improve workability when replacing panels.

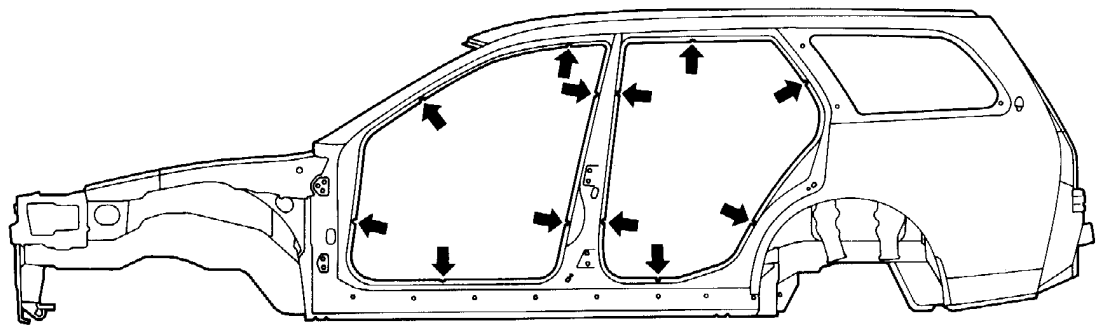


<Sedan>



3010012

<Wagon>

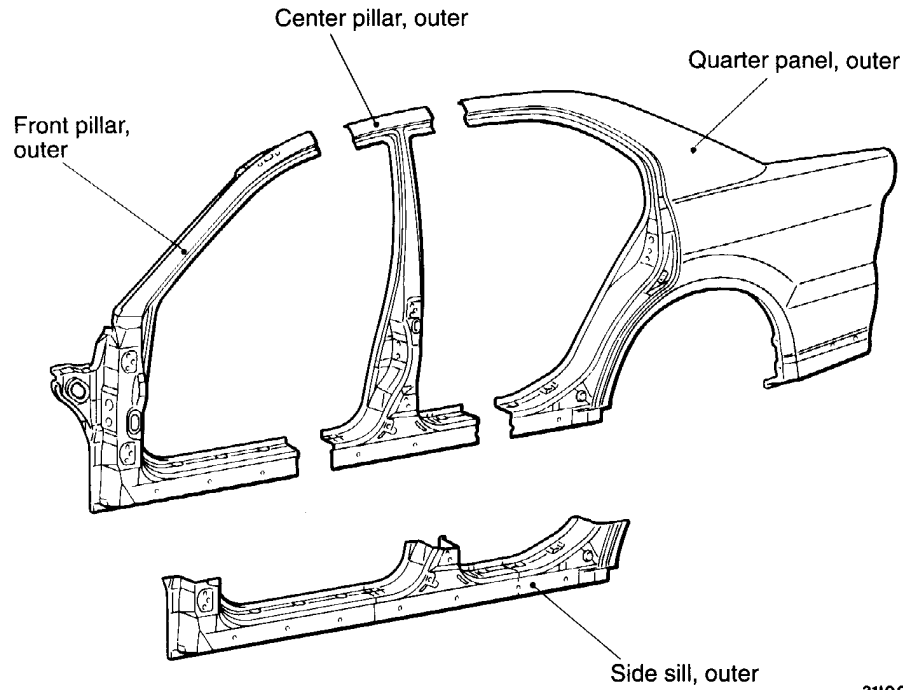


3210080

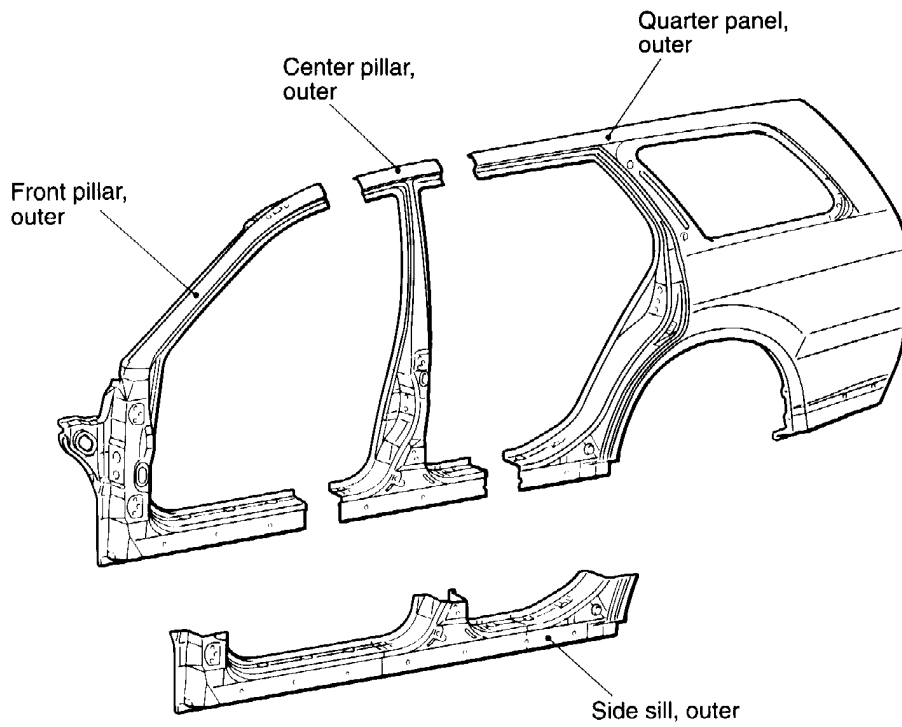
**SIDE OUTER PANEL**

Parts are supplied in the following cut forms in conjunction with the use of an integrated side outer panel.

<Sedan>

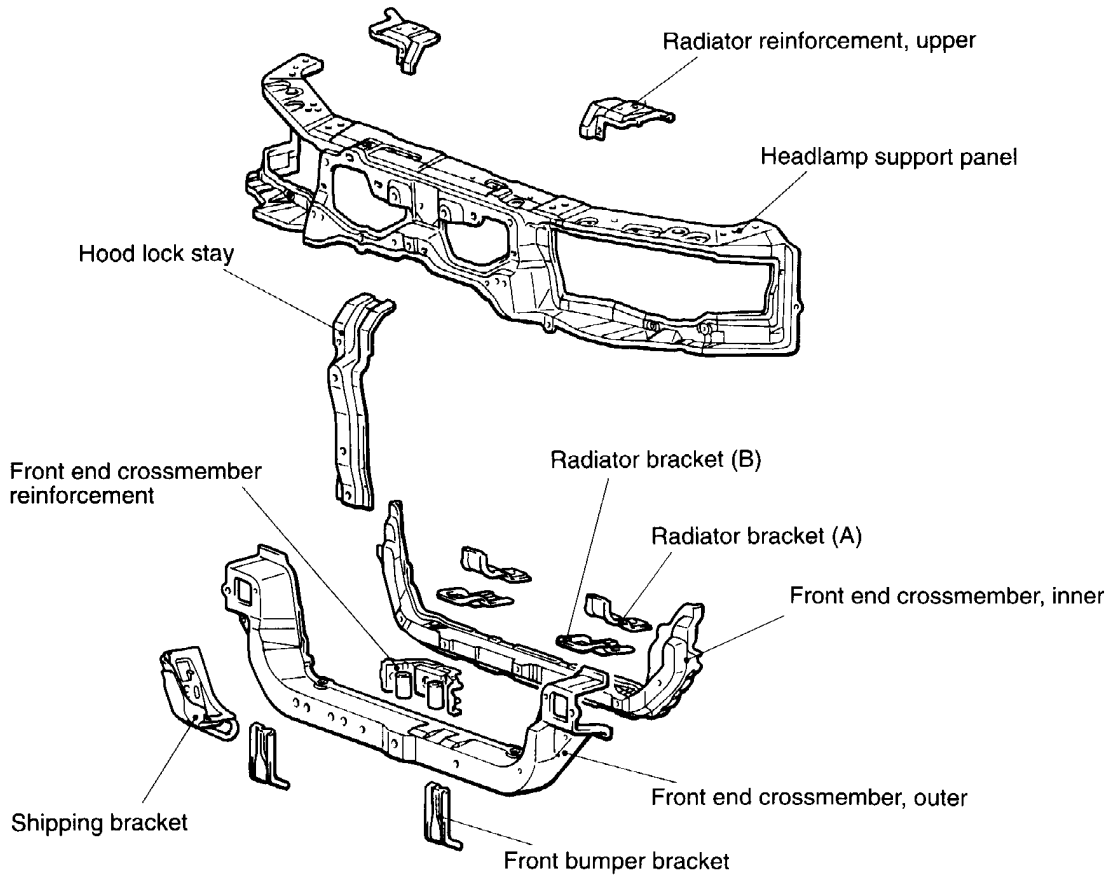


<Wagon>



**FRONT BODY  
HEADLAMP SUPPORT**

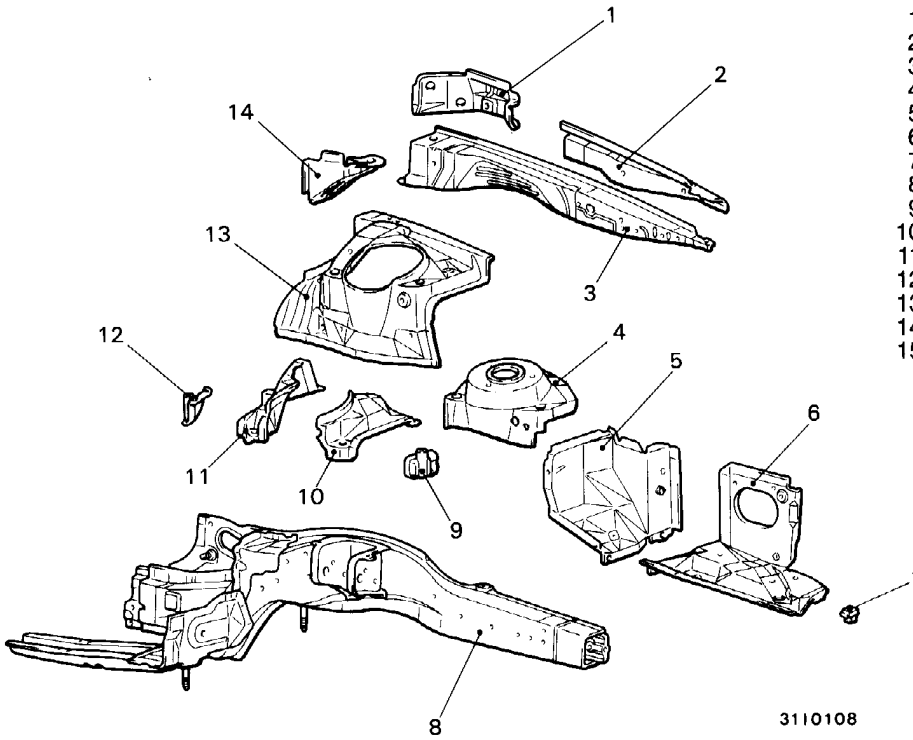
The headlamp support has been integrated into a single unit in order to improve installation precision to the body and to reduce weight.



3110010

FENDER SHIELD

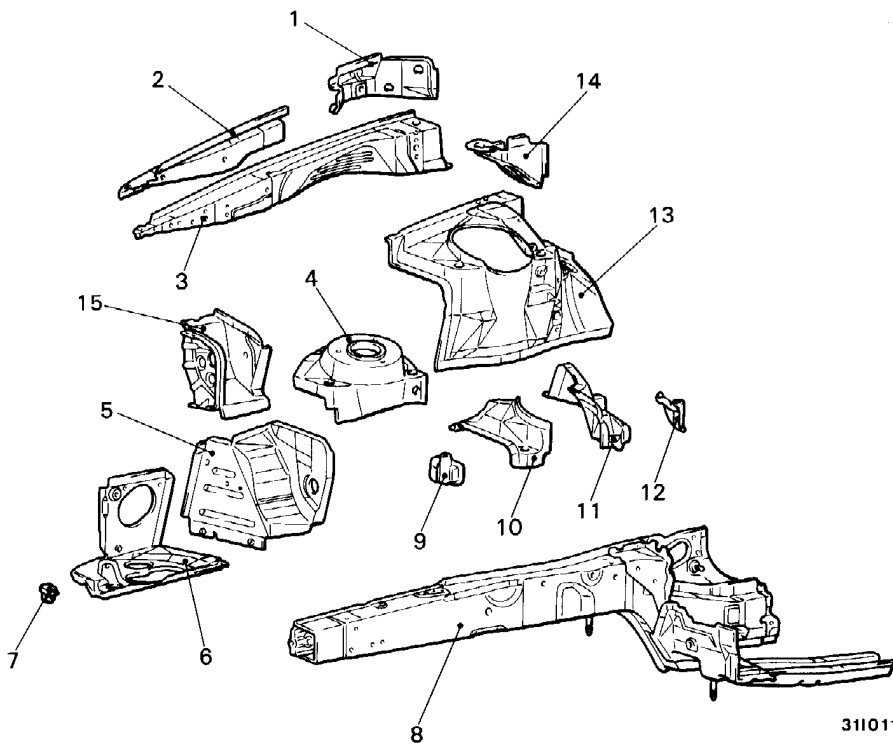
<Left side>



1. Upper frame bulkhead
2. Front upper frame, outer
3. Front upper frame, inner
4. Spring house bracket
5. Front fender shield
6. Shield plate
7. Horn bracket
8. Front sidemember
9. Upper arm pipe support, front
10. Spring house reinforcement, front
11. Spring house reinforcement, rear
12. Upper arm pipe support, rear
13. Spring house panel
14. Front upper frame gusset
15. Engine mounting bracket

3110108

<Right side>



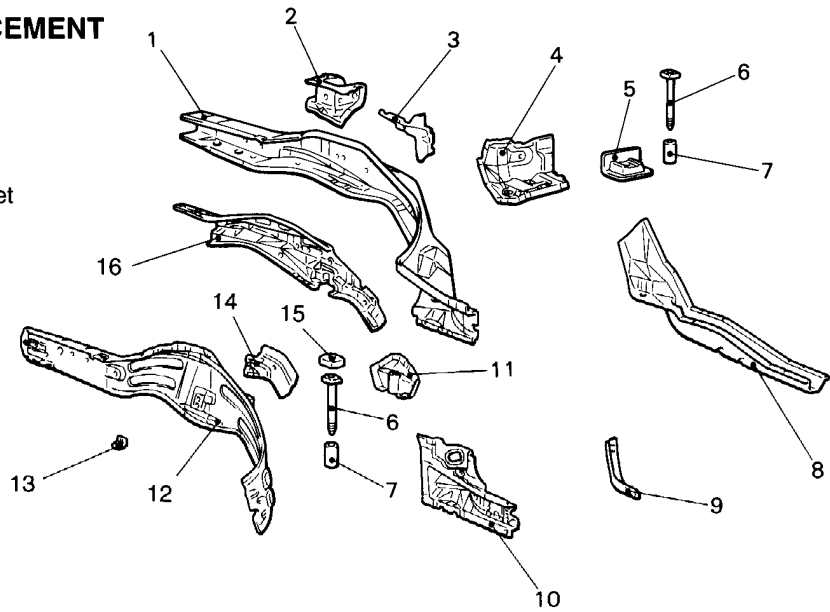
3110111



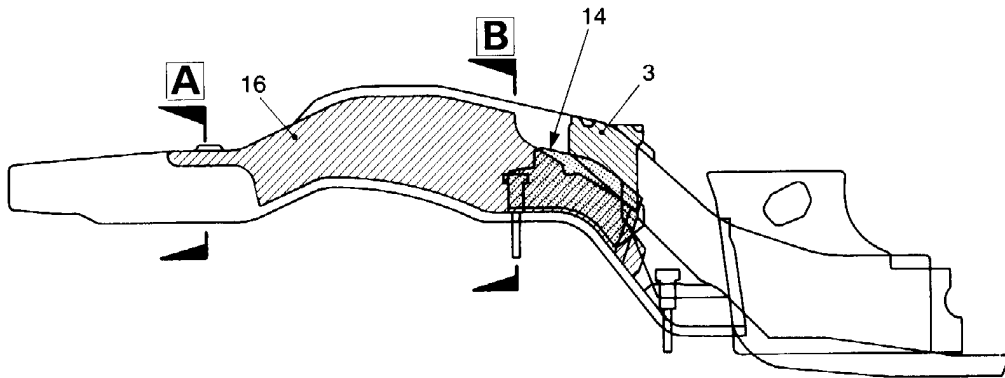
**FRONT SIDEMEMBER REINFORCEMENT**

**(Left side)**

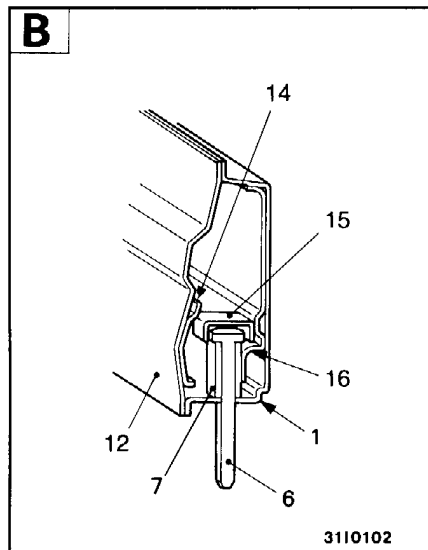
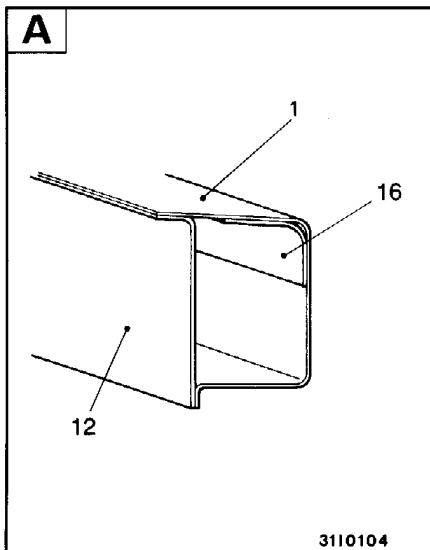
1. Front sidemember, inner
2. Transmission mounting bracket
3. Front sidemember to dash panel gusset
4. Dash panel crossmember, side
5. Pipe support
6. Square head bolt
7. Pipe
8. Front sidemember, rear
9. Dash panel extension, side
10. Front floor side sill, inner, front
11. Pipe support, rear
12. Front sidemember, outer
13. Brake hose bracket
14. Front sidemember outer reinforcement
15. Retainer
16. Front sidemember reinforcement, front



3110109

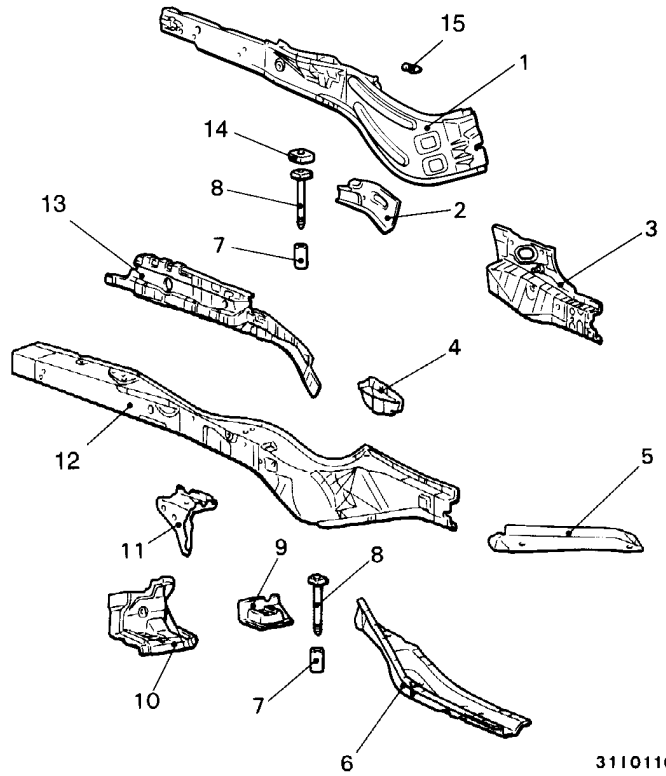


3110107

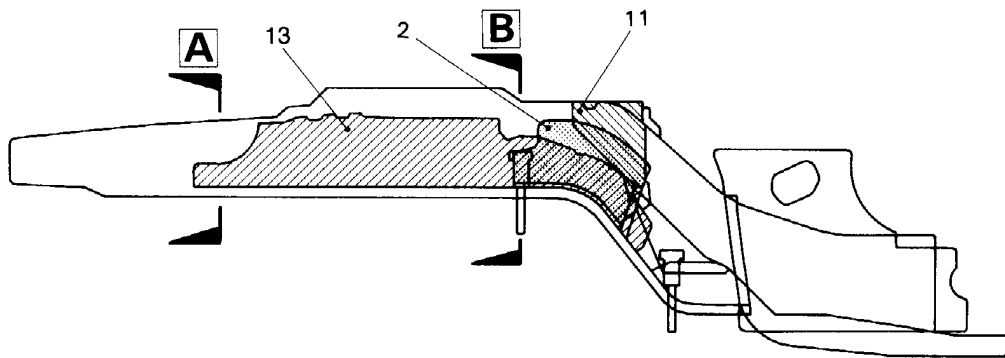


(Right side)

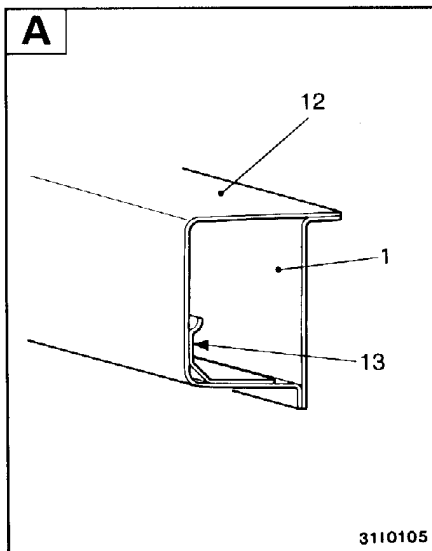
- 1. Front sidemember, outer
- 2. Front sidemember outer reinforcement
- 3. Front floor side sill, inner, front
- 4. Pipe support, rear
- 5. Dash panel extension, side
- 6. Front sidemember, rear
- 7. Pipe
- 8. Square head bolt
- 9. Pipe support
- 10. Dash panel crossmember, side
- 11. Front sidemember to dash panel gusset
- 12. Front sidemember, inner
- 13. Front sidemember reinforcement, front
- 14. Retainer
- 15. Brake hose bracket



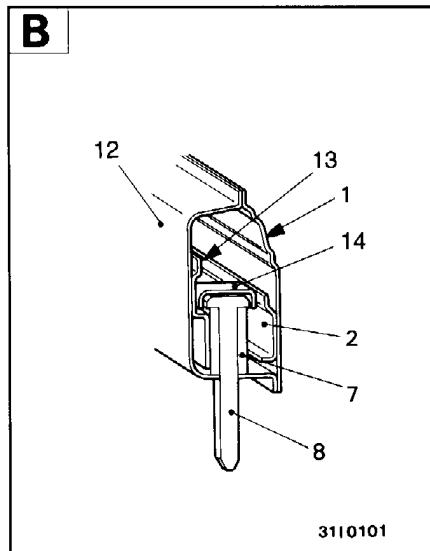
3110110



3110106



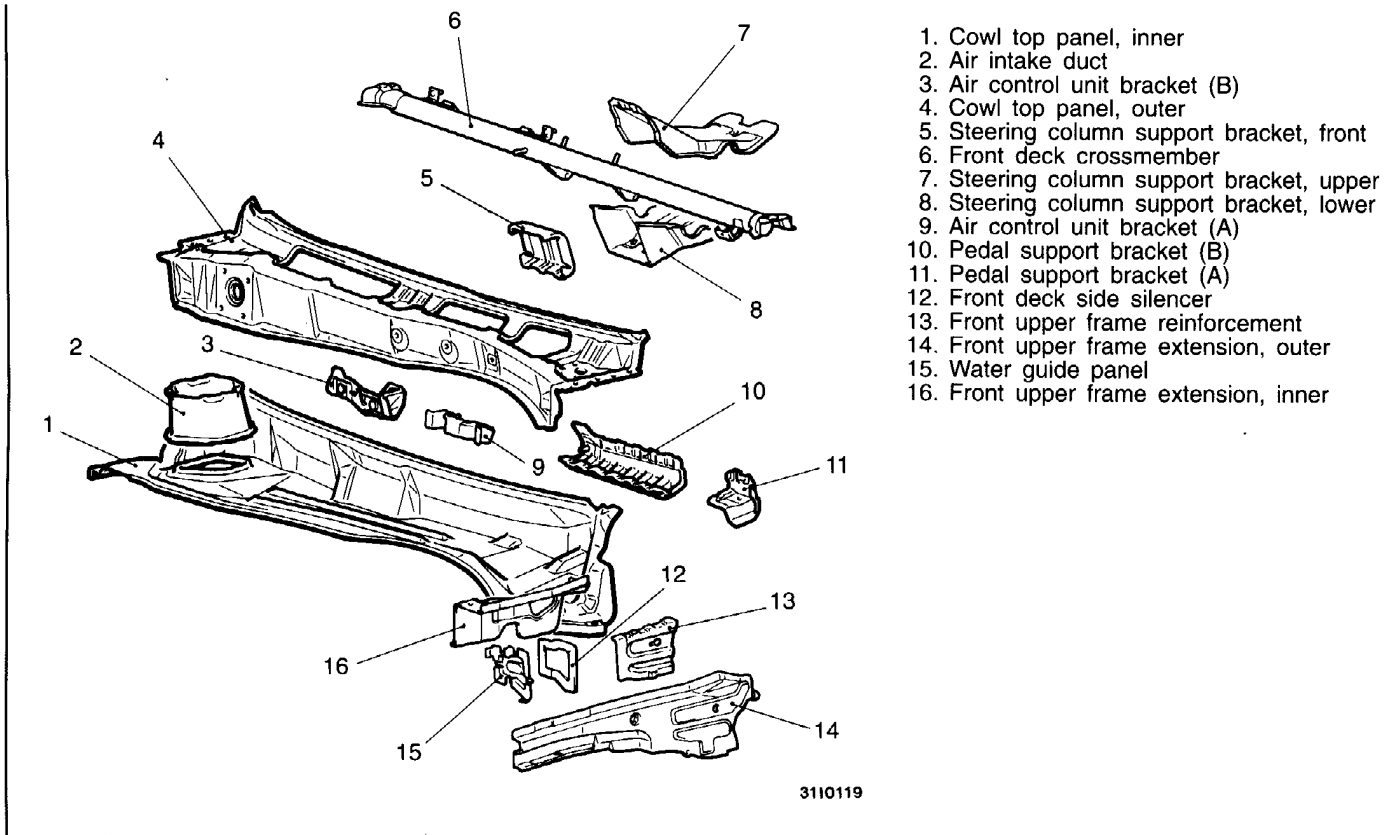
3110105



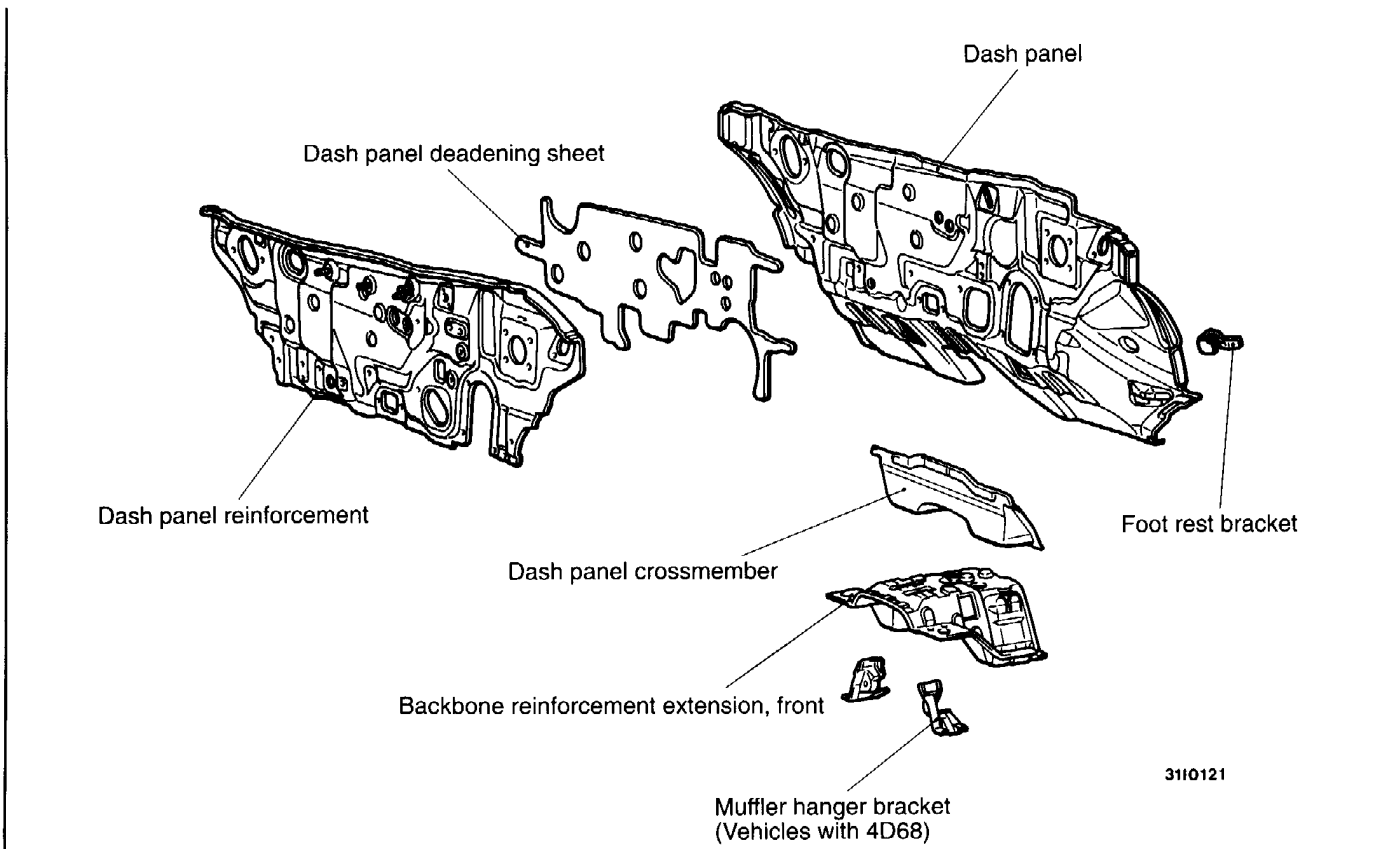
3110101

**FRONT DECK**

The deck crossmember joints have been filled with foaming agent in order to increase the rigidity of the joints with the pillars.



**DASH PANEL**

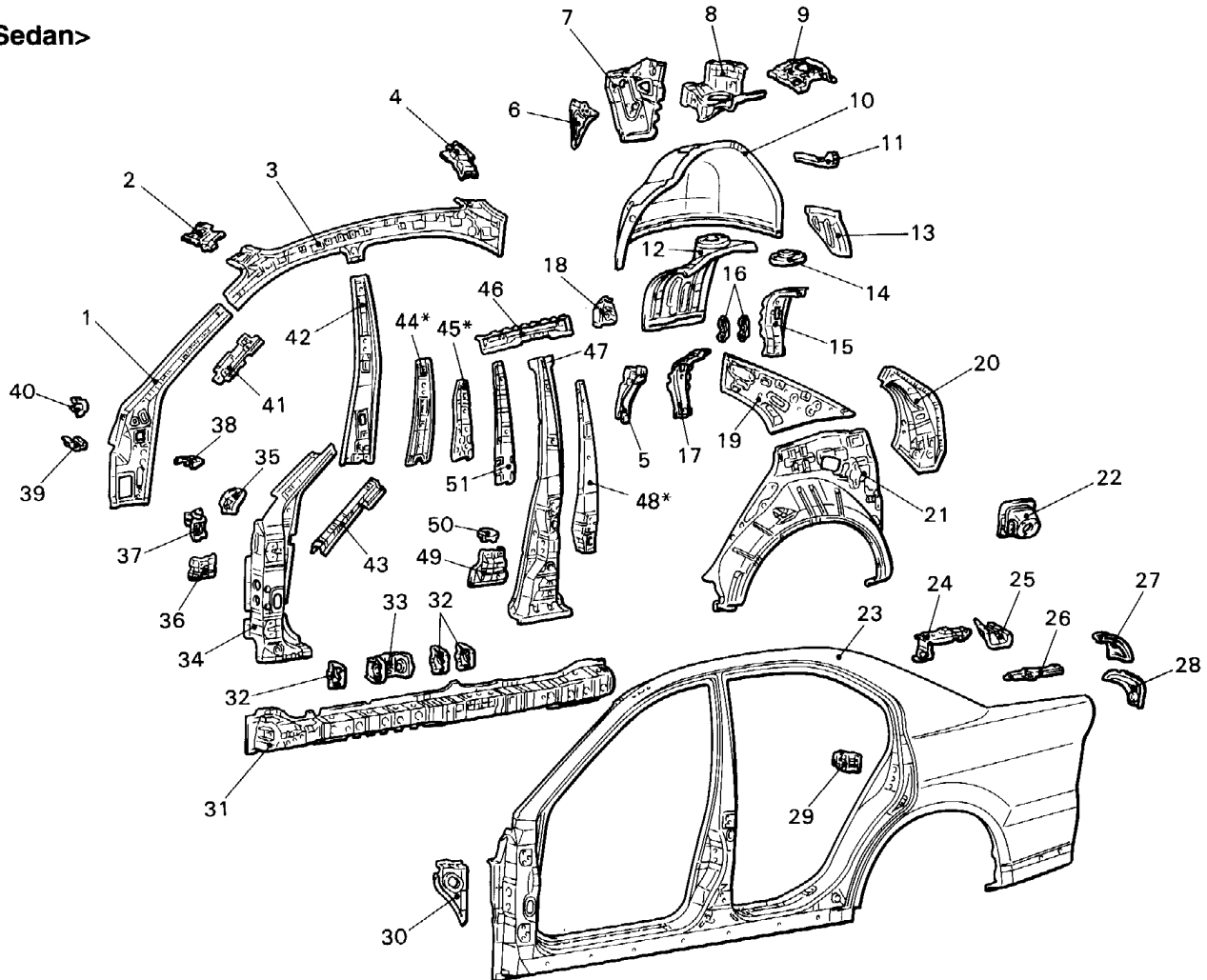


## SIDE BODY

## SIDE STRUCTURE

The side outer panel has been integrated into a single unit in order to improve installation precision to the body.

<Sedan>

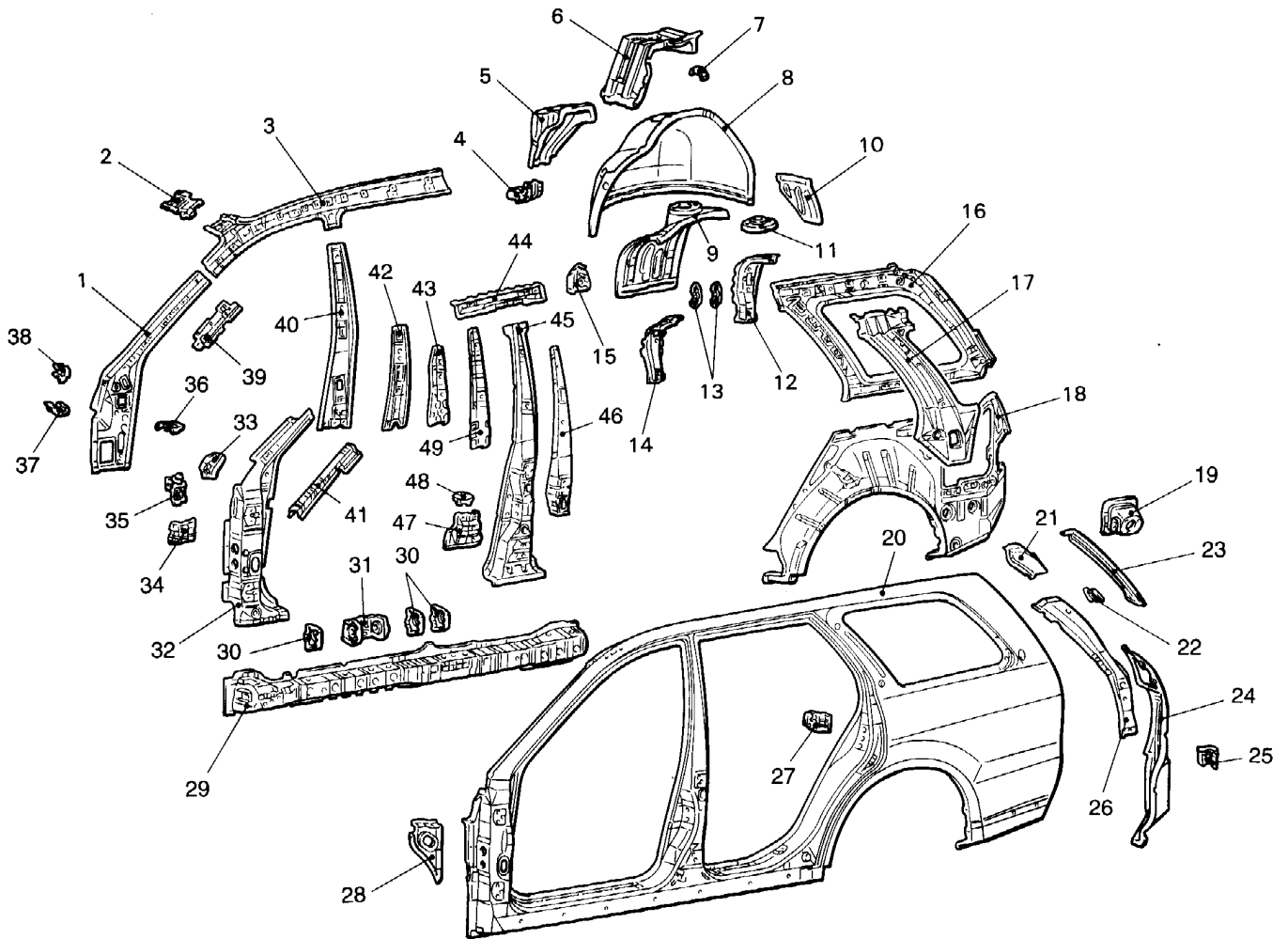


3110095

- |   |   |  |
|---|---|--|
| 1. Front pillar, inner                    | 18. Shield plate, front                   | 36. Front pillar reinforcement, lower    |
| 2. Front pillar rigid foam support        | 19. Rear pillar, inner                    | 37. Crossmember bracket, front           |
| 3. Side roof rail, inner                  | 20. Rear pillar reinforcement             | 38. Front door check reinforcement       |
| 4. Rear pillar rigid foam support         | 21. Quarter panel, inner                  | 39. Crossmember bracket, lower           |
| 5. Seat back brace extension, upper       | 22. Fuel filler neck bracket (right side) | 40. Crossmember bracket, rear            |
| 6. Seat back brace, lower                 | 23. Side outer panel                      | 41. Front pillar reinforcement, inner    |
| 7. Rear deck crossmember extension, rear  | 24. Rear shelf brace, upper               | 42. Center pillar, inner                 |
| 8. Rear deck crossmember extension, front | 25. Rear shelf brace, lower               | 43. Front pillar reinforcement, outer    |
| 9. Seatbelt reinforcement                 | 26. Quarter panel trunk side support      | 44. Center pillar reinforcement, inner   |
| 10. Rear wheelhouse, inner                | 27. Quarter corner panel                  | 45. Center pillar beltline reinforcement |
| 11. Rear spring house gusset              | 28. Rear end outer extension              | 46. Center pillar reinforcement, upper   |
| 12. Spring house panel                    | 29. Striker reinforcement                 | 47. Center pillar reinforcement          |
| 13. Shield plate, rear                    | 30. Side outer front extension            | 48. Center pillar outer reinforcement    |
| 14. Rear spring house bracket             | 31. Side sill reinforcement               | 49. Center pillar reinforcement, lower   |
| 15. Upper arm reinforcement, rear         | 32. Side sill bulkhead                    | 50. Rear door check bulkhead             |
| 16. Upper arm reinforcement               | 33. Side sill reinforcement (A)           | 51. Center pillar seatbelt reinforcement |
| 17. Upper arm reinforcement, front        | 34. Front pillar reinforcement            |  |
|   | 35. Front pillar reinforcement extension  |  |

\*: Vehicles for Europe

<Wagon>



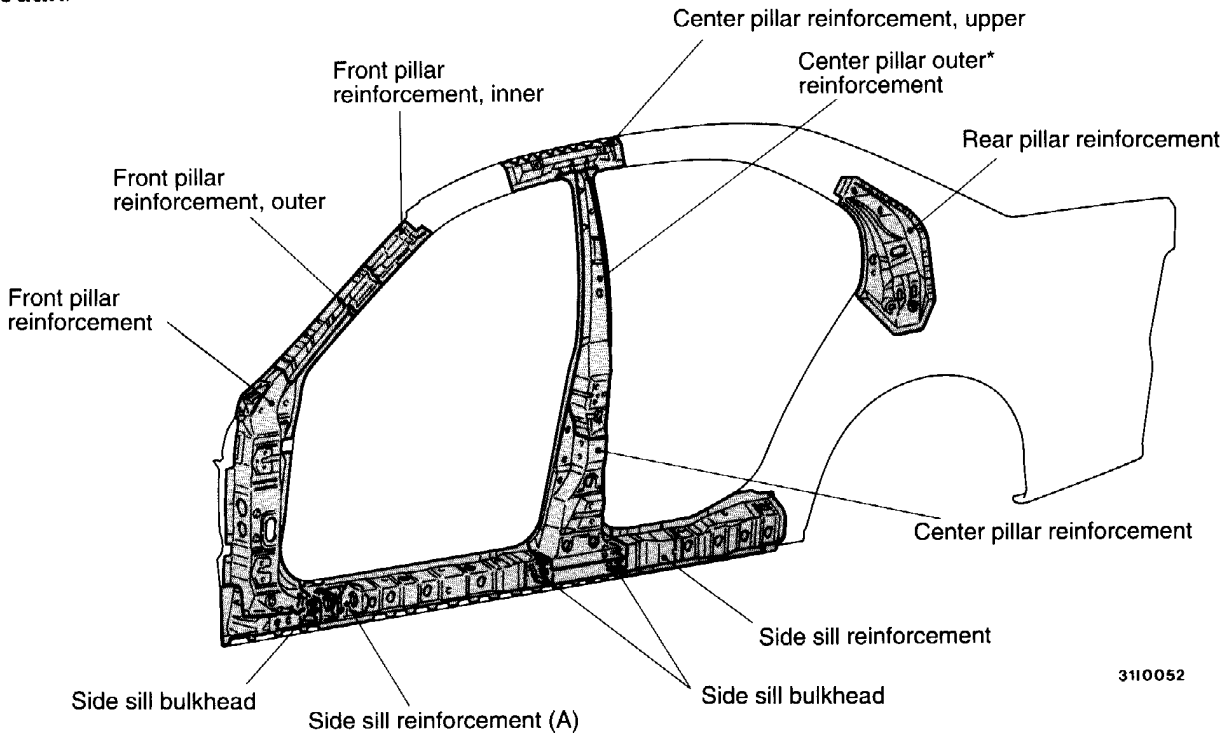
3110096

- |  |   |   |
|--|---|---|
| <ul style="list-style-type: none"> <li>1. Front pillar, inner</li> <li>2. Front pillar rigid foam support</li> <li>3. Side roof rail, inner</li> <li>4. Rear floor crossmember brace</li> <li>5. Rear floor side crossmember</li> <li>6. Rear seatbelt bracket</li> <li>7. Rear seatbelt reinforcement</li> <li>8. Rear wheelhouse, inner</li> <li>9. Spring house panel</li> <li>10. Shield plate, rear</li> <li>11. Rear spring house bracket</li> <li>12. Upper arm reinforcement, rear</li> <li>13. Upper arm reinforcement</li> <li>14. Upper arm reinforcement, front</li> <li>15. Shield plate, front</li> <li>16. Quarter inner panel, upper</li> <li>17. Rear pillar reinforcement</li> <li>18. Quarter inner panel, lower</li> </ul> | <ul style="list-style-type: none"> <li>19. Fuel filler neck bracket (right side)</li> <li>20. Side outer panel</li> <li>21. Gate pillar upper reinforcement</li> <li>22. Gas spring reinforcement</li> <li>23. Quarter outer extension, upper</li> <li>24. Quarter outer extension, lower</li> <li>25. Damper bracket</li> <li>26. Gate pillar reinforcement, center</li> <li>27. Striker reinforcement</li> <li>28. Side outer front extension</li> <li>29. Side sill reinforcement</li> <li>30. Side sill bulkhead</li> <li>31. Side sill reinforcement (A)</li> <li>32. Front pillar reinforcement</li> <li>33. Front pillar reinforcement extension</li> <li>34. Front pillar reinforcement, lower</li> </ul> | <ul style="list-style-type: none"> <li>35. Crossmember bracket, front</li> <li>36. Front door check reinforcement</li> <li>37. Crossmember bracket, lower</li> <li>38. Crossmember bracket, rear</li> <li>39. Front pillar reinforcement, inner</li> <li>40. Center pillar, inner</li> <li>41. Front pillar reinforcement, outer</li> <li>42. Center pillar reinforcement, inner</li> <li>43. Center pillar beltline reinforcement</li> <li>44. Center pillar reinforcement, upper</li> <li>45. Center pillar reinforcement</li> <li>46. Center pillar outer reinforcement</li> <li>47. Center pillar reinforcement, lower</li> <li>48. Rear door check bulkhead</li> <li>49. Center pillar seatbelt reinforcement</li> </ul> |
|--|---|---|

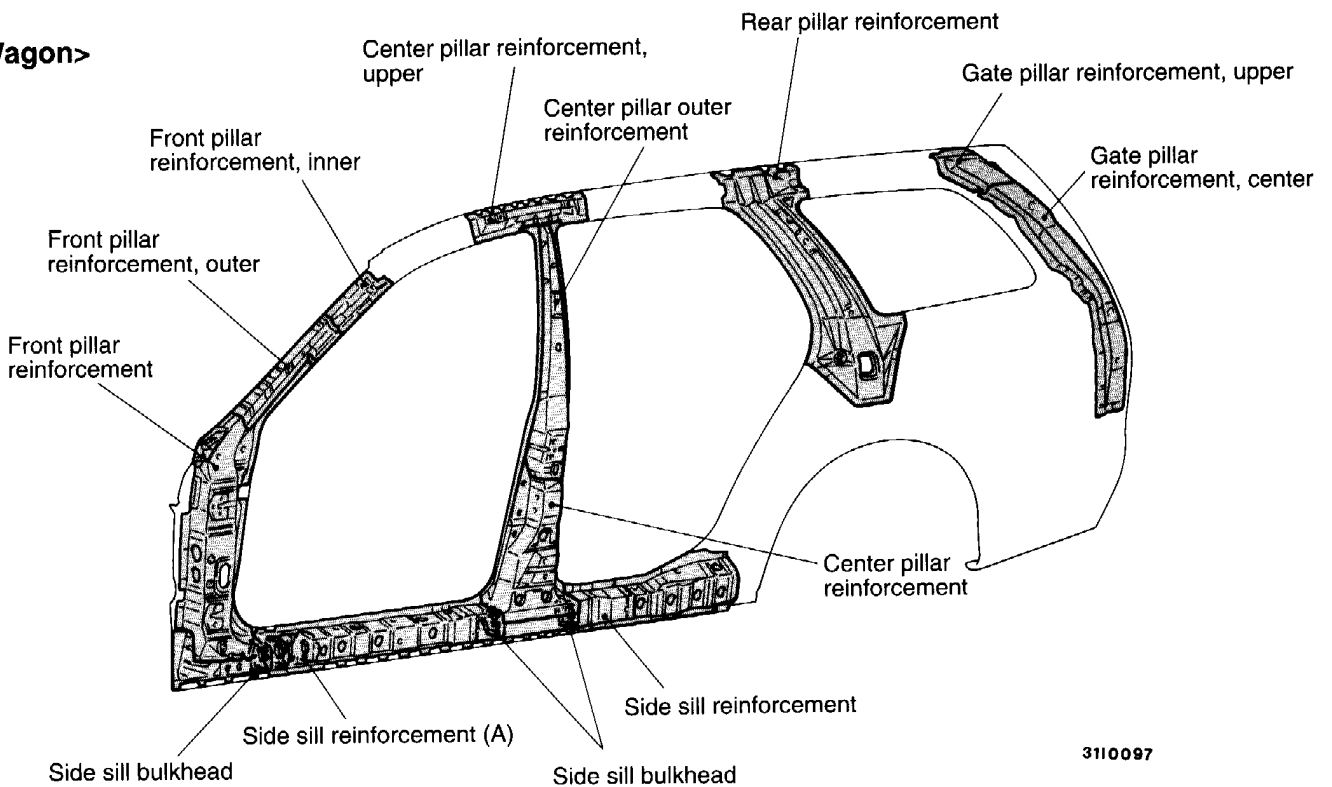
**SIDE STRUCTURE REINFORCEMENTS**

- (1) Large reinforcements have been added to the front pillars to increase the rigidity of the body and to improve the rigidity of the joins with the side sills.
- (2) Large reinforcements have been added to the center pillars to increase the rigidity of the body and to improve the rigidity of the joins with the side roof rails and side sills.
- (3) The side sill has a large cross-sectional construction, and the addition of large reinforcements and bulkheads increase the rigidity of the body and also improve the ability of the side to withstand impacts.

**<Sedan>**



**<Wagon>**

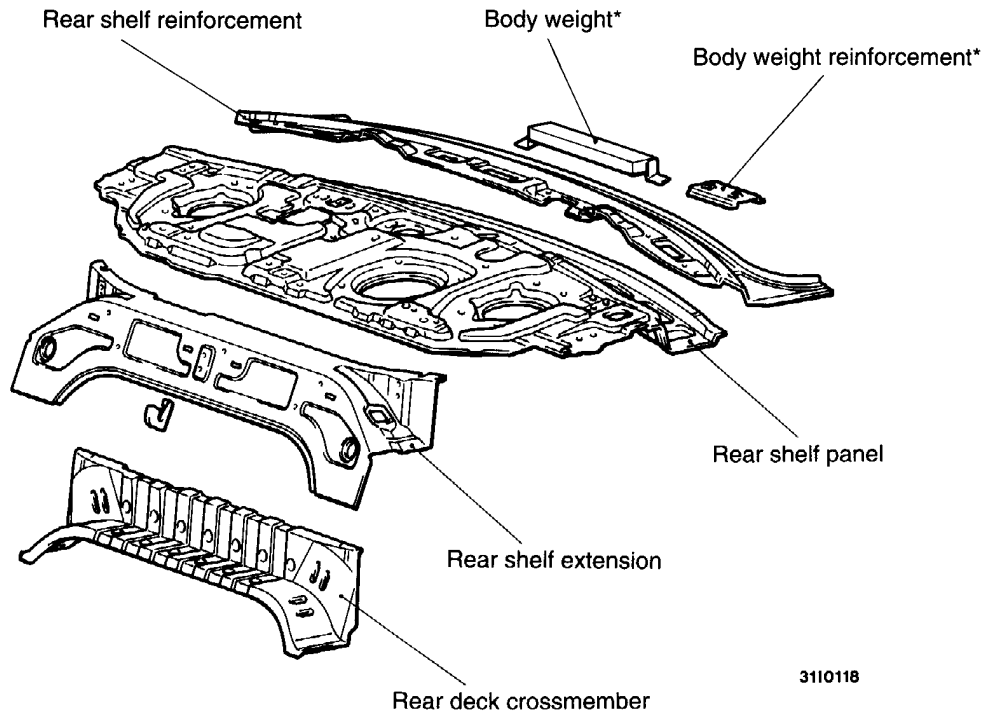


\*: Vehicles for Europe

**REAR BODY**

**REAR DECK**

<Sedan>

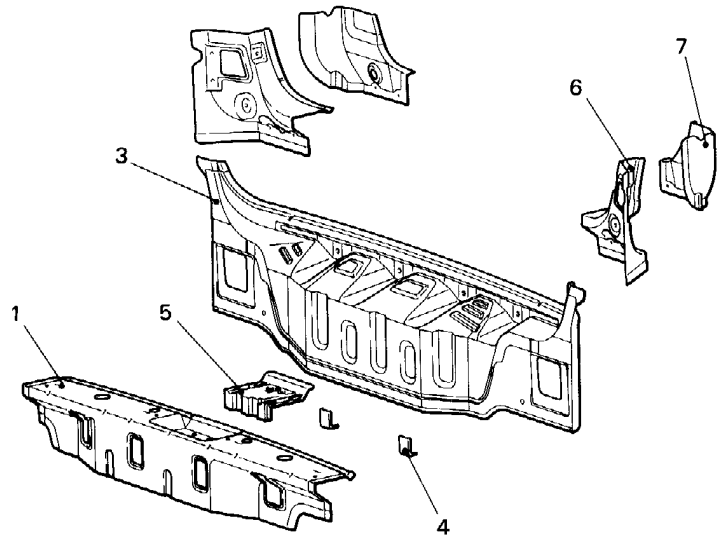
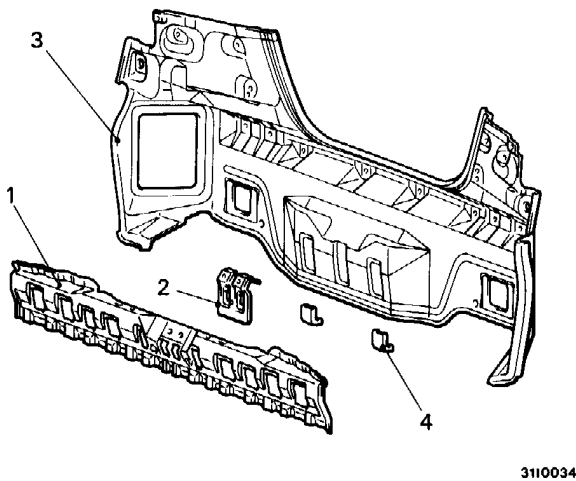


\*: Vehicles for General Export (except for Hong Kong and Chile)

**REAR END PANEL**

<Sedan>

<Wagon>

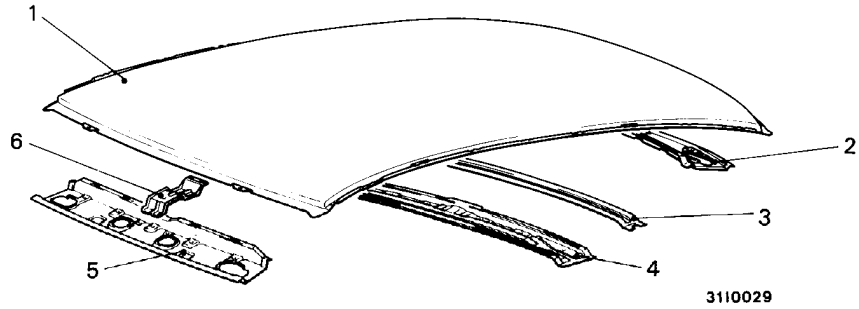


1. Rear end panel, inner
2. Trunk lid lock reinforcement
3. Rear end panel, outer
4. Rear bumper bracket, lower
5. Tailgate lock reinforcement
6. Rear end inner extension
7. Gate pillar reinforcement, lower

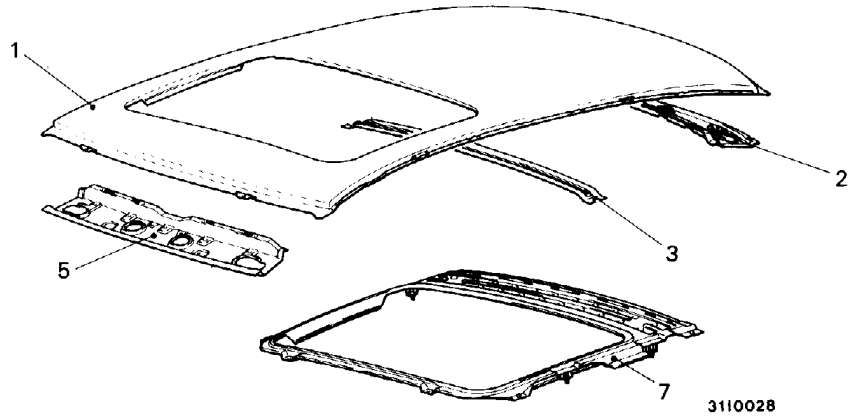
ROOF

<Sedan>

Standard roof

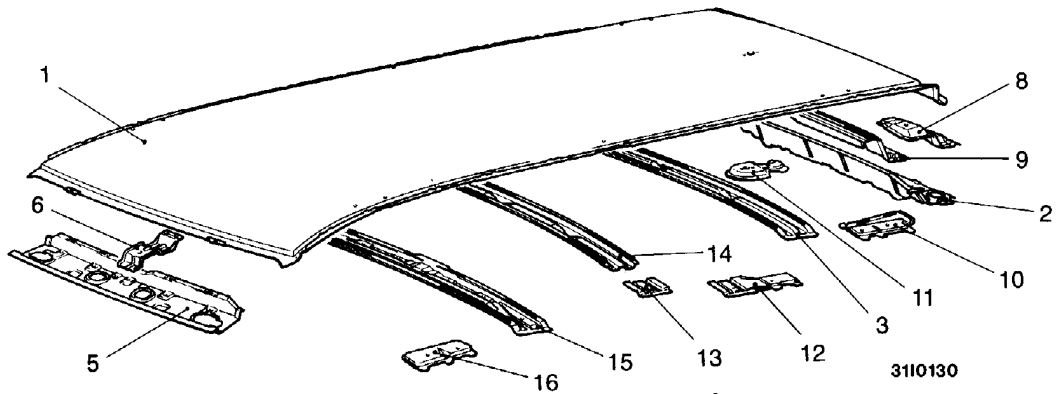


Sunroof

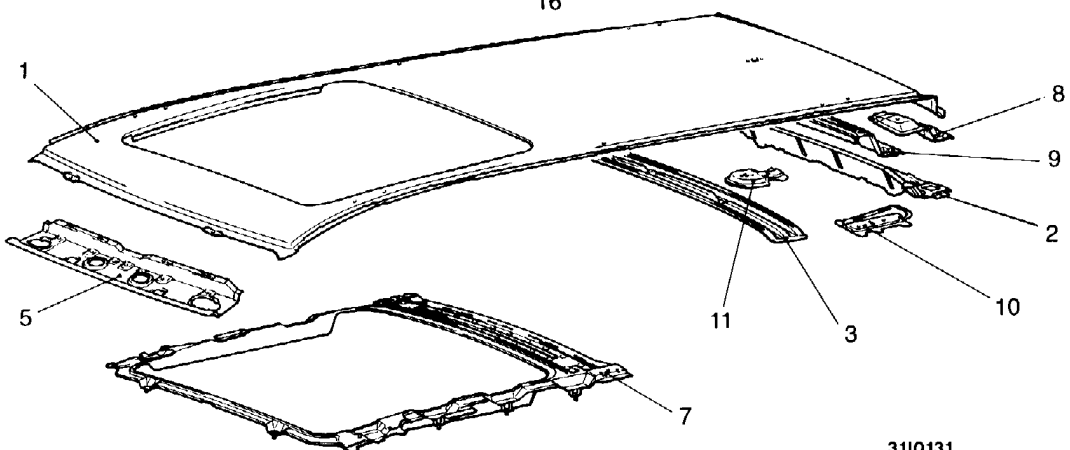


<Wagon>

Standard roof



Sunroof



- 1. Roof panel
- 2. Rear roof rail, inner
- 3. Rear roof bow
- 4. Roof bow
- 5. Front roof rail, inner
- 6. Map lamp bracket
- 7. Roof reinforcement
- 8. Tailgate hinge reinforcement
- 9. Rear roof rail, outer
- 10. Roof rack reinforcement, rear

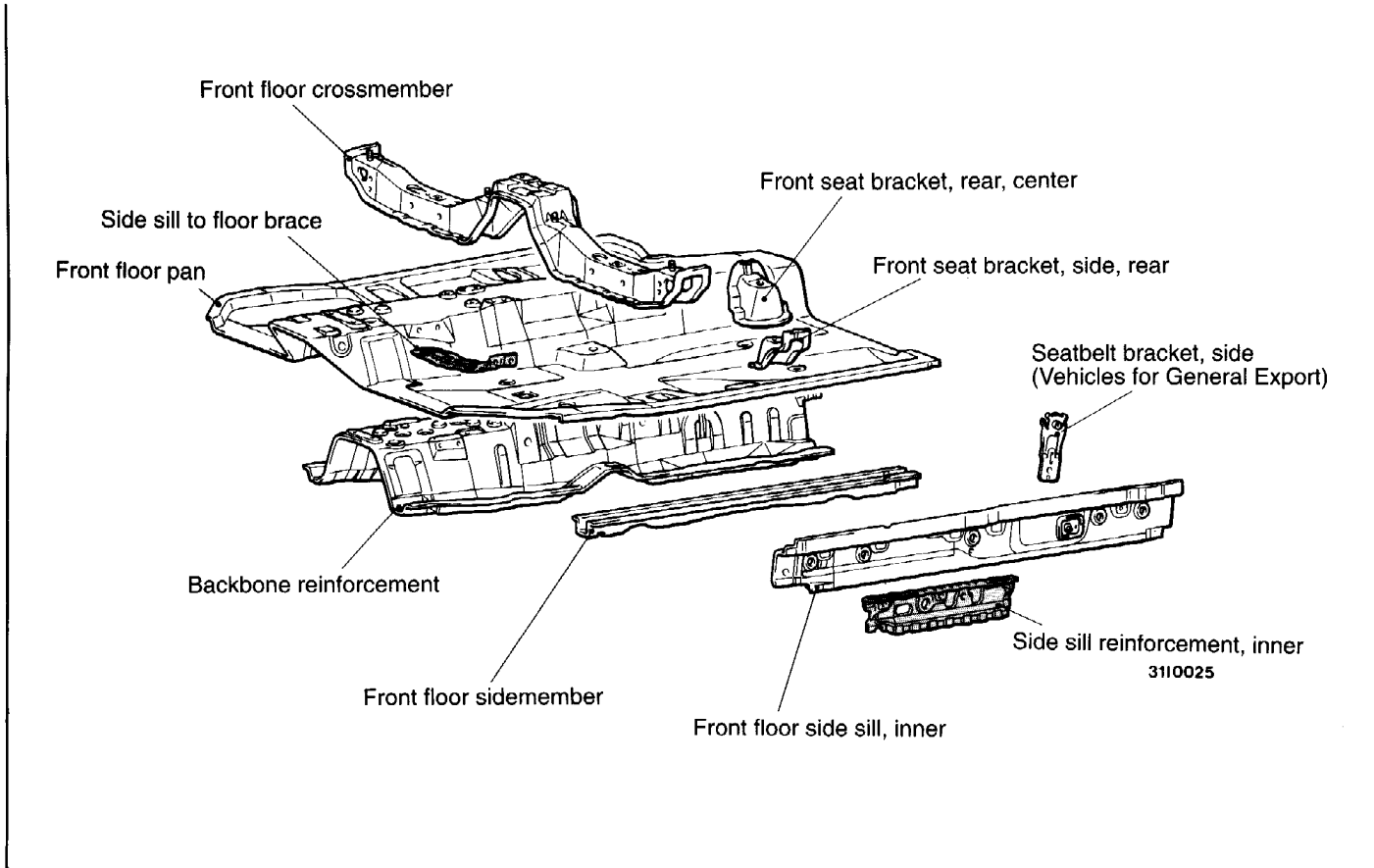
- 11. Roof antenna reinforcement
- 12. Roof rack reinforcement, center (A)  
(Vehicles with roof rail)
- 13. Roof rack reinforcement, center
- 14. Center roof bow
- 15. Front roof bow
- 16. Roof rack reinforcement, front  
(Vehicles with roof rail)



**UNDER BODY**

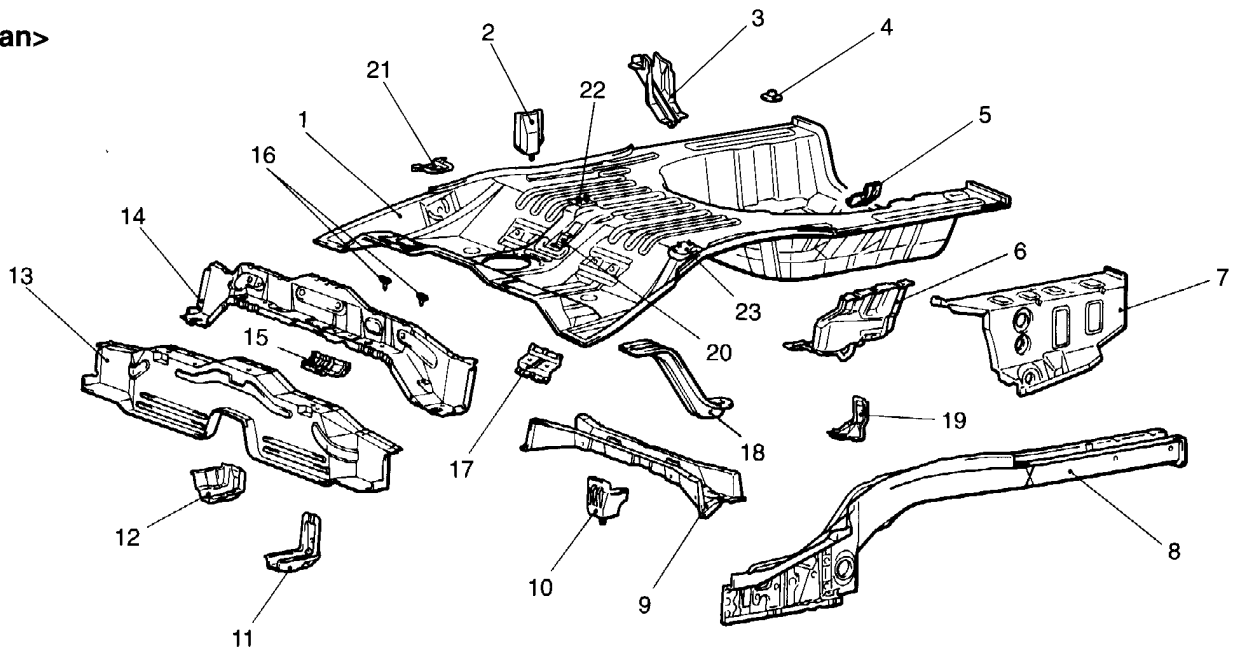
**FRONT FLOOR**

- (1) A side sill to floor brace has been added to the top of the front floor in order to increase the strength and rigidity of the underbody.
- (2) A side sill reinforcement, inner has been added to the front floor side sill, inner in order to increase the strength of the underbody.



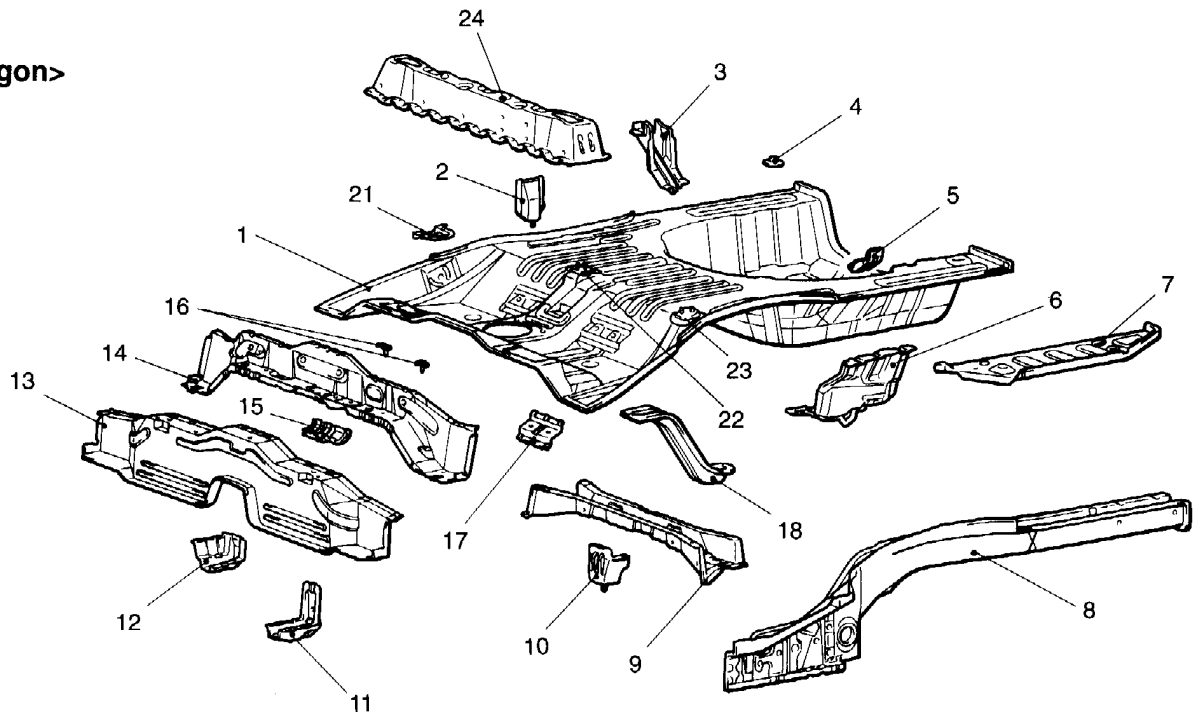
## REAR FLOOR

&lt;Sedan&gt;



3110141

&lt;Wagon&gt;



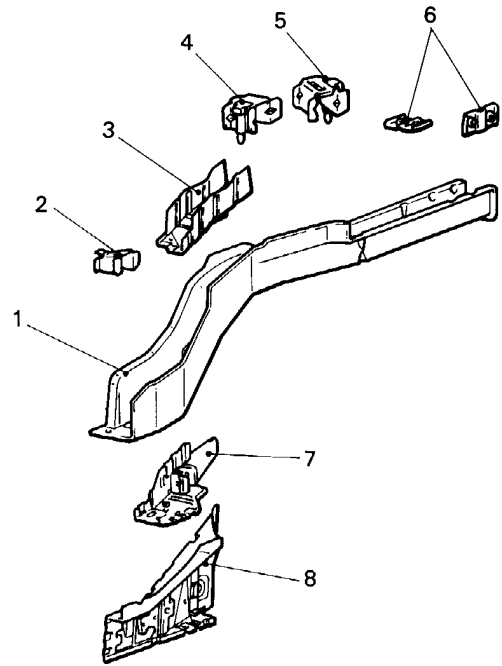
3110080

1. Rear floor pan
2. Fuel tank bracket, rear (right side)
3. Sipping bracket (right side)
4. Spare tire bracket
5. Jack bracket
6. Sipping bracket (left side)
7. Rear floor side brace
8. Sipping bracket (left side)
9. Rear floor crossmember
10. Fuel tank support bracket, rear
11. Front side crossmember extension
12. Backbone reinforcement extension, rear

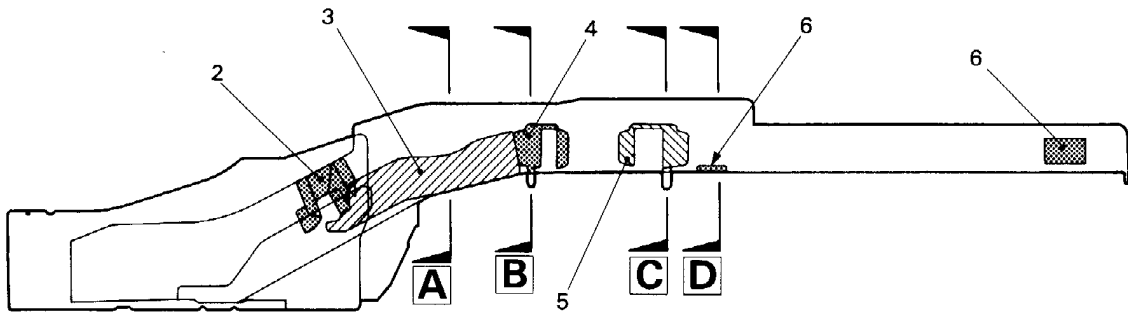
13. Rear seat crossmember, front
14. Rear seat crossmember
15. Muffler hanger reinforcement, rear
16. Fuel tank support reinforcement
17. Rear floor seatbelt reinforcement
18. Garage jack bracket
19. Seatback brace extension, lower
20. Rear seat center bracket
21. Fuel tank bracket, front (right side)
22. Rear seat back center bracket
23. Rear seat back side bracket
24. Rear floor crossmember, upper

**REAR FLOOR SIDEMEMBER REINFORCEMENT**  
**[Except for GCC]**

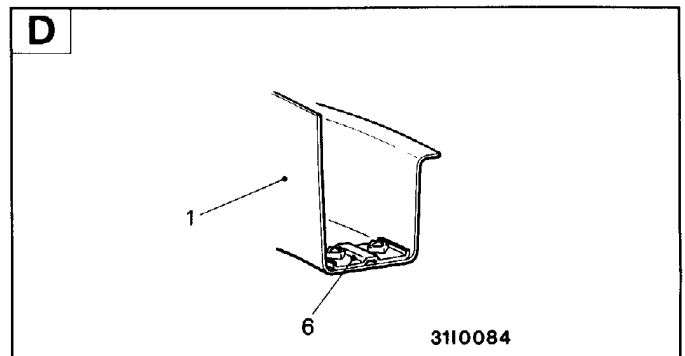
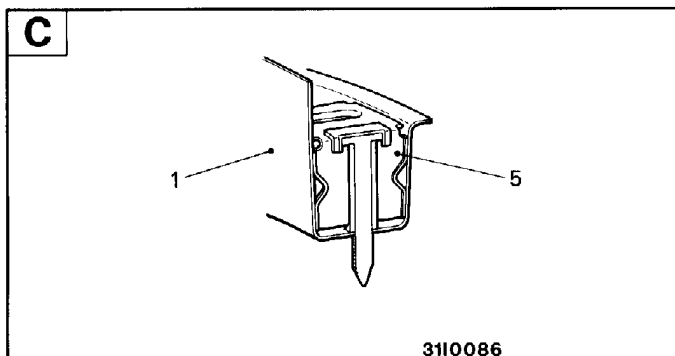
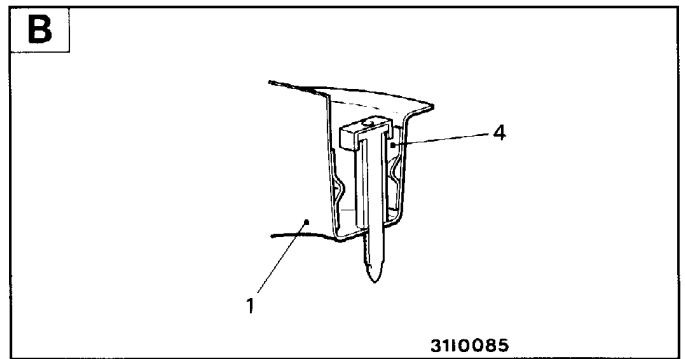
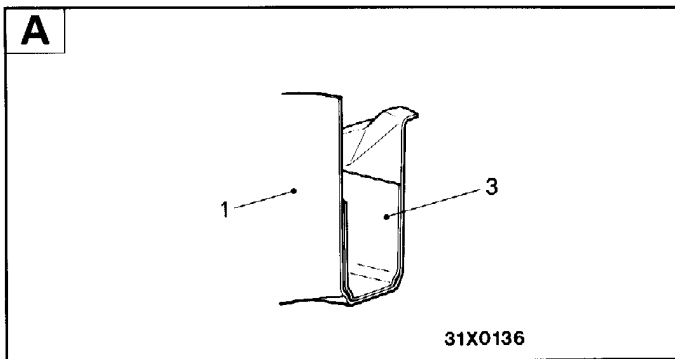
1. Rear floor sidemember
2. Sidemember seatbelt reinforcement
3. Rear floor sidemember reinforcement
4. Rear suspension support bulkhead, front
5. Rear suspension support bulkhead, rear
6. Muffler hanger reinforcement, rear (left side)
7. Trailing arm bracket
8. Rear floor side sill, inner



3110088

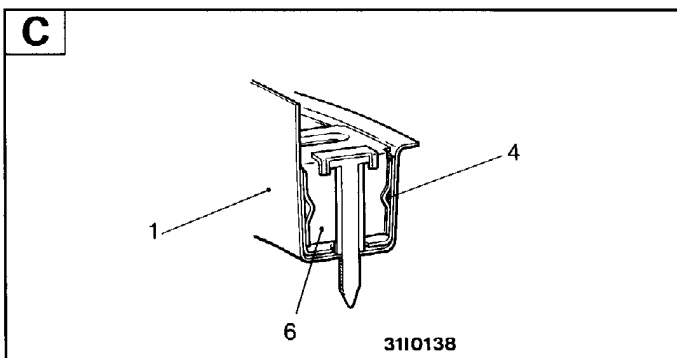
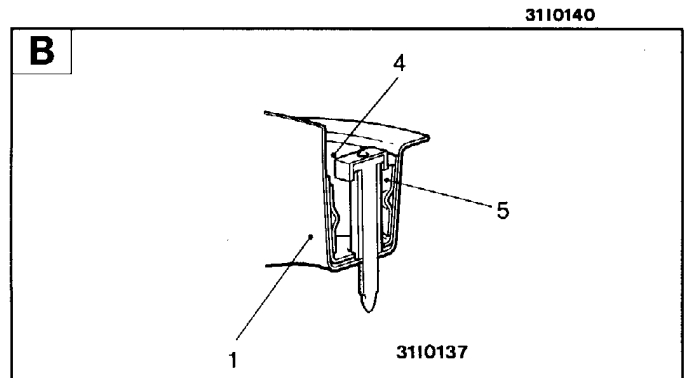
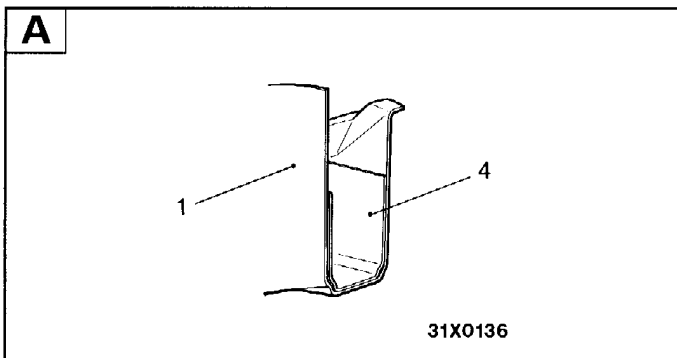
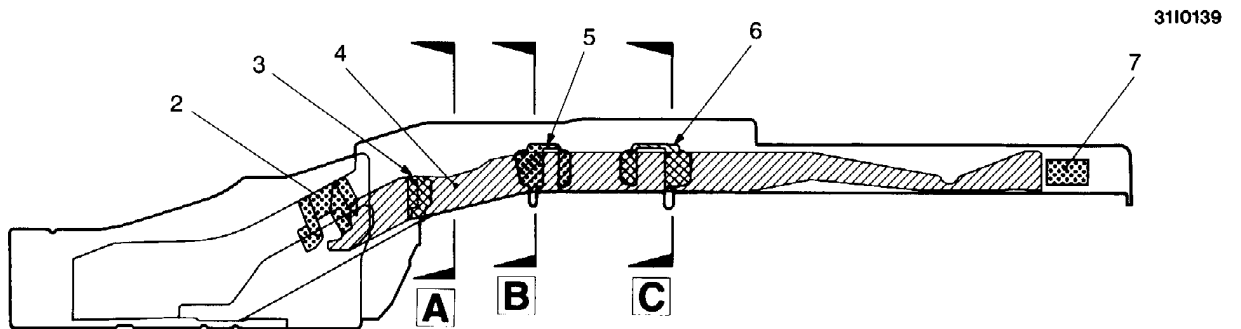
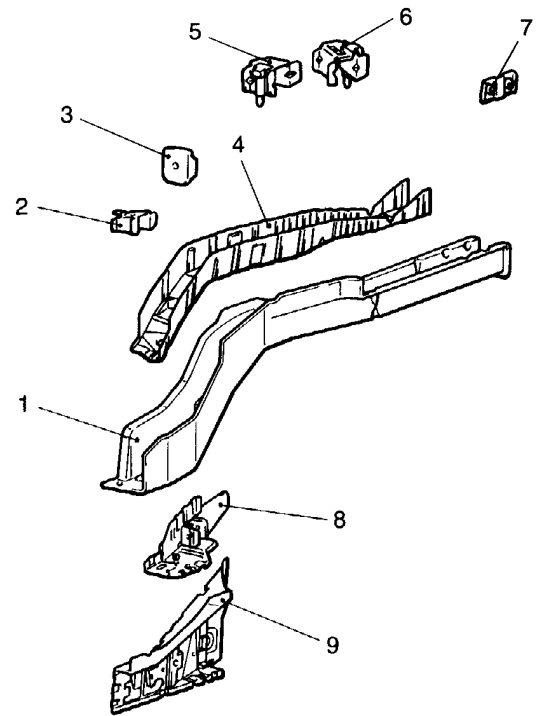


3110082



[Vehicles for GCC]

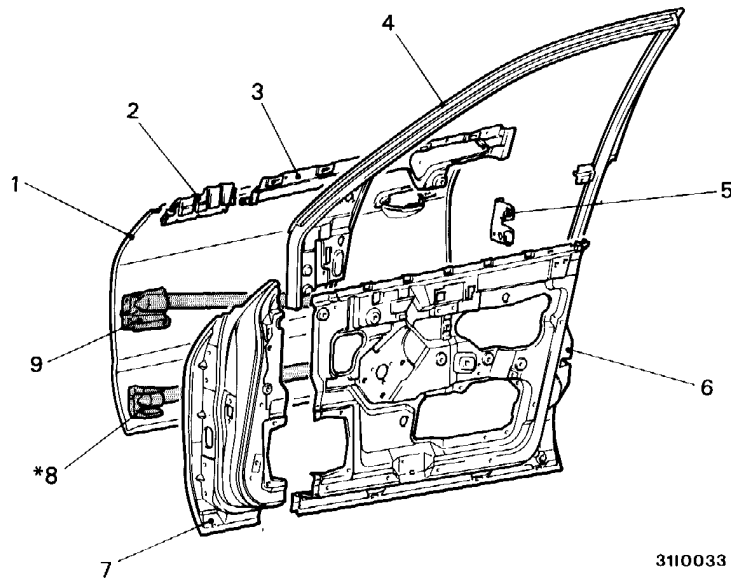
1. Rear floor sidemember
2. Sidemember seatbelt reinforcement
3. Rear floor sidemember bulkhead, front (right side)
4. Rear floor sidemember reinforcement
5. Rear suspension support bulkhead, front
6. Rear suspension support bulkhead, rear
7. Muffler hanger reinforcement, rear (left side)
8. Trailing arm bracket
9. Rear floor side sill, inner



**DOOR**

The doors have been equipped with reinforcements (side door beams) to protect the safety of passengers during a side impact.

**Front door**

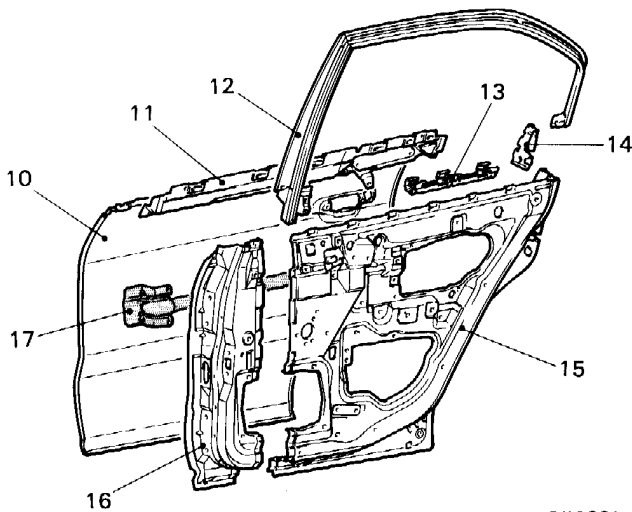


3110033

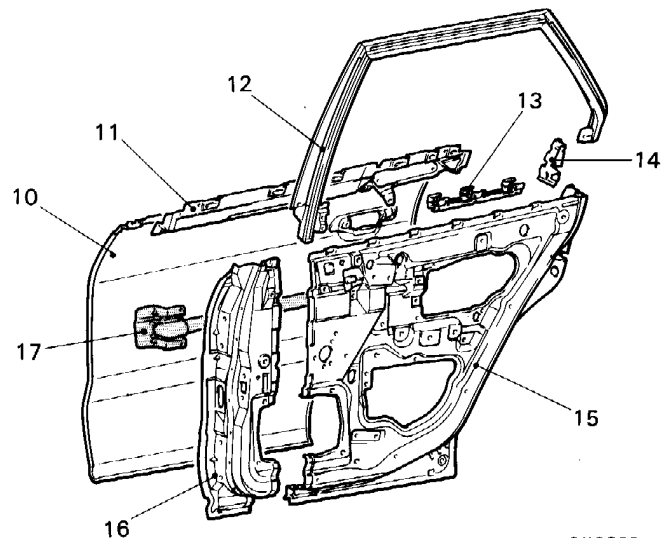
**Rear door**

<Sedan>

<Wagon>



3110031



3110032

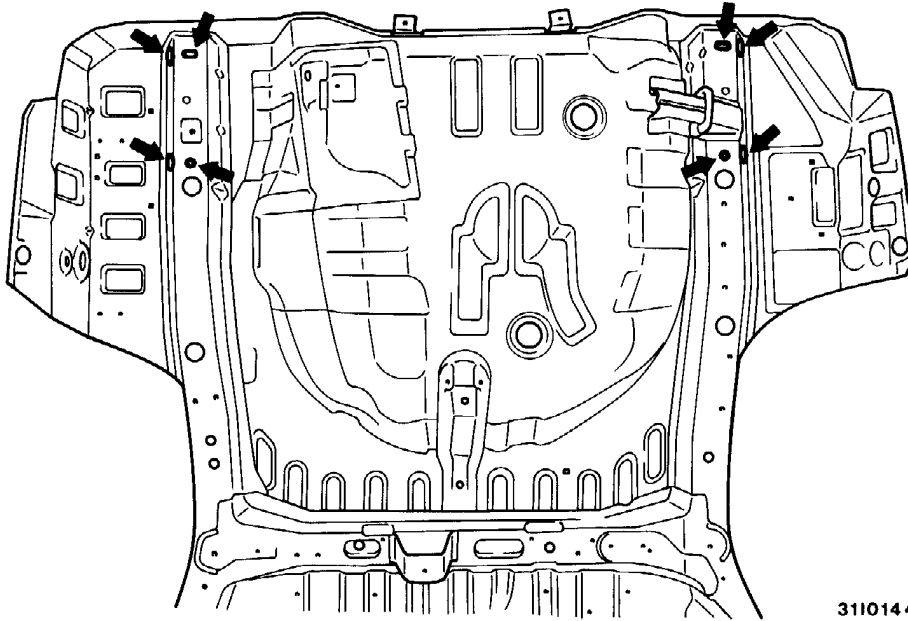
- 1. Front door outer panel
- 2. Front door beltline front bracket
- 3. Front door beltline reinforcement, outer
- 4. Front door window sash
- 5. Front door latch reinforcement
- 6. Front door panel, inner
- 7. Front door hinge panel
- 8. Front door side door beam, lower\*  
(Vehicles for Europe)
- 9. Front door side door beam

- 10. Rear door outer panel
- 11. Rear door beltline reinforcement, outer
- 12. Rear door window sash
- 13. Rear door beltline bracket
- 14. Rear door latch reinforcement
- 15. Rear door panel, inner
- 16. Rear door hinge panel
- 17. Rear door side door beam

\*: Vehicles for Europe

# TOWING BAR MOUNTING LOCATIONS

( ← :Eight mounting locations)



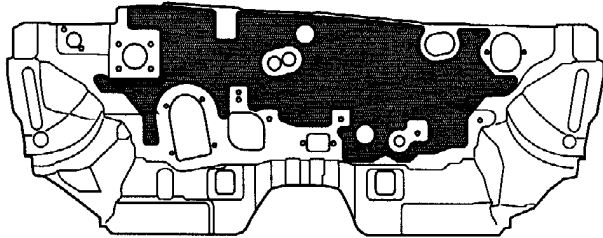
3110144

Rear floor, under

## SILENCER APPLICATION LOCATIONS

In order to reduce vibration and screen out heat from the exhaust gas, silencers (melting sheets) are applied to the passenger compartment side of dash panel.

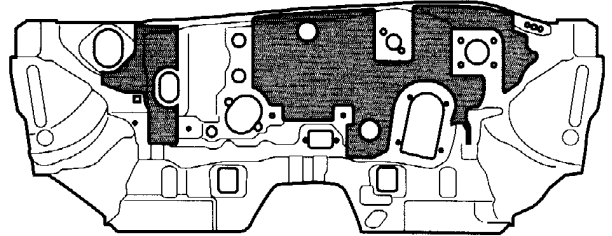
<L.H. drive vehicles>



Passenger compartment side of the dash panel

3110122

<R.H. drive vehicles>



Passenger compartment side of the dash panel

3110077

■ : 3.2 mm (two layers of 1.6 mm) thick silencer

## SILENCER SPRAYING LOCATIONS

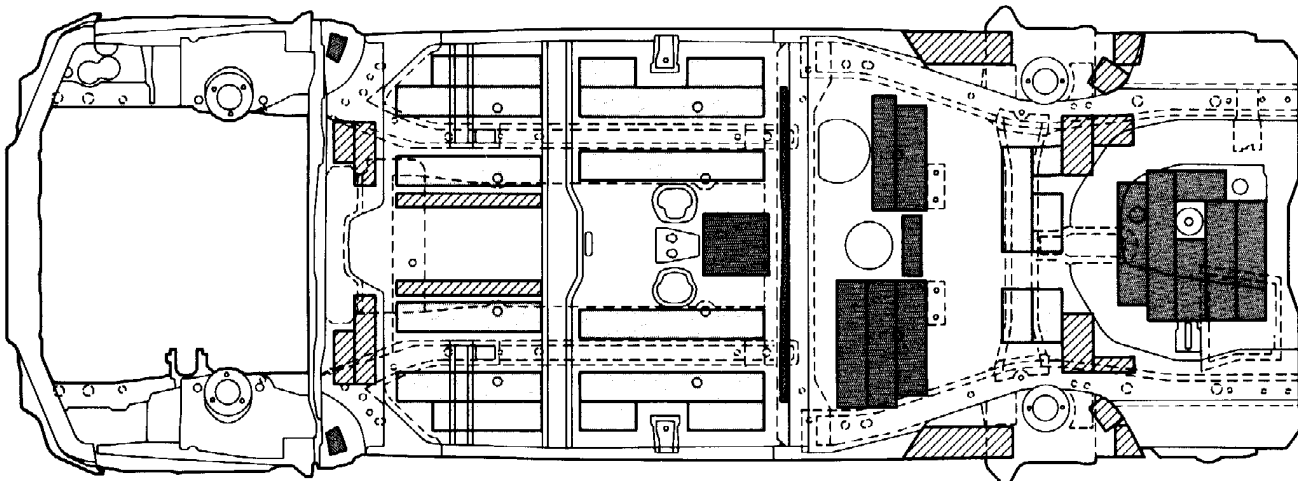
Spray-type anti-vibration silencers have been applied to the surface shown of the dash panel and the floor top in order to improve soundproofing.

NOTE:

When panels are replaced, the previous type of silencers should be attached.

<Sedan>

Vehicles with 4G93 or 4G63 (Carburettor)



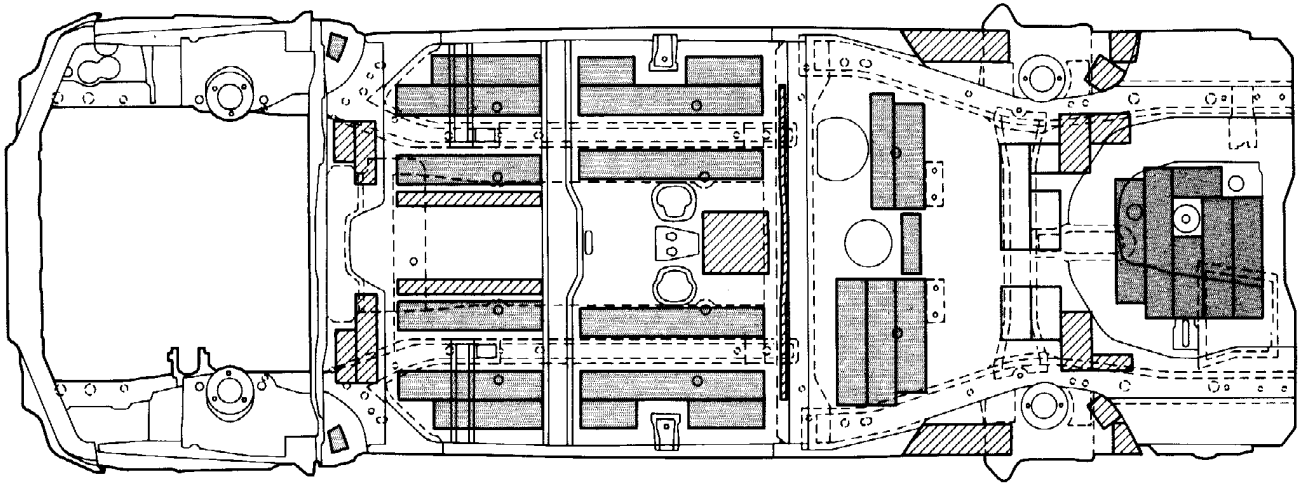
3110125

▨ : 1.5 mm thick (1.6 mm thick silencer)

■ : 2.0 mm thick (two layers of 1.6 mm thick silencers)

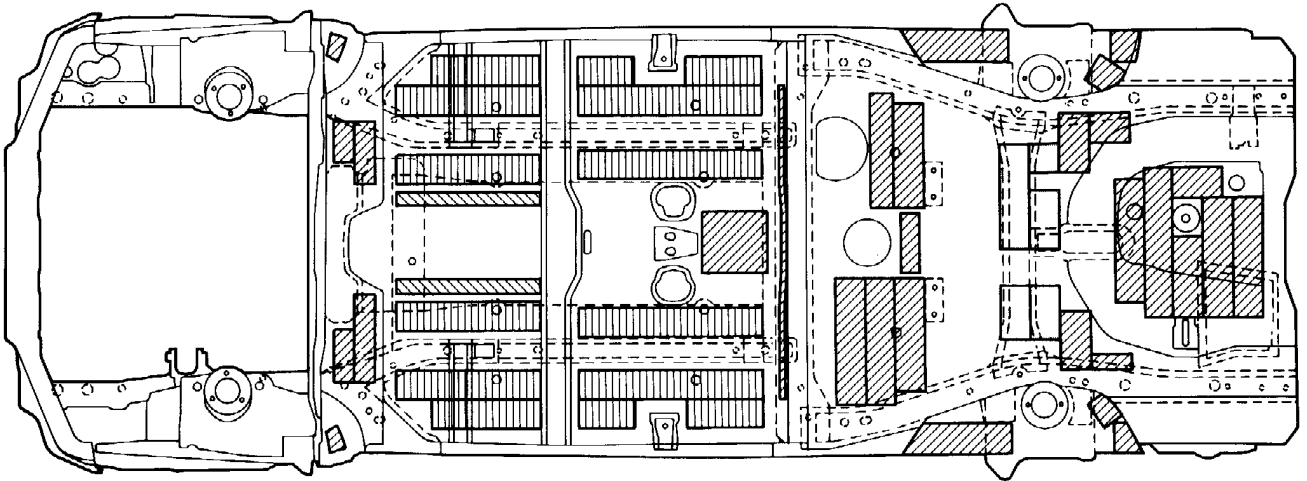
▩ : 3.0 mm thick (two layers of 1.6 mm thick silencers)

Vehicles with 4G63 (MPI) system or 6A13



3110126

Vehicles with 4D68

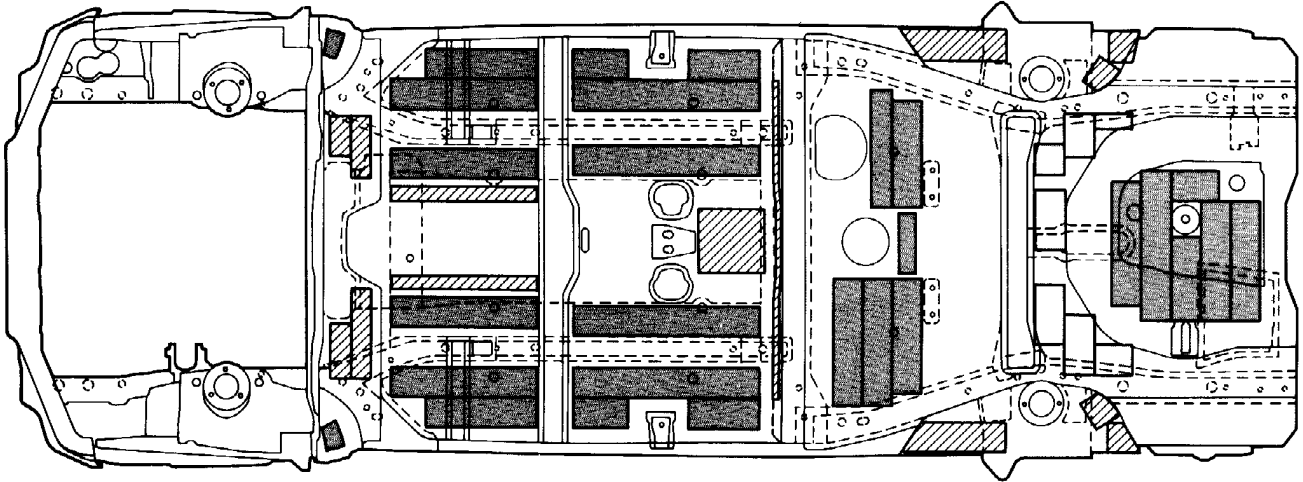


3110127

- : 1.5 mm thick (1.6 mm thick silencer)
- : 2.0 mm thick (two layers of 1.6 mm thick silencers)
- ▨ : 2.5 mm thick (two layers of 1.6 mm thick silencers)
- ▩ : 3.0 mm thick (two layers of 1.6 mm thick silencers)
- : 3.5 mm thick (three layers of 1.6 mm thick silencers)

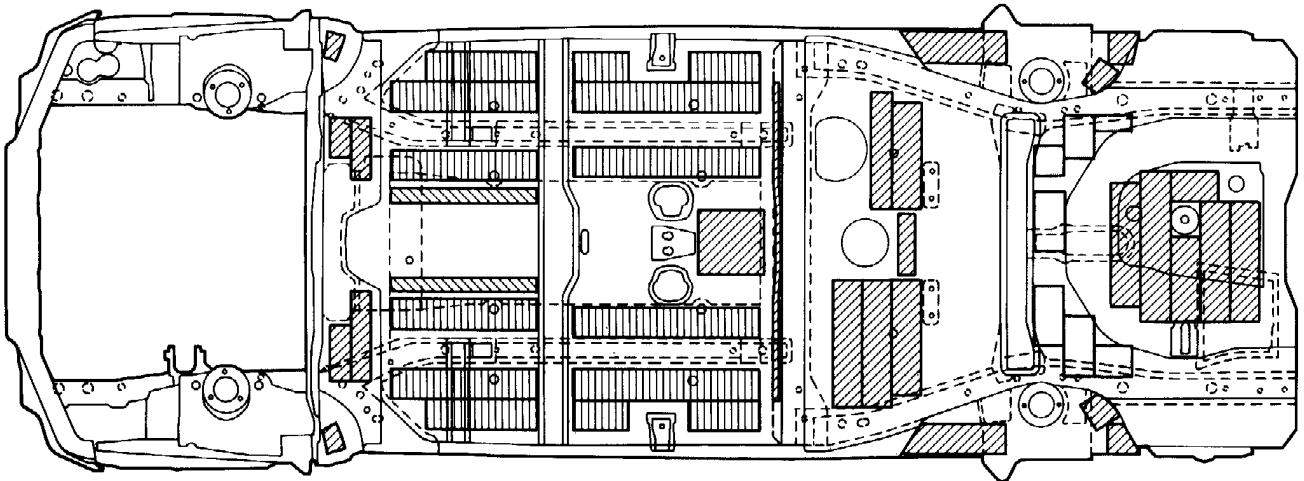


<Wagon>  
Vehicles with 4G63 or 6A13





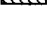


3110128

Vehicles with 4D68



3110129

-  : 1.5 mm thick (1.6 mm thick silencer)
-  : 2.0 mm thick (two layers of 1.6 mm thick silencers)
-  : 2.5 mm thick (two layers of 1.6 mm thick silencers)
-  : 3.0 mm thick (two layers of 1.6 mm thick silencers)
-  : 3.5 mm thick (three layers of 1.6 mm thick silencers)

### FOAMING AGENT USAGE LOCATIONS

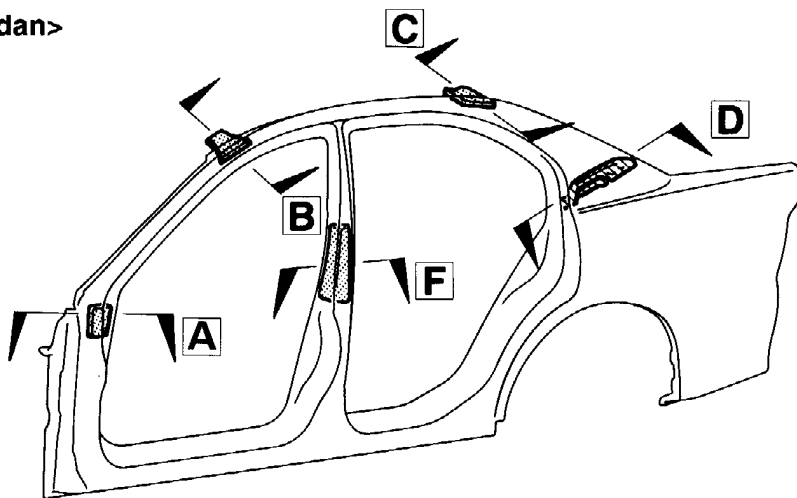
The pillars and roof rails have been filled with foaming agent in order to reduce columnar sound resonance. In addition, highly-rigid foaming agent has been adopted for the pillar joints where a high degree of rigidity is required, in order to provide additional cross-sectional rigidity.

Points to note when working with panels in foaming agent usage locations:

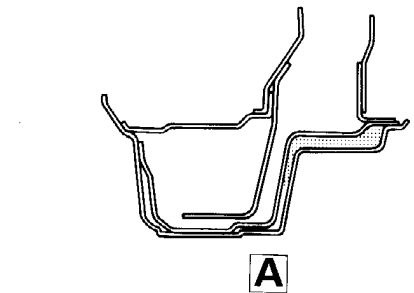
The foaming agent may ignite if it is heated, so the following points must be observed without fail.

- (1) Do not use a gas burner or other similar equipment to heat the areas where foaming agent has been used.
- (2) When cutting the areas where foaming agent has been used, use equipment (such as a pneumatic saw) which does not produce heat to make the cuts.
- (3) If any foaming agent is remaining at the cutting locations (on the body side), clean off all foaming agent from around the area before carrying out welding.

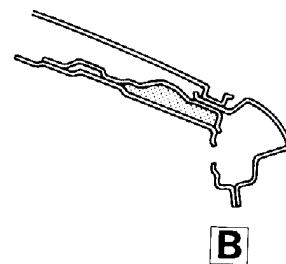
<Sedan>



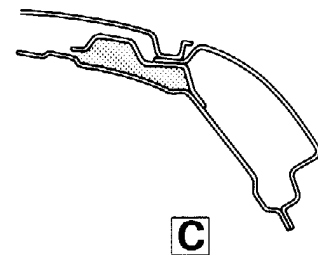
3110142



3110054

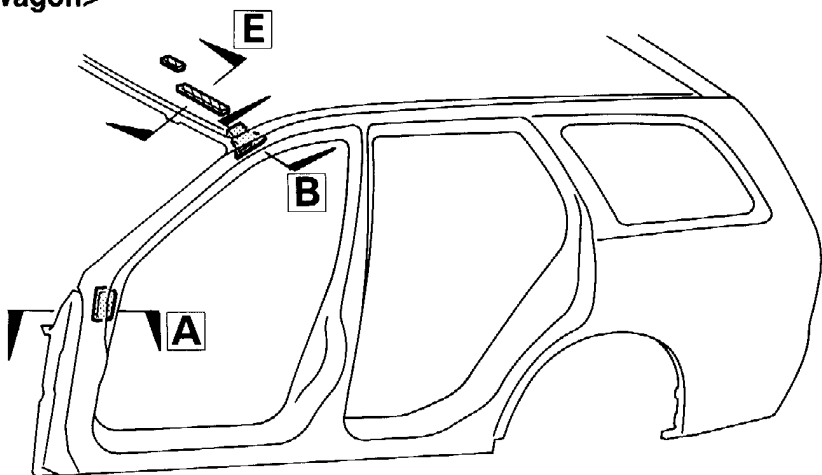


3110053



3110055

<Wagon>

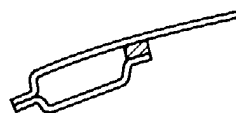


3110099

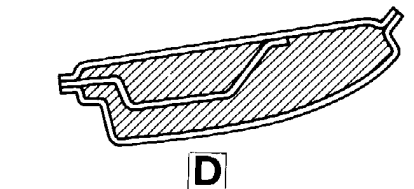


F

3110143



E



D

3110090

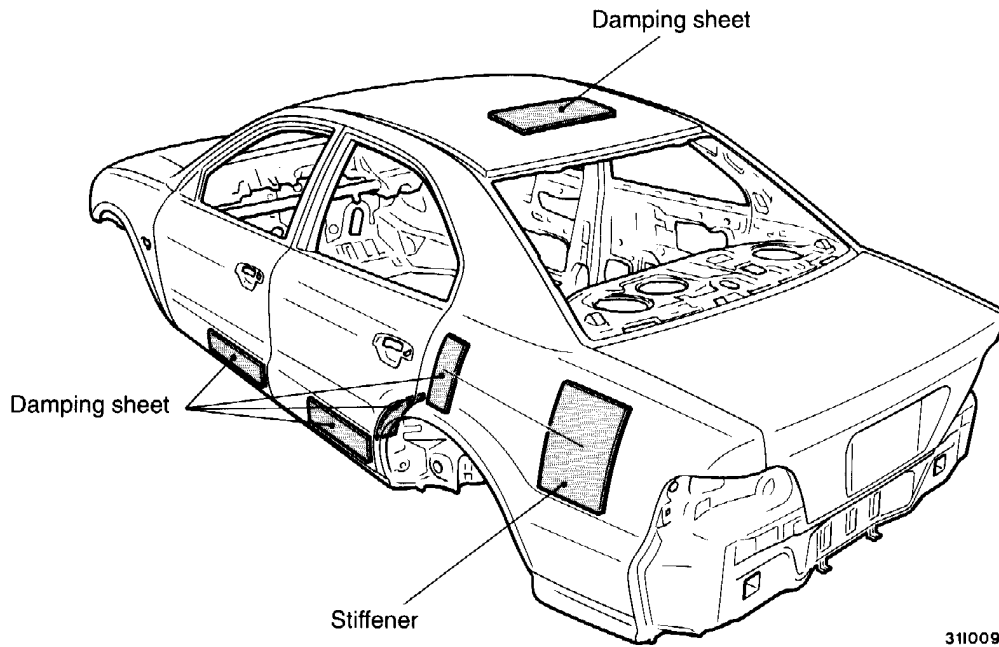
[Vehicles for General Export]

- : High-rigidity foaming agent usage locations
- : Foam soundproofing agent usage locations

## **STIFFENER AND DAMPING SHEET APPLICATION LOCATIONS**

Stiffeners and damping sheets have been attached on the inside of the side outer panels, roof panel and front and rear door outer panels in order to increase the surface rigidity, and the anti-vibration effects also reduce noise.

### **<Sedan>**



### **<Wagon>**

