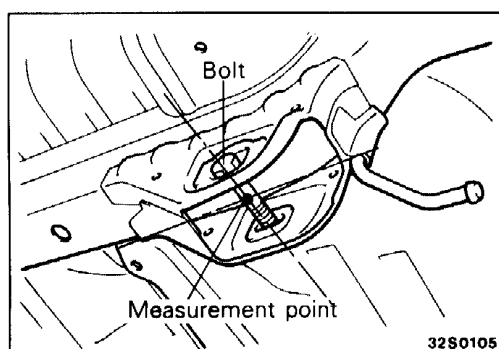
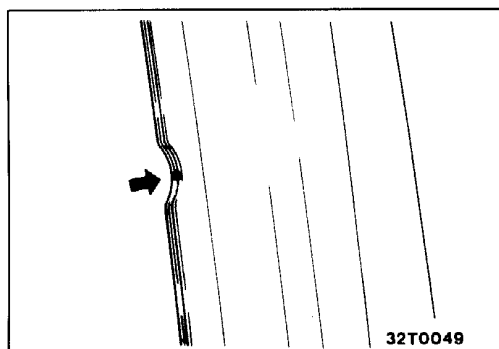
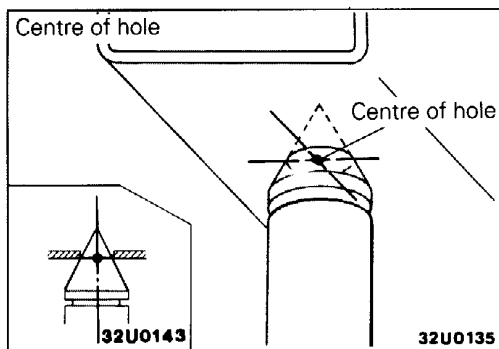
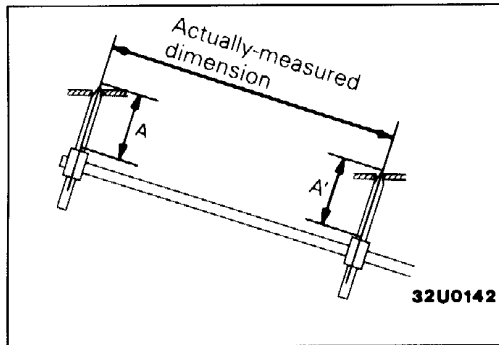
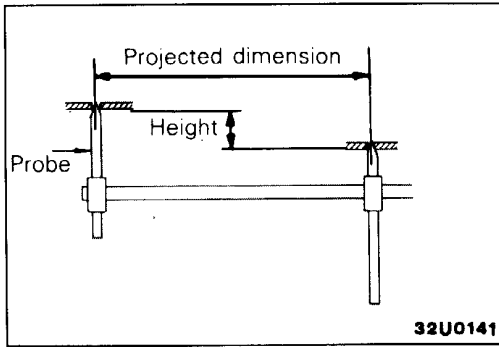


2 BODY DIMENSIONS

BODY DIMENSIONS AND MEASUREMENT

METHODS	2-3
<SEDAN>	
TYPE A	
(PROJECTED DIMENSIONS)	2-4
UNDER BODY	2-4
SUSPENSION INSTALLATION DIMENSIONS	2-6
TYPE B	
(ACTUAL-MEASUREMENT DIMENSIONS)	2-8
UNDER BODY	2-8
SUSPENSION INSTALLATION DIMENSIONS	2-10
FRONT BODY	2-12
SIDE BODY	2-13
REAR BODY	2-14
INTERIOR	2-15
<WAGON>	
TYPE A	
(PROJECTED DIMENSIONS)	2-16
UNDER BODY	2-16
SUSPENSION INSTALLATION DIMENSIONS	2-18
TYPE B	
(ACTUAL-MEASUREMENT DIMENSIONS)	2-20
UNDER BODY	2-20
SUSPENSION INSTALLATION DIMENSIONS	2-22
FRONT BODY	2-24
SIDE BODY	2-25
REAR BODY	2-26
INTERIOR	2-27



BODY DIMENSIONS AND MEASUREMENT METHODS

STANDARD DIMENSIONS INDICATIONS AND MEASUREMENT METHODS

(1) Type A (projected dimensions)
Indicates the dimension when a measurement location is projected onto a plane. The difference in height of the measurement points should be taken into consideration when measuring.

(2) Type B (actual-measurement dimensions)
Indicates the actual distance between the measurement points.
Measure using a tracking gauge or a measuring tape, etc.

NOTES

- Make the lengths of the tracking gauge probes the same ($A=A'$).
- Do not bend or twist the measuring tape.

2

(3) Insert the tracking gauge probes securely into the measurement holes.

(4) When the standard dimensions in the illustration are enclosed by \square , this indicates that the symmetrical left and right positions have the same dimensions.

(5) When using a notch for dimension measurement, make the measuring point at the centre of the notch.

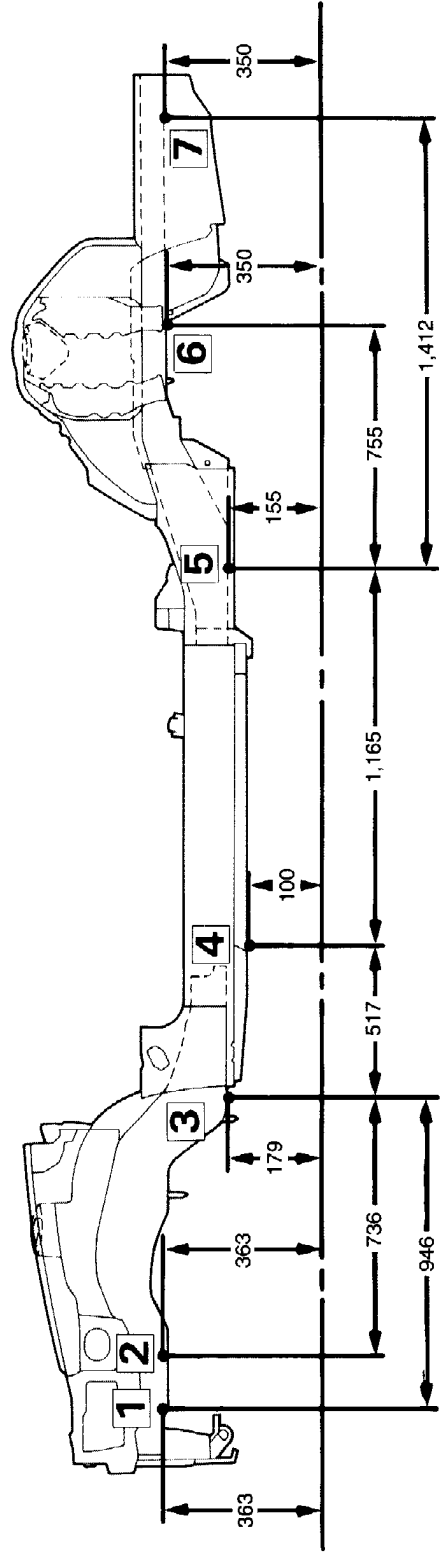
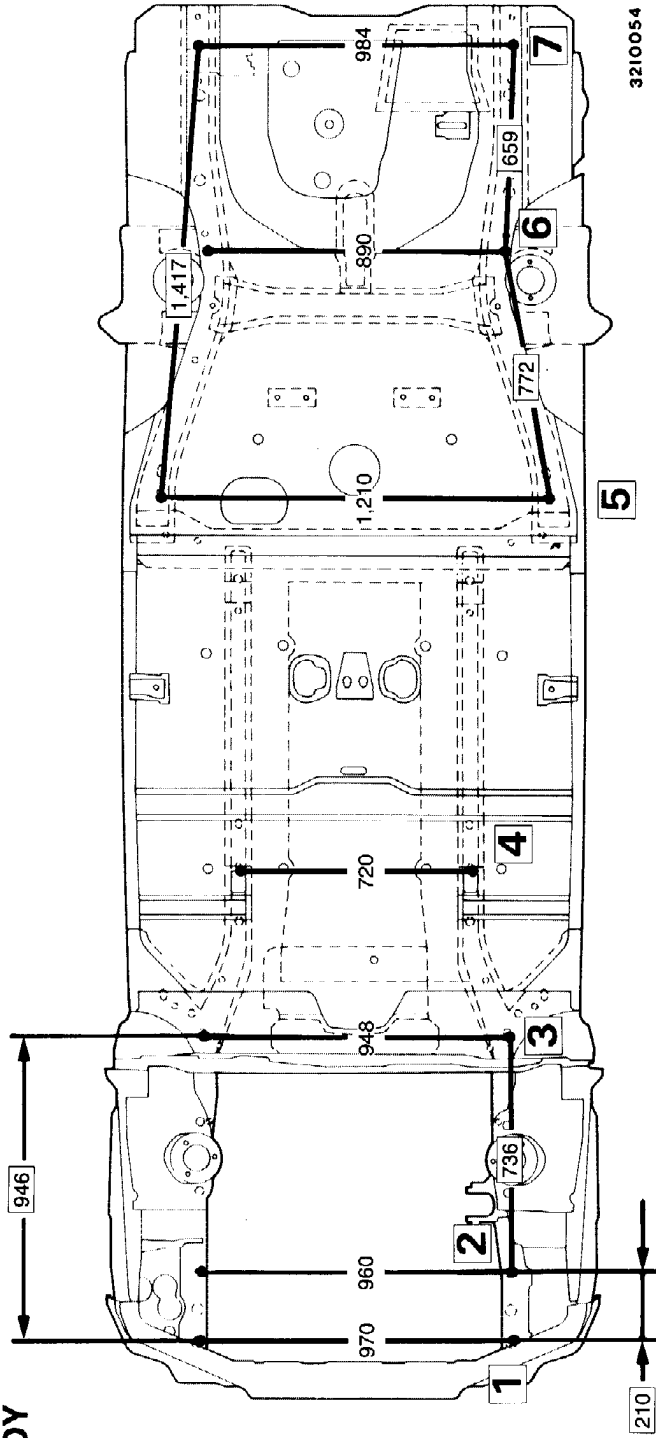
(6) When measuring the suspension mounting arm or the link mounting position, use the suspension mounting bolt as the measuring point.

BODY CENTRE POINT

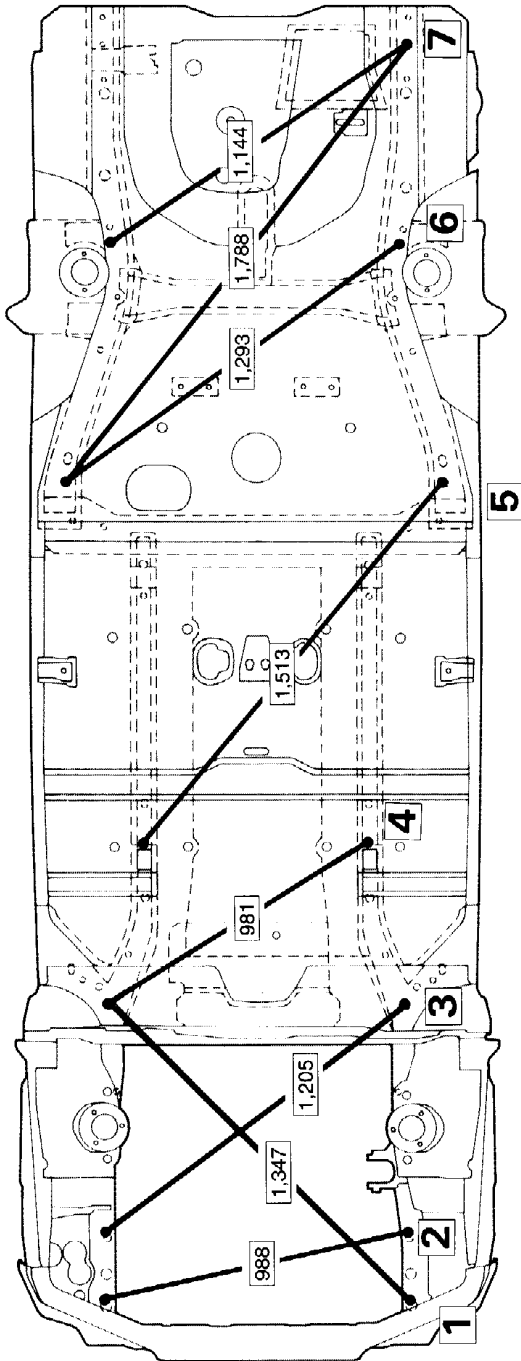
The body centre points are shown for the purpose of checking the position of the left and right symmetry locations.

mm

<Sedan>
TYPE A (PROJECTED DIMENSIONS)
UNDER BODY

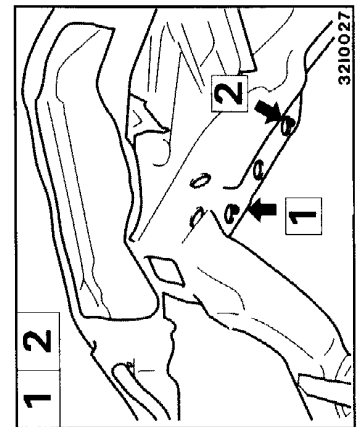
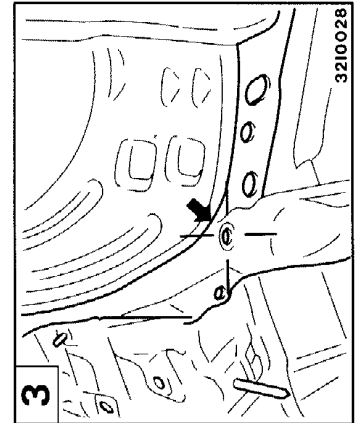
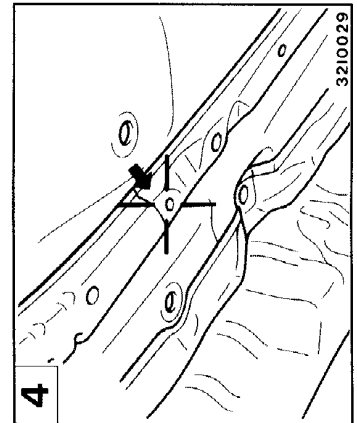
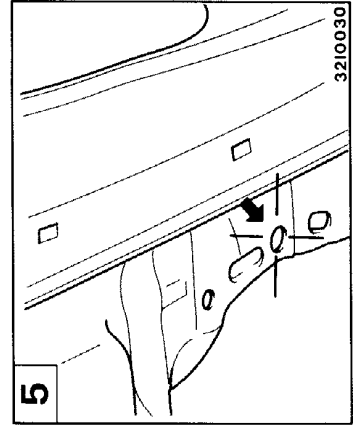


mm



No.	Standard measurement point	Hole shape	Size mm	No.	Standard measurement point	Hole shape	Size mm
1*	Rear portion of front sidemember drain hole	○	35	4*	Centre of front floor sidemember drain hole	○	12
2	Rear portion of front sidemember drain hole	○	25	5*	Centre of rear floor sidemember positioning hole	○	25
3*	Centre of crossmember mounting hole	○	27.4	6	Centre of rear floor sidemember drain hole	○	20
				7*	Centre of bumper stay mounting hole	○	13

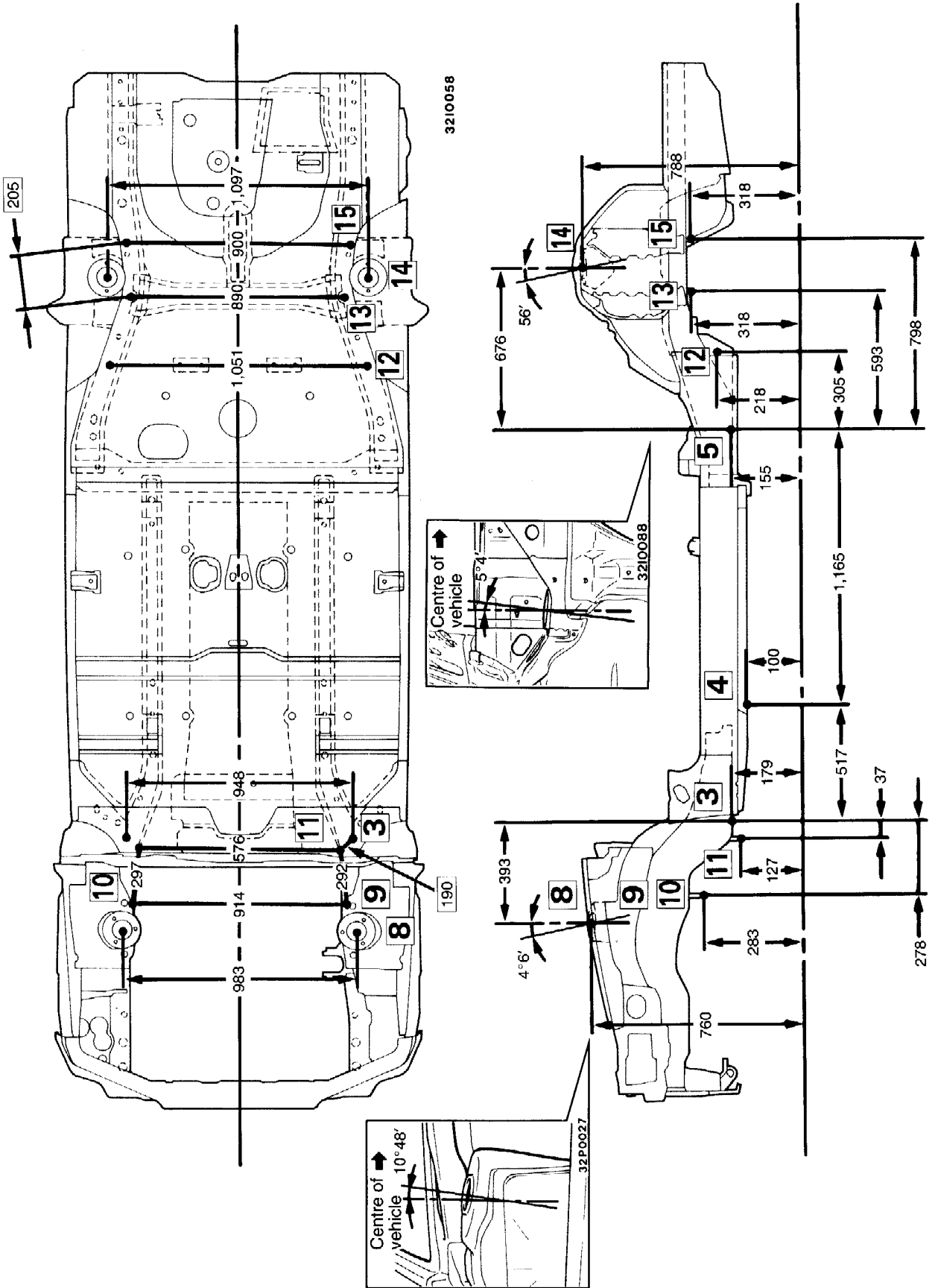
NOTE: The * mark indicates the mounting position for the frame centering gauge.



2

mm

SUSPENSION INSTALLATION DIMENSIONS



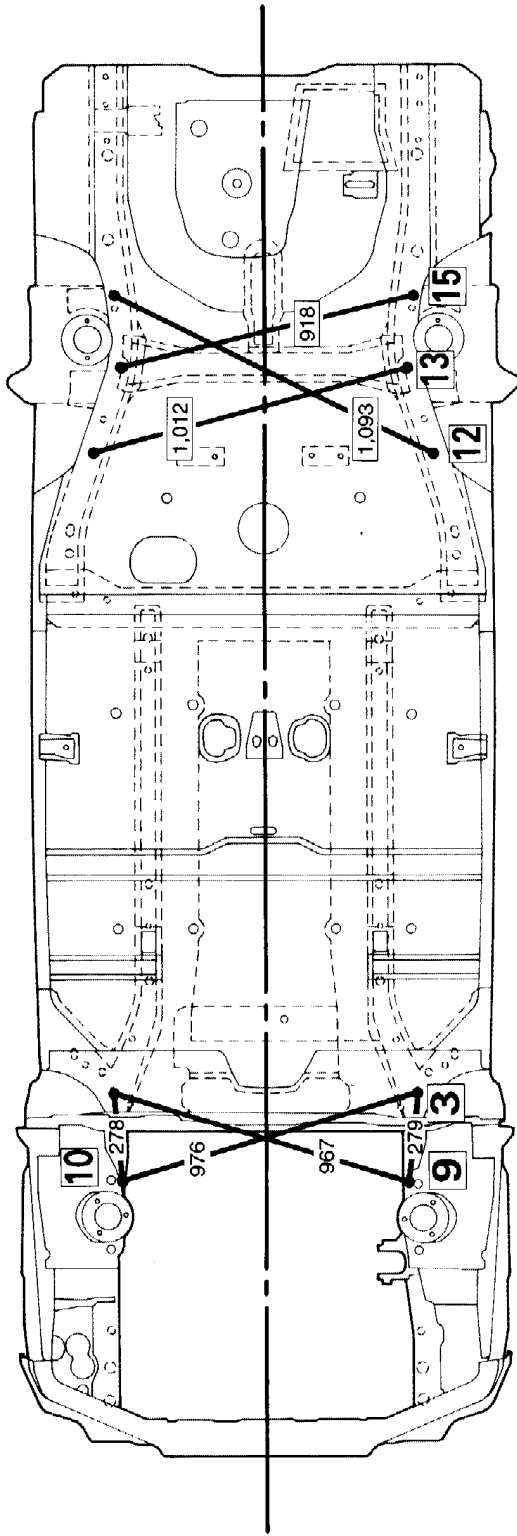
32I0058

32I0088

32P0027

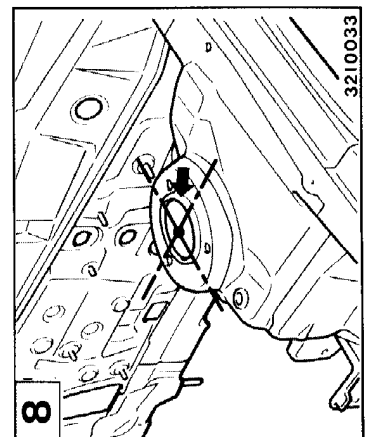
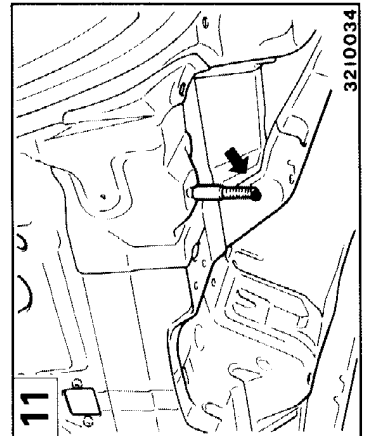
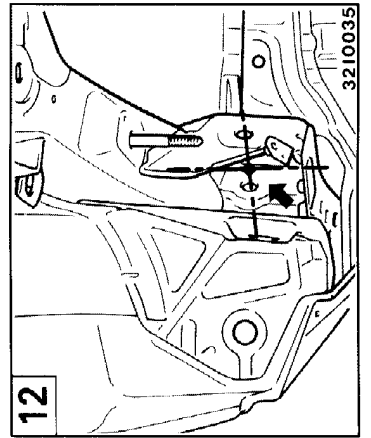
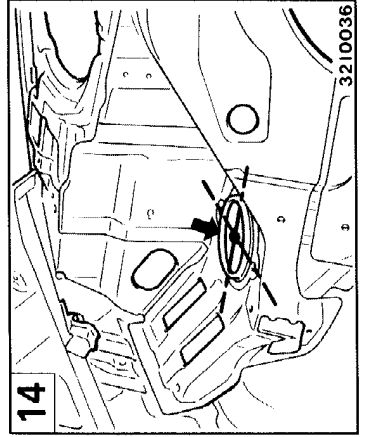
32I0060

mm



3210057

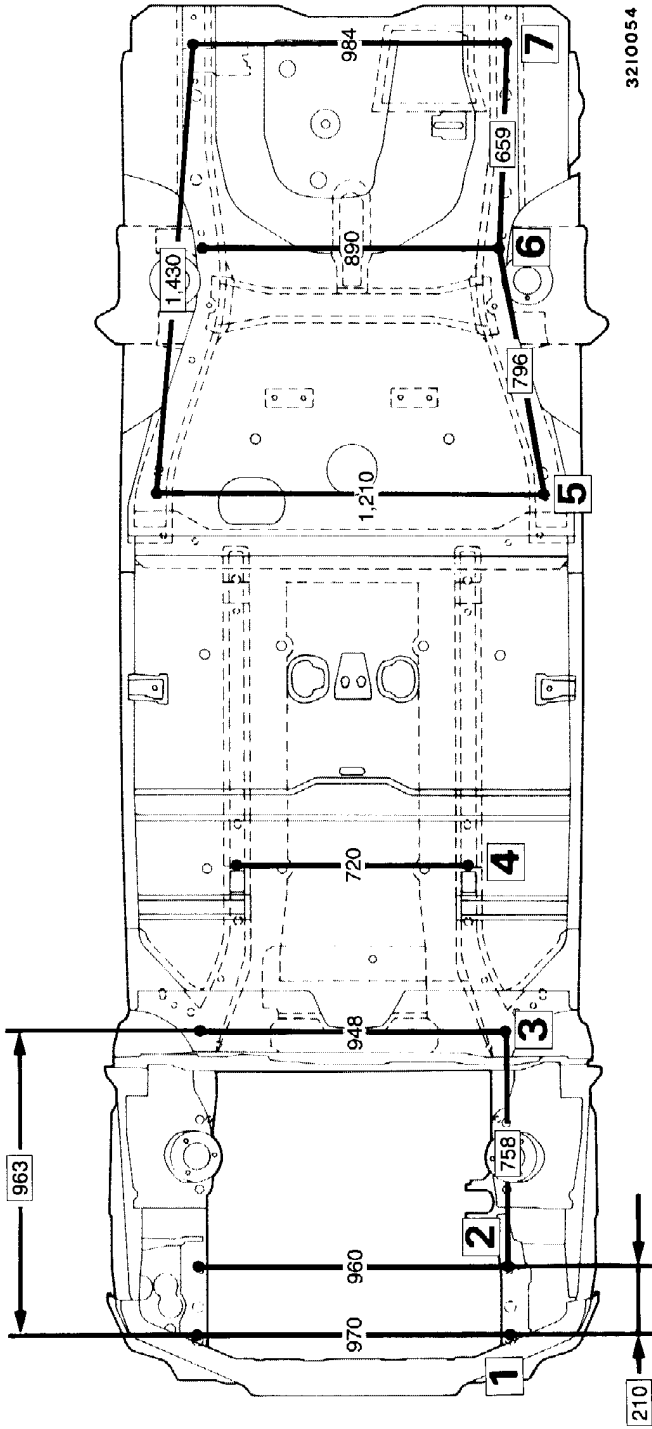
No.	Standard measurement point	Hole shape	Size – mm	No.	Standard measurement point	Hole shape	Size – mm
3	Centre of crossmember mounting hole	○	– 27.4	9	End of crossmember mounting bolt	—	—
4	Centre of front floor sidemember drain hole	○	– 12	10	End of crossmember mounting bolt	—	—
5	Centre of rear floor sidemember positioning hole	○	– 25	11	End of crossmember mounting bolt	—	—
8	Centre of front shock absorber mounting hole	○	– 82.6	12	Trailing arm mounting position	—	—
				13	End of crossmember mounting bolt		
				14	Centre of rear shock absorber mounting hole		
				15	End of crossmember mounting bolt		



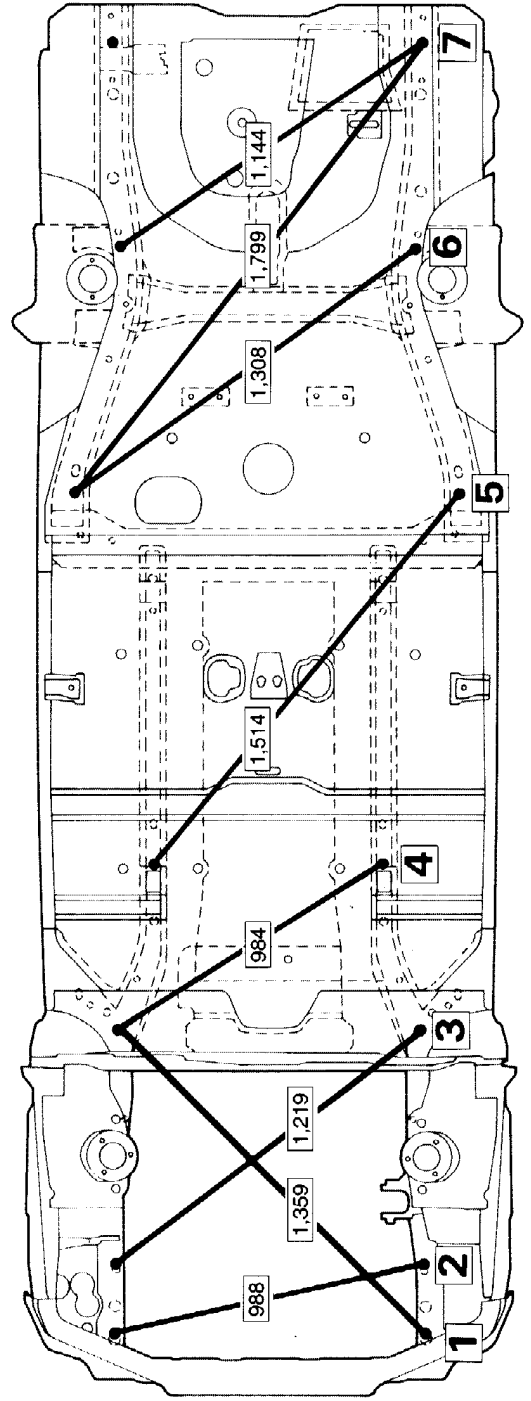
mm

TYPE B (ACTUAL-MEASUREMENT DIMENSIONS)

UNDER BODY

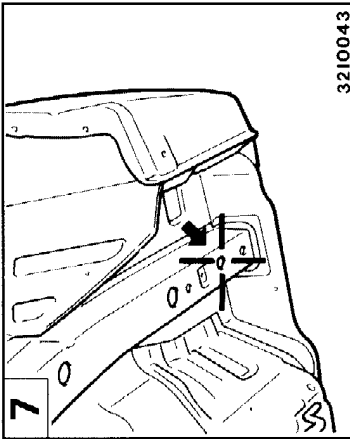
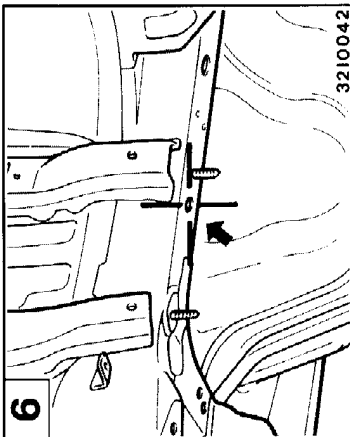
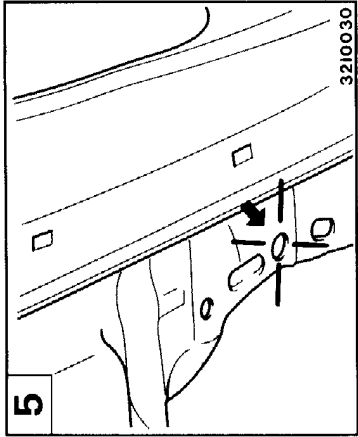
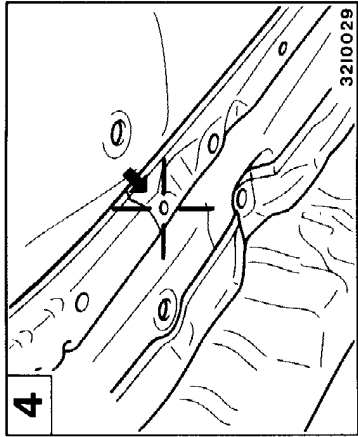
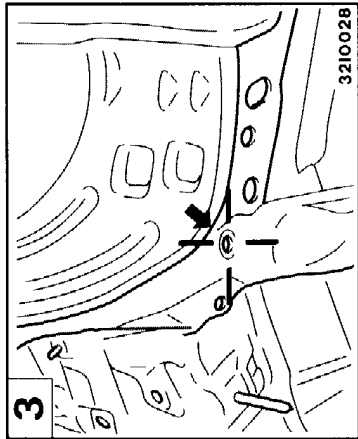
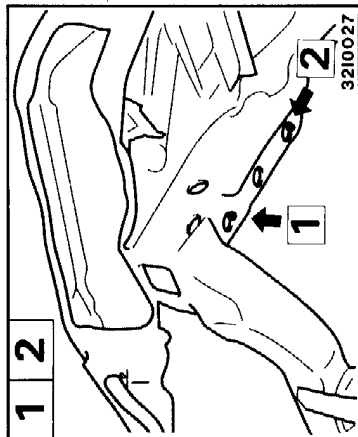


3210054



3210055

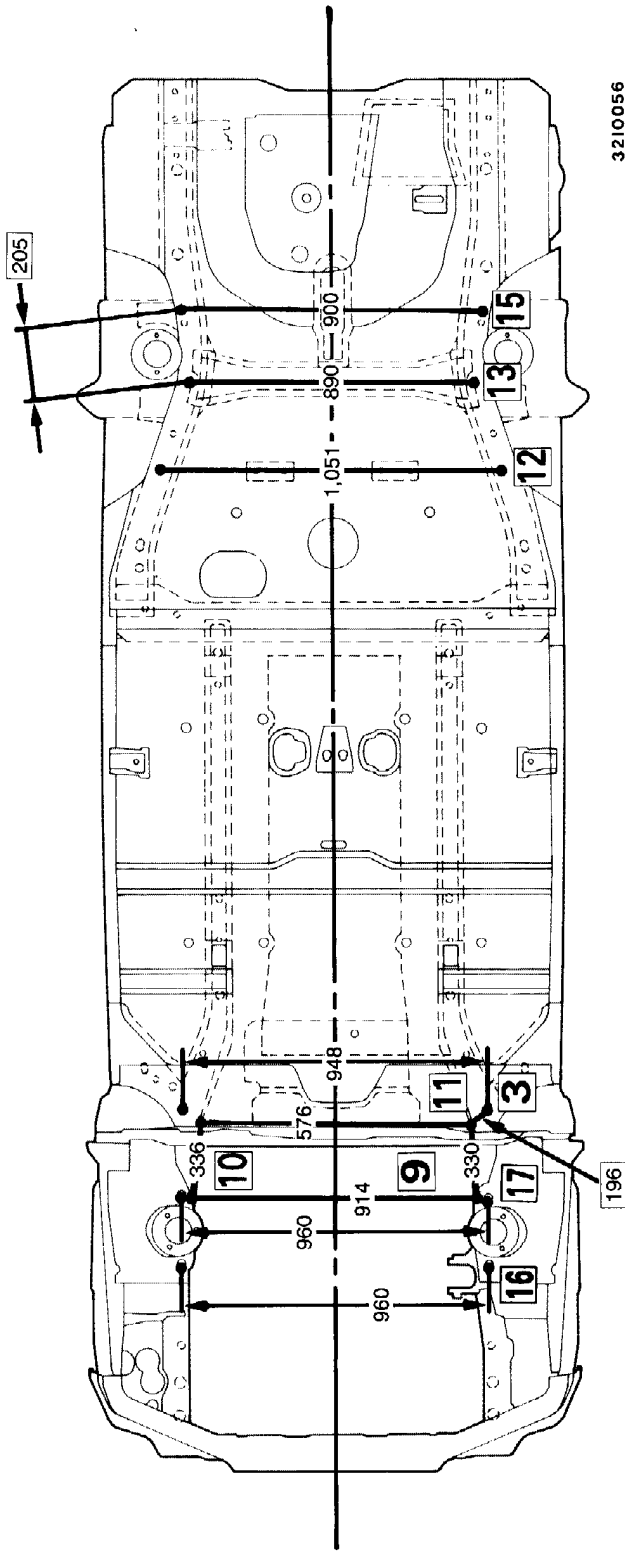
No.	Standard measurement point	Hole shape	Size mm	No.	Standard measurement point	Hole shape	Size mm	No.	Standard measurement point	Hole shape	Size mm
1	Rear portion of front sidemember drain hole	○	35	4	Centre of front floor sidemember drain hole	○	12	6	Centre of rear floor sidemember drain hole	○	20
2	Rear portion of front sidemember drain hole	○	25	5	Centre of rear floor sidemember positioning hole	○	25	7	Centre of bumper stay mounting hole	○	13
3	Centre of crossmember mounting hole	○	27.4								



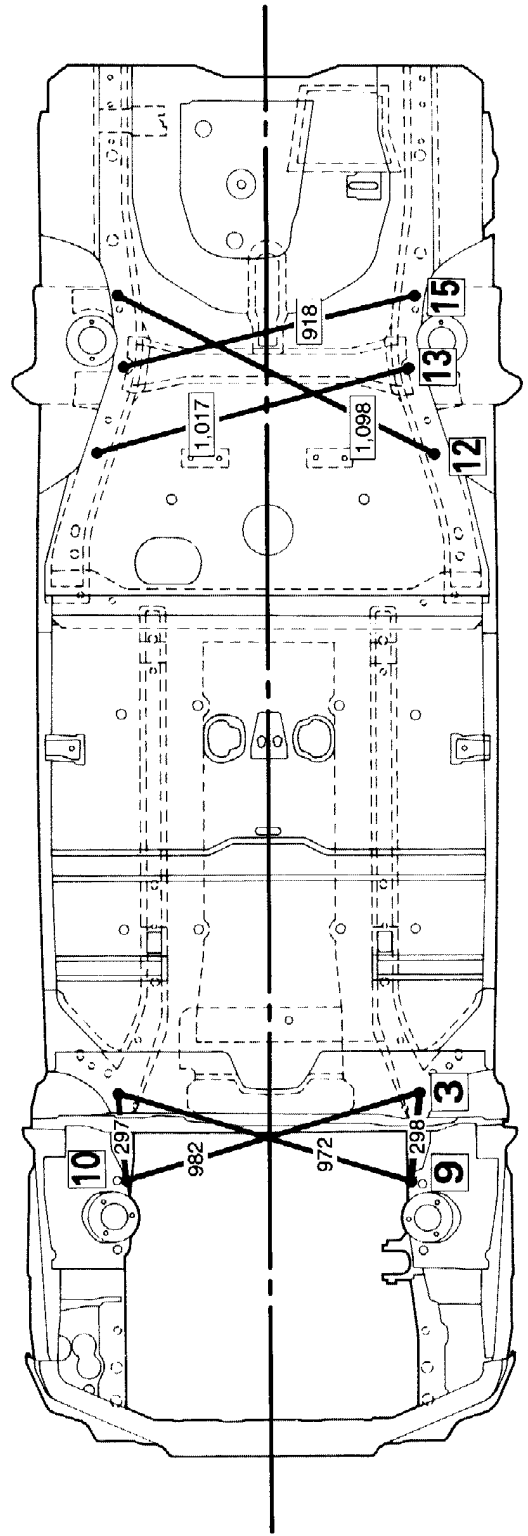
2-10 BODY DIMENSIONS – Type B (Actual-Measurement Dimensions) <Sedan>

mm

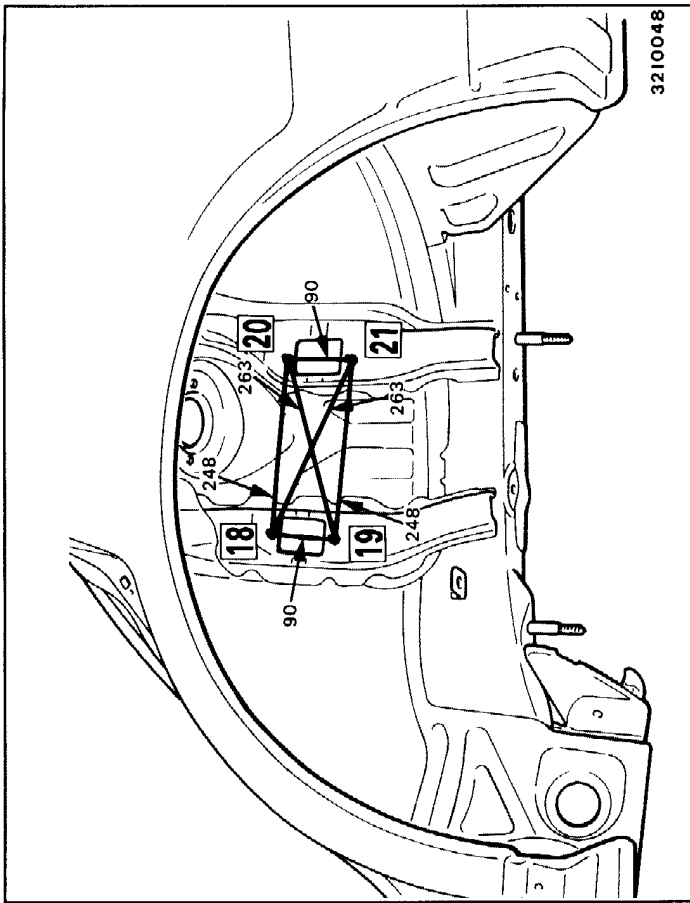
SUSPENSION INSTALLATION DIMENSIONS



3210056

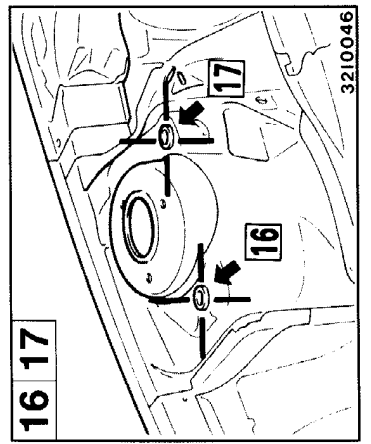
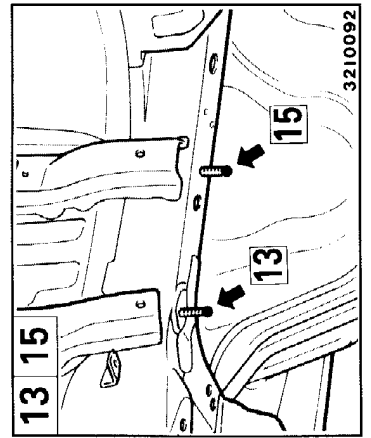
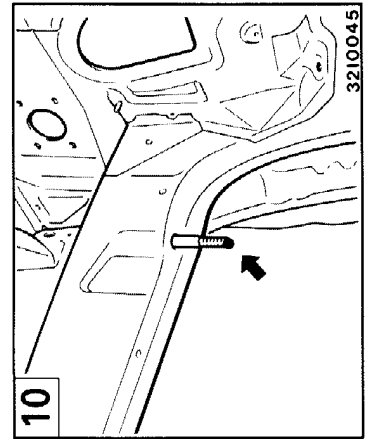
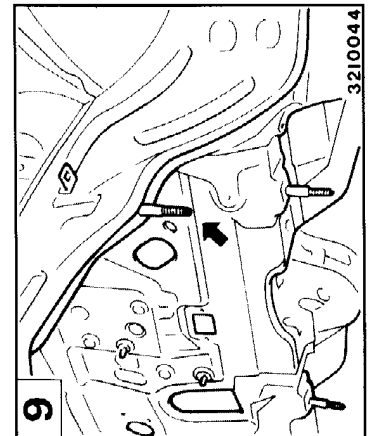


3210057



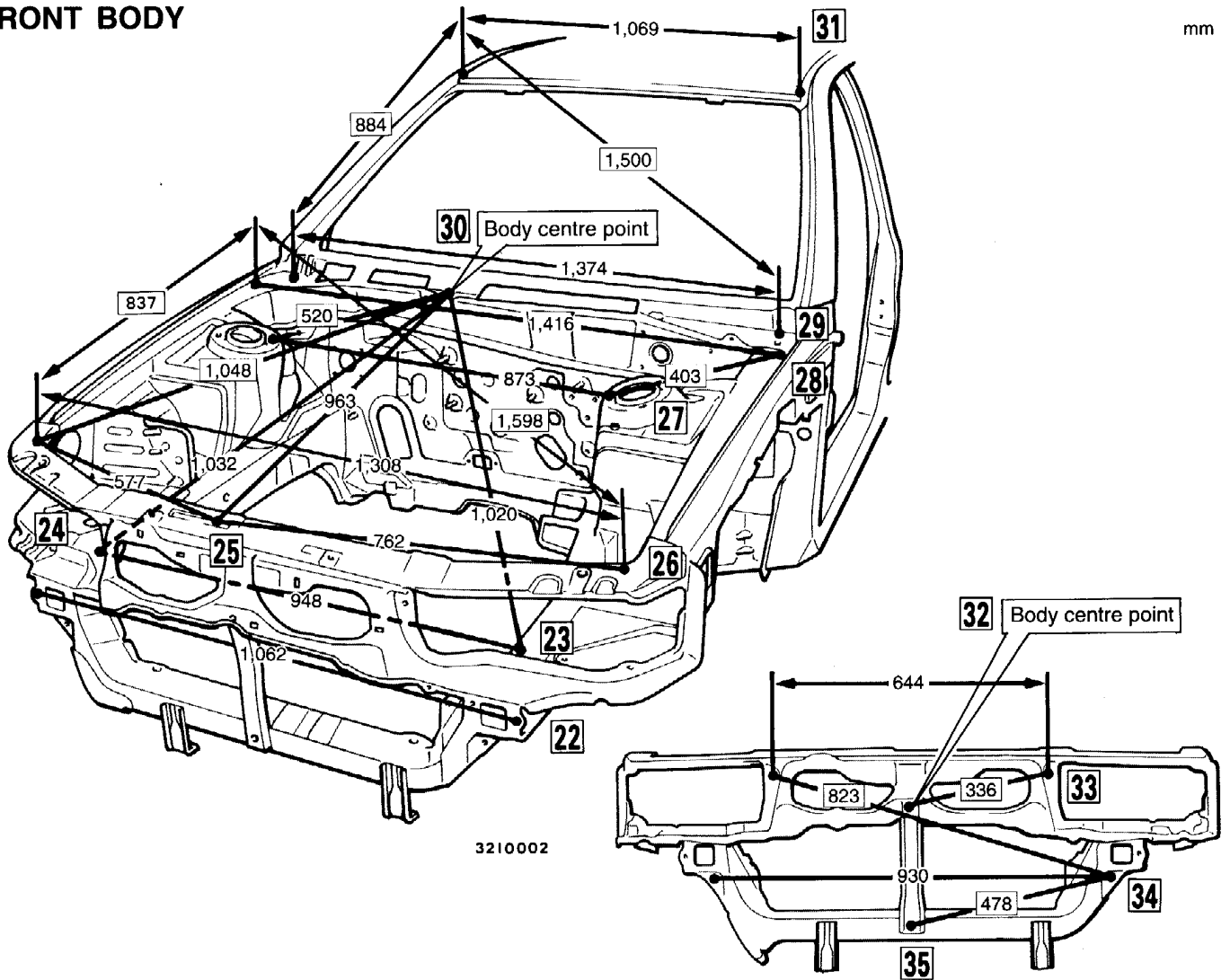
3210048

No.	Standard measurement point	Hole shape	Size mm	No.	Standard measurement point	Hole shape	Size mm	No.	Standard measurement point	Hole shape	Size mm
3	Centre of crossmember mounting hole	○	27.4	13	End of crossmember mounting bolt	—	—	18	Centre of upper arm mounting hole	○	12 × 15
9	End of crossmember mounting bolt	—	—	15	End of crossmember mounting bolt	—	—	19	Centre of upper arm mounting hole	○	12 × 15
10	End of crossmember mounting bolt	—	—	16	Centre of upper arm mounting hole	○	19.8	20	Centre of upper arm mounting hole	○	12 × 15
11	End of crossmember mounting bolt	—	—	17	Centre of upper arm mounting hole	○	19.8	21	Centre of upper arm mounting hole	○	12 × 15
12	Trailing arm mounting position	—	—								



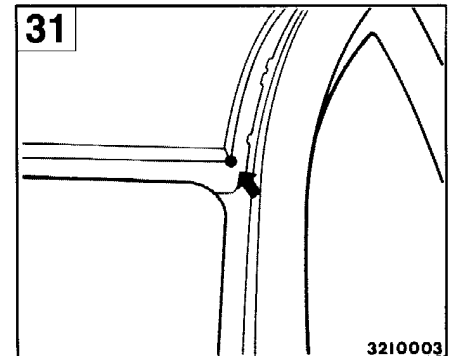
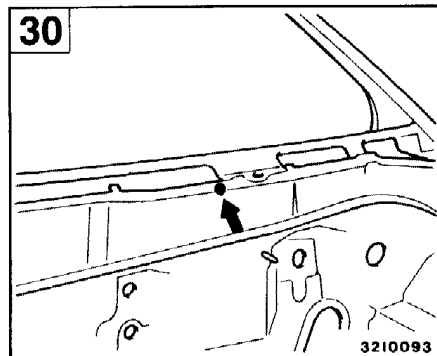
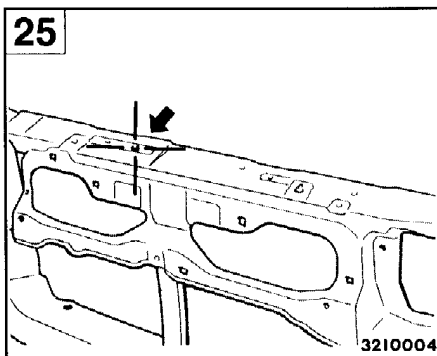
2-12 BODY DIMENSIONS – Type B (Actual-Measurement Dimensions) <Sedan>

FRONT BODY



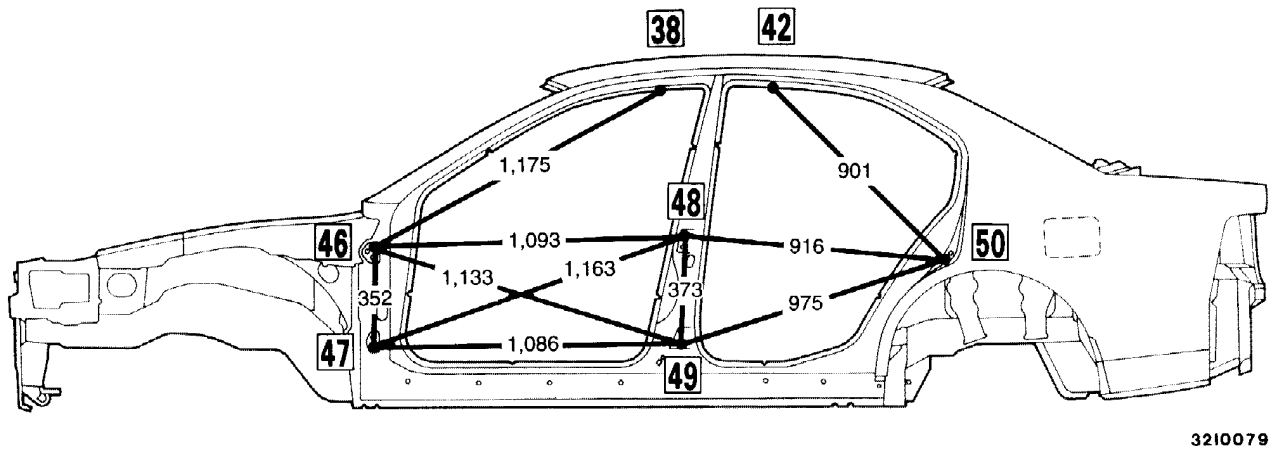
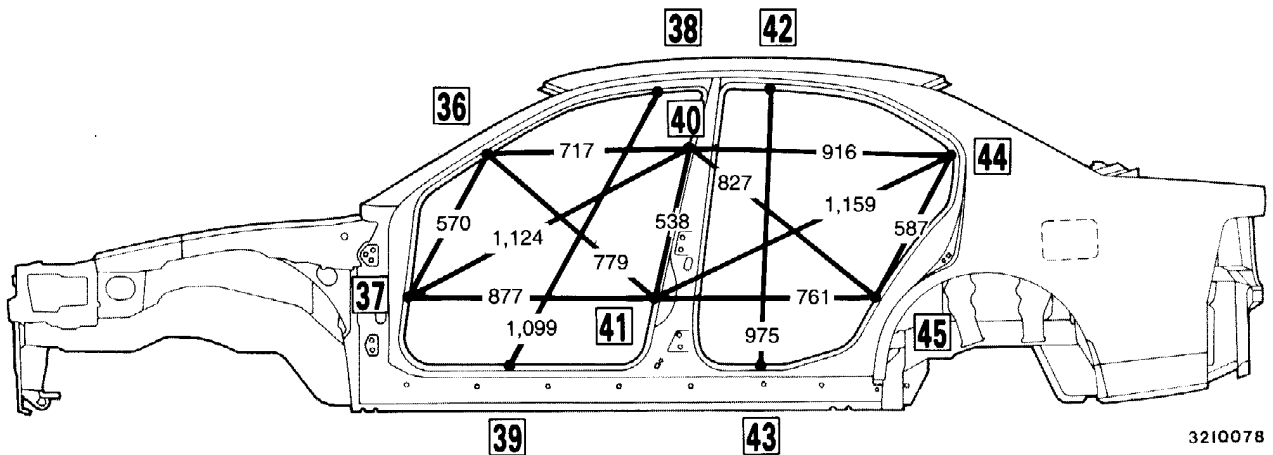
3210001

No.	Standard measurement point	Hole shape – Size mm	No.	Standard measurement point	Hole shape – Size mm
22	Centre of front bumper mounting hole	○ – 11	29	Centre of hood hinge mounting hole	○ – 12
23	Centre of harness mounting hole	○ – 7	30	Body centre point	—
24	Centre of harness mounting hole	○ – 7	31	Corner of roof panel	—
25	Centre of headlamp support panel drain hole	○ – 7	32	Centre of hood lock stay mounting hole (Body centre point)	○ – 9
26	Centre of front fender mounting hole	○ – 6.6	33	Centre of air conditioner condenser mounting hole	○ – 9
27	Centre of strut mounting hole	○ – 11.5	34	Centre of front end crossmember, outer positioning hole	○ – 9
28	Centre of front fender mounting hole	○ – 6.6	35	Centre of hood lock stay mounting hole	○ – 9

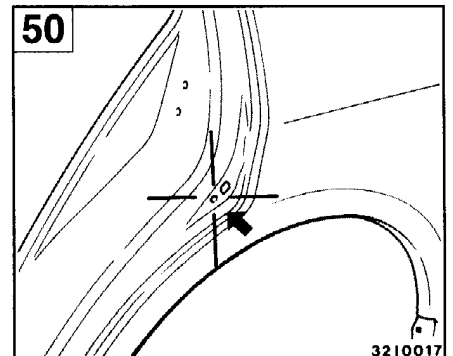
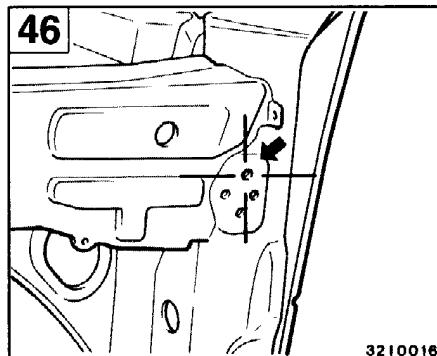
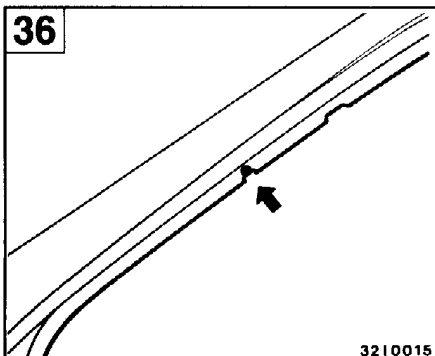


SIDE BODY

mm



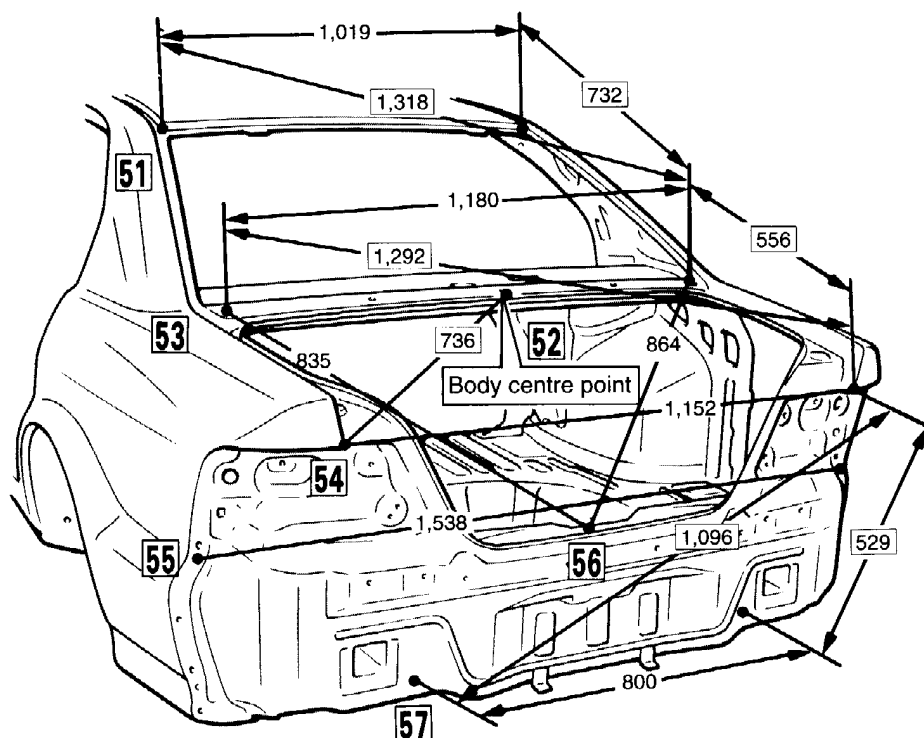
No.	Standard measurement point	Hole shape	Size mm	No.	Standard measurement point	Hole shape	Size mm
36	Front pillar positioning notch (Upper section)	—	—	44	Quarter panel positioning notch (Upper section)	—	—
37	Front pillar positioning notch (Lower section)	—	—	45	Quarter panel positioning notch (Lower section)	—	—
38	Roof side rail positioning notch (Front section)	—	—	46	Centre of front door hinge mounting hole (Upper section)	○	10
39	Side sill positioning notch (Front selection)	—	—	47	Centre of front door hinge mounting hole (Lower section)	○	10
40	Centre pillar positioning notch (Upper section)	—	—	48	Centre of rear door hinge mounting hole (Upper section)	○	10
41	Centre pillar positioning notch (Lower section)	—	—	49	Centre of rear door hinge mounting hole (Lower section)	○	10
42	Roof side rail positioning notch (Rear section)	—	—	50	Centre of rear door switch mounting hole	○	5
43	Side sill positioning notch (Rear section)	—	—				



2-14 BODY DIMENSIONS – Type B (Actual-Measurement Dimensions) <Sedan>

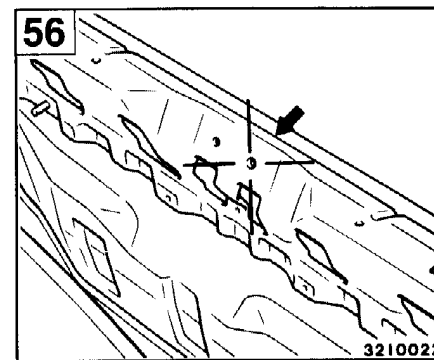
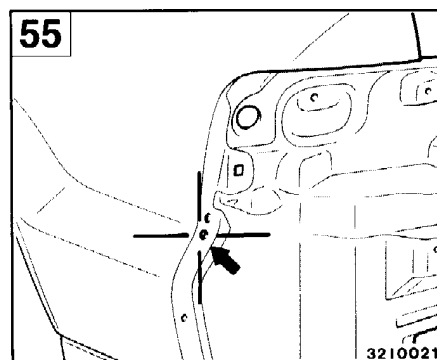
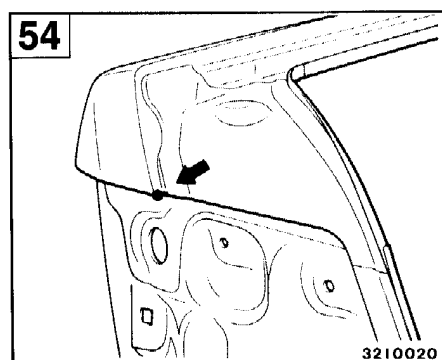
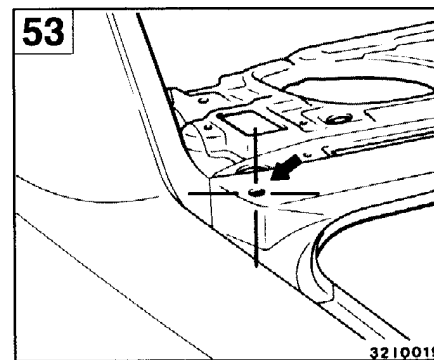
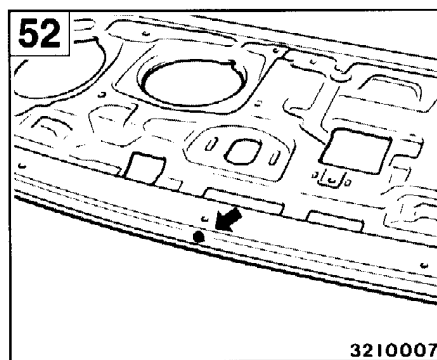
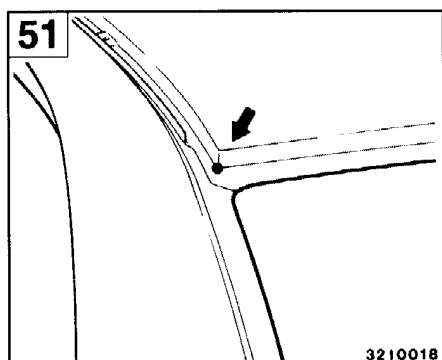
REAR BODY

mm



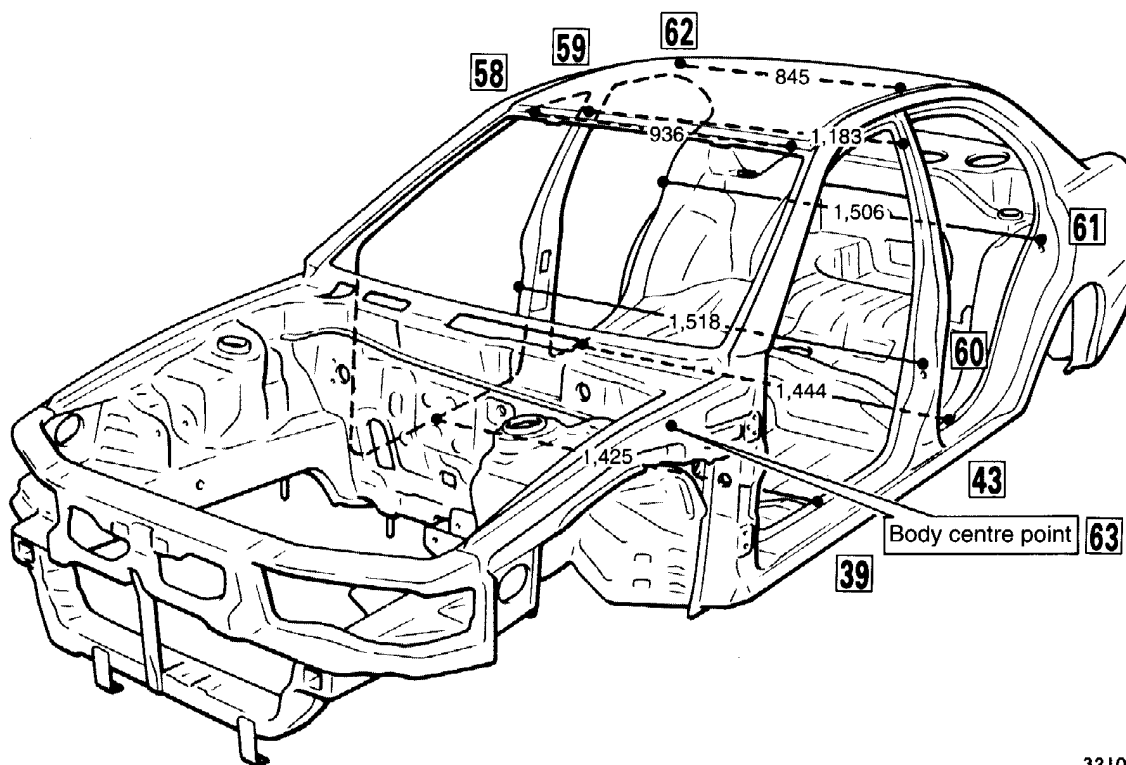
3210006

No.	Standard measurement point	Hole shape	Size mm	No.	Standard measurement point	Hole shape	Size mm
51	Corner of roof panel	—	—	55	Centre of rear bumper mounting hole	○	8
52	Body centre point	—	—	56	Centre of trunk lid striker mounting hole	○	9
53	Centre of rear window moulding mounting hole	⬭	11 × 7	57	Centre of rear end outer panel positioning hole	○	10
54	Corner of quarter panel	—	—				



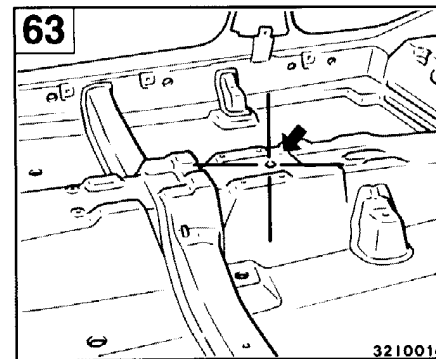
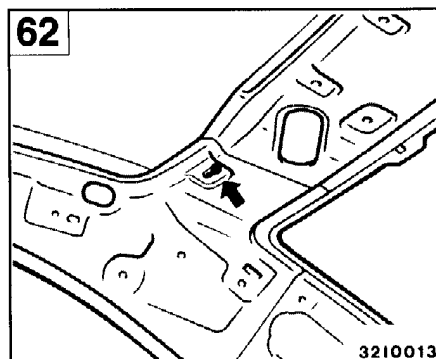
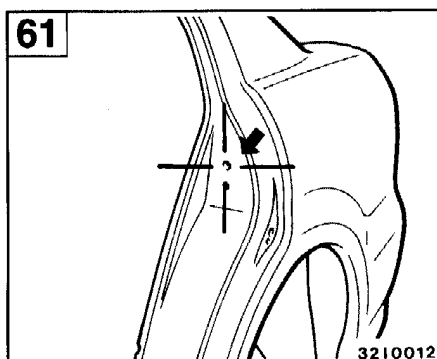
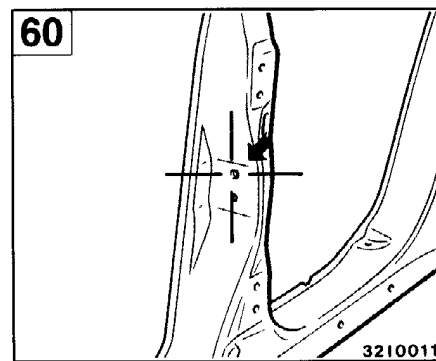
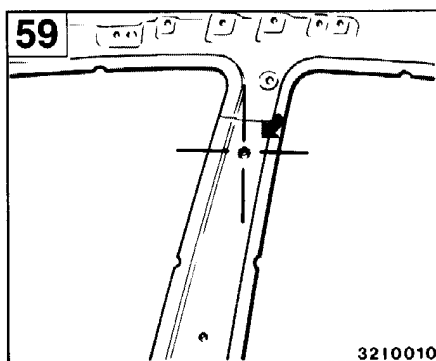
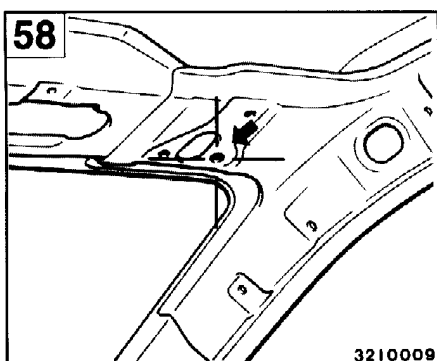
INTERIOR

mm



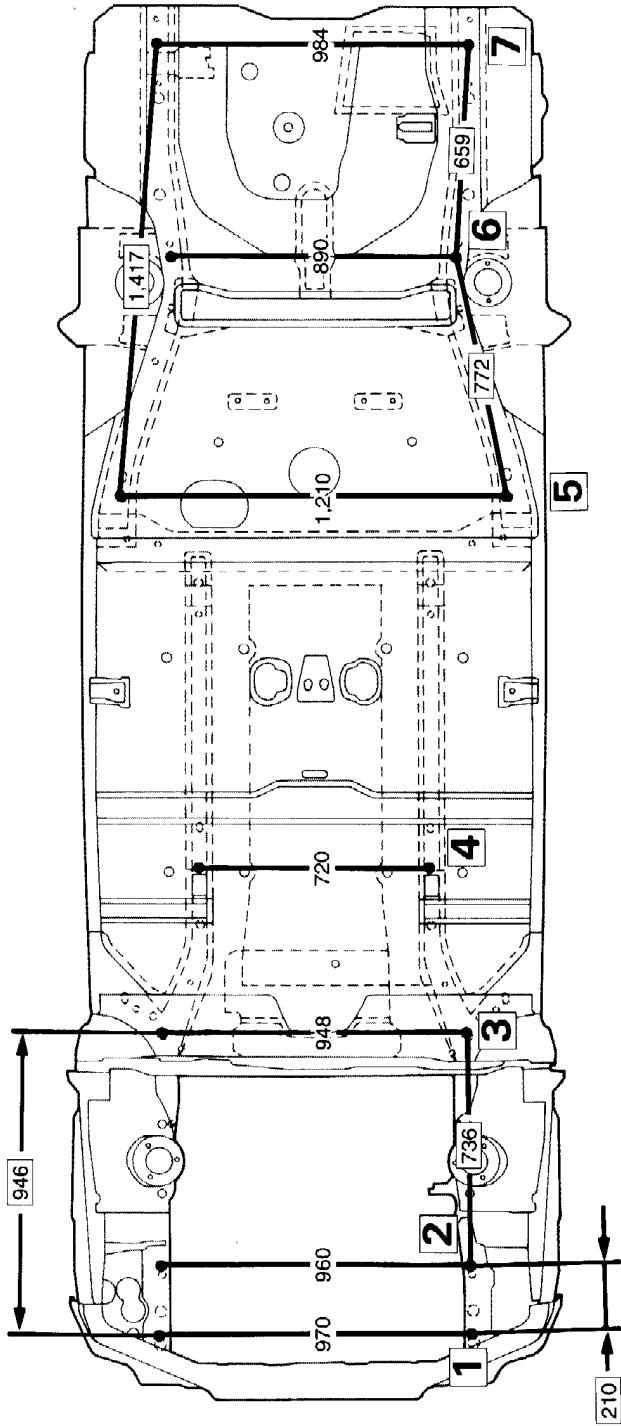
3210008

No.	Standard measurement point	Hole shape	Size mm	No.	Standard measurement point	Hole shape	Size mm
39	Side sill position notch (Front section)	—	—	60	Centre of front door striker mounting hole	○	14
43	Side sill positioning notch (Rear section)	—	—	61	Centre of rear door striker mounting hole	○	14
58	Centre of sunvisor mounting hole	○	7.5	62	Edge of harness clip mounting hole (Body centre side)	□	7 × 12
59	Centre of seatbelt anchor mounting hole	○	14	63	Centre of ABS G sensor mounting hole (Body centre point)	○	9.7

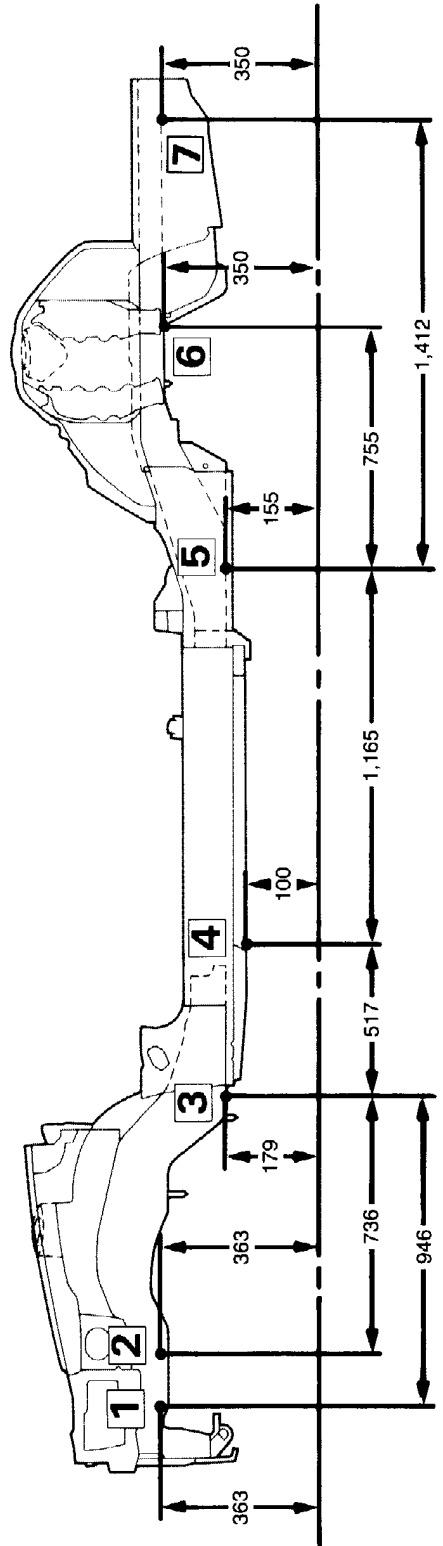


mm

<WAGON>
TYPE A (PROJECTED DIMENSIONS)
UNDER BODY

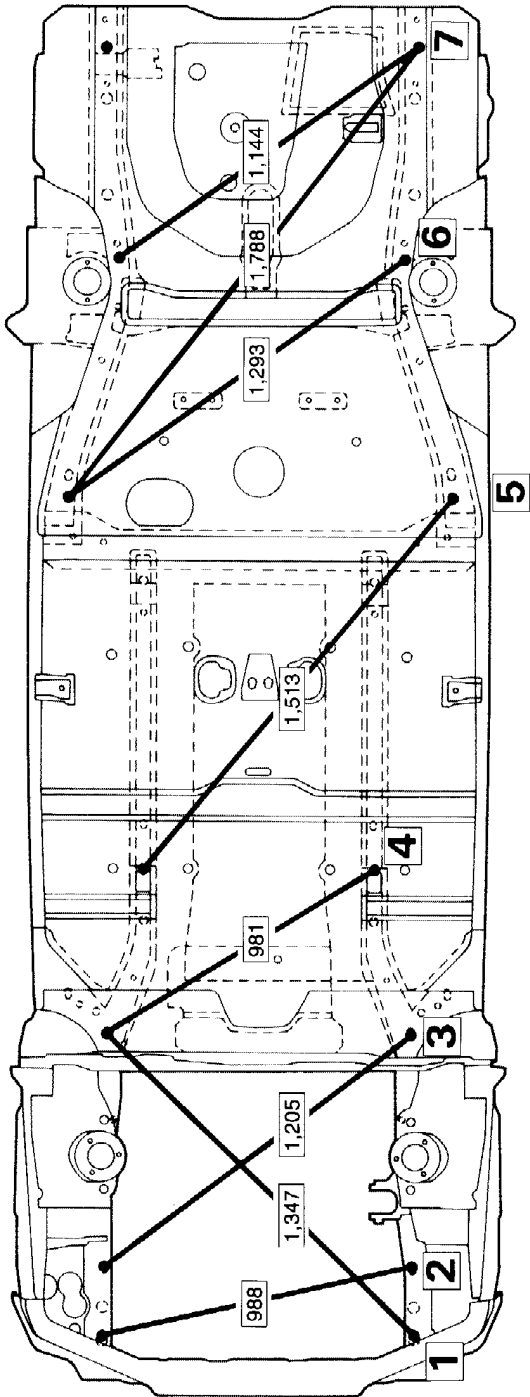


3210068



3210059

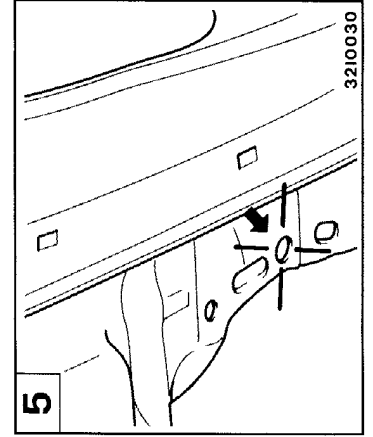
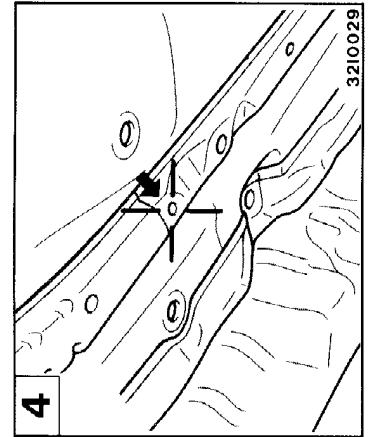
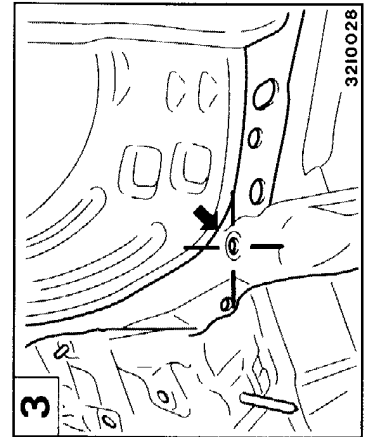
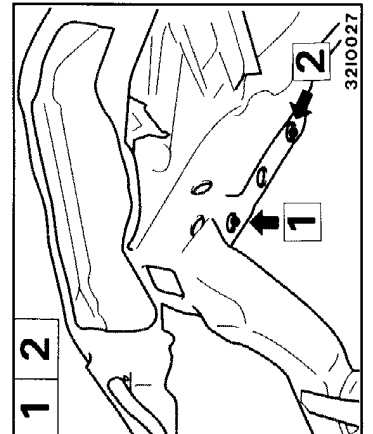
mm



3210069

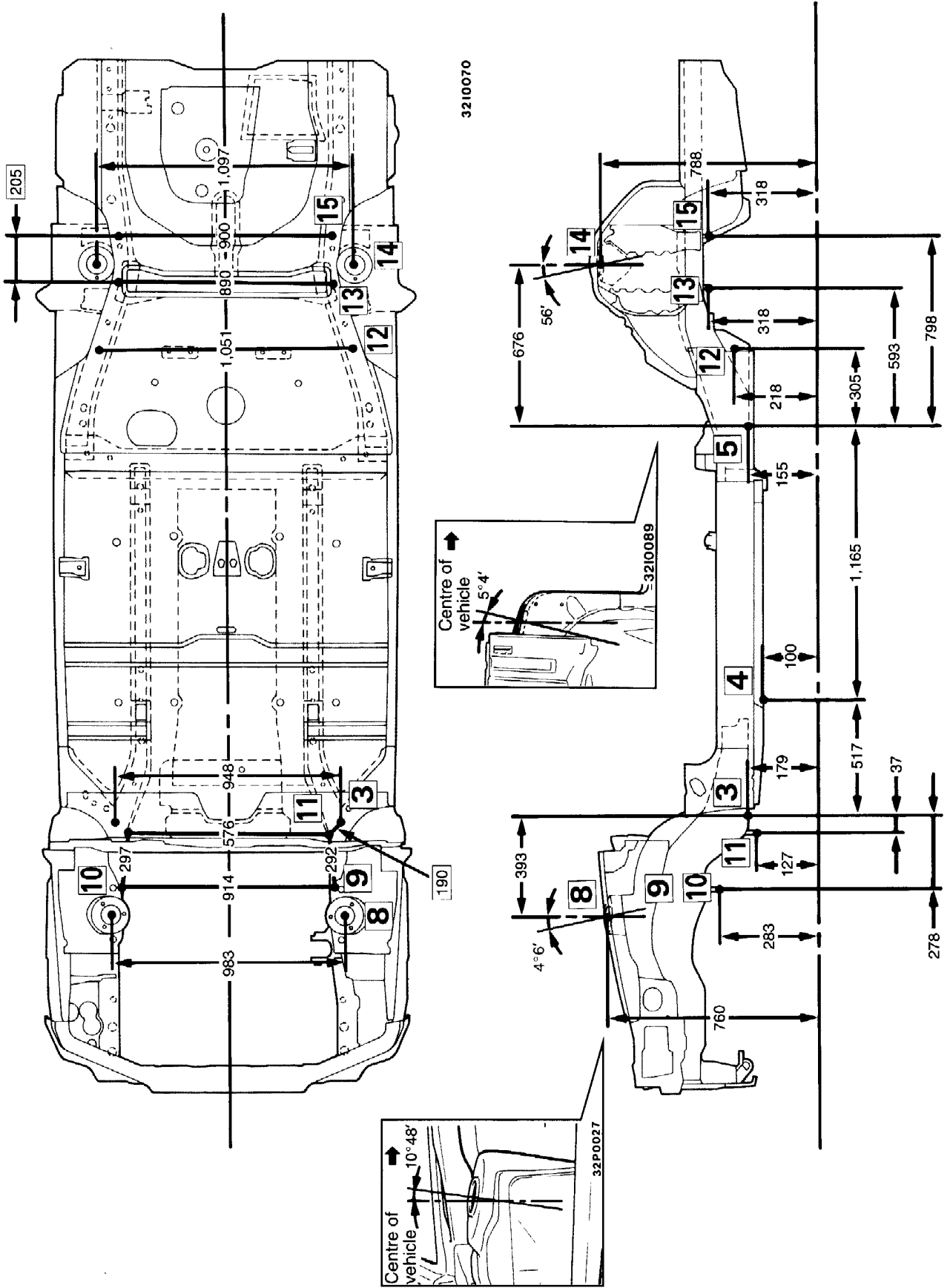
No.	Standard measurement point	Hole shape	Size - mm	No.	Standard measurement point	Hole shape	Size - mm
1*	Rear portion of front sidemember drain hole	○	35	4*	Centre of front floor sidemember drain hole	○	12
2	Rear portion of front sidemember drain hole	○	25	5*	Centre of rear floor sidemember positioning hole	○	25
3*	Centre of crossmember mounting	○	27.4	6	Centre of rear floor sidemember drain hole	○	20
				7*	Centre of bumper stay mounting hole	○	13

NOTE: The * mark indicates the mounting position for the frame centering gauge.



mm

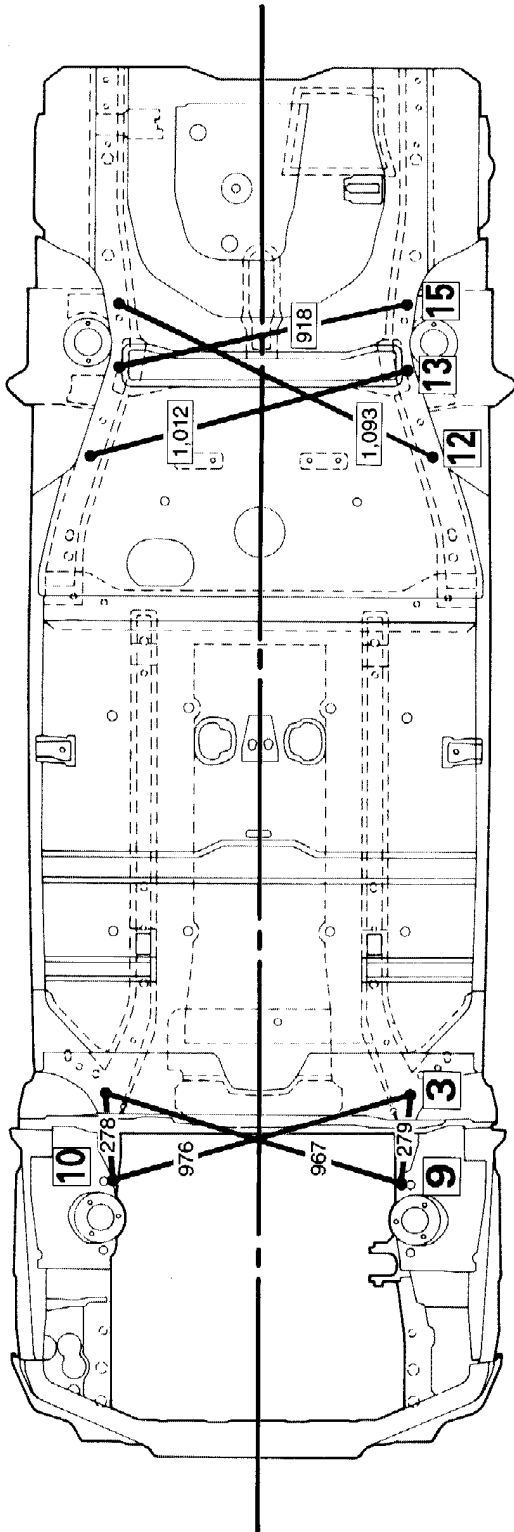
SUSPENSION INSTALLATION DIMENSIONS



32I0070

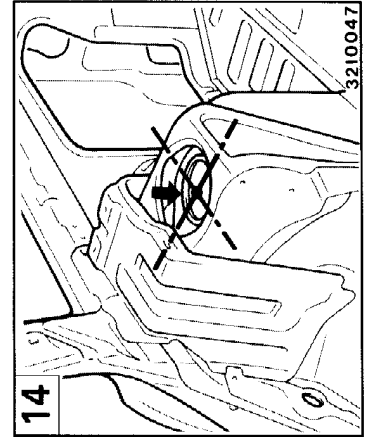
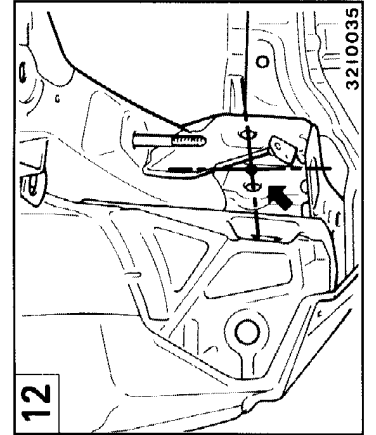
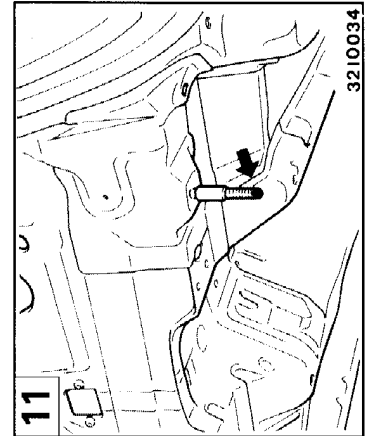
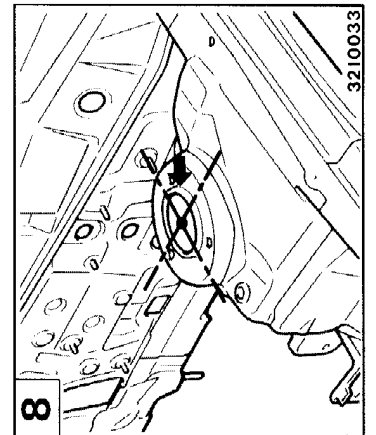
32I0060

mm



3210071

No.	Standard measurement point	Hole shape	Size mm	No.	Standard measurement point	Hole shape	Size mm
3	Centre of crossmember mounting hole	○	27.4	9	End of crossmember mounting bolt	—	—
4	Centre of front floor sidemember drain hole	○	12	10	End of crossmember mounting bolt	—	—
5	Centre of rear floor sidemember positioning hole	○	25	11	End of crossmember mounting bolt	—	—
8	Centre of front shock absorber mounting hole	○	82.6	12	Trailing arm mounting position	—	—
				13	End of crossmember mounting bolt	—	—
				14	Centre of rear shock absorber mounting hole	○	90
				15	End of crossmember mounting bolt	—	—

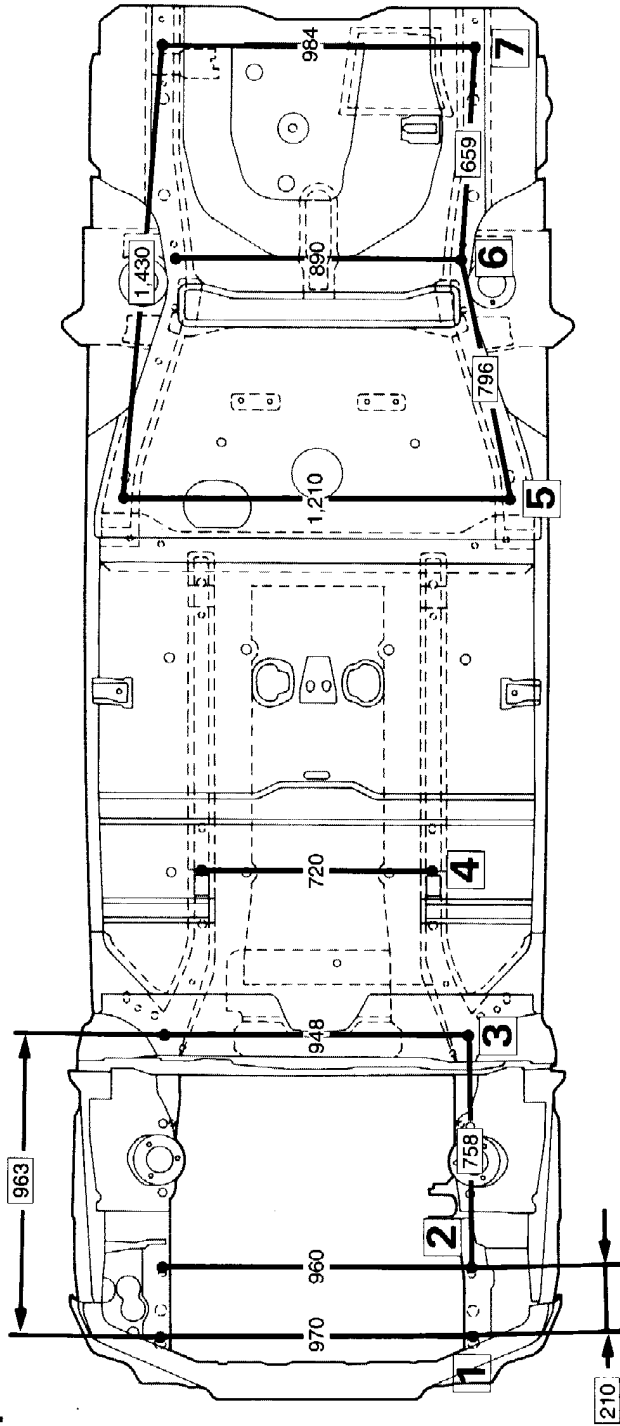


2-20 BODY DIMENSIONS – Type B (Actual-Measurement Dimensions) <Wagon>

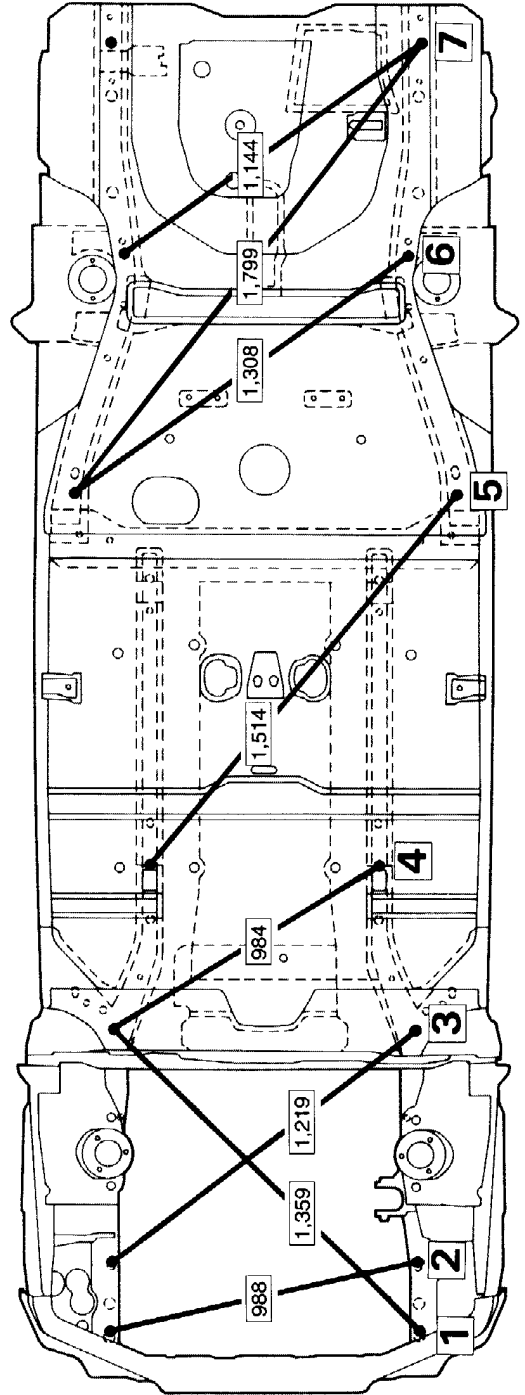
mm

TYPE B (ACTUAL-MEASUREMENT DIMENSIONS)

UNDER BODY

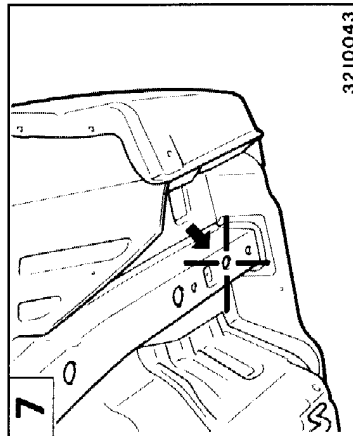
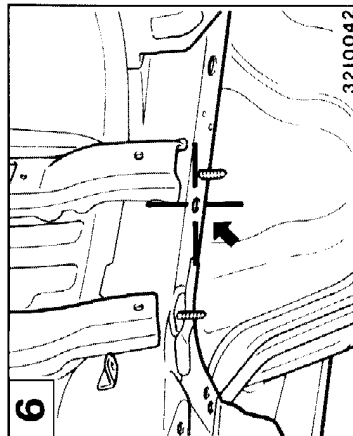
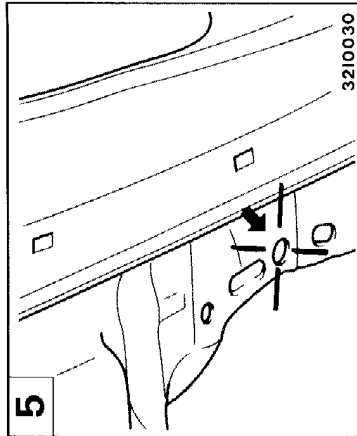
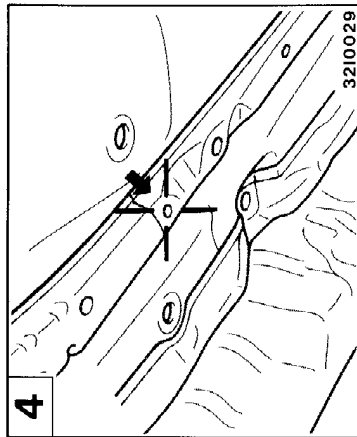
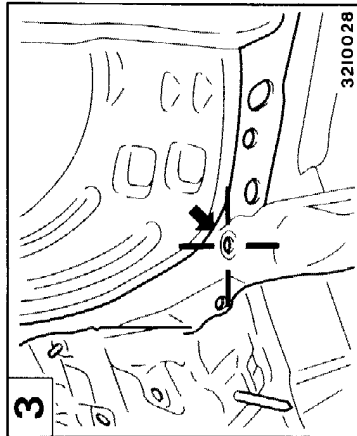
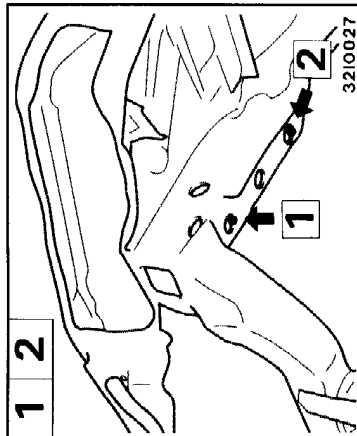


3210068



3210069

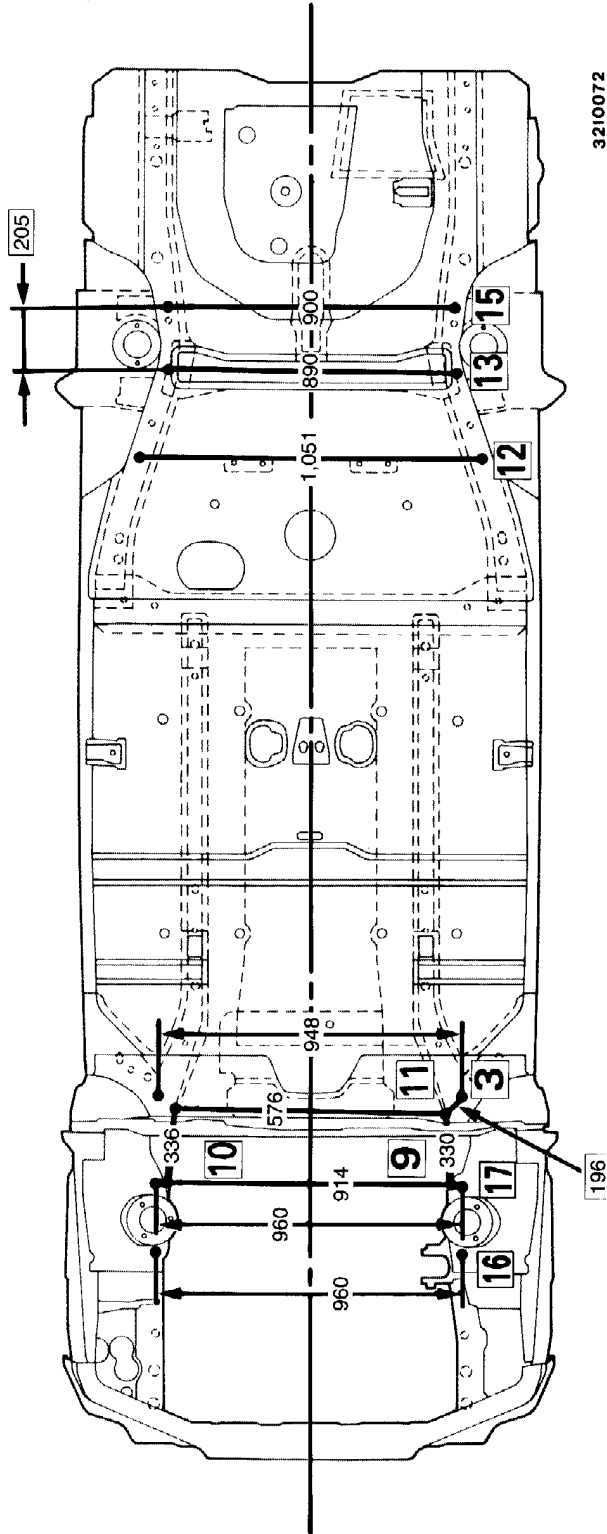
No.	Standard measurement point	Hole shape	Size mm	No.	Standard measurement point	Hole shape	Size mm	No.	Standard measurement point	Hole shape	Size mm
1	Rear portion of front sidemember drain hole	○	35	4	Centre of front floor sidemember drain hole	○	12	6	Centre of rear floor sidemember drain hole	○	20
2	Rear portion of front sidemember drain hole	○	25	5	Centre of rear floor sidemember positioning hole	○	25	7	Centre of bumper stay mounting hole	○	13
3	Centre of crossmember mounting hole	○	27.4								



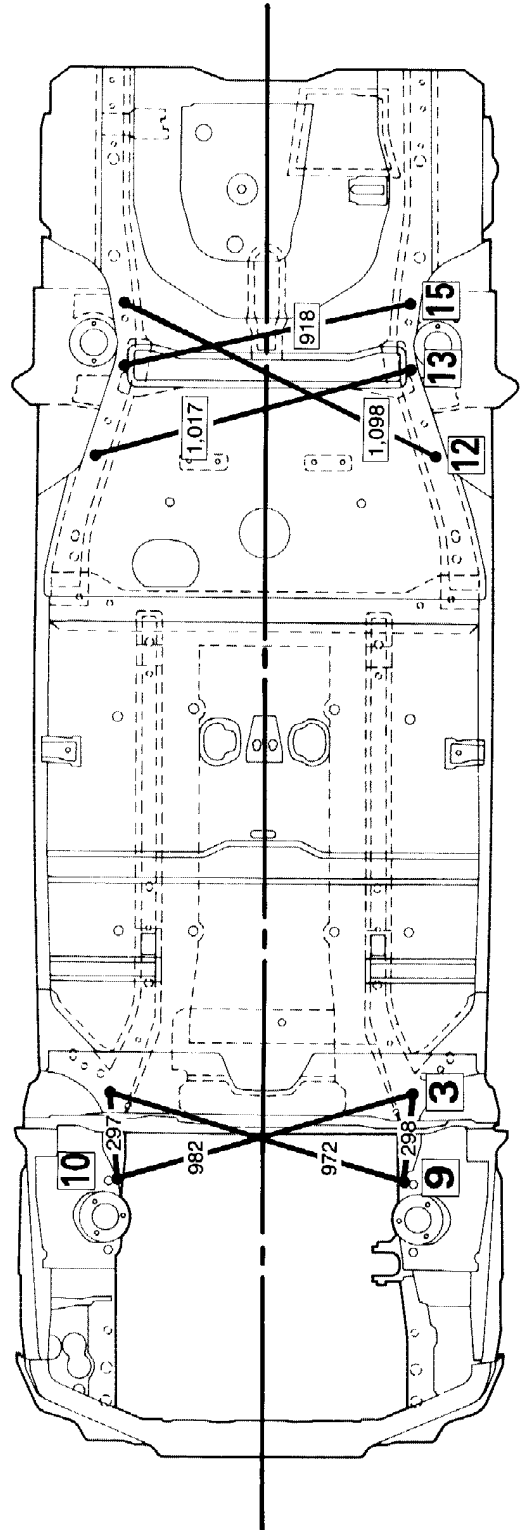
2-22 BODY DIMENSIONS – Type B (Actual-Measurement Dimensions) <Wagon>

mm

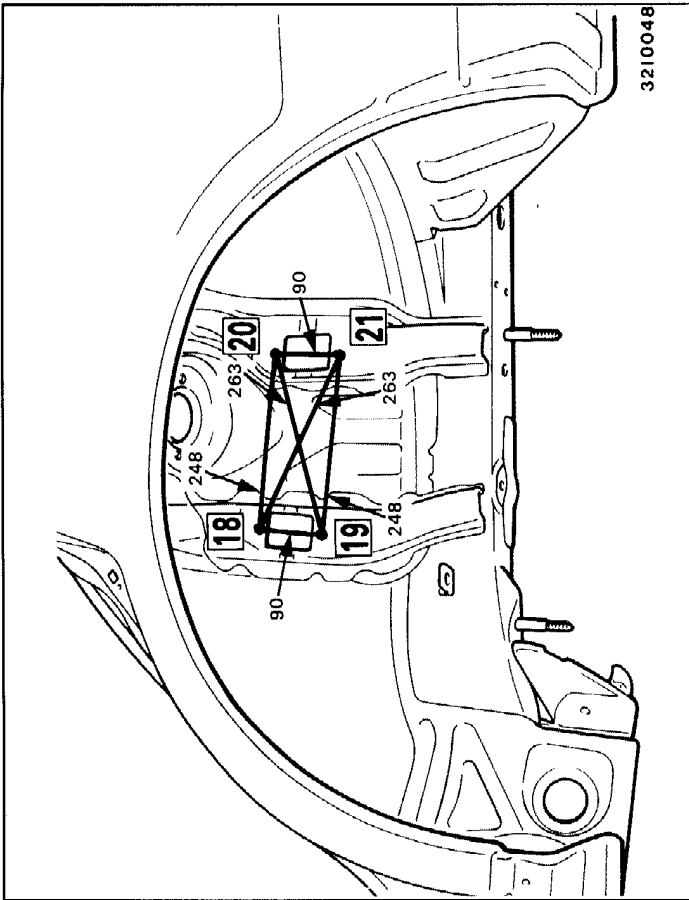
SUSPENSION INSTALLATION DIMENSIONS



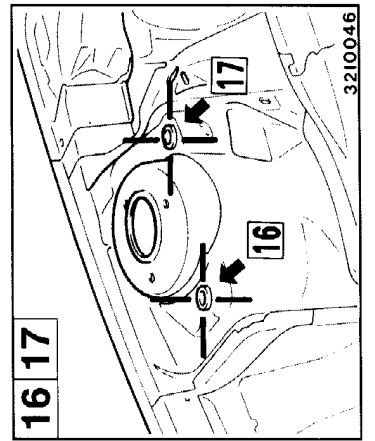
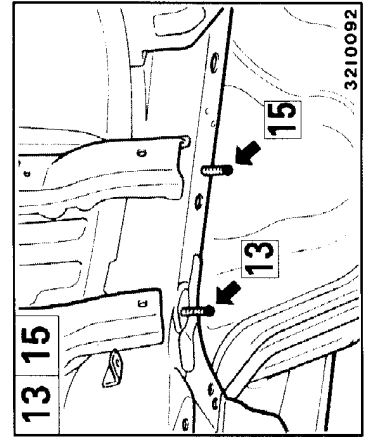
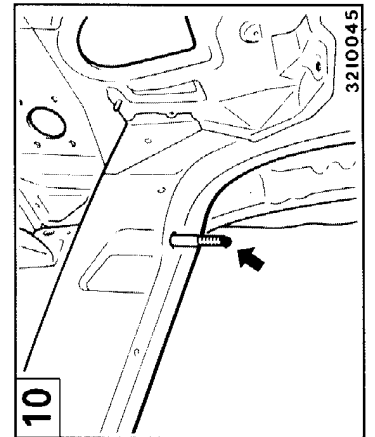
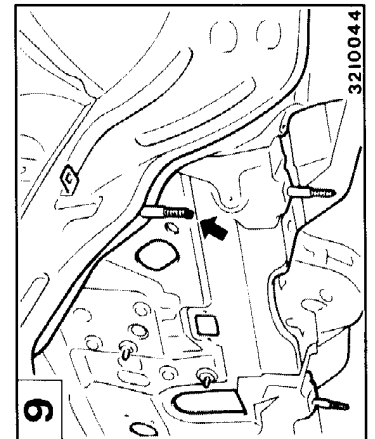
3210072



3210071



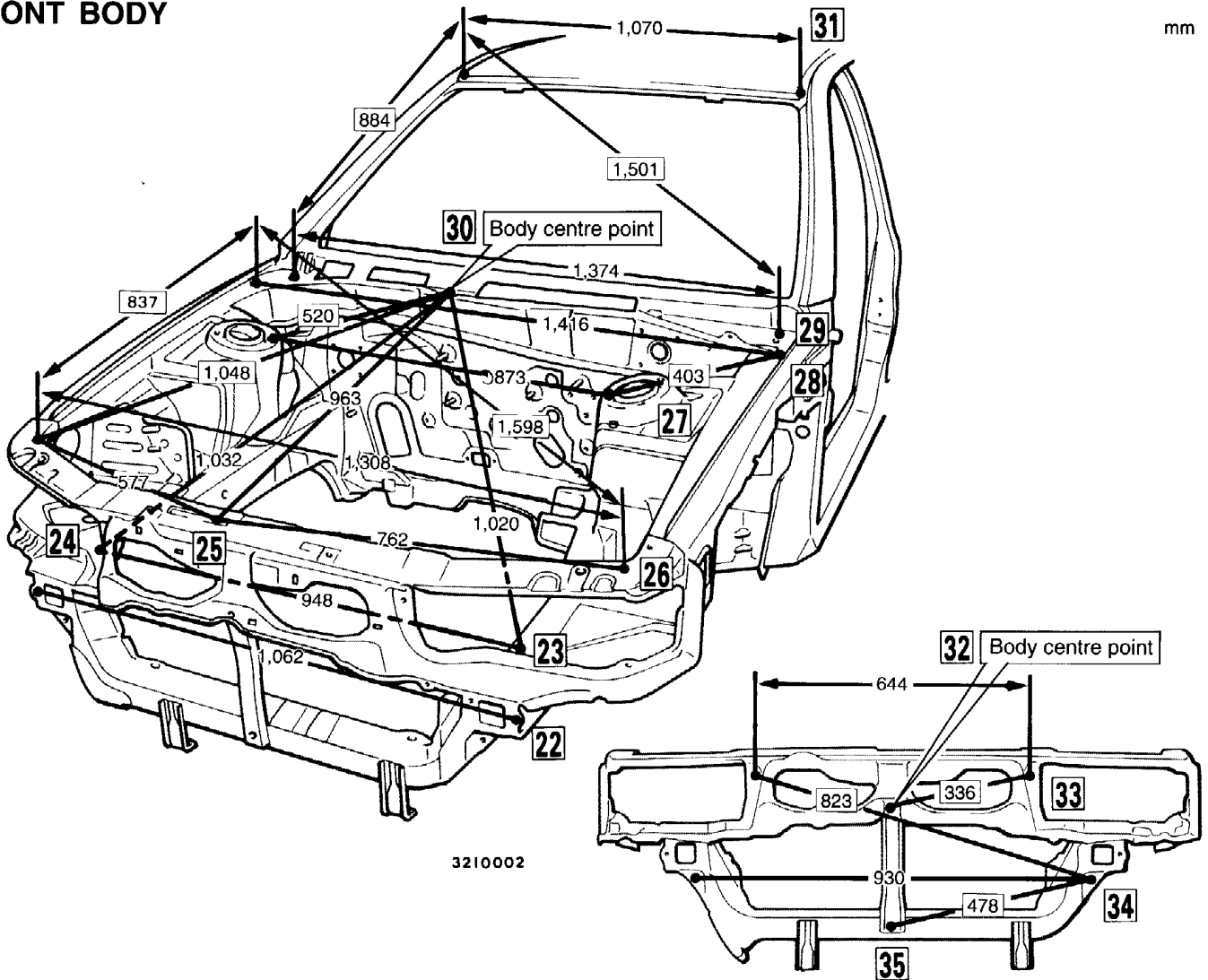
No.	Standard measurement point	Hole shape	Size mm	No.	Standard measurement point	Hole shape	Size mm	No.	Standard measurement point	Hole shape	Size mm
3	Centre of crossmember mounting hole	○	27.4	13	End of crossmember mounting bolt	—	—	18	Centre of upper arm mounting hole	○	12 x 15
9	End of crossmember mounting bolt	—	—	15	End of crossmember mounting bolt	—	—	19	Centre of upper arm mounting hole	○	12 x 15
10	End of crossmember mounting bolt	—	—	16	Centre of upper arm mounting hole	○	19.8	20	Centre of upper arm mounting hole	○	12 x 15
11	End of crossmember mounting bolt	—	—	17	Centre of upper arm mounting hole	○	19.8	21	Centre of upper arm mounting hole	○	12 x 15
12	Trailing arm mounting position	—	—								



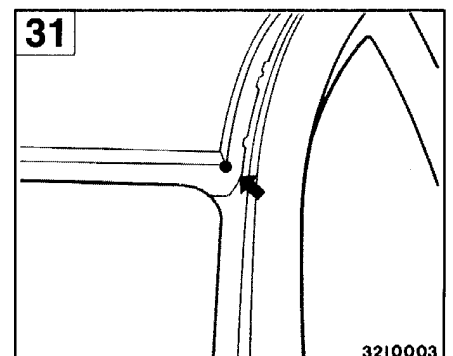
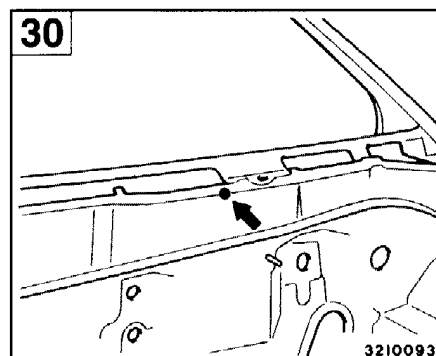
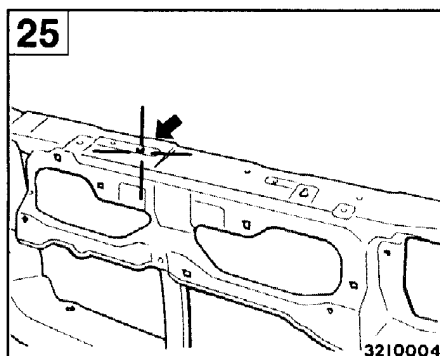
2-24 BODY DIMENSIONS – Type B (Actual-Measurement Dimensions) <Wagon>

FRONT BODY

mm

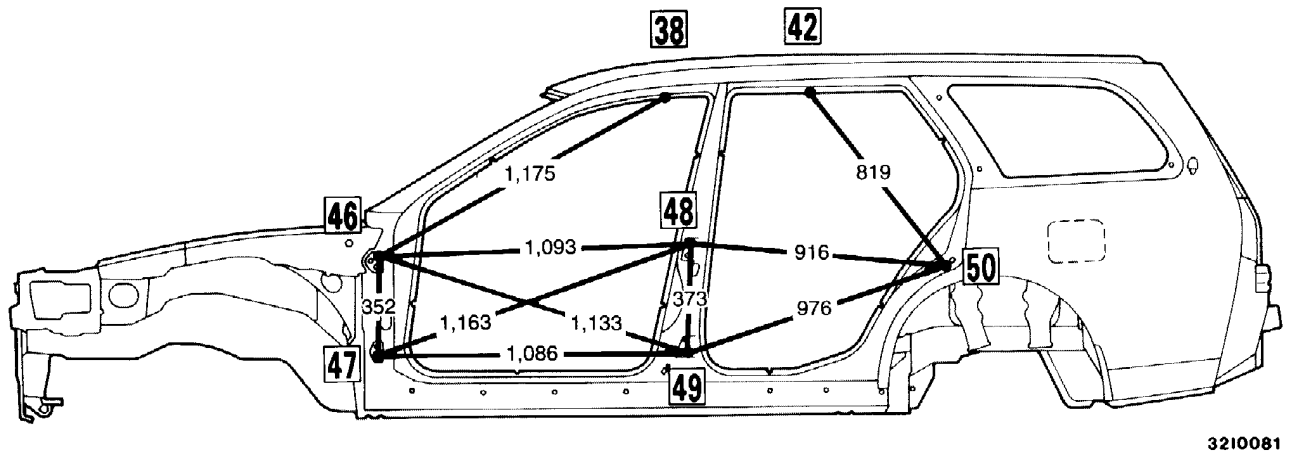
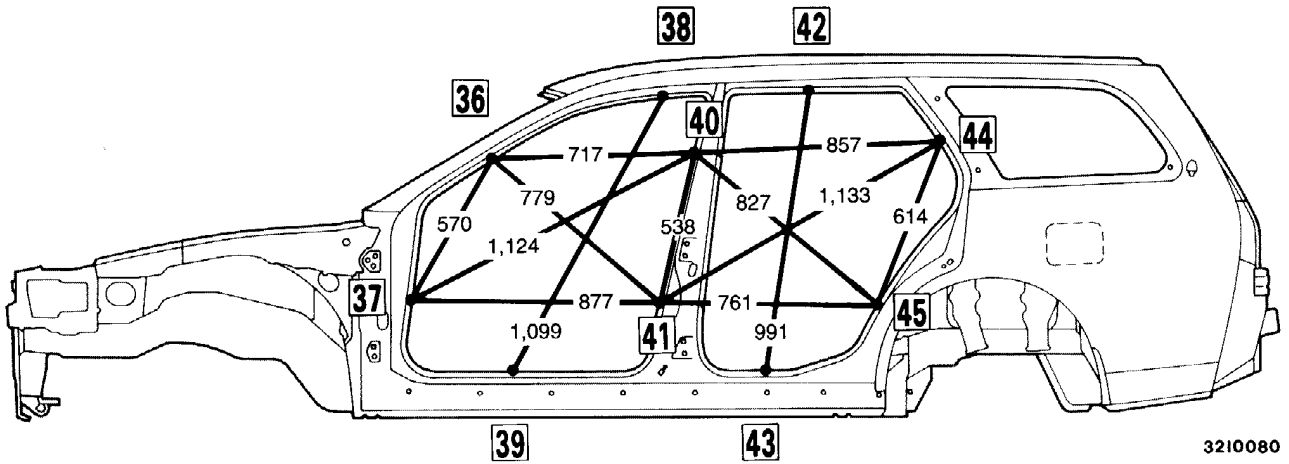


No.	Standard measurement point	Hole shape	Size mm	No.	Standard measurement point	Hole shape	Size mm
22	Centre of front bumper mounting hole	○	11	29	Centre of hood hinge mounting hole	○	12
23	Centre of harness mounting hole	○	7	30	Body centre point	—	—
24	Centre of harness mounting hole	○	7	31	Corner of roof panel	—	—
25	Centre of headlamp support panel drain hole	○	7	32	Centre of hood lock stay mounting hole (Body centre point)	○	9
26	Centre of front fender mounting hole	○	6.6	33	Centre of air conditioner condenser mounting hole	○	9
27	Centre of strut mounting hole	○	11.5	34	Centre of front end crossmember, outer positioning hole	○	9
28	Centre of front fender mounting hole	○	6.6	35	Centre of hood lock stay mounting hole	○	9

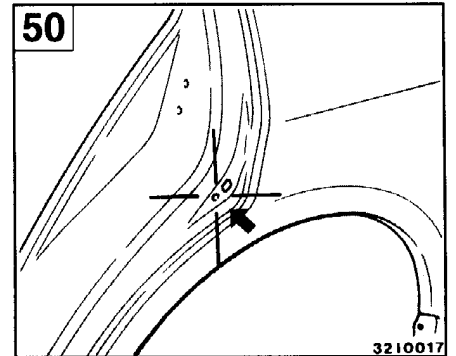
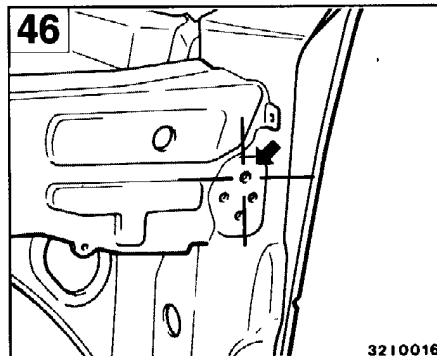
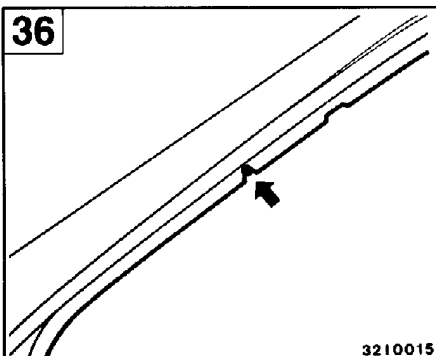


SIDE BODY

mm



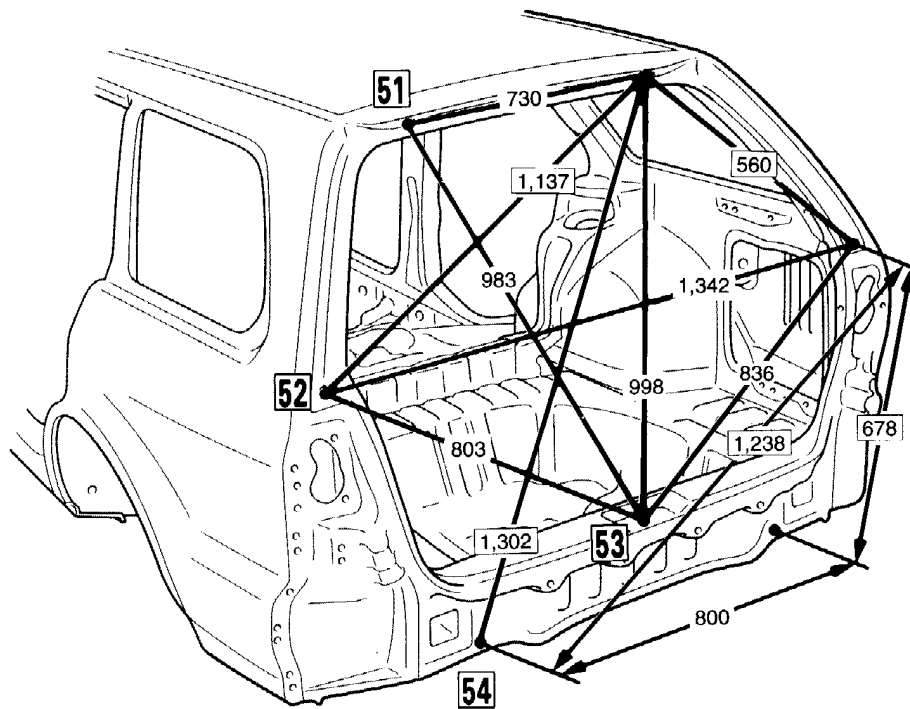
No.	Standard measurement point	Hole shape	Size mm	No.	Standard measurement point	Hole shape	Size mm
36	Front pillar positioning notch (Upper section)	—	—	44	Quarter panel positioning notch (Upper section)	—	—
37	Front pillar positioning notch (Lower section)	—	—	45	Quarter panel positioning notch (Lower section)	—	—
38	Roof side rail positioning notch (Front section)	—	—	46	Centre of front door hinge mounting hole (Upper section)	○ – 10	—
39	Side sill positioning notch (Front section)	—	—	47	Centre of front door hinge mounting hole (Lower section)	○ – 10	—
40	Center pillar positioning notch (Upper section)	—	—	48	Centre of rear door hinge mounting hole (Upper section)	○ – 10	—
41	Center pillar positioning notch (Lower section)	—	—	49	Centre of rear door hinge mounting hole (Lower section)	○ – 10	—
42	Roof side rail positioning notch (Rear section)	—	—	50	Centre of rear door switch mounting hole	○ – 5	—
43	Side sill positioning notch (Rear section)	—	—				



2-26 BODY DIMENSIONS – Type B (Actual-Measurement Dimensions) <Wagon>

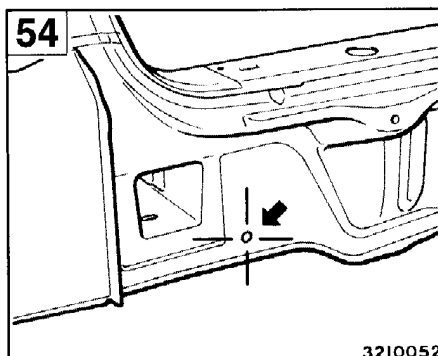
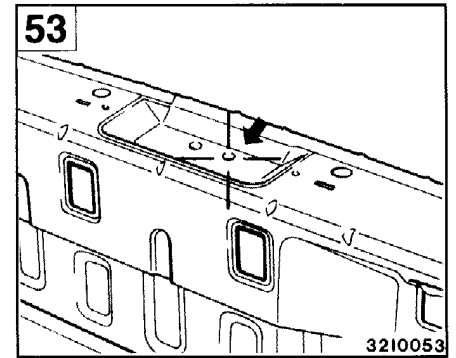
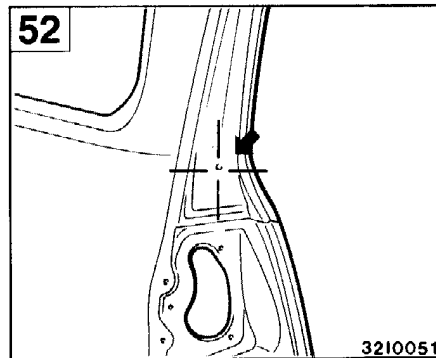
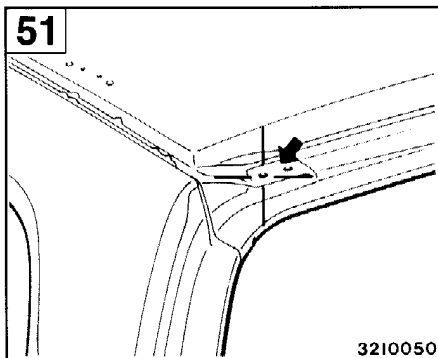
REAR BODY

mm



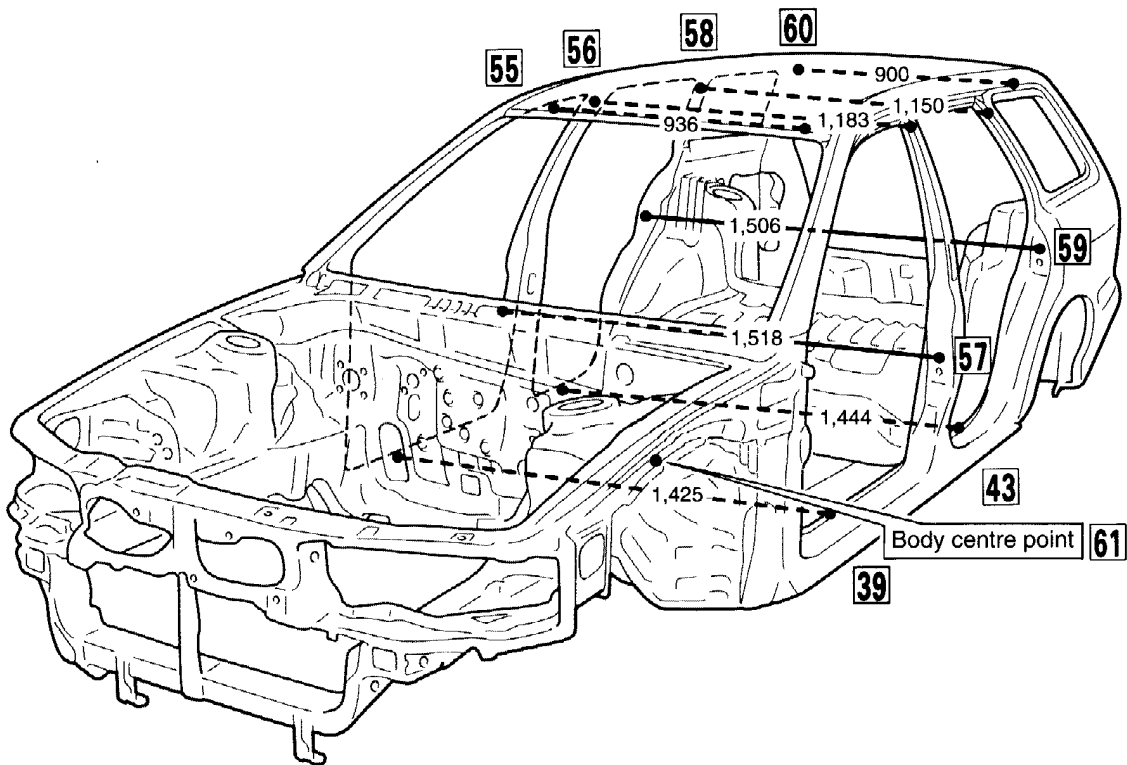
3210023

No.	Standard measurement point	Hole shape	Size mm	No.	Standard measurement point	Hole shape	Size mm
51	Centre of tailgate hinge mounting hole	○	11	53	Centre of tailgate striker mounting hole	⊃	14 × 11
52	Centre of tailgate gas spring mounting hole	○	9	54	Centre of rear bumper mounting hole	○	10



INTERIOR

mm



3210024

No.	Standard measurement point	Hole shape	Size mm	No.	Standard measurement point	Hole shape	Size mm
39	Side sill position notch (Front section)	—	—	58	Centre of harness clip mounting hole	○	7
43	Side sill positioning notch (Rear section)	—	—	59	Centre of rear door striker mounting hole	○	14
55	Centre of sunvisor mounting hole	○	7.5	60	Centre of quarter upper trim mounting hole	○	7
56	Centre of seatbelt anchor mounting hole	○	14	61	Centre of ABS G sensor mounting hole (Body centre point)	○	9.7
57	Centre of front door striker mounting hole	○	14				

