

4 CORROSION PROTECTION

| | |
|--|-------------|
| BODY SEALING LOCATIONS | 4-2 |
| <Sedan> | |
| FLOOR | 4-2 |
| UPPER BODY | 4-2 |
| SIDE BODY | 4-2 |
| <Wagon> | |
| FLOOR | 4-5 |
| UPPER BODY | 4-5 |
| SIDE BODY | 4-5 |
| WAX INJECTION LOCATIONS | 4-8 |
| ANTICORROSION PRIMER LOCATIONS | 4-12 |
| UNDERCOAT APPLICATION LOCATIONS | 4-12 |
| UNDERBODY ANTICORROSION | |
| AGENT LOCATIONS | 4-13 |

BODY SEALING LOCATIONS

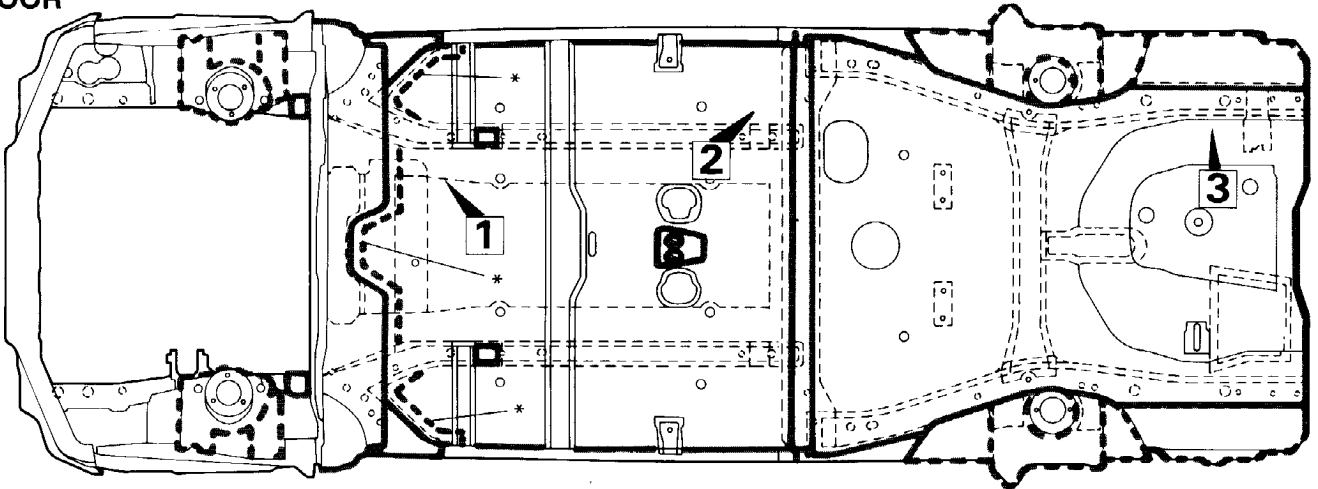
NOTES WITH REGARD TO REPAIR WORK

In places where the sealant can be directly seen on surfaces such as the drip rails, pillars or clinch, and where the appearance of the paint surface is important, apply sealant or wipe away sealant after application to make the amount of sealant even. Be careful not to cover the drain hole.

---- Places indicated by thick dotted lines indicate application locations on the underside of the vehicle.

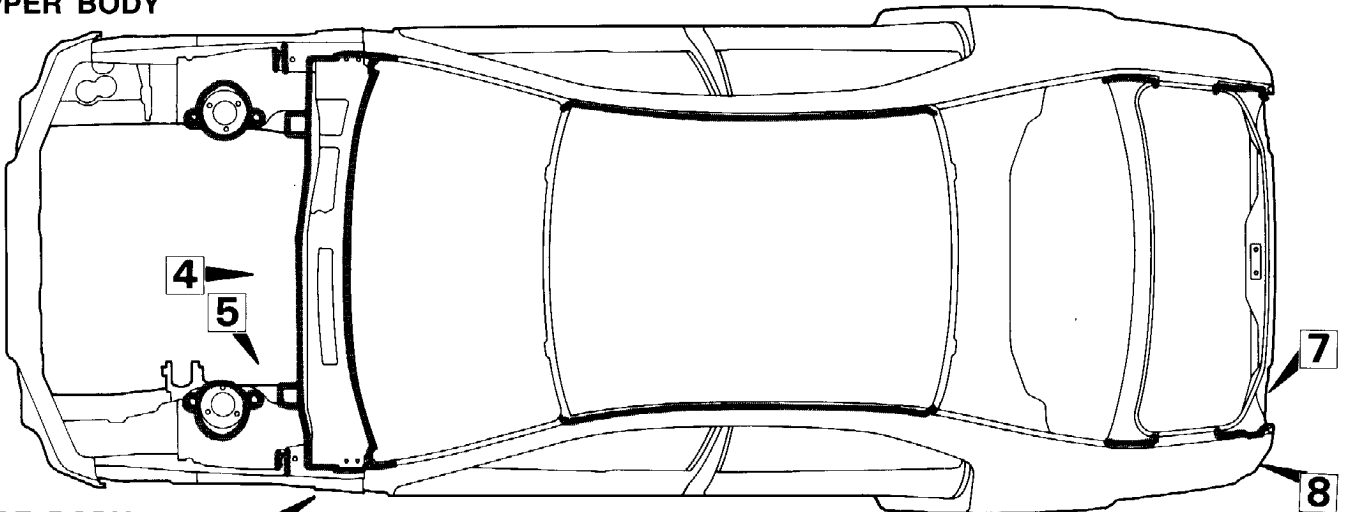
<Sedan>

FLOOR



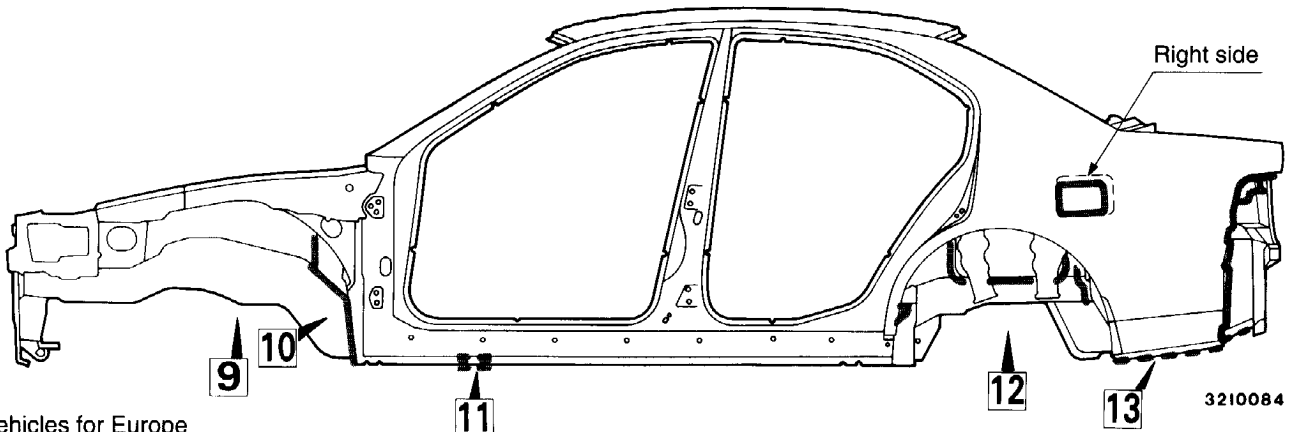
3010076

UPPER BODY



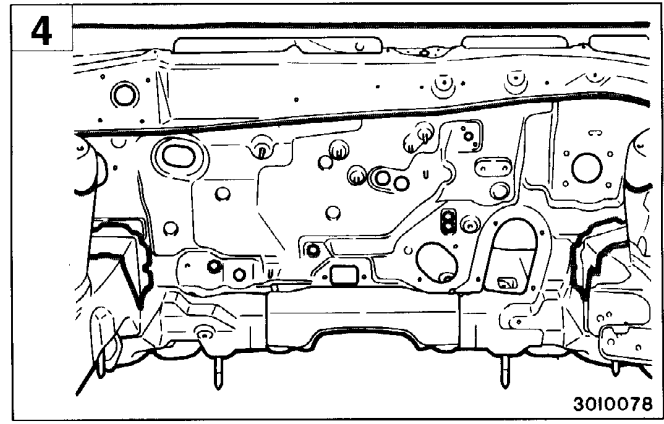
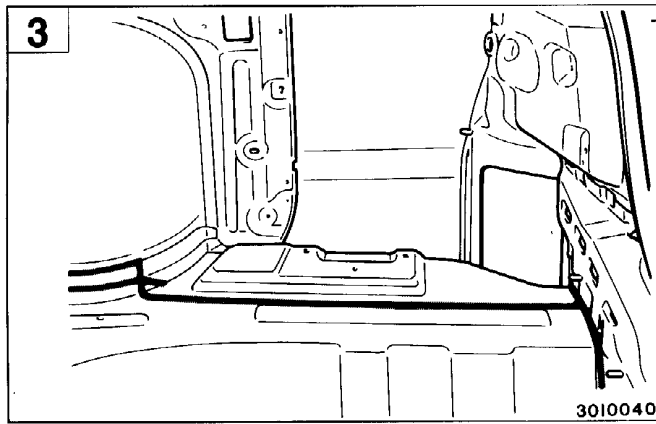
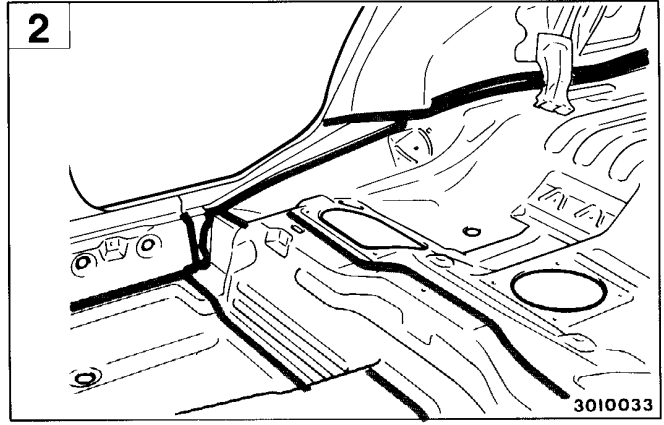
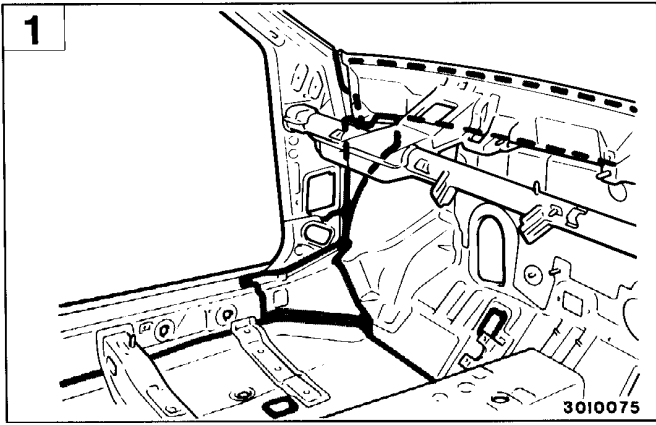
3210083

SIDE BODY

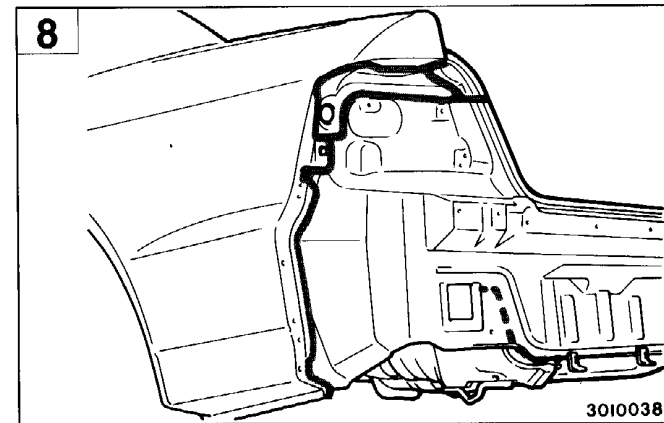
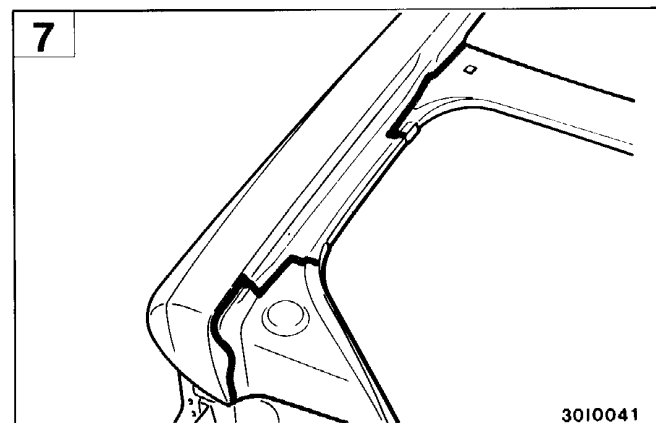
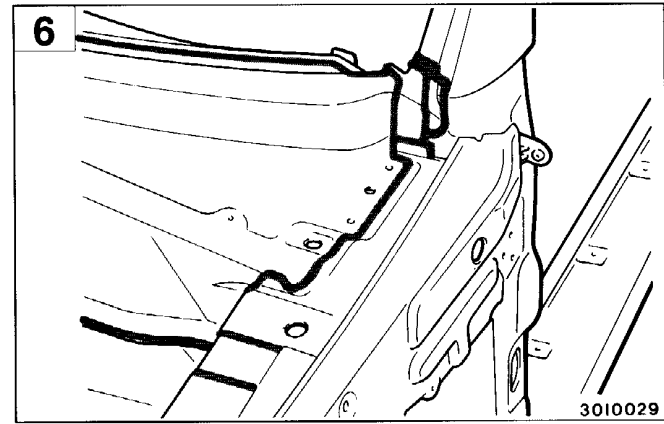
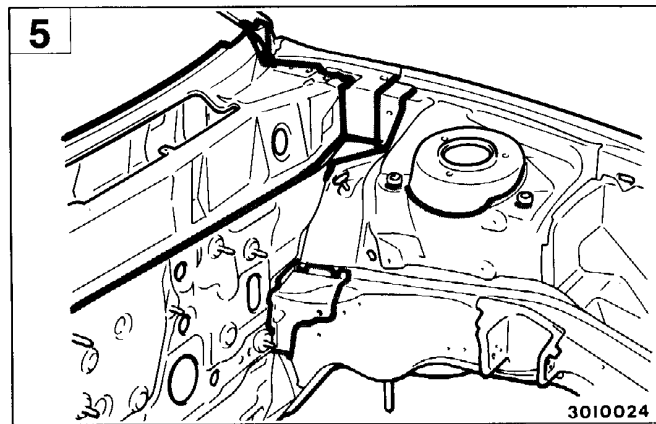


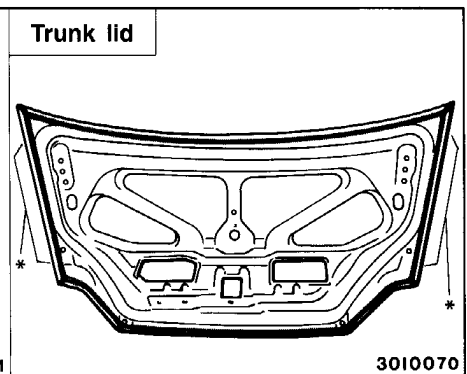
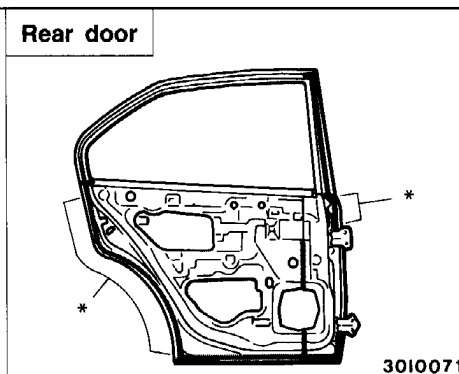
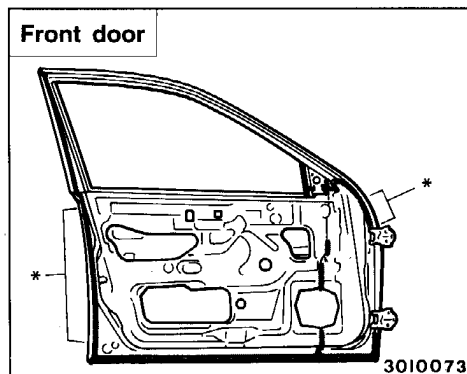
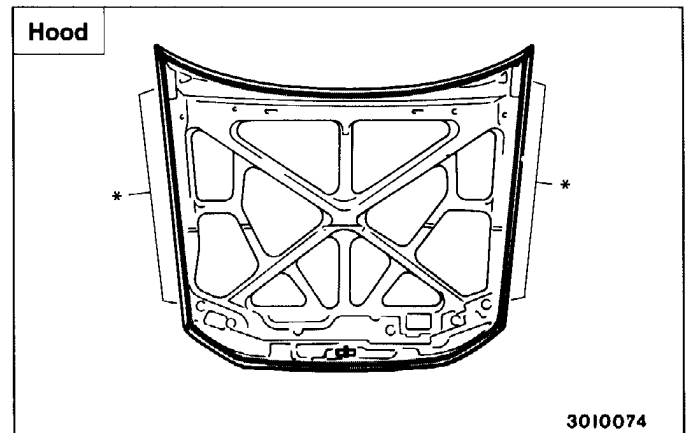
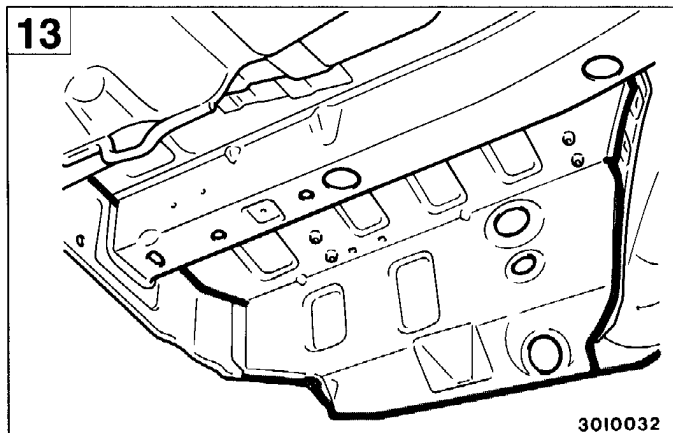
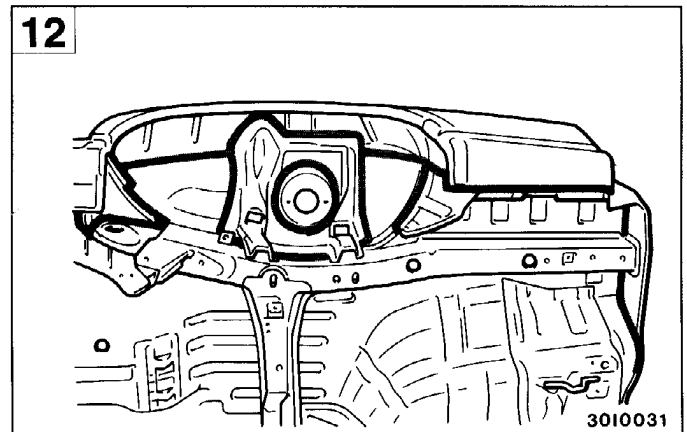
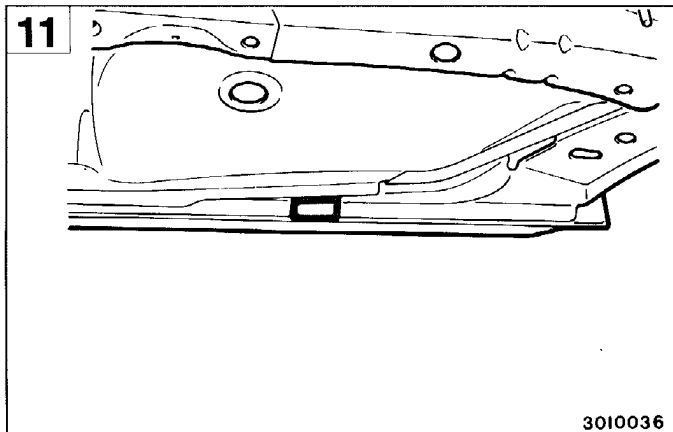
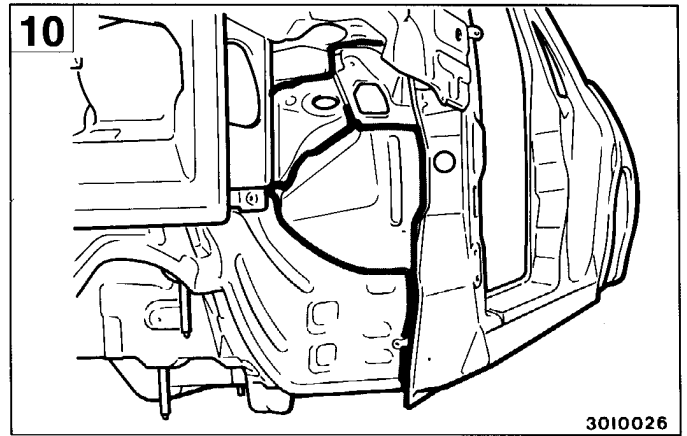
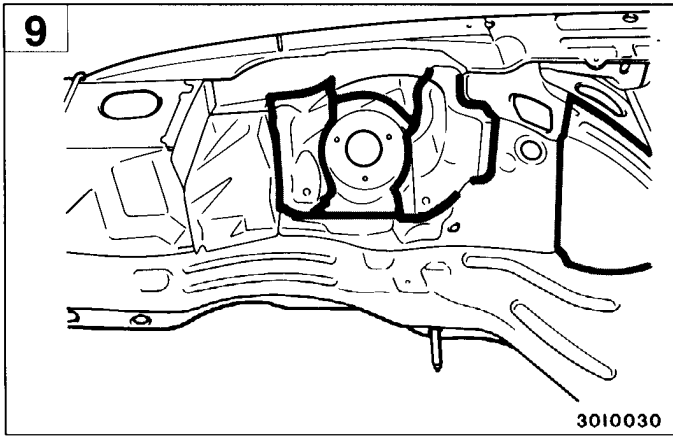
3210084

*: Vehicles for Europe



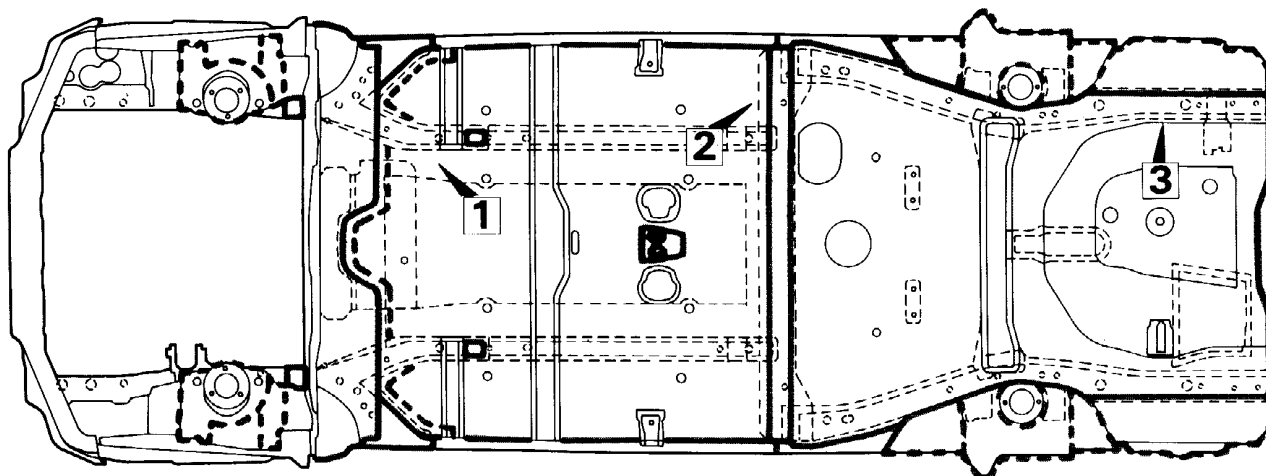
4





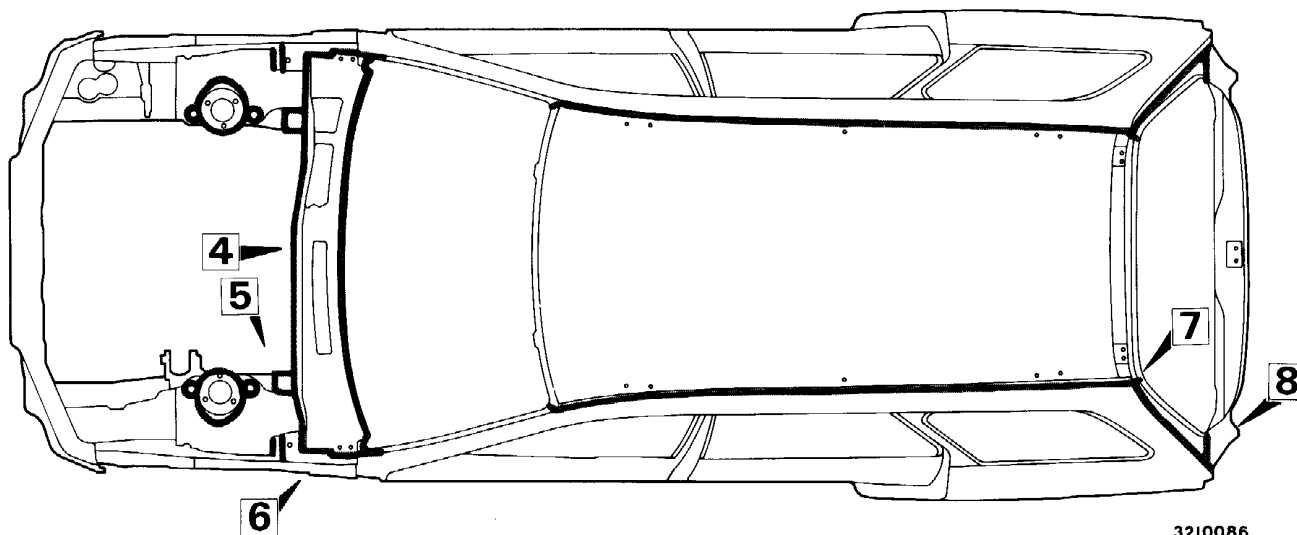
*: Vehicles for Europe.

<Wagon>
FLOOR



3010077

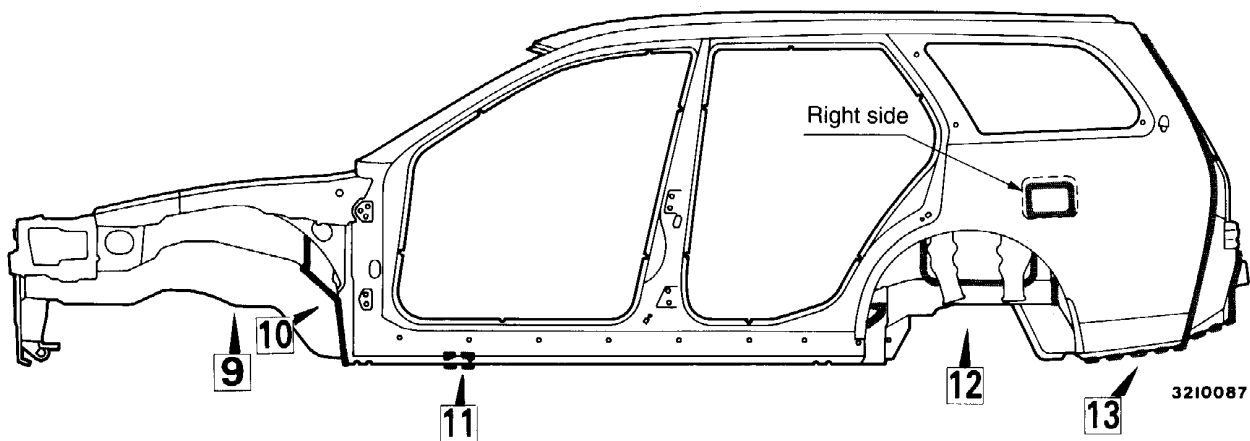
UPPER BODY



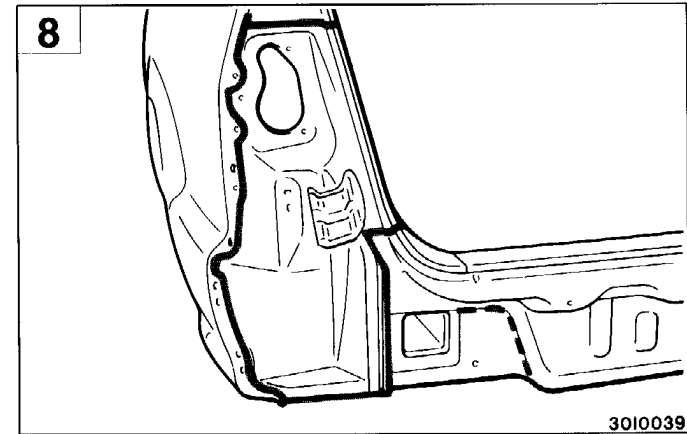
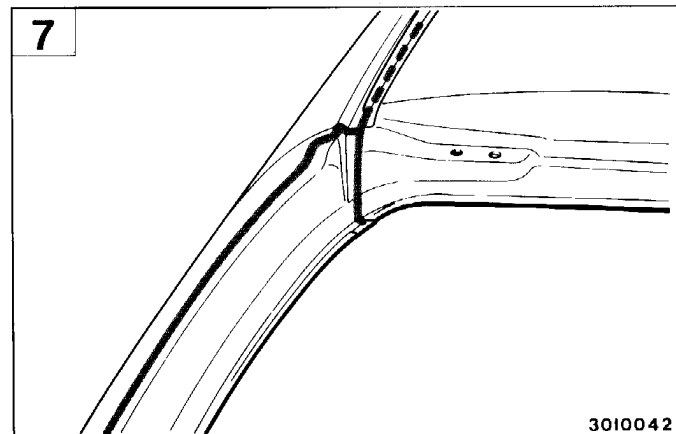
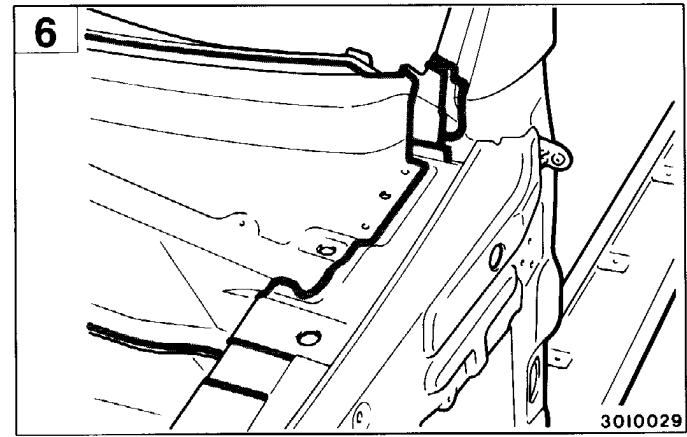
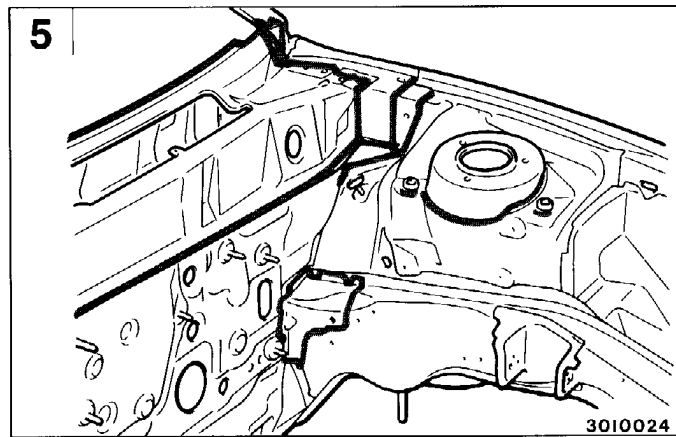
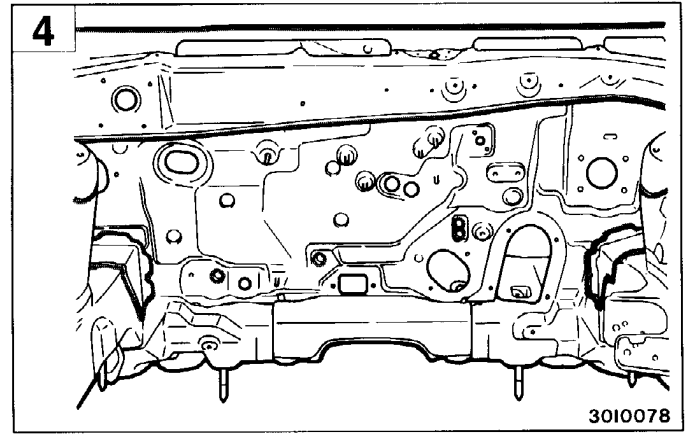
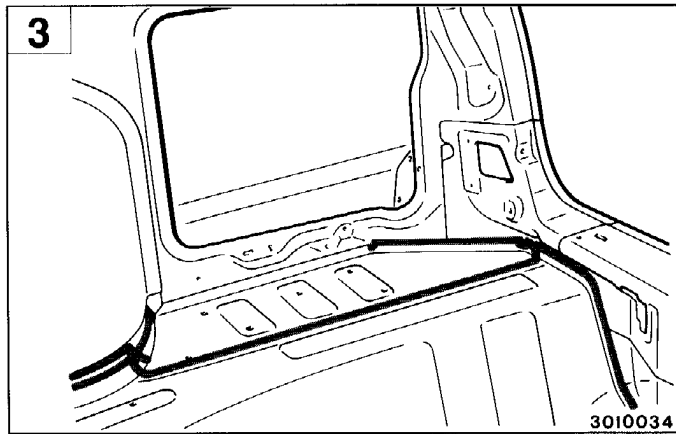
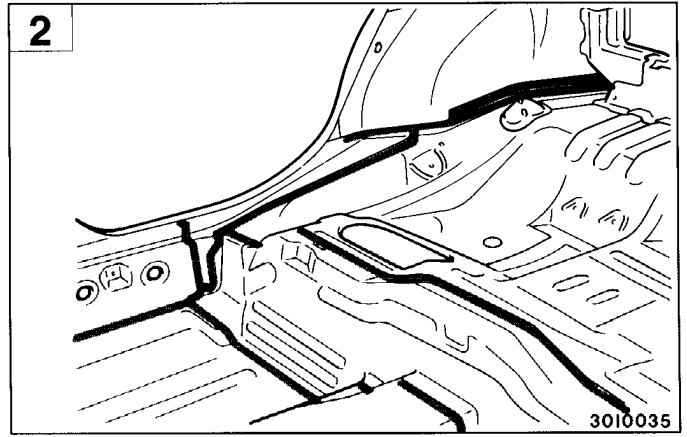
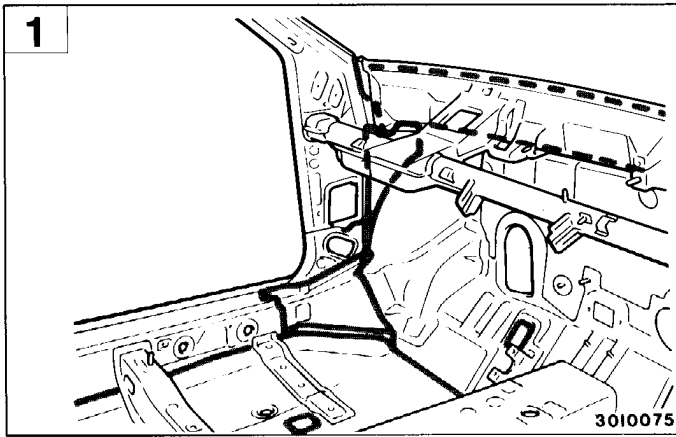
4

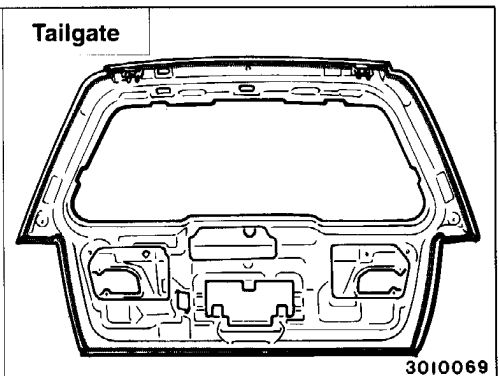
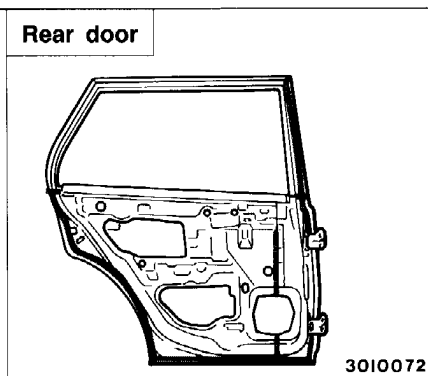
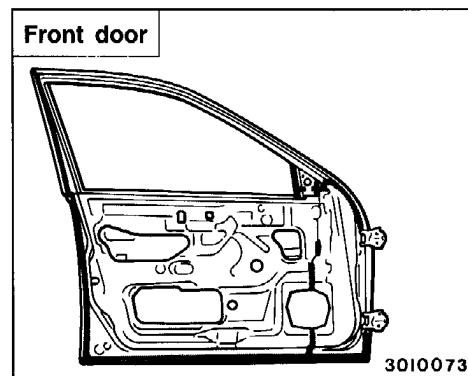
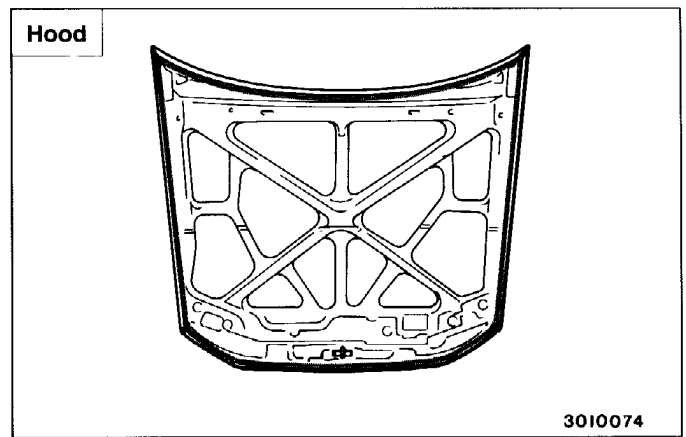
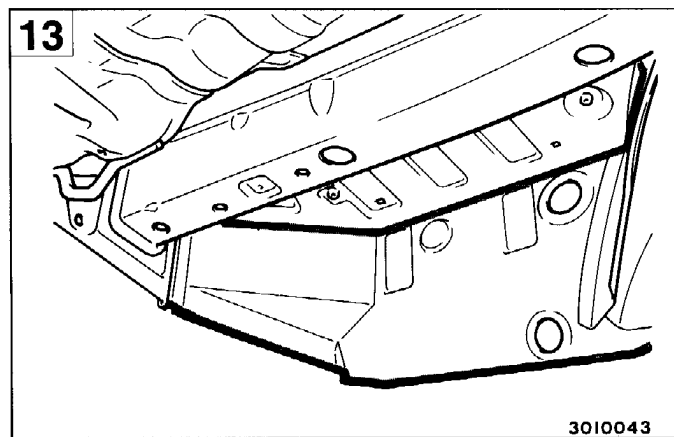
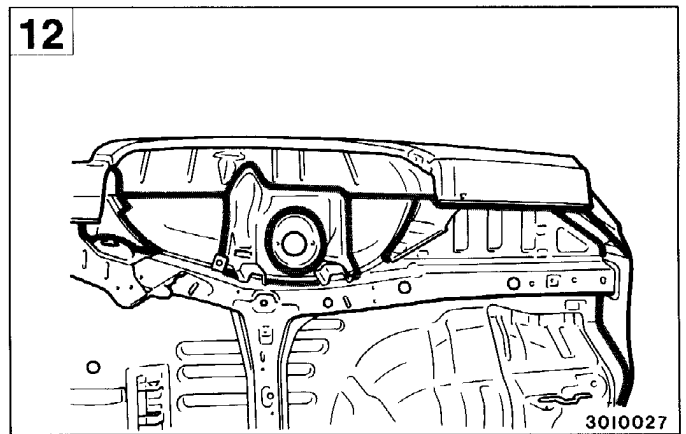
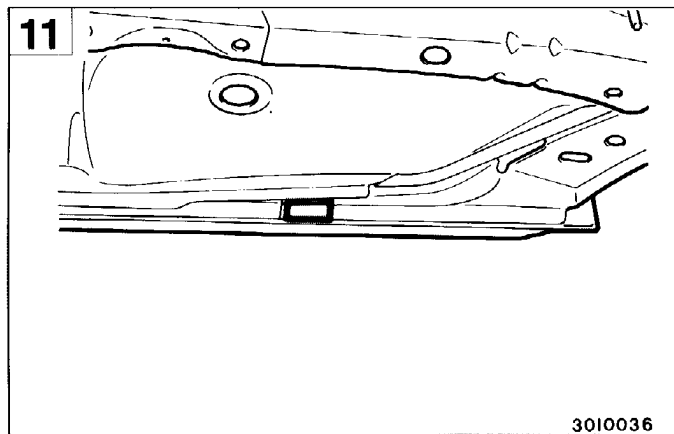
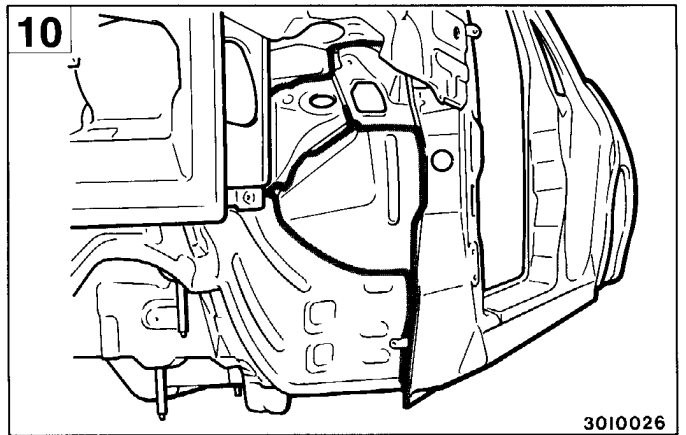
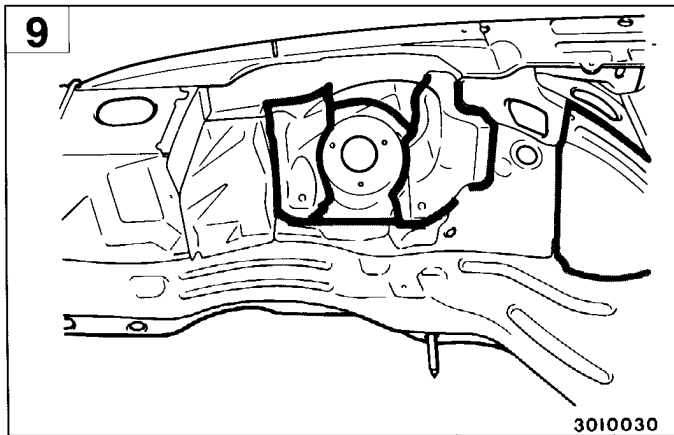
3210086

SIDE BODY



3210087





WAX INJECTION LOCATIONS

In order to provide greater corrosion resistance, wax injection has been performed for the lower areas of the vehicle, such as the frame, the side sill, and other panels which are a hollow-construction. If any of these panels are replaced, wax injection must be performed for the new parts.

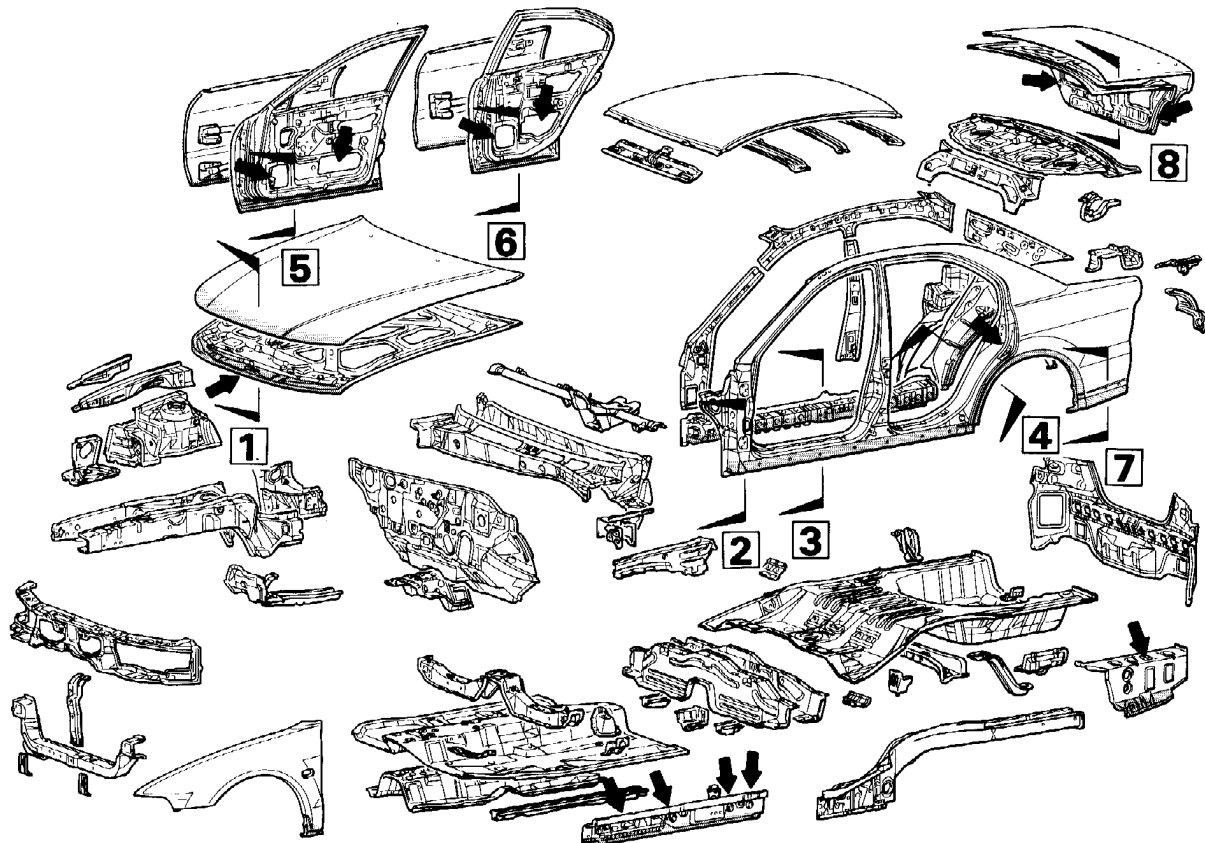
Recommended wax:

- Tectyl 506, 506T or ML
- Waxoyl
- Dinitrol 3122 or 3654-1
- Mercasol 831-ML
- Terotex
- HV200PLUS or HV300

<SEDAN>

NOTES REGARDING WAX INJECTION WORK

- Be careful that the wax does not get onto other parts. Especially if wax is to be injected into the lower part of the center pillar and into the side sill, first remove the seat belt retractor and the door switch.
- For wax injection locations which have a rubber plug, do not forget to reinstall the rubber plug after the wax injection is completed.

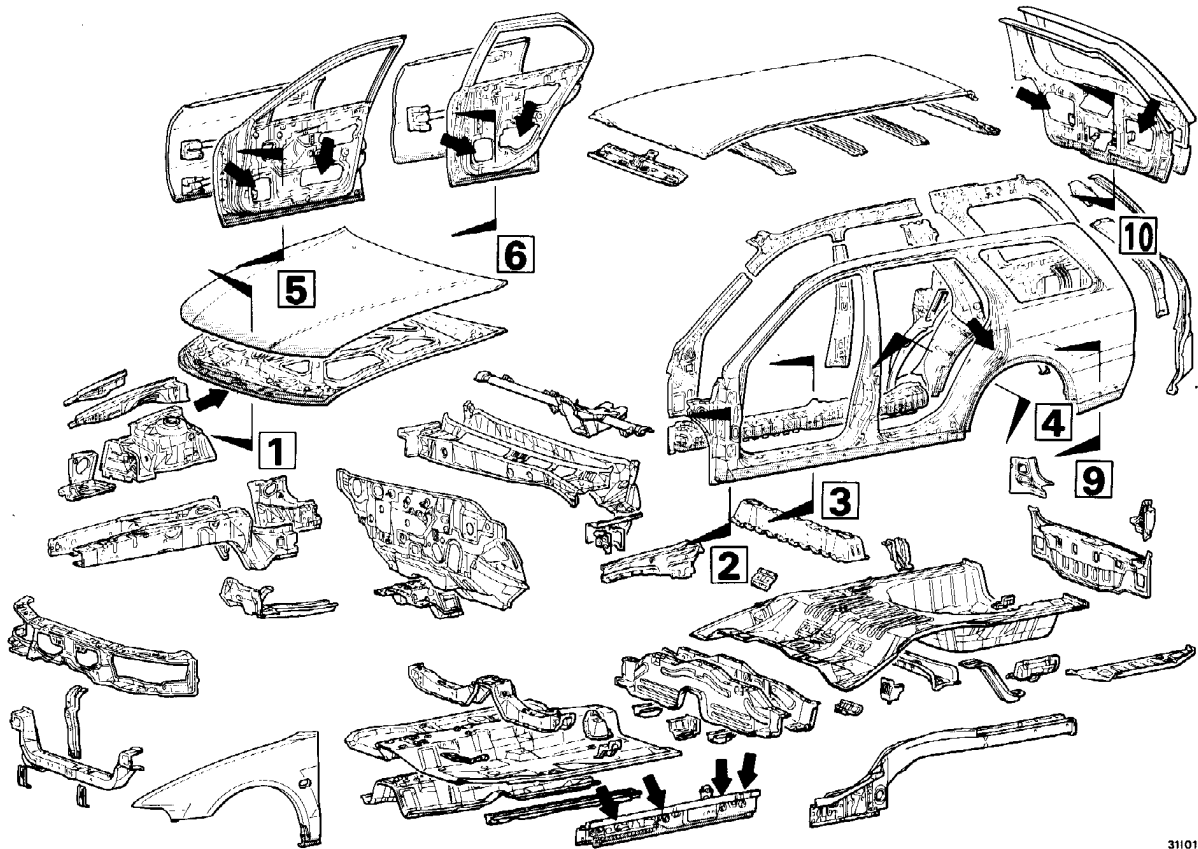


3110113

NOTES

- (1) ➔ : Nozzle insertion openings
 (2) For the numbers shown in the figure, refer to detailed illustrations with the same numbers on later pages.

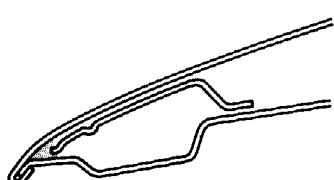
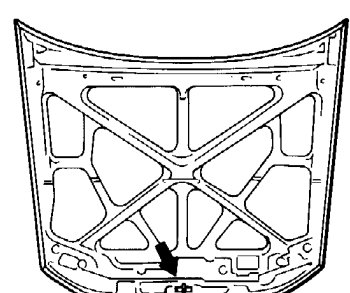
<WAGON>

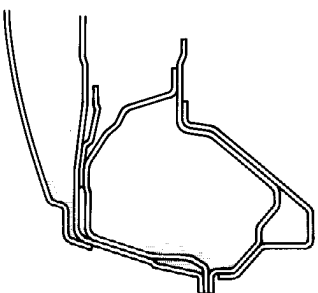
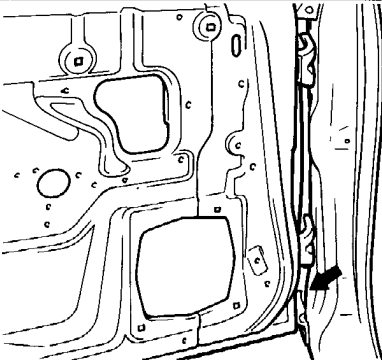
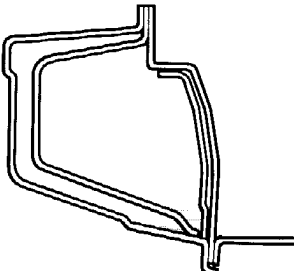
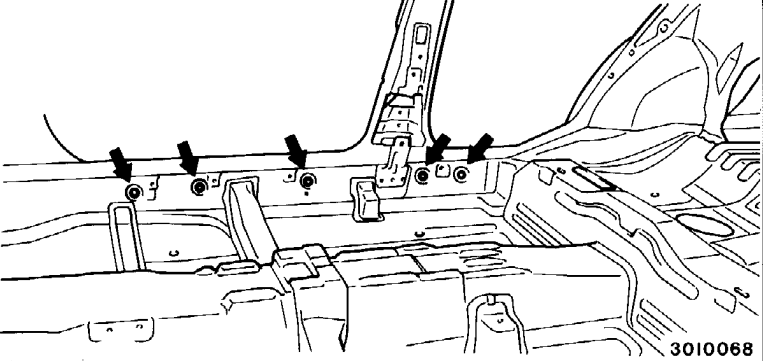
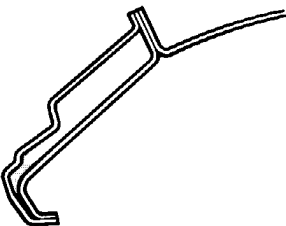
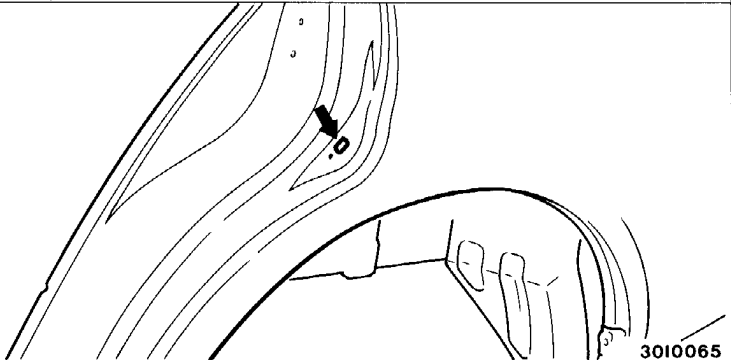
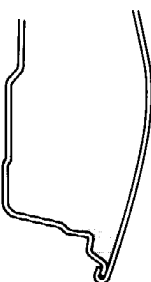
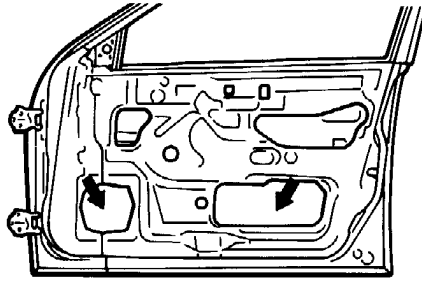

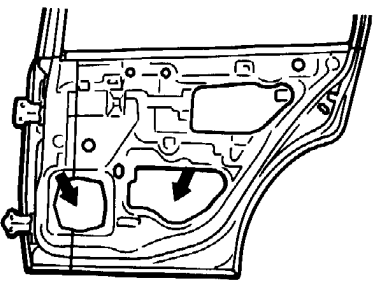


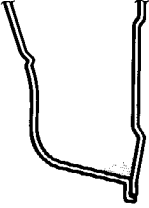
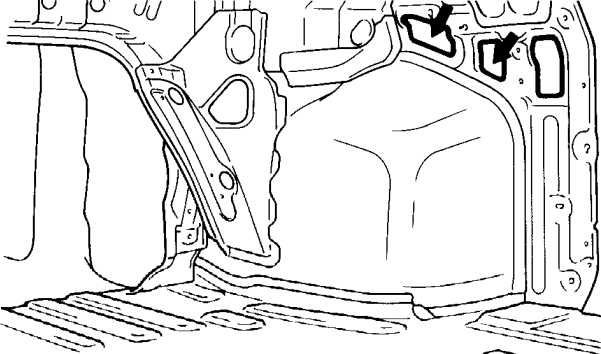
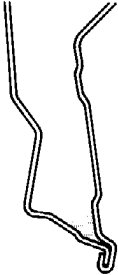
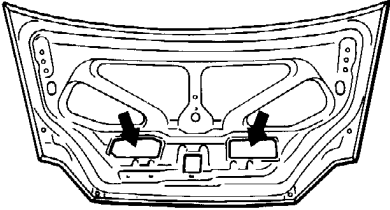
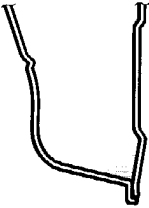
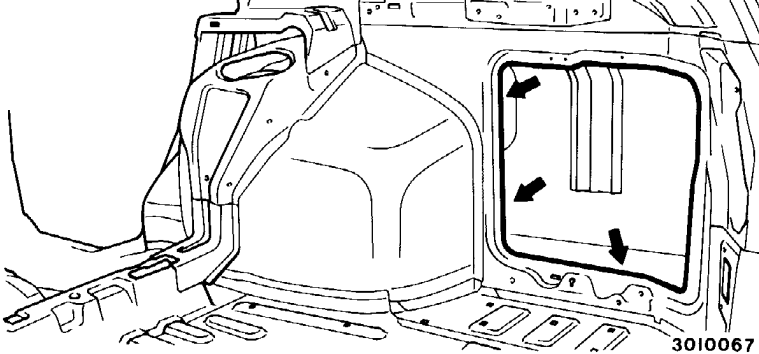
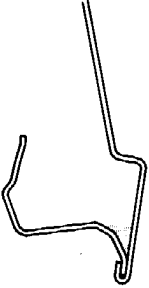
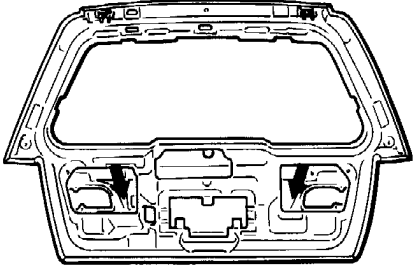
3110112

NOTES

- (1) ➔ : Nozzle insertion openings
- (2) For the numbers shown in the figure, refer to detailed illustrations with the same numbers on later pages.

| | Application surfaces | ← : Nozzle insertion openings |
|--|---|-------------------------------|
| <p>1</p>  <p>3010052</p> |  <p>3010019</p> | |

| Application surfaces | | ← : Nozzle insertion openings | |
|--|---|-------------------------------|--|
| 2  3010059 |  3010066 | | |
| 3  3010057 |  3010068 | | |
| 4  3010056 |  3010065 | | |
| 5  3010061 |  3310015 | | |
| 6  3010060 |  3310016 | | |

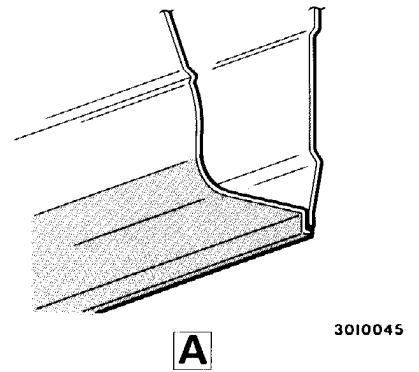
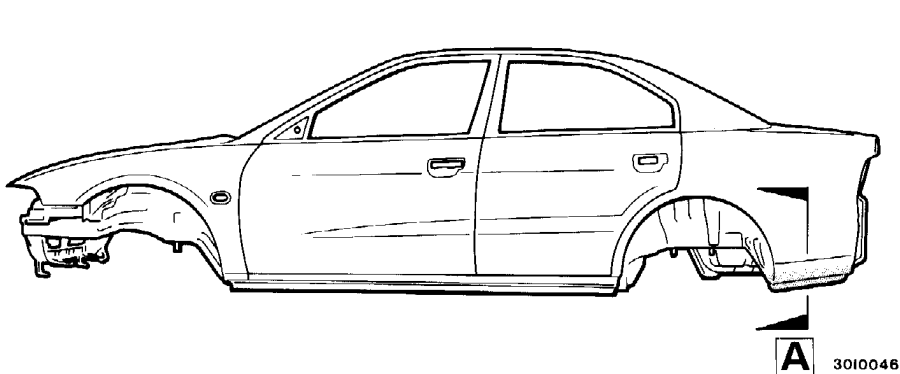
| Application surfaces | ← : Nozzle insertion openings |
|---|---|
| <p>7</p>  <p>3010055</p> |  <p>3010064</p> |
| <p>8</p>  <p>3010053</p> |  <p>3010018</p> |
| <p>9</p>  <p>3010055</p> |  <p>3010067</p> |
| <p>10</p>  <p>3010058</p> |  <p>3010020</p> |

ANTICORROSION PRIMER LOCATIONS

An anticorrosion primer has been applied to the side sill outer panel, the lower edge of the front fender and the lower edge of the outer quarter panel for the purposes of corrosion prevention and

abrasion protection. If any of these panels are replaced, apply an anticorrosion primer between the under coat and the second coat, as shown in the following illustrations.

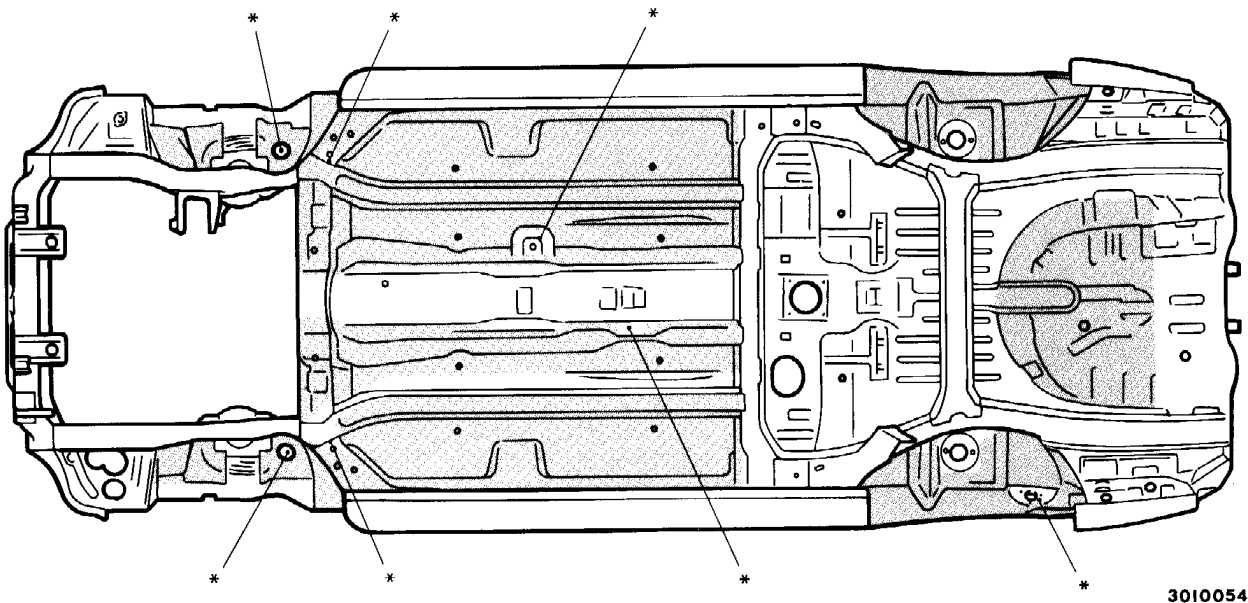
| Primer name | Recommended primer | Coating thickness |
|---------------------|---|--------------------|
| Rocker panel primer | Glasurit FX89-7330 (polyester basis) or FT90-7103 (water basis) or equivalent | 400 μ or more. |




UNDERCOAT APPLICATION LOCATIONS

In order to provided rust, corrosion, chipping, and vibration resistance, an undercoat is applied to

certain areas of the underbody. After completing body repairs, restore this undercoat if necessary.



 : Polyvinyl chloride base undercoating
[film thickness of at least 0.8 mm]

NOTE

* Because parts are to be mounted in these locations, mask the location before applying the undercoat.