

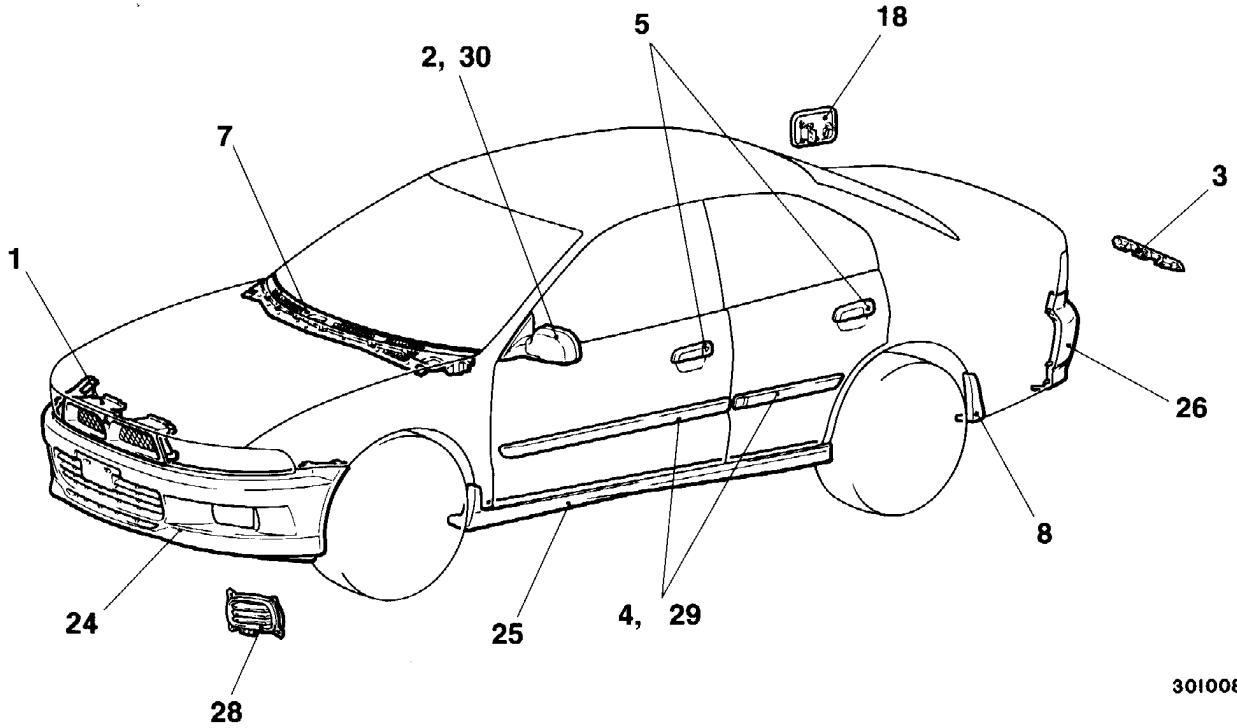
5 SYNTHETIC-RESIN PARTS

LOCATION OF SYNTHETIC-RESIN PARTS 5-2

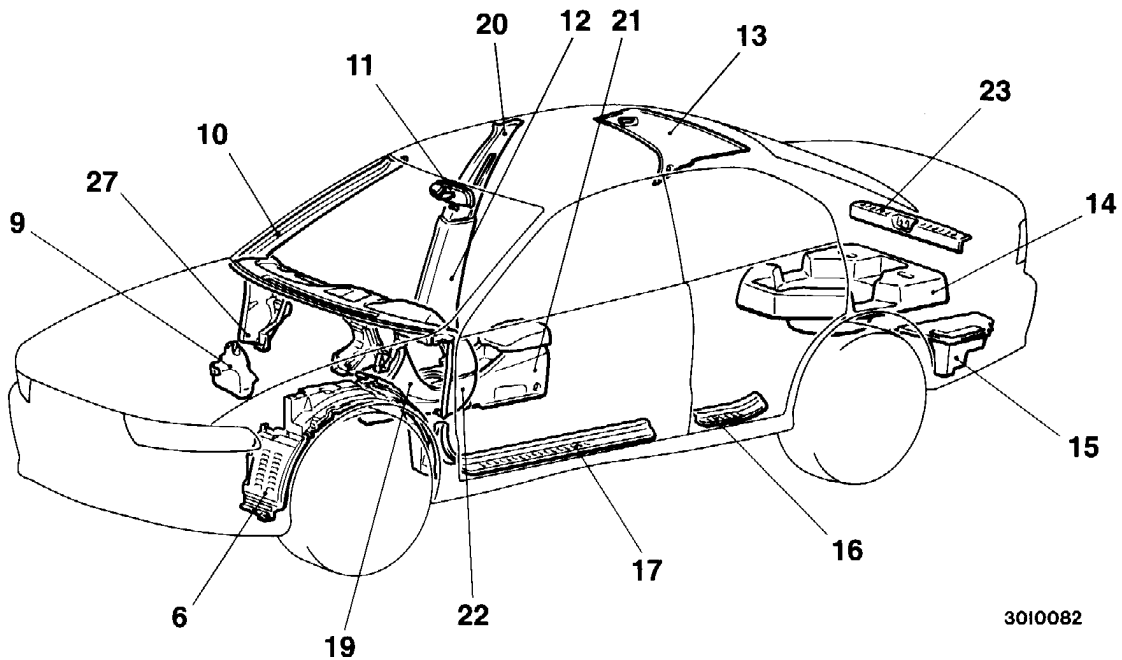
LOCATION OF SYNTHETIC-RESIN PARTS

The location and material of each of the principal synthetic-resin parts are shown below.

<Sedan>



3010084



3010082

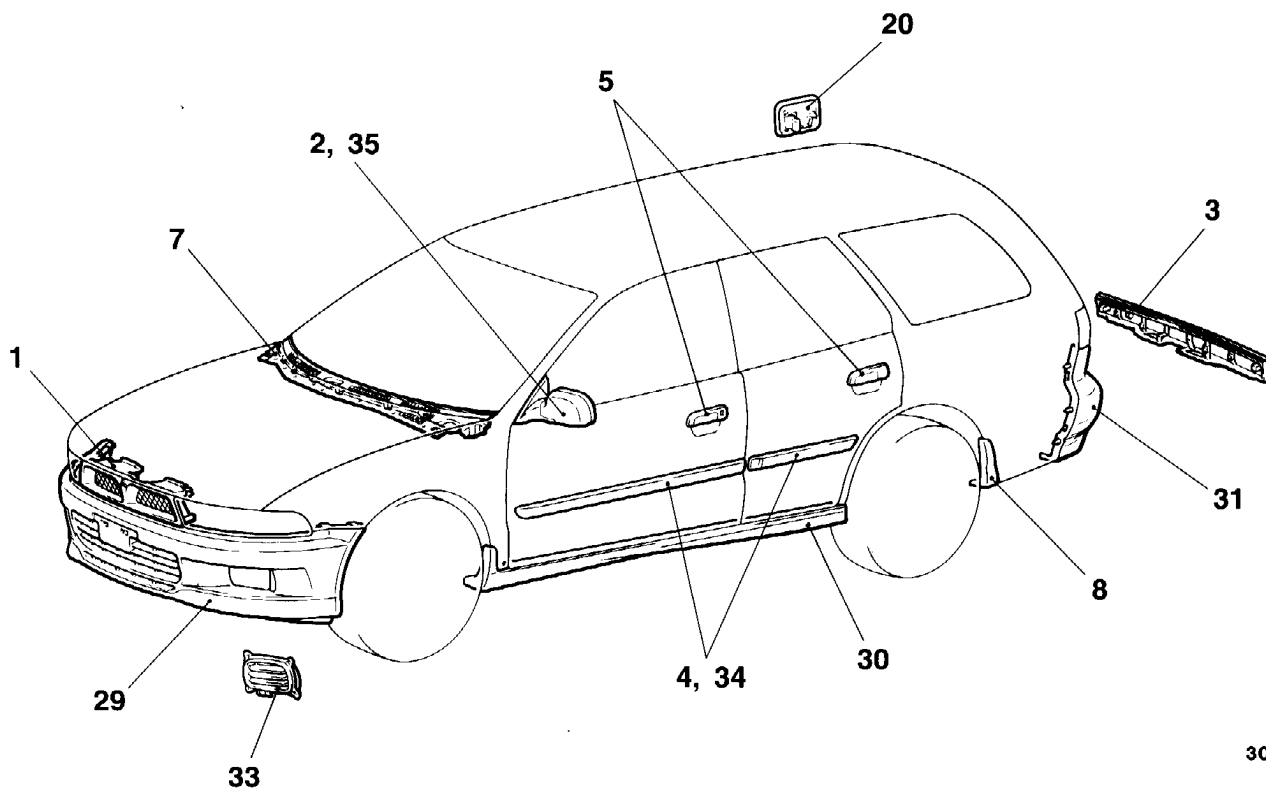
No.	Part name	Name of resin	Abbreviation	Heat-withstand temp. [°C]
1. 2. 3. 4.	Radiator grille Door mirror (body colour) License lamp garnish Side protector moulding (body couler)	Acrylonitrile butadiene styrene	ABS	80 – 110
5.	Door outside handle	Polycarbonate + polyethylene terephthalate	PC + PET (PC/PET)	130
6.	Splash shield	High-density polyethylene	PE-HD (HDPE)	70 – 90
7. 8. 9. 10. 11. 12. 13. 14.*2 15. 16. 17.	Front deck garnish Rear stone guard Cowl side trim Front pillar trim Inside rear view mirror Center pillar lower trim Rear pillar trim Trunk tool box Side tray Rear scuff plate Front scuff plate	Polypropylene	PP	80 – 120
18.	Fuel filler door panel	Poly phenylene ether	PPE (PPO)	130 – 140
19.	Side cover	10% Talc filled polypropylene	PP-TD10 (PPF)	110 – 120
20.	Center pillar upper trim	13% Talc filled polypropylene	PP-TD13 (PPF)	120
21.	Floor console	15% Talc filled polypropylene	PP-TD15 (PPF)	110 – 120
22. 23.	Corner panel Rear end trim cover	30% Talc filled polypropylene	PP-TD30 (PPF)	130 – 140
24. 25. 26.	Front bumper face Side sill cover Rear bumper face	Polypropylene + Ethylene / Propylene blend; talcum reinforced	PP + E / P-TD5 (HMPP)	80 – 100
27.	Instrument panel	Polyvinyl chloride, Polyurethane	PVC, PUR-E	*1
28. 29. 30.	Fog lamp hole cover Side protector moulding (material colour) Door mirror (material colour)	Styrene acrylonitrile	ASA (AAS)	90

5

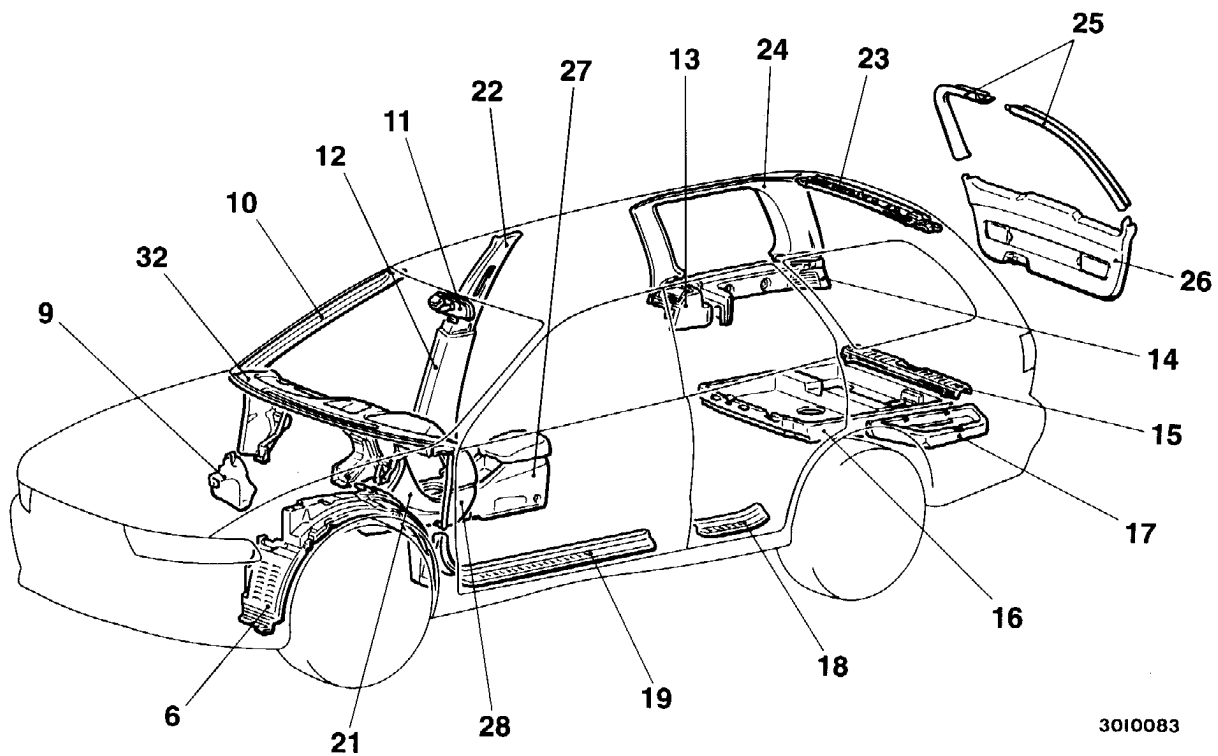
NOTES

- (1) The indicated heat-resistance temperature for parts which are composed of two or more types of more of material is the value for the material with the lowest heat-resistance temperature.
- (2) If the new material symbols designated by the ISO differ from the old symbols, both are given, with the old symbol being enclosed in brackets.
ISO: International Organization for Standardization
- (3) The material symbols for synthetic resin parts are embossed on the parts in hidden places.
- (4) A slash (/) in the materials symbol indicates that two different materials make 2-layer construction. A plus sign (+) indicates that the two different materials mix each other.
- (5) *1: Cannot be measured because it is a multi-layered material and includes foaming agent.
- (6) *2: Vehicles for Europe (Vehicles with compact spare tyre)

<Wagon>



3010085



3010083

No.	Part name	Name of resin	Abbreviation	Heat-withstand temp. [°C]
1. 2. 3. 4.	Radiator grille Door mirror (body colour) Tailgate garnish Side protector moulding (body couler)	Acrylonitrile butadiene styrene	ABS	80 – 110
5.	Door outside handle	Polycarbonate + polyethylene terephthalate	PC + PET (PC/PET)	130
6.	Splash shield	High-density polyethylene	PE-HD (HDPE)	70 – 90
7. 8. 9. 10. 11. 12. 13. 14. 15. 16. 17. 18. 19.	Front deck garnish Rear stone guard Cowl side trim Front pillar trim Inside rear view mirror Center pillar lower trim Retractor trim Beltline trim Rear end trim Luggage under floor center box Luggage under floor side box Rear scuff plate Front scuff plate	Polypropylene	PP	80 – 120
20.	Fuel filler door panel	Poly phenylene ether	PPE (PPO)	130 – 140
21.	Side cover	10% Talc filled polypropylene	PP-TD10 (PPF)	110 – 120
22. 23.	Center pillar upper trim Rear roof rail trim	13% Talc filled polypropylene	PP-TD13 (PPF)	120
24. 25. 26. 27.	Quarter trim, upper Tailgate side trim Tailgate trim, lower Floor console	15% Talc filled polypropylene	PP-TD15 (PPF)	110 – 120
28.	Corner panel	30% Talc filled polypropylene	PP-TD30 (PPF)	130 – 140
29. 30. 31.	Front bumper face Side sill cover Rear bumper face	Polypropylene + Ethylene/ Propylene blend; talcum reinforced	PP + E / P-TD5 (HMPP)	80 – 100
32.	Instrument panel	Polyvinyl chloride, Polyurethane	PVC, PUR-E	*
33. 34. 35.	Fog lamp hole cover Side protector moulding (material colour) Door mirror (material colour)	Styrene acrylonitrile	ASA (AAS)	90

NOTE

- (1) The indicated heat-resistance temperature for parts which are composed of two or more types of more of material is the value for the material with the lowest heat-resistance temperature.
- (2) If the new material symbols designated by the ISO differ from the old symbols, both are given, with the old symbol being enclosed in brackets.
ISO: International Organization for Standardization
- (3) The material symbols for synthetic resin parts are embossed on the parts in hidden places.
- (4) A slash (/) in the materials symbol indicates that two different materials make 2-layer construction.
A plus sign (+) indicates that the two different materials mix each other.
- (5) *: Cannot be measured because it is a multi-layered material and includes foaming agent.