

L - WIRING DIAGRAMS

1998 Mitsubishi Galant

1998 ENGINE PERFORMANCE
Mitsubishi - Wiring Diagrams

Diamante, Eclipse, Galant, Mirage, Montero, Montero Sport
& 3000GT

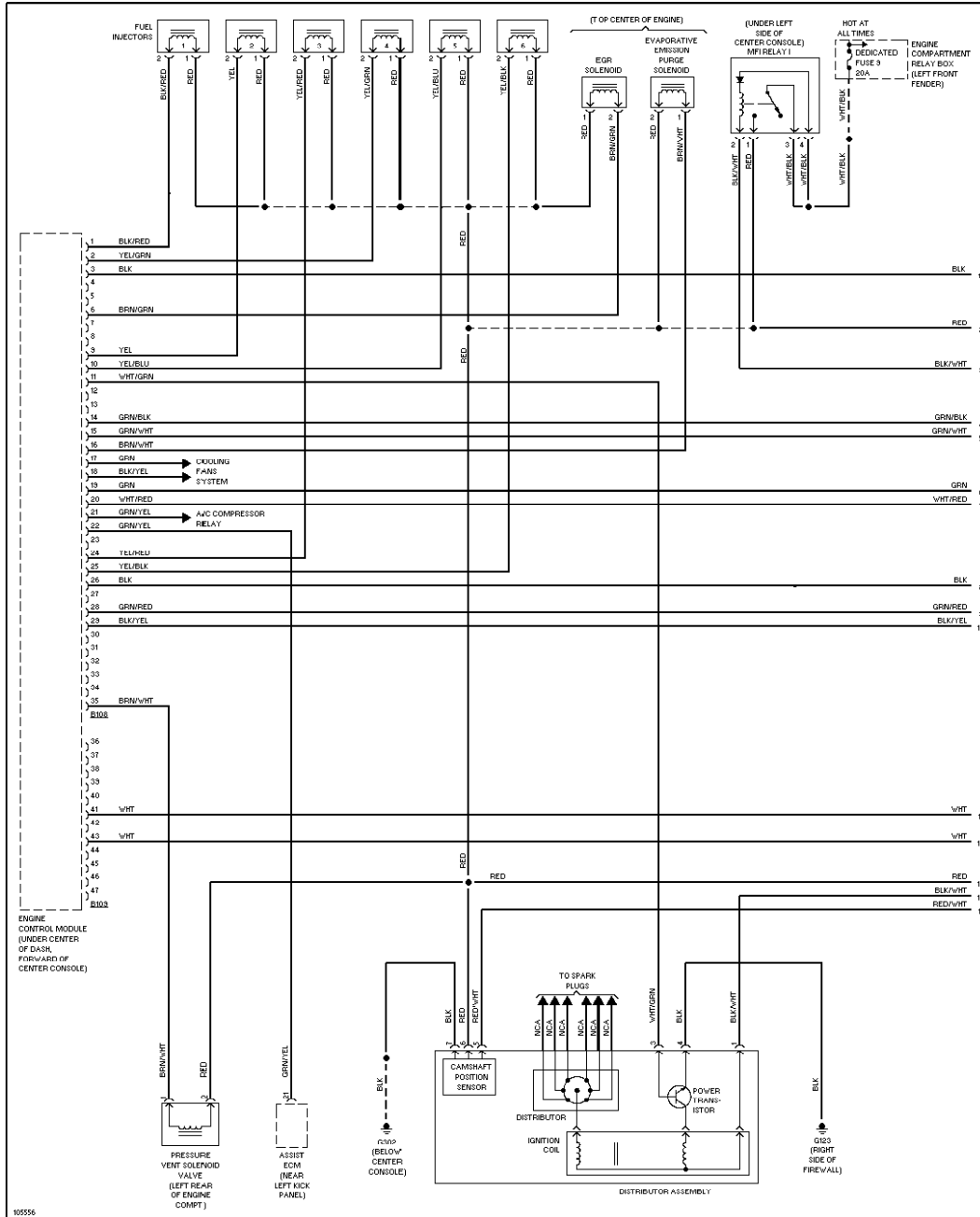


Fig. 1: Wiring Diagram (Diamante 3.5L - 1 Of 3)

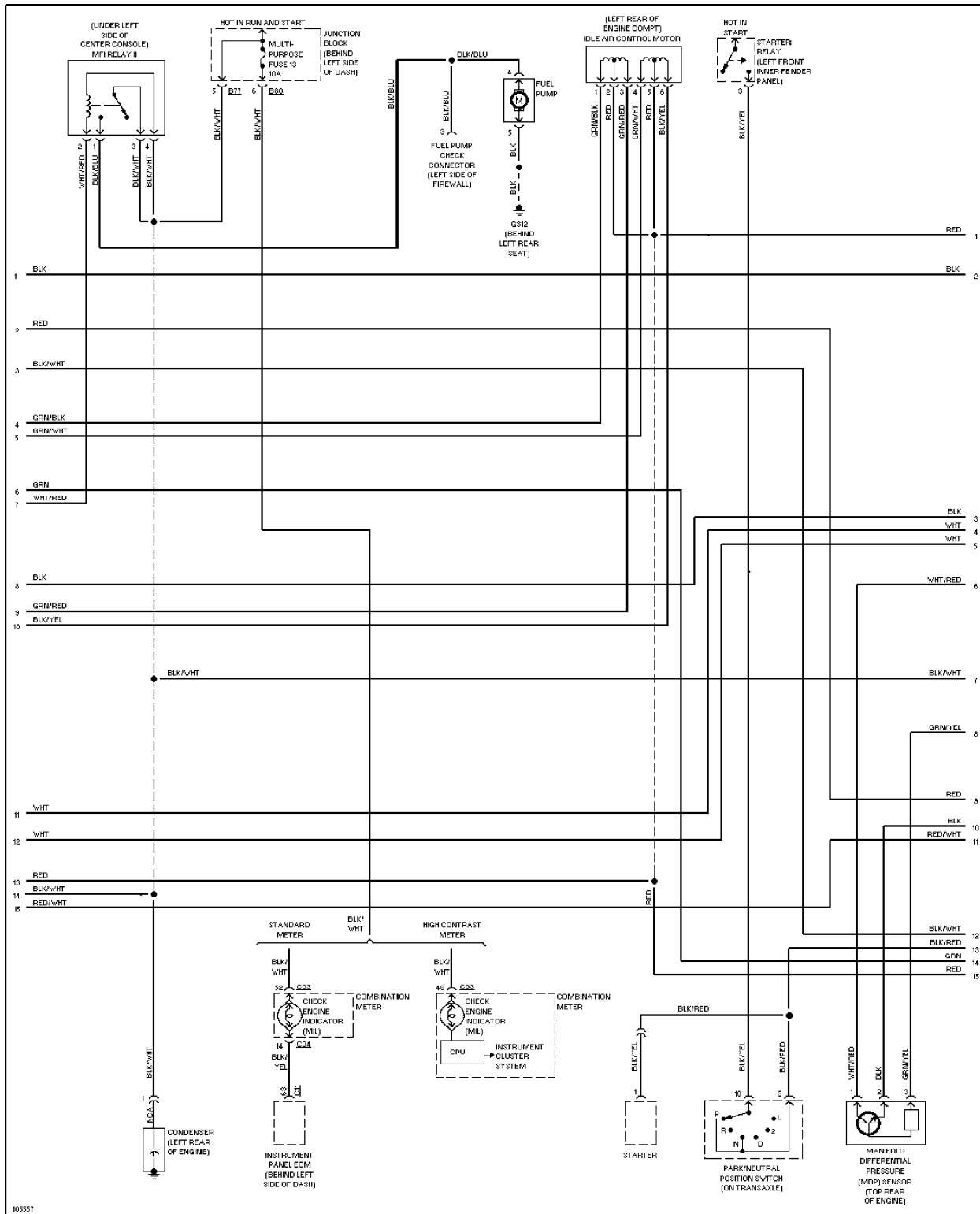


Fig. 2: Wiring Diagram (Diamante 3.5L - 2 Of 3)

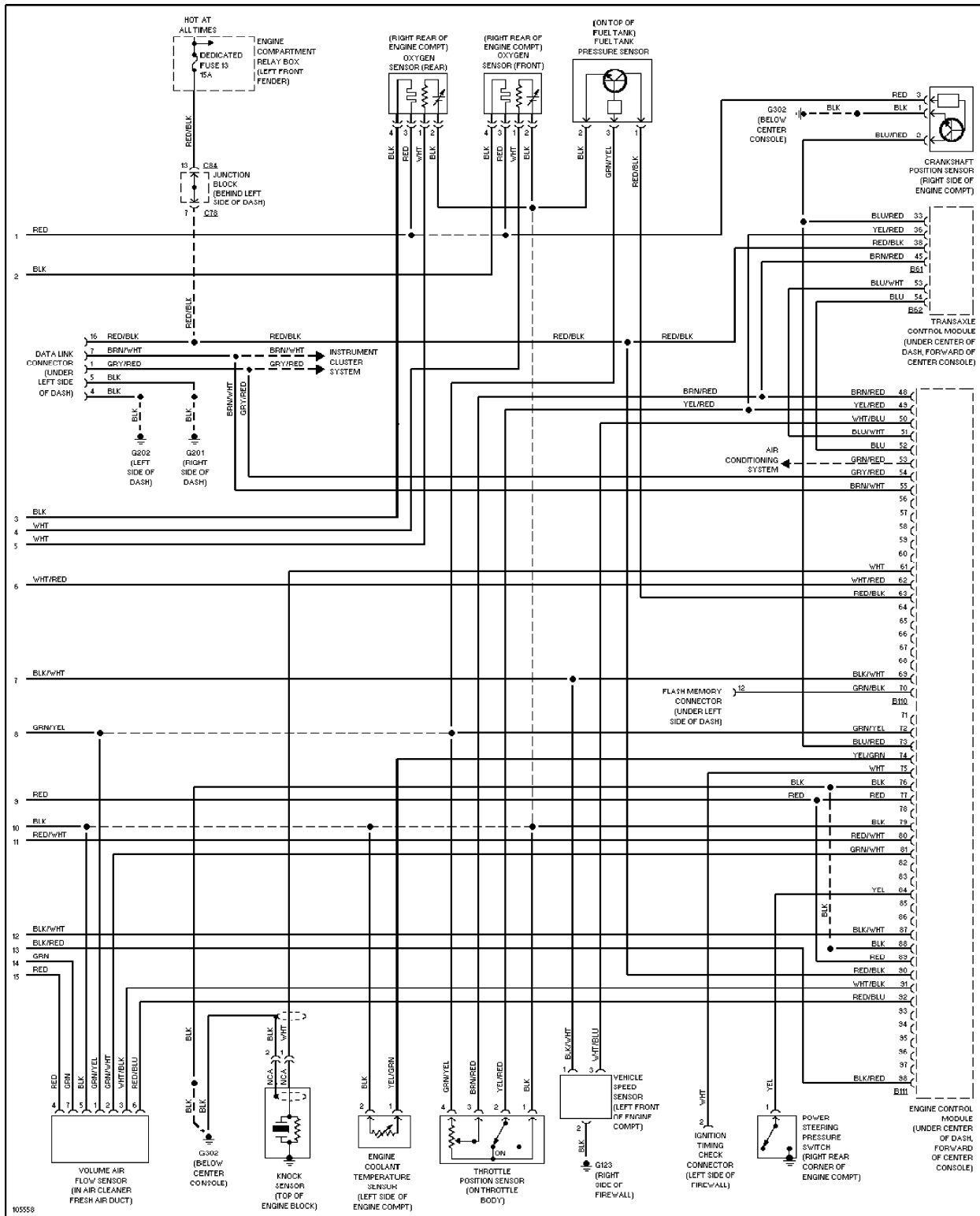


Fig. 3: Wiring Diagram (Diamante 3.5L - 3 Of 3)

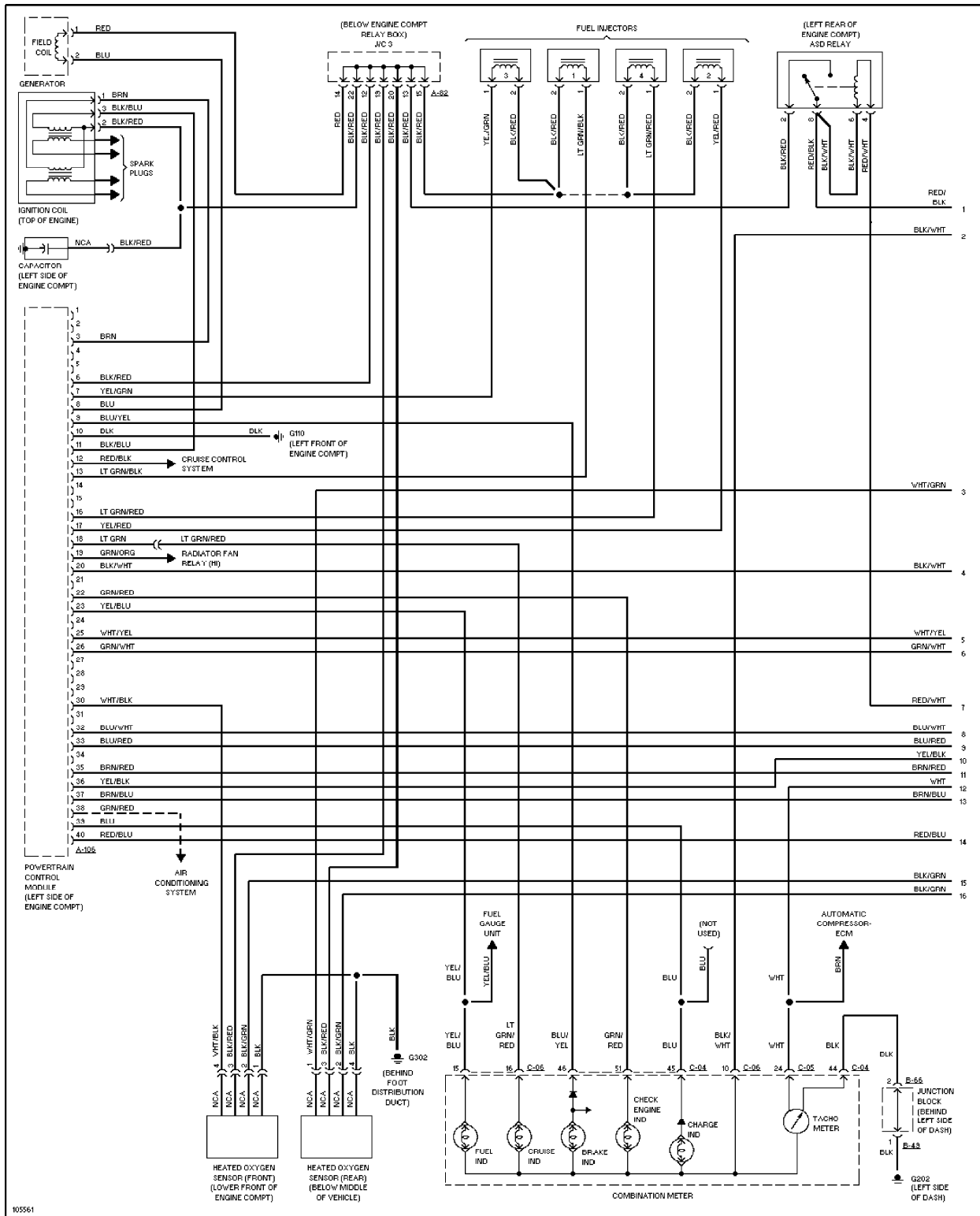


Fig. 4: Wiring Diagram (Eclipse 2.0L Non-Turbo - 1 Of 3)

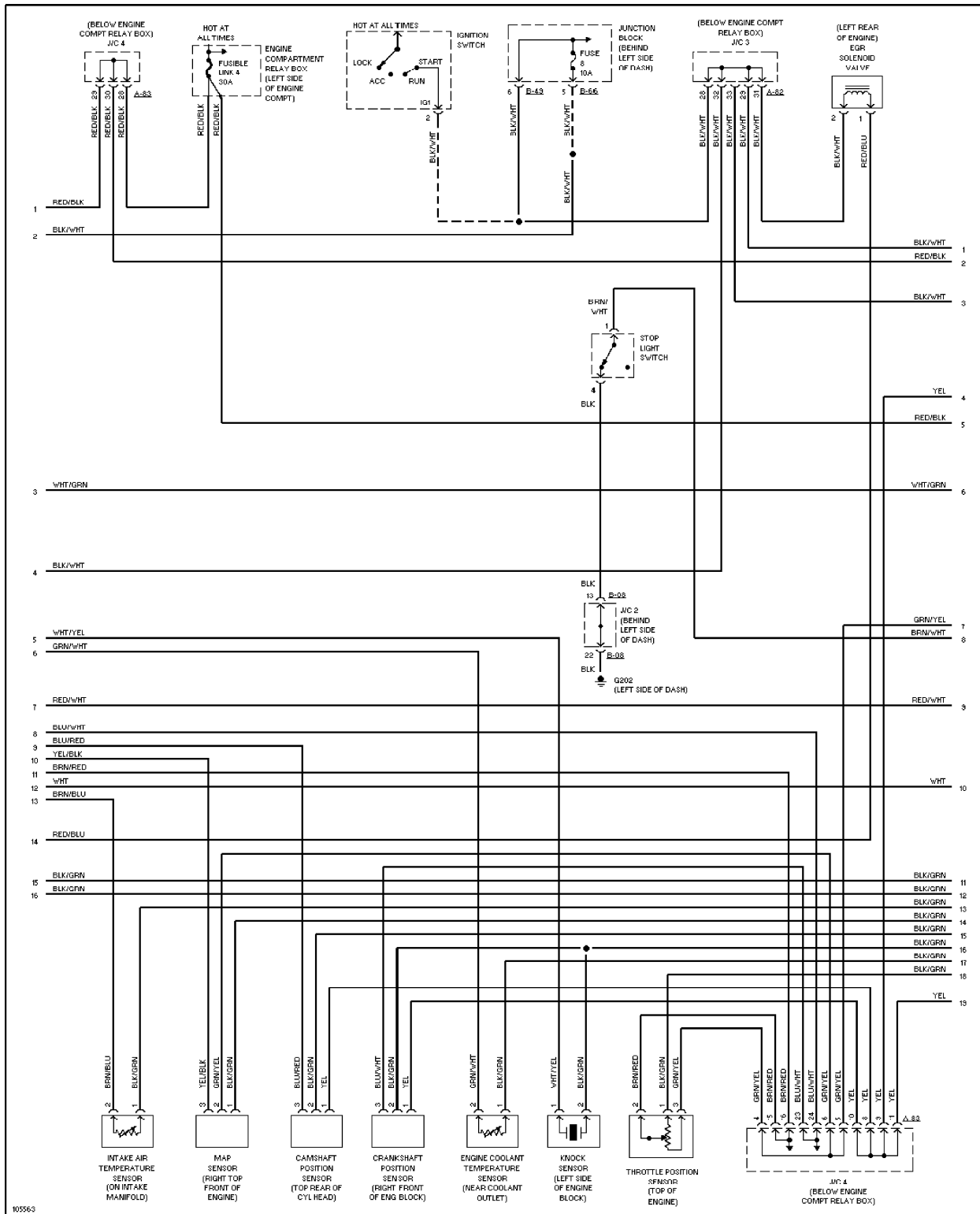


Fig. 5: Wiring Diagram (Eclipse 2.0L Non-Turbo - 2 Of 3)

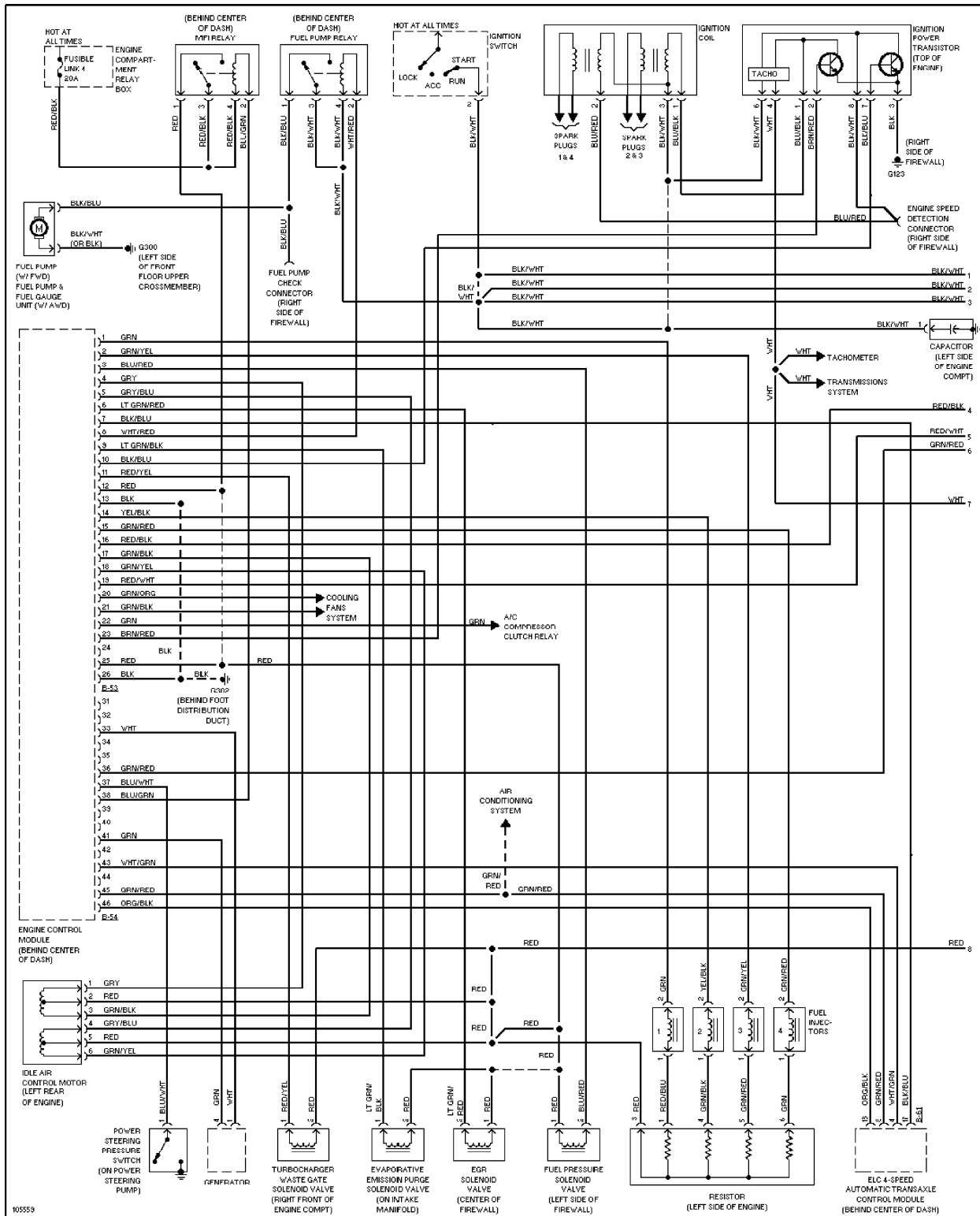


Fig. 7: Wiring Diagram (Eclipse 2.0L Turbo - 1 Of 2)

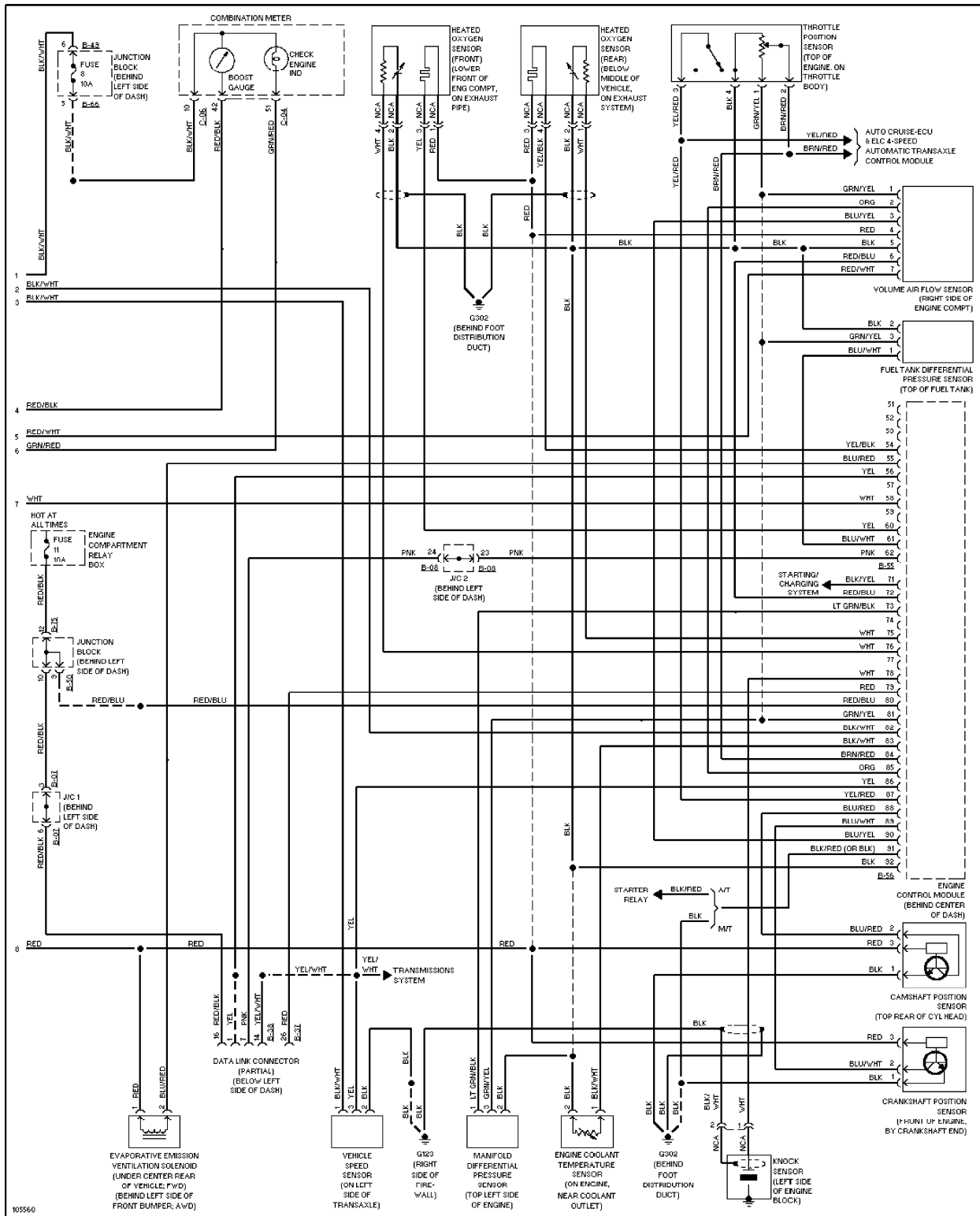


Fig. 8: Wiring Diagram (Eclipse 2.0L Turbo - 2 Of 2)



Fig. 9: Wiring Diagram (Eclipse 2.4L - 1 Of 2)

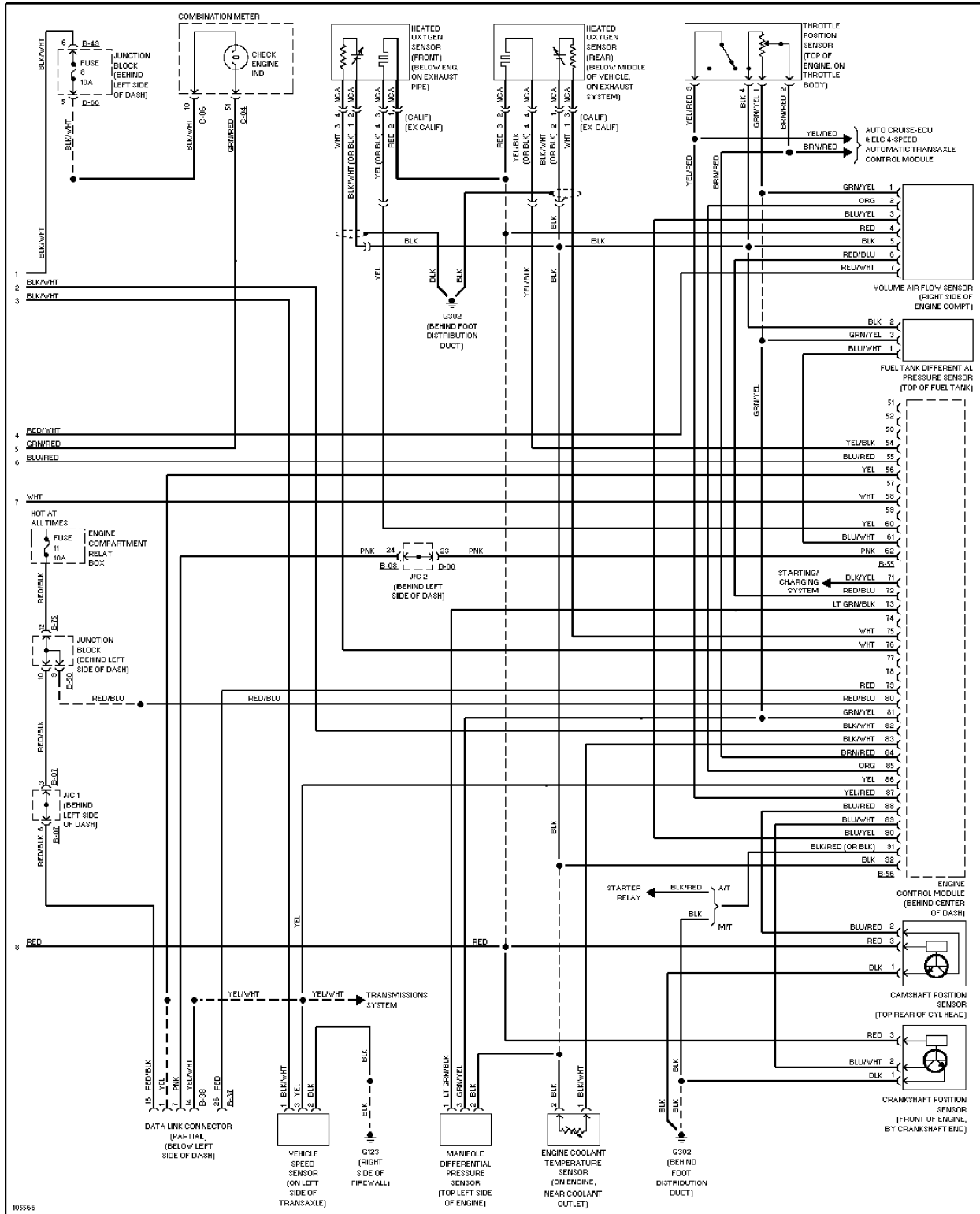


Fig. 10: Wiring Diagram (Eclipse 2.4L - 2 Of 2)

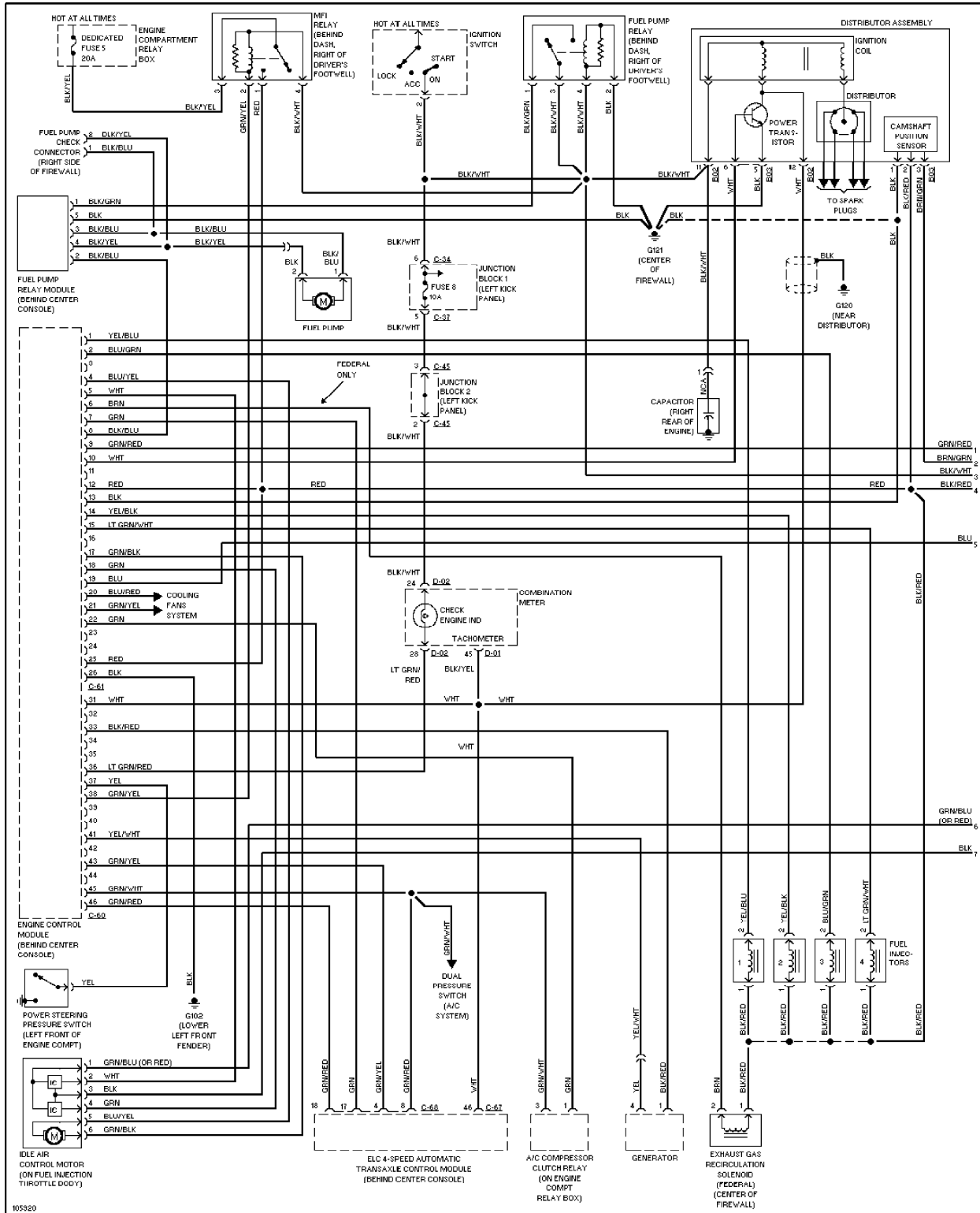


Fig. 11: Wiring Diagram (Galant 2.4L - 1 Of 2)

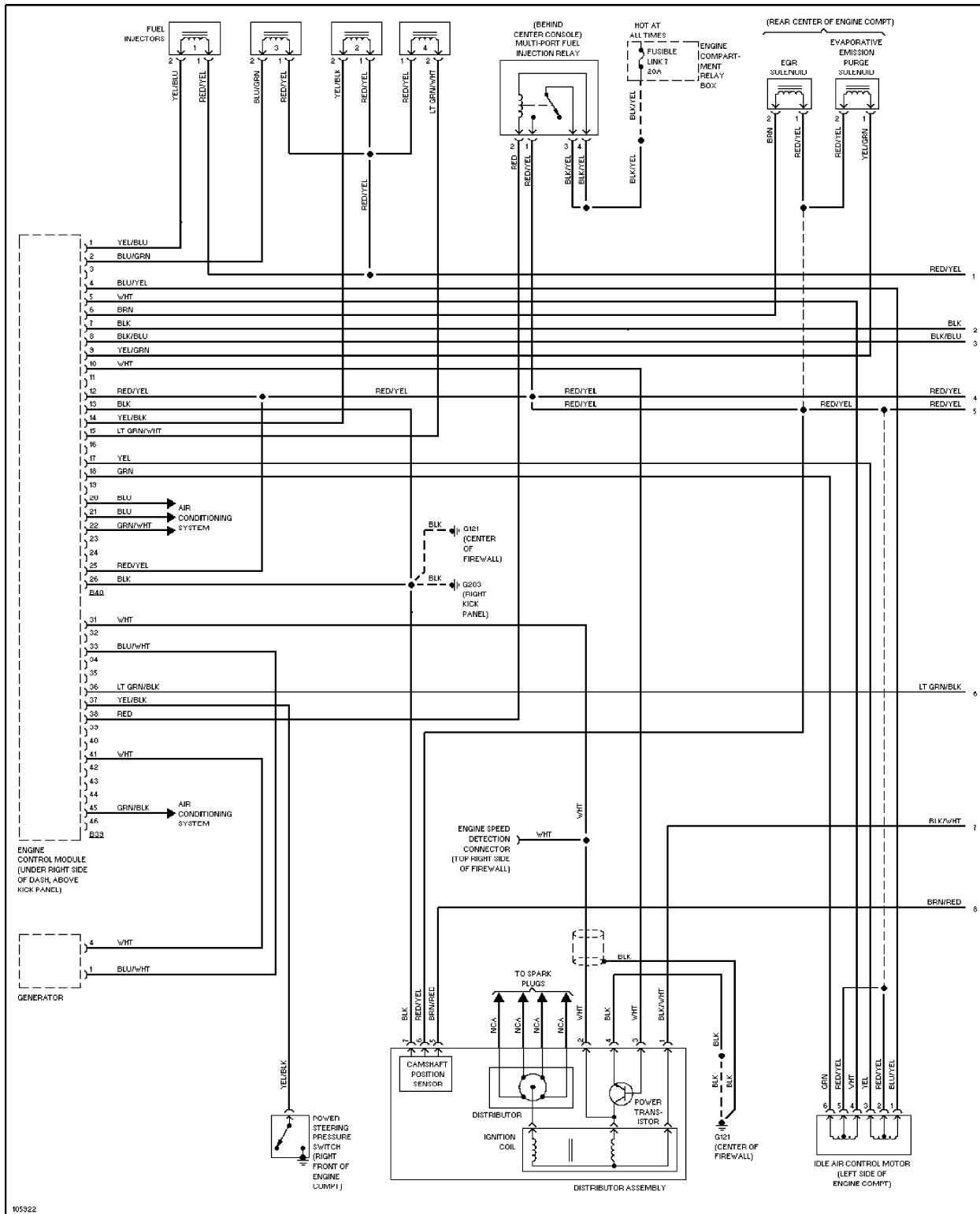


Fig. 13: Wiring Diagram (Mirage 1.5L - 1 Of 3)

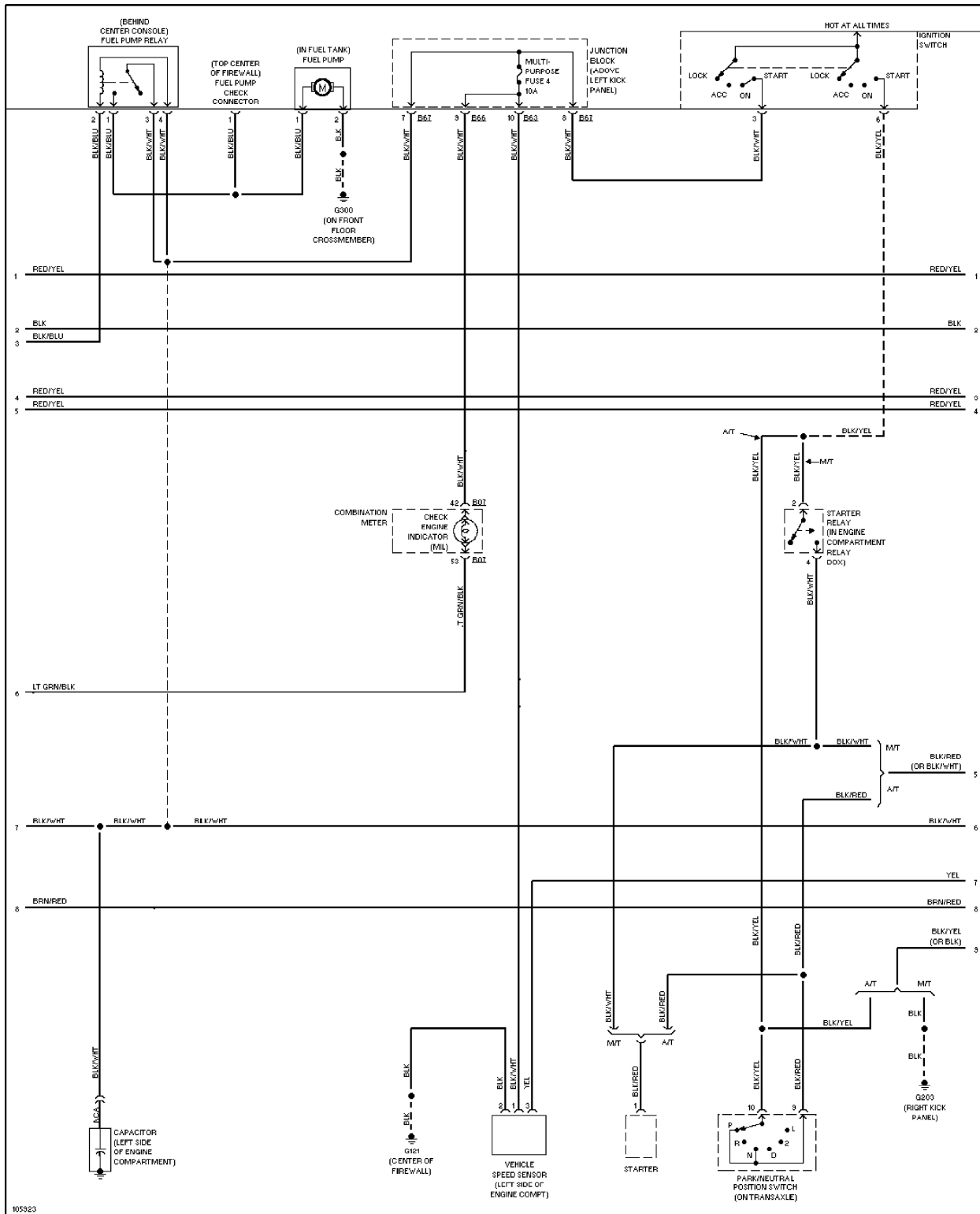


Fig. 14: Wiring Diagram (Mirage 1.5L - 2 Of 3)

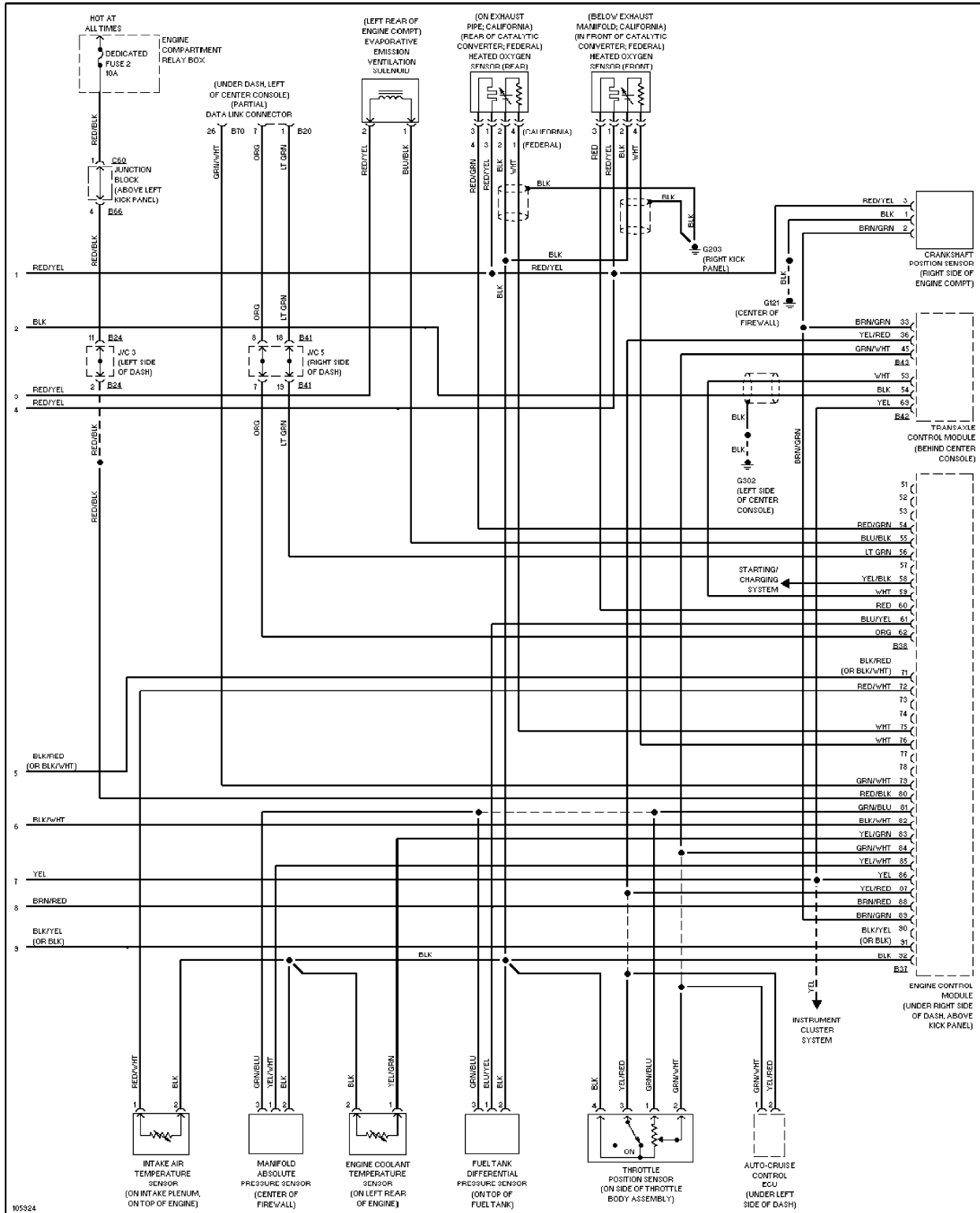


Fig. 15: Wiring Diagram (Mirage 1.5L - 3 Of 3)

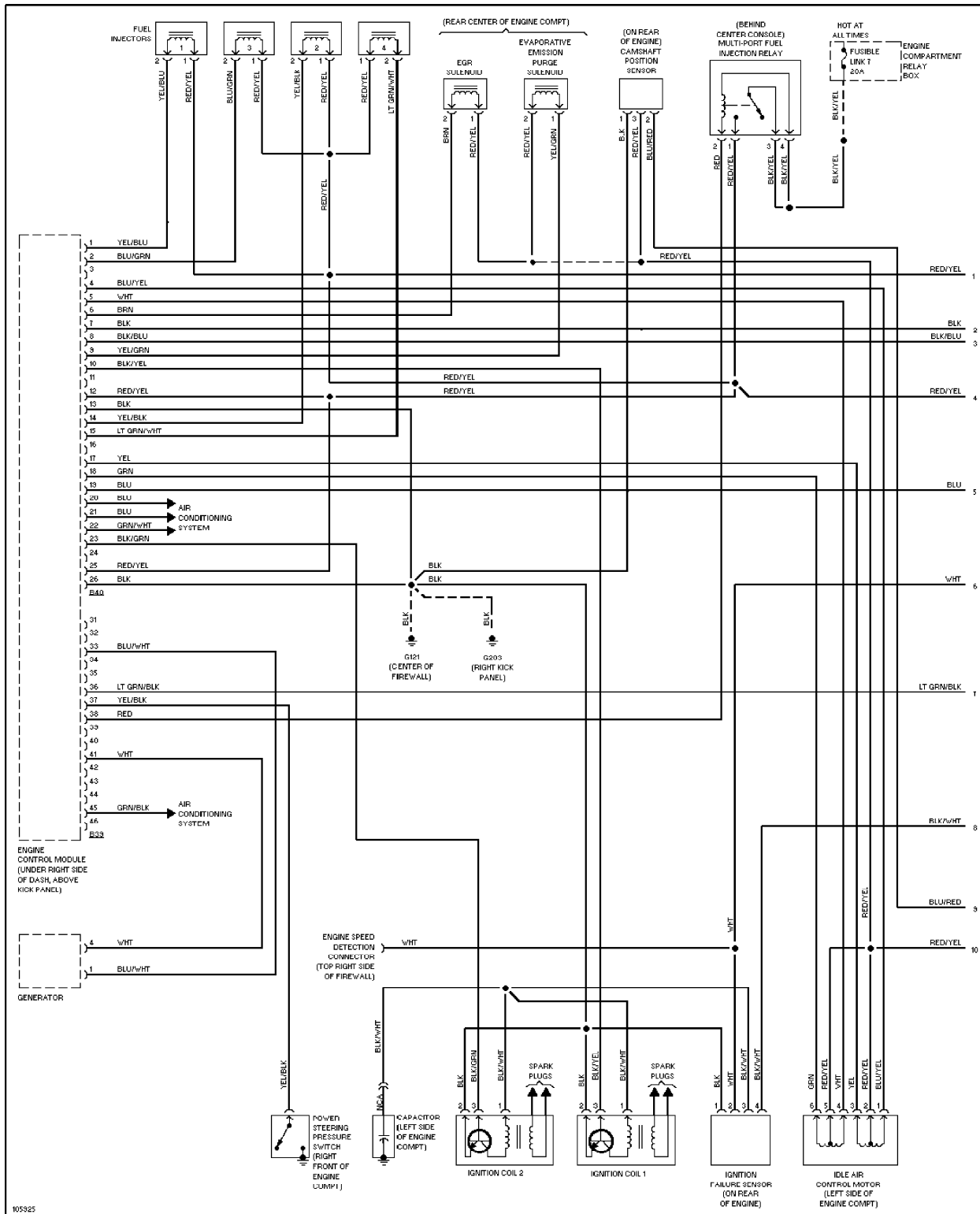


Fig. 16: Wiring Diagram (Mirage 1.8L - 1 Of 3)

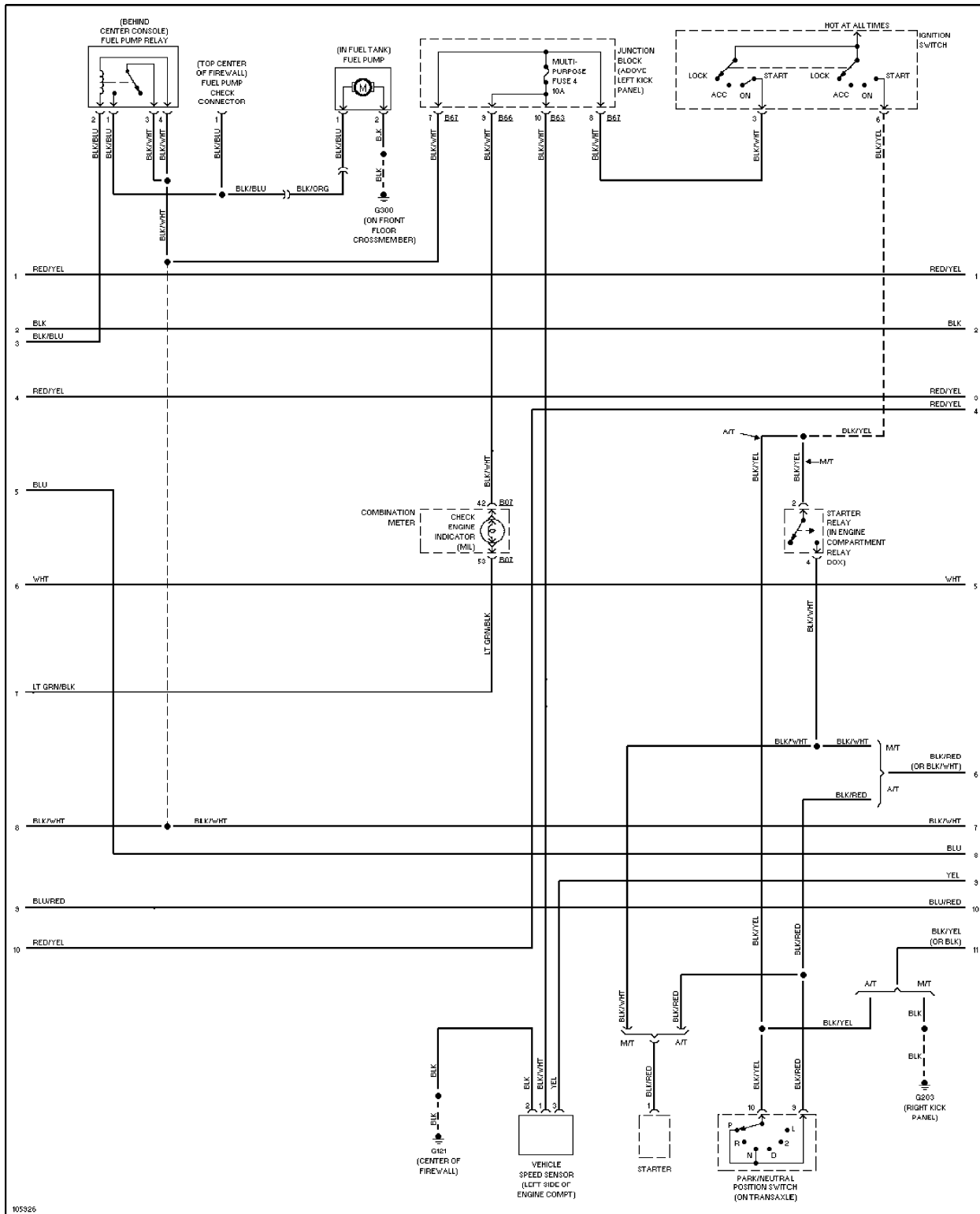


Fig. 17: Wiring Diagram (Mirage 1.8L - 2 Of 3)

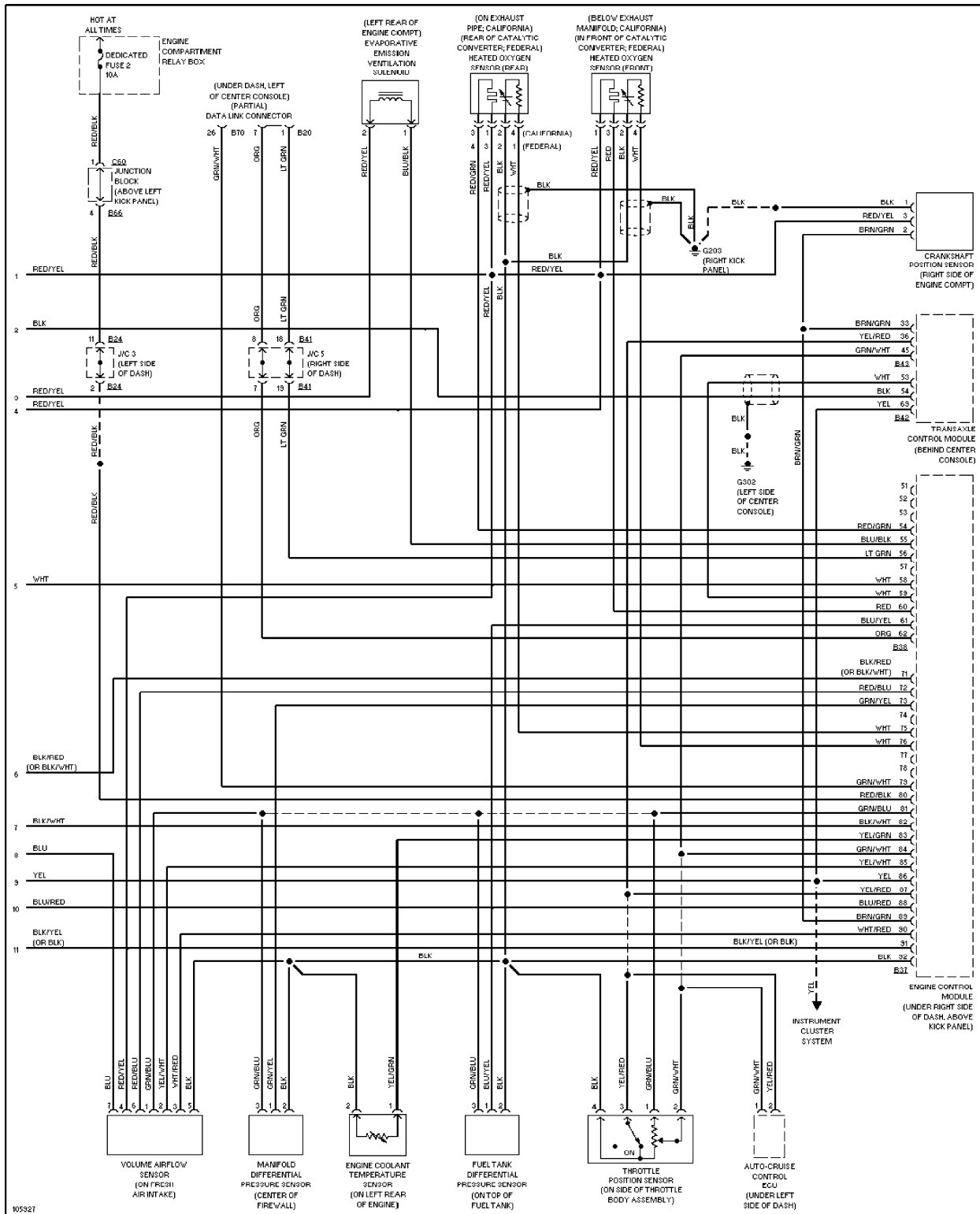


Fig. 18: Wiring Diagram (Mirage 1.8L - 3 Of 3)

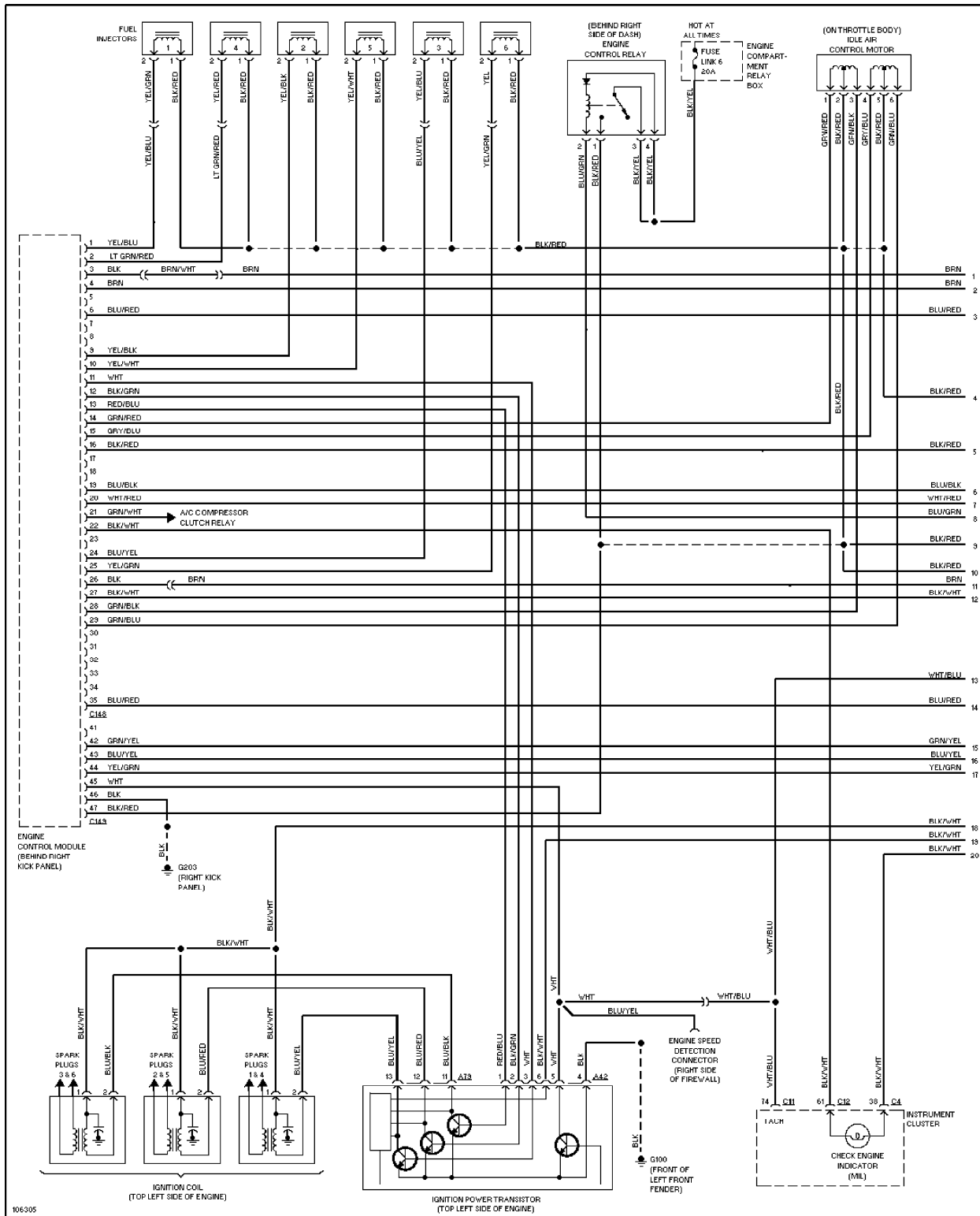


Fig. 19: Wiring Diagram (Montero 3.5L - California Emissions - 1 Of 3)

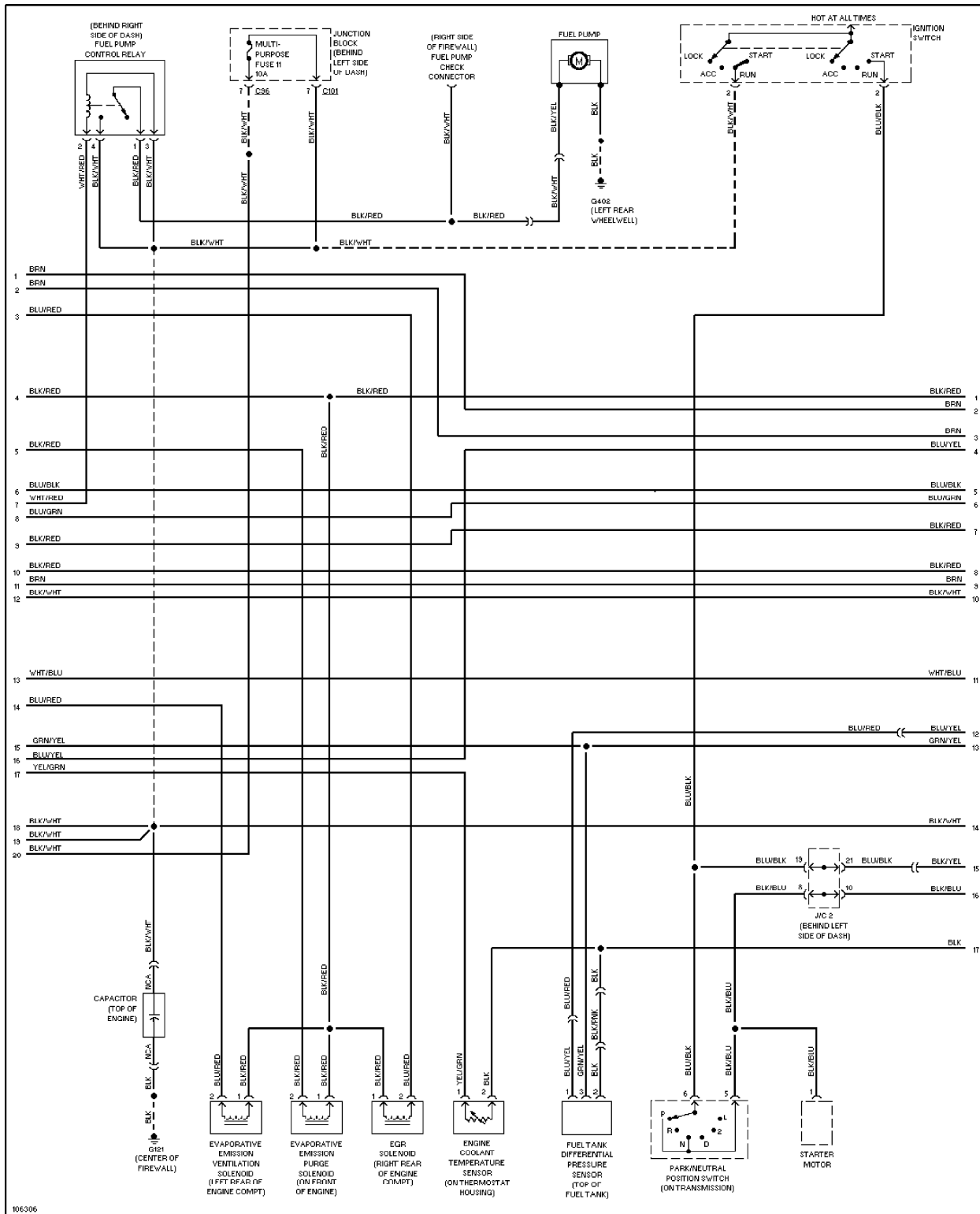


Fig. 20: Wiring Diagram (Montero 3.5L - California Emissions - 2 Of 3)

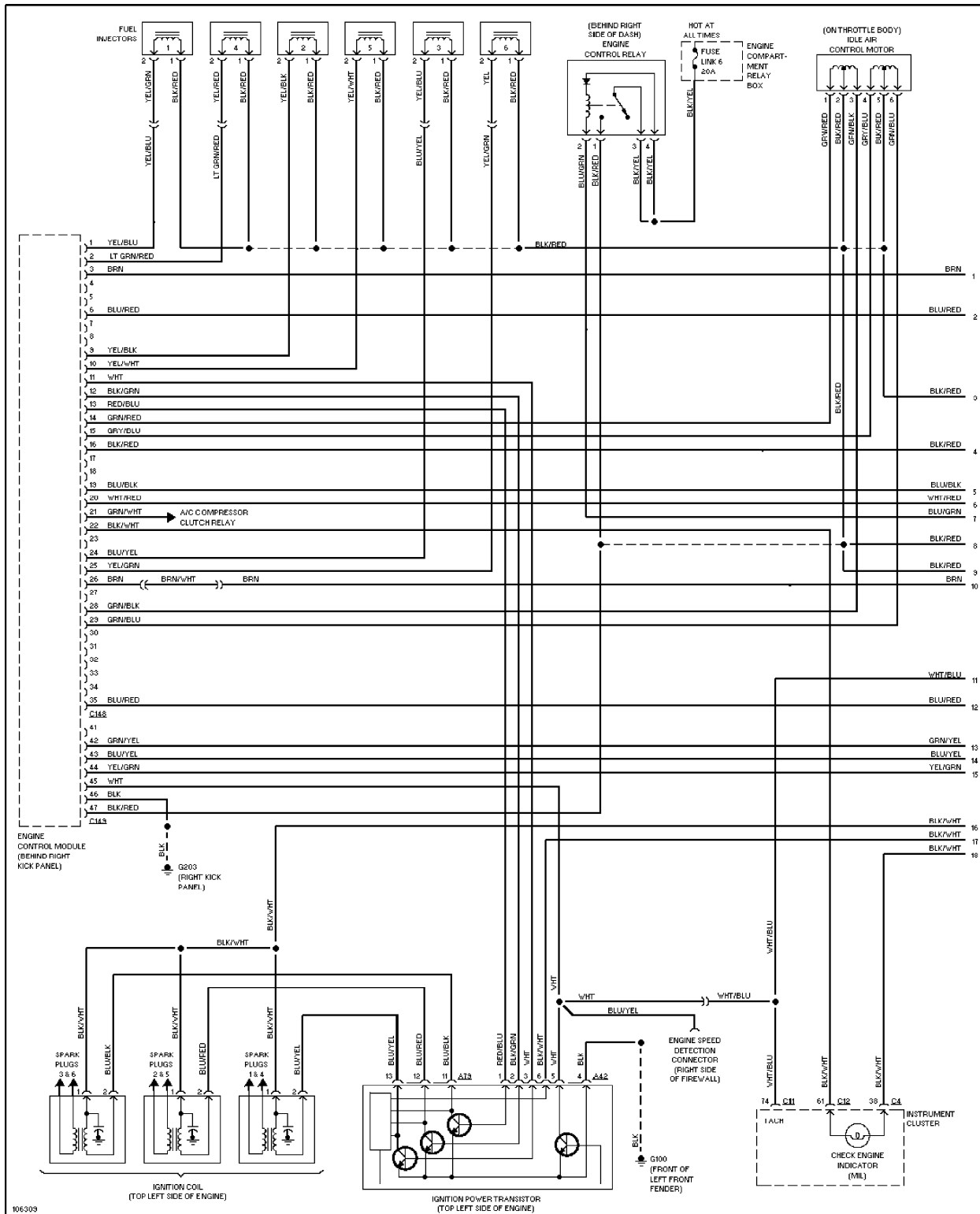


Fig. 22: Wiring Diagram (Montero 3.5L - Federal Emissions - 1 Of 3)

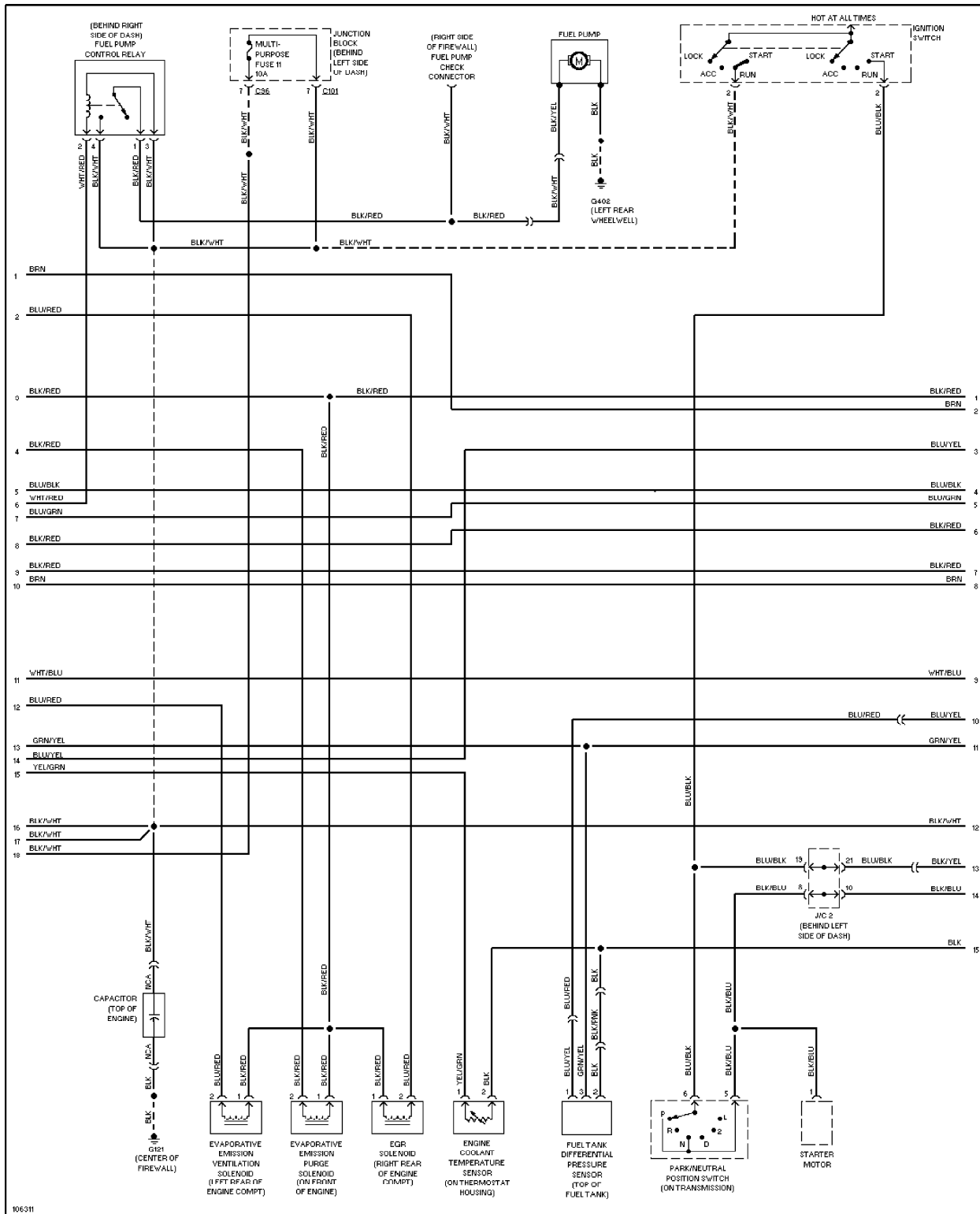


Fig. 23: Wiring Diagram (Montero 3.5L - Federal Emissions - 2 Of 3)

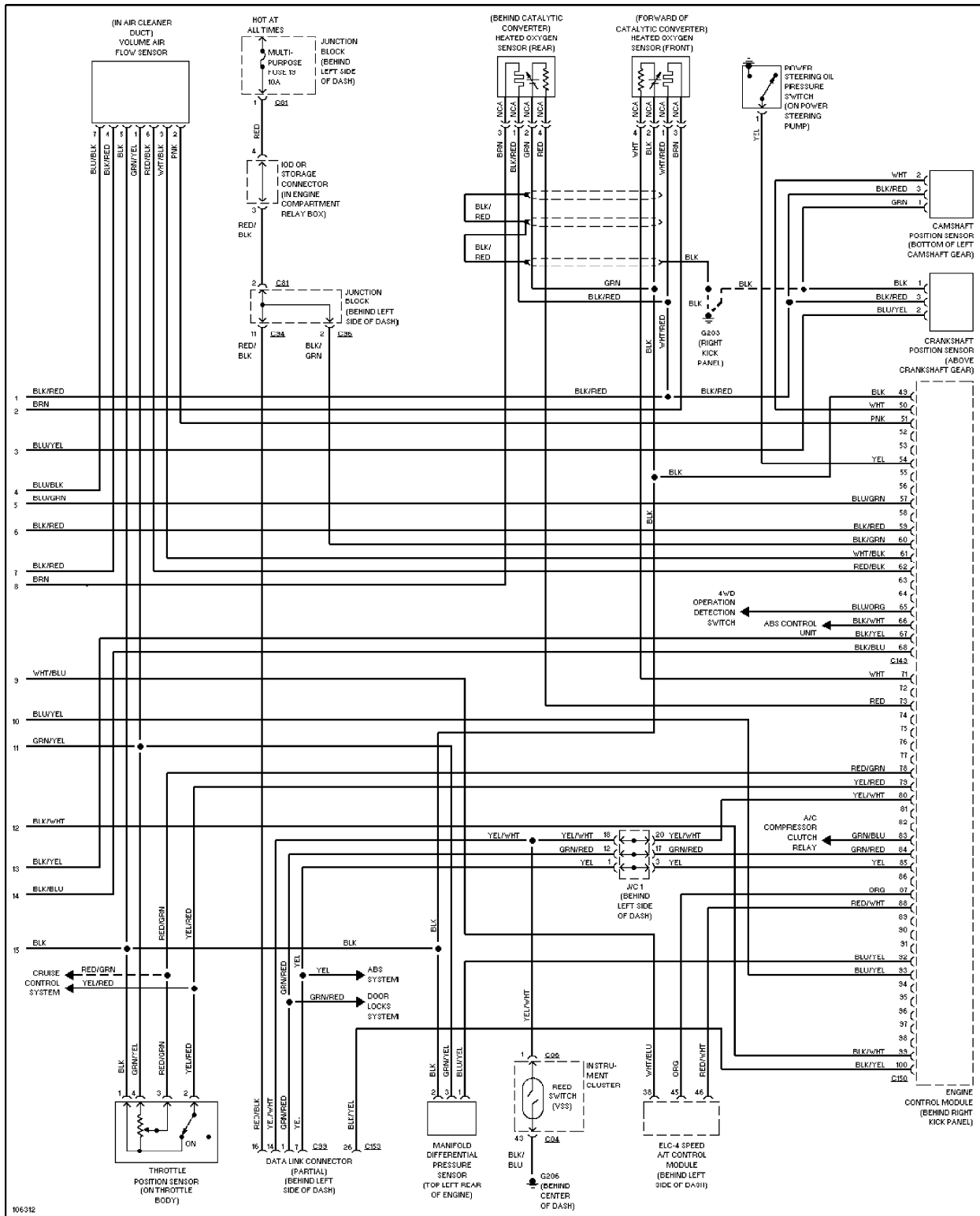


Fig. 24: Wiring Diagram (Montero 3.5L - Federal Emissions - 3 Of 3)

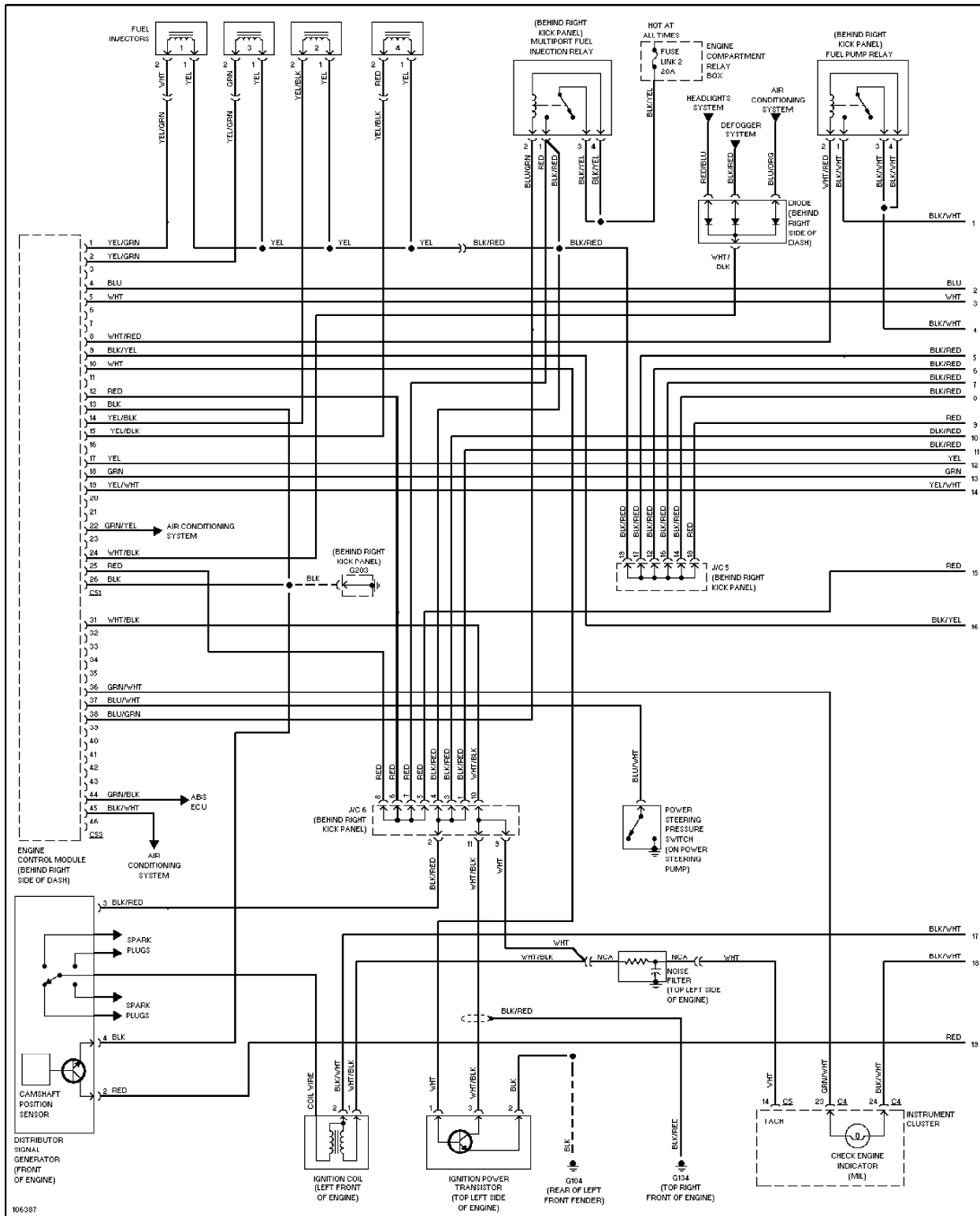


Fig. 25: Wiring Diagram (Montero Sport 2.4L - California Emissions - 1 Of 3)

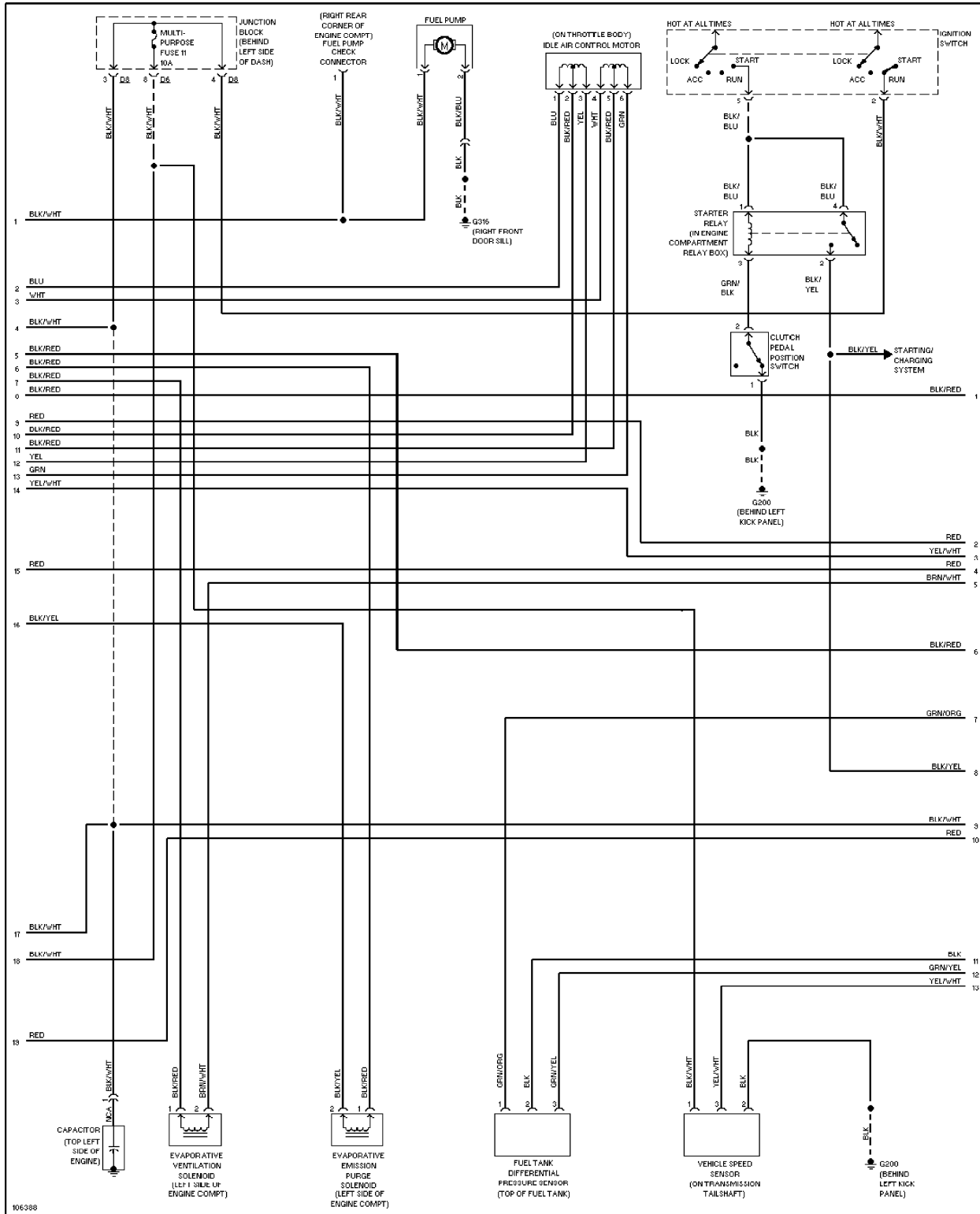


Fig. 26: Wiring Diagram (Montero Sport 2.4L - California Emissions - 2 Of 3)

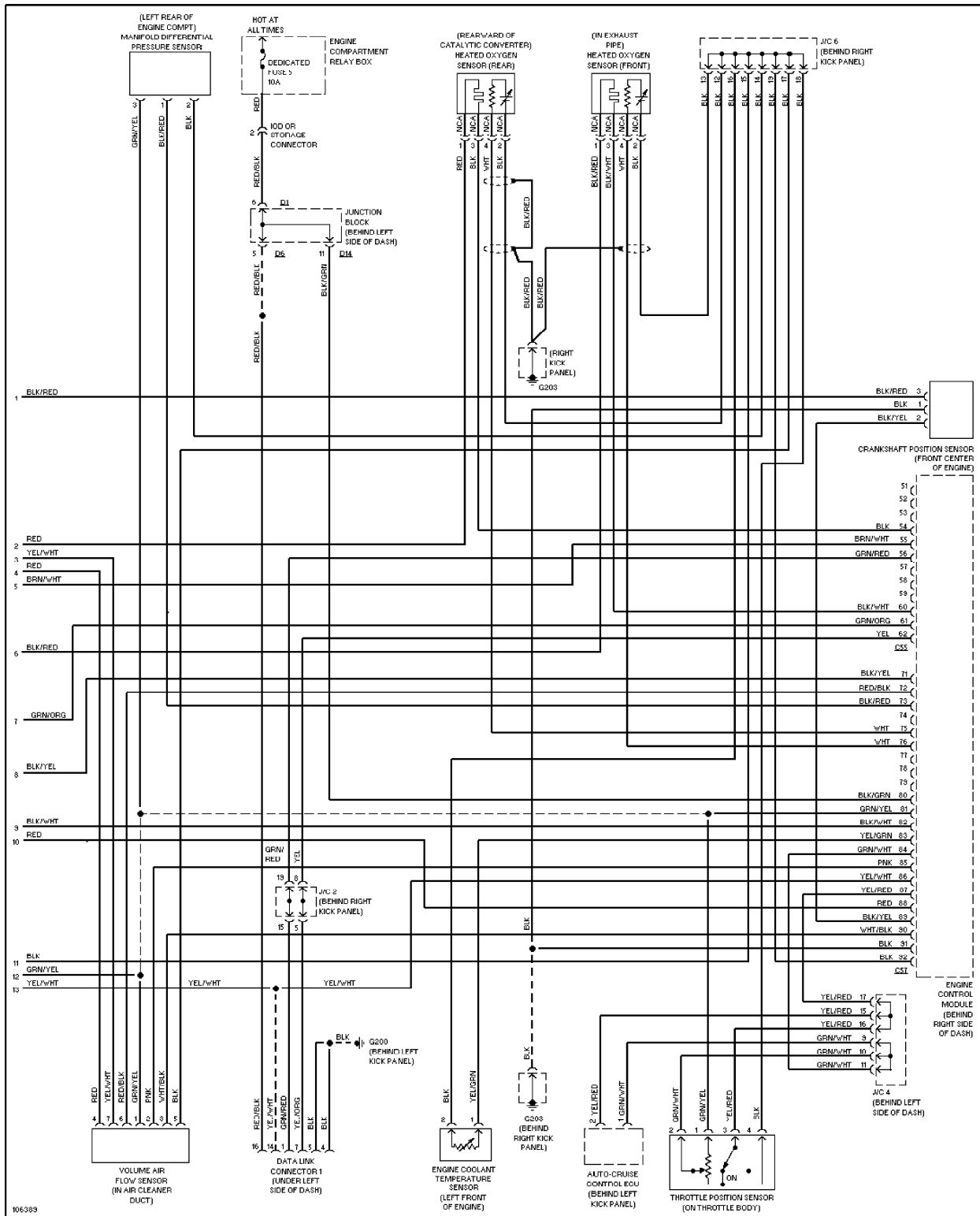


Fig. 27: Wiring Diagram (Montero Sport 2.4L - California Emissions - 3 Of 3)

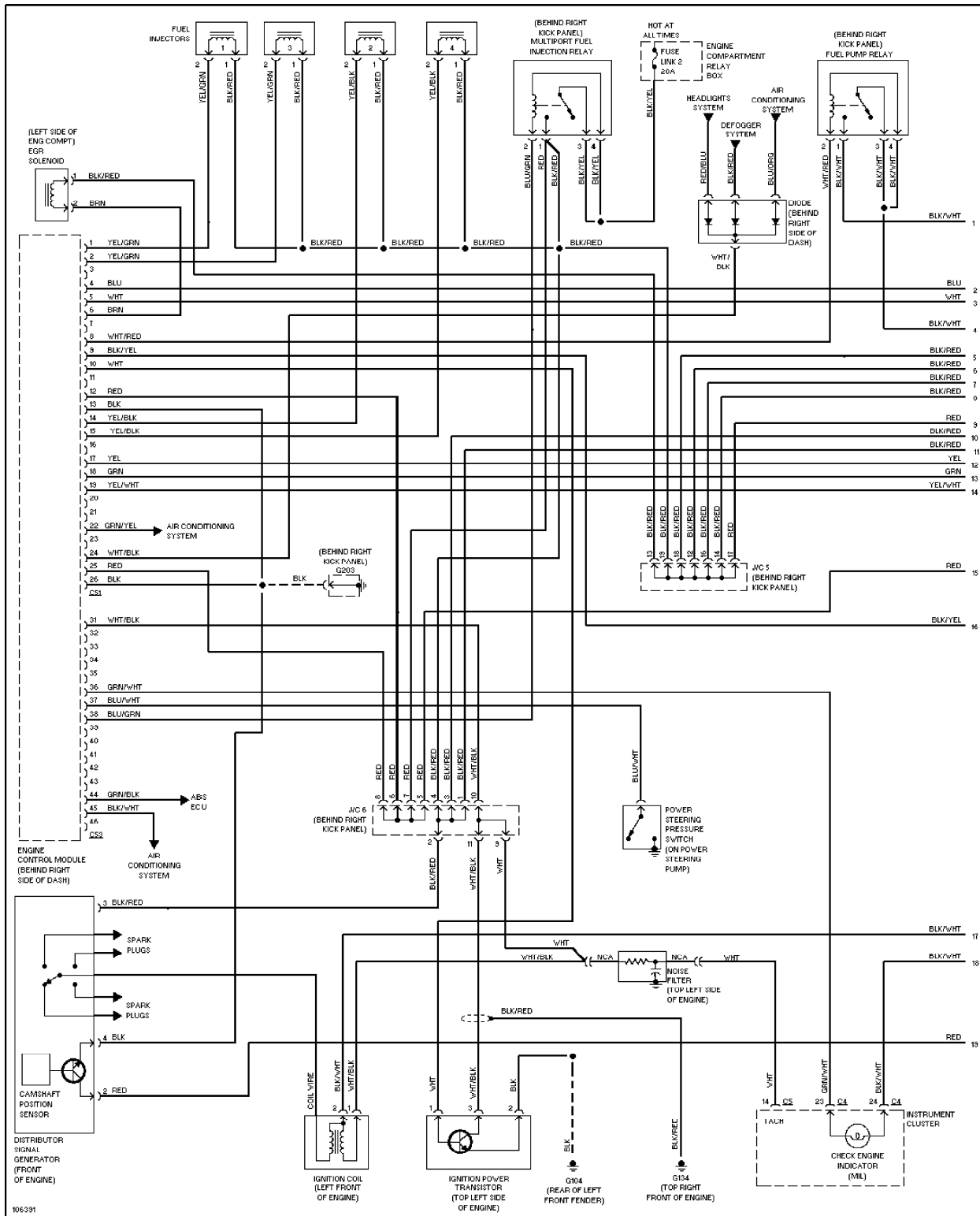


Fig. 28: Wiring Diagram (Montero Sport 2.4L - Federal Emissions - 1 Of 3)

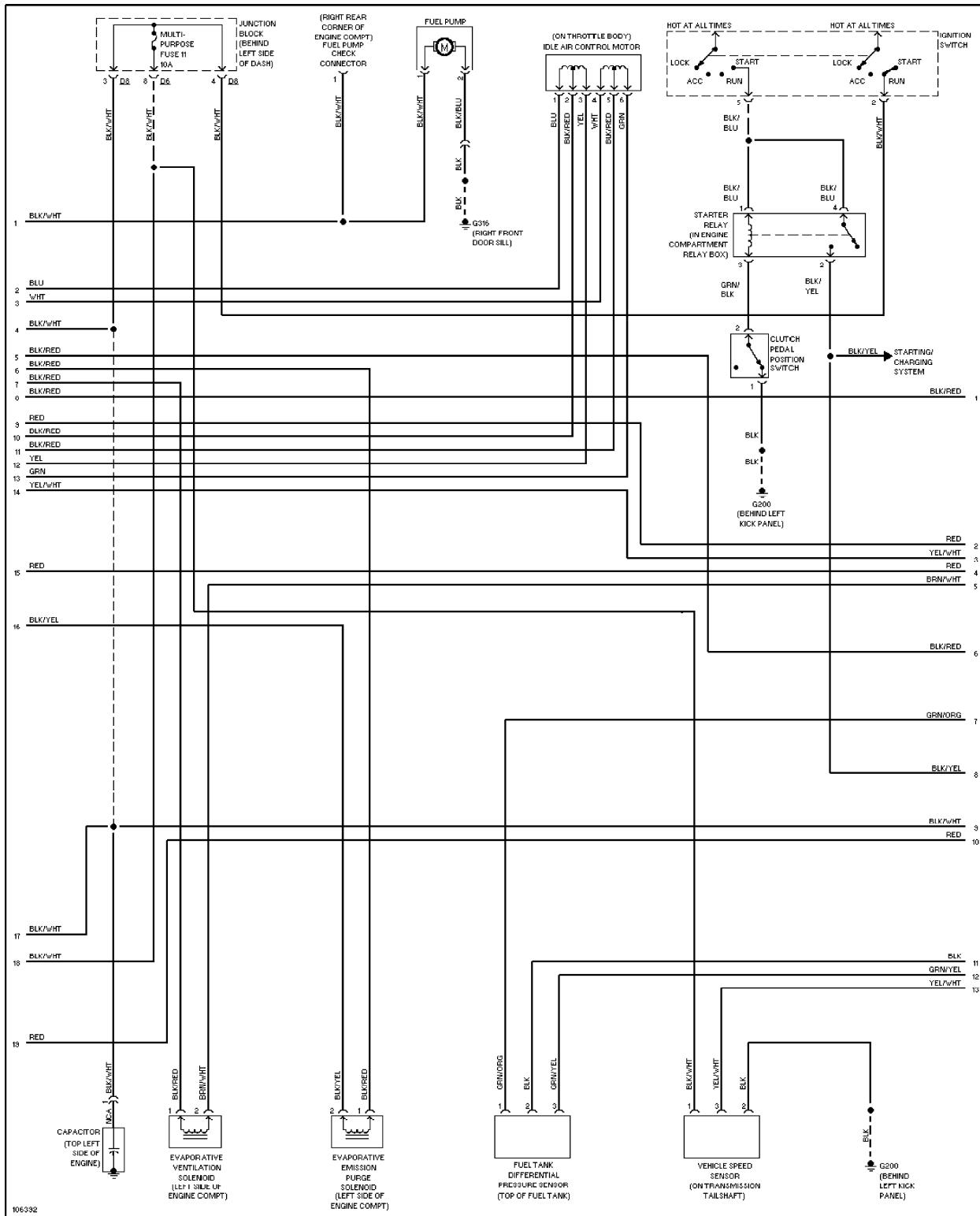


Fig. 29: Wiring Diagram (Montero Sport 2.4L - Federal Emissions - 2 Of 3)

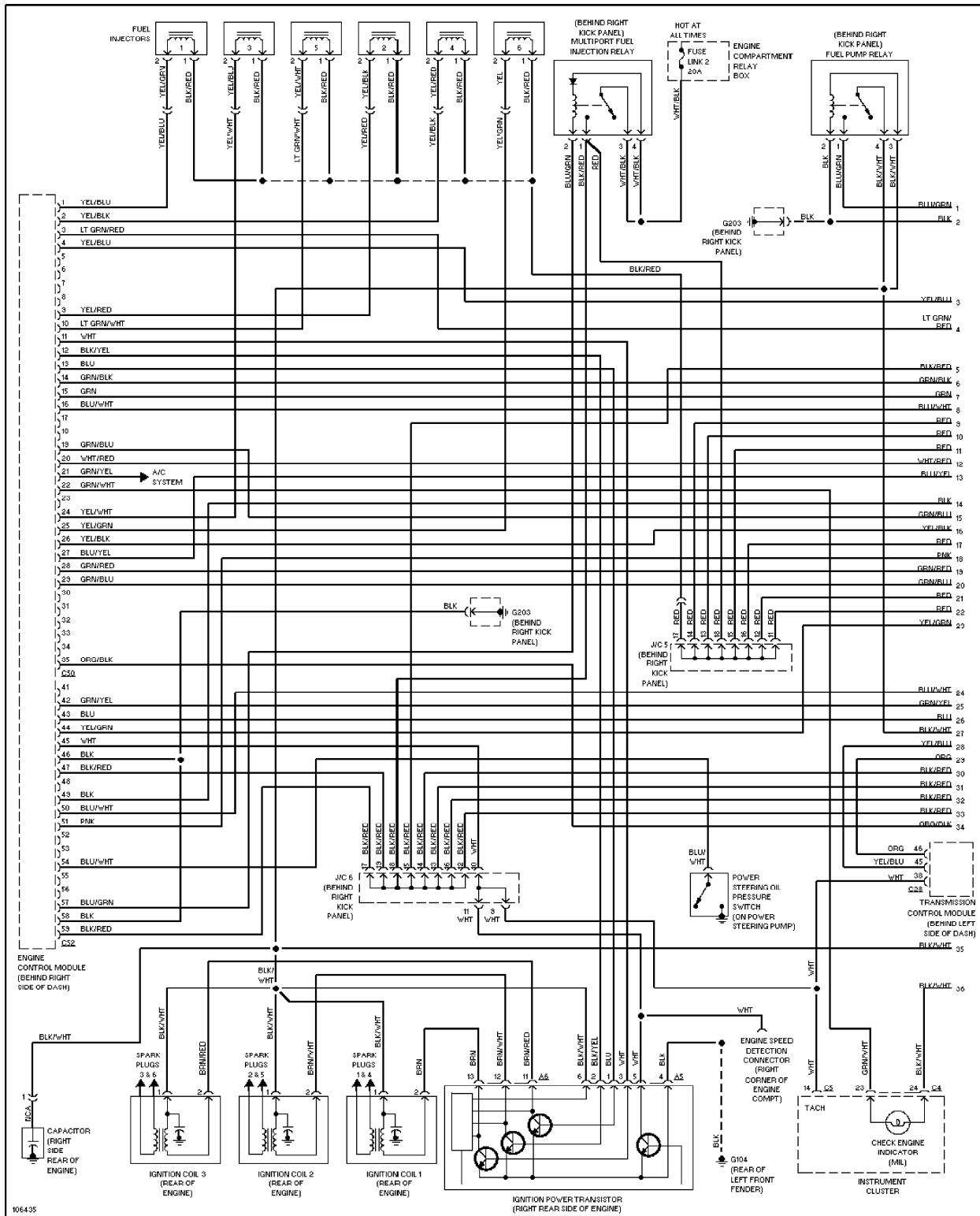


Fig. 31: Wiring Diagram (Montero Sport 3.0L - California Emissions - 1 Of 3)

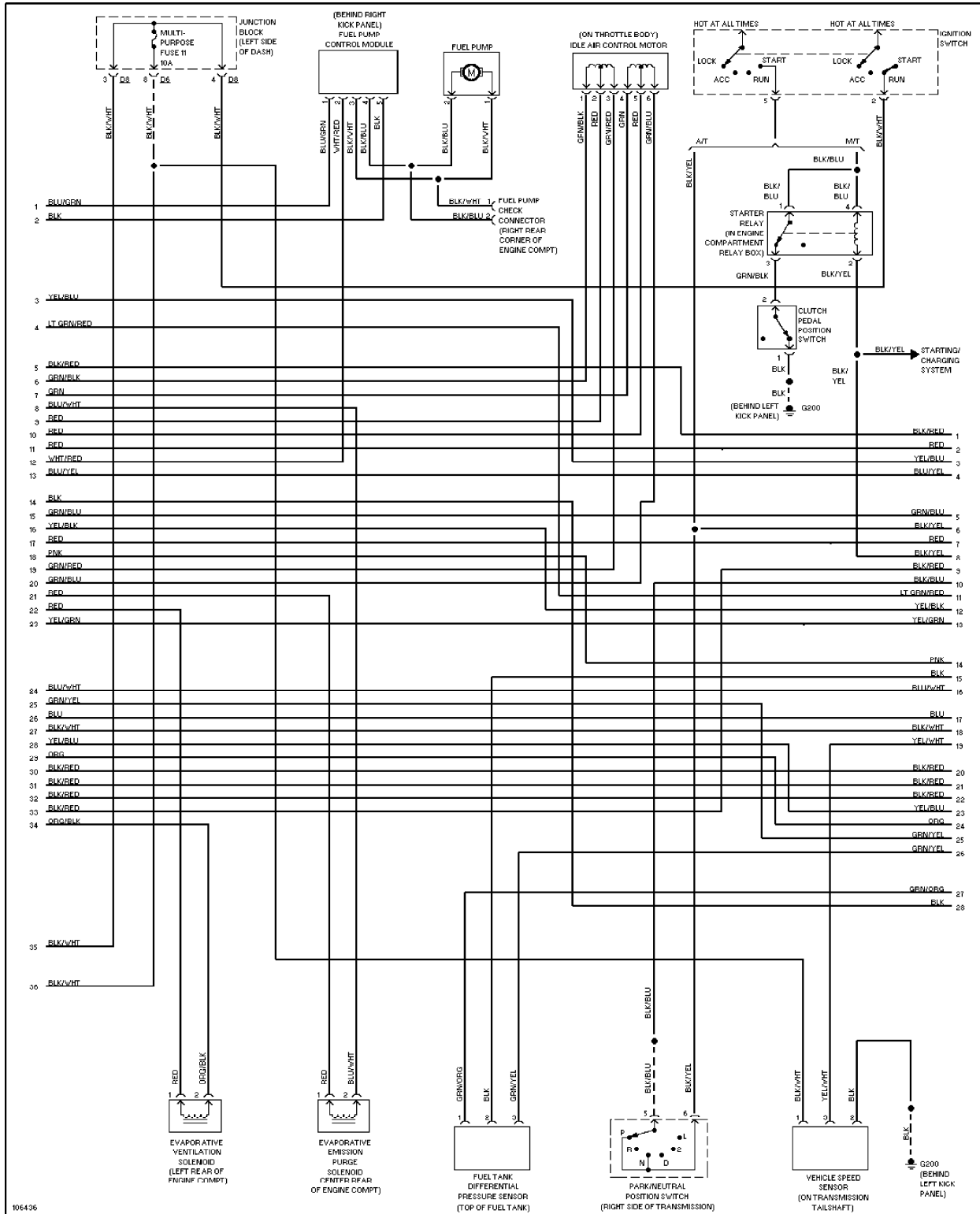


Fig. 32: Wiring Diagram (Montero Sport 3.0L - California Emissions - 2 Of 3)

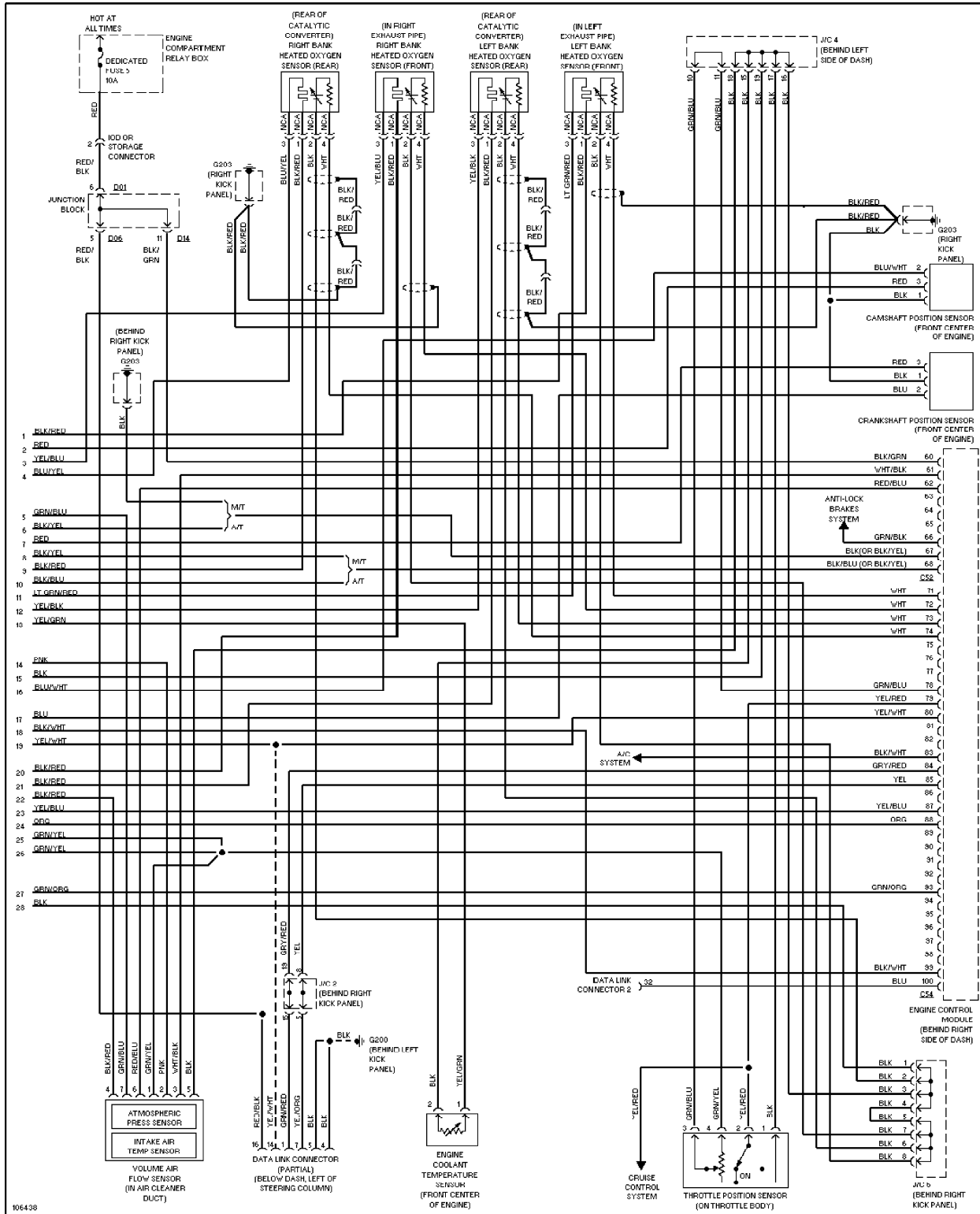


Fig. 33: Wiring Diagram (Montero Sport 3.0L - California Emissions - 3 Of 3)

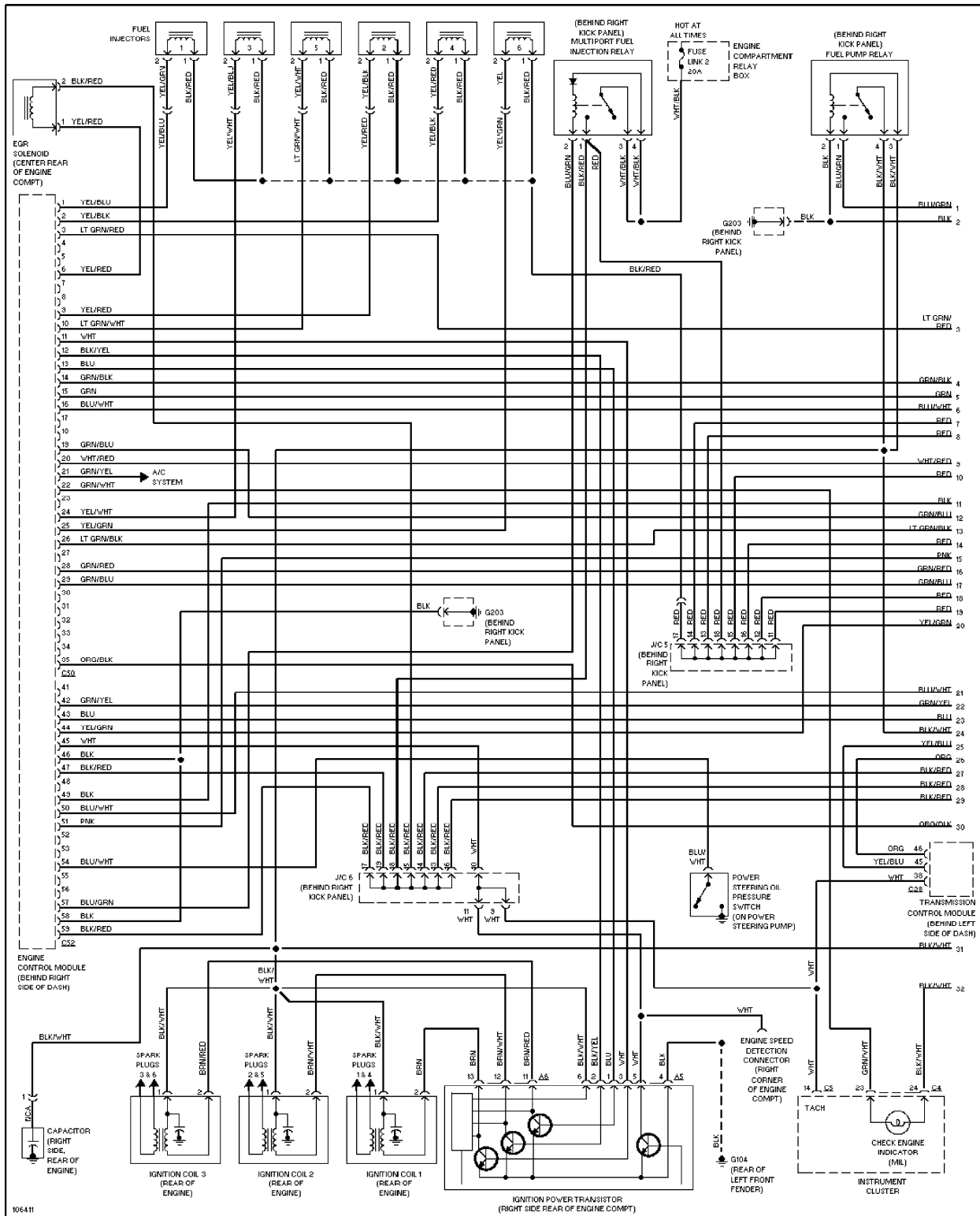


Fig. 34: Wiring Diagram (Montero Sport 3.0L - Federal Emissions - 1 Of 3)

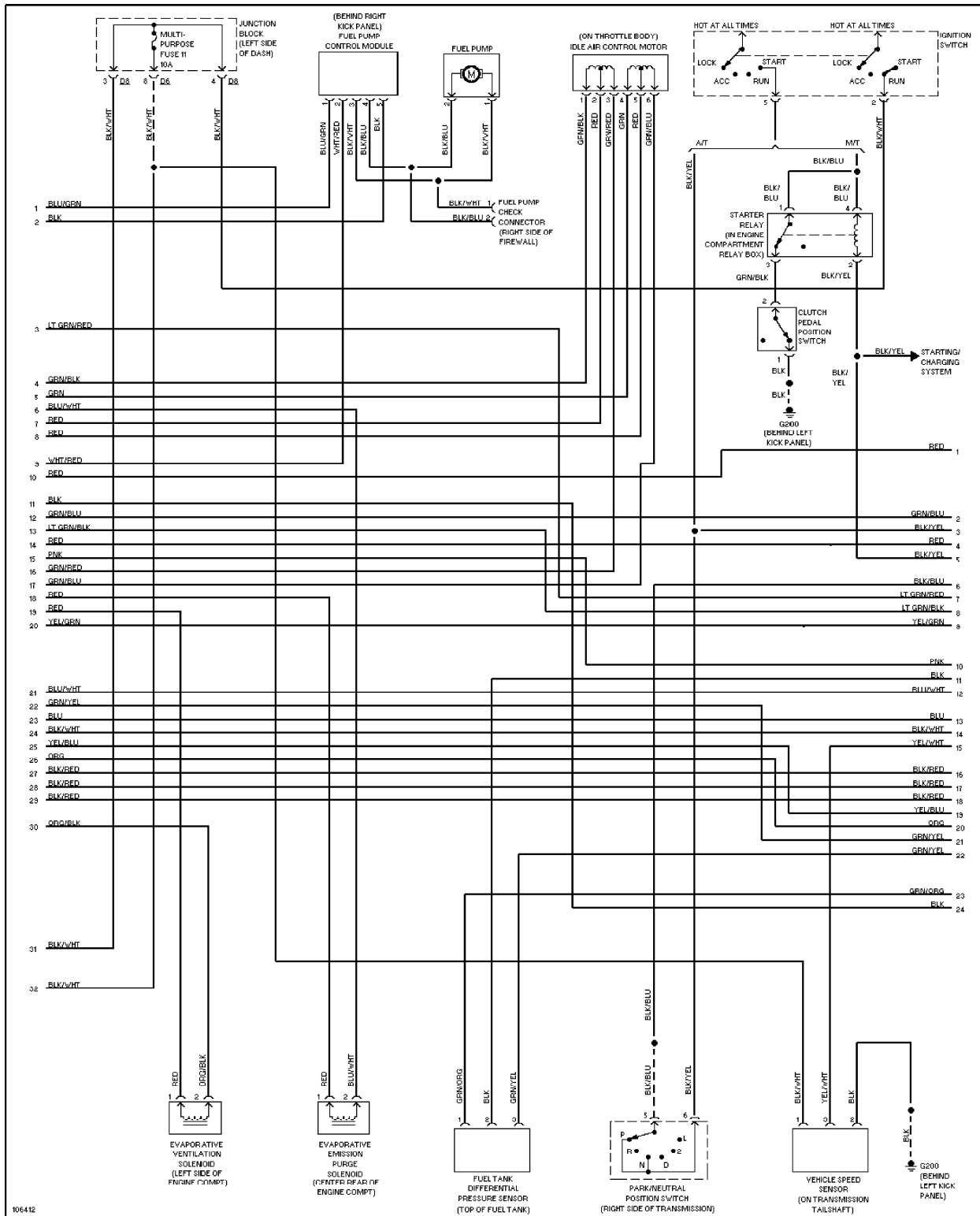


Fig. 35: Wiring Diagram (Montero Sport 3.0L - Federal Emissions - 2 Of 3)

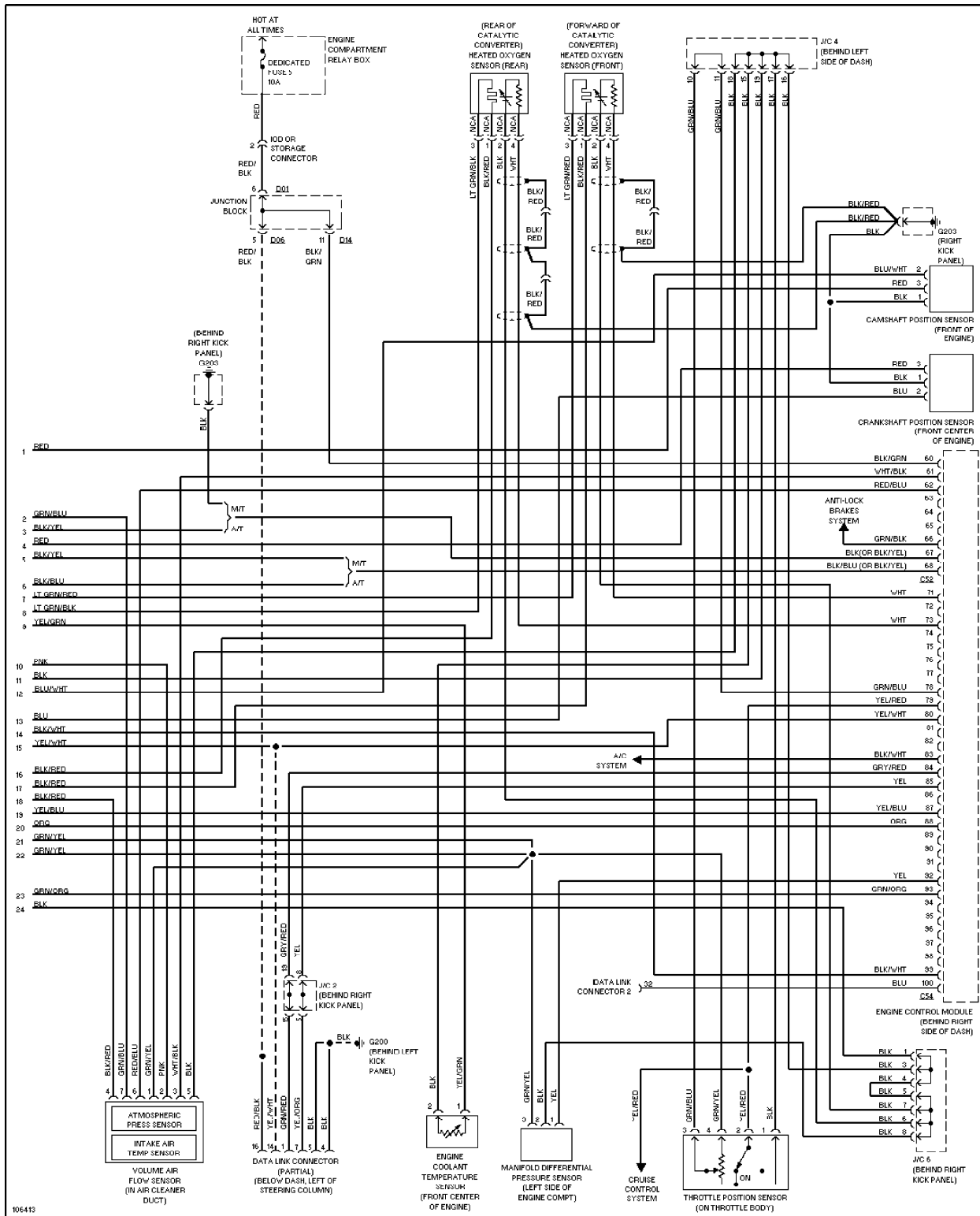


Fig. 36: Wiring Diagram (Montero Sport 3.0L - Federal Emissions - 3 Of 3)

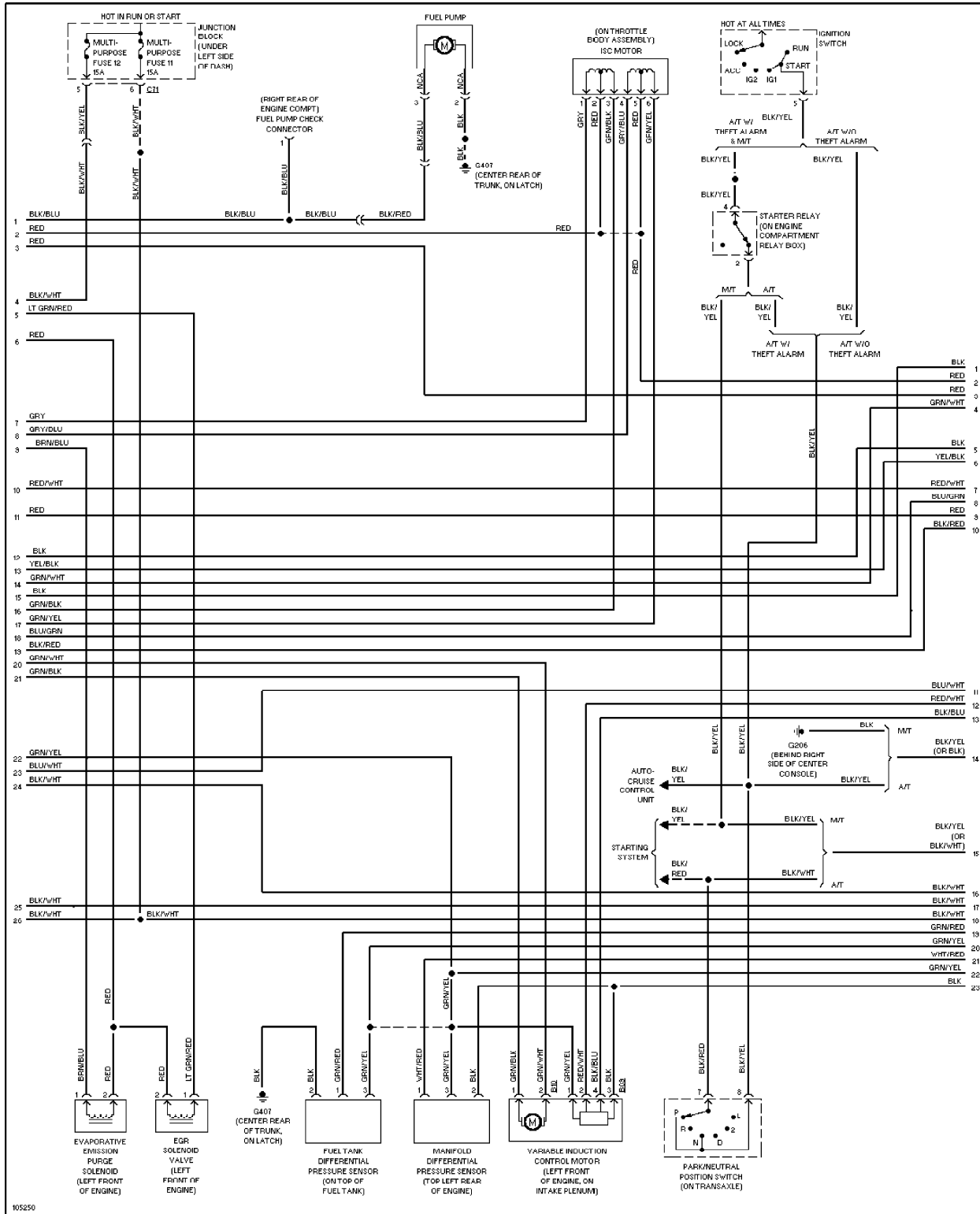


Fig. 38: Wiring Diagram (3000GT 3.0L DOHC - 2 Of 3)

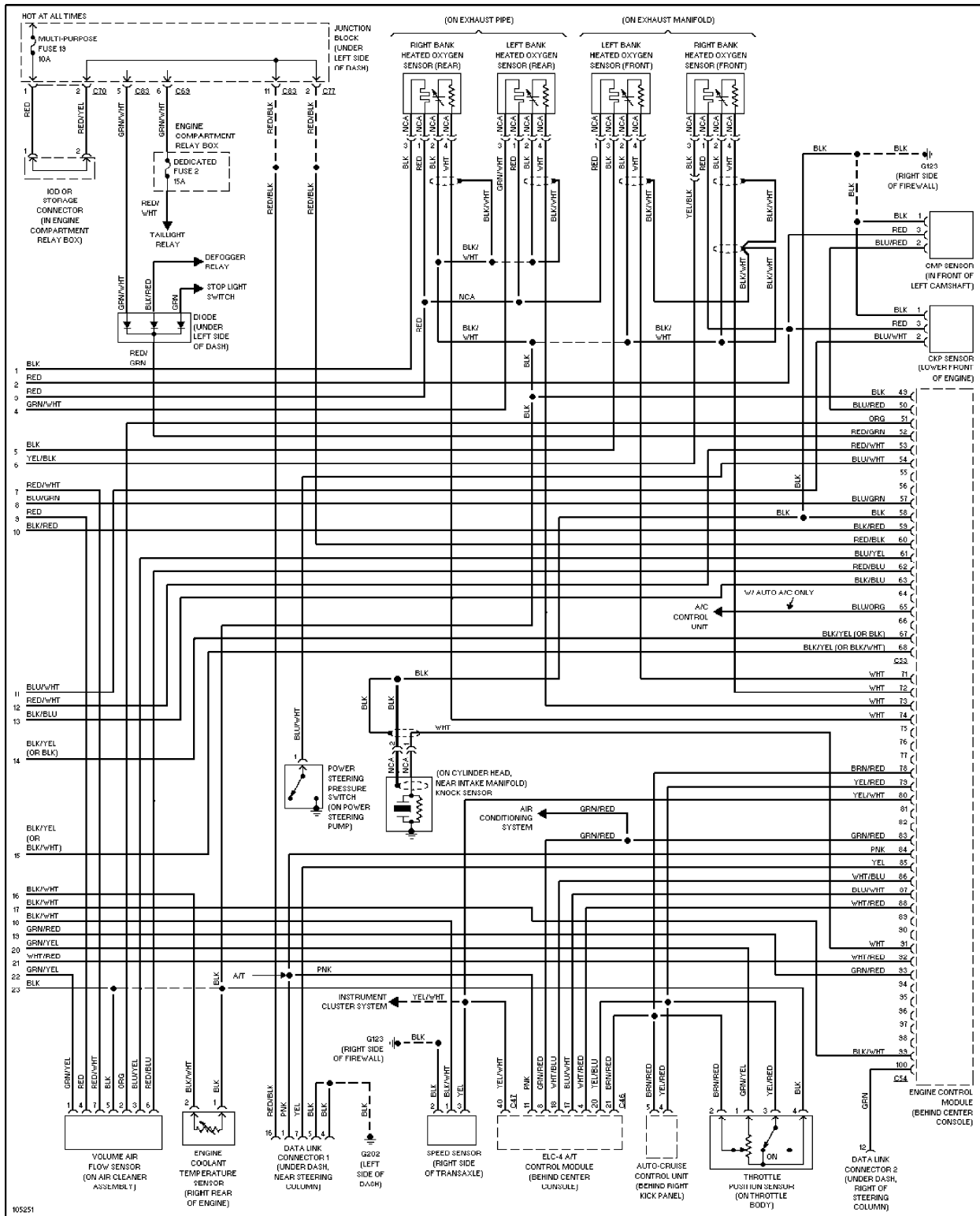


Fig. 39: Wiring Diagram (3000GT 3.0L DOHC - 3 Of 3)

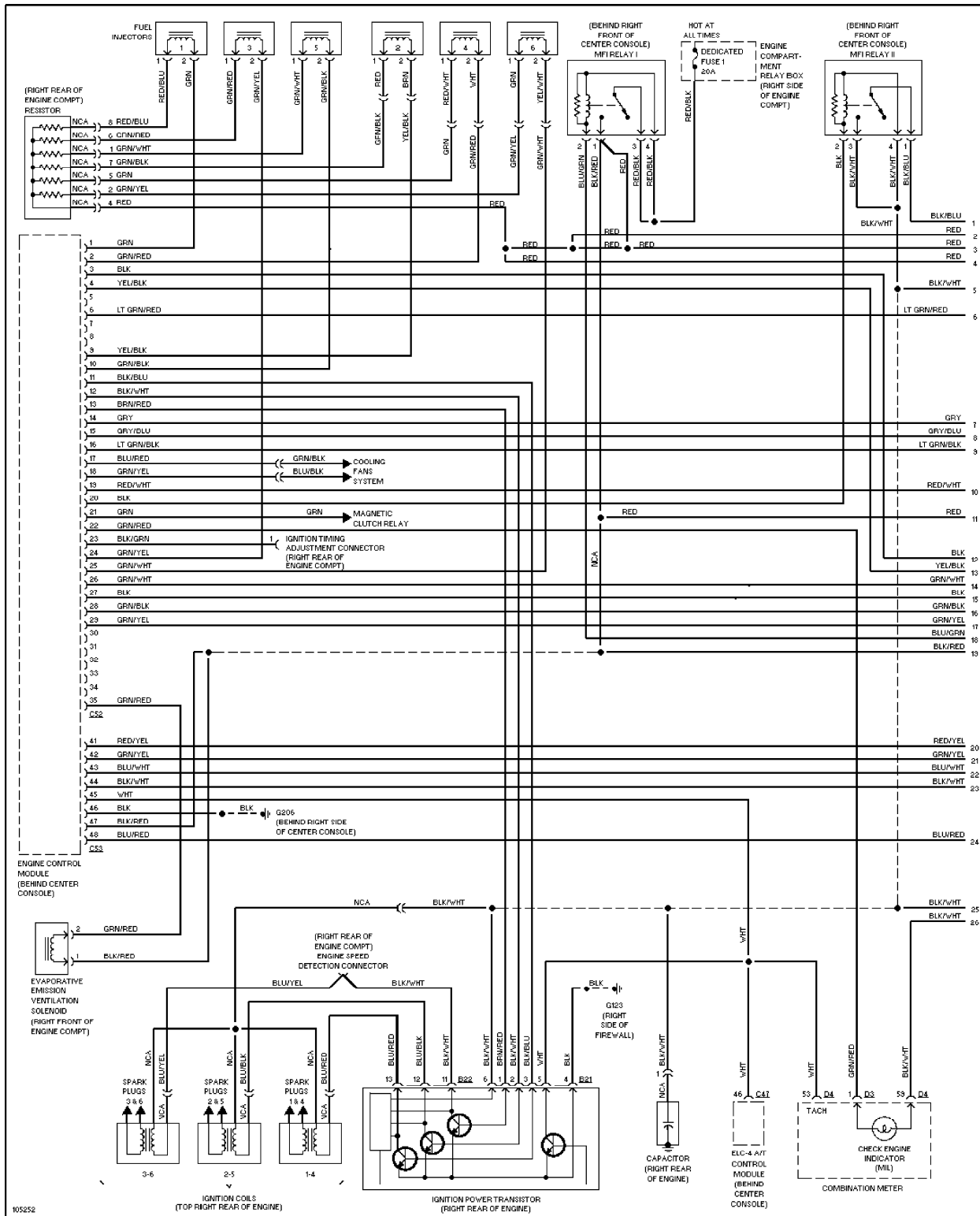


Fig. 40: Wiring Diagram (3000GT 3.0L DOHC Turbo - 1 Of 3)

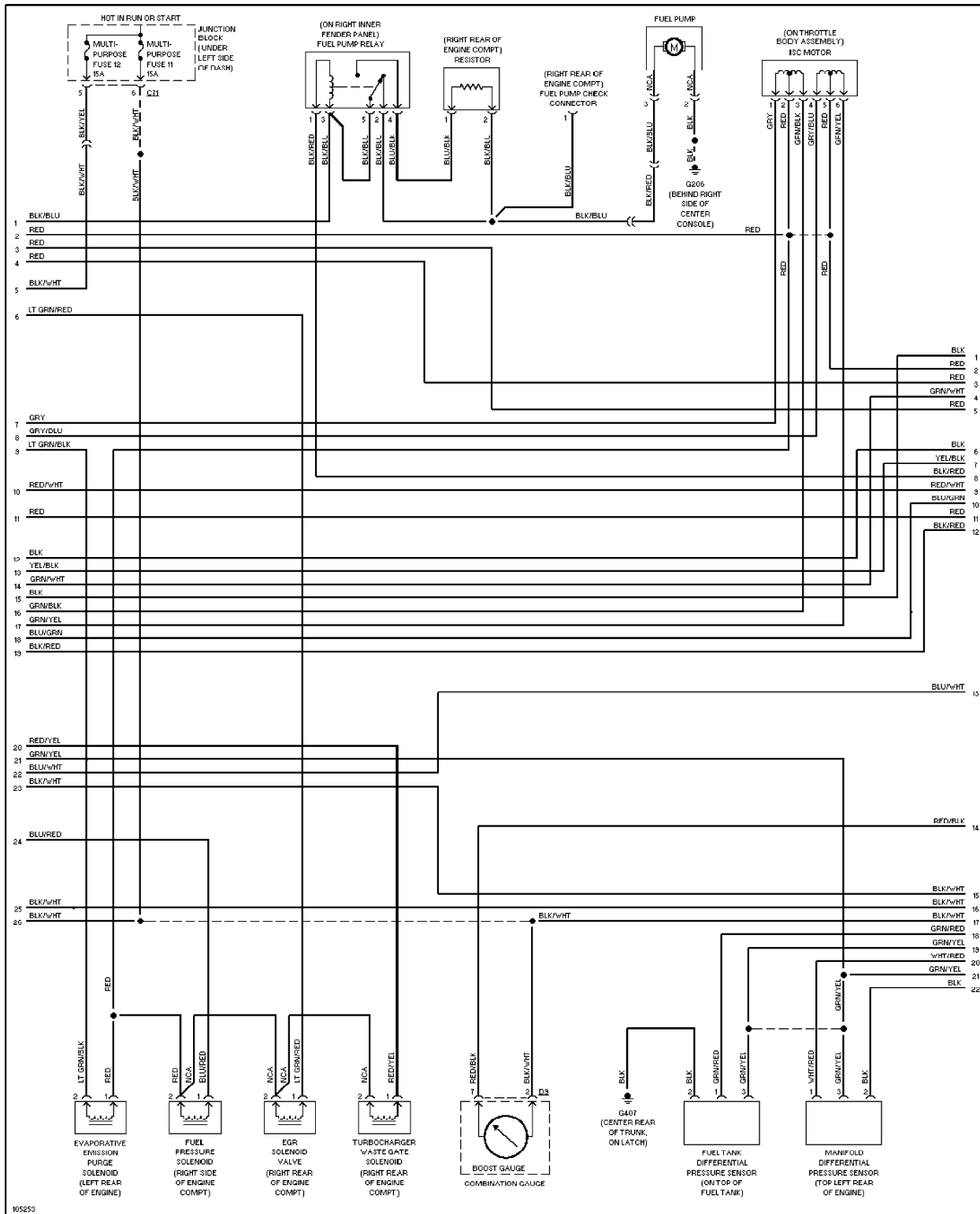


Fig. 41: Wiring Diagram (3000GT 3.0L DOHC Turbo - 2 Of 3)

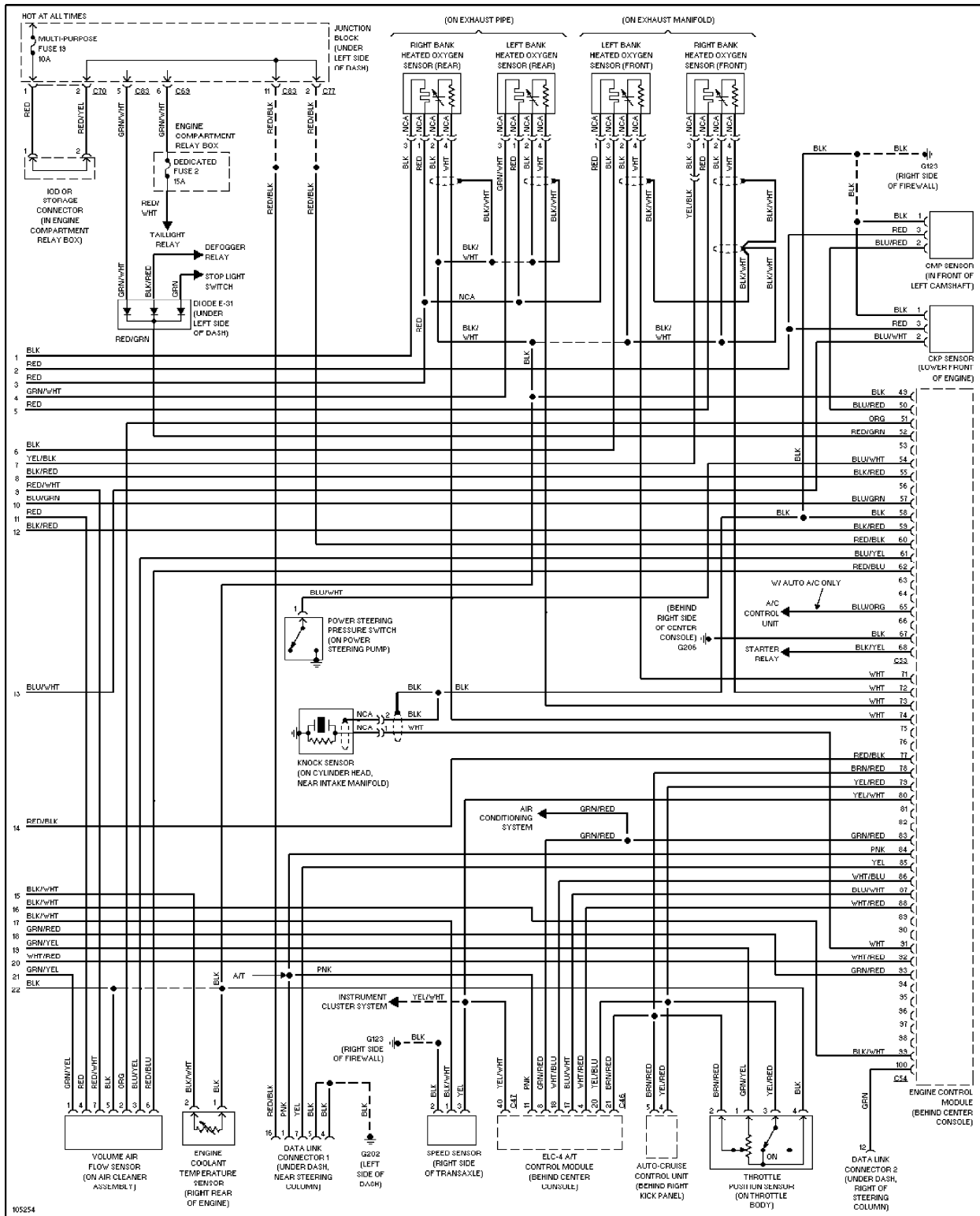


Fig. 42: Wiring Diagram (3000GT 3.0L DOHC Turbo - 3 Of 3)

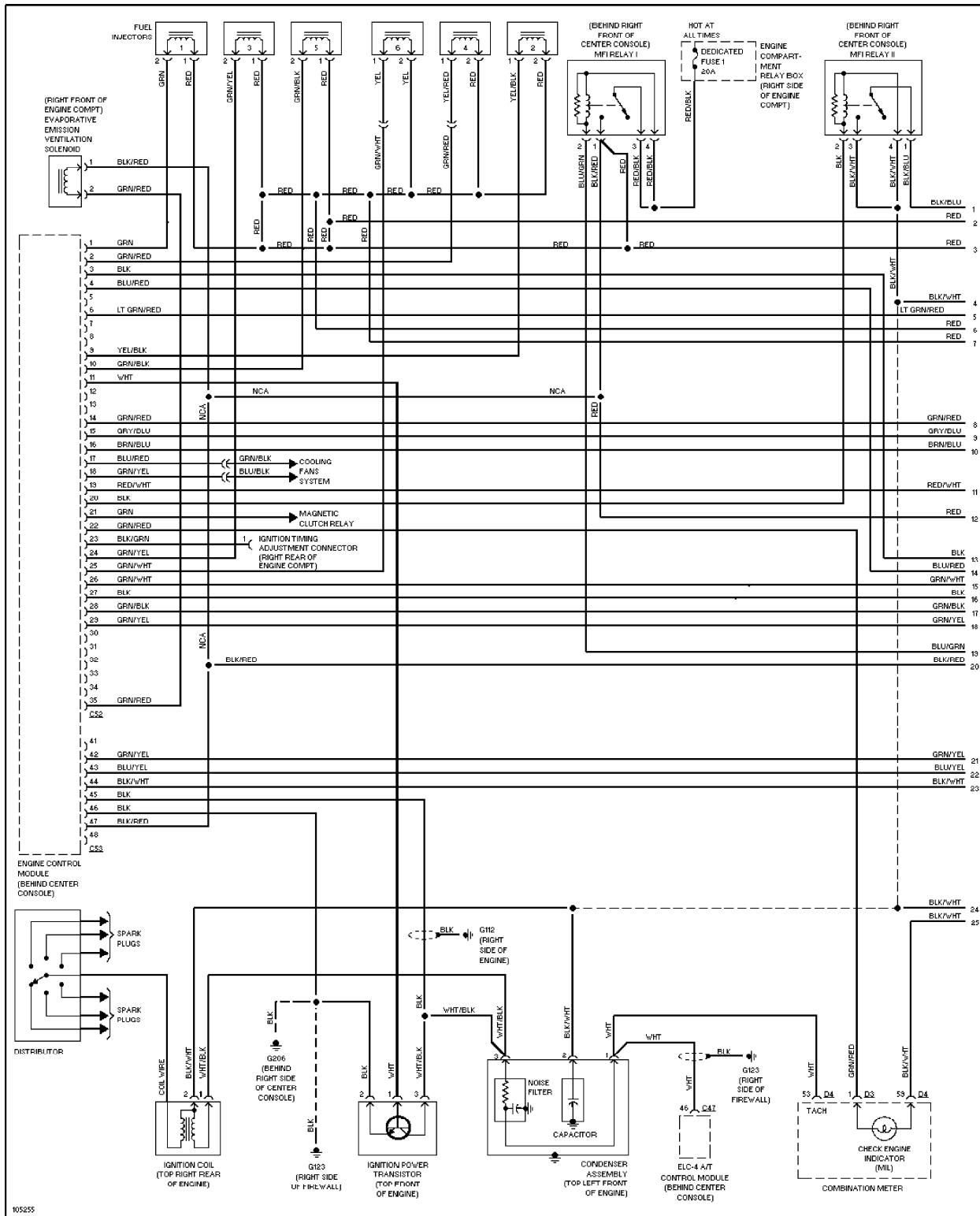


Fig. 43: Wiring Diagram (3000GT 3.0L SOHC - 1 Of 3)

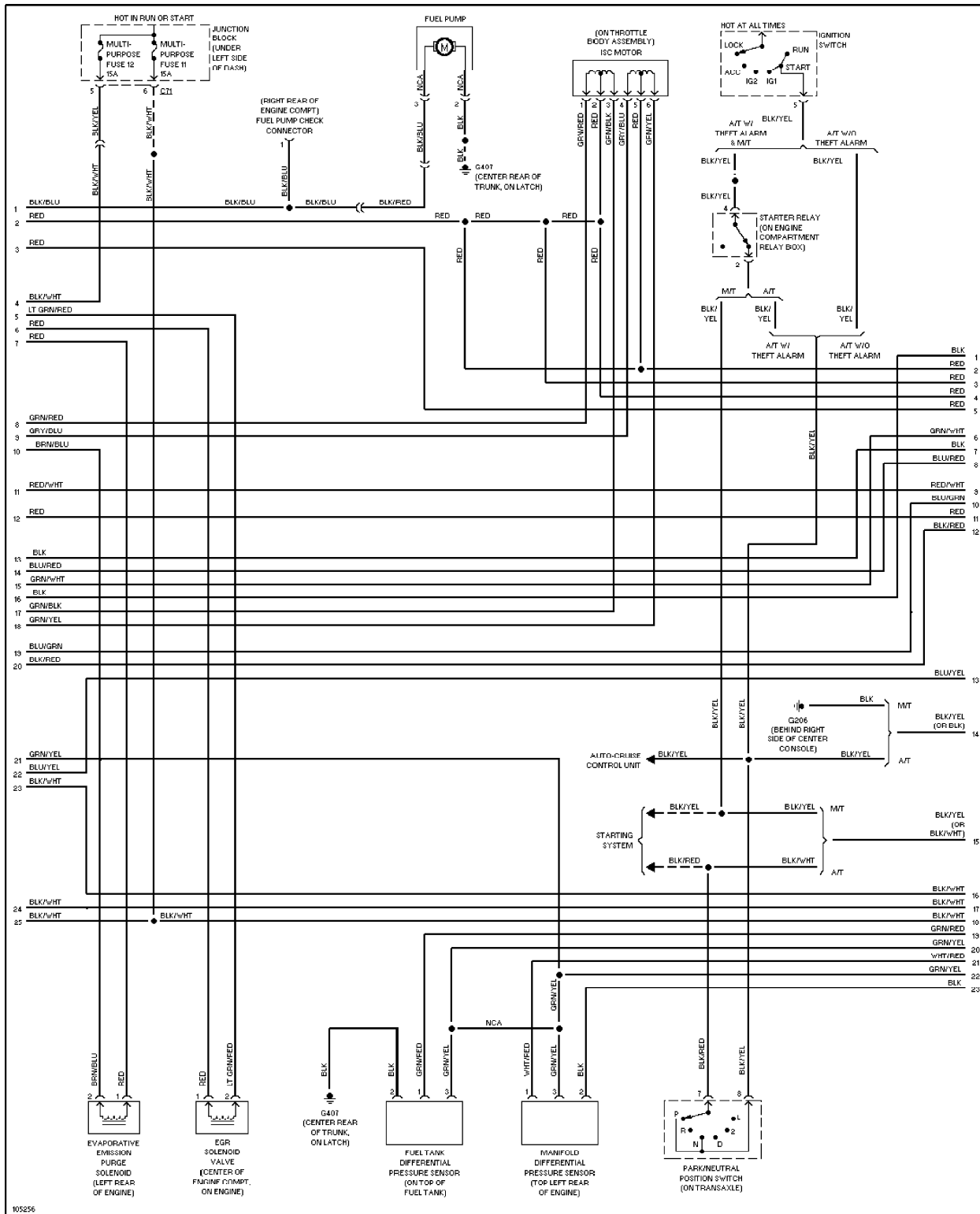


Fig. 44: Wiring Diagram (3000GT 3.0L SOHC - 2 Of 3)

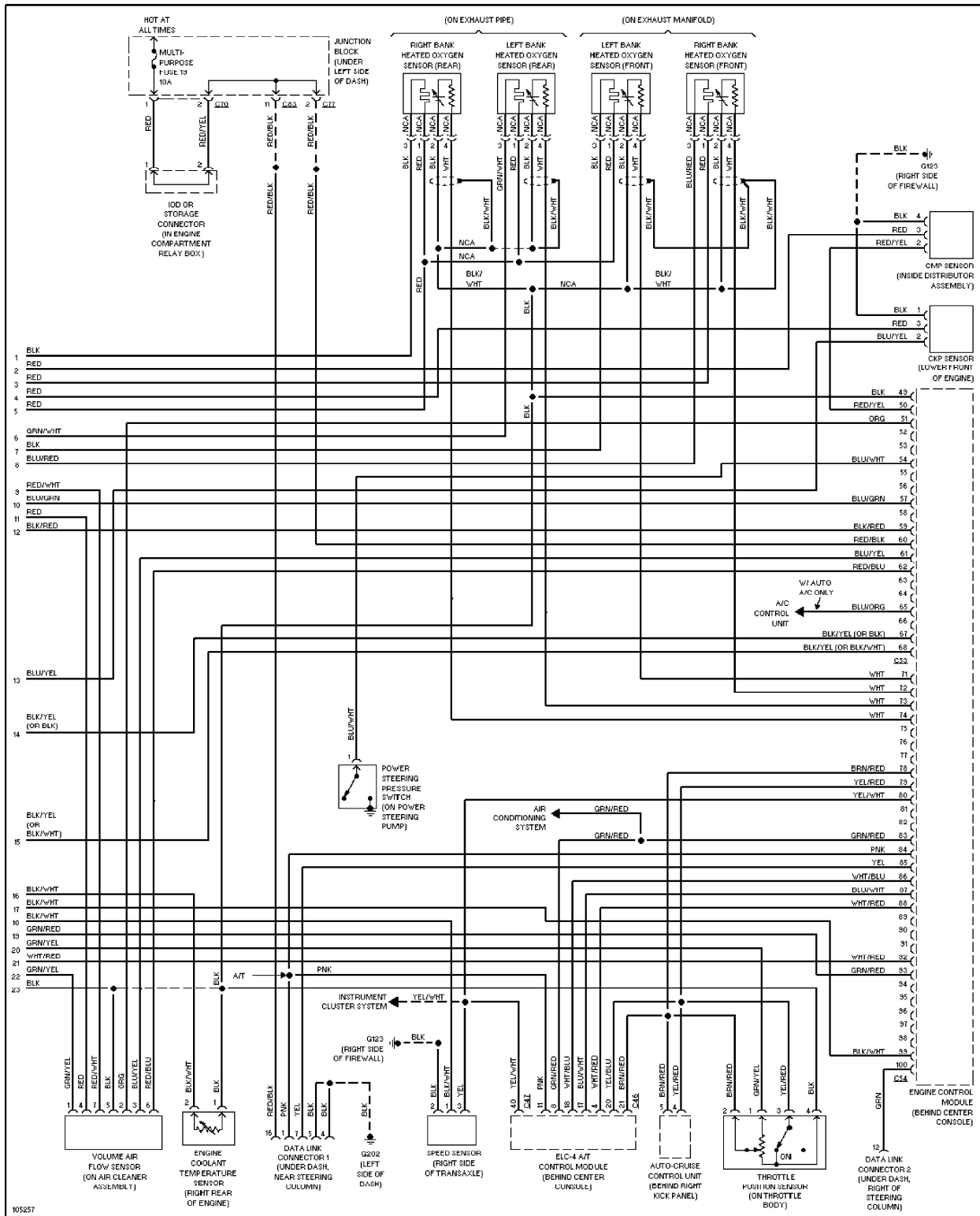


Fig. 45: Wiring Diagram (3000GT 3.0L SOHC - 3 Of 3)