

MIRRORS - POWER

1998 Mitsubishi Galant

1998 ACCESSORIES & EQUIPMENT
Mitsubishi - Power Mirrors

Eclipse, Galant, Mirage, Montero, Montero Sport, 3000GT

DESCRIPTION & OPERATION

Electric remote control mirrors are controlled by a dual-control switch mounted on driver's door, dash or center console depending on model. Left/right switch directs current to desired mirror. Horizontal/vertical switch directs current to electric motor in mirror assembly, controlling up/down and left/right adjustment. Heated mirrors are controlled by defogger relay.

TROUBLE SHOOTING

POWER MIRRORS INOPERATIVE

Check for faulty fuse, faulty power mirror switch or faulty power mirror motor. See POWER MIRROR FUSE IDENTIFICATION table.

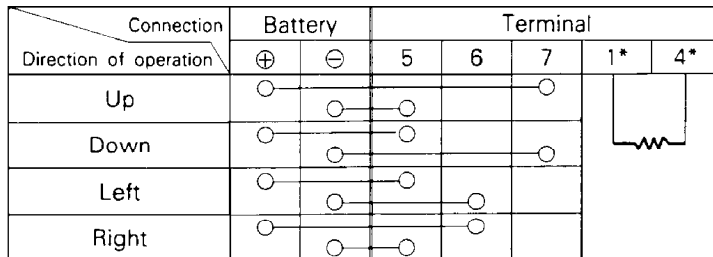
POWER MIRROR FUSE IDENTIFICATION TABLE

Application	Fuse No.
Eclipse	13
Galant	9
Mirage	7
Montero & 3000GT	5
Montero Sport	8

COMPONENT TESTS

POWER MIRROR MOTOR TEST

Connect 12-volt power source to mirror connector terminals. See Figs. 1-6. Replace mirror as necessary.



NOTE

○—○ indicates each terminal is connected to the battery.

*: Vehicles with heated mirror

94H46729

Fig. 1: Identifying Power Mirror Operational Test Charts (Eclipse, Galant, Montero - W/Heater & Montero Sport - W/Heater)
Courtesy of Chrysler Corp.

Connection Direction of operation	Battery		Terminal		
	⊕	⊖	1	2	3
Up	○	○	○		○
Down	○	○	○		○
Left	○	○	○	○	
Right	○	○	○	○	

94F46727

Fig. 2: Identifying Power Mirror Operational Test Charts (Mirage, Montero - W/out Heater & Montero Sport - W/out Heater)
Courtesy of Chrysler Corp.

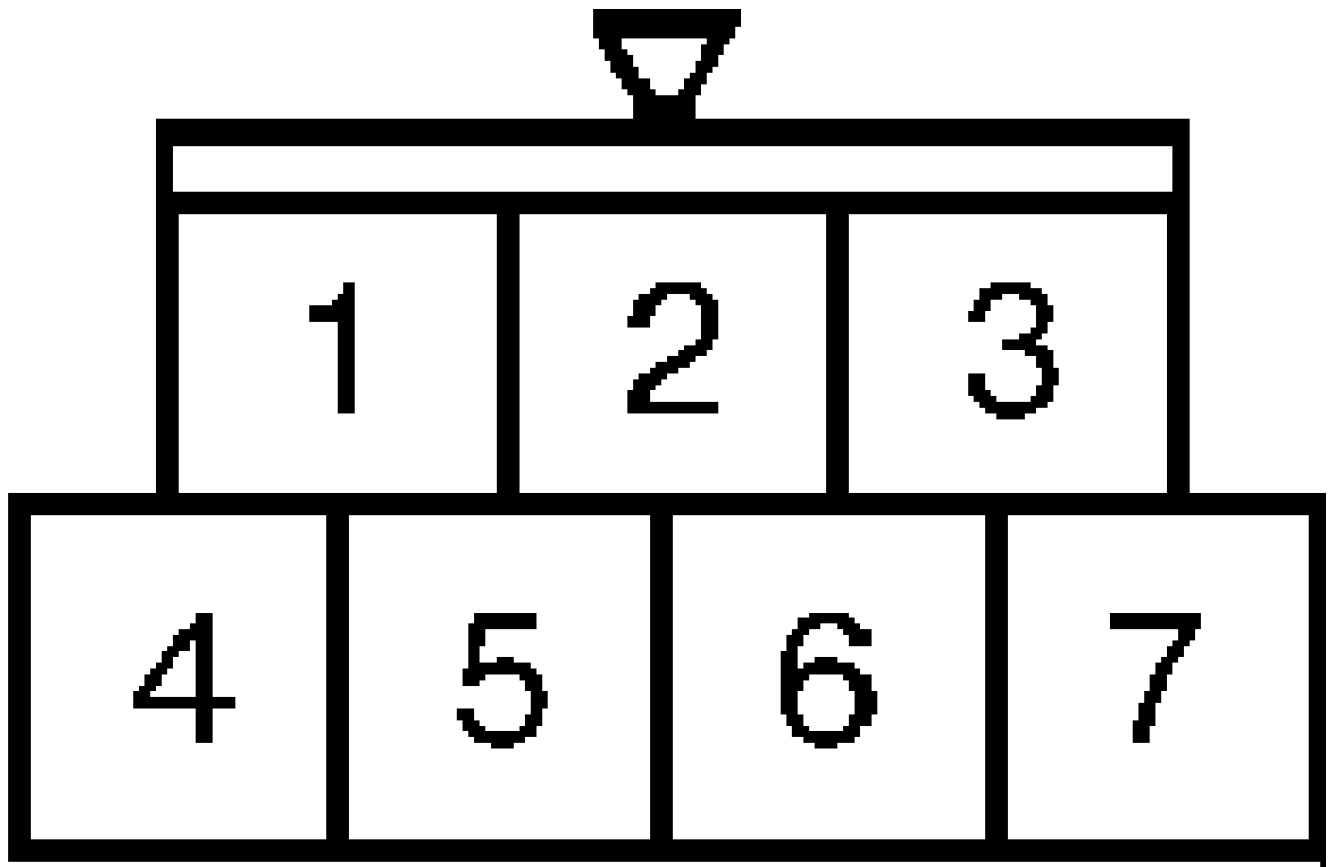
Connection Direction	Battery		Terminal				
	(+)	(-)	2 (1)*	3 (2)*	4 (3)*	1	5
UP	○	○	○		○		
DOWN	○	○	○		○		
RIGHT	○	○	○	○			
LEFT	○	○	○	○			

NOTE

- (1) ○—○ indicates that each terminal is connected to the battery.
- (2) * indicates door mirror terminal on vehicles without heater.

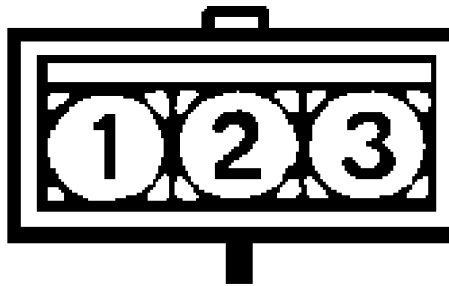
93B83296

Fig. 3: Identifying Power Mirror Operational Test Charts (3000GT)
Courtesy of Chrysler Corp.



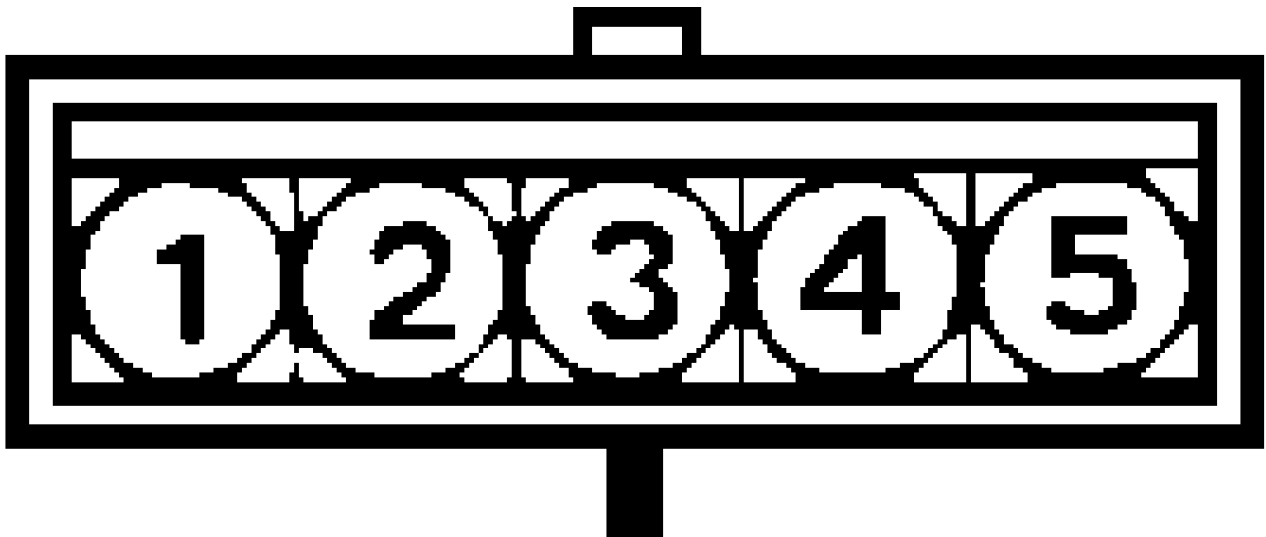
94C46724

Fig. 4: Identifying Power Mirror Connector (Eclipse, Galant, Montero - W/Heater & Montero Sport - W/Heater)
 Courtesy of Chrysler Corp.



94D46725

Fig. 5: Identifying Power Mirror Connector (Mirage, Montero - W/out Heater, Montero Sport - W/out Heater & 3000GT - W/out Heater)
 Courtesy of Chrysler Corp.



93F83290

Fig. 6: Identifying Power Mirror Connector (3000GT - W/Heater)
 Courtesy of Chrysler Corp.

POWER MIRROR SWITCH TEST

Remove mirror switch. Using ohmmeter, check continuity of switch. See appropriate POWER MIRROR SWITCH CONTINUITY CHART. See Fig. 7 or 8. Replace switch if switch continuity is not as specified.

POWER MIRROR SWITCH CONTINUITY CHART (ECLIPSE)

Switch Position	(1) Check Continuity Between Pins No.
Left Side	
UP	3 & 4; 5 & 10
DOWN	3 & 5; 4 & 10
LEFT	3 & 11; 4 & 10
RIGHT	3 & 4; 10 & 11
Right Side	
UP	3 & 4; 9 & 10
DOWN	3 & 9; 4 & 10
LEFT	3 & 8; 4 & 10
RIGHT	3 & 4; 8 & 10

(1) - See Fig. 7.

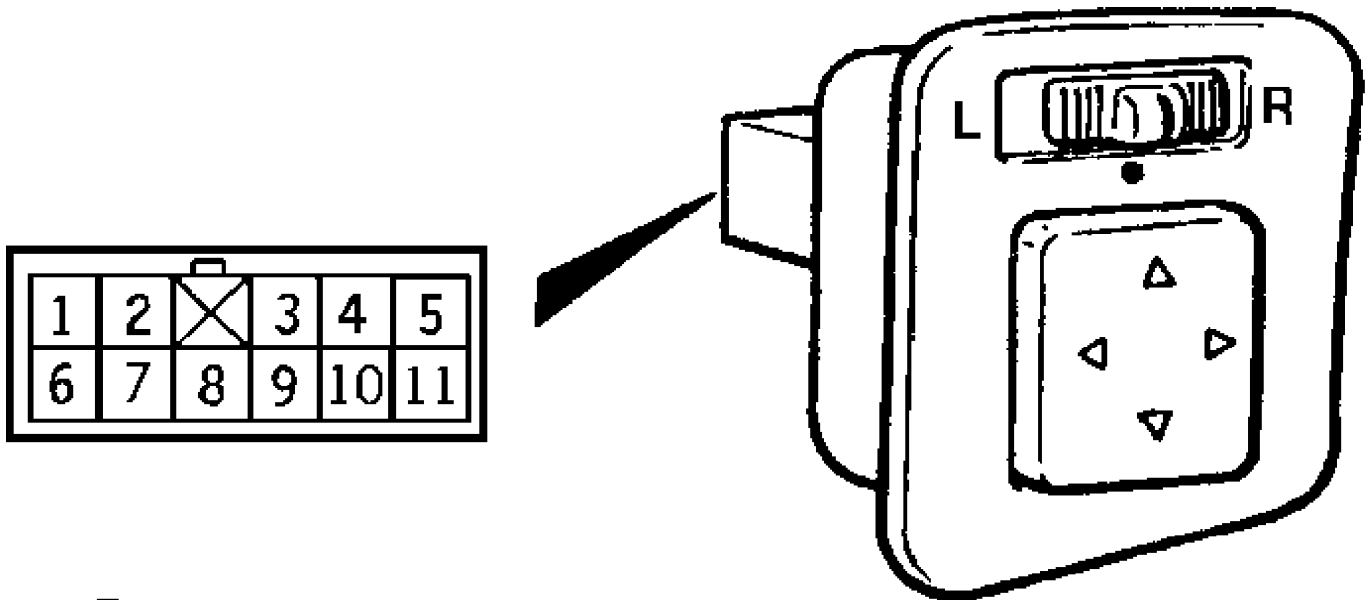
POWER MIRROR SWITCH CONTINUITY CHART (ALL OTHERS)

Switch Position	(1) Check Continuity Between Pins No.
Left Side	
UP	4 & 8; 6 & 7
DOWN	4 & 7; 6 & 8
LEFT	3 & 6; 4 & 7
RIGHT	3 & 4; 6 & 7

Right Side

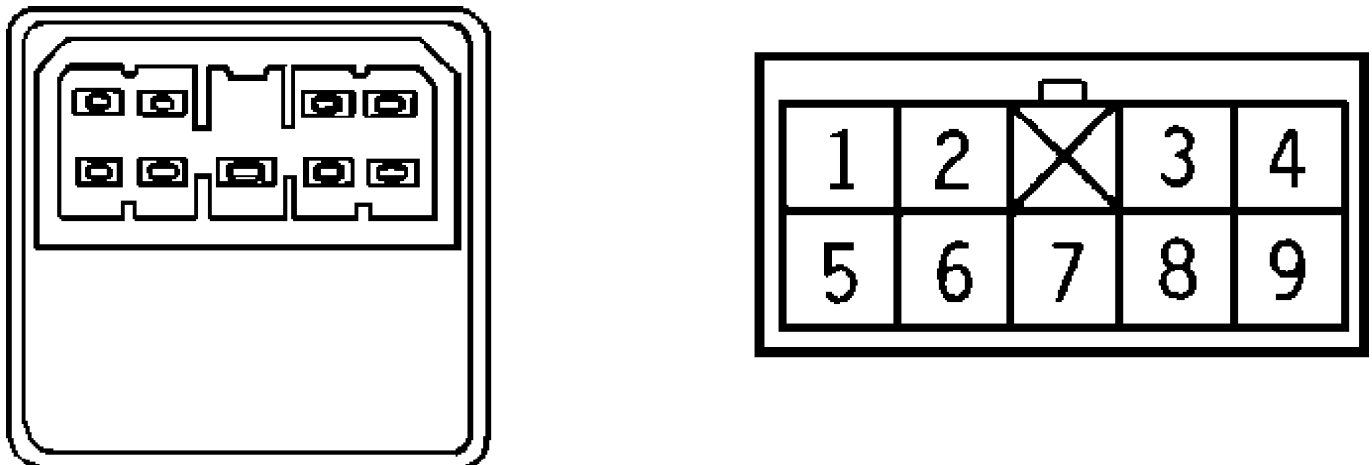
UP	2 & 4; 6 & 7
DOWN	2 & 6; 4 & 7
LEFT	4 & 7; 6 & 9
RIGHT	4 & 9; 6 & 7

(1) - See Fig. 8.



96F06429

Fig. 7: Identifying Power Mirror Switch Terminals (Eclipse)
 Courtesy of Mitsubishi Motor Sales of America



93D83298

Fig. 8: Identifying Power Mirror Switch Terminals (All Others)
 Courtesy of Mitsubishi Motor Sales of America

REMOVAL & INSTALLATION

POWER MIRROR ASSEMBLY

Removal & Installation

Remove delta cover (trim cover), screws and electrical connector. Remove mirror assembly. To install, reverse removal procedure.

WIRING DIAGRAMS

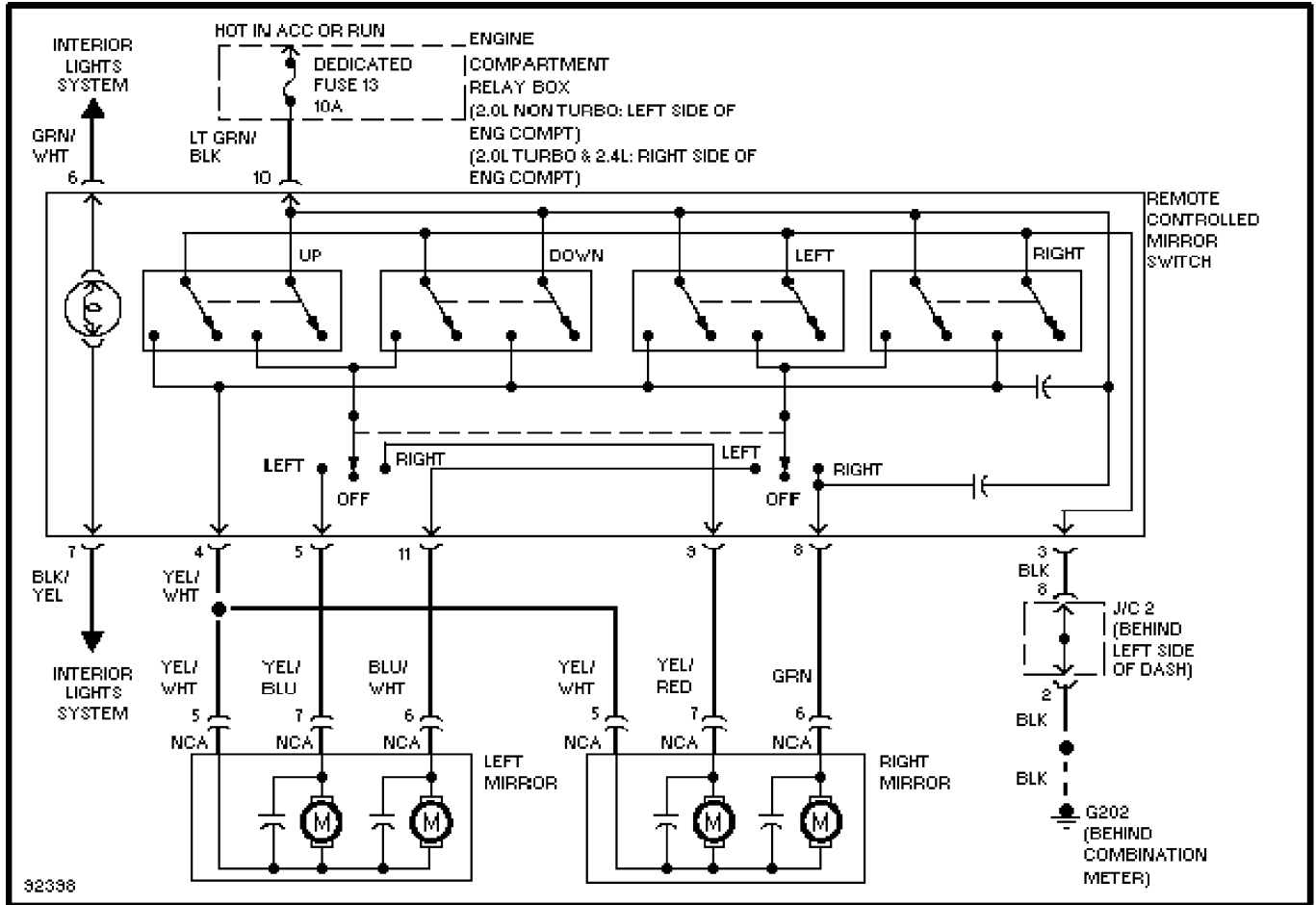


Fig. 9: Power Mirrors System Wiring Diagram (Eclipse)

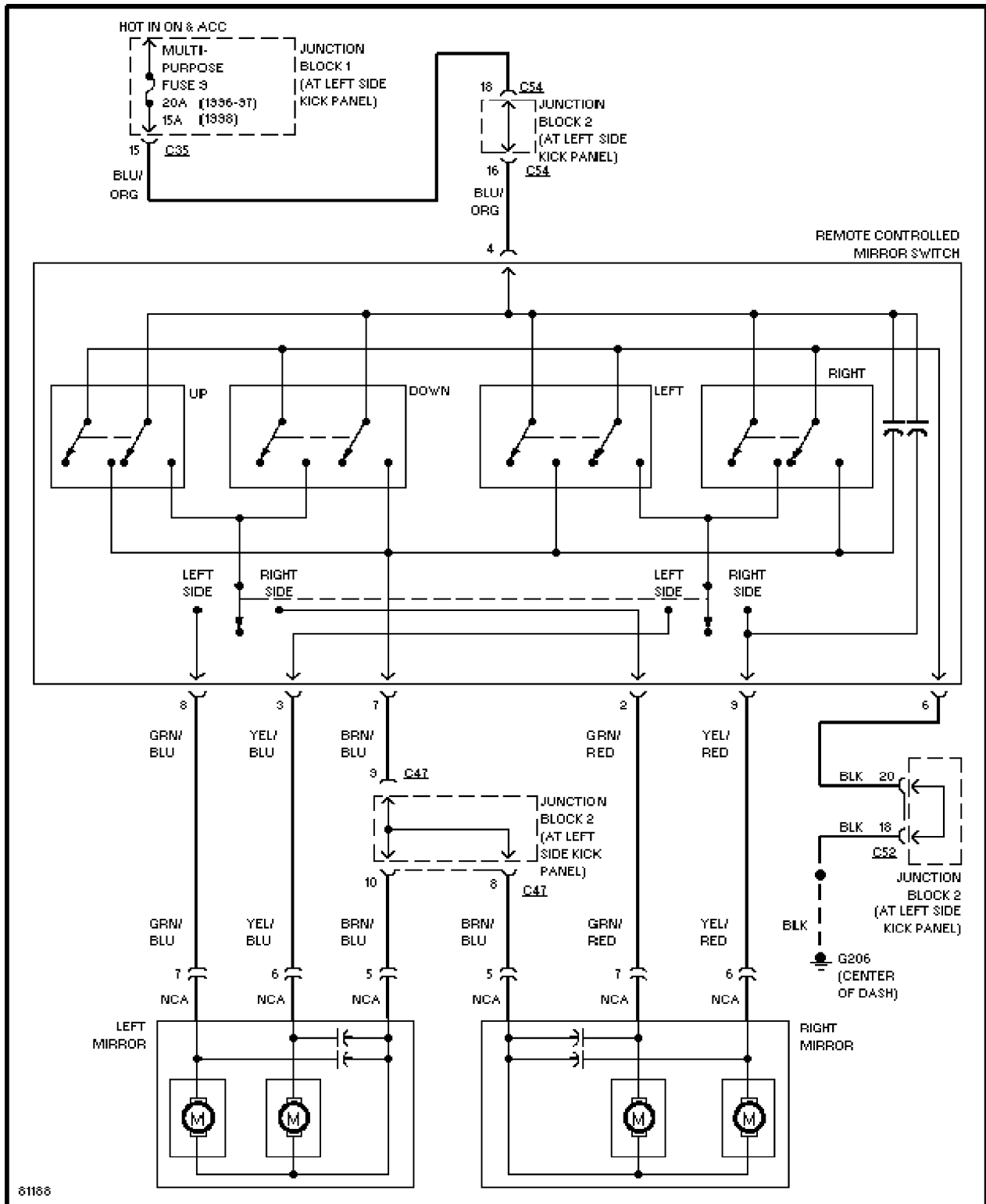
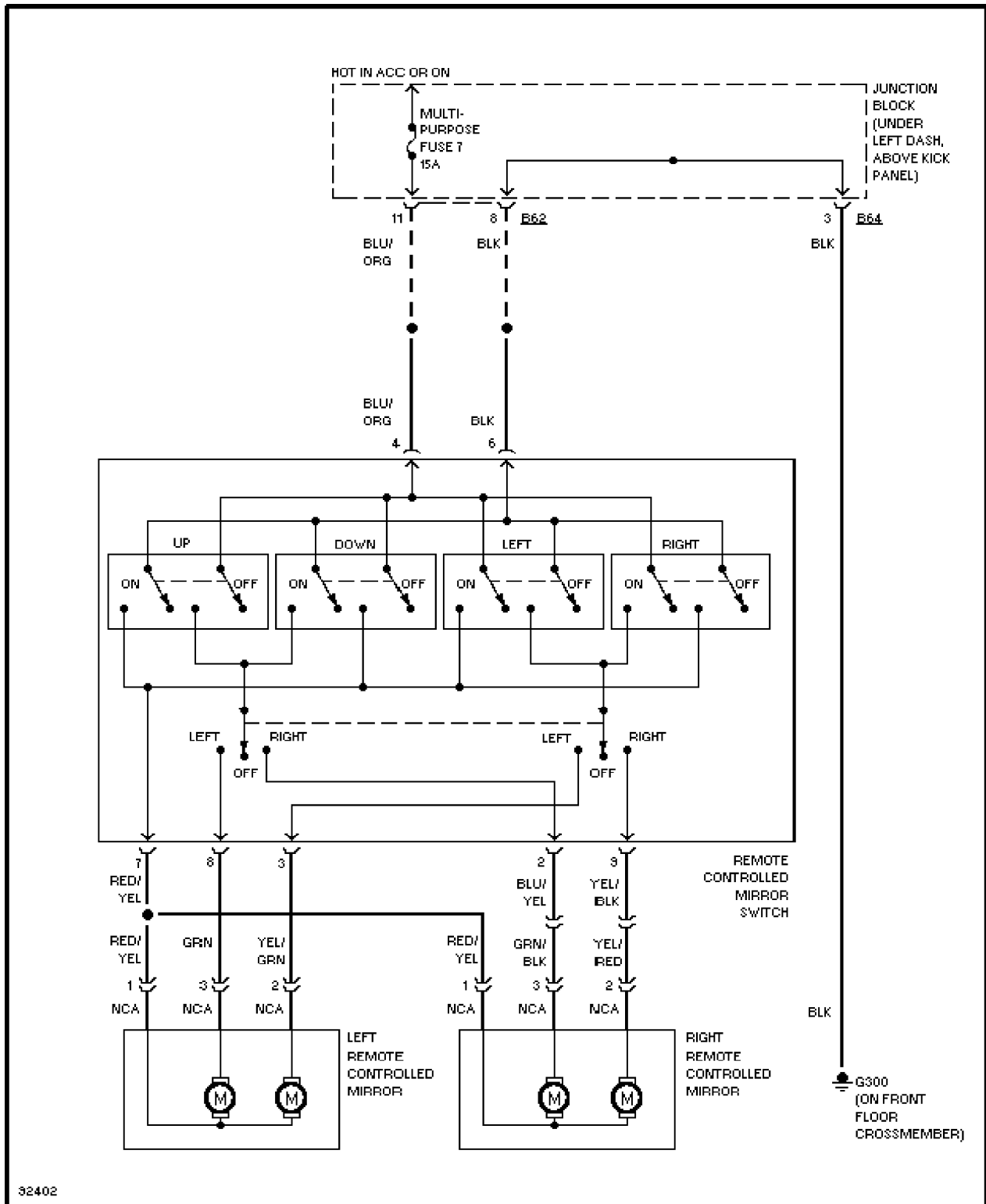


Fig. 10: Power Mirrors System Wiring Diagram (Galant)



32402

Fig. 11: Power Mirrors System Wiring Diagram (Mirage)

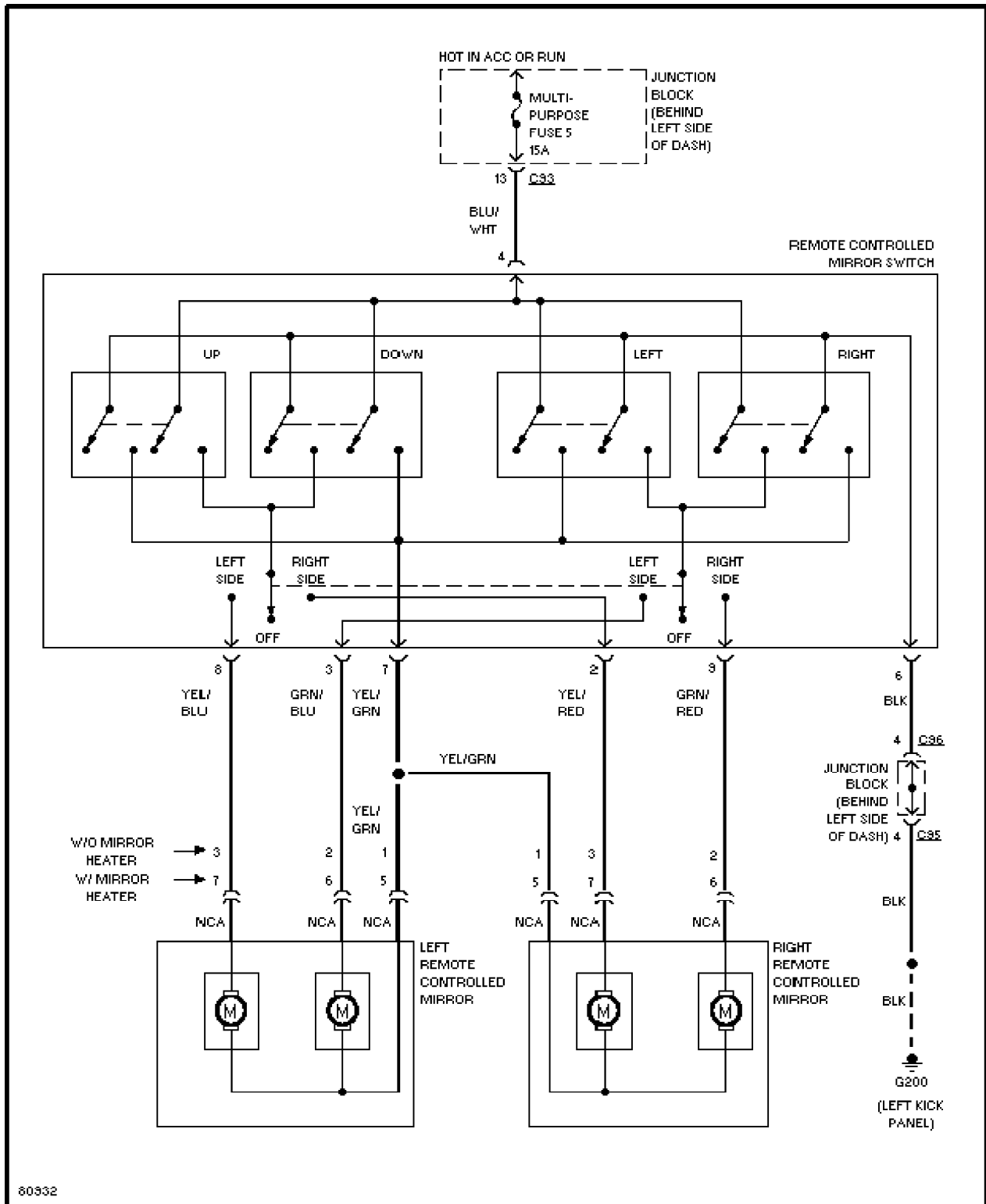


Fig. 12: Power Mirrors System Wiring Diagram (Montero)

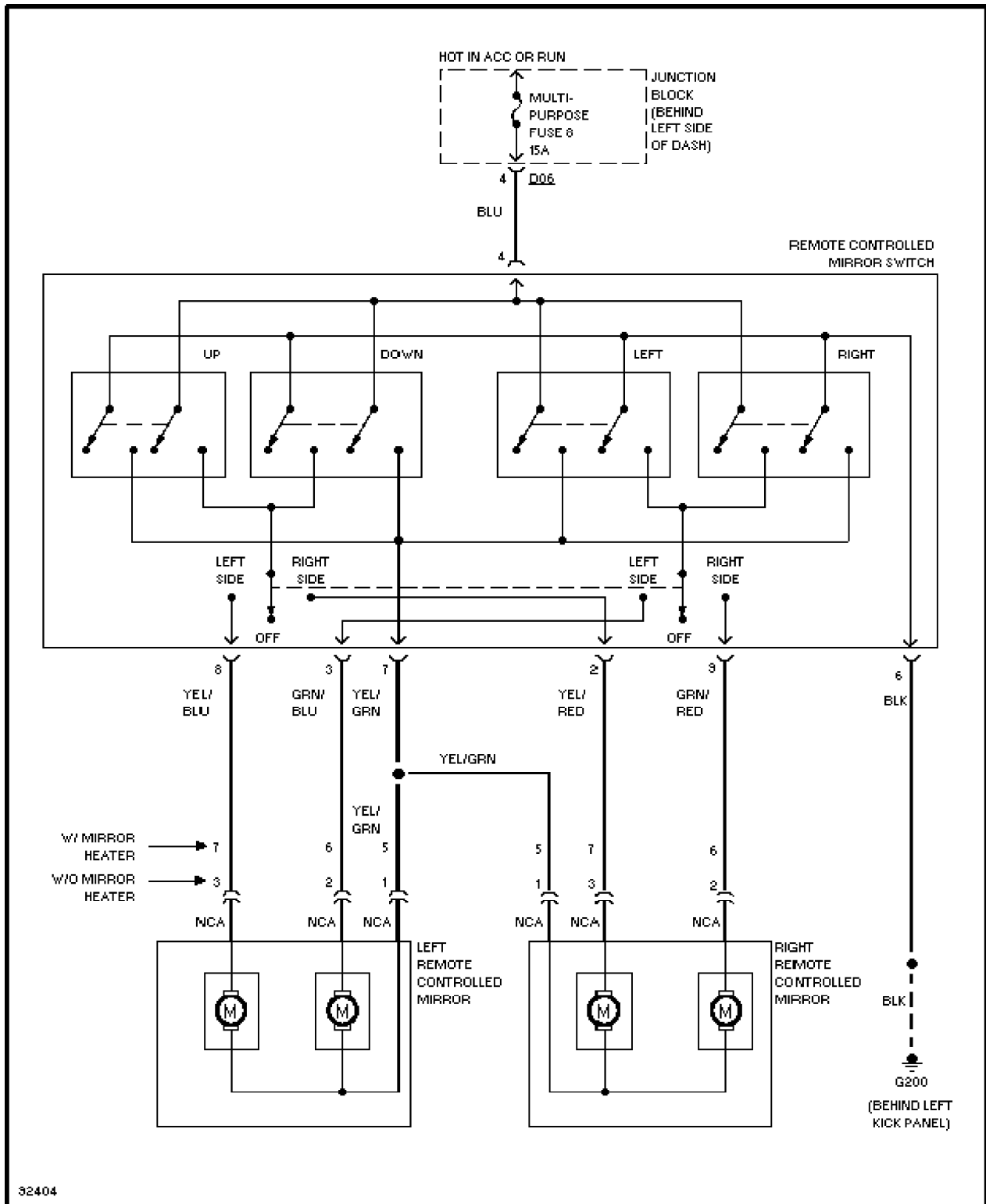


Fig. 13: Power Mirrors System Wiring Diagram (Montero Sport)

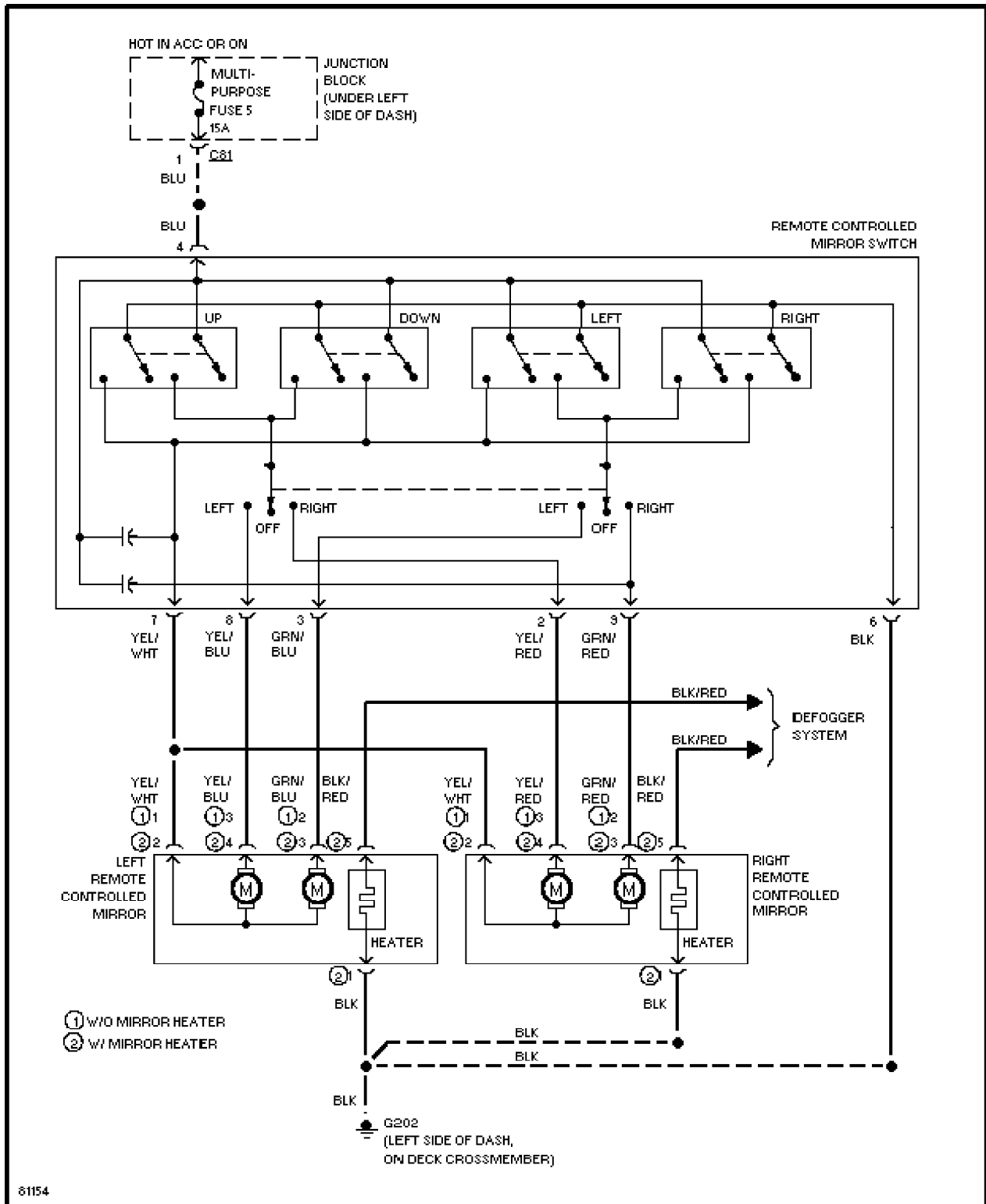


Fig. 14: Power Mirrors System Wiring Diagram (3000GT)