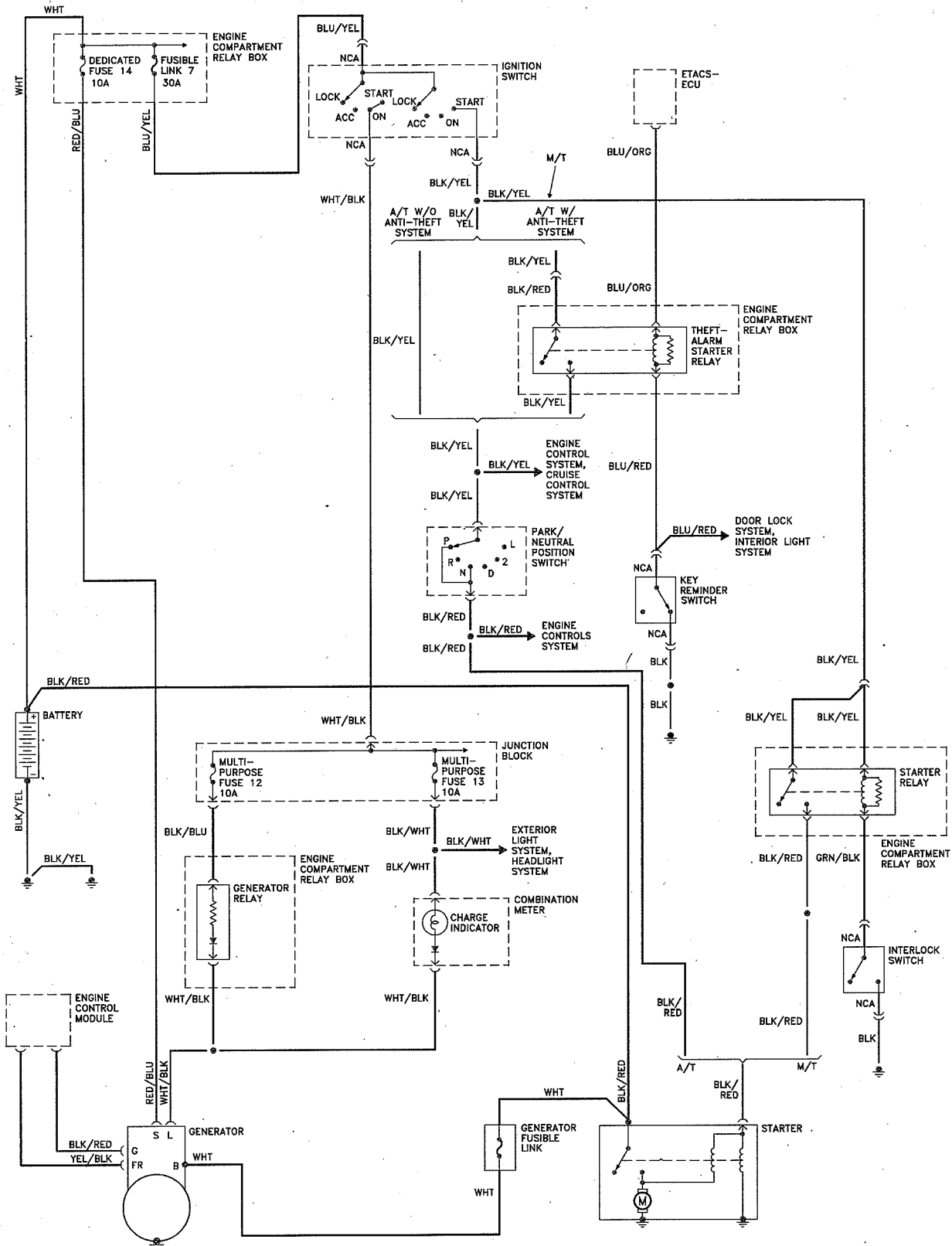
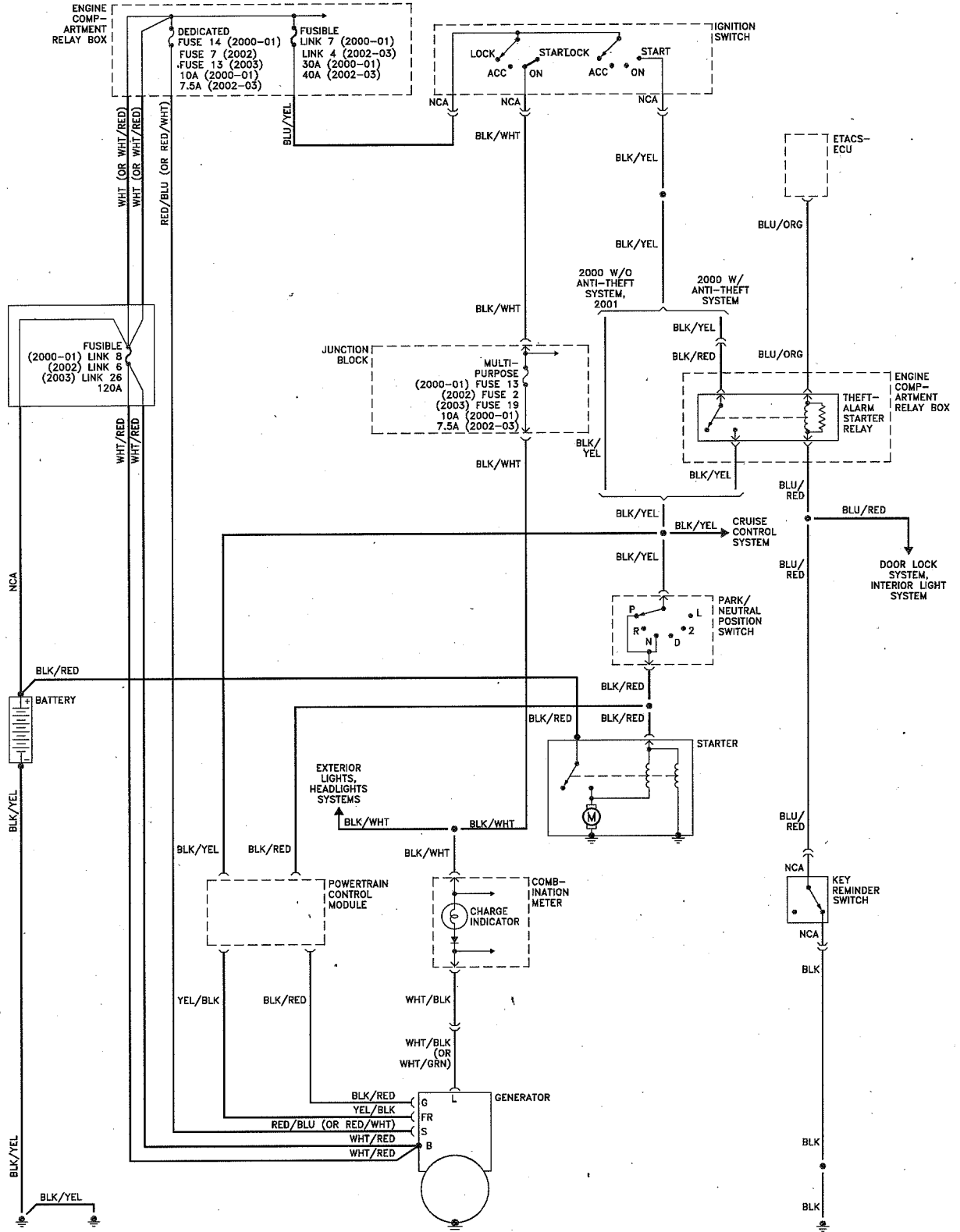


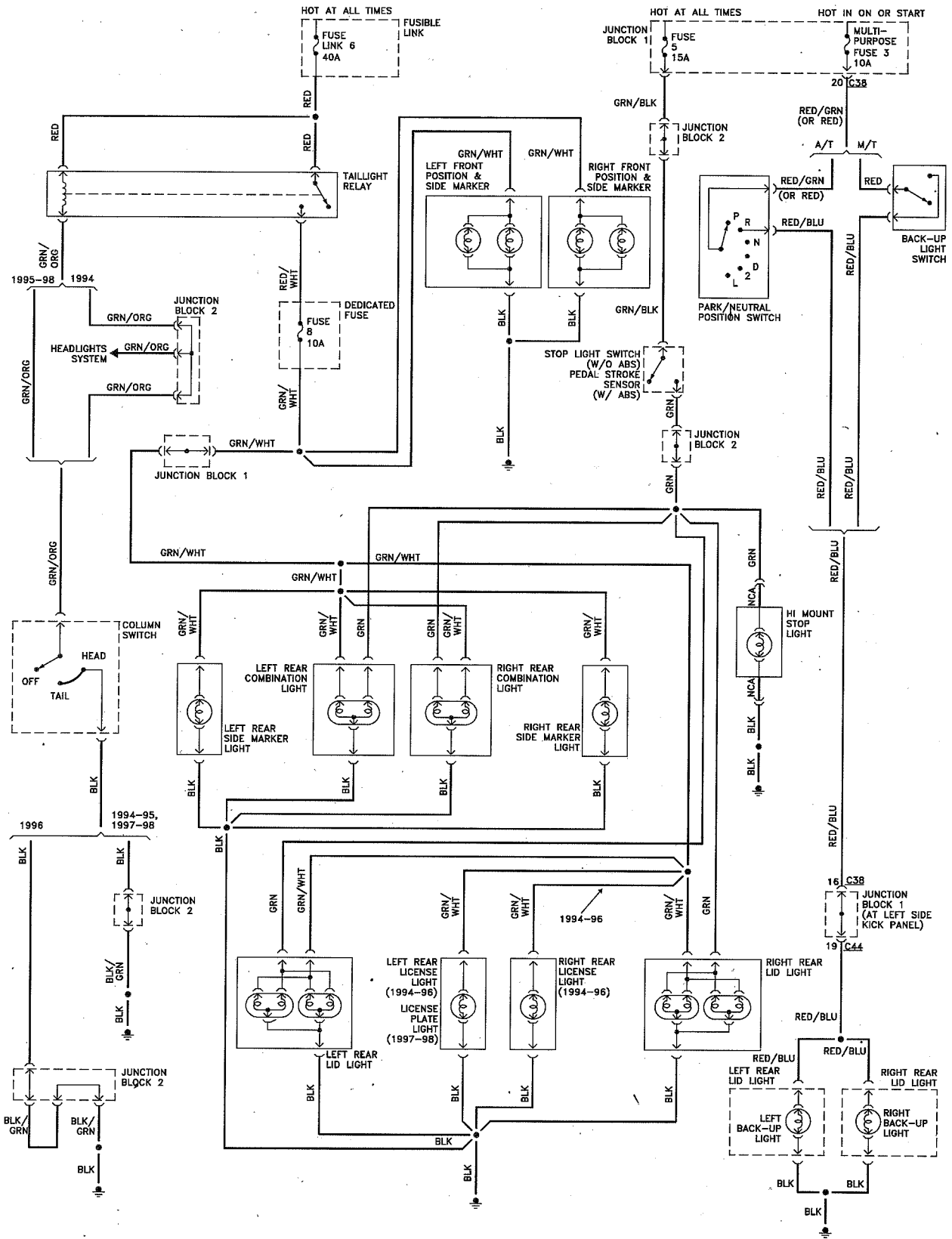
Starting and charging systems (1998 and earlier models)



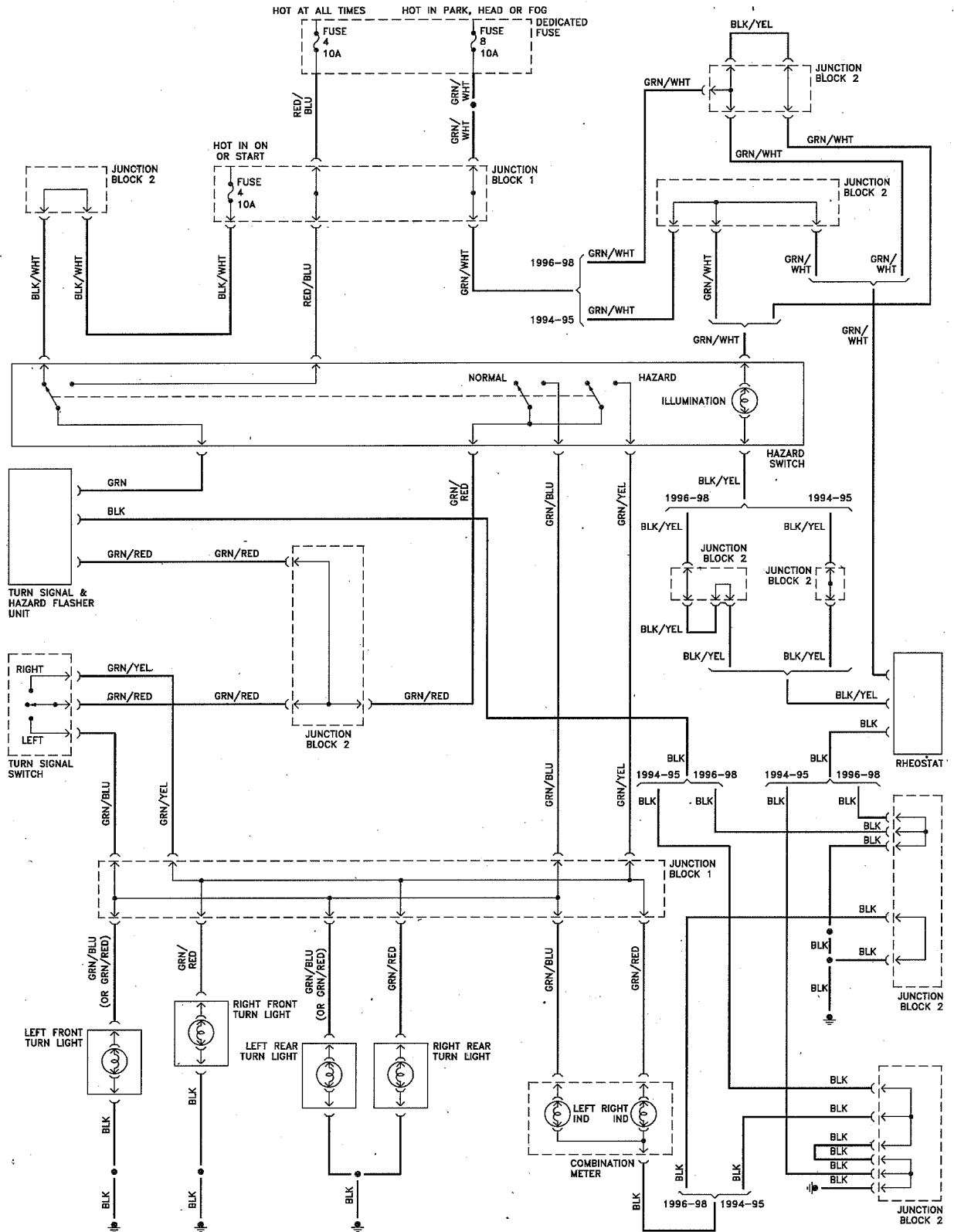
Starting and charging systems (1999 models)



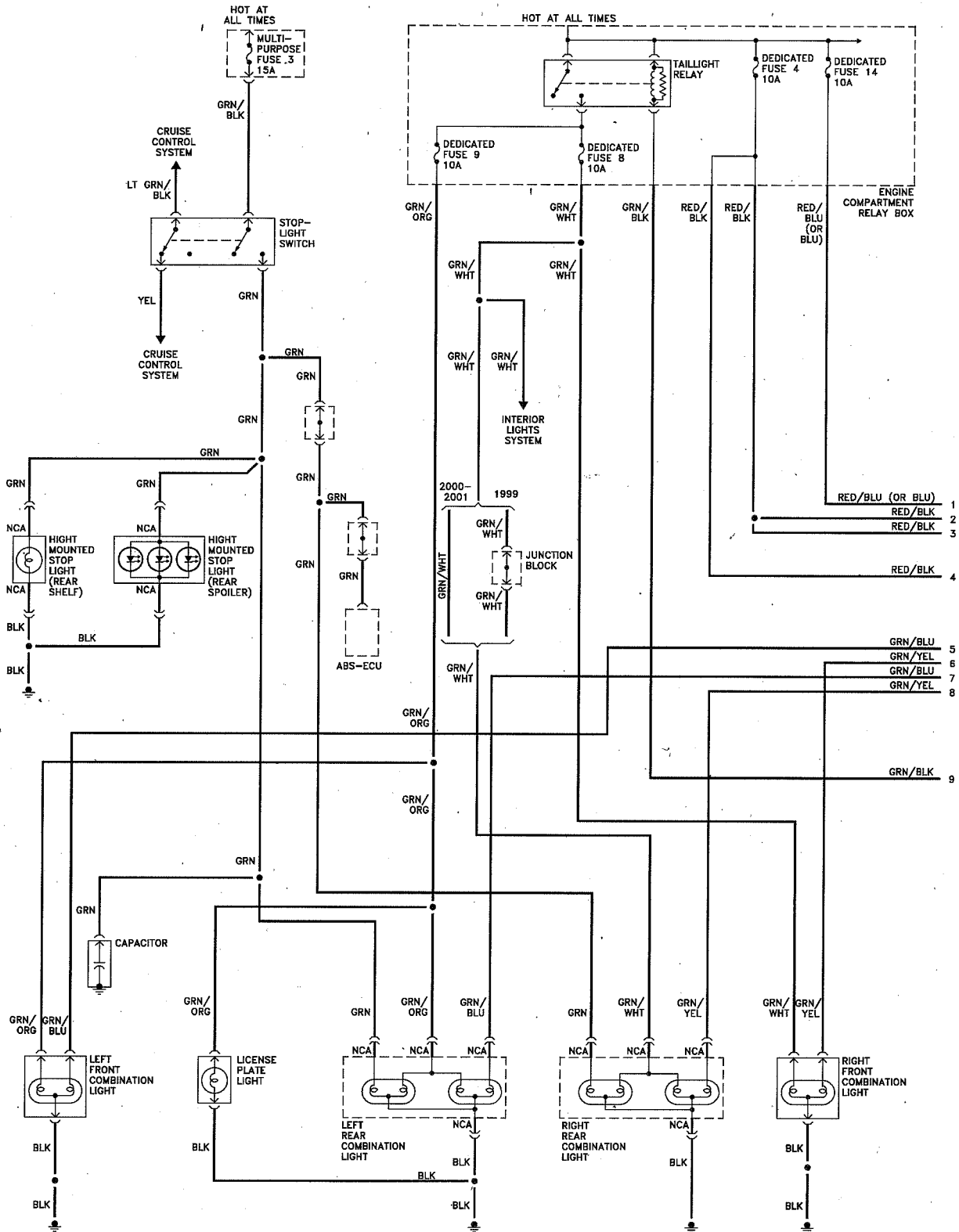
Starting and charging systems (2000 and later models)



Exterior lighting system (except headlights) - 1998 and earlier models (1 of 2)



Exterior lighting system (except headlights) - 1998 and earlier models (2 of 2)

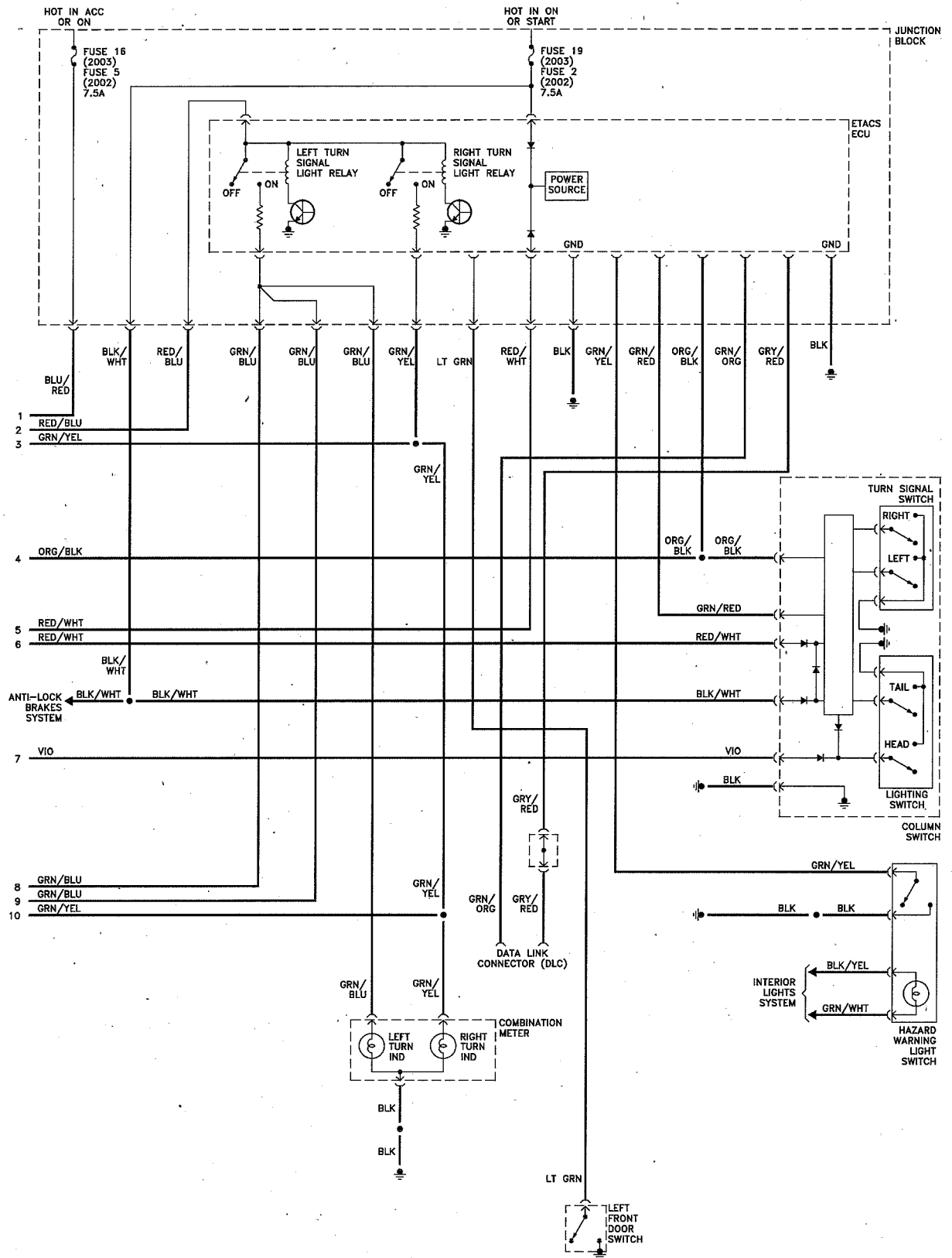


Exterior lighting system (except headlights) - 1999 through 2001 models (1 of 2)

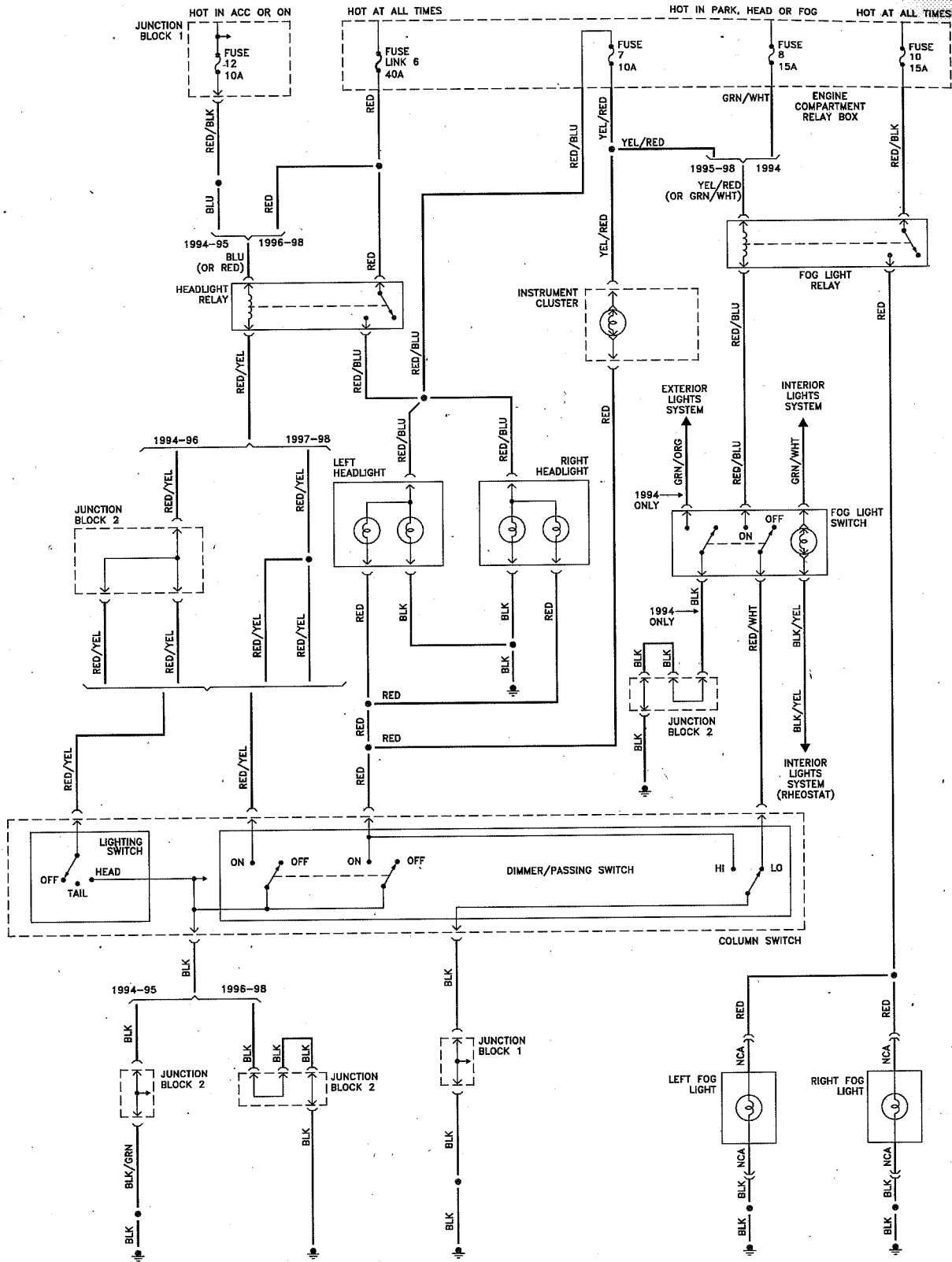




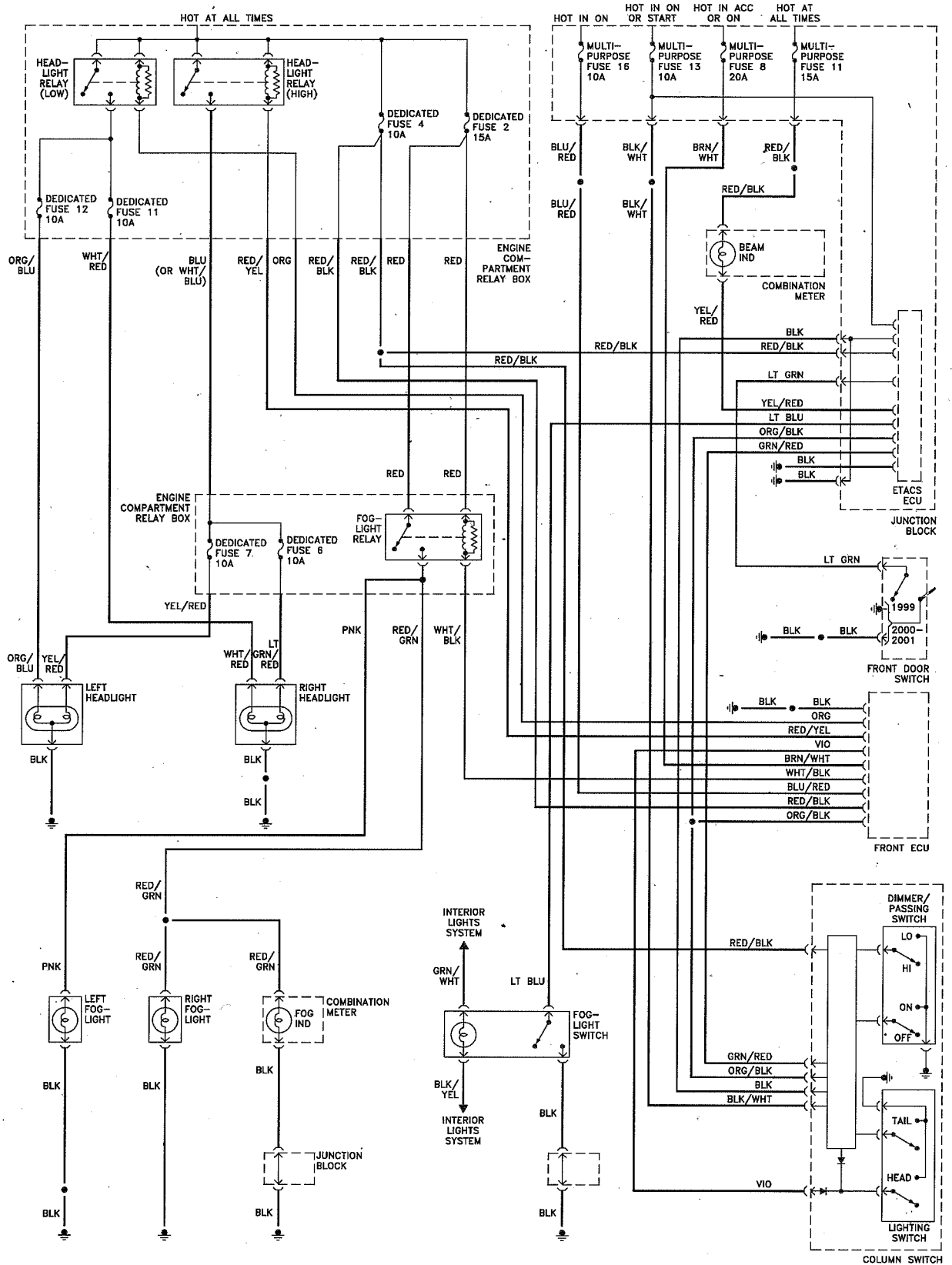




Exterior lighting system (except headlights) - 2002 and later models (2 of 2)

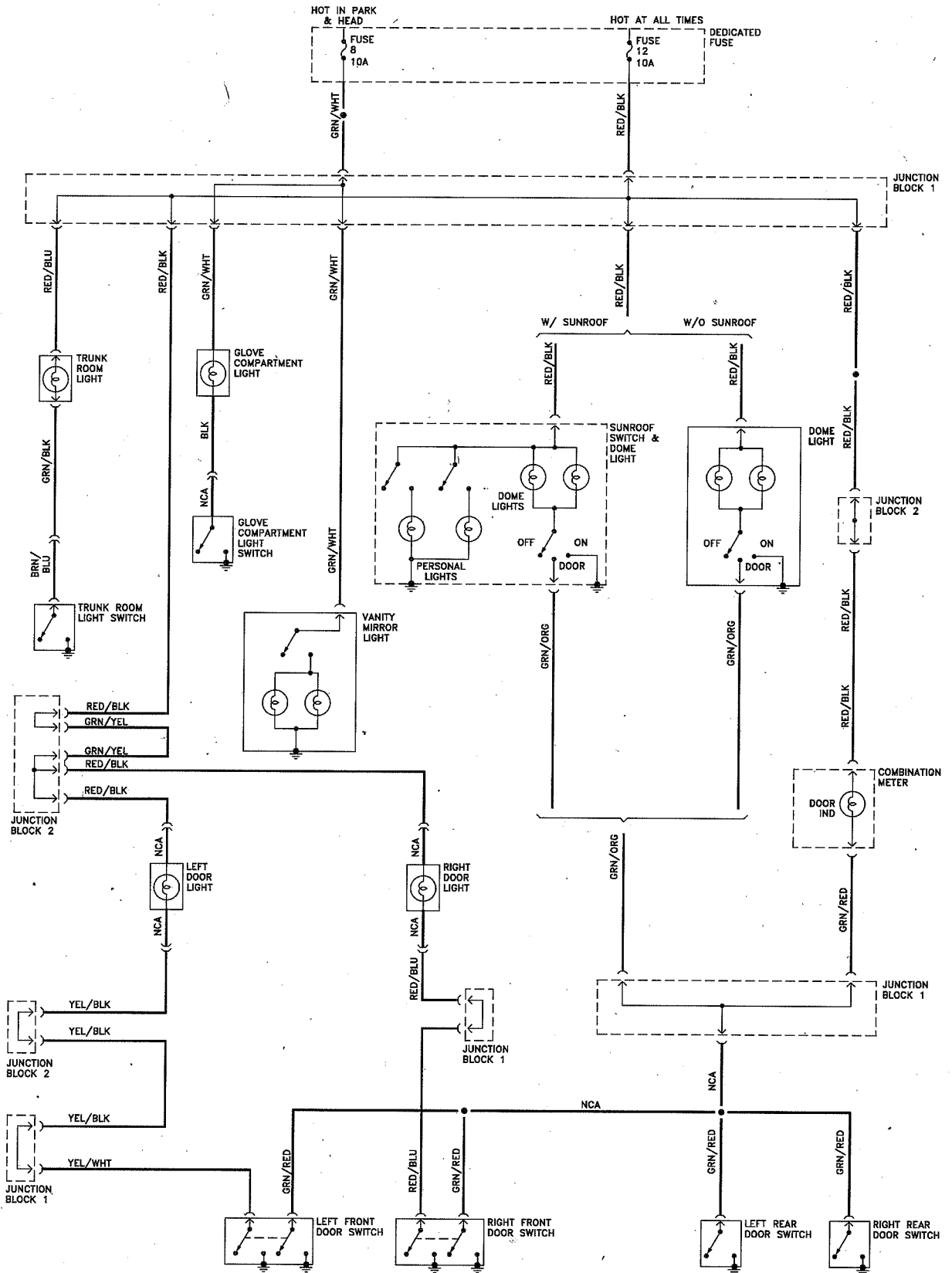


Headlight system (1998 and earlier models)

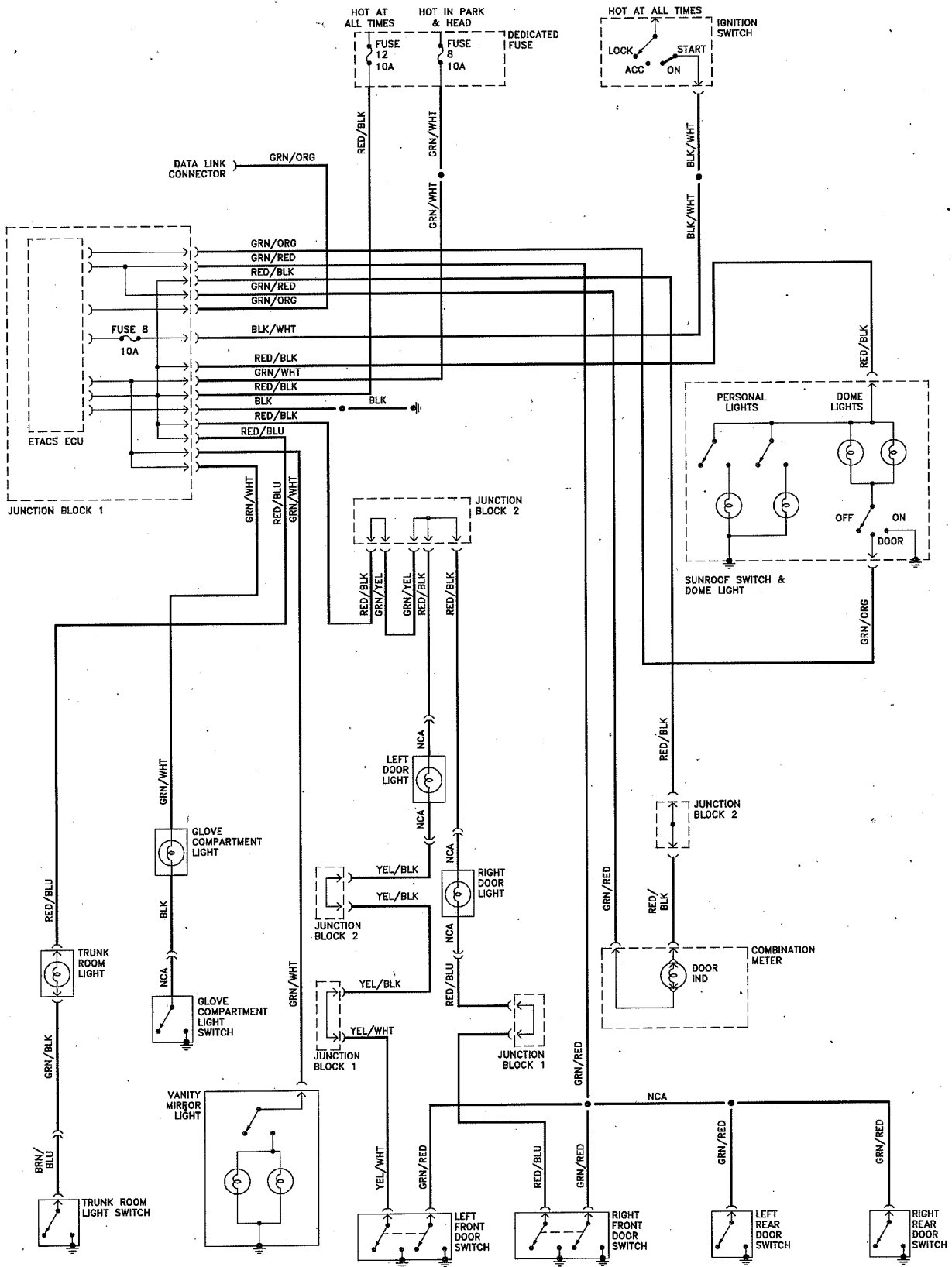


Headlight system (1999 through 2001 models)

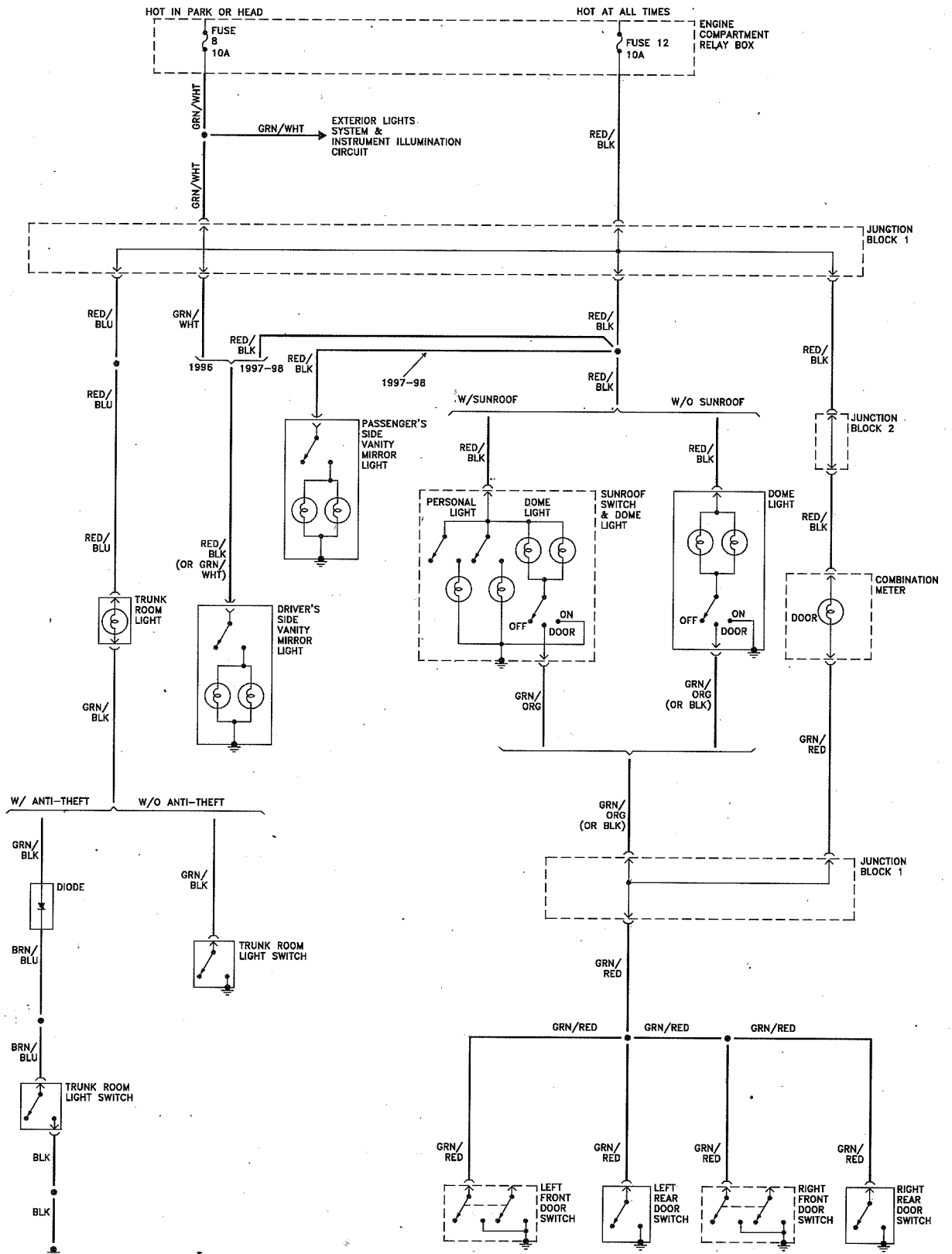




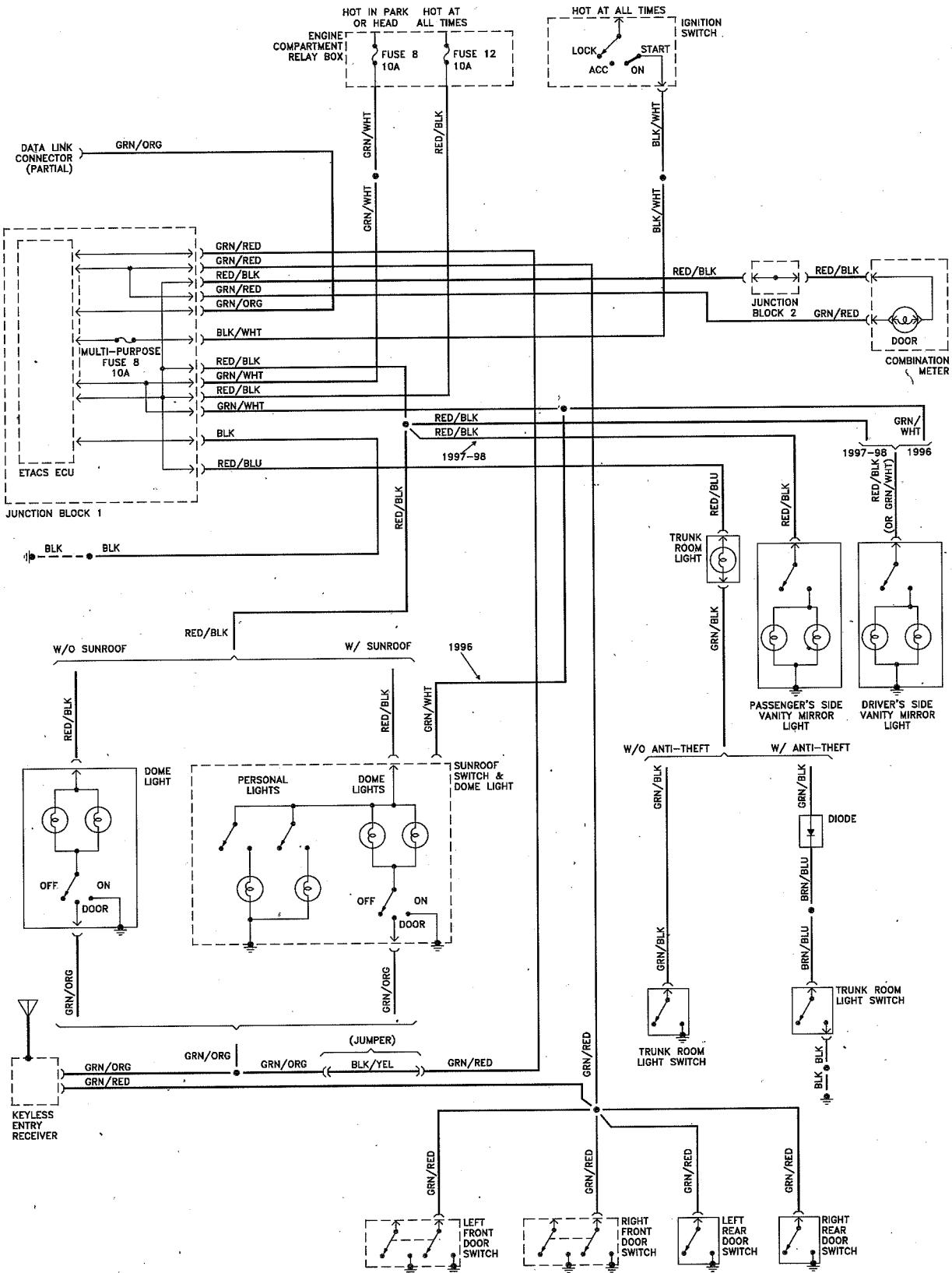
Courtesy lamps - w/o Electronic Time and Alarm Control System (ETACS) - 1995 and earlier models



Courtesy lamps - with Electronic Time and Alarm Control System (ETACS) - 1995 and earlier models

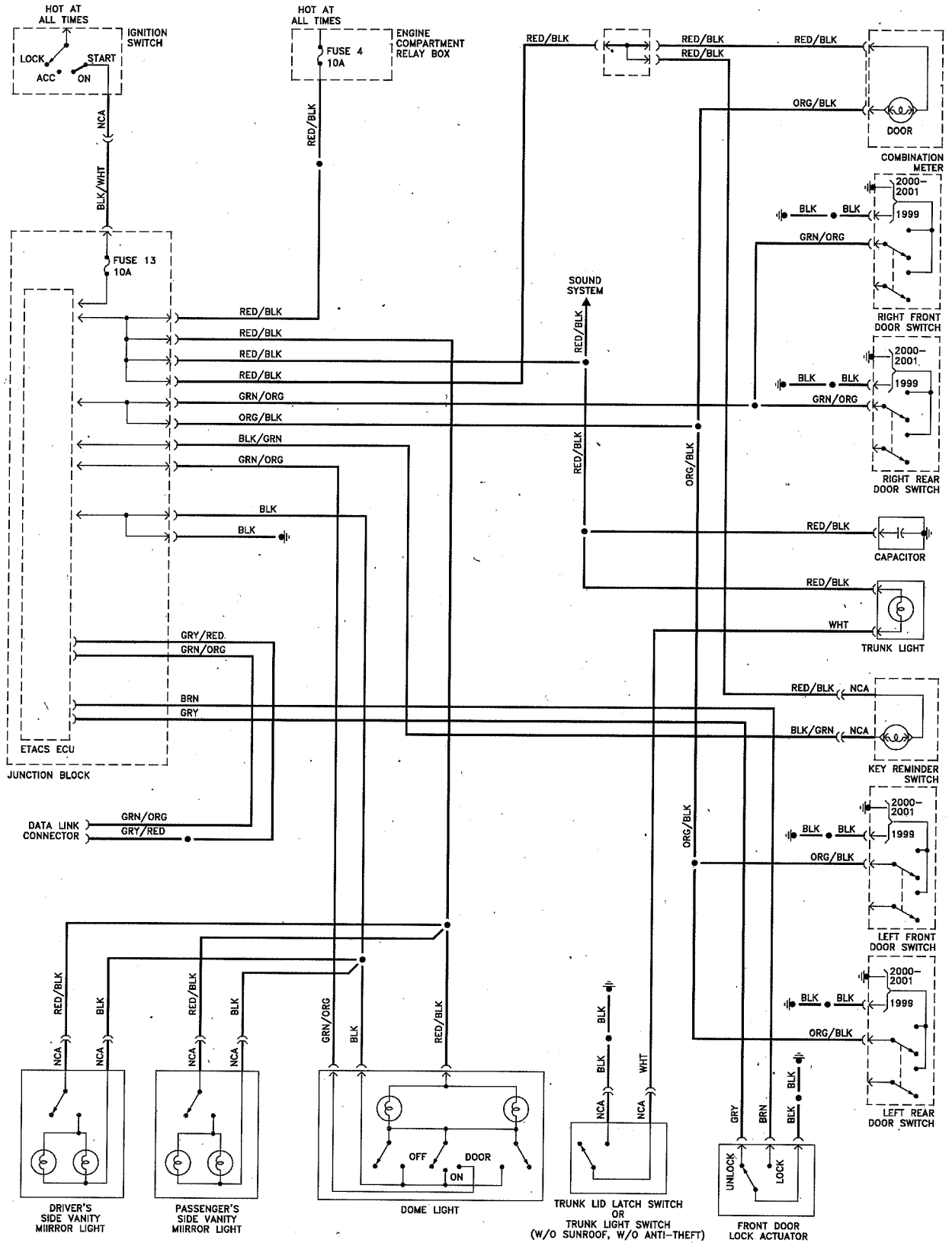


Courtesy lamps - w/o Electronic Time and Alarm Control System (ETACS) - 1996 through 1998 models

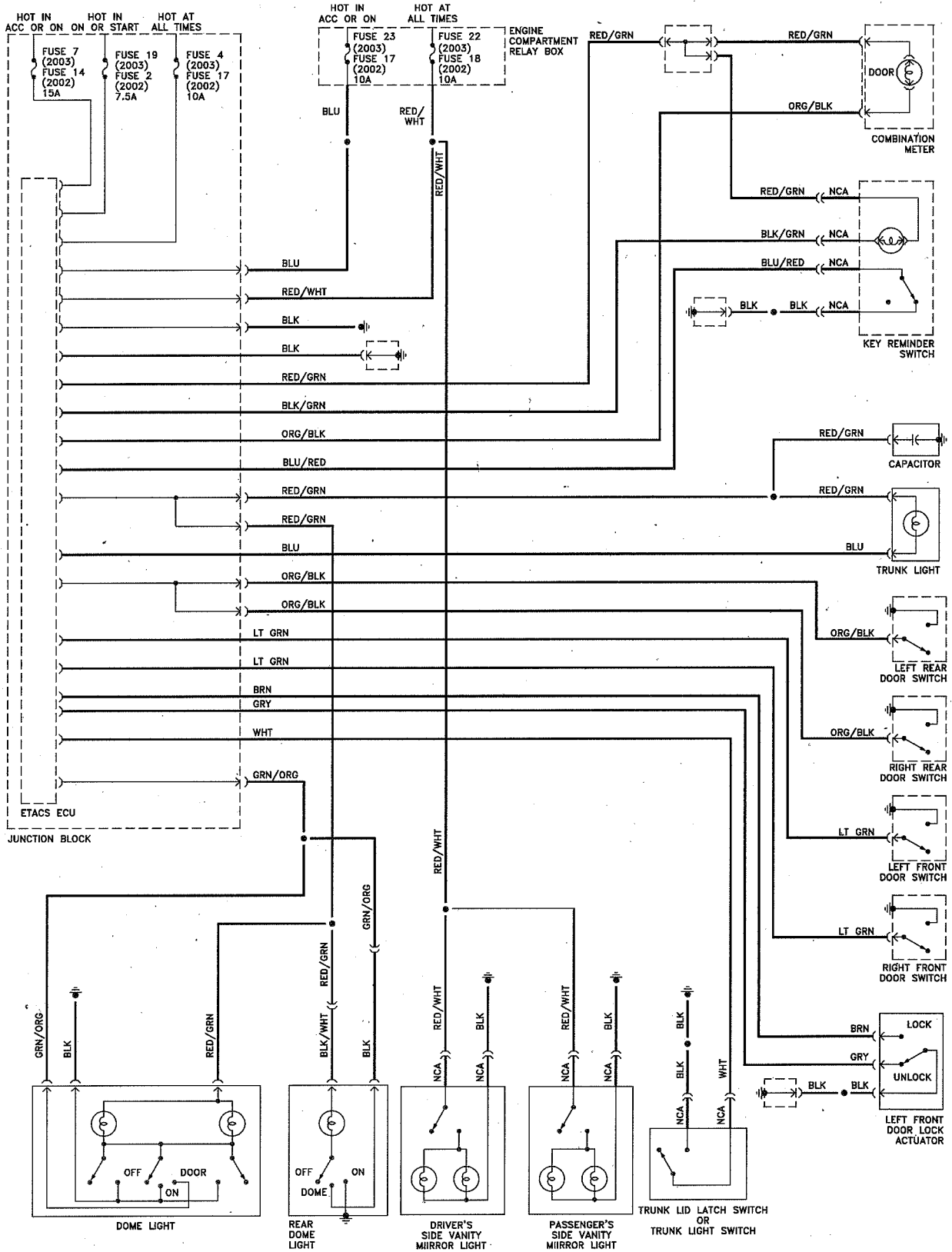


Courtesy lamps - with Electronic Time and Alarm Control System (ETACS) - 1996 through 1998 models

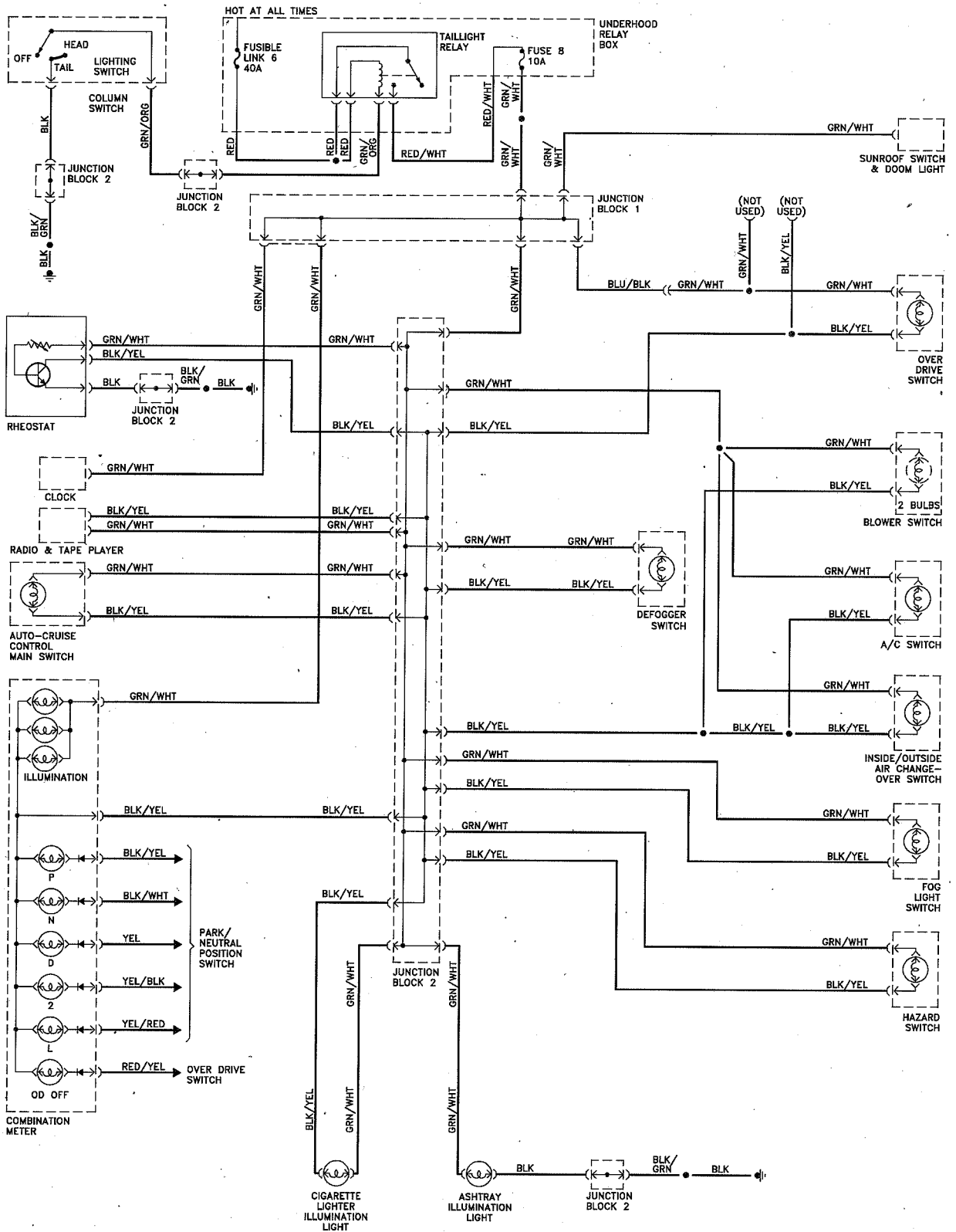




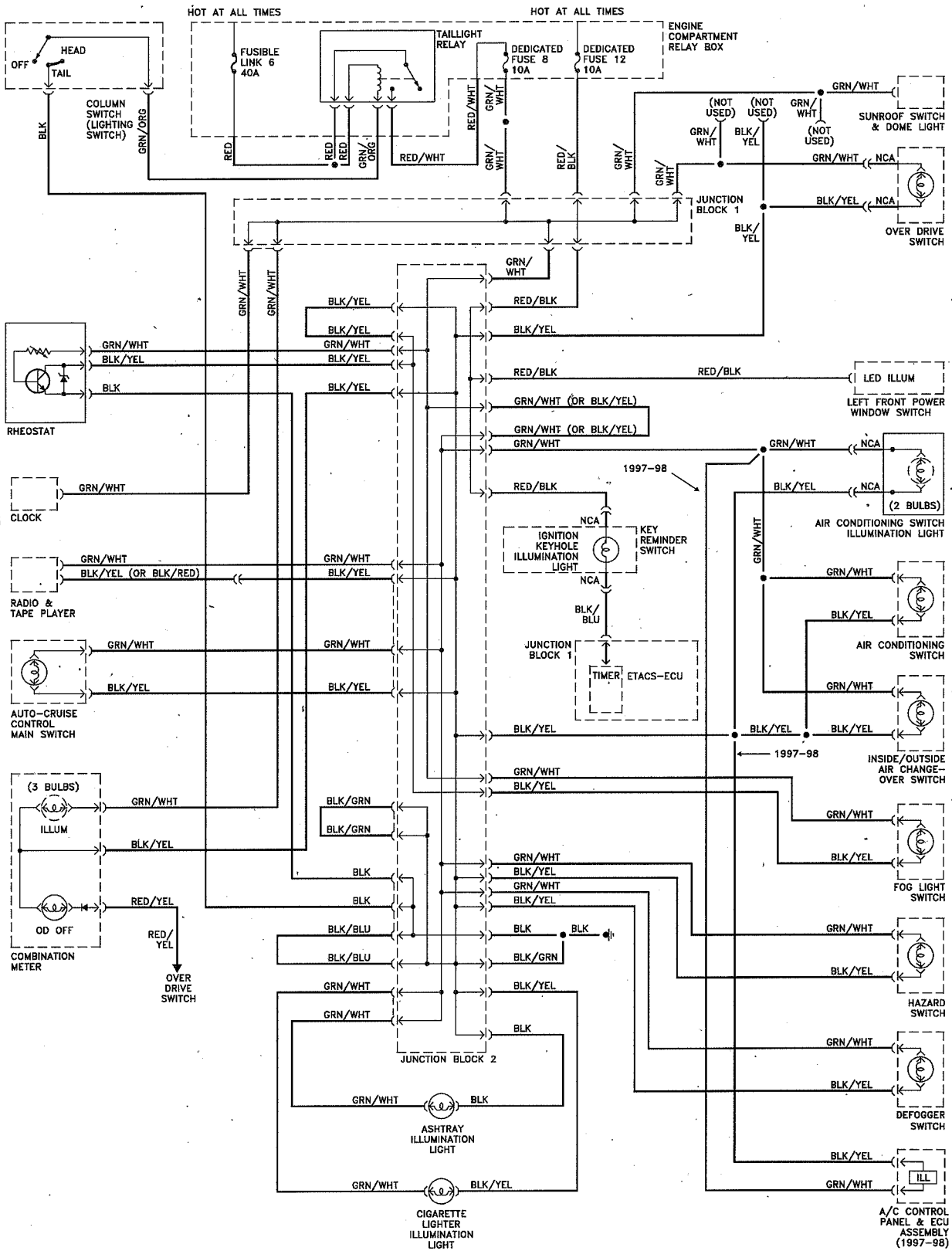
Courtesy lamps (1999 through 2001 models)



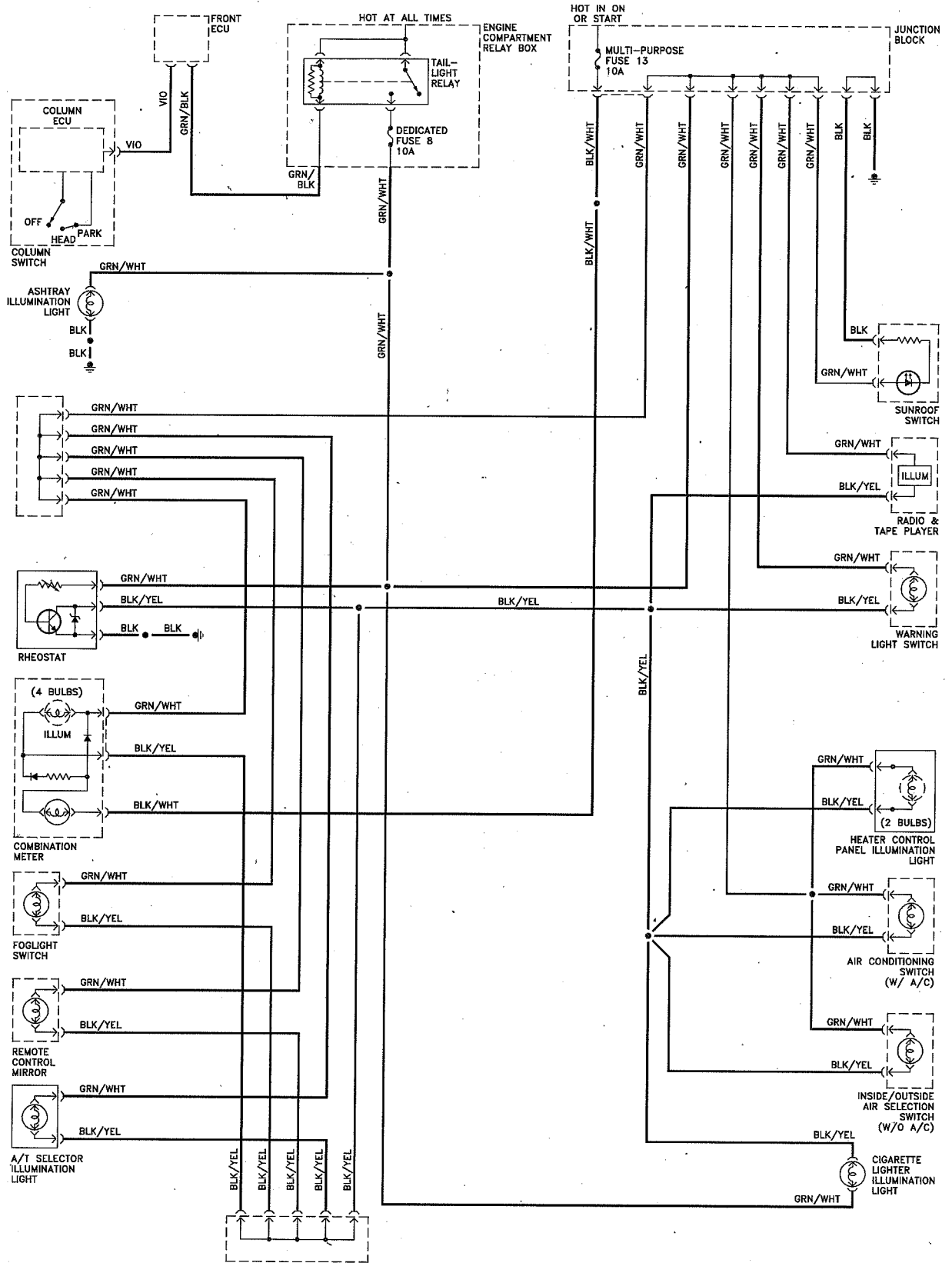
Courtesy lamps (2002 and later models)



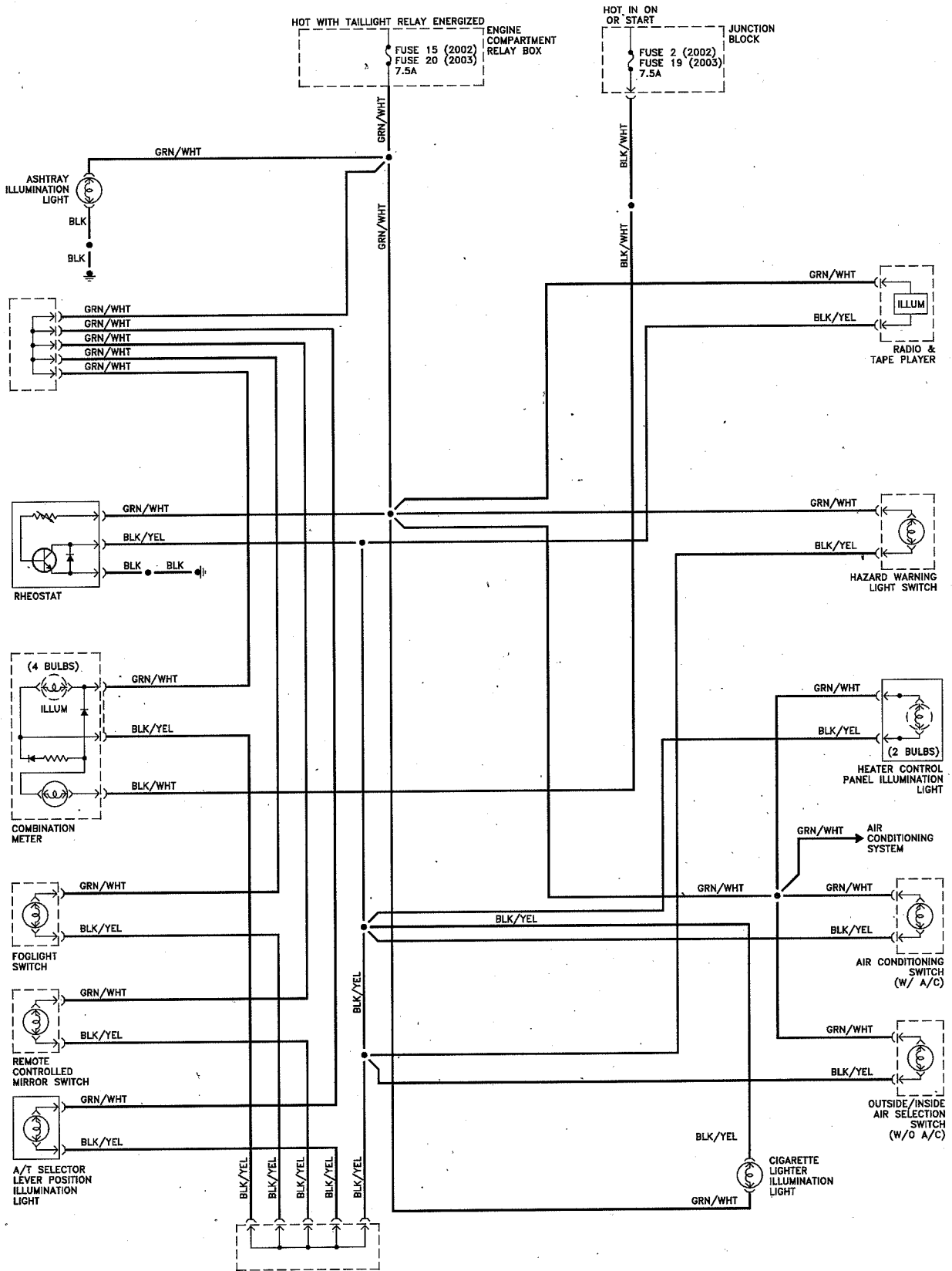
Instrument panel illumination (1995 and earlier models)



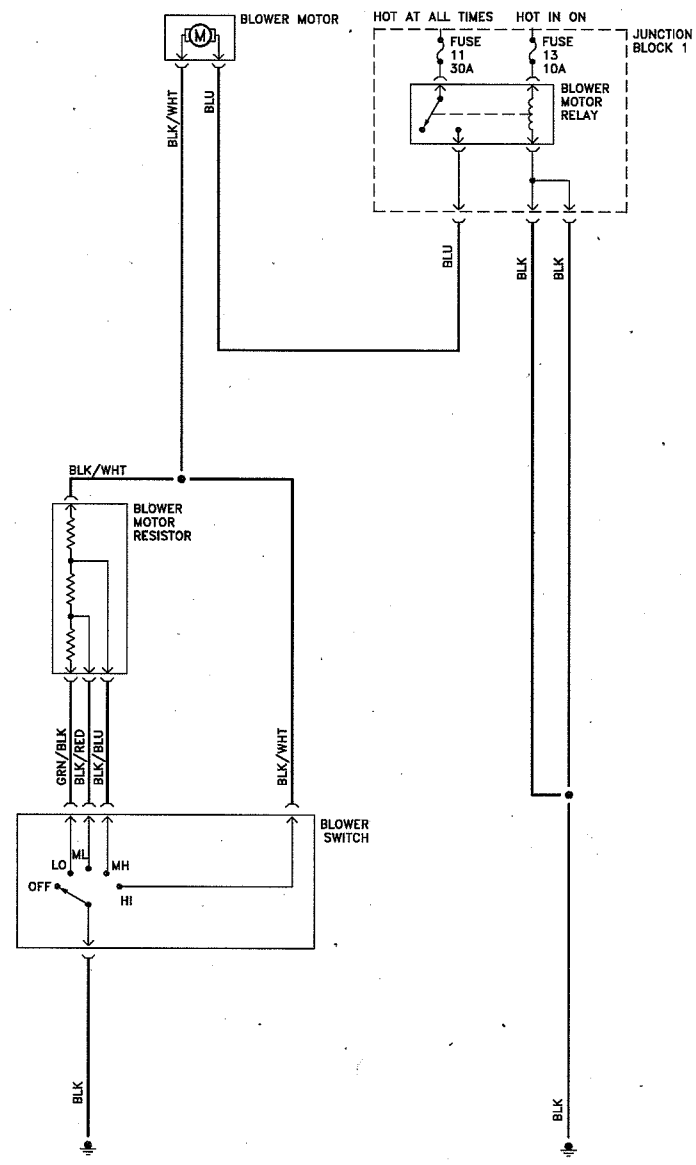
Instrument panel illumination (1996 through 1998 models)



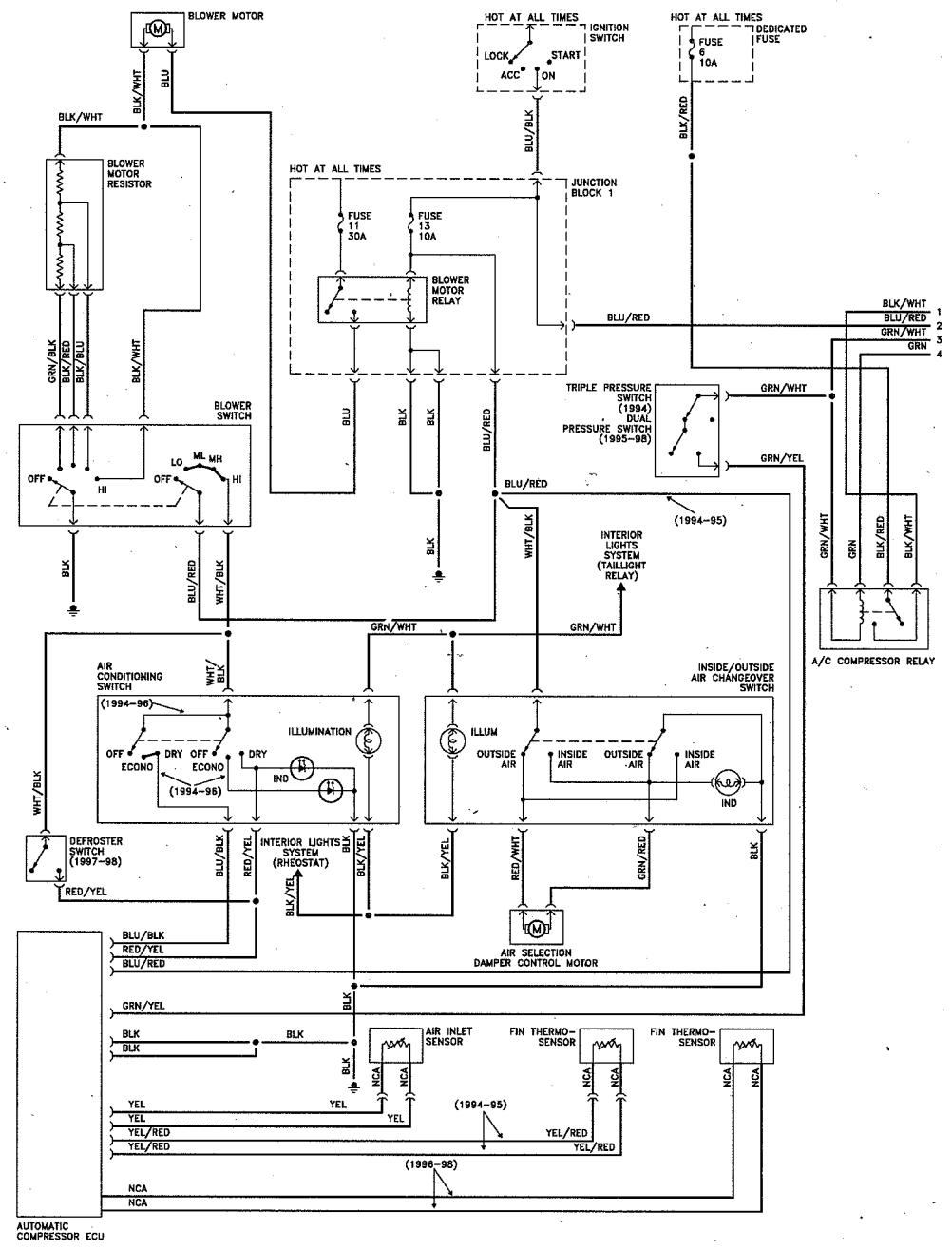
Instrument panel illumination (1999 through 2001 models)



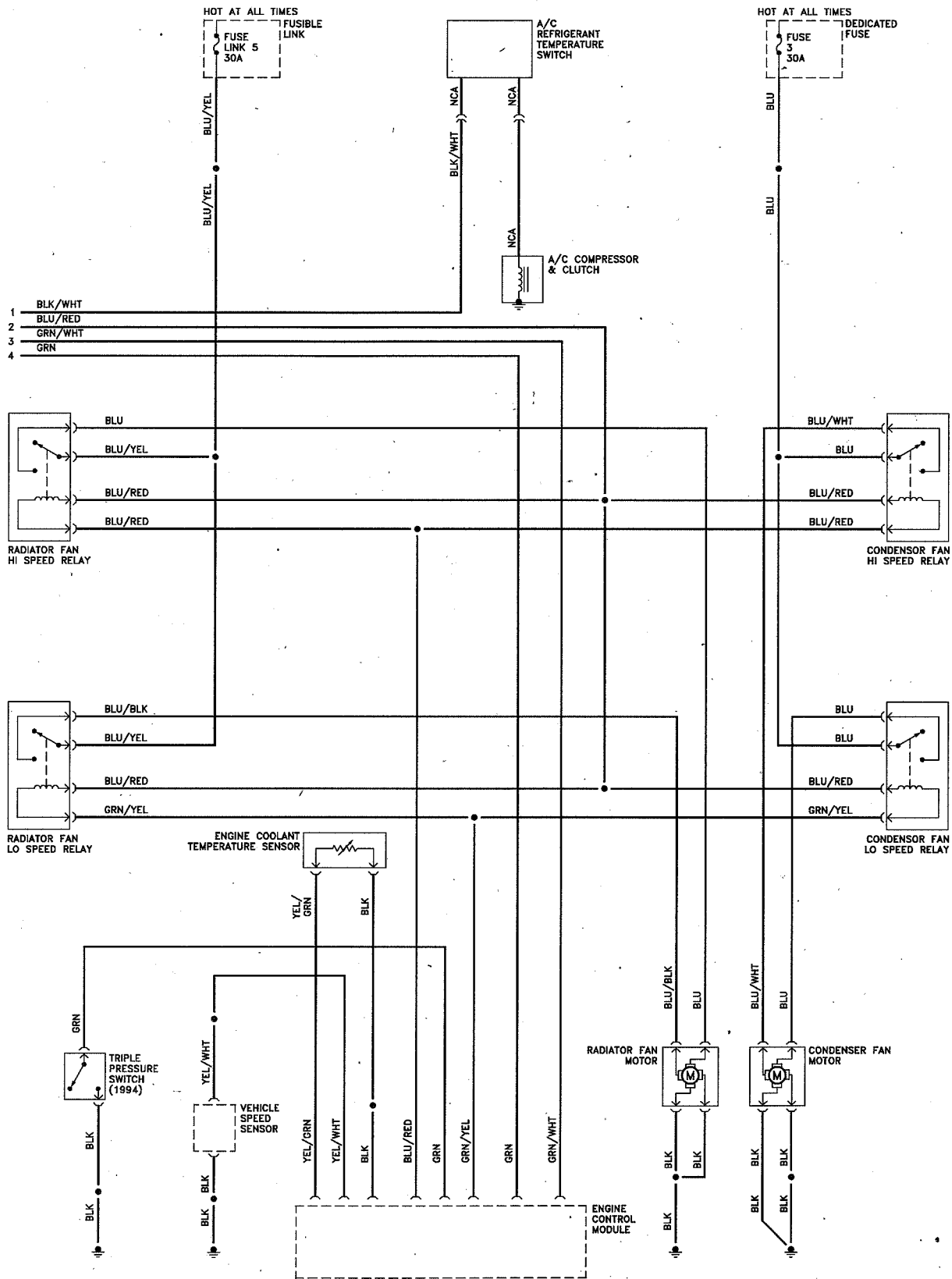
Instrument panel illumination (2002 and later models)



Heating system (without air conditioning) - 1994 through 1998 models

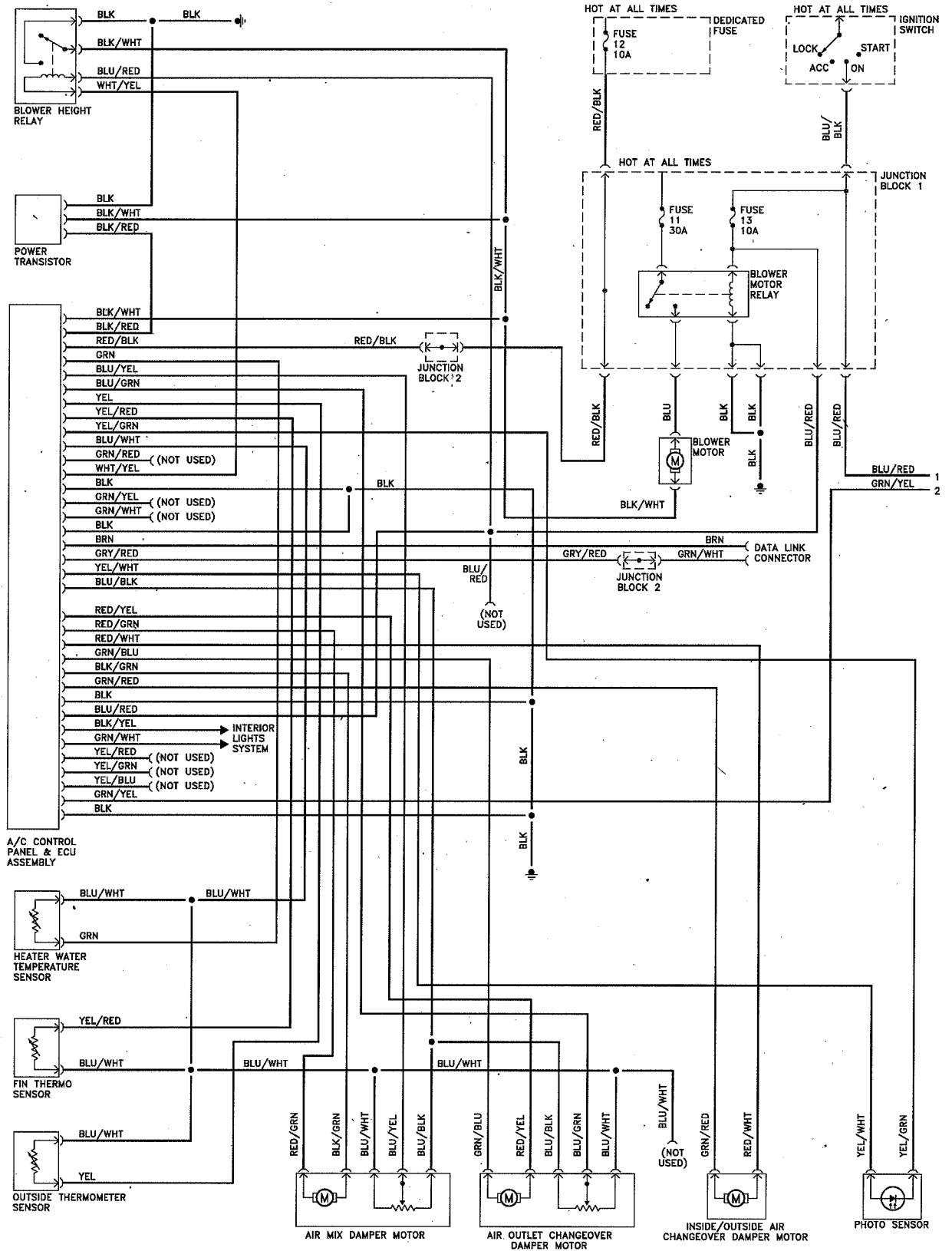


Heating and air conditioning system (manual) - 1998 and earlier models (1 of 2)

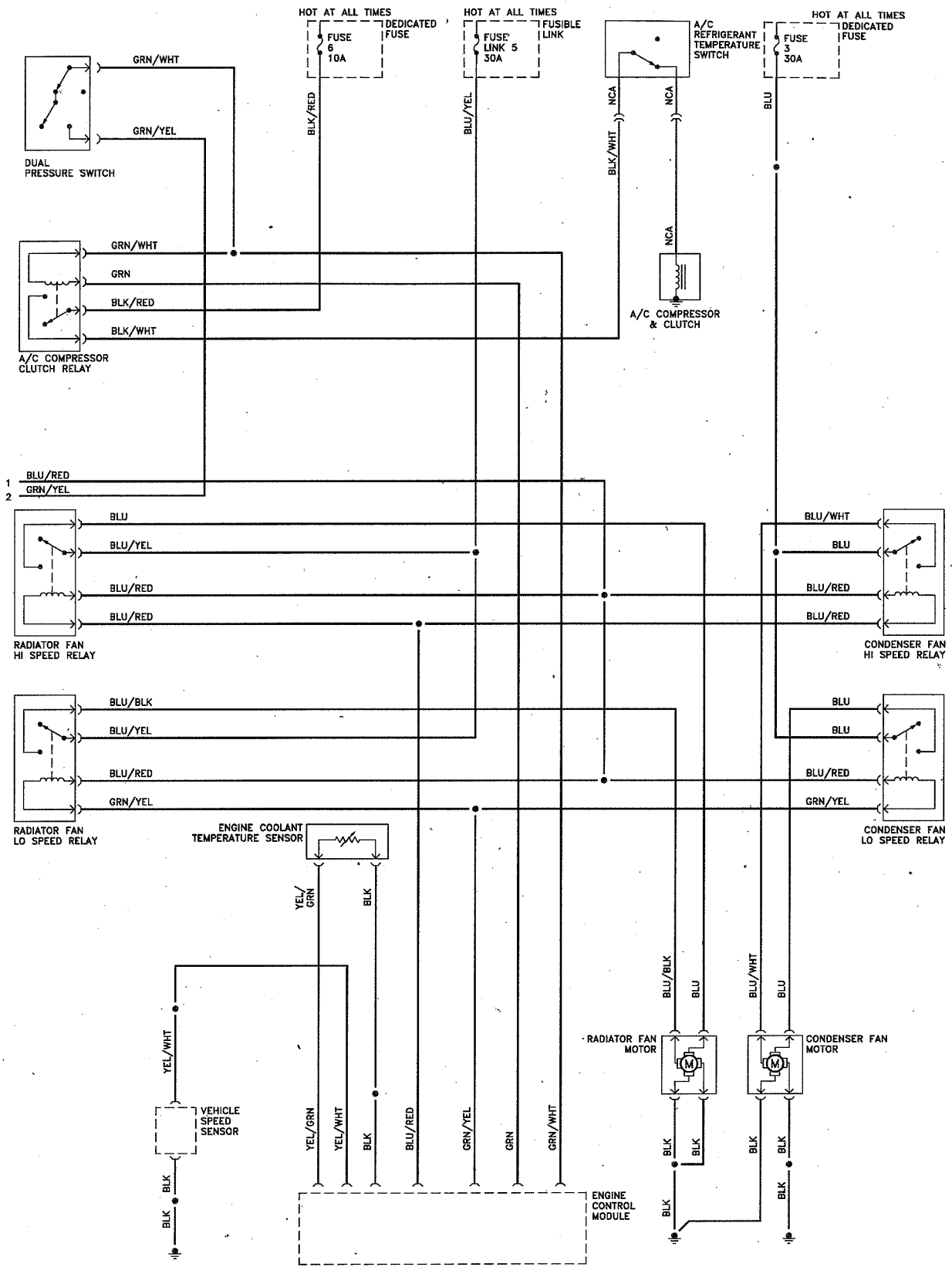


Heating and air conditioning system (manual) - 1998 and earlier models (2 of 2)

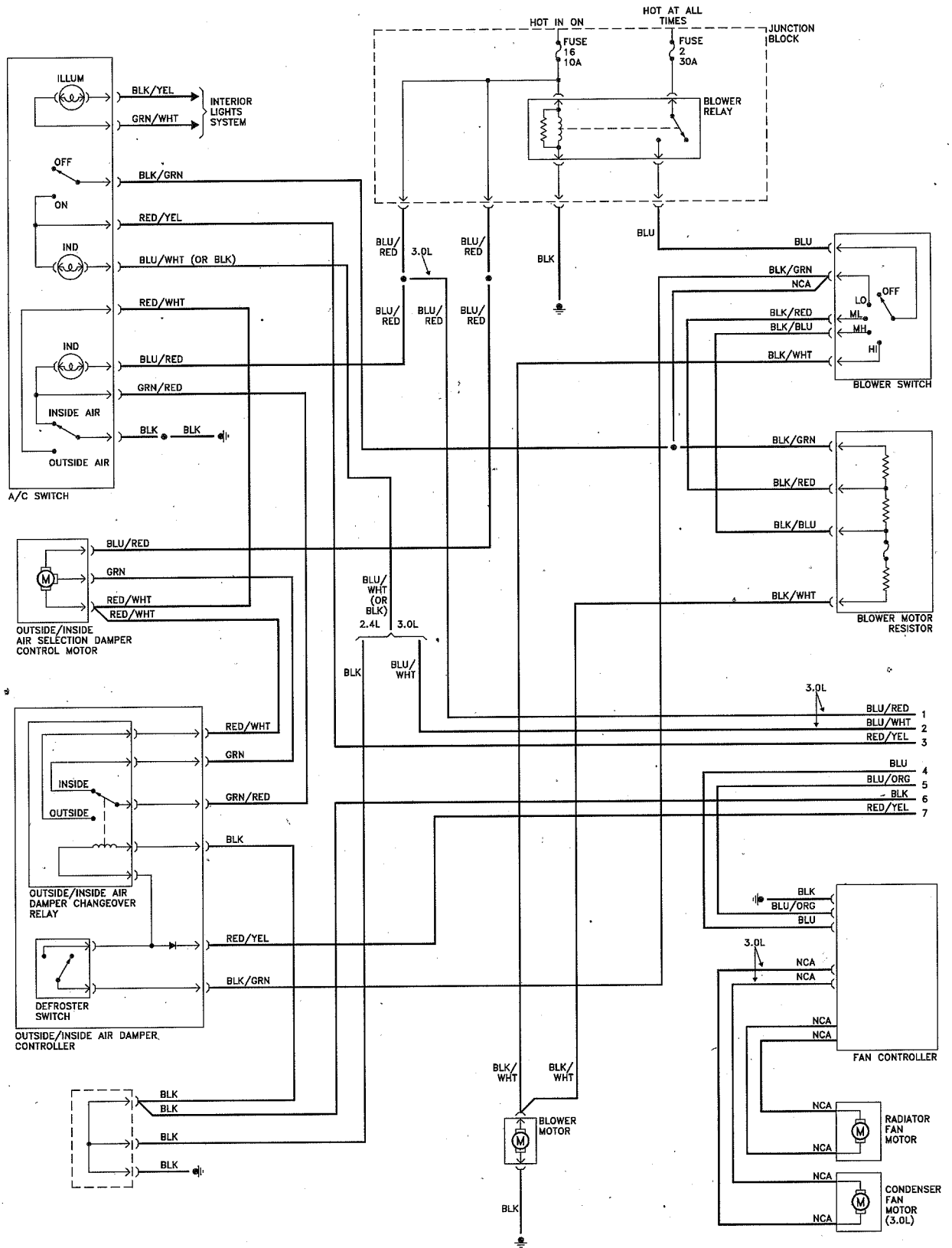




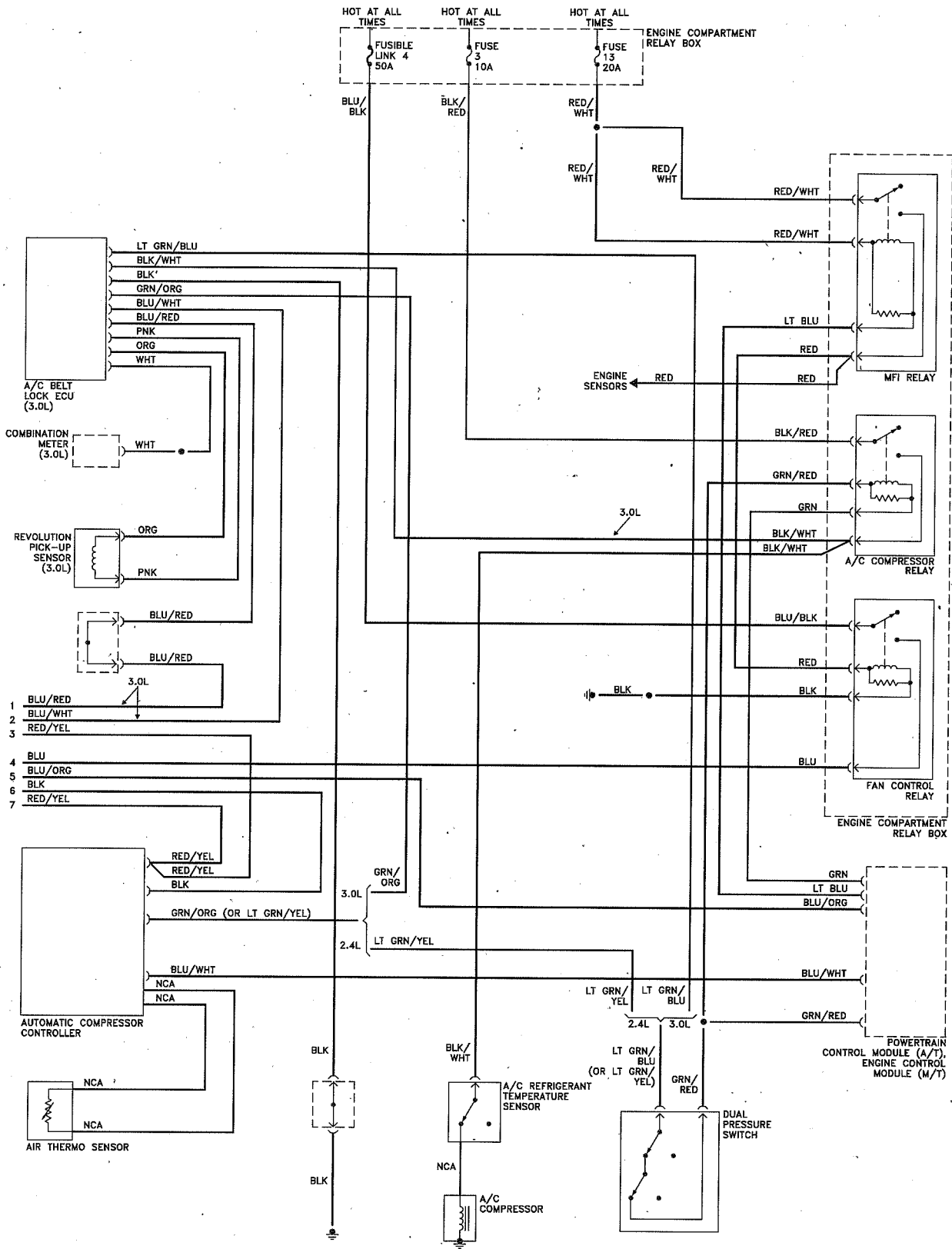
Heating and air conditioning system (automatic) - 1998 and earlier models (1 of 2)

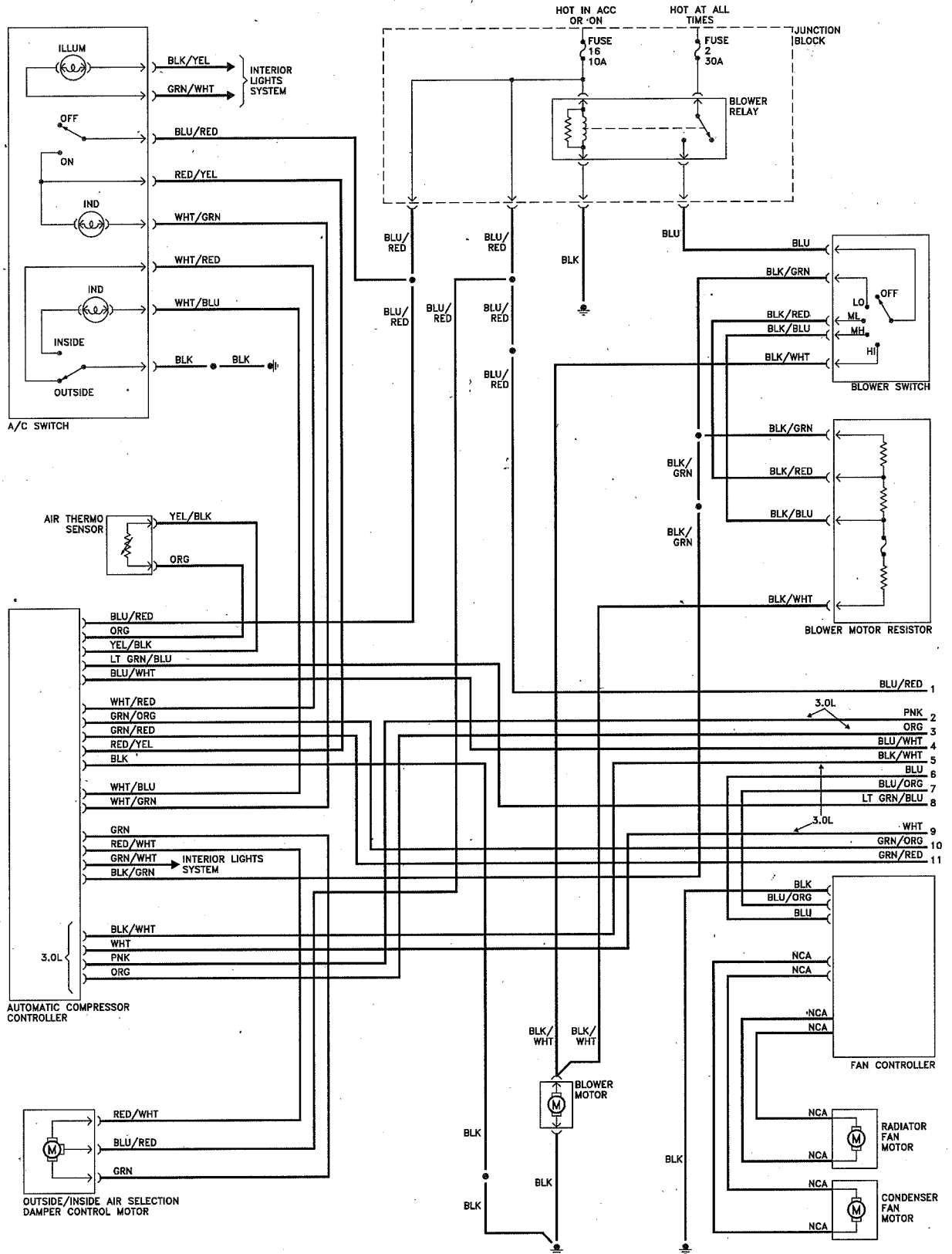


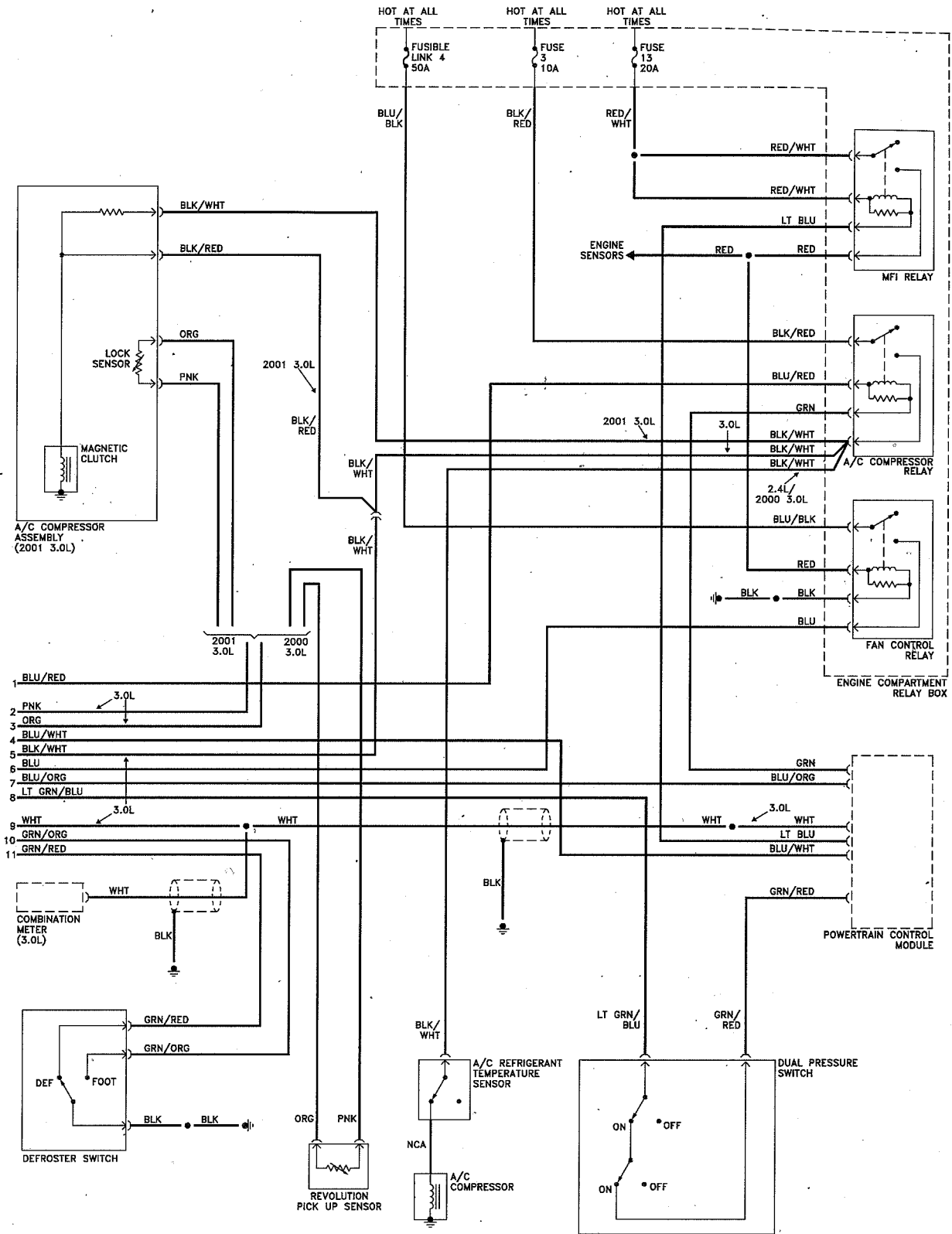
Heating and air conditioning system (automatic) - 1998 and earlier models (2 of 2)



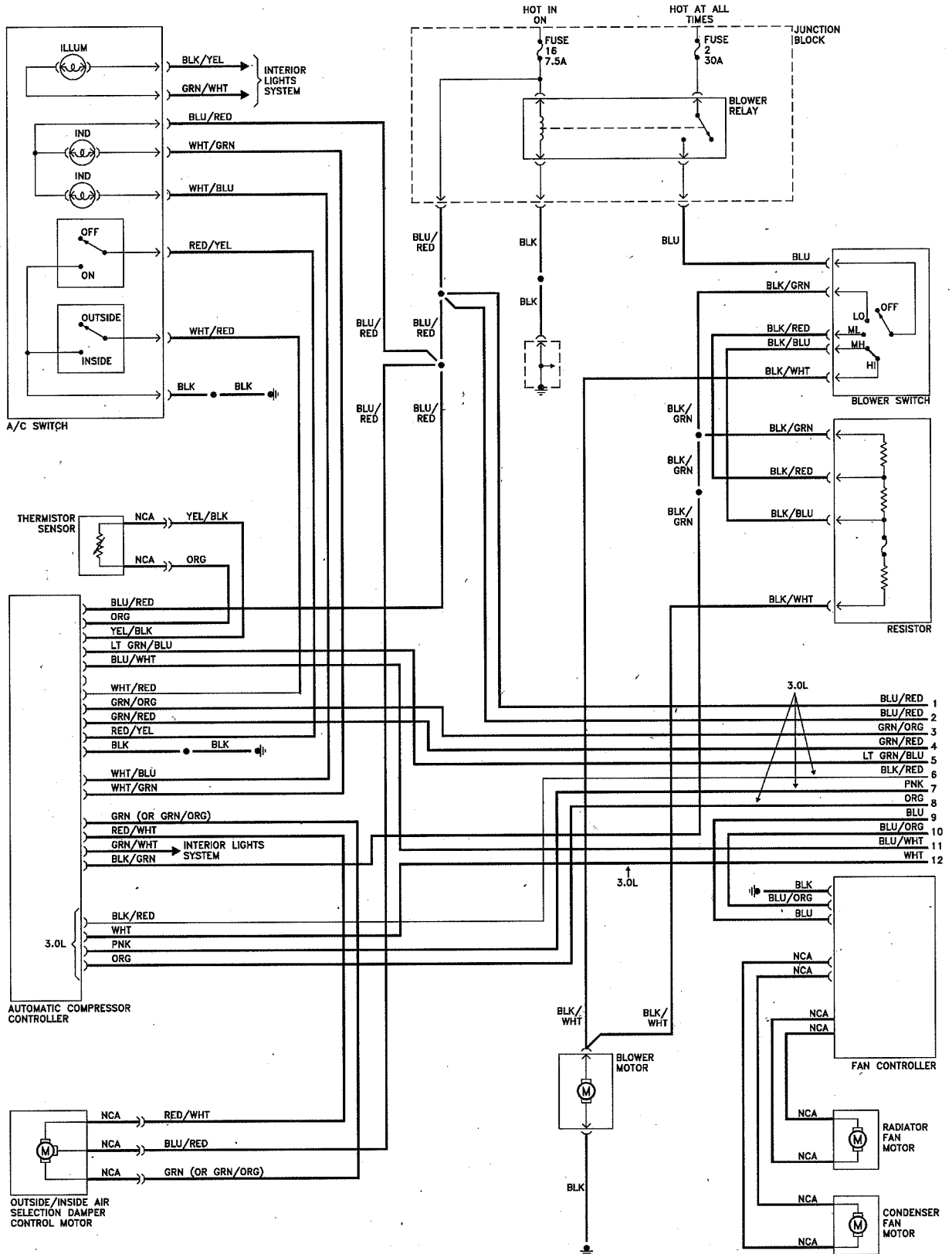
Heating and air conditioning system (manual) - 1999 models (1 of 2)

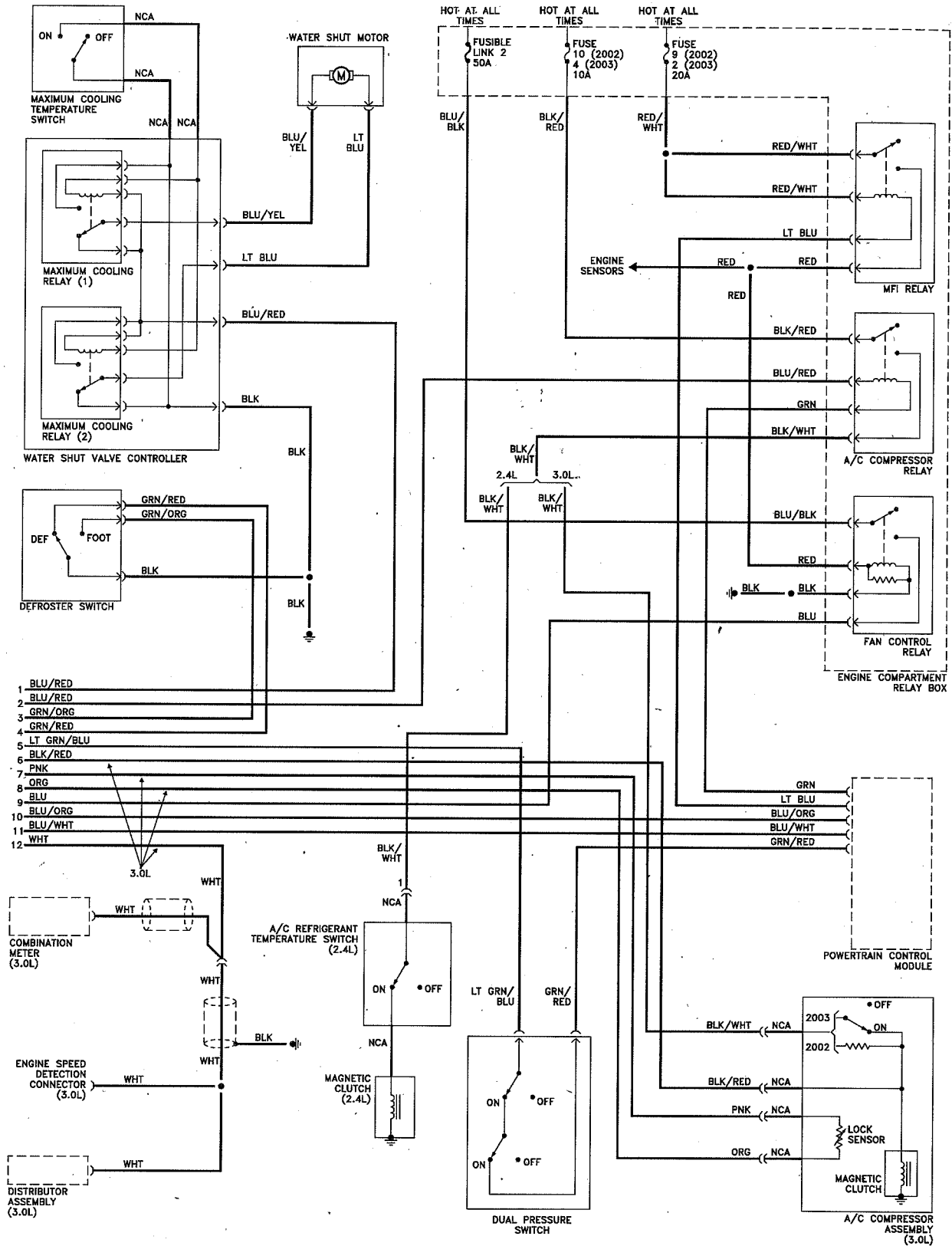






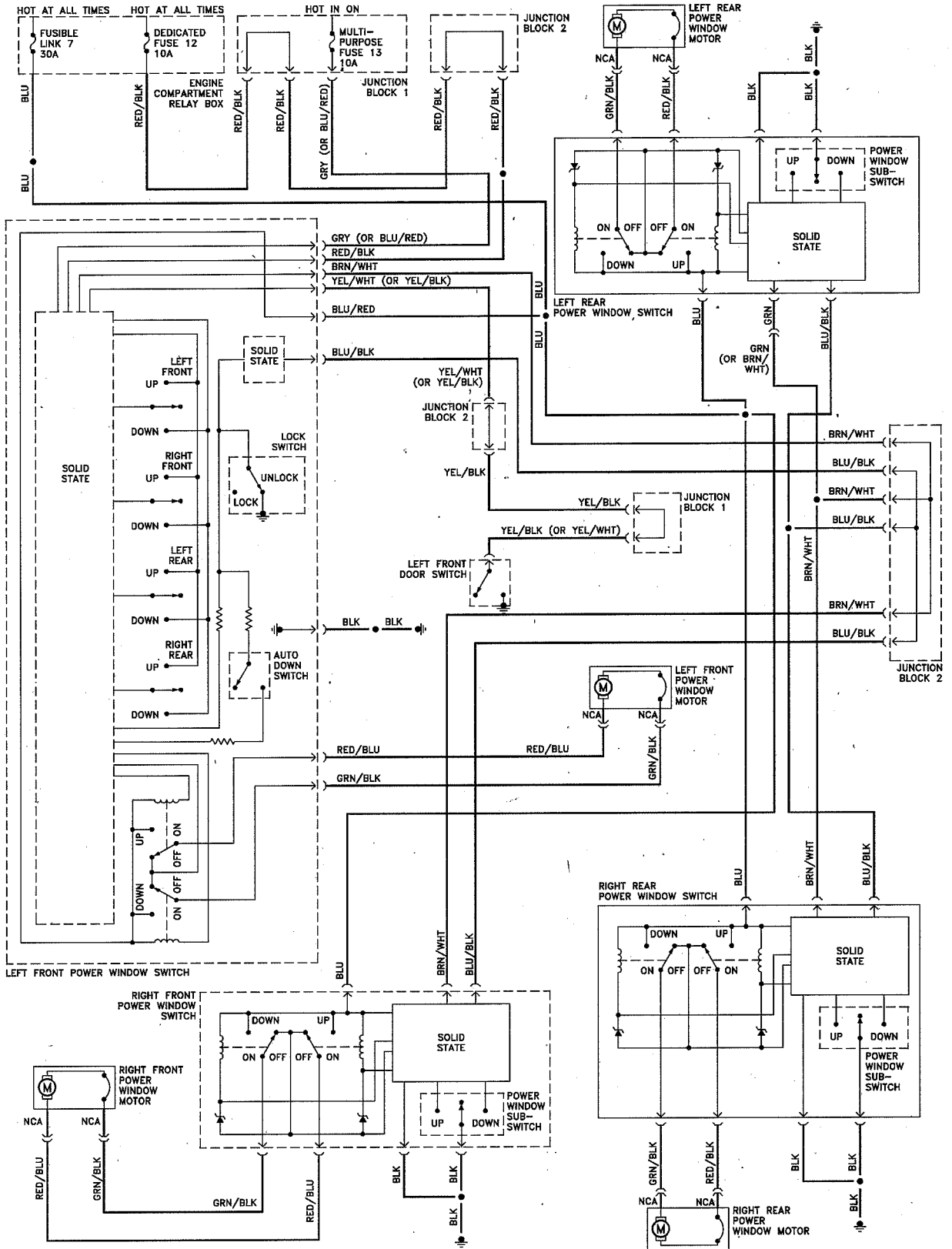
Heating and air conditioning system (manual) - 2000 and 2001 models (2 of 2)



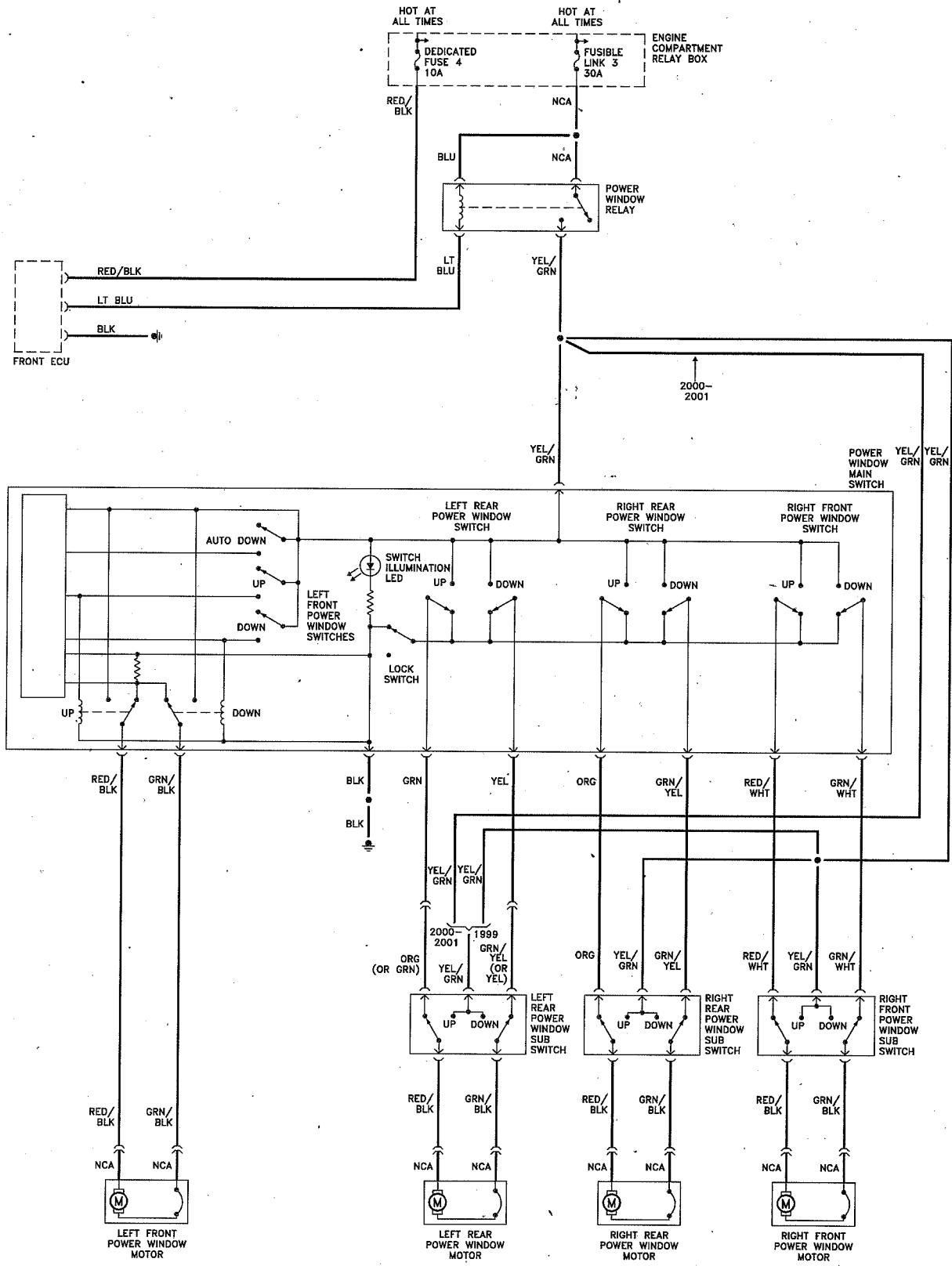


Heating and air conditioning system (manual) - 2002 and later models (2 of 2)

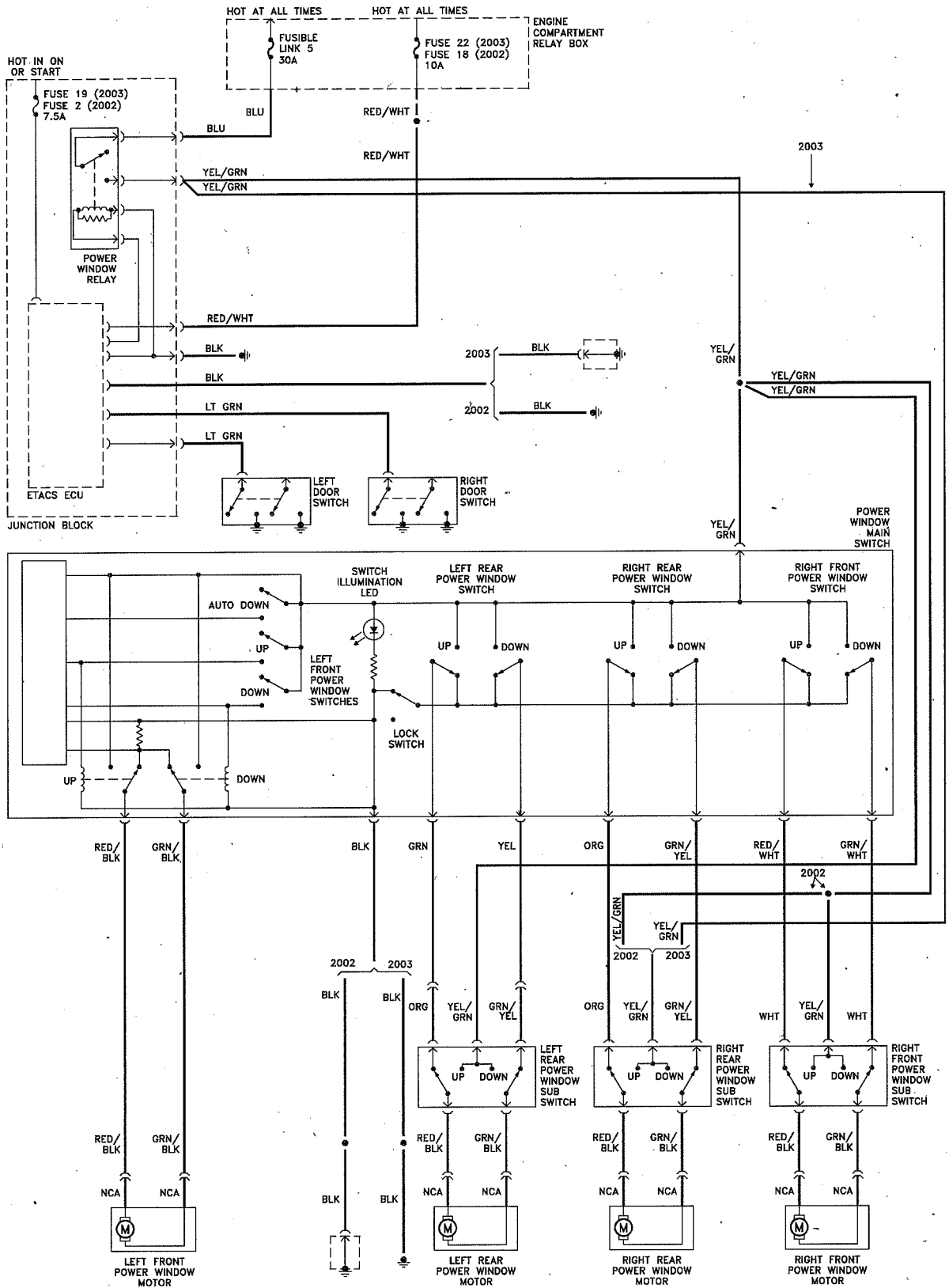




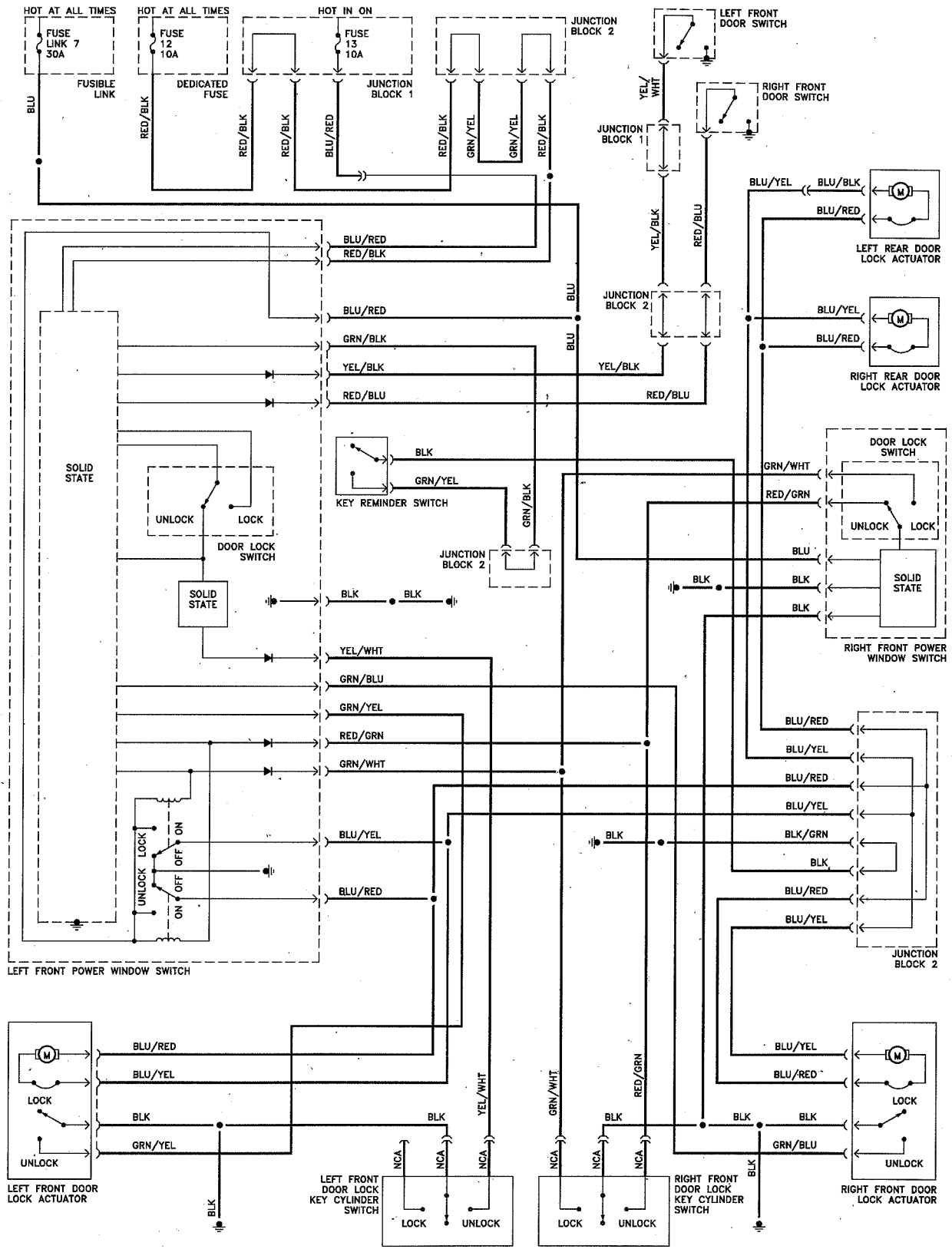
Power window system (1998 and earlier models)



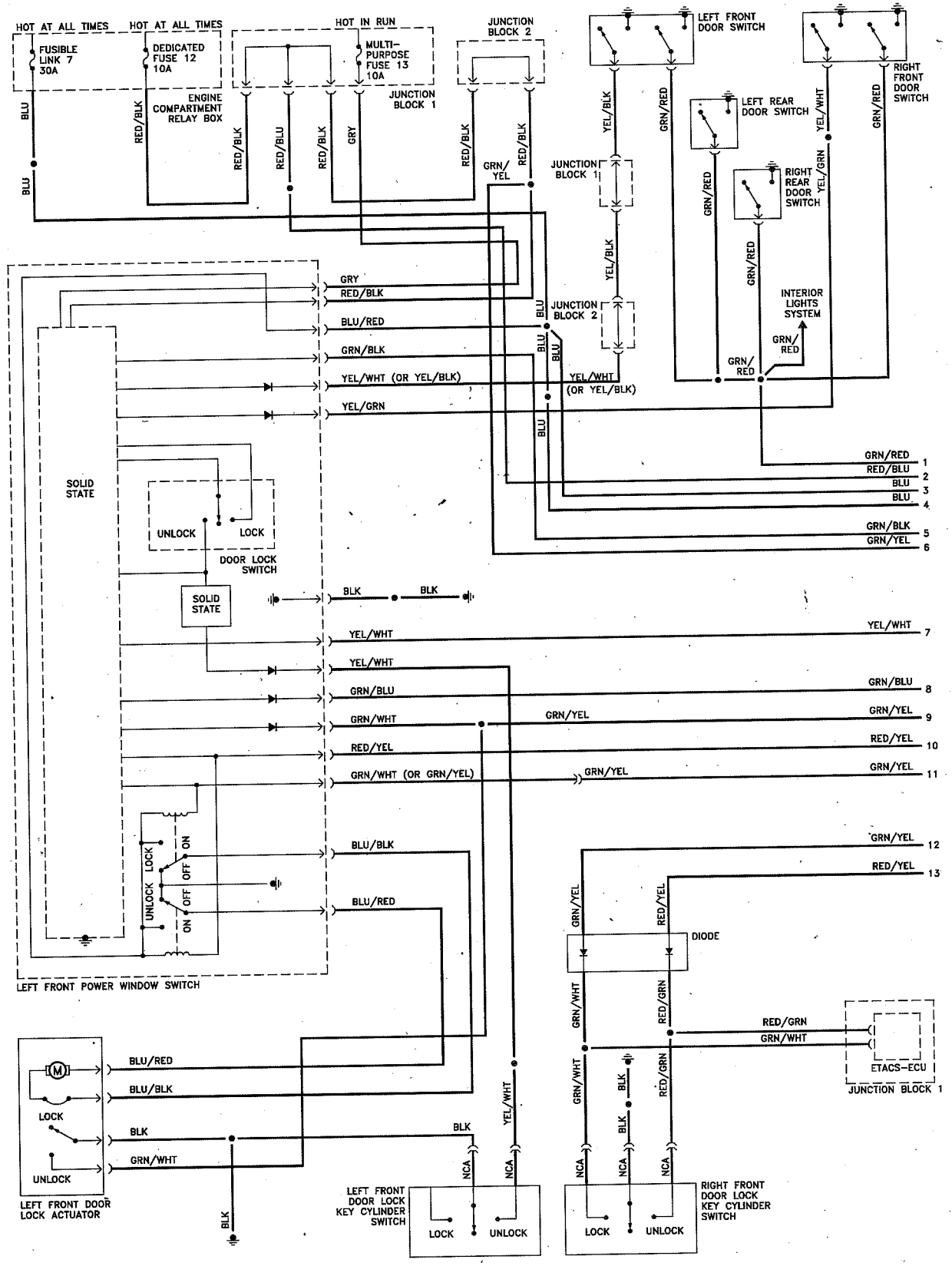
Power window system (1999 through 2001 models)



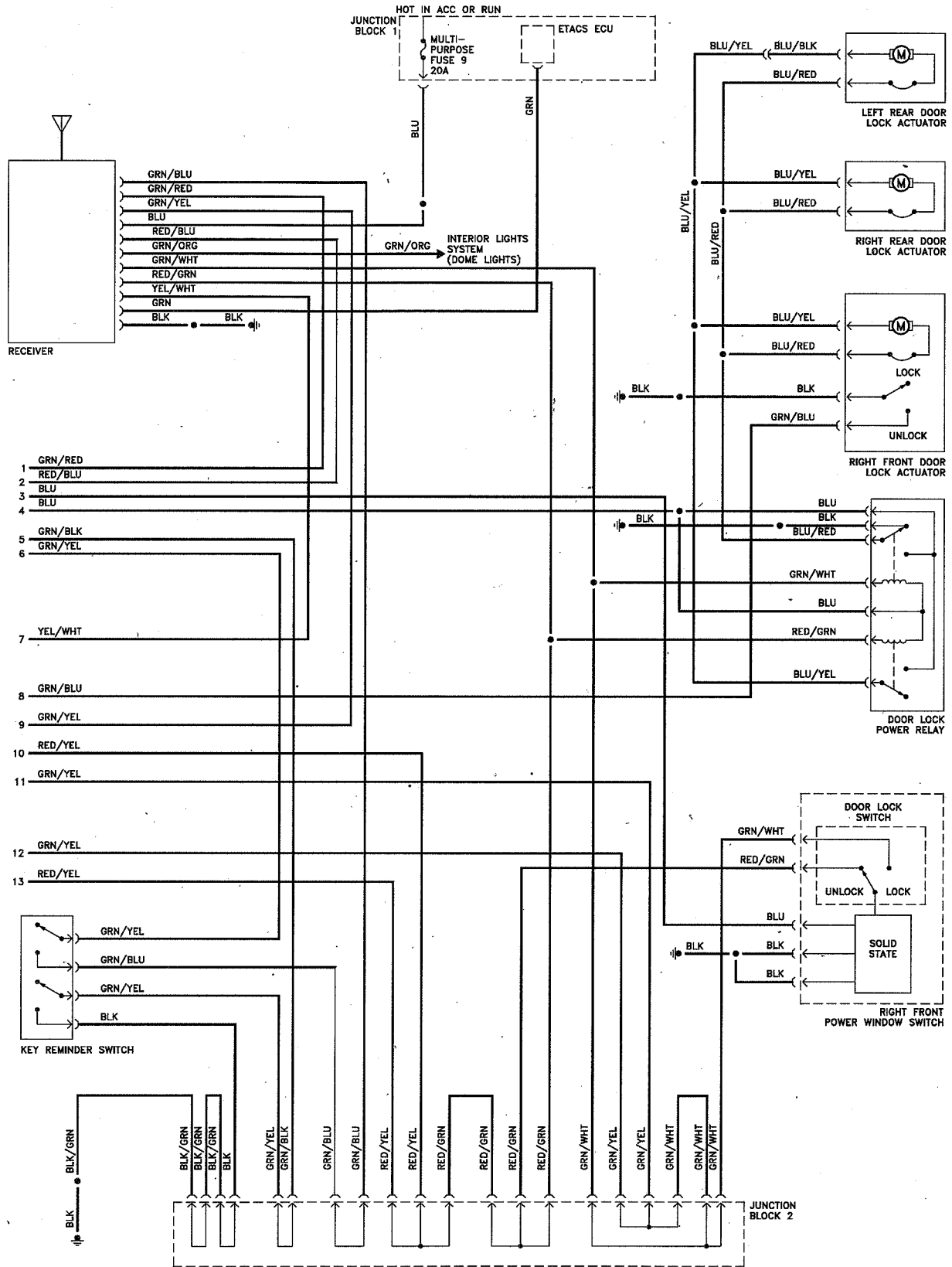
Power window system (2002 and later models)



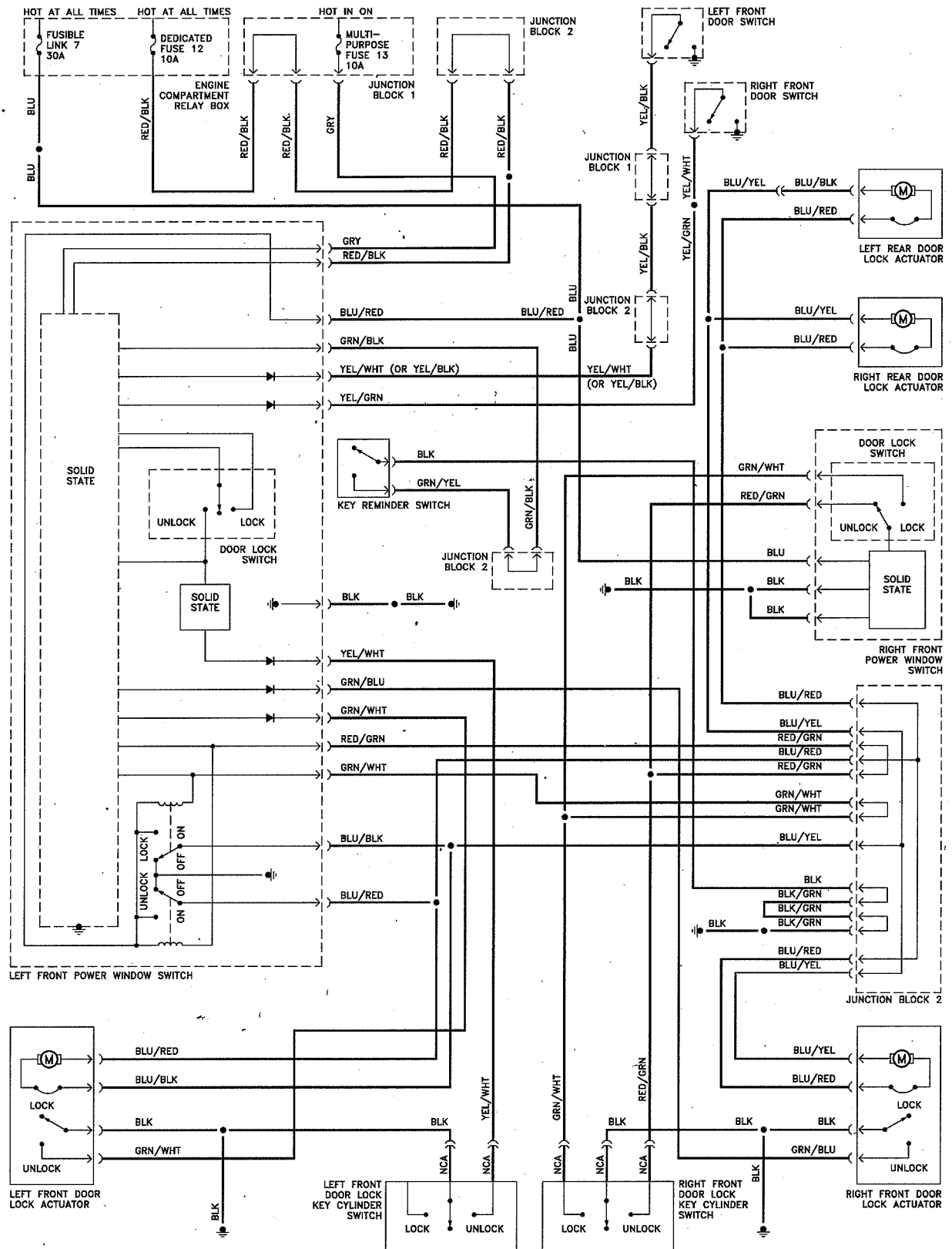
Power door lock system (1995 models)



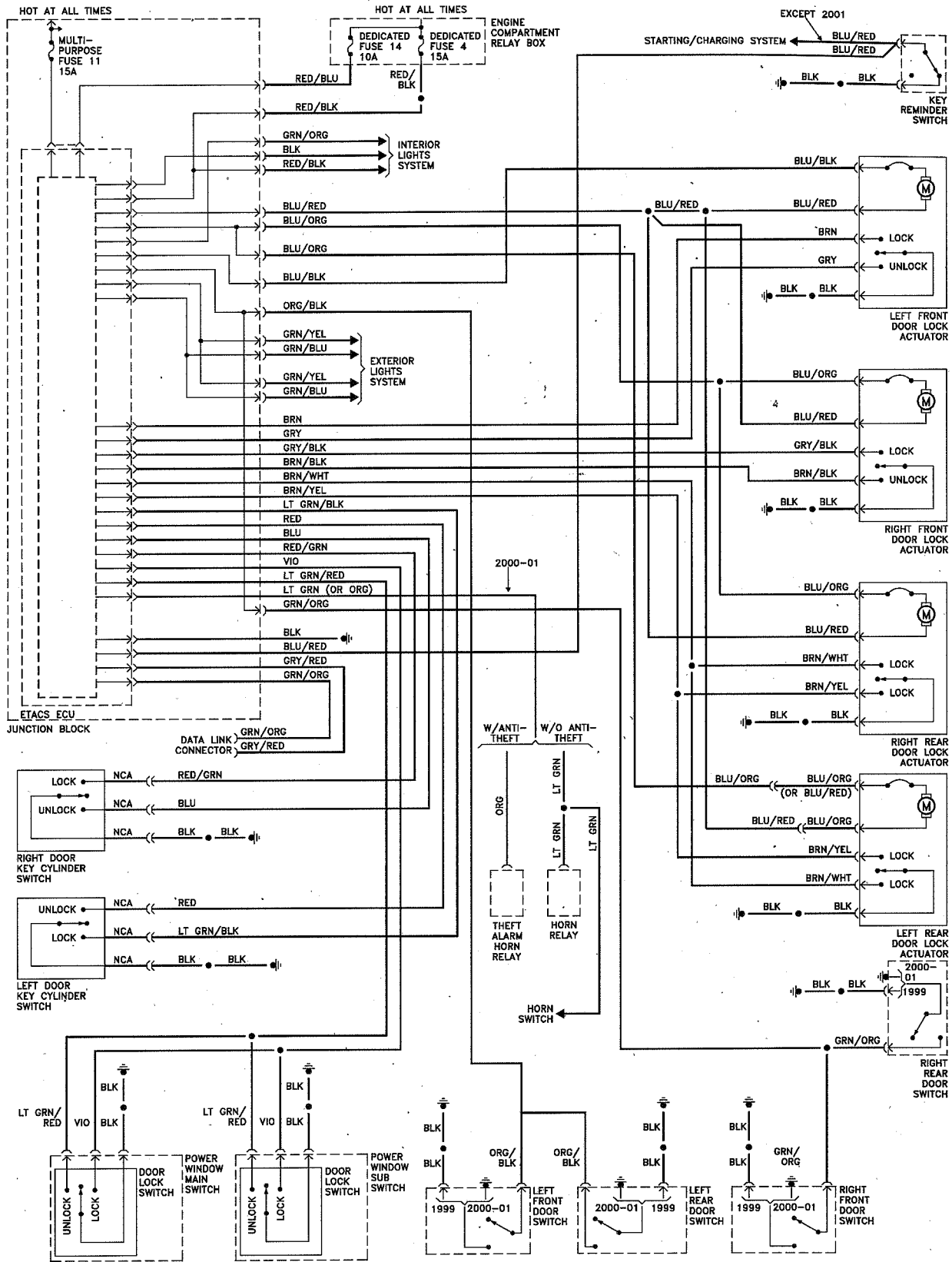
Power door lock system (with keyless entry) - 1996 through 1998 models (1 of 2)



Power door lock system (with keyless entry) - 1996 through 1998 models (2 of 2)

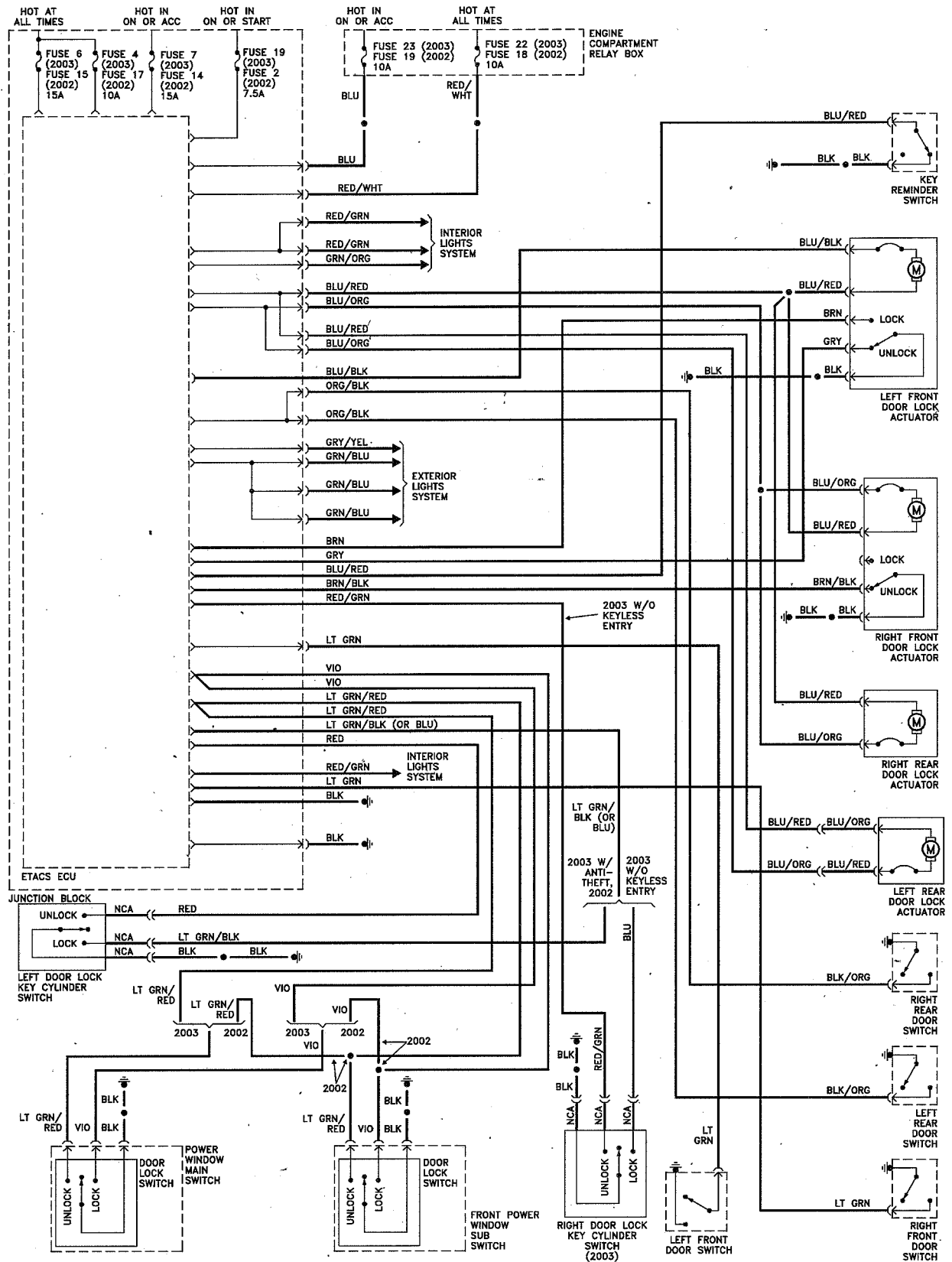


Power door lock system (w/o keyless entry) - 1996 through 1998 models

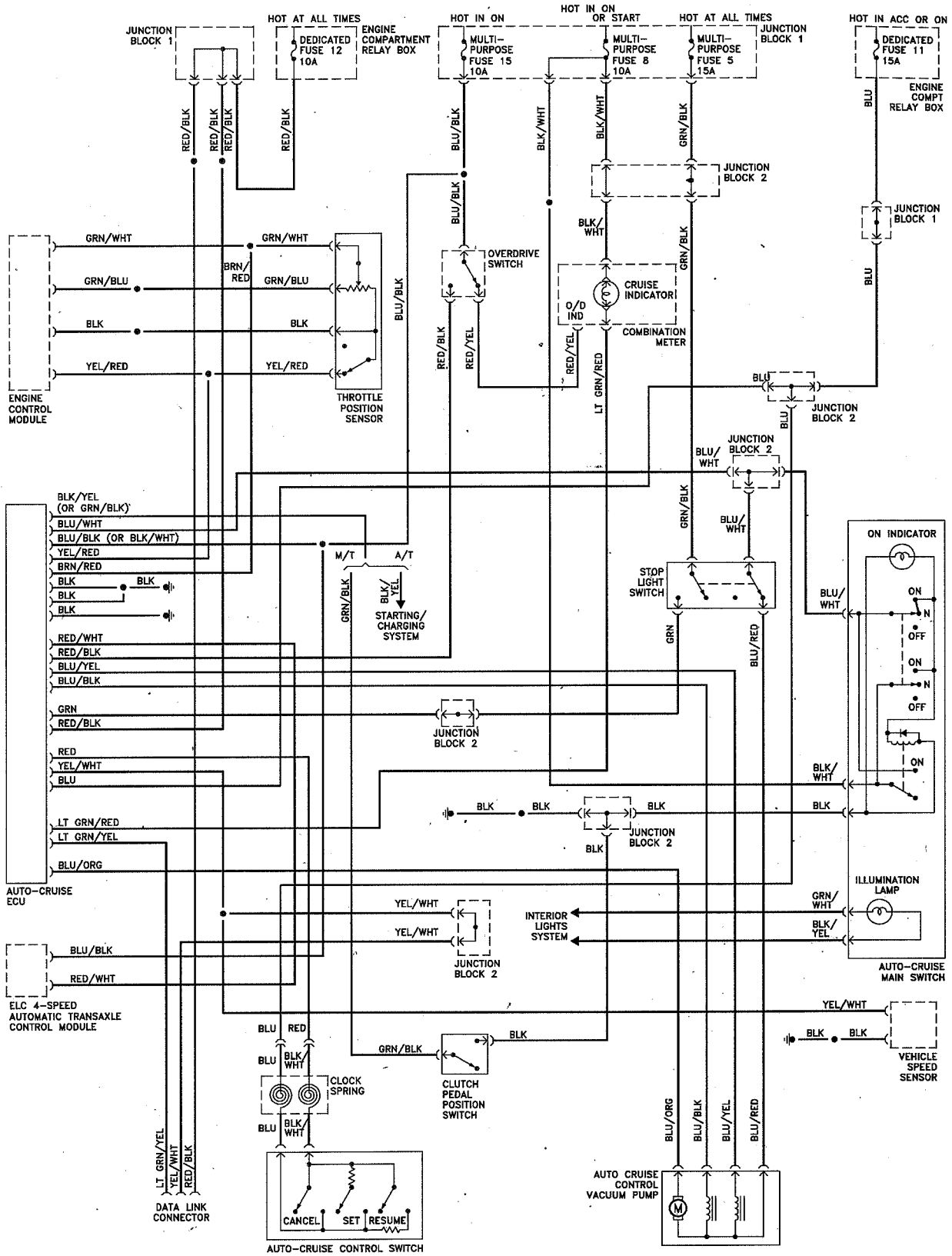


Power door lock system (1999 through 2001 models)

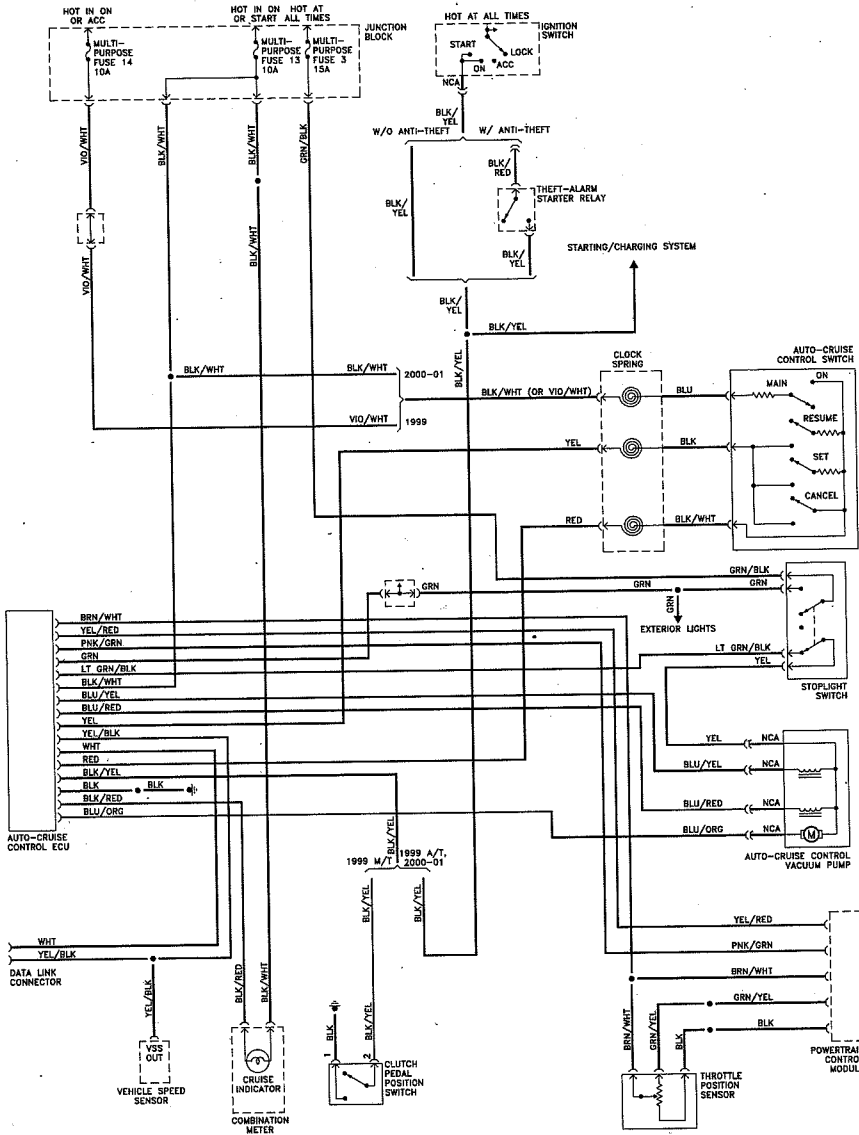




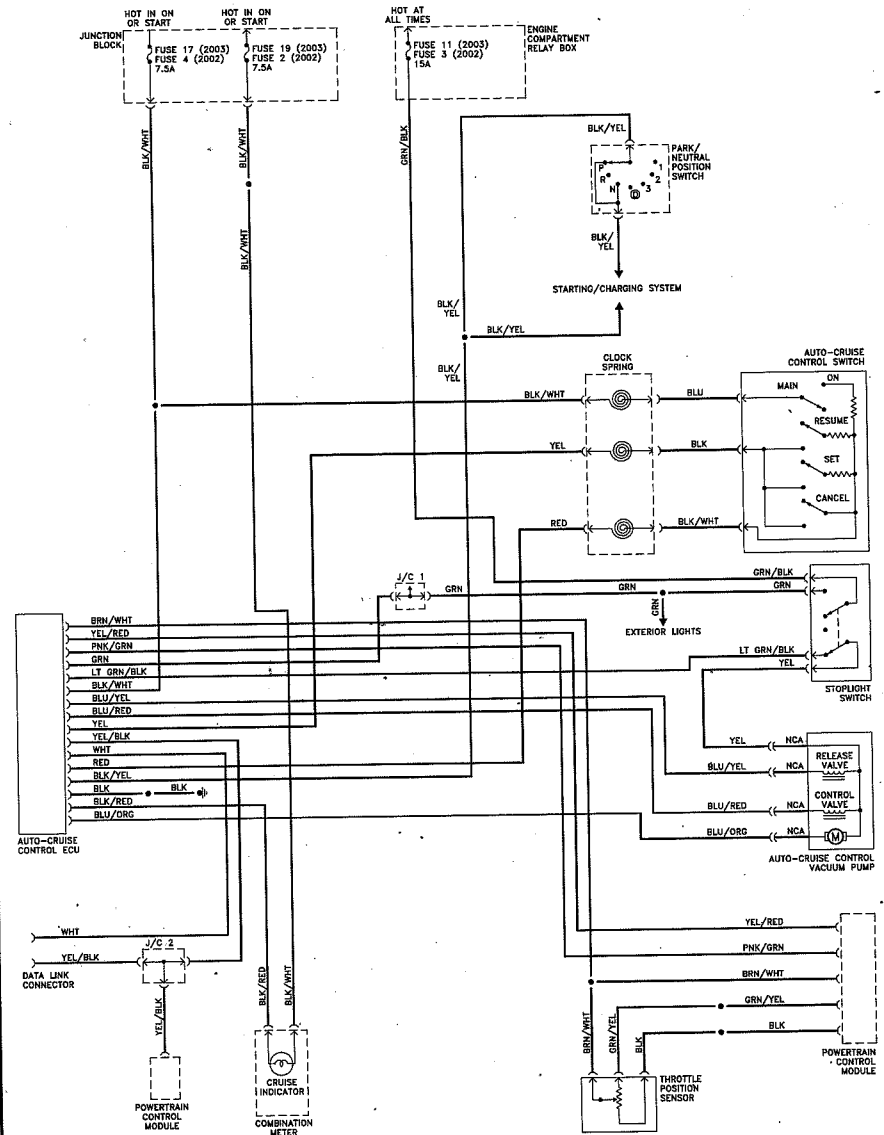
Power door lock system (2002 and later models)



Cruise control system (1998 and earlier models)



Cruise control system (1999 through 2001 models)



Cruise control system (2002 and later models)