
WIRING HARNESS CONFIGURATION DIAGRAMS

CONTENTS

ENGINE COMPARTMENT

L.H. drive vehicles	1-2
R.H. drive vehicles	1-4

ENGINE AND TRANSMISSION ASSEMBLY

4G63-MPI	1-6
4G64-GDI	1-10
6A13-MPI	1-14

DASH PANEL

L.H. drive vehicles	1-18
R.H. drive vehicles	1-26

INSTRUMENT PANEL

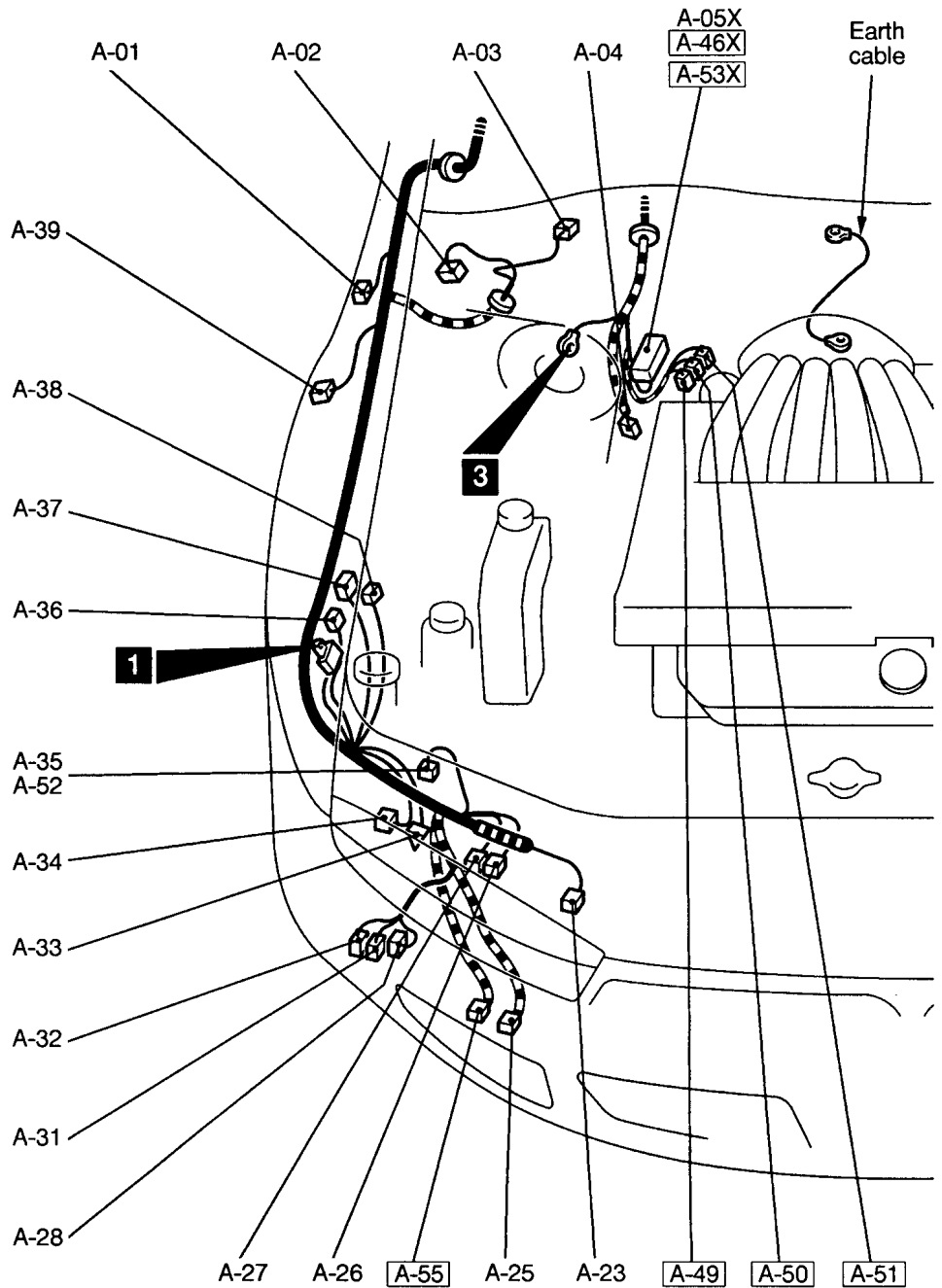
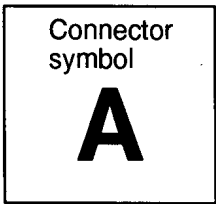
L.H. drive vehicles	1-34
R.H. drive vehicles	1-35

LUGGAGE COMPARTMENT

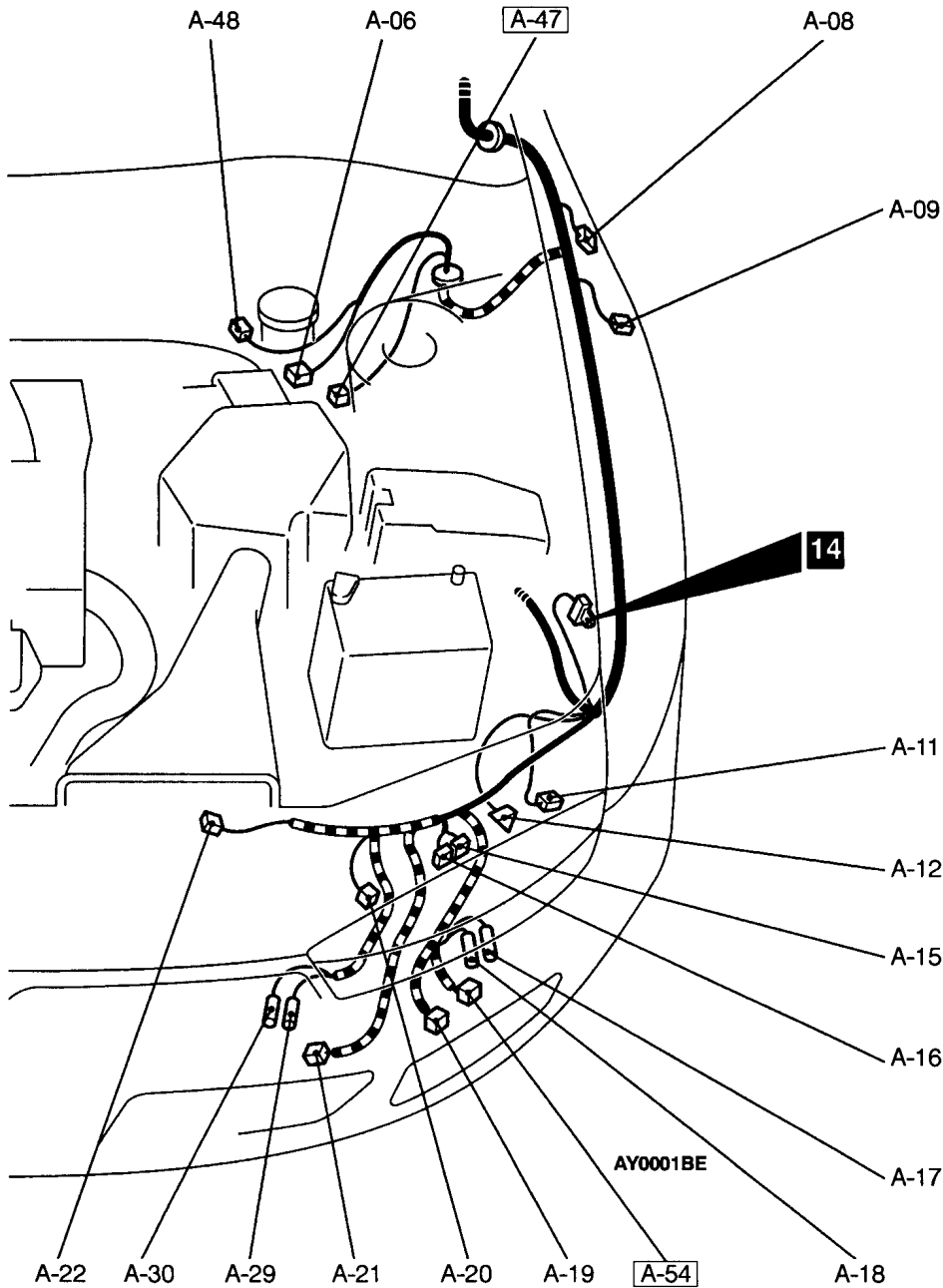
Sedan <L.H. drive vehicles>	1-36
Sedan <R.H. drive vehicles>	1-38

ENGINE COMPARTMENT

L.H. drive vehicles



- | | | | |
|-------------|--------------------------------|-------------|--|
| A-01 (2-GR) | Side turn signal lamp (RH) | A-18 (1) | Horn (HI) |
| A-02 (4-B) | Auto-cruise actuator | A-19 (2-B) | Front fog lamp (LH) <Standard type bumper> |
| A-03 (5-GR) | Windshield wiper motor | A-20 (3-B) | Headlamp (HI: LH) |
| A-04 (25-B) | ABS-ECU | A-21 (2-BR) | Outside thermo sensor <Automatic A/C> |
| A-05X (5) | ABS warning lamp relay | A-22 (3-GR) | Fan controller |
| A-06 (2-GR) | Brake fluid level switch | A-23 (3-B) | Headlamp (HI: RH) |
| A-08 (2-GR) | Side turn signal lamp (LH) | A-25 (2-B) | Front fog lamp (RH) <Standard type bumper> |
| A-09 (2-B) | Wheel speed sensor (Front: LH) | A-26 (2-B) | Position lamp (RH) |
| A-11 (2-B) | Front turn signal lamp (LH) | A-27 (3-B) | Headlamp (LO: RH) |
| A-12 (3) | Headlamp leveling unit (LH) | A-28 (4-B) | Headlamp washer motor |
| A-15 (3-B) | Headlamp (LO: LH) | A-29 (1) | Horn (LO) |
| A-16 (2-B) | Position lamp (LH) | | |
| A-17 (1) | Horn (HI) | | |



Connector colour code
 B: Black
 Y: Yellow
 L: Blue
 G: Green
 R: Red
 BR: Brown
 V: Violet
 O: Orange
 GR: Gray

- A-30 (1) Horn (LO)
- A-31 (2-B) Windshield washer motor
- A-32 (2) Rear washer motor
- A-33 (3) Headlamp leveling unit (RH)
- A-34 (2-B) Front turn signal lamp (RH)
- A-35 (2-BR) Dual pressure switch <A/C (Except GDI)>
- A-36 (6-GR) Headlamp washer relay
- A-37 (12-B) DRL-ECU
- A-38 (4) DRL relay
- A-39 (2-B) Wheel speed sensor <Front: RH>
- A-46X (5-B) Valve relay <ASC>
- A-47 (3-B) Pressure sensor <ASC>
- A-48 (3-B) Brake vacuum sensor <GDI>

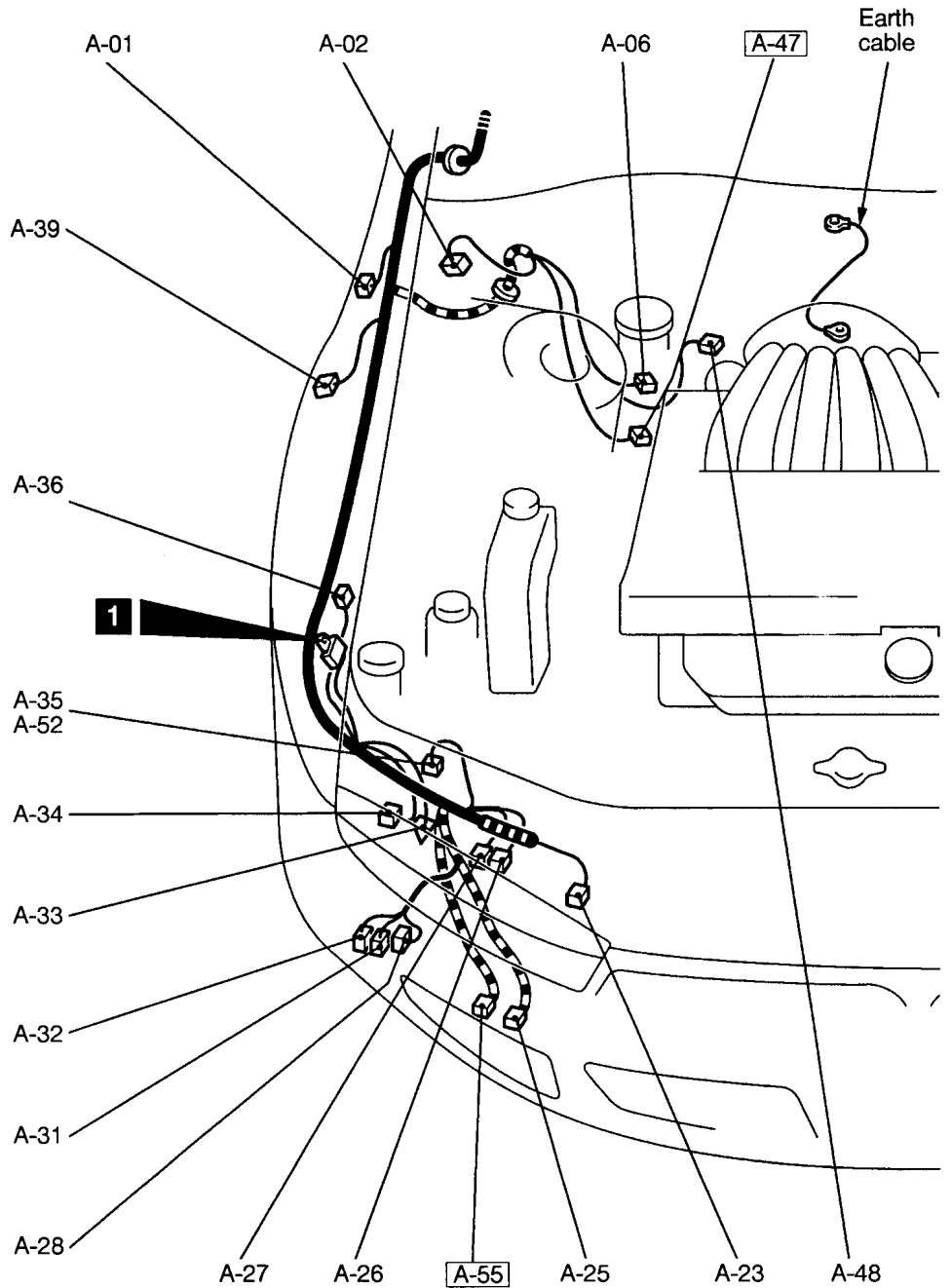
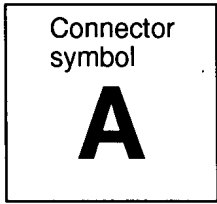
- A-49 (3-B) Hydraulic unit 3 <ASC>
- A-50 (12-B) Hydraulic unit 1 <ASC>
- A-51 (4-B) Hydraulic unit 2 <ASC>
- A-52 (3-B) A/C pressure sensor <GDI>
- A-53X (5) Motor relay <ASC>
- A-54 (2-B) Front fog lamp (LH) <Large type bumper>
- A-55 (2-B) Front fog lamp (RH) <Large type bumper>

NOTE

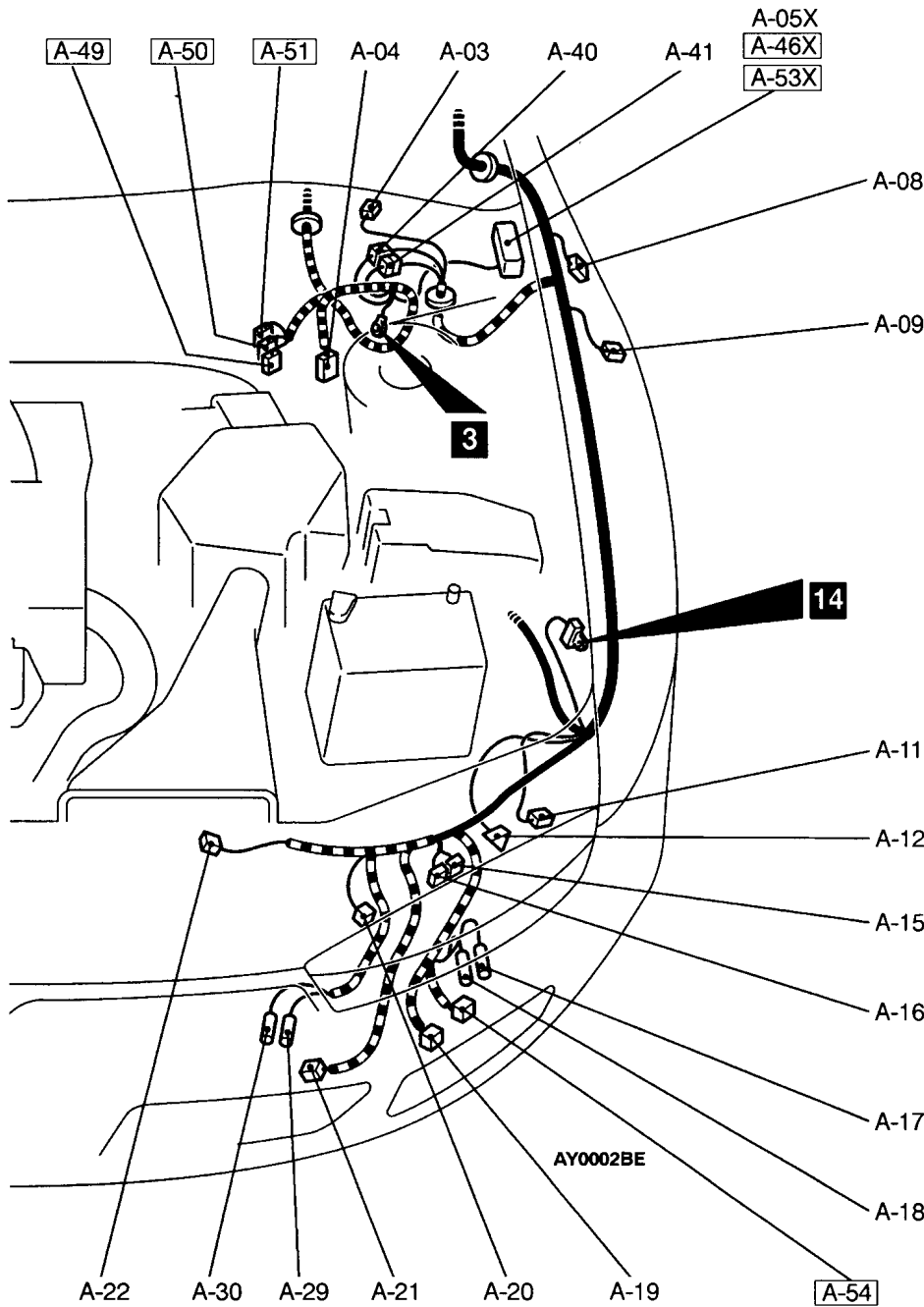
Connector numbers in are connector numbers which have been added.

ENGINE COMPARTMENT

R.H. drive vehicles



- | | | | |
|-------------|--------------------------------|-------------|--|
| A-01 (2-GR) | Side turn signal lamp (RH) | A-19 (2-B) | Front fog lamp (LH) <Standard type bumper> |
| A-02 (4-B) | Auto-cruise actuator | A-20 (3-B) | Headlamp (Hi: LH) |
| A-03 (5-GR) | Windshield wiper motor | A-21 (2-BR) | Outside thermo sensor <Automatic A/C> |
| A-04 (25-B) | ABS-ECU | A-22 (3-GR) | Fan controller |
| A-05X (5) | ABS warning lamp relay | A-23 (3-B) | Headlamp (Hi: RH) |
| A-06 (2-GR) | Brake fluid level switch | A-25 (2-B) | Front fog lamp (RH) <Standard type bumper> |
| A-08 (2-GR) | Side turn signal lamp (LH) | A-26 (2-B) | Position lamp (RH) |
| A-09 (2-B) | Wheel speed sensor (Front: LH) | A-27 (3-B) | Headlamp (LO: RH) |
| A-11 (2-B) | Front turn signal lamp (LH) | A-28 (4-B) | Headlamp washer motor |
| A-12 (3) | Headlamp leveling unit (LH) | A-29 (1) | Horn (LO) |
| A-15 (3-B) | Headlamp (LO: LH) | A-30 (1) | Horn (LO) |
| A-16 (2-B) | Position lamp (LH) | A-31 (2-B) | Windshield washer motor |
| A-17 (1) | Horn (HI) | | |
| A-18 (1) | Horn (HI) | | |



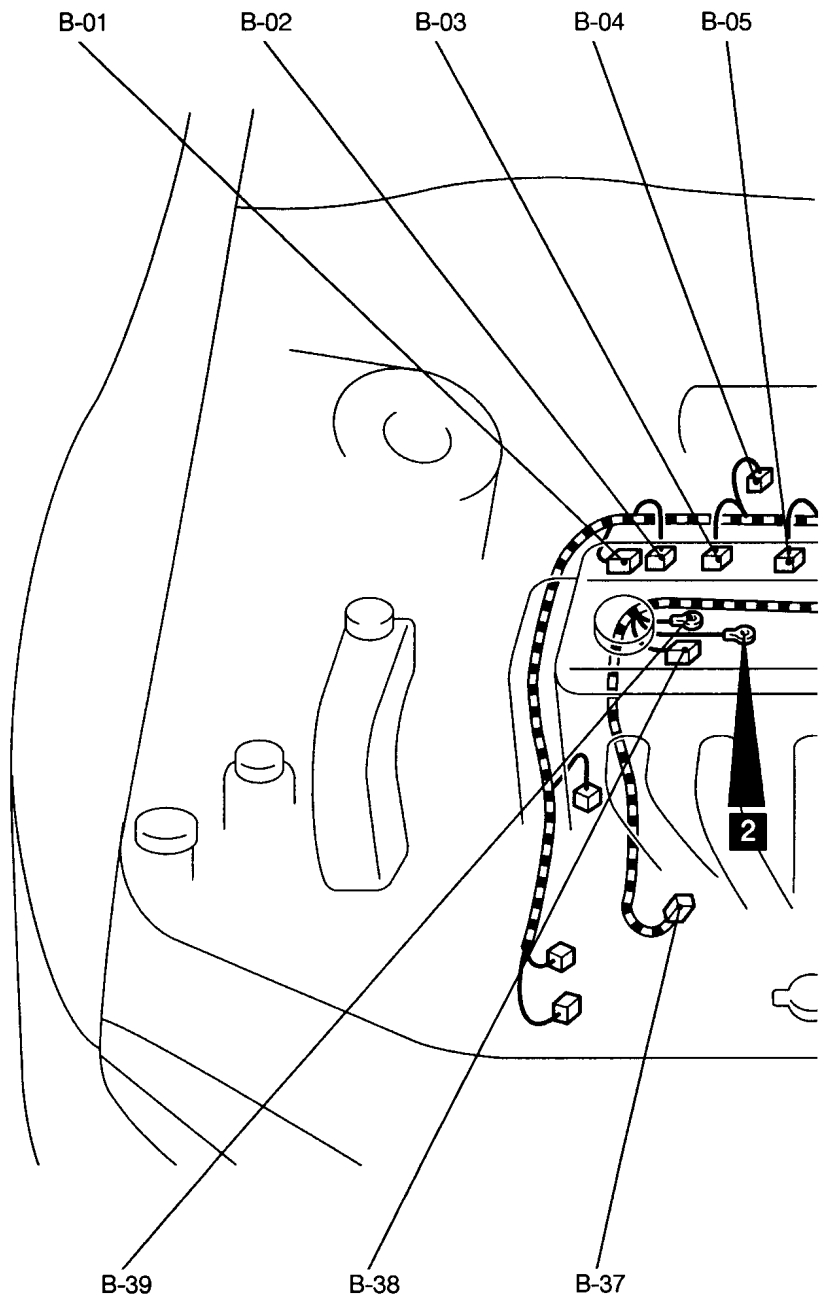
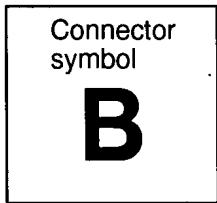
Connector colour code
 B: Black
 Y: Yellow
 L: Blue
 G: Green
 R: Red
 BR: Brown
 V: Violet
 O: Orange
 GR: Gray

- | | | | |
|--------------------|--|--------------------|---|
| A-32 (2) | Rear washer motor | A-49 (3-B) | Hydraulic unit 3 <ASC> |
| A-33 (3) | Headlamp leveling unit (RH) | A-50 (12-B) | Hydraulic unit 1 <ASC> |
| A-34 (2-B) | Front turn signal lamp (RH) | A-51 (4-B) | Hydraulic unit 2 <ASC> |
| A-35 (2-BR) | Dual pressure switch <A/C (Except GDI)> | A-52 (3-B) | A/C pressure sensor <GDI> |
| A-36 (6-GR) | Headlamp washer relay | A-53X (5) | Motor relay <ASC> |
| A-39 (2-B) | Wheel speed sensor (Front: RH) | A-54 (2-B) | Front fog lamp (LH) <Large type bumper> |
| A-40 (2-B) | Front wiring harness (LH) and ABS wiring harness combination | A-55 (2-B) | Front fog lamp (RH) <Large type bumper> |
| A-41 (3-B) | Front wiring harness (LH) and ABS wiring harness combination | | |
| A-46X (5-B) | Valve relay <ASC> | | |
| A-47 (3-B) | Pressure sensor <ASC> | | |
| A-48 (3-B) | Brake vacuum sensor <GDI> | | |

NOTE
 Connector numbers in are connector numbers which have been added.

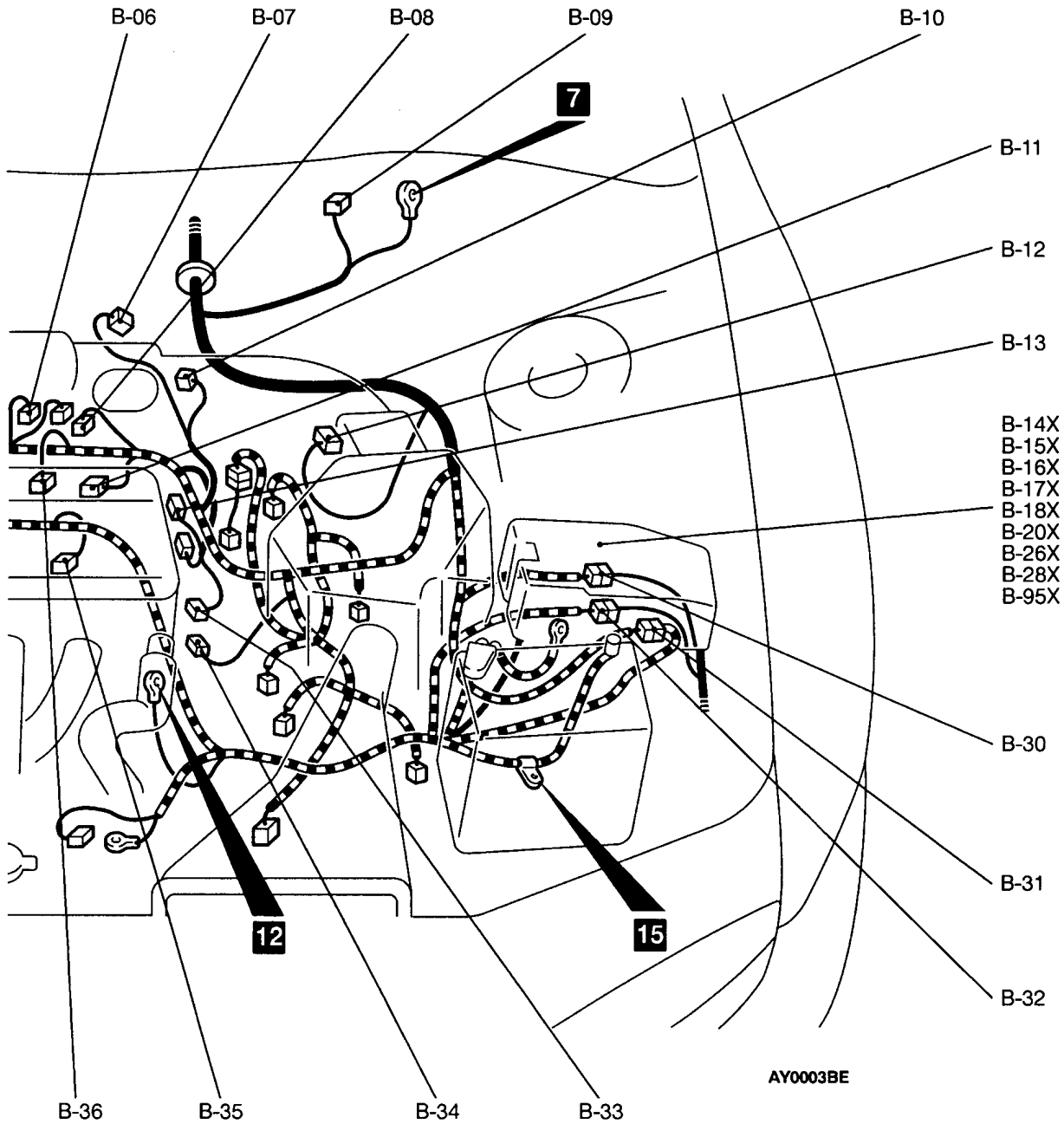
ENGINE AND TRANSMISSION ASSEMBLY

4G63-MPI



Connector colour code
 B: Black
 Y: Yellow
 L: Blue
 G: Green
 R: Red
 BR: Brown
 V: Violet
 O: Orange
 GR: Gray

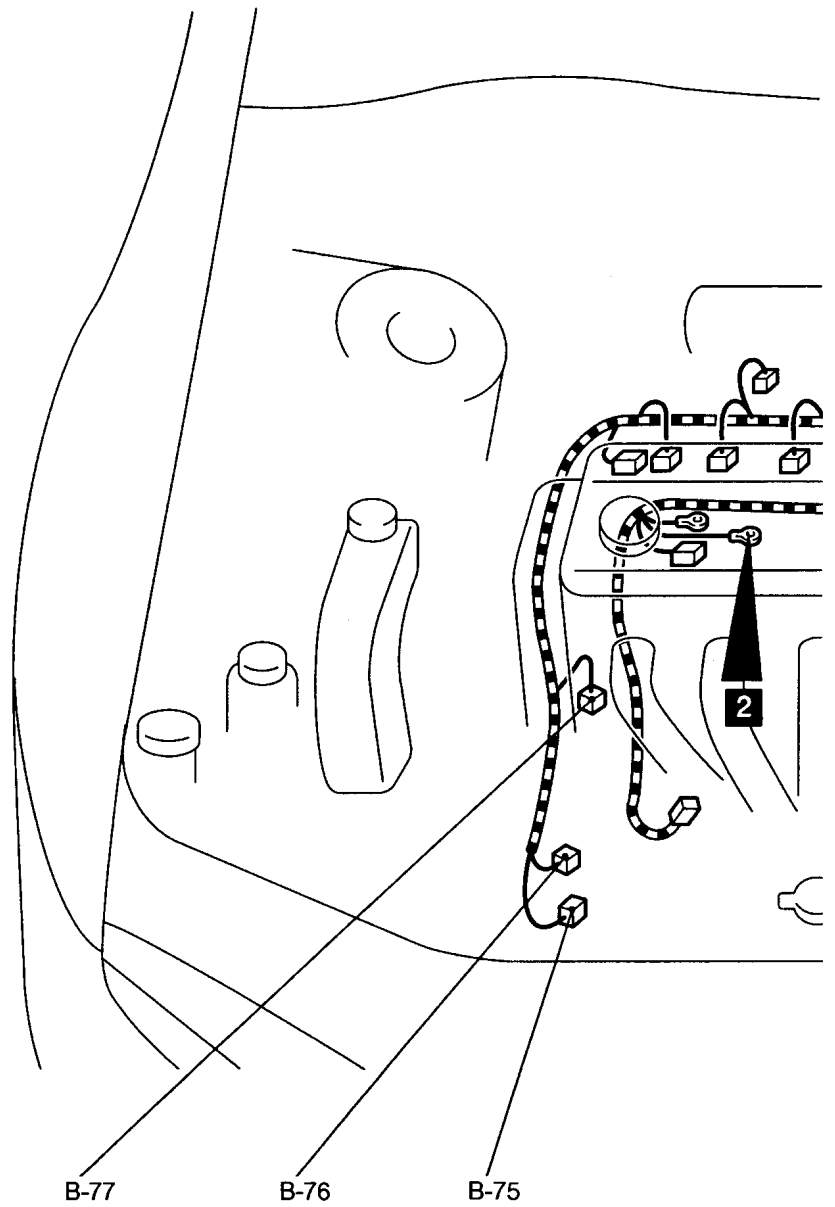
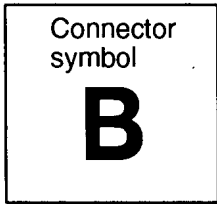
B-01 (3-GR)	Ignition coil No.2	B-10 (6-B)	Idle speed control servo
B-02 (2-GR)	Injector 1	B-11 (3-GR)	Ignition coil No.1
B-03 (2-GR)	Injector 2	B-12 (7-B)	Air flow sensor
B-04 (2-B)	Purge control solenoid valve	B-13 (1-B)	Capasitor
B-05 (2-GR)	Injector 3	B-14X (5)	Tail lamp relay
B-06 (2-BR)	EGR solenoid valve	B-15X (5)	Power window relay
B-07 (4-B)	Throttle position sensor	B-16X (5)	Front fog lamp relay
B-08 (1-B)	Engine coolant temperature gauge unit	B-17X (5)	Horn relay
B-09 (3-B)	Inspection connector	B-18X (5)	Headlamp relay (LO)



AY0003BE

B-20X (4)	Fan control relay	B-33 (2-B)	Engine coolant temperature sensor
B-26X (4)	Alternator relay	B-34 (2-GR)	Detonation sensor
B-28X (5)	A/C compressor relay	B-35 (1-B)	Oil pressure switch
B-30 (12-B)	Control wiring harness and front wiring harness (LH) combination	B-36 (2-GR)	Injector 4
B-31 (4-B)	Control wiring harness and battery wiring harness combination	B-37 (2-B)	Engine oil level sensor
B-32 (4-GR)	Battery wiring harness and front wiring harness (LH) combination	B-38 (4-GR)	Alternator
		B-39 (1)	Alternator
		B-95X (5)	Headlamp relay (HI)

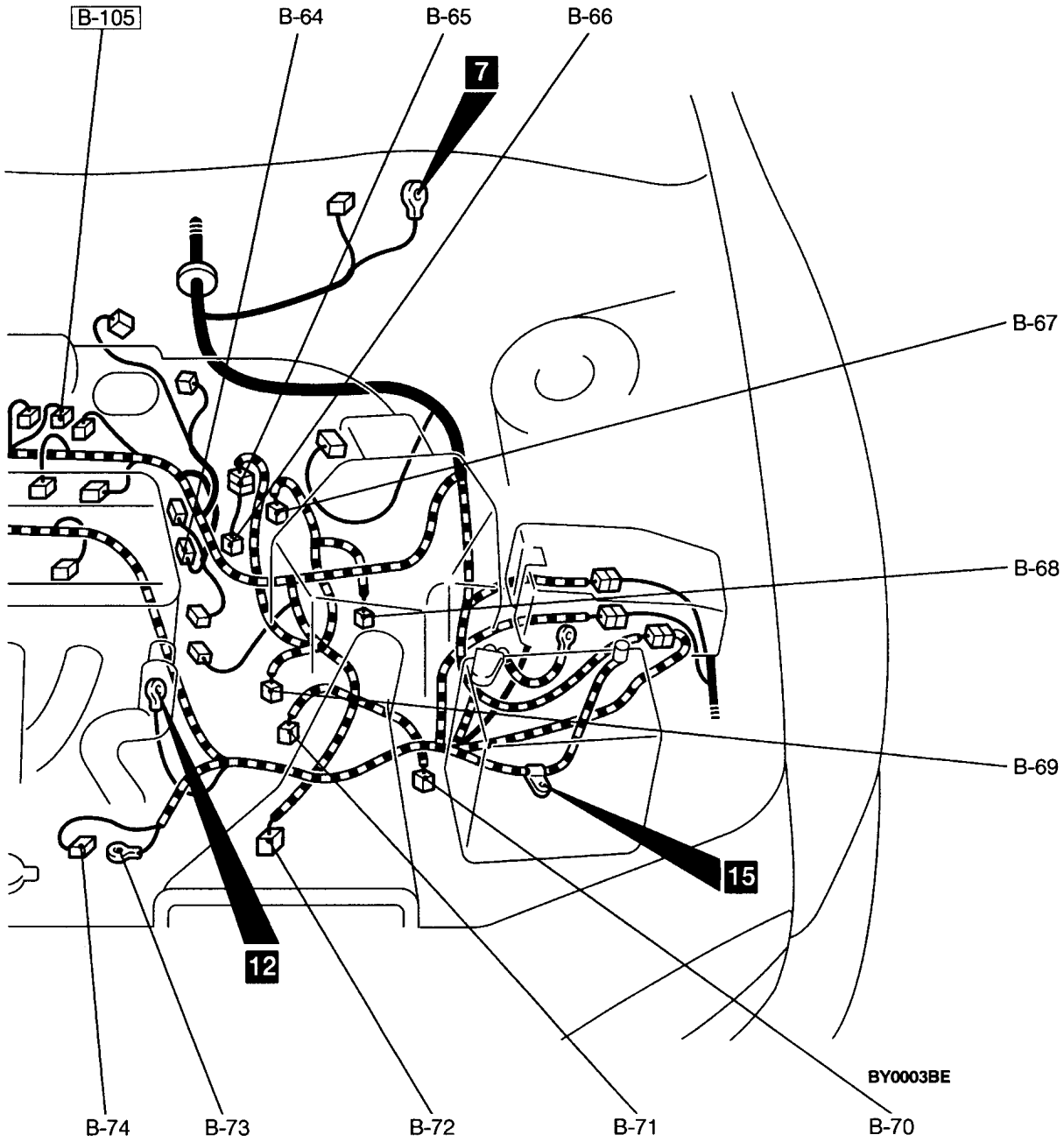
4G63-MPI



Connector colour code
 B: Black
 Y: Yellow
 L: Blue
 G: Green
 R: Red
 BR: Brown
 V: Violet
 O: Orange
 GR: Gray

- B-64 (3-B) Camshaft position sensor
- B-65 (3-B) Control wiring harness and vehicle speed sensor wiring harness combination <M/T>
- B-66 (3-B) Vehicle speed sensor <M/T>

- B-67 (3-B) Vehicle speed sensor <A/T>
- B-68 (3-GR) Output shaft speed sensor <A/T>
- B-69 (2-B) Back-up lamp switch <M/T>
- B-70 (10-GR) A/T control solenoid valve assembly



BY0003BE

- B-71 (3-B) Input shaft speed sensor <A/T>
- B-72 (10-B) Inhibitor switch <A/T>
- B-73 (1) Starter
- B-74 (1-B) Starter
- B-75 (1-B) A/C compressor assembly
- B-76 (1) Power steering oil pressure switch

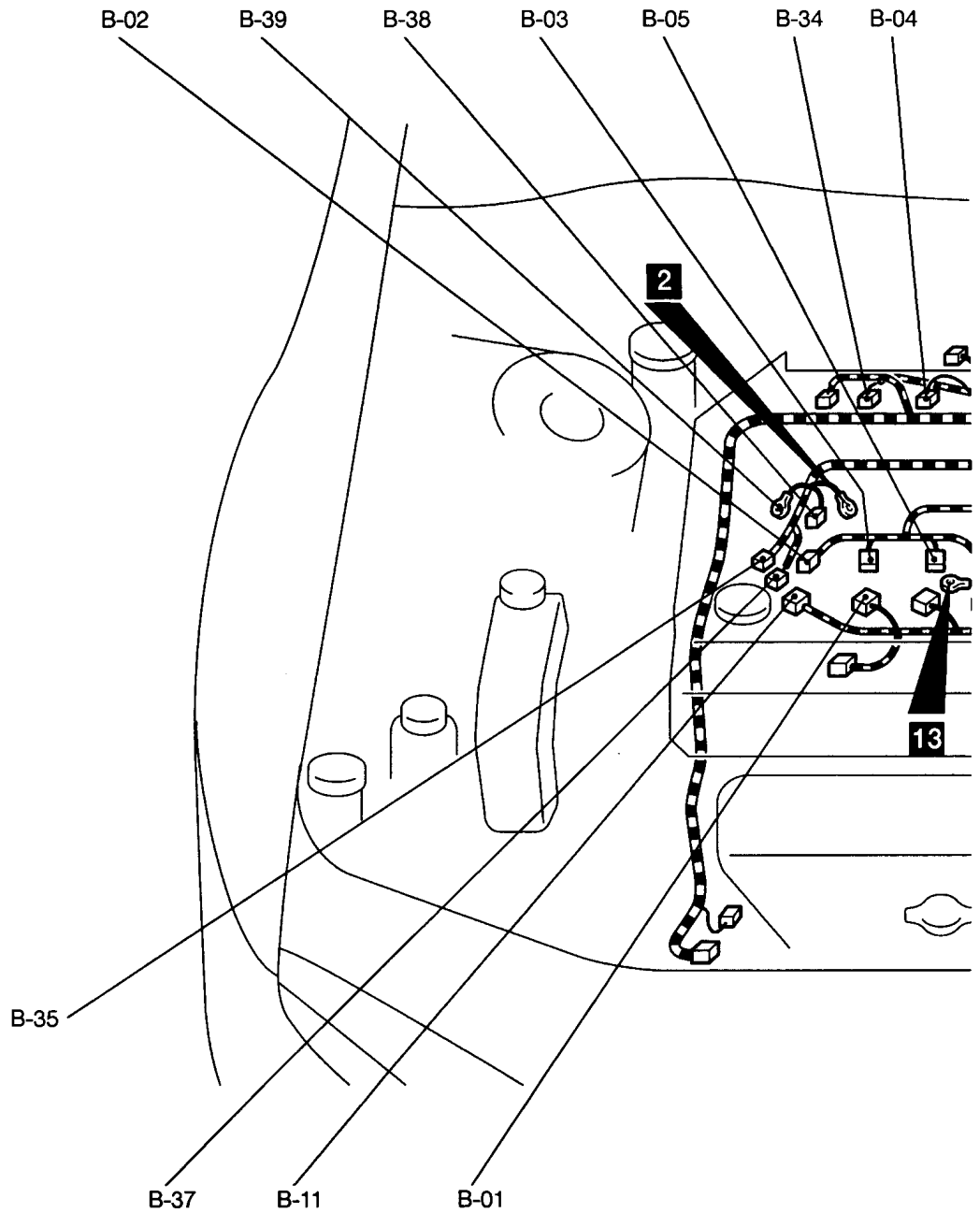
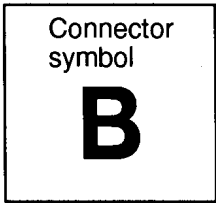
- B-77 (3-B) Crank angle sensor
- B-105 (4-B) Ignition failure sensor

NOTE

Connector number in are connector numbers which have been added.

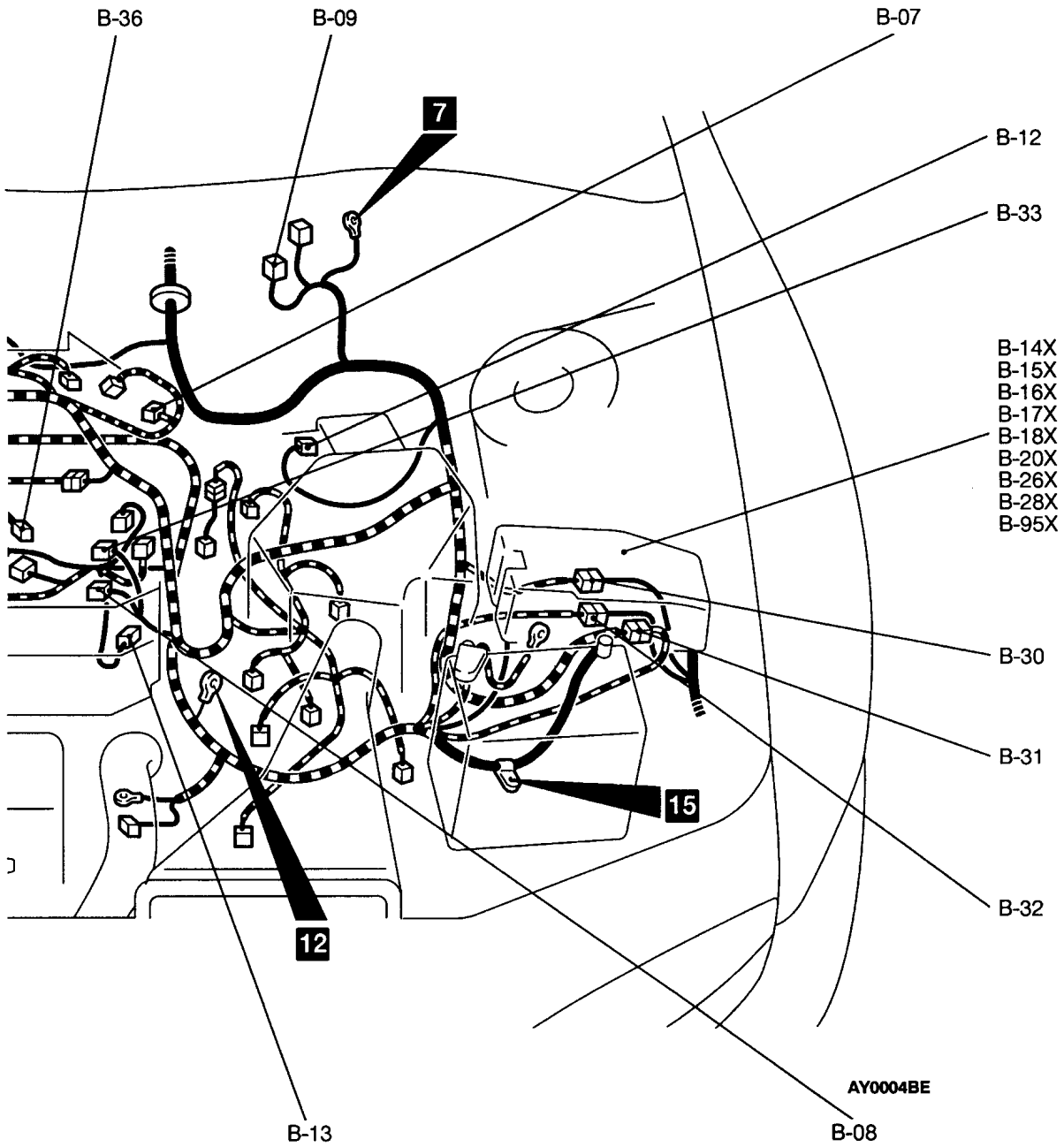
ENGINE AND TRANSMISSION ASSEMBLY

4G64-GDI



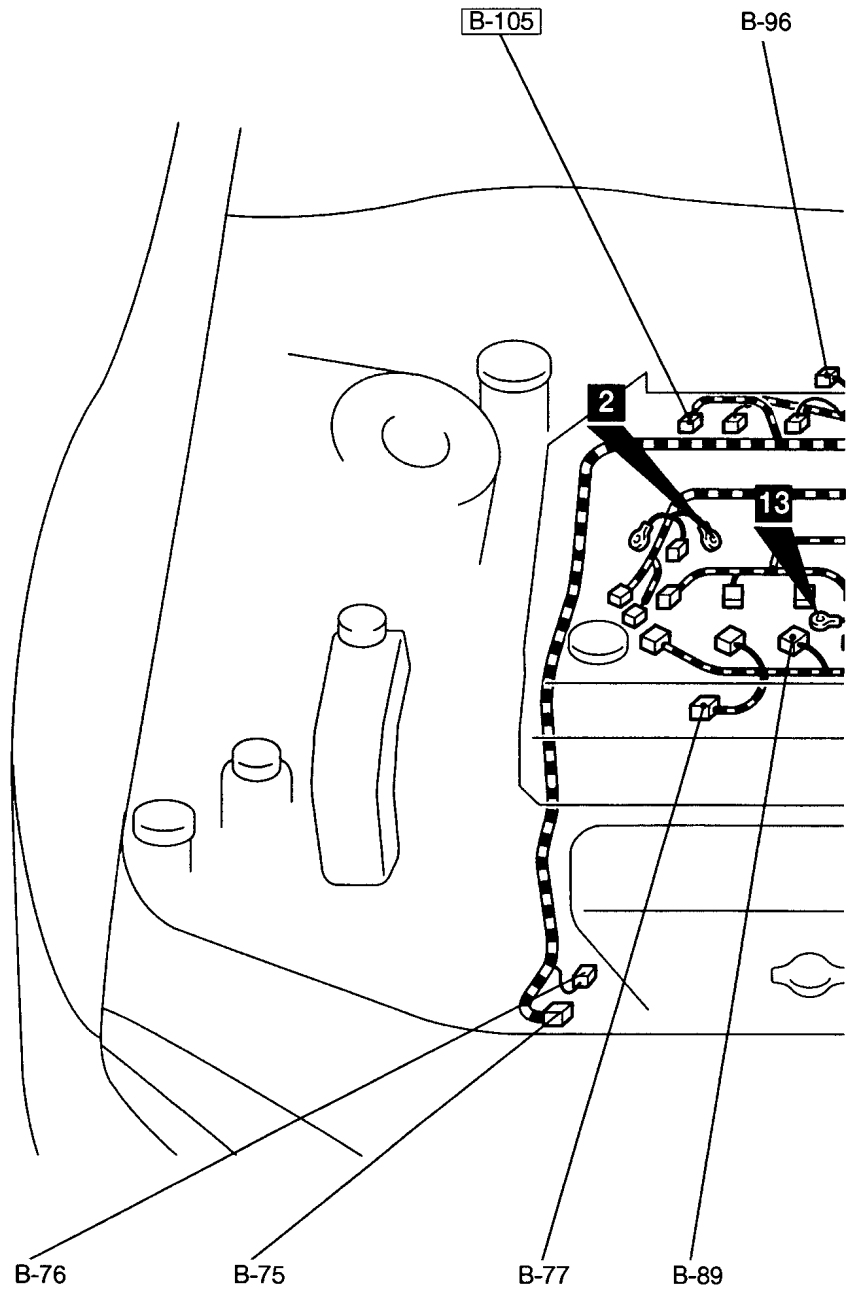
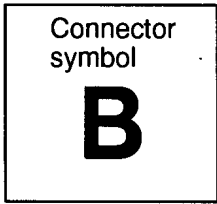
Connector colour code
 B: Black
 Y: Yellow
 L: Blue
 G: Green
 R: Red
 BR: Brown
 V: Violet
 O: Orange
 GR: Gray

B-01 (3-GR)	Ignition coil No.2	B-12 (7-B)	Air flow sensor
B-02 (2-GR)	Injector 1	B-13 (1-B)	Capasitor
B-03 (2-GR)	Injector 2	B-14X (5)	Tail lamp relay
B-04 (2-B)	Purge control solenoid valve	B-15X (5)	Power window relay
B-05 (2-GR)	Injector 3	B-16X (5)	Front fog lamp relay
B-07 (4-B)	Throttle position sensor	B-17X (5)	Horn relay
B-08 (1-B)	Engine coolant temperature gauge unit	B-18X (5)	Headlamp relay (LO)
B-09 (3-B)	Inspection connector	B-20X (4)	Fan control relay
B-11 (3-GR)	Ignition coil No.1		



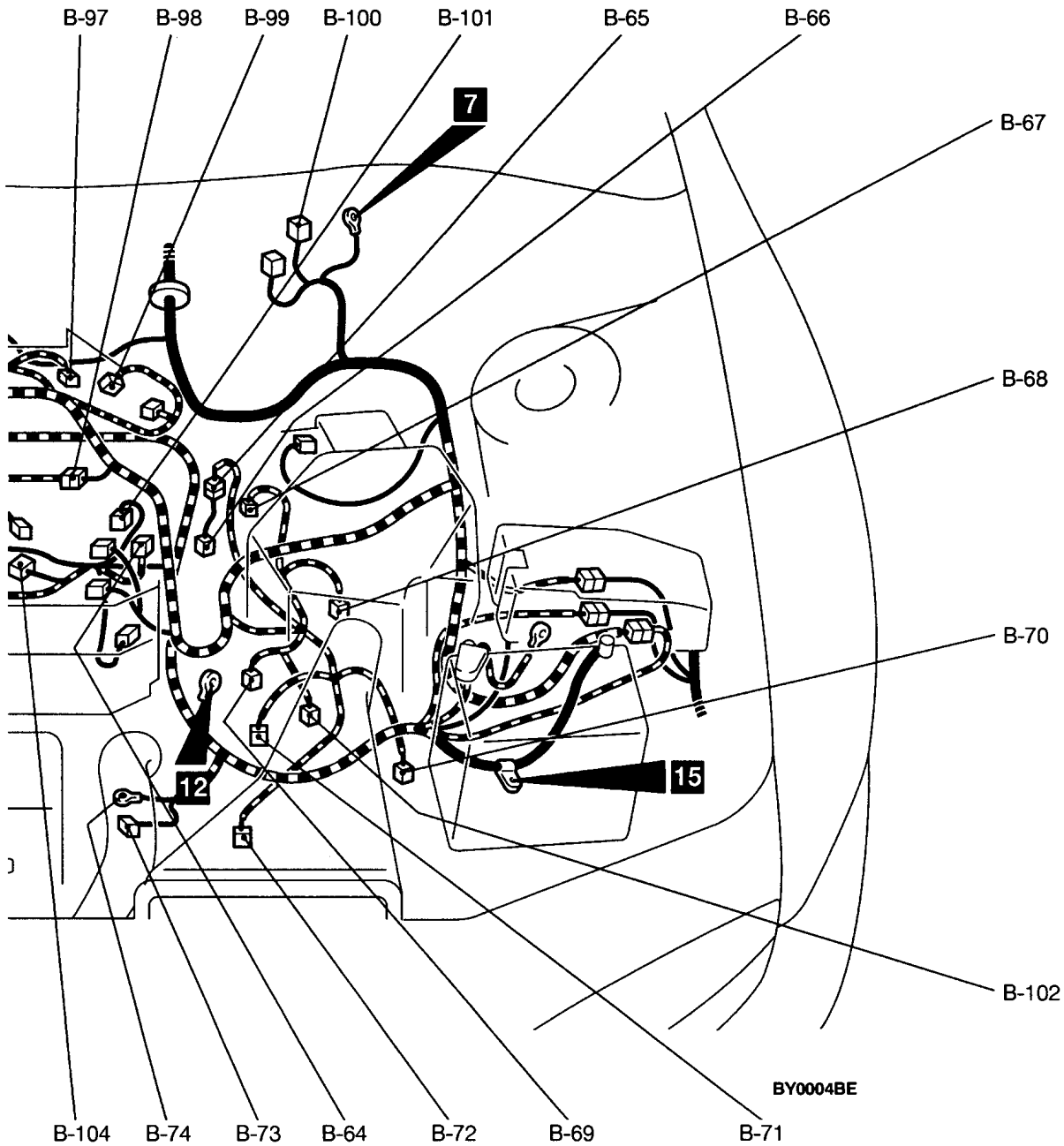
B-26X (4)	Alternator relay	B-33 (2-B)	Engine coolant temperature sensor
B-28X (5)	A/C compressor relay	B-34 (2-GR)	Detonation sensor
B-30 (12-B)	Control wiring harness and front wiring harness (LH) combination	B-35 (1-B)	Oil pressure switch
B-31 (4-B)	Control wiring harness and battery wiring harness combination	B-36 (2-GR)	Injector 4
B-32 (4-GR)	Battery wiring harness and front wiring harness (LH) combination	B-37 (2-B)	Engine oil level sensor
		B-38 (4-GR)	Alternator
		B-39 (1)	Alternator
		B-95X (5)	Headlamp relay (HI)

4G64-GDI



Connector colour code
 B: Black
 Y: Yellow
 L: Blue
 G: Green
 R: Red
 BR: Brown
 V: Violet
 O: Orange
 GR: Gray

- | | | | |
|-------------|--|--------------|-------------------------------------|
| B-64 (3-B) | Camshaft position sensor | B-70 (10-GR) | A/T control solenoid valve assembly |
| B-65 (3-B) | Control wiring harness and vehicle speed sensor wiring harness combination <M/T> | B-71 (3-B) | Input shaft speed sensor <A/T> |
| B-66 (3-B) | Vehicle speed sensor <M/T> | B-72 (10-B) | Inhibitor switch <A/T> |
| B-67 (3-B) | Vehicle speed sensor <A/T> | B-73 (1) | Starter |
| B-68 (3-GR) | Output shaft speed sensor <A/T> | B-74 (1-B) | Starter |
| B-69 (2-B) | Back-up lamp switch <M/T> | B-75 (1-B) | A/C compressor assembly |
| | | B-76 (1) | Power steering oil pressure switch |



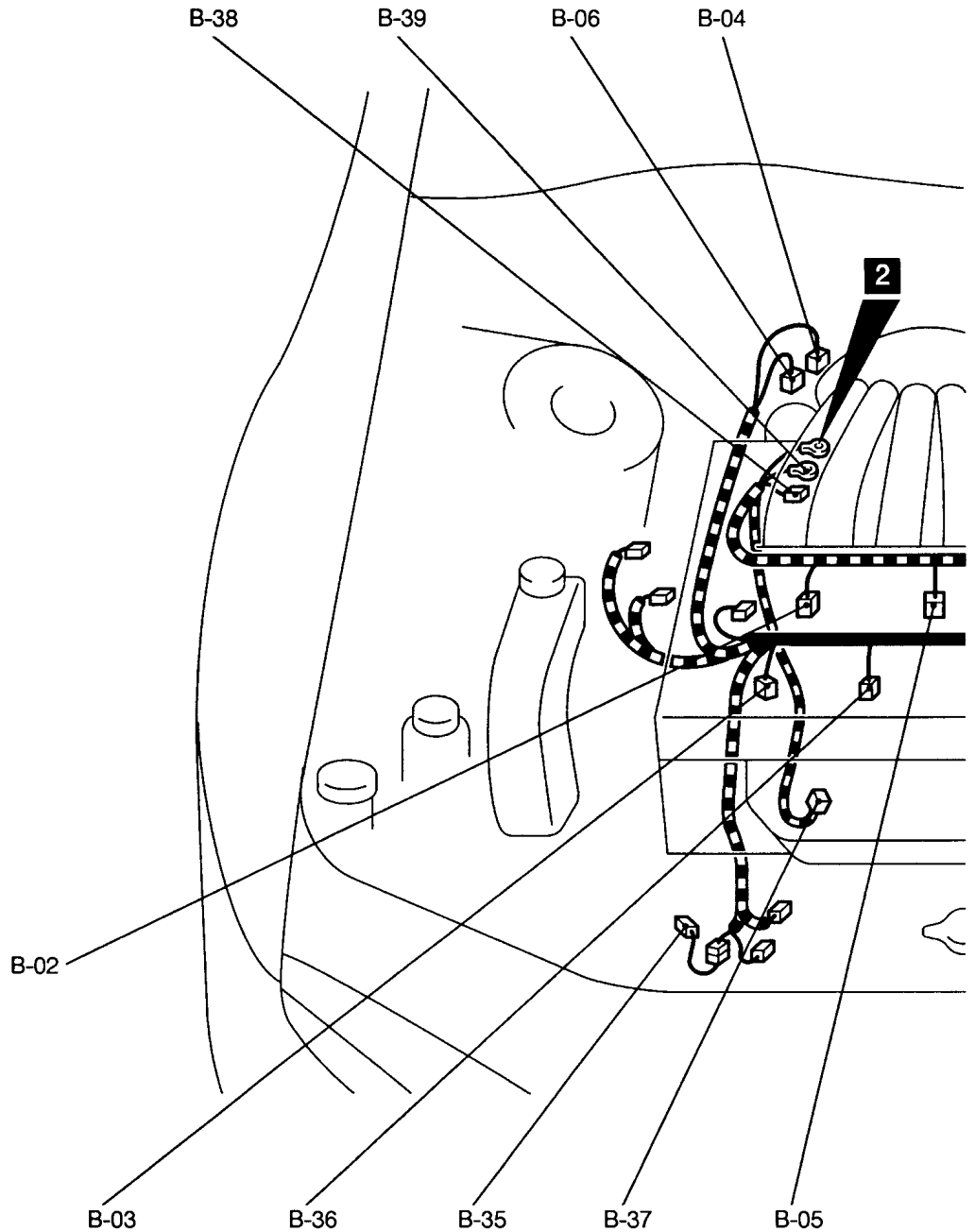
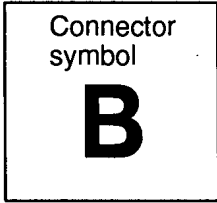
- B-77 (3-B) Crank angle sensor
- B-89 (3-GR) Ignition coil No.3
- B-96 (26-B) Injector driver
- B-97 (4-GR) Throttle control servo
- B-98 (8-B) Control wiring harness and injector wiring harness combination
- B-99 (6-GR) EGR valve
- B-100 (4-GR) Injector driver control relay

- B-101 (3-B) Fuel pressure sensor
- B-102 (2-GR) M/T oil temperature sensor
- B-104 (3-GR) Ignition coil No.4
- B-105(4-B) Ignition failure sensor

NOTE
Connector number in are connector numbers which have been added.

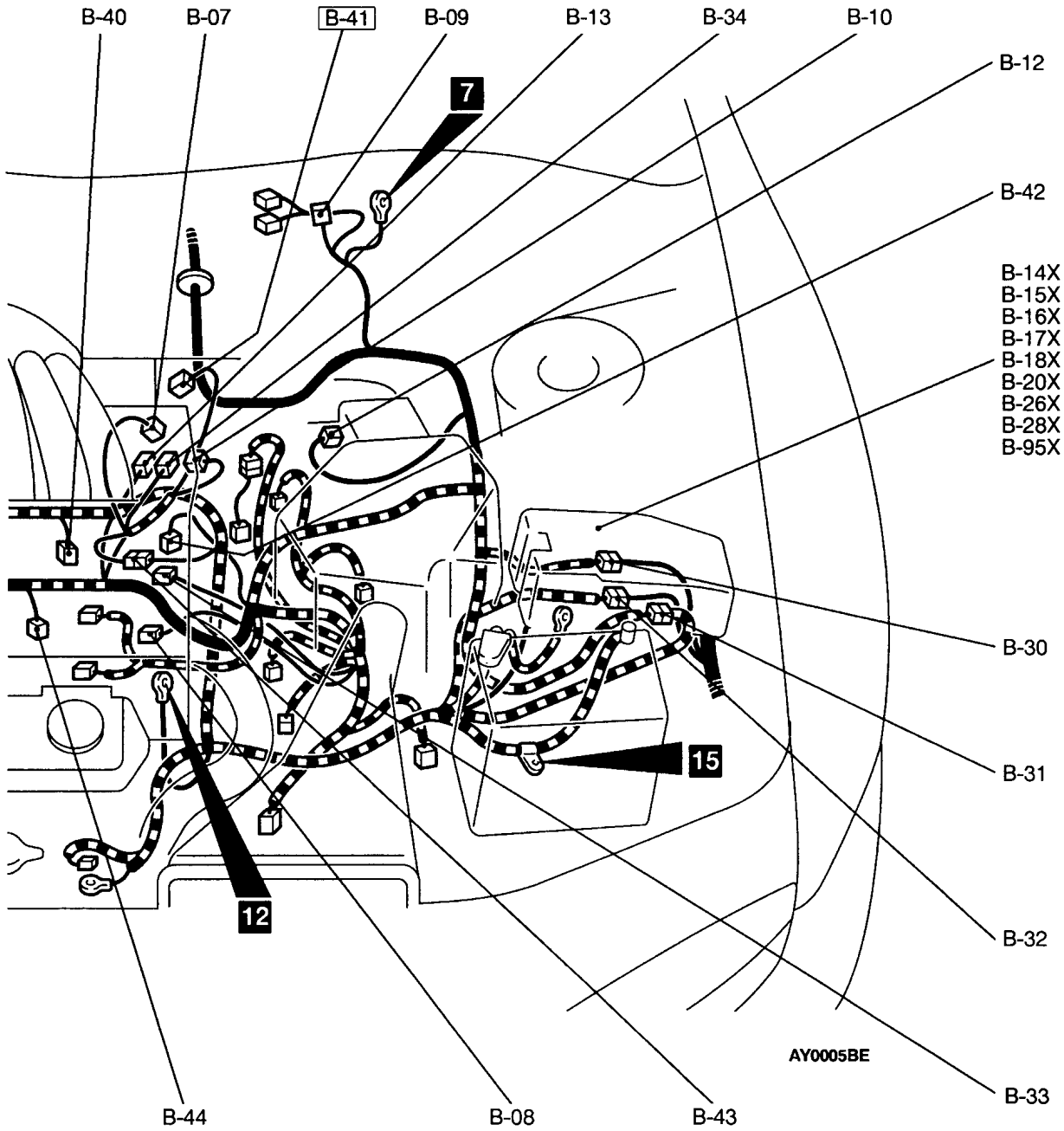
ENGINE AND TRANSMISSION ASSEMBLY

6A13-MPI



- Connector colour code
- B: Black
 - Y: Yellow
 - L: Blue
 - G: Green
 - R: Red
 - BR: Brown
 - V: Violet
 - O: Orange
 - GR: Gray

- | | | | |
|-------------|---------------------------------------|-------------|--|
| B-02 (2-GR) | Injector 1 | B-14X (5) | Tail lamp relay |
| B-03 (2-GR) | Injector 2 | B-15X (5) | Power window relay |
| B-04 (2-B) | Purge control solenoid valve | B-16X (5) | Front fog lamp relay |
| B-05 (2-GR) | Injector 3 | B-17X (5) | Horn relay |
| B-06 (2-BR) | EGR solenoid valve | B-18X (5) | Headlamp relay (LO) |
| B-07 (4-B) | Throttle position sensor | B-20X (4) | Fan control relay |
| B-08 (1-B) | Engine coolant temperature gauge unit | B-26X (4) | Alternator relay |
| B-09 (3-B) | Inspection connector | B-28X (5) | A/C compressor relay |
| B-10 (6-B) | Idle speed control servo | B-30 (12-B) | Control wiring harness and front wiring harness (LH) combination |
| B-12 (7-B) | Air flow sensor | | |
| B-13 (1-B) | Capasitor | | |

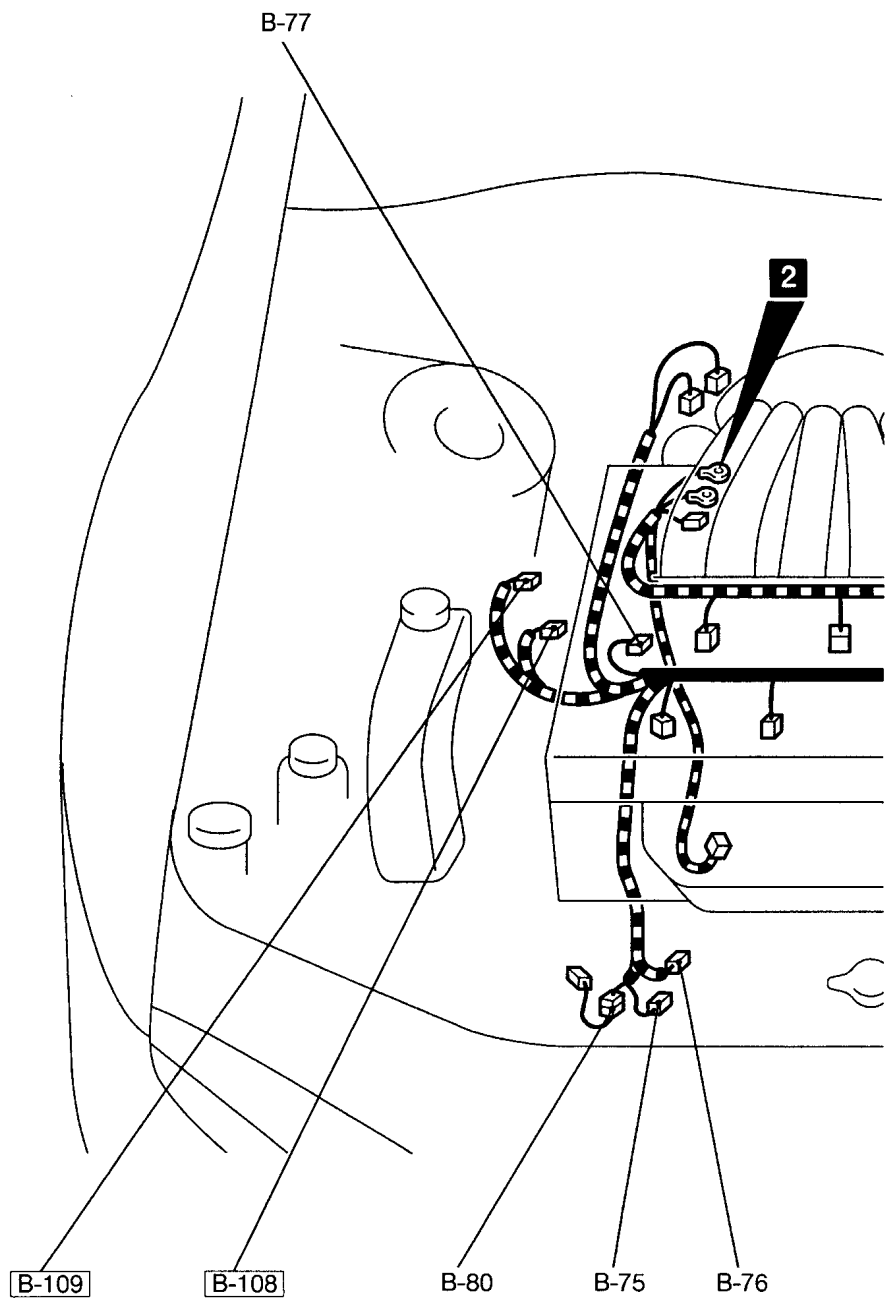
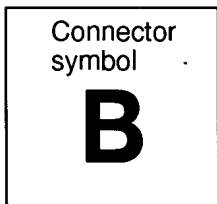


- B-31 (4-B) Control wiring harness and battery wiring harness combination
- B-32 (4-GR) Battery wiring harness and front wiring harness (LH) combination
- B-33 (2-B) Engine coolant temperature sensor
- B-34 (2-GR) Detonation sensor
- B-35 (1-B) Oil pressure switch
- B-36 (2-GR) Injector 4
- B-37 (2-B) Engine oil level sensor
- B-38 (4-GR) Alternator
- B-39 (1) Alternator
- B-40 (2-GR) Injector 5

- B-41 (4-B) Accelerator pedal position sensor <ASC, TCL>
- B-42 (7-B) Distributor assembly
- B-43 (4-B) Battery wiring harness and control wiring harness combination
- B-44 (2-GR) Injector 6
- B-95X (5) Headlamp relay (HI)

NOTE
Connector number in are connector numbers which have been changed.

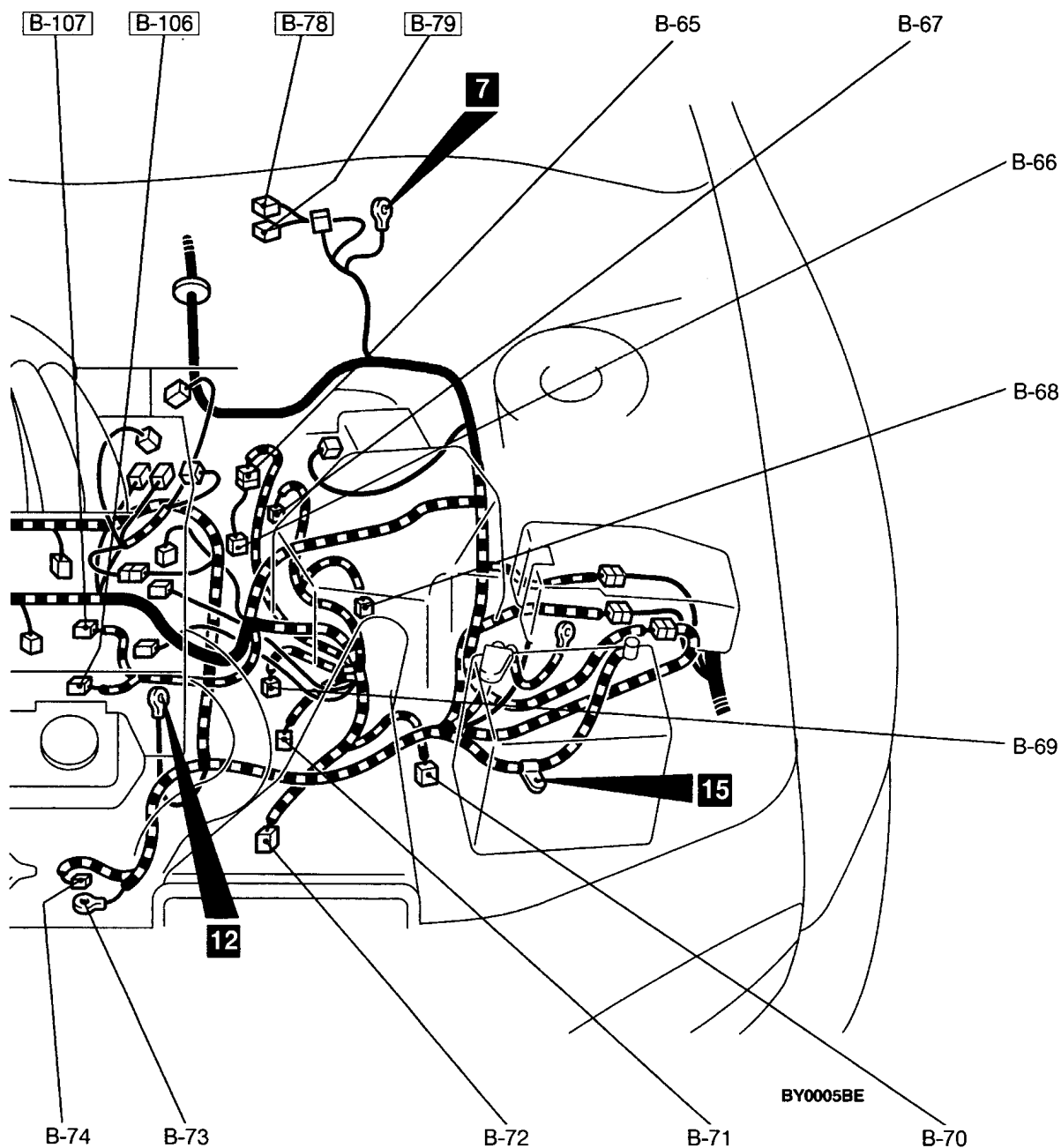
6A13-MPI



Connector colour code
 B: Black
 Y: Yellow
 L: Blue
 G: Green
 R: Red
 BR: Brown
 V: Violet
 O: Orange
 GR: Gray

- B-65 (3-B) Control wiring harness and vehicle speed sensor wiring harness combination <M/T>
- B-66 (3-B) Vehicle speed sensor <M/T>
- B-67 (3-B) Vehicle speed sensor <A/T>
- B-68 (3-GR) Output shaft speed sensor <A/T>

- B-69 (2-B) Back-up lamp switch <M/T>
- B-70 (10-GR) A/T control solenoid valve assembly
- B-71 (3-B) Input shaft speed sensor <A/T>
- B-72 (10-B) Inhibitor switch <A/T>
- B-73 (1) Starter



- B-74 (1-B) Starter
- B-75 (1-B) A/C compressor assembly
- B-76 (1-B) Power steering oil pressure switch
- B-77 (3-B) Crank angle sensor
- B-78 (2-B) Vacuum solenoid valve <ASC, TCL>
- B-79 (2-B) Ventilation solenoid valve <ASC, TCL>
- B-80 (1-B) Oil pressure switch wiring harness and control wiring harness combination

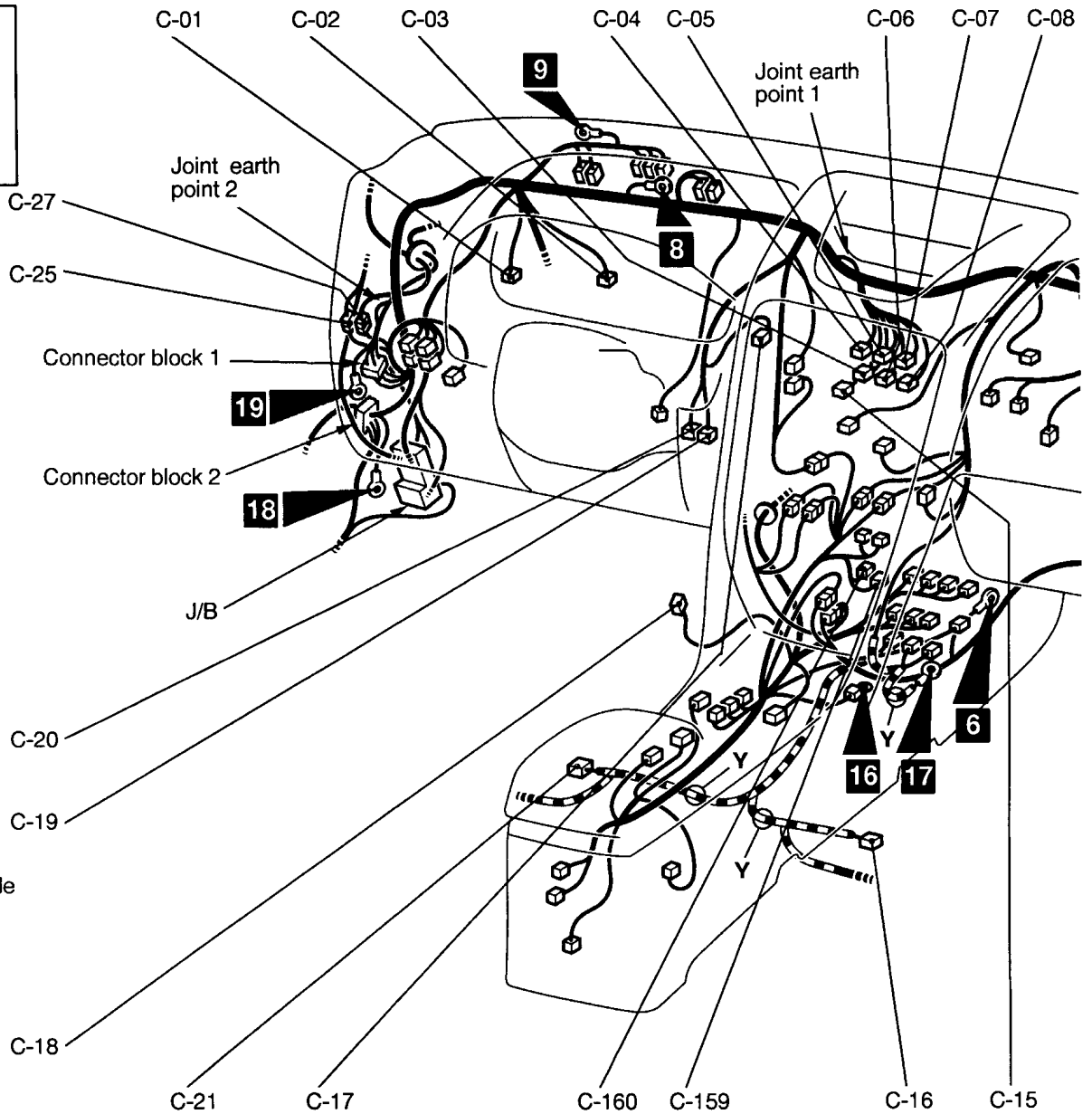
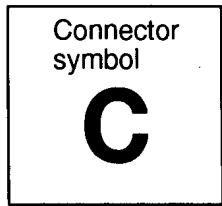
- B-106 (4-B) Oxygen sensor (Front: LH)
- B-107 (4-B) Oxygen sensor (Rear: LH)
- B-108 (4-B) Oxygen sensor (Front: RH)
- B-109 (4-GR) Oxygen sensor (Rear: RH)

NOTE

Connector numbers in are connector numbers which have been changed or added.

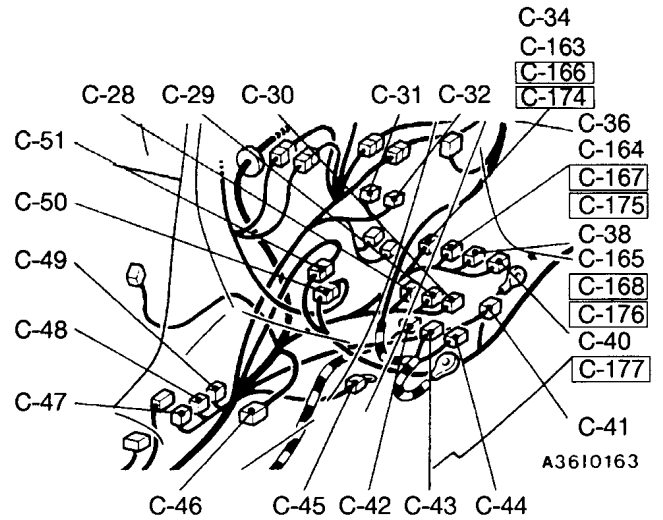
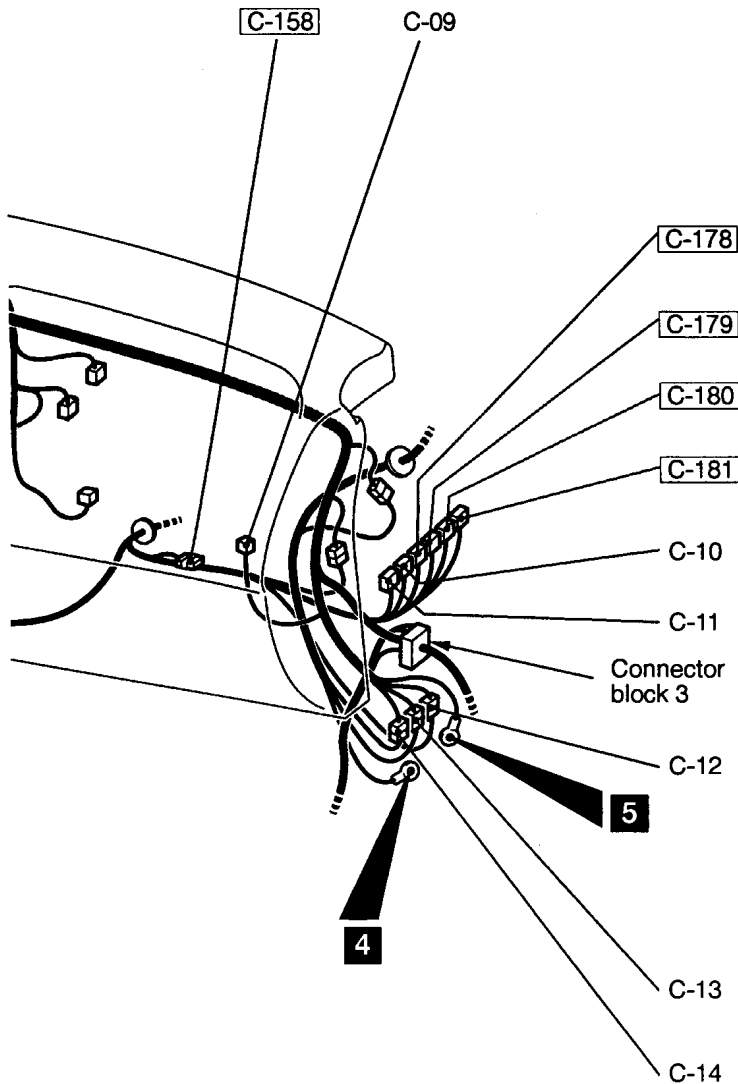
DASH PANEL

L.H. drive vehicles



- Connector colour code
 B: Black
 Y: Yellow
 L: Blue
 G: Green
 R: Red
 BR: Brown
 V: Violet
 O: Orange
 GR: Gray

C-01 (2)	Clutch switch <Auto-cruise (M/T)>	C-15 (2)	Blower control panel illumination lamp <Heater and manual A/C>
C-02 (4)	Stop lamp switch	C-16 (2-R)	Side air bag module (squib) (RH)
C-03 (6)	Outside/inside air selection switch <Heater and manual A/C>	C-17 (6)	Mode selection damper control motor and potentiometer <Automatic A/C>
C-04 (8)	Blower switch <Heater and manual A/C>	C-18 (2-B)	Wide open throttle switch <A/T>
C-05 (20-B)	A/C-ECU <Automatic A/C>	C-19 (12)	Diagnosis connector
C-06 (6)	Defogger switch	C-20 (16-B)	Diagnosis connector
C-07 (16-B)	A/C-ECU <Automatic A/C>	C-21 (2-R)	Side air bag module (squib) (LH)
C-08 (8)	A/C switch <Manual A/C>	C-25 (22-GR)	Dash wiring harness and instrument panel wiring harness combination
C-09 (2)	Blower motor	C-27 (4)	Dash wiring harness and roof wiring harness combination
C-10 (26-Y)	TCL-ECU	C-28 (26-L)	A/T-ECU <6A13>
C-11 (16)	TCL-ECU	C-29 (16-L)	A/T-ECU <6A13>
C-12 (2-B)	Dash wiring harness and ABS wiring harness combination	C-30 (22-L)	A/T-ECU <6A13>
C-13 (8)	Dash wiring harness and front wiring harness (RH) combination		
C-14 (22-B)	Dash wiring harness and front wiring harness (RH) combination		



AY0006BE

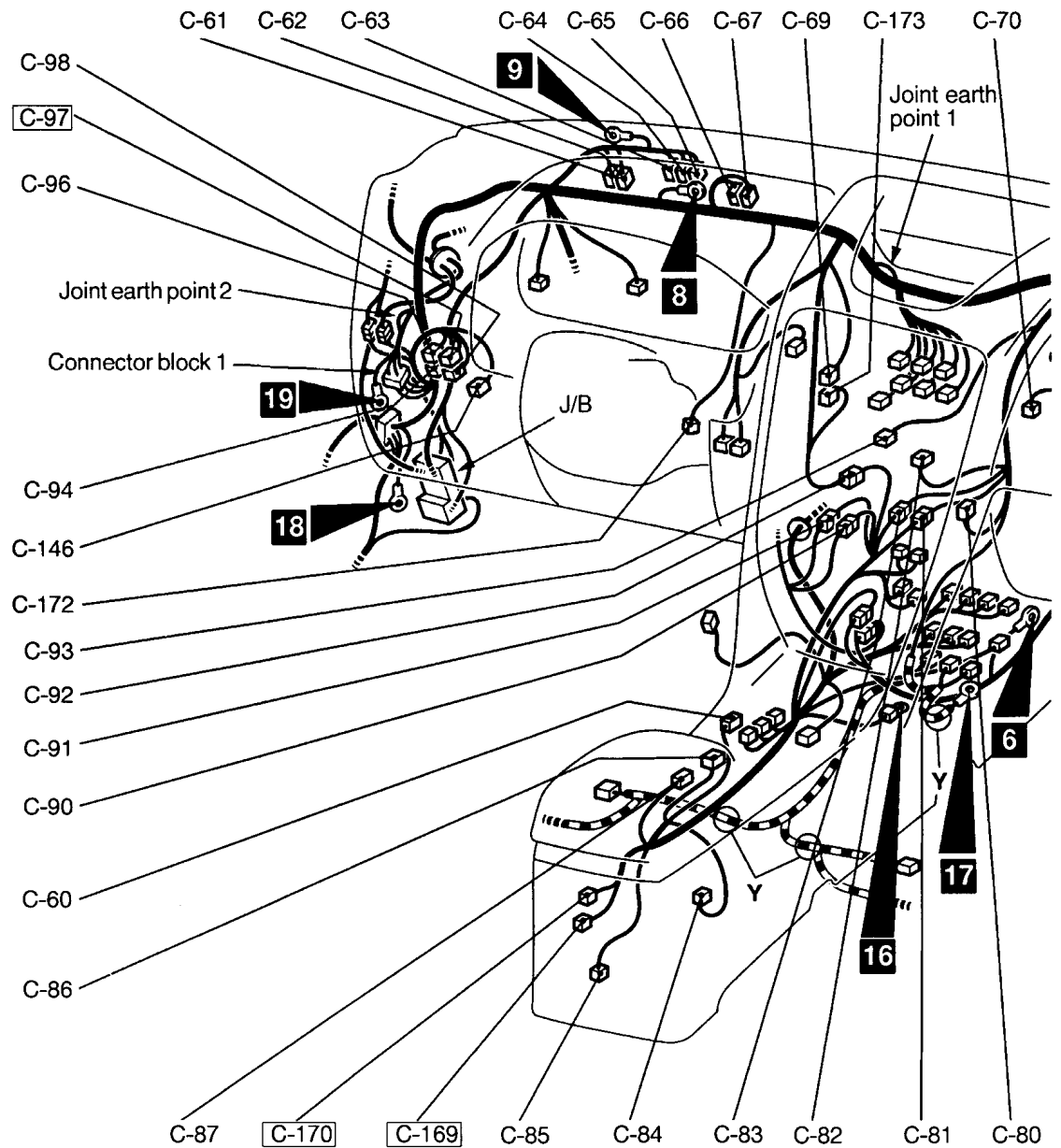
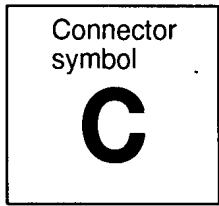
- C-31 (4) Engine control relay
- C-32 (4) Fuel pump relay
- C-34 (26-Y) Engine-ECU <4G63-M/T>
- C-36 (16-Y) Engine-ECU <4G63-M/T>
- C-38 (12-Y) Engine-ECU <4G63-M/T>
- C-40 (22-Y) Engine-ECU <4G63-M/T>
- C-41 (4) A/T control relay
- C-42 (22-Y) SRS-ECU <Vehicles with side air bag>
- C-43 (16-Y) SRS-ECU <Vehicles with side air bag>
- C-44 (21-Y) SRS-ECU <Vehicles without side air bag>
- C-45 (10) Earth J/C
- C-46 (4) Oxygen sensor (Front) <4G6>
- C-47 (19) J/C (A)
- C-48 (19) J/C (B)
- C-49 (19) J/C (C)
- C-50 (6) Instrument panel wiring harness and ABS wiring harness combination
- C-51 (19) Control wiring harness and ABS wiring harness combination
- C-158** (2-B) Diode (for ASC circuit)

- C-159 (4) Throttle control servo relay <4G64>
- C-160 (26-Y) Throttle valve controller <4G64>
- C-163 (30-GR) Engine-ECU <4G64-M/T>
- C-164 (28-GR) Engine-ECU <4G64-M/T>
- C-165 (35-GR) Engine-ECU <4G64-M/T>
- C-166** (30-GR) Engine-ECU <6A13>
- C-167** (28-GR) Engine-ECU <6A13>
- C-168** (35-GR) Engine-ECU <6A13>
- C-174** (30-GR) Engine-A/T-ECU <4G6-A/T>
- C-175** (28-GR) Engine-A/T-ECU <4G6-A/T>
- C-176** (26-GR) Engine-A/T-ECU <4G6-A/T>
- C-177** (35-GR) Engine-A/T-ECU <4G6-A/T>
- C-178** (22-Y) ASC-ECU
- C-179** (12-Y) ASC-ECU
- C-180** (16-Y) ASC-ECU
- C-181** (26-Y) ASC-ECU

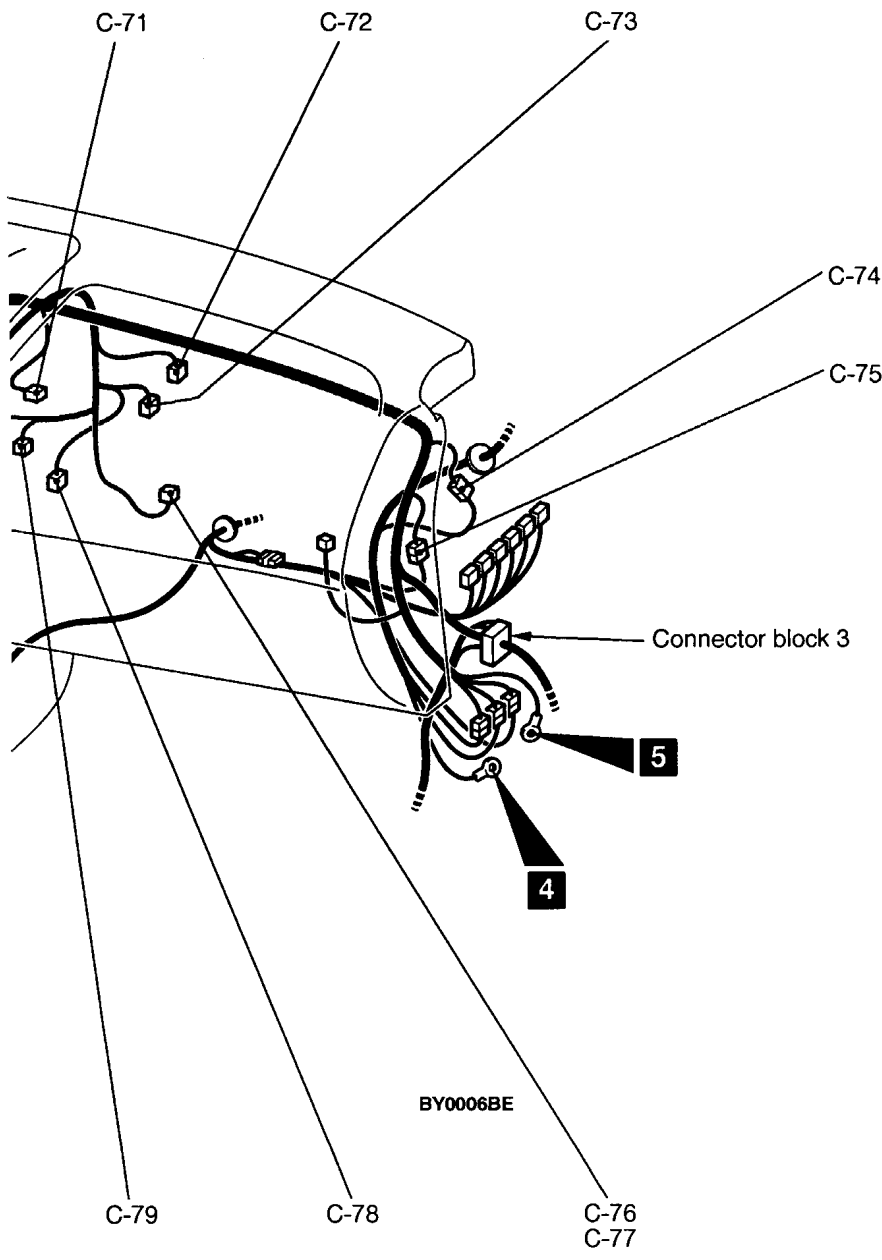
NOTE

Connector numbers in are connector numbers which have been added.

L.H. drive vehicles



C-60 (8)	Shift switch assembly <A/T>	C-73 (2)	Air thermo sensor <Automatic A/C>
C-61 (33)	J/C (1)	C-74 (8)	Dash wiring harness and front wiring harness (RH) combination
C-62 (33)	J/C (2)	C-75 (22)	Dash wiring harness and ABS wiring harness combination
C-63 (33)	J/C (3)	C-76 (4)	Resistor <Manual A/C>
C-64 (33)	J/C (4)	C-77 (4)	Power transistor <Automatic A/C>
C-65 (33)	J/C (5)	C-78 (2)	Inside/outside air selection damper control motor
C-66 (33)	J/C (6)	C-79 (6)	Air mixing damper control motor and potentiometer <Automatic A/C>
C-67 (33)	J/C (7)	C-80 (6)	Keyless entry receiver-ECU
C-69 (6)	Engine oil level relay	C-81 (22)	Dash wiring harness and control wiring harness combination
C-70 (2)	Heater water temperature sensor <Automatic A/C>		
C-71 (2-R)	Air bag module (squib) (passenger's side)		
C-72 (4)	Automatic compressor-ECU <Manual A/C>		



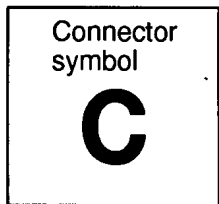
Connector colour code
 B: Black
 Y: Yellow
 L: Blue
 G: Green
 R: Red
 BR: Brown
 V: Violet
 O: Orange
 GR: Gray

- C-82 (16-B) Auto-cruise-ECU <MPI>
- C-83 (22) Dash wiring harness and control wiring harness combination
- C-84 (2) Console illumination lamp
- C-85 (4) Oxygen sensor (Rear) <4G6>
- C-86 (9) Heated seat switch
- C-87 (1-B) Parking brake switch
- C-90 (20) Control wiring harness and instrument panel wiring harness combination
- C-91 (10) Control wiring harness and instrument panel wiring harness combination <A/T>
- C-92 (4) Dash wiring harness and control wiring harness combination
- C-93 (14) Radio and tape player

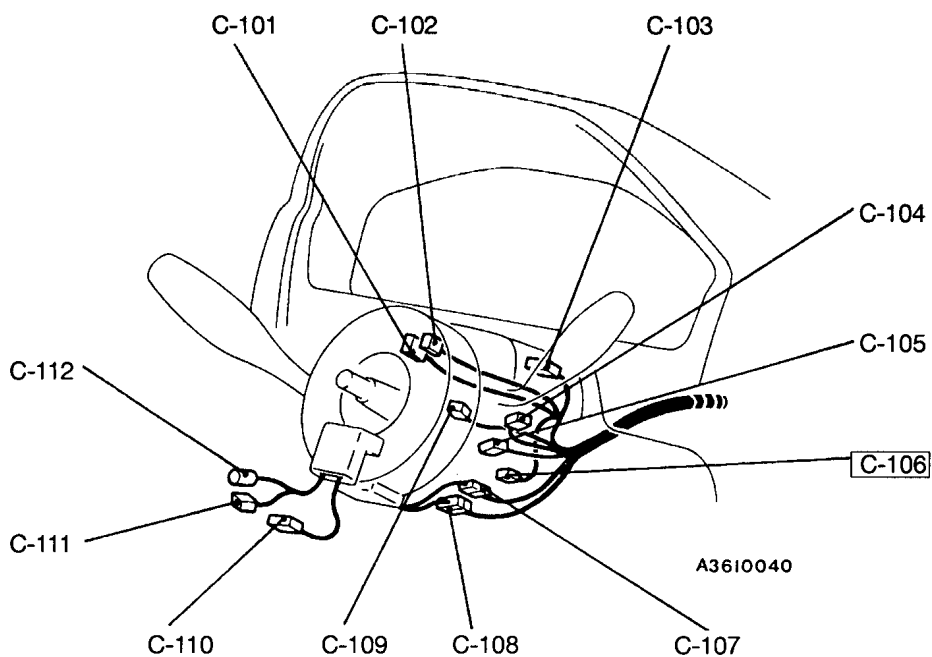
- C-94 (6-B) Headlamp leveling switch
- C-96 (6) No connection
- C-97 (16-B) Remote controlled mirror switch
- C-98 (6-Y) TCL switch
- C-146 (10) Fog lamp switch
- C-169 (3) Yaw rate sensor <ASC>
- C-170 (3-B) Lateral G sensor <ASC>
- C-172 (8-GR) Accelerator pedal position sensor <4G64>
- C-173 (12) Immobilizer-ECU

NOTE
 Connector numbers in are connector numbers which have been changed or added.

L.H.drive vehicles



Steering column

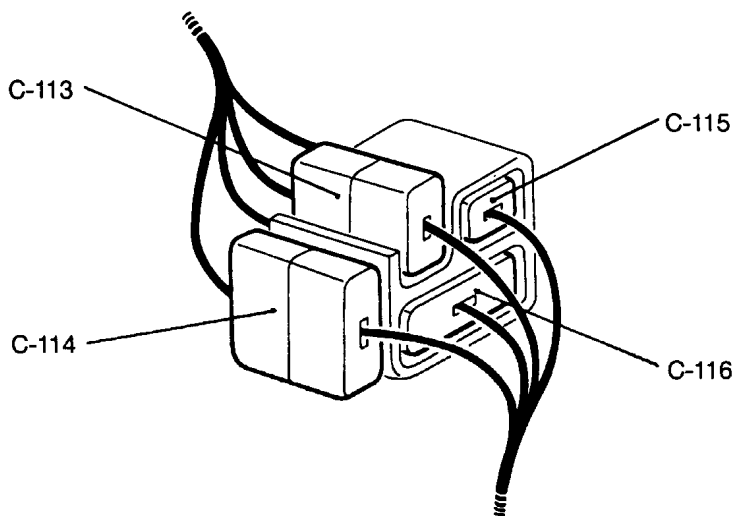


Connector colour code

- B: Black
- Y: Yellow
- L: Blue
- G: Green
- R: Red
- BR: Brown
- V: Violet
- O: Orange
- GR: Gray

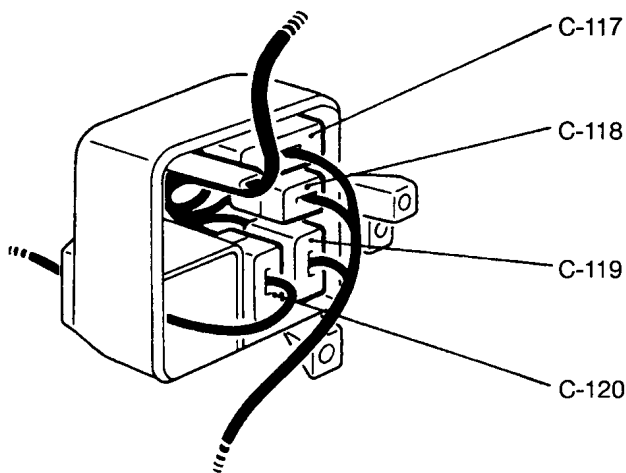
C-101 (10)	Column switch	C-107 (5)	Clock spring
C-102 (6)	Column switch	C-108 (2-R)	Clock spring
C-103 (12)	Column switch	C-109 (7)	Key reminder switch
C-104 (2)	Ignition key ring antenna <Vehicles with immobilizer system>	C-110 (2)	Air bag module (squib) (driver's side)
C-105 (6)	Ignition switch	C-111 (3)	Auto-cruise control switch
C-106 (5)	Steering wheel sensor <TCL>	C-112 (1)	Horn switch
(5-B)	Steering wheel sensor <ASC>		

Connector block 1



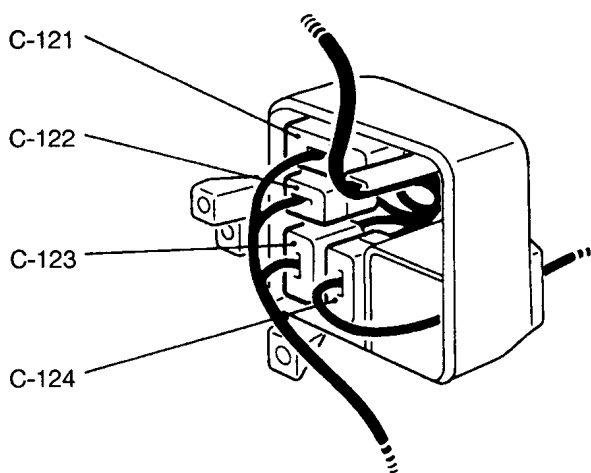
3610059

Connector block 2



3610016

Connector block 3



3610017

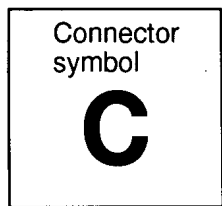
00006126

- C-113 (2-B) Dash wiring harness and front wiring harness (LH) combination
- C-114 (8) Dash wiring harness and front wiring harness (LH) combination
- C-115 (10) Dash wiring harness and front wiring harness (LH) combination
- C-116 (22) Dash wiring harness and front wiring harness (LH) combination
- C-117 (22-L) Dash wiring harness and floor wiring harness (LH) combination
- C-118 (4-L) Dash wiring harness and floor wiring harness (LH) combination
- C-119 (22-GR) Dash wiring harness and floor wiring harness (LH) combination

- C-120 (32) Dash wiring harness and front door wiring harness (LH) combination
- C-121 (22-L) Dash wiring harness and floor wiring harness (RH) combination
- C-122 (4-L) Dash wiring harness and floor wiring harness (RH) combination
- C-123 (22) Dash wiring harness and floor wiring harness (RH) combination
- C-124 (32-B) Dash wiring harness and front door wiring harness (RH) combination

NOTE
Connector number in are connector numbers which have been changed.

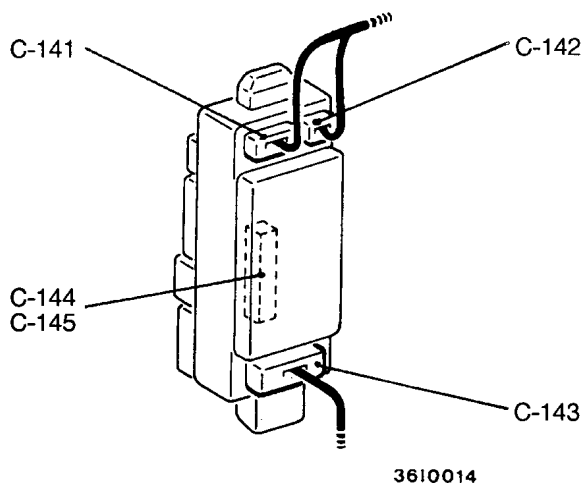
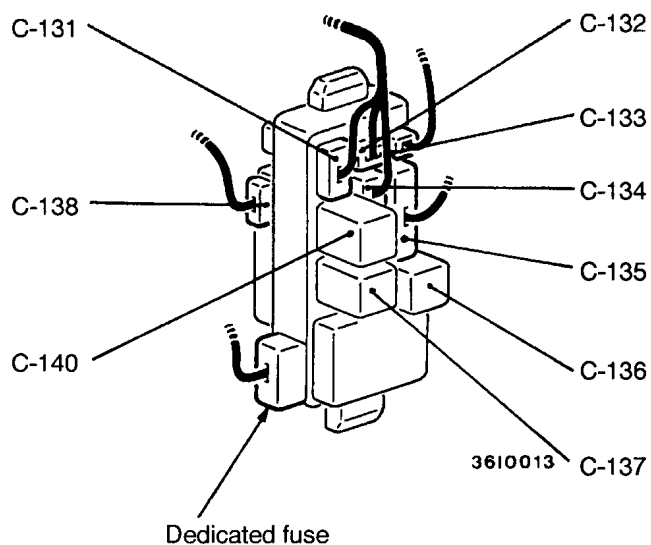
L.H. drive vehicles



Junction block

(Front view)

(Rear view)



00006132

Connector colour code
 B: Black
 Y: Yellow
 L: Blue
 G: Green
 R: Red
 BR: Brown
 V: Violet
 O: Orange
 GR: Gray

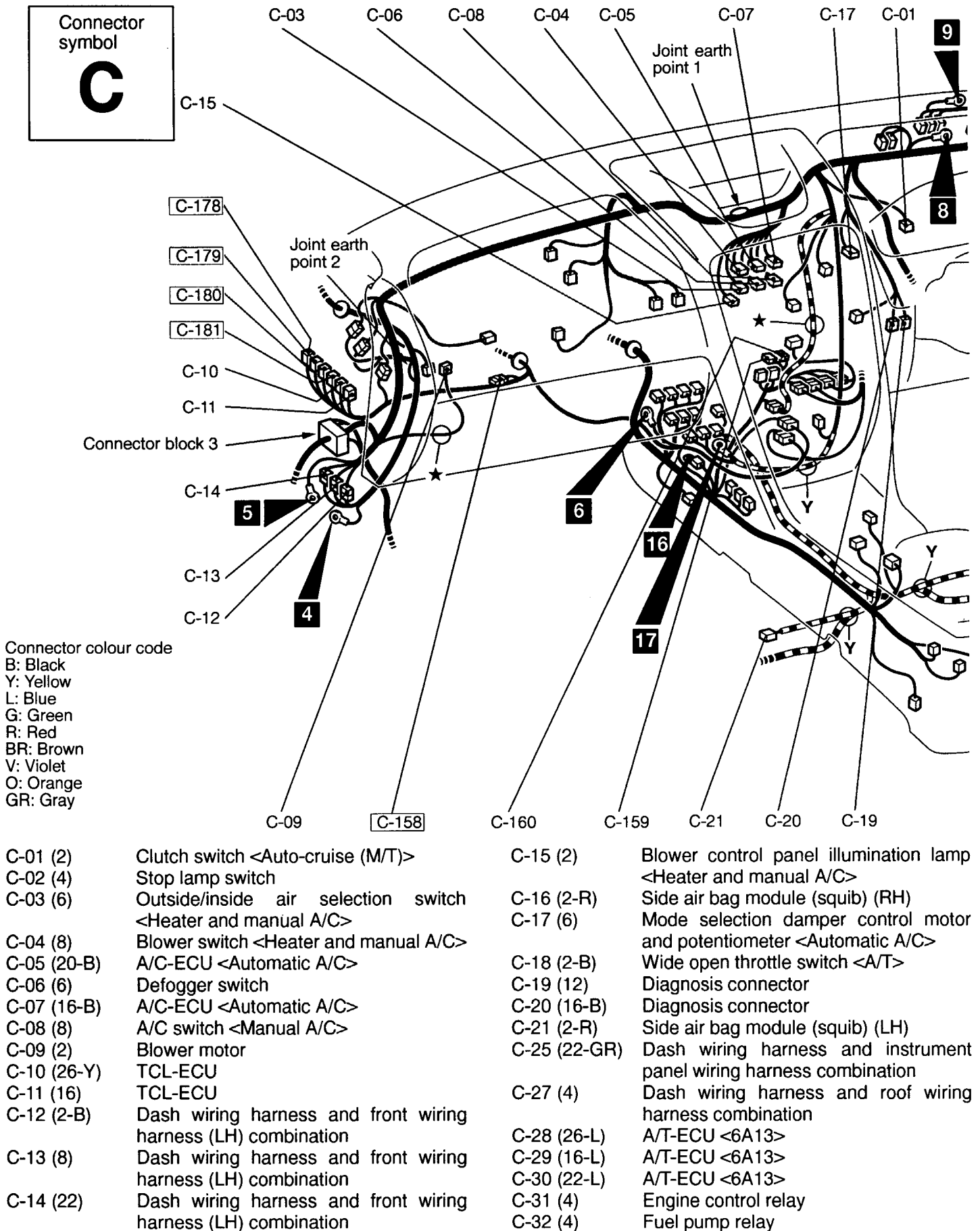
- C-131 (6-B) Dash wiring harness and J/B combination
- C-132 (10-B) Dash wiring harness and J/B combination
- C-133 (6-B) Roof wiring harness and J/B combination
- C-134 (22-B) Dash wiring harness and J/B combination
- C-135 (20-B) Instrument panel wiring harness and J/B combination
- C-136 (3) Turn-signal and hazard warning flasher unit
- C-137 (5) Defogger relay
- C-138 (16) ETACS-ECU

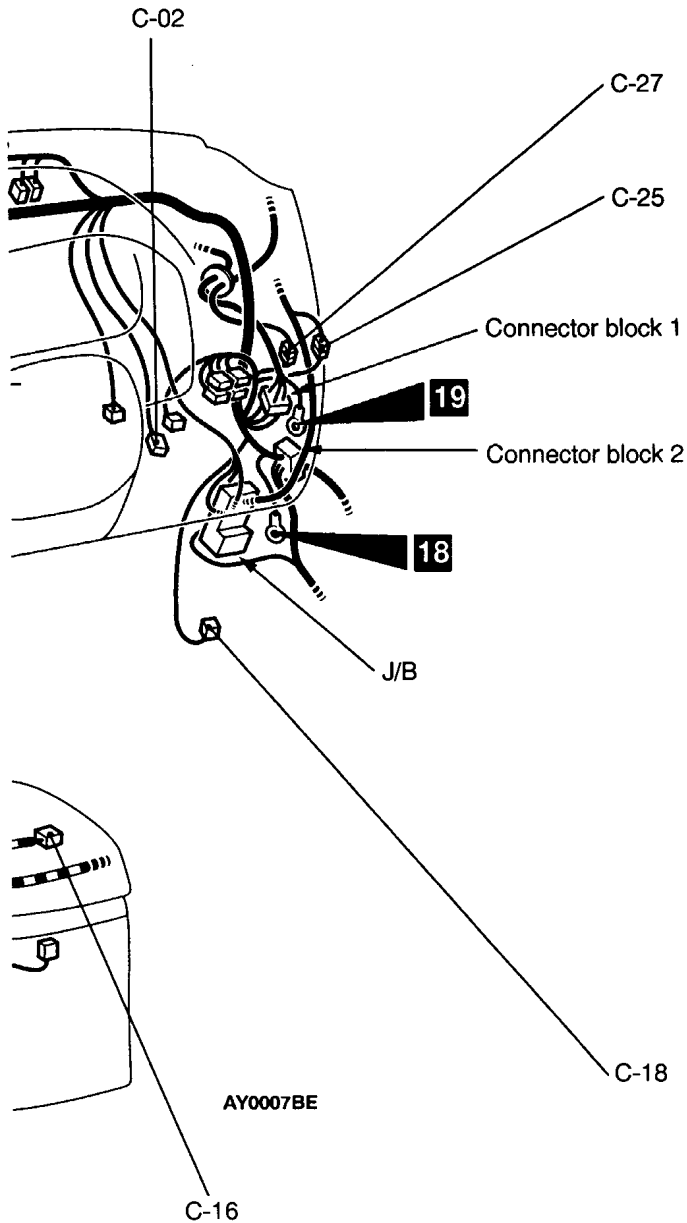
- C-140 (5) Blower-relay
- C-141 (18-B) Front wiring harness (LH) and J/B combination
- C-142 (1-B) Front wiring harness (LH) and J/B combination
- C-143 (19-B) Floor wiring harness (LH) and J/B combination
- C-144 (20) ETACS-ECU
- C-145 (20) Buzzer-ECU

NOTES

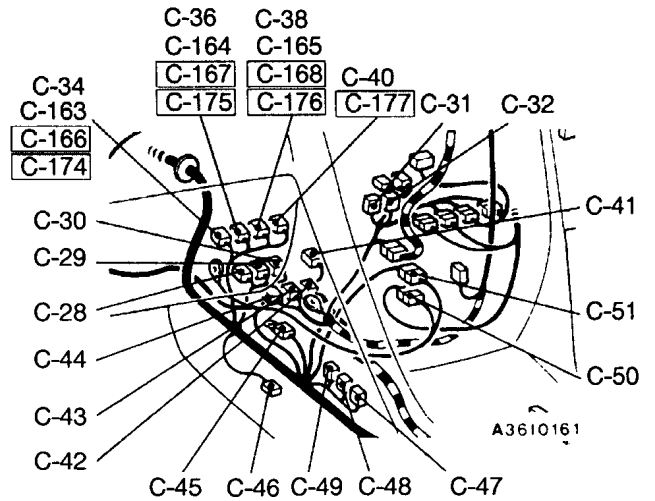
DASH PANEL

R.H. drive vehicles





- C-34 (26-Y) Engine-ECU <4G63-M/T>
- C-36 (16-Y) Engine-ECU <4G63-M/T>
- C-38 (12-Y) Engine-ECU <4G63-M/T>
- C-40 (22-Y) Engine-ECU <4G63-M/T>
- C-41 (4) A/T control relay
- C-42 (22-Y) SRS-ECU <Vehicles with side air bag>
- C-43 (16-Y) SRS-ECU <Vehicles with side air bag>
- C-44 (21-Y) SRS-ECU <Vehicles without side air bag>
- C-45 (10) Earth J/C
- C-46 (4) Oxygen sensor (Front) <4G6>
- C-47 (19) J/C (A)
- C-48 (19) J/C (B)
- C-49 (19) J/C (C)
- C-50 (8) Instrument panel wiring harness and ABS wiring harness combination
- C-51 (19) Control wiring harness and ABS wiring harness combination

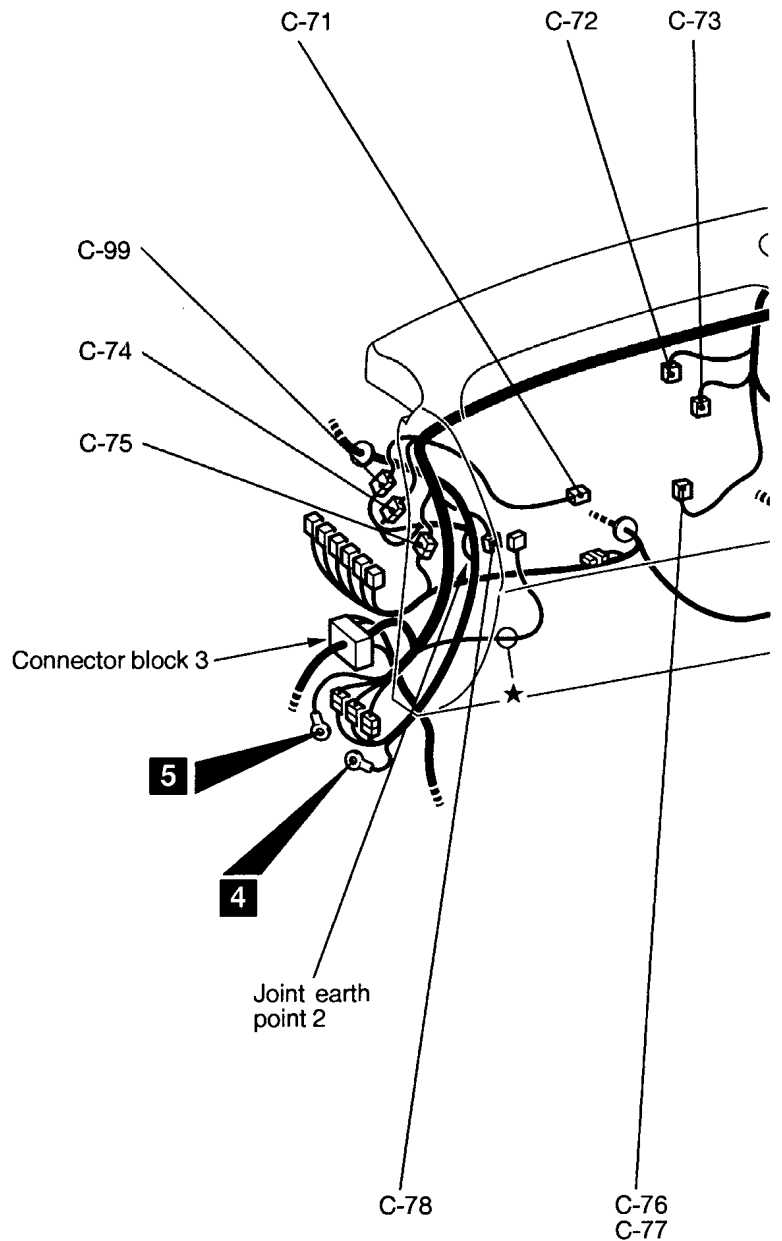
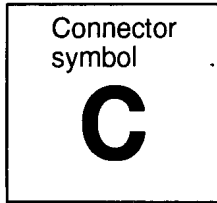


- C-158** (2-B) Diode (for ASC circuit)
- C-159 (4) Throttle control servo relay <4G64>
- C-160 (26-Y) Throttle valve controller <4G64>
- C-163 (30-GR) Engine-ECU <4G64-M/T>
- C-164 (28-GR) Engine-ECU <4G64-M/T>
- C-165 (35-GR) Engine-ECU <4G64-M/T>
- C-166** (30-GR) Engine-ECU <6A13>
- C-167** (28-GR) Engine-ECU <6A13>
- C-168** (35-GR) Engine-ECU <6A13>
- C-174** (30-GR) Engine-A/T-ECU <4G6-A/T>
- C-175** (28-GR) Engine-A/T-ECU <4G6-A/T>
- C-176** (26-GR) Engine-A/T-ECU <4G6-A/T>
- C-177** (35-GR) Engine-A/T-ECU <4G6-A/T>
- C-178** (22-Y) ASC-ECU
- C-179** (12-Y) ASC-ECU
- C-180** (16-Y) ASC-ECU
- C-181** (26-Y) ASC-ECU

NOTE

Connector numbers in are connector numbers which have been added.

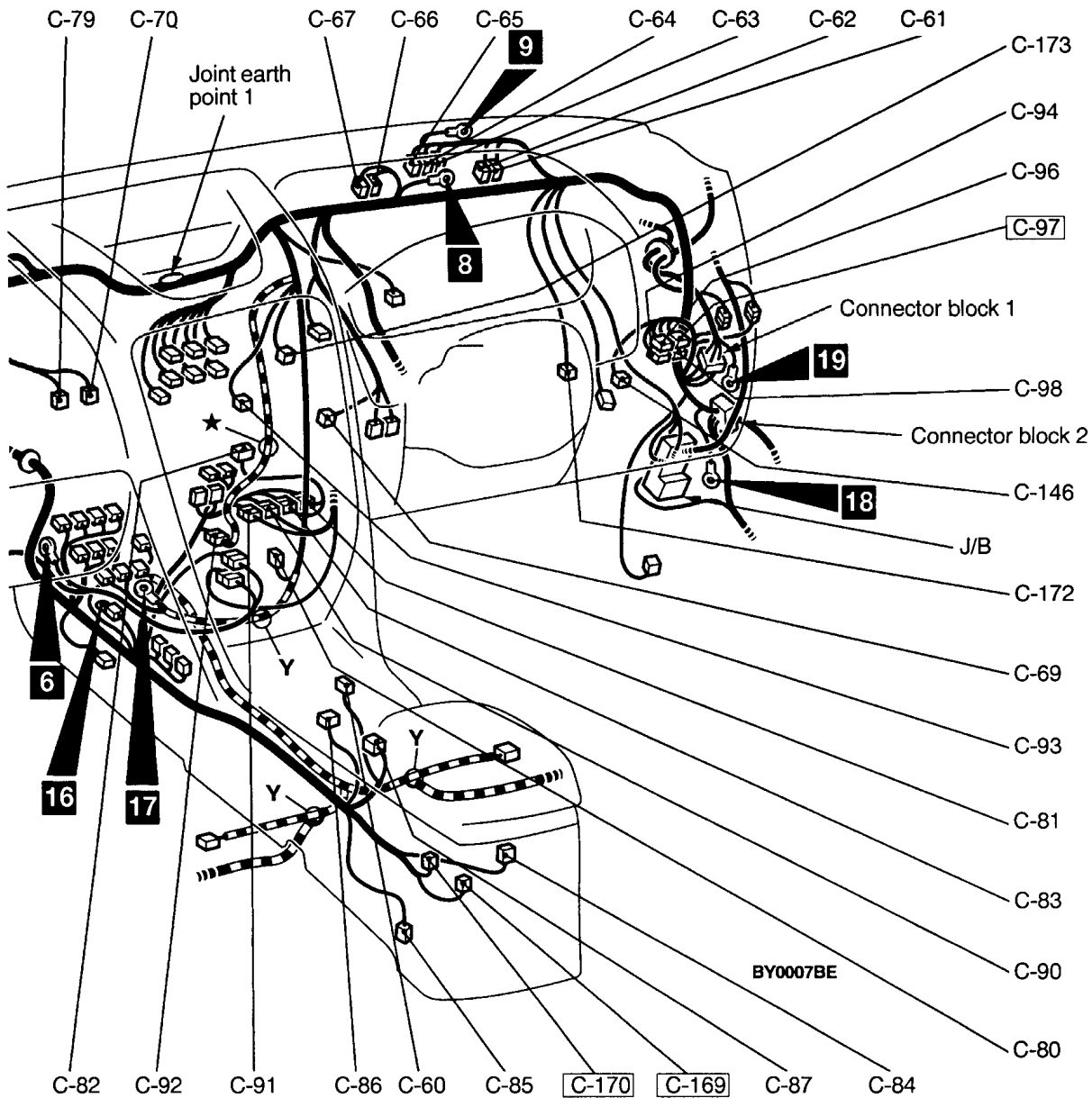
R.H. drive vehicles



Connector colour code

B: Black
 Y: Yellow
 L: Blue
 G: Green
 R: Red
 BR: Brown
 V: Violet
 O: Orange
 GR: Gray

C-60 (8)	Shift switch assembly <A/T>	C-73 (2)	Air thermo sensor <Automatic A/C>
C-61 (33)	J/C (1)	C-74 (8)	Dash wiring harness and front wiring harness (LH) combination
C-62 (33)	J/C (2)	C-75 (22)	Dash wiring harness and ABS wiring harness combination
C-63 (33)	J/C (3)	C-76 (4)	Resistor <Manual A/C>
C-64 (33)	J/C (4)	C-77 (4)	Power transistor <Automatic A/C>
C-65 (33)	J/C (5)	C-78 (2)	Outside/inside air selection damper control motor
C-66 (33)	J/C (6)	C-79 (6)	Air mixing damper control motor and potentiometer <Automatic A/C>
C-67 (33)	J/C (7)	C-80 (6-B)	Keyless entry receiver-ECU
C-69 (6)	Engine oil level relay	C-81 (22)	Dash wiring harness and control wiring harness combination
C-70 (2)	Heater water temperature sensor <Automatic A/C>		
C-71 (2-R)	Air bag module (squib) (passenger's side)		
C-72 (4)	Automatic compressor-ECU <Manual A/C>		



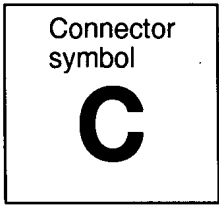
- C-82 (16-B) Auto-cruise-ECU <MPI>
- C-83 (22) Dash wiring harness and control wiring harness combination
- C-84 (2) Console illumination lamp
- C-85 (4) Oxygen sensor (Rear) <4G6>
- C-86 (9) Heated seat switch
- C-87 (1-B) Parking brake switch
- C-90 (20) Control wiring harness and instrument panel wiring harness combination
- C-91 (10) Control wiring harness and instrument panel wiring harness combination <A/T>
- C-92 (4) Dash wiring harness and control wiring harness combination
- C-93 (14) Radio and tape player
- C-94 (6-B) Headlamp leveling switch

- C-96 (6) No connection
- C-97 (16-B) Remote controlled mirror switch
- C-98 (6-Y) TCL switch
- C-99 (10) Dash wiring harness and front wiring harness (LH) combination
- C-146 (10) Fog lamp switch
- C-169 (3) Yaw rate sensor <ASC>
- C-170 (3-B) Lateral G sensor <ASC>
- C-172 (8-GR) Accelerator pedal position sensor <4G64>
- C-173 (12) Immobilizer-ECU

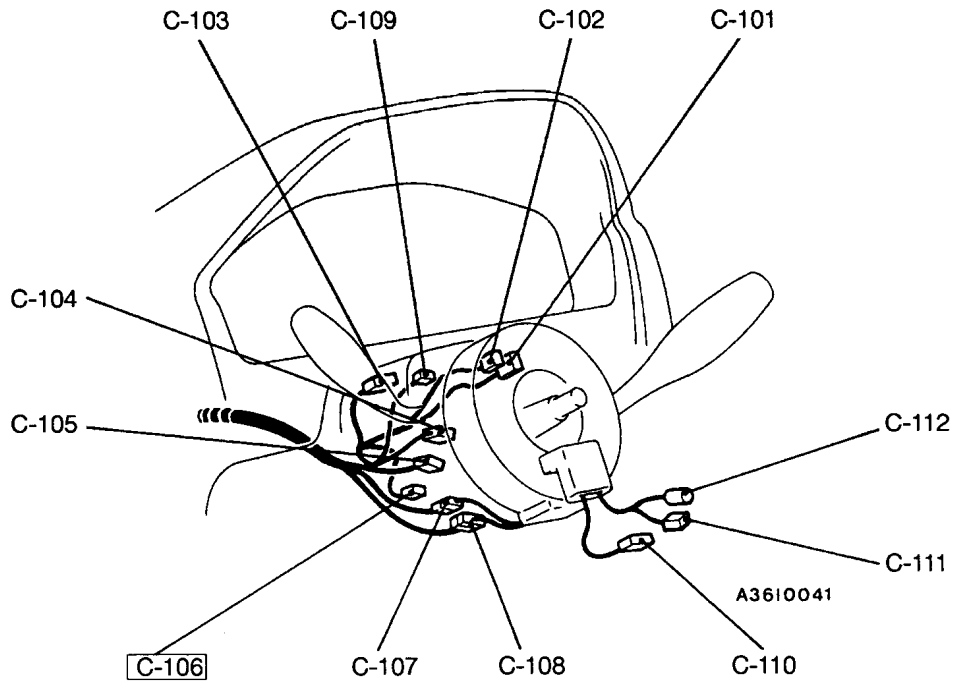
NOTE

Connector numbers in are connector numbers which have been changed or added.

R.H.drive vehicles



Steering column

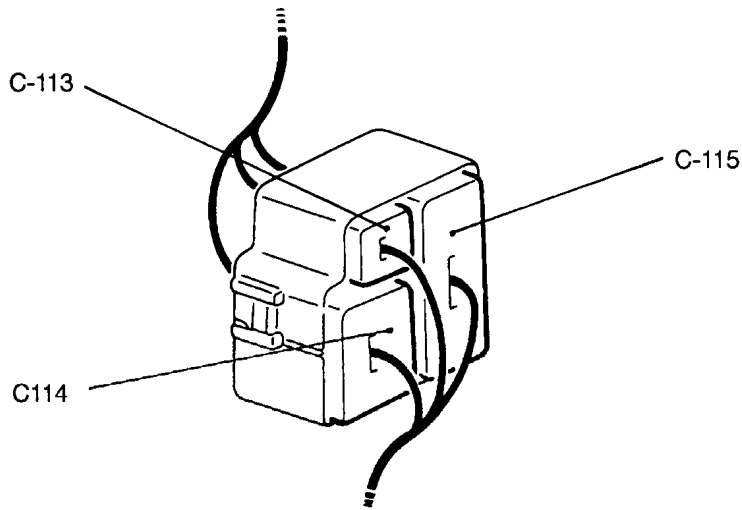


Connector colour code

- B: Black
- Y: Yellow
- L: Blue
- G: Green
- R: Red
- BR: Brown
- V: Violet
- O: Orange
- GR: Gray

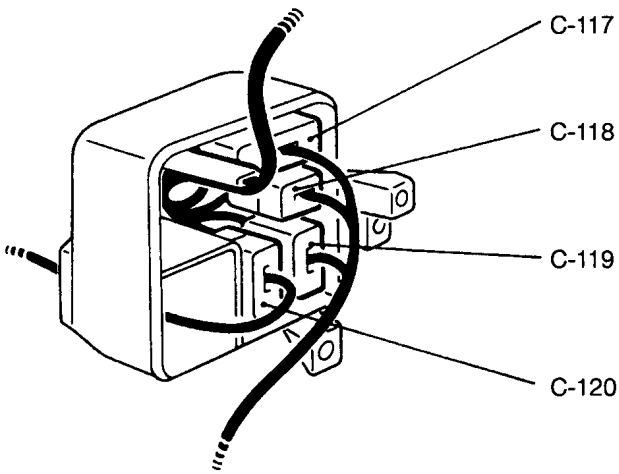
C-101 (10)	Column switch	C-107 (5)	Clock spring
C-102 (6)	Column switch	C-108 (2-R)	Clock spring
C-103 (12)	Column switch	C-109 (7)	Key reminder switch
C-104 (2)	Ignition key ring antenna <Vehicles with immobilizer system>	C-110 (2)	Air bag module (squib) (driver's side)
C-105 (6)	Ignition switch	C-111 (3)	Auto-cruise control switch
C-106 (5)	Steering wheel sensor <TCL>	C-112 (1)	Horn switch
(5-B)	Steering wheel sensor <ASC>		

Connector block 1



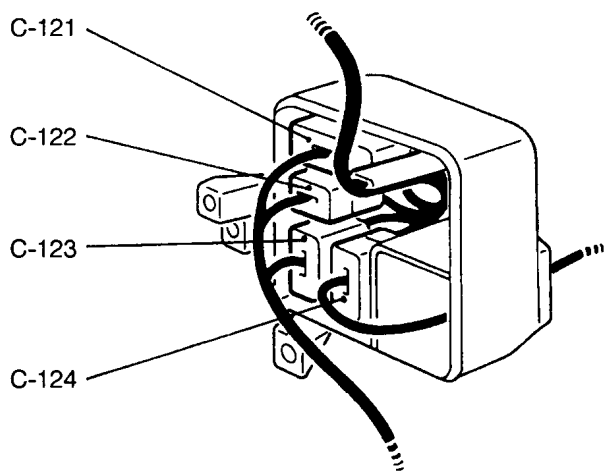
3610015

Connector block 3



3610016

Connector block 2



3610017

00006130

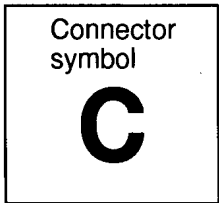
- C-113 (8) Dash wiring harness and front wiring harness (RH) combination
- C-114 (6) Dash wiring harness and front wiring harness (RH) combination
- C-115 (22-B) Dash wiring harness and front wiring harness (RH) combination
- C-117 (18-L) Dash wiring harness and floor wiring harness (LH) combination
- C-118 (4-L) Dash wiring harness and floor wiring harness (LH) combination
- C-119 (22-GR) Dash wiring harness and floor wiring harness (LH) combination
- C-120 (32) Dash wiring harness and front door wiring harness (LH) combination

- C-121 (22-L) Dash wiring harness and floor wiring harness (RH) combination
- C-122 (4-L) Dash wiring harness and floor wiring harness (RH) combination
- C-123 (22) Dash wiring harness and floor wiring harness (RH) combination
- C-124 (32-B) Dash wiring harness and front door wiring harness (RH) combination

NOTE

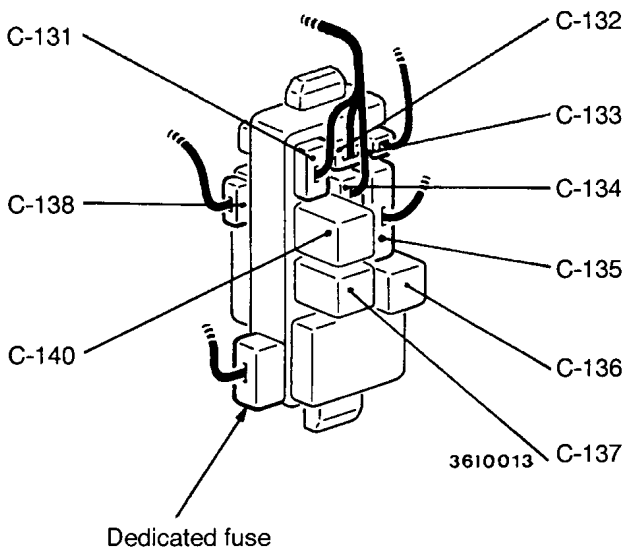
Connector number in are connector numbers which have been changed.

R.H. drive vehicles

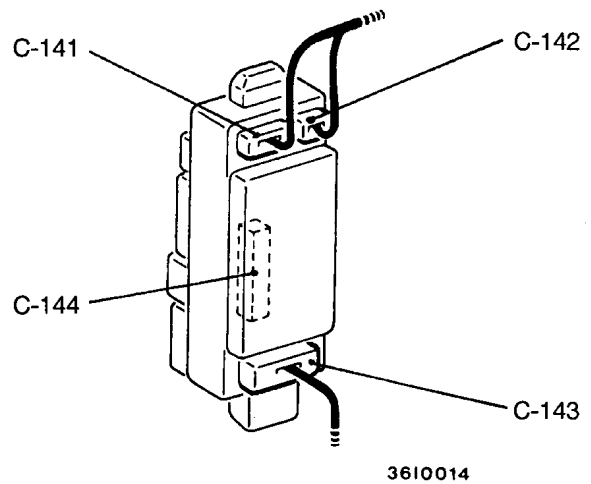


Junction block

(Front view)



(Rear view)



00006132

- Connector colour code
 B: Black
 Y: Yellow
 L: Blue
 G: Green
 R: Red
 BR: Brown
 V: Violet
 O: Orange
 GR: Gray

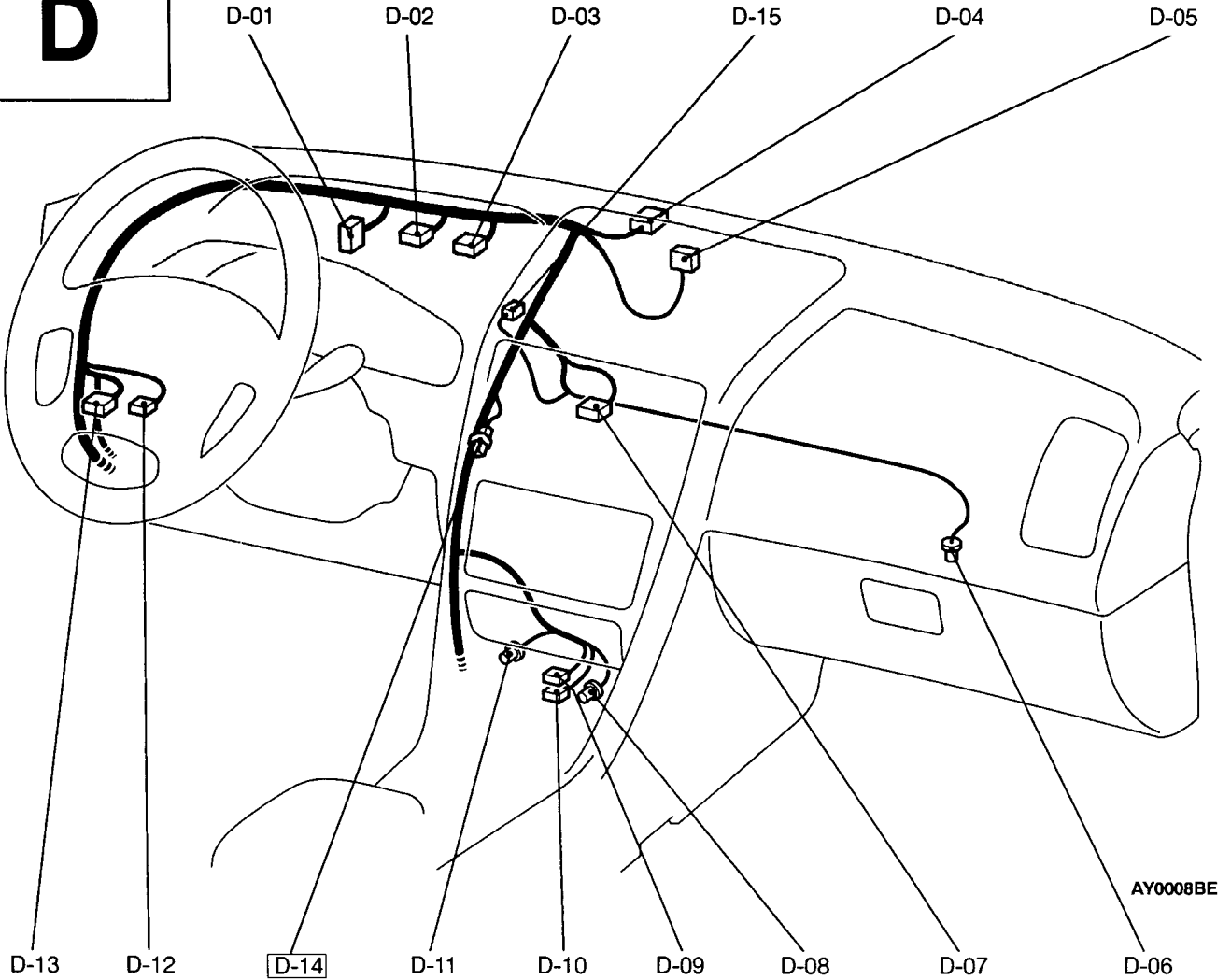
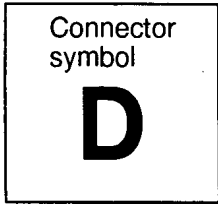
- C-131 (6-B) Dash wiring harness and J/B combination
- C-132 (10-B) Dash wiring harness and J/B combination
- C-133 (6-B) Roof wiring harness and J/B combination
- C-134 (22-B) Dash wiring harness and J/B combination
- C-135 (20-B) Instrument panel wiring harness and J/B combination
- C-136 (3) Turn-signal and hazard warning flasher unit

- C-137 (5) Defogger relay
- C-138 (16) ETACS-ECU
- C-140 (5) Blower relay
- C-141 (18-B) Dash wiring harness and J/B combination
- C-142 (1-B) Dash wiring harness and J/B combination
- C-143 (19-B) Floor wiring harness (RH) and J/B combination
- C-144 (20) ETACS-ECU

NOTES

INSTRUMENT PANEL

L.H. drive vehicles



Connector colour code

- B: Black
- Y: Yellow
- L: Blue
- G: Green
- R: Red
- BR: Brown
- V: Violet
- O: Orange
- GR: Gray

- D-01 (17) Combination meter
- D-02 (17) Combination meter
- D-03 (17) Combination meter
- D-04 (2) Photo sensor <Automatic A/C>
- D-05 (4) Clock
- D-06 (2) Glove box lamp
- D-07 (10) Hazard warning switch
- D-08 (2) Cigarette lighter illumination lamp
- D-09 (1-B) Cigarette lighter
- D-10 (1) Cigarette lighter

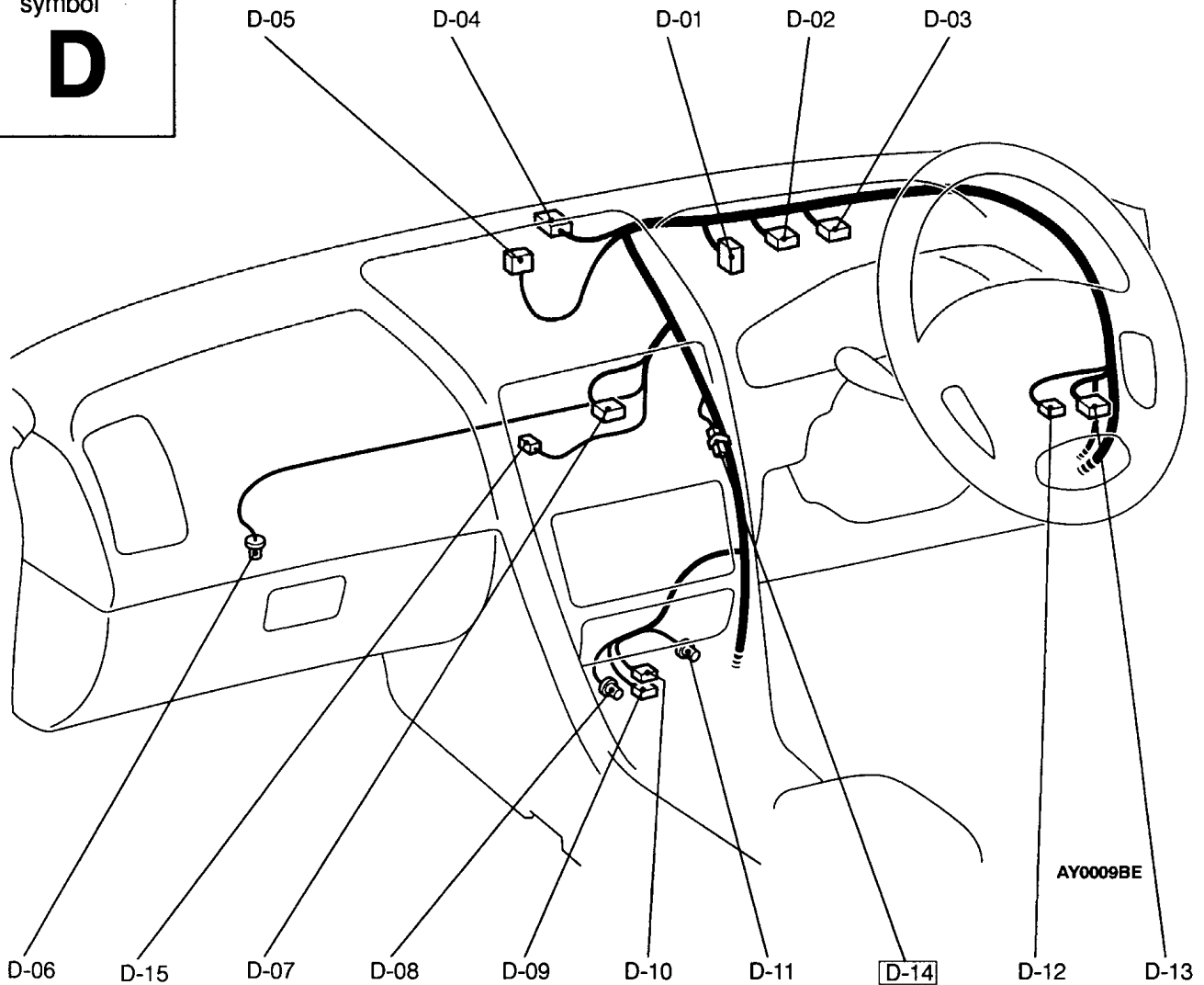
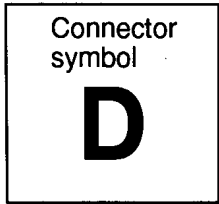
- D-11 (2) Ashtray illumination lamp
- D-12 (2) Rheostat <High-contrast meter>
- D-13 (3) Rheostat
- D-14 (2-B) Diode (for ASC circuit)
- D-15 (8-B) GDI-ECO indication lamp-ECU

NOTE

Connector number in are connector numbers which have been added.

INSTRUMENT PANEL

R.H. drive vehicles



Connector colour code

- | | |
|-----------|-----------|
| B: Black | BR: Brown |
| Y: Yellow | V: Violet |
| L: Blue | O: Orange |
| G: Green | GR: Gray |
| R: Red | |

- D-01 (17) Combination meter
- D-02 (17) Combination meter
- D-03 (17) Combination meter
- D-04 (2) Photo sensor <Automatic A/C>
- D-05 (4) Clock
- D-06 (2) Glove box lamp
- D-07 (10) Hazard warning switch
- D-08 (2) Cigarette lighter illumination lamp
- D-09 (1-B) Cigarette lighter
- D-10 (1) Cigarette lighter

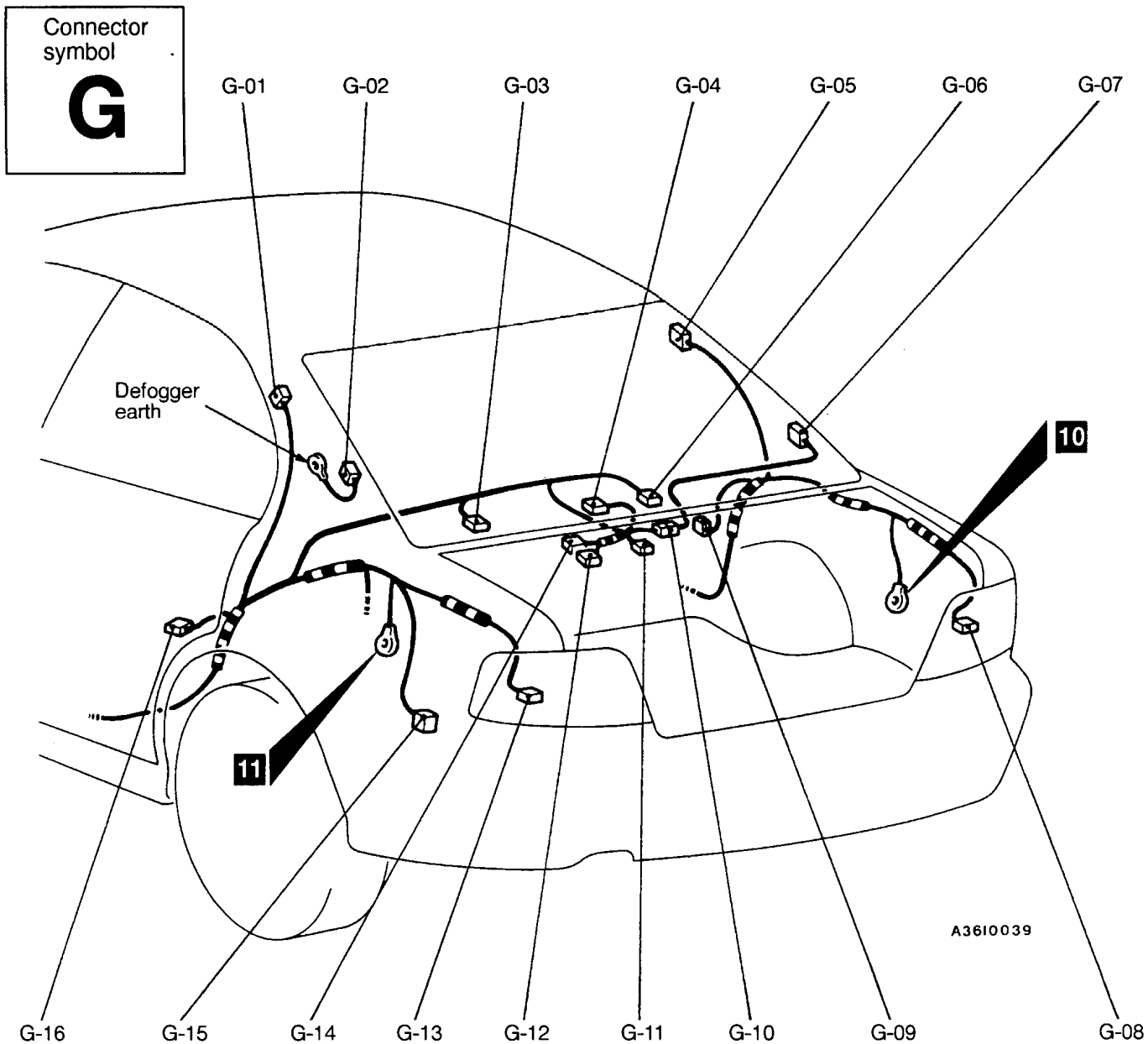
- D-11 (2) Ashtray illumination lamp
- D-12 (2) Rheostat <High-contrast meter>
- D-13 (3) Rheostat
- D-14 (2-B) Diode (for ASC circuit)
- D-15 (8-B) GDI-ECO indication lamp-ECU

NOTE

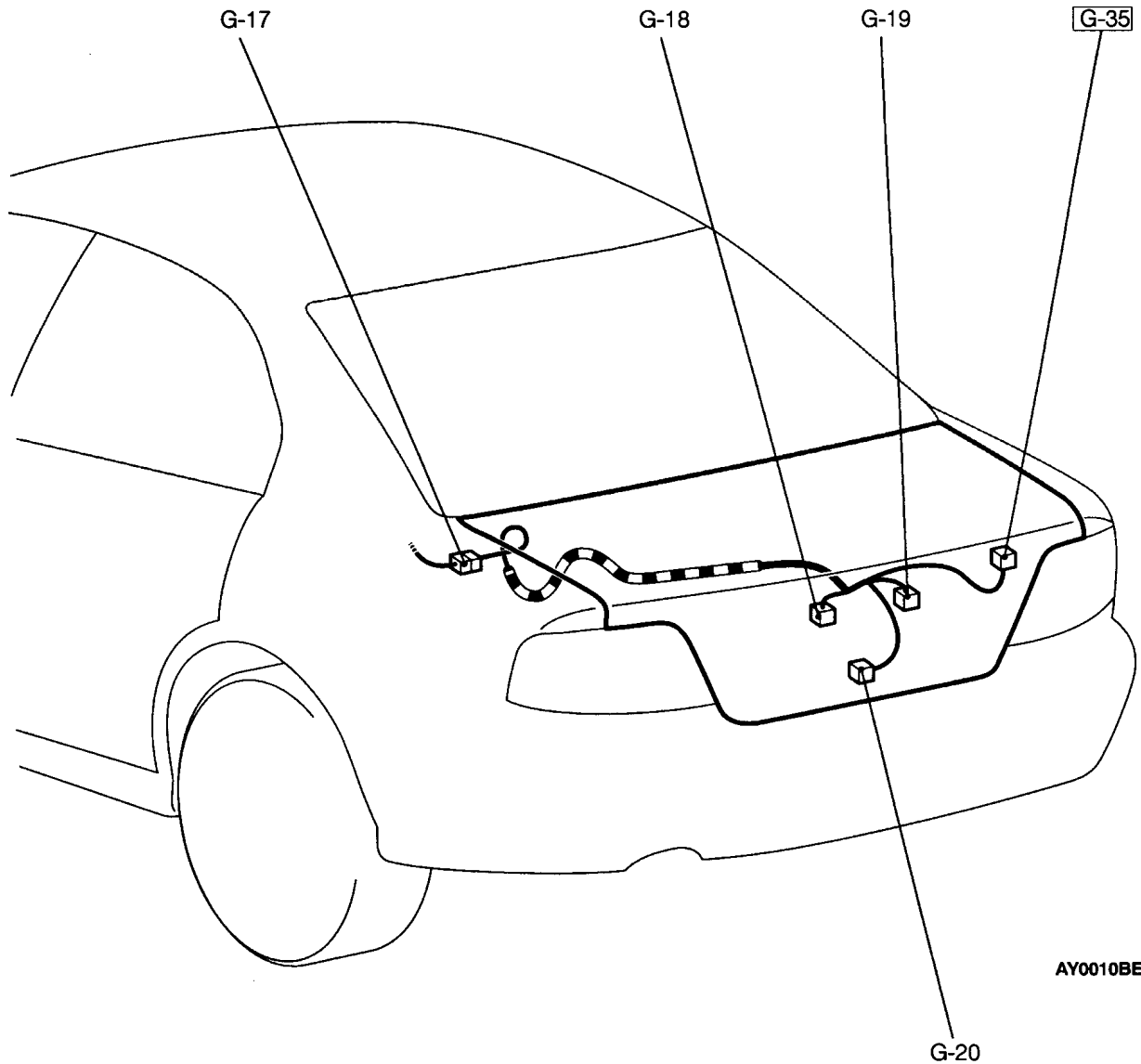
Connector number in are connector numbers which have been added.

LUGGAGE COMPARTMENT

Sedan <L.H. drive vehicles>



- | | | | |
|------------|-------------------------|----------|---|
| G-01 (3) | Rear personal lamp (LH) | G-08 (6) | Rear combination lamp (RH) |
| G-02 (1) | Defogger (-) | G-09 (2) | Rear door switch (RH) |
| G-03 (2-B) | Rear speaker (LH) | G-10 (3) | Floor wiring harness (LH) and defogger wiring harness combination |
| G-04 (2) | High mounted stop lamp | G-11 (2) | Luggage compartment lamp |
| G-05 (3) | Rear personal lamp (RH) | G-12 (8) | Rear intermittent wiper relay |
| G-06 (2-B) | Rear speaker (RH) | G-13 (6) | Rear combination lamp (LH) |
| G-07 (1) | Defogger (+) | | |



Connector colour code
 B: Black
 Y: Yellow
 L: Blue
 G: Green
 R: Red

BR: Brown
 V: Violet
 O: Orange
 GR: Gray

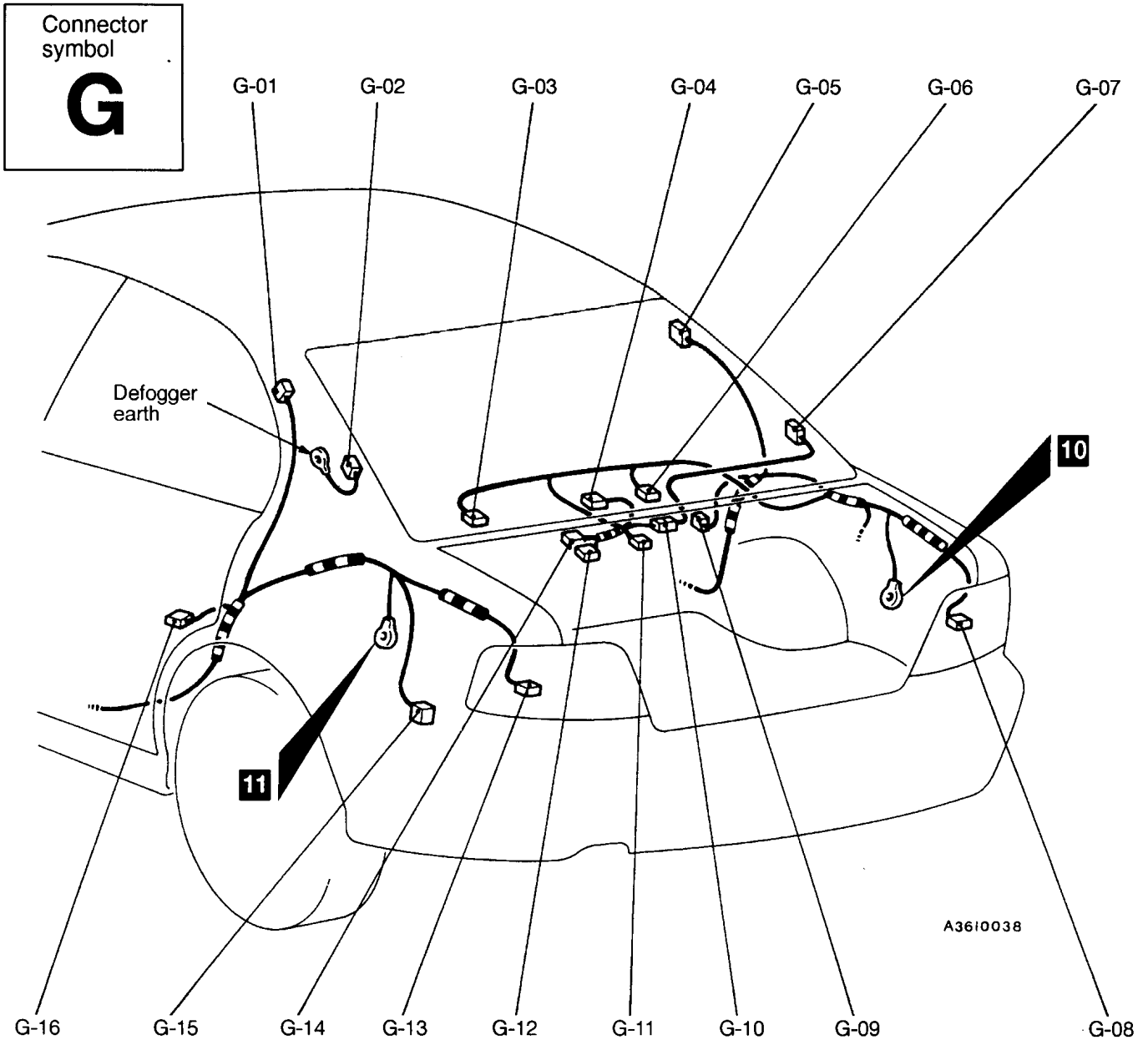
- G-14 (4) Rear wiper motor
- G-15 (8) Motor antenna assembly
- G-16 (2) Rear door switch (LH)
- G-17 (10) Floor wiring harness (LH) and luggage compartment wiring harness combination
- G-18 (2-GR) Licence plate lamp (LH)
- G-19 (2-GR) Licence plate lamp (RH)

- G-20 (1-B) Luggage compartment lamp switch
- G-35 (2) High mounted stop lamp <Rear spoiler integrated type>

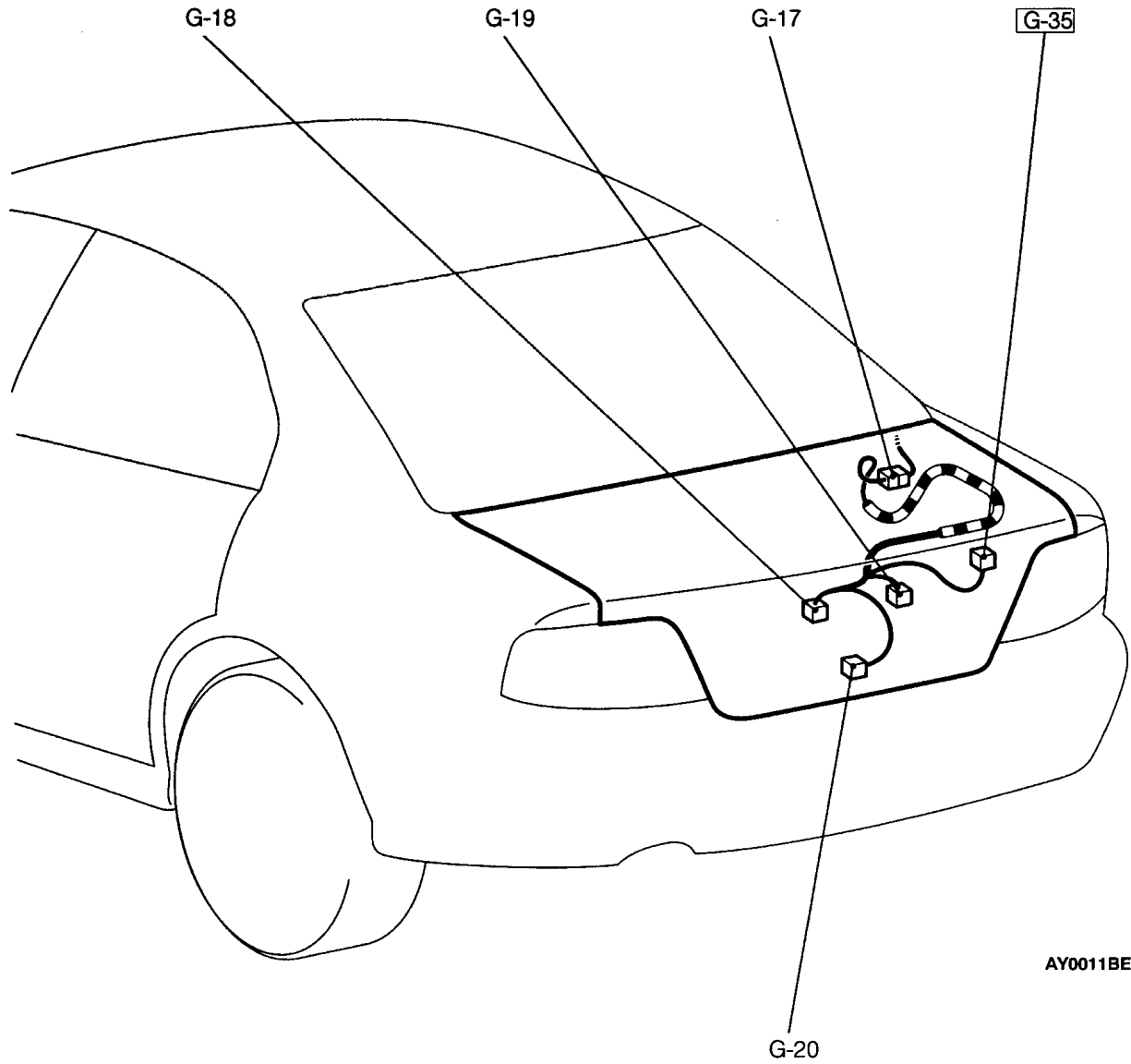
NOTE
 Connector number in are connector numbers which have been added.

LUGGAGE COMPARTMENT

Sedan <R.H. drive vehicles>



- | | | | |
|------------|-------------------------|----------|---|
| G-01 (3) | Rear personal lamp (LH) | G-08 (6) | Rear combination lamp (RH) |
| G-02 (1) | Defogger (-) | G-09 (2) | Rear door switch (RH) |
| G-03 (2-B) | Rear speaker (LH) | G-10 (3) | Floor wiring harness (RH) and defogger wiring harness combination |
| G-04 (2) | High mounted stop lamp | G-11 (2) | Luggage compartment lamp |
| G-05 (3) | Rear personal lamp (RH) | G-12 (8) | Rear intermittent wiper relay |
| G-06 (2-B) | Rear speaker (RH) | G-13 (6) | Rear combination lamp (LH) |
| G-07 (1) | Defogger (+) | | |



AY0011BE

Connector colour code

B: Black
 Y: Yellow
 L: Blue
 G: Green
 R: Red

BR: Brown
 V: Violet
 O: Orange
 GR: Gray

- G-14 (4) Rear wiper motor
- G-15 (8) Motor antenna assembly
- G-16 (2) Rear door switch (LH)
- G-17 (10) Floor wiring harness (RH) and luggage compartment wiring harness combination
- G-18 (2-GR) Licence plate lamp (LH)
- G-19 (2-GR) Licence plate lamp (RH)

- G-20 (1-B) Luggage compartment lamp switch
- G-35 (2) High mounted stop lamp <Rear spoiler integrated type>

NOTE

Connector number in are connector numbers which have been added.