

---

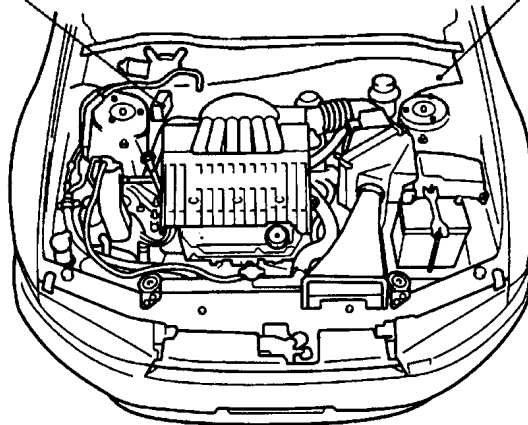
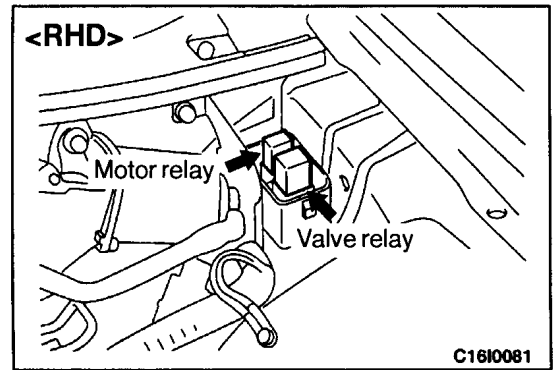
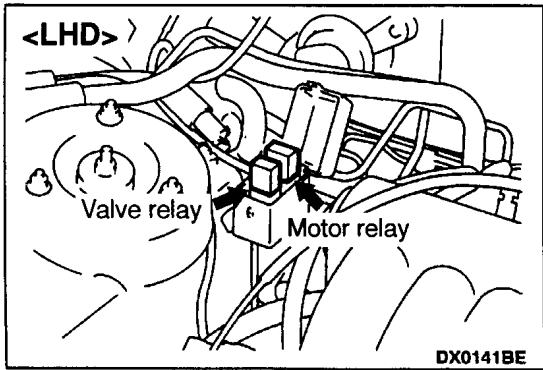
# SINGLE PART INSTALLATION POSITION

## CONTENTS

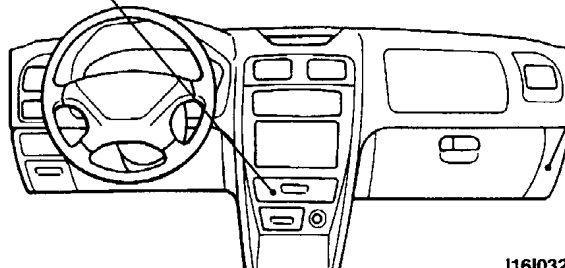
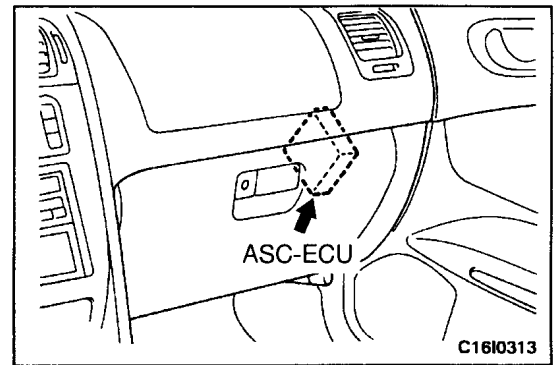
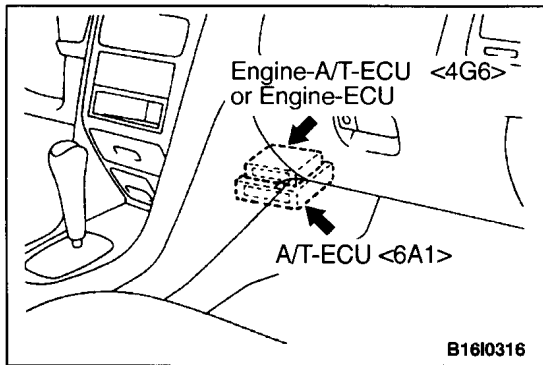
RELAY .....	2-2	SOLENOID VALVE .....	2-5
ECU .....	2-2	DIODE .....	2-6
SENSOR .....	2-3		

---

RELAY



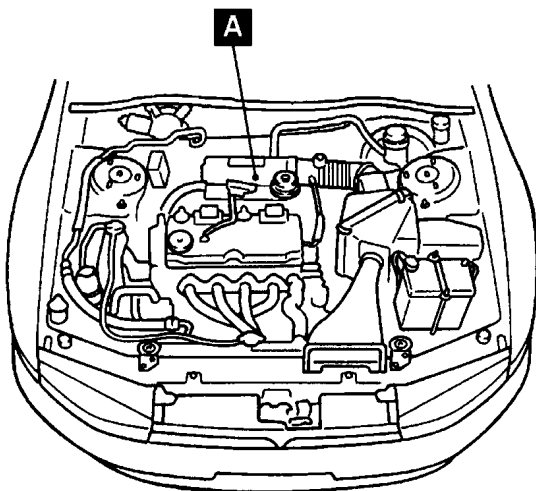
ECU



**SENSOR**

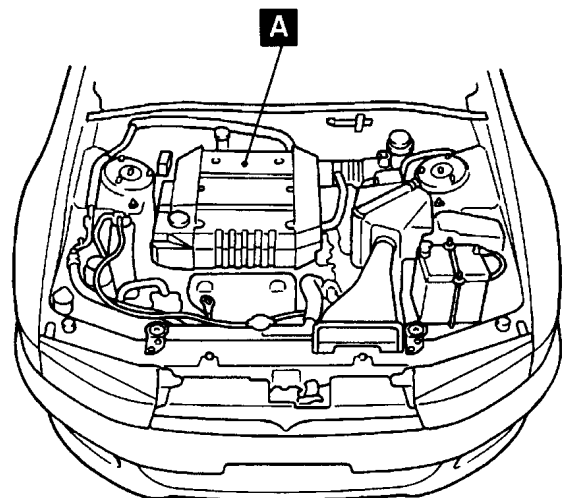
Name	Symbol	Name	Symbol
Ignition failure sensor <4G6>	A	Oxygen sensor (Rear: LH) <6A1>	F
Lateral G sensor <ASC>	C	Oxygen sensor (Rear: RH) <6A1>	G
Oxygen sensor (Front: LH) <6A1>	D	Pressure sensor <ASC>	B
Oxygen sensor (Front: RH) <6A1>	E	Yaw rate sensor <ASC>	C

<4G63>



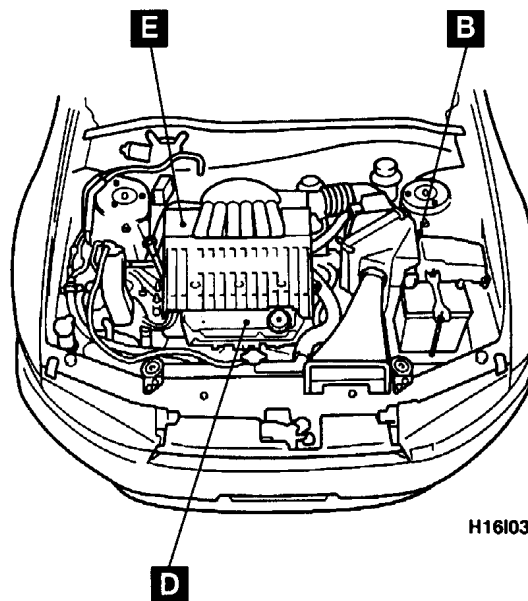
B1610272

<4G64>

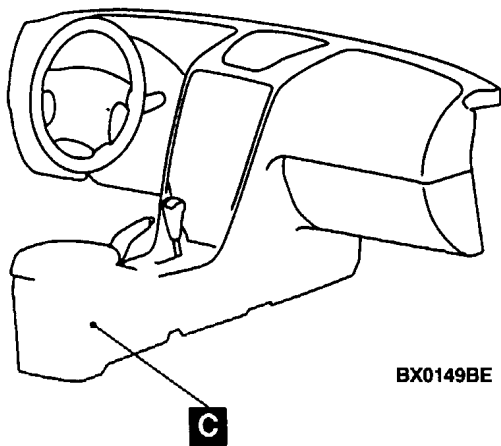


D1610629

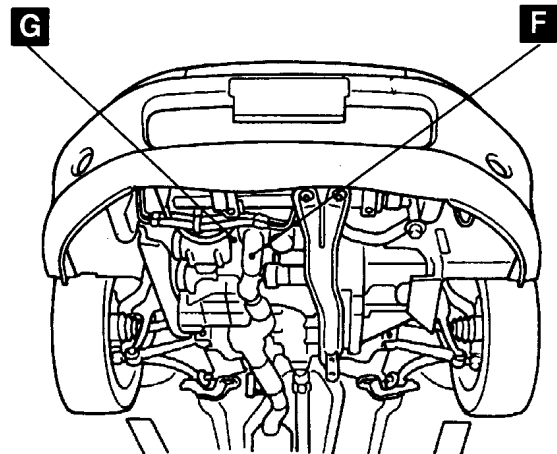
<6A13>



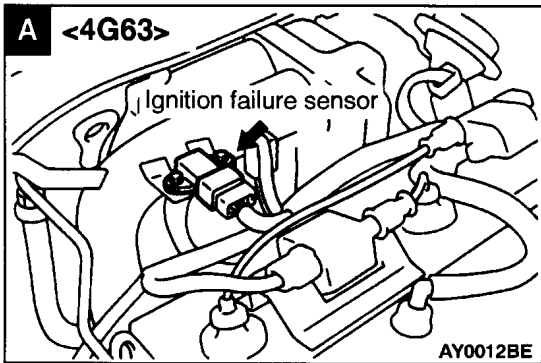
H1610326



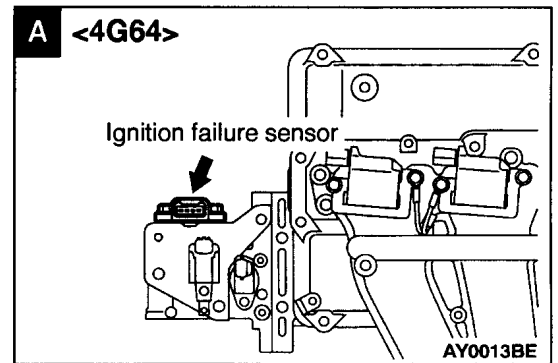
BX0149BE



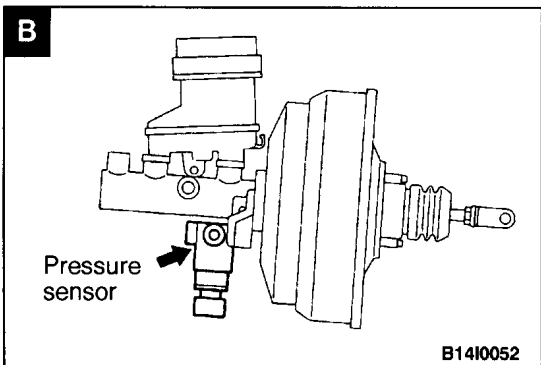
B16I0177



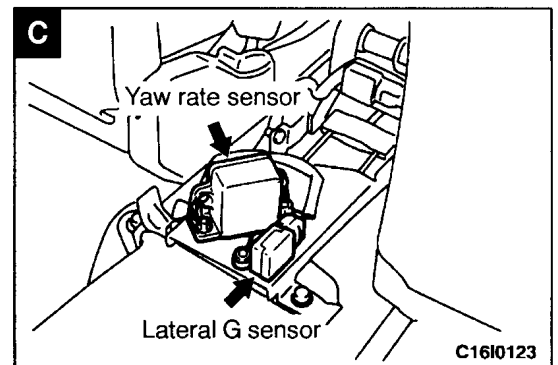
AY0012BE



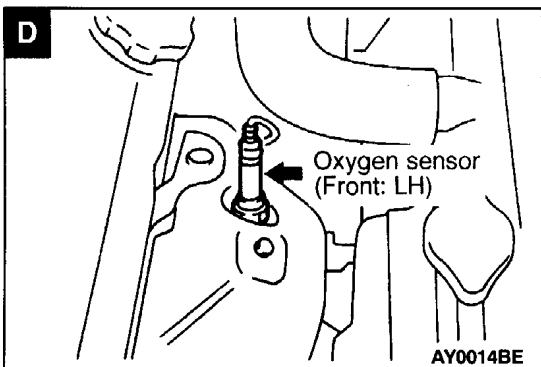
AY0013BE



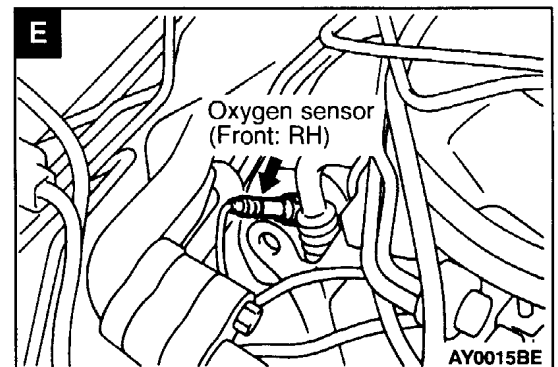
B14I0052



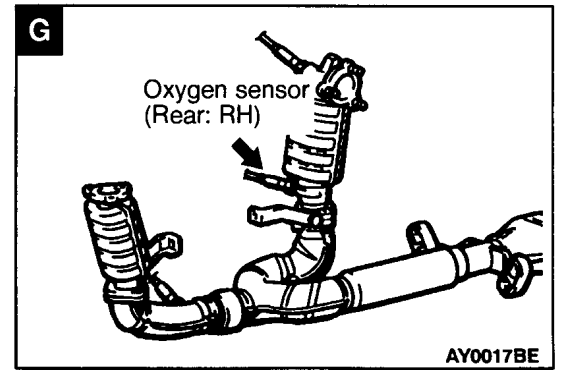
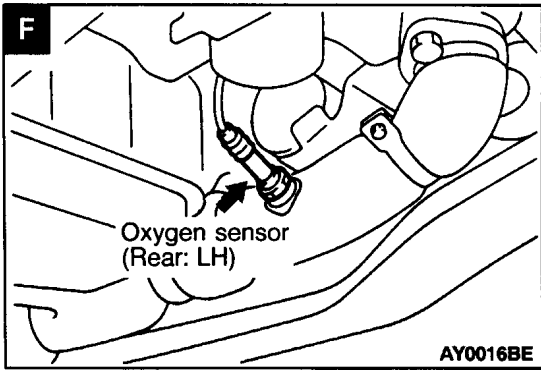
C16I0123



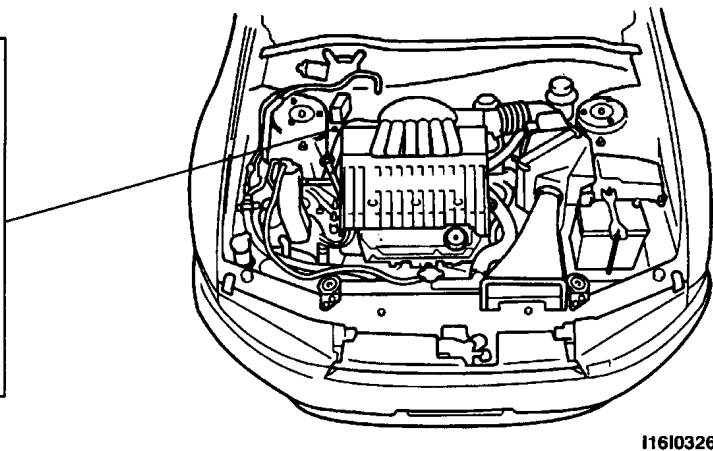
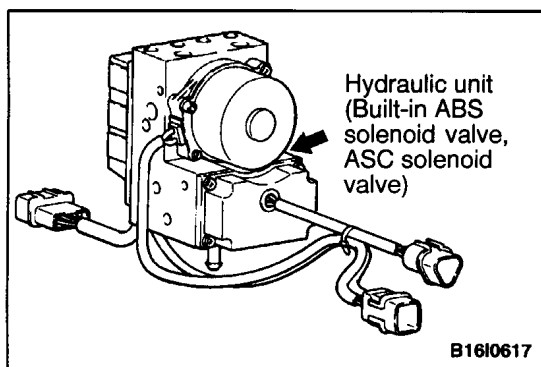
AY0014BE



AY0015BE



## SOLENOID VALVE



**DIODE**

Name	Symbol	Name	Symbol
Diode (for ASC circuit) <LHD>	A	Diode (for ASC circuit) <RHD>	C
Diode (for ASC circuit) <LHD>	B	Diode (for ASC circuit) <RHD>	D

<LHD>

<RHD>

