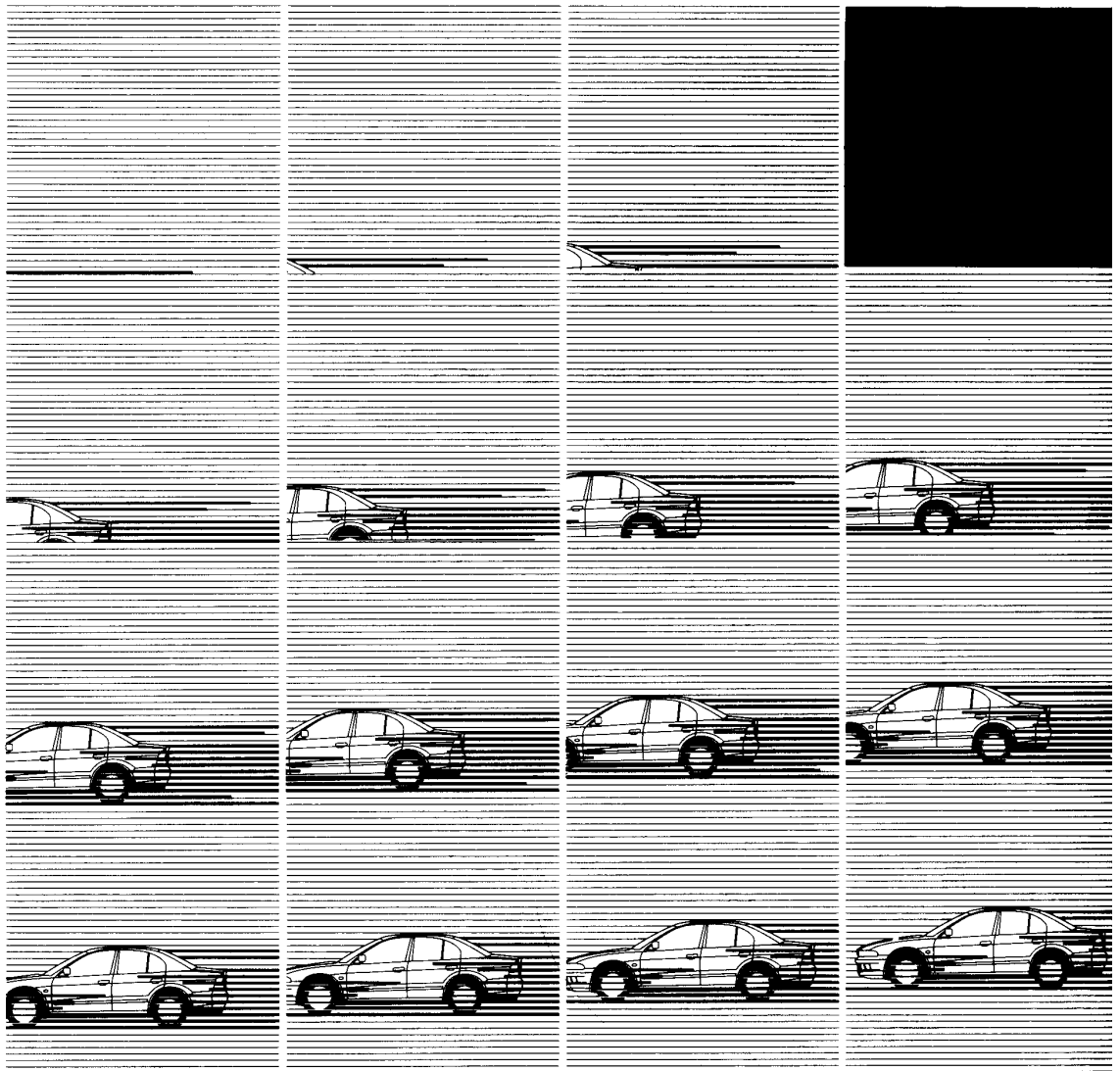




Workshop Manual

electrical wiring

GALANT '97



Pub. No. PHDE9608

GALANT

ELECTRICAL WIRING

FOREWORD

This Electrical Wiring Manual contains information necessary for inspection and servicing of electrical wiring of Mitsubishi GALANT edited in the form of wiring harness configuration diagrams and function-separated circuit diagrams.

It is recommended that all service mechanics engaged in the servicing of the vehicle refer to the following publications as well as this manual.

TECHNICAL INFORMATION MANUAL
PYDE9604

WORKSHOP MANUAL
CHASSIS GROUP
PWDE9611

BODY REPAIR MANUAL
PBDE9609

ENGINE GROUP
PWEE□□□□
(Looseleaf edition)

PARTS CATALOGUE
B608S107□□
B608T507□□

All information, illustrations and product descriptions contained in this manual are current as of time of publication. We, however, reserve the right to make changes at any time without prior notice or obligation.

GROUP INDEX

0010900867

HOW TO READ THE WIRING DIAGRAMS	1
WIRING HARNESS CONFIGURATION DIAGRAMS	2
SINGLE PART INSTALLATION POSITION	3
CIRCUIT DIAGRAM	4
INDEX	



HOW TO USE THIS MANUAL

00100010241

CONTENTS

The preceding page contains GROUP INDEX that lists the group title and group number.

PAGE NUMBERS

All page numbers consist of two sets of digits separated by a dash. The digits preceding the dash identify the number of the group. The digits following the dash represent the consecutive page number within the group. The page number can be found on the top left or right of each page.

OPERATION AND TROUBLESHOOTING HINTS

In the GROUP 4 circuit diagrams, the operation and troubleshooting hints are given on the previous page or following page for each circuit where necessary.

HOW TO READ THE WIRING DIAGRAMS

CONTENTS

00109000874

MODELS	1-2	HOW TO READ CIRCUIT DIAGRAMS	1-6
COMPOSITION AND CONTENTS OF WIRING DIAGRAMS	1-4	MARKINGS FOR CONNECTOR EARTHING	1-8
HOW TO READ CONFIGURATION DIAGRAMS	1-5	WIRE COLOUR CODES	1-11
		ABBREVIATION SYMBOLS	1-12

MODELS

00100030247

<SEDAN>

Model Code		Engine model	Transmission model	Fuel supply system
EA2A	SNJEQL6	4G63-SOHC (1, 997 mℓ)	F5M42 (2WD-5M/T)	MPI
	SNHEQL6		F4A42 (2WD-4A/T)	
	SRHEQL6			
EA5A	SNGEQL6	6A13-SOHC (2, 497 mℓ)	F5M42 (2WD-5M/T)	MPI
	SRGEQL6		F4A42 (2WD-4A/T)	
EA6A	SNHFQL6	4D68-SOHC (1, 998 mℓ)	F5M42 (2WD-5M/T)	Electronically-controlled fuel injection pump
EA2A	SNJEQL6C	4G63-SOHC (1, 997 mℓ)	F5M42 (2WD-5M/T)	MPI
	SNHEQL6C		F4A42 (2WD-4A/T)	
	SRHEQL6C			
EA5A	SNGEQL6C	6A13-SOHC (2, 497 mℓ)	F5M42 (2WD-5M/T)	MPI
	SRGEQL6C		F4A42 (2WD-4A/T)	
EA6A	SNHFQL6C	4D68-SOHC (1, 998 mℓ)	F5M42 (2WD-5M/T)	Electronically-controlled fuel injection pump
EA2A	SNHEQR6	4G63-SOHC (1, 997 mℓ)	F5M42 (2WD-5M/T)	MPI
	SRHEQR6		F4A42 (2WD-4A/T)	
EA5A	SNGEQR6	6A13-SOHC (2, 497 mℓ)	F5M42 (2WD-5M/T)	MPI
	SRGEQR6		F4A42 (2WD-4A/T)	
EA6A	SNHFQR6	4D68-SOHC (1, 998 mℓ)	F5M42 (2WD-5M/T)	Electronically-controlled fuel injection pump

<WAGON>

Model Code		Engine model	Transmission model	Fuel supply system
EA2W	LNJEQL6	4G63-SOHC (1, 997 mℓ)	F5M42 (2WD-5M/T)	MPI
	LNHEQL6		F4A42 (2WD-4A/T)	
	LRHEQL6			
EA5W	LNGEQL6	6A13-SOHC (2, 497 mℓ)	F5M42 (2WD-5M/T)	MPI
	LRGEQL6		F4A42 (2WD-4A/T)	
EA6W	LNHFQL6	4D68-SOHC (1, 998 mℓ)	F5M42 (2WD-5M/T)	Electronically-controlled fuel injection pump
EA2W	LNJEQL6C	4G63-SOHC (1, 997 mℓ)	F5M42 (2WD-5M/T)	MPI
	LNHEQL6C		F4A42 (2WD-4A/T)	
	LRHEQL6C			
EA5W	LNGEQL6C	6A13-SOHC (2, 497 mℓ)	F5M42 (2WD-5M/T)	MPI
	LRGEQL6C		F4A42 (2WD-4A/T)	
EA6W	LNHFQL6C	4D68-SOHC (1, 998 mℓ)	F5M42 (2WD-5M/T)	Electronically-controlled fuel injection pump
EA2W	LNHEQR6	4G63-SOHC (1, 997 mℓ)	F5M42 (2WD-5M/T)	MPI
	LRHEQR6		F4A42 (2WD-4A/T)	
EA5W	LNGEQR6	6A13-SOHC (2, 497 mℓ)	F5M42 (2WD-5M/T)	MPI
	LRGEQR6		F4A42 (2WD-4A/T)	
EA6W	LNHFQR6	4D68-SOHC (1, 998 mℓ)	F5M42 (2WD-5M/T)	Electronically-controlled fuel injection pump

COMPOSITION AND CONTENTS OF WIRING DIAGRAMS

00100010258

- (1) This manual consists of wiring harness diagrams, installation locations of individual parts, circuits diagrams and index.
- (2) In each section, all specifications are listed, including optional specifications. Accordingly, some specifications may not be applicable for individual vehicles.

Section	Basic contents
Wiring harness configuration diagrams	Connector locations and harness wiring configurations on actual vehicles are illustrated.
Single part installation position	Locations are shown for each point of relays, electronic control units, sensors, solenoids, solenoid valves, diodes, inspection connectors, spare connectors, fusible links, fuses, etc. In the part's lists, parts are listed in alphabetical order.
Circuit diagrams	<p>Circuits from power supply to earth are shown completely, classified according to system. There is a main division into power circuits, and circuits classified by system. The circuits classified by system also include operation and troubleshooting hints.</p> <ul style="list-style-type: none"> ● Junction block The entire circuit for the junction block is described, because only the part of the junction block needed is normally shown in each circuit diagram. ● Joint connectors The internal circuits for all joint connectors are described, because only the part needed is shown in each circuit diagram. ● Power supply circuits Circuits from the battery to fusible link, dedicated fuses, ignition switch, general purpose fuses, etc. ● Circuits classified by system For each system, the circuits are shown from fuse to earth, excluding the power supply sections. ● Operation The standard operation of each system is briefly described, following the route of current flow. ● Troubleshooting hints This is a brief explanation of the inspection points that serve as hints when troubleshooting. Explanations of the circuits controlled by the electronic control unit are omitted. Refer to the related publications as required.
Index	All components used are listed by connector number and component name.

HOW TO READ CONFIGURATION DIAGRAMS

00100640051

The wiring harness diagrams clearly show the connector locations and harness routings at each site on actual vehicles.

Denotes connector No.
The same connector No. is used throughout the circuit diagrams to facilitate connector location searches.
The first alphabetical symbol indicates the location site of the connector and a number that follows is the unique number. Numbers are assigned to parts in clockwise order on the diagram.

Example: A-12

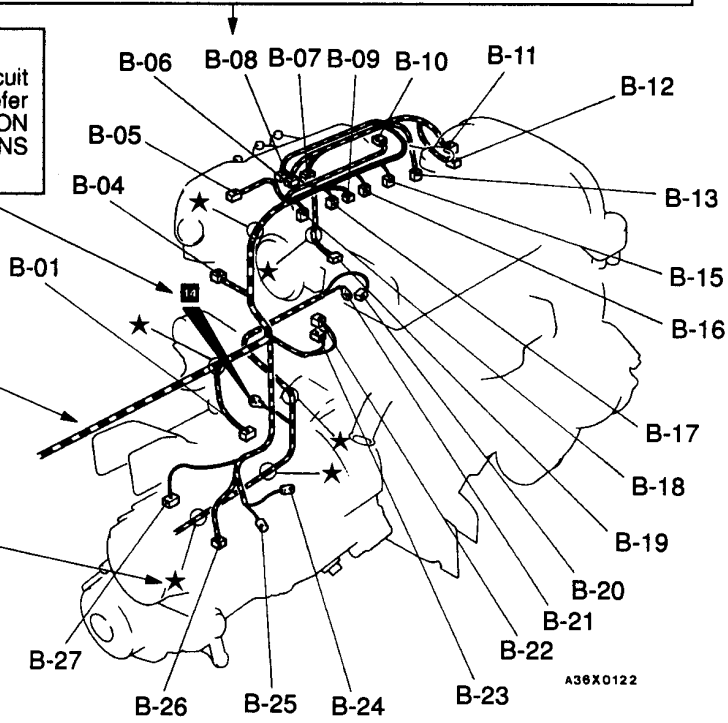
- Number specific to connector (serial number)
- Connector location site symbol
- A: Engine compartment
- B: Engine and transmission assembly
- C: Dash panel
- D: Instrument panel
- E: Floor and roof
- F: Door
- G: Luggage compartment

Denotes earth point.
Same earth number is used throughout circuit diagrams to facilitate search of earth point. Refer to GROUP 3 SINGLE PART INSTALLATION POSITION – EARTH MOUNTING LOCATIONS for details of earth points.

Denotes a section covered by a corrugated tube.

The mark ★ shows the standard mounting position of wiring harness.

Indicates the device to which the connector is to be connected.



B-01 (3-B)	Vehicle speed sensor	B-16 (2-GR)	Injector No. 2
B-02 (6)	Distributor assembly	B-17 (2-GR)	Injector No. 3
B-03 (2)	Distributor assembly	B-18 (2-GR)	Injector No. 4
B-04 (6-B)	Idle speed control servo	B-19 (4)	Oxygen sensor (front)
B-05 (4-B)	Throttle position sensor	B-20 (1-BR)	Starter motor

The number of connector pins and the connector colour (except milk white)* are shown for ease of retrieval.

*: Typical connector colours

- B: Black
- Y: Yellow
- L: Blue
- G: Green
- R: Red
- BR: Brown
- V: Violet
- O: Orange
- GR: Gray

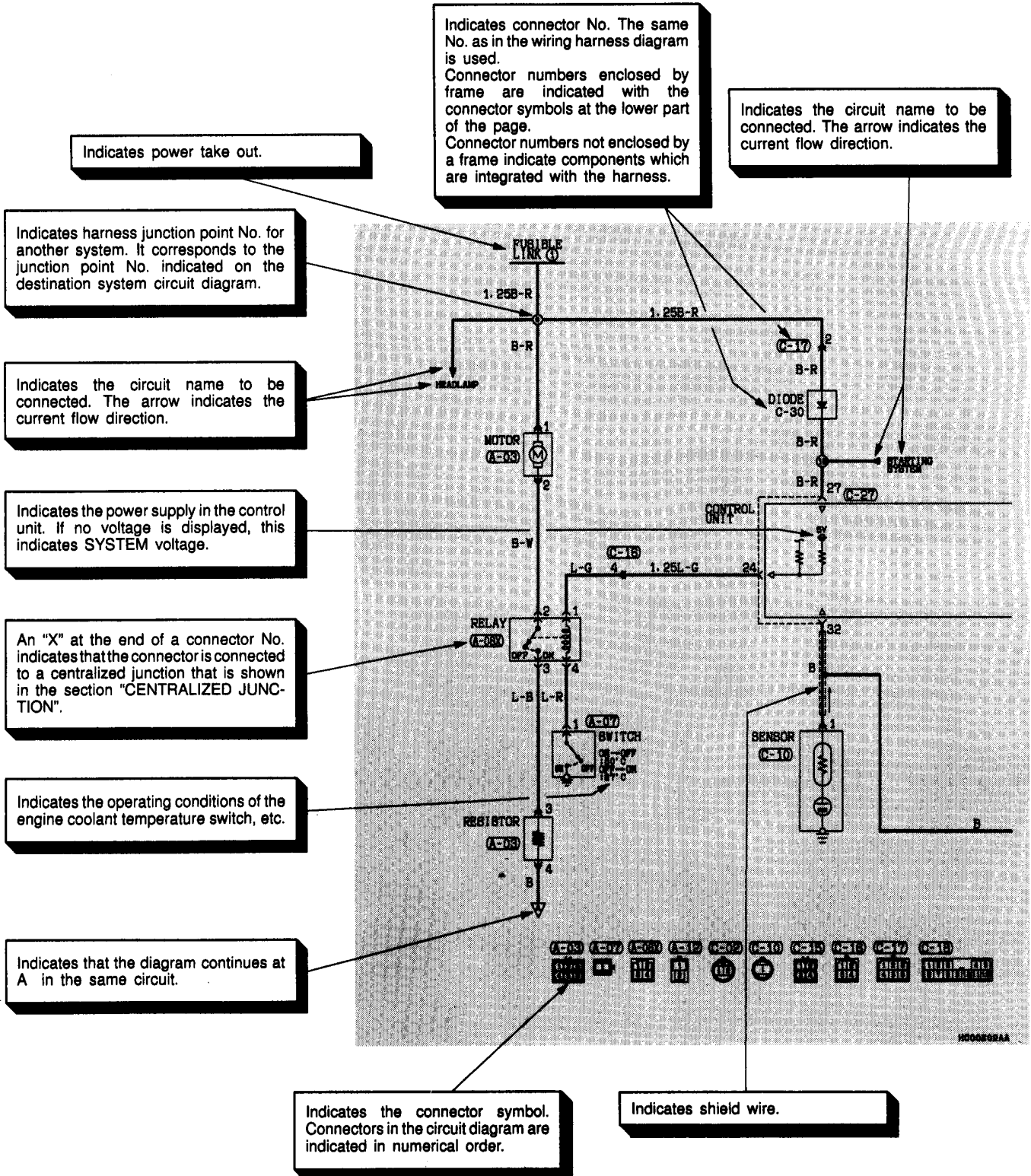
Example: (2-B)

- Connector colour (milk white if no colour is indicated)
- Number of connector pins

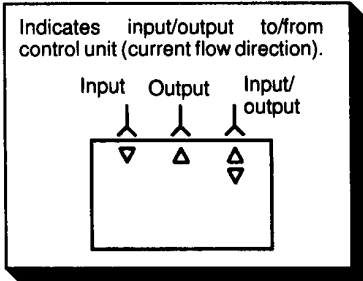
HOW TO READ CIRCUIT DIAGRAMS

00100650023

The circuit of each system from fuse (or fusible link) to earth is shown. The power supply is shown at the top and the earth at the bottom to facilitate understanding of the current flow.



HD00602AA



A broken line indicates that these connectors are the same intermediate connectors.

Indicates that the diagram comes from A in the same circuit.

Indicates terminal No.

In case two or more connectors are connected to the same device, markings indicating the same connectors are connected by a broken line.

Indicates current flow downward or upward as controlled by the control unit.

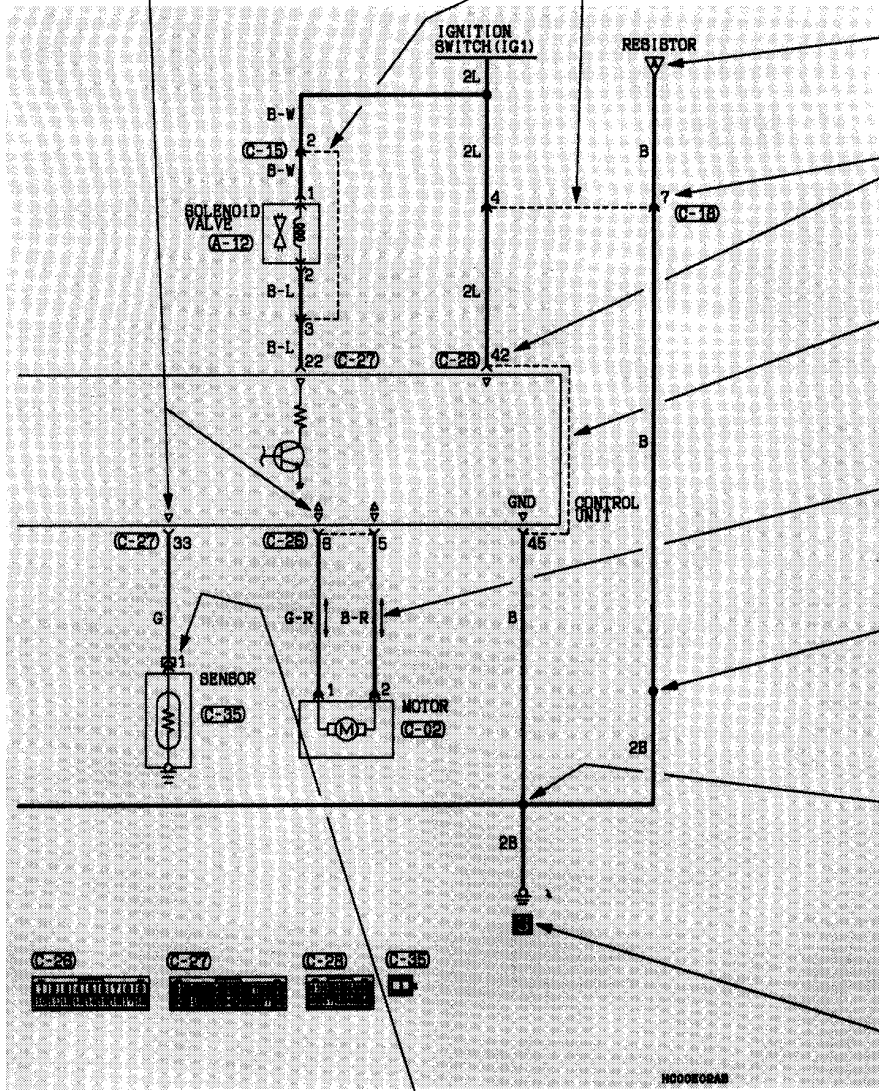
Indicates harness junction where wire diameter or colour changes.

Indicates intersections at which the lead wire are not connected.

Indicates intersections at which the lead wires are connected.

Indicates vehicle body earth point. (Same No. as that of earth point in wiring harness diagram and installation locations of individual parts.)

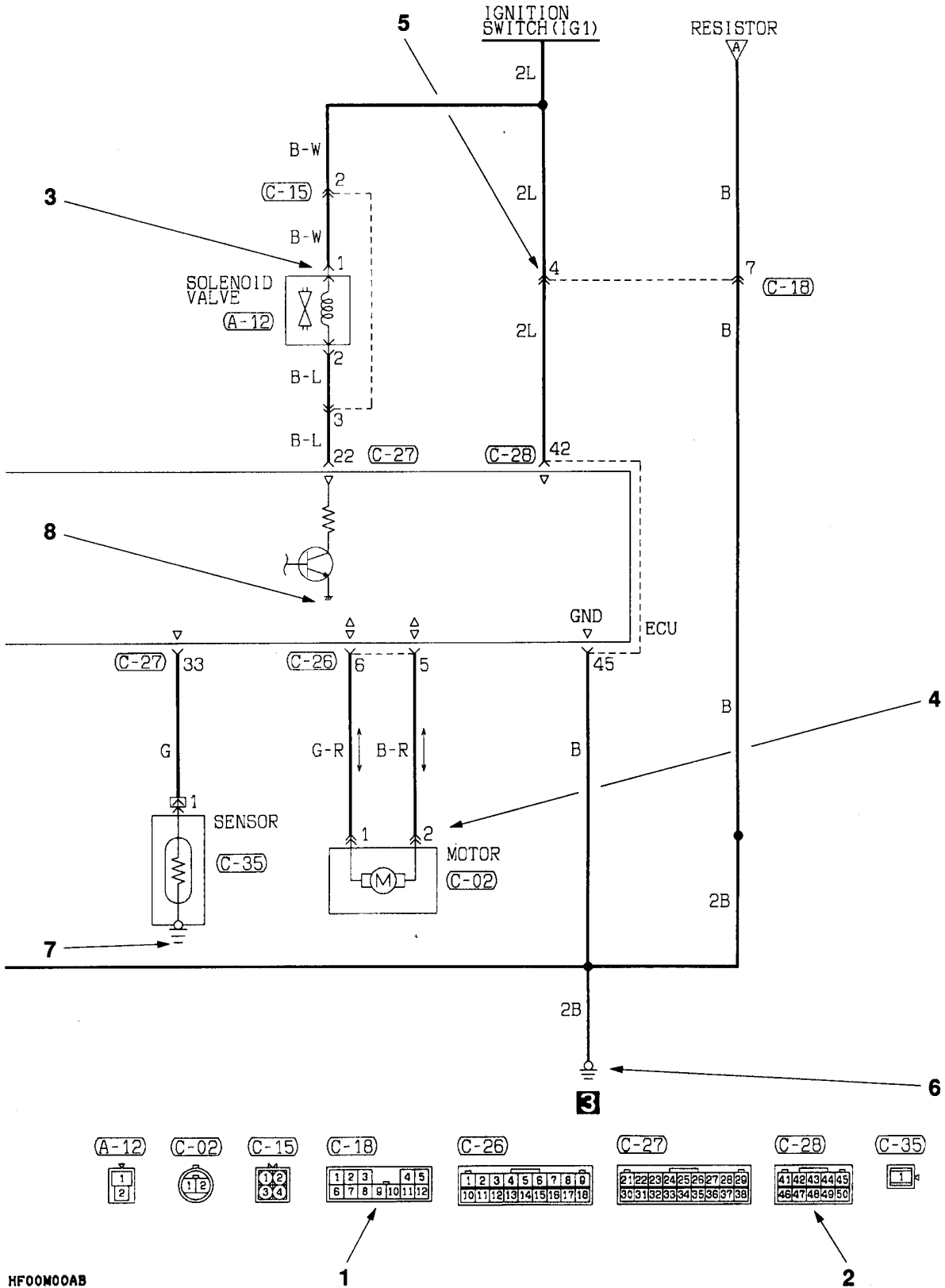
Indicates that the terminal is a spare one if the device (sensors in this case) is not provided.

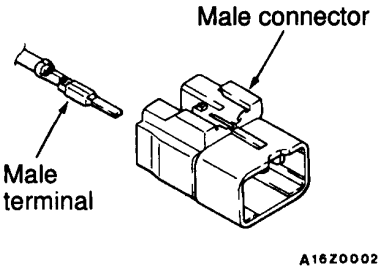

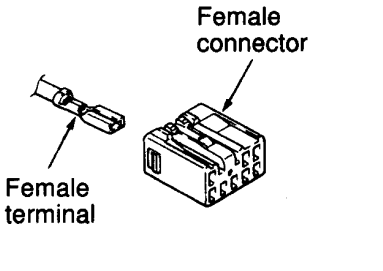
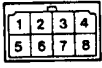

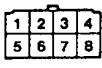
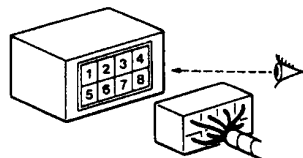
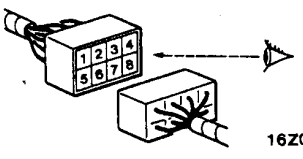
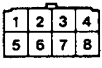
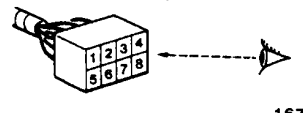


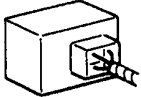
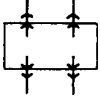
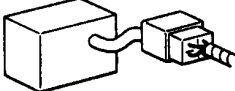



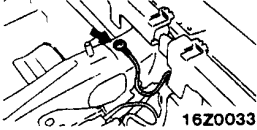

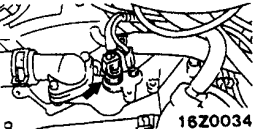
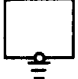
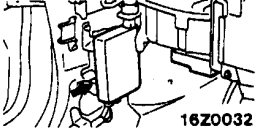

MOOREMAN

MARKINGS FOR CONNECTOR EARTHING

00100790046



Item	No.	Connector/Earthing	Symbol	Contents
<p>Connector and terminal marking</p>	1		<p>Male terminal</p>  <p>16Z0021</p>	<p>The male and female terminals are indicated as shown. The connector with male terminal(s) is called as male connector and indicated by double connector contour lines, while the connector with female terminal(s) is called as female connector and indicated by single connector contour line.</p>
	-		<p>Male connector</p>  <p>16Z0016</p>	
	<p>Female terminal</p>  <p>16Z0022</p>	<p>Female connector</p>  <p>16Z0017</p>		
	<p>Connector symbol marking</p>	2	<p>Device</p> 	
-		<p>Intermediate connector</p> 	 <p>16Z0017</p>	
-		<p>Spare connector, check connector</p> 		

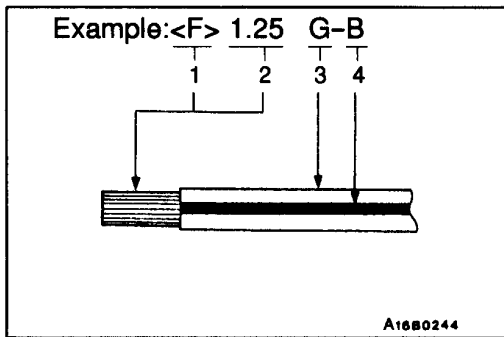
Item	No.	Connector/Earthing	Symbol	Contents
Connector connection marking	3	Direct connection type  16Z0026	 16Z0023	A connection between a device and connector on the harness side is either by direct insertion in the device (direct connection type) or by connection with a harness connector on the device side furnished (harness connection type). The two types are indicated as illustrated.
	4	Harness connection type  16Z0027	 16Z0024	
	5	Intermediate connector  16Z0028	 16Z0025	
Earth markings	6	Body earth  16Z0033	 16Z0018	Earth is either by body earth, device earth or control unit interior earth. These are indicated as illustrated.
	7	Device earth  16Z0034	 16Z0019	
	8	Earth in control unit  16Z0032	 16Z0020	

WIRE COLOUR CODES

00100800022

Wire colours are identified by the follow colour codes.

Code	Wire colour	Code	Wire colour
B	Black	P	Pink
BR	Brown	R	Red
G	Green	SB	Sky blue
GR	Gray	SI	Silver
L	Blue	V	Violet
LG	Light green	W	White
O	Orange	Y	Yellow



If a cable has two colours, the first of the two colour code characters indicates the basic colour (colour of the cable coating) and the second indicates the marking colour.

No.	Meaning
1	<F>:Flexible wire
	<T>:Twisted wire
2	Wire size(mm ²)*
3	Basic colour (colour of the cable coating)
4	Marking colour

NOTE

- *: No code indicates 0.5 mm².
- Cable colour code in parentheses indicates 0.3 mm².

1-12 HOW TO READ THE WIRING DIAGRAMS – Abbreviation Symbols

ABBREVIATION SYMBOLS

00100810087

The abbreviation symbols used in wiring diagrams are defined below.

1. Abbreviation symbols used for system name

Abbreviation symbol	Meaning	Abbreviation symbol	Meaning
ABS	Anti-skid braking system	INVECS-II	Intelligent and innovative vehicles electronic control system
A/C	Air conditioner	MPI	Multi-point injection
A/T	Automatic transmission	M/T	Manual transmission
DRL	Daytime running lamp	SOHC	Single overhead camshaft engine
EGR	Exhaust gas recirculation	SRS	Supplemental restraint system
ETACS	Electronic time and alarm control system	TCL	Traction control system

2. Abbreviation symbols used for combination meters

Abbreviation symbol	Meaning	Abbreviation symbol	Meaning
ABS	Anti-skid braking system warning lamp	OIL LEVEL	Engine oil level warning lamp
BEAM	High beam indicator lamp	R/FOG	Rear fog lamp indicator lamp
BRAKE	Brake warning lamp	SECURITY	Theft-alarm system indicator lamp
CHECK ENGINE	Check engine warning lamp	SPEED	Speedmeter
CHG	Charging warning lamp	SRS	Supplemental restraint system warning lamp
CRUISE MAIN	Auto-cruise control system main switch on indicator lamp	TACHO	Tachometer
CRUISE SET	Auto-cruise control system set indicator lamp		
DOOR	Door-ajar warning lamp	TCL	Traction control system indicator lamp
F/GA	Fuel gauge	TCL OFF	Traction control system off indicator lamp
FOG	Front fog lamp indicator lamp	T/GA	Engine coolant temperature gauge
FUEL	Low fuel warning lamp	TRIP	Tripmeter
GLOW	Diesel preheat indicator lamp	TURN (LH)	Turn signal indicator lamp (L.H.)
HOLD	Hold mode indicator lamp	TURN (RH)	Turn signal indicator lamp (R.H.)
ODO	Odometer	WASHER	Washer fluid level warning lamp
OIL	Oil pressure warning lamp	WATER SEPARATER	Fuel filter warning lamp

3. Abbreviation symbols used for switches and relays

Name of switches and relays	Abbreviation symbols	Operation	Name of switches and relays	Abbreviation symbols	Operation
Ignition switch	ACC	When turned to the ACC (ACCESSORY) or ON position, the power circuit will start	Windshield wiper switch or rear wiper switch	LO	Wipers operate at low speed
	IG1	Even when at the ST (START) position, the power circuit will start		HI	Wipers operate at high speed
	IG2	When at the ST (START) position, the power circuit will not start functioning		INT	Wipers operate intermittently
Dimmer passing switch	LO	Low beams ON	Remote controlled mirror switch	LH	L.H. mirror operates
	HI	High beams ON		RH	R.H. mirror operates
Lighting switch	TAIL	Position, tail, licence plate and other illumination lamps ON	Sunroof switch	OPEN	Sunroof slides to open
	HEAD	Headlamps ON		UP	Sunroof tilts up
Room lamp switch or personal lamp switch	DOOR	Room lamp ON when a door is open		Sunroof switch	CLOSE/DOWN
			Turn signal switch		LH
Turn signal switch	RH	R.H. turn signal lamps ON	SLIDE RR	Seat is moved backwards	
Power window switch	UP	Window closes	Power seat switch	RECLINING FR	Seat back is stood upright
	DOWN	Window opens		RECLINING RR	Seat back is leaned backward
	AUTO UP	Window is easily closed with one action		FRONT HEIGHT UP	Front part of seat cushion is tilted up
	AUTO DOWN	Window is easily opened with one action		FRONT HEIGHT DOWN	Front part of seat cushion is tilted down
	LOCK	Window locked		REAR HEIGHT UP	Rear part of seat cushion is tilted up
	UNLOCK	Window unlocked		REAR HEIGHT DOWN	Rear part of seat cushion is tilted down
Door lock actuator or door lock key cylinder switch	LOCK	Door locked	Door lock actuator or door lock key cylinder switch	LOCK	Door locked
	UNLOCK	Door unlocked		UNLOCK	Door unlocked

1-14 HOW TO READ THE WIRING DIAGRAMS – Abbreviation Symbols

Name of switches and relays	Abbreviation symbols	Operation	Name of switches and relays	Abbreviation symbols	Operation
Blower switch	LO	Blower operates at low speed	Heated seat switch	LO	Normal heating
	ML	Blower operates at medium low speed			
	MH	Blower operates at medium high speed		HI	Rapid heating
	HI	Blower operates at high speed			
Motor antenna	UP	Motor antenna extends	Others	ON	Switched on
	DOWN	Motor antenna retracts		OFF	Switched off

4. Other abbreviation symbols

Abbreviation symbol	Meaning	Abbreviation symbol	Meaning
ECU	Electronic control unit	LCD	Liquid crystal display
GND	Earth	LH	Left hand
ILL	Illumination lamp	LHD	L.H. drive vehicles
IND	Indicator lamp	RH	Right hand
J/B	Junction block	RHD	R.H. drive vehicles
J/C	Joint connector	TDC	Top dead center

WIRING HARNESS CONFIGURATION DIAGRAMS

CONTENTS

80109000289

OVERALL WIRING DIAGRAM

Sedan	2-2
Wagon	2-3

ENGINE COMPARTMENT

L.H. drive vehicles	2-4
R.H. drive vehicles	2-6

ENGINE AND TRANSMISSION ASSEMBLY

4G63-MPI	2-8
6A13-MPI	2-12
4D68	2-16

DASH PANEL

L.H. drive vehicles	2-20
R.H. drive vehicles	2-28

INSTRUMENT PANEL

L.H. drive vehicles	2-36
R.H. drive vehicles	2-37

FLOOR AND ROOF

L.H. drive vehicles	2-38
R.H. drive vehicles	2-39

DOOR

L.H. drive vehicles	2-40
R.H. drive vehicles	2-41

LUGGAGE COMPARTMENT

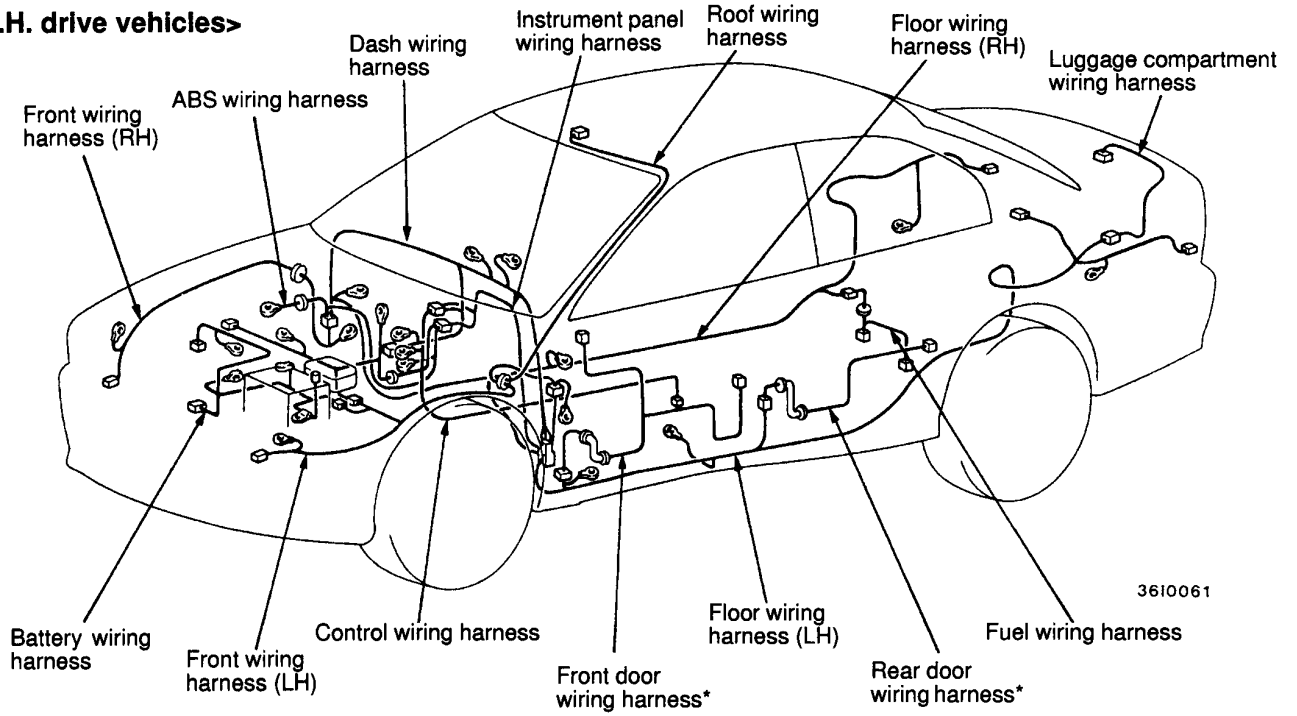
Sedan <L.H. drive vehicles>	2-42
Sedan <R.H. drive vehicles>	2-44
Wagon	2-46

OVERALL WIRING DIAGRAM

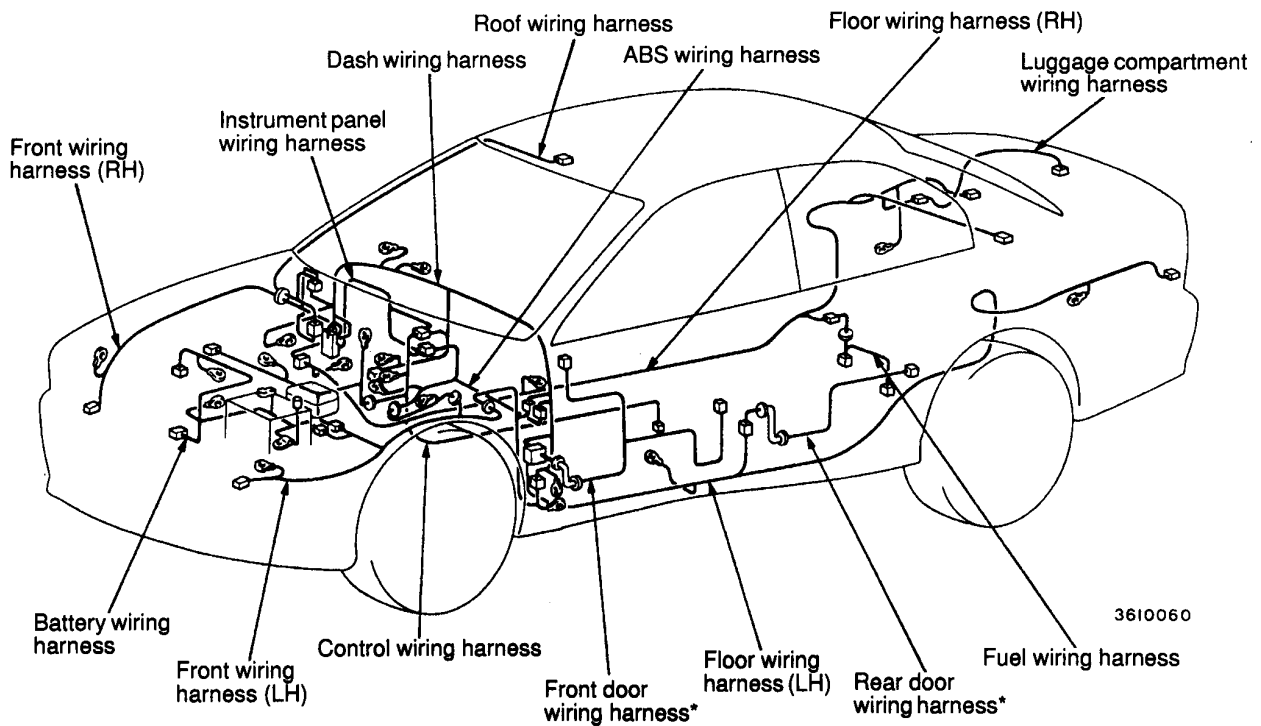
80100010267

Sedan

<L.H. drive vehicles>



<R.H. drive vehicles>



00006123

Remarks

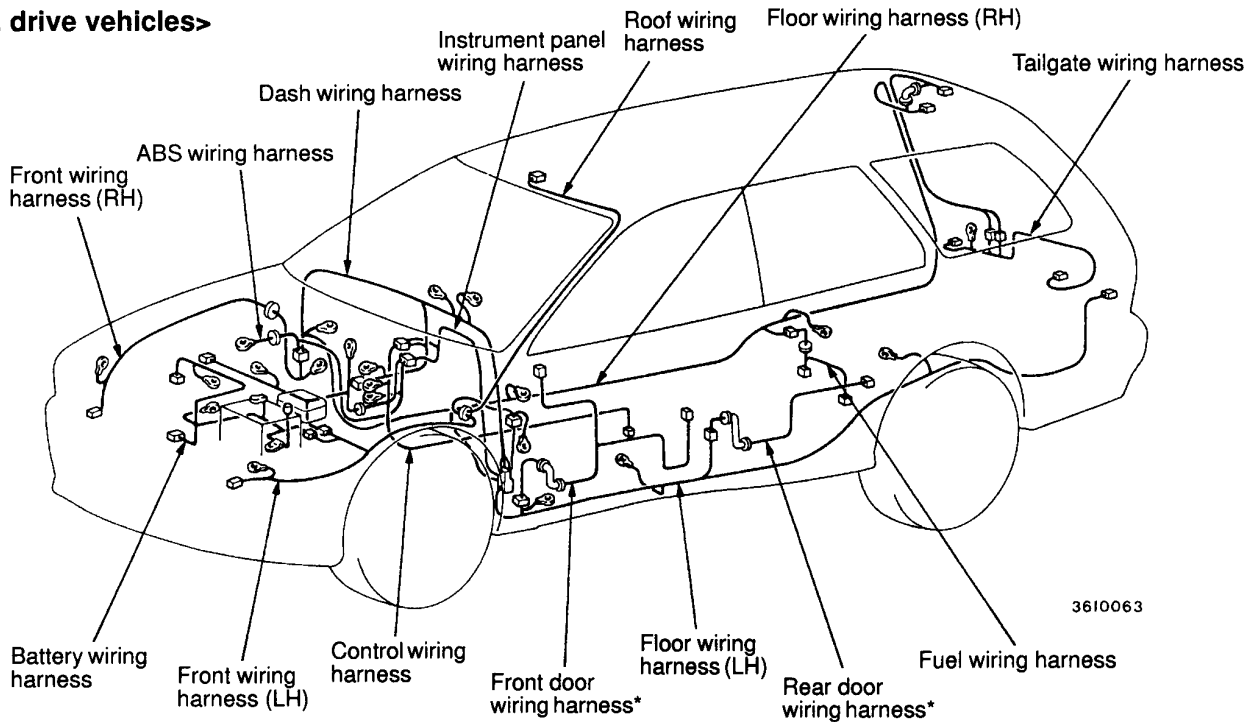
- (1) This illustration shows only major wiring harnesses.
- (2) *: also equipped at the right side.

OVERALL WIRING DIAGRAM

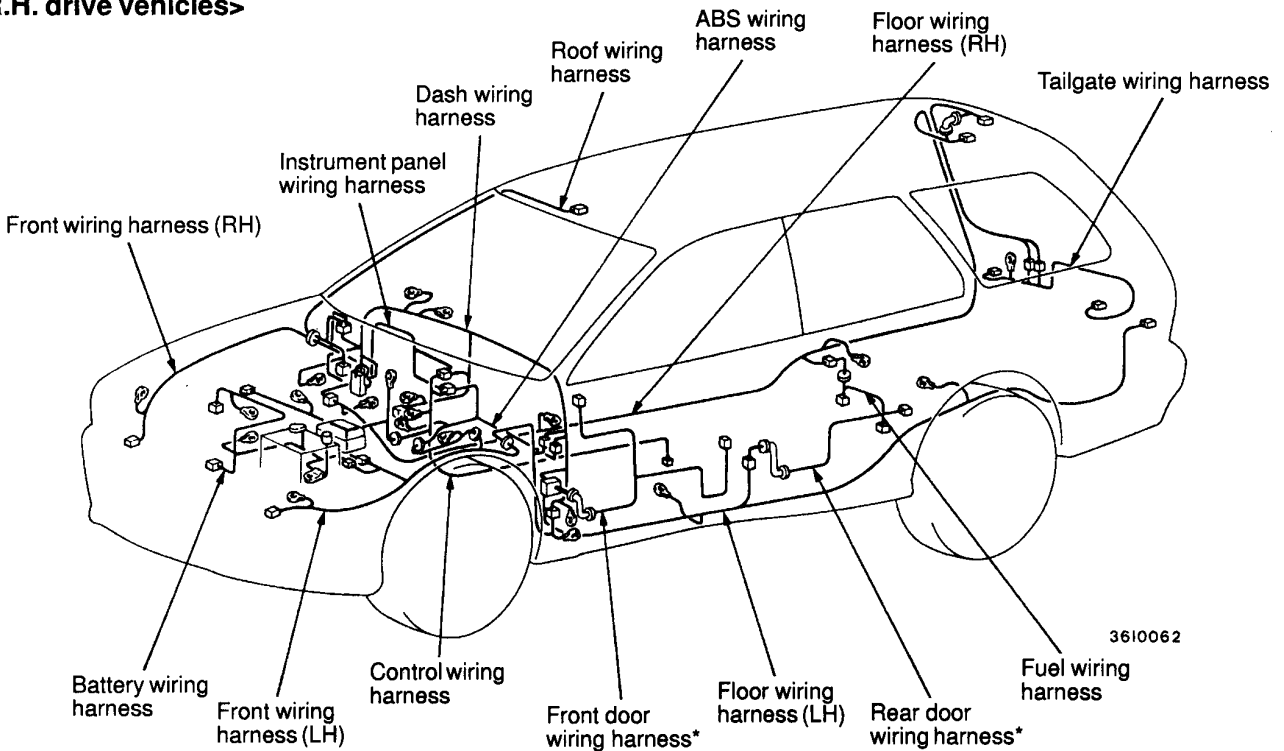
80100010274

Wagon

<L.H. drive vehicles>



<R.H. drive vehicles>



00006124

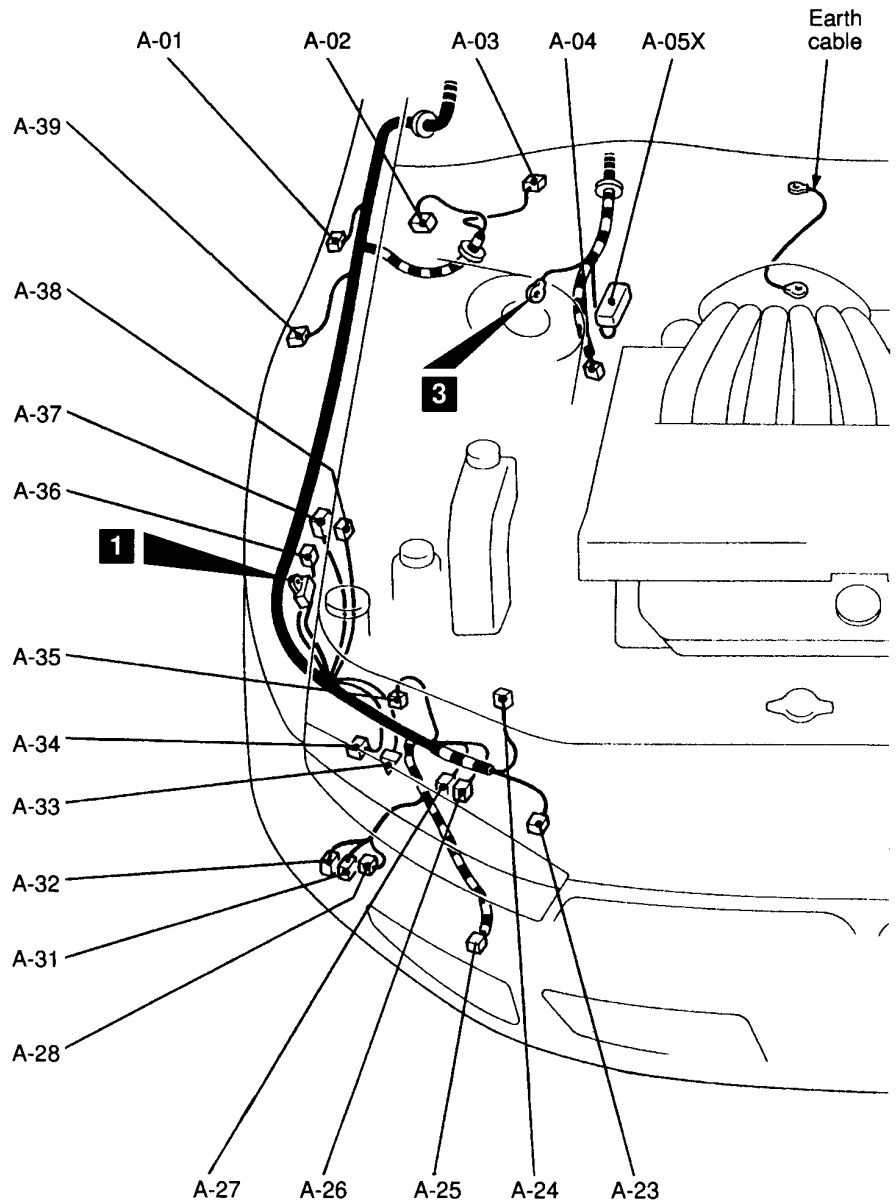
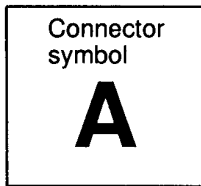
Remarks

- (1) This illustration shows only major wiring harnesses.
- (2) *: also equipped at the right side.

ENGINE COMPARTMENT

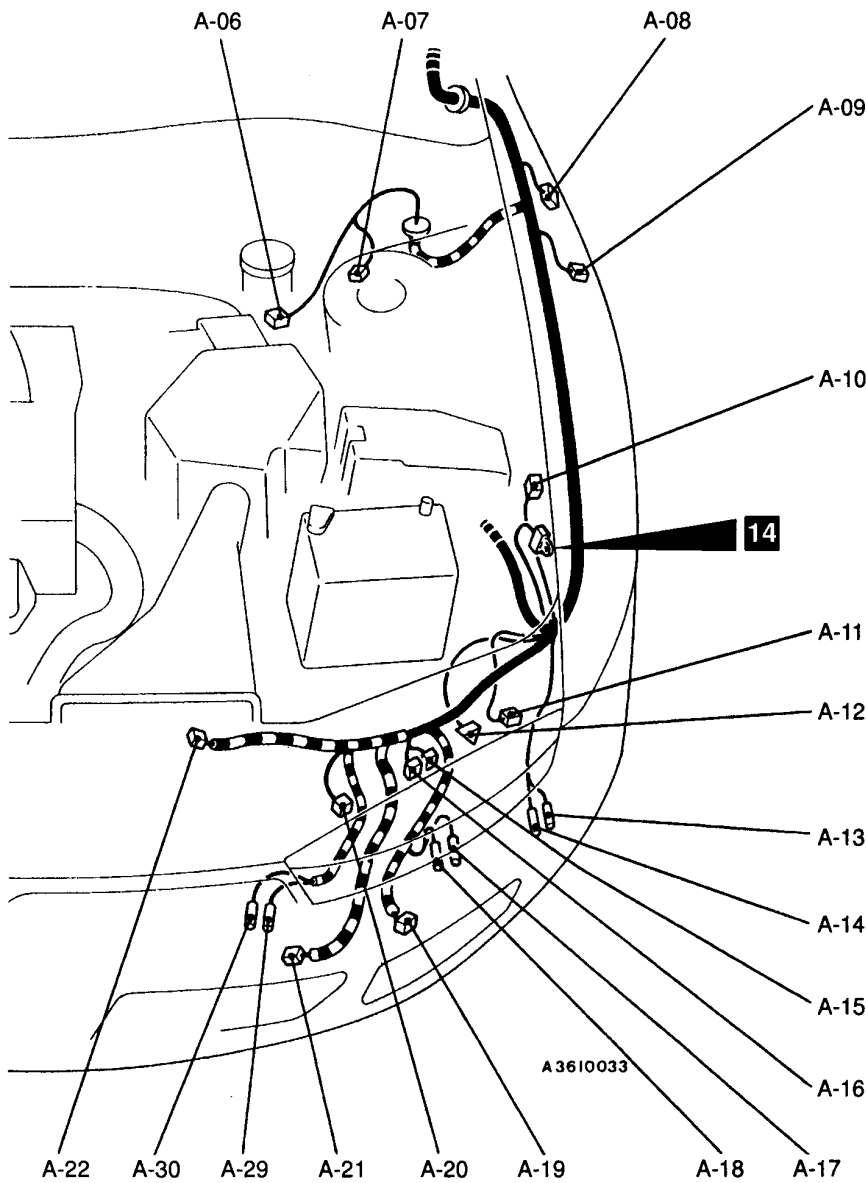
80100030959

L.H. drive vehicles



- A-01 (2-GR) Side turn signal lamp (RH)
- A-02 (4-B) Auto-cruise actuator
- A-03 (5-GR) Windshield wiper motor
- A-04 (25-B) ABS-ECU
- A-05X (5) ABS warning lamp relay
- A-06 (2-GR) Brake fluid level switch
- A-07 (1-B) Vacuum switch <Diesel>
- A-08 (2-GR) Side turn signal lamp (LH)
- A-09 (2-B) Wheel speed sensor (Front: LH)
- A-10 (5) Starter relay <Diesel>

- A-11 (2-B) Front turn signal lamp (LH)
- A-12 (3) Headlamp leveling unit (LH)
- A-13 (1) Theft-alarm horn
- A-14 (1) Theft-alarm horn
- A-15 (3-B) Headlamp (LO: LH)
- A-16 (2-B) Position lamp (LH)
- A-17 (1) Horn (HI)
- A-18 (1) Horn (HI)
- A-19 (2-B) Front fog lamp (LH)
- A-20 (3-B) Headlamp (HI: LH)



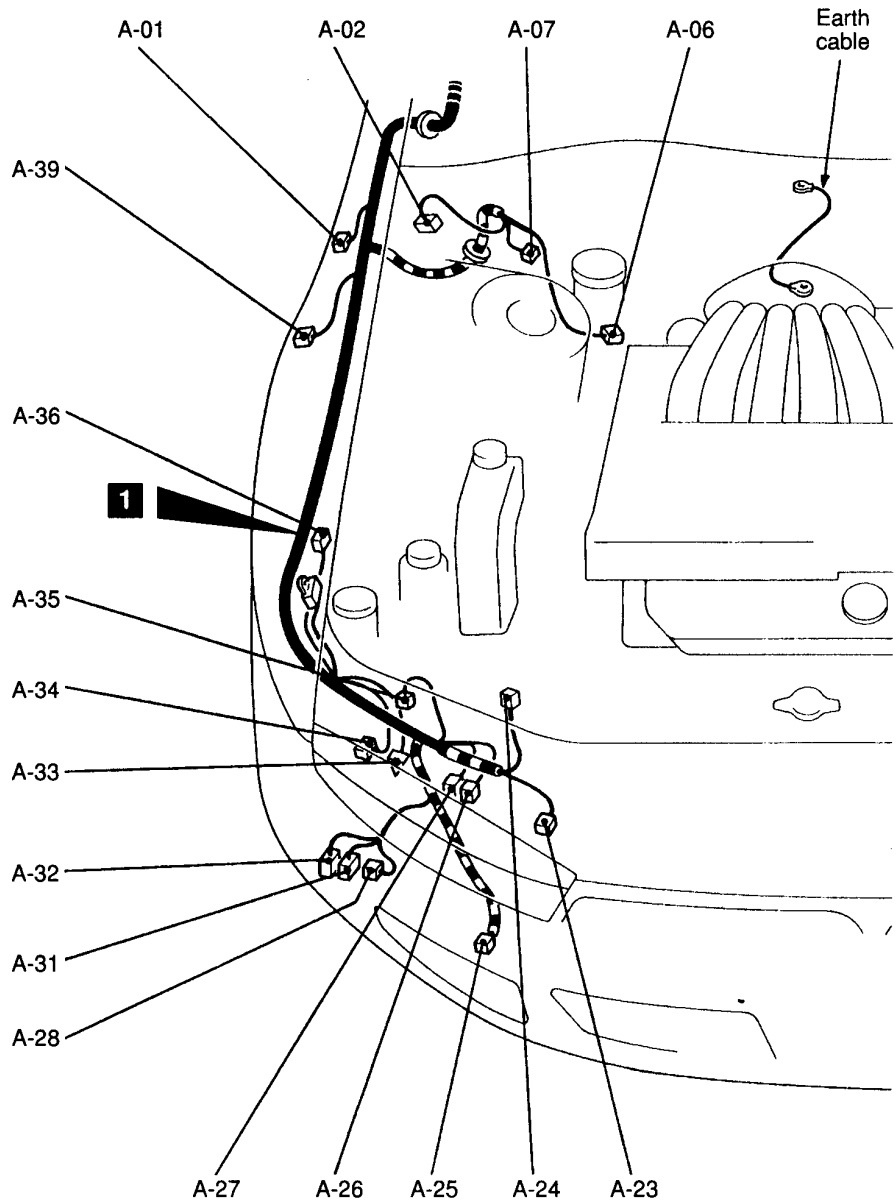
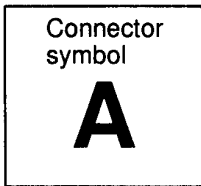
Connector color code
 B: Black
 Y: Yellow
 L: Blue
 G: Green
 R: Red
 BR: Brown
 V: Violet
 O: Orange
 GR: Gray

- | | | | |
|-------------|---------------------------------------|-------------|--------------------------------|
| A-21 (2-BR) | Outside thermo sensor <Automatic A/C> | A-31 (2-B) | Windshield washer motor |
| A-22 (3-GR) | Fan controller | A-32 (2) | Rear washer motor |
| A-23 (3-B) | Headlamp (HI: RH) | A-33 (3) | Headlamp leveling unit (RH) |
| A-24 (2-B) | Hood switch <Theft-alarm system> | A-34 (2-B) | Front turn signal lamp (RH) |
| A-25 (2-B) | Front fog lamp (RH) | A-35 (2-BR) | Dual pressure switch <A/C> |
| A-26 (2-B) | Position lamp (RH) | A-36 (6-GR) | Headlamp washer relay |
| A-27 (3-B) | Headlamp (LO: RH) | A-37 (12-B) | DRL-ECU |
| A-28 (4-B) | Headlamp washer motor | A-38 (4) | DRL relay |
| A-29 (1) | Horn (LO) | A-39 (2-B) | Wheel speed sensor (Front: RH) |
| A-30 (1) | Horn (LO) | | |

ENGINE COMPARTMENT

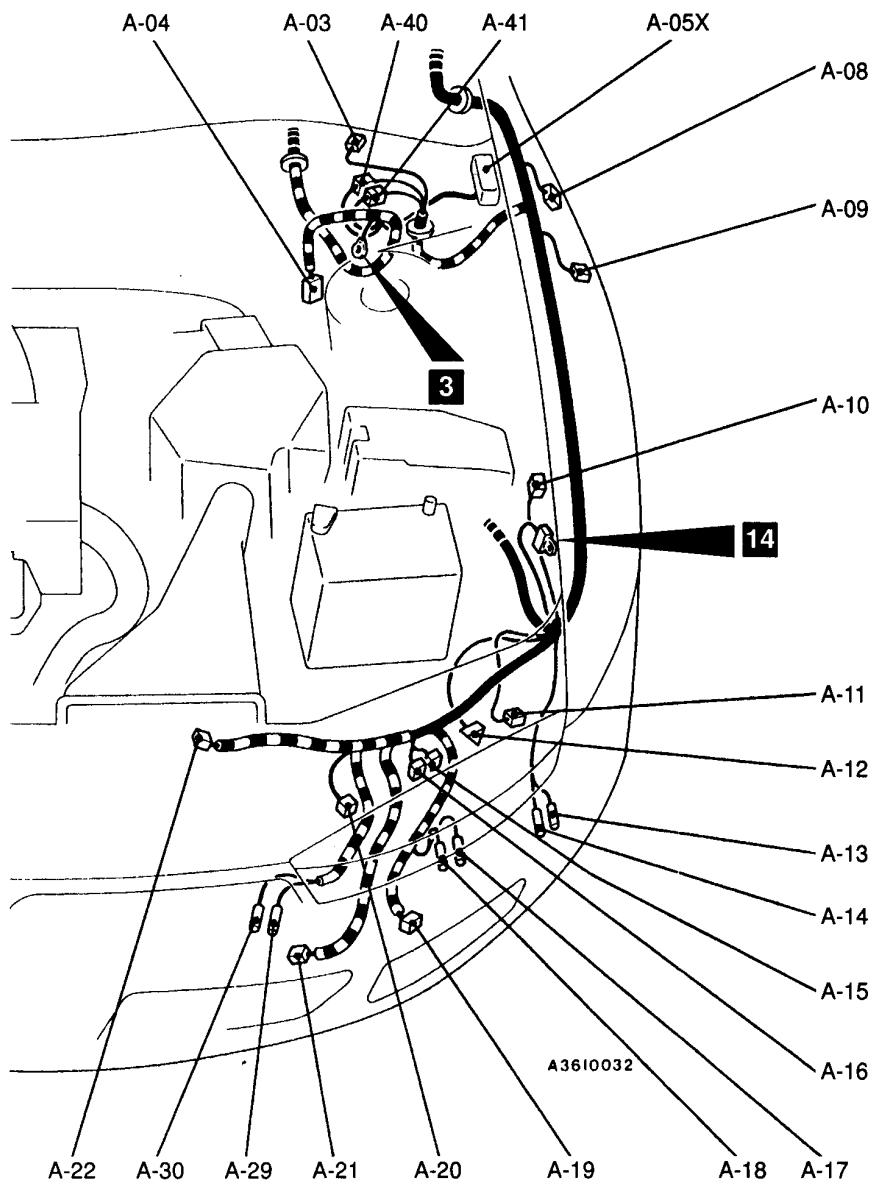
80100030966

R.H. drive vehicles



- A-01 (2-GR) Side turn signal lamp (RH)
- A-02 (4-B) Auto-cruise actuator
- A-03 (5-GR) Windshield wiper motor
- A-04 (25-B) ABS-ECU
- A-05X (5) ABS warning lamp relay
- A-06 (2-GR) Brake fluid level switch
- A-07 (1-B) Vacuum switch <Diesel>
- A-08 (2-GR) Side turn signal lamp (LH)
- A-09 (2-B) Wheel speed sensor (Front: LH)
- A-10 (5-B) Starter relay <Diesel>

- A-11 (2-B) Front turn signal lamp (LH)
- A-12 (3) Headlamp leveling unit (LH)
- A-13 (1) Theft-alarm horn
- A-14 (1) Theft-alarm horn
- A-15 (3-B) Headlamp (LO: LH)
- A-16 (2-B) Position lamp (LH)
- A-17 (1) Horn (HI)
- A-18 (1) Horn (HI)
- A-19 (2-B) Front fog lamp (LH)
- A-20 (3-B) Headlamp (HI: LH)



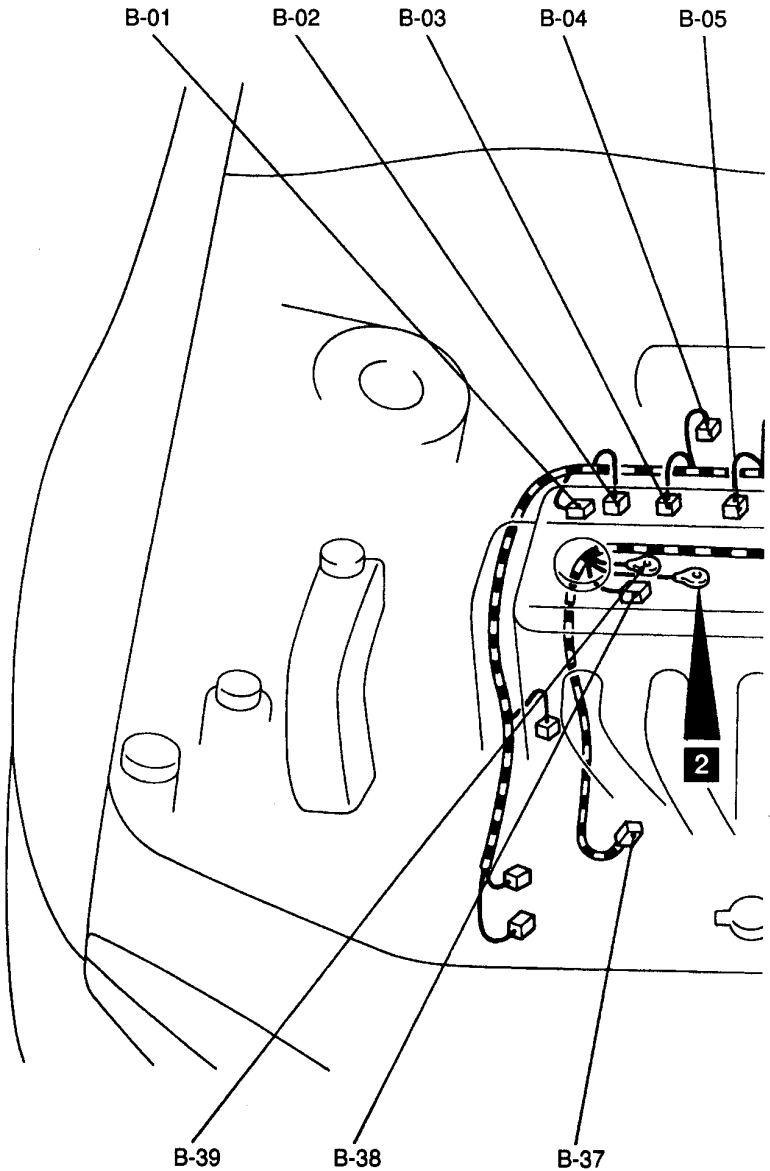
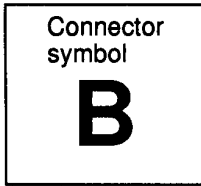
Connector color code
 B: Black
 Y: Yellow
 L: Blue
 G: Green
 R: Red
 BR: Brown
 V: Violet
 O: Orange
 GR: Gray

- | | | | |
|-------------|---------------------------------------|-------------|--|
| A-21 (2-BR) | Outside thermo sensor <Automatic A/C> | A-32 (2) | Rear washer motor |
| A-22 (3-GR) | Fan controller | A-33 (3) | Headlamp leveling unit (RH) |
| A-23 (3-B) | Headlamp (HI: RH) | A-34 (2-B) | Front turn signal lamp (RH) |
| A-24 (2-B) | Hood switch <Theft-alarm system> | A-35 (2-BR) | Dual pressure switch <A/C> |
| A-25 (2-B) | Front fog lamp (RH) | A-36 (6-GR) | Headlamp washer relay |
| A-26 (2-B) | Position lamp (RH) | A-39 (2-B) | Wheel speed sensor (Front: RH) |
| A-27 (3-B) | Headlamp (LO: RH) | A-40 (2-B) | Front wiring harness (LH) and ABS wiring harness combination |
| A-28 (4-B) | Headlamp washer motor | A-41 (3-B) | Front wiring harness (LH) and ABS wiring harness combination |
| A-29 (1) | Horn (LO) | | |
| A-30 (1) | Horn (LO) | | |
| A-31 (2-B) | Windshield washer motor | | |

ENGINE AND TRANSMISSION ASSEMBLY

80100040259

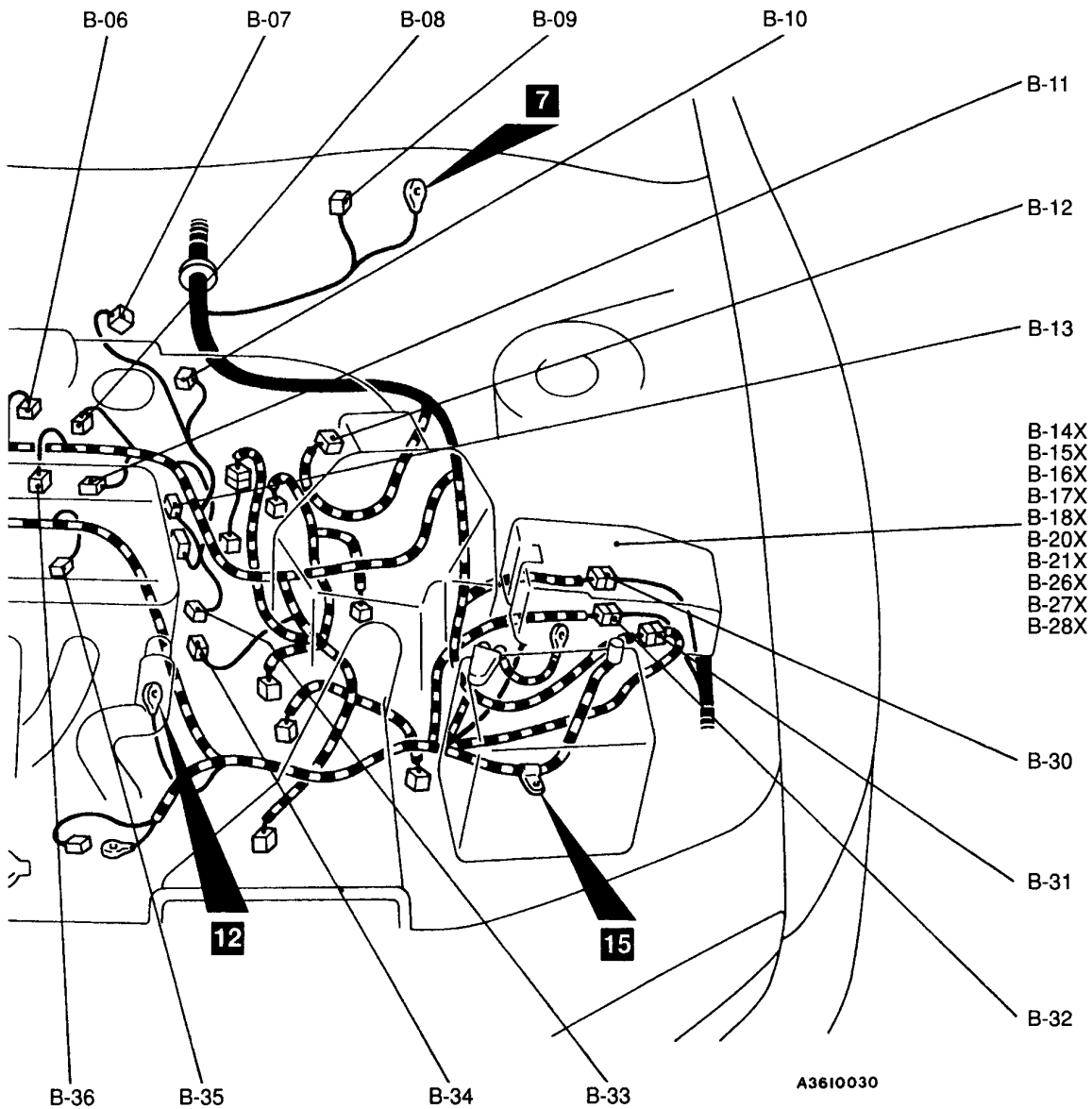
4G63-MPI



Connector color code
 B: Black
 Y: Yellow
 L: Blue
 G: Green
 R: Red
 BR: Brown
 V: Violet
 O: Orange
 GR: Gray

- B-01 (3-GR) Ignition coil No. 2
- B-02 (2-GR) Injector 1
- B-03 (2-GR) Injector 2
- B-04 (2-B) Purge control solenoid valve
- B-05 (2-GR) Injector 3
- B-06 (2-BR) EGR solenoid valve
- B-07 (4-B) Throttle position sensor
- B-08 (1-B) Engine coolant temperature gauge unit
- B-09 (3-B) Inspection connector

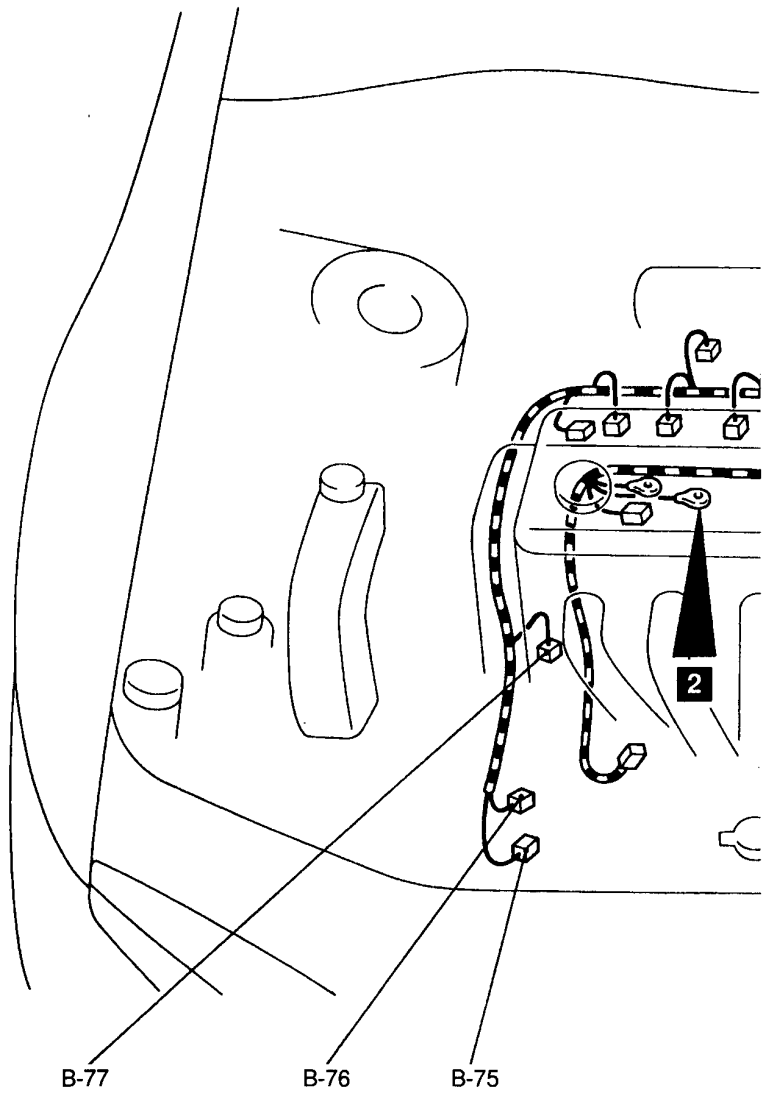
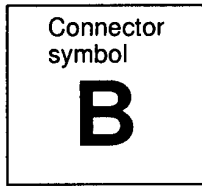
- B-10 (6-B) Idle speed control servo
- B-11 (3-GR) Ignition coil No. 1
- B-12 (7-B) Air flow sensor
- B-13 (1-B) Capasitor
- B-14X (5) Tail lamp relay
- B-15X (5) Power window relay
- B-16X (5) Front fog lamp relay
- B-17X (5) Horn relay



A3610030

- | | | | |
|-------------|--|-------------|--|
| B-18X (5) | Headlamp relay | B-32 (4-GR) | Battery wiring harness and front wiring harness (LH) combination |
| B-20X (4) | Fan control relay | B-33 (2-B) | Engine coolant temperature sensor |
| B-21X (5) | Theft-alarm horn relay | B-34 (2-GR) | Detonation sensor |
| B-26X (4) | Alternator relay | B-35 (1-B) | Oil pressure switch |
| B-27X (5) | No connection | B-36 (2-GR) | Injector 4 |
| B-28X (5) | A/C compressor relay | B-37 (2-B) | Engine oil level sensor |
| B-30 (12-B) | Control wiring harness and front wiring harness (LH) combination | B-38 (4-GR) | Alternator |
| B-31 (4-B) | Control wiring harness and battery wiring harness combination | B-39 (1) | Alternator |

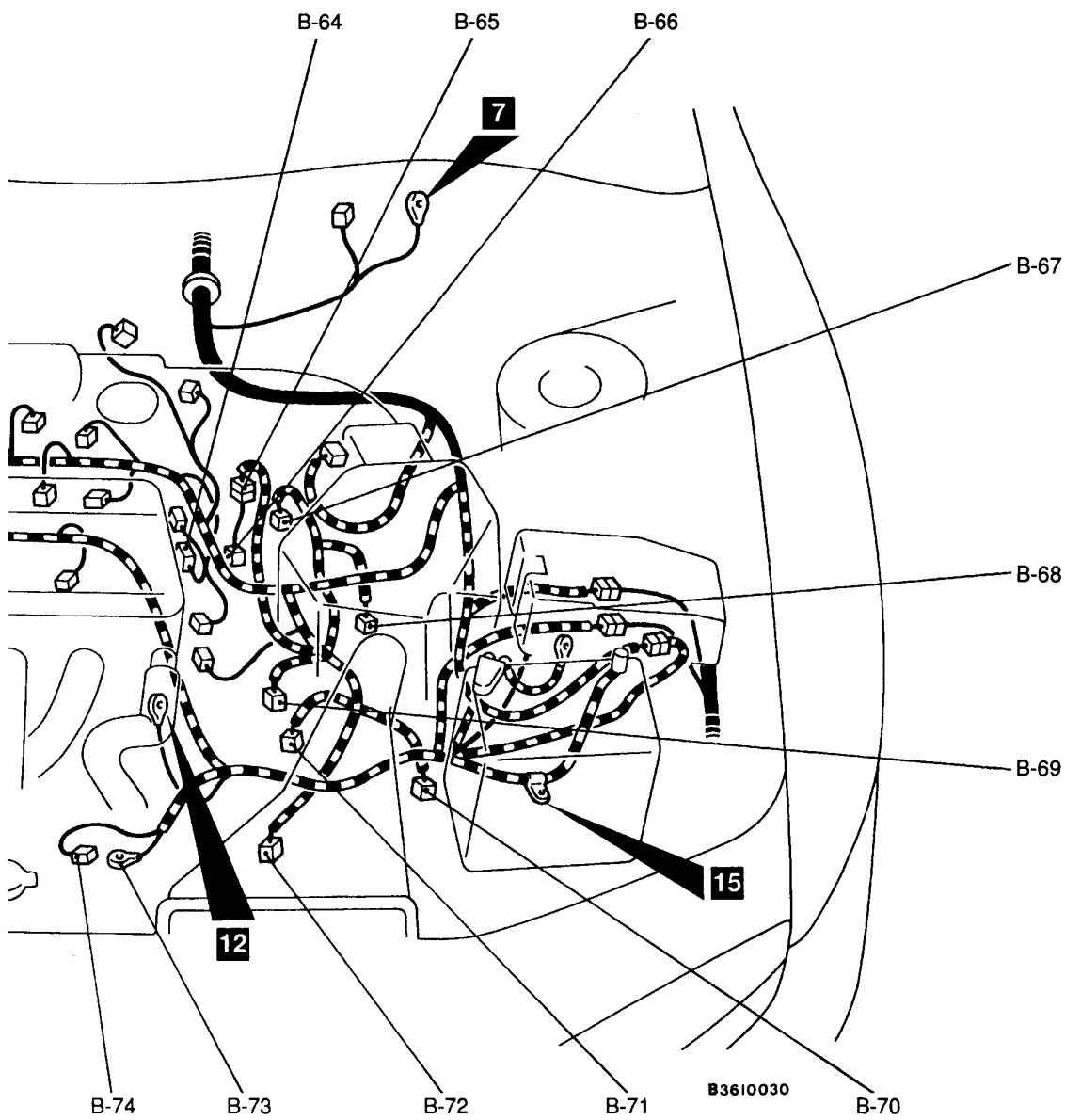
4G63-MPI



Connector color code
 B: Black
 Y: Yellow
 L: Blue
 G: Green
 R: Red
 BR: Brown
 V: Violet
 O: Orange
 GR: Gray

B-64 (3-B) Camshaft position sensor
 B-65 (3-B) Control wiring harness and vehicle speed sensor wiring harness combination <M/T>

B-66 (3-B) Vehicle speed sensor <M/T>
 B-67 (3-B) Vehicle speed sensor <A/T>
 B-68 (3-GR) Output shaft speed sensor <A/T>
 B-69 (2-B) Back-up lamp switch <M/T>



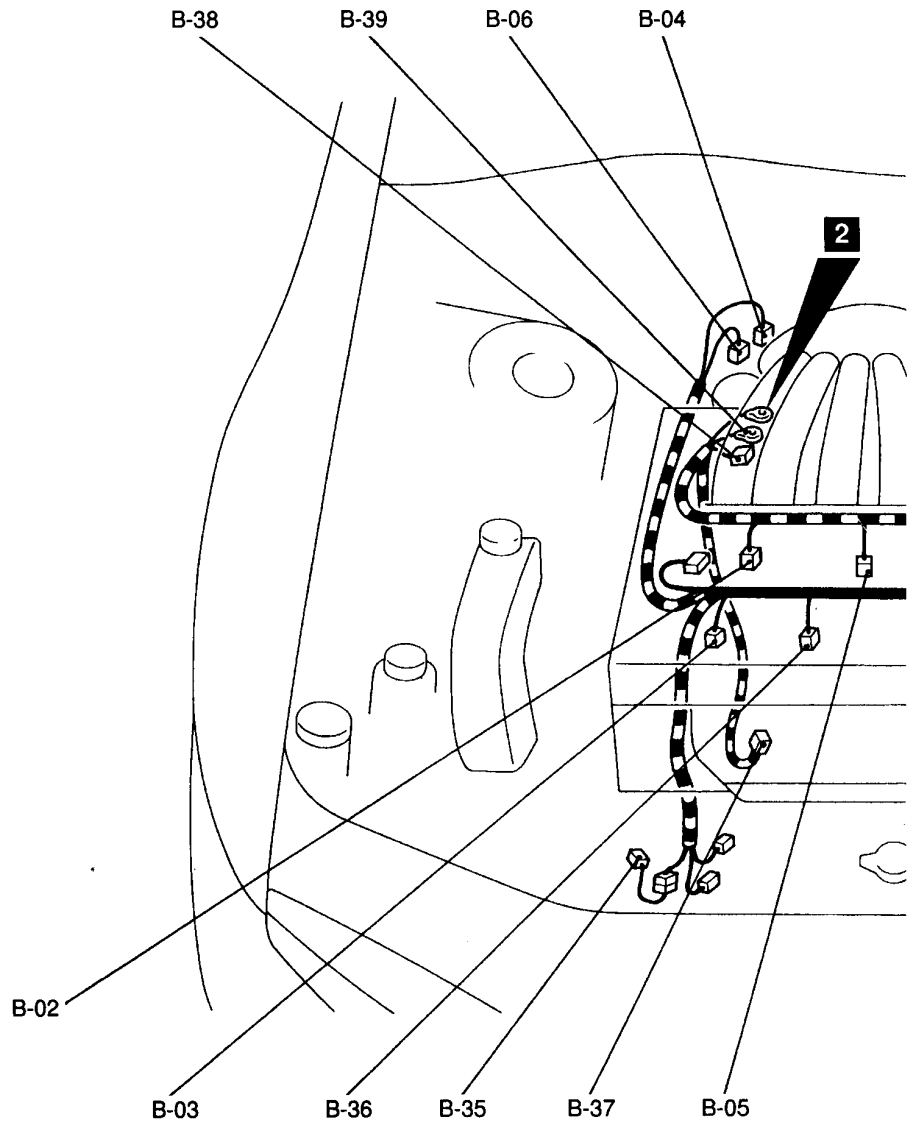
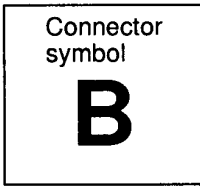
B-70 (10-GR) A/T control solenoid valve assembly
 B-71 (3-B) Input shaft speed sensor <A/T>
 B-72 (10-B) Inhibitor switch <A/T>
 B-73 (1) Starter

B-74 (1-B) Starter
 B-75 (1-B) A/C compressor assembly
 B-76 (1) Power steering oil pressure switch
 B-77 (3-B) Crank angle sensor

ENGINE AND TRANSMISSION ASSEMBLY

80100040266

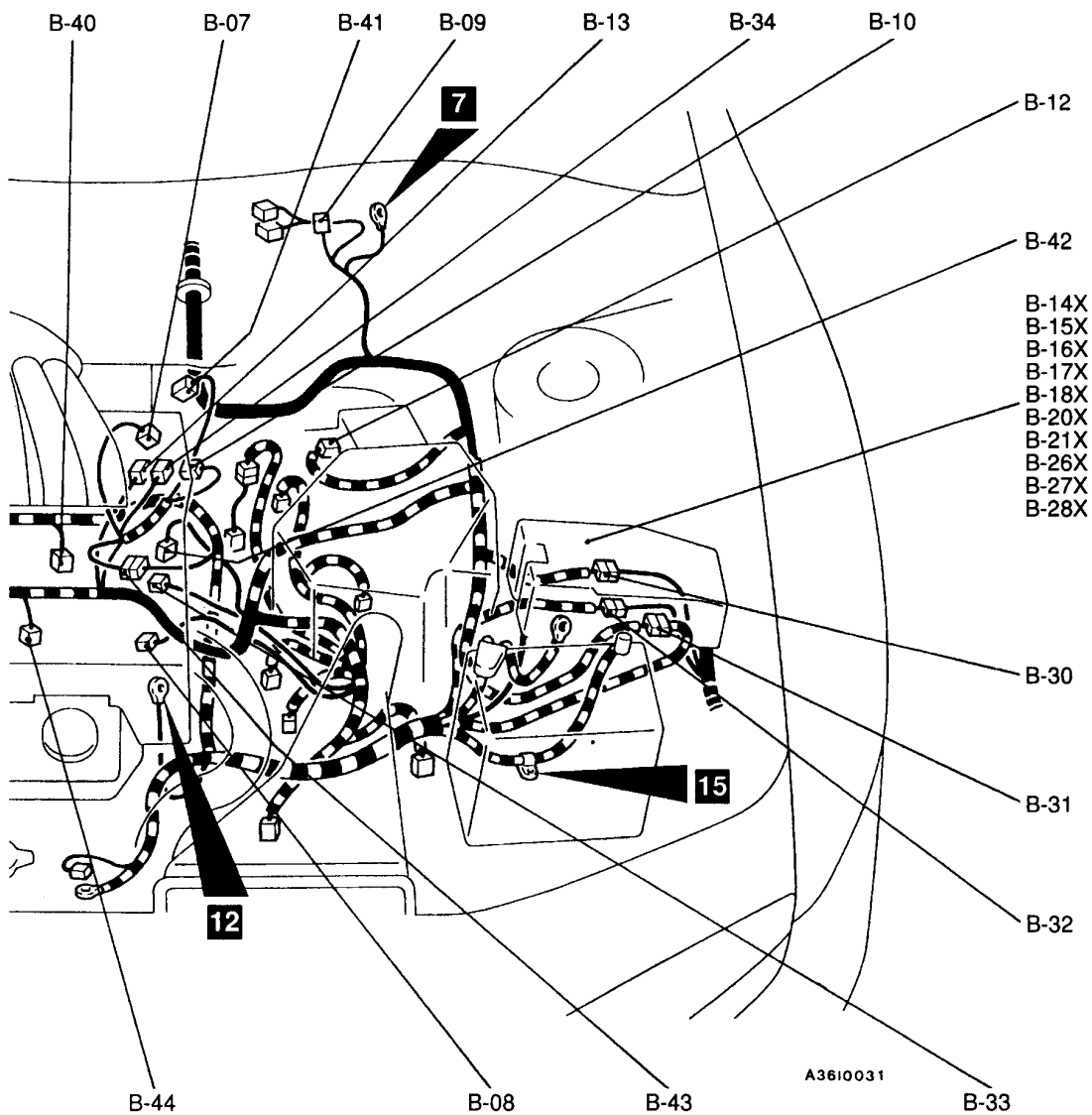
6A13-MPI



Connector color code
 B: Black
 Y: Yellow
 L: Blue
 G: Green
 R: Red
 BR: Brown
 V: Violet
 O: Orange
 GR: Gray

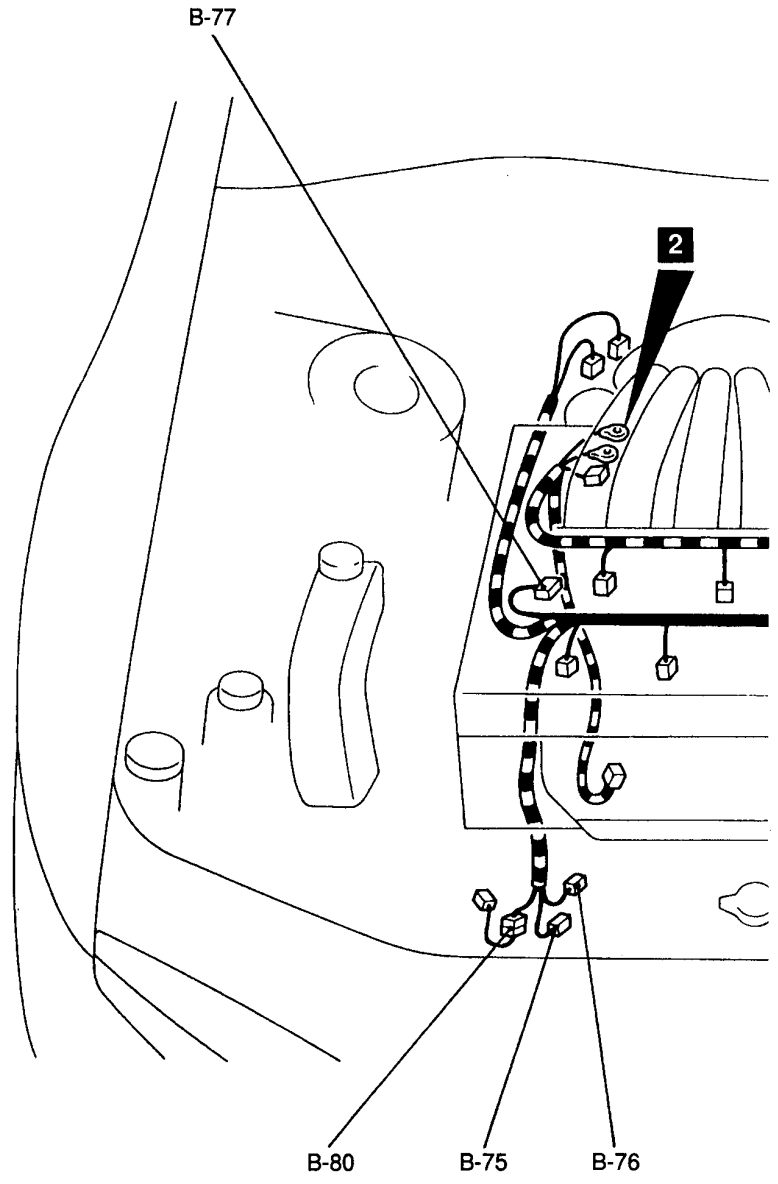
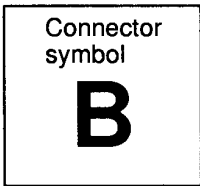
- B-02 (2-GR) Injector 1
- B-03 (2-GR) Injector 2
- B-04 (2-B) Purge control solenoid valve
- B-05 (2-GR) Injector 3
- B-06 (2-BR) EGR solenoid valve
- B-07 (4-B) Throttle position sensor
- B-08 (1-B) Engine coolant temperature gauge unit
- B-09 (3-B) Inspection connector
- B-10 (6-B) Idle speed control servo
- B-12 (7-B) Air flow sensor

- B-13 (1-B) Capacitor
- B-14X (5) Tail lamp relay
- B-15X (5) Power window relay
- B-16X (5) Front fog lamp relay
- B-17X (5) Horn relay
- B-18X (5) Headlamp relay
- B-20X (4) Fan control relay
- B-21X (5) Theft-alarm horn relay
- B-26X (4) Alternator relay



- | | | | |
|-------------|--|-------------|---|
| B-27X (5) | No connection | B-36 (2-GR) | Injector 4 |
| B-28X (5) | A/C compressor relay | B-37 (2-B) | Engine oil level sensor |
| B-30 (12-B) | Control wiring harness and front wiring harness (LH) combination | B-38 (4-GR) | Alternator |
| B-31 (4-B) | Control wiring harness and battery wiring harness combination | B-39 (1) | Alternator |
| B-32 (4-GR) | Battery wiring harness and front wiring harness (LH) combination | B-40 (2-GR) | Injector 5 |
| B-33 (2-B) | Engine coolant temperature sensor | B-41 (4-B) | Accelerator pedal position sensor <TCL> |
| B-34 (2-GR) | Detonation sensor | B-42 (7-B) | Distributor assembly |
| B-35 (1-B) | Oil pressure switch | B-43 (4-B) | Battery wiring harness and control wiring harness combination |
| | | B-44 (2-GR) | Injector 6 |

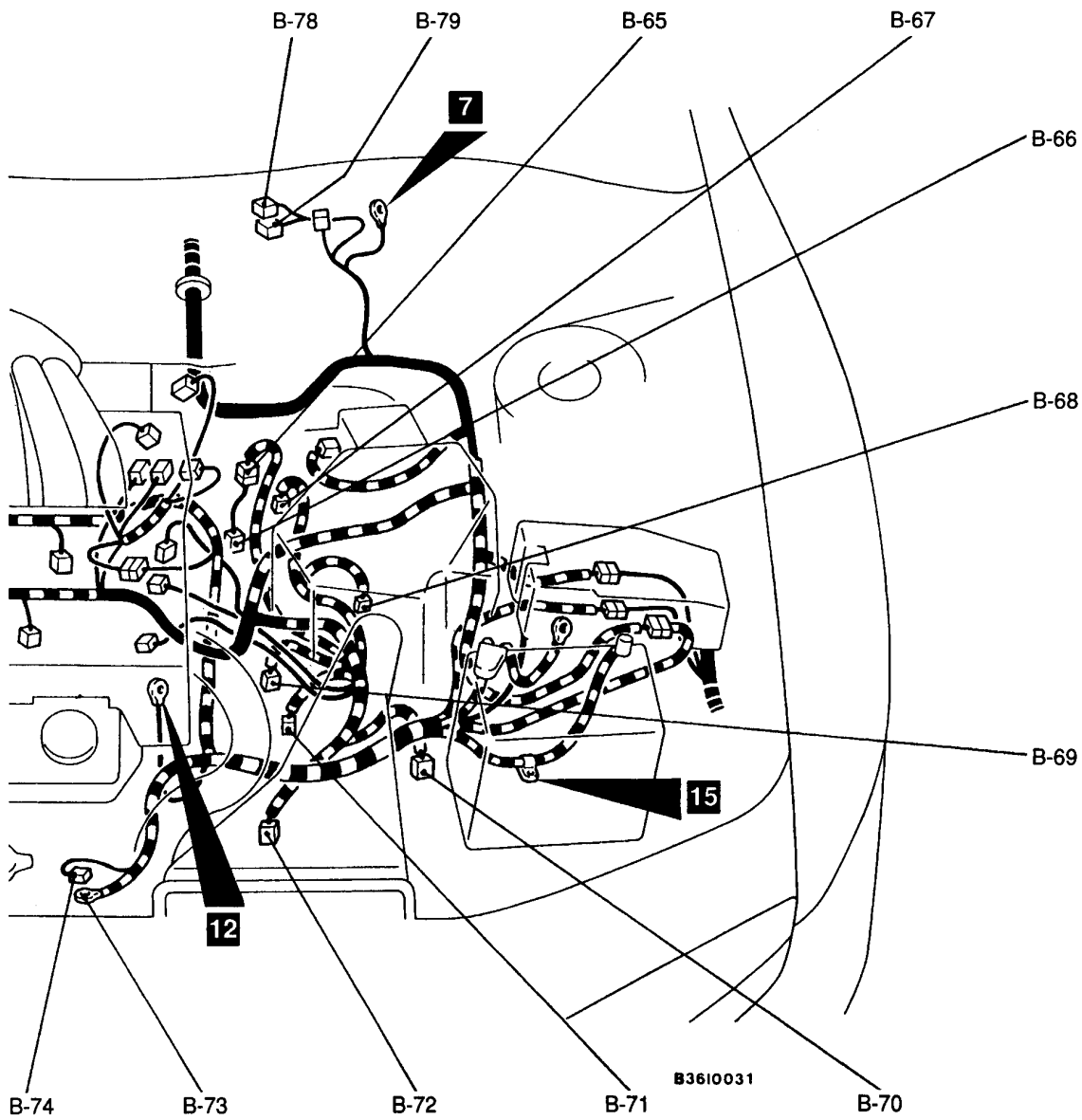
6A13-MPI



- Connector color code
 B: Black
 Y: Yellow
 L: Blue
 G: Green
 R: Red
 BR: Brown
 V: Violet
 O: Orange
 GR: Gray

- B-65 (3-B) Control wiring harness and vehicle speed sensor wiring harness combination <M/T>
- B-66 (3-B) Vehicle speed sensor <M/T>
- B-67 (3-B) Vehicle speed sensor <A/T>

- B-68 (3-GR) Output shaft speed sensor <A/T>
- B-69 (2-B) Back-up lamp switch <M/T>
- B-70 (10-GR) A/T control solenoid valve assembly
- B-71 (3-B) Input shaft speed sensor <A/T>



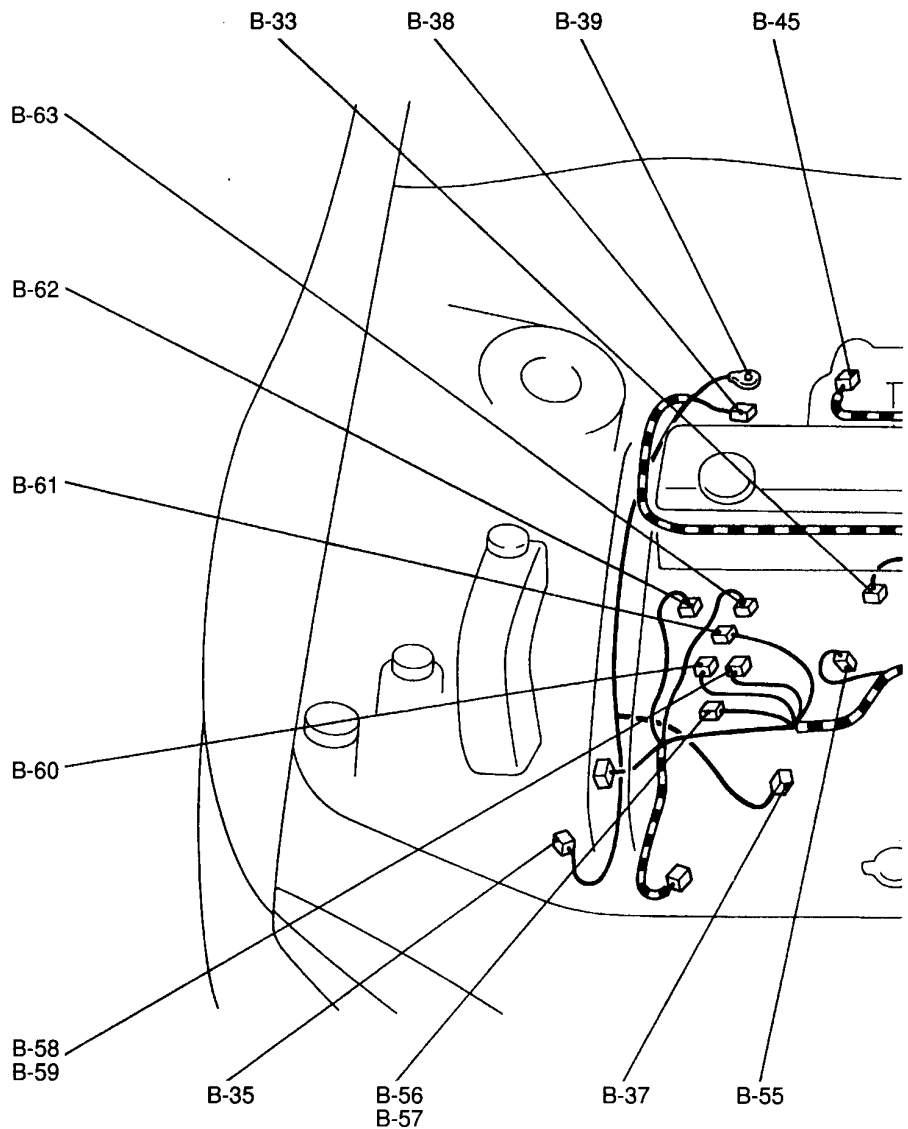
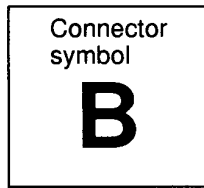
B-72 (10-B) Inhibitor switch <A/T>
 B-73 (1) Starter
 B-74 (1-B) Starter
 B-75 (1-B) A/C compressor assembly
 B-76 (1) Power steering oil pressure switch

B-77 (3-B) Crank angle sensor
 B-78 (2-B) Vacuum solenoid valve <TCL>
 B-79 (2-B) Ventilation solenoid valve <TCL>
 B-80 (1-B) Oil pressure switch wiring harness and control wiring harness combination

ENGINE AND TRANSMISSION ASSEMBLY

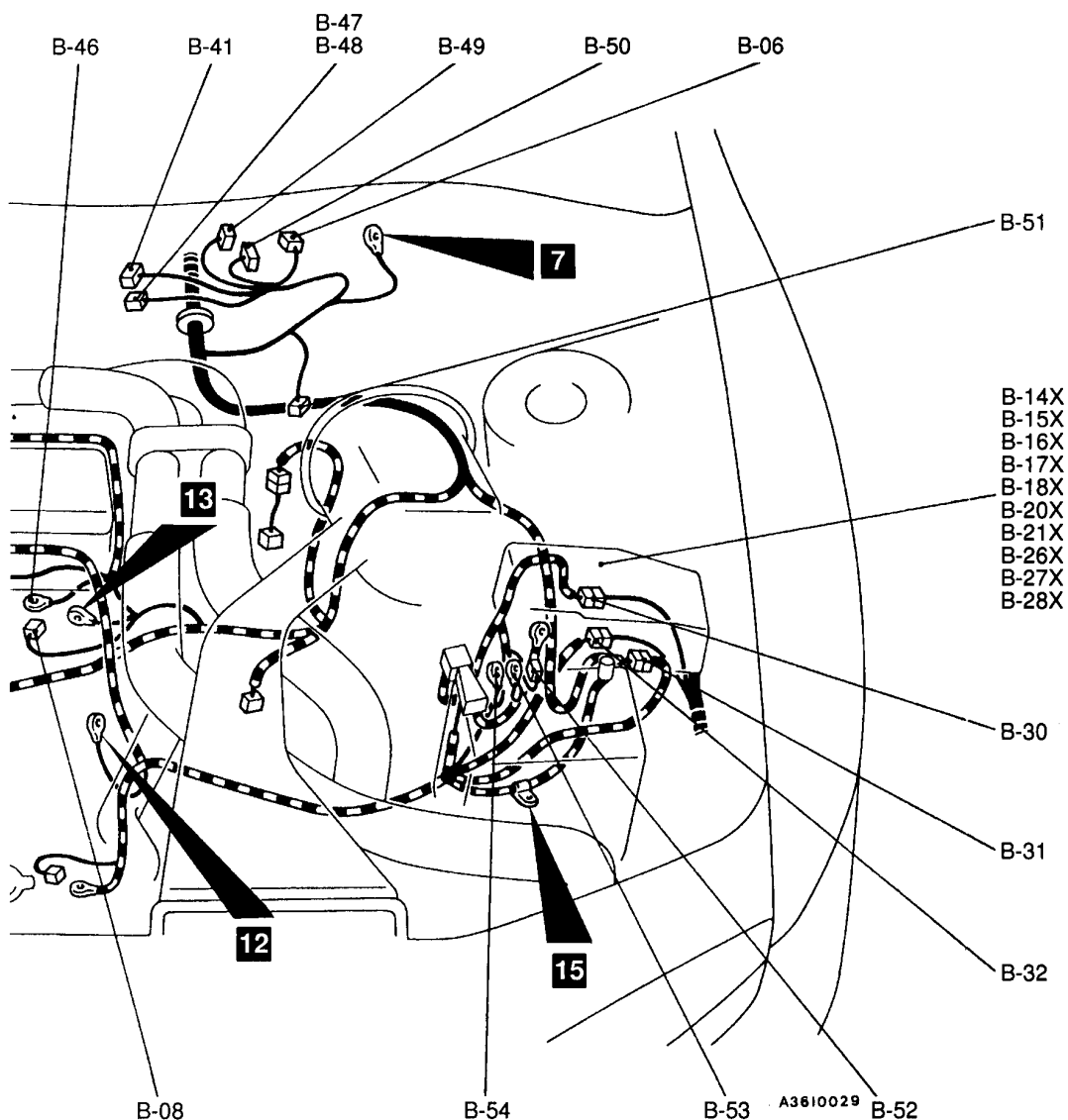
80100040273

4D68



Connector color code
 B: Black
 Y: Yellow
 L: Blue
 G: Green
 R: Red
 BR: Brown
 V: Violet
 O: Orange
 GR: Gray

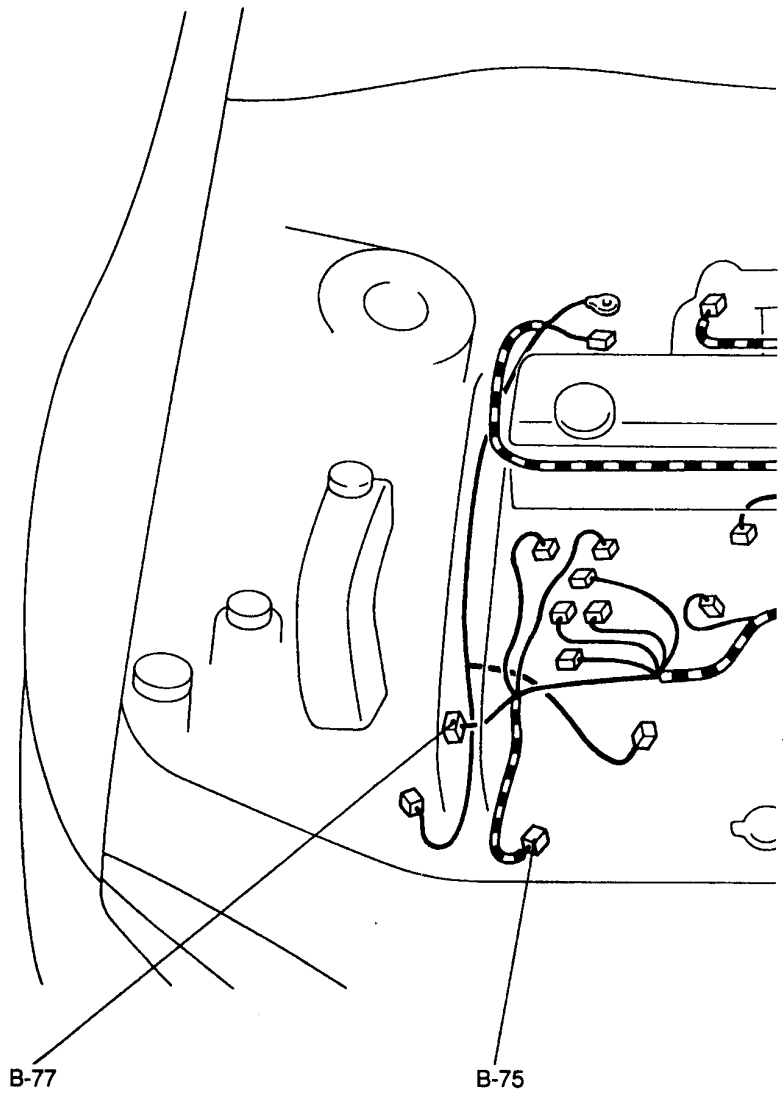
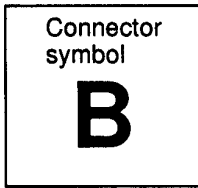
B-06 (2-BR)	EGR solenoid valve	B-27X (5)	No connection
B-08 (1-B)	Engine coolant temperature gauge unit	B-28X (5)	A/C compressor relay
B-14X (5)	Tail lamp relay	B-30 (12-B)	Control wiring harness and front wiring harness (LH) combination
B-15X (5)	Power window relay	B-31 (4-B)	Control wiring harness and battery wiring harness combination
B-16X (5)	Front fog lamp relay	B-32 (4-GR)	Battery wiring harness and front wiring harness (LH) combination
B-17X (5)	Horn relay	B-33 (2-B)	Engine coolant temperature sensor
B-18X (5)	Headlamp relay	B-35 (1-B)	Oil pressure switch
B-20X (4)	Fan control relay		
B-21X (5)	Theft-alarm horn relay		
B-26X (4)	Alternator relay		



- B-37 (2-B) Engine oil level sensor
- B-38 (2-B) Alternator
- B-39 (1) Alternator
- B-41 (4-B) Accelerator pedal position sensor
- B-45 (2) Intake air temperature sensor
- B-46 (1) Glow plugs
- B-47 (1) Idle position switch <LHD>
- B-48 (1-GR) Idle position switch <RHD>
- B-49 (2-B) Throttle solenoid valve
- B-50 (3-B) Boost sensor
- B-51 (2-B) Water level switch
- B-52 (2-B) Glow plug relay

- B-53 (1) Glow plug relay
- B-54 (1) Glow plug relay
- B-55 (1) Fuel cut solenoid valve
- B-56 (2-GR) Timing control valve <LHD>
- B-57 (2) Timing control valve <RHD>
- B-58 (2-G) Injection rate correction resistor <LHD>
- B-59 (2) Injection rate correction resistor <RHD>
- B-60 (2-BR) Injection timing correction resistor
- B-61 (2-GR) Solenoid-type spill valve
- B-62 (2-G) Fuel temperature sensor
- B-63 (2) Pump operation sensor

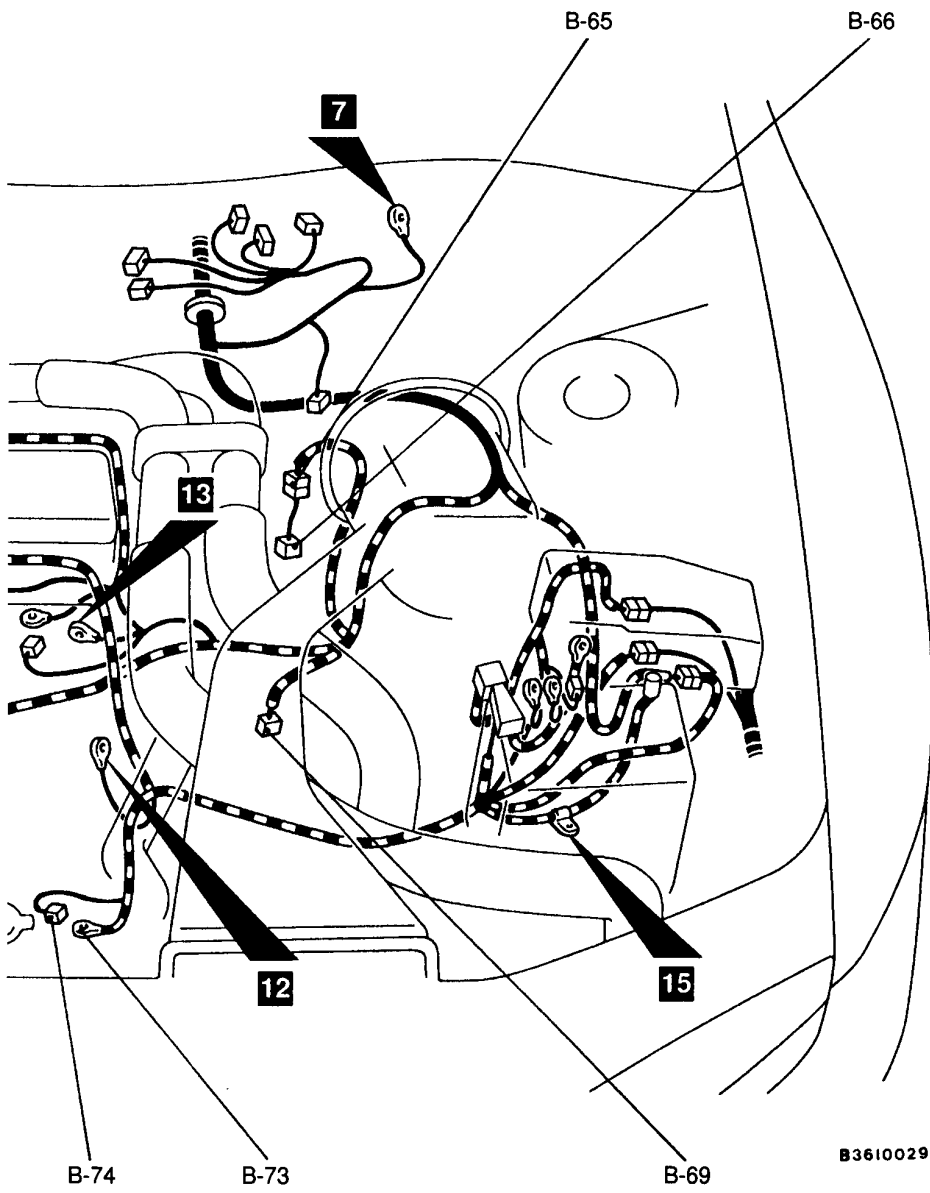
4D68



Connector color code
 B: Black
 Y: Yellow
 L: Blue
 G: Green
 R: Red
 BR: Brown
 V: Violet
 O: Orange
 GR: Gray

- B-65 (3-B) Control wiring harness and vehicle speed sensor wiring harness combination <M/T>
- B-66 (3-B) Vehicles speed sensor <M/T>
- B-69 (2-B) Back-up lamp switch <M/T>

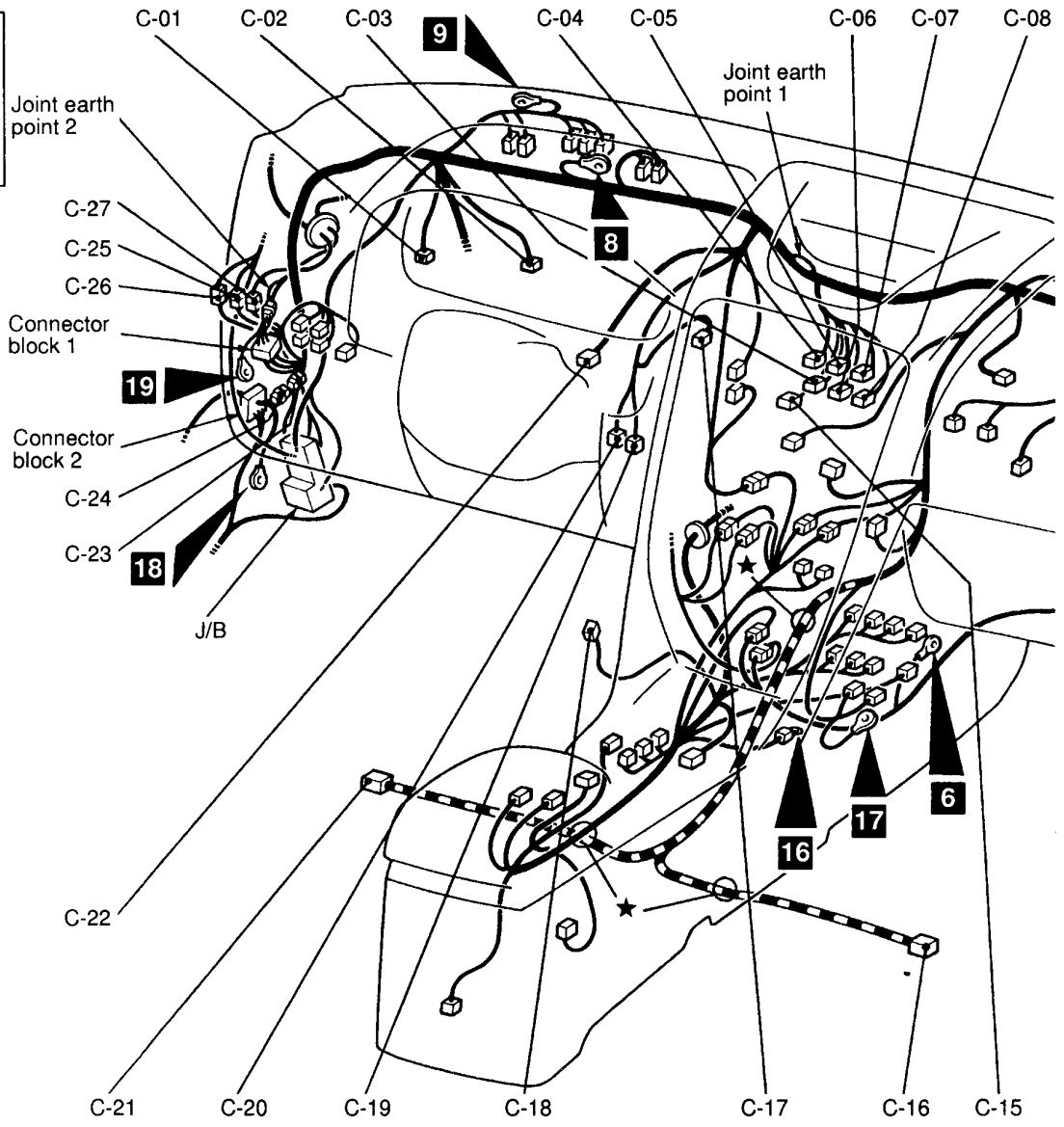
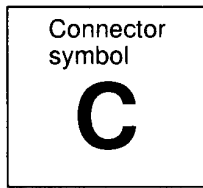
- B-73 (1) Starter
- B-74 (1-B) Starter
- B-75 (1-B) A/C compressor assembly
- B-77 (3-B) Crank angle sensor



B3610029

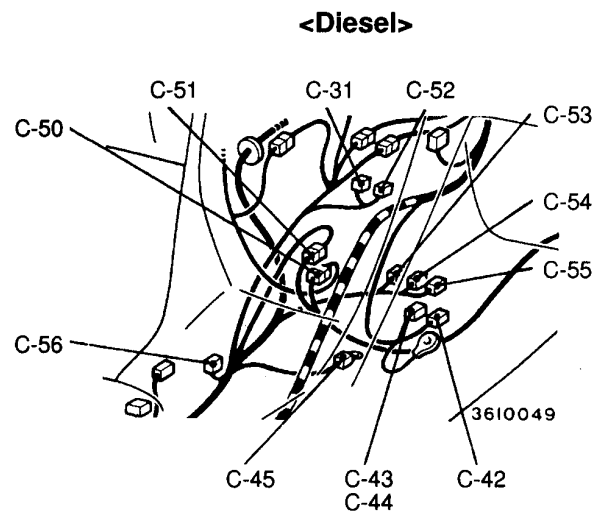
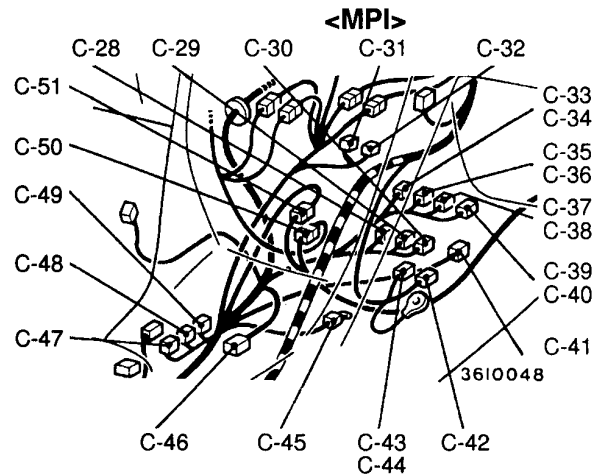
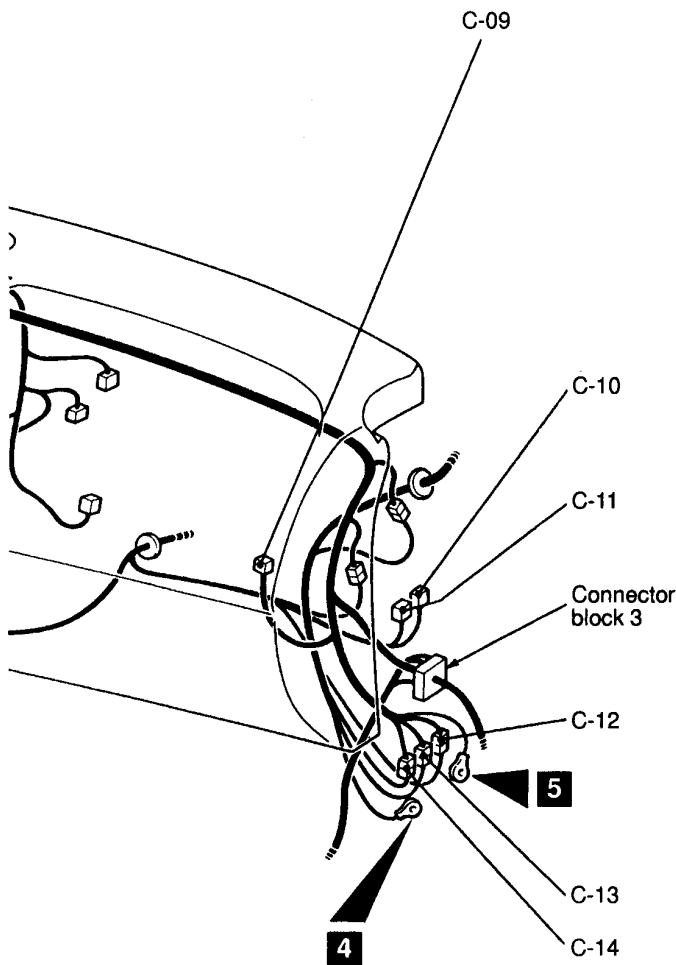
DASH PANEL

L.H. drive vehicles



- Connector color code
 B: Black
 Y: Yellow
 L: Blue
 G: Green
 R: Red
 BR: Brown
 V: Violet
 O: Orange
 GR: Gray

C-01 (4-B)	Clutch switch <Auto-cruise (M/T)>	C-14 (22-B)	Dash wiring harness and front wiring harness (RH) combination
C-02 (4)	Stop lamp switch	C-15 (2)	Blower control panel illumination lamp <Heater and manual A/C>
C-03 (6)	Outside/inside air selection switch <Heater and manual A/C>	C-16 (2-R)	Side air bag module (squib) (RH)
C-04 (8)	Blower switch <Heater and manual A/C>	C-17 (6)	Mode selection damper control motor and potentiometer <Automatic A/C>
C-05 (20-B)	A/C-ECU <Automatic A/C>	C-18 (2-B)	Wide open throttle switch <MPI-A/T>
C-06 (6)	Defogger switch	C-19 (12)	Diagnosis connector
C-07 (16-B)	A/C-ECU <Automatic A/C>	C-20 (16-B)	Diagnosis connector
C-08 (8)	A/C switch <Manual A/C>	C-21 (2-R)	Side air bag module (squib) (LH)
C-09 (2)	Blower motor	C-22 (8)	Auto-cruise main switch
C-10 (26-Y)	TCL-ECU	C-23 (2-B)	Diode (for rear fog lamp circuit)
C-11 (16)	TCL-ECU	C-24 (2-B)	Diode (for headlamp circuit)
C-12 (2-B)	Dash wiring harness and ABS wiring harness combination	C-25 (22-GR)	Dash wiring harness and instrument panel wiring harness combination
C-13 (8)	Dash wiring harness and front wiring harness (RH) combination		

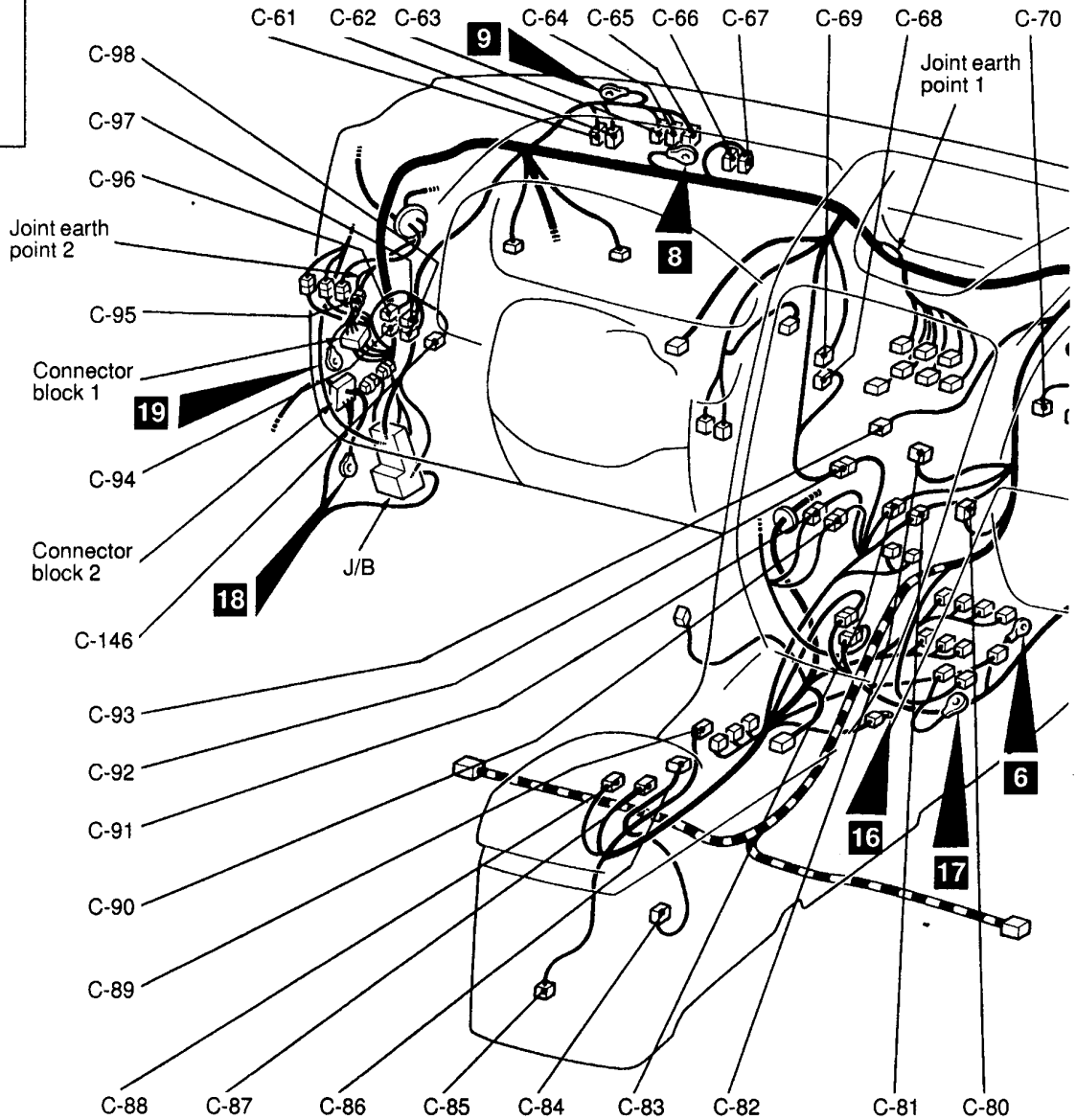
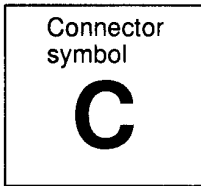


00006125

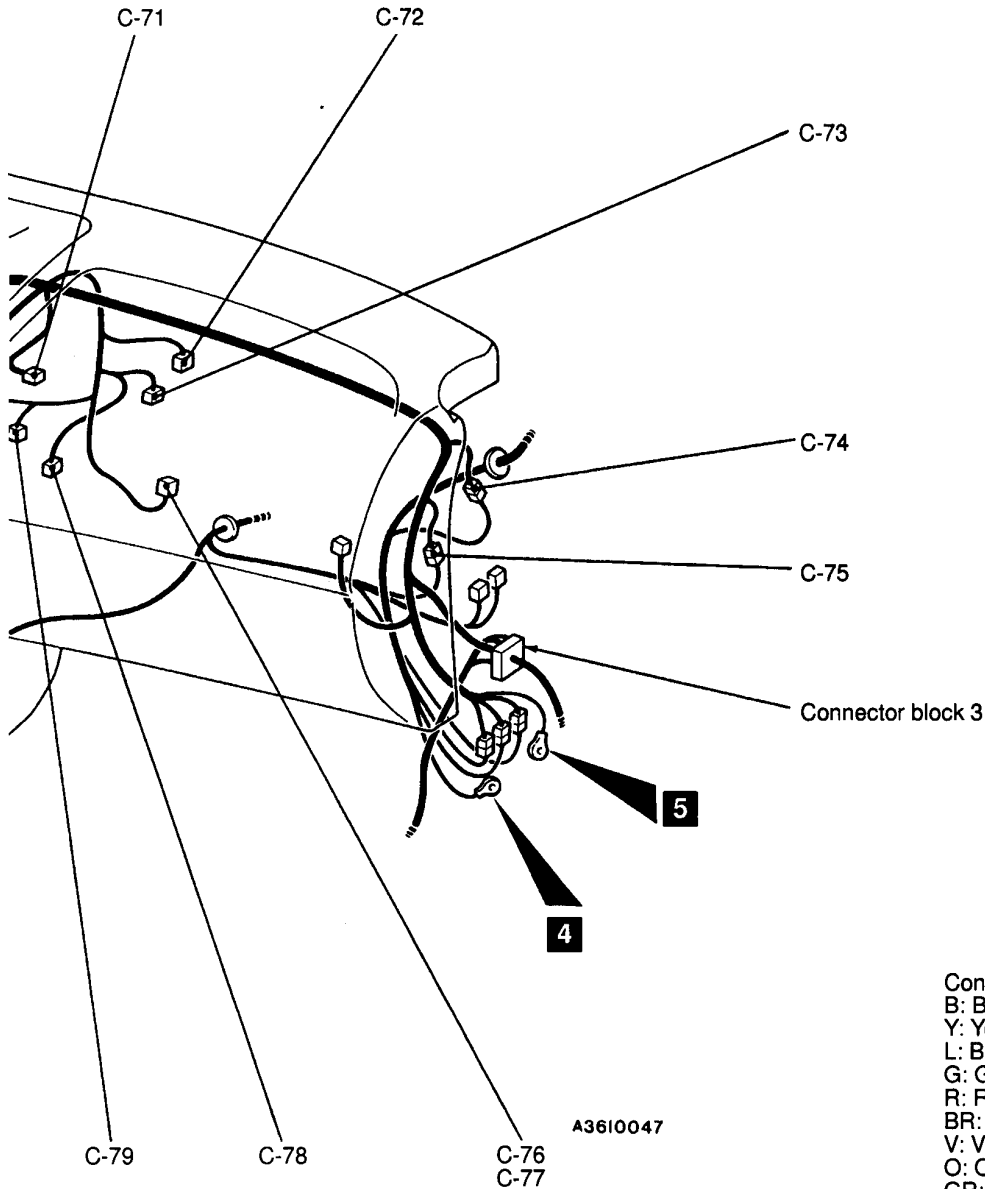
3610047

C-26 (2)	Dash wiring harness and instrument panel wiring harness combination	C-42 (22-Y)	SRS-ECU <Vehicles with side air bag>
C-27 (4)	Dash wiring harness and roof wiring harness combination	C-43 (16-Y)	SRS-ECU <Vehicles with side air bag>
C-28 (26-L)	A/T-ECU	C-44 (21-Y)	SRS-ECU <Vehicles without side air bag>
C-29 (16-L)	A/T-ECU	C-45 (10)	Earth J/C
C-30 (22-L)	A/T-ECU	C-46 (4)	Oxygen sensor (Front) <MPI>
C-31 (4)	Engine control relay	C-47 (19)	J/C (A)
C-32 (4)	Fuel pump relay <MPI>	C-48 (19)	J/C (B)
C-33 (26-G)	Engine-ECU <6A13>	C-49 (19)	J/C (C)
C-34 (26-Y)	Engine-ECU <4G63>	C-50 (6)	Instrument panel wiring harness and ABS wiring harness combination
C-35 (16-G)	Engine-ECU <6A13>	C-51 (19)	Control wiring harness and ABS wiring harness combination
C-36 (16-Y)	Engine-ECU <4G63>	C-52 (4)	Solenoid-type spill valve relay <Diesel>
C-37 (12-G)	Engine-ECU <6A13>	C-53 (26-Y)	Engine-ECU <4D68>
C-38 (12-Y)	Engine-ECU <4G63>	C-54 (16-Y)	Engine-ECU <4D68>
C-39 (22-G)	Engine-ECU <6A13>	C-55 (22-Y)	Engine-ECU <4D68>
C-40 (22-Y)	Engine-ECU <4G63>	C-56 (19)	J/C (D)
C-41 (4)	A/T control relay		

L.H. drive vehicles



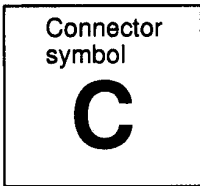
C-61 (33)	J/C (1)	C-72 (4)	Automatic compressor-ECU <Manual A/C>
C-62 (33)	J/C (2)	C-73 (2)	Air thermo sensor <Automatic A/C>
C-63 (33)	J/C (3)	C-74 (8)	Dash wiring harness and front wiring harness (RH) combination
C-64 (33)	J/C (4)	C-75 (22)	Dash wiring harness and ABS wiring harness combination
C-65 (33)	J/C (5)	C-76 (4)	Resistor <Manual A/C>
C-66 (33)	J/C (6)	C-77 (4)	Power transistor <Automatic A/C>
C-67 (33)	J/C (7)	C-78 (2)	Inside/outside air selection damper control motor
C-68 (16-B)	Immobilizer-ECU	C-79 (6)	Air mixing damper control motor and potentiometer <Automatic A/C>
C-69 (6)	Engine oil level relay		
C-70 (2)	Heater water temperature sensor <Automatic A/C>		
C-71 (2-R)	Air bag module (squib) (passenger's side)		



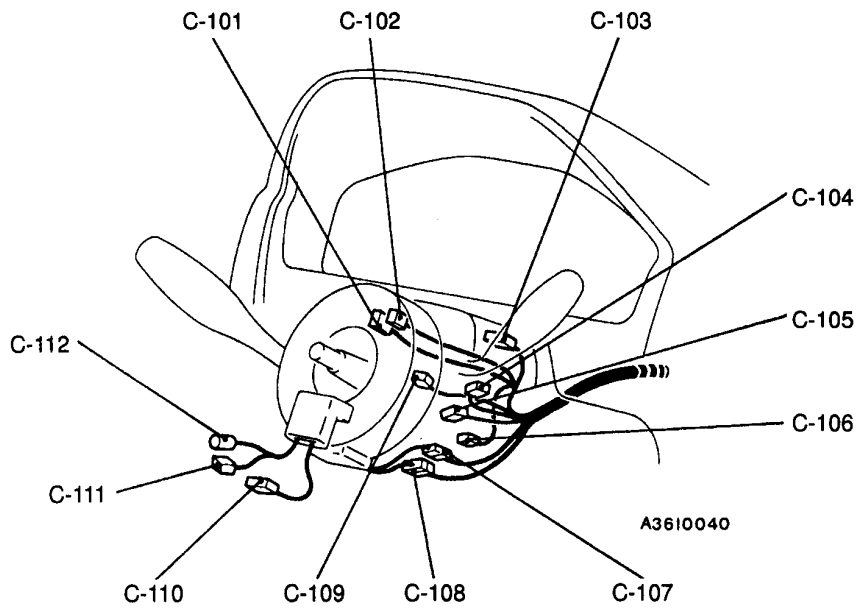
Connector color code
 B: Black
 Y: Yellow
 L: Blue
 G: Green
 R: Red
 BR: Brown
 V: Violet
 O: Orange
 GR: Gray

C-80 (20)	Keyless entry receiver-ECU	C-90 (20)	Control wiring harness and instrument panel wiring harness combination
C-81 (18)	Dash wiring harness and control wiring harness combination	C-91 (10)	Control wiring harness and instrument panel wiring harness combination <A/T>
C-82 (18)	Auto-cruise-ECU	C-92 (4)	Dash wiring harness and control wiring harness combination
C-83 (22)	Dash wiring harness and control wiring harness combination	C-93 (14)	Radio and tape player
C-84 (2)	Console illumination lamp	C-94 (6-B)	Headlamp leveling switch
C-85 (4)	Oxygen sensor (Rear) <MPI>	C-95 (2)	Diode (for fan control circuit)
C-86 (9)	Heated seat switch	C-96 (6)	No connection
C-87 (1-B)	Parking brake switch	C-97 (9)	Remote controlled mirror switch
C-88 (2)	A/T selector lever position illumination lamp	C-98 (6-Y)	TCL switch
C-89 (6-L)	A/T mode changeover switch	C-146 (10)	Fog lamp switch

L.H. drive vehicles



Steering column

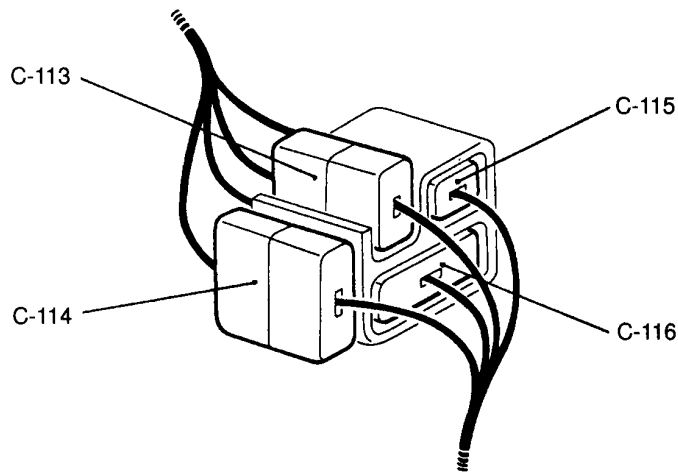


Connector color code

- B: Black
- Y: Yellow
- L: Blue
- G: Green
- R: Red
- BR: Brown
- V: Violet
- O: Orange
- GR: Gray

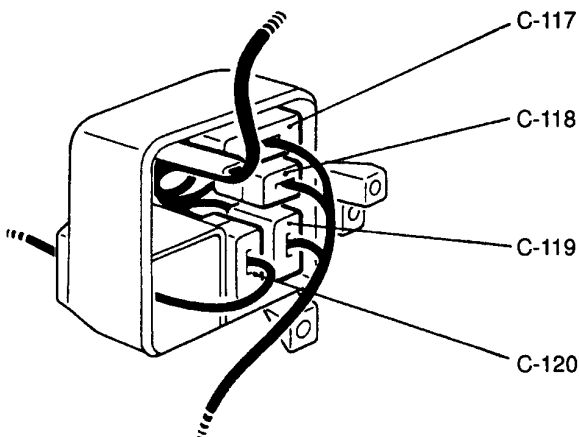
C-101 (10)	Column switch	C-107 (3)	Clock spring
C-102 (6)	Column switch	C-108 (2-R)	Clock spring
C-103 (12)	Column switch	C-109 (7)	Key reminder switch
C-104 (2)	Ignition key ring antenna	C-110 (2)	Air bag module (squib) (driver's side)
	<Vehicles with immobilizer system>	C-111 (2)	Auto-cruise control switch
C-105 (6)	Ignition switch	C-112 (1)	Horn switch
C-106 (5)	Steering wheel sensor <TCL>		

Connector block 1



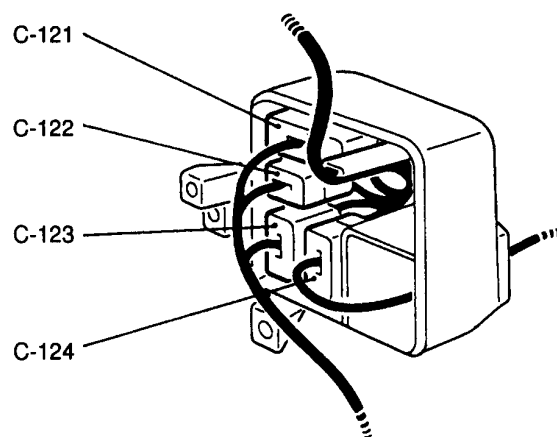
3610059

Connector block 2



3610016

Connector block 3

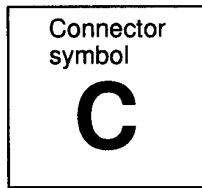


3610017

00006126

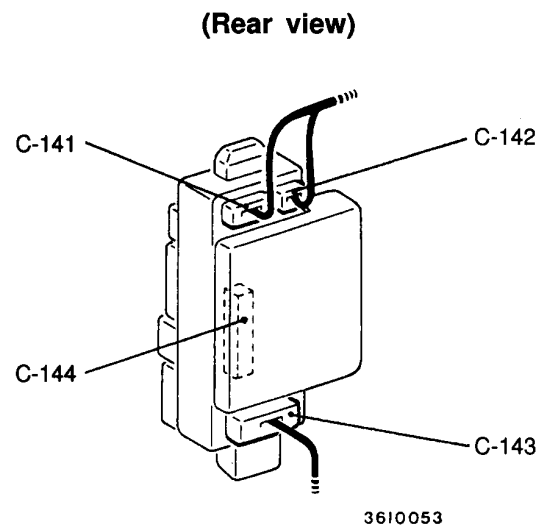
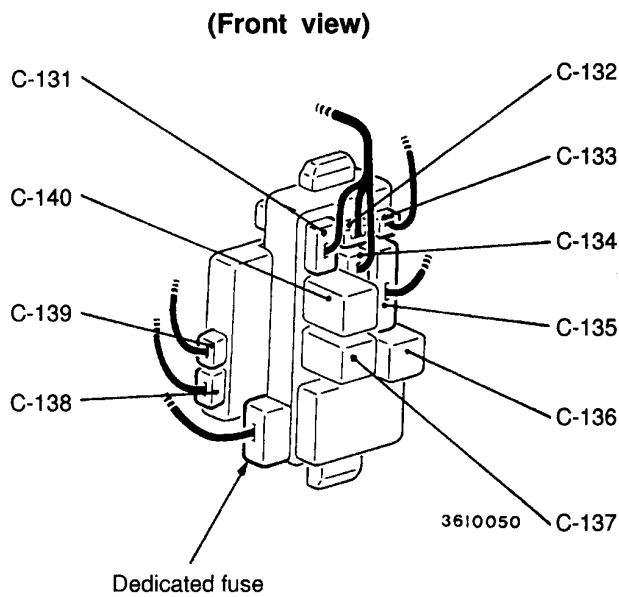
C-113 (2-B)	Dash wiring harness and front wiring harness (LH) combination	C-119 (22-GR)	Dash wiring harness and floor wiring harness (LH) combination
C-114 (8)	Dash wiring harness and front wiring harness (LH) combination	C-120 (32-B)	Dash wiring harness and front door wiring harness (LH) combination
C-115 (10)	Dash wiring harness and front wiring harness (LH) combination	C-121 (22-L)	Dash wiring harness and floor wiring harness (RH) combination
C-116 (22)	Dash wiring harness and front wiring harness (LH) combination	C-122 (4-L)	Dash wiring harness and floor wiring harness (RH) combination
C-117 (22-L)	Dash wiring harness and floor wiring harness (LH) combination	C-123 (22-L)	Dash wiring harness and floor wiring harness (RH) combination
C-118 (4-L)	Dash wiring harness and floor wiring harness (LH) combination	C-124 (32-B)	Dash wiring harness and front door wiring harness (RH) combination

L.H. drive vehicles



Junction block

<Vehicles with theft-alarm system>

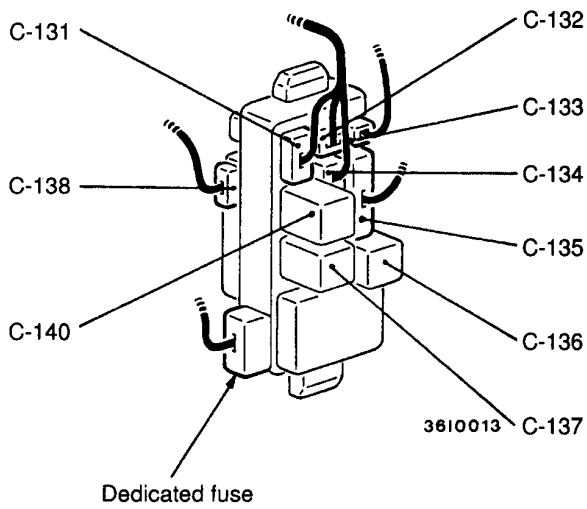


00006131

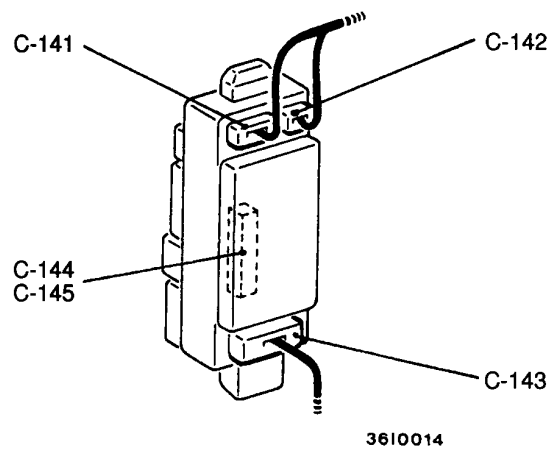
- | | | | |
|--------------|---|--------------|---|
| C-131 (6-B) | Dash wiring harness and J/B combination | C-139 (12) | ETACS-ECU <Theft-alarm system> |
| C-132 (10-B) | Dash wiring harness and J/B combination | C-140 (5) | Blower-relay |
| C-133 (6-B) | Roof wiring harness and J/B combination | C-141 (18-B) | Front wiring harness (LH) and J/B combination |
| C-134 (22-B) | Dash wiring harness and J/B combination | C-142 (1-B) | Front wiring harness (LH) and J/B combination |
| C-135 (20-B) | Instrument panel wiring harness and J/B combination | C-143 (19-B) | Floor wiring harness (LH) and J/B combination |
| C-136 (3) | Turn-signal and hazard warning flasher unit | C-144 (20) | ETACS-ECU |
| C-137 (5) | Defogger relay | C-145 (20) | Buzzer-ECU |
| C-138 (16) | ETACS-ECU | | |

<Vehicles without theft-alarm system>

(Front view)



(Rear view)

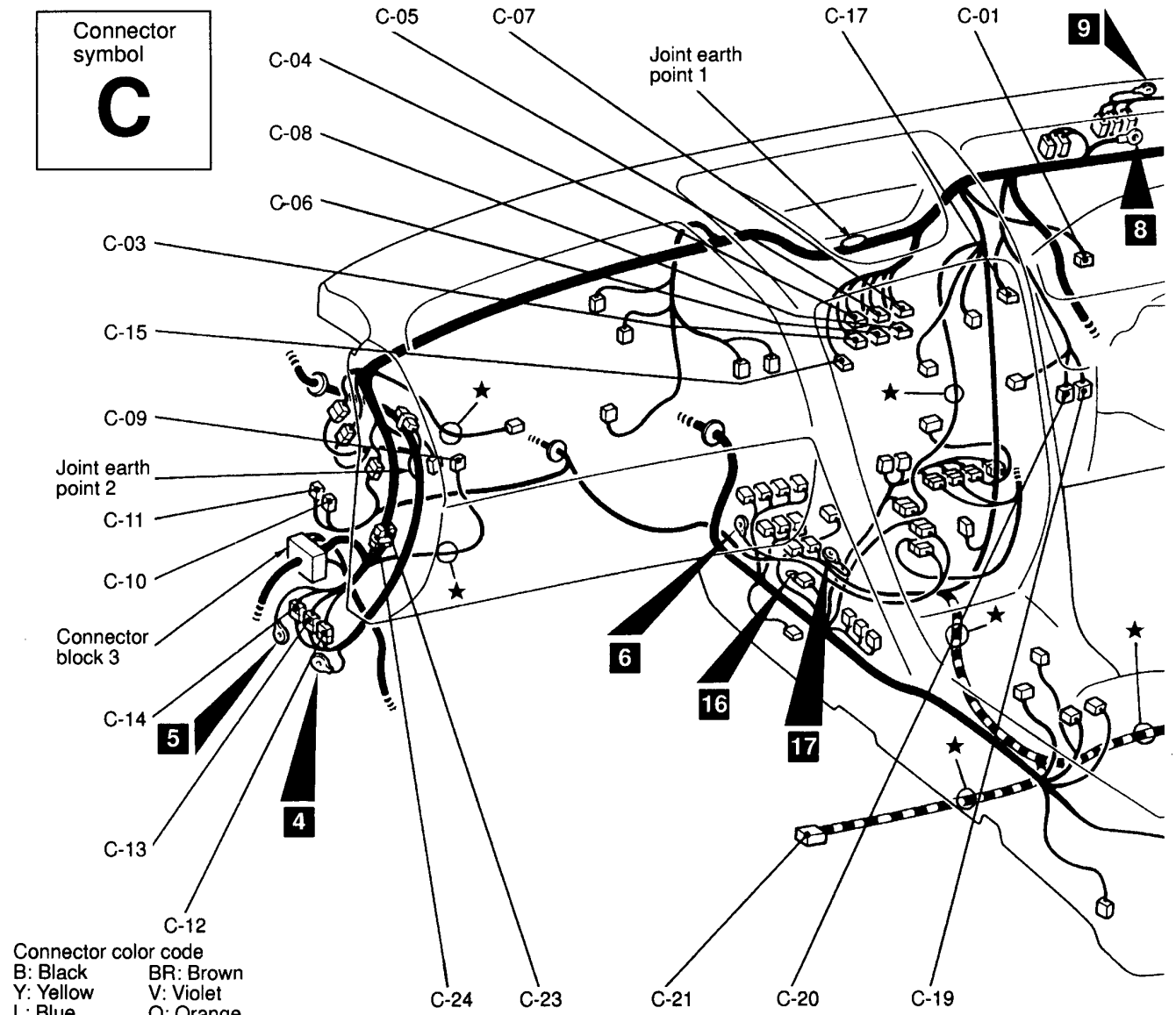


00006132

- Connector color code
- B: Black
 - Y: Yellow
 - L: Blue
 - G: Green
 - R: Red
 - BR : Brown
 - V: Violet
 - O: Orange
 - GR: Gray

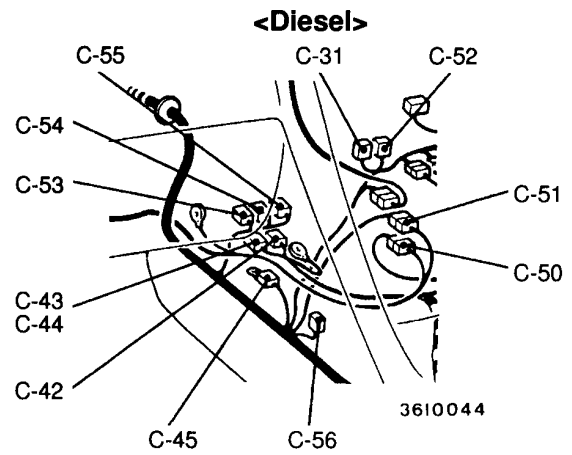
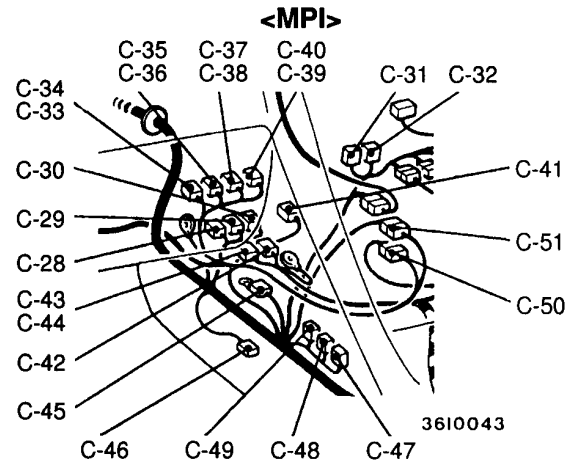
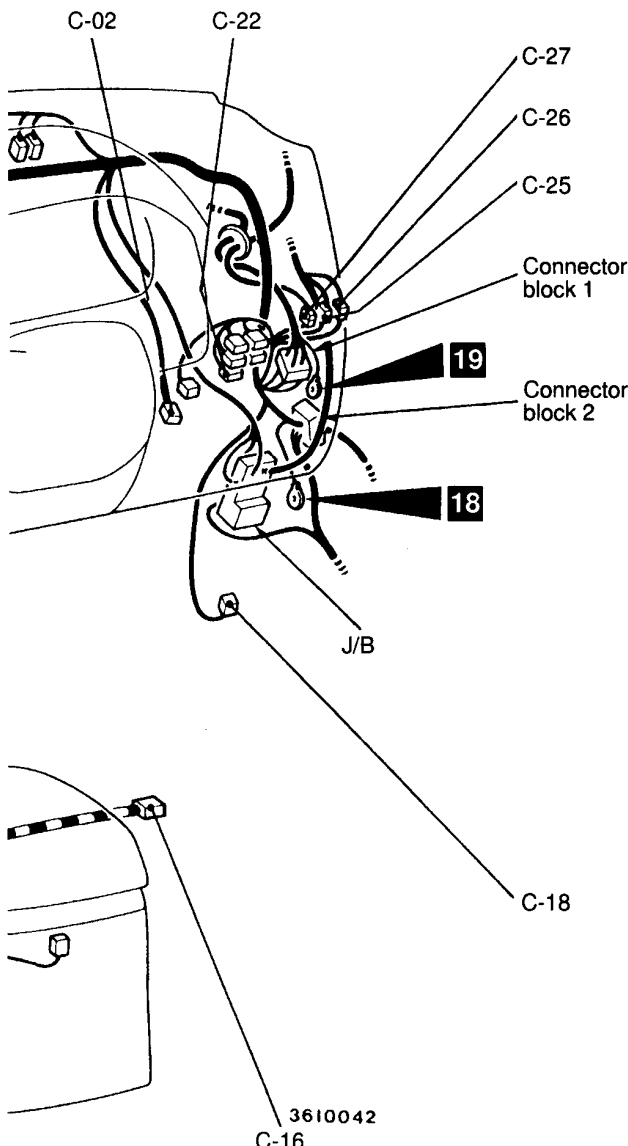
DASH PANEL

R.H. drive vehicles



Connector color code
 B: Black BR: Brown
 Y: Yellow V: Violet
 L: Blue O: Orange
 G: Green GR: Gray
 R: Red

- | | | | |
|-------------|---|--------------|---|
| C-01 (4-B) | Clutch switch <Auto-cruise (M/T)> | C-14 (22) | Dash wiring harness and front wiring harness (LH) combination |
| C-02 (4) | Stop lamp switch | C-15 (2) | Blower control panel illumination lamp <Heater and manual A/C> |
| C-03 (6) | Outside/inside air selection switch <Heater and manual A/C> | C-16 (2-R) | Side air bag module (squib) (RH) |
| C-04 (8) | Blower switch <Heater and manual A/C> | C-17 (6) | Mode selection damper control motor and potentiometer <Automatic A/C> |
| C-05 (20-B) | A/C-ECU <Automatic A/C> | C-18 (2-B) | Wide open throttle switch <MPI-A/T> |
| C-06 (6) | Defogger switch | C-19 (12) | Diagnosis connector |
| C-07 (16-B) | A/C-ECU <Automatic A/C> | C-20 (16-B) | Diagnosis connector |
| C-08 (8) | A/C switch <Manual A/C> | C-21 (2-R) | Side air bag module (squib) (LH) |
| C-09 (2) | Blower motor | C-22 (8) | Auto-cruises main switch |
| C-10 (26-Y) | TCL-ECU | C-23 (2-B) | Diode (for rear fog lamp circuit) |
| C-11 (16) | TCL-ECU | C-24 (2-B) | Diode (for headlamp circuit) |
| C-12 (2-B) | Dash wiring harness and front wiring harness (LH) combination | C-25 (22-GR) | Dash wiring harness and instrument panel wiring harness combination |
| C-13 (8) | Dash wiring harness and front wiring harness (LH) combination | | |

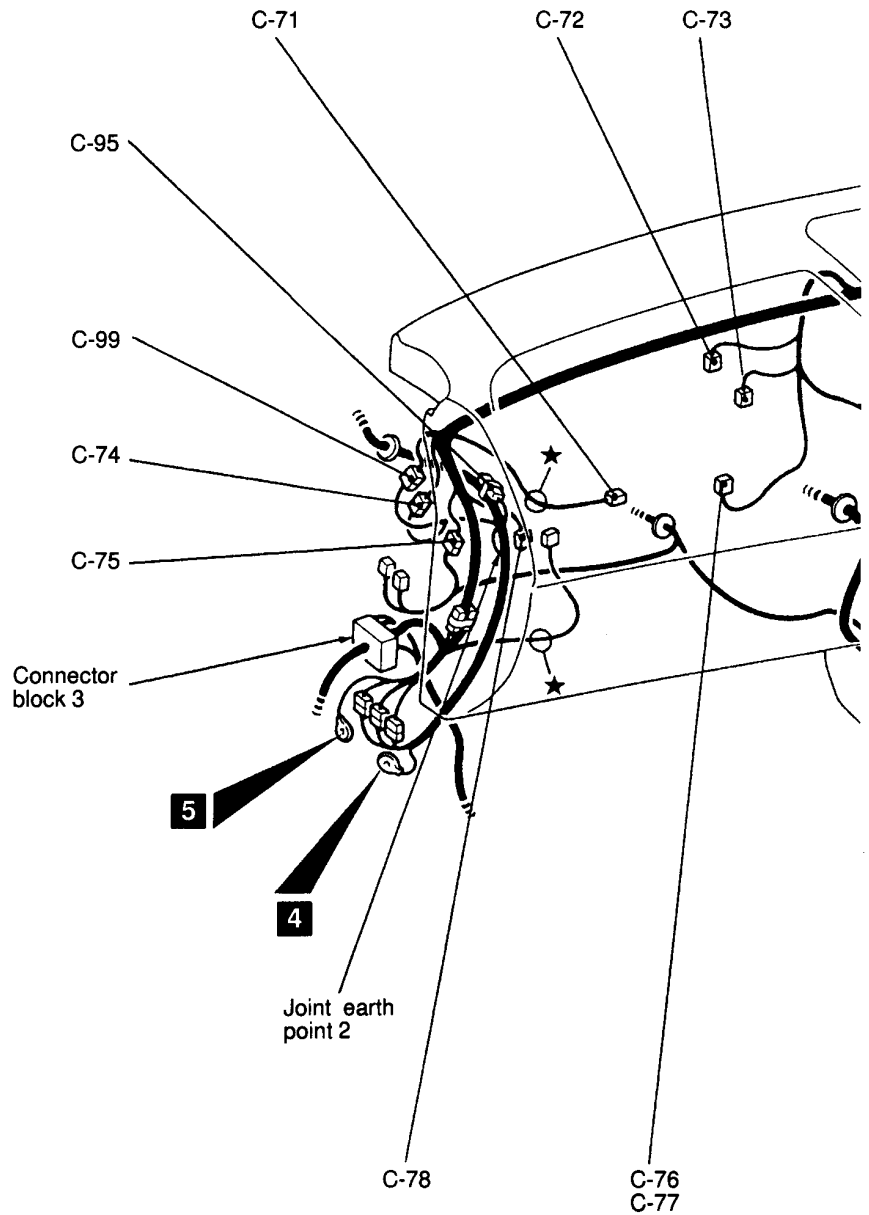
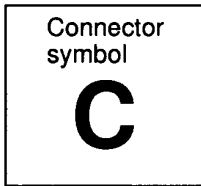


00006129

- C-26 (2) Dash wiring harness and instrument panel wiring harness combination
- C-27 (4) Dash wiring harness and roof wiring harness combination
- C-28 (26-L) A/T-ECU
- C-29 (16-L) A/T-ECU
- C-30 (22-L) A/T-ECU
- C-31 (4) Engine control relay
- C-32 (4) Fuel pump relay <MPI>
- C-33 (26-G) Engine -ECU <6A13>
- C-34 (26-Y) Engine -ECU <4G63>
- C-35 (16-G) Engine -ECU <6A13>
- C-36 (16-Y) Engine -ECU <4G63>
- C-37 (12-G) Engine -ECU <6A13>
- C-38 (12-Y) Engine -ECU <4G63>
- C-39 (22-G) Engine -ECU <6A13>
- C-40 (22-Y) Engine -ECU <4G63>
- C-41 (4) A/T control relay

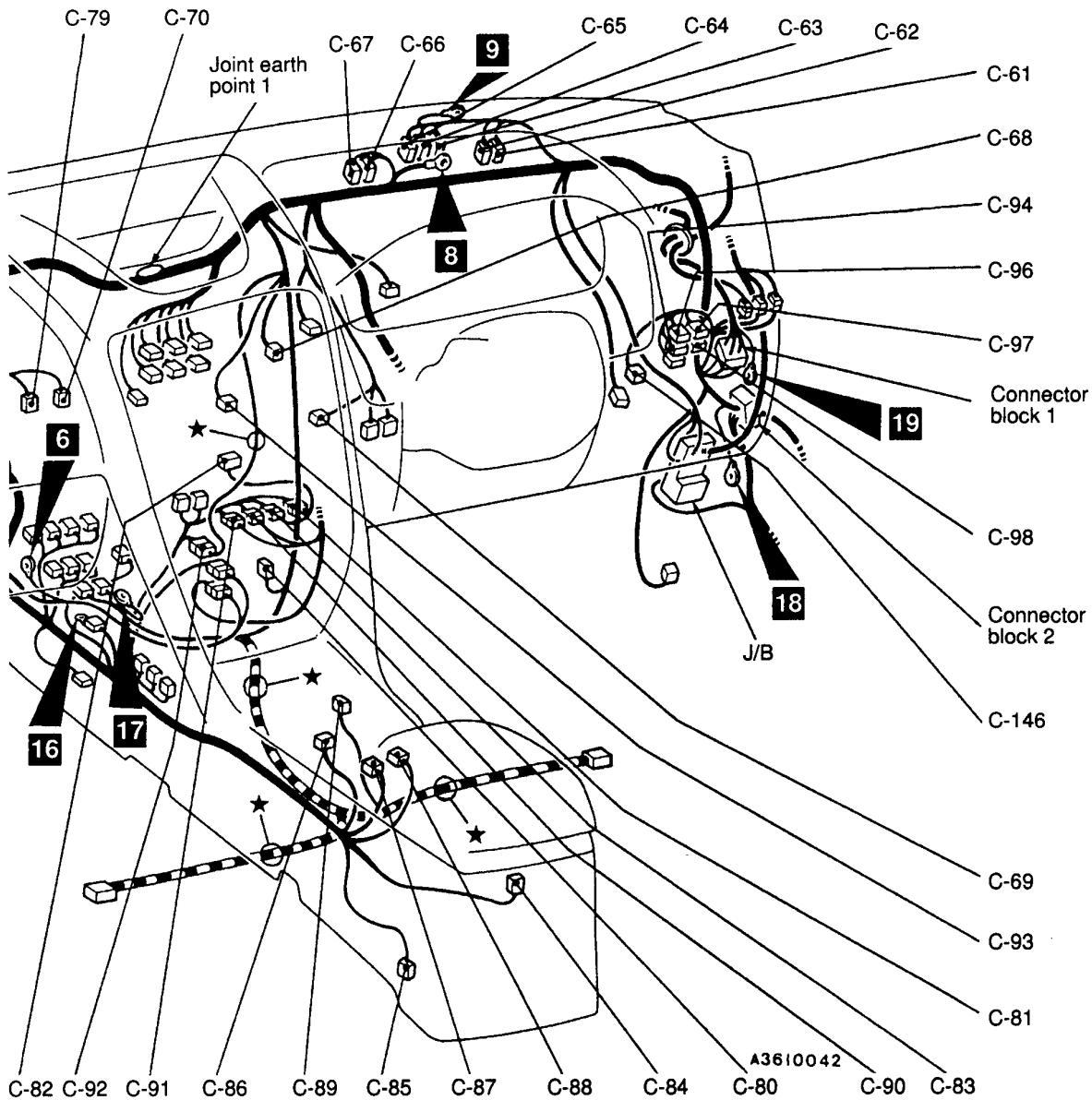
- C-42 (22-Y) SRS-ECU <Vehicles with side air bag>
- C-43 (16-Y) SRS-ECU <Vehicles with side air bag>
- C-44 (21-Y) SRS-ECU <Vehicles without side air bag>
- C-45 (10) Earth J/C
- C-46 (4) Oxygen sensor (Front) <MPI>
- C-47 (19) J/C (A)
- C-48 (19) J/C (B)
- C-49 (19) J/C (C)
- C-50 (8) Instrument panel wiring harness and ABS wiring harness combination
- C-51 (19) Control wiring harness and ABS wiring harness combination
- C-52 (4) Solenoid-type spill valve relay <Diesel>
- C-53 (26-Y) Engine-ECU <4D68>
- C-54 (16-Y) Engine-ECU <4D68>
- C-55 (22-Y) Engine-ECU <4D68>
- C-56 (19) J/C (D)

R.H. drive vehicles



- Connector color code
 B: Black
 Y: Yellow
 L: Blue
 G: Green
 R: Red
 BR: Brown
 V: Violet
 O: Orange
 GR: Gray

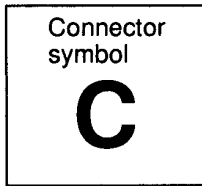
C-61 (33)	J/C (1)	C-72 (4)	Automatic compressor-ECU <Manual A/C>
C-62 (33)	J/C (2)	C-73 (2)	Air thermo sensor <Automatic A/C>
C-63 (33)	J/C (3)	C-74 (8)	Dash wiring harness and front wiring harness (LH) combination
C-64 (33)	J/C (4)	C-75 (22)	Dash wiring harness and ABS wiring harness combination <Manual A/C>
C-65 (33)	J/C (5)	C-76 (4)	Resistor <Manual A/C>
C-66 (33)	J/C (6)	C-77 (4)	Power transistor <Automatic A/C>
C-67 (33)	J/C (7)	C-78 (2)	Outside/inside air selection damper control motor
C-68 (16-B)	Immobilizer-ECU	C-79 (6)	Air mixing damper control motor and potentiometer <Automatic A/C>
C-69 (6)	Engine oil level relay		
C-70 (2)	Heater water temperature sensor <Automatic A/C>		
C-71 (2-R)	Air bag module (squib) (passenger's side)		



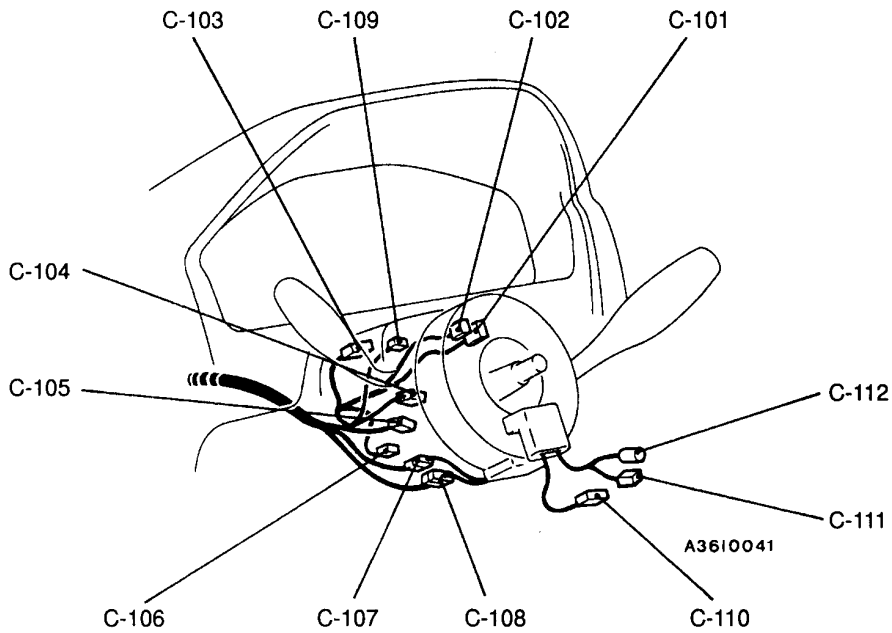
A3610042

- | | | | |
|------------|--|------------|--|
| C-80 (20) | Keyless entry receiver-ECU | C-91 (10) | Control wiring harness and instrument panel wiring harness combination <A/T> |
| C-81 (18) | Dash wiring harness and control wiring harness combination | C-92 (4) | Dash wiring harness and control wiring harness combination |
| C-82 (18) | Auto-cruise-ECU | C-93 (14) | Radio and tape player |
| C-83 (22) | Dash wiring harness and control wiring harness combination | C-94 (6-B) | Headlamp leveling switch |
| C-84 (2) | Console illumination lamp | C-95 (2) | Diode (for fan control circuit) |
| C-85 (4) | Oxygen sensor (Rear) <MFI> | C-96 (6) | No connection |
| C-86 (9) | Heated seat switch | C-97 (9) | Remote controlled mirror switch |
| C-87 (1-B) | Parking brake switch | C-98 (6-Y) | TCL switch |
| C-88 (2) | A/T selector lever position illumination lamp | C-99 (10) | Dash wiring harness and front wiring harness (LH) combination |
| C-89 (6-L) | A/T mode changeover switch | C-146 (10) | Fog lamp switch |
| C-90 (20) | Control wiring harness and instrument panel wiring harness combination | | |

R.H. drive vehicles



Steering column

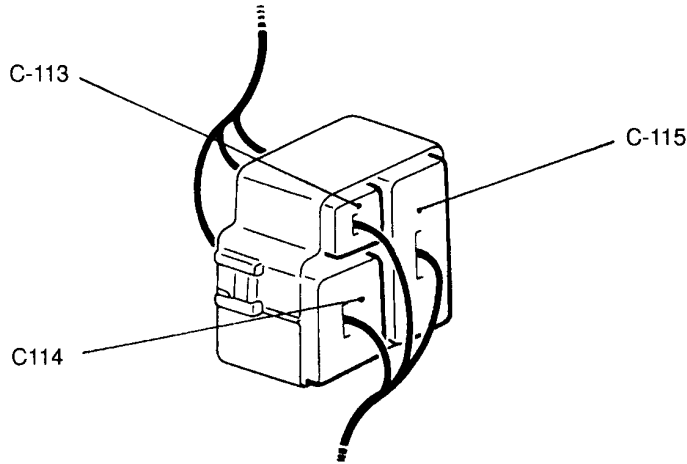


Connector color code

- B: Black
- Y: Yellow
- L: Blue
- G: Green
- R: Red
- BR: Brown
- V: Violet
- O: Orange
- GR: Gray

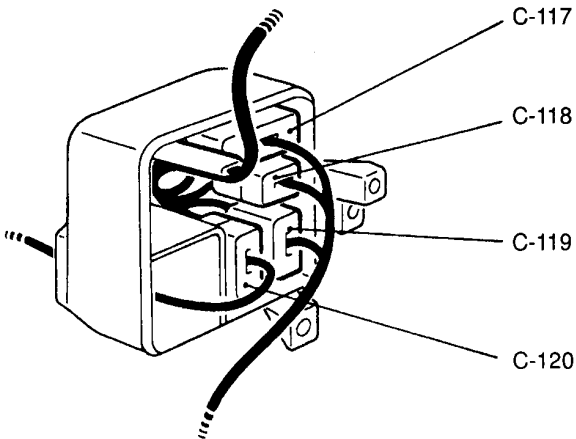
C-101 (10)	Column switch	C-107 (3)	Clock spring
C-102 (6)	Column switch	C-108 (2-R)	Clock spring
C-103 (12)	Column switch	C-109 (7)	Key reminder switch
C-104 (2)	Ignition key ring antenna <Vehicles with immobilizer system>	C-110 (2)	Air bag module (squib) (driver's side)
C-105 (6)	Ignition switch	C-111 (2)	Auto-cruise control switch
C-106 (5)	Steering wheel sensor <TCL>	C-112 (1)	Horn switch

Connector block 1



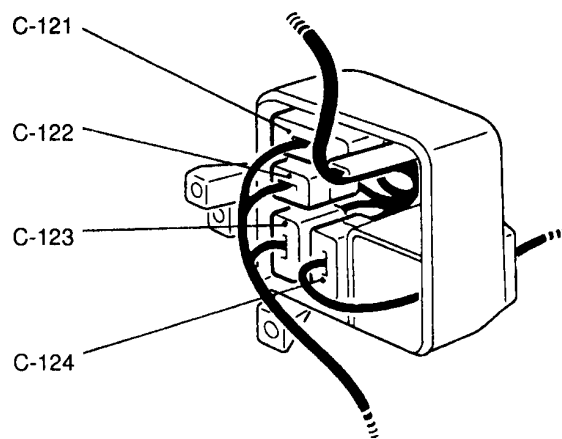
3610015

Connector block 3



3610016

Connector block 2

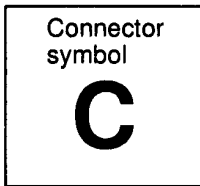


3610017

00006130

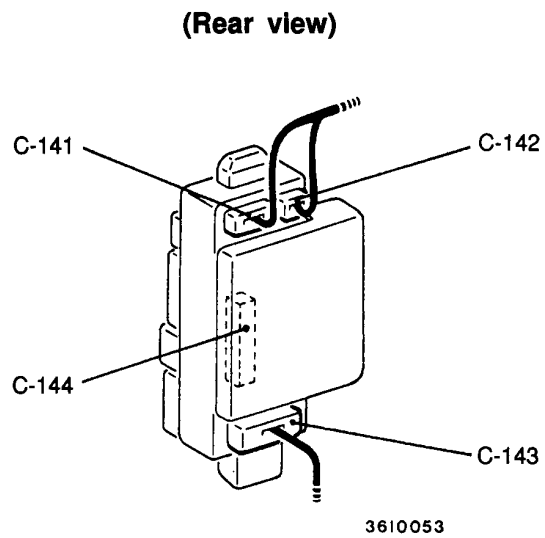
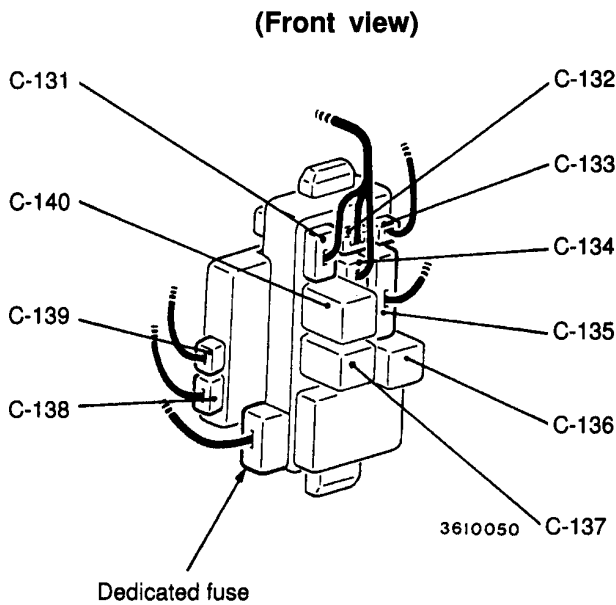
C-113 (8)	Dash wiring harness and front wiring harness (RH) combination	C-120 (32)	Dash wiring harness and front door wiring harness (LH) combination
C-114 (6)	Dash wiring harness and front wiring harness (RH) combination	C-121 (22-L)	Dash wiring harness and floor wiring harness (RH) combination
C-115 (22-B)	Dash wiring harness and front wiring harness (RH) combination	C-122 (4-L)	Dash wiring harness and floor wiring harness (RH) combination
C-117 (18-L)	Dash wiring harness and floor wiring harness (LH) combination	C-123 (22)	Dash wiring harness and floor wiring harness (RH) combination
C-118 (4-L)	Dash wiring harness and floor wiring harness (LH) combination	C-124 (32-B)	Dash wiring harness and front door wiring harness (RH) combination
C-119 (22-GR)	Dash wiring harness and floor wiring harness (LH) combination		

R.H. drive vehicles



Junction block

<Vehicles with theft-alarm system>



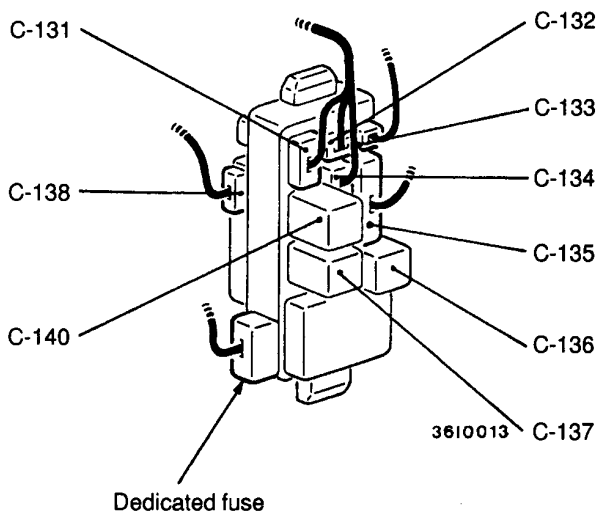
00006131

- C-131 (6-B) Dash wiring harness and J/B combination
- C-132 (10-B) Dash wiring harness and J/B combination
- C-133 (6-B) Roof wiring harness and J/B combination
- C-134 (22-B) Dash wiring harness and J/B combination
- C-135 (20-B) Instrument panel wiring harness and J/B combination
- C-136 (3) Turn-signal and hazard warning flasher unit
- C-137 (5) Defogger relay

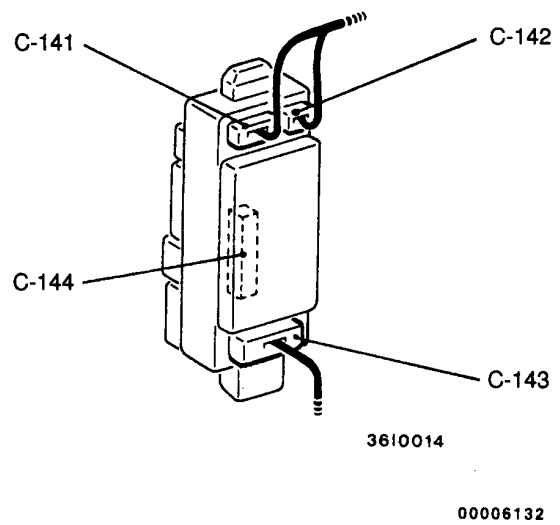
- C-138 (16) ETACS-ECU
- C-139 (12) ETACS-ECU <Theft-alarm system>
- C-140 (5) Blower relay
- C-141 (18-B) Dash wiring harness and J/B combination
- C-142 (1-B) Dash wiring harness and J/B combination
- C-143 (19-B) Floor wiring harness (RH) and J/B combination
- C-144 (20) ETACS-ECU

<Vehicles without theft-alarm system>

(Front view)



(Rear view)

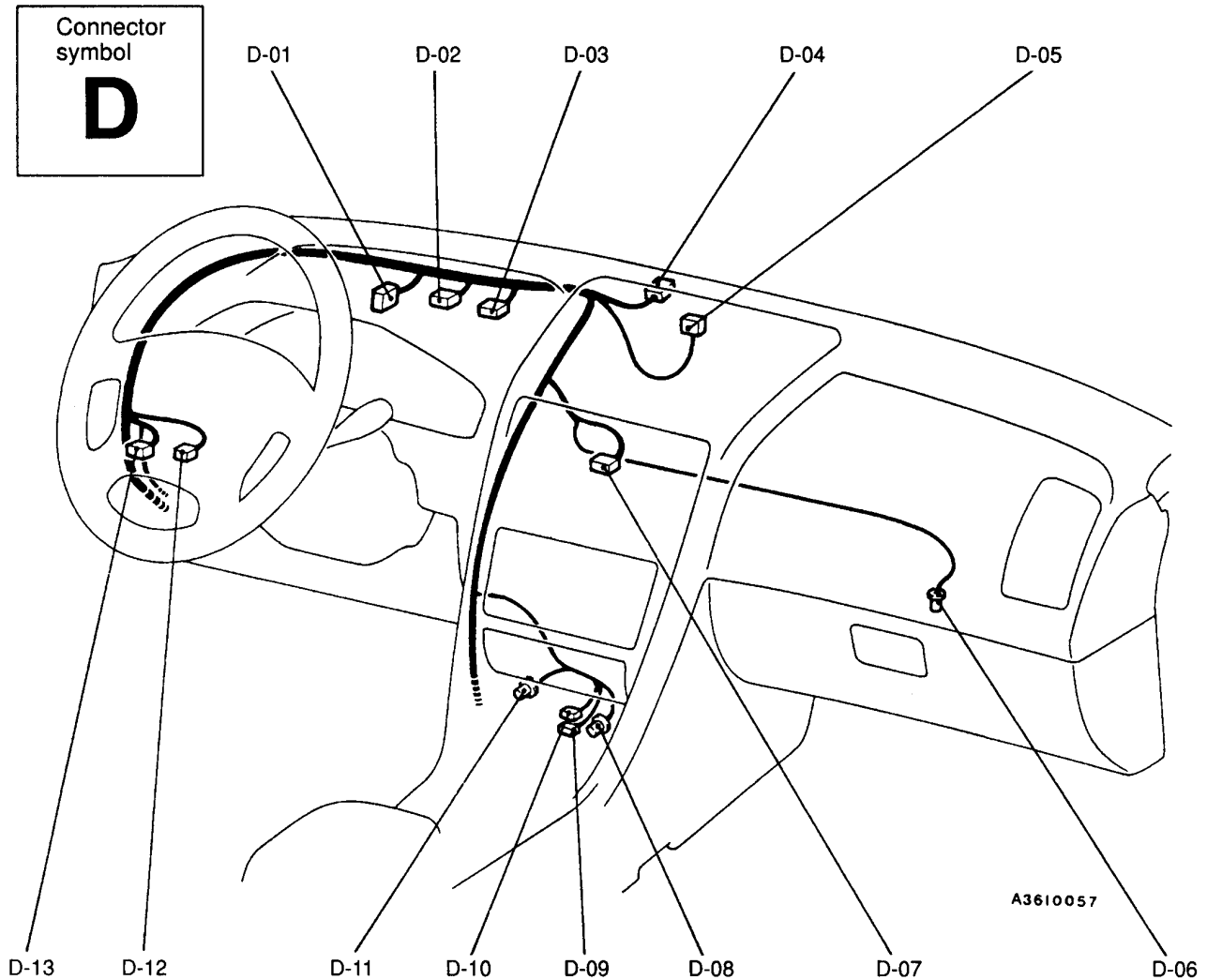


Connector color code
 B: Black
 Y: Yellow
 L: Blue
 G: Green
 R: Red
 BR: Brown
 V: Violet
 O: Orange
 GR: Gray

INSTRUMENT PANEL

80100070203

L.H. drive vehicles



Connector color code

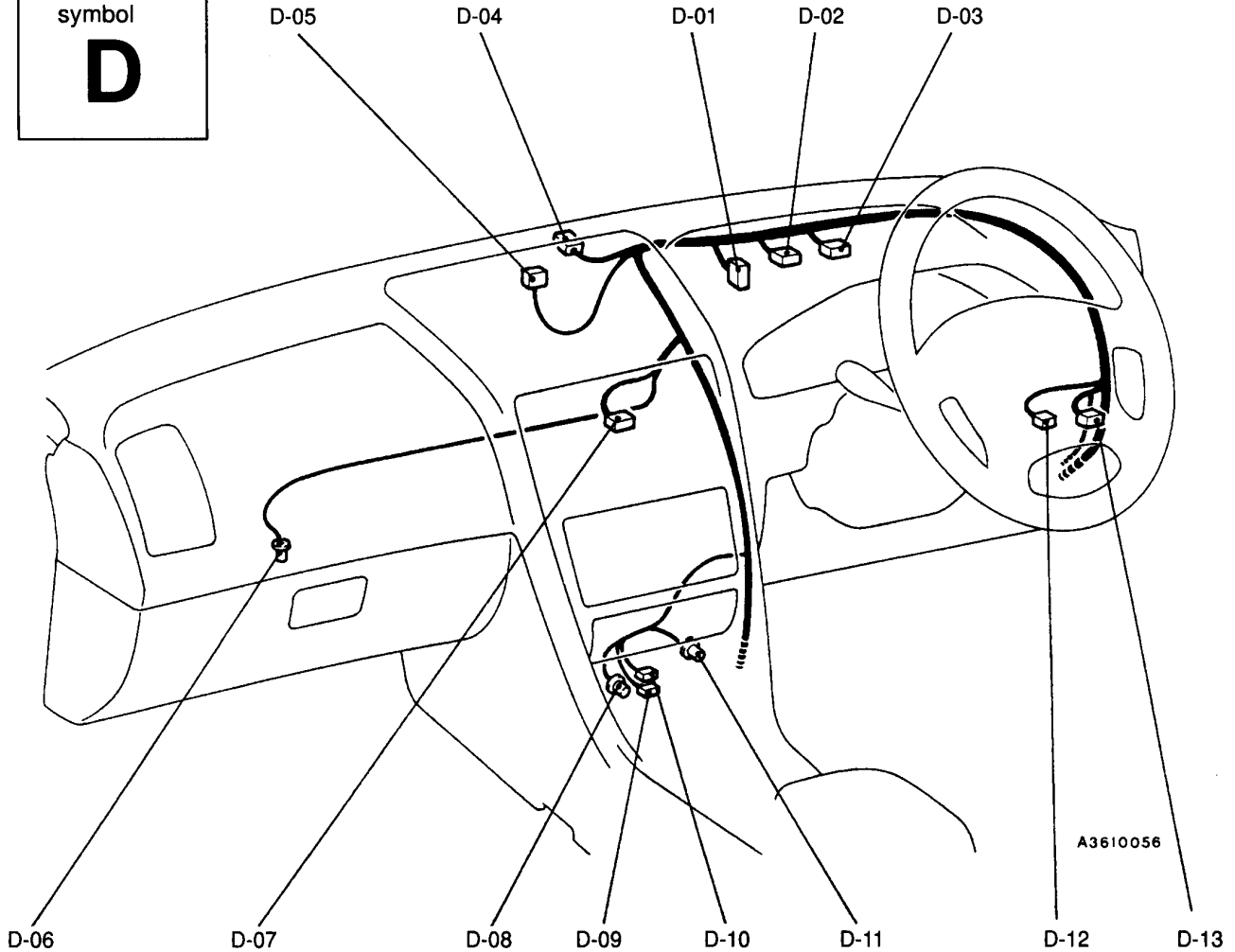
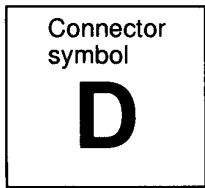
- | | |
|-----------|-----------|
| B: Black | BR: Brown |
| Y: Yellow | V: Violet |
| L: Blue | O: Orange |
| G: Green | GR: Gray |
| R: Red | |

- | | | | |
|-----------|------------------------------|------------|-------------------------------------|
| D-01 (17) | Combination meter | D-08 (2) | Cigarette lighter illumination lamp |
| D-02 (17) | Combination meter | D-09 (1-B) | Cigarette lighter |
| D-03 (17) | Combination meter | D-10 (1) | Cigarette lighter |
| D-04 (2) | Photo sensor <Automatic A/C> | D-11 (2) | Ashtray illumination lamp |
| D-05 (4) | Clock | D-12 (4) | No connection |
| D-06 (2) | Glove box lamp | D-13 (3) | Rheostat |
| D-07 (10) | Hazard warning switch | | |

INSTRUMENT PANEL

80100070210

R.H. drive vehicles



Connector color code

B: Black
 Y: Yellow
 L: Blue
 G: Green
 R: Red

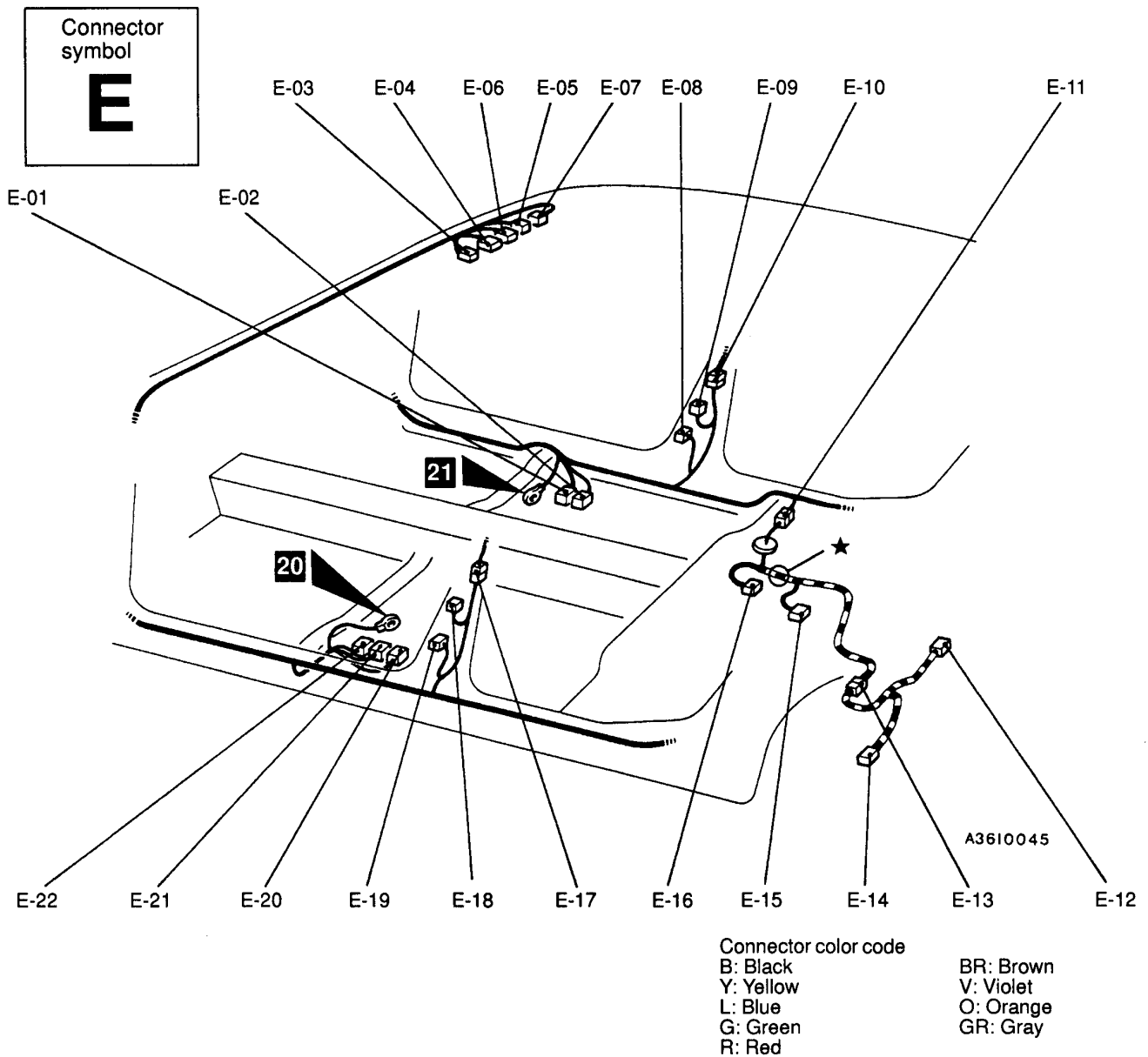
BR: Brown
 V: Violet
 O: Orange
 GR: Gray

- | | | | |
|-----------|------------------------------|------------|-------------------------------------|
| D-01 (17) | Combination meter | D-08 (2) | Cigarette lighter illumination lamp |
| D-02 (17) | Combination meter | D-09 (1-B) | Cigarette lighter |
| D-03 (17) | Combination meter | D-10 (1) | Cigarette lighter |
| D-04 (2) | Photo sensor <Automatic A/C> | D-11 (2) | Ashtray illumination lamp |
| D-05 (4) | Clock | D-12 (4) | No connection |
| D-06 (2) | Glove box lamp | D-13 (3) | Rheostat |
| D-07 (10) | Hazard warning switch | | |

FLOOR AND ROOF

80100090377

L.H. drive vehicles

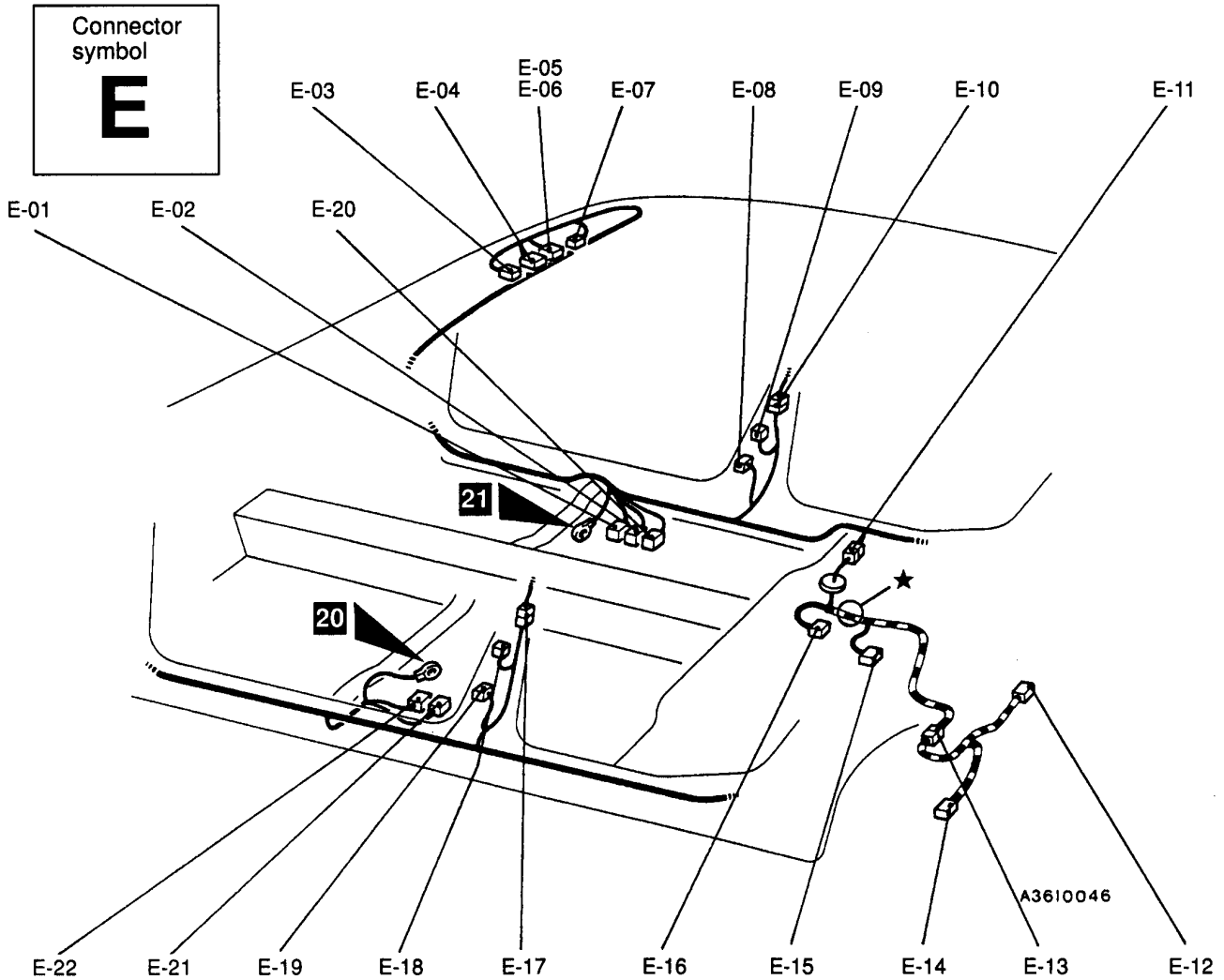


- | | | | |
|------------|---|-------------|---|
| E-01 (2-B) | Power seat assembly (RH) | E-12 (2-GR) | Wheel speed sensor (Rear: RH) |
| E-02 (3) | Heated seat assembly (RH) | E-13 (4-B) | Fuel wiring harness and sensor wiring harness combination |
| E-03 (8) | Sunroof motor | E-14 (2-B) | Wheel speed sensor (Rear: LH) |
| E-04 (6-B) | Sunroof switch | E-15 (3) | Fuel gauge unit |
| E-05 (2) | Room lamp <Vehicles with sunroof> | E-16 (2) | Fuel pump <MPI> |
| E-06 (2) | Front personal lamp | E-17 (10) | Floor wiring harness (LH) and rear door wiring harness (LH) combination |
| E-07 (18) | Sunroof-ECU | E-18 (3) | Side impact sensor (LH) |
| E-08 (2) | Front door switch (RH) | | <Vehicles with side air bag> |
| E-09 (3) | Side impact sensor (RH) | E-19 (2) | Front door switch (LH) |
| | <Vehicles with side air bag> | E-20 (2) | No connection |
| E-10 (10) | Floor wiring harness (RH) and rear door wiring harness (RH) combination | E-21 (3) | Heated seat assembly (LH) |
| E-11 (10) | Floor wiring harness (RH) and fuel wiring harness combination | E-22 (2-B) | Power seat assembly (LH) |

FLOOR AND ROOF

80100090384

R.H. drive vehicles



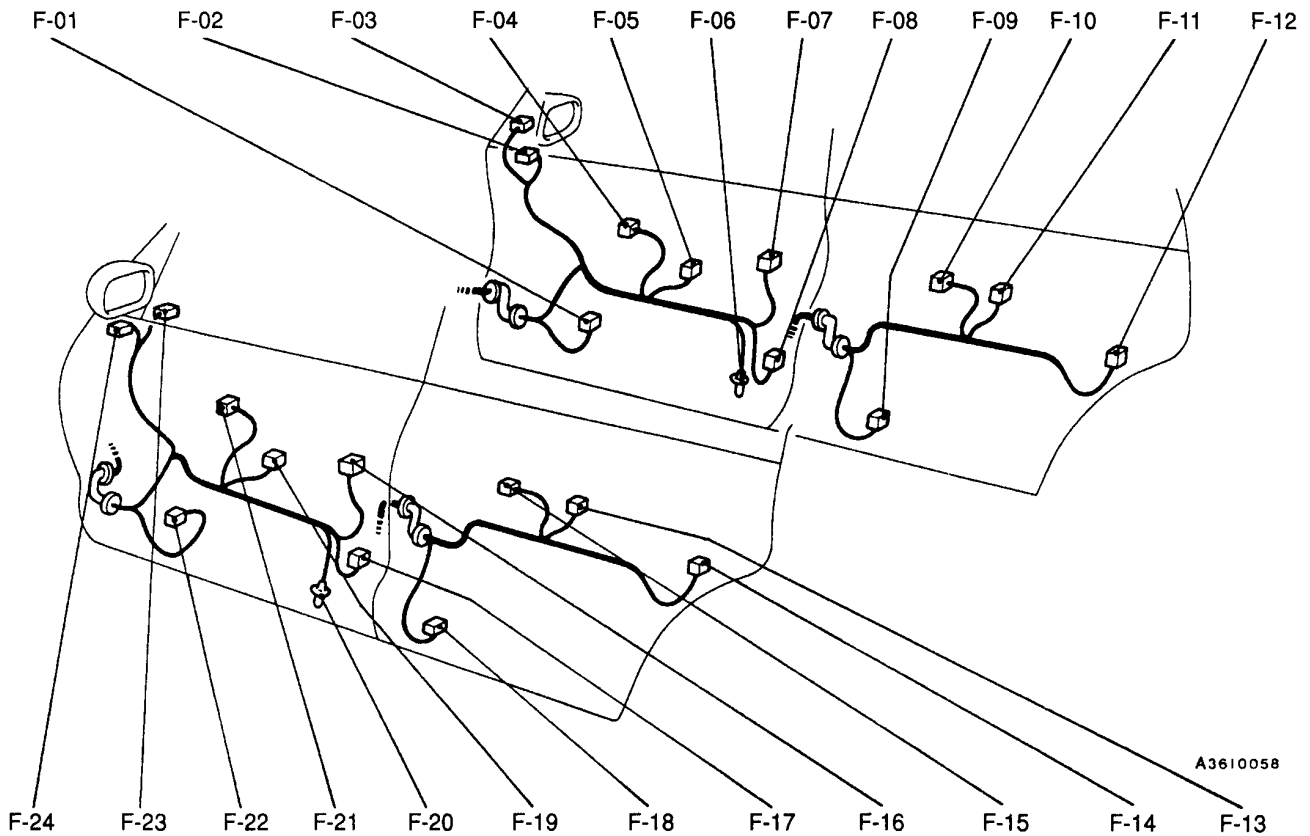
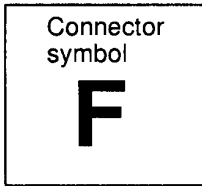
Connector color code
 B: Black
 Y: Yellow
 L: Blue
 G: Green
 R: Red
 BR: Brown
 V: Violet
 O: Orange
 GR: Gray

- | | | | |
|------------|---|-------------|---|
| E-01 (2-B) | Power seat assembly (RH) | E-12 (2-GR) | Wheel speed sensor (Rear: RH) |
| E-02 (3) | Heated seat assembly (RH) | E-13 (4-B) | Fuel wiring harness and sensor wiring harness combination |
| E-03 (8) | Sunroof motor | E-14 (2-B) | Wheel speed sensor (Rear: LH) |
| E-04 (6-B) | Sunroof switch | E-15 (3) | Fuel gauge unit |
| E-05 (2) | Room lamp <Vehicles with sunroof> | E-16 (2) | Fuel pump <MPI> |
| E-06 (2) | Front personal lamp | E-17 (10) | Floor wiring harness (LH) and rear door wiring harness (LH) combination |
| E-07 (18) | Sunroof-ECU | E-18 (3) | Side impact sensor (LH) |
| E-08 (2) | Front door switch (RH) | | <Vehicles with side air bag> |
| E-09 (3) | Side impact sensor (RH) | E-19 (2) | Front door switch (LH) |
| | <Vehicles with side air bag> | E-20 (2) | No connection |
| E-10 (10) | Floor wiring harness (RH) and rear door wiring harness (RH) combination | E-21 (3) | Heated seat assembly (LH) |
| E-11 (10) | Floor wiring harness (RH) and fuel wiring harness combination | E-22 (2-B) | Power seat assembly (LH) |

DOOR

80100140331

L.H. drive vehicles



Connector color code

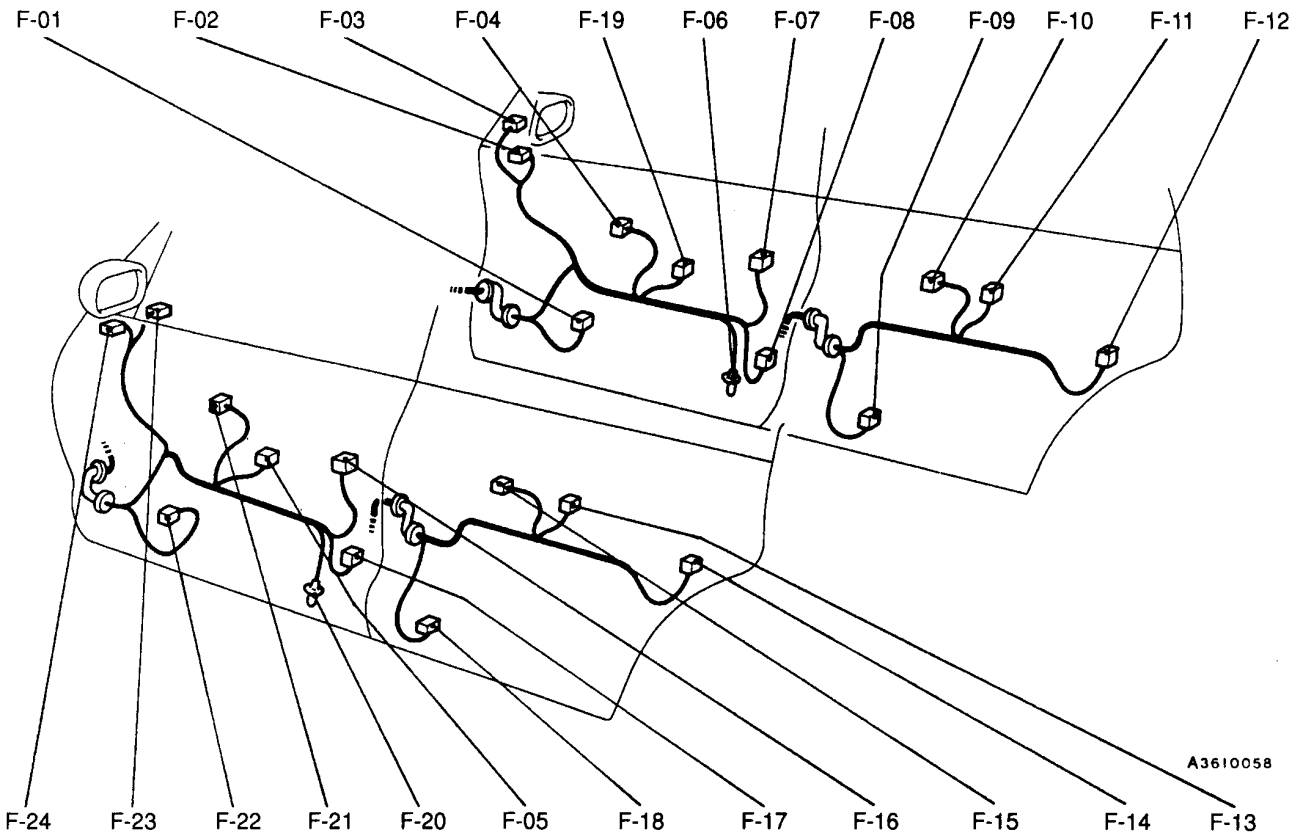
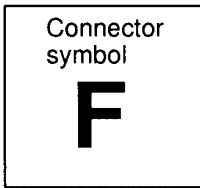
- | | |
|-----------|-----------|
| B: Black | BR: Brown |
| Y: Yellow | V: Violet |
| L: Blue | O: Orange |
| G: Green | GR: Gray |
| R: Red | |

- | | | | |
|------------|---|------------|--|
| F-01 (2-B) | Front speaker (RH) | F-13 (8) | Power window sub switch (Rear: LH) |
| F-02 (2) | Tweeter (RH) | F-14 (6-B) | Door lock actuator (Rear: LH) |
| F-03 (7) | Remote controlled mirror (RH) | F-15 (6) | Power window motor (Rear: LH) |
| F-04 (6) | Power window motor (Front: RH) | F-16 (3-B) | Door lock key cylinder switch (LH)
<Vehicles with theft-alarm system> |
| F-05 (8) | Power window sub switch (Front: RH) | F-17 (6-B) | Door lock actuator (Front: LH) |
| F-06 (2) | Door lamp (RH) | F-18 (2-B) | Rear speaker (LH) <Wagon> |
| F-07 (3-B) | Door lock key cylinder switch (RH)
<Vehicles with central door locking system> | F-19 (10) | Power window main switch |
| F-08 (6-B) | Door lock actuator (Front: RH) | F-20 (2) | Door lamp (LH) |
| F-09 (2-B) | Rear speaker (RH) <Wagon> | F-21 (4) | Power window motor (Front: LH) |
| F-10 (6) | Power window motor (Rear: RH) | F-22 (2-B) | Front speaker (LH) |
| F-11 (8) | Power window sub switch (Rear: RH) | F-23 (2) | Tweeter (LH) |
| F-12 (6-B) | Door lock actuator (Rear: RH) | F-24 (7) | Remote controlled mirror (LH) |

DOOR

80100140348

R.H. drive vehicles



Connector color code

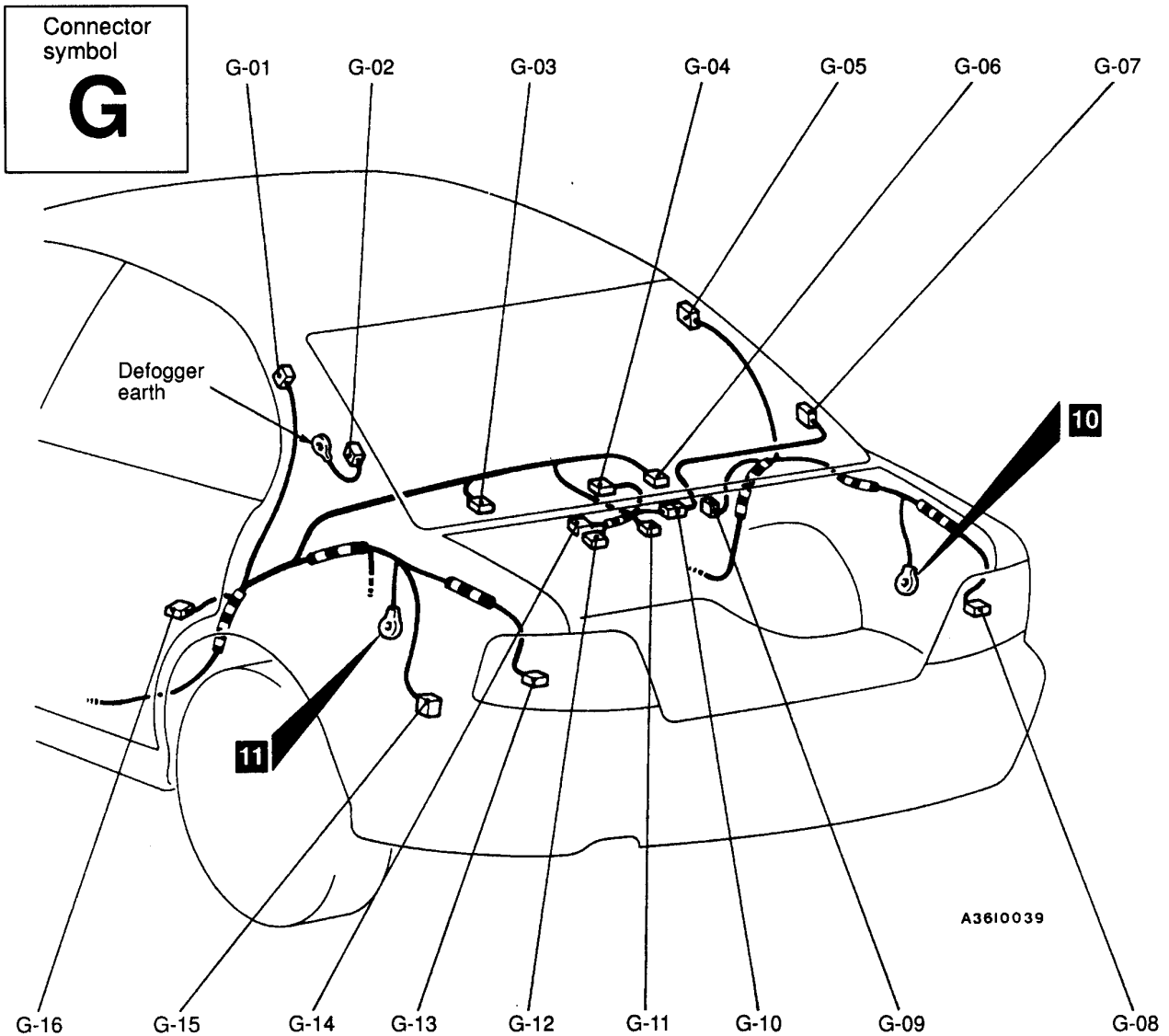
- | | |
|-----------|-----------|
| B: Black | BR: Brown |
| Y: Yellow | V: Violet |
| L: Blue | O: Orange |
| G: Green | Gr: Gray |
| R: Red | |

- | | | | |
|------------|--|------------|---|
| F-01 (2-B) | Front speaker (RH) | F-14 (6-B) | Door lock actuator (Rear: LH) |
| F-02 (2) | Tweeter (RH) | F-15 (6) | Power window motor (Rear: LH) |
| F-03 (7) | Remote controlled mirror (RH) | F-16 (3-B) | Door lock key cylinder switch (LH)
<Vehicles with central door locking system> |
| F-04 (4) | Power window motor (Front: RH) | F-17 (6-B) | Door lock actuator (Front: LH) |
| F-05 (8) | Power window sub switch (Front: LH) | F-18 (2-B) | Rear speaker (LH) <Wagon> |
| F-06 (2) | Door lamp (RH) | F-19 (10) | Power window main switch |
| F-07 (3-B) | Door lock key cylinder switch (RH)
<Vehicles with theft-alarm system> | F-20 (2) | Door lamp (LH) |
| F-08 (6-B) | Door lock actuator (Front: RH) | F-21 (6) | Power window motor (Front: LH) |
| F-09 (2-B) | Rear speaker (RH) <Wagon> | F-22 (2-B) | Front speaker (LH) |
| F-10 (6) | Power window motor (Rear: RH) | F-23 (2) | Tweeter (LH) |
| F-11 (8) | Power window sub switch (Rear: RH) | F-24 (7) | Remote controlled mirror (LH) |
| F-12 (6-B) | Door lock actuator (Rear: RH) | | |
| F-13 (8) | Power window sub switch (Rear: LH) | | |

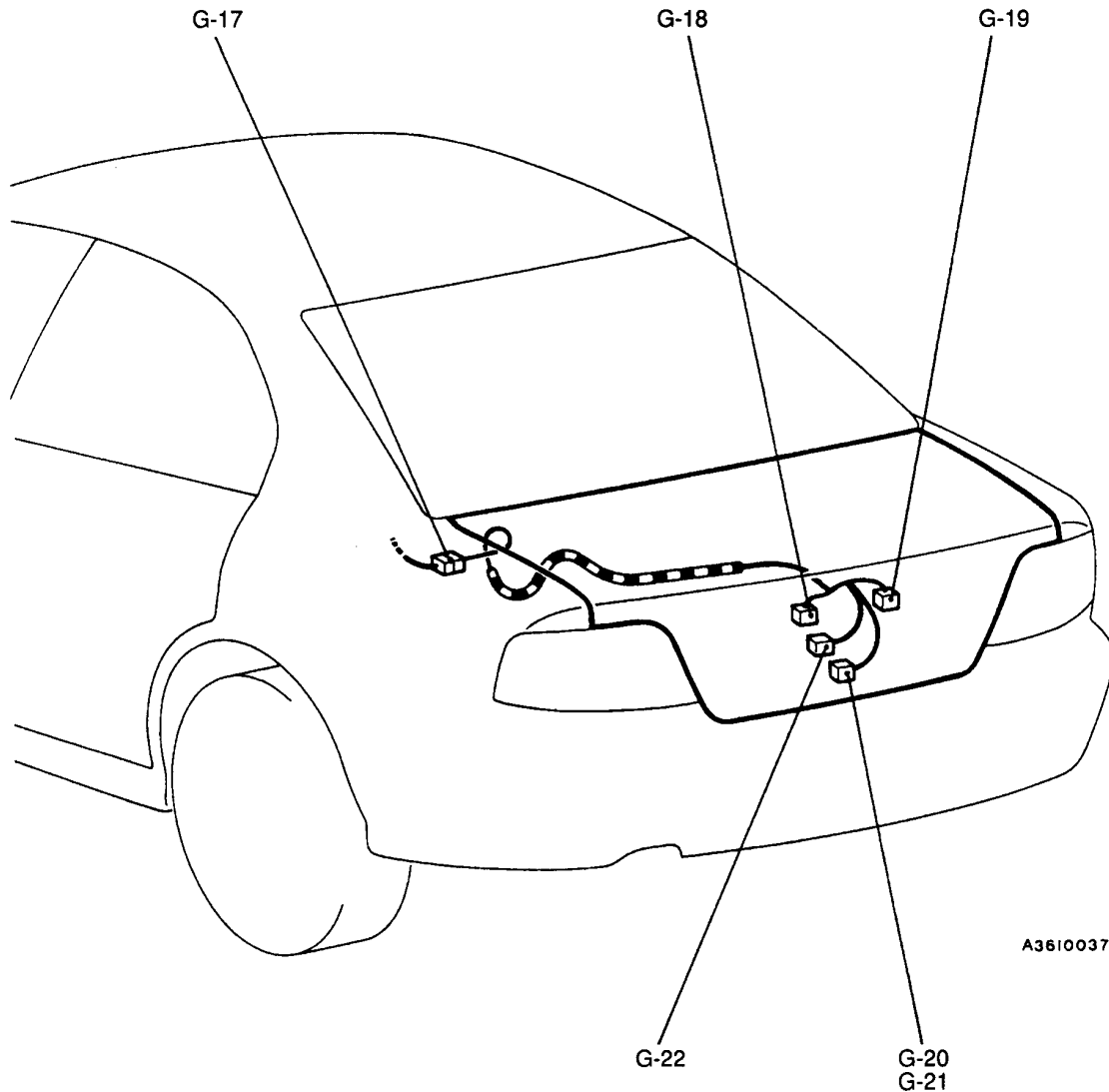
LUGGAGE COMPARTMENT

80100150334

Sedan <L.H. drive vehicles>



- | | | | |
|------------|-------------------------|----------|---|
| G-01 (3) | Rear personal lamp (LH) | G-08 (6) | Rear combination lamp (RH) |
| G-02 (1) | Defogger (-) | G-09 (2) | Rear door switch (RH) |
| G-03 (2-B) | Rear speaker (LH) | G-10 (3) | Floor wiring harness (LH) and defogger wiring harness combination |
| G-04 (2) | High mounted stop lamp | G-11 (2) | Luggage compartment lamp |
| G-05 (3) | Rear personal lamp (RH) | G-12 (8) | Rear intermittent wiper relay |
| G-06 (2-B) | Rear speaker (RH) | G-13 (6) | Rear combination lamp (LH) |
| G-07 (1) | Defogger (+) | | |



A3610037

Connector color code

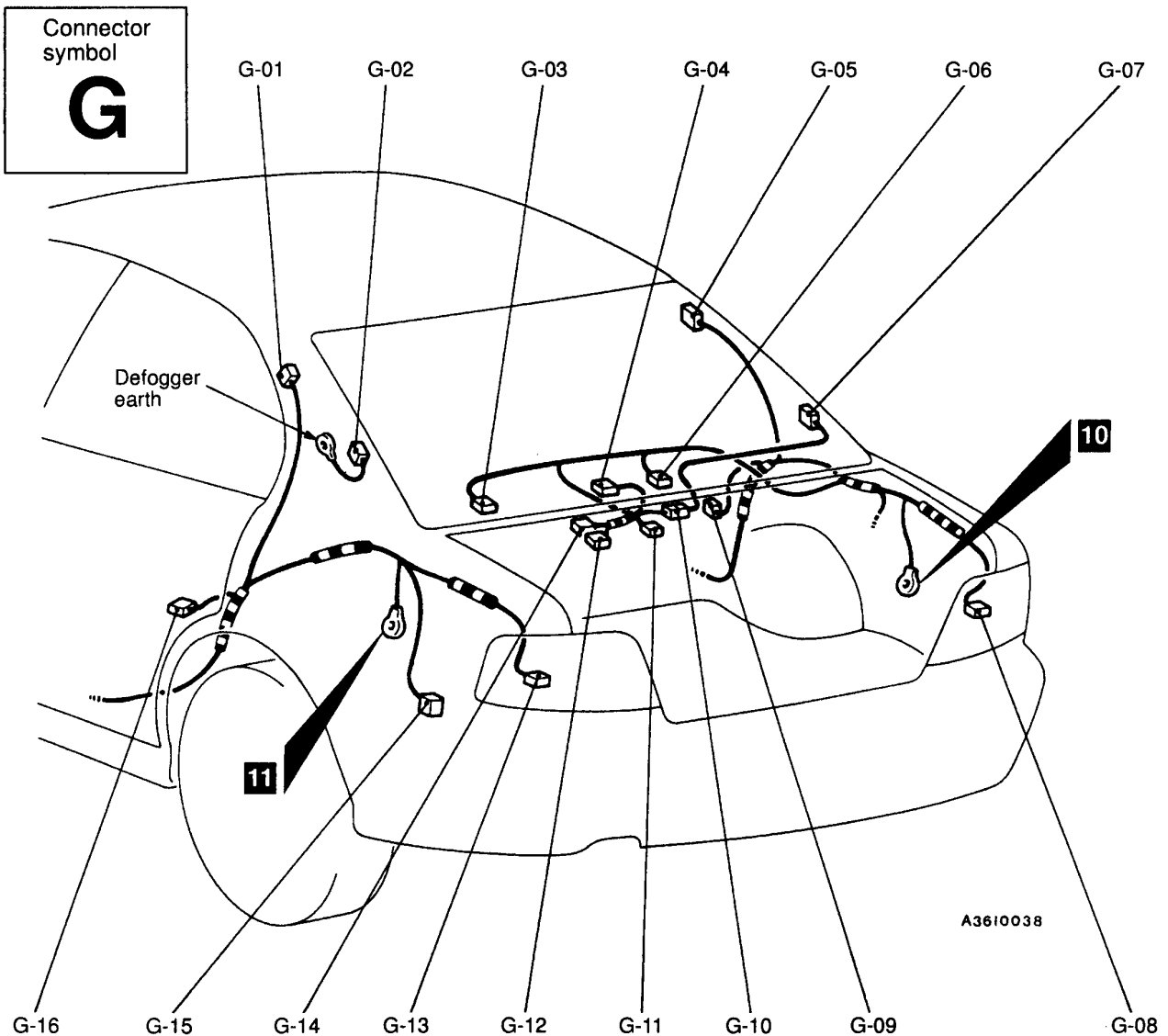
- B: Black
- Y: Yellow
- L: Blue
- G: Green
- R: Red
- BR: Brown
- V: Violet
- O: Orange
- Gr: Gray

- | | | | |
|-------------|--|-------------|--|
| G-14 (4) | Rear wiper motor | G-19 (2-GR) | Licence plate lamp (RH) |
| G-15 (8) | Motor antenna assembly | G-20 (1-B) | Luggage compartment lamp switch
<Vehicles without theft-alarm system> |
| G-16 (2) | Rear door switch (LH) | G-21 (2) | Trunk lid latch switch
<Vehicles with theft-alarm system> |
| G-17 (10) | Floor wiring harness (LH) and luggage compartment wiring harness combination | G-22 (2) | Trunk lid lock key cylinder switch
<Vehicles with theft-alarm system> |
| G-18 (2-GR) | Licence plate lamp (LH) | | |

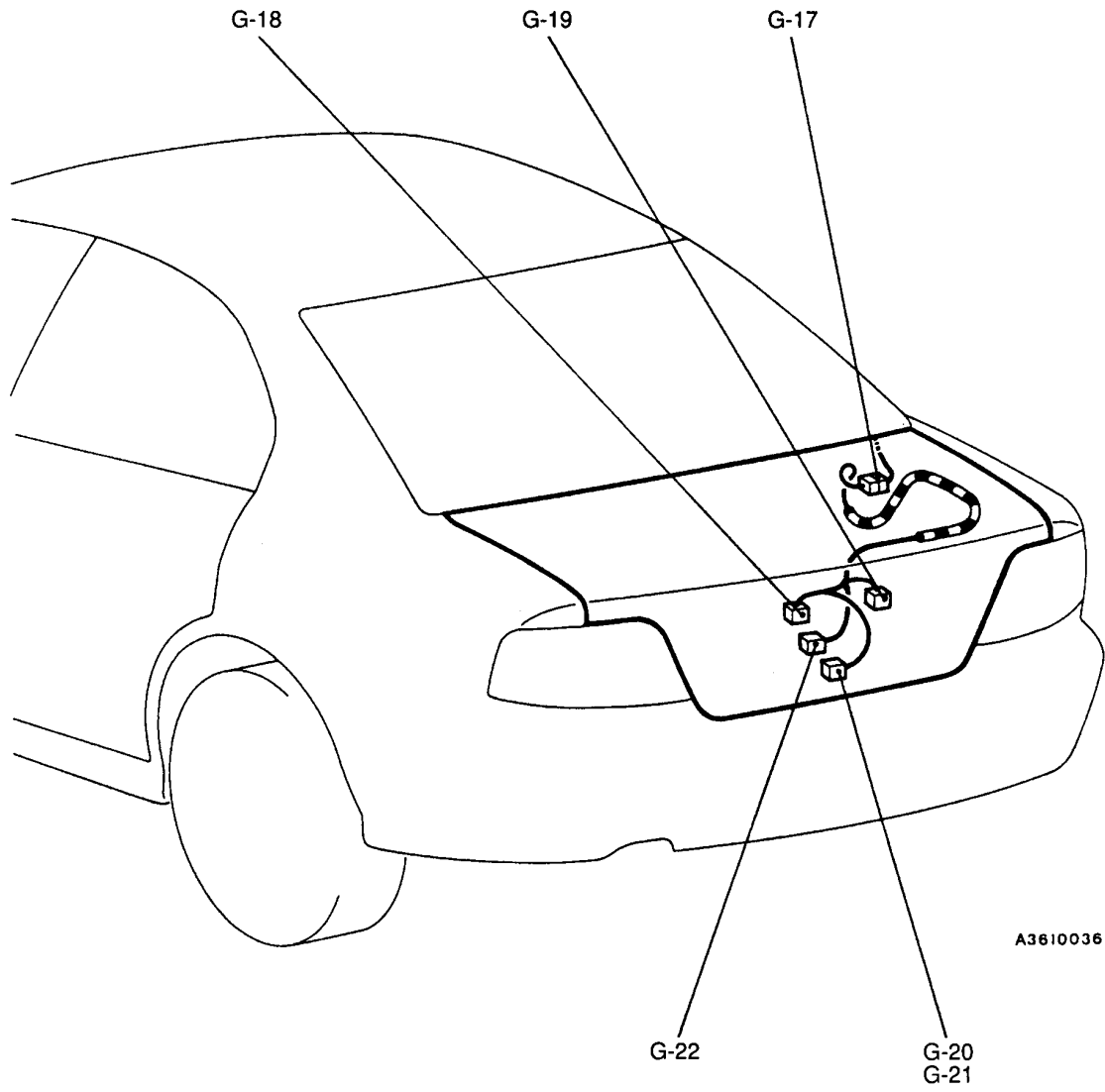
LUGGAGE COMPARTMENT

80100150341

Sedan <R.H. drive vehicles>



- | | | | |
|------------|-------------------------|----------|---|
| G-01 (3) | Rear personal lamp (LH) | G-08 (6) | Rear combination lamp (RH) |
| G-02 (1) | Defogger (-) | G-09 (2) | Rear door switch (RH) |
| G-03 (2-B) | Rear speaker (LH) | G-10 (3) | Floor wiring harness (RH) and defogger wiring harness combination |
| G-04 (2) | High mounted stop lamp | G-11 (2) | Luggage compartment lamp |
| G-05 (3) | Rear personal lamp (RH) | G-12 (8) | Rear intermittent wiper relay |
| G-06 (2-B) | Rear speaker (RH) | G-13 (6) | Rear combination lamp (LH) |
| G-07 (1) | Defogger (+) | | |



A3610036

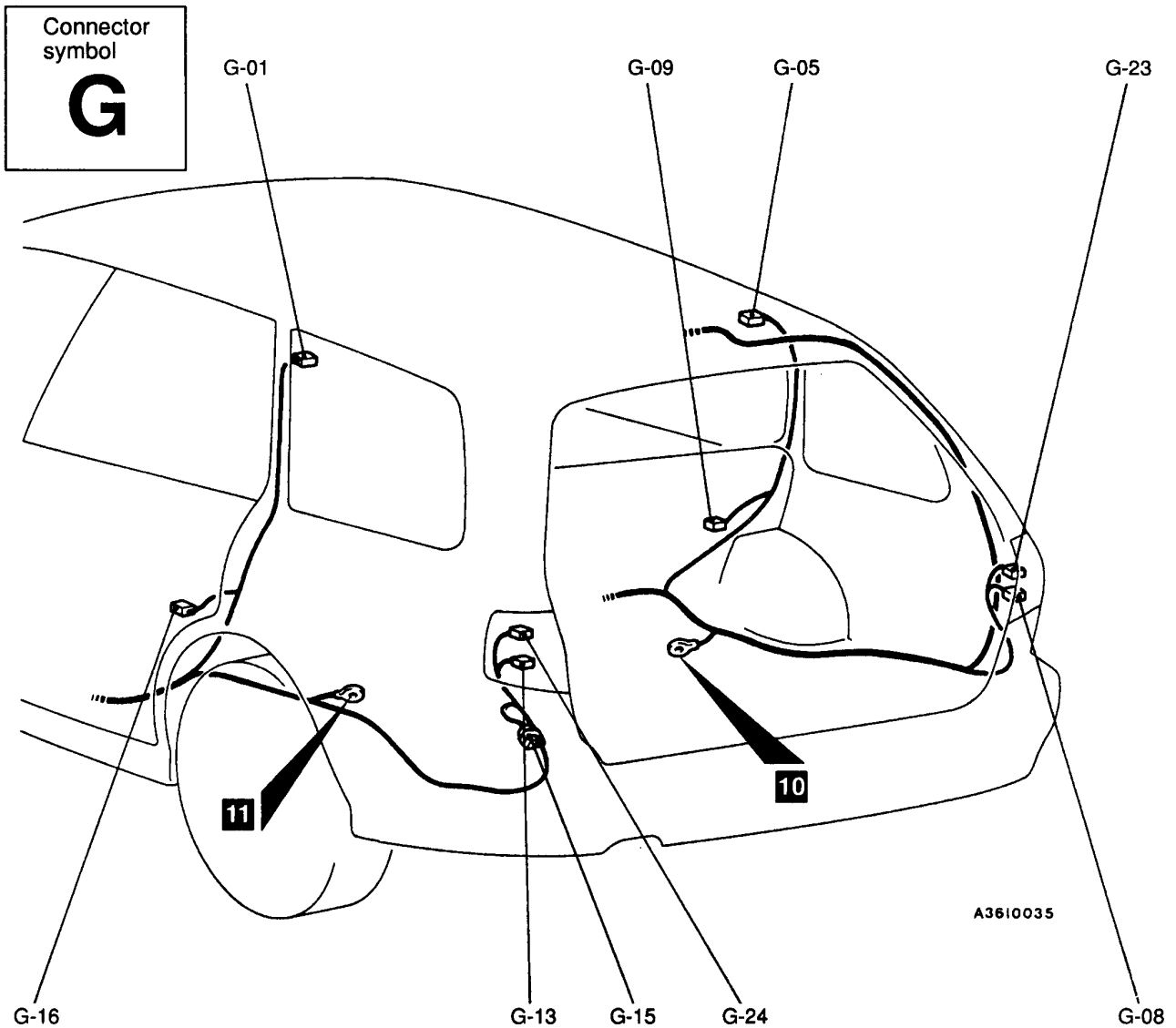
Connector color code
 B: Black
 Y: Yellow
 L: Blue
 G: Green
 R: Red
 BR: Brown
 V: Violet
 O: Orange
 GR: Gray

- | | | | |
|-------------|--|-------------|--|
| G-14 (4) | Rear wiper motor | G-19 (2-GR) | Licence plate lamp (RH) |
| G-15 (8) | Motor antenna assembly | G-20 (1-B) | Luggage compartment lamp switch
<Vehicles without theft-alarm system> |
| G-16 (2) | Rear door switch (LH) | G-21 (2) | Trunk lid latch switch
<Vehicles with theft-alarm system> |
| G-17 (10) | Floor wiring harness (RH) and luggage compartment wiring harness combination | G-22 (2) | Trunk lid lock key cylinder switch
<Vehicles with theft-alarm system> |
| G-18 (2-GR) | Licence plate lamp (LH) | | |

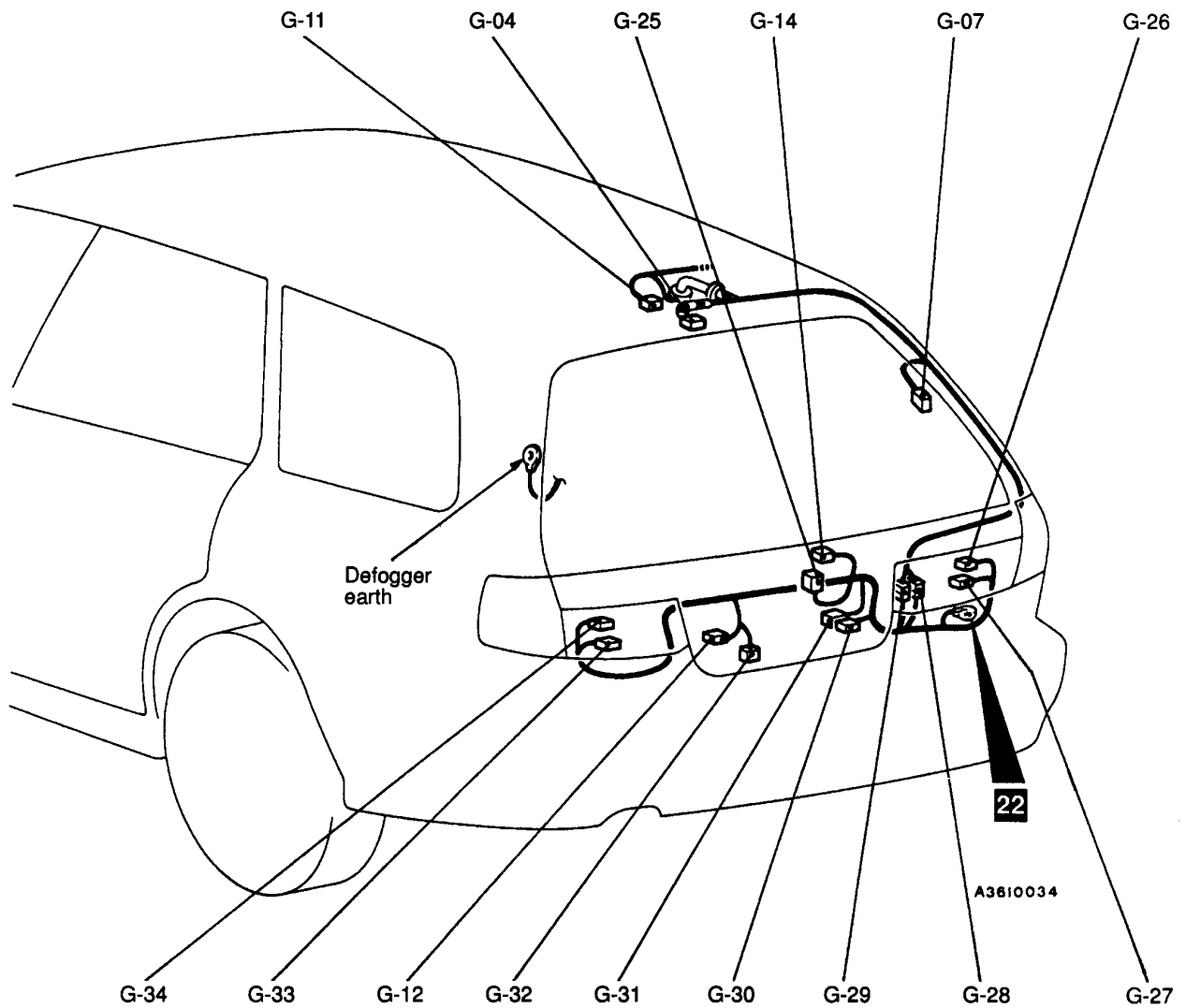
LUGGAGE COMPARTMENT

80100150358

Wagon



- | | | | |
|-------------|----------------------------|----------|-------------------------------|
| G-01 (3) | Rear personal lamp (LH) | G-12 (8) | Rear intermittent wiper relay |
| G-04 (2) | High mounted stop lamp | G-13 (3) | Rear combination lamp (LH) |
| G-05 (3) | Rear personal lamp (RH) | G-14 (4) | Rear wiper motor |
| G-07 (1) | Defogger (+) | G-15 (8) | No connection |
| G-08 (3) | Rear combination lamp (RH) | G-16 (2) | Rear door switch (LH) |
| G-09 (2) | Rear door switch (RH) | G-23 (2) | Rear turn signal lamp (RH) |
| G-11 (2-GR) | Luggage compartment lamp | G-24 (2) | Rear turn signal lamp (LH) |



Connector color code

- | | |
|-----------|-----------|
| B: Black | BR: Brown |
| Y: Yellow | V: Violet |
| L: Blue | O: Orange |
| G: Green | GR: Gray |
| R: Red | |

- | | | | |
|-----------|---|------------|-----------------------------------|
| G-25 (2) | Licence plate lamp | G-30 (6-B) | Tailgate lock actuator |
| G-26 (2) | Rear fog lamp (RH) | G-31 (3) | Tailgate lock key cylinder switch |
| G-27 (2) | Back-up lamp (RH) | G-32 (1-B) | Tailgate switch |
| G-28 (10) | Floor wiring harness (RH) and tailgate wiring harness combination | G-33 (2) | Back-up lamp (LH) |
| G-29 (8) | Floor wiring harness (RH) and tailgate wiring harness combination | G-34 (2) | Rear fog lamp (LH) |

SINGLE PART INSTALLATION POSITION

CONTENTS

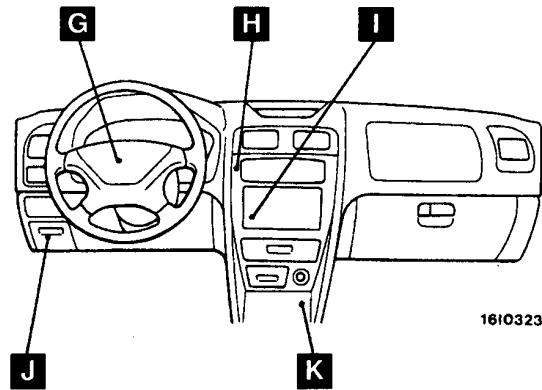
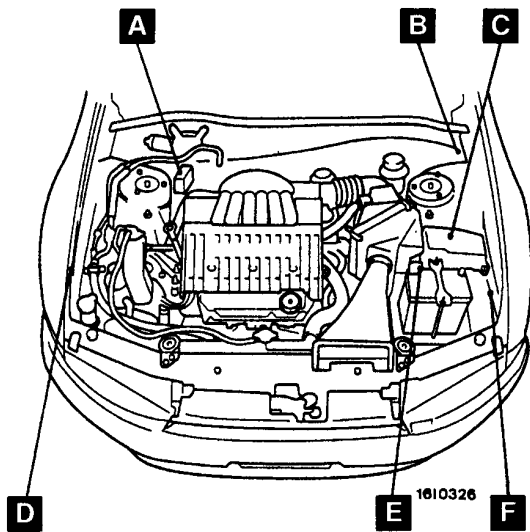
70109000266

RELAY	3-2	INSPECTION CONNECTOR	3-17
ECU	3-5	FUSIBLE LINK AND FUSE	3-18
SENSOR	3-8	EARTH CABLE	3-20
SOLENOID AND SOLENOID VALVE	3-14	EARTH	3-21
DIODE	3-16		

RELAY

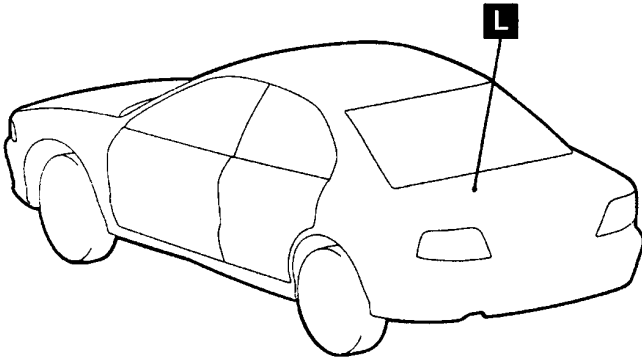
70100040281

Name	Symbol	Name	Symbol
ABS warning lamp relay <LHD>	A	Glow plug relay <4D68>	E
ABS warning lamp relay <RHD>	B	Headlamp relay	C
A/C compressor relay	C	Headlamp washer relay	D
A/T control relay	K	Horn relay	C
Alternator relay	C	Power window relay	C
Blower relay	J	Rear intermittent wiper relay	L
Defogger relay	J	Solenoid-type spill valve relay <4D68>	I
DRL relay	D	Starter relay <4D68>	F
Engine control relay	I	Tail lamp relay	C
Engine oil level relay	H	Theft-alarm horn relay	C
Fan control relay	C	Turn-signal and hazard warning flasher unit	J
Front fog lamp relay	C	Windshield intermittent wiper relay (built in column switch)	G
Fuel pump relay <4G63, 6A13>	I		

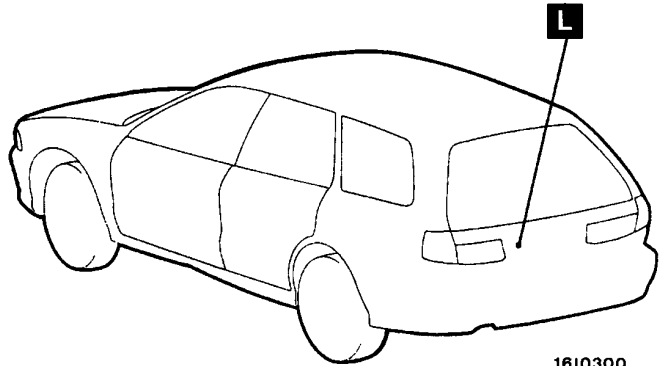


<Sedan>

<Wagon>

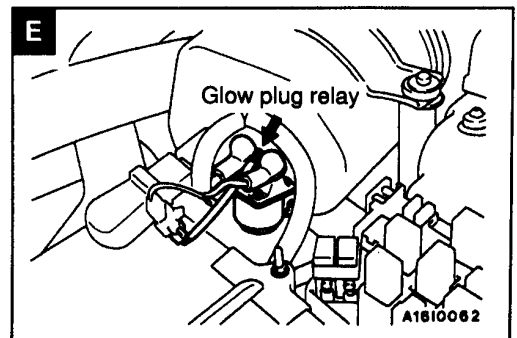
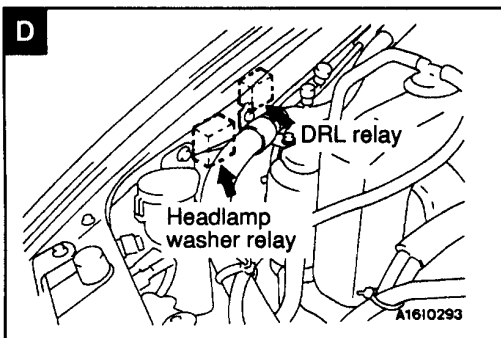
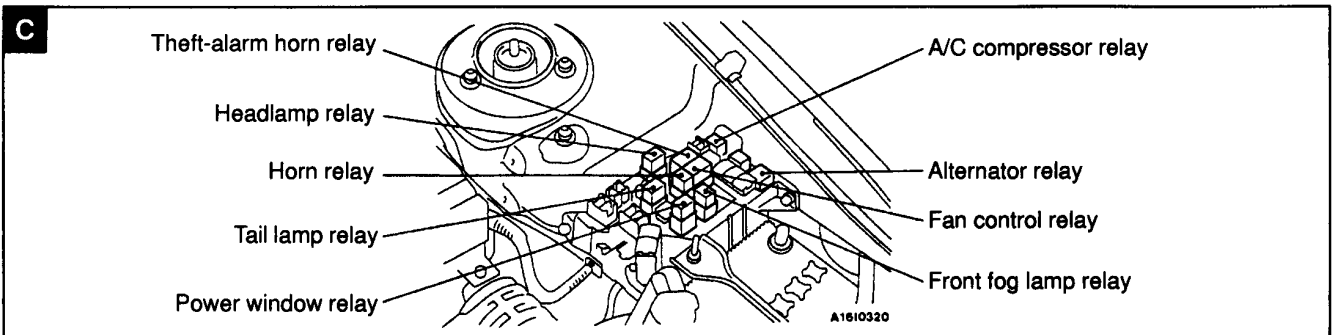
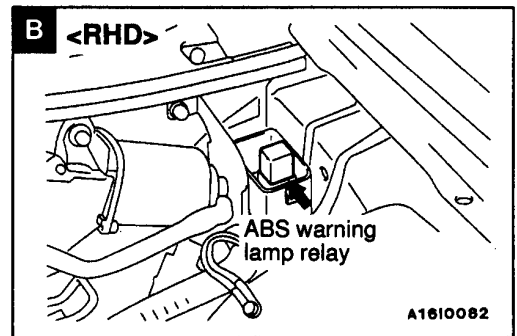
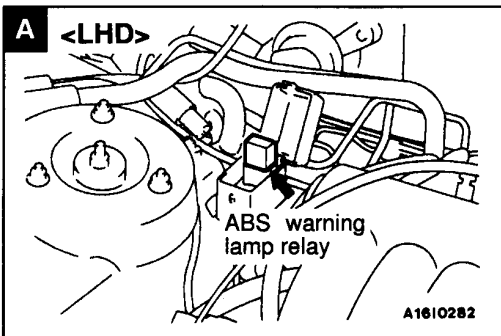


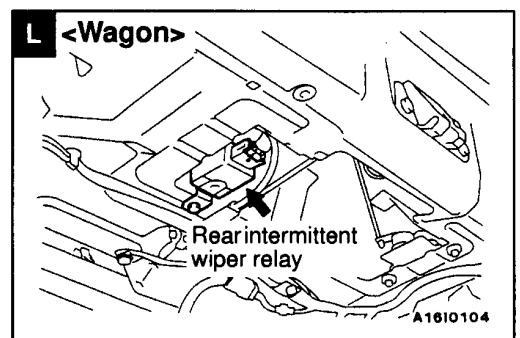
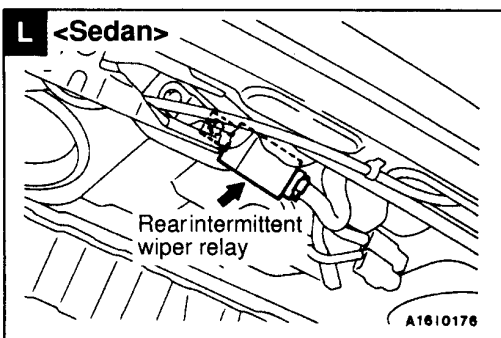
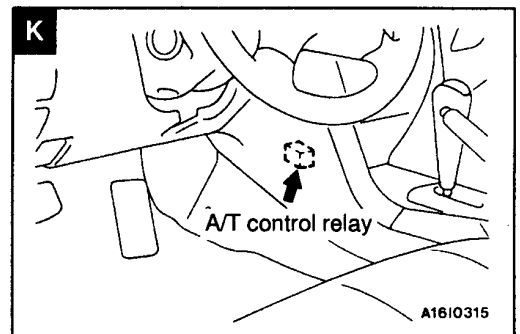
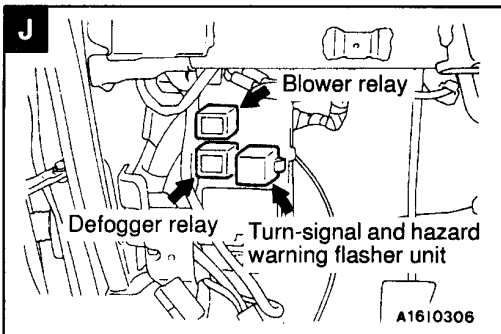
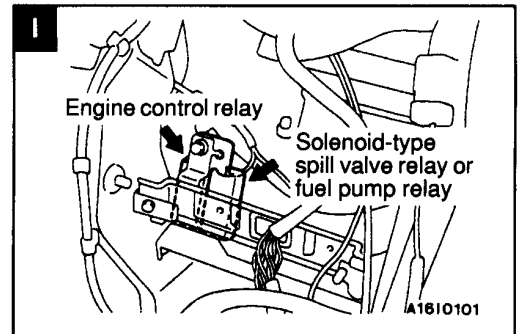
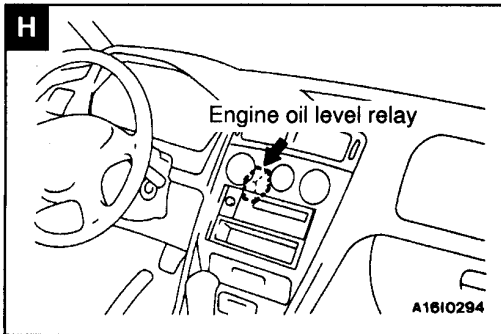
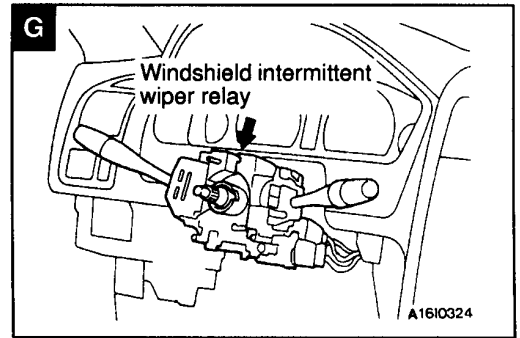
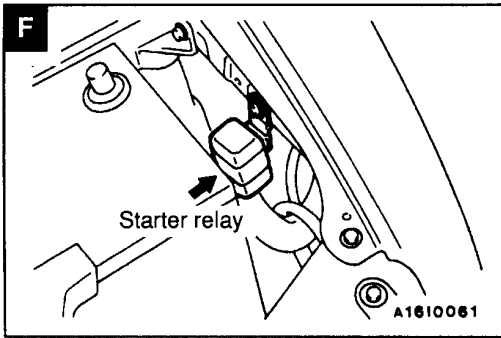
1610301



1610300

00006239

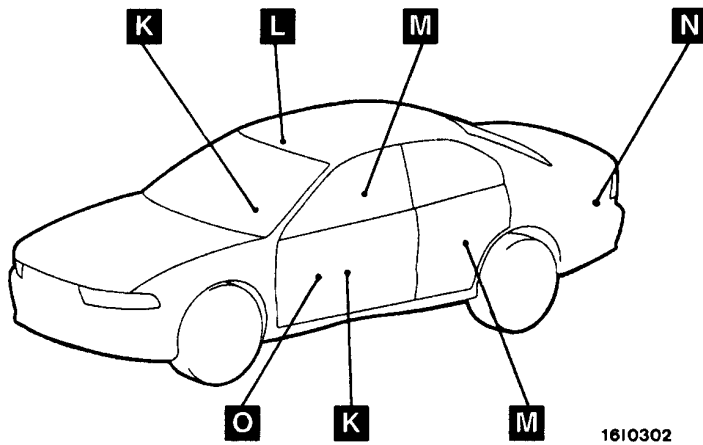
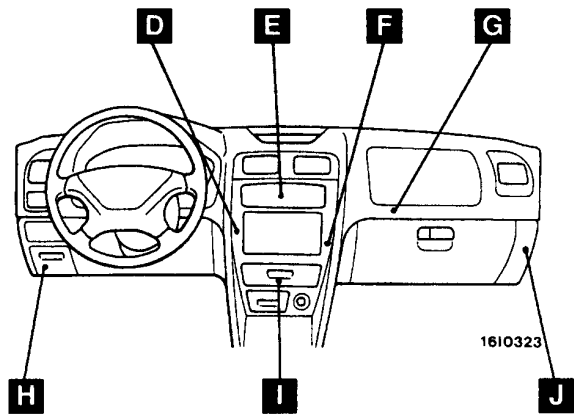
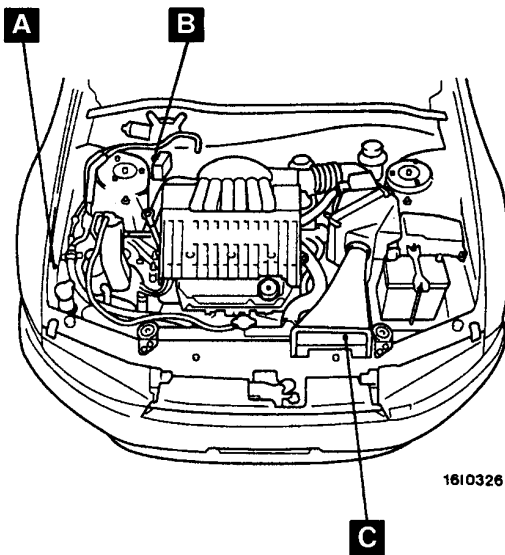


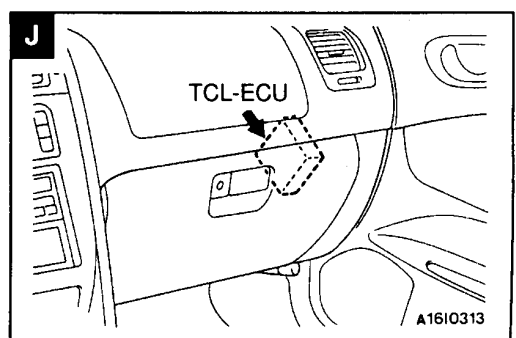
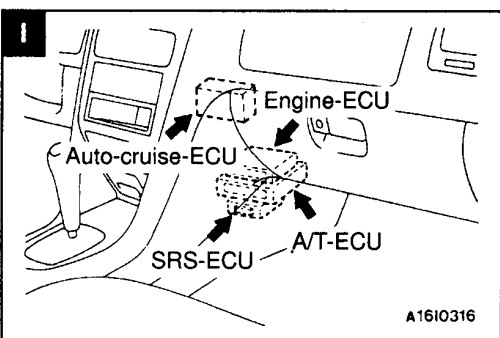
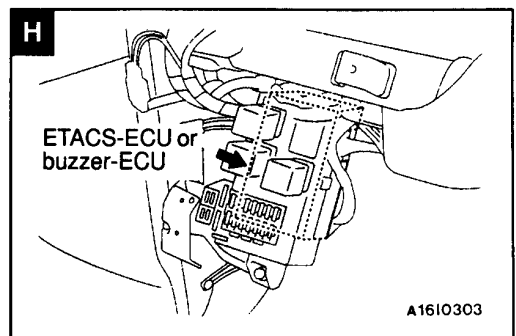
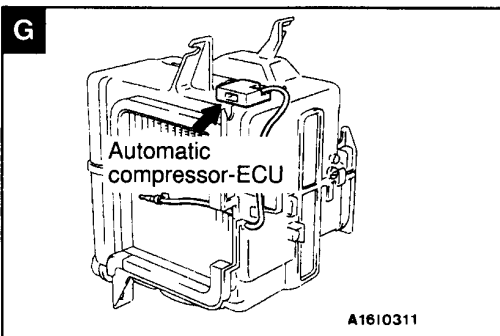
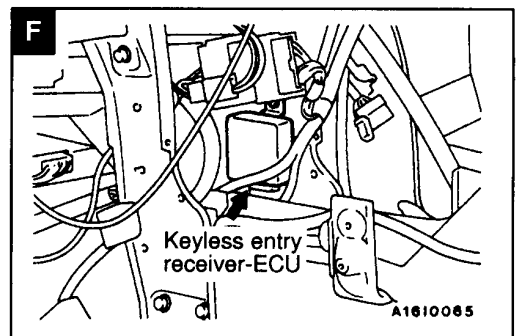
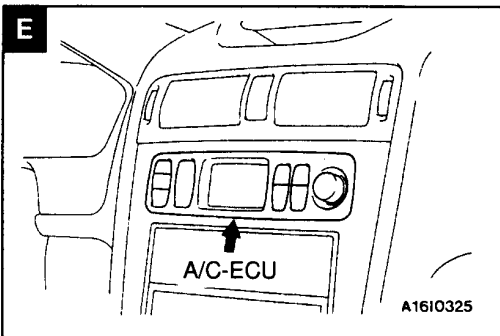
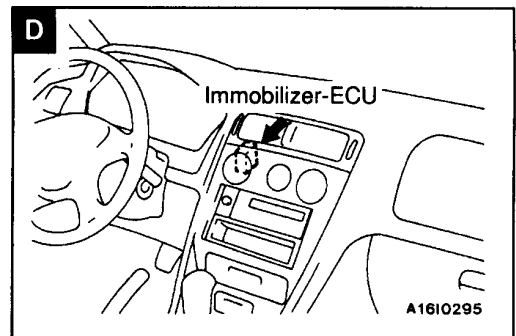
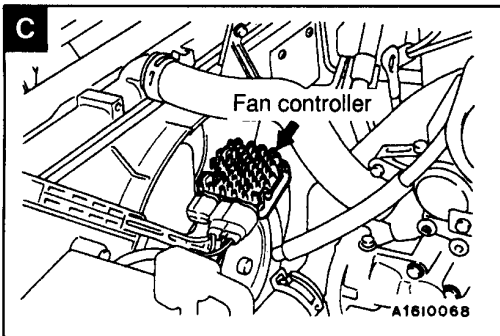
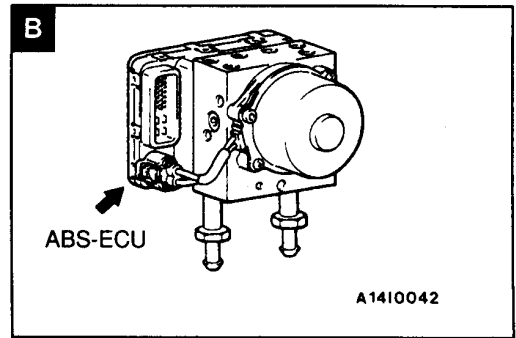
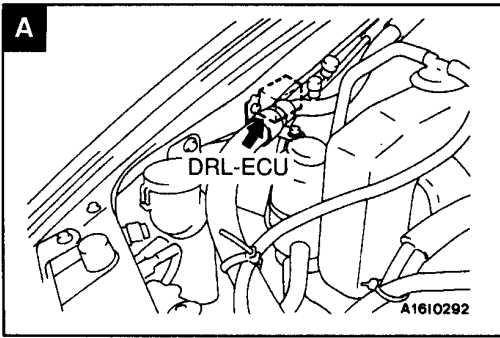


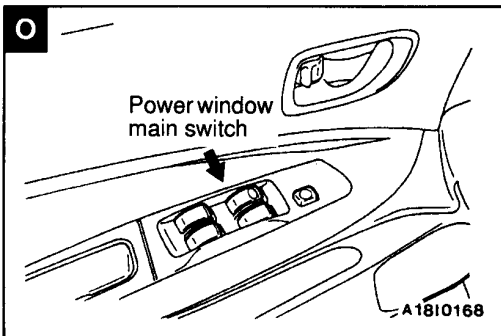
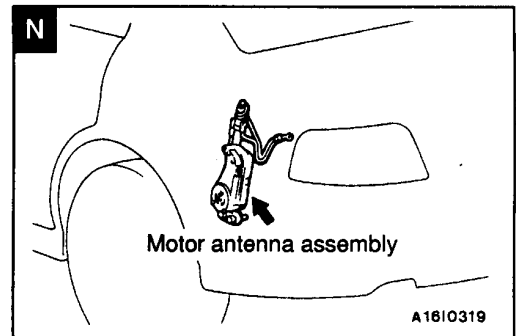
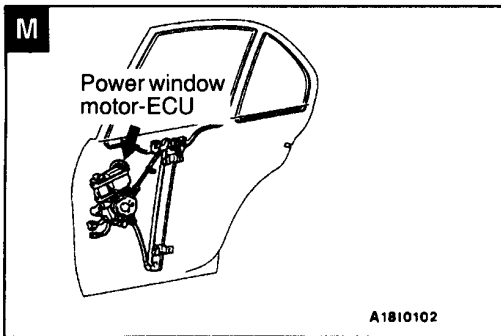
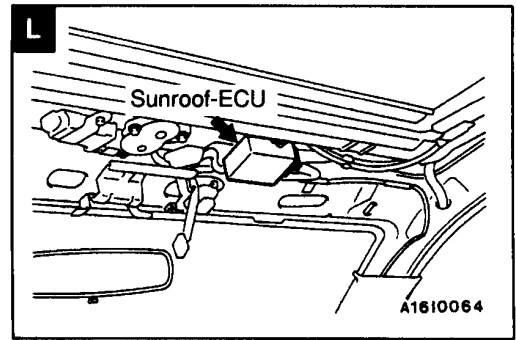
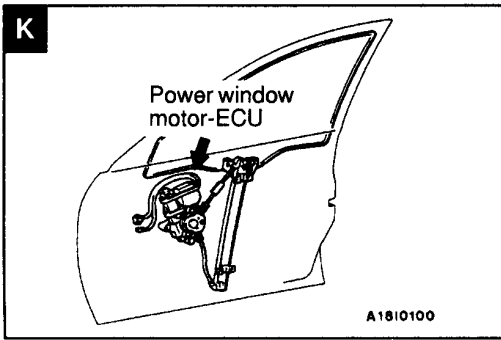
ECU

70100050123

Name	Symbol	Name	Symbol
ABS-ECU	B	Immobilizer-ECU	D
A/C-ECU <Automatic A/C>	E	Keyless entry receiver-ECU	F
A/T-ECU	I	Motor antenna assembly (built-in CPU)	N
Auto-cruise-ECU	I	Power window main switch (built-in CPU)	O
Automatic compressor-ECU <Manual A/C>	G	Power window motor-ECU (Front)	K
Buzzer-ECU	H	Power window motor-ECU (Rear)	M
DRL-ECU	A	SRS-ECU	I
Engine-ECU	I	Sunroof-ECU	L
ETACS-ECU	H	TCL-ECU	J
Fan controller	C		



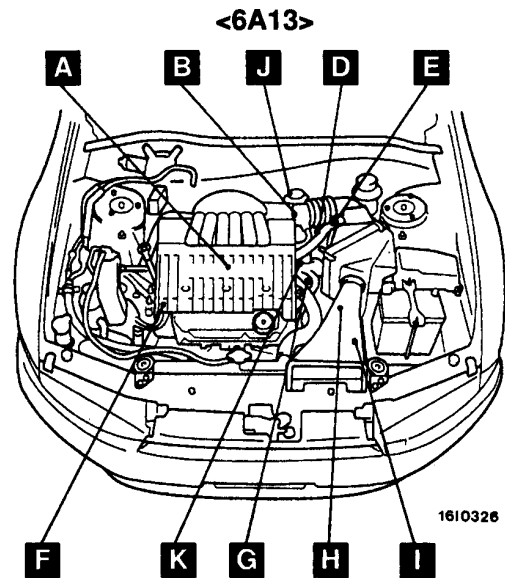
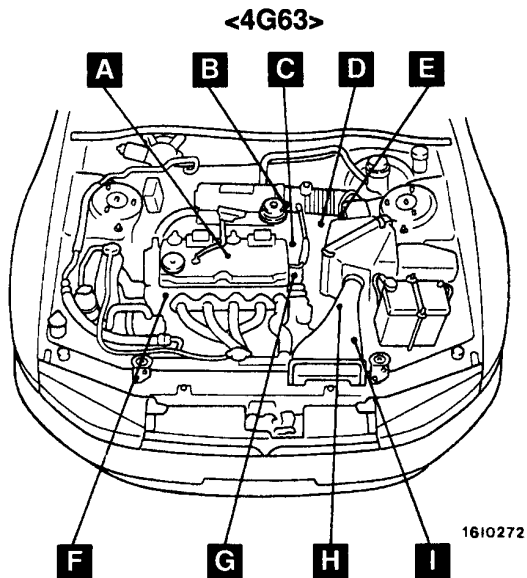




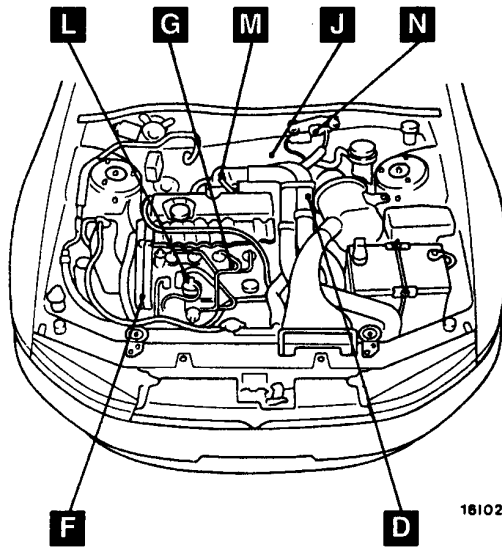
SENSOR

70100060331

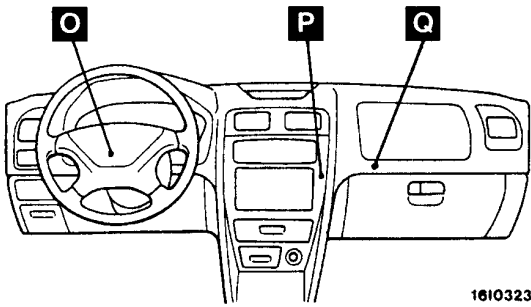
Name	Symbol	Name	Symbol
Accelerator pedal position sensor <6A13 (TCL), 4D68>	J	Intake air temperature sensor <4D68>	M
Air flow sensor <4G63, 6A13>	E	Output shaft speed sensor <A/T>	H
Air thermo sensor <Automatic A/C>	Q	Outside thermo sensor <Automatic A/C>	U
A/T control solenoid valve assembly <built-in A/T fluid temperature sensor>	I	Oxygen sensor (Front) <4G63, 6A13>	W
Boost sensor <4D68>	N	Oxygen sensor (Rear) <4G63, 6A13>	W
Camshaft position sensor <4G63>	C	Photo sensor <Automatic A/C>	R
Crank angle sensor	F	Pump revolution sensor <4D68>	L
Detonation sensor <4G63,6A13>	A	Side impact sensor <Vehicles with side air bag>	S
Distributor assembly <6A13> (built-in top dead center sensor)	K	Steering wheel sensor <TCL>	O
Engine coolant temperature sensor	G	Throttle position sensor <4G63, 6A13>	B
Engine oil level sensor	T	Vehicle speed sensor	D
Fuel temperature sensor <4D68>	L	Wheel speed sensor (Front)	V
Heater water temperature sensor <Automatic A/C>	P	Wheel speed sensor (Rear)	X
Input shaft speed sensor <A/T>	H		



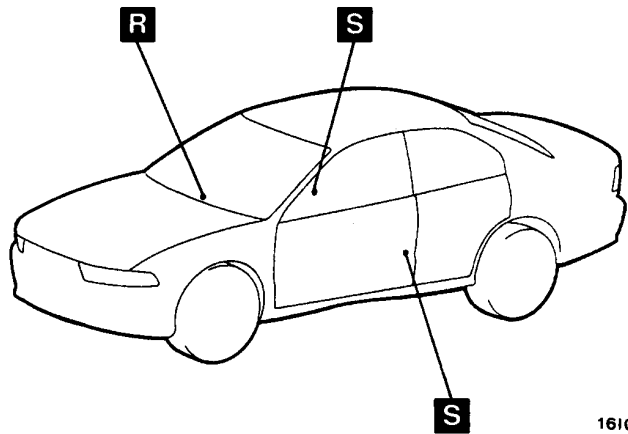
<4D68>



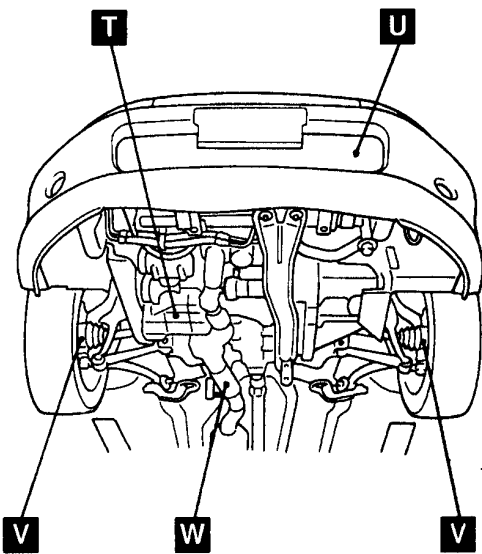
1610273



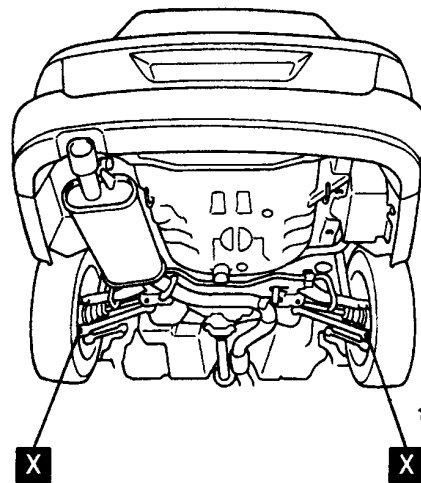
1610323



1610302

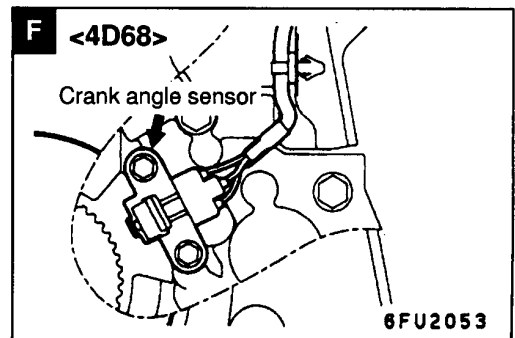
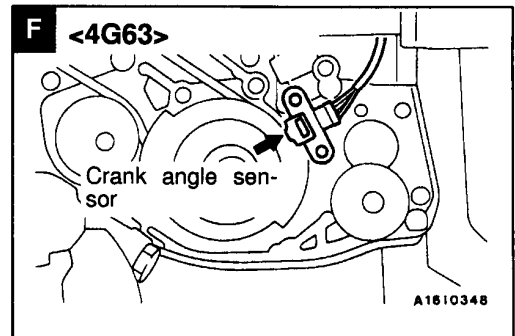
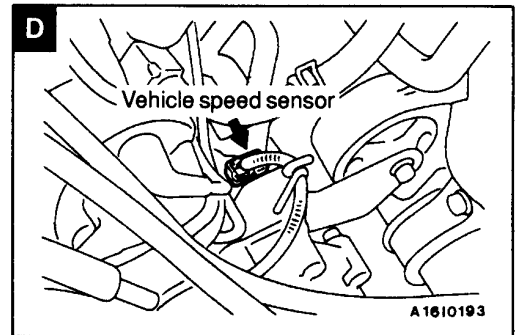
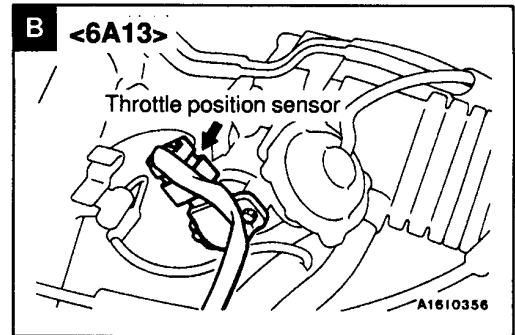
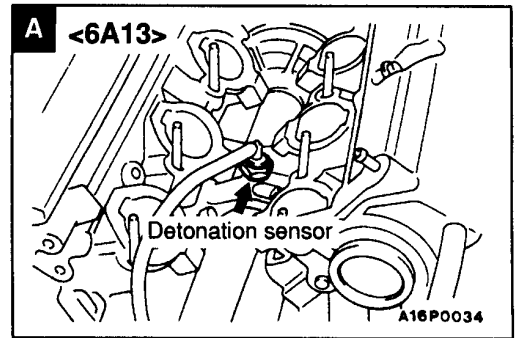
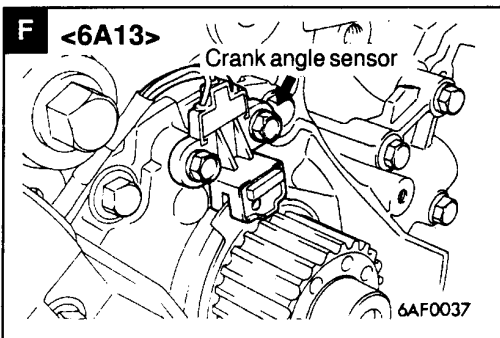
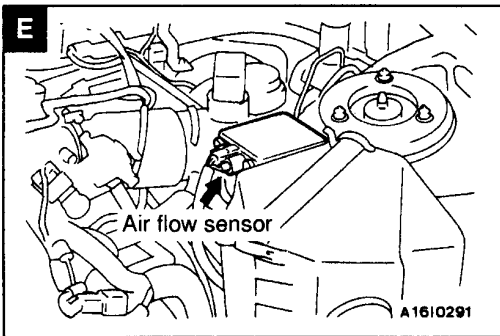
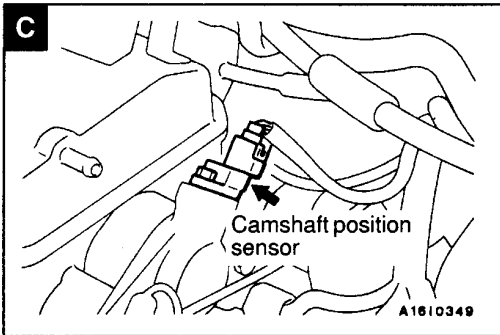
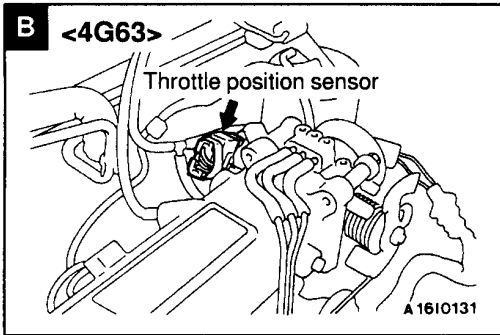
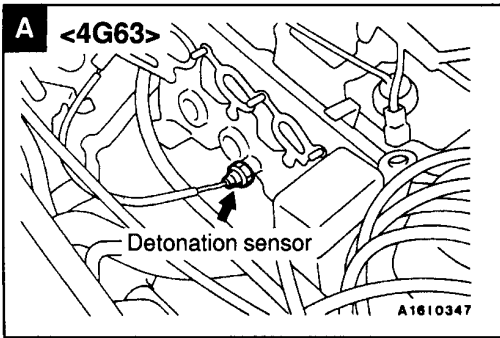


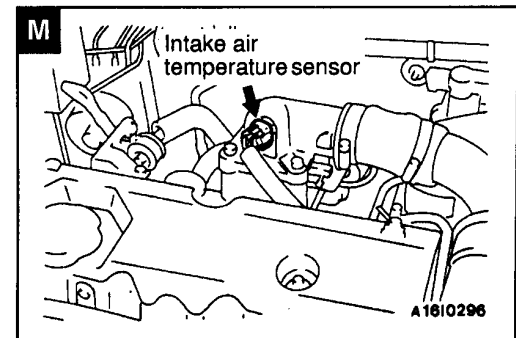
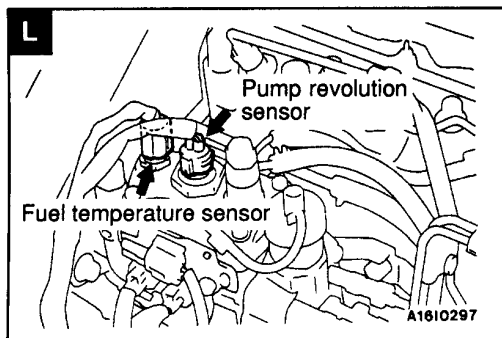
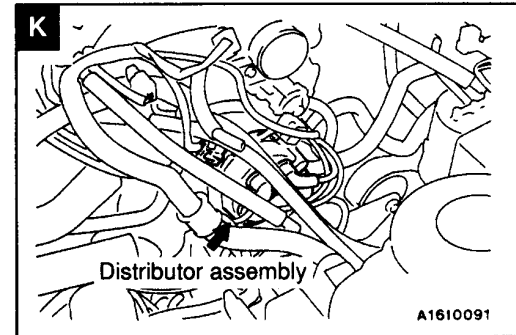
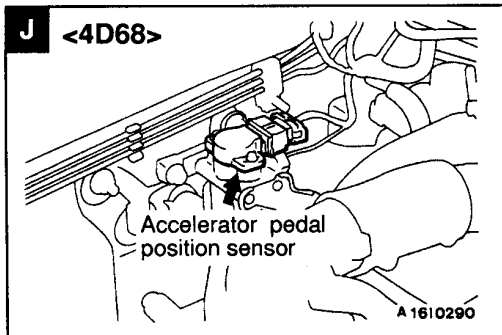
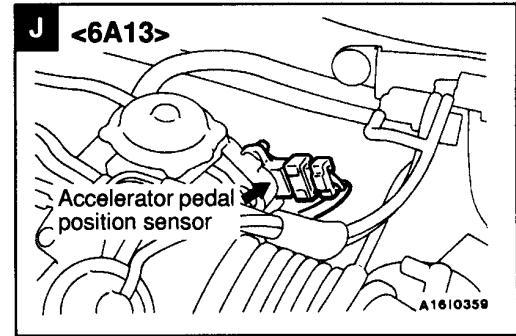
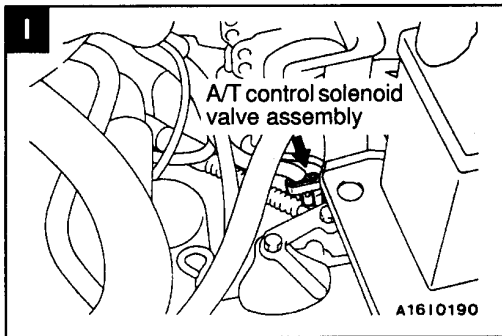
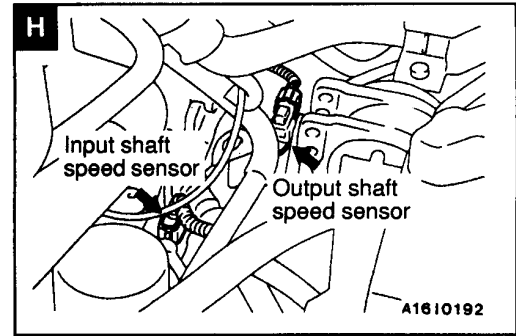
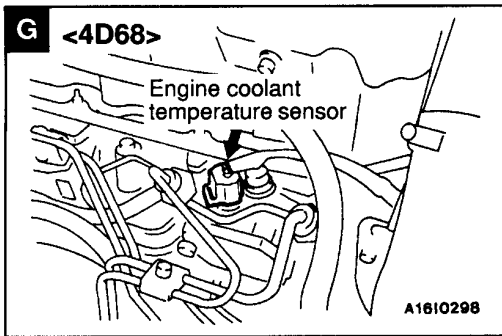
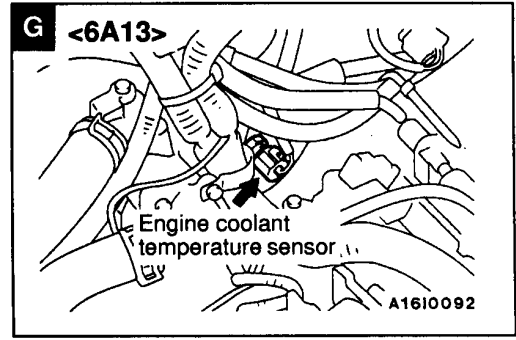
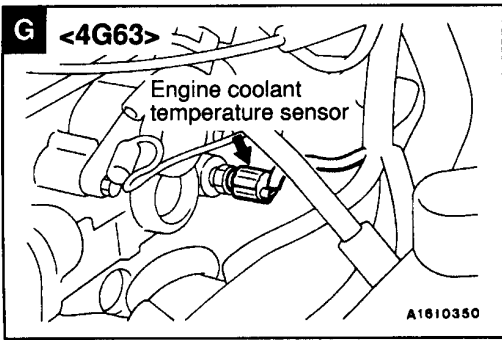
1610177

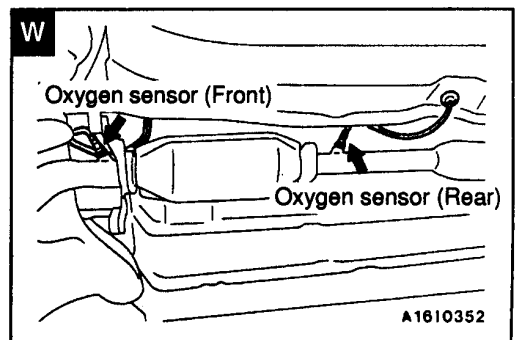
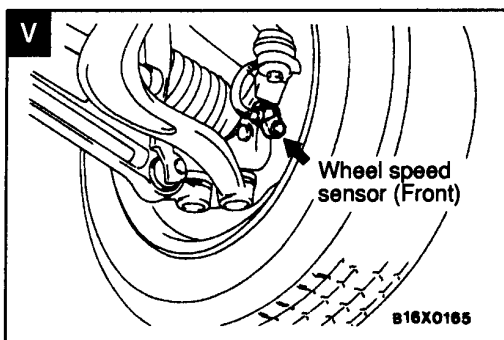
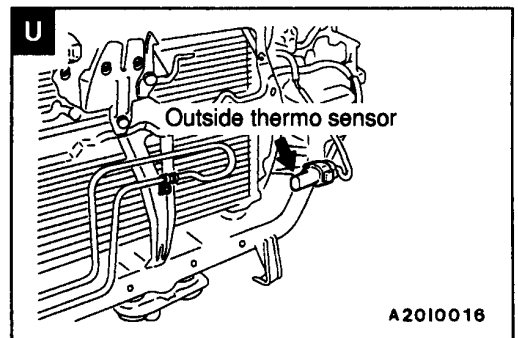
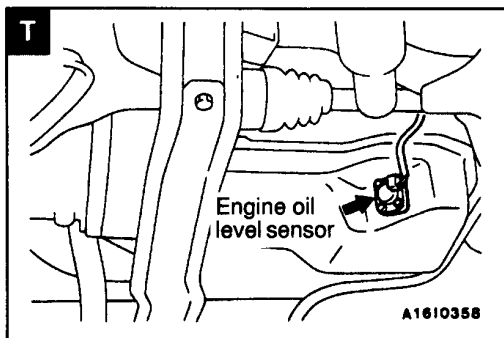
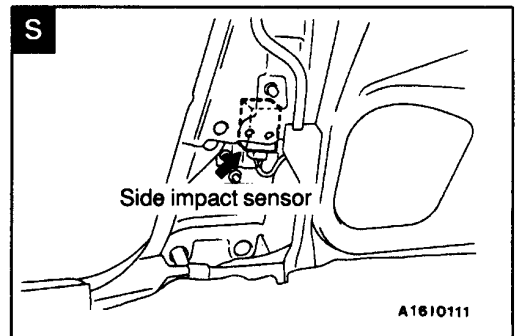
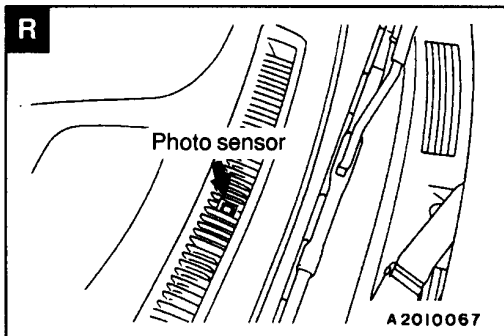
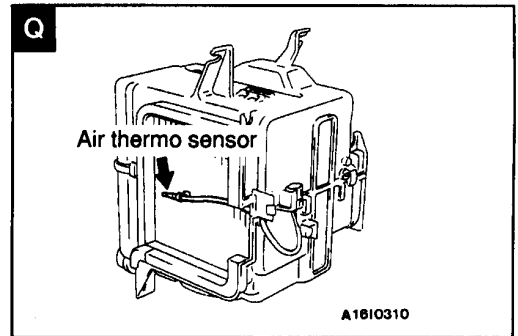
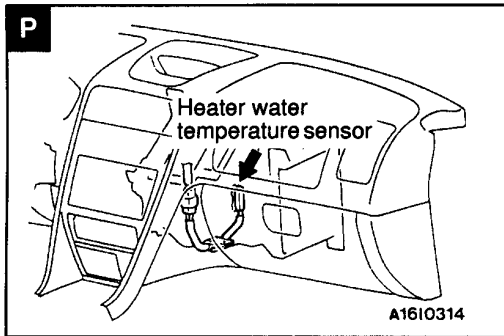
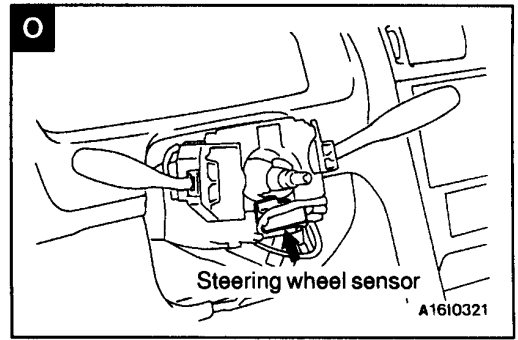
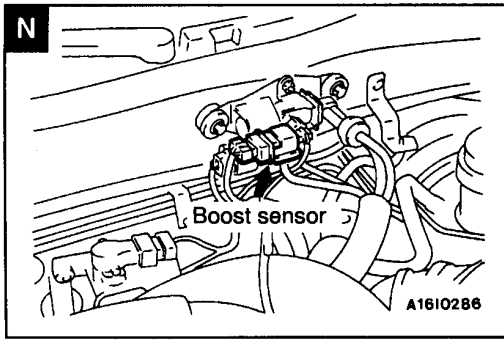


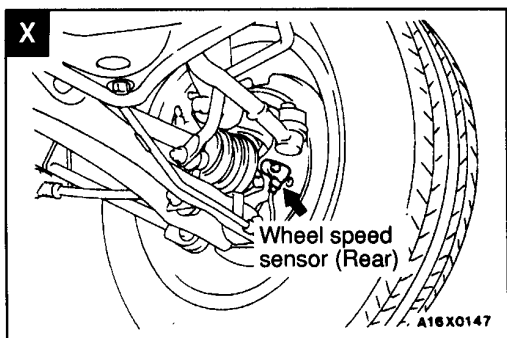
1610178

00006242







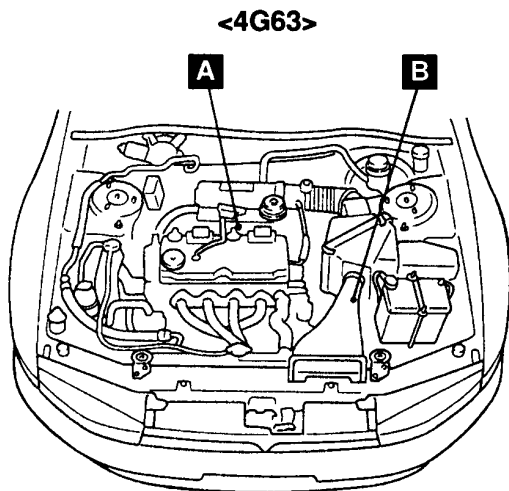


3-14 SINGLE PART INSTALLATION POSITION – Solenoid and Solenoid Valve

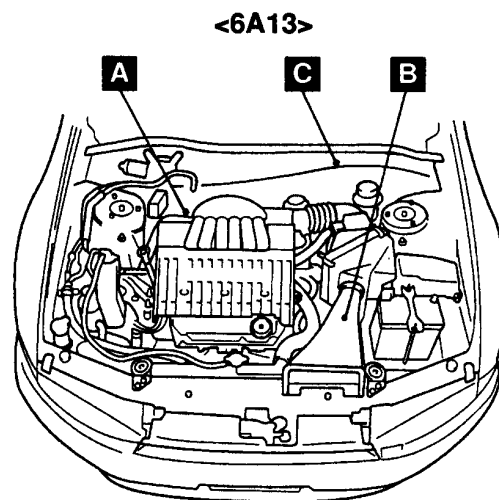
SOLENOID AND SOLENOID VALVE

70100080306

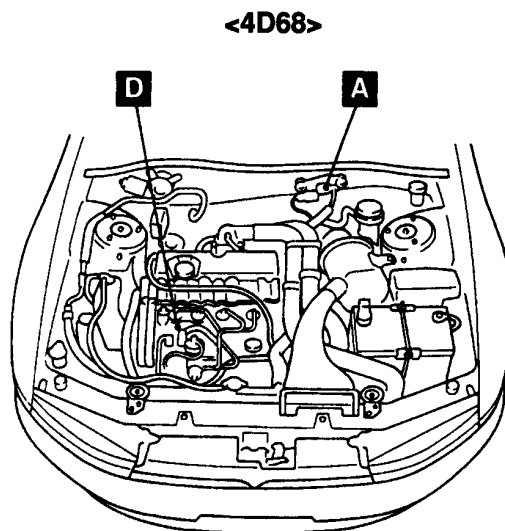
Name	Symbol	Name	Symbol
A/T control solenoid valve assembly	B	Throttle solenoid valve <4D68>	A
EGR solenoid valve	A	Timing control valve <4D68>	D
Electromagnetic spill valve <4D68>	D	Vacuum solenoid valve <TCL>	C
Fuel cut solenoid valve <4D68>	D	Ventilation solenoid valve <TCL>	C
Purge control solenoid valve <4G63, 6A13>	A		



1610272



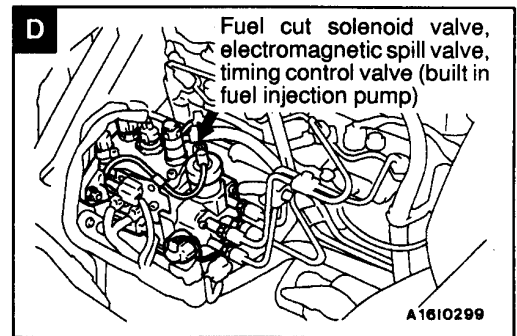
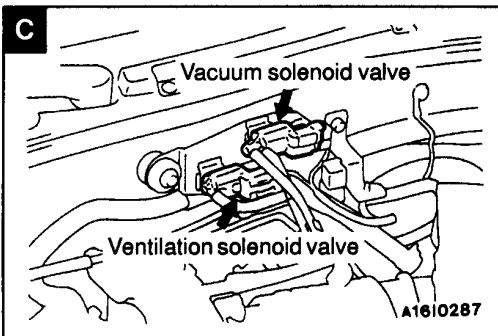
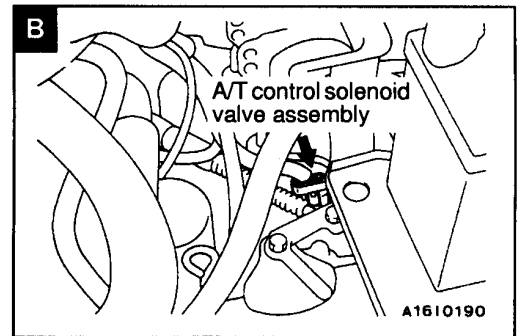
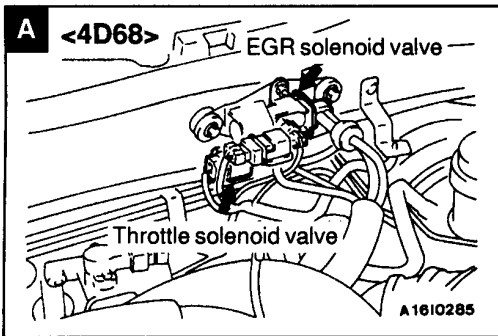
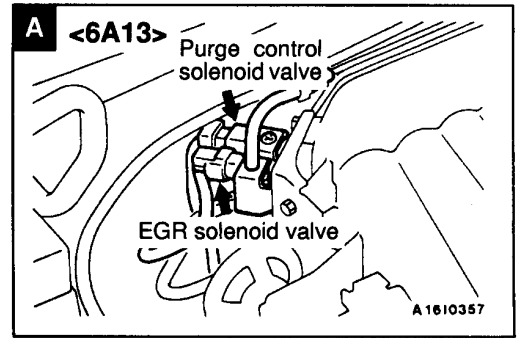
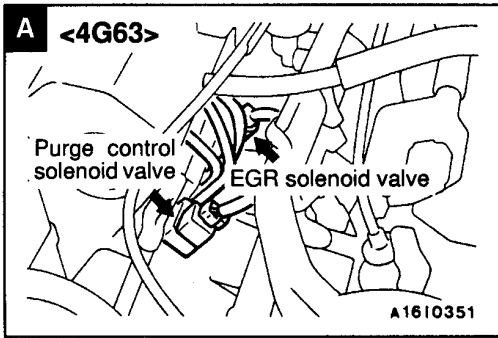
1610326



1610273

00006243

SINGLE PART INSTALLATION POSITION – Solenoid and Solenoid Valve 3-15



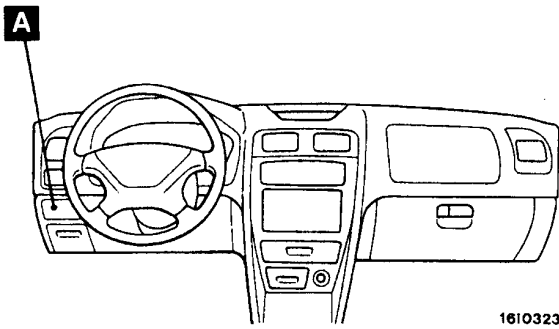
DIODE

70100090255

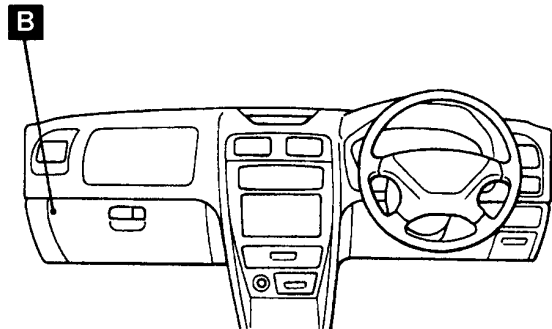
Name	Symbol	Name	Symbol
Diode (for fan control circuit) <LHD>	A	Diode (for headlamp circuit) <RHD>	B
Diode (for fan control circuit) <RHD>	B	Diode (for rear fog lamp circuit) <LHD>	A
Diode (for headlamp circuit) <LHD>	A	Diode (for rear fog lamp circuit) <RHD>	B

<LHD>

<RHD>

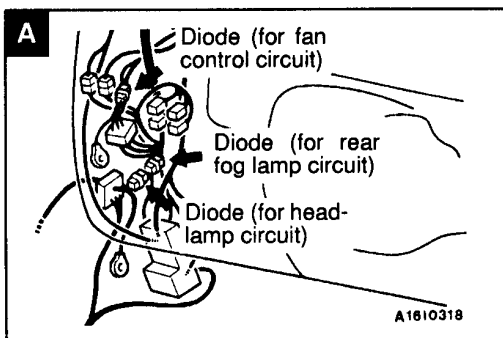


1610323

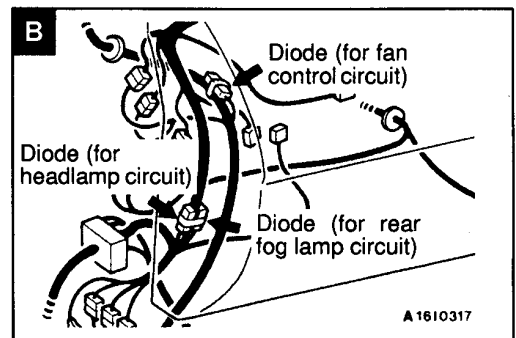


1610097

00006244



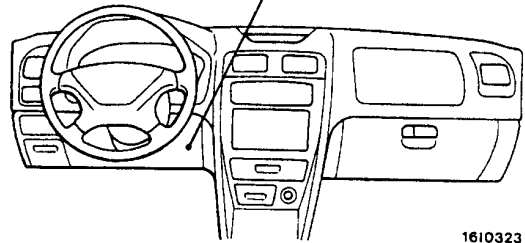
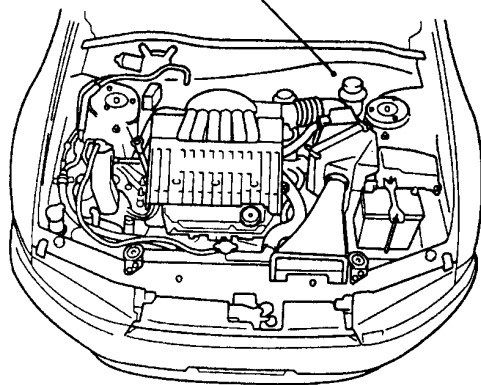
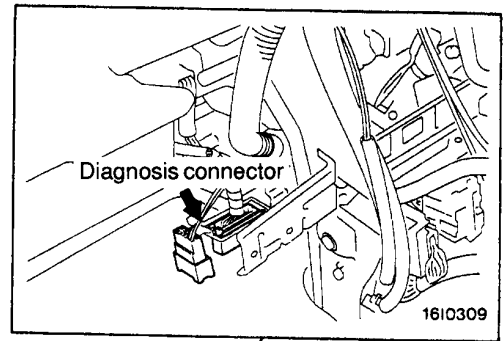
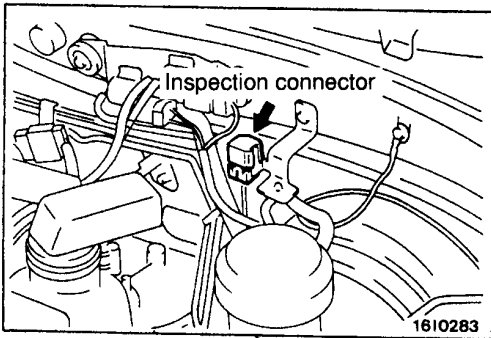
A1610318



A1610317

INSPECTION CONNECTOR

70100020292



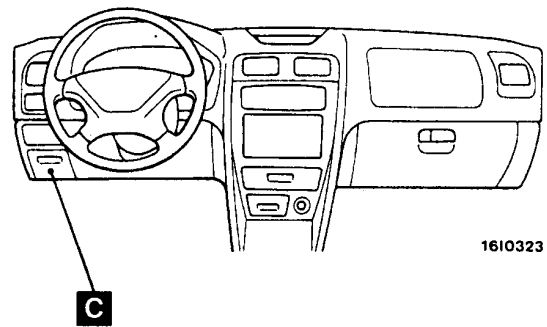
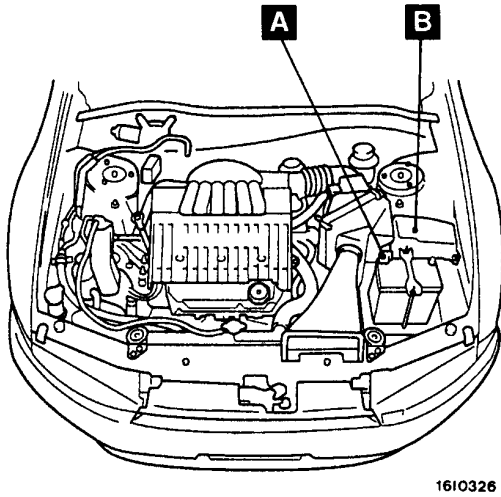
00006245

3-18 SINGLE PART INSTALLATION POSITION – Fusible Link and Fuse

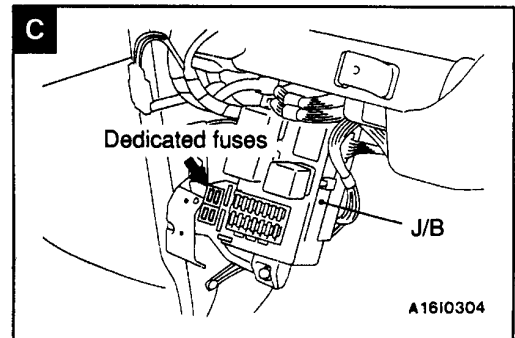
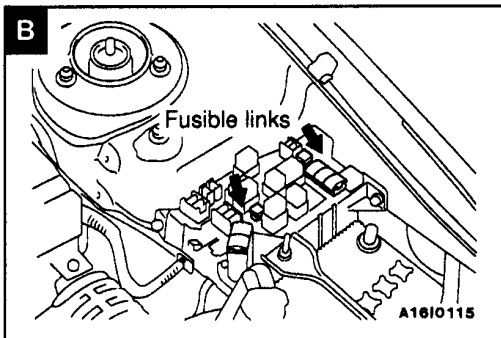
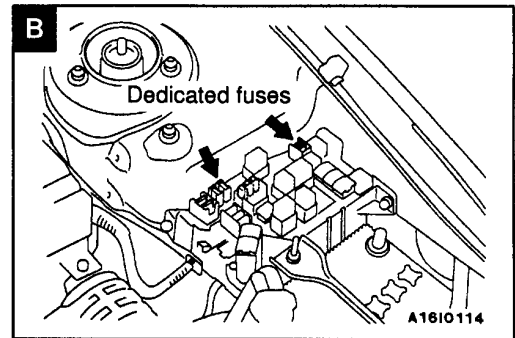
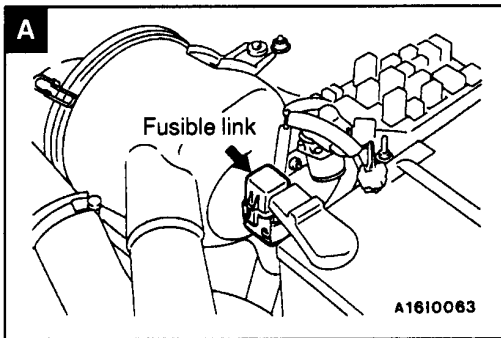
FUSIBLE LINK AND FUSE

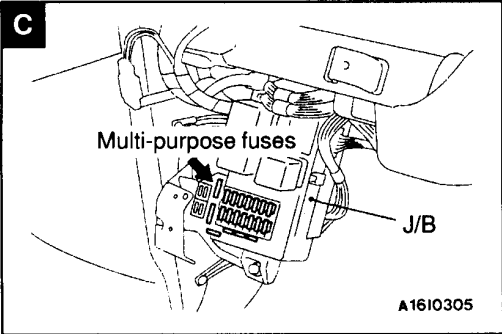
70100010275

Name	Symbol	Name	Symbol
Dedicated fuses (No.1-12)	B	Fusible link (No.8)	A
Dedicated fuses (No.13-16)	C	Multi-purpose fuses (No.1-16)	C
Fusible links (No.1-7)	B		



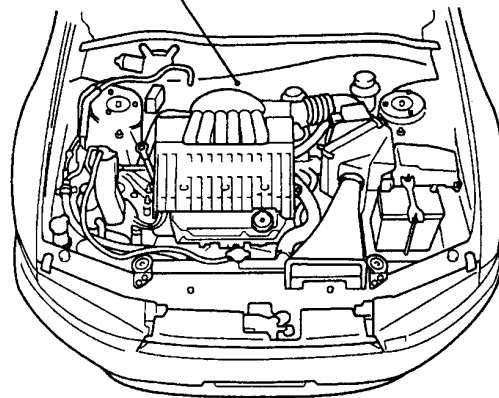
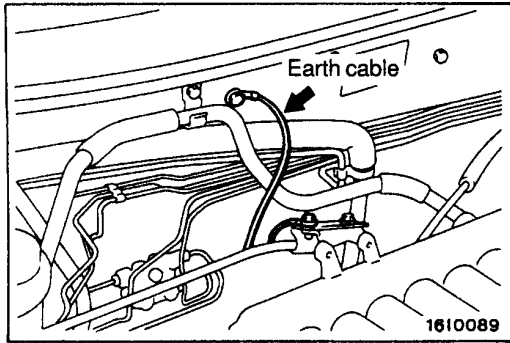
00006246





EARTH CABLE

70100100170



1610326

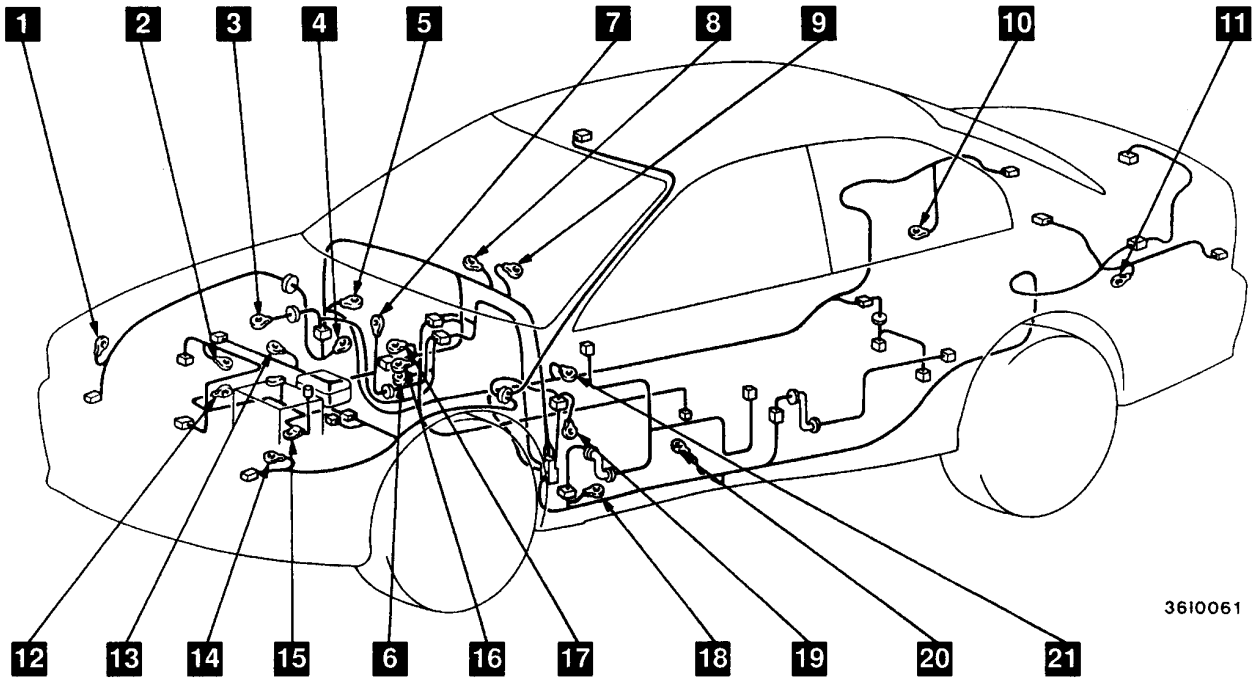
00006247

EARTH

70100030318

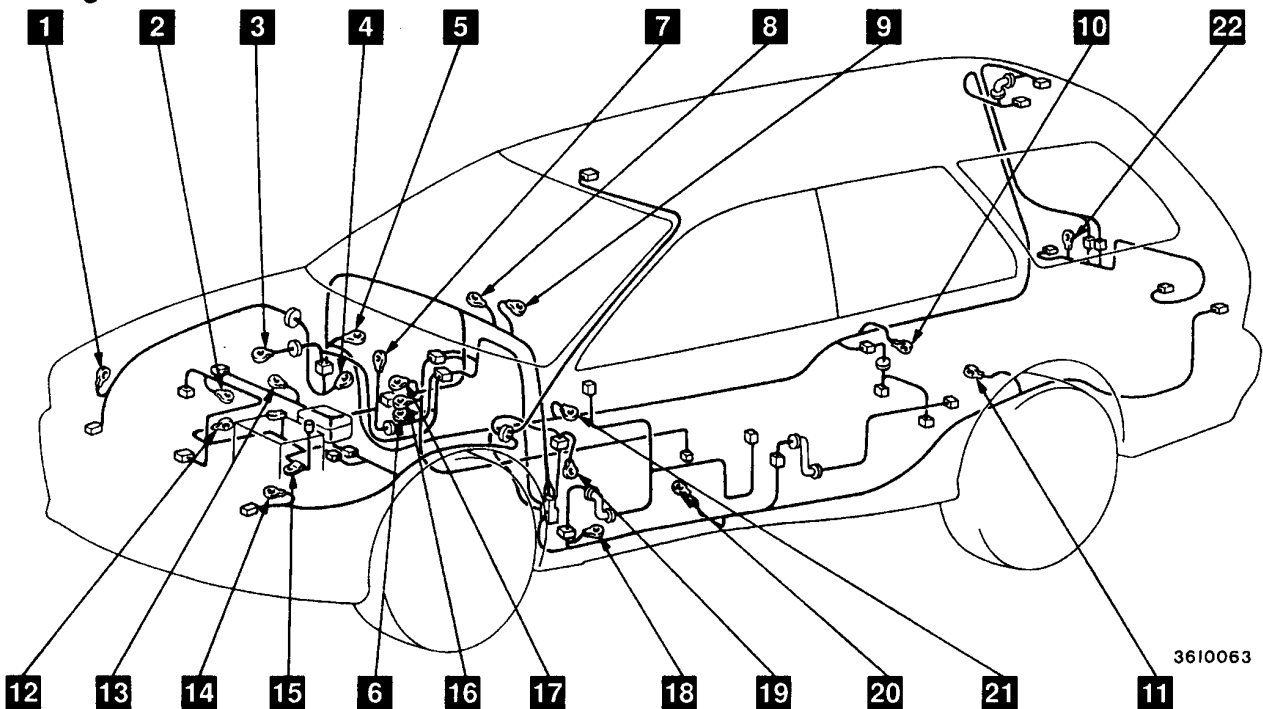
L.H. drive vehicles

<Sedan>



3610061

<Wagon>



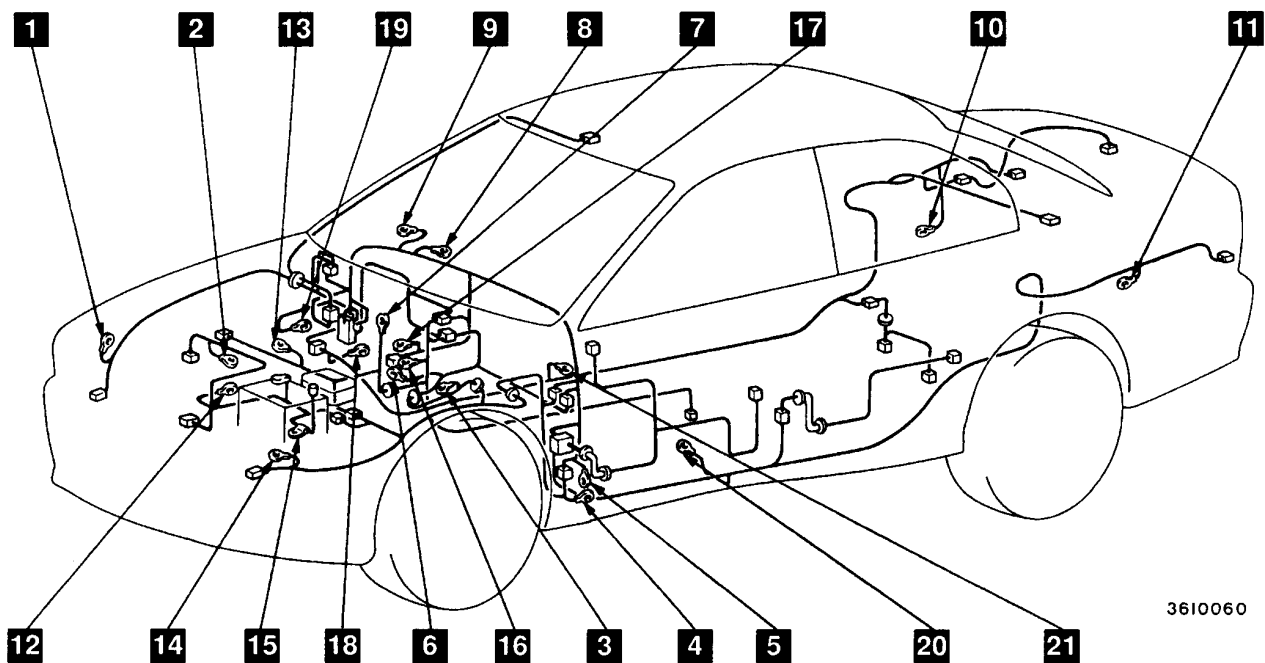
3610063

00006248

NOTE
Same earth number are used in the circuit diagram.

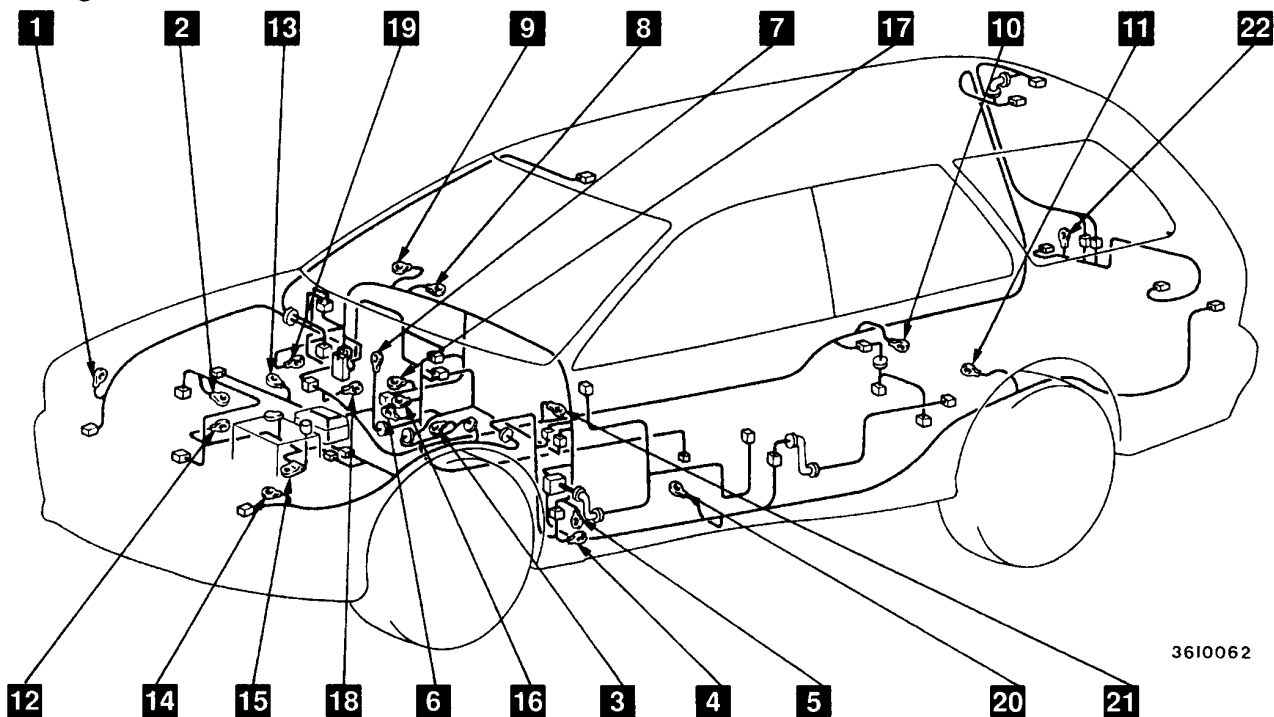
R.H.drive vehicles

<Sedan>

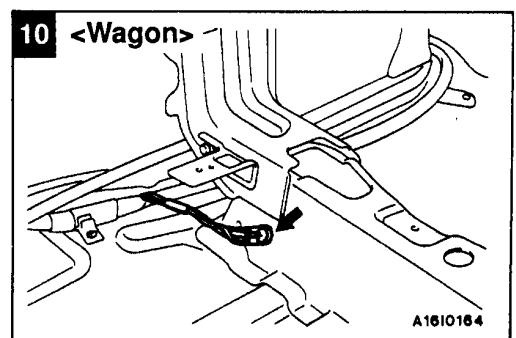
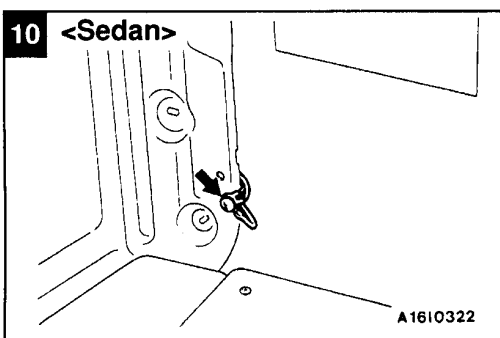
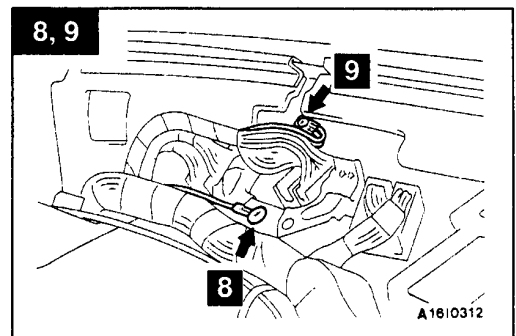
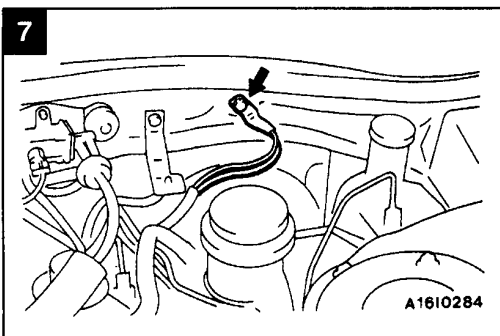
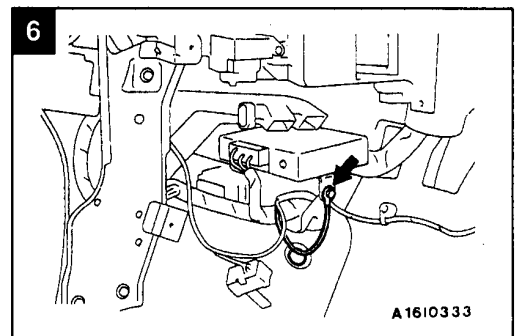
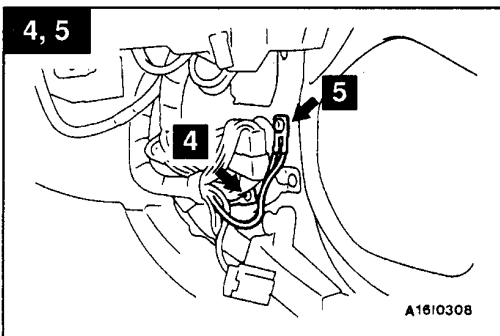
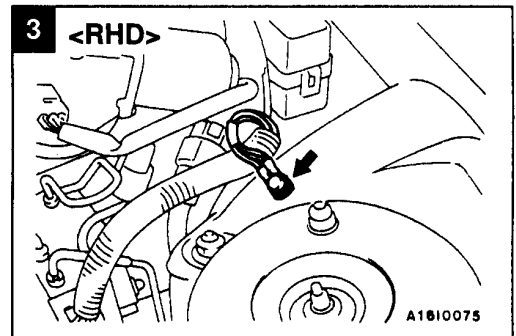
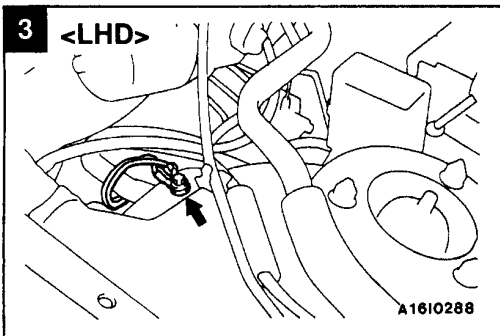
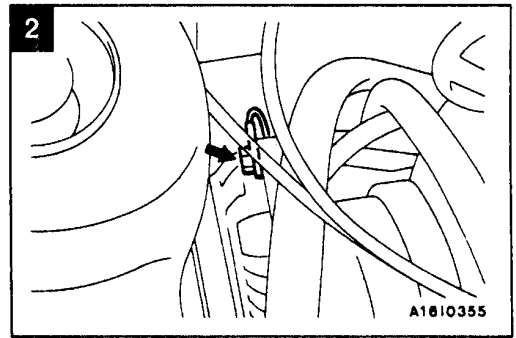
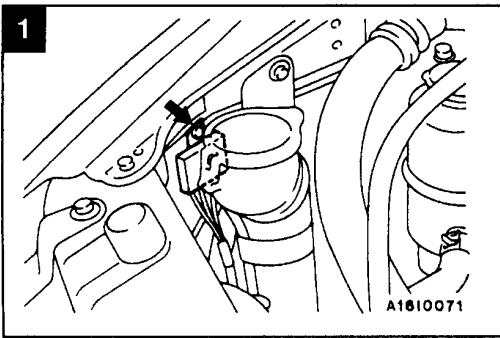


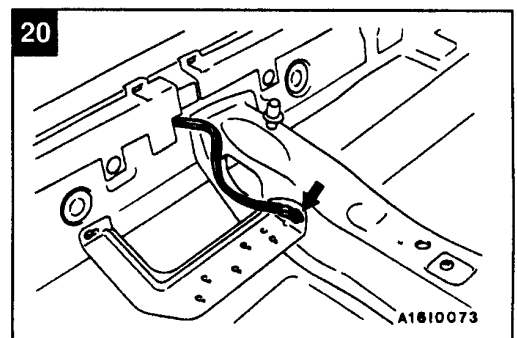
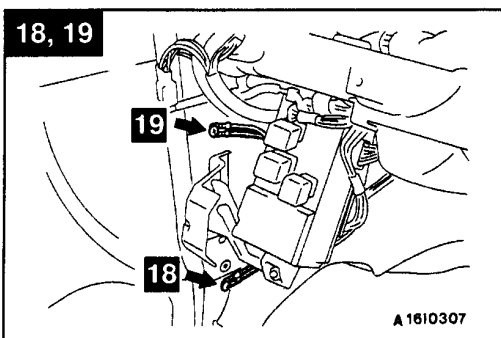
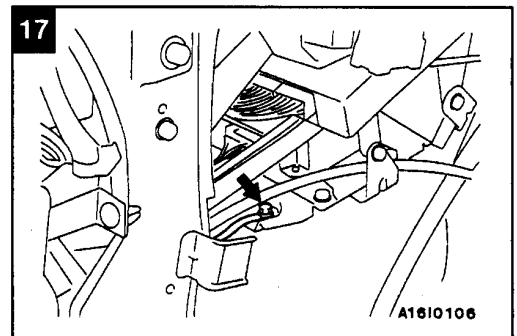
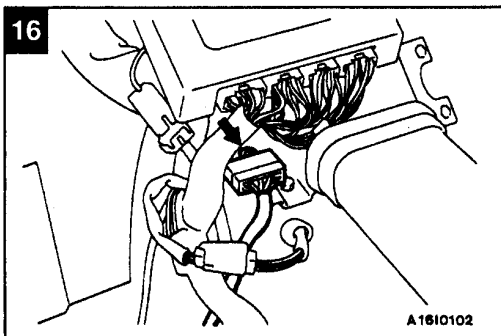
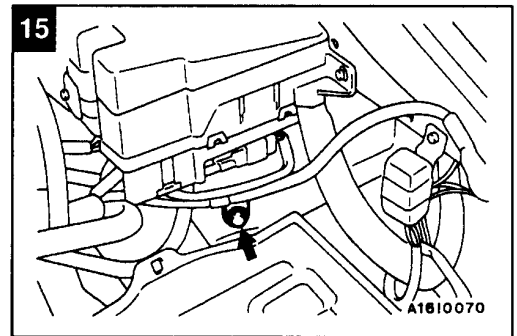
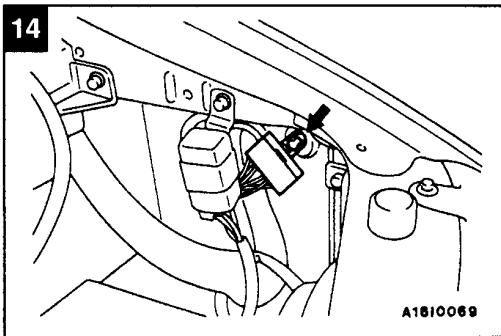
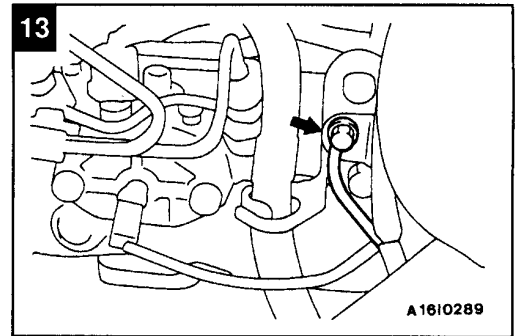
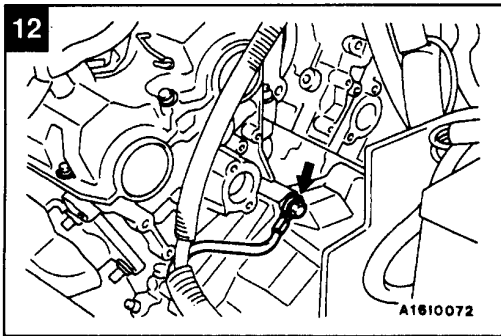
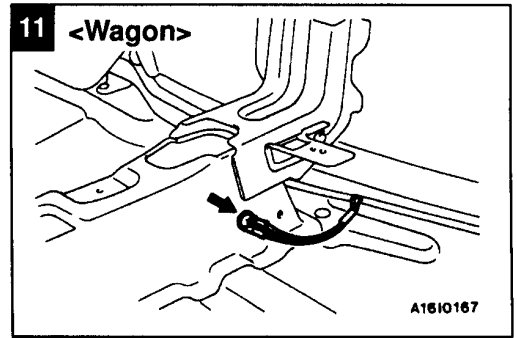
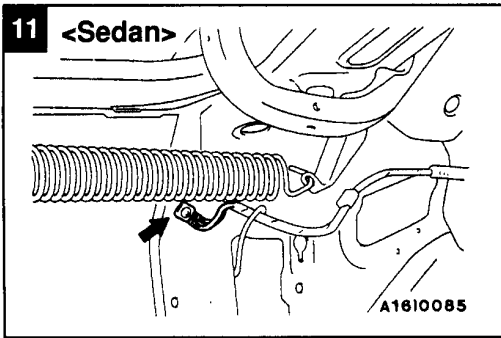
3610060

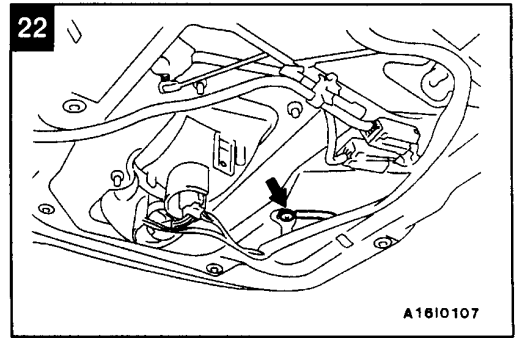
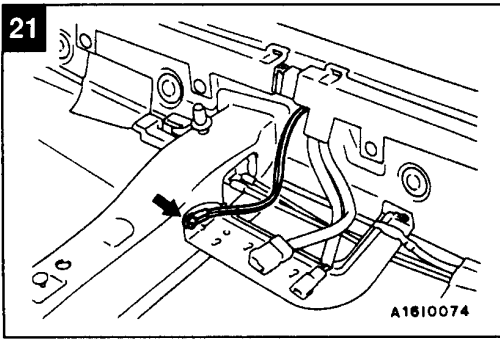
<Wagon>



3610062







CIRCUIT DIAGRAM

CONTENTS

90109000301

JUNCTION BLOCK (J/B)	4-5	ENGINE CONTROL SYSTEM	
JOINT CONNECTOR (J/C)		4G6-SOHC-MPI <L.H. drive vehicles>	4-52
L.H. drive vehicles	4-8	4G6-SOHC-MPI <R.H. drive vehicles>	4-60
R.H. drive vehicles	4-14	6A1-SOHC-MPI	
CENTRALIZED JUNCTION	4-20	<L.H. drive vehicles with TCL>	4-68
POWER DISTRIBUTION SYSTEM		6A1-SOHC-MPI	
L.H. drive vehicles	4-28	<L.H. drive vehicles without TCL>	4-78
R.H. drive vehicles	4-34	6A1-SOHC-MPI	
STARTING SYSTEM		<R.H. drive vehicles with TCL>	4-86
Petrol-powered vehicles	4-39	6A1-SOHC-MPI	
Diesel-powered vehicles	4-40	<R.H. drive vehicles without TCL>	4-96
IGNITION SYSTEM		4D68 <L.H. drive vehicles>	4-104
4G6	4-41	4D68 <R.H. drive vehicles>	4-112
6A1	4-42	COOLING SYSTEM	
GLOW SYSTEM	4-43	L.H. drive vehicles	4-120
CHARGING SYSTEM		R.H. drive vehicles	4-121
4G6	4-44	INVECS-II 4A/T	
6A1	4-46	L.H. drive vehicles with TCL	4-122
4D68	4-48	L.H. drive vehicles without TCL	4-134
		4G6 <R.H. drive vehicles>	4-146
		6A1 <R.H. drive vehicles with TCL>	4-158
		6A1 <R.H. drive vehicles without TCL>	4-170
		HEADLAMP	
		L.H. drive vehicles with DRL	4-182
		L.H. drive vehicles without DRL	4-186
		R.H. drive vehicles	4-188

TAIL LAMP, POSITION LAMP AND LICENCE PLATE LAMP

L.H. drive vehicles with DRL <Sedan>	4-192
L.H. drive vehicles with DRL <Wagon>	4-194
L.H. drive vehicles without DRL <Sedan>	4-196
L.H. drive vehicles without DRL <Wagon>	4-198
R.H. drive vehicles <Sedan>	4-200
R.H. drive vehicles <Wagon>	4-202

FRONT FOG LAMP

L.H. drive vehicles	4-206
R.H. drive vehicles	4-208

REAR FOG LAMP

L.H. drive vehicles with DRL	4-212
L.H. drive vehicles without DRL	4-216
R.H. drive vehicles	4-220

ROOM LAMP, PERSONAL LAMP AND LUGGAGE COMPARTMENT LAMP

L.H. drive vehicles	4-224
R.H. drive vehicles	4-228

CONSOLE ILLUMINATION LAMP AND GLOVE BOX LAMP

L.H. drive vehicles	4-234
R.H. drive vehicles	4-235

DOOR LAMP

L.H. drive vehicles	4-236
R.H. drive vehicles	4-237

IGNITION KEY CYLINDER ILLUMINATION LAMP

L.H. drive vehicles	4-238
R.H. drive vehicles	4-240

HEADLAMP LEVELING SYSTEM

L.H. drive vehicles	4-242
R.H. drive vehicles	4-244

TURN-SIGNAL LAMP AND HAZARD WARNING LAMP

L.H. drive vehicles	4-246
R.H. drive vehicles	4-250

STOP LAMP

Sedan <L.H. drive vehicles>	4-256
Sedan <R.H. drive vehicles>	4-257
Wagon <L.H. drive vehicles>	4-258
Wagon <R.H. drive vehicles>	4-259

BACK-UP LAMP

Sedan <M/T (L.H. drive vehicles)>	4-260
Sedan <M/T (R.H. drive vehicles)>	4-261
Sedan <A/T (L.H. drive vehicles)>	4-262
Sedan <A/T (R.H. drive vehicles)>	4-263
Wagon <M/T (L.H. drive vehicles)>	4-264
Wagon <M/T (R.H. drive vehicles)>	4-265
Wagon <A/T (L.H. drive vehicles)>	4-266
Wagon <A/T (R.H. drive vehicles)>	4-267

HORN

L.H. drive vehicles	4-268
R.H. drive vehicles	4-269

METER AND GAUGE

L.H. drive petrol-powered vehicles	4-270
R.H. drive petrol-powered vehicles	4-272
L.H. drive diesel-powered vehicles	4-274
R.H. drive diesel-powered vehicles	4-276

BRAKE WARNING LAMP

L.H. drive vehicles	4-280
-------------------------------	-------

OIL PRESSURE WARNING LAMP

L.H. drive vehicles	4-280
-------------------------------	-------

FUEL WARNING LAMP

L.H. drive vehicles	4-281
-------------------------------	-------

FUEL FILTER WARNING LAMP

L.H. drive vehicles	4-281
-------------------------------	-------

ENGINE OIL LEVEL WARNING LAMP

L.H. drive vehicles	4-282
-------------------------------	-------

BRAKE WARNING LAMP

R.H. drive vehicles	4-284
-------------------------------	-------

OIL PRESSURE WARNING LAMP

R.H. drive vehicles 4-284

FUEL WARNING LAMP

R.H. drive vehicles 4-285

FUEL FILTER WARNING LAMP

R.H. drive vehicles 4-285

ENGINE OIL LEVEL WARNING LAMP

R.H. drive vehicles 4-286

POWER WINDOWS

L.H. drive vehicles with ETACS 4-288

L.H. drive vehicles without ETACS 4-294

R.H. drive vehicles 4-298

CENTRAL DOOR LOCKING SYSTEML.H. drive vehicles with keyless entry system
<with theft-alarm system> 4-304L.H. drive vehicles with keyless entry system
<without theft-alarm system> 4-312L.H. drive vehicles without keyless entry system
<with theft-alarm system> 4-320L.H. drive vehicles without keyless entry system
<without theft-alarm system> 4-324R.H. drive vehicles with keyless entry system
<with theft-alarm system> 4-328R.H. drive vehicles with keyless entry system
<without theft-alarm system> 4-336R.H. drive vehicles without keyless entry system
<with theft-alarm system> 4-344R.H. drive vehicles without keyless entry system
<without theft-alarm system> 4-348**MANUAL HEATER**

L.H. drive vehicles 4-352

R.H. drive vehicles 4-354

MANUAL AIR CONDITIONER

L.H. drive vehicles 4-356

R.H. drive vehicles 4-360

AUTOMATIC AIR CONDITIONER

L.H. drive vehicles 4-364

R.H. drive vehicles 4-370

WINDSHILED WIPER AND WASHER

L.H. drive vehicles 4-376

R.H. drive vehicles 4-377

REAR WIPER AND WASHER

Sedan <L.H. drive vehicles> 4-380

Sedan <R.H. drive vehicles> 4-382

Wagon <L.H. drive vehicles> 4-384

Wagon <R.H. drive vehicles> 4-386

DEFOGGER AND DOOR MIRROR HEATER

L.H. drive vehicles with manual heater 4-388

R.H. drive vehicles with manual heater 4-390

L.H. drive vehicles with automatic air
conditioner 4-392R.H. drive vehicles with automatic air
conditioner 4-394**REMOTE CONTROLLED MIRROR**

L.H. drive vehicles 4-396

R.H. drive vehicles 4-397

HEADLAMP WASHER

L.H. drive vehicles 4-398

R.H. drive vehicles 4-399

RADIO AND TAPE PLAYER

L.H. drive vehicles 4-400

R.H. drive vehicles 4-404

CLOCK

L.H. drive vehicles 4-408

R.H. drive vehicles 4-409

CIGARETTE LIGHTER

L.H. drive vehicles 4-410

R.H. drive vehicles 4-411

ANTI-SKID BRAKING SYSTEM (ABS)

L.H. drive vehicles 4-412

R.H. drive vehicles 4-418

TRACTION CONTROL SYSTEM (TCL)

L.H. drive vehicles 4-424

R.H. drive vehicles 4-430

AUTO-CRUISE CONTROL SYSTEM

L.H. drive vehicles with TCL	4-436
L.H. drive vehicles without TCL	4-442
R.H. drive vehicles with TCL	4-448
R.H. drive vehicles without TCL	4-454

SUPPLEMENTAL RESTRAINT SYSTEM (SRS)

L.H. drive vehicles with side air bag	4-460
L.H. drive vehicles without side air bag	4-462
R.H. drive vehicles with side air bag	4-464
R.H. drive vehicles without side air bag	4-466

IMMOBILIZER SYSTEM

L.H. drive petrol-powered vehicles	4-468
R.H. drive petrol-powered vehicles	4-470
L.H. drive diesel-powered vehicles	4-472
R.H. drive diesel-powered vehicles	4-474

THEFT-ALARM SYSTEM

L.H. drive vehicles	4-476
R.H. drive vehicles	4-484

SUNROOF

L.H. drive vehicles	4-492
R.H. drive vehicles	4-494

RHEOSTAT

L.H. drive vehicles	4-496
R.H. drive vehicles	4-498

POWER SEAT 4-500**HEATED SEAT**

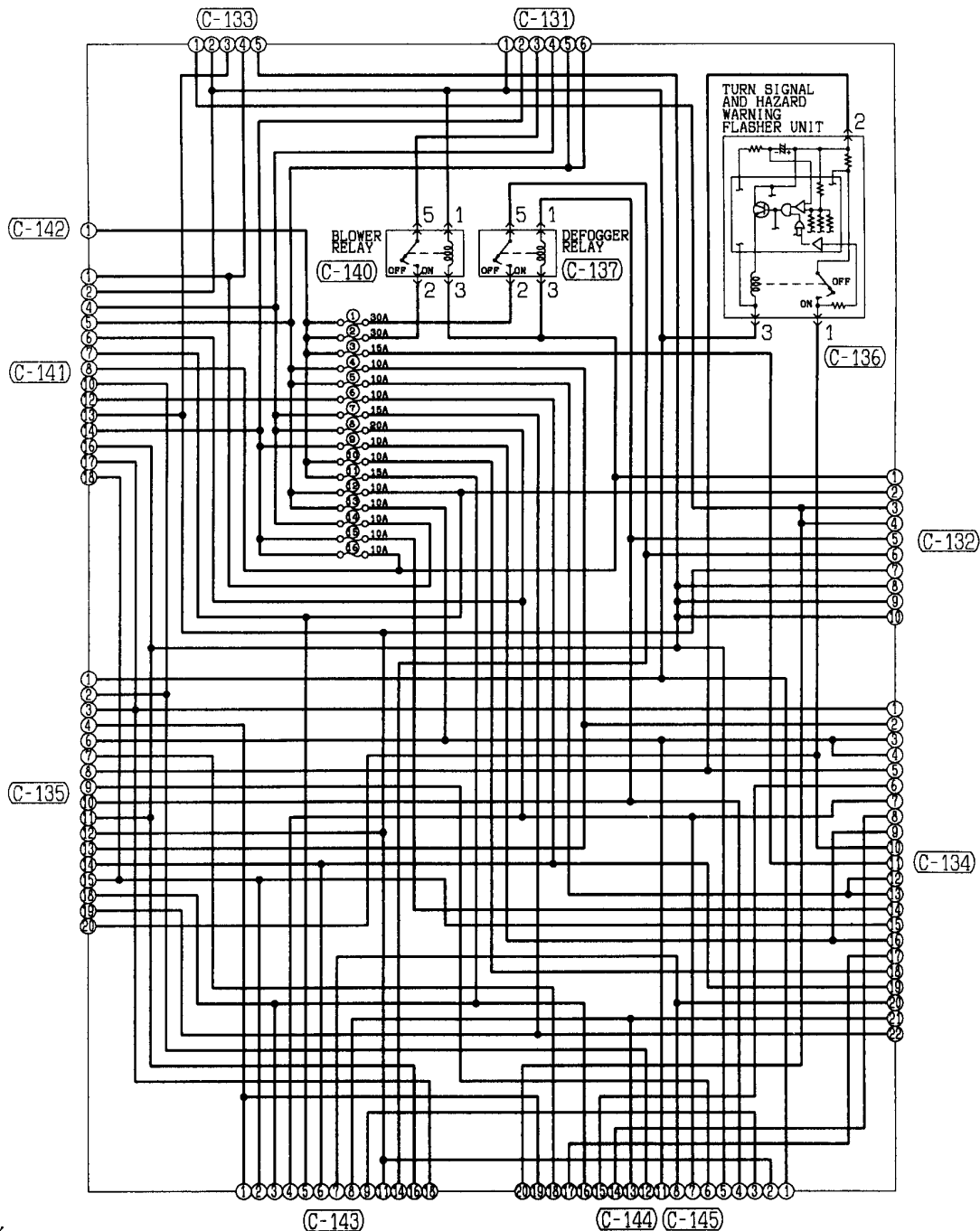
L.H. drive vehicles	4-504
R.H. drive vehicles	4-506

LIGHTING MONITOR BUZZER

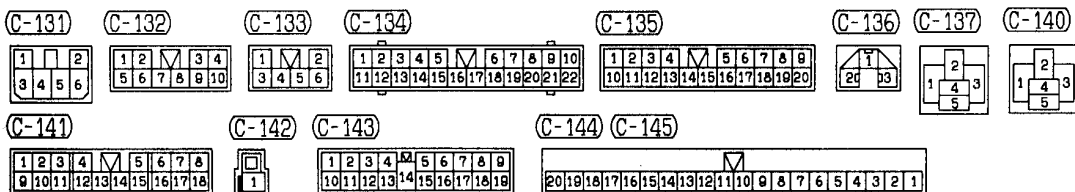
L.H. drive vehicles	4-508
R.H. drive vehicles	4-509

JUNCTION BLOCK (J/B)

90100020320



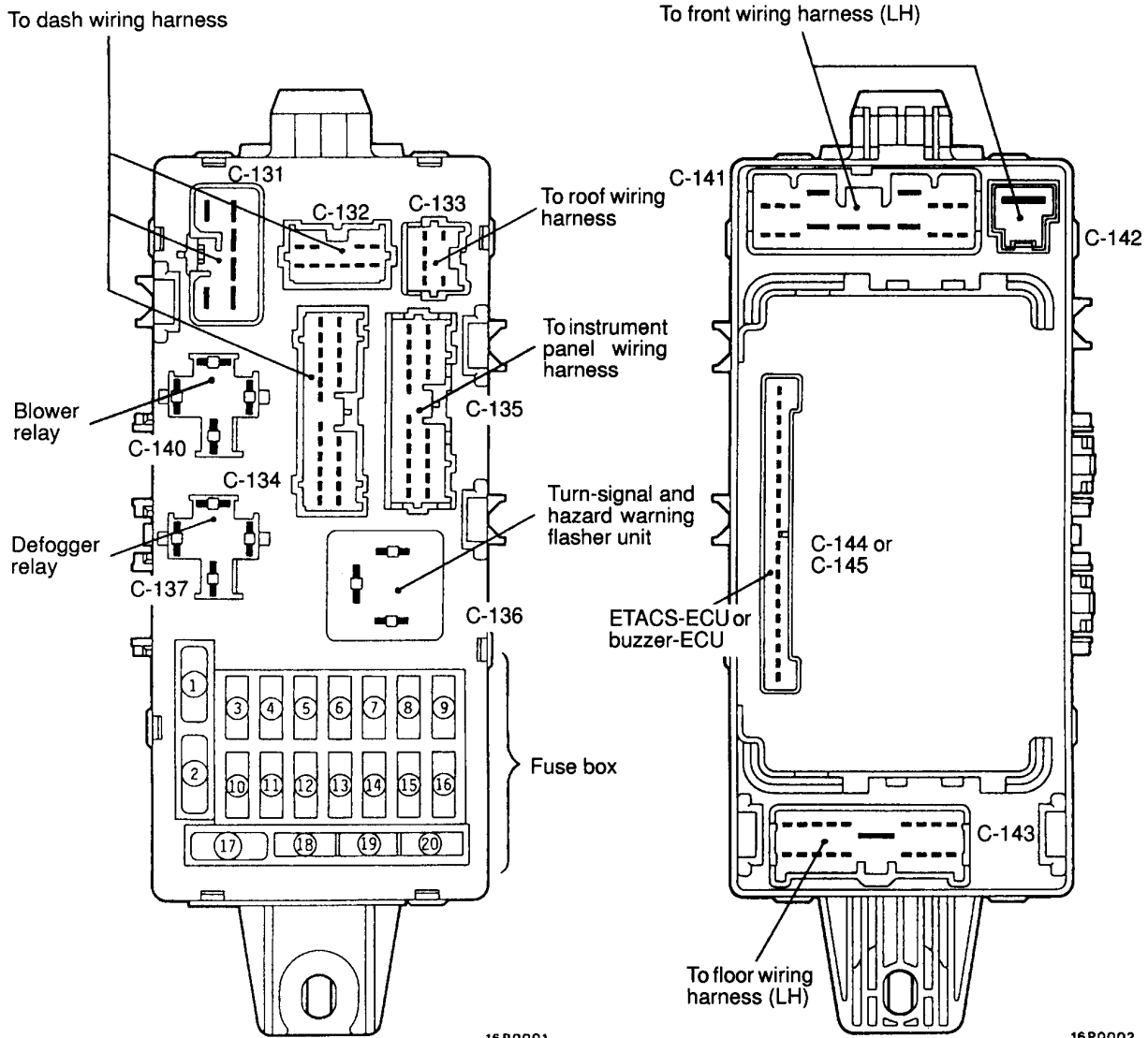
REMARK
CONNECTOR NUMBERS ARE KEYED TO THE CONFIGURATION
DIAGRAM (DASH PANEL) AND EACH CIRCUIT DIAGRAM.



<L.H. drive vehicles>

Front side

Rear side



16P0001

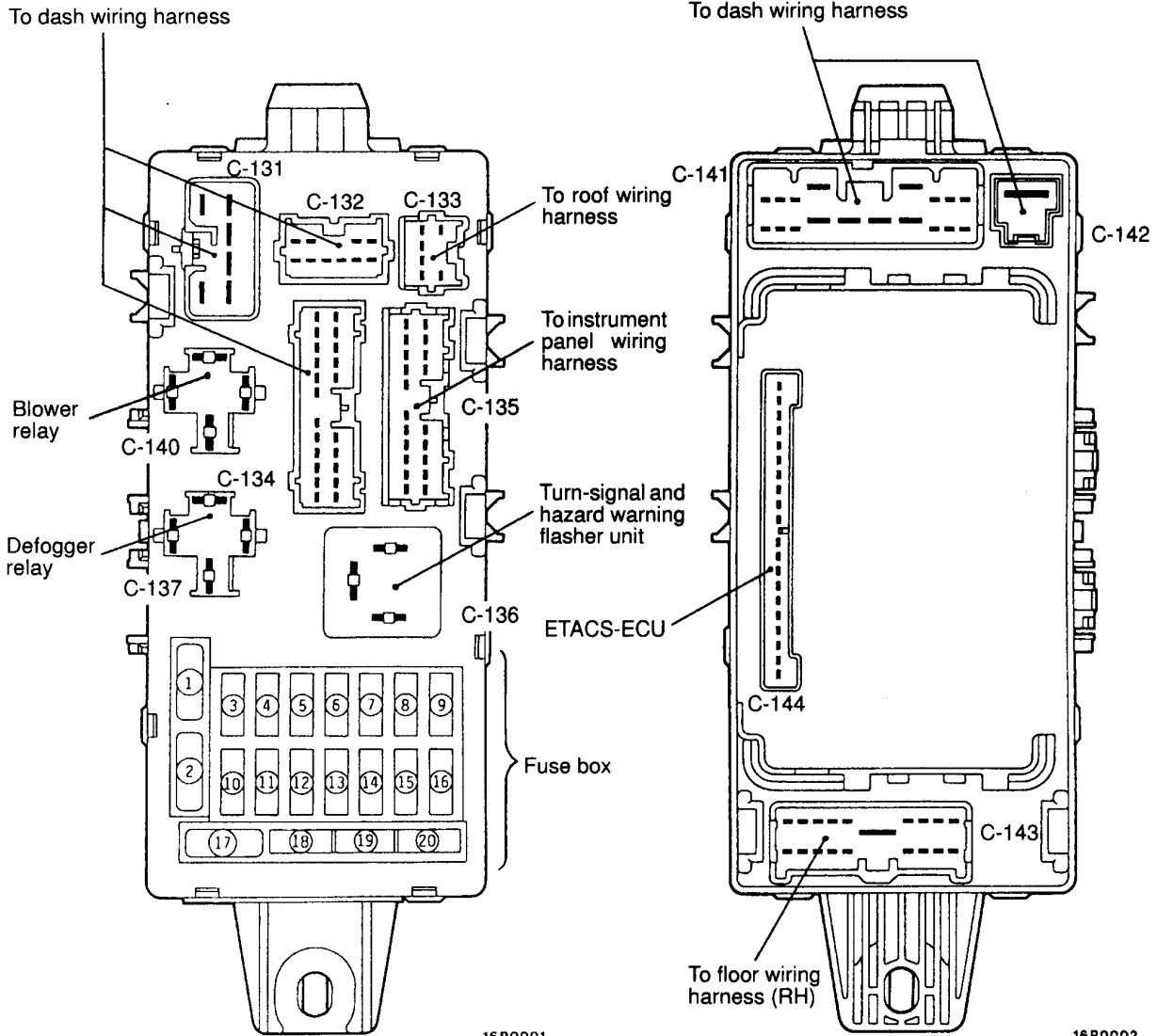
16P0002

00006293

<R.H. drive vehicles>

Front side

Rear side



16P0001

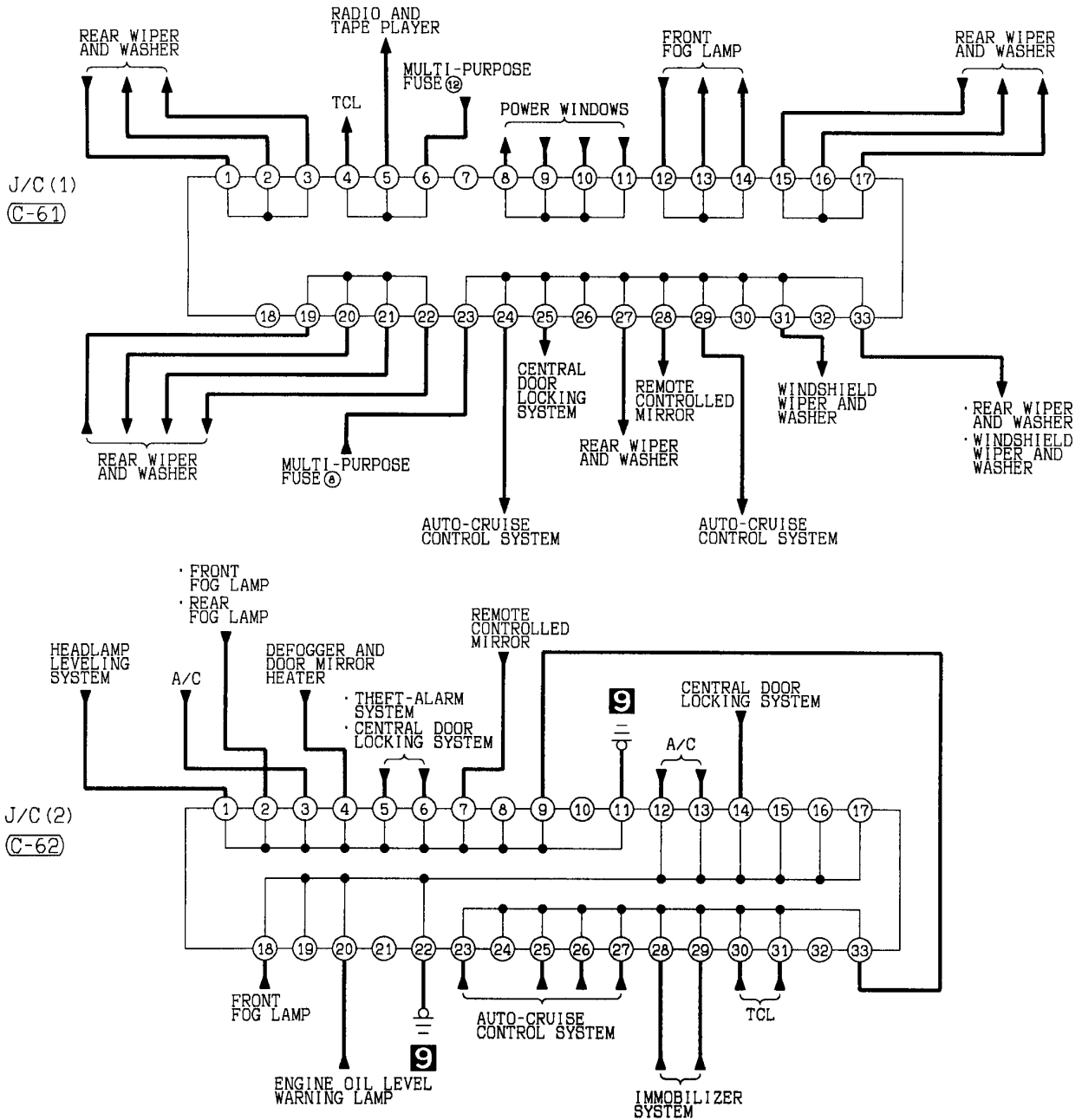
16P0002

00006293

JOINT CONNECTOR (J/C)

90101420099

L.H. drive vehicles



C-61

1	2	3	4	5	6	7	8	9	10	11
12	13	14	15	16	17	18	19	20	21	22
23	24	25	26	27	28	29	30	31	32	33

C-62

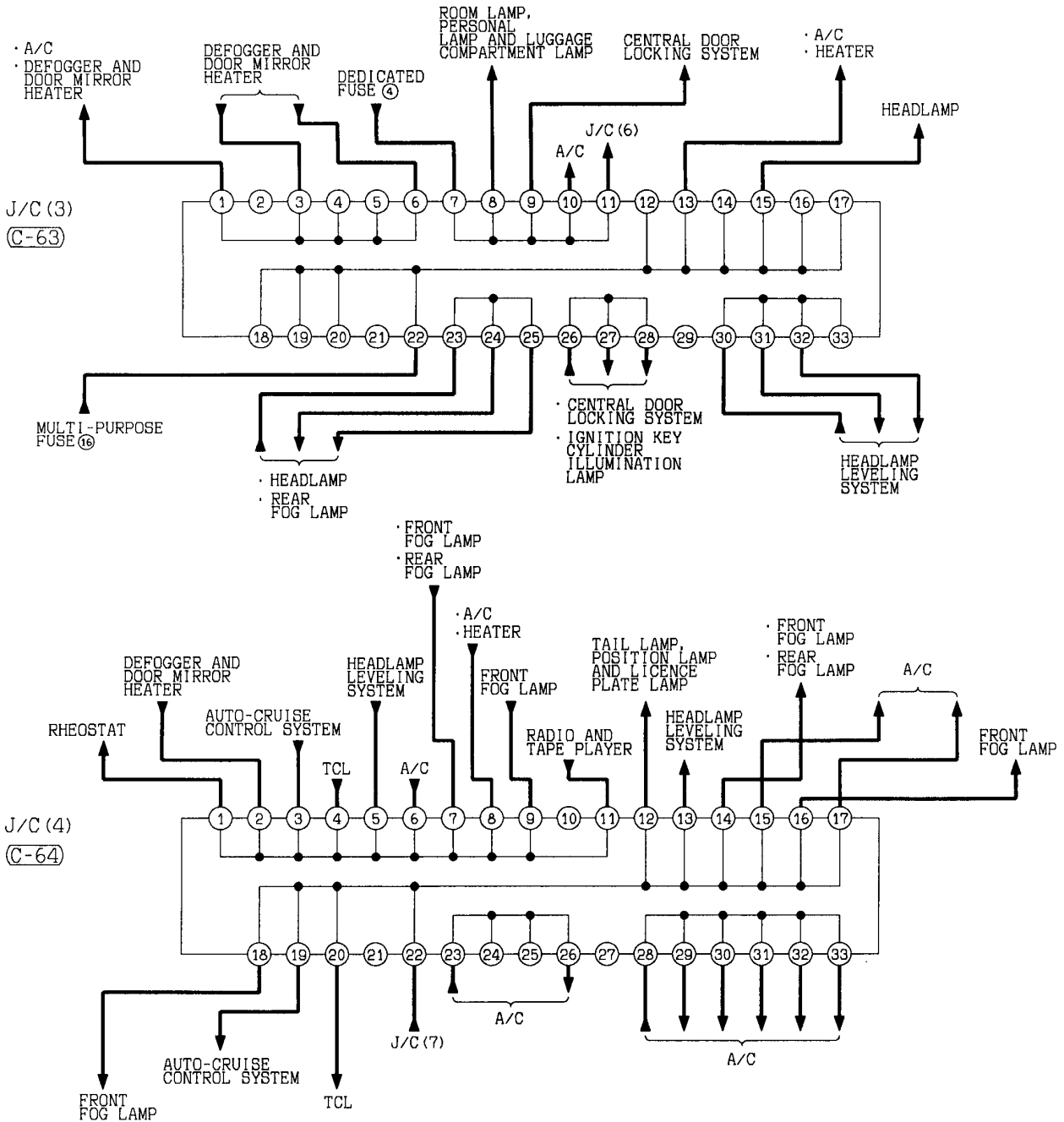
1	2	3	4	5	6	7	8	9	10	11
12	13	14	15	16	17	18	19	20	21	22
23	24	25	26	27	28	29	30	31	32	33

C-63

1	2	3	4	5	6	7	8	9	10	11
12	13	14	15	16	17	18	19	20	21	22
23	24	25	26	27	28	29	30	31	32	33

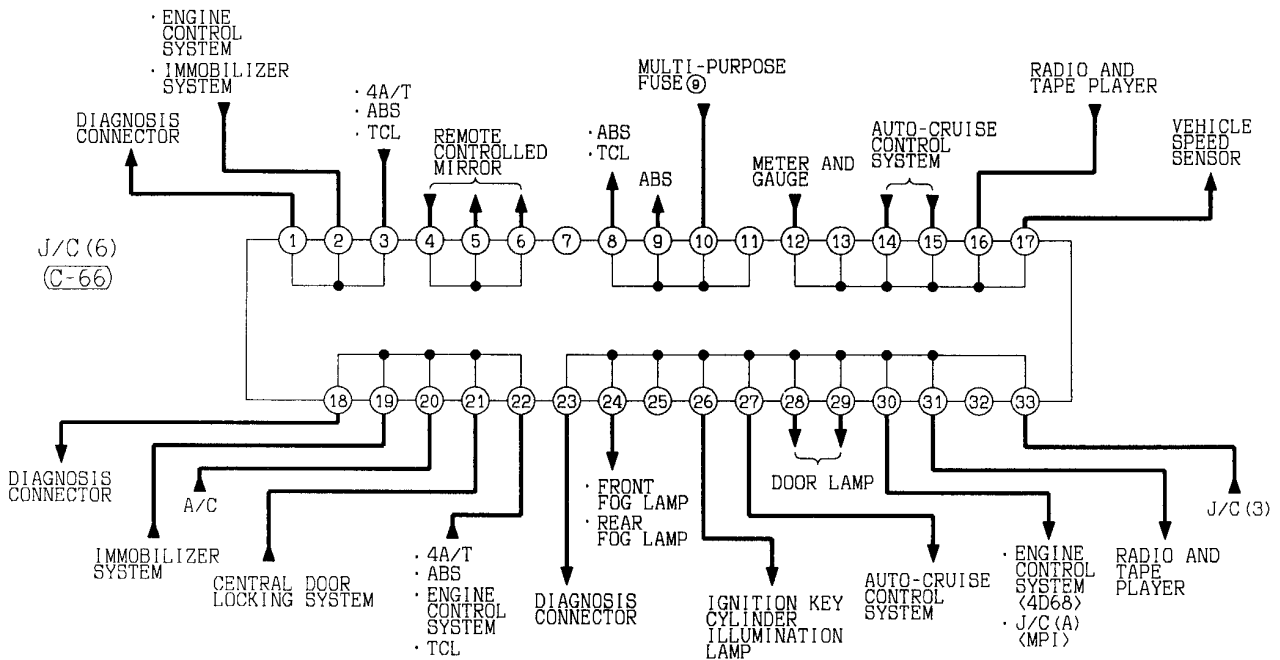
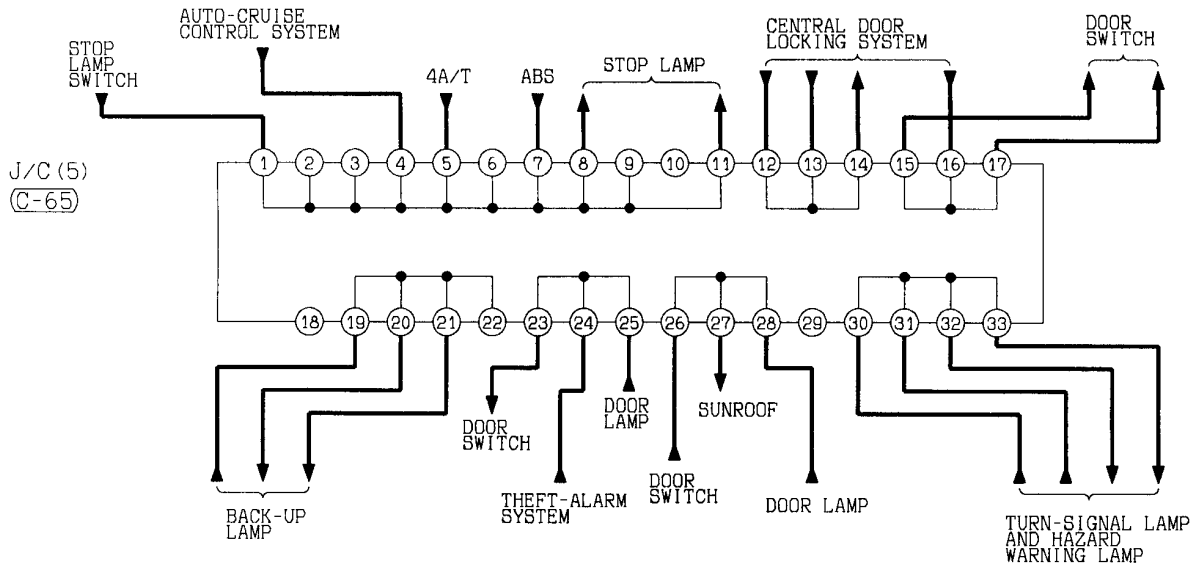
C-64

1	2	3	4	5	6	7	8	9	10	11
12	13	14	15	16	17	18	19	20	21	22
23	24	25	26	27	28	29	30	31	32	33



REMARK
 IN ACTUAL VEHICLES, ANY OF THE TERMINALS CONNECTED IN J/C ARE USED. THE TERMINALS DESCRIBED IN THE CIRCUIT DIAGRAM MAY NOT BE IDENTICAL TO THOSE OF THE VEHICLES.

JOINT CONNECTOR <L.H. drive vehicles> (CONTINUED)



(C-47)

1	2	3	4	5	6	7	8
9	10	11	12	13	14	15	16
17	18	19					

(C-65)

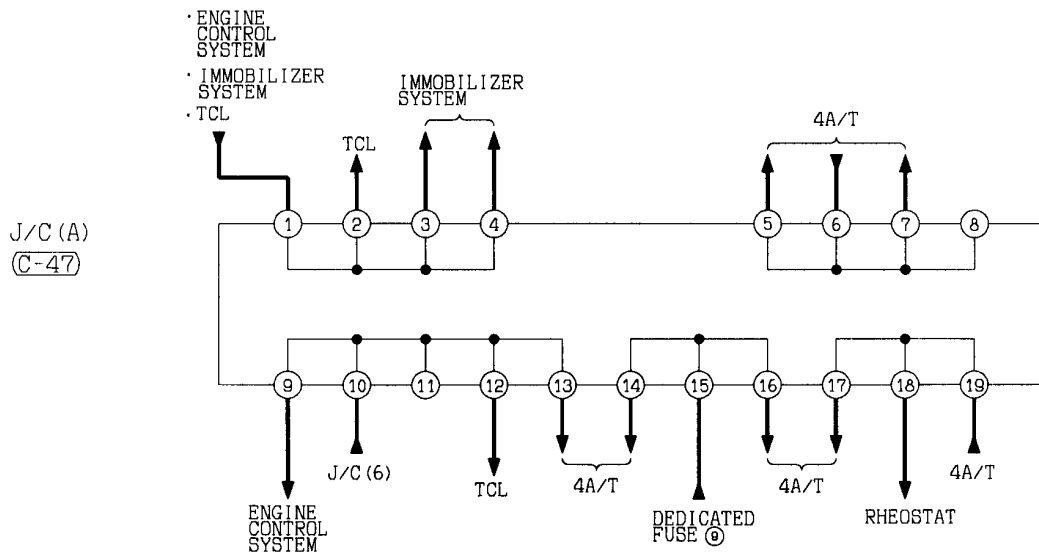
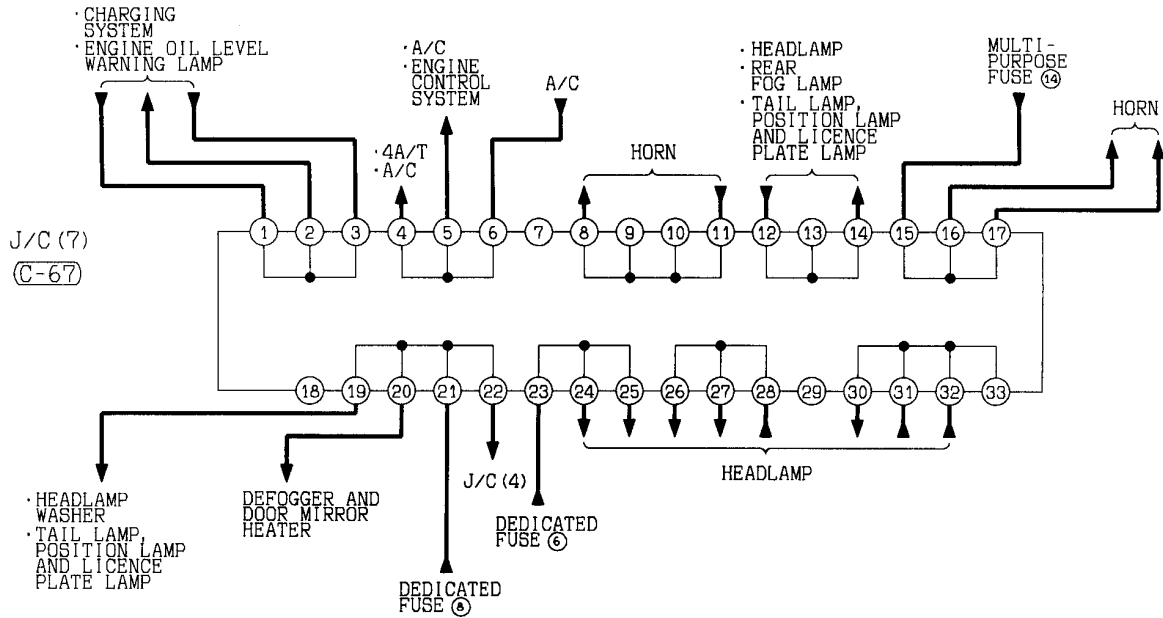
1	2	3	4	5	6	7	8	9	10	11
12	13	14	15	16	17	18	19	20	21	22
23	24	25	26	27	28	29	30	31	32	33

(C-66)

1	2	3	4	5	6	7	8	9	10	11
12	13	14	15	16	17	18	19	20	21	22
23	24	25	26	27	28	29	30	31	32	33

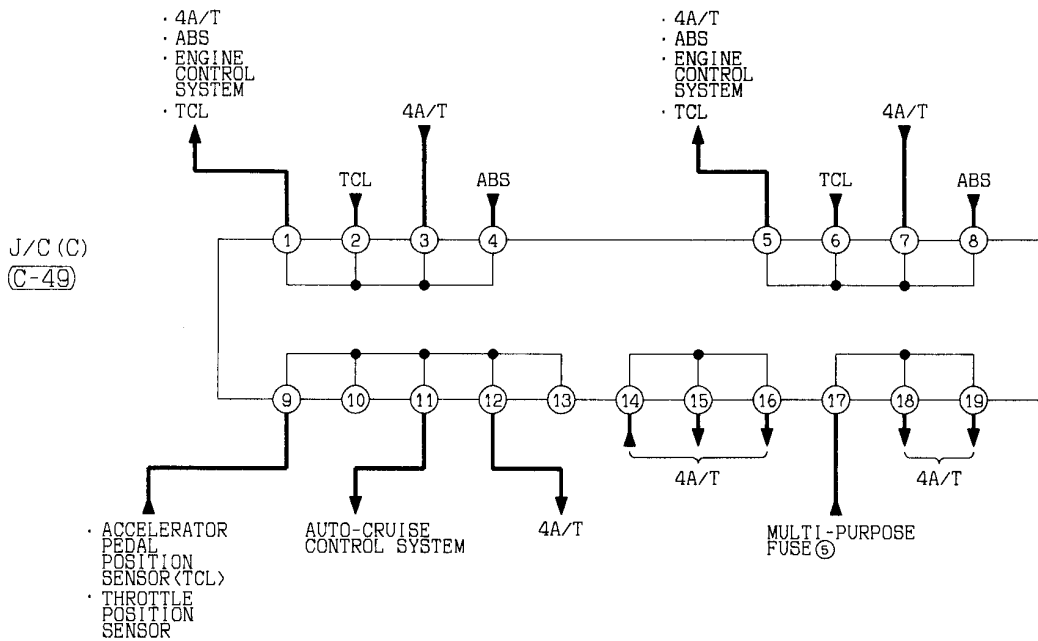
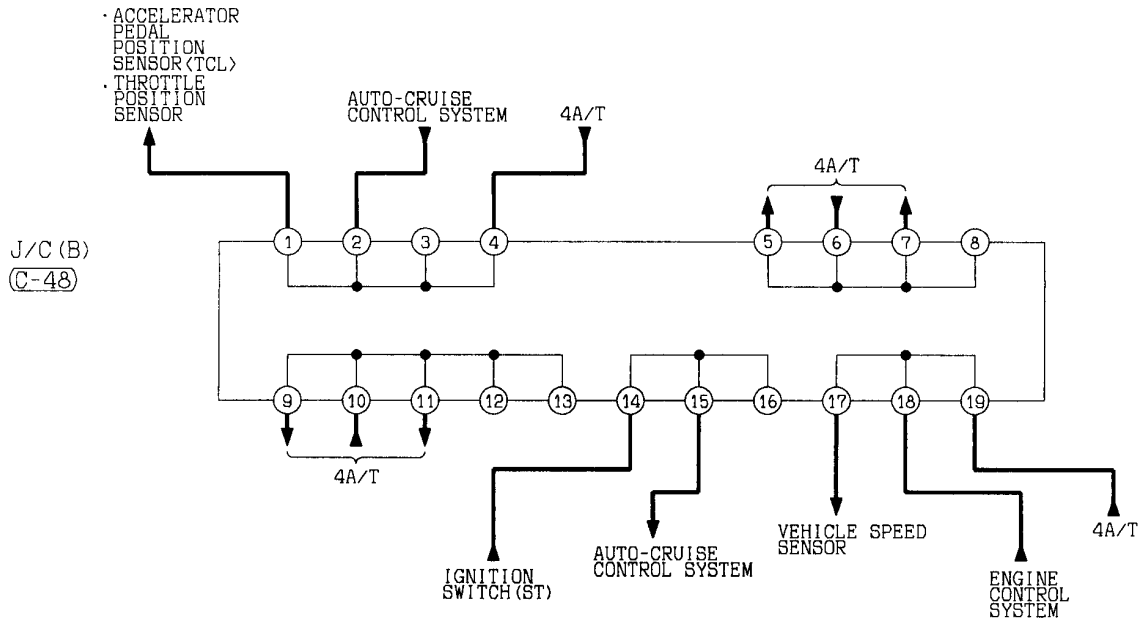
(C-67)

1	2	3	4	5	6	7	8	9	10	11
12	13	14	15	16	17	18	19	20	21	22
23	24	25	26	27	28	29	30	31	32	33



REMARK
IN ACTUAL VEHICLES, ANY OF THE TERMINALS CONNECTED IN J/C ARE USED. THE TERMINALS DESCRIBED IN THE CIRCUIT DIAGRAM MAY NOT BE IDENTICAL TO THOSE OF THE VEHICLES.

JOINT CONNECTOR <L.H. drive vehicles> (CONTINUED)



(C-45)

1	2	3	4
5	6	7	8

(C-48)

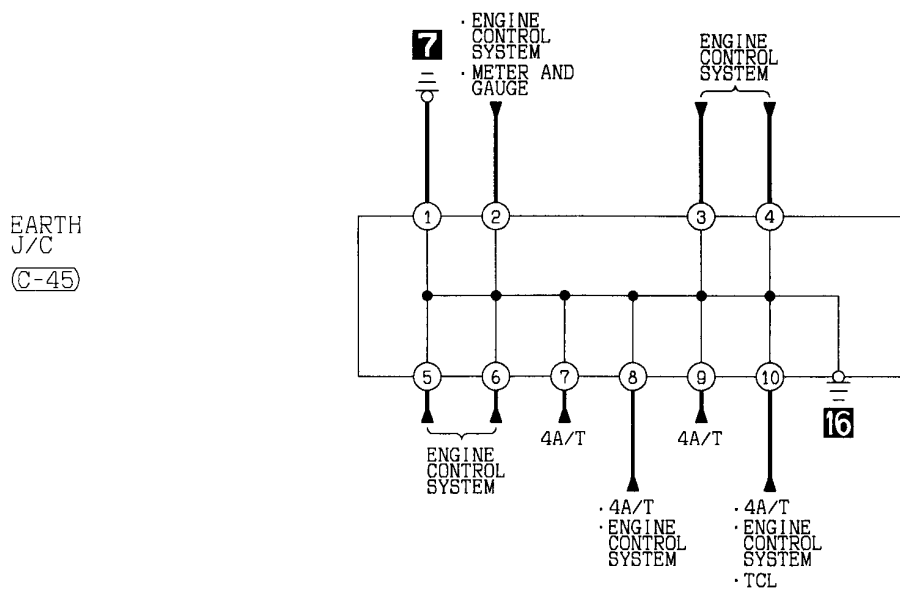
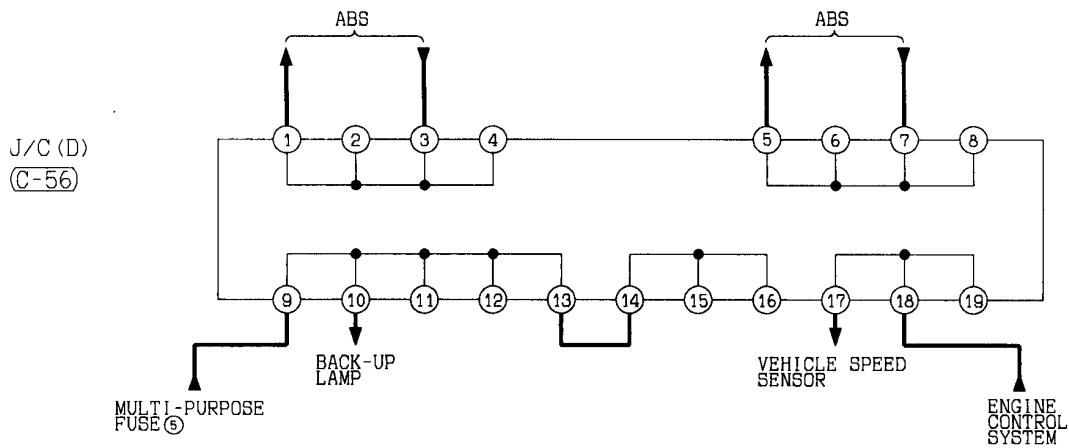
1	2	3	4	5	6	7	8
9	10	11	12	13	14	15	16
17	18	19					

(C-49)

1	2	3	4	5	6	7	8
9	10	11	12	13	14	15	16
17	18	19					

(C-56)

1	2	3	4	5	6	7	8
9	10	11	12	13	14	15	16
17	18	19					

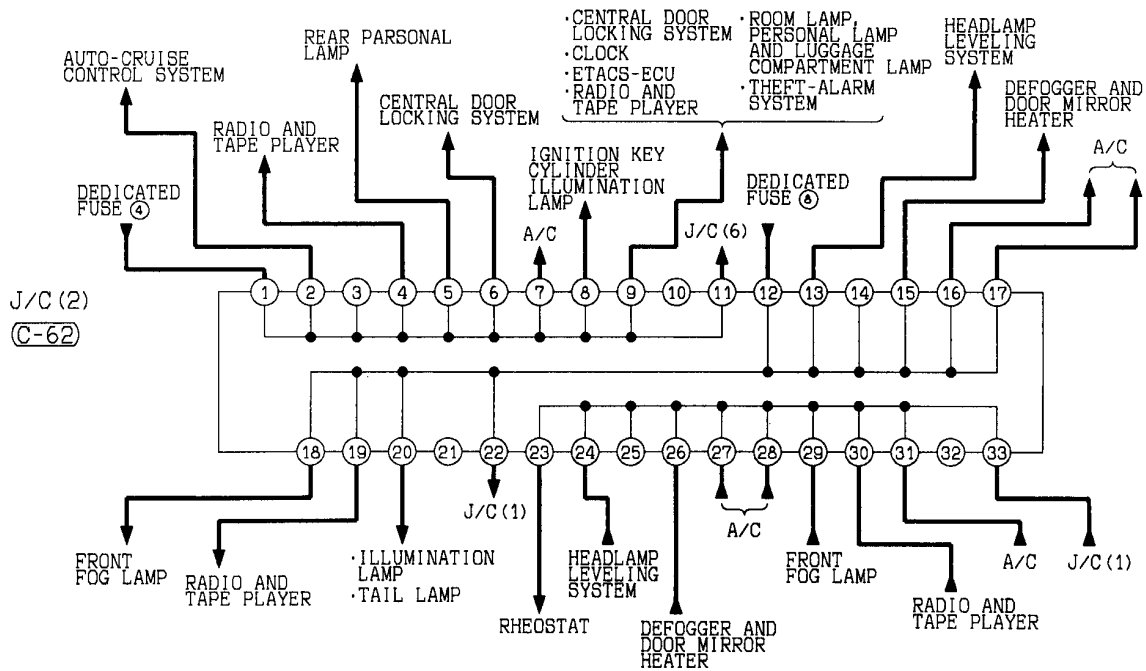
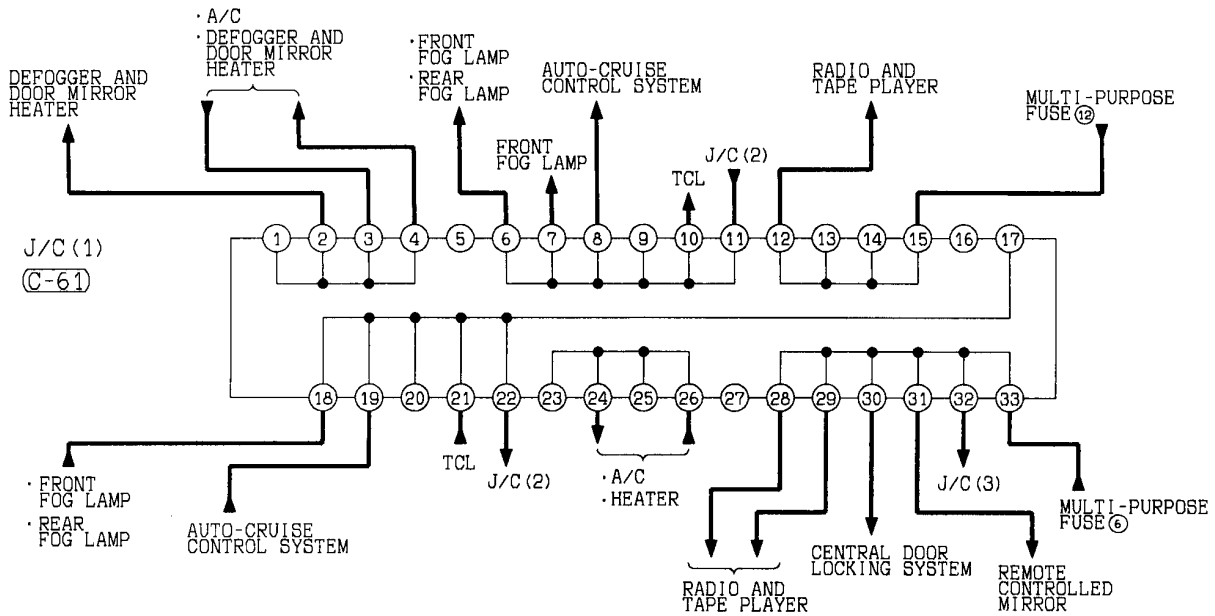


REMARK
IN ACTUAL VEHICLES, ANY OF THE TERMINALS CONNECTED IN J/C ARE USED. THE TERMINALS DESCRIBED IN THE CIRCUIT DIAGRAM MAY NOT BE IDENTICAL TO THOSE OF THE VEHICLES.

JOINT CONNECTOR (J/C)

90101420105

R.H. drive vehicles



(C-61)

(C-62)

(C-63)

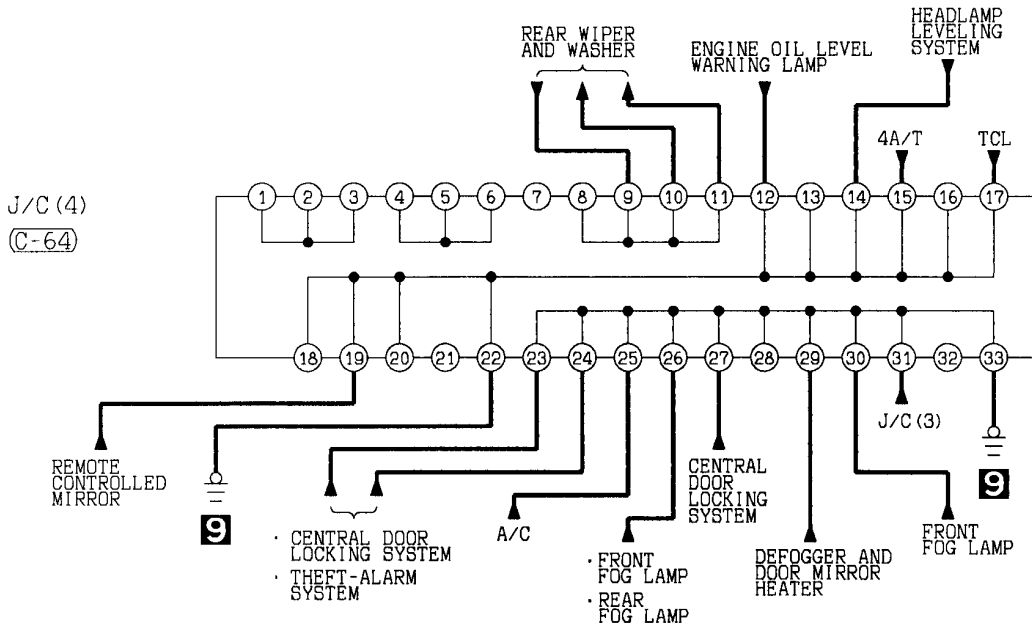
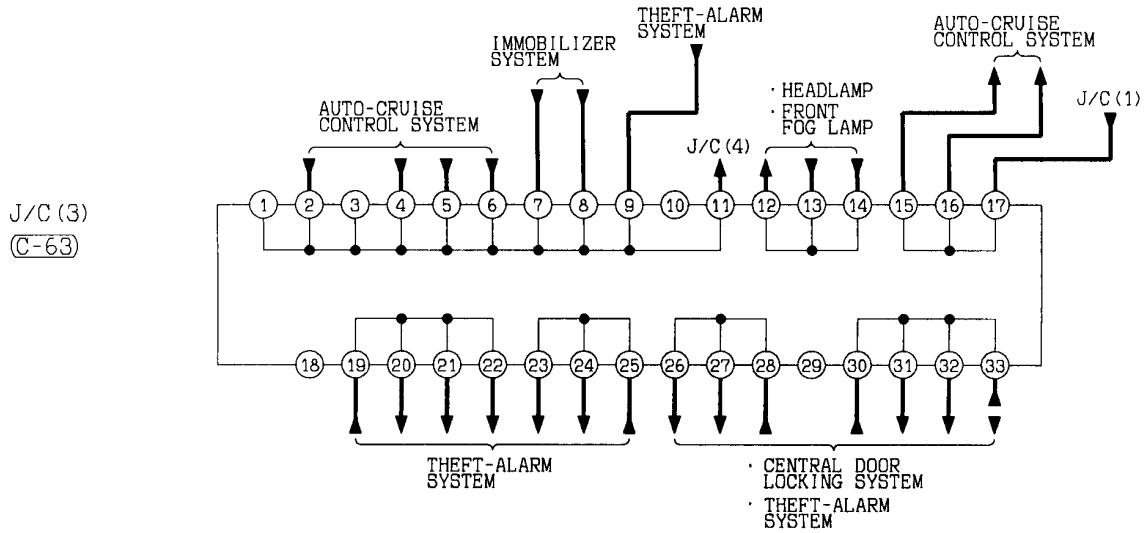
(C-64)

1	2	3	4	5	6	7	8	9	10	11
12	13	14	15	16	17	18	19	20	21	22
23	24	25	26	27	28	29	30	31	32	33

1	2	3	4	5	6	7	8	9	10	11
12	13	14	15	16	17	18	19	20	21	22
23	24	25	26	27	28	29	30	31	32	33

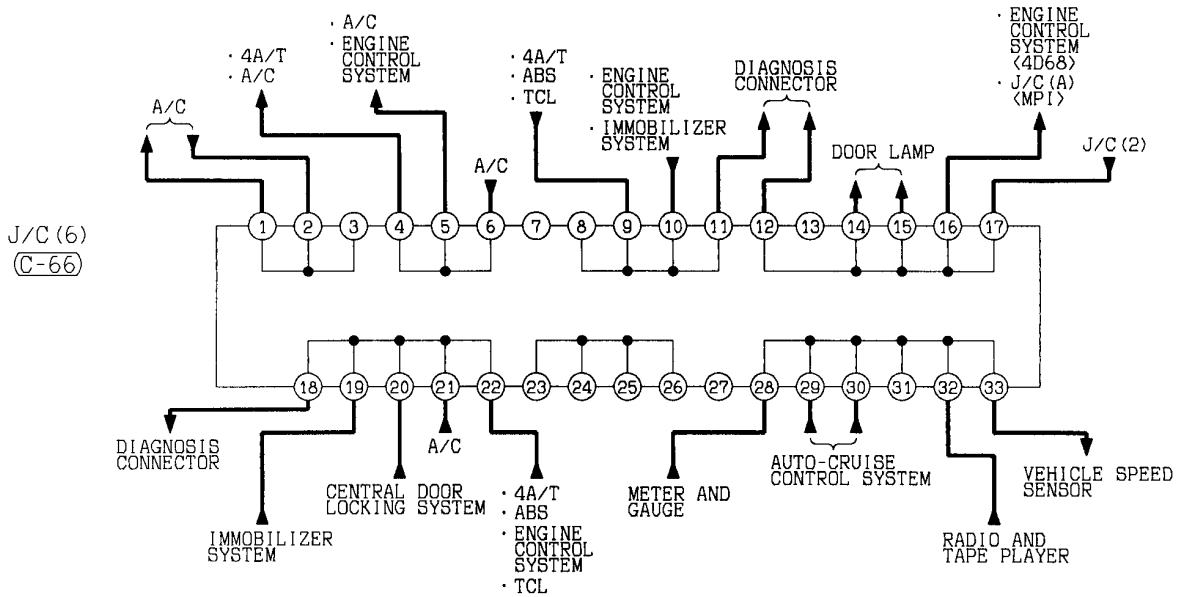
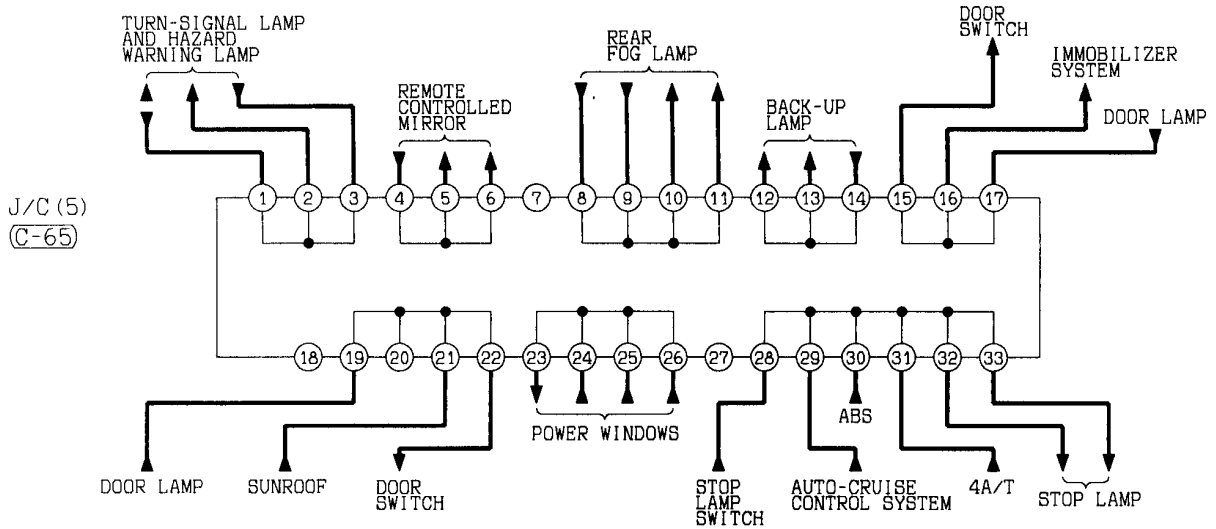
1	2	3	4	5	6	7	8	9	10	11
12	13	14	15	16	17	18	19	20	21	22
23	24	25	26	27	28	29	30	31	32	33

1	2	3	4	5	6	7	8	9	10	11
12	13	14	15	16	17	18	19	20	21	22
23	24	25	26	27	28	29	30	31	32	33



REMARK
IN ACTUAL VEHICLES, ANY OF THE TERMINALS CONNECTED IN J/C ARE USED. THE TERMINALS DESCRIBED IN THE CIRCUIT DIAGRAM MAY NOT BE IDENTICAL TO THOSE OF THE VEHICLES.

JOINT CONNECTOR <R.H. drive vehicles> (CONTINUED)



(C-47)

1	2	3	4	5	6	7	8			
9	10	11	12	13	14	15	16	17	18	19

(C-65)

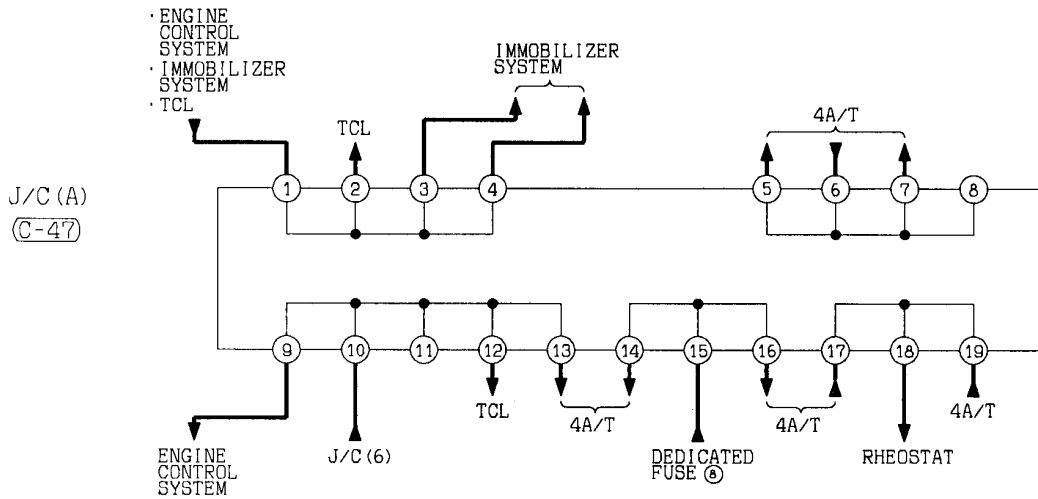
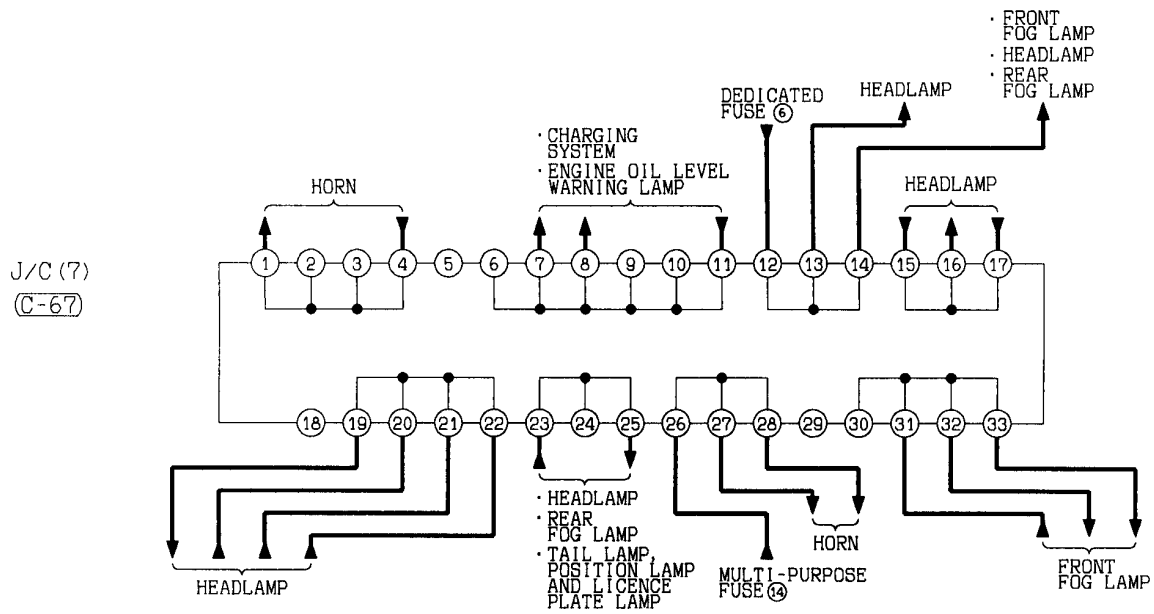
1	2	3	4	5	6	7	8	9	10	11
12	13	14	15	16	17	18	19	20	21	22
23	24	25	26	27	28	29	30	31	32	33

(C-66)

1	2	3	4	5	6	7	8	9	10	11
12	13	14	15	16	17	18	19	20	21	22
23	24	25	26	27	28	29	30	31	32	33

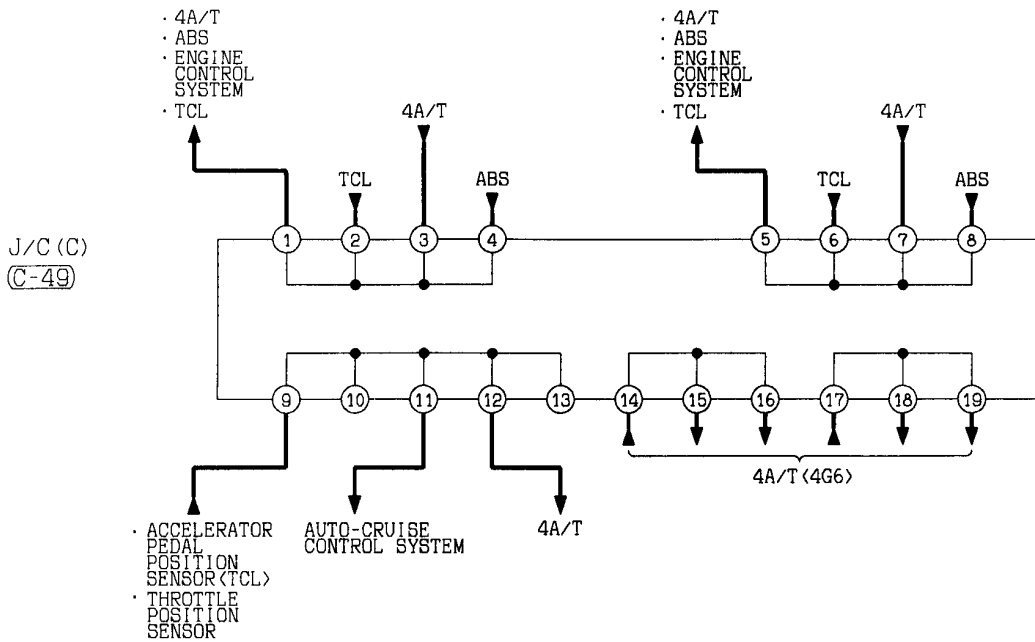
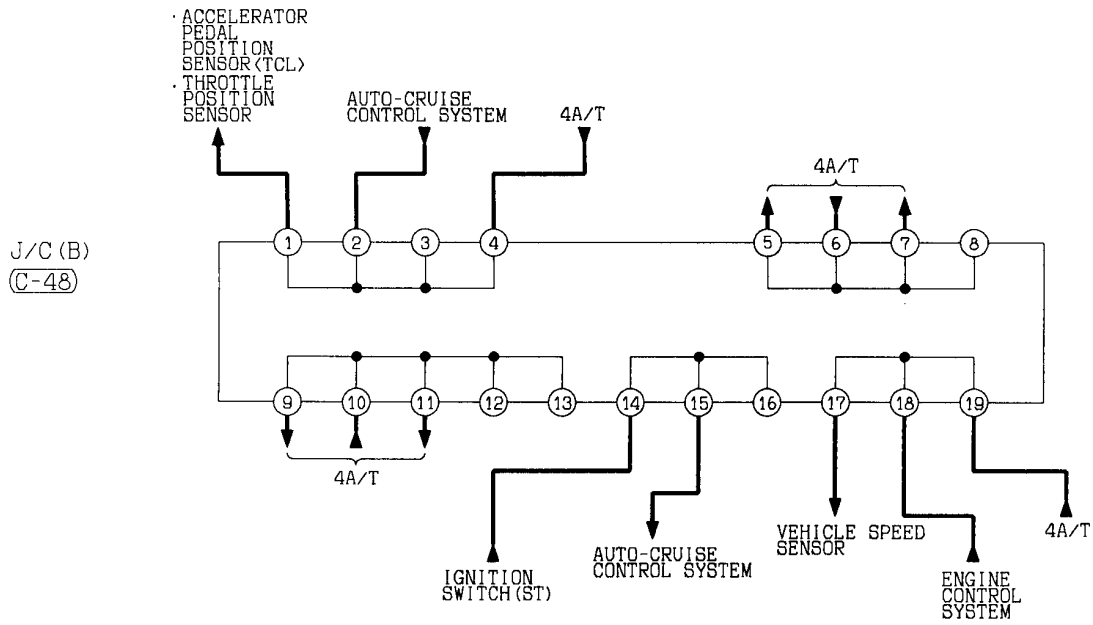
(C-67)

1	2	3	4	5	6	7	8	9	10	11
12	13	14	15	16	17	18	19	20	21	22
23	24	25	26	27	28	29	30	31	32	33



REMARK
IN ACTUAL VEHICLES, ANY OF THE TERMINALS CONNECTED IN J/C ARE USED. THE TERMINALS DESCRIBED IN THE CIRCUIT DIAGRAM MAY NOT BE IDENTICAL TO THOSE OF THE VEHICLES.

JOINT CONNECTOR <R.H. drive vehicles> (CONTINUED)



(C-45)

1	2	3	4
5	6	7	8

(C-48)

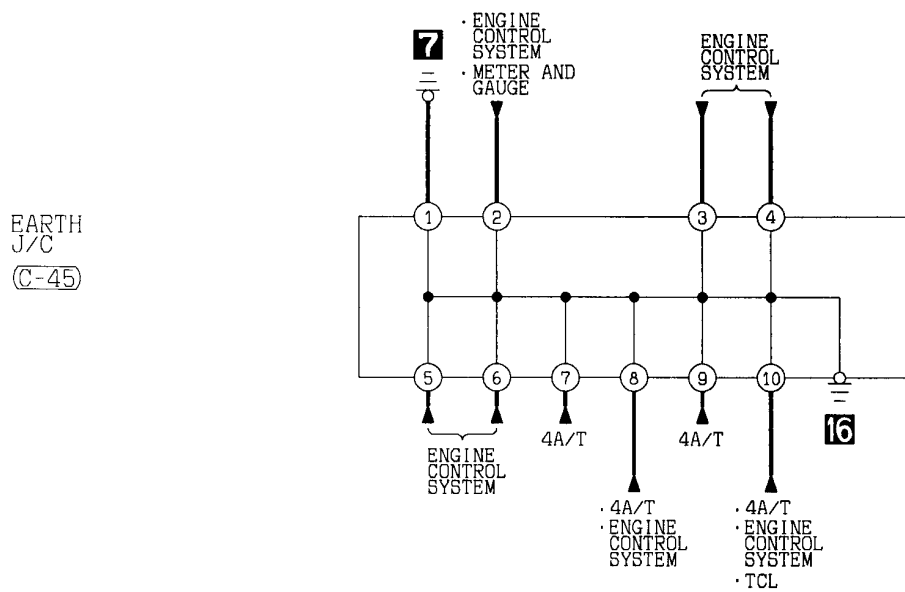
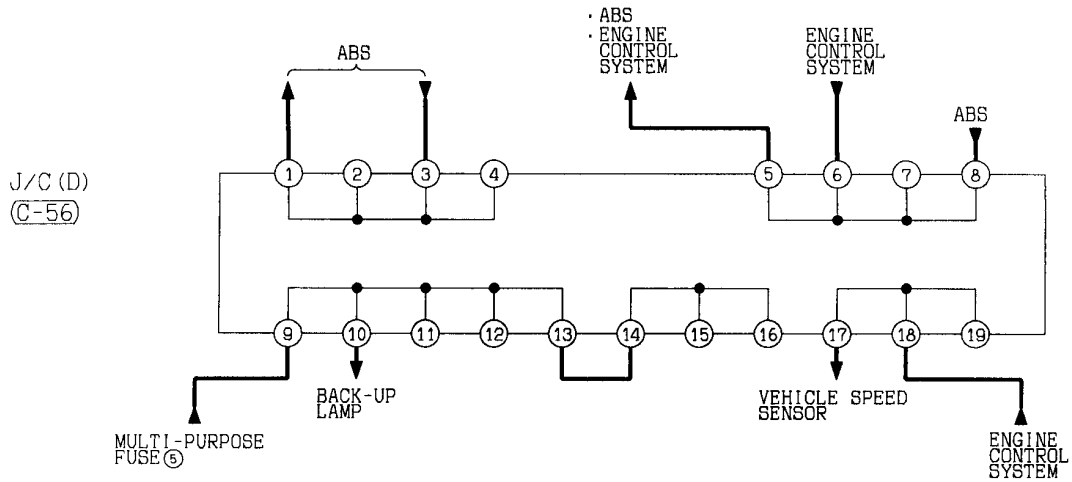
1	2	3	4	5	6	7	8
9	10	11	12	13	14	15	16

(C-49)

1	2	3	4	5	6	7	8
9	10	11	12	13	14	15	16

(C-56)

1	2	3	4	5	6	7	8
9	10	11	12	13	14	15	16



REMARK
IN ACTUAL VEHICLES, ANY OF THE TERMINALS CONNECTED IN J/C ARE USED. THE TERMINALS DESCRIBED IN THE CIRCUIT DIAGRAM MAY NOT BE IDENTICAL TO THOSE OF THE VEHICLES.

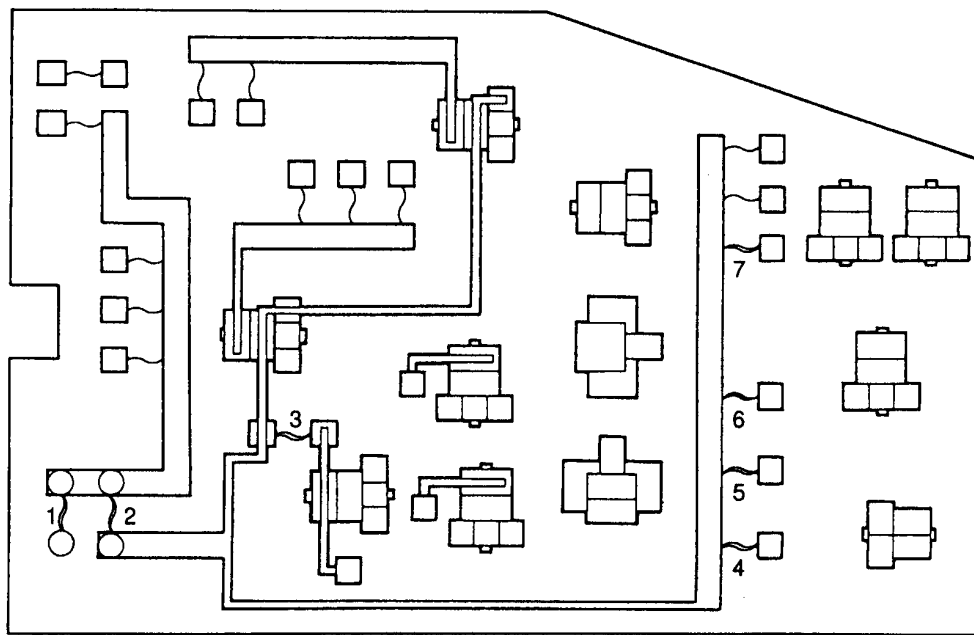
CENTRALIZED JUNCTION

90100030378

FUSIBLE LINK

No.	Circuit	Housing colour	Rated capacity (A)
1	Multi-purpose fuse No. (1), (2), (3), (10), (11)	Yellow	60
2	Dedicated fuse No. (2), (3), (4) and charging system	Blue	100
3	Dedicated fuse No. (15), headlamp washer, power windows and power seat	Pink	30
4	Fan controller	Red	50
5	ABS system	Yellow	60
6	-	-	-
7	Ignition switch and starting system <4D68>	Pink	30
8	Glow system <4D68>	Black	80

(Relay box in engine compartment)



1610232

(Connected directly to battery positive terminal)



16M0145

DEDICATED FUSE

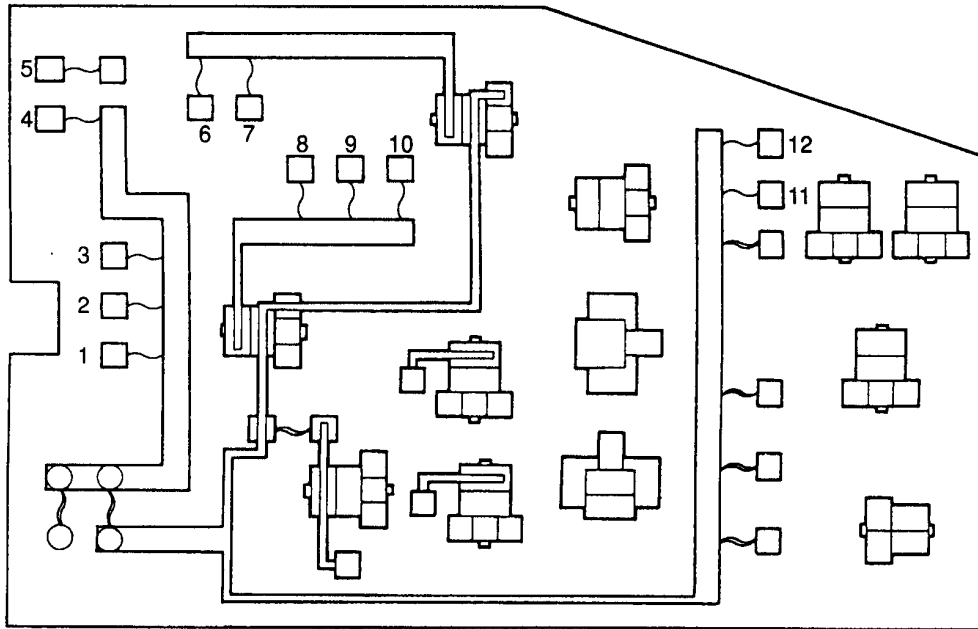
<L.H. drive vehicles>

Power supply circuit	No.	Rated capacity (A)	Housing colour	Circuit
Battery	1	-	-	-
	2	20	Yellow	Front fog lamp and charging system
	3	10	Red	A/C compressor
	4	10	Red	Clock, door lamp, ECU power supply, ignition key cylinder illumination lamp, luggage compartment lamp, MUT-II power supply, personal lamp, radio, room lamp and theft-alarm indicator
Ignition switch (ACC)	5	15	Blue	Multi-purpose fuse No. (6)
Headlamp relay	6	15	Blue	Headlamp and high beam indicator
	7	15	Blue	Headlamp and headlamp leveling system
Tail lamp relay	8	10	Red	Clock, front fog lamp, headlamp washer, illumination lamp, licence plate lamp <Wagon>, position lamp, radio, rheostat and tail lamp
	9	10	Red	Ashtray illumination lamp, cigarette lighter, console illumination lamp, glove box lamp, illumination lamp, licence plate lamp <Sedan>, lighting monitor buzzer, position lamp and tail lamp
	10	10	Red	Rear fog lamp
Battery	11	20	Yellow	INVECS-II 4A/T, engine control system, immobilizer system <MPI> and traction control system
	12	10	Red	Hazard warning lamp and turn signal lamp
-	13	-	-	-
Defogger relay	14	10	Red	Defogger and mirror heater
Battery	15	20	Yellow	Sunroof
-	16	-	-	-

<R.H. drive vehicles>

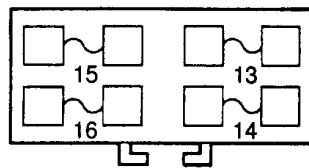
Power supply circuit	No.	Rated capacity (A)	Housing colour	Circuit
Battery	1	-	-	-
	2	20	Yellow	Front fog lamp and charging system
	3	10	Red	A/C compressor
	4	10	Red	Clock, door lamp, ECU power supply, ignition key cylinder illumination lamp, luggage compartment lamp, motor antenna, MUT-II power supply, personal lamp, radio, room lamp and theft-alarm indicator
Ignition switch (ACC)	5	15	Blue	Multi-purpose fuse No. (6)
Headlamp relay	6	15	Blue	Headlamp and high beam indicator
	7	15	Blue	Headlamp and headlamp leveling system
Tail lamp relay	8	10	Red	Ashtray illumination lamp, cigarette lighter, clock, glove box lamp, console illumination lamp, front fog lamp, headlamp washer, illumination lamp, licence plate lamp, lighting monitor buzzer, radio, rheostat and tail lamp
	9	10	Red	Position lamp and tail lamp
	10	10	Red	Rear fog lamp
Battery	11	20	Yellow	INVECS-II 4A/T, engine control system, immobilizer system <MPI> and traction control system
	12	10	Red	Hazard warning lamp and turn signal lamp
-	13	-	-	-
Defogger relay	14	10	Red	Defogger and mirror heater
Battery	15	20	Yellow	Sunroof
-	16	-	-	-

(Relay box in engine compartment)



1610232

(Connected to J/B)



16P0012

MULTI-PURPOSE FUSE

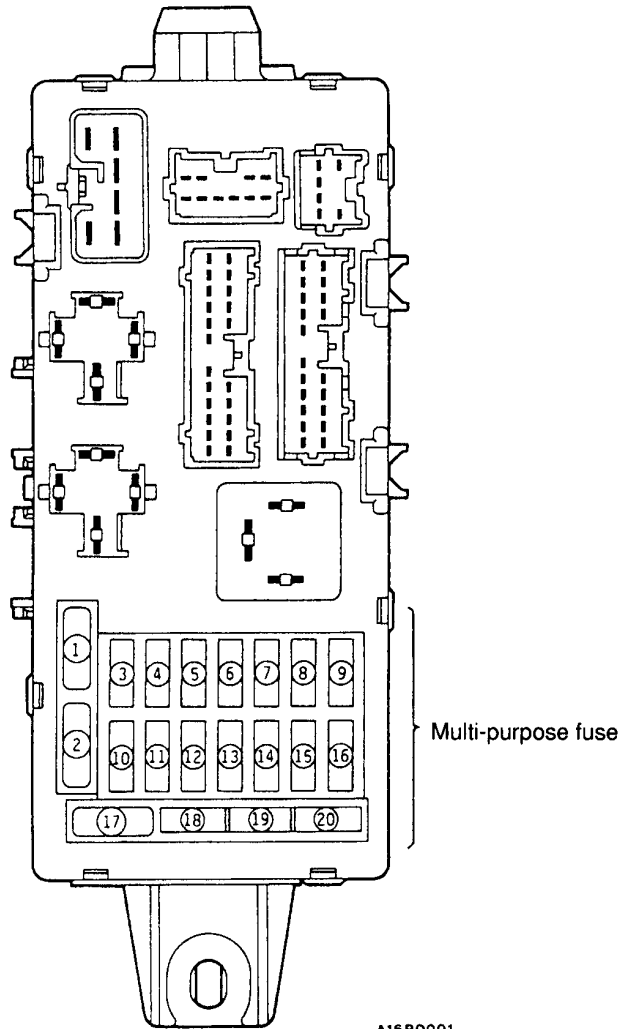
<L.H. drive vehicles>

Power supply circuit		No.	Rated capacity (A)	Housing colour	Load circuit
Battery		1	30	Pink	Defogger and mirror heater
		2	30	Pink	Blower motor
		3	15	Blue	Stop lamp
Ignition switch	IG1	4	10	Red	Turn signal and hazard warning flasher unit and SRS-ECU
		5	10	Red	A/T-ECU, back-up lamp, combination meter, immobilizer-ECU, input shaft speed sensor <A/T> and output shaft speed sensor <A/T>
Dedicated fuse No. (5)		6	10	Red	Clock, motor antenna and radio
Ignition switch	ACC	7	15	Blue	Cigarette lighter and headlamp washer relay
		8	20	Yellow	Auto-cruise-ECU, ETACS-ECU, keyless entry receiver-ECU, rear intermittent wiper relay, washer motor, wiper motor, remote controlled mirror, windshield intermittent wiper relay, washer motor and wiper motor
	IG2	9	10	Red	ABS-ECU, ABS warning lamp relay, sunroof-ECU and TCL-ECU
Battery		10	10	Red	Theft-alarm horn relay and theft-alarm horn
		11	15	Blue	Combination meter, door warning lamp and ETACS-ECU
Ignition switch	IG1	12	10	Red	Alternator relay and steering wheel sensor <with TCL>
		13	10	Red	Buzzer-ECU, combination meter, ETACS-ECU, immobilizer-ECU, SRS-ECU and vehicle speed sensor
	ACC	14	10	Red	Horn
	IG2	15	10	Red	Heated seat
		16	10	Red	A/C-ECU, A/C switch, air selection damper control motor <except automatic air conditioner>, automatic compressor-ECU, blower relay, defogger relay, DRL-ECU and power window relay

<R.H. drive vehicles>

Power supply circuit		No.	Rated capacity (A)	Housing colour	Load circuit
Battery		1	30	Pink	Defogger and mirror heater
		2	30	Pink	Blower motor
		3	15	Blue	Stop lamp
Ignition switch	IG1	4	10	Red	Turn signal and hazard warning flasher unit and SRS-ECU
		5	10	Red	A/T-ECU, back-up lamp, combination meter, immobilizer-ECU, input shaft speed sensor <A/T> and output shaft speed sensor <A/T>
Dedicated fuse No. (5)		6	10	Red	Auto-cruise-ECU, clock, keyless entry receiver-ECU, motor antenna, radio and remote controlled mirror
Ignition switch	ACC	7	15	Blue	Cigarette lighter and headlamp washer relay
		8	20	Yellow	ETACS-ECU, rear intermittent wiper relay, washer motor, windshield intermittent wiper relay and wiper motor
	IG2	9	10	Red	ABS-ECU ABS warning lamp relay, sunroof-ECU and TCL-ECU
Battery		10	10	Red	Theft-alarm horn relay and theft-alarm horn
		11	15	Blue	Combination meter, door warning lamp and ETACS-ECU
Ignition switch	IG1	12	10	Red	Alternator relay and steering wheel sensor <with TCL>
		13	10	Red	Combination meter, ETACS-ECU, immobilizer-ECU <4D68>, SRS-ECU and vehicle speed sensor
	ACC	14	10	Red	Horn
	IG2	15	10	Red	Heated seat
		16	10	Red	A/C-ECU, A/C switch, air selection damper control motor <except automatic air conditioner>, automatic compressor-ECU, blower relay and defogger relay

(In junction block)

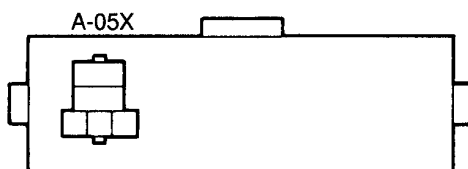


A16P0001

CENTRALIZED RELAY

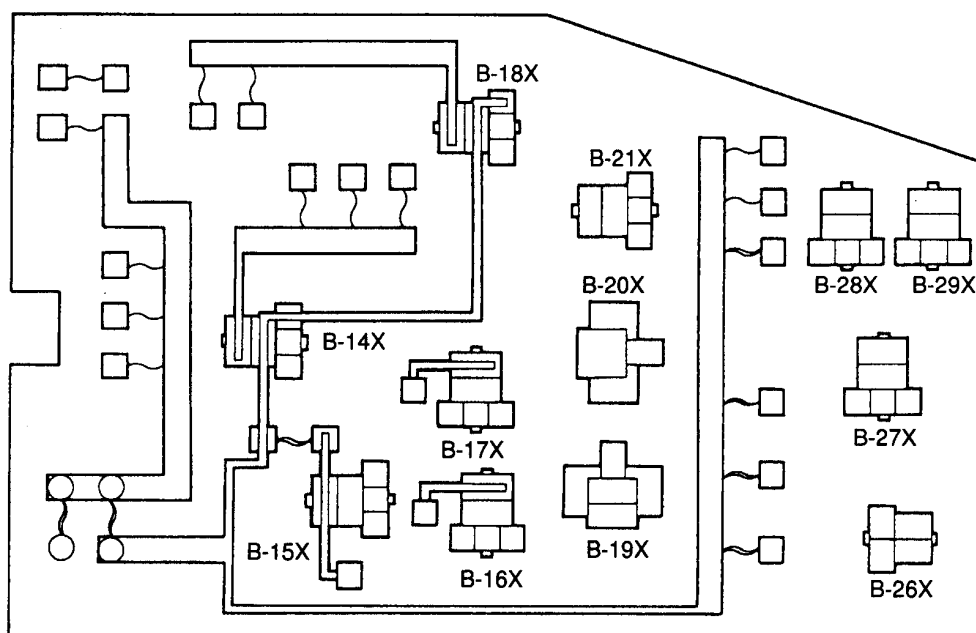
Connector No.	Name	Connector No.	Name
A-05X	ABS warning lamp relay	B-20X	Fan control relay
B-14X	Tail lamp relay	B-21X	Theft-alarm horn relay
B-15X	Power window relay	B-26X	Alternator relay
B-16X	Front fog lamp relay	B-27X	No connection
B-17X	Horn relay	B-28X	A/C compressor relay
B-18X	Headlamp relay		
B-19X	-	B-29X	-

(ABS relay box in engine compartment)



1610230

(Relay box in engine compartment)

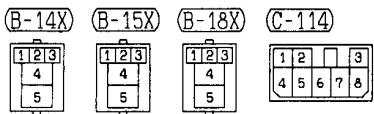
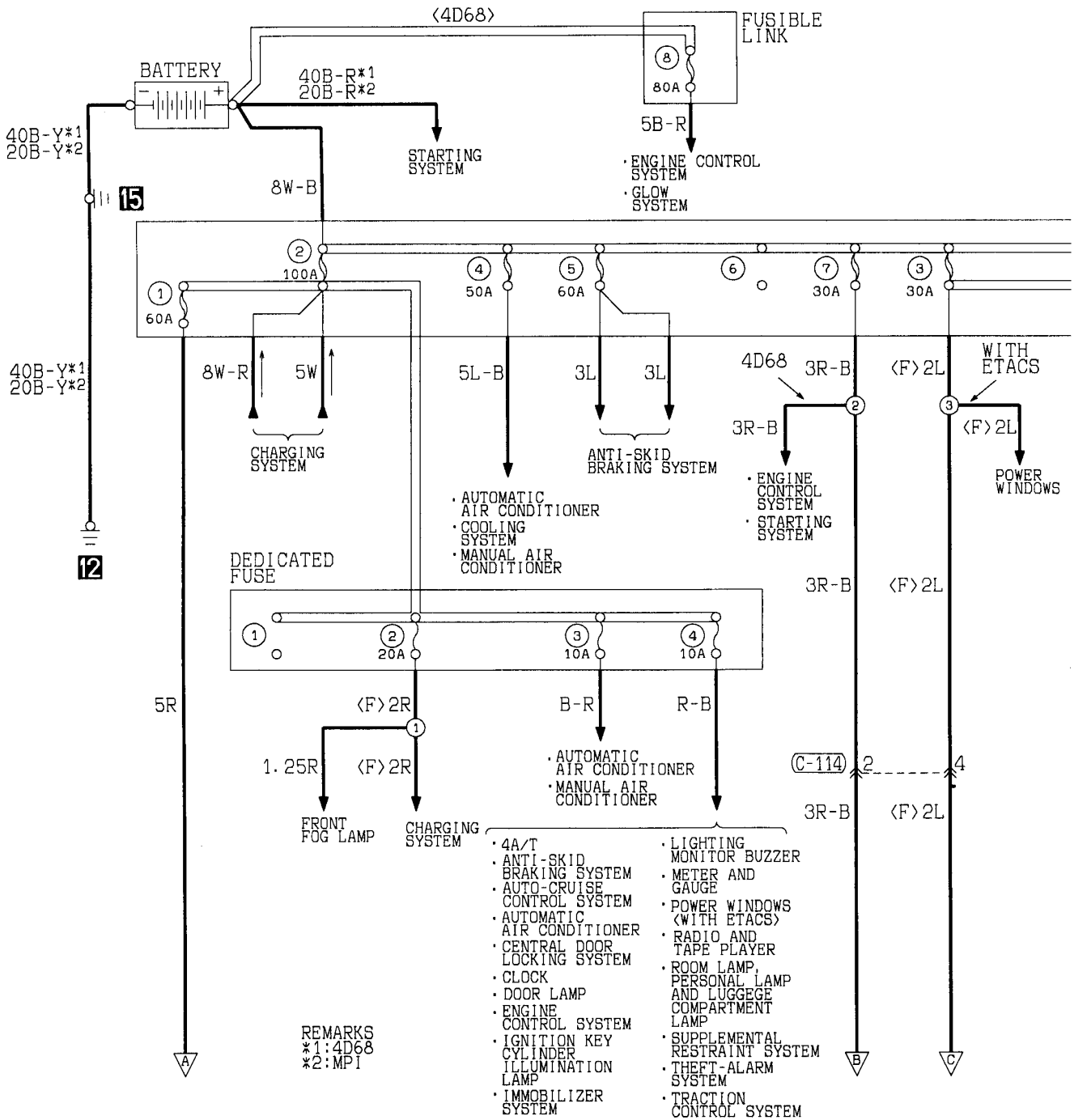


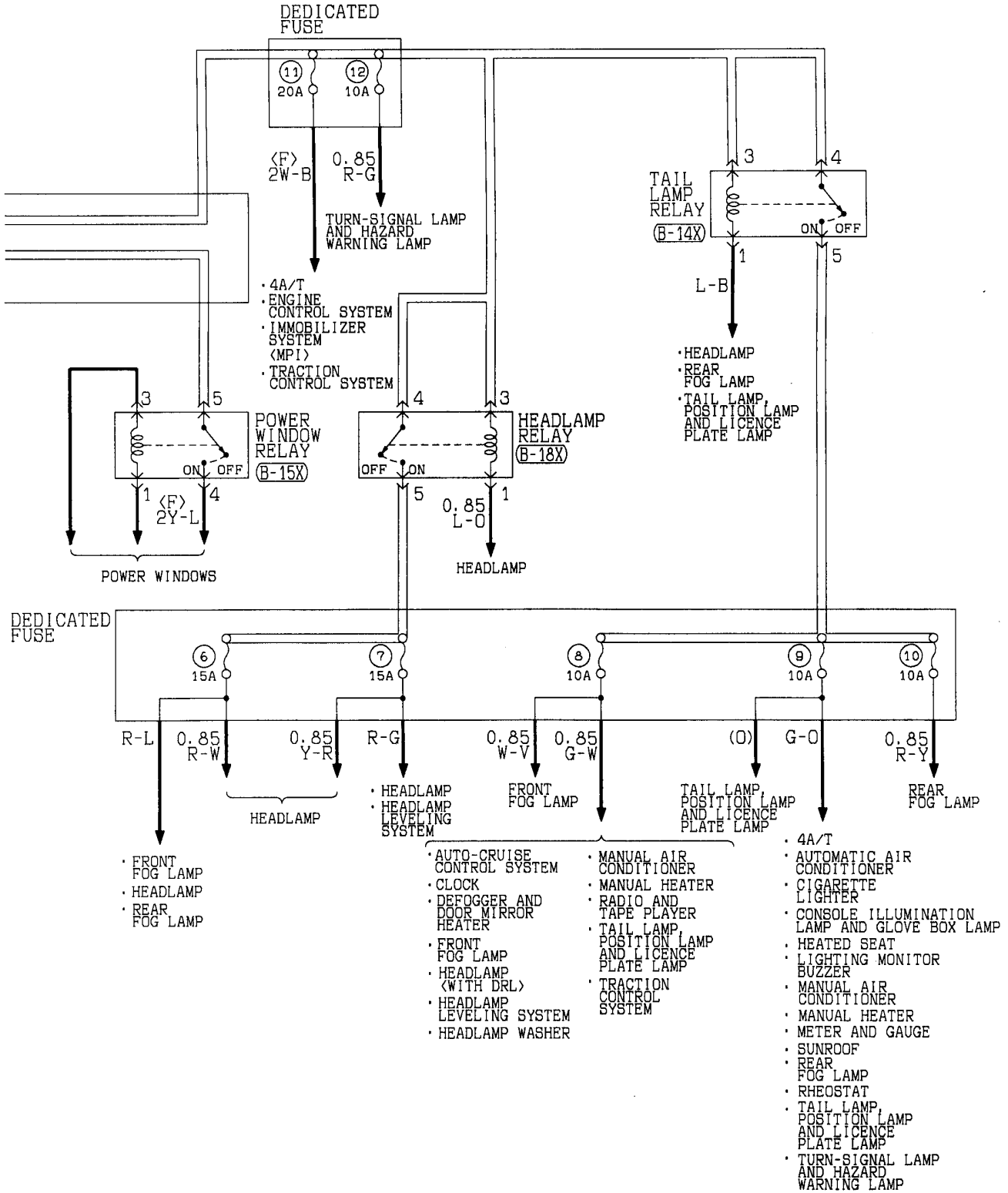
1610232

POWER DISTRIBUTION SYSTEM

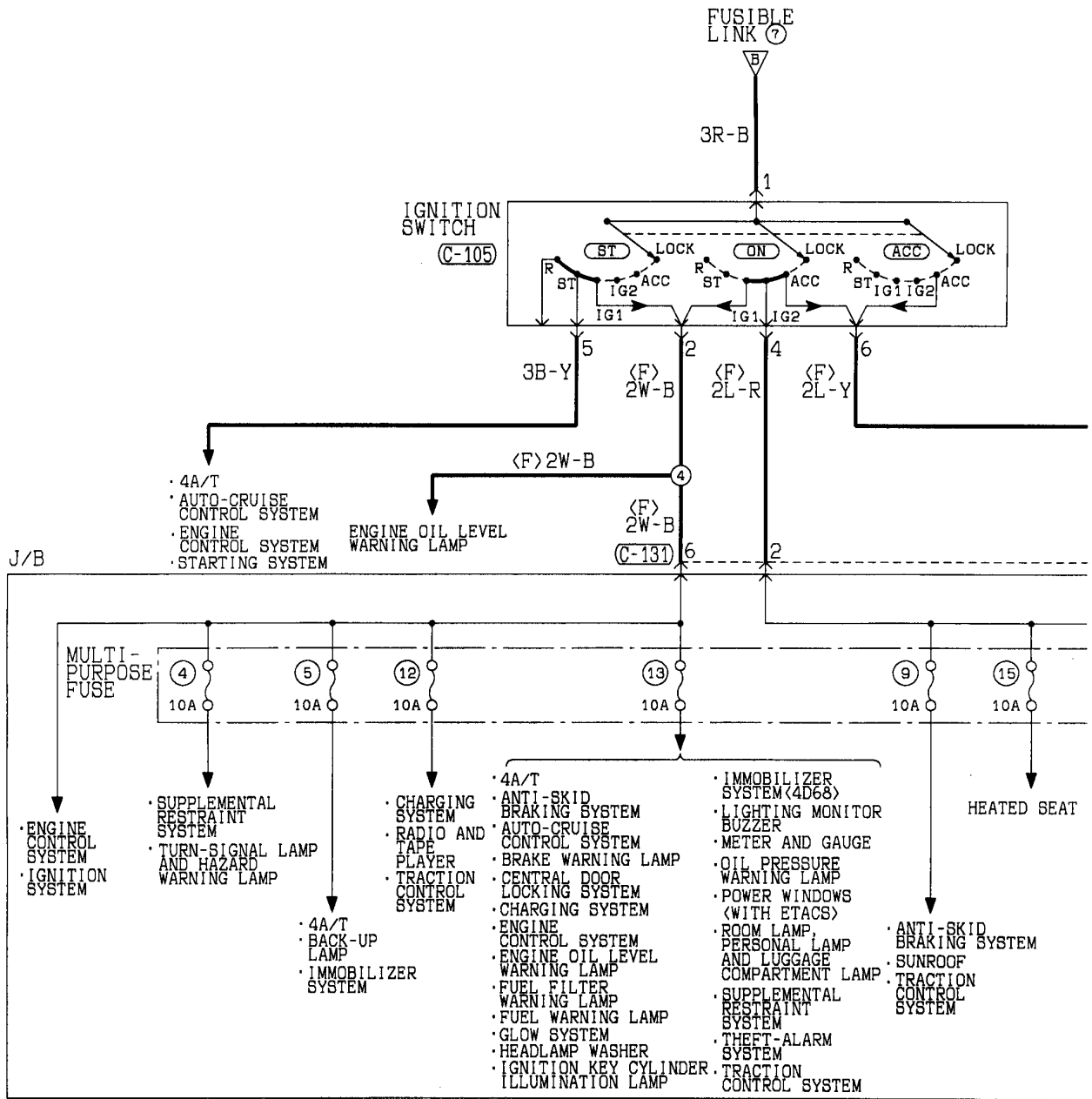
90100040494

L.H. drive vehicles





POWER DISTRIBUTION SYSTEM <L.H. drive vehicles> (CONTINUED)



REMARK
 THE ABOVE CIRCUIT DIAGRAM SHOWS THE CURRENT FLOW AT THE IGNITION KEY POSITION "ACC", "ON" AND "ST" COMBINED. BE SURE TRACE THE APPROPRIATE CIRCUIT DEPENDING ON THE IGNITION KEY POSITION.

(C-105)

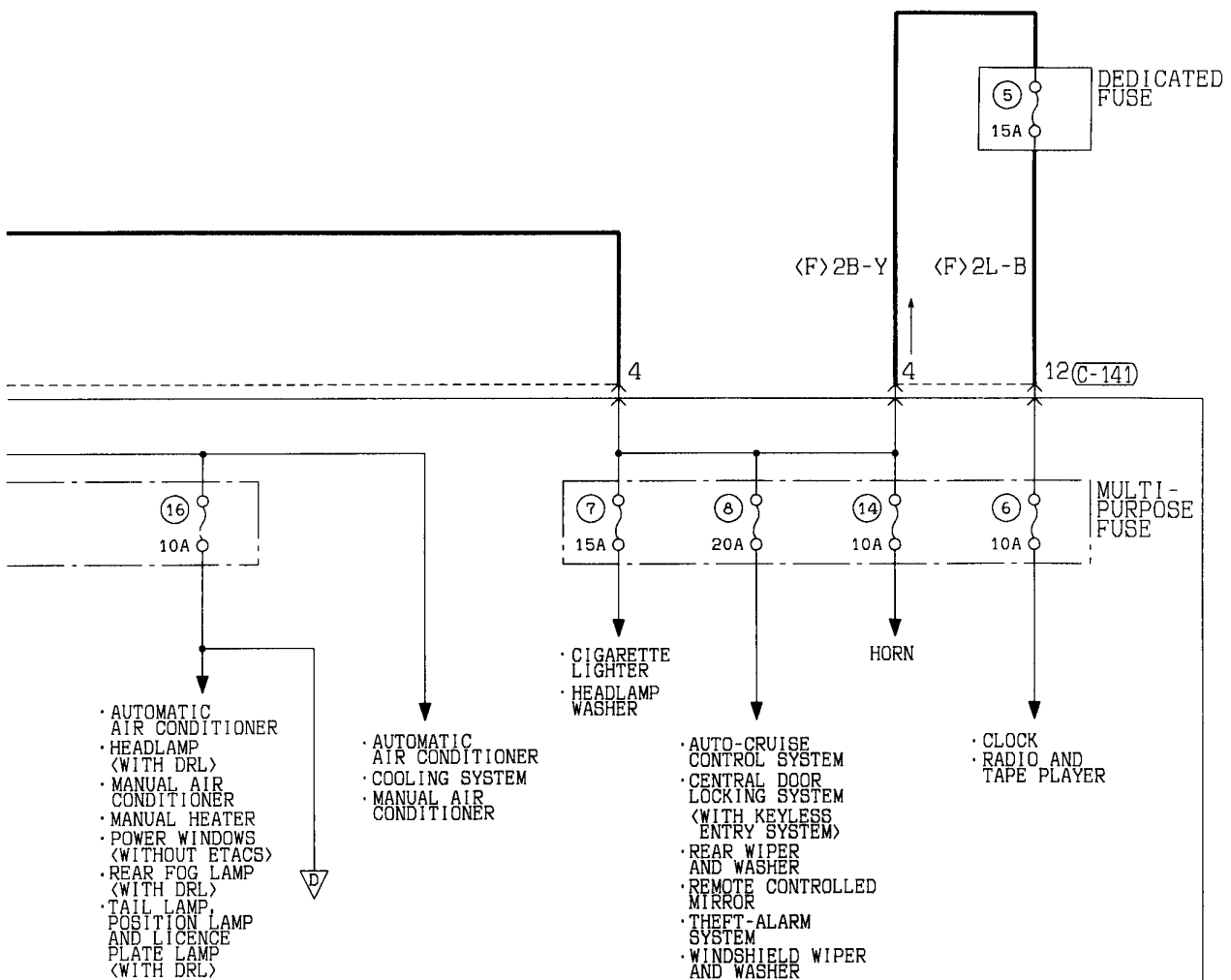
(C-131)

(C-141)

1	2	3
4	5	6

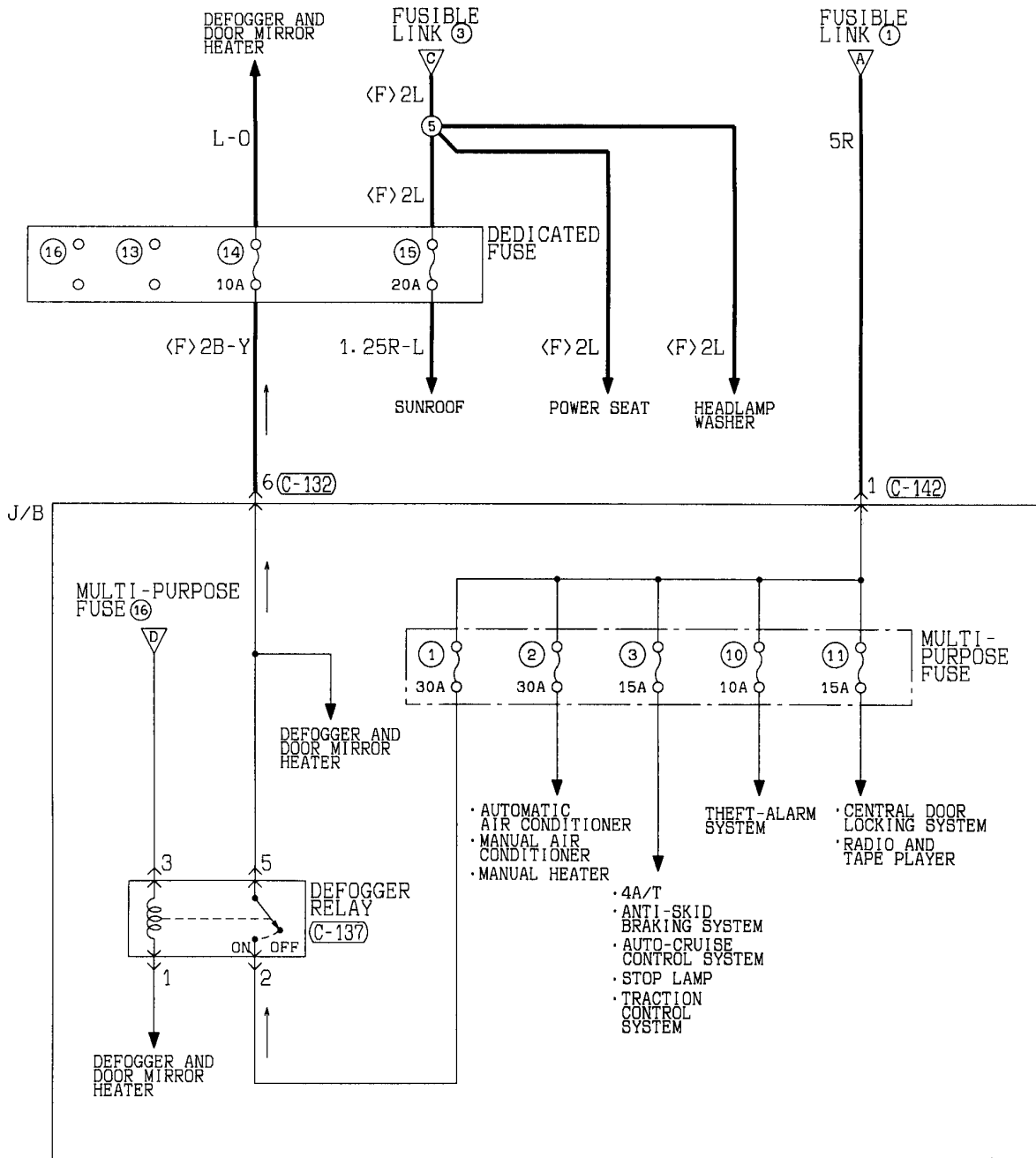
1	2
3	4

1	2	3	4	5	6	7	8
9	10	11	12	13	14	15	16



Wire colour code
 B :Black LG:Light green G :Green L :Blue W :White Y :Yellow SB:Sky blue
 BR:Brown O :Orange GR:Gray R :Red P :Pink V :Violet

POWER DISTRIBUTION SYSTEM <L.H. drive vehicles> (CONTINUED)



(C-132)



(C-137)



(C-142)



Wire colour code

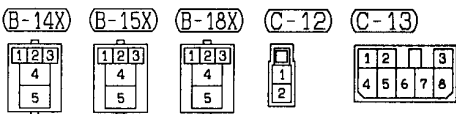
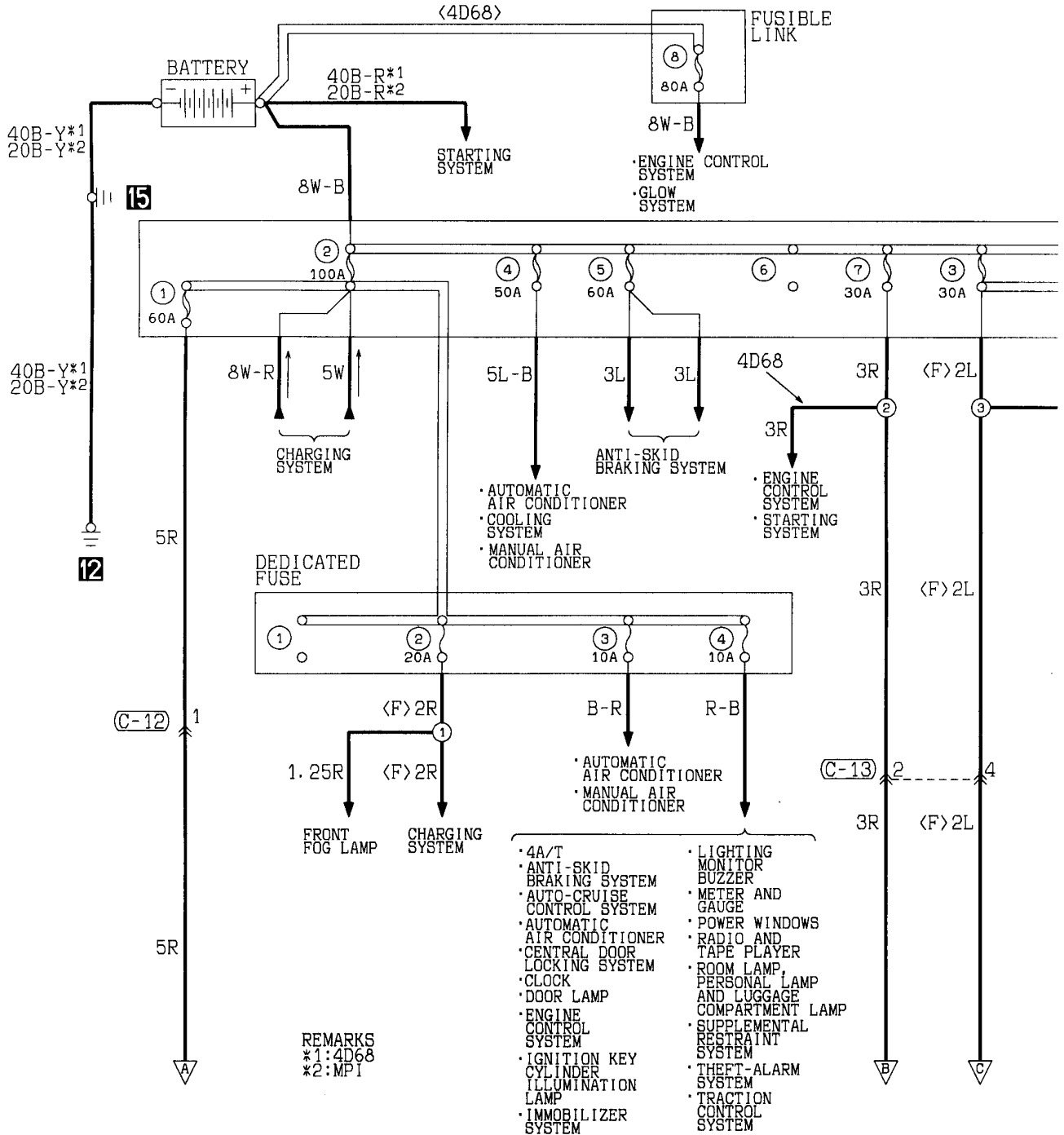
B : Black LG: Light green G : Green L : Blue W : White Y : Yellow SB: Sky blue
 BR: Brown O : Orange GR: Gray R : Red P : Pink V : Violet

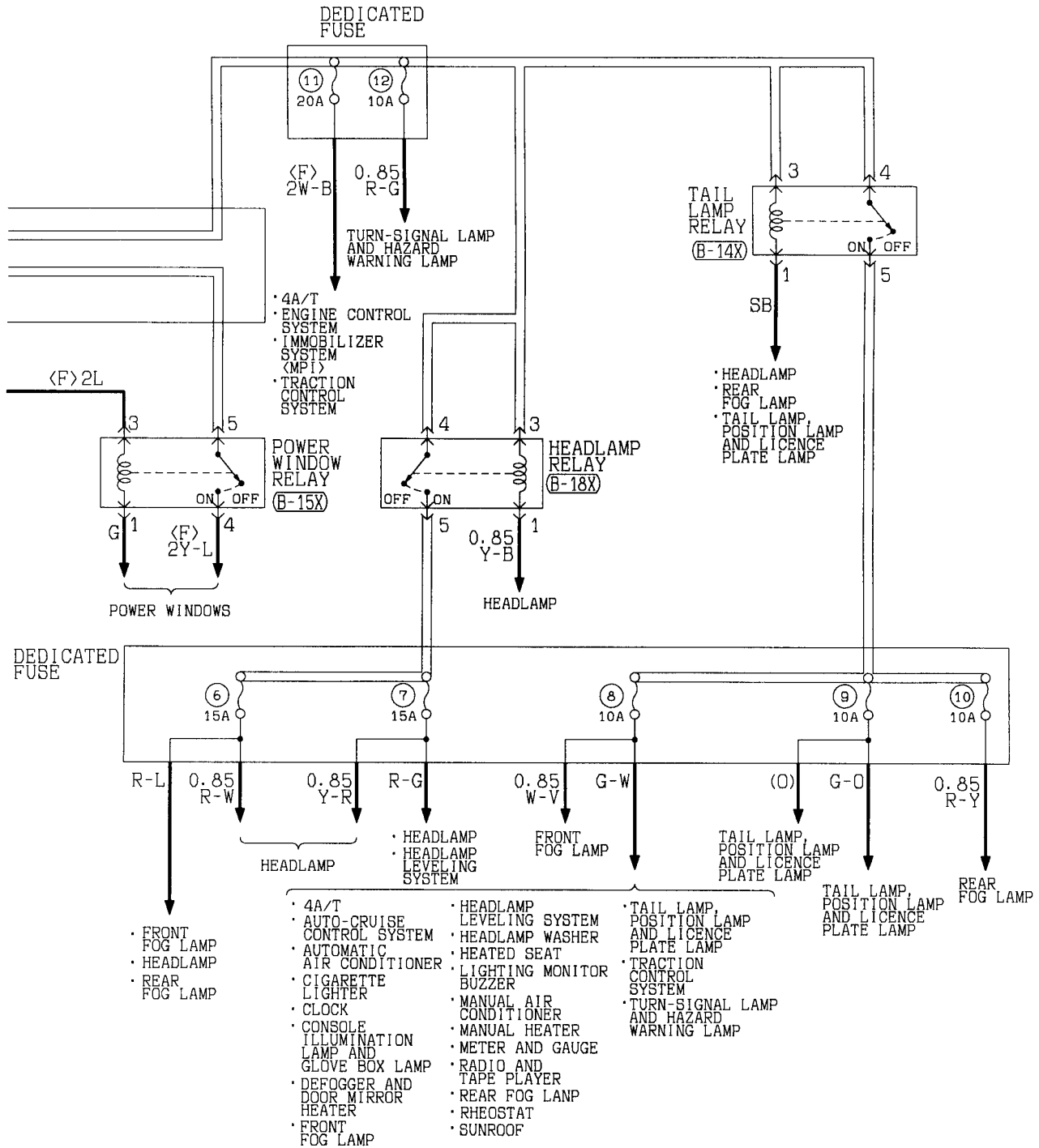
NOTES

POWER DISTRIBUTION SYSTEM

90100040500

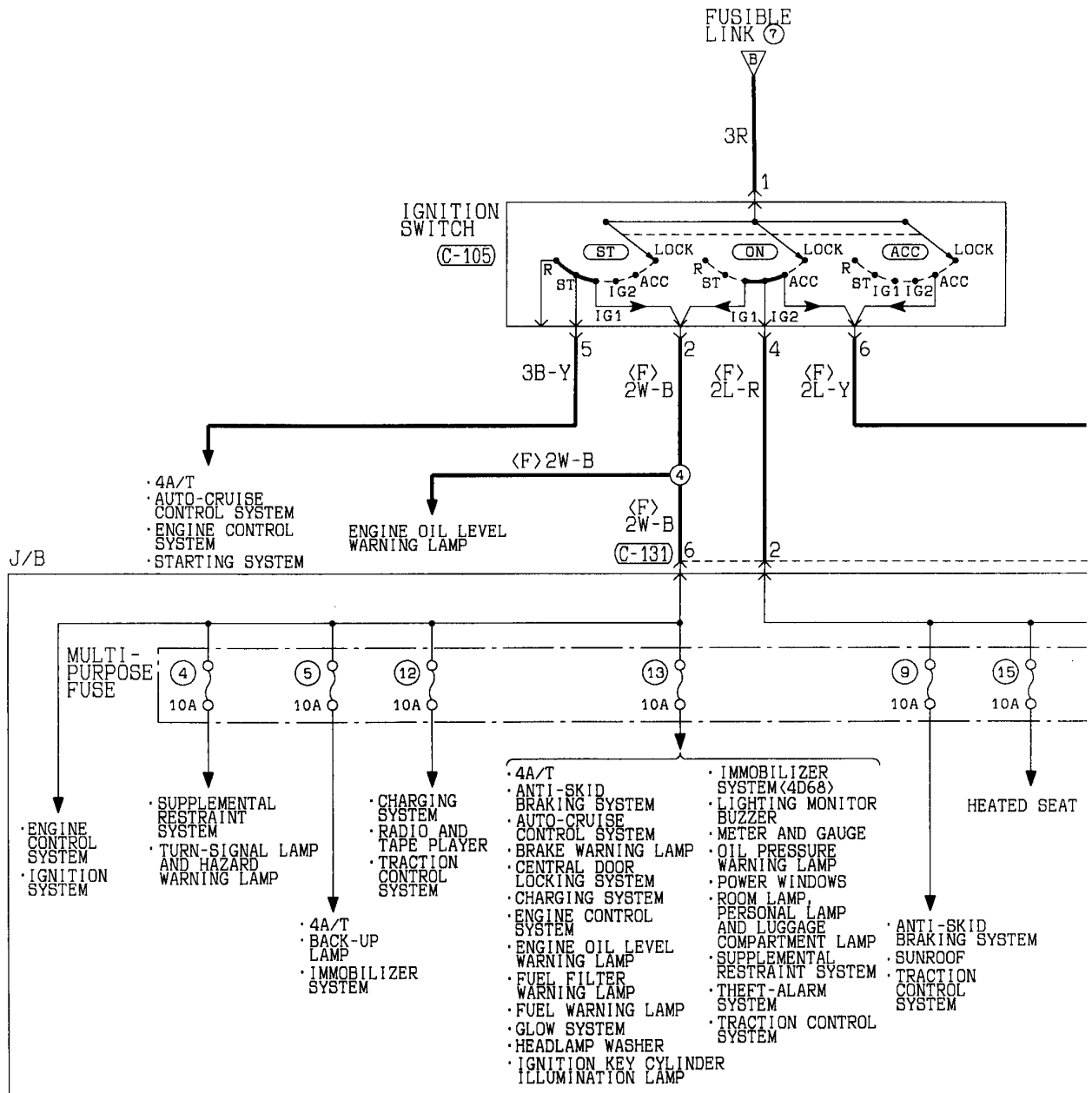
R.H. drive vehicles



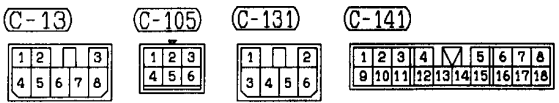


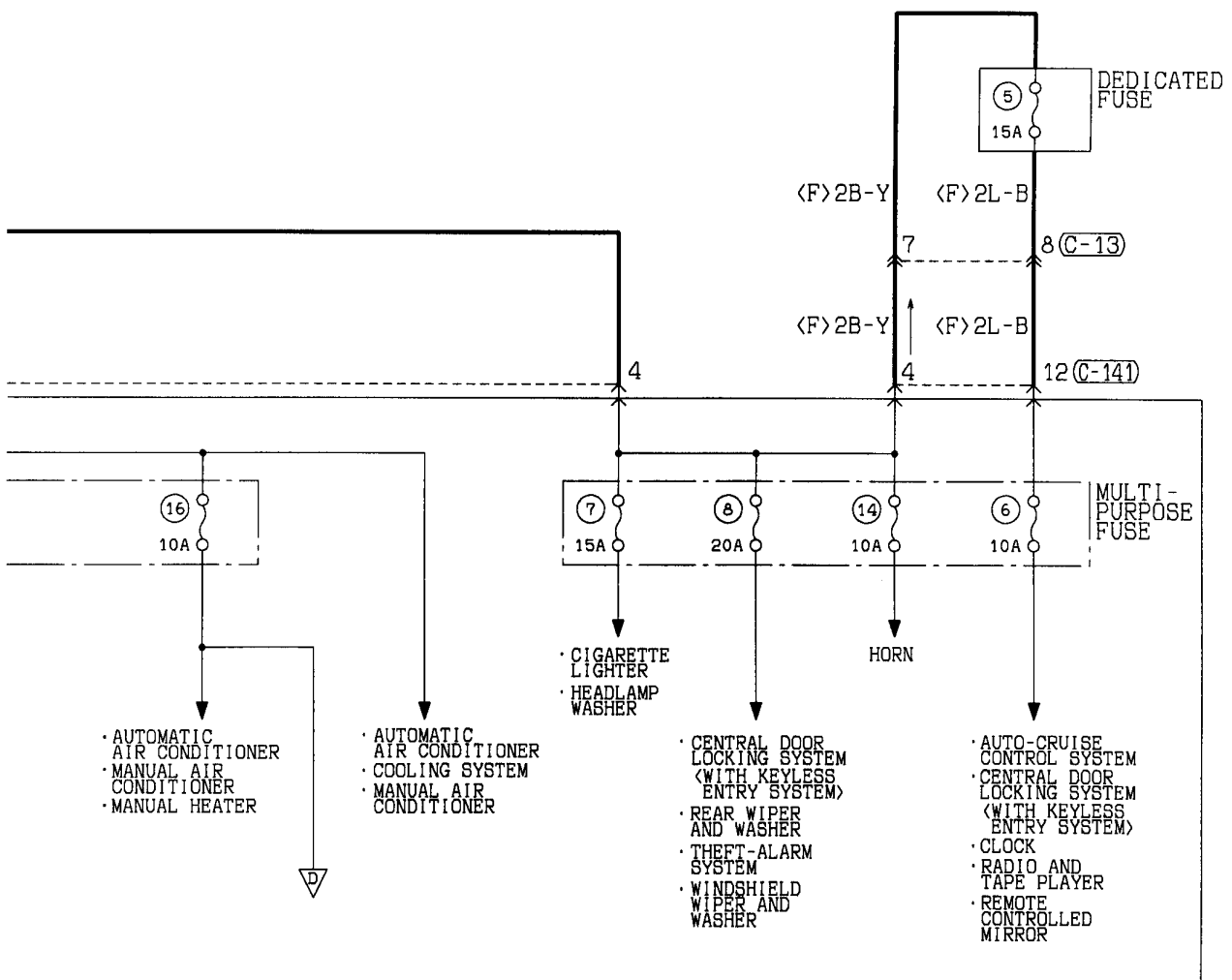
Wire colour code
 B:Black LG:Light green G:Green L:Blue W:White Y:Yellow SB:Sky blue
 BR:Brown O:Orange GR:Gray R:Red P:Pink V:Violet

POWER DISTRIBUTION SYSTEM <R.H. drive vehicles> (CONTINUED)



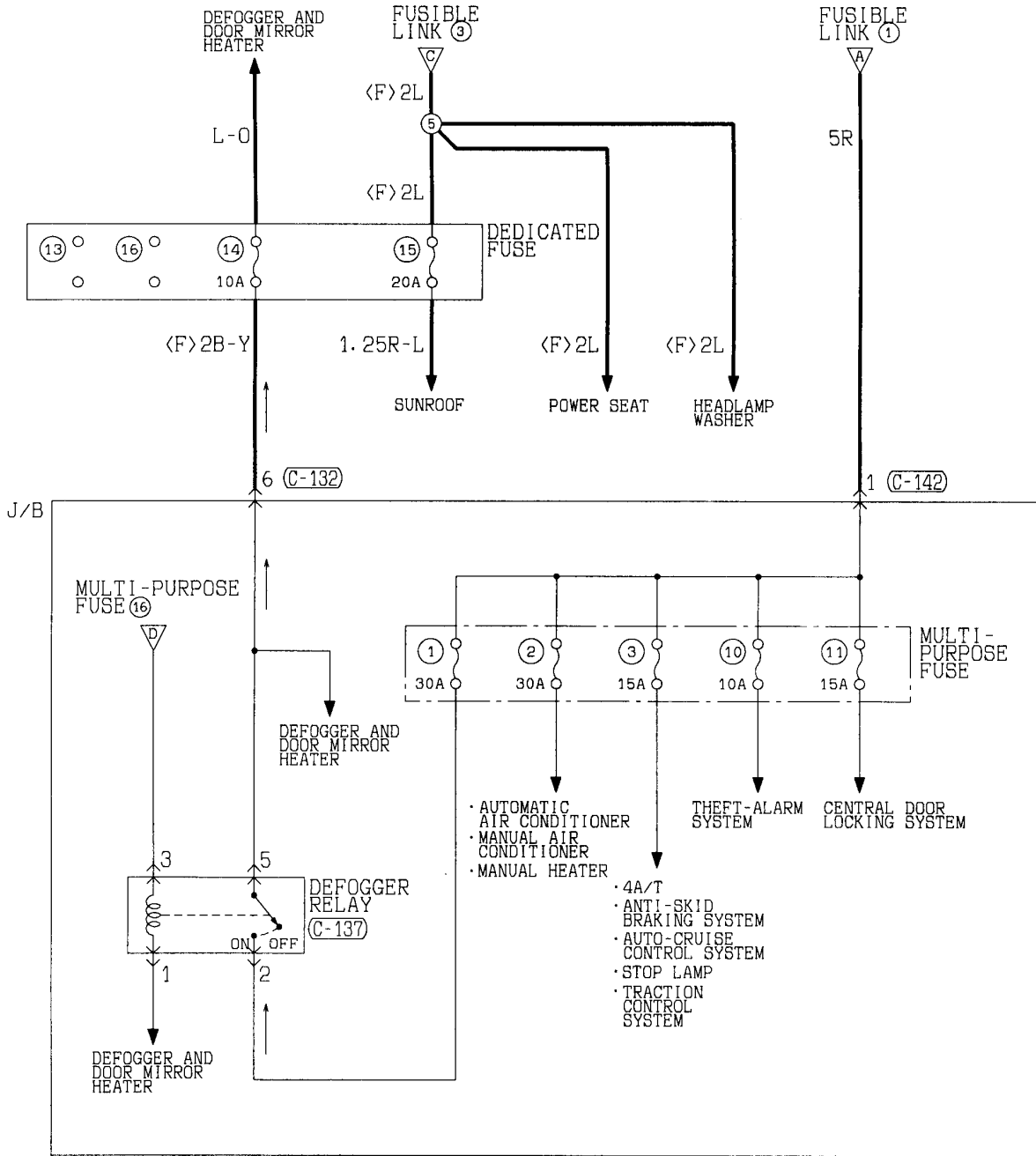
REMARK
 THE ABOVE CIRCUIT DIAGRAM SHOWS THE CURRENT FLOW AT THE
 IGNITION KEY POSITION "ACC", "ON" AND "ST" COMBINED.
 BE SURE TRACE THE APPROPRIATE CIRCUIT DEPENDING ON THE
 IGNITION KEY POSITION.





Wire colour code
 B :Black LG:Light green G :Green L :Blue W :White Y :Yellow SB:Sky blue
 BR:Brown O :Orange GR:Gray R :Red P :Pink V :Violet

POWER DISTRIBUTION SYSTEM <R.H. drive vehicles> (CONTINUED)



(C-132)

(C-137)

(C-142)



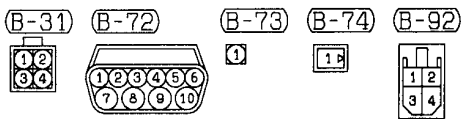
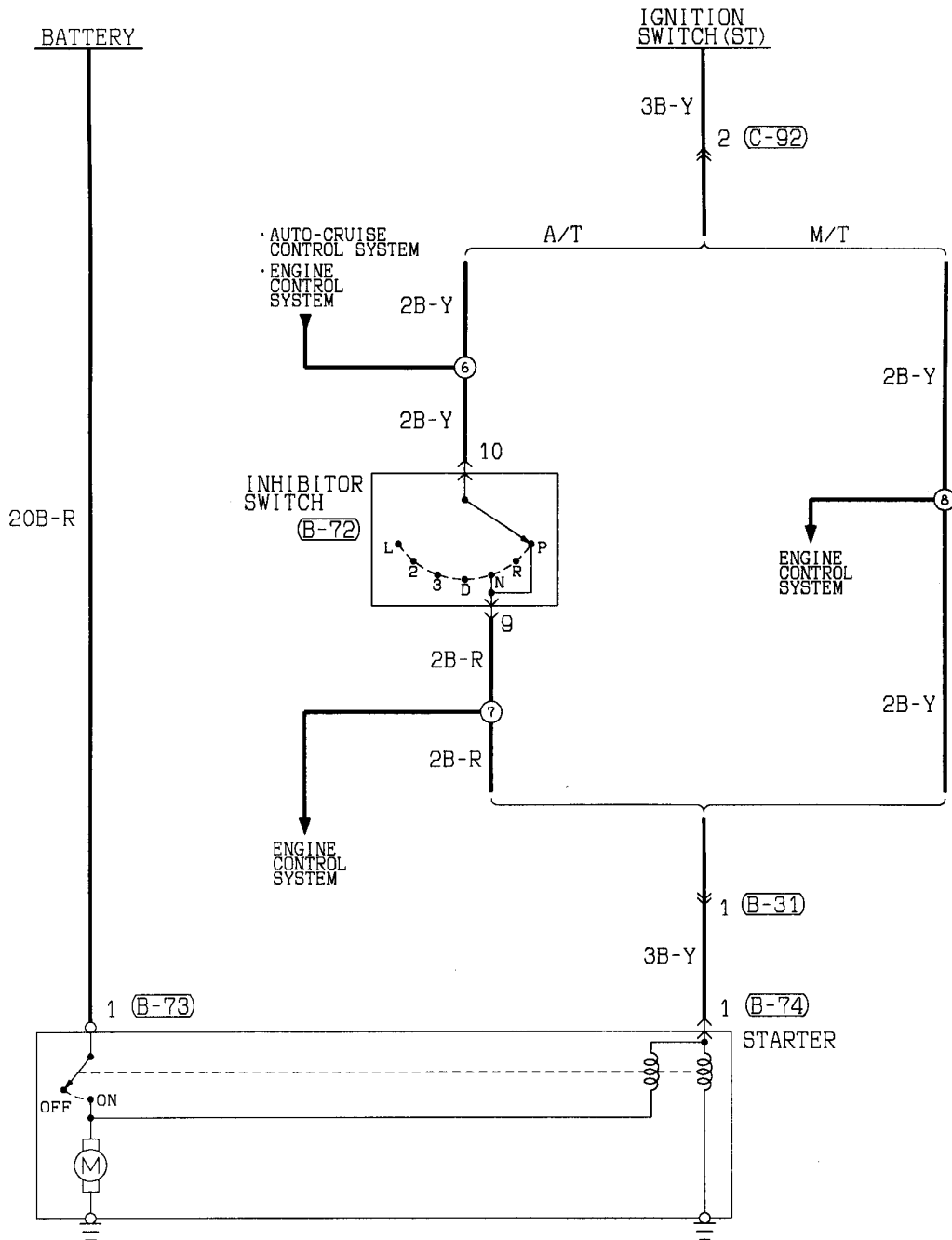
Wire colour code

B:Black LG:Light green G:Green L:Blue W:White Y:Yellow SB:Sky blue
 BR:Brown O:Orange GR:Gray R:Red P:Pink V:Violet

STARTING SYSTEM

90100050688

Petrol-powered vehicles

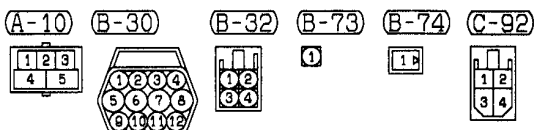
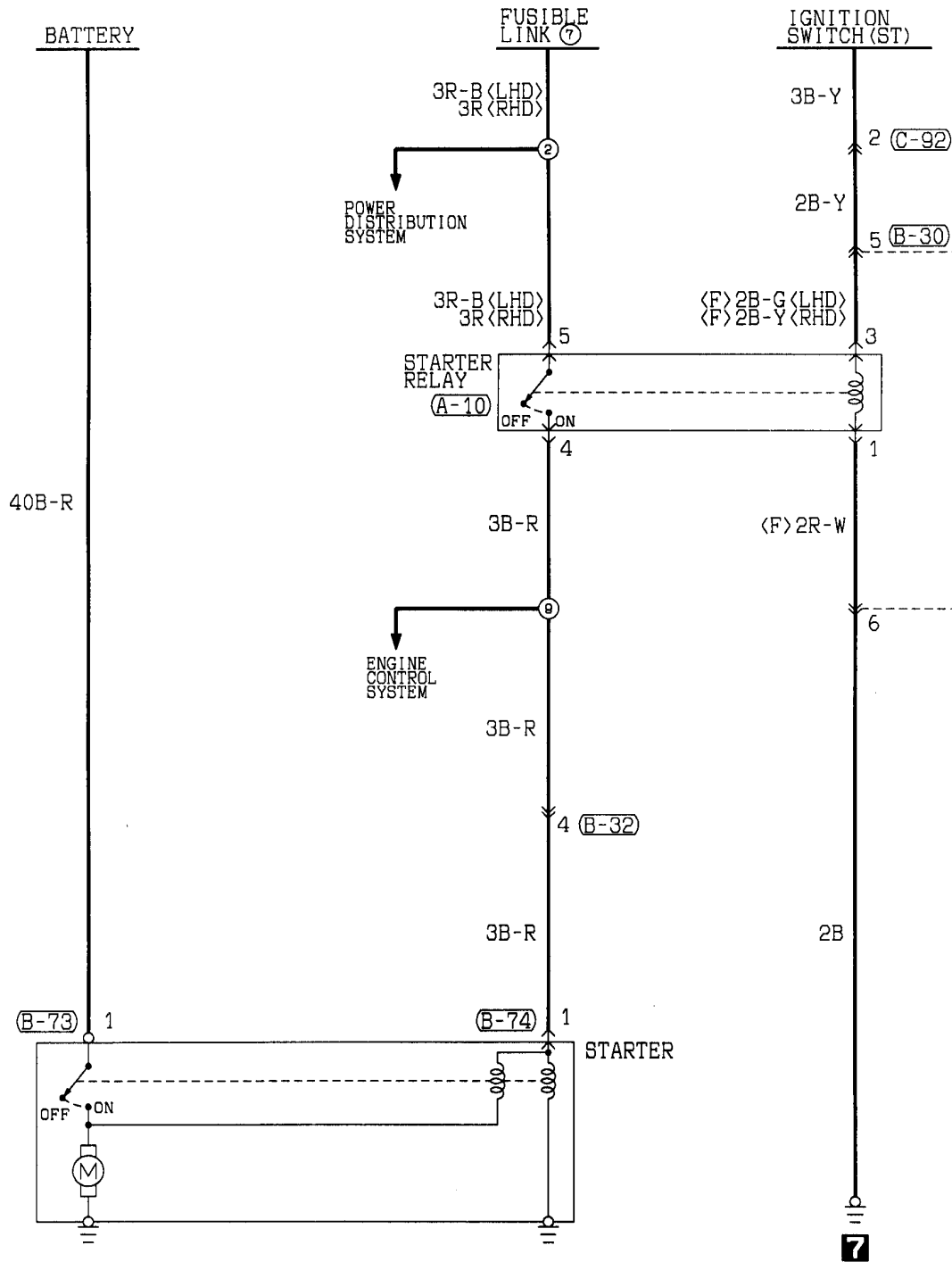


Wire colour code
 B : Black LG : Light green G : Green L : Blue W : White Y : Yellow SB : Sky blue
 BR : Brown O : Orange GR : Gray R : Red P : Pink V : Violet

STARTING SYSTEM

90100050695

Diesel-powered vehicles

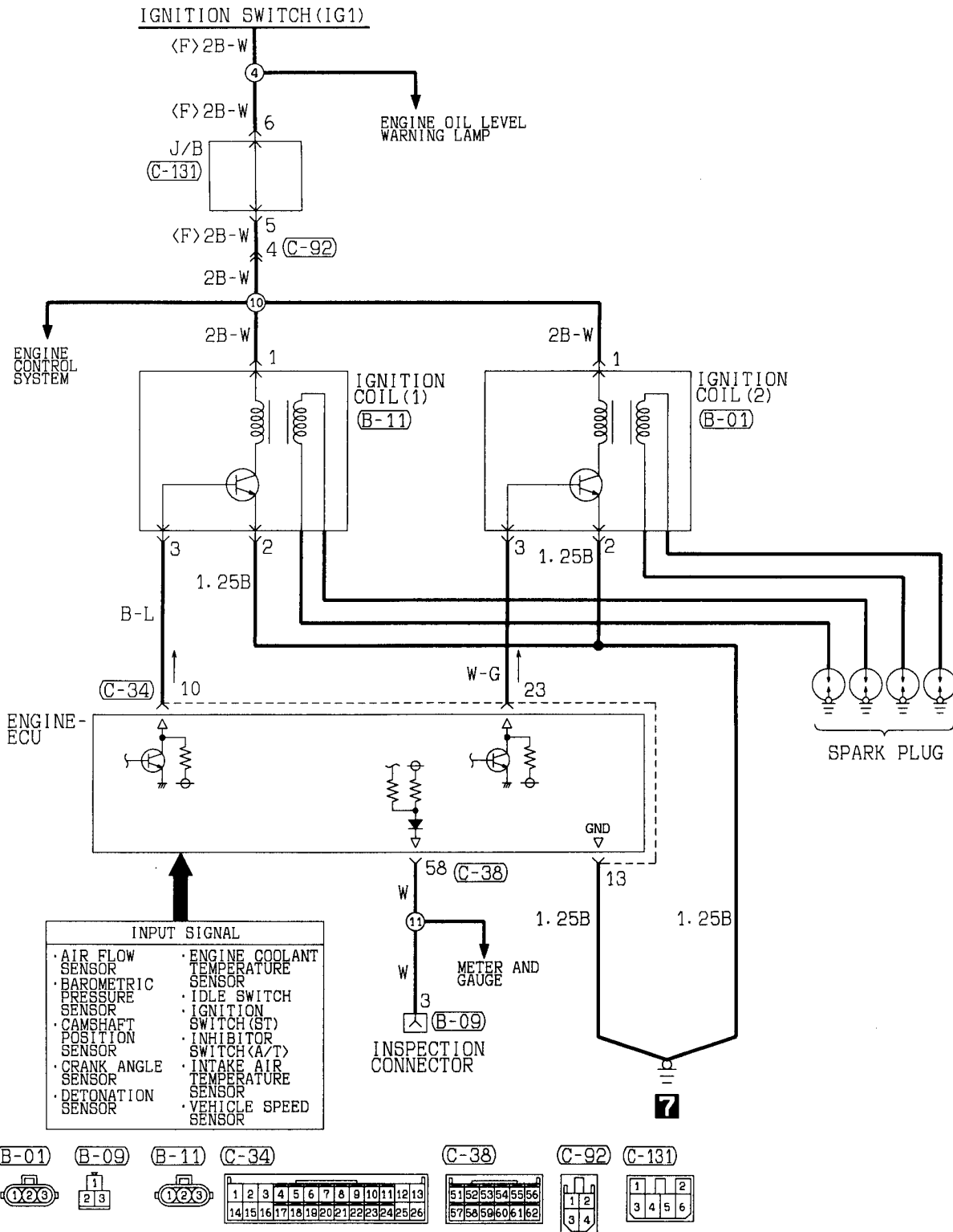


Wire colour code
 B : Black LG : Light green G : Green L : Blue W : White Y : Yellow SB : Sky blue
 BR : Brown O : Orange GR : Gray R : Red P : Pink V : Violet

IGNITION SYSTEM

90100060629

4G6

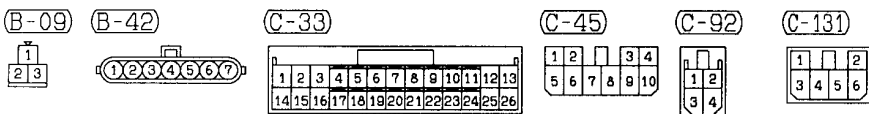
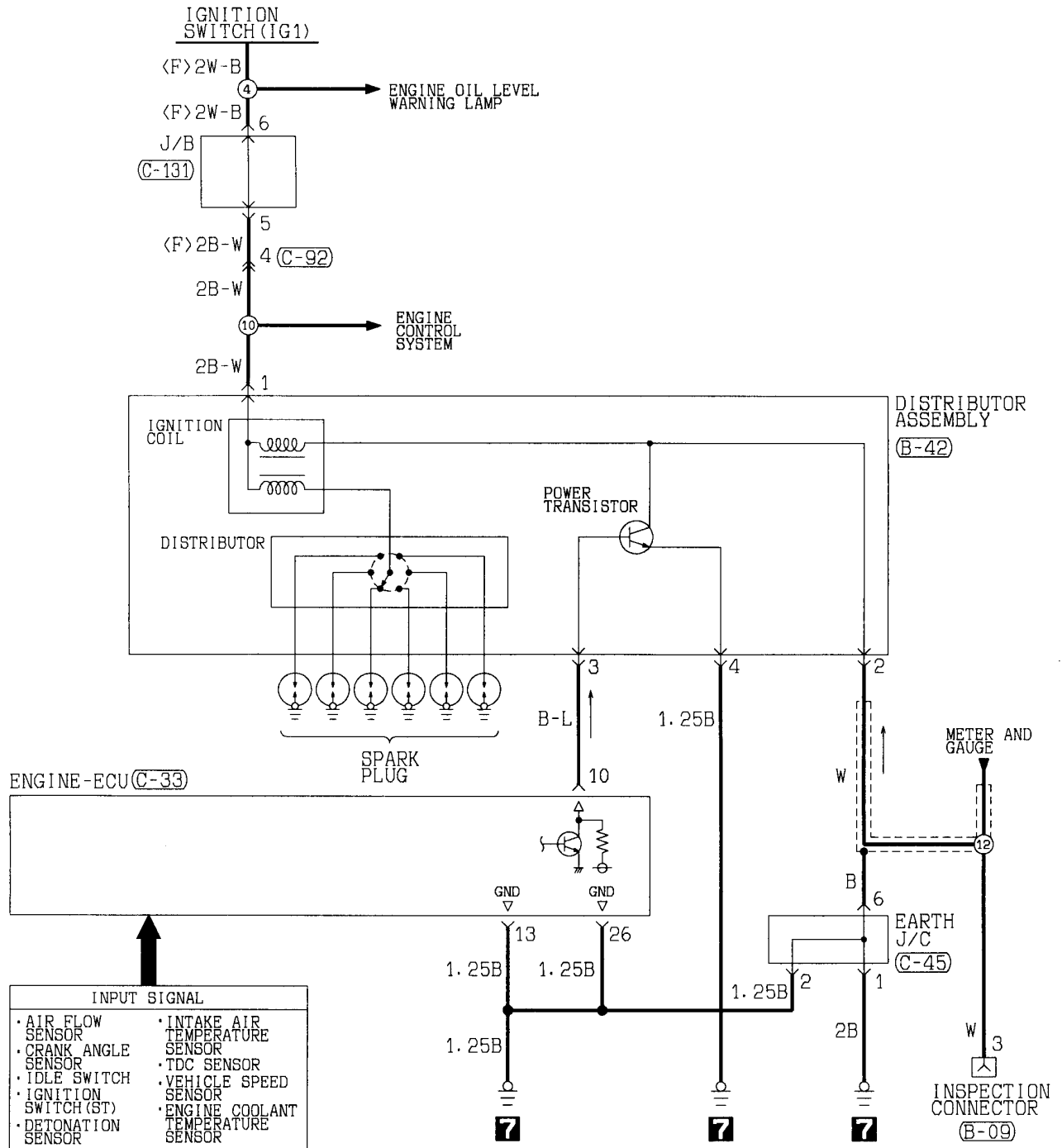


Wire colour code
 B : Black LG : Light green G : Green L : Blue W : White Y : Yellow SB : Sky blue
 BR : Brown O : Orange GR : Gray R : Red P : Pink V : Violet

IGNITION SYSTEM

9010006036

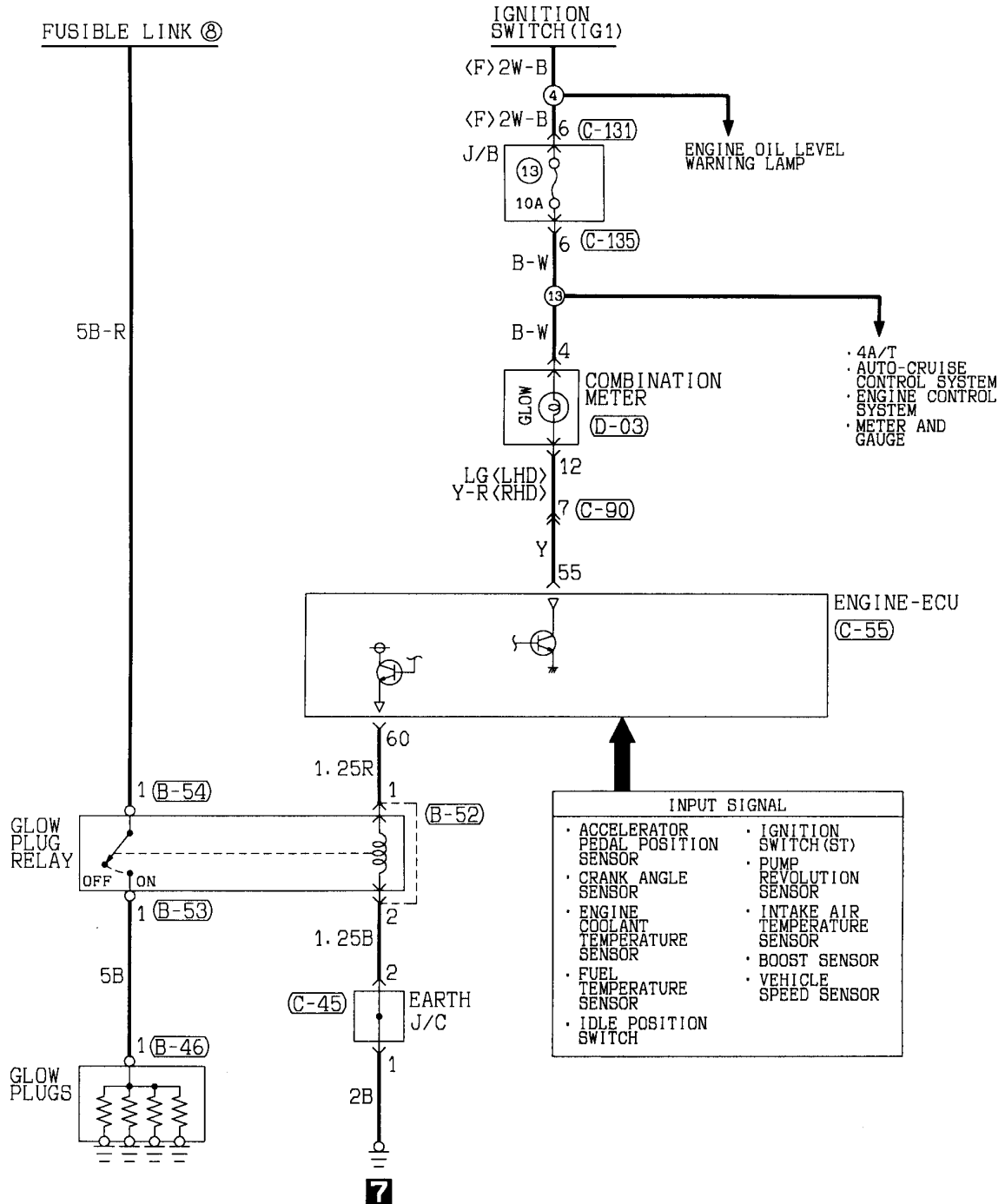
6A1



Wire colour code
 B : Black LG : Light green G : Green L : Blue W : White Y : Yellow SB : Sky blue
 BR : Brown O : Orange GR : Gray R : Red P : Pink V : Violet

GLOW SYSTEM

90100090093



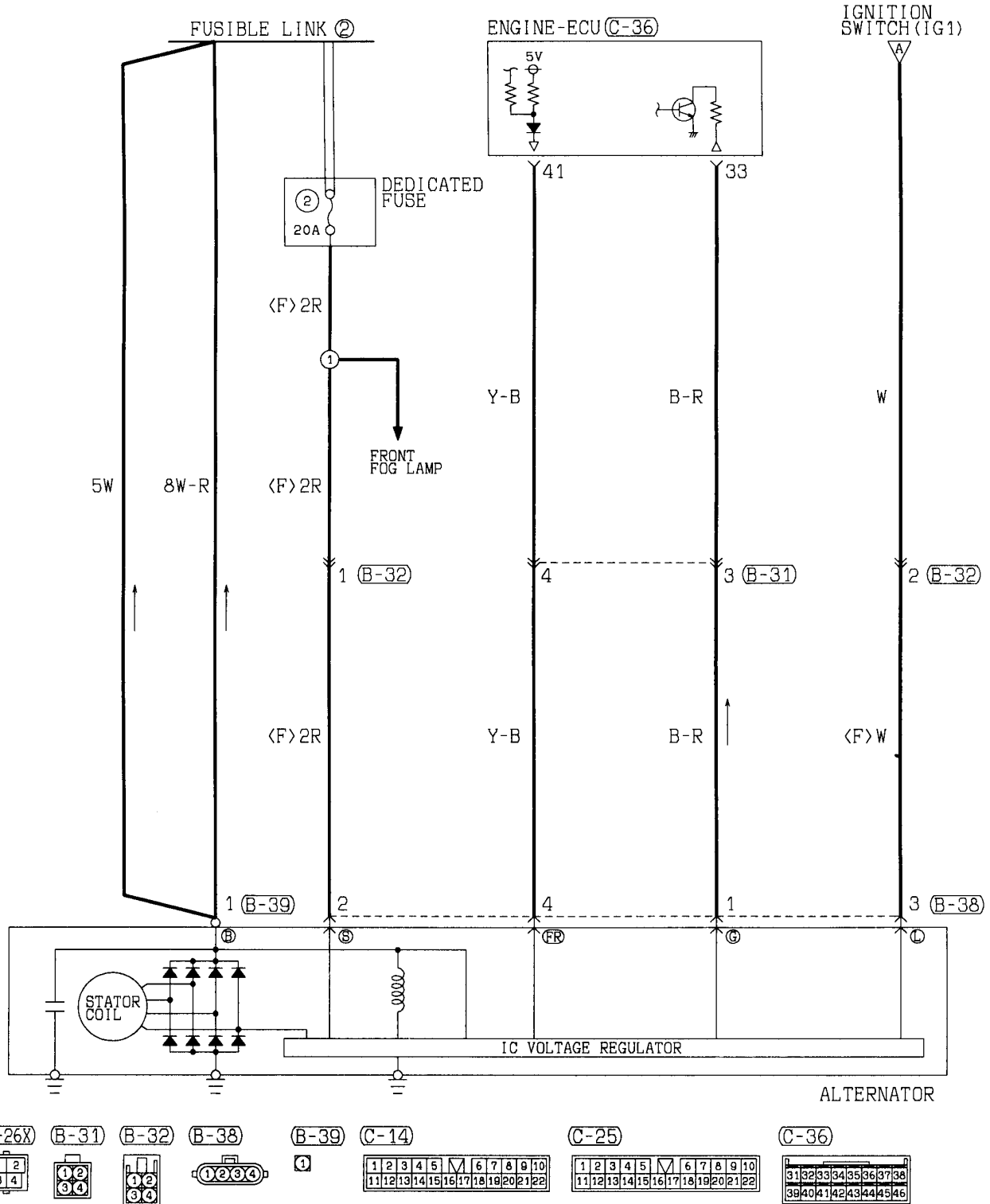
INPUT SIGNAL	
• ACCELERATOR PEDAL POSITION SENSOR	• IGNITION SWITCH (ST)
• CRANK ANGLE SENSOR	• PUMP REVOLUTION SENSOR
• ENGINE COOLANT TEMPERATURE SENSOR	• INTAKE AIR TEMPERATURE SENSOR
• FUEL TEMPERATURE SENSOR	• BOOST SENSOR
• IDLE POSITION SWITCH	• VEHICLE SPEED SENSOR

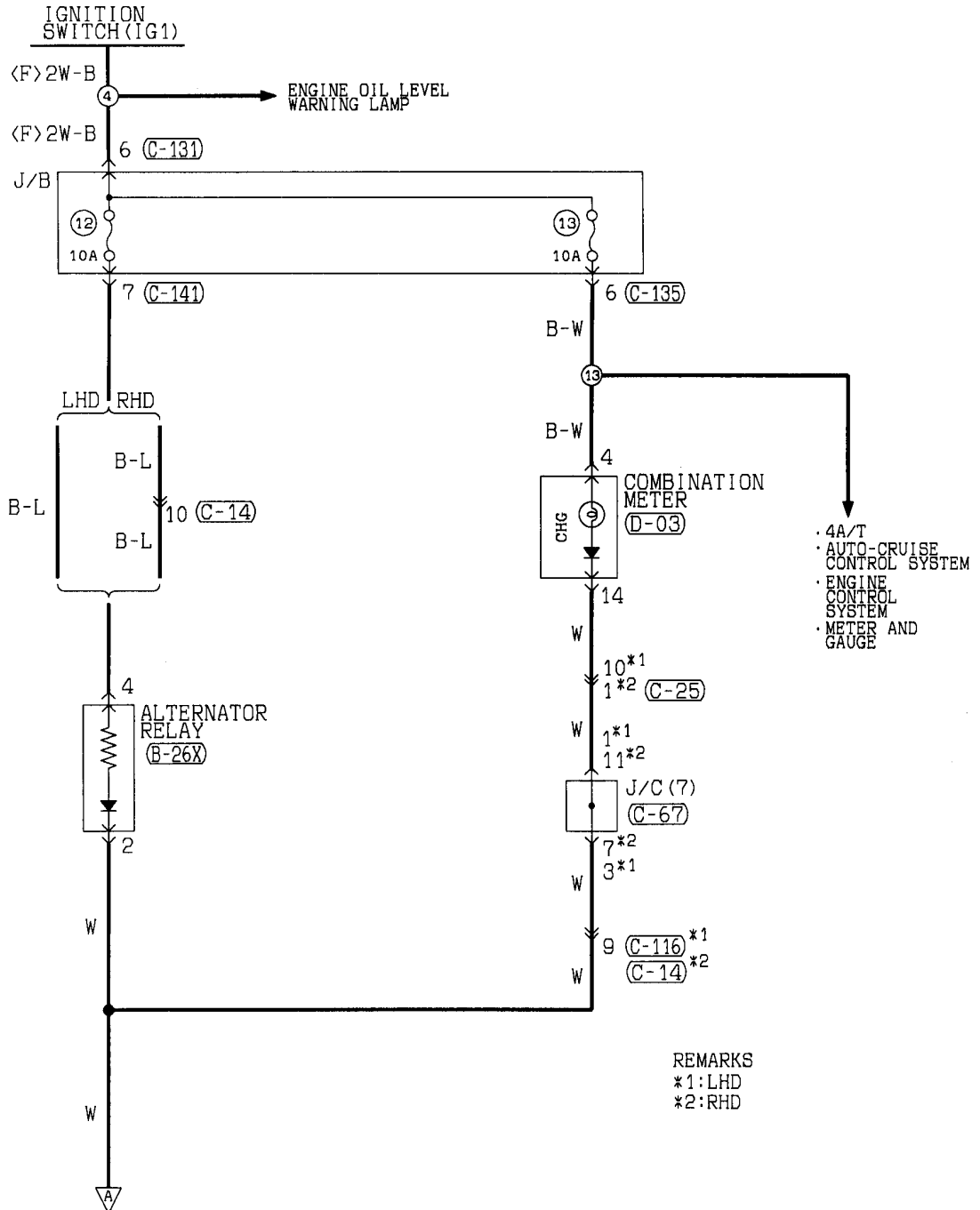
(B-46)	(B-52)	(B-53)	(B-54)	(C-45)	(C-55)	(C-90)	(C-131)	(C-135)
1	1 2	1	1	1 2 3 4 5 6 7 8 9 10	51 52 53 54 55 56 57 58 59 60 61 62 63 64 65 66 67 68 69 70 71 72	1 2 3 4 M 5 6 7 8 9 10 11 12 13 14 15 16 17 18 19 20	1 1 2 3 4 5 6	1 2 3 4 M 5 6 7 8 9 10 11 12 13 14 15 16 17 18 19 20
(D-03)								
1 2 3 4 5 6 7 8 9	Wire colour code							
10 11 12 13 14 15 16 17	B : Black LG: Light green G : Green L : Blue W : White Y : Yellow SB: Sky blue BR: Brown O : Orange GR: Gray R : Red P : Pink V : Violet							

CHARGING SYSTEM

90100070578

4G6





(C-67)

1	2	3	4	5	6	7	8	9	10	11
12	13	14	15	16	17	18	19	20	21	22
23	24	25	26	27	28	29	30	31	32	33

(C-116)

1	2	3	4	5	M	6	7	8	9	10	
11	12	13	14	15	16	17	18	19	20	21	22

(C-131)

1	2		
3	4	5	6

(C-135)

1	2	3	4	M	5	6	7	8	9	
10	11	12	13	14	15	16	17	18	19	20

(C-141)

1	2	3	4	M	5	6	7	8	
9	10	11	12	13	14	15	16	17	18

(D-03)

1	2	3	4	5	6	7	8	
9	10	11	12	13	14	15	16	17

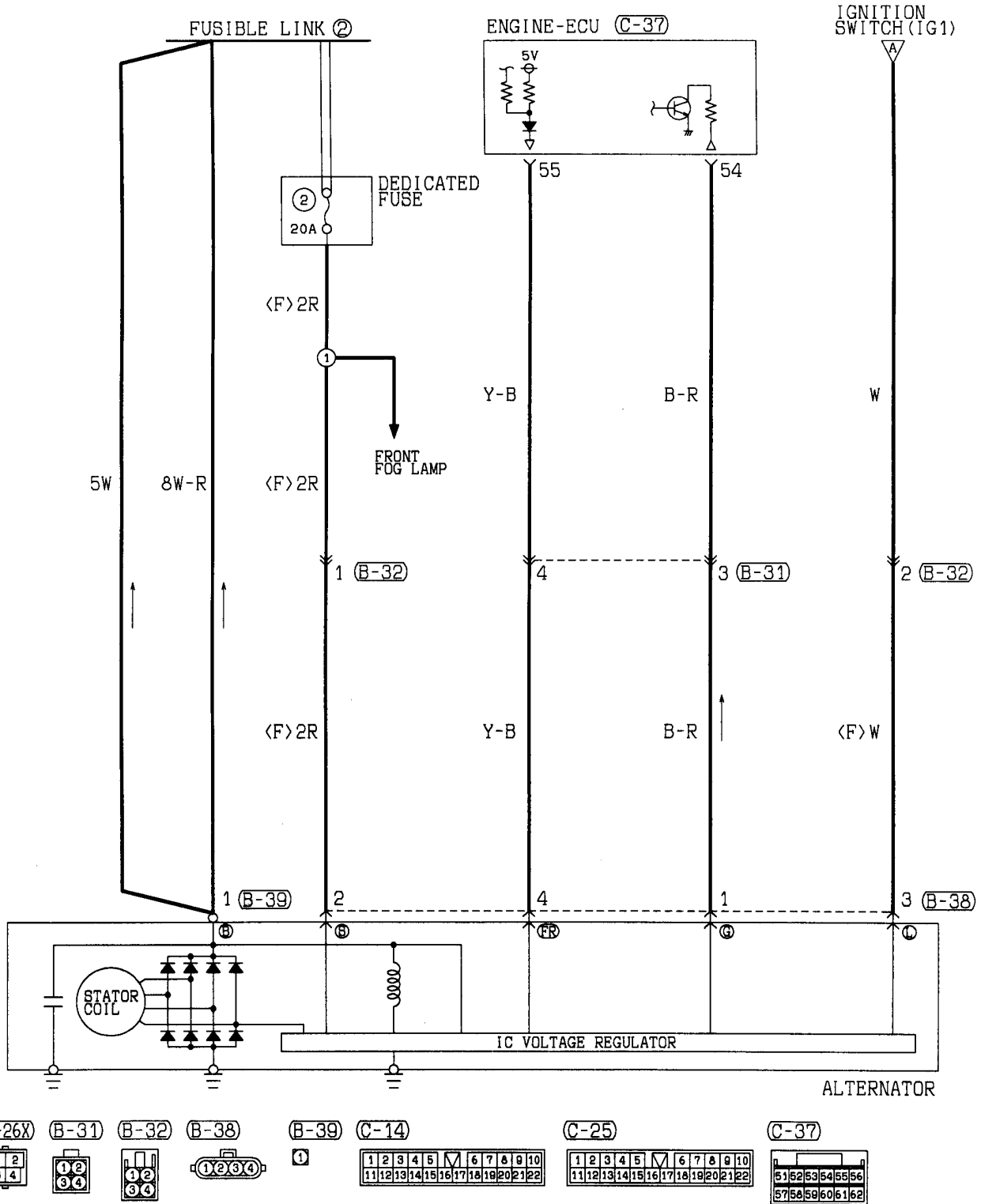
Wire colour code

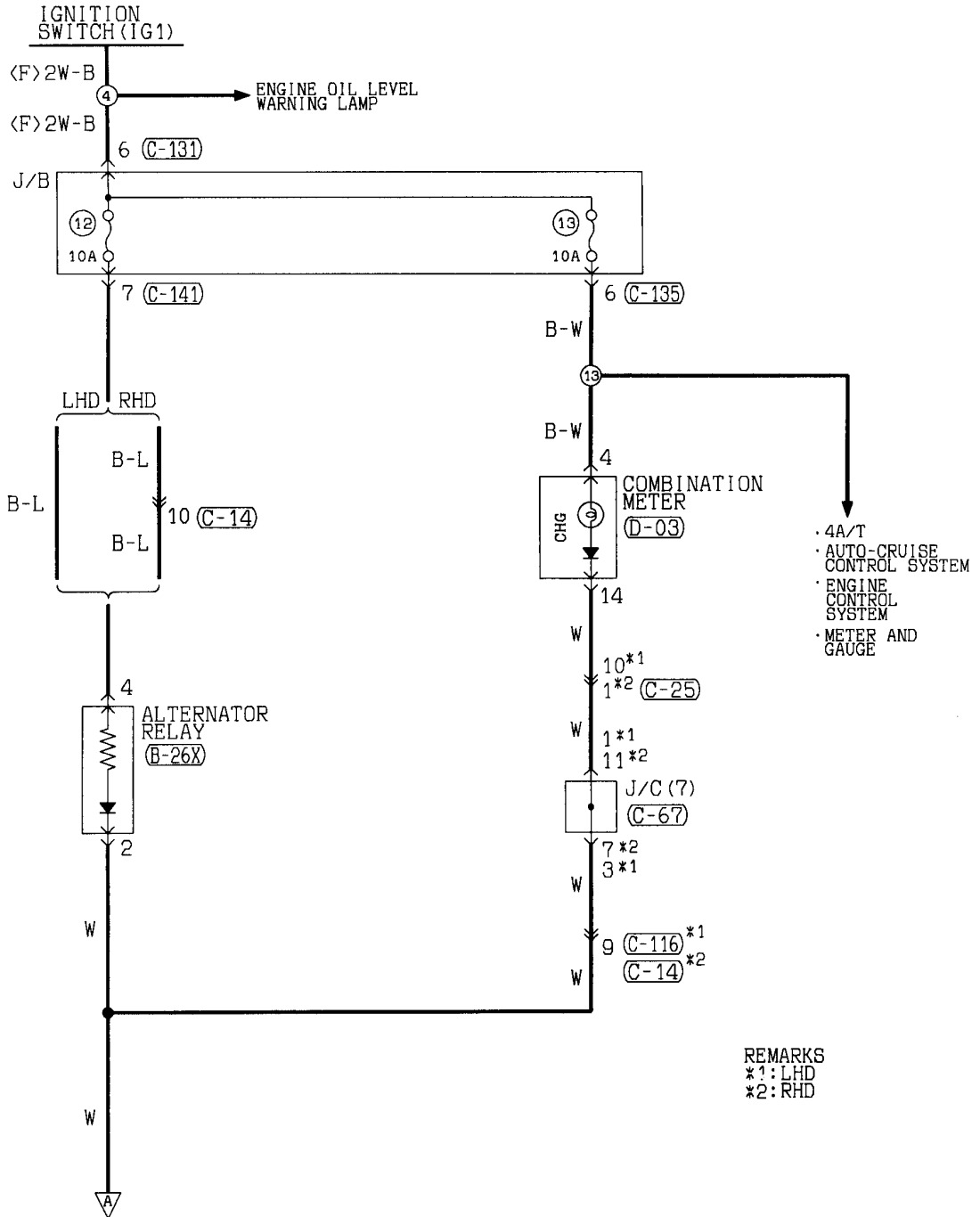
B : Black LG: Light green G : Green L : Blue W : White Y : Yellow SB: Sky blue
BR: Brown O : Orange GR: Gray R : Red P : Pink V : Violet

CHARGING SYSTEM

90100070585

6A1





C-67

1	2	3	4	5	6	7	8	9	10	11
12	13	14	15	16	17	18	19	20	21	22
23	24	25	26	27	28	29	30	31	32	33

C-116

1	2	3	4	5	M	6	7	8	9	10	
11	12	13	14	15	16	17	18	19	20	21	22

C-131

1	2		
3	4	5	6

C-135

1	2	3	4	M	5	6	7	8	9	
10	11	12	13	14	15	16	17	18	19	20

C-141

1	2	3	4	M	5	6	7	8	
9	10	11	12	13	14	15	16	17	18

D-03

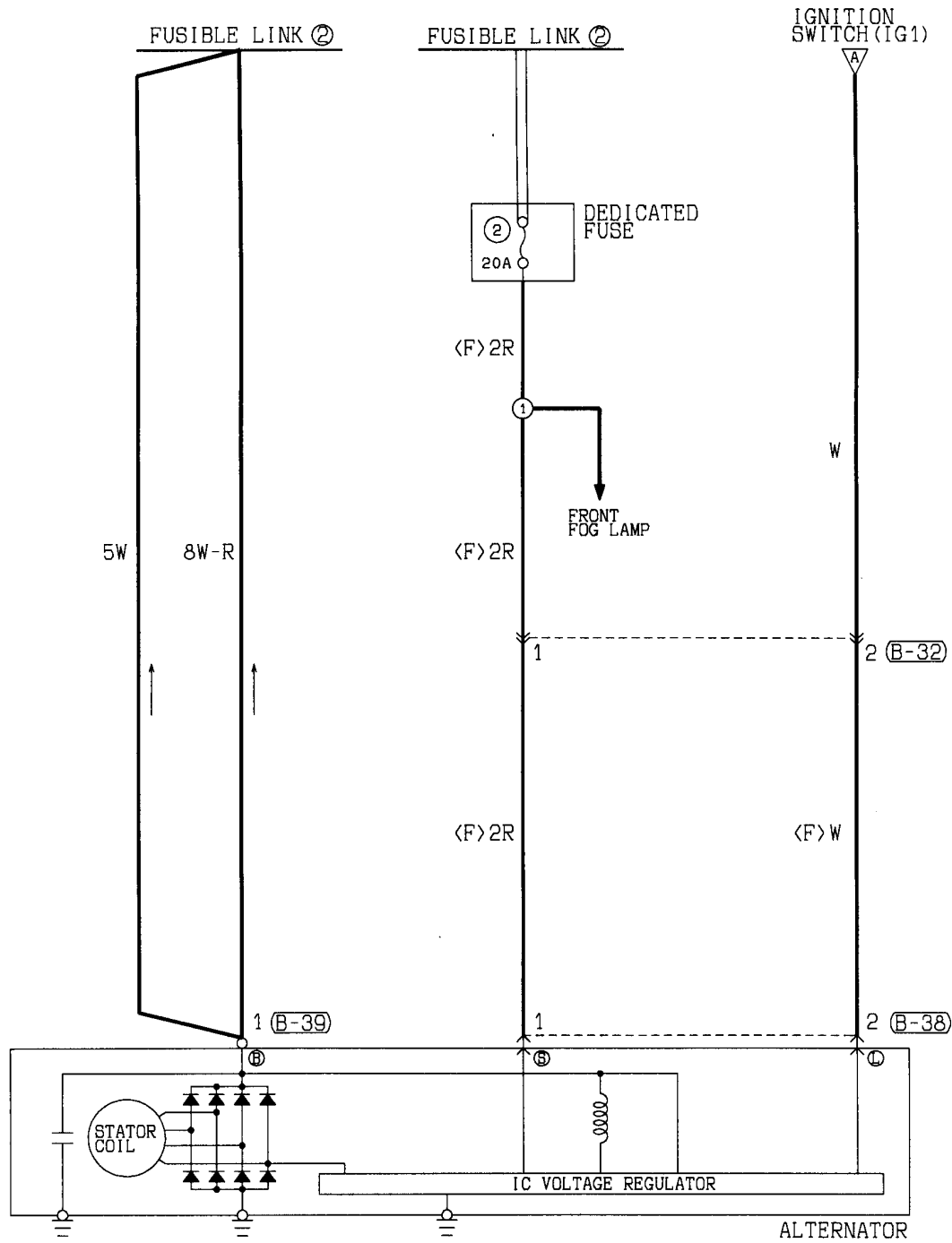
1	2	3	4	5	6	7	8	
9	10	11	12	13	14	15	16	17

Wire colour code
 B : Black LG: Light green G : Green L : Blue W : White Y : Yellow SB: Sky blue
 BR: Brown O : Orange GR: Gray R : Red P : Pink V : Violet

CHARGING SYSTEM

90100070592

4D68



(B-26X)

(B-32)

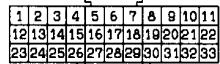
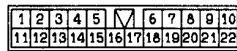
(B-38)

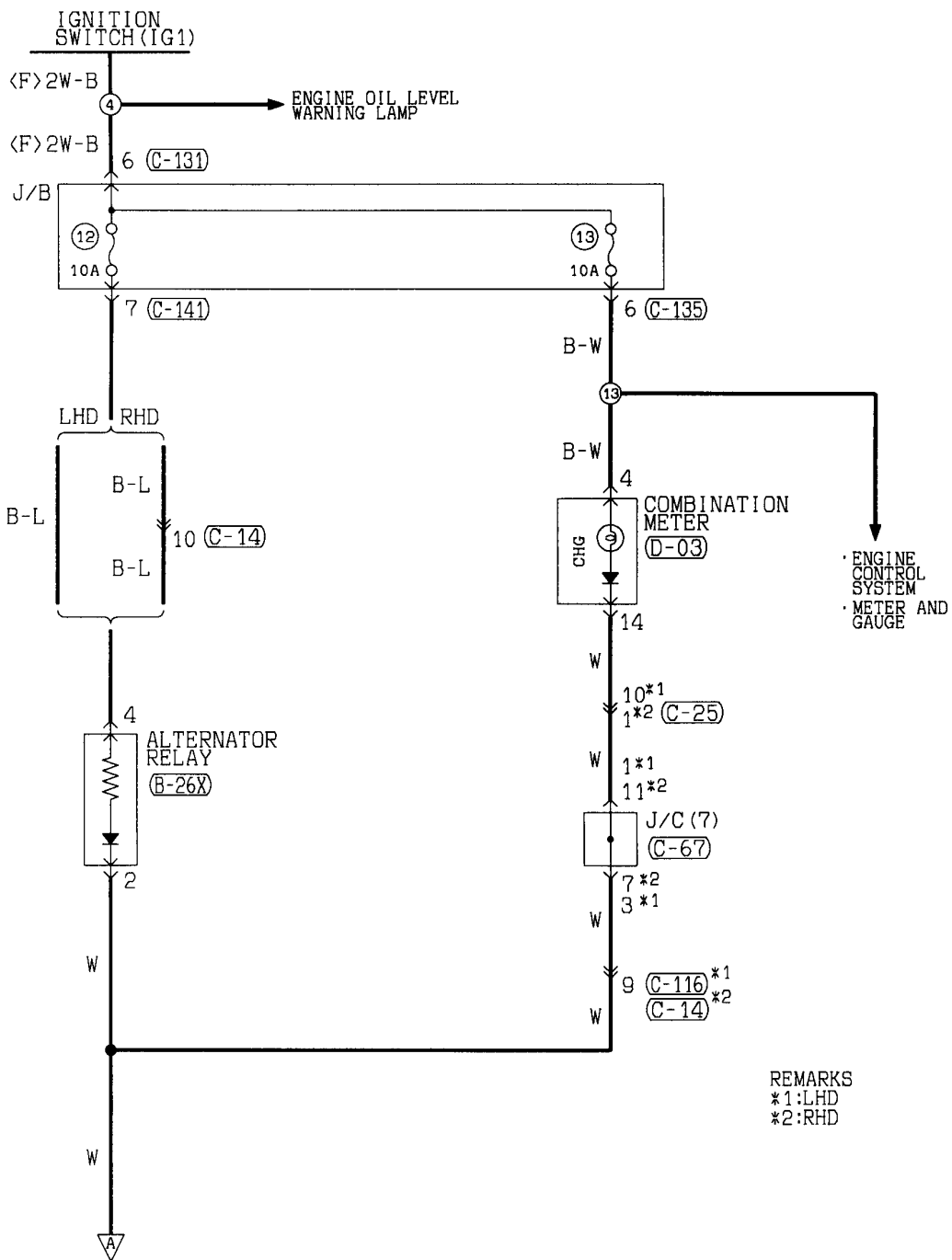
(B-39)

(C-14)

(C-25)

(C-67)





REMARKS
*1:LHD
*2:RHD

(C-116)

1	2	3	4	5	6	7	8	9	10
11	12	13	14	15	16	17	18	19	20
21	22								

(C-131)

1	2
3	4
5	6

(C-135)

1	2	3	4	5	6	7	8	9
10	11	12	13	14	15	16	17	18
19	20							

(C-141)

1	2	3	4	5	6	7	8
9	10	11	12	13	14	15	16
17	18						

(D-03)

1	2	3	4	5	6	7	8
9							
10	11	12	13	14	15	16	17

Wire colour code
B : Black LG : Light green G : Green L : Blue W : White Y : Yellow SB : Sky blue
BR : Brown O : Orange GR : Gray R : Red P : Pink V : Violet

CHARGING SYSTEM (See P. 4-44, 46, 48.)**OPERATION****When engine is stationary**

- When the ignition switch is turned to the ON position, current flows the alternator L terminal to the field coil and, at the same time, the charge warning lamp illuminates.

When engine is started and after engine has started

- When the engine is started, the charge warning lamp goes out because of the charging voltage begin applied to the alternator L terminal.
- The battery voltage being applied to the alternator S terminal is monitored by the voltage regulator. Therefore, the amount of electricity produced by the alternator is controlled by allowing and cutting off the current flowing to the field coil.
- The alternator B terminal supplies power to each load.

Remark

The alternator relay is provided to back up the flow of current to the field coil when the charge warning lamp is open.

TROUBLESHOOTING HINTS

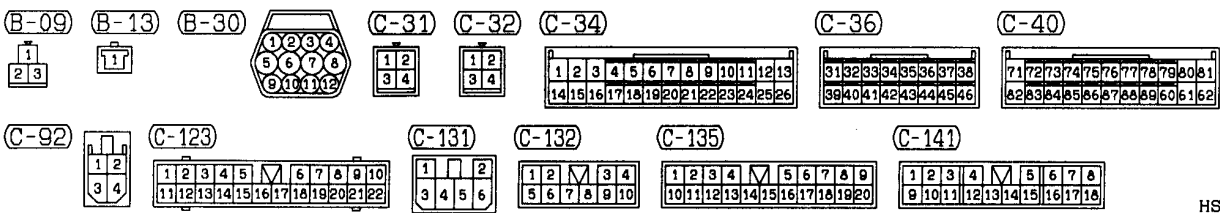
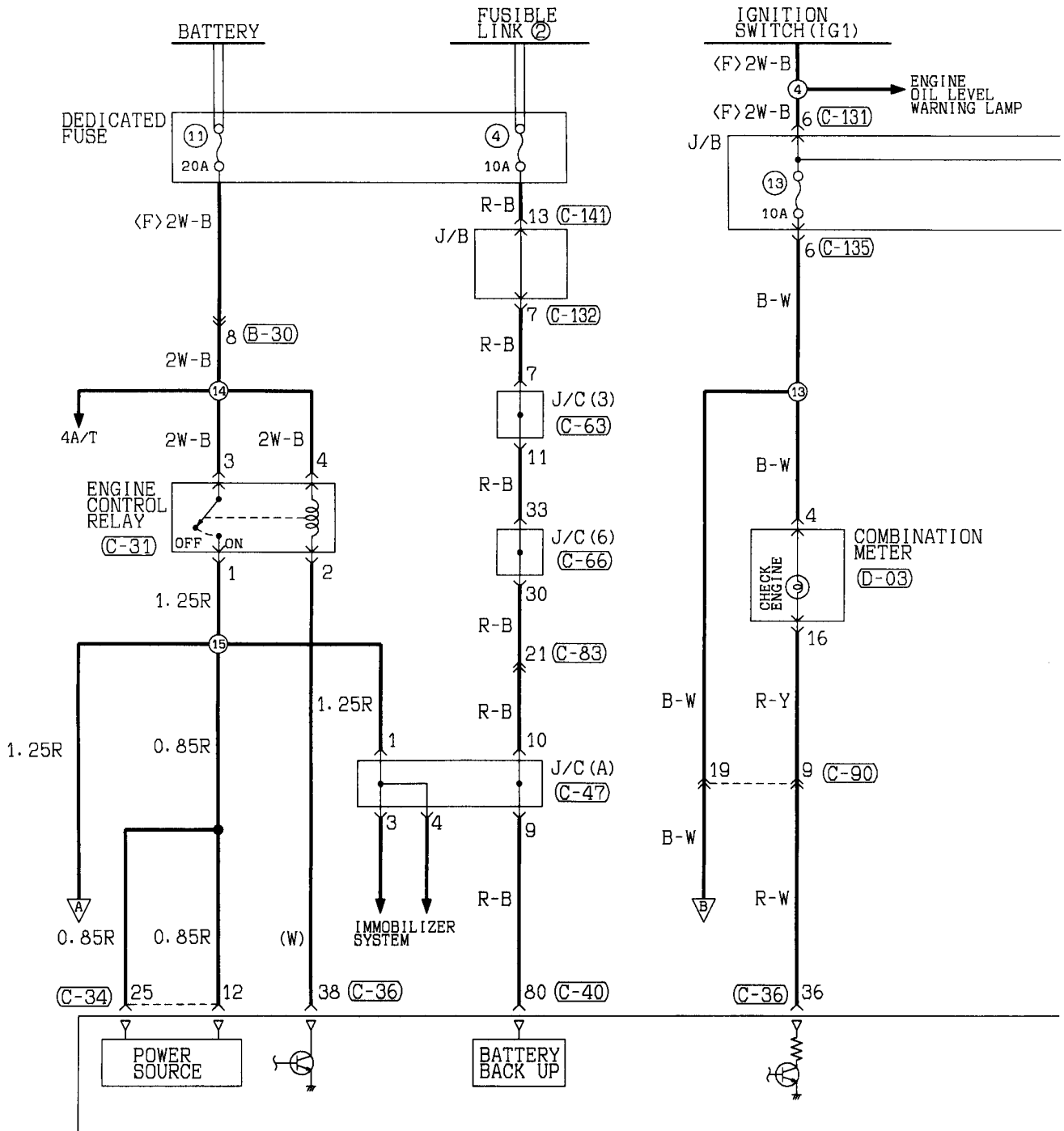
1. Charging indicator lamp does not illuminate when the ignition switch is turned to ON position, before the engine starts.
 - Check the multi-purpose fuse No. (13).
 - Check the bulb.
2. Charging indicator lamp fails to switch off once the engine starts.
 - Check the voltage regulator of alternator.
3. Discharged or overcharged battery.
 - Check the voltage regulator of alternator.
4. Charge warning lamp illuminates dimly.
 - Check the combination meter diode (for short).

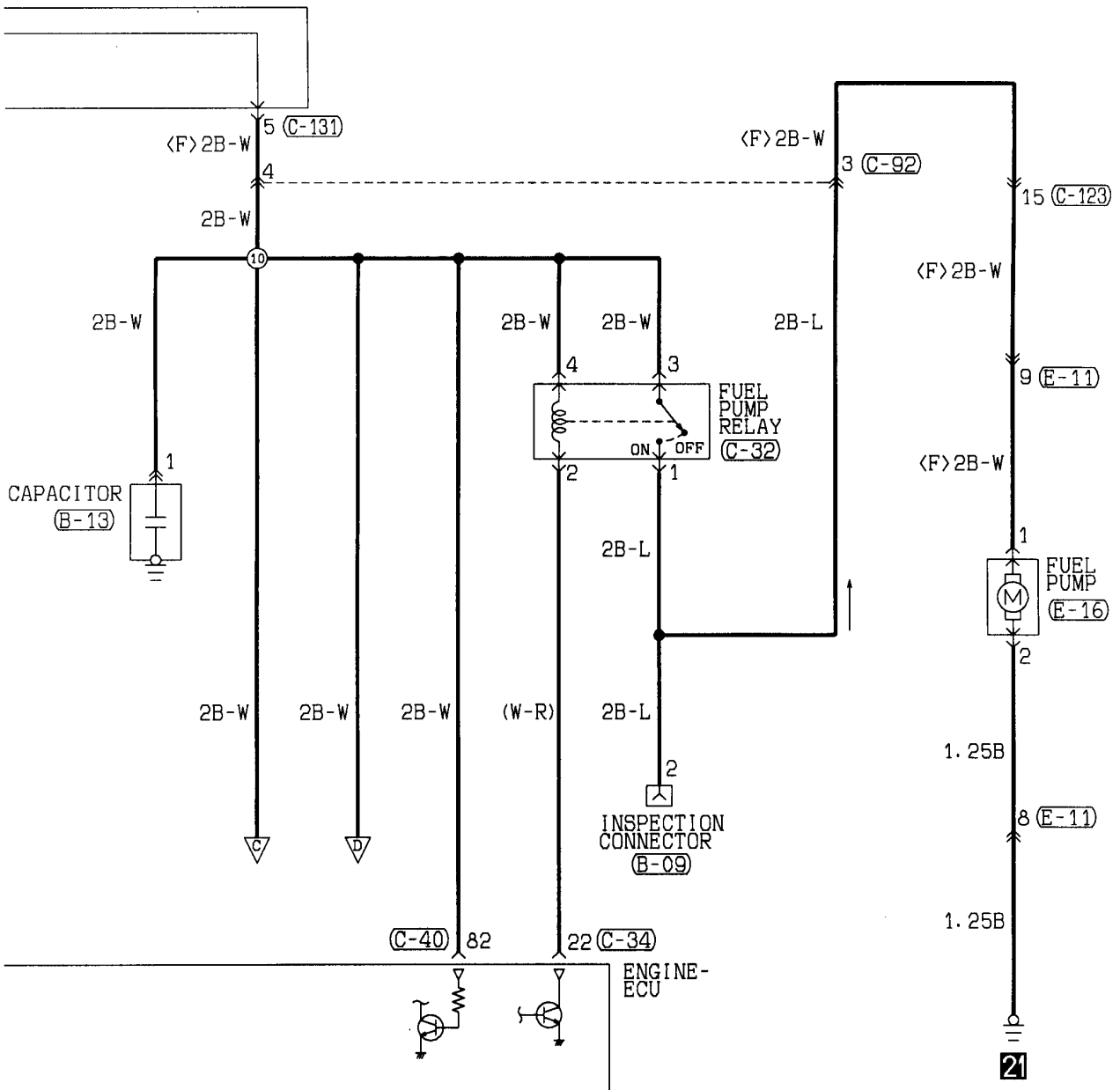
NOTES

ENGINE CONTROL SYSTEM

90100081022

4G6-SOHC-MPI <L.H. drive vehicles>





(C-47)

1	2	3	4	5	6	7	8
9	10	11	12	13	14	15	16
17	18	19					

(C-63)

1	2	3	4	5	6	7	8	9	10	11
12	13	14	15	16	17	18	19	20	21	22
23	24	25	26	27	28	29	30	31	32	33

(C-66)

1	2	3	4	5	6	7	8	9	10	11
12	13	14	15	16	17	18	19	20	21	22
23	24	25	26	27	28	29	30	31	32	33

(C-83)

1	2	3	4	5	6	7	8	9	10
11	12	13	14	15	16	17	18	19	20
21	22								

(C-90)

1	2	3	4	5	6	7	8	9
10	11	12	13	14	15	16	17	18
19	20							

(D-03)

1	2	3	4	5	6	7	8
9							
10	11	12	13	14	15	16	17

(E-11)

1	2	3	4
5	6	7	8
9	10		

(E-16)



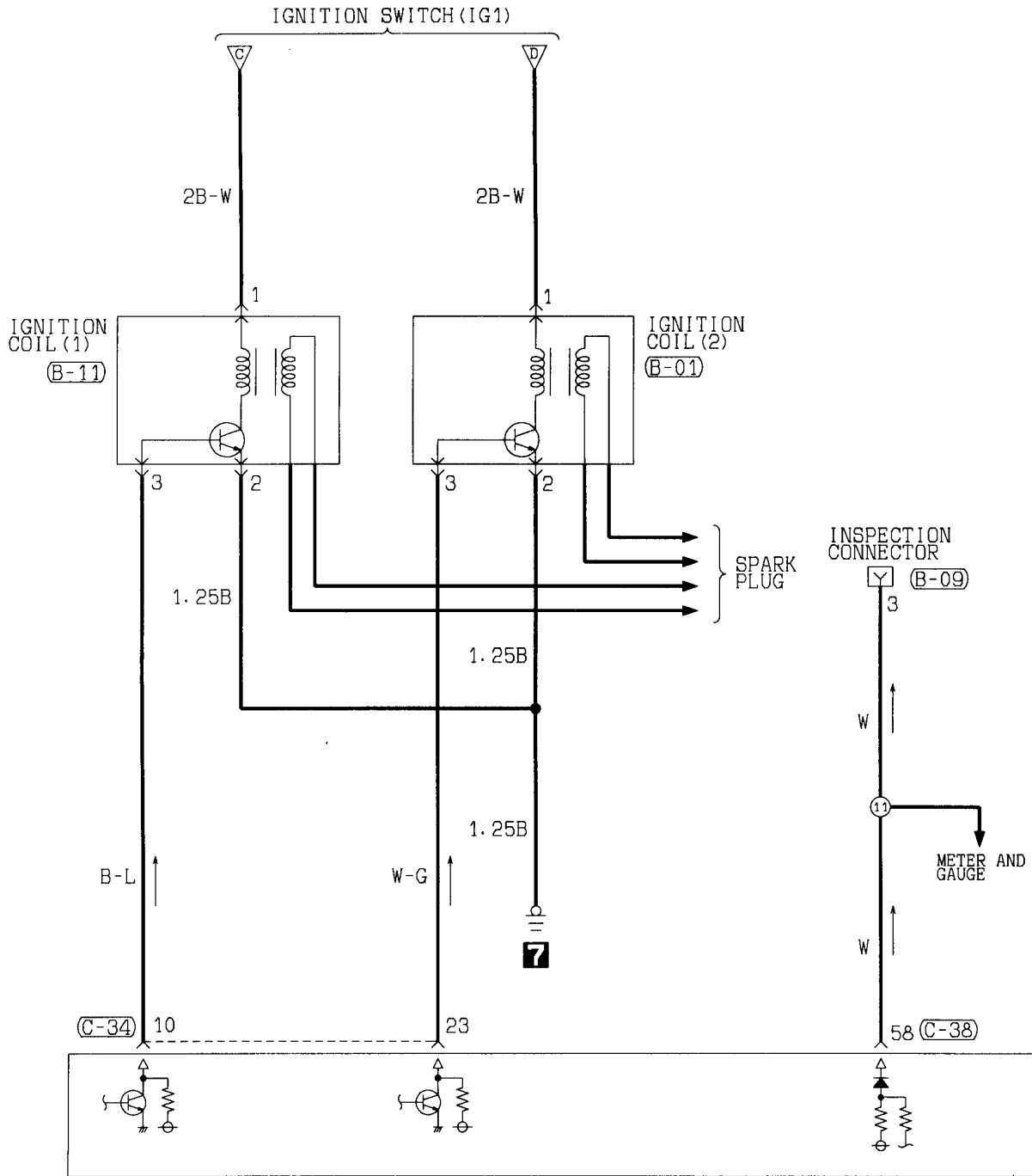
Wire colour code

B : Black LG : Light green
 BR : Brown O : Orange
 W : White SB : Sky blue
 V : Violet

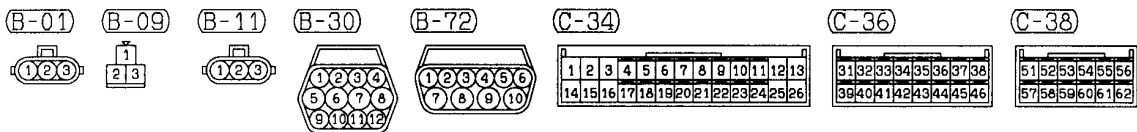
G : Green
 GR : Gray
 P : Pink

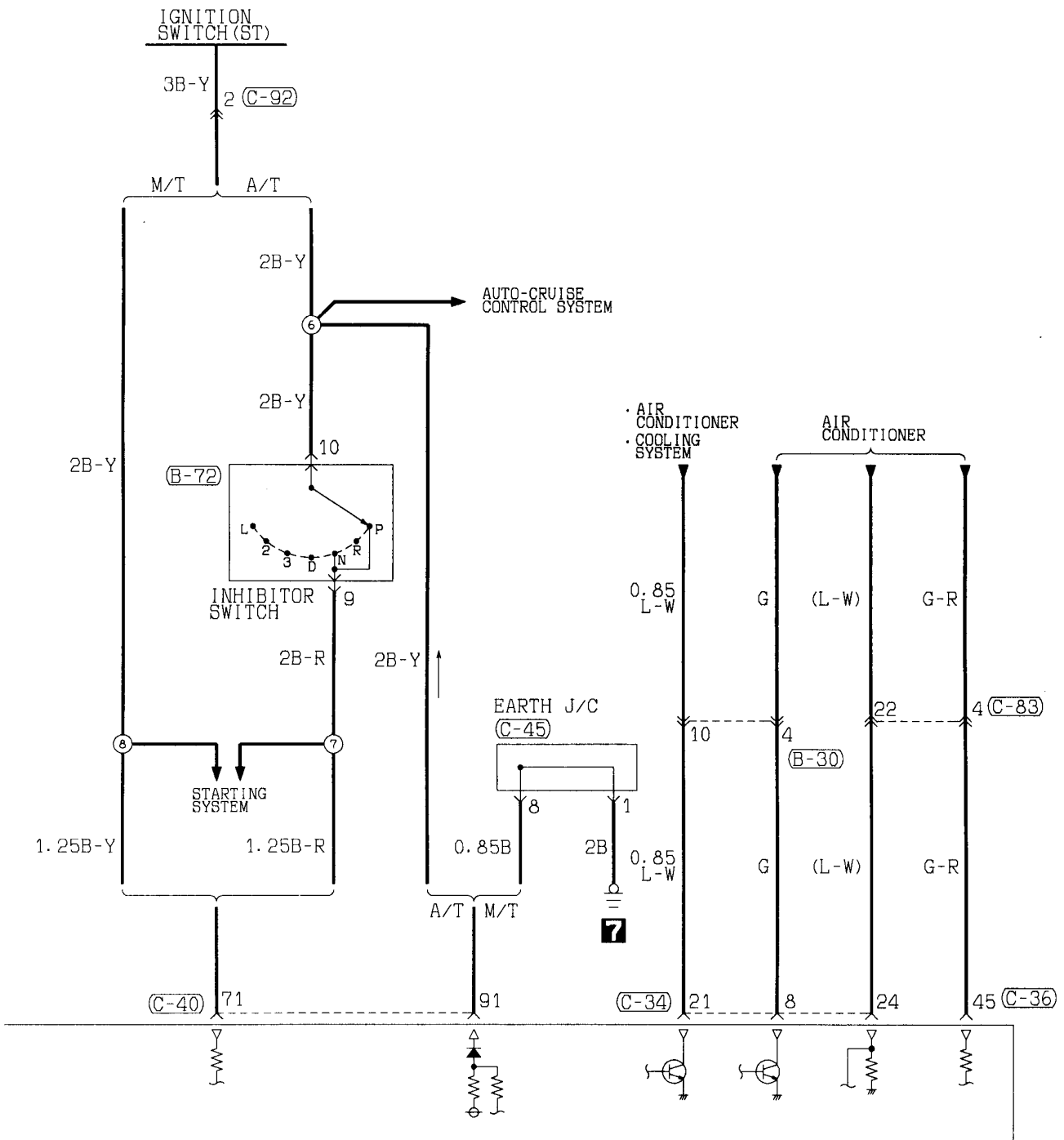
L : Blue
 R : Red
 Y : Yellow

ENGINE CONTROL SYSTEM <4G6-SOHC-MPI (L.H. drive vehicles)> (CONTINUED)



ENGINE-ECU





(C-40)

71	72	73	74	75	76	77	78	79	80	81
82	83	84	85	86	87	88	89	90	91	92

(C-45)

1	2	3	4
5	6	7	8

(C-83)

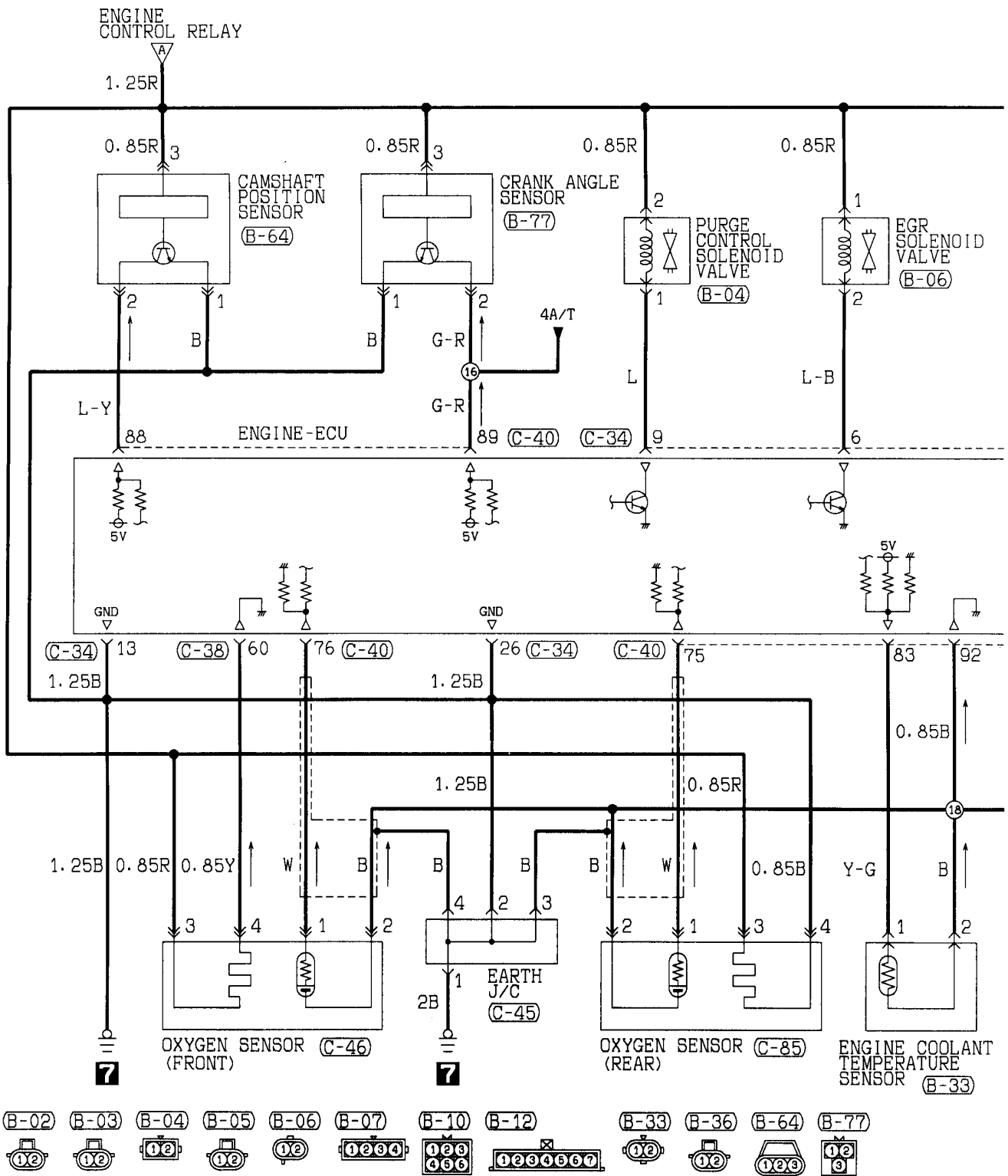
1	2	3	4	5	6	7	8	9	10
11	12	13	14	15	16	17	18	19	20
21	22	23	24	25	26	27	28	29	30

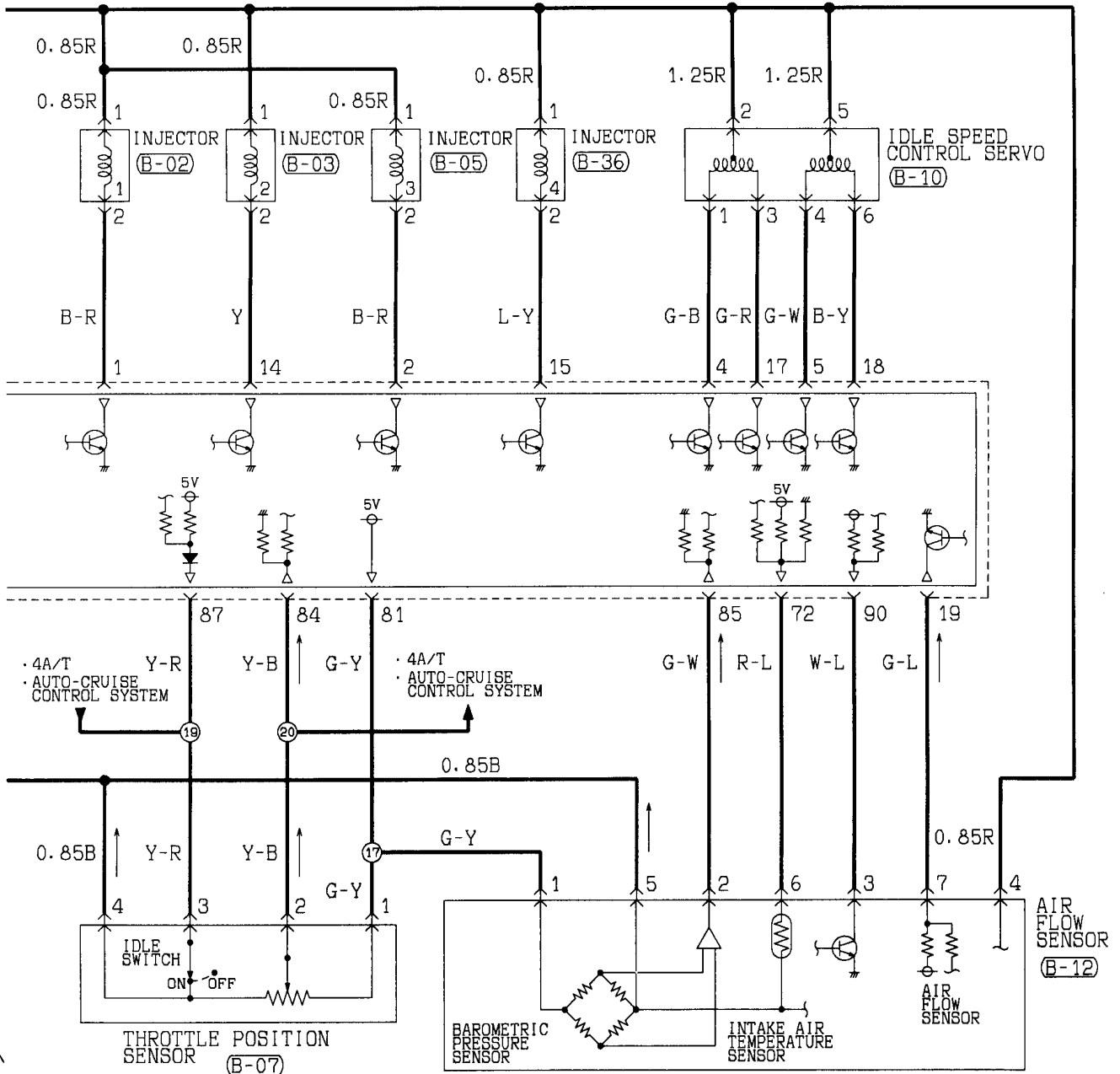
(C-92)

1	2
3	4

Wire colour code
 B : Black LG: Light green G : Green L : Blue W : White Y : Yellow SB: Sky blue
 BR: Brown O : Orange GR: Gray R : Red P : Pink V : Violet

ENGINE CONTROL SYSTEM <4G6-SOHC-MPI (L.H. drive vehicles)> (CONTINUED)





(C-34)

1	2	3	4	5	6	7	8	9	10	11	12	13
14	15	16	17	18	19	20	21	22	23	24	25	26

(C-38)

51	52	53	54	55	56
57	58	59	60	61	62

(C-40)

71	72	73	74	75	76	77	78	79	80	81
82	83	84	85	86	87	88	89	90	91	92

(C-45)

1	2	3	4
5	6	7	8

(C-46)

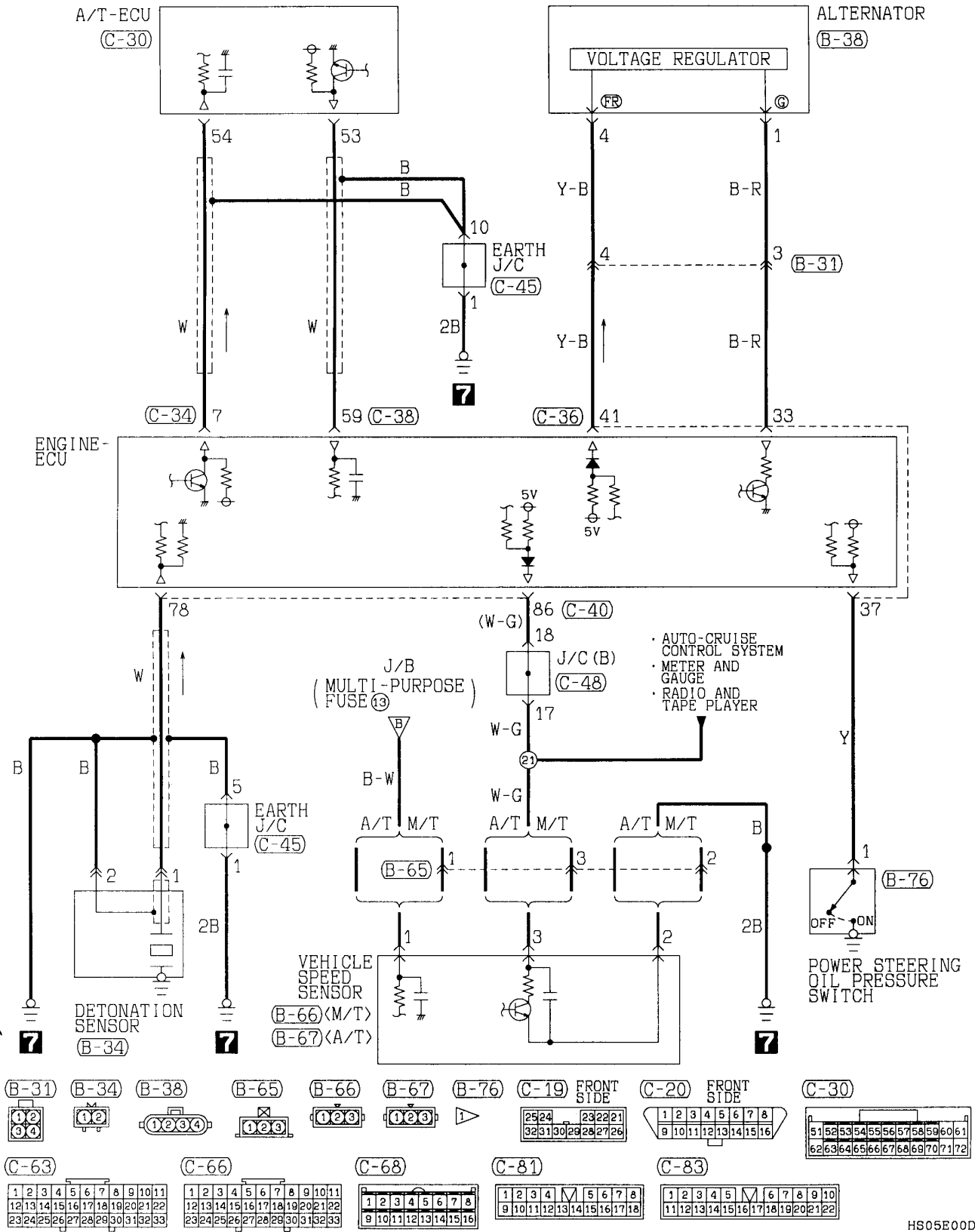
M	1	2	3	4
1	2	3	4	

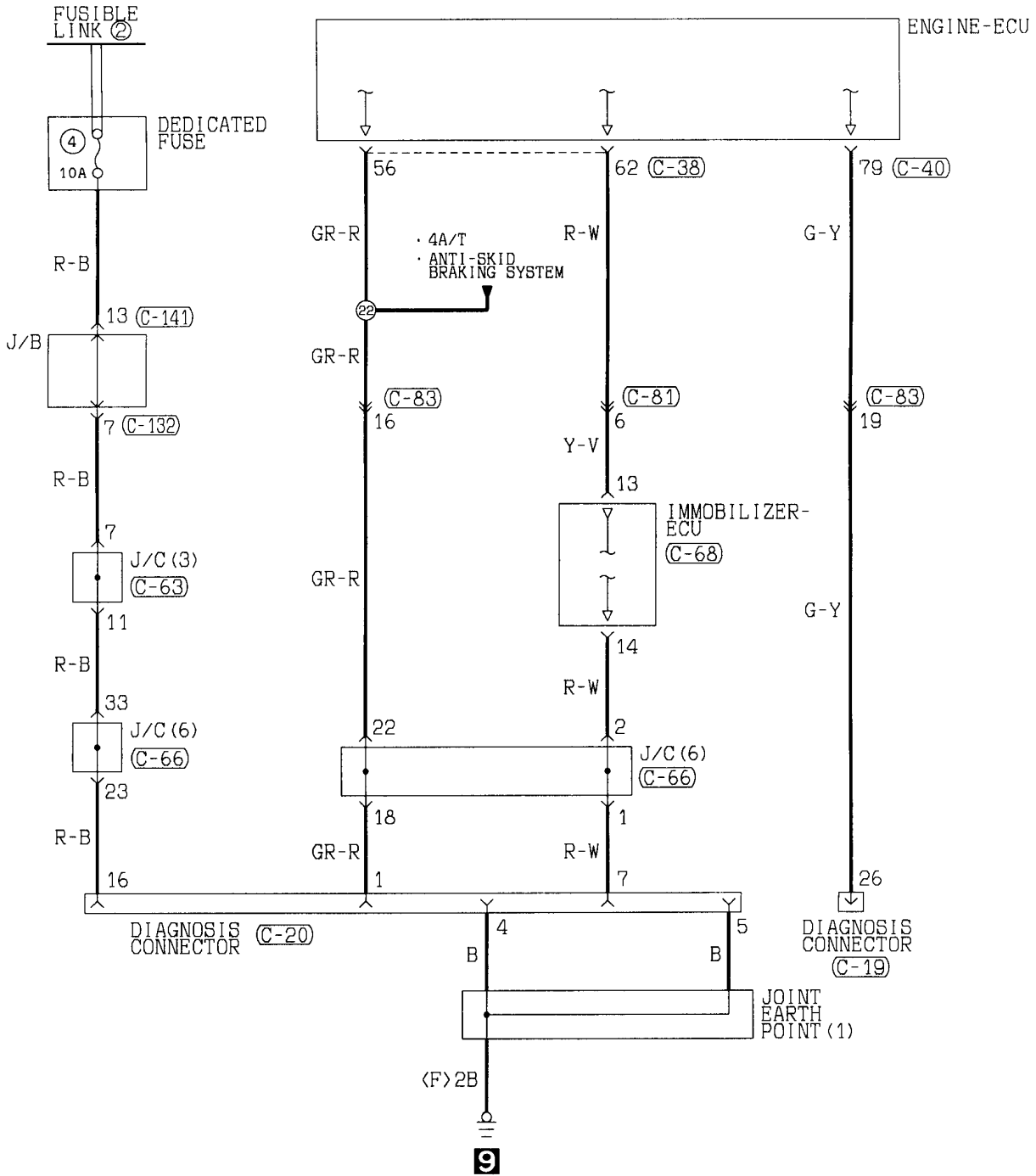
(C-85)

M	1	2	3	4
1	2	3	4	

Wire colour code
 B : Black LG : Light green G : Green L : Blue W : White Y : Yellow SB : Sky blue
 BR : Brown O : Orange GR : Gray R : Red P : Pink V : Violet

ENGINE CONTROL SYSTEM <4G6-SOHC-MPI (L.H. drive vehicles)> (CONTINUED)





C-34

1	2	3	4	5	6	7	8	9	10	11	12	13
14	15	16	17	18	19	20	21	22	23	24	25	26

C-36

31	32	33	34	35	36	37	38
39	40	41	42	43	44	45	46

C-38

51	52	53	54	55	56
57	58	59	60	61	62

C-40

71	72	73	74	75	76	77	78	79	80	81
82	83	84	85	86	87	88	89	90	91	92

C-45

1	2	3	4
5	6	7	8

C-48

1	2	3	4	5	6	7	8
9	10	11	12	13	14	15	16

C-132

1	2	3	4
5	6	7	8

C-141

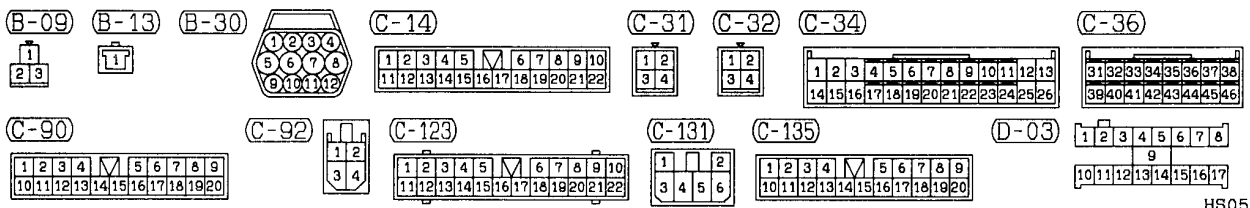
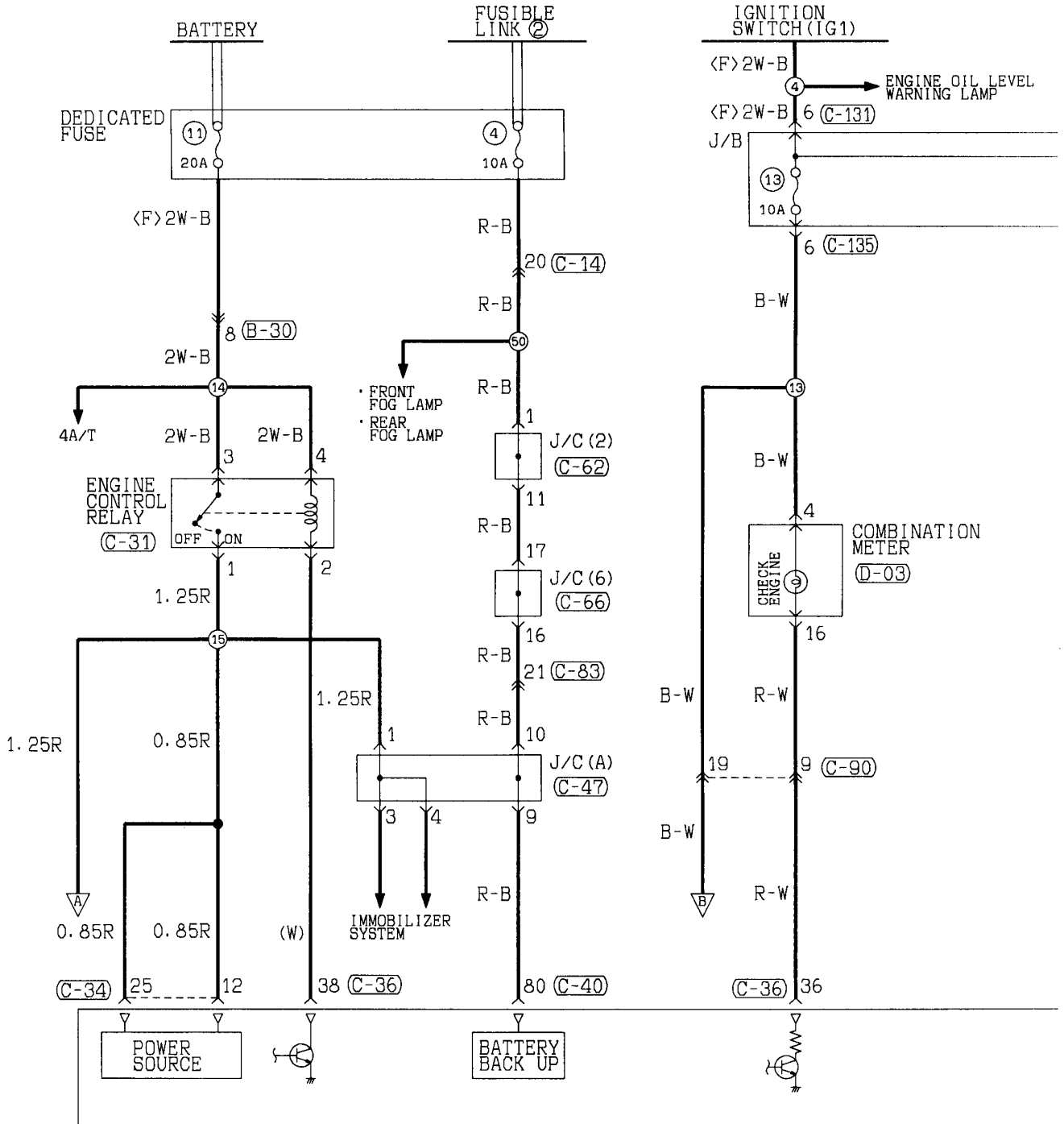
1	2	3	4	5	6	7	8
9	10	11	12	13	14	15	16

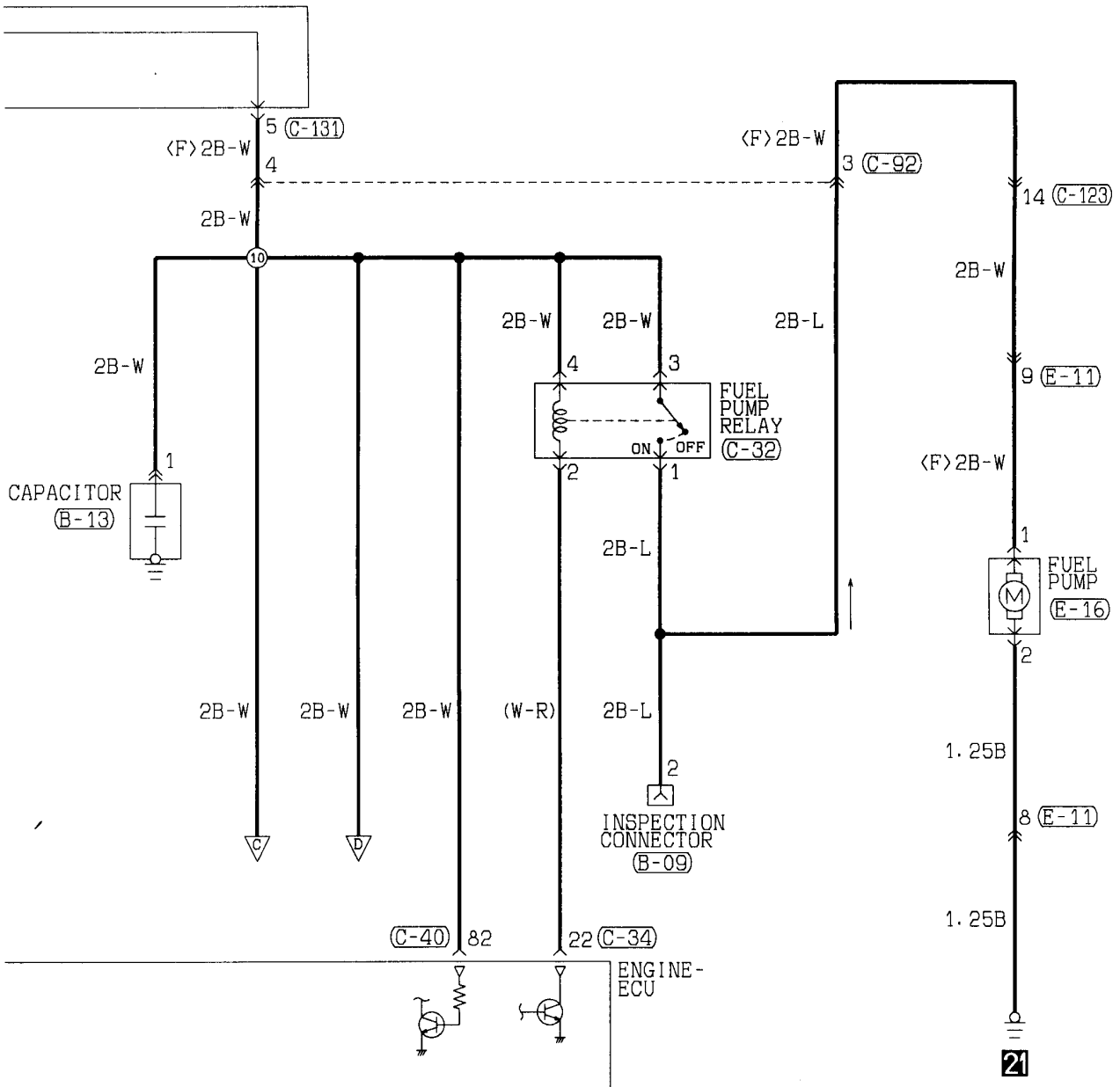
Wire colour code
 B : Black LG : Light green G : Green L : Blue
 BR : Brown C : Orange GR : Gray R : Red
 W : White SB : Sky blue P : Pink Y : Yellow
 V : Violet

ENGINE CONTROL SYSTEM

90100081039

4G6-SOHC-MPI <R.H. drive vehicles>





(C-40)

1	2	3	4	5	6	7	8	9	10	11	12	13	14	15	16	17	18	19	20	21	22	23	24	25	26	27	28	29	30	31	32	33		
71	72	73	74	75	76	77	78	79	80	81	82	83	84	85	86	87	88	89	90	91	92													

(C-47)

1	2	3	4	5	6	7	8	9	10	11	12	13	14	15	16	17	18	19	20	21	22	23	24	25	26	27	28	29	30	31	32	33	
9	10	11	12	13	14	15	16	17	18	19																							

(C-62)

1	2	3	4	5	6	7	8	9	10	11	12	13	14	15	16	17	18	19	20	21	22	23	24	25	26	27	28	29	30	31	32	33	

(C-66)

1	2	3	4	5	6	7	8	9	10	11	12	13	14	15	16	17	18	19	20	21	22	23	24	25	26	27	28	29	30	31	32	33	

(C-83)

1	2	3	4	5	6	7	8	9	10	11	12	13	14	15	16	17	18	19	20	21	22	23	24	25	26	27	28	29	30	31	32	33	

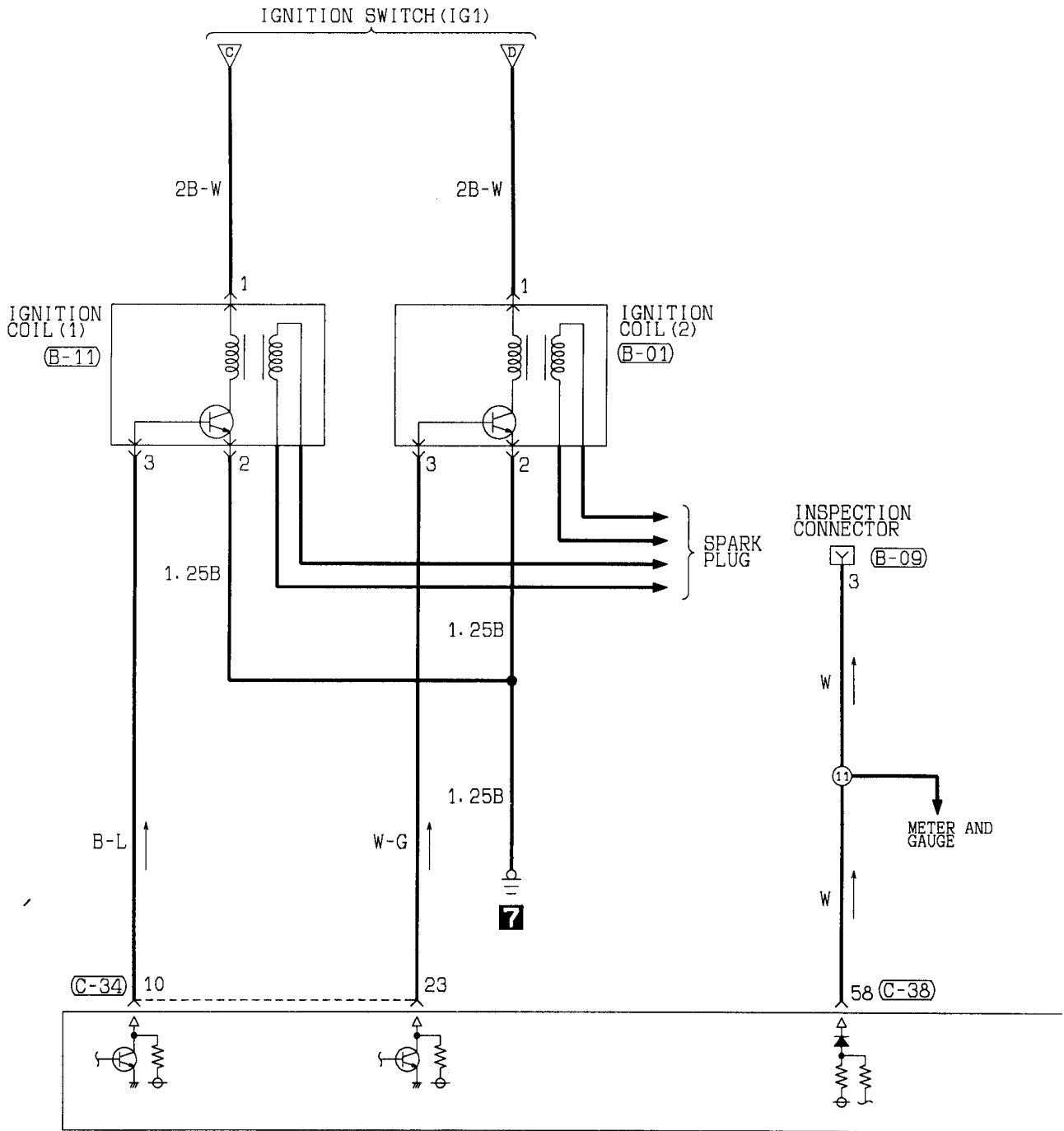
(E-11)

1	2	3	4	5	6	7	8	9	10

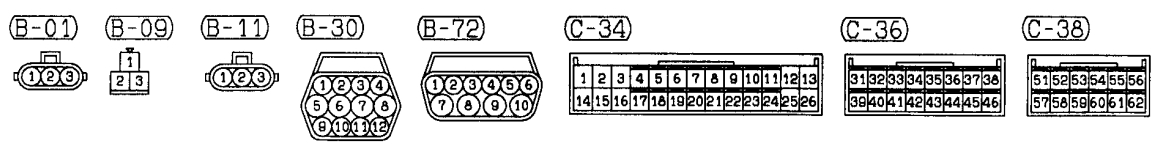
(E-16)

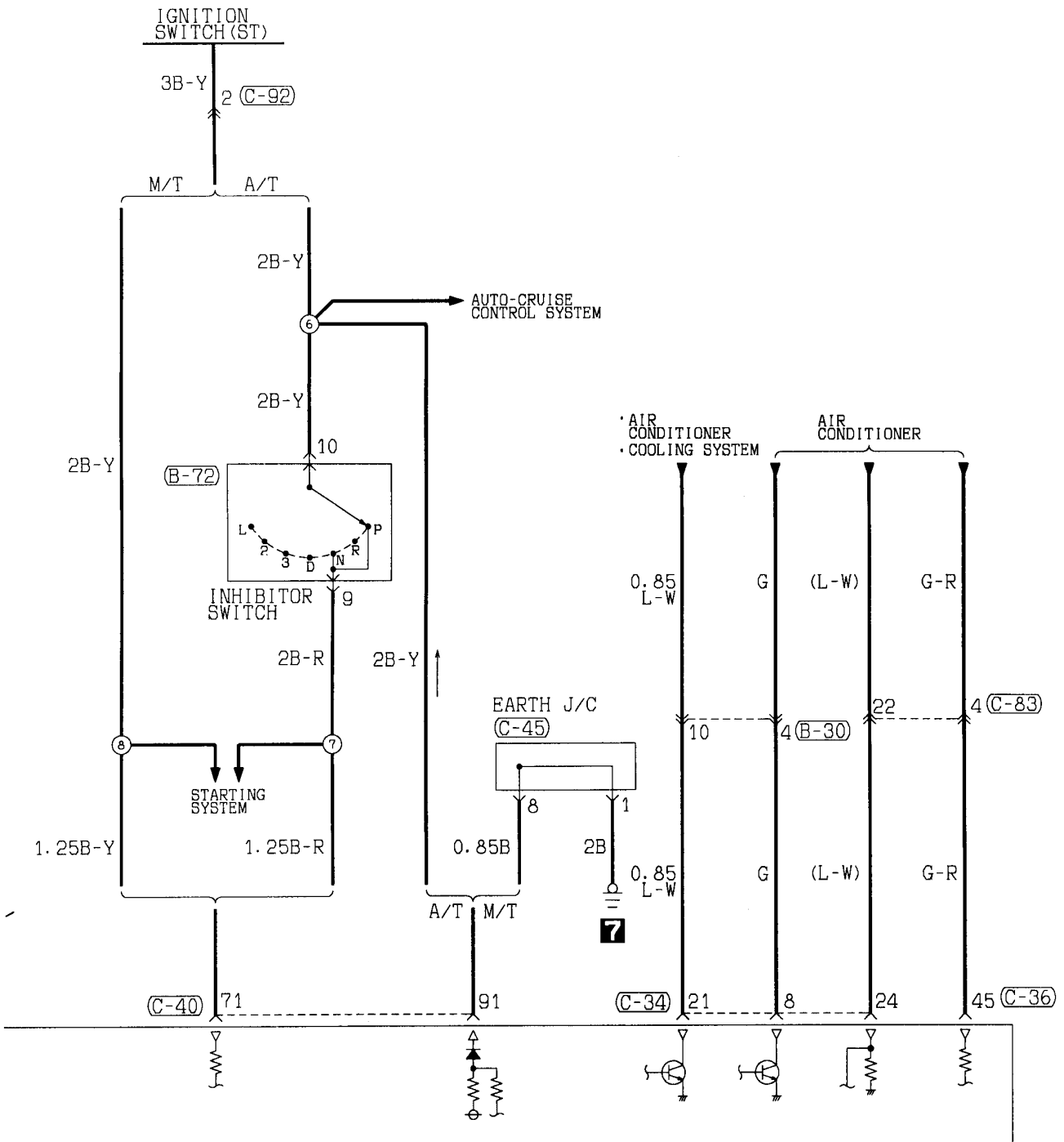
Wire colour code
 B: Black LG: Light green G: Green L: Blue
 BR: Brown O: Orange GR: Gray R: Red
 W: White SB: Sky blue P: Pink Y: Yellow
 V: Violet

ENGINE CONTROL SYSTEM <4G6-SOHC-MPI (R.H. drive vehicles)> (CONTINUED)



ENGINE-ECU





(C-40)

71	72	73	74	75	76	77	78	79	80	81
82	83	84	85	86	87	88	89	90	91	92

(C-45)

1	2	3	4
5	6	7	8

(C-83)

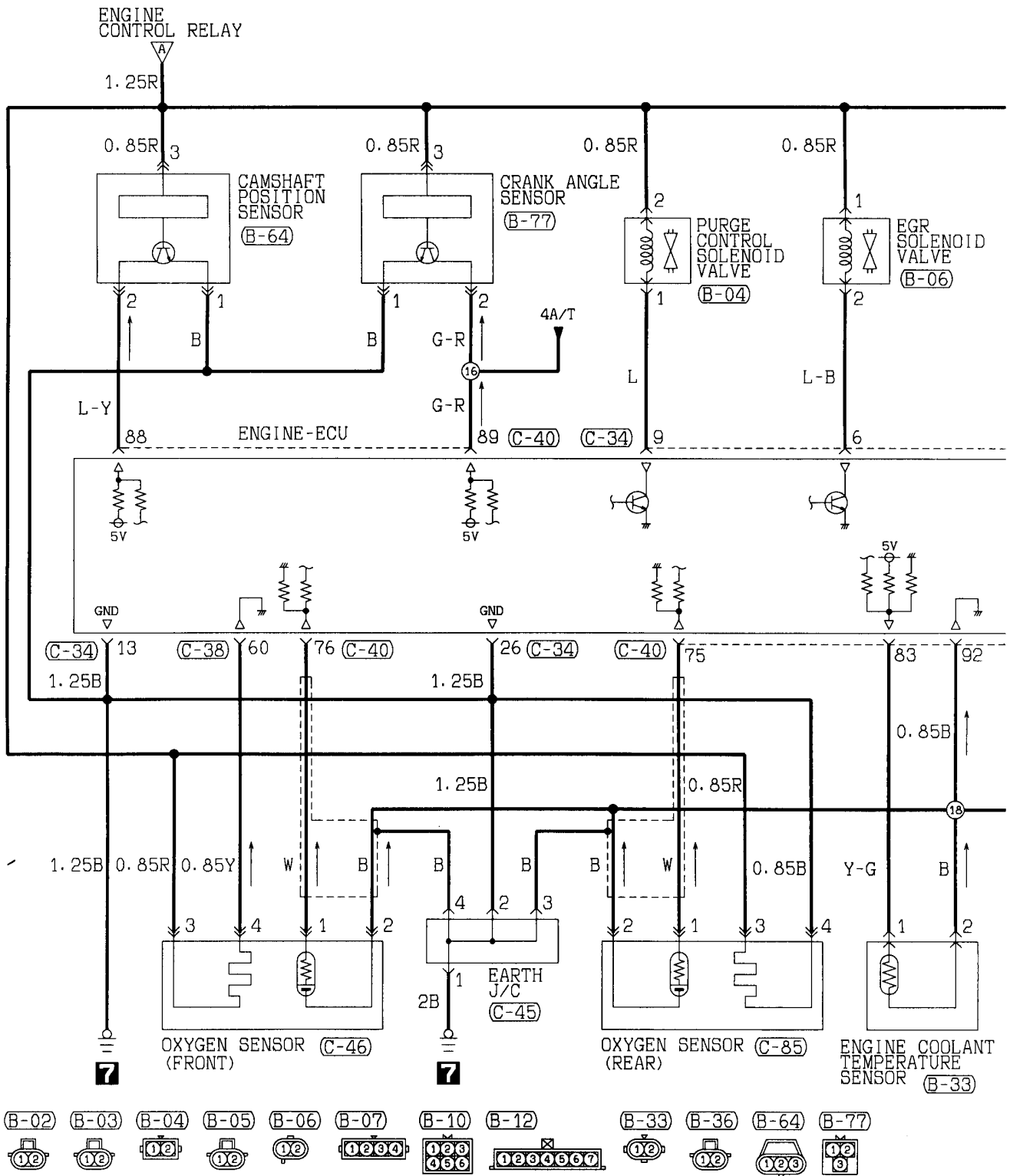
1	2	3	4	5	6	7	8	9	10
11	12	13	14	15	16	17	18	19	20
21	22	23	24	25	26	27	28	29	30

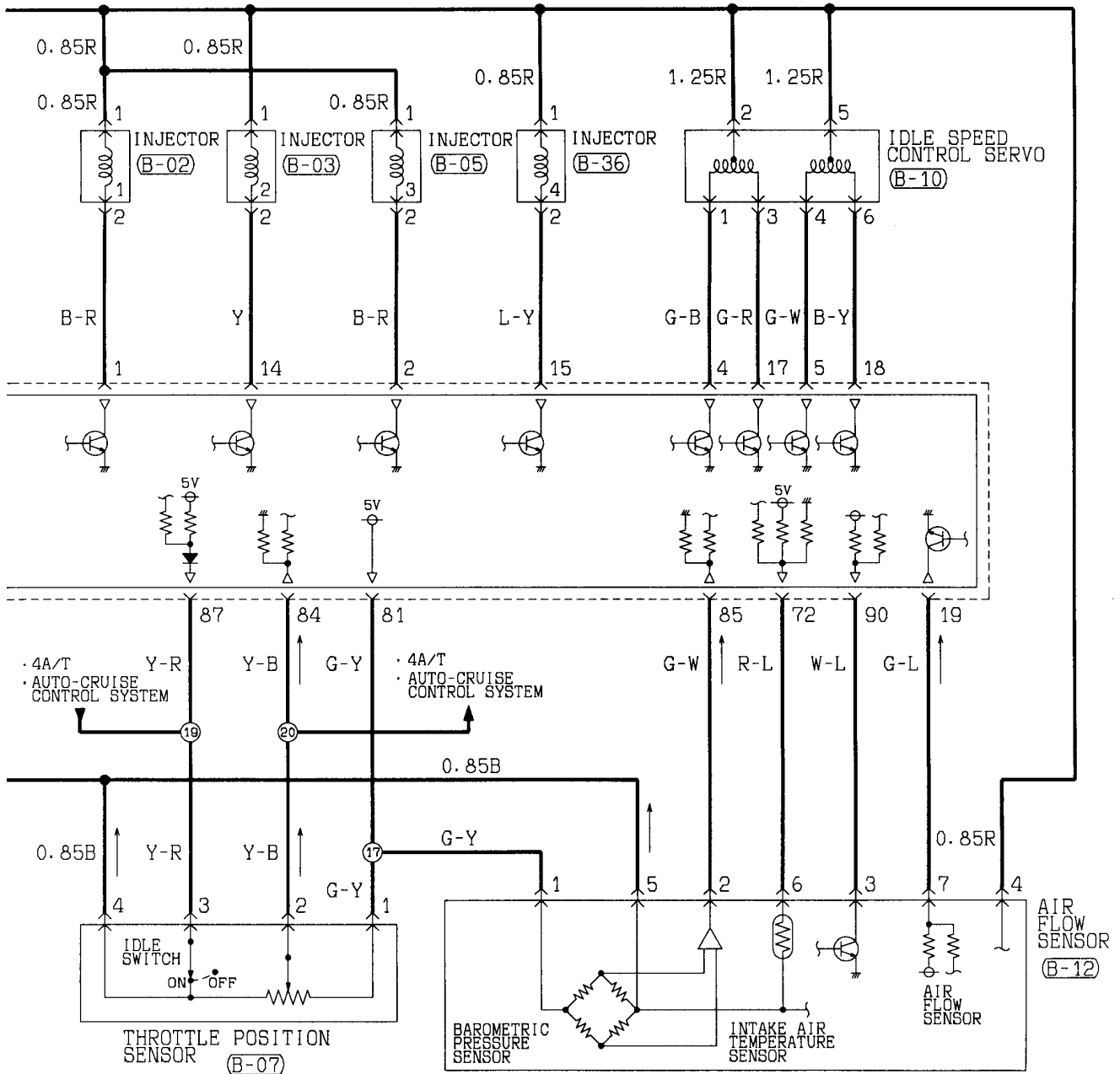
(C-92)

1	2
3	4

Wire colour code
 B : Black LG : Light green G : Green L : Blue W : White Y : Yellow SB : Sky blue
 BR : Brown O : Orange GR : Gray R : Red P : Pink V : Violet

ENGINE CONTROL SYSTEM <4G6-SOHC-MPI (R.H. drive vehicles)> (CONTINUED)





(C-34)

1	2	3	4	5	6	7	8	9	10	11	12	13
14	15	16	17	18	19	20	21	22	23	24	25	26

(C-38)

51	52	53	54	55	56
57	58	59	60	61	62

(C-40)

71	72	73	74	75	76	77	78	79	80	81
82	83	84	85	86	87	88	89	90	91	92

(C-45)

1	2	3	4		
5	6	7	8	9	10

(C-46)

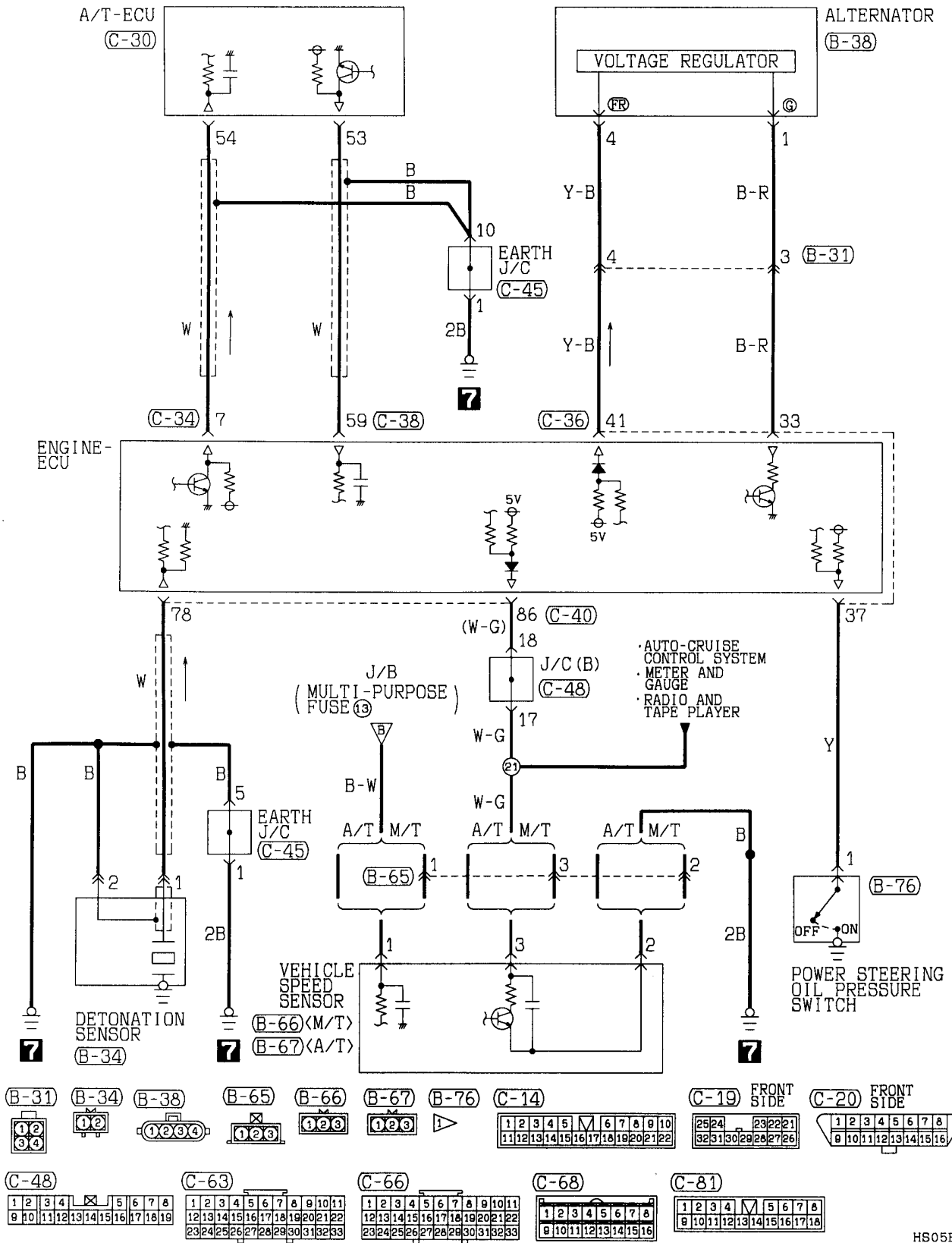
1	2	3	4
1	2	3	4

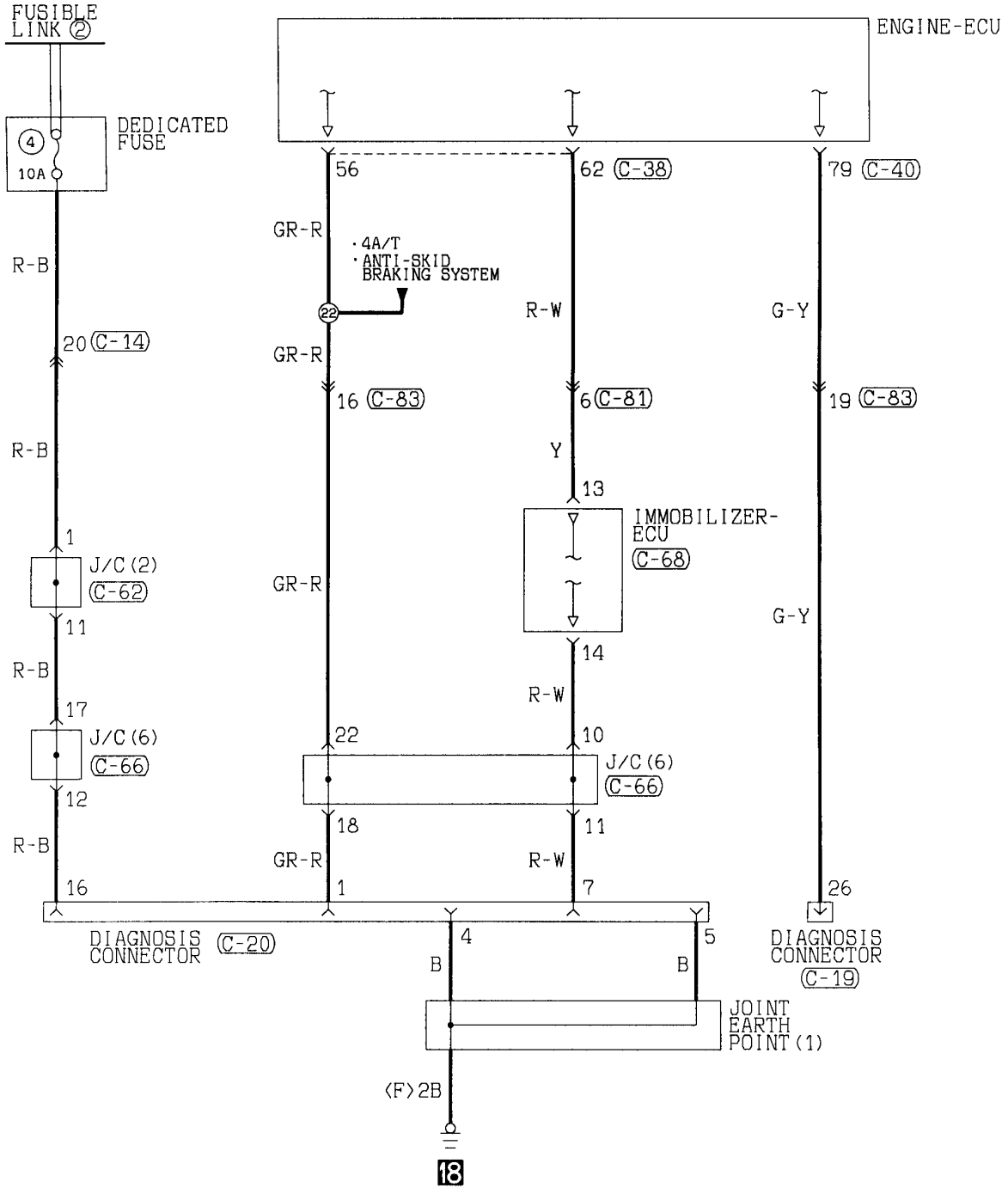
(C-85)

1	2	3	4
1	2	3	4

Wire colour code
 B :Black LG:Light green G :Green L :Blue W :White Y :Yellow SB:Sky blue
 BR:Brown O :Orange GR:Gray R :Red P :Pink V :Violet

ENGINE CONTROL SYSTEM <4G6-SOHC-MPI (R.H. drive vehicles)> (CONTINUED)





(C-30)

51	52	53	54	55	56	57	58	59	60	61
62	63	64	65	66	67	68	69	70	71	72

(C-34)

1	2	3	4	5	6	7	8	9	10	11	12	13
14	15	16	17	18	19	20	21	22	23	24	25	26

(C-36)

31	32	33	34	35	36	37	38
39	40	41	42	43	44	45	46

(C-38)

51	52	53	54	55	56
57	58	59	60	61	62

(C-40)

71	72	73	74	75	76	77	78	79	80	81
82	83	84	85	86	87	88	89	90	91	92

(C-45)

1	2	3	4		
5	6	7	8	9	10

(C-83)

1	2	3	4	5	6	7	8	9	10		
11	12	13	14	15	16	17	18	19	20	21	22

Wire colour code

B : Black LG : Light green
 BR : Brown O : Orange
 W : White SB : Sky blue
 V : Violet

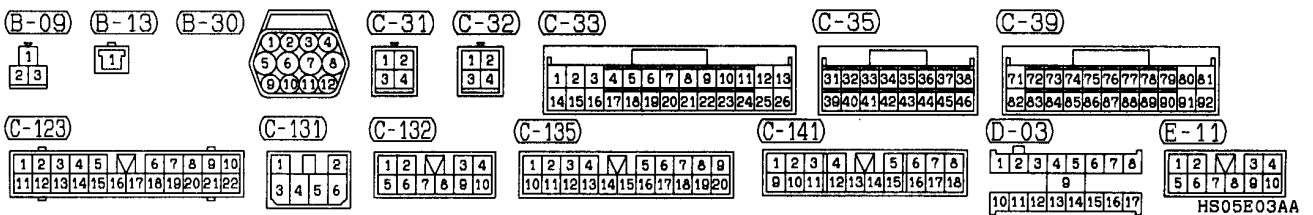
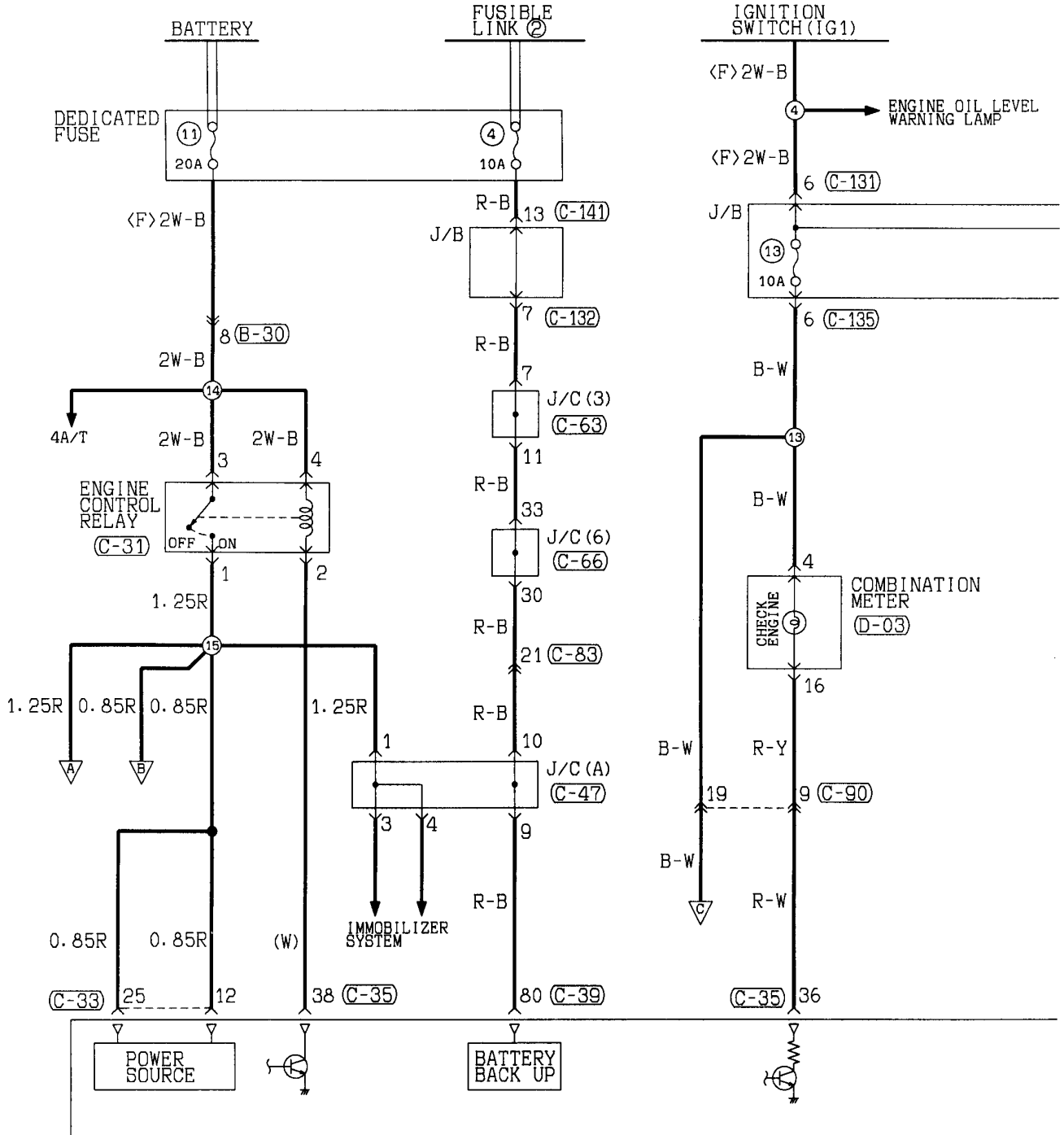
G : Green
 GR : Gray
 P : Pink

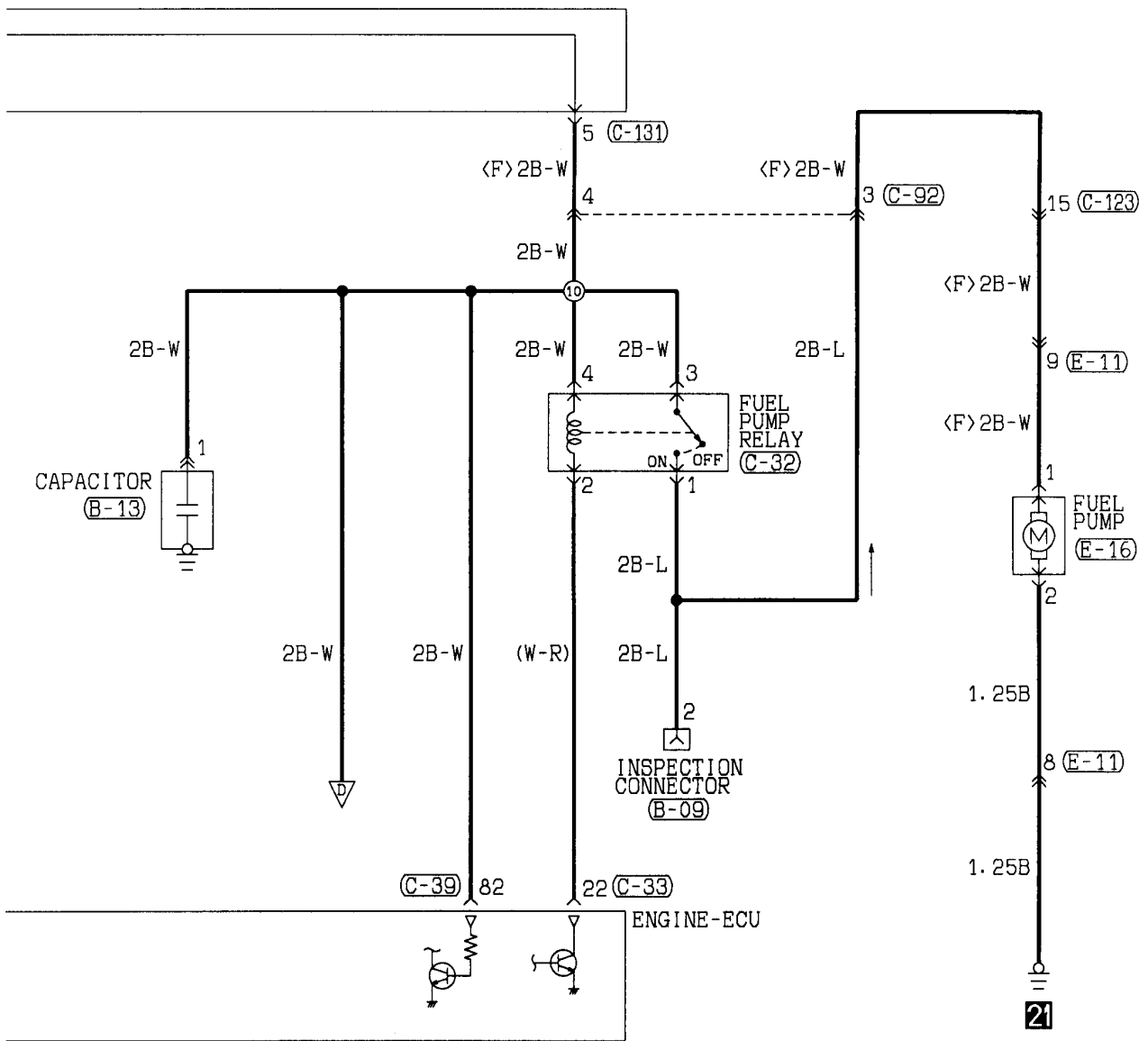
L : Blue
 R : Red
 Y : Yellow

ENGINE CONTROL SYSTEM

90100081046

6A1-SOHC-MPI <L.H. drive vehicles with TCL>





(C-47)

1	2	3	4	5	6	7	8			
9	10	11	12	13	14	15	16	17	18	19

(C-63)

1	2	3	4	5	6	7	8	9	10	11
12	13	14	15	16	17	18	19	20	21	22
23	24	25	26	27	28	29	30	31	32	33

(C-66)

1	2	3	4	5	6	7	8	9	10	11
12	13	14	15	16	17	18	19	20	21	22
23	24	25	26	27	28	29	30	31	32	33

(C-83)

1	2	3	4	5	6	7	8	9	10		
11	12	13	14	15	16	17	18	19	20	21	22

(C-90)

1	2	3	4	5	6	7	8	9		
10	11	12	13	14	15	16	17	18	19	20

(C-92)

1	2
3	4

(E-16)



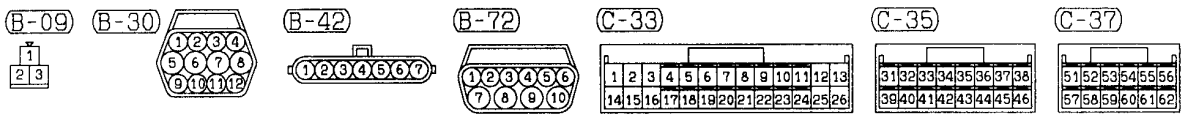
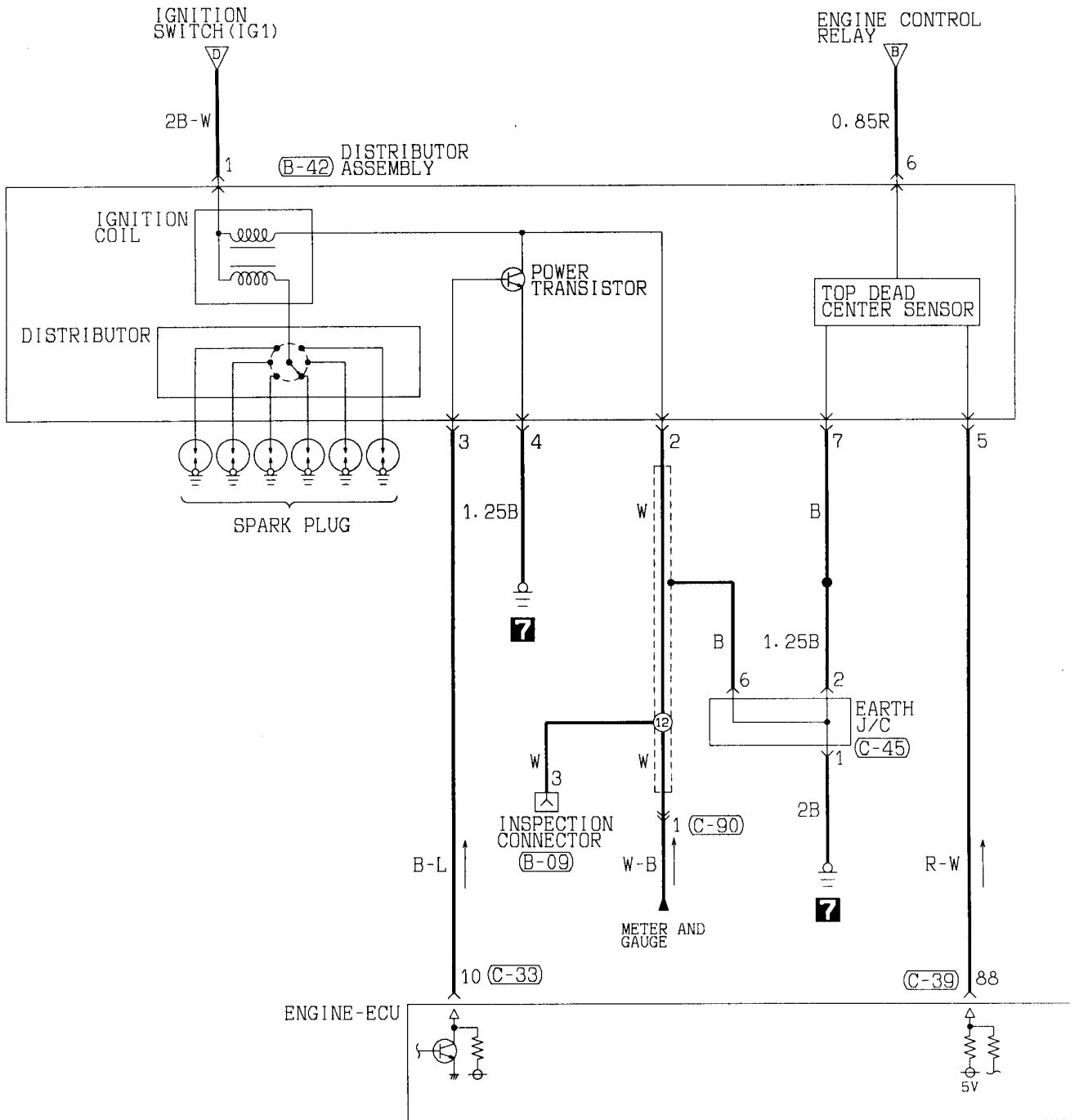
Wire colour code
 B : Black LG : Light green
 BR : Brown O : Orange

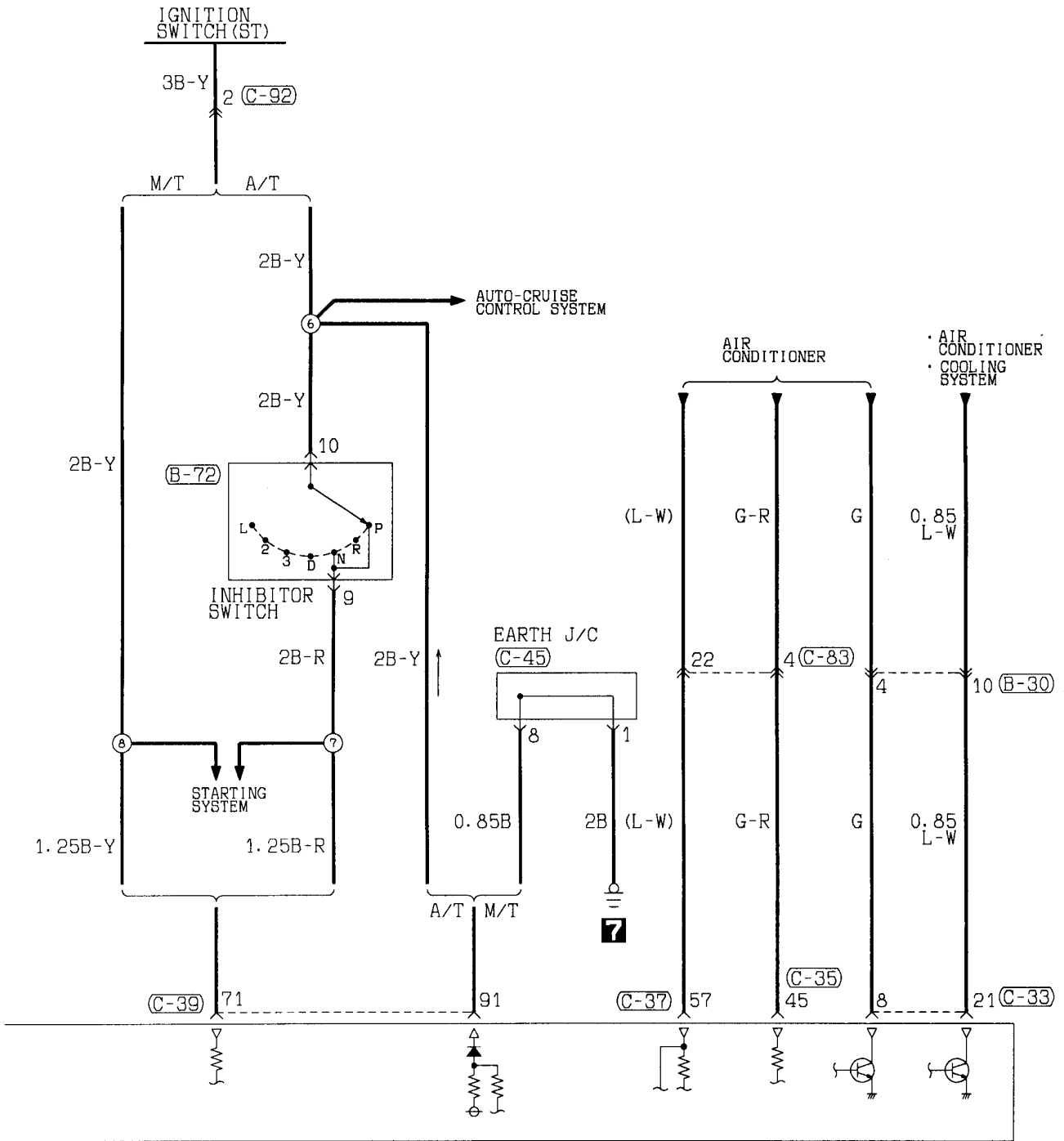
G : Green L : Blue
 GR : Gray R : Red

W : White Y : Yellow
 P : Pink V : Violet

SB : Sky blue

ENGINE CONTROL SYSTEM <6A1-SOHC-MPI (L.H. drive vehicles with TCL)>
(CONTINUED)





(C-39)

71	72	73	74	75	76	77	78	79	80	81
82	83	84	85	86	87	88	89	90	91	92

(C-45)

1	2	3	4
5	6	7	8
9	10		

(C-83)

1	2	3	4	5	6	7	8	9	10
11	12	13	14	15	16	17	18	19	20
21	22								

(C-90)

1	2	3	4	5	6	7	8	9
10	11	12	13	14	15	16	17	18
19	20							

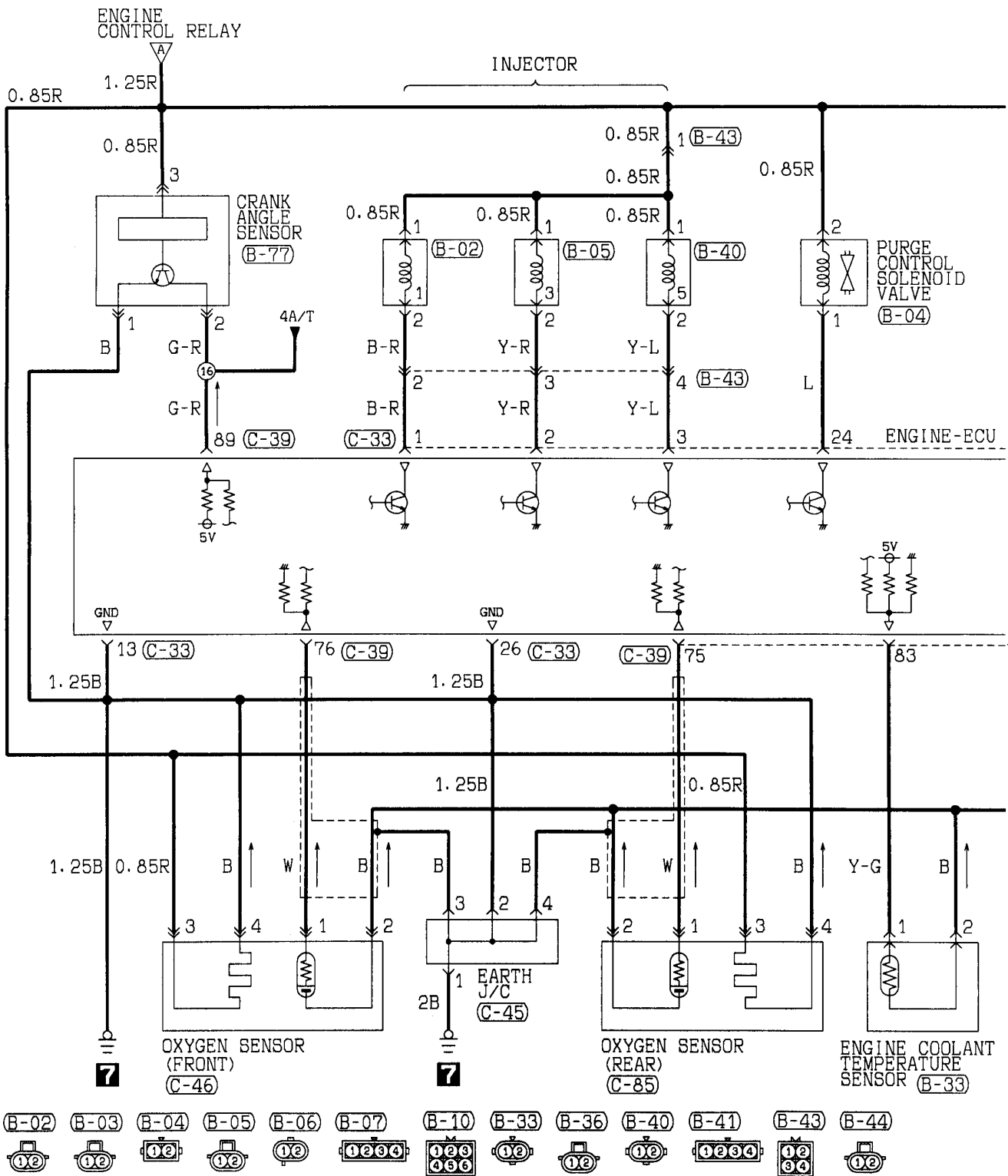
(C-92)

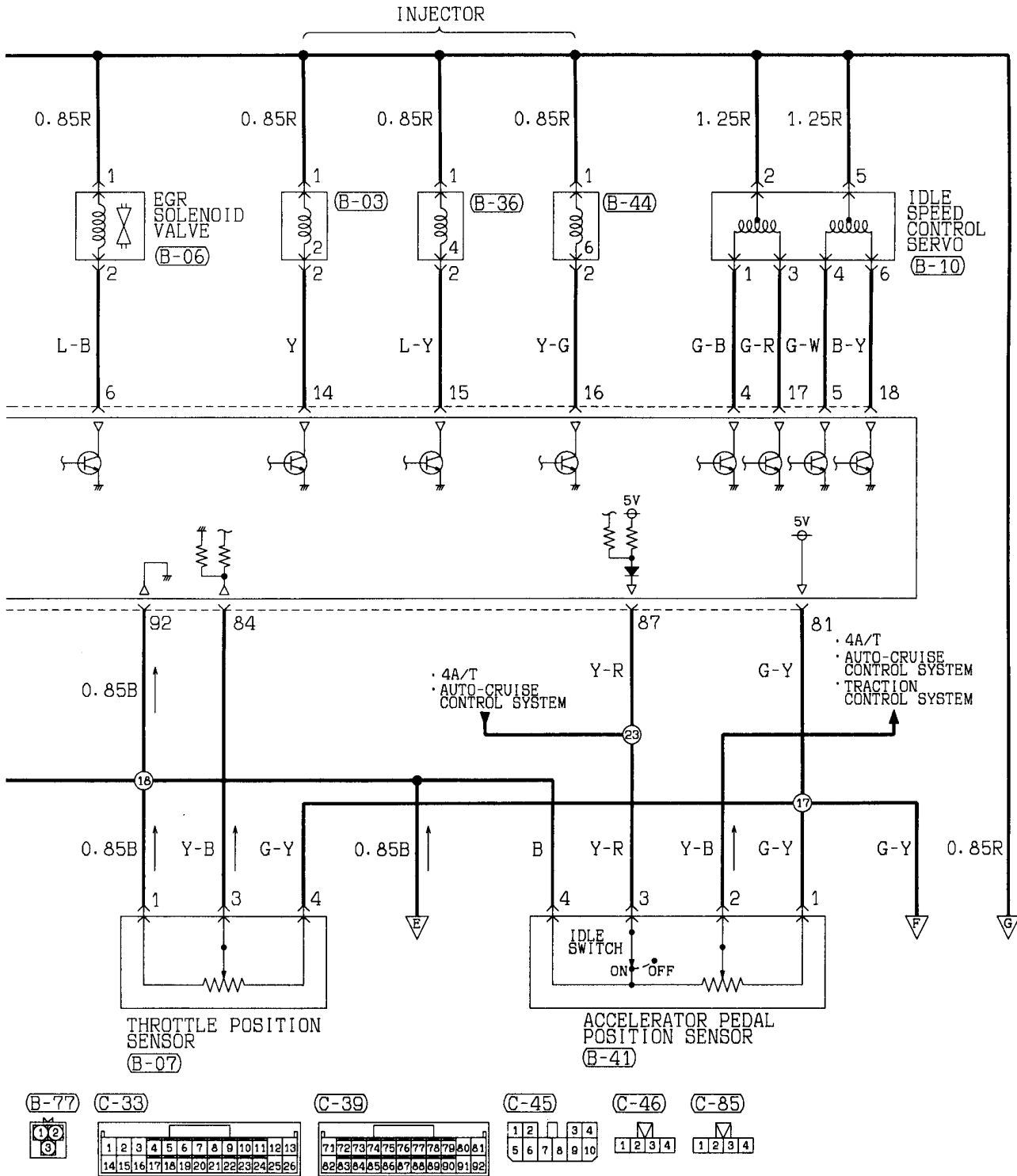
1	2
3	4

Wire colour code

B : Black LG: Light green G : Green L : Blue W : White Y : Yellow SB: Sky blue
 BR: Brown O : Orange GR: Gray R : Red P : Pink V : Violet

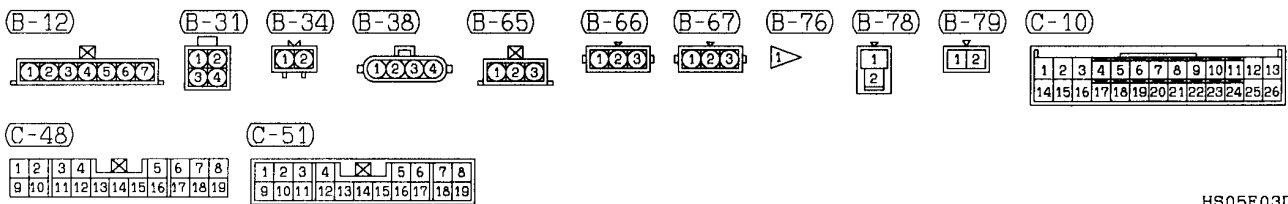
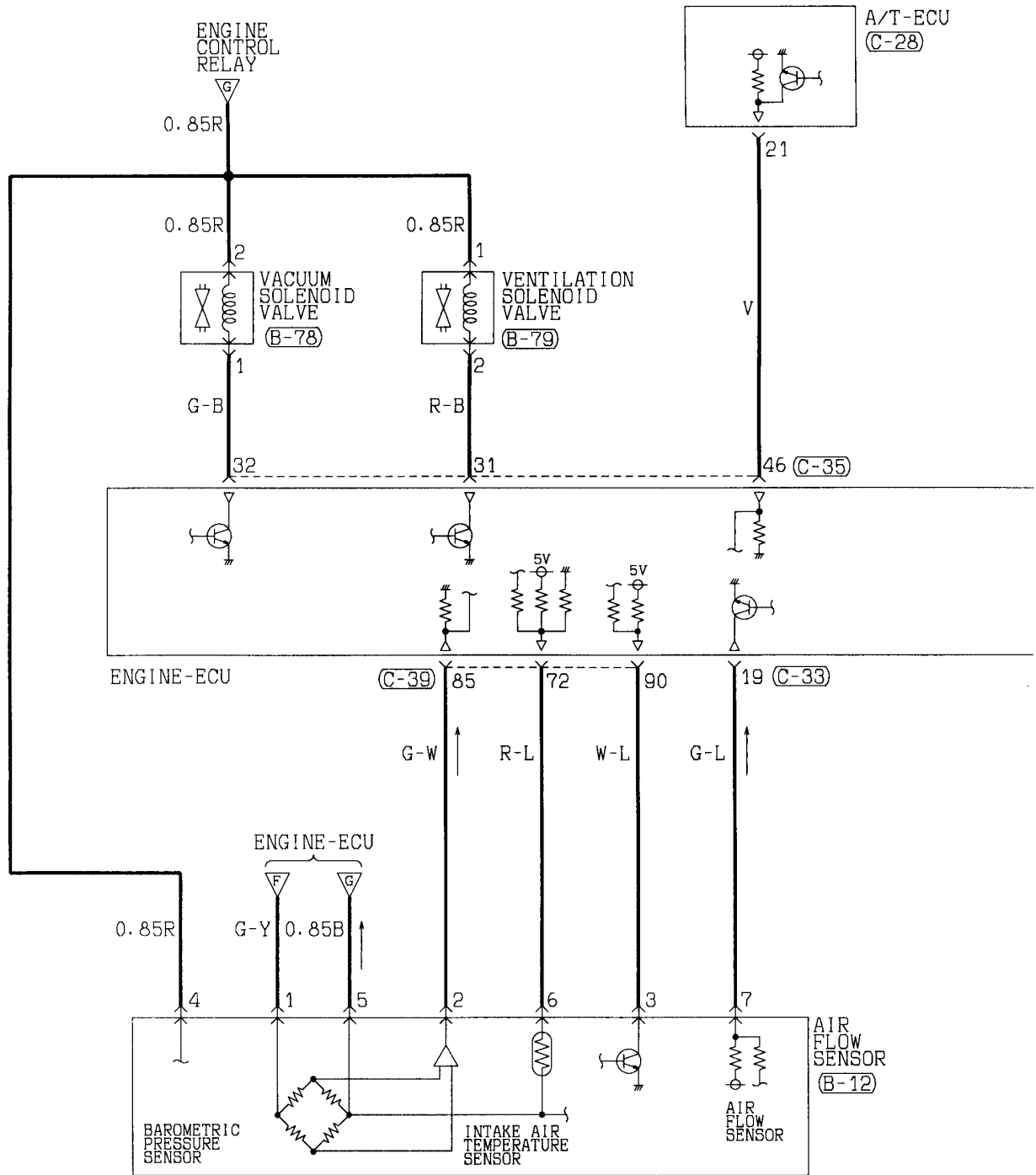
ENGINE CONTROL SYSTEM <6A1-SOHC-MPI (L.H. drive vehicles with TCL)>
(CONTINUED)

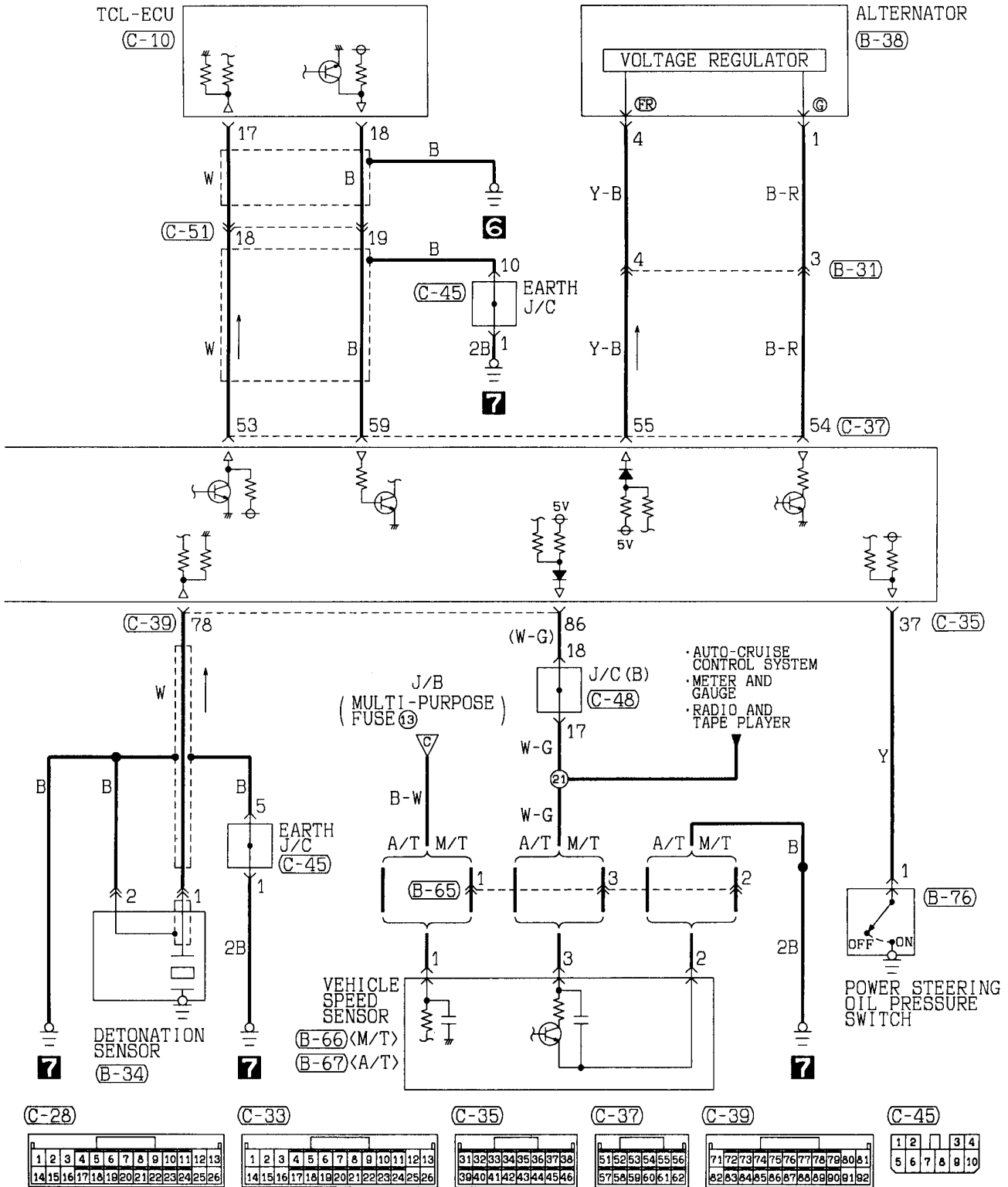




Wire colour code
 B:Black LG:Light green G:Green L:Blue W:White Y:Yellow SB:Sky blue
 BR:Brown O:Orange GR:Gray R:Red P:Pink V:Violet

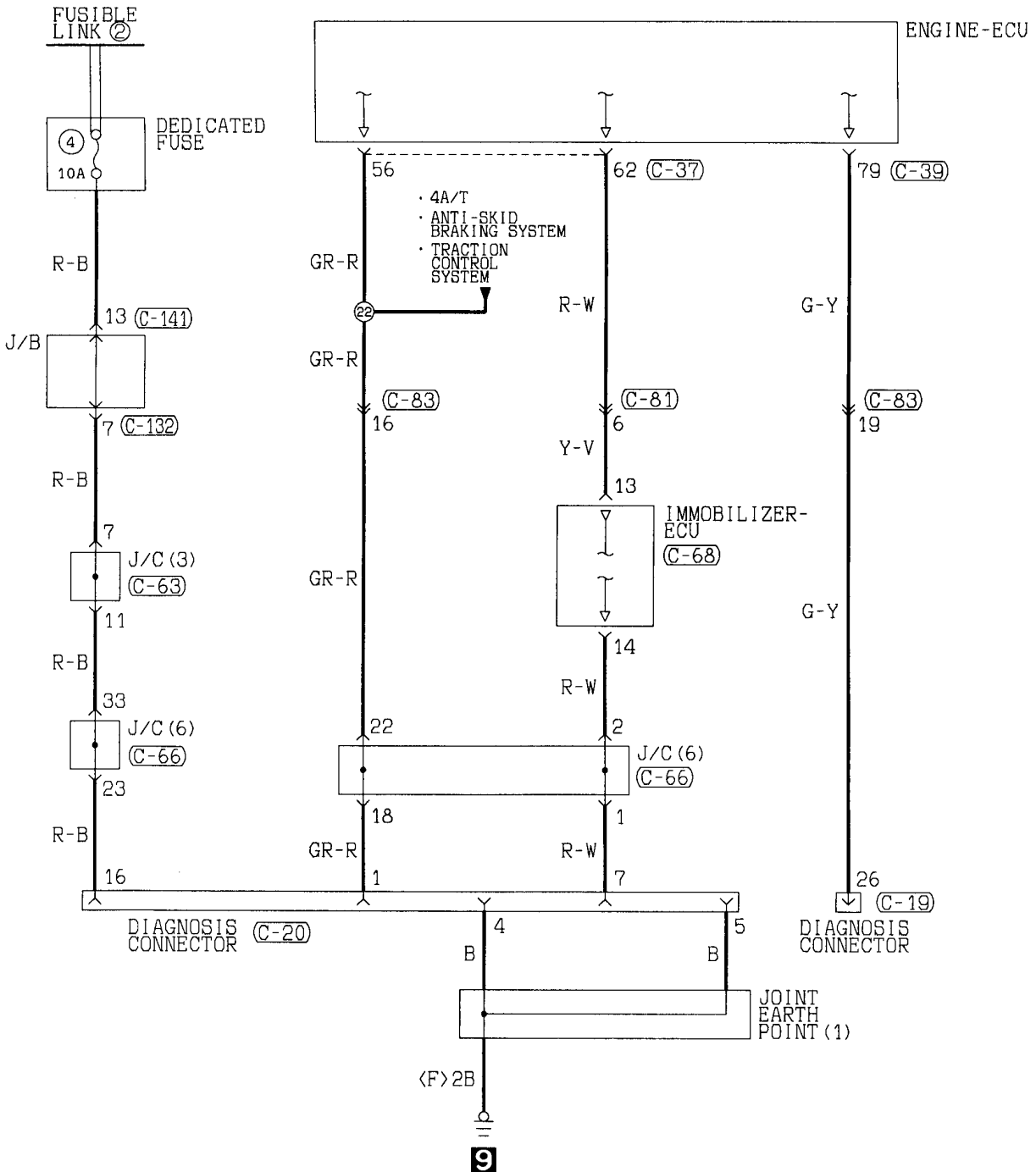
ENGINE CONTROL SYSTEM <6A1-SOHC-MPI (L.H. drive vehicles with TCL)>
(CONTINUED)





Wire colour code
 B:Black LG:Light green G:Green L:Blue W:White Y:Yellow SB:Sky blue
 BR:Brown O:Orange GR:Gray R:Red P:Pink V:Violet

ENGINE CONTROL SYSTEM <6A1-SOHC-MPI (L.H. drive vehicles with TCL)>
(CONTINUED)



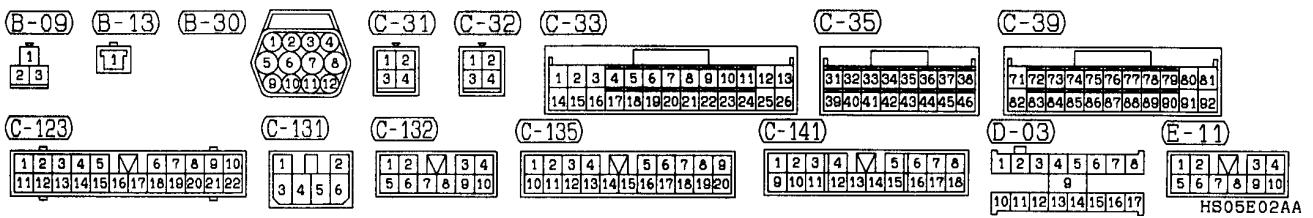
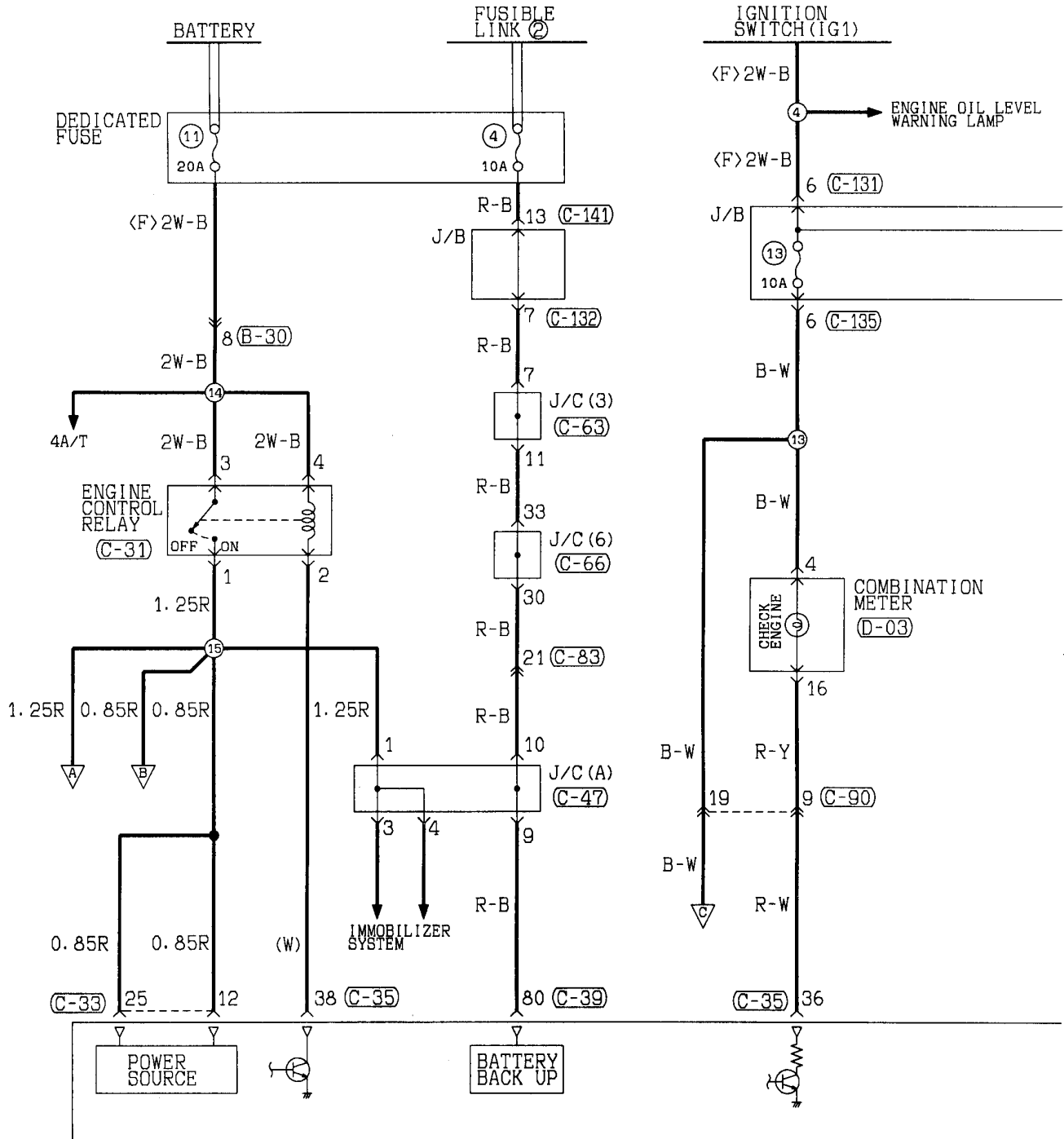
(C-19) FRONT SIDE 25 24 23 22 21 32 31 30 29 28 27 26	(C-20) FRONT SIDE 1 2 3 4 5 6 7 8 9 10 11 12 13 14 15 16	(C-37) 51 52 53 54 55 56 57 58 59 60 61 62	(C-39) 71 72 73 74 75 76 77 78 79 80 81 82 83 84 85 86 87 88 89 90 91 92	(C-63) 1 2 3 4 5 6 7 8 9 10 11 12 13 14 15 16 17 18 19 20 21 22 23 24 25 26 27 28 29 30 31 32 33	(C-66) 1 2 3 4 5 6 7 8 9 10 11 12 13 14 15 16 17 18 19 20 21 22 23 24 25 26 27 28 29 30 31 32 33
(C-68) 1 2 3 4 5 6 7 8 9 10 11 12 13 14 15 16	(C-81) 1 2 3 4 5 6 7 8 9 10 11 12 13 14 15 16 17 18	(C-83) 1 2 3 4 5 6 7 8 9 10 11 12 13 14 15 16 17 18 19 20 21 22	(C-132) 1 2 3 4 5 6 7 8 9 10	(C-141) 1 2 3 4 5 6 7 8 9 10 11 12 13 14 15 16 17 18	

NOTES

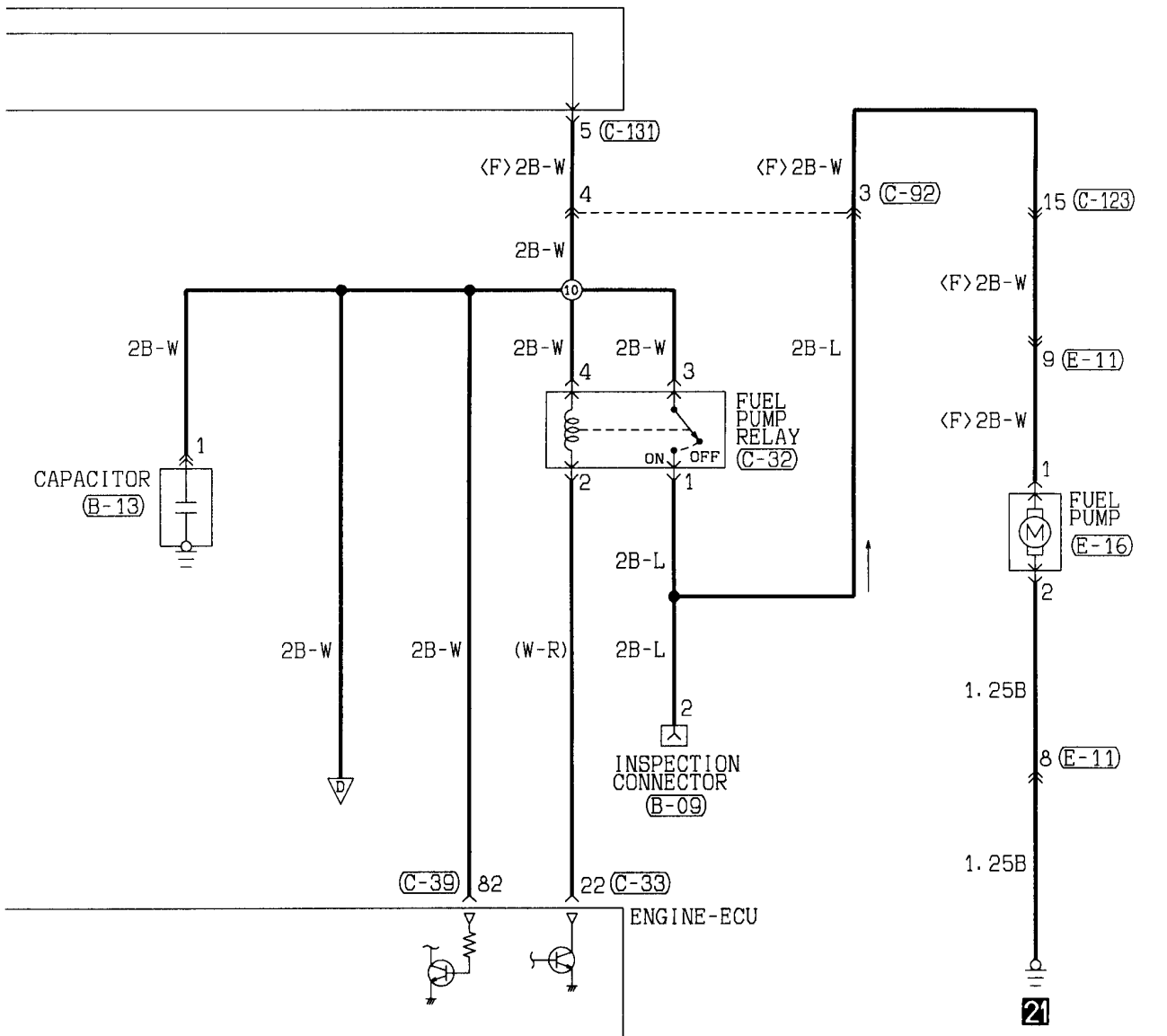
ENGINE CONTROL SYSTEM

90100081053

6A1-SOHC-MPI <L.H. drive vehicles without TCL>



HS05E02AA



(C-47)

1	2	3	4	5	6	7	8
9	10	11	12	13	14	15	16
17	18	19					

(C-63)

1	2	3	4	5	6	7	8	9	10	11
12	13	14	15	16	17	18	19	20	21	22
23	24	25	26	27	28	29	30	31	32	33

(C-66)

1	2	3	4	5	6	7	8	9	10	11
12	13	14	15	16	17	18	19	20	21	22
23	24	25	26	27	28	29	30	31	32	33

(C-83)

1	2	3	4	5	6	7	8	9	10
11	12	13	14	15	16	17	18	19	20
21	22								

(C-90)

1	2	3	4	5	6	7	8	9
10	11	12	13	14	15	16	17	18
19	20							

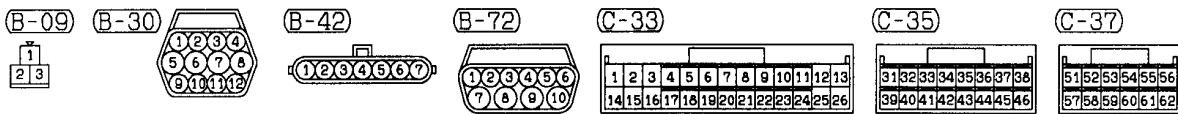
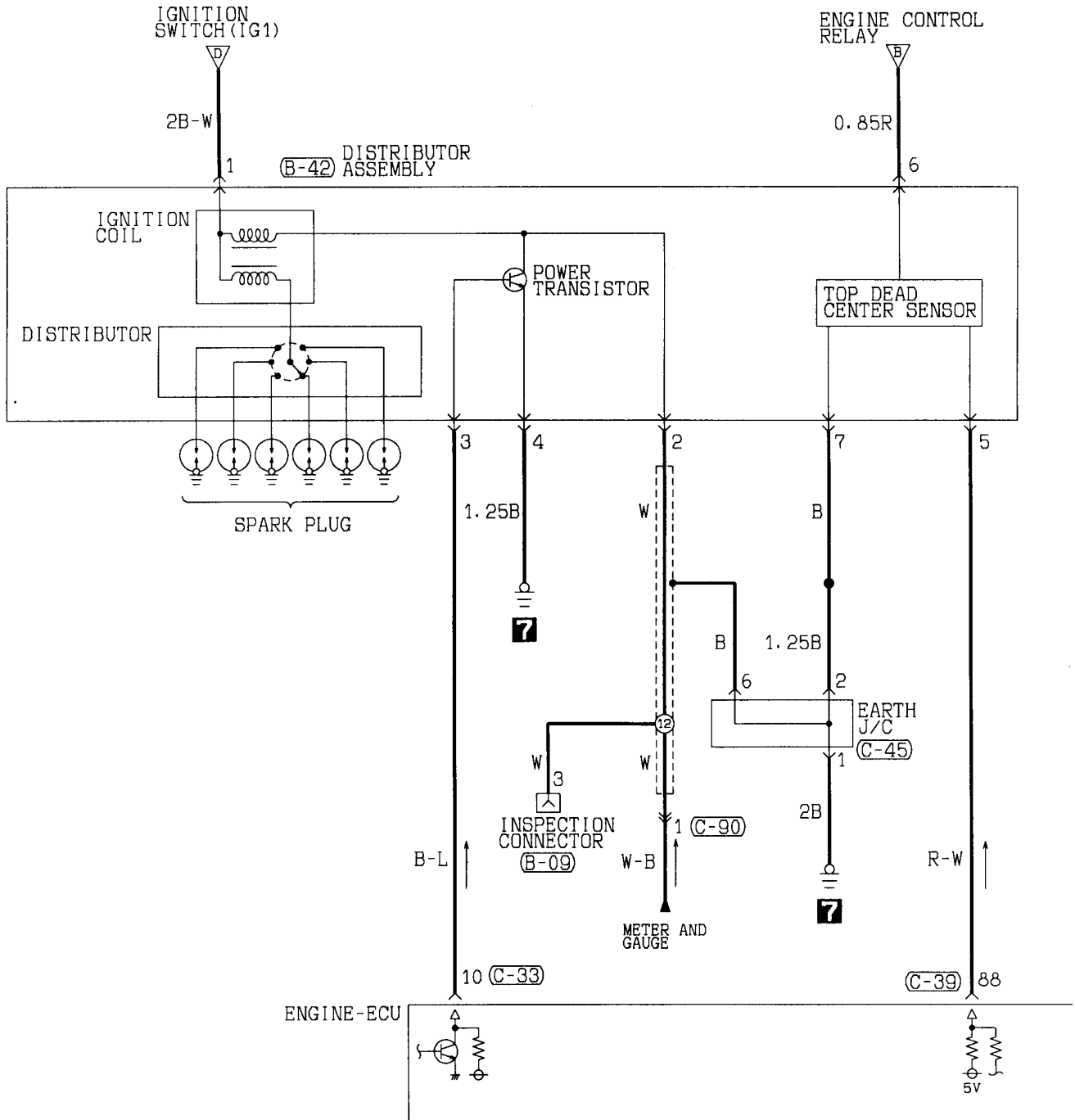
(C-92)

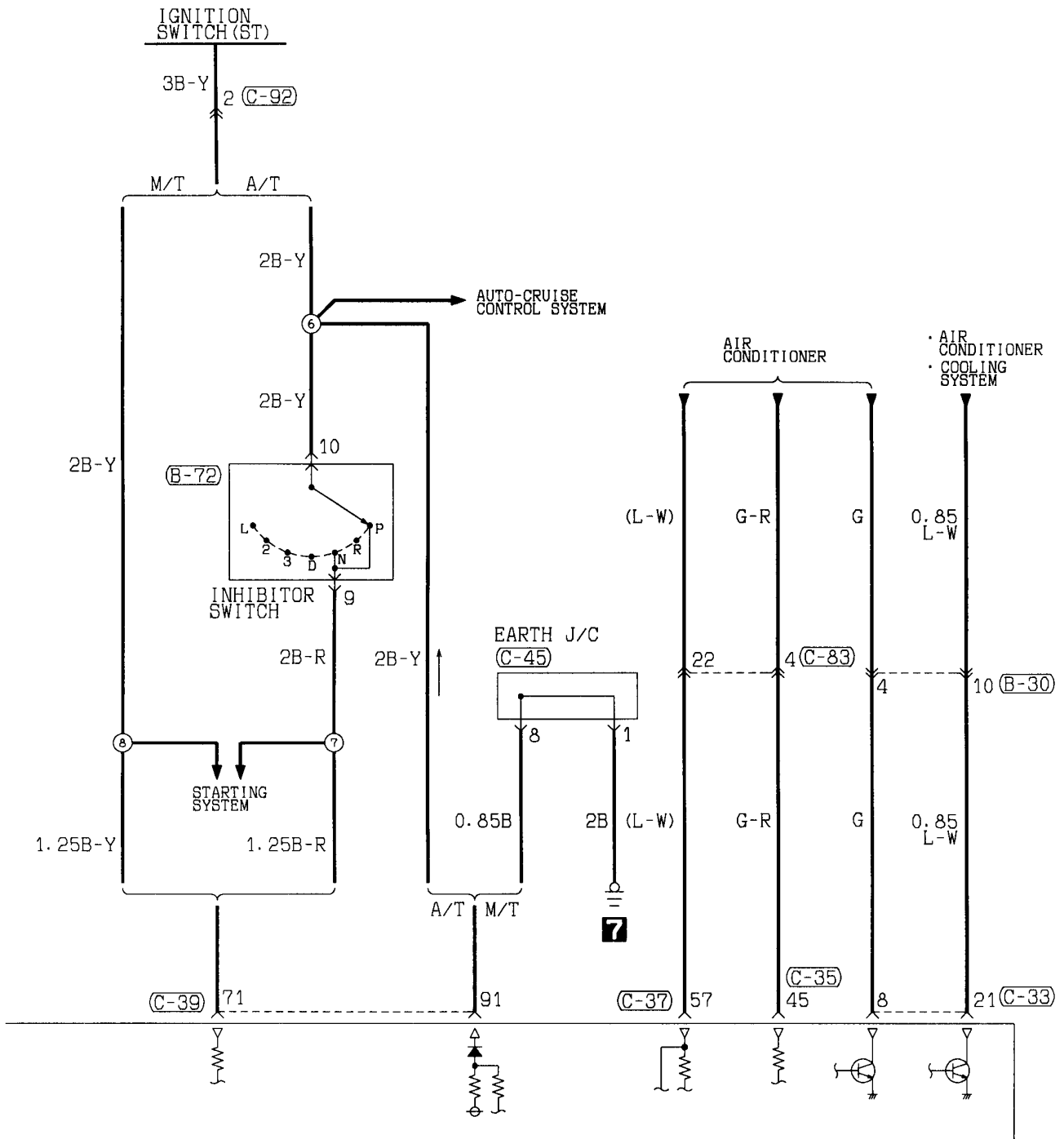
1	2
3	4

(E-16)



ENGINE CONTROL SYSTEM <6A1-SOHC-MPI (L.H. drive vehicles without TCL)>
(CONTINUED)





(C-39)

71	72	73	74	75	76	77	78	79	80	81
82	83	84	85	86	87	88	89	90	91	92

(C-45)

1	2	3	4
5	6	7	8
9	10		

(C-83)

1	2	3	4	5	6	7	8	9	10
11	12	13	14	15	16	17	18	19	20
21	22								

(C-90)

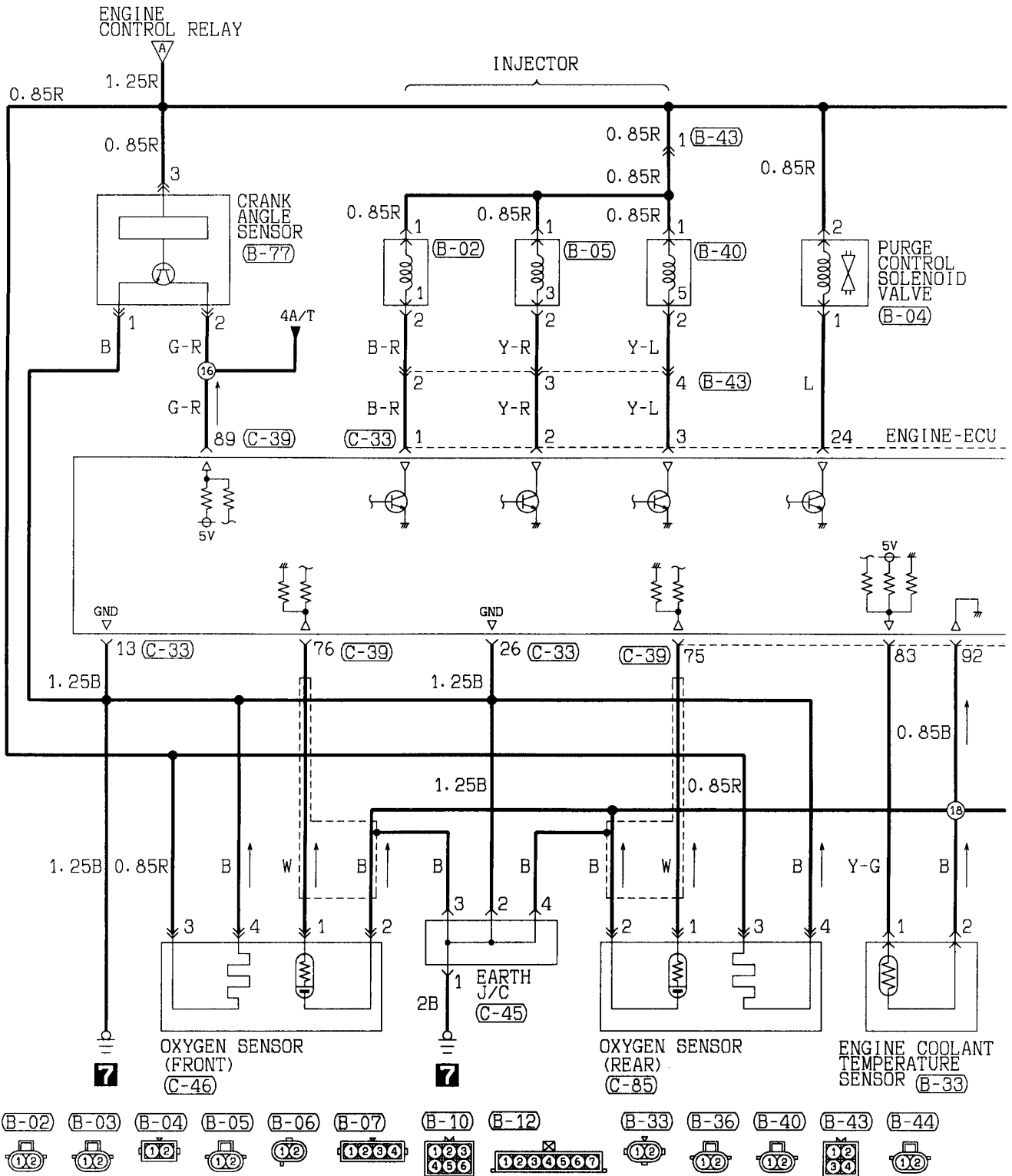
1	2	3	4	5	6	7	8	9
10	11	12	13	14	15	16	17	18
19	20							

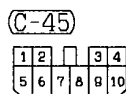
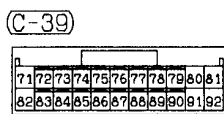
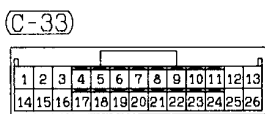
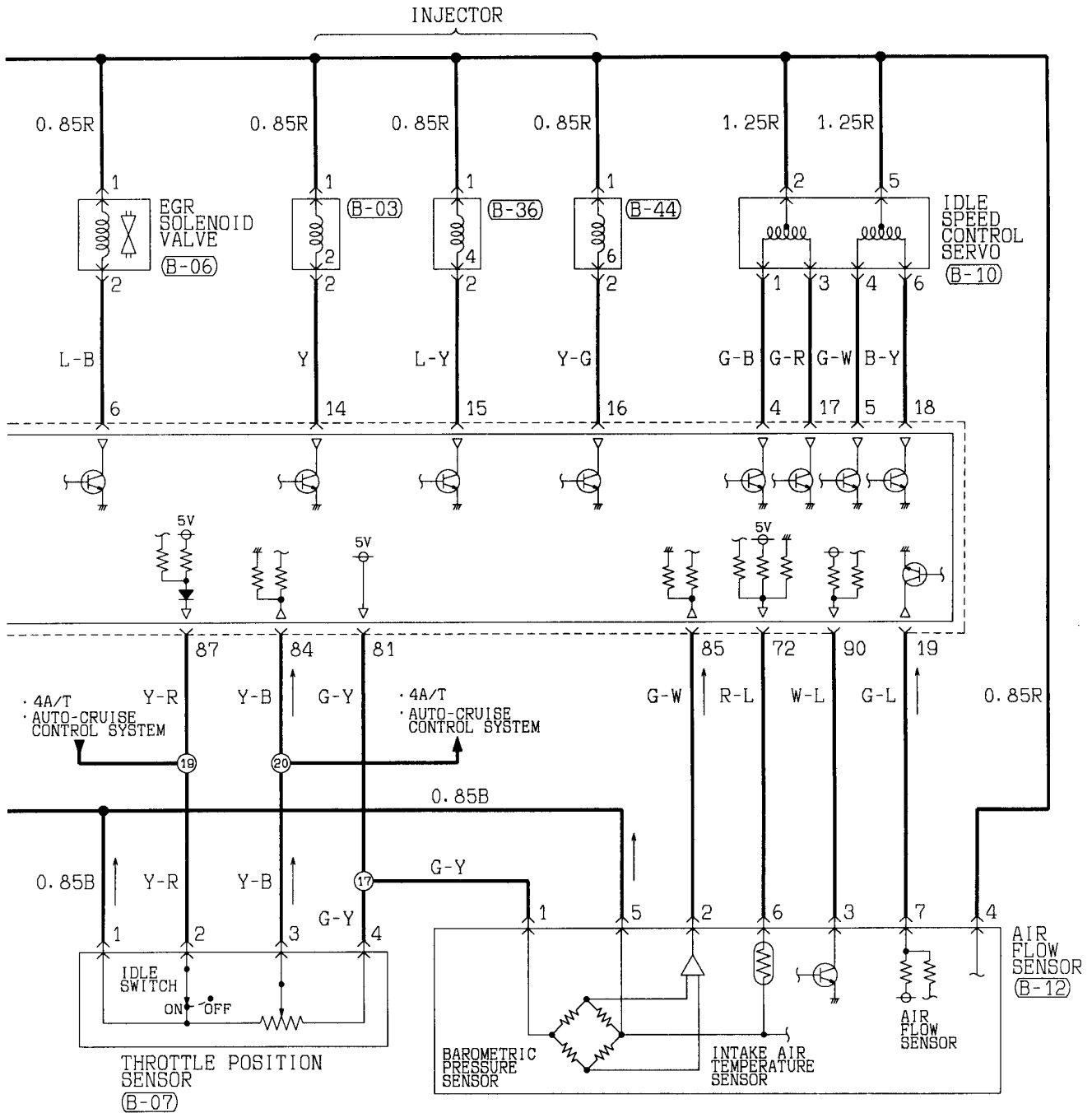
(C-92)

1	2
3	4

Wire colour code
 B : Black LG : Light green G : Green L : Blue W : White Y : Yellow SB : Sky blue
 BR : Brown O : Orange GR : Gray R : Red P : Pink V : Violet

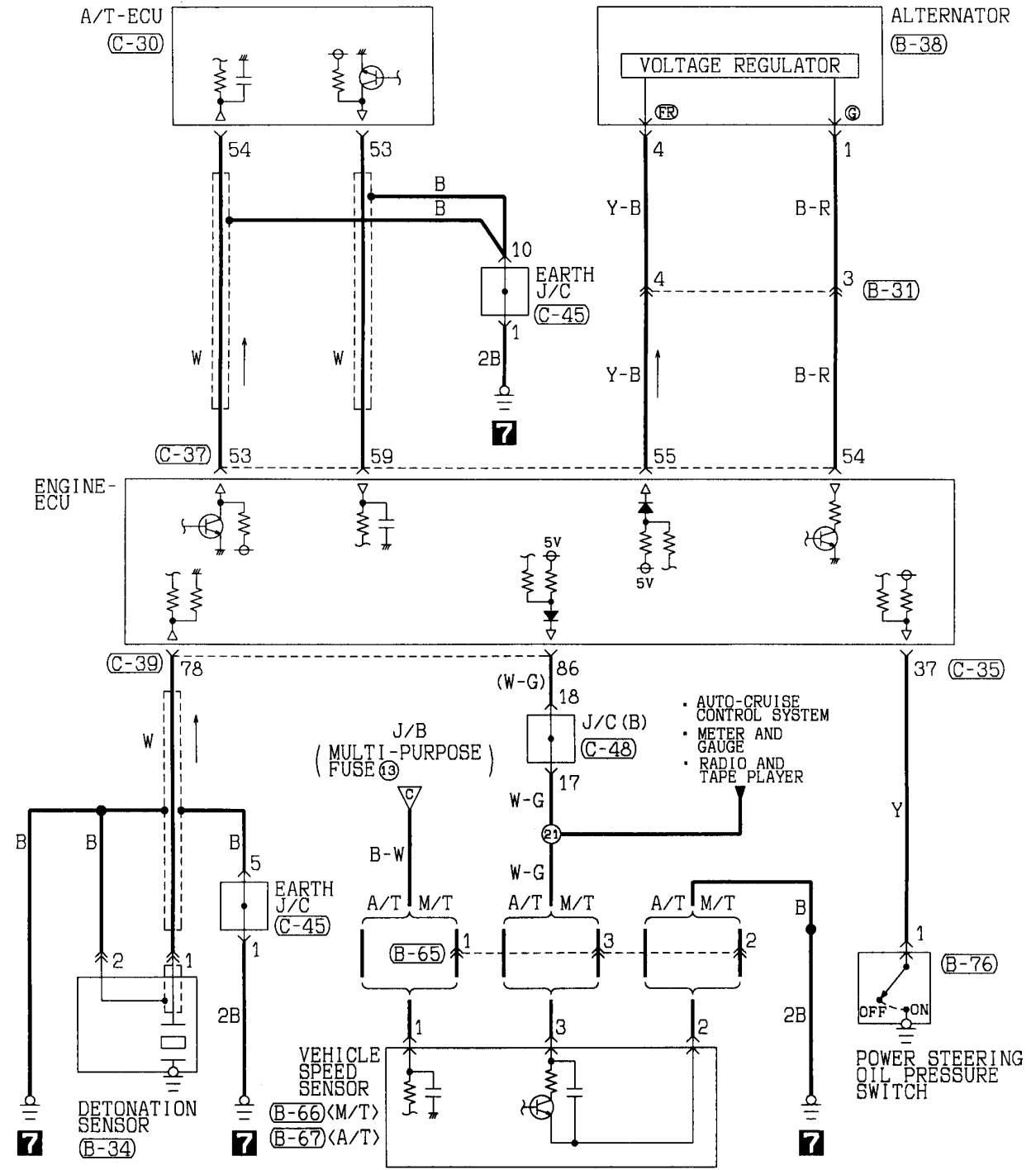
ENGINE CONTROL SYSTEM <6A1-SOHC-MPI (L.H. drive vehicles without TCL)>
(CONTINUED)



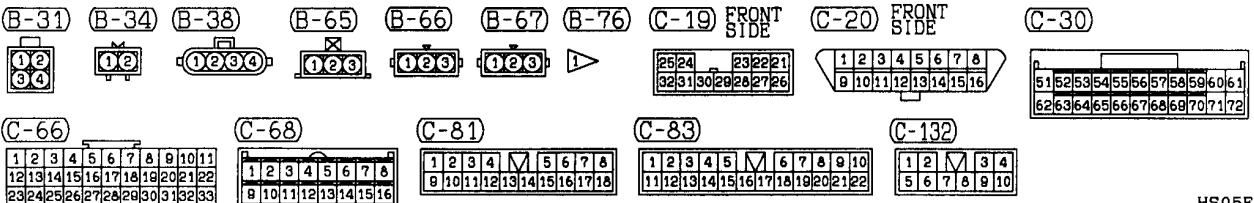


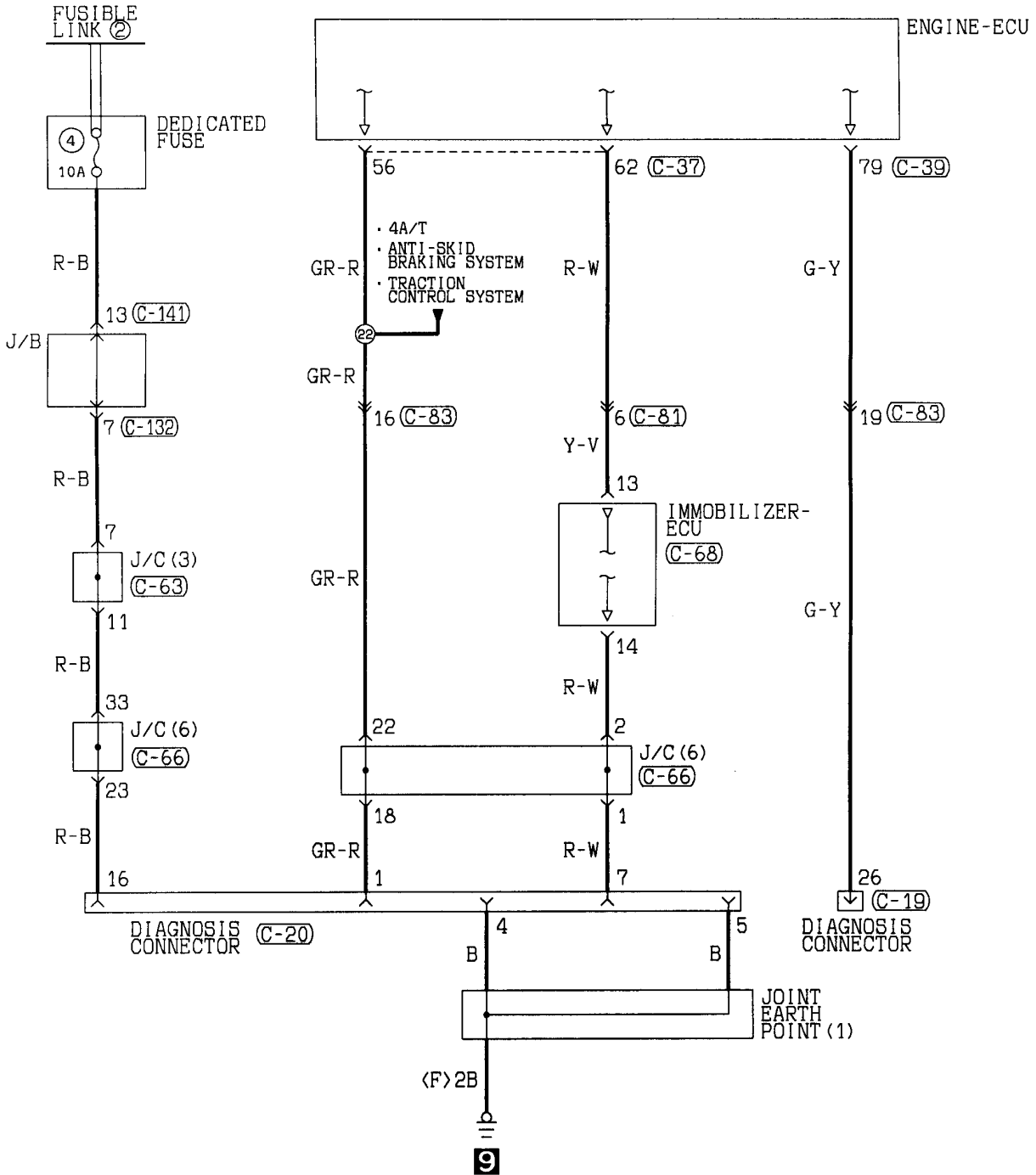
Wire colour code
 B :Black LG:Light green G :Green L :Blue W :White Y :Yellow SB:Sky blue
 BR:Brown O :Orange GR:Gray R :Red P :Pink V :Violet

ENGINE CONTROL SYSTEM <6A1-SOHC-MPI (L.H. drive vehicles without TCL)>
(CONTINUED)



- AUTO-CRUISE CONTROL SYSTEM
- METER AND GAUGE
- RADIO AND TAPE PLAYER





(C-35)

31	32	33	34	35	36	37	38
39	40	41	42	43	44	45	46

(C-37)

51	52	53	54	55	56
57	58	59	60	61	62

(C-39)

71	72	73	74	75	76	77	78	79	80	81
82	83	84	85	86	87	88	89	90	91	92

(C-45)

1	2	3	4
5	6	7	8
9	10		

(C-48)

1	2	3	4	5	6	7	8
9	10	11	12	13	14	15	16
17	18	19					

(C-63)

1	2	3	4	5	6	7	8	9	10	11
12	13	14	15	16	17	18	19	20	21	22
23	24	25	26	27	28	29	30	31	32	33

(C-141)

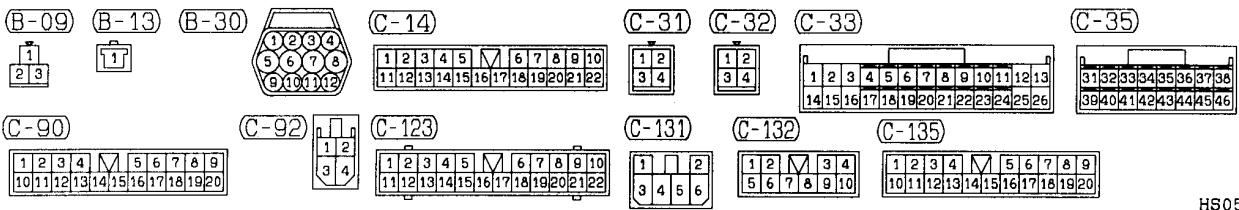
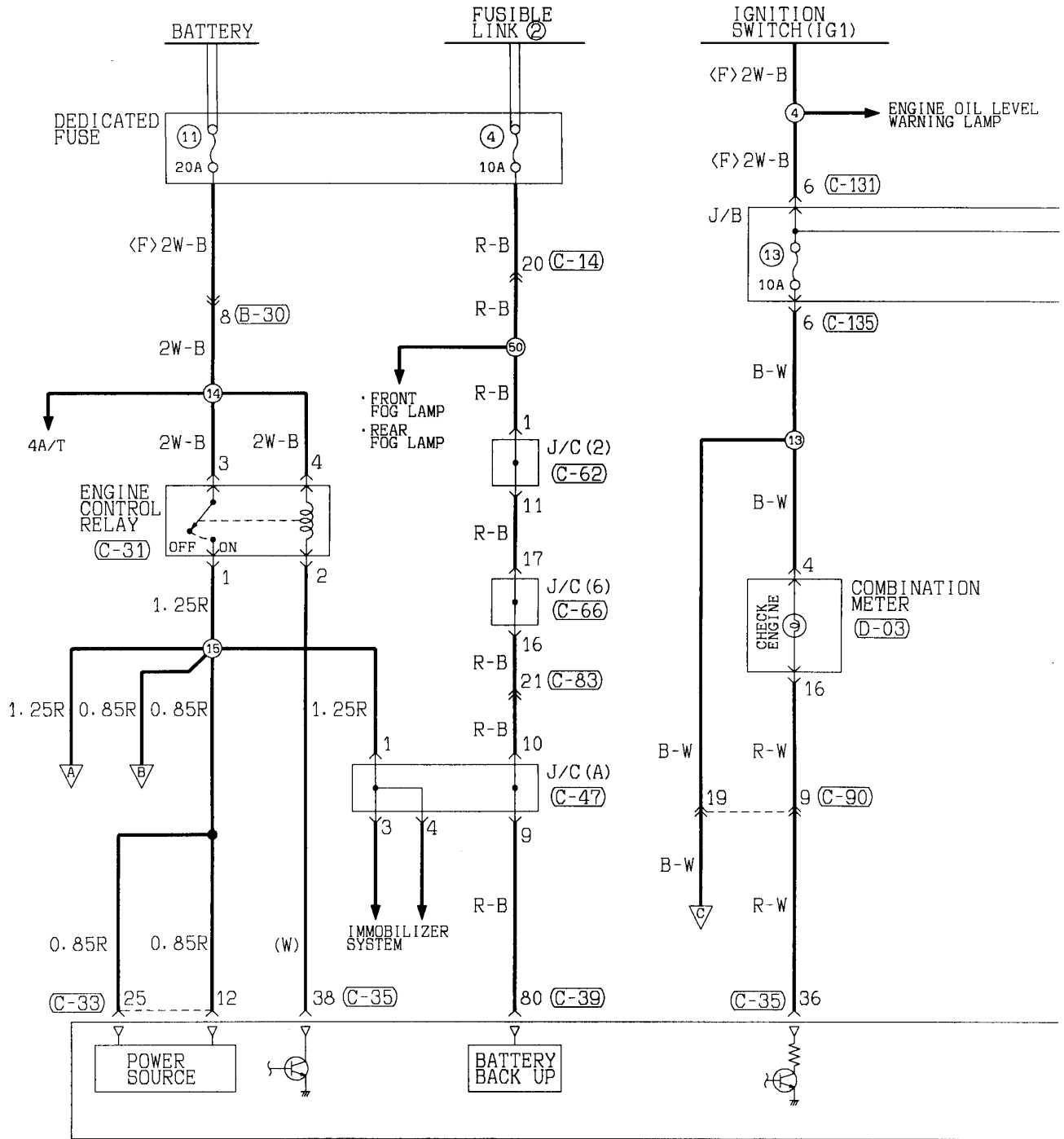
1	2	3	4	5	6	7	8
9	10	11	12	13	14	15	16
17	18						

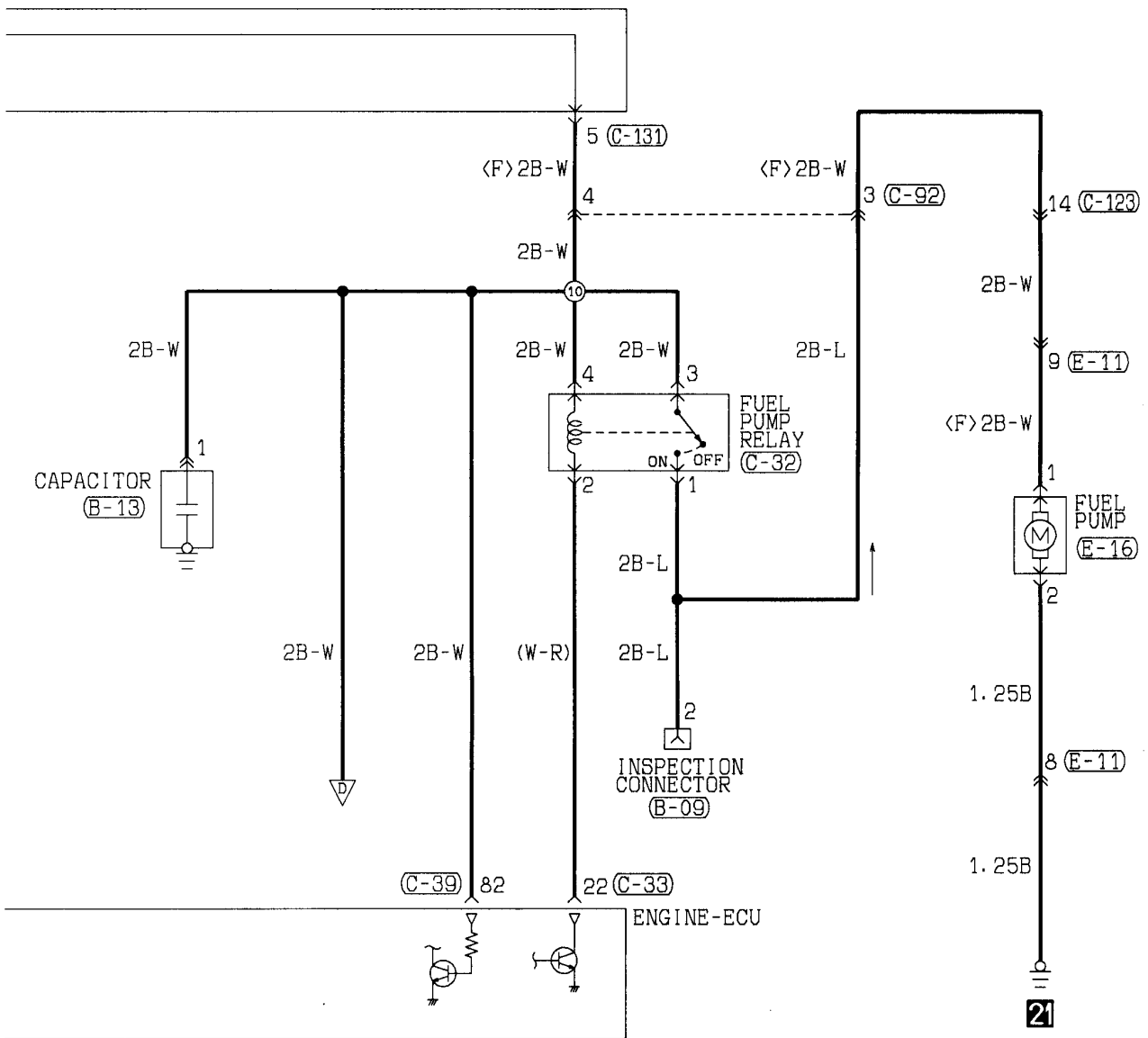
Wire colour code
 B : Black LG : Light green G : Green L : Blue
 BR : Brown O : Orange GR : Gray R : Red
 W : White SB : Sky blue P : Pink Y : Yellow
 V : Violet

ENGINE CONTROL SYSTEM

90100081060

6A1-SOHC-MPI <R.H. drive vehicles with TCL>





(C-39)

71	72	73	74	75	76	77	78	79	80	81
82	83	84	85	86	87	88	89	90	91	92

(C-47)

1	2	3	4	L	J	5	6	7	8	
9	10	11	12	13	14	15	16	17	18	19

(C-62)

1	2	3	4	5	6	7	8	9	10	11
12	13	14	15	16	17	18	19	20	21	22
23	24	25	26	27	28	29	30	31	32	33

(C-66)

1	2	3	4	5	6	7	8	9	10	11
12	13	14	15	16	17	18	19	20	21	22
23	24	25	26	27	28	29	30	31	32	33

(C-83)

1	2	3	4	5	6	7	8	9	10		
11	12	13	14	15	16	17	18	19	20	21	22

(C-141)

1	2	3	4	5	6	7	8		
9	10	11	12	13	14	15	16	17	18

(D-03)

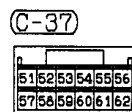
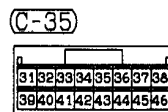
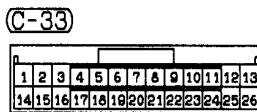
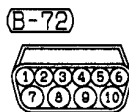
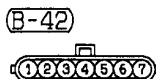
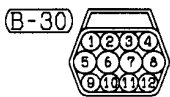
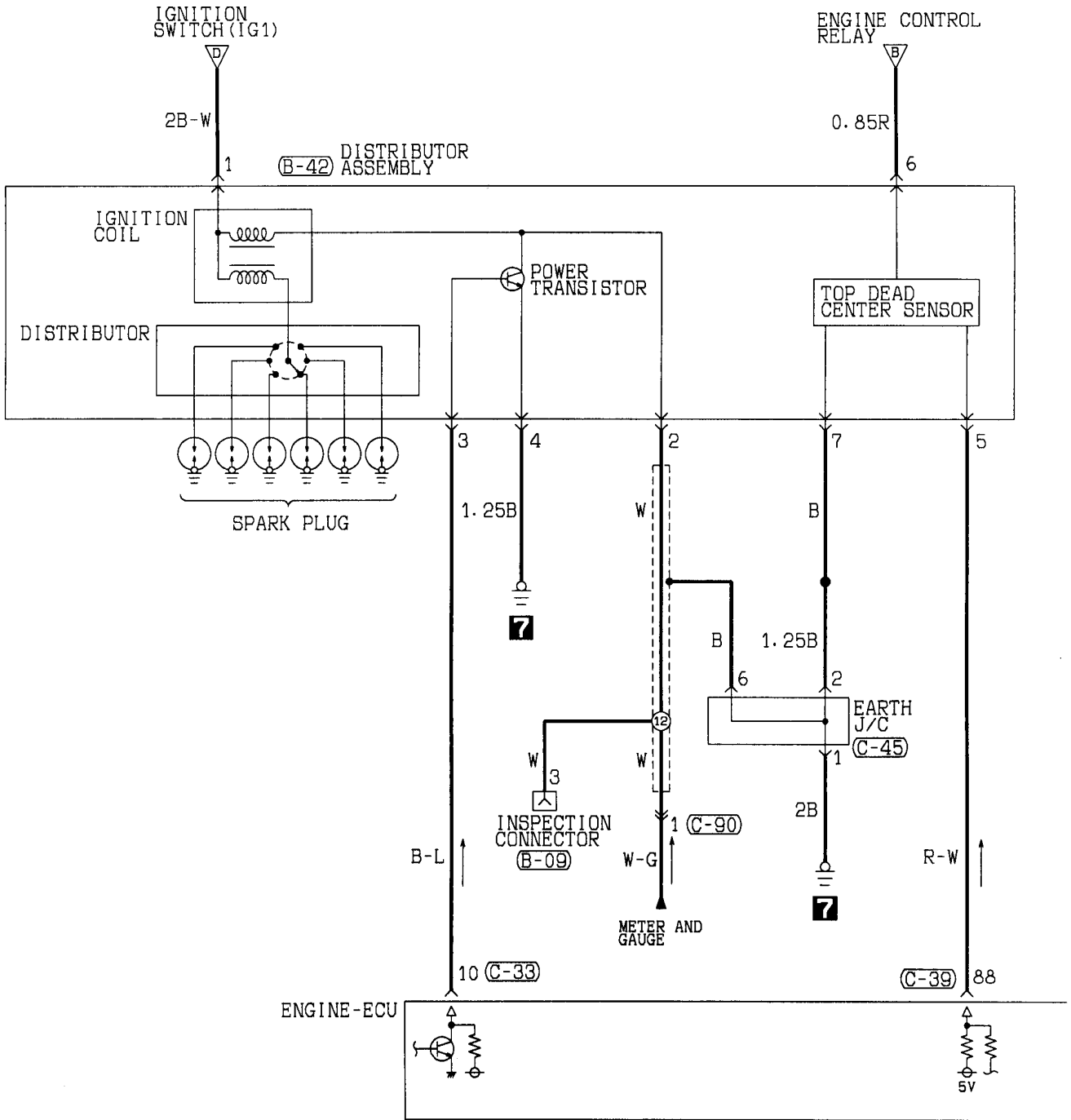
1	2	3	4	5	6	7	8	
9	10	11	12	13	14	15	16	17

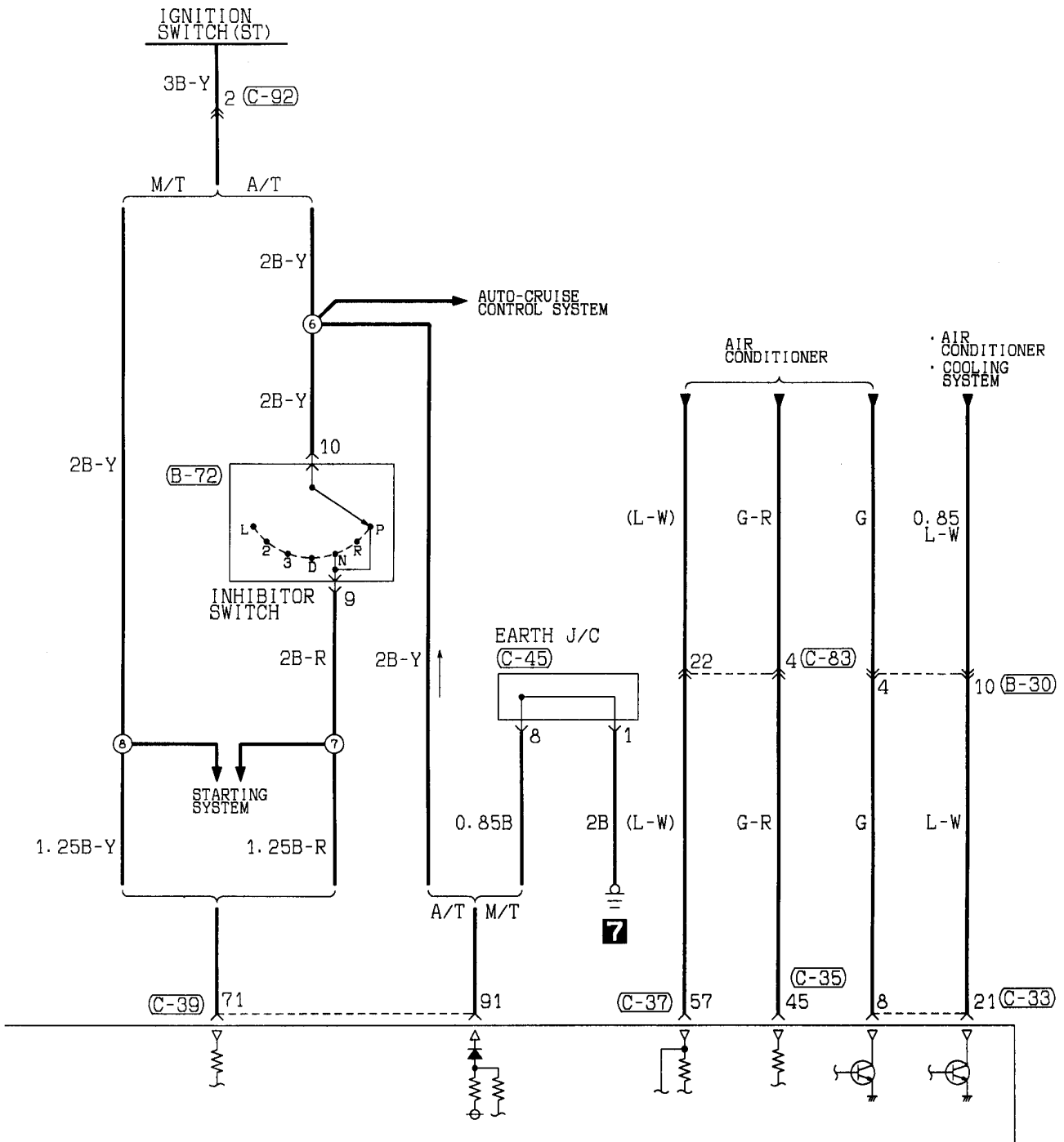
(E-11)

1	2	3	4		
5	6	7	8	9	10



ENGINE CONTROL SYSTEM <6A1-SOHC-MPI (R.H. drive vehicles with TCL)>
(CONTINUED)





(C-39)

1	2	3	4	5	6	7	8	9	10	11	12	13	14	15	16	17	18	19	20	21	22
71	72	73	74	75	76	77	78	79	80	81	82	83	84	85	86	87	88	89	90	91	92

(C-45)

1	2	3	4
5	6	7	8
9	10		

(C-83)

1	2	3	4	5	6	7	8	9	10
11	12	13	14	15	16	17	18	19	20
21	22								

(C-90)

1	2	3	4	5	6	7	8	9
10	11	12	13	14	15	16	17	18
19	20							

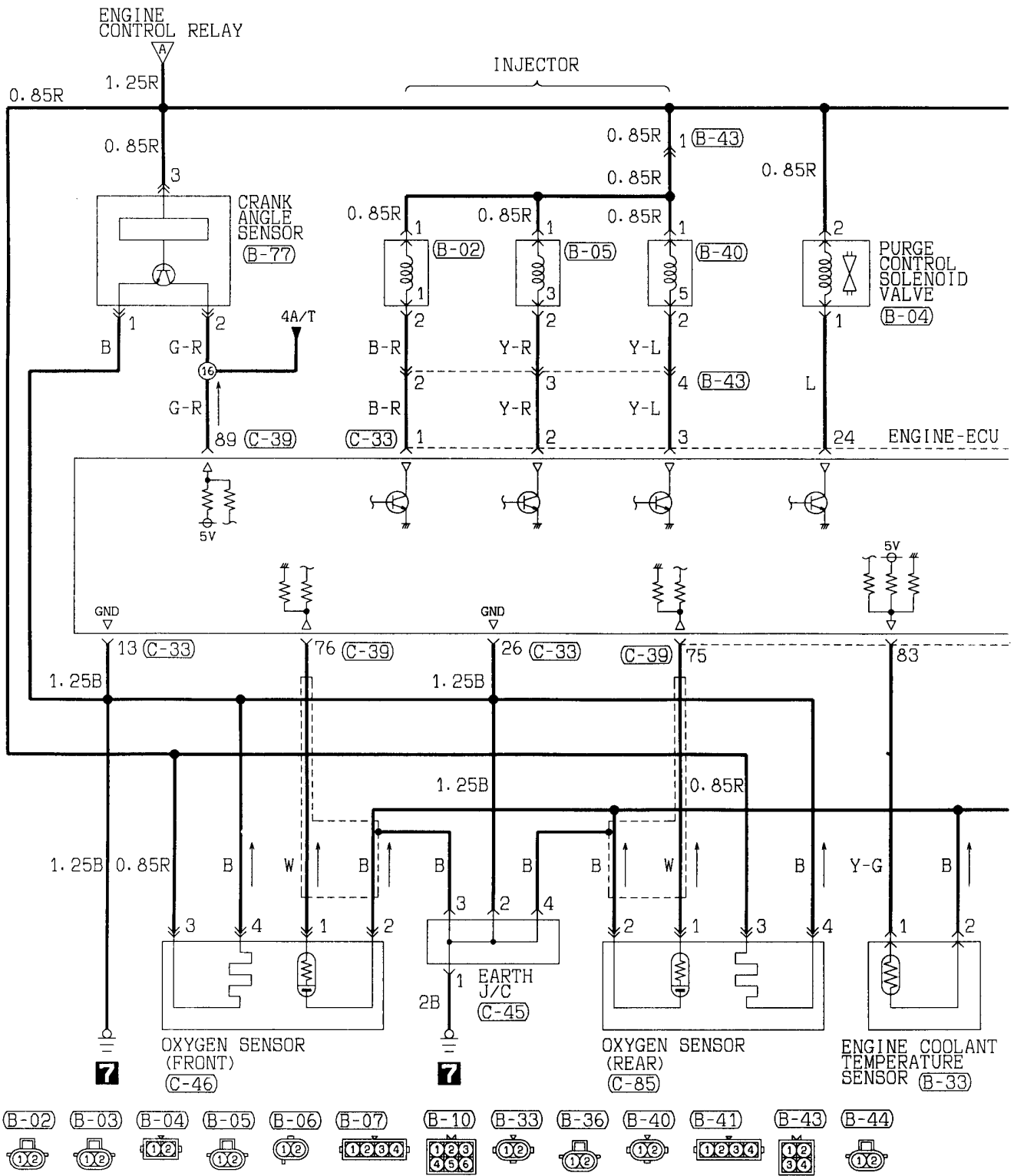
(C-92)

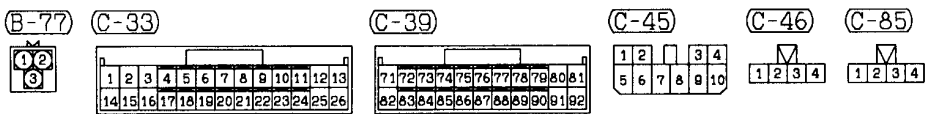
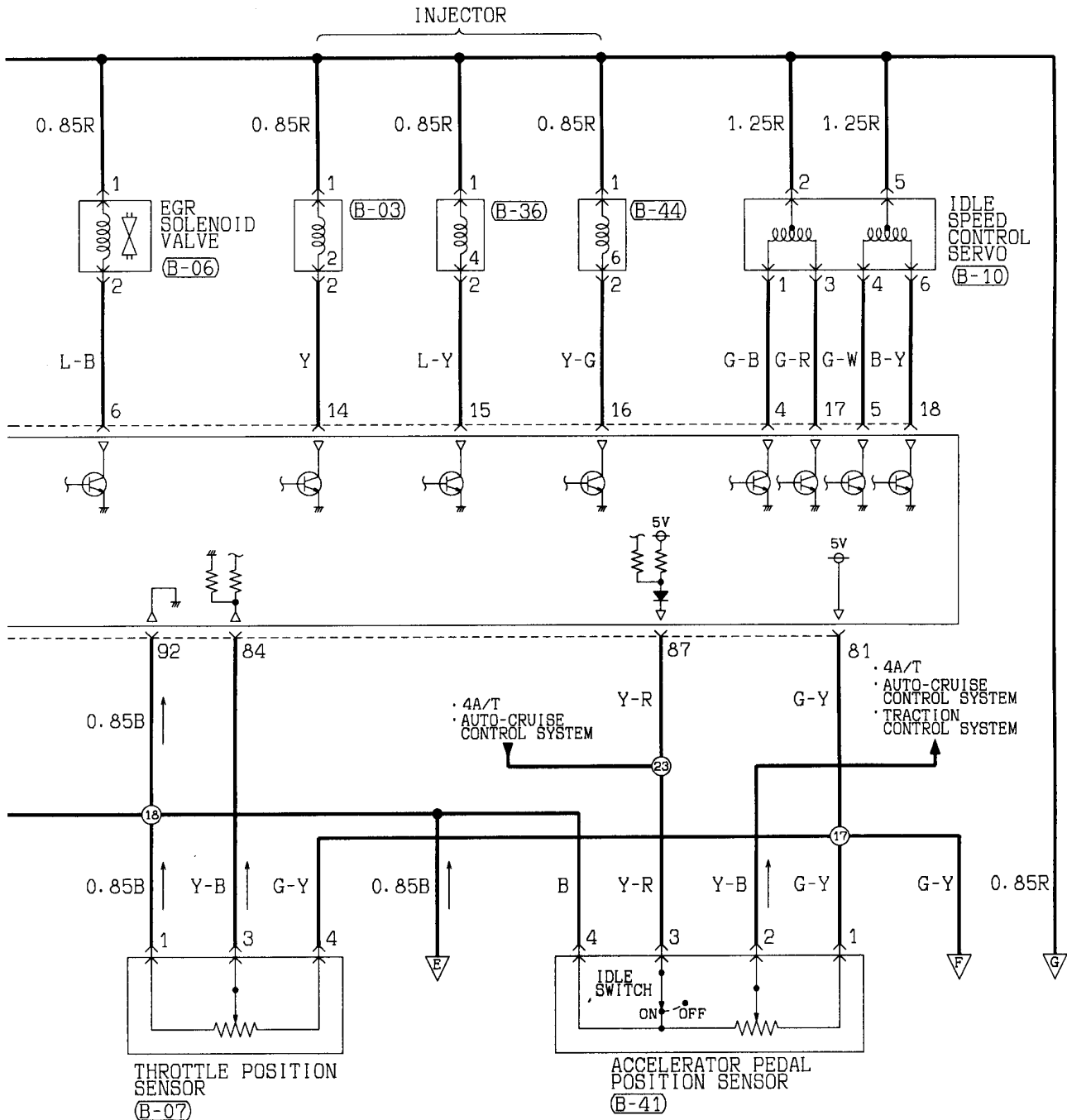
1	2
3	4

Wire colour code

B:Black LG:Light green G:Green L:Blue W:White Y:Yellow SB:Sky blue
 BR:Brown O:Orange GR:Gray R:Red P:Pink V:Violet

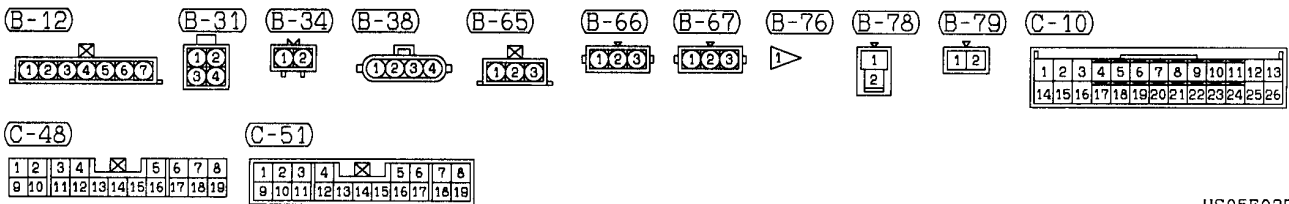
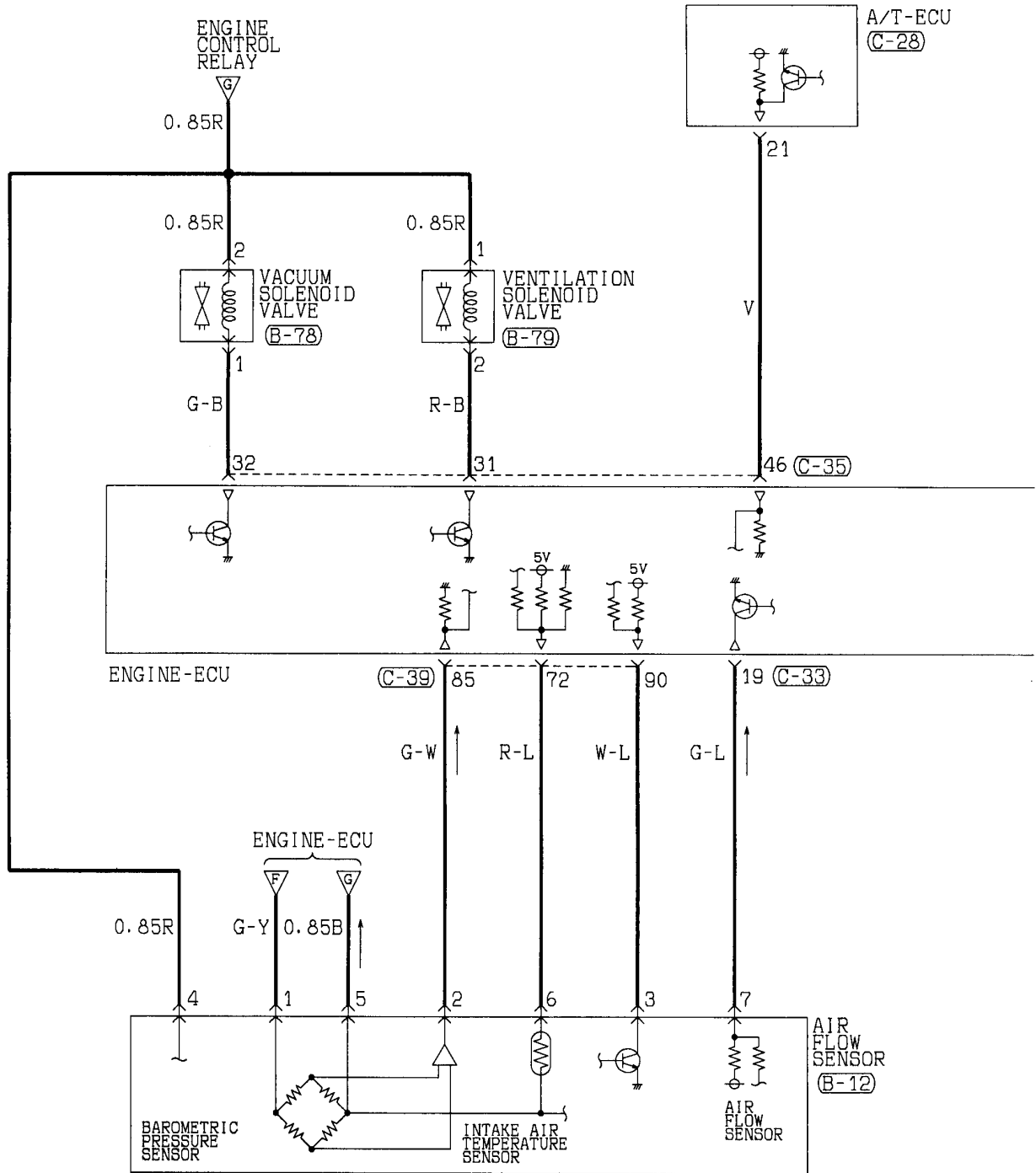
ENGINE CONTROL SYSTEM <6A1-SOHC-MPI (R.H. drive vehicles with TCL)>
(CONTINUED)

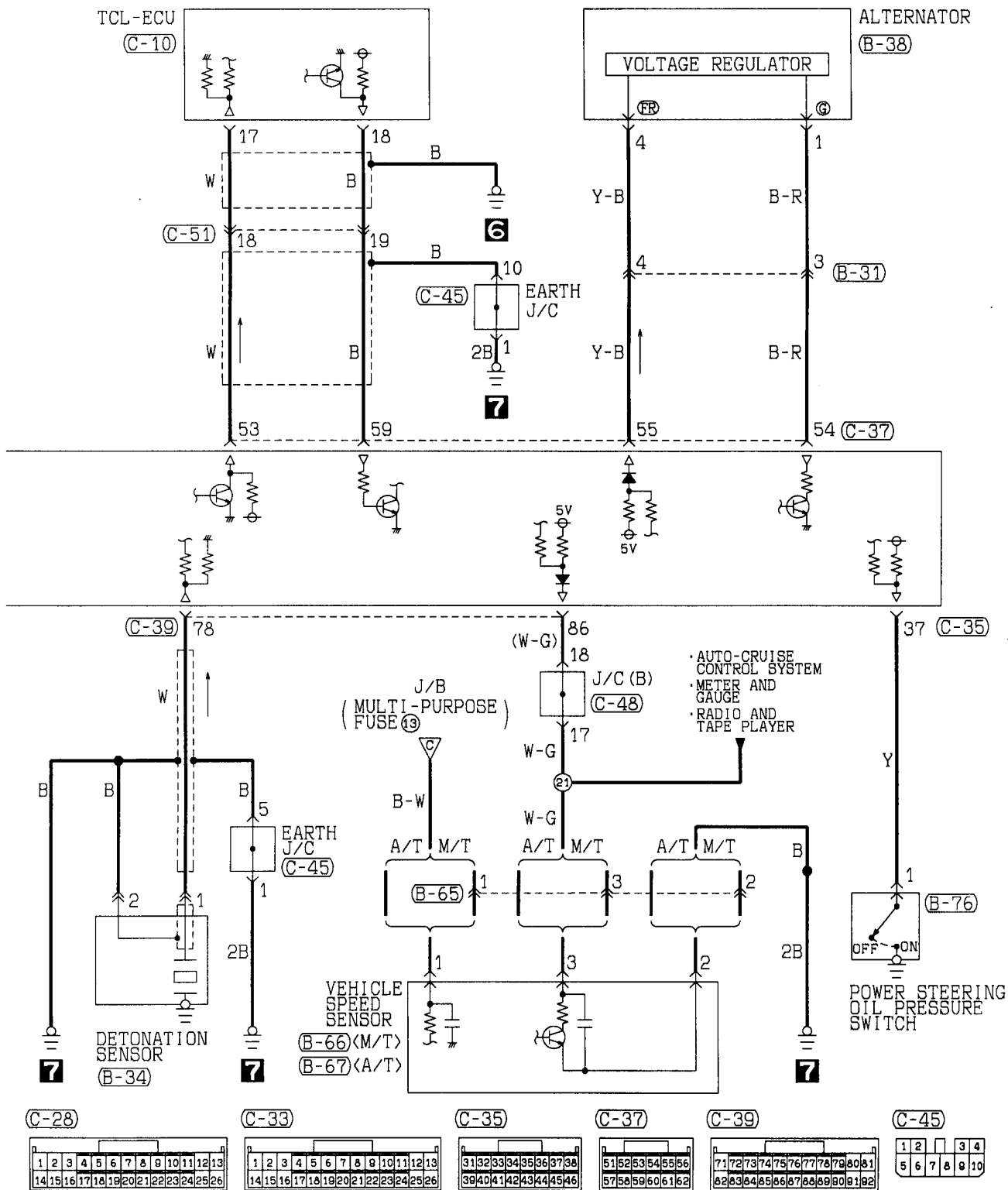




Wire colour code
 B : Black LG : Light green G : Green L : Blue W : White Y : Yellow SB : Sky blue
 BR : Brown O : Orange GR : Gray R : Red P : Pink V : Violet

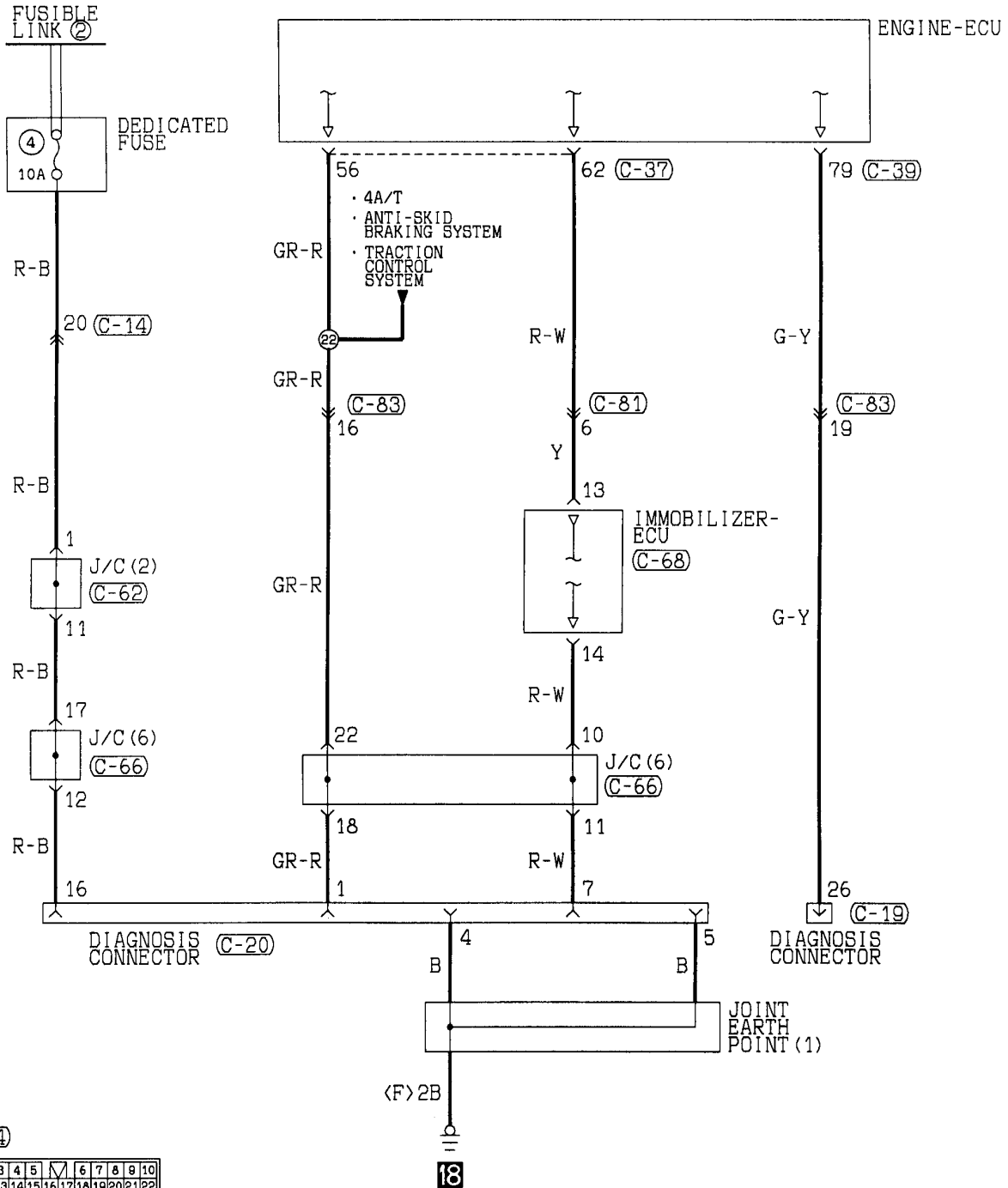
ENGINE CONTROL SYSTEM <6A1-SOHC-MPI (R.H. drive vehicles with TCL)>
(CONTINUED)





Wire colour code
 B:Black LG:Light green G:Green L:Blue W:White Y:Yellow SB:Sky blue
 BR:Brown O:Orange GR:Gray R:Red P:Pink V:Violet

ENGINE CONTROL SYSTEM <6A1-SOHC-MPI (R.H. drive vehicles with TCL)>
(CONTINUED)



C-14

1	2	3	4	5	6	7	8	9	10
11	12	13	14	15	16	17	18	19	20
21	22								

C-19 FRONT SIDE

25	24	23	22	21
32	31	30	29	28
27	26			

C-20 FRONT SIDE

1	2	3	4	5	6	7	8
9	10	11	12	13	14	15	16

C-37

51	52	53	54	55	56
57	58	59	60	61	62

C-39

71	72	73	74	75	76	77	78	79	80	81
82	83	84	85	86	87	88	89	90	91	92

C-62

1	2	3	4	5	6	7	8	9	10	11
12	13	14	15	16	17	18	19	20	21	22
23	24	25	26	27	28	29	30	31	32	33

C-66

1	2	3	4	5	6	7	8	9	10	11
12	13	14	15	16	17	18	19	20	21	22
23	24	25	26	27	28	29	30	31	32	33

C-68

1	2	3	4	5	6	7	8
9	10	11	12	13	14	15	16

C-81

1	2	3	4	5	6	7	8
9	10	11	12	13	14	15	16
17	18						

C-83

1	2	3	4	5	6	7	8	9	10
11	12	13	14	15	16	17	18	19	20
21	22								

C-132

1	2	3	4
5	6	7	8
9	10		

C-141

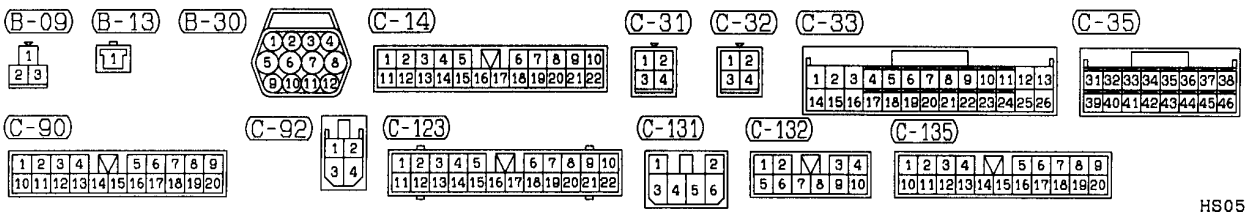
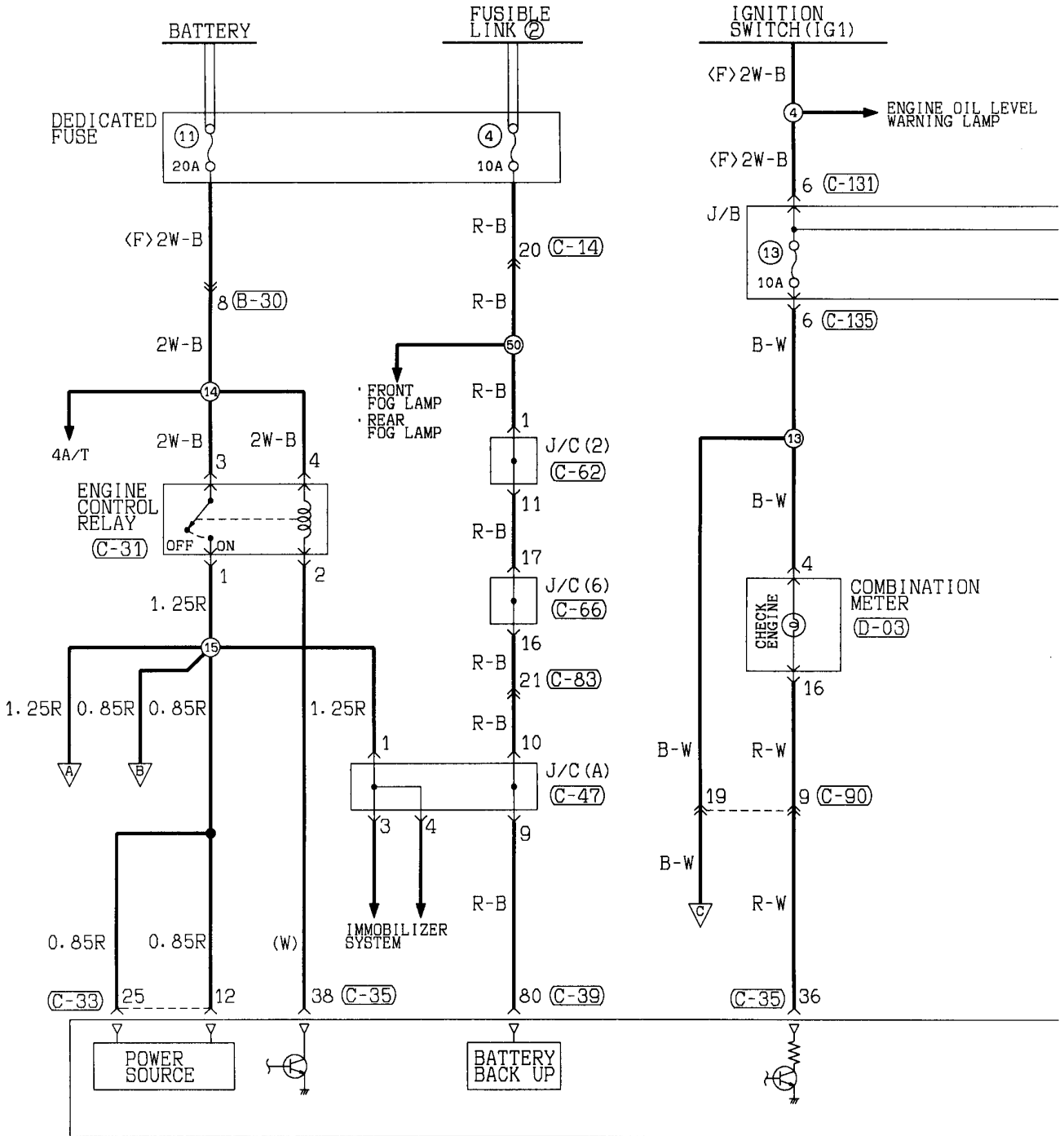
1	2	3	4	5	6	7	8
9	10	11	12	13	14	15	16
17	18						

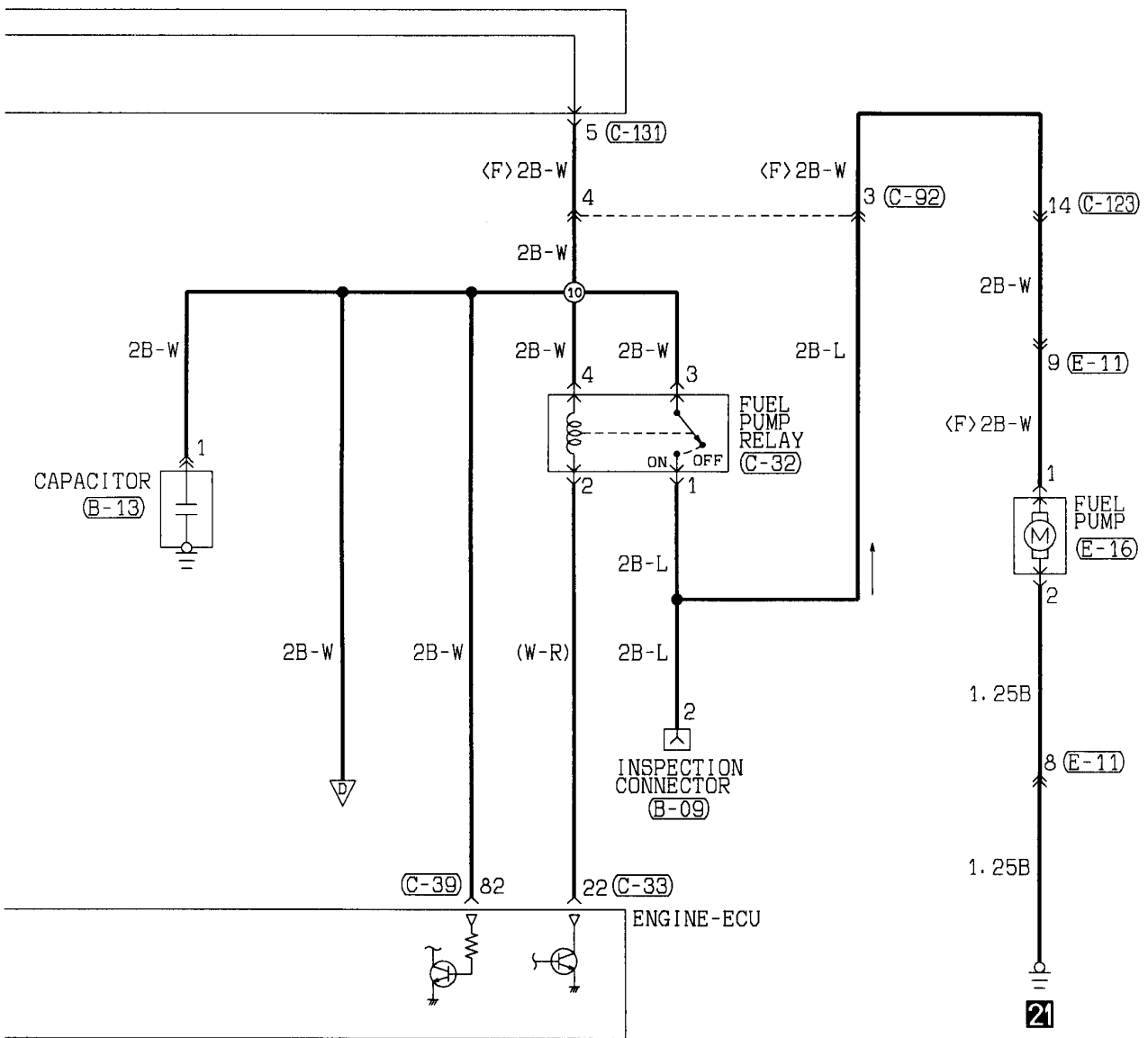
NOTES

ENGINE CONTROL SYSTEM

90100081077

6A1-SOHC-MPI <R.H. drive vehicles without TCL>





(C-39)

1	2	3	4	5	6	7	8	9	10	11	12	13	14	15	16	17	18	19	20	21	22	23	24	25	26	27	28	29	30	31	32	33			
71	72	73	74	75	76	77	78	79	80	81	82	83	84	85	86	87	88	89	90	91	92														

(C-47)

1	2	3	4	5	6	7	8			
9	10	11	12	13	14	15	16	17	18	19

(C-62)

1	2	3	4	5	6	7	8	9	10	11											
12	13	14	15	16	17	18	19	20	21	22	23	24	25	26	27	28	29	30	31	32	33

(C-66)

1	2	3	4	5	6	7	8	9	10	11											
12	13	14	15	16	17	18	19	20	21	22	23	24	25	26	27	28	29	30	31	32	33

(C-83)

1	2	3	4	5	6	7	8	9	10		
11	12	13	14	15	16	17	18	19	20	21	22

(C-141)

1	2	3	4	5	6	7	8		
9	10	11	12	13	14	15	16	17	18

(D-03)

1	2	3	4	5	6	7	8	
9	10	11	12	13	14	15	16	17

(E-11)

1	2	3	4		
5	6	7	8	9	10

(E-16)

1	2
---	---

Wire colour code

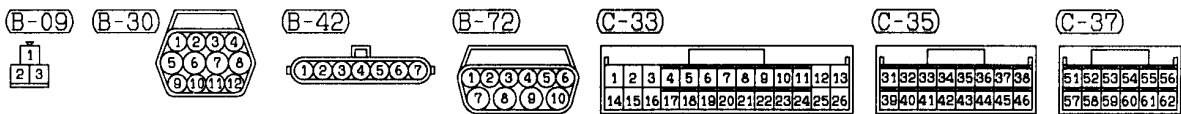
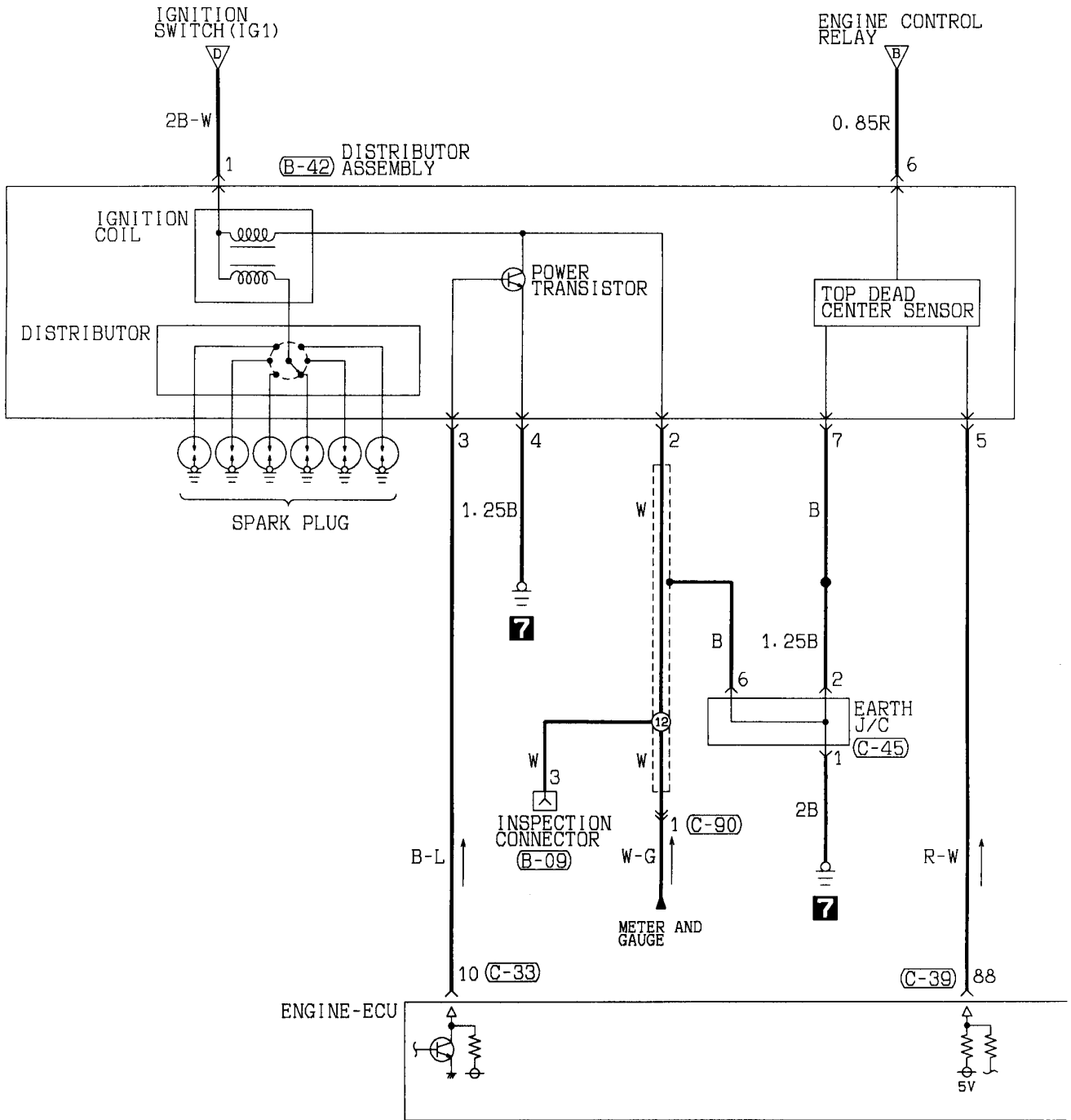
B : Black
BR : Brown
W : White
V : Violet

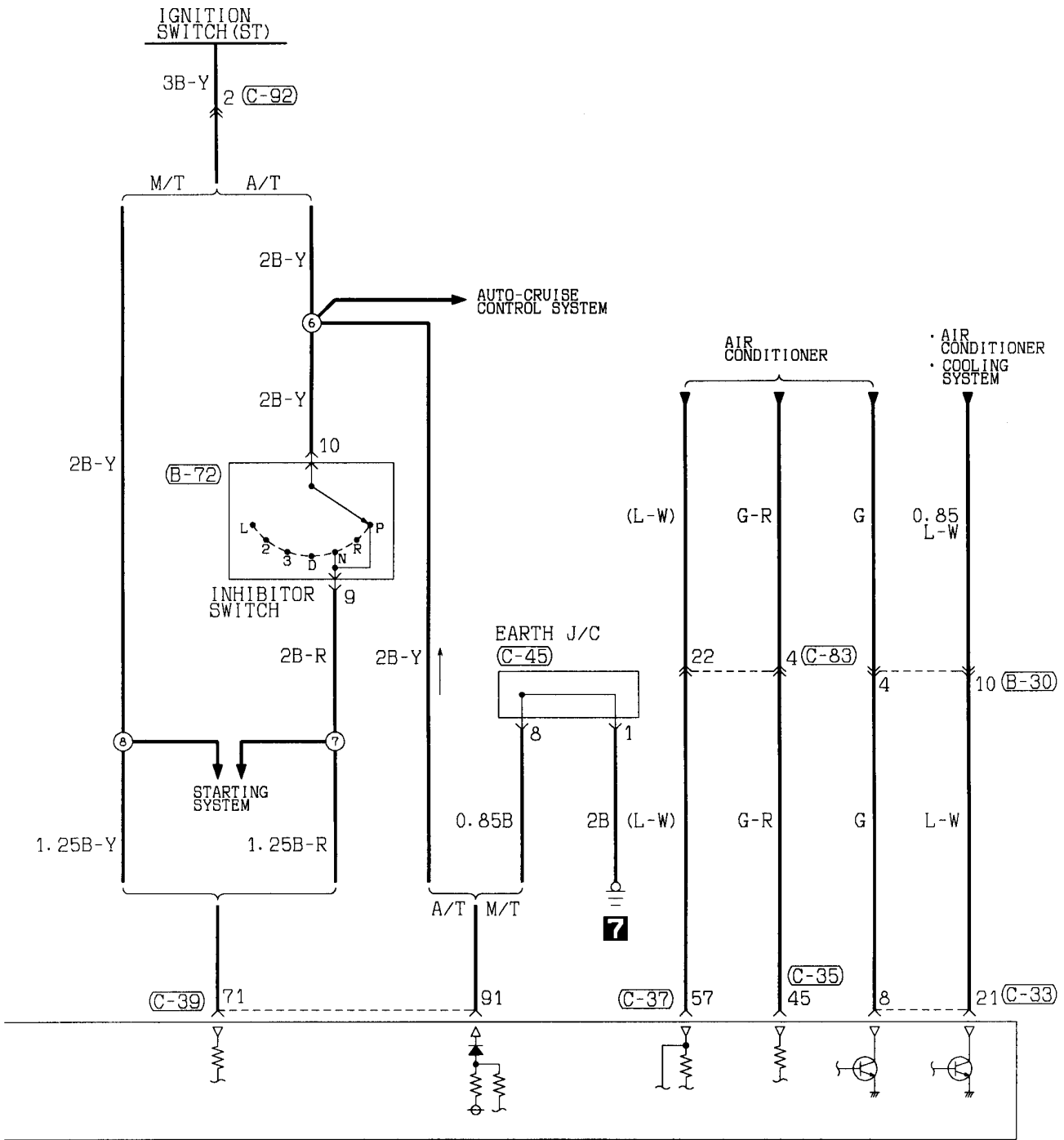
LG : Light green
O : Orange
SB : Sky blue

G : Green
GR : Gray
P : Pink

L : Blue
R : Red
Y : Yellow

ENGINE CONTROL SYSTEM <6A1-SOHC-MPI (R.H. drive vehicles without TCL)>
(CONTINUED)





(C-39)

1	2	3	4	5	6	7	8	9	10	11	12	13	14	15	16	17	18	19	20	21	22
71	72	73	74	75	76	77	78	79	80	81	82	83	84	85	86	87	88	89	90	91	92

(C-45)

1	2	3	4
5	6	7	8
9	10		

(C-83)

1	2	3	4	5	M	6	7	8	9	10	
11	12	13	14	15	16	17	18	19	20	21	22

(C-90)

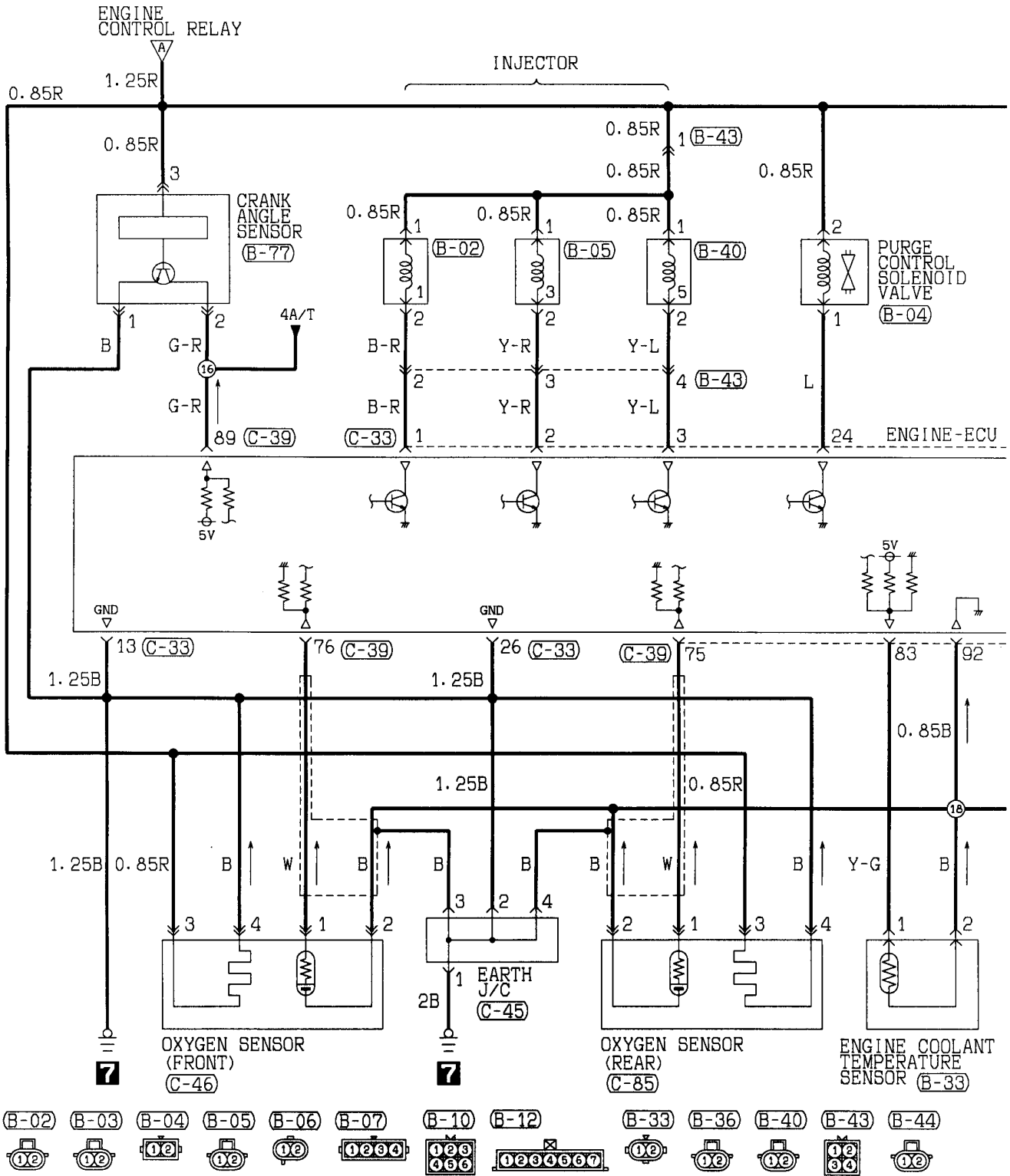
1	2	3	4	M	5	6	7	8	9	
10	11	12	13	14	15	16	17	18	19	20

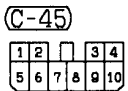
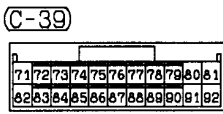
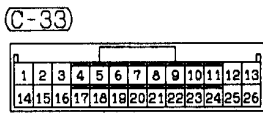
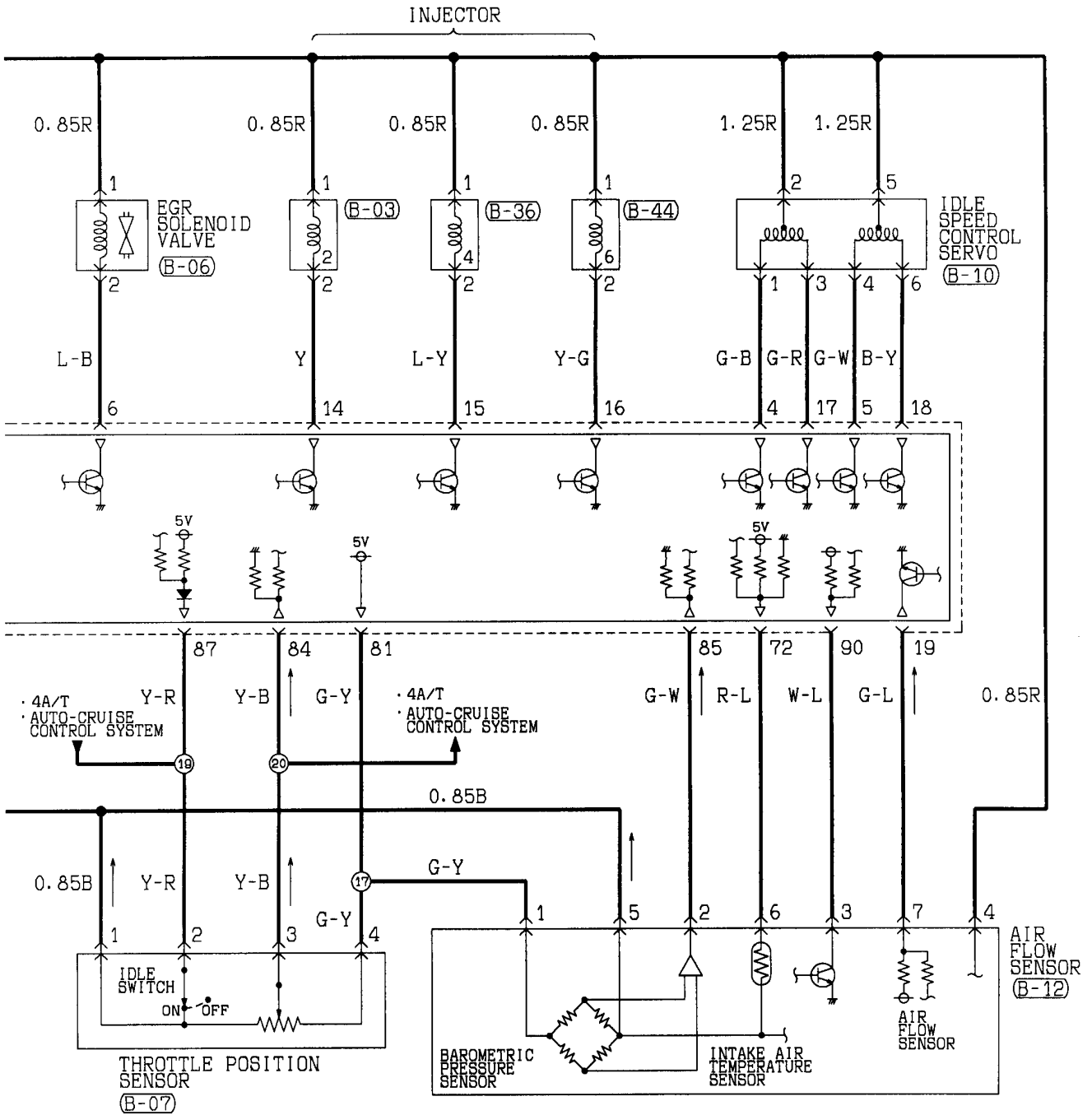
(C-92)

1	2
3	4

Wire colour code
 B : Black LG: Light green G : Green L : Blue W : White Y : Yellow SB: Sky blue
 BR: Brown O : Orange GR: Gray R : Red P : Pink V : Violet

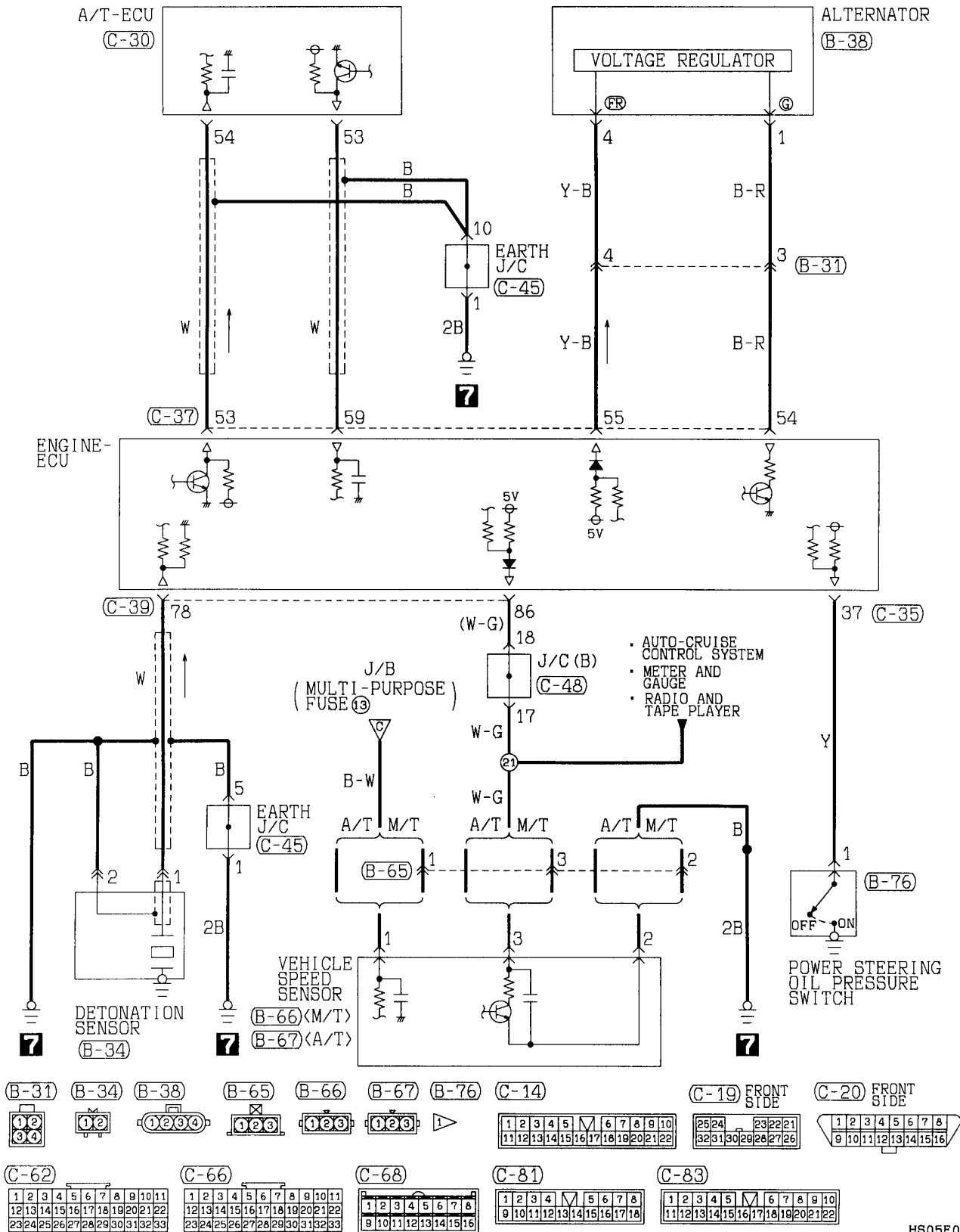
ENGINE CONTROL SYSTEM <6A1-SOHC-MPI (R.H. drive vehicles without TCL)>
(CONTINUED)

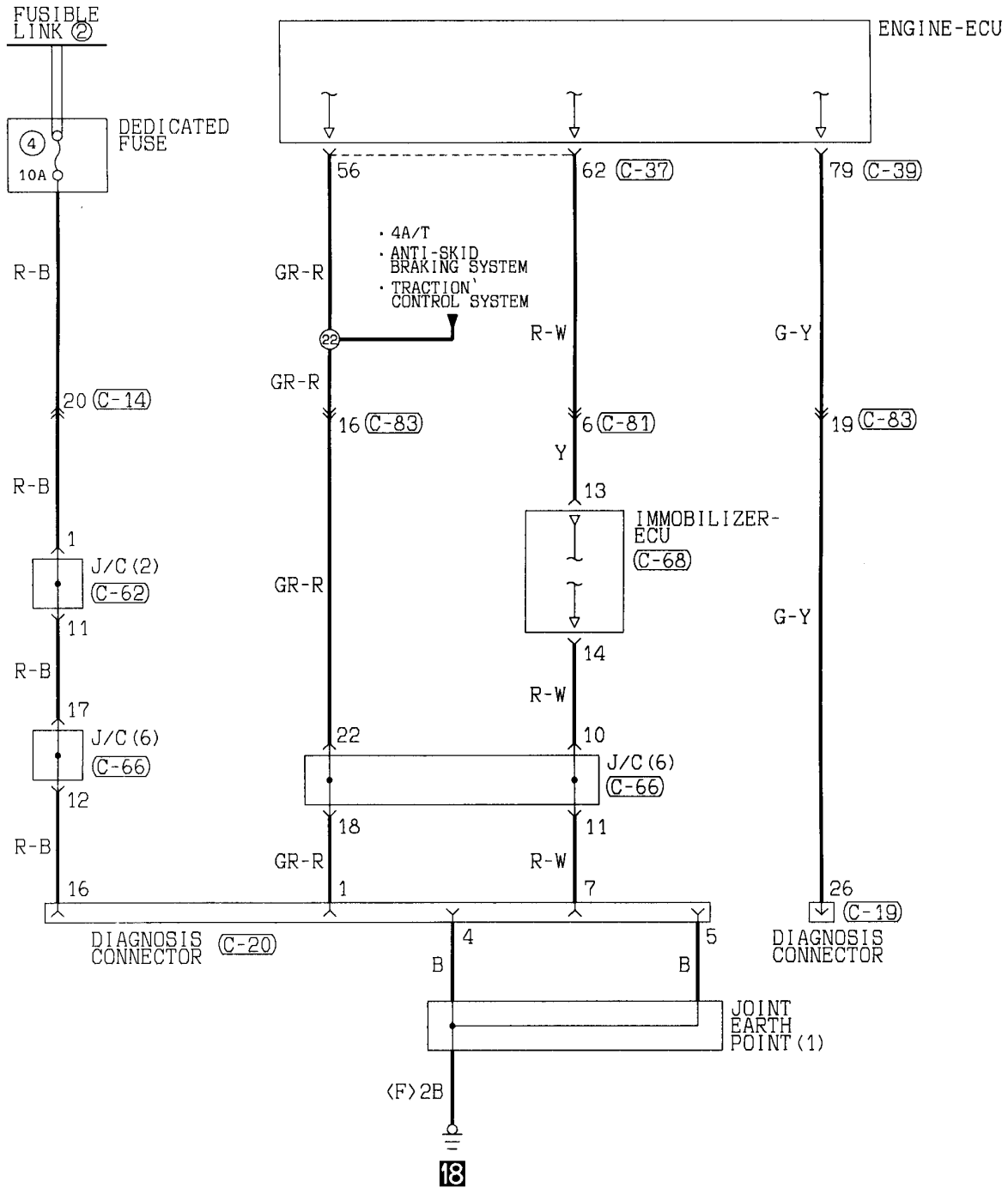




Wire colour code
 B : Black LG: Light green G : Green L : Blue W : White Y : Yellow SB: Sky blue
 BR: Brown O : Orange GR: Gray R : Red P : Pink V : Violet

ENGINE CONTROL SYSTEM <6A1-SOHC-MPI (R.H. drive vehicles without TCL)>
(CONTINUED)





(C-30)

5	1	2	3	4	5	6	7	8	9	10	11	12	13	14	15	16	17	18	19	20	21	22	23	24	25	26	27	28	29	30	
6	2	3	4	5	6	7	8	9	10	11	12	13	14	15	16	17	18	19	20	21	22	23	24	25	26	27	28	29	30	31	32

(C-35)

3	1	2	3	4	5	6	7	8	9	10	11	12	13	14	15	16	17	18	19	20	21	22	23	24	25	26	27	28	29	30	
3	4	5	6	7	8	9	10	11	12	13	14	15	16	17	18	19	20	21	22	23	24	25	26	27	28	29	30	31	32	33	34

(C-37)

5	1	2	3	4	5	6	7	8	9	10	11	12	13	14	15	16	17	18	19	20	21	22	23	24	25	26	27	28	29	30	
5	6	7	8	9	10	11	12	13	14	15	16	17	18	19	20	21	22	23	24	25	26	27	28	29	30	31	32	33	34	35	36

(C-39)

7	1	2	3	4	5	6	7	8	9	10	11	12	13	14	15	16	17	18	19	20	21	22	23	24	25	26	27	28	29	30	
7	8	9	10	11	12	13	14	15	16	17	18	19	20	21	22	23	24	25	26	27	28	29	30	31	32	33	34	35	36	37	38

(C-45)

1	2	3	4	5	6	7	8	9	10
5	6	7	8	9	10				

(C-48)

1	2	3	4	5	6	7	8	9	10	11	12	13	14	15	16	17	18	19
9	10	11	12	13	14	15	16	17	18	19								

(C-132)

1	2	3	4	5	6	7	8	9	10
5	6	7	8	9	10				

(C-141)

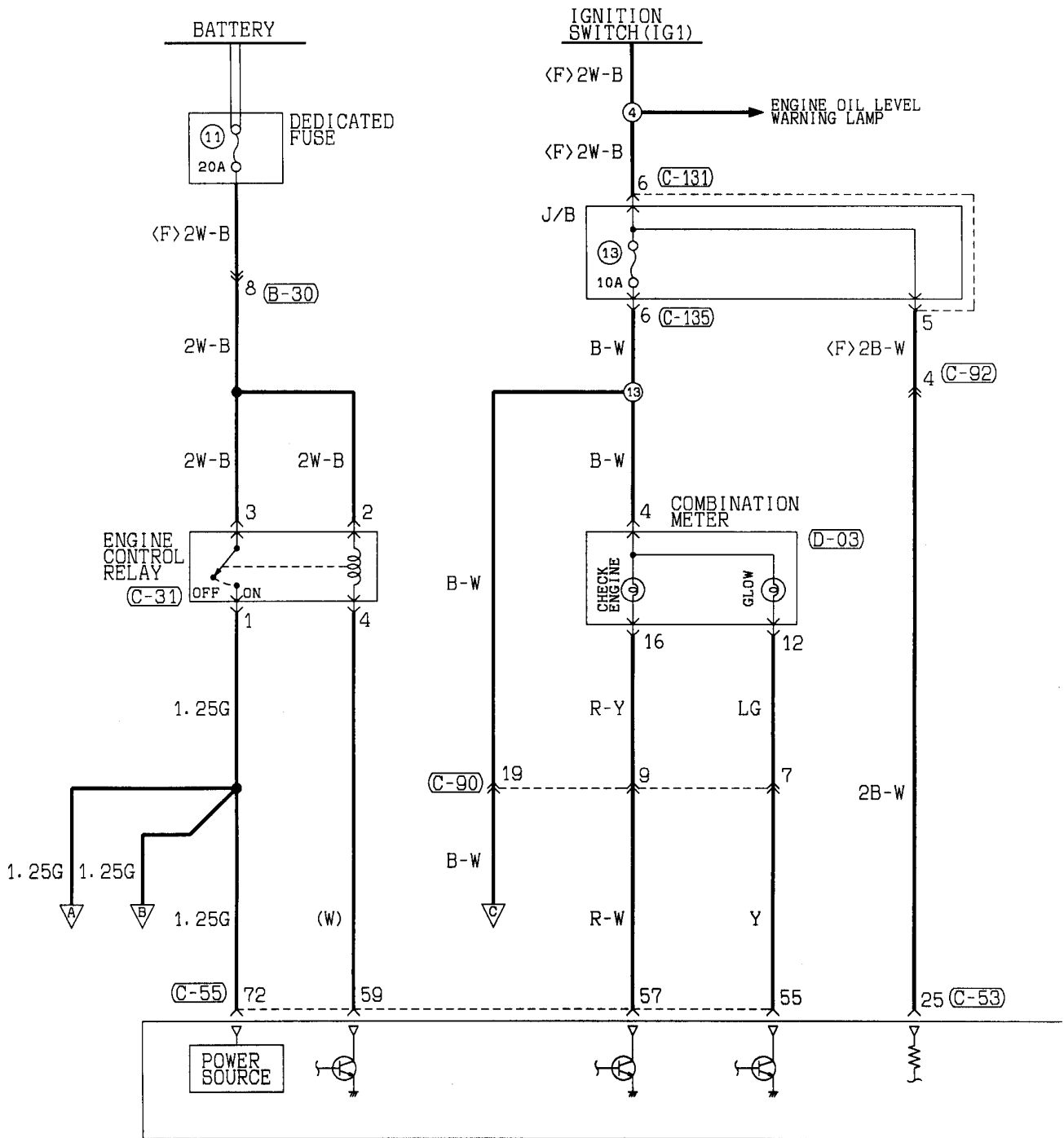
1	2	3	4	5	6	7	8	9	10	11	12	13	14	15	16	17	18
9	10	11	12	13	14	15	16	17	18								

Wire colour code
 B : Black LG : Light green G : Green L : Blue
 BR : Brown O : Orange GR : Gray R : Red
 W : White SB : Sky blue P : Pink Y : Yellow
 V : Violet

ENGINE CONTROL SYSTEM

90100081084

4D68 <L.H. drive vehicles>



(A-10)

1	2	3
4	5	

(B-30)

1	2	3	4
5	6	7	8
9	10	11	12

(C-31)

1	2
3	4

(C-53)

1	2	3	4	5	6	7	8	9	10	11	12	13
14	15	16	17	18	19	20	21	22	23	24	25	26

(C-55)

51	52	53	54	55	56	57	58	59	60	61
62	63	64	65	66	67	68	69	70	71	72

(C-63)

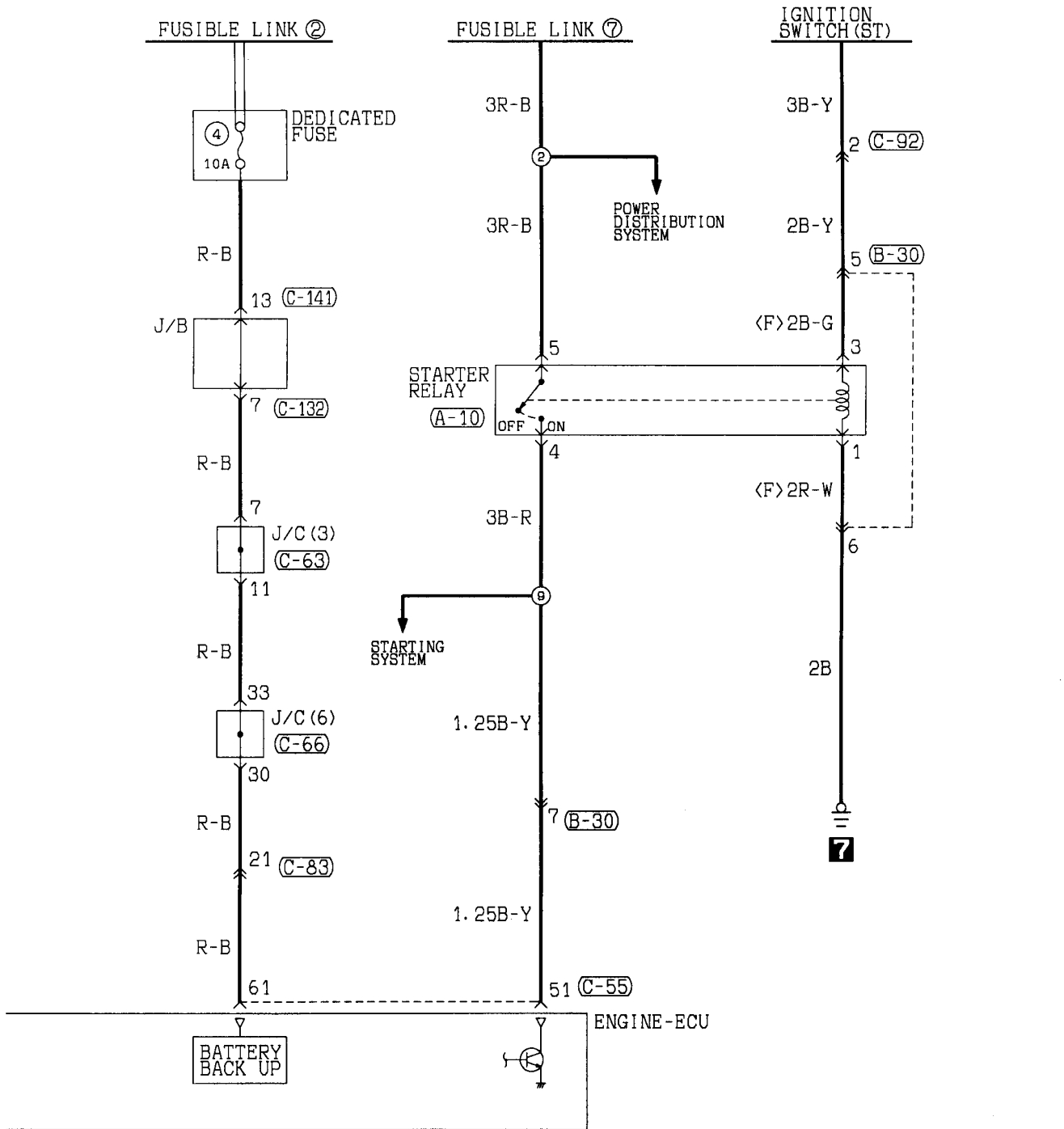
1	2	3	4	5	6	7	8	9	10	11
12	13	14	15	16	17	18	19	20	21	22
23	24	25	26	27	28	29	30	31	32	33

(C-141)

1	2	3	4	5	6	7	8		
9	10	11	12	13	14	15	16	17	18

(D-03)

1	2	3	4	5	6	7	8
9							
10	11	12	13	14	15	16	17



(C-66)

1	2	3	4	5	6	7	8	9	10	11
12	13	14	15	16	17	18	19	20	21	22
23	24	25	26	27	28	29	30	31	32	33

(C-83)

1	2	3	4	5	6	7	8	9	10		
11	12	13	14	15	16	17	18	19	20	21	22

(C-90)

1	2	3	4	5	6	7	8	9		
10	11	12	13	14	15	16	17	18	19	20

(C-92)

1	2
3	4

(C-131)

1	2		
3	4	5	6

(C-132)

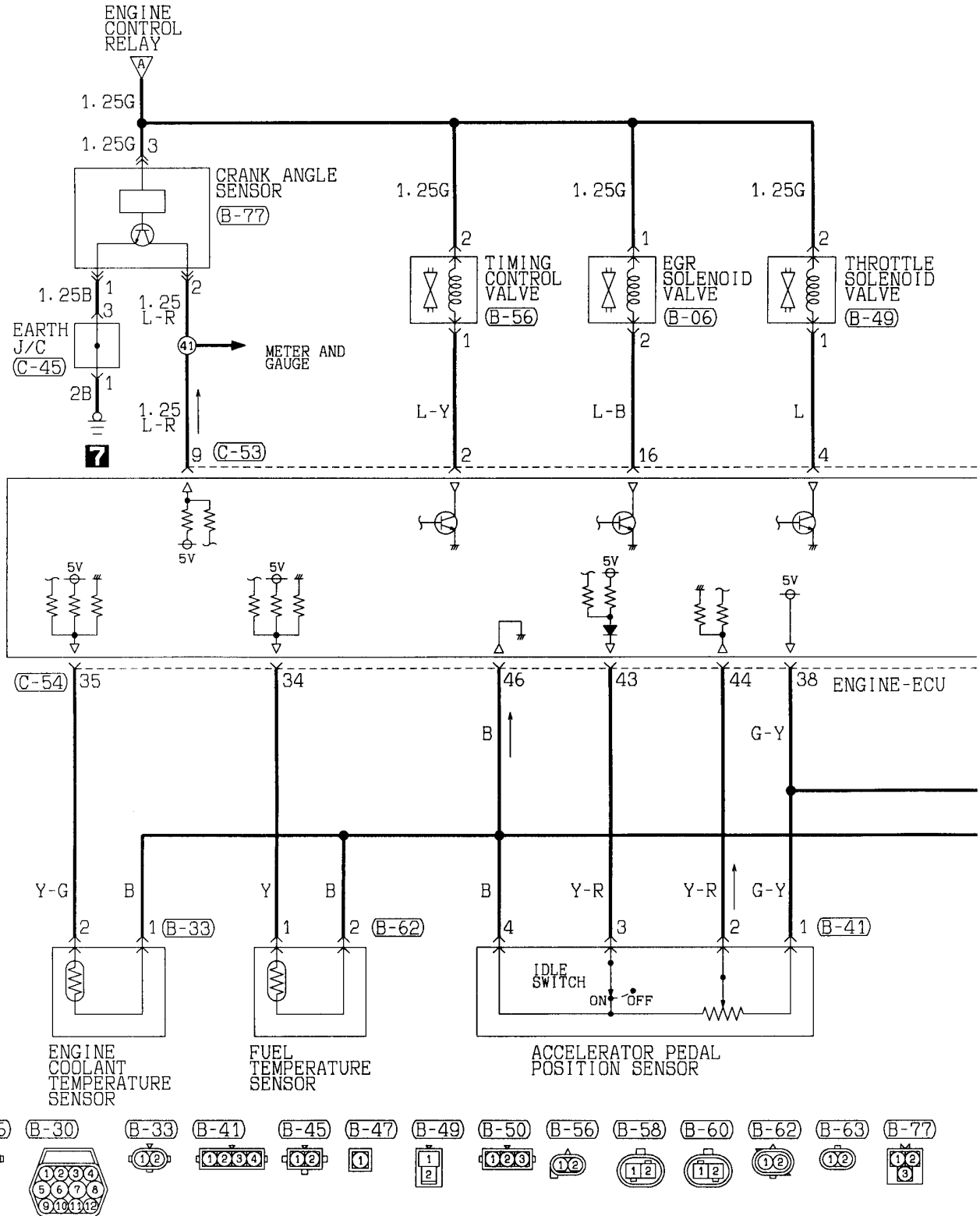
1	2	3	4		
5	6	7	8	9	10

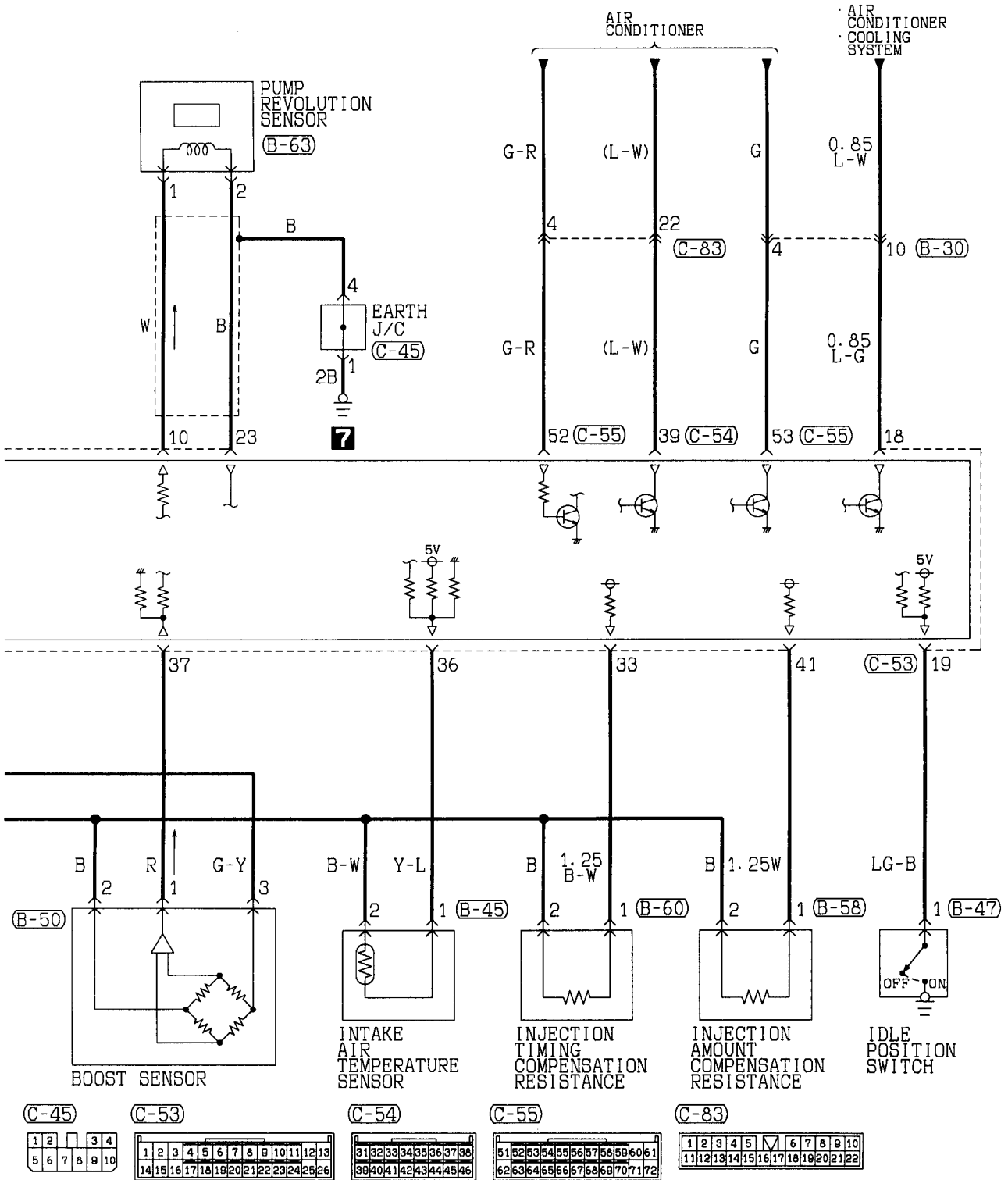
(C-135)

1	2	3	4	5	6	7	8	9		
10	11	12	13	14	15	16	17	18	19	20

Wire colour code
 B : Black LG : Light green G : Green L : Blue W : White Y : Yellow SB : Sky blue
 BR : Brown O : Orange GR : Gray R : Red P : Pink V : Violet

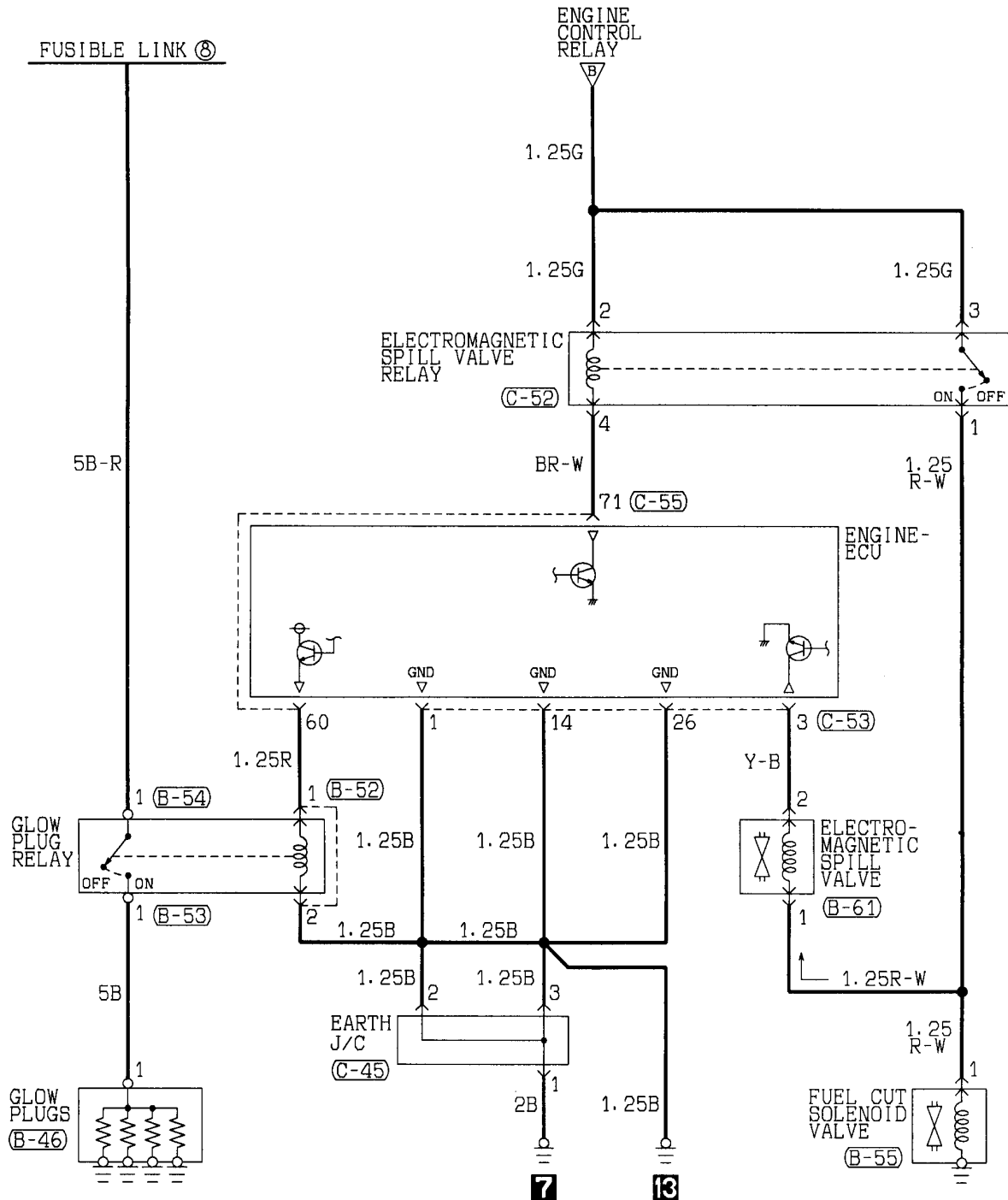
ENGINE CONTROL SYSTEM <4D68 (L.H. drive vehicles)> (CONTINUED)



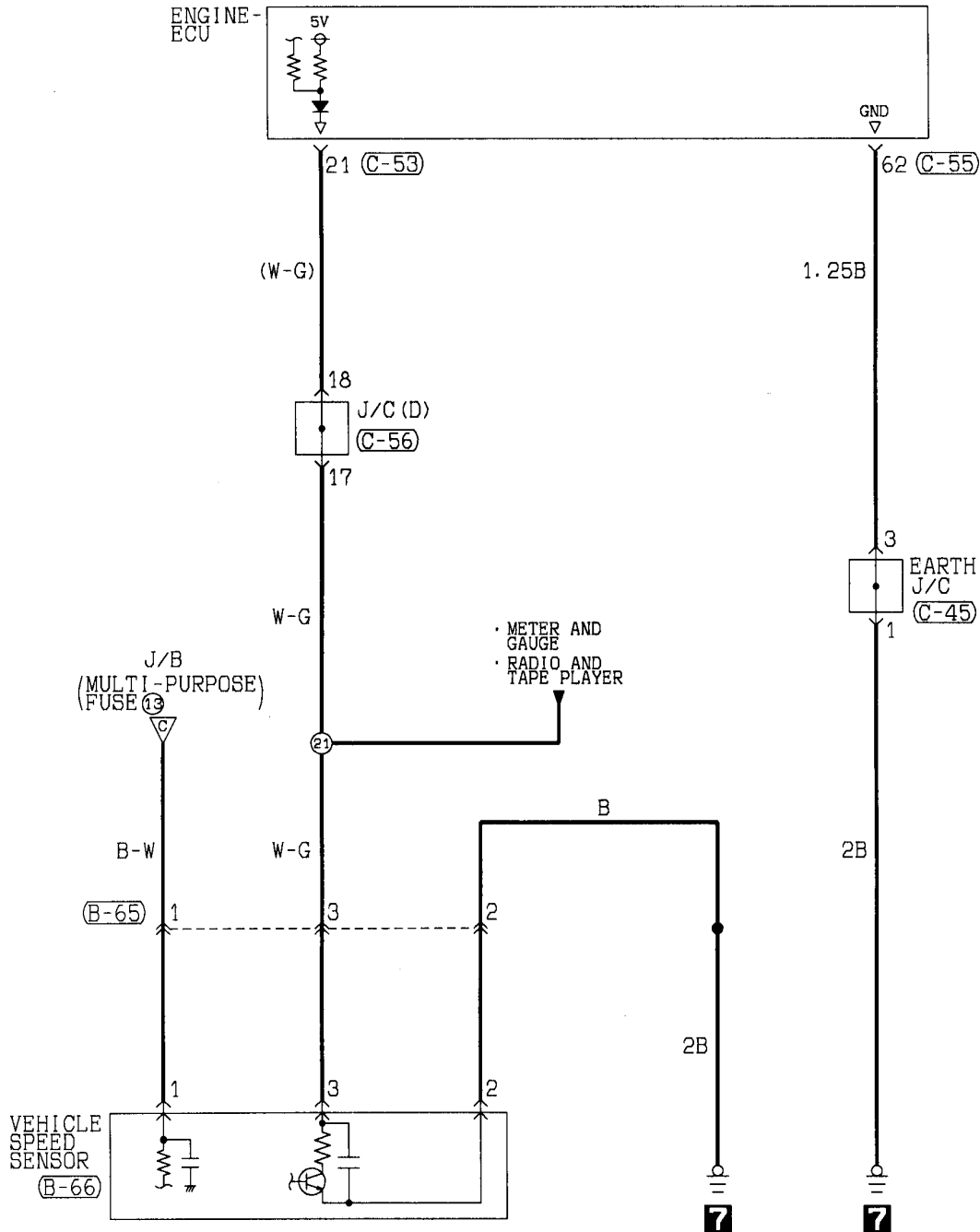


Wire colour code
 B : Black LG:Light green G :Green L :Blue W :White Y :Yellow SB:Sky blue
 BR:Brown O :Orange GR:Gray R :Red P :Pink V :Violet

ENGINE CONTROL SYSTEM <4D68 (L.H. drive vehicles)> (CONTINUED)



- (B-46)
- (B-52)
- (B-53)
- (B-54)
- (B-55)
- (B-61)
- (B-65)
- (B-66)
- (C-45)
- (C-52)
- (C-53)



(C-55)

(C-56)

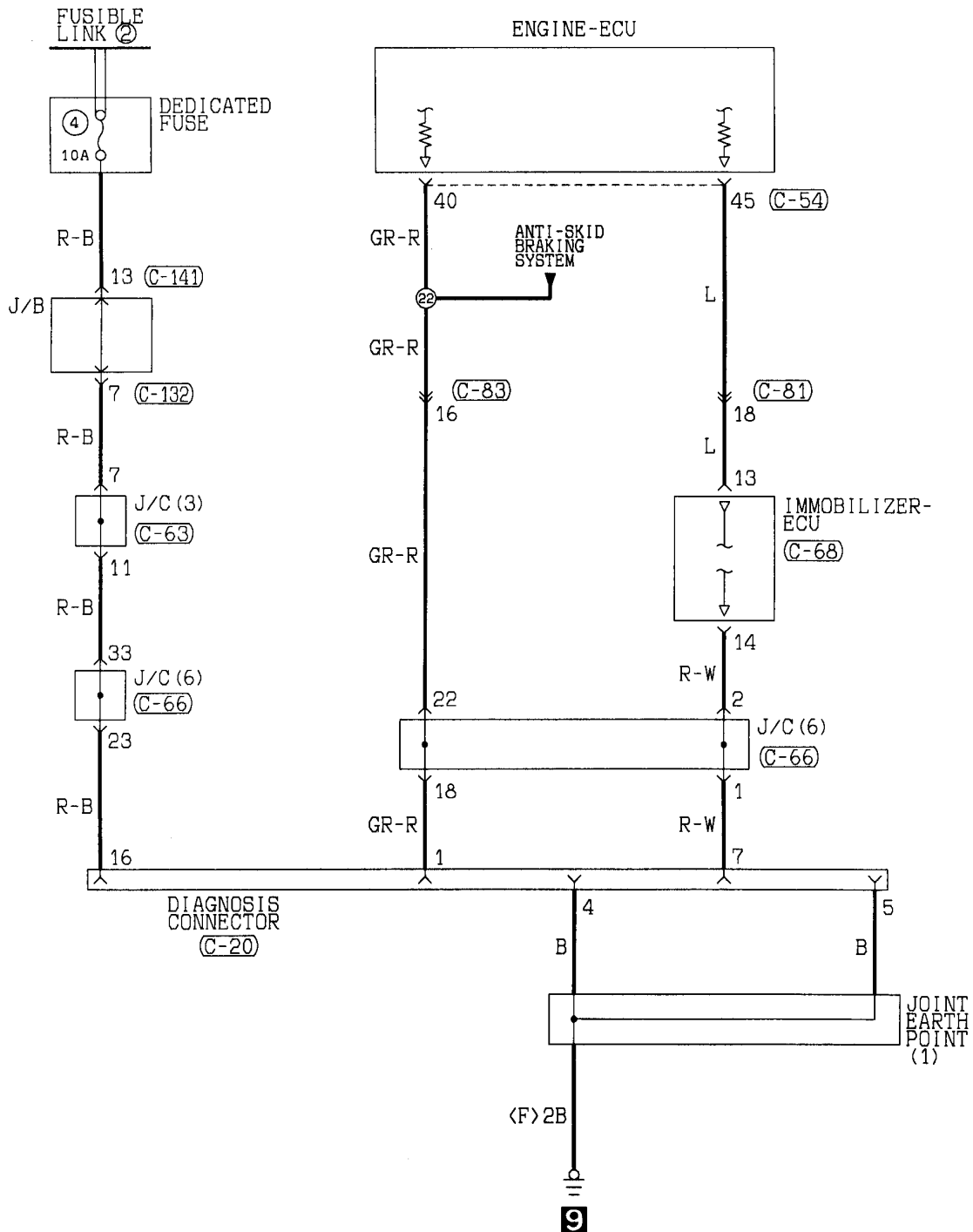
1	2	3	4	5	6	7	8
9	10	11	12	13	14	15	16
17	18	19	20	21	22	23	24

1	2	3	4	5	6	7	8
9	10	11	12	13	14	15	16
17	18	19	20	21	22	23	24

Wire colour code

B : Black LG:Light green G :Green L :Blue W :White Y :Yellow SB:Sky blue
 BR:Brown O :Orange GR:Gray R :Red P :Pink V :Violet

ENGINE CONTROL SYSTEM <4D68 (L.H. drive vehicles)> (CONTINUED)



(C-20) FRONT SIDE

1	2	3	4	5	6	7	8
9	10	11	12	13	14	15	16

(C-54)

31	32	33	34	35	36	37	38
39	40	41	42	43	44	45	46

(C-63)

1	2	3	4	5	6	7	8	9	10	11
12	13	14	15	16	17	18	19	20	21	22
23	24	25	26	27	28	29	30	31	32	33

(C-66)

1	2	3	4	5	6	7	8	9	10	11
12	13	14	15	16	17	18	19	20	21	22
23	24	25	26	27	28	29	30	31	32	33

(C-68)

1	2	3	4	5	6	7	8
9	10	11	12	13	14	15	16

(C-81)

1	2	3	4	M	5	6	7	8	
9	10	11	12	13	14	15	16	17	18

(C-83)

1	2	3	4	5	M	6	7	8	9	10	
11	12	13	14	15	16	17	18	19	20	21	22

(C-132)

1	2	M	3	4	
5	6	7	8	9	10

(C-141)

1	2	3	4	M	5	6	7	8	
9	10	11	12	13	14	15	16	17	18

Wire colour code
 B : Black LG : Light green
 BR : Brown O : Orange
 W : White SB : Sky blue
 V : Violet

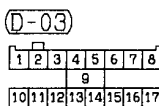
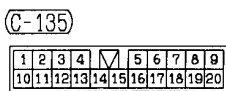
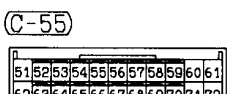
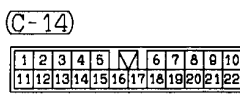
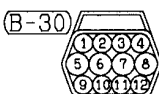
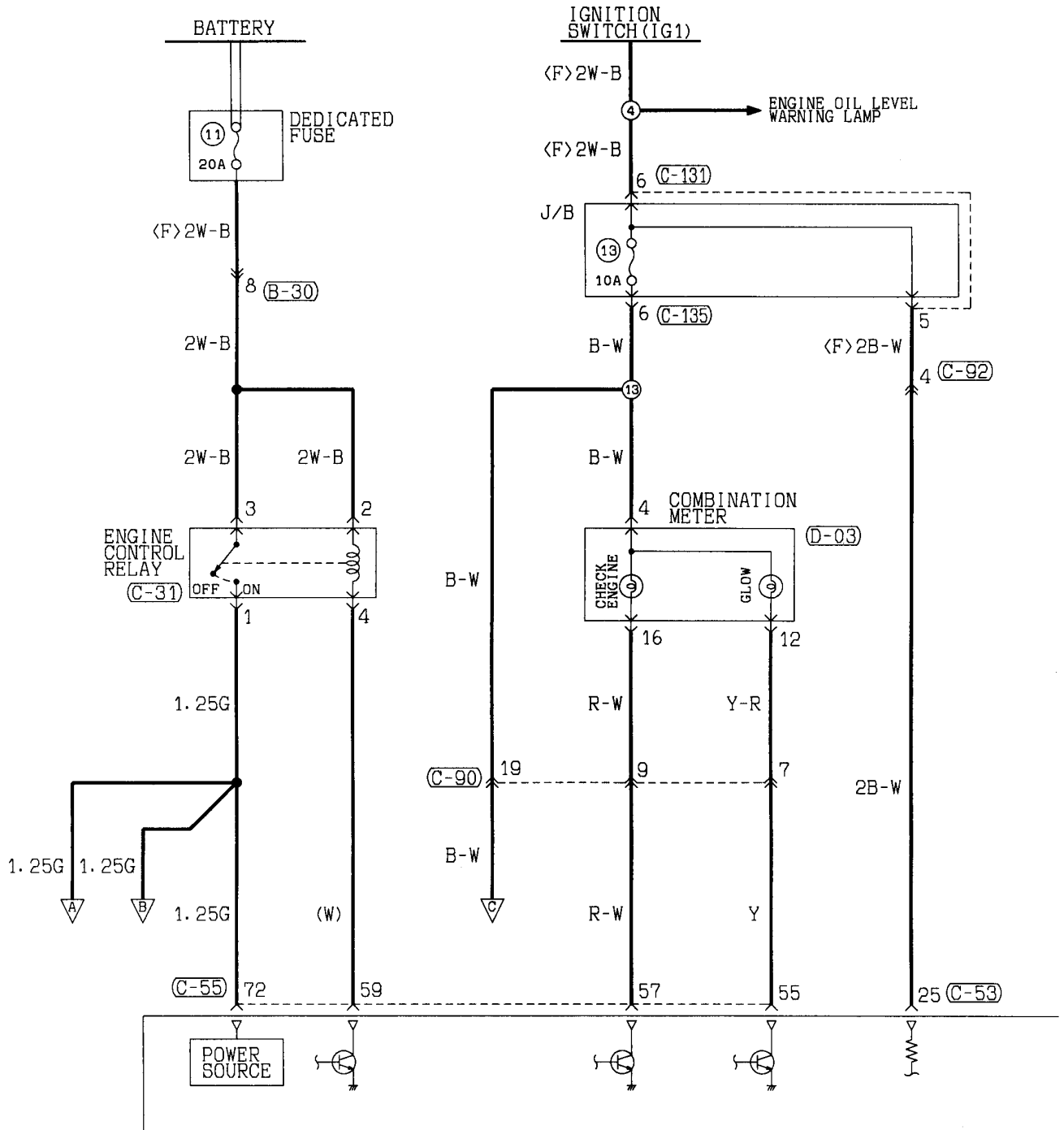
G : Green L : Blue
 GR : Gray R : Red
 P : Pink Y : Yellow

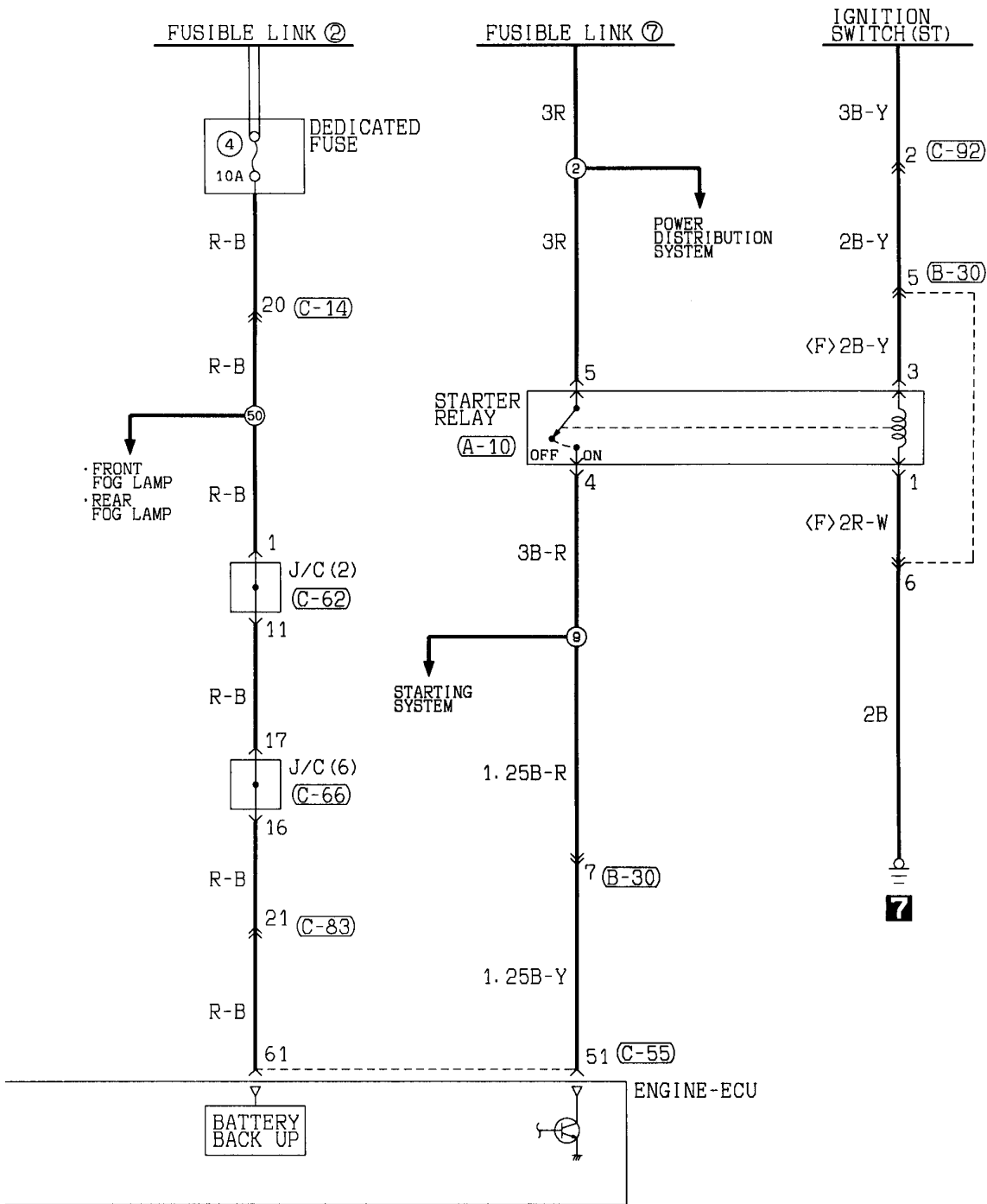
NOTES

ENGINE CONTROL SYSTEM

90100081091

4D68 <R.H. drive vehicles>





(C-62)

1	2	3	4	5	6	7	8	9	10	11
12	13	14	15	16	17	18	19	20	21	22
23	24	25	26	27	28	29	30	31	32	33

(C-66)

1	2	3	4	5	6	7	8	9	10	11
12	13	14	15	16	17	18	19	20	21	22
23	24	25	26	27	28	29	30	31	32	33

(C-83)

1	2	3	4	5	6	7	8	9	10		
11	12	13	14	15	16	17	18	19	20	21	22

(C-90)

1	2	3	4	5	6	7	8	9		
10	11	12	13	14	15	16	17	18	19	20

(C-92)

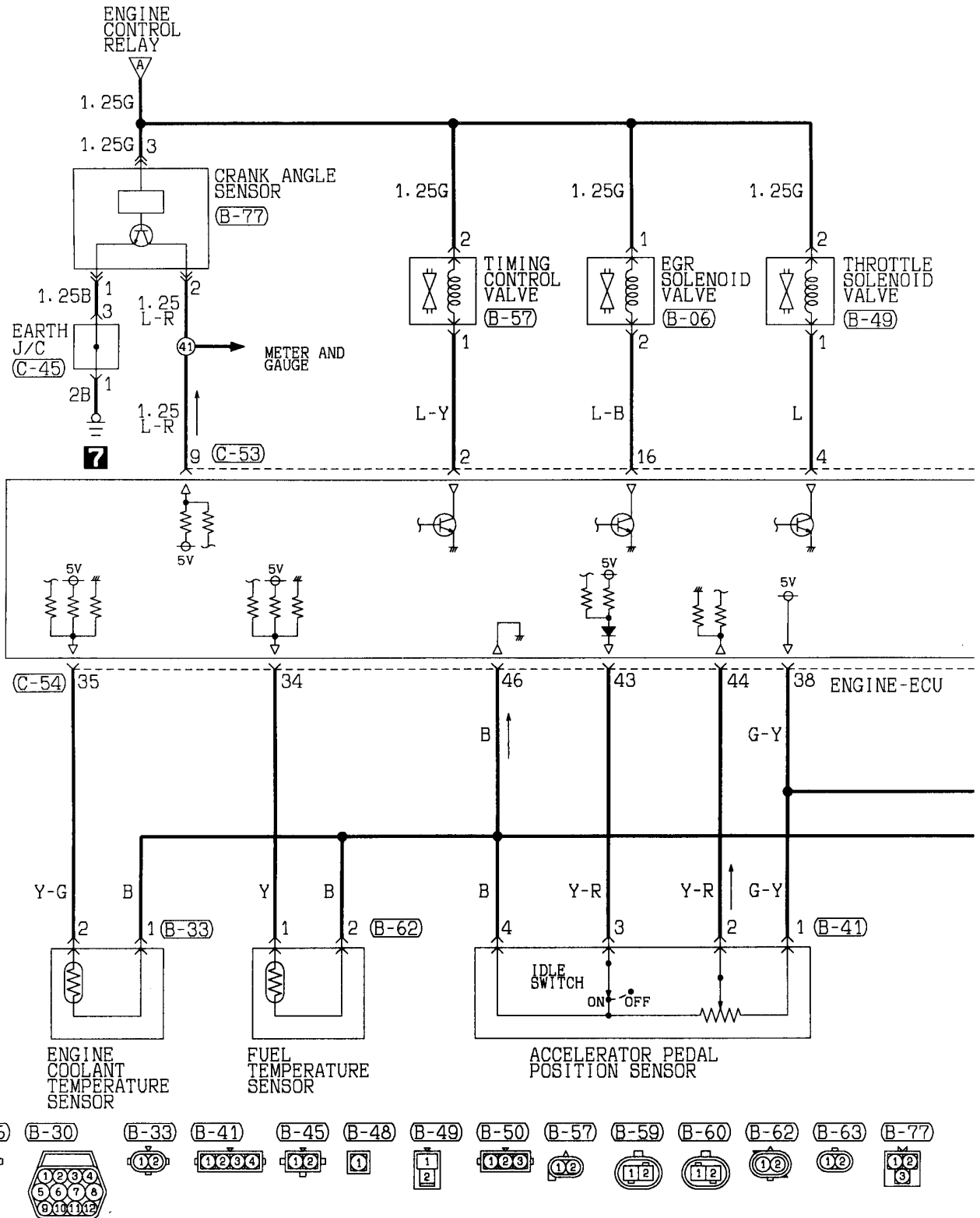
1	2
3	4

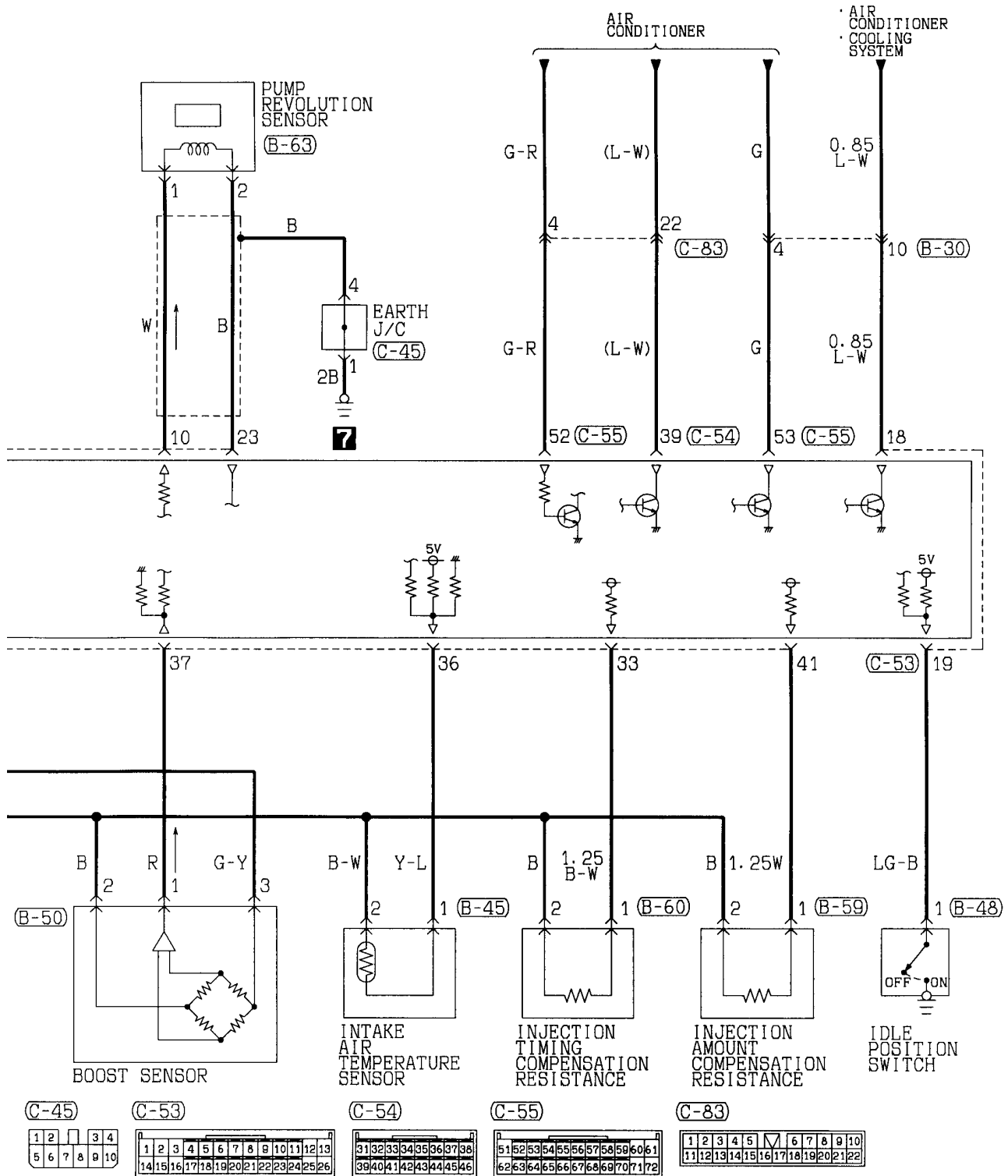
(C-131)

1	2		
3	4	5	6

Wire colour code
 B :Black LG:Light green G:Green L :Blue W :White Y :Yellow SB:Sky blue
 BR:Brown O :Orange GR:Gray R :Red P :Pink V :Violet

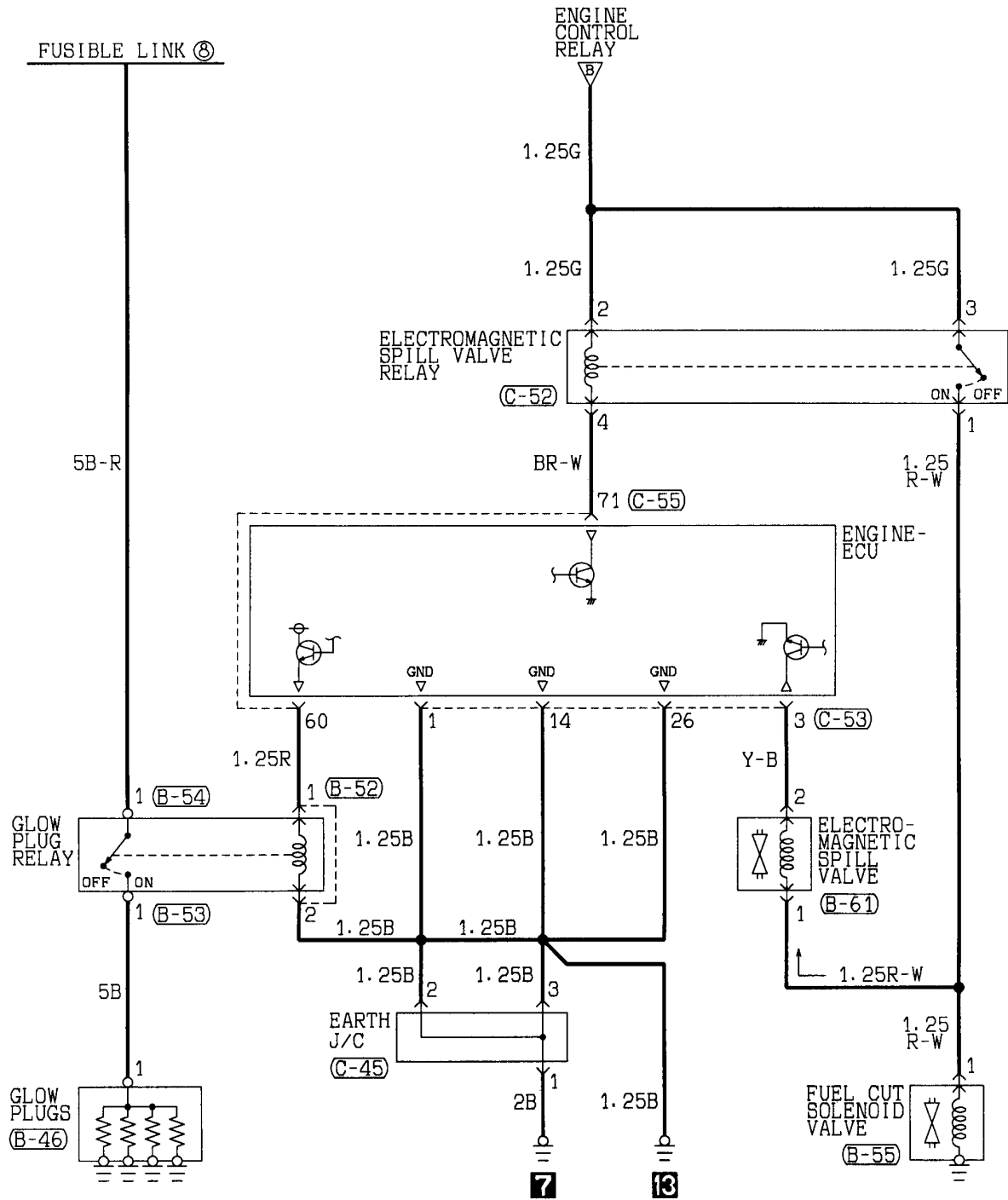
ENGINE CONTROL SYSTEM <4D68 (R.H. drive vehicles)> (CONTINUED)



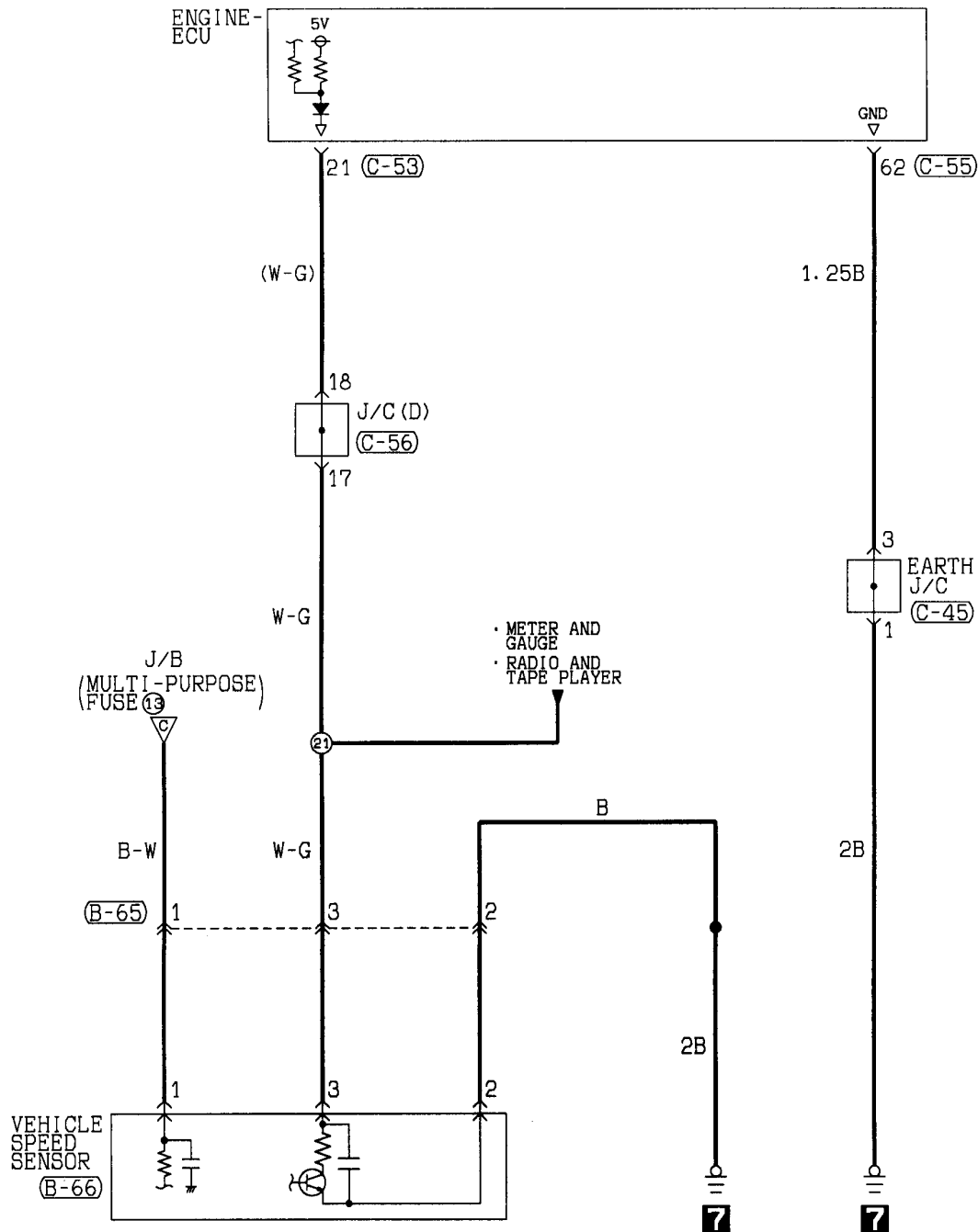


Wire colour code
 B : Black LG: Light green G : Green L : Blue W : White Y : Yellow SB: Sky blue
 BR: Brown O : Orange GR: Gray R : Red P : Pink V : Violet

ENGINE CONTROL SYSTEM <4D68 (R.H. drive vehicles)> (CONTINUED)



- (B-46)
- (B-52)
- (B-53)
- (B-54)
- (B-55)
- (B-61)
- (B-65)
- (B-66)
- (C-45)
- (C-52)
- (C-53)



(C-55)

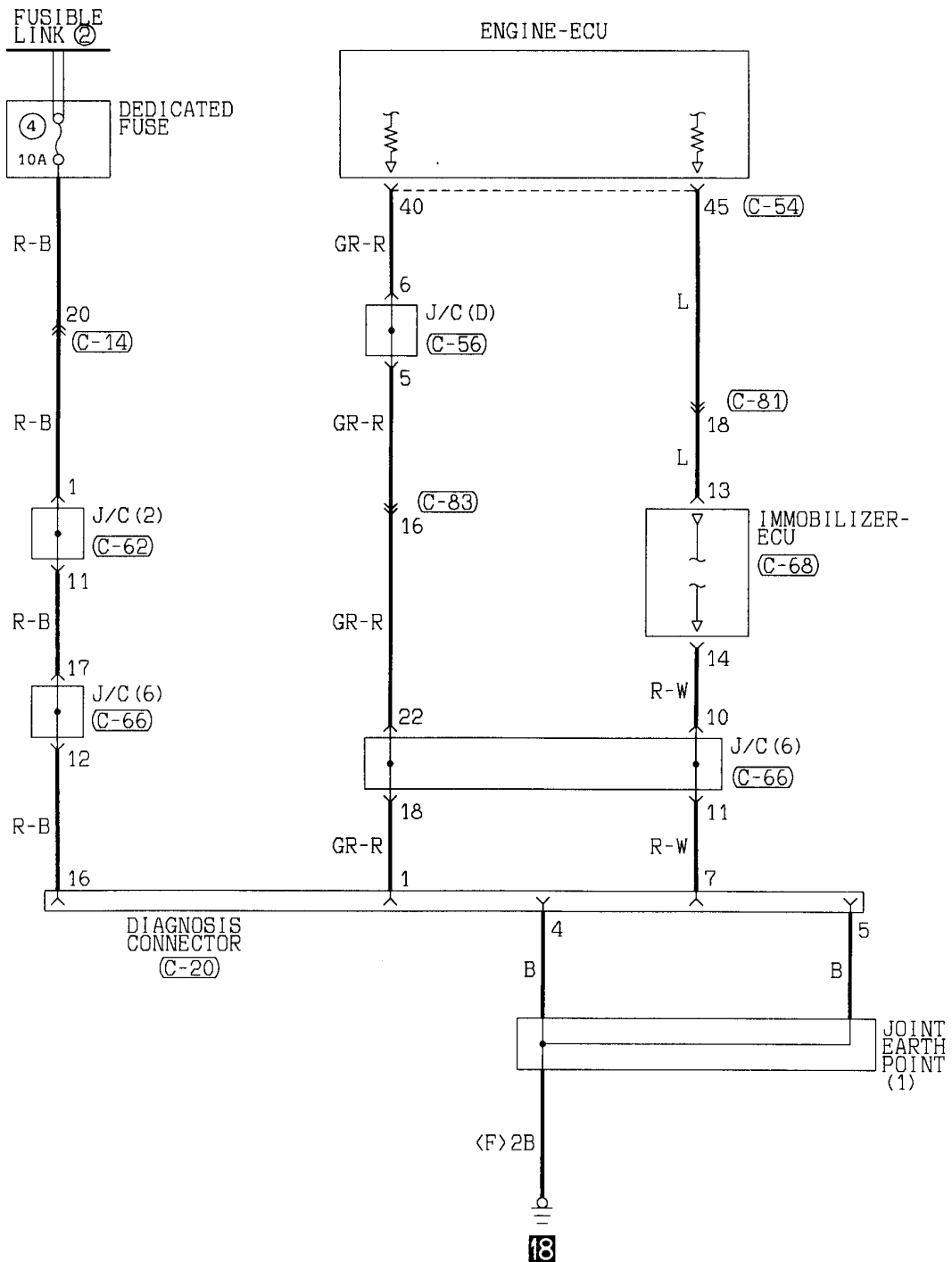
1	2	3	4	5	6	7	8	9	10
51	52	53	54	55	56	57	58	59	60
61	62	63	64	65	66	67	68	69	70
71	72								

(C-56)

1	2	3	4	5	6	7	8
9	10	11	12	13	14	15	16
17	18	19					

Wire colour code
 B : Black LG : Light green G : Green L : Blue W : White Y : Yellow SB : Sky blue
 BR : Brown O : Orange GR : Gray R : Red P : Pink V : Violet

ENGINE CONTROL SYSTEM <4D68 (R.H. drive vehicles)> (CONTINUED)



(C-14)

1	2	3	4	5	6	7	8	9	10		
11	12	13	14	15	16	17	18	19	20	21	22

(C-20) FRONT SIDE

1	2	3	4	5	6	7	8
9	10	11	12	13	14	15	16

(C-54)

31	32	33	34	35	36	37	38
39	40	41	42	43	44	45	46

(C-56)

1	2	3	4	5	6	7	8			
9	10	11	12	13	14	15	16	17	18	19

(C-62)

1	2	3	4	5	6	7	8	9	10	11
12	13	14	15	16	17	18	19	20	21	22
23	24	25	26	27	28	29	30	31	32	33

(C-66)

1	2	3	4	5	6	7	8	9	10	11
12	13	14	15	16	17	18	19	20	21	22
23	24	25	26	27	28	29	30	31	32	33

(C-68)

1	2	3	4	5	6	7	8
9	10	11	12	13	14	15	16

(C-81)

1	2	3	4	5	6	7	8		
9	10	11	12	13	14	15	16	17	18

(C-83)

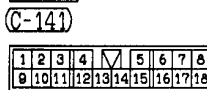
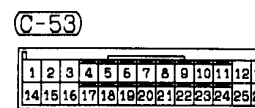
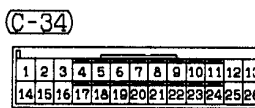
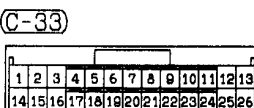
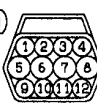
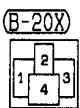
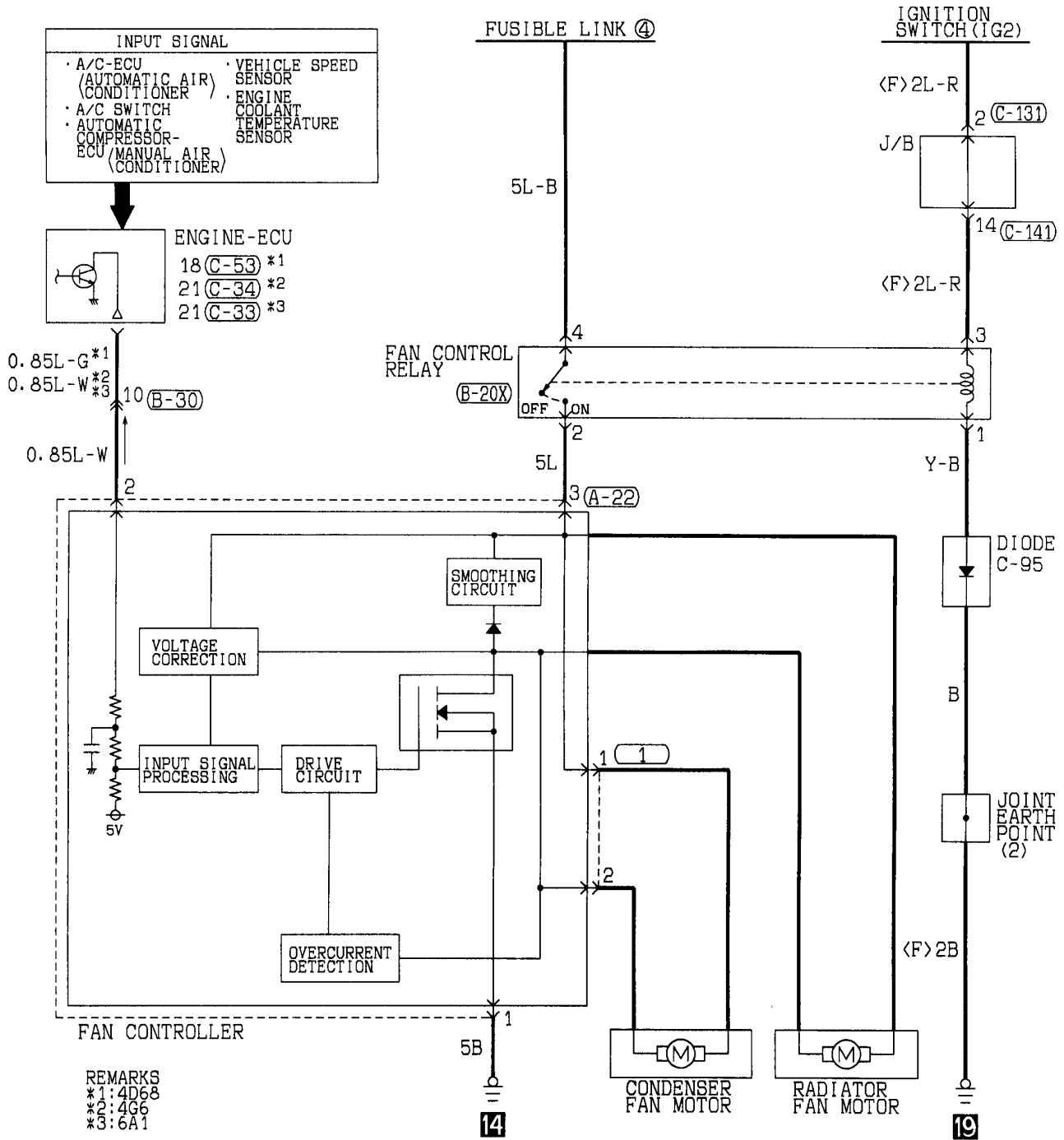
1	2	3	4	5	6	7	8	9	10		
11	12	13	14	15	16	17	18	19	20	21	22

NOTES

COOLING SYSTEM

90100100505

L.H. drive vehicles



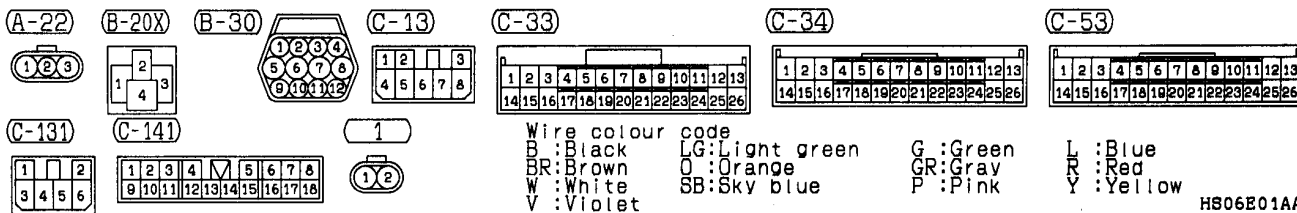
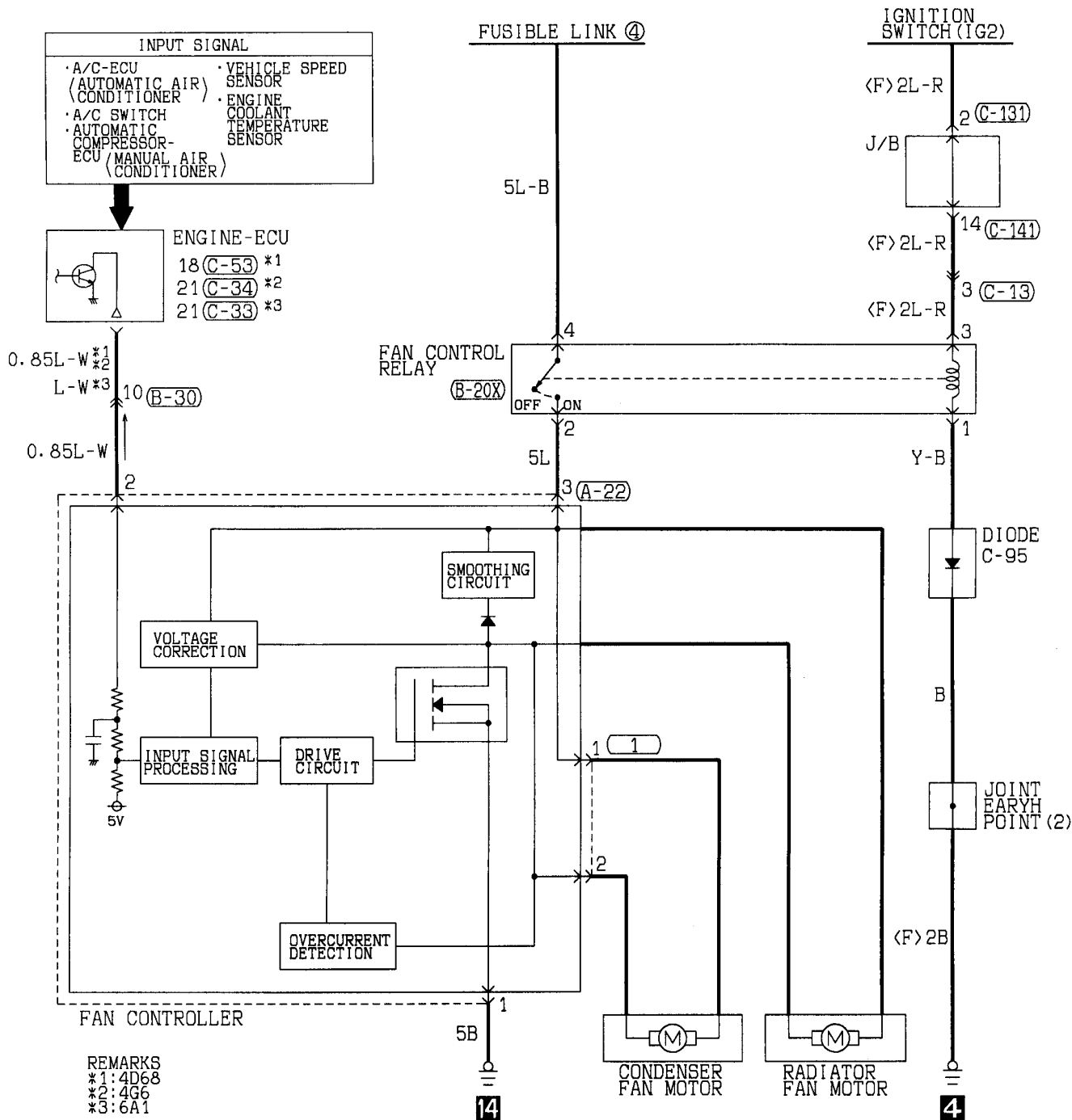
Wire colour code

B : Black	LG: Light green	G : Green	L : Blue
BR: Brown	O : Orange	GR: Gray	R : Red
W : White	SB: Sky blue	P : Pink	Y : Yellow
V : Violet			

COOLING SYSTEM

90100100512

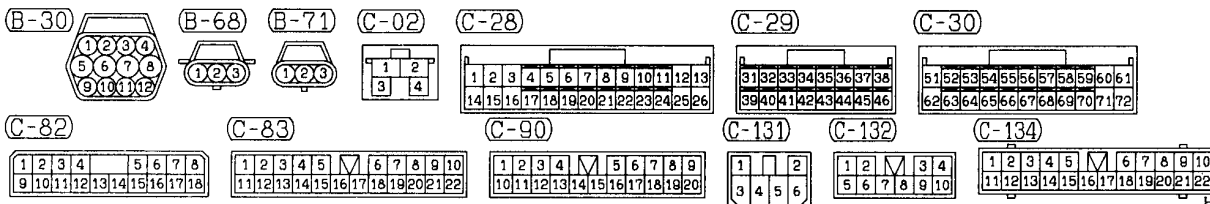
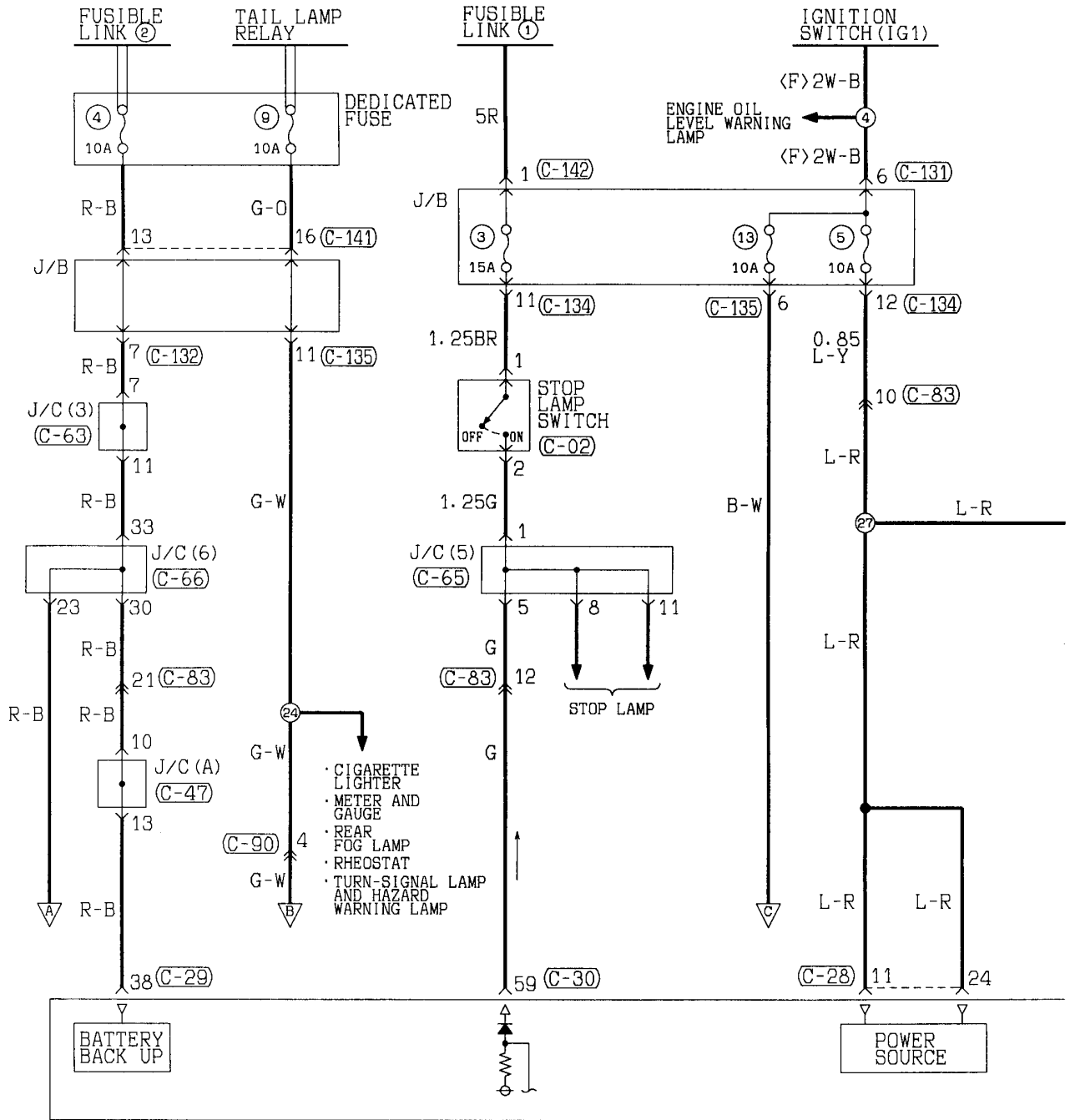
R.H. drive vehicles

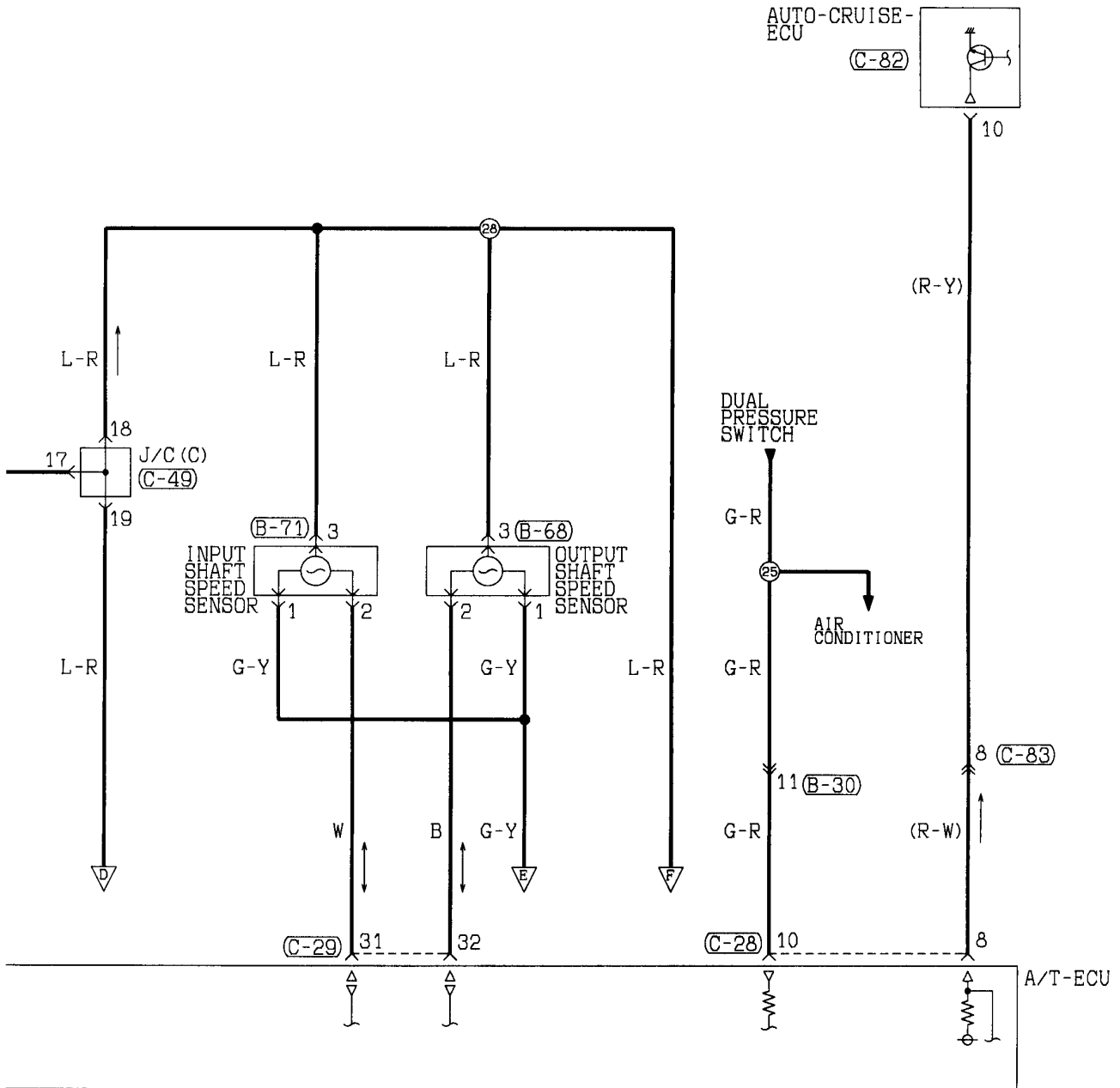


INVECS-II 4A/T

90100120440

L.H. drive vehicles with TCL





(C-47)

1	2	3	4	5	6	7	8			
9	10	11	12	13	14	15	16	17	18	19

(C-49)

1	2	3	4	5	6	7	8			
9	10	11	12	13	14	15	16	17	18	19

(C-63)

1	2	3	4	5	6	7	8	9	10	11
12	13	14	15	16	17	18	19	20	21	22
23	24	25	26	27	28	29	30	31	32	33

(C-65)

1	2	3	4	5	6	7	8	9	10	11
12	13	14	15	16	17	18	19	20	21	22
23	24	25	26	27	28	29	30	31	32	33

(C-66)

1	2	3	4	5	6	7	8	9	10	11
12	13	14	15	16	17	18	19	20	21	22
23	24	25	26	27	28	29	30	31	32	33

(C-135)

1	2	3	4	M	5	6	7	8	9	
10	11	12	13	14	15	16	17	18	19	20

(C-141)

1	2	3	4	M	5	6	7	8	
9	10	11	12	13	14	15	16	17	18

(C-142)

1

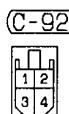
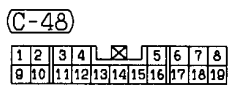
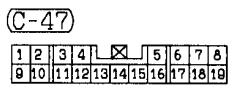
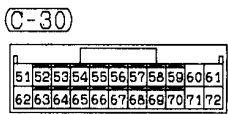
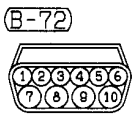
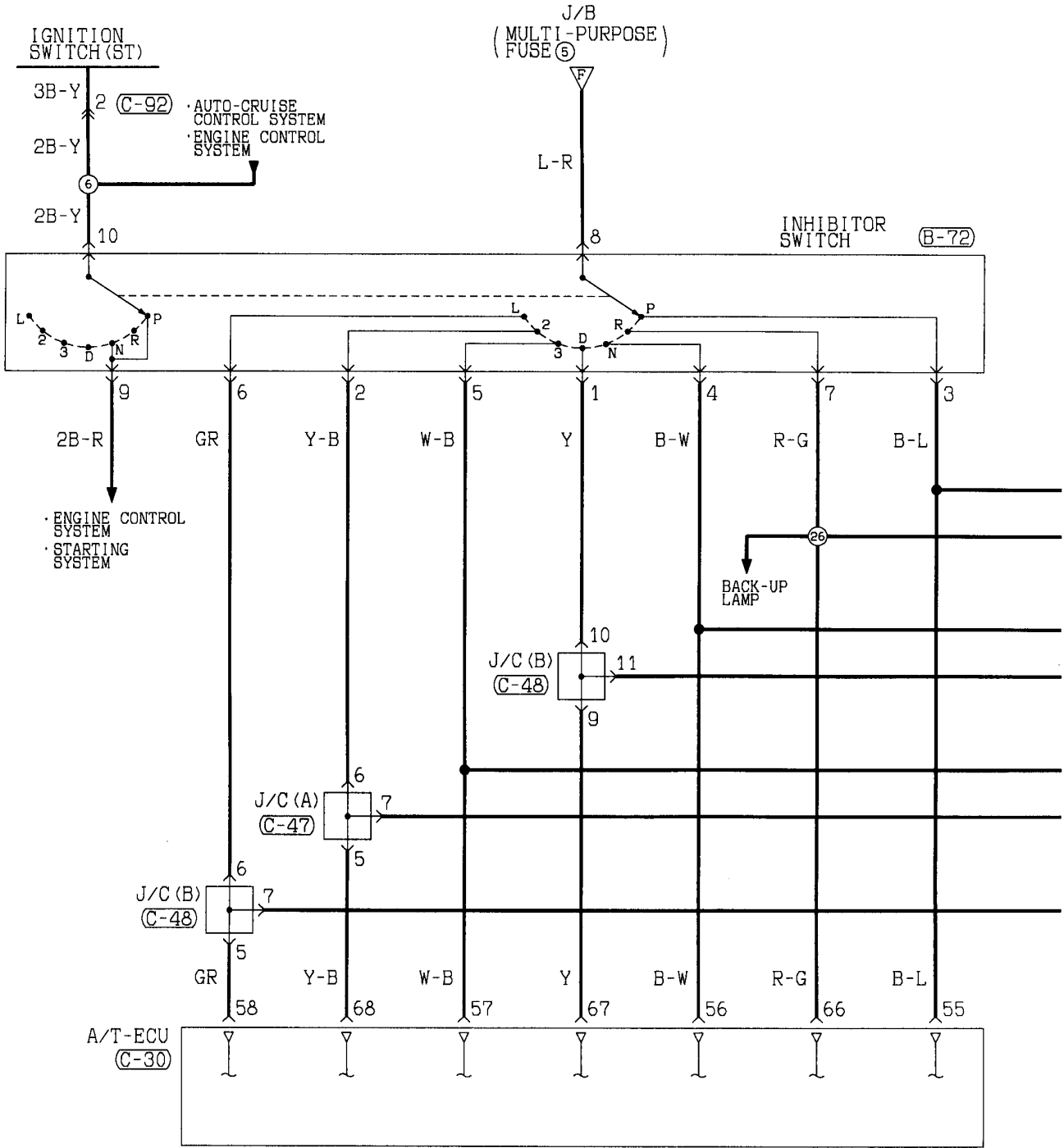
Wire colour code
 B : Black
 BR : Brown
 W : White
 V : Violet

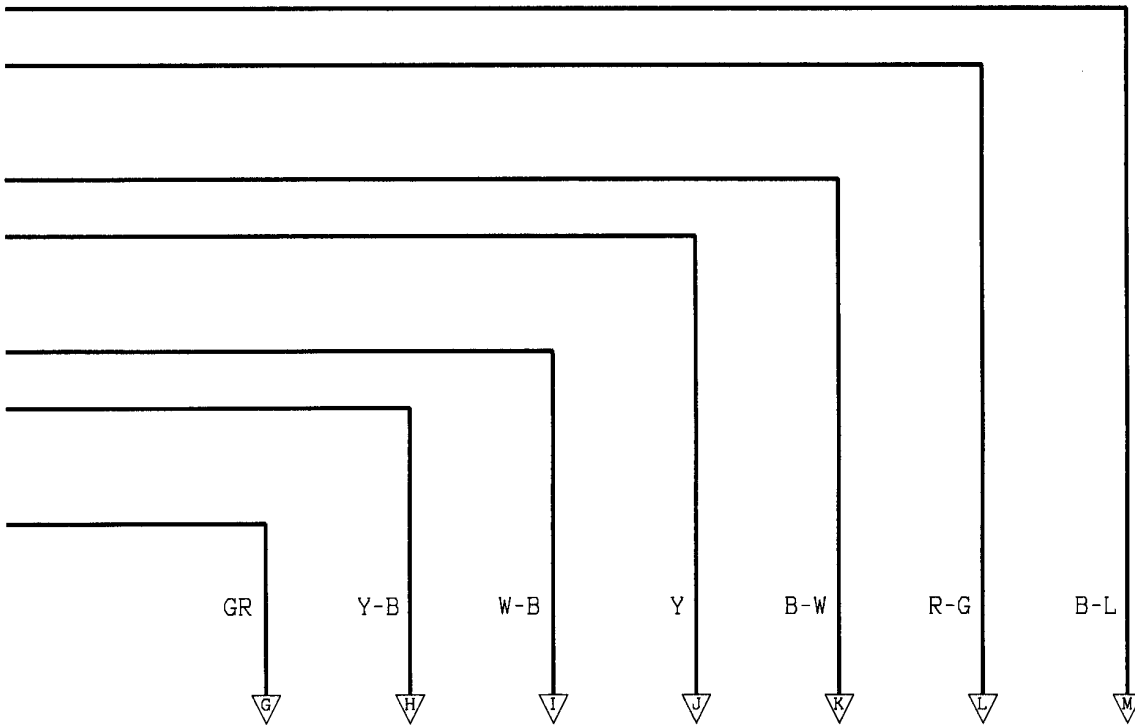
LG : Light green
 O : Orange
 SB : Sky blue

G : Green
 GR : Gray
 P : Pink

L : Blue
 R : Red
 Y : Yellow

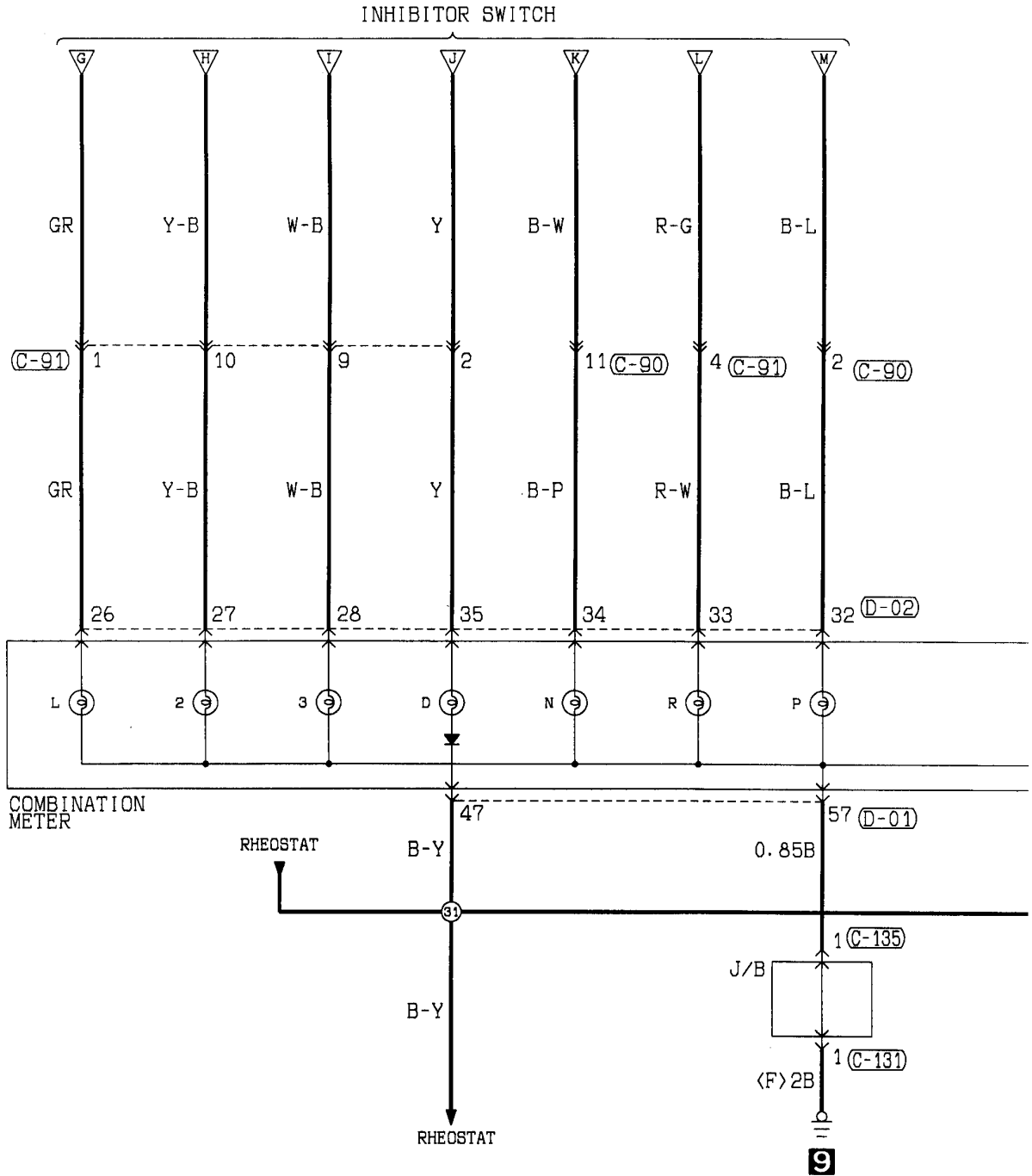
INVECS-II 4A/T <L.H. drive vehicles with TCL> (CONTINUED)





Wire colour code
B :Black LG:Light green G :Green I :Blue W :White Y :Yellow SB:Sky blue
BR:Brown O :Orange GR:Gray R :Red P :Pink V :Violet

INVECS-II 4A/T <L.H. drive vehicles with TCL> (CONTINUED)



(C-30)

1	2	3	4	5	6	7	8	9	10
51	52	53	54	55	56	57	58	59	60
61	62	63	64	65	66	67	68	69	70
71	72								

(C-47)

1	2	3	4	L	J	5	6	7	8
9	10	11	12	13	14	15	16	17	18
19									

(C-49)

1	2	3	4	L	J	5	6	7	8
9	10	11	12	13	14	15	16	17	18
19									

(C-88)

1	2
---	---

(C-89)

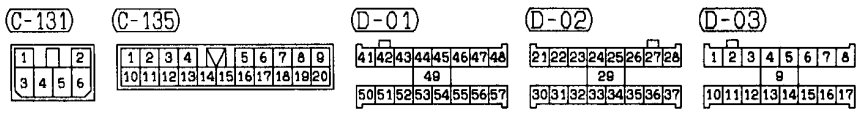
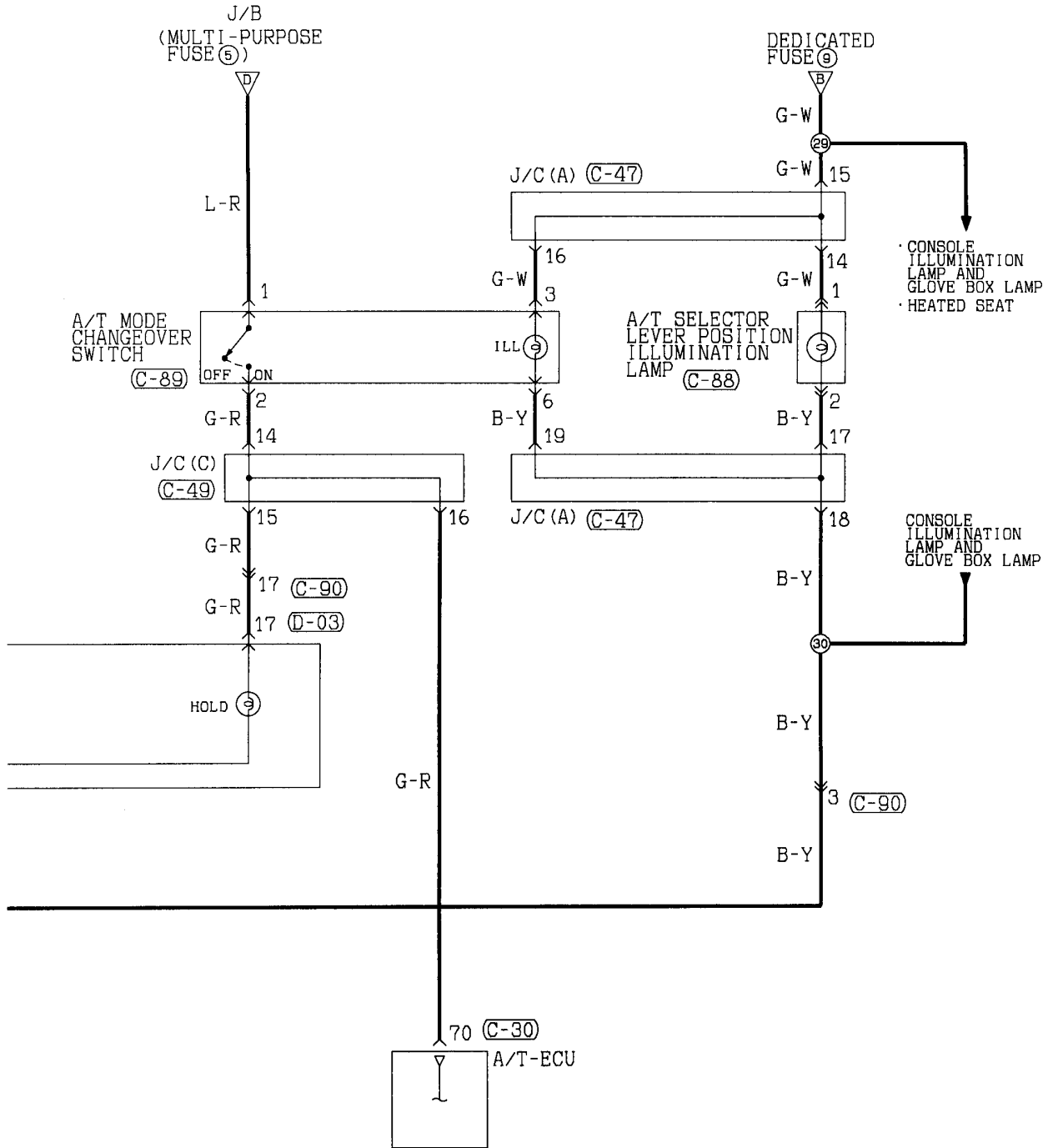
1	2
3	4
5	6

(C-90)

1	2	3	4	5	6	7	8	9
10	11	12	13	14	15	16	17	18
19	20							

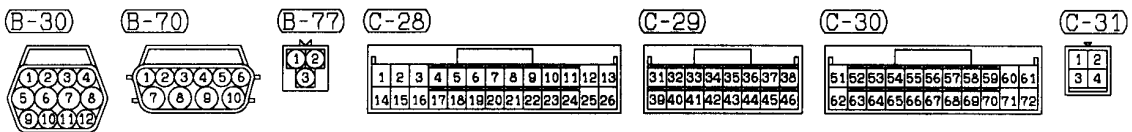
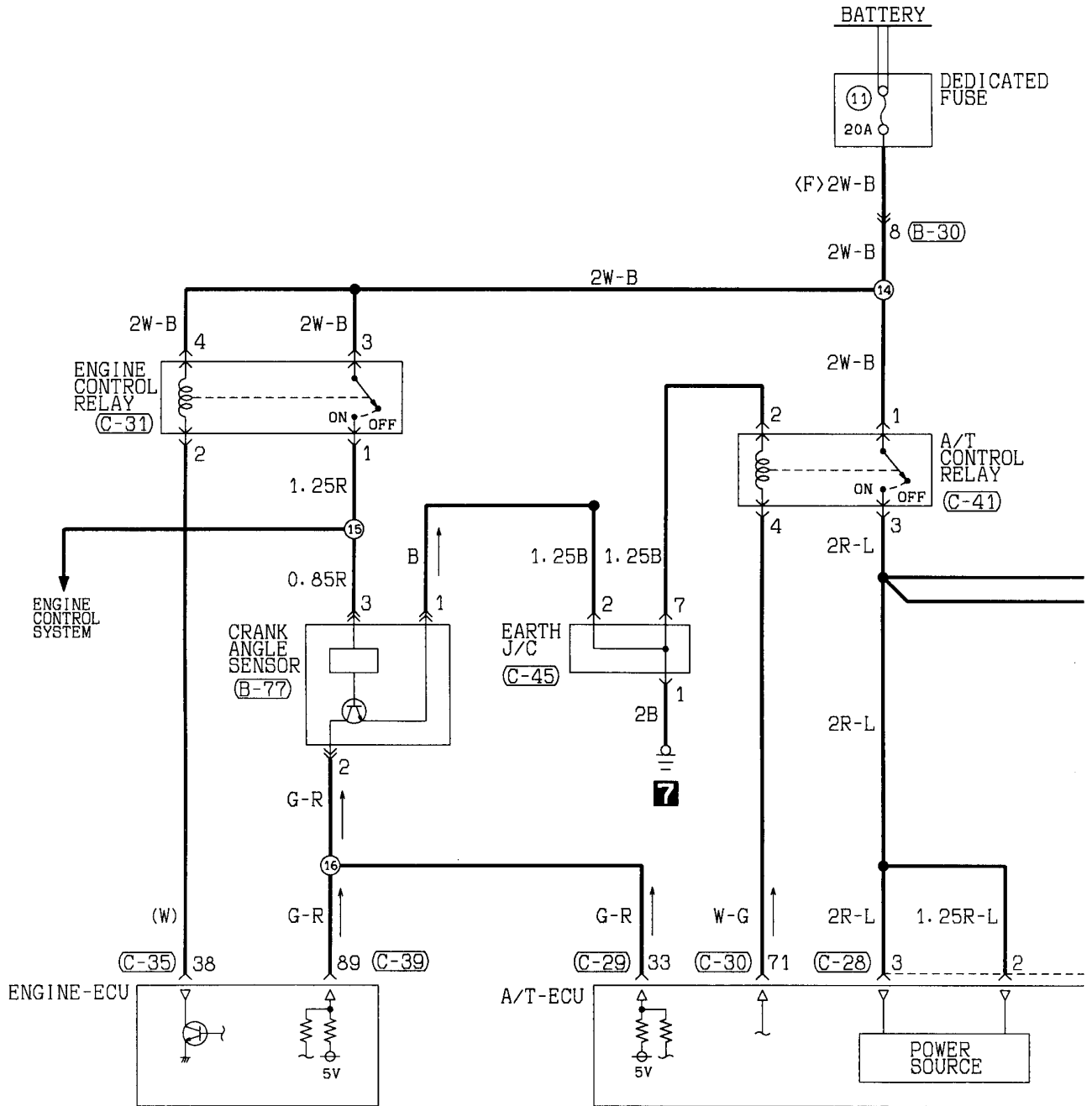
(C-91)

1	2	3	4
5	6	7	8
9	10		



Wire colour code
 B : Black LG : Light green G : Green L : Blue W : White Y : Yellow SB : Sky blue
 BR : Brown O : Orange GR : Gray R : Red P : Pink V : Violet

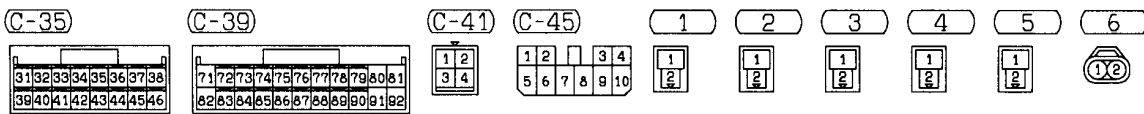
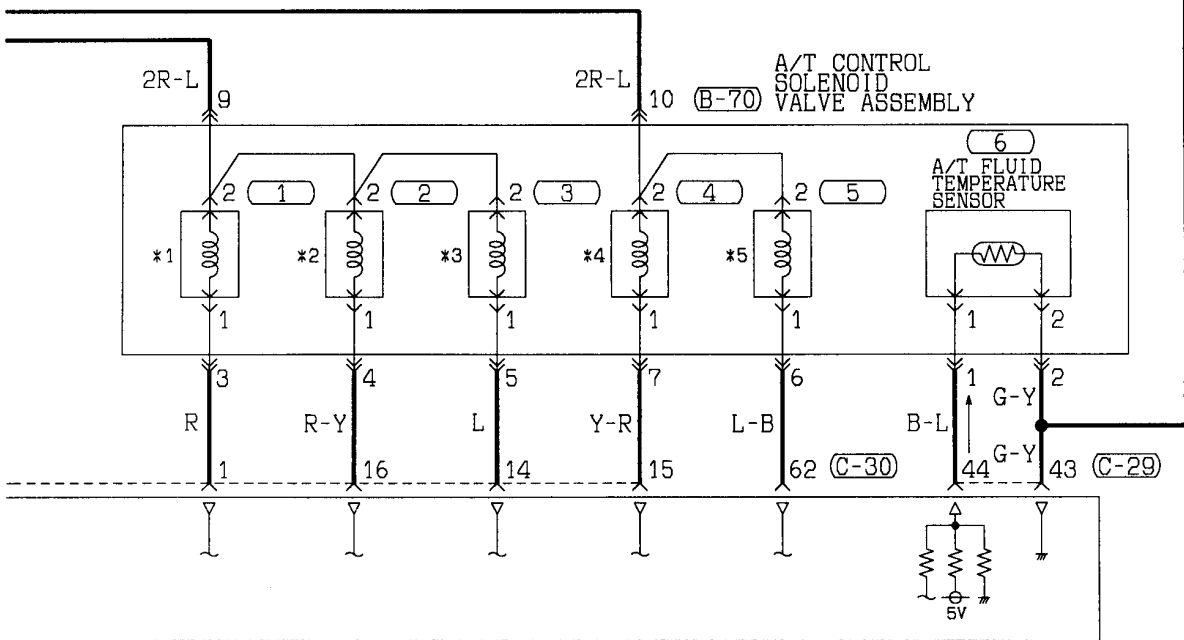
INVECS-II 4A/T <L.H. drive vehicles with TCL> (CONTINUED)



- REMARKS
 *1: UNDERDRIVE SOLENOID VALVE
 *2: SECOND SOLENOID VALVE
 *3: OVERDRIVE SOLENOID VALVE
 *4: DAMPER CLUTCH CONTROL SOLENOID VALVE
 *5: LOW AND REVERSE SOLENOID VALVE

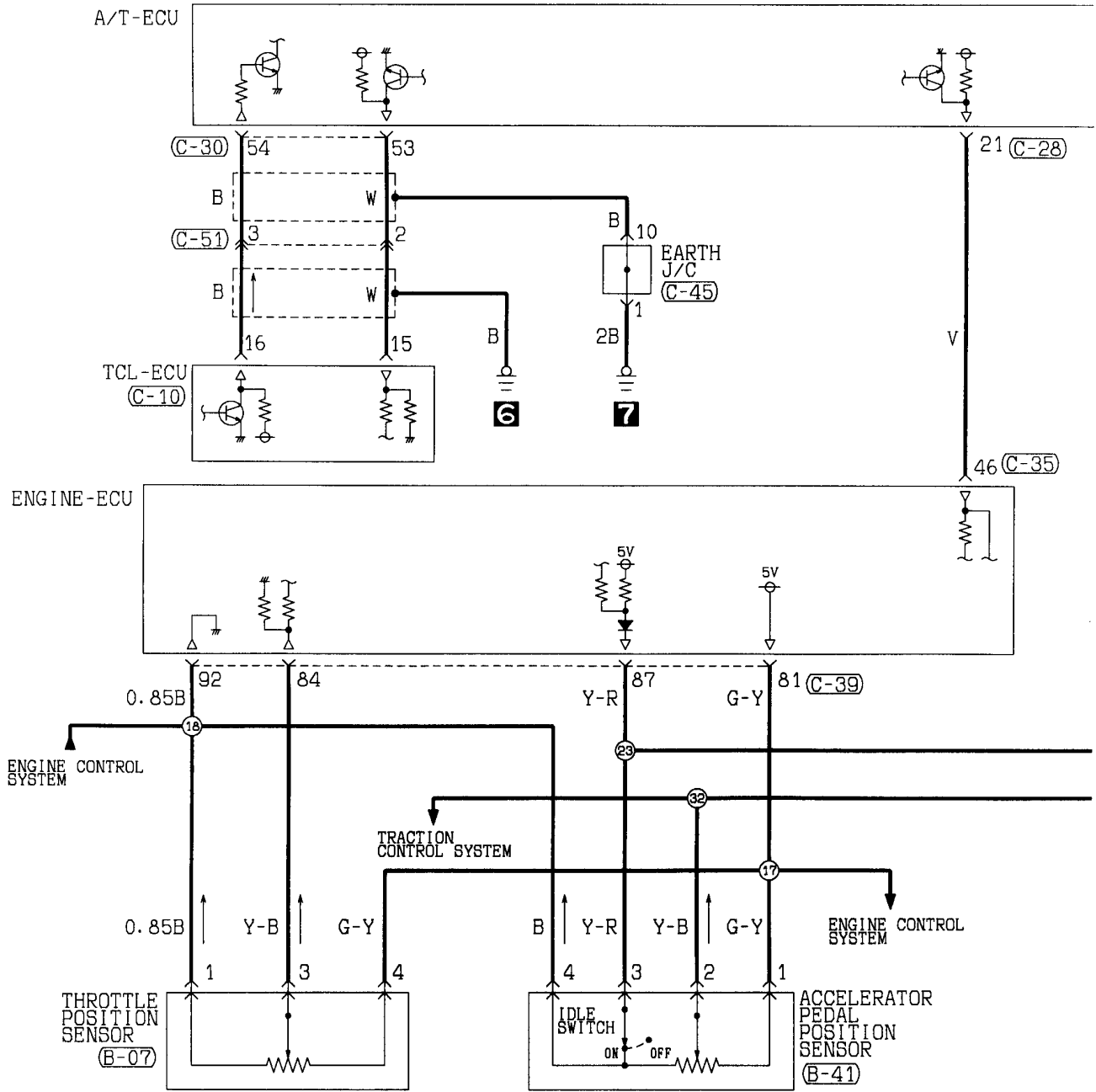
INPUT SHAFT SPEED SENSOR
 OUTPUT SHAFT SPEED SENSOR

G-Y



Wire colour code
 B :Black LG:Light green G :Green L :Blue W :White Y :Yellow SB:Sky blue
 BR:Brown O :Orange GR:Gray R :Red P :Pink V :Violet

INVECS-II 4A/T <L.H. drive vehicles with TCL> (CONTINUED)



(B-07)

1	2	3	4
---	---	---	---

(B-41)

1	2	3	4
---	---	---	---

(C-10)

1	2	3	4	5	6	7	8	9	10	11	12	13
14	15	16	17	18	19	20	21	22	23	24	25	26

(C-19) FRONT SIDE

25	24	23	22	21		
32	31	30	29	28	27	26

(C-20) FRONT SIDE

1	2	3	4	5	6	7	8
9	10	11	12	13	14	15	16

(C-28)

1	2	3	4	5	6	7	8	9	10	11	12	13
14	15	16	17	18	19	20	21	22	23	24	25	26

(C-29)

31	32	33	34	35	36	37	38
39	40	41	42	43	44	45	46

(C-51)

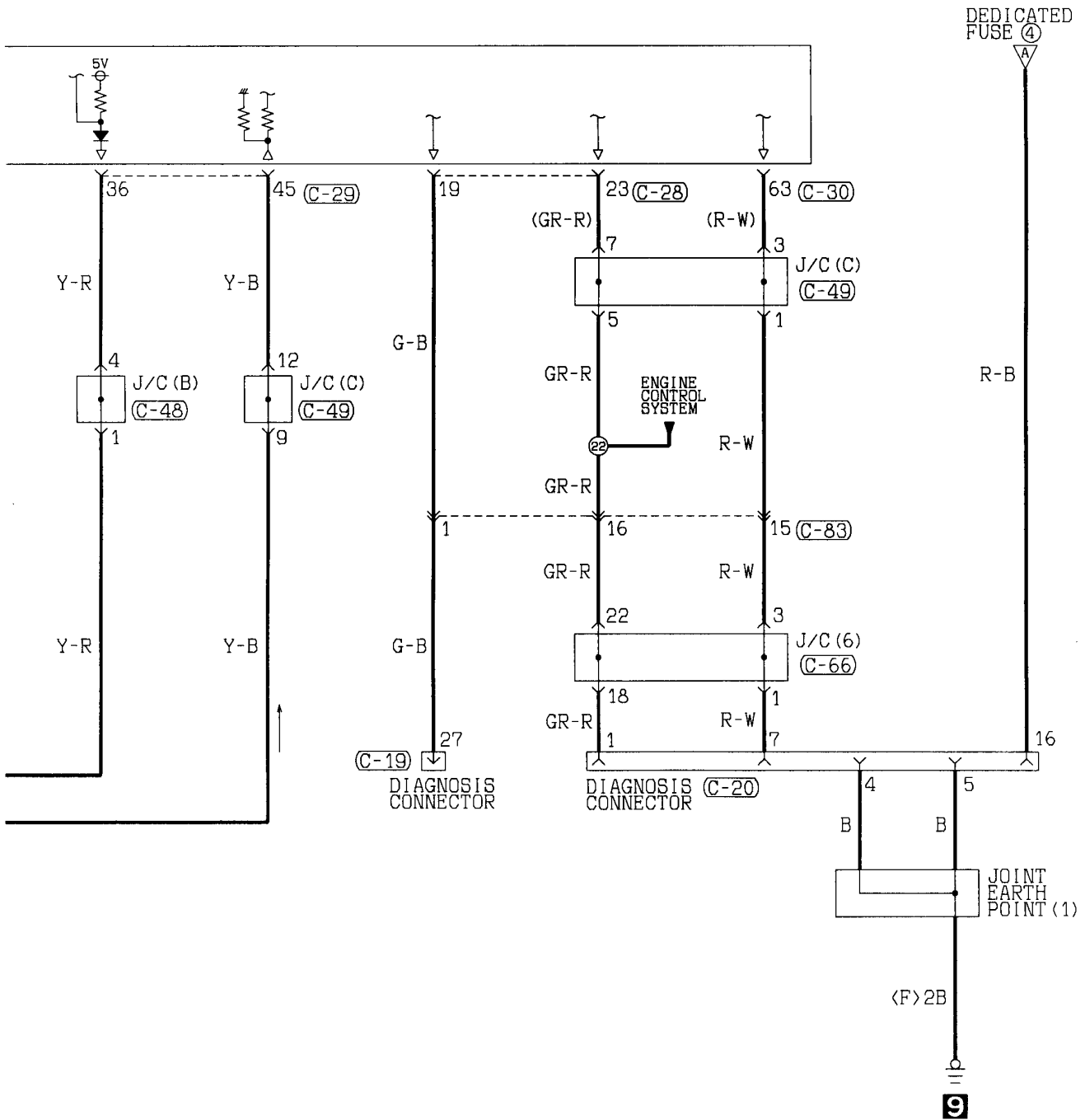
1	2	3	4	5	6	7	8			
9	10	11	12	13	14	15	16	17	18	19

(C-66)

1	2	3	4	5	6	7	8	9	10	11
12	13	14	15	16	17	18	19	20	21	22
23	24	25	26	27	28	29	30	31	32	33

(C-83)

1	2	3	4	5	6	7	8	9	10		
11	12	13	14	15	16	17	18	19	20	21	22



(C-30)

51	52	53	54	55	56	57	58	59	60	61
62	63	64	65	66	67	68	69	70	71	72

(C-35)

31	32	33	34	35	36	37	38
39	40	41	42	43	44	45	46

(C-39)

71	72	73	74	75	76	77	78	79	80	81
82	83	84	85	86	87	88	89	90	91	92

(C-45)

1	2	3	4		
5	6	7	8	9	10

(C-48)

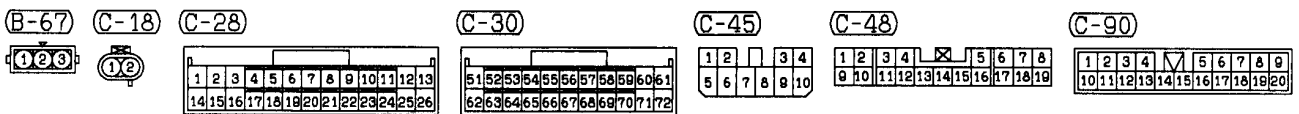
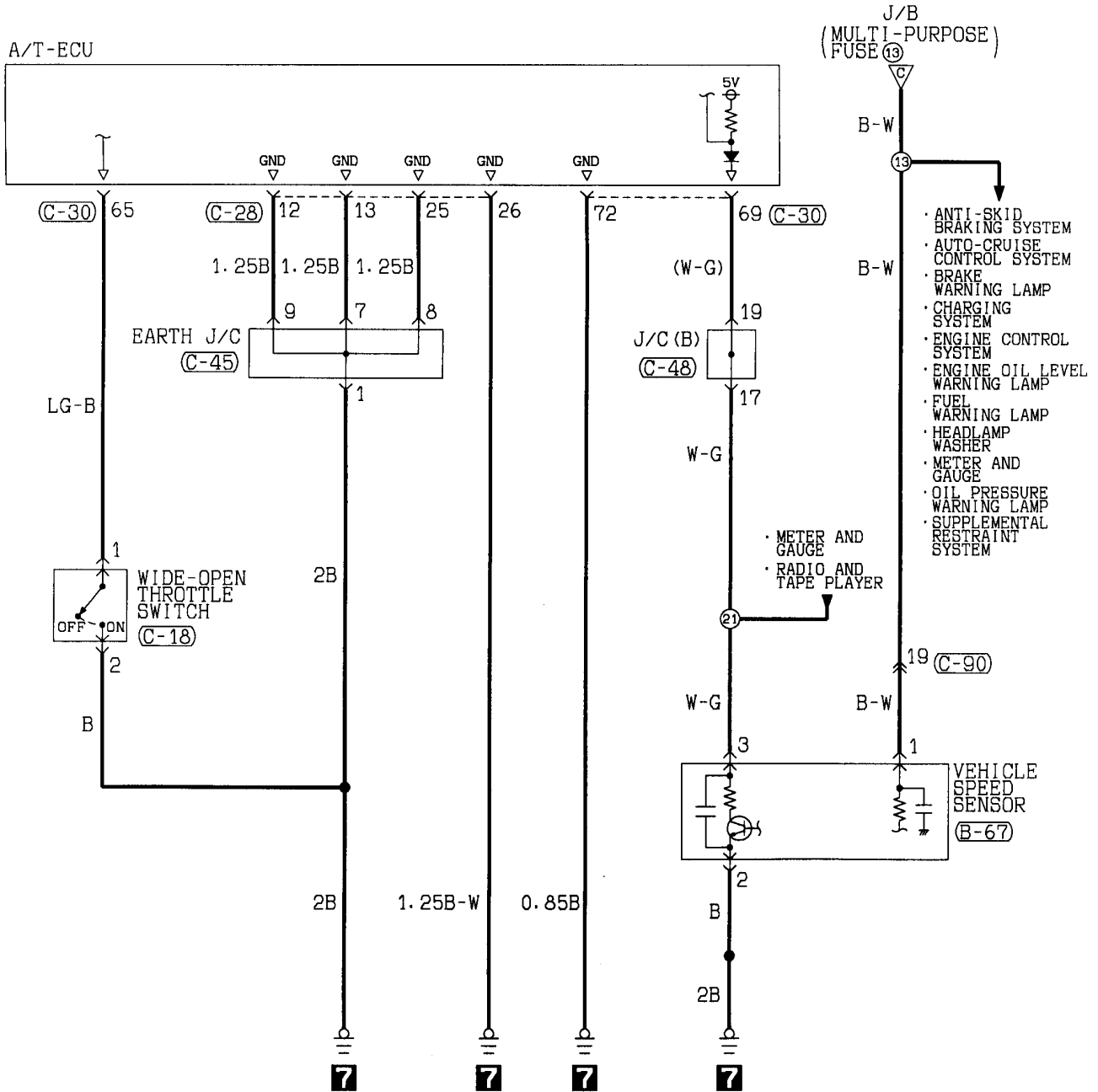
1	2	3	4	5	6	7	8			
9	10	11	12	13	14	15	16	17	18	19

(C-49)

1	2	3	4	5	6	7	8			
9	10	11	12	13	14	15	16	17	18	19

Wire colour code
 B : Black LG : Light green G : Green L : Blue W : White Y : Yellow SB : Sky blue
 BR : Brown O : Orange GR : Gray R : Red P : Pink V : Violet

INVECS-II 4A/T <L.H. drive vehicles with TCL> (CONTINUED)



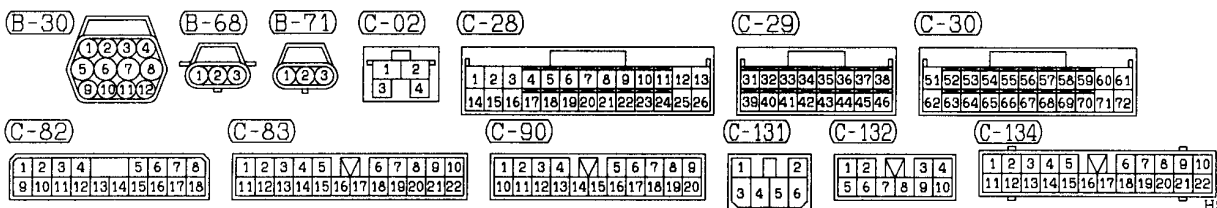
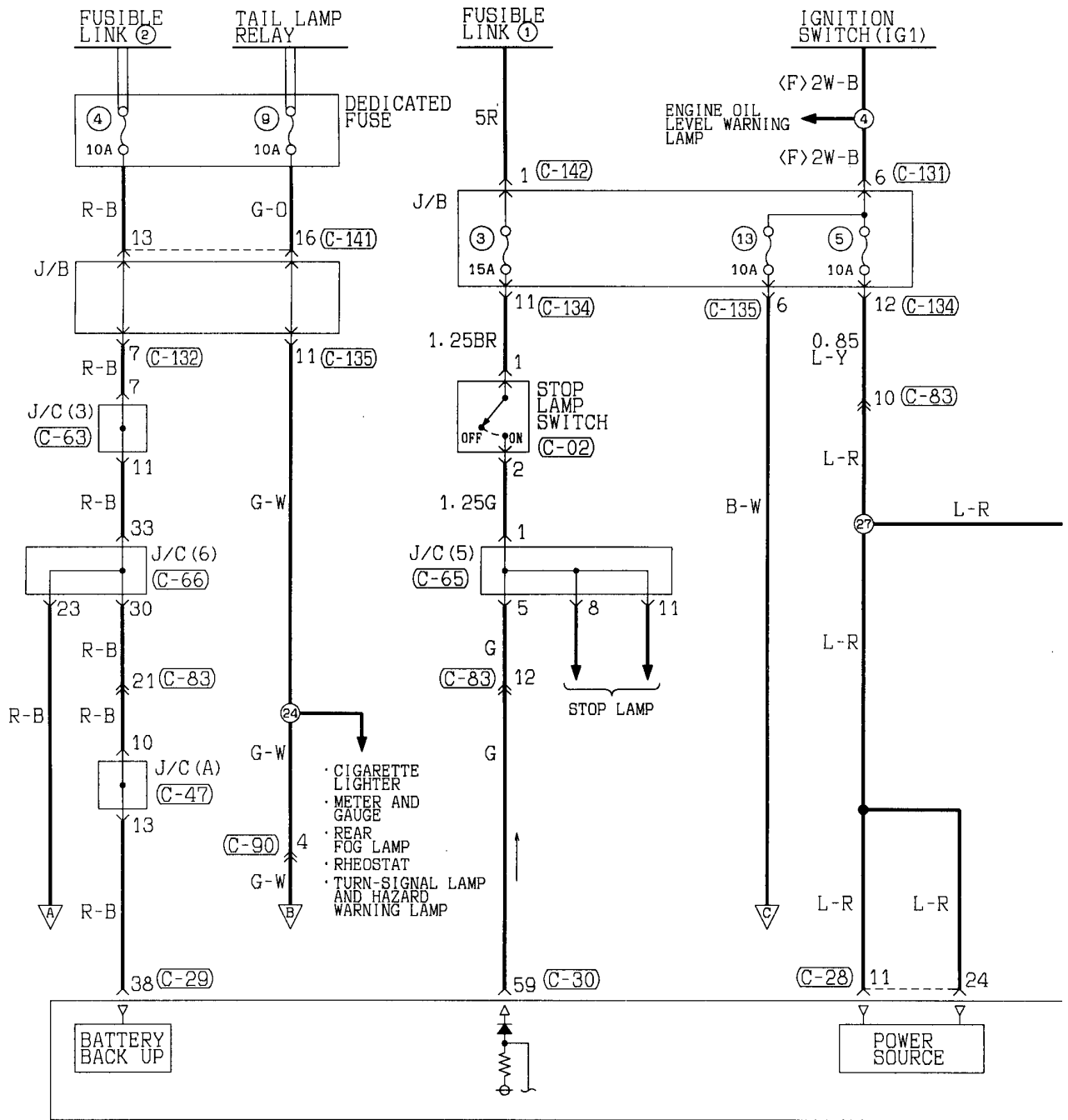
Wire colour code
 B:Black LG:Light green G:Green L:Blue W:White Y:Yellow SB:Sky blue
 BR:Brown O:Orange GR:Gray R:Red P:Pink V:Violet

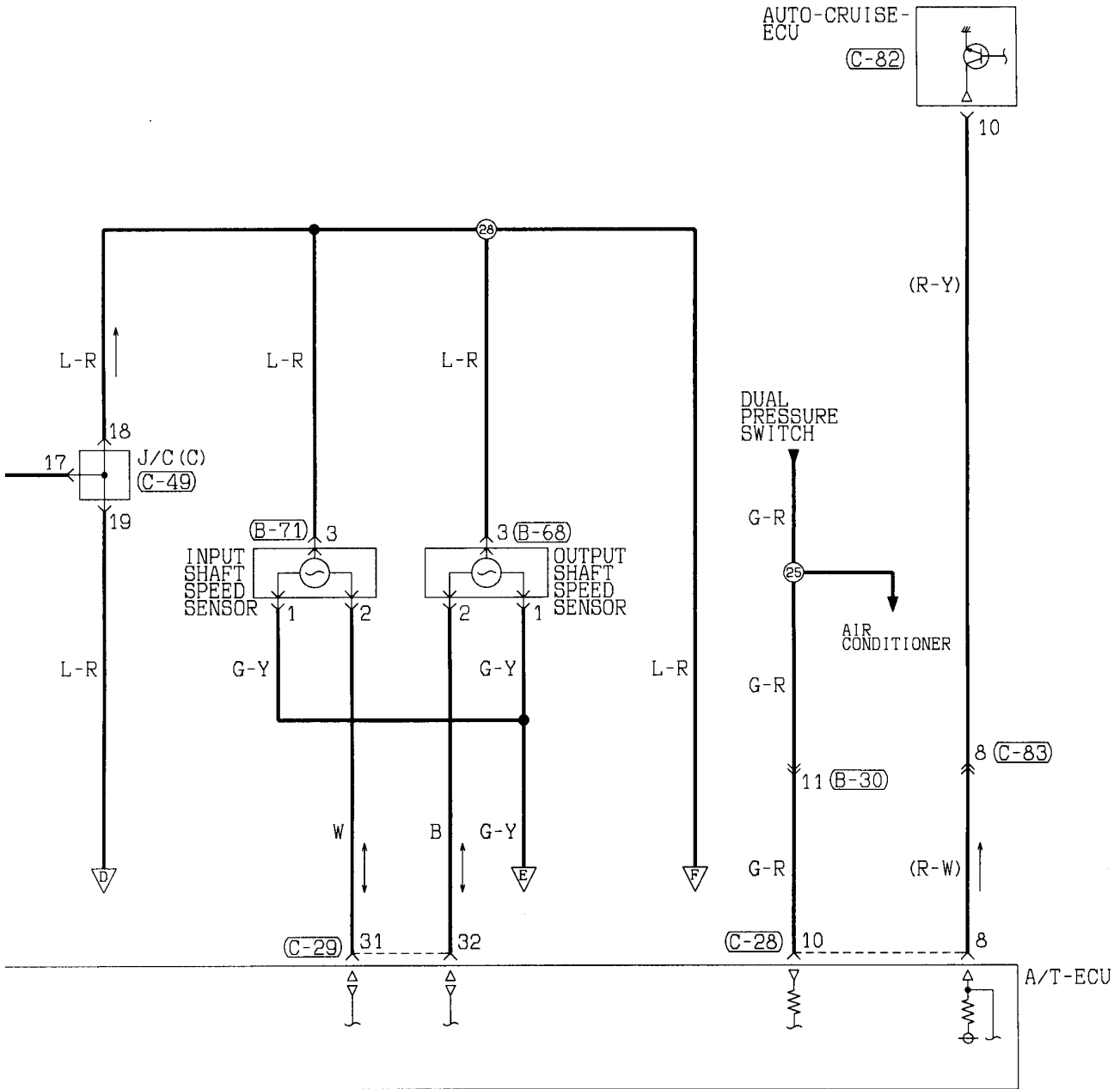
NOTES

INVECS-II 4A/T

90100120457

L.H. drive vehicles without TCL





(C-47)

1	2	3	4	5	6	7	8			
9	10	11	12	13	14	15	16	17	18	19

(C-49)

1	2	3	4	5	6	7	8			
9	10	11	12	13	14	15	16	17	18	19

(C-63)

1	2	3	4	5	6	7	8	9	10	11
12	13	14	15	16	17	18	19	20	21	22
23	24	25	26	27	28	29	30	31	32	33

(C-65)

1	2	3	4	5	6	7	8	9	10	11
12	13	14	15	16	17	18	19	20	21	22
23	24	25	26	27	28	29	30	31	32	33

(C-66)

1	2	3	4	5	6	7	8	9	10	11
12	13	14	15	16	17	18	19	20	21	22
23	24	25	26	27	28	29	30	31	32	33

(C-135)

1	2	3	4	5	6	7	8	9		
10	11	12	13	14	15	16	17	18	19	20

(C-141)

1	2	3	4	5	6	7	8		
9	10	11	12	13	14	15	16	17	18

(C-142)



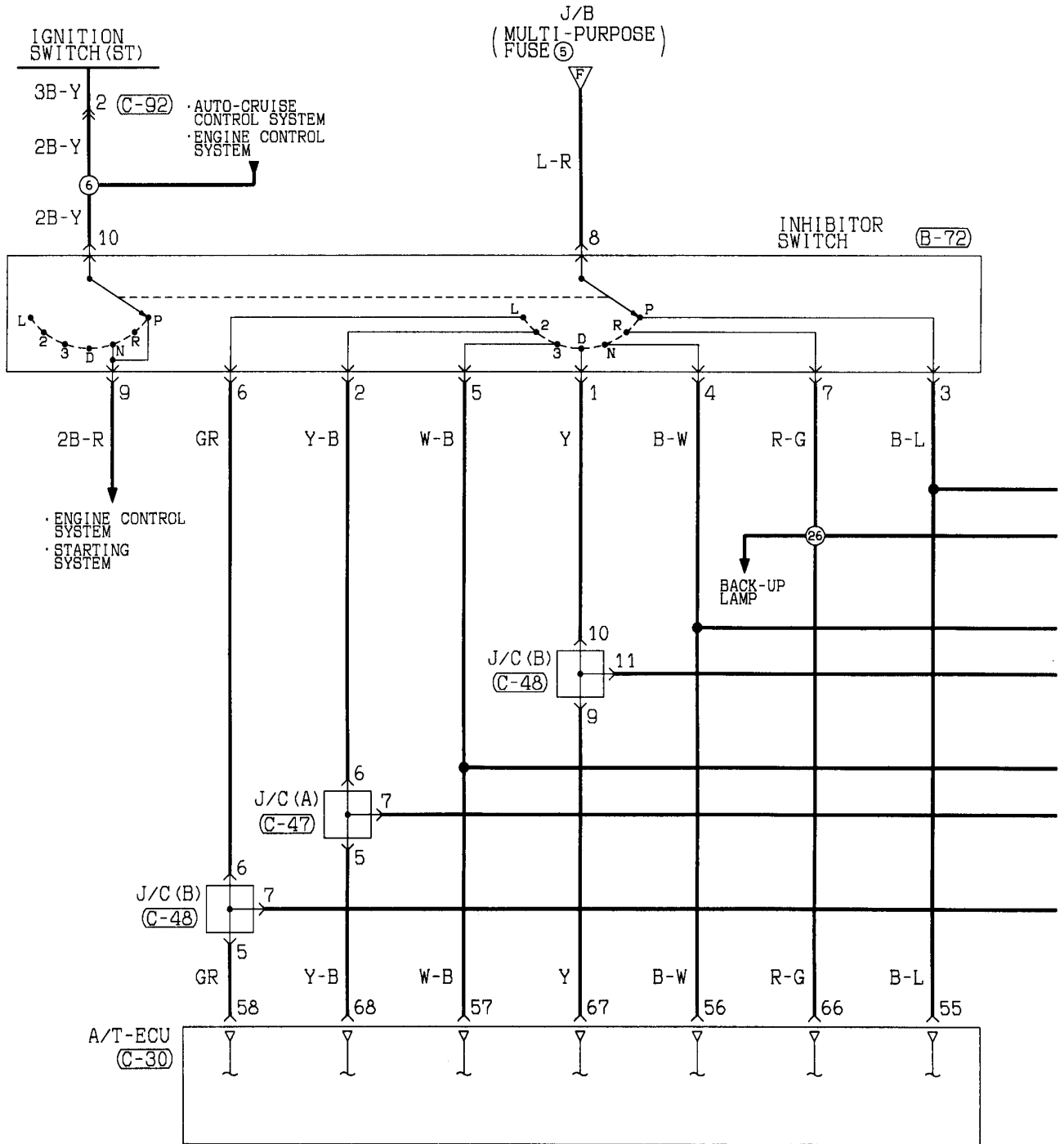
Wire colour code
 B : Black
 BR : Brown
 W : White
 V : Violet

LG : Light green
 O : Orange
 SB : Sky blue

G : Green
 GR : Gray
 P : Pink

L : Blue
 R : Red
 Y : Yellow

INVECS-II 4A/T <L.H. drive vehicles without TCL> (CONTINUED)



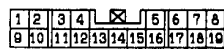
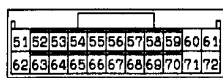
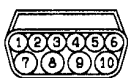
(B-72)

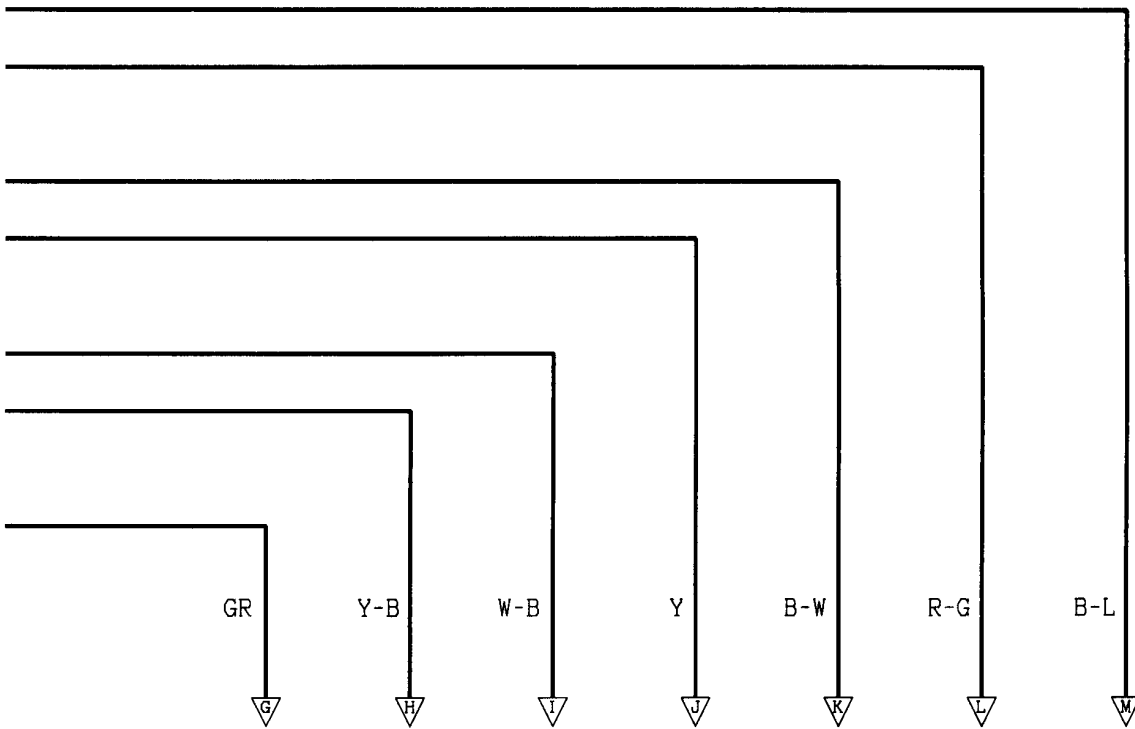
(C-30)

(C-47)

(C-48)

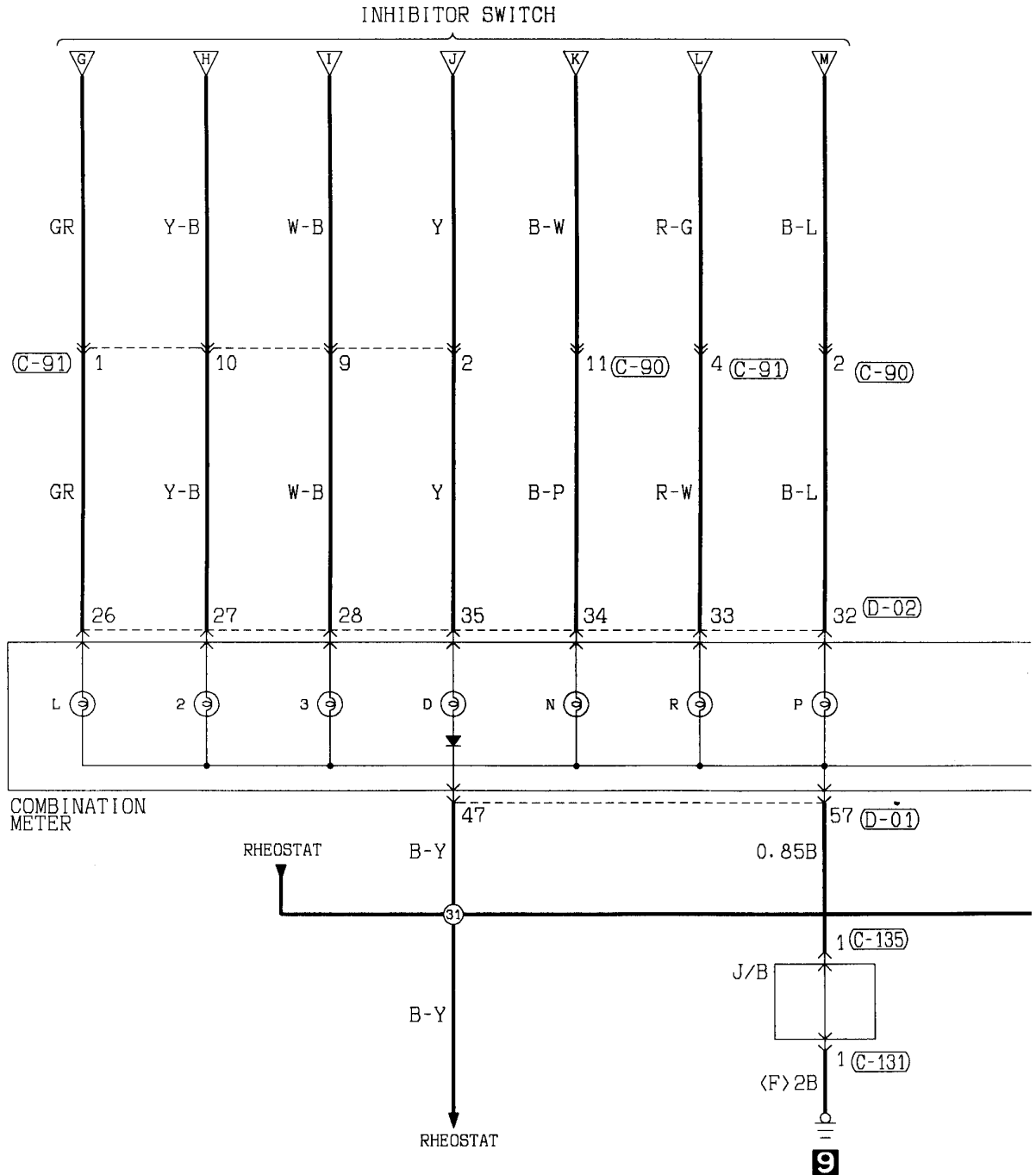
(C-92)





Wire colour code
B :Black LG:Light green G :Green L :Blue W :White Y :Yellow SB:Sky blue
BR:Brown O :Orange GR:Gray R :Red P :Pink V :Violet

INVECS-II 4A/T <L.H. drive vehicles without TCL> (CONTINUED)



(C-30)

1	2	3	4	5	6	7	8	9	10	11	12	13	14	15	16	17	18	19	20	21	22	23	24	25	26	27	28	29	30	31	32	33	34	35	36	37	38	39	40	41	42	43	44	45	46	47	48	49	50	51	52	53	54	55	56	57	58	59	60	61	62	63	64	65	66	67	68	69	70	71	72
---	---	---	---	---	---	---	---	---	----	----	----	----	----	----	----	----	----	----	----	----	----	----	----	----	----	----	----	----	----	----	----	----	----	----	----	----	----	----	----	----	----	----	----	----	----	----	----	----	----	----	----	----	----	----	----	----	----	----	----	----	----	----	----	----	----	----	----	----	----	----	----

(C-47)

1	2	3	4	5	6	7	8			
9	10	11	12	13	14	15	16	17	18	19

(C-49)

1	2	3	4	5	6	7	8			
9	10	11	12	13	14	15	16	17	18	19

(C-88)

1	2
---	---

(C-89)

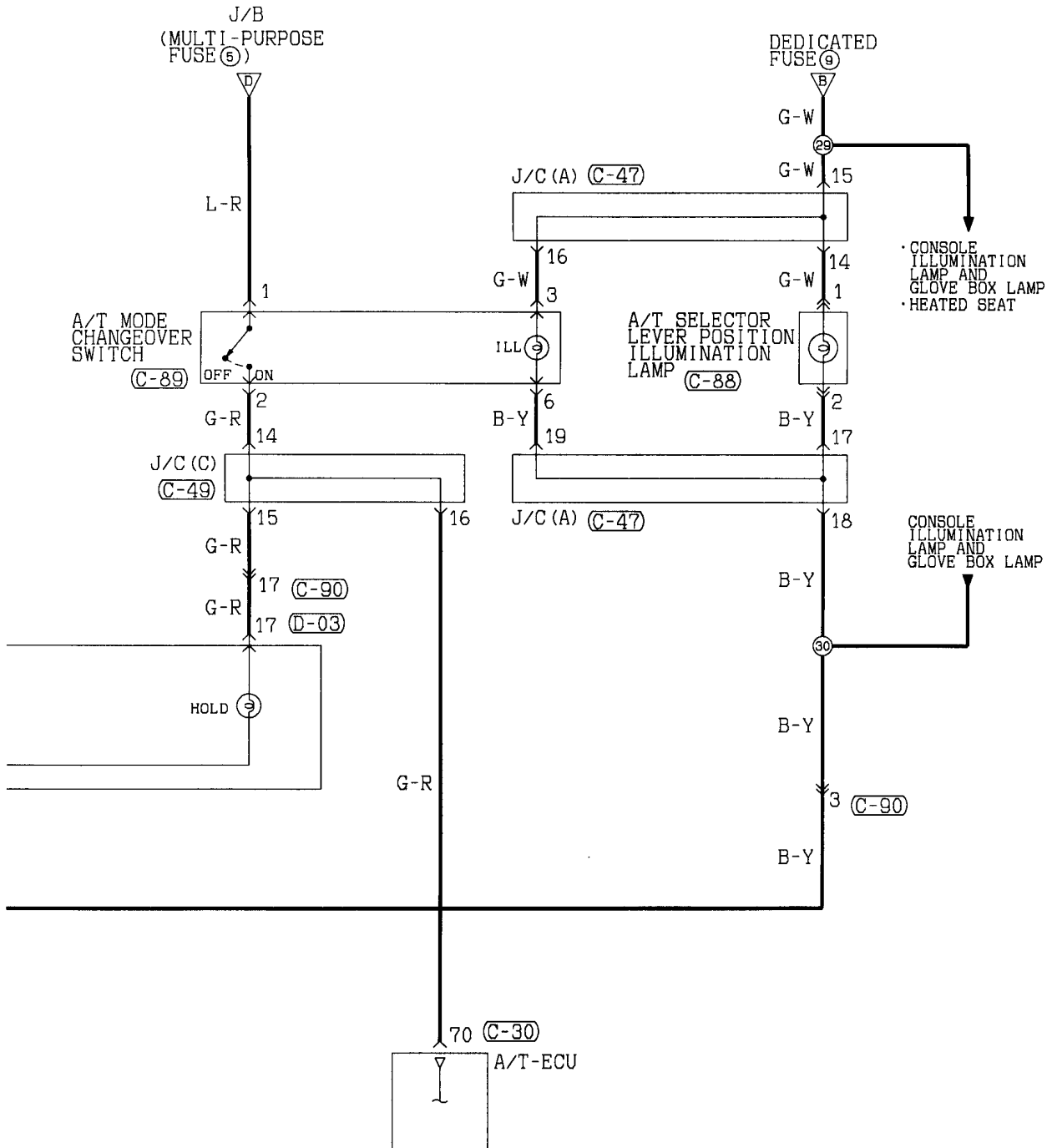
1	2	3	4	5	6
---	---	---	---	---	---

(C-90)

1	2	3	4	5	6	7	8	9		
10	11	12	13	14	15	16	17	18	19	20

(C-91)

1	2	3	4		
5	6	7	8	9	10



(C-131)

1	2
3	4
5	6

(C-135)

1	2	3	4	5	6	7	8	9		
10	11	12	13	14	15	16	17	18	19	20

(D-01)

41	42	43	44	45	46	47	48
49							
50	51	52	53	54	55	56	57

(D-02)

21	22	23	24	25	26	27	28
29							
30	31	32	33	34	35	36	37

(D-03)

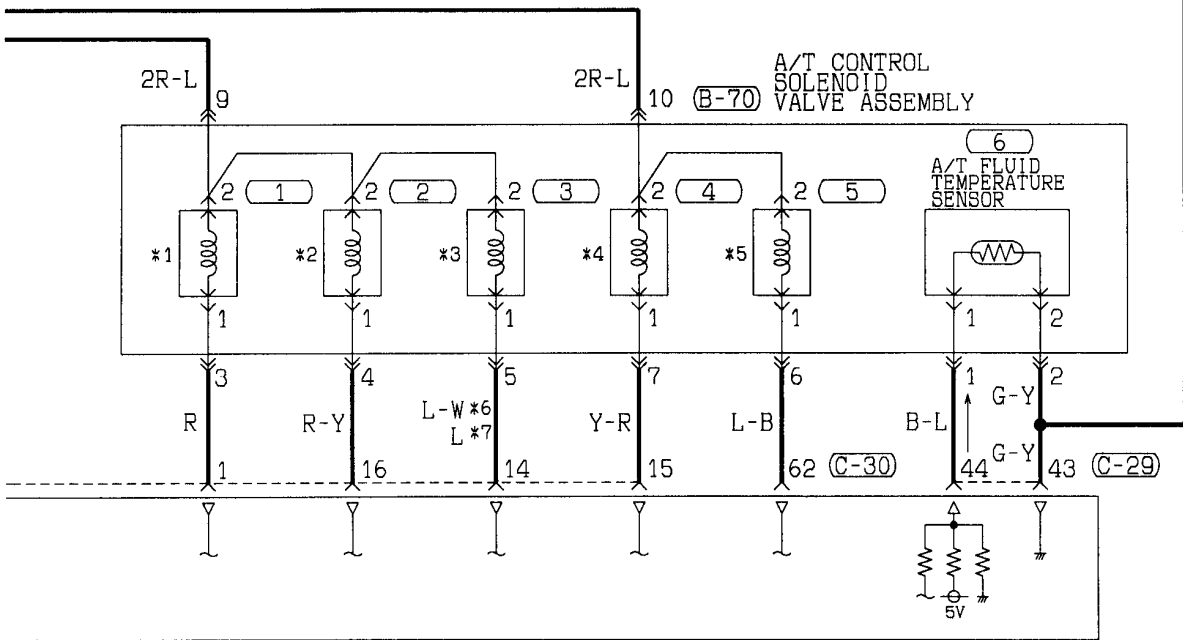
1	2	3	4	5	6	7	8
9							
10	11	12	13	14	15	16	17

Wire colour code
 B : Black LG : Light green G : Green L : Blue W : White Y : Yellow SB : Sky blue
 BR : Brown O : Orange GR : Gray R : Red P : Pink V : Violet

- REMARKS
- *1: UNDERDRIVE SOLENOID VALVE
 - *2: SECOND SOLENOID VALVE
 - *3: OVERDRIVE SOLENOID VALVE
 - *4: DAMPER CLUTCH CONTROL SOLENOID VALVE
 - *5: LOW AND REVERSE SOLENOID VALVE
 - *6: 4G6
 - *7: 6A1

INPUT SHAFT SPEED SENSOR,
OUTPUT SHAFT SPEED SENSOR

G-Y



(C-35)

1	2	3	4	5	6	7	8
31	32	33	34	35	36	37	38
39	40	41	42	43	44	45	46

(C-36)

1	2	3	4	5	6	7	8
31	32	33	34	35	36	37	38
39	40	41	42	43	44	45	46

(C-39)

1	2	3	4	5	6	7	8	9	10
71	72	73	74	75	76	77	78	79	80
81	82	83	84	85	86	87	88	89	90
91	92								

(C-40)

1	2	3	4	5	6	7	8	9	10
71	72	73	74	75	76	77	78	79	80
81	82	83	84	85	86	87	88	89	90
91	92								

(C-41)

1	2
3	4

(C-45)

1	2	3	4
5	6	7	8
9	10		

(1)

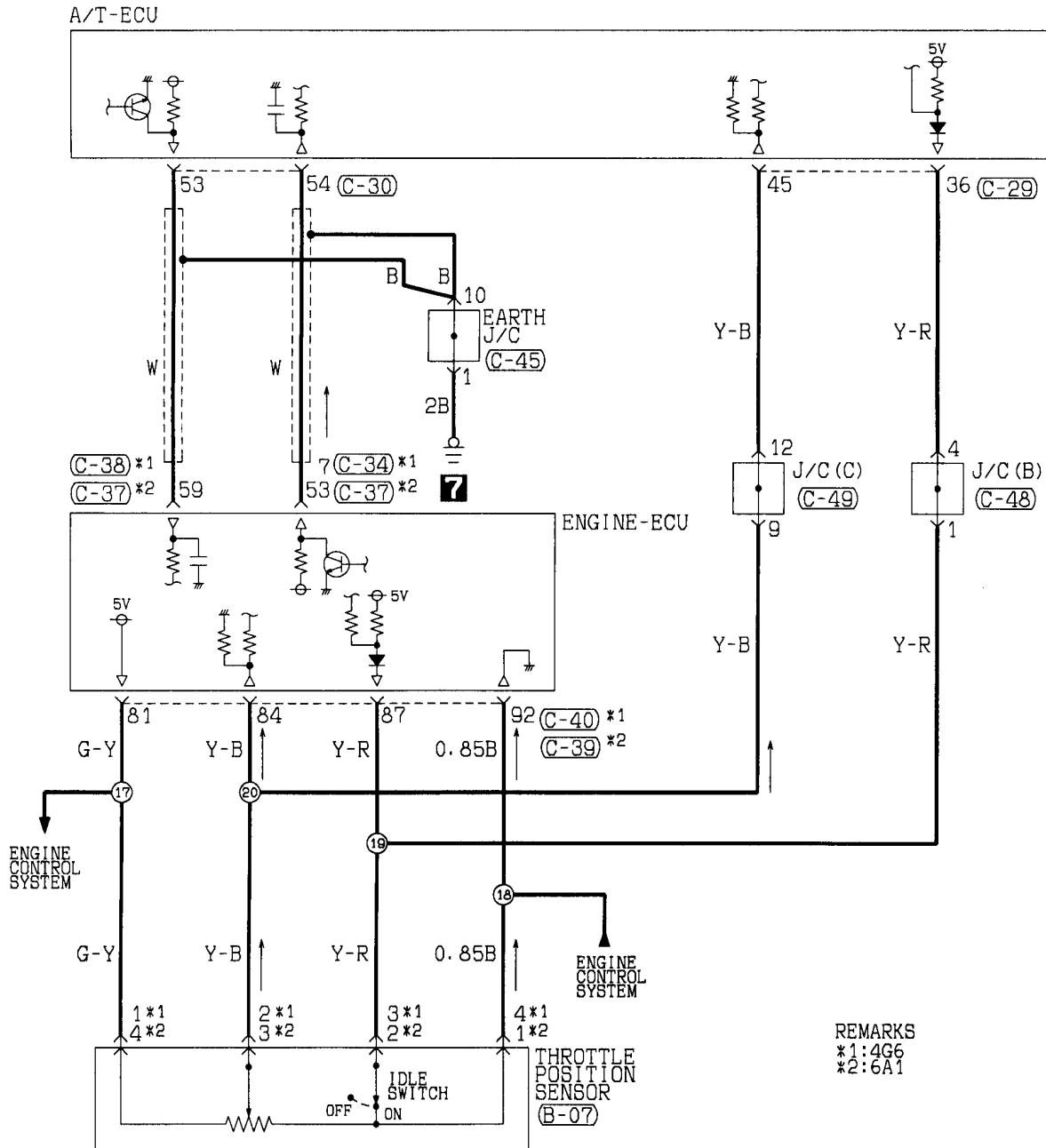
1
2

(2)

1
2

Wire colour code
 B : Black LG : Light green G : Green L : Blue W : White Y : Yellow SB : Sky blue
 BR : Brown O : Orange GR : Gray R : Red P : Pink V : Violet

INVECS-II 4A/T <L.H. drive vehicles without TCL> (CONTINUED)



REMARKS
*1: 4G6
*2: 6A1

(B-07)

1	2	3	4
9	10	11	12

(C-19) FRONT SIDE

25	24	23	22	21		
32	31	30	29	28	27	26

(C-20) FRONT SIDE

1	2	3	4	5	6	7	8
9	10	11	12	13	14	15	16

(C-28)

1	2	3	4	5	6	7	8	9	10	11	12	13
14	15	16	17	18	19	20	21	22	23	24	25	26

(C-29)

31	32	33	34	35	36	37	38
39	40	41	42	43	44	45	46

(C-30)

51	52	53	54	55	56	57	58	59	60	61
62	63	64	65	66	67	68	69	70	71	72

(C-48)

1	2	3	4	5	6	7	8			
9	10	11	12	13	14	15	16	17	18	19

(C-49)

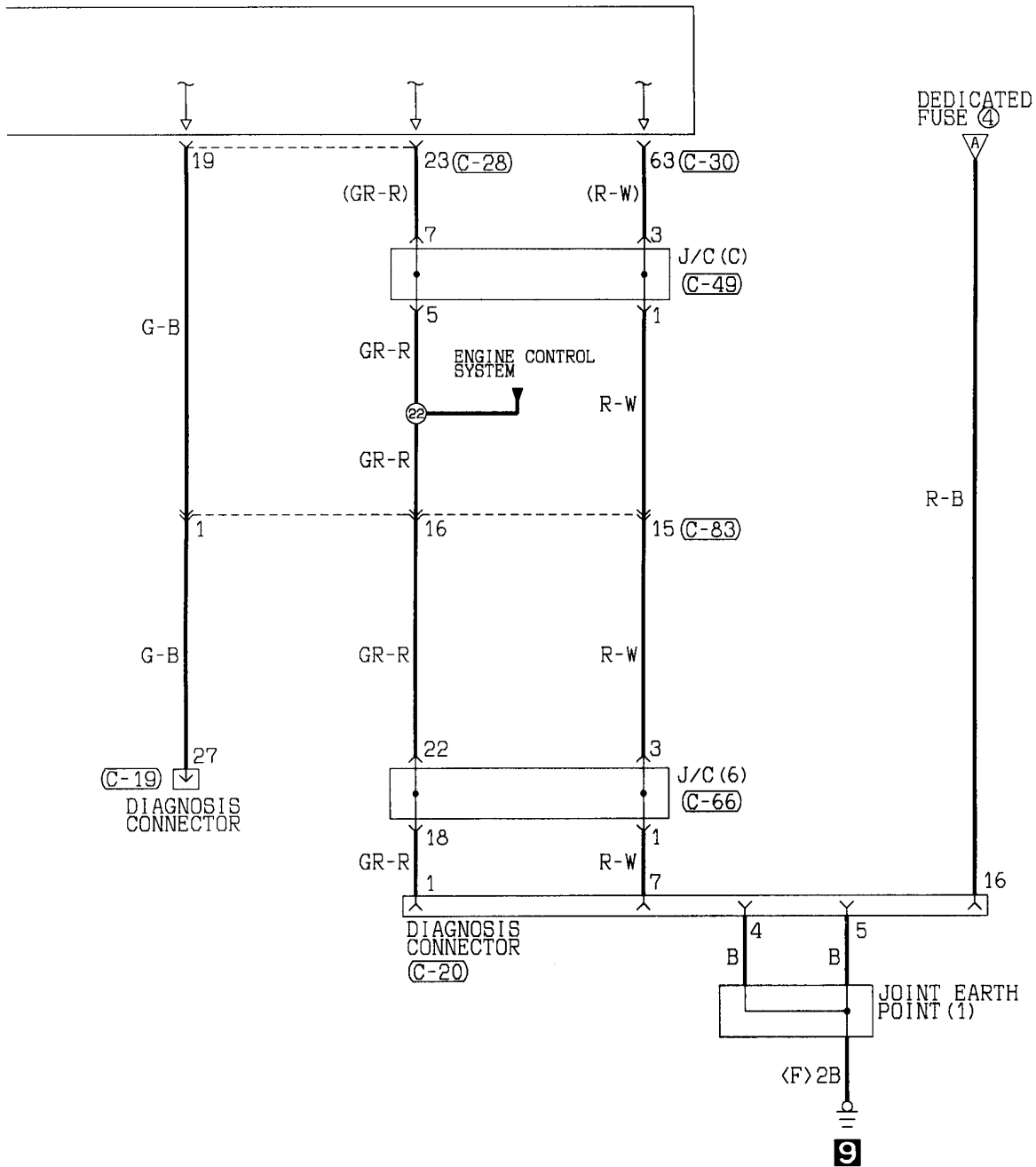
1	2	3	4	5	6	7	8			
9	10	11	12	13	14	15	16	17	18	19

(C-66)

1	2	3	4	5	6	7	8	9	10	11
12	13	14	15	16	17	18	19	20	21	22
23	24	25	26	27	28	29	30	31	32	33

(C-83)

1	2	3	4	5	6	7	8	9	10		
11	12	13	14	15	16	17	18	19	20	21	22



(C-34)

1	2	3	4	5	6	7	8	9	10	11	12	13
14	15	16	17	18	19	20	21	22	23	24	25	26

(C-37)

51	52	53	54	55	56
57	58	59	60	61	62

(C-38)

51	52	53	54	55	56
57	58	59	60	61	62

(C-39)

71	72	73	74	75	76	77	78	79	80	81
82	83	84	85	86	87	88	89	90	91	92

(C-40)

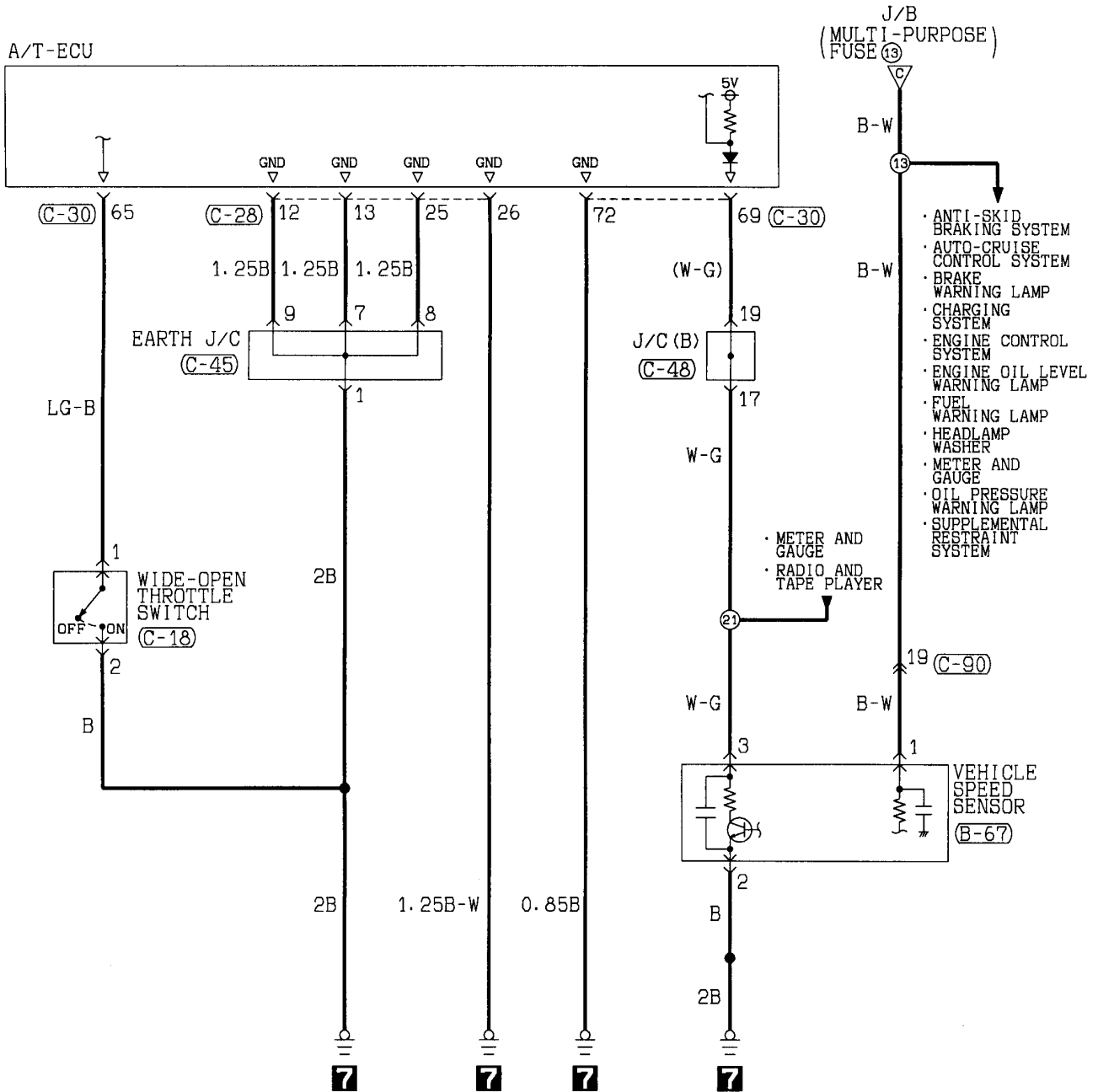
71	72	73	74	75	76	77	78	79	80	81
82	83	84	85	86	87	88	89	90	91	92

(C-45)

1	2	3	4
5	6	7	8

Wire colour code
 B : Black LG : Light green G : Green L : Blue W : White Y : Yellow SB : Sky blue
 BR : Brown O : Orange GR : Gray R : Red P : Pink V : Violet

INVECS-II 4A/T <L.H. drive vehicles without TCL> (CONTINUED)



- ANTI-SKID BRAKING SYSTEM
- AUTO-CRUISE CONTROL SYSTEM
- BRAKE WARNING LAMP
- CHARGING SYSTEM
- ENGINE CONTROL SYSTEM
- ENGINE OIL LEVEL WARNING LAMP
- FUEL WARNING LAMP
- HEADLAMP WASHER
- METER AND GAUGE
- OIL PRESSURE WARNING LAMP
- SUPPLEMENTAL RESTRAINT SYSTEM

(B-67)	(C-18)	(C-28)	(C-30)	(C-45)	(C-48)	(C-90)
1 2 3 4 5 6 7 8 9 10 11 12 13	1 2 3 4 5 6 7 8 9 10 11 12 13	1 2 3 4 5 6 7 8 9 10 11 12 13 14 15 16 17 18 19 20 21 22 23 24 25 26	1 2 3 4 5 6 7 8 9 10 11 12 13 14 15 16 17 18 19 20 21 22 23 24 25 26 27 28 29 30 31 32 33 34 35 36 37 38 39 40 41 42 43 44 45 46 47 48 49 50 51 52 53 54 55 56 57 58 59 60 61 62 63 64 65 66 67 68 69 70 71 72	1 2 3 4	1 2 3 4 5 6 7 8	1 2 3 4 5 6 7 8 9
5 6 7 8 9 10	9 10 11 12 13 14 15 16 17 18 19	10 11 12 13 14 15 16 17 18 19 20				

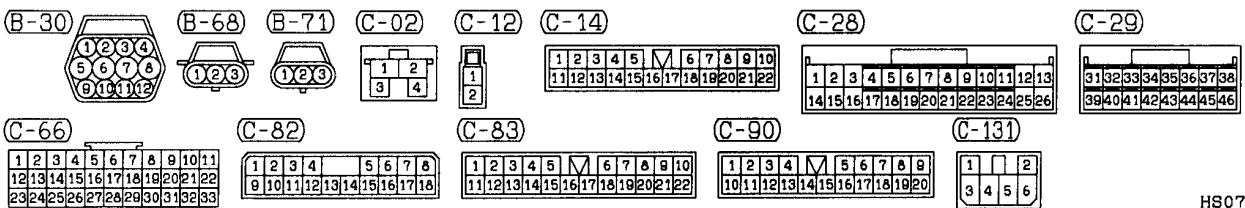
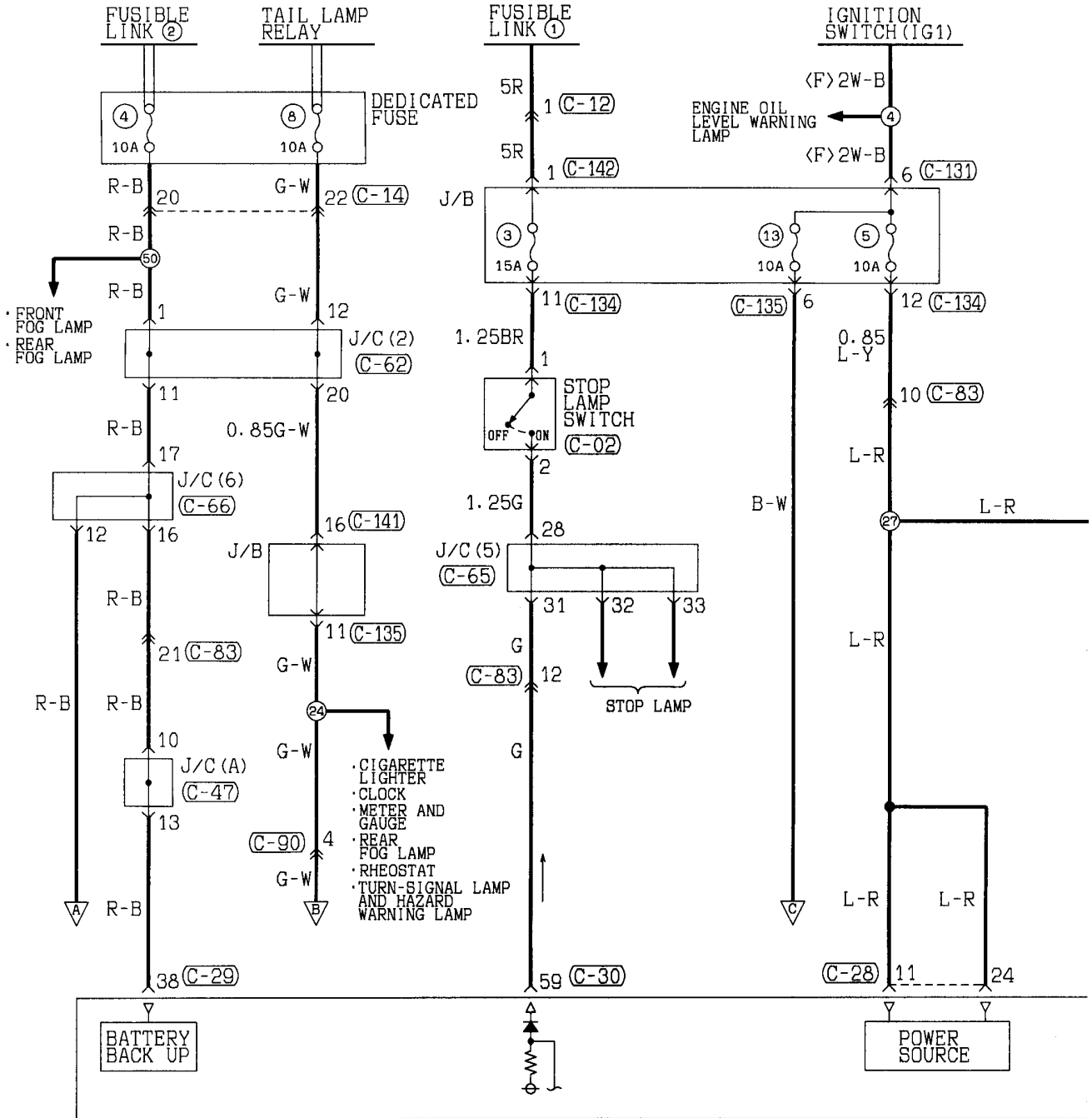
Wire colour code
 B : Black LG: Light green G : Green L : Blue W : White Y : Yellow SB: Sky blue
 BR: Brown O : Orange GR: Gray R : Red P : Pink V : Violet

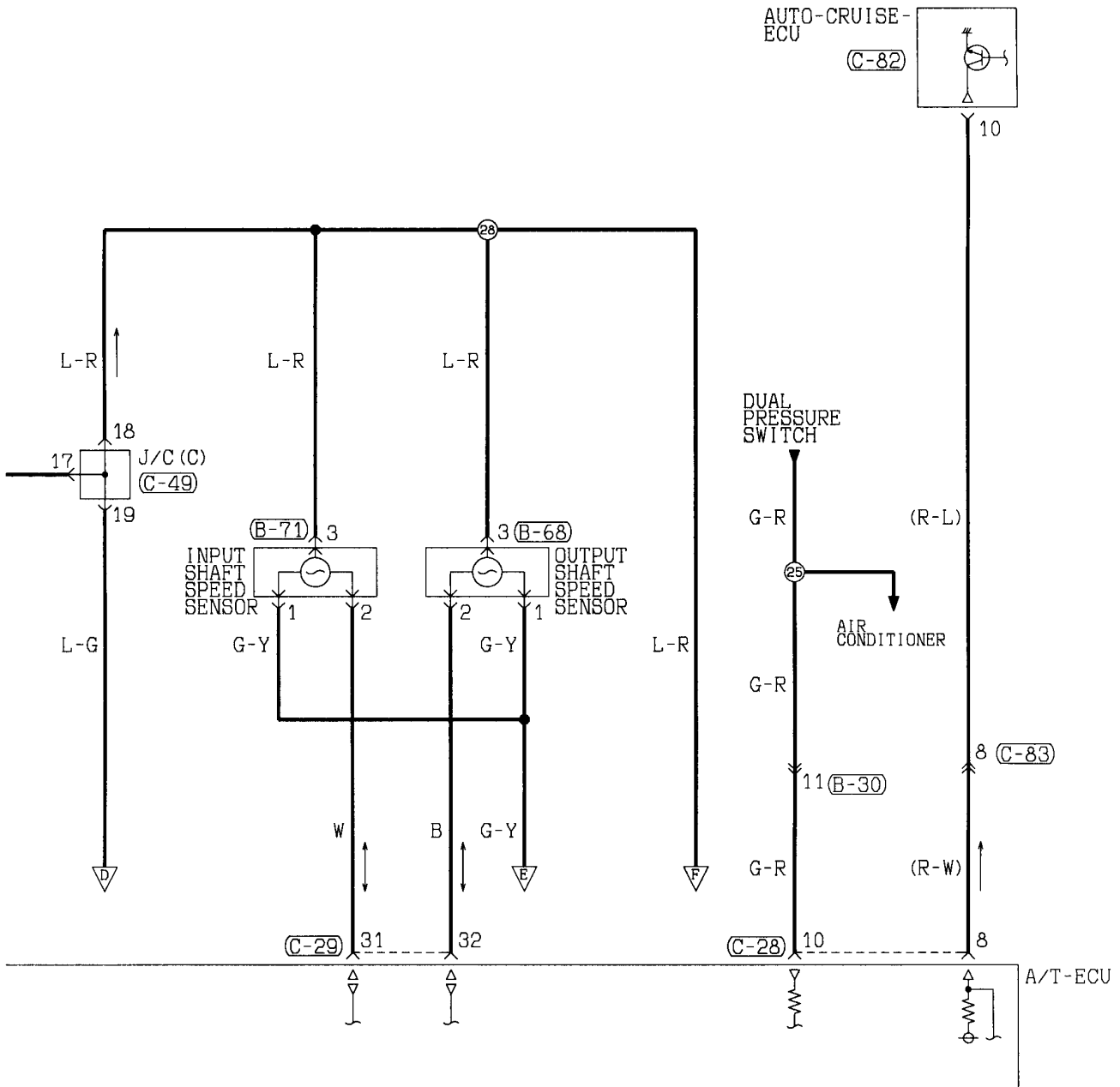
NOTES

INVECS-II 4A/T

90100120464

4G6 <R.H. drive vehicles>





(C-30)

1	2	3	4	5	6	7	8	9	10	11	12	13	14	15	16	17	18	19	20	21	22
51	52	53	54	55	56	57	58	59	60	61											
62	63	64	65	66	67	68	69	70	71	72											

(C-47)

1	2	3	4	5	6	7	8
9	10	11	12	13	14	15	16
17	18	19					

(C-49)

1	2	3	4	5	6	7	8
9	10	11	12	13	14	15	16
17	18	19					

(C-62)

1	2	3	4	5	6	7	8	9	10	11
12	13	14	15	16	17	18	19	20	21	22
23	24	25	26	27	28	29	30	31	32	33

(C-65)

1	2	3	4	5	6	7	8	9	10	11
12	13	14	15	16	17	18	19	20	21	22
23	24	25	26	27	28	29	30	31	32	33

(C-134)

1	2	3	4	5	6	7	8	9	10
11	12	13	14	15	16	17	18	19	20
21	22								

(C-135)

1	2	3	4	5	6	7	8	9
10	11	12	13	14	15	16	17	18
19	20							

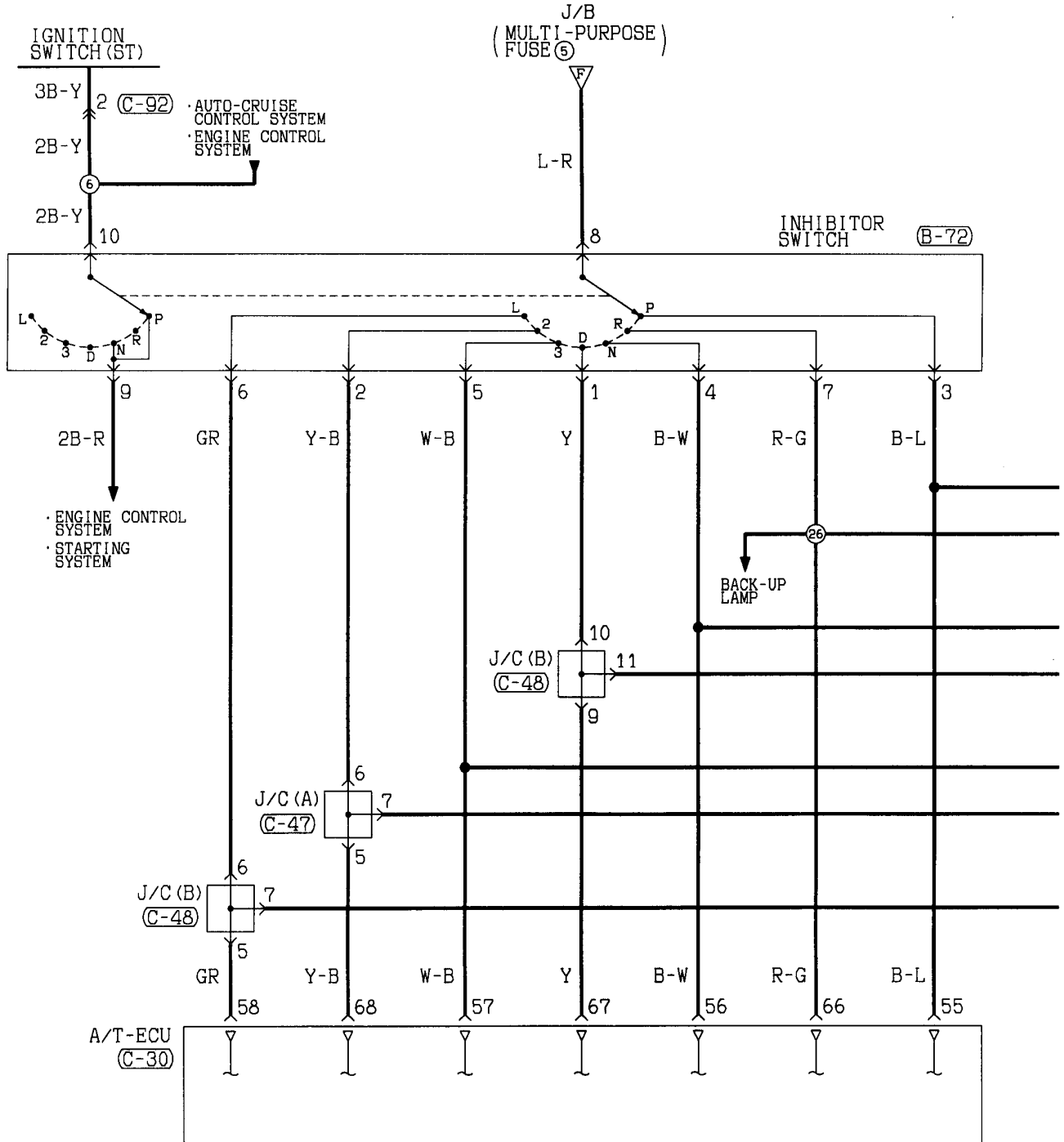
(C-141)

1	2	3	4	5	6	7	8
9	10	11	12	13	14	15	16
17	18						

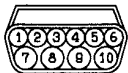
(C-142)

1

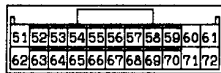
INVECS-II 4A/T <4G6 (R.H. drive vehicles)> (CONTINUED)



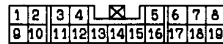
B-72



C-30



C-47

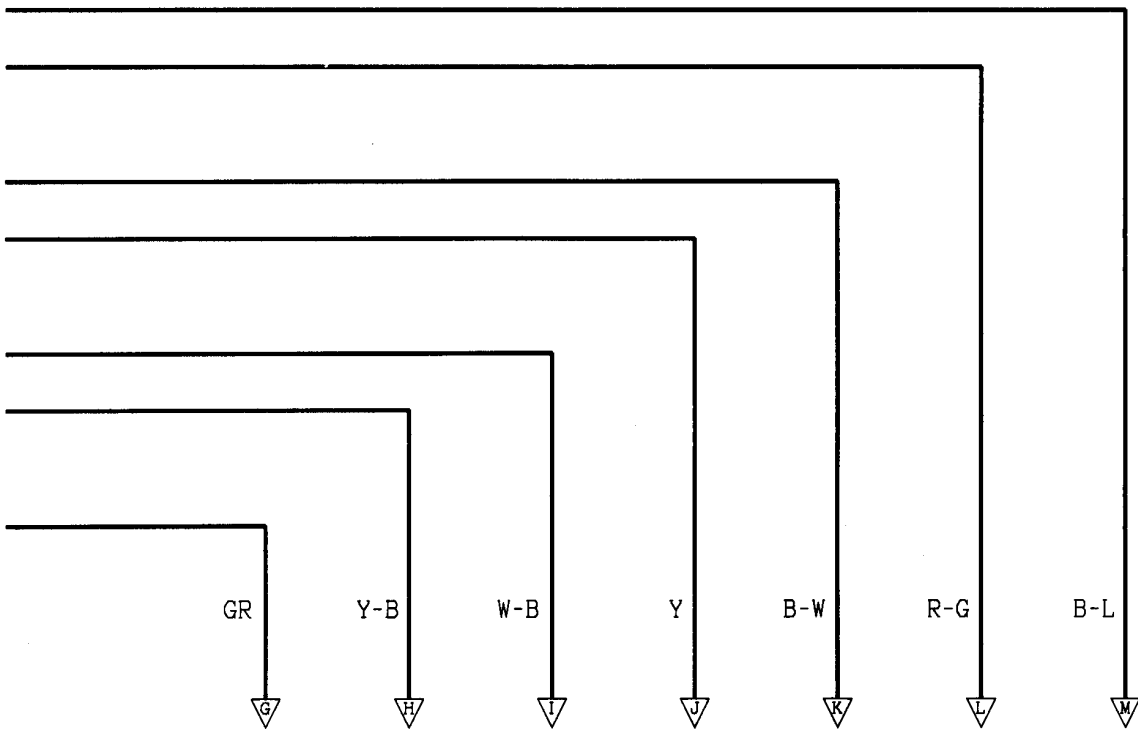


C-48



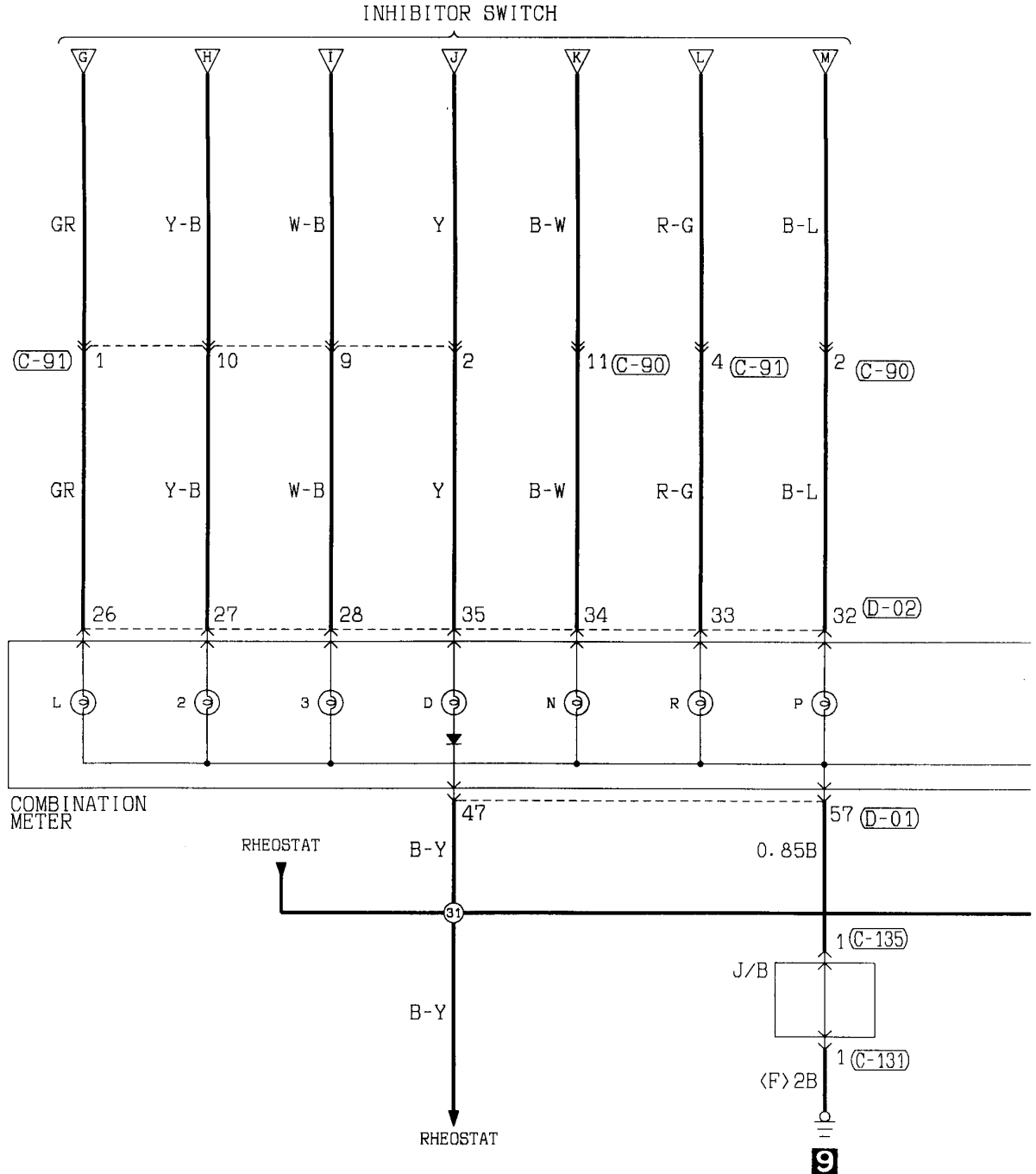
C-92





Wire colour code
B :Black LG:Light green G :Green L :Blue W :White Y :Yellow SB:Sky blue
BR:Brown O :Orange GR:Gray R :Red P :Pink V :Violet

INVECS-II 4A/T <4G6 (R.H. drive vehicles)> (CONTINUED)



(C-30)

1	2	3	4	5	6	7	8	9	10	11	12	13	14	15	16	17	18	19	20	21	22	23	24	25	26	27	28	29	30	31	32	33	34	35	36	37	38	39	40	41	42	43	44	45	46	47	48	49	50	51	52	53	54	55	56	57	58	59	60	61	62	63	64	65	66	67	68	69	70	71	72
---	---	---	---	---	---	---	---	---	----	----	----	----	----	----	----	----	----	----	----	----	----	----	----	----	----	----	----	----	----	----	----	----	----	----	----	----	----	----	----	----	----	----	----	----	----	----	----	----	----	----	----	----	----	----	----	----	----	----	----	----	----	----	----	----	----	----	----	----	----	----	----

(C-47)

1	2	3	4	5	6	7	8			
9	10	11	12	13	14	15	16	17	18	19

(C-49)

1	2	3	4	5	6	7	8			
9	10	11	12	13	14	15	16	17	18	19

(C-88)

1	2
---	---

(C-89)

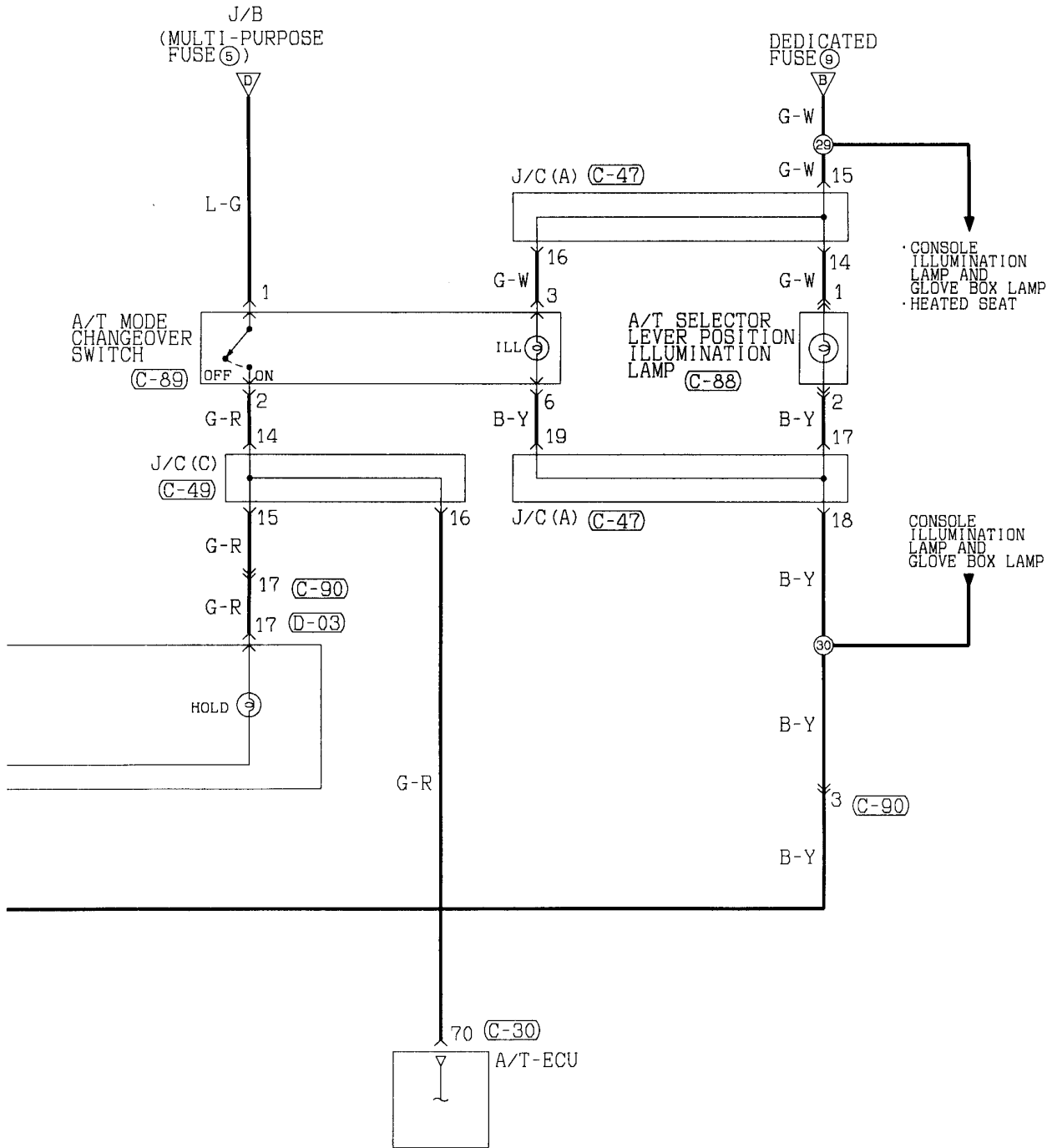
1	2	3	4	5	6
---	---	---	---	---	---

(C-90)

1	2	3	4	5	6	7	8	9		
10	11	12	13	14	15	16	17	18	19	20

(C-91)

1	2	3	4		
5	6	7	8	9	10



(C-131)

1	2
3	4
5	6

(C-135)

1	2	3	4	5	6	7	8	9
10	11	12	13	14	15	16	17	18
19	20							

(D-01)

41	42	43	44	45	46	47	48
			49				
50	51	52	53	54	55	56	57

(D-02)

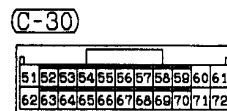
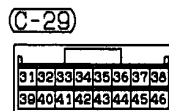
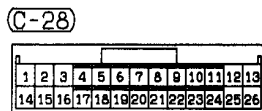
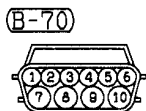
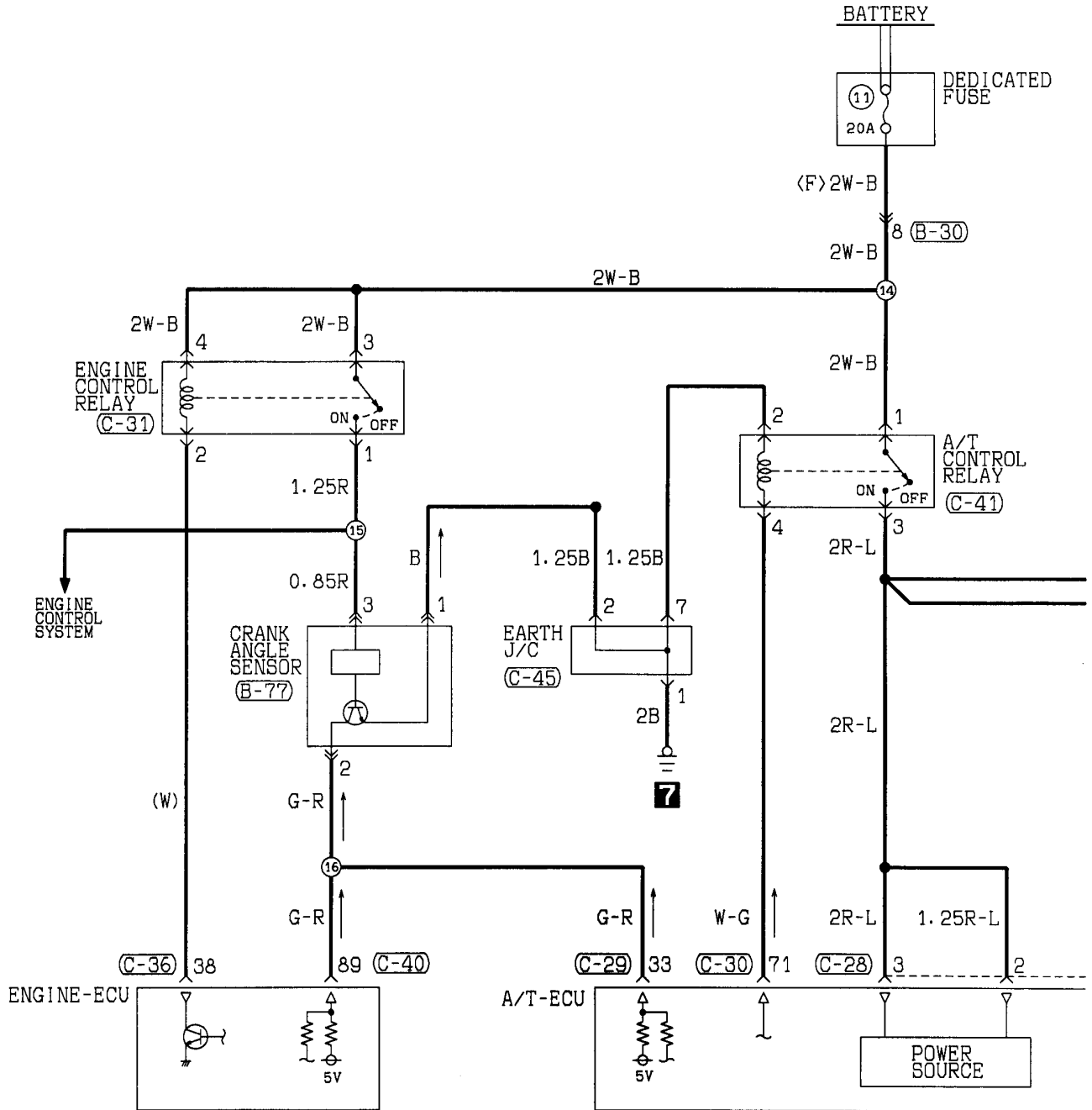
21	22	23	24	25	26	27	28
			29				
30	31	32	33	34	35	36	37

(D-03)

1	2	3	4	5	6	7	8
			9				
10	11	12	13	14	15	16	17

Wire colour code
 B : Black LG : Light green G : Green L : Blue W : White Y : Yellow SB : Sky blue
 BR : Brown O : Orange GR : Gray R : Red P : Pink V : Violet

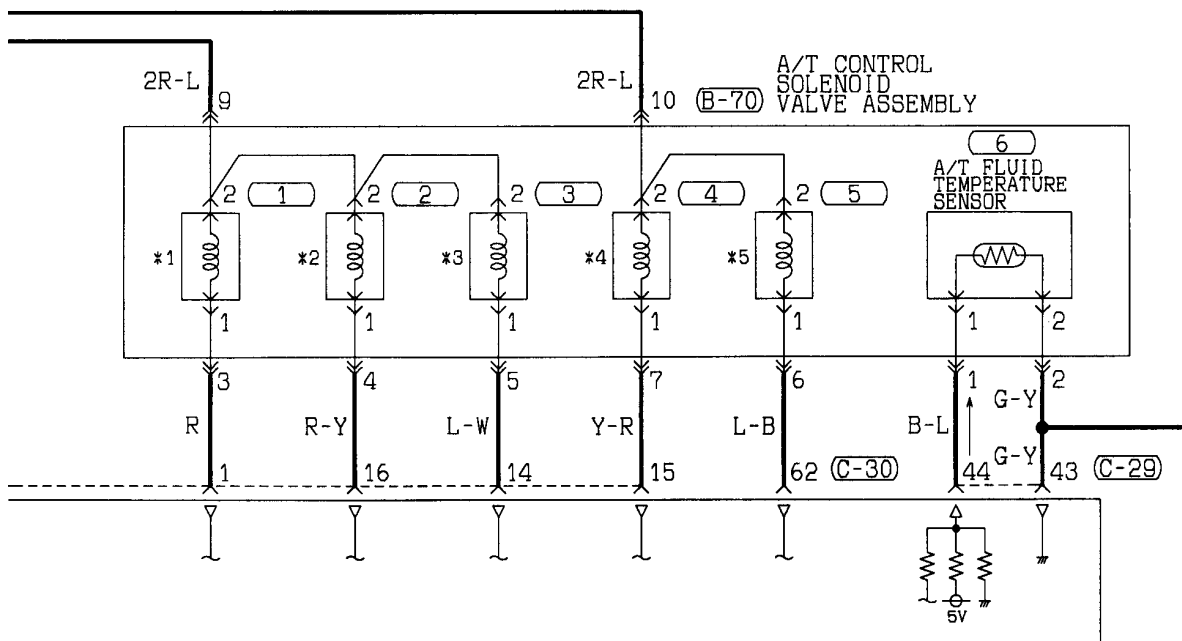
INVECS-II 4A/T <4G6 (R.H. drive vehicles)> (CONTINUED)



- REMARKS
- *1: UNDERDRIVE SOLENOID VALVE
 - *2: SECOND SOLENOID VALVE
 - *3: OVERDRIVE SOLENOID VALVE
 - *4: DAMPER CLUTCH CONTROL SOLENOID VALVE
 - *5: LOW AND REVERSE SOLENOID VALVE

INPUT SHAFT SPEED SENSOR,
OUTPUT SHAFT SPEED SENSOR

G-Y



(C-36)

31	32	33	34	35	36	37	38
39	40	41	42	43	44	45	46

(C-40)

71	72	73	74	75	76	77	78	79	80	81
82	83	84	85	86	87	88	89	90	91	92

(C-41)

1	2
3	4

(C-45)

1	2	3	4		
5	6	7	8	9	10

(1)

1
2

(2)

1
2

(3)

1
2

(4)

1
2

(5)

1
2

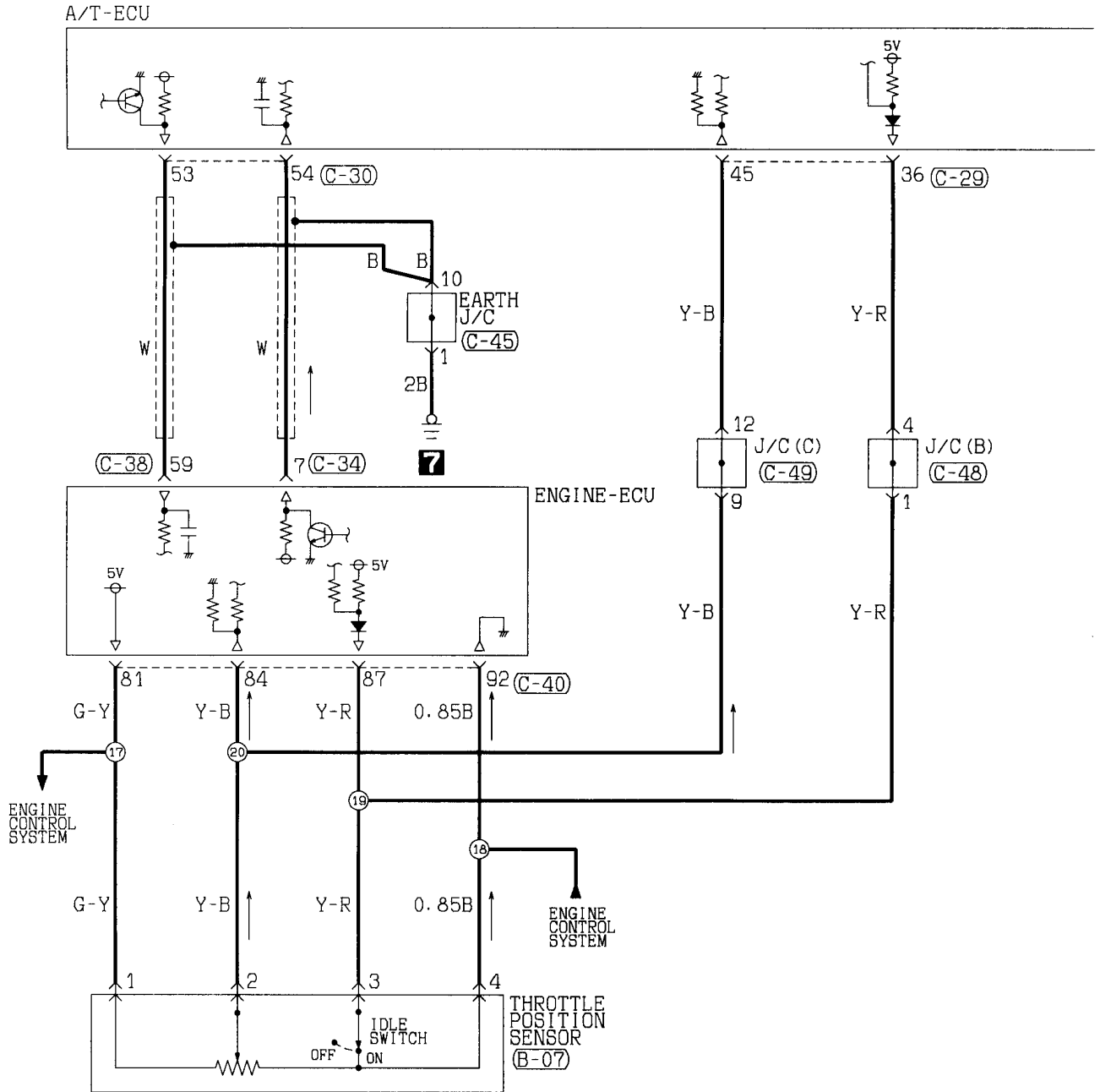
(6)

1	2
---	---

Wire colour code

B : Black LG : Light green G : Green L : Blue W : White Y : Yellow SB : Sky blue
BR : Brown O : Orange GR : Gray R : Red P : Pink V : Violet

INVECS-II 4A/T <4G6 (R.H. drive vehicles)> (CONTINUED)



(B-07)

1	2	3	4
12	13	14	15
23	24	25	26

(C-19) FRONT SIDE

25	24	23	22	21
32	31	30	29	28
27	26			

(C-20) FRONT SIDE

1	2	3	4	5	6	7	8
9	10	11	12	13	14	15	16

(C-28)

1	2	3	4	5	6	7	8	9	10	11	12	13
14	15	16	17	18	19	20	21	22	23	24	25	26

(C-29)

31	32	33	34	35	36	37	38
39	40	41	42	43	44	45	46

(C-30)

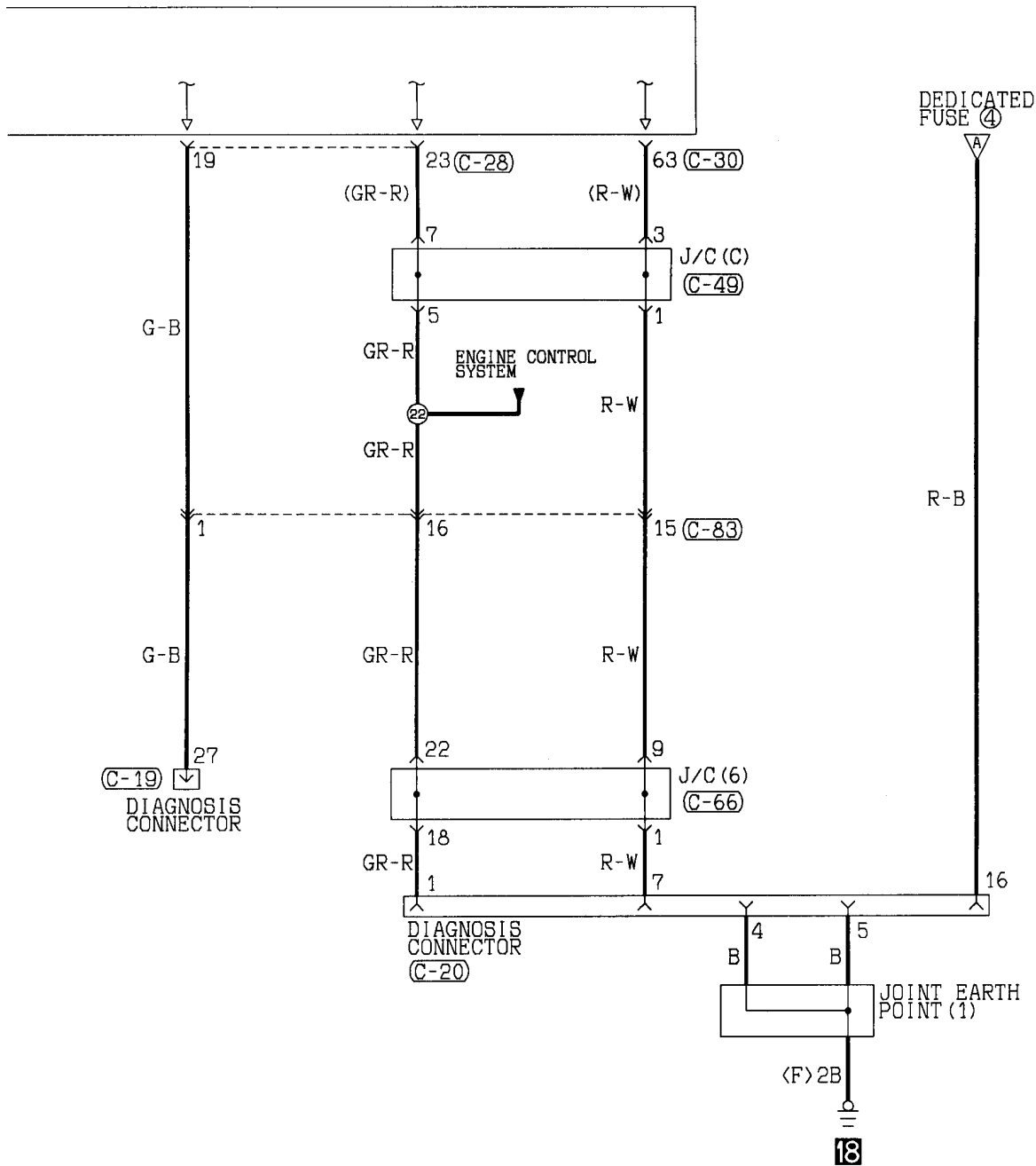
51	52	53	54	55	56	57	58	59	60	61
62	63	64	65	66	67	68	69	70	71	72

(C-66)

1	2	3	4	5	6	7	8	9	10	11
12	13	14	15	16	17	18	19	20	21	22
23	24	25	26	27	28	29	30	31	32	33

(C-83)

1	2	3	4	5	6	7	8	9	10
11	12	13	14	15	16	17	18	19	20
21	22								



(C-34)

1	2	3	4	5	6	7	8	9	10	11	12	13
14	15	16	17	18	19	20	21	22	23	24	25	26

(C-38)

51	52	53	54	55	56
57	58	59	60	61	62

(C-40)

71	72	73	74	75	76	77	78	79	80	81
82	83	84	85	86	87	88	89	90	91	92

(C-45)

1	2	3	4
5	6	7	8
9	10		

(C-48)

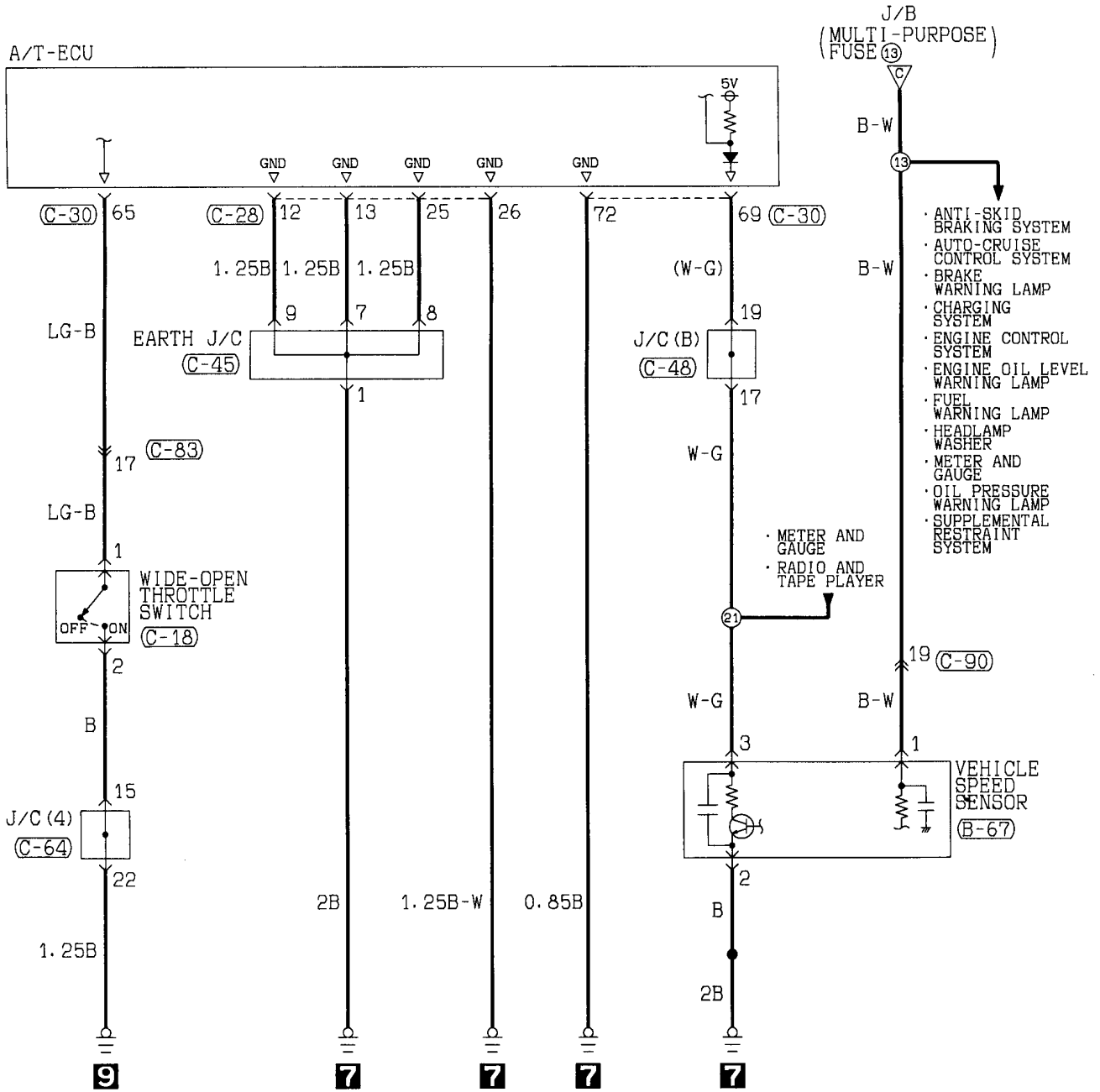
1	2	3	4	5	6	7	8
9	10	11	12	13	14	15	16
17	18	19					

(C-49)

1	2	3	4	5	6	7	8
9	10	11	12	13	14	15	16
17	18	19					

Wire colour code
 B : Black LG : Light green G : Green L : Blue W : White Y : Yellow SB : Sky blue
 BR : Brown O : Orange GR : Gray R : Red P : Pink V : Violet

INVECS-II 4A/T <4G6 (R.H. drive vehicles)> (CONTINUED)



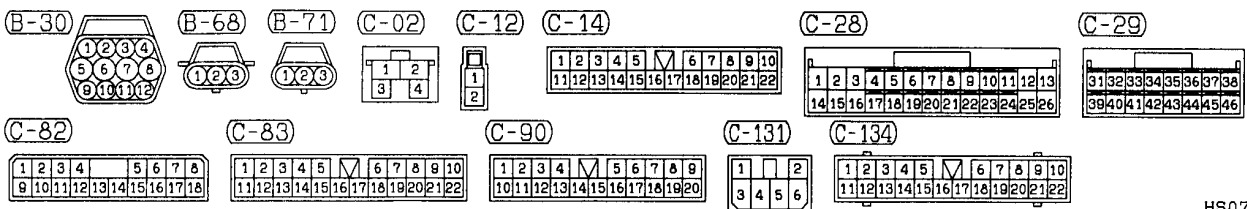
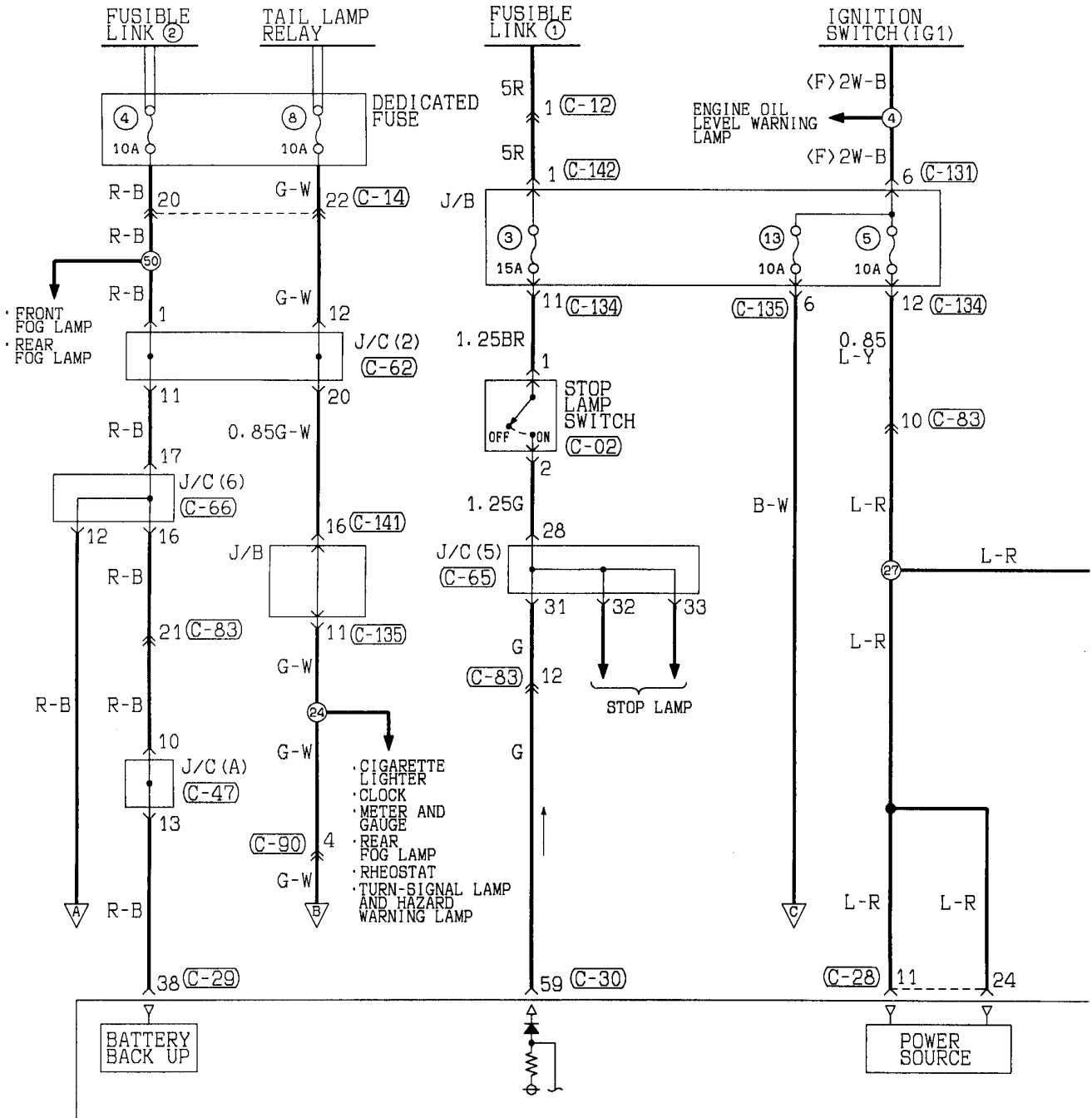
(B-67) 1 2 3	(C-18) 1 2	(C-28) 1 2 3 4 5 6 7 8 9 10 11 12 13 14 15 16 17 18 19 20 21 22 23 24 25 26	(C-30) 51 52 53 54 55 56 57 58 59 60 61 62 63 64 65 66 67 68 69 70 71 72	(C-45) 1 2 3 4 5 6 7 8 9 10	(C-48) 1 2 3 4 5 6 7 8 9 10 11 12 13 14 15 16 17 18 19	(C-64) 1 2 3 4 5 6 7 8 9 10 11 12 13 14 15 16 17 18 19 20 21 22 23 24 25 26 27 28 29 30 31 32 33
(C-83) 1 2 3 4 5 6 7 8 9 10 11 12 13 14 15 16 17 18 19 20 21 22	(C-90) 1 2 3 4 5 6 7 8 9	Wire colour code B : Black LG: Light green G : Green L : Blue BR: Brown O : Orange GR: Gray R : Red W : White SB: Sky blue P : Pink Y : Yellow				

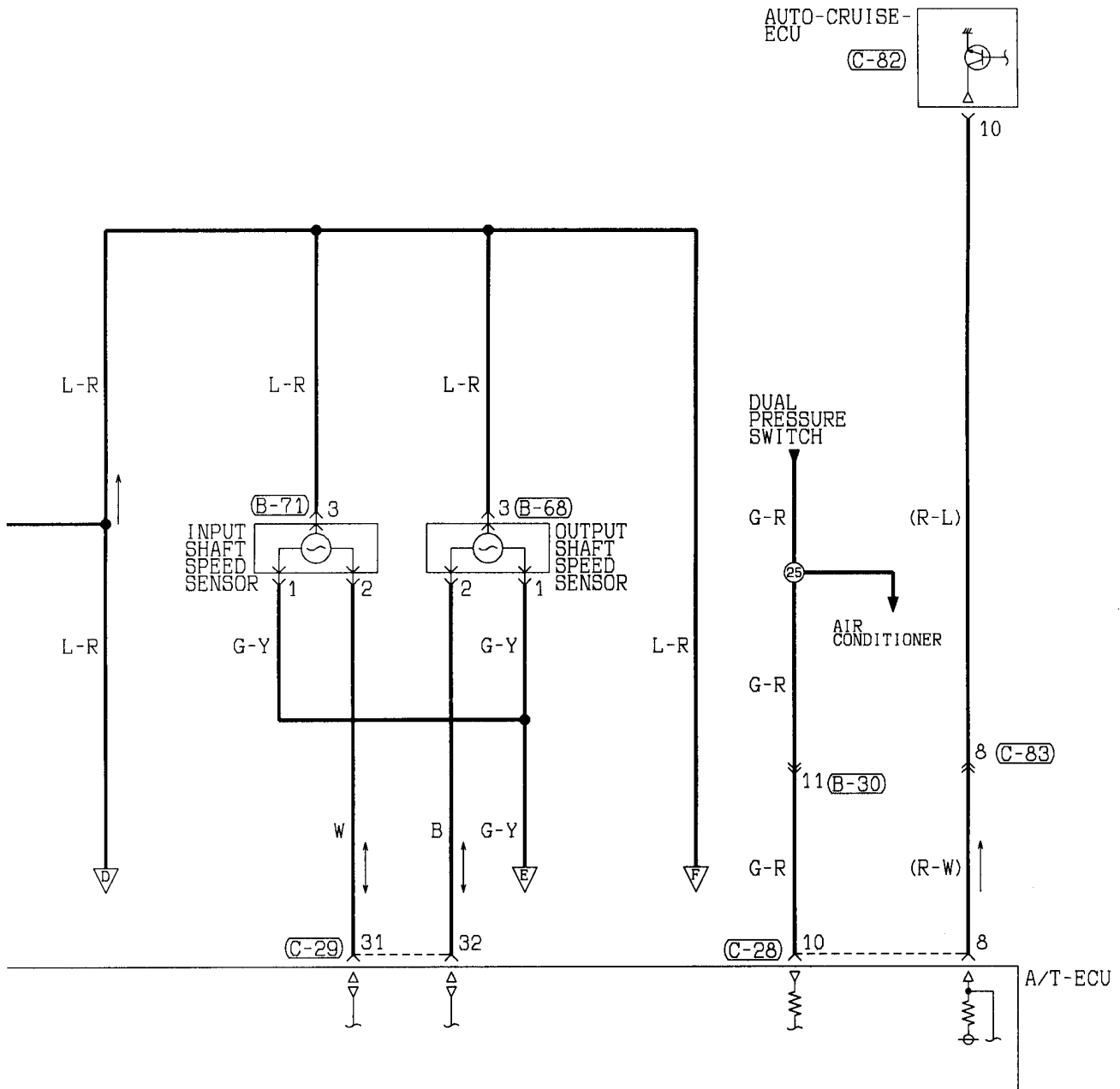
NOTES

INVECS-II 4A/T

90100120471

6A1 <R.H. drive vehicles with TCL>





(C-30)

1	2	3	4	5	6	7	8	9	10	11	12	13	14	15	16	17	18	19	20		
51	52	53	54	55	56	57	58	59	60	61	62	63	64	65	66	67	68	69	70	71	72

(C-47)

1	2	3	4	5	6	7	8			
9	10	11	12	13	14	15	16	17	18	19

(C-62)

1	2	3	4	5	6	7	8	9	10	11
12	13	14	15	16	17	18	19	20	21	22
23	24	25	26	27	28	29	30	31	32	33

(C-65)

1	2	3	4	5	6	7	8	9	10	11
12	13	14	15	16	17	18	19	20	21	22
23	24	25	26	27	28	29	30	31	32	33

(C-66)

1	2	3	4	5	6	7	8	9	10	11
12	13	14	15	16	17	18	19	20	21	22
23	24	25	26	27	28	29	30	31	32	33

(C-135)

1	2	3	4	5	6	7	8	9		
10	11	12	13	14	15	16	17	18	19	20

(C-141)

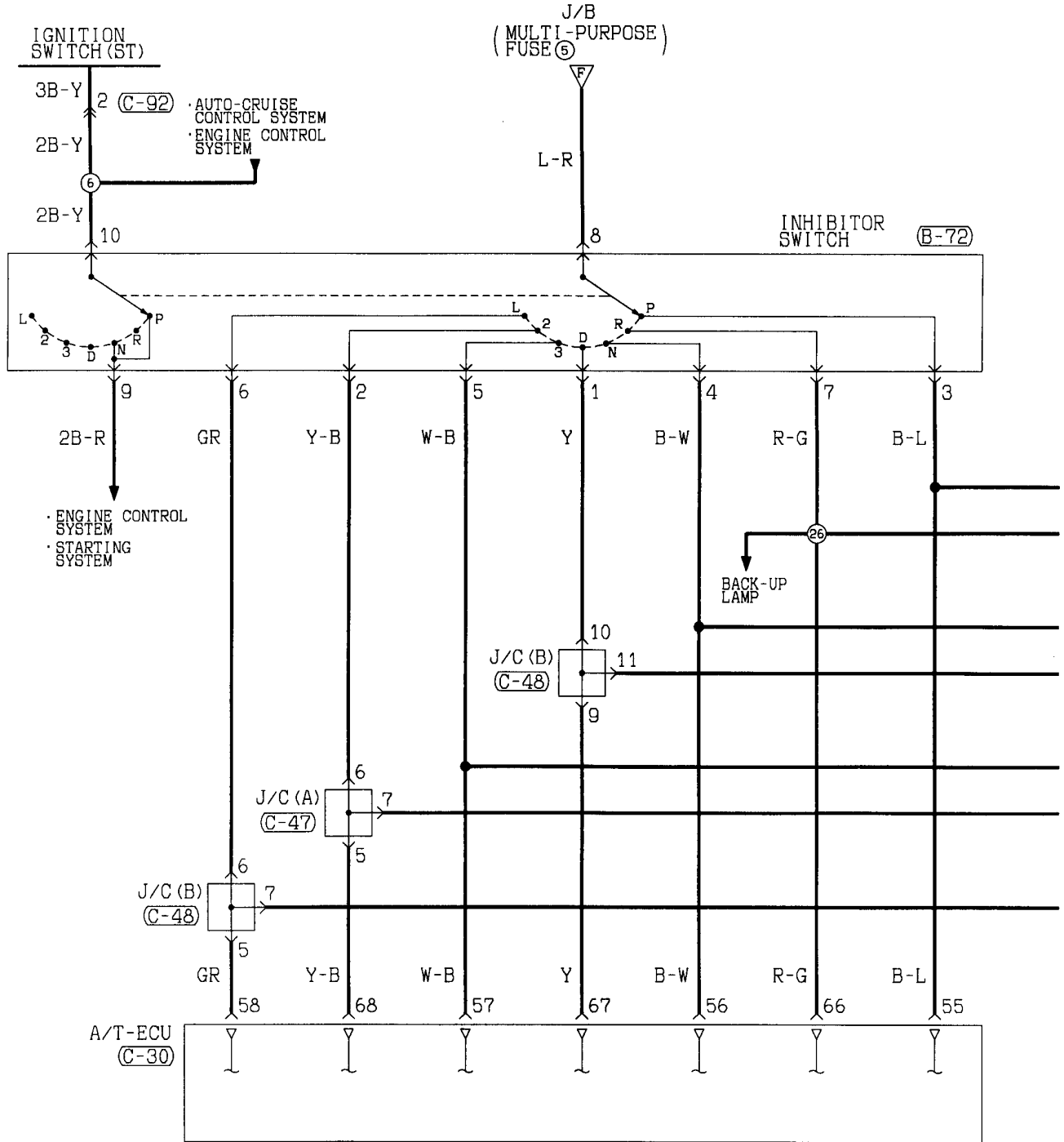
1	2	3	4	5	6	7	8		
9	10	11	12	13	14	15	16	17	18

(C-142)

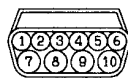
1

Wire colour code
 B : Black
 BR : Brown
 W : White
 V : Violet
 LG : Light green
 O : Orange
 SB : Sky blue
 G : Green
 GR : Gray
 P : Pink
 L : Blue
 R : Red
 Y : Yellow

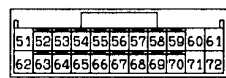
INVECS-II 4A/T <6A1 (R.H. drive vehicles with TCL)> (CONTINUED)



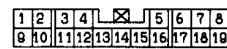
(B-72)



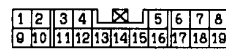
(C-30)



(C-47)

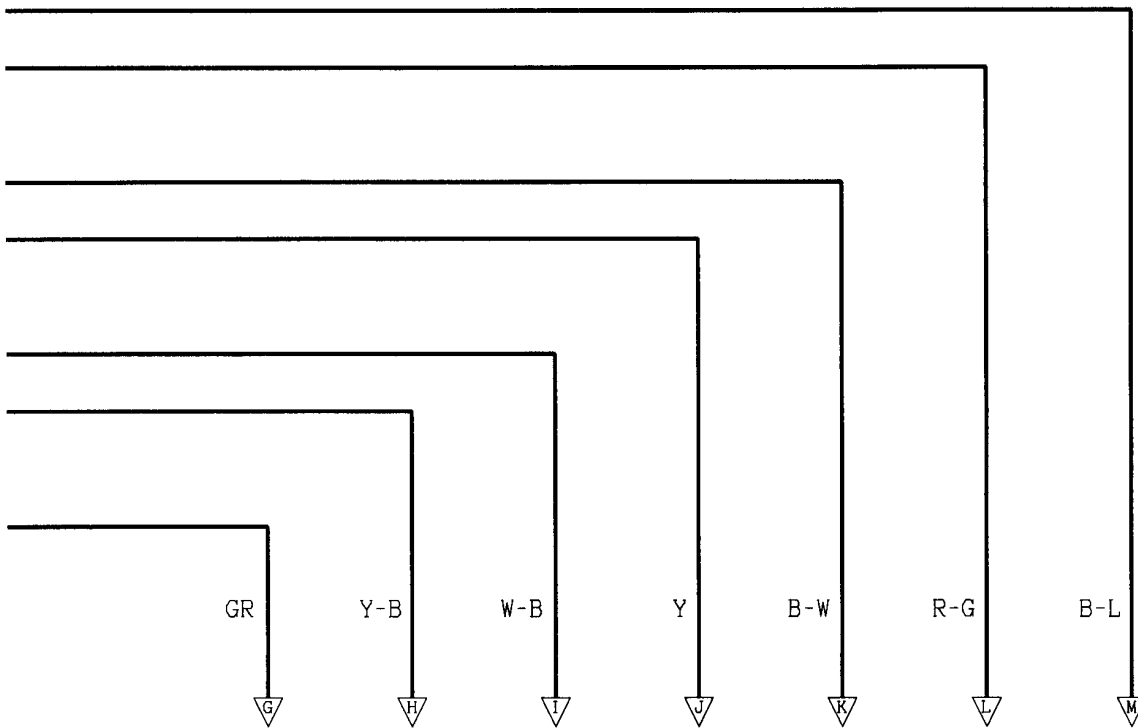


(C-48)



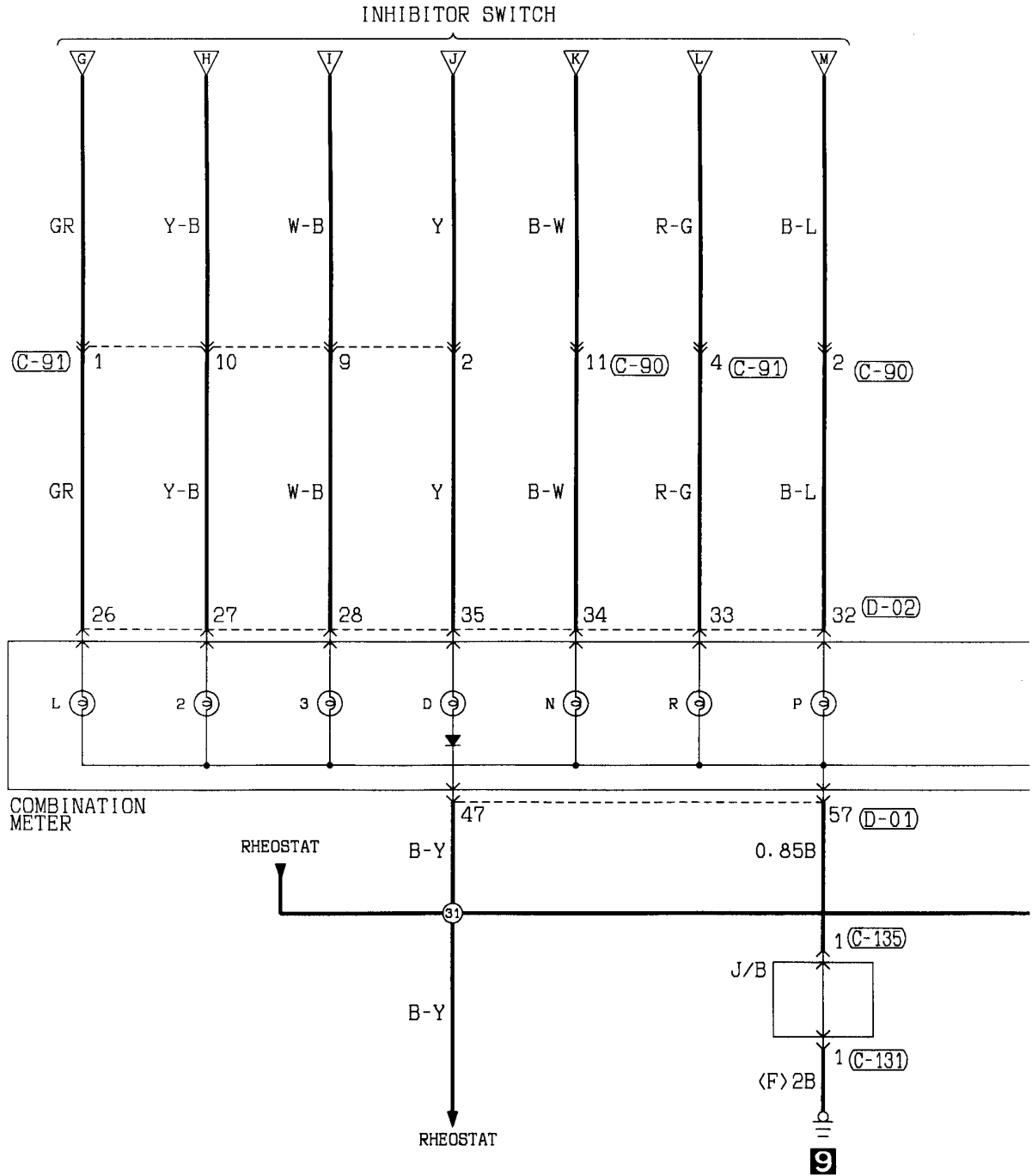
(C-92)





Wire colour code
B :Black LG:Light green G :Green L :Blue W :White Y :Yellow SB:Sky blue
BR:Brown O :Orange GR:Gray R :Red P :Pink V :Violet

INVECS-II 4A/T <6A1 (R.H. drive vehicles with TCL)> (CONTINUED)



(C-30)

1	2	3	4	5	6	7	8	9	10	11	12	13	14	15	16	17	18	19	20
21	22	23	24	25	26	27	28	29	30	31	32	33	34	35	36	37	38	39	40

(C-47)

1	2	3	4	5	6	7	8
9	10	11	12	13	14	15	16

(C-88)

1	2
3	4

(C-89)

1	2	3	4
5	6	7	8

(C-90)

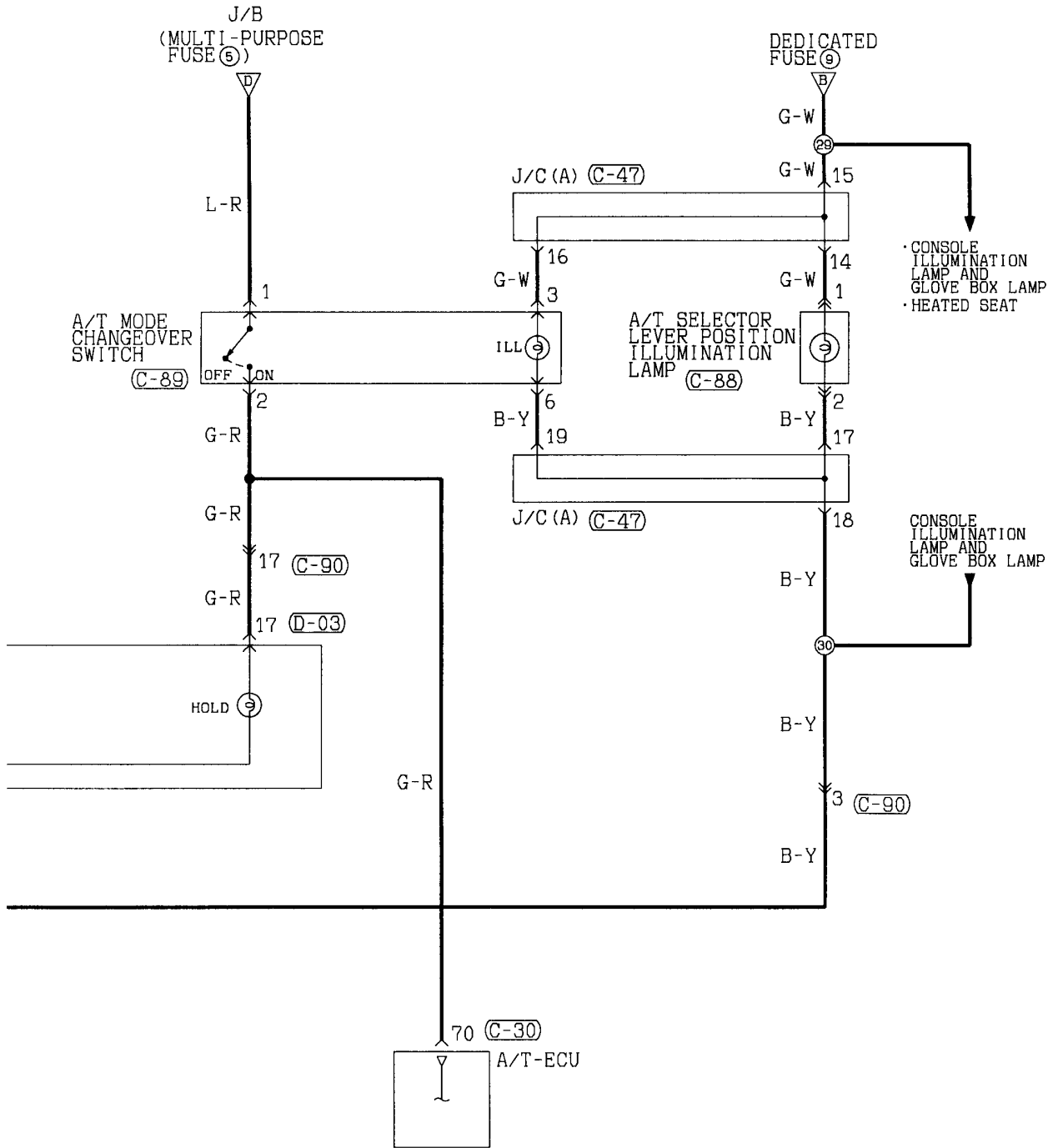
1	2	3	4	5	6	7	8	9
10	11	12	13	14	15	16	17	18

(C-91)

1	2	3	4
5	6	7	8

(C-131)

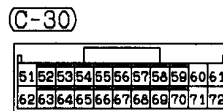
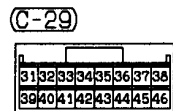
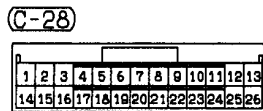
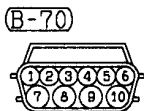
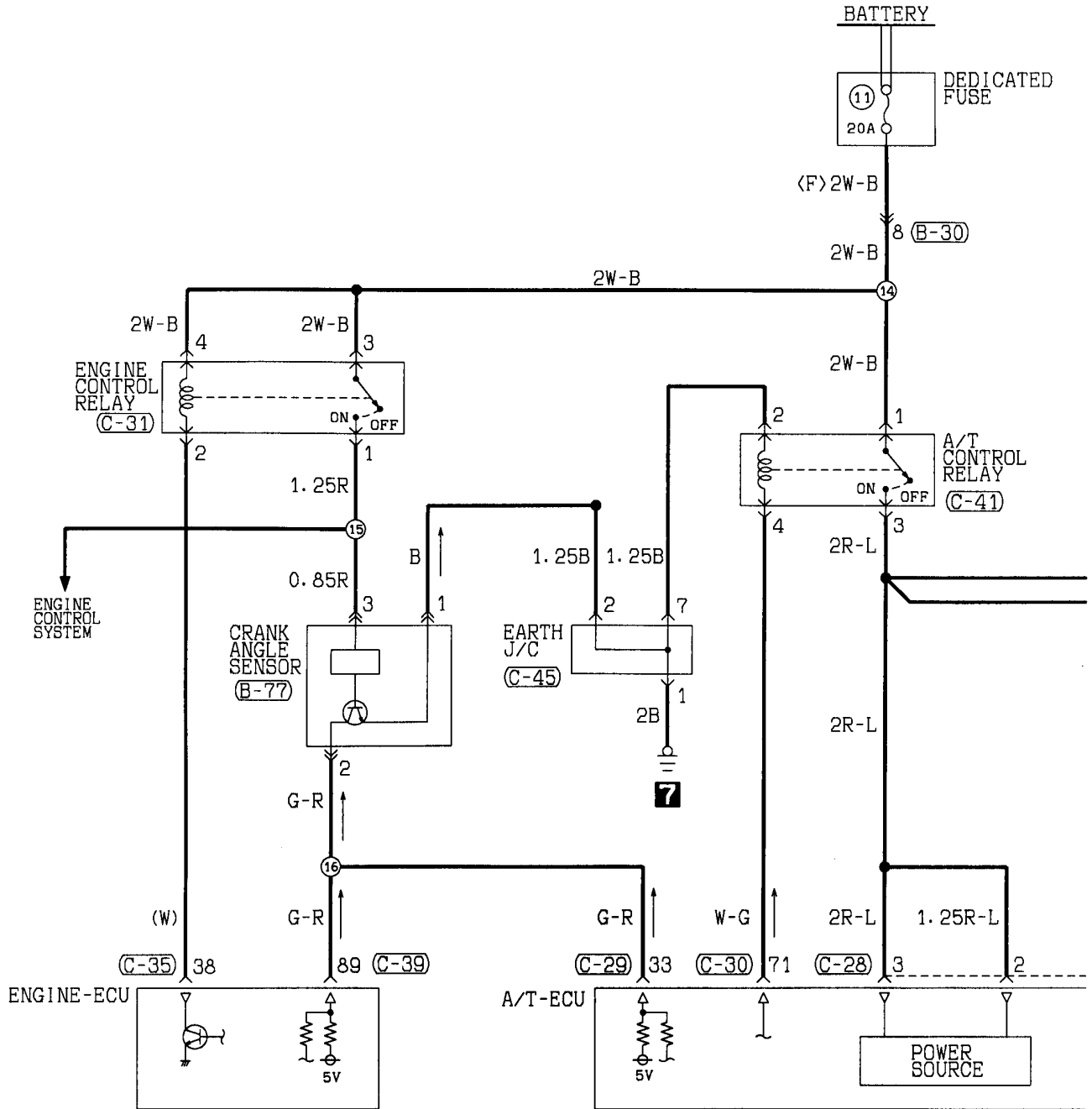
1	2
3	4



(C-135)	(D-01)	(D-02)	(D-03)
1 2 3 4 5 6 7 8 9 10 11 12 13 14 15 16 17 18 19 20	41 42 43 44 45 46 47 48 49	21 22 23 24 25 26 27 28 29	1 2 3 4 5 6 7 8 9
	50 51 52 53 54 55 56 57	30 31 32 33 34 35 36 37	10 11 12 13 14 15 16 17

Wire colour code
 B : Black LG : Light green G : Green L : Blue W : White Y : Yellow SB : Sky blue
 BR : Brown O : Orange GR : Gray R : Red P : Pink V : Violet

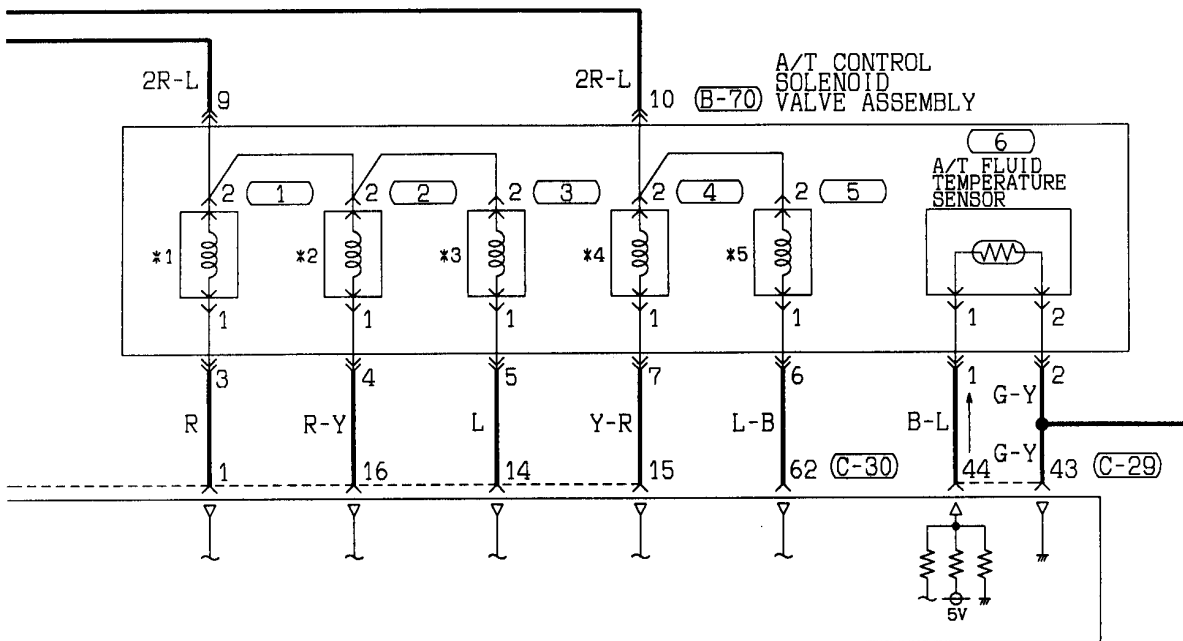
INVECS-II 4A/T <6A1 (R.H. drive vehicles with TCL)> (CONTINUED)



INPUT SHAFT
SPEED SENSOR.
OUTPUT SHAFT
SPEED SENSOR

- REMARKS
- *1: UNDERDRIVE SOLENOID VALVE
 - *2: SECOND SOLENOID VALVE
 - *3: OVERDRIVE SOLENOID VALVE
 - *4: DAMPER CLUTCH CONTROL SOLENOID VALVE
 - *5: LOW AND REVERSE SOLENOID VALVE

G-Y



(C-35)

31	32	33	34	35	36	37	38
39	40	41	42	43	44	45	46

(C-39)

71	72	73	74	75	76	77	78	79	80	81
82	83	84	85	86	87	88	89	90	91	92

(C-41)

1	2
3	4

(C-45)

1	2	3	4		
5	6	7	8	9	10

1

1
2

2

1
2

3

1
2

4

1
2

5

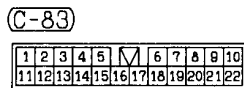
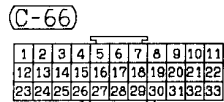
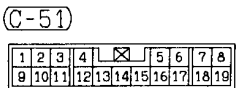
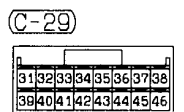
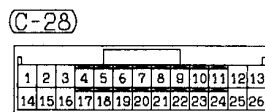
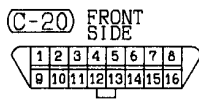
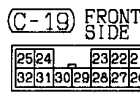
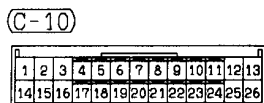
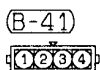
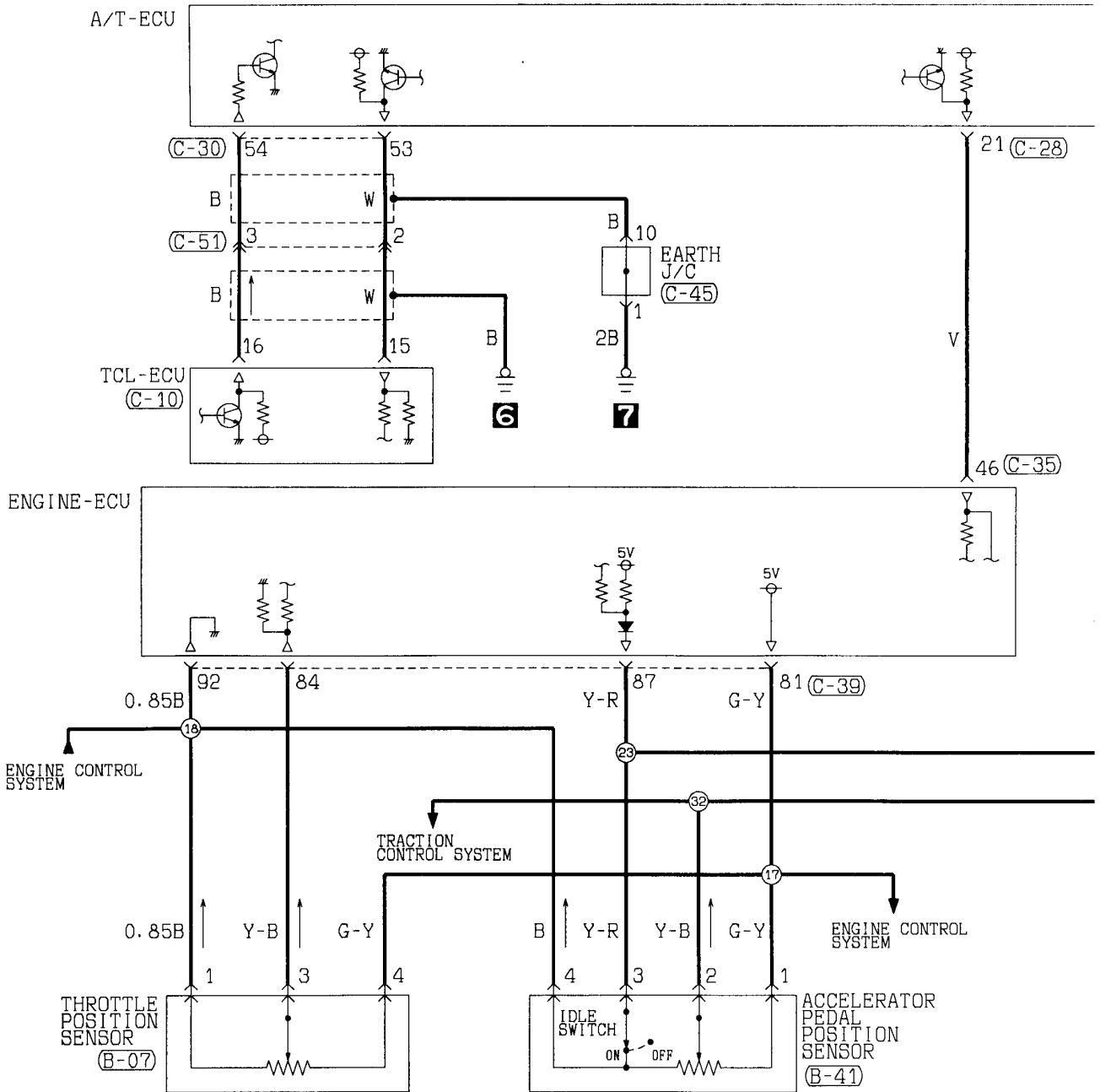
1
2

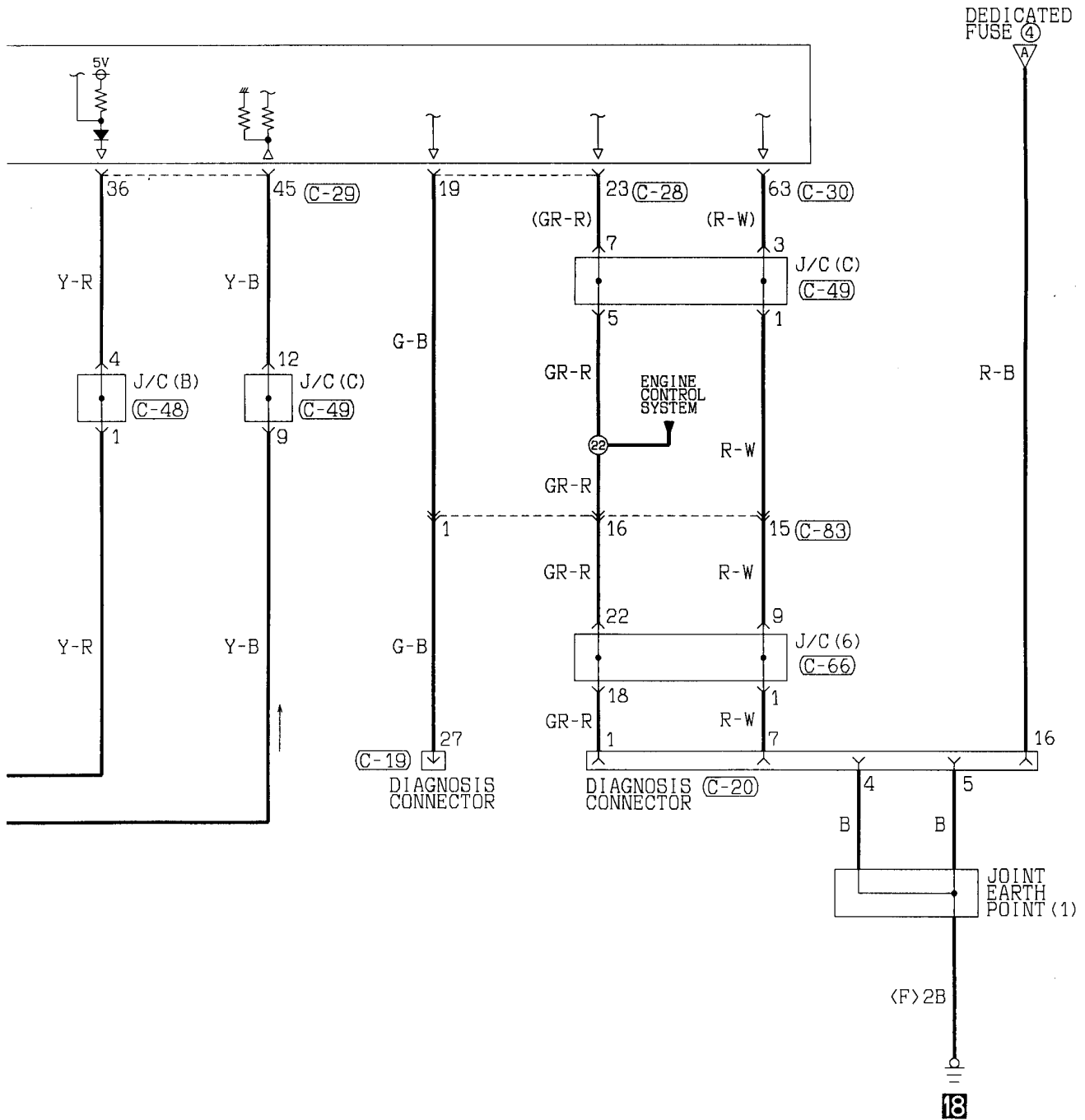
6

1
2

Wire colour code
 B : Black LG: Light green G : Green L : Blue W : White Y : Yellow SB: Sky blue
 BR: Brown O : Orange GR: Gray R : Red P : Pink V : Violet

INVECS-II 4A/T <6A1 (R.H. drive vehicles with TCL)> (CONTINUED)





(C-30)

51	52	53	54	55	56	57	58	59	60	61
62	63	64	65	66	67	68	69	70	71	72

(C-35)

31	32	33	34	35	36	37	38
39	40	41	42	43	44	45	46

(C-39)

71	72	73	74	75	76	77	78	79	80	81
82	83	84	85	86	87	88	89	90	91	92

(C-45)

1	2	3	4
5	6	7	8
9	10		

(C-48)

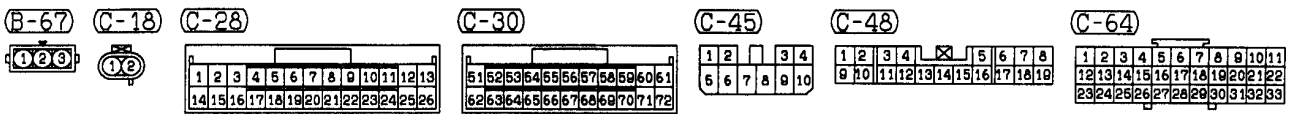
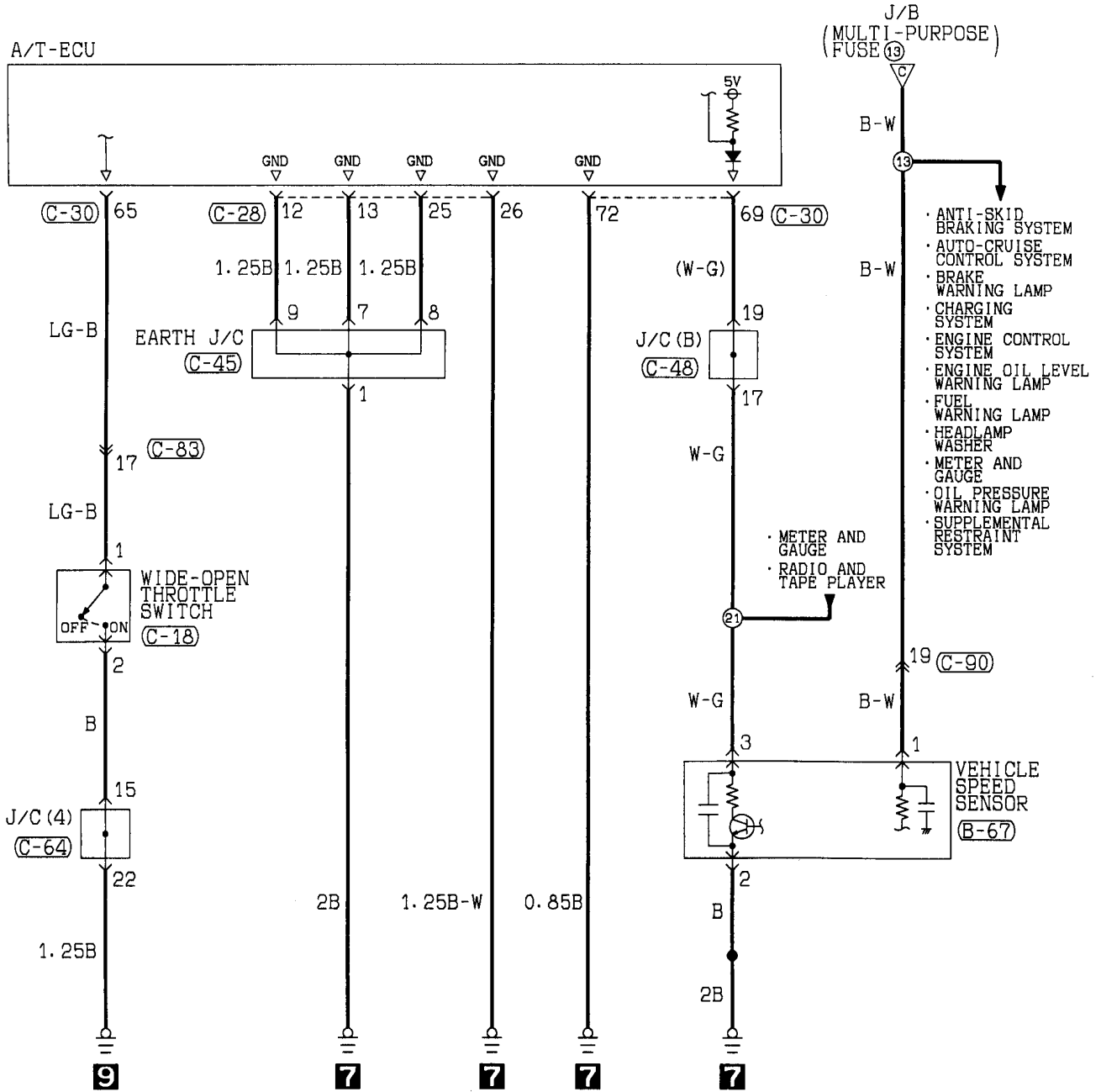
1	2	3	4	5	6	7	8
9	10	11	12	13	14	15	16
17	18	19					

(C-49)

1	2	3	4	5	6	7	8
9	10	11	12	13	14	15	16
17	18	19					

Wire colour code
 B : Black LG: Light green G : Green L : Blue W : White Y : Yellow SB: Sky blue
 BR: Brown O : Orange GR: Gray R : Red P : Pink V : Violet

INVECS-II 4A/T <6A1 (R.H. drive vehicles with TCL)> (CONTINUED)



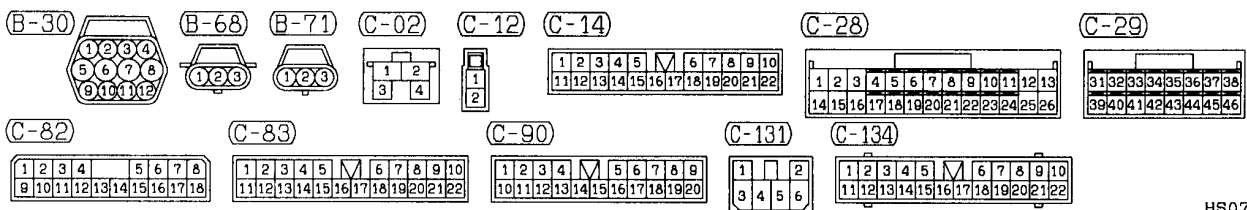
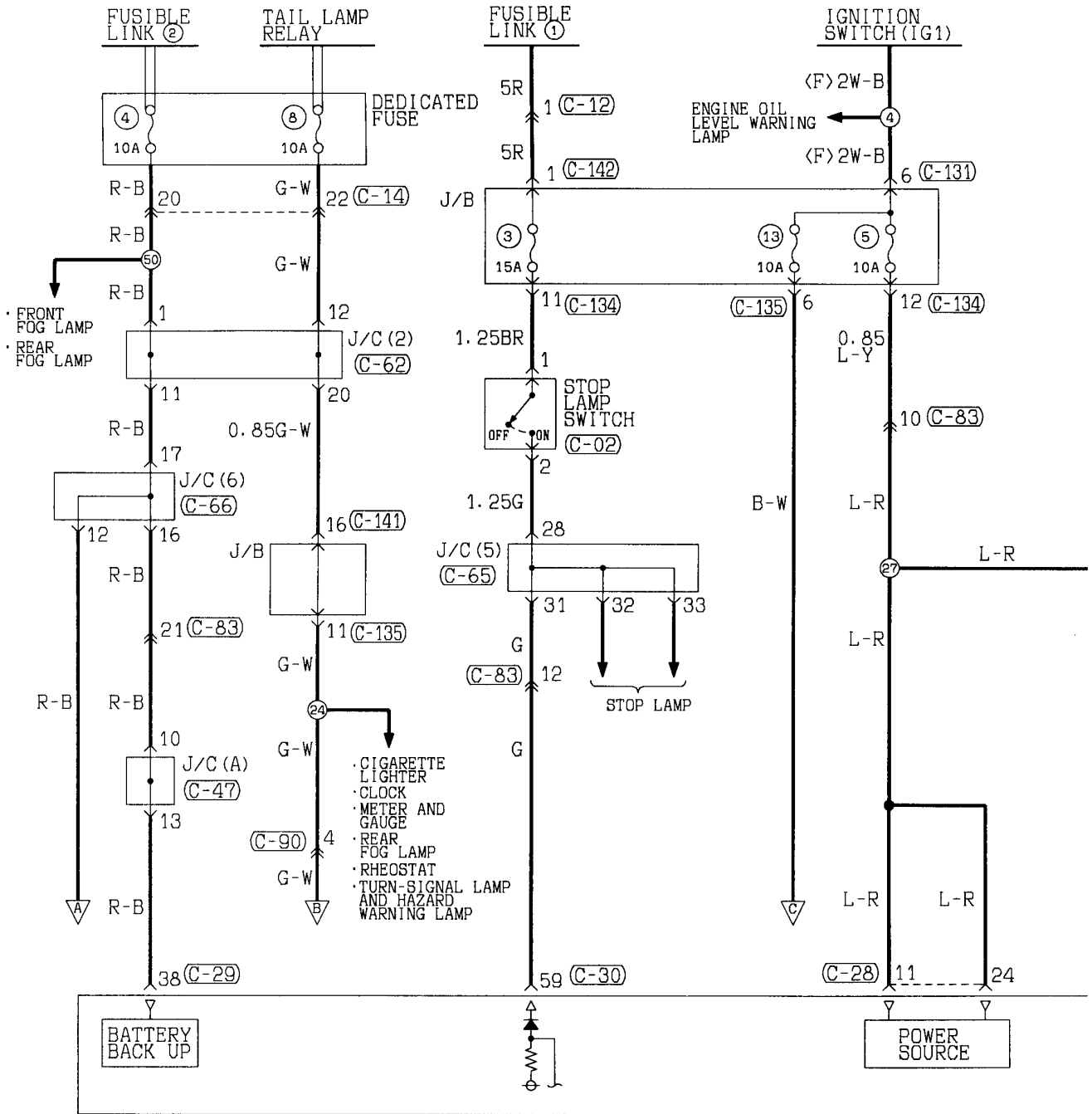
Wire colour code
 B : Black LG : Light green G : Green L : Blue
 BR : Brown O : Orange GR : Gray R : Red
 W : White SB : Sky blue P : Pink Y : Yellow

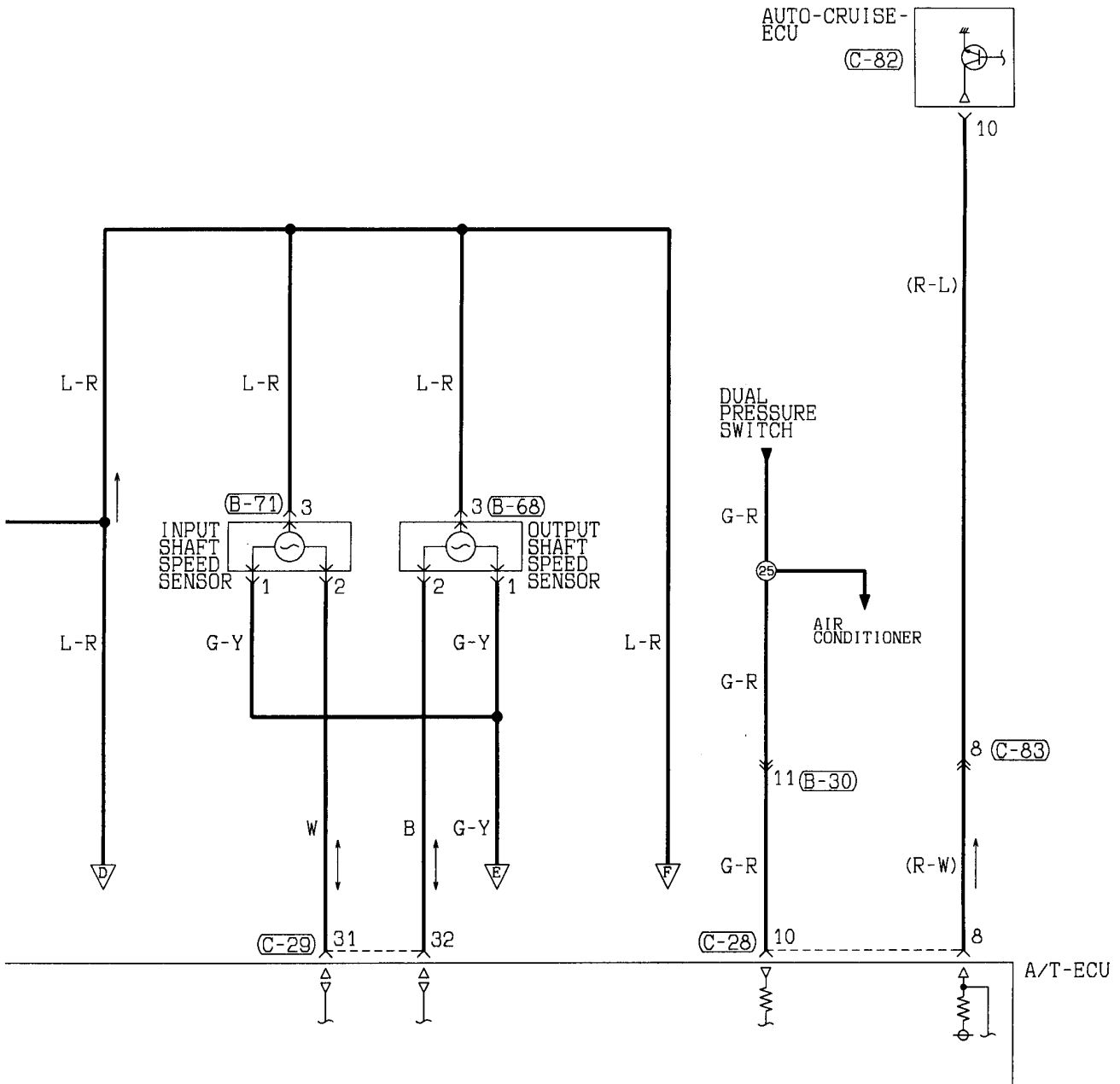
NOTES

INVECS-II 4A/T

90100120488

6A1 <R.H. drive vehicles without TCL>





(C-30)

1	2	3	4	5	6	7	8	9	10	11	12	13	14	15	16	17	18	19	20
51	52	53	54	55	56	57	58	59	60	61									
62	63	64	65	66	67	68	69	70	71	72									

(C-47)

1	2	3	4	5	6	7	8
9	10	11	12	13	14	15	16
17	18	19	20	21	22	23	24
25	26	27	28	29	30	31	32
33	34	35	36	37	38	39	40

(C-62)

1	2	3	4	5	6	7	8	9	10	11
12	13	14	15	16	17	18	19	20	21	22
23	24	25	26	27	28	29	30	31	32	33

(C-65)

1	2	3	4	5	6	7	8	9	10	11
12	13	14	15	16	17	18	19	20	21	22
23	24	25	26	27	28	29	30	31	32	33

(C-66)

1	2	3	4	5	6	7	8	9	10	11
12	13	14	15	16	17	18	19	20	21	22
23	24	25	26	27	28	29	30	31	32	33

(C-135)

1	2	3	4	5	6	7	8	9
10	11	12	13	14	15	16	17	18
19	20	21	22	23	24	25	26	27
28	29	30	31	32	33	34	35	36

(C-141)

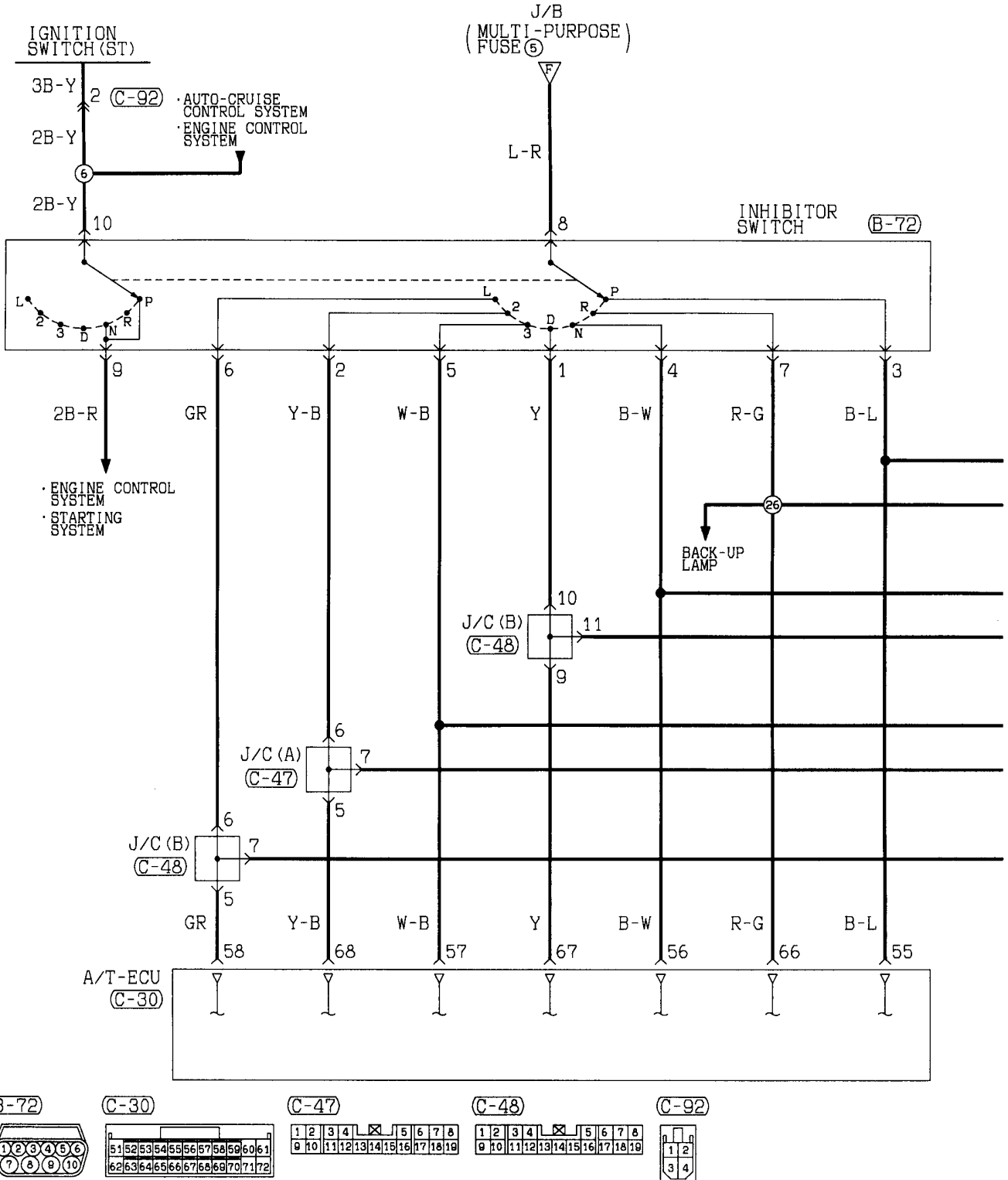
1	2	3	4	5	6	7	8
9	10	11	12	13	14	15	16
17	18	19	20	21	22	23	24
25	26	27	28	29	30	31	32
33	34	35	36	37	38	39	40

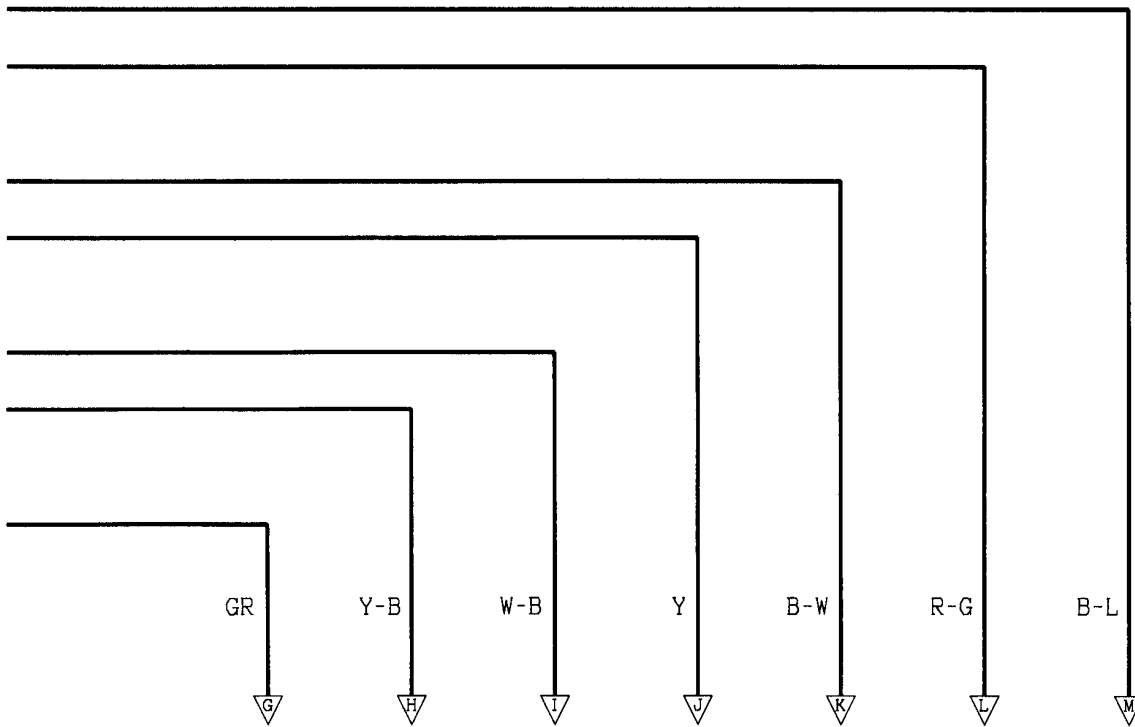
(C-142)

1

Wire colour code
 B : Black LG : Light green G : Green L : Blue
 BR : Brown O : Orange GR : Gray R : Red
 W : White SB : Sky blue P : Pink Y : Yellow
 V : Violet

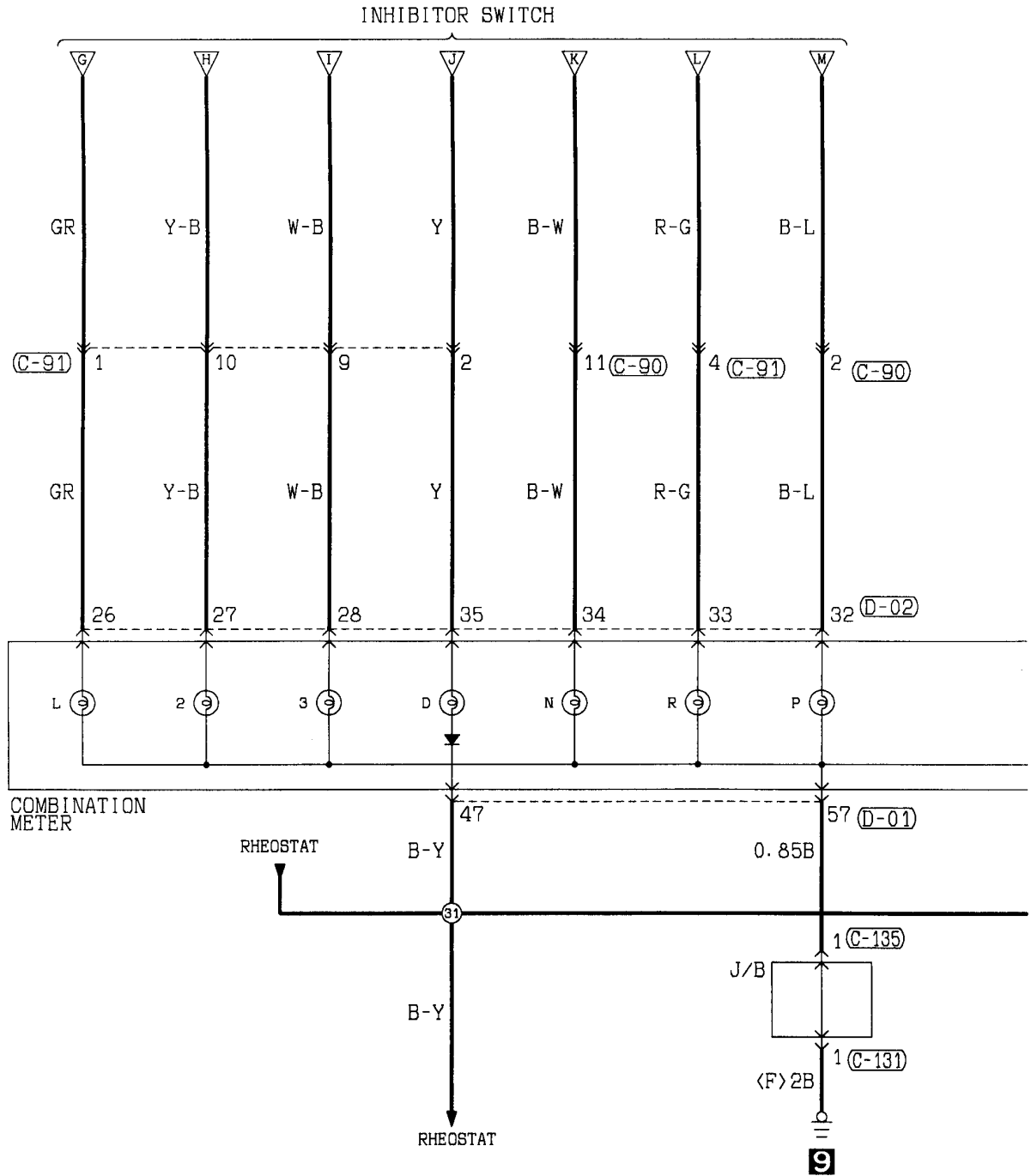
INVECS-II 4A/T <6A1 (R.H. drive vehicles without TCL)> (CONTINUED)





Wire colour code
B :Black LG:Light green G :Green L :Blue W :White Y :Yellow SB:Sky blue
BR:Brown O :Orange GR:Gray R :Red P :Pink V :Violet

INVECS-II 4A/T <6A1 (R.H. drive vehicles without TCL)> (CONTINUED)



(C-30)

1	2	3	4	5	6	7	8	9	10	11	12	13	14	15	16	17	18	19	20		
51	52	53	54	55	56	57	58	59	60	61	62	63	64	65	66	67	68	69	70	71	72

(C-47)

1	2	3	4	5	6	7	8			
9	10	11	12	13	14	15	16	17	18	19

(C-88)

1	2
---	---

(C-89)

1	2	3	4	5	6
---	---	---	---	---	---

(C-90)

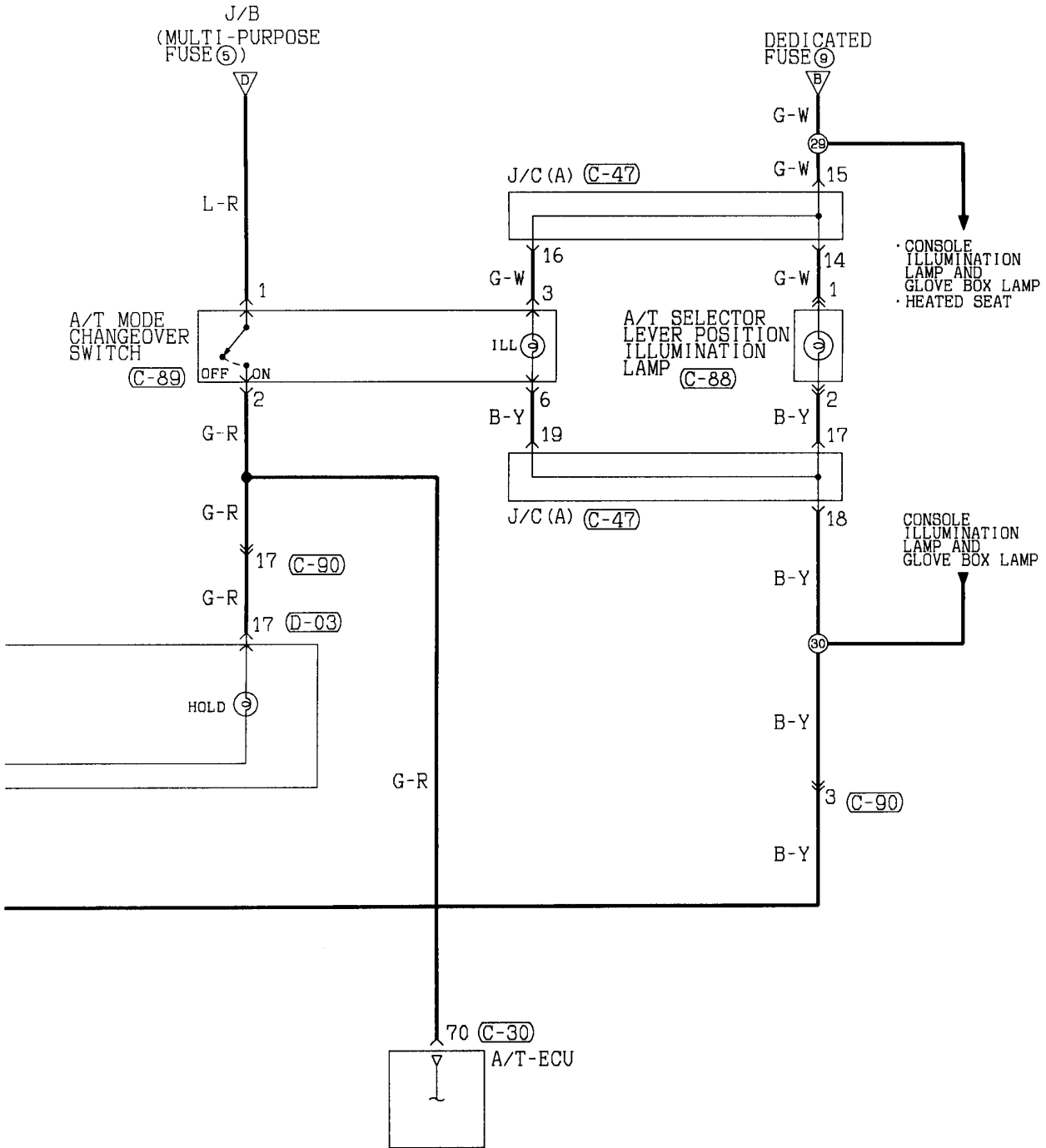
1	2	3	4	5	6	7	8	9	10	
10	11	12	13	14	15	16	17	18	19	20

(C-91)

1	2	3	4	5	6	7	8	9	10
---	---	---	---	---	---	---	---	---	----

(C-131)

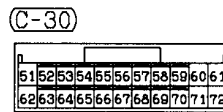
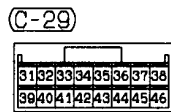
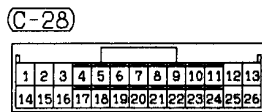
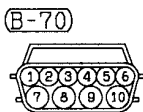
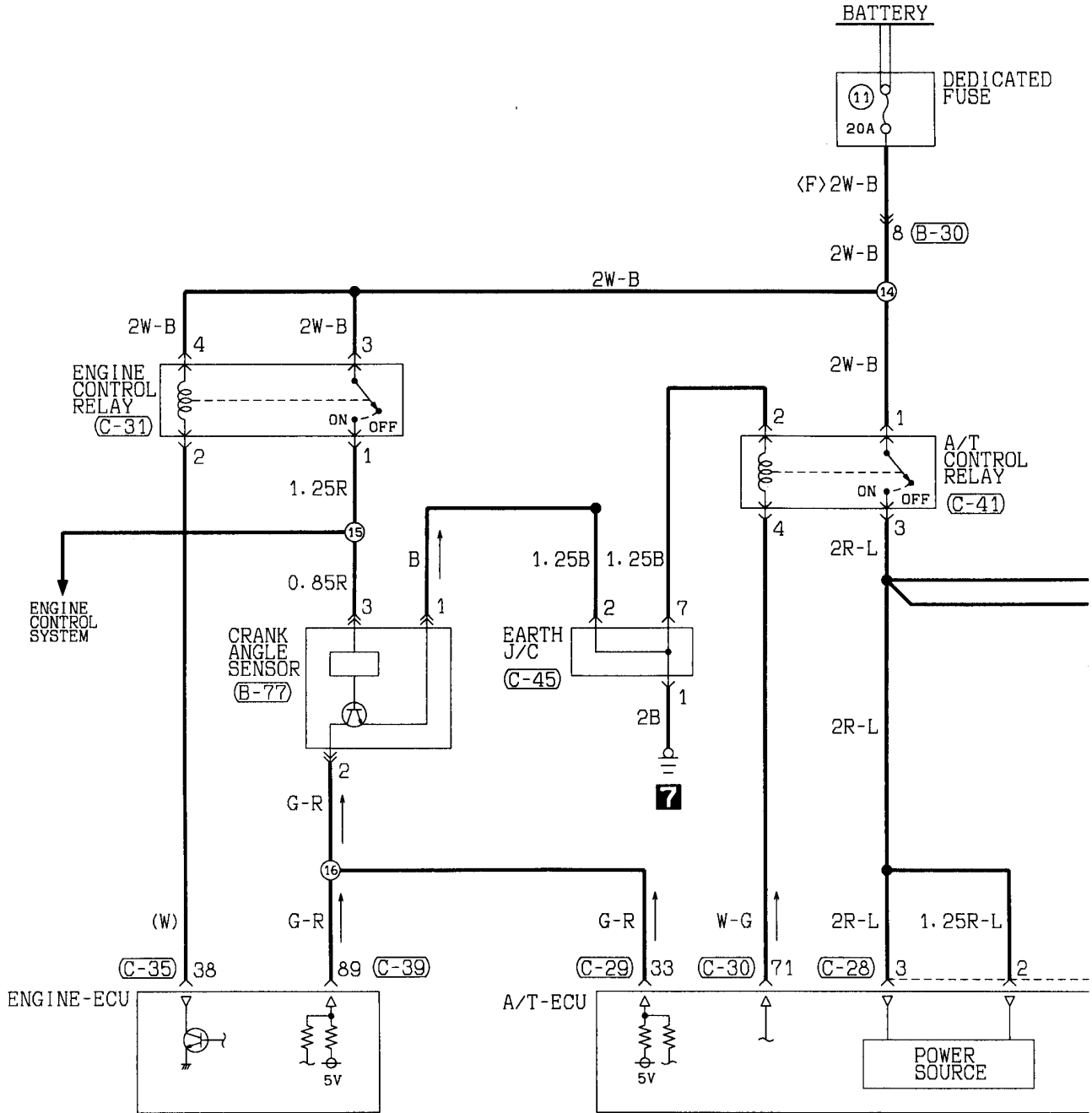
1	2	3	4	5	6
---	---	---	---	---	---



(C-135)	(D-01)	(D-02)	(D-03)
1 2 3 4 5 6 7 8 9 10 11 12 13 14 15 16 17 18 19 20	41 42 43 44 45 46 47 48 49	21 22 23 24 25 26 27 28 29	1 2 3 4 5 6 7 8 9
	50 51 52 53 54 55 56 57	30 31 32 33 34 35 36 37	10 11 12 13 14 15 16 17

Wire colour code
 B : Black LG : Light green G : Green L : Blue W : White Y : Yellow SB : Sky blue
 BR : Brown O : Orange GR : Gray R : Red P : Pink V : Violet

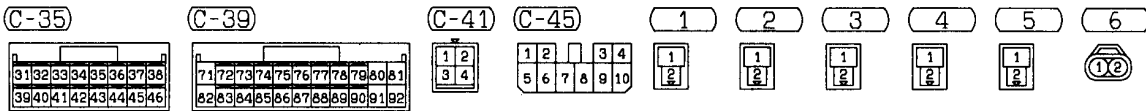
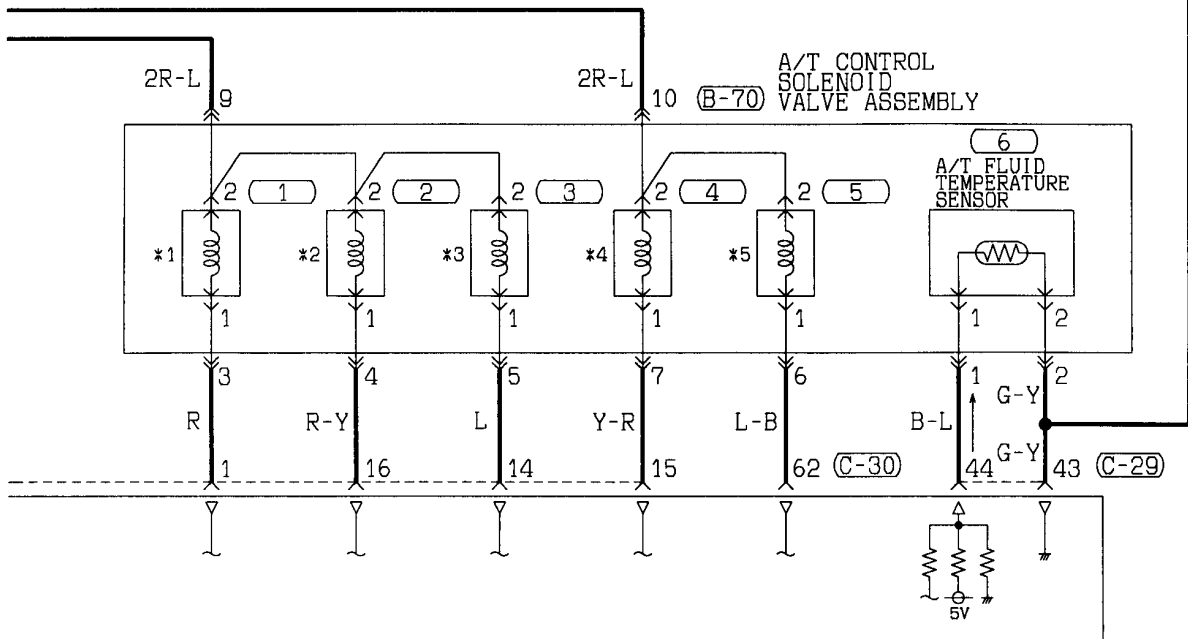
INVECS-II 4A/T <6A1 (R.H. drive vehicles without TCL)> (CONTINUED)



- REMARKS
- *1: UNDERDRIVE SOLENOID VALVE
 - *2: SECOND SOLENOID VALVE
 - *3: OVERDRIVE SOLENOID VALVE
 - *4: DAMPER CLUTCH CONTROL SOLENOID VALVE
 - *5: LOW AND REVERSE SOLENOID VALVE

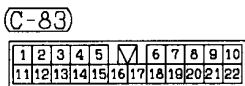
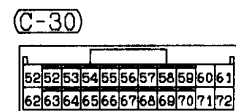
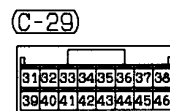
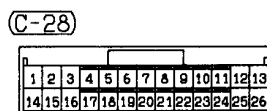
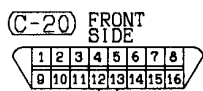
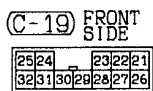
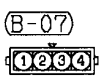
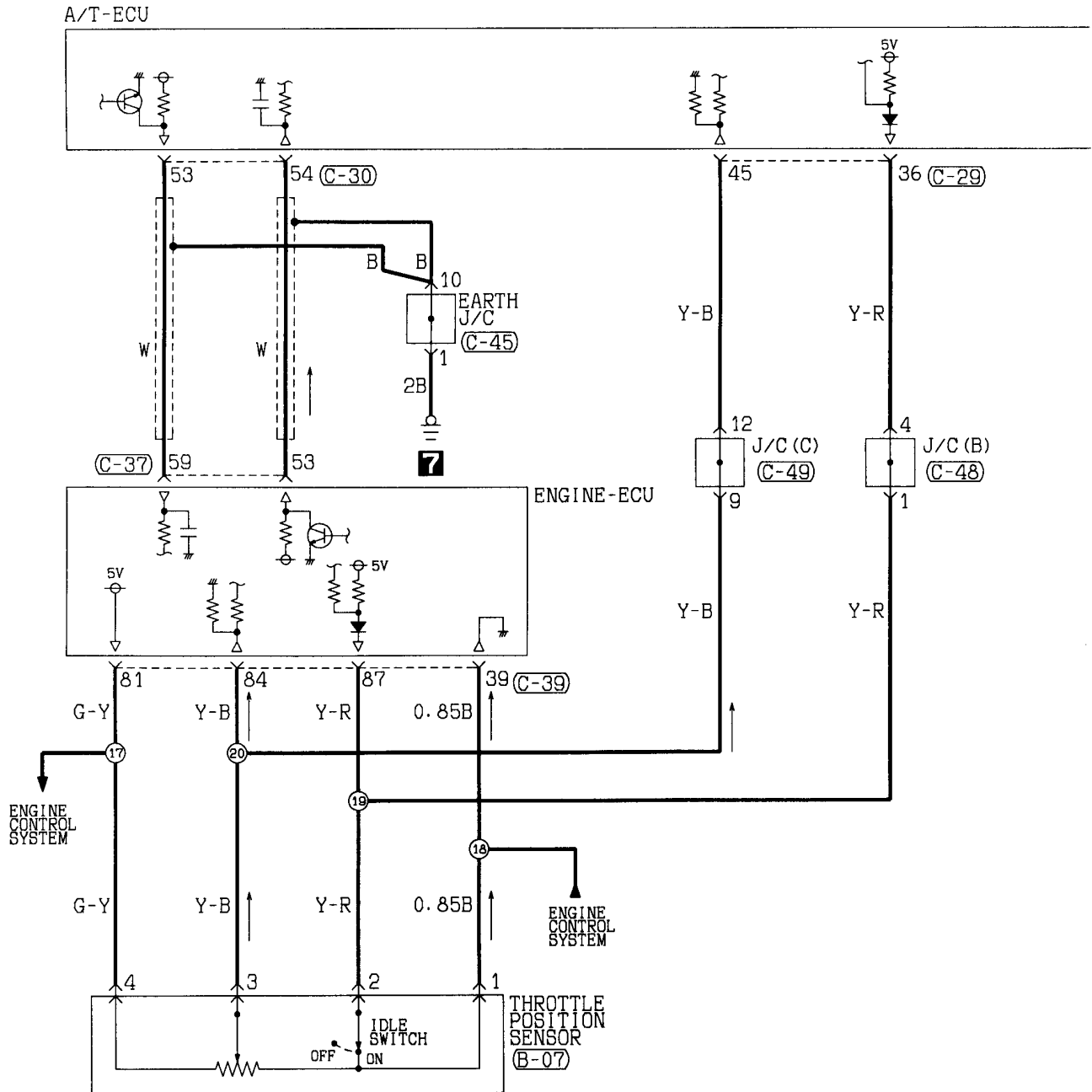
INPUT SHAFT SPEED SENSOR
OUTPUT SHAFT SPEED SENSOR

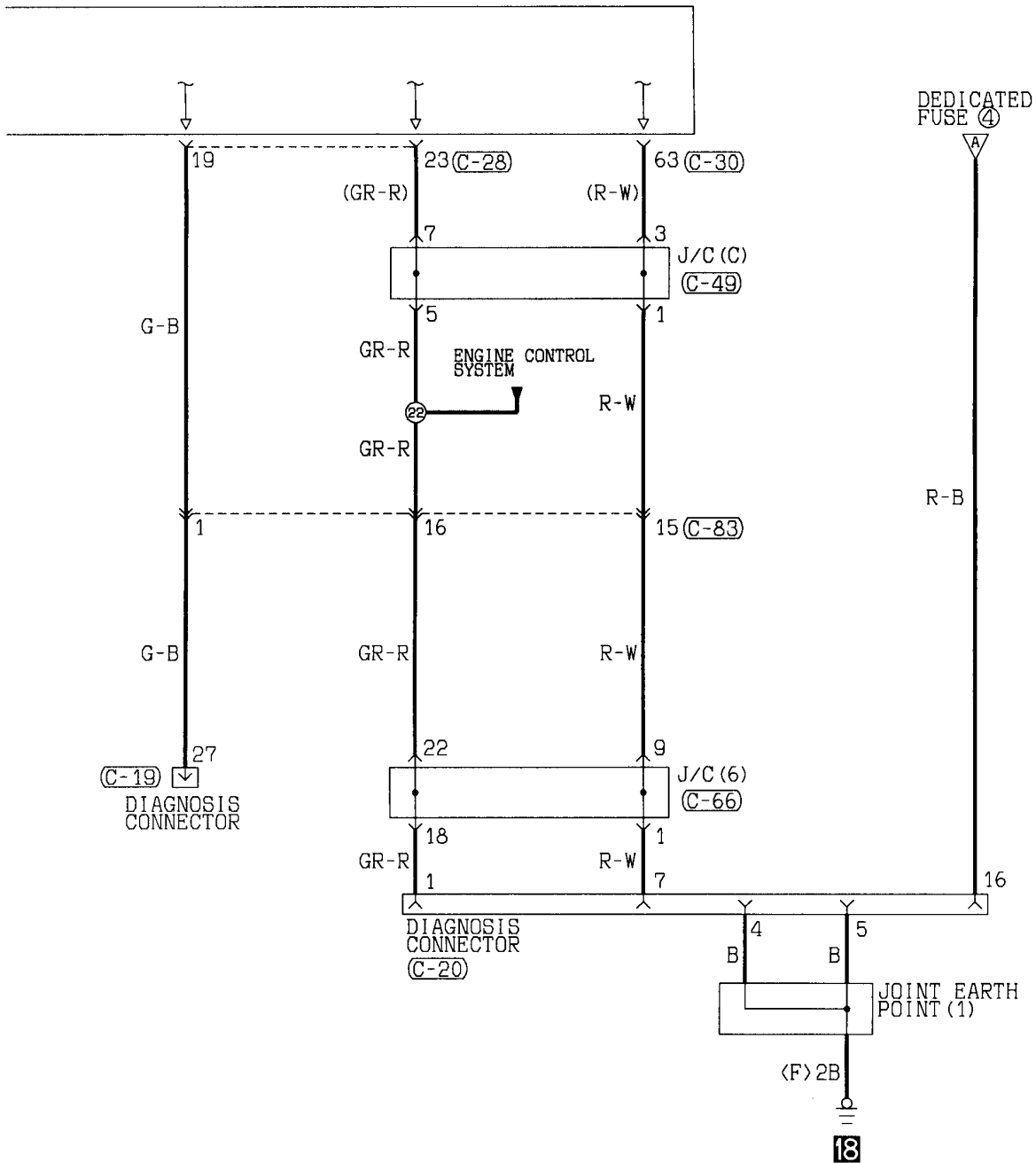
G-Y



Wire colour code
 B : Black LG: Light green G : Green L : Blue W : White Y : Yellow SB: Sky blue
 BR: Brown O : Orange GR: Gray R : Red P : Pink V : Violet

INVECS-II 4A/T <6A1 (R.H. drive vehicles without TCL)> (CONTINUED)





(C-37)

1	2	3	4	5	6	7	8	9	10
51	52	53	54	55	56				
57	58	59	60	61	62				

(C-39)

1	2	3	4	5	6	7	8	9	10	
71	72	73	74	75	76	77	78	79	80	81
82	83	84	85	86	87	88	89	90	91	92

(C-45)

1	2	3	4
5	6	7	8
9	10		

(C-48)

1	2	3	4	5	6	7	8
9	10	11	12	13	14	15	16
17	18	19					

(C-49)

1	2	3	4	5	6	7	8
9	10	11	12	13	14	15	16
17	18	19					

(C-66)

1	2	3	4	5	6	7	8	9	10	11
12	13	14	15	16	17	18	19	20	21	22
23	24	25	26	27	28	29	30	31	32	33

Wire colour code

B :Black LG:Light green
BR:Brown O :Orange

G :Green GR:Gray

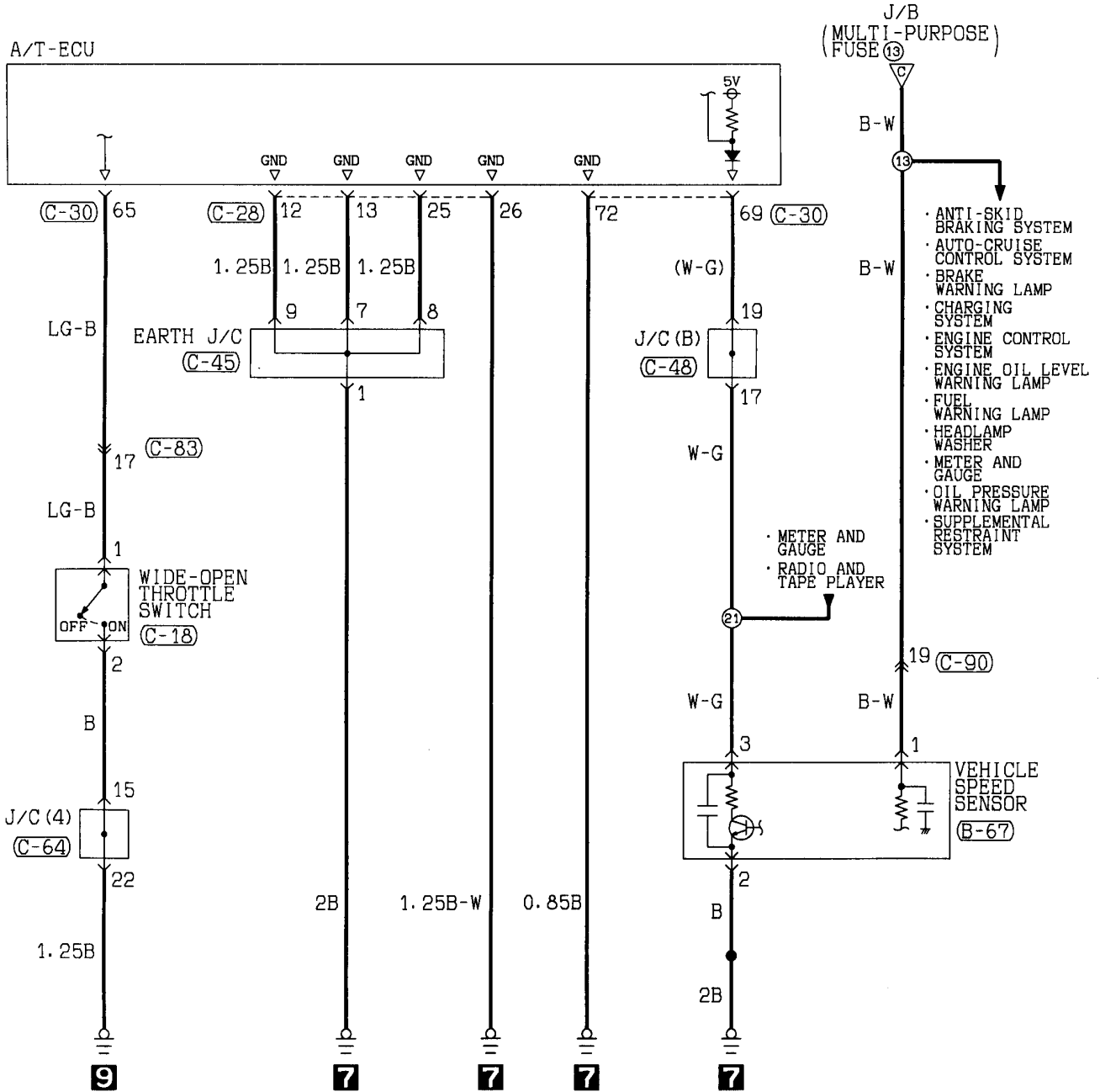
L :Blue R :Red

W :White P :Pink

Y :Yellow V :Violet

SB:Sky blue

INVECS-II 4A/T <6A1 (R.H. drive vehicles without TCL)> (CONTINUED)



(B-67) 1 2 3 4 5 6 7 8 9 10 11 12 13 14 15 16 17 18 19 20 21 22	(C-18) 1 2 3 4 5 6 7 8 9 10 11 12 13 14 15 16 17 18 19 20 21 22	(C-28) 1 2 3 4 5 6 7 8 9 10 11 12 13 14 15 16 17 18 19 20 21 22 23 24 25 26	(C-30) 51 52 53 54 55 56 57 58 59 60 61 62 63 64 65 66 67 68 69 70 71 72	(C-45) 1 2 3 4 5 6 7 8 9 10	(C-48) 1 2 3 4 5 6 7 8 9 10 11 12 13 14 15 16 17 18 19	(C-64) 1 2 3 4 5 6 7 8 9 10 11 12 13 14 15 16 17 18 19 20 21 22 23 24 25 26 27 28 29 30 31 32 33
---	---	---	--	---------------------------------------	--	--

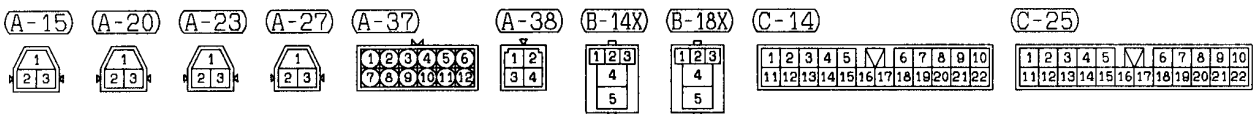
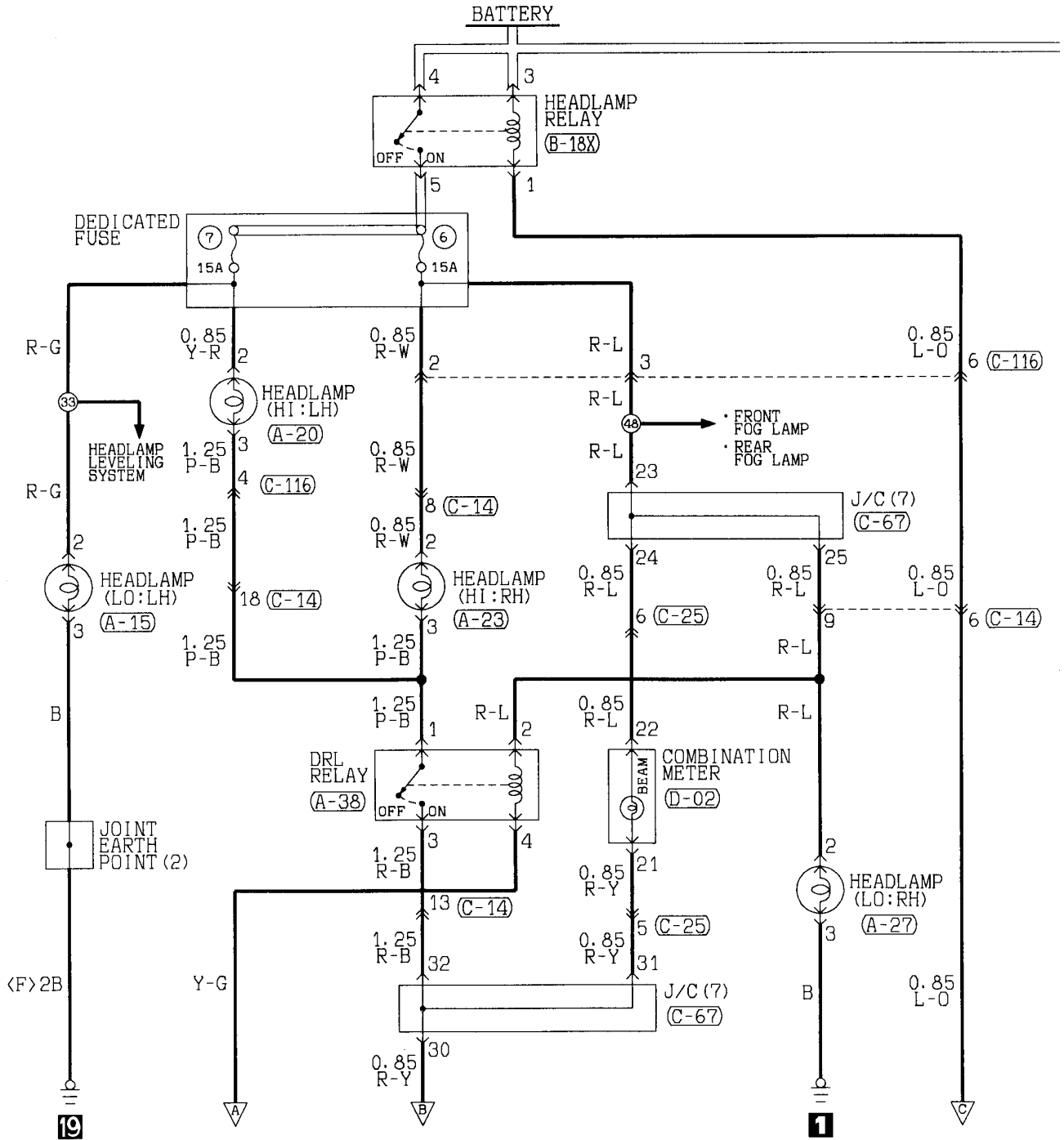
Wire colour code
 B : Black LG : Light green G : Green L : Blue
 BR : Brown O : Orange GR : Gray R : Red
 W : White SB : Sky blue P : Pink Y : Yellow
 V : Violet

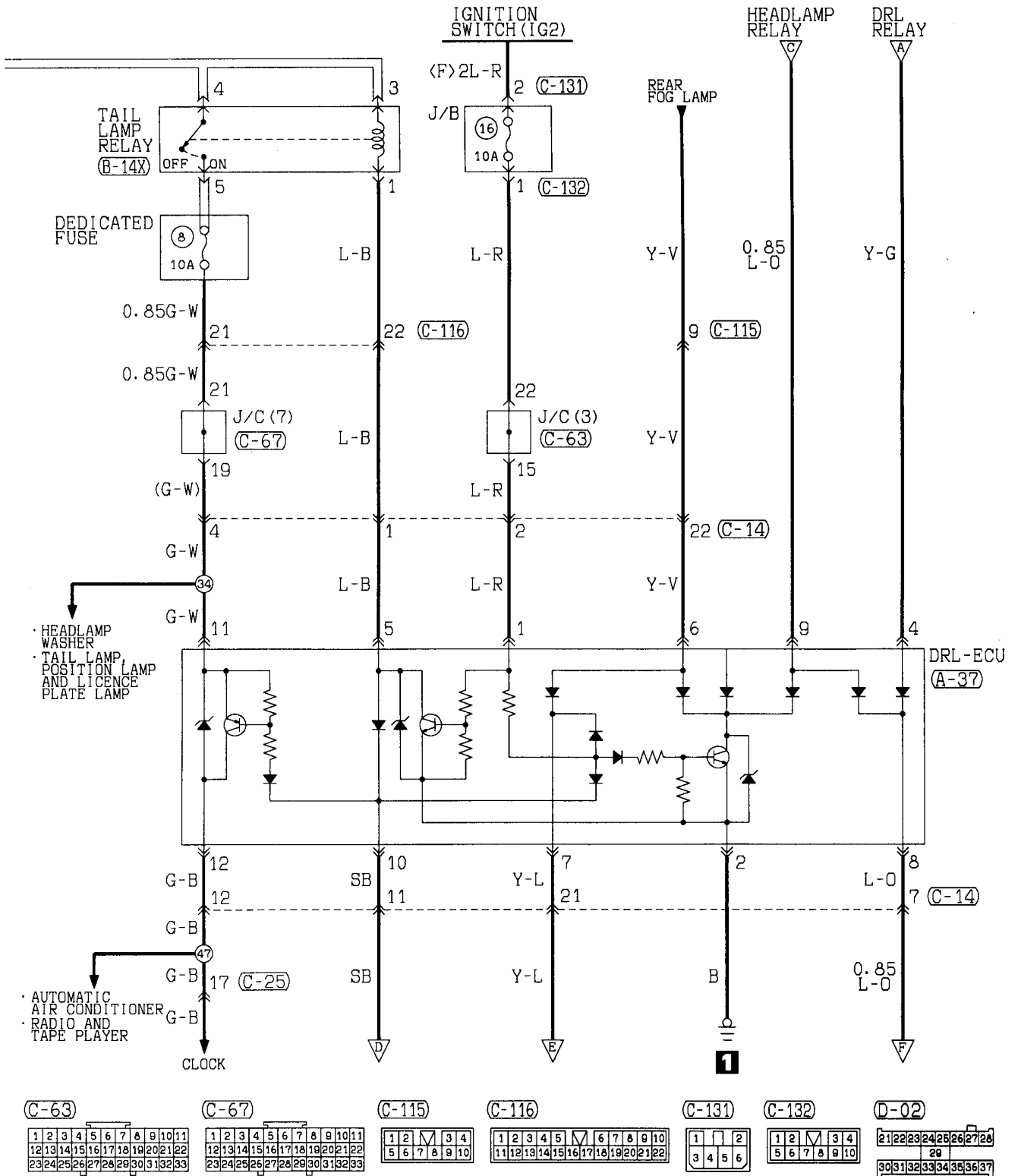
NOTES

HEADLAMP

90100150562

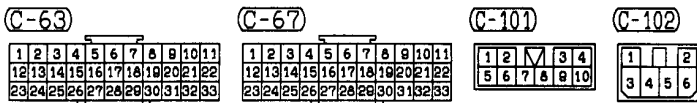
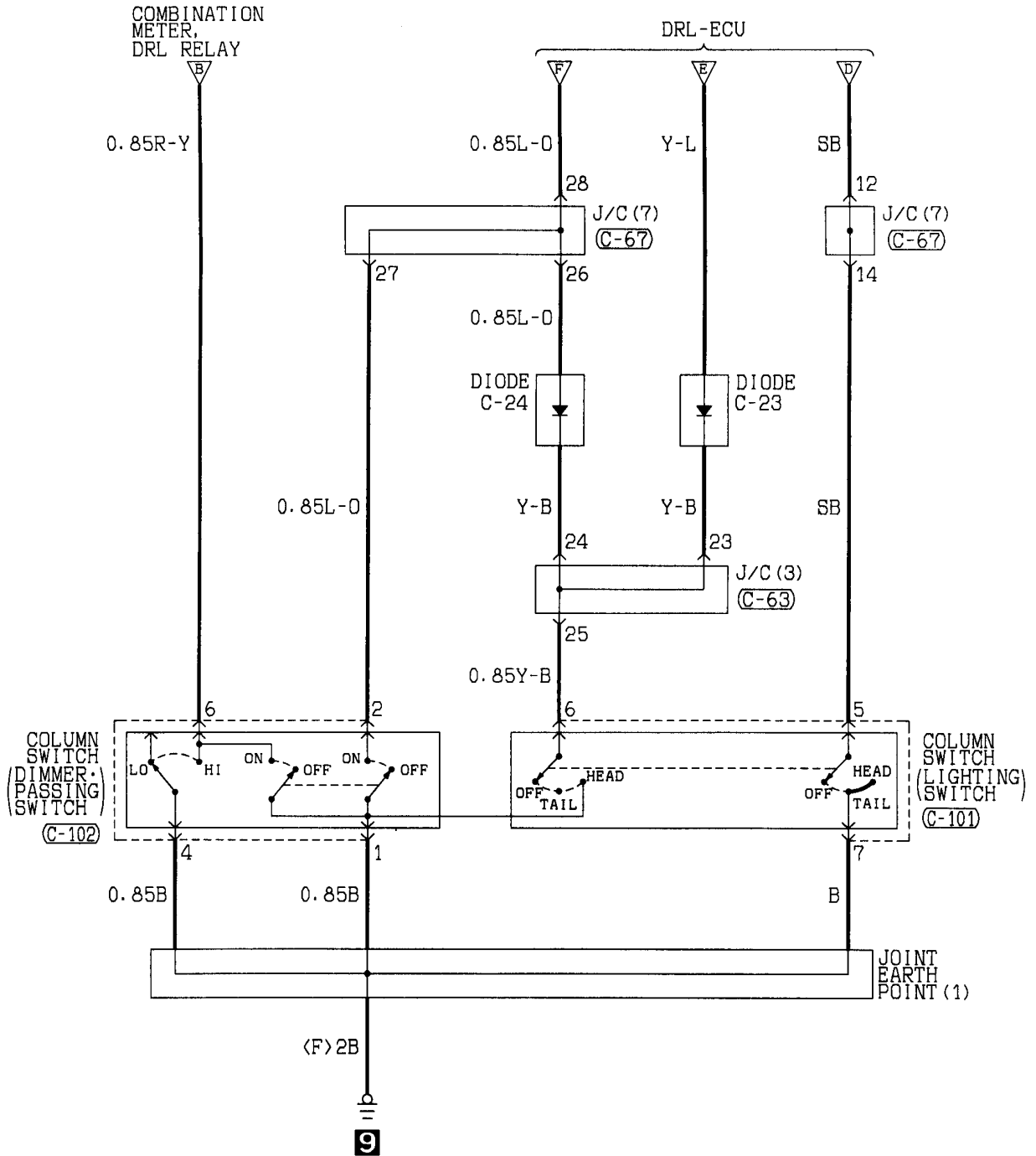
L.H. drive vehicles with DRL





Wire colour code
 B:Black LG:Light green G:Green L:Blue W:White Y:Yellow SB:Sky blue
 BR:Brown O:Orange GR:Gray R:Red P:Pink V:Violet

HEADLAMP <L.H. drive vehicles with DRL> (CONTINUED)



Wire colour code
 B : Black LG:Light green G :Green L :Blue W :White Y :Yellow SB:Sky blue
 BR:Brown O :Orange GR:Gray R :Red P :Pink V :Violet

HEADLAMP <Vehicles with daytime running lamp> (See P. 4-182.)

OPERATION

Headlamp relay activation requirements

Ignition switch	Lighting switch	Dimmer/passing switch	Headlamp relay
"ON"	"OFF"	-	On
-	"HEAD"	-	On
-	-	"PASS"	On

<Daytime running lamp operation>

- Turning the ignition switch to the ON position causes the headlamp relay and tail lamp relay to be energized, which causes the headlamps, tail lamps, etc. to go on.

<Low-beam operation>

- Placing the lighting switch in the HEAD position causes the headlamp relay and DRL relay to be energized.
- If the dimmer/passing switch is placed in the LO position at this time, the headlamps light up in low beam.

<Upper-beam operation>

- Placing the lighting switch in the HEAD position causes the headlamp relay and DRL relay to be energized.
- If the dimmer/passing switch is placed in the HI position at this time, the headlamps light up in upper beam.

<Upper-beam indicator lamp>

- This lamp lights up when the upper/passing beams are on, indicating that the headlamps are on in upper beam.

<Passing operation>

- When the dimmer/passing switch is set to the "ON" position, the headlamp relay and DRL relay are switched ON and the upper beam of the headlamps illuminates.

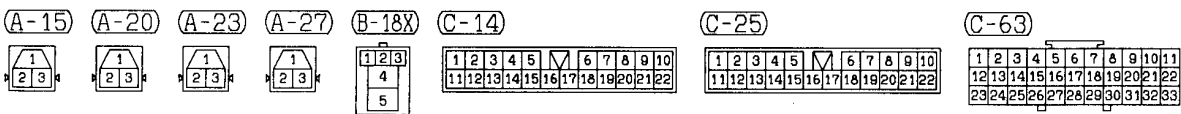
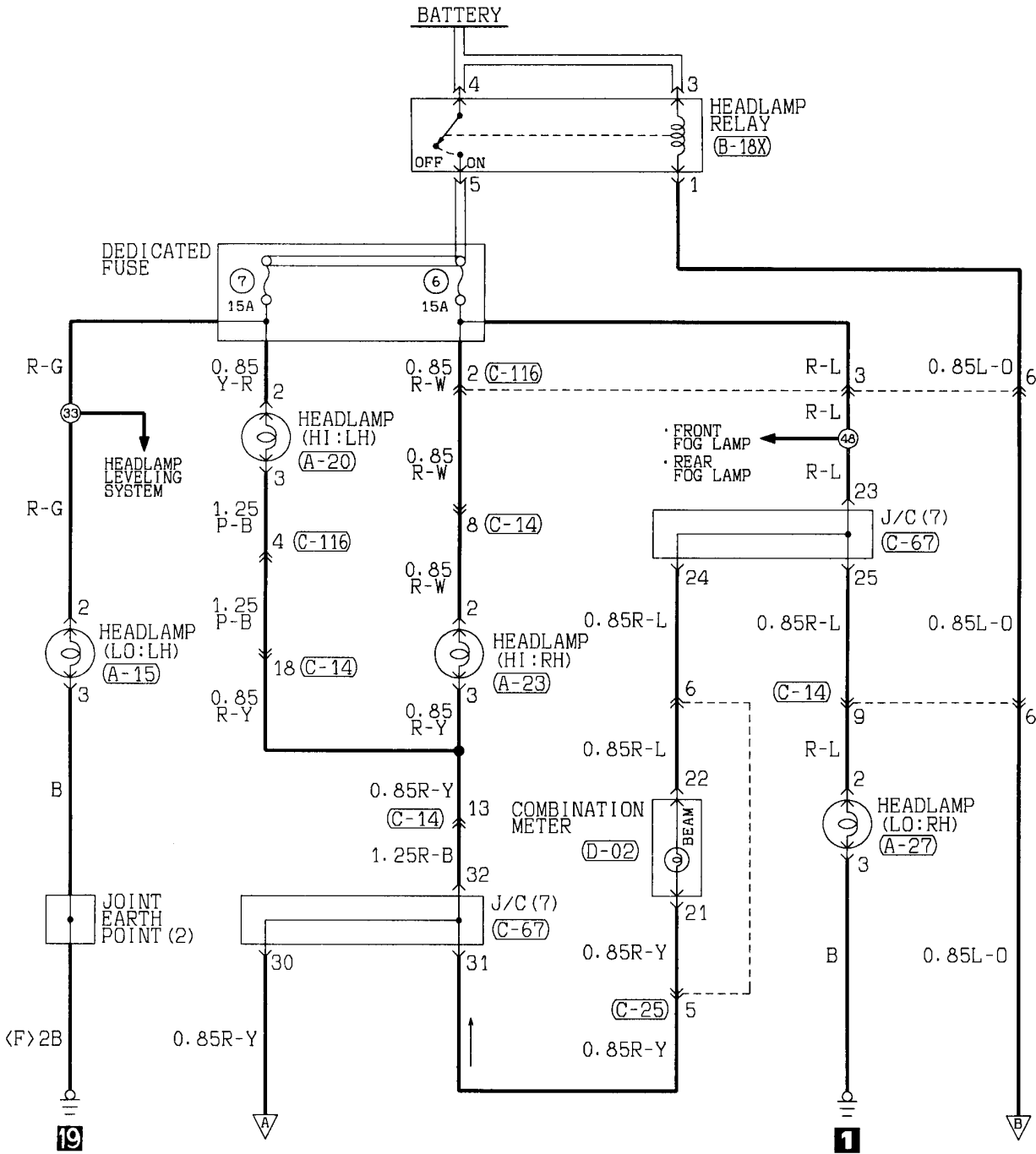
TROUBLESHOOTING HINTS

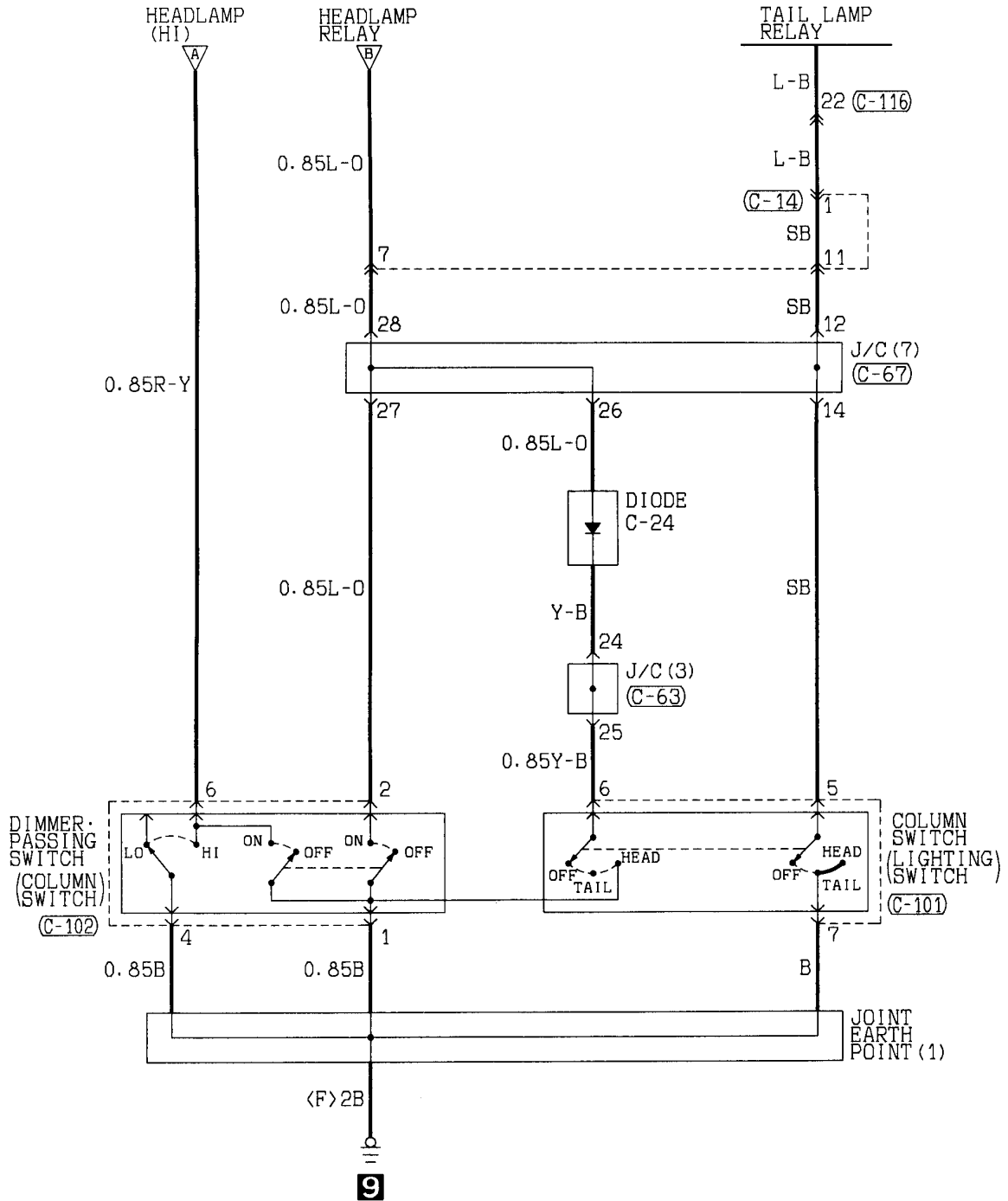
- Headlamps don't go on.
 - But the tail lamps do illuminate.
 - Check the headlamp relay.
 - Check the lighting switch.
 - The tail lamps also don't illuminate.
 - Check the battery.
- The low beam at both sides doesn't illuminate.
 - Check the dimmer switch LO contacts.
- The upper beam at both sides doesn't illuminate.
 - The passing signal functions OK.
 - Check the dimmer switch HI contacts.
 - The passing signal does not function.
 - Check the dimmer switch.
 - Check the DRL relay.
 - Check the DRL-ECU.
- One headlamps doesn't illuminate.
 - Check the dedicated fuse No. (6).
 - Check the dedicated fuse No. (7).
 - Check the lamp bulb.
- Can't switch from low to upper beam or vice-versa.
 - Check the dimmer switch.
- With the ignition switch at the "ON" position, the headlamps' low beam does not illuminate.
 - Check the DRL-ECU.
- Upper-beam indicator lamp does not go on.
 - Headlamp upper beams are operational.
 - Check the indicator lamp bulb.

HEADLAMP

90100150579

L.H. drive vehicles without DRL





(C-67)

1	2	3	4	5	6	7	8	9	10	11
12	13	14	15	16	17	18	19	20	21	22
23	24	25	26	27	28	29	30	31	32	33

(C-101)

1	2	3	4
5	6	7	8
9	10		

(C-102)

1	2
3	4
5	6

(C-116)

1	2	3	4	5	6	7	8	9	10
11	12	13	14	15	16	17	18	19	20
21	22	23	24	25	26	27	28	29	30
31	32	33	34	35	36	37			

(D-02)

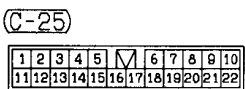
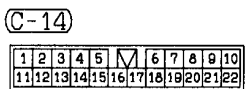
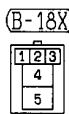
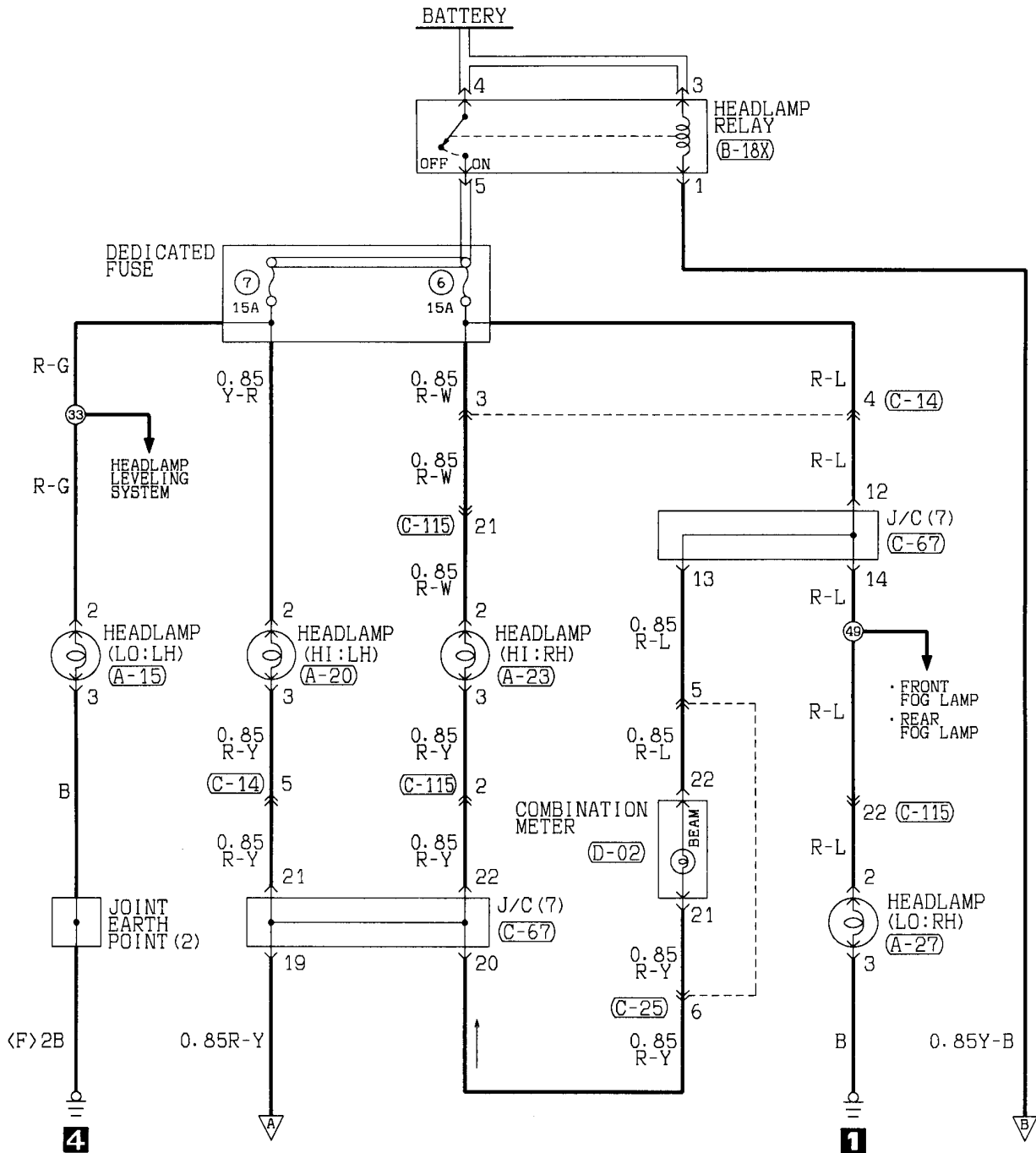
21	22	23	24	25	26	27	28
				29			
30	31	32	33	34	35	36	37

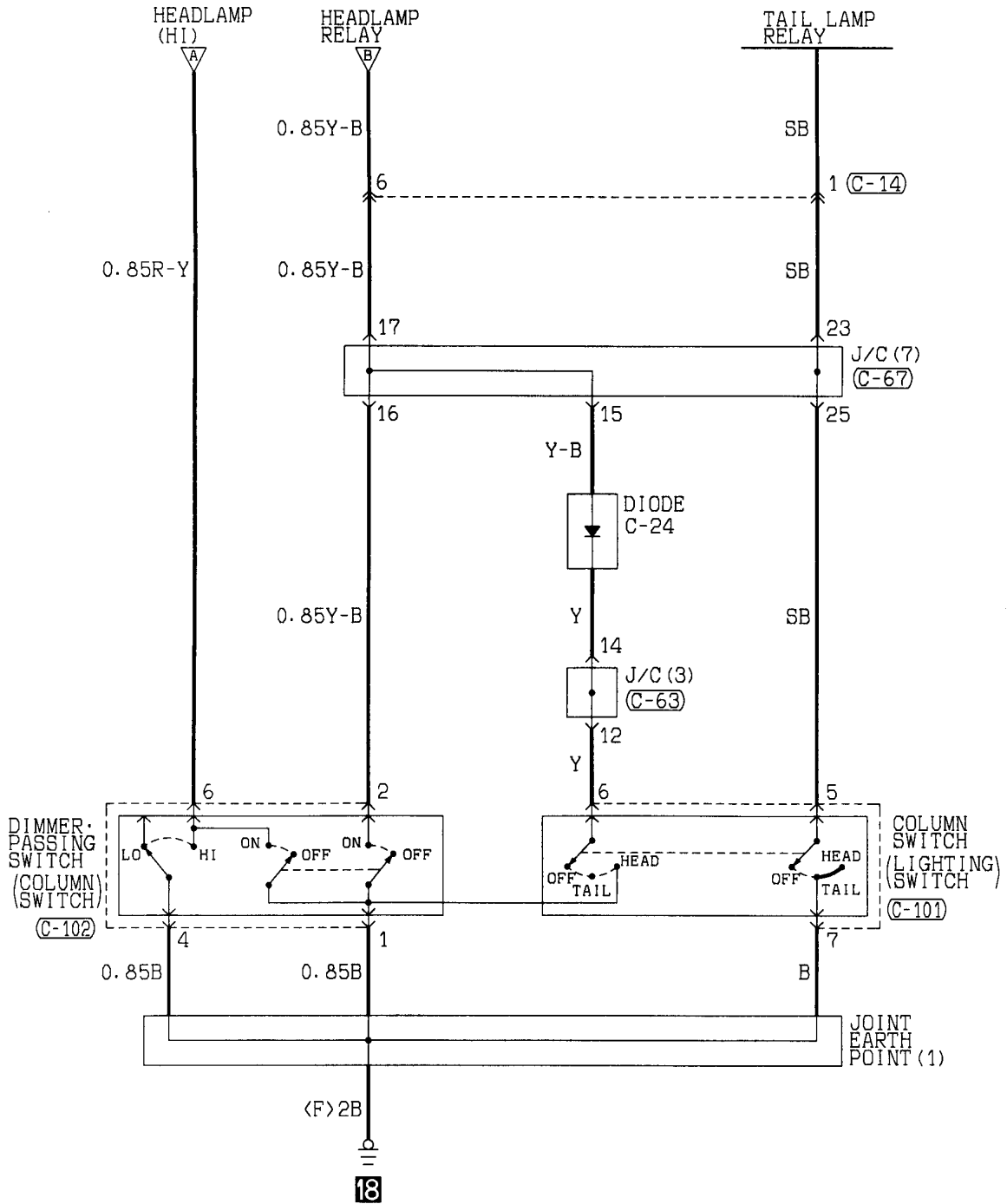
Wire colour code
 B : Black LG : Light green G : Green L : Blue W : White Y : Yellow SB : Sky blue
 BR : Brown O : Orange GR : Gray R : Red P : Pink V : Violet

HEADLAMP

90100150586

R.H. drive vehicles





(C-67)

1	2	3	4	5	6	7	8	9	10	11
12	13	14	15	16	17	18	19	20	21	22
23	24	25	26	27	28	29	30	31	32	33

(C-101)

1	2	3	4
5	6	7	8
9	10		

(C-102)

1	2
3	4
5	6

(C-115)

1	2	3	4	5	6	7	8	9	10
11	12	13	14	15	16	17	18	19	20
21	22								

(D-02)

2	1	2	3	4	5	6	7	8
29								
30	3	1	2	3	3	4	3	5
35	3	6	3	7				

Wire colour code
 B : Black LG : Light green G : Green L : Blue W : White Y : Yellow SB : Sky blue
 BR : Brown O : Orange GR : Gray R : Red P : Pink V : Violet

HEADLAMP <Vehicles without daytime running lamp> (See P. 4-186, 188.)**OPERATION**

Headlamp relay activation requirements

Lighting switch	Dimmer/passing switch	Headlamp relay
"HEAD"	-	On
-	"ON"	On

<Low-beam operation>

- Placing the lighting switch in the HEAD position causes the headlamp relay to be energized.
- If the dimmer/passing switch is placed in the LO position at this time, the headlamps light up in low beam.

<Upper-beam operation>

- Placing the lighting switch in the HEAD position causes the headlamp relay to be energized.
- If the dimmer/passing switch is placed in the HI position at this time, the headlamp light up in upper beam.

<Upper-beam Indicator lamp>

- This lamp lights up when the upper/passing beams are on, indicating that the headlamps are on in upper beam.

<Passing operation>

- When the dimmer/passing switch is set to the "ON" position, the headlamp relay is switched ON and the upper beam of the headlamps illuminates.

TROUBLESHOOTING HINTS

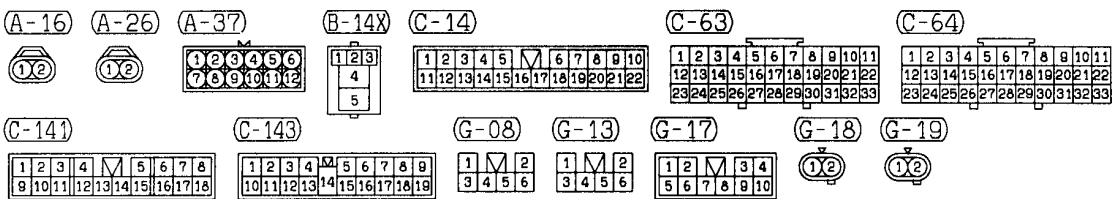
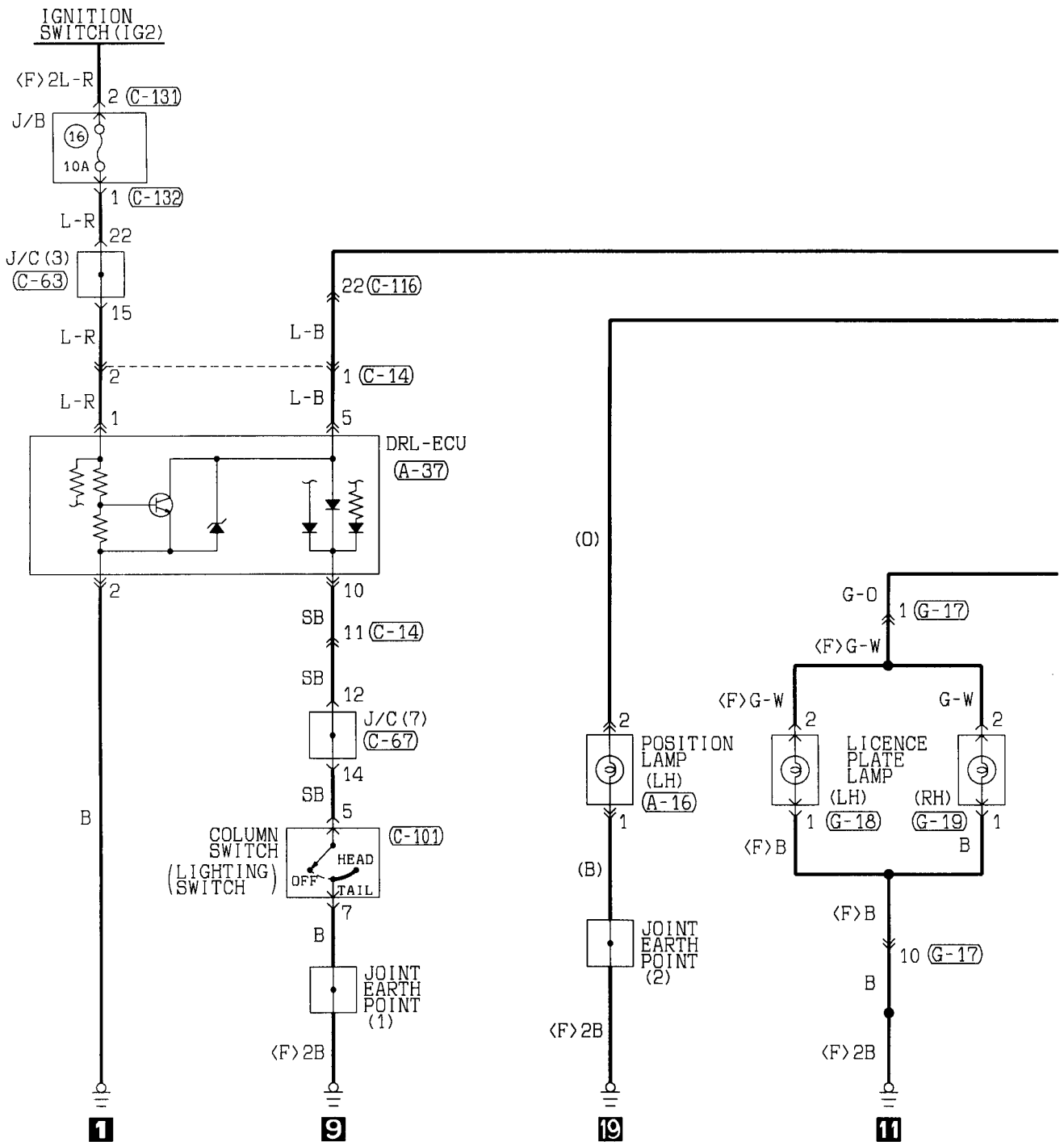
1. Headlamps don't go on.
 - (1) But the tail lamps illuminate.
 - Check the headlamp relay.
 - Check the lighting switch.
 - (2) The tail lamps also don't illuminate.
 - Check the battery.
2. The low beam at both sides doesn't illuminate.
 - Check the dimmer switch LO contacts.
3. The upper beam at both sides doesn't illuminate.
 - (1) The passing signal functions OK.
 - Check the dimmer switch HI contacts.
4. One headlamps doesn't illuminate.
 - Check the dedicated fuse No. (6).
 - Check the dedicated fuse No. (7).
 - Check the lamp bulb.
5. Can't switch from low to upper beam or vice-versa.
 - Check the dimmer switch.
6. Upper-beam indicator lamp does not go on.
 - (1) Headlamp upper beams are operational.
 - Check the indicator lamp bulb.

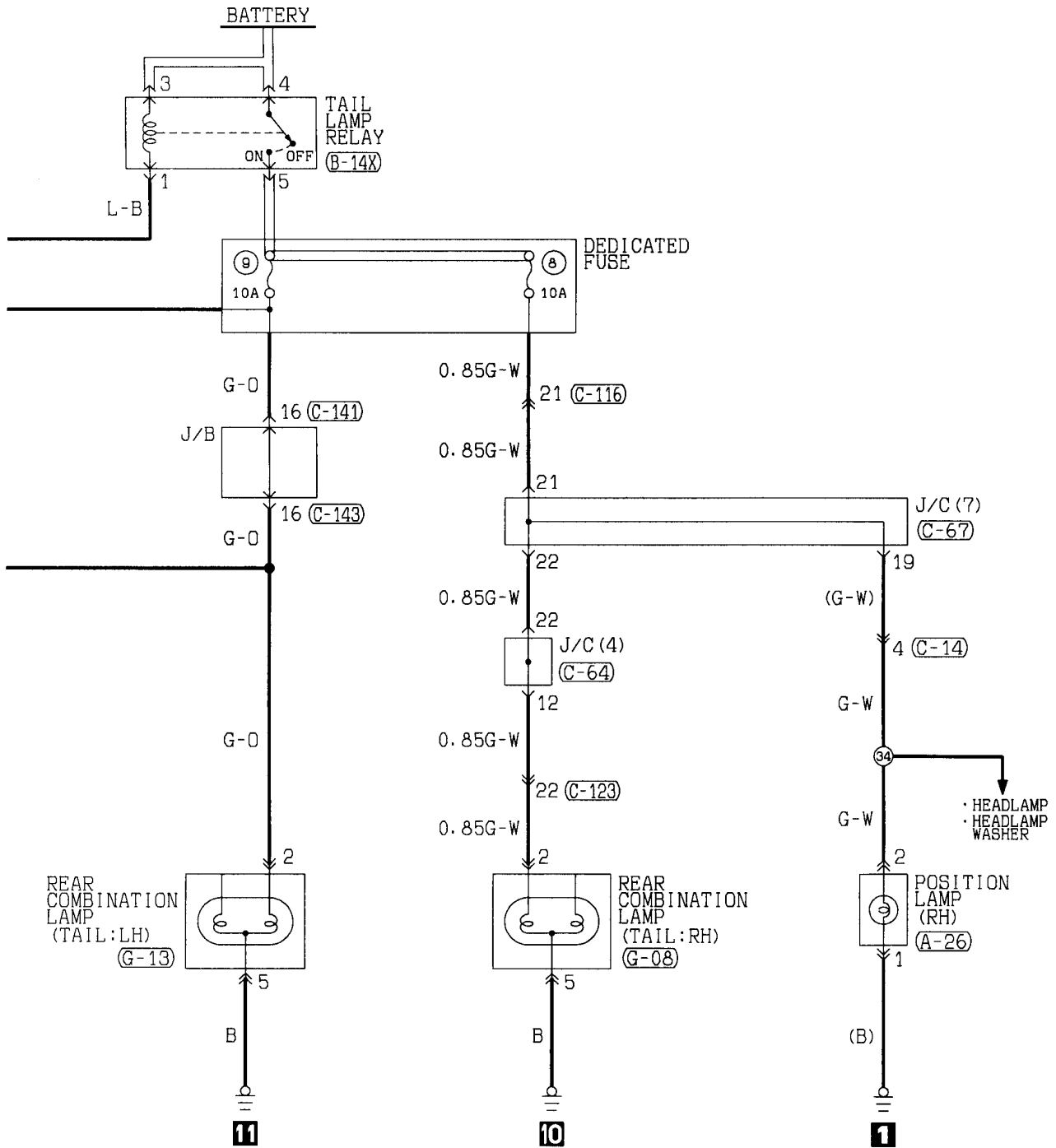
NOTES

TAIL LAMP, POSITION LAMP AND LICENCE PLATE LAMP

90101260202

L.H. drive vehicles with DRL <Sedan>





(C-67)

1	2	3	4	5	6	7	8	9	10	11
12	13	14	15	16	17	18	19	20	21	22
23	24	25	26	27	28	29	30	31	32	33

(C-101)

1	2	3	4
5	6	7	8
9	10		

(C-116)

1	2	3	4	5	6	7	8	9	10
11	12	13	14	15	16	17	18	19	20
21	22								

(C-123)

1	2	3	4	5	6	7	8	9	10
11	12	13	14	15	16	17	18	19	20
21	22								

(C-131)

1	2
3	4
5	6

(C-132)

1	2	3	4
5	6	7	8
9	10		

Wire colour code

B:Black LG:Light green
BR:Brown O:Orange

G:Green GR:Gray

L:Blue R:Red

W:White P:Pink

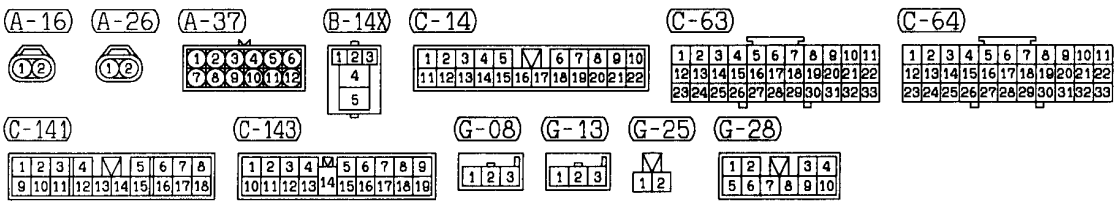
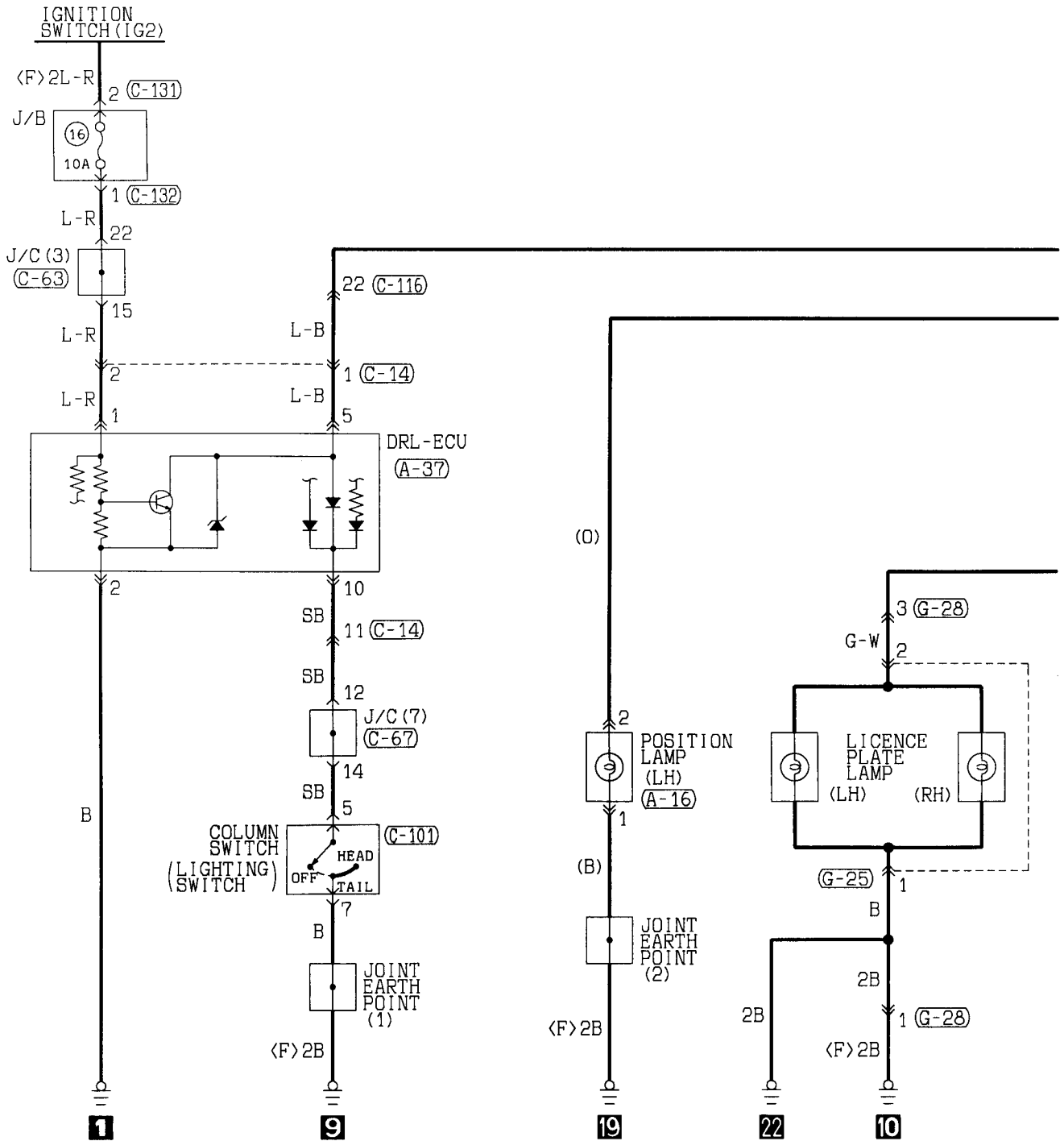
Y:Yellow V:Violet

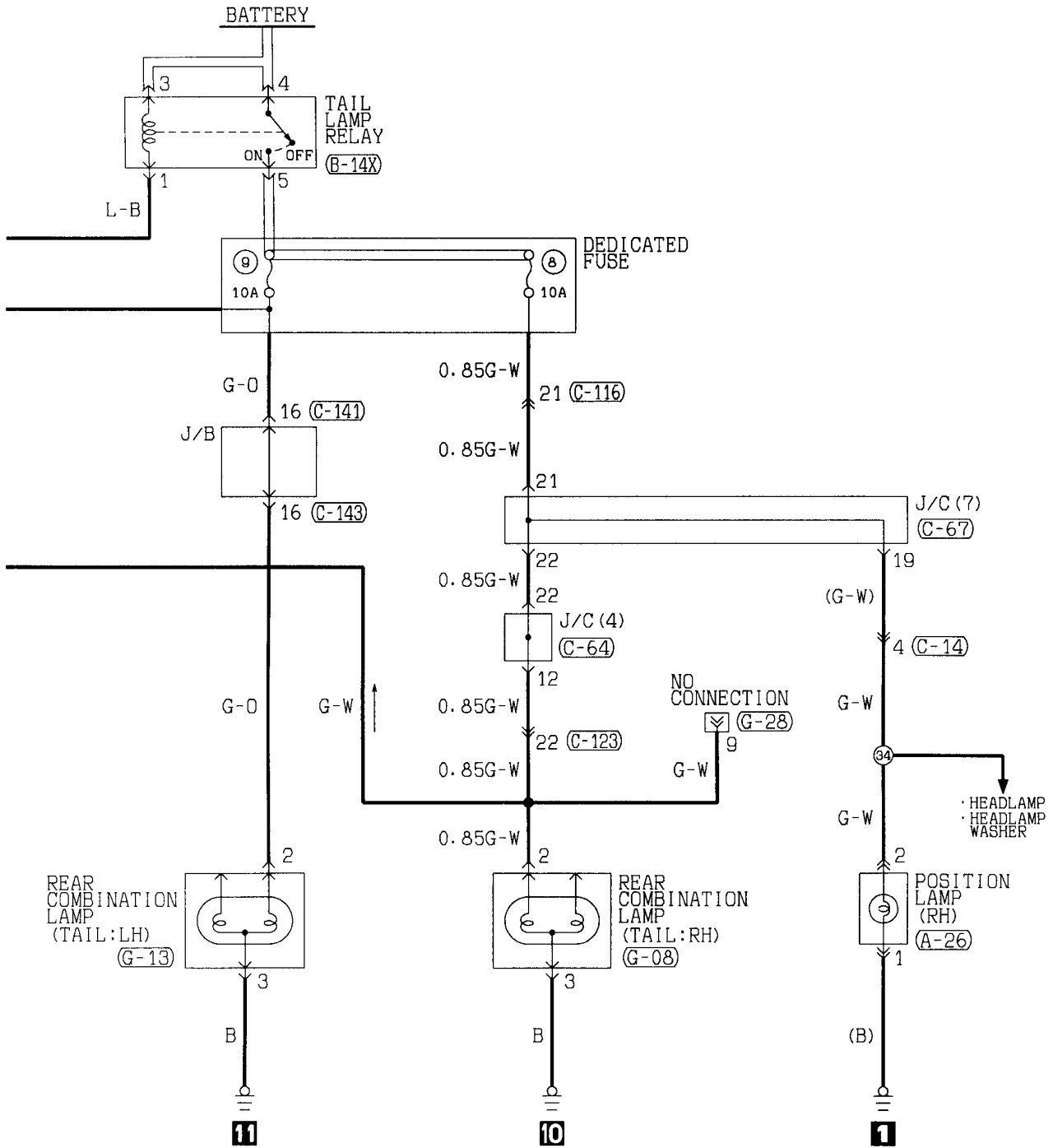
SB:Sky blue

TAIL LAMP, POSITION LAMP AND LICENCE PLATE LAMP

90101260219

L.H. drive vehicles with DRL <Wagon>





C-67

1	2	3	4	5	6	7	8	9	10	11
12	13	14	15	16	17	18	19	20	21	22
23	24	25	26	27	28	29	30	31	32	33

C-101

1	2	3	4
5	6	7	8
9	10		

C-116

1	2	3	4	5	6	7	8	9	10
11	12	13	14	15	16	17	18	19	20
21	22								

C-123

1	2	3	4	5	6	7	8	9	10
11	12	13	14	15	16	17	18	19	20
21	22								

C-131

1	2
3	4
5	6

C-132

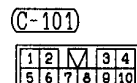
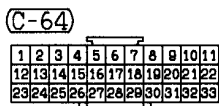
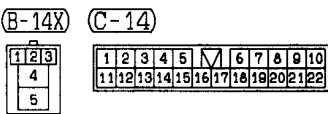
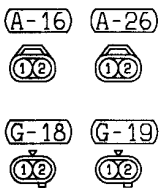
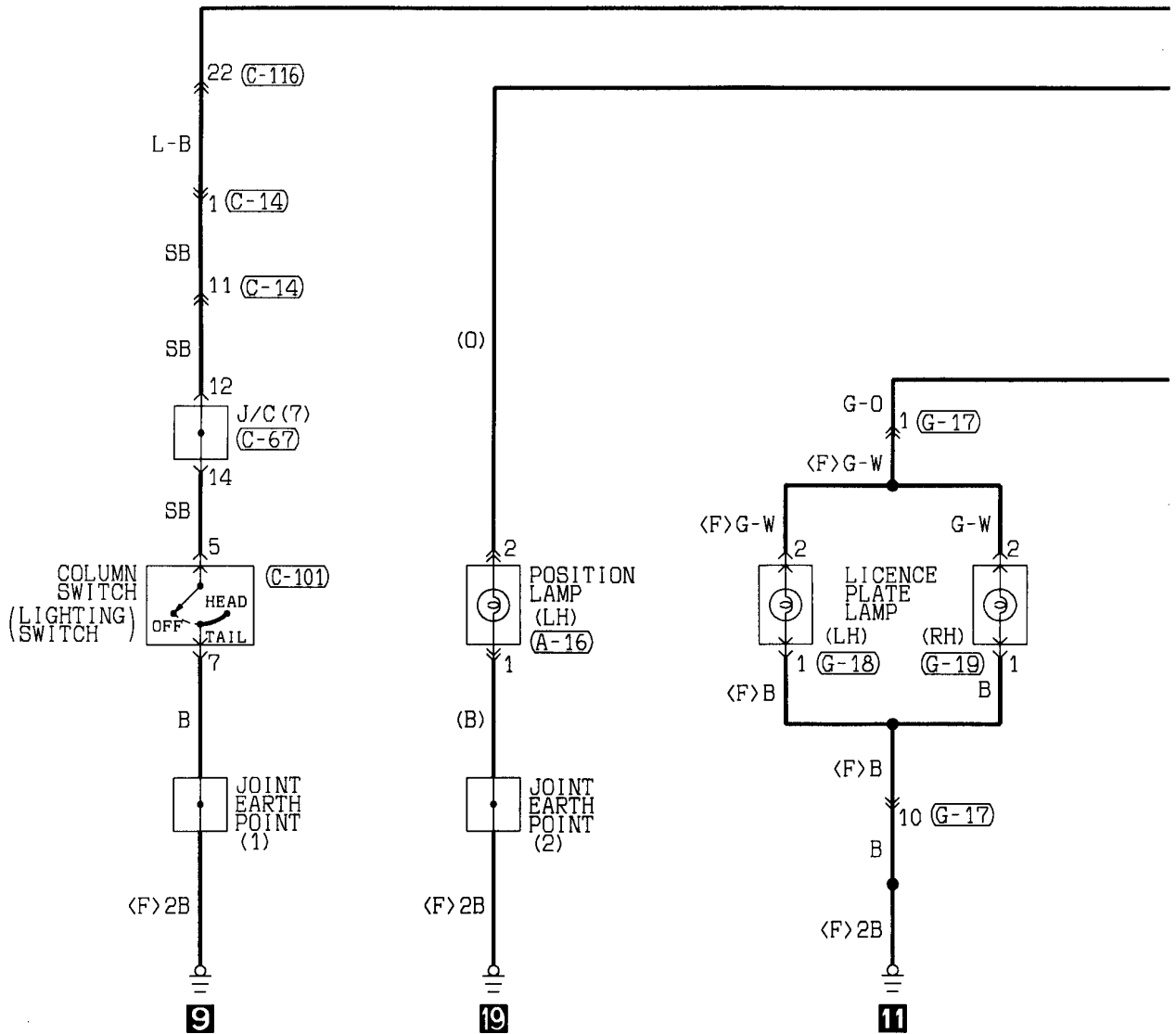
1	2	3	4
5	6	7	8
9	10		

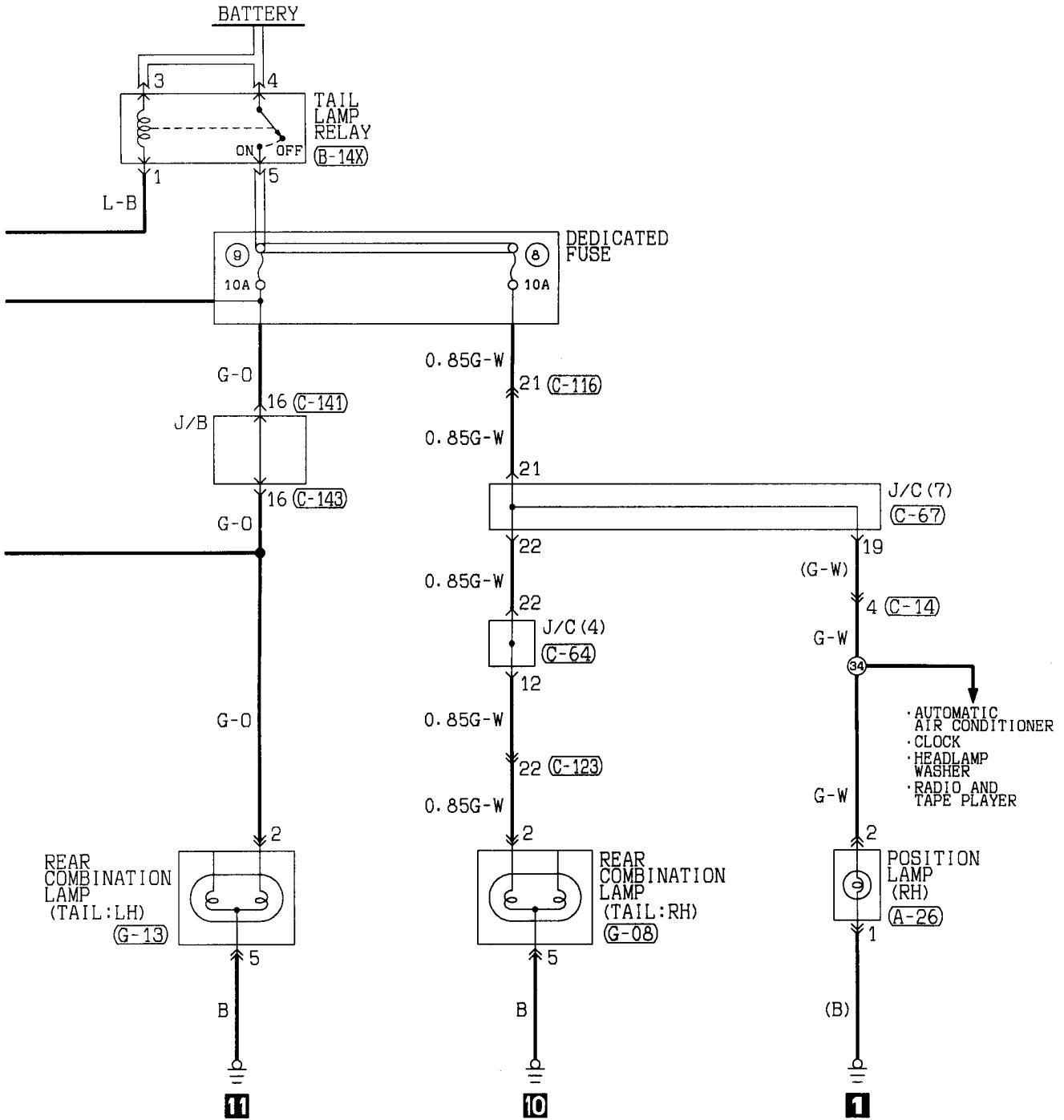
Wire colour code
 B : Black LG : Light green G : Green L : Blue W : White Y : Yellow SB : Sky blue
 BR : Brown O : Orange GR : Gray R : Red P : Pink V : Violet

TAIL LAMP, POSITION LAMP AND LICENCE PLATE LAMP

90101260226

L.H. drive vehicles without DRL <Sedan>





(C-116)

1	2	3	4	5	6	7	8	9	10		
11	12	13	14	15	16	17	18	19	20	21	22

(C-123)

1	2	3	4	5	6	7	8	9	10		
11	12	13	14	15	16	17	18	19	20	21	22

(C-141)

1	2	3	4	5	6	7	8		
9	10	11	12	13	14	15	16	17	18

(C-143)

1	2	3	4	5	6	7	8	9	
10	11	12	13	14	15	16	17	18	19

(G-08)

1	2		
3	4	5	6

(G-13)

1	2		
3	4	5	6

(G-17)

1	2	3	4		
5	6	7	8	9	10

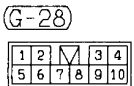
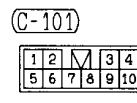
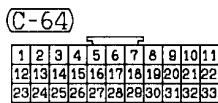
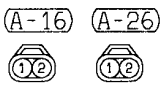
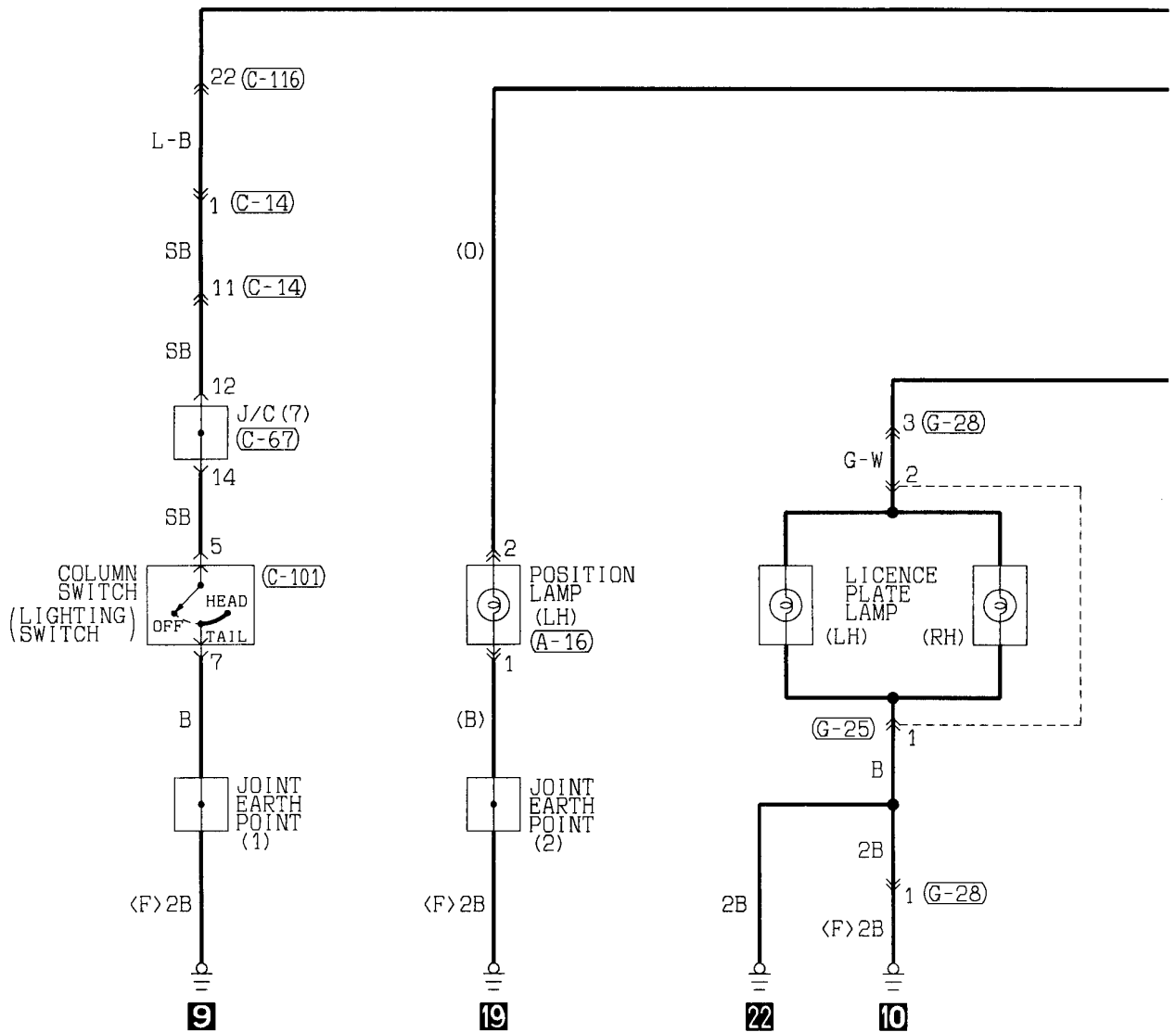
Wire colour code

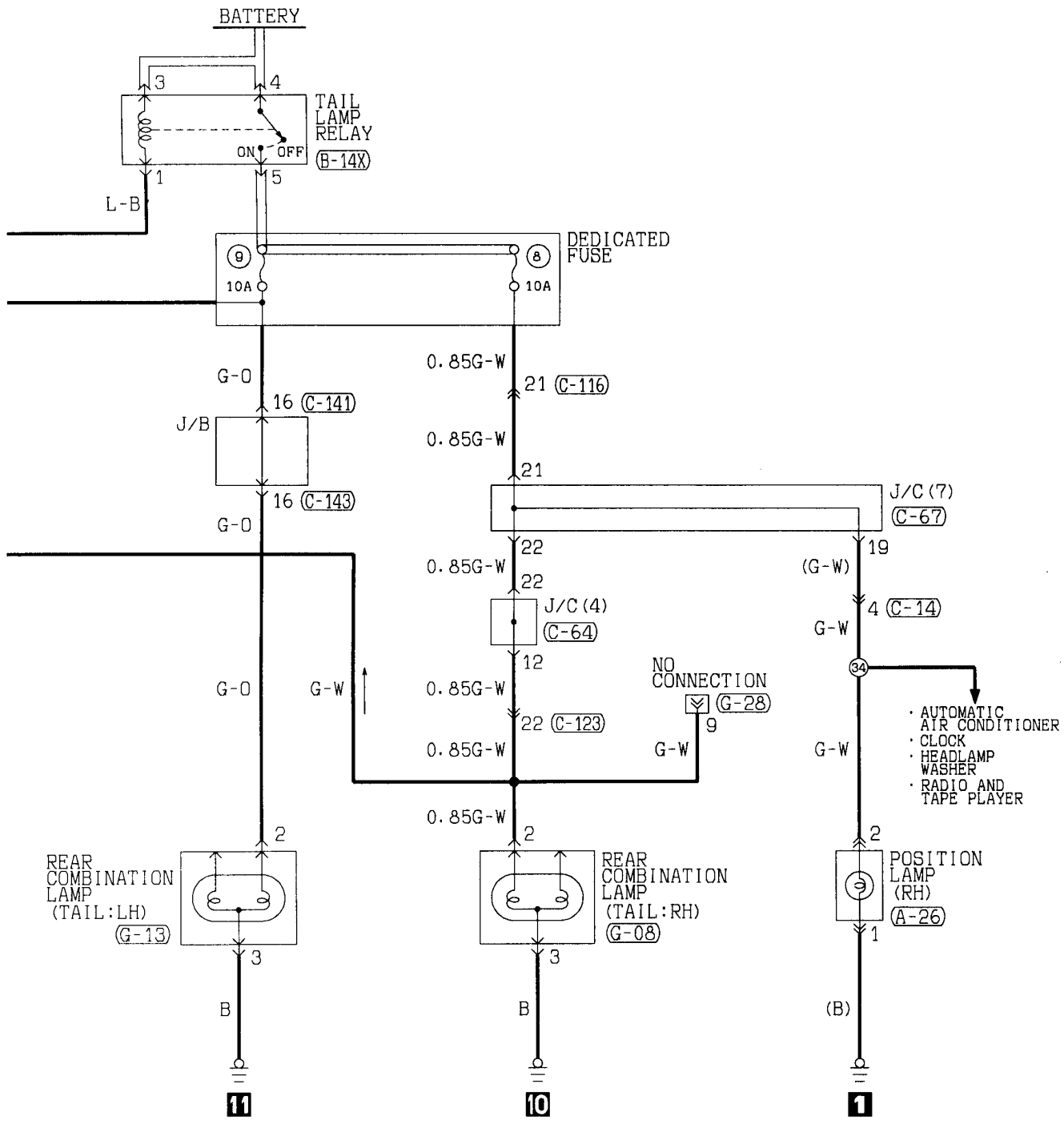
B : Black LG : Light green G : Green L : Blue W : White Y : Yellow SB : Sky blue
 BR : Brown O : Orange GR : Gray R : Red P : Pink V : Violet

TAIL LAMP, POSITION LAMP AND LICENCE PLATE LAMP

90101260233

L.H. drive vehicles without DRL <Wagon>



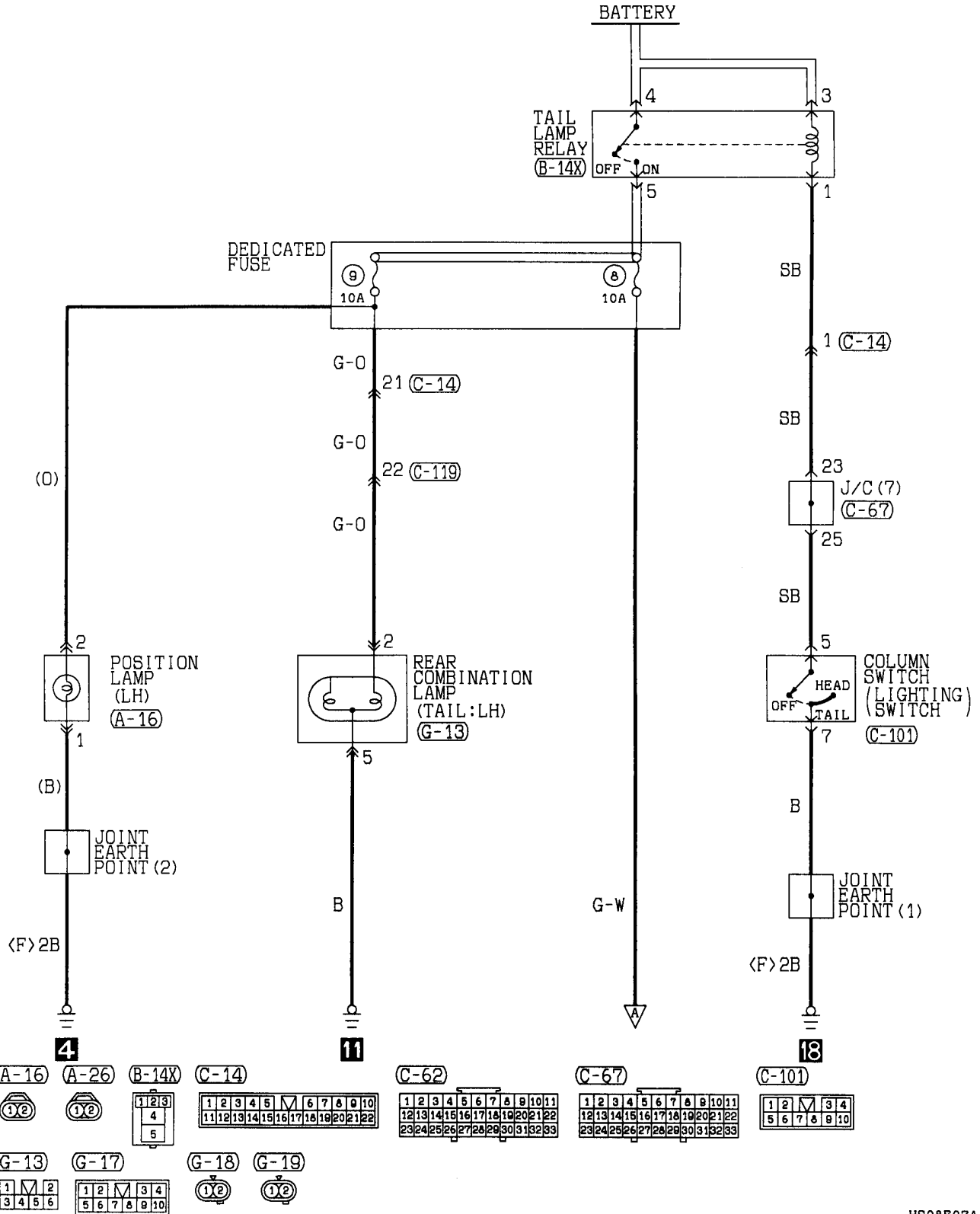


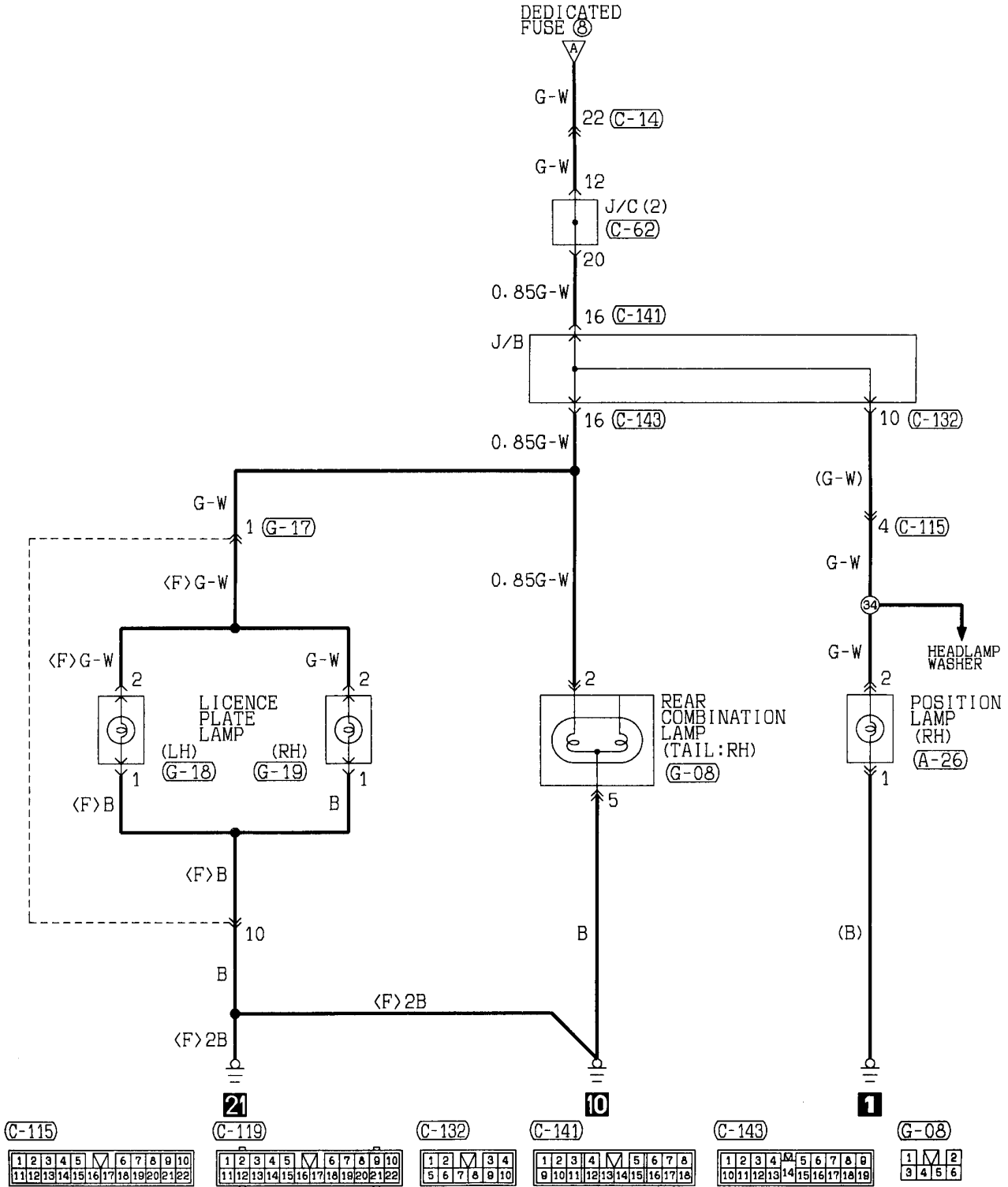
(C-116)	(C-123)	(C-141)	(C-143)	(G-08)	(G-13)	(G-25)																																																																																																																							
<table border="1"> <tr><td>1</td><td>2</td><td>3</td><td>4</td><td>5</td><td>6</td><td>7</td><td>8</td><td>9</td><td>10</td></tr> <tr><td>11</td><td>12</td><td>13</td><td>14</td><td>15</td><td>16</td><td>17</td><td>18</td><td>19</td><td>20</td></tr> <tr><td>21</td><td>22</td><td></td><td></td><td></td><td></td><td></td><td></td><td></td><td></td></tr> </table>	1	2	3	4	5	6	7	8	9	10	11	12	13	14	15	16	17	18	19	20	21	22									<table border="1"> <tr><td>1</td><td>2</td><td>3</td><td>4</td><td>5</td><td>6</td><td>7</td><td>8</td><td>9</td><td>10</td></tr> <tr><td>11</td><td>12</td><td>13</td><td>14</td><td>15</td><td>16</td><td>17</td><td>18</td><td>19</td><td>20</td></tr> <tr><td>21</td><td>22</td><td></td><td></td><td></td><td></td><td></td><td></td><td></td><td></td></tr> </table>	1	2	3	4	5	6	7	8	9	10	11	12	13	14	15	16	17	18	19	20	21	22									<table border="1"> <tr><td>1</td><td>2</td><td>3</td><td>4</td><td>5</td><td>6</td><td>7</td><td>8</td></tr> <tr><td>9</td><td>10</td><td>11</td><td>12</td><td>13</td><td>14</td><td>15</td><td>16</td></tr> <tr><td>17</td><td>18</td><td></td><td></td><td></td><td></td><td></td><td></td></tr> </table>	1	2	3	4	5	6	7	8	9	10	11	12	13	14	15	16	17	18							<table border="1"> <tr><td>1</td><td>2</td><td>3</td><td>4</td><td>5</td><td>6</td><td>7</td><td>8</td><td>9</td></tr> <tr><td>10</td><td>11</td><td>12</td><td>13</td><td>14</td><td>15</td><td>16</td><td>17</td><td>18</td></tr> <tr><td>19</td><td></td><td></td><td></td><td></td><td></td><td></td><td></td><td></td></tr> </table>	1	2	3	4	5	6	7	8	9	10	11	12	13	14	15	16	17	18	19									<table border="1"> <tr><td>1</td><td>2</td><td>3</td></tr> </table>	1	2	3	<table border="1"> <tr><td>1</td><td>2</td><td>3</td></tr> </table>	1	2	3	<table border="1"> <tr><td>1</td><td>2</td></tr> </table>	1	2
1	2	3	4	5	6	7	8	9	10																																																																																																																				
11	12	13	14	15	16	17	18	19	20																																																																																																																				
21	22																																																																																																																												
1	2	3	4	5	6	7	8	9	10																																																																																																																				
11	12	13	14	15	16	17	18	19	20																																																																																																																				
21	22																																																																																																																												
1	2	3	4	5	6	7	8																																																																																																																						
9	10	11	12	13	14	15	16																																																																																																																						
17	18																																																																																																																												
1	2	3	4	5	6	7	8	9																																																																																																																					
10	11	12	13	14	15	16	17	18																																																																																																																					
19																																																																																																																													
1	2	3																																																																																																																											
1	2	3																																																																																																																											
1	2																																																																																																																												

Wire colour code
 B : Black LG : Light green G : Green L : Blue W : White Y : Yellow SB : Sky blue
 BR : Brown O : Orange GR : Gray R : Red P : Pink V : Violet

TAIL LAMP, POSITION LAMP AND LICENCE PLATE LAMP
 R.H. drive vehicles <Sedan>

90101260240



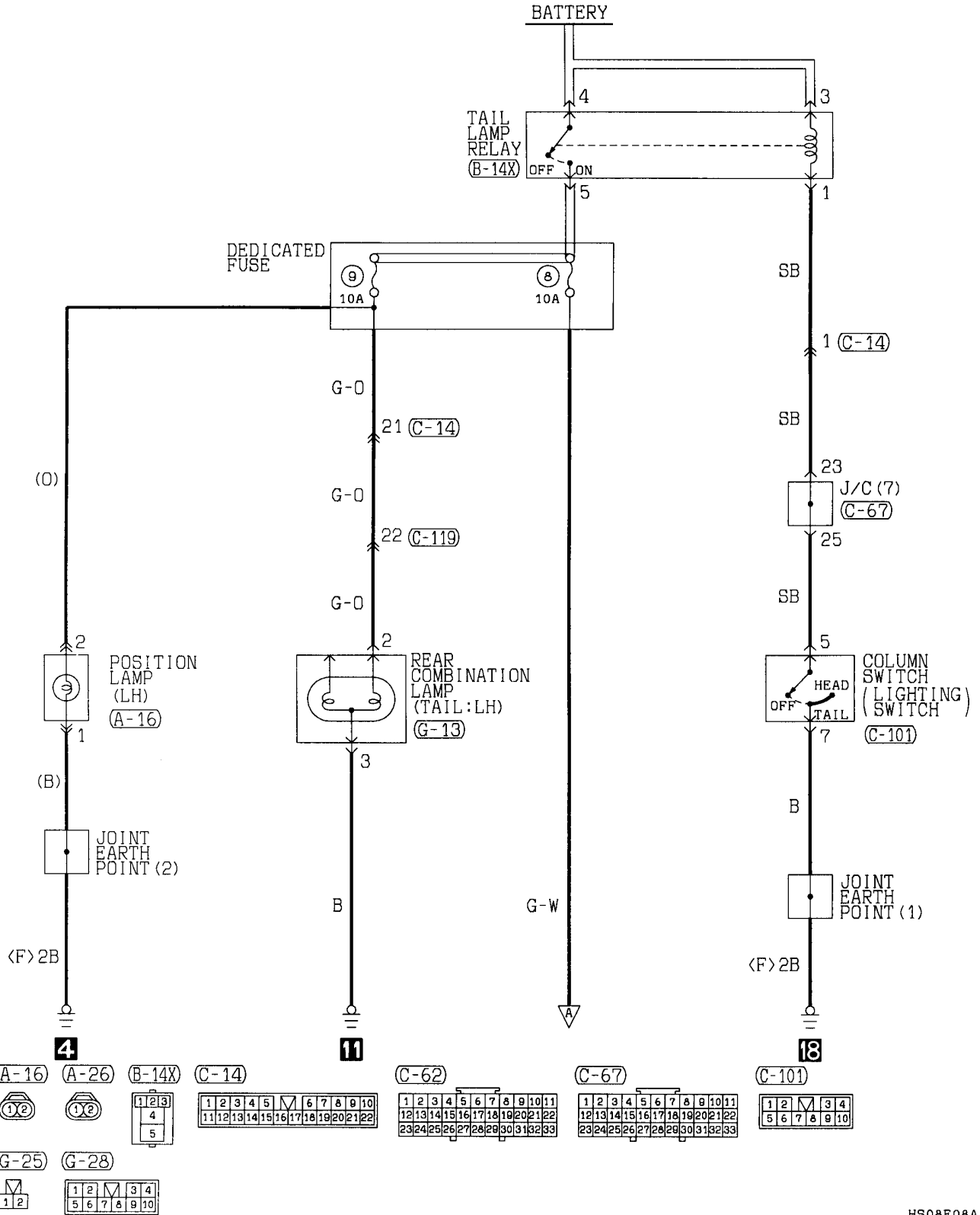


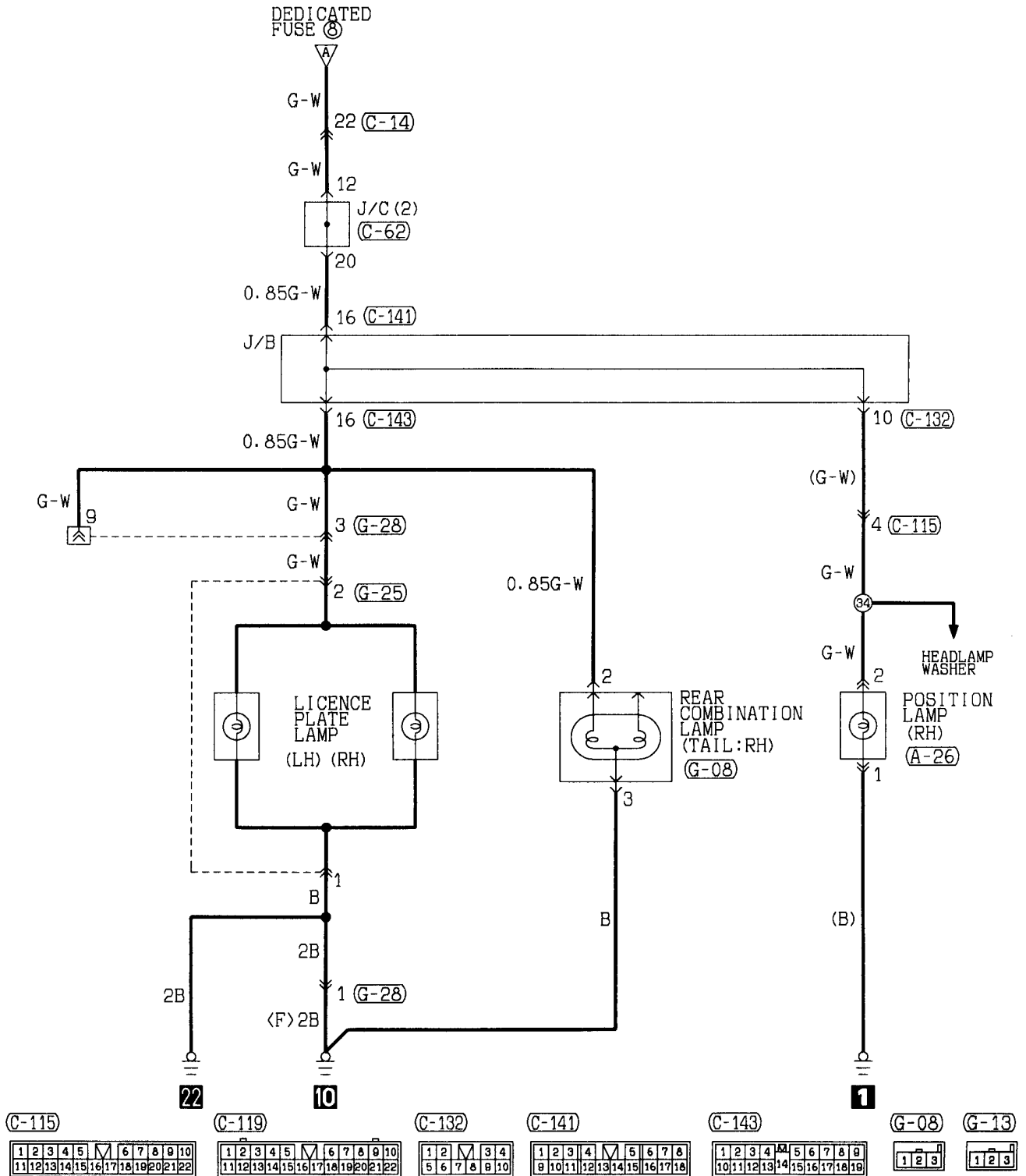
Wire colour code
 B:Black LG:Light green G:Green L:Blue W:White Y:Yellow SB:Sky blue
 BR:Brown O:Orange GR:Gray R:Red P:Pink V:Violet

TAIL LAMP, POSITION LAMP AND LICENCE PLATE LAMP

90101260257

R.H. drive vehicles <Wagon>





Wire colour code
 B : Black LG : Light green G : Green L : Blue W : White Y : Yellow SB : Sky blue
 BR : Brown O : Orange GR : Gray R : Red P : Pink V : Violet

TAIL LAMP, POSITION LAMP AND LICENCE PLATE LAMP (See P. 4-192, 194, 196, 198, 200, 202.)**OPERATION**

- Placing the lighting switch in the "TAIL" or "HEAD" position causes the tail lamp relay to be energized. For vehicles with daytime running lamps, if the ignition switch is turned to the "ON" position, the tail lamp relay normally is always "ON".
- As result, current flows by way of dedicated fuse No. (8) and No. (9) to each lamp, causing the lamp to go on.

TROUBLESHOOTING HINTS

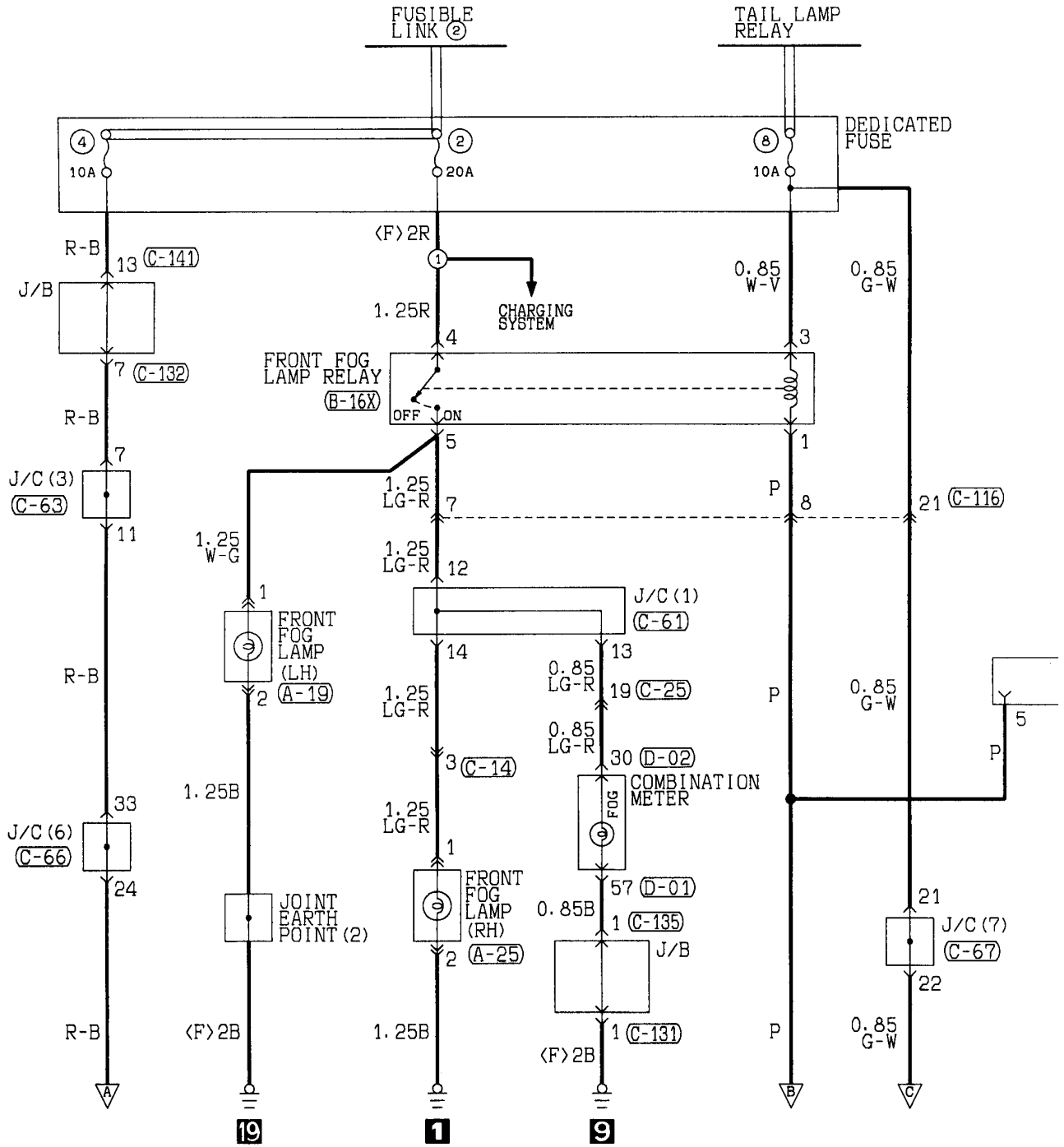
1. No lamp go on.
 - (1) Headlamps do not go on, either.
 - Check the battery.
 - Check the lighting switch.
 - (2) Headlamps go on.
 - Check the tail lamp relay.
 - Check the dedicated fuse No. (8) and No. (9).

NOTES

FRONT FOG LAMP

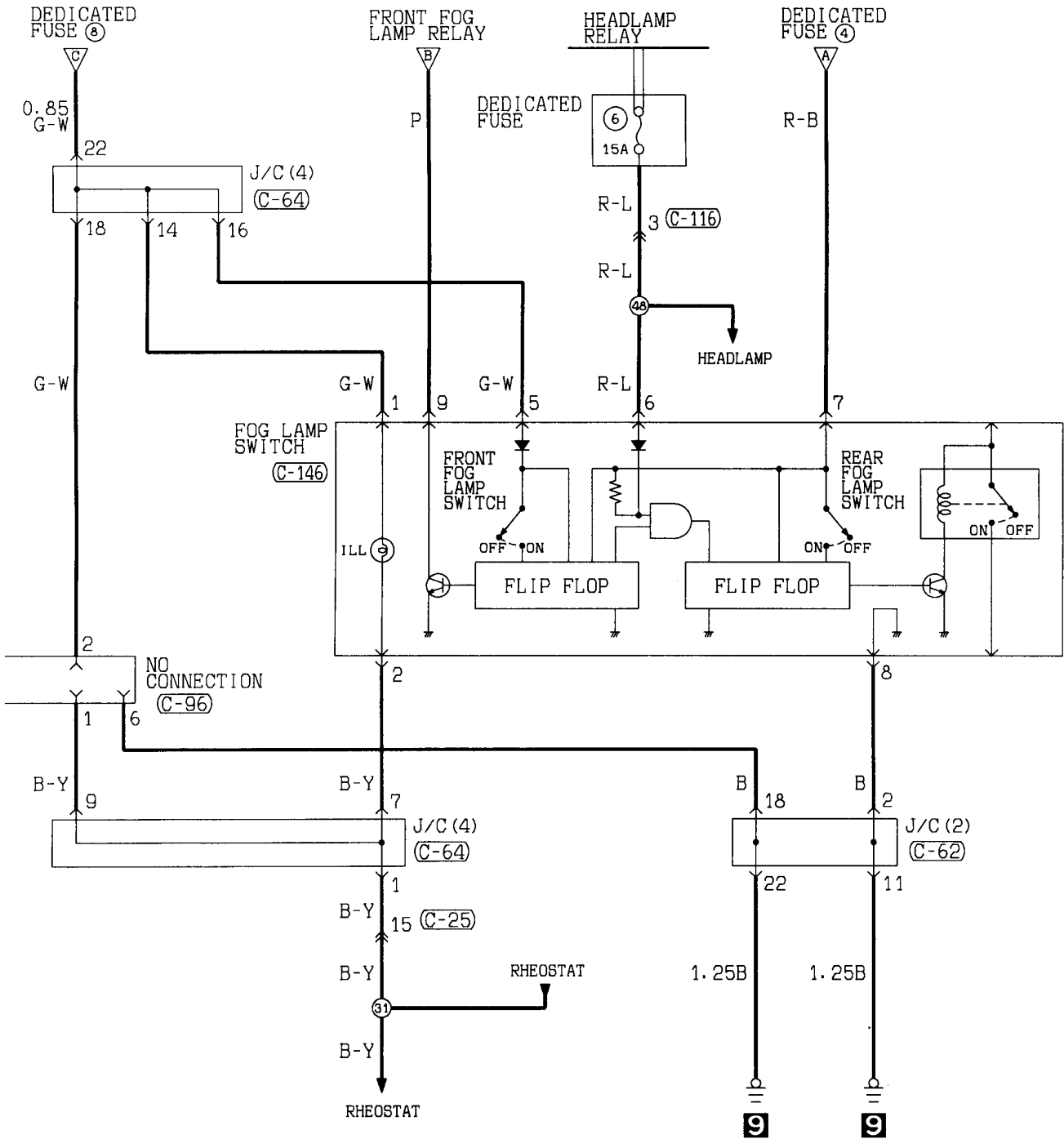
90101190235

L.H. drive vehicles



(A-19) 1 2	(A-25) 1 2	(B-16X) 1 2 3 4 5	(C-14) 1 2 3 4 5 6 7 8 9 10 11 12 13 14 15 16 17 18 19 20 21 22	(C-25) 1 2 3 4 5 6 7 8 9 10 11 12 13 14 15 16 17 18 19 20 21 22	(C-61) 1 2 3 4 5 6 7 8 9 10 11 12 13 14 15 16 17 18 19 20 21 22 23 24 25 26 27 28 29 30 31 32 33	(C-62) 1 2 3 4 5 6 7 8 9 10 11 12 13 14 15 16 17 18 19 20 21 22 23 24 25 26 27 28 29 30 31 32 33
(C-131) 1 2 3 4 5 6	(C-132) 1 2 3 4 5 6 7 8 9 10	(C-135) 1 2 3 4 5 6 7 8 9 10 11 12 13 14 15 16 17 18 19 20	(C-141) 1 2 3 4 5 6 7 8 9 10 11 12 13 14 15 16 17 18	(C-146) 1 2 3 4 5 6 7 8 9 10	(D-01) 4 1 4 2 4 3 4 4 4 5 4 6 4 7 4 8 4 9 5 0 5 1 5 2 5 3 5 4 5 5 5 6 5 7	(D-02) 2 1 2 2 2 3 2 4 2 5 2 6 2 7 2 8 2 9

HS08E09AA



(C-63)

1	2	3	4	5	6	7	8	9	10	11
12	13	14	15	16	17	18	19	20	21	22
23	24	25	26	27	28	29	30	31	32	33

(C-64)

1	2	3	4	5	6	7	8	9	10	11
12	13	14	15	16	17	18	19	20	21	22
23	24	25	26	27	28	29	30	31	32	33

(C-66)

1	2	3	4	5	6	7	8	9	10	11
12	13	14	15	16	17	18	19	20	21	22
23	24	25	26	27	28	29	30	31	32	33

(C-67)

1	2	3	4	5	6	7	8	9	10	11
12	13	14	15	16	17	18	19	20	21	22
23	24	25	26	27	28	29	30	31	32	33

(C-96)

1	M	2	
3	4	5	6

(C-116)

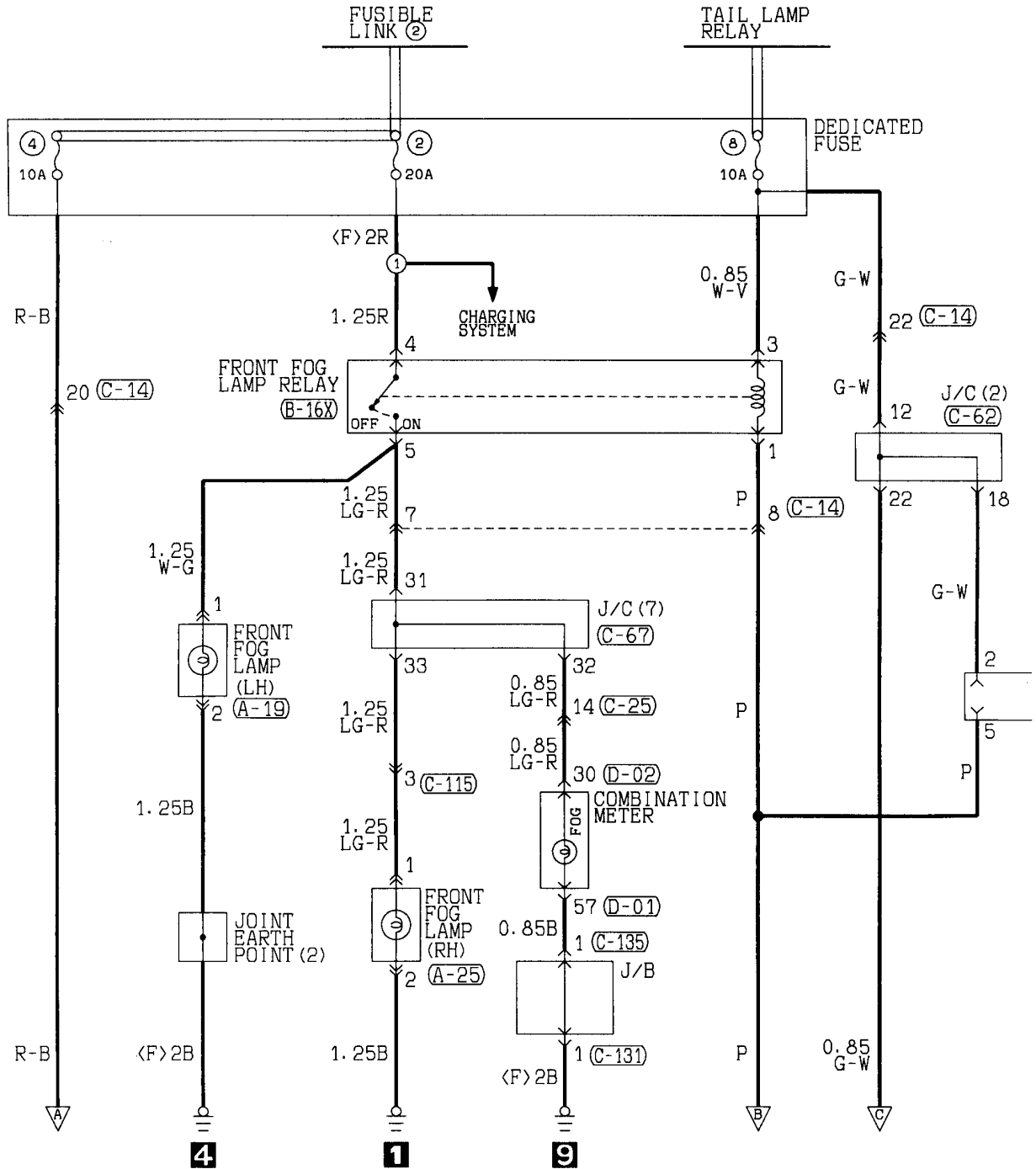
1	2	3	4	5	M	6	7	8	9	10	
11	12	13	14	15	16	17	18	19	20	21	22

Wire colour code
 B : Black LG: Light green G : Green L : Blue W : White Y : Yellow SB: Sky blue
 BR: Brown O : Orange GR: Gray R : Red P : Pink V : Violet

FRONT FOG LAMP

90101190242

R.H. drive vehicles



(A-19)

1	2
---	---

(A-25)

1	2
---	---

(B-16X)

1	2	3
4		
5		

(C-14)

1	2	3	4	5	6	7	8	9	10		
11	12	13	14	15	16	17	18	19	20	21	22

(C-25)

1	2	3	4	5	6	7	8	9	10		
11	12	13	14	15	16	17	18	19	20	21	22

(C-61)

1	2	3	4	5	6	7	8	9	10	11
12	13	14	15	16	17	18	19	20	21	22
23	24	25	26	27	28	29	30	31	32	33

(C-62)

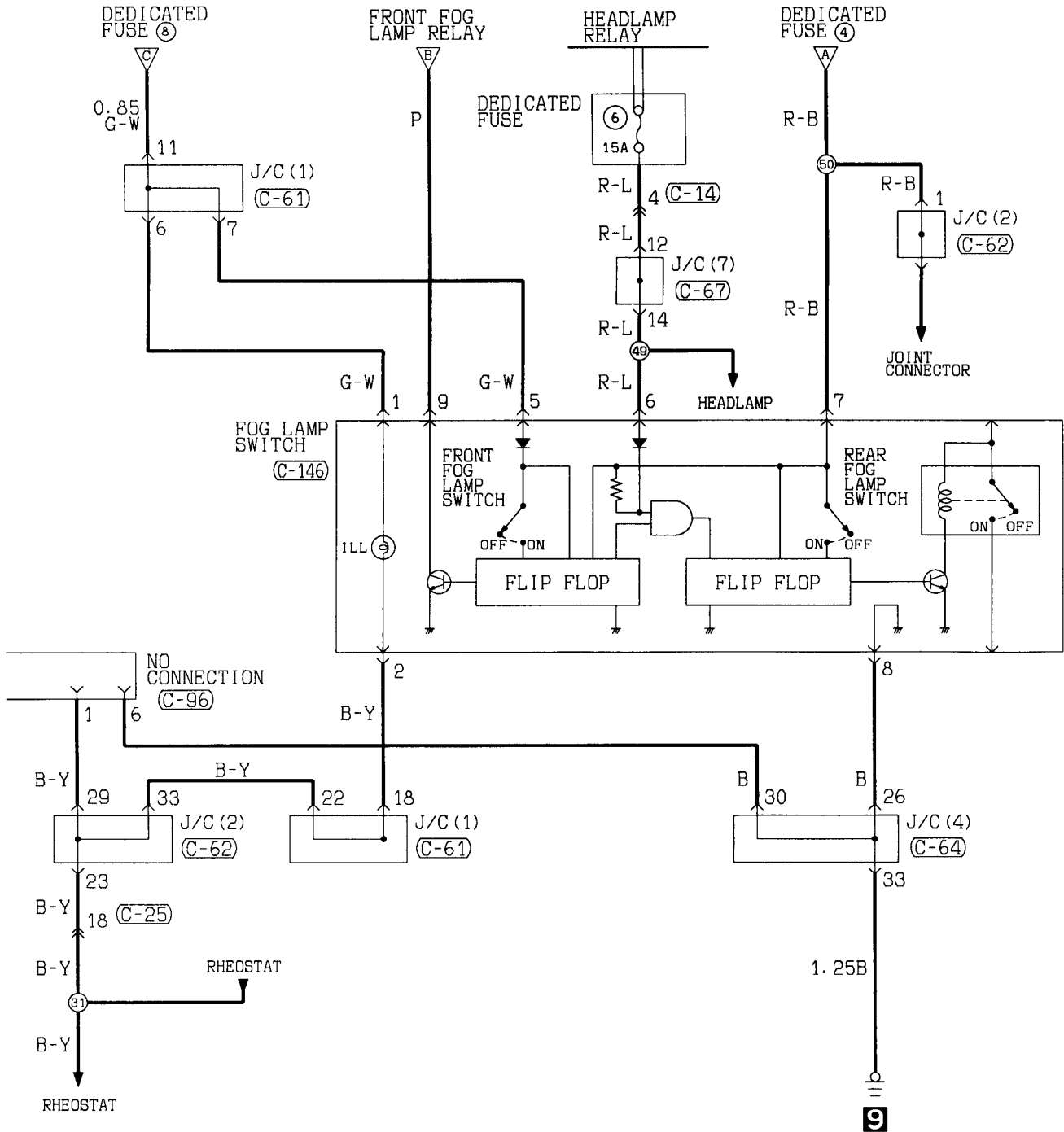
1	2	3	4	5	6	7	8	9	10	11
12	13	14	15	16	17	18	19	20	21	22
23	24	25	26	27	28	29	30	31	32	33

(D-01)

4	14	24	34	44	54	64	74	84
49								
50	51	52	53	54	55	56	57	

(D-02)

2	12	22	32	42	52	62	72	82
29								
30	31	32	33	34	35	36	37	



(C-64)

1	2	3	4	5	6	7	8	9	10	11
12	13	14	15	16	17	18	19	20	21	22
23	24	25	26	27	28	29	30	31	32	33

(C-67)

1	2	3	4	5	6	7	8	9	10	11
12	13	14	15	16	17	18	19	20	21	22
23	24	25	26	27	28	29	30	31	32	33

(C-96)

1	2
3	4
5	6

(C-115)

1	2	3	4	5	6	7	8	9	10
11	12	13	14	15	16	17	18	19	20
21	22								

(C-131)

1	2
3	4
5	6

(C-135)

1	2	3	4	5	6	7	8	9
10	11	12	13	14	15	16	17	18
19	20							

(C-146)

1	2	3	4
5	6	7	8
9	10		

Wire colour code
 B :Black LG:Light green G :Green L :Blue W :White Y :Yellow SB:Sky blue
 BR:Brown O :Orange GR:Gray R :Red P :Pink V :Violet

FRONT FOG LAMP (See P. 4-206, 208.)**OPERATION**

- When the lighting switch is moved to the TAIL position, the tail lamp relay turns on, and system voltage is applied to the front fog lamp relay via dedicated fuse No. (8).
- If the front fog lamp switch is turned on at this time, the front fog lamp relay turn on, and current flows through dedicated fuse No. (2) so that the fog lamps illuminate.

TROUBLESHOOTING HINTS

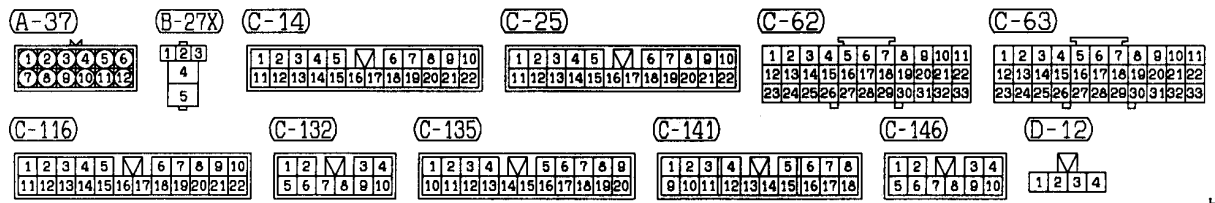
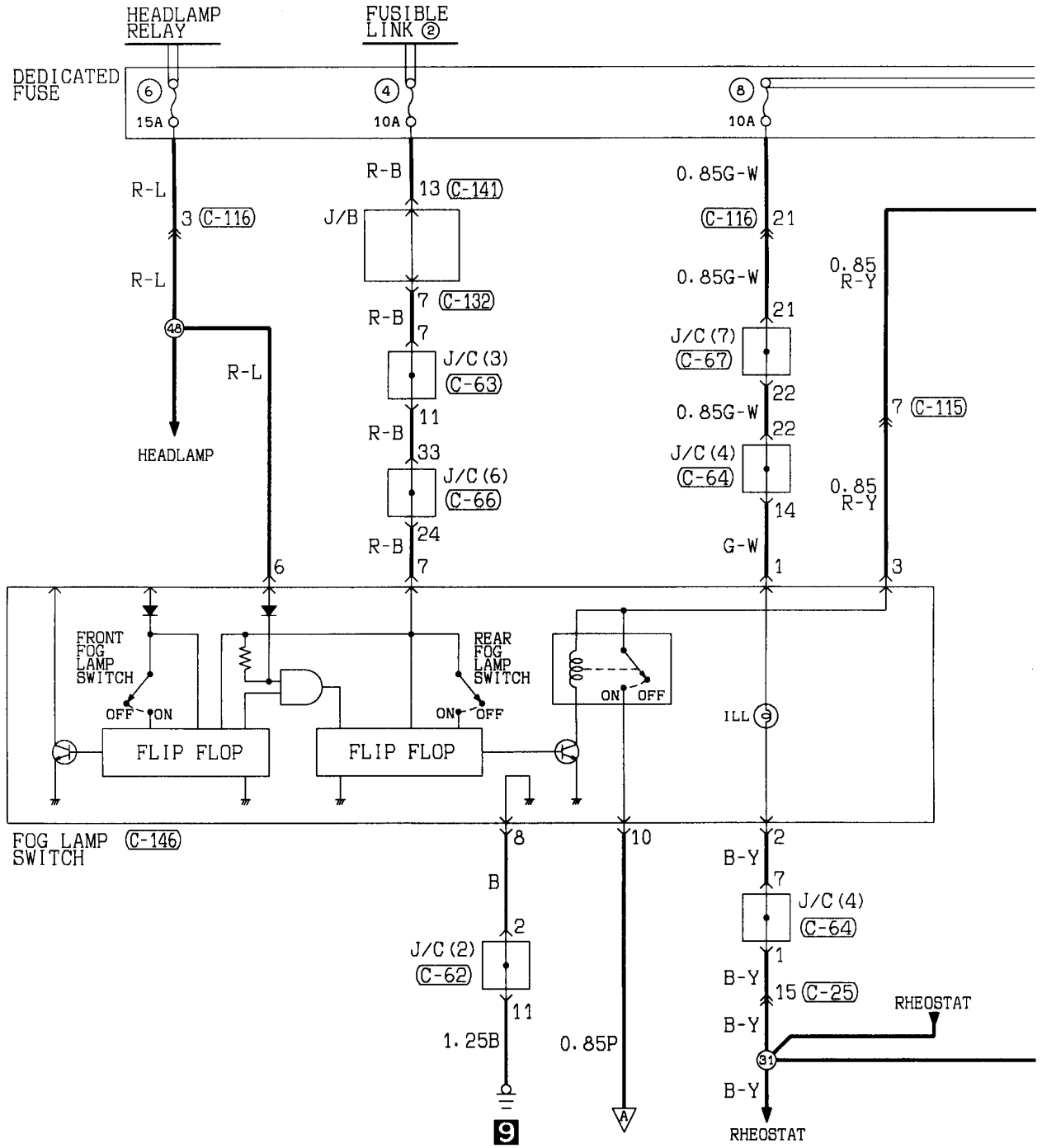
1. The front fog lamp does not illuminate.
 - (1) The tail lamps illuminate.
 - Check the dedicated fuse No. (2).
 - Check the front fog lamp switch.
 - Check the front fog lamp relay.
 - (2) The tail lamps do not illuminate, either.
 - Check the dedicated fuse No. (8).
 - Check the tail lamp relay.
2. The front fog lamp at the one side doesn't illuminate.
 - Check the lamp bulb.

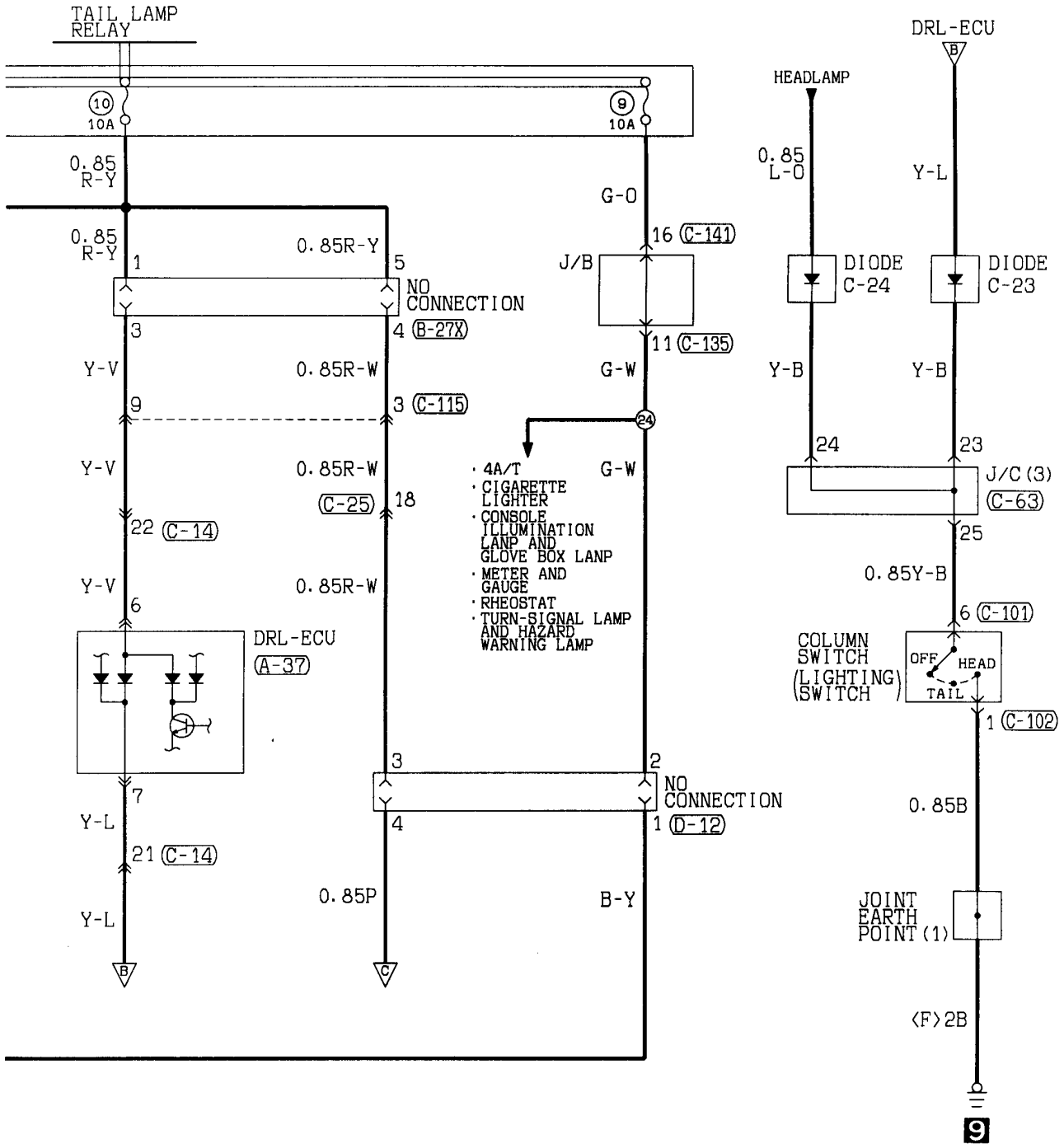
NOTES

REAR FOG LAMP

90101200327

L.H. drive vehicles with DRL

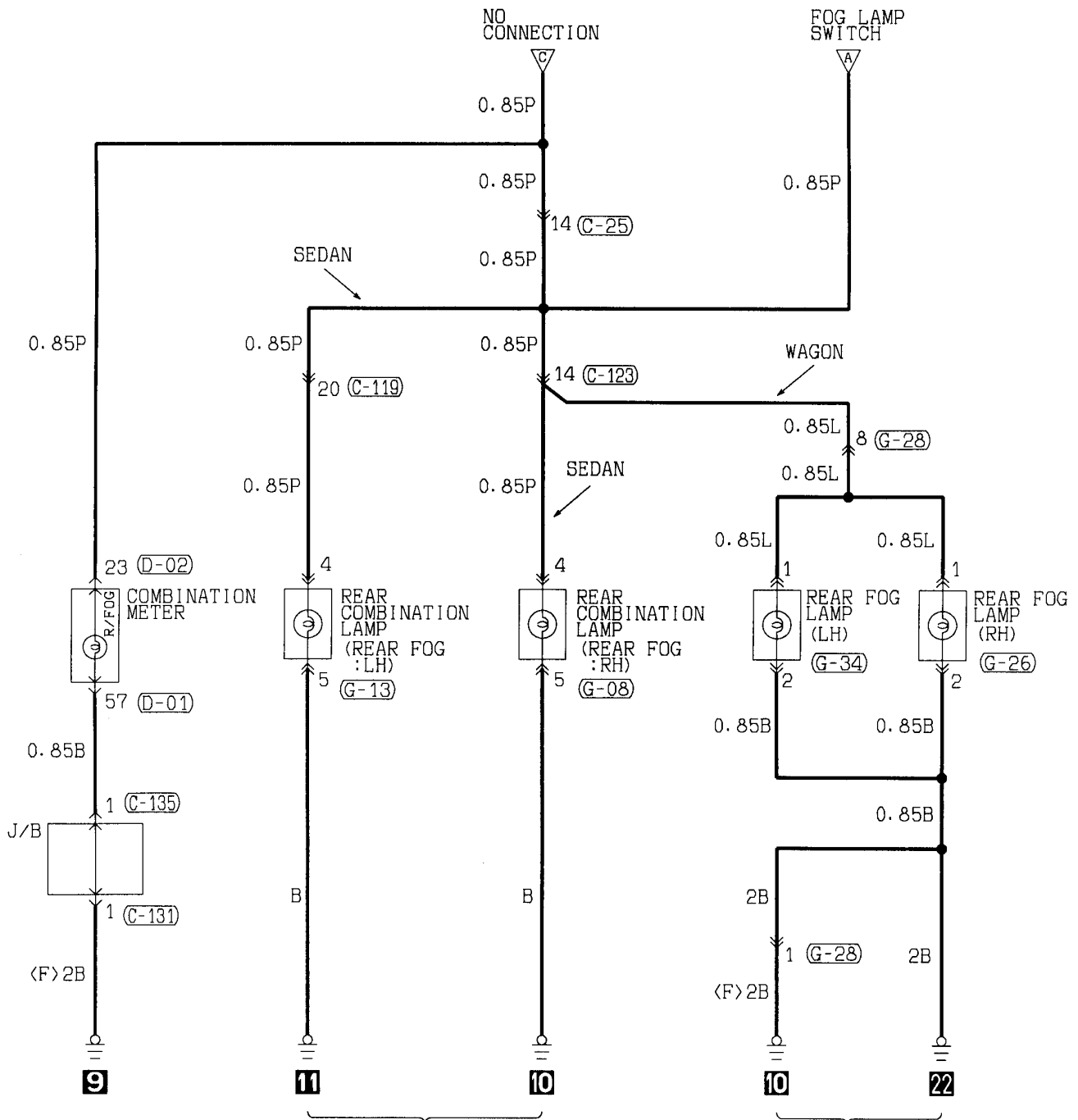




(C-64)	(C-66)	(C-67)	(C-101)	(C-102)	(C-115)
1 2 3 4 5 6 7 8 9 10 11 12 13 14 15 16 17 18 19 20 21 22 23 24 25 26 27 28 29 30 31 32 33	1 2 3 4 5 6 7 8 9 10 11 12 13 14 15 16 17 18 19 20 21 22 23 24 25 26 27 28 29 30 31 32 33	1 2 3 4 5 6 7 8 9 10 11 12 13 14 15 16 17 18 19 20 21 22 23 24 25 26 27 28 29 30 31 32 33	1 2 3 4 5 6 7 8 9 10	1 2 3 4 5 6	1 2 3 4 5 6 7 8 9 10

Wire colour code
 B : Black LG : Light green G : Green L : Blue W : White Y : Yellow SB : Sky blue
 BR : Brown O : Orange GR : Gray R : Red P : Pink V : Violet

REAR FOG LAMP <L.H. drive vehicles with DRL> (CONTINUED)



(C-25)

1	2	3	4	5	6	7	8	9	10		
11	12	13	14	15	16	17	18	19	20	21	22

(C-119)

1	2	3	4	5	6	7	8	9	10		
11	12	13	14	15	16	17	18	19	20	21	22

(C-123)

1	2	3	4	5	6	7	8	9	10		
11	12	13	14	15	16	17	18	19	20	21	22

(C-131)

1	2		
3	4	5	6

(C-135)

1	2	3	4	5	6	7	8	9		
10	11	12	13	14	15	16	17	18	19	20

(D-01)

41	42	43	44	45	46	47	48
49							
50	51	52	53	54	55	56	57

(D-02)

21	22	23	24	25	26	27	28
29							
30	31	32	33	34	35	36	37

(G-08)

1	2		
3	4	5	6

(G-13)

1	2		
3	4	5	6

(G-26)

1	2
---	---

(G-28)

1	2	3	4		
5	6	7	8	9	10

(G-34)

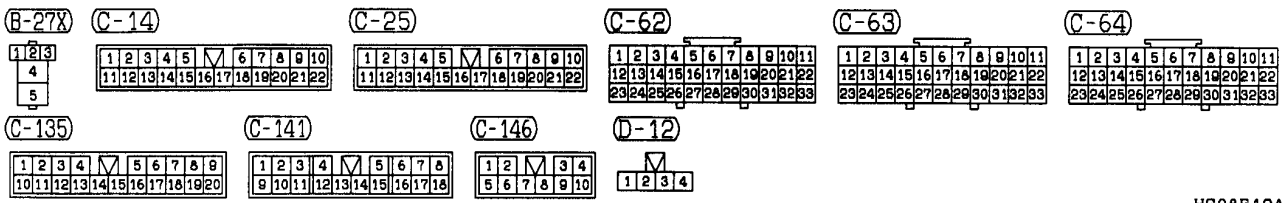
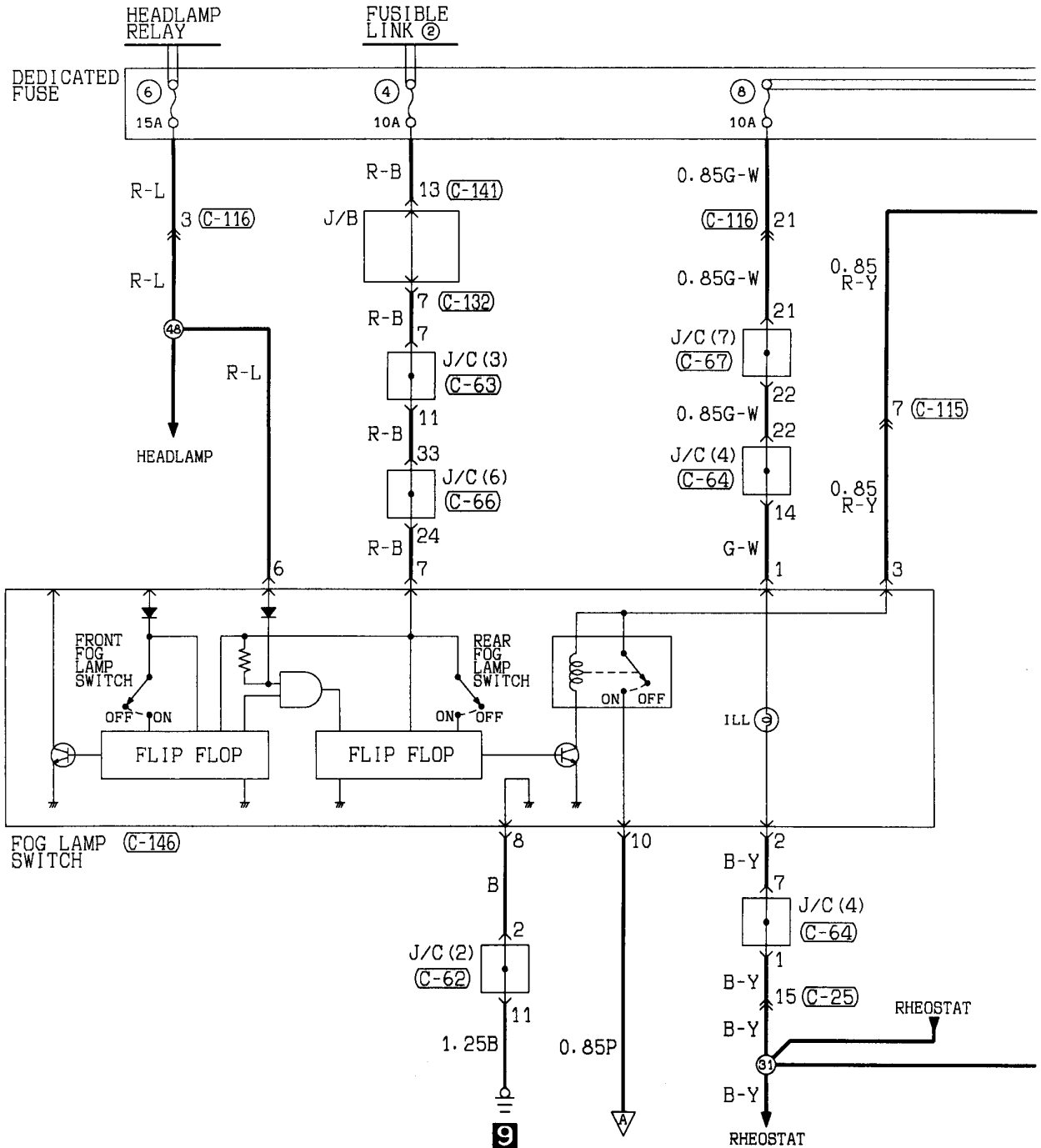
1	2
---	---

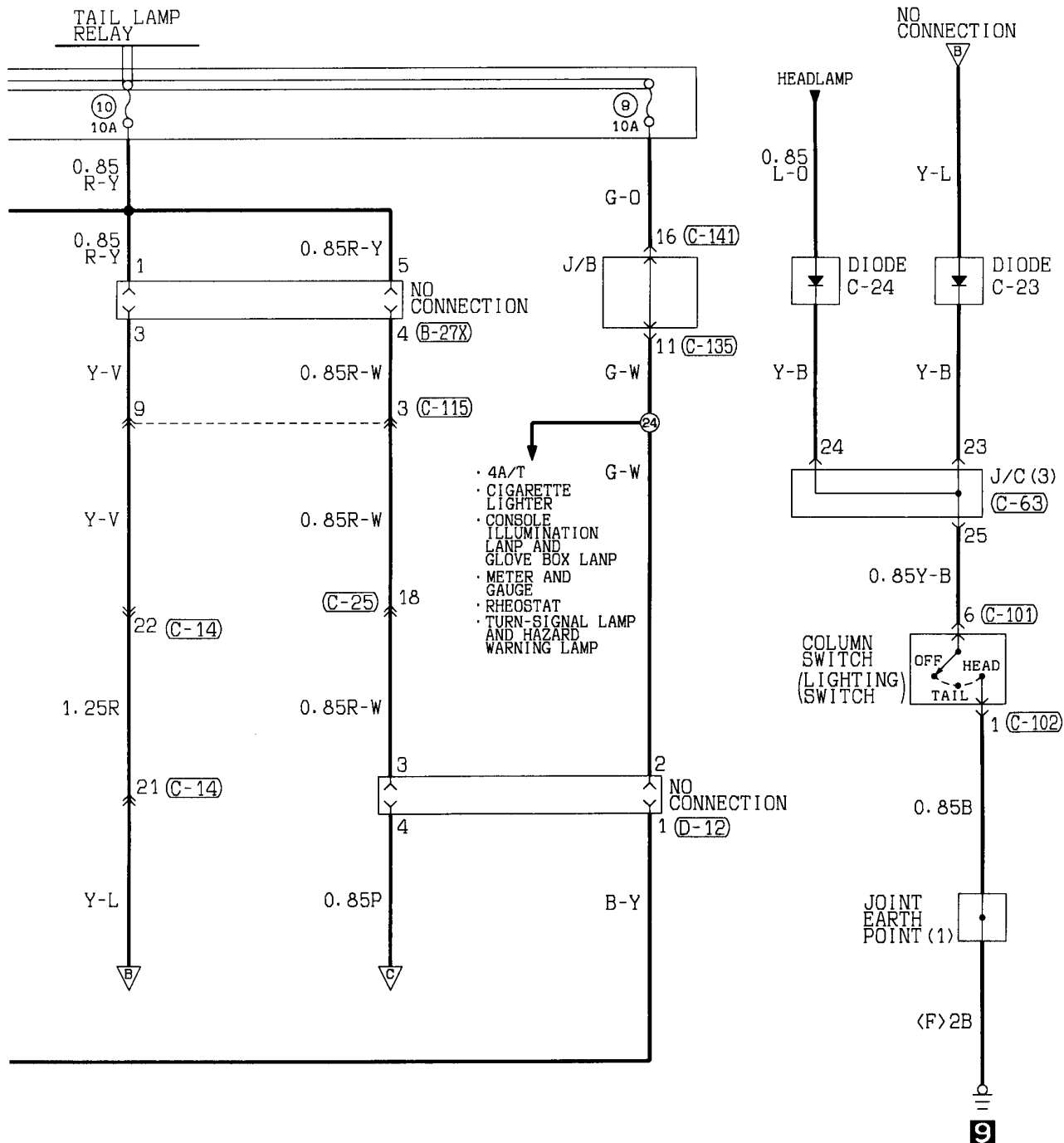
NOTES

REAR FOG LAMP

90101200334

L.H. drive vehicles without DRL





(C-66)

1	2	3	4	5	6	7	8	9	10	11
12	13	14	15	16	17	18	19	20	21	22
23	24	25	26	27	28	29	30	31	32	33

(C-67)

1	2	3	4	5	6	7	8	9	10	11
12	13	14	15	16	17	18	19	20	21	22
23	24	25	26	27	28	29	30	31	32	33

(C-101)

1	2	3	4
5	6	7	8
9	10		

(C-102)

1	2
3	4
5	6

(C-115)

1	2	3	4
5	6	7	8
9	10		

(C-116)

1	2	3	4	5	6	7	8	9	10
11	12	13	14	15	16	17	18	19	20
21	22								

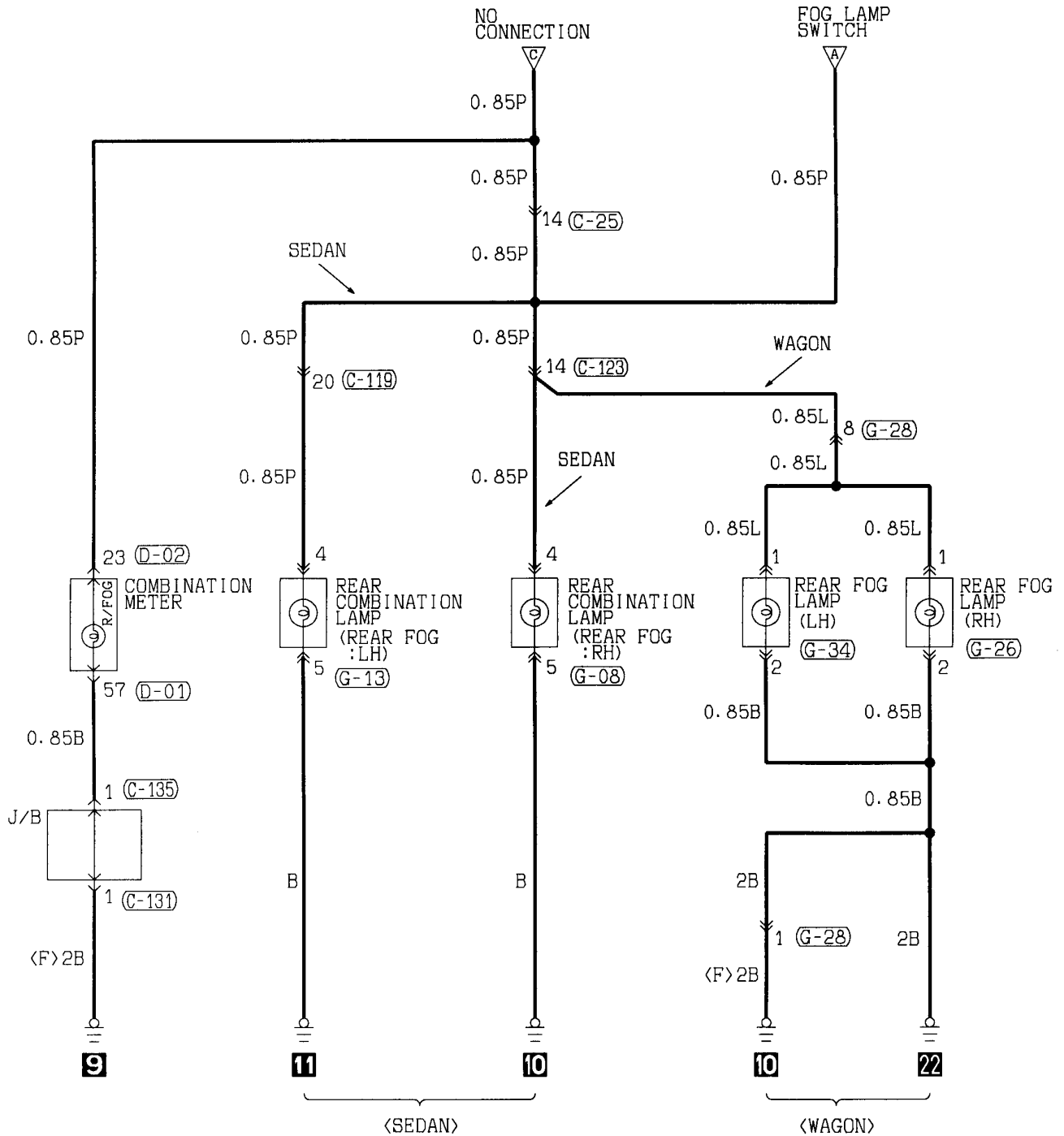
(C-132)

1	2	3	4
5	6	7	8
9	10		

Wire colour code

B:Black LG:Light green G:Green L:Blue W:White Y:Yellow SB:Sky blue
BR:Brown O:Orange GR:Gray R:Red P:Pink V:Violet

REAR FOG LAMP <L.H. drive vehicles without DRL> (CONTINUED)



(C-25)

1	2	3	4	5	M	6	7	8	9	10	
11	12	13	14	15	16	17	18	19	20	21	22

(C-119)

1	2	3	4	5	M	6	7	8	9	10	
11	12	13	14	15	16	17	18	19	20	21	22

(C-123)

1	2	3	4	5	M	6	7	8	9	10	
11	12	13	14	15	16	17	18	19	20	21	22

(C-131)

1	2
3	4
5	6

(C-135)

1	2	3	4	M	5	6	7	8	9	
10	11	12	13	14	15	16	17	18	19	20

(D-01)

41	42	43	44	45	46	47	48
49							
50	51	52	53	54	55	56	57

(D-02)

21	22	23	24	25	26	27	28
29							
30	31	32	33	34	35	36	37

(G-08)

1	M	2	
3	4	5	6

(G-13)

1	M	2	
3	4	5	6

(G-26)

1	2
---	---

(G-28)

1	2	M	3	4	
5	6	7	8	9	10

(G-34)

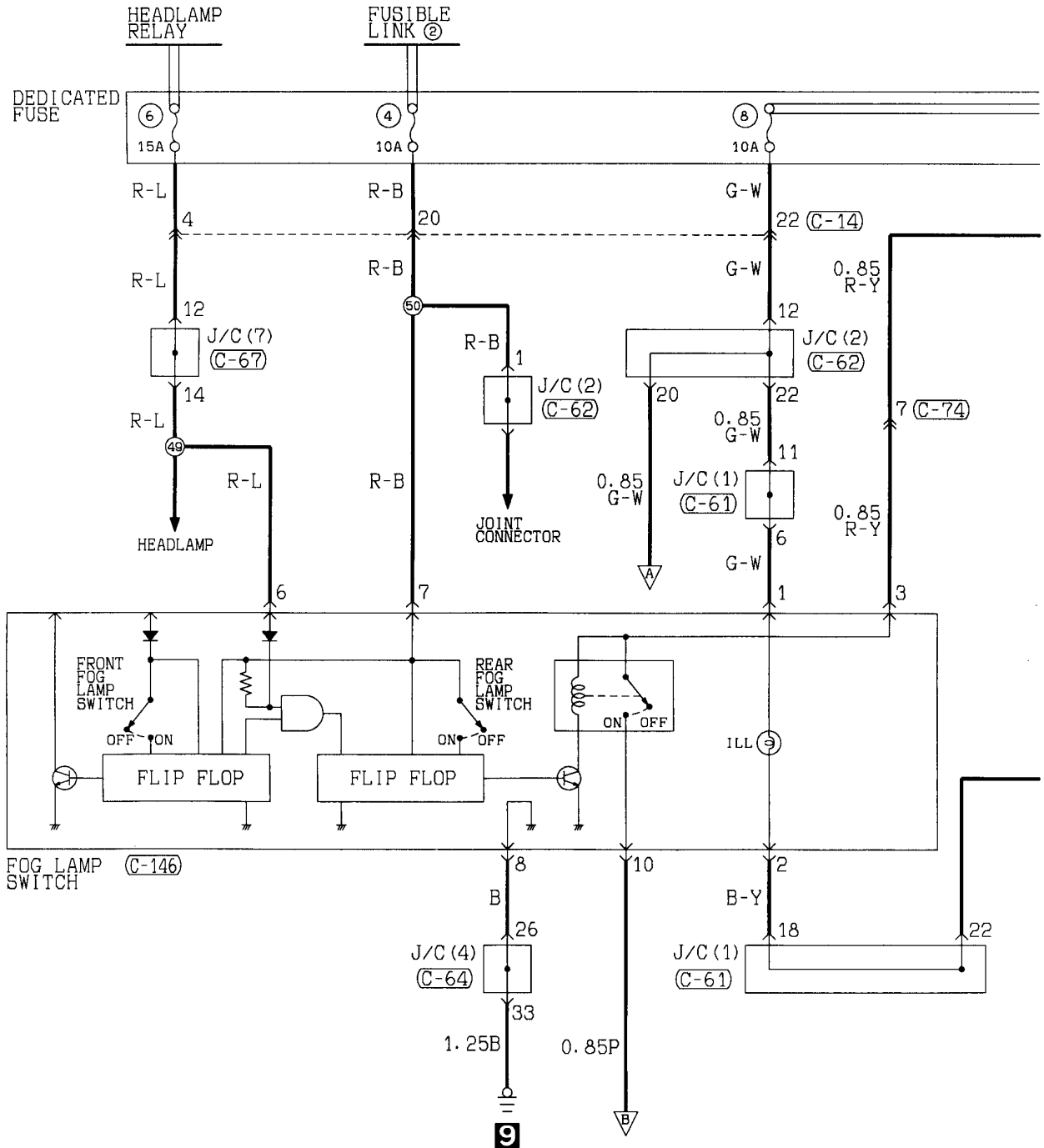
1	2
---	---

NOTES

REAR FOG LAMP

90101200341

R.H. drive vehicles



(B-27X)

1	2	3
4		
5		

(C-14)

1	2	3	4	5	6	7	8	9	10		
11	12	13	14	15	16	17	18	19	20	21	22

(C-25)

1	2	3	4	5	6	7	8	9	10		
11	12	13	14	15	16	17	18	19	20	21	22

(C-61)

1	2	3	4	5	6	7	8	9	10	11
12	13	14	15	16	17	18	19	20	21	22
23	24	25	26	27	28	29	30	31	32	33

(B-62)

1	2	3	4	5	6	7	8	9	10	11
12	13	14	15	16	17	18	19	20	21	22
23	24	25	26	27	28	29	30	31	32	33

(B-63)

1	2	3	4	5	6	7	8	9	10	11
12	13	14	15	16	17	18	19	20	21	22
23	24	25	26	27	28	29	30	31	32	33

(C-141)

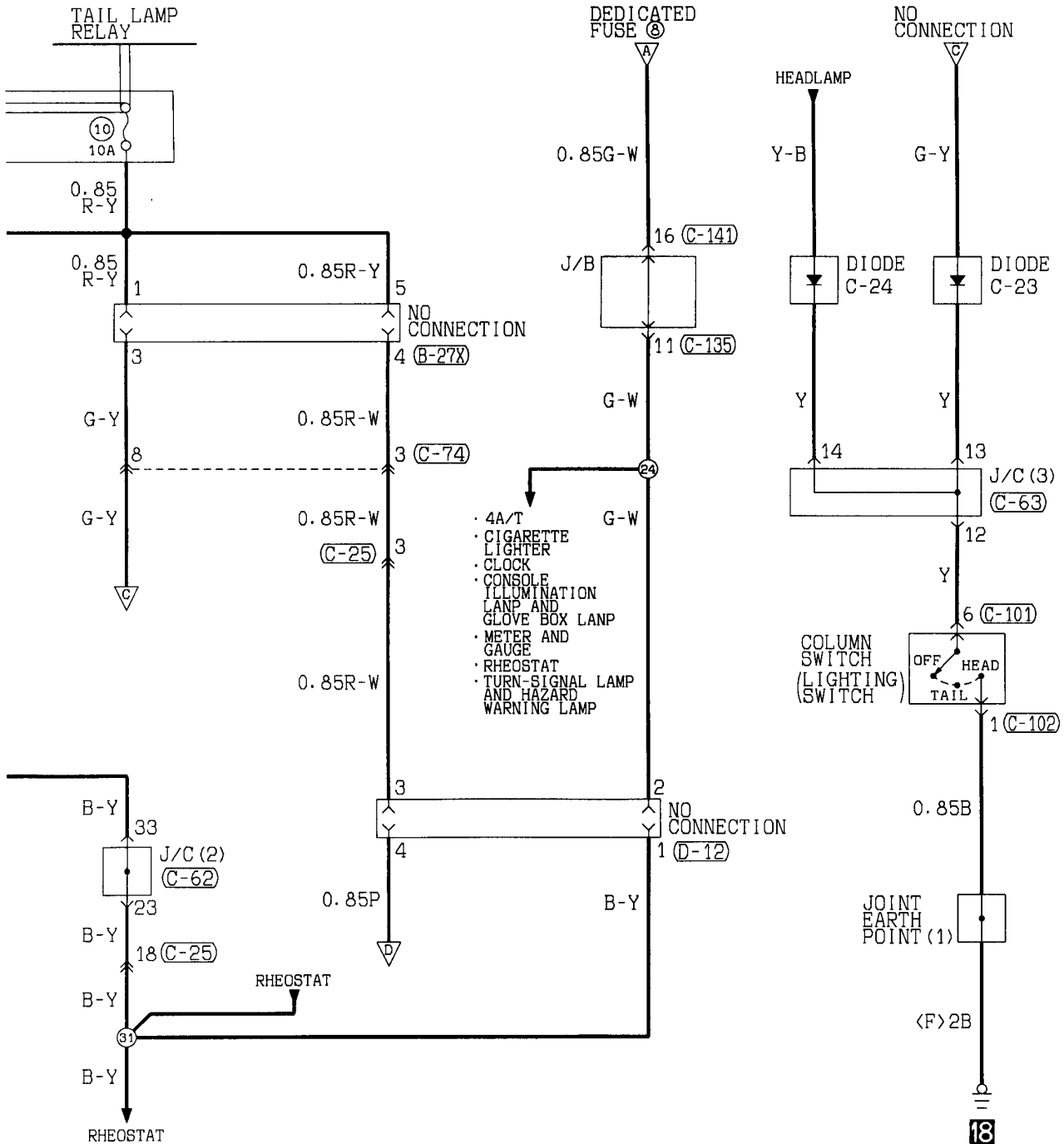
1	2	3	4	5	6	7	8		
9	10	11	12	13	14	15	16	17	18

(C-146)

1	2	3	4		
5	6	7	8	9	10

(D-12)

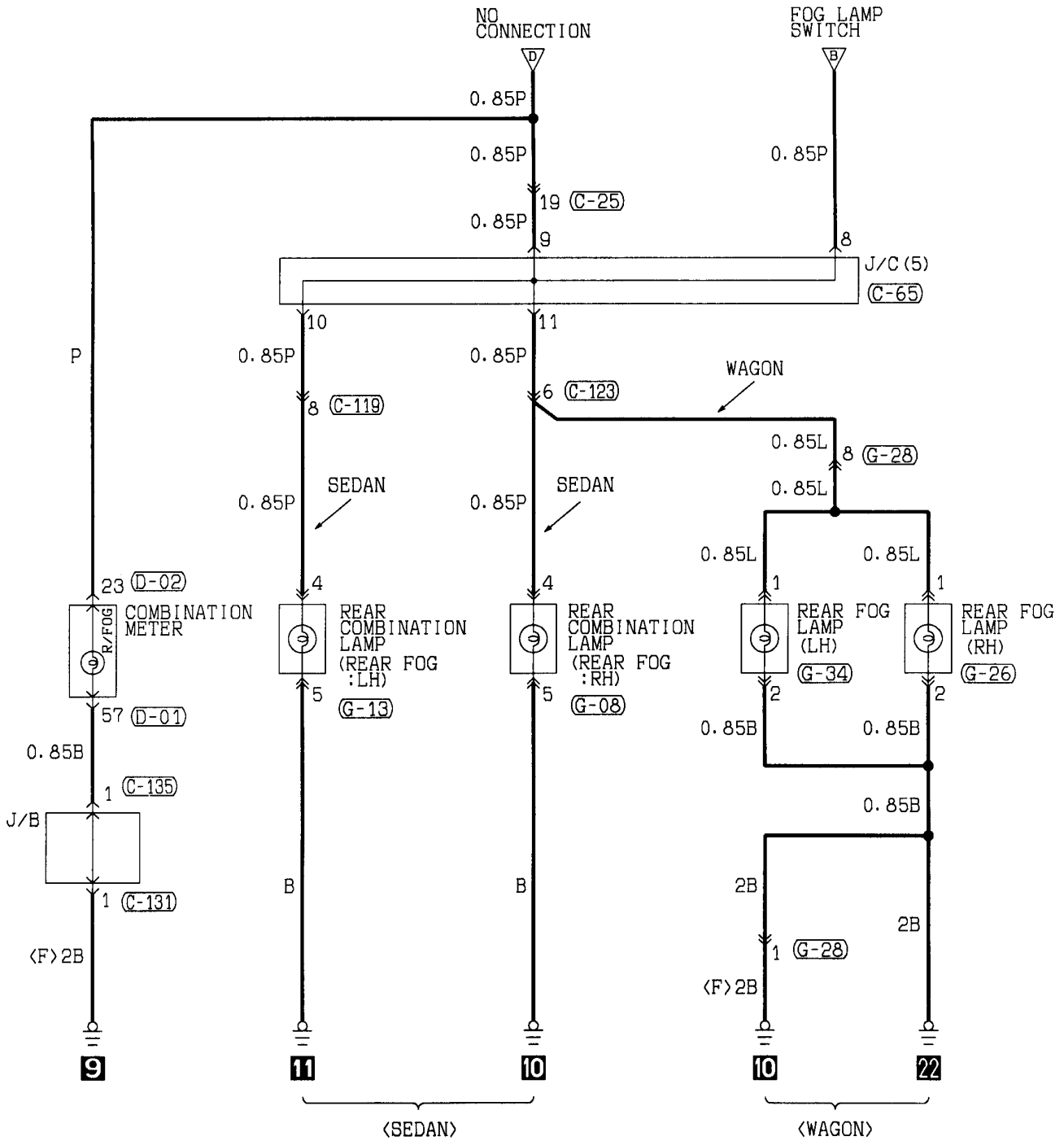
1	2	3	4
---	---	---	---



(C-64)	(C-67)	(C-74)	(C-101)	(C-102)	(C-135)
1 2 3 4 5 6 7 8 9 10 11 12 13 14 15 16 17 18 19 20 21 22 23 24 25 26 27 28 29 30 31 32 33	1 2 3 4 5 6 7 8 9 10 11 12 13 14 15 16 17 18 19 20 21 22 23 24 25 26 27 28 29 30 31 32 33	1 2 3 4 5 6 7 8	1 2 3 4 5 6 7 8 9 10	1 2 3 4 5 6	1 2 3 4 5 6 7 8 9 10 11 12 13 14 15 16 17 18 19 20

Wire colour code
 B : Black LG : Light green G : Green L : Blue W : White Y : Yellow SB : Sky blue
 BR : Brown O : Orange GR : Gray R : Red P : Pink V : Violet

REAR FOG LAMP <R.H. drive vehicles> (CONTINUED)



C-25 1 2 3 4 5 6 7 8 9 10 11 12 13 14 15 16 17 18 19 20 21 22	C-65 1 2 3 4 5 6 7 8 9 10 11 12 13 14 15 16 17 18 19 20 21 22 23 24 25 26 27 28 29 30 31 32 33	C-119 1 2 3 4 5 6 7 8 9 10 11 12 13 14 15 16 17 18 19 20 21 22	C-123 1 2 3 4 5 6 7 8 9 10 11 12 13 14 15 16 17 18 19 20 21 22	C-131 1 2 3 4 5 6			
C-135 1 2 3 4 5 6 7 8 9 10 11 12 13 14 15 16 17 18 19 20	D-01 41 42 43 44 45 46 47 48 49 50 51 52 53 54 55 56 57	D-02 21 22 23 24 25 26 27 28 29 30 31 32 33 34 35 36 37	G-08 1 2 3 4 5 6	G-13 1 2 3 4 5 6	G-26 1 2	G-28 1 2 3 4 5 6 7 8 9 10	G-34 1 2

REAR FOG LAMP (See P. 4-212, 216, 220.)**OPERATION**

Rear fog lamp lighting requirements

<Vehicles without front fog lamp>

Ignition switch	Rear fog lamp switch	Rear fog lamp
"OFF"	"ON"	-
"TAIL"	"ON"	-
"HEAD"	"ON"	On

<Vehicles with front fog lamp>

Lighting switch	Rear fog lamp switch	Front fog lamp switch	Rear fog lamp
"OFF"	"ON"	"OFF"	-
		"ON"	-
"TAIL"	"ON"	"OFF"	-
		"ON"	ON
"HEAD"	"ON"	"OFF"	ON
		"ON"	ON

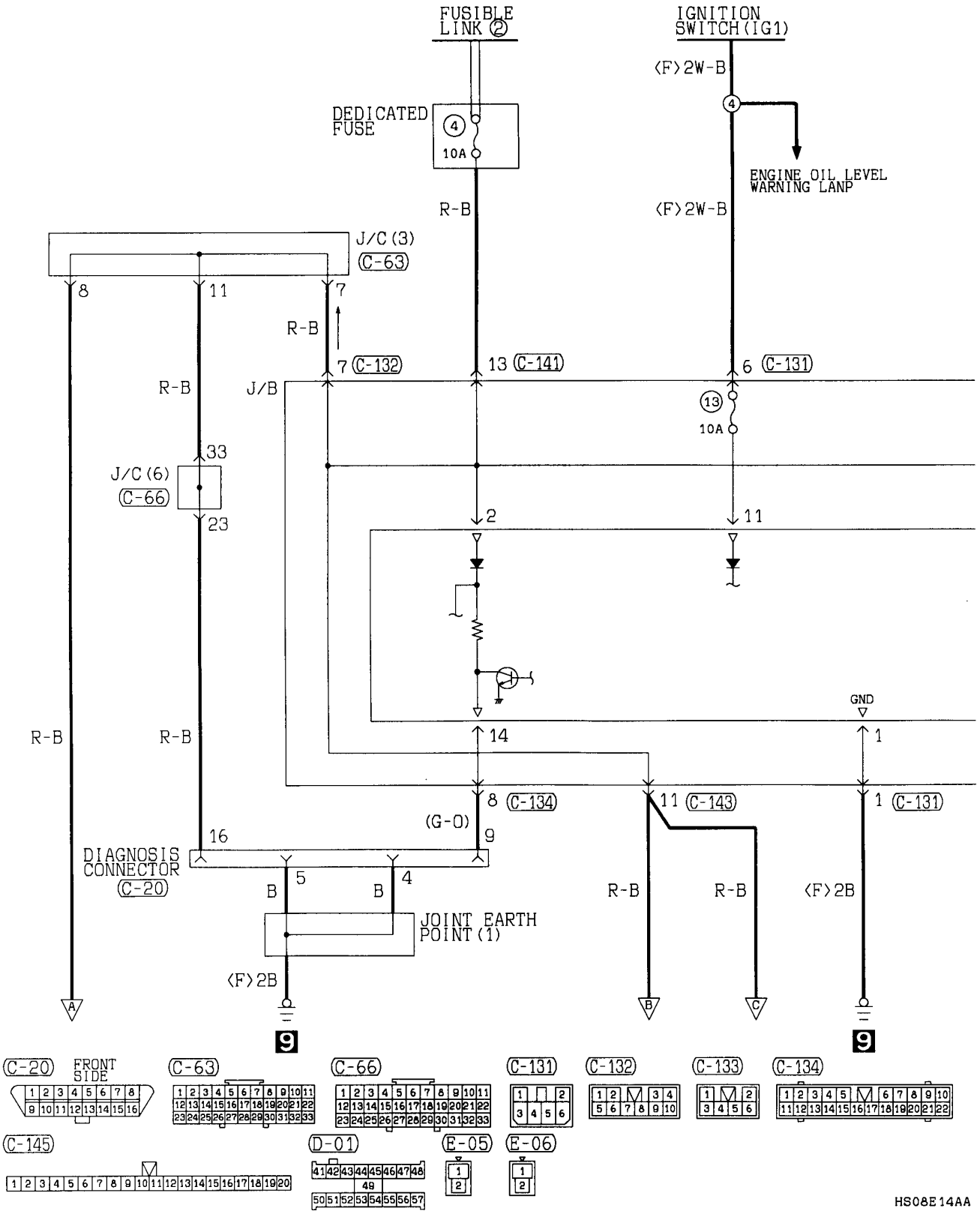
TROUBLESHOOTING HINTS

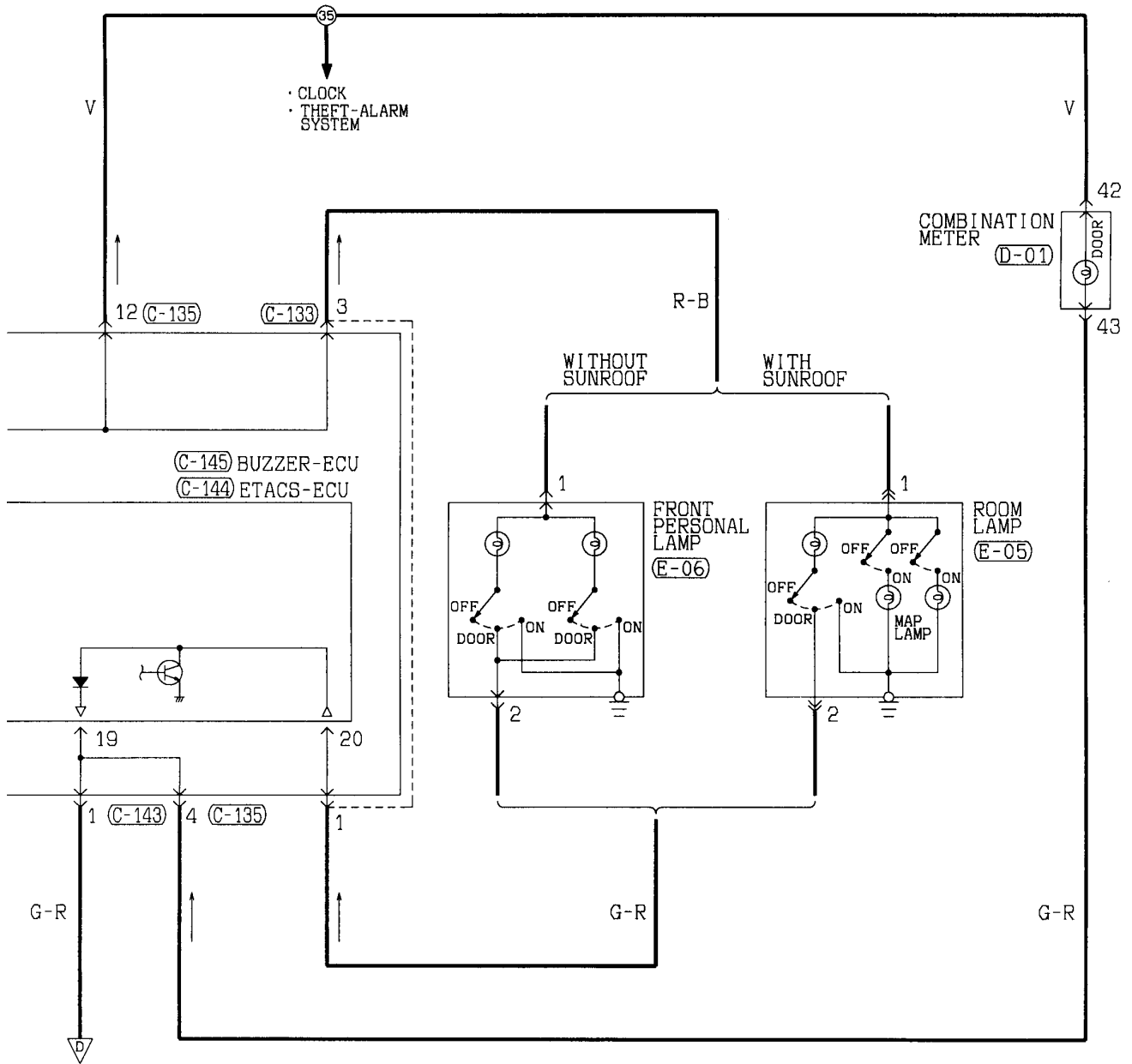
1. The rear fog lamp doesn't illuminate.
 - (1) Headlamps go on.
 - Check the rear fog lamp switch.
 - Check the dedicated fuse No. (10).
 - Check the dedicated fuse No. (4).
 - (2) Headlamps do not go on, either.
 - Check the dedicated fuse No. (6).
2. The rear fog lamp at the one side doesn't illuminate.
 - Check the lamp bulb.

ROOM LAMP, PERSONAL LAMP AND LUGGAGE COMPARTMENT LAMP

90101320184

L.H. drive vehicles





(C-135)

1	2	3	4	5	6	7	8	9		
10	11	12	13	14	15	16	17	18	19	20

(C-141)

1	2	3	4	5	6	7	8		
9	10	11	12	13	14	15	16	17	18

(C-143)

1	2	3	4	5	6	7	8	9	
10	11	12	13	14	15	16	17	18	19

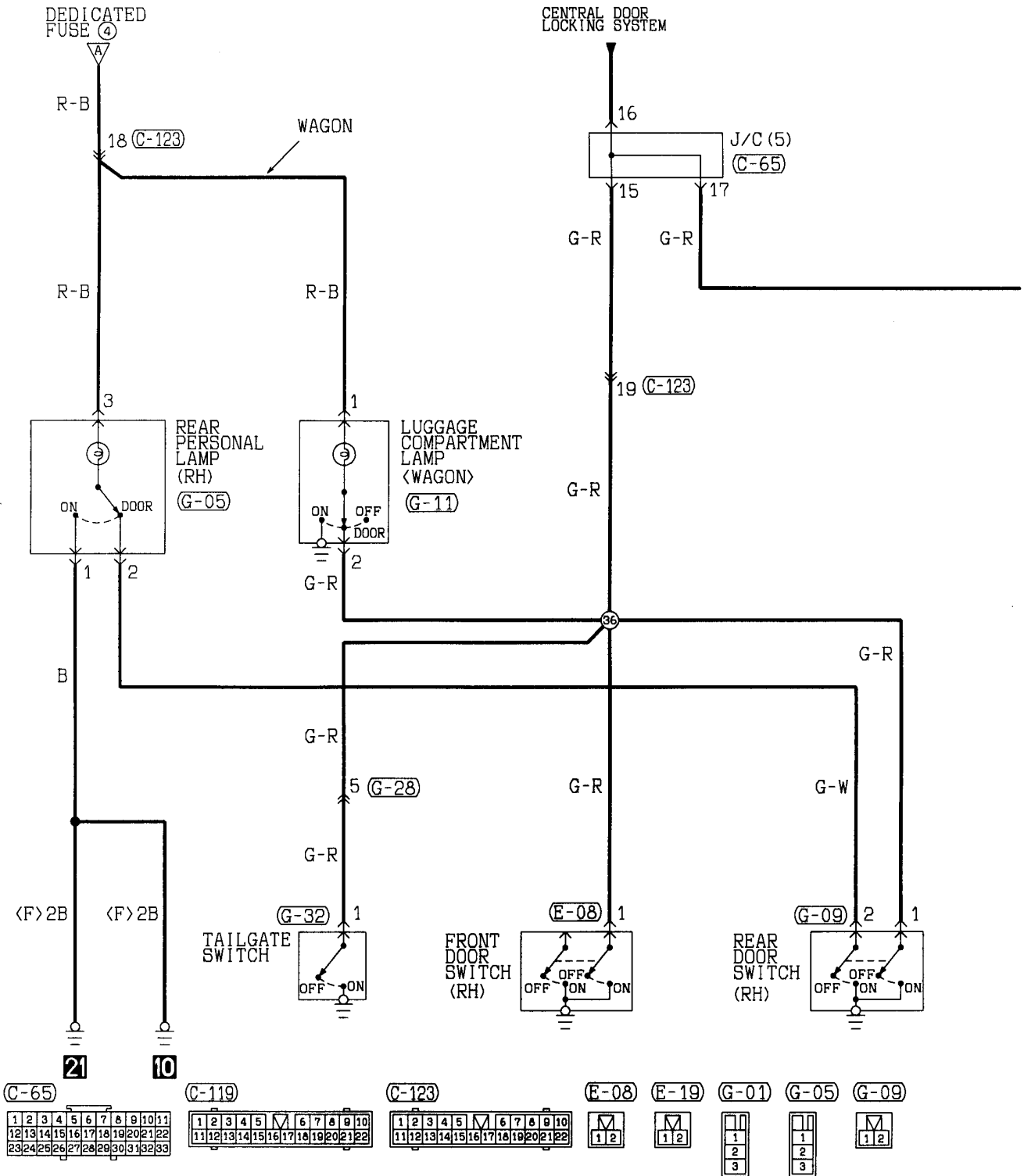
(C-144)

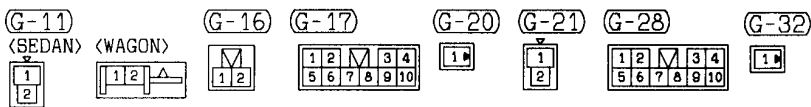
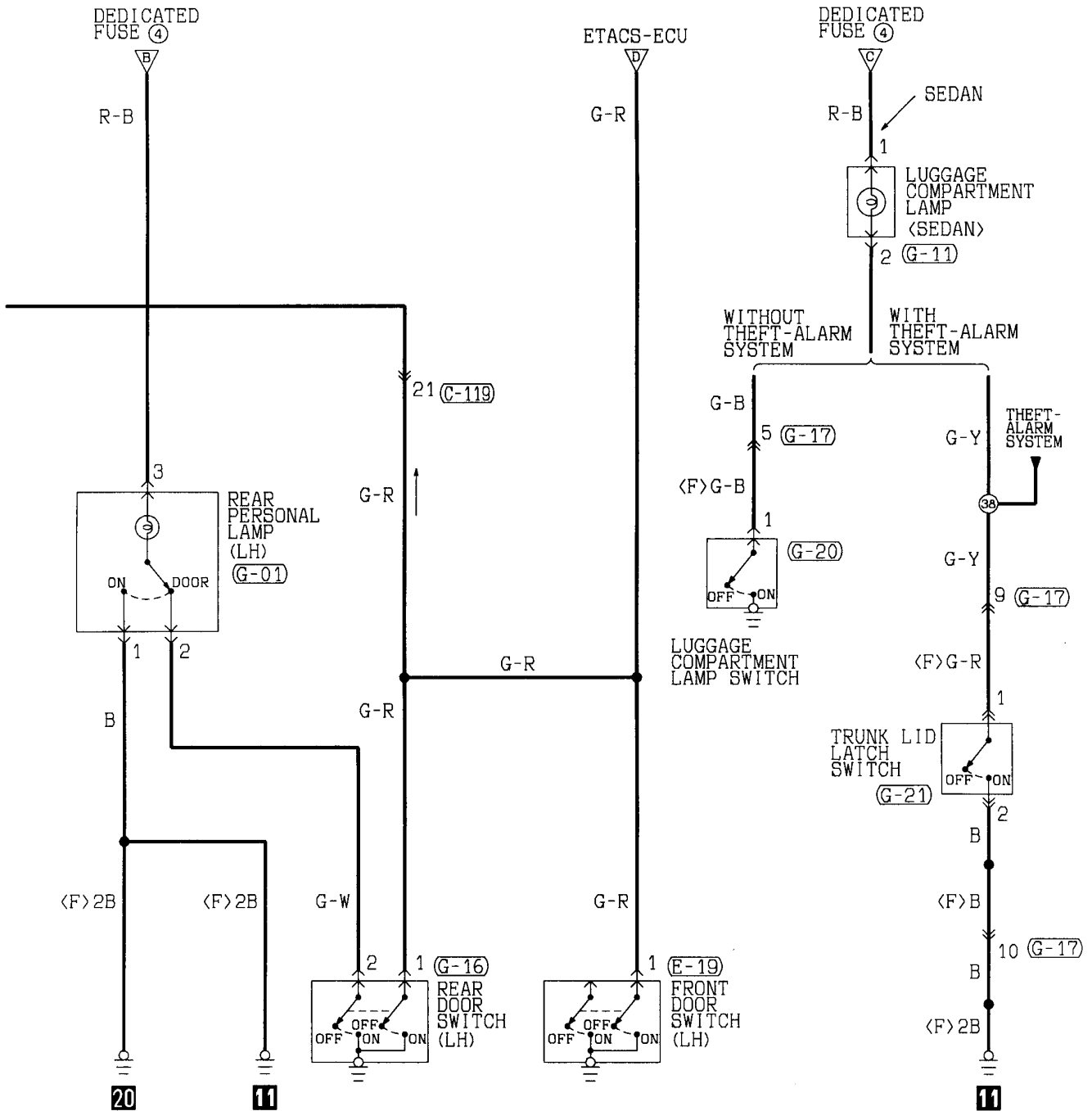
1	2	3	4	5	6	7	8	9	10	11	12	13	14	15	16	17	18	19	20
---	---	---	---	---	---	---	---	---	----	----	----	----	----	----	----	----	----	----	----

Wire colour code

B : Black LG: Light green G : Green L : Blue W : White Y : Yellow SB: Sky blue
 BR: Brown O : Orange GR: Gray R : Red P : Pink V : Violet

ROOM LAMP, PERSONAL LAMP AND LUGGAGE COMPARTMENT LAMP
 <L.H. drive vehicles> (CONTINUED)



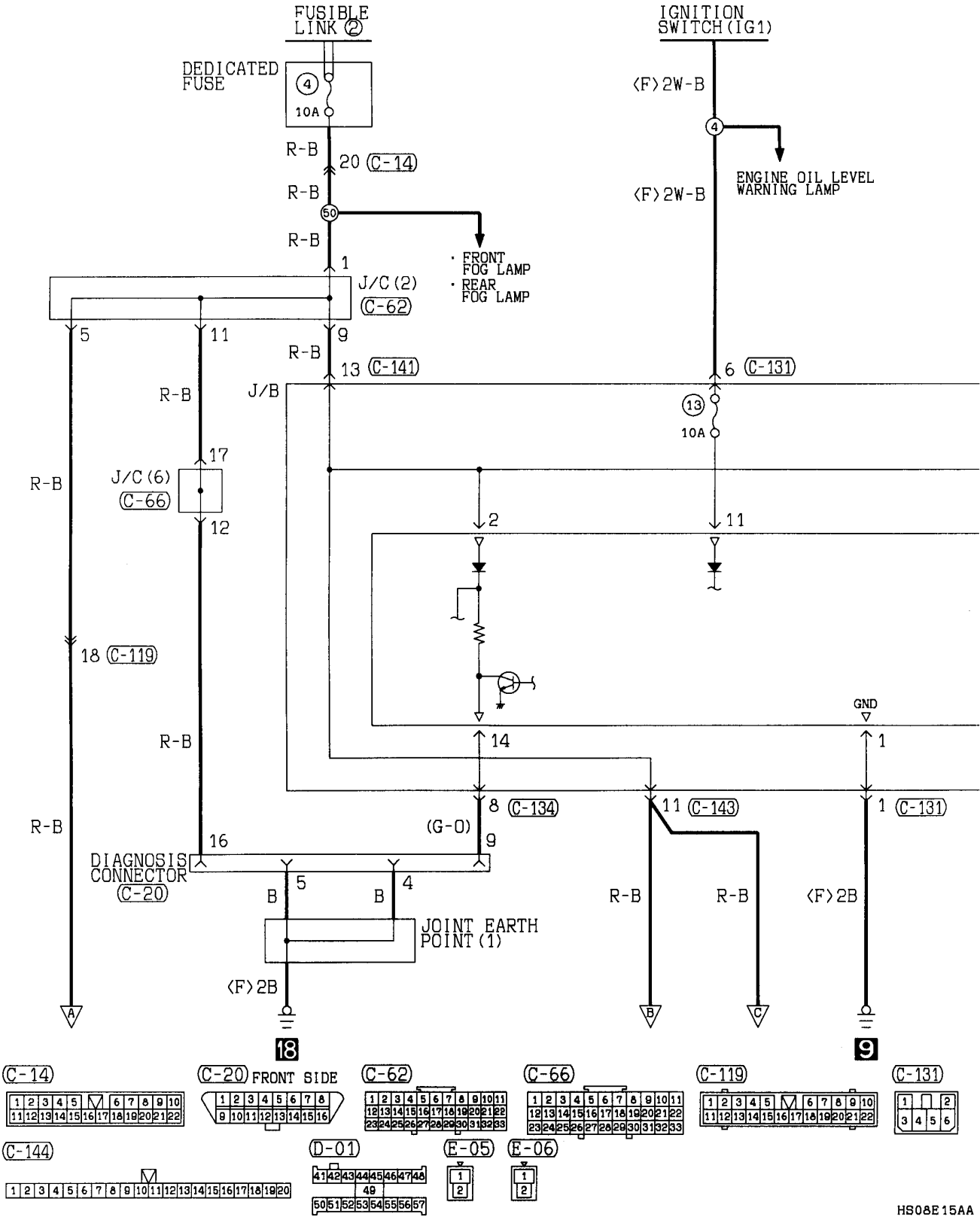


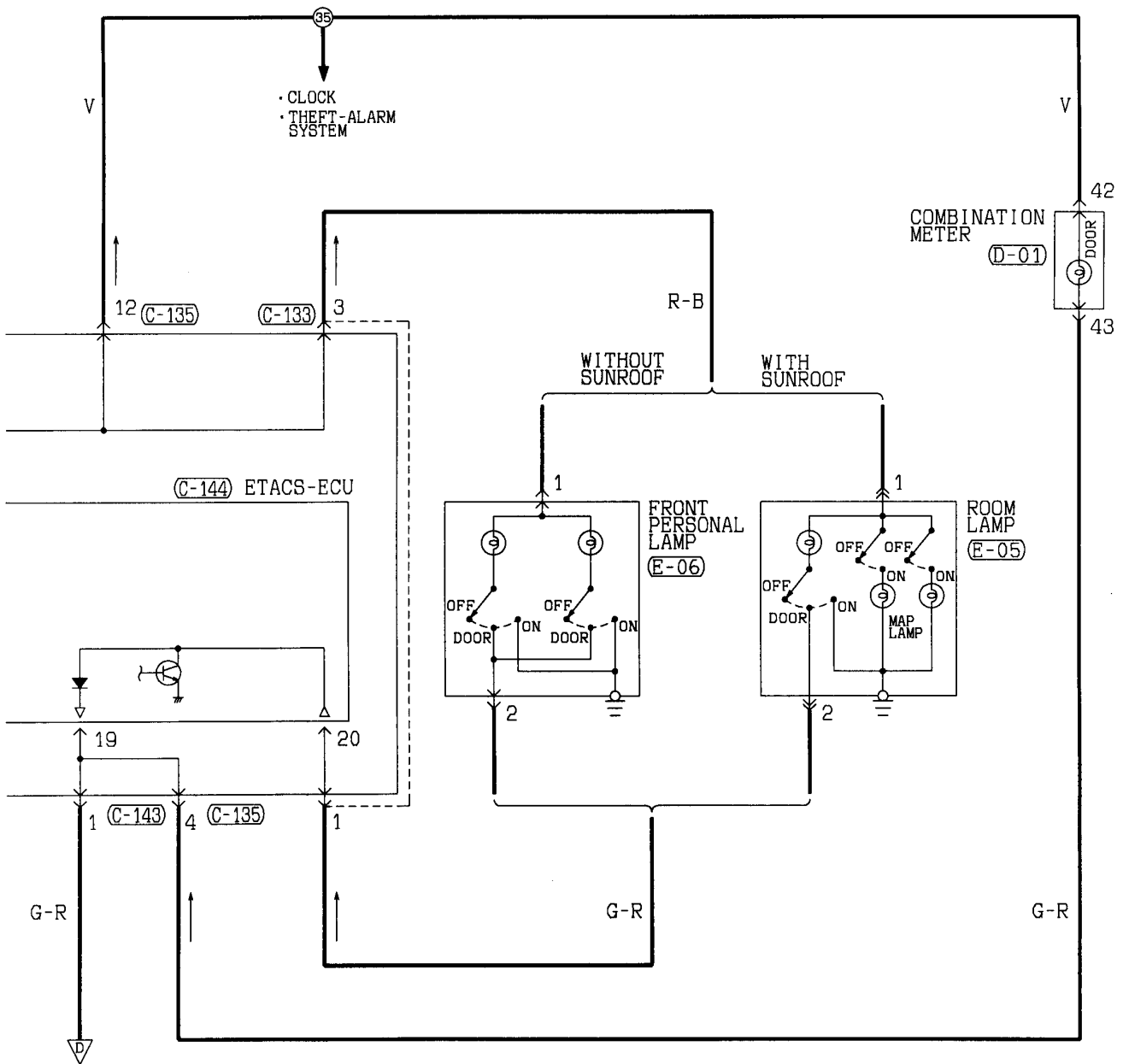
Wire colour code
 B :Black LG:Light green G :Green L :Blue W :White Y :Yellow SB:Sky blue
 BR:Brown O :Orange GR:Gray R :Red P :Pink V :Violet

ROOM LAMP, PERSONAL LAMP AND LUGGAGE COMPARTMENT LAMP

90101320191

R.H. drive vehicles





C-133

1	2
3	4

C-134

1	2	3	4	5	6	7	8	9	10
11	12	13	14	15	16	17	18	19	20
21	22								

C-135

1	2	3	4	5	6	7	8	9
10	11	12	13	14	15	16	17	18
19	20							

C-141

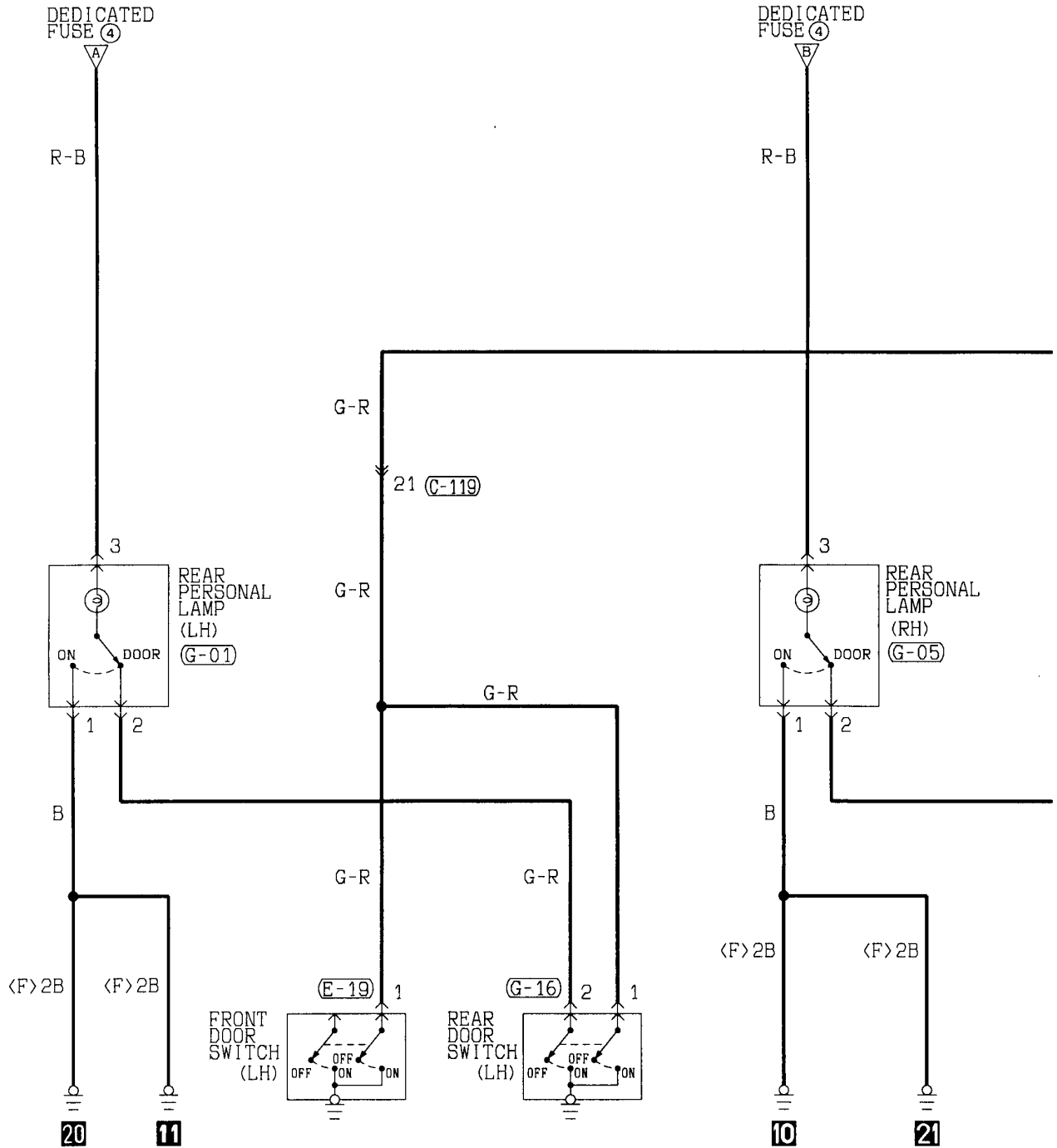
1	2	3	4	5	6	7	8
9	10	11	12	13	14	15	16
17	18						

C-143

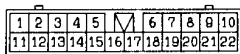
1	2	3	4	5	6	7	8	9
10	11	12	13	14	15	16	17	18
19								

Wire colour code
 B : Black LG:Light green G :Green L :Blue W :White Y :Yellow SB:Sky blue
 BR:Brown O :Orange GR:Gray R :Red P :Pink V :Violet

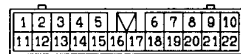
ROOM LAMP, PERSONAL LAMP AND LUGGAGE COMPARTMENT LAMP <R.H. drive vehicles> (CONTINUED)



(C-119)



(C-123)



(E-08)



(E-19)



(G-01)



(G-05)



(G-09)



(G-11)



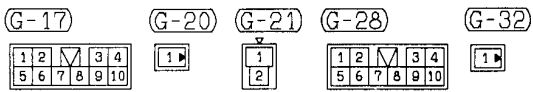
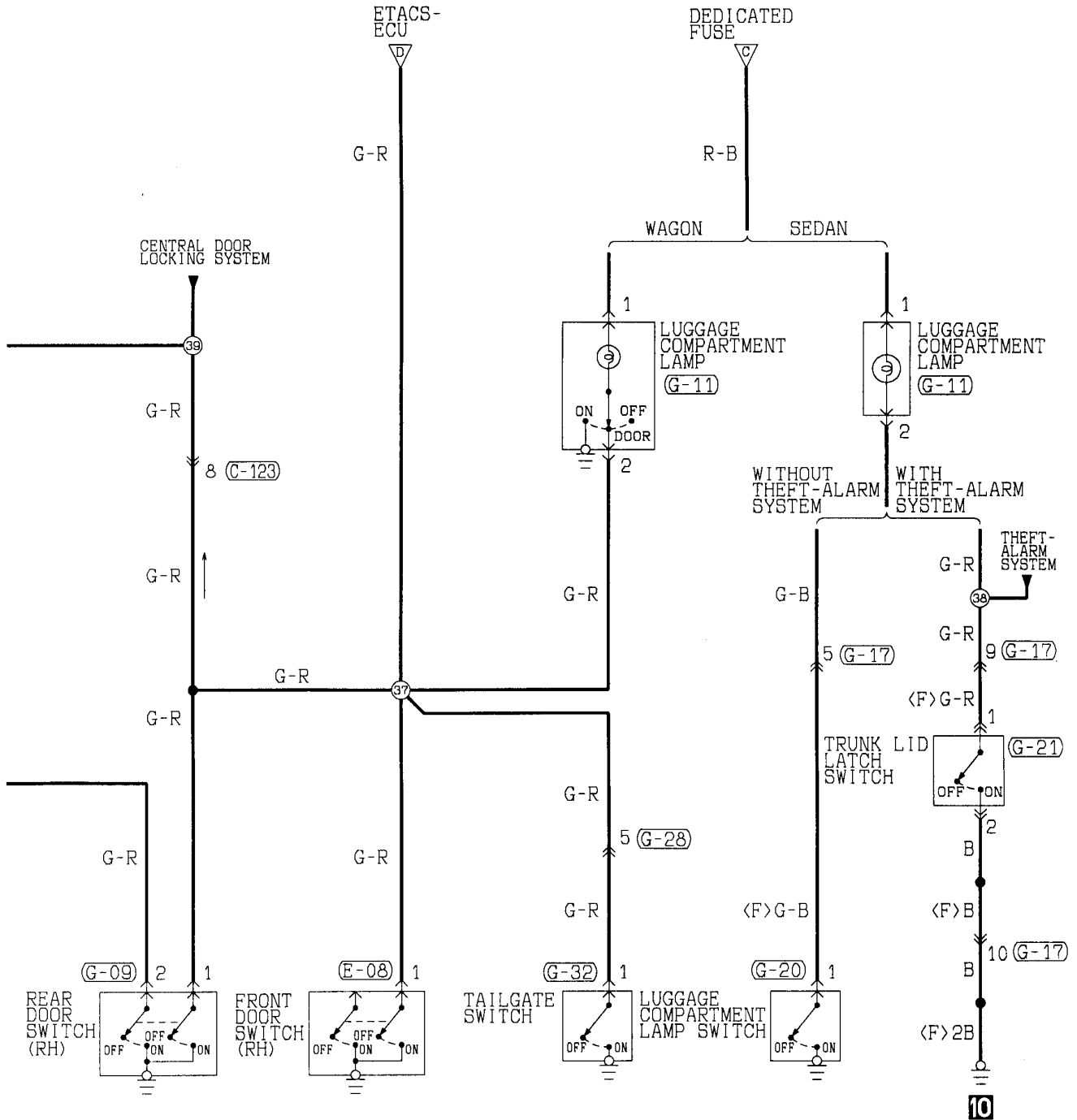
<SEDAN>

<WAGON>



(G-16)





Wire colour code
 B : Black LG : Light green G : Green L : Blue W : White Y : Yellow SB : Sky blue
 BR : Brown O : Orange GR : Gray R : Red P : Pink V : Violet

ROOM LAMP, PERSONAL LAMP AND LUGGAGE COMPARTMENT LAMP (See P. 4-224, 228.)**OPERATION****<Room lamp or front personal lamp>**

- Placing the room lamp switch (or front personal lamp switch) in the ON position causes the room lamp (or front personal lamp) to illuminate at all times.
- Opening any one of the doors with the room lamp switch (or front personal lamp switch) in the DOOR position causes the room lamp (or front personal lamp) to illuminate.
- Closing all doors causes the room lamp (or front personal lamp) to switch off.

<Rear personal lamp>

- Placing the rear personal lamp switch in the ON position causes the rear personal lamp to illuminate at all times.
- Opening the rear door with the rear personal lamp switch in the DOOR position causes the rear personal lamp on the side of the vehicle with the open door to illuminate.

<Luggage compartment lamp>

- Battery voltage is being applied at all times to the luggage compartment lamp through the dedicated fuse No. (4).
- Opening the tailgate or trunk lid turns ON the tailgate switch or luggage compartment lamp switch, causing the luggage compartment lamp to illuminate.

TROUBLESHOOTING HINTS

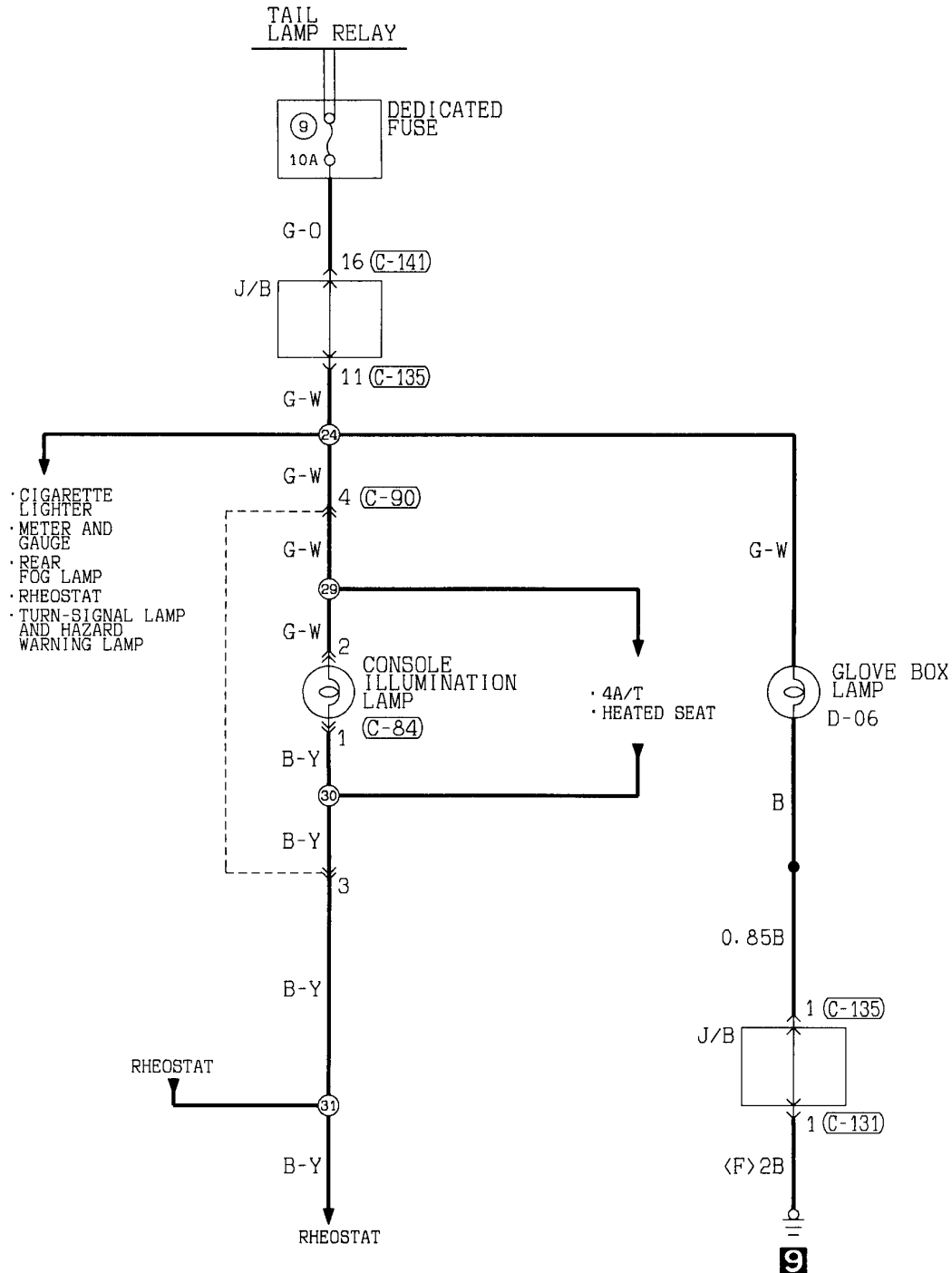
1. Room lamp (or front personal lamp) does not illuminate.
 - 1) Clock is not operating, either.
 - Check the dedicated fuse No. (4).
 - 2) Room lamp (or front personal lamp) does not illuminate when any door is opened with the room lamp switch (or front personal lamp switch) in the DOOR position.
 - Check the bulb.
 - Check the room lamp (or front personal lamp switch) switch.
 - Check the door switch (of the suspected door).
2. Luggage compartment lamp does not illuminate.
 - 1) Room lamp is normal.
 - Check the bulb.
 - Check the tailgate switch. <Wagon>
 - Check the luggage compartment lamp switch. <Sedan>

NOTES

CONSOLE ILLUMINATION LAMP AND GLOVE BOX LAMP

90100220089

L.H. drive vehicles



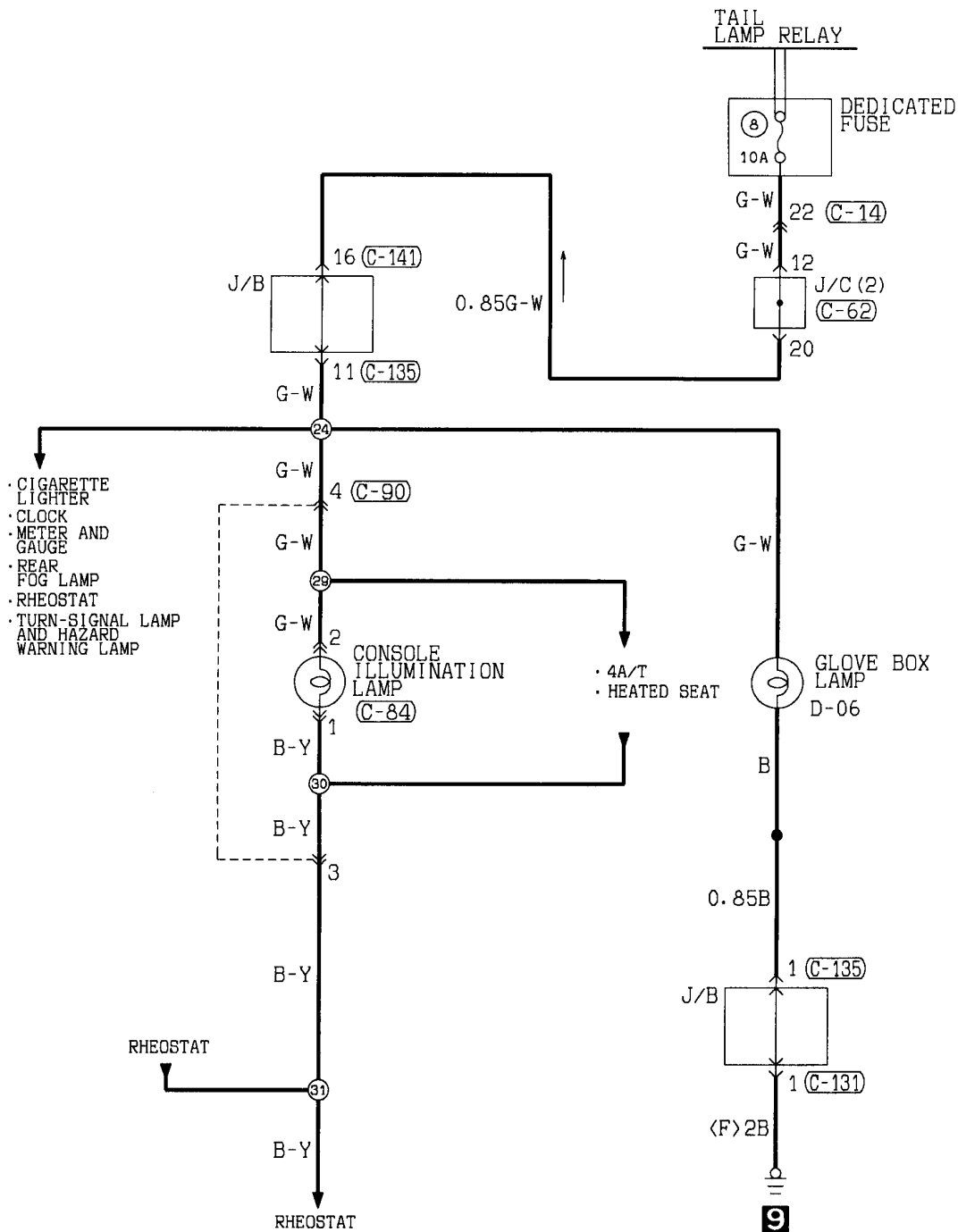
(C-84)	(C-90)	(C-131)	(C-135)	(C-141)																																																																				
<table border="1"><tr><td>1</td><td>2</td></tr><tr><td>1</td><td>2</td></tr></table>	1	2	1	2	<table border="1"><tr><td>1</td><td>2</td><td>3</td><td>4</td><td>5</td><td>6</td><td>7</td><td>8</td><td>9</td></tr><tr><td>10</td><td>11</td><td>12</td><td>13</td><td>14</td><td>15</td><td>16</td><td>17</td><td>18</td><td>19</td><td>20</td></tr></table>	1	2	3	4	5	6	7	8	9	10	11	12	13	14	15	16	17	18	19	20	<table border="1"><tr><td>1</td><td>2</td></tr><tr><td>3</td><td>4</td><td>5</td><td>6</td></tr></table>	1	2	3	4	5	6	<table border="1"><tr><td>1</td><td>2</td><td>3</td><td>4</td><td>5</td><td>6</td><td>7</td><td>8</td><td>9</td></tr><tr><td>10</td><td>11</td><td>12</td><td>13</td><td>14</td><td>15</td><td>16</td><td>17</td><td>18</td><td>19</td><td>20</td></tr></table>	1	2	3	4	5	6	7	8	9	10	11	12	13	14	15	16	17	18	19	20	<table border="1"><tr><td>1</td><td>2</td><td>3</td><td>4</td><td>5</td><td>6</td><td>7</td><td>8</td></tr><tr><td>9</td><td>10</td><td>11</td><td>12</td><td>13</td><td>14</td><td>15</td><td>16</td><td>17</td><td>18</td></tr></table>	1	2	3	4	5	6	7	8	9	10	11	12	13	14	15	16	17	18
1	2																																																																							
1	2																																																																							
1	2	3	4	5	6	7	8	9																																																																
10	11	12	13	14	15	16	17	18	19	20																																																														
1	2																																																																							
3	4	5	6																																																																					
1	2	3	4	5	6	7	8	9																																																																
10	11	12	13	14	15	16	17	18	19	20																																																														
1	2	3	4	5	6	7	8																																																																	
9	10	11	12	13	14	15	16	17	18																																																															

Wire colour code
 B :Black LG:Light green G :Green L :Blue W :White Y :Yellow SB:Sky blue
 BR:Brown O :Orange GR:Gray R :Red P :Pink V :Violet

CONSOLE ILLUMINATION LAMP AND GLOVE BOX LAMP

90100220096

R.H. drive vehicles



(C-14)

1	2	3	4	5	6	7	8	9	10		
11	12	13	14	15	16	17	18	19	20	21	22

(C-62)

1	2	3	4	5	6	7	8	9	10	11
12	13	14	15	16	17	18	19	20	21	22
23	24	25	26	27	28	29	30	31	32	33

(C-84)

1	2
---	---

(C-90)

1	2	3	4	5	6	7	8	9		
10	11	12	13	14	15	16	17	18	19	20

(C-131)

1	2		
3	4	5	6

(C-135)

1	2	3	4	5	6	7	8	9		
10	11	12	13	14	15	16	17	18	19	20

(C-141)

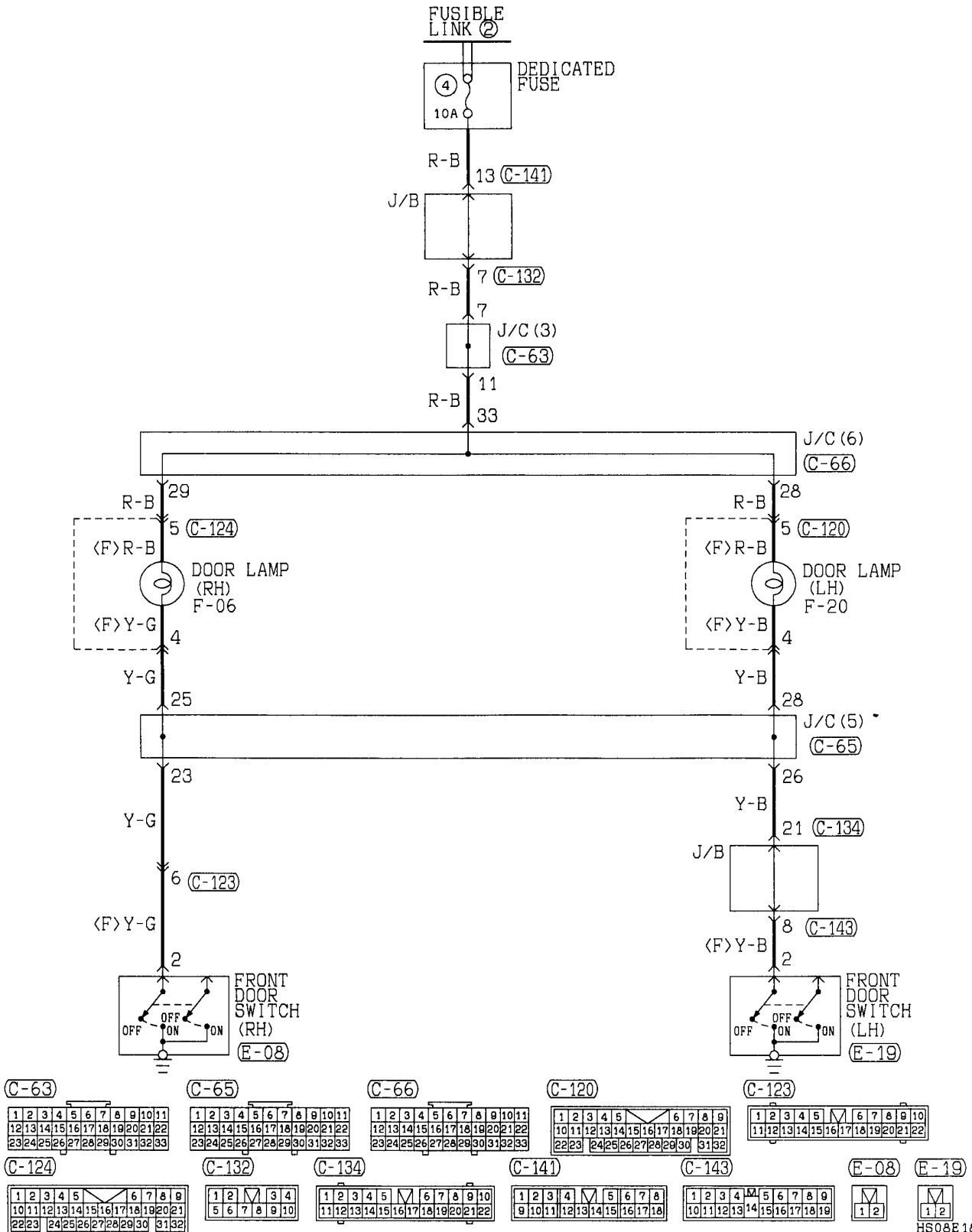
1	2	3	4	5	6	7	8		
9	10	11	12	13	14	15	16	17	18

Wire colour code
 B : Black LG : Light green G : Green L : Blue
 BR : Brown O : Orange GR : Gray R : Red
 W : White SB : Sky blue P : Pink Y : Yellow
 V : Violet

DOOR LAMP

90100250156

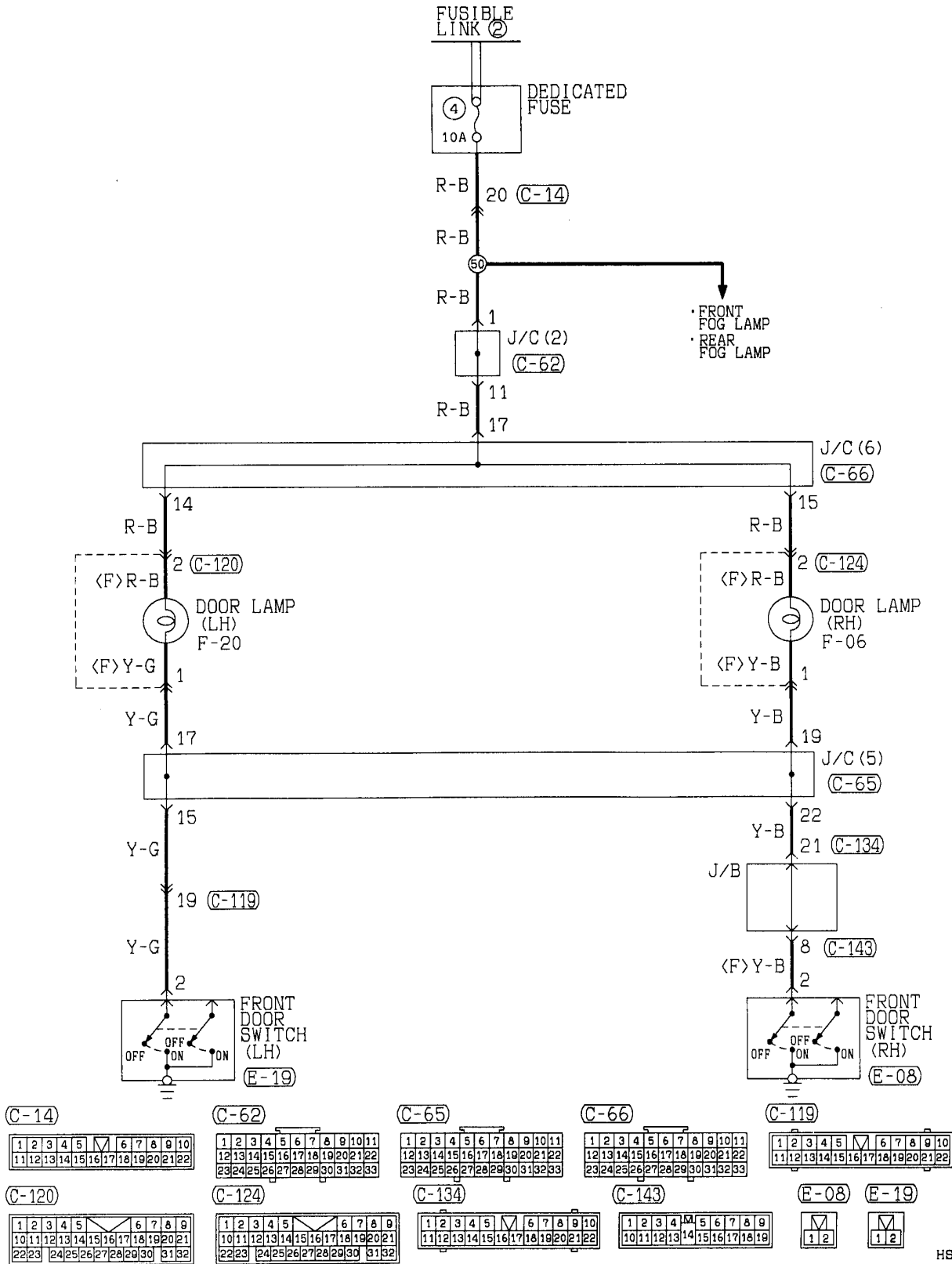
L.H. drive vehicles



DOOR LAMP

90100250163

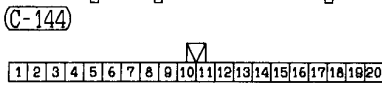
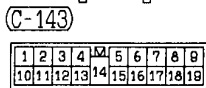
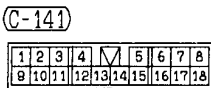
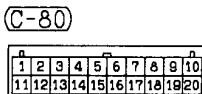
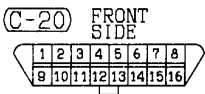
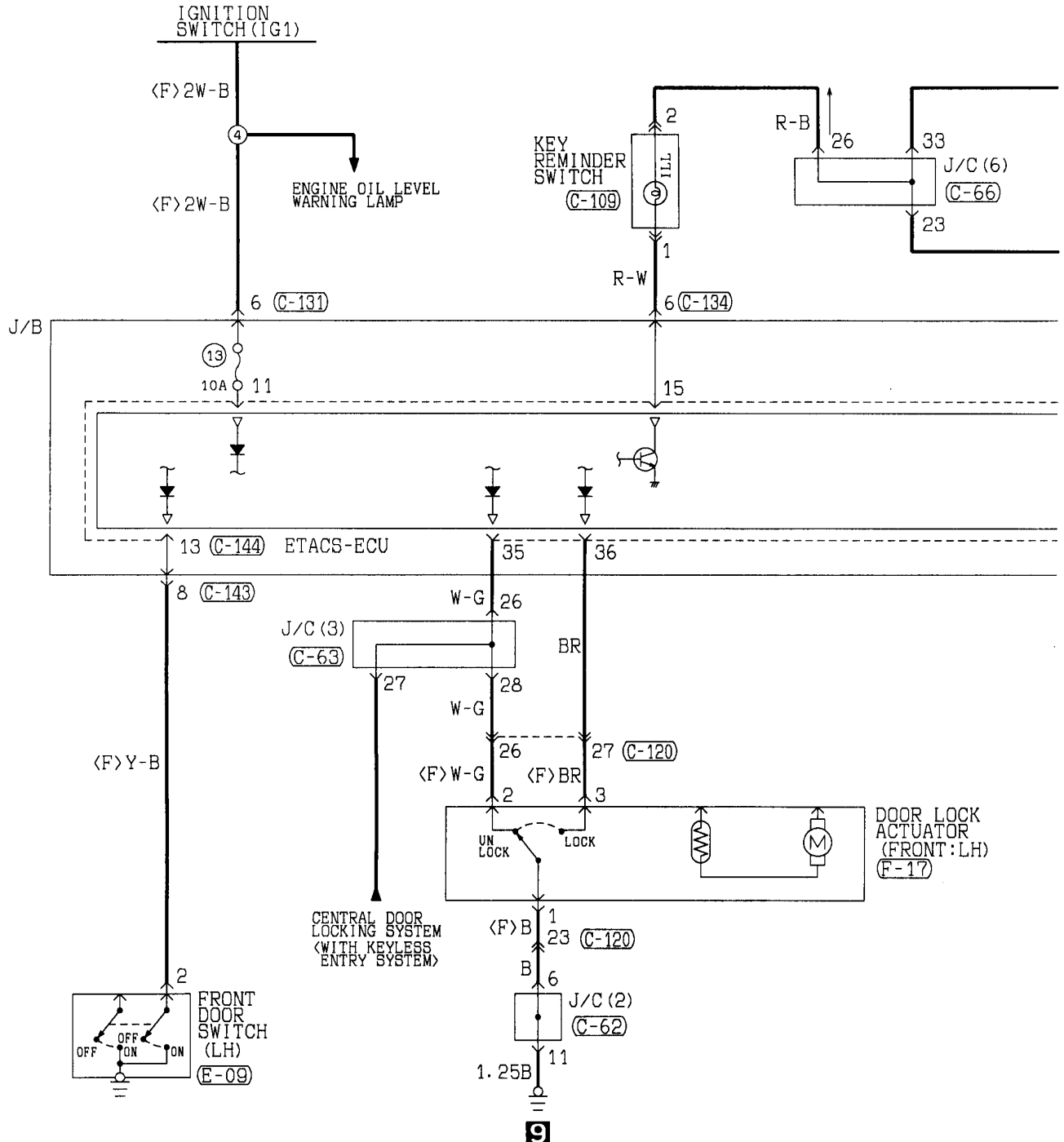
R.H. drive vehicles

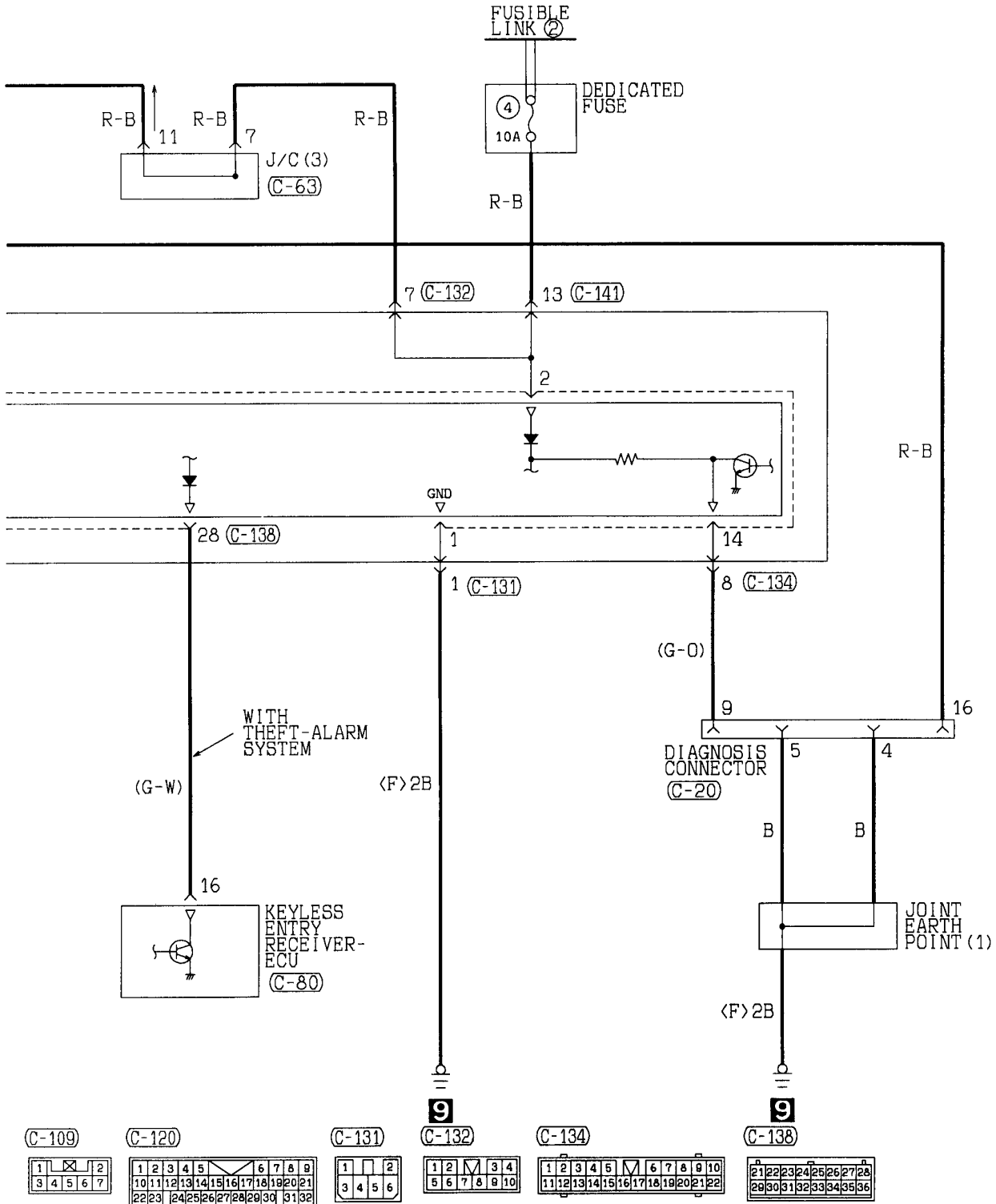


IGNITION KEY CYLINDER ILLUMINATION LAMP

90100260265

L.H. drive vehicles



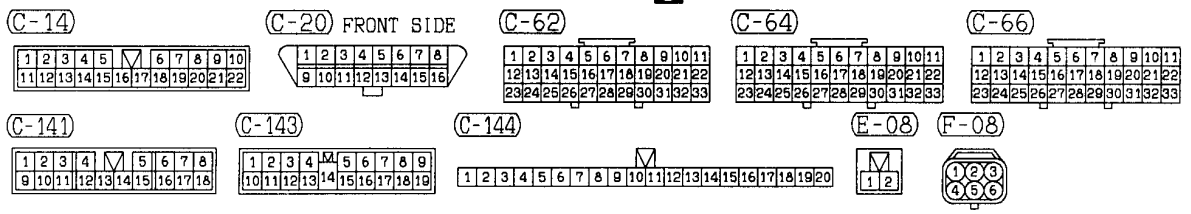
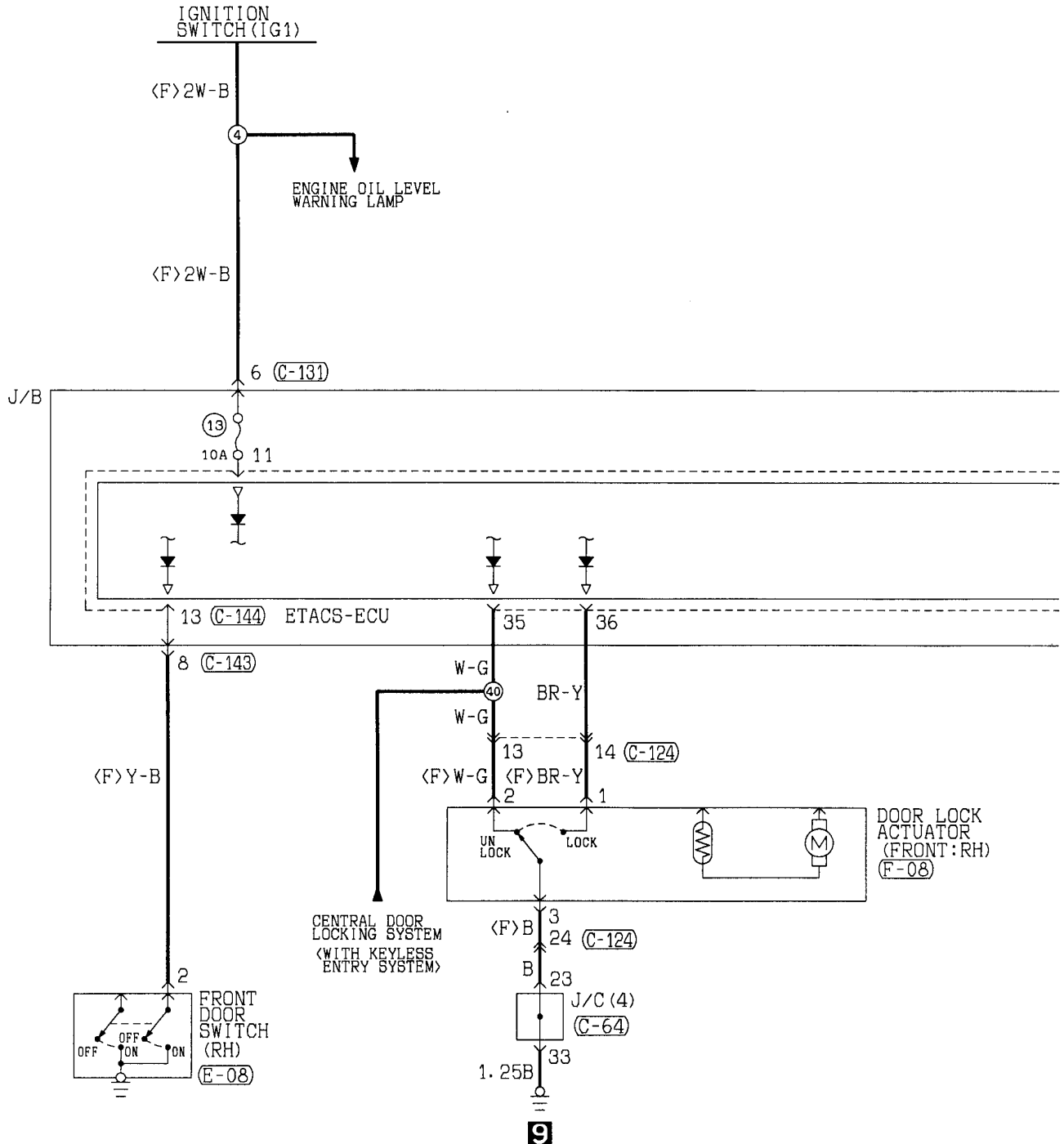


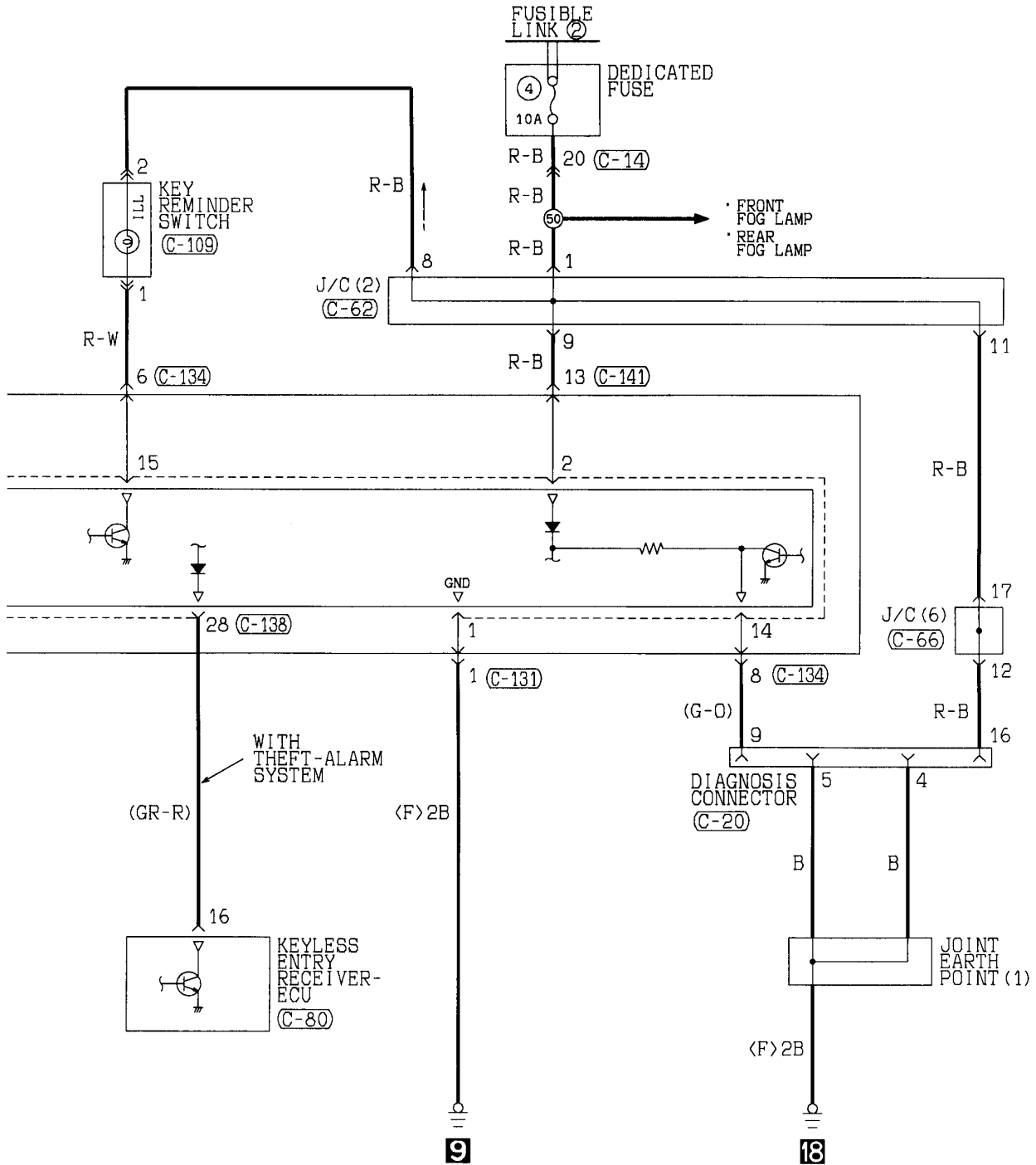
Wire colour code
 B : Black LG: Light green G : Green L : Blue W : White Y : Yellow SB: Sky blue
 BR: Brown O : Orange GR: Gray R : Red P : Pink V : Violet

IGNITION KEY CYLINDER ILLUMINATION LAMP

90100260272

R.H. drive vehicles





(C-80)

1	2	3	4	5	6	7	8	9	10
11	12	13	14	15	16	17	18	19	20

(C-109)

1	2	3	4	5	6	7
8	9	10	11	12	13	14

(C-124)

1	2	3	4	5	6	7	8	9
10	11	12	13	14	15	16	17	18
19	20	21	22	23	24	25	26	27
28	29	30	31	32				

(C-131)

1	2
3	4
5	6

(C-134)

1	2	3	4	5	6	7	8	9	10
11	12	13	14	15	16	17	18	19	20
21	22								

(C-138)

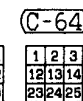
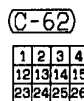
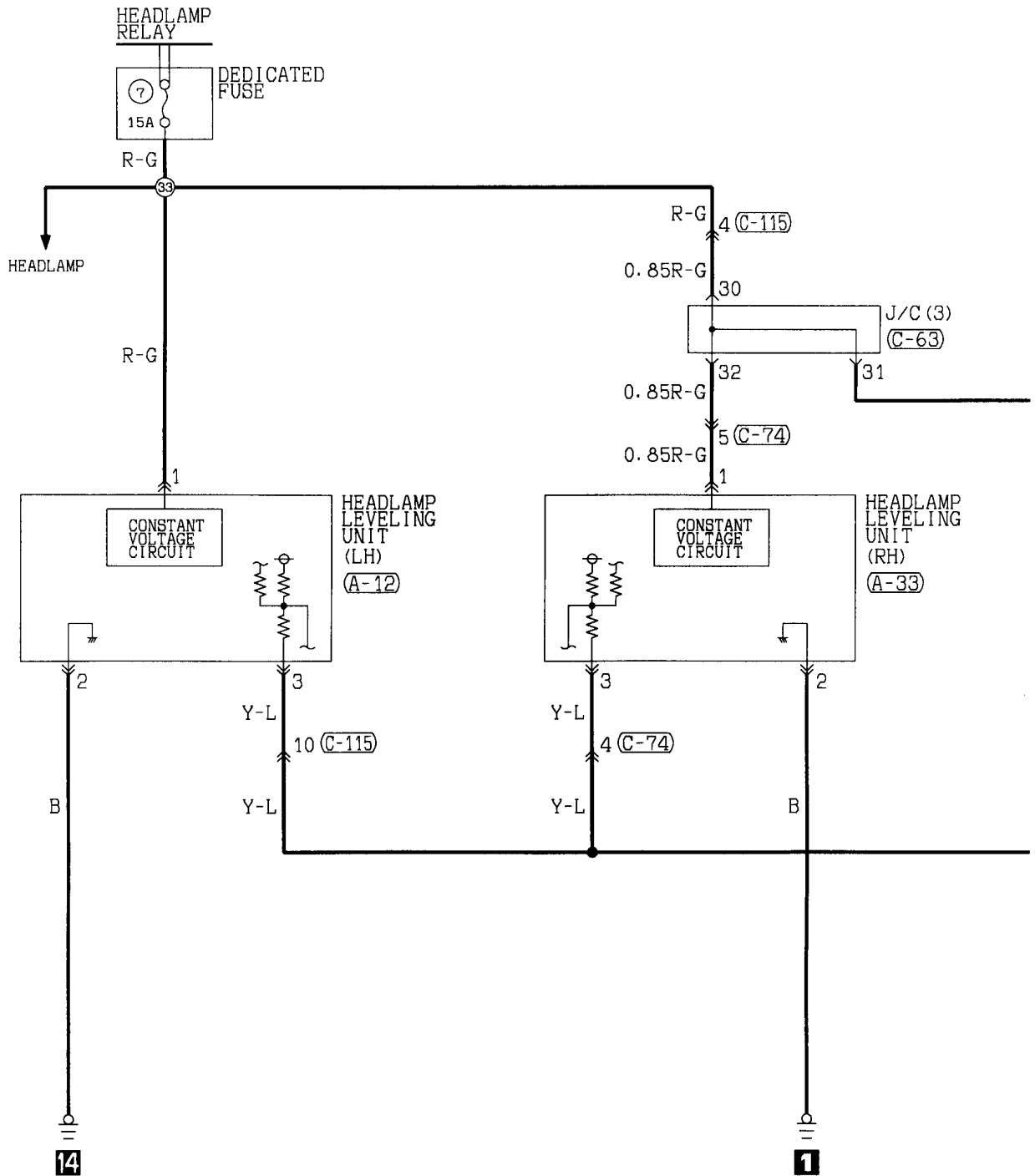
21	22	23	24	25	26	27	28
29	30	31	32	33	34	35	36

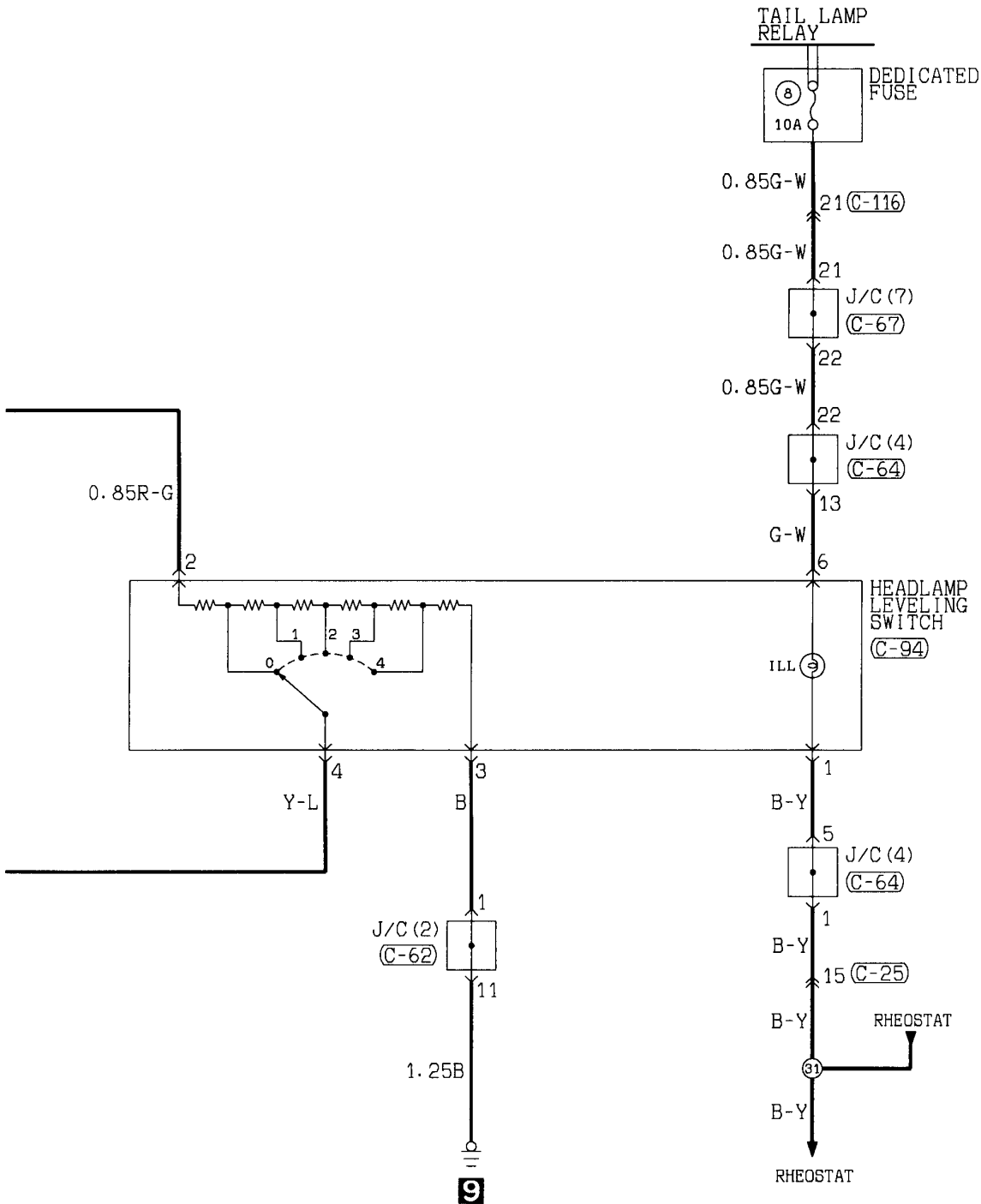
Wire colour code
 B:Black LG:Light green G:Green L:Blue W:White Y:Yellow SB:Sky blue
 BR:Brown O:Orange GR:Gray R:Red P:Pink V:Violet

HEADLAMP LEVELING SYSTEM

90101250193

L.H. drive vehicles





(C-67)

1	2	3	4	5	6	7	8	9	10	11
12	13	14	15	16	17	18	19	20	21	22
23	24	25	26	27	28	29	30	31	32	33

(C-74)

1	M	2	3
4	5	6	7
8			

(C-94)

1	M	2
3	4	5
6		

(C-115)

1	2	M	3	4
5	6	7	8	9
10				

(C-116)

1	2	3	4	5	M	6	7	8	9	10
11	12	13	14	15	16	17	18	19	20	21
22										

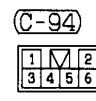
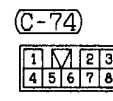
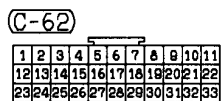
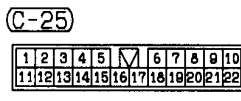
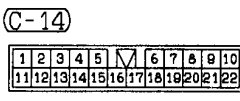
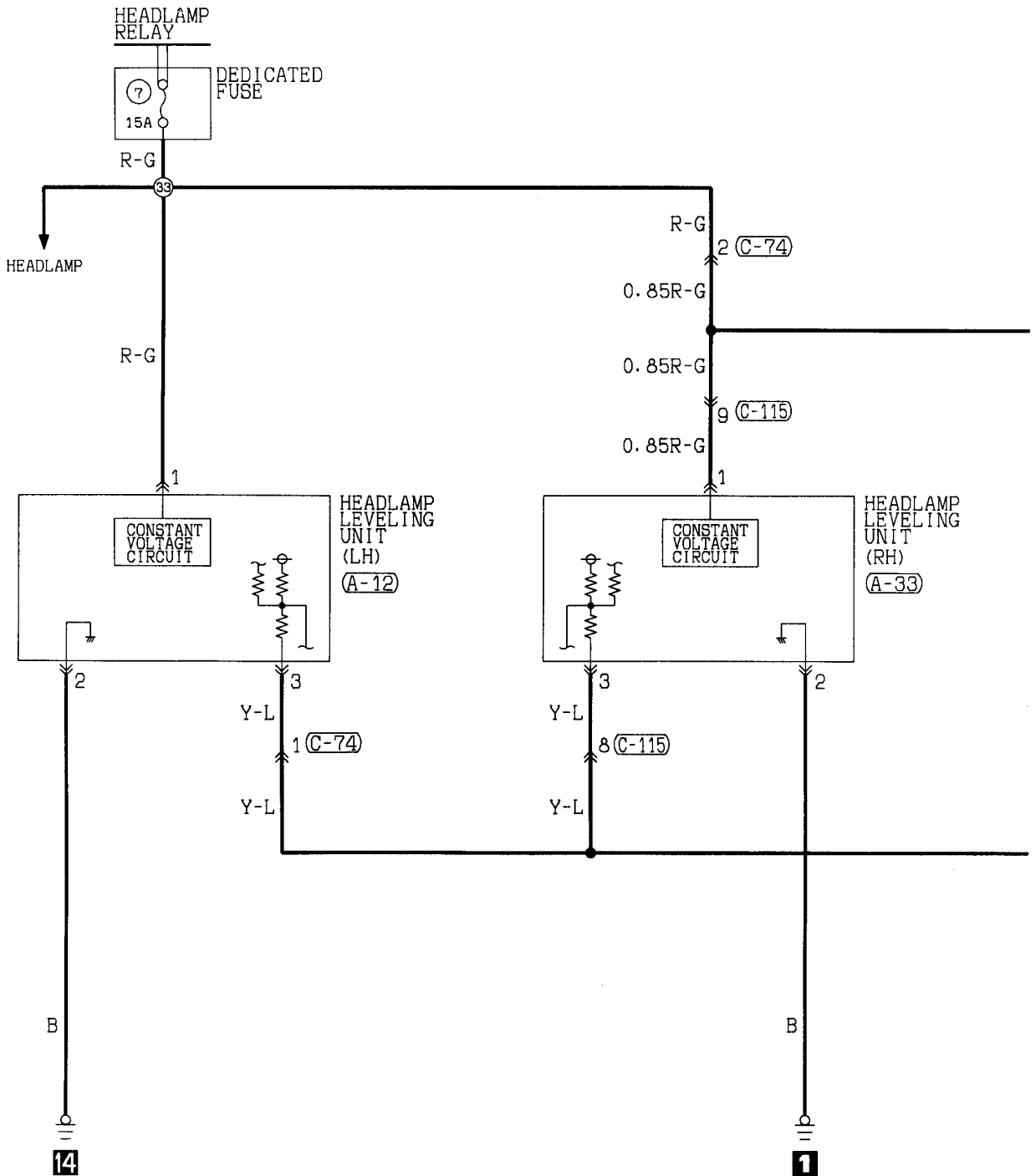
Wire colour code

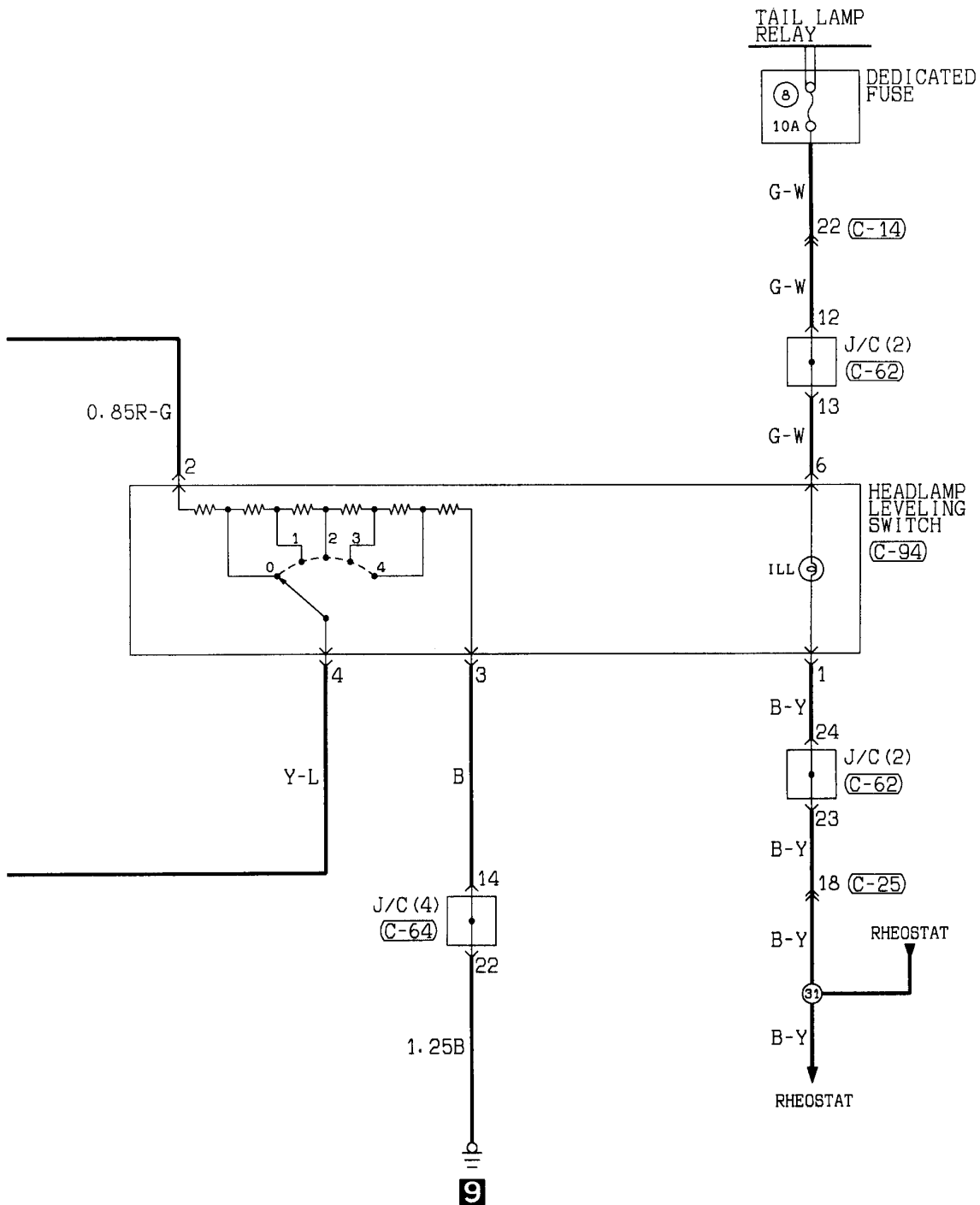
B : Black LG:Light green G :Green L :Blue W :White Y :Yellow SB:Sky blue
 BR:Brown O :Orange GR:Gray R :Red P :Pink V :Violet

HEADLAMP LEVELING SYSTEM

90101250209

R.H. drive vehicles





(C-115)

1	2	3	4	5	6	7	8	9	10		
11	12	13	14	15	16	17	18	19	20	21	22

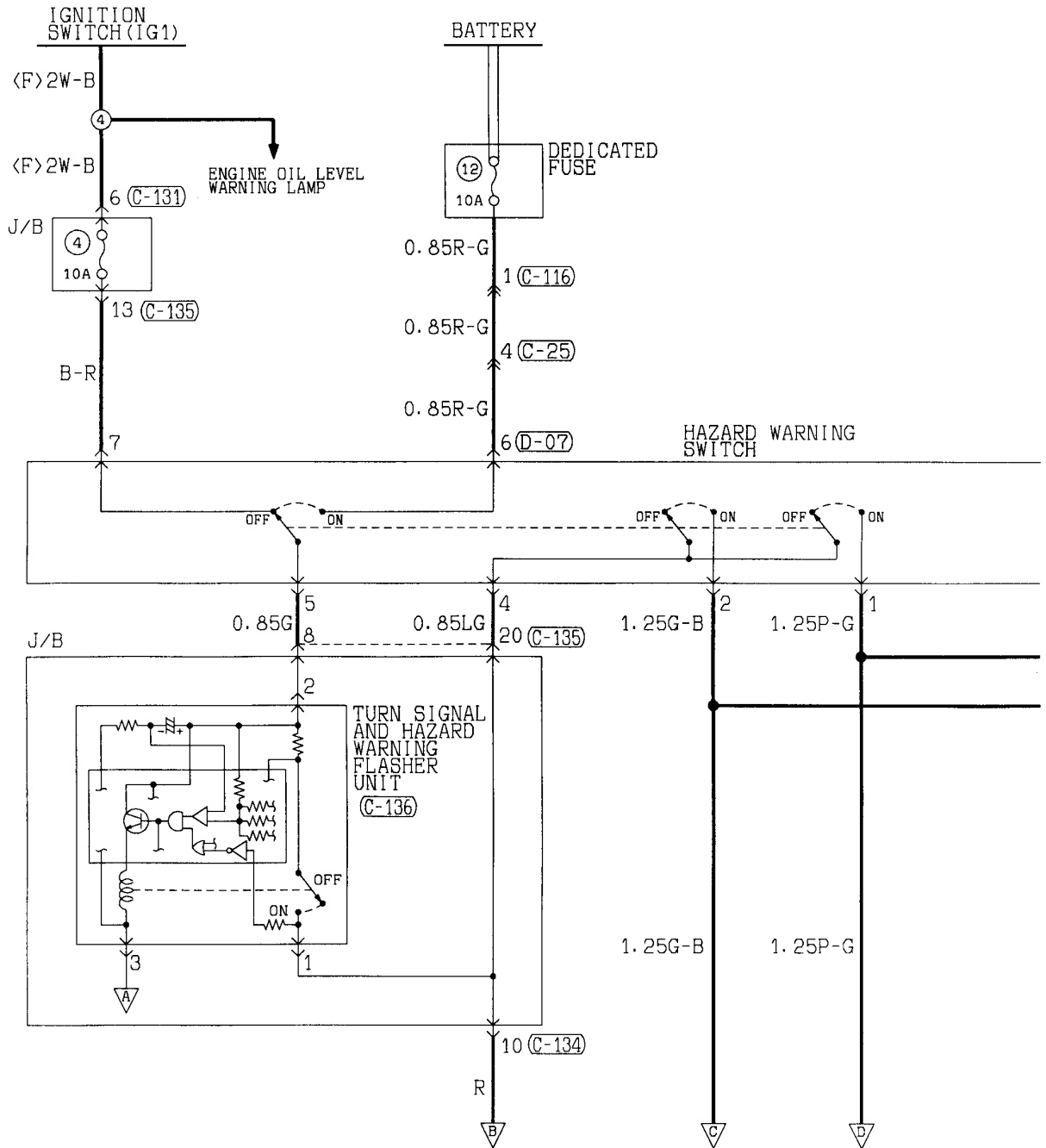
Wire colour code

B :Black LG:Light green G :Green L :Blue W :White Y :Yellow SB:Sky blue
 BR:Brown O :Orange GR:Gray R :Red P :Pink V :Violet

TURN-SIGNAL LAMP AND HAZARD WARNING LAMP

90100290394

L.H. drive vehicles



(C-25)

1	2	3	4	5	6	7	8	9	10
11	12	13	14	15	16	17	18	19	20
21	22								

(C-116)

1	2	3	4	5	6	7	8	9	10
11	12	13	14	15	16	17	18	19	20
21	22								

(C-131)

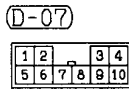
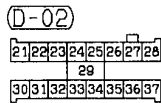
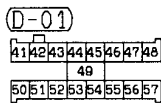
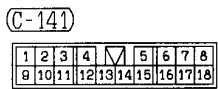
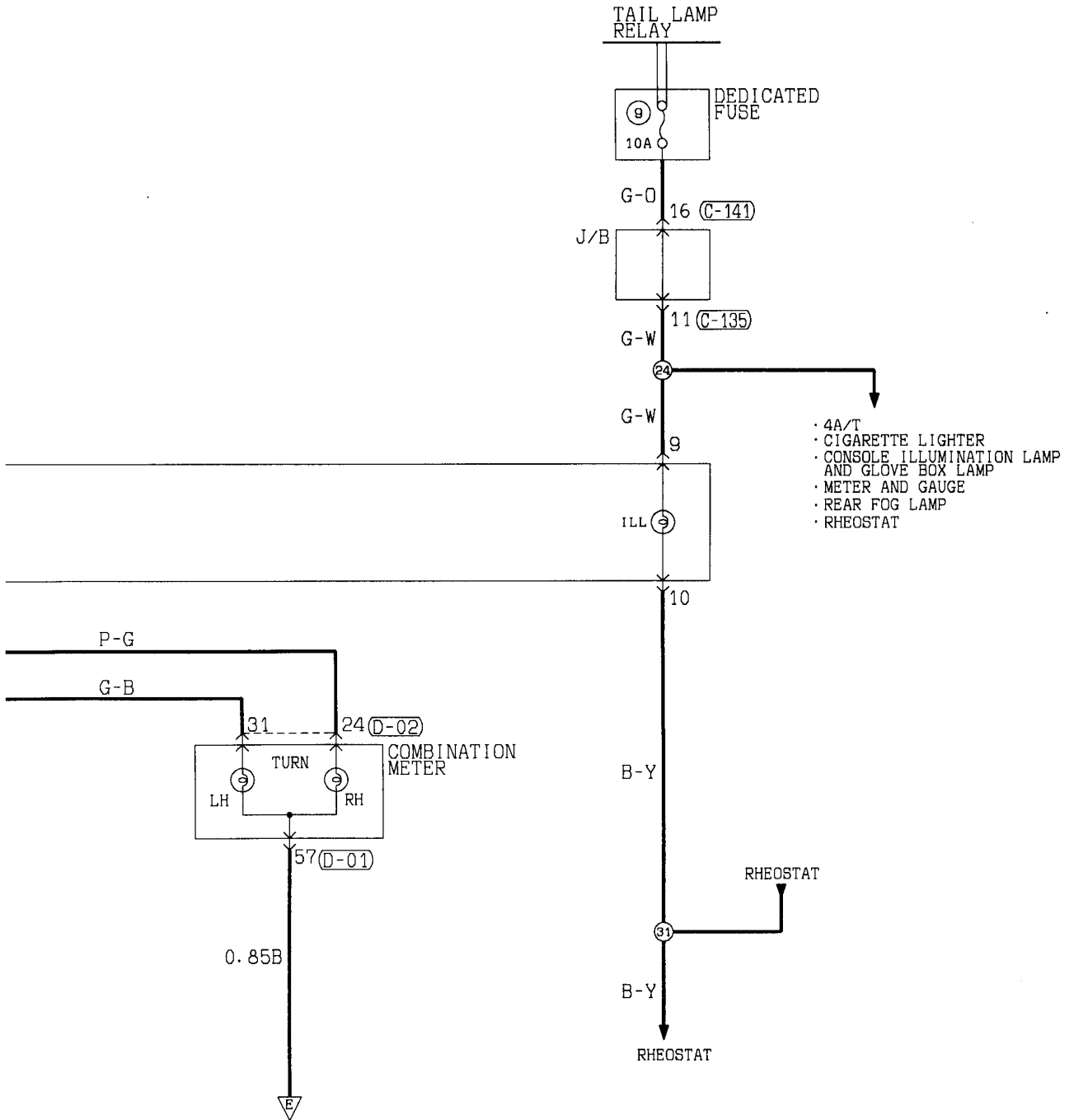
1	2
3	4
5	6

(C-134)

1	2	3	4	5	6	7	8	9	10
11	12	13	14	15	16	17	18	19	20
21	22								

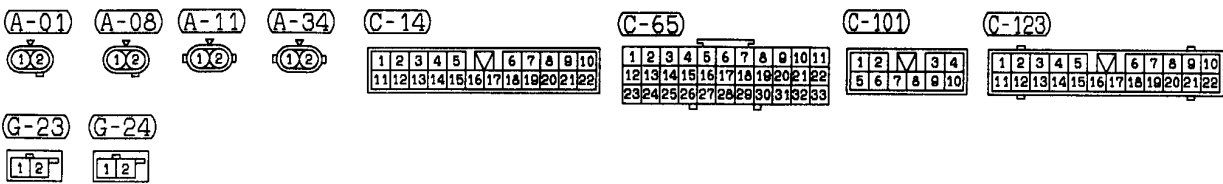
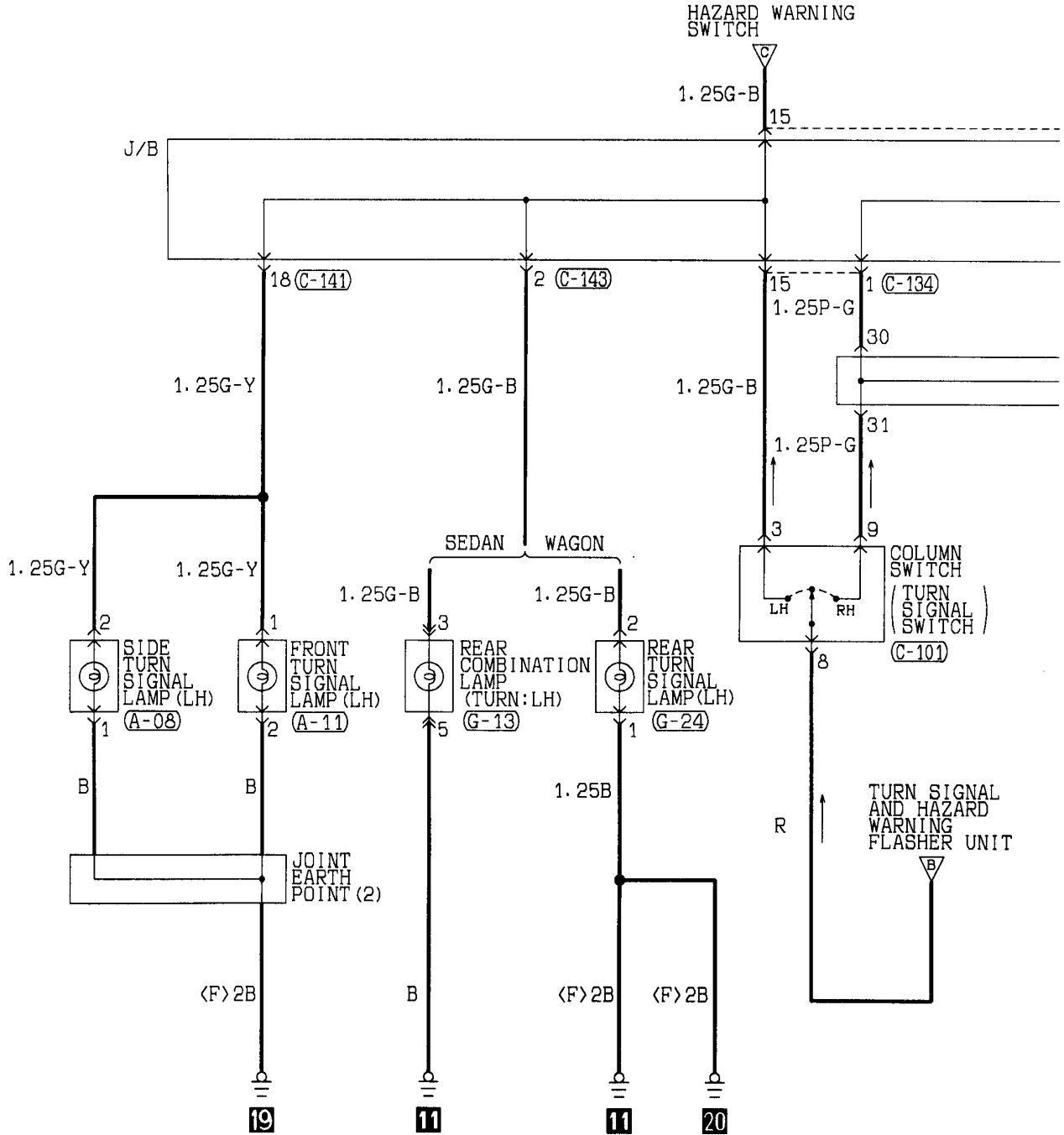
(C-135)

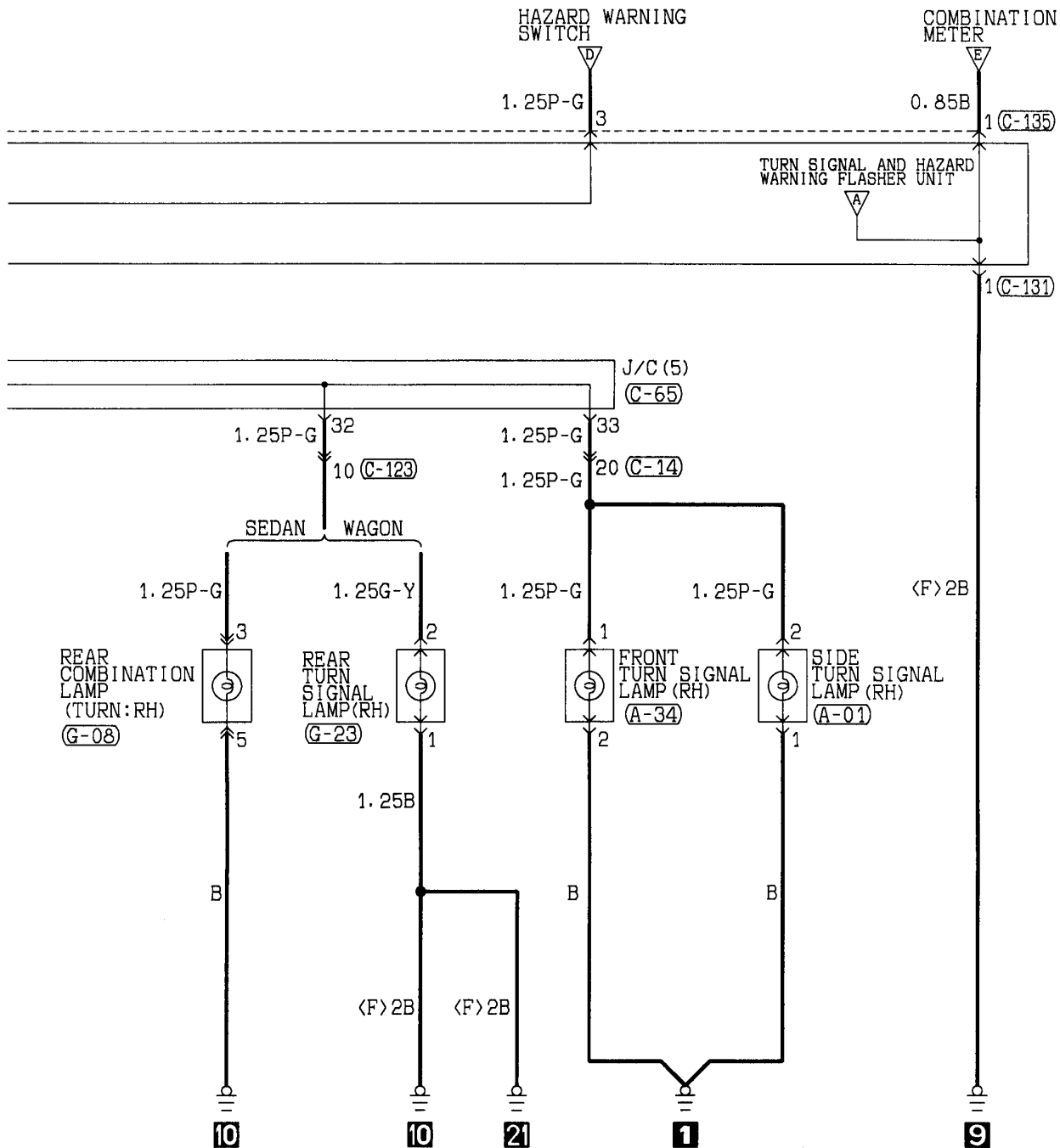
1	2	3	4	5	6	7	8	9
10	11	12	13	14	15	16	17	18
19	20							



Wire colour code
 B : Black LG:Light green G :Green L :Blue W :White Y :Yellow SB:Sky blue
 BR:Brown O :Orange GR:Gray R :Red P :Pink V :Violet

TURN-SIGNAL LAMP AND HAZARD WARNING LAMP <L.H. drive vehicles>
(CONTINUED)





(C-131)

1	2
3	4

(C-134)

1	2	3	4	5	M	6	7	8	9	10	
11	12	13	14	15	16	17	18	19	20	21	22

(C-135)

1	2	3	4	M	5	6	7	8	9	
10	11	12	13	14	15	16	17	18	19	20

(C-141)

1	2	3	4	M	5	6	7	8	
9	10	11	12	13	14	15	16	17	18

(C-143)

1	2	3	4	M	5	6	7	8	9
10	11	12	13	14	15	16	17	18	19

(G-08)

1	M	2	
3	4	5	6

(G-13)

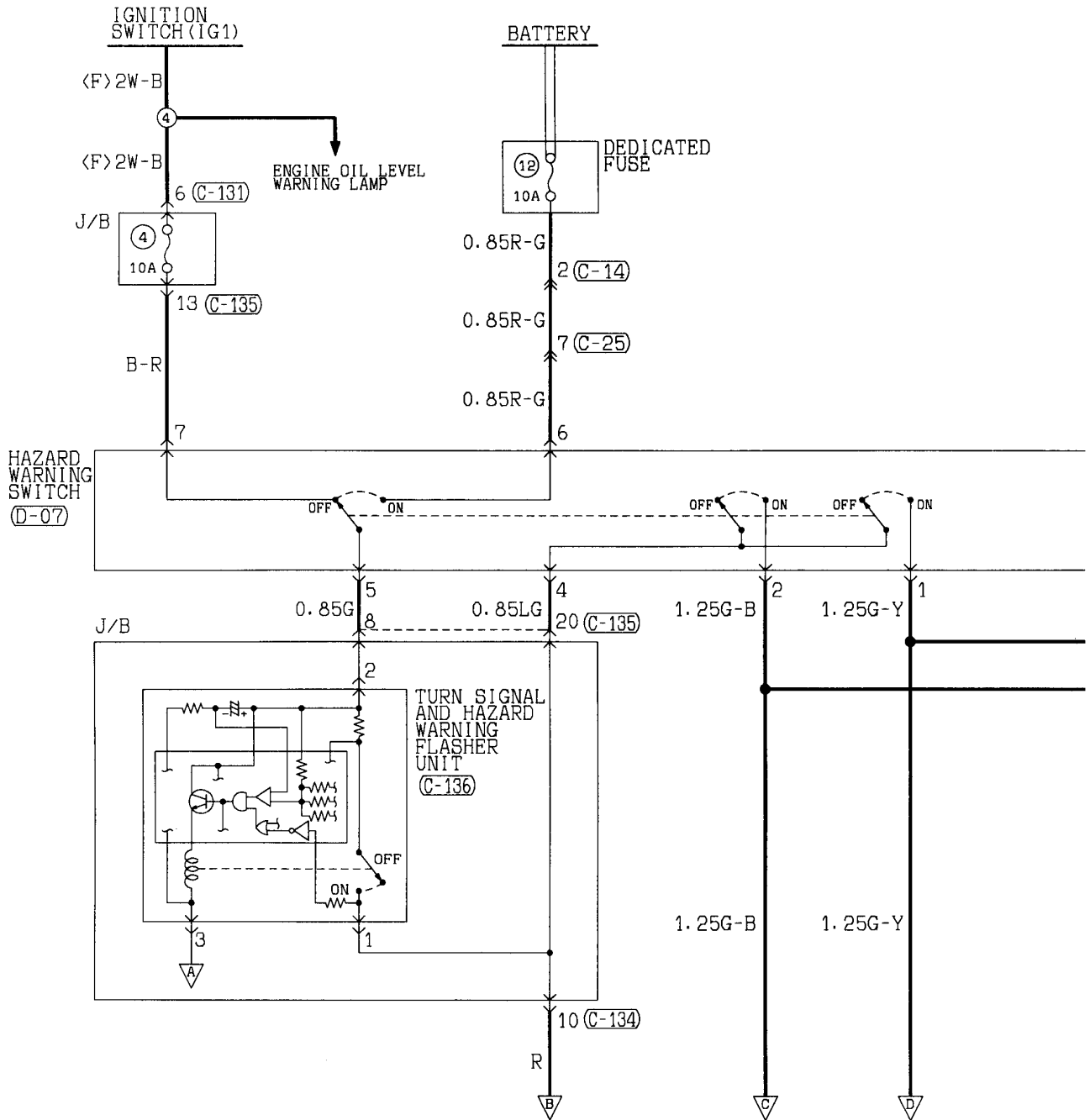
1	M	2	
3	4	5	6

Wire colour code
 B :Black LG:Light green G :Green L :Blue W :White Y :Yellow SB:Sky blue
 BR:Brown O :Orange GR:Gray R :Red P :Pink V :Violet

TURN-SIGNAL LAMP AND HAZARD WARNING LAMP

90100290400

R.H. drive vehicles



(C-14)

1	2	3	4	5	6	7	8	9	10
11	12	13	14	15	16	17	18	19	20
21	22								

(C-25)

1	2	3	4	5	6	7	8	9	10
11	12	13	14	15	16	17	18	19	20
21	22								

(C-62)

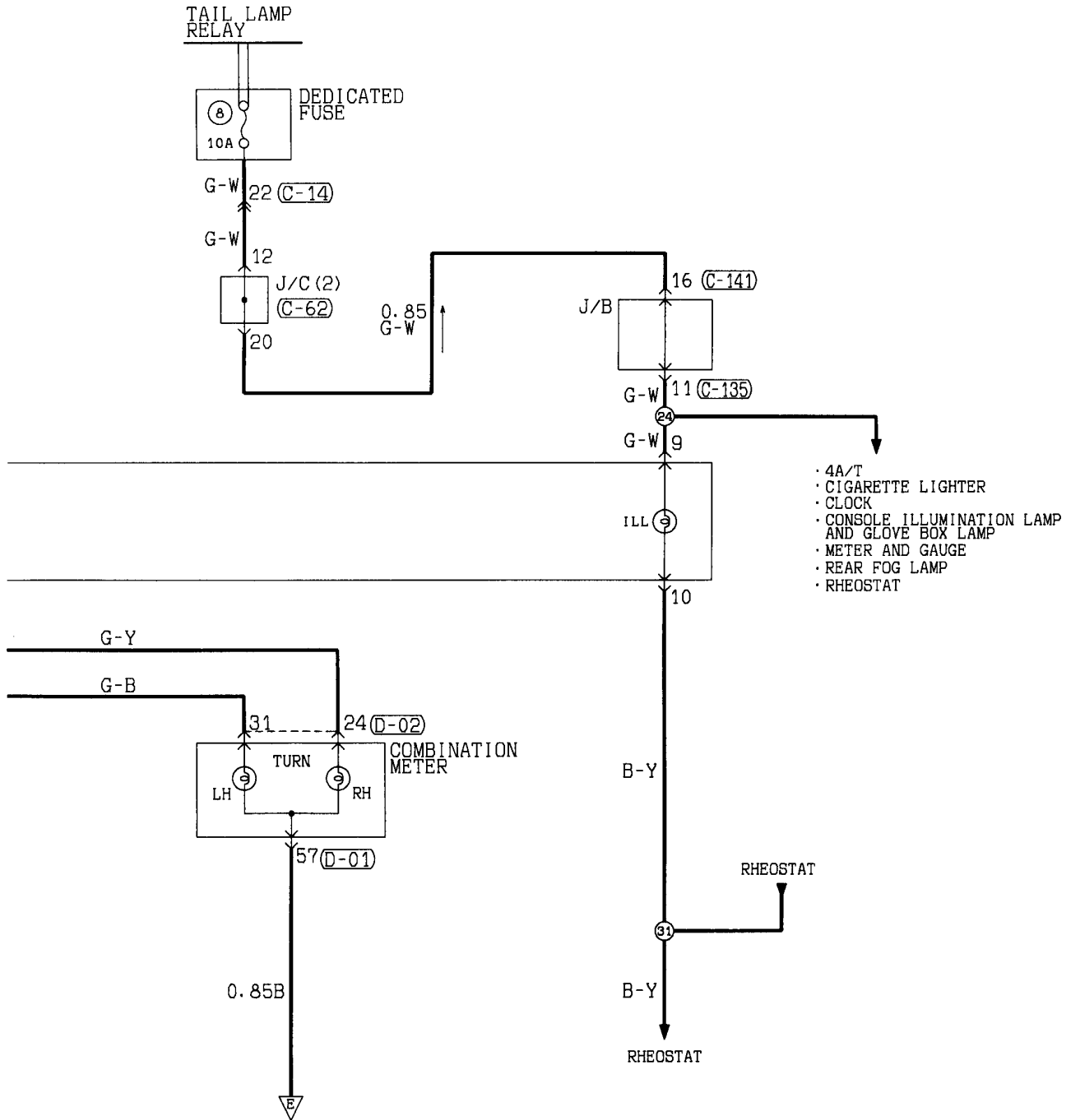
1	2	3	4	5	6	7	8	9	10	11
12	13	14	15	16	17	18	19	20	21	22
23	24	25	26	27	28	29	30	31	32	33

(C-131)

1	2
3	4
5	6

(C-134)

1	2	3	4	5	6	7	8	9	10
11	12	13	14	15	16	17	18	19	20
21	22								



(C-135)

1	2	3	4	M	5	6	7	8	9	
10	11	12	13	14	15	16	17	18	19	20

(C-136)

21	23
----	----

(C-141)

1	2	3	4	M	5	6	7	8	
9	10	11	12	13	14	15	16	17	18

(D-01)

41	42	43	44	45	46	47	48
49							
50	51	52	53	54	55	56	57

(D-02)

21	22	23	24	25	26	27	28
29							
30	31	32	33	34	35	36	37

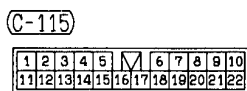
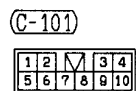
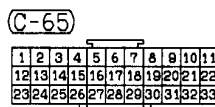
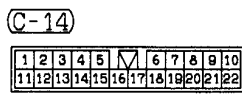
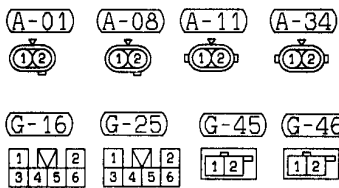
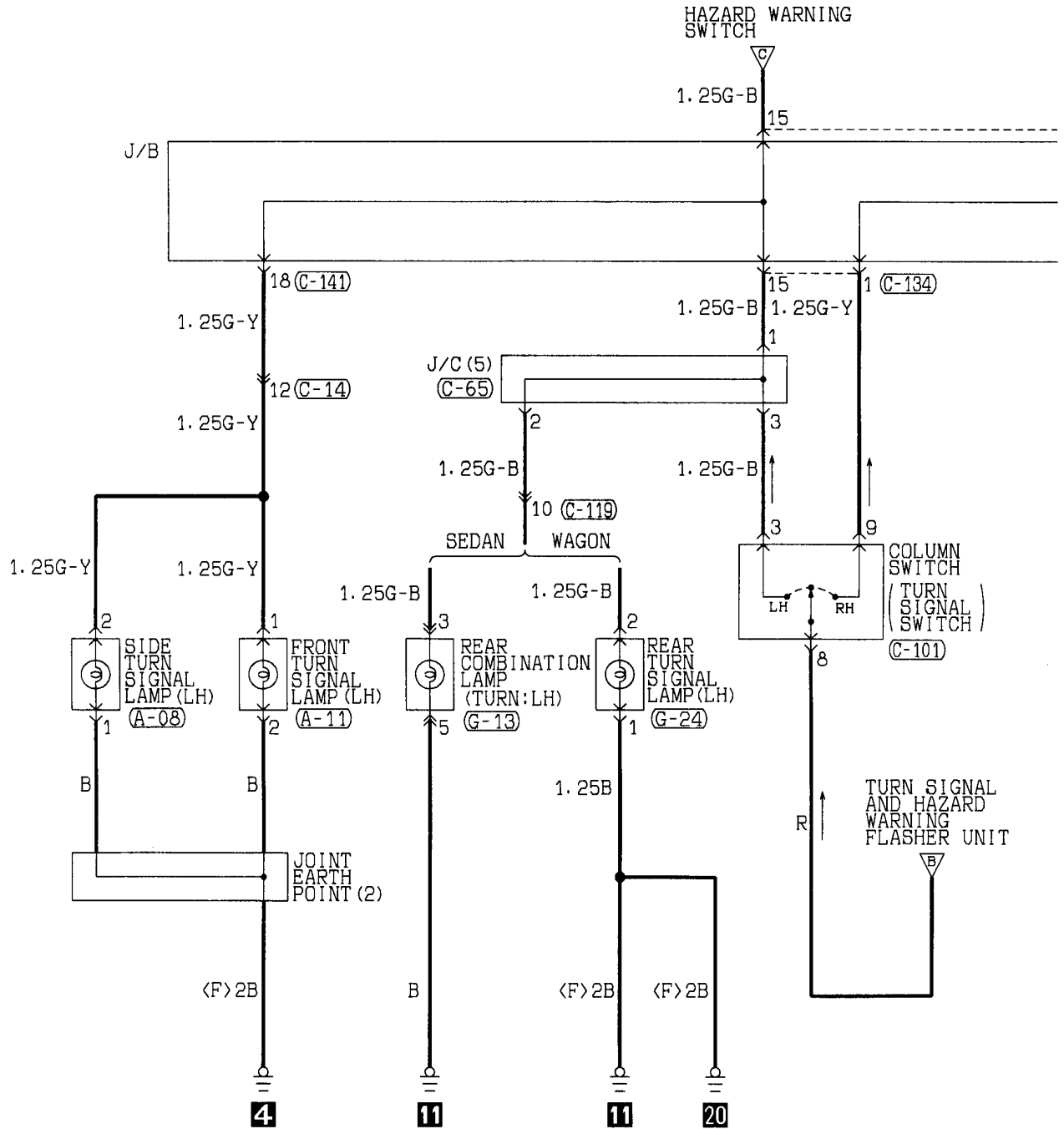
(D-07)

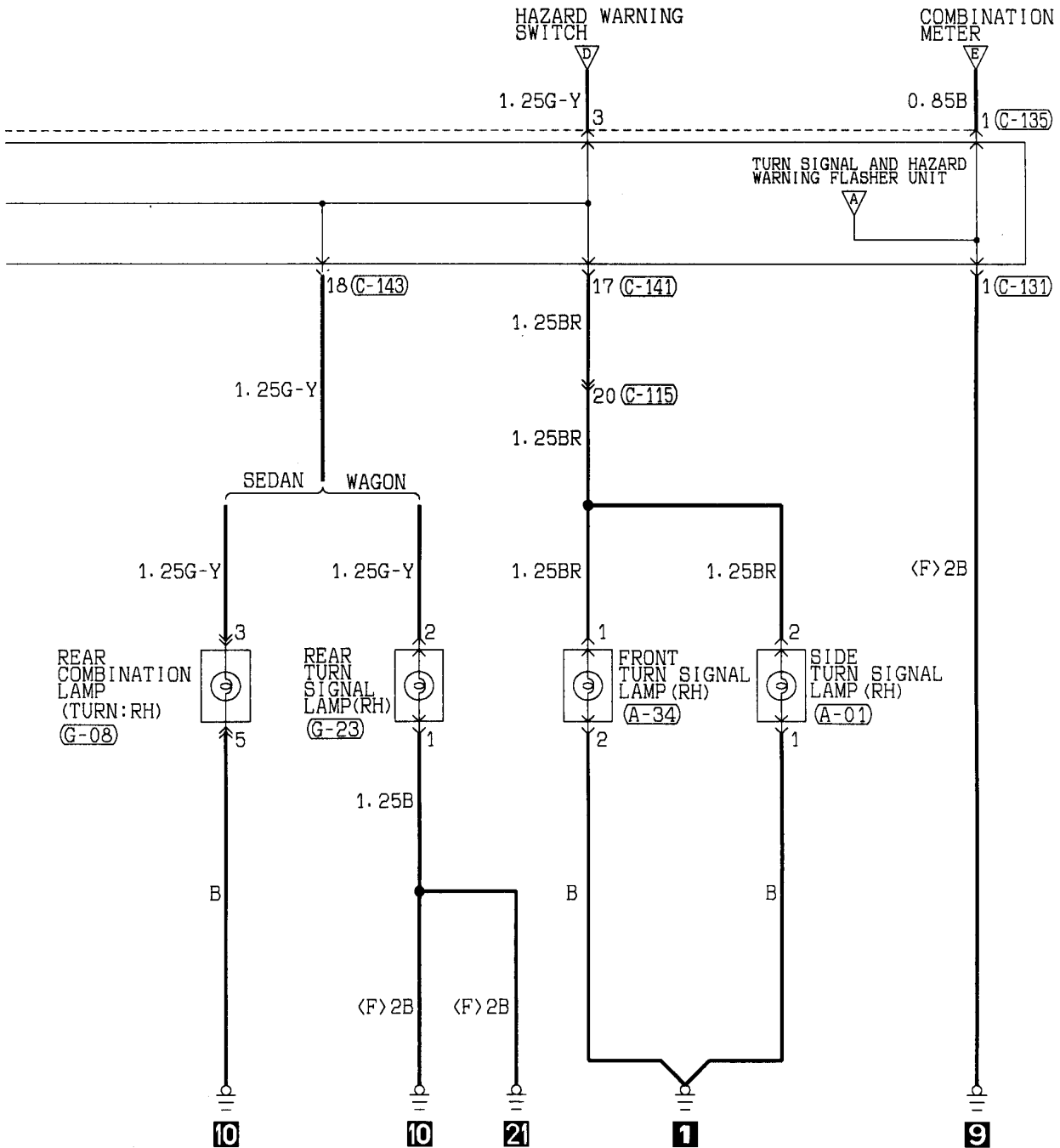
1	2	3	4		
5	6	7	8	9	10

Wire colour code

B : Black LG: Light green G : Green L : Blue W : White Y : Yellow SB: Sky blue
 BR: Brown O : Orange GR: Gray R : Red P : Pink V : Violet

TURN-SIGNAL LAMP AND HAZARD WARNING LAMP <R.H. drive vehicles>
(CONTINUED)





(C-119)

1	2	3	4	5	6	7	8	9	10
11	12	13	14	15	16	17	18	19	20
21	22								

(C-131)

1	2
3	4
5	6

(C-134)

1	2	3	4	5	6	7	8	9	10
11	12	13	14	15	16	17	18	19	20
21	22								

(C-135)

1	2	3	4	5	6	7	8	9
10	11	12	13	14	15	16	17	18
19	20							

(C-141)

1	2	3	4	5	6	7	8
9	10	11	12	13	14	15	16
17	18						

(C-143)

1	2	3	4	5	6	7	8	9
10	11	12	13	14	15	16	17	18
19								

Wire colour code
 B : Black LG : Light green G : Green L : Blue W : White Y : Yellow SB : Sky blue
 BR : Brown O : Orange GR : Gray R : Red P : Pink V : Violet

TURN-SIGNAL LAMP AND HAZARD WARNING LAMP (See P. 4-246, 250.)**OPERATION****<Turn-signal lamp>**

1. In standard operating condition
 - When the ignition switch is placed in the ON position, battery voltage is applied through the hazard warning switch to the turn-signal and hazard warning flasher unit.
 - When the turn signal switch is turned to the "LH" or "RH" position, the relay contact turns "ON" and "OFF" repeatedly due to the switching operation of the capacitor and transistor inside the flasher unit, and the turn signal lamp and the "LH" and "RH" of the turn signal indicator lamp flash.
2. When one bulb is burnt
 - When either one of the turn signal lamp is burnt, the resistance of the entire lamp circuit increases, so that the time required for charging and discharging of the capacitor is shortened, causing the "ON" "OFF" cycle of the relay to become faster than standard and the number of flashes to increase.

<Hazard warning lamp>

- When the hazard warning switch is turned to the "ON" position, current flows via dedicated fuse No. (12) to the flasher unit, the flasher unit relay contacts repeatedly close and open, which results in the RH and LH turn-signal lamps, turn-signal indicator lamps, and hazard warning indicator lamps flashing on and off at the same time.

Remark

The number of times the hazard warning lamps flash on and off does not change even when one bulb is out.

TROUBLESHOOTING HINTS

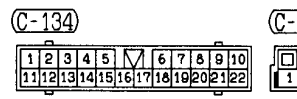
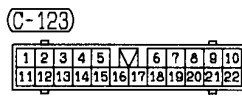
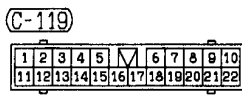
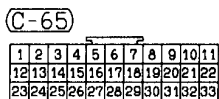
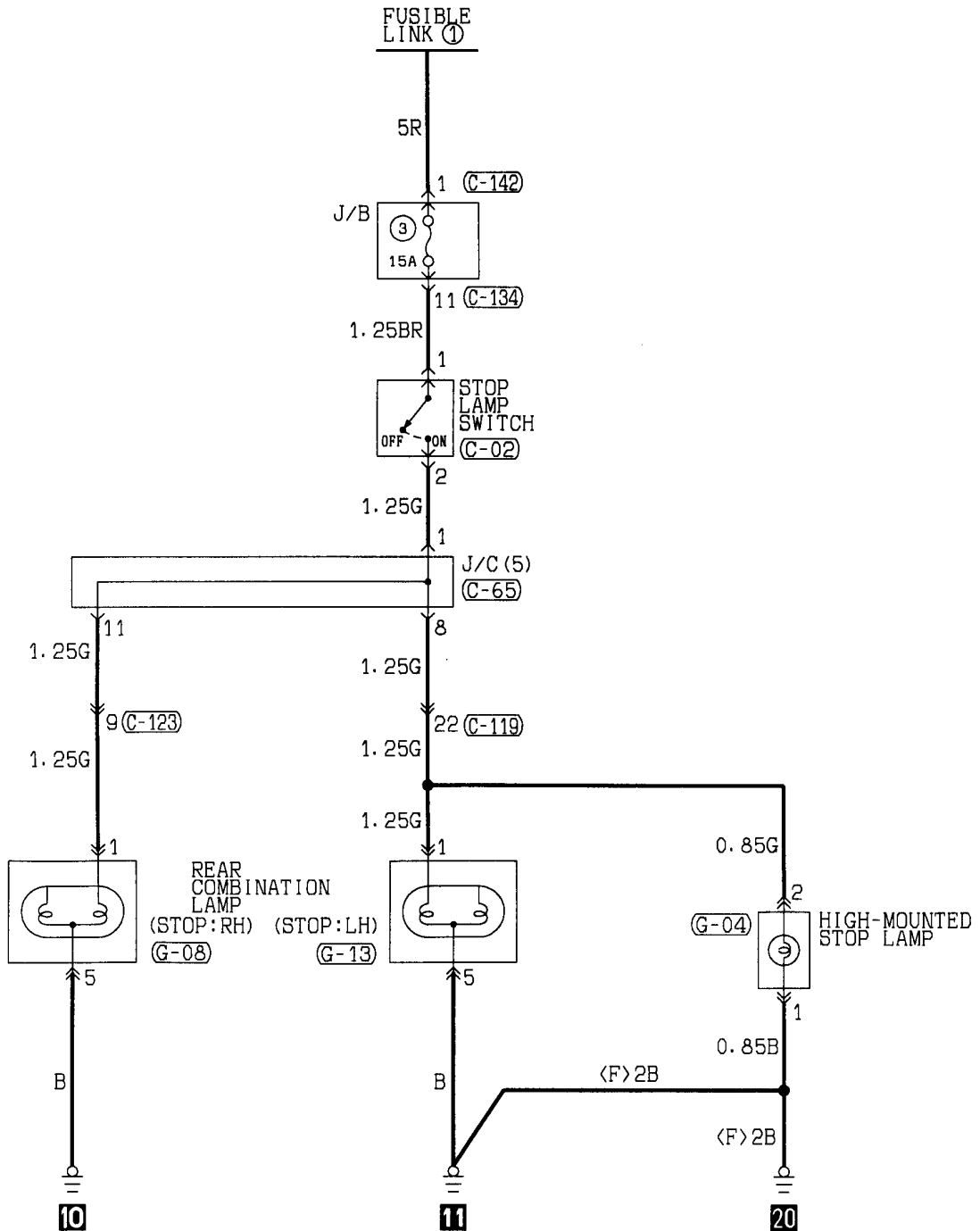
1. Neither the turn-signal lamp nor hazard warning lamps operate.
 - Check the hazard warning switch contacts (on power source end).
 - Check the flasher unit.
2. All LH or RH turn-signal lamps do not operate. Hazard warning lamp is fully operational.
 - Check the turn-signal switch.
3. Flashing cycle of turn signal lamps is shorter.
 - Check the lamp bulb.
 - Check the flasher unit.
4. Hazard warning lamp does not operate. Turn-signal lamps are operational.
 - Check the dedicated fuse No. (12).
 - Check the hazard warning switch contacts (on hazard lamp end).

NOTES

STOP LAMP

90100300400

Sedan <L.H. drive vehicles>



Wire colour code
 B : Black LG : Light green
 BR : Brown O : Orange
 W : White SB : Sky blue
 V : Violet

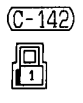
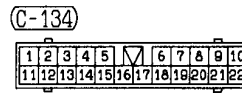
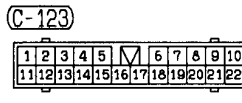
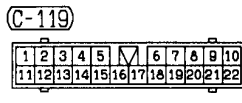
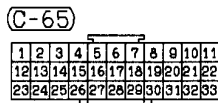
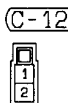
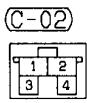
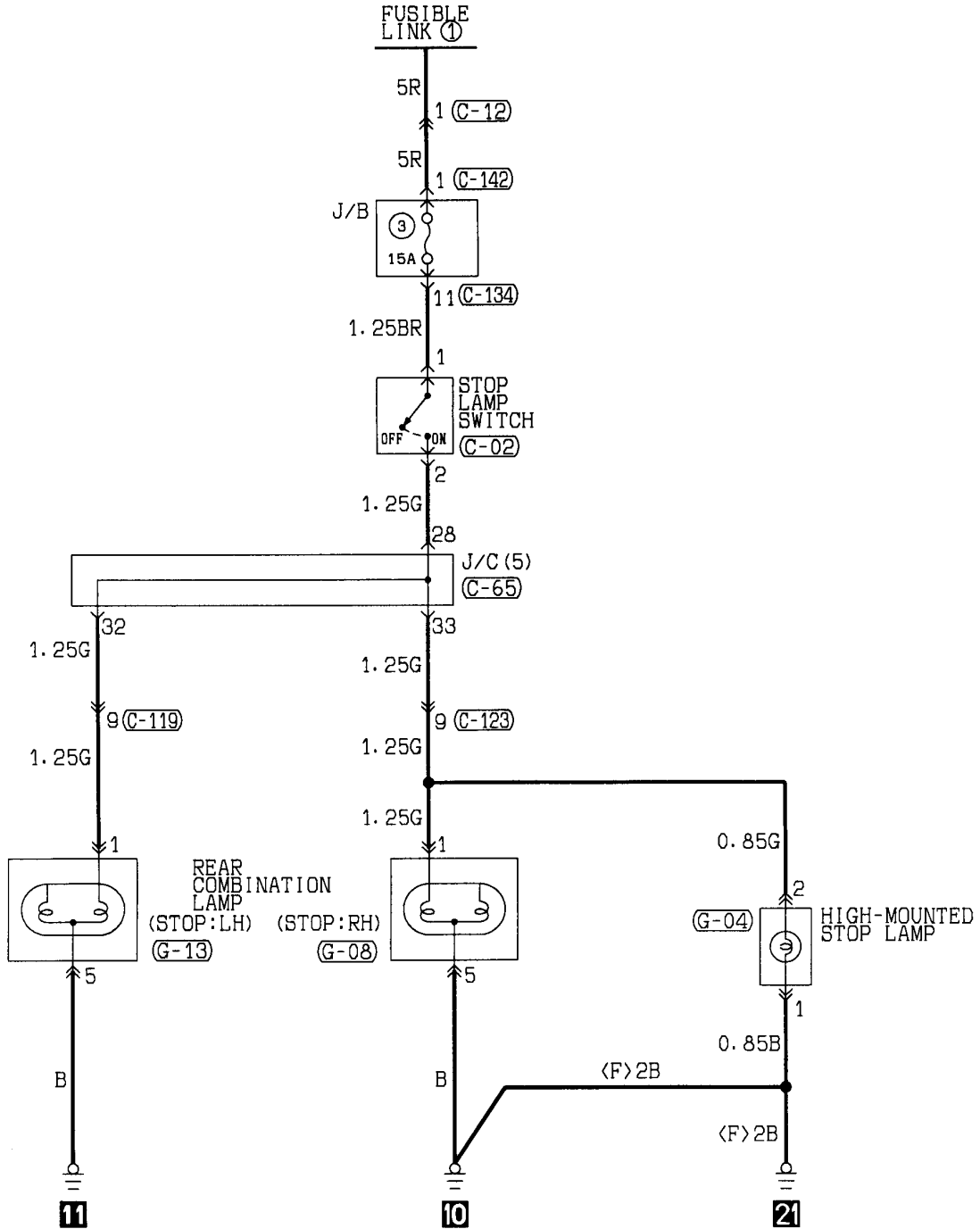
G : Green
 GR : Gray
 P : Pink

L : Blue
 RD : Red
 Y : Yellow

STOP LAMP

90100300417

Sedan <R.H. drive vehicles>

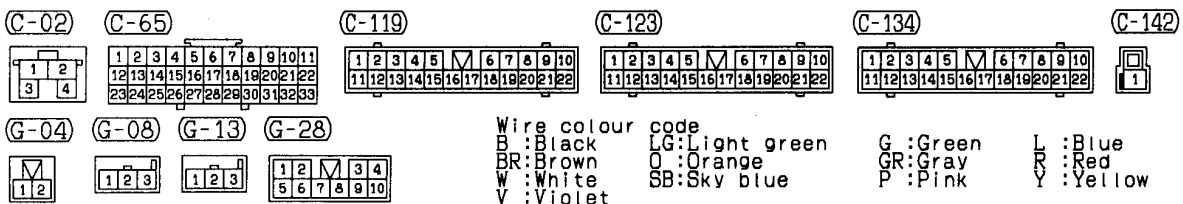
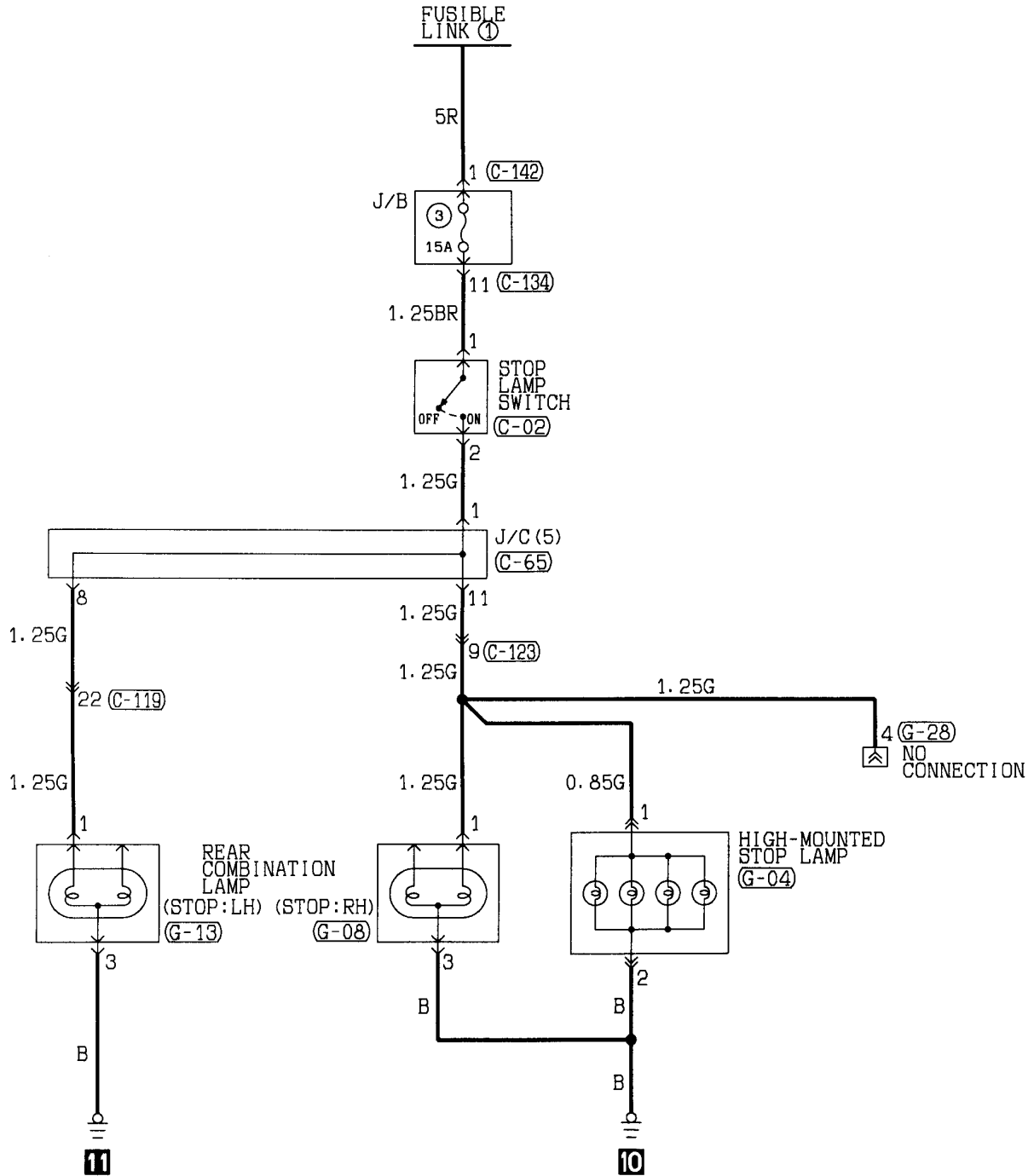


Wire colour code
 B : Black LG: Light green G : Green L : Blue
 BR: Brown O : Orange GR: Gray R : Red
 W : White SB: Sky blue P : Pink Y : Yellow
 V : Violet

STOP LAMP

90100300424

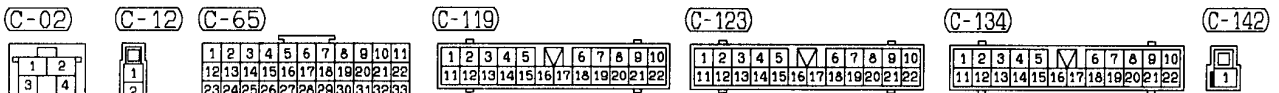
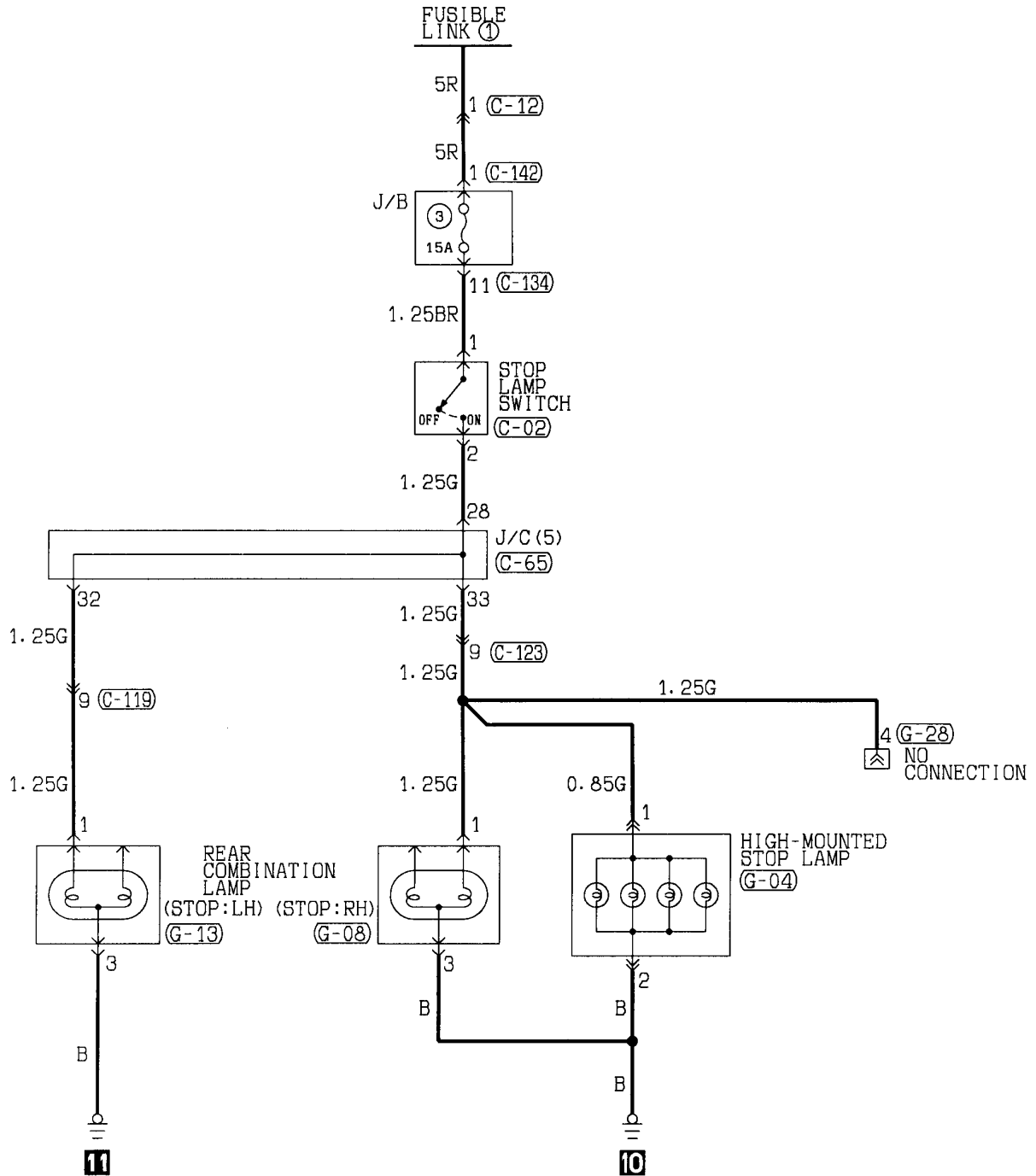
Wagon <L.H. drive vehicles>



STOP LAMP

90100300431

Wagon <R.H. drive vehicles>

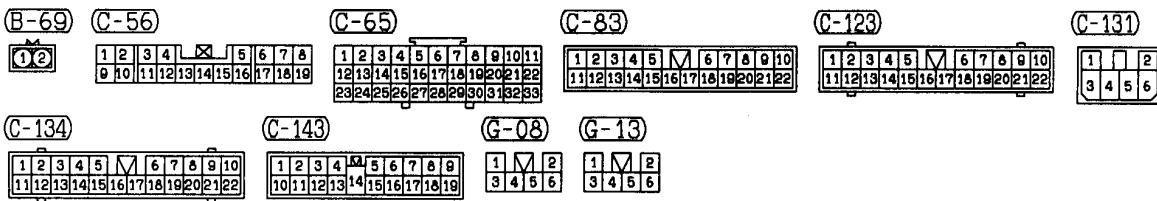
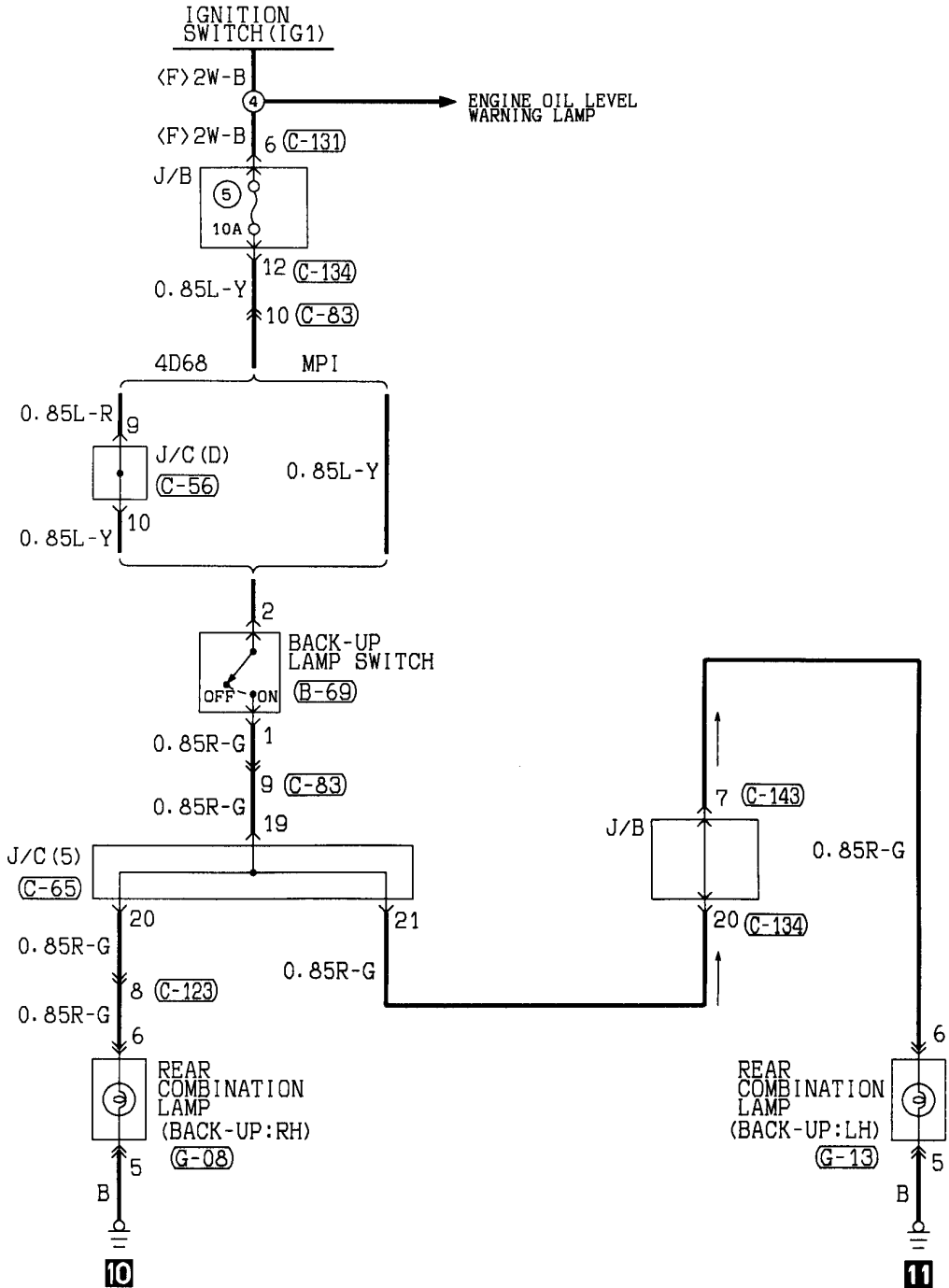


Wire colour code
 B : Black LG : Light green G : Green L : Blue
 BR : Brown O : Orange GR : Gray R : Red
 W : White SB : Sky blue P : Pink Y : Yellow
 V : Violet

BACK-UP LAMP

90100310397

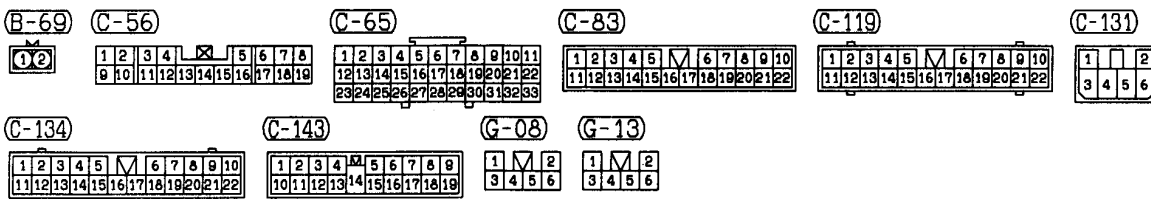
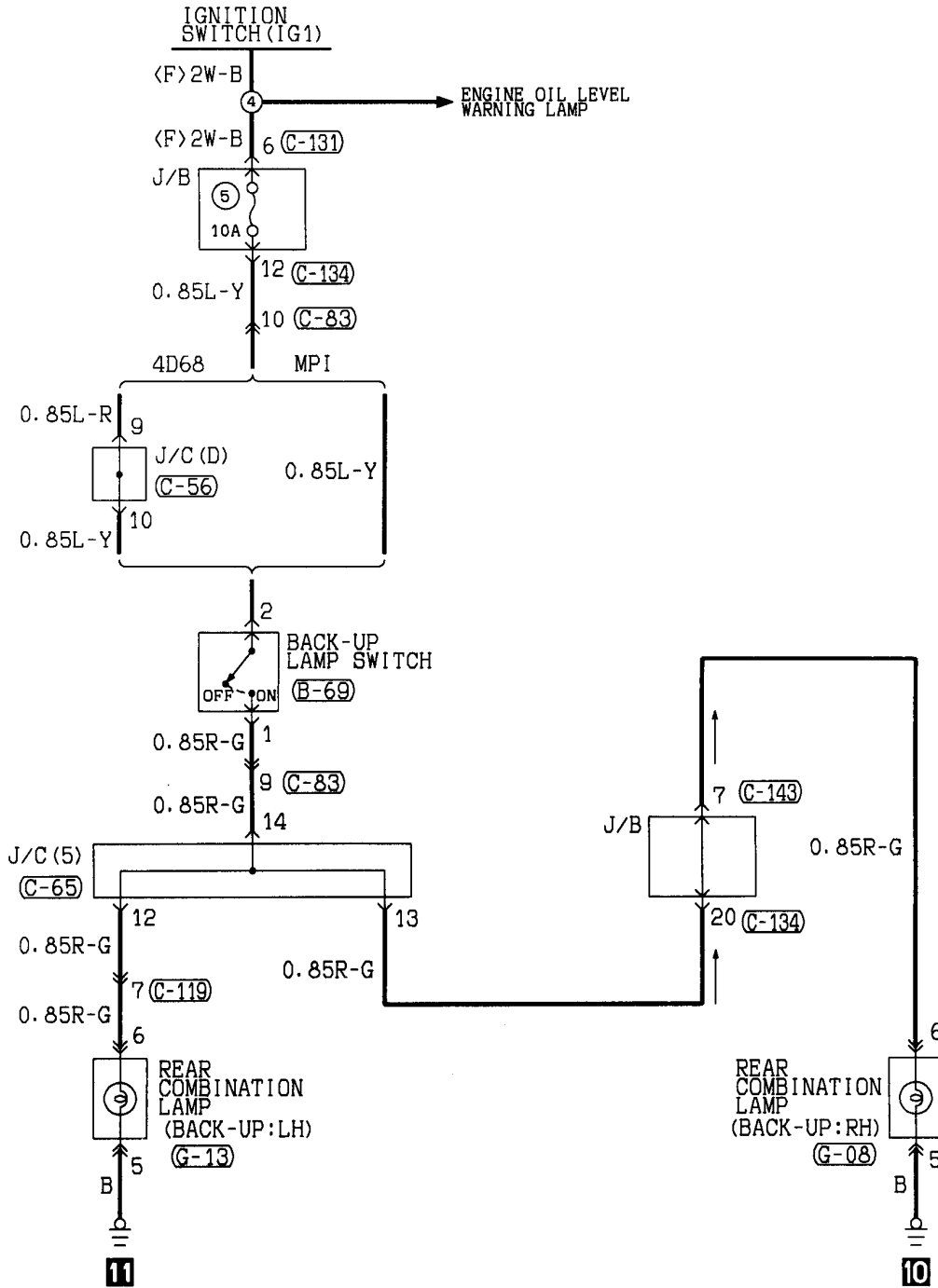
Sedan <M/T (L.H. drive vehicles)>



BACK-UP LAMP

90100310403

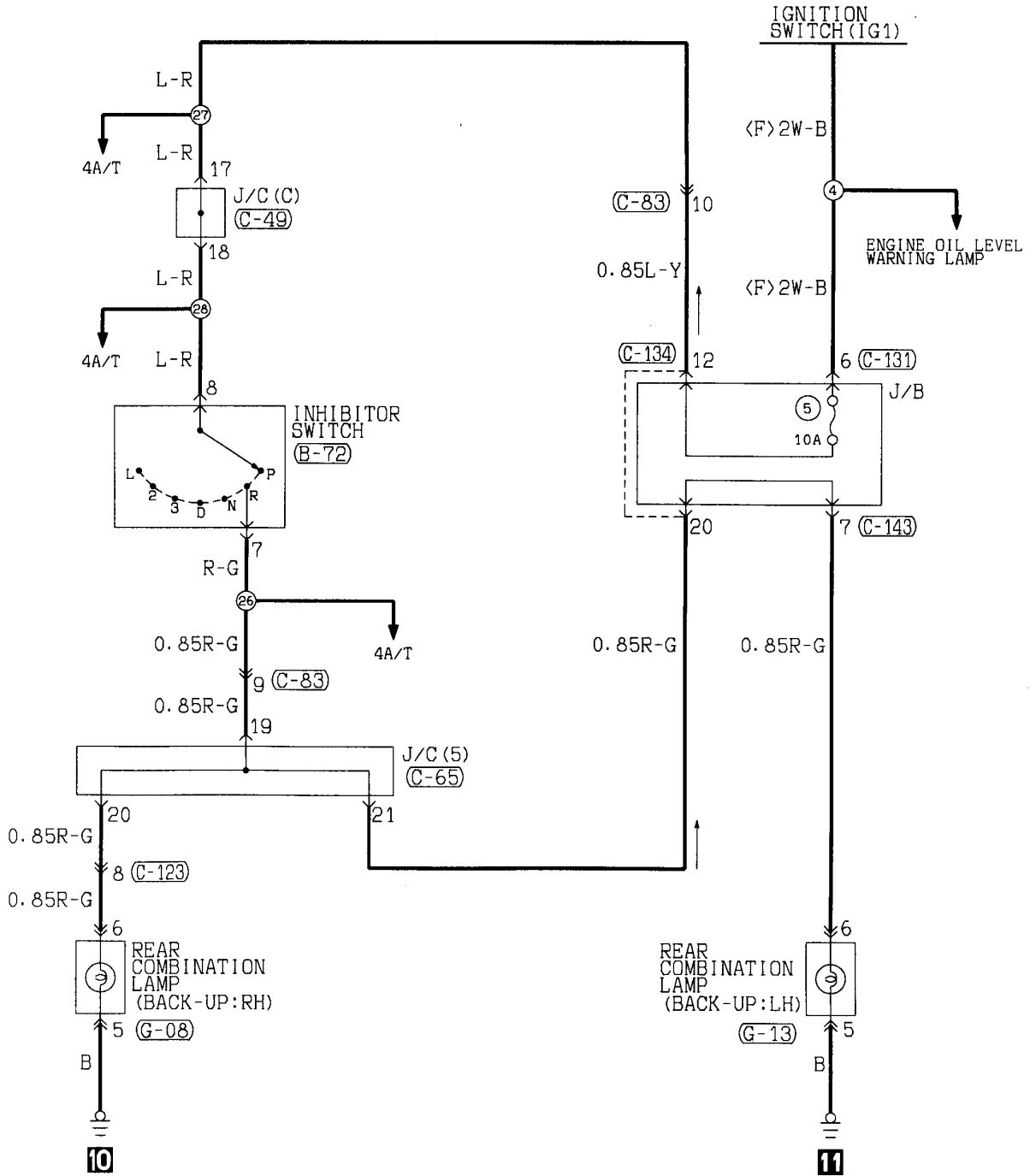
Sedan <M/T (R.H. drive vehicles)>



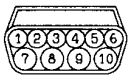
BACK-UP LAMP

90100310410

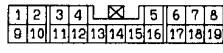
Sedan <A/T (L.H. drive vehicles)>



(B-72)



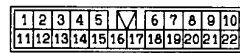
(C-49)



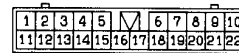
(C-65)



(C-83)



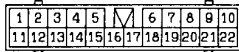
(C-123)



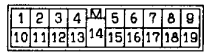
(C-131)



(C-134)



(C-143)



(G-08)



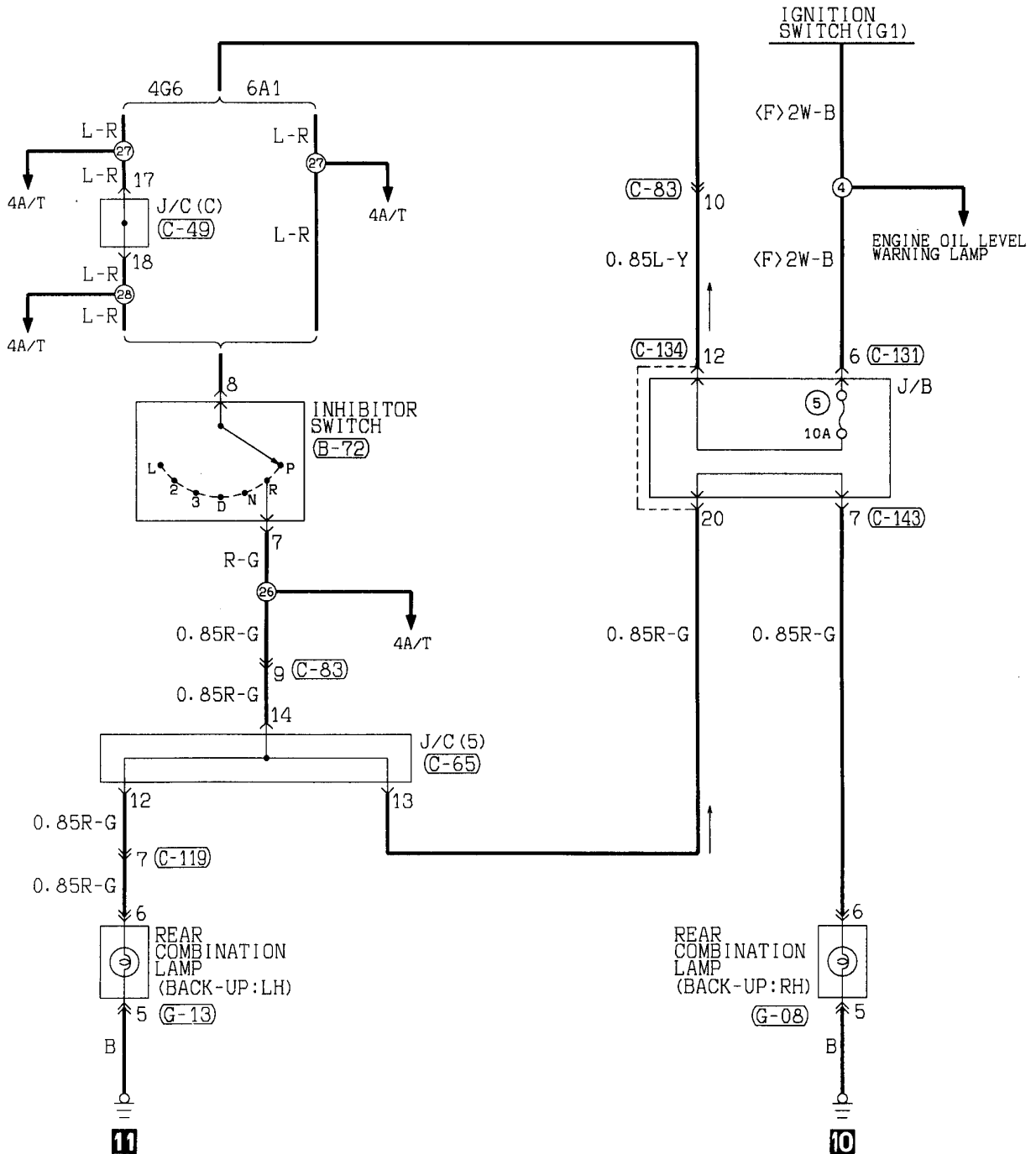
(G-13)



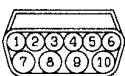
BACK-UP LAMP

90100310427

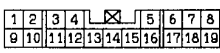
Sedan <A/T (R.H. drive vehicles)>



B-72



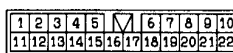
C-49



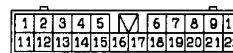
C-65



C-83



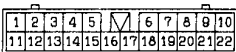
C-119



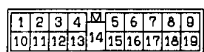
C-131



C-134



C-143



G-08



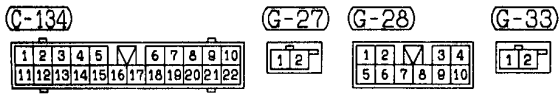
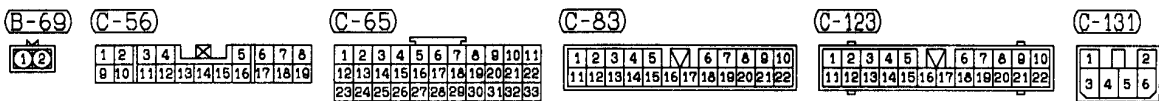
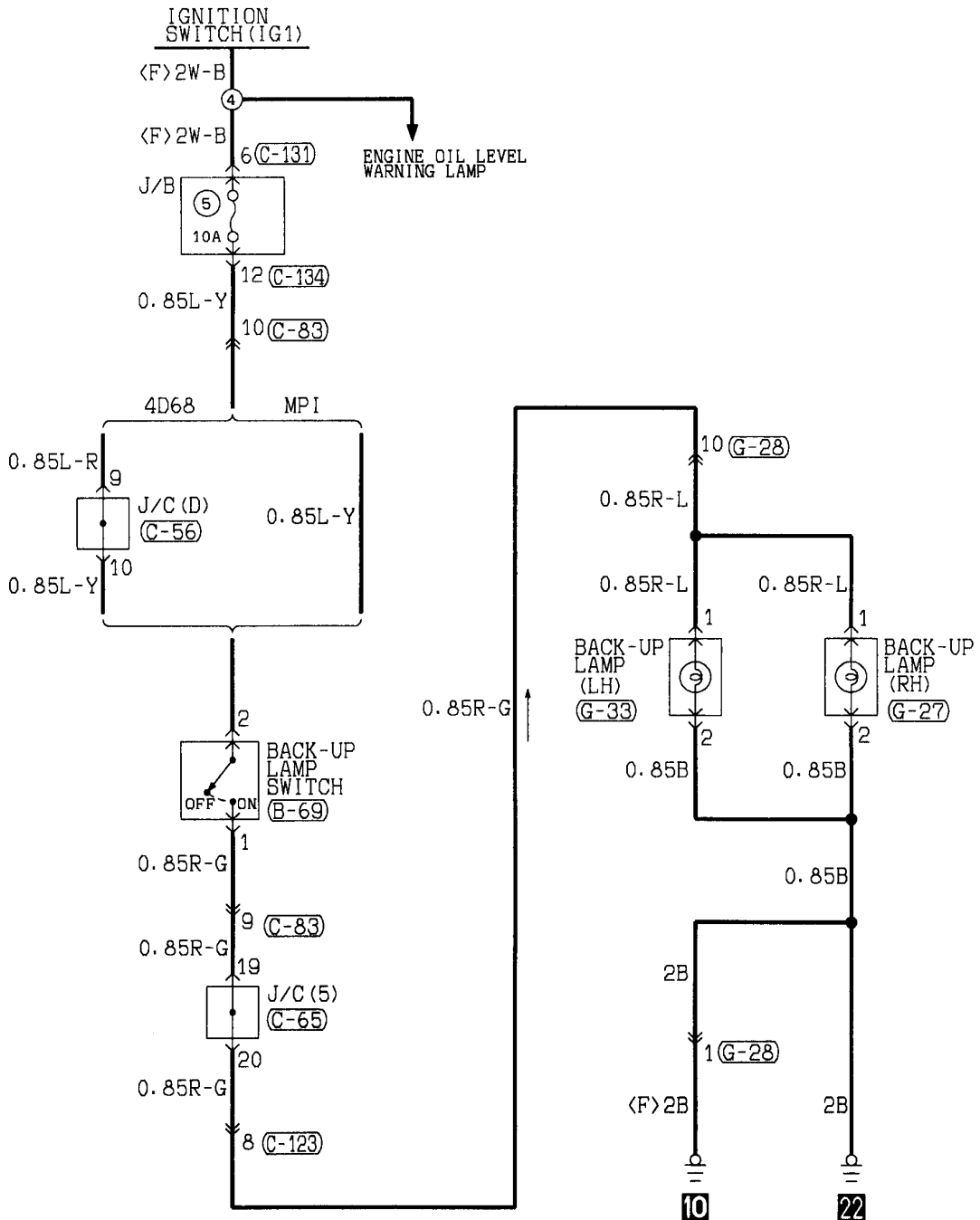
G-13



BACK-UP LAMP

90100310434

Wagon <M/T (L.H. drive vehicles)>

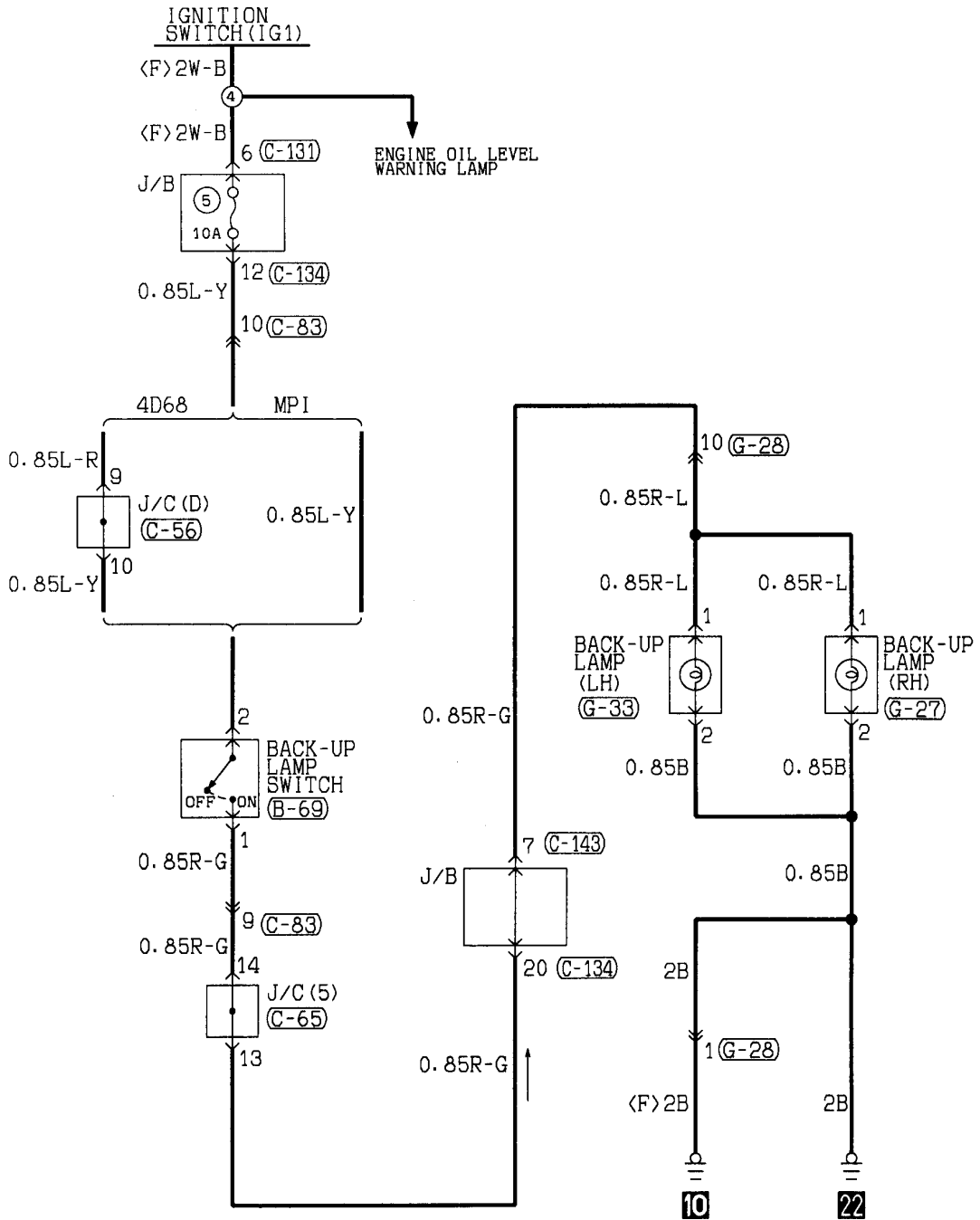


Wire colour code
 B : Black LG : Light green G : Green L : Blue
 BR : Brown O : Orange GR : Gray R : Red
 W : White SB : Sky blue P : Pink Y : Yellow
 V : Violet

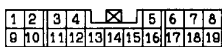
BACK-UP LAMP

90100310441

Wagon <M/T (R.H. drive vehicles)>



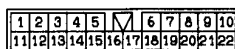
(B-69) (C-56)



(C-65)



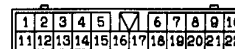
(C-83)



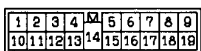
(C-131)



(C-134)



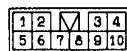
(C-143)



(G-27)



(G-28)



(G-33)



Wire colour code
 B : Black
 BR : Brown
 W : White
 V : Violet

LG : Light green
 O : Orange
 SB : Sky blue

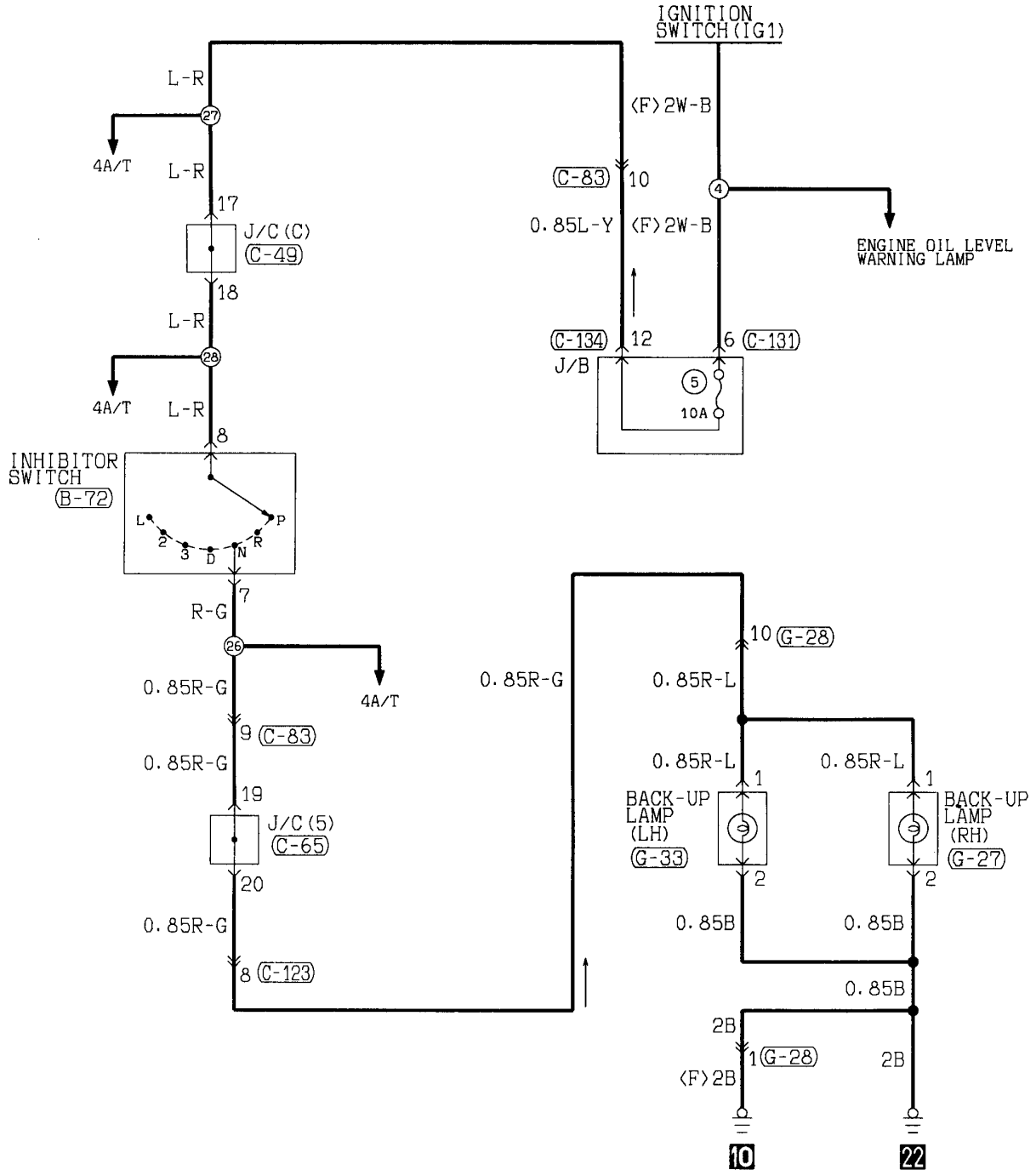
G : Green
 GR : Gray
 P : Pink

L : Blue
 R : Red
 Y : Yellow

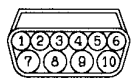
BACK-UP LAMP

90100310458

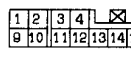
Wagon <A/T (L.H. drive vehicles)>



(B-72)



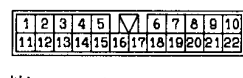
(C-49)



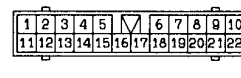
(C-65)



(C-83)



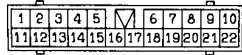
(C-123)



(C-131)



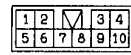
(C-134)



(G-27)



(G-28)



(G-33)



Wire colour code
 B : Black
 BR : Brown
 W : White
 V : Violet

LG : Light green
 O : Orange
 SB : Sky blue

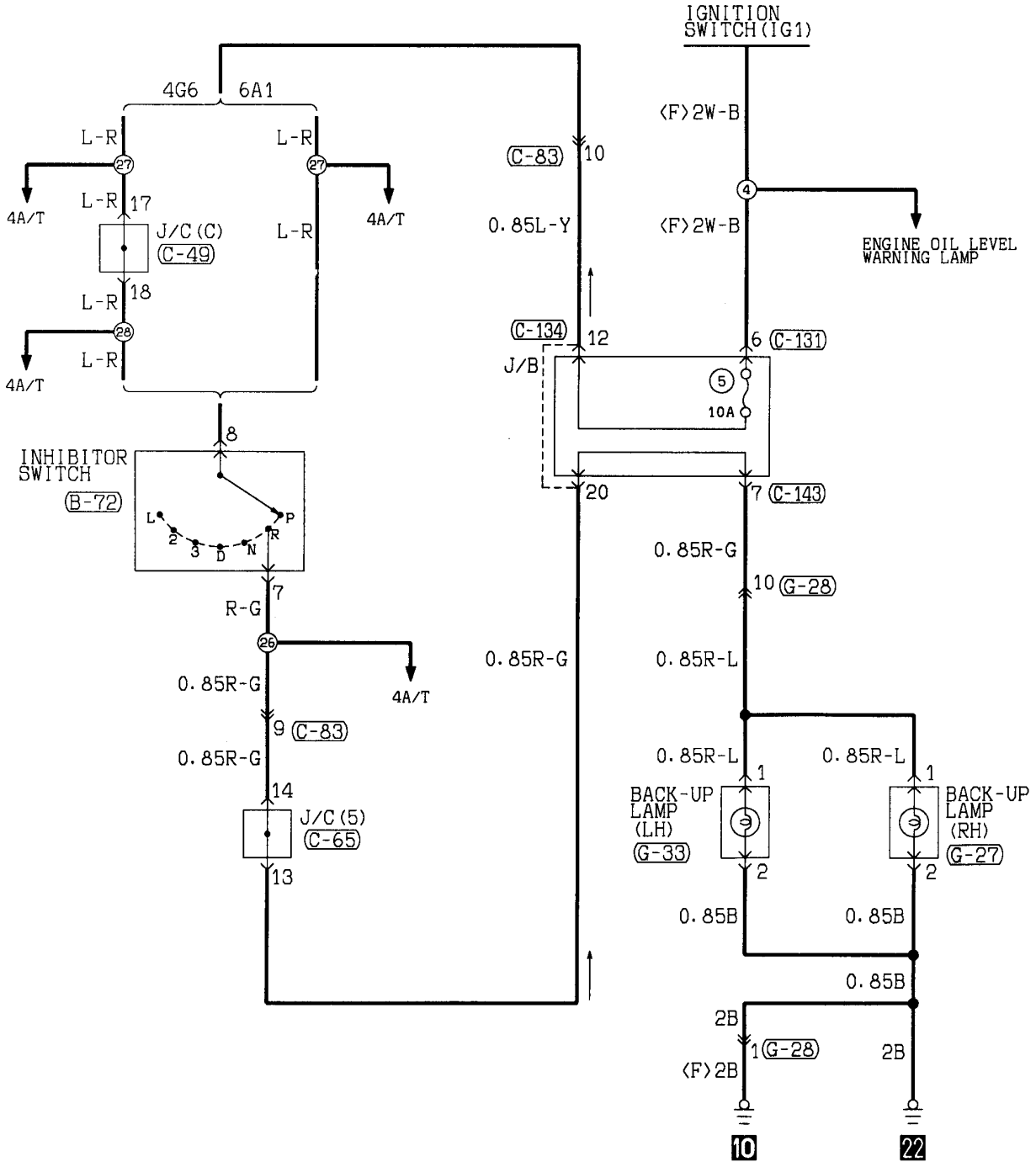
G : Green
 GR : Gray
 P : Pink

L : Blue
 R : Red
 Y : Yellow

BACK-UP LAMP

90100310465

Wagon <A/T (R.H. drive vehicles)>



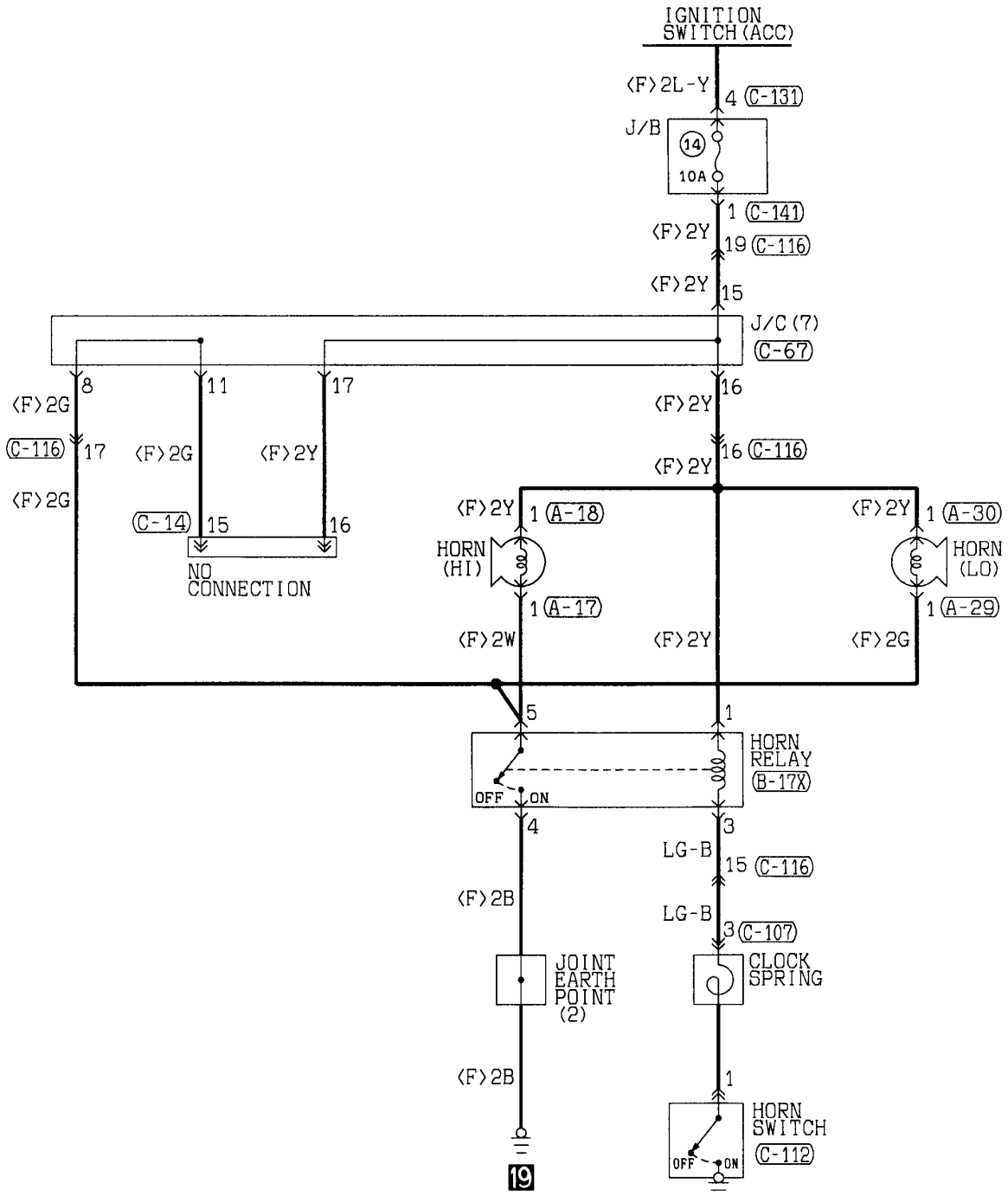
(B-72) 	(C-49) 	(C-65) 	(C-83) 	(C-131) 	(C-134)
(C-143) 	(G-27) 	(G-28) 	(G-33) 		

Wire colour code
 B : Black LG : Light green G : Green L : Blue
 BR : Brown O : Orange GR : Gray R : Red
 W : White SB : Sky blue P : Pink Y : Yellow
 V : Violet

HORN

90100330416

L.H. drive vehicles

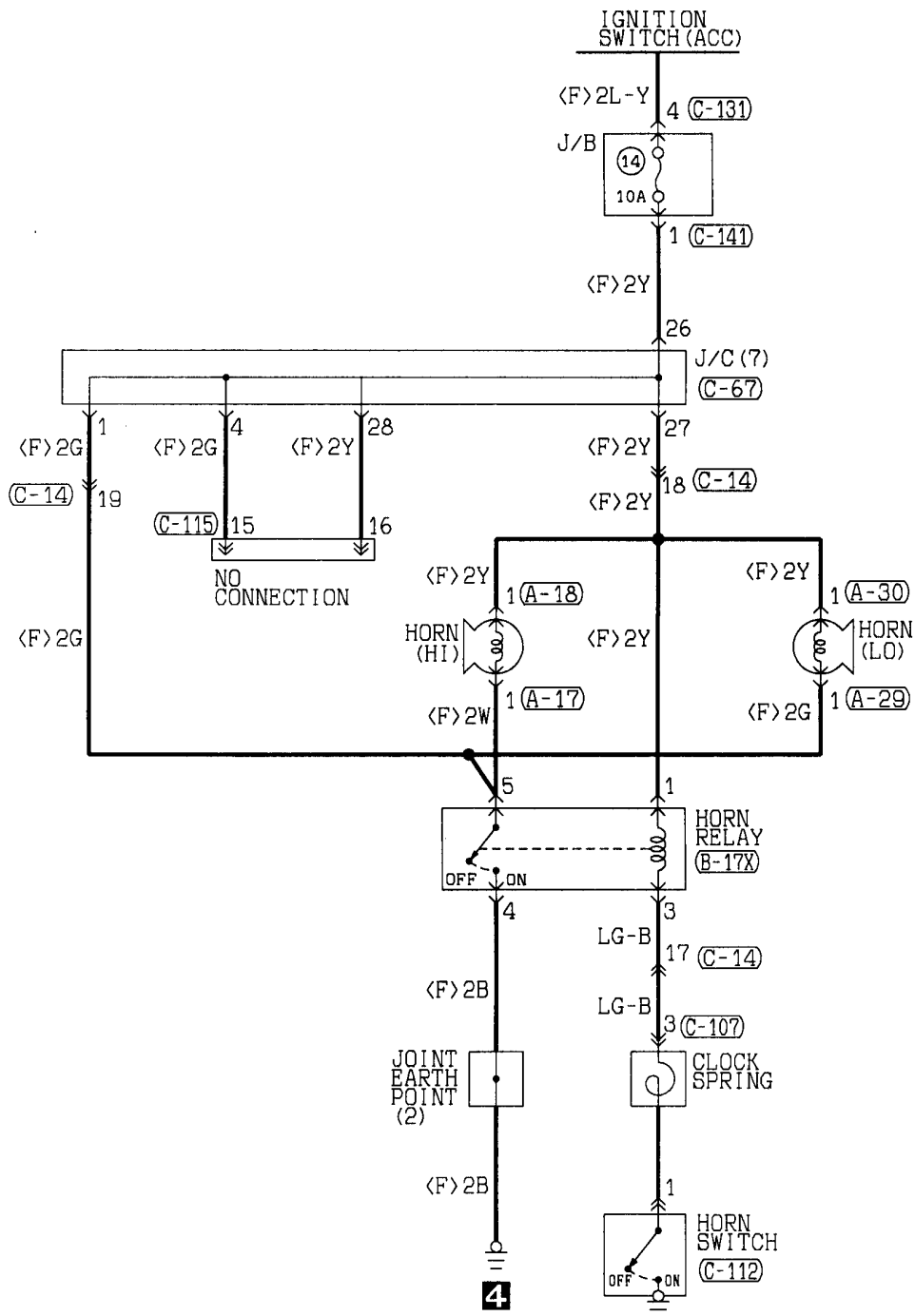


(A-17)	(A-18)	(A-29)	(A-30)	(B-17X)	(C-14)	(C-67)	(C-107)	(C-112)
(C-116)	(C-131)	(C-141)	Wire colour code					
			B: Black	LG: Light green	G: Green	L: Blue		
			BR: Brown	O: Orange	GR: Gray	R: Red		
			W: White	SB: Sky blue	P: Pink	Y: Yellow		
			V: Violet					

HORN

90100330423

R.H. drive vehicles

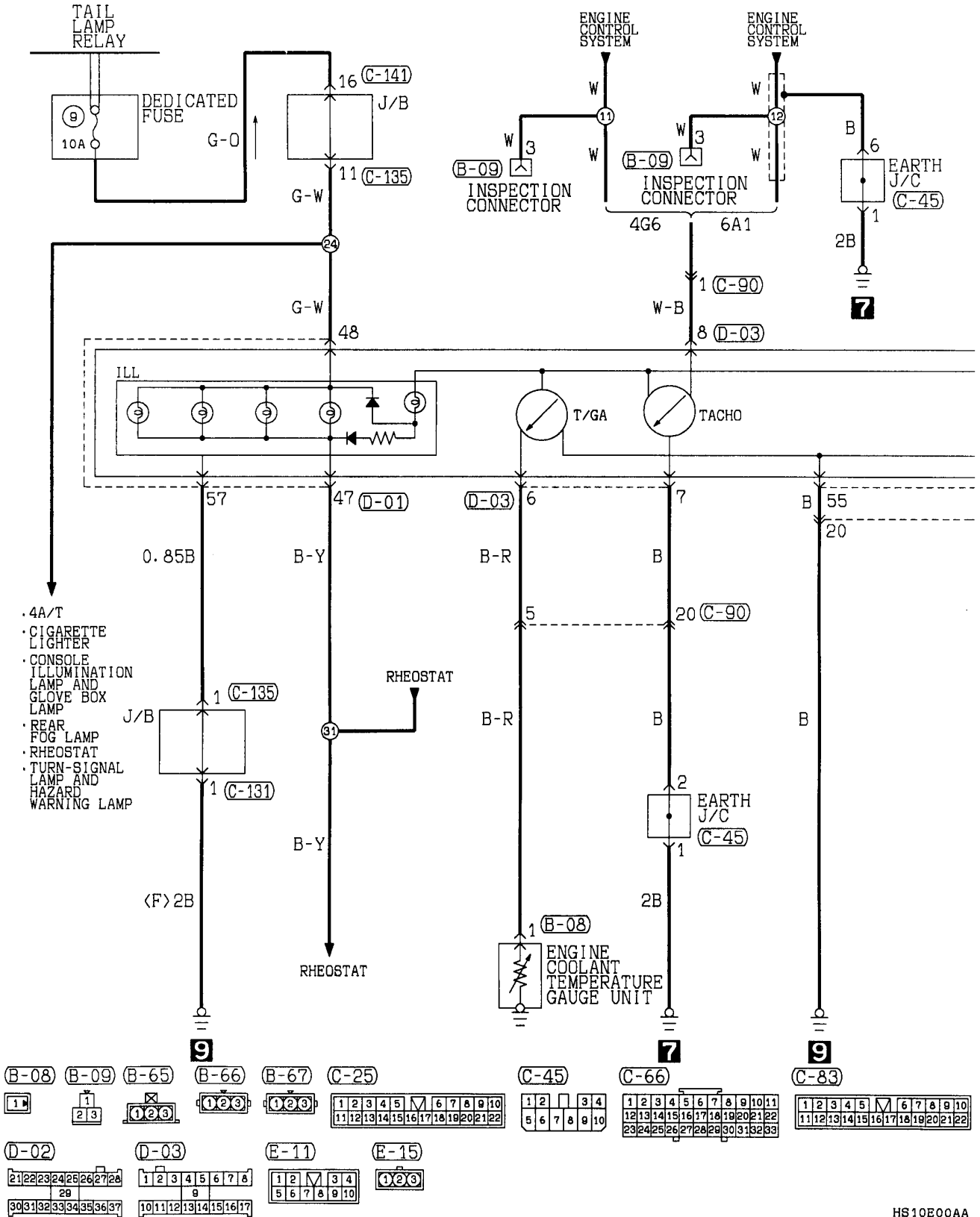


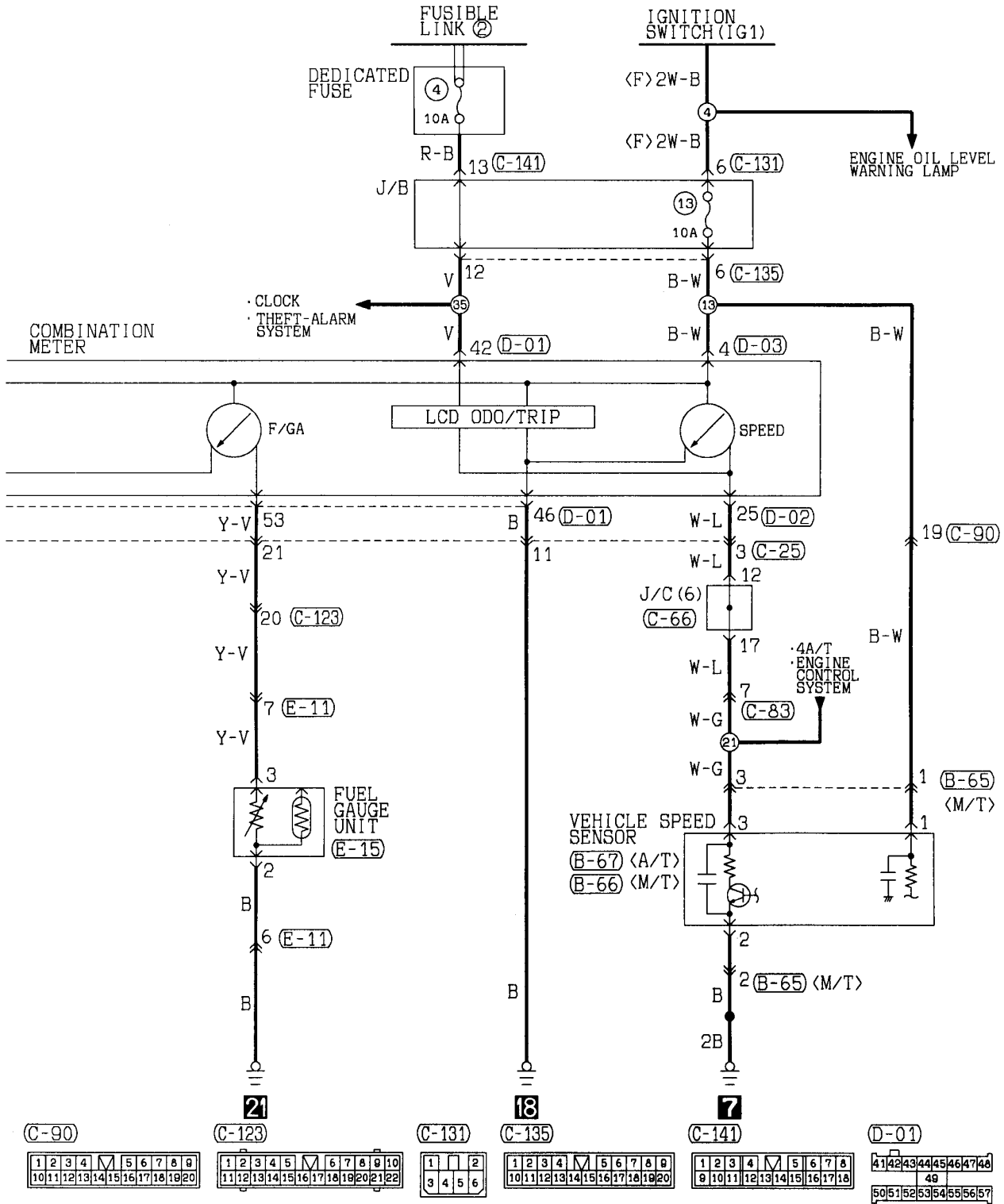
A-17	A-18	A-29	A-30	B-17X	C-14	C-67	C-107	C-112
1	1	1	1	1 2 3 4 5	1 2 3 4 5 6 7 8 9 10 11 12 13 14 15 16 17 18 19 20 21 22	1 2 3 4 5 6 7 8 9 10 11 12 13 14 15 16 17 18 19 20 21 22 23 24 25 26 27 28 29 30 31 32 33	1 2 3	1
C-115	C-131	C-141	Wire colour code					
1 2 3 4 5 6 7 8 9 10 11 12 13 14 15 16 17 18 19 20 21 22	1 2 3 4 5 6	1 2 3 4 5 6 7 8 9 10 11 12 13 14 15 16 17 18	B : Black	LG : Light green	G : Green	L : Blue		
			BR : Brown	O : Orange	GR : Gray	R : Red		
			W : White	SB : Sky blue	P : Pink	Y : Yellow		
			V : Violet					

METER AND GAUGE

90100350443

L.H. drive petrol-powered vehicles



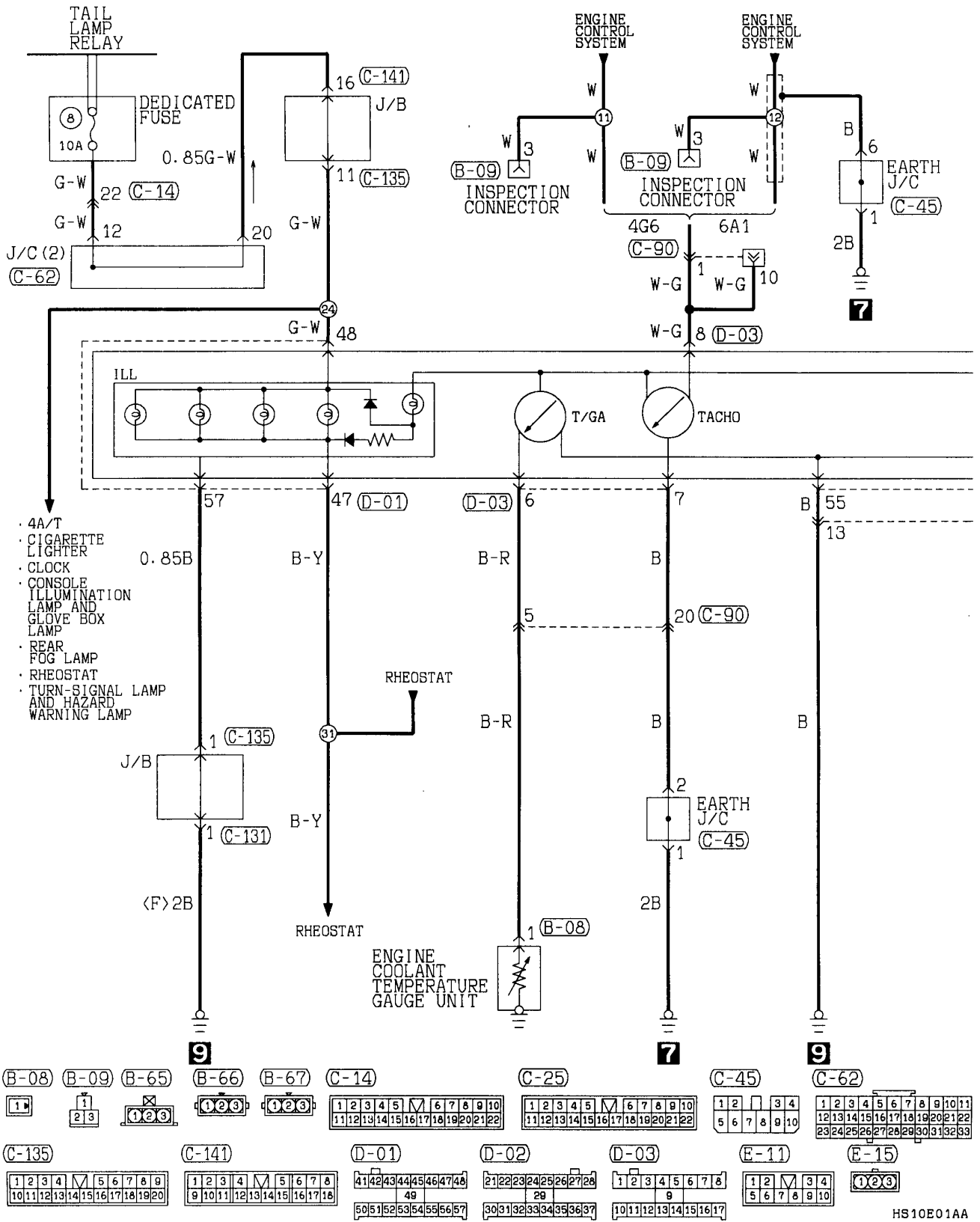


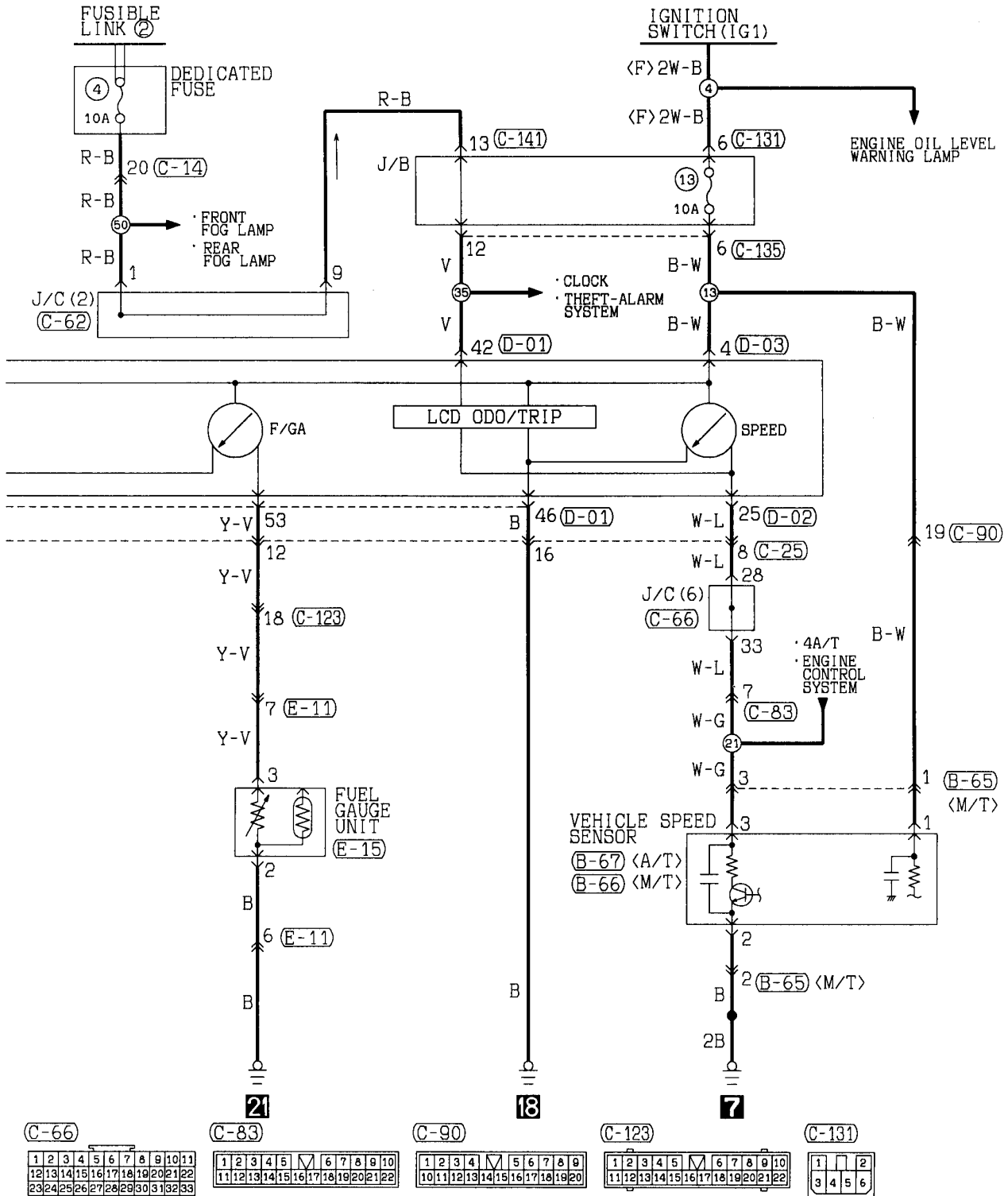
Wire colour code
 B : Black LG: Light green G : Green L : Blue W : White Y : Yellow SB: Sky blue
 BR: Brown O : Orange GR: Gray R : Red P : Pink V : Violet

METER AND GAUGE

90100350450

R.H. drive petrol-powered vehicles



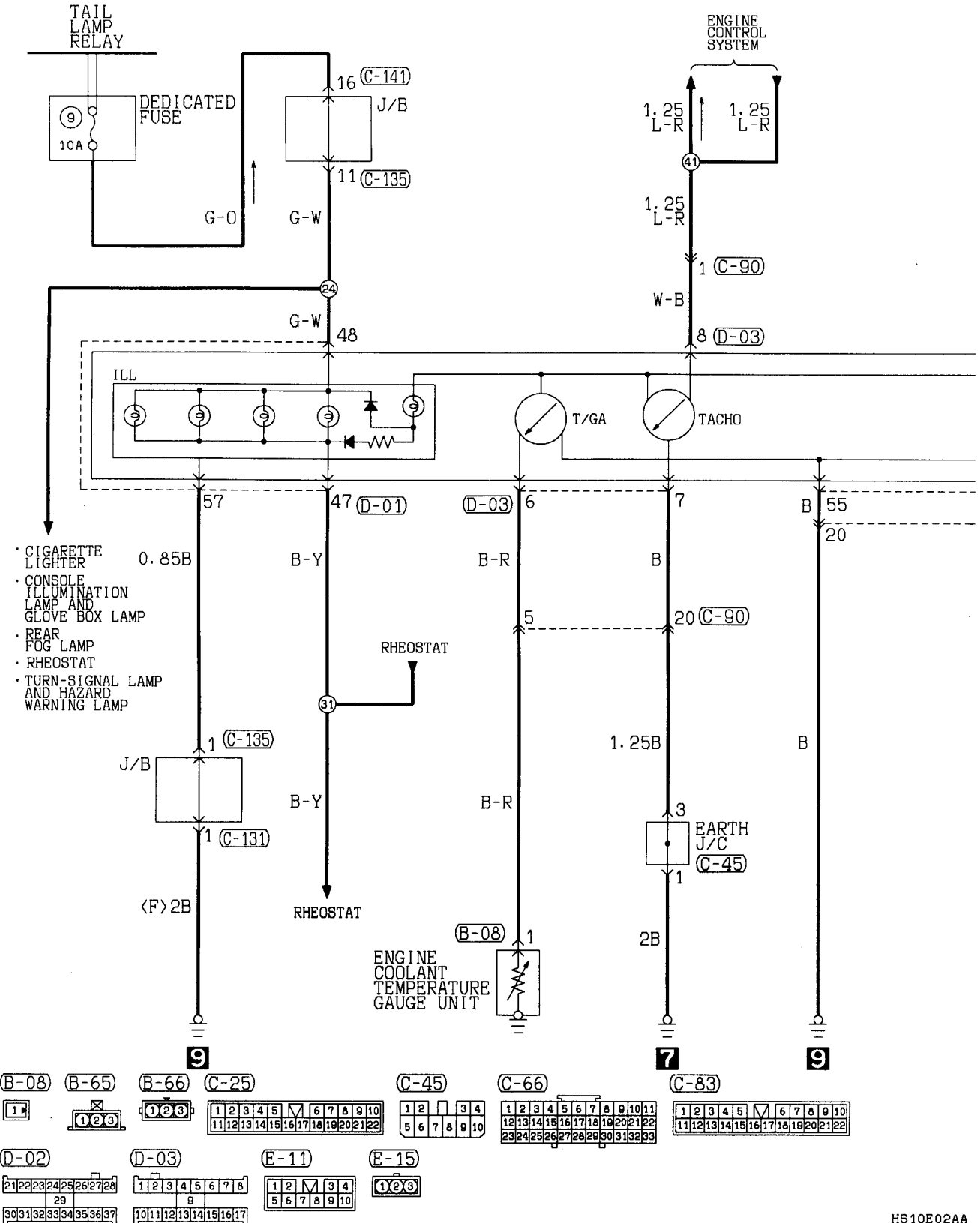


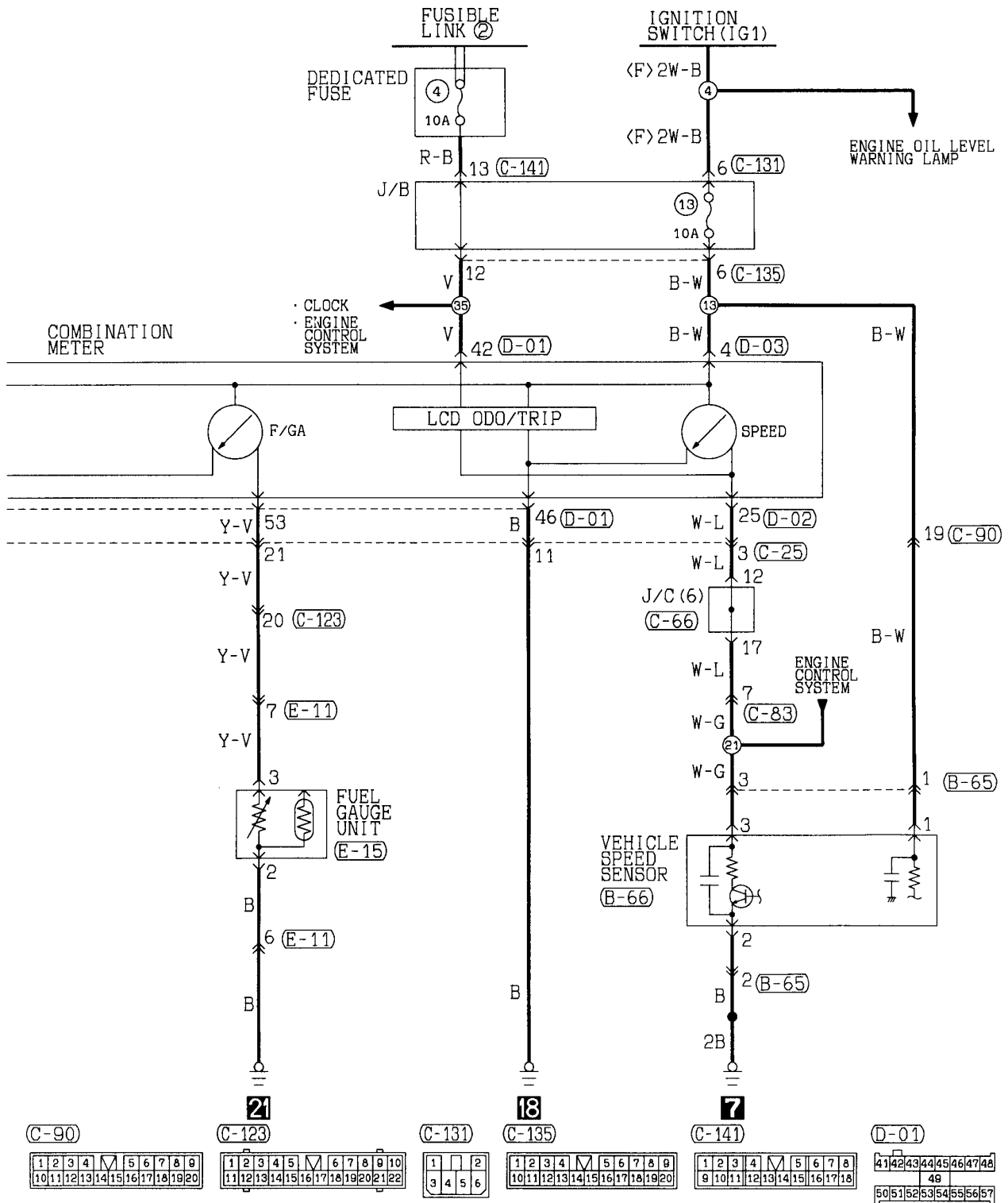
Wire colour code
 B :Black LG:Light green G :Green L :Blue W :White Y :Yellow SB:Sky blue
 BR:Brown O :Orange GR:Gray R :Red P :Pink V :Violet

METER AND GAUGE

90100350467

L.H. drive diesel-powered vehicles



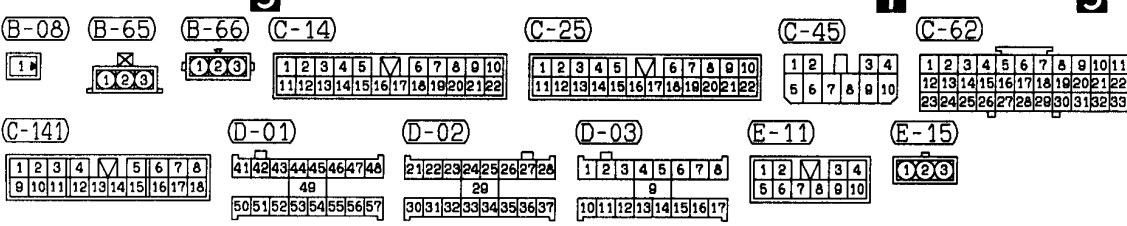
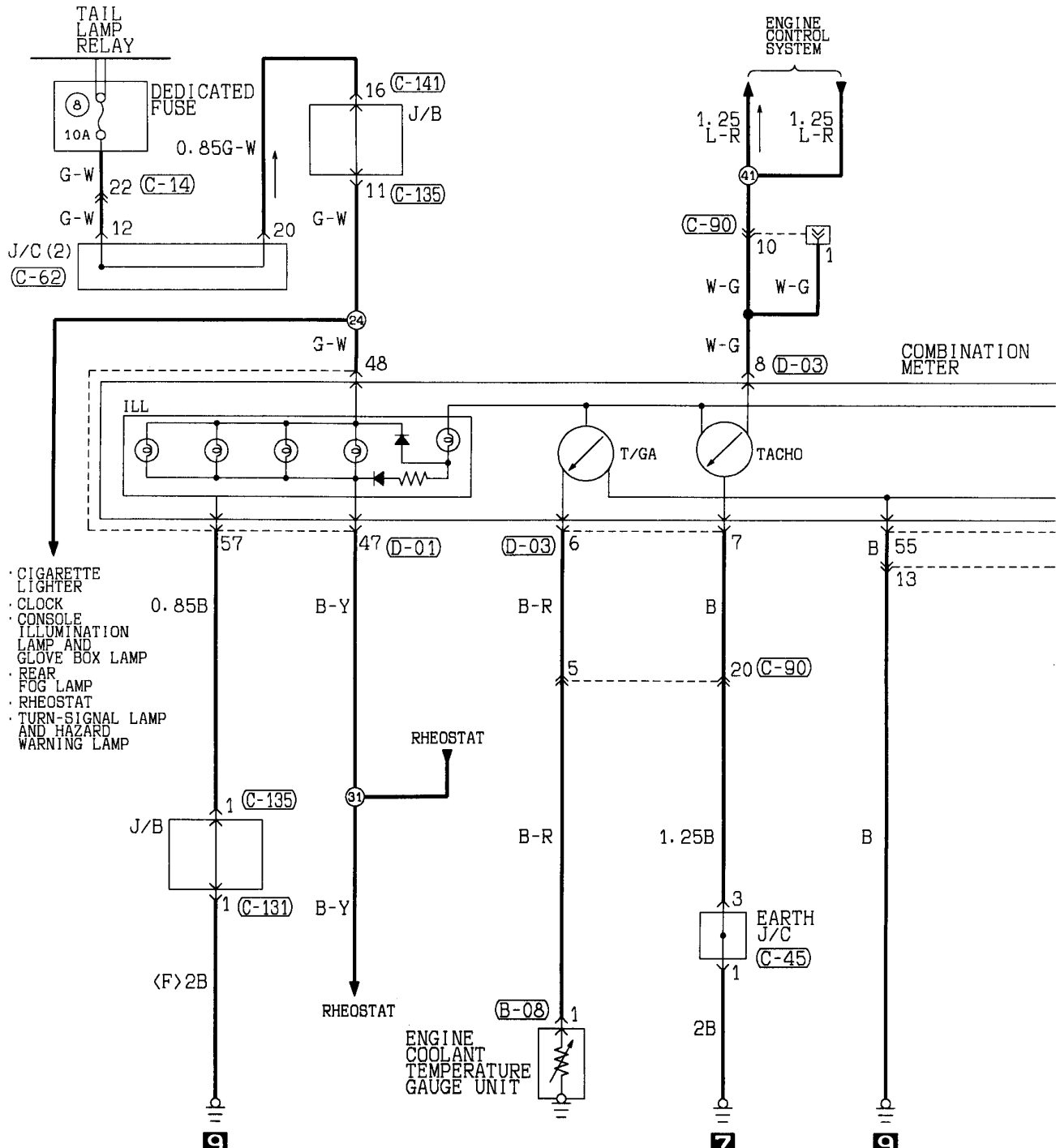


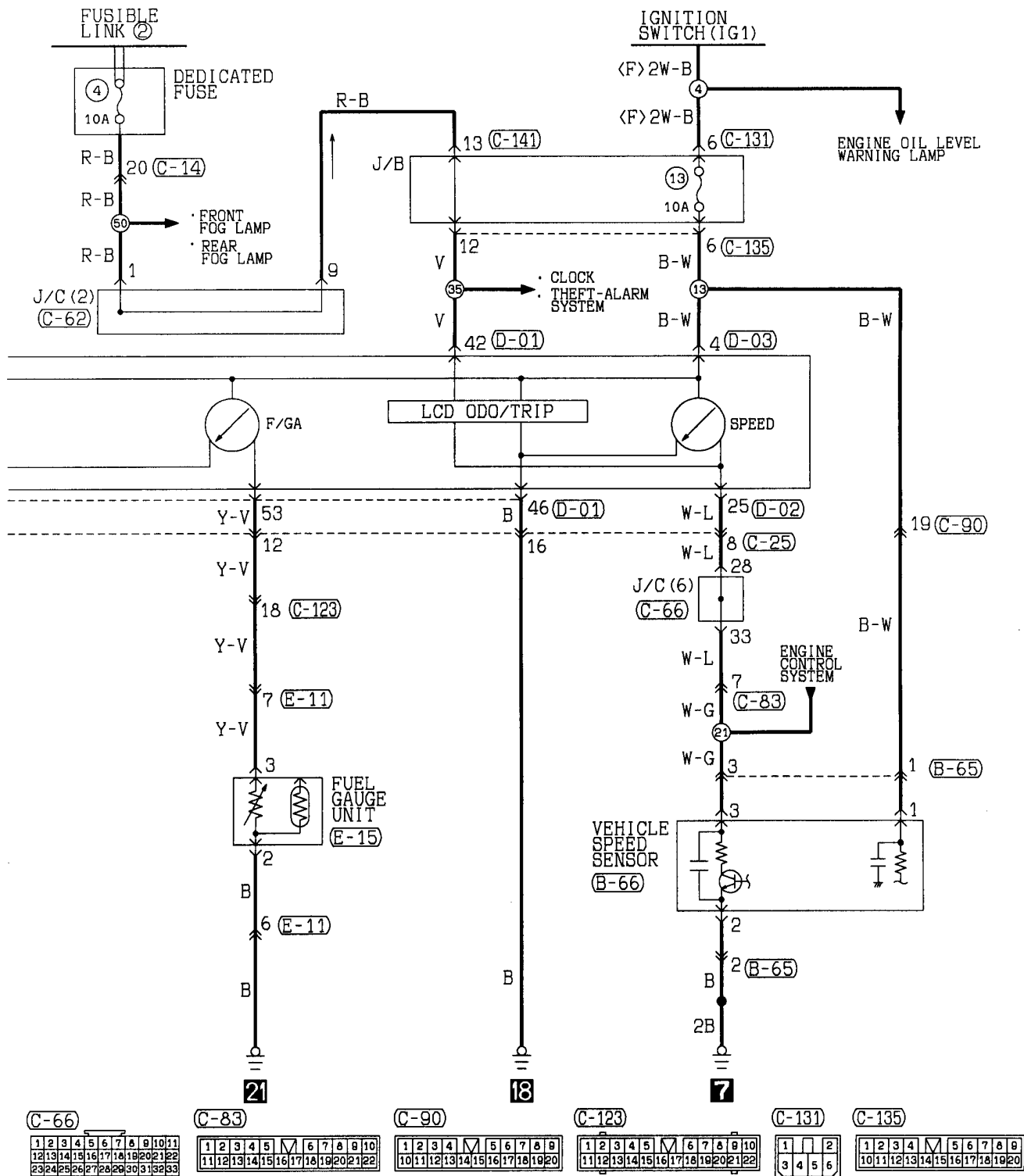
Wire colour code
 B:Black LG:Light green G:Green L:Blue W:White Y:Yellow SB:Sky blue
 BR:Brown O:Orange GR:Gray R:Red P:Pink V:Violet

METER AND GAUGE

90100350474

R.H. drive diesel-powered vehicles





Wire colour code
 B :Black LG:Light green G :Green L :Blue W :White Y :Yellow SB:Sky blue
 BR:Brown O :Orange GR:Gray R :Red P :Pink V :Violet

METER AND GAUGE (See P. 4-270, 272, 274, 276.)**OPERATION****<Fuel gauge>**

- When the ignition switch is at the "ON" position, the fuel gauge is activated.
- When there is much fuel, the unit's resistance is small and the current flowing in the circuit is great, so the gauge's indicator indicates in the "F" area.
- When there is little fuel, the unit's resistance is high and the current flowing in the circuit is small, so the gauge's indicator indicates in the "E" area.

<Engine coolant temperature gauge>

- When the ignition switch is at the "ON" position, the engine coolant temperature gauge is activated.
- When the engine coolant temperature is high, the unit's resistance is low and there is a great flow of current in the circuit, so the gauge's indicator indicates in the "H" area.
- When the engine coolant temperature is low, the unit's resistance is high and there is a small flow of current in the circuit, so the gauge's indicator indicates in the "C" area.

TROUBLESHOOTING HINTS

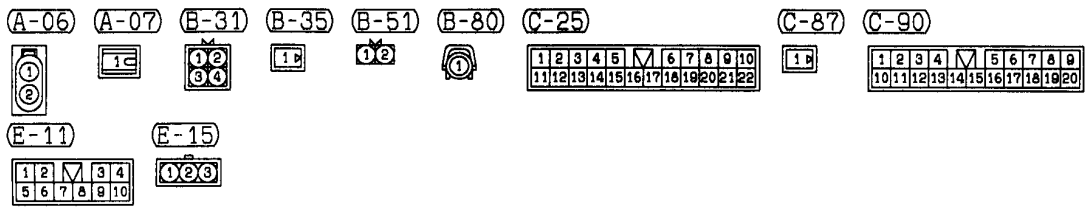
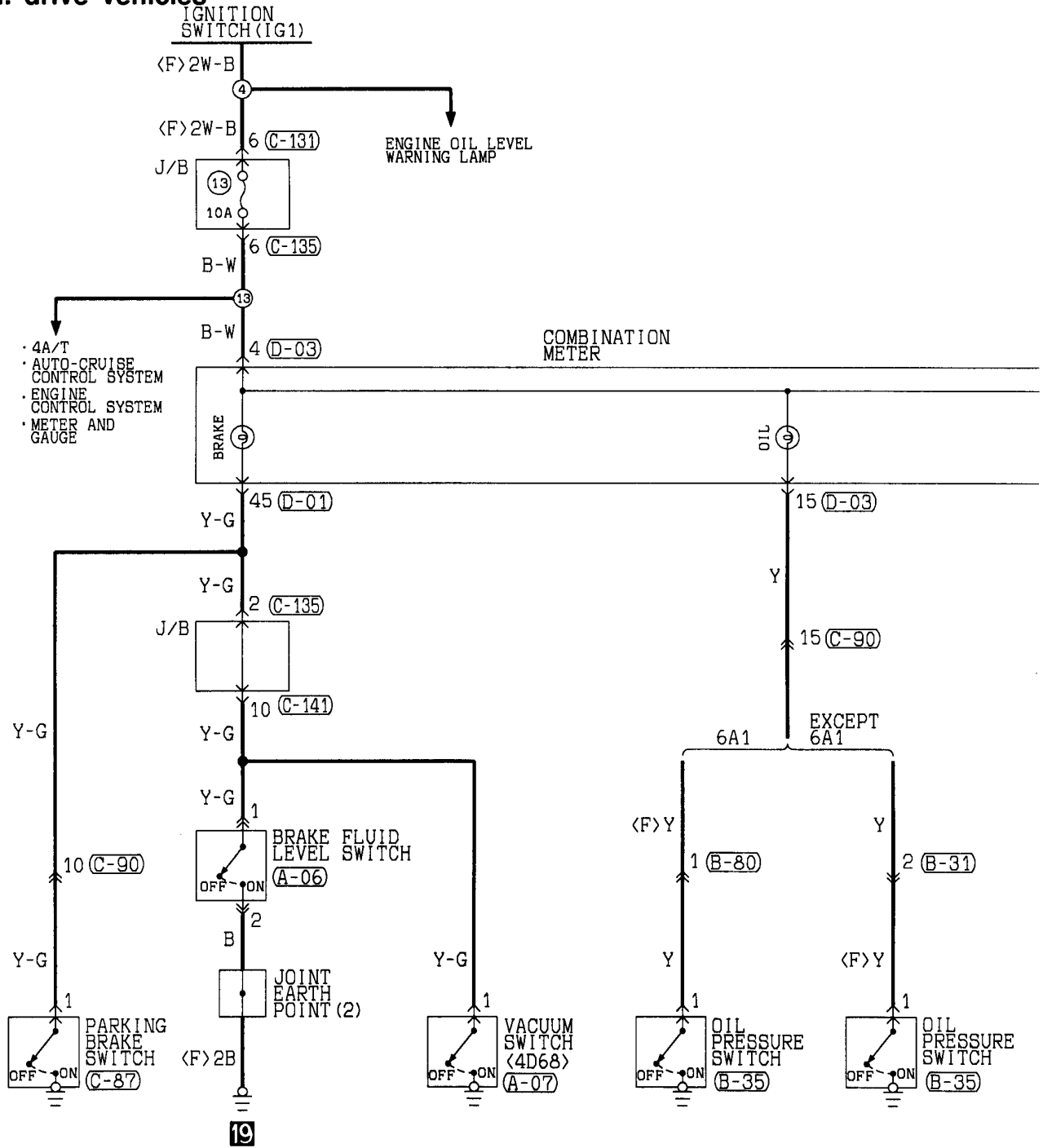
1. Fuel gauge does not operate, or registers incorrectly.
 - (1) The fuel gauge indicates "F" when the fuel gauge unit connector is disconnected and the "3" terminal is earthed.
 - Check the fuel gauge unit.
2. Engine coolant temperature gauge does not operate, or registers incorrectly.
 - (1) When the engine coolant temperature gauge is earthed with its connector unplugged, it registers "H".
 - Check the engine coolant temperature gauge unit.
3. Meter illumination lamp does not illuminate.
 - (1) Tail lamps illuminate.
 - Check the rheostat.
 - Check the bulb.
 - Check the earth.

NOTES

BRAKE WARNING LAMP OIL PRESSURE WARNING LAMP

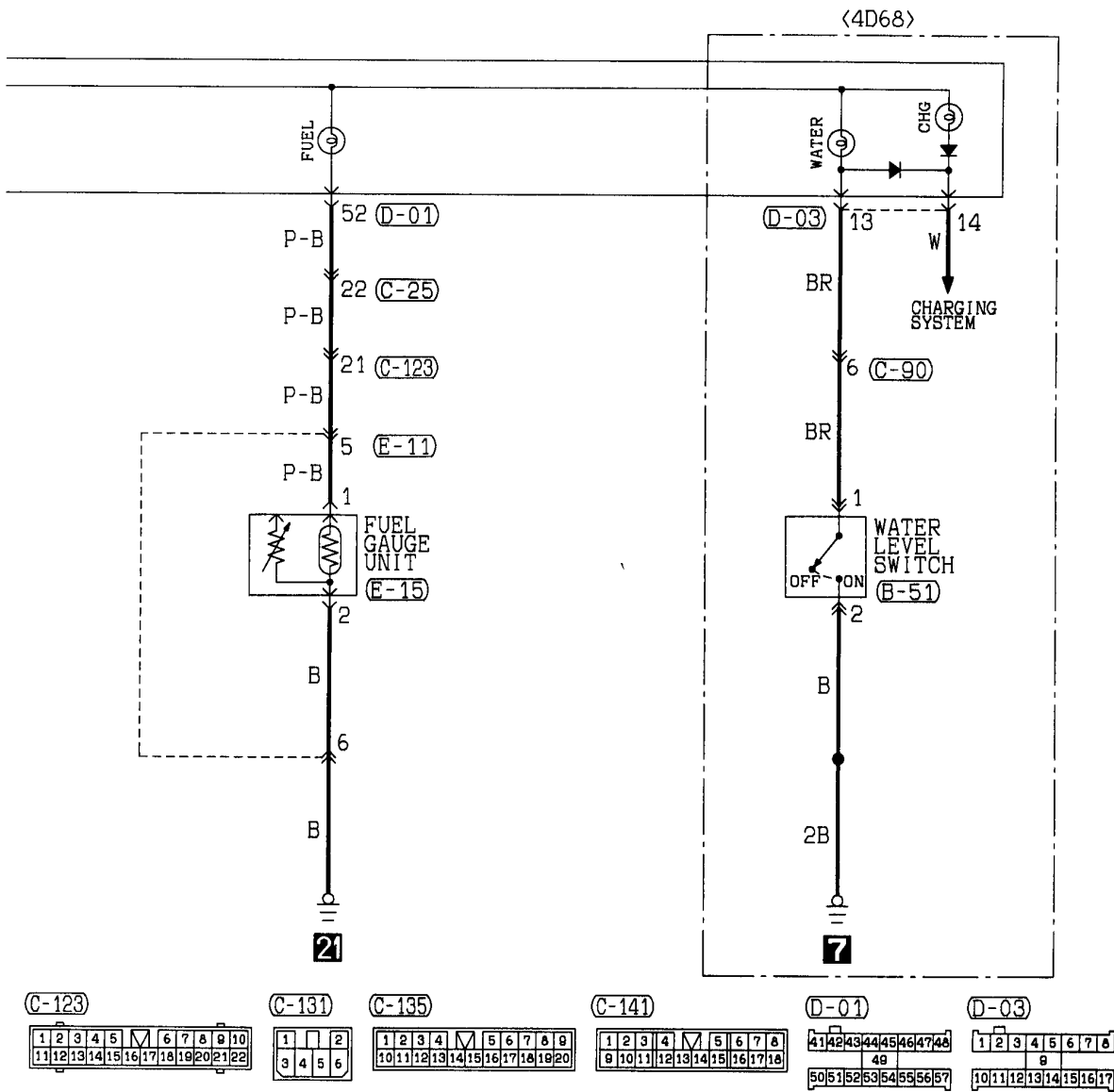
90101180317

L.H. drive vehicles



FUEL WARNING LAMP
FUEL FILTER WARNING LAMP

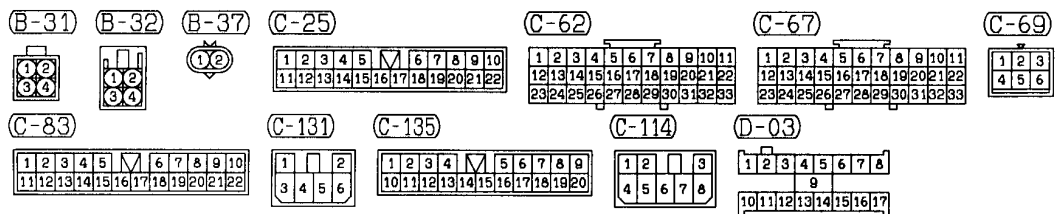
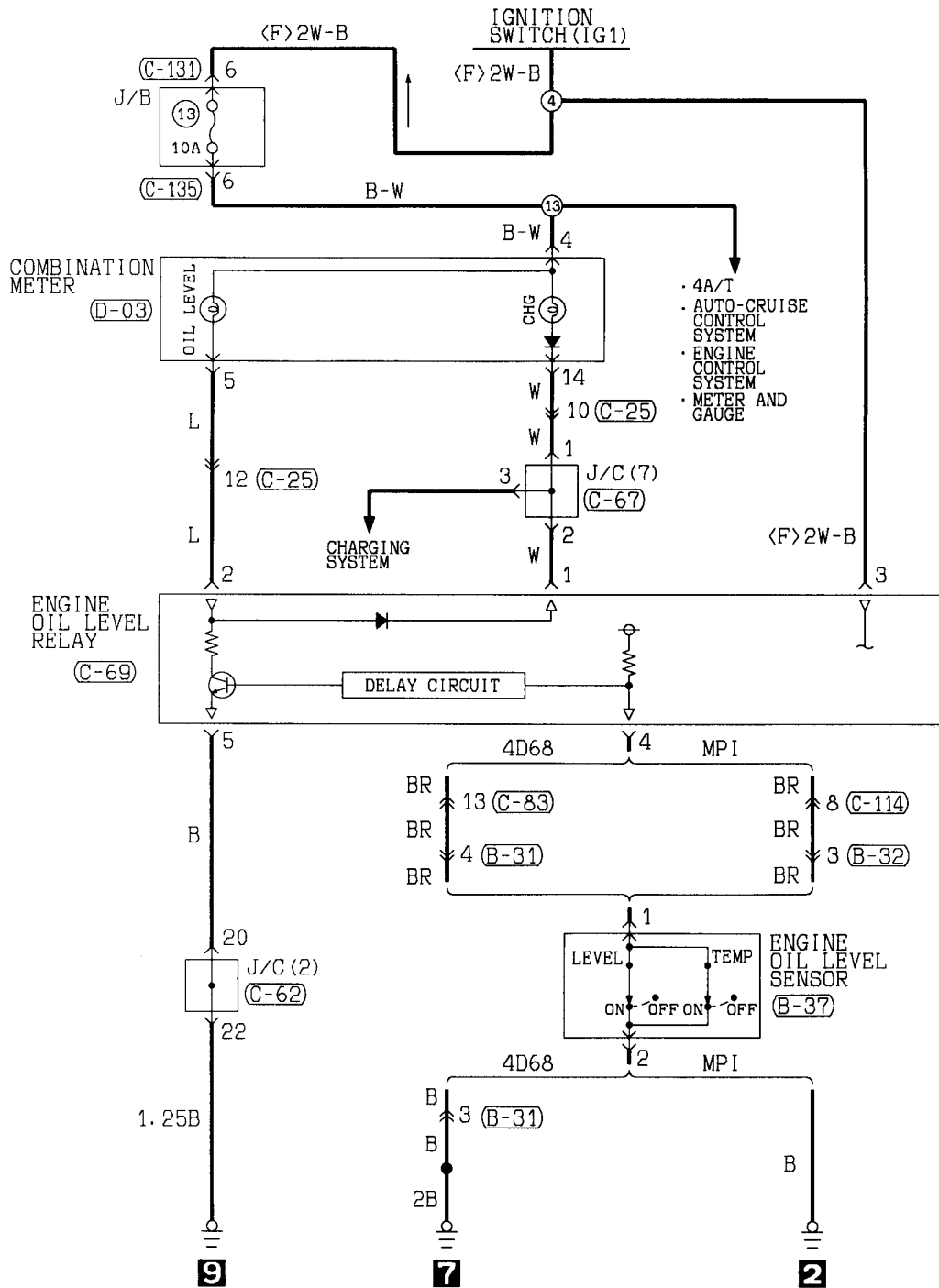
L.H. drive vehicles



Wire colour code
 B : Black LG : Light green G : Green L : Blue W : White Y : Yellow SB : Sky blue
 BR : Brown O : Orange GR : Gray R : Red P : Pink V : Violet

ENGINE OIL LEVEL WARNING LAMP

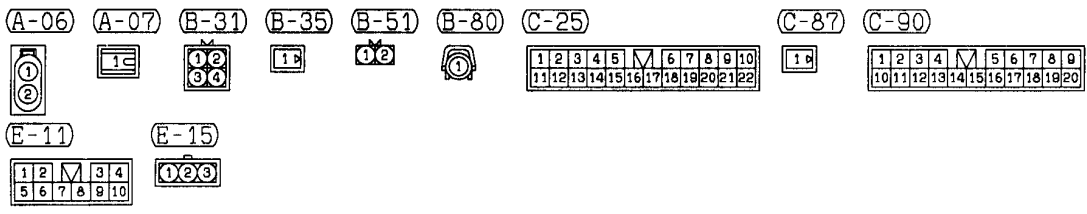
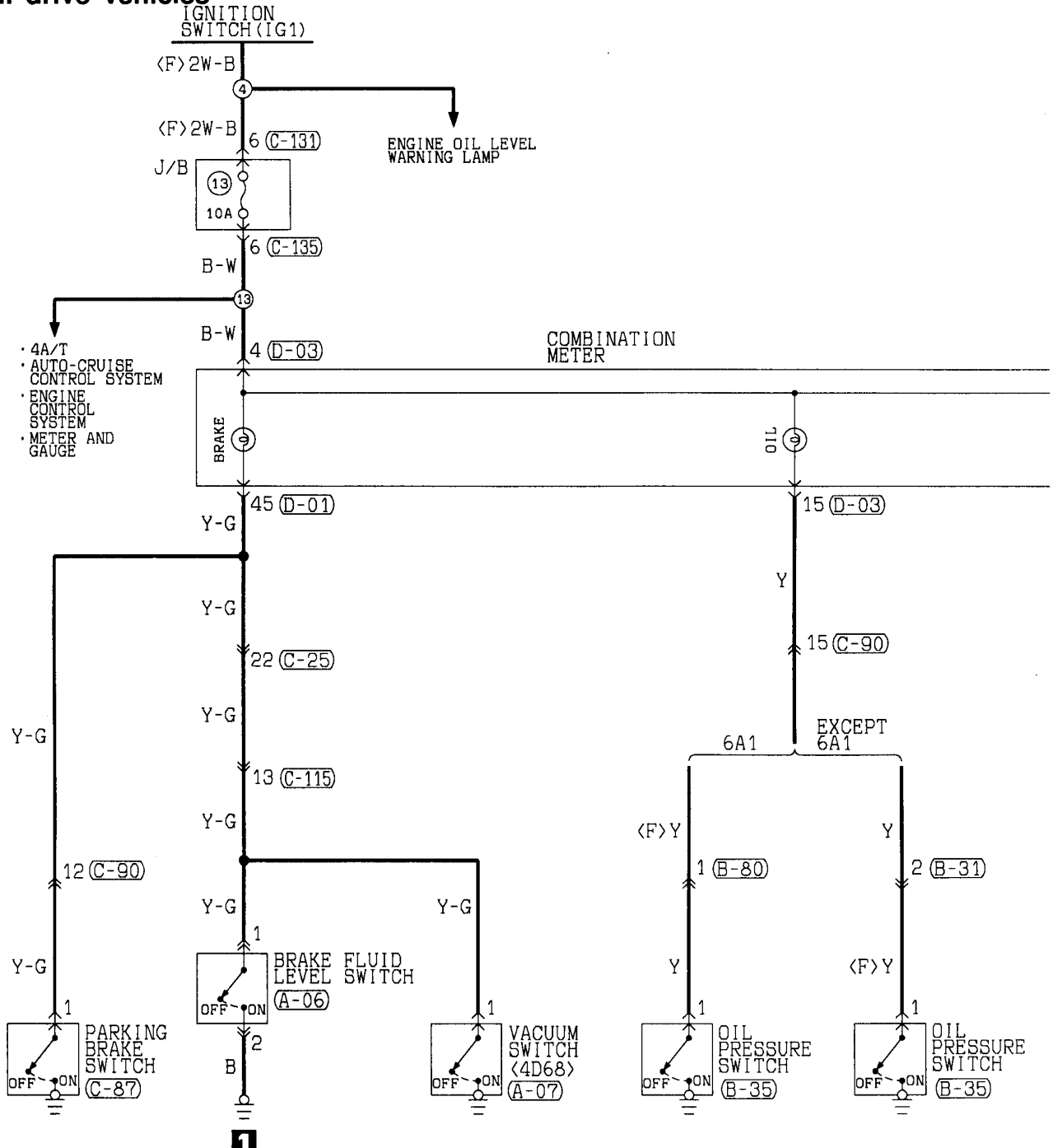
L.H. drive vehicles



NOTES

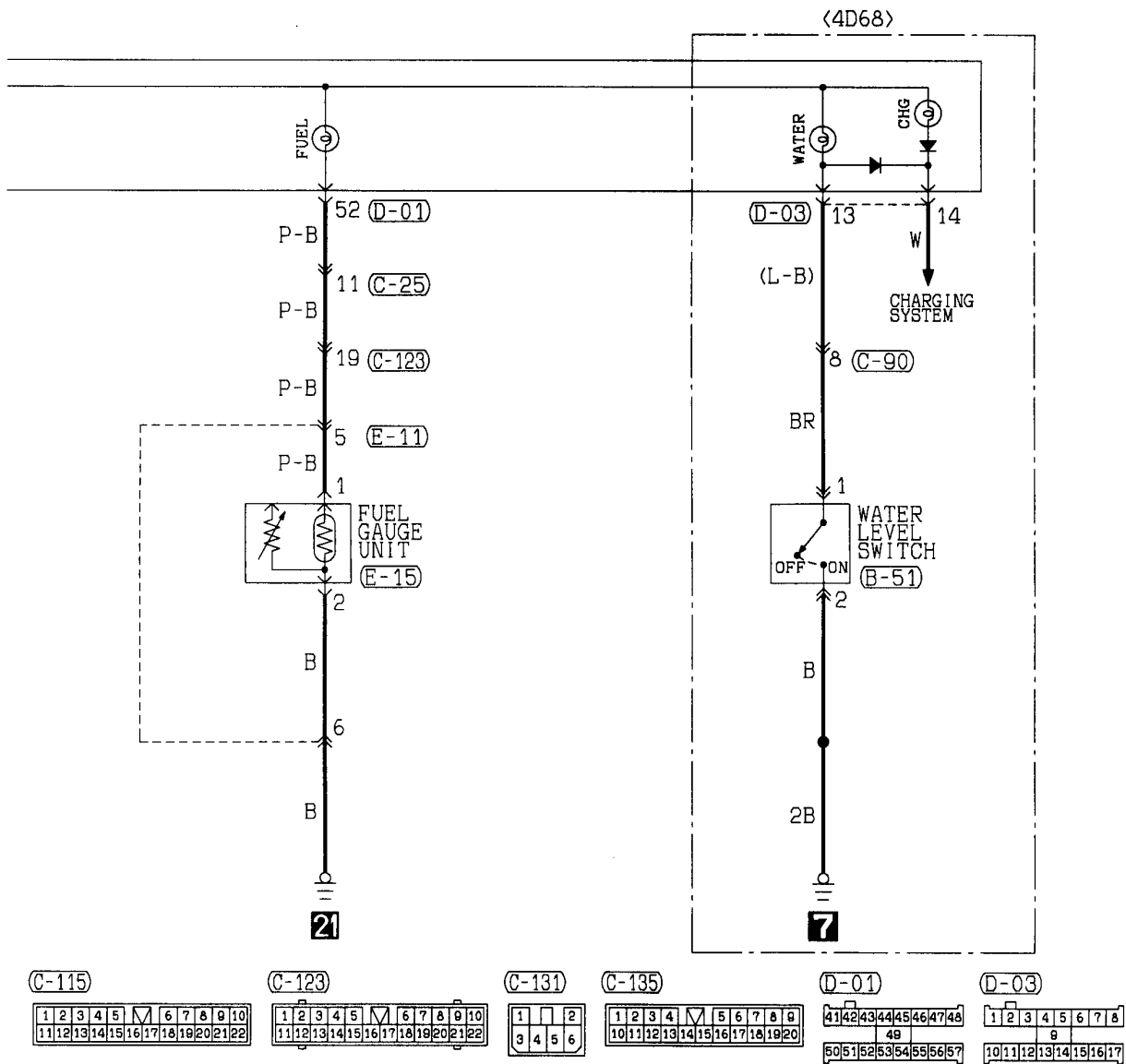
BRAKE WARNING LAMP OIL PRESSURE WARNING LAMP

R.H. drive vehicles



FUEL WARNING LAMP FUEL FILTER WARNING LAMP

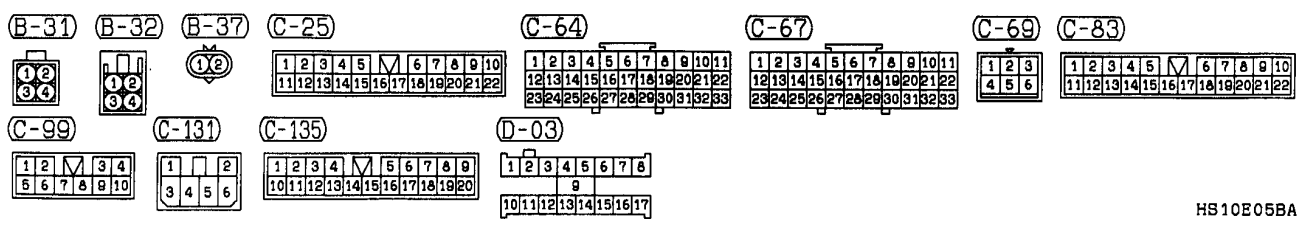
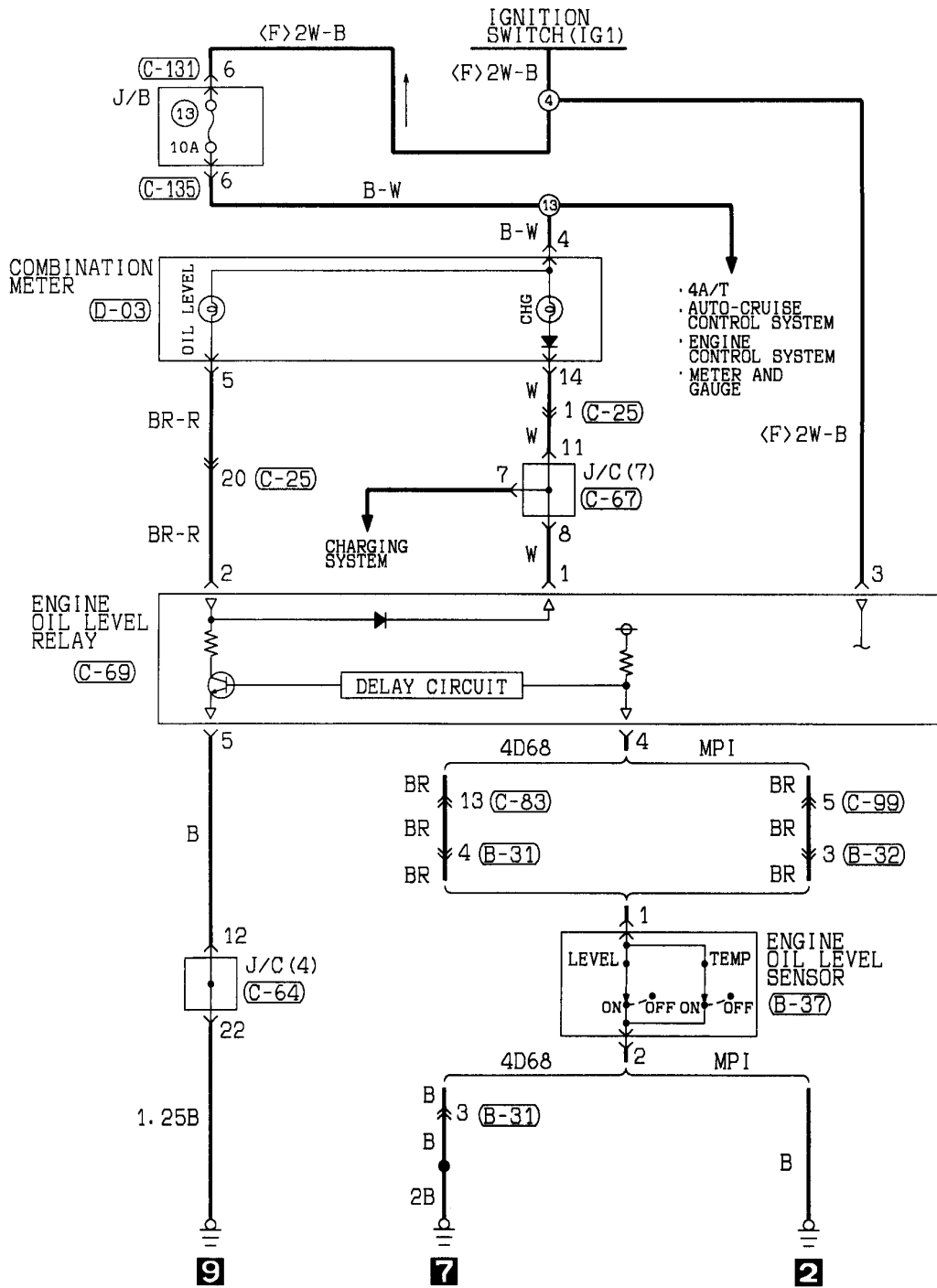
R.H. drive vehicles



Wire colour code
 B : Black LG : Light green G : Green L : Blue W : White Y : Yellow SB : Sky blue
 BR : Brown O : Orange GR : Gray R : Red P : Pink V : Violet

ENGINE OIL LEVEL WARNING LAMP

R.H. drive vehicles



BRAKE WARNING LAMP (See P. 4-280, 284.)

OIL PRESSURE WARNING LAMP (See P. 4-280, 284.)

FUEL WARNING LAMP (See P. 4-281, 285.)

FUEL FILTER WARNING LAMP (See P. 4-281, 285.)

ENGINE OIL LEVEL WARNING LAMP (See P. 4-282, 286.)

OPERATION

<Brake warning lamp>

- When the brake fluid level goes down below a predetermined level with the ignition switch in the ON position, the brake fluid level sensor is activated or the parking brake switch is turned on, causing the brake warning lamp to illuminate.

<Oil pressure warning lamp>

- When the lubrication system fails after engine starting, resulting in the oil pressure failing to build up, the oil pressure switch turns on causing the oil pressure warning lamp to illuminate.

<Fuel warning lamp>

- When the fuel level goes down causing the level sensor to be exposed, with the ignition switch in the ON position, the resistance of level sensor becomes small. When this resistance goes down below the predetermined level, the fuel warning lamp illuminates to warn the driver that the amount of fuel still available for use is small.

<Fuel filter warning lamp>

- When the ignition switch is turned to the ON position (with the engine stopped), the fuel filter warning lamp illuminates and the lamp switches off when the engine is started. This feature can be used to check for a failure of the lamp's bulb.
- When condensate has accumulated in the fuel filter, the water level switch turns on causing the fuel filter warning lamp to illuminate.

<Engine oil level warning lamp>

- When the ignition switch is turned to the ON position (in the state where the engine is stopped), electric current will flow to terminal "L" of the alternator through the multi-purpose fuse No. (13), low engine oil warning lamp and engine oil level relay and the low engine oil warning lamp will also illuminate.
- When the engine starts, the charging voltage will be applied to the terminal "L" of the alternator. Therefore, the low engine oil warning lamp will switch off.
- When the engine oil temperature rises to approx. 55°C, the engine oil level sensor (TEMP) provided in the oil pan will be turned off.
- When the engine oil amount in the oil pan drops below the set level in this state, the engine oil level sensor (LEVEL) will be turned off to apply the voltage to the delay circuit.
- If the OFF state continues for approx. 40 seconds or more, the power transistor will be turned on to light the low engine oil warning lamp to indicate a shortage of engine oil.

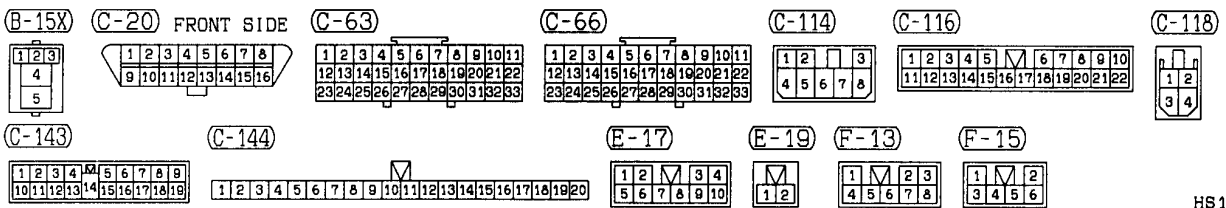
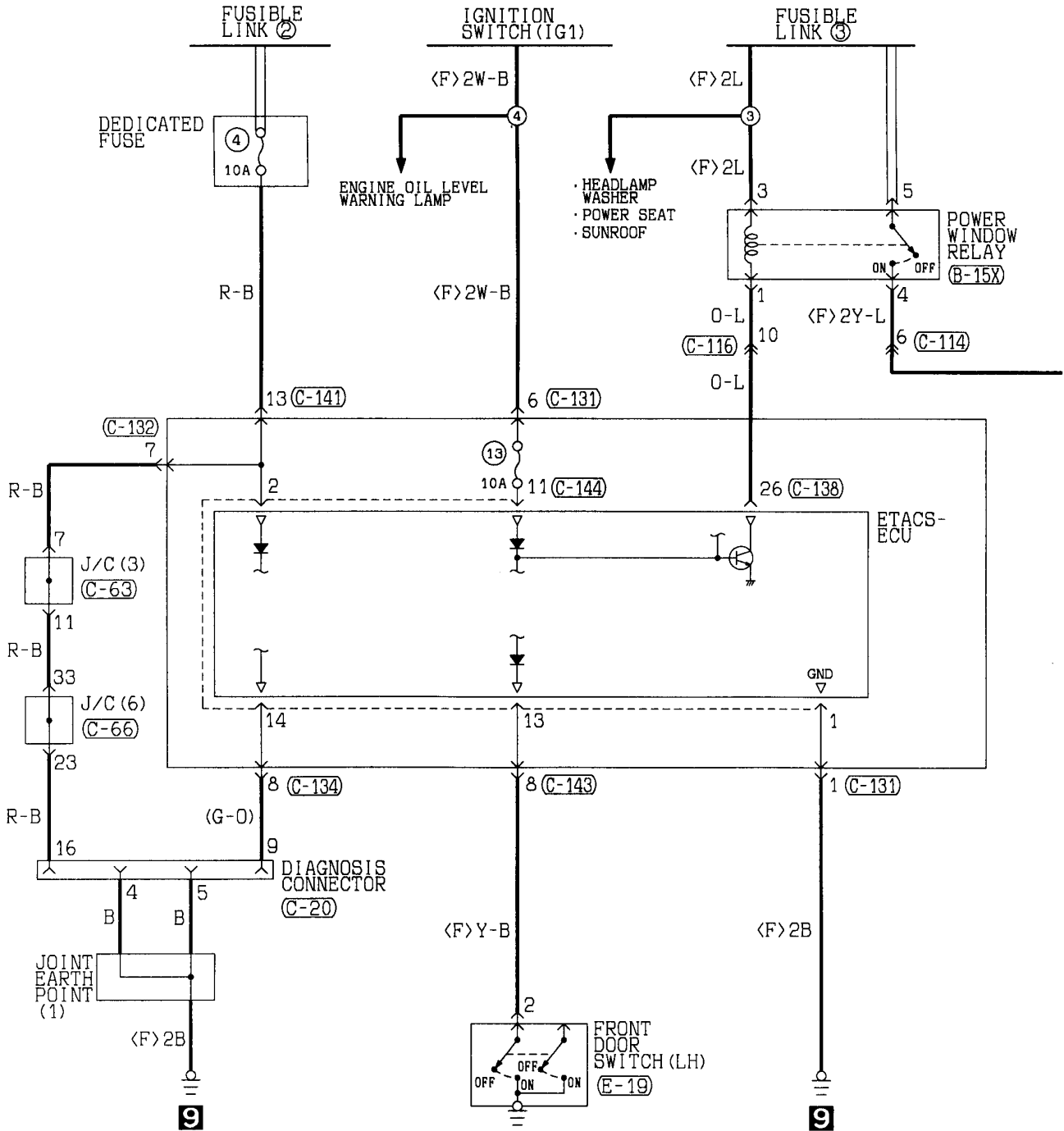
Remark

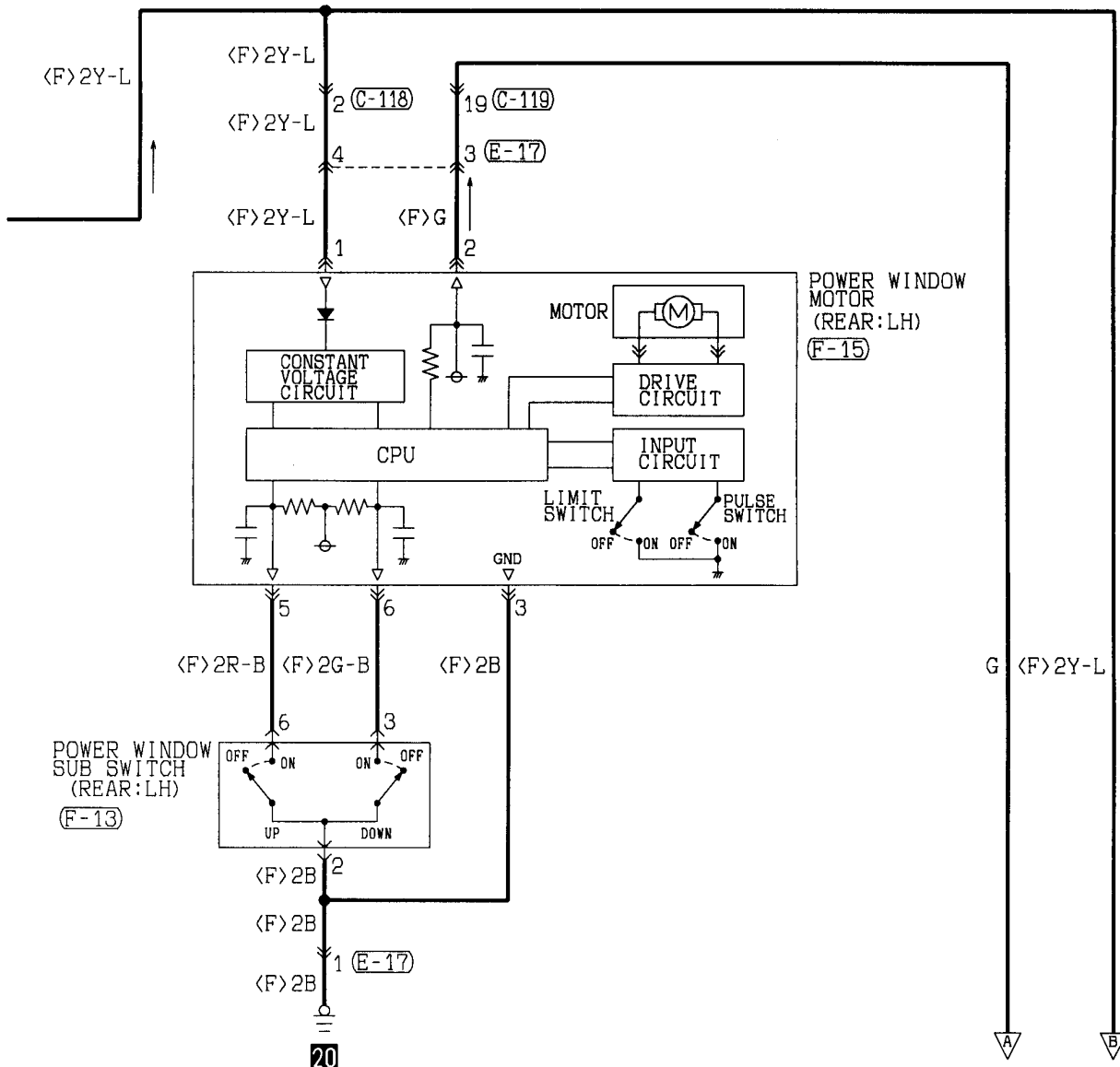
The delay circuit is provided to prevent the low engine oil warning lamp from illuminating even if the engine oil level sensor is temporarily turned off due to cornering or other running conditions of the vehicle.

POWER WINDOWS

90100460405

L.H. drive vehicles with ETACS

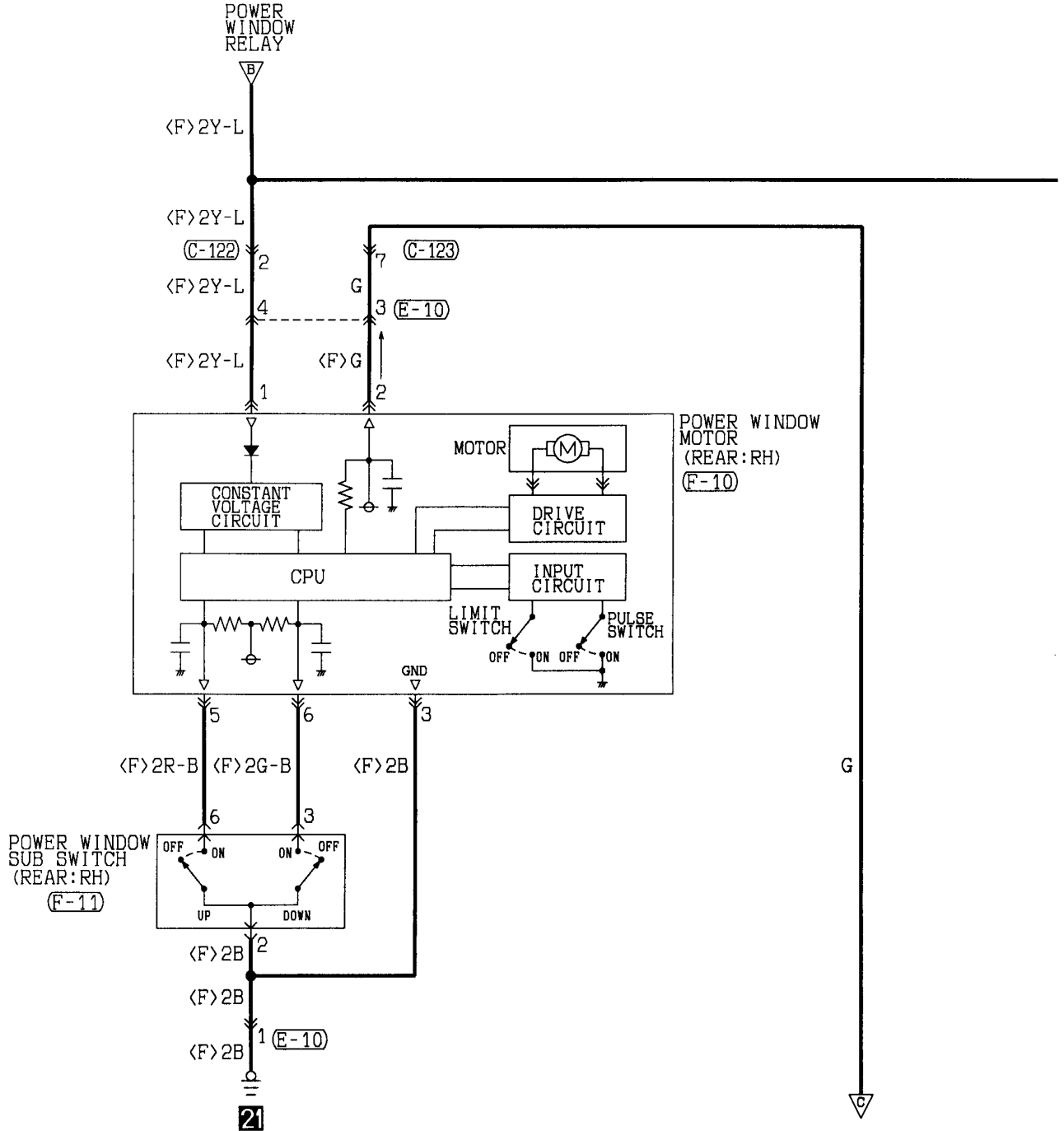




(C-119)	(C-131)	(C-132)	(C-134)	(C-138)	(C-141)																																																																																														
<table border="1"> <tr><td>1</td><td>2</td><td>3</td><td>4</td><td>5</td><td>6</td><td>7</td><td>8</td><td>9</td><td>10</td></tr> <tr><td>11</td><td>12</td><td>13</td><td>14</td><td>15</td><td>16</td><td>17</td><td>18</td><td>19</td><td>20</td><td>21</td><td>22</td></tr> </table>	1	2	3	4	5	6	7	8	9	10	11	12	13	14	15	16	17	18	19	20	21	22	<table border="1"> <tr><td>1</td><td>2</td></tr> <tr><td>3</td><td>4</td><td>5</td><td>6</td></tr> </table>	1	2	3	4	5	6	<table border="1"> <tr><td>1</td><td>2</td><td>3</td><td>4</td></tr> <tr><td>5</td><td>6</td><td>7</td><td>8</td><td>9</td><td>10</td></tr> </table>	1	2	3	4	5	6	7	8	9	10	<table border="1"> <tr><td>1</td><td>2</td><td>3</td><td>4</td><td>5</td><td>6</td><td>7</td><td>8</td><td>9</td><td>10</td></tr> <tr><td>11</td><td>12</td><td>13</td><td>14</td><td>15</td><td>16</td><td>17</td><td>18</td><td>19</td><td>20</td><td>21</td><td>22</td></tr> </table>	1	2	3	4	5	6	7	8	9	10	11	12	13	14	15	16	17	18	19	20	21	22	<table border="1"> <tr><td>21</td><td>22</td><td>23</td><td>24</td><td>25</td><td>26</td><td>27</td><td>28</td></tr> <tr><td>29</td><td>30</td><td>31</td><td>32</td><td>33</td><td>34</td><td>35</td><td>36</td></tr> </table>	21	22	23	24	25	26	27	28	29	30	31	32	33	34	35	36	<table border="1"> <tr><td>1</td><td>2</td><td>3</td><td>4</td><td>5</td><td>6</td><td>7</td><td>8</td></tr> <tr><td>9</td><td>10</td><td>11</td><td>12</td><td>13</td><td>14</td><td>15</td><td>16</td><td>17</td><td>18</td></tr> </table>	1	2	3	4	5	6	7	8	9	10	11	12	13	14	15	16	17	18
1	2	3	4	5	6	7	8	9	10																																																																																										
11	12	13	14	15	16	17	18	19	20	21	22																																																																																								
1	2																																																																																																		
3	4	5	6																																																																																																
1	2	3	4																																																																																																
5	6	7	8	9	10																																																																																														
1	2	3	4	5	6	7	8	9	10																																																																																										
11	12	13	14	15	16	17	18	19	20	21	22																																																																																								
21	22	23	24	25	26	27	28																																																																																												
29	30	31	32	33	34	35	36																																																																																												
1	2	3	4	5	6	7	8																																																																																												
9	10	11	12	13	14	15	16	17	18																																																																																										

Wire colour code
 B : Black LG:Light green G :Green L :Blue W :White Y :Yellow SB:Sky blue
 BR:Brown O :Orange GR:Gray R :Red P :Pink V :Violet

POWER WINDOWS <L.H. drive vehicles with ETACS> (CONTINUED)



(C-122)

1	2
3	4

(C-123)

1	2	3	4	5	6	7	8	9	10		
11	12	13	14	15	16	17	18	19	20	21	22

(C-124)

1	2	3	4	5	6	7	8	9			
10	11	12	13	14	15	16	17	18	19	20	21
22	23	24	25	26	27	28	29	30	31	32	

(E-10)

1	2	3	4		
5	6	7	8	9	10

(F-04)

1	2		
3	4	5	6

(F-05)

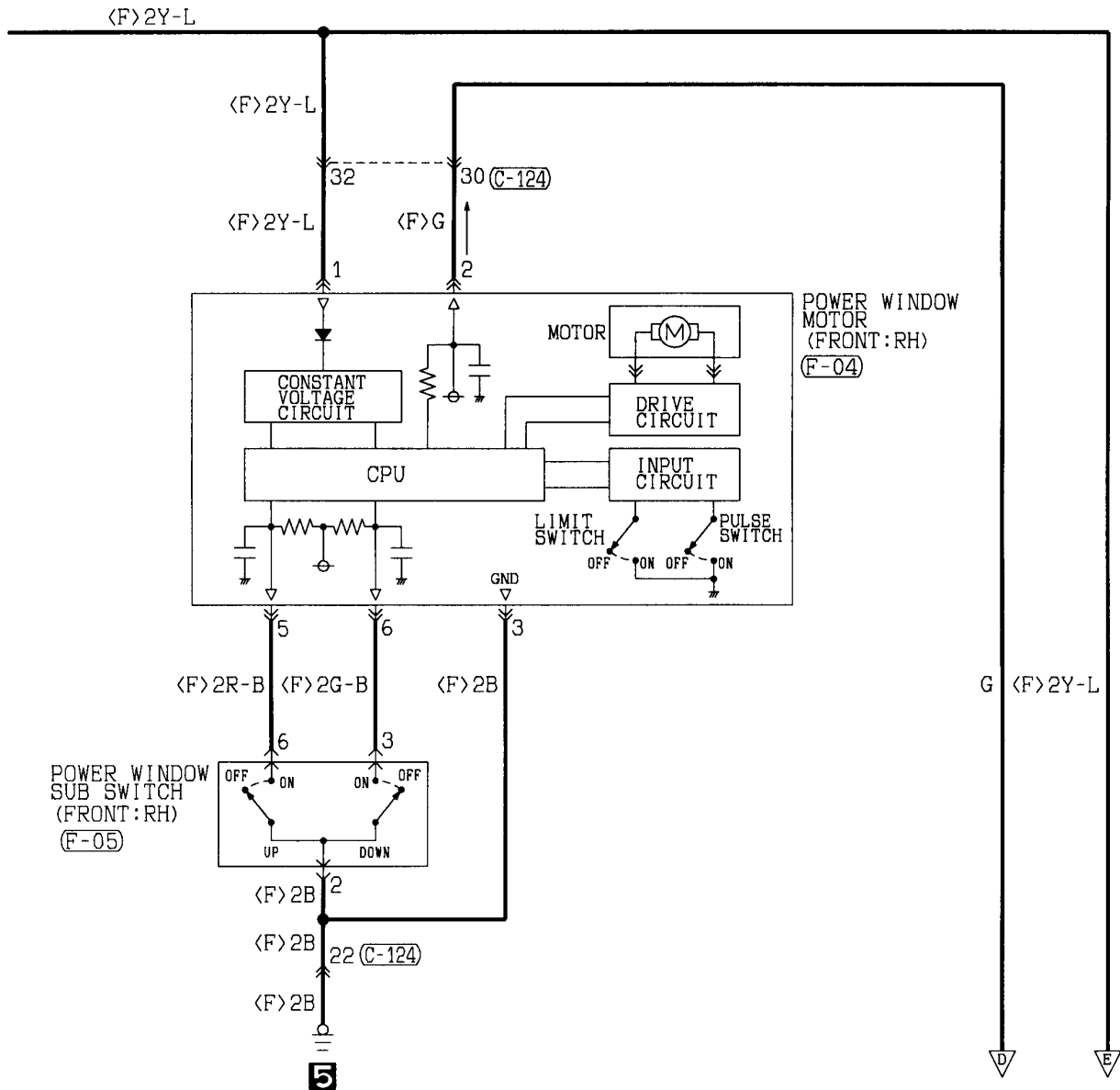
1	2	3		
4	5	6	7	8

(F-11)

1	2	3		
4	5	6	7	8

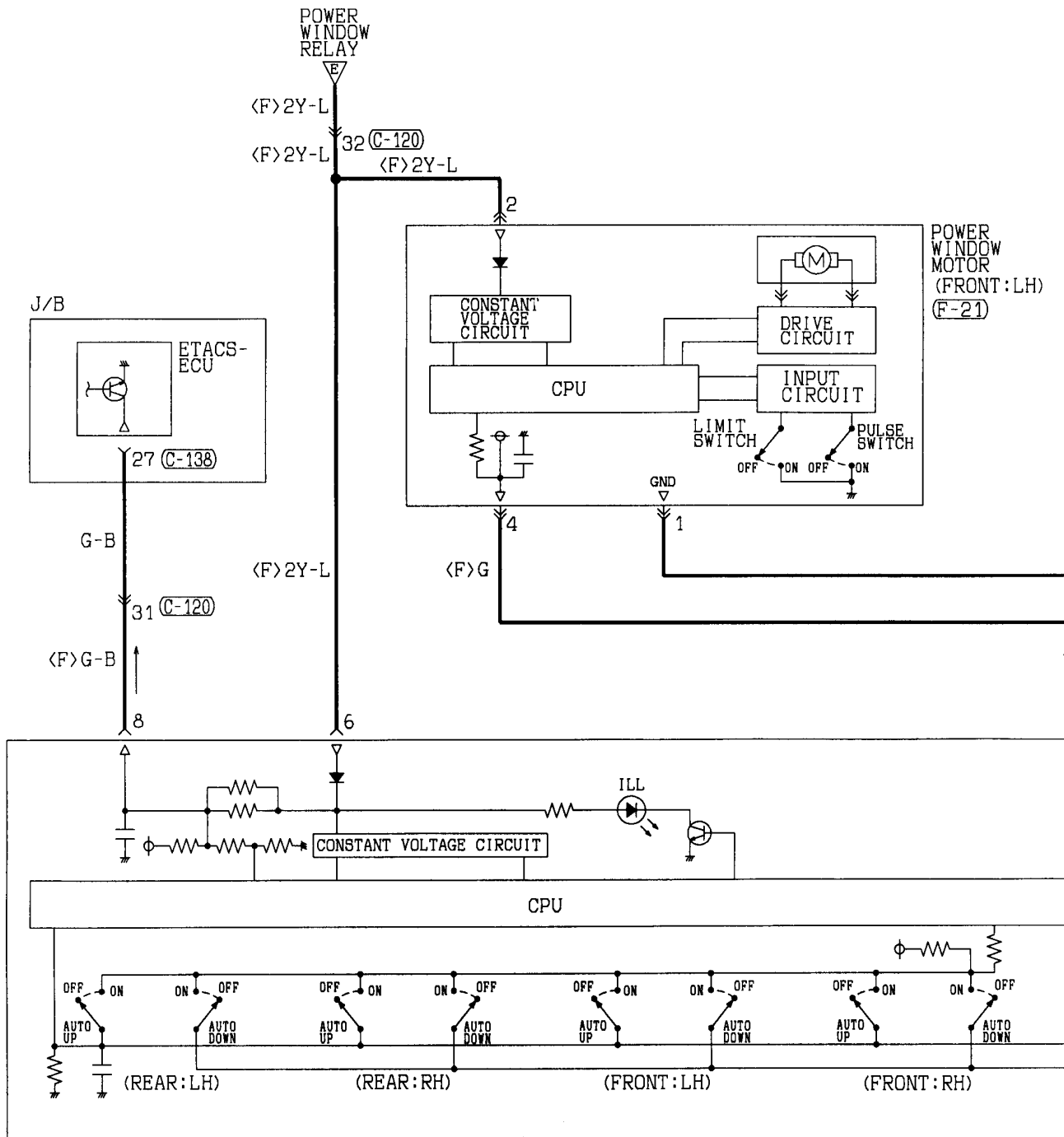
(F-10)

1	2		
3	4	5	6



Wire colour code
 B :Black LG:Light green G :Green L :Blue W :White Y :Yellow SB:Sky blue
 BR:Brown O :Orange GR:Gray R :Red P :Pink V :Violet

POWER WINDOWS <L.H. drive vehicles with ETACS> (CONTINUED)



(C-61)

1	2	3	4	5	6	7	8	9	10	11
12	13	14	15	16	17	18	19	20	21	22
23	24	25	26	27	28	29	30	31	32	33

(C-120)

1	2	3	4	5	6	7	8	9
10	11	12	13	14	15	16	17	18
19	20	21	22	23	24	25	26	27
28	29	30	31	32				

(C-138)

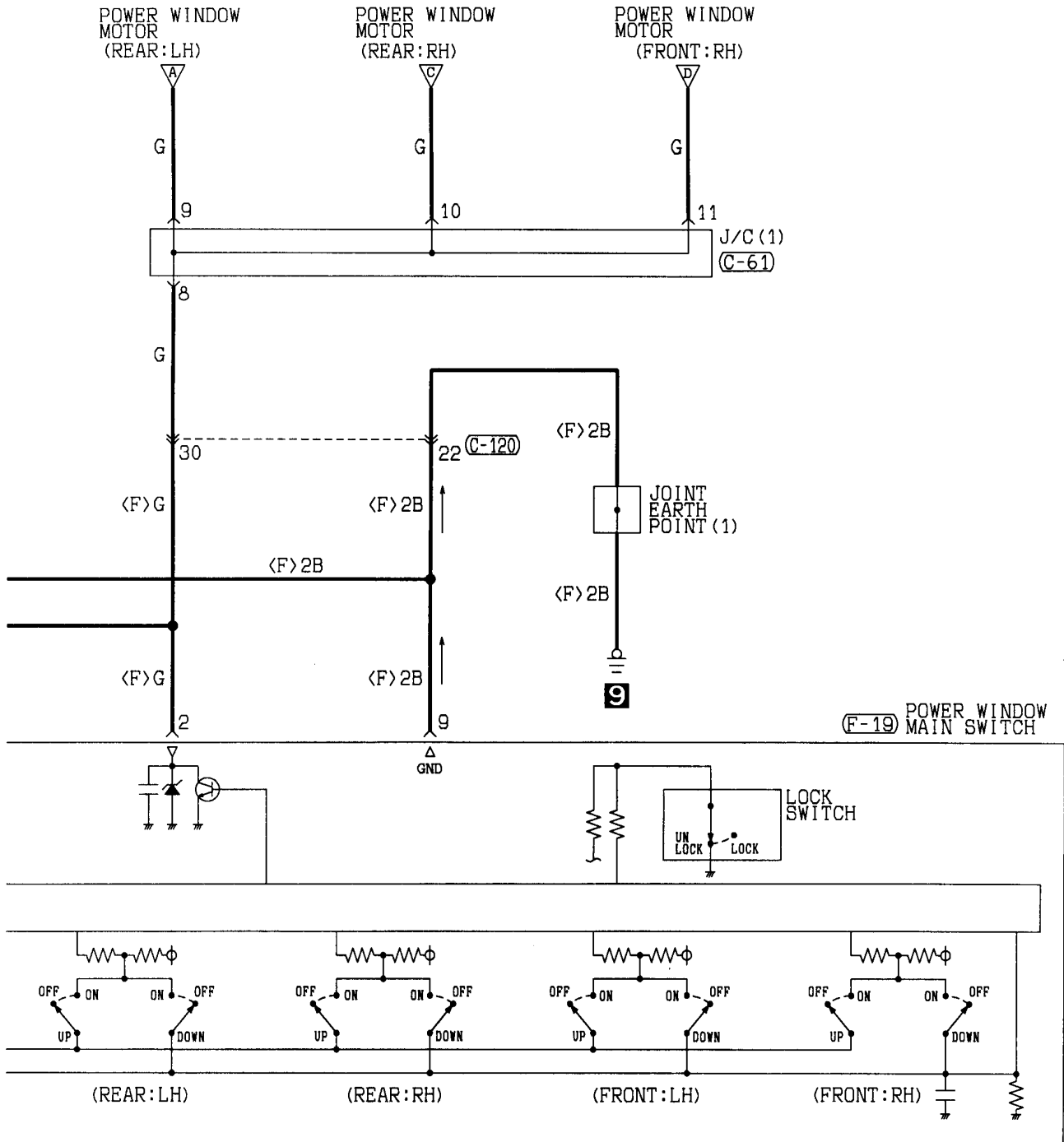
21	22	23	24	25	26	27	28
29	30	31	32	33	34	35	36

(F-19)

1	2	3	4
5	6	7	8
9	10		

(F-21)

1	2	3	4

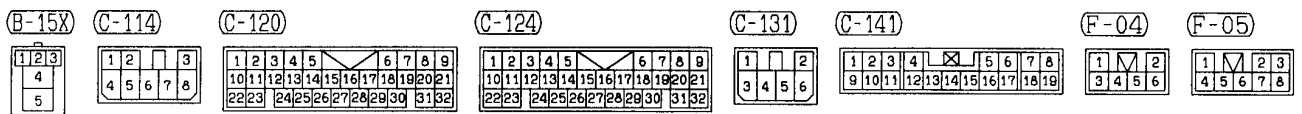
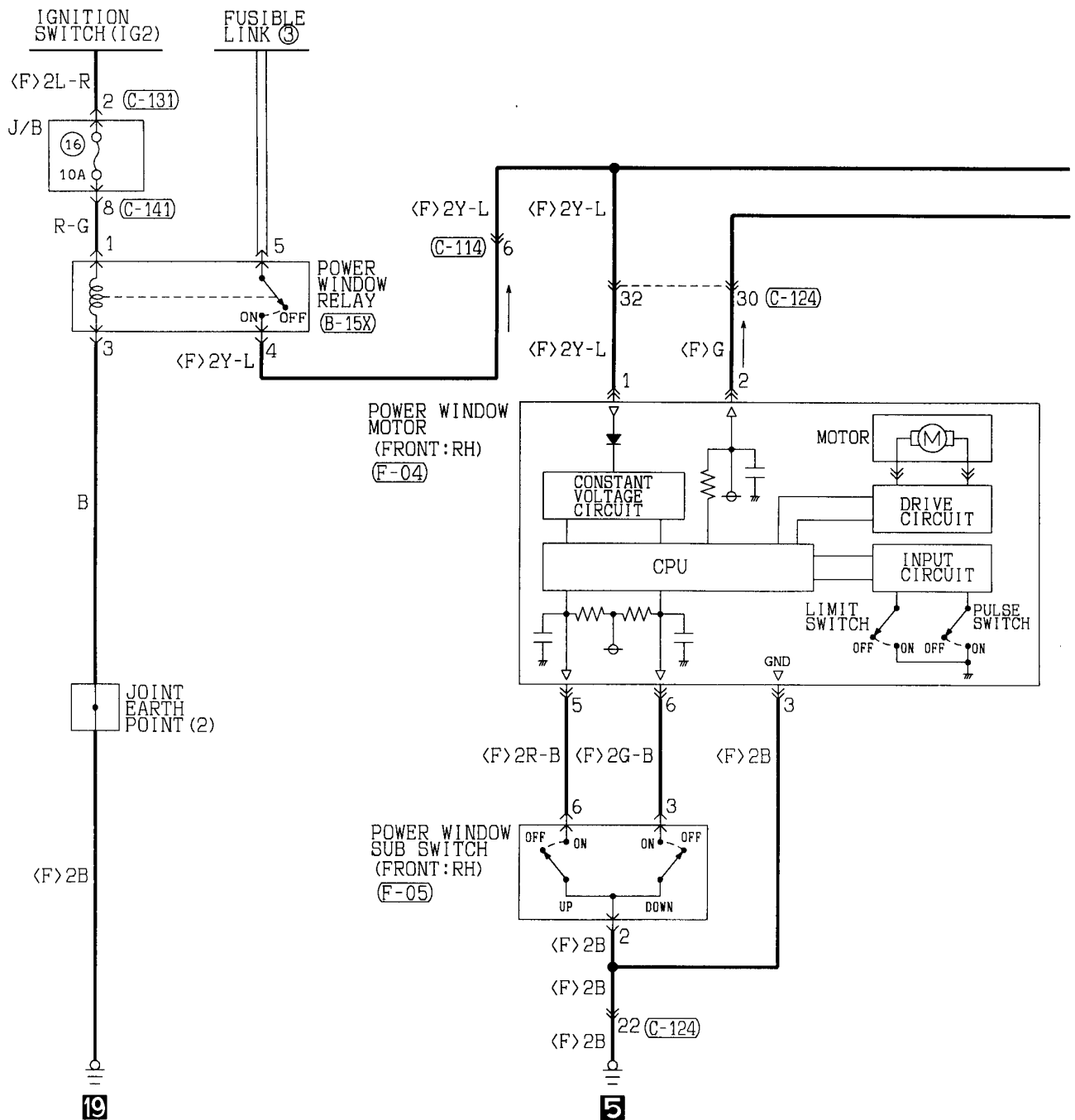


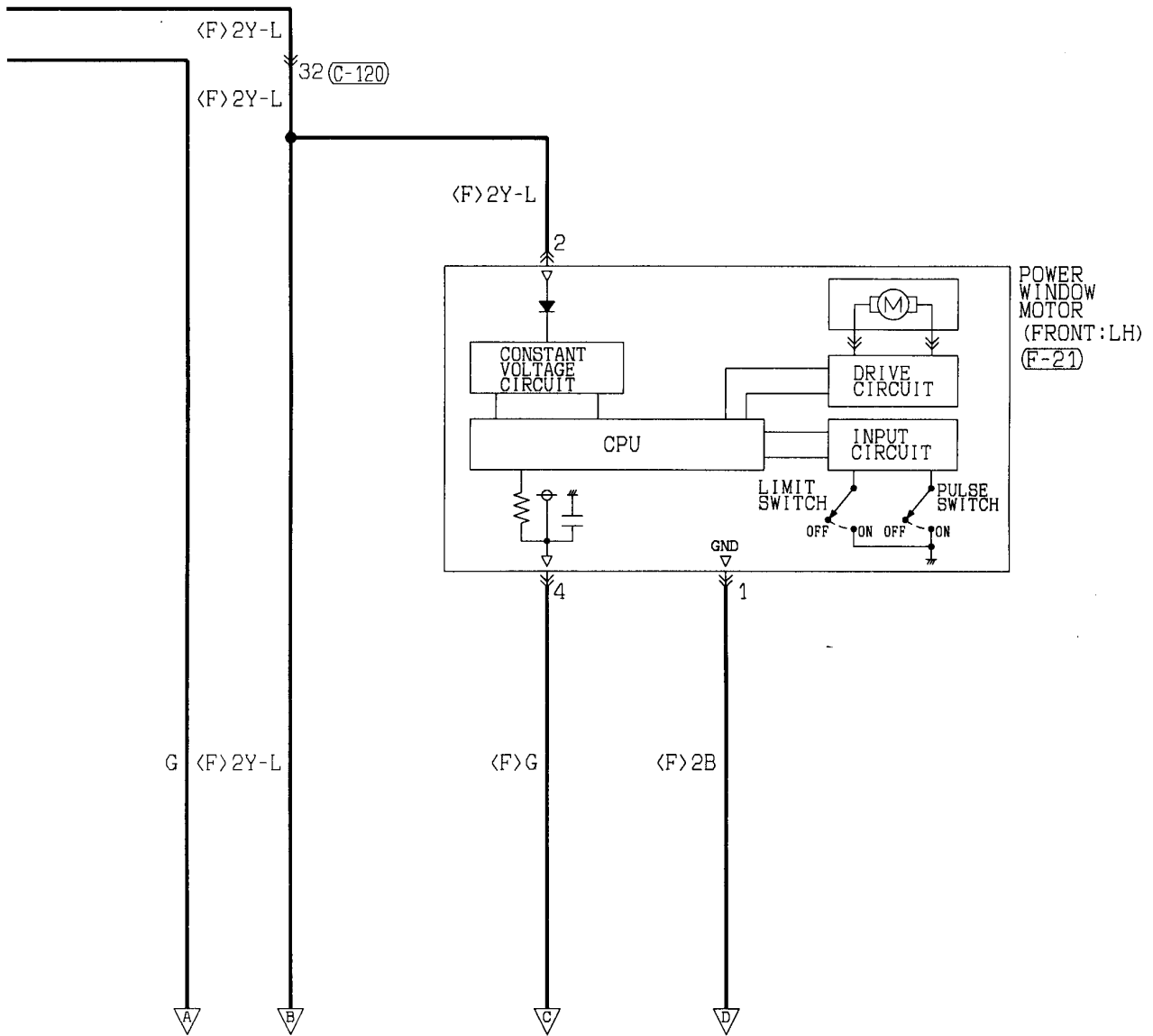
Wire colour code
 B : Black LG : Light green G : Green L : Blue W : White Y : Yellow SB : Sky blue
 BR : Brown O : Orange GR : Gray R : Red P : Pink V : Violet

POWER WINDOWS

90100460412

L.H. drive vehicles without ETACS





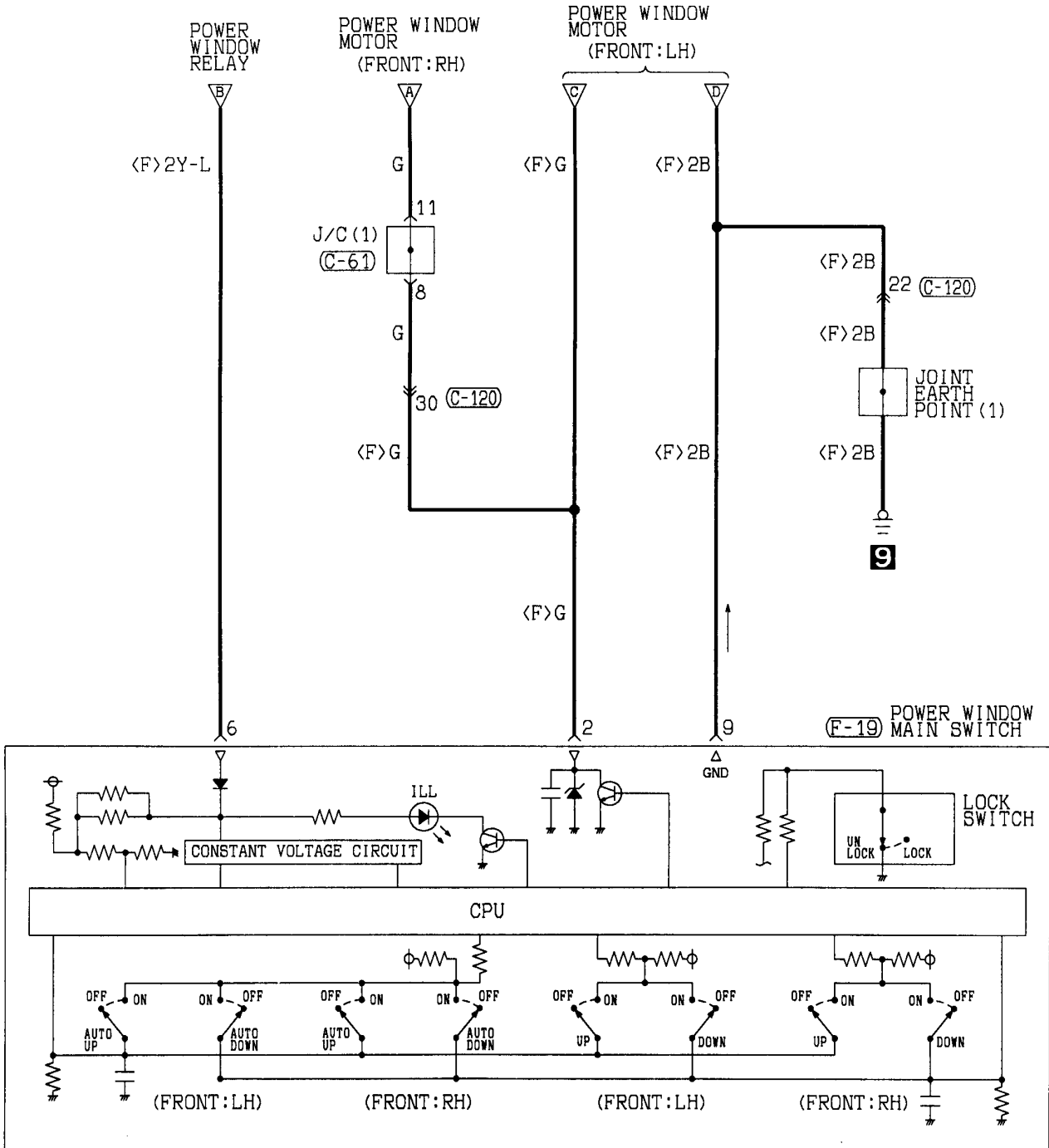
POWER WINDOW MOTOR (FRONT:LH) (F-21)

(F-21)



Wire colour code
 B:Black LG:Light green G:Green L:Blue W:White Y:Yellow SB:Sky blue
 BR:Brown O:Orange GR:Gray R:Red P:Pink V:Violet

POWER WINDOWS <L.H. drive vehicles without ETACS> (CONTINUED)



C-61

1	2	3	4	5	6	7	8	9	10	11
12	13	14	15	16	17	18	19	20	21	22
23	24	25	26	27	28	29	30	31	32	33

C-120

1	2	3	4	5	6	7	8	9			
10	11	12	13	14	15	16	17	18	19	20	21
22	23	24	25	26	27	28	29	30	31	32	

F-19

1	2	3	4		
5	6	7	8	9	10

Wire colour code

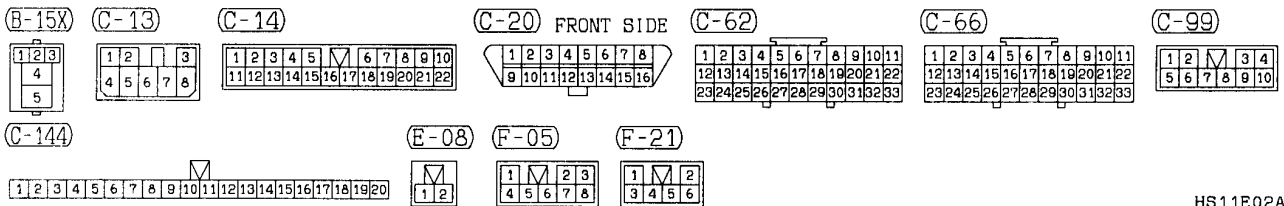
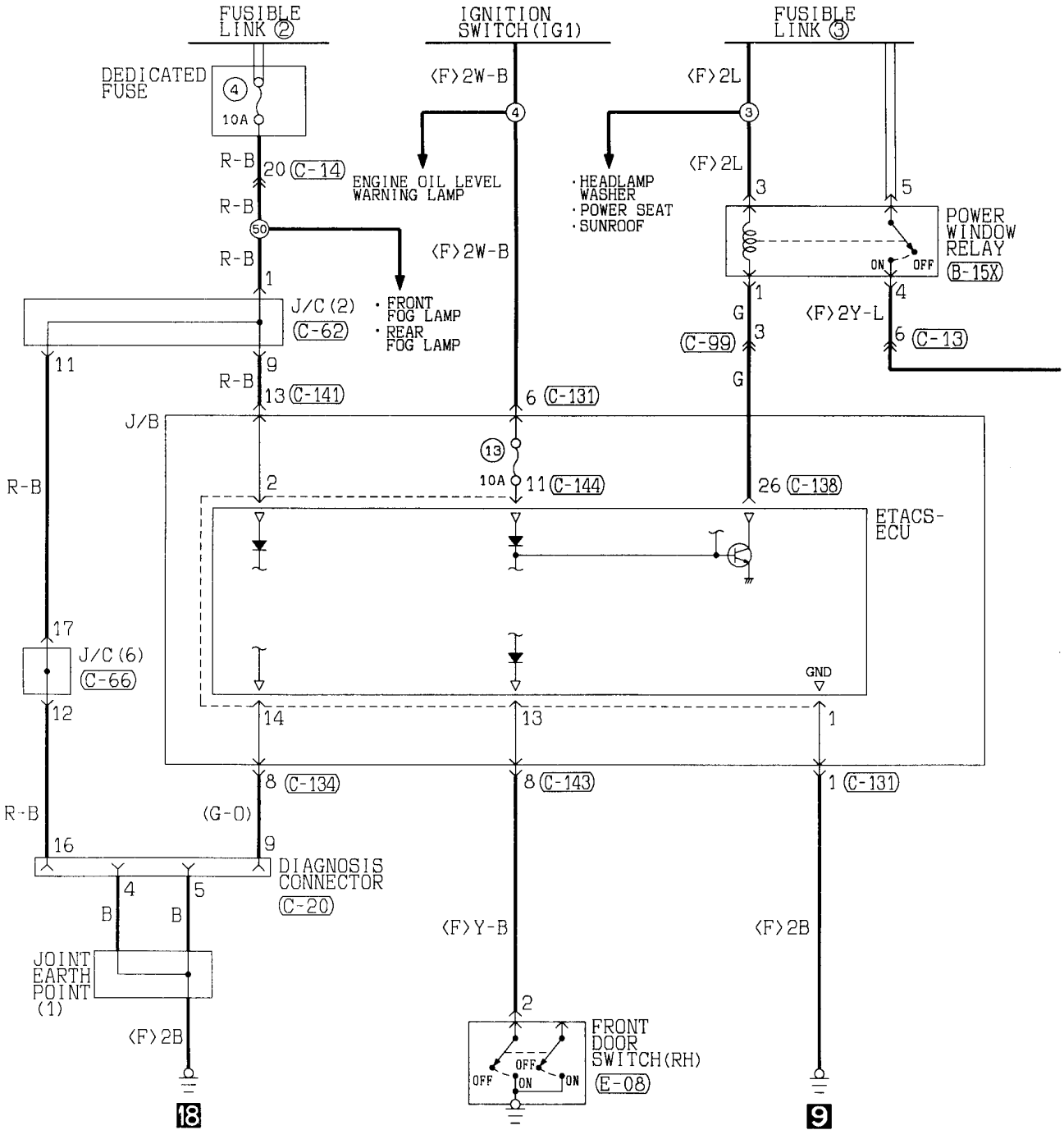
B : Black LG: Light green G : Green L : Blue W : White Y : Yellow SB: Sky blue
 BR: Brown O : Orange GR: Gray R : Red P : Pink V : Violet

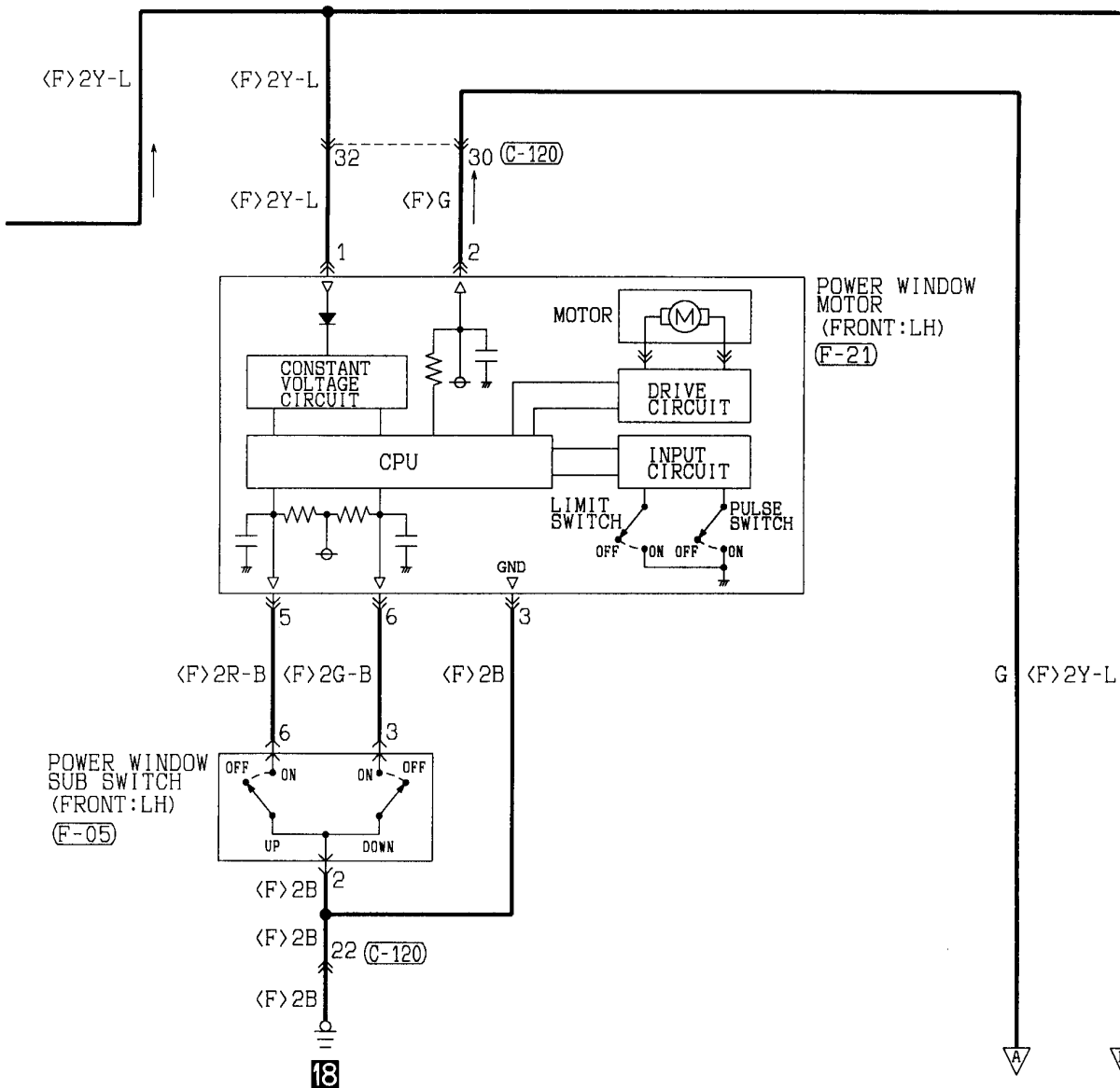
NOTES

POWER WINDOWS

90100460429

R.H. drive vehicles





(C-120)

1	2	3	4	5	6	7	8	9
10	11	12	13	14	15	16	17	18
19	20	21	22	23	24	25	26	27
28	29	30	31	32				

(C-131)

1	2
3	4
5	6

(C-134)

1	2	3	4	5	M	6	7	8	9	10
11	12	13	14	15	16	17	18	19	20	21
22	23	24	25	26	27	28	29	30	31	32
33	34	35	36							

(C-138)

21	22	23	24	25	26	27	28
29	30	31	32	33	34	35	36

(C-141)

1	2	3	4	M	5	6	7	8
9	10	11	12	13	14	15	16	17
18								

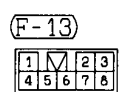
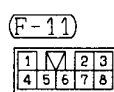
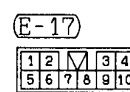
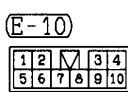
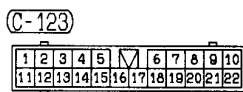
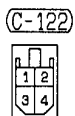
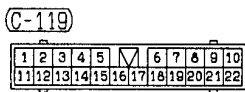
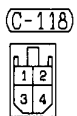
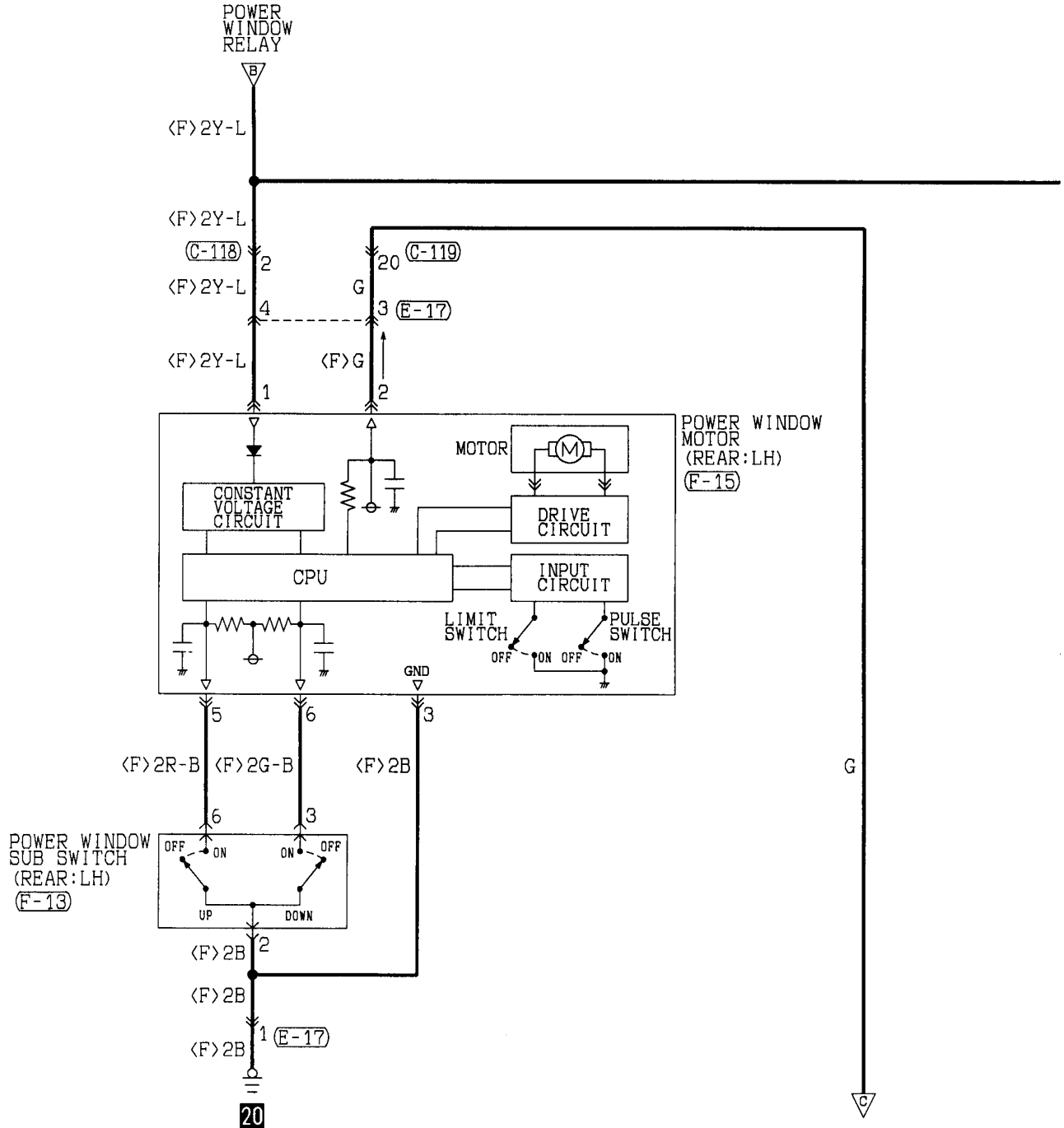
(C-143)

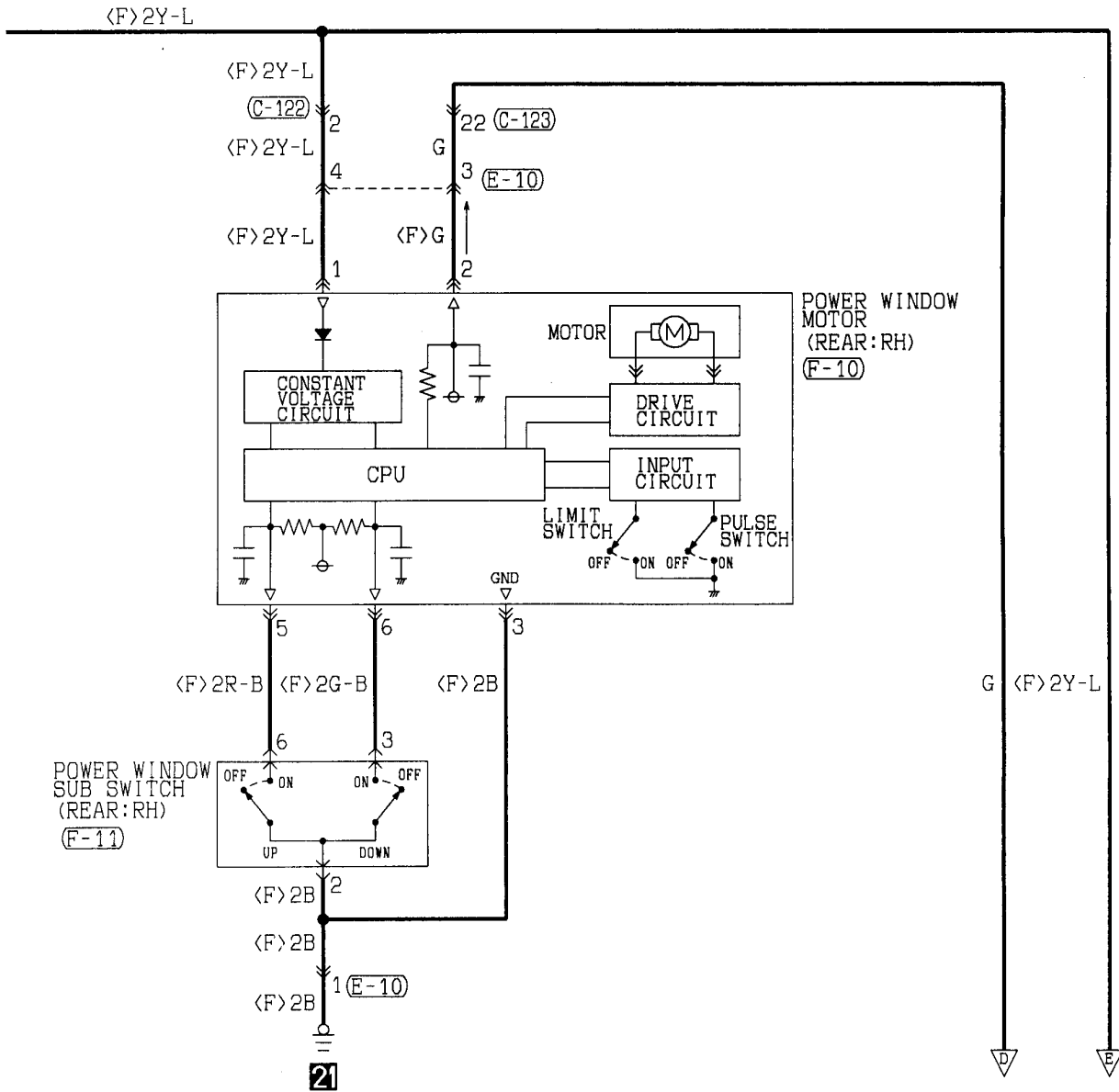
1	2	3	4	M	5	6	7	8
9	10	11	12	13	14	15	16	17
18								

Wire colour code

B :Black LG:Light green G :Green L :Blue W :White Y :Yellow SB:Sky blue
 BR:Brown O :Orange GR:Gray R :Red P :Pink V :Violet

POWER WINDOWS <R.H. drive vehicles> (CONTINUED)



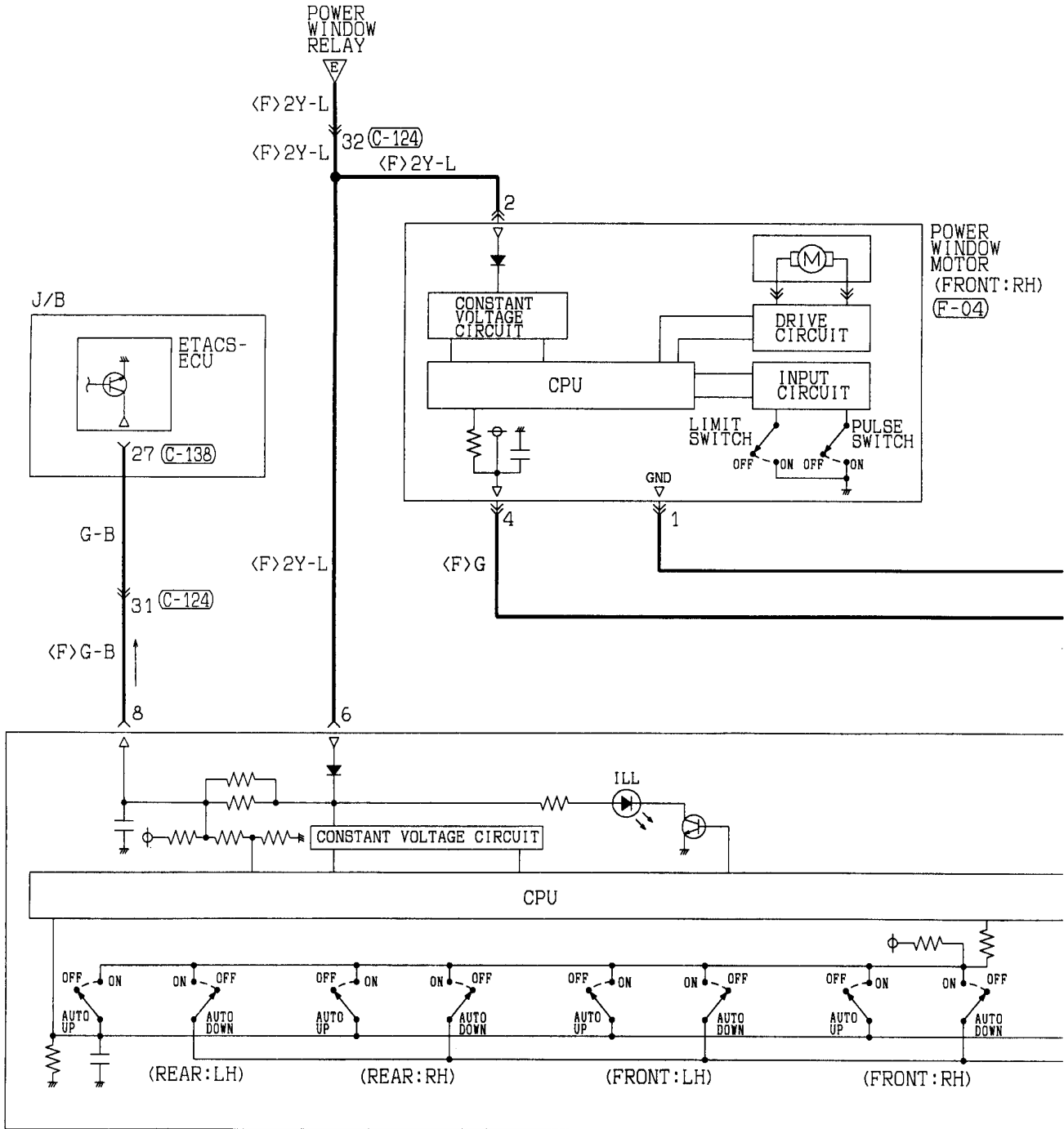


(F-15)



Wire colour code
 B:Black LG:Light green G:Green L:Blue W:White Y:Yellow SB:Sky blue
 BR:Brown O:Orange GR:Gray R:Red P:Pink V:Violet

POWER WINDOWS <R.H. drive vehicles> (CONTINUED)



(C-65)

(C-124)

(C-138)

(F-04)

(F-19)

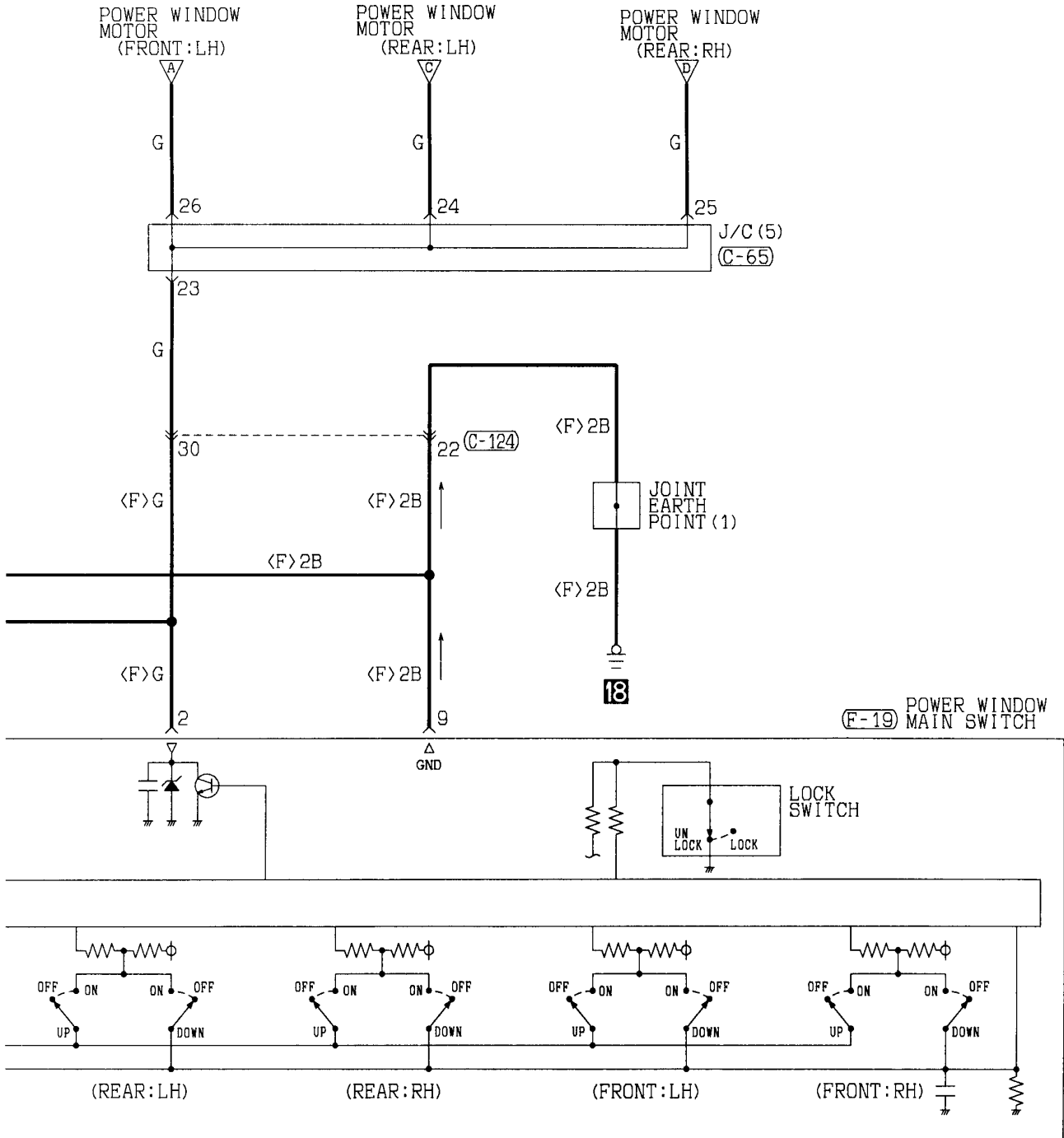
1	2	3	4	5	6	7	8	9	10	11
12	13	14	15	16	17	18	19	20	21	22
23	24	25	26	27	28	29	30	31	32	33

1	2	3	4	5	6	7	8	9
10	11	12	13	14	15	16	17	18
19	20	21	22	23	24	25	26	27
28	29	30	31	32				

21	22	23	24	25	26	27	28
29	30	31	32	33	34	35	36

1	2	3	4
---	---	---	---

1	2	3	4
5	6	7	8
9	10		

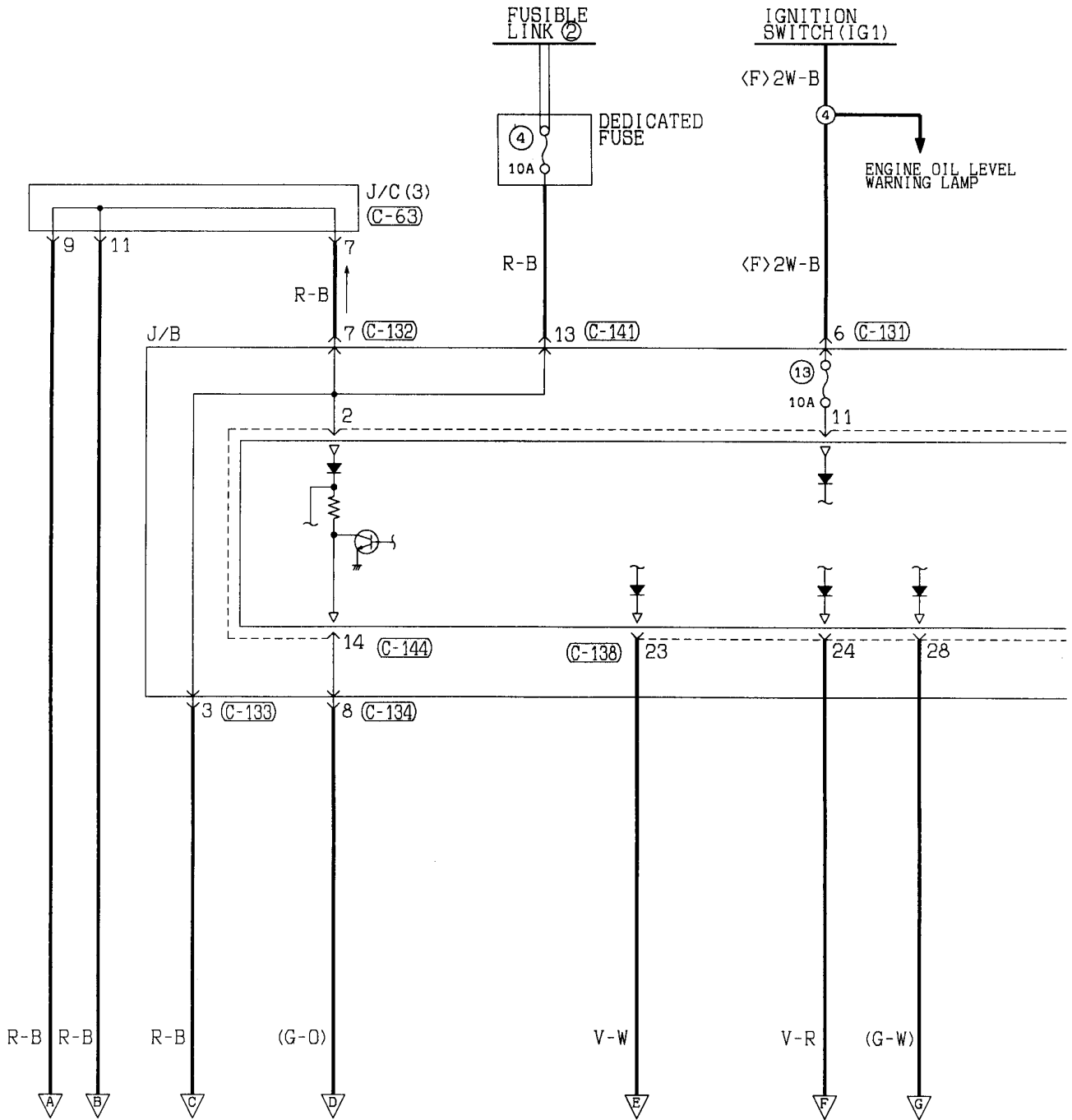


Wire colour code
 B : Black LG: Light green G : Green L : Blue W : White Y : Yellow SB: Sky blue
 BR: Brown O : Orange GR: Gray R : Red P : Pink V : Violet

CENTRAL DOOR LOCKING SYSTEM

90100470743

L.H. drive vehicles with keyless entry system <with theft-alarm system>



(C-63)

1	2	3	4	5	6	7	8	9	10	11
12	13	14	15	16	17	18	19	20	21	22
23	24	25	26	27	28	29	30	31	32	33

(C-120)

1	2	3	4	5	6	7	8	9
10	11	12	13	14	15	16	17	18
19	20	21	22	23	24	25	26	27
28	29	30	31	32				

(C-131)

1	2
3	4
5	6

(C-132)

1	2	3	4
5	6	7	8
9	10		

(C-133)

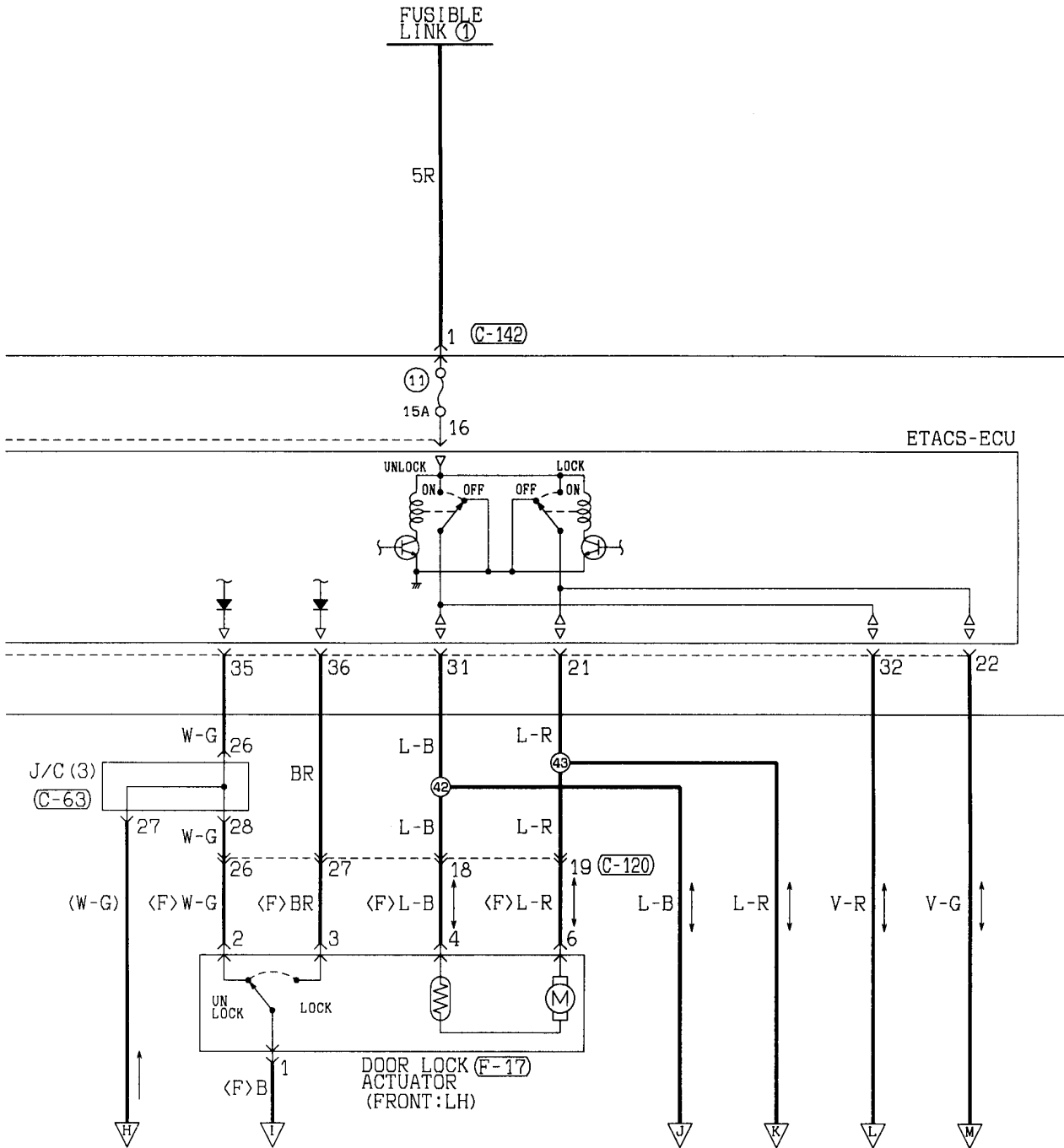
1	2
3	4
5	6

(C-134)

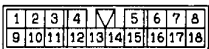
1	2	3	4	5	6	7	8	9	10
11	12	13	14	15	16	17	18	19	20
21	22	23	24	25	26	27	28	29	30
31	32	33	34	35	36				

(C-138)

21	22	23	24	25	26	27	28
29	30	31	32	33	34	35	36



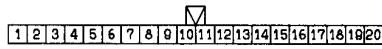
C-141



C-142



C-144

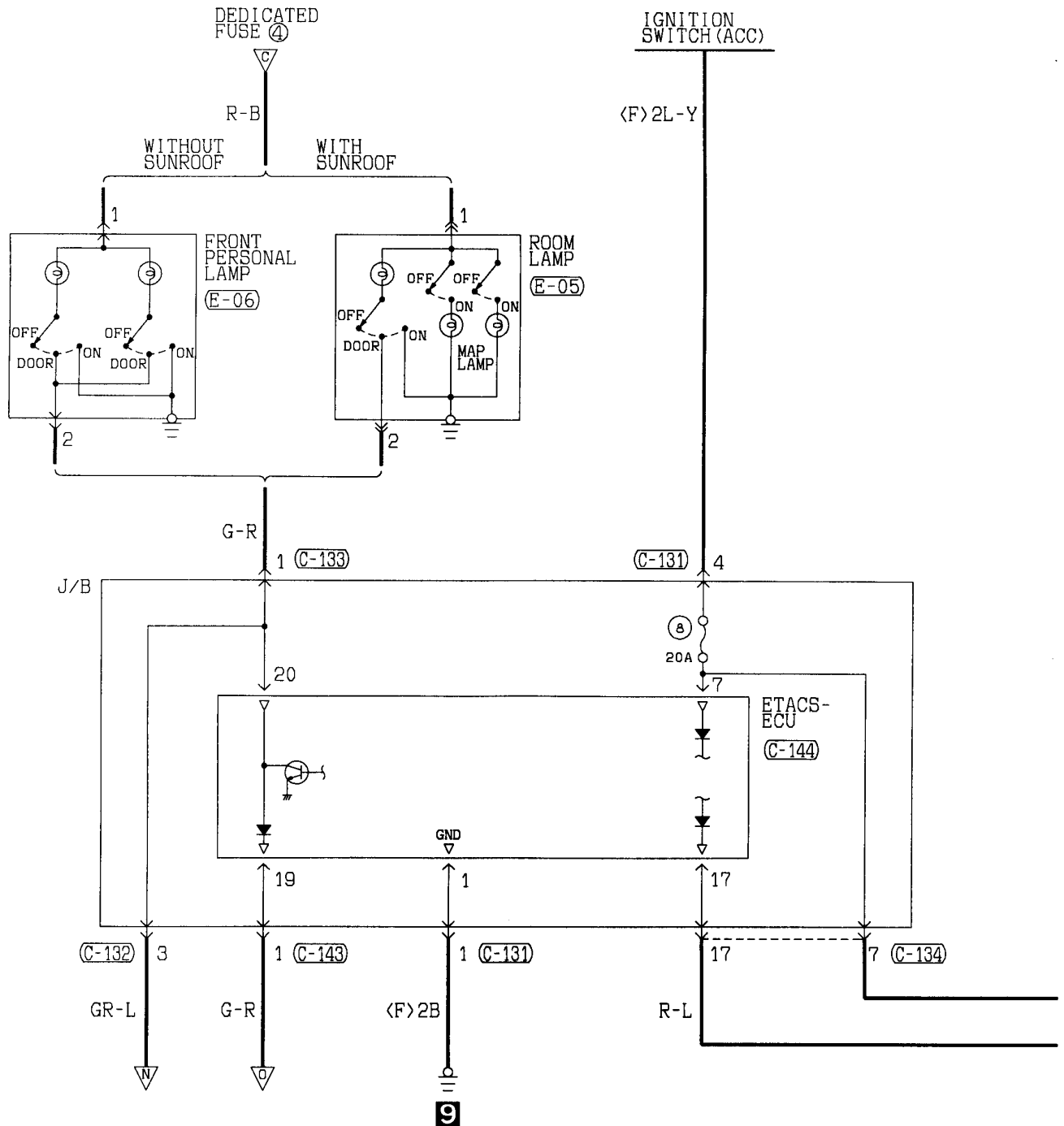


F-17



Wire colour code
 B : Black LG: Light green G : Green L : Blue W : White Y : Yellow SB: Sky blue
 BR: Brown O : Orange GR: Gray R : Red P : Pink V : Violet

CENTRAL DOOR LOCKING SYSTEM <L.H. drive vehicles with keyless entry system (with theft-alarm system)> (CONTINUED)



(C-20) FRONT SIDE

1	2	3	4	5	6	7	8
9	10	11	12	13	14	15	16

(C-61)

1	2	3	4	5	6	7	8	9	10	11
12	13	14	15	16	17	18	19	20	21	22
23	24	25	26	27	28	29	30	31	32	33

(C-62)

1	2	3	4	5	6	7	8	9	10	11
12	13	14	15	16	17	18	19	20	21	22
23	24	25	26	27	28	29	30	31	32	33

(C-65)

1	2	3	4	5	6	7	8	9	10	11
12	13	14	15	16	17	18	19	20	21	22
23	24	25	26	27	28	29	30	31	32	33

(C-66)

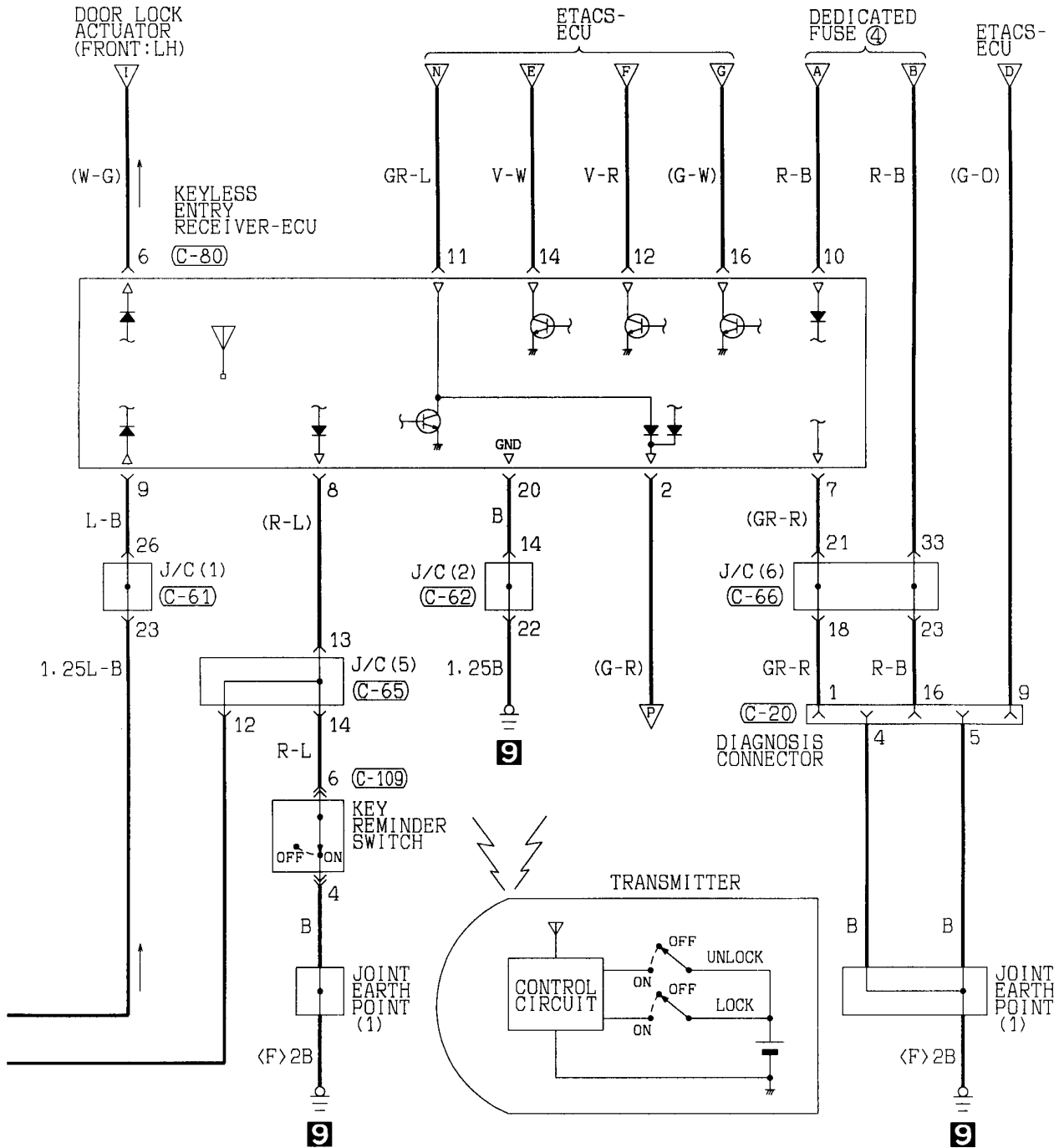
1	2	3	4	5	6	7	8	9	10	11
12	13	14	15	16	17	18	19	20	21	22
23	24	25	26	27	28	29	30	31	32	33

(C-144)

1	2	3	4	5	6	7	8	9	10	11	12	13	14	15	16	17	18	19	20
---	---	---	---	---	---	---	---	---	----	----	----	----	----	----	----	----	----	----	----

(E-05) (E-06)

1
2



(C-80)

1	2	3	4	5	6	7	8	9	10
11	12	13	14	15	16	17	18	19	20

(C-109)

1	2	3	4	5	6	7
8	9	10	11	12	13	14

(C-131)

1	2	3	4
5	6	7	8

(C-132)

1	2	3	4	5	6	7	8	9	10
11	12	13	14	15	16	17	18	19	20

(C-133)

1	2	3	4	5	6
7	8	9	10	11	12

(C-134)

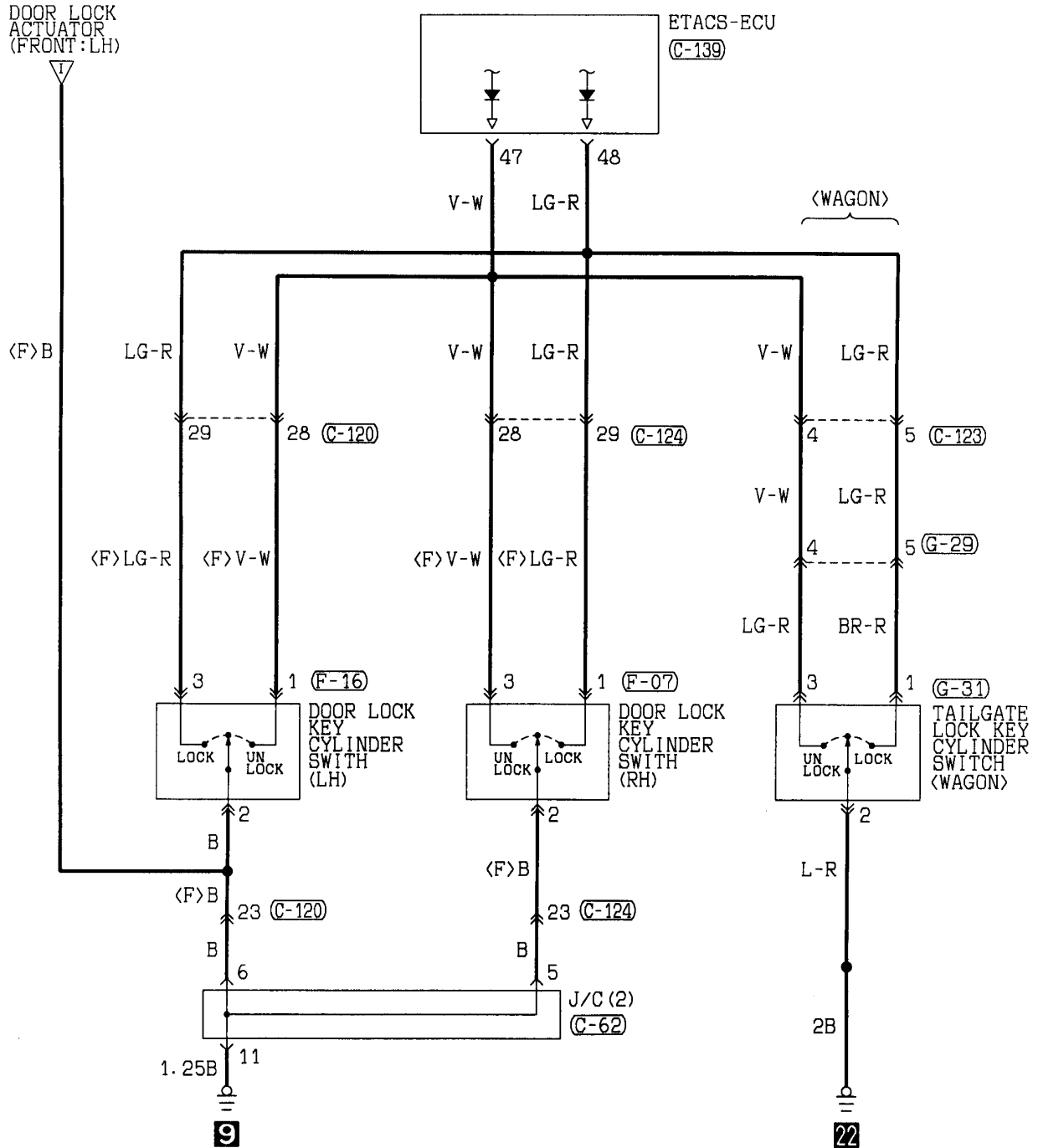
1	2	3	4	5	6	7	8	9	10
11	12	13	14	15	16	17	18	19	20
21	22	23	24	25	26	27	28	29	30

(C-143)

1	2	3	4	5	6	7	8	9
10	11	12	13	14	15	16	17	18

Wire colour code
 B :Black LG:Light green G :Green L :Blue W :White Y :Yellow SB:Sky blue
 BR:Brown O :Orange GR:Gray R :Red P :Pink V :Violet

CENTRAL DOOR LOCKING SYSTEM <L.H. drive vehicles with keyless entry system (with theft-alarm system)> (CONTINUED)



C-62

1	2	3	4	5	6	7	8	9	10	11
12	13	14	15	16	17	18	19	20	21	22
23	24	25	26	27	28	29	30	31	32	33

C-119

1	2	3	4	5	6	7	8	9	10		
11	12	13	14	15	16	17	18	19	20	21	22

C-120

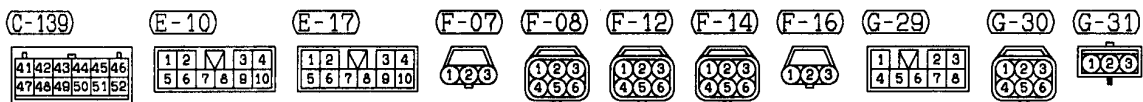
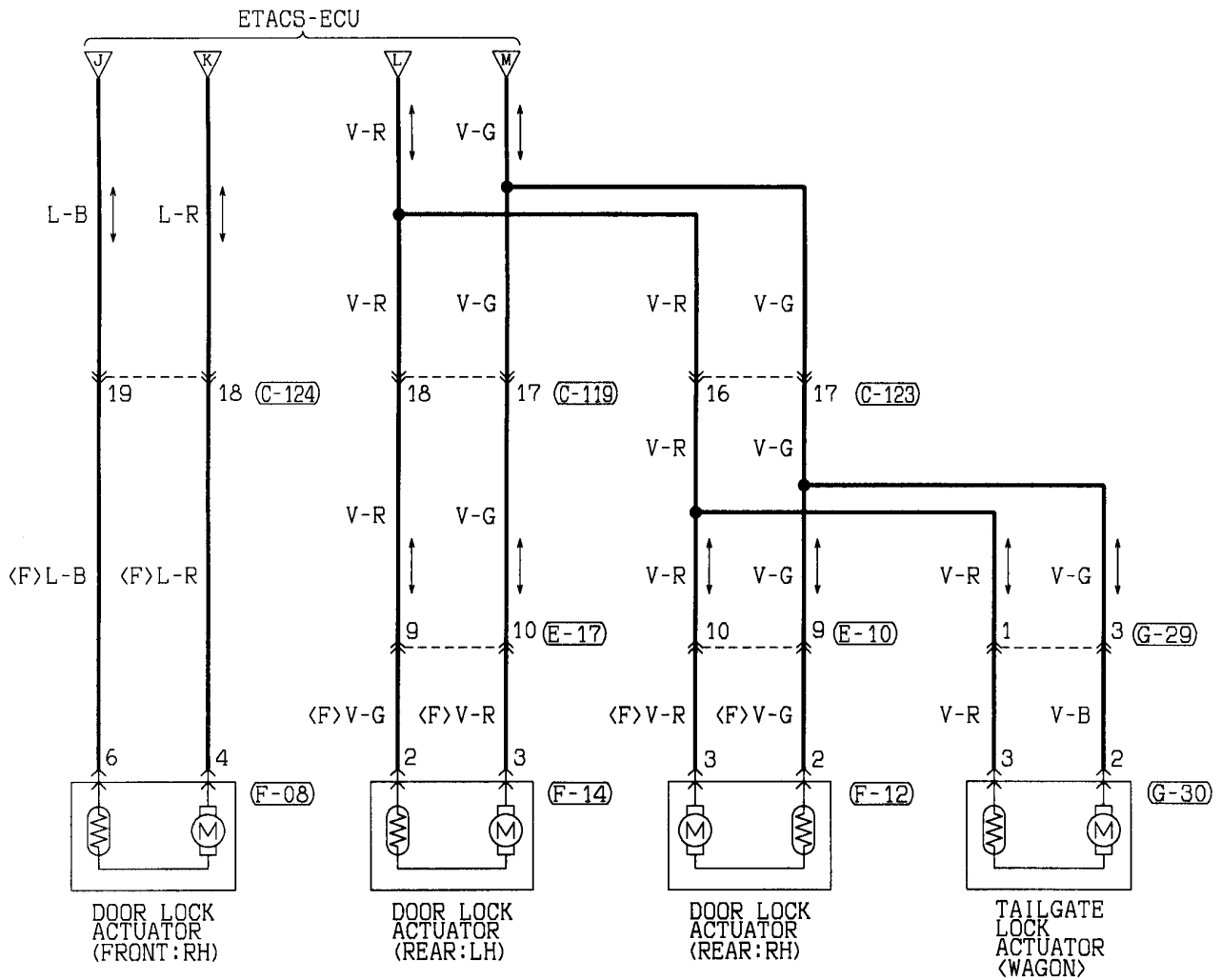
1	2	3	4	5	6	7	8	9			
10	11	12	13	14	15	16	17	18	19	20	21
22	23	24	25	26	27	28	29	30	31	32	

C-123

1	2	3	4	5	6	7	8	9	10		
11	12	13	14	15	16	17	18	19	20	21	22

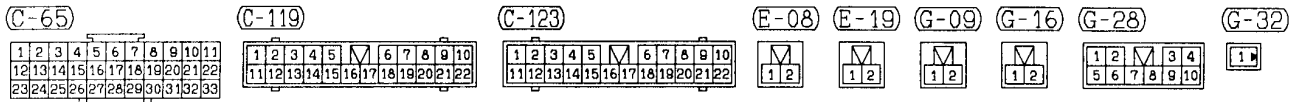
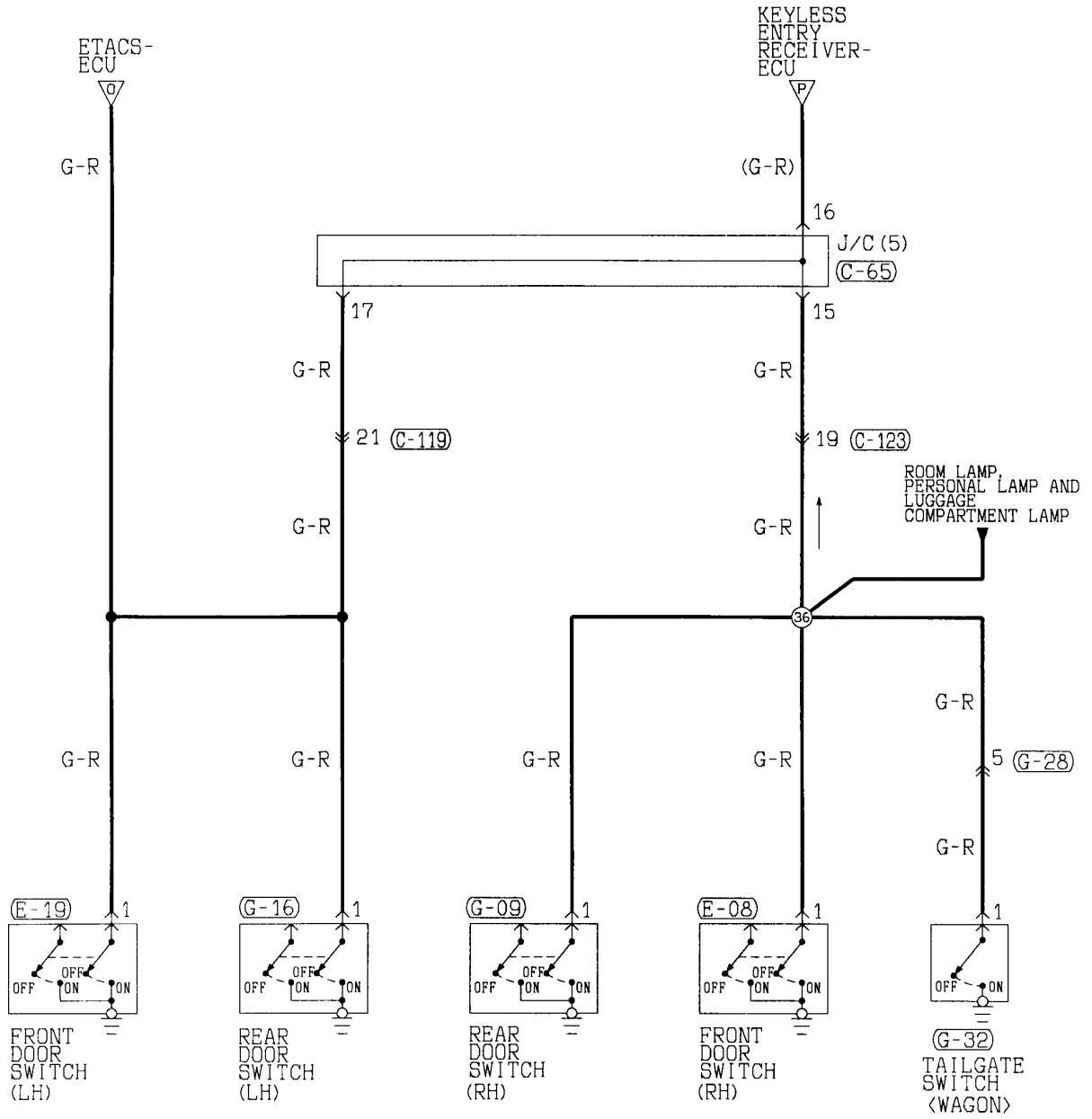
C-124

1	2	3	4	5	6	7	8	9			
10	11	12	13	14	15	16	17	18	19	20	21
22	23	24	25	26	27	28	29	30	31	32	



Wire colour code
 B : Black LG: Light green G : Green L : Blue W : White Y : Yellow SB: Sky blue
 BR: Brown O : Orange GR: Gray R : Red P : Pink V : Violet

CENTRAL DOOR LOCKING SYSTEM <L.H. drive vehicles with keyless entry system (with theft-alarm system)> (CONTINUED)



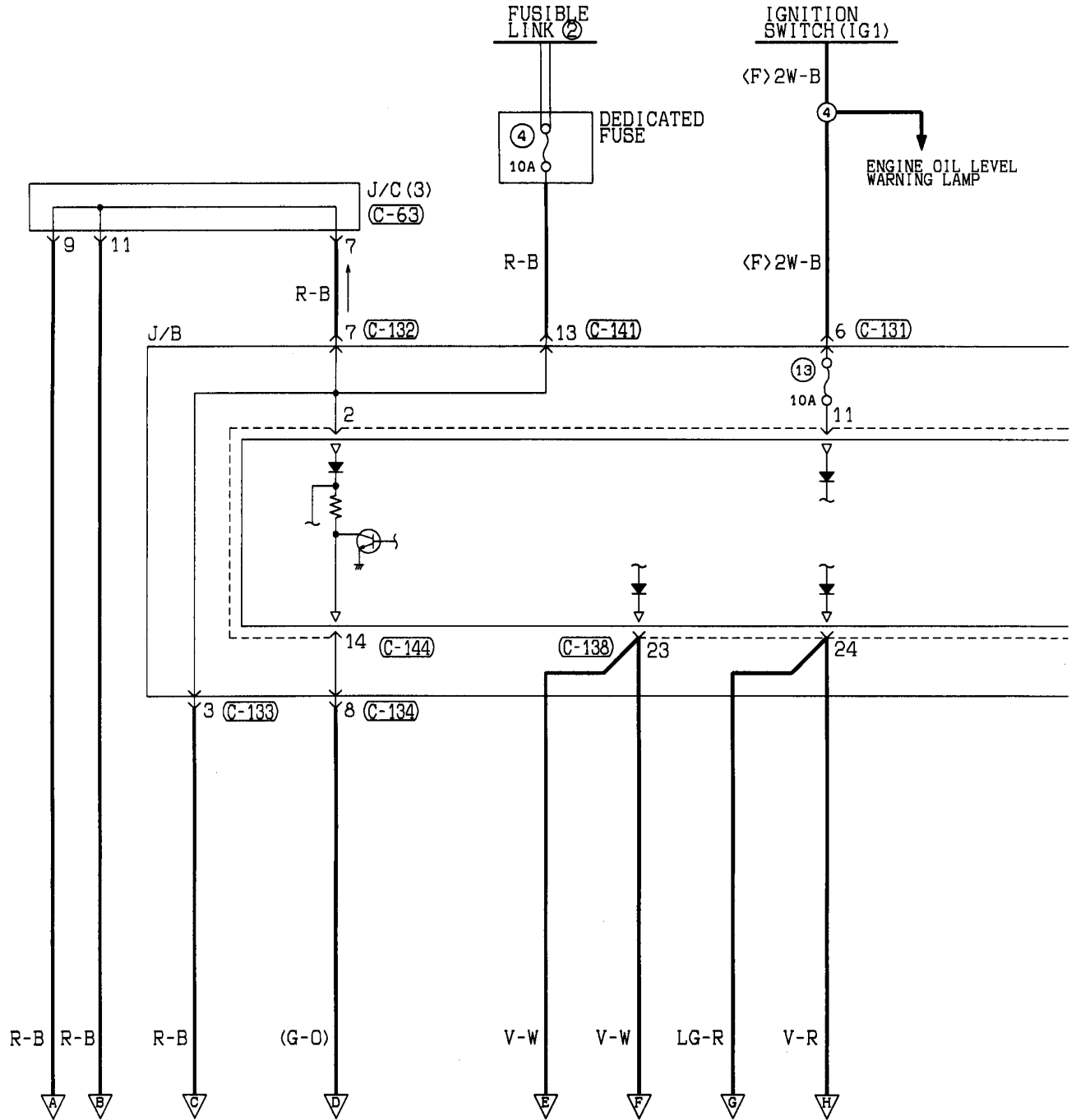
Wire colour code
 B :Black LG:Light green G :Green L :Blue W :White Y :Yellow SB:Sky blue
 BR:Brown O :Orange GR:Gray R :Red P :Pink V :Violet

NOTES

CENTRAL DOOR LOCKING SYSTEM

90100470750

L.H. drive vehicles with keyless entry system <without theft-alarm system>



C-63

1	2	3	4	5	6	7	8	9	10	11
12	13	14	15	16	17	18	19	20	21	22
23	24	25	26	27	28	29	30	31	32	33

C-120

1	2	3	4	5	6	7	8
10	11	12	13	14	15	16	17
18	19	20	21	22	23	24	25
26	27	28	29	30	31	32	33

C-131

1	2
3	4
5	6

C-132

1	2	3	4
5	6	7	8
9	10		

C-133

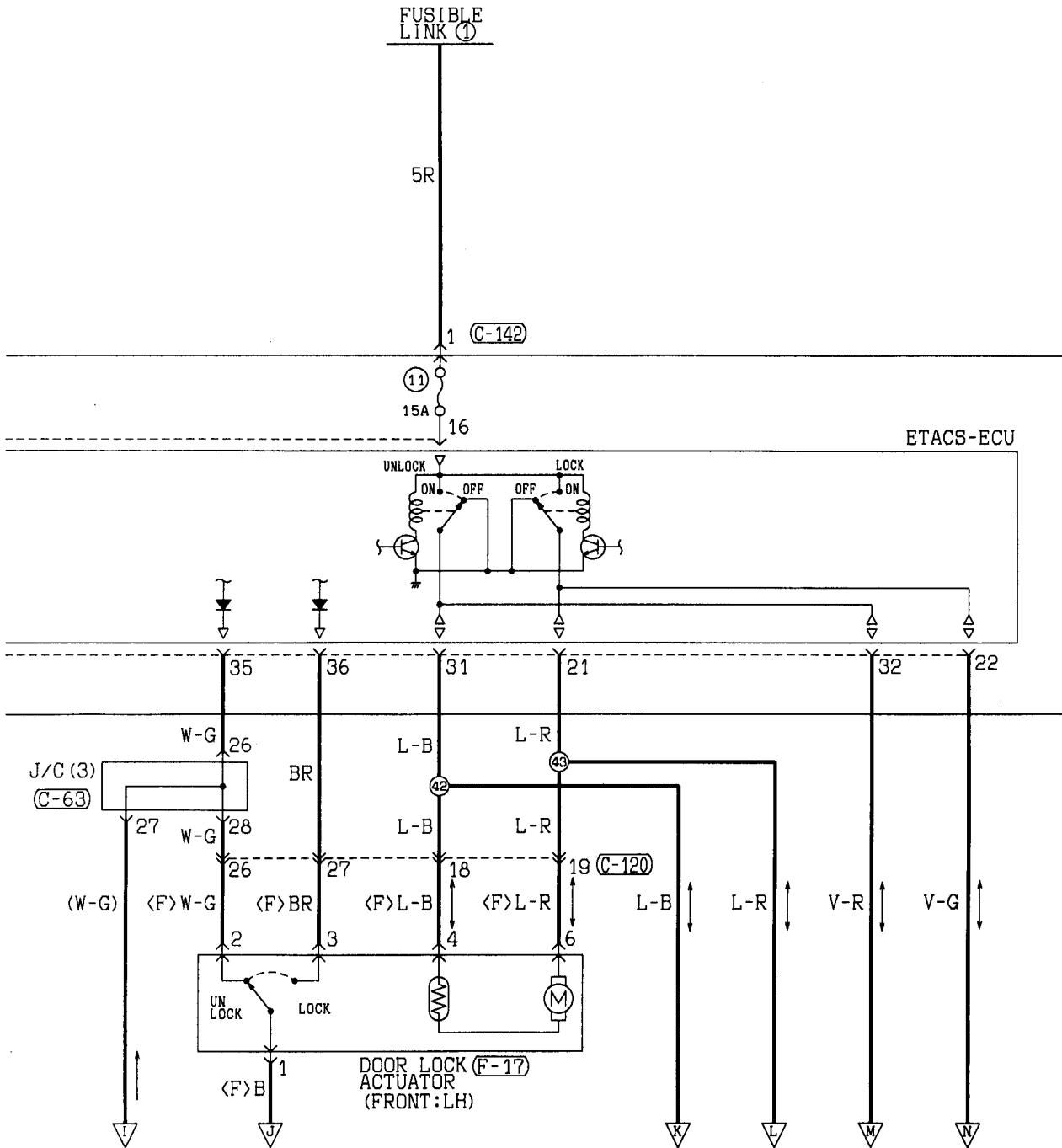
1	2
3	4
5	6

C-134

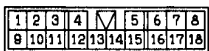
1	2	3	4	5	6	7	8	9	10
11	12	13	14	15	16	17	18	19	20
21	22	23	24	25	26	27	28	29	30
31	32	33	34	35	36				

C-138

1	2	3	4	5	6	7	8	9	10
11	12	13	14	15	16	17	18	19	20
21	22	23	24	25	26	27	28	29	30
31	32	33	34	35	36				



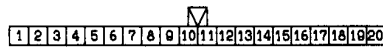
(C-141)



(C-142)



(C-144)

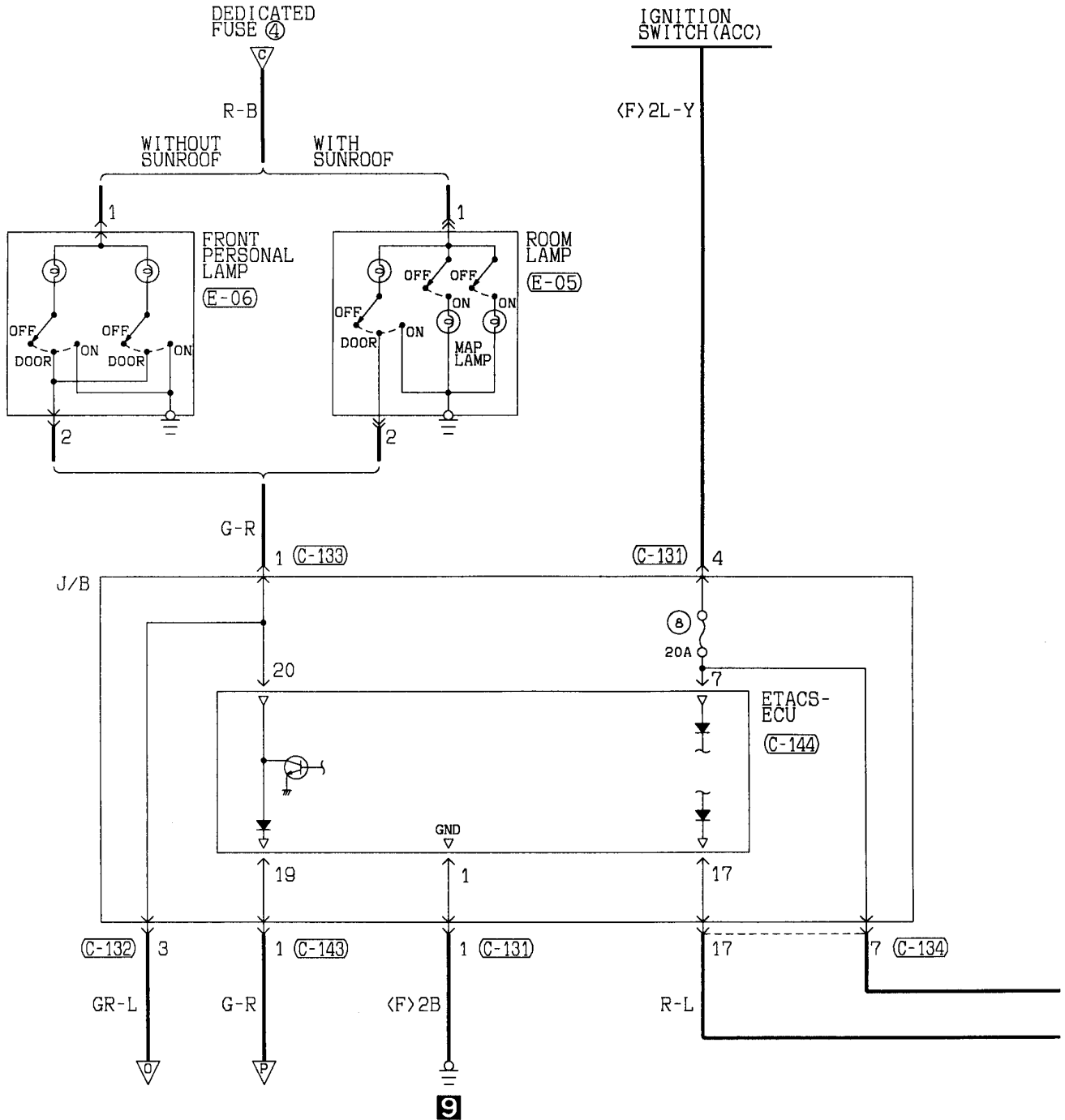


(F-17)

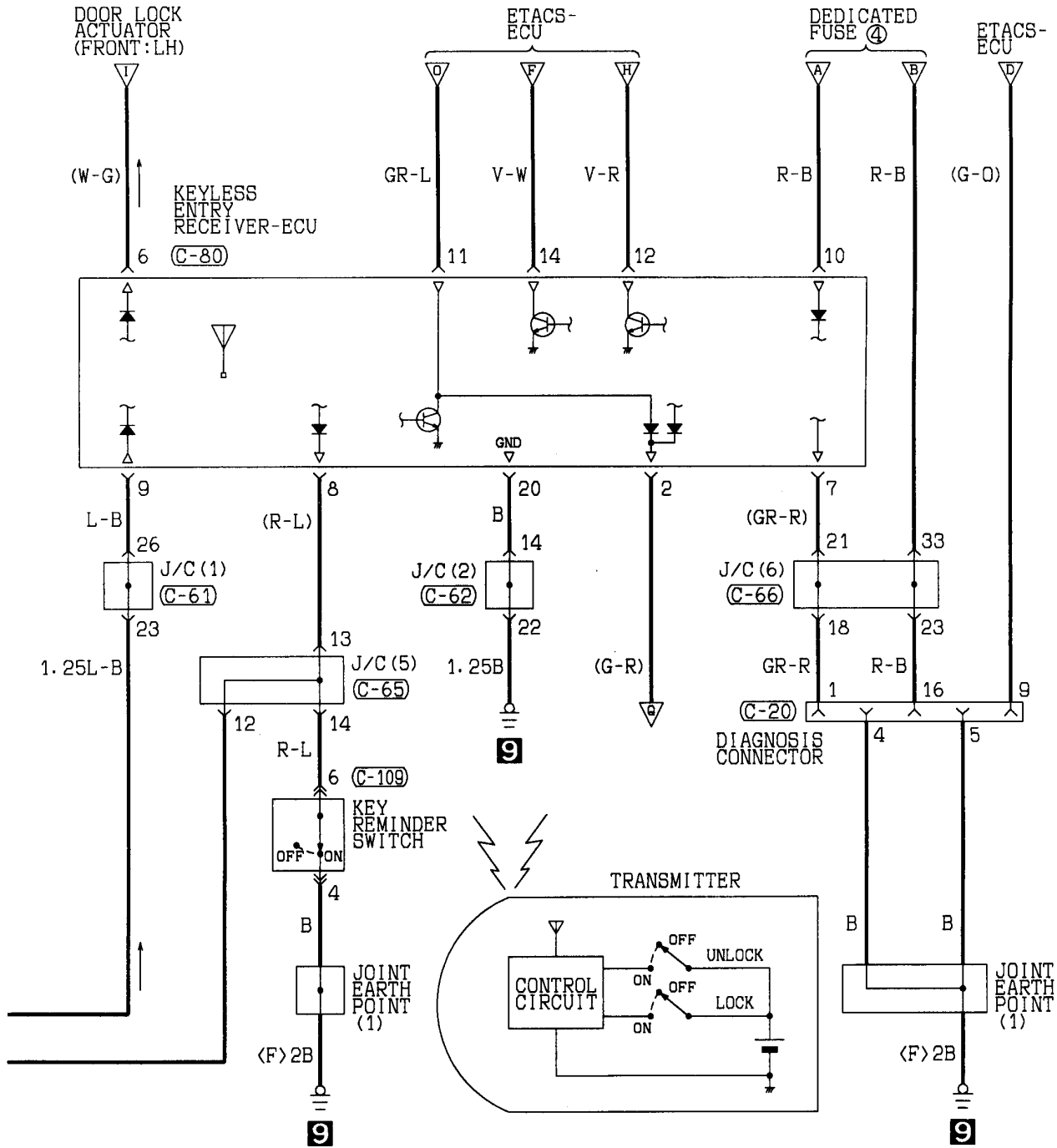


Wire colour code
 B:Black LG:Light green G:Green L:Blue W:White Y:Yellow SB:Sky blue
 BR:Brown O:Orange GR:Gray R:Red P:Pink V:Violet

CENTRAL DOOR LOCKING SYSTEM <L.H. drive vehicles with keyless entry system (without theft-alarm system)> (CONTINUED)



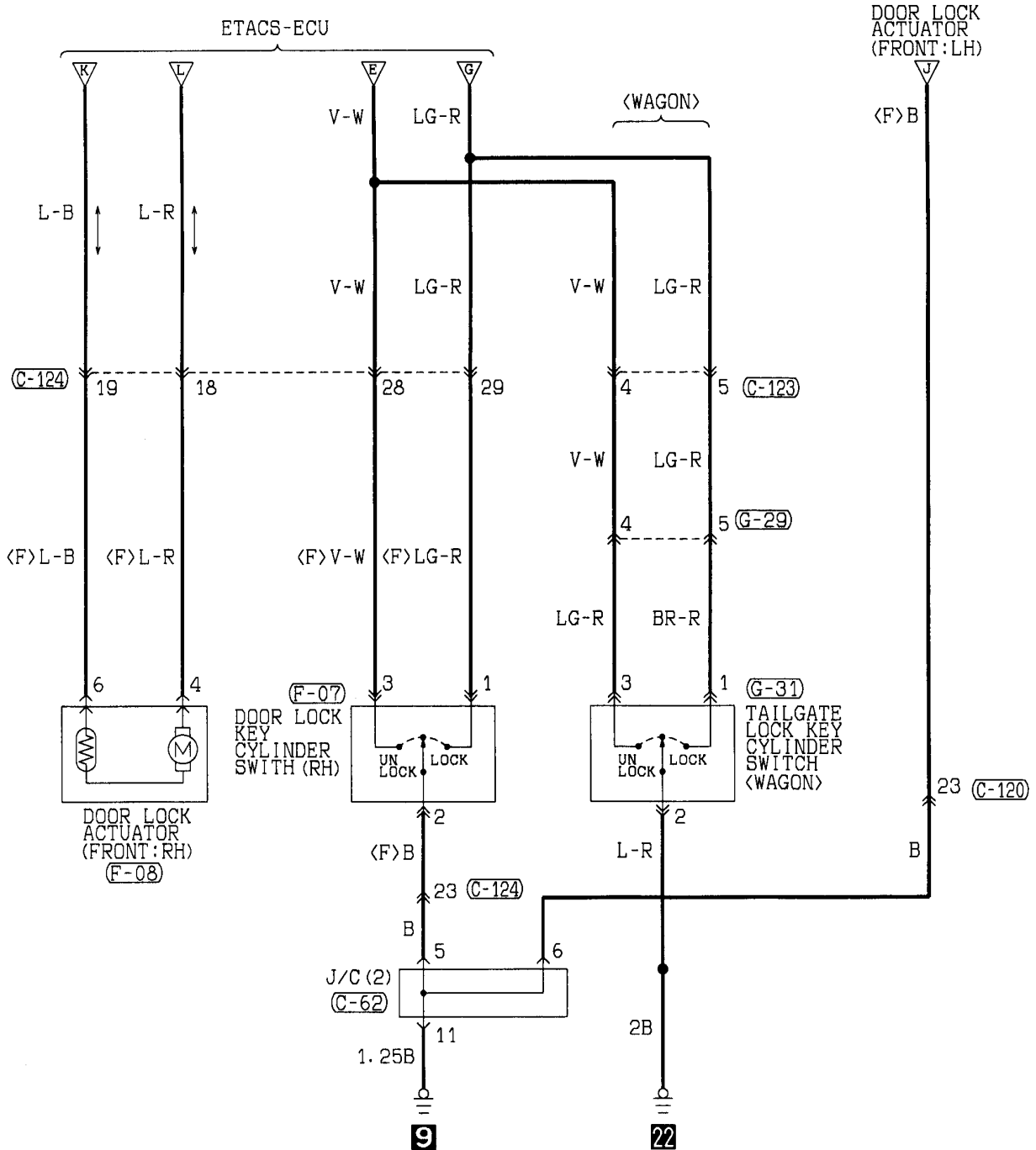
(C-20) FRONT SIDE	(C-61)	(C-62)	(C-65)	(C-66)																																																																																																																																																				
<table border="1"> <tr><td>1</td><td>2</td><td>3</td><td>4</td><td>5</td><td>6</td><td>7</td><td>8</td></tr> <tr><td>9</td><td>10</td><td>11</td><td>12</td><td>13</td><td>14</td><td>15</td><td>16</td></tr> </table>	1	2	3	4	5	6	7	8	9	10	11	12	13	14	15	16	<table border="1"> <tr><td>1</td><td>2</td><td>3</td><td>4</td><td>5</td><td>6</td><td>7</td><td>8</td><td>9</td><td>10</td><td>11</td></tr> <tr><td>12</td><td>13</td><td>14</td><td>15</td><td>16</td><td>17</td><td>18</td><td>19</td><td>20</td><td>21</td><td>22</td></tr> <tr><td>23</td><td>24</td><td>25</td><td>26</td><td>27</td><td>28</td><td>29</td><td>30</td><td>31</td><td>32</td><td>33</td></tr> </table>	1	2	3	4	5	6	7	8	9	10	11	12	13	14	15	16	17	18	19	20	21	22	23	24	25	26	27	28	29	30	31	32	33	<table border="1"> <tr><td>1</td><td>2</td><td>3</td><td>4</td><td>5</td><td>6</td><td>7</td><td>8</td><td>9</td><td>10</td><td>11</td></tr> <tr><td>12</td><td>13</td><td>14</td><td>15</td><td>16</td><td>17</td><td>18</td><td>19</td><td>20</td><td>21</td><td>22</td></tr> <tr><td>23</td><td>24</td><td>25</td><td>26</td><td>27</td><td>28</td><td>29</td><td>30</td><td>31</td><td>32</td><td>33</td></tr> </table>	1	2	3	4	5	6	7	8	9	10	11	12	13	14	15	16	17	18	19	20	21	22	23	24	25	26	27	28	29	30	31	32	33	<table border="1"> <tr><td>1</td><td>2</td><td>3</td><td>4</td><td>5</td><td>6</td><td>7</td><td>8</td><td>9</td><td>10</td><td>11</td></tr> <tr><td>12</td><td>13</td><td>14</td><td>15</td><td>16</td><td>17</td><td>18</td><td>19</td><td>20</td><td>21</td><td>22</td></tr> <tr><td>23</td><td>24</td><td>25</td><td>26</td><td>27</td><td>28</td><td>29</td><td>30</td><td>31</td><td>32</td><td>33</td></tr> </table>	1	2	3	4	5	6	7	8	9	10	11	12	13	14	15	16	17	18	19	20	21	22	23	24	25	26	27	28	29	30	31	32	33	<table border="1"> <tr><td>1</td><td>2</td><td>3</td><td>4</td><td>5</td><td>6</td><td>7</td><td>8</td><td>9</td><td>10</td><td>11</td></tr> <tr><td>12</td><td>13</td><td>14</td><td>15</td><td>16</td><td>17</td><td>18</td><td>19</td><td>20</td><td>21</td><td>22</td></tr> <tr><td>23</td><td>24</td><td>25</td><td>26</td><td>27</td><td>28</td><td>29</td><td>30</td><td>31</td><td>32</td><td>33</td></tr> </table>	1	2	3	4	5	6	7	8	9	10	11	12	13	14	15	16	17	18	19	20	21	22	23	24	25	26	27	28	29	30	31	32	33
1	2	3	4	5	6	7	8																																																																																																																																																	
9	10	11	12	13	14	15	16																																																																																																																																																	
1	2	3	4	5	6	7	8	9	10	11																																																																																																																																														
12	13	14	15	16	17	18	19	20	21	22																																																																																																																																														
23	24	25	26	27	28	29	30	31	32	33																																																																																																																																														
1	2	3	4	5	6	7	8	9	10	11																																																																																																																																														
12	13	14	15	16	17	18	19	20	21	22																																																																																																																																														
23	24	25	26	27	28	29	30	31	32	33																																																																																																																																														
1	2	3	4	5	6	7	8	9	10	11																																																																																																																																														
12	13	14	15	16	17	18	19	20	21	22																																																																																																																																														
23	24	25	26	27	28	29	30	31	32	33																																																																																																																																														
1	2	3	4	5	6	7	8	9	10	11																																																																																																																																														
12	13	14	15	16	17	18	19	20	21	22																																																																																																																																														
23	24	25	26	27	28	29	30	31	32	33																																																																																																																																														
(C-144)	(E-05)	(E-06)																																																																																																																																																						
<table border="1"> <tr><td>1</td><td>2</td><td>3</td><td>4</td><td>5</td><td>6</td><td>7</td><td>8</td><td>9</td><td>10</td><td>11</td><td>12</td><td>13</td><td>14</td><td>15</td><td>16</td><td>17</td><td>18</td><td>19</td><td>20</td></tr> </table>	1	2	3	4	5	6	7	8	9	10	11	12	13	14	15	16	17	18	19	20	<table border="1"> <tr><td>1</td><td>2</td></tr> </table>	1	2	<table border="1"> <tr><td>1</td><td>2</td></tr> </table>	1	2																																																																																																																														
1	2	3	4	5	6	7	8	9	10	11	12	13	14	15	16	17	18	19	20																																																																																																																																					
1	2																																																																																																																																																							
1	2																																																																																																																																																							



(C-80)	(C-109)	(C-131)	(C-132)	(C-133)	(C-134)	(C-143)																																																																																																				
<table border="1"> <tr><td>1</td><td>2</td><td>3</td><td>4</td><td>5</td><td>6</td><td>7</td><td>8</td><td>9</td><td>10</td></tr> <tr><td>11</td><td>12</td><td>13</td><td>14</td><td>15</td><td>16</td><td>17</td><td>18</td><td>19</td><td>20</td></tr> </table>	1	2	3	4	5	6	7	8	9	10	11	12	13	14	15	16	17	18	19	20	<table border="1"> <tr><td>1</td><td>2</td></tr> <tr><td>3</td><td>4</td></tr> <tr><td>5</td><td>6</td></tr> <tr><td>7</td><td></td></tr> </table>	1	2	3	4	5	6	7		<table border="1"> <tr><td>1</td><td>2</td></tr> <tr><td>3</td><td>4</td></tr> <tr><td>5</td><td>6</td></tr> </table>	1	2	3	4	5	6	<table border="1"> <tr><td>1</td><td>2</td><td>3</td><td>4</td></tr> <tr><td>5</td><td>6</td><td>7</td><td>8</td></tr> <tr><td>9</td><td>10</td><td></td><td></td></tr> </table>	1	2	3	4	5	6	7	8	9	10			<table border="1"> <tr><td>1</td><td>2</td></tr> <tr><td>3</td><td>4</td></tr> <tr><td>5</td><td>6</td></tr> </table>	1	2	3	4	5	6	<table border="1"> <tr><td>1</td><td>2</td><td>3</td><td>4</td><td>5</td><td>6</td><td>7</td><td>8</td><td>9</td><td>10</td></tr> <tr><td>11</td><td>12</td><td>13</td><td>14</td><td>15</td><td>16</td><td>17</td><td>18</td><td>19</td><td>20</td></tr> <tr><td>21</td><td>22</td><td></td><td></td><td></td><td></td><td></td><td></td><td></td><td></td></tr> </table>	1	2	3	4	5	6	7	8	9	10	11	12	13	14	15	16	17	18	19	20	21	22									<table border="1"> <tr><td>1</td><td>2</td><td>3</td><td>4</td><td>5</td><td>6</td><td>7</td><td>8</td><td>9</td></tr> <tr><td>10</td><td>11</td><td>12</td><td>13</td><td>14</td><td>15</td><td>16</td><td>17</td><td>18</td></tr> </table>	1	2	3	4	5	6	7	8	9	10	11	12	13	14	15	16	17	18
1	2	3	4	5	6	7	8	9	10																																																																																																	
11	12	13	14	15	16	17	18	19	20																																																																																																	
1	2																																																																																																									
3	4																																																																																																									
5	6																																																																																																									
7																																																																																																										
1	2																																																																																																									
3	4																																																																																																									
5	6																																																																																																									
1	2	3	4																																																																																																							
5	6	7	8																																																																																																							
9	10																																																																																																									
1	2																																																																																																									
3	4																																																																																																									
5	6																																																																																																									
1	2	3	4	5	6	7	8	9	10																																																																																																	
11	12	13	14	15	16	17	18	19	20																																																																																																	
21	22																																																																																																									
1	2	3	4	5	6	7	8	9																																																																																																		
10	11	12	13	14	15	16	17	18																																																																																																		

Wire colour code
 B:Black LG:Light green G:Green L:Blue W:White Y:Yellow SB:Sky blue
 BR:Brown O:Orange GR:Gray R:Red P:Pink V:Violet

CENTRAL DOOR LOCKING SYSTEM <L.H. drive vehicles with keyless entry system (without theft-alarm system)> (CONTINUED)



(C-62)

1	2	3	4	5	6	7	8	9	10	11
12	13	14	15	16	17	18	19	20	21	22
23	24	25	26	27	28	29	30	31	32	33

(C-119)

1	2	3	4	5	6	7	8	9	10		
11	12	13	14	15	16	17	18	19	20	21	22

(C-120)

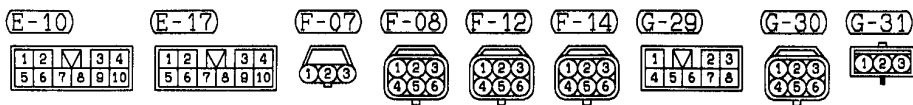
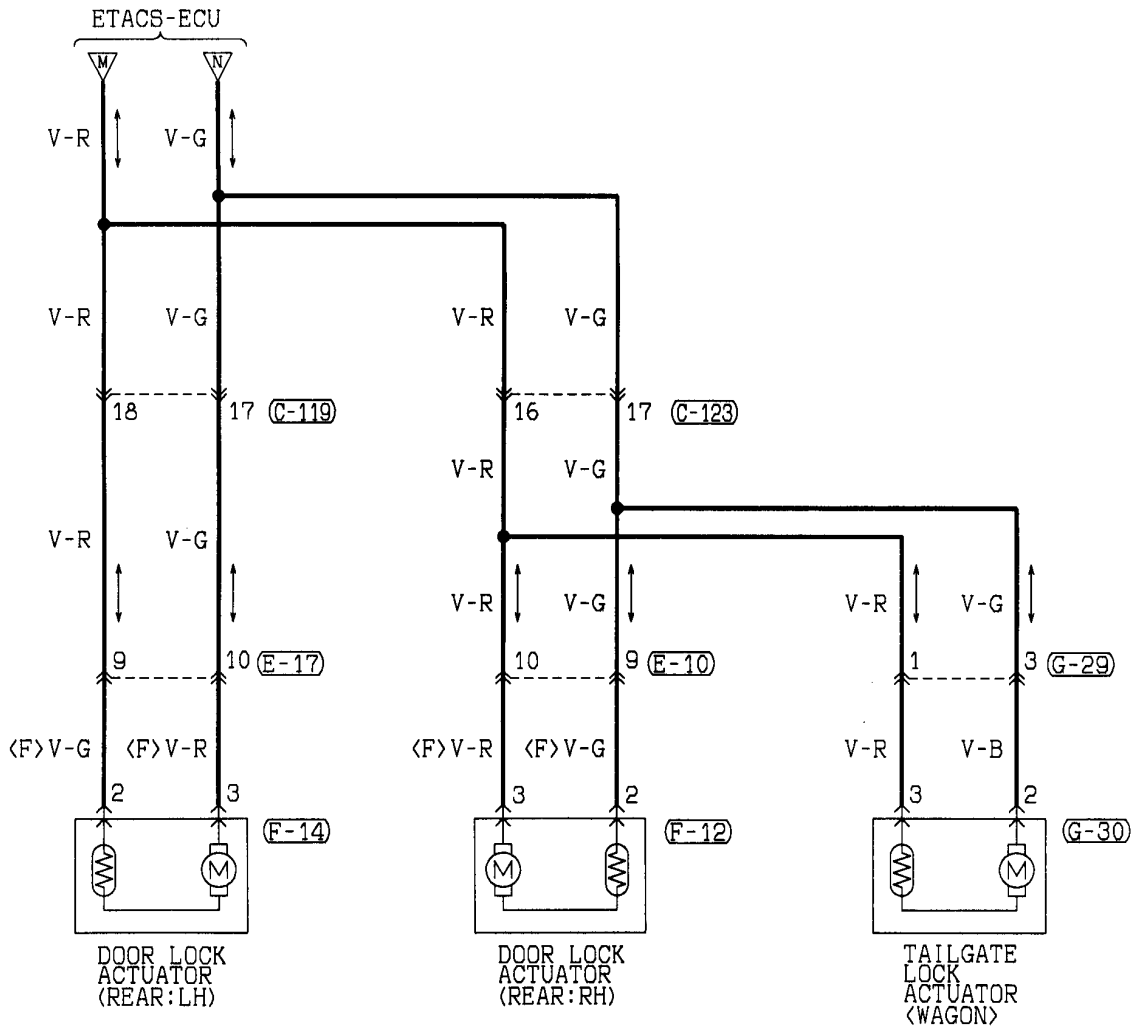
1	2	3	4	5	6	7	8	9			
10	11	12	13	14	15	16	17	18	19	20	21
22	23	24	25	26	27	28	29	30	31	32	

(C-123)

1	2	3	4	5	6	7	8	9	10		
11	12	13	14	15	16	17	18	19	20	21	22

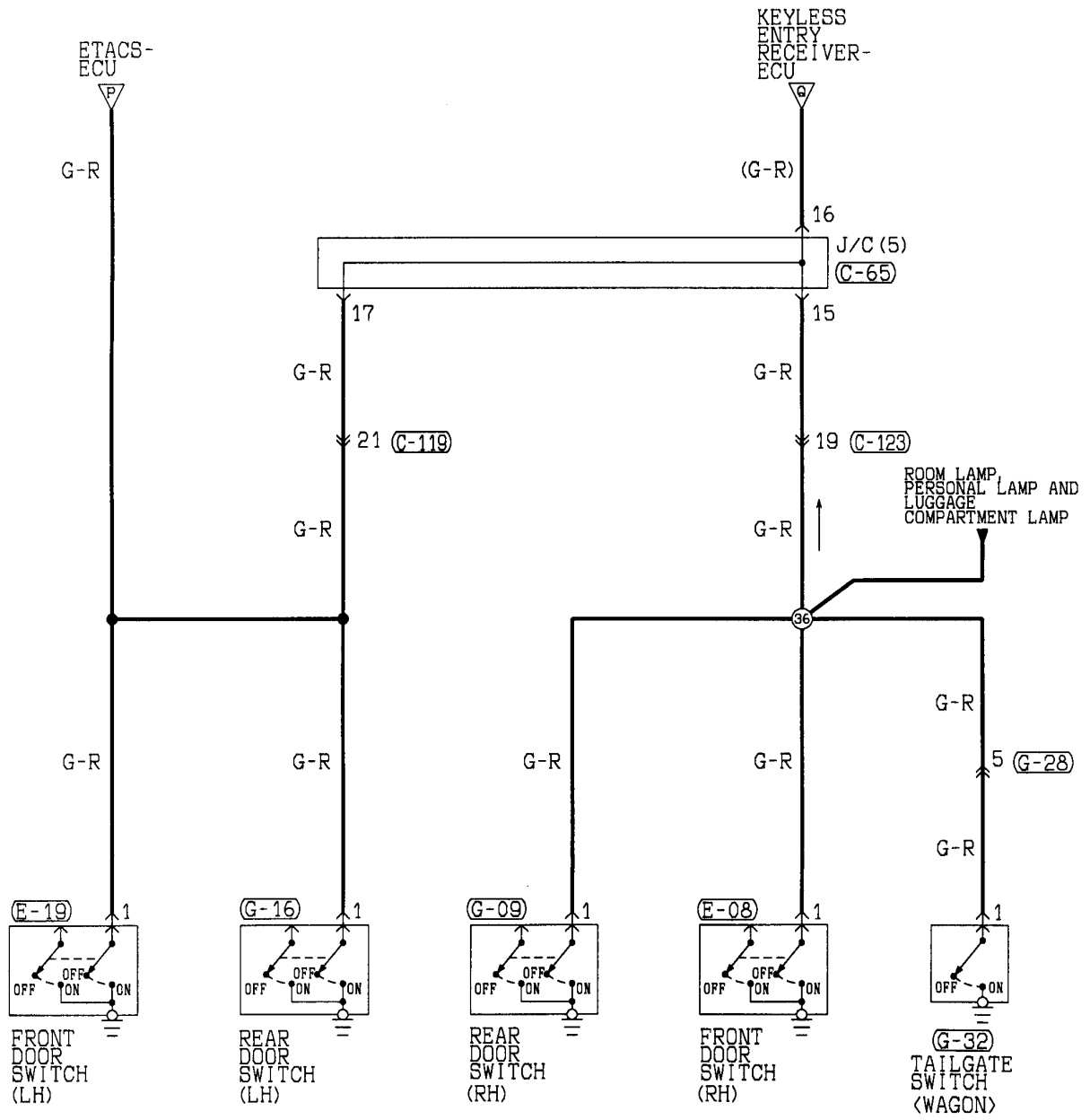
(C-124)

1	2	3	4	5	6	7	8	9			
10	11	12	13	14	15	16	17	18	19	20	21
22	23	24	25	26	27	28	29	30	31	32	



Wire colour code
 B : Black LG: Light green G : Green L : Blue W : White Y : Yellow SB: Sky blue
 BR: Brown O : Orange GR: Gray R : Red P : Pink V : Violet

CENTRAL DOOR LOCKING SYSTEM <L.H. drive vehicles with keyless entry system (without theft-alarm system)> (CONTINUED)



(C-65)	(C-119)	(C-123)	(E-08)	(E-19)	(G-09)	(G-16)	(G-28)	(G-32)
1 2 3 4 5 6 7 8 9 10 11 12 13 14 15 16 17 18 19 20 21 22 23 24 25 26 27 28 29 30 31 32 33	1 2 3 4 5 6 7 8 9 10 11 12 13 14 15 16 17 18 19 20 21 22	1 2 3 4 5 6 7 8 9 10 11 12 13 14 15 16 17 18 19 20 21 22	M 1 2	M 1 2	M 1 2	M 1 2	1 2 3 4 5 6 7 8 9 10	1

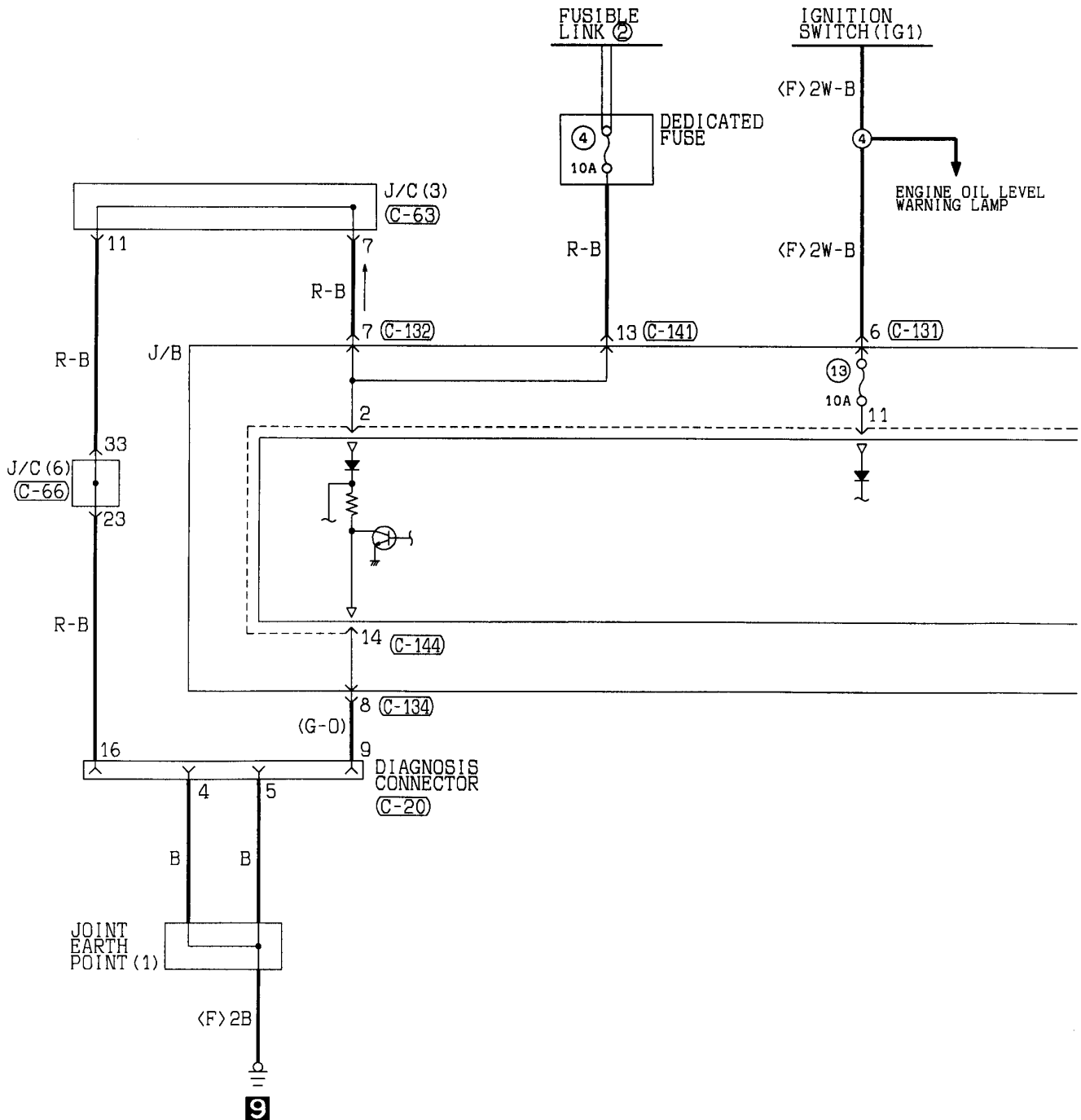
Wire colour code
 B:Black LG:Light green G:Green L:Blue W:White Y:Yellow SB:Sky blue
 BR:Brown O:Orange GR:Gray R:Red P:Pink V:Violet

NOTES

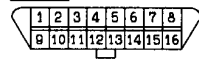
CENTRAL DOOR LOCKING SYSTEM

90100470767

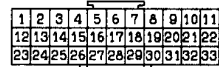
L.H. drive vehicles without keyless entry system <with theft-alarm system>



(C-20) FRONT SIDE



(C-63)



(C-66)



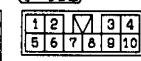
(C-120)



(C-131)

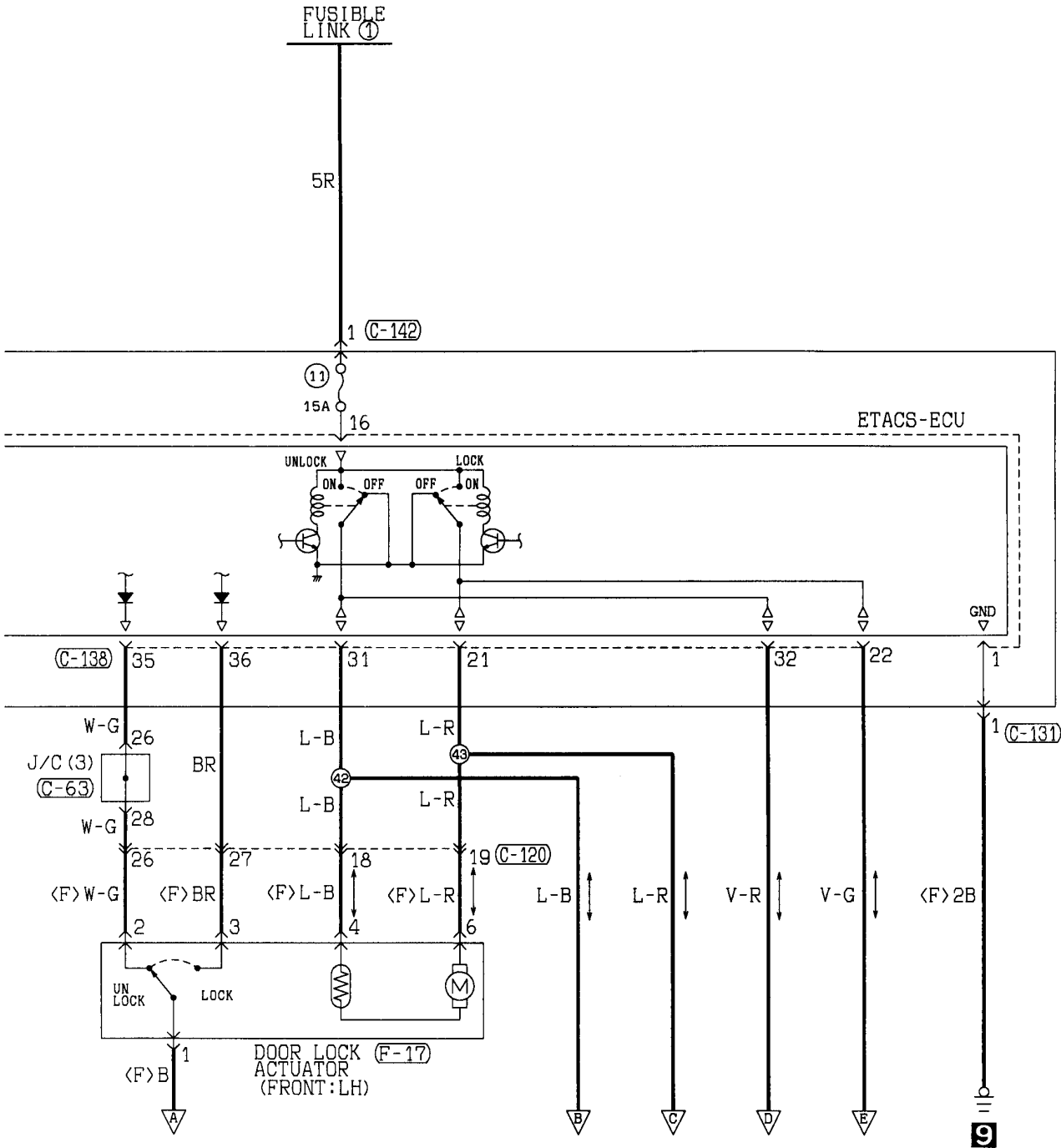


(C-132)



(F-17)





(C-134)

1	2	3	4	5	6	7	8	9	10
11	12	13	14	15	16	17	18	19	20
21	22	23	24	25	26	27	28	29	30
31	32	33	34	35	36				

(C-138)

1	2	3	4	5	6	7	8	9	10
11	12	13	14	15	16	17	18	19	20
21	22	23	24	25	26	27	28	29	30
31	32	33	34	35	36				

(C-141)

1	2	3	4	5	6	7	8	9	10
11	12	13	14	15	16	17	18	19	20
21	22	23	24	25	26	27	28	29	30
31	32	33	34	35	36				

(C-142)

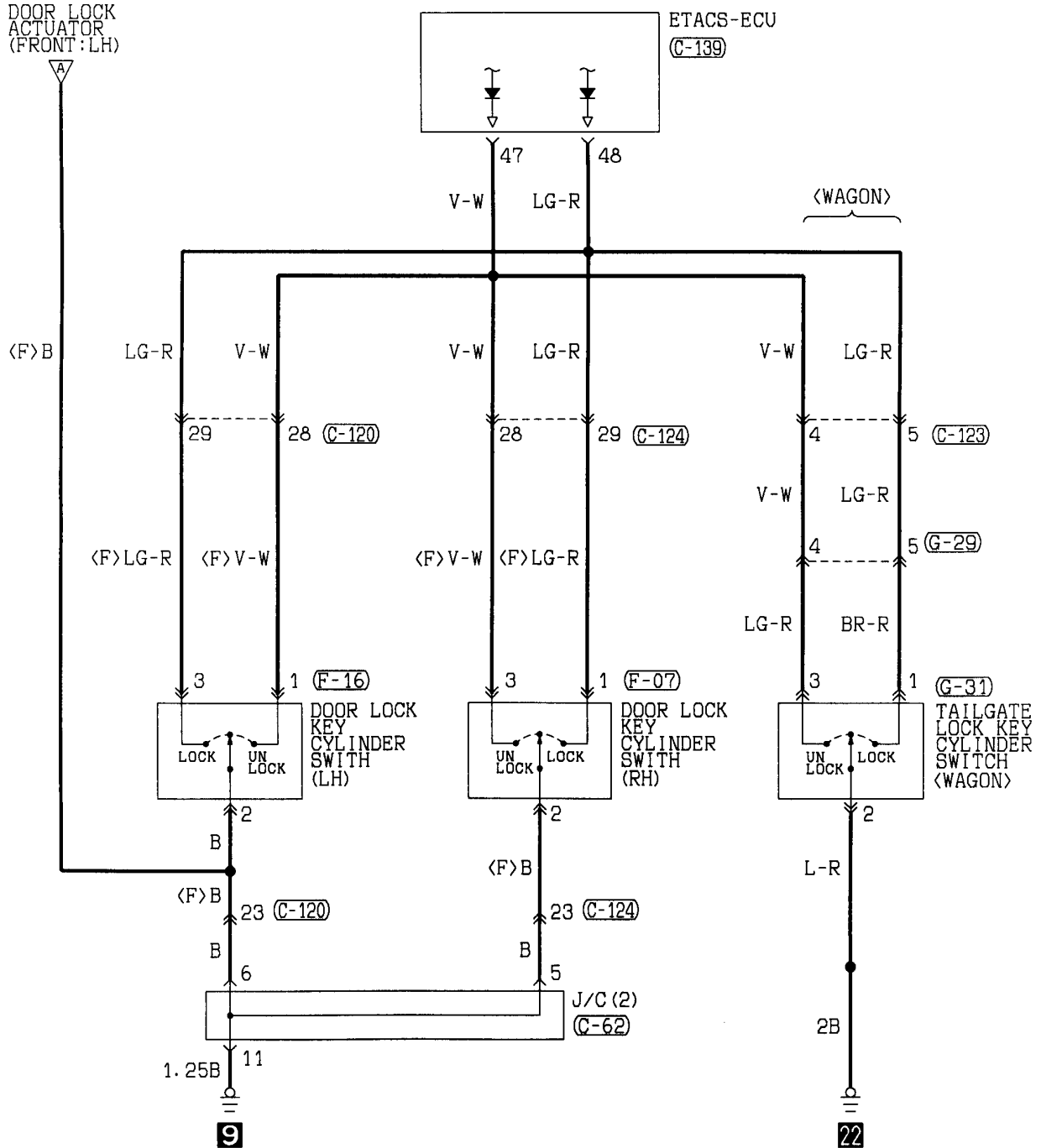
1									
---	--	--	--	--	--	--	--	--	--

(C-144)

1	2	3	4	5	6	7	8	9	10
11	12	13	14	15	16	17	18	19	20
21	22	23	24	25	26	27	28	29	30
31	32	33	34	35	36				

Wire colour code
 B : Black LG : Light green G : Green L : Blue W : White Y : Yellow SB : Sky blue
 BR : Brown O : Orange GR : Gray R : Red P : Pink V : Violet

CENTRAL DOOR LOCKING SYSTEM <L.H. drive vehicles without keyless entry system (with theft-alarm system)> (CONTINUED)



(C-62)

1	2	3	4	5	6	7	8	9	10	11
12	13	14	15	16	17	18	19	20	21	22
23	24	25	26	27	28	29	30	31	32	33

(C-119)

1	2	3	4	5	6	7	8	9	10
11	12	13	14	15	16	17	18	19	20
21	22								

(C-120)

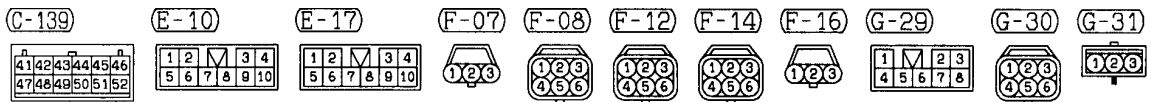
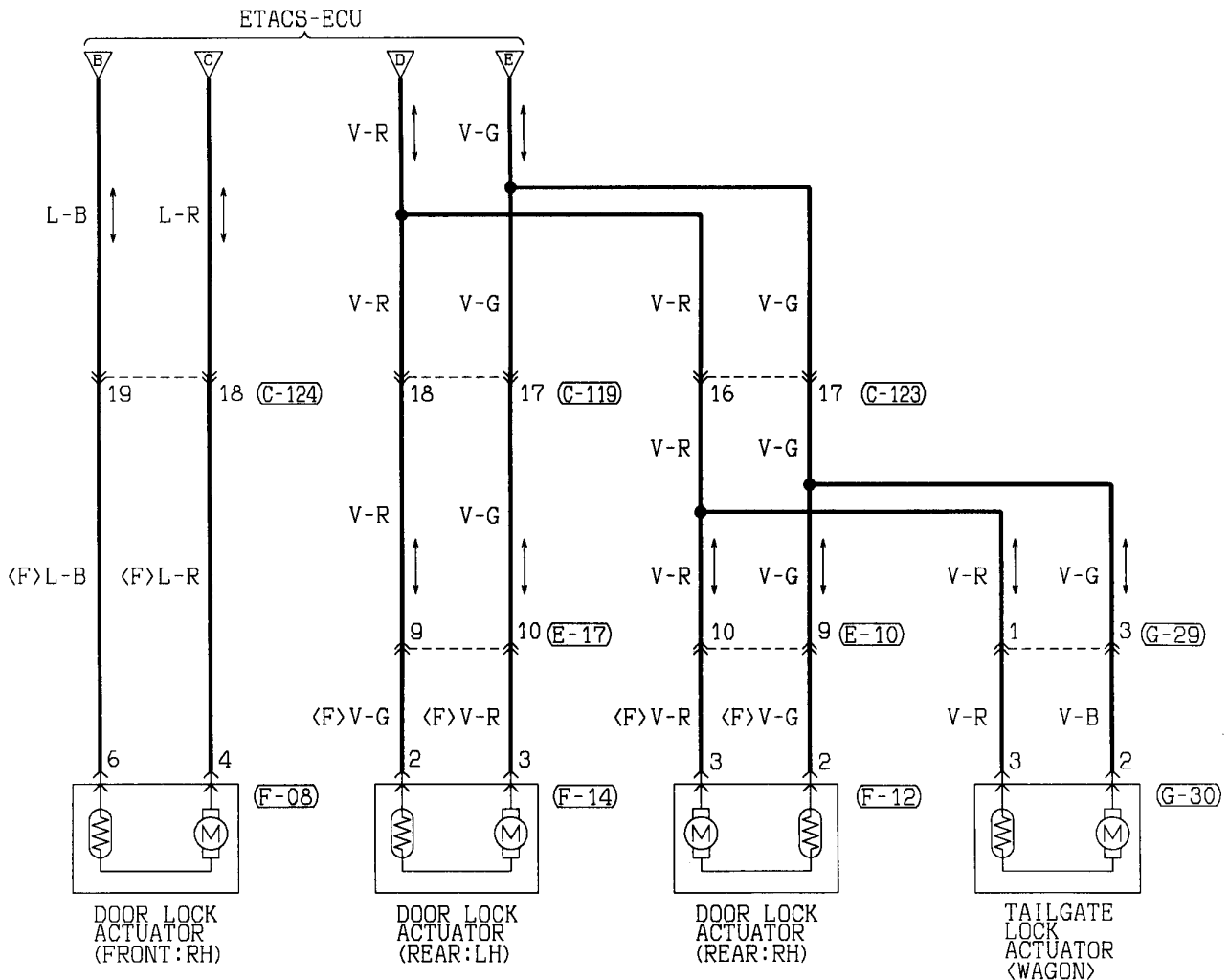
1	2	3	4	5	6	7	8	9
10	11	12	13	14	15	16	17	18
19	20	21	22	23	24	25	26	27
28	29	30	31	32				

(C-123)

1	2	3	4	5	6	7	8	9	10
11	12	13	14	15	16	17	18	19	20
21	22								

(C-124)

1	2	3	4	5	6	7	8	9
10	11	12	13	14	15	16	17	18
19	20	21	22	23	24	25	26	27
28	29	30	31	32				

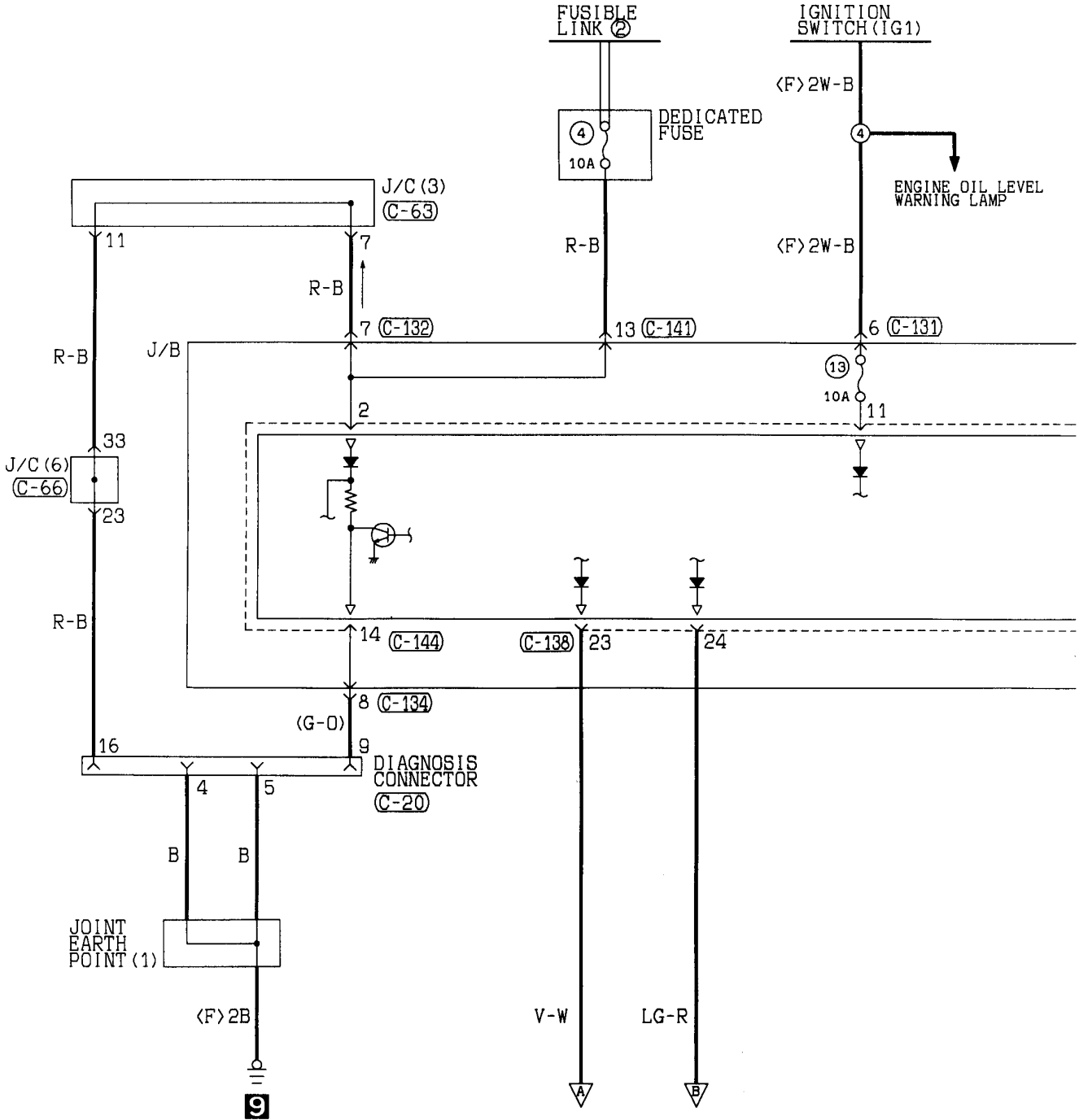


Wire colour code
 B :Black LG:Light green G :Green L :Blue W :White Y :Yellow SB:Sky blue
 BR:Brown O :Orange GR:Gray R :Red P :Pink V :Violet

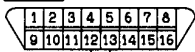
CENTRAL DOOR LOCKING SYSTEM

90100470774

L.H. drive vehicles without keyless entry system <without theft-alarm system>



(C-20) FRONT SIDE



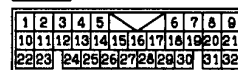
(C-63)



(C-66)



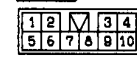
(C-120)



(C-131)

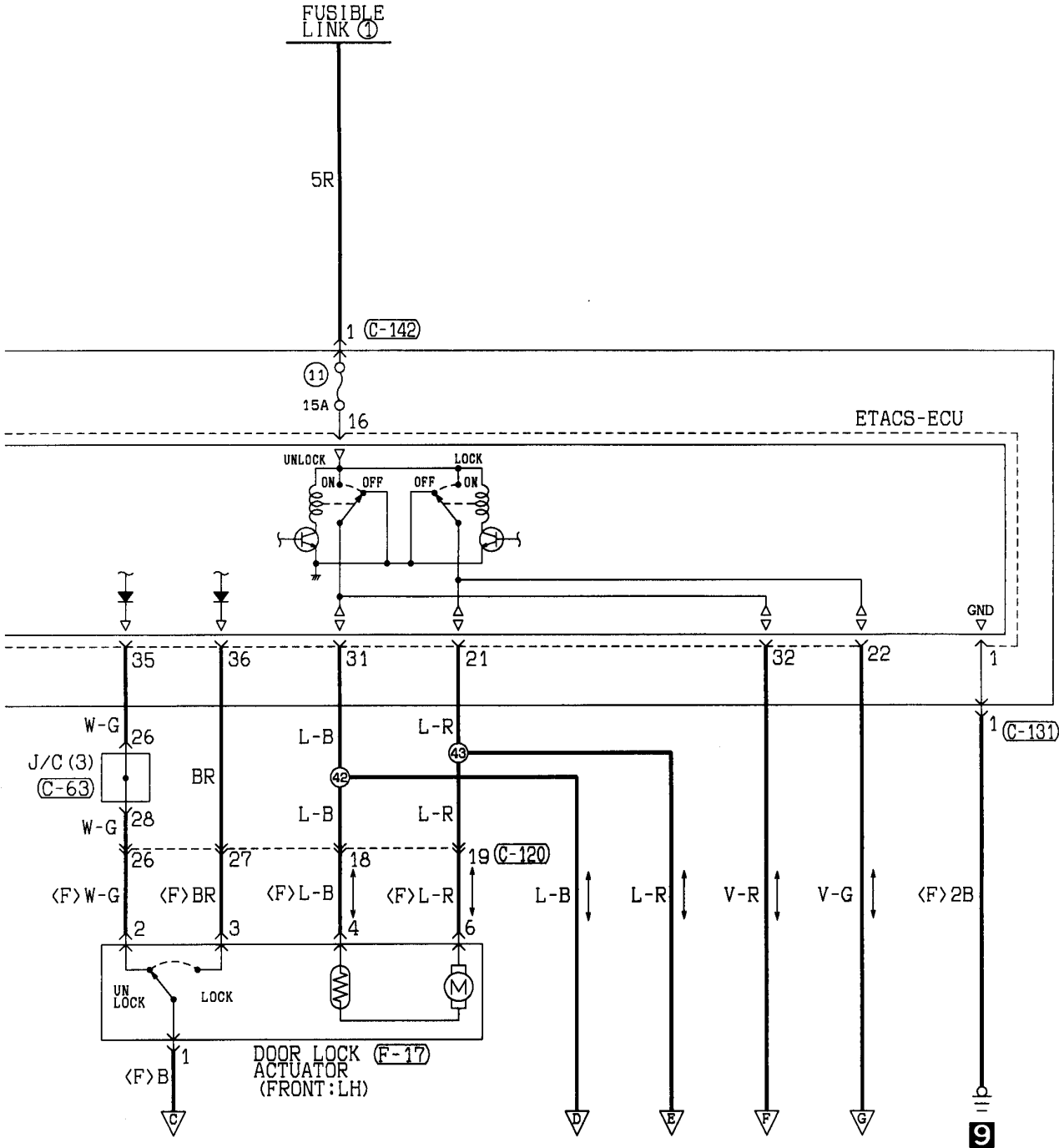


(C-132)



(F-17)





C-134

1	2	3	4	5	6	7	8	9	10
11	12	13	14	15	16	17	18	19	20
21	22	23	24	25	26	27	28	29	30
31	32	33	34	35	36				

C-138

21	22	23	24	25	26	27	28
29	30	31	32	33	34	35	36

C-141

1	2	3	4	5	6	7	8
9	10	11	12	13	14	15	16
17	18						

C-142

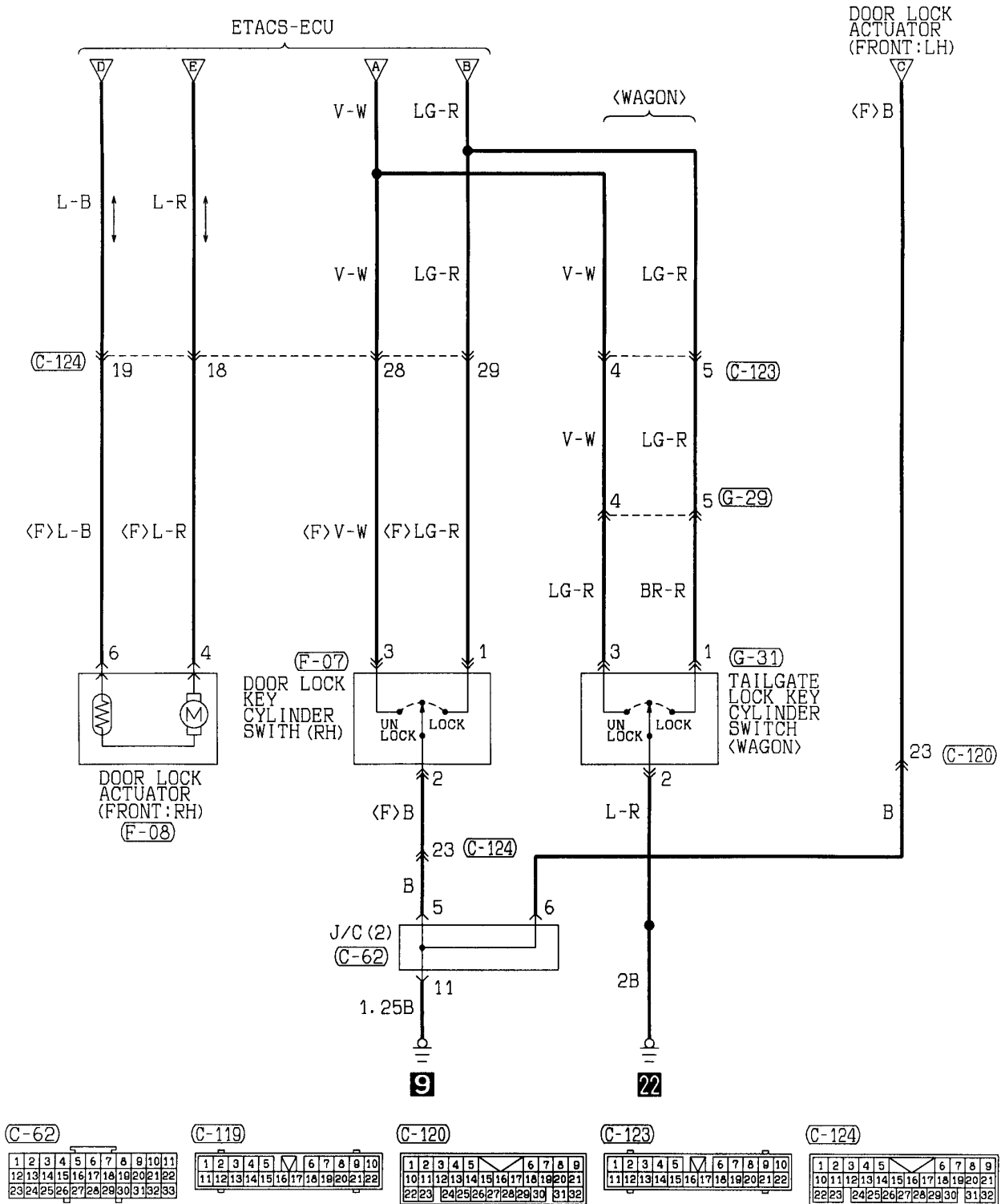
1

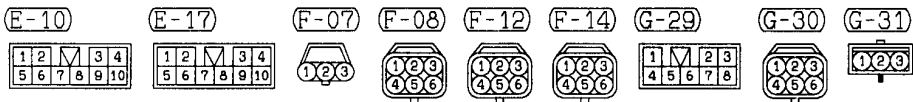
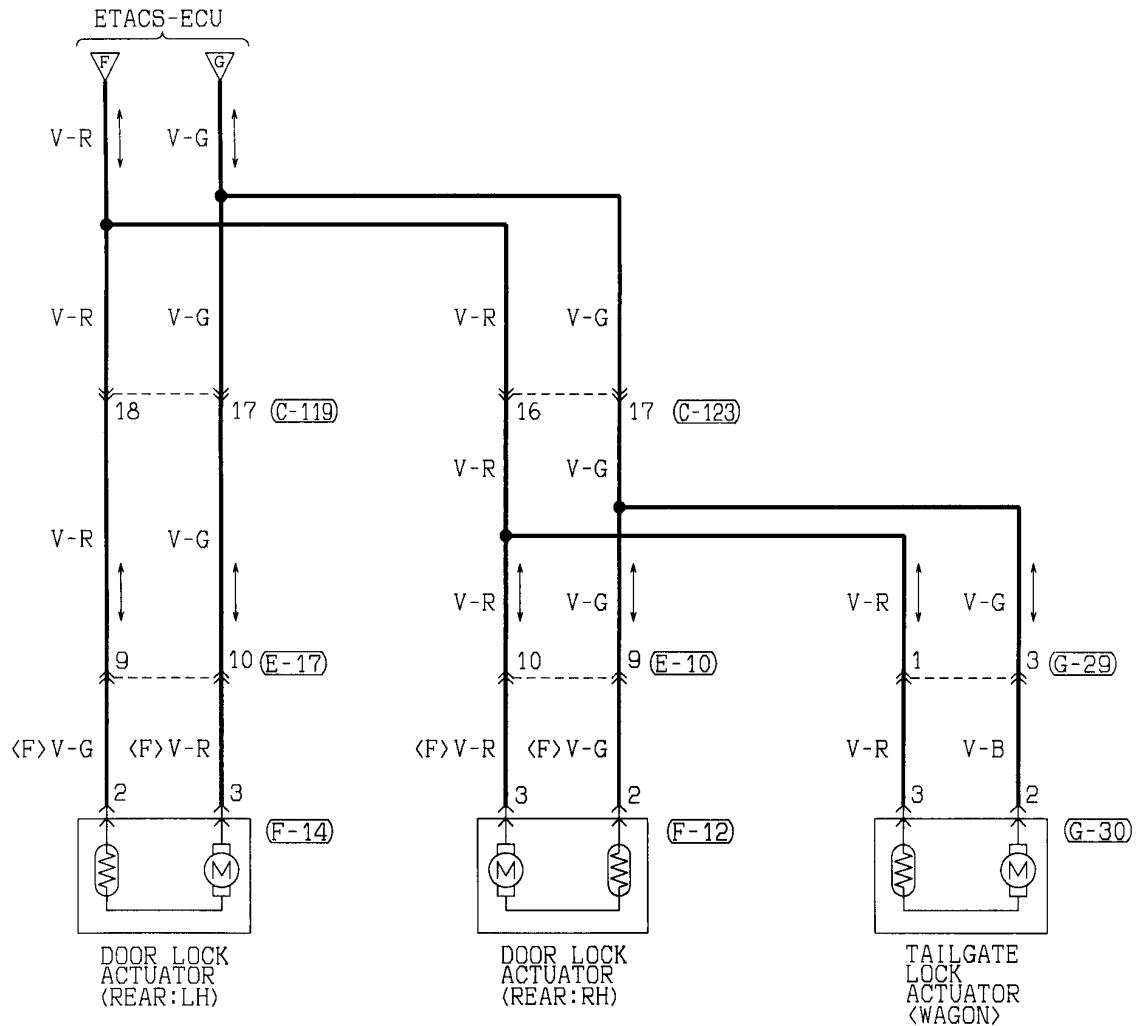
C-144

1	2	3	4	5	6	7	8	9	10
11	12	13	14	15	16	17	18	19	20

Wire colour code
 B : Black LG : Light green G : Green L : Blue W : White Y : Yellow SB : Sky blue
 BR : Brown O : Orange GR : Gray R : Red P : Pink V : Violet

CENTRAL DOOR LOCKING SYSTEM <L.H. drive vehicles without keyless entry system (without theft-alarm system)> (CONTINUED)



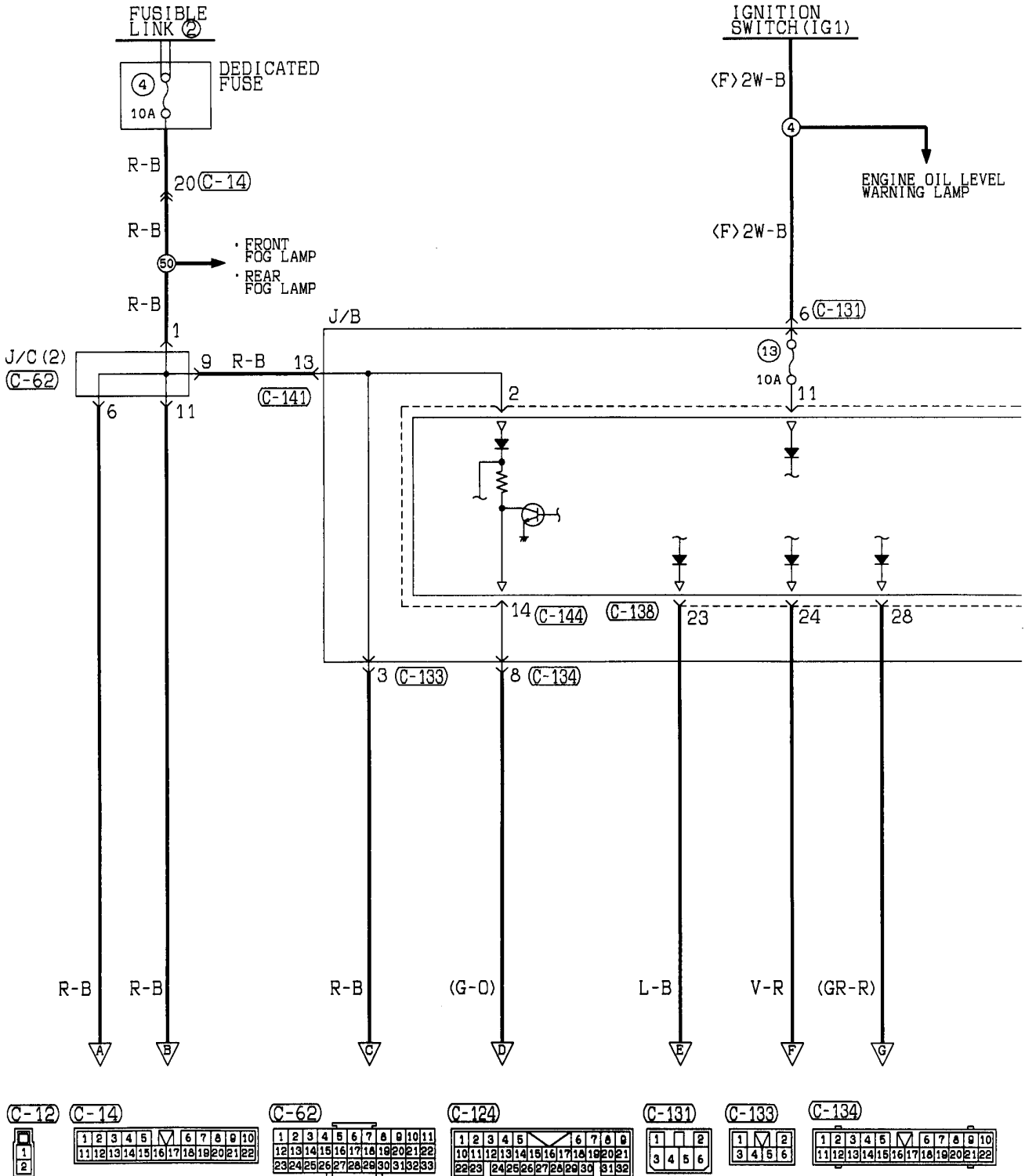


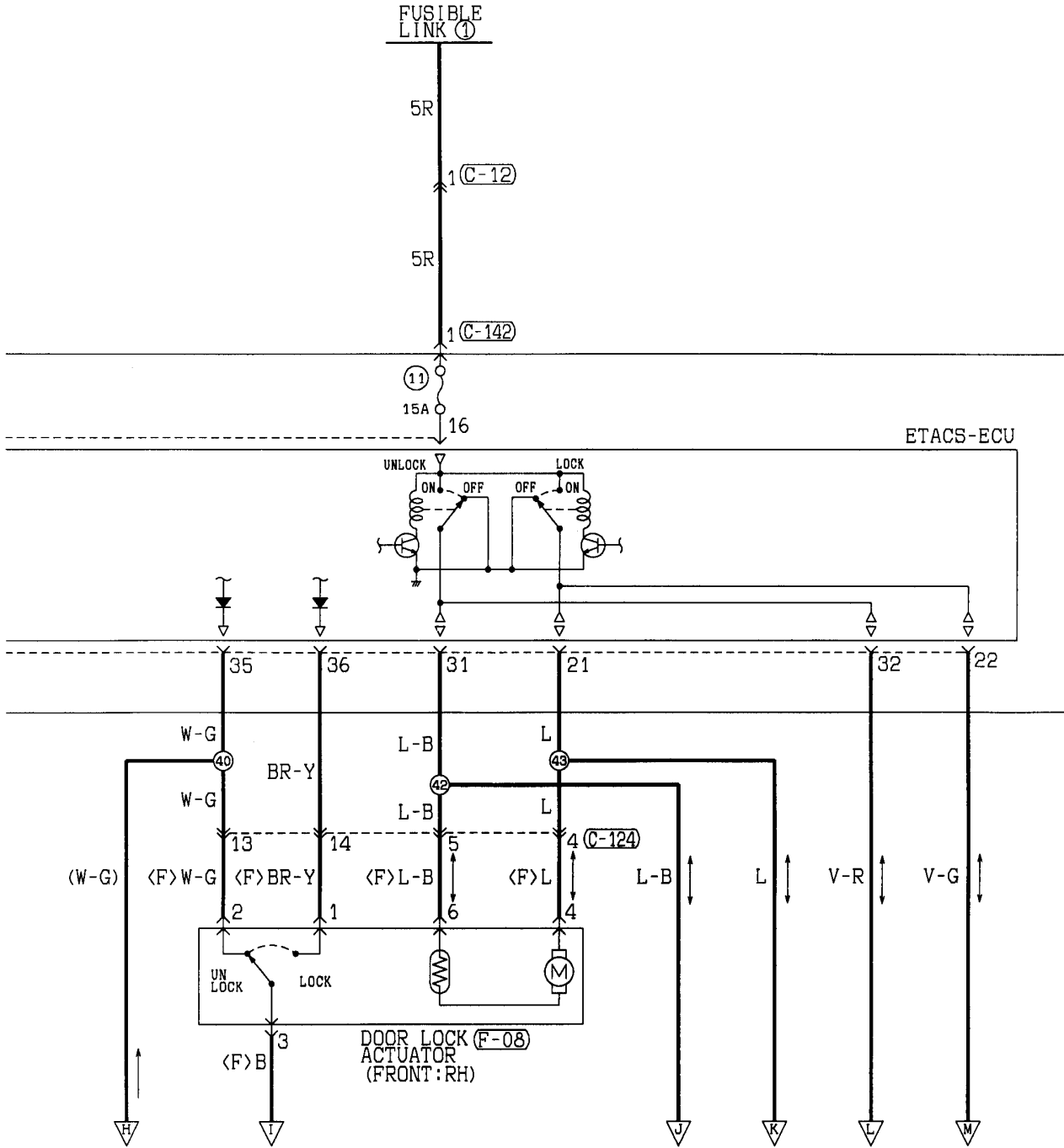
Wire colour code
 B :Black LG:Light green G :Green L :Blue W :White Y :Yellow SB:Sky blue
 BR:Brown O :Orange GR:Gray R :Red P :Pink V :Violet

CENTRAL DOOR LOCKING SYSTEM

90100470781

R.H. drive vehicles with keyless entry system <with theft-alarm system>





(C-138)

21	22	23	24	25	26	27	28
29	30	31	32	33	34	35	36

(C-141)

1	2	3	4	5	6	7	8
9	10	11	12	13	14	15	16
17	18						

(C-142)

1

(C-144)

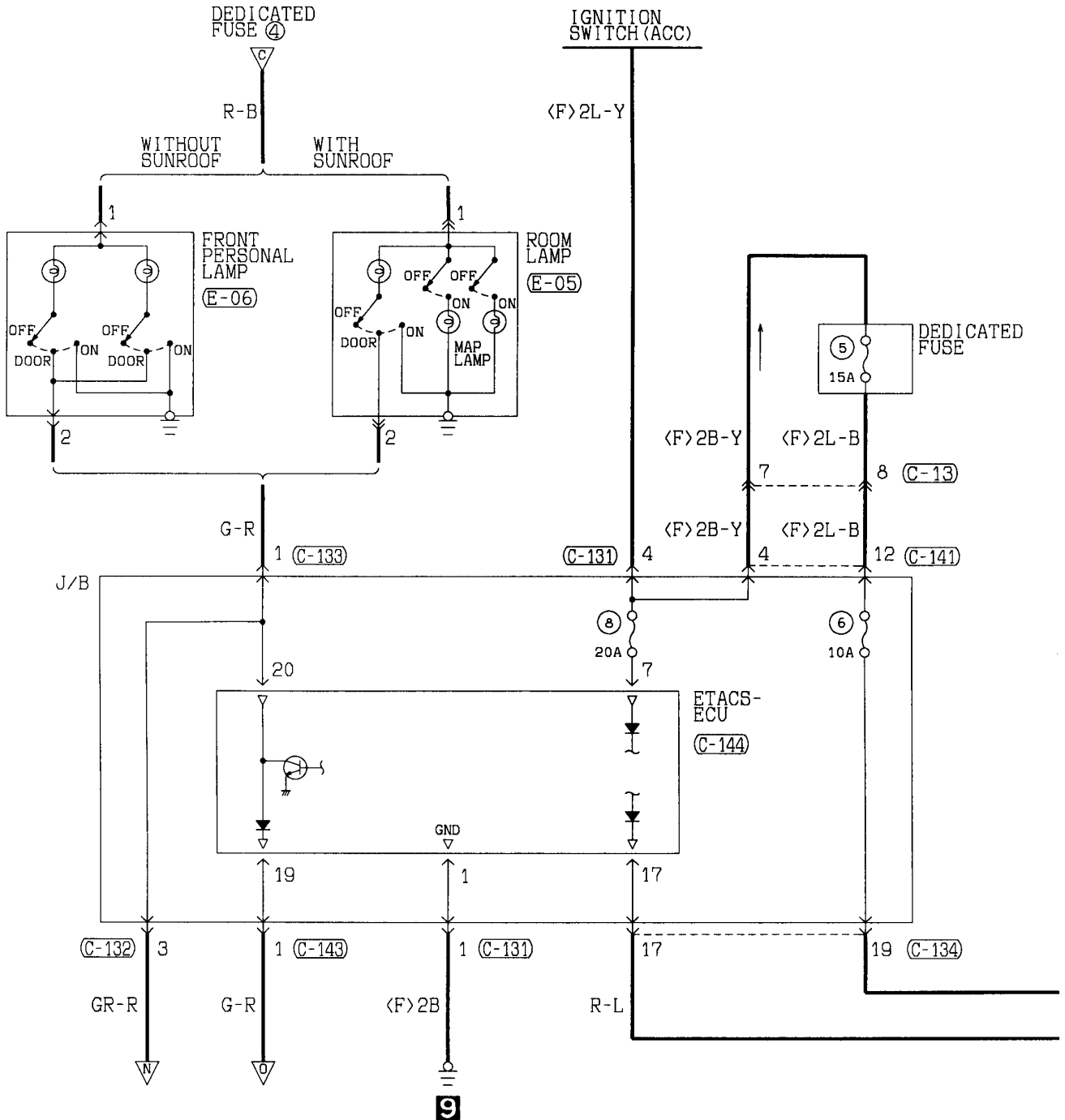
1	2	3	4	5	6	7	8	9	10	11	12	13	14	15	16	17	18	19	20
---	---	---	---	---	---	---	---	---	----	----	----	----	----	----	----	----	----	----	----

(F-08)

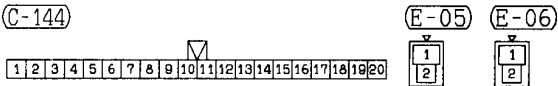
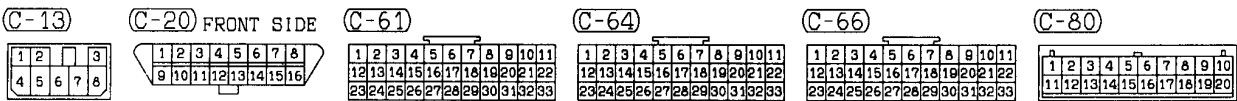
1	2	3
4	5	6

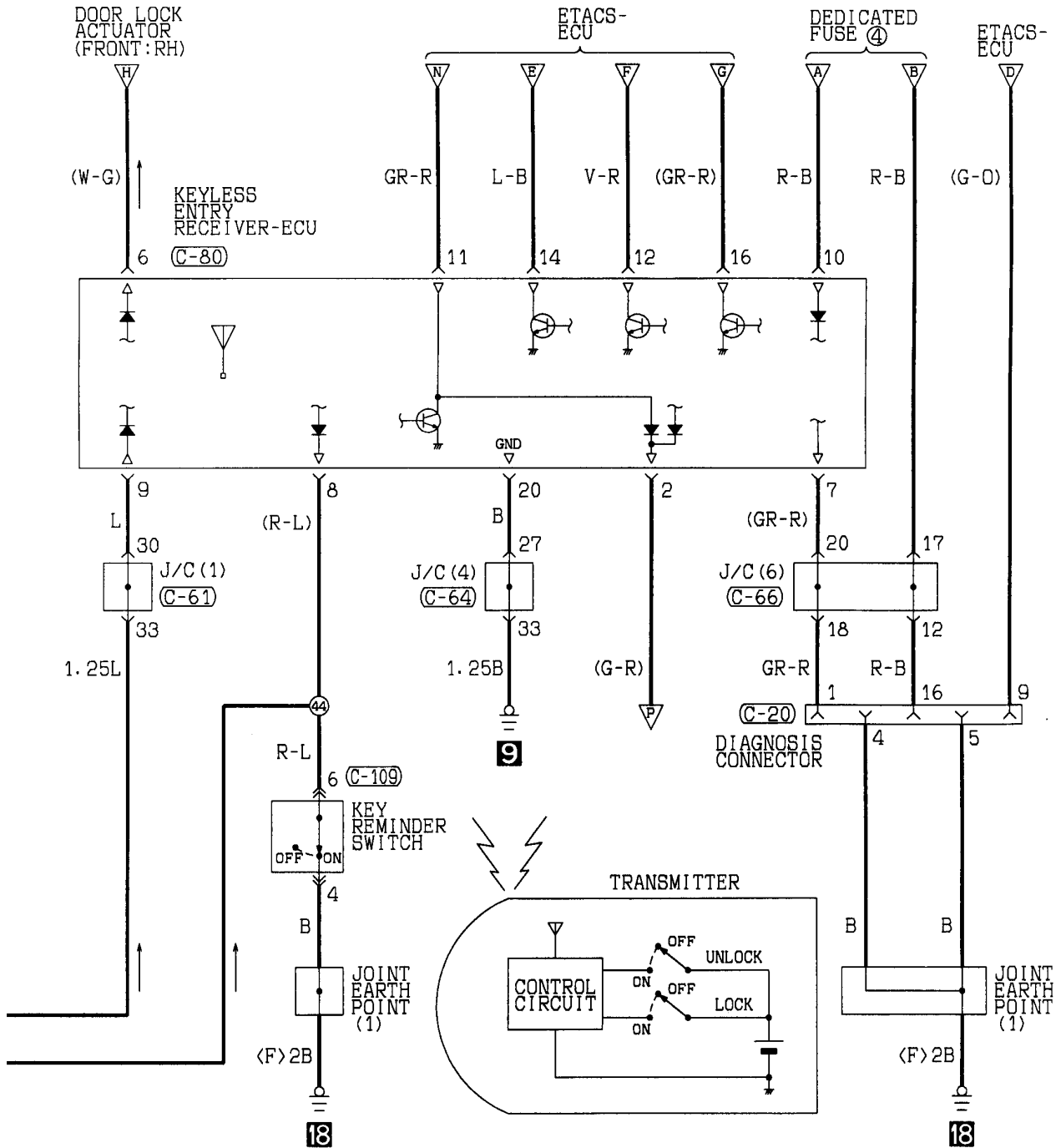
Wire colour code
 B : Black LG: Light green G : Green L : Blue W : White Y : Yellow SB: Sky blue
 BR: Brown O : Orange GR: Gray R : Red P : Pink V : Violet

CENTRAL DOOR LOCKING SYSTEM <R.H. drive vehicles with keyless entry system (with theft-alarm system)> (CONTINUED)



9

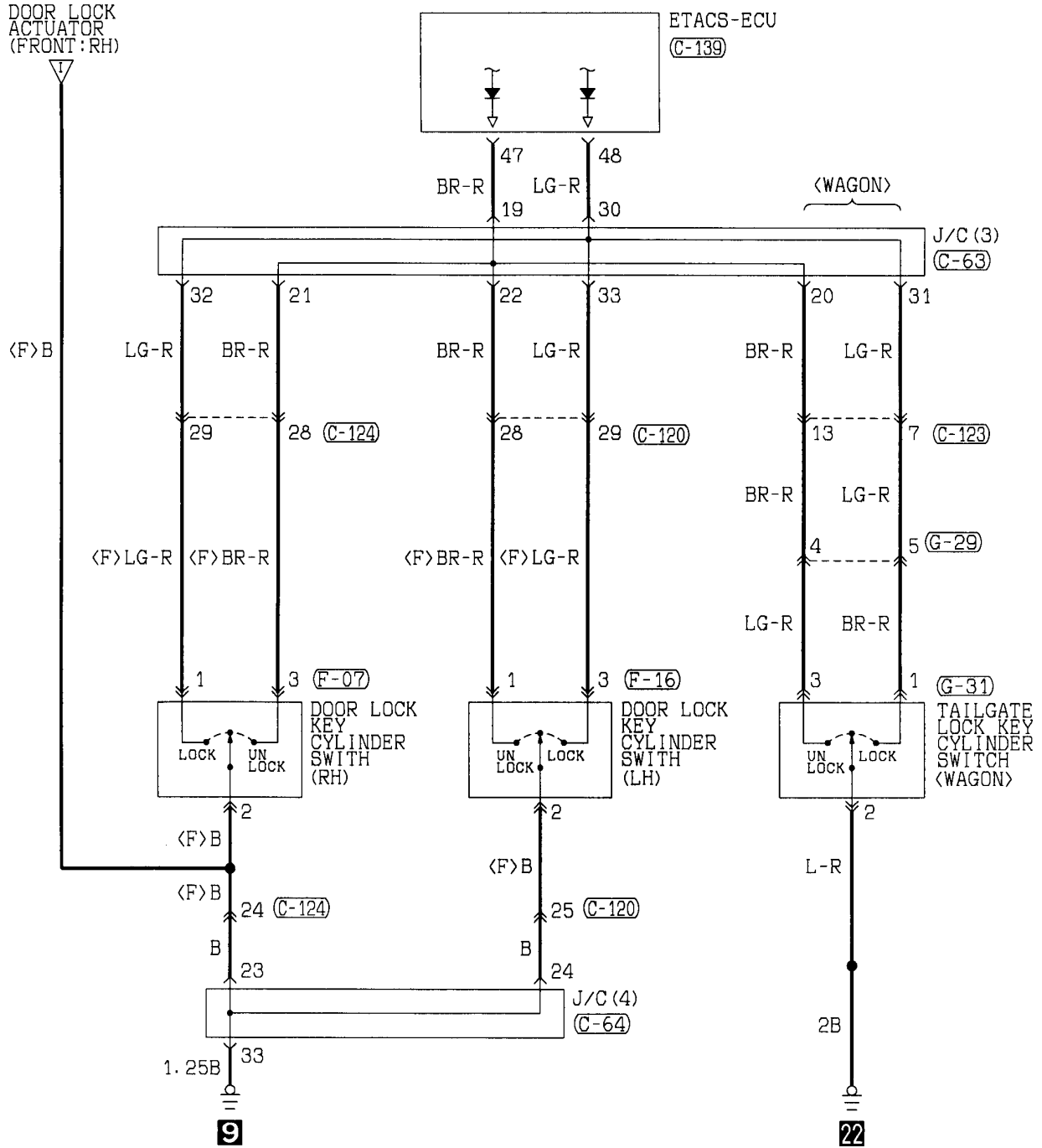




C-109	C-131	C-132	C-133	C-134	C-141	C-143																																																																																																																	
<table border="1"> <tr><td>1</td><td>2</td></tr> <tr><td>3</td><td>4</td></tr> <tr><td>5</td><td>6</td></tr> <tr><td>7</td><td></td></tr> </table>	1	2	3	4	5	6	7		<table border="1"> <tr><td>1</td><td>2</td></tr> <tr><td>3</td><td>4</td></tr> <tr><td>5</td><td>6</td></tr> </table>	1	2	3	4	5	6	<table border="1"> <tr><td>1</td><td>2</td><td>3</td><td>4</td></tr> <tr><td>5</td><td>6</td><td>7</td><td>8</td></tr> <tr><td>9</td><td>10</td><td></td><td></td></tr> </table>	1	2	3	4	5	6	7	8	9	10			<table border="1"> <tr><td>1</td><td>2</td></tr> <tr><td>3</td><td>4</td></tr> <tr><td>5</td><td>6</td></tr> </table>	1	2	3	4	5	6	<table border="1"> <tr><td>1</td><td>2</td><td>3</td><td>4</td><td>5</td><td>6</td><td>7</td><td>8</td><td>9</td><td>10</td></tr> <tr><td>11</td><td>12</td><td>13</td><td>14</td><td>15</td><td>16</td><td>17</td><td>18</td><td>19</td><td>20</td></tr> <tr><td>21</td><td>22</td><td></td><td></td><td></td><td></td><td></td><td></td><td></td><td></td></tr> </table>	1	2	3	4	5	6	7	8	9	10	11	12	13	14	15	16	17	18	19	20	21	22									<table border="1"> <tr><td>1</td><td>2</td><td>3</td><td>4</td><td>5</td><td>6</td><td>7</td><td>8</td></tr> <tr><td>9</td><td>10</td><td>11</td><td>12</td><td>13</td><td>14</td><td>15</td><td>16</td></tr> <tr><td>17</td><td>18</td><td></td><td></td><td></td><td></td><td></td><td></td></tr> </table>	1	2	3	4	5	6	7	8	9	10	11	12	13	14	15	16	17	18							<table border="1"> <tr><td>1</td><td>2</td><td>3</td><td>4</td><td>5</td><td>6</td><td>7</td><td>8</td><td>9</td></tr> <tr><td>10</td><td>11</td><td>12</td><td>13</td><td>14</td><td>15</td><td>16</td><td>17</td><td>18</td></tr> <tr><td>19</td><td></td><td></td><td></td><td></td><td></td><td></td><td></td><td></td></tr> </table>	1	2	3	4	5	6	7	8	9	10	11	12	13	14	15	16	17	18	19								
1	2																																																																																																																						
3	4																																																																																																																						
5	6																																																																																																																						
7																																																																																																																							
1	2																																																																																																																						
3	4																																																																																																																						
5	6																																																																																																																						
1	2	3	4																																																																																																																				
5	6	7	8																																																																																																																				
9	10																																																																																																																						
1	2																																																																																																																						
3	4																																																																																																																						
5	6																																																																																																																						
1	2	3	4	5	6	7	8	9	10																																																																																																														
11	12	13	14	15	16	17	18	19	20																																																																																																														
21	22																																																																																																																						
1	2	3	4	5	6	7	8																																																																																																																
9	10	11	12	13	14	15	16																																																																																																																
17	18																																																																																																																						
1	2	3	4	5	6	7	8	9																																																																																																															
10	11	12	13	14	15	16	17	18																																																																																																															
19																																																																																																																							

Wire color code
 B : Black LG : Light green G : Green L : Blue W : White Y : Yellow SB : Sky blue
 BR : Brown O : Orange GR : Gray R : Red P : Pink V : Violet

CENTRAL DOOR LOCKING SYSTEM <R.H. drive vehicles with keyless entry system (with theft-alarm system)> (CONTINUED)



C-63

1	2	3	4	5	6	7	8	9	10	11
12	13	14	15	16	17	18	19	20	21	22
23	24	25	26	27	28	29	30	31	32	33

C-64

1	2	3	4	5	6	7	8	9	10	11
12	13	14	15	16	17	18	19	20	21	22
23	24	25	26	27	28	29	30	31	32	33

C-119

1	2	3	4	5	6	7	8	9	10
11	12	13	14	15	16	17	18	19	20
21	22								

C-120

1	2	3	4	5	6	7	8	9
10	11	12	13	14	15	16	17	18
19	20	21	22	23	24	25	26	27
28	29	30	31	32				

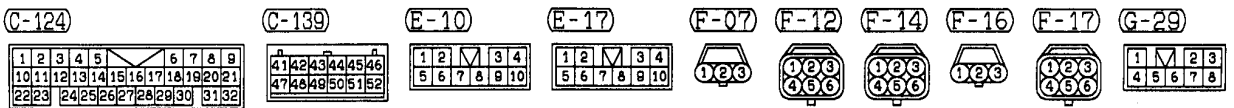
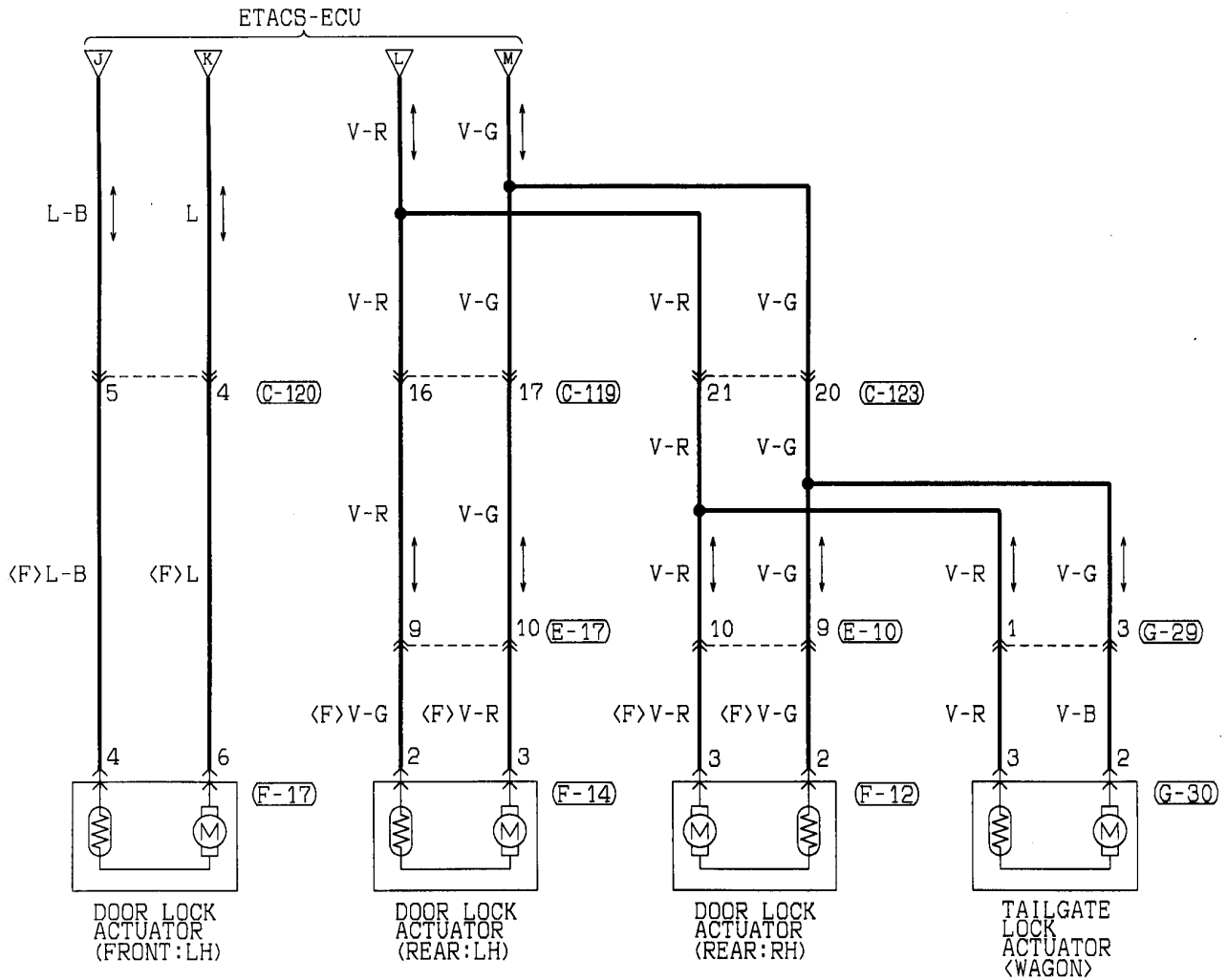
C-123

1	2	3	4	5	6	7	8	9	10
11	12	13	14	15	16	17	18	19	20
21	22								

G-30

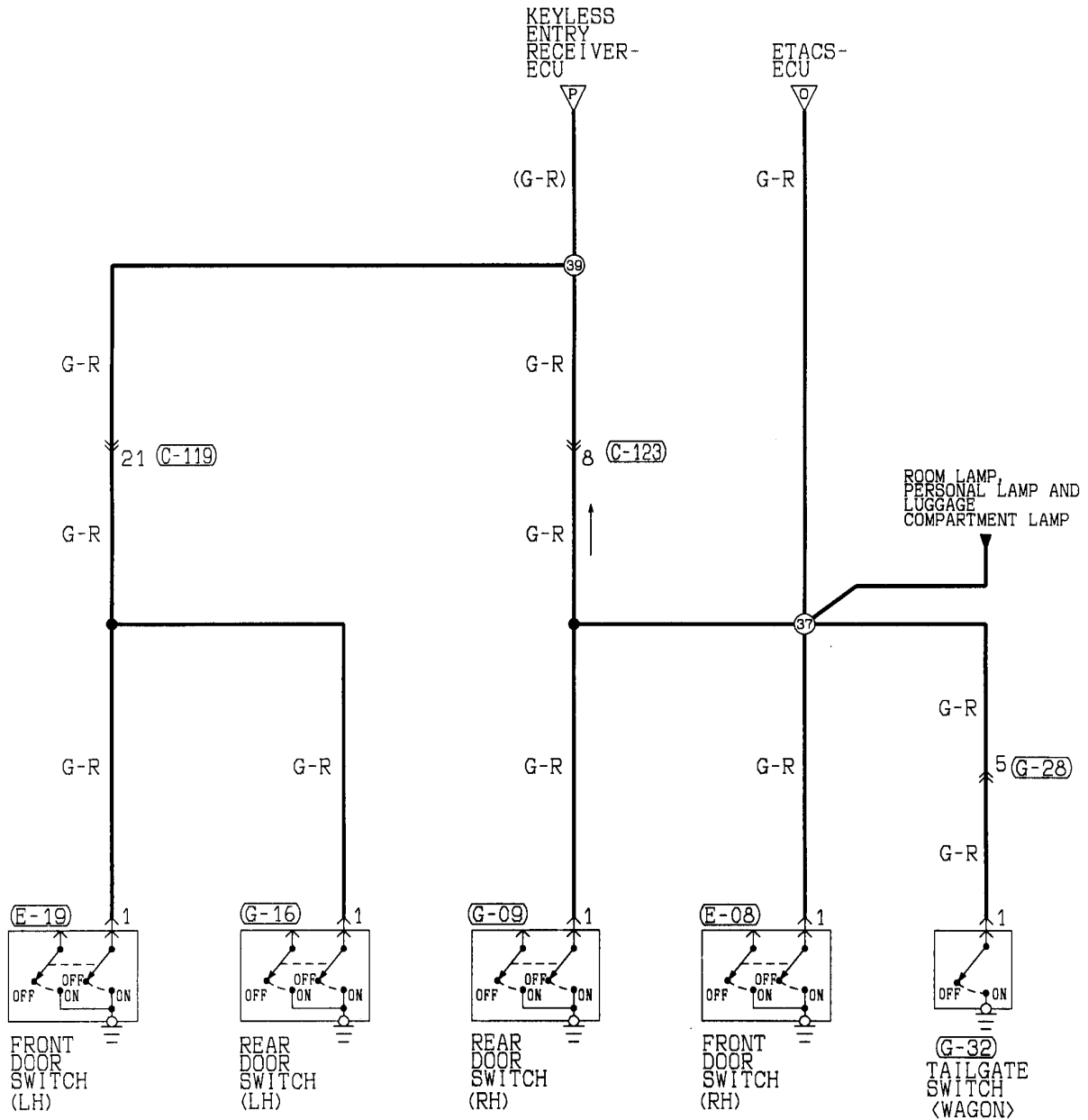
G-31





Wire colour code
 B : Black LG: Light green G : Green L : Blue W : White Y : Yellow SB: Sky blue
 BR: Brown O : Orange GR: Gray R : Red P : Pink V : Violet

CENTRAL DOOR LOCKING SYSTEM <R.H. drive vehicles with keyless entry system (with theft-alarm system)> (CONTINUED)



(C-119)	(C-123)	(E-08)	(E-19)	(G-09)	(G-16)	(G-28)	(G-32)																																																																
<table border="1"> <tr><td>1</td><td>2</td><td>3</td><td>4</td><td>5</td><td>6</td><td>7</td><td>8</td><td>9</td><td>10</td></tr> <tr><td>11</td><td>12</td><td>13</td><td>14</td><td>15</td><td>16</td><td>17</td><td>18</td><td>19</td><td>20</td><td>21</td><td>22</td></tr> </table>	1	2	3	4	5	6	7	8	9	10	11	12	13	14	15	16	17	18	19	20	21	22	<table border="1"> <tr><td>1</td><td>2</td><td>3</td><td>4</td><td>5</td><td>6</td><td>7</td><td>8</td><td>9</td><td>10</td></tr> <tr><td>11</td><td>12</td><td>13</td><td>14</td><td>15</td><td>16</td><td>17</td><td>18</td><td>19</td><td>20</td><td>21</td><td>22</td></tr> </table>	1	2	3	4	5	6	7	8	9	10	11	12	13	14	15	16	17	18	19	20	21	22	<table border="1"> <tr><td>M</td></tr> <tr><td>1 2</td></tr> </table>	M	1 2	<table border="1"> <tr><td>M</td></tr> <tr><td>1 2</td></tr> </table>	M	1 2	<table border="1"> <tr><td>M</td></tr> <tr><td>1 2</td></tr> </table>	M	1 2	<table border="1"> <tr><td>M</td></tr> <tr><td>1 2</td></tr> </table>	M	1 2	<table border="1"> <tr><td>1</td><td>2</td><td>M</td><td>3</td><td>4</td></tr> <tr><td>5</td><td>6</td><td>7</td><td>8</td><td>9</td><td>10</td></tr> </table>	1	2	M	3	4	5	6	7	8	9	10	<table border="1"> <tr><td>1</td></tr> </table>	1
1	2	3	4	5	6	7	8	9	10																																																														
11	12	13	14	15	16	17	18	19	20	21	22																																																												
1	2	3	4	5	6	7	8	9	10																																																														
11	12	13	14	15	16	17	18	19	20	21	22																																																												
M																																																																							
1 2																																																																							
M																																																																							
1 2																																																																							
M																																																																							
1 2																																																																							
M																																																																							
1 2																																																																							
1	2	M	3	4																																																																			
5	6	7	8	9	10																																																																		
1																																																																							

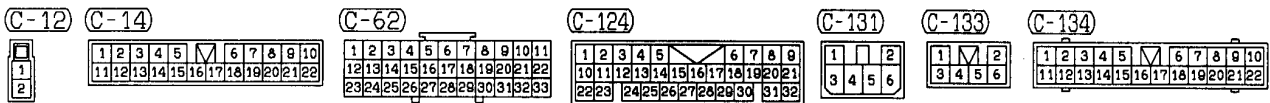
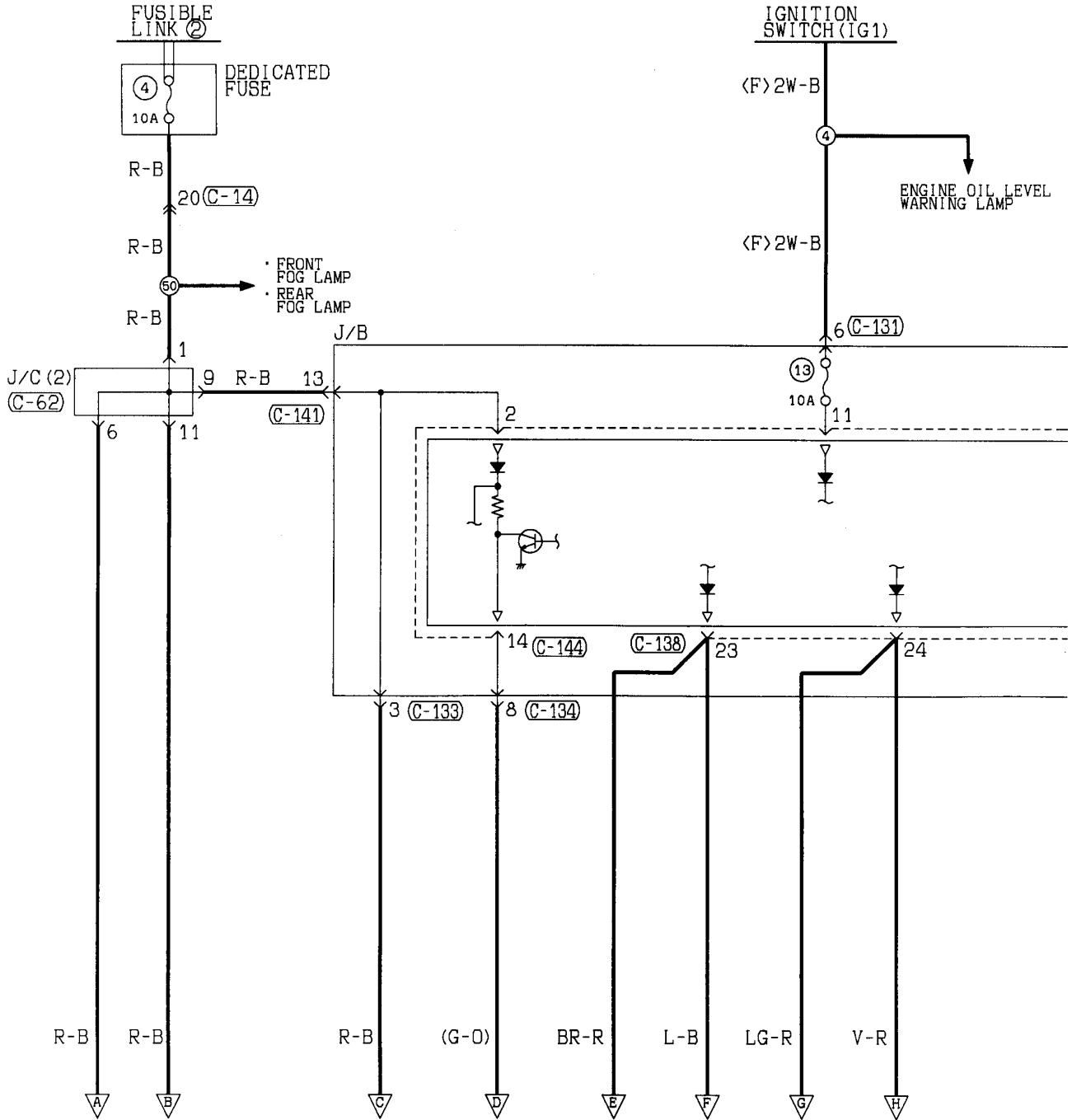
Wire colour code
 B : Black LG : Light green G : Green L : Blue W : White Y : Yellow SB : Sky blue
 BR : Brown O : Orange GR : Gray R : Red P : Pink V : Violet

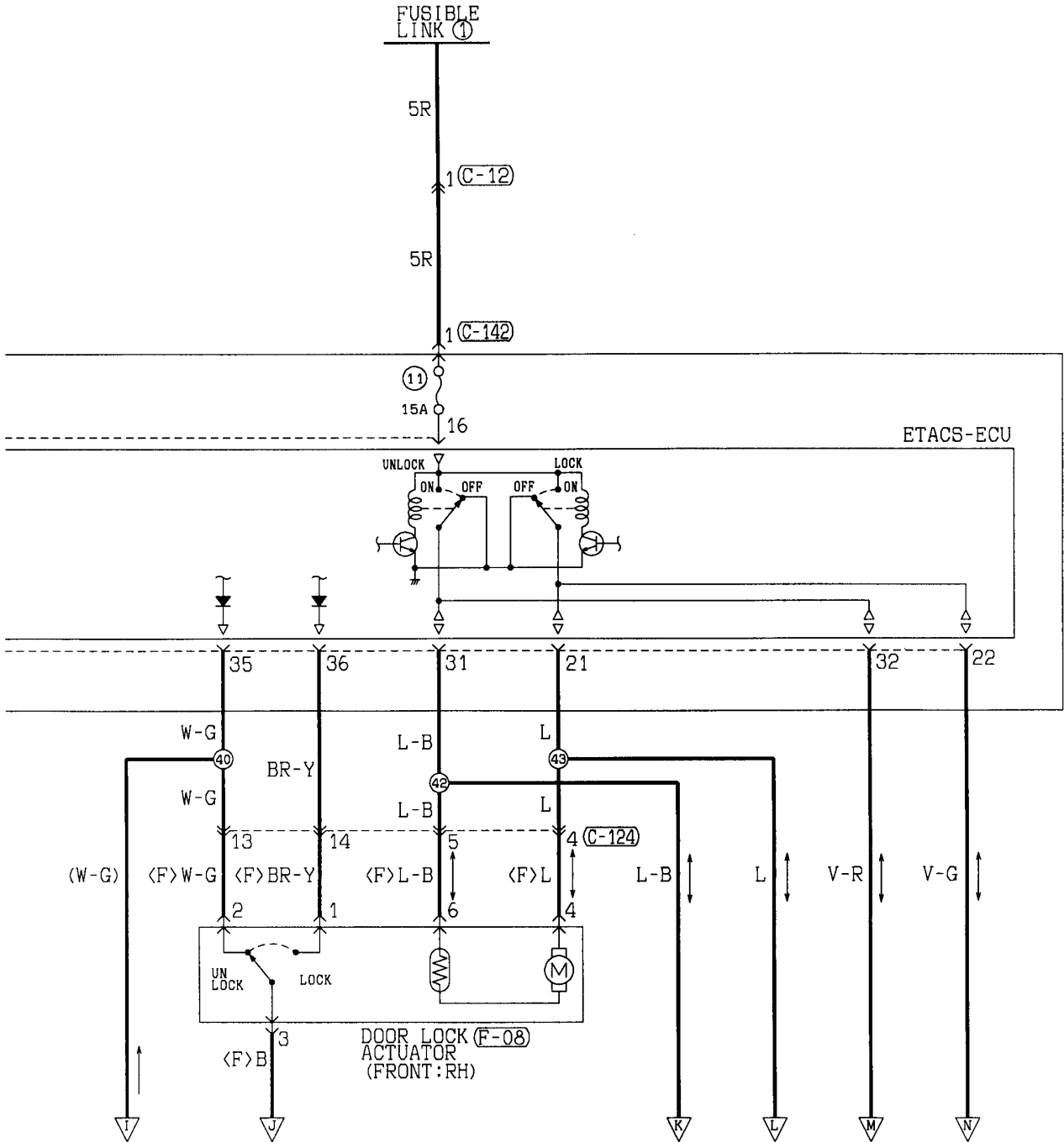
NOTES

CENTRAL DOOR LOCKING SYSTEM

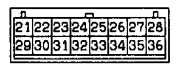
90100470798

R.H. drive vehicles with keyless entry system <without theft-alarm system>

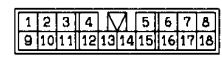




(C-138)



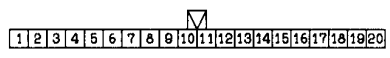
(C-141)



(C-142)



(C-144)

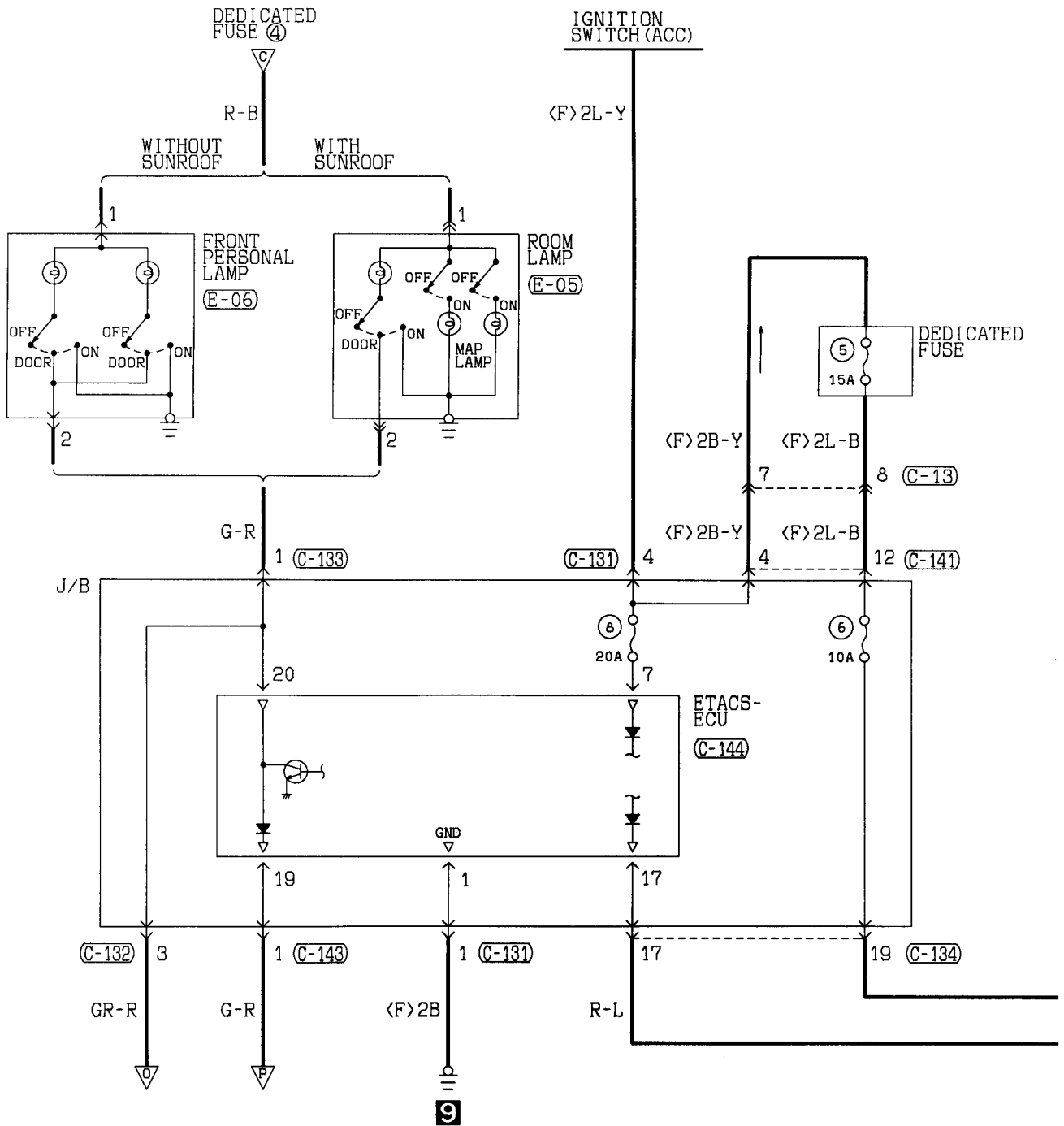


(F-08)



Wire colour code
 B :Black LG:Light green G :Green L :Blue W :White Y :Yellow SB:Sky blue
 BR:Brown O :Orange GR:Gray R :Red P :Pink V :Violet

CENTRAL DOOR LOCKING SYSTEM <R.H. drive vehicles with keyless entry system (without theft-alarm system)> (CONTINUED)



(C-13)

(C-20) FRONT SIDE

(C-61)

(C-64)

(C-66)

(C-80)

1	2	3
4	5	6
7	8	

1	2	3	4	5	6	7	8
9	10	11	12	13	14	15	16

1	2	3	4	5	6	7	8	9	10	11
12	13	14	15	16	17	18	19	20	21	22
23	24	25	26	27	28	29	30	31	32	33

1	2	3	4	5	6	7	8	9	10	11
12	13	14	15	16	17	18	19	20	21	22
23	24	25	26	27	28	29	30	31	32	33

1	2	3	4	5	6	7	8	9	10	11
12	13	14	15	16	17	18	19	20	21	22
23	24	25	26	27	28	29	30	31	32	33

1	2	3	4	5	6	7	8	9	10
11	12	13	14	15	16	17	18	19	20

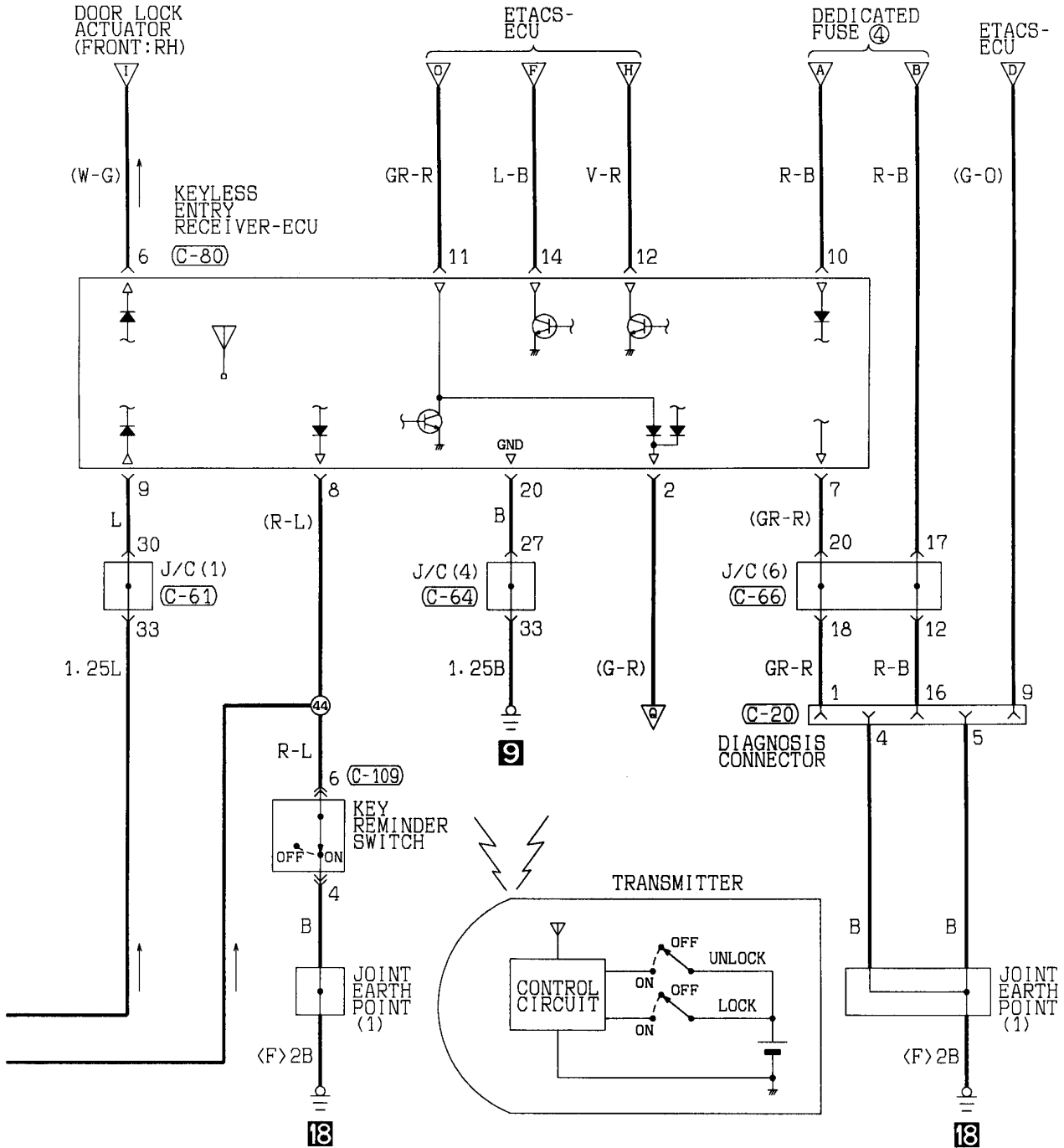
(C-144)

(E-05) (E-06)

1	2	3	4	5	6	7	8	9	10	11	12	13	14	15	16	17	18	19	20
---	---	---	---	---	---	---	---	---	----	----	----	----	----	----	----	----	----	----	----

1
2

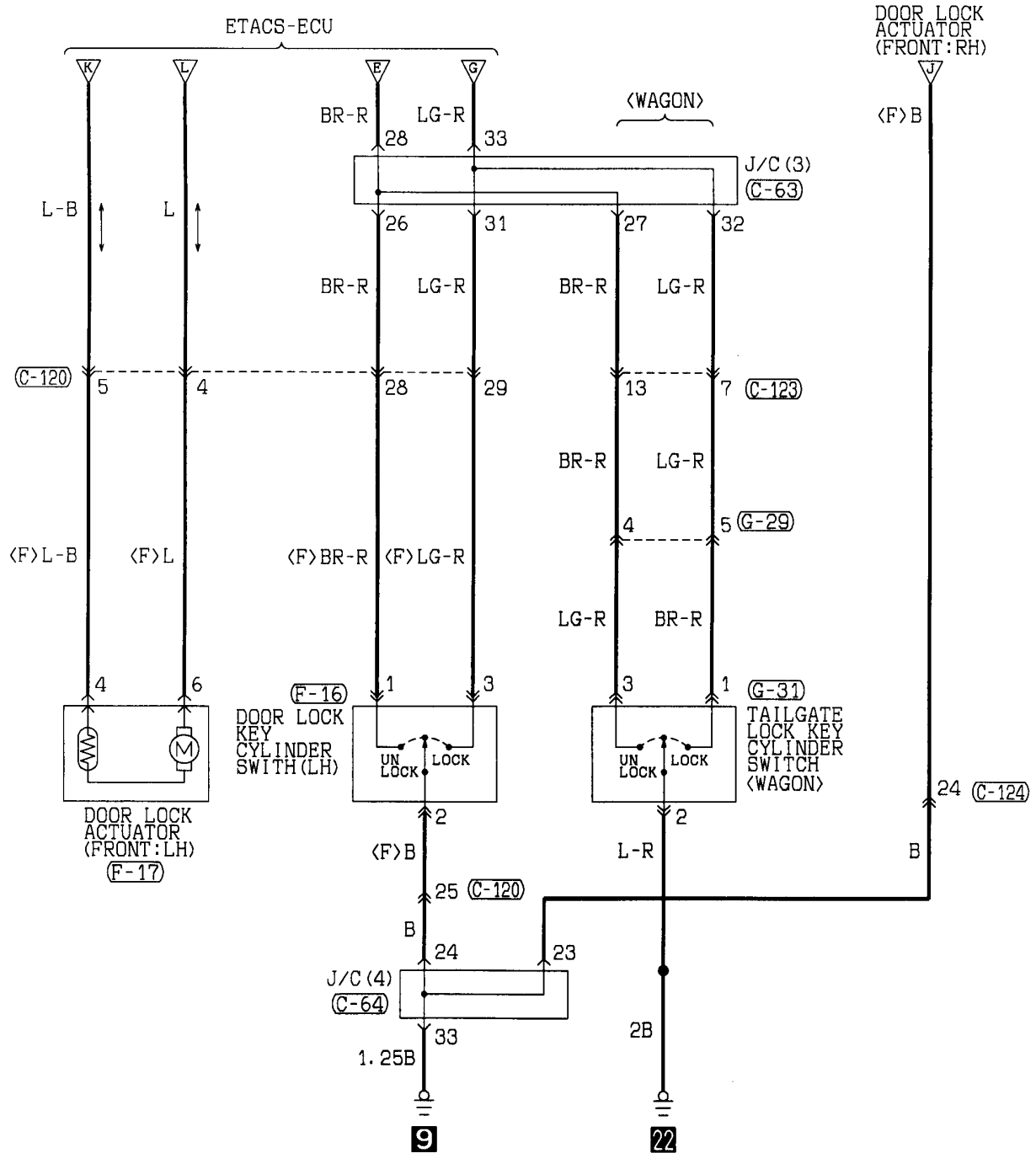
1
2



(C-109)	(C-131)	(C-132)	(C-133)	(C-134)	(C-141)	(C-143)
1 2 3 4 5 6 7	1 2 3 4 5 6	1 2 3 4 5 6 7 8 9 10	1 2 3 4 5 6	1 2 3 4 5 6 7 8 9 10 11 12 13 14 15 16 17 18 19 20 21 22	1 2 3 4 5 6 7 8 9 10 11 12 13 14 15 16 17 18	1 2 3 4 5 6 7 8 9 10 11 12 13 14 15 16 17 18 19

Wire colour code
 B : Black LG: Light green G : Green L : Blue W : White Y : Yellow SB: Sky blue
 BR: Brown O : Orange GR: Gray R : Red P : Pink V : Violet

CENTRAL DOOR LOCKING SYSTEM <R.H. drive vehicles with keyless entry system (without theft-alarm system)> (CONTINUED)



C-63

1	2	3	4	5	6	7	8	9	10	11
12	13	14	15	16	17	18	19	20	21	22
23	24	25	26	27	28	29	30	31	32	33

C-64

1	2	3	4	5	6	7	8	9	10	11
12	13	14	15	16	17	18	19	20	21	22
23	24	25	26	27	28	29	30	31	32	33

C-119

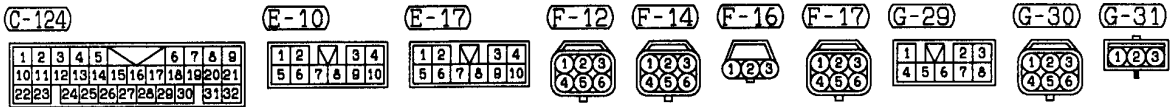
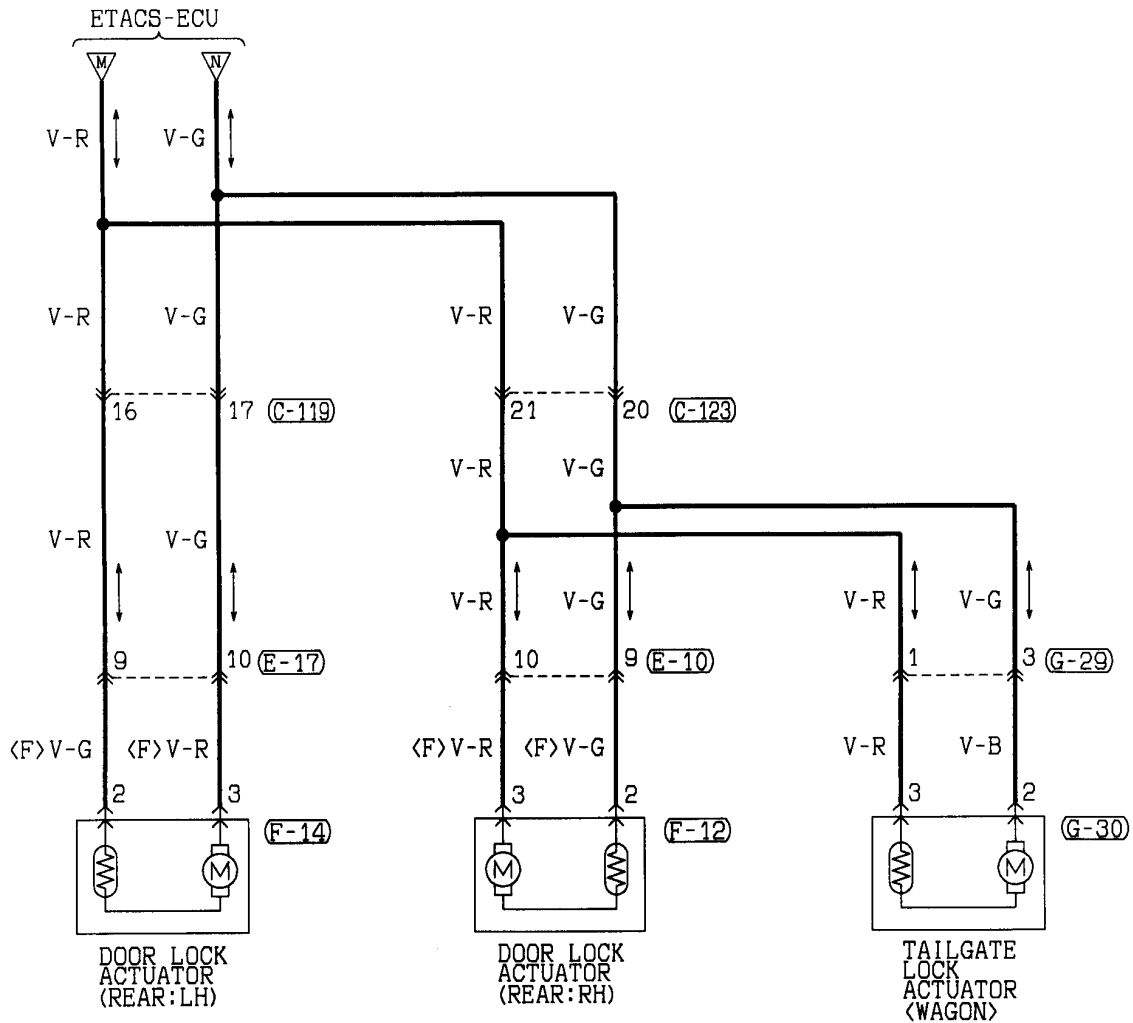
1	2	3	4	5	6	7	8	9	10
11	12	13	14	15	16	17	18	19	20
21	22								

C-120

1	2	3	4	5	6	7	8	9
10	11	12	13	14	15	16	17	18
19	20	21	22	23	24	25	26	27
28	29	30	31	32				

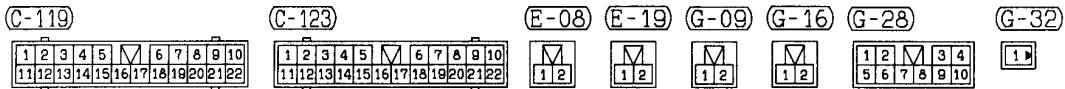
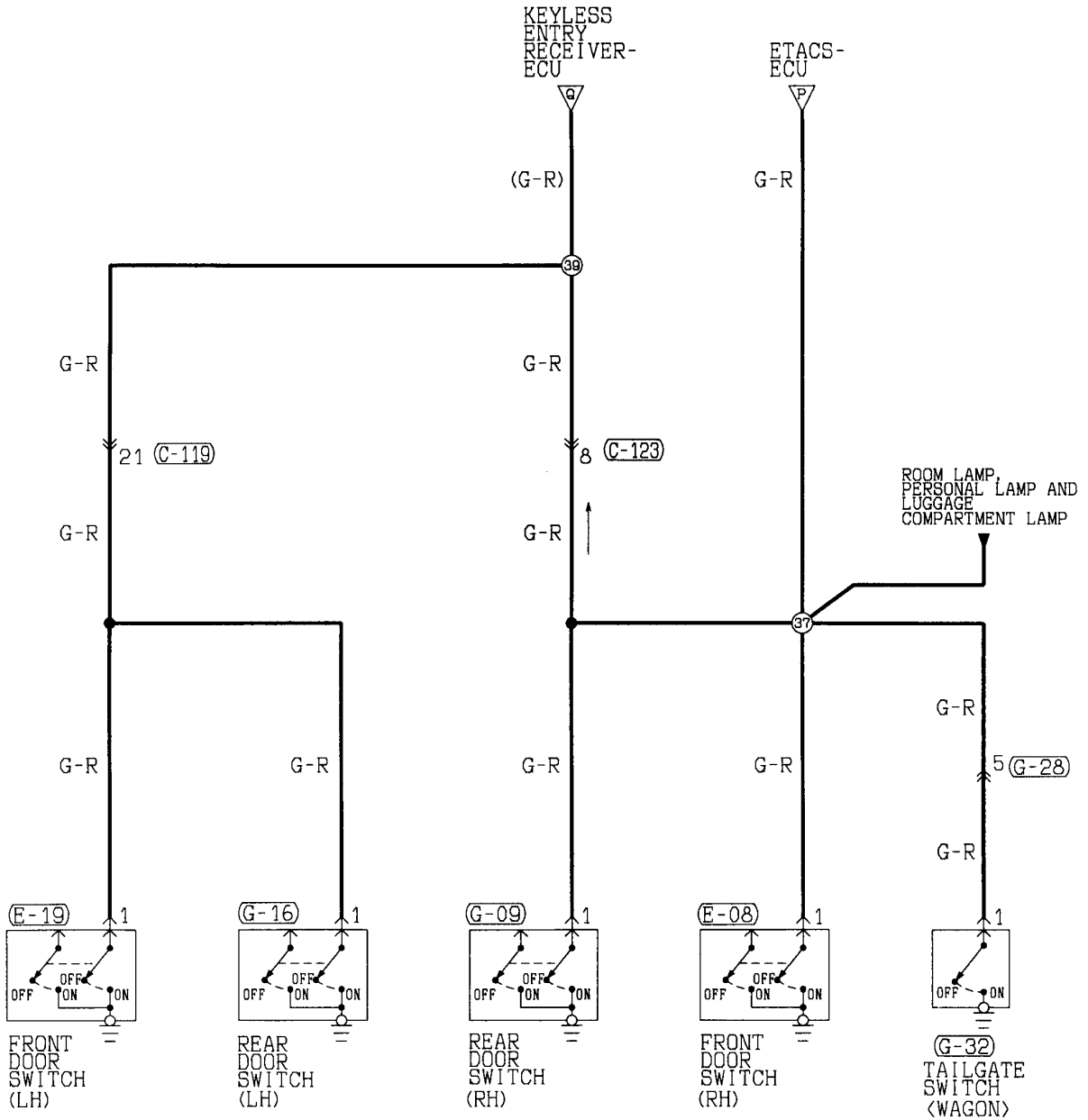
C-123

1	2	3	4	5	6	7	8	9	10
11	12	13	14	15	16	17	18	19	20
21	22								



Wire colour code
 B :Black LG:Light green G :Green L :Blue W :White Y :Yellow SB:Sky blue
 BR:Brown O :Orange GR:Gray R :Red P :Pink V :Violet

CENTRAL DOOR LOCKING SYSTEM <R.H. drive vehicles with keyless entry system (without theft-alarm system)> (CONTINUED)



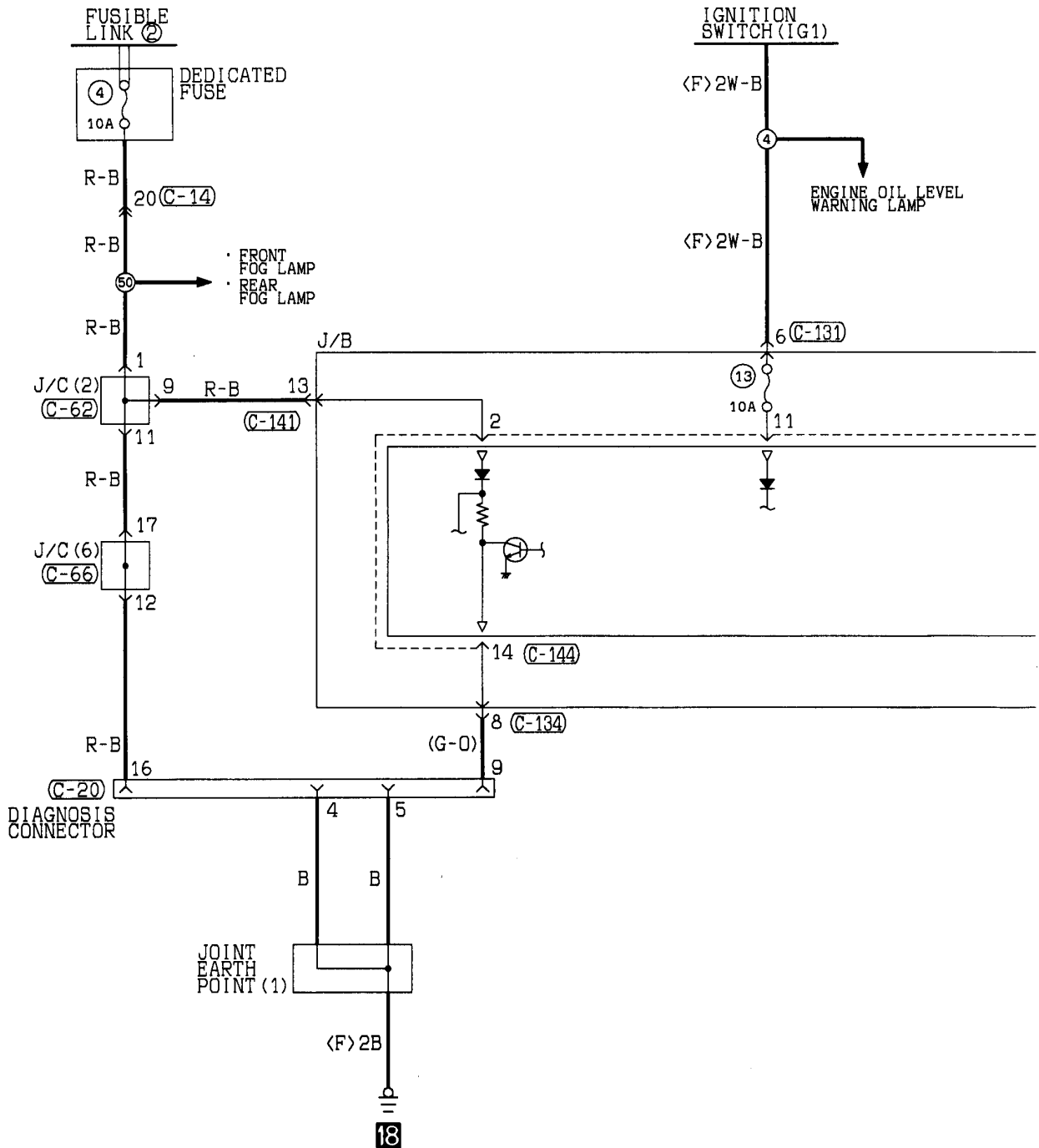
Wire colour code
 B :Black LG:Light green G :Green L :Blue W :White Y :Yellow SB:Sky blue
 BR:Brown O :Orange GR:Gray R :Red P :Pink V :Violet

NOTES

CENTRAL DOOR LOCKING SYSTEM

90100470804

R.H. drive vehicles without keyless entry system <with theft-alarm system>



C-12

1	2
3	4

F-08



C-14

1	2	3	4	5	6	7	8	9	10
11	12	13	14	15	16	17	18	19	20
21	22								

C-20 FRONT SIDE

1	2	3	4	5	6	7	8
9	10	11	12	13	14	15	16

C-62

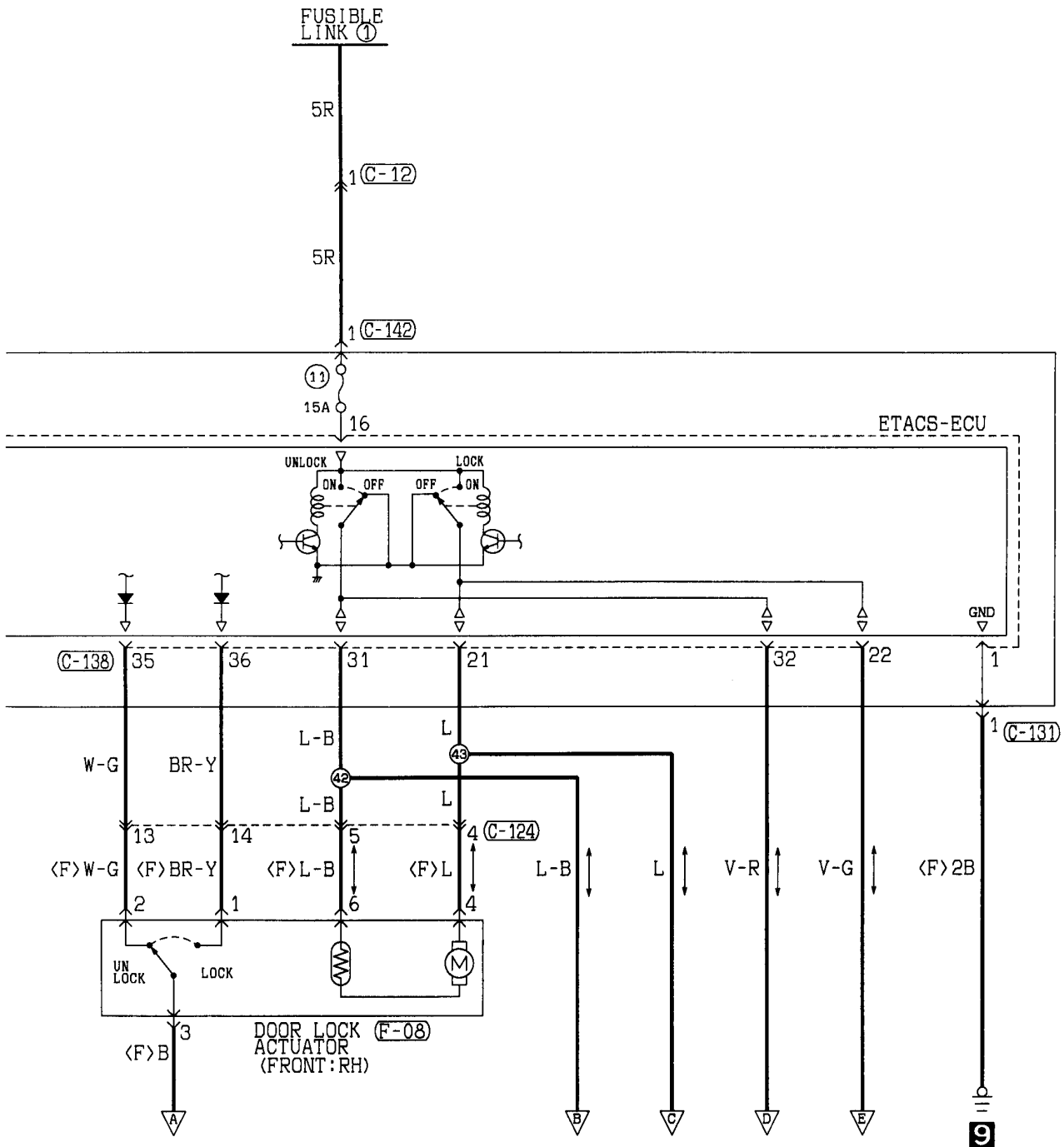
1	2	3	4	5	6	7	8	9	10	11
12	13	14	15	16	17	18	19	20	21	22
23	24	25	26	27	28	29	30	31	32	33

C-66

1	2	3	4	5	6	7	8	9	10	11
12	13	14	15	16	17	18	19	20	21	22
23	24	25	26	27	28	29	30	31	32	33

C-124

1	2	3	4	5	6	7	8	9
10	11	12	13	14	15	16	17	18
19	20	21	22	23	24	25	26	27
28	29	30	31	32				



(C-131)

1	2
3	4
5	6

(C-134)

1	2	3	4	5	6	7	8	9	10
11	12	13	14	15	16	17	18	19	20
21	22	23	24	25	26	27	28	29	30
31	32	33	34	35	36				

(C-138)

21	22	23	24	25	26	27	28
29	30	31	32	33	34	35	36

(C-141)

1	2	3	4	5	6	7	8
9	10	11	12	13	14	15	16
17	18						

(C-142)

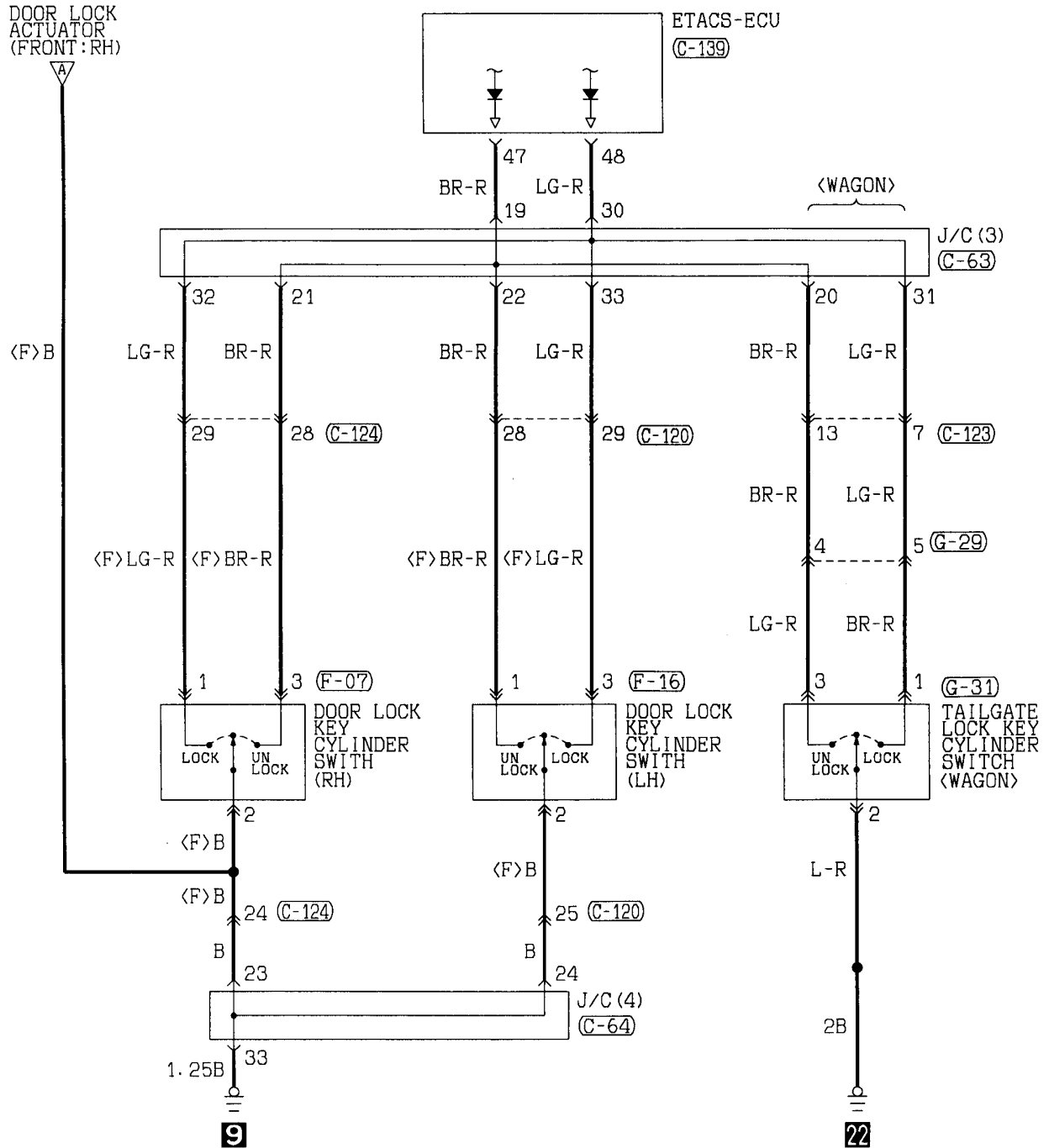
1

(C-144)

1	2	3	4	5	6	7	8	9	10	11	12	13	14	15	16	17	18	19	20
---	---	---	---	---	---	---	---	---	----	----	----	----	----	----	----	----	----	----	----

Wire colour code
 B : Black LG : Light green G : Green L : Blue W : White Y : Yellow SB : Sky blue
 BR : Brown O : Orange GR : Gray R : Red P : Pink V : Violet

CENTRAL DOOR LOCKING SYSTEM <R.H. drive vehicles without keyless entry system (with theft-alarm system)> (CONTINUED)



(C-63)

1	2	3	4	5	6	7	8	9	10	11
12	13	14	15	16	17	18	19	20	21	22
23	24	25	26	27	28	29	30	31	32	33

(C-64)

1	2	3	4	5	6	7	8	9	10	11
12	13	14	15	16	17	18	19	20	21	22
23	24	25	26	27	28	29	30	31	32	33

(C-119)

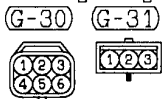
1	2	3	4	5	6	7	8	9	10		
11	12	13	14	15	16	17	18	19	20	21	22

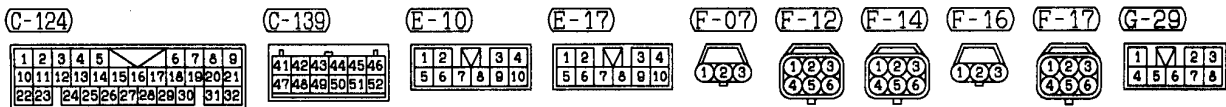
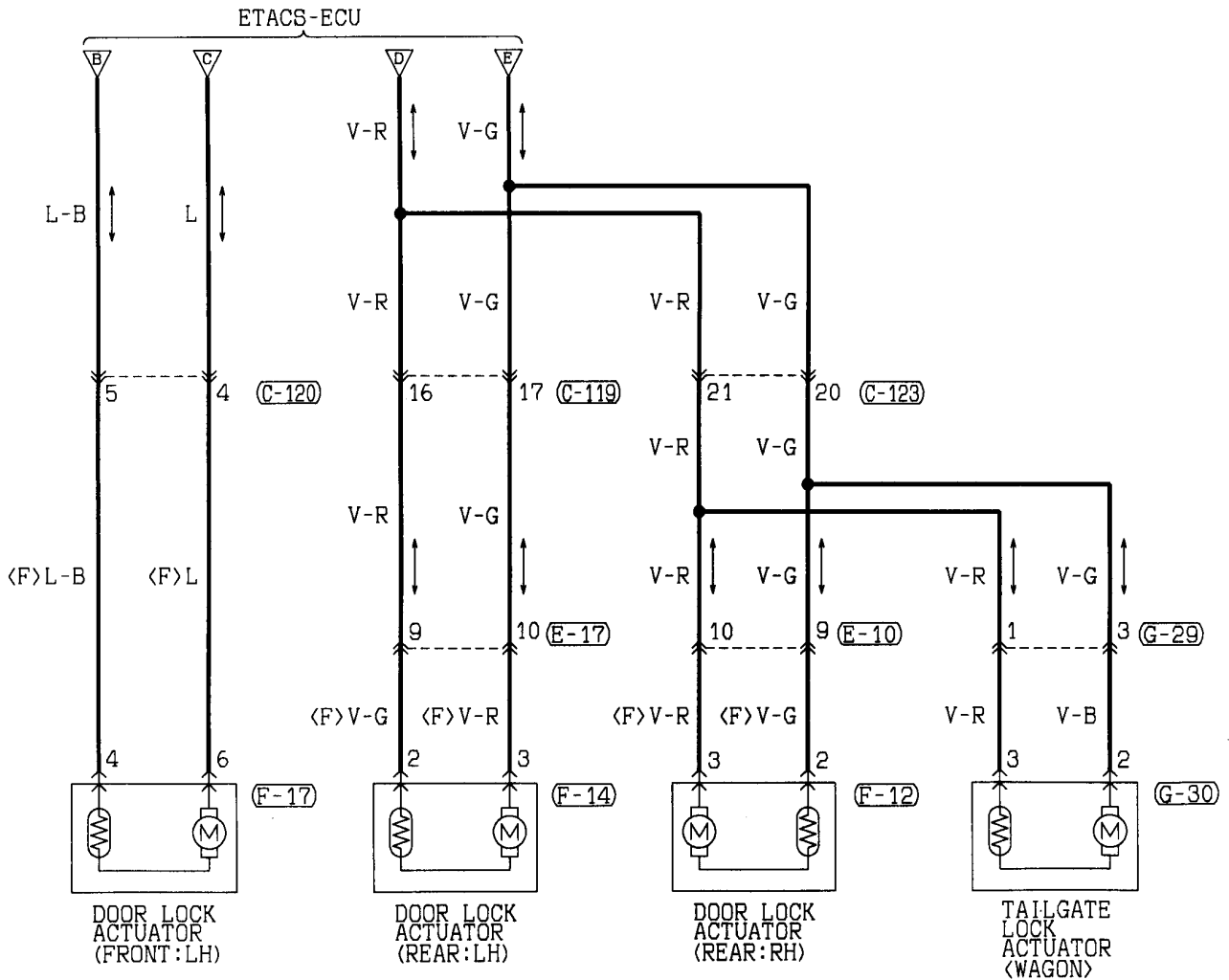
(C-120)

1	2	3	4	5	6	7	8	9			
10	11	12	13	14	15	16	17	18	19	20	21
22	23	24	25	26	27	28	29	30	31	32	

(C-123)

1	2	3	4	5	6	7	8	9	10		
11	12	13	14	15	16	17	18	19	20	21	22



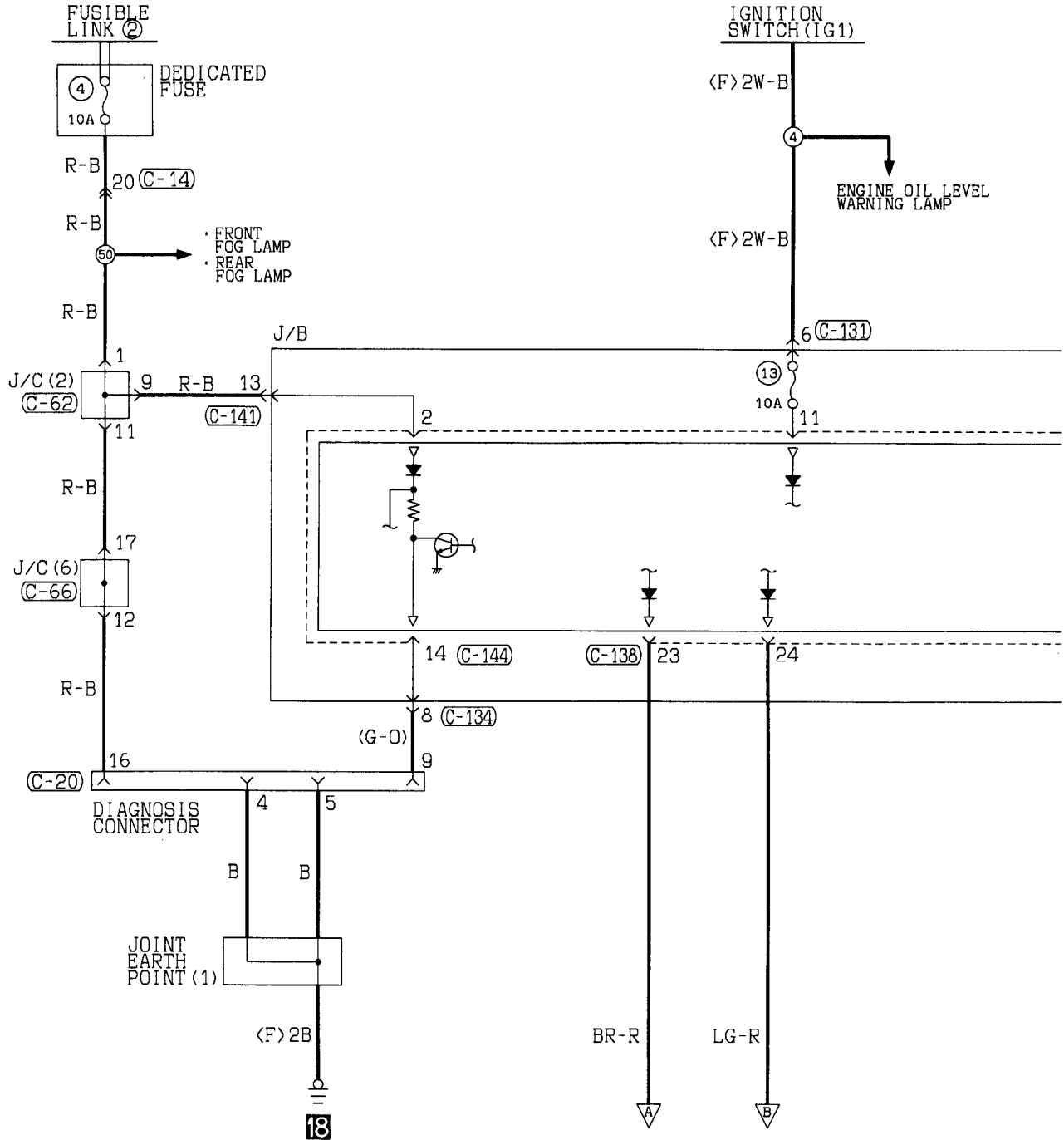


Wire colour code
 B :Black LG:Light green G :Green L :Blue W :White Y :Yellow SB:Sky blue
 BR:Brown O :Orange GR:Gray R :Red P :Pink V :Violet

CENTRAL DOOR LOCKING SYSTEM

90100470811

R.H. drive vehicles without keyless entry system <without theft-alarm system>



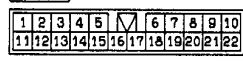
(C-12)



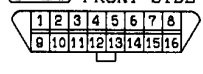
F-08



(C-14)



(C-20) FRONT SIDE



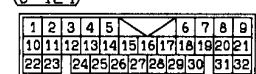
(C-62)

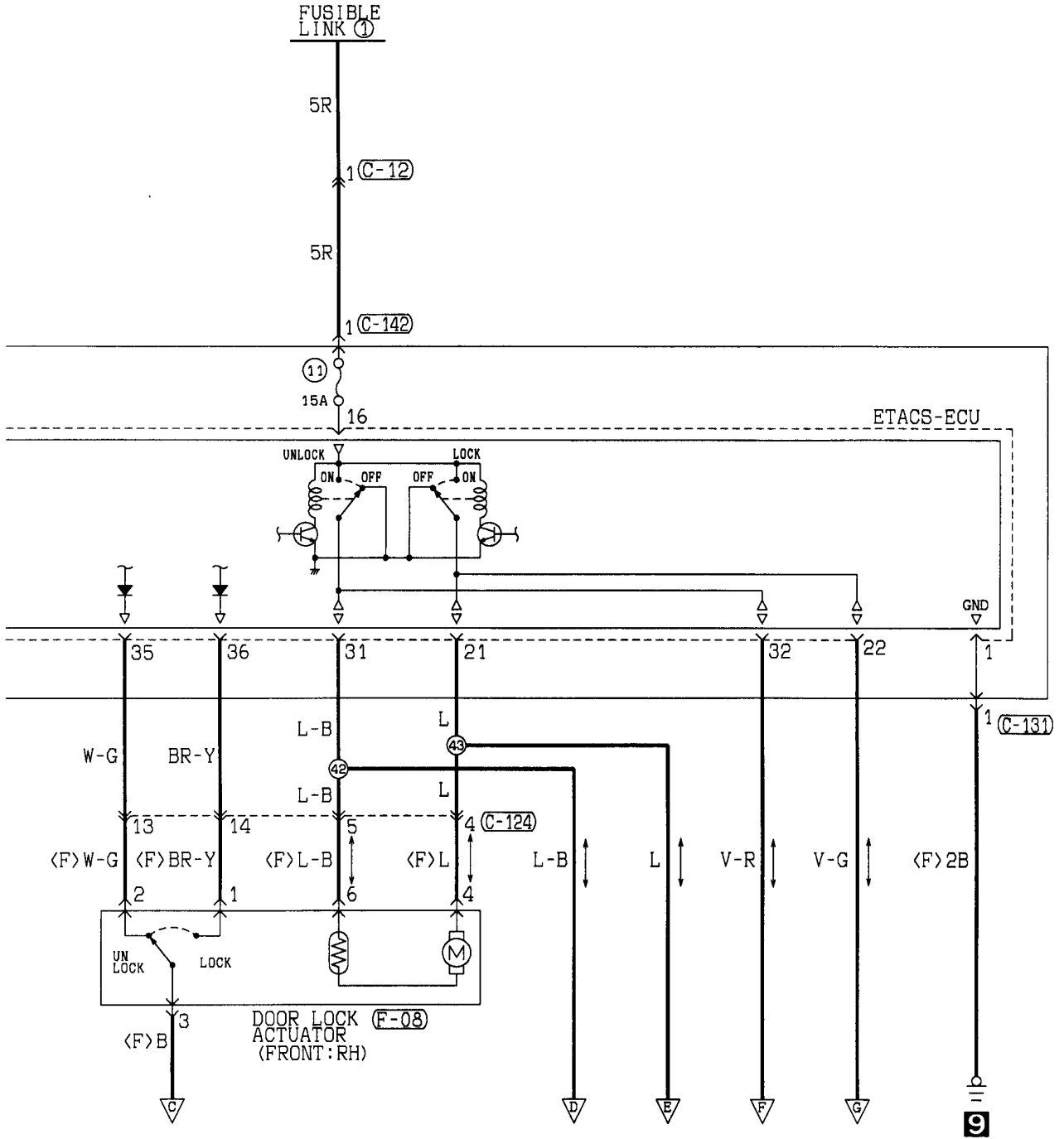


(C-66)



(C-124)





(C-131)

1	2
3	4
5	6

(C-134)

1	2	3	4	5	6	7	8	9	10
11	12	13	14	15	16	17	18	19	20
21	22	23	24	25	26	27	28	29	30
31	32	33	34	35	36				

(C-138)

21	22	23	24	25	26	27	28
29	30	31	32	33	34	35	36

(C-141)

1	2	3	4	5	6	7	8
9	10	11	12	13	14	15	16
17	18						

(C-142)

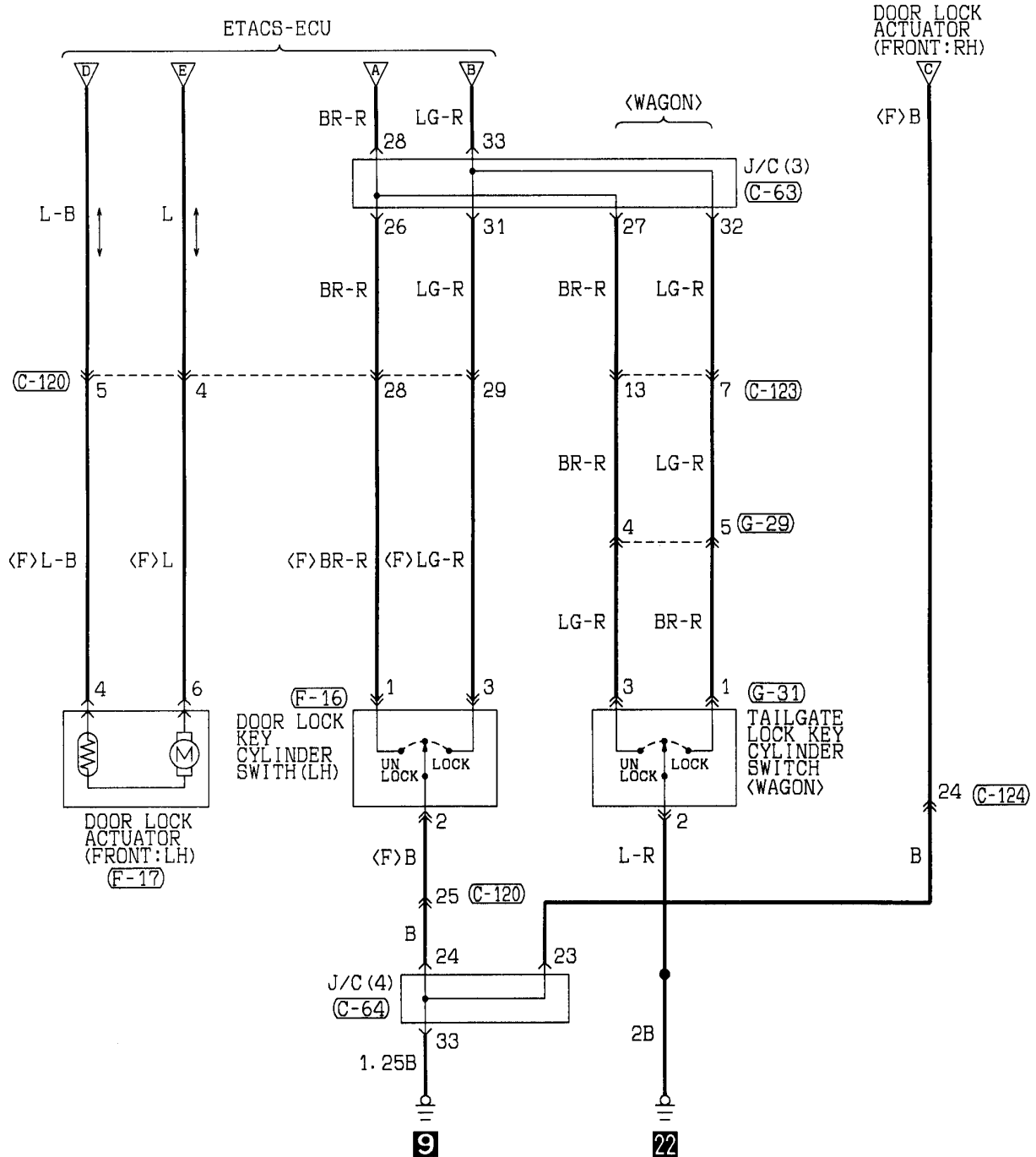
1

(C-144)

1	2	3	4	5	6	7	8	9	10	11	12	13	14	15	16	17	18	19	20
---	---	---	---	---	---	---	---	---	----	----	----	----	----	----	----	----	----	----	----

Wire colour code
 B : Black LG : Light green G : Green L : Blue W : White Y : Yellow SB : Sky blue
 BR : Brown O : Orange GR : Gray R : Red P : Pink V : Violet

CENTRAL DOOR LOCKING SYSTEM <R.H. drive vehicles without keyless entry system (without theft-alarm system)> (CONTINUED)



(C-63)

1	2	3	4	5	6	7	8	9	10	11
12	13	14	15	16	17	18	19	20	21	22
23	24	25	26	27	28	29	30	31	32	33

(C-64)

1	2	3	4	5	6	7	8	9	10	11
12	13	14	15	16	17	18	19	20	21	22
23	24	25	26	27	28	29	30	31	32	33

(C-119)

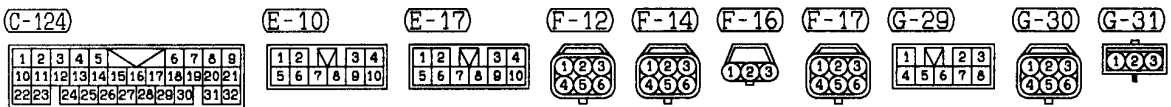
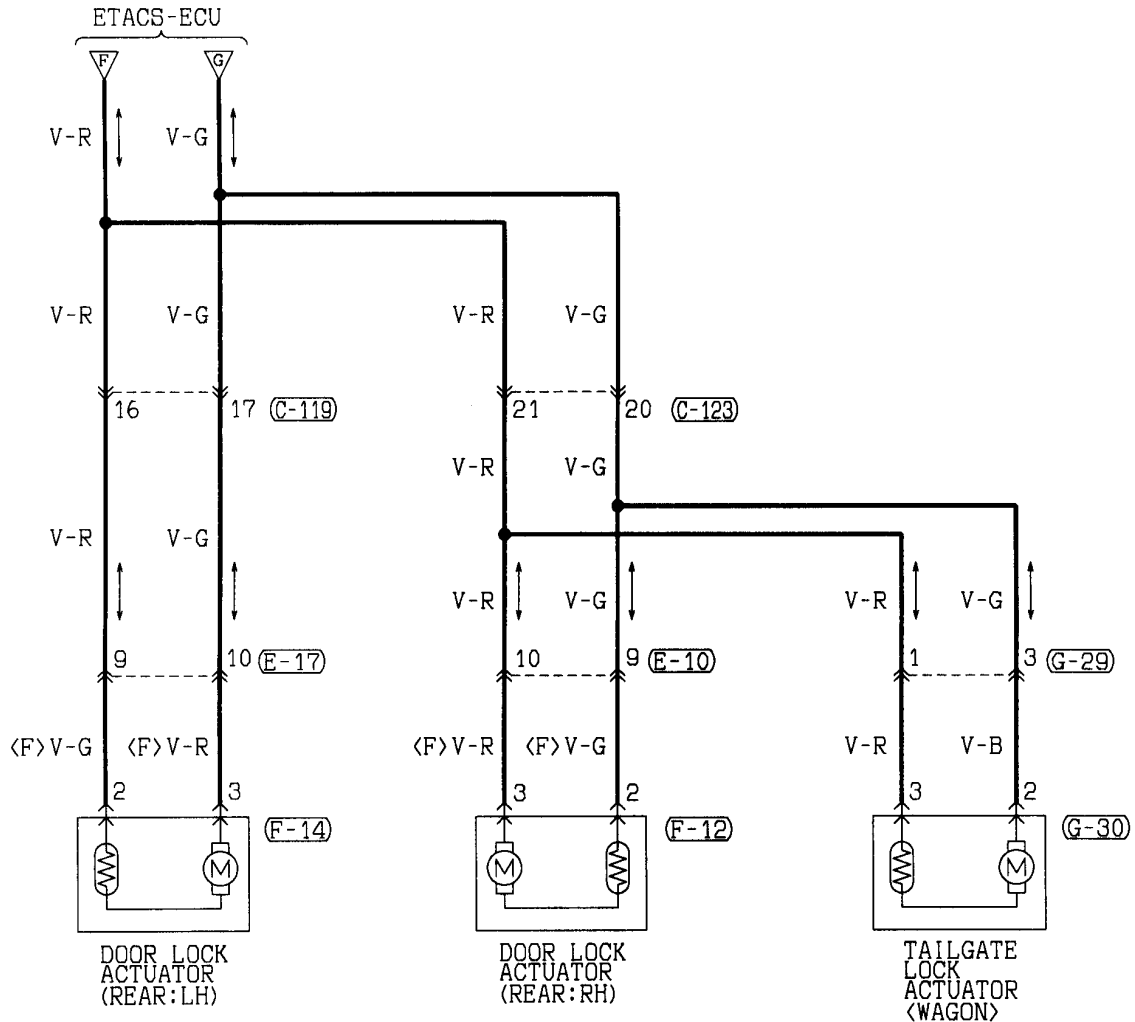
1	2	3	4	5	6	7	8	9	10
11	12	13	14	15	16	17	18	19	20
21	22								

(C-120)

1	2	3	4	5	6	7	8	9
10	11	12	13	14	15	16	17	18
19	20	21	22	23	24	25	26	27
28	29	30	31	32				

(C-123)

1	2	3	4	5	6	7	8	9	10
11	12	13	14	15	16	17	18	19	20
21	22								

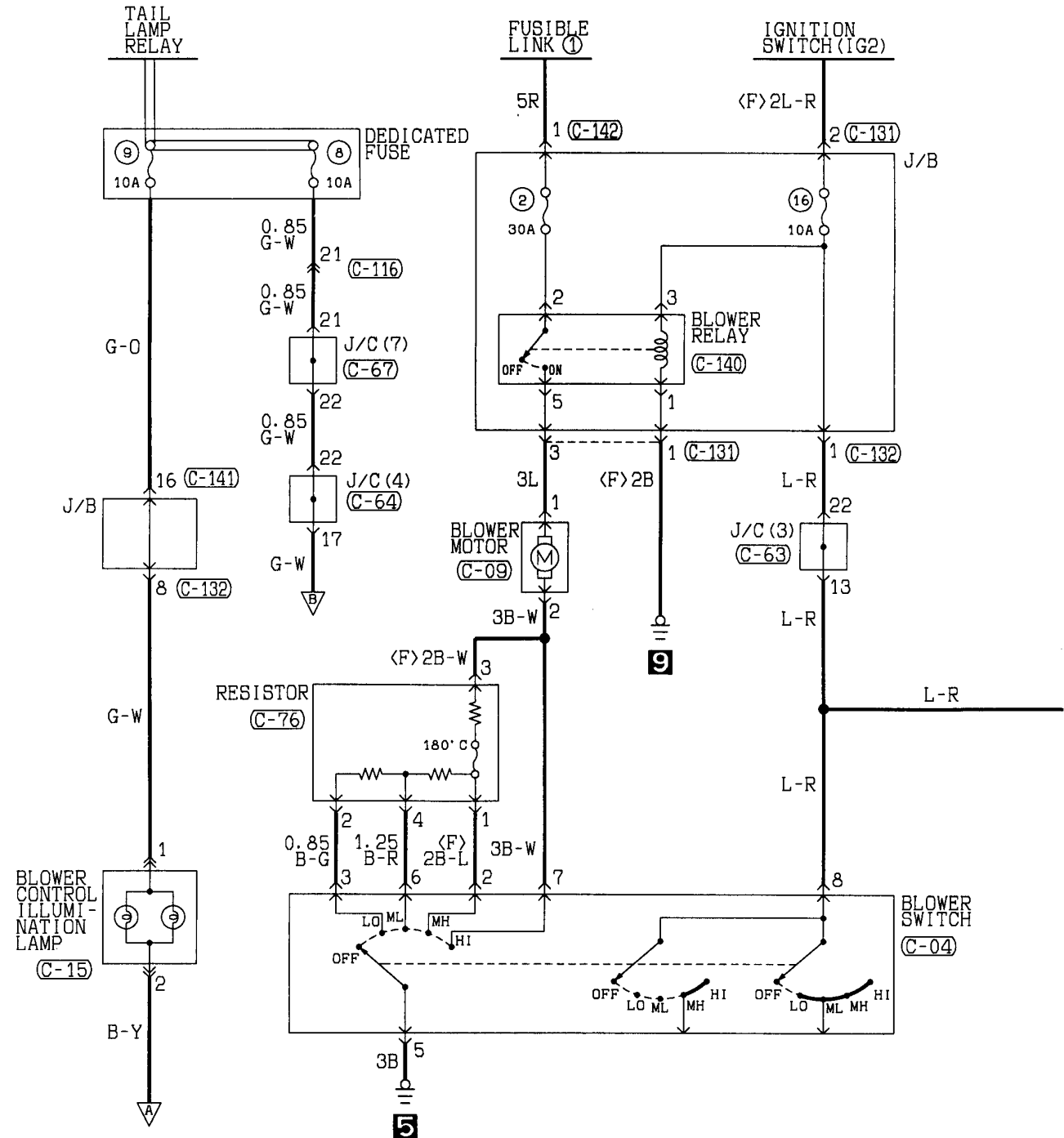


Wire colour code
 B : Black LG:Light green G :Green L :Blue W :White Y :Yellow SB:Sky blue
 BR:Brown O :Orange GR:Gray R :Red P :Pink V :Violet

MANUAL HEATER

L.H. drive vehicles

90101330200



- (C-03)

1	2
3	4
- (C-04)

1	2	3	4
5	6	7	8
- (C-09)

1
2
- (C-15)

1
2
- (C-25)

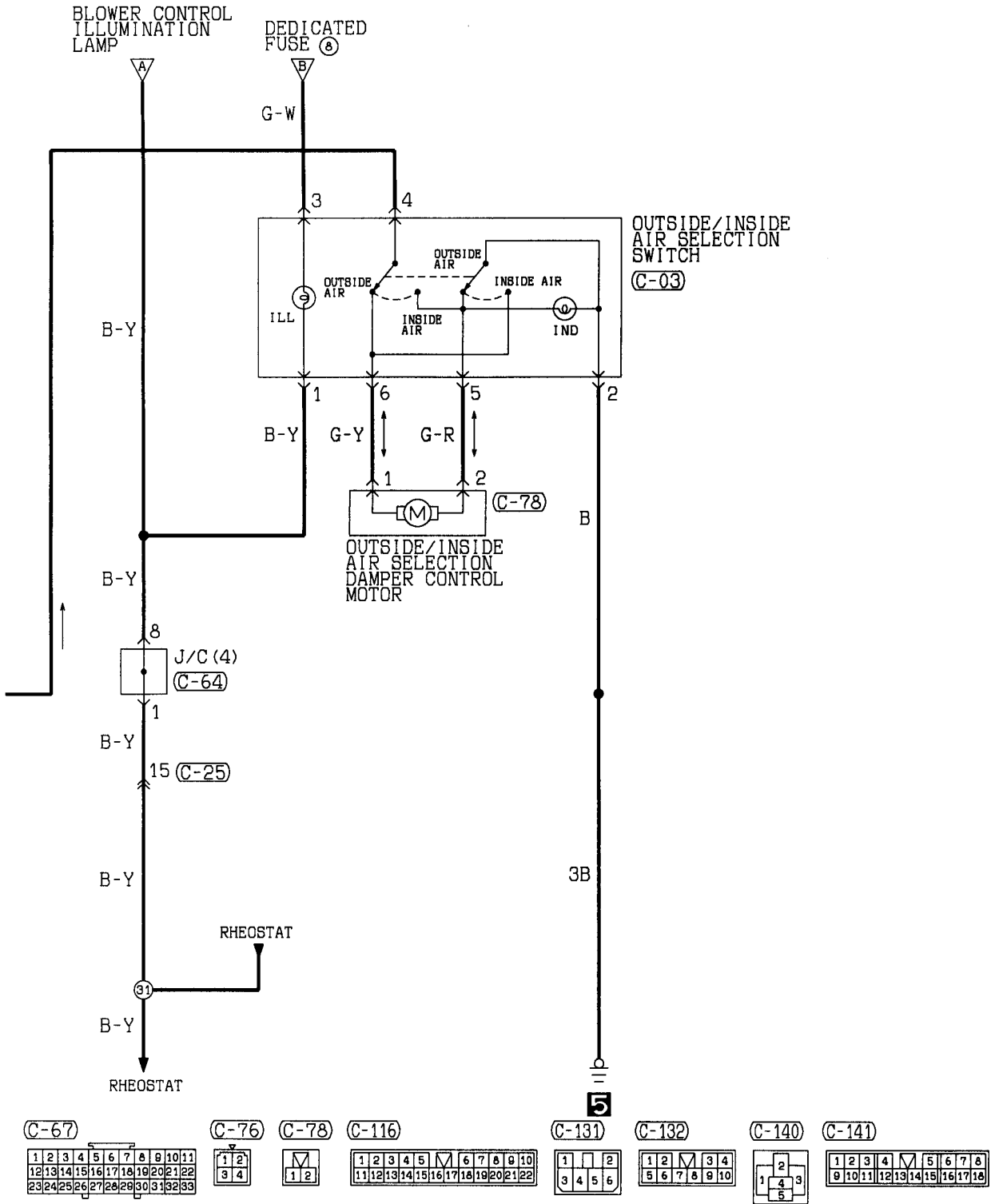
1	2	3	4	5	M	6	7	8	9	10	
11	12	13	14	15	16	17	18	19	20	21	22
- (C-63)

1	2	3	4	5	6	7	8	9	10	11
12	13	14	15	16	17	18	19	20	21	22
23	24	25	26	27	28	29	30	31	32	33
- (C-64)

1	2	3	4	5	6	7	8	9	10	11
12	13	14	15	16	17	18	19	20	21	22
23	24	25	26	27	28	29	30	31	32	33

- (C-142)

1

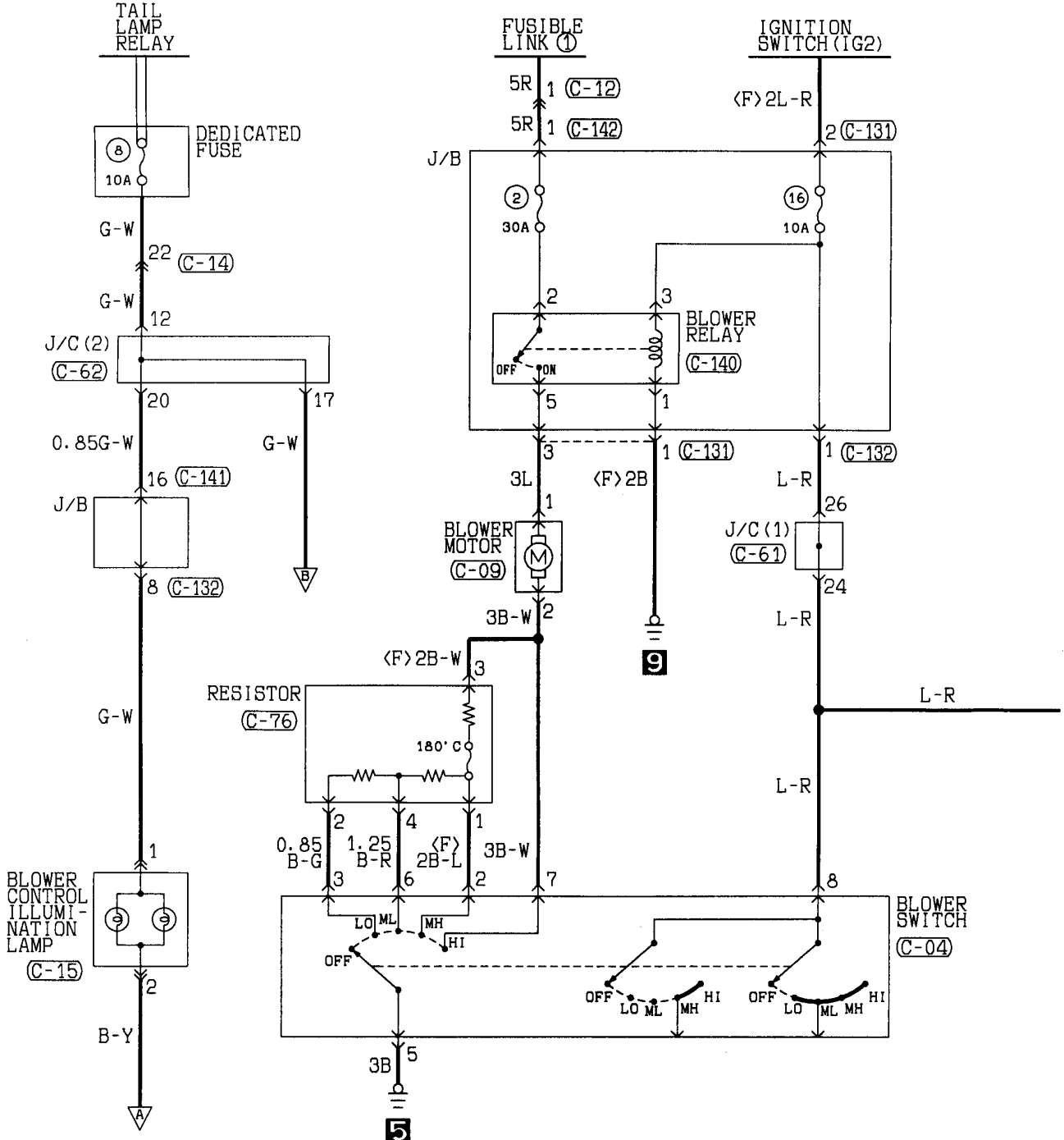


Wire colour code
 B : Black LG: Light green G : Green L : Blue W : White Y : Yellow SB: Sky blue
 BR: Brown O : Orange GR: Gray R : Red P : Pink V : Violet

MANUAL HEATER

90101330217

R.H. drive vehicles



C-03

C-04

C-09

C-12

C-14

C-15

C-25

C-61

1	2	3	4	5	6
7	8	9	10	11	12

1	2	3	4	5	6
7	8	9	10	11	12

1
2

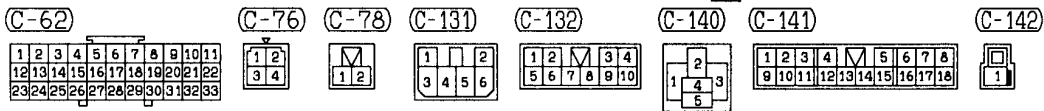
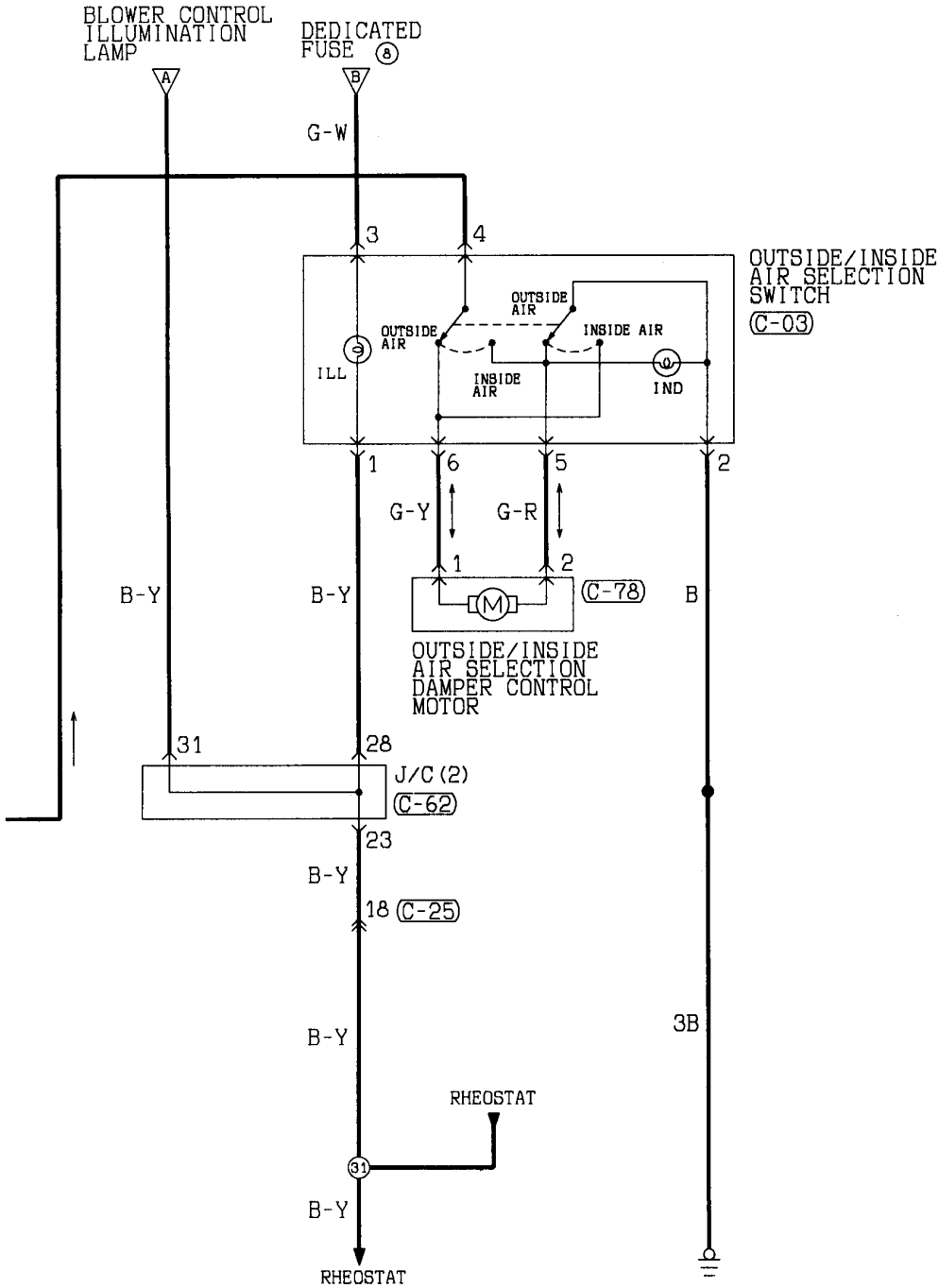
1
2

1	2	3	4	5	6	7	8	9	10
11	12	13	14	15	16	17	18	19	20
21	22								

1
2

1	2	3	4	5	6	7	8	9	10
11	12	13	14	15	16	17	18	19	20
21	22								

1	2	3	4	5	6	7	8	9	10
11	12	13	14	15	16	17	18	19	20
21	22	23	24	25	26	27	28	29	30
31	32	33							

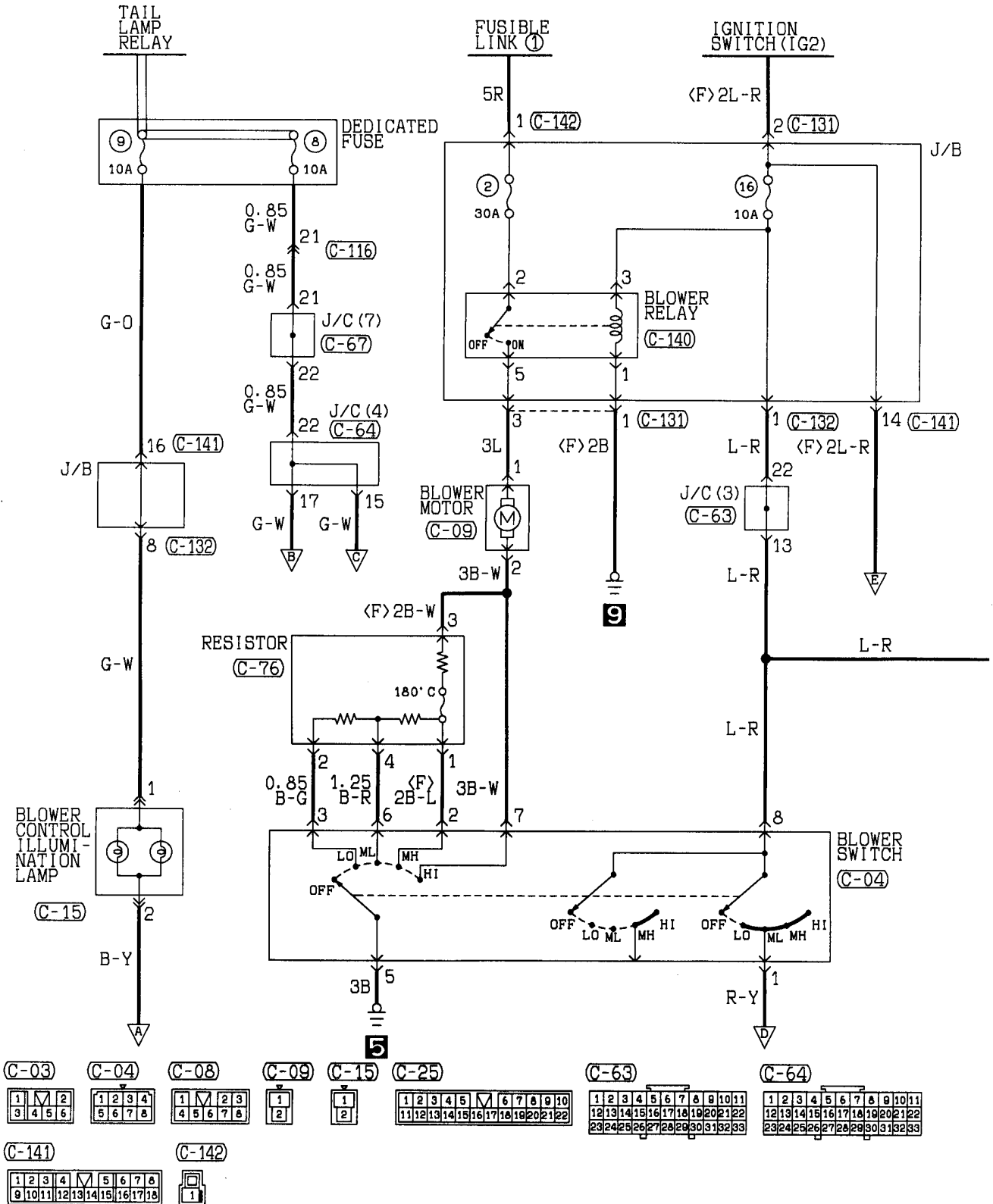


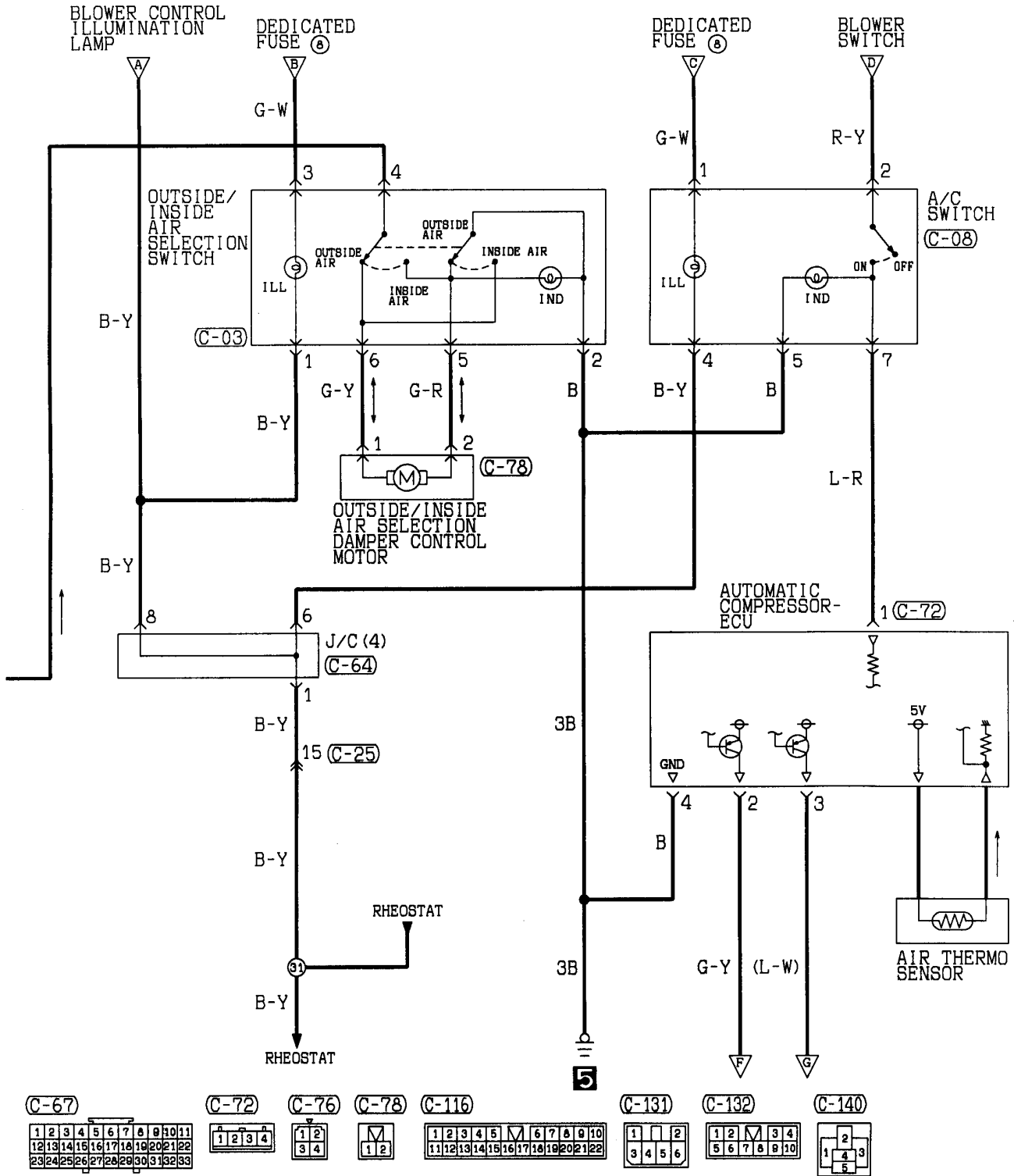
Wire colour code
 B :Black LG:Light green G :Green L :Blue W :White Y :Yellow SB:Sky blue
 BR:Brown O :Orange GR:Gray R :Red P :Pink V :Violet

MANUAL AIR CONDITIONER

90100550324

L.H. drive vehicles

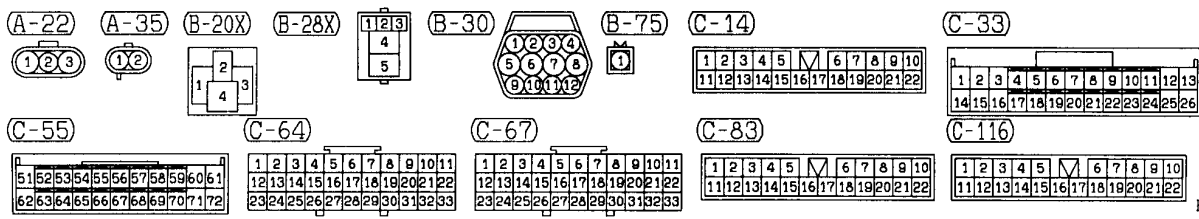
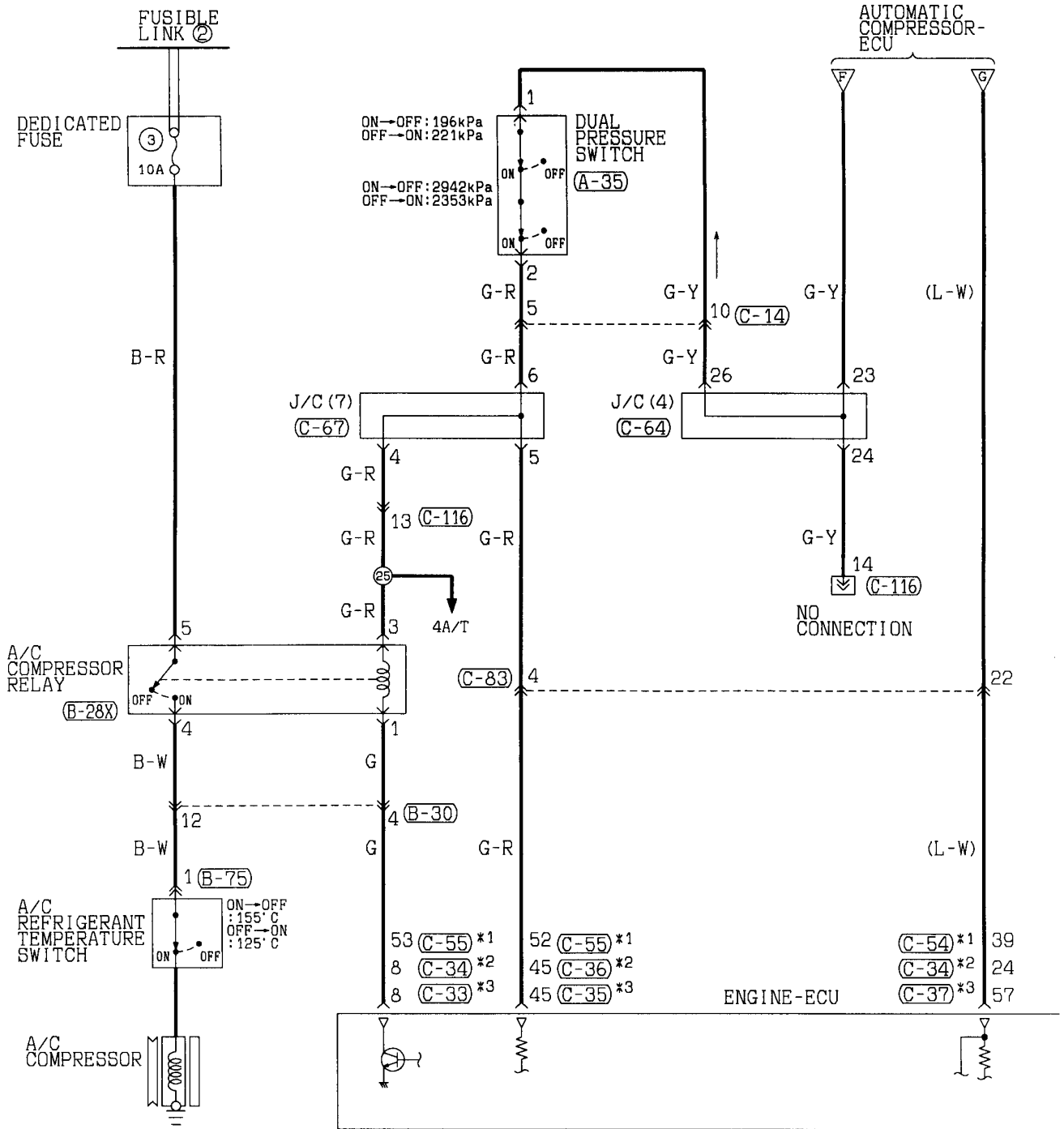


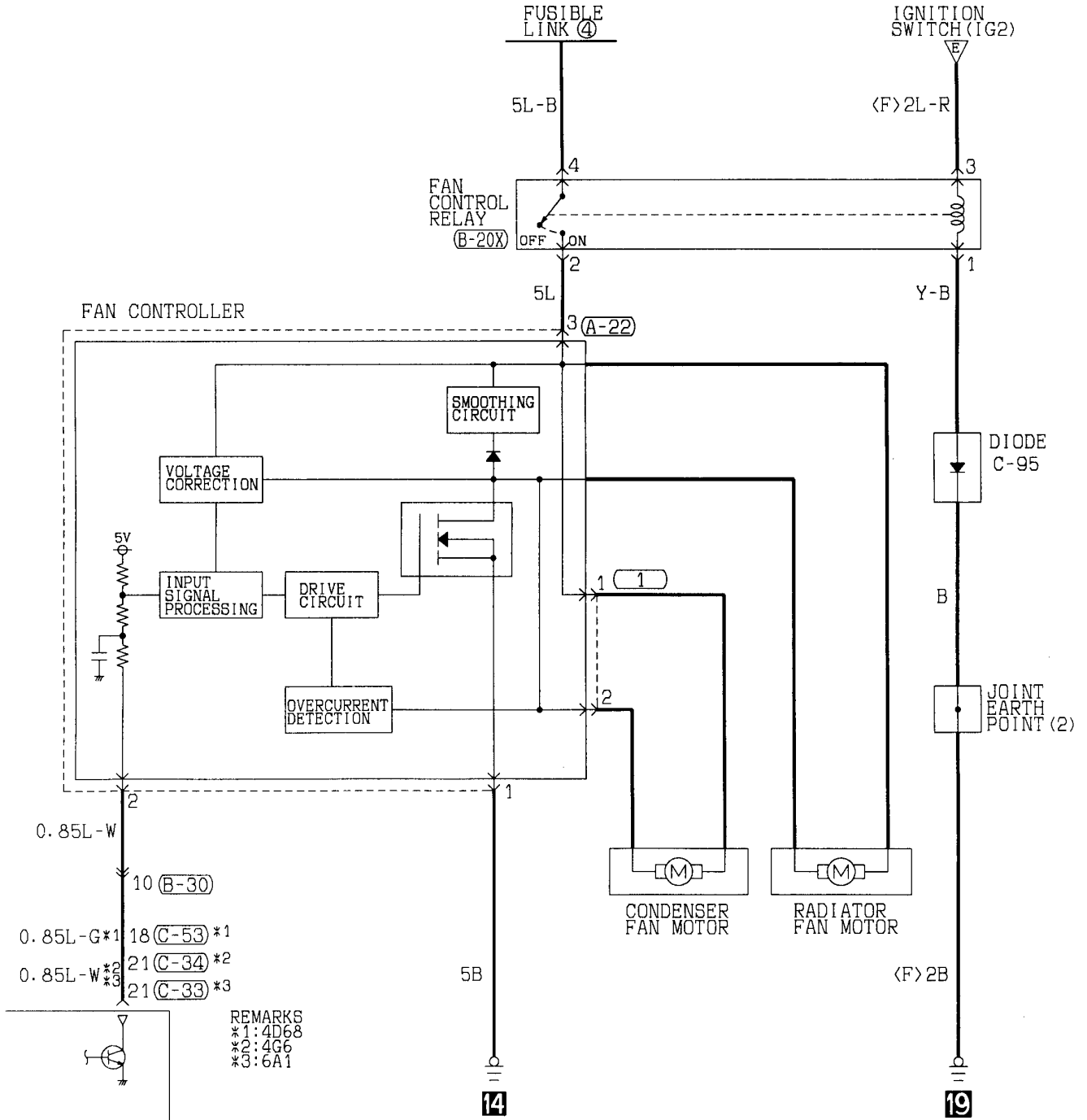


C-67	C-72	C-76	C-78	C-116	C-131	C-132	C-140
1 2 3 4 5 6 7 8 9 10 11 12 13 14 15 16 17 18 19 20 21 22 23 24 25 26 27 28 29 30 31 32 33	1 2 3 4	1 2 3 4	M 1 2	1 2 3 4 5 6 7 8 9 10 11 12 13 14 15 16 17 18 19 20 21 22	1 2 3 4 5 6	1 2 3 4 5 6 7 8 9 10	1 2 3 4 5

Wire colour code
 B : Black LG : Light green G : Green L : Blue W : White Y : Yellow SB : Sky blue
 BR : Brown O : Orange GR : Gray R : Red P : Pink V : Violet

MANUAL AIR CONDITIONER <L.H. drive vehicles> (CONTINUED)





REMARKS
 *1: 4D68
 *2: 4G6
 *3: 6A1

C-34

1	2	3	4	5	6	7	8	9	10	11	12	13
14	15	16	17	18	19	20	21	22	23	24	25	26

C-35

31	32	33	34	35	36	37	38
39	40	41	42	43	44	45	46

C-36

31	32	33	34	35	36	37	38
39	40	41	42	43	44	45	46

C-37

51	52	53	54	55	56
57	58	59	60	61	62

C-53

1	2	3	4	5	6	7	8	9	10	11
12	13	14	15	16	17	18	19	20	21	22

C-54

31	32	33	34	35	36	37	38
39	40	41	42	43	44	45	46

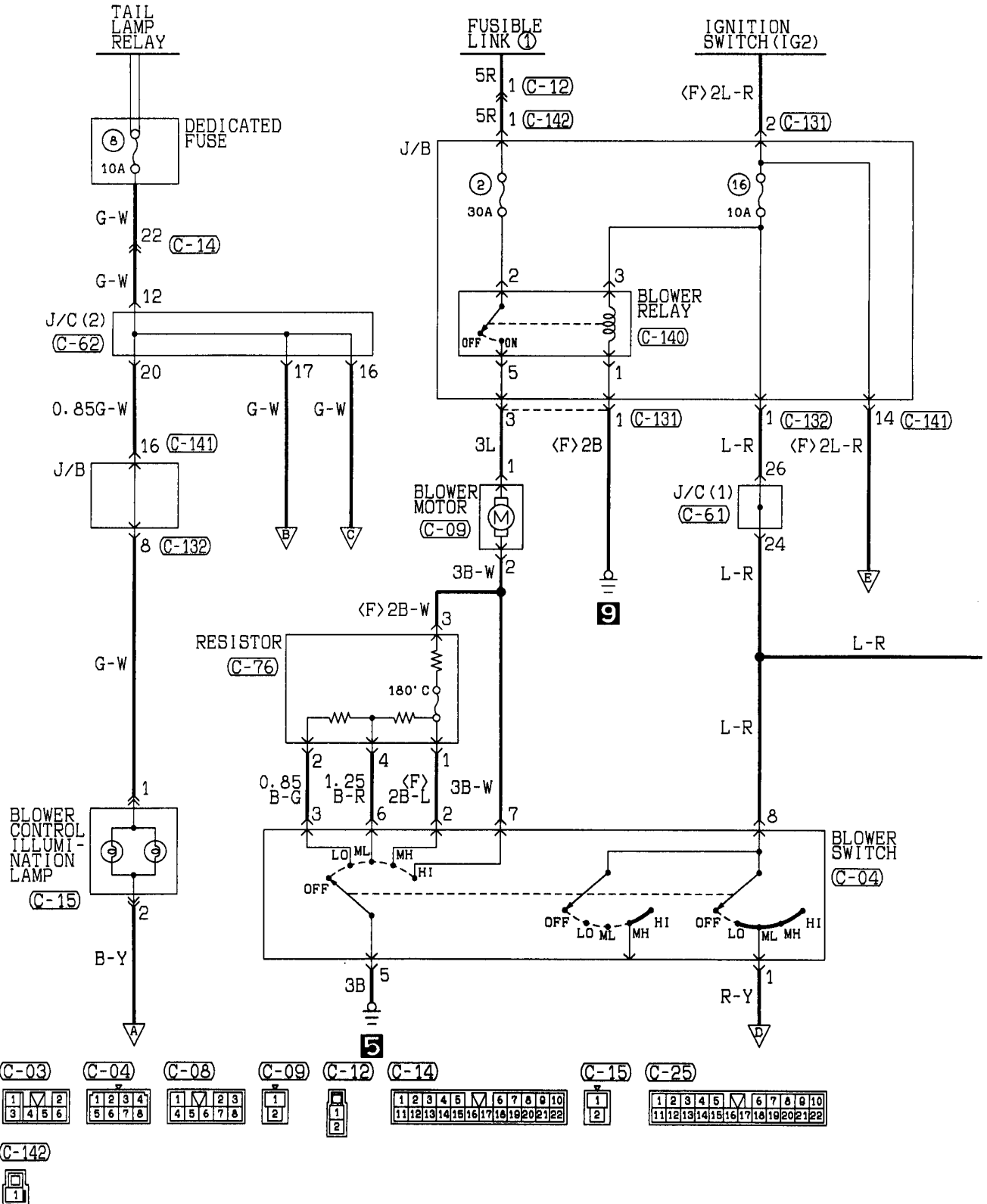


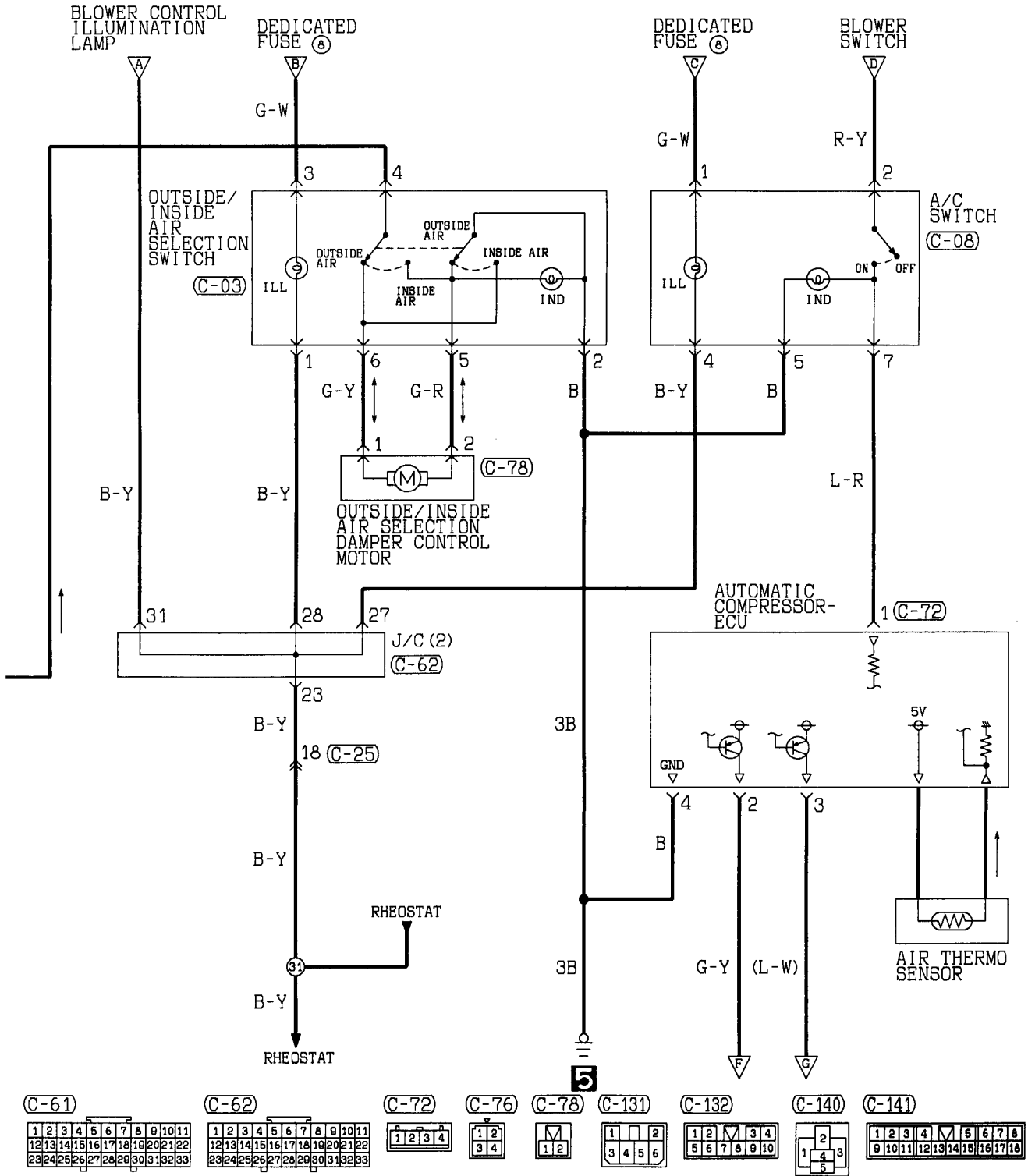
Wire colour code
 B : Black LG: Light green G : Green L : Blue W : White Y : Yellow SB: Sky blue
 BR: Brown O : Orange GR: Gray R : Red P : Pink V : Violet

MANUAL AIR CONDITIONER

90100550331

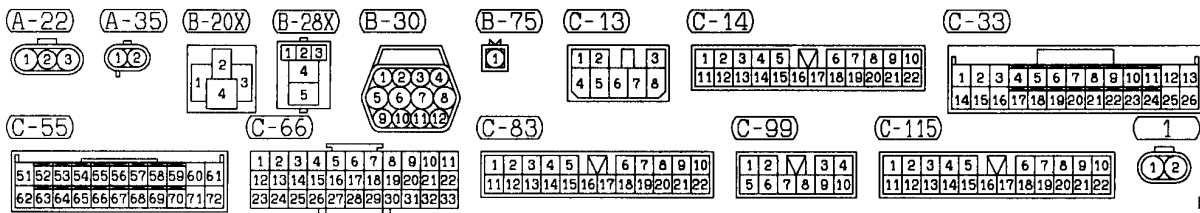
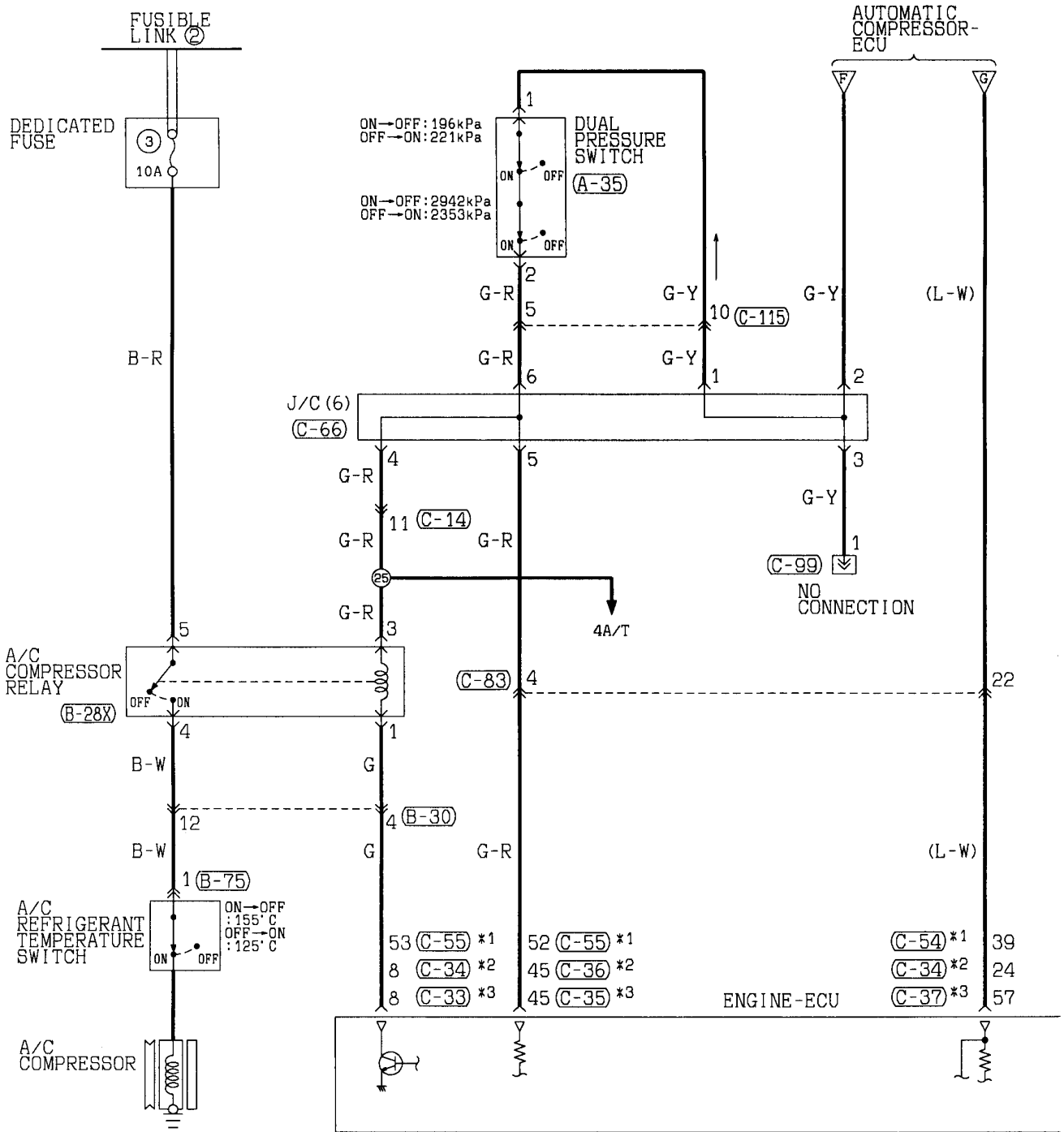
R.H. drive vehicles

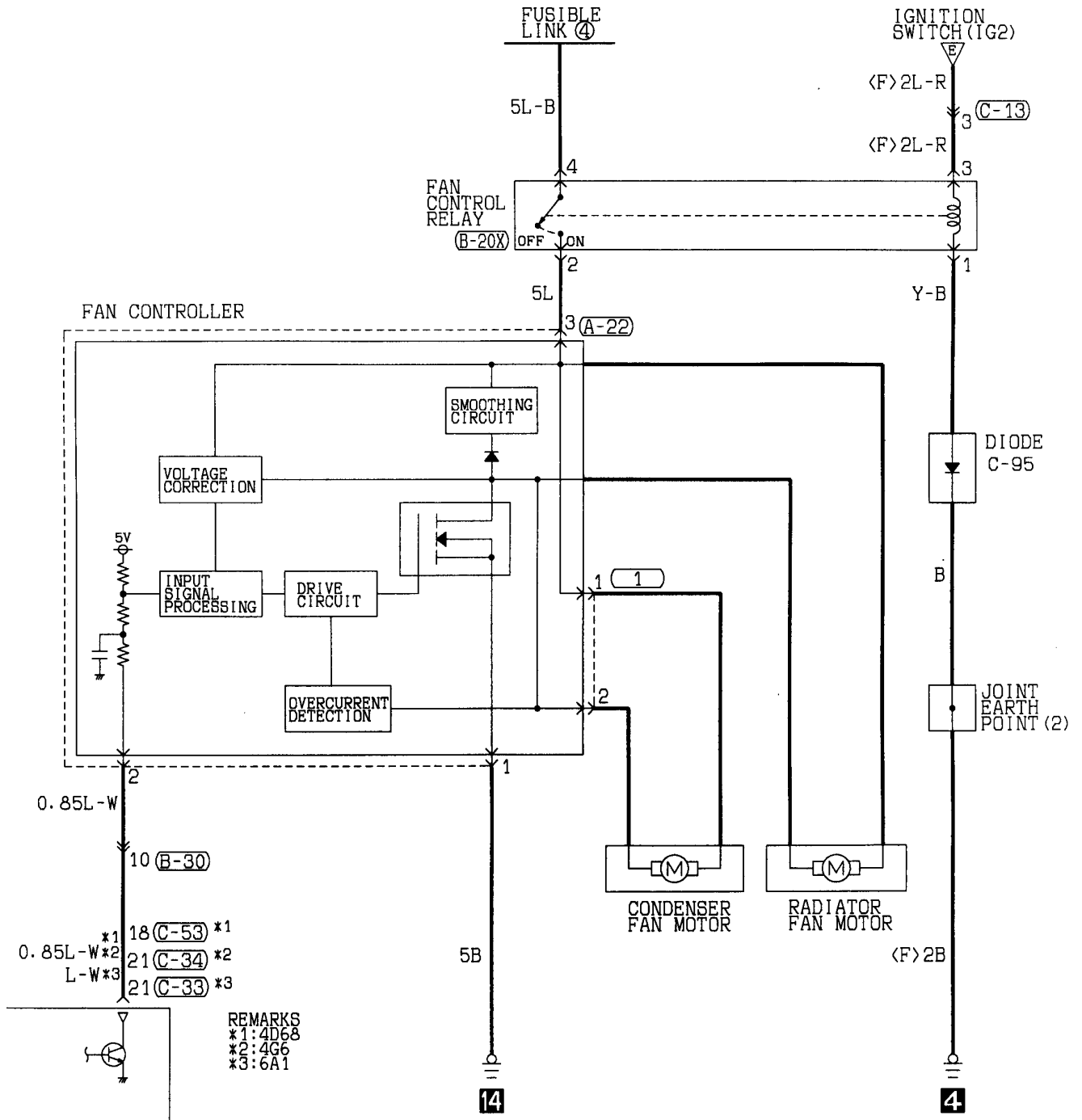




Wire colour code
 B :Black LG:Light green G :Green L :Blue W :White Y :Yellow SB:Sky blue
 BR:Brown O :Orange GR:Gray R :Red P :Pink V :Violet

MANUAL AIR CONDITIONER <R.H. drive vehicles> (CONTINUED)





REMARKS
 *1: 4D68
 *2: 4G6
 *3: 6A1

(C-34)

1	2	3	4	5	6	7	8	9	10	11	12	13
14	15	16	17	18	19	20	21	22	23	24	25	26

(C-35)

31	32	33	34	35	36	37	38
39	40	41	42	43	44	45	46

(C-36)

31	32	33	34	35	36	37	38
39	40	41	42	43	44	45	46

(C-37)

51	52	53	54	55	56
57	58	59	60	61	62

(C-53)

1	2	3	4	5	6	7	8	9	10	11	12	13
14	15	16	17	18	19	20	21	22	23	24	25	26

(C-54)

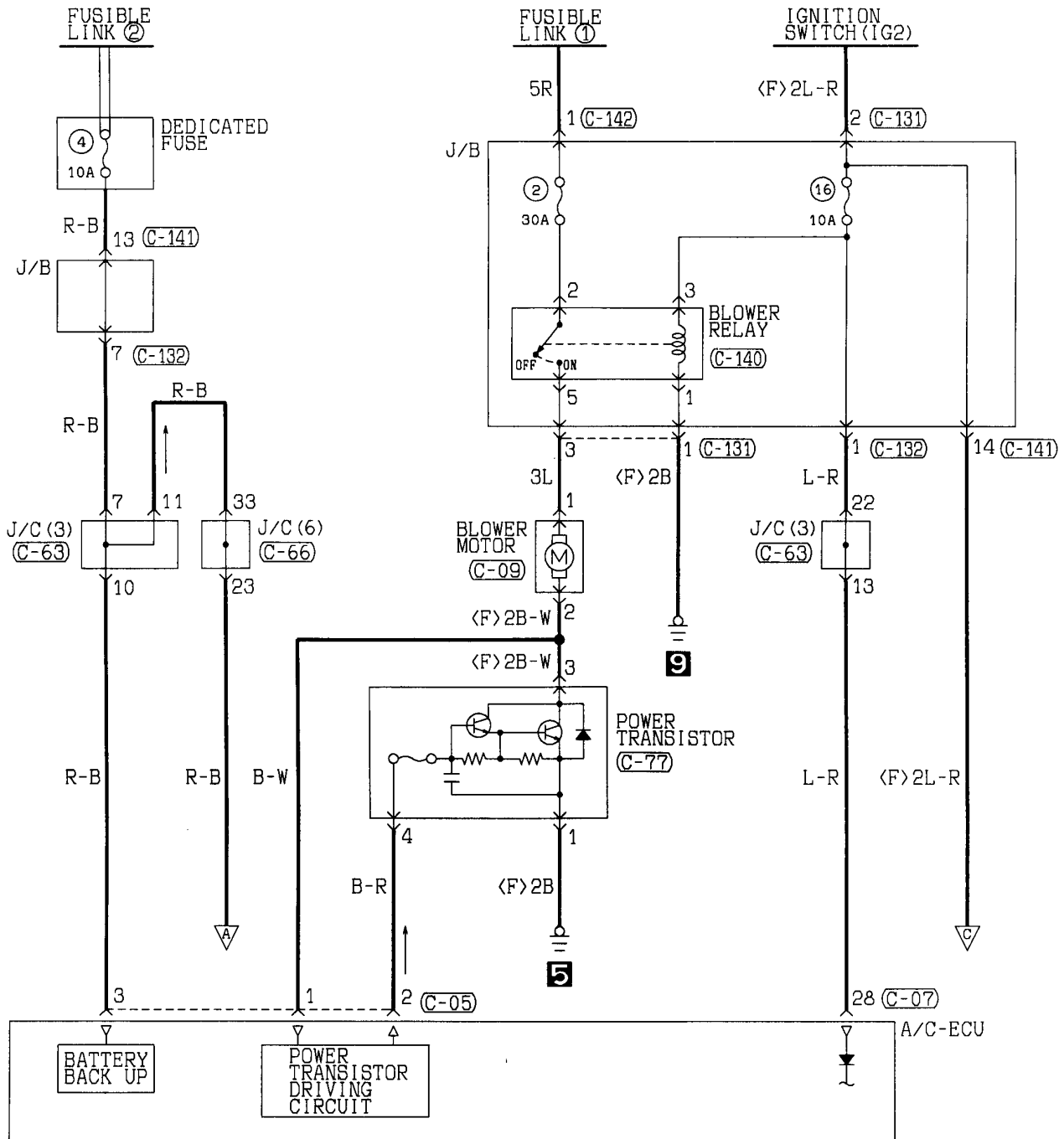
31	32	33	34	35	36	37	38
39	40	41	42	43	44	45	46

Wire colour code
 B : Black LG: Light green G : Green L : Blue W : White Y : Yellow SB: Sky blue
 BR: Brown O : Orange GR: Gray R : Red P : Pink V : Violet

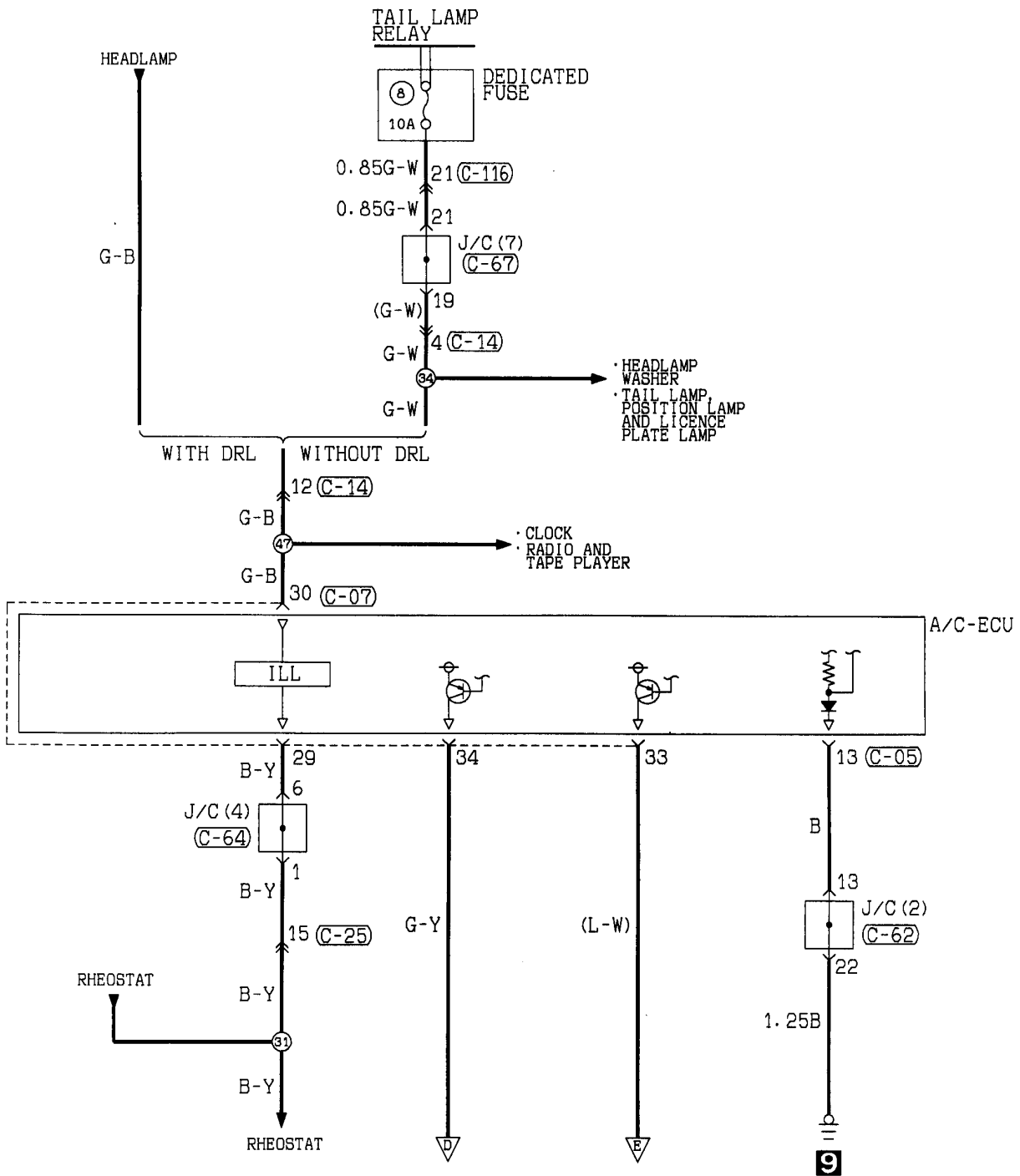
AUTOMATIC AIR CONDITIONER

90100560174

L.H. drive vehicles



(C-05) 1 2 3 4 5 6 7 8 9 10 11 12 13 14 15 16 17 18 19 20	(C-07) 21 22 23 24 25 26 27 28 29 30 31 32 33 34 35 36	(C-09) 1 2	(C-14) 1 2 3 4 5 6 7 8 9 10 11 12 13 14 15 16 17 18 19 20 21 22	(C-25) 1 2 3 4 5 6 7 8 9 10 11 12 13 14 15 16 17 18 19 20 21 22	(C-62) 1 2 3 4 5 6 7 8 9 10 11 12 13 14 15 16 17 18 19 20 21 22 23 24 25 26 27 28 29 30 31 32 33
(C-131) 1 7 2 3 4 5 6	(C-132) 1 2 3 4 5 6 7 8 9 10	(C-140) 1 2 3 4 5	(C-141) 1 2 3 4 5 6 7 8 9 10 11 12 13 14 15 16 17 18	(C-142) 1	



(C-63)

1	2	3	4	5	6	7	8	9	10	11
12	13	14	15	16	17	18	19	20	21	22
23	24	25	26	27	28	29	30	31	32	33

(C-64)

1	2	3	4	5	6	7	8	9	10	11
12	13	14	15	16	17	18	19	20	21	22
23	24	25	26	27	28	29	30	31	32	33

(C-66)

1	2	3	4	5	6	7	8	9	10	11
12	13	14	15	16	17	18	19	20	21	22
23	24	25	26	27	28	29	30	31	32	33

(C-67)

1	2	3	4	5	6	7	8	9	10	11
12	13	14	15	16	17	18	19	20	21	22
23	24	25	26	27	28	29	30	31	32	33

(C-77)

1	2
3	4

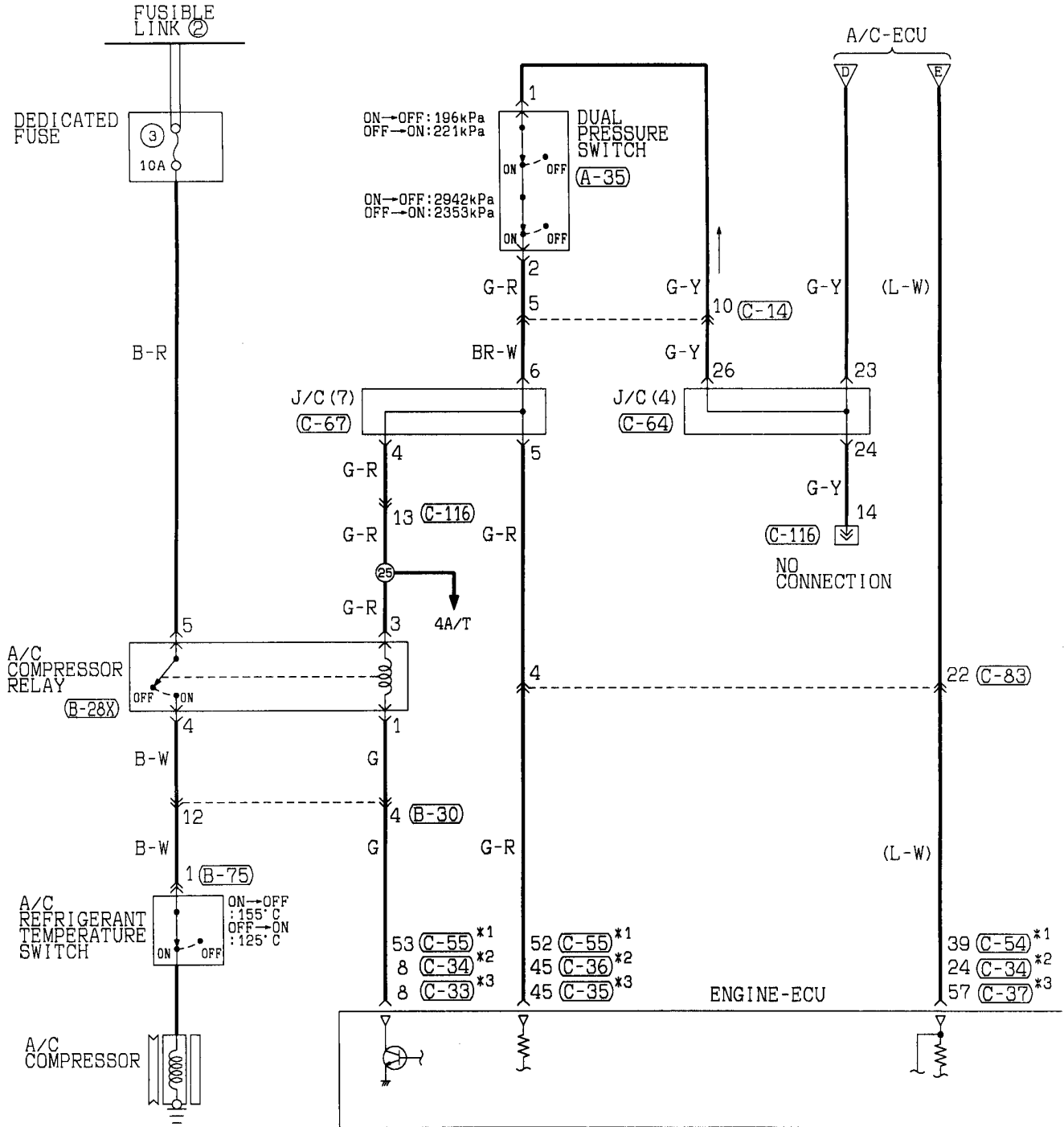
(C-116)

1	2	3	4	5	6	7	8	9	10		
11	12	13	14	15	16	17	18	19	20	21	22

Wire colour code

B : Black LG : Light green G : Green L : Blue W : White Y : Yellow SB : Sky blue
 BR : Brown O : Orange GR : Gray R : Red P : Pink V : Violet

AUTOMATIC AIR CONDITIONER <L.H. drive vehicles> (CONTINUED)

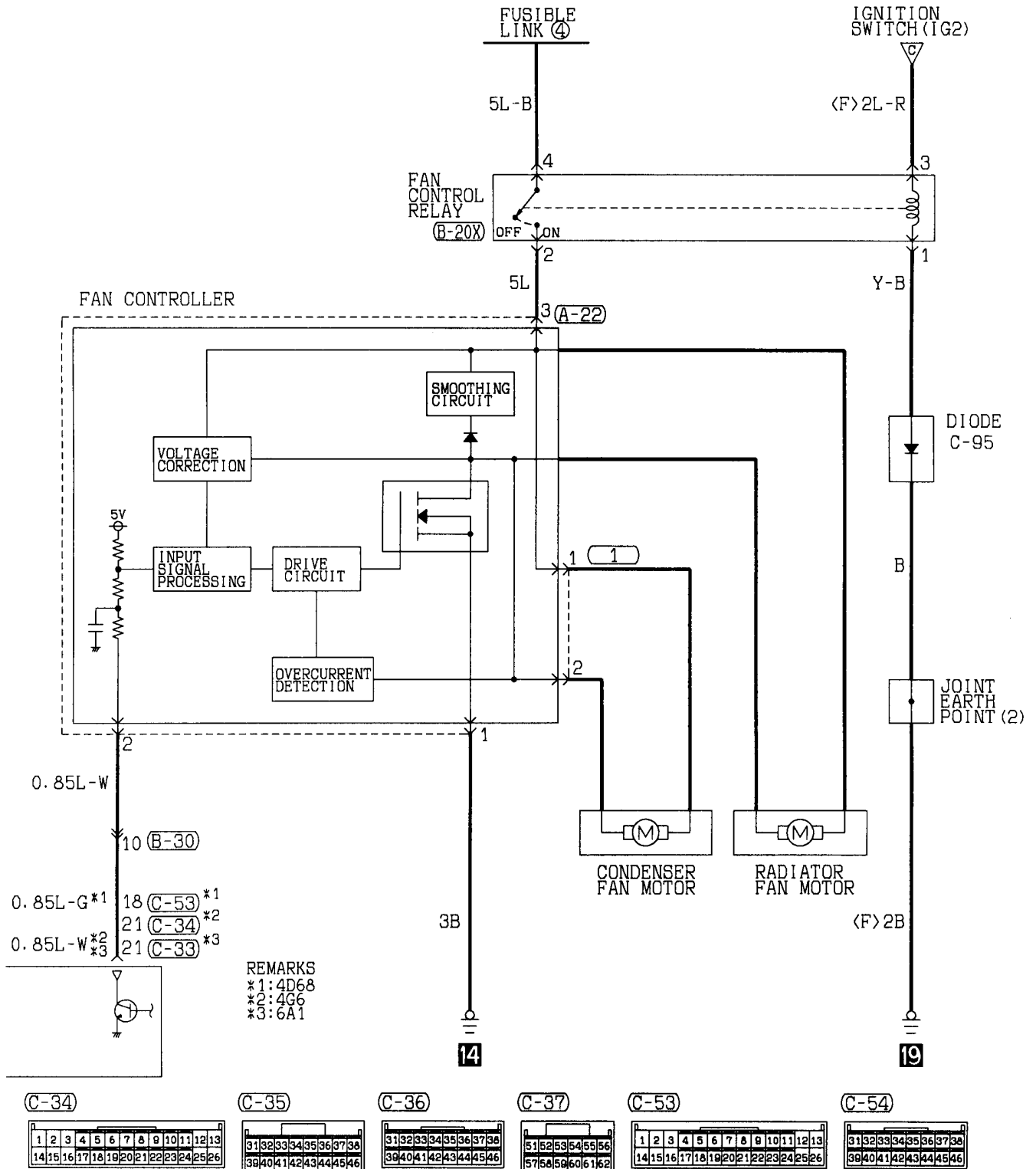


(A-22) (A-35) (B-20X) (B-28X) (B-30) (B-75) (C-14) (C-33)

(C-55) (C-64) (C-67) (C-83) (C-116)

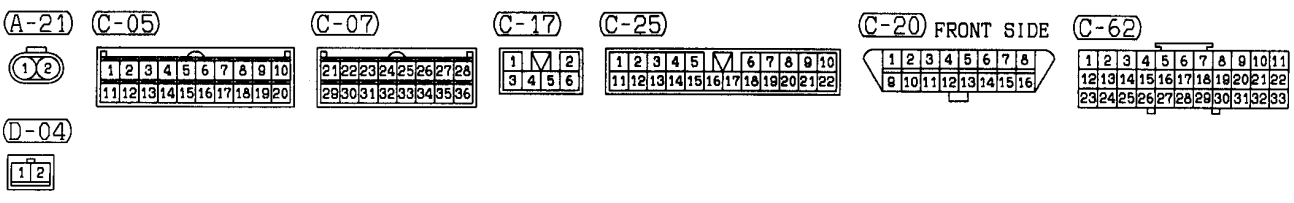
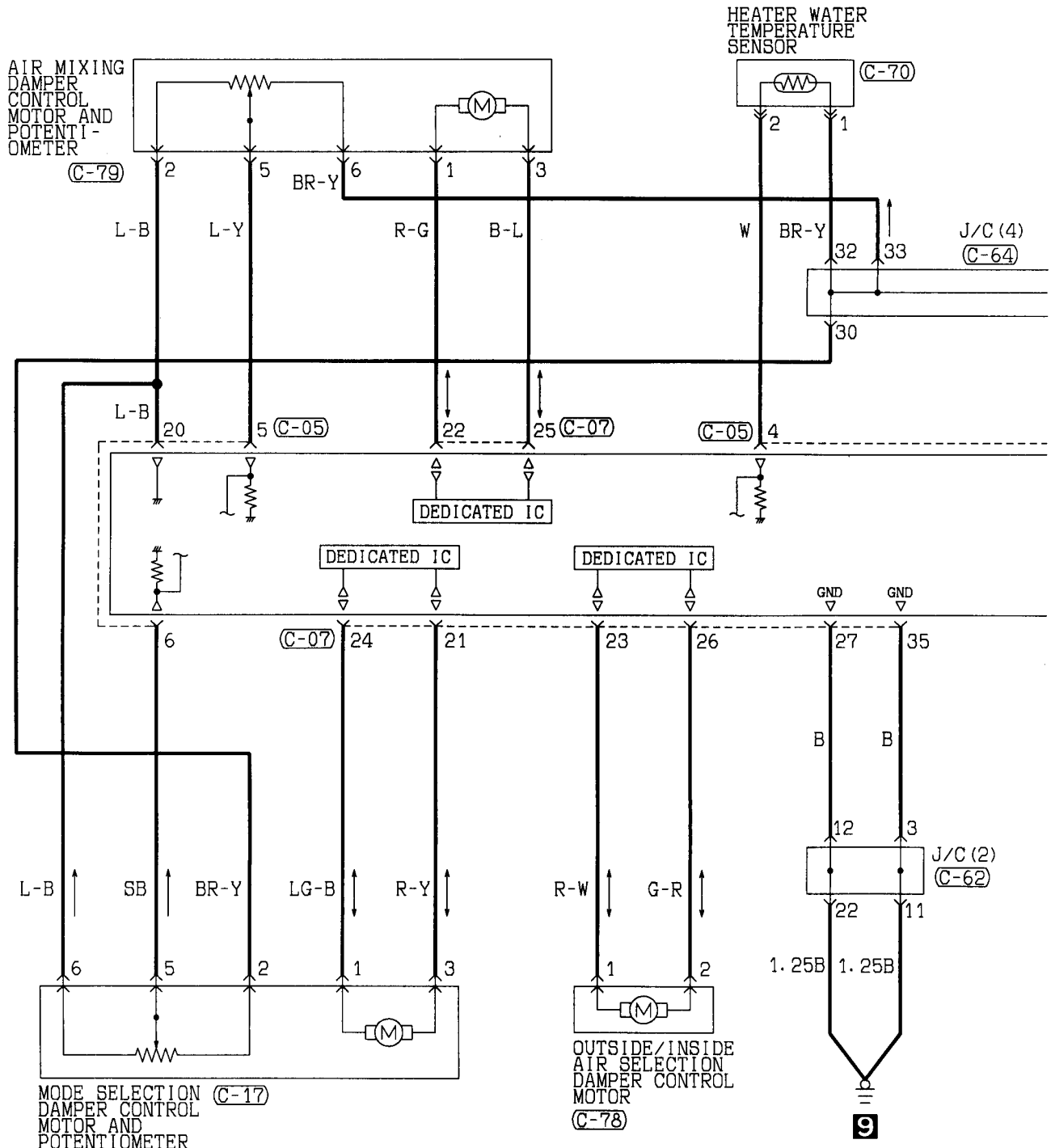
1 2 3	1 2 3 4 5 6 7 8 9 10 11	1 2 3 4 5 6 7 8 9 10 11	1 2 3 4 5 6 7 8 9 10	1 2 3 4 5 6 7 8 9 10
4	12 13 14 15 16 17 18 19 20 21 22	12 13 14 15 16 17 18 19 20 21 22	11 12 13 14 15 16 17 18 19 20 21 22	11 12 13 14 15 16 17 18 19 20 21 22
5	23 24 25 26 27 28 29 30 31 32 33	23 24 25 26 27 28 29 30 31 32 33		

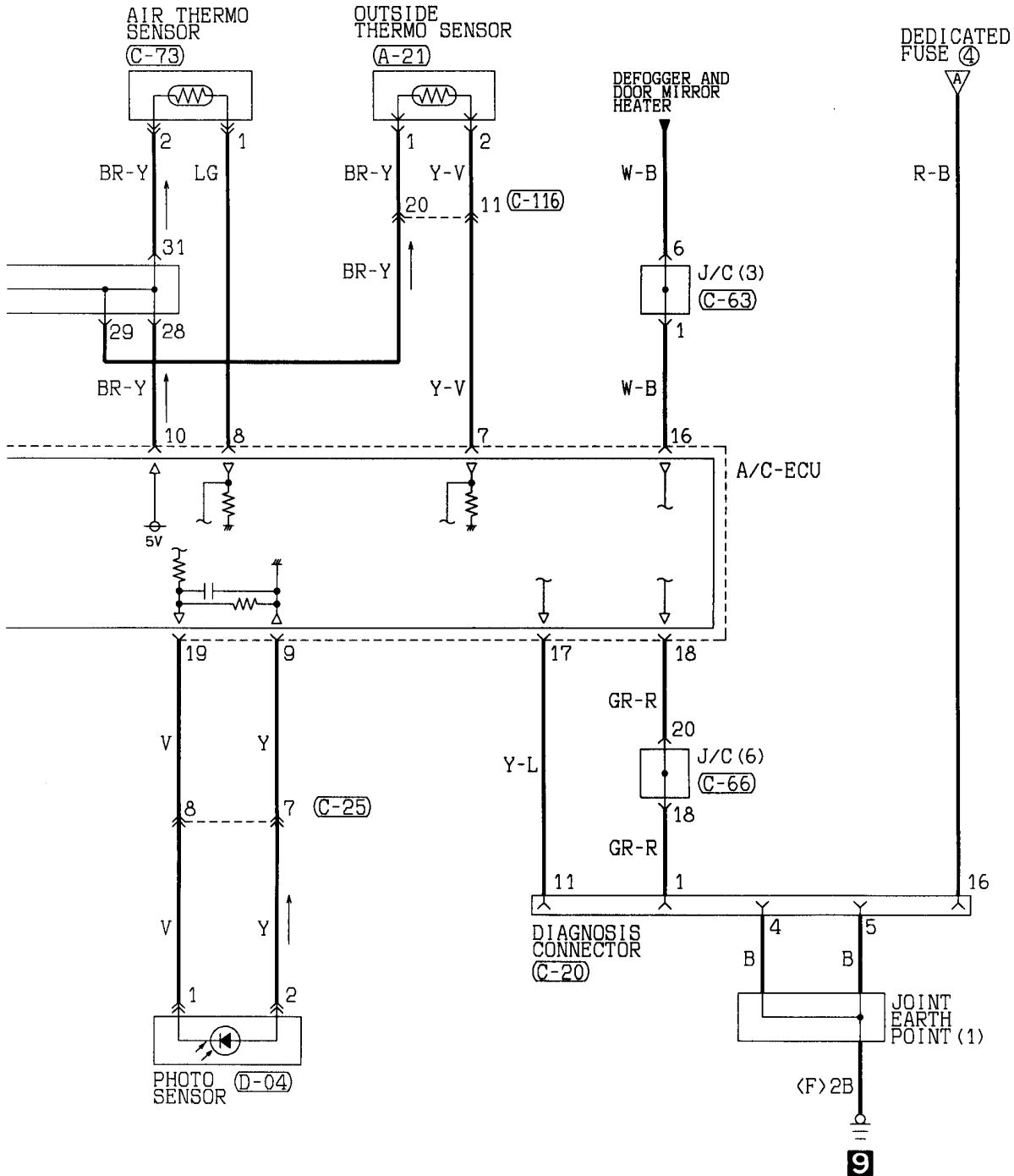
HS12E04BA



Wire colour code
 B :Black LG:Light green G:Green L :Blue W :White Y :Yellow SB:Sky blue
 BR:Brown O :Orange GR:Gray R :Red P :Pink V :Violet

AUTOMATIC AIR CONDITIONER <L.H. drive vehicles> (CONTINUED)





(C-63)

1	2	3	4	5	6	7	8	9	10	11
12	13	14	15	16	17	18	19	20	21	22
23	24	25	26	27	28	29	30	31	32	33

(C-64)

1	2	3	4	5	6	7	8	9	10	11
12	13	14	15	16	17	18	19	20	21	22
23	24	25	26	27	28	29	30	31	32	33

(C-66)

1	2	3	4	5	6	7	8	9	10	11
12	13	14	15	16	17	18	19	20	21	22
23	24	25	26	27	28	29	30	31	32	33

(C-70)

1	2
---	---

(C-73)

1

(C-78)

1	2
---	---

(C-79)

1	2
3	4
5	6

(C-116)

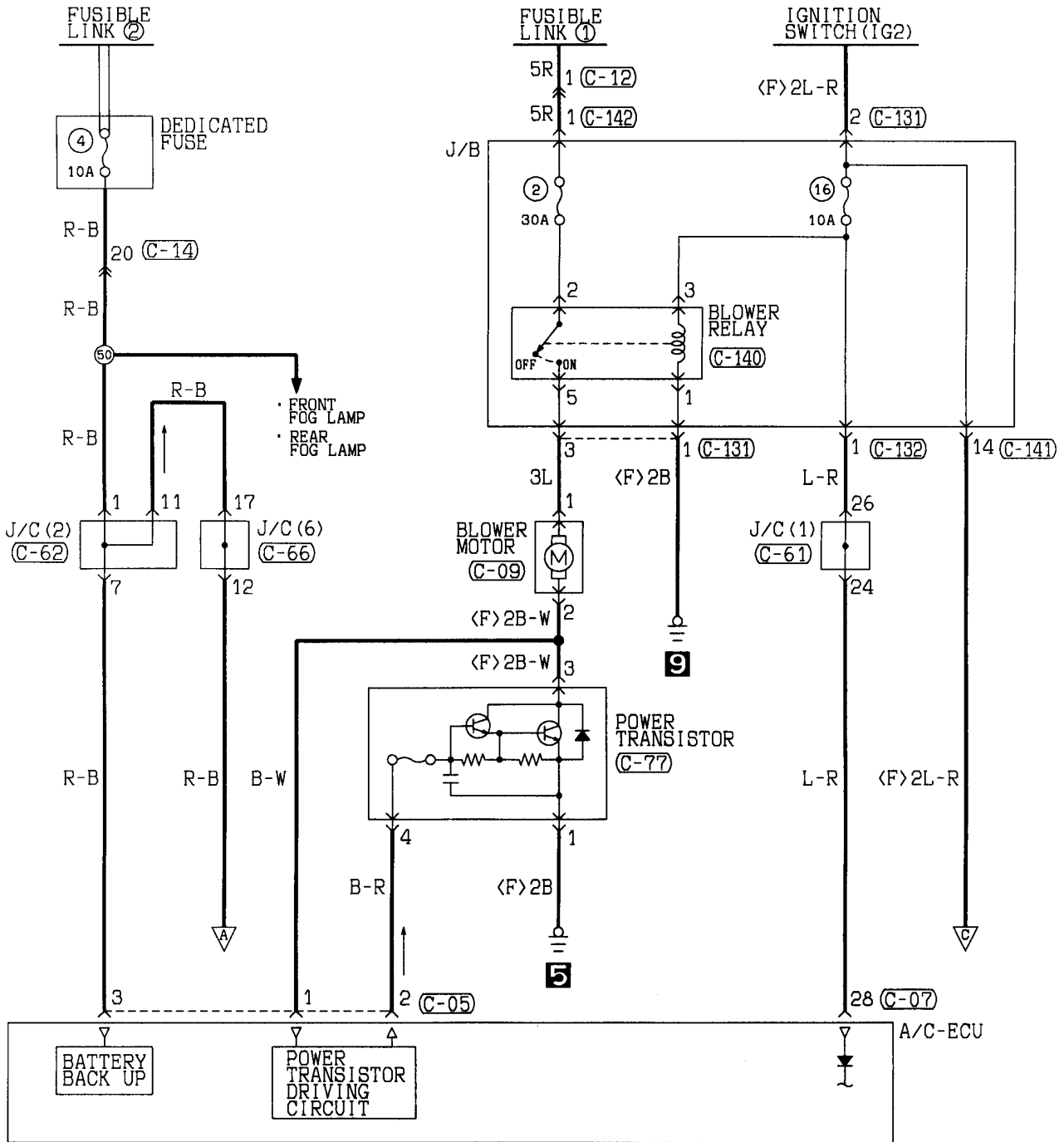
1	2	3	4	5	6	7	8	9	10
11	12	13	14	15	16	17	18	19	20
21	22								

Wire colour code
 B:Black LG:Light green G:Green L:Blue W:White Y:Yellow SB:Sky blue
 BR:Brown O:Orange GR:Gray R:Red P:Pink V:Violet

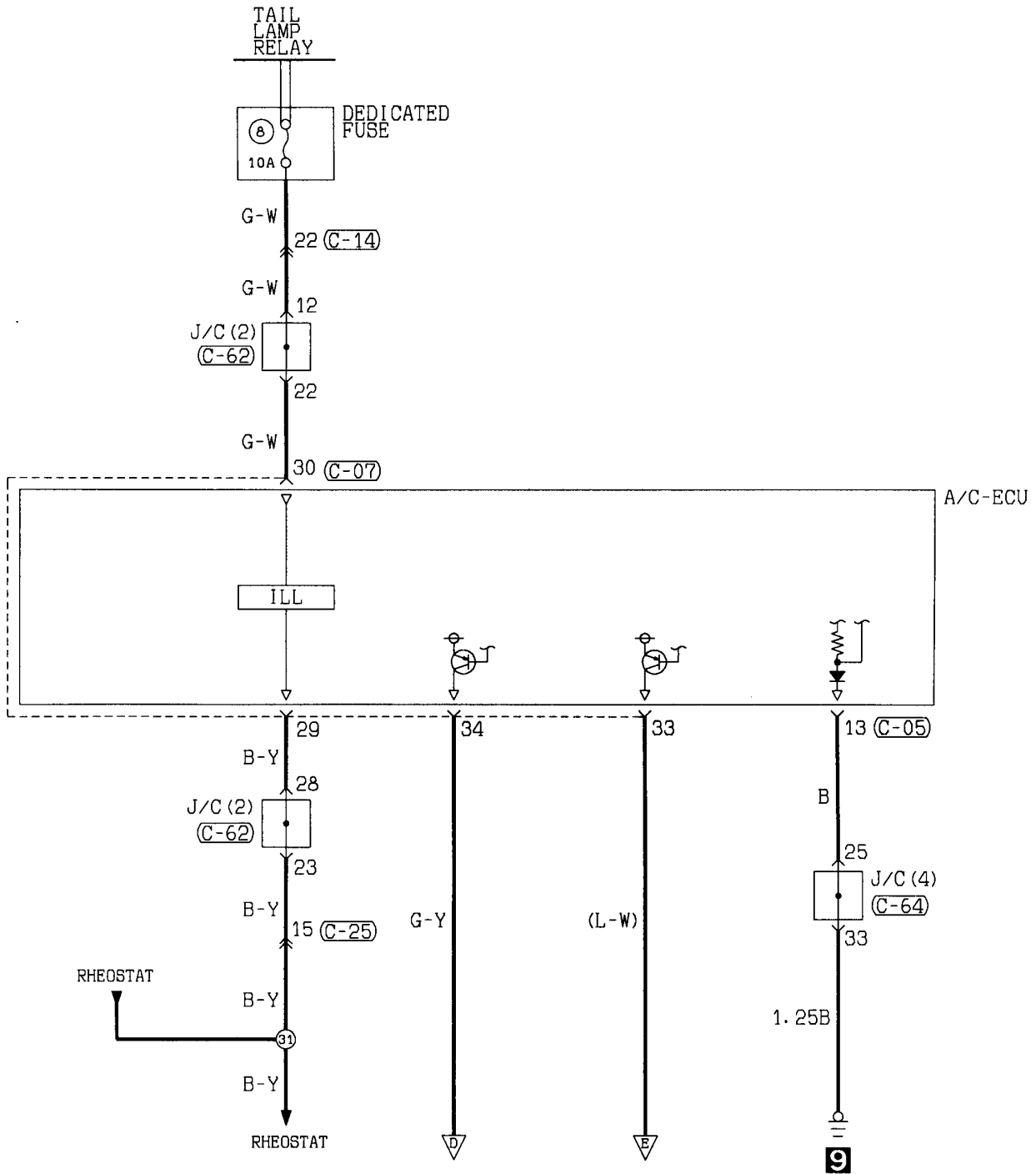
AUTOMATIC AIR CONDITIONER

90100560181

R.H. drive vehicles



C-05 1 2 3 4 5 6 7 8 9 10 11 12 13 14 15 16 17 18 19 20	C-07 21 22 23 24 25 26 27 28 29 30 31 32 33 34 35 36	C-09 1 2	C-12 1 2	C-14 1 2 3 4 5 6 7 8 9 10 11 12 13 14 15 16 17 18 19 20 21 22	C-25 1 2 3 4 5 6 7 8 9 10 11 12 13 14 15 16 17 18 19 20 21 22	C-61 1 2 3 4 5 6 7 8 9 10 11 12 13 14 15 16 17 18 19 20 21 22 23 24 25 26 27 28 29 30 31 32 33
C-141 1 2 3 4 5 6 7 8 9 10 11 12 13 14 15 16 17 18	C-142 1					



(C-62)

1	2	3	4	5	6	7	8	9	10	11
12	13	14	15	16	17	18	19	20	21	22
23	24	25	26	27	28	29	30	31	32	33

(C-64)

1	2	3	4	5	6	7	8	9	10	11
12	13	14	15	16	17	18	19	20	21	22
23	24	25	26	27	28	29	30	31	32	33

(C-66)

1	2	3	4	5	6	7	8	9	10	11
12	13	14	15	16	17	18	19	20	21	22
23	24	25	26	27	28	29	30	31	32	33

(C-77)

1	2
3	4

(C-131)

1	2
3	4
5	6

(C-132)

1	2	3	4
5	6	7	8
9	10		

(C-140)

2		
1	4	3
5		

Wire colour code

B : Black LG: Light green
BR: Brown O : Orange

G : Green GR: Gray

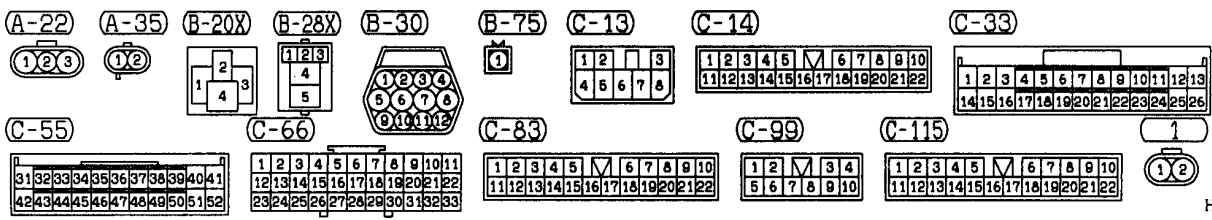
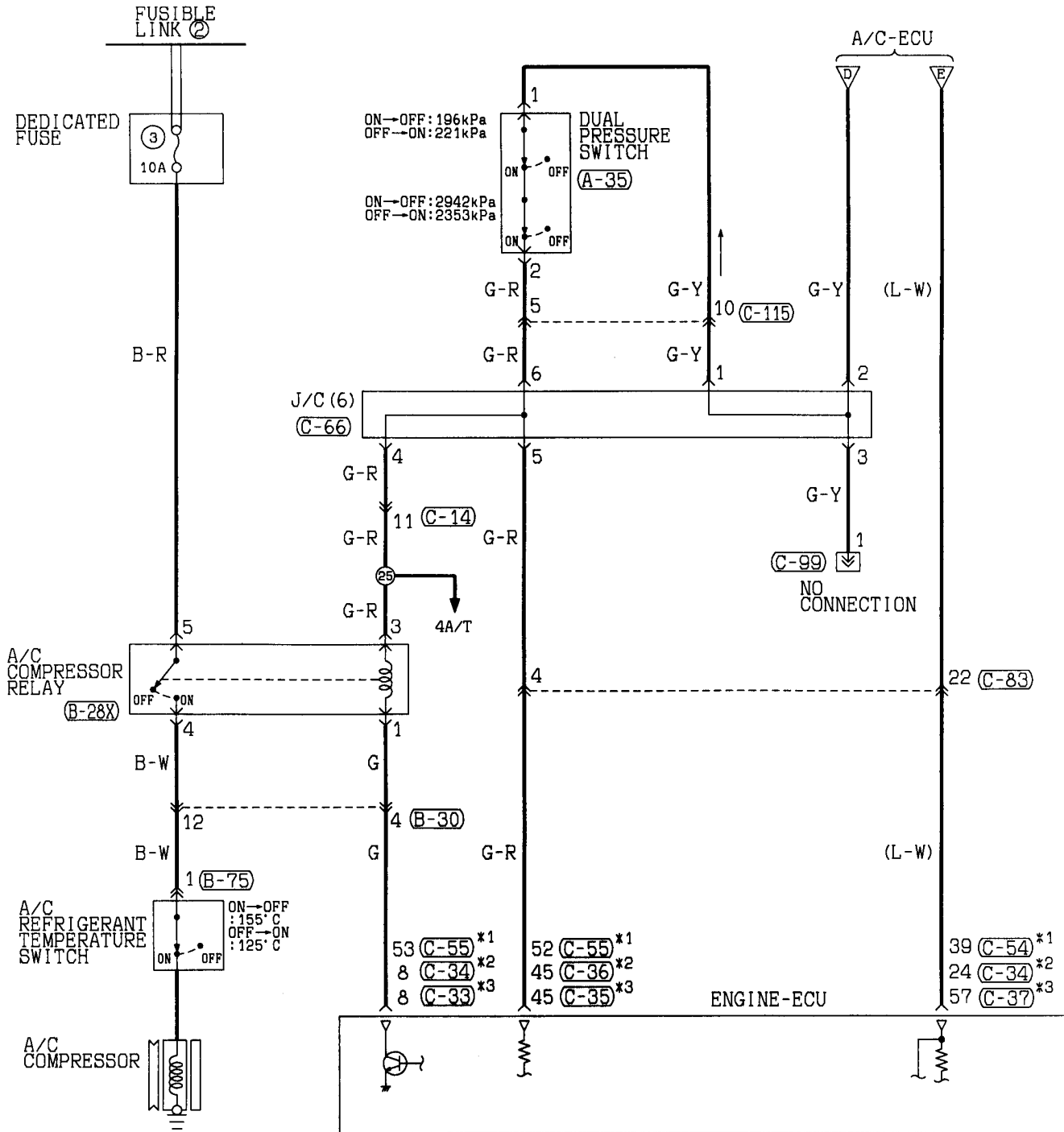
L : Blue R : Red

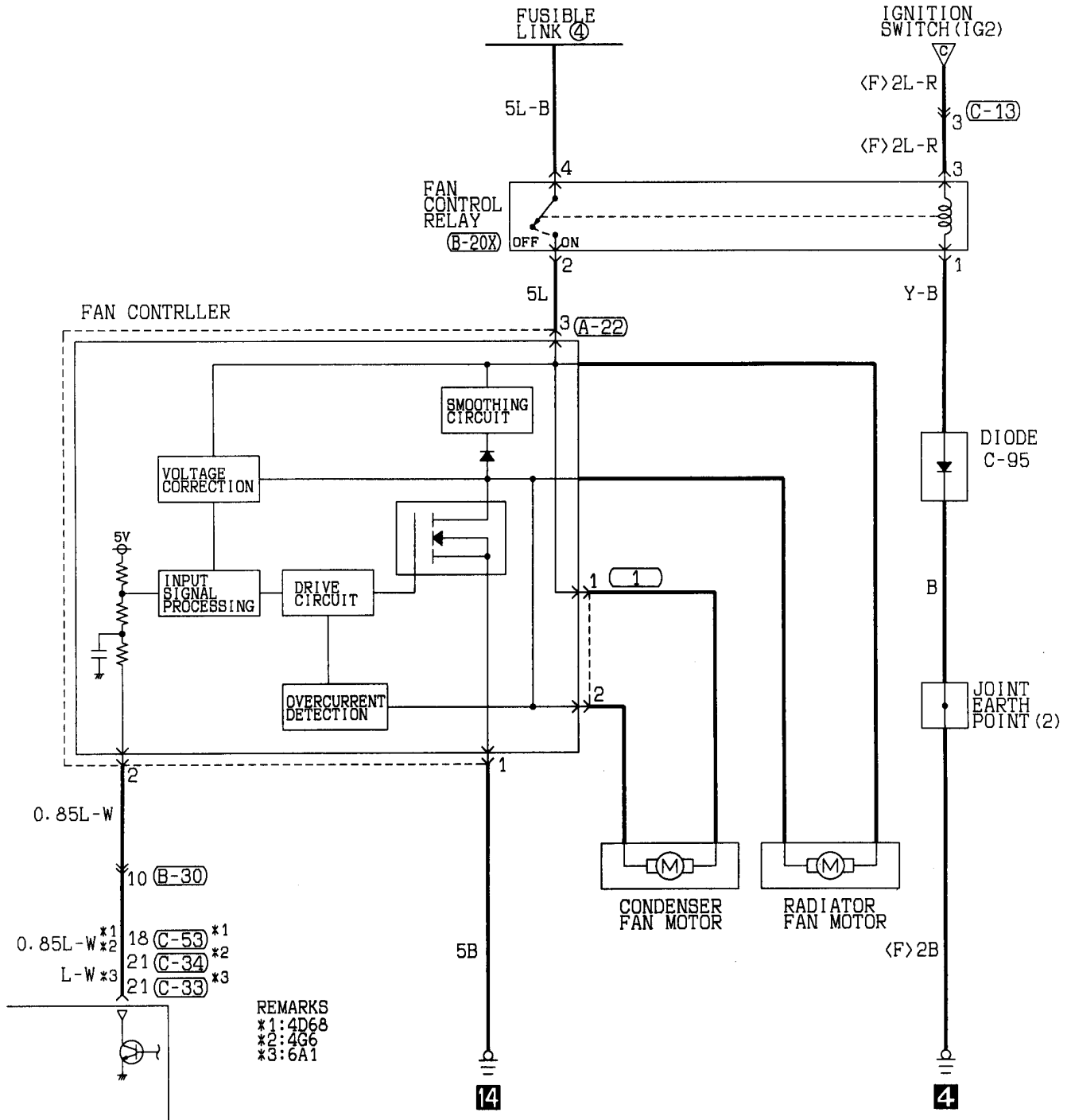
W : White P : Pink

Y : Yellow V : Violet

SB: Sky blue

AUTOMATIC AIR CONDITIONER <R.H. drive vehicles> (CONTINUED)





(C-34)

1	2	3	4	5	6	7	8	9	10	11	12	13
14	15	16	17	18	19	20	21	22	23	24	25	26

(C-35)

31	32	33	34	35	36	37	38
39	40	41	42	43	44	45	46

(C-36)

31	32	33	34	35	36	37	38
39	40	41	42	43	44	45	46

(C-37)

51	52	53	54	55	56
57	58	59	60	61	62

(C-53)

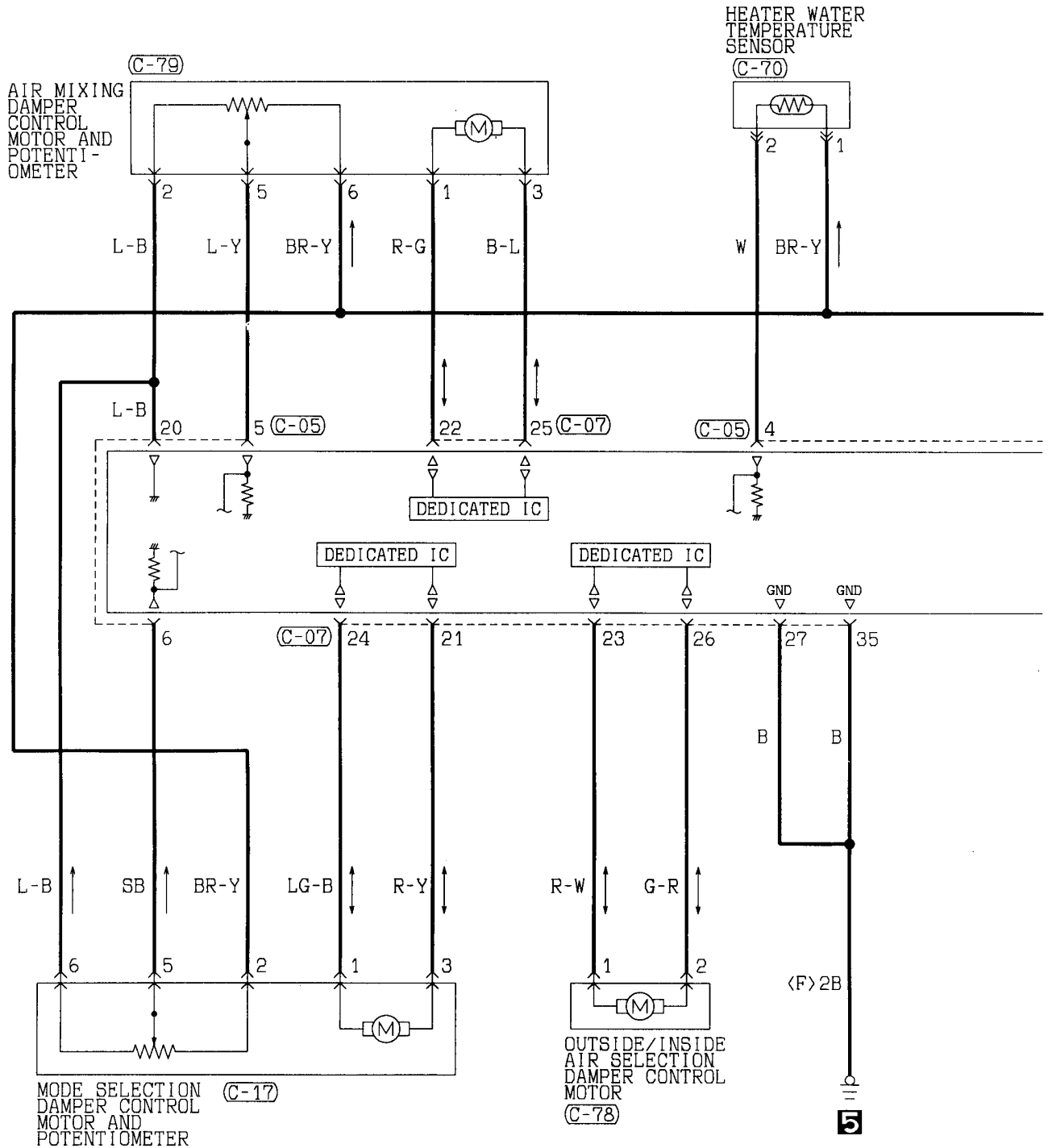
1	2	3	4	5	6	7	8	9	10	11	12	13
14	15	16	17	18	19	20	21	22	23	24	25	26

(C-54)

31	32	33	34	35	36	37	38
39	40	41	42	43	44	45	46

Wire colour code
 B:Black LG:Light green G:Green L:Blue W:White Y:Yellow SB:Sky blue
 BR:Brown O:Orange GR:Gray R:Red P:Pink V:Violet

AUTOMATIC AIR CONDITIONER <R.H. drive vehicles> (CONTINUED)



(A-21)

(C-05)

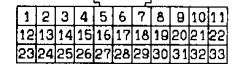
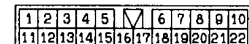
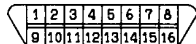
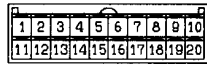
(C-07)

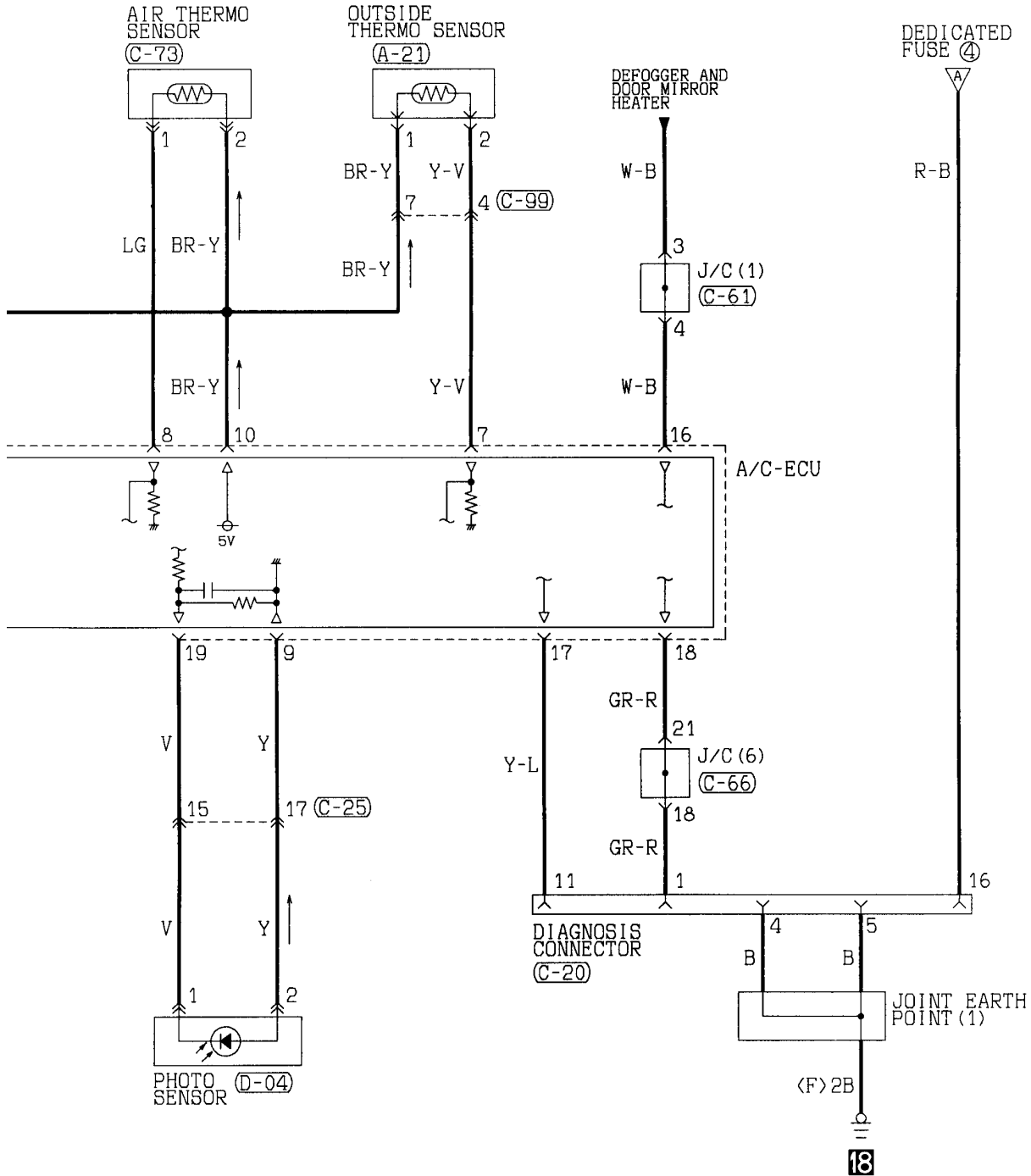
(C-17)

(C-20) FRONT SIDE

(C-25)

(C-61)





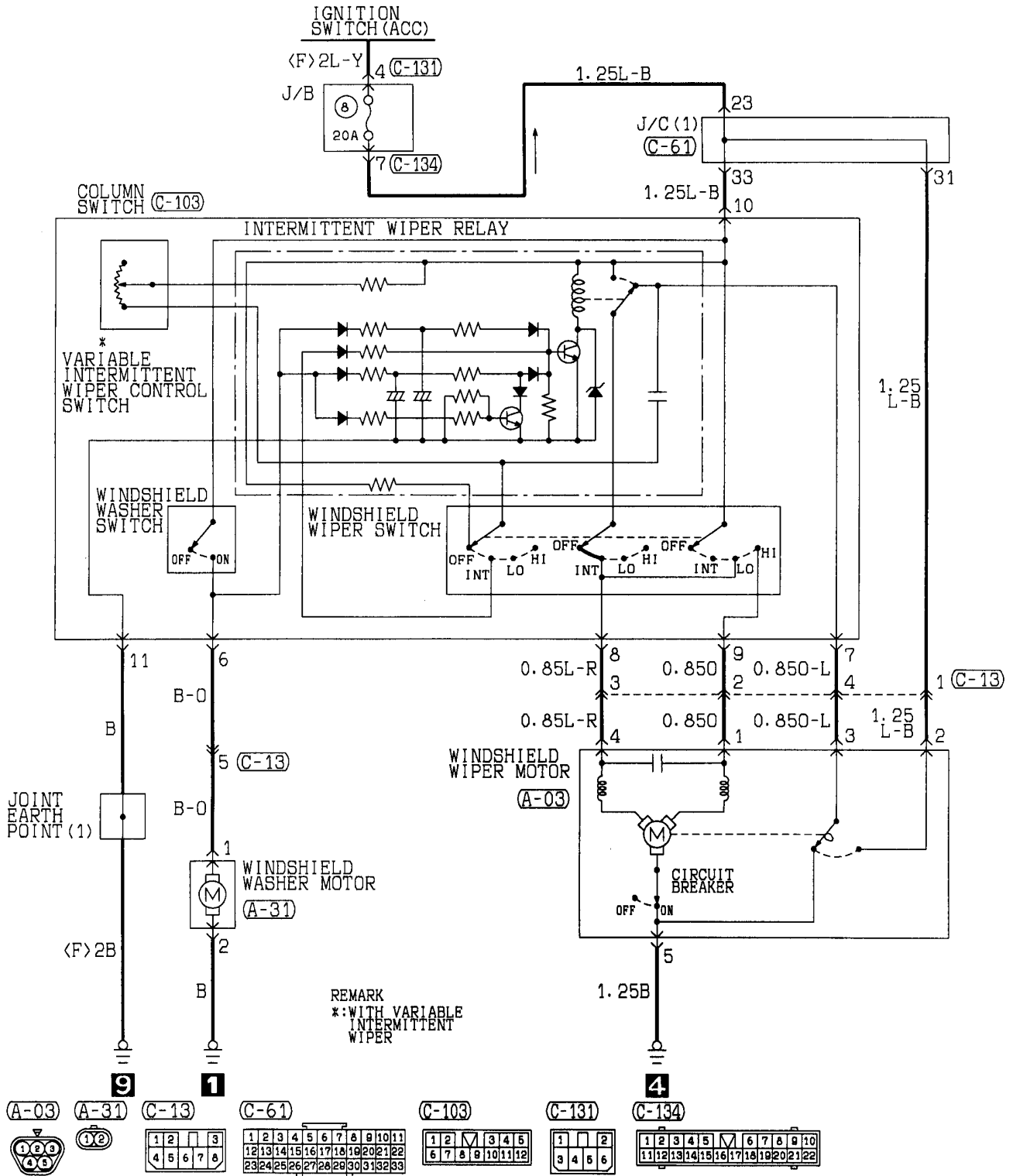
(C-66)	(C-70)	(C-73)	(C-78)	(C-79)	(C-99)	(D-04)																																																																					
<table border="1"> <tr><td>1</td><td>2</td><td>3</td><td>4</td><td>5</td><td>6</td><td>7</td><td>8</td><td>9</td><td>10</td><td>11</td></tr> <tr><td>12</td><td>13</td><td>14</td><td>15</td><td>16</td><td>17</td><td>18</td><td>19</td><td>20</td><td>21</td><td>22</td></tr> <tr><td>23</td><td>24</td><td>25</td><td>26</td><td>27</td><td>28</td><td>29</td><td>30</td><td>31</td><td>32</td><td>33</td></tr> </table>	1	2	3	4	5	6	7	8	9	10	11	12	13	14	15	16	17	18	19	20	21	22	23	24	25	26	27	28	29	30	31	32	33	<table border="1"> <tr><td>M</td><td>1</td><td>2</td></tr> </table>	M	1	2	<table border="1"> <tr><td>1</td><td>2</td></tr> </table>	1	2	<table border="1"> <tr><td>M</td><td>1</td><td>2</td></tr> <tr><td>3</td><td>4</td><td>5</td><td>6</td></tr> </table>	M	1	2	3	4	5	6	<table border="1"> <tr><td>1</td><td>M</td><td>2</td></tr> <tr><td>3</td><td>4</td><td>5</td><td>6</td></tr> <tr><td>7</td><td>8</td><td>9</td><td>10</td></tr> </table>	1	M	2	3	4	5	6	7	8	9	10	<table border="1"> <tr><td>1</td><td>2</td><td>M</td><td>3</td><td>4</td></tr> <tr><td>5</td><td>6</td><td>7</td><td>8</td><td>9</td><td>10</td></tr> </table>	1	2	M	3	4	5	6	7	8	9	10	<table border="1"> <tr><td>1</td><td>2</td></tr> </table>	1	2
1	2	3	4	5	6	7	8	9	10	11																																																																	
12	13	14	15	16	17	18	19	20	21	22																																																																	
23	24	25	26	27	28	29	30	31	32	33																																																																	
M	1	2																																																																									
1	2																																																																										
M	1	2																																																																									
3	4	5	6																																																																								
1	M	2																																																																									
3	4	5	6																																																																								
7	8	9	10																																																																								
1	2	M	3	4																																																																							
5	6	7	8	9	10																																																																						
1	2																																																																										

Wire colour code
 B : Black LG:Light green G :Green L :Blue W :White Y :Yellow SB:Sky blue
 BR:Brown O :Orange GR:Gray R :Red P :Pink V :Violet

WINDSHIELD WIPER AND WASHER

90100610428

L.H. drive vehicles

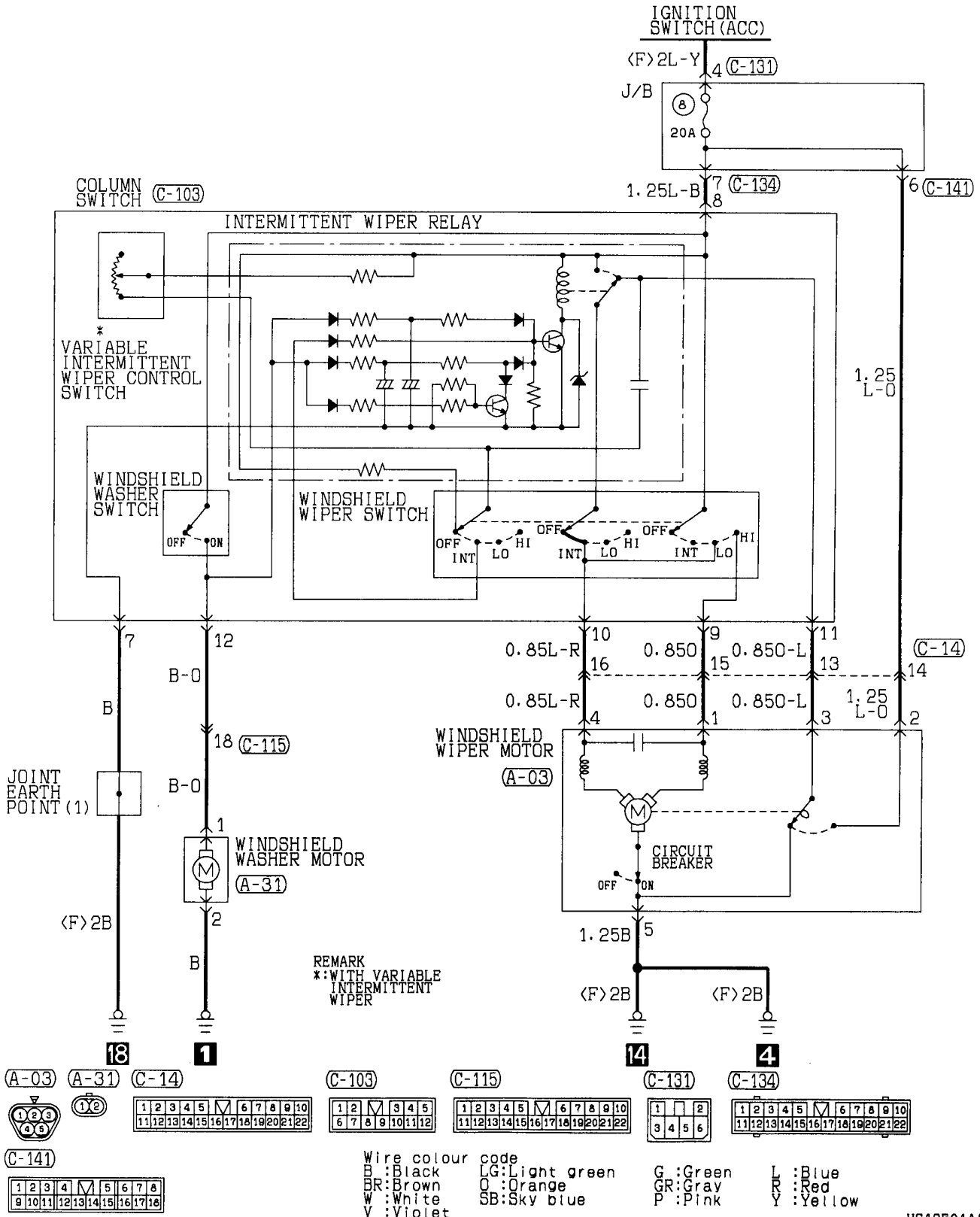


Wire colour code
 B:Black LG:Light green G:Green L:Blue W:White Y:Yellow SB:Sky blue
 BR:Brown O:Orange GR:Gray R:Red P:Pink V:Violet

WINDSHIELD WIPER AND WASHER

90100610435

R.H. drive vehicles



WINDSHIELD WIPER AND WASHER (See P. 4-376, 377.)**OPERATION****<Low-speed (and high-speed) wiper operation>**

- When the wiper switch is placed in the LO position with the ignition switch in the ACC or ON position, wipers operate continuously at low speed.
- Placing the wiper switch in the HI position causes the wipers to operate at high speed.

<Automatic wiper stopping operation>

- When the wiper switch is placed in the OFF position, the cam contacts of wiper motor caused current to flow through the automatic wiper stopping circuit, allowing the wiper blades to cycle before they reach to the stop positions.

<Intermittent wiper operation>

- When the wiper switch is placed in the INT position with the ignition switch in ACC or ON position, the intermittent wiper relay is energized causing the intermittent wiper relay contacts to close and open repeatedly.
- When the contacts are closed, the wiper motor is energized.
- When the wiper motor is energized, the relay contacts open, however, the cam contacts keep the wiper motor energized until the wiper blades return to their stop position.

<Washer-activated wiper operation>

- When the washer switch is turned on, the intermittent wiper relay contacts close causing wipers to cycle two to three times.

TROUBLESHOOTING HINTS

- Wipers do not operate.
 - Washer is not operative, either.
 - Check the multi-purpose fuse No. (8).
 - Check the earth.
- Low-speed (or high-speed) wiper operation only is inoperative.
 - Check the wiper switch.
- Wipers do not stop.
 - Check the wiper motor.
 - Check the intermittent wiper relay.
 - Check the wiper switch.
- Intermittent wiper operation is inoperative.
 - Check terminal voltage of steering-column switch (with a built-in intermittent wiper relay) with the intermittent wiper relay energized. (see below)
- The length of pause for intermittent operation cannot be varied.
 - Check the variable intermittent wiper control switch.
 - Check the intermittent wiper relay.
- Washer is inoperative.
 - Wiper is operative on washer-activated wiper operation.
 - Check the washer motor.
 - Washer-activated wiper operation is inoperative also.
 - Check the washer switch.
- Washer-activated wiper operation is inoperative.
 - Check the intermittent wiper relay.

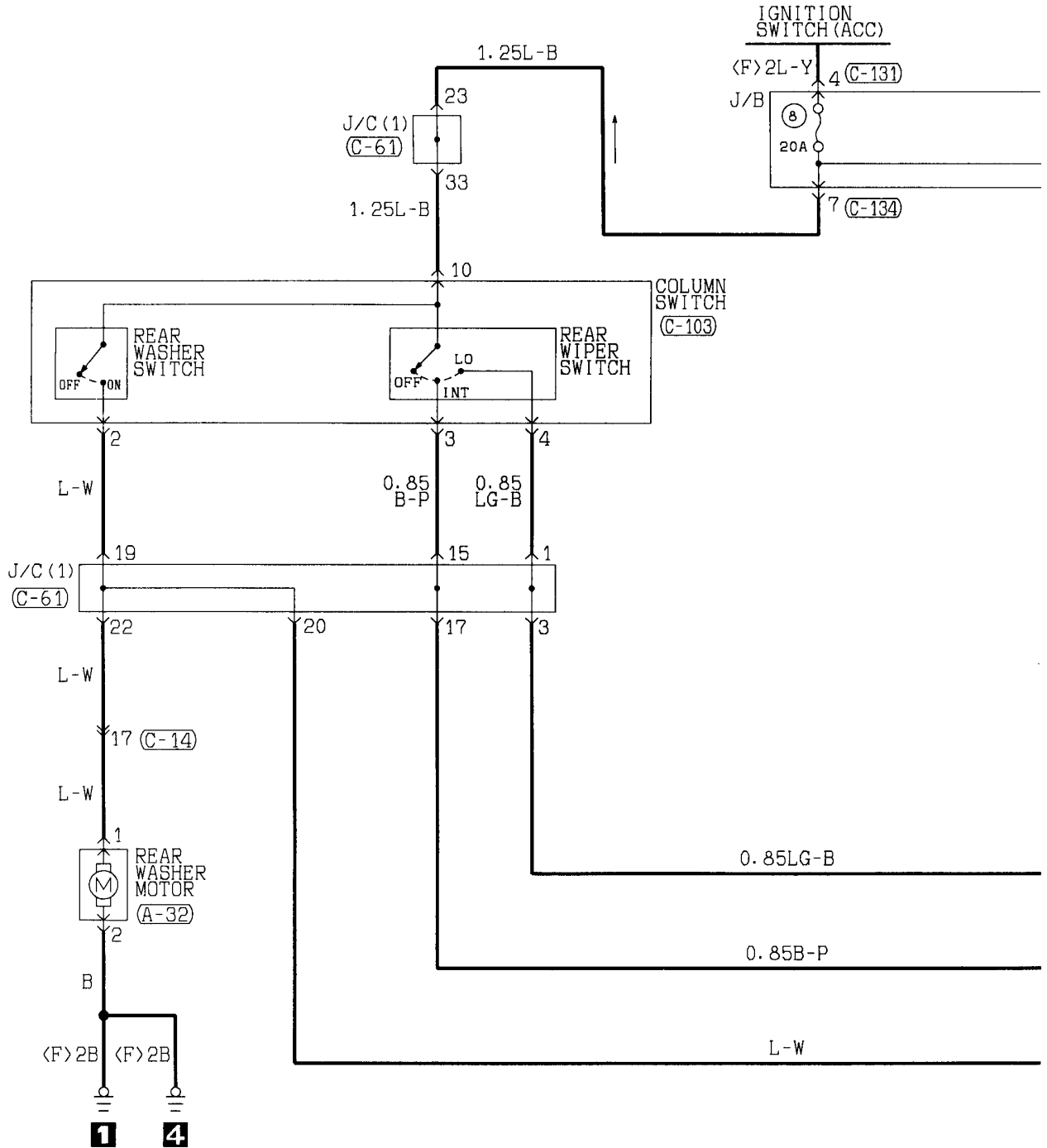
Terminal No.	Voltage	Check
8 <LHD> 10 <RHD>	0V	Intermittent wiper relay or wiper switch
	System voltage	Intermittent wiper relay
	0V↔System voltage (alternating)	- (Normal)

NOTES

REAR WIPER AND WASHER

90100620339

Sedan <L.H. drive vehicles>



(A-32)

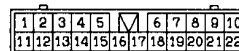
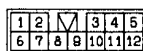
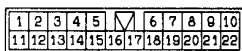
(C-14)

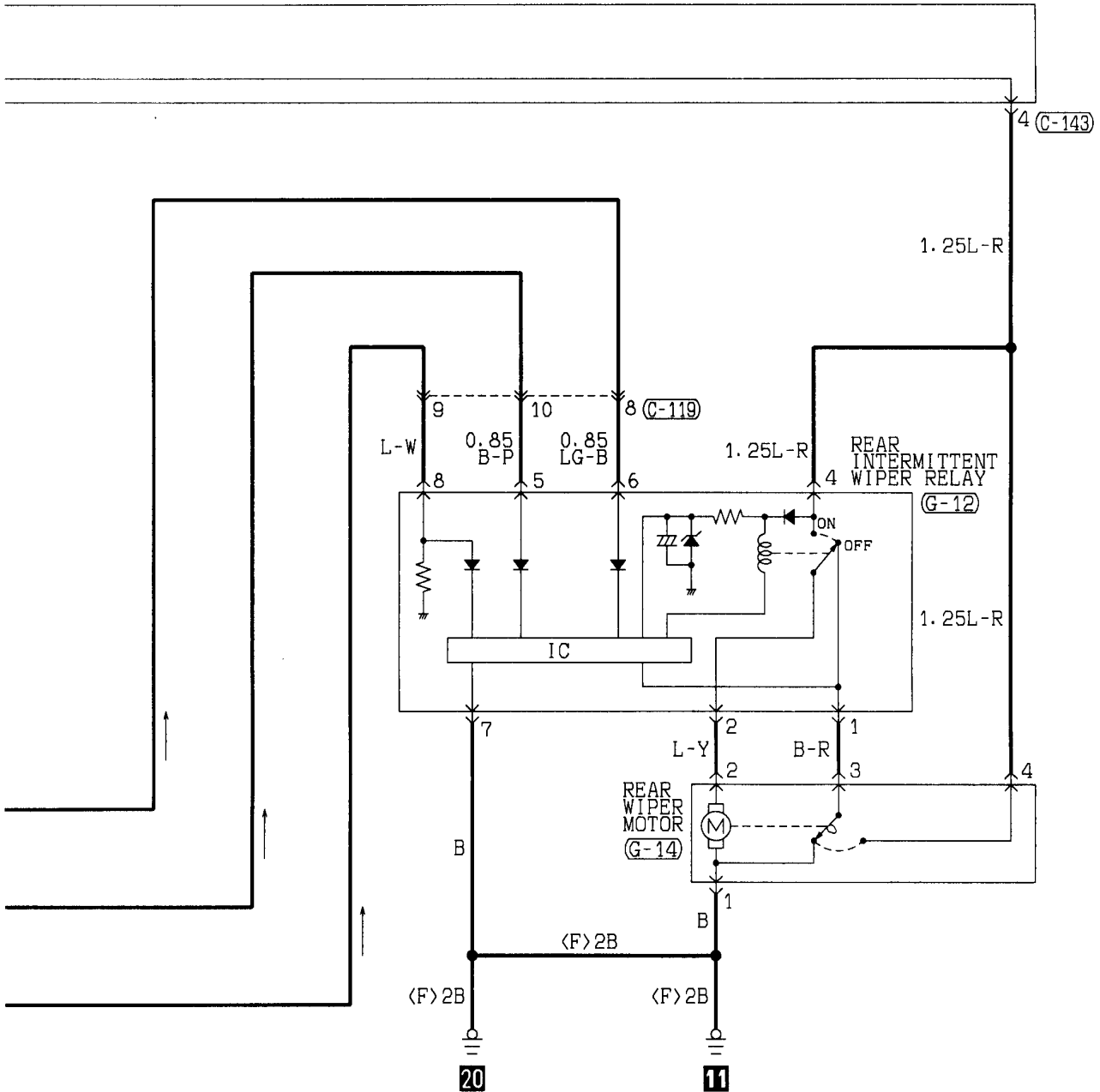
(C-61)

(C-103)

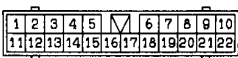
(C-119)

(C-131)

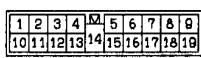




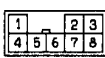
(C-134)



(C-143)



(G-12)



(G-14)

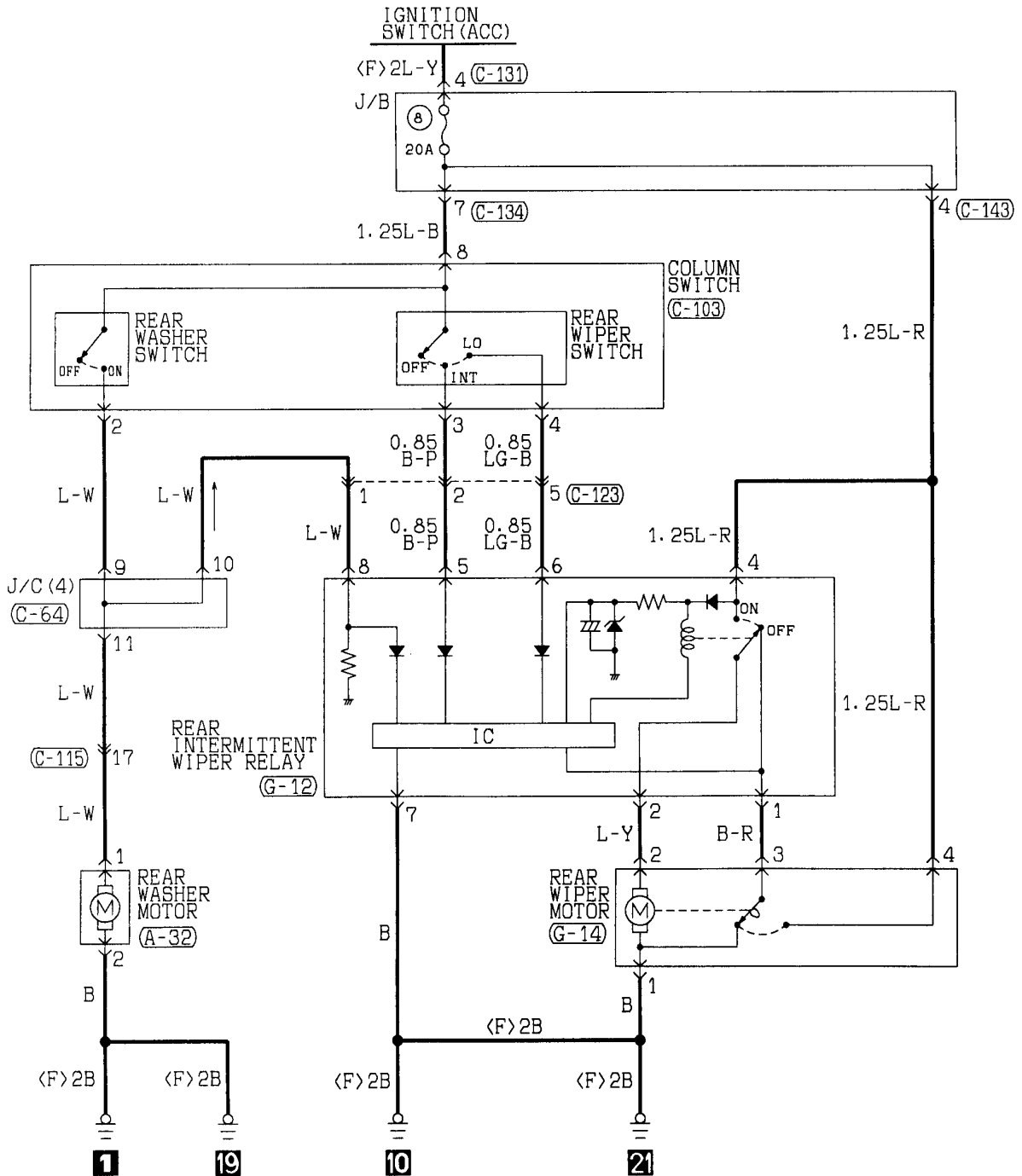


Wire colour code
 B :Black LG:Light green G :Green L :Blue W :White Y :Yellow SB:Sky blue
 BR:Brown O :Orange GR:Gray R :Red P :Pink V :Violet

REAR WIPER AND WASHER

90100620346

Sedan <R.H. drive vehicles>



(A-32)

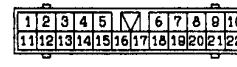
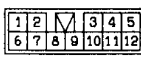
(C-64)

(C-103)

(C-115)

(C-123)

(C-131)

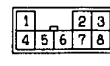
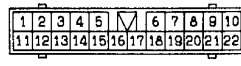


(C-134)

(C-143)

(G-12)

(G-14)

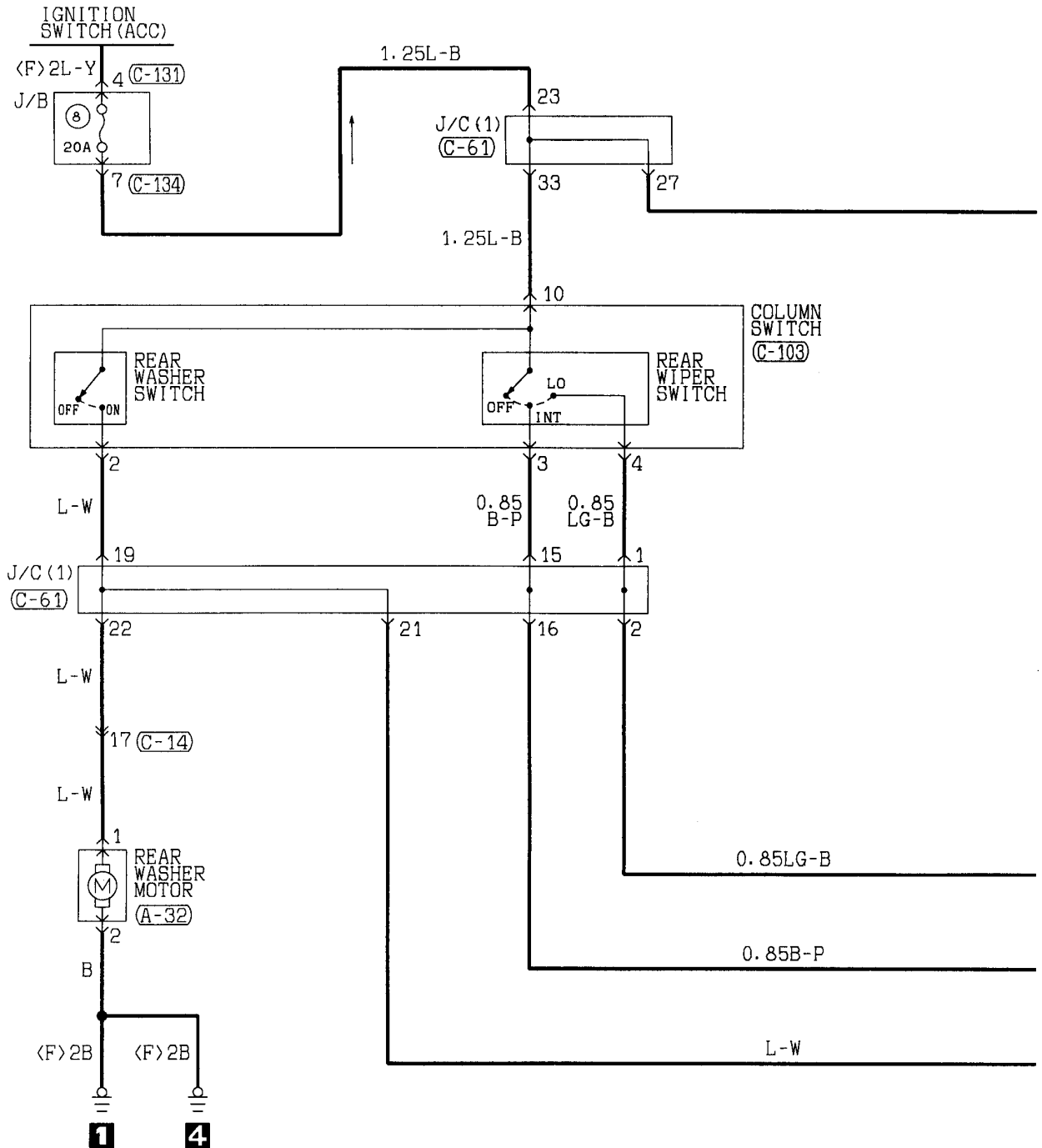


NOTES

REAR WIPER AND WASHER

90100620353

Wagon <L.H. drive vehicles>



(A-32)

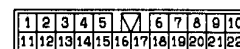
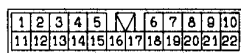
(C-14)

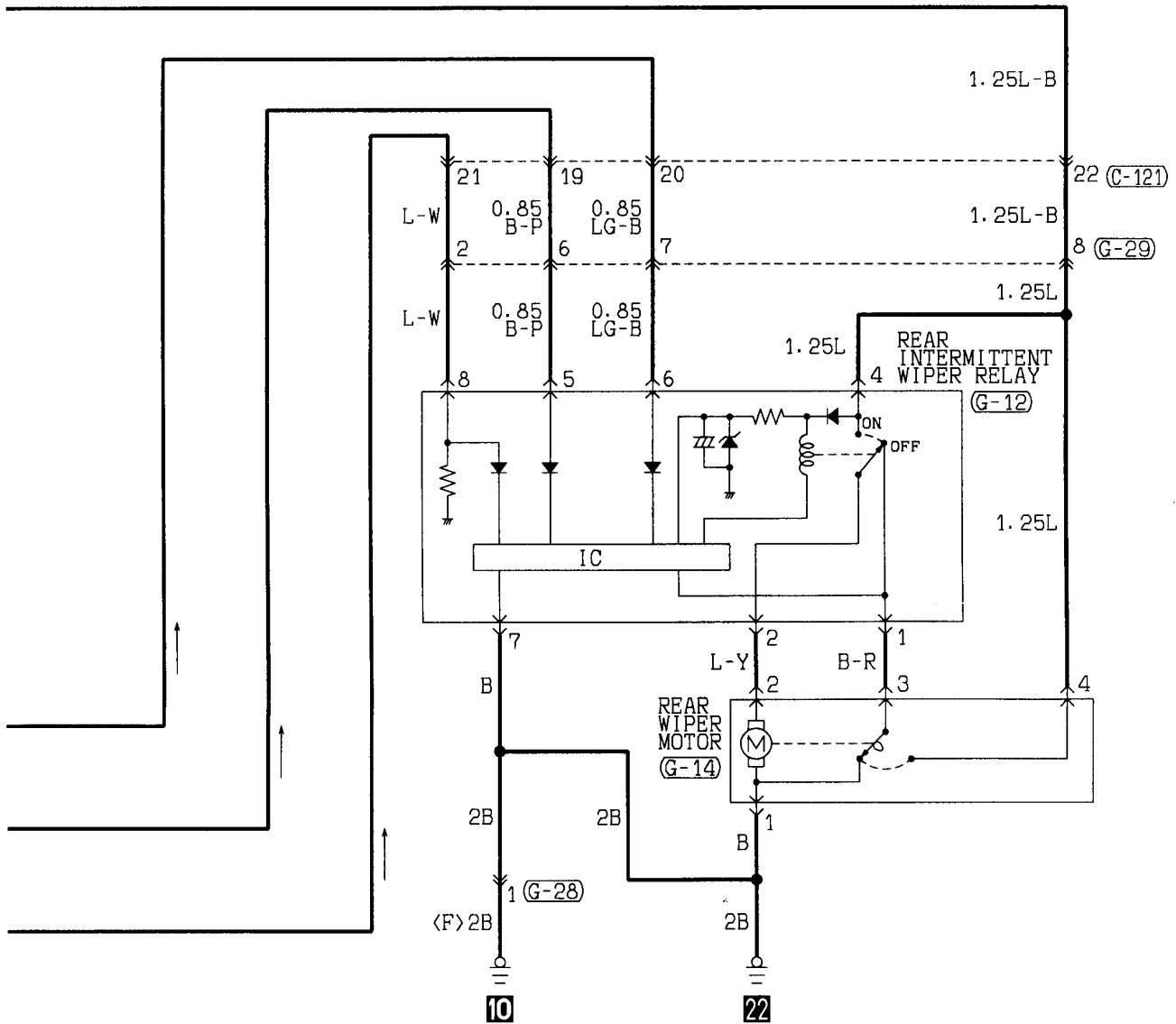
(C-61)

(C-103)

(C-121)

(C-131)





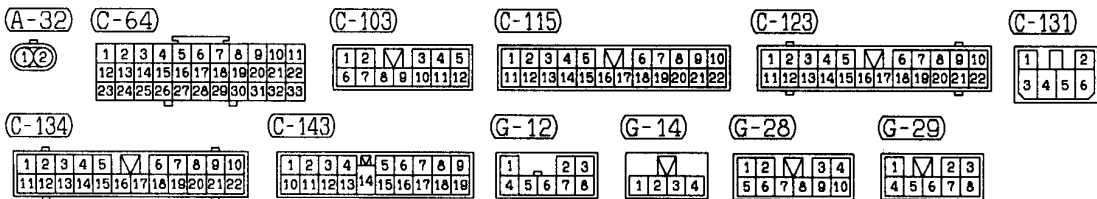
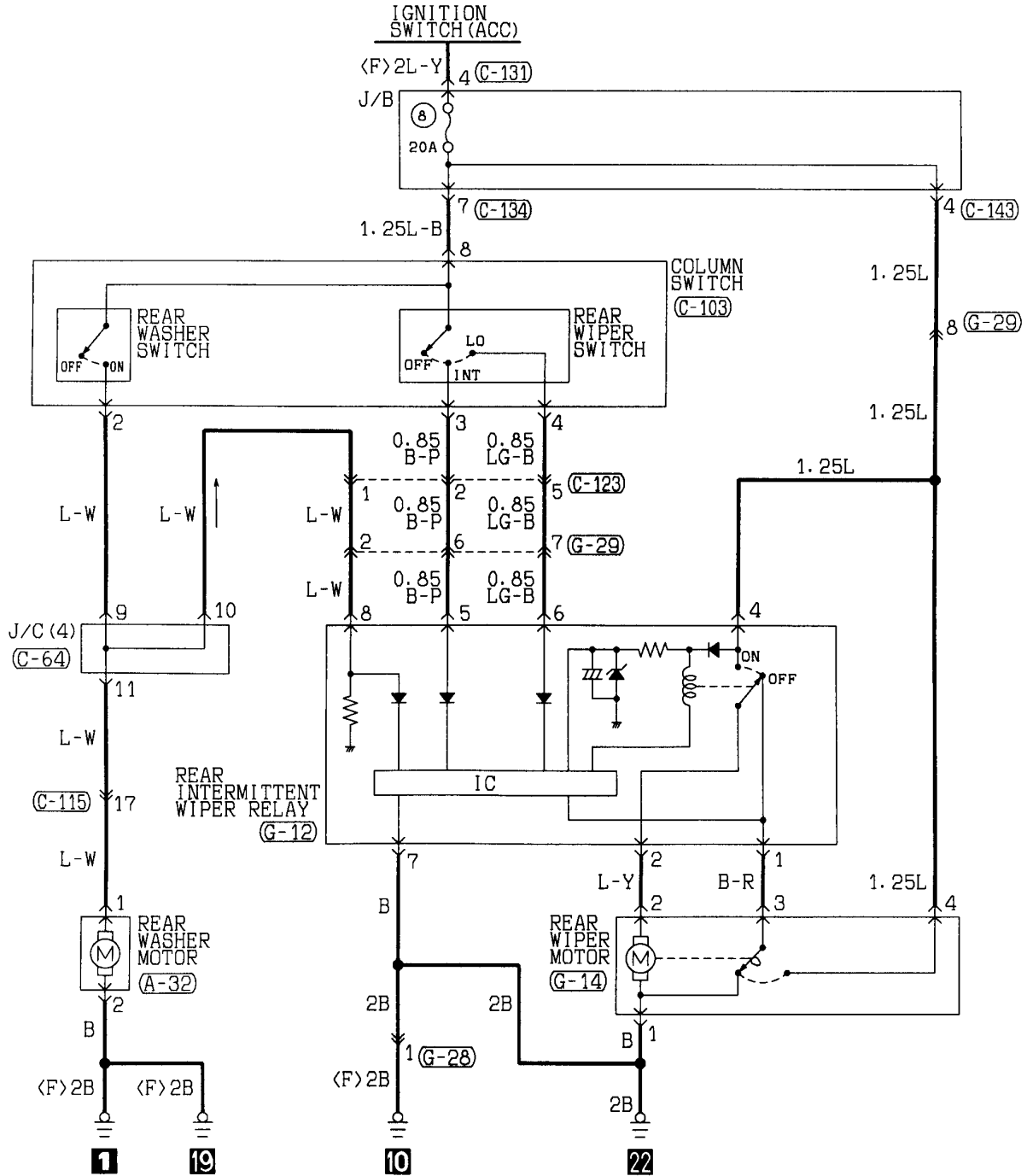
C-134	G-12	G-14	G-28	G-29																																																						
<table border="1"> <tr><td>1</td><td>2</td><td>3</td><td>4</td><td>5</td><td>6</td><td>7</td><td>8</td><td>9</td><td>10</td></tr> <tr><td>11</td><td>12</td><td>13</td><td>14</td><td>15</td><td>16</td><td>17</td><td>18</td><td>19</td><td>20</td><td>21</td><td>22</td></tr> </table>	1	2	3	4	5	6	7	8	9	10	11	12	13	14	15	16	17	18	19	20	21	22	<table border="1"> <tr><td>1</td><td>2</td><td>3</td></tr> <tr><td>4</td><td>5</td><td>6</td><td>7</td><td>8</td></tr> </table>	1	2	3	4	5	6	7	8	<table border="1"> <tr><td>M</td></tr> <tr><td>1</td><td>2</td><td>3</td><td>4</td></tr> </table>	M	1	2	3	4	<table border="1"> <tr><td>1</td><td>2</td><td>3</td><td>4</td></tr> <tr><td>5</td><td>6</td><td>7</td><td>8</td><td>9</td><td>10</td></tr> </table>	1	2	3	4	5	6	7	8	9	10	<table border="1"> <tr><td>1</td><td>M</td><td>2</td><td>3</td></tr> <tr><td>4</td><td>5</td><td>6</td><td>7</td><td>8</td></tr> </table>	1	M	2	3	4	5	6	7	8
1	2	3	4	5	6	7	8	9	10																																																	
11	12	13	14	15	16	17	18	19	20	21	22																																															
1	2	3																																																								
4	5	6	7	8																																																						
M																																																										
1	2	3	4																																																							
1	2	3	4																																																							
5	6	7	8	9	10																																																					
1	M	2	3																																																							
4	5	6	7	8																																																						

Wire colour code
 B : Black LG:Light green G :Green L :Blue W :White Y :Yellow SB:Sky blue
 BR:Brown O :Orange GR:Gray R :Red P :Pink V :Violet

REAR WIPER AND WASHER

90100620360

Wagon <R.H. drive vehicles>



REAR WIPER AND WASHER (See P. 4-380, 382, 384, 386.)**OPERATION****<Low-speed wiper operation>**

- When the wiper switch is placed in the LO position with the ignition switch in the ACC or ON position, wipers operate continuously at low speed.

<Automatic wiper stopping operation>

- When the wiper switch is placed in the OFF position, the cam contacts of wiper motor causes current to flow through the automatic wiper stopping circuit, allowing the wiper blades to cycle before they reach to the stop positions.

<Intermittent wiper operation>

- When the wiper switch is placed in the INT position with the ignition switch in ACC or ON position, the intermittent wiper relay is energized causing the intermittent wiper relay contacts to close and open repeatedly.

- When the contacts are closed, the wiper motor is energized.
- When the wiper motor is energized, the relay contacts open, however, the cam contacts keep the wiper motor energized until the wiper blades return to their stop position.

<Washer-activated wiper operation>

- When the washer switch is turned on, the intermittent wiper relay contacts close causing wipers to cycle two to three times.

TROUBLESHOOTING HINTS

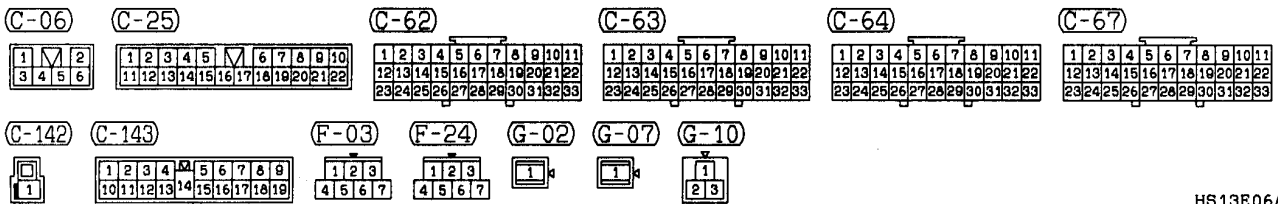
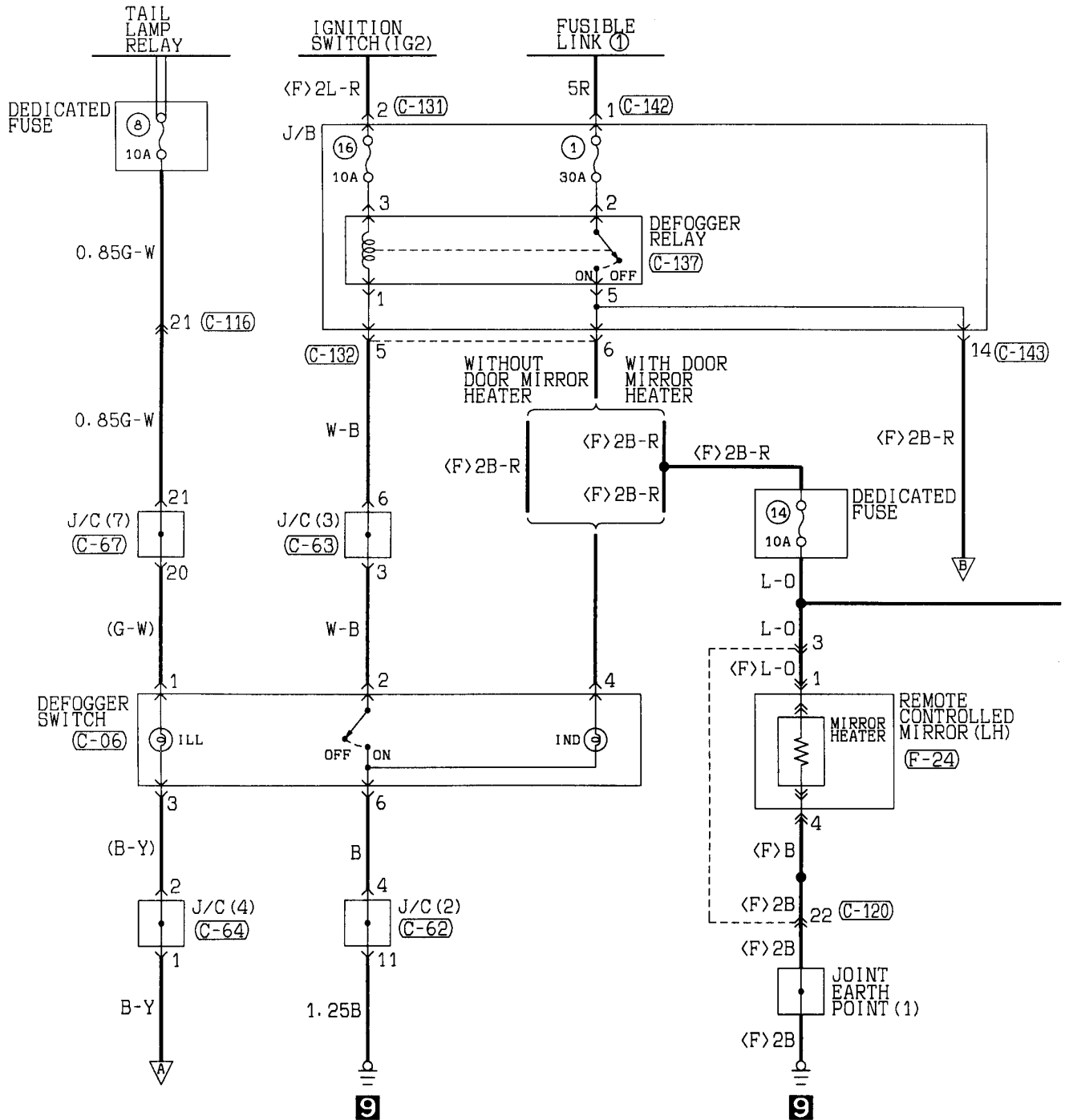
1. Wipers do not operate.
 - (1) Washer is not operative, either.
 - Check the multi-purpose fuse No. (8).
 - Check the earth.
 - Check the wiper switch.
2. Wipers do not stop.
 - Check the wiper motor.
 - Check the intermittent wiper relay.
 - Check the wiper switch.
3. Intermittent wiper operation is inoperative.
 - Check terminal voltage of the intermittent wiper relay energized. (see below)
4. Washer is inoperative.
 - Check the washer motor.
 - Check the washer switch.
5. Washer-activated wiper operation is inoperative.
 - Check the intermittent wiper relay.

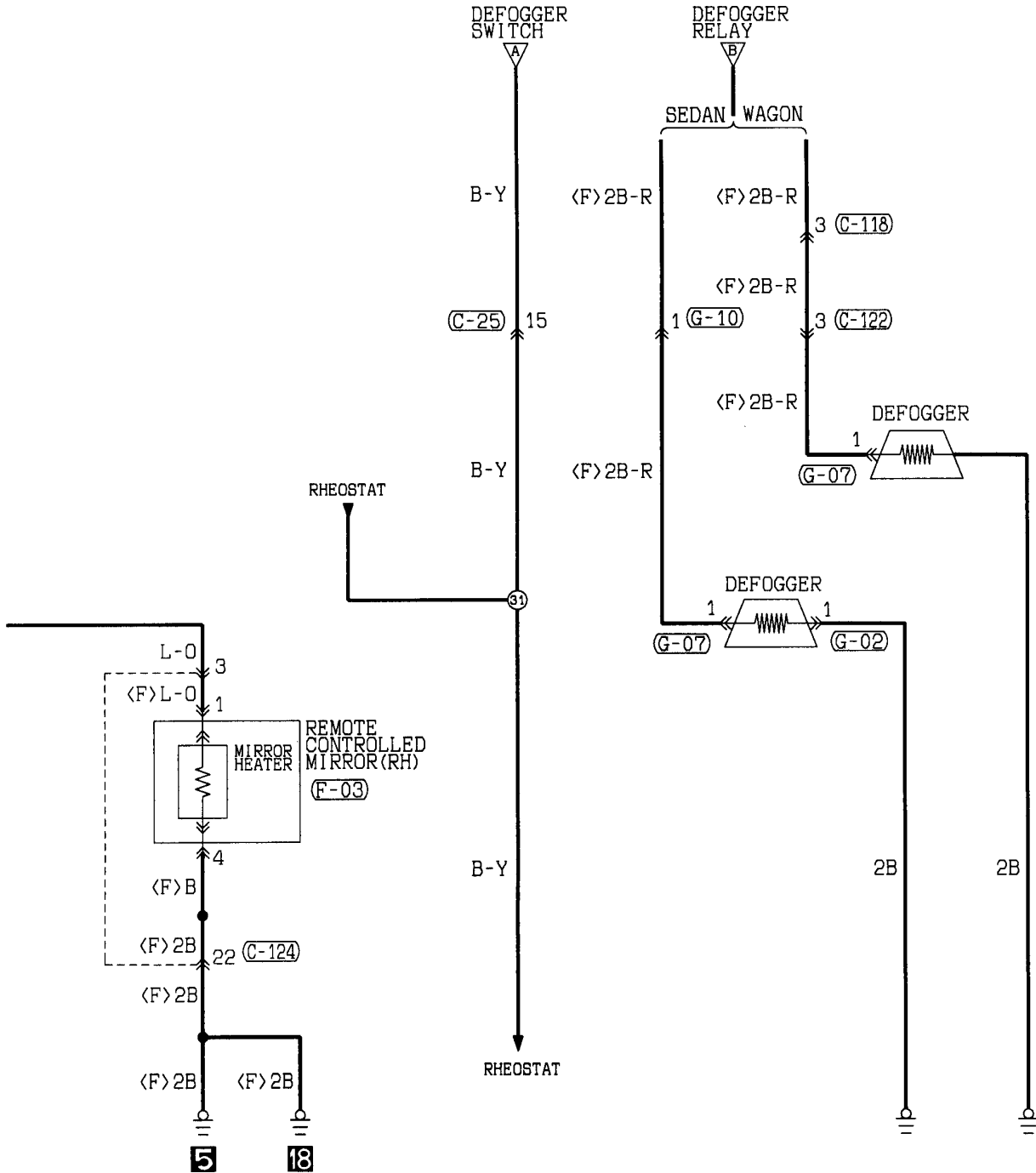
Terminal No.	Voltage	Check
2	0V	Intermittent wiper relay or wiper switch
	System voltage	Intermittent wiper relay
	0V↔System voltage (alternating)	- (Standard)

DEFOGGER AND DOOR MIRROR HEATER

90101350190

L.H. drive vehicles with manual heater





C-116

1	2	3	4	5	6	7	8	9	10
11	12	13	14	15	16	17	18	19	20
21	22								

C-118

1	2
3	4

C-120

1	2	3	4	5	6	7	8	9
10	11	12	13	14	15	16	17	18
19	20	21	22	23	24	25	26	27
28	29	30	31	32				

C-122

1	2
3	4

C-124

1	2	3	4	5	6	7	8	9
10	11	12	13	14	15	16	17	18
19	20	21	22	23	24	25	26	27
28	29	30	31	32				

C-131

1	2
3	4
5	6

C-132

1	2	3	4
5	6	7	8
9	10		

C-137

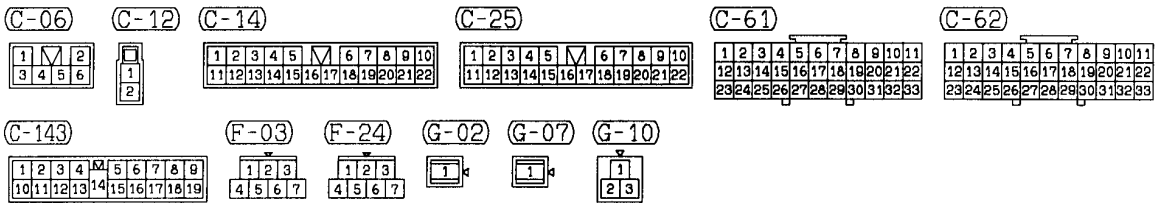
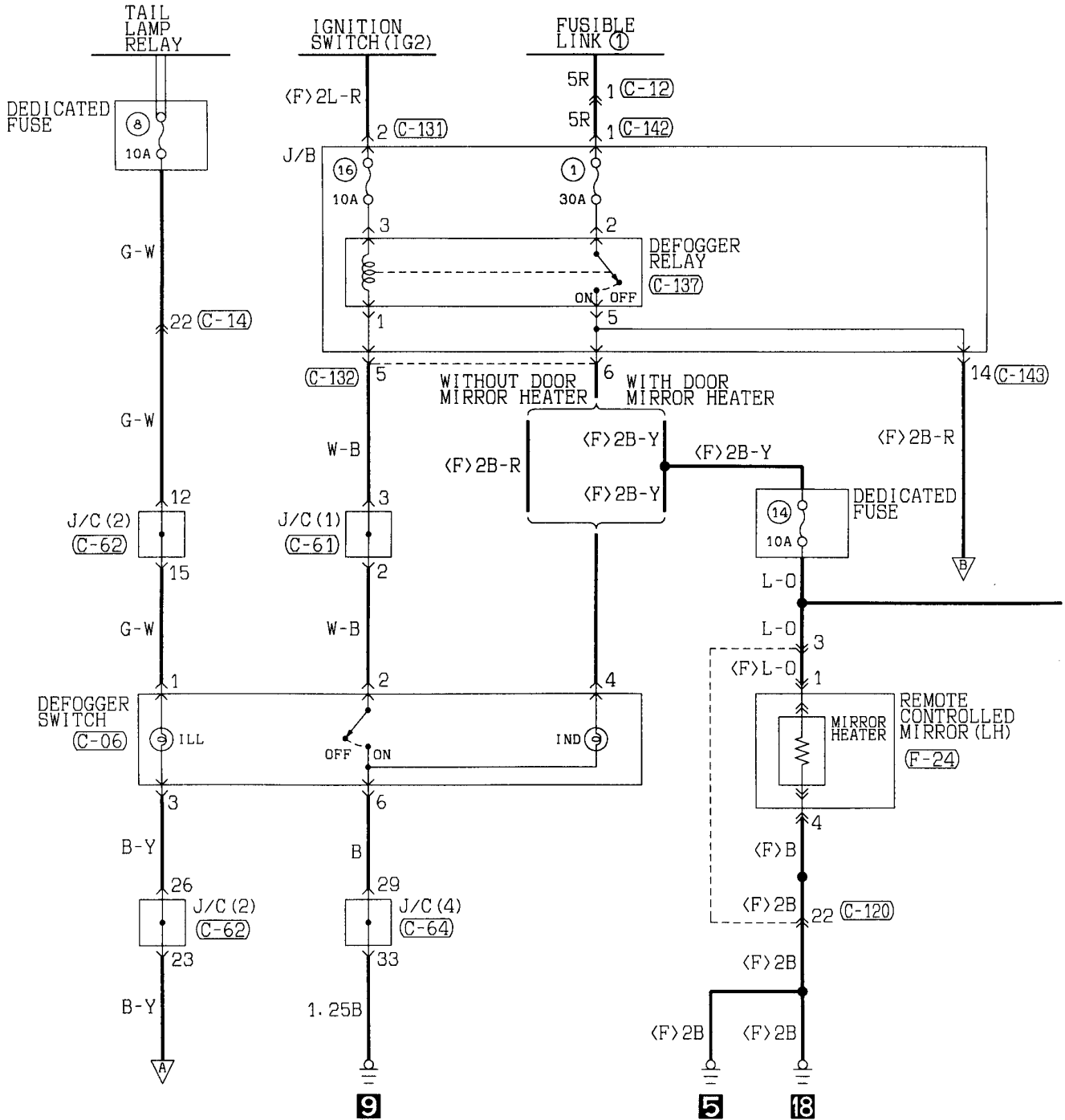
1	2
3	4
5	

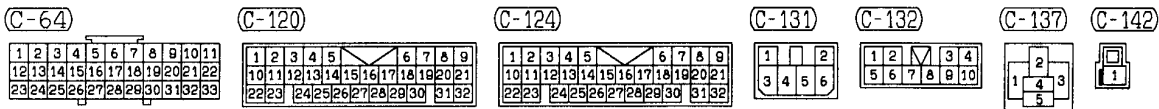
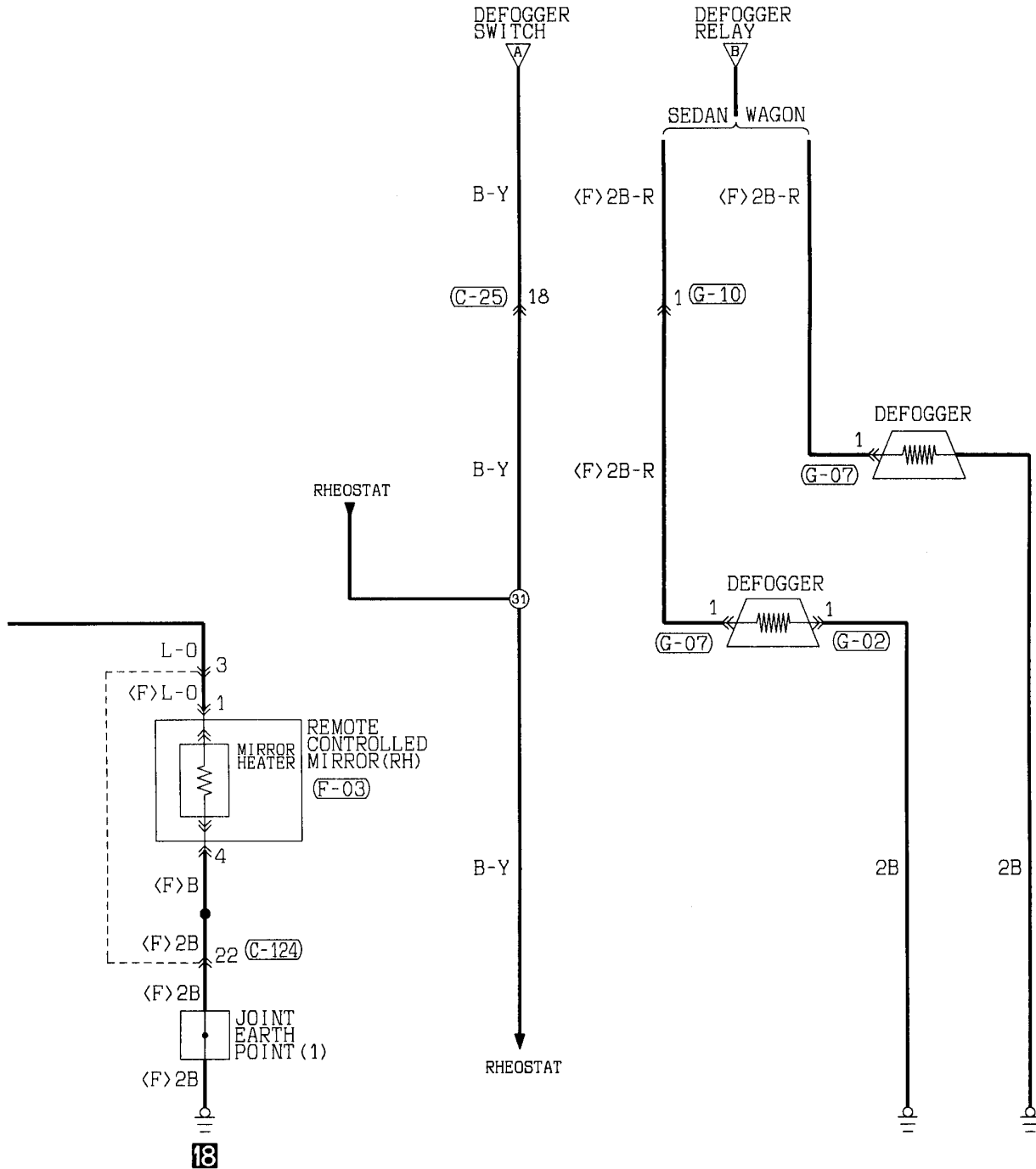
Wire colour code
 B : Black LG:Light green G :Green L :Blue W :White Y :Yellow SB:Sky blue
 BR:Brown O :Orange GR:Gray R :Red P :Pink V :Violet

DEFOGGER AND DOOR MIRROR HEATER

90101350206

R.H. drive vehicles with manual heater



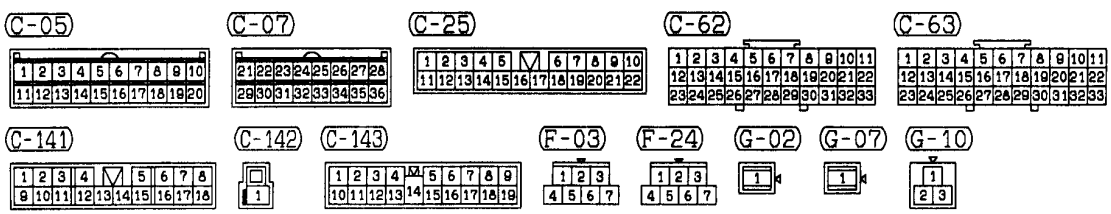
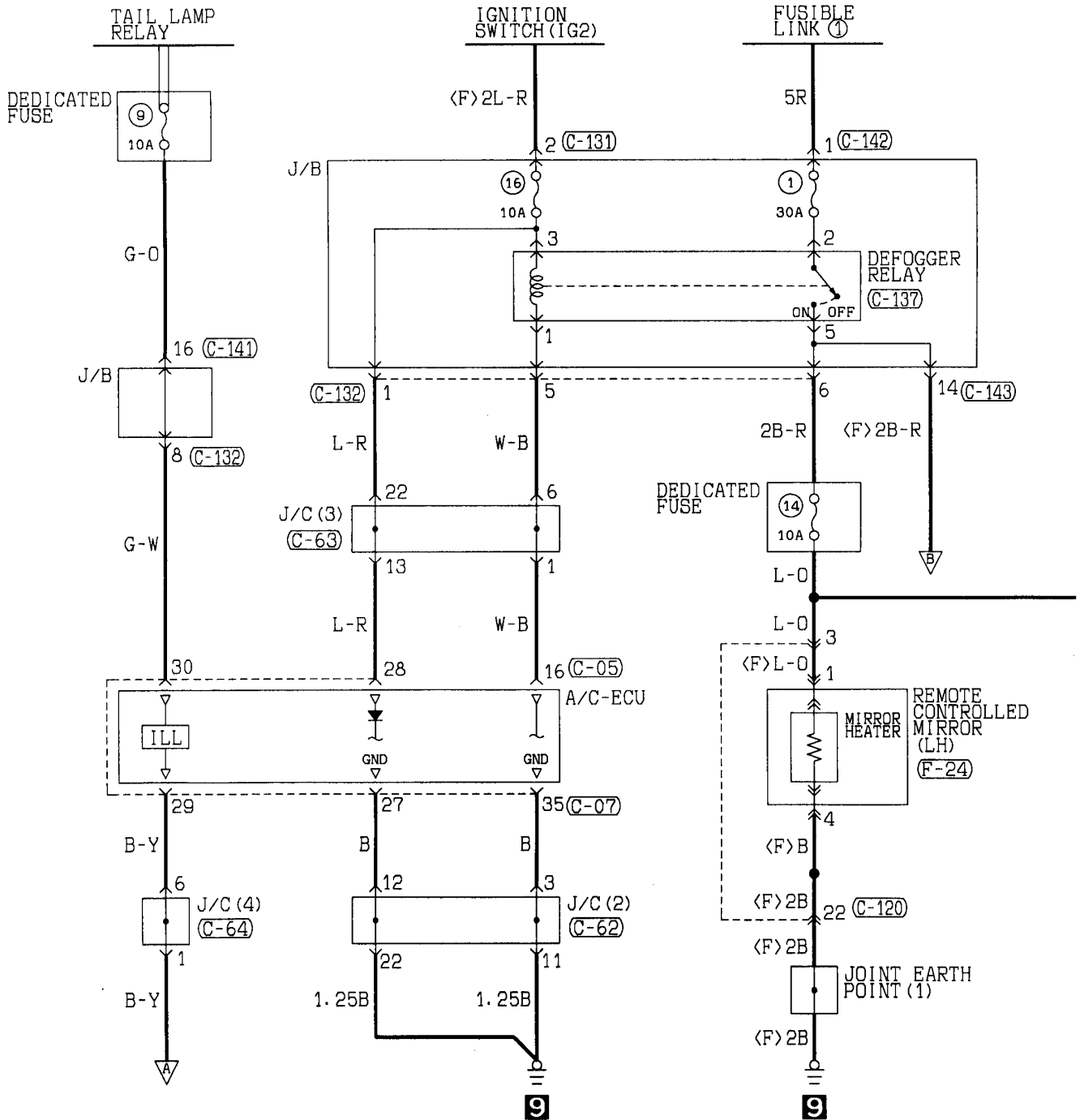


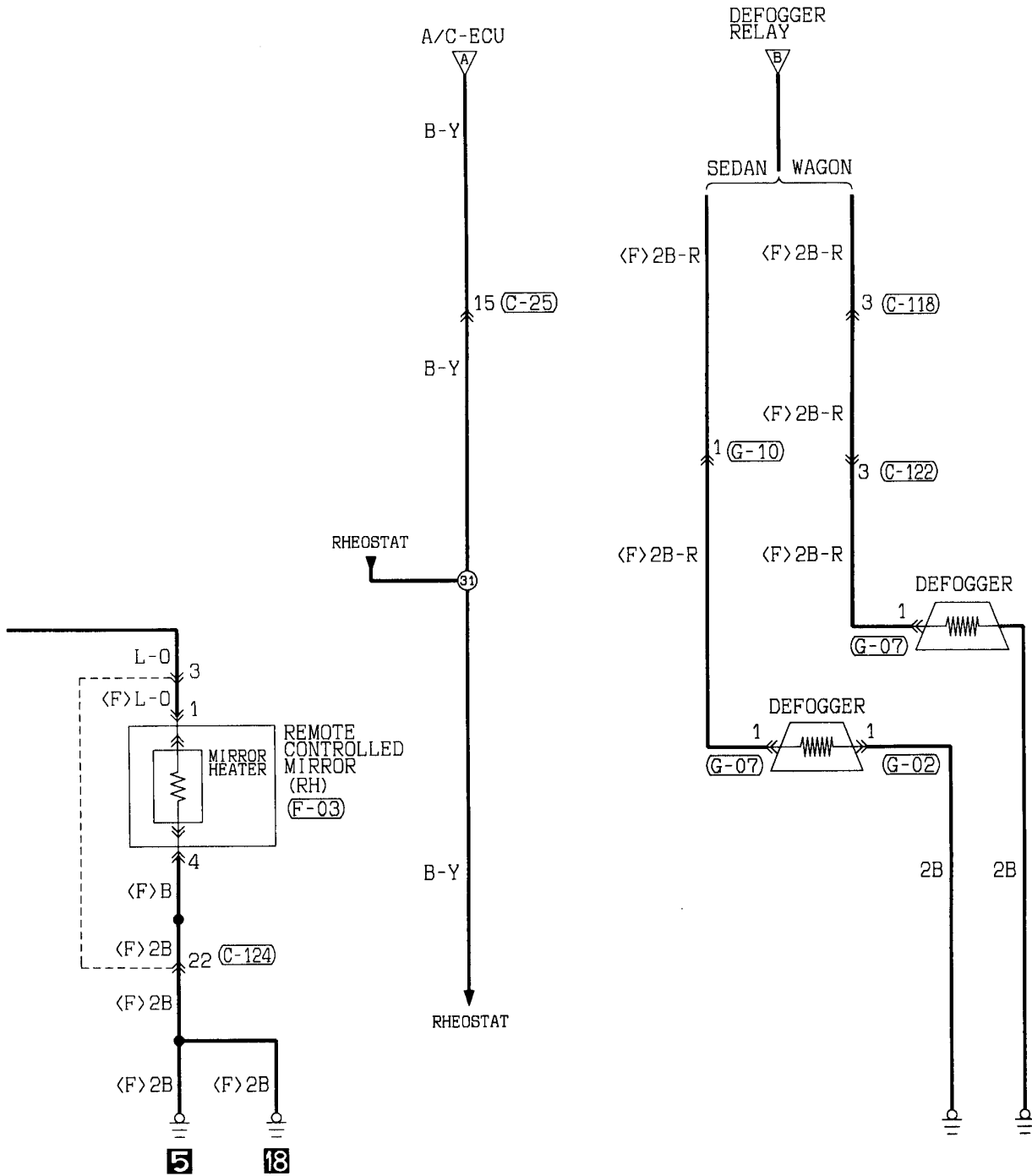
Wire colour code
 B : Black LG : Light green G : Green L : Blue W : White Y : Yellow SB : Sky blue
 BR : Brown O : Orange GR : Gray R : Red P : Pink V : Violet

DEFOGGER AND DOOR MIRROR HEATER

90101350213

L.H. drive vehicles with automatic air conditioner





(C-64)

1	2	3	4	5	6	7	8	9	10	11
12	13	14	15	16	17	18	19	20	21	22
23	24	25	26	27	28	29	30	31	32	33

(C-118)

1	2
3	4

(C-120)

1	2	3	4	5	6	7	8	9
10	11	12	13	14	15	16	17	18
19	20	21	22	23	24	25	26	27
28	29	30	31	32				

(C-122)

1	2
3	4

(C-124)

1	2	3	4	5	6	7	8	9
10	11	12	13	14	15	16	17	18
19	20	21	22	23	24	25	26	27
28	29	30	31	32				

(C-131)

1	2
3	4
5	6

(C-132)

1	2	3	4
5	6	7	8
9	10		

(C-137)

1	2
3	4
5	

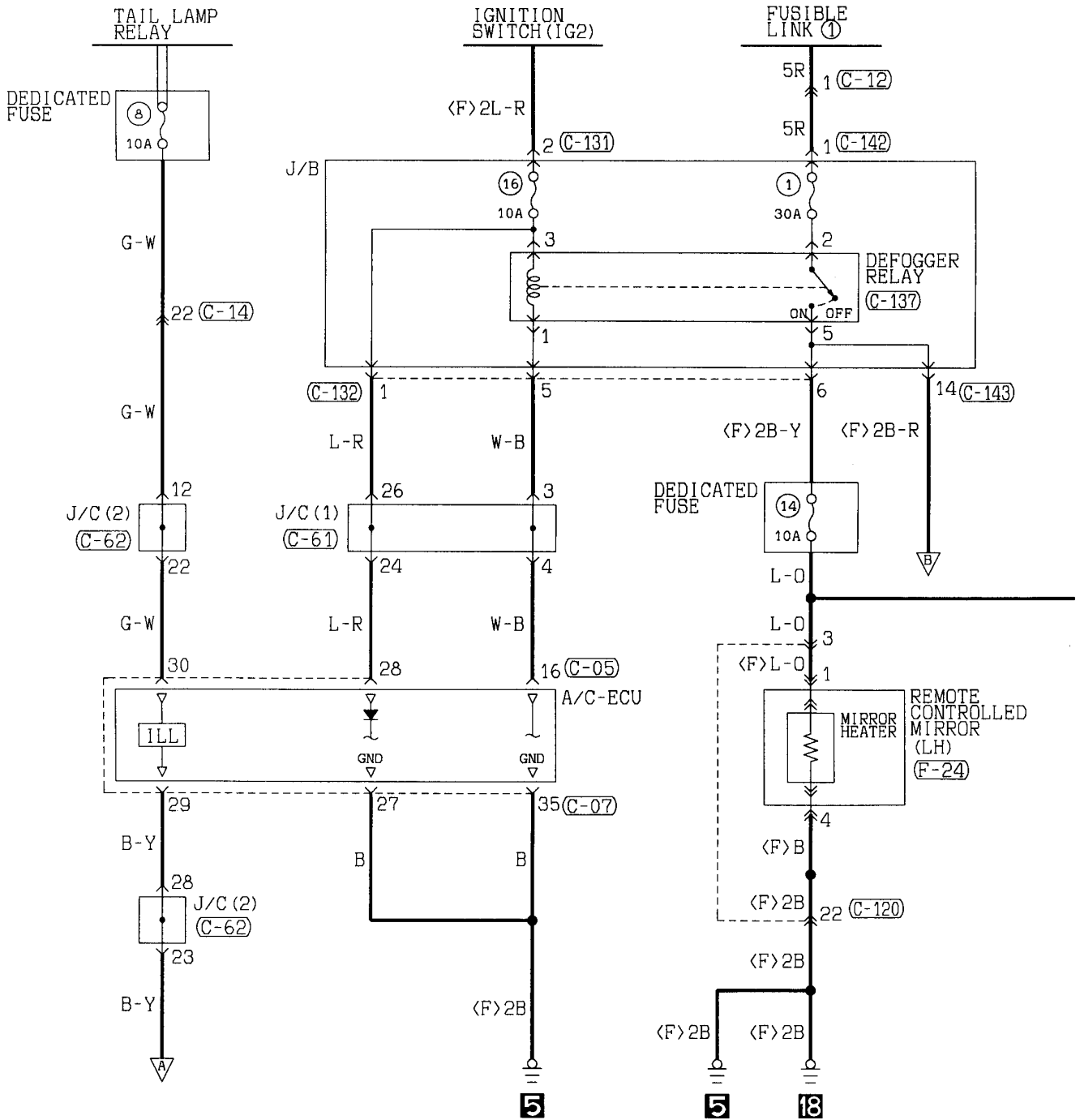
Wire colour code

B:Black LG:Light green G:Green L:Blue W:White Y:Yellow SB:Sky blue
 BR:Brown O:Orange GR:Gray R:Red P:Pink V:Violet

DEFOGGER AND DOOR MIRROR HEATER

90101350220

R.H. drive vehicles with automatic air conditioner



C-05

1	2	3	4	5	6	7	8	9	10
11	12	13	14	15	16	17	18	19	20

C-07

21	22	23	24	25	26	27	28
29	30	31	32	33	34	35	36

C-12

1	2
---	---

C-14

1	2	3	4	5	6	7	8	9	10
11	12	13	14	15	16	17	18	19	20
21	22	23	24	25	26	27	28	29	30
31	32	33	34	35	36	37	38	39	40

C-25

1	2	3	4	5	6	7	8	9	10
11	12	13	14	15	16	17	18	19	20
21	22	23	24	25	26	27	28	29	30

C-61

1	2	3	4	5	6	7	8	9	10	11
12	13	14	15	16	17	18	19	20	21	22
23	24	25	26	27	28	29	30	31	32	33

C-143

1	2	3	4	5	6	7	8	9
10	11	12	13	14	15	16	17	18
19	20	21	22	23	24	25	26	27

F-03

1	2	3
4	5	6
7	8	9

F-24

1	2	3
4	5	6
7	8	9

G-02

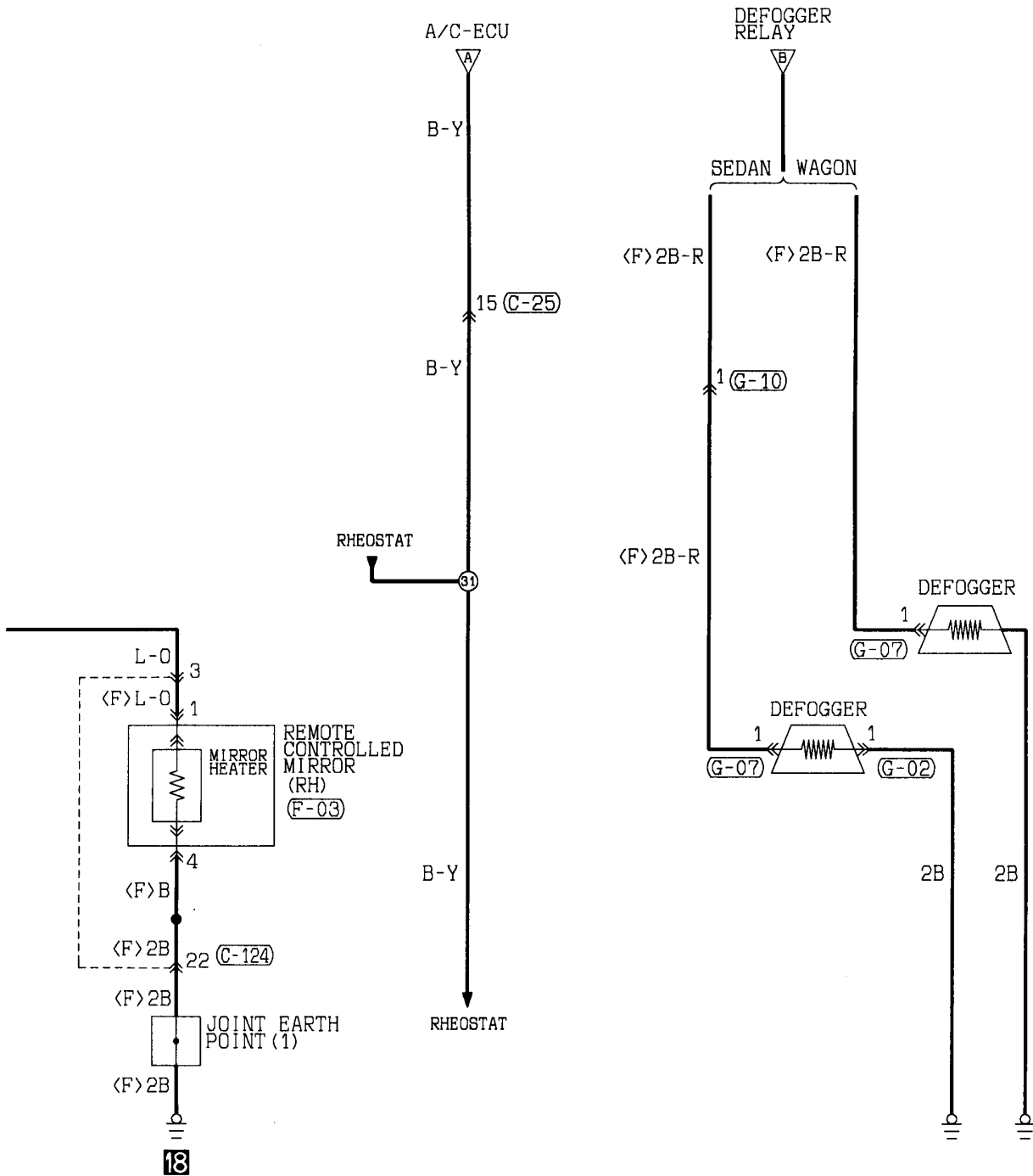
1

G-07

1

G-10

1	2	3
---	---	---



18

(C-62)

1	2	3	4	5	6	7	8	9	10	11
12	13	14	15	16	17	18	19	20	21	22
23	24	25	26	27	28	29	30	31	32	33

(C-120)

1	2	3	4	5	6	7	8	9
10	11	12	13	14	15	16	17	18
19	20	21	22	23	24	25	26	27
28	29	30	31	32	33			

(C-124)

1	2	3	4	5	6	7	8	9
10	11	12	13	14	15	16	17	18
19	20	21	22	23	24	25	26	27
28	29	30	31	32				

(C-131)

1	2
3	4
5	6

(C-132)

1	2	3	4
5	6	7	8
9	10		

(C-137)

1	2
3	4
5	

(C-142)

1

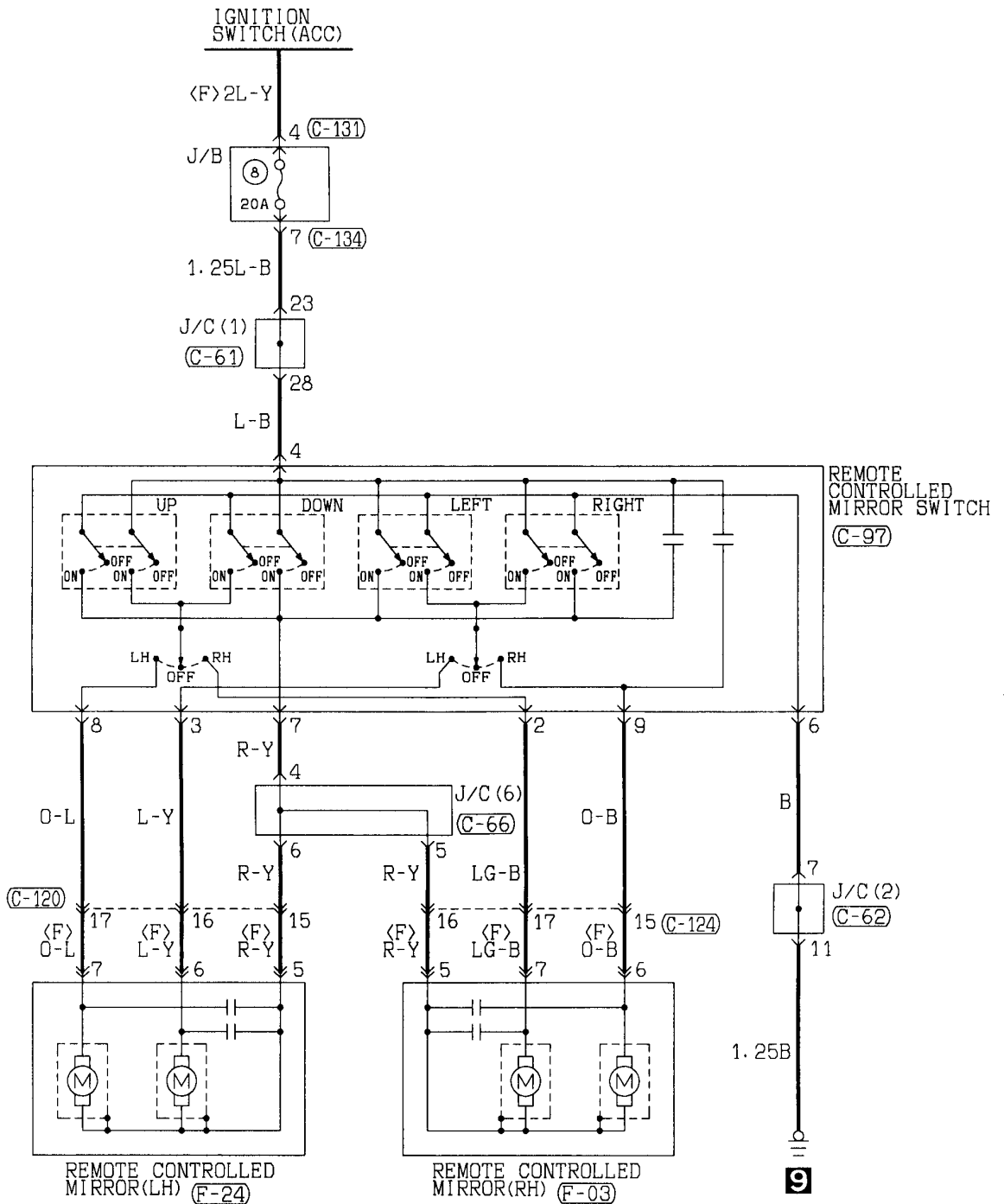
Wire colour code

B : Black LG:Light green G :Green L :Blue W :White Y :Yellow SB:Sky blue
 BR:Brown O :Orange GR:Gray R :Red P :Pink V :Violet

REMOTE CONTROLLED MIRROR

90100650352

L.H. drive vehicles



C-61

1	2	3	4	5	6	7	8	9	10	11
12	13	14	15	16	17	18	19	20	21	22
23	24	25	26	27	28	29	30	31	32	33

C-62

1	2	3	4	5	6	7	8	9	10	11
12	13	14	15	16	17	18	19	20	21	22
23	24	25	26	27	28	29	30	31	32	33

C-66

1	2	3	4	5	6	7	8	9	10	11
12	13	14	15	16	17	18	19	20	21	22
23	24	25	26	27	28	29	30	31	32	33

C-97

1	2	3	4
5	6	7	8

C-131

1	2
3	4
5	6

C-134

1	2	3	4	5	6	7	8	9	10
11	12	13	14	15	16	17	18	19	20
21	22	23	24	25	26	27	28	29	30
31	32	33	34	35	36	37	38	39	40

C-120

1	2	3	4	5	6	7	8	9
10	11	12	13	14	15	16	17	18
19	20	21	22	23	24	25	26	27
28	29	30	31	32	33	34	35	36

C-124

1	2	3	4	5	6	7	8	9
10	11	12	13	14	15	16	17	18
19	20	21	22	23	24	25	26	27
28	29	30	31	32	33	34	35	36

F-03

1	2	3
4	5	6
7	8	9

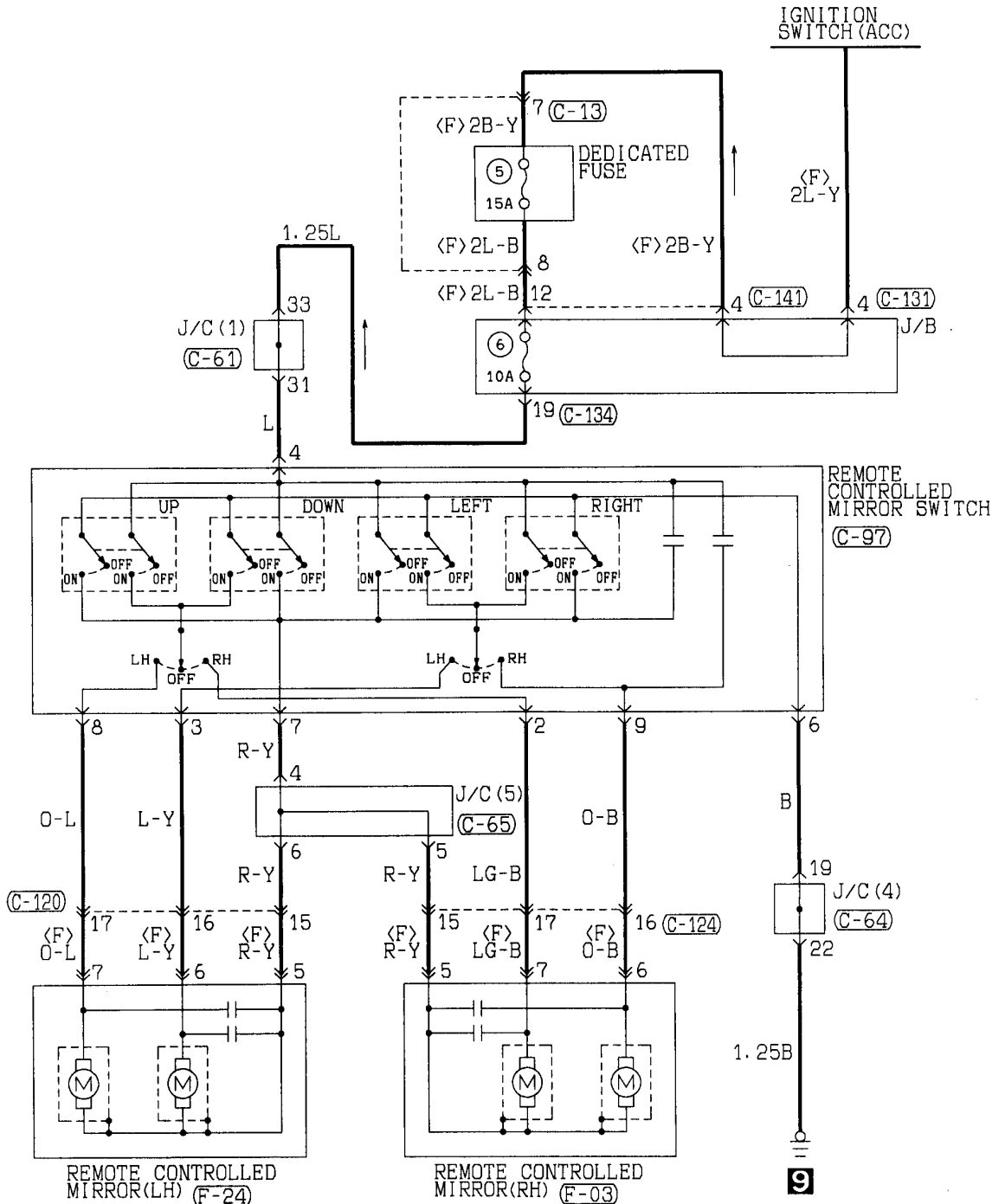
F-24

1	2	3
4	5	6
7	8	9

REMOTE CONTROLLED MIRROR

90100650369

R.H. drive vehicles



C-13

1	2	3	4
5	6	7	8

C-61

1	2	3	4	5	6	7	8	9	10	11
12	13	14	15	16	17	18	19	20	21	22
23	24	25	26	27	28	29	30	31	32	33

C-64

1	2	3	4	5	6	7	8	9	10	11
12	13	14	15	16	17	18	19	20	21	22
23	24	25	26	27	28	29	30	31	32	33

C-65

1	2	3	4	5	6	7	8	9	10	11
12	13	14	15	16	17	18	19	20	21	22
23	24	25	26	27	28	29	30	31	32	33

C-97

1	2	3	4
5	6	7	8

C-120

1	2	3	4	5	6	7	8	9			
10	11	12	13	14	15	16	17	18	19	20	21
22	23	24	25	26	27	28	29	30	31	32	

C-124

1	2	3	4	5	6	7	8	9			
10	11	12	13	14	15	16	17	18	19	20	21
22	23	24	25	26	27	28	29	30	31	32	

C-131

1	2		
3	4	5	6

C-134

1	2	3	4	5	6	7	8	9	10		
11	12	13	14	15	16	17	18	19	20	21	22

C-141

1	2	3	4	5	6	7	8		
9	10	11	12	13	14	15	16	17	18

F-03

1	2	3	
4	5	6	7

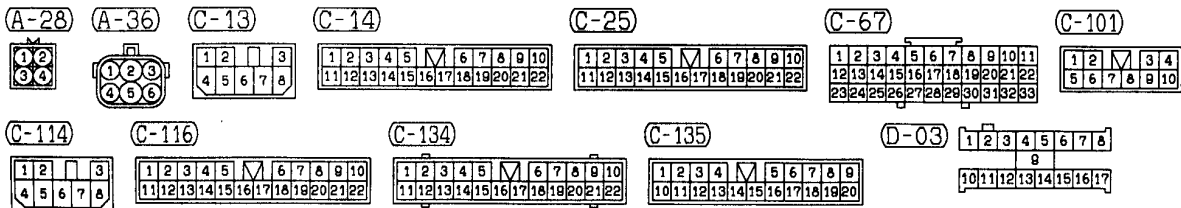
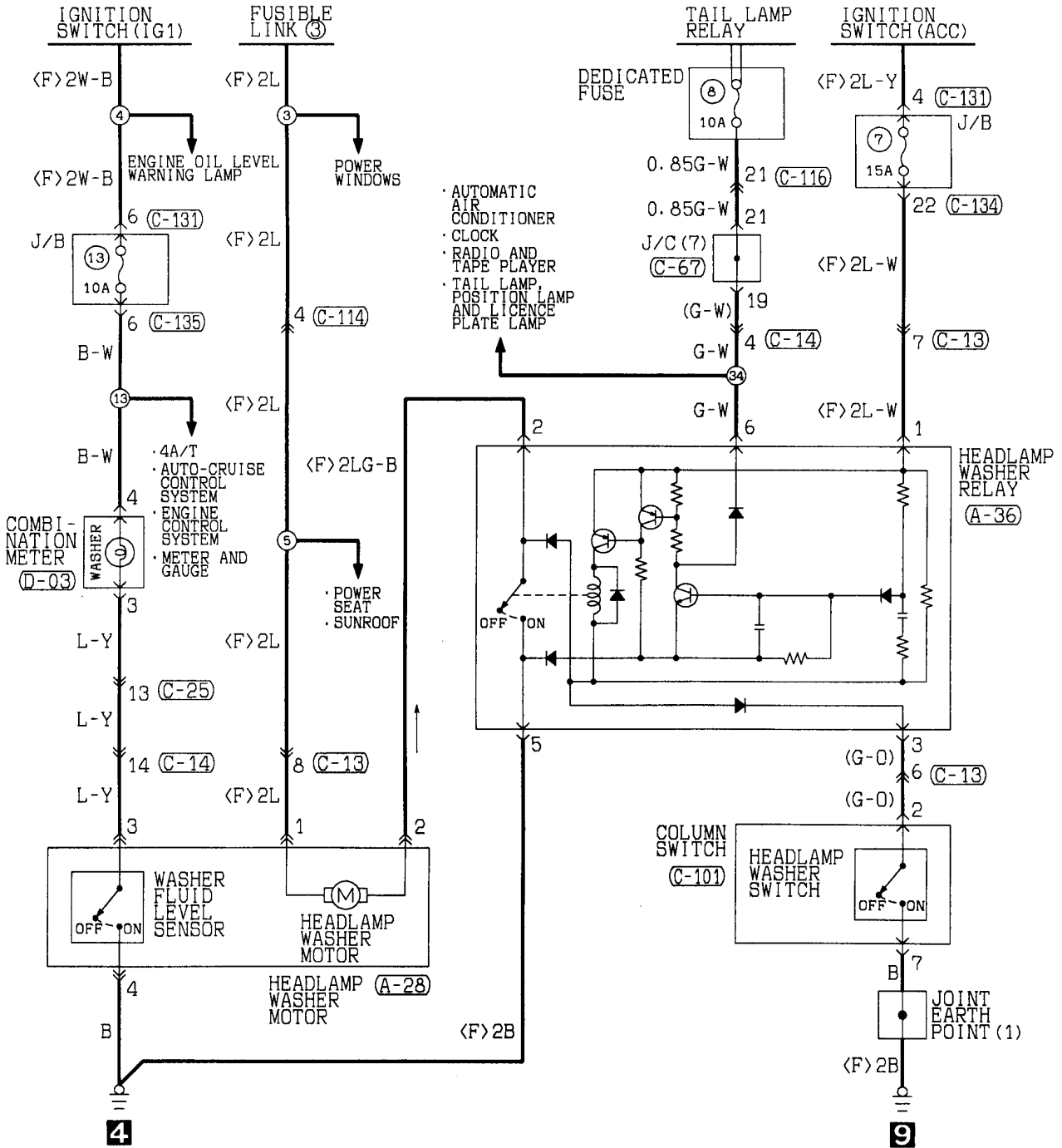
F-24

1	2	3	
4	5	6	7

HEADLAMP WASHER

90100630189

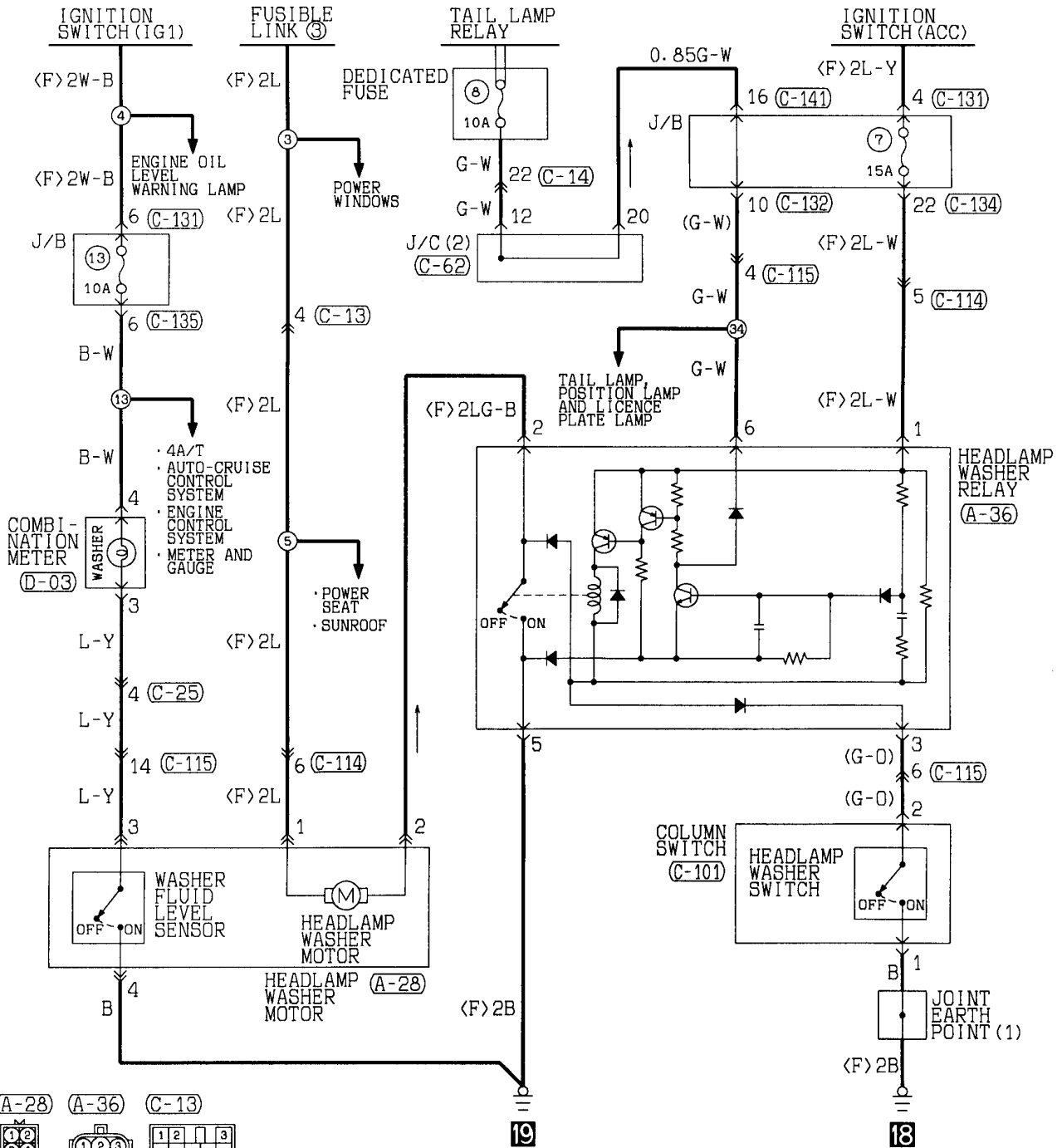
L.H. drive vehicles



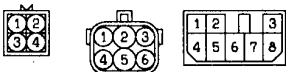
HEADLAMP WASHER

90100630196

R.H. drive vehicles



(A-28) (A-36) (C-13)



(C-14)

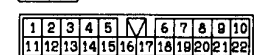
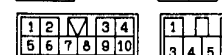
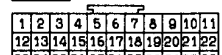
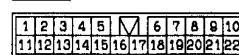
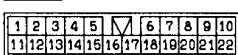
(C-25)

(C-62)

(C-101)

(C-114)

(C-115)



(C-131)

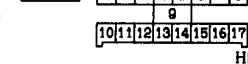
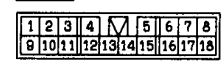
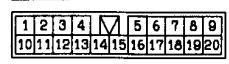
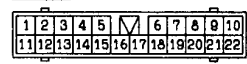
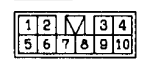
(C-132)

(C-134)

(C-135)

(C-141)

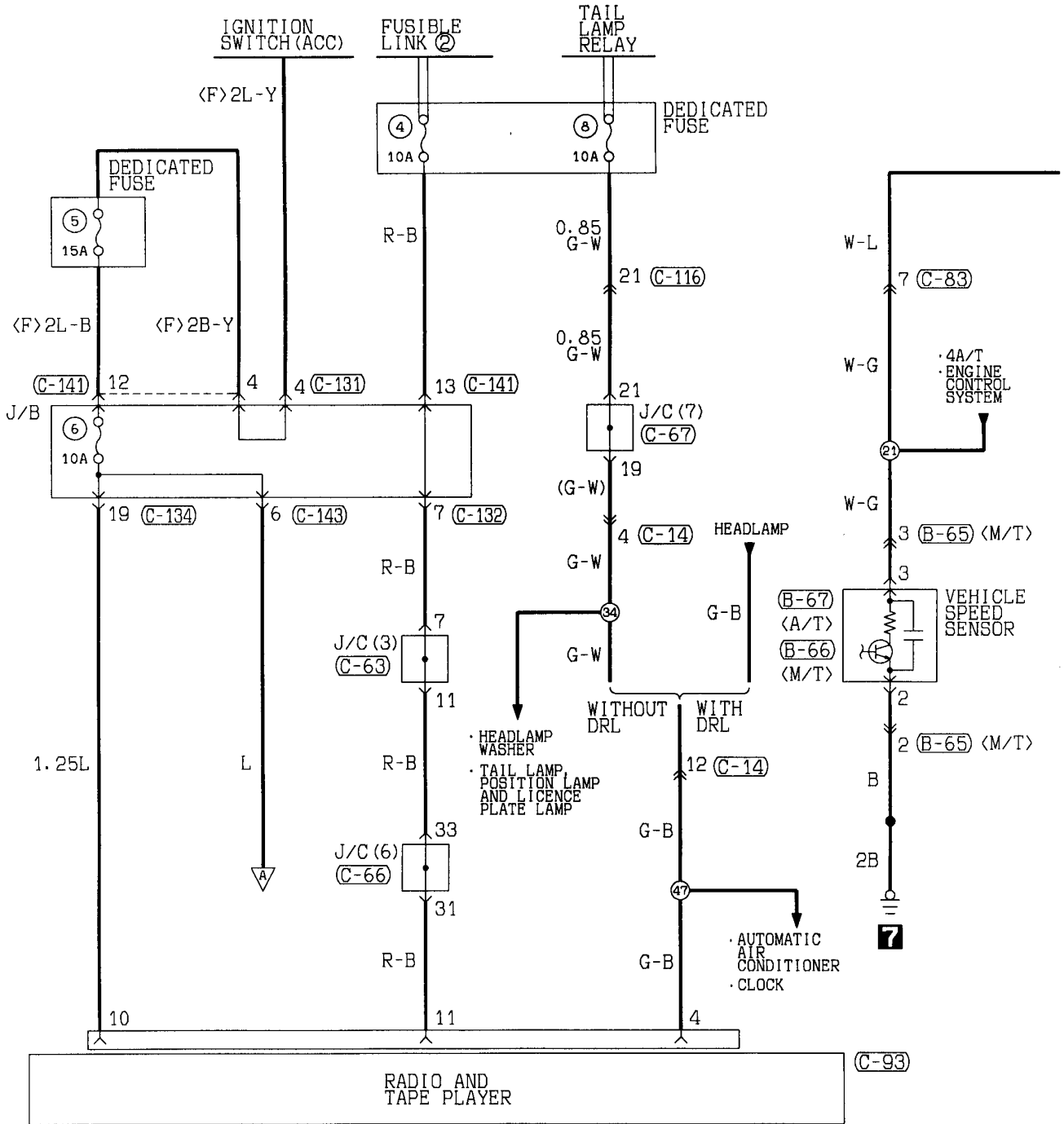
(D-03)



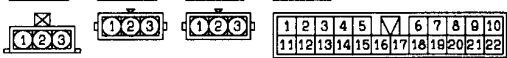
RADIO AND TAPE PLAYER

90100720817

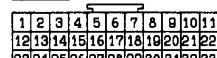
L.H. drive vehicles



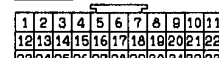
(B-65) (B-66) (B-67) (C-14)



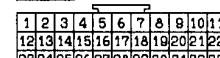
(C-63)



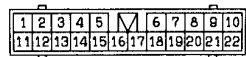
(C-66)



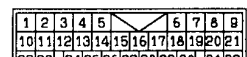
(C-67)



(C-123)



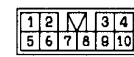
(C-124)



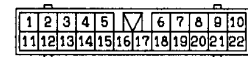
(C-131)



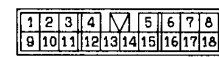
(C-132)

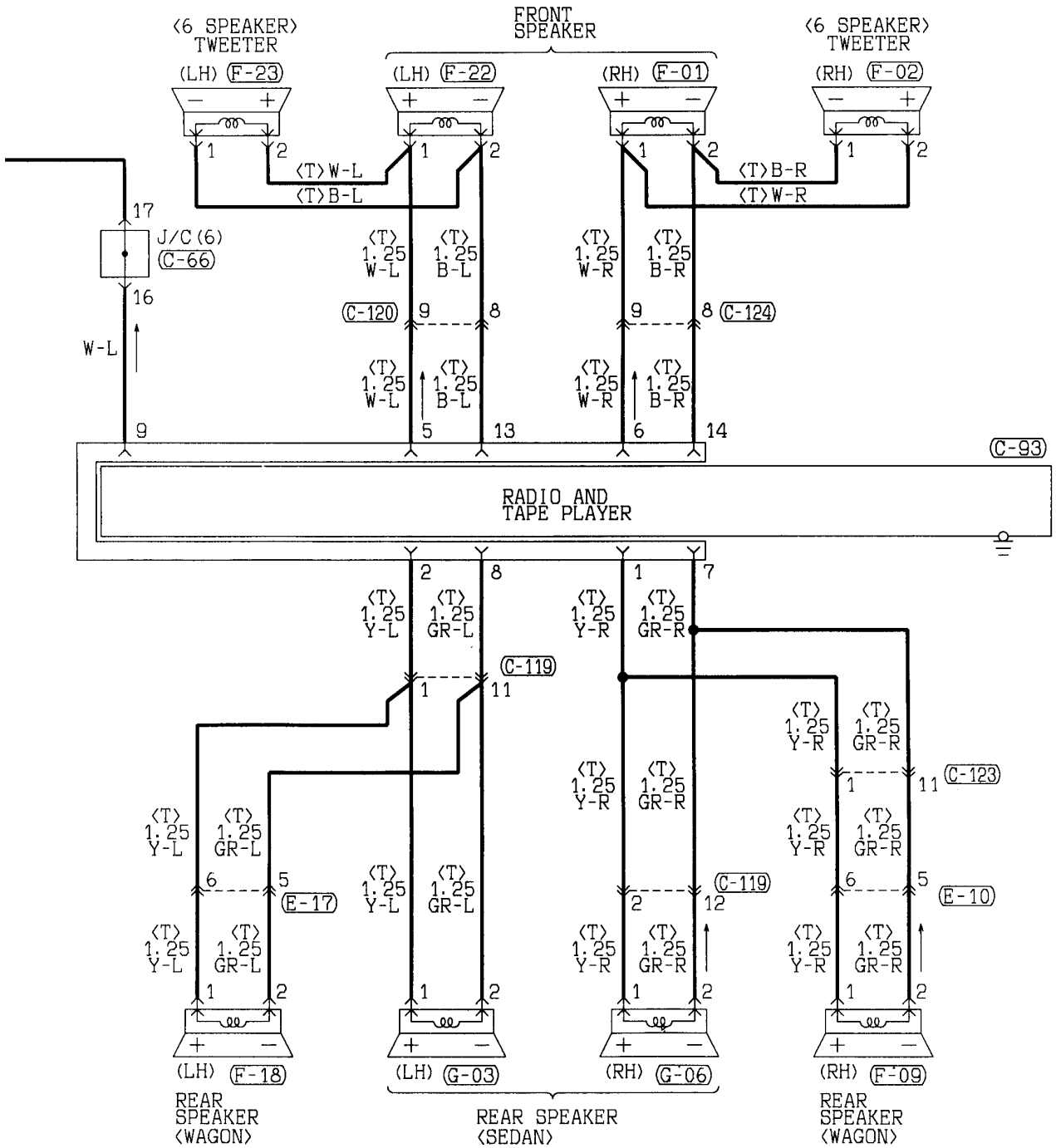


(C-134)



(C-141)





C-83

1	2	3	4	5	M	6	7	8	9	10	
11	12	13	14	15	16	17	18	19	20	21	22

C-93

1	2	3	M	4	5	6	
7	8	9	10	11	12	13	14

C-116

1	2	3	4	5	M	6	7	8	9	10	
11	12	13	14	15	16	17	18	19	20	21	22

C-119

1	2	3	4	5	M	6	7	8	9	10	
11	12	13	14	15	16	17	18	19	20	21	22

C-120

1	2	3	4	5	M	6	7	8	9		
10	11	12	13	14	15	16	17	18	19	20	21
22	23	24	25	26	27	28	29	30	31	32	

C-143

1	2	3	4	M	5	6	7	8	9
10	11	12	13	14	15	16	17	18	19

E-10

1	2	M	3	4	
5	6	7	8	9	10

E-17

1	2	M	3	4	
5	6	7	8	9	10

F-01

1
2

F-02

1	2
---	---

F-09

1
2

F-18

1
2

F-22

1
2

F-23

1	2
---	---

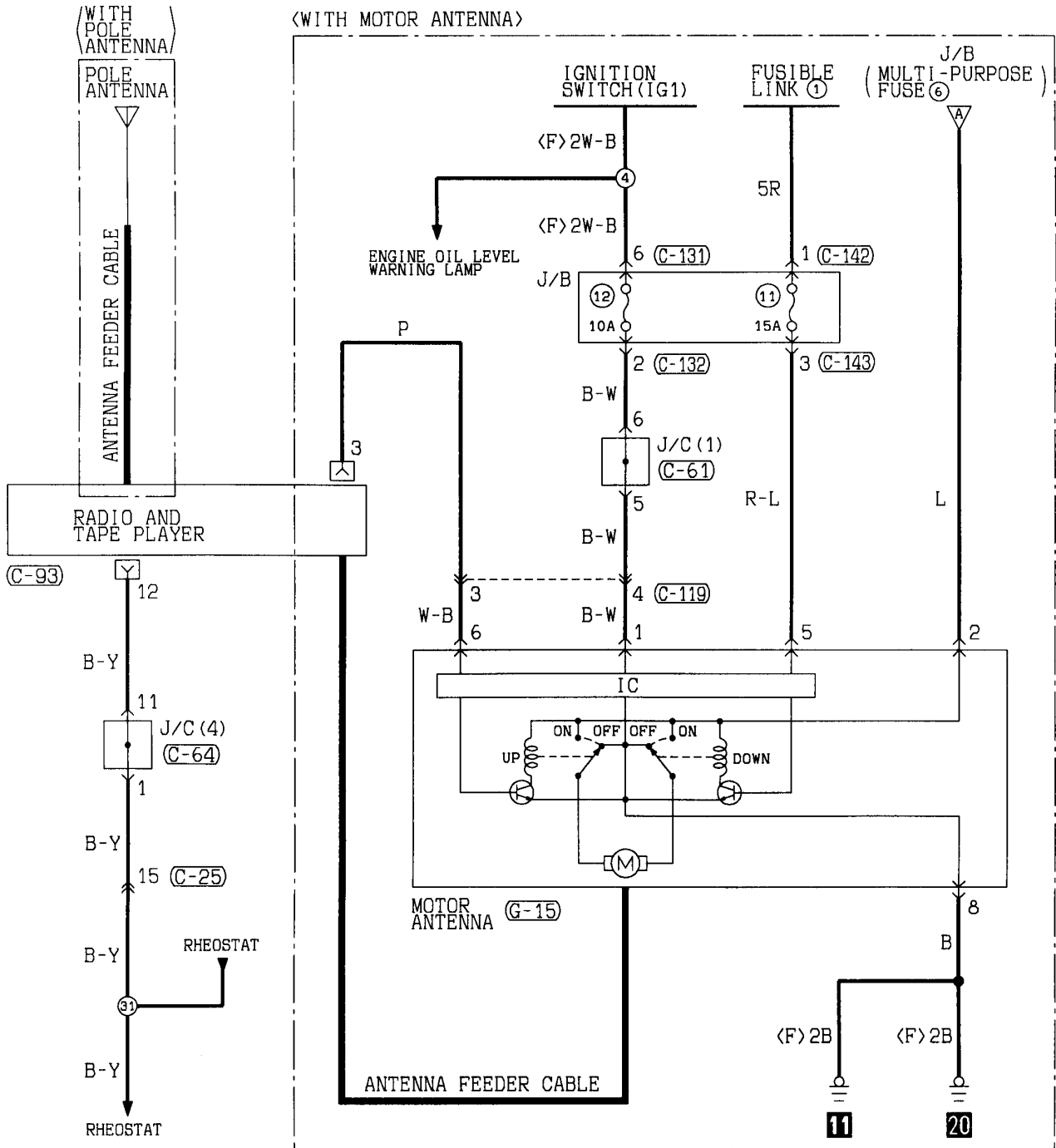
G-03

1
2

G-06

1
2

RADIO AND TAPE PLAYER <L.H. drive vehicles> (CONTINUED)



(C-25)

1	2	3	4	5	M	6	7	8	9	10	
11	12	13	14	15	16	17	18	19	20	21	22

(C-61)

1	2	3	4	5	6	7	8	9	10	11
12	13	14	15	16	17	18	19	20	21	22
23	24	25	26	27	28	29	30	31	32	33

(C-64)

1	2	3	4	5	6	7	8	9	10	11
12	13	14	15	16	17	18	19	20	21	22
23	24	25	26	27	28	29	30	31	32	33

(C-93)

1	2	3	M	4	5	6	
7	8	9	10	11	12	13	14

(C-119)

1	2	3	4	5	M	6	7	8	9	10	
11	12	13	14	15	16	17	18	19	20	21	22

(C-131)

1	2		
3	4	5	6

(C-132)

1	2	M	3	4	
5	6	7	8	9	10

(C-142)

1

(C-143)

1	2	3	M	4	5	6	7	8	9
10	11	12	13	14	15	16	17	18	19

(G-15)

1	2	3	4
5	6	7	8

Wire colour code
 B : Black LG : Light green
 BR : Brown O : Orange
 W : White SB : Sky blue
 V : Violet

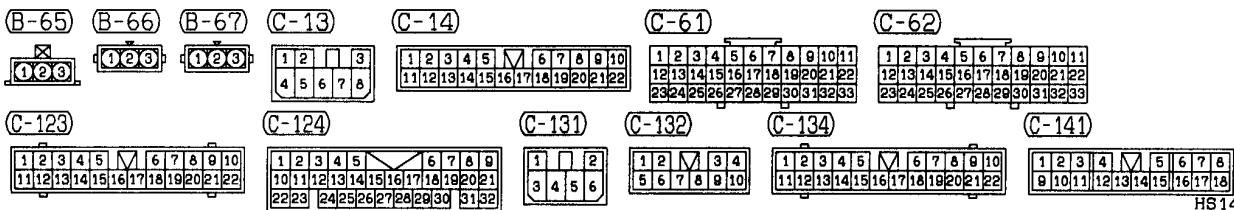
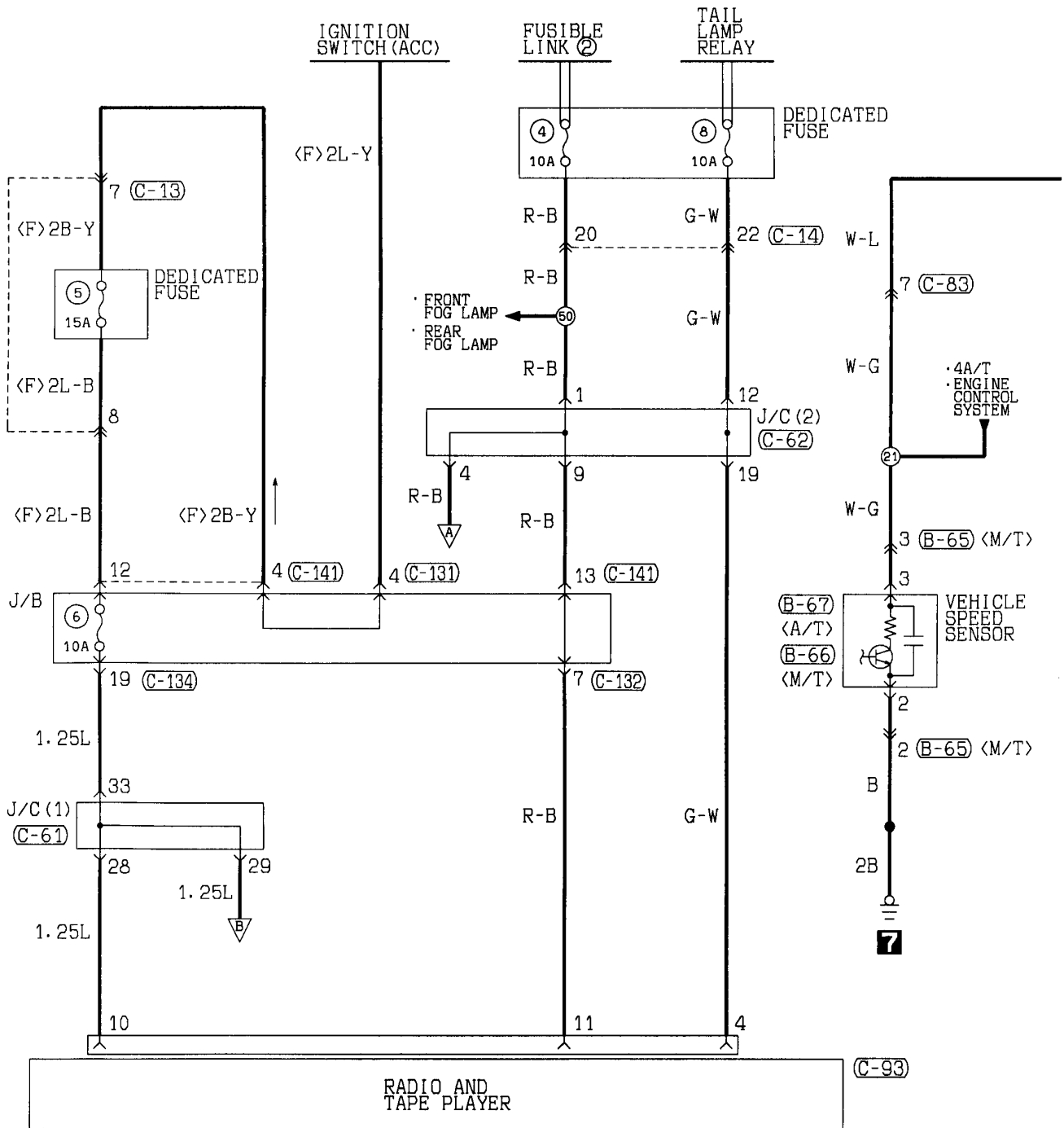
G : Green L : Blue
 GR : Gray R : Red
 P : Pink Y : Yellow

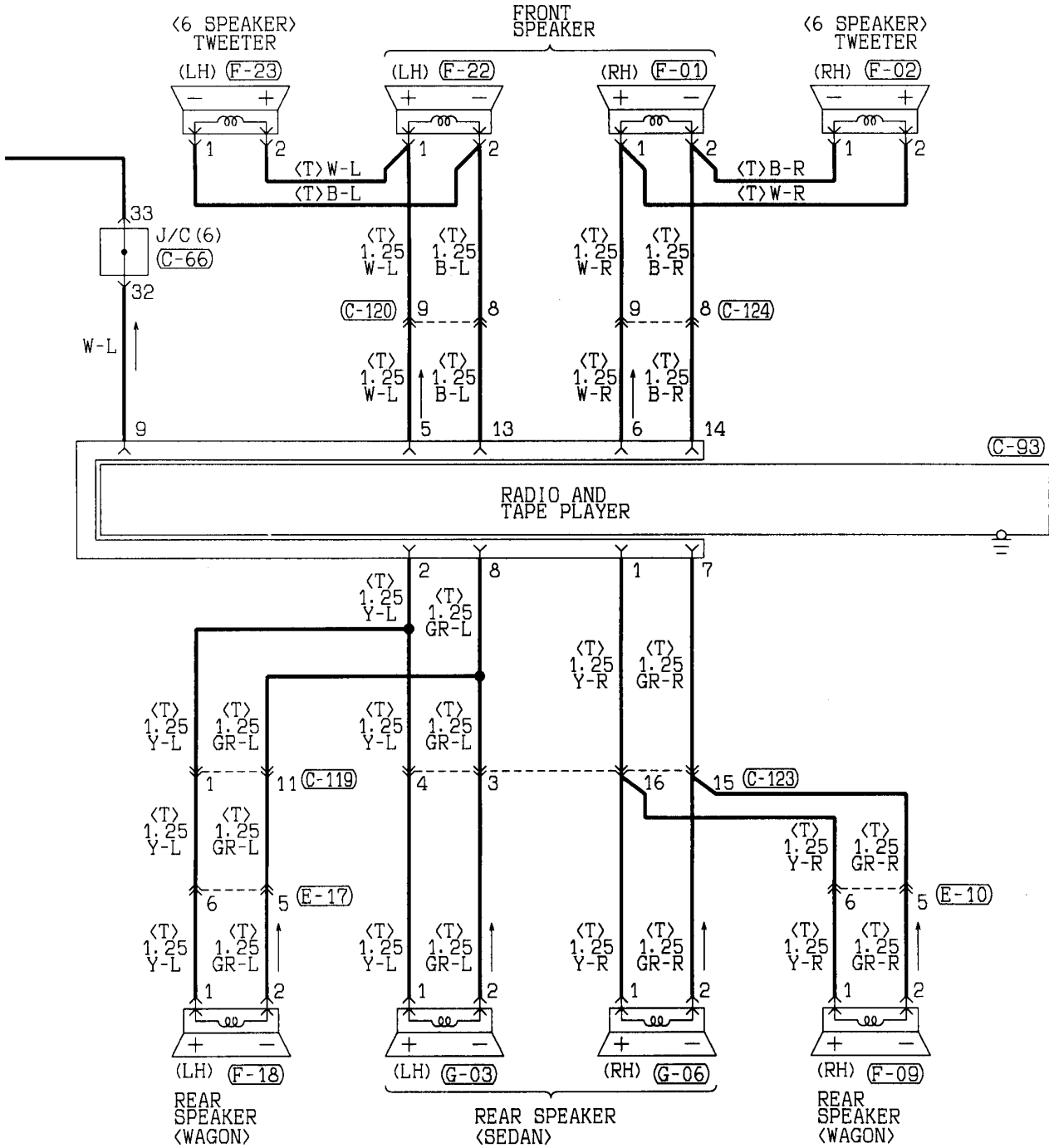
NOTES

RADIO AND TAPE PLAYER

90100720824

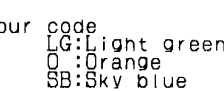
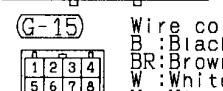
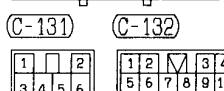
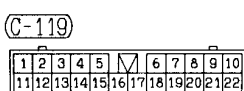
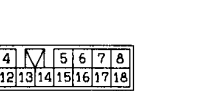
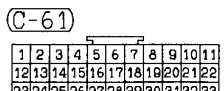
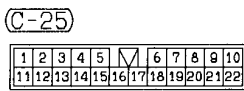
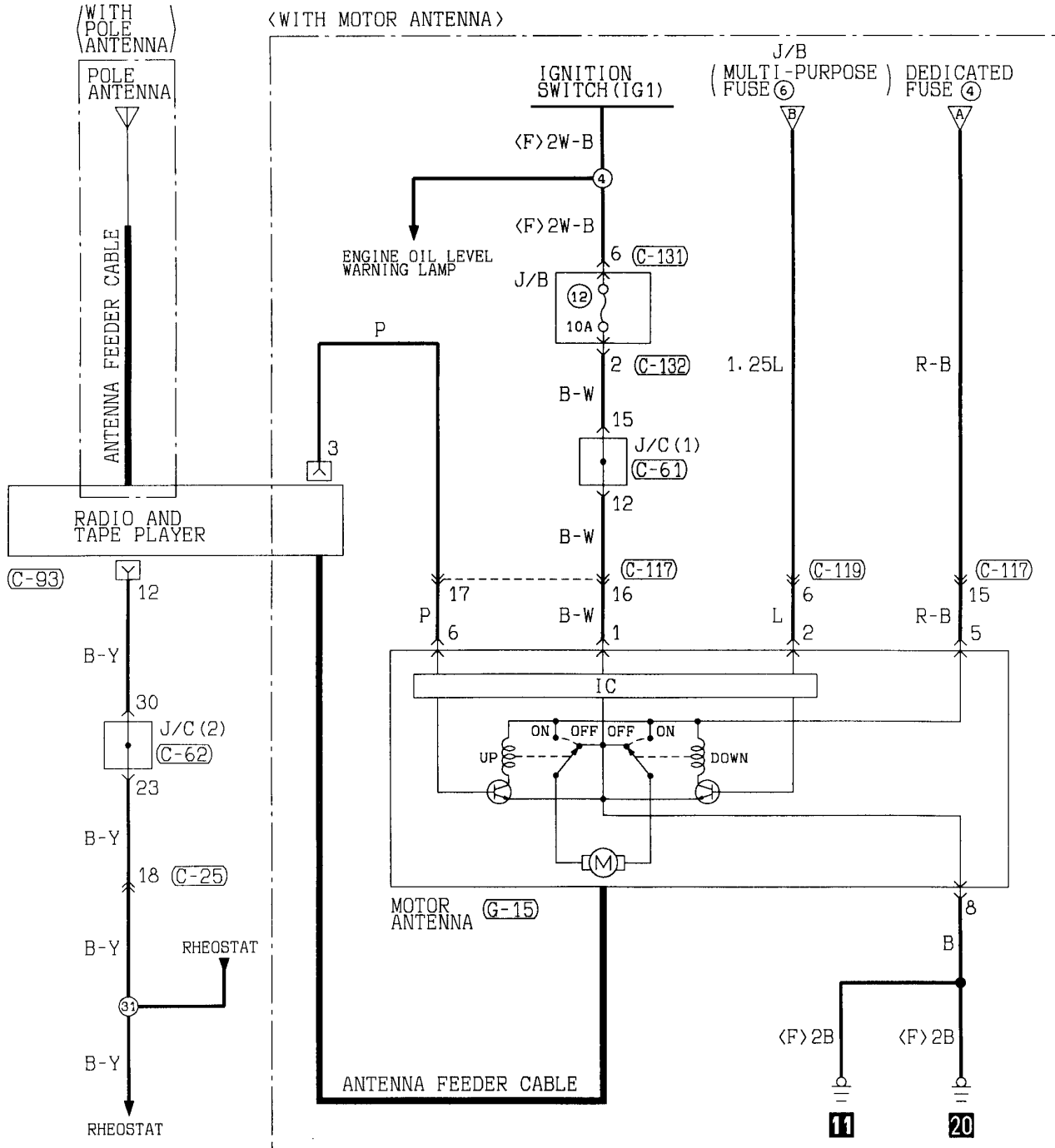
R.H. drive vehicles





C-66 1 2 3 4 5 6 7 8 9 10 11 12 13 14 15 16 17 18 19 20 21 22 23 24 25 26 27 28 29 30 31 32 33	C-83 1 2 3 4 5 6 7 8 9 10 11 12 13 14 15 16 17 18 19 20 21 22	C-93 1 2 3 4 5 6 7 8 9 10 11 12 13 14	C-119 1 2 3 4 5 6 7 8 9 10 11 12 13 14 15 16 17 18 19 20 21 22	C-120 1 2 3 4 5 6 7 8 9 10 11 12 13 14 15 16 17 18 19 20 21 22 23 24 25 26 27 28 29 30 31 32					
E-10 1 2 3 4 5 6 7 8 9 10	E-17 1 2 3 4 5 6 7 8 9 10	F-01 1 2	F-02 1 2	F-09 1 2	F-18 1 2	F-22 1 2	F-23 1 2	G-03 1 2	G-06 1 2

RADIO AND TAPE PLAYER <R.H. drive vehicles> (CONTINUED)



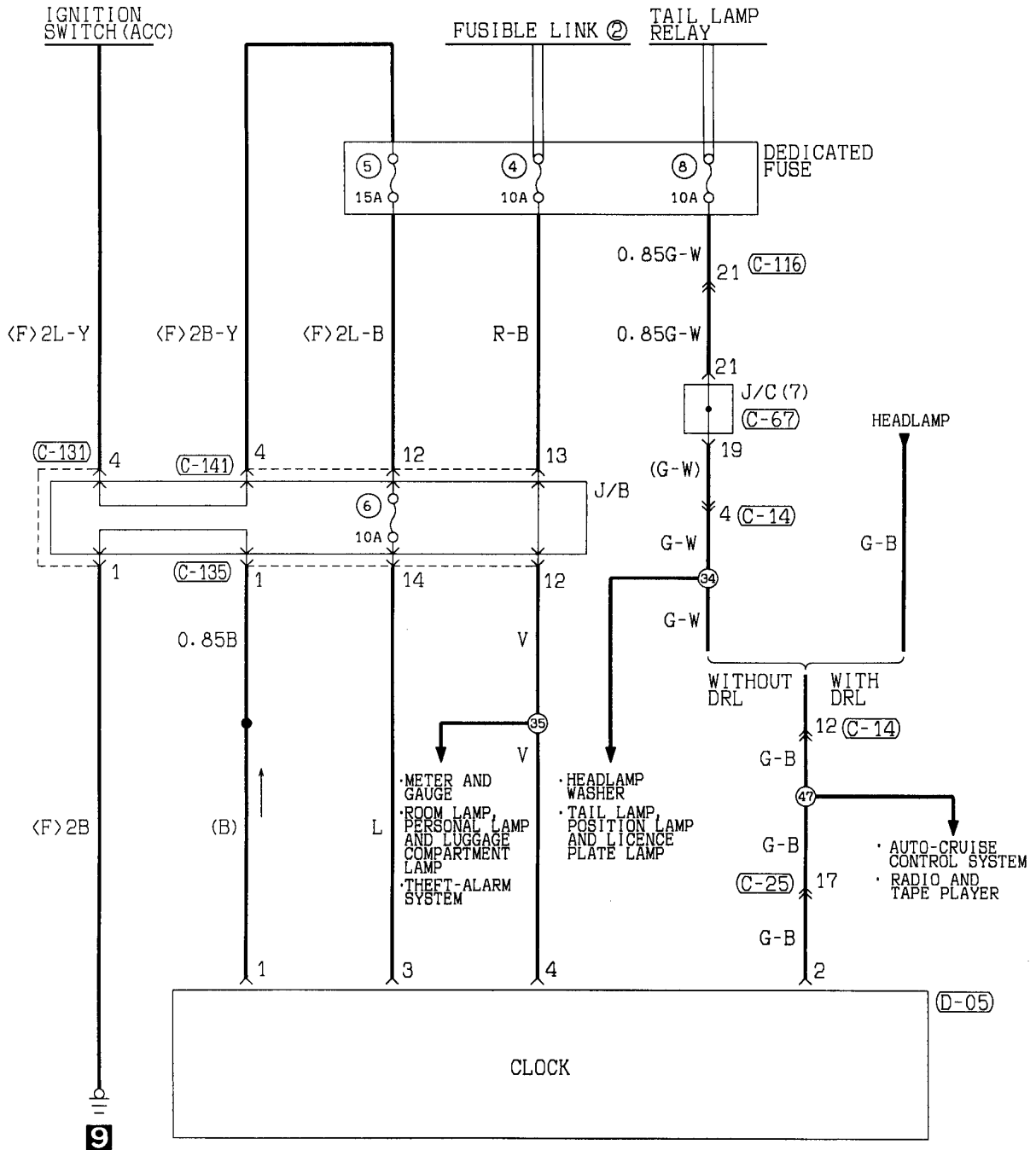
Wire colour code
 B: Black LG: Light green G: Green L: Blue
 BR: Brown O: Orange GR: Gray R: Red
 W: White SB: Sky blue P: Pink Y: Yellow
 V: Violet

NOTES

CLOCK

90100770287

L.H. drive vehicles



C-14

1	2	3	4	5	M	6	7	8	9	10	
11	12	13	14	15	16	17	18	19	20	21	22

C-25

1	2	3	4	5	M	6	7	8	9	10	
11	12	13	14	15	16	17	18	19	20	21	22

C-67

1	2	3	4	5	6	7	8	9	10	11
12	13	14	15	16	17	18	19	20	21	22
23	24	25	26	27	28	29	30	31	32	33

C-116

1	2	3	4	5	M	6	7	8	9	10	
11	12	13	14	15	16	17	18	19	20	21	22

C-131

1	2
3	4
5	6

C-135

1	2	3	4	M	5	6	7	8	9	
10	11	12	13	14	15	16	17	18	19	20

C-141

1	2	3	4	M	5	6	7	8	
9	10	11	12	13	14	15	16	17	18

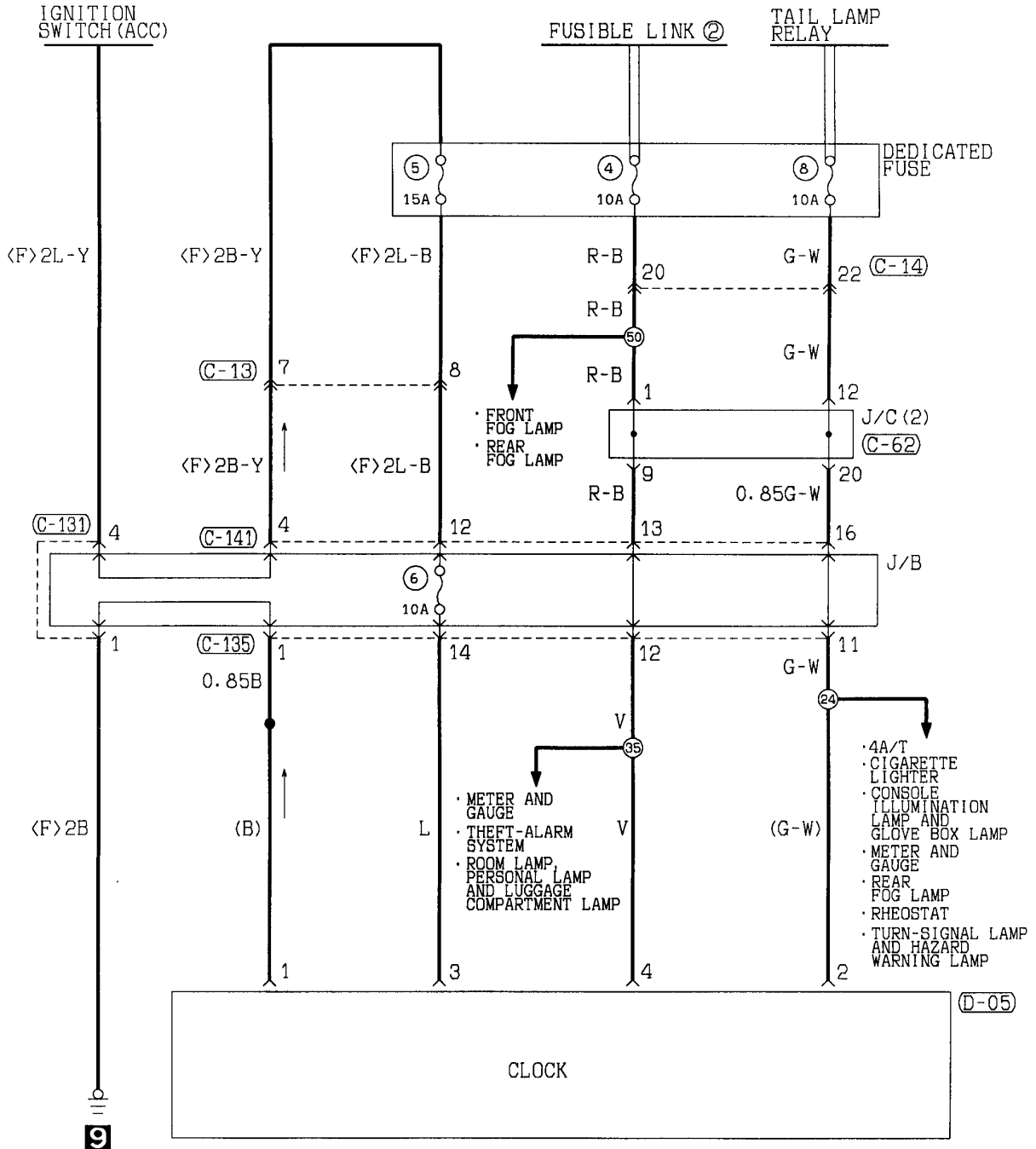
D-05

M			
1	2	3	4

CLOCK

90100770294

R.H. drive vehicles



C-13

1	2	3
4	5	6

C-14

1	2	3	4	5	6	7	8	9	10
11	12	13	14	15	16	17	18	19	20
21	22								

C-62

1	2	3	4	5	6	7	8	9	10	11
12	13	14	15	16	17	18	19	20	21	22
23	24	25	26	27	28	29	30	31	32	33

C-131

1	2
3	4
5	6

C-135

1	2	3	4	5	6	7	8	9
10	11	12	13	14	15	16	17	18
19	20							

C-141

1	2	3	4	5	6	7	8
9	10	11	12	13	14	15	16
17	18						

D-05

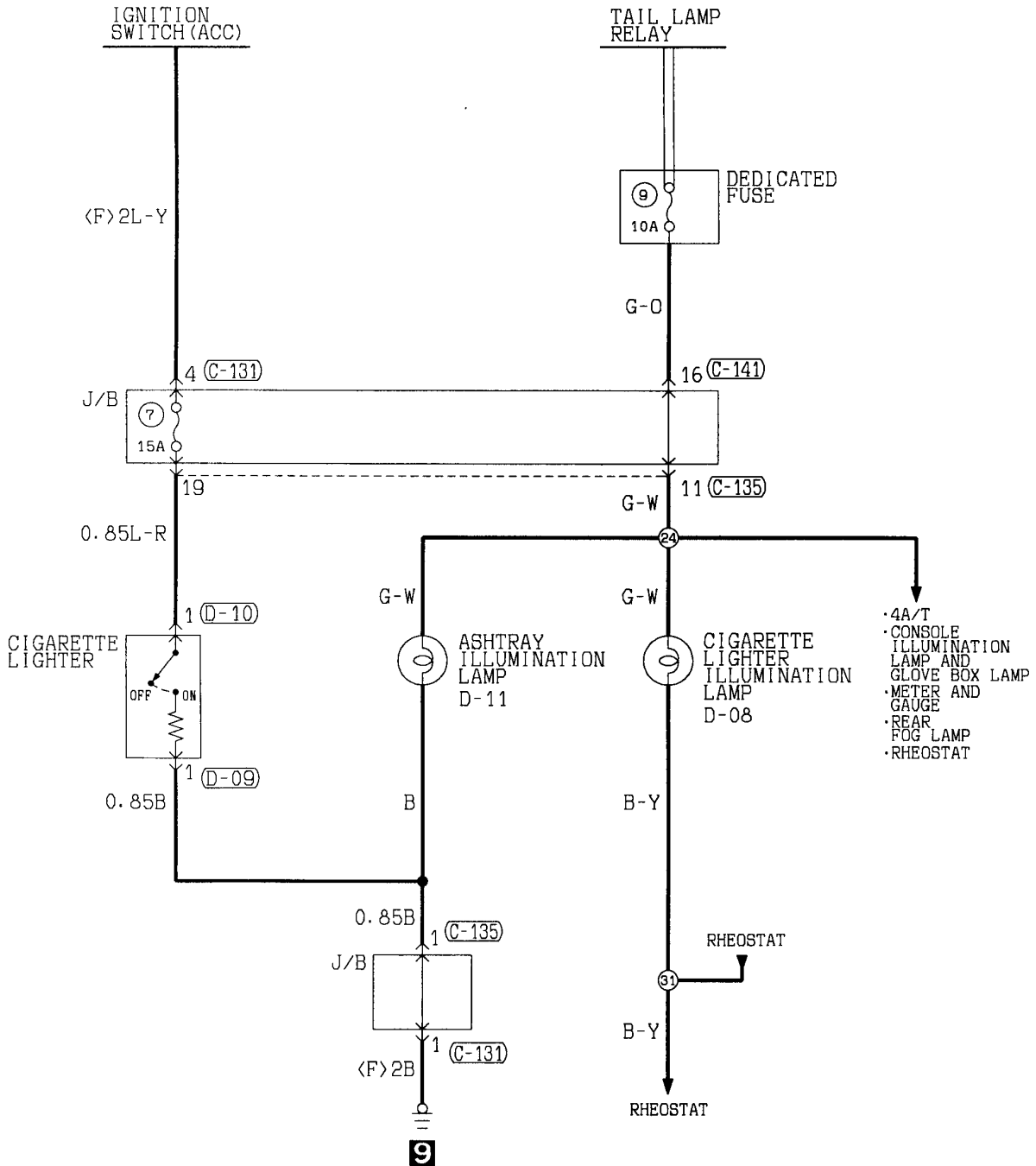
1	2	3	4
---	---	---	---

Wire colour code
 B : Black LG : Light green G : Green L : Blue W : White Y : Yellow SB : Sky blue
 BR : Brown O : Orange GR : Gray R : Red P : Pink V : Violet

CIGARETTE LIGHTER

90100780327

L.H. drive vehicles



(C-131)

(C-135)

(C-141)

(D-09)

(D-10)

1	2	3	4	5	6
7	8	9	10	11	12

1	2	3	4	5	6	7	8	9		
10	11	12	13	14	15	16	17	18	19	20

1	2	3	4	5	6	7	8		
9	10	11	12	13	14	15	16	17	18

1

1

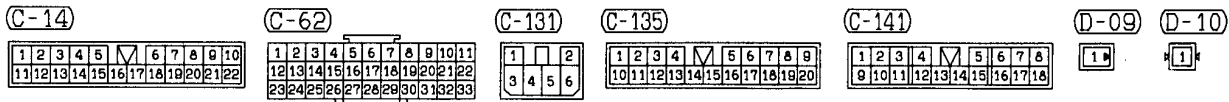
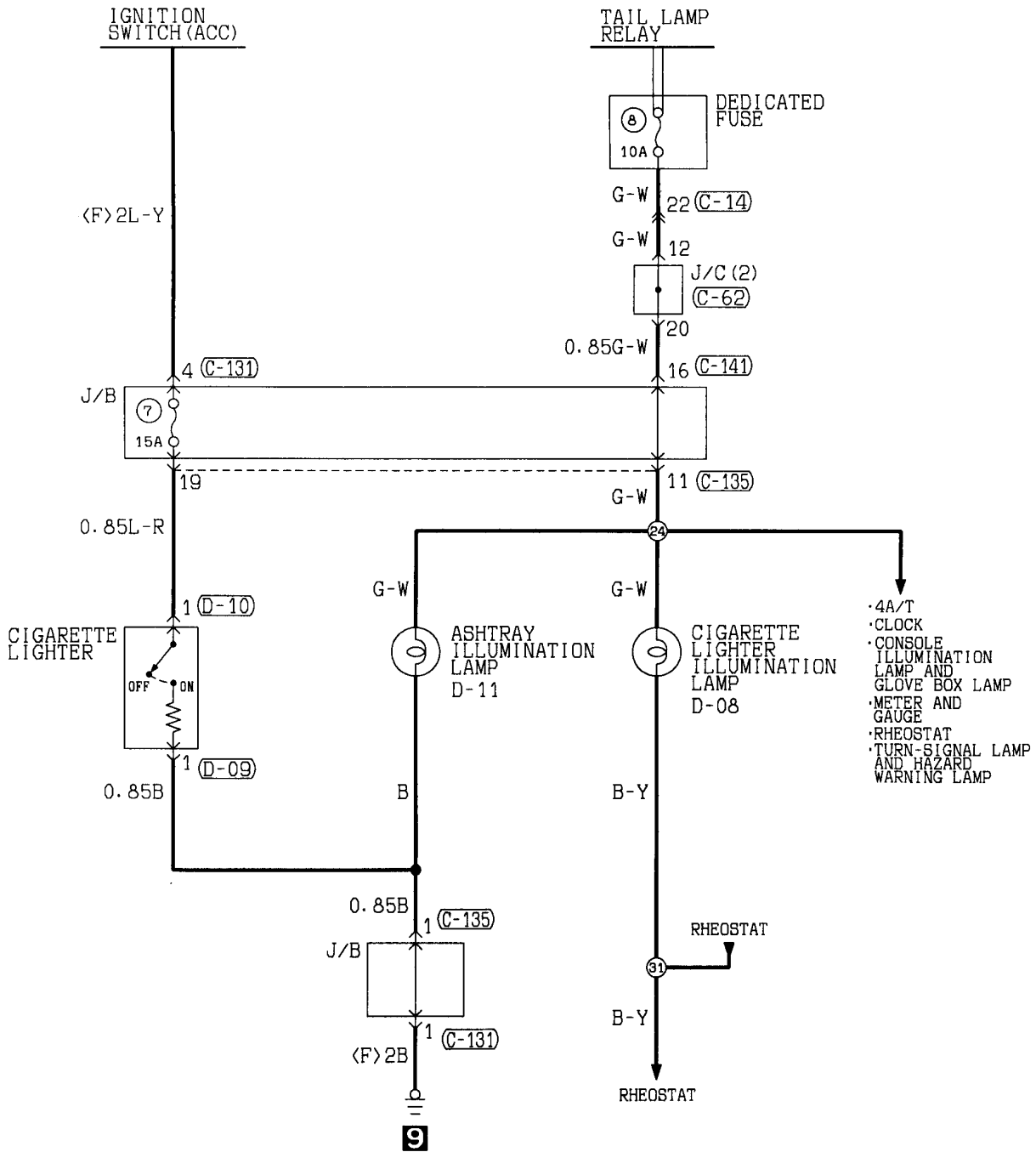
Wire colour code

B :Black LG:Light green G :Green L :Blue W :White Y :Yellow SB:Sky blue
BR:Brown O :Orange GR:Gray R :Red P :Pink V :Violet

CIGARETTE LIGHTER

90100780334

R.H. drive vehicles

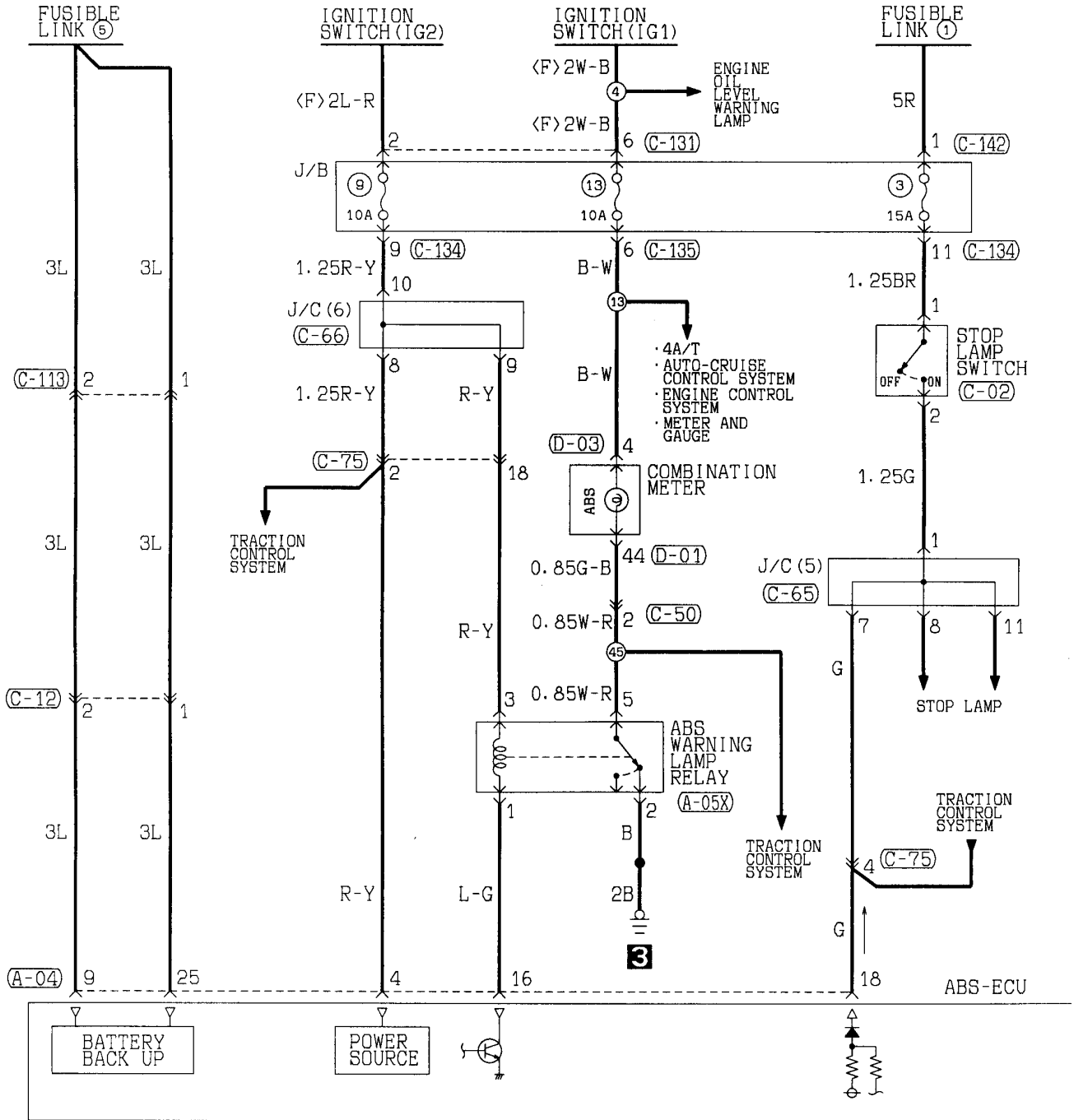


Wire colour code
 B : Black LG: Light green G : Green L : Blue W : White Y : Yellow SB: Sky blue
 BR: Brown O : Orange GR: Gray R : Red P : Pink V : Violet

ANTI-SKID BRAKING SYSTEM (ABS)

90100840599

L.H. drive vehicles



(A-04)

1	2	3	4	5	6	7	8	9
10	11	12	13	14	15	16	24	25
17	18	19	20	21	22	23	24	25

(A-05X)

1	2	3
4		
5		

(C-02)

1	2
3	4

(C-12)

1
2

(C-50)

1	2
3	4
5	6

(C-65)

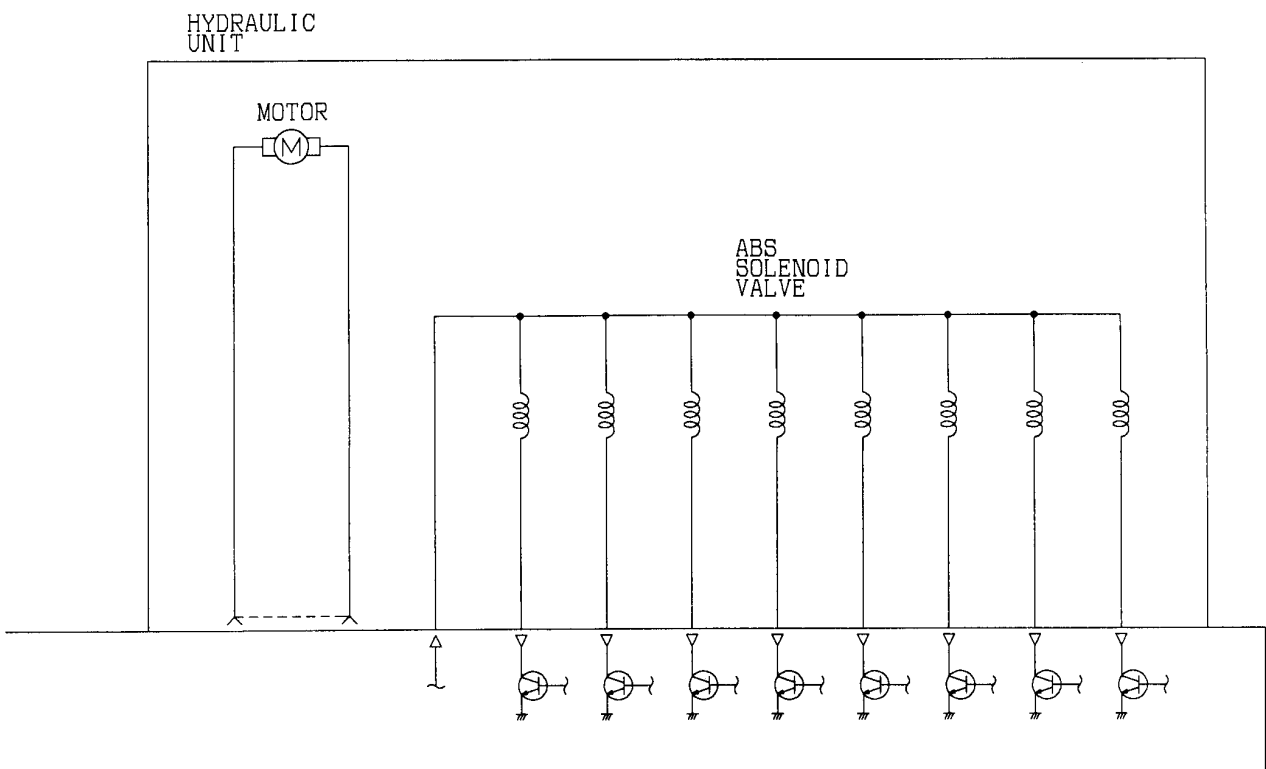
1	2	3	4	5	6	7	8	9	10	11
12	13	14	15	16	17	18	19	20	21	22
23	24	25	26	27	28	29	30	31	32	33

(C-66)

1	2	3	4	5	6	7	8	9	10	11
12	13	14	15	16	17	18	19	20	21	22
23	24	25	26	27	28	29	30	31	32	33

(D-03)

1	2	3	4	5	6	7	8
				9			
10	11	12	13	14	15	16	17



(C-75)

1	2	3	4	5	M	6	7	8	9	10	
11	12	13	14	15	16	17	18	19	20	21	22

(C-113)

1
2

(C-131)

1	2
3	4
5	6

(C-134)

1	2	3	4	5	M	6	7	8	9	10	
11	12	13	14	15	16	17	18	19	20	21	22

(C-135)

1	2	3	4	M	5	6	7	8	9	
10	11	12	13	14	15	16	17	18	19	20

(C-142)

1

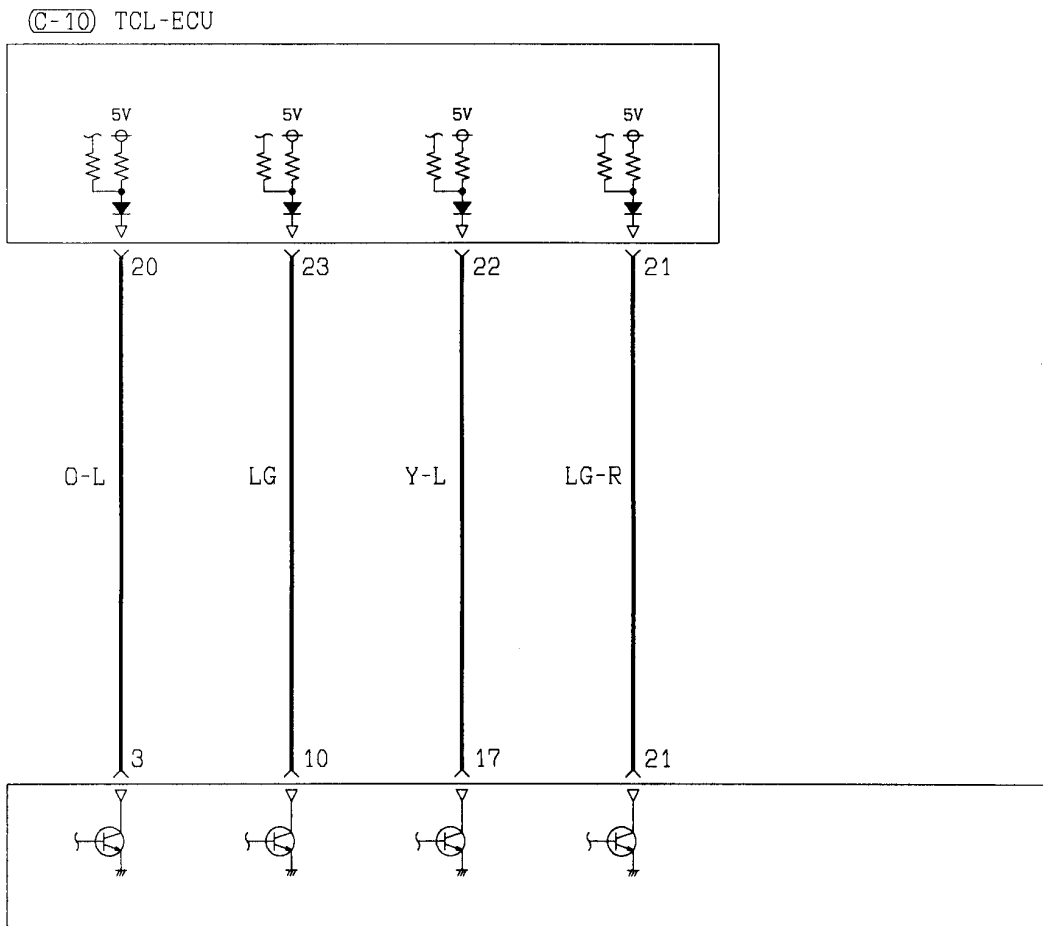
(D-01)

41	42	43	44	45	46	47	48
							49
50	51	52	53	54	55	56	57

Wire colour code

B : Black LG: Light green G : Green L : Blue W : White Y : Yellow SB: Sky blue
 BR: Brown O : Orange GR: Gray R : Red P : Pink V : Violet

ANTI-SKID BRAKING SYSTEM <L.H. drive vehicles> (CONTINUED)



(A-04)

1	2	3	4	5	6	7	8	9
10	11	12	13	14	15	16	24	25
17	18	19	20	21	22	23		

(A-09)

1	2
---	---

(A-39)

1	2
---	---

(C-10)

1	2	3	4	5	6	7	8	9	10	11	12	13
14	15	16	17	18	19	20	21	22	23	24	25	26

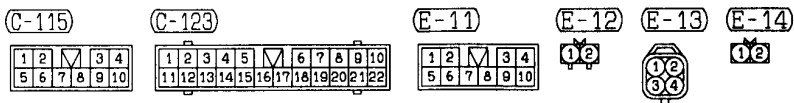
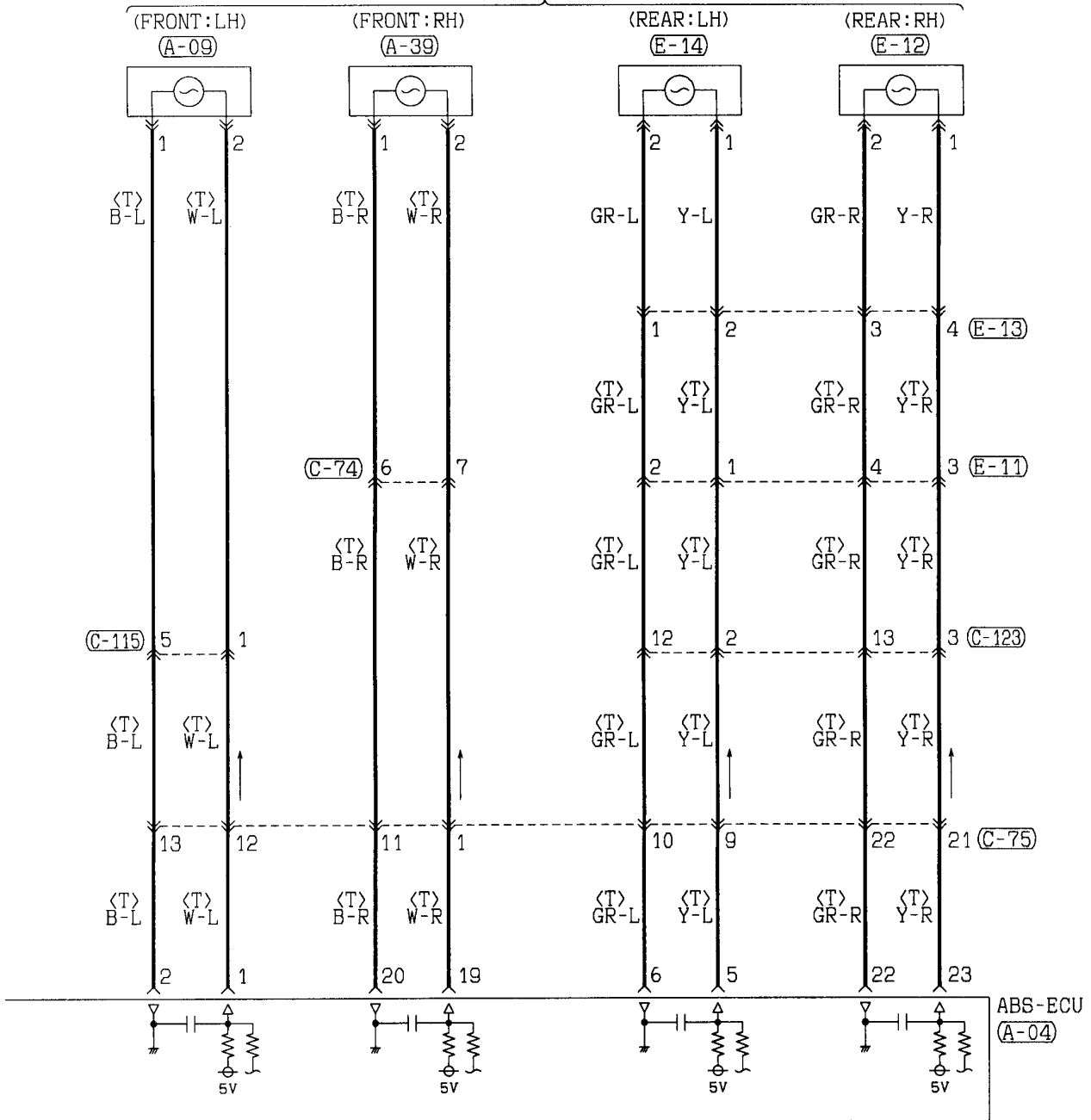
(C-74)

1	2	3
4	5	6

(C-75)

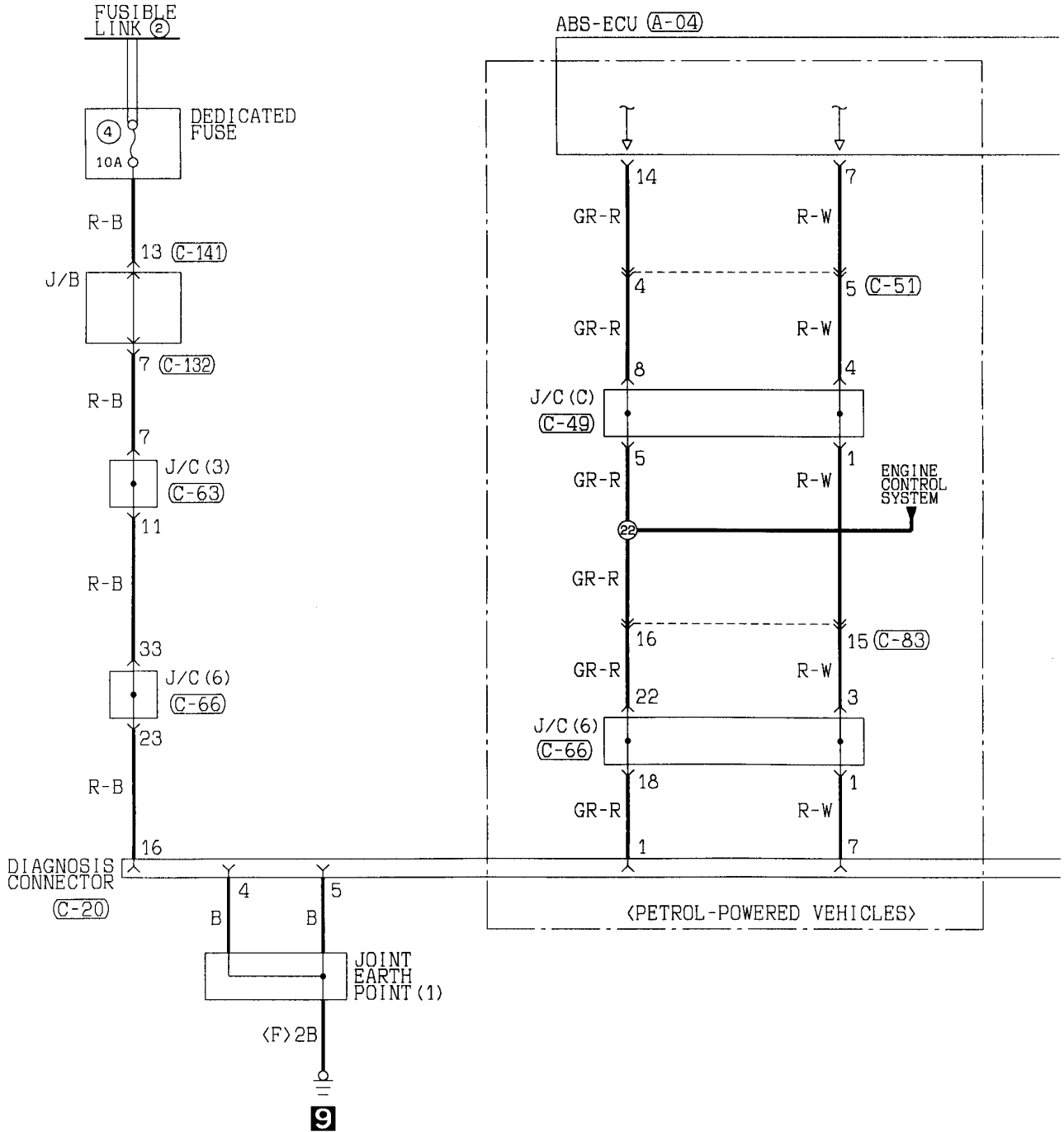
1	2	3	4	5	6	7	8	9	10
11	12	13	14	15	16	17	18	19	20
21	22								

WHEEL SPEED SENSOR



Wire colour code
 B : Black LG: Light green G : Green L : Blue W : White Y : Yellow SB: Sky blue
 BR: Brown O : Orange GR: Gray R : Red P : Pink V : Violet

ANTI-SKID BRAKING SYSTEM <L.H. drive vehicles> (CONTINUED)



(A-04)

1	2	3	4	5	6	7	8	9
10	11	12	13	14	15	16	24	25
17	18	19	20	21	22	23		

(C-20) FRONT SIDE

1	2	3	4	5	6	7	8
9	10	11	12	13	14	15	16

(C-49)

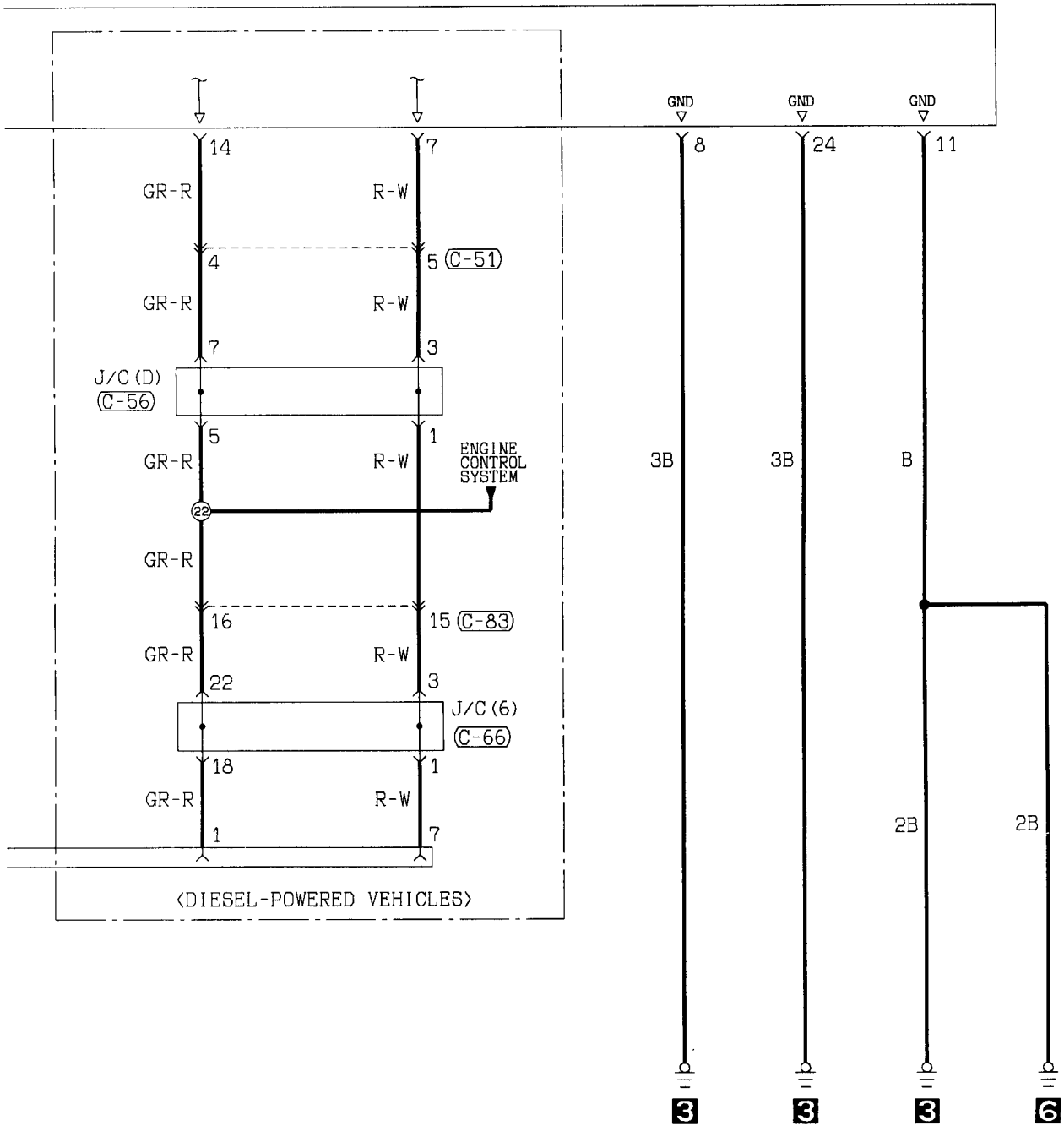
1	2	3	4	5	6	7	8
9	10	11	12	13	14	15	16
17	18	19					

(C-51)

1	2	3	4	5	6	7	8
9	10	11	12	13	14	15	16
17	18	19					

(C-141)

1	2	3	4	5	6	7	8
9	10	11	12	13	14	15	16
17	18						



(C-56)

1	2	3	4	5	6	7	8			
9	10	11	12	13	14	15	16	17	18	19

(C-63)

1	2	3	4	5	6	7	8	9	10	11
12	13	14	15	16	17	18	19	20	21	22
23	24	25	26	27	28	29	30	31	32	33

(C-66)

1	2	3	4	5	6	7	8	9	10	11
12	13	14	15	16	17	18	19	20	21	22
23	24	25	26	27	28	29	30	31	32	33

(C-83)

1	2	3	4	5	6	7	8	9	10		
11	12	13	14	15	16	17	18	19	20	21	22

(C-132)

1	2	3	4		
5	6	7	8	9	10

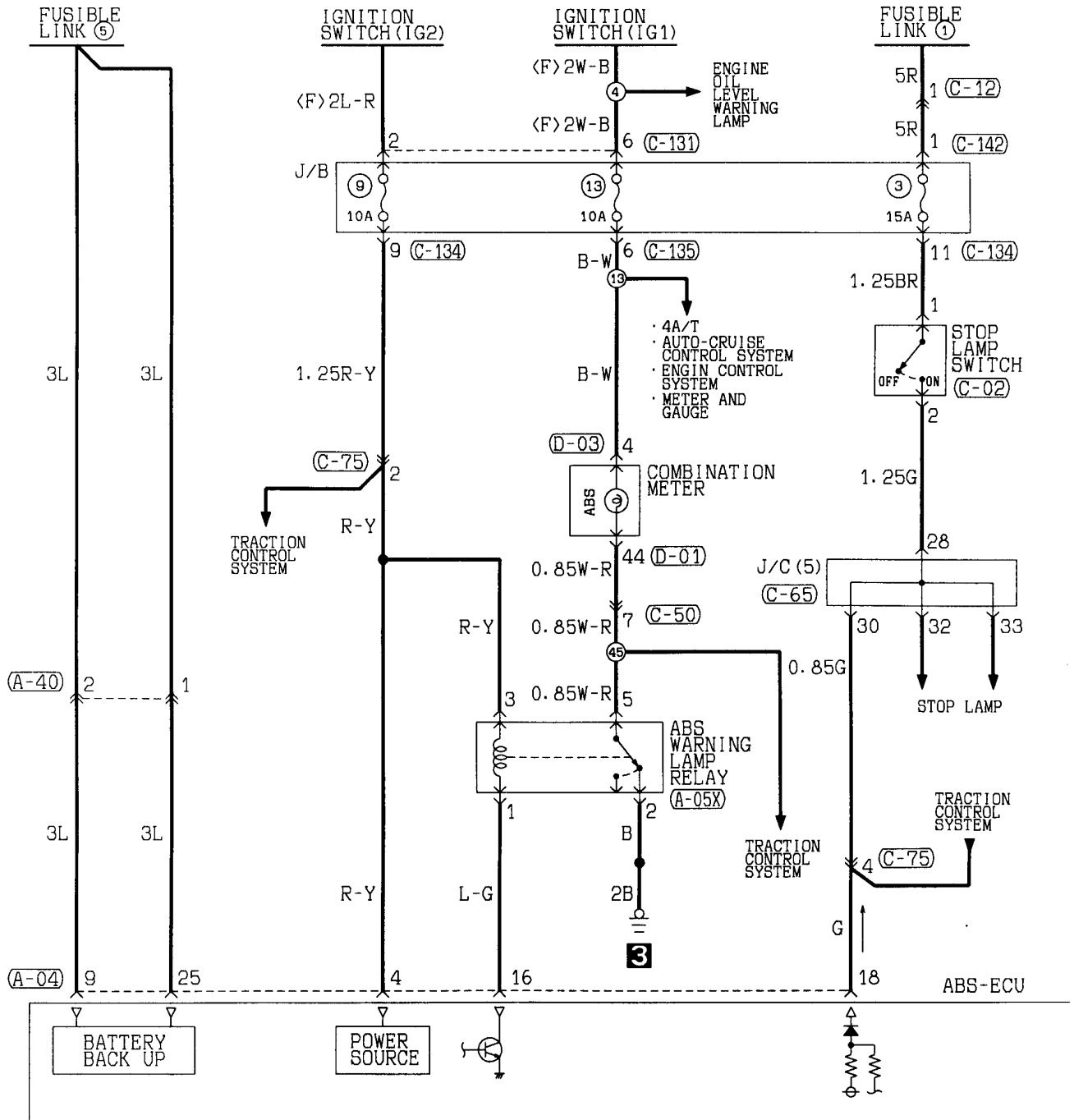
Wire colour code

B:Black LG:Light green G:Green L:Blue W:White Y:Yellow SB:Sky blue
 BR:Brown O:Orange GR:Gray R:Red P:Pink V:Violet

ANTI-SKID BRAKING SYSTEM (ABS)

90100840605

R.H. drive vehicles



(A-04)

1	2	3	4	5	6	7	8	9
10	11	12	13	14	15	16	17	18
19	20	21	22	23	24	25		

(A-05X)

1	2	3
4		
5		

(A-40)

1	2
---	---

(C-02)

1	2
3	4

(C-12)

1

(C-50)

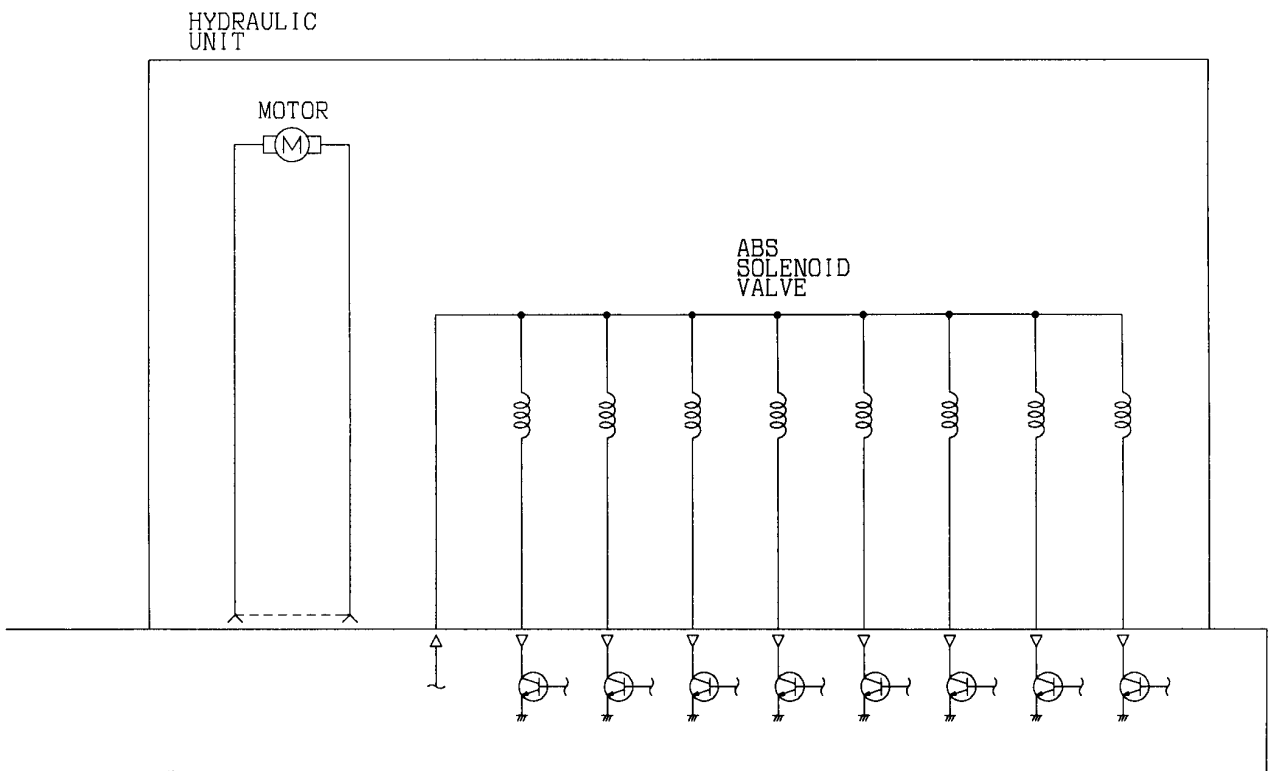
1	2	3
4	5	6

(C-65)

1	2	3	4	5	6	7	8	9	10	11
12	13	14	15	16	17	18	19	20	21	22
23	24	25	26	27	28	29	30	31	32	33

(D-03)

1	2	3	4	5	6	7	8
				9			
10	11	12	13	14	15	16	17



(C-75)

1	2	3	4	5	6	7	8	9	10
11	12	13	14	15	16	17	18	19	20
21	22								

(C-131)

1	2		
3	4	5	6

(C-134)

1	2	3	4	5	6	7	8	9	10
11	12	13	14	15	16	17	18	19	20
21	22								

(C-135)

1	2	3	4	5	6	7	8	9
10	11	12	13	14	15	16	17	18
19	20							

(C-142)

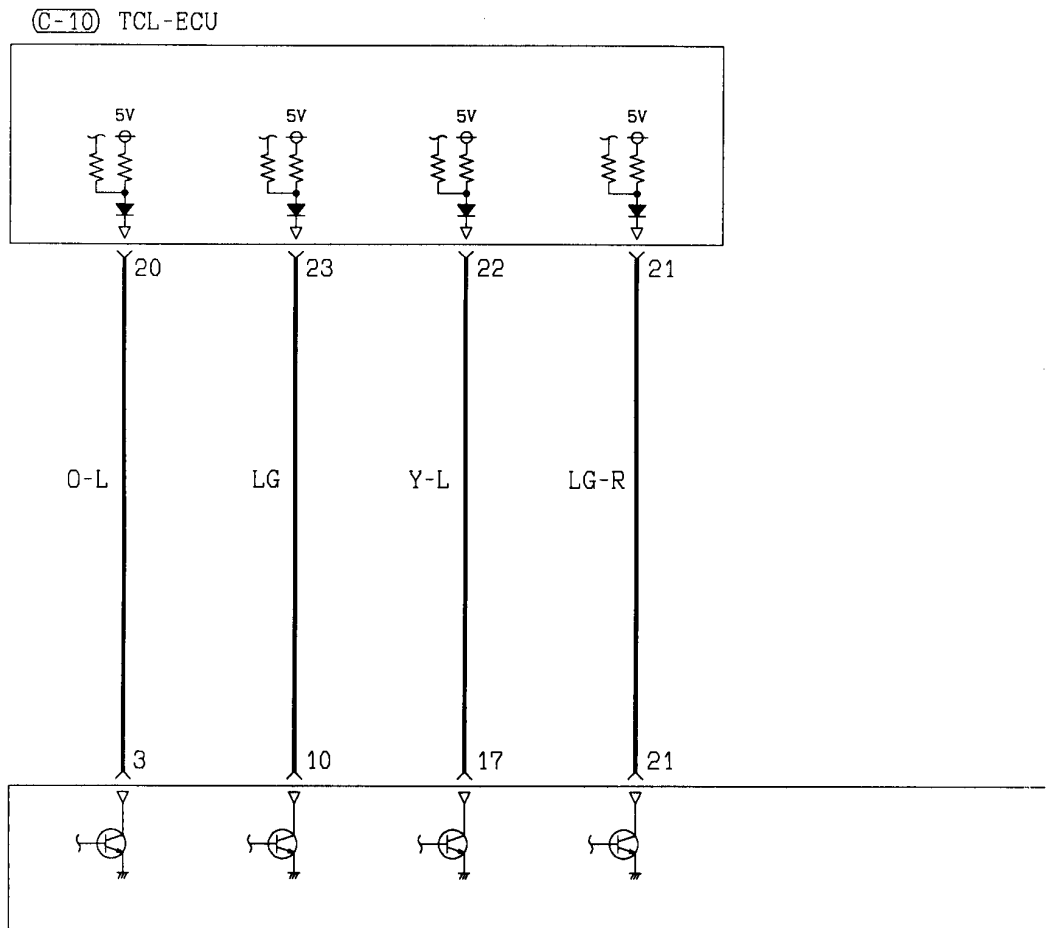
1

(D-01)

41	42	43	44	45	46	47	48
			49				
50	51	52	53	54	55	56	57

Wire colour code
 B : Black LG : Light green G : Green L : Blue W : White Y : Yellow SB : Sky blue
 BR : Brown O : Orange GR : Gray R : Red P : Pink V : Violet

ANTI-SKID BRAKING SYSTEM <R.H. drive vehicles> (CONTINUED)



(A-04)

1	2	3	4	5	6	7	8	9
10	11	12	13	14	15	16	17	18
19	20	21	22	23	24	25		

(A-09)



(A-39)



(A-41)

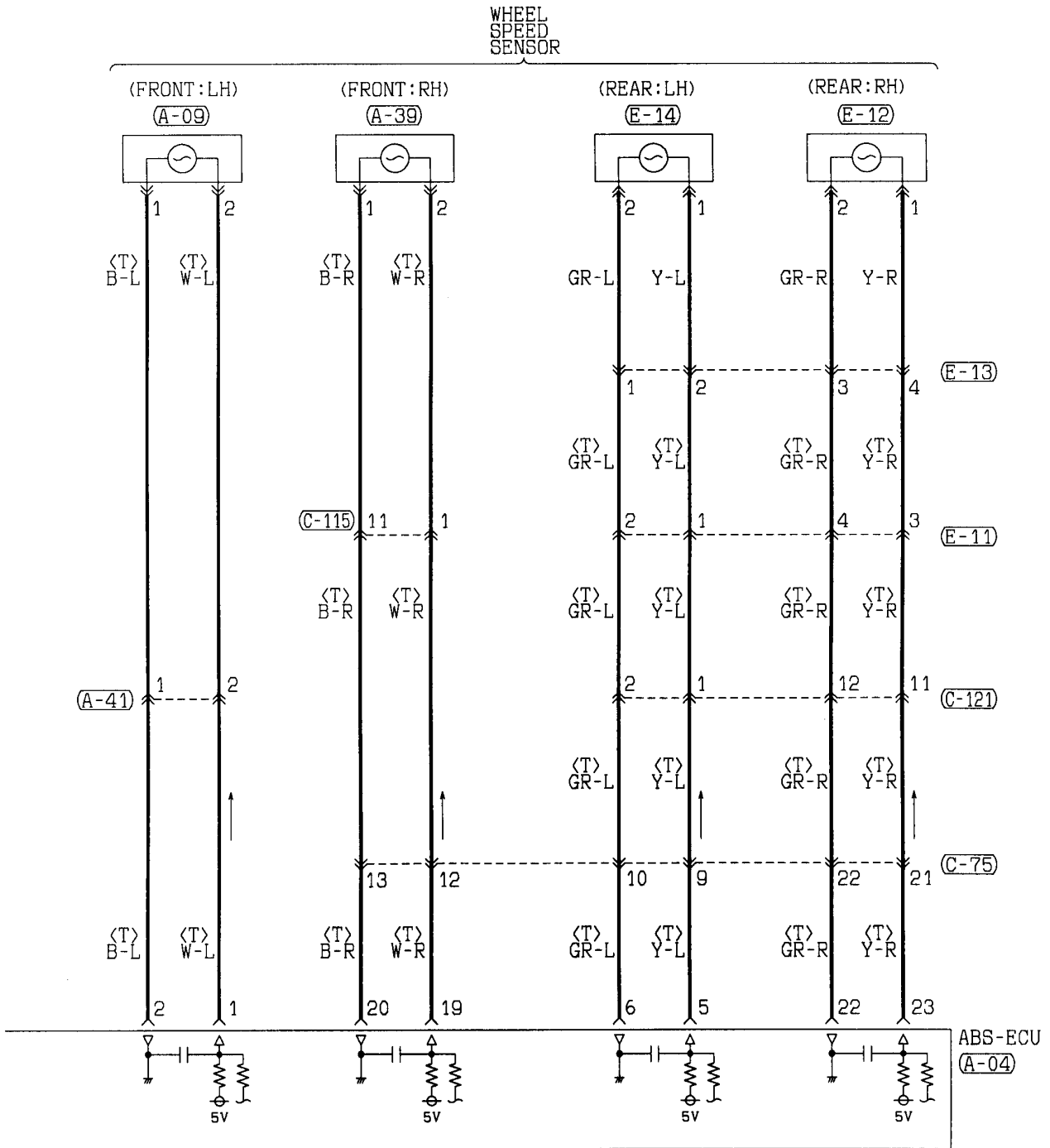


(C-10)

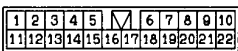
1	2	3	4	5	6	7	8	9	10	11	12	13
14	15	16	17	18	19	20	21	22	23	24	25	26

(C-75)

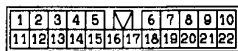
1	2	3	4	5	6	7	8	9	10		
11	12	13	14	15	16	17	18	19	20	21	22



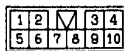
(C-115)



(C-121)



(E-11)



(E-12)



(E-13)



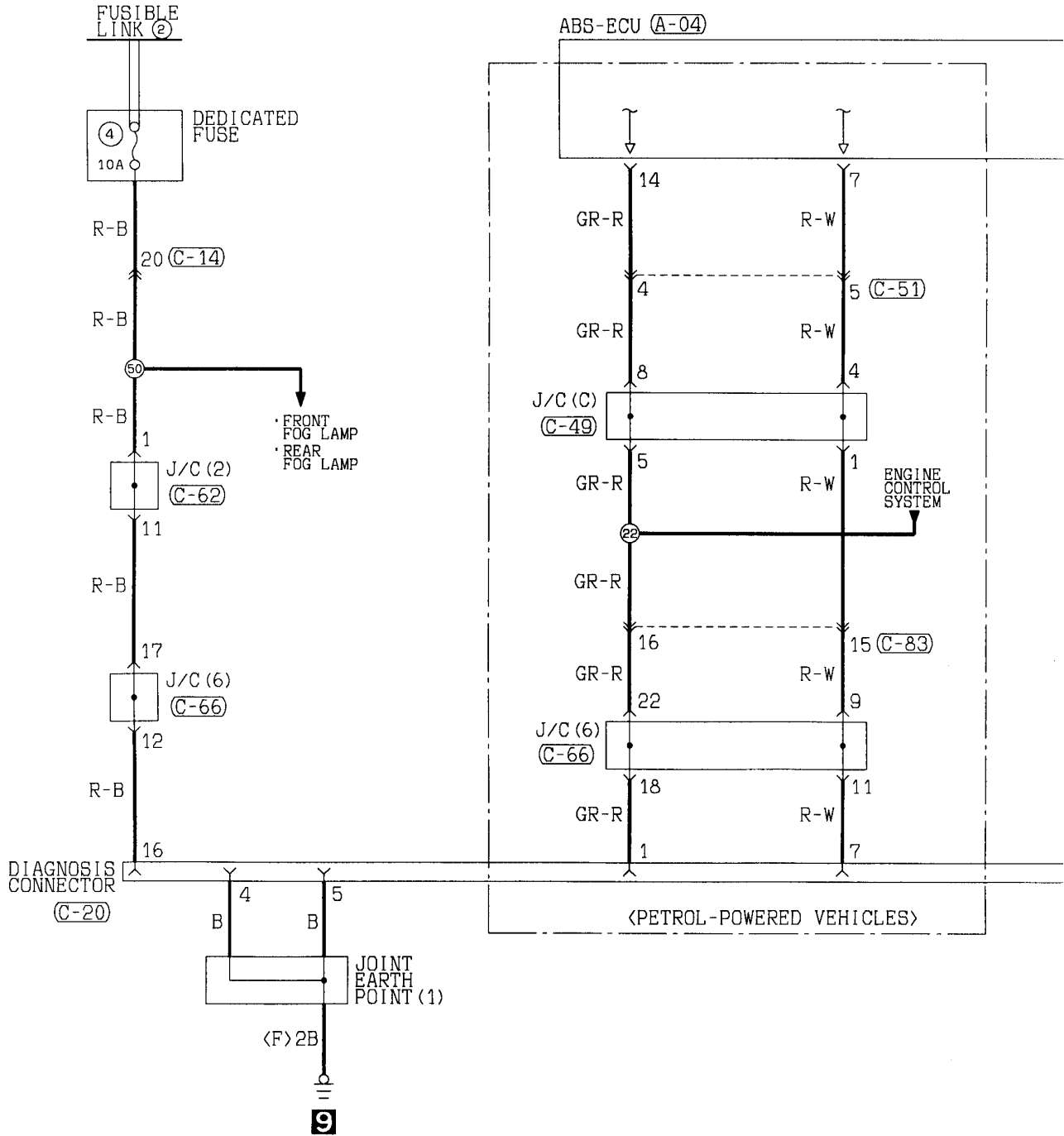
(E-14)



Wire colour code

B : Black LG : Light green G : Green L : Blue W : White Y : Yellow SB : Sky blue
 BR : Brown O : Orange GR : Gray R : Red P : Pink V : Violet

ANTI-SKID BRAKING SYSTEM <R.H. drive vehicles> (CONTINUED)



(A-04)

1	2	3	4	5	6	7	8	9
10	11	12	13	14	15	16	24	25
17	18	19	20	21	22	23		

(C-14)

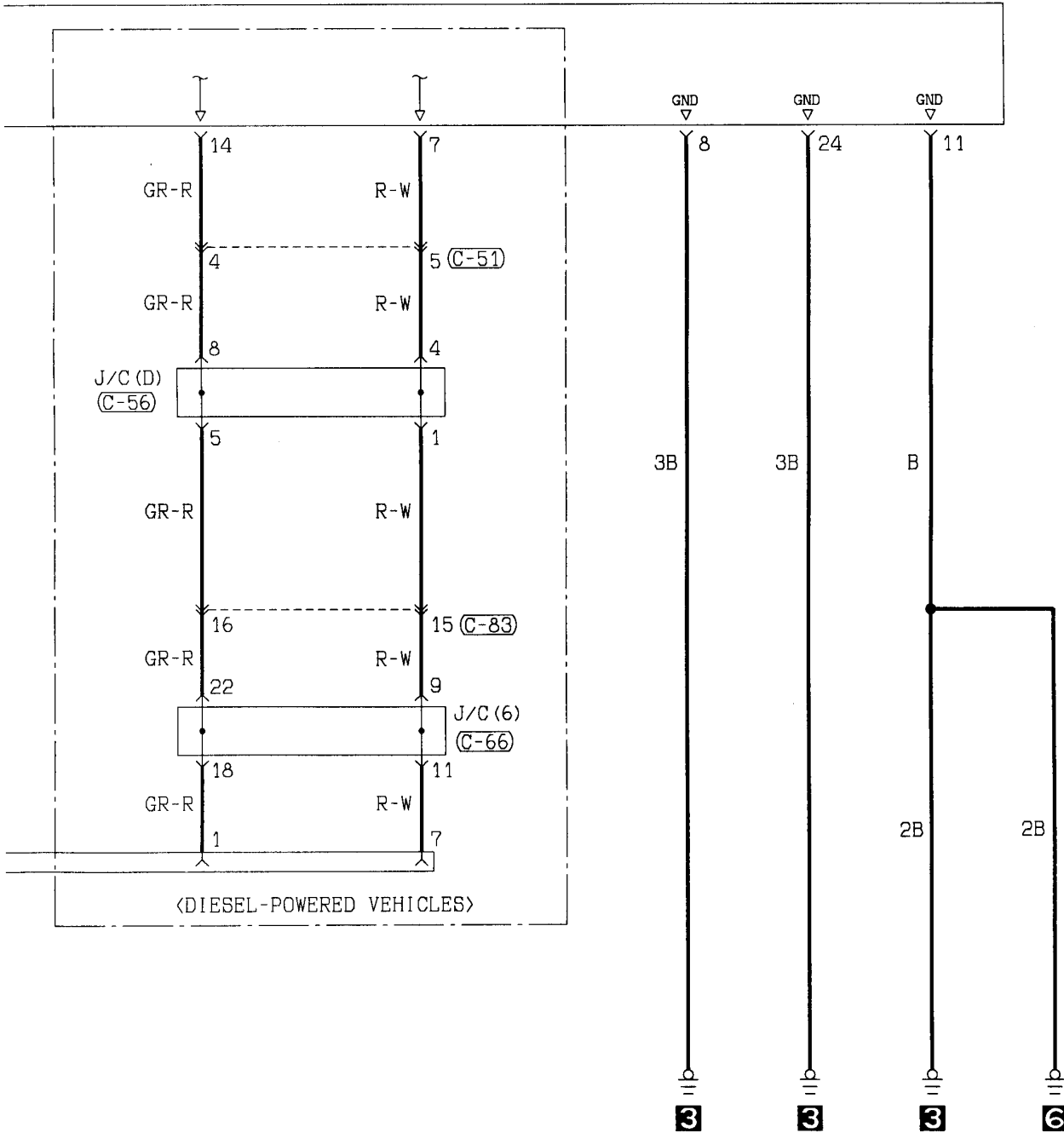
1	2	3	4	5	6	7	8	9	10
11	12	13	14	15	16	17	18	19	20
21	22								

(C-20) FRONT SIDE

1	2	3	4	5	6	7	8
9	10	11	12	13	14	15	16

(C-49)

1	2	3	4	5	6	7	8
9	10	11	12	13	14	15	16
17	18	19					



(C-51)

1	2	3	4	5	6	7	8
9	10	11	12	13	14	15	16
17	18	19					

(C-56)

1	2	3	4	5	6	7	8
9	10	11	12	13	14	15	16
17	18	19					

(C-62)

1	2	3	4	5	6	7	8	9	10	11
12	13	14	15	16	17	18	19	20	21	22
23	24	25	26	27	28	29	30	31	32	33

(C-66)

1	2	3	4	5	6	7	8	9	10	11
12	13	14	15	16	17	18	19	20	21	22
23	24	25	26	27	28	29	30	31	32	33

(C-83)

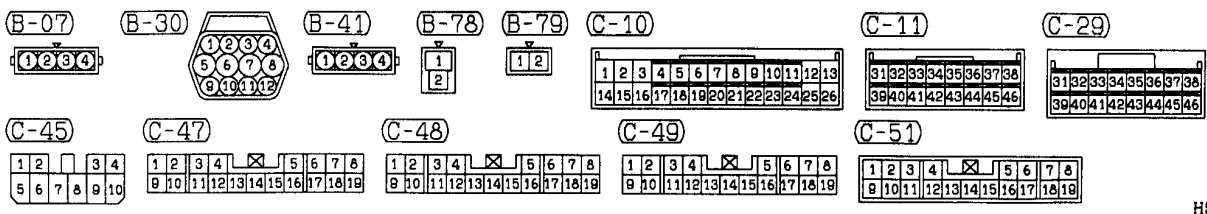
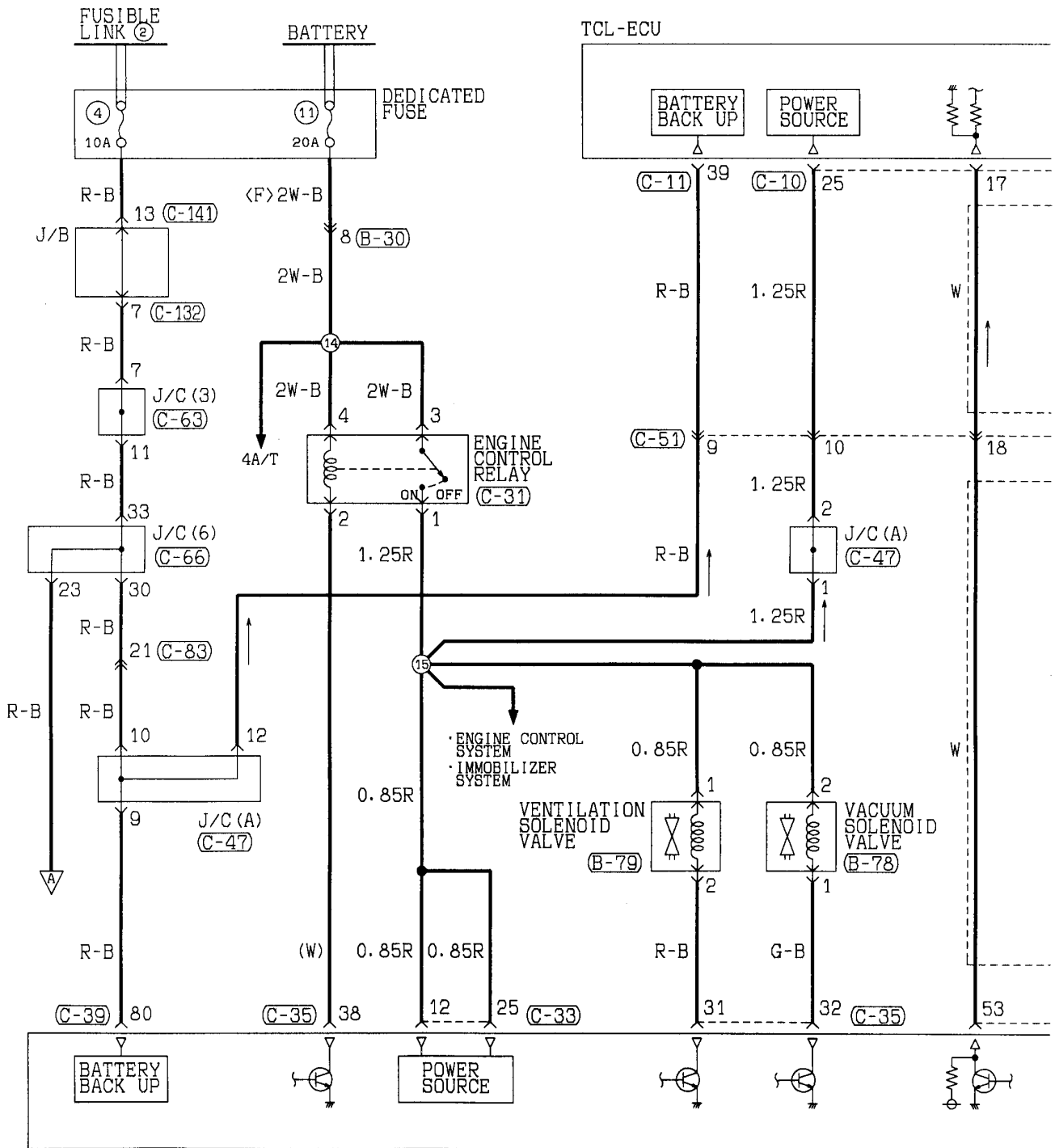
1	2	3	4	5	6	7	8	9	10
11	12	13	14	15	16	17	18	19	20
21	22								

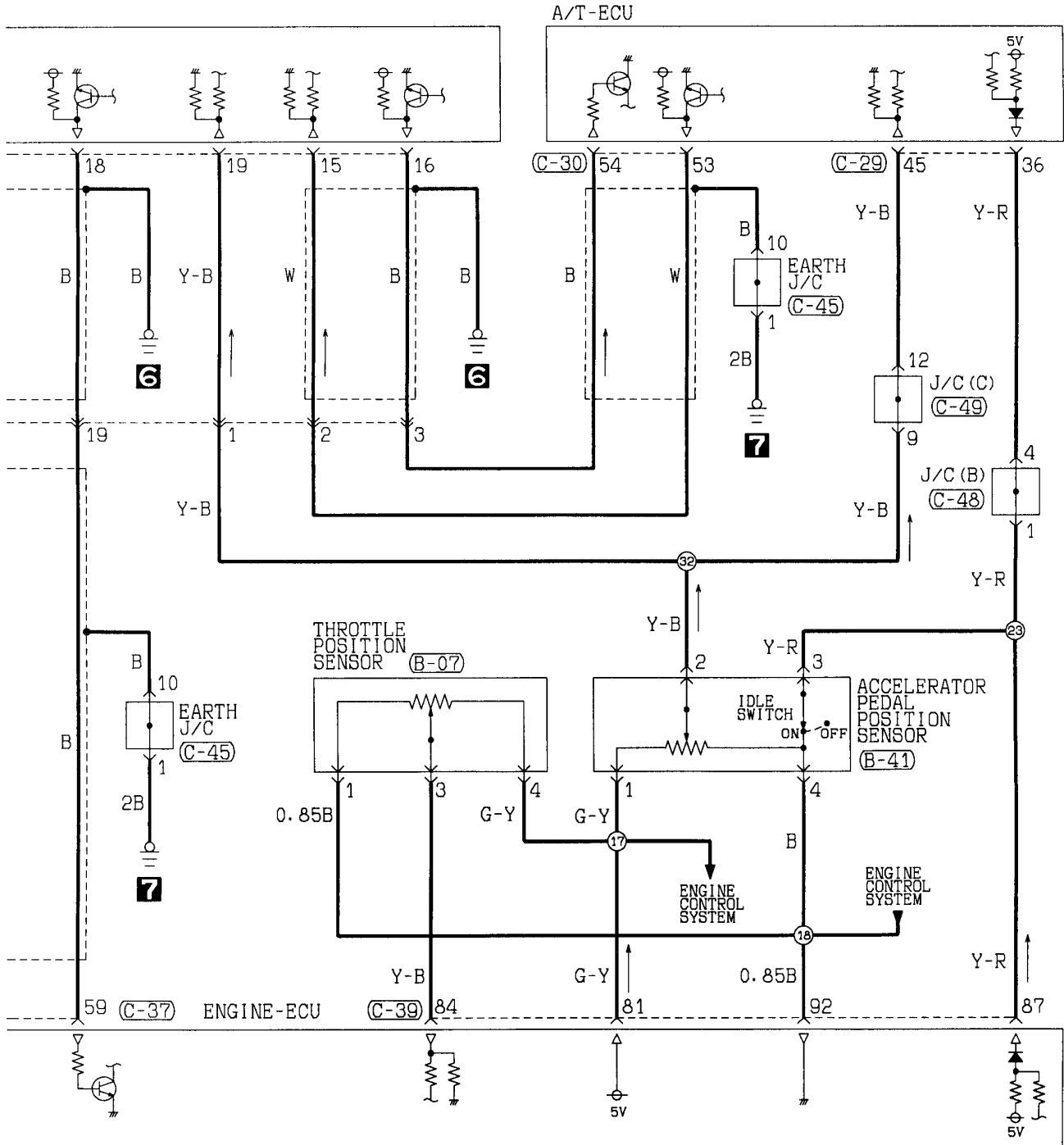
Wire colour code
 B : Black LG: Light green G : Green L : Blue W : White Y : Yellow SB: Sky blue
 BR: Brown O : Orange GR: Gray R : Red P : Pink V : Violet

TRACTION CONTROL SYSTEM (TCL)

90100880089

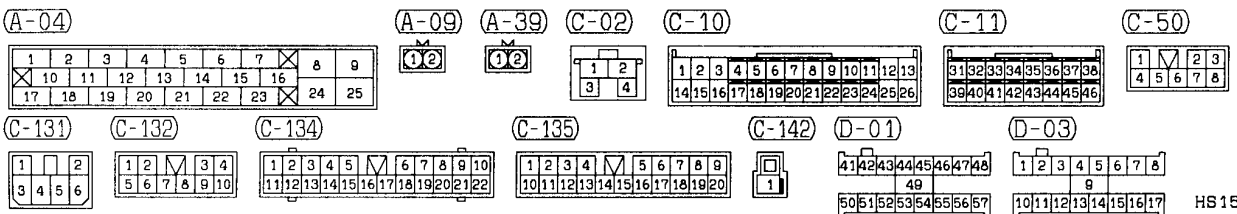
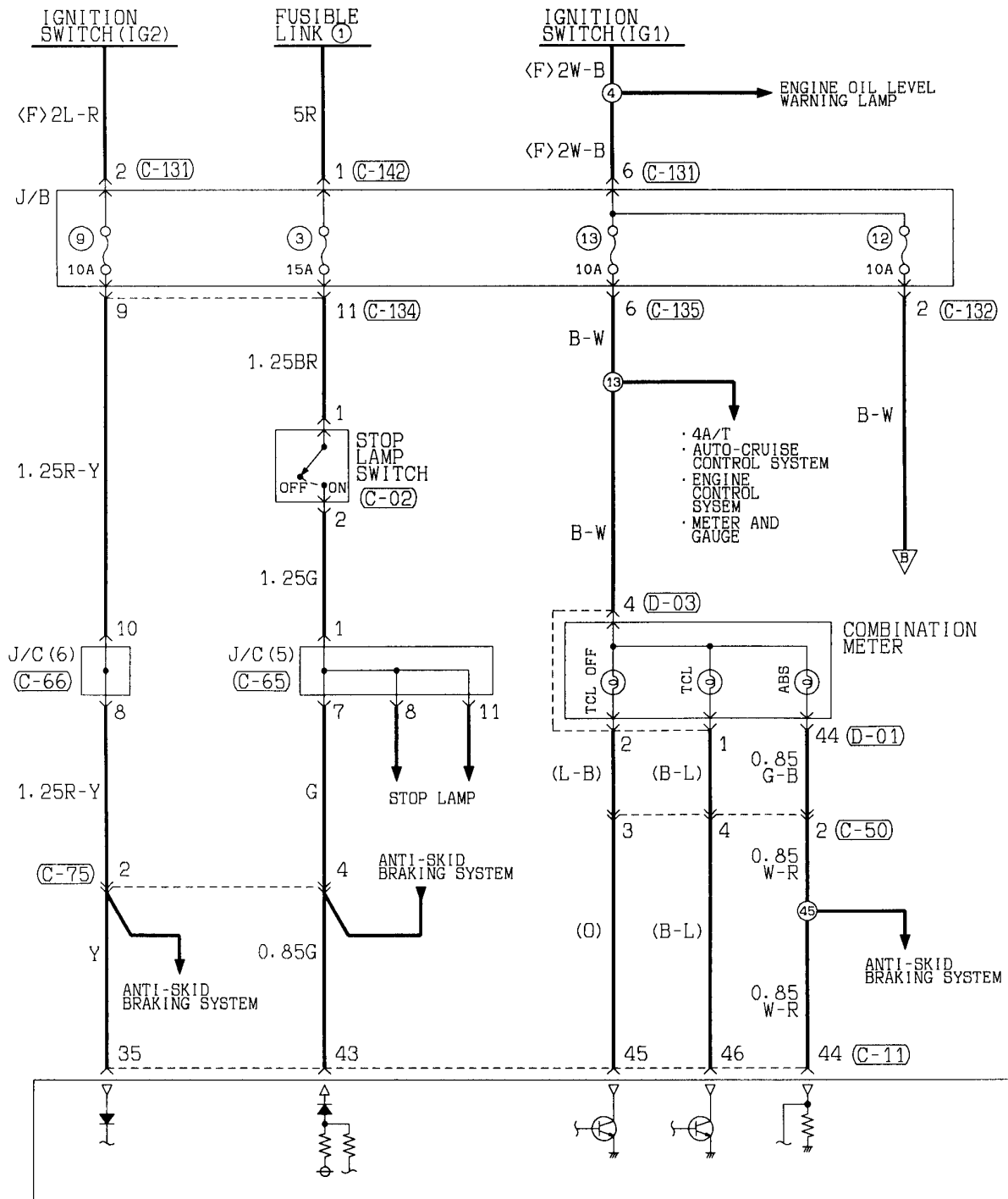
L.H. drive vehicles



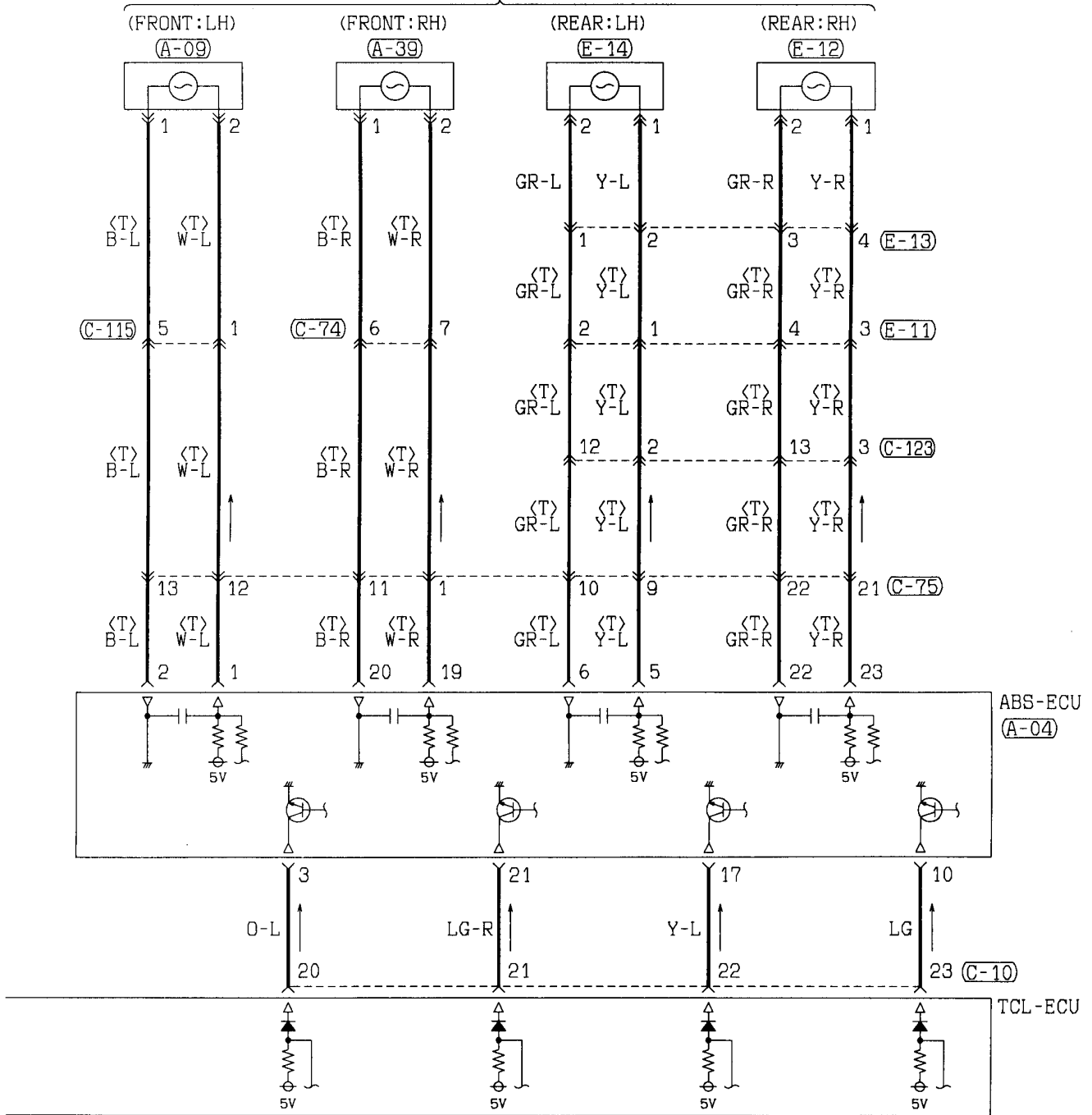


C-30 51 52 53 54 55 56 57 58 59 60 61 62 63 64 65 66 67 68 69 70 71 72	C-31 1 2 3 4	C-33 1 2 3 4 5 6 7 8 9 10 11 12 13 14 15 16 17 18 19 20 21 22 23 24 25 26	C-35 31 32 33 34 35 36 37 38 39 40 41 42 43 44 45 46	C-37 51 52 53 54 55 56 57 58 59 60 61 62	C-39 71 72 73 74 75 76 77 78 79 80 81 82 83 84 85 86 87 88 89 90 91 92
C-63 1 2 3 4 5 6 7 8 9 10 11 12 13 14 15 16 17 18 19 20 21 22 23 24 25 26 27 28 29 30 31 32 33	C-66 1 2 3 4 5 6 7 8 9 10 11 12 13 14 15 16 17 18 19 20 21 22 23 24 25 26 27 28 29 30 31 32 33	C-83 1 2 3 4 5 6 7 8 9 10 11 12 13 14 15 16 17 18 19 20 21 22	C-132 1 2 3 4 5 6 7 8 9 10	C-141 1 2 3 4 5 6 7 8 9 10 11 12 13 14 15 16 17 18	

TRACTION CONTROL SYSTEM (TCL) <L.H. drive vehicles> (CONTINUED)



WHEEL SPEED SENSOR



(C-65)

1	2	3	4	5	6	7	8	9	10	11
12	13	14	15	16	17	18	19	20	21	22
23	24	25	26	27	28	29	30	31	32	33

(C-66)

1	2	3	4	5	6	7	8	9	10	11
12	13	14	15	16	17	18	19	20	21	22
23	24	25	26	27	28	29	30	31	32	33

(C-74)

1	2	3		
4	5	6	7	8

(C-75)

1	2	3	4	5	6	7	8	9	10		
11	12	13	14	15	16	17	18	19	20	21	22

(C-115)

1	2	3	4		
5	6	7	8	9	10

(C-123)

1	2	3	4	5	6	7	8	9	10		
11	12	13	14	15	16	17	18	19	20	21	22

(E-11)

1	2	3	4		
5	6	7	8	9	10

(E-12)

1	2
---	---

(E-13)

1	2
---	---

(E-14)

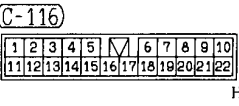
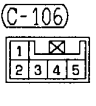
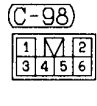
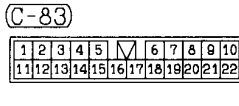
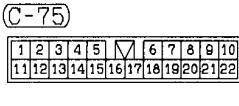
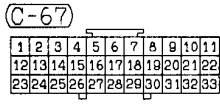
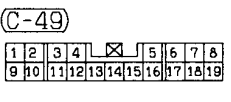
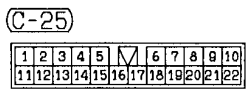
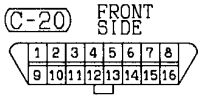
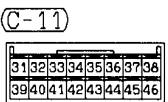
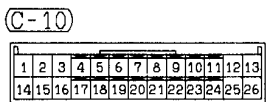
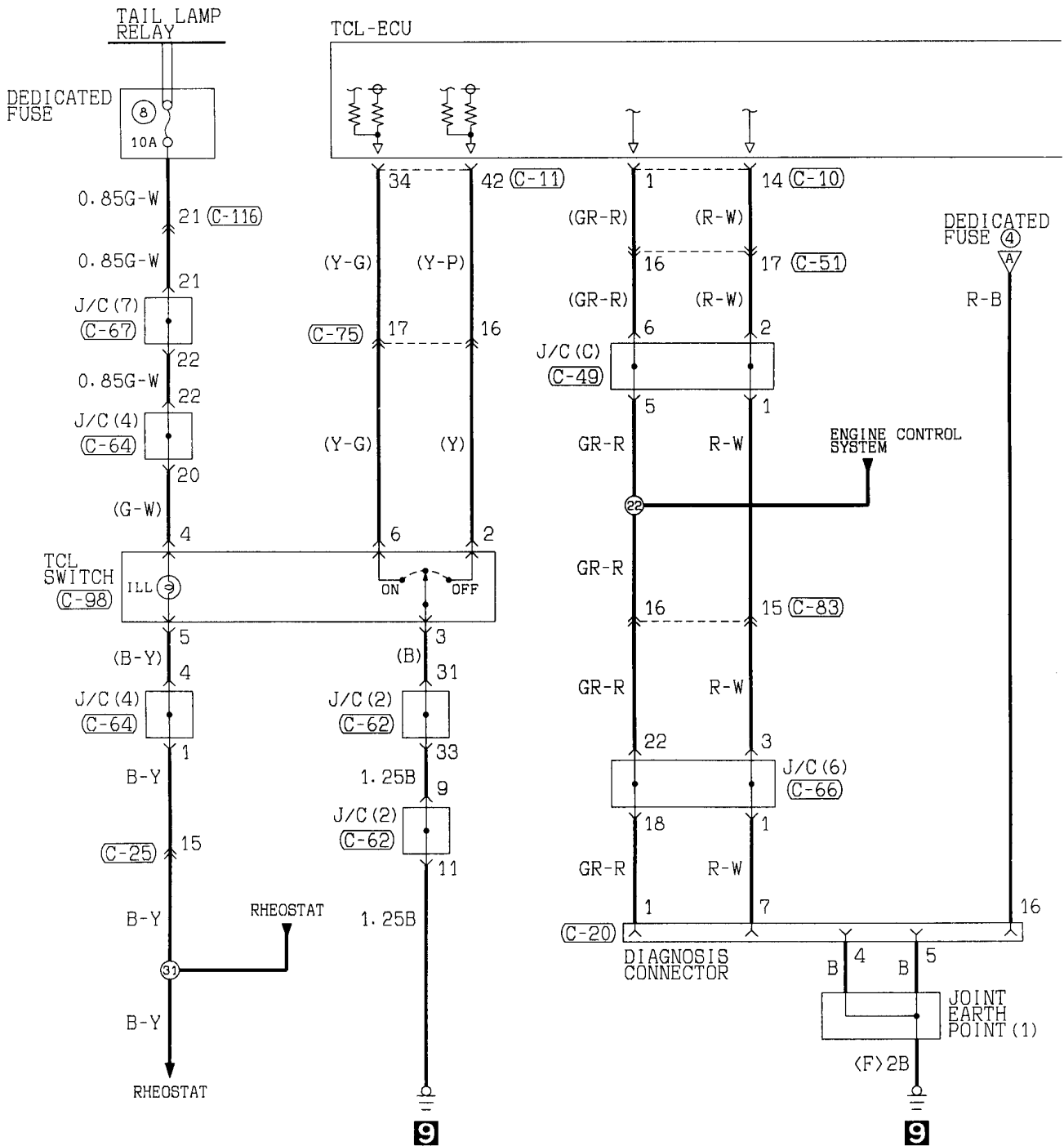
1	2
---	---

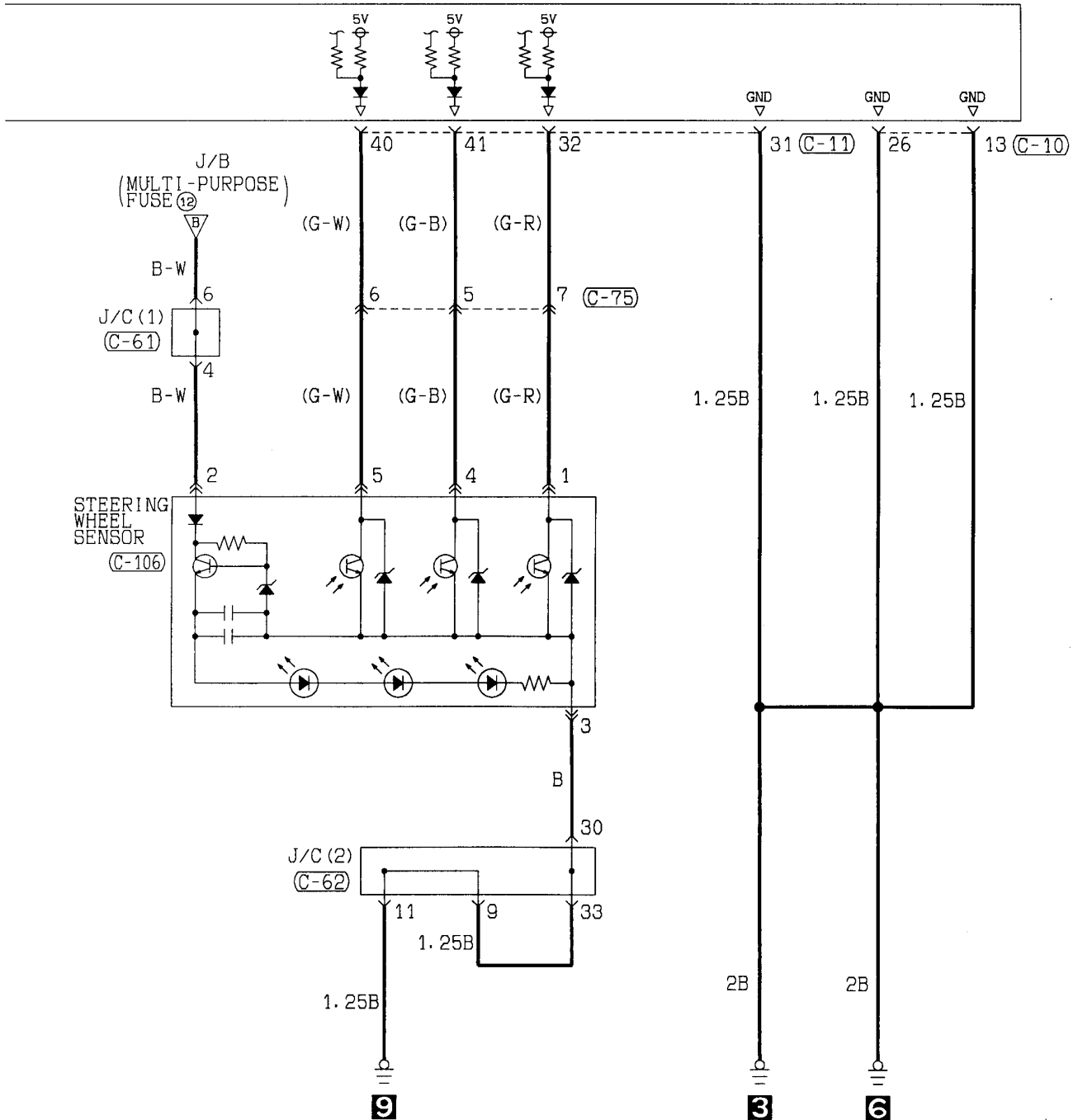
Wire colour code
 B: Black LG: Light green
 BR: Brown O: Orange
 W: White SB: Sky blue
 V: Violet

G: Green
 GR: Gray
 P: Pink

L: Blue
 R: Red
 Y: Yellow

TRACTION CONTROL SYSTEM (TCL) <L.H. drive vehicles> (CONTINUED)





(C-51)

1	2	3	4	5	6	7	8			
9	10	11	12	13	14	15	16	17	18	19

(C-61)

1	2	3	4	5	6	7	8	9	10	11
12	13	14	15	16	17	18	19	20	21	22
23	24	25	26	27	28	29	30	31	32	33

(C-62)

1	2	3	4	5	6	7	8	9	10	11
12	13	14	15	16	17	18	19	20	21	22
23	24	25	26	27	28	29	30	31	32	33

(C-64)

1	2	3	4	5	6	7	8	9	10	11
12	13	14	15	16	17	18	19	20	21	22
23	24	25	26	27	28	29	30	31	32	33

(C-66)

1	2	3	4	5	6	7	8	9	10	11
12	13	14	15	16	17	18	19	20	21	22
23	24	25	26	27	28	29	30	31	32	33

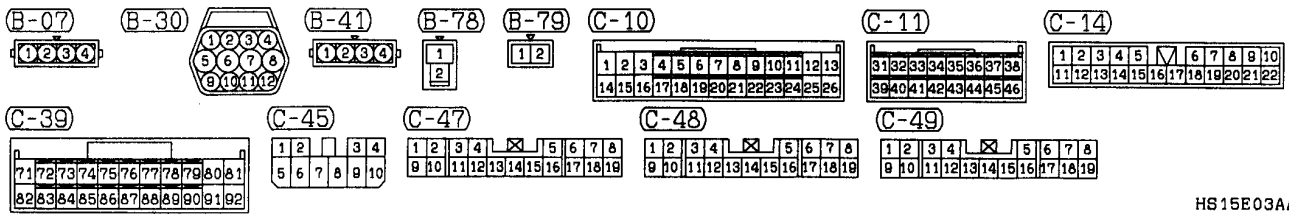
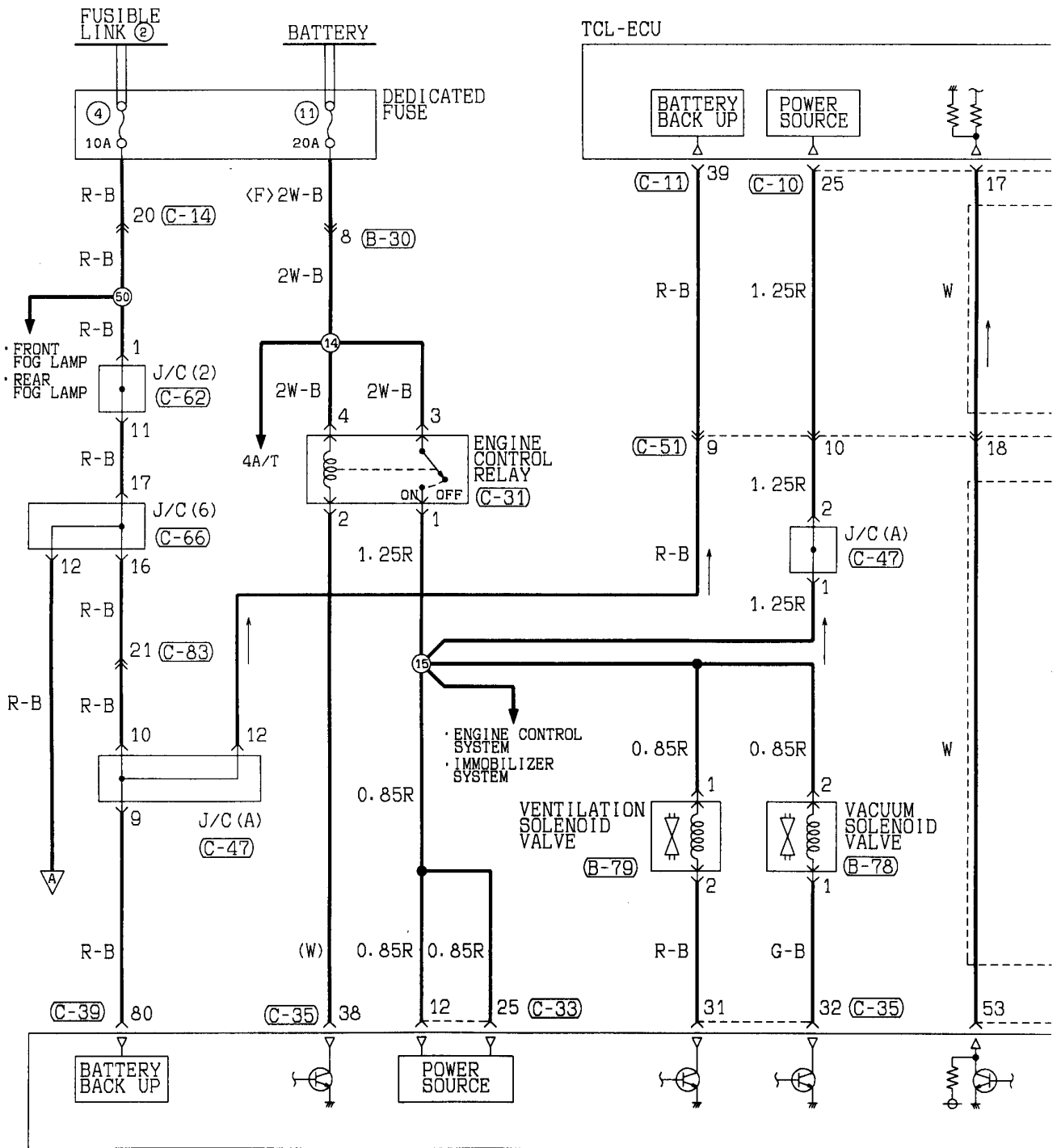
Wire colour code

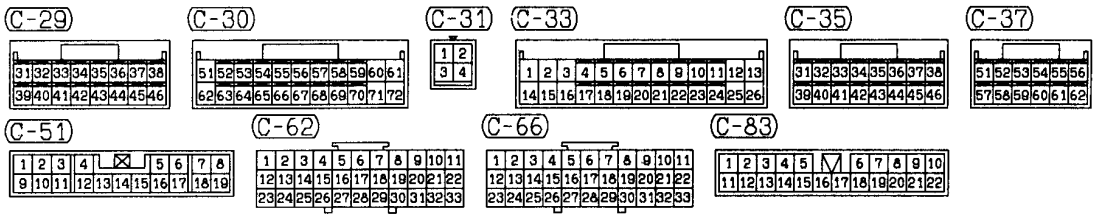
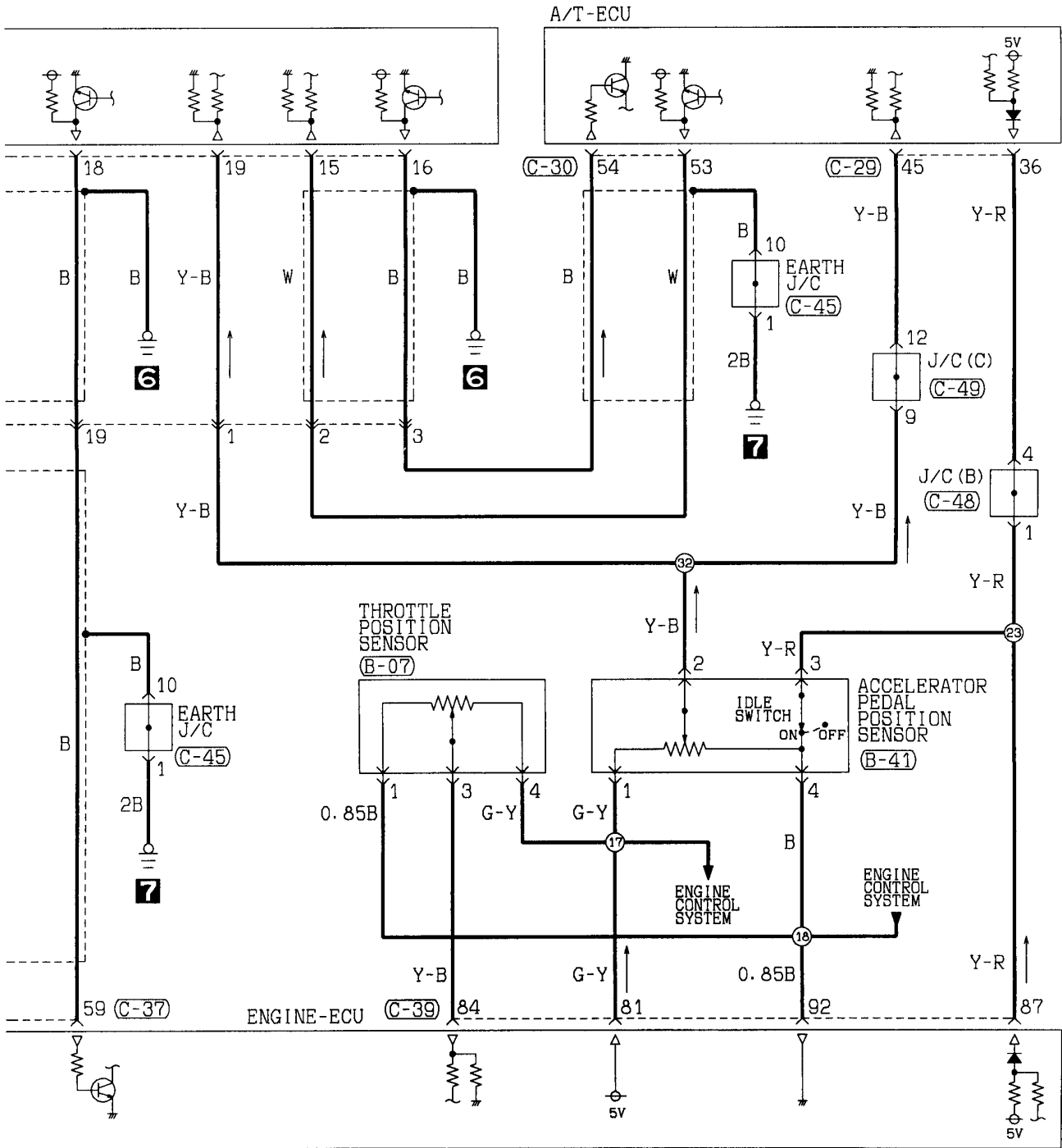
B :Black LG:Light green G :Green L :Blue W :White Y :Yellow SB:Sky blue
 BR:Brown O :Orange GR:Gray R :Red P :Pink V :Violet

TRACTION CONTROL SYSTEM (TCL)

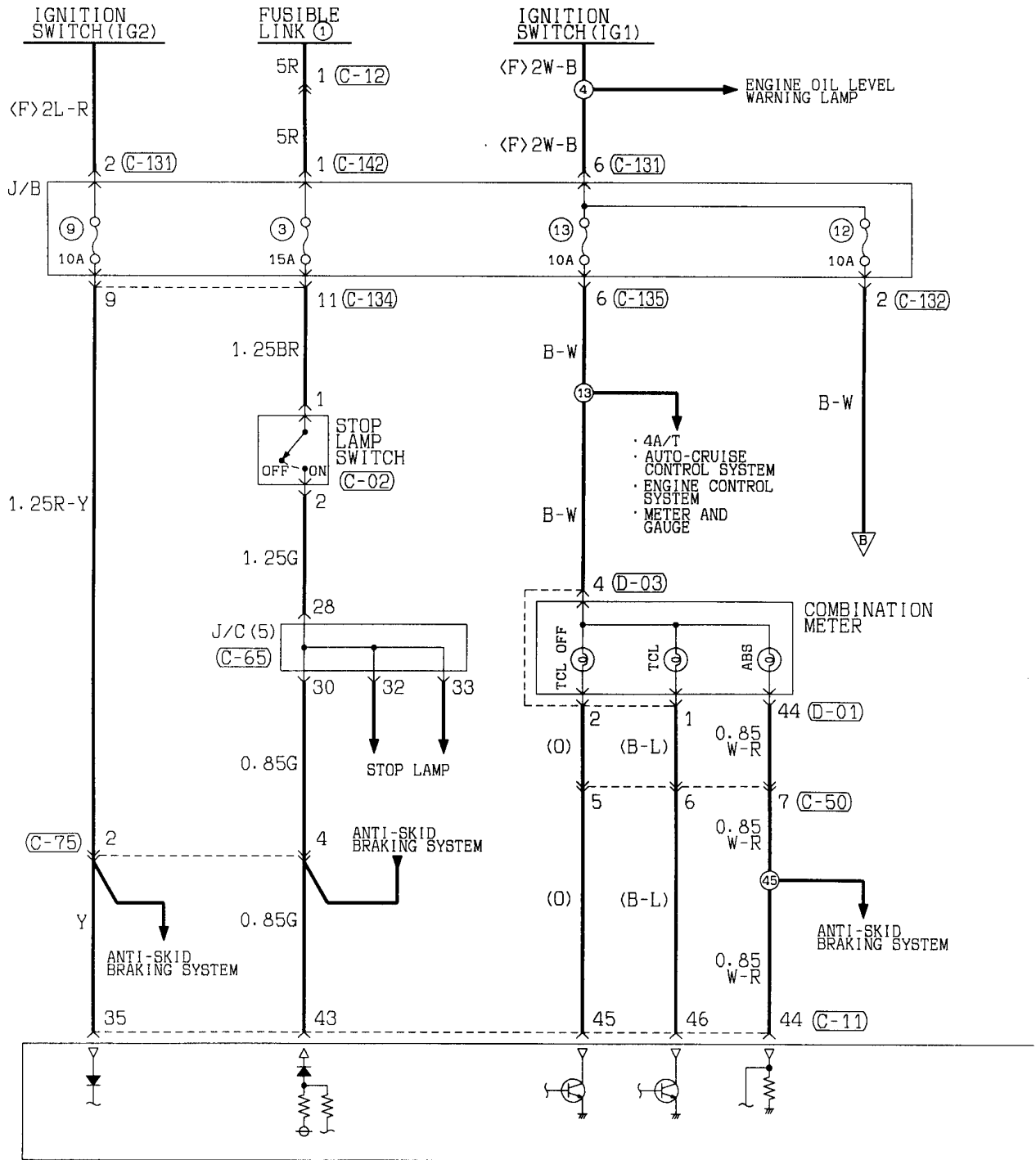
90100880096

R.H. drive vehicles





TRACTION CONTROL SYSTEM (TCL) <R.H. drive vehicles> (CONTINUED)



A-04

1	2	3	4	5	6	7	8	9
10	11	12	13	14	15	16	17	18
19	20	21	22	23	24	25		

A-09

1	2
---	---

A-39

1	2
---	---

A-41

1	2	3
---	---	---

C-02

1	2
---	---

C-10

1	2	3	4	5	6	7	8	9	10	11	12	13
14	15	16	17	18	19	20	21	22	23	24	25	26

C-11

31	32	33	34	35	36	37	38
39	40	41	42	43	44	45	46

C-131

1	2
3	4

C-132

1	2	3	4
5	6	7	8

C-134

1	2	3	4	5	6	7	8	9	10
11	12	13	14	15	16	17	18	19	20
21	22								

C-135

1	2	3	4	5	6	7	8	9
10	11	12	13	14	15	16	17	18
19	20							

C-142

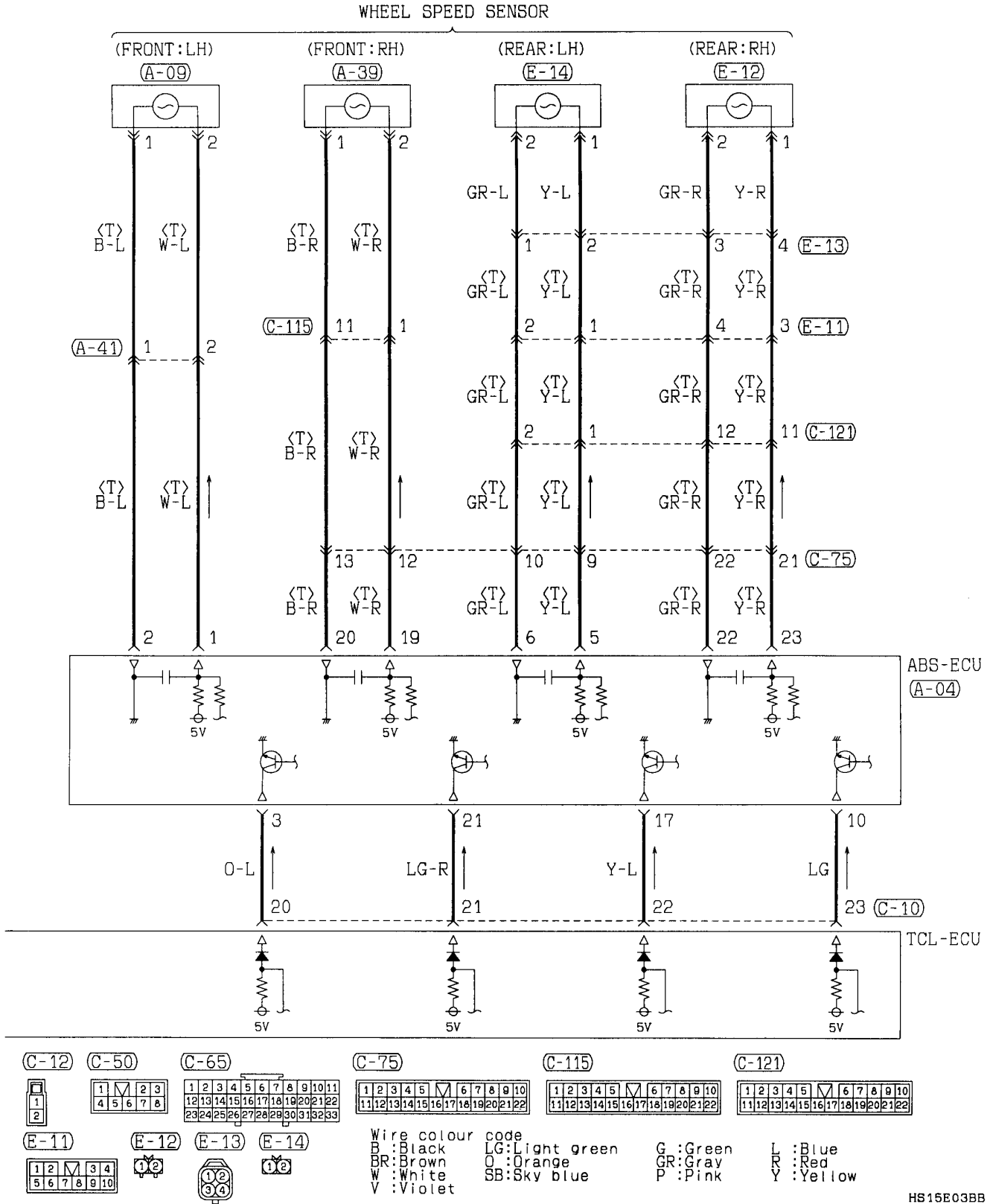
1

D-01

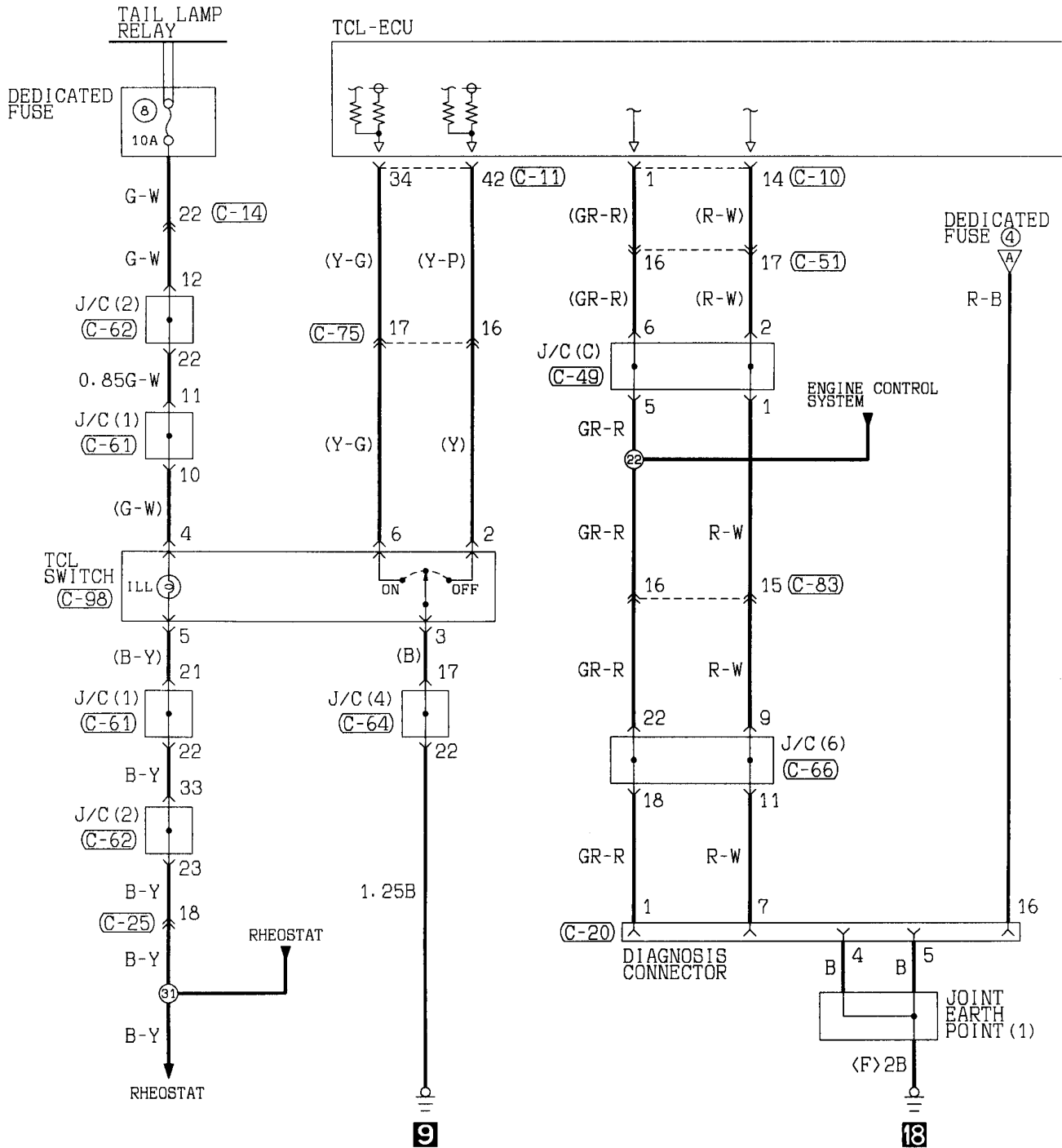
41	42	43	44	45	46	47	48
49							
50	51	52	53	54	55	56	57

D-03

1	2	3	4	5	6	7	8
9							
10	11	12	13	14	15	16	17



TRACTION CONTROL SYSTEM (TCL) <R.H. drive vehicles> (CONTINUED)



(C-10)

1	2	3	4	5	6	7	8	9	10	11	12	13
14	15	16	17	18	19	20	21	22	23	24	25	26

(C-11)

31	32	33	34	35	36	37	38
39	40	41	42	43	44	45	46

(C-14)

1	2	3	4	5	M	6	7	8	9	10	
11	12	13	14	15	16	17	18	19	20	21	22

(C-20) FRONT SIDE

1	2	3	4	5	6	7	8
9	10	11	12	13	14	15	16

(C-25)

1	2	3	4	5	M	6	7	8	9	10	
11	12	13	14	15	16	17	18	19	20	21	22

(C-66)

1	2	3	4	5	6	7	8	9	10	11
12	13	14	15	16	17	18	19	20	21	22
23	24	25	26	27	28	29	30	31	32	33

(C-75)

1	2	3	4	5	M	6	7	8	9	10	
11	12	13	14	15	16	17	18	19	20	21	22

(C-83)

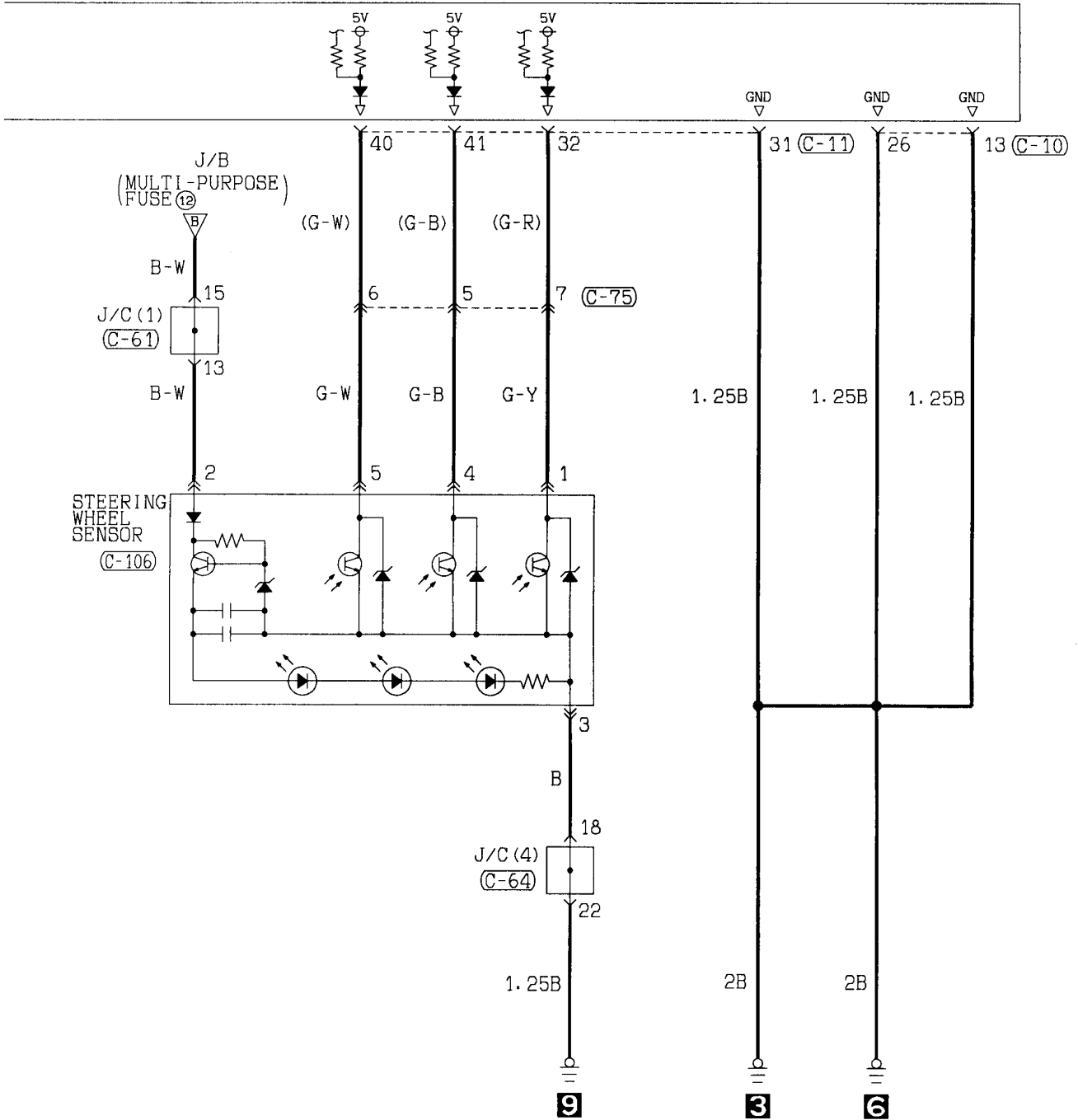
1	2	3	4	5	M	6	7	8	9	10	
11	12	13	14	15	16	17	18	19	20	21	22

(C-98)

1	M	2	
3	4	5	6

(C-106)

1	L	X	
2	3	4	5



(C-49)

1	2	3	4	5	6	7	8			
9	10	11	12	13	14	15	16	17	18	19

(C-51)

1	2	3	4	5	6	7	8			
9	10	11	12	13	14	15	16	17	18	19

(C-61)

1	2	3	4	5	6	7	8	9	10	11
12	13	14	15	16	17	18	19	20	21	22
23	24	25	26	27	28	29	30	31	32	33

(C-62)

1	2	3	4	5	6	7	8	9	10	11
12	13	14	15	16	17	18	19	20	21	22
23	24	25	26	27	28	29	30	31	32	33

(C-64)

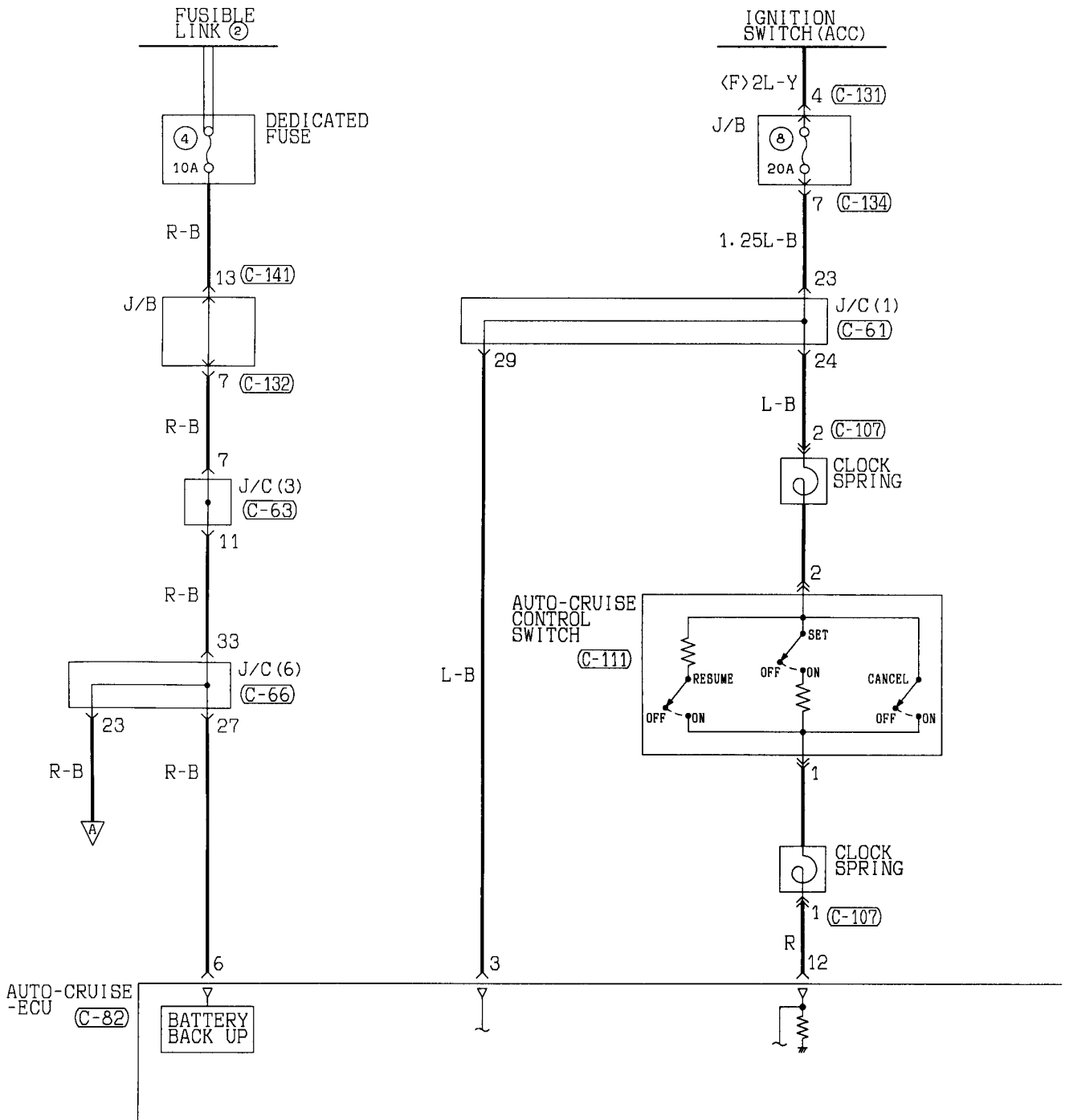
1	2	3	4	5	6	7	8	9	10	11
12	13	14	15	16	17	18	19	20	21	22
23	24	25	26	27	28	29	30	31	32	33

Wire colour code
 B :Black LG:Light green G :Green L :Blue W :White Y :Yellow SB:Sky blue
 BR:Brown O :Orange GR:Gray R :Red P :Pink V :Violet

AUTO-CRUISE CONTROL SYSTEM

90100930456

L.H. drive vehicles with TCL



(C-22)

1	M	2	3
4	5	6	7

(C-25)

1	2	3	4	5	M	6	7	8	9	10	
11	12	13	14	15	16	17	18	19	20	21	22

(C-26)

M	1	2
---	---	---

(C-61)

1	2	3	4	5	6	7	8	9	10	11
12	13	14	15	16	17	18	19	20	21	22
23	24	25	26	27	28	29	30	31	32	33

(C-62)

1	2	3	4	5	6	7	8	9	10	11
12	13	14	15	16	17	18	19	20	21	22
23	24	25	26	27	28	29	30	31	32	33

(C-63)

1	2	3	4	5	6	7	8	9	10	11
12	13	14	15	16	17	18	19	20	21	22
23	24	25	26	27	28	29	30	31	32	33

(C-116)

1	2	3	4	5	M	6	7	8	9	10	
11	12	13	14	15	16	17	18	19	20	21	22

(C-131)

1	2
3	4
5	6

(C-132)

1	2	M	3	4	
5	6	7	8	9	10

(C-134)

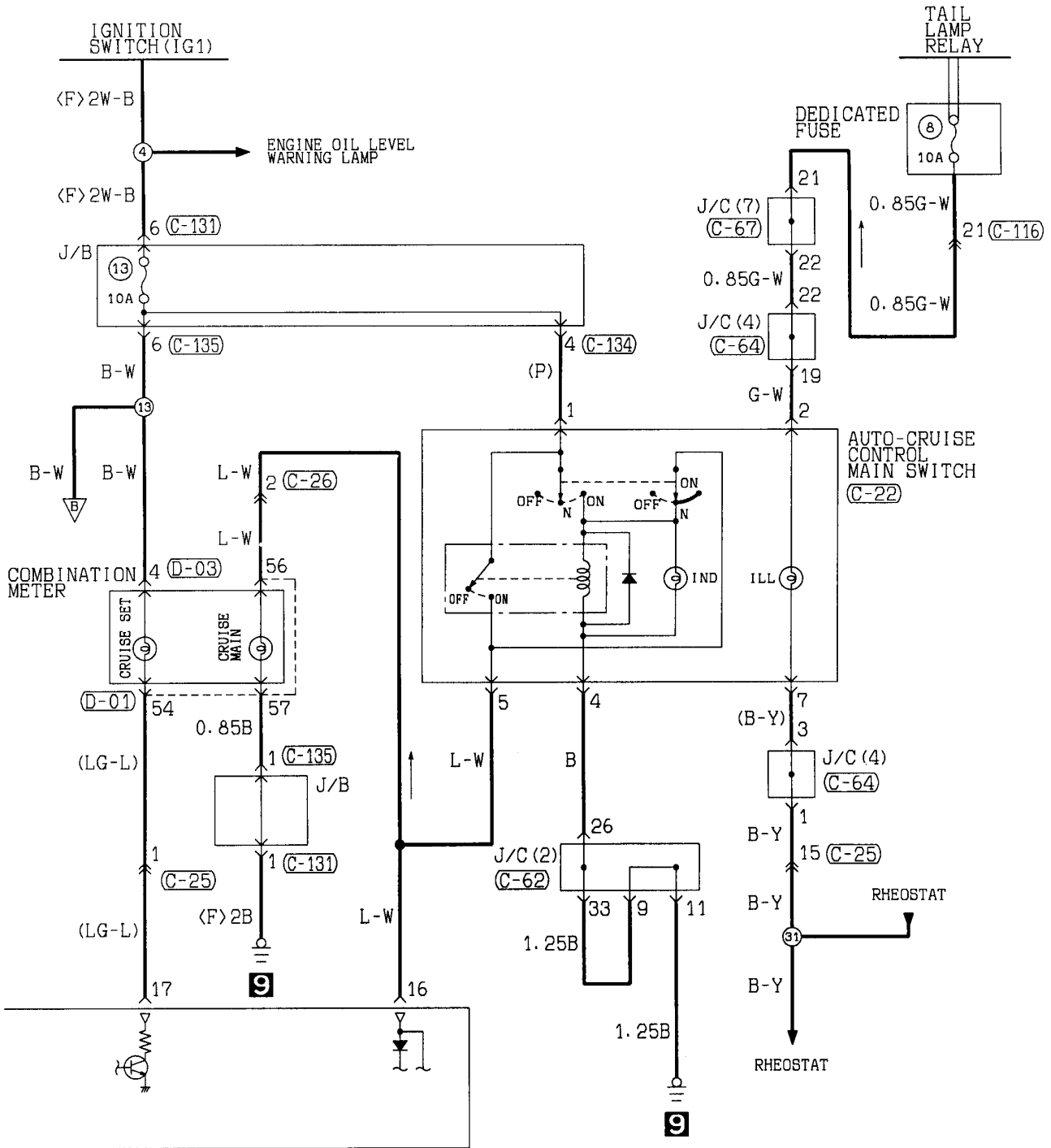
1	2	3	4	5	6	7	8	9	10		
11	12	13	14	15	16	17	18	19	20	21	22

(C-135)

1	2	3	4	M	5	6	7	8	9	
10	11	12	13	14	15	16	17	18	19	20

(C-141)

1	2	3	4	M	5	6	7	8	
9	10	11	12	13	14	15	16	17	18



(C-64)

1	2	3	4	5	6	7	8	9	10	11
12	13	14	15	16	17	18	19	20	21	22
23	24	25	26	27	28	29	30	31	32	33

(C-66)

1	2	3	4	5	6	7	8	9	10	11
12	13	14	15	16	17	18	19	20	21	22
23	24	25	26	27	28	29	30	31	32	33

(C-67)

1	2	3	4	5	6	7	8	9	10	11
12	13	14	15	16	17	18	19	20	21	22
23	24	25	26	27	28	29	30	31	32	33

(C-82)

1	2	3	4	5	6	7	8		
9	10	11	12	13	14	15	16	17	18

(C-107)

1	2	3
---	---	---

(C-111)

1	2
---	---

(D-01)

4	1	2	3	4	5	6	7	8
49								
50	51	52	53	54	55	56	57	

(D-03)

1	2	3	4	5	6	7	8
9							
10	11	12	13	14	15	16	17

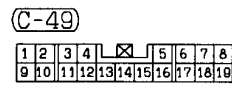
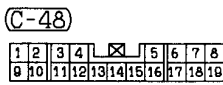
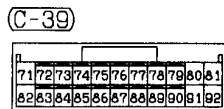
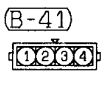
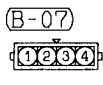
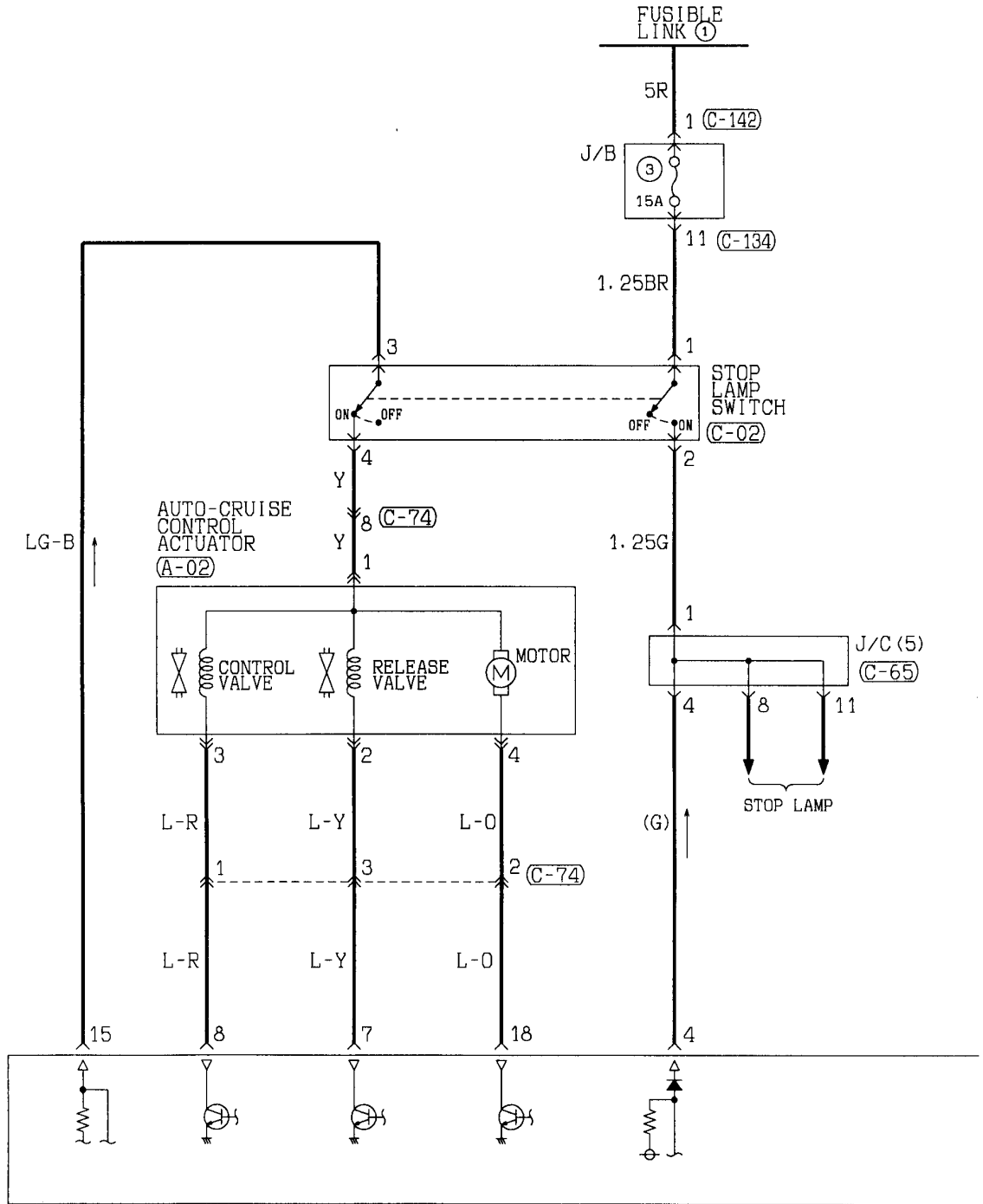
Wire colour code

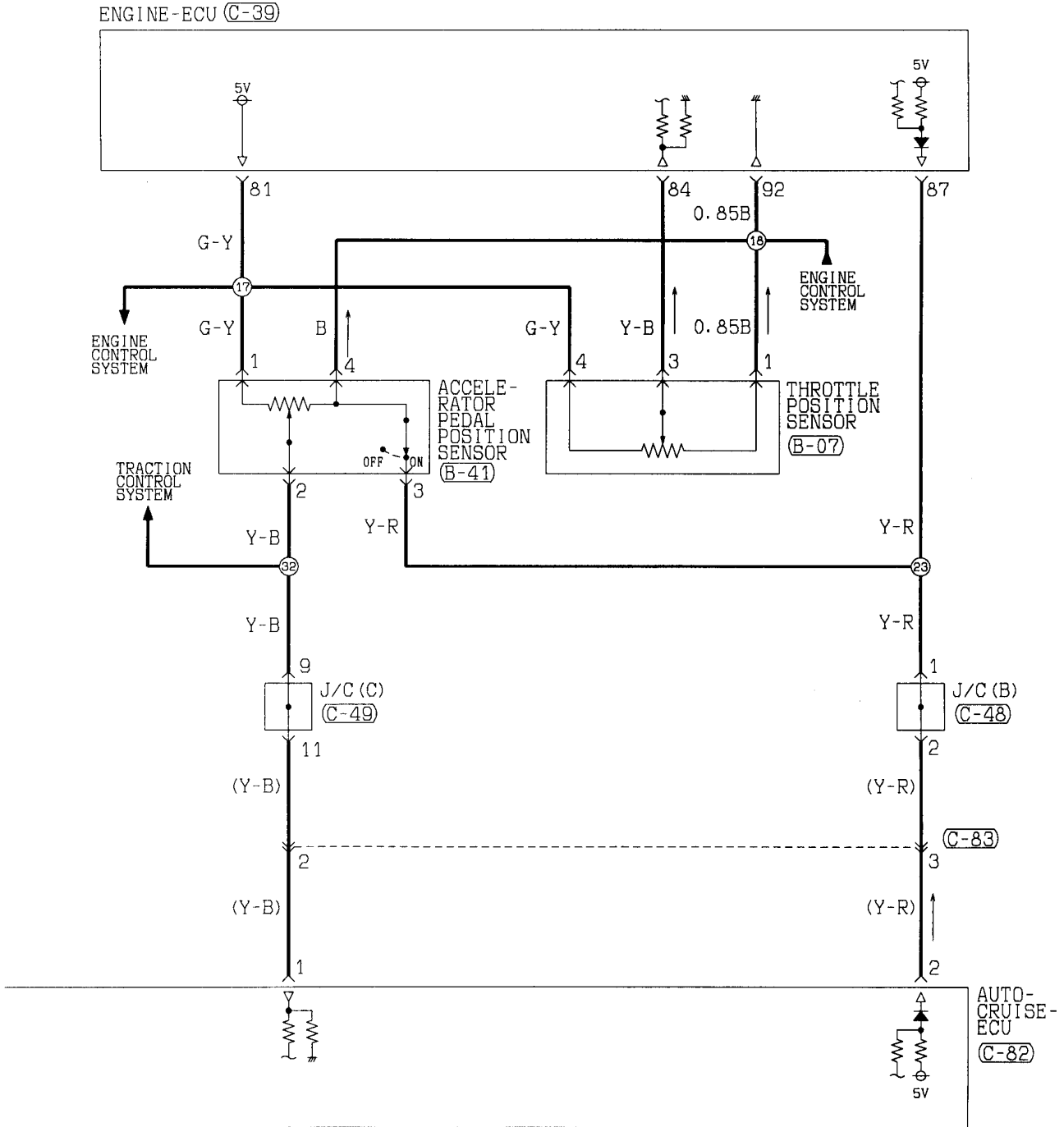
B : Black LG : Light green
 BR : Brown O : Orange
 W : White SB : Sky blue
 V : Violet

G : Green GR : Gray
 P : Pink

L : Blue R : Red
 Y : Yellow

AUTO-CRUISE CONTROL SYSTEM <L.H. drive vehicles with TCL> (CONTINUED)





(C-65)

1	2	3	4	5	6	7	8	9	10	11
12	13	14	15	16	17	18	19	20	21	22
23	24	25	26	27	28	29	30	31	32	33

(C-74)

1	2	3
4	5	6
7	8	

(C-82)

1	2	3	4	5	6	7	8
9	10	11	12	13	14	15	16
17	18						

(C-83)

1	2	3	4	5	6	7	8	9	10
11	12	13	14	15	16	17	18	19	20
21	22								

(C-134)

1	2	3	4	5	6	7	8	9	10
11	12	13	14	15	16	17	18	19	20
21	22								

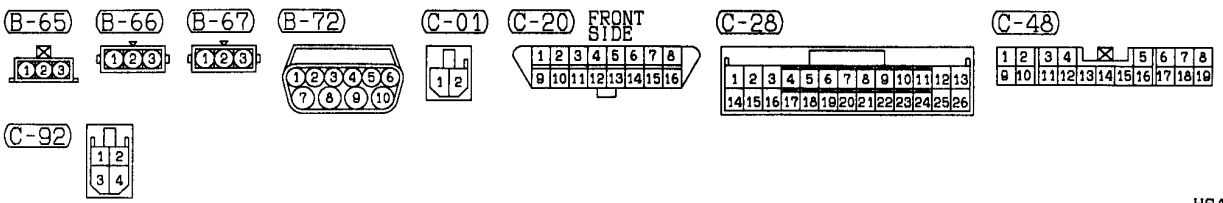
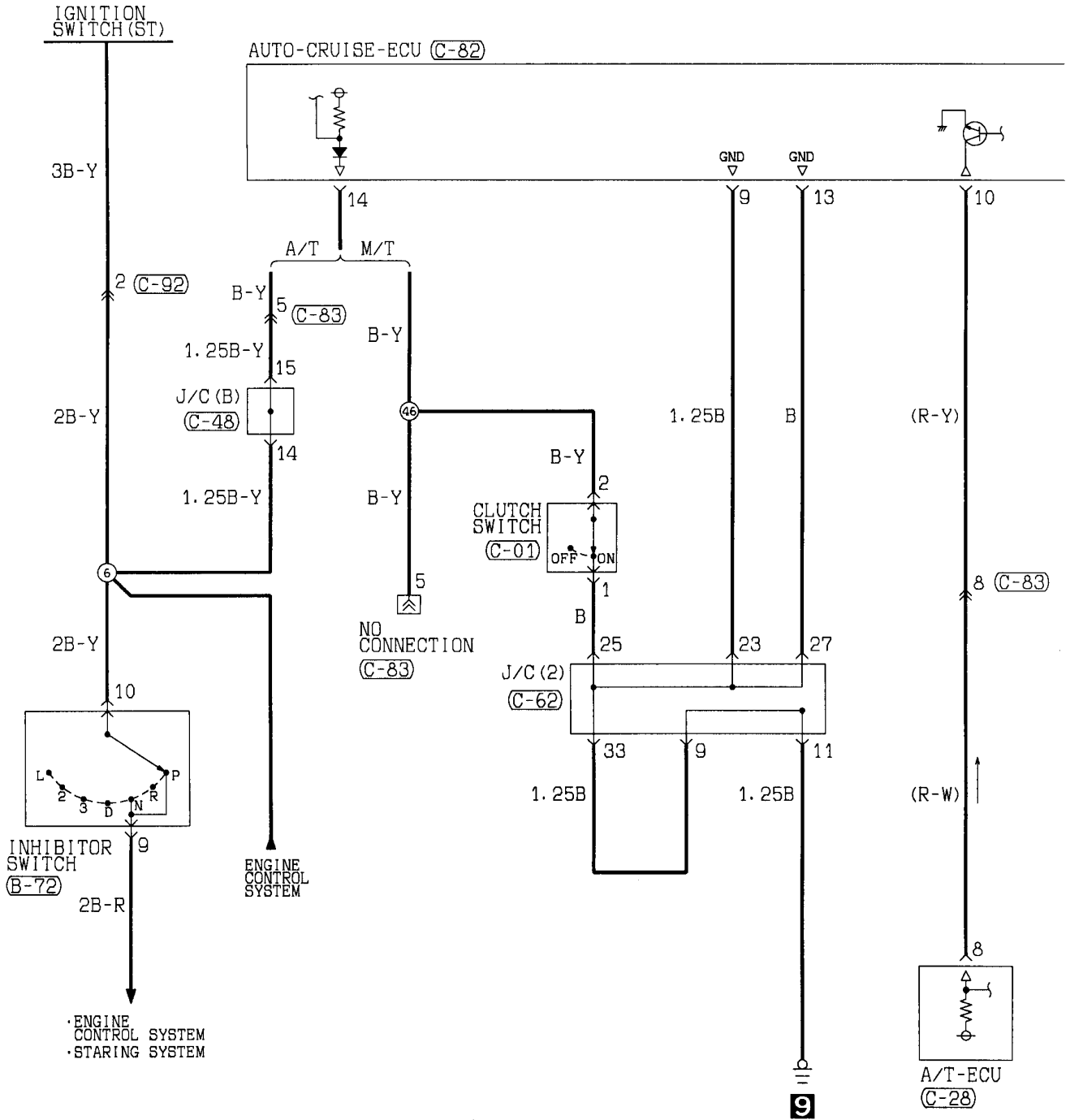
(C-142)

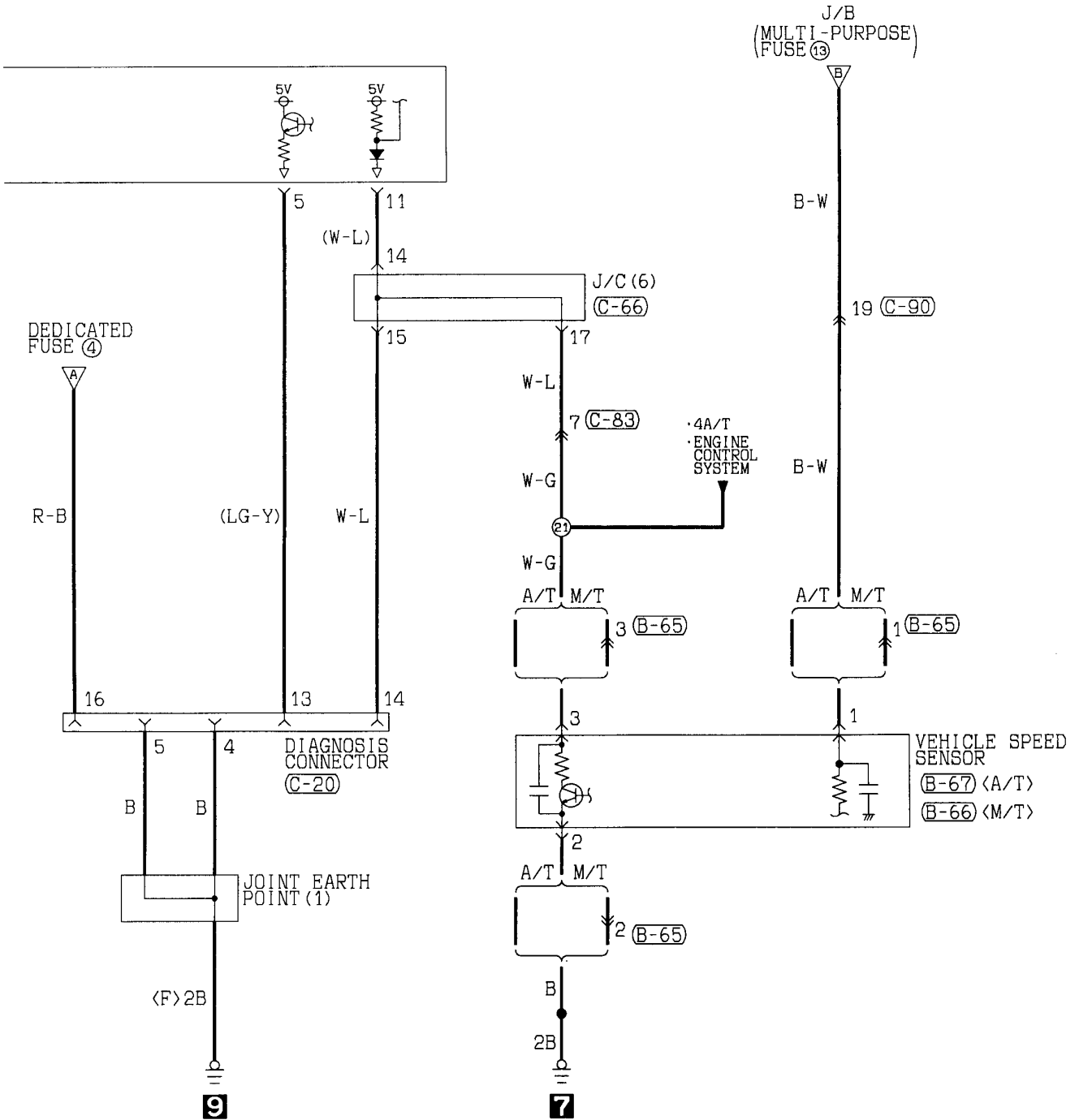
1

Wire colour code

B :Black LG:Light green G :Green L :Blue W :White Y :Yellow SB:Sky blue
 BR:Brown O :Orange GR:Gray R :Red P :Pink V :Violet

AUTO-CRUISE CONTROL SYSTEM <L.H. drive vehicles with TCL> (CONTINUED)





(C-62)

1	2	3	4	5	6	7	8	9	10	11
12	13	14	15	16	17	18	19	20	21	22
23	24	25	26	27	28	29	30	31	32	33

(C-66)

1	2	3	4	5	6	7	8	9	10	11
12	13	14	15	16	17	18	19	20	21	22
23	24	25	26	27	28	29	30	31	32	33

(C-82)

1	2	3	4	5	6	7	8		
9	10	11	12	13	14	15	16	17	18

(C-83)

1	2	3	4	5	6	7	8	9	10		
11	12	13	14	15	16	17	18	19	20	21	22

(C-90)

1	2	3	4	5	6	7	8	9		
10	11	12	13	14	15	16	17	18	19	20

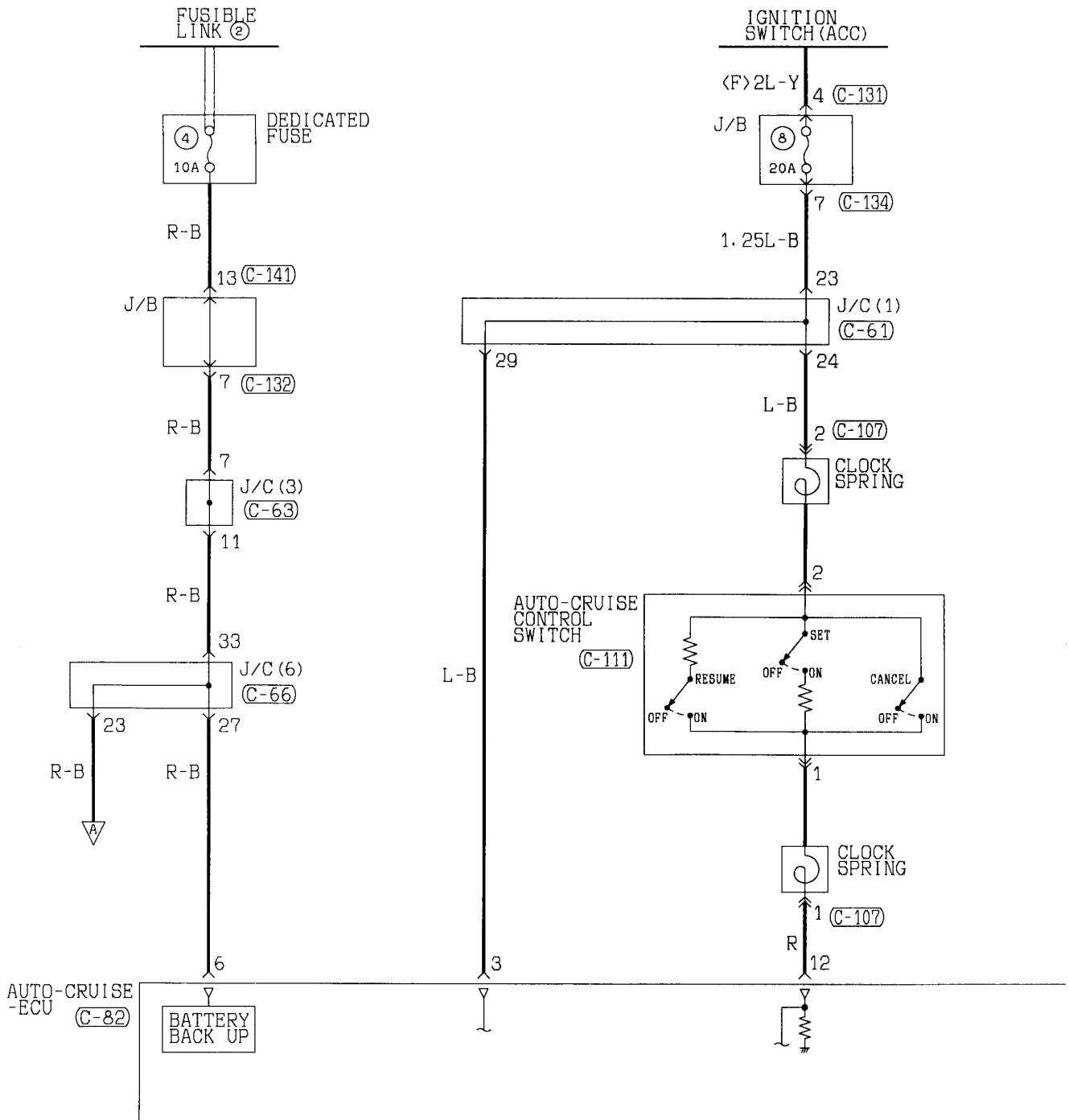
Wire colour code

B : Black LG: Light green G : Green L : Blue W : White Y : Yellow SB: Sky blue
 BR: Brown O : Orange GR: Gray R : Red P : Pink V : Violet

AUTO-CRUISE CONTROL SYSTEM

90100930463

L.H. drive vehicles without TCL



C-22

1	2	3
4	5	6

C-25

1	2	3	4	5	6	7	8	9	10
11	12	13	14	15	16	17	18	19	20
21	22								

C-26

1	2
---	---

C-61

1	2	3	4	5	6	7	8	9	10	11
12	13	14	15	16	17	18	19	20	21	22
23	24	25	26	27	28	29	30	31	32	33

C-62

1	2	3	4	5	6	7	8	9	10	11
12	13	14	15	16	17	18	19	20	21	22
23	24	25	26	27	28	29	30	31	32	33

C-63

1	2	3	4	5	6	7	8	9	10	11
12	13	14	15	16	17	18	19	20	21	22
23	24	25	26	27	28	29	30	31	32	33

C-116

1	2	3	4	5	6	7	8	9	10
11	12	13	14	15	16	17	18	19	20
21	22								

C-131

1	2
3	4
5	6

C-132

1	2	3	4
5	6	7	8
9	10		

C-134

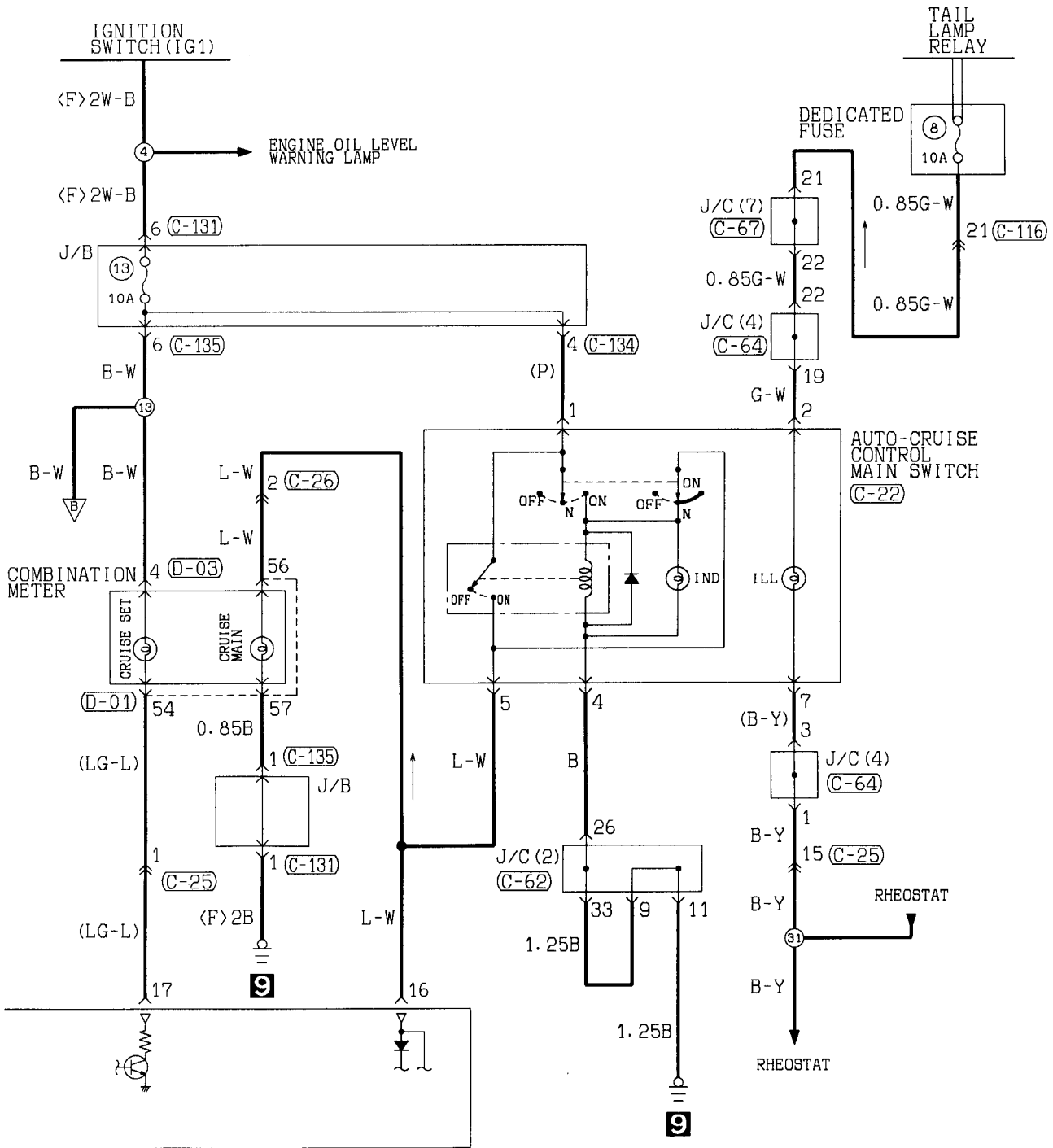
1	2	3	4	5	6	7	8	9	10
11	12	13	14	15	16	17	18	19	20
21	22								

C-135

1	2	3	4	5	6	7	8	9
10	11	12	13	14	15	16	17	18
19	20							

C-141

1	2	3	4	5	6	7	8
9	10	11	12	13	14	15	16
17	18						



C-64

1	2	3	4	5	6	7	8	9	10	11
12	13	14	15	16	17	18	19	20	21	22
23	24	25	26	27	28	29	30	31	32	33

C-66

1	2	3	4	5	6	7	8	9	10	11
12	13	14	15	16	17	18	19	20	21	22
23	24	25	26	27	28	29	30	31	32	33

C-67

1	2	3	4	5	6	7	8	9	10	11
12	13	14	15	16	17	18	19	20	21	22
23	24	25	26	27	28	29	30	31	32	33

C-82

1	2	3	4	5	6	7	8		
9	10	11	12	13	14	15	16	17	18

C-107

1	2	3
---	---	---

C-111

1	2
---	---

D-01

41	42	43	44	45	46	47	48
49							
50	51	52	53	54	55	56	57

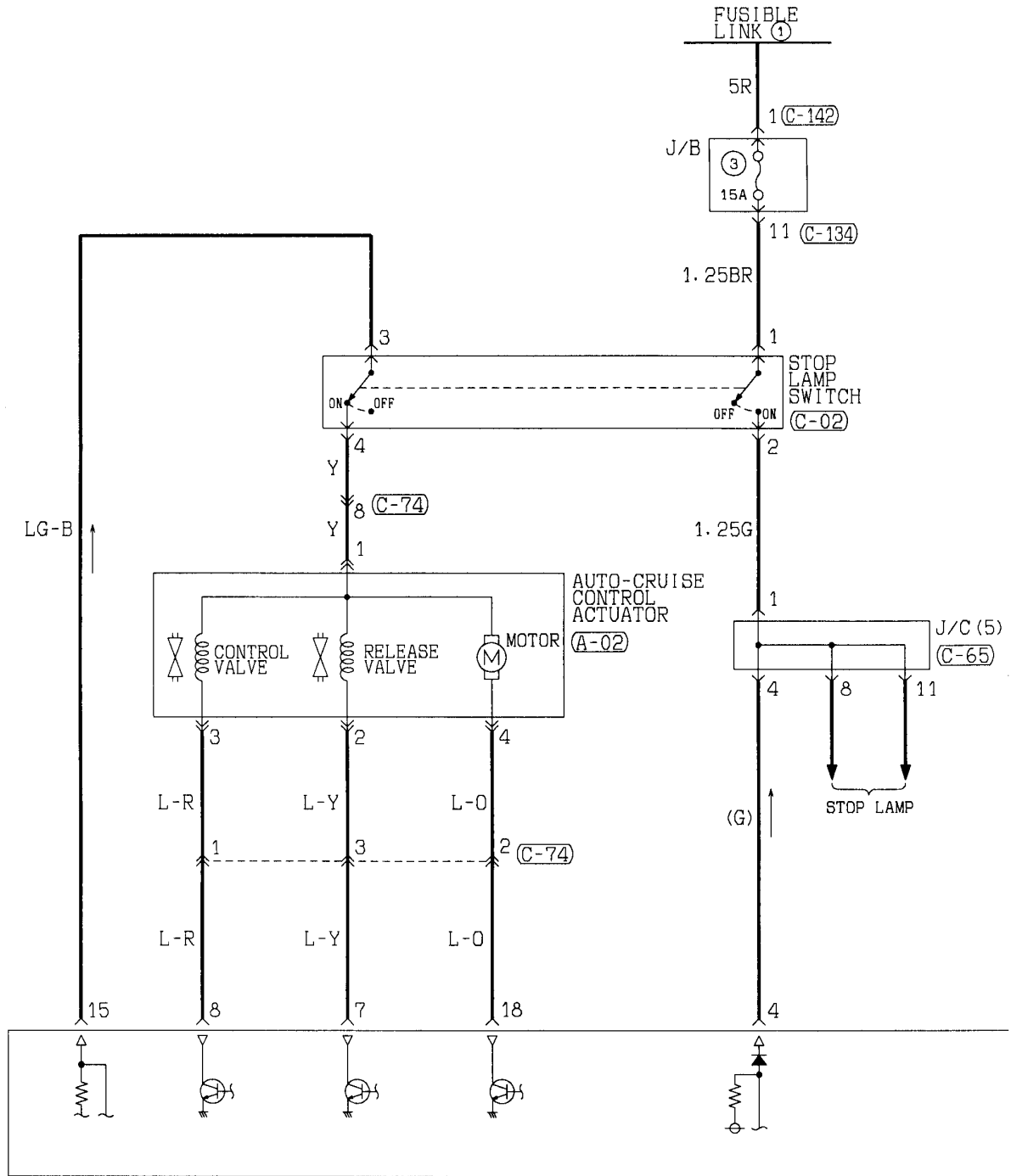
D-03

1	2	3	4	5	6	7	8
9							
10	11	12	13	14	15	16	17

Wire colour code
 B : Black LG : Light green G : Green
 BR : Brown O : Orange GR : Gray
 W : White SB : Sky blue P : Pink
 V : Violet

L : Blue
 R : Red
 Y : Yellow

**AUTO-CRUISE CONTROL SYSTEM <L.H. drive vehicles without TCL>
(CONTINUED)**



(A-02)

1	2
3	4

(B-07)

1	2	3	4
---	---	---	---

(C-02)

1	2
3	4

(C-39)

71	72	73	74	75	76	77	78	79	80	81
82	83	84	85	86	87	88	89	90	91	92

(C-40)

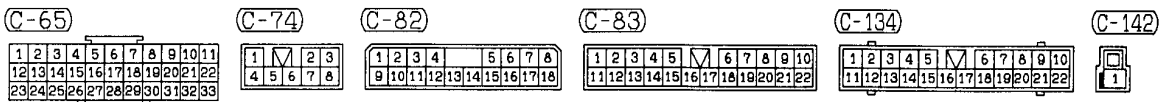
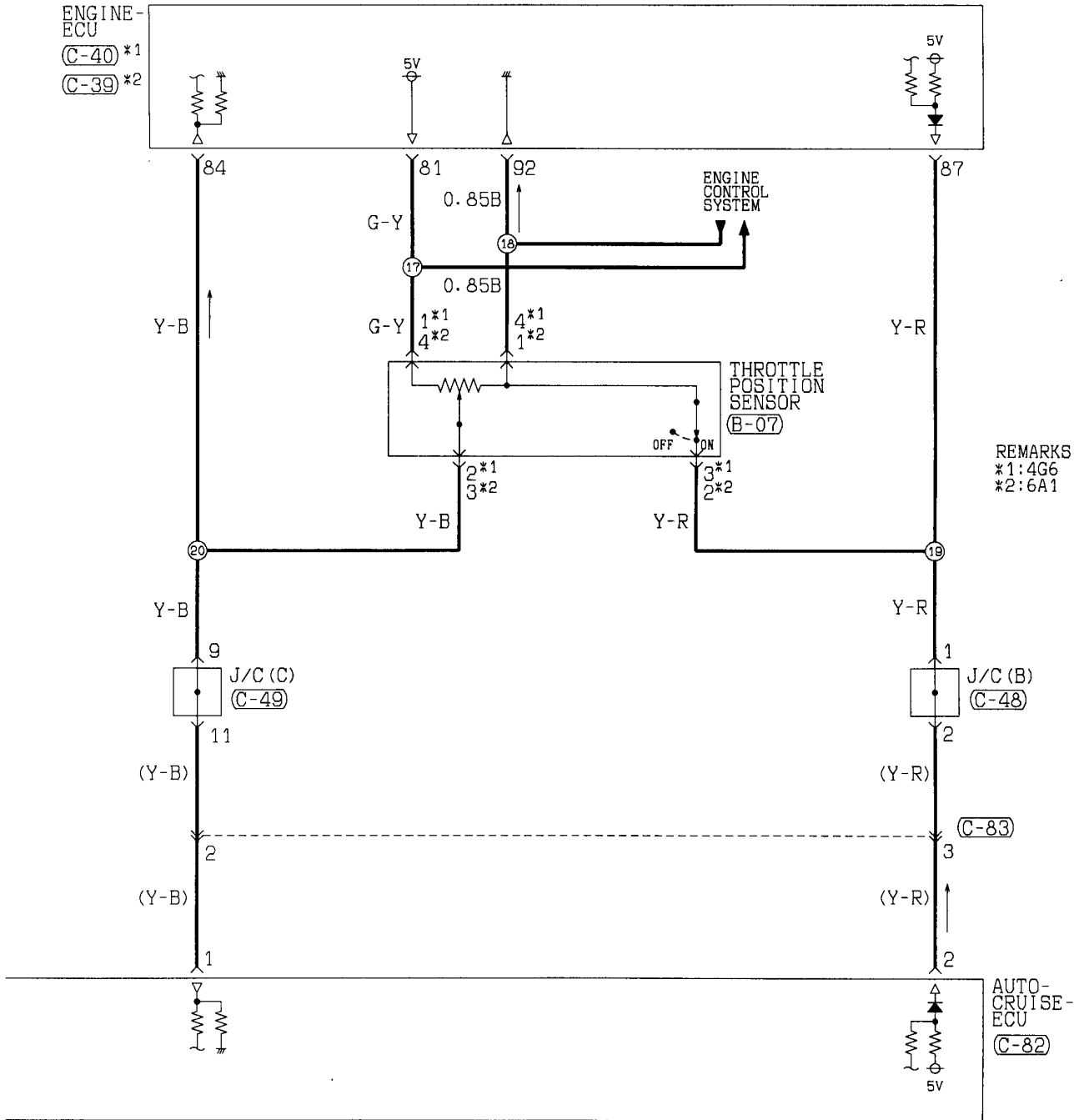
71	72	73	74	75	76	77	78	79	80	81
82	83	84	85	86	87	88	89	90	91	92

(C-48)

1	2	3	4	5	6	7	8			
9	10	11	12	13	14	15	16	17	18	19

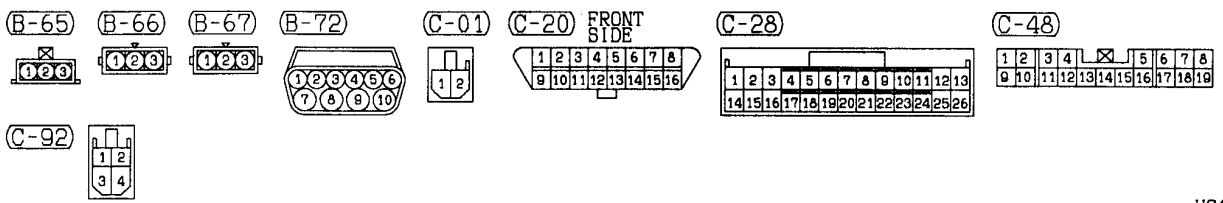
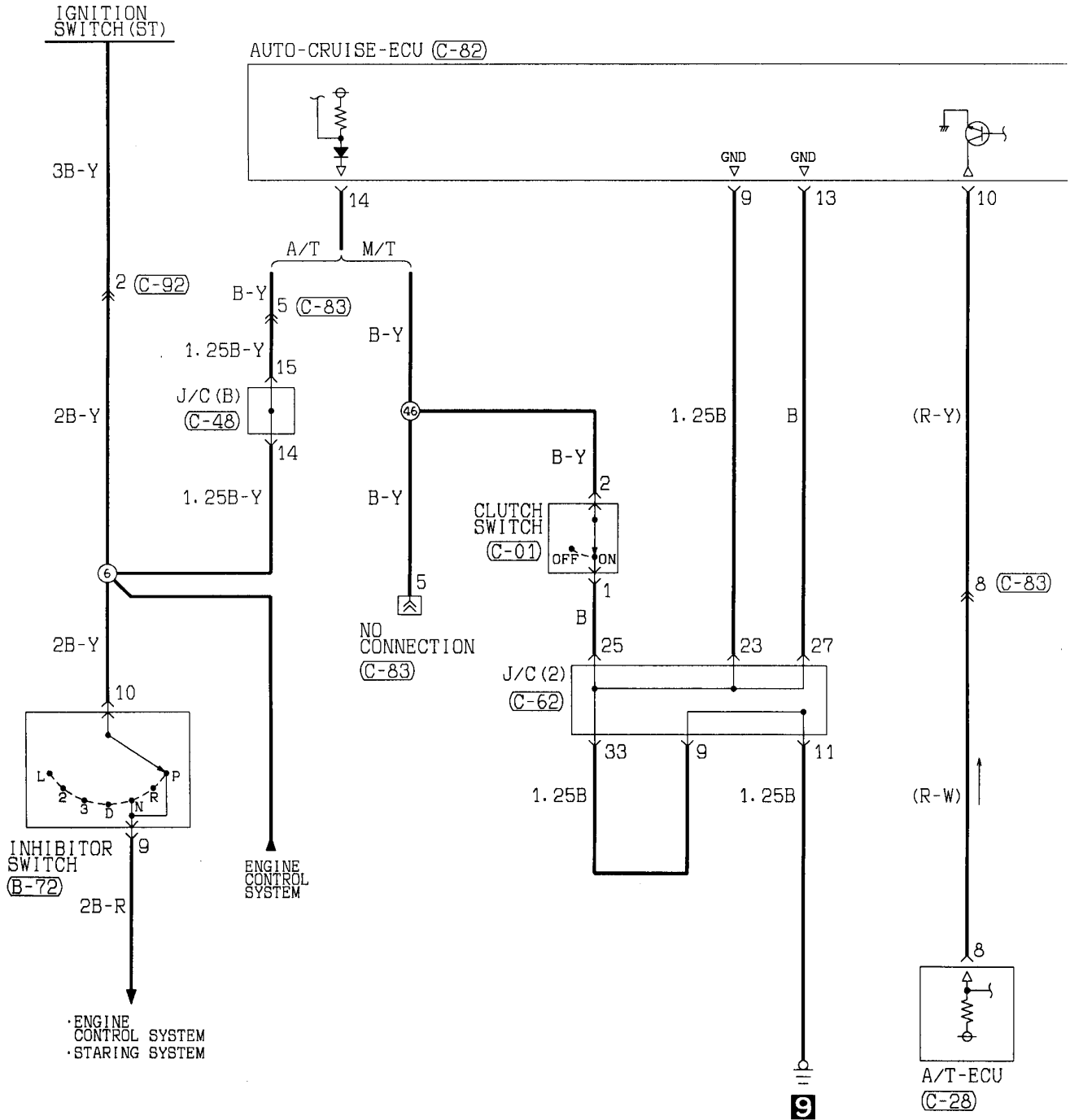
(C-49)

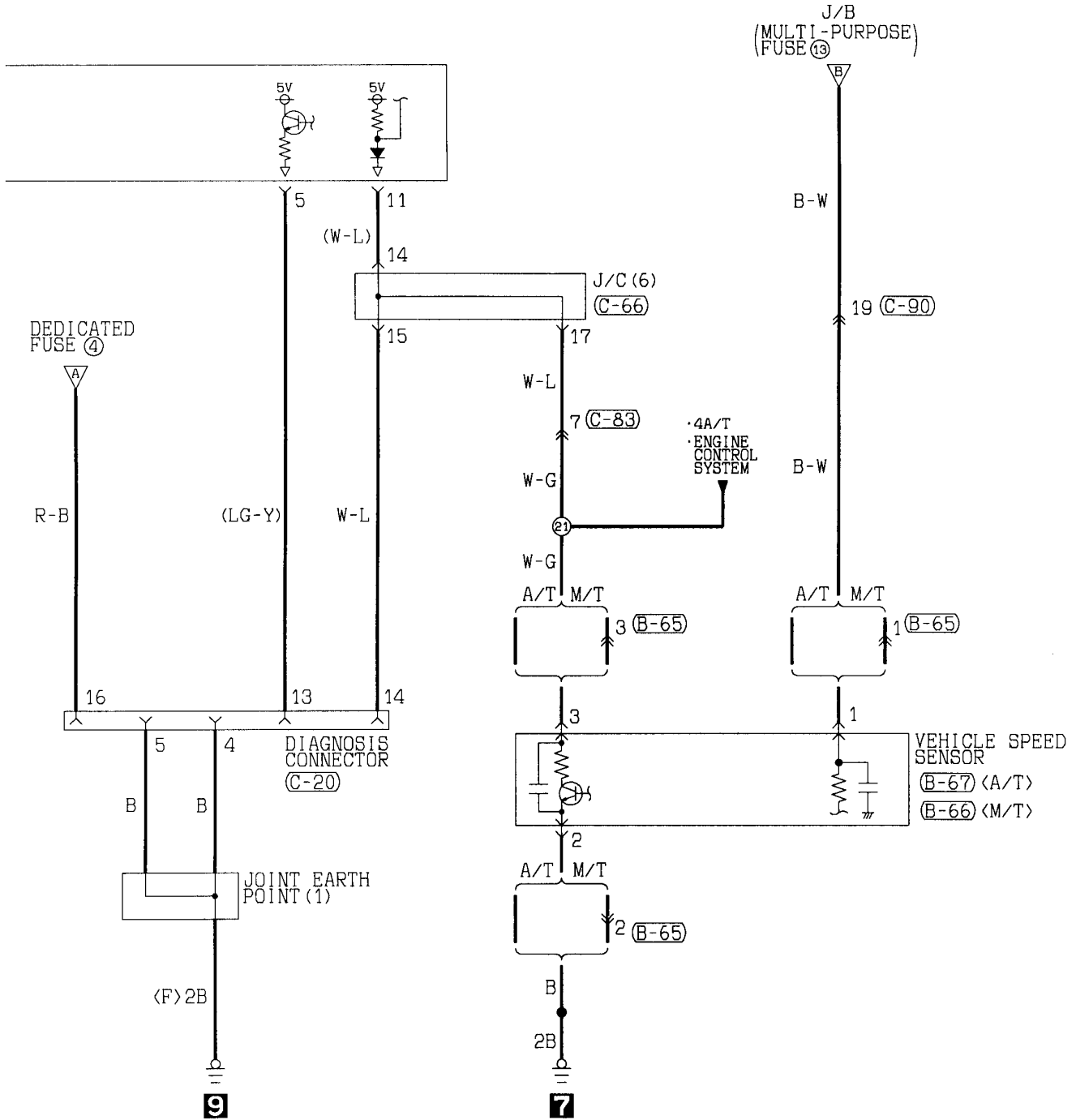
1	2	3	4	5	6	7	8			
9	10	11	12	13	14	15	16	17	18	19



Wire colour code
 B : Black LG: Light green G : Green L : Blue W : White Y : Yellow SB: Sky blue
 BR: Brown O : Orange GR: Gray R : Red P : Pink V : Violet

**AUTO-CRUISE CONTROL SYSTEM <L.H. drive vehicles without TCL>
(CONTINUED)**





(C-62)

1	2	3	4	5	6	7	8	9	10	11
12	13	14	15	16	17	18	19	20	21	22
23	24	25	26	27	28	29	30	31	32	33

(C-66)

1	2	3	4	5	6	7	8	9	10	11
12	13	14	15	16	17	18	19	20	21	22
23	24	25	26	27	28	29	30	31	32	33

(C-82)

1	2	3	4	5	6	7	8		
9	10	11	12	13	14	15	16	17	18

(C-83)

1	2	3	4	5	6	7	8	9	10		
11	12	13	14	15	16	17	18	19	20	21	22

(C-90)

1	2	3	4	5	6	7	8	9		
10	11	12	13	14	15	16	17	18	19	20

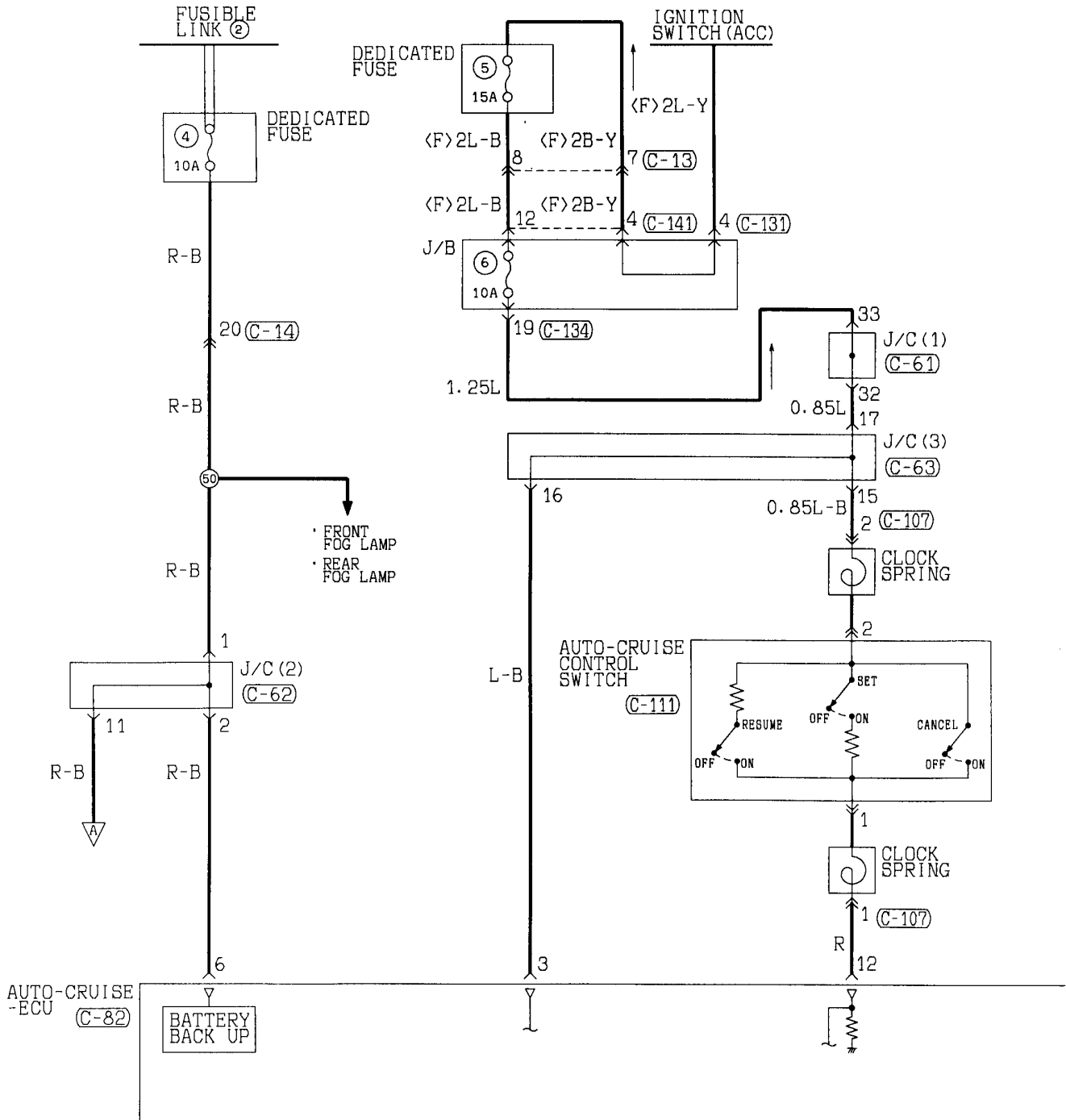
Wire colour code

B : Black LG: Light green G : Green L : Blue W : White Y : Yellow SB: Sky blue
 BR: Brown O : Orange GR: Gray R : Red P : Pink V : Violet

AUTO-CRUISE CONTROL SYSTEM

90100930470

R.H. drive vehicles with TCL



(C-13)

1	2	3	4
5	6	7	8

(C-14)

1	2	3	4	5	6	7	8	9	10
11	12	13	14	15	16	17	18	19	20

(C-22)

1	2	3
4	5	6

(C-25)

1	2	3	4	5	6	7	8	9	10
11	12	13	14	15	16	17	18	19	20

(C-26)

1	2
---	---

(C-61)

1	2	3	4	5	6	7	8	9	10	11
12	13	14	15	16	17	18	19	20	21	22
23	24	25	26	27	28	29	30	31	32	33

(C-134)

1	2	3	4	5	6	7	8	9	10
11	12	13	14	15	16	17	18	19	20

(C-135)

1	2	3	4	5	6	7	8	9
10	11	12	13	14	15	16	17	18

(C-141)

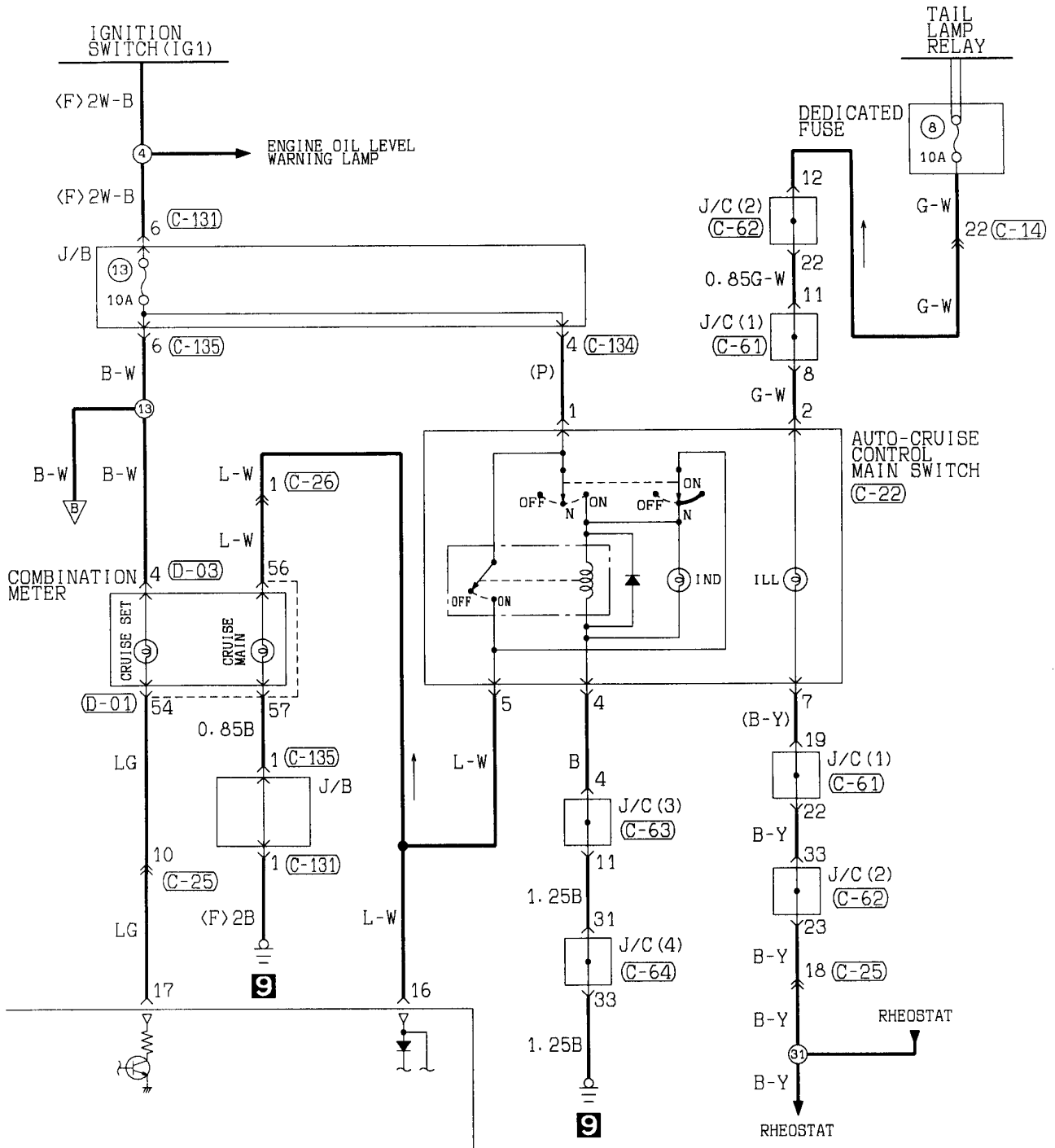
1	2	3	4	5	6	7	8
9	10	11	12	13	14	15	16

(D-01)

41	42	43	44	45	46	47	48
49							
50	51	52	53	54	55	56	57

(D-03)

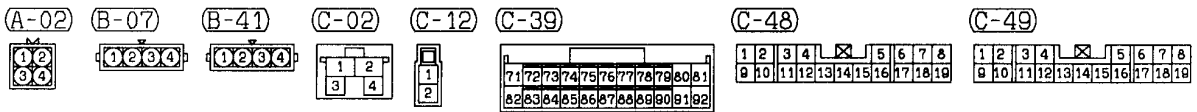
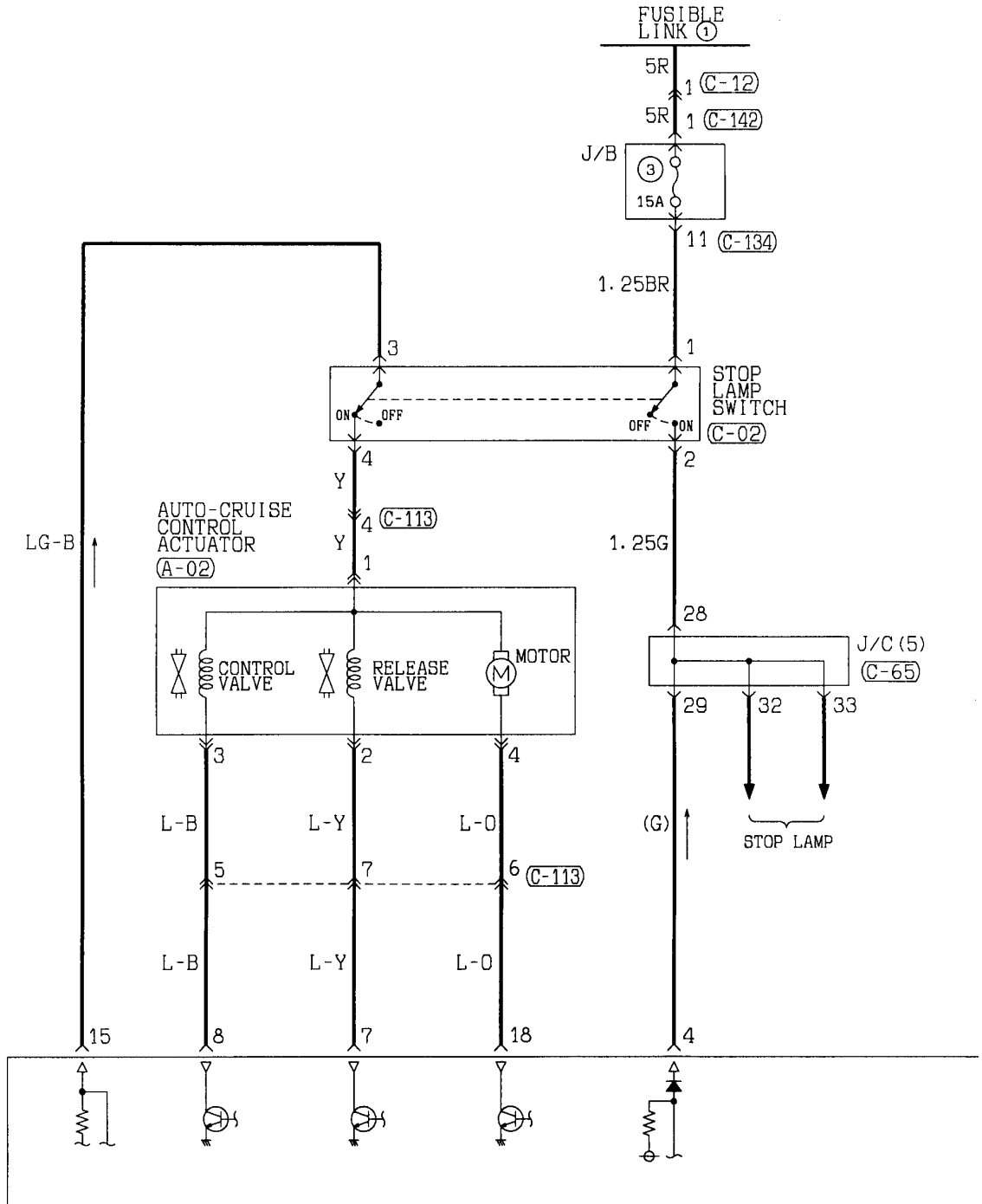
1	2	3	4	5	6	7	8
9							
10	11	12	13	14	15	16	17

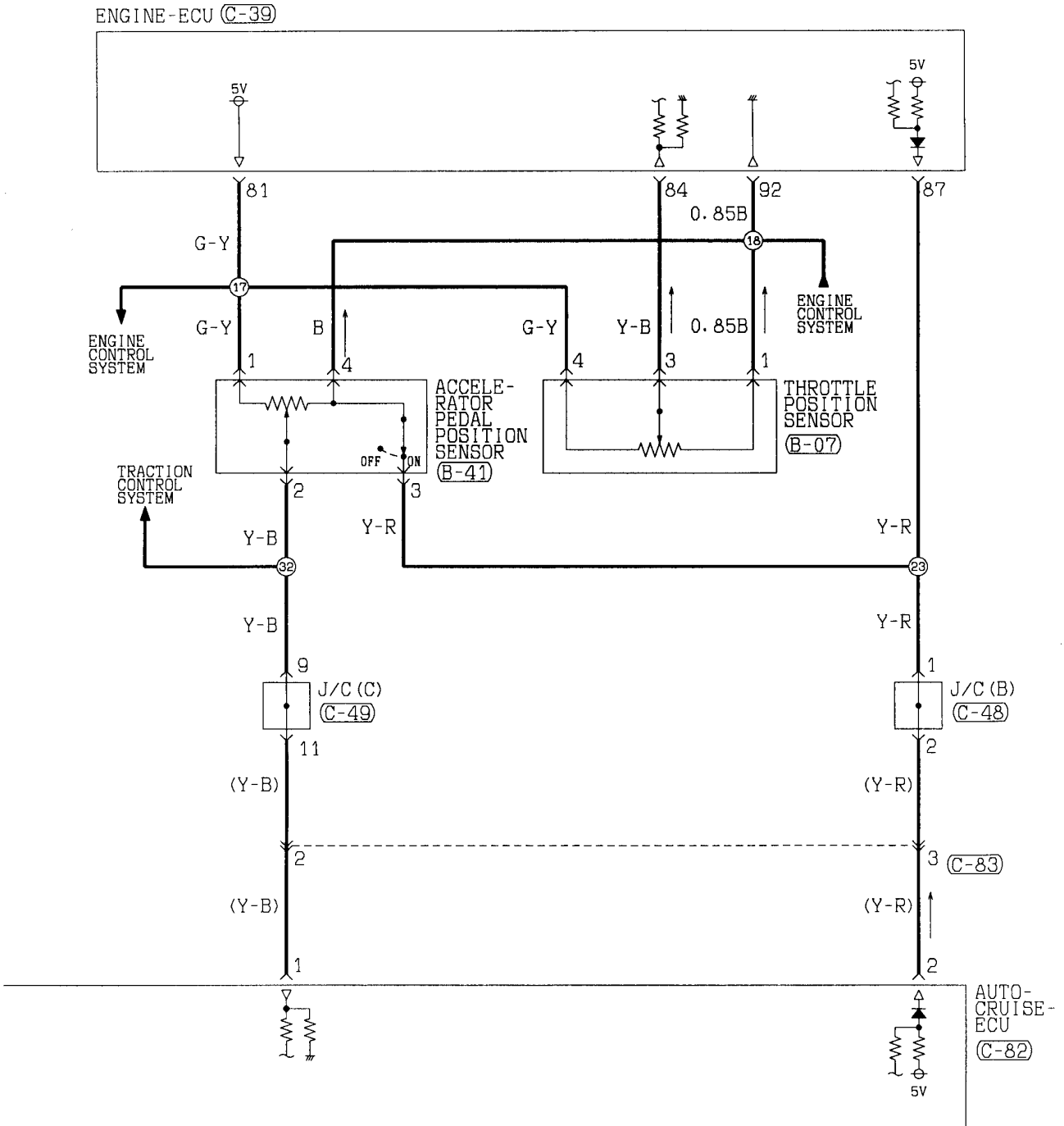


(C-62)	(C-63)	(C-64)	(C-82)	(C-107)	(C-111)	(C-131)
1 2 3 4 5 6 7 8 9 10 11 12 13 14 15 16 17 18 19 20 21 22 23 24 25 26 27 28 29 30 31 32 33	1 2 3 4 5 6 7 8 9 10 11 12 13 14 15 16 17 18 19 20 21 22 23 24 25 26 27 28 29 30 31 32 33	1 2 3 4 5 6 7 8 9 10 11 12 13 14 15 16 17 18 19 20 21 22 23 24 25 26 27 28 29 30 31 32 33	1 2 3 4 5 6 7 8 9 10 11 12 13 14 15 16 17 18	1 2 3	1 2	1 2 3 4 5 6

Wire colour code
 B:Black LG:Light green G:Green L:Blue W:White Y:Yellow SB:Sky blue
 BR:Brown O:Orange GR:Gray R:Red P:Pink V:Violet

AUTO-CRUISE CONTROL SYSTEM <R.H. drive vehicles with TCL> (CONTINUED)





(C-65)

1	2	3	4	5	6	7	8	9	10	11
12	13	14	15	16	17	18	19	20	21	22
23	24	25	26	27	28	29	30	31	32	33

(C-82)

1	2	3	4	5	6	7	8		
9	10	11	12	13	14	15	16	17	18

(C-83)

1	2	3	4	5	6	7	8	9	10		
11	12	13	14	15	16	17	18	19	20	21	22

(C-113)

1	2	3		
4	5	6	7	8

(C-134)

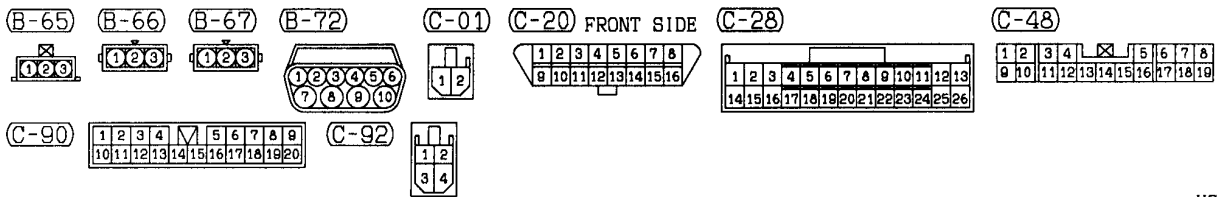
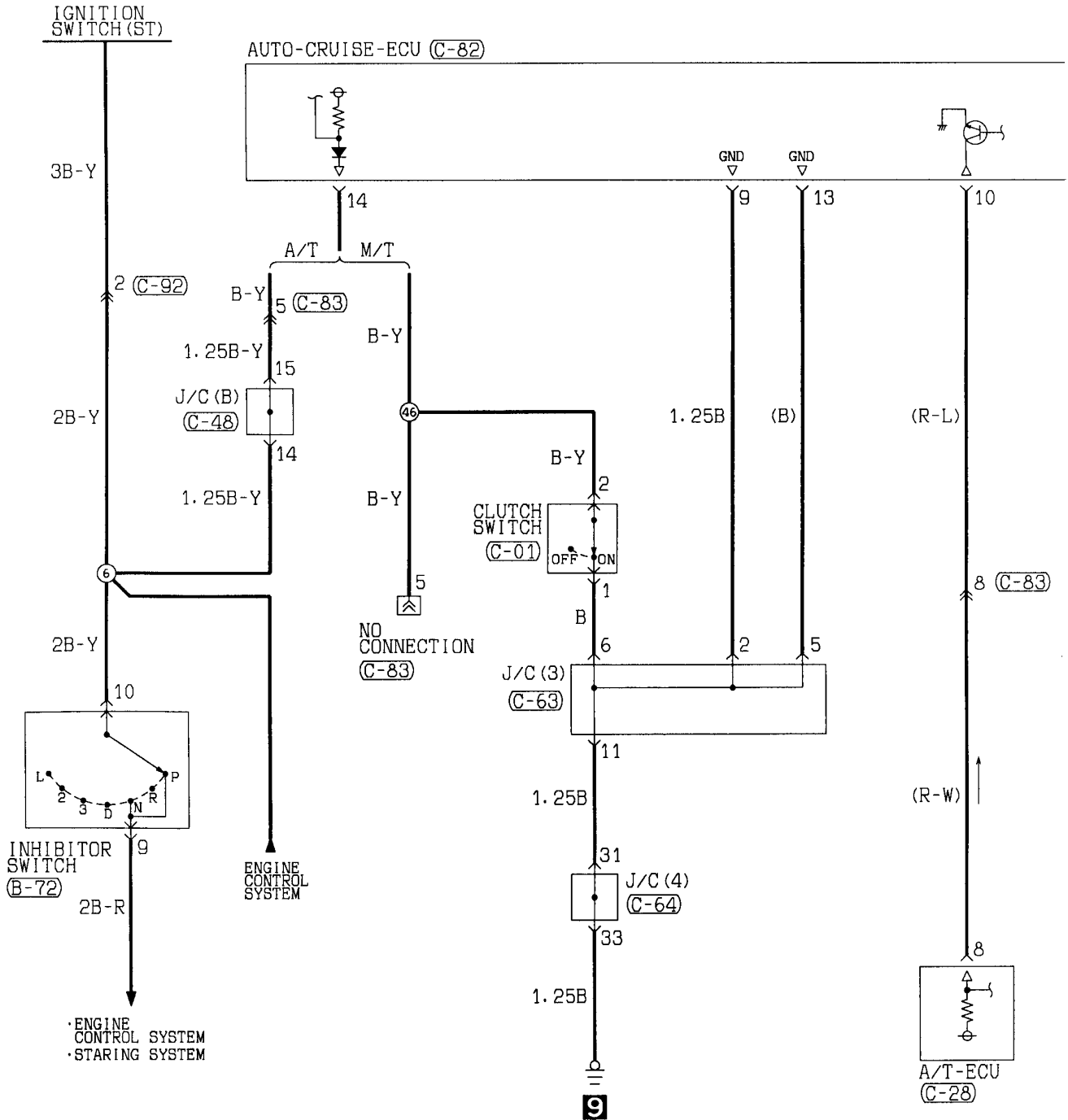
1	2	3	4	5	6	7	8	9	10		
11	12	13	14	15	16	17	18	19	20	21	22

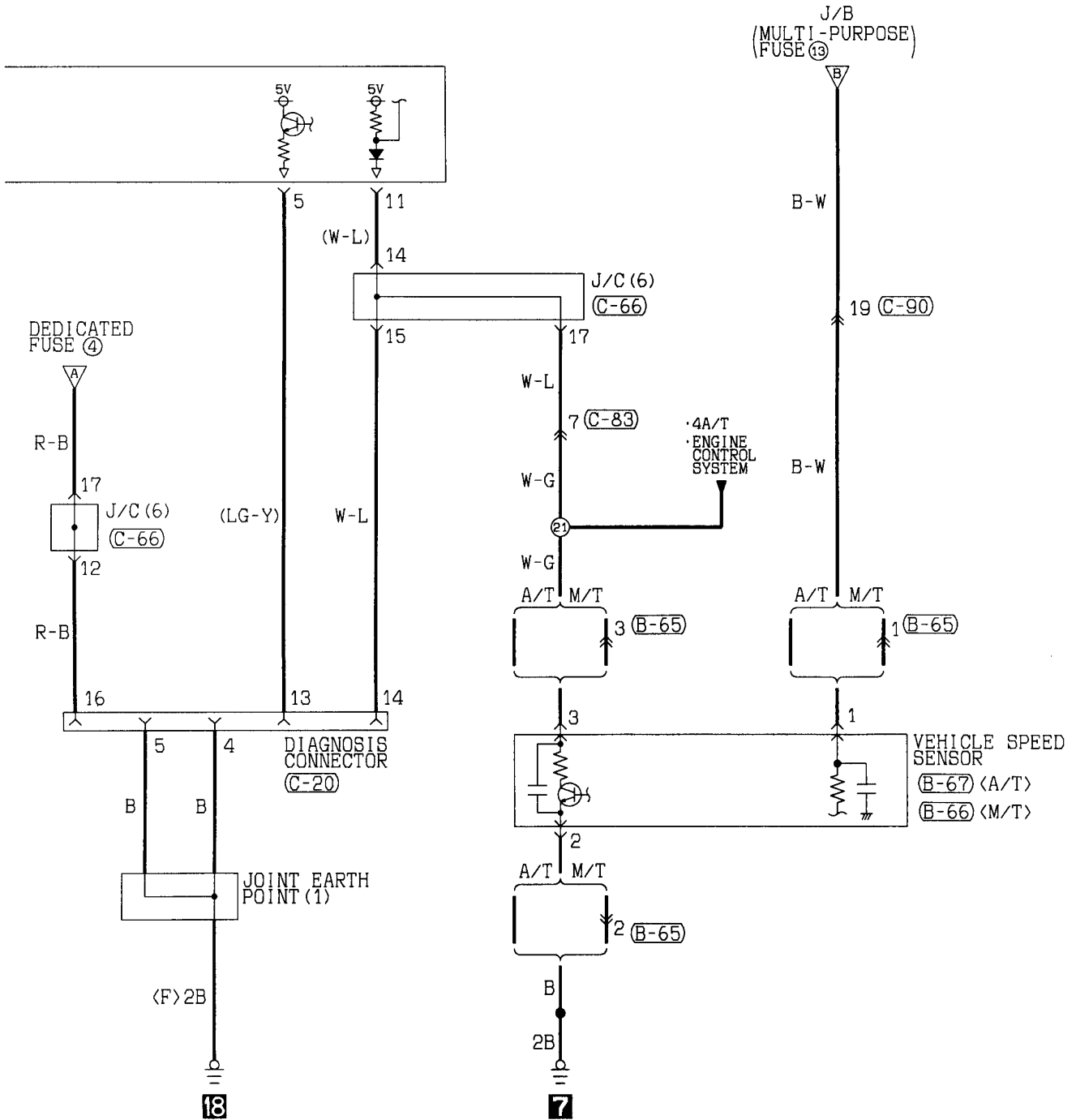
(C-142)

1

Wire colour code
 B :Black LG:Light green G :Green L :Blue W :White Y :Yellow SB:Sky blue
 BR:Brown O :Orange GR:Gray R :Red P :Pink V :Violet

AUTO-CRUISE CONTROL SYSTEM <R.H. drive vehicles with TCL> (CONTINUED)





(C-63)

1	2	3	4	5	6	7	8	9	10	11
12	13	14	15	16	17	18	19	20	21	22
23	24	25	26	27	28	29	30	31	32	33

(C-64)

1	2	3	4	5	6	7	8	9	10	11
12	13	14	15	16	17	18	19	20	21	22
23	24	25	26	27	28	29	30	31	32	33

(C-66)

1	2	3	4	5	6	7	8	9	10	11
12	13	14	15	16	17	18	19	20	21	22
23	24	25	26	27	28	29	30	31	32	33

(C-82)

1	2	3	4	5	6	7	8		
9	10	11	12	13	14	15	16	17	18

(C-83)

1	2	3	4	5	6	7	8	9	10		
11	12	13	14	15	16	17	18	19	20	21	22

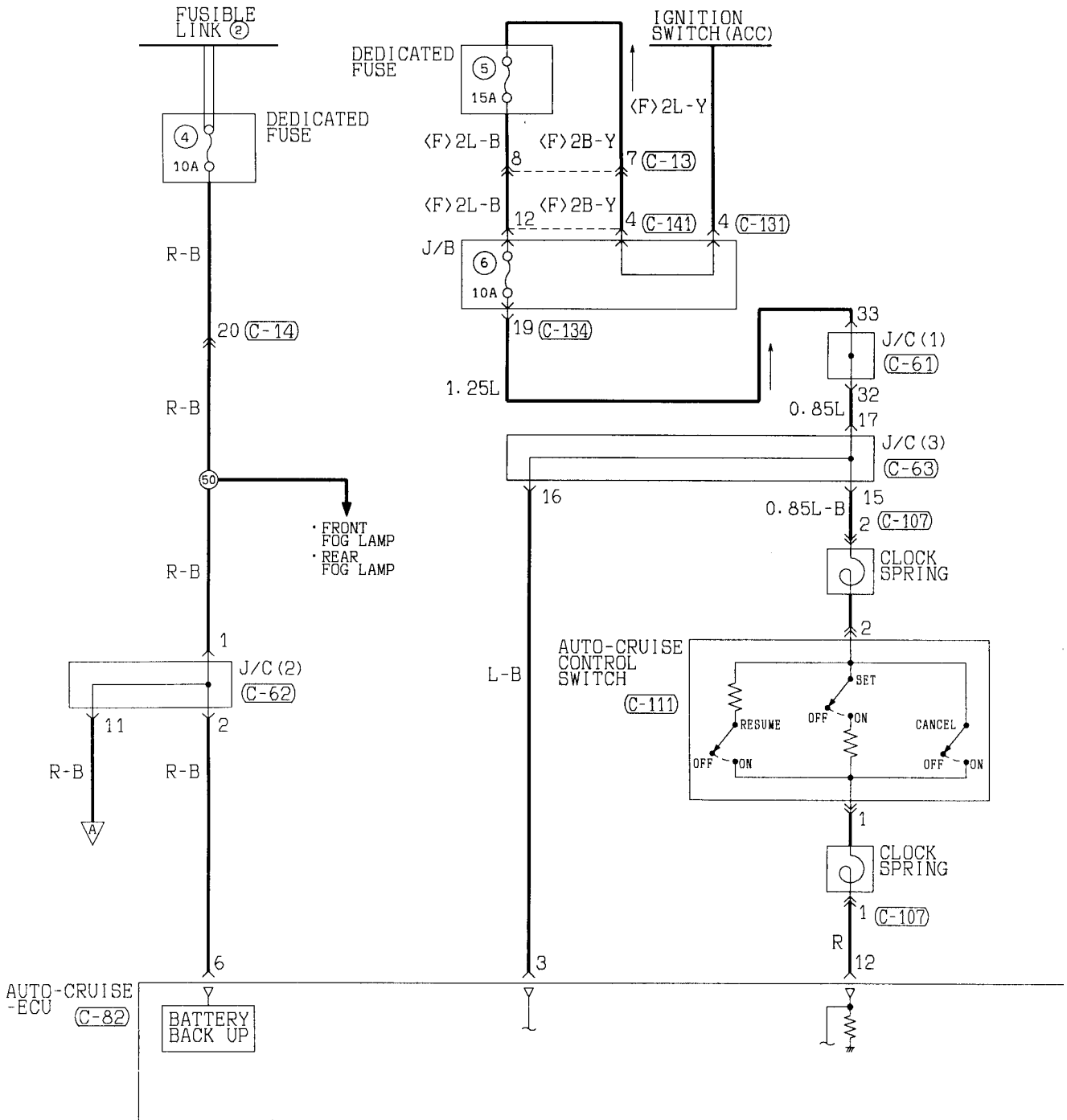
Wire colour code

B : Black LG: Light green G : Green L : Blue W : White Y : Yellow SB: Sky blue
 BR: Brown O : Orange GR: Gray R : Red P : Pink V : Violet

AUTO-CRUISE CONTROL SYSTEM

90100930487

R.H. drive vehicles without TCL



(C-13)

1	2	3	4
5	6	7	8

(C-14)

1	2	3	4	5	M	6	7	8	9	10	
11	12	13	14	15	16	17	18	19	20	21	22

(C-22)

1	M	2	3
4	5	6	7

(C-25)

1	2	3	4	5	M	6	7	8	9	10	
11	12	13	14	15	16	17	18	19	20	21	22

(C-26)

M	1	2
---	---	---

(C-61)

1	2	3	4	5	6	7	8	9	10	11
12	13	14	15	16	17	18	19	20	21	22
23	24	25	26	27	28	29	30	31	32	33

(C-134)

1	2	3	4	5	M	6	7	8	9	10	
11	12	13	14	15	16	17	18	19	20	21	22

(C-135)

1	2	3	4	M	5	6	7	8	9	
10	11	12	13	14	15	16	17	18	19	20

(C-141)

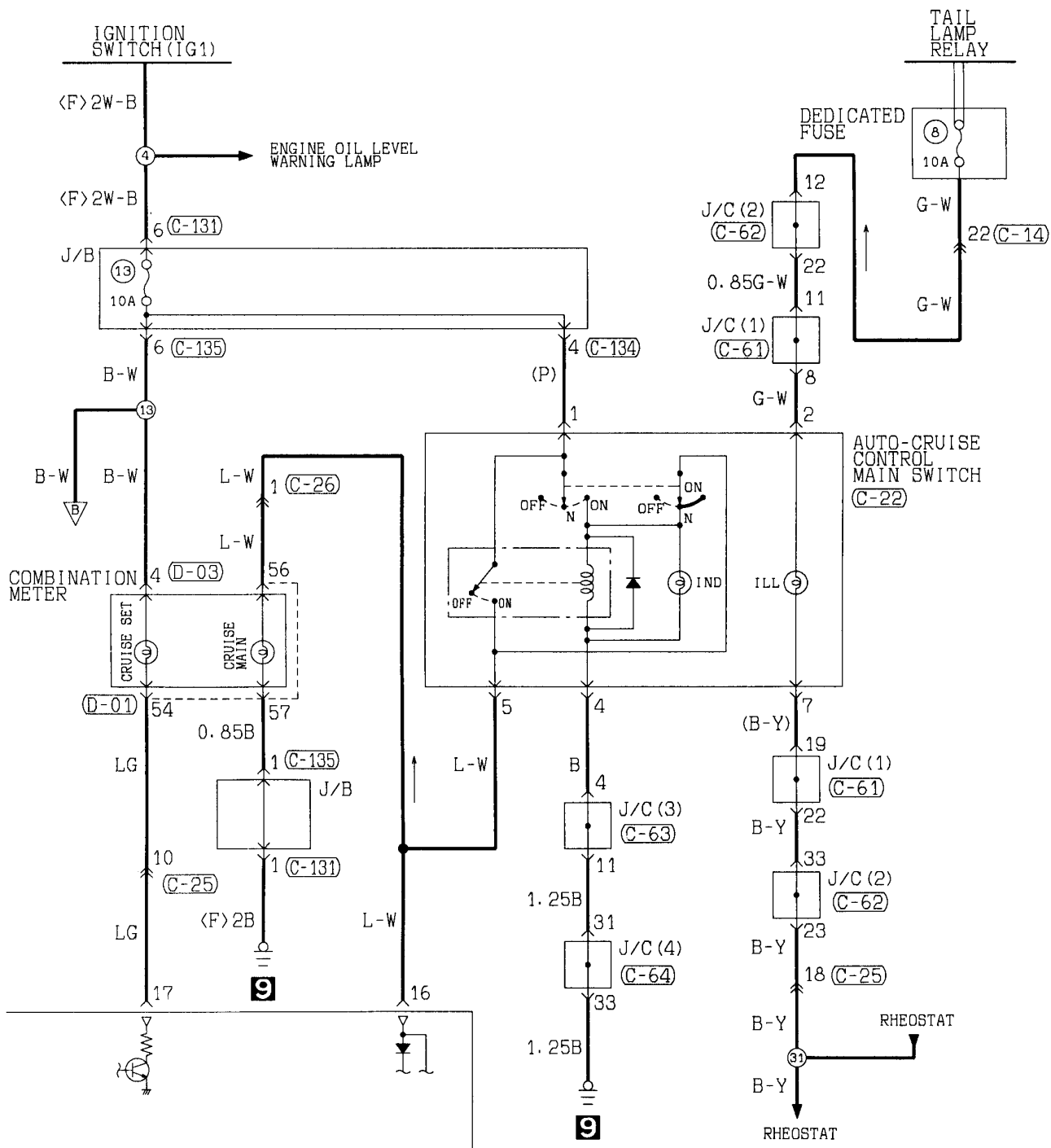
1	2	3	4	M	5	6	7	8	
9	10	11	12	13	14	15	16	17	18

(D-01)

41	42	43	44	45	46	47	48
49							
50	51	52	53	54	55	56	57

(D-03)

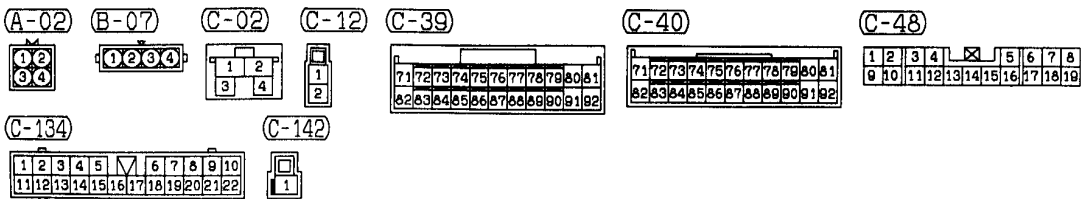
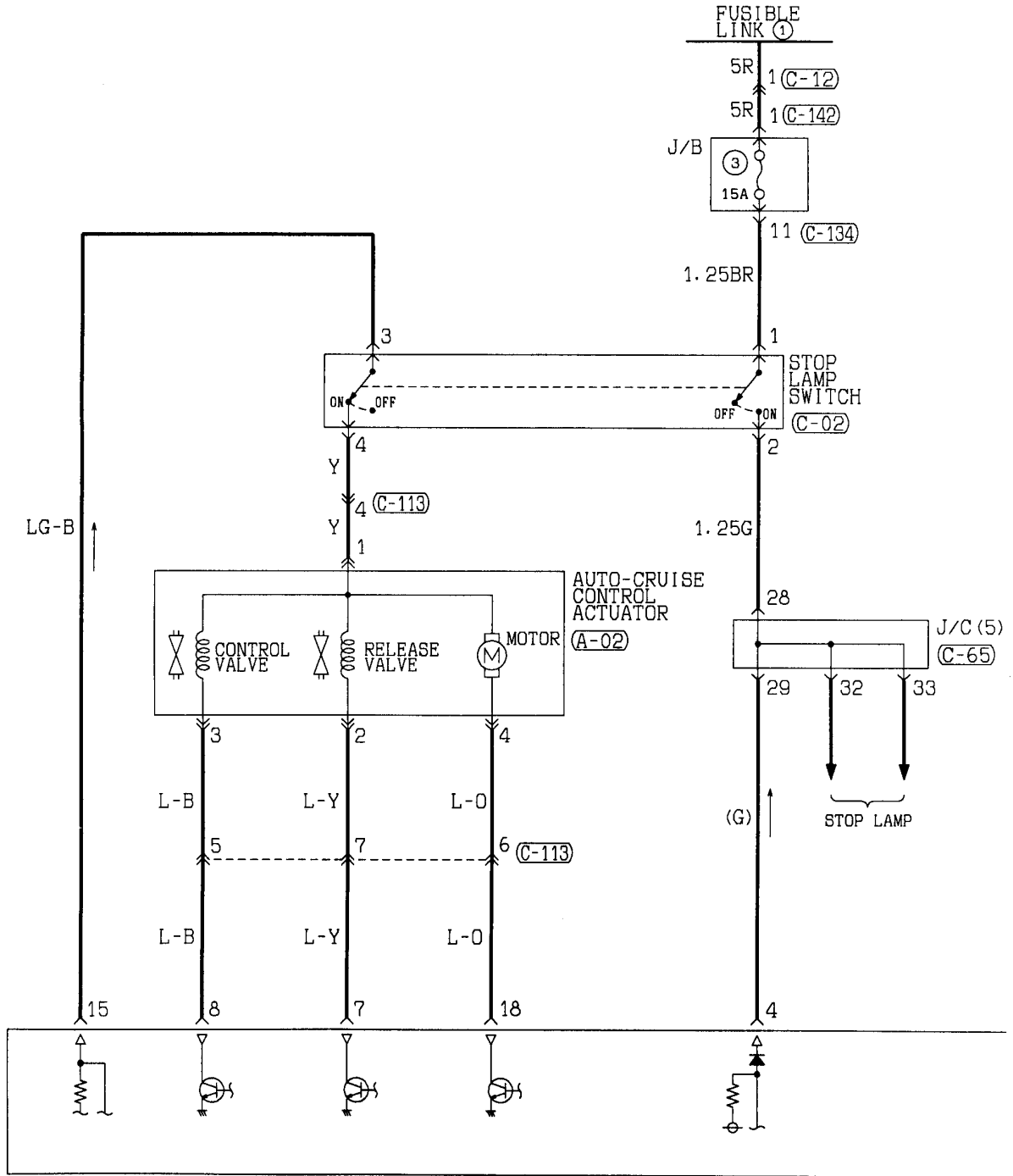
1	2	3	4	5	6	7	8
9							
10	11	12	13	14	15	16	17

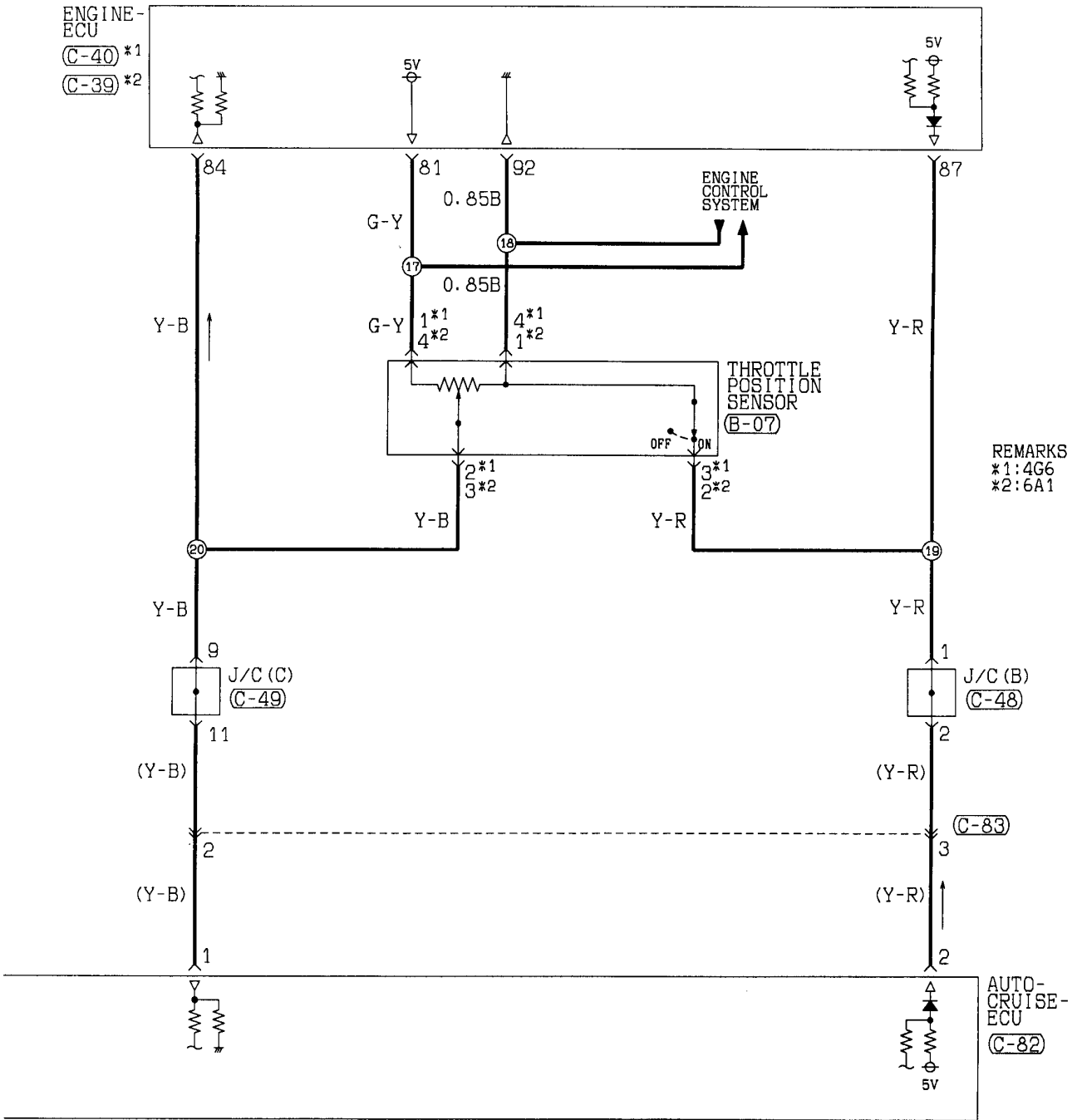


(C-62)	(C-63)	(C-64)	(C-82)	(C-107)	(C-111)	(C-131)
1 2 3 4 5 6 7 8 9 10 11 12 13 14 15 16 17 18 19 20 21 22 23 24 25 26 27 28 29 30 31 32 33	1 2 3 4 5 6 7 8 9 10 11 12 13 14 15 16 17 18 19 20 21 22 23 24 25 26 27 28 29 30 31 32 33	1 2 3 4 5 6 7 8 9 10 11 12 13 14 15 16 17 18 19 20 21 22 23 24 25 26 27 28 29 30 31 32 33	1 2 3 4 5 6 7 8 9 10 11 12 13 14 15 16 17 18	1 2 3	1 2	1 2 3 4 5 6

Wire colour code
 B :Black LG:Light green G :Green L :Blue W :White Y :Yellow SB:Sky blue
 BR:Brown O :Orange GR:Gray R :Red P :Pink V :Violet

**AUTO-CRUISE CONTROL SYSTEM <R.H. drive vehicles without TCL>
(CONTINUED)**





(C-49)

1	2	3	4	5	6	7	8
9	10	11	12	13	14	15	16
17	18	19					

(C-65)

1	2	3	4	5	6	7	8	9	10	11
12	13	14	15	16	17	18	19	20	21	22
23	24	25	26	27	28	29	30	31	32	33

(C-82)

1	2	3	4	5	6	7	8
9	10	11	12	13	14	15	16
17	18						

(C-83)

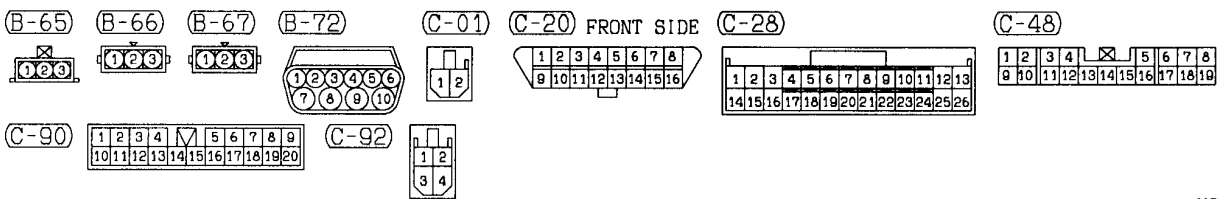
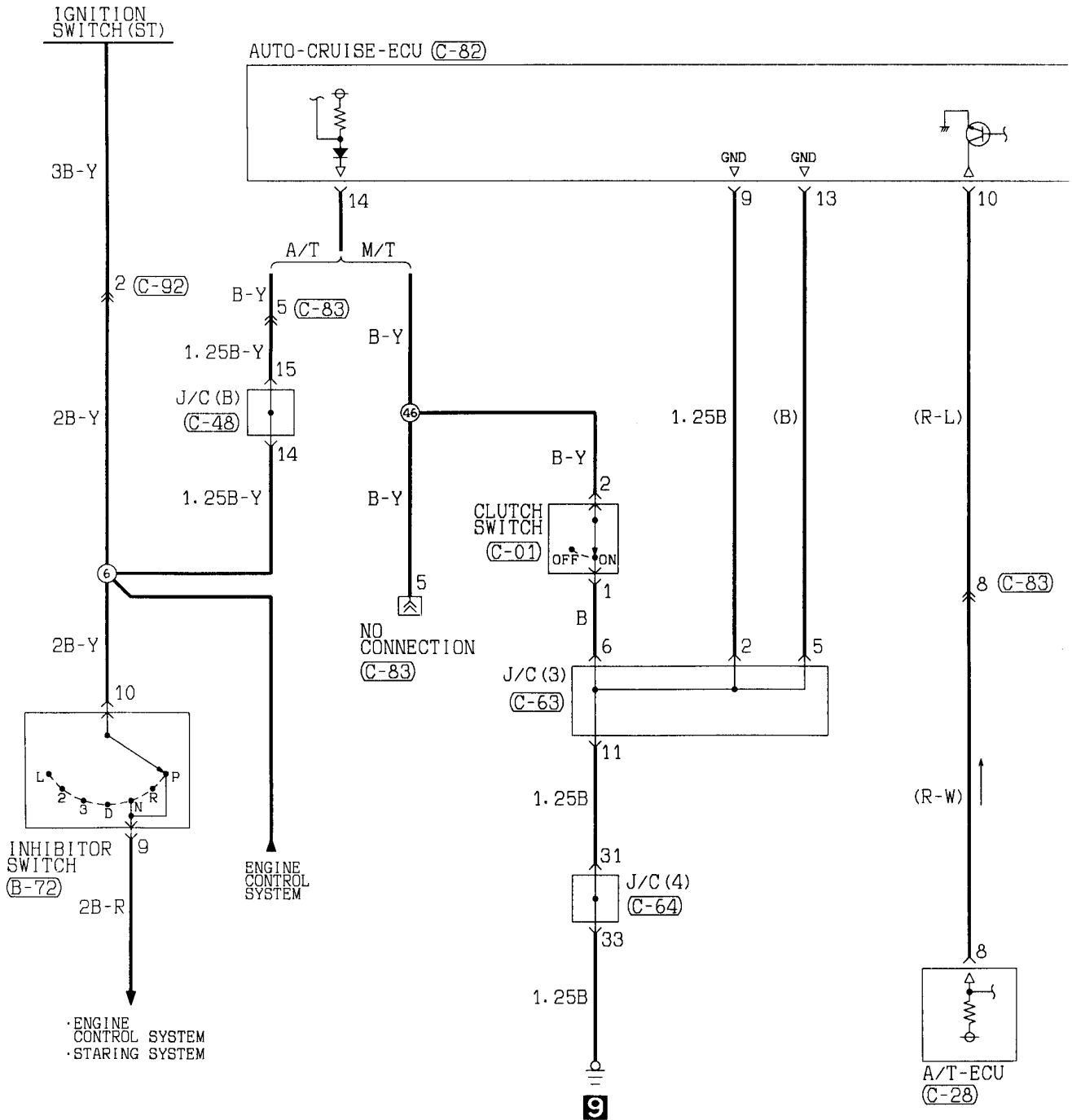
1	2	3	4	5	6	7	8	9	10
11	12	13	14	15	16	17	18	19	20
21	22								

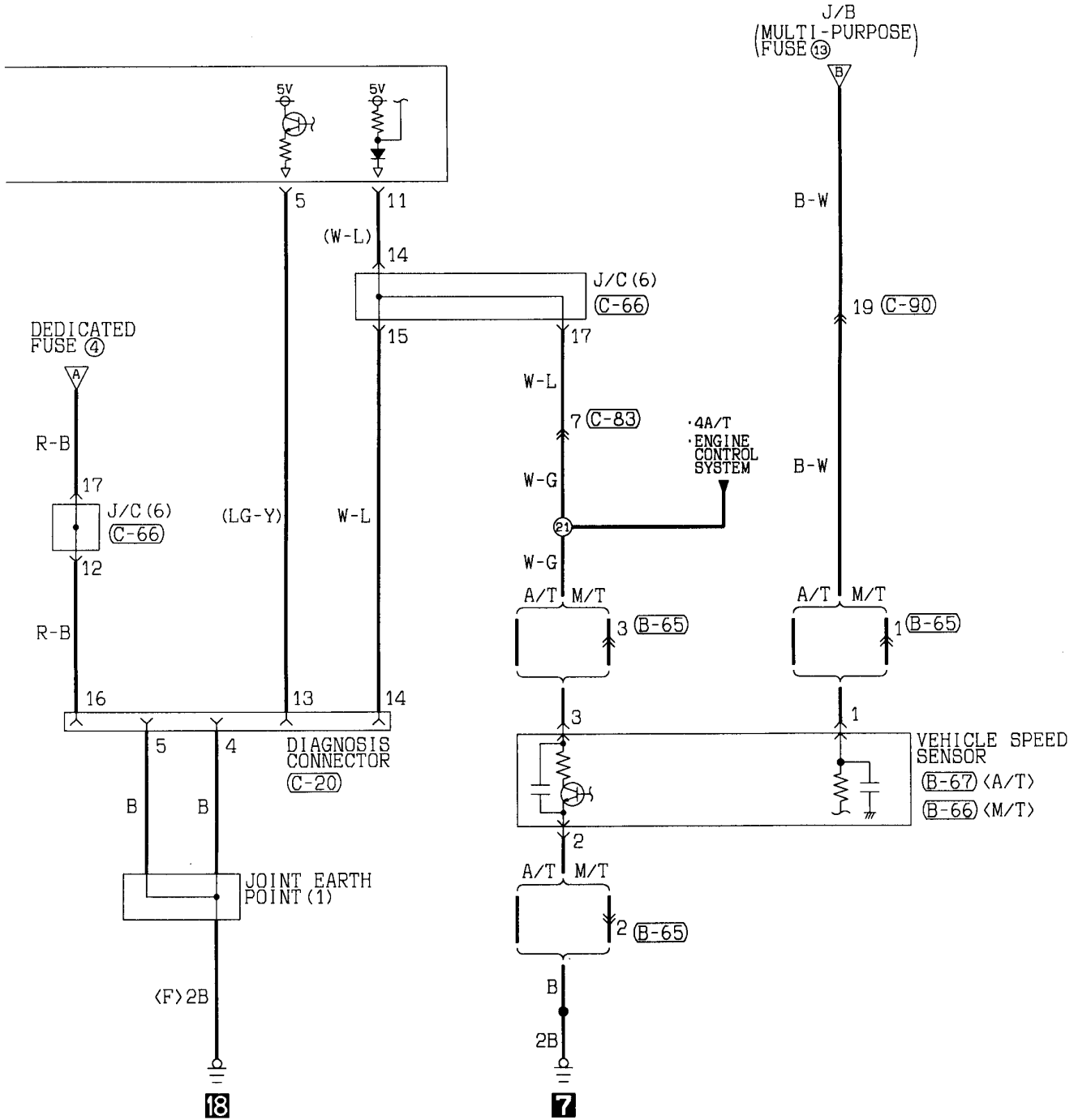
(C-113)

1	2	3
4	5	6
7	8	

Wire colour code
 B:Black LG:Light green G:Green L:Blue W:White Y:Yellow SB:Sky blue
 BR:Brown O:Orange GR:Gray R:Red P:Pink V:Violet

**AUTO-CRUISE CONTROL SYSTEM <R.H. drive vehicles without TCL>
(CONTINUED)**





(C-63)

1	2	3	4	5	6	7	8	9	10	11
12	13	14	15	16	17	18	19	20	21	22
23	24	25	26	27	28	29	30	31	32	33

(C-64)

1	2	3	4	5	6	7	8	9	10	11
12	13	14	15	16	17	18	19	20	21	22
23	24	25	26	27	28	29	30	31	32	33

(C-66)

1	2	3	4	5	6	7	8	9	10	11
12	13	14	15	16	17	18	19	20	21	22
23	24	25	26	27	28	29	30	31	32	33

(C-82)

1	2	3	4	5	6	7	8		
9	10	11	12	13	14	15	16	17	18

(C-83)

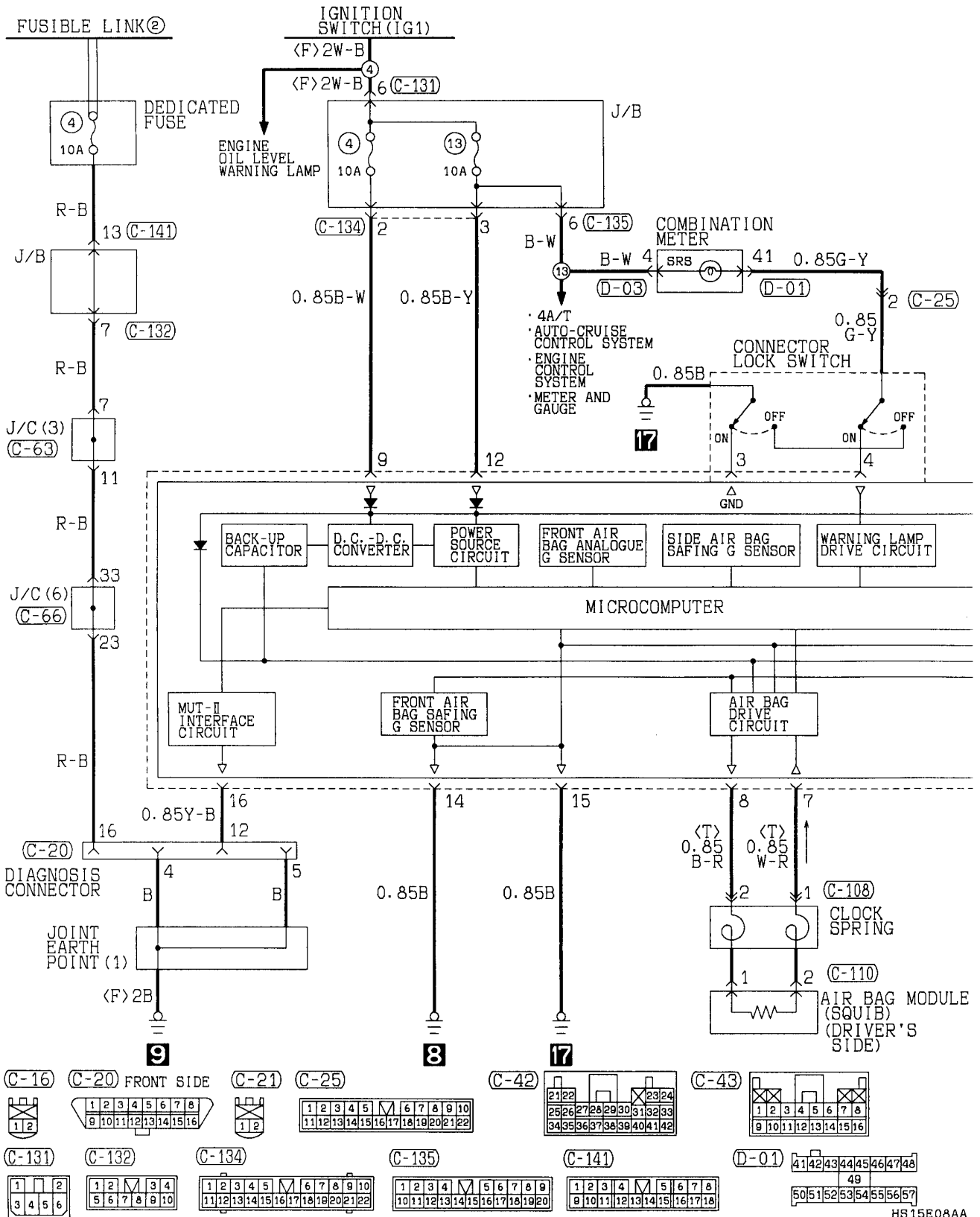
1	2	3	4	5	6	7	8	9	10		
11	12	13	14	15	16	17	18	19	20	21	22

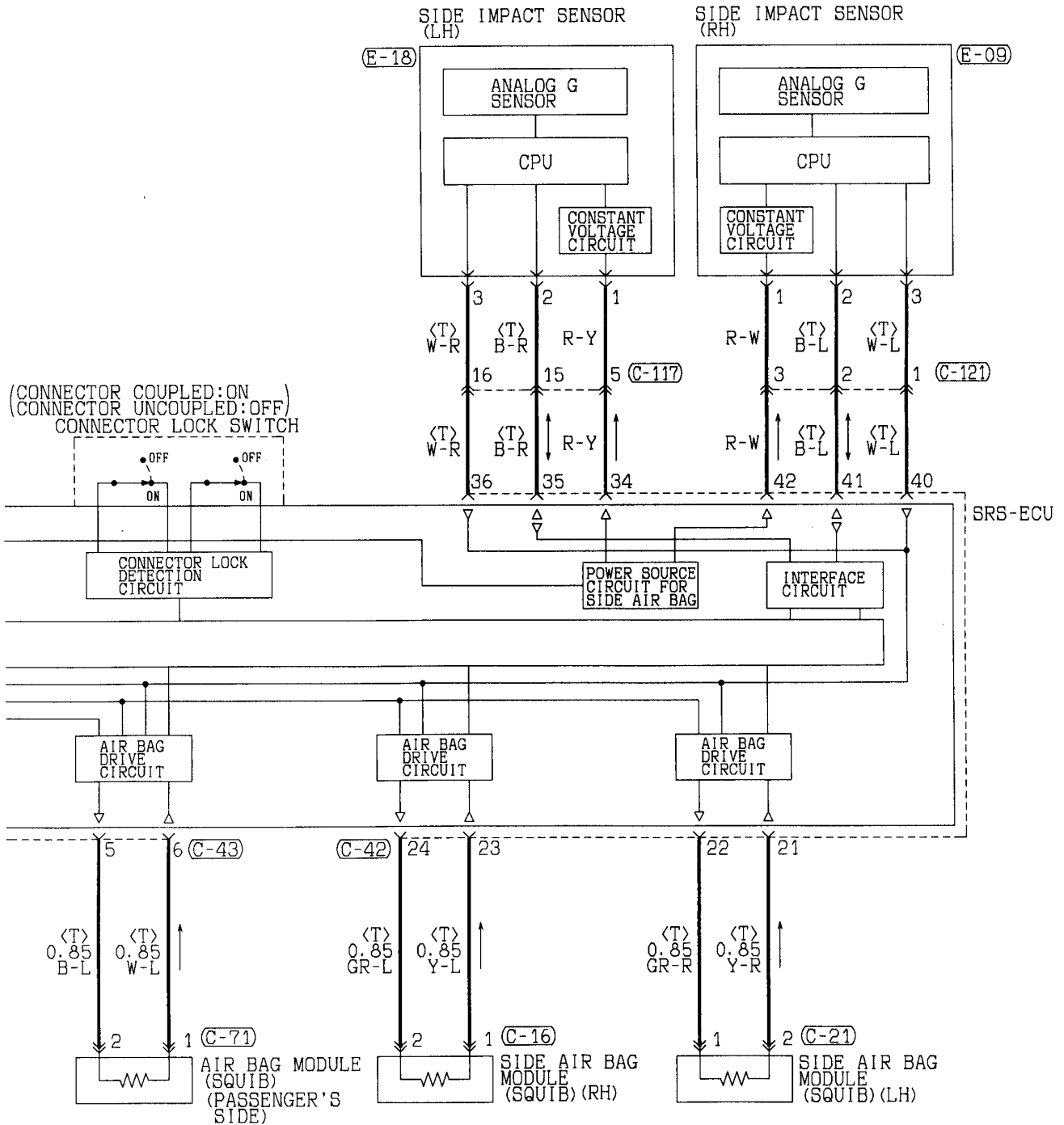
Wire colour code
 B : Black LG : Light green G : Green L : Blue W : White Y : Yellow SB : Sky blue
 BR : Brown O : Orange GR : Gray R : Red P : Pink V : Violet

SUPPLEMENTAL RESTRAINT SYSTEM (SRS)

90100970410

L.H. drive vehicles with side air bag



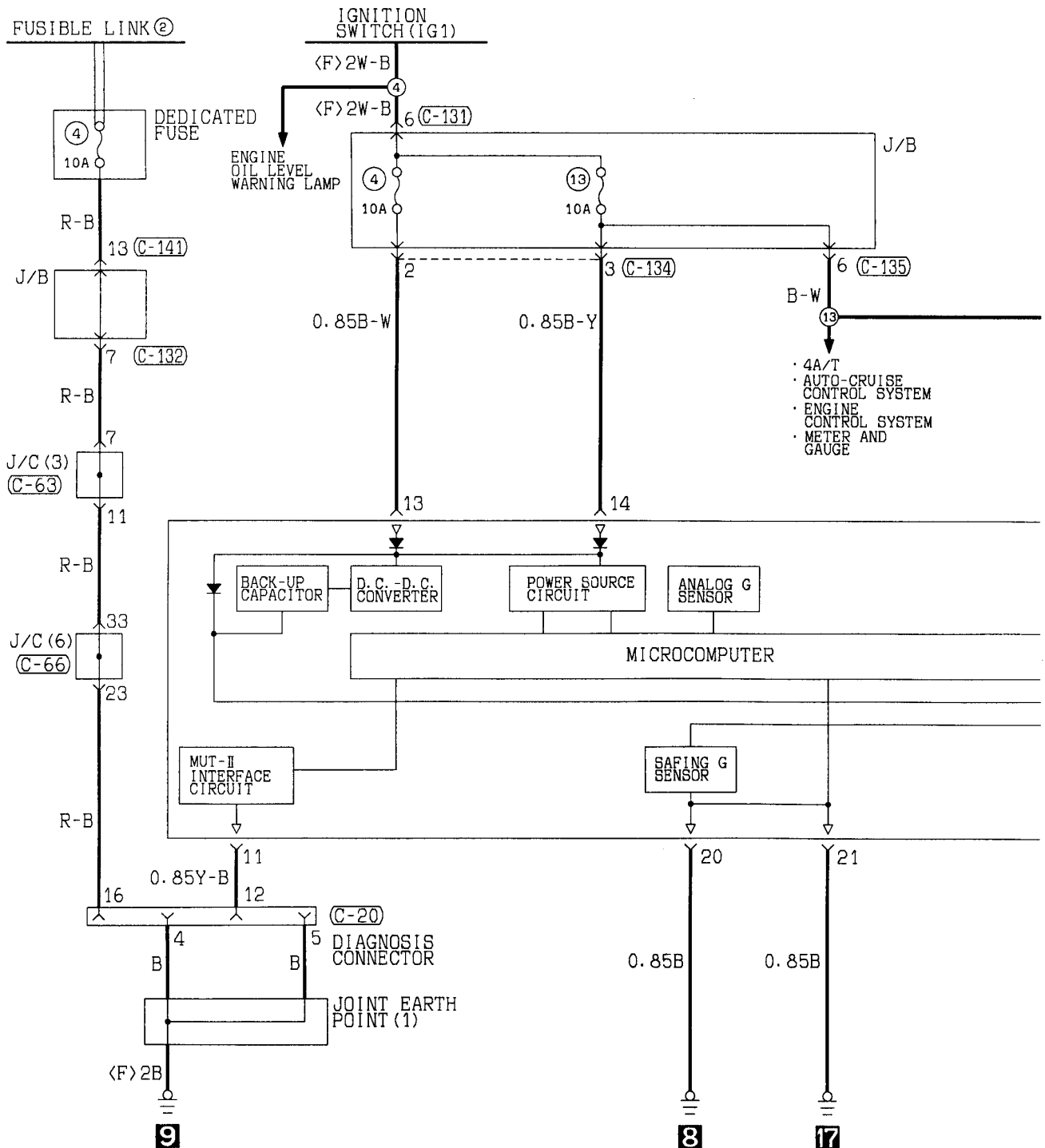


C-63	C-66	C-71	C-108	C-110	C-117	C-121
1 2 3 4 5 6 7 8 9 10 11 12 13 14 15 16 17 18 19 20 21 22 23 24 25 26 27 28 29 30 31 32 33	1 2 3 4 5 6 7 8 9 10 11 12 13 14 15 16 17 18 19 20 21 22 23 24 25 26 27 28 29 30 31 32 33	1 2	1 2	1 2	1 2 3 4 5 6 7 8 9 10 11 12 13 14 15 16 17 18 19 20 21 22	1 2 3 4 5 6 7 8 9 10 11 12 13 14 15 16 17 18 19 20 21 22
D-03	E-09	E-18	Wire colour code			
1 2 3 4 5 6 7 8 9	1 2 3	1 2 3	B : Black	LG : Light green	G : Green	L : Blue
10 11 12 13 14 15 16 17			BR : Brown	O : Orange	GR : Gray	R : Red
			W : White	SB : Sky blue	P : Pink	Y : Yellow
			V : Violet			

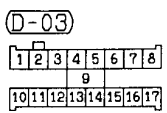
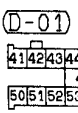
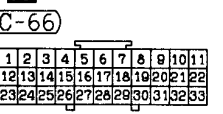
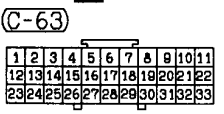
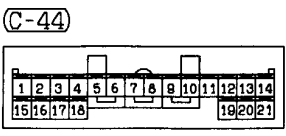
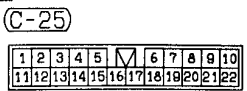
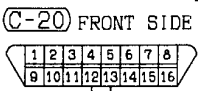
SUPPLEMENTAL RESTRAINT SYSTEM (SRS)

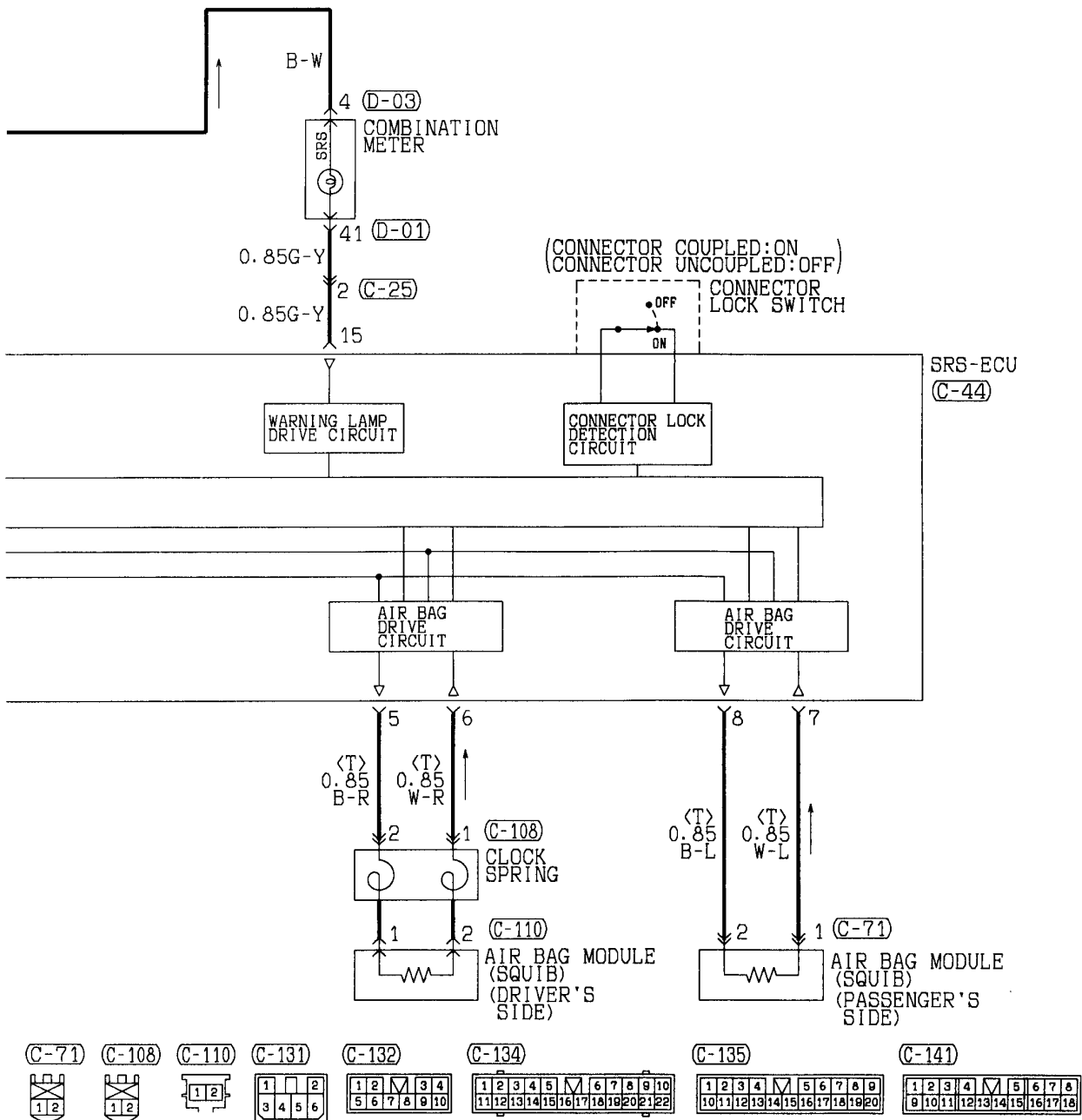
90100970427

L.H. drive vehicles without side air bag



- 4A/T
- AUTO-CRUISE CONTROL SYSTEM
- ENGINE CONTROL SYSTEM
- METER AND GAUGE



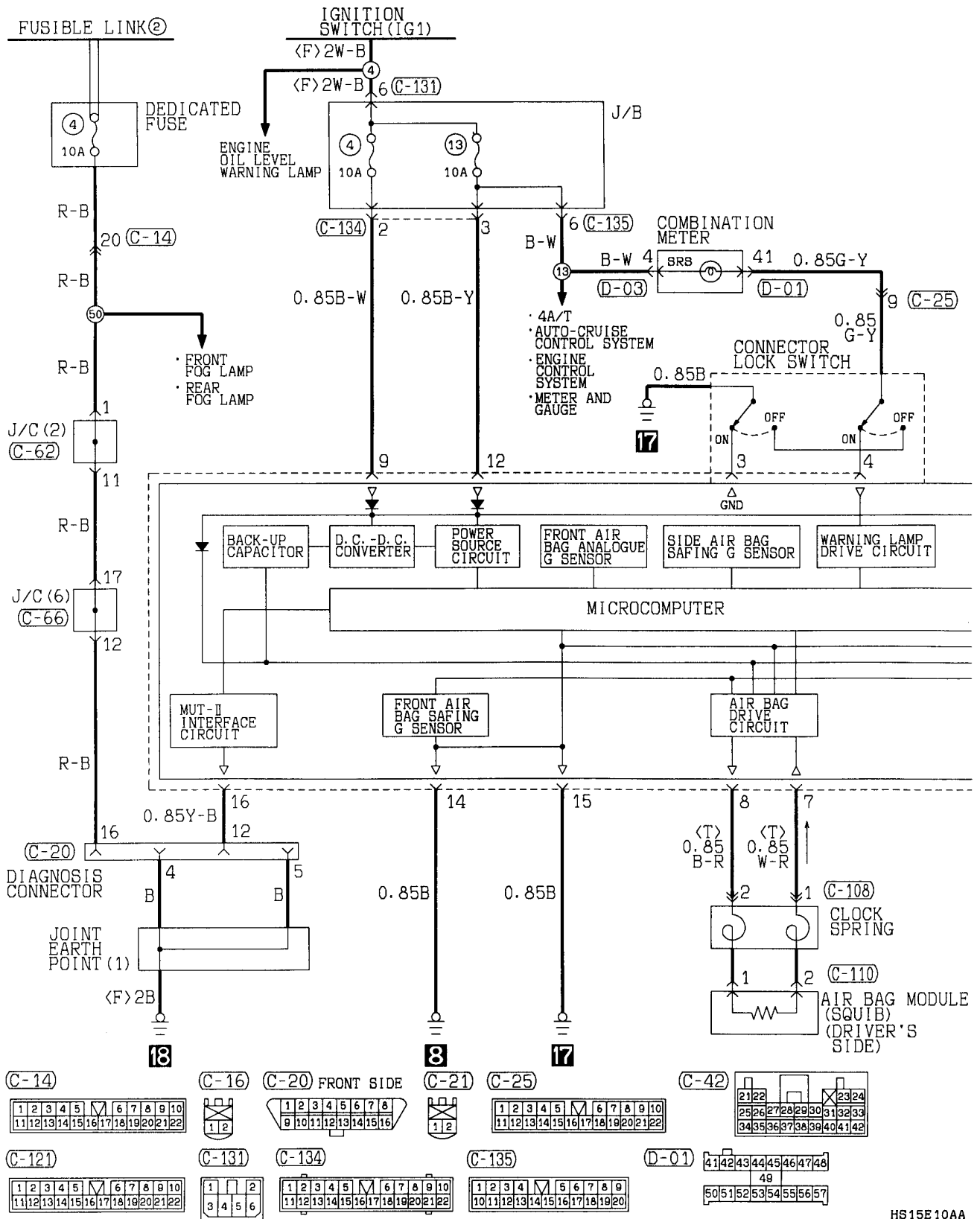


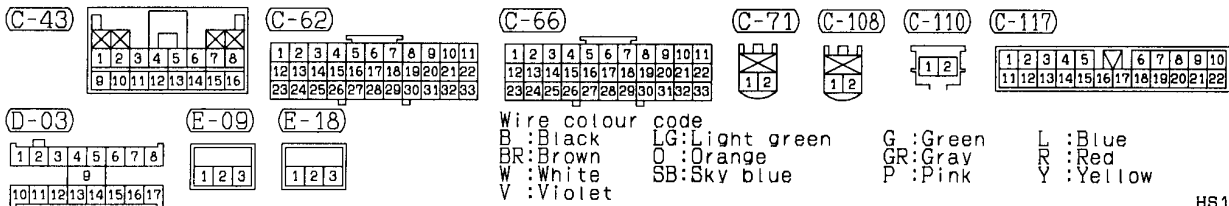
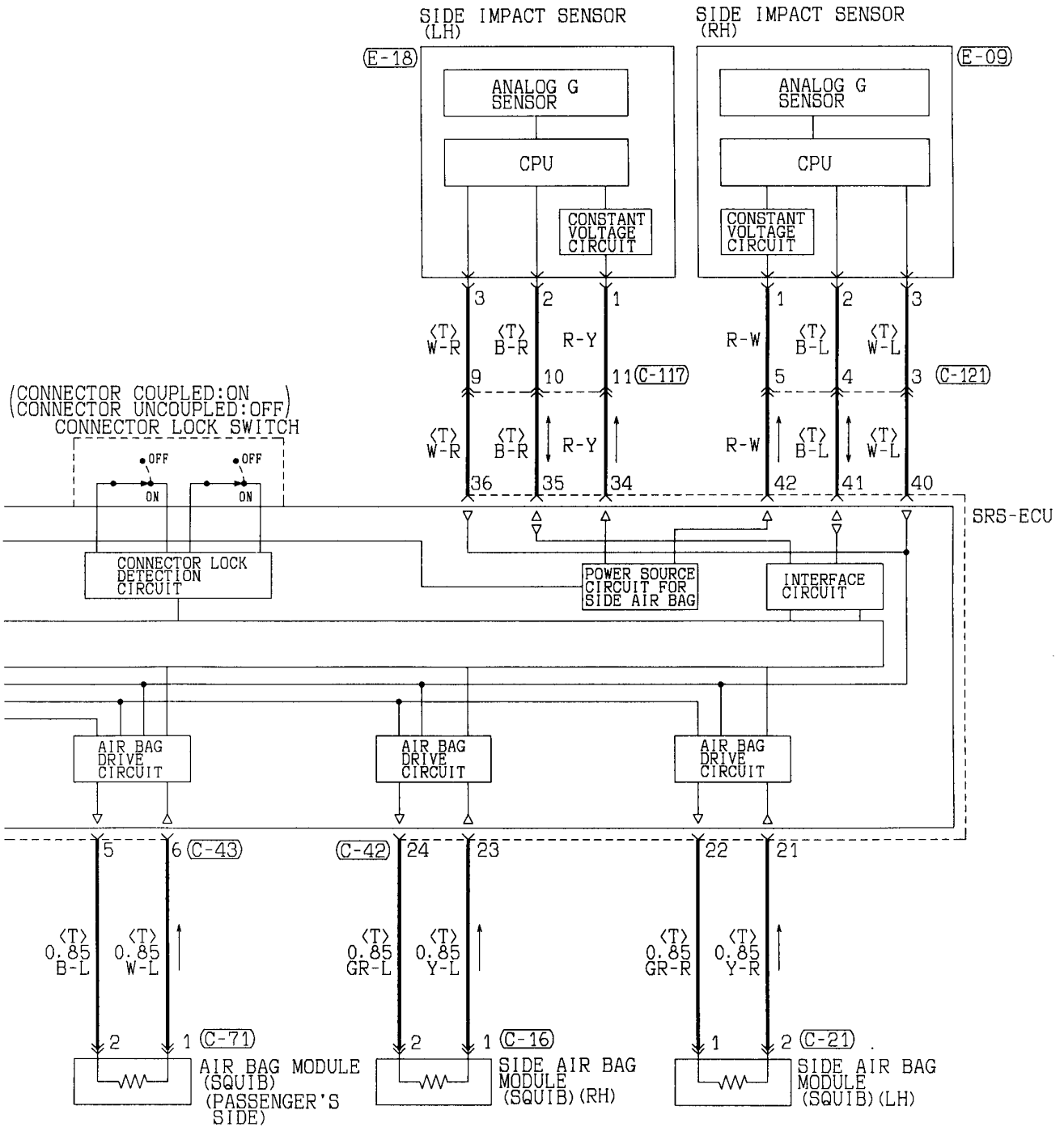
Wire colour code
 B :Black LG:Light green G :Green L :Blue W :White Y :Yellow SB:Sky blue
 BR:Brown O :Orange GR:Gray R :Red P :Pink V :Violet

SUPPLEMENTAL RESTRAINT SYSTEM (SRS)

90100970434

R.H. drive vehicles with side air bag

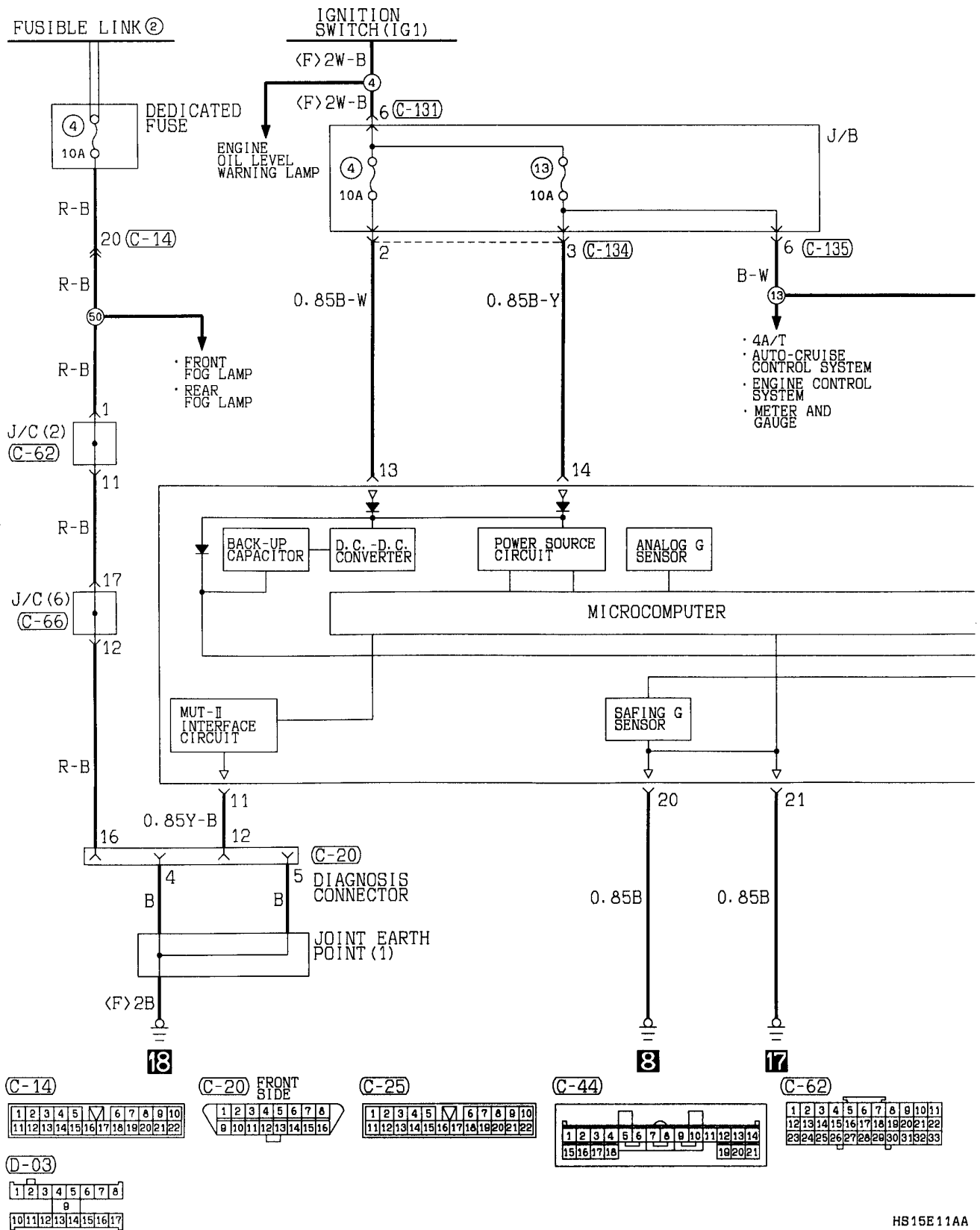


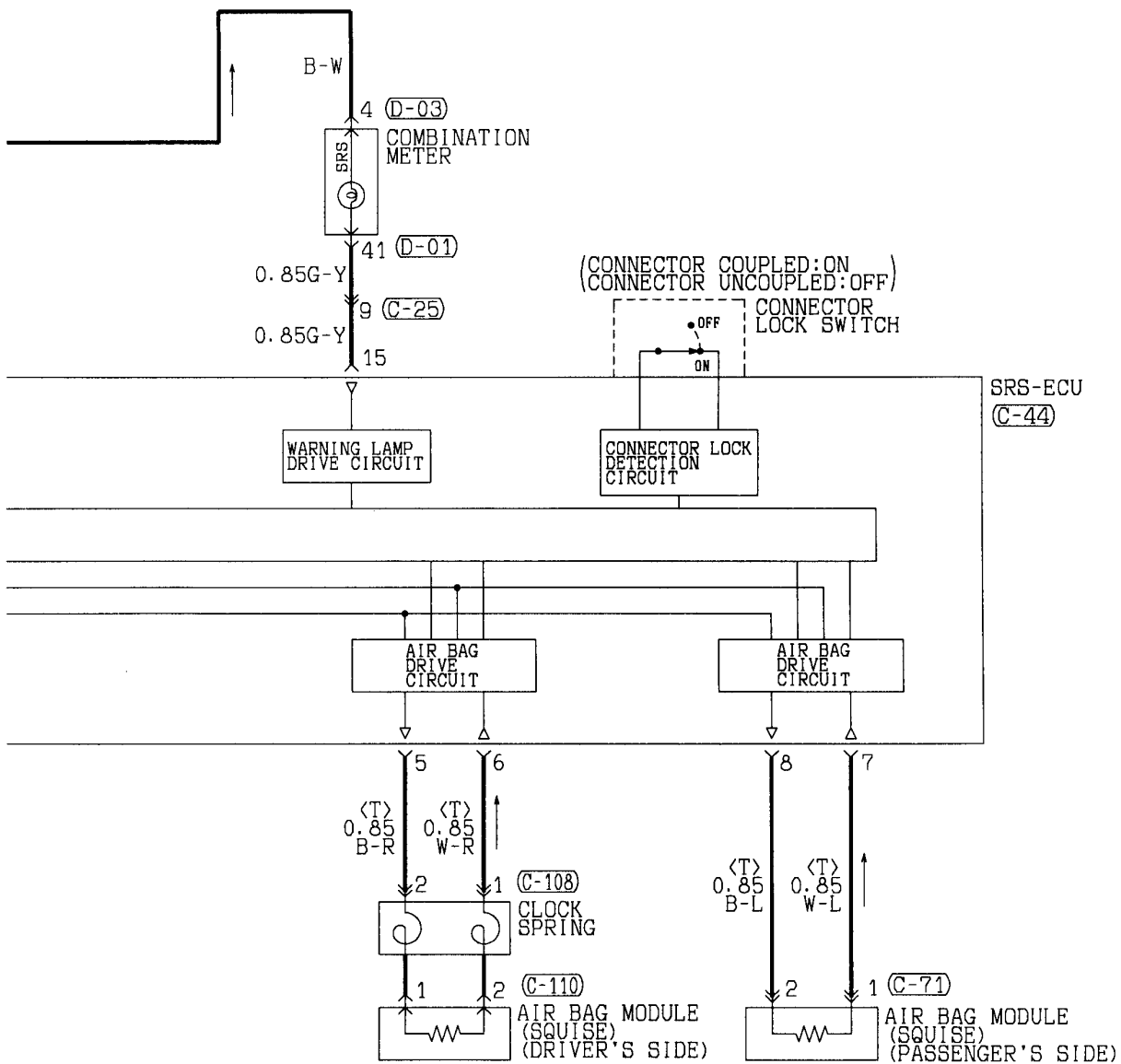


SUPPLEMENTAL RESTRAINT SYSTEM (SRS)

90100970441

R.H. drive vehicles without side air bag





(C-66)

1	2	3	4	5	6	7	8	9	10	11
12	13	14	15	16	17	18	19	20	21	22
23	24	25	26	27	28	29	30	31	32	33

(C-71)

1	2
---	---

(C-108)

1	2
---	---

(C-110)

1	2
---	---

(C-131)

1	2		
3	4	5	6

(C-134)

1	2	3	4	5	6	7	8	9	10		
11	12	13	14	15	16	17	18	19	20	21	22

(C-135)

1	2	3	4	5	6	7	8	9		
10	11	12	13	14	15	16	17	18	19	20

(D-01)

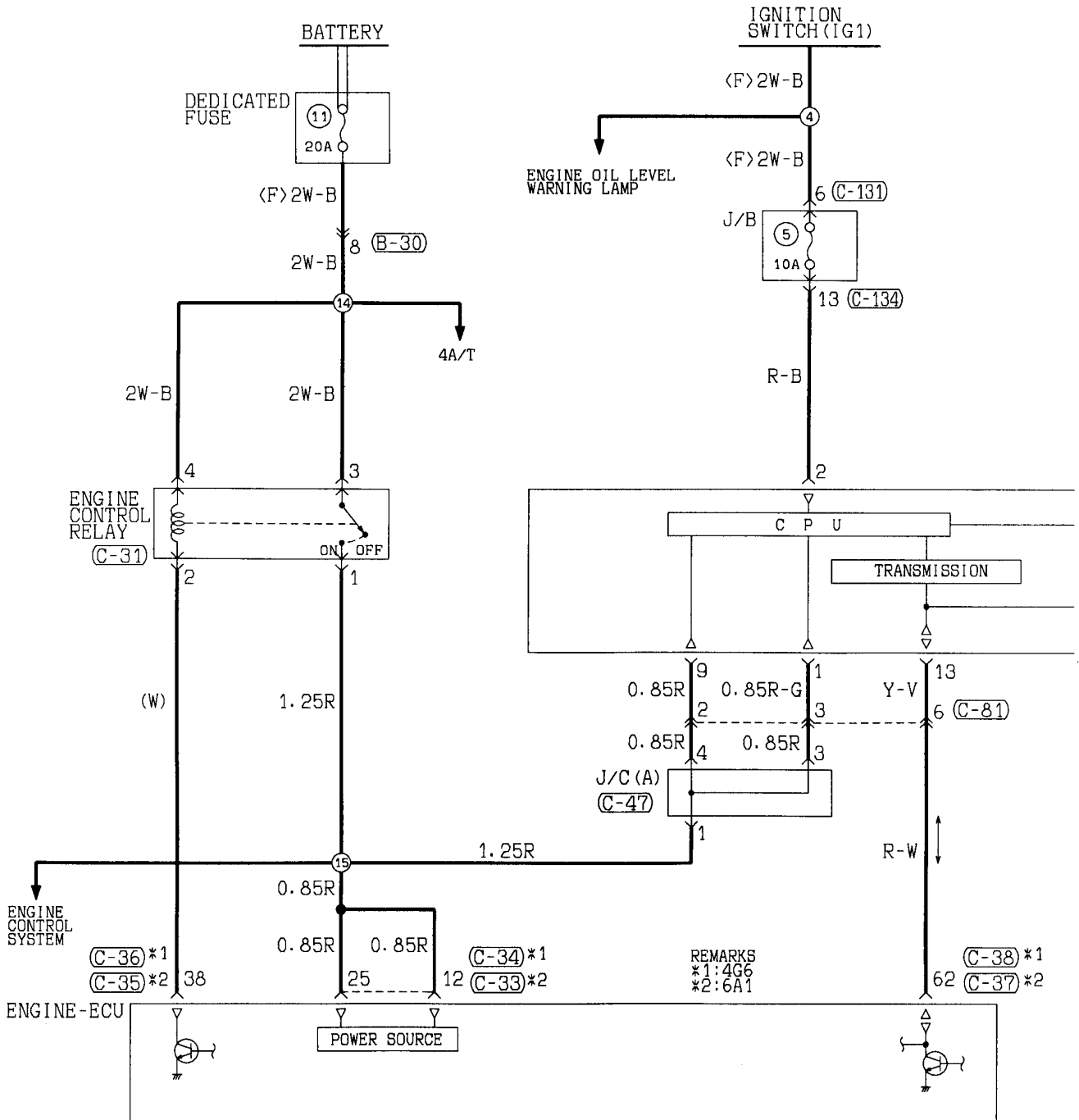
41	42	43	44	45	46	47	48
49							
50	51	52	53	54	55	56	57

Wire colour code
 B : Black LG: Light green G : Green L : Blue W : White Y : Yellow SB: Sky blue
 BR: Brown O : Orange GR: Gray R : Red P : Pink V : Violet

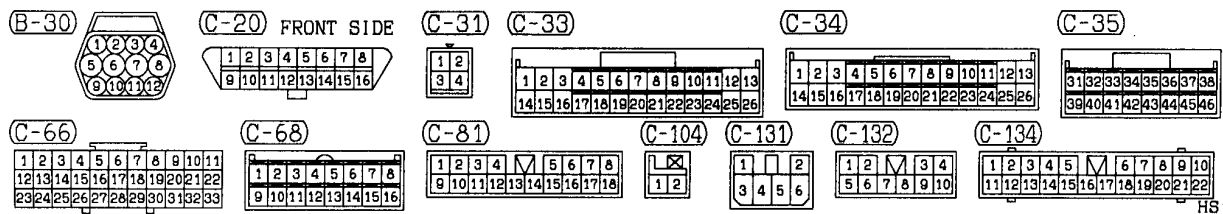
IMMOBILIZER SYSTEM

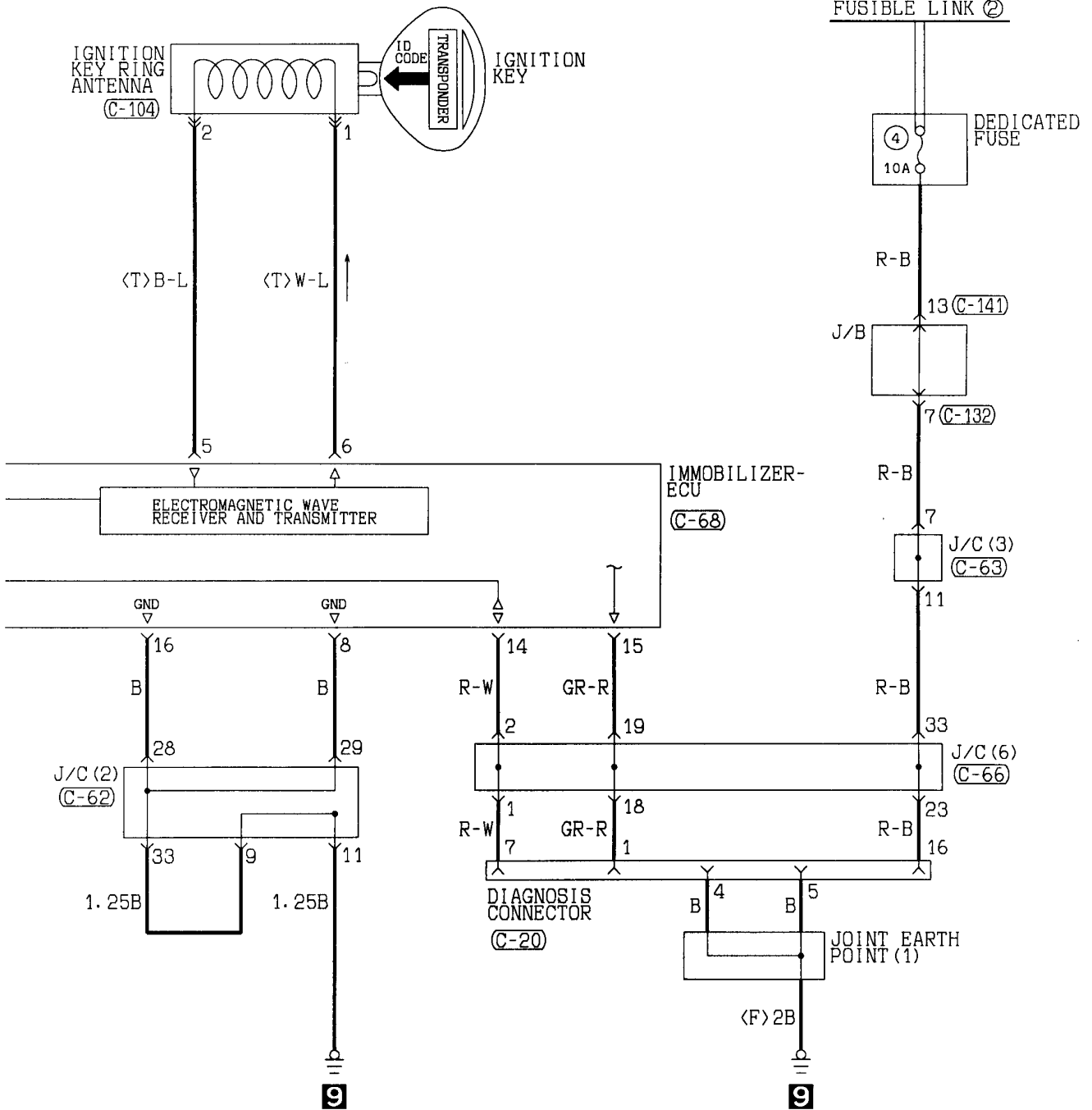
90101360162

L.H. drive petrol-powered vehicles



REMARKS
*1: 4G6
*2: 6A1





C-36

31	32	33	34	35	36	37	38
39	40	41	42	43	44	45	46

C-37

51	52	53	54	55	56
57	58	59	60	61	62

C-38

51	52	53	54	55	56
57	58	59	60	61	62

C-47

1	2	3	4	5	6	7	8
9	10	11	12	13	14	15	16
17	18	19					

C-62

1	2	3	4	5	6	7	8	9	10	11
12	13	14	15	16	17	18	19	20	21	22
23	24	25	26	27	28	29	30	31	32	33

C-63

1	2	3	4	5	6	7	8	9	10	11
12	13	14	15	16	17	18	19	20	21	22
23	24	25	26	27	28	29	30	31	32	33

C-141

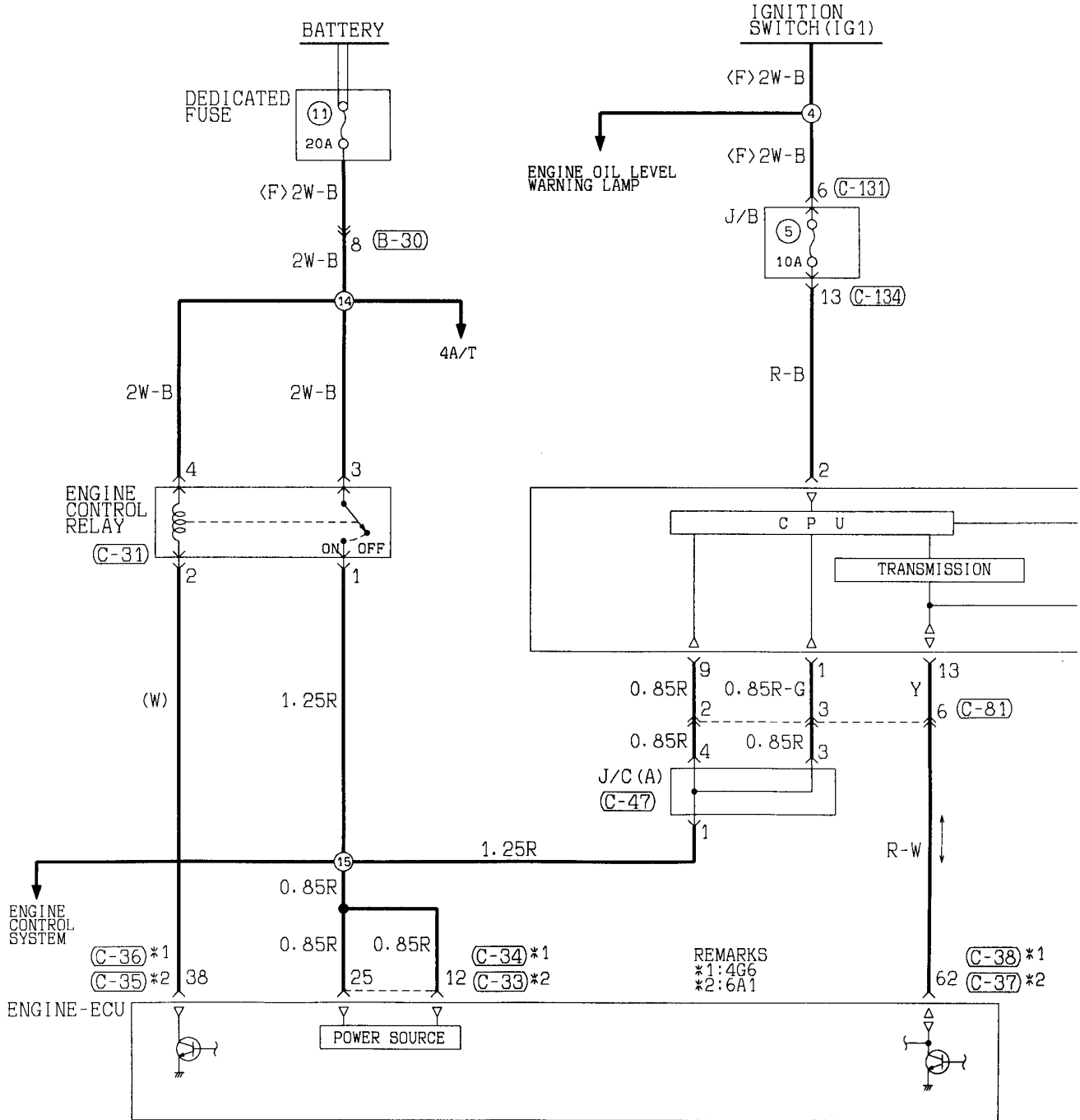
1	2	3	4	5	6	7	8
9	10	11	12	13	14	15	16
17	18						

Wire colour code
 B : Black LG : Light green G : Green L : Blue
 BR : Brown O : Orange GR : Gray R : Red
 W : White SB : Sky blue P : Pink Y : Yellow
 V : Violet

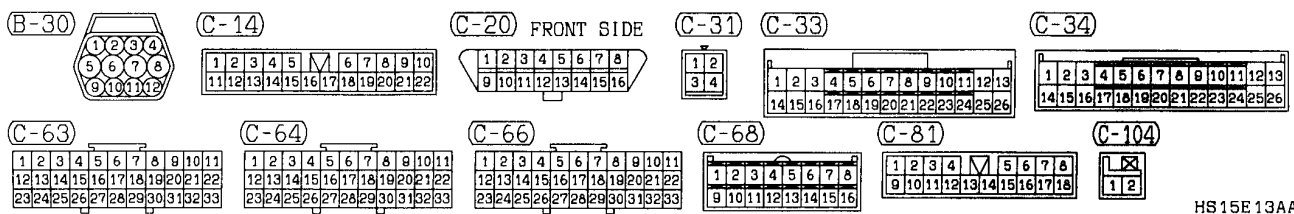
IMMOBILIZER SYSTEM

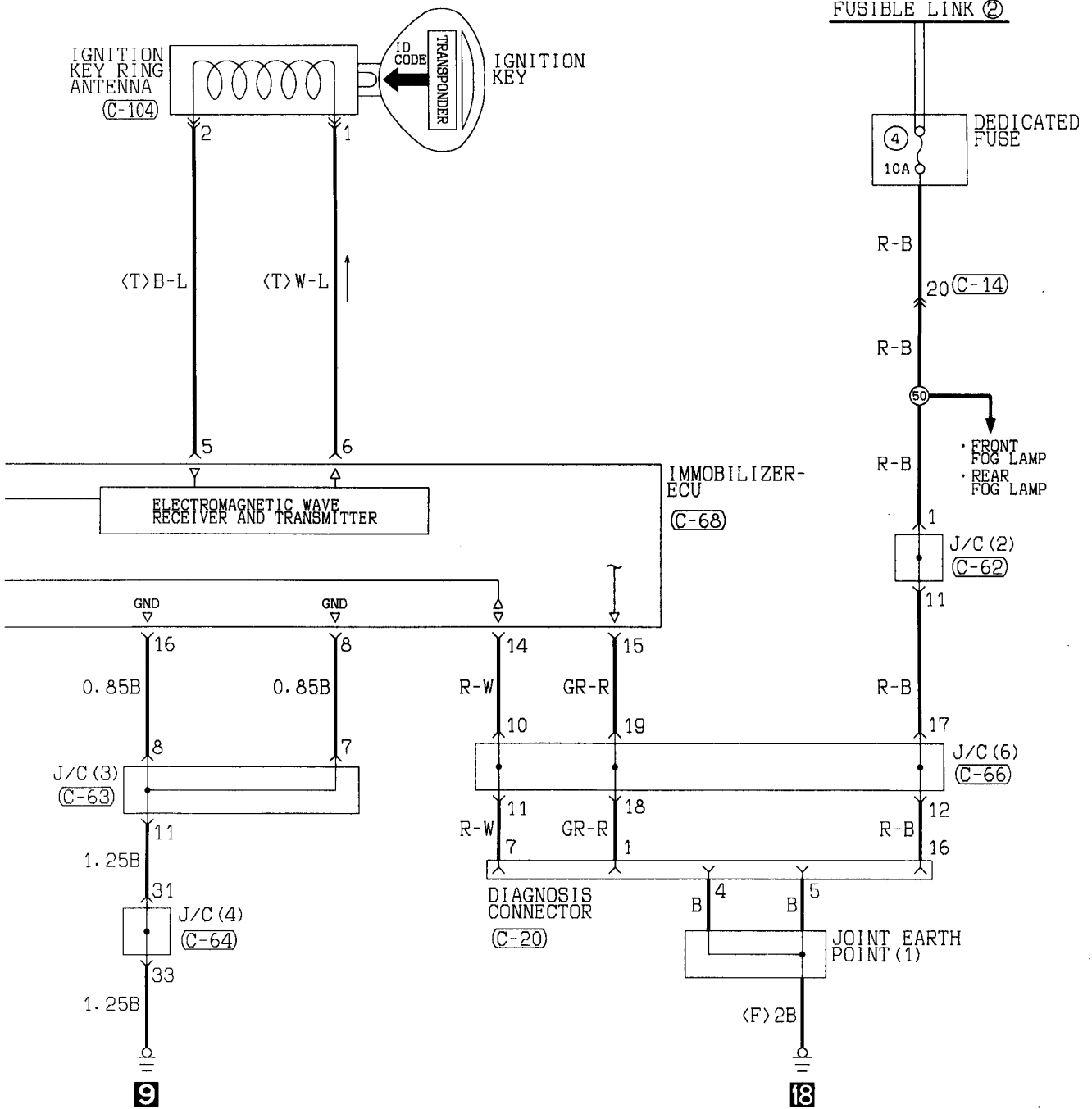
90101360179

R.H. drive petrol-powered vehicles



REMARKS
*1: 4G6
*2: 6A1





C-35

31	32	33	34	35	36	37	38
39	40	41	42	43	44	45	46

C-36

31	32	33	34	35	36	37	38
39	40	41	42	43	44	45	46

C-37

51	52	53	54	55	56
57	58	59	60	61	62

C-38

51	52	53	54	55	56
57	58	59	60	61	62

C-47

1	2	3	4	5	6	7	8
9	10	11	12	13	14	15	16
17	18	19					

C-62

1	2	3	4	5	6	7	8	9	10	11
12	13	14	15	16	17	18	19	20	21	22
23	24	25	26	27	28	29	30	31	32	33

C-131

1	2
3	4
5	6

C-134

1	2	3	4	5	6	7	8	9	10
11	12	13	14	15	16	17	18	19	20
21	22								

Wire colour code
 B : Black
 BR : Brown
 W : White
 V : Violet

LG : Light green
 O : Orange
 SB : Sky blue

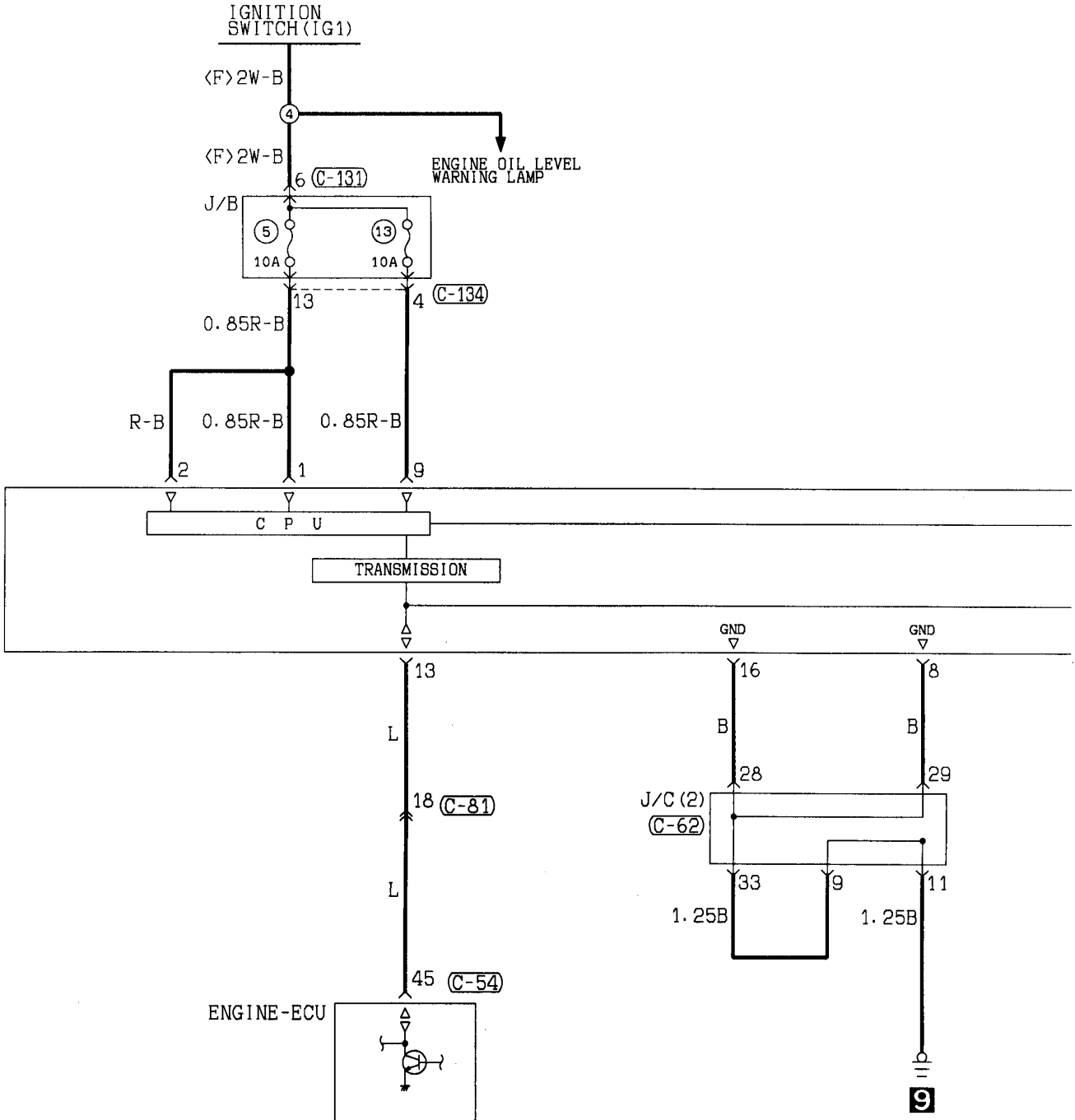
G : Green
 GR : Gray
 P : Pink

L : Blue
 R : Red
 Y : Yellow

IMMOBILIZER SYSTEM

90101360186

L.H. drive diesel-powered vehicles



(C-20) FRONT SIDE

(C-54)

(C-62)

(C-63)

(C-66)

(C-68)

1	2	3	4	5	6	7	8
9	10	11	12	13	14	15	16

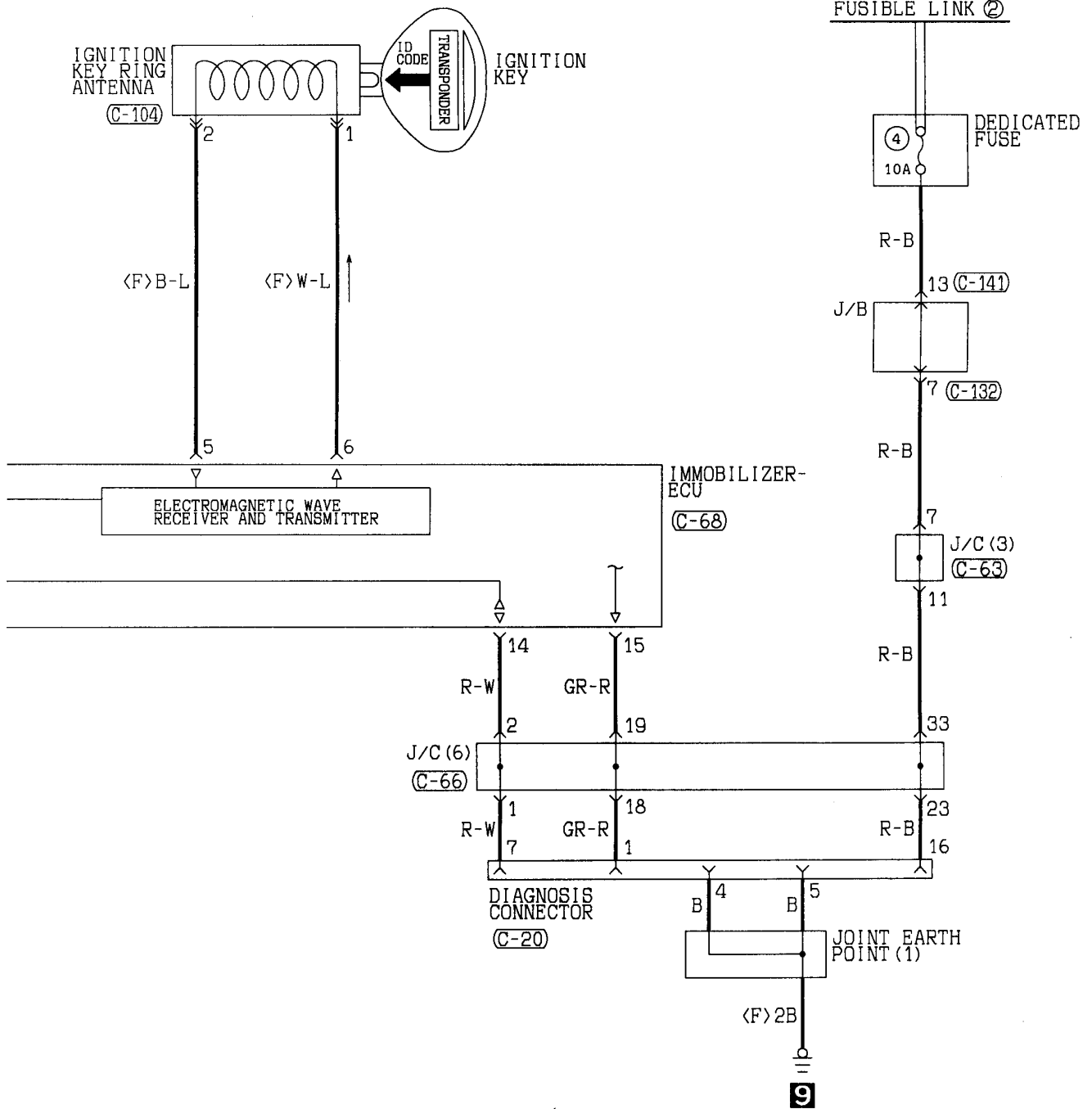
31	32	33	34	35	36	37	38
39	40	41	42	43	44	45	46

1	2	3	4	5	6	7	8	9	10	11
12	13	14	15	16	17	18	19	20	21	22
23	24	25	26	27	28	29	30	31	32	33

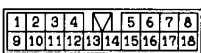
1	2	3	4	5	6	7	8	9	10	11
12	13	14	15	16	17	18	19	20	21	22
23	24	25	26	27	28	29	30	31	32	33

1	2	3	4	5	6	7	8	9	10	11
12	13	14	15	16	17	18	19	20	21	22
23	24	25	26	27	28	29	30	31	32	33

1	2	3	4	5	6	7	8
9	10	11	12	13	14	15	16



(C-81)



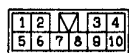
(C-104)



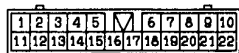
(C-131)



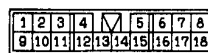
(C-132)



(C-134)



(C-141)

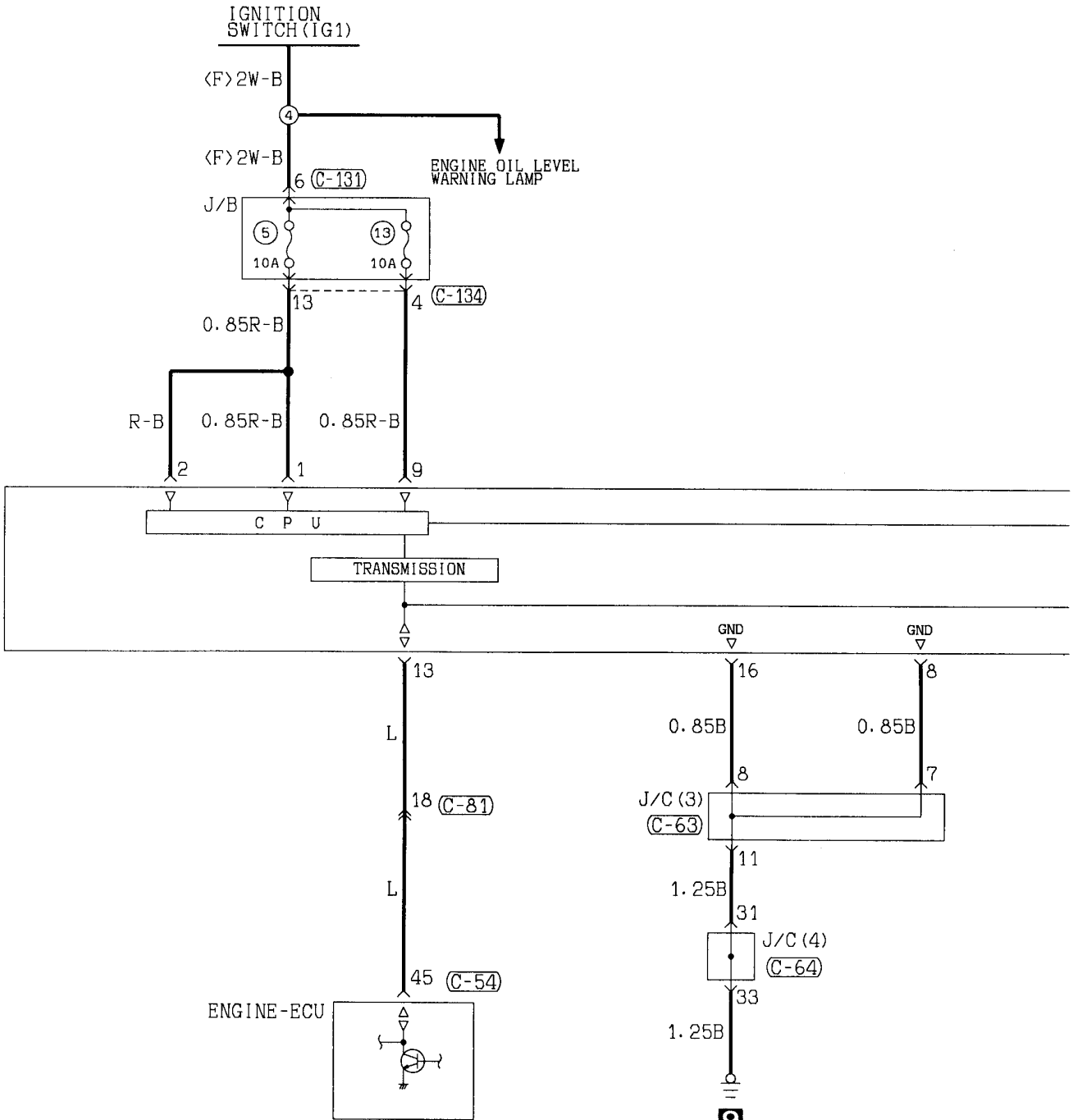


Wire colour code
 B:Black LG:Light green G:Green L:Blue W:White Y:Yellow SB:Sky blue
 BR:Brown O:Orange GR:Gray R:Red P:Pink V:Violet

IMMOBILIZER SYSTEM

90101360193

R.H. drive diesel-powered vehicles



(C-14)

1	2	3	4	5	6	7	8	9	10		
11	12	13	14	15	16	17	18	19	20	21	22

(C-20) FRONT SIDE

1	2	3	4	5	6	7	8
9	10	11	12	13	14	15	16

(C-54)

31	32	33	34	35	36	37	38
39	40	41	42	43	44	45	46

(C-62)

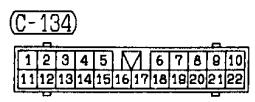
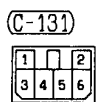
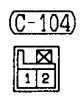
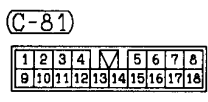
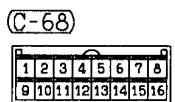
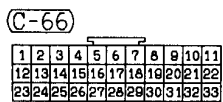
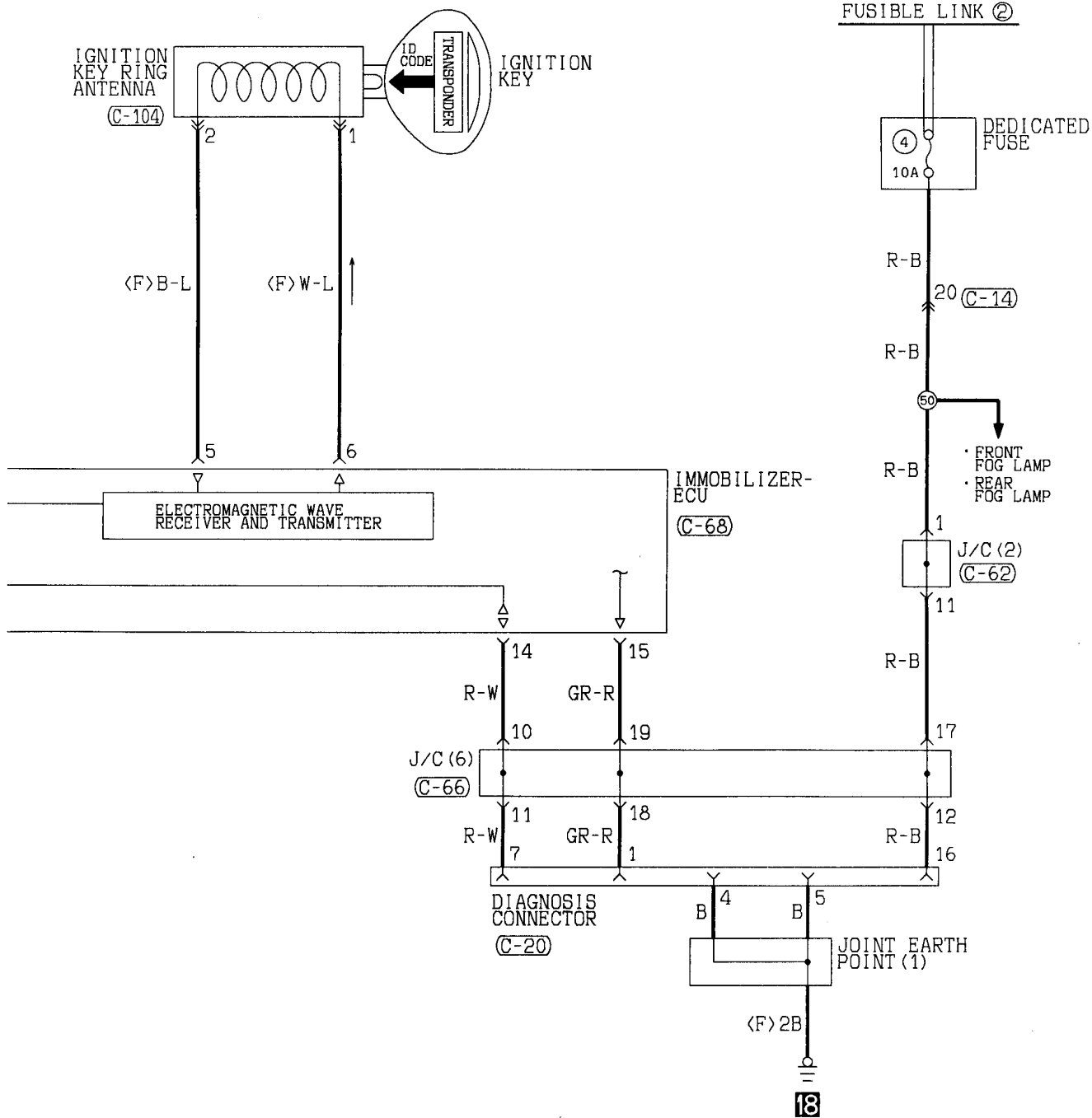
1	2	3	4	5	6	7	8	9	10	11
12	13	14	15	16	17	18	19	20	21	22
23	24	25	26	27	28	29	30	31	32	33

(C-63)

1	2	3	4	5	6	7	8	9	10	11
12	13	14	15	16	17	18	19	20	21	22
23	24	25	26	27	28	29	30	31	32	33

(C-64)

1	2	3	4	5	6	7	8	9	10	11
12	13	14	15	16	17	18	19	20	21	22
23	24	25	26	27	28	29	30	31	32	33

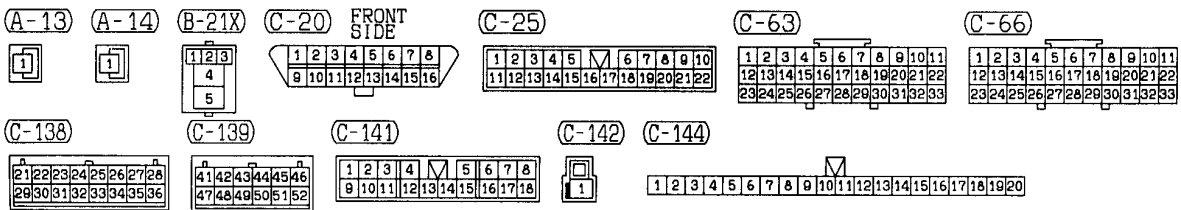
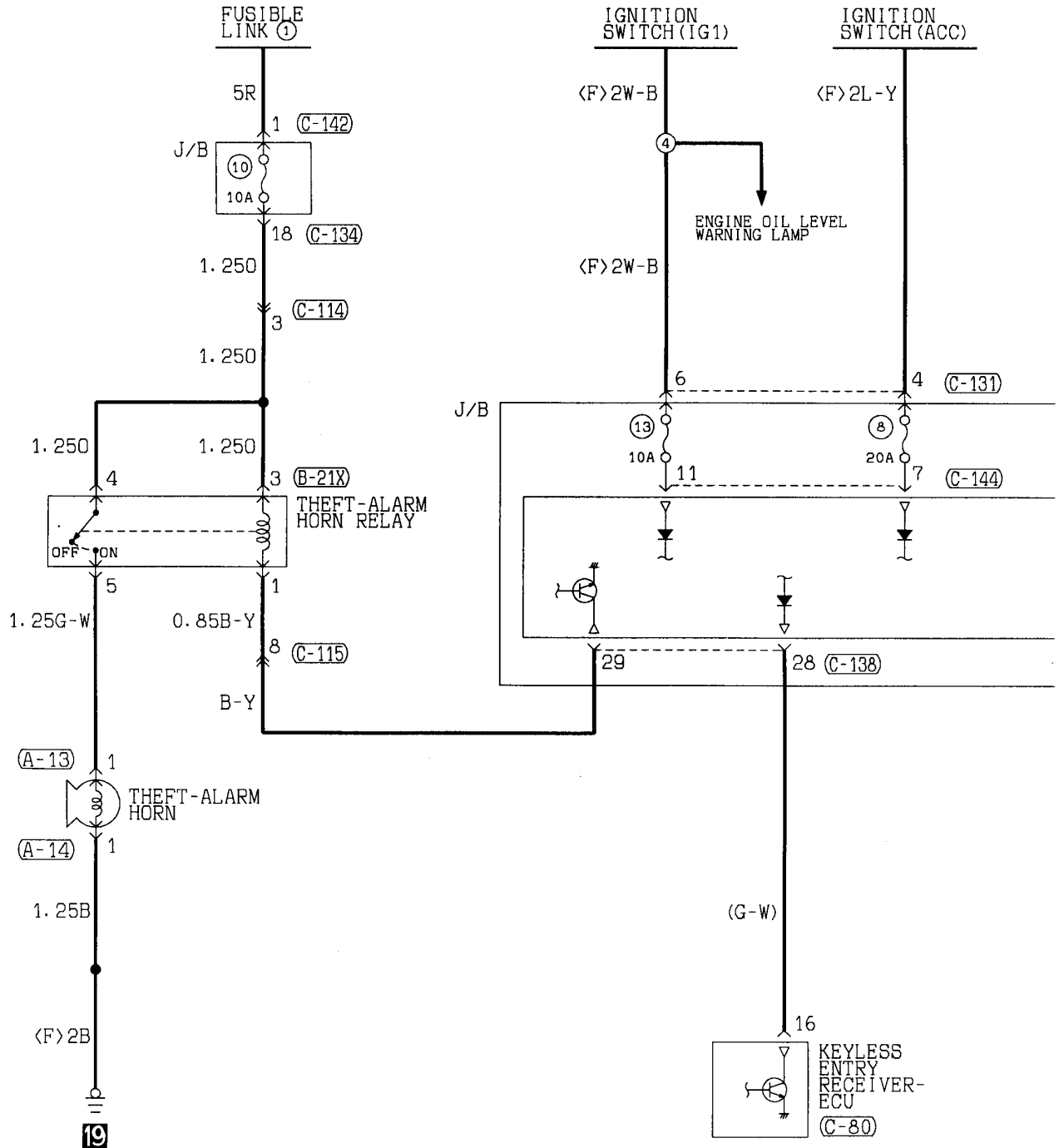


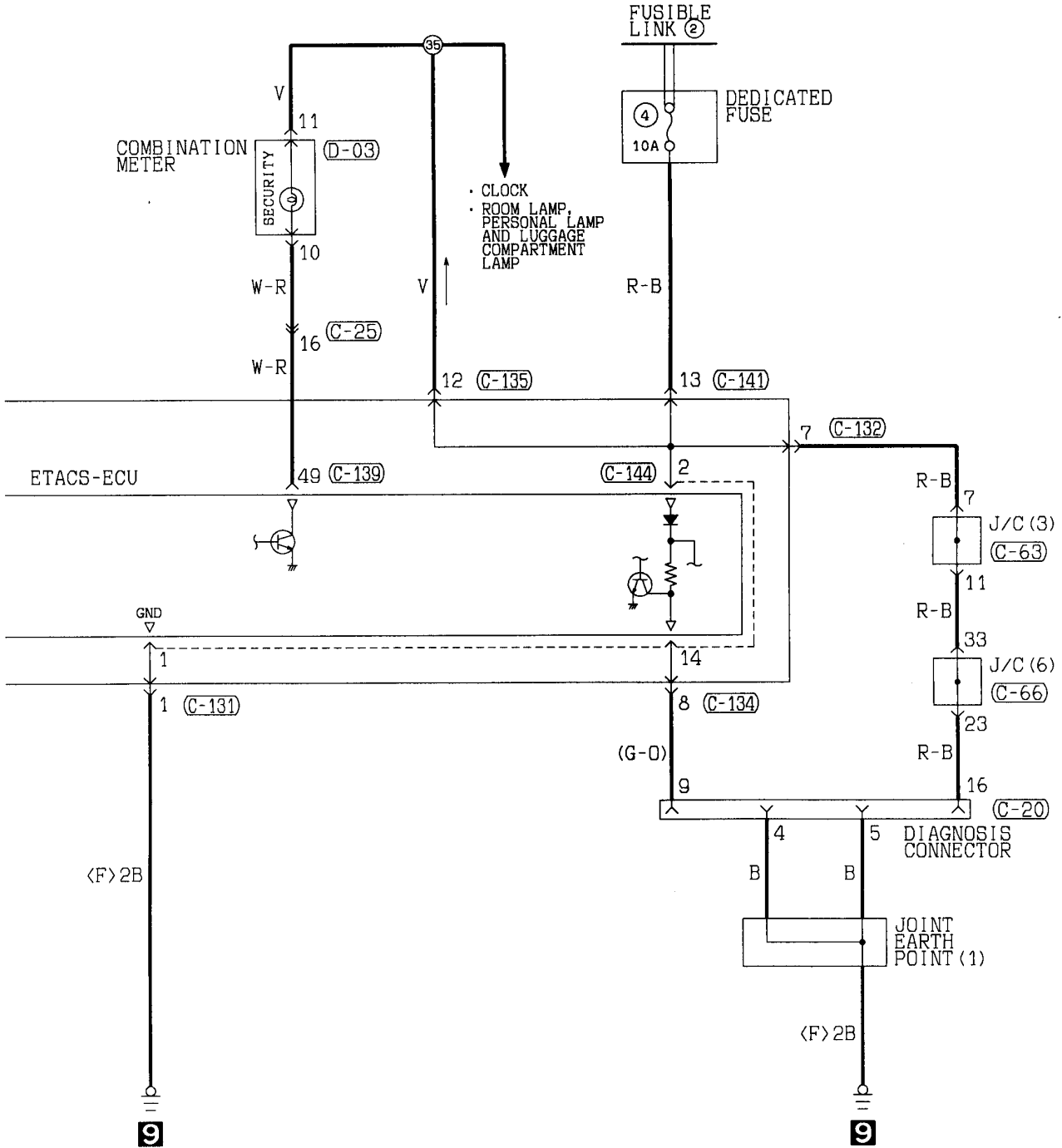
Wire colour code
 B:Black LG:Light green G:Green L:Blue W:White Y:Yellow SB:Sky blue
 BR:Brown O:Orange GR:Gray R:Red P:Pink V:Violet

THEFT-ALARM SYSTEM

90101240299

L.H. drive vehicles



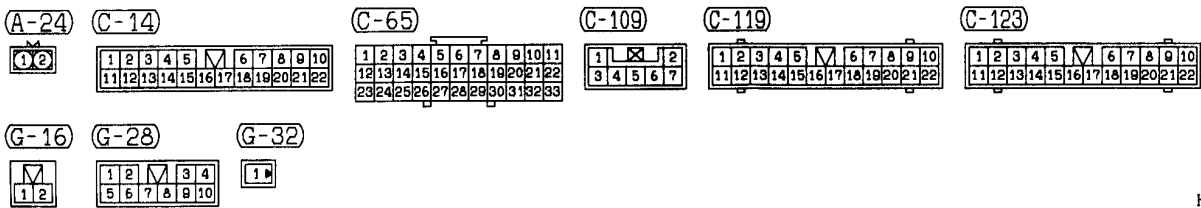
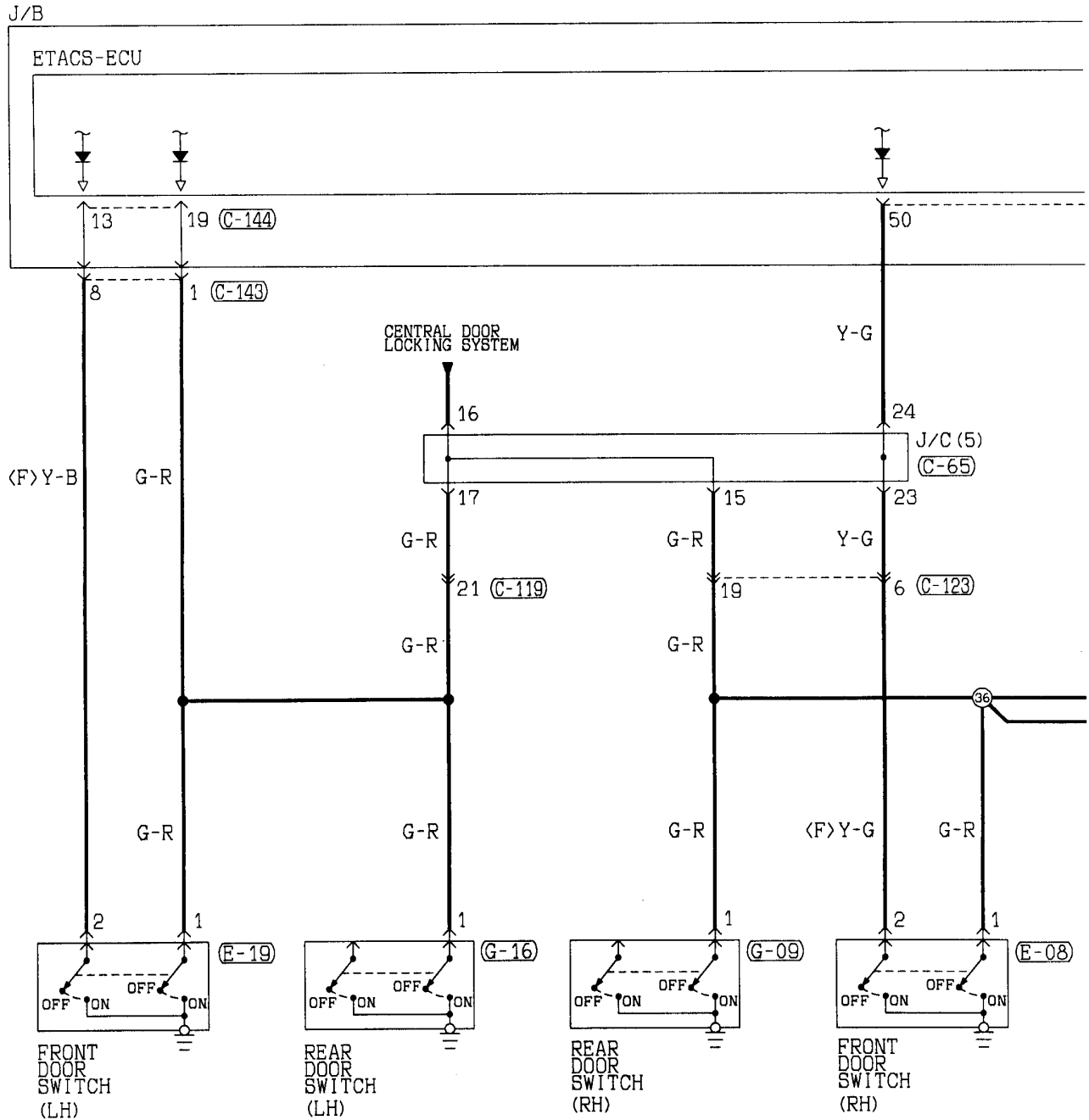


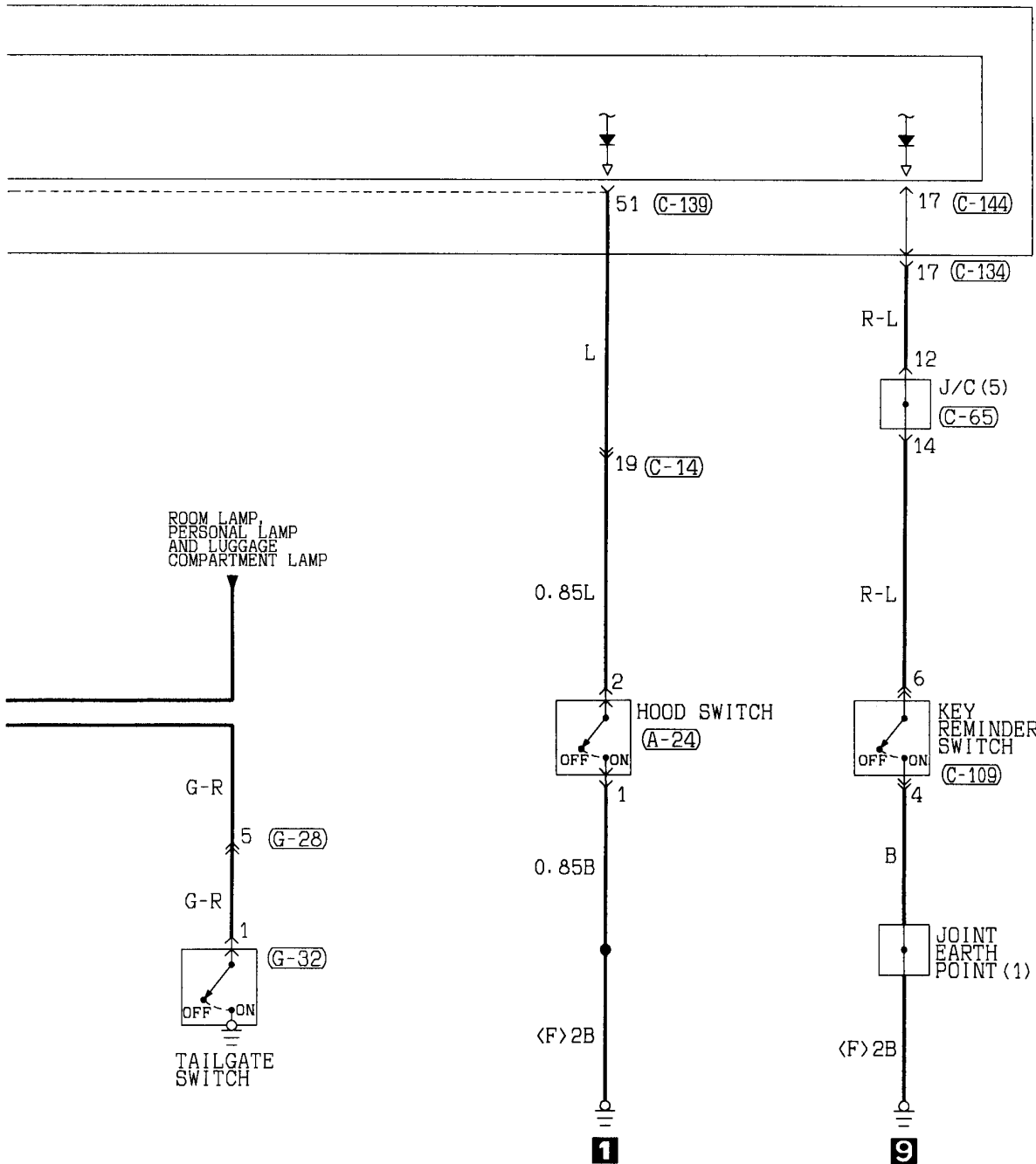
(C-80)	(C-114)	(C-115)	(C-131)	(C-132)	(C-134)	(C-135)
1 2 3 4 5 6 7 8 9 10 11 12 13 14 15 16 17 18 19 20	1 2 3 4 5 6 7 8	1 2 M 3 4 5 6 7 8 9 10	1 2 3 4 5 6	1 2 M 3 4 5 6 7 8 9 10	1 2 3 4 5 M 6 7 8 9 10 11 12 13 14 15 16 17 18 19 20 21 22	1 2 3 4 M 5 6 7 8 9 10 11 12 13 14 15 16 17 18 19 20

(D-03)
1 2 3 4 5 6 7 8 9 10 11 12 13 14 15 16 17

Wire colour code
 B : Black LG : Light green G : Green L : Blue
 BR : Brown O : Orange GR : Gray R : Red
 W : White SB : Sky blue P : Pink Y : Yellow
 V : Violet

THEFT-ALARM SYSTEM <L.H. drive vehicles> (CONTINUED)





(C-134)

1	2	3	4	5	M	6	7	8	9	10	
11	12	13	14	15	16	17	18	19	20	21	22

(C-139)

1	2	3	4	5	6	7	8	9	10
11	12	13	14	15	16	17	18	19	20
21	22	23	24	25	26	27	28	29	30

(C-143)

1	2	3	4	M	5	6	7	8	9
10	11	12	13	14	15	16	17	18	19

(C-144)

1	2	3	4	5	6	7	8	9	M	10	11	12	13	14	15	16	17	18	19	20
---	---	---	---	---	---	---	---	---	---	----	----	----	----	----	----	----	----	----	----	----

(E-08)

M	1	2
---	---	---

(E-19)

M	1	2
---	---	---

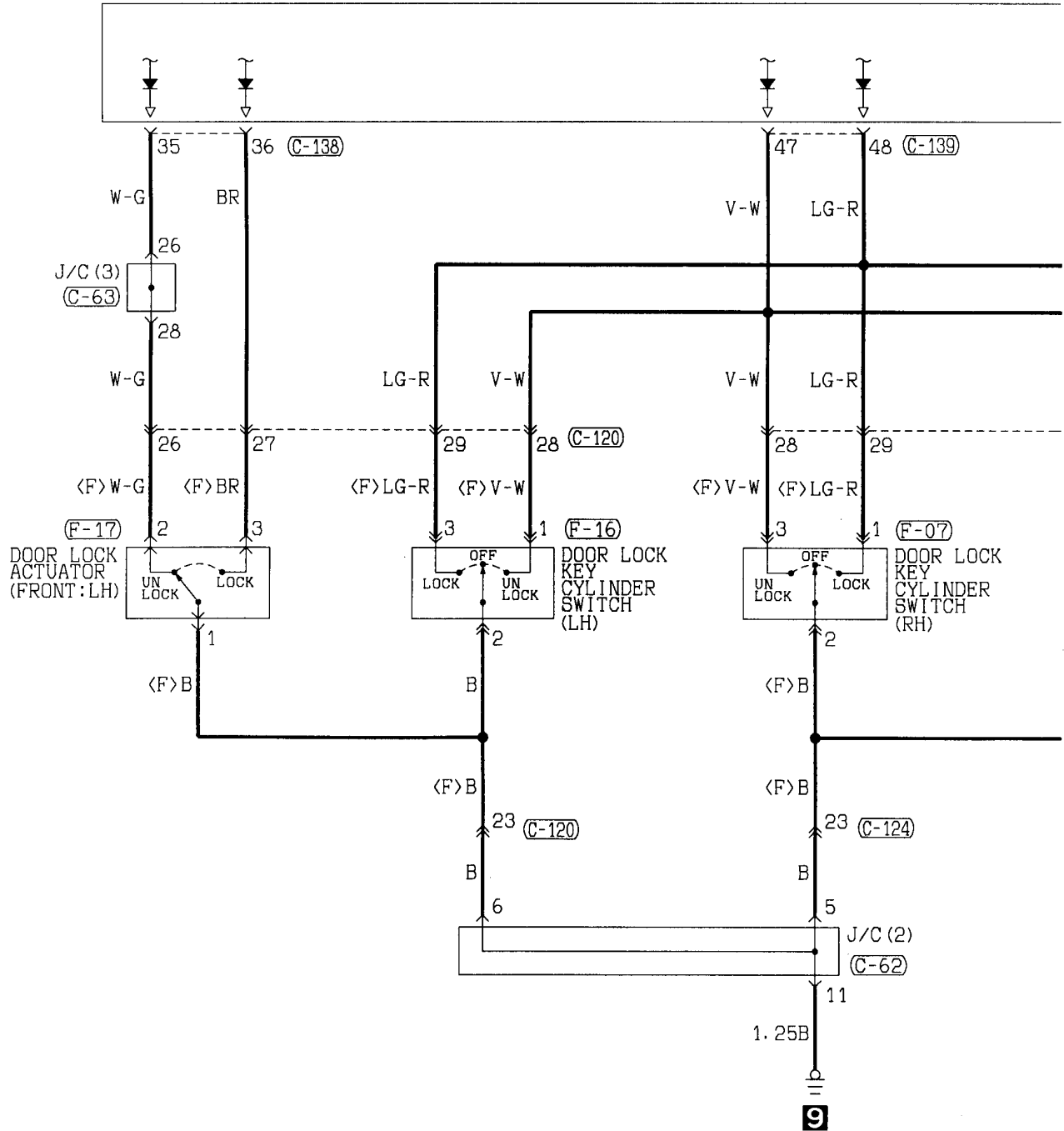
(G-09)

M	1	2
---	---	---

Wire colour code

B :Black LG:Light green G :Green L :Blue W :White Y :Yellow SB:Sky blue
 BR:Brown O :Orange GR:Gray R :Red P :Pink V :Violet

THEFT-ALARM SYSTEM <L.H. drive vehicles> (CONTINUED)



C-62

1	2	3	4	5	6	7	8	9	10	11
12	13	14	15	16	17	18	19	20	21	22
23	24	25	26	27	28	29	30	31	32	33

C-63

1	2	3	4	5	6	7	8	9	10	11
12	13	14	15	16	17	18	19	20	21	22
23	24	25	26	27	28	29	30	31	32	33

C-120

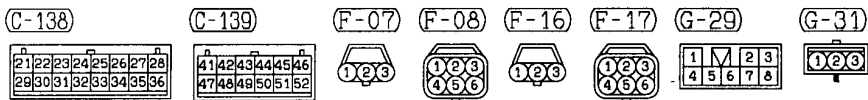
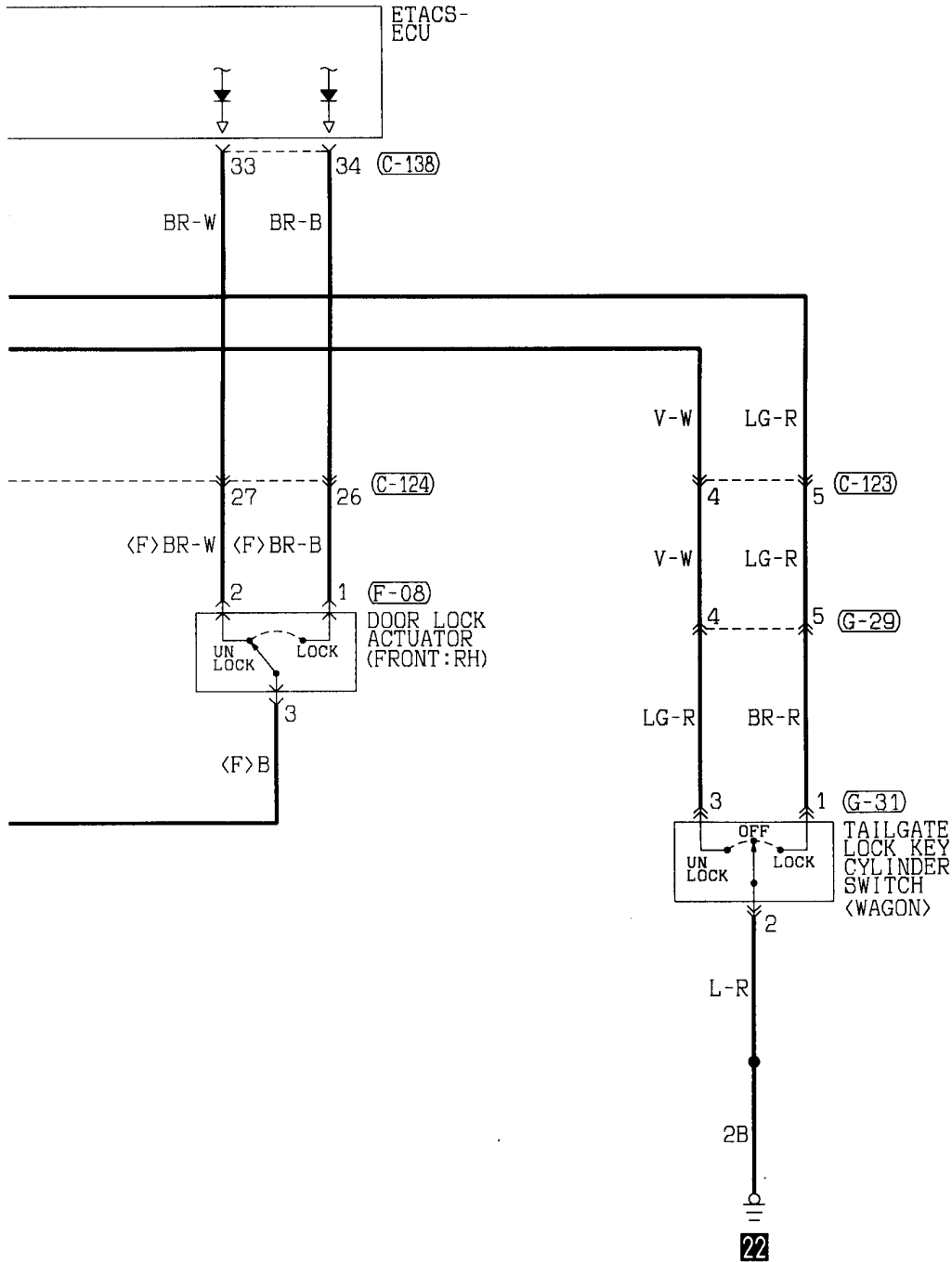
1	2	3	4	5	6	7	8	9			
10	11	12	13	14	15	16	17	18	19	20	21
22	23	24	25	26	27	28	29	30	31	32	

C-123

1	2	3	4	5	6	7	8	9	10		
11	12	13	14	15	16	17	18	19	20	21	22
23	24	25	26	27	28	29	30	31	32		

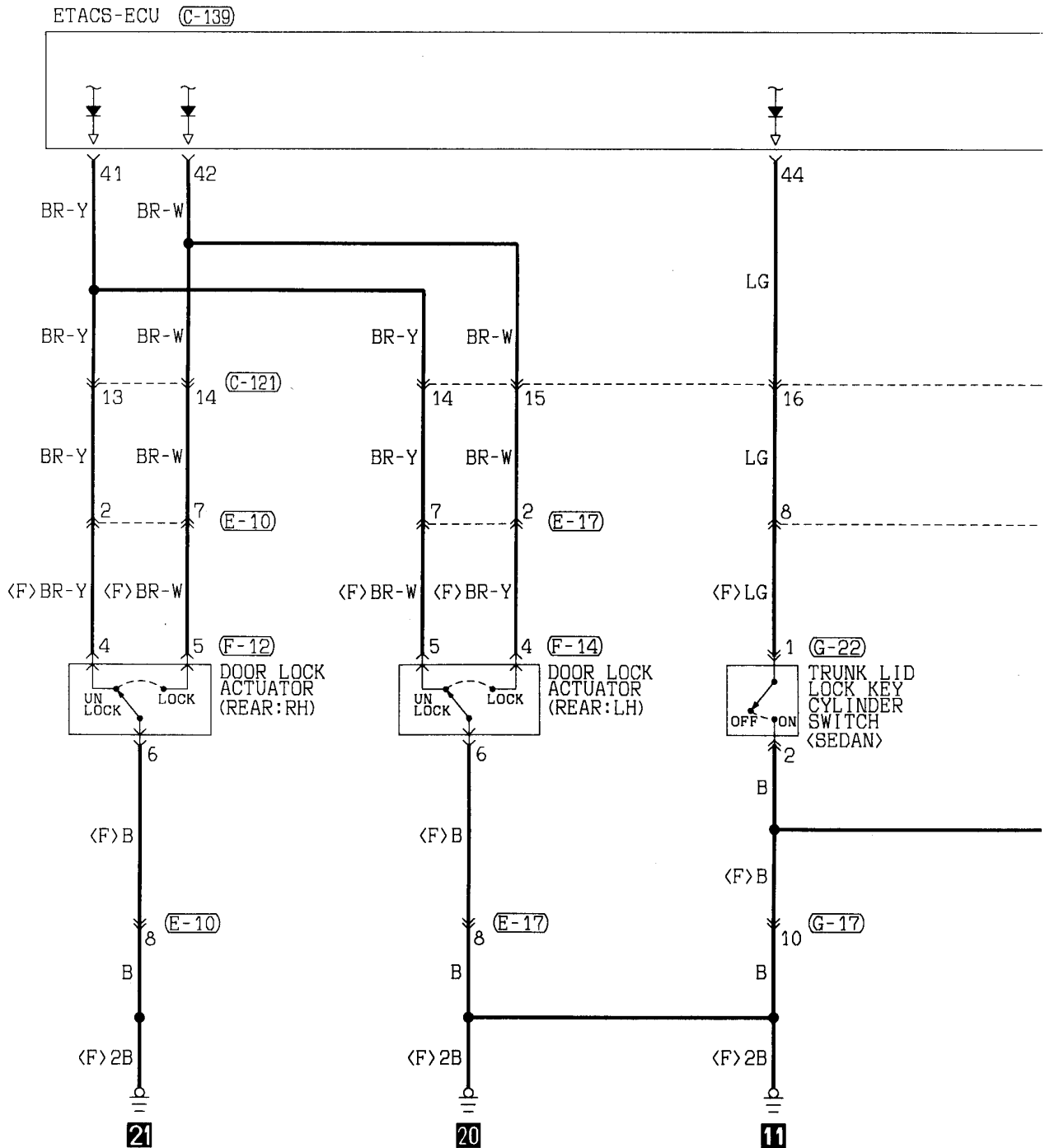
C-124

1	2	3	4	5	6	7	8	9			
10	11	12	13	14	15	16	17	18	19	20	21
22	23	24	25	26	27	28	29	30	31	32	



Wire colour code
 B :Black LG:Light green G :Green L :Blue W :White Y :Yellow SB:Sky blue
 BR:Brown O :Orange GR:Gray R :Red P :Pink V :Violet

THEFT-ALARM SYSTEM <L.H. drive vehicles> (CONTINUED)



C-119

1	2	3	4	5	M	6	7	8	9	10	
11	12	13	14	15	16	17	18	19	20	21	22

C-121

1	2	3	4	5	M	6	7	8	9	10	
11	12	13	14	15	16	17	18	19	20	21	22

C-139

41	42	43	44	45	46
47	48	49	50	51	52

E-10

1	2	M	3	4	
5	6	7	8	9	10

E-17

1	2	M	3	4	
5	6	7	8	9	10

F-12

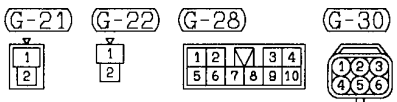
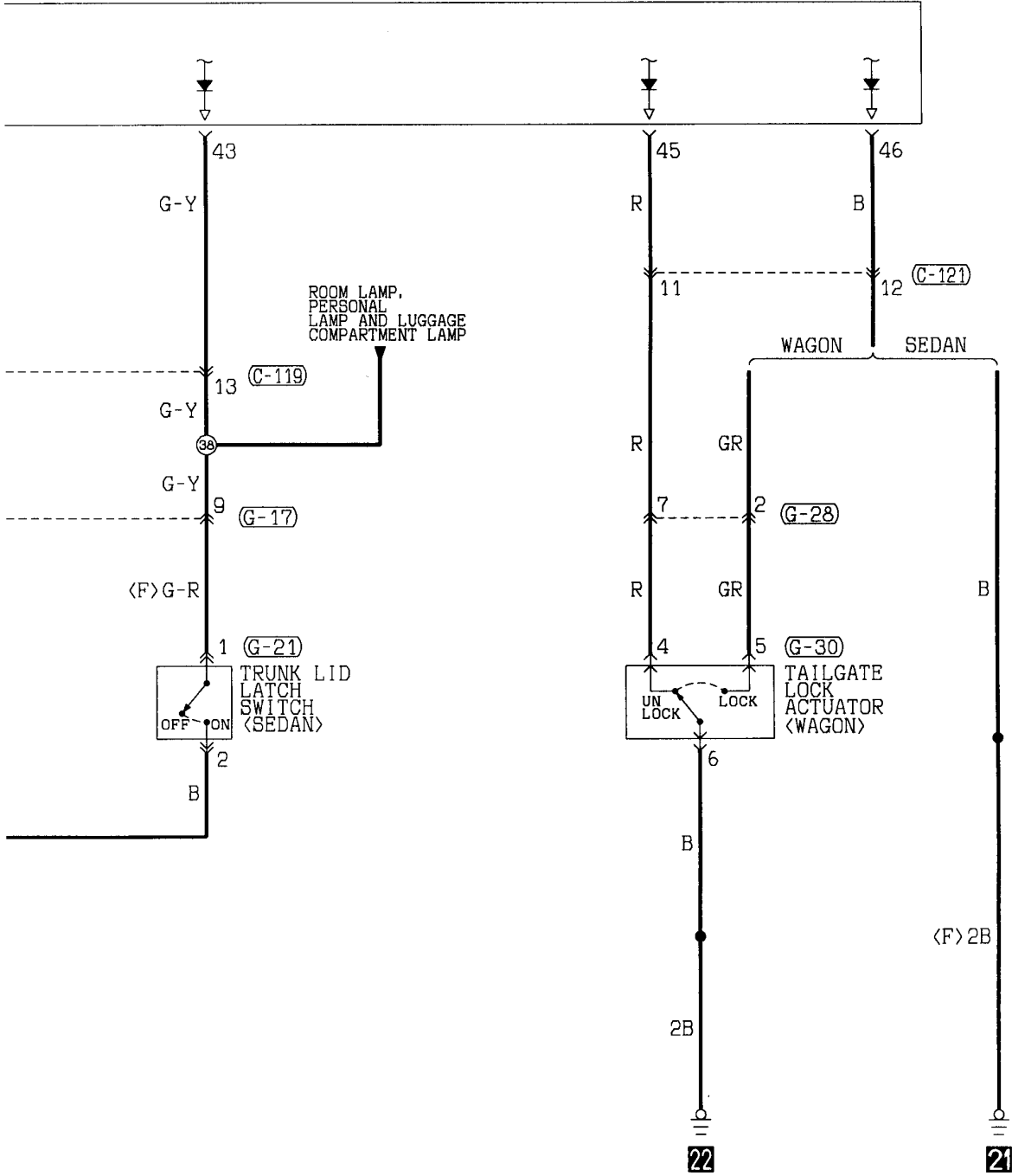


F-14



G-17

1	2	M	3	4	
5	6	7	8	9	10

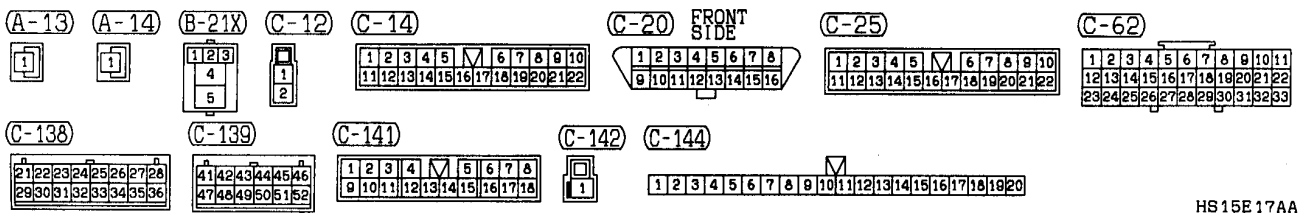
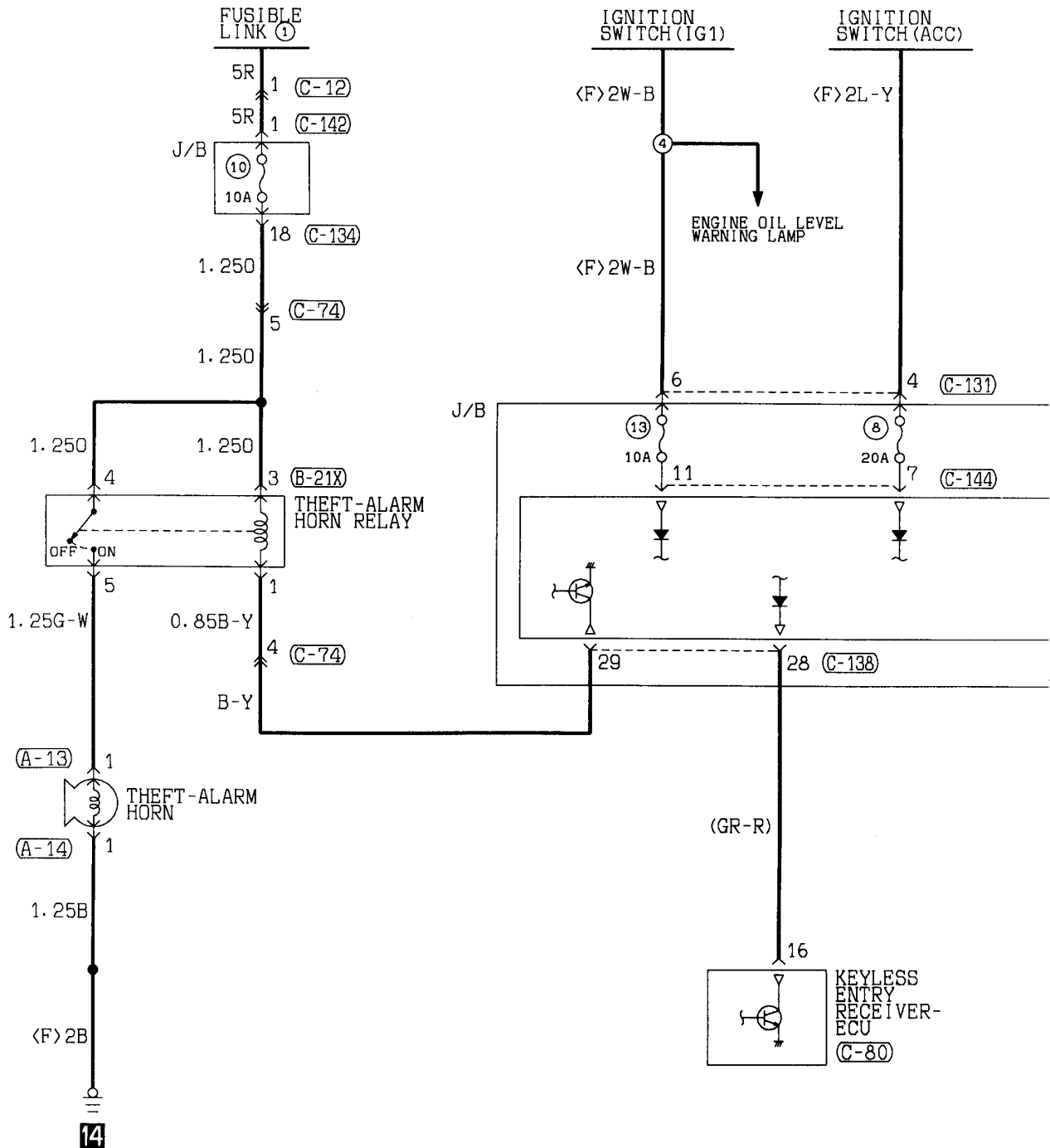


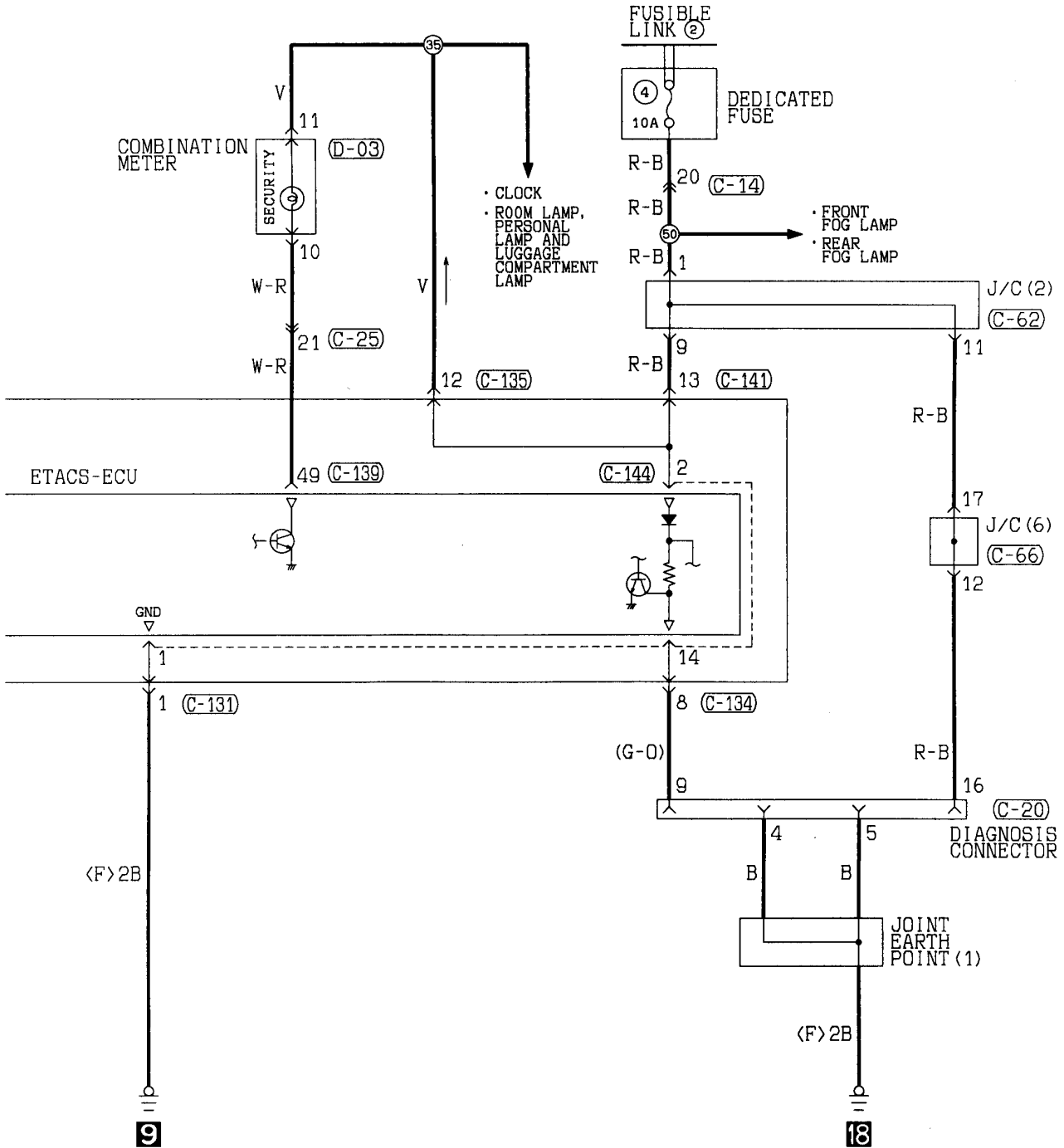
Wire colour code
 B:Black LG:Light green G:Green L:Blue W:White Y:Yellow SB:Sky blue
 BR:Brown O:Orange GR:Gray R:Red P:Pink V:Violet

THEFT-ALARM SYSTEM

90101240305

R.H. drive vehicles





(C-66)

1	2	3	4	5	6	7	8	9	10	11
12	13	14	15	16	17	18	19	20	21	22
23	24	25	26	27	28	29	30	31	32	33

(C-74)

1	2	3
4	5	6

(C-80)

1	2	3	4	5	6	7	8	9	10
11	12	13	14	15	16	17	18	19	20

(C-131)

1	2
3	4
5	6

(C-134)

1	2	3	4	5	6	7	8	9	10
11	12	13	14	15	16	17	18	19	20
21	22								

(C-135)

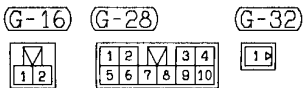
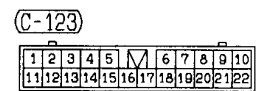
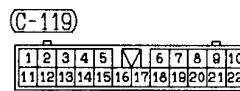
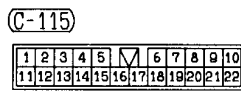
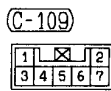
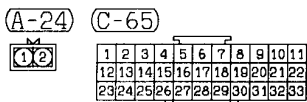
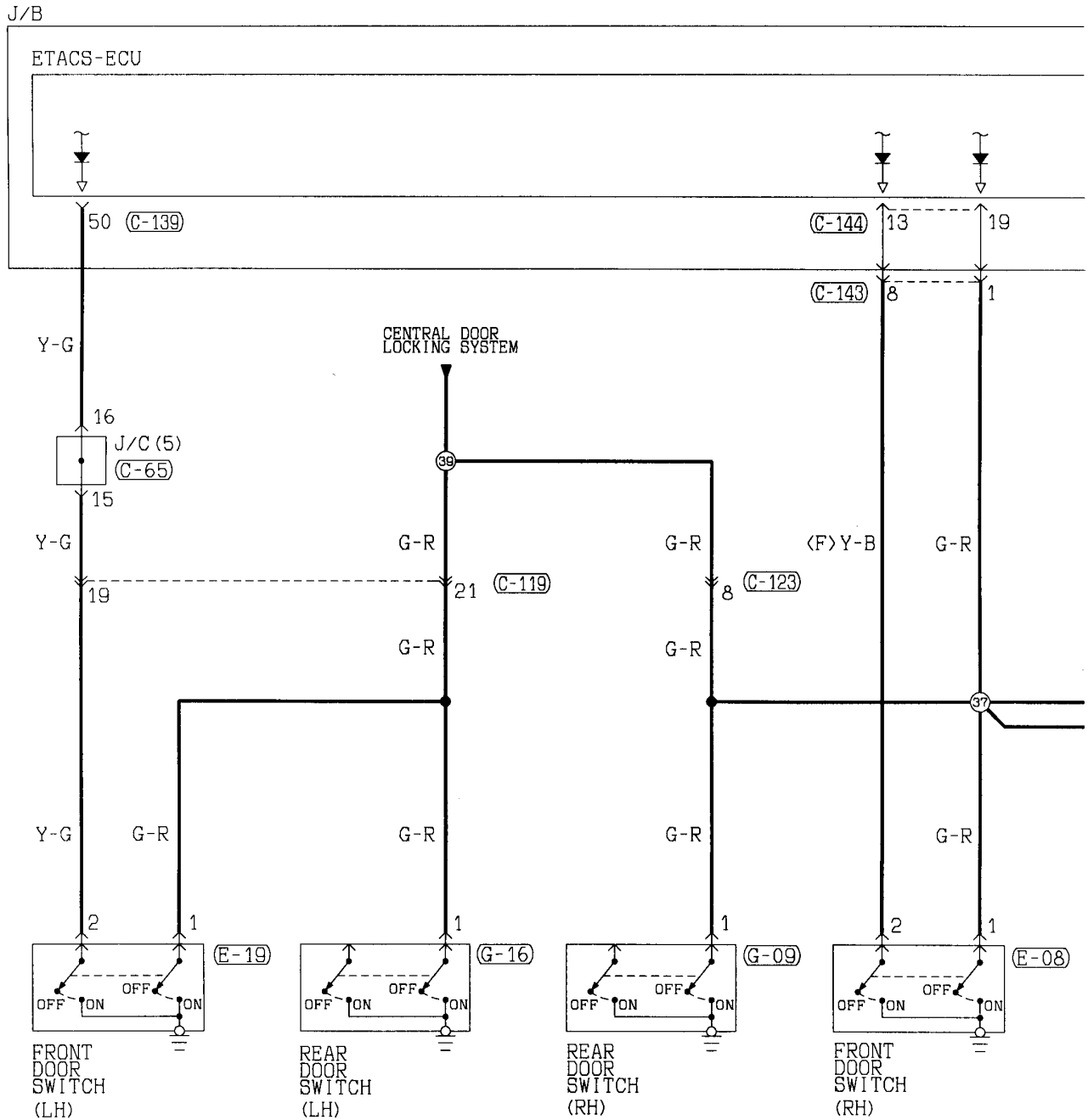
1	2	3	4	5	6	7	8	9
10	11	12	13	14	15	16	17	18
19	20							

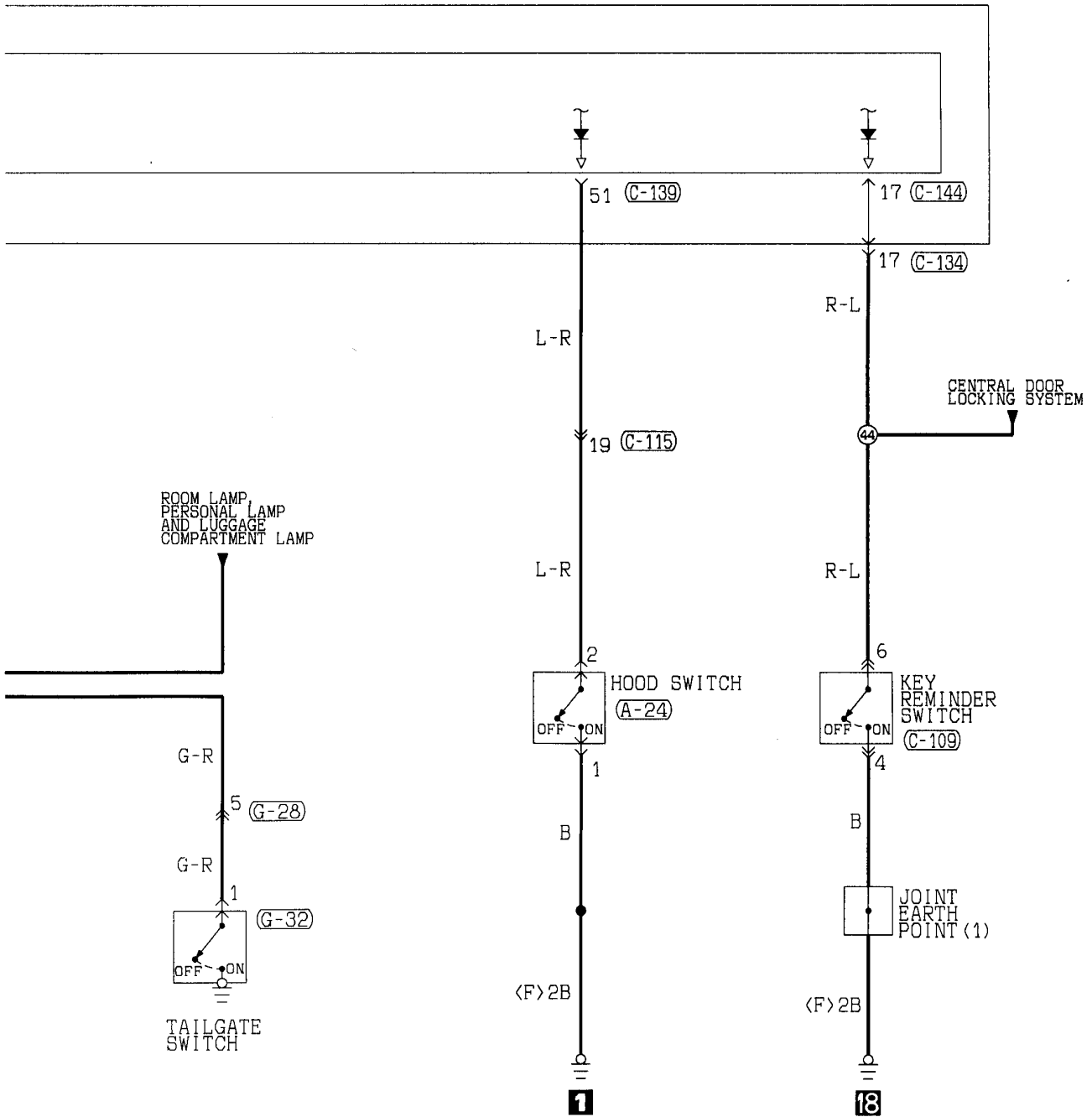
(D-03)

1	2	3	4	5	6	7	8
9							
10	11	12	13	14	15	16	17

Wire colour code
 B : Black LG : Light green G : Green L : Blue
 BR : Brown O : Orange GR : Gray RL : Red
 W : White SB : Sky blue P : Pink Y : Yellow
 V : Violet

THEFT-ALARM SYSTEM <R.H. drive vehicles> (CONTINUED)

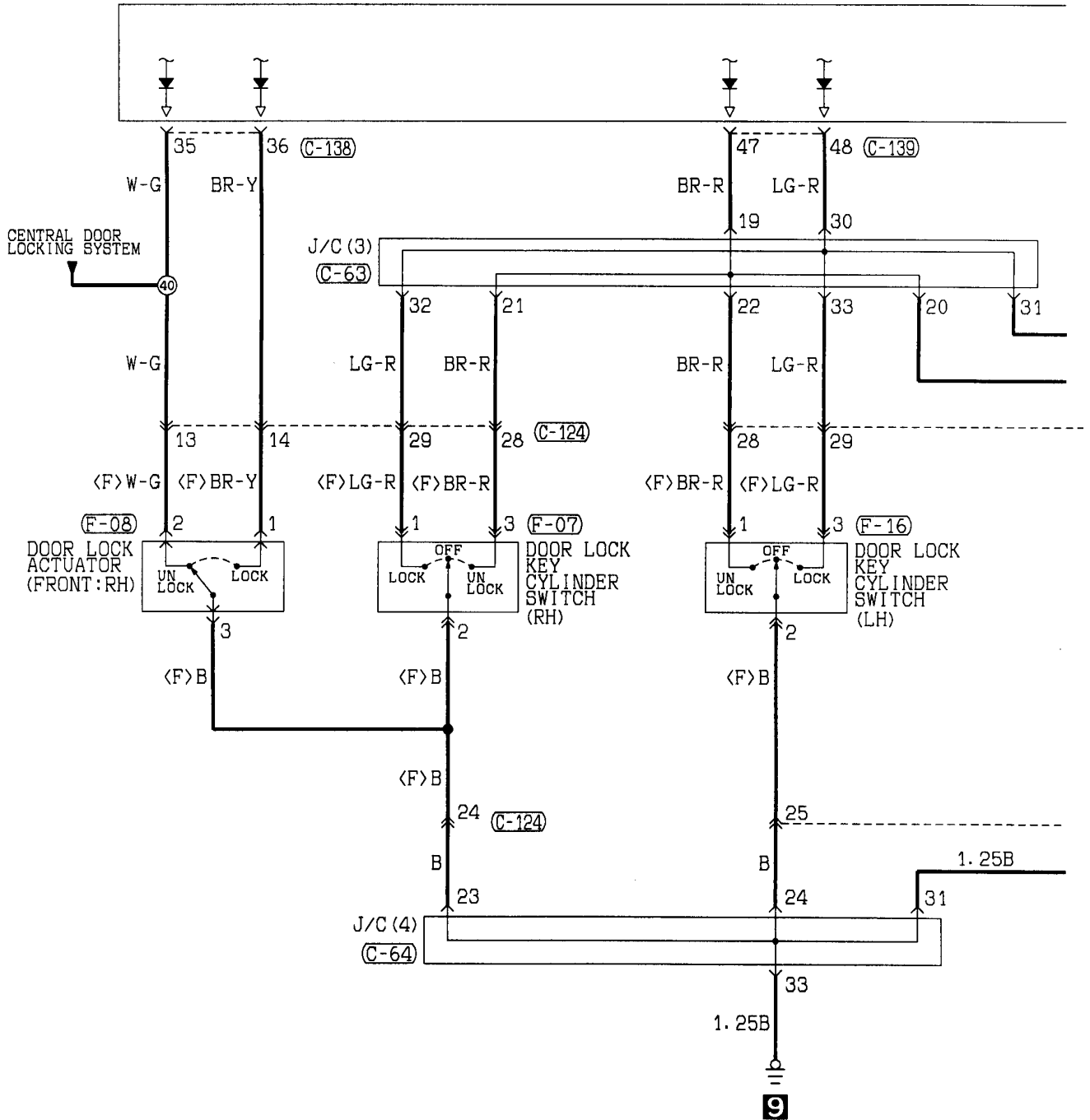




C-134	C-139	C-143	C-144	E-08	E-19	G-09
1 2 3 4 5 6 7 8 9 10 11 12 13 14 15 16 17 18 19 20 21 22	51 52 53 54 55 56 57 58 59 60 61 62	1 2 3 4 5 6 7 8 9 10 11 12 13 14 15 16 17 18 19	1 2 3 4 5 6 7 8 9 10 11 12 13 14 15 16 17 18 19 20	1 2	1 2	1 2

Wire colour code
 B : Black LG: Light green G : Green L : Blue W : White Y : Yellow SB: Sky blue
 BR: Brown O : Orange GR: Gray R : Red P : Pink V : Violet

THEFT-ALARM SYSTEM <R.H. drive vehicles> (CONTINUED)



C-63

1	2	3	4	5	6	7	8	9	10	11
12	13	14	15	16	17	18	19	20	21	22
23	24	25	26	27	28	29	30	31	32	33

C-64

1	2	3	4	5	6	7	8	9	10	11
12	13	14	15	16	17	18	19	20	21	22
23	24	25	26	27	28	29	30	31	32	33

C-120

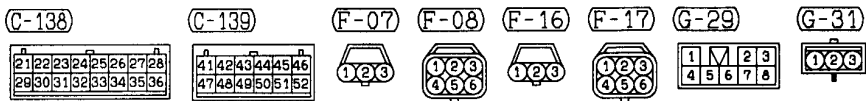
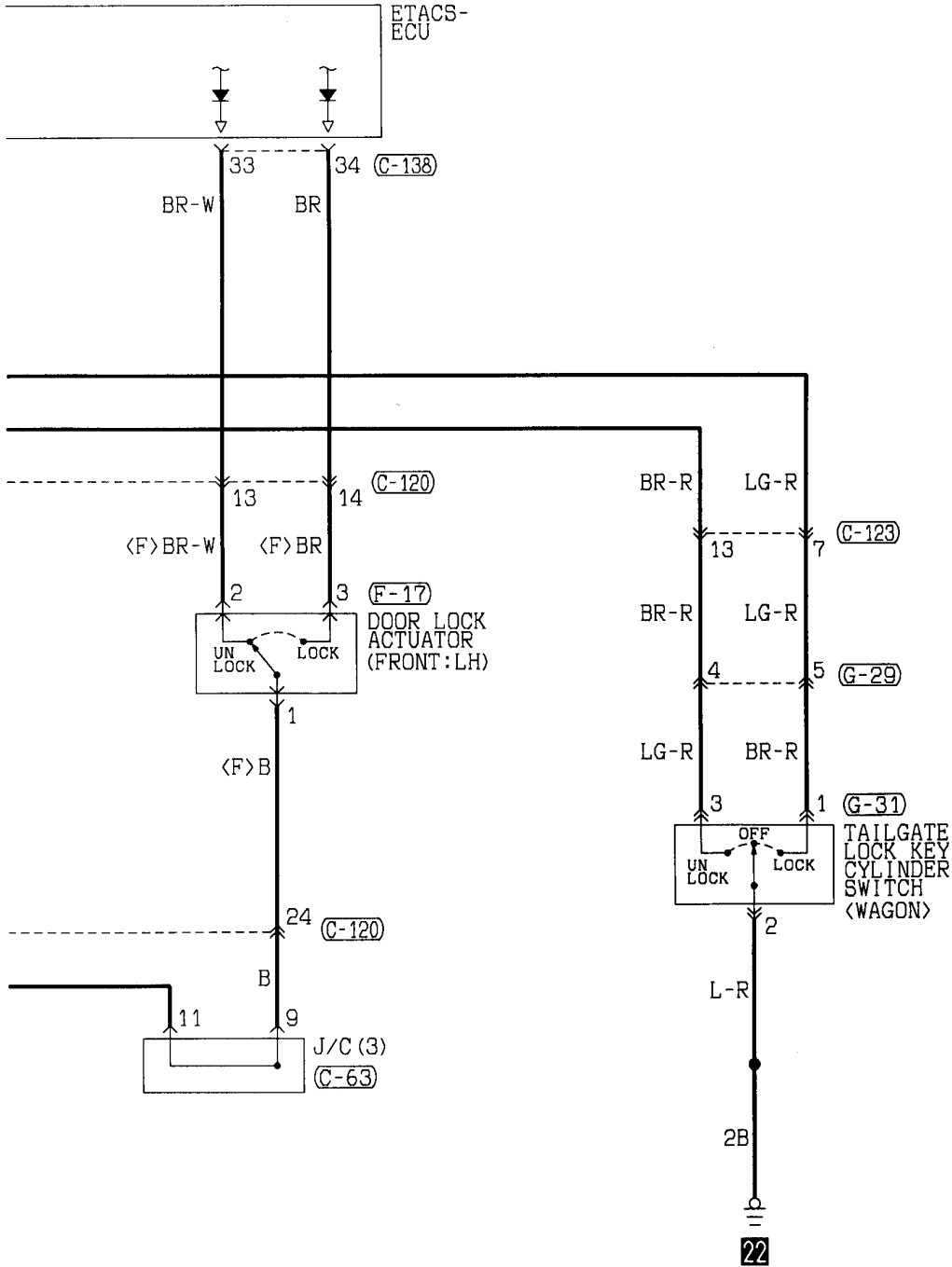
1	2	3	4	5	6	7	8	9			
10	11	12	13	14	15	16	17	18	19	20	21
22	23	24	25	26	27	28	29	30	31	32	

C-123

1	2	3	4	5	6	7	8	9	10		
11	12	13	14	15	16	17	18	19	20	21	22

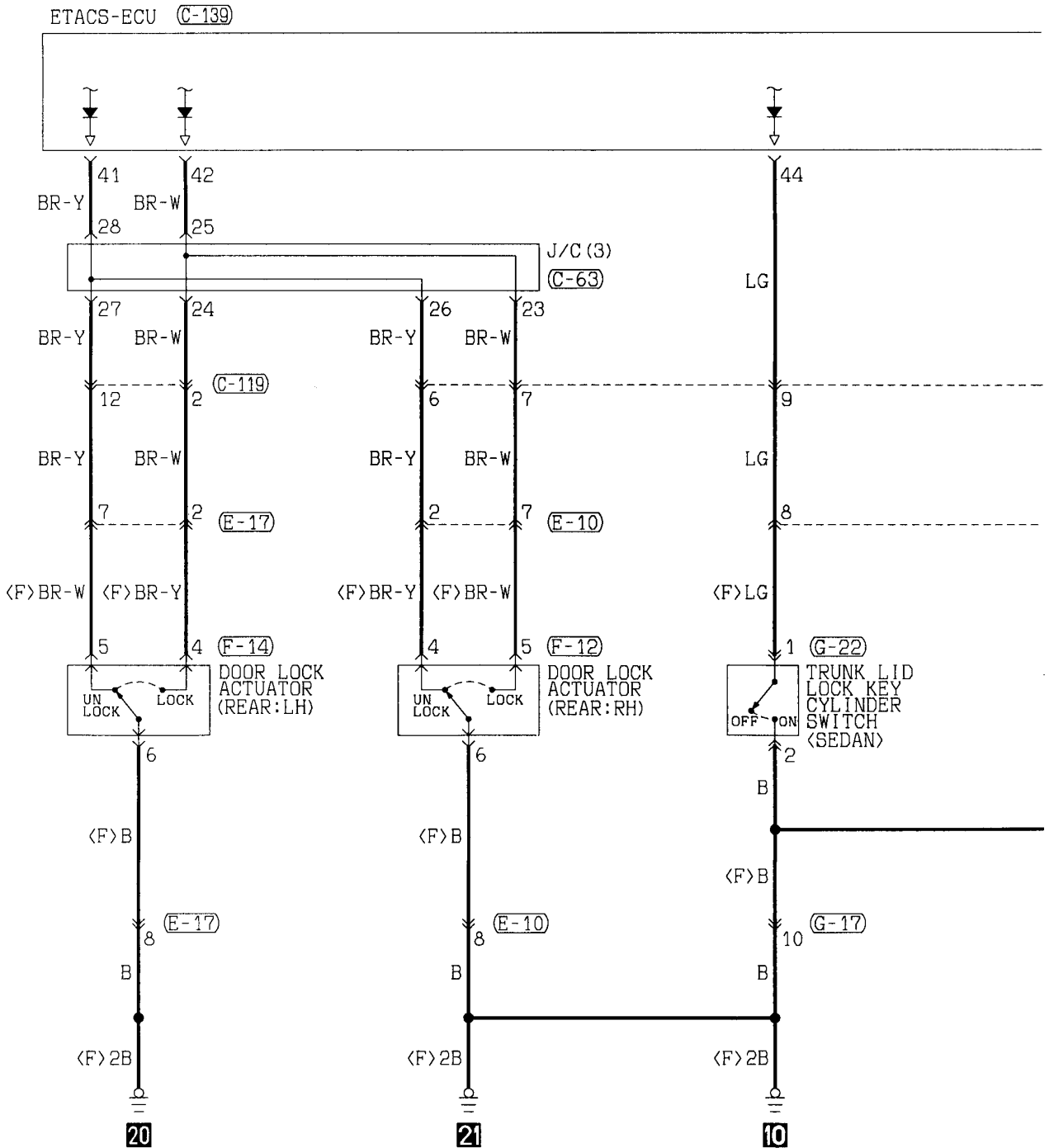
C-124

1	2	3	4	5	6	7	8	9			
10	11	12	13	14	15	16	17	18	19	20	21
22	23	24	25	26	27	28	29	30	31	32	



Wire colour code
 B : Black LG: Light green G : Green L : Blue W : White Y : Yellow SB: Sky blue
 BR: Brown O : Orange GR: Gray R : Red P : Pink V : Violet

THEFT-ALARM SYSTEM <R.H. drive vehicles> (CONTINUED)



(C-63)

1	2	3	4	5	6	7	8	9	10	11
12	13	14	15	16	17	18	19	20	21	22
23	24	25	26	27	28	29	30	31	32	33

(C-119)

1	2	3	4	5	M	6	7	8	9	10	
11	12	13	14	15	16	17	18	19	20	21	22

(C-121)

1	2	3	4	5	M	6	7	8	9	10	
11	12	13	14	15	16	17	18	19	20	21	22

(C-139)

41	42	43	44	45	46
47	48	49	50	51	52

(E-10)

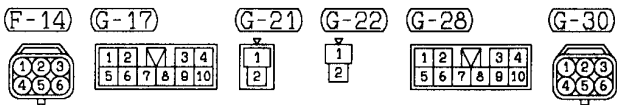
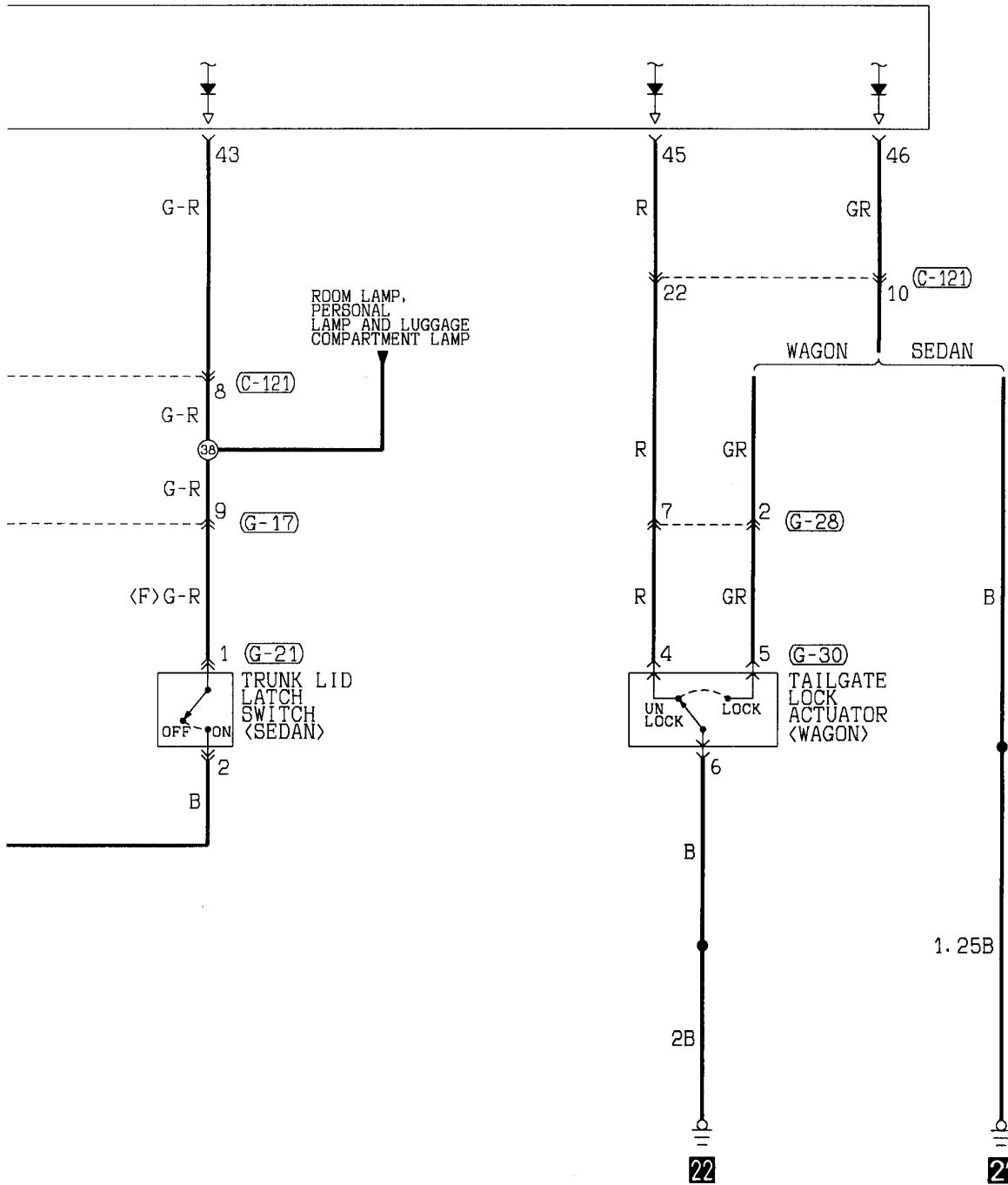
1	2	M	3	4	
5	6	7	8	9	10

(E-17)

1	2	M	3	4	
5	6	7	8	9	10

(F-12)

1	2	3
4	5	6

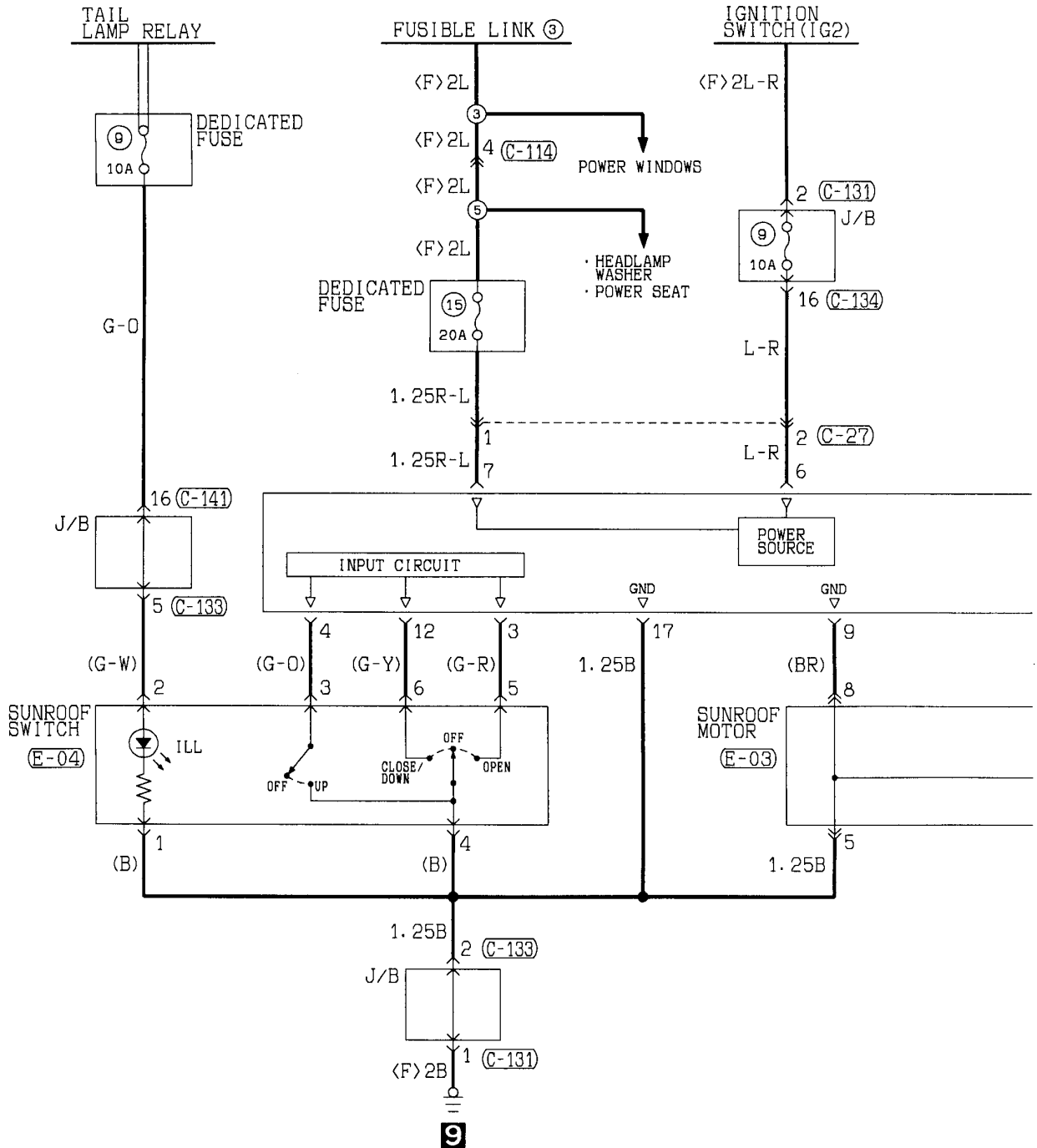


Wire colour code
 B:Black LG:Light green G:Green L:Blue W:White Y:Yellow SB:Sky blue
 BR:Brown O:Orange GR:Gray R:Red P:Pink V:Violet

SUNROOF

90100990256

L.H. drive vehicles



C-27

M
1 2 3 4

C-65

1	2	3	4	5	6	7	8	9	10	11
12	13	14	15	16	17	18	19	20	21	22
23	24	25	26	27	28	29	30	31	32	33

C-114

1	2	3		
4	5	6	7	8

C-131

1	2		
3	4	5	6

C-133

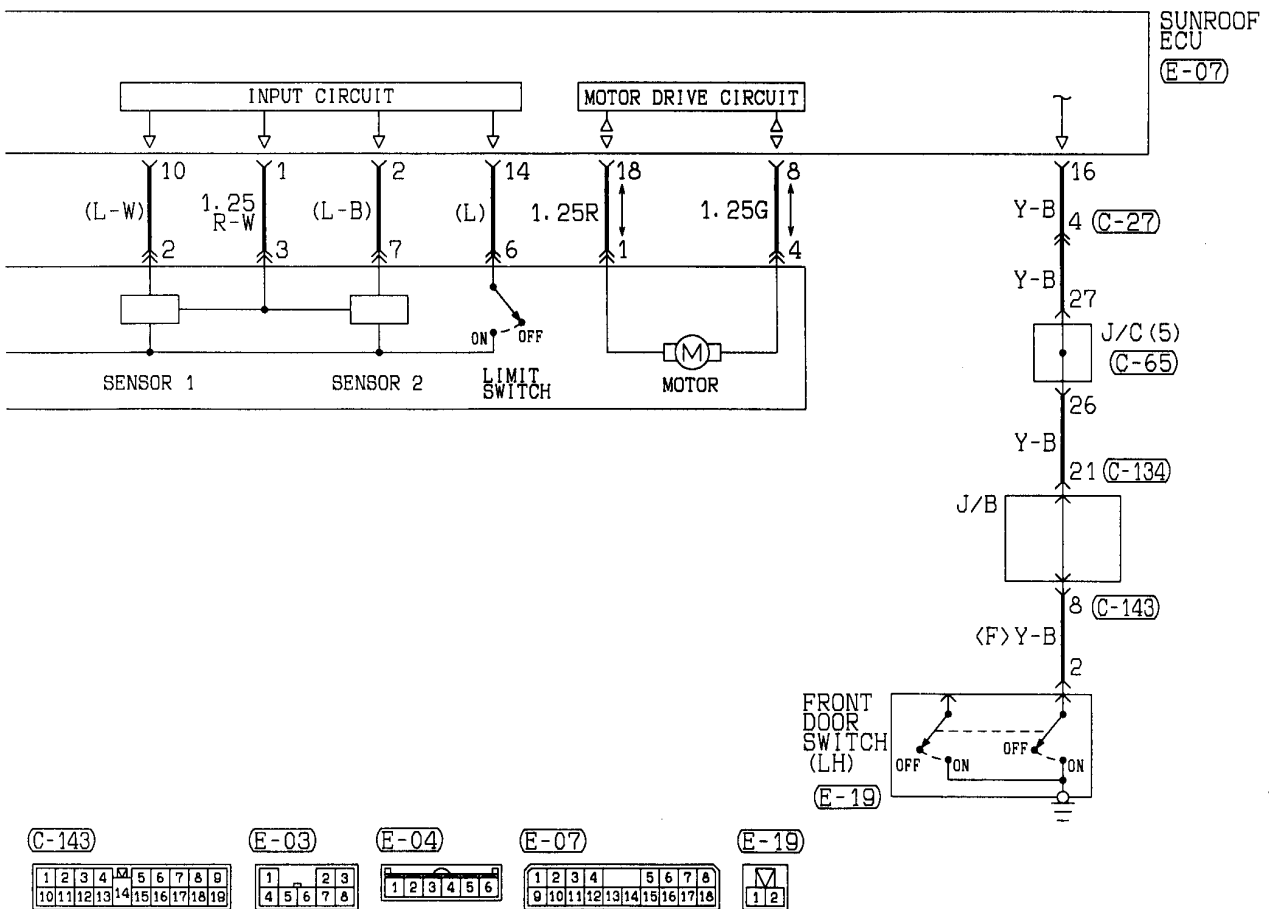
M	2		
3	4	5	6

C-134

1	2	3	4	5	M	7	8	9	10		
11	12	13	14	15	16	17	18	19	20	21	22

C-141

1	2	3	4	M	5	6	7	8	
9	10	11	12	13	14	15	16	17	18

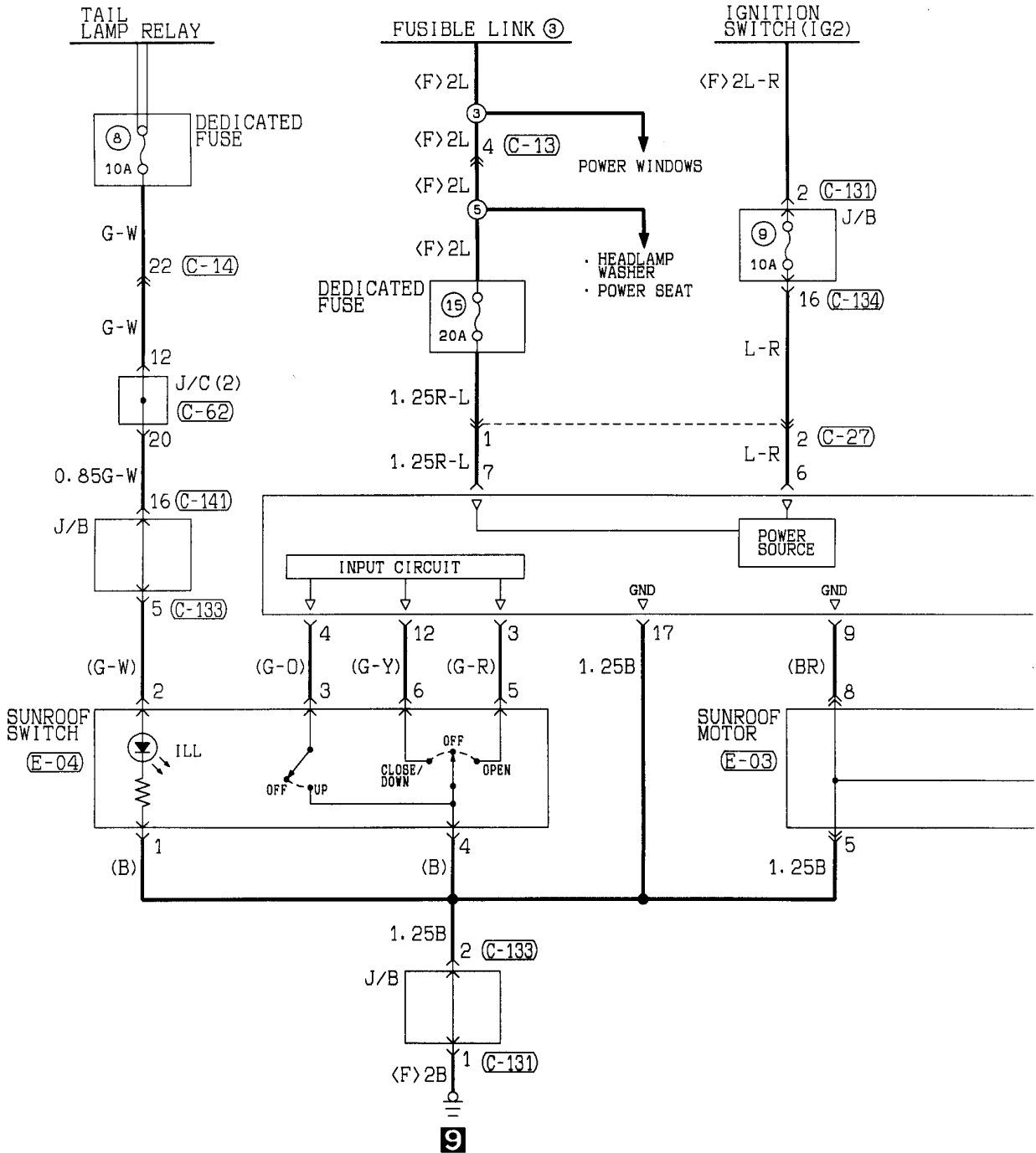


Wire colour code
 B : Black LG : Light green G : Green L : Blue W : White Y : Yellow SB : Sky blue
 BR : Brown O : Orange GR : Gray R : Red P : Pink V : Violet

SUNROOF

90100990263

R.H. drive vehicles



(C-13)

1	2	3
4	5	6

(C-14)

1	2	3	4	5	6	7	8	9	10
11	12	13	14	15	16	17	18	19	20
21	22								

(C-27)

1	2	3	4
---	---	---	---

(C-62)

1	2	3	4	5	6	7	8	9	10	11
12	13	14	15	16	17	18	19	20	21	22
23	24	25	26	27	28	29	30	31	32	33

(C-65)

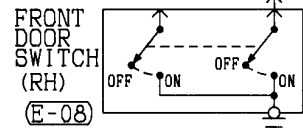
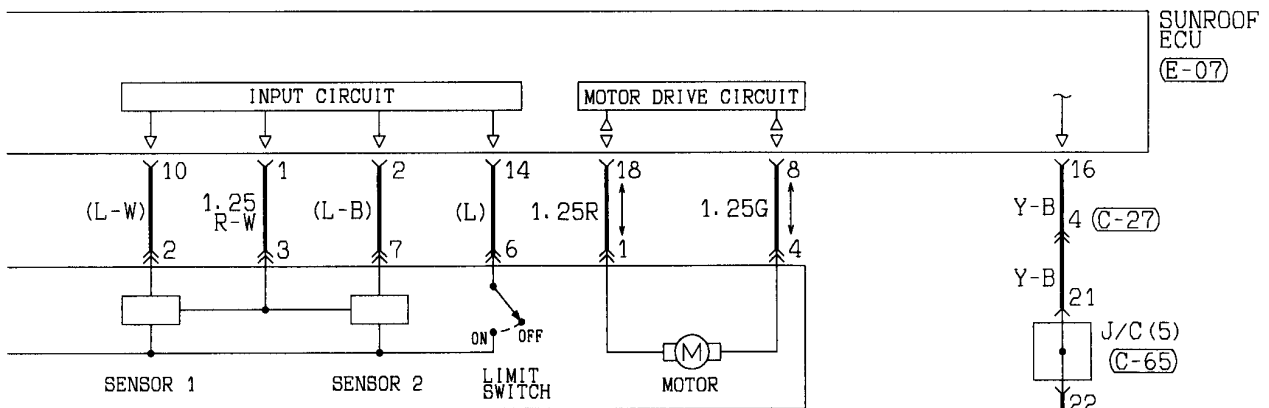
1	2	3	4	5	6	7	8	9	10	11
12	13	14	15	16	17	18	19	20	21	22
23	24	25	26	27	28	29	30	31	32	33

(C-131)

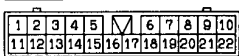
1	2
3	4
5	6

(C-133)

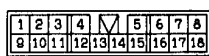
1	2
3	4
5	6



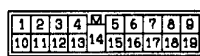
(C-134)



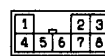
(C-141)



(C-143)



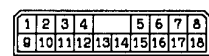
(E-03)



(E-04)



(E-07)



(E-08)

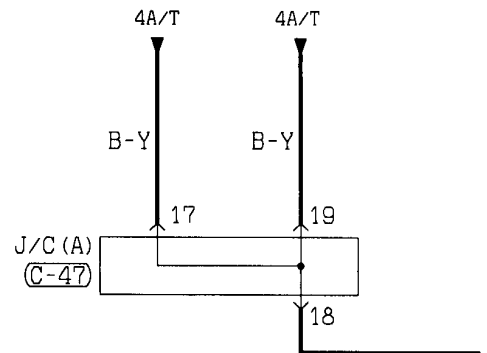
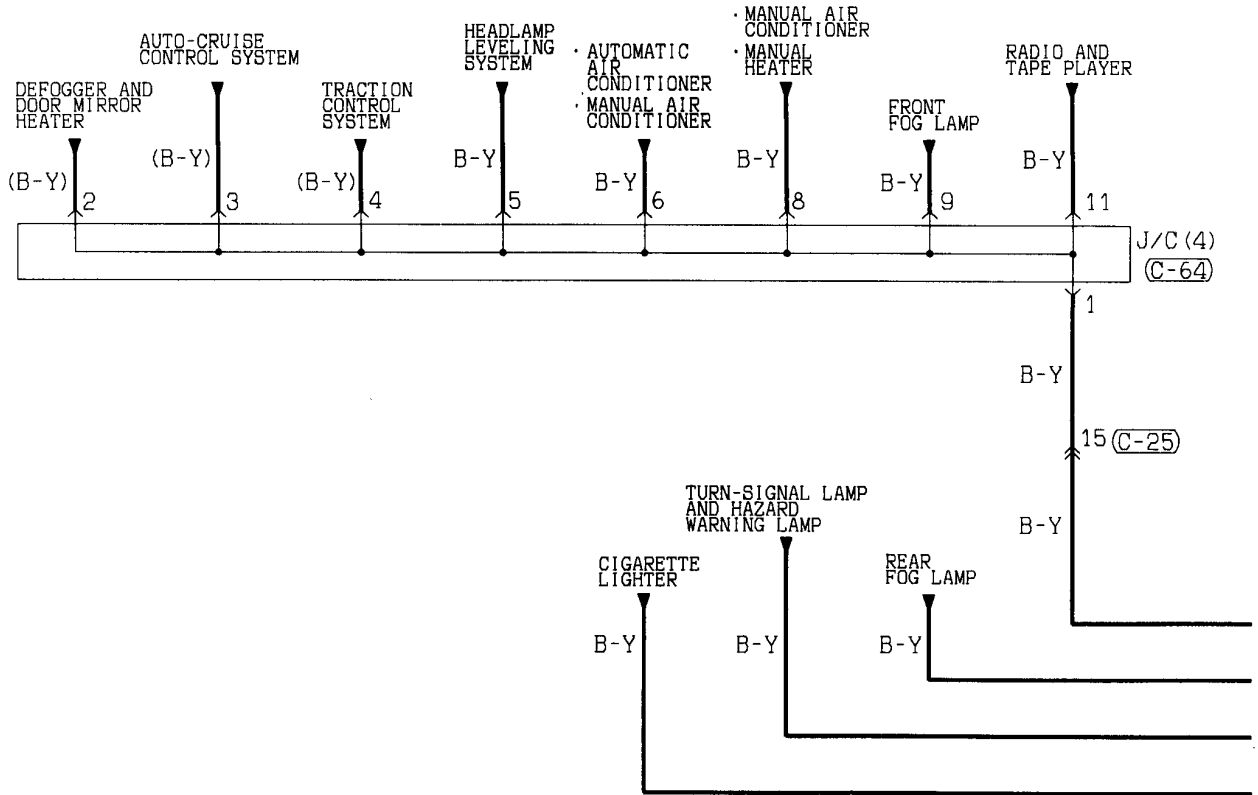


Wire colour code
 B : Black LG:Light green G :Green L :Blue W :White Y :Yellow SB:Sky blue
 BR:Brown O :Orange GR:Gray R :Red P :Pink V :Violet

RHEOSTAT

90101110149

L.H. drive vehicles



(C-25)

1	2	3	4	5	6	7	8	9	10
11	12	13	14	15	16	17	18	19	20
21	22								

(C-47)

1	2	3	4	5	6	7	8
9	10	11	12	13	14	15	16
17	18	19					

(C-64)

1	2	3	4	5	6	7	8	9	10	11
12	13	14	15	16	17	18	19	20	21	22
23	24	25	26	27	28	29	30	31	32	33

(C-90)

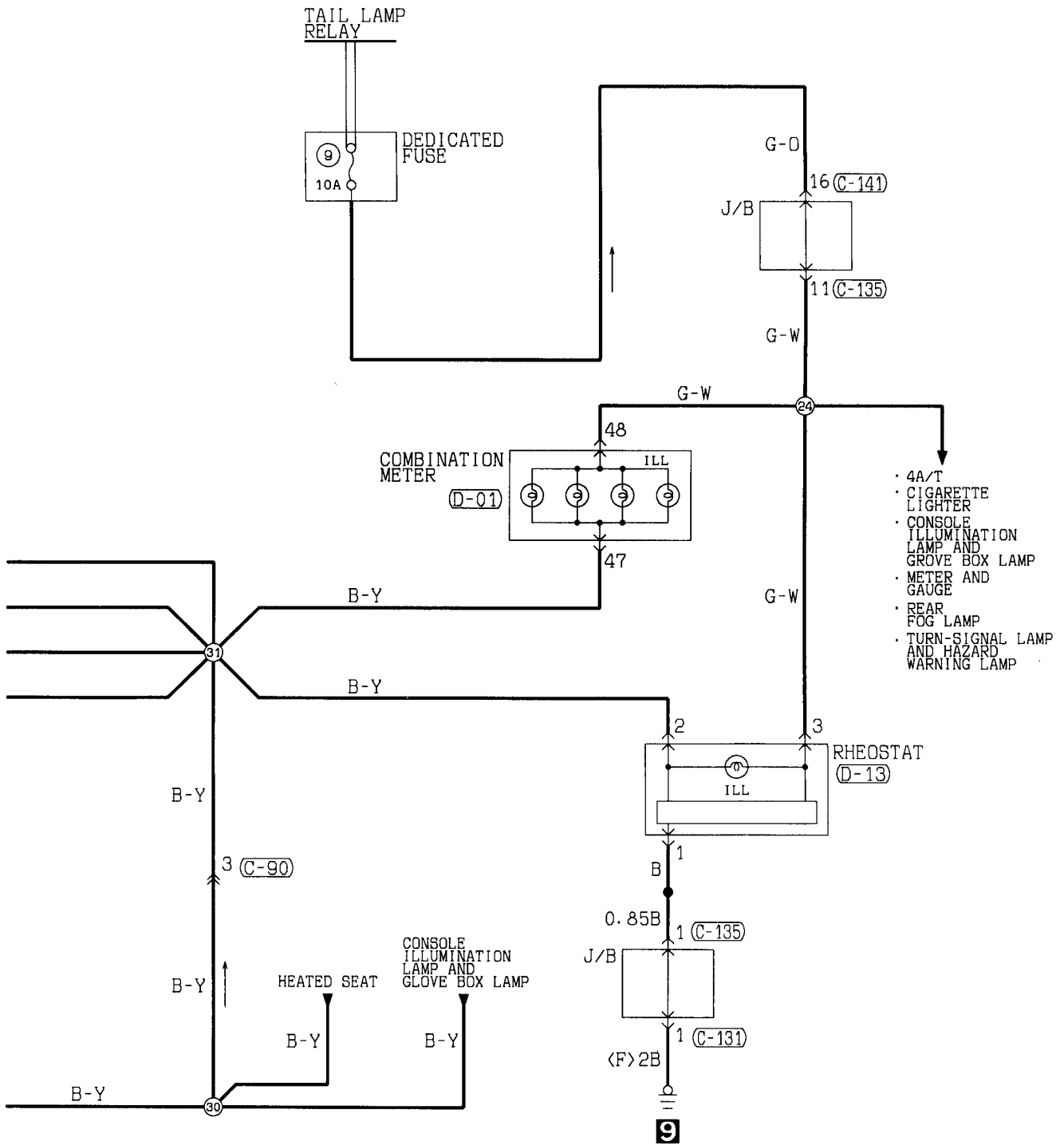
1	2	3	4	5	6	7	8	9
10	11	12	13	14	15	16	17	18
19	20							

(C-131)

1	2
3	4
5	6

(C-135)

1	2	3	4	5	6	7	8	9
10	11	12	13	14	15	16	17	18
19	20							



(C-141)

1	2	3	4	5	6	7	8		
9	10	11	12	13	14	15	16	17	18

(D-01)

41	42	43	44	45	46	47	48
49							
50	51	52	53	54	55	56	57

(D-13)

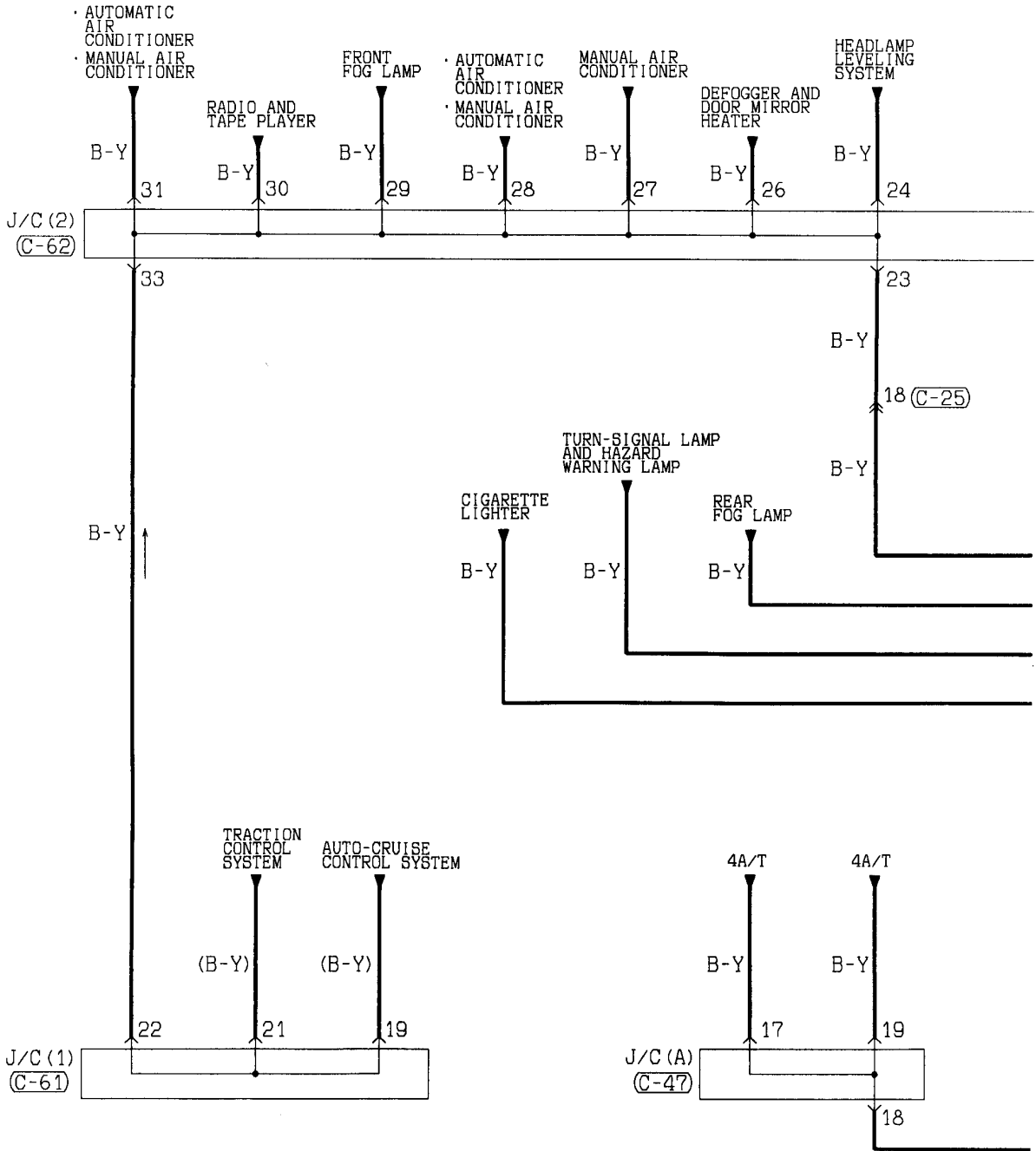
1	2	3
---	---	---

Wire colour code
 B : Black LG : Light green G : Green L : Blue W : White Y : Yellow SB : Sky blue
 BR : Brown O : Orange GR : Gray R : Red P : Pink V : Violet

RHEOSTAT

90101110156

R.H. drive vehicles



(C-14)

1	2	3	4	5	M	6	7	8	9	10	
11	12	13	14	15	16	17	18	19	20	21	22

(C-25)

1	2	3	4	5	M	6	7	8	9	10	
11	12	13	14	15	16	17	18	19	20	21	22

(C-47)

1	2	3	4	5	6	7	8			
9	10	11	12	13	14	15	16	17	18	19

(C-61)

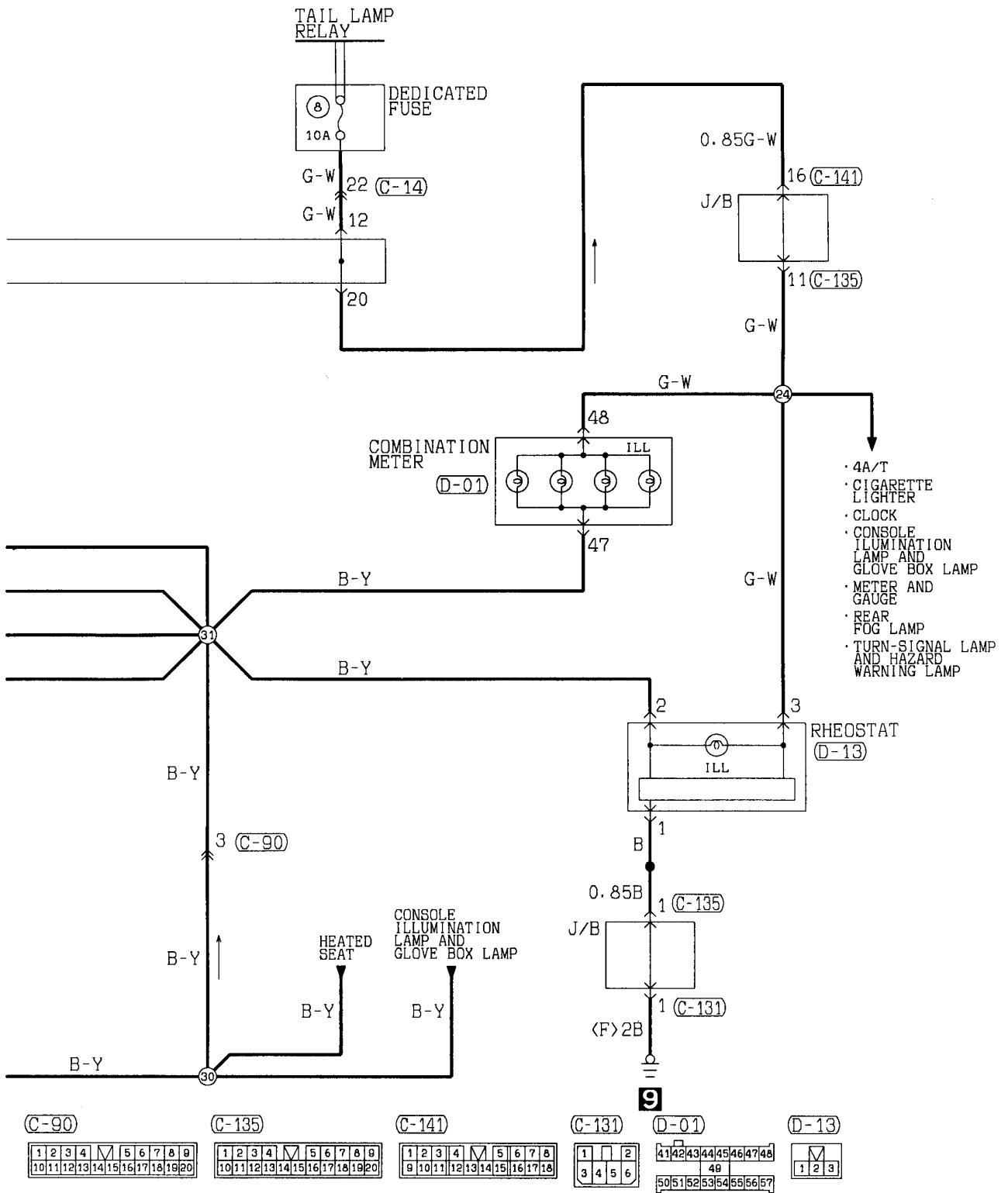
1	2	3	4	5	6	7	8	9	10	11
12	13	14	15	16	17	18	19	20	21	22
23	24	25	26	27	28	29	30	31	32	33

(C-62)

1	2	3	4	5	6	7	8	9	10	11
12	13	14	15	16	17	18	19	20	21	22
23	24	25	26	27	28	29	30	31	32	33

CIRCUIT DIAGRAM

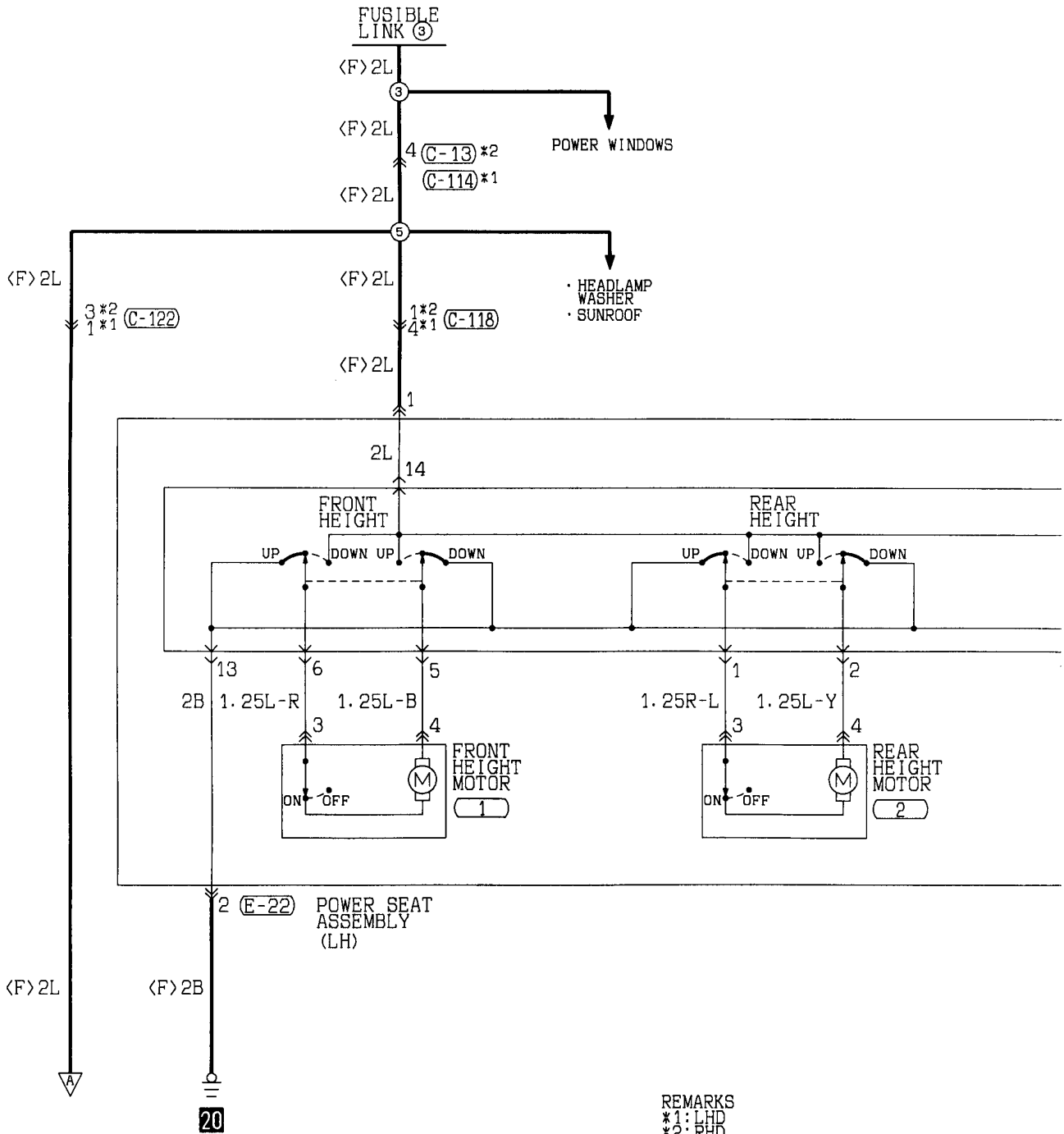
4-499



Wire colour code
 B : Black LG: Light green G : Green L : Blue W : White Y : Yellow SB: Sky blue
 BR: Brown O : Orange GR: Gray R : Red P : Pink V : Violet

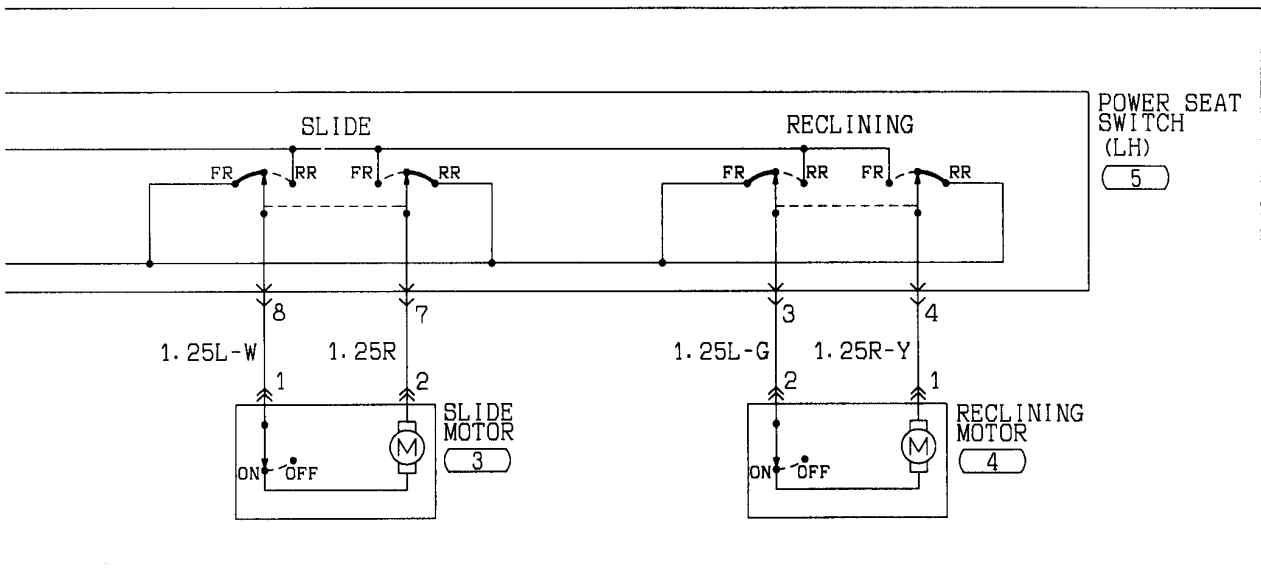
POWER SEAT

90101040172



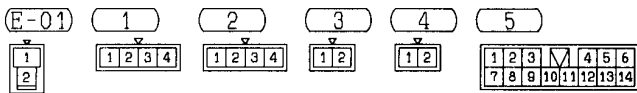
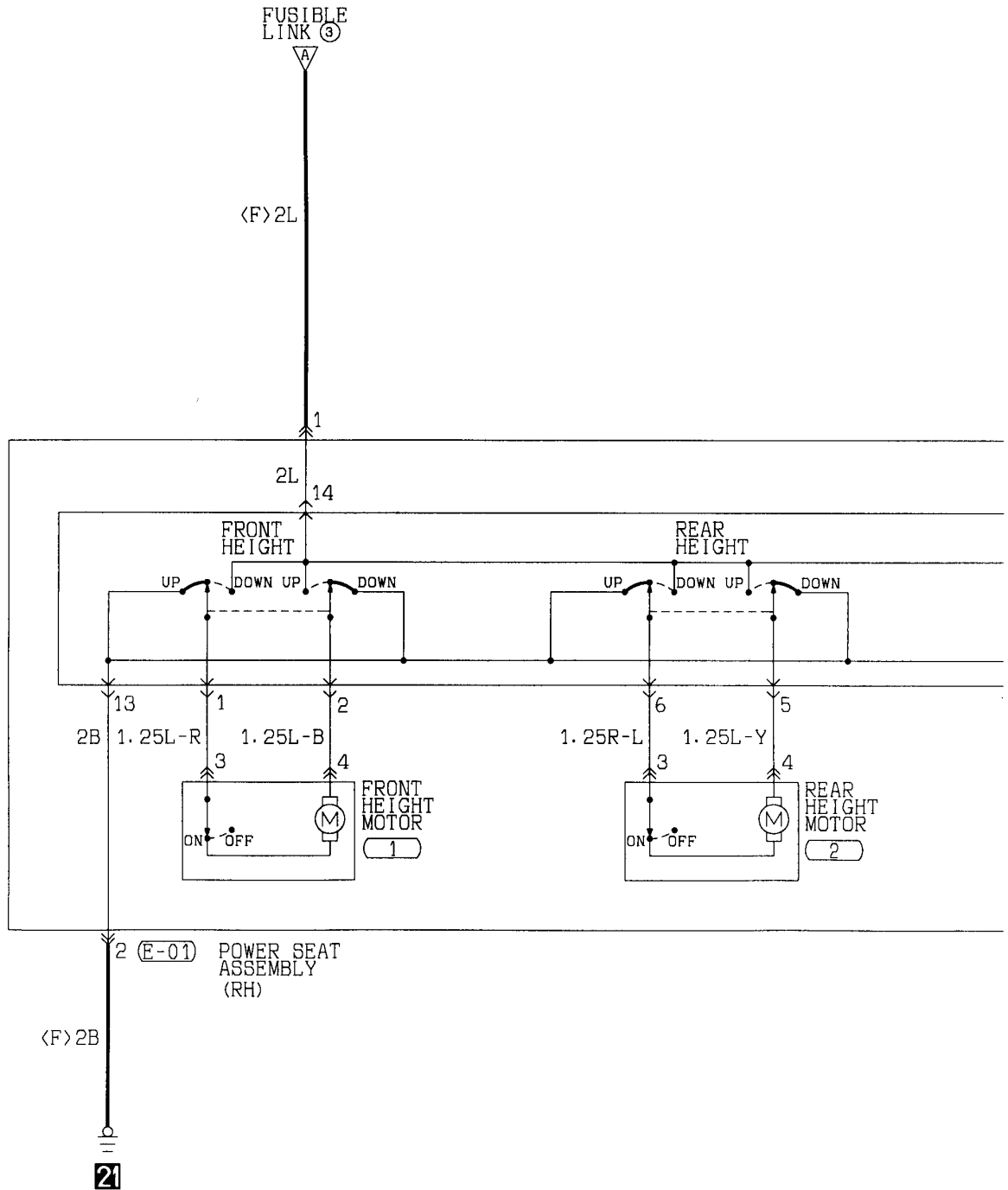
REMARKS
*1: LHD
*2: RHD

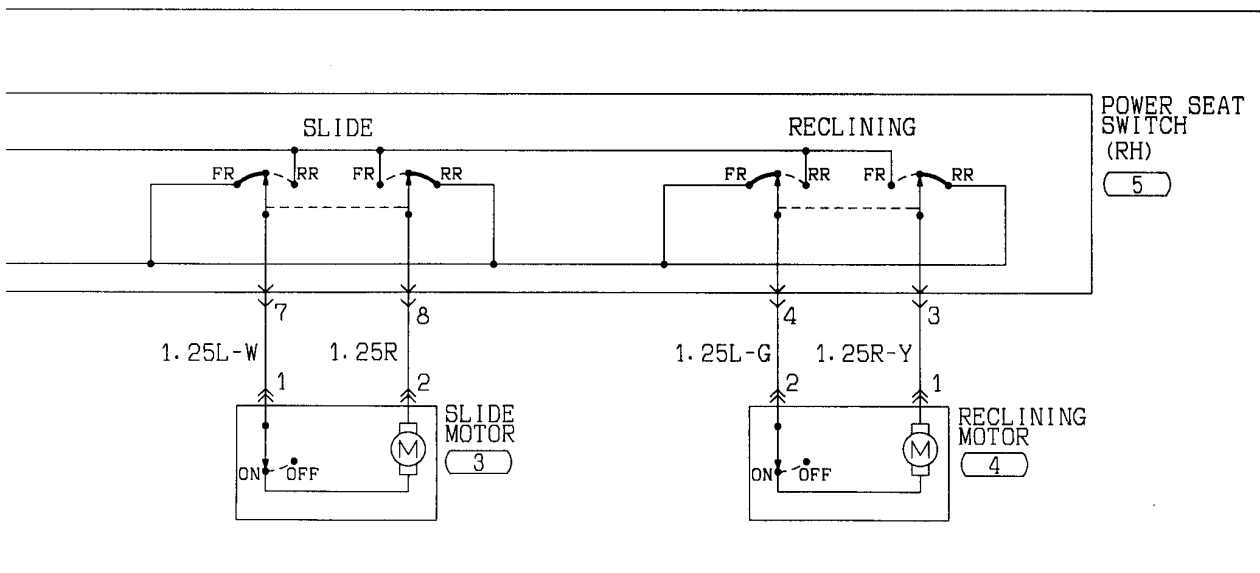
C-13	C-114	C-118	C-122	E-22	1	2	3	4	5
1 2 3 4 5 6 7 8	1 2 3 4 5 6 7 8	1 2 3 4	1 2 3 4	1 2	1 2 3 4	1 2 3 4	1 2	1 2	1 2 3 4 5 6 7 8 9 10 11 12 13 14



Wire colour code
 B :Black LG:Light green G :Green L :Blue W :White Y :Yellow SB:Sky blue
 BR:Brown O :Orange GR:Gray R :Red P :Pink V :Violet

POWER SEAT (CONTINUED)



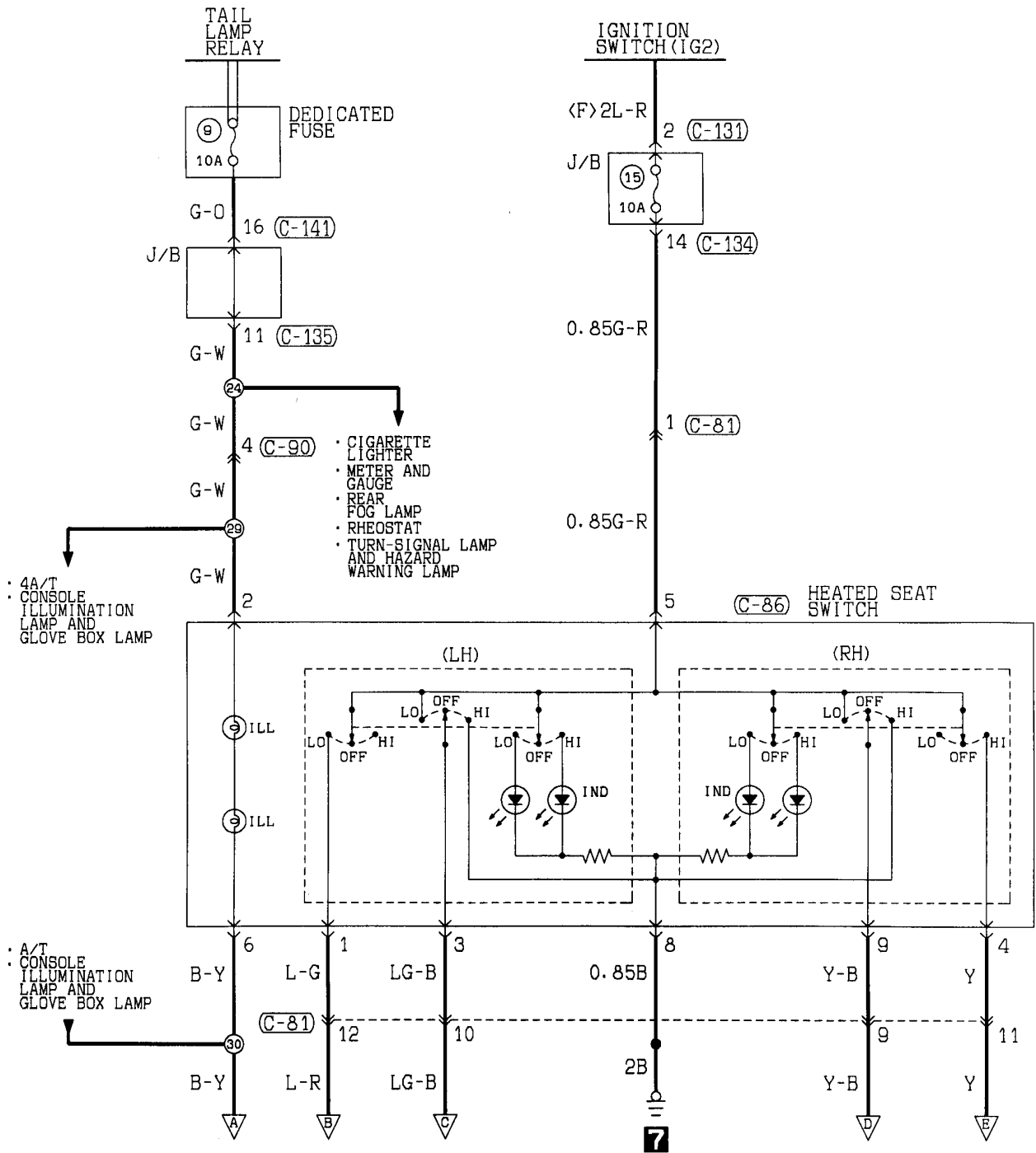


Wire colour code
 B :Black LG:Light green G :Green L :Blue W :White Y :Yellow SB:Sky blue
 BR:Brown O :Orange GR:Gray R :Red P :Pink V :Violet

HEATED SEAT

90101070119

L.H. drive vehicles



(C-81)

1	2	3	4	5	6	7	8		
9	10	11	12	13	14	15	16	17	18

(C-86)

1	2	3			
4	5	6	7	8	9

(C-90)

1	2	3	4	5	6	7	8	9		
10	11	12	13	14	15	16	17	18	19	20

(C-117)

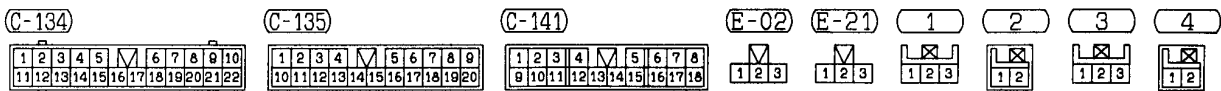
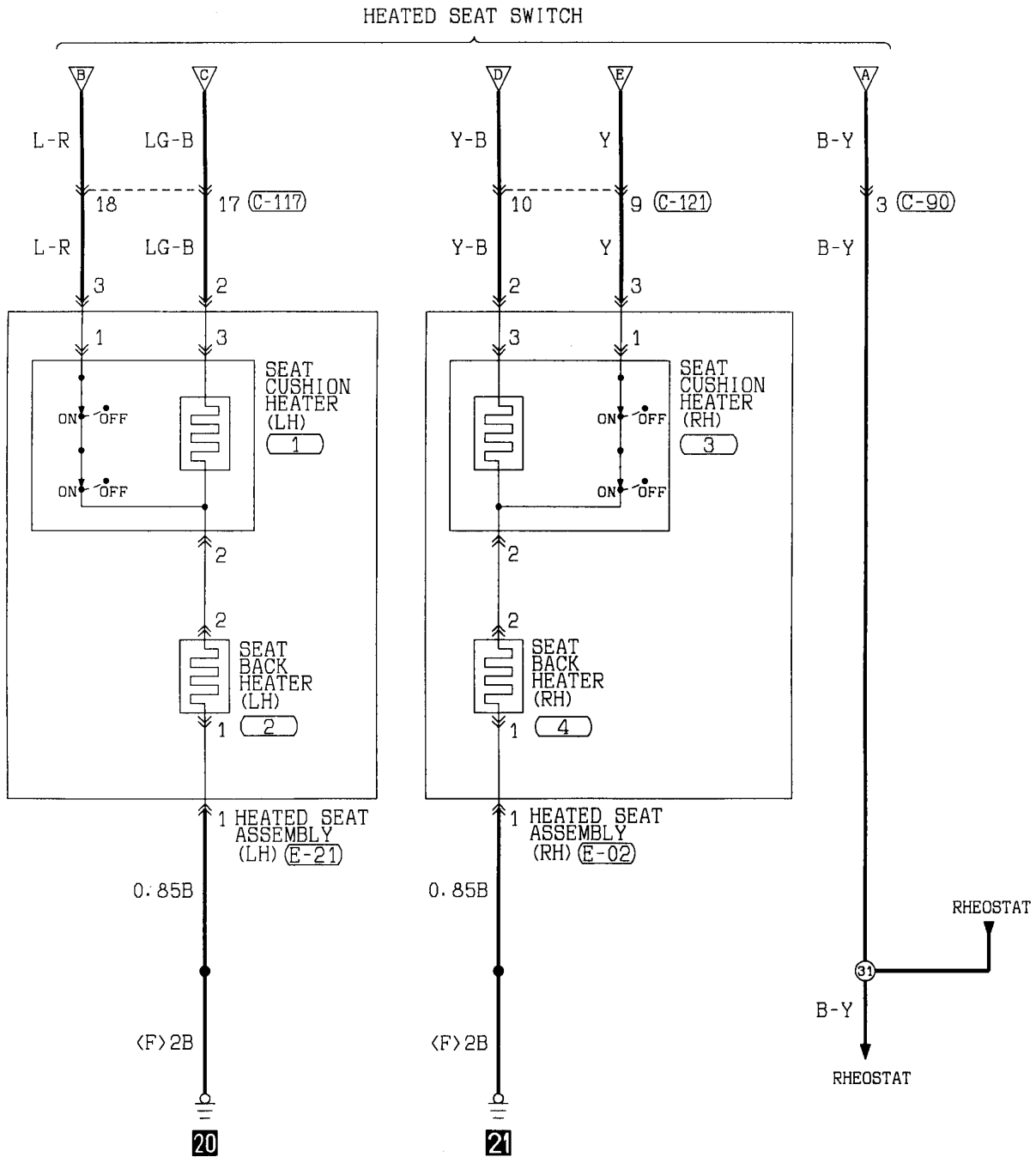
1	2	3	4	5	6	7	8	9	10		
11	12	13	14	15	16	17	18	19	20	21	22

(C-121)

1	2	3	4	5	6	7	8	9	10		
11	12	13	14	15	16	17	18	19	20	21	22

(C-131)

1	2		
3	4	5	6

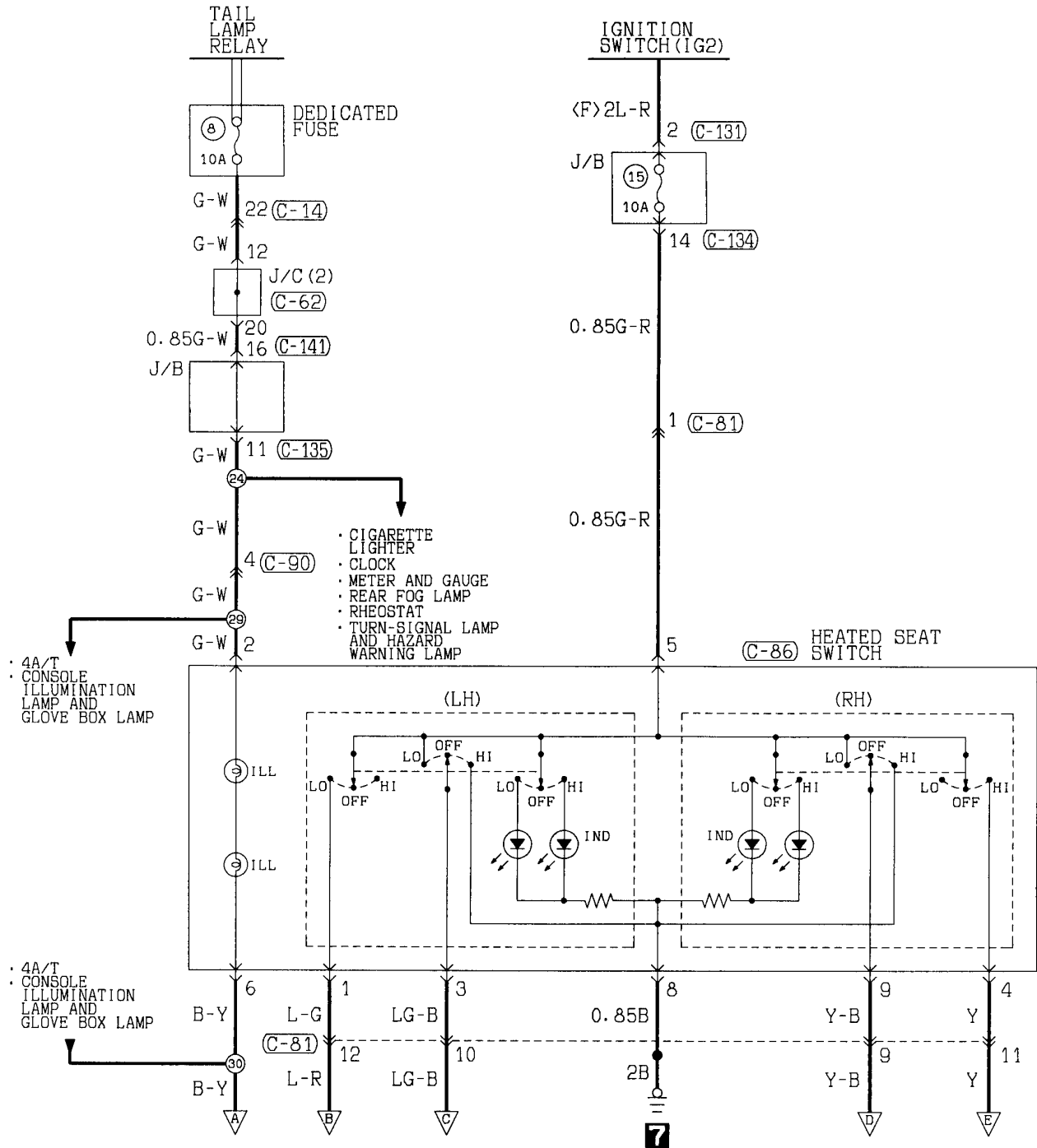


Wire colour code
 B : Black LG: Light green G : Green L : Blue W : White Y : Yellow SB: Sky blue
 BR: Brown O : Orange GR: Gray R : Red P : Pink V : Violet

HEATED SEAT

90101070126

R.H. drive vehicles



(C-14)

1	2	3	4	5	M	6	7	8	9	10	
11	12	13	14	15	16	17	18	19	20	21	22

(C-62)

1	2	3	4	5	6	7	8	9	10	11
12	13	14	15	16	17	18	19	20	21	22
23	24	25	26	27	28	29	30	31	32	33

(C-81)

1	2	3	4	M	5	6	7	8	
9	10	11	12	13	14	15	16	17	18

(C-86)

1	2	3			
4	5	6	7	8	9

(C-90)

1	2	3	4	M	5	6	7	8	9	
10	11	12	13	14	15	16	17	18	19	20

(C-141)

1	2	3	4	M	5	6	7	8	
9	10	11	12	13	14	15	16	17	18

(E-02)

M	1	2	3
---	---	---	---

(E-21)

M	1	2	3
---	---	---	---

(1)

M	1	2	3
---	---	---	---

(2)

M	1	2
---	---	---

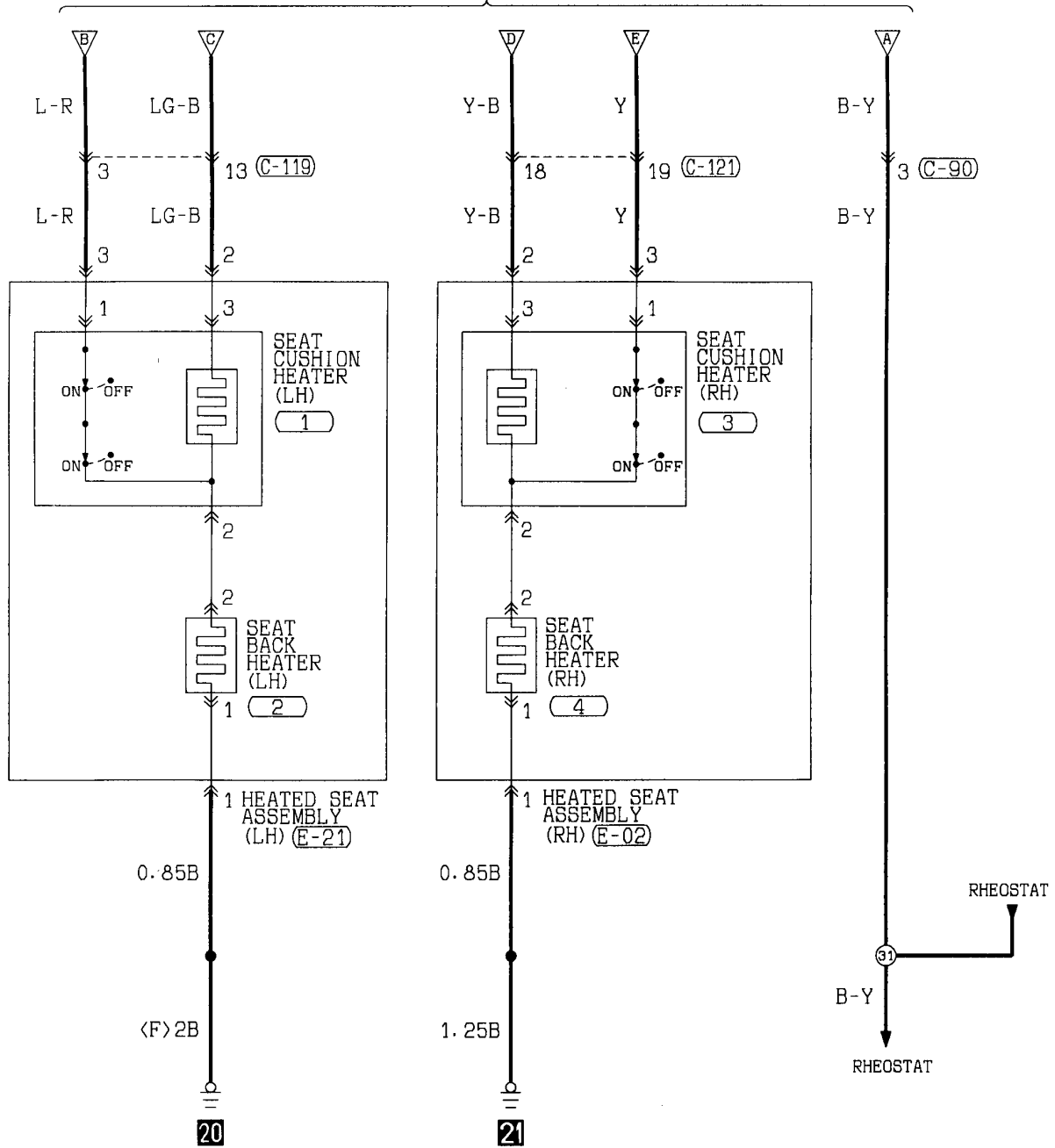
(3)

M	1	2	3
---	---	---	---

(4)

M	1	2
---	---	---

HEATED SEAT SWITCH



(C-119)

1	2	3	4	5	6	7	8	9	10		
11	12	13	14	15	16	17	18	19	20	21	22

(C-121)

1	2	3	4	5	6	7	8	9	10		
11	12	13	14	15	16	17	18	19	20	21	22

(C-131)

1	2		
3	4	5	6

(C-134)

1	2	3	4	5	6	7	8	9	10		
11	12	13	14	15	16	17	18	19	20	21	22

(C-135)

1	2	3	4	5	6	7	8	9		
10	11	12	13	14	15	16	17	18	19	20

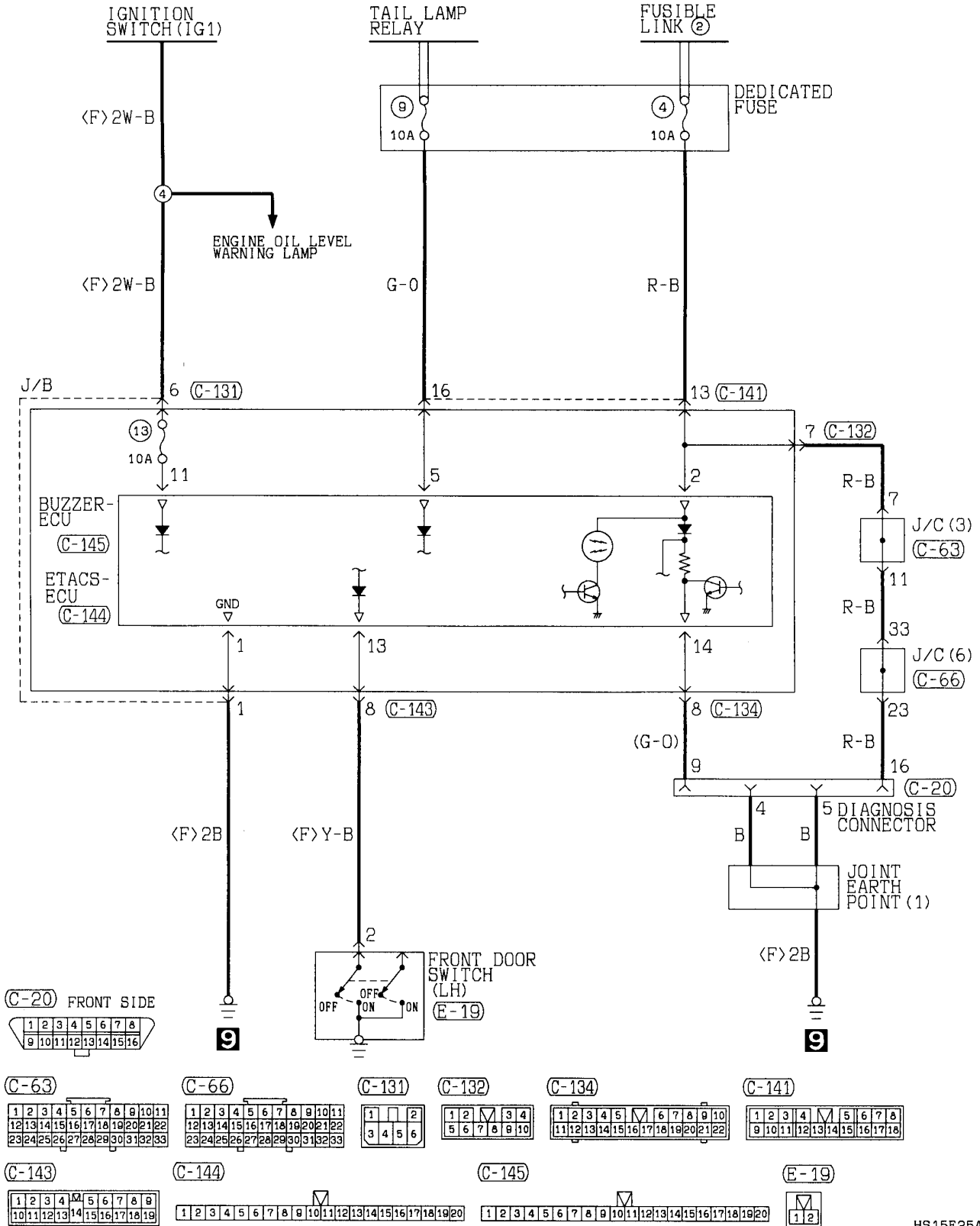
Wire colour code

B:Black LG:Light green G:Green L:Blue W:White Y:Yellow SB:Sky blue
 BR:Brown O:Orange GR:Gray R:Red P:Pink V:Violet

LIGHTING MONITOR BUZZER

90101140261

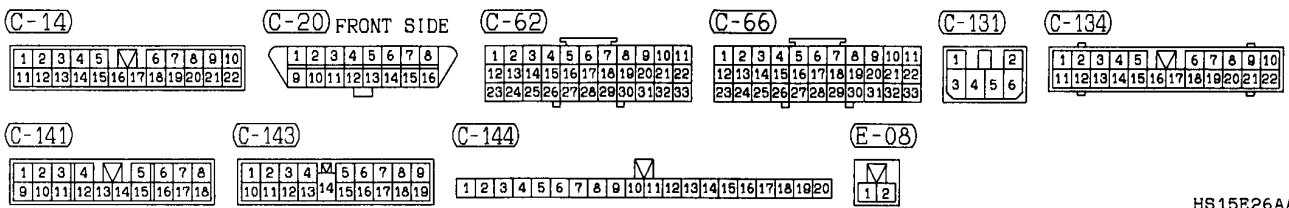
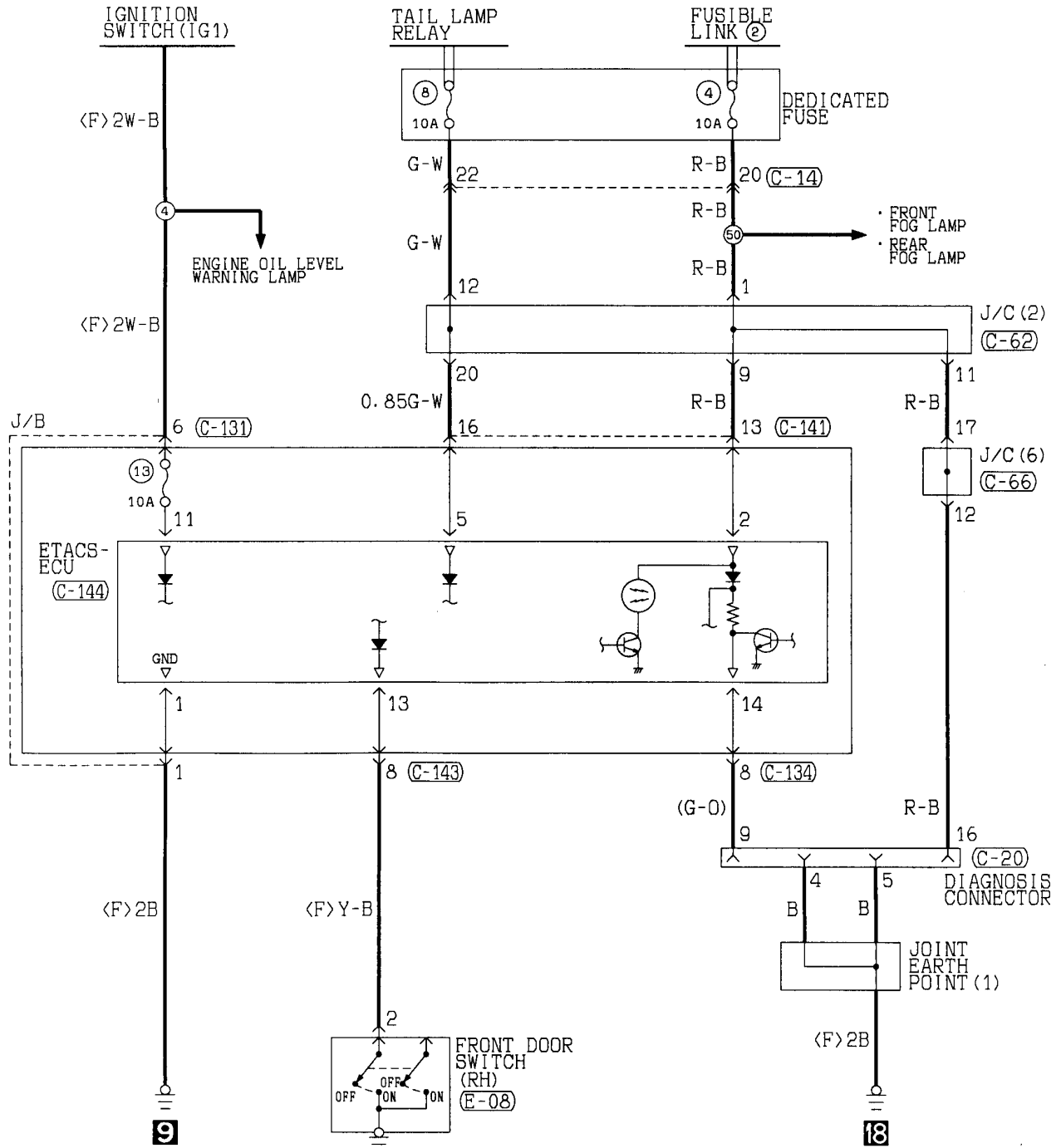
L.H. drive vehicles



LIGHTING MONITOR BUZZER

90101140278

R.H. drive vehicles



INDEX (In order of connector No.)

Connector No.	Parts name	Circuit diagram page	Wiring diagram page
A-01	Side turn signal lamp (RH)	4-249, 253	2-4, 6
A-02	Auto-cruise actuator	4-438, 444, 450, 456	2-4, 6
A-03	Windshield wiper motor	4-376, 377	2-4, 6
A-04	ABS-ECU	4-412, 415, 416, 418, 421, 422, 427, 433	2-4, 6
A-05X	ABS warning lamp relay	4-27, 412, 418	2-4, 6
A-06	Brake fluid level switch	4-280, 284	2-4, 6
A-07	Vacuum switch <Diesel>	4-280, 284	2-4, 6
A-08	Side turn signal lamp (LH)	4-248, 252	2-4, 6
A-09	Wheel speed sensor (Front: LH)	4-415, 421, 427, 433	2-4, 6
A-10	Starter relay <Diesel>	4-40, 105, 113	2-4, 6
A-11	Front turn signal lamp (LH)	4-248, 252	2-4, 6
A-12	Headlamp leveling unit (LH)	4-242, 244	2-4, 6
A-13	Theft-alarm horn	4-476, 484	2-4, 6
A-14	Theft-alarm horn	4-476, 484	2-4, 6
A-15	Headlamp (LO: LH)	4-182, 186, 188	2-4, 6
A-16	Position lamp (LH)	4-192, 194, 196, 198, 200, 202	2-4, 6
A-17	Horn (HI)	4-268, 269	2-4, 6
A-18	Horn (HI)	4-268, 269	2-4, 6
A-19	Front fog lamp (LH)	4-206, 208	2-4, 6
A-20	Headlamp (HI: LH)	4-182, 186, 188	2-4, 6
A-21	Outside thermo sensor <Automatic A/C>	4-369, 375	2-5, 7
A-22	Fan controller	4-120, 121, 359, 363, 367, 373	2-5, 7
A-23	Headlamp (HI: RH)	4-182, 186, 188	2-5, 7
A-24	Hood switch <Theft-alarm system>	4-479, 487	2-5, 7
A-25	Front fog lamp (RH)	4-206, 208	2-5, 7
A-26	Position lamp (RH)	4-193, 195, 197, 199, 201, 203	2-5, 7
A-27	Headlamp (LO: RH)	4-182, 186, 188	2-5, 7
A-28	Headlamp washer motor	4-398, 399	2-5, 7
A-29	Horn (LO)	4-268, 269	2-5, 7
A-30	Horn (LO)	4-268, 269	2-5, 7

Connector No.	Parts name	Circuit diagram page	Wiring diagram page
A-31	Windshield washer motor	4-376, 377	2-5, 7
A-32	Rear washer motor	4-380, 382, 384, 386	2-5, 7
A-33	Headlamp leveling unit (RH)	4-242, 244	2-5, 7
A-34	Front turn signal lamp (RH)	4-249, 253	2-5, 7
A-35	Dual pressure switch <A/C>	4-358, 362, 366, 372	2-5, 7
A-36	Headlamp washer relay	4-398, 399	2-5, 7
A-37	DRL-ECU	4-183, 192, 194, 213	2-5
A-38	DRL relay	4-182	2-5
A-39	Wheel speed sensor (Front: RH)	4-415, 421, 427, 433	2-5, 7
A-40	Front wiring harness (LH) and ABS wiring harness combination <RHD>	4-418	2-7
A-41	Front wiring harness (LH) and ABS wiring harness combination <RHD>	4-421, 433	2-7
B-01	Ignition coil No.2 <4G63>	4-41, 54, 62	2-8
B-02	Injector 1 <MPI>	4-57, 65, 72, 82, 90, 100	2-8, 12
B-03	Injector 2 <MPI>	4-57, 65, 73, 83, 91, 101	2-8, 12
B-04	Purge control solenoid valve <MPI>	4-56, 64, 72, 82, 90, 100	2-8, 12
B-05	Injector 3 <MPI>	4-57, 65, 72, 82, 90, 100	2-8, 12
B-06	EGR solenoid valve	4-56, 64, 73, 83, 91, 101, 106, 114	2-8, 12, 16
B-07	Throttle position sensor <MPI>	4-57, 65, 73, 83, 91, 101, 130, 142, 154, 166, 178, 425, 431, 439, 445, 451, 457	2-8, 12
B-08	Engine coolant temperature gauge unit	4-270, 272, 274, 276	2-8, 12, 16
B-09	Inspection connector <MPI>	4-41, 42, 53, 54, 61, 62, 69, 70, 79, 80, 87, 88, 97, 98, 270, 272	2-8, 12
B-10	Idle speed control servo <MPI>	4-57, 65, 73, 83, 91, 101	2-8, 12
B-11	Ignition coil No.1 <4G63>	4-41, 54, 62	2-8
B-12	Air flow sensor <MPI>	4-57, 65, 74, 83, 92, 101	2-8, 12
B-13	Capacitor <MPI>	4-53, 61, 69, 79, 87, 97	2-8, 12
B-14X	Tail lamp relay	4-27, 29, 35, 183, 193, 195, 197, 199, 200, 202	2-8, 12, 16
B-15X	Power window relay	4-27, 29, 35, 288, 294, 298	2-8, 12, 16
B-16X	Front fog lamp relay	4-27, 206, 208	2-8, 12, 16
B-17X	Horn relay	4-27, 268, 269	2-8, 12, 16

Connector No.	Parts name	Circuit diagram page	Wiring diagram page
B-18X	Headlamp relay	4-27, 29, 35, 182, 186, 188	2-8, 12, 16
B-20X	Fan control relay	4-27, 120, 121, 359, 363, 367, 373	2-8, 12, 16
B-21X	Theft-alarm horn relay	4-27, 476, 484	2-8, 12, 16
B-26X	Alternator relay	4-27, 45, 47, 49	2-8, 12, 16
B-27X	No connection	4-27, 213, 217, 221	2-8, 12, 16
B-28X	A/C compressor relay	4-27, 358, 362, 366, 372	2-8, 12, 16
B-30	Control wiring harness and front wiring harness (LH) combination	4-40, 52, 55, 60, 63, 68, 71, 78, 81, 86, 89, 96, 99, 104, 105, 107, 112, 113, 115, 120, 121, 123, 128, 135, 140, 147, 152, 159, 164, 171, 176, 358, 359, 362, 363, 366, 367, 372, 373, 424, 430, 468, 470	2-8, 12, 16
B-31	Control wiring harness and battery wiring harness combination	4-39, 44, 46, 58, 66, 75, 84, 93, 102, 280, 282, 284, 286	2-8, 12, 16
B-32	Battery wiring harness and front wiring harness (LH) combination	4-40, 44, 46, 48, 282, 286	2-8, 12, 16
B-33	Engine coolant temperature sensor	4-56, 64, 72, 82, 90, 100, 106, 114	2-8, 12, 16
B-34	Detonation sensor <MPI>	4-58, 66, 75, 84, 93, 102	2-9, 13
B-35	Oil pressure switch	4-280, 284	2-9, 13, 16
B-36	Injector 4 <MPI>	4-57, 65, 73, 83, 91, 101	2-9, 13
B-37	Engine oil level sensor	4-282, 286	2-9, 13, 17
B-38	Alternator	4-44, 46, 48, 58, 66, 75, 84, 93, 102	2-9, 13, 17
B-39	Alternator	4-44, 46, 48	2-9, 13, 17
B-40	Injector 5 <6A13>	4-72, 82, 90, 100	2-13
B-41	Accelerator pedal position sensor <4D68>	4-106, 114	2-17
B-41	Accelerator pedal position sensor <TCL>	4-73, 91, 130, 166, 425, 431, 439, 451	2-13
B-42	Distributor assembly <6A13>	4-42, 69, 80, 88, 98	2-13
B-43	Battery wiring harness and control wiring harness combination <6A13>	4-72, 82, 90, 100	2-13
B-44	Injector 6 <6A13>	4-73, 83, 91, 101	2-13
B-45	Intake air temperature sensor <4D68>	4-107, 115	2-17
B-46	Glow plugs <4D68>	4-43, 108, 116	2-17
B-47	Idle position switch <4D68 (LHD)>	4-107	2-17

Connector No.	Parts name	Circuit diagram page	Wiring diagram page
B-48	Idle position switch <4D68 (RHD)>	4-115	2-17
B-49	Throttle solenoid valve	4-106, 114	2-17
B-50	Boost sensor <4D68>	4-107, 115	2-17
B-51	Water level switch <4D68>	4-281, 285	2-17
B-52	Glow plug relay <4D68>	4-43, 108, 116	2-17
B-53	Glow plug relay <4D68>	4-43, 108, 116	2-17
B-54	Glow plug relay <4D68>	4-43, 108, 116	2-17
B-55	Fuel cut solenoid valve <4D68>	4-108, 116	2-17
B-56	Timing control valve <4D68 (LHD)>	4-106	2-17
B-57	Timing control valve <4D68 (RHD)>	4-114	2-17
B-58	Injection rate correction resistor <4D68 (LHD)>	4-107	2-17
B-59	Injection rate correction resistor <4D68 (RHD)>	4-115	2-17
B-60	Injection timing correction resistor <4D68>	4-107, 115	2-17
B-61	Solenoid-type spill valve <4D68>	4-108, 116	2-17
B-62	Fuel temperature sensor <4D68>	4-106, 114	2-17
B-63	Pump operation sensor <4D68>	4-107, 115	2-17
B-64	Camshaft position sensor <4G63>	4-56, 64	2-10
B-65	Control wiring harness and vehicle speed sensor wiring harness combination <M/T>	4-58, 66, 75, 84, 93, 102, 109, 117, 271, 273, 275, 277, 400, 404, 441, 447, 453, 459	2-10, 14, 18
B-66	Vehicle speed sensor <M/T>	4-58, 66, 75, 84, 93, 102, 109, 117, 271, 273, 275, 277, 400, 404, 441, 447, 453, 459	2-10, 14, 18
B-67X	Vehicle speed sensor <A/T>	4-58, 66, 75, 84, 93, 102, 132, 144, 156, 168, 180, 271, 273, 400, 404, 441, 447, 453, 459	2-10, 14
B-68	Output shaft speed sensor <A/T>	4-123, 135, 147, 159, 171	2-10, 14
B-69	Back-up lamp switch <M/T>	4-260, 261, 264, 265	2-10, 14, 18
B-70	A/T control solenoid valve assembly	4-129, 141, 153, 165, 177	2-11, 14
B-71	Input shaft speed sensor <A/T>	4-123, 135, 147, 159, 171	2-11, 14
B-72	Inhibitor switch <A/T>	4-39, 55, 63, 71, 81, 89, 99, 124, 136, 148, 160, 172, 262, 263, 266, 267, 440, 446, 452, 458	2-11, 15
B-73	Starter	4-39, 40	2-11, 15, 18
B-74	Starter	4-39, 40	2-11, 15, 18
B-75	A/C compressor assembly	4-358, 362, 366, 372	2-11, 15, 18

Connector No.	Parts name	Circuit diagram page	Wiring diagram page
B-76	Power steering oil pressure switch <MPI>	4-58, 66, 75, 84, 93, 102	2-11, 15
B-77	Crank angle sensor	4-56, 64, 72, 82, 90, 100, 106, 114, 128, 140, 152, 164, 176	2-11, 15, 18
B-78	Vacuum solenoid valve <TCL>	4-74, 92, 424, 430	2-15
B-79	Ventilation solenoid valve <TCL>	4-74, 92, 424, 430	2-15
B-80	Oil pressure switch wiring harness and control wiring harness combination <6A13>	4-280, 284	2-15
C-01	Clutch switch <Auto-cruise (M/T)>	4-440, 446, 452, 458	2-20, 28
C-02	Stop lamp switch	4-122, 134, 146, 158, 170, 256, 257, 258, 259, 412, 418, 426, 432, 438, 444, 450, 456	2-20, 28
C-03	Outside/inside air selection switch <Heater and manual A/C>	4-353, 355, 357, 361	2-20, 28
C-04	Blower switch <Heater and manual A/C>	4-352, 354, 356, 360	2-20, 28
C-05	A/C-ECU <Automatic A/C>	4-364, 365, 368, 370, 371, 374, 392, 394	2-20, 28
C-06	Defogger switch	4-388, 390	2-20, 28
C-07	A/C-ECU <Automatic A/C>	4-364, 365, 368, 370, 371, 374, 392, 394	2-20, 28
C-08	A/C switch <Manual A/C>	4-357, 361	2-20, 28
C-09	Blower motor	4-352, 354, 356, 360, 364, 370	2-20, 28
C-10	TCL-ECU	4-75, 93, 130, 166, 414, 420, 424, 427, 428, 429, 430, 433, 434, 435	2-20, 28
C-11	TCL-ECU	4-424, 426, 428, 429, 430, 432, 434, 435	2-20, 28
C-12	Dash wiring harness and ABS wiring harness combination <LHD>	4-412	2-20
C-12	Dash wiring harness and front wiring harness (LH) combination <RHD>	4-146, 158, 170, 257, 259, 329, 337, 345, 349, 354, 360, 370, 390, 394, 418, 432, 450, 456, 484	2-28
C-13	Dash wiring harness and front wiring harness (RH) combination <LHD>	4-376, 398	2-20
C-13	Dash wiring harness and front wiring harness (LH) combination <RHD>	4-34, 37, 121, 298, 330, 338, 363, 373, 397, 399, 404, 409, 448, 454, 494, 500	2-28
C-14	Dash wiring harness and front wiring harness (RH) combination <LHD>	4-182, 183, 186, 187, 192, 193, 194, 195, 196, 197, 198, 199, 206, 213, 217, 249, 268, 358, 365, 366, 380, 384, 398, 400, 408, 479	2-20

Connector No.	Parts name	Circuit diagram page	Wiring diagram page
C-14	Dash wiring harness and front wiring harness (LH) combination <RHD>	4-45, 47, 49, 60, 67, 86, 94, 96, 103, 113, 118, 146, 158, 170, 188, 189, 200, 201, 202, 203, 208, 209, 220, 228, 235, 237, 241, 245, 250, 251, 252, 269, 272, 273, 276, 277, 298, 328, 336, 344, 348, 354, 360, 362, 370, 371, 372, 377, 390, 394, 399, 404, 409, 411, 422, 430, 434, 448, 449, 454, 455, 464, 466, 471, 475, 485, 494, 499, 506, 509	2-28
C-15	Blower control panel illumination lamp <Heater and manual A/C>	4-352, 354, 356, 360	2-20, 28
C-16	Side air bag module (squib) (RH)	4-461, 465	2-20, 28
C-17	Mode selection damper control motor and potentiometer <Automatic A/C>	4-368, 374	2-20, 28
C-18	Wide open throttle switch <MPI-AT>	4-132, 144, 156, 168, 180	2-20, 28
C-19	Diagnosis connector	4-59, 67, 76, 85, 94, 103, 131, 143, 155, 167, 179	2-20, 28
C-20	Diagnosis connector	4-59, 67, 76, 85, 94, 103, 110, 118, 131, 143, 155, 167, 179, 224, 228, 239, 241, 288, 298, 307, 315, 320, 324, 331, 339, 344, 348, 369, 375, 416, 422, 428, 434, 441, 447, 453, 459, 460, 462, 464, 466, 469, 471, 473, 475, 477, 485, 508, 509	2-20, 28
C-21	Side air bag module (squib) (LH)	4-461, 465	2-20, 28
C-22	Auto-cruise main switch	4-437, 443, 449, 455	2-20, 28
C-23	Diode (for rear fog lamp circuit)	4-184, 213, 217, 221	2-20, 28
C-24	Diode (for headlamp circuit)	4-184, 187, 189, 213, 217, 221	2-20, 28
C-25	Dash wiring harness and instrument panel wiring harness combination	4-45, 47, 49, 182, 183, 186, 188, 206, 207, 208, 209, 212, 213, 214, 216, 217, 218, 221, 222, 243, 245, 246, 250, 271, 273, 275, 277, 281, 282, 284, 285, 286, 353, 355, 357, 361, 365, 369, 371, 375, 389, 391, 393, 395, 398, 399, 402, 406, 408, 428, 434, 437, 443, 449, 455, 460, 463, 464, 467, 477, 485, 496, 498	2-20, 28
C-26	Dash wiring harness and instrument panel wiring harness combination	4-437, 443, 449, 455	2-21, 29
C-27	Dash wiring harness and roof wiring harness combination	4-492, 493, 494, 495	2-21, 29

Connector No.	Parts name	Circuit diagram page	Wiring diagram page
C-28	A/T-ECU	4-74, 92, 122, 123, 128, 130, 131, 132, 134, 135, 140, 143, 144, 146, 147, 152, 155, 156, 158, 159, 164, 166, 167, 168, 170, 171, 176, 179, 180, 440, 446, 452, 458	2-21, 29
C-29	A/T-ECU	4-122, 123, 128, 129, 131, 134, 135, 140, 141, 142, 146, 147, 152, 153, 154, 158, 159, 164, 165, 167, 170, 171, 176, 177, 178, 425, 431	2-21, 29
C-30	A/T-ECU	4-58, 66, 84, 102, 122, 124, 127, 128, 129, 130, 131, 132, 134, 136, 139, 140, 141, 142, 143, 144, 146, 148, 151, 152, 153, 154, 155, 156, 158, 160, 163, 164, 165, 166, 167, 168, 170, 172, 175, 176, 177, 178, 179, 180, 425, 431	2-21, 29
C-31	Engine control relay	4-52, 60, 68, 78, 86, 96, 104, 112, 128, 140, 152, 164, 176, 424, 430, 468, 470	2-21, 29
C-32	Fuel pump relay <MPI>	4-53, 61, 69, 79, 87, 97	2-21, 29
C-33	Engine-ECU <6A13>	4-42, 68, 69, 70, 71, 72, 74, 78, 79, 80, 81, 82, 86, 87, 88, 89, 90, 92, 96, 97, 98, 99, 100, 120, 121, 358, 359, 362, 363, 366, 367, 372, 373, 424, 430, 468, 470	2-21, 29
C-34	Engine-ECU <4G63>	4-41, 52, 53, 54, 55, 56, 58, 60, 61, 62, 63, 64, 66, 120, 121, 142, 154, 358, 359, 362, 363, 366, 367, 372, 373, 468, 470	2-21, 29
C-35	Engine-ECU <6A13>	4-68, 71, 74, 75, 78, 81, 84, 86, 89, 92, 93, 96, 99, 102, 128, 130, 140, 164, 166, 176, 358, 362, 366, 372, 424, 430, 468, 470	2-21, 29
C-36	Engine-ECU <4G63>	4-44, 52, 55, 58, 60, 63, 66, 140, 152, 358, 362, 366, 372, 468, 470	2-21, 29
C-37	Engine-ECU <6A13>	4-46, 71, 75, 76, 81, 84, 85, 89, 93, 94, 99, 102, 103, 142, 178, 358, 362, 366, 372, 425, 431, 468, 470	2-21, 29
C-38	Engine-ECU <4G63>	4-41, 54, 56, 58, 59, 62, 64, 66, 67, 142, 154, 468, 470	2-21, 29
C-39	Engine-ECU <6A13>	4-68, 69, 70, 71, 72, 74, 75, 76, 78, 79, 80, 81, 82, 84, 85, 86, 87, 88, 89, 90, 92, 93, 94, 96, 97, 98, 99, 100, 102, 103, 128, 130, 140, 142, 164, 166, 176, 178, 424, 425, 430, 431, 439, 445, 451, 457	2-21, 29

Connector No.	Parts name	Circuit diagram page	Wiring diagram page
C-40	Engine-ECU <4G63>	4-52, 53, 55, 56, 58, 59, 60, 61, 63, 64, 66, 67, 140, 142, 152, 154, 445, 457	2-21, 29
C-41	A/T control relay	4-128, 140, 152, 164, 176	2-21, 29
C-42	SRS-ECU <Vehicles with side air bag>	4-461, 465	2-21, 29
C-43	SRS-ECU <Vehicles with side air bag>	4-461, 465	2-21, 29
C-44	SRS-ECU <Vehicles without side air bag>	4-463, 467	2-21, 29
C-45	Earth J/C	4-13, 19, 42, 43, 55, 56, 58, 63, 64, 66, 70, 71, 72, 75, 80, 81, 82, 84, 88, 89, 90, 93, 98, 99, 100, 102, 106, 107, 108, 109, 114, 115, 116, 117, 128, 130, 132, 140, 142, 144, 152, 154, 156, 164, 166, 168, 176, 178, 180, 270, 272, 274, 276, 425, 425, 431	2-21, 29
C-46	Oxygen sensor (Front) <MPI>	4-56, 64, 72, 82, 90, 100	2-21, 29
C-47	J/C (A)	4-11, 17, 52, 60, 67, 78, 86, 96, 122, 124, 127, 134, 136, 139, 146, 148, 151, 158, 160, 163, 170, 172, 175, 424, 430, 468, 470, 496, 498	2-21, 29
C-48	J/C (B)	4-12, 18, 58, 66, 75, 84, 93, 102, 124, 131, 132, 136, 142, 144, 148, 154, 156, 160, 167, 168, 172, 178, 180, 425, 431, 439, 440, 445, 446, 451, 452, 457, 458	2-21, 29
C-49	J/C (C)	4-12, 18, 123, 127, 131, 135, 139, 142, 143, 147, 151, 154, 155, 167, 178, 179, 262, 263, 266, 267, 416, 422, 425, 428, 431, 434, 439, 445, 451, 457	2-21, 29
C-50	Instrument panel wiring harness and ABS wiring harness combination	4-412, 418, 426, 432	2-21, 29
C-51	Control wiring harness and ABS wiring harness combination	4-75, 93, 130, 166, 416, 417, 422, 423, 424, 428, 430, 434	2-21, 29
C-52	Solenoid-type spill valve relay <Diesel>	4-108, 116	2-21, 29
C-53	Engine-ECU <4D68>	4-104, 106, 107, 108, 109, 112, 114, 115, 116, 117, 120, 121, 359, 363, 367, 373	2-21, 29
C-54	Engine-ECU <4D68>	4-106, 107, 110, 114, 115, 118, 358, 362, 366, 372, 472, 474	2-21, 29
C-55	Engine-ECU <4D68>	4-43, 104, 105, 107, 108, 109, 112, 113, 115, 116, 117, 358, 362, 366, 372	2-21, 29
C-56	J/C (D)	4-13, 19, 109, 117, 118, 260, 261, 264, 265, 417, 423	2-21, 29

Connector No.	Parts name	Circuit diagram page	Wiring diagram page
C-61	J/C (1)	4-8, 14, 206, 209, 220, 293, 296, 307, 315, 331, 339, 354, 360, 370, 375, 376, 380, 384, 390, 394, 396, 397, 402, 404, 406, 429, 434, 435, 436, 442, 448, 449, 454, 455, 498	2-22, 30
C-62	J/C (2)	4-8, 14, 60, 67, 86, 94, 96, 103, 113, 118, 146, 158, 170, 201, 203, 207, 208, 209, 212, 216, 220, 221, 228, 235, 237, 238, 241, 243, 245, 251, 272, 273, 276, 277, 282, 298, 307, 308, 315, 316, 322, 326, 328, 336, 344, 348, 354, 355, 360, 361, 365, 368, 370, 371, 388, 390, 392, 394, 396, 399, 404, 406, 409, 411, 422, 428, 429, 430, 434, 437, 440, 443, 446, 448, 449, 454, 455, 464, 466, 469, 471, 472, 475, 480, 485, 494, 498, 506, 509	2-22, 30
C-63	J/C (3)	4-9, 15, 52, 59, 68, 76, 78, 85, 105, 110, 122, 134, 183, 184, 187, 189, 192, 194, 206, 212, 213, 216, 217, 221, 224, 236, 238, 239, 242, 288, 304, 305, 312, 313, 320, 321, 324, 325, 332, 340, 346, 350, 352, 356, 364, 369, 388, 392, 400, 416, 424, 436, 442, 448, 449, 452, 454, 455, 458, 460, 462, 469, 471, 473, 474, 477, 480, 488, 489, 490, 508	2-22, 30
C-64	J/C (4)	4-9, 15, 156, 168, 180, 193, 195, 197, 199, 207, 209, 212, 216, 220, 240, 243, 245, 286, 331, 332, 339, 340, 346, 350, 352, 353, 356, 357, 358, 365, 366, 368, 371, 382, 386, 388, 390, 392, 397, 402, 428, 434, 435, 437, 443, 449, 452, 455, 458, 471, 474, 488, 496	2-22, 30
C-65	J/C (5)	4-10, 16, 122, 134, 146, 158, 170, 222, 226, 236, 237, 249, 252, 256, 257, 258, 259, 260, 261, 262, 263, 264, 265, 266, 267, 303, 307, 310, 315, 318, 397, 412, 418, 426, 432, 438, 444, 450, 456, 478, 479, 486, 493, 495	2-22, 30

Connector No.	Parts name	Circuit diagram page	Wiring diagram page
C-66	J/C (6)	4-10, 16, 52, 59, 60, 67, 68, 76, 78, 85, 86, 94, 96, 103, 105, 110, 113, 118, 122, 131, 134, 143, 146, 155, 158, 167, 170, 179, 206, 212, 216, 224, 228, 236, 237, 238, 241, 271, 273, 275, 277, 288, 298, 307, 315, 320, 324, 331, 339, 344, 348, 362, 364, 369, 370, 372, 375, 396, 400, 401, 405, 412, 416, 417, 422, 423, 424, 426, 428, 430, 434, 441, 447, 453, 459, 460, 462, 464, 466, 469, 471, 473, 475, 477, 489, 508, 509	2-22, 30
C-67	J/C (7)	4-11, 17, 45, 47, 49, 182, 183, 184, 186, 187, 188, 189, 192, 193, 194, 195, 196, 197, 198, 199, 200, 202, 206, 208, 209, 212, 216, 220, 243, 268, 269, 282, 286, 352, 356, 358, 365, 366, 388, 398, 400, 408, 428, 437, 443	2-22, 30
C-68	Immobilizer-ECU	4-59, 67, 76, 85, 94, 110, 118, 469, 471, 473, 475	2-22, 30
C-69	Engine oil level relay	4-282, 286	2-22, 30
C-70	Heater water temperature sensor <Automatic A/C>	4-368, 374	2-22, 30
C-71	Air bag module (squib) (passenger's side)	4-461, 463, 465, 467	2-22, 30
C-72	Automatic compressor-ECU <Manual A/C>	4-357, 361	2-22, 30
C-73	Air thermo sensor <Automatic A/C>	4-369, 375	2-22, 30
C-74	Dash wiring harness and front wiring harness (RH) combination <LHD>	4-242, 415, 427, 438, 444	2-22
C-74	Dash wiring harness and front wiring harness (LH) combination <RHD>	4-220, 221, 244, 484	2-30
C-75	Dash wiring harness and ABS wiring harness combination	4-412, 415, 418, 421, 426, 427, 428, 429, 432, 433, 434, 435	2-22, 30
C-76	Resistor <Manual A/C>	4-352, 354, 356, 360	2-22, 30
C-77	Power transistor <Automatic A/C>	4-364, 370	2-22, 30
C-78	Outside/inside air selection damper control motor	4-353, 355, 357, 361, 368, 374	2-22, 30
C-79	Air mixing damper control motor and potentiometer <Automatic A/C>	4-368, 374	2-22, 30
C-80	Keyless entry receiver-ECU	4-239, 241, 307, 315, 331, 339, 476, 484	2-23, 31
C-81	Dash wiring harness and control wiring harness combination	4-59, 67, 76, 81, 85, 94, 103, 110, 118, 468, 470, 472, 474, 504, 506	2-23, 31

Connector No.	Parts name	Circuit diagram page	Wiring diagram page
C-82	Auto-cruise-ECU	4-123, 135, 147, 159, 171, 436, 439, 440, 442, 445, 446, 448, 451, 452, 454, 457, 458	2-23, 31
C-83	Dash wiring harness and control wiring harness combination	4-52, 55, 59, 60, 63, 67, 68, 71, 76, 78, 85, 86, 89, 94, 96, 99, 103, 105, 107, 110, 113, 115, 118, 122, 123, 131, 134, 135, 143, 146, 147, 155, 156, 158, 159, 167, 168, 170, 171, 179, 180, 260, 261, 262, 263, 264, 265, 266, 267, 271, 273, 275, 277, 282, 286, 358, 362, 366, 372, 400, 404, 416, 417, 422, 423, 424, 428, 430, 434, 439, 440, 441, 445, 446, 447, 451, 452, 453, 457, 458, 459	2-23, 31
C-84	Console illumination lamp	4-234, 235	2-23, 31
C-85	Oxygen sensor (Rear) <MPI>	4-56, 64, 72, 82, 90, 100	2-23, 31
C-86	Heated seat switch	4-504, 506	2-23, 31
C-87	Parking brake switch	4-280, 284	2-23, 31
C-88	A/T selector lever position illumination lamp	4-127, 139, 151, 163, 175	2-23, 31
C-89	A/T mode changeover switch	4-127, 139, 163, 175	2-23, 31
C-90	Control wiring harness and instrument panel wiring harness combination	4-43, 52, 60, 68, 70, 78, 80, 86, 88, 96, 98, 104, 112, 122, 126, 127, 132, 134, 138, 139, 144, 146, 150, 151, 156, 162, 163, 168, 170, 174, 175, 180, 234, 235, 270, 271, 272, 273, 274, 275, 276, 277, 280, 281, 284, 285, 441, 447, 453, 459, 497, 499, 504, 505, 506, 507	2-23, 31
C-91	Control wiring harness and instrument panel wiring harness combination <A/T>	4-126, 138, 150, 162, 174	2-23, 31
C-92	Dash wiring harness and control wiring harness combination	4-39, 40, 41, 42, 53, 55, 61, 63, 69, 71, 79, 81, 87, 89, 97, 99, 104, 105, 112, 113, 124, 136, 148, 160, 172, 440, 446, 452, 458	2-23, 31
C-93	Radio and tape player	4-400, 401, 402, 404, 405, 406	2-23, 31
C-94	Headlamp leveling switch	4-243, 245	2-23, 31
C-95	Diode (for fan control circuit)	4-120, 121, 359, 363, 367, 373	2-23, 31
C-96	Front fog lamp switch	4-207, 209	2-23, 31
C-97	Remote controlled mirror switch	4-396, 397	2-23, 31
C-98	TCL switch	4-428, 434	2-23, 31
C-99	Dash wiring harness and front wiring harness (LH) combination <RHD>	4-286, 298, 362, 372, 375	2-31

Connector No.	Parts name	Circuit diagram page	Wiring diagram page
C-101	Column switch	4-184, 187, 189, 192, 194, 196, 198, 200, 202, 213, 217, 221, 248, 252, 398, 399	2-24, 32
C-102	Column switch	4-184, 187, 189, 213, 217, 221	2-24, 32
C-103	Column switch	4-376, 377, 380, 382, 384, 386	2-24, 32
C-104	Ignition key ring antenna <Vehicles with immobilizer system>	4-469, 471, 473, 475	2-24, 32
C-105	Ignition switch	4-30, 36	2-24, 32
C-106	Steering wheel sensor <TCL>	4-429, 435	2-24, 32
C-107	Clock spring	4-268, 269, 436, 442, 448, 454	2-24, 32
C-108	Clock spring	4-460, 463, 464, 467	2-24, 32
C-109	Key reminder switch	4-238, 241, 307, 315, 331, 339, 479, 487	2-24, 32
C-110	Air bag module (squib) (driver's side)	4-460, 463, 464, 467	2-24, 32
C-111	Auto-cruise control switch	4-436, 442, 448, 454	2-24, 32
C-112	Horn switch	4-268, 269	2-24, 32
C-113	Dash wiring harness and front wiring harness (LH) combination <LHD>	4-412	2-25
C-113	Dash wiring harness and front wiring harness (RH) combination <RHD>	4-450, 456	2-33
C-114	Dash wiring harness and front wiring harness (LH) combination <LHD>	4-28, 282, 288, 294, 398, 476, 492, 500	2-25
C-114	Dash wiring harness and front wiring harness (RH) combination <RHD>	4-399	2-33
C-115	Dash wiring harness and front wiring harness (LH) combination <LHD>	4-183, 212, 213, 216, 217, 242, 415, 427, 476	2-25
C-115	Dash wiring harness and front wiring harness (RH) combination <RHD>	4-188, 201, 203, 208, 244, 253, 269, 284, 362, 372, 377, 382, 386, 399, 421, 433, 487	2-33
C-116	Dash wiring harness and front wiring harness (LH) combination <LHD>	4-45, 47, 49, 182, 183, 186, 187, 192, 193, 194, 195, 196, 197, 198, 199, 206, 207, 212, 216, 243, 246, 268, 288, 352, 356, 358, 365, 366, 369, 388, 398, 400, 408, 428, 437, 443	2-25
C-117	Dash wiring harness and floor wiring harness (LH) combination	4-406, 461, 465, 505	2-25, 33
C-118	Dash wiring harness and floor wiring harness (LH) combination	4-289, 300, 389, 393, 500	2-25, 33

Connector No.	Parts name	Circuit diagram page	Wiring diagram page
C-119	Dash wiring harness and floor wiring harness (LH) combination	4-200, 202, 214, 218, 222, 227, 228, 230, 237, 252, 256, 257, 258, 259, 261, 263, 289, 300, 309, 310, 317, 318, 323, 327, 333, 334, 341, 342, 347, 351, 381, 401, 402, 405, 406, 478, 483, 486, 490, 507	2-25, 33
C-120	Dash wiring harness and front door wiring harness (LH) combination	4-236, 237, 238, 292, 293, 295, 296, 299, 305, 308, 313, 316, 321, 322, 325, 326, 332, 333, 340, 346, 347, 350, 388, 390, 392, 394, 396, 397, 401, 405, 480, 489	2-25, 33
C-121	Dash wiring harness and floor wiring harness (RH) combination	4-385, 421, 433, 461, 465, 482, 483, 491, 505, 507	2-25, 33
C-122	Dash wiring harness and floor wiring harness (RH) combination	4-290, 301, 389, 393, 500	2-25, 33
C-123	Dash wiring harness and floor wiring harness (RH) combination	4-53, 61, 69, 79, 87, 97, 193, 195, 197, 199, 214, 218, 222, 226, 231, 236, 249, 256, 257, 258, 259, 260, 262, 264, 266, 271, 273, 275, 277, 281, 285, 290, 301, 308, 309, 310, 316, 317, 318, 322, 323, 326, 327, 332, 333, 334, 340, 341, 342, 346, 347, 350, 351, 382, 386, 401, 405, 415, 427, 478, 481, 486, 489	2-25, 33
C-124	Dash wiring harness and front door wiring harness (RH) combination	4-236, 237, 240, 291, 294, 302, 303, 308, 309, 316, 322, 323, 326, 329, 332, 337, 340, 345, 346, 349, 350, 389, 391, 393, 395, 396, 397, 401, 405, 480, 481, 488	2-25, 33

Connector No.	Parts name	Circuit diagram page	Wiring diagram page
C-131	Dash wiring harness and J/B combination	4-5, 6, 7, 30, 36, 41, 42, 43, 45, 47, 49, 52, 53, 60, 61, 68, 69, 78, 79, 86, 87, 96, 97, 104, 112, 120, 121, 122, 126, 134, 138, 146, 150, 158, 162, 170, 174, 183, 192, 194, 206, 208, 214, 218, 222, 224, 228, 234, 235, 238, 239, 240, 241, 246, 249, 250, 253, 260, 261, 262, 263, 264, 265, 266, 267, 268, 269, 270, 271, 272, 273, 274, 275, 276, 277, 280, 282, 284, 286, 288, 294, 298, 304, 306, 312, 314, 320, 321, 324, 325, 328, 330, 336, 338, 344, 345, 348, 349, 352, 354, 356, 360, 364, 370, 376, 377, 380, 382, 384, 386, 388, 390, 392, 394, 396, 397, 398, 399, 400, 402, 404, 406, 408, 409, 410, 411, 412, 418, 426, 432, 436, 437, 442, 443, 448, 449, 454, 455, 460, 462, 464, 466, 468, 470, 472, 474, 476, 477, 484, 485, 492, 494, 497, 499, 504, 506, 508, 509	2-26, 34
C-132	Dash wiring harness and J/B combination	4-5, 6, 7, 32, 38, 52, 59, 68, 76, 78, 85, 105, 110, 122, 134, 183, 192, 194, 201, 203, 206, 212, 216, 224, 236, 239, 288, 304, 306, 312, 314, 320, 324, 330, 338, 352, 354, 356, 360, 364, 370, 388, 390, 392, 394, 399, 400, 402, 404, 406, 416, 424, 426, 432, 436, 442, 460, 462, 469, 473, 477, 508	2-26, 34
C-133	Roof wiring harness and J/B combination	4-5, 6, 7, 225, 229, 304, 306, 312, 314, 328, 330, 336, 338, 492, 494	2-26, 34
C-134	Dash wiring harness and J/B combination	4-5, 6, 7, 122, 134, 146, 158, 170, 224, 228, 236, 237, 238, 239, 241, 246, 248, 250, 252, 256, 257, 258, 259, 260, 261, 262, 263, 264, 265, 266, 267, 288, 298, 304, 306, 312, 314, 320, 324, 328, 330, 336, 338, 344, 348, 376, 377, 380, 382, 384, 386, 396, 397, 398, 399, 400, 404, 412, 418, 426, 432, 436, 437, 438, 442, 443, 444, 448, 449, 450, 454, 455, 456, 460, 462, 464, 466, 468, 470, 472, 474, 476, 477, 479, 484, 485, 487, 492, 493, 494, 495, 504, 506, 508, 509	2-26, 34

Connector No.	Parts name	Circuit diagram page	Wiring diagram page
C-135	Instrument panel wiring harness and J/B combination	4-5, 6, 7, 43, 45, 47, 49, 52, 60, 68, 78, 86, 96, 104, 112, 122, 126, 134, 138, 146, 150, 158, 162, 170, 174, 206, 208, 213, 214, 217, 218, 221, 222, 225, 229, 234, 235, 246, 247, 249, 250, 251, 253, 270, 271, 272, 273, 274, 275, 276, 277, 280, 282, 284, 286, 398, 399, 408, 409, 410, 411, 412, 418, 426, 432, 437, 443, 449, 455, 460, 462, 464, 466, 477, 485, 497, 499, 504, 506	2-26, 34
C-136	Turn-signal and hazard warning flasher unit	4-5, 6, 7, 246, 250	2-26, 34
C-137	Defogger relay	4-5, 6, 7, 32, 38, 388, 390, 392	2-26, 34
C-138	ETACS-ECU	4-239, 241, 288, 292, 298, 302, 304, 312, 321, 324, 328, 336, 345, 348, 476, 480, 481, 484, 488, 489	2-26, 34
C-139	ETACS-ECU <Theft-alarm system>	4-308, 322, 332, 346, 477, 479, 480, 482, 485, 486, 487, 488, 490	2-26, 34
C-140	Blower relay	4-5, 6, 7, 352, 354, 356, 360, 364, 370	2-26, 34
C-141	Front wiring harness (LH) and J/B combination <LHD>	4-5, 6, 31, 45, 47, 49, 52, 59, 68, 76, 78, 85, 105, 110, 120, 122, 134, 193, 195, 197, 199, 206, 212, 213, 216, 217, 224, 234, 236, 239, 247, 248, 268, 270, 271, 274, 275, 280, 288, 294, 304, 312, 320, 324, 352, 356, 364, 392, 400, 408, 410, 416, 424, 436, 442, 460, 462, 469, 473, 477, 492, 497, 504, 508	2-26
C-141	Dash wiring harness and J/B combination <RHD>	4-5, 7, 37, 45, 47, 49, 121, 146, 158, 170, 201, 203, 221, 228, 235, 241, 251, 252, 253, 269, 272, 273, 276, 277, 298, 328, 330, 336, 338, 344, 348, 354, 360, 370, 377, 397, 399, 404, 409, 411, 448, 454, 485, 494, 499, 506, 509	2-34
C-142	Front wiring harness (LH) and J/B combination <LHD>	4-5, 6, 32, 122, 134, 256, 258, 305, 313, 321, 325, 352, 356, 364, 388, 392, 402, 412, 426, 438, 444, 476	2-26
C-142	Dash wiring harness and J/B combination <RHD>	4-5, 7, 38, 146, 158, 170, 257, 259, 329, 337, 345, 349, 354, 360, 370, 390, 394, 418, 432, 450, 456, 484	2-34

Connector No.	Parts name	Circuit diagram page	Wiring diagram page
C-143	Floor wiring harness (LH) and J/B combination <LHD>	4-5, 6, 193, 195, 197, 199, 224, 225, 236, 238, 248, 260, 262, 288, 306, 314, 381, 388, 392, 400, 402, 478, 493, 508	2-26
C-143	Floor wiring harness (RH) and J/B combination <RHD>	4-5, 7, 201, 203, 228, 229, 237, 240, 253, 261, 263, 265, 267, 298, 330, 338, 382, 386, 390, 394, 486, 495, 509	2-34
C-144	ETACS-ECU	4-5, 6, 7, 225, 229, 238, 240, 288, 298, 304, 306, 312, 320, 324, 328, 336, 338, 344, 348, 476, 477, 478, 479, 484, 485, 486, 487, 508, 509	2-26, 34
C-145	Buzzer-ECU	4-5, 6, 225, 508	2-26
C-146	Fog lamp switch	4-207, 209, 212, 216, 220	2-23, 31
D-01	Combination meter	4-126, 138, 150, 162, 174, 206, 208, 214, 218, 222, 225, 229, 247, 251, 270, 271, 272, 273, 274, 275, 276, 277, 280, 281, 284, 285, 412, 418, 426, 432, 437, 443, 449, 455, 460, 463, 464, 467, 497, 499	2-36, 37
D-02	Combination meter	4-126, 138, 150, 162, 174, 182, 186, 188, 206, 208, 214, 218, 222, 247, 251, 271, 273, 275, 277	2-36, 37
D-03	Combination meter	4-43, 45, 47, 49, 52, 60, 68, 78, 86, 96, 104, 112, 127, 139, 151, 163, 175, 270, 271, 272, 273, 274, 275, 276, 277, 280, 281, 282, 284, 285, 286, 398, 399, 412, 418, 426, 432, 437, 443, 449, 455, 460, 463, 464, 467, 477, 485	2-36, 37
D-04	Photo sensor <Automatic A/C>	4-369, 375	2-36, 37
D-05	Clock	4-408, 409	2-36, 37
D-06	Glove box lamp	4-234, 235	2-36, 37
D-07	Hazard warning switch	4-246, 250	2-36, 37
D-08	Cigarette lighter illumination lamp	4-410, 411	2-36, 37
D-09	Cigarette lighter	4-410, 411	2-36, 37
D-10	Cigarette lighter	4-410, 411	2-36, 37
D-11	Ashtray illumination lamp	4-410, 411	2-36, 37
D-12	No connection	4-213, 217, 221	2-36, 37
D-13	Rheostat	4-497, 499	2-36, 37
E-01	Power seat assembly (RH)	4-502	2-38, 39

Connector No.	Parts name	Circuit diagram page	Wiring diagram page
E-02	Heated seat assembly (RH)	4-505, 507	2-38, 39
E-03	Sunroof motor	4-492, 494	2-38, 39
E-04	Sunroof switch	4-492, 494	2-38, 39
E-05	Room lamp <Vehicles with sunroof>	4-225, 229, 306, 314, 330, 338	2-38, 39
E-06	Front personal lamp <Vehicles without sunroof>	4-225, 229, 306, 314, 330, 338	2-38, 39
E-07	Sunroof-ECU	4-493, 495	2-38, 39
E-08	Front door switch (RH)	4-226, 231, 236, 237, 240, 298, 310, 318, 334, 342, 478, 486, 495, 509	2-38, 39
E-09	Side impact sensor (RH) <Vehicles with side air bag>	4-238, 461, 465	2-38, 39
E-10	Floor wiring harness (RH) and rear door wiring harness (RH) combination	4-290, 301, 309, 317, 323, 327, 333, 341, 347, 351, 401, 405, 482, 490	2-38, 39
E-11	Floor wiring harness (RH) and fuel wiring harness combination	4-53, 61, 69, 79, 87, 97, 271, 273, 275, 277, 281, 285, 415, 421, 427, 433	2-38, 39
E-12	Wheel speed sensor (Rear: RH)	4-415, 421, 427, 433	2-38, 39
E-13	Fuel wiring harness and sensor wiring harness combination	4-415, 421, 427, 433	2-38, 39
E-14	Wheel speed sensor (Rear: LH)	4-415, 421, 427, 433	2-38, 39
E-15	Fuel gauge unit	4-271, 273, 275, 277, 281, 285	2-38, 39
E-16	Fuel pump <MPI>	4-53, 61, 69, 79, 87, 97	2-38, 39
E-17	Floor wiring harness (LH) and rear door wiring harness (LH) combination	4-289, 300, 309, 317, 323, 327, 333, 341, 347, 351, 401, 405, 482, 490	2-38, 39
E-18	Side impact sensor (LH) <Vehicles with side air bag>	4-461, 465	2-38, 39
E-19	Front door switch (LH)	4-227, 230, 236, 237, 288, 310, 318, 334, 342, 478, 486, 493, 508	2-38, 39
E-20	No connection		2-38, 39
E-21	Heated seat assembly (LH)	4-505, 507	2-38, 39
E-22	Power seat assembly (LH)	4-500	2-38, 39
F-01	Front speaker (RH)	4-401, 405	2-40, 41
F-02	Tweeter (RH)	4-401, 405	2-40, 41
F-03	Remote controlled mirror (RH)	4-389, 391, 393, 395, 396, 397	2-40, 41
F-04	Power window motor (Front: RH)	4-291, 294, 302	2-40, 41
F-05	Power window sub switch (Front: RH)	4-291, 294, 299	2-40, 41

Connector No.	Parts name	Circuit diagram page	Wiring diagram page
F-06	Door lamp (RH)	4-236, 237	2-40, 41
F-07	Door lock key cylinder switch (RH) <Vehicles with central door locking system> <LHD>	4-308, 316, 322, 326, 480	2-40
F-07	Door lock key cylinder switch (RH) <Vehicles with theft-alarm system> <RHD>	4-332, 346, 488	2-41
F-08	Door lock actuator (Front: RH)	4-240, 309, 316, 323, 326, 329, 337, 345, 349, 481, 488	2-40, 41
F-09	Rear speaker (RH) <Wagon>	4-401, 405	2-40, 41
F-10	Power window motor (Rear: RH)	4-290, 301	2-40, 41
F-11	Power window sub switch (Rear: RH)	4-290, 301	2-40, 41
F-12	Door lock actuator (Rear: RH)	4-309, 317, 323, 327, 333, 341, 347, 351, 482, 490	2-40, 41
F-13	Power window sub switch (Rear: LH)	4-289, 300	2-40, 41
F-14	Door lock actuator (Rear: LH)	4-309, 317, 323, 327, 333, 341, 347, 351, 482, 490	2-40, 41
F-15	Power window motor (Rear: LH)	4-289, 300	2-40, 41
F-16	Door lock key cylinder switch (LH) <Vehicles with theft-alarm system> <LHD>	4-308, 322, 480	2-40
F-16	Door lock key cylinder switch (LH) <Vehicles with central door locking system> <RHD>	4-332, 340, 346, 350, 488	2-41
F-17	Door lock actuator (Front: LH)	4-238, 305, 313, 321, 325, 333, 340, 347, 350, 480, 489	2-40, 41
F-18	Rear speaker (LH) <Wagon>	4-401, 405	2-40, 41
F-19	Power window main switch	4-293, 296, 303	2-40, 41
F-20	Door lamp (LH)	4-236, 237	2-40, 41
F-21	Power window motor (Front: LH)	4-292, 295, 299	2-40, 41
F-22	Front speaker (LH)	4-401, 405	2-40, 41
F-23	Tweeter (LH)	4-401, 405	2-40, 41
F-24	Remote controlled mirror (LH)	4-388, 390, 392, 394, 396, 397	2-40, 41
G-01	Rear personal lamp (LH)	4-227, 230	2-42, 44, 46
G-02	Defogger (-) <Sedan>	4-389, 391, 395	2-42, 44
G-03	Rear speaker (LH) <Sedan>	4-393, 401, 405	2-42, 44
G-04	High mounted stop lamp	4-256, 257, 258, 259	2-42, 44, 46
G-05	Rear personal lamp (RH)	4-226, 230	2-42, 44, 46
G-06	Rear speaker (RH) <Sedan>	4-401, 405	2-42, 44
G-07	Defogger (+)	4-389, 391, 393, 395	2-42, 44, 46

Connector No.	Parts name	Circuit diagram page	Wiring diagram page
G-08	Rear combination lamp (RH)	4-193, 195, 197, 199, 201, 203, 214, 218, 222, 249, 253, 256, 257, 258, 259, 260, 261, 262, 263	2-42, 44, 46
G-09	Rear door switch (RH)	4-226, 231, 310, 318, 334, 342, 478, 486	2-42, 44, 46
G-10	Floor wiring harness (LH) and defogger wiring harness combination <Sedan>	4-389, 391, 393, 395	2-42, 44
G-11	Luggage compartment lamp	4-226, 227, 231	2-42, 44, 46
G-12	Rear intermittent wiper relay	4-381, 382, 385, 386	2-42, 44, 46
G-13	Rear combination lamp (LH)	4-193, 195, 197, 199, 200, 202, 214, 218, 222, 248, 252, 256, 257, 258, 259, 260, 261, 262, 263	2-42, 44, 46
G-14	Rear wiper motor	4-381, 382, 385, 386	2-42, 44, 46
G-15	Motor antenna assembly <Sedan>	4-402, 405	2-43, 45
G-15	No connection <Wagon>		2-46
G-16	Rear door switch (LH)	4-227, 230, 310, 318, 334, 342, 478, 486	2-43, 45, 46
G-17	Floor wiring harness (RH) and luggage compartment wiring harness combination <Sedan>	4-192, 196, 201, 227, 231, 482, 483, 490, 491	2-43, 45
G-18	Licence plate lamp (LH) <Sedan>	4-192, 196, 201	2-43, 45
G-19	Licence plate lamp (RH) <Sedan>	4-192, 196, 201	2-43, 45
G-20	Luggage compartment lamp switch <Vehicles without theft-alarm system> <Sedan>	4-227, 231	2-43, 45
G-21	Trunk lid latch switch <Vehicles with theft-alarm system> <Sedan>	4-227, 231, 483, 491	2-43, 45
G-22	Trunk lid lock key cylinder switch <Vehicles with theft-alarm system> <Sedan>	4-482, 490	2-43, 45
G-23	Rear turn signal lamp (RH) <Wagon>	4-249, 253	2-46
G-24	Rear turn signal lamp (LH) <Wagon>	4-248, 252	2-46
G-25	Licence plate lamp <Wagon>	4-194, 198, 203	2-47
G-26	Rear fog lamp (RH) <Wagon>	4-214, 218, 222	2-47
G-27	Back-up lamp (RH) <Wagon>	4-264, 265, 266, 267	2-47
G-28	Floor wiring harness (RH) and tailgate wiring harness combination <Wagon>	4-194, 195, 198, 199, 203, 214, 218, 222, 226, 231, 258, 259, 264, 265, 266, 267, 310, 318, 334, 342, 385, 386, 479, 483, 487, 491	2-47
G-29	Floor wiring harness (RH) and tailgate wiring harness combination <Wagon>	4-308, 309, 316, 317, 322, 323, 326, 327, 332, 333, 340, 341, 346, 347, 350, 351, 385, 386, 481, 489	2-47

Connector No.	Parts name	Circuit diagram page	Wiring diagram page
G-30	Tailgate lock actuator <Wagon>	4-309, 317, 323, 327, 333, 340, 341, 347, 351, 483, 491	2-47
G-31	Tailgate lock key cylinder switch <Wagon>	4-308, 316, 322, 326, 332, 346, 350, 481, 489	2-47
G-32	Tailgate switch <Wagon>	4-226, 231, 310, 318, 334, 342, 479, 487	2-47
G-33	Back-up lamp (LH) <Wagon>	4-264, 265, 266, 267	2-47
G-34	Rear fog lamp (LH) <Wagon>	4-214, 218, 222	2-47

INDEX (In order of parts name)

Parts name	Connector No.	Circuit diagram page	Wiring diagram page
A/C compressor assembly	B-75	4-358, 362, 366, 372	2-11, 15, 18
A/C compressor relay	B-28X	4-27, 358, 362, 366, 372	2-8, 12, 16
A/C switch <Manual A/C>	C-08	4-357, 361	2-20, 28
A/C-ECU <Automatic A/C>	C-05	4-364, 365, 368, 370, 371, 374, 392, 394	2-20, 28
A/C-ECU <Automatic A/C>	C-07	4-364, 365, 368, 370, 371, 374, 392, 394	2-20, 28
A/T control relay	C-41	4-128, 140, 152, 164, 176	2-21, 29
A/T control solenoid valve assembly	B-70	4-129, 141, 153, 165, 177	2-11, 14
A/T mode changeover switch	C-89	4-127, 139, 163, 175	2-23, 31
A/T selector lever position illumination lamp	C-88	4-127, 139, 151, 163, 175	2-23, 31
A/T-ECU	C-28	4-74, 92, 122, 123, 128, 130, 131, 132, 134, 135, 140, 143, 144, 146, 147, 152, 155, 156, 158, 159, 164, 166, 167, 168, 170, 171, 176, 179, 180, 440, 446, 452, 458	2-21, 29
A/T-ECU	C-29	4-122, 123, 128, 129, 131, 134, 135, 140, 141, 142, 146, 147, 152, 153, 154, 158, 159, 164, 165, 167, 170, 171, 176, 177, 178, 425, 431	2-21, 29
A/T-ECU	C-30	4-58, 66, 84, 102, 122, 124, 127, 128, 129, 130, 131, 132, 134, 136, 139, 140, 141, 142, 143, 144, 146, 148, 151, 152, 153, 154, 155, 156, 158, 160, 163, 164, 165, 166, 167, 168, 170, 172, 175, 176, 177, 178, 179, 180, 425, 431	2-21, 29
ABS warning lamp relay	A-05X	4-27, 412, 418	2-4, 6
ABS-ECU	A-04	4-412, 415, 416, 418, 421, 422, 427, 433	2-4, 6
Accelerator pedal position sensor <4D68>	B-41	4-106, 114	2-17
Accelerator pedal position sensor <TCL>	B-41	4-73, 91, 130, 166, 425, 431, 439, 451	2-13
Air bag module (squib) (driver's side)	C-110	4-460, 463, 464, 467	2-24, 32
Air bag module (squib) (passenger's side)	C-71	4-461, 463, 465, 467	2-22, 30
Air flow sensor <MPI>	B-12	4-57, 65, 74, 83, 92, 101	2-8, 12
Air mixing damper control motor and potentiometer <Automatic A/C>	C-79	4-368, 374	2-22, 30

Parts name	Connector No.	Circuit diagram page	Wiring diagram page
Air thermo sensor <Automatic A/C>	C-73	4-369, 375	2-22, 30
Alternator	B-38	4-44, 46, 48, 58, 66, 75, 84, 93, 102	2-9, 13, 17
Alternator	B-39	4-44, 46, 48	2-9, 13, 17
Alternator relay	B-26X	4-27, 45, 47, 49	2-8, 12, 16
Ashtray illumination lamp	D-11	4-410, 411	2-36, 37
Auto-cruise actuator	A-02	4-438, 444, 450, 456	2-4, 6
Auto-cruise control switch	C-111	4-436, 442, 448, 454	2-24, 32
Auto-cruise main switch	C-22	4-437, 443, 449, 455	2-20, 28
Auto-cruise-ECU	C-82	4-123, 135, 147, 159, 171, 436, 439, 440, 442, 445, 446, 448, 451, 452, 454, 457, 458	2-23, 31
Automatic compressor-ECU <Manual A/C>	C-72	4-357, 361	2-22, 30
Back-up lamp (LH) <Wagon>	G-33	4-264, 265, 266, 267	2-47
Back-up lamp (RH) <Wagon>	G-27	4-264, 265, 266, 267	2-47
Back-up lamp switch <M/T>	B-69	4-260, 261, 264, 265	2-10, 14, 18
Battery wiring harness and control wiring harness combination <6A13>	B-43	4-72, 82, 90, 100	2-13
Battery wiring harness and front wiring harness (LH) combination	B-32	4-40, 44, 46, 48, 282, 286	2-8, 12, 16
Blower control panel illumination lamp <Heater and manual A/C>	C-15	4-352, 354, 356, 360	2-20, 28
Blower motor	C-09	4-352, 354, 356, 360, 364, 370	2-20, 28
Blower relay	C-140	4-5, 6, 7, 352, 354, 356, 360, 364, 370	2-26, 34
Blower switch <Heater and manual A/C>	C-04	4-352, 354, 356, 360	2-20, 28
Boost sensor <4D68>	B-50	4-107, 115	2-17
Brake fluid level switch	A-06	4-280, 284	2-4, 6
Buzzer-ECU	C-145	4-5, 6, 225, 508	2-26
Camshaft position sensor <4G63>	B-64	4-56, 64	2-10
Capacitor <MPI>	B-13	4-53, 61, 69, 79, 87, 97	2-8, 12
Cigarette lighter	D-09	4-410, 411	2-36, 37
Cigarette lighter	D-10	4-410, 411	2-36, 37
Cigarette lighter illumination lamp	D-08	4-410, 411	2-36, 37
Clock	D-05	4-408, 409	2-36, 37

Parts name	Connector No.	Circuit diagram page	Wiring diagram page
Clock spring	C-107	4-268, 269, 436, 442, 448, 454	2-24, 32
Clock spring	C-108	4-460, 463, 464, 467	2-24, 32
Clutch switch <Auto-cruise (M/T)>	C-01	4-440, 446, 452, 458	2-20, 28
Column switch	C-101	4-184, 187, 189, 192, 194, 196, 198, 200, 202, 213, 217, 221, 248, 252, 398, 399	2-24, 32
Column switch	C-102	4-184, 187, 189, 213, 217, 221	2-24, 32
Column switch	C-103	4-376, 377, 380, 382, 384, 386	2-24, 32
Combination meter	D-01	4-126, 138, 150, 162, 174, 206, 208, 214, 218, 222, 225, 229, 247, 251, 270, 271, 272, 273, 274, 275, 276, 277, 280, 281, 284, 285, 412, 418, 426, 432, 437, 443, 449, 455, 460, 463, 464, 467, 497, 499	2-36, 37
Combination meter	D-02	4-126, 138, 150, 162, 174, 182, 186, 188, 206, 208, 214, 218, 222, 247, 251, 271, 273, 275, 277	2-36, 37
Combination meter	D-03	4-43, 45, 47, 49, 52, 60, 68, 78, 86, 96, 104, 112, 127, 139, 151, 163, 175, 270, 271, 272, 273, 274, 275, 276, 277, 280, 281, 282, 284, 285, 286, 398, 399, 412, 418, 426, 432, 437, 443, 449, 455, 460, 463, 464, 467, 477, 485	2-36, 37
Console illumination lamp	C-84	4-234, 235	2-23, 31
Control wiring harness and ABS wiring harness combination	C-51	4-75, 93, 130, 166, 416, 417, 422, 423, 424, 428, 430, 434	2-21, 29
Control wiring harness and battery wiring harness combination	B-31	4-39, 44, 46, 58, 66, 75, 84, 93, 102, 280, 282, 284, 286	2-8, 12, 16
Control wiring harness and front wiring harness (LH) combination	B-30	4-40, 52, 55, 60, 63, 68, 71, 78, 81, 86, 89, 96, 99, 104, 105, 107, 112, 113, 115, 120, 121, 123, 128, 135, 140, 147, 152, 159, 164, 171, 176, 358, 359, 362, 363, 366, 367, 372, 373, 424, 430, 468, 470	2-8, 12, 16
Control wiring harness and instrument panel wiring harness combination	C-90	4-43, 52, 60, 68, 70, 78, 80, 86, 88, 96, 98, 104, 112, 122, 126, 127, 132, 134, 138, 139, 144, 146, 150, 151, 156, 162, 163, 168, 170, 174, 175, 180, 234, 235, 270, 271, 272, 273, 274, 275, 276, 277, 280, 281, 284, 285, 441, 447, 453, 459, 497, 499, 504, 505, 506, 507	2-23, 31

Parts name	Connector No.	Circuit diagram page	Wiring diagram page
Control wiring harness and instrument panel wiring harness combination <A/T>	C-91	4-126, 138, 150, 162, 174	2-23, 31
Control wiring harness and vehicle speed sensor wiring harness combination <M/T>	B-65	4-58, 66, 75, 84, 93, 102, 109, 117, 271, 273, 275, 277, 400, 404, 441, 447, 453, 459	2-10, 14, 18
Crank angle sensor	B-77	4-56, 64, 72, 82, 90, 100, 106, 114, 128, 140, 152, 164, 176	2-11, 15, 18
Dash wiring harness and ABS wiring harness combination	C-75	4-412, 415, 418, 421, 426, 427, 428, 429, 432, 433, 434, 435	2-22, 30
Dash wiring harness and ABS wiring harness combination <LHD>	C-12	4-412	2-20
Dash wiring harness and control wiring harness combination	C-81	4-59, 67, 76, 81, 85, 94, 103, 110, 118, 468, 470, 472, 474, 504, 506	2-23, 31
Dash wiring harness and control wiring harness combination	C-83	4-52, 55, 59, 60, 63, 67, 68, 71, 76, 78, 85, 86, 89, 94, 96, 99, 103, 105, 107, 110, 113, 115, 118, 122, 123, 131, 134, 135, 143, 146, 147, 155, 156, 158, 159, 167, 168, 170, 171, 179, 180, 260, 261, 262, 263, 264, 265, 266, 267, 271, 273, 275, 277, 282, 286, 358, 362, 366, 372, 400, 404, 416, 417, 422, 423, 424, 428, 430, 434, 439, 440, 441, 445, 446, 447, 451, 452, 453, 457, 458, 459	2-23, 31
Dash wiring harness and control wiring harness combination	C-92	4-39, 40, 41, 42, 53, 55, 61, 63, 69, 71, 79, 81, 87, 89, 97, 99, 104, 105, 112, 113, 124, 136, 148, 160, 172, 440, 446, 452, 458	2-23, 31
Dash wiring harness and floor wiring harness (LH) combination	C-117	4-406, 461, 465, 505	2-25, 33
Dash wiring harness and floor wiring harness (LH) combination	C-118	4-289, 300, 389, 393, 500	2-25, 33
Dash wiring harness and floor wiring harness (LH) combination	C-119	4-200, 202, 214, 218, 222, 227, 228, 230, 237, 252, 256, 257, 258, 259, 261, 263, 289, 300, 309, 310, 317, 318, 323, 327, 333, 334, 341, 342, 347, 351, 381, 401, 402, 405, 406, 478, 483, 486, 490, 507	2-25, 33
Dash wiring harness and floor wiring harness (RH) combination	C-121	4-385, 421, 433, 461, 465, 482, 483, 491, 505, 507	2-25, 33
Dash wiring harness and floor wiring harness (RH) combination	C-122	4-290, 301, 389, 393, 500	2-25, 33

Parts name	Connector No.	Circuit diagram page	Wiring diagram page
Dash wiring harness and floor wiring harness (RH) combination	C-123	4-53, 61, 69, 79, 87, 97, 193, 195, 197, 199, 214, 218, 222, 226, 231, 236, 249, 256, 257, 258, 259, 260, 262, 264, 266, 271, 273, 275, 277, 281, 285, 290, 301, 308, 309, 310, 316, 317, 318, 322, 323, 326, 327, 332, 333, 334, 340, 341, 342, 346, 347, 350, 351, 382, 386, 401, 405, 415, 427, 478, 481, 486, 489	2-25, 33
Dash wiring harness and front door wiring harness (LH) combination	C-120	4-236, 237, 238, 292, 293, 295, 296, 299, 305, 308, 313, 316, 321, 322, 325, 326, 332, 333, 340, 346, 347, 350, 388, 390, 392, 394, 396, 397, 401, 405, 480, 489	2-25, 33
Dash wiring harness and front door wiring harness (RH) combination	C-124	4-236, 237, 240, 291, 294, 302, 303, 308, 309, 316, 322, 323, 326, 329, 332, 337, 340, 345, 346, 349, 350, 389, 391, 393, 395, 396, 397, 401, 405, 480, 481, 488	2-25, 33
Dash wiring harness and front wiring harness (LH) combination <LHD>	C-113	4-412	2-25
Dash wiring harness and front wiring harness (LH) combination <LHD>	C-114	4-28, 282, 288, 294, 398, 476, 492, 500	2-25
Dash wiring harness and front wiring harness (LH) combination <LHD>	C-115	4-183, 212, 213, 216, 217, 242, 415, 427, 476	2-25
Dash wiring harness and front wiring harness (LH) combination <LHD>	C-116	4-45, 47, 49, 182, 183, 186, 187, 192, 193, 194, 195, 196, 197, 198, 199, 206, 207, 212, 216, 243, 246, 268, 288, 352, 356, 358, 365, 366, 369, 388, 398, 400, 408, 428, 437, 443	2-25
Dash wiring harness and front wiring harness (LH) combination <RHD>	C-12	4-146, 158, 170, 257, 259, 329, 337, 345, 349, 354, 360, 370, 390, 394, 418, 432, 450, 456, 484	2-28
Dash wiring harness and front wiring harness (LH) combination <RHD>	C-13	4-34, 37, 121, 298, 330, 338, 363, 373, 397, 399, 404, 409, 448, 454, 494, 500	2-28
Dash wiring harness and front wiring harness (LH) combination <RHD>	C-14	4-45, 47, 49, 60, 67, 86, 94, 96, 103, 113, 118, 146, 158, 170, 188, 189, 200, 201, 202, 203, 208, 209, 220, 228, 235, 237, 241, 245, 250, 251, 252, 269, 272, 273, 276, 277, 298, 328, 336, 344, 348, 354, 360, 362, 370, 371, 372, 377, 390, 394, 399, 404, 409, 411, 422, 430, 434, 448, 449, 454, 455, 464, 466, 471, 475, 485, 494, 499, 506, 509	2-28

Parts name	Connector No.	Circuit diagram page	Wiring diagram page
Dash wiring harness and front wiring harness (LH) combination <RHD>	C-74	4-220, 221, 244, 484	2-30
Dash wiring harness and front wiring harness (LH) combination <RHD>	C-99	4-286, 298, 362, 372, 375	2-31
Dash wiring harness and front wiring harness (RH) combination <LHD>	C-13	4-376, 398	2-20
Dash wiring harness and front wiring harness (RH) combination <LHD>	C-14	4-182, 183, 186, 187, 192, 193, 194, 195, 196, 197, 198, 199, 206, 213, 217, 249, 268, 358, 365, 366, 380, 384, 398, 400, 408, 479	2-20
Dash wiring harness and front wiring harness (RH) combination <LHD>	C-74	4-242, 415, 427, 438, 444	2-22
Dash wiring harness and front wiring harness (RH) combination <RHD>	C-113	4-450, 456	2-33
Dash wiring harness and front wiring harness (RH) combination <RHD>	C-114	4-399	2-33
Dash wiring harness and front wiring harness (RH) combination <RHD>	C-115	4-188, 201, 203, 208, 244, 253, 269, 284, 362, 372, 377, 382, 386, 399, 421, 433, 487	2-33
Dash wiring harness and instrument panel wiring harness combination	C-25	4-45, 47, 49, 182, 183, 186, 188, 206, 207, 208, 209, 212, 213, 214, 216, 217, 218, 221, 222, 243, 245, 246, 250, 271, 273, 275, 277, 281, 282, 284, 285, 286, 353, 355, 357, 361, 365, 369, 371, 375, 389, 391, 393, 395, 398, 399, 402, 406, 408, 428, 434, 437, 443, 449, 455, 460, 463, 464, 467, 477, 485, 496, 498	2-20, 28
Dash wiring harness and instrument panel wiring harness combination	C-26	4-437, 443, 449, 455	2-21, 29

Parts name	Connector No.	Circuit diagram page	Wiring diagram page
Dash wiring harness and J/B combination	C-131	4-5, 6, 7, 30, 36, 41, 42, 43, 45, 47, 49, 52, 53, 60, 61, 68, 69, 78, 79, 86, 87, 96, 97, 104, 112, 120, 121, 122, 126, 134, 138, 146, 150, 158, 162, 170, 174, 183, 192, 194, 206, 208, 214, 218, 222, 224, 228, 234, 235, 238, 239, 240, 241, 246, 249, 250, 253, 260, 261, 262, 263, 264, 265, 266, 267, 268, 269, 270, 271, 272, 273, 274, 275, 276, 277, 280, 282, 284, 286, 288, 294, 298, 304, 306, 312, 314, 320, 321, 324, 325, 328, 330, 336, 338, 344, 345, 348, 349, 352, 354, 356, 360, 364, 370, 376, 377, 380, 382, 384, 386, 388, 390, 392, 394, 396, 397, 398, 399, 400, 402, 404, 406, 408, 409, 410, 411, 412, 418, 426, 432, 436, 437, 442, 443, 448, 449, 454, 455, 460, 462, 464, 466, 468, 470, 472, 474, 476, 477, 484, 485, 492, 494, 497, 499, 504, 506, 508, 509	2-26, 34
Dash wiring harness and J/B combination	C-132	4-5, 6, 7, 32, 38, 52, 59, 68, 76, 78, 85, 105, 110, 122, 134, 183, 192, 194, 201, 203, 206, 212, 216, 224, 236, 239, 288, 304, 306, 312, 314, 320, 324, 330, 338, 352, 354, 356, 360, 364, 370, 388, 390, 392, 394, 399, 400, 402, 404, 406, 416, 424, 426, 432, 436, 442, 460, 462, 469, 473, 477, 508	2-26, 34
Dash wiring harness and J/B combination	C-134	4-5, 6, 7, 122, 134, 146, 158, 170, 224, 228, 236, 237, 238, 239, 241, 246, 248, 250, 252, 256, 257, 258, 259, 260, 261, 262, 263, 264, 265, 266, 267, 288, 298, 304, 306, 312, 314, 320, 324, 328, 330, 336, 338, 344, 348, 376, 377, 380, 382, 384, 386, 396, 397, 398, 399, 400, 404, 412, 418, 426, 432, 436, 437, 438, 442, 443, 444, 448, 449, 450, 454, 455, 456, 460, 462, 464, 466, 468, 470, 472, 474, 476, 477, 479, 484, 485, 487, 492, 493, 494, 495, 504, 506, 508, 509	2-26, 34

Parts name	Connector No.	Circuit diagram page	Wiring diagram page
Dash wiring harness and J/B combination <RHD>	C-141	4-5, 6, 31, 45, 47, 49, 52, 59, 68, 76, 78, 85, 105, 110, 120, 122, 134, 193, 195, 197, 199, 206, 212, 213, 216, 217, 224, 234, 236, 239, 247, 248, 268, 270, 271, 274, 275, 280, 288, 294, 304, 312, 320, 324, 352, 356, 364, 392, 400, 408, 410, 416, 424, 436, 442, 460, 462, 469, 473, 477, 492, 497, 504, 508	2-26
Dash wiring harness and J/B combination <RHD>	C-142	4-5, 6, 32, 122, 134, 256, 258, 305, 313, 321, 325, 352, 356, 364, 388, 392, 402, 412, 426, 438, 444, 476	2-26
Dash wiring harness and roof wiring harness combination	C-27	4-492, 493, 494, 495	2-21, 29
Defogger (+)	G-07	4-389, 391, 393, 395	2-42, 44, 46
Defogger (-) <Sedan>	G-02	4-389, 391, 395	2-42, 44
Defogger relay	C-137	4-5, 6, 7, 32, 38, 388, 390, 392	2-26, 34
Defogger switch	C-06	4-388, 390	2-20, 28
Detonation sensor <MPI>	B-34	4-58, 66, 75, 84, 93, 102	2-9, 13
Diagnosis connector	C-19	4-59, 67, 76, 85, 94, 103, 131, 143, 155, 167, 179	2-20, 28
Diagnosis connector	C-20	4-59, 67, 76, 85, 94, 103, 110, 118, 131, 143, 155, 167, 179, 224, 228, 239, 241, 288, 298, 307, 315, 320, 324, 331, 339, 344, 348, 369, 375, 416, 422, 428, 434, 441, 447, 453, 459, 460, 462, 464, 466, 469, 471, 473, 475, 477, 485, 508, 509	2-20, 28
Diode (for fan control circuit)	C-95	4-120, 121, 359, 363, 367, 373	2-23, 31
Diode (for headlamp circuit)	C-24	4-184, 187, 189, 213, 217, 221	2-20, 28
Diode (for rear fog lamp circuit)	C-23	4-184, 213, 217, 221	2-20, 28
Distributor assembly <6A13>	B-42	4-42, 69, 80, 88, 98	2-13
Door lamp (LH)	F-20	4-236, 237	2-40, 41
Door lamp (RH)	F-06	4-236, 237	2-40, 41
Door lock actuator (Front: LH)	F-17	4-238, 305, 313, 321, 325, 333, 340, 347, 350, 480, 489	2-40, 41
Door lock actuator (Front: RH)	F-08	4-240, 309, 316, 323, 326, 329, 337, 345, 349, 481, 488	2-40, 41
Door lock actuator (Rear: LH)	F-14	4-309, 317, 323, 327, 333, 341, 347, 351, 482, 490	2-40, 41

Parts name	Connector No.	Circuit diagram page	Wiring diagram page
Door lock actuator (Rear: RH)	F-12	4-309, 317, 323, 327, 333, 341, 347, 351, 482, 490	2-40, 41
Door lock key cylinder switch (LH) <Vehicles with central door locking system> <RHD>	F-16	4-332, 340, 346, 350, 488	2-41
Door lock key cylinder switch (LH) <Vehicles with theft-alarm system> <LHD>	F-16	4-308, 322, 480	2-40
Door lock key cylinder switch (RH) <Vehicles with central door locking system> <LHD>	F-07	4-308, 316, 322, 326, 480	2-40
Door lock key cylinder switch (RH) <Vehicles with theft-alarm system> <RHD>	F-07	4-332, 346, 488	2-41
DRL relay	A-38	4-182	2-5
DRL-ECU	A-37	4-183, 192, 194, 213	2-5
Dual pressure switch <A/C>	A-35	4-358, 362, 366, 372	2-5, 7
Earth J/C	C-45	4-13, 19, 42, 43, 55, 56, 58, 63, 64, 66, 70, 71, 72, 75, 80, 81, 82, 84, 88, 89, 90, 93, 98, 99, 100, 102, 106, 107, 108, 109, 114, 115, 116, 117, 128, 130, 132, 140, 142, 144, 152, 154, 156, 164, 166, 168, 176, 178, 180, 270, 272, 274, 276, 425, 425, 431	2-21, 29
EGR solenoid valve	B-06	4-56, 64, 73, 83, 91, 101, 106, 114	2-8, 12, 16
Engine control relay	C-31	4-52, 60, 68, 78, 86, 96, 104, 112, 128, 140, 152, 164, 176, 424, 430, 468, 470	2-21, 29
Engine coolant temperature gauge unit	B-08	4-270, 272, 274, 276	2-8, 12, 16
Engine coolant temperature sensor	B-33	4-56, 64, 72, 82, 90, 100, 106, 114	2-8, 12, 16
Engine oil level relay	C-69	4-282, 286	2-22, 30
Engine oil level sensor	B-37	4-282, 286	2-9, 13, 17
Engine-ECU <4D68>	C-53	4-104, 106, 107, 108, 109, 112, 114, 115, 116, 117, 120, 121, 359, 363, 367, 373	2-21, 29
Engine-ECU <4D68>	C-54	4-106, 107, 110, 114, 115, 118, 358, 362, 366, 372, 472, 474	2-21, 29
Engine-ECU <4D68>	C-55	4-43, 104, 105, 107, 108, 109, 112, 113, 115, 116, 117, 358, 362, 366, 372	2-21, 29
Engine-ECU <4G63>	C-34	4-41, 52, 53, 54, 55, 56, 58, 60, 61, 62, 63, 64, 66, 120, 121, 142, 154, 358, 359, 362, 363, 366, 367, 372, 373, 468, 470	2-21, 29

Parts name	Connector No.	Circuit diagram page	Wiring diagram page
Engine-ECU <4G63>	C-36	4-44, 52, 55, 58, 60, 63, 66, 140, 152, 358, 362, 366, 372, 468, 470	2-21, 29
Engine-ECU <4G63>	C-38	4-41, 54, 56, 58, 59, 62, 64, 66, 67, 142, 154, 468, 470	2-21, 29
Engine-ECU <4G63>	C-40	4-52, 53, 55, 56, 58, 59, 60, 61, 63, 64, 66, 67, 140, 142, 152, 154, 445, 457	2-21, 29
Engine-ECU <6A13>	C-33	4-42, 68, 69, 70, 71, 72, 74, 78, 79, 80, 81, 82, 86, 87, 88, 89, 90, 92, 96, 97, 98, 99, 100, 120, 121, 358, 359, 362, 363, 366, 367, 372, 373, 424, 430, 468, 470	2-21, 29
Engine-ECU <6A13>	C-35	4-68, 71, 74, 75, 78, 81, 84, 86, 89, 92, 93, 96, 99, 102, 128, 130, 140, 164, 166, 176, 358, 362, 366, 372, 424, 430, 468, 470	2-21, 29
Engine-ECU <6A13>	C-37	4-46, 71, 75, 76, 81, 84, 85, 89, 93, 94, 99, 102, 103, 142, 178, 358, 362, 366, 372, 425, 431, 468, 470	2-21, 29
Engine-ECU <6A13>	C-39	4-68, 69, 70, 71, 72, 74, 75, 76, 78, 79, 80, 81, 82, 84, 85, 86, 87, 88, 89, 90, 92, 93, 94, 96, 97, 98, 99, 100, 102, 103, 128, 130, 140, 142, 164, 166, 176, 178, 424, 425, 430, 431, 439, 445, 451, 457	2-21, 29
ETACS-ECU	C-138	4-239, 241, 288, 292, 298, 302, 304, 312, 321, 324, 328, 336, 345, 348, 476, 480, 481, 484, 488, 489	2-26, 34
ETACS-ECU	C-144	4-5, 6, 7, 225, 229, 238, 240, 288, 298, 304, 306, 312, 320, 324, 328, 336, 338, 344, 348, 476, 477, 478, 479, 484, 485, 486, 487, 508, 509	2-26, 34
ETACS-ECU <Theft-alarm system>	C-139	4-308, 322, 332, 346, 477, 479, 480, 482, 485, 486, 487, 488, 490	2-26, 34
Fan control relay	B-20X	4-27, 120, 121, 359, 363, 367, 373	2-8, 12, 16
Fan controller	A-22	4-120, 121, 359, 363, 367, 373	2-5, 7
Floor wiring harness (LH) and defogger wiring harness combination <Sedan>	G-10	4-389, 391, 393, 395	2-42, 44
Floor wiring harness (LH) and J/B combination <LHD>	C-143	4-5, 6, 193, 195, 197, 199, 224, 225, 236, 238, 248, 260, 262, 288, 306, 314, 381, 388, 392, 400, 402, 478, 493, 508	2-26

Parts name	Connector No.	Circuit diagram page	Wiring diagram page
Floor wiring harness (LH) and rear door wiring harness (LH) combination	E-17	4-289, 300, 309, 317, 323, 327, 333, 341, 347, 351, 401, 405, 482, 490	2-38, 39
Floor wiring harness (RH) and fuel wiring harness combination	E-11	4-53, 61, 69, 79, 87, 97, 271, 273, 275, 277, 281, 285, 415, 421, 427, 433	2-38, 39
Floor wiring harness (RH) and J/B combination <RHD>	C-143	4-5, 7, 201, 203, 228, 229, 237, 240, 253, 261, 263, 265, 267, 298, 330, 338, 382, 386, 390, 394, 486, 495, 509	2-34
Floor wiring harness (RH) and luggage compartment wiring harness combination <Sedan>	G-17	4-192, 196, 201, 227, 231, 482, 483, 490, 491	2-43, 45
Floor wiring harness (RH) and rear door wiring harness (RH) combination	E-10	4-290, 301, 309, 317, 323, 327, 333, 341, 347, 351, 401, 405, 482, 490	2-38, 39
Floor wiring harness (RH) and tailgate wiring harness combination <Wagon>	G-28	4-194, 195, 198, 199, 203, 214, 218, 222, 226, 231, 258, 259, 264, 265, 266, 267, 310, 318, 334, 342, 385, 386, 479, 483, 487, 491	2-47
Floor wiring harness (RH) and tailgate wiring harness combination <Wagon>	G-29	4-308, 309, 316, 317, 322, 323, 326, 327, 332, 333, 340, 341, 346, 347, 350, 351, 385, 386, 481, 489	2-47
Fog lamp switch	C-146	4-207, 209, 212, 216, 220	2-23, 31
Front door switch (LH)	E-19	4-227, 230, 236, 237, 288, 310, 318, 334, 342, 478, 486, 493, 508	2-38, 39
Front door switch (RH)	E-08	4-226, 231, 236, 237, 240, 298, 310, 318, 334, 342, 478, 486, 495, 509	2-38, 39
Front fog lamp (LH)	A-19	4-206, 208	2-4, 6
Front fog lamp (RH)	A-25	4-206, 208	2-5, 7
Front fog lamp relay	B-16X	4-27, 206, 208	2-8, 12, 16
Front fog lamp switch	C-96	4-207, 209	2-23, 31
Front personal lamp <Vehicles without sunroof>	E-06	4-225, 229, 306, 314, 330, 338	2-38, 39
Front speaker (LH)	F-22	4-401, 405	2-40, 41
Front speaker (RH)	F-01	4-401, 405	2-40, 41
Front turn signal lamp (LH)	A-11	4-248, 252	2-4, 6
Front turn signal lamp (RH)	A-34	4-249, 253	2-5, 7
Front wiring harness (LH) and ABS wiring harness combination <RHD>	A-40	4-418	2-7
Front wiring harness (LH) and ABS wiring harness combination <RHD>	A-41	4-421, 433	2-7

Parts name	Connector No.	Circuit diagram page	Wiring diagram page
Front wiring harness (LH) and J/B combination <LHD>	C-141	4-5, 6, 31, 45, 47, 49, 52, 59, 68, 76, 78, 85, 105, 110, 120, 122, 134, 193, 195, 197, 199, 206, 212, 213, 216, 217, 224, 234, 236, 239, 247, 248, 268, 270, 271, 274, 275, 280, 288, 294, 304, 312, 320, 324, 352, 356, 364, 392, 400, 408, 410, 416, 424, 436, 442, 460, 462, 469, 473, 477, 492, 497, 504, 508	2-26
Front wiring harness (LH) and J/B combination <LHD>	C-142	4-5, 6, 32, 122, 134, 256, 258, 305, 313, 321, 325, 352, 356, 364, 388, 392, 402, 412, 426, 438, 444, 476	2-26
Fuel cut solenoid valve <4D68>	B-55	4-108, 116	2-17
Fuel gauge unit	E-15	4-271, 273, 275, 277, 281, 285	2-38, 39
Fuel pump <MPI>	E-16	4-53, 61, 69, 79, 87, 97	2-38, 39
Fuel pump relay <MPI>	C-32	4-53, 61, 69, 79, 87, 97	2-21, 29
Fuel temperature sensor <4D68>	B-62	4-106, 114	2-17
Fuel wiring harness and sensor wiring harness combination	E-13	4-415, 421, 427, 433	2-38, 39
Glove box lamp	D-06	4-234, 235	2-36, 37
Glow plug relay <4D68>	B-52	4-43, 108, 116	2-17
Glow plug relay <4D68>	B-53	4-43, 108, 116	2-17
Glow plug relay <4D68>	B-54	4-43, 108, 116	2-17
Glow plugs <4D68>	B-46	4-43, 108, 116	2-17
Hazard warning switch	D-07	4-246, 250	2-36, 37
Headlamp (HI: LH)	A-20	4-182, 186, 188	2-4, 6
Headlamp (HI: RH)	A-23	4-182, 186, 188	2-5, 7
Headlamp (LO: LH)	A-15	4-182, 186, 188	2-4, 6
Headlamp (LO: RH)	A-27	4-182, 186, 188	2-5, 7
Headlamp leveling switch	C-94	4-243, 245	2-23, 31
Headlamp leveling unit (LH)	A-12	4-242, 244	2-4, 6
Headlamp leveling unit (RH)	A-33	4-242, 244	2-5, 7
Headlamp relay	B-18X	4-27, 29, 35, 182, 186, 188	2-8, 12, 16
Headlamp washer motor	A-28	4-398, 399	2-5, 7
Headlamp washer relay	A-36	4-398, 399	2-5, 7
Heated seat assembly (LH)	E-21	4-505, 507	2-38, 39

Parts name	Connector No.	Circuit diagram page	Wiring diagram page
Heated seat assembly (RH)	E-02	4-505, 507	2-38, 39
Heated seat switch	C-86	4-504, 506	2-23, 31
Heater water temperature sensor <Automatic A/C>	C-70	4-368, 374	2-22, 30
High mounted stop lamp	G-04	4-256, 257, 258, 259	2-42, 44, 46
Hood switch <Theft-alarm system>	A-24	4-479, 487	2-5, 7
Horn (HI)	A-17	4-268, 269	2-4, 6
Horn (HI)	A-18	4-268, 269	2-4, 6
Horn (LO)	A-29	4-268, 269	2-5, 7
Horn (LO)	A-30	4-268, 269	2-5, 7
Horn relay	B-17X	4-27, 268, 269	2-8, 12, 16
Horn switch	C-112	4-268, 269	2-24, 32
Idle position switch <4D68 (LHD)>	B-47	4-107	2-17
Idle position switch <4D68 (RHD)>	B-48	4-115	2-17
Idle speed control servo <MPI>	B-10	4-57, 65, 73, 83, 91, 101	2-8, 12
Ignition coil No.1 <4G63>	B-11	4-41, 54, 62	2-8
Ignition coil No.2 <4G63>	B-01	4-41, 54, 62	2-8
Ignition key ring antenna <Vehicles with immobilizer system>	C-104	4-469, 471, 473, 475	2-24, 32
Ignition switch	C-105	4-30, 36	2-24, 32
Immobilizer-ECU	C-68	4-59, 67, 76, 85, 94, 110, 118, 469, 471, 473, 475	2-22, 30
Inhibitor switch <A/T>	B-72	4-39, 55, 63, 71, 81, 89, 99, 124, 136, 148, 160, 172, 262, 263, 266, 267, 440, 446, 452, 458	2-11, 15
Injection rate correction resistor <4D68 (LHD)>	B-58	4-107	2-17
Injection rate correction resistor <4D68 (RHD)>	B-59	4-115	2-17
Injection timing correction resistor <4D68>	B-60	4-107, 115	2-17
Injector 1 <MPI>	B-02	4-57, 65, 72, 82, 90, 100	2-8, 12
Injector 2 <MPI>	B-03	4-57, 65, 73, 83, 91, 101	2-8, 12
Injector 3 <MPI>	B-05	4-57, 65, 72, 82, 90, 100	2-8, 12
Injector 4 <MPI>	B-36	4-57, 65, 73, 83, 91, 101	2-9, 13
Injector 5 <6A13>	B-40	4-72, 82, 90, 100	2-13
Injector 6 <6A13>	B-44	4-73, 83, 91, 101	2-13

Parts name	Connector No.	Circuit diagram page	Wiring diagram page
Input shaft speed sensor <A/T>	B-71	4-123, 135, 147, 159, 171	2-11, 14
Inspection connector <MPI>	B-09	4-41, 42, 53, 54, 61, 62, 69, 70, 79, 80, 87, 88, 97, 98, 270, 272	2-8, 12
Instrument panel wiring harness and ABS wiring harness combination	C-50	4-412, 418, 426, 432	2-21, 29
Instrument panel wiring harness and J/B combination	C-135	4-5, 6, 7, 43, 45, 47, 49, 52, 60, 68, 78, 86, 96, 104, 112, 122, 126, 134, 138, 146, 150, 158, 162, 170, 174, 206, 208, 213, 214, 217, 218, 221, 222, 225, 229, 234, 235, 246, 247, 249, 250, 251, 253, 270, 271, 272, 273, 274, 275, 276, 277, 280, 282, 284, 286, 398, 399, 408, 409, 410, 411, 412, 418, 426, 432, 437, 443, 449, 455, 460, 462, 464, 466, 477, 485, 497, 499, 504, 506	2-26, 34
Intake air temperature sensor <4D68>	B-45	4-107, 115	2-17
J/C (1)	C-61	4-8, 14, 206, 209, 220, 293, 296, 307, 315, 331, 339, 354, 360, 370, 375, 376, 380, 384, 390, 394, 396, 397, 402, 404, 406, 429, 434, 435, 436, 442, 448, 449, 454, 455, 498	2-22, 30
J/C (2)	C-62	4-8, 14, 60, 67, 86, 94, 96, 103, 113, 118, 146, 158, 170, 201, 203, 207, 208, 209, 212, 216, 220, 221, 228, 235, 237, 238, 241, 243, 245, 251, 272, 273, 276, 277, 282, 298, 307, 308, 315, 316, 322, 326, 328, 336, 344, 348, 354, 355, 360, 361, 365, 368, 370, 371, 388, 390, 392, 394, 396, 399, 404, 406, 409, 411, 422, 428, 429, 430, 434, 437, 440, 443, 446, 448, 449, 454, 455, 464, 466, 469, 471, 472, 475, 480, 485, 494, 498, 506, 509	2-22, 30
J/C (3)	C-63	4-9, 15, 52, 59, 68, 76, 78, 85, 105, 110, 122, 134, 183, 184, 187, 189, 192, 194, 206, 212, 213, 216, 217, 221, 224, 236, 238, 239, 242, 288, 304, 305, 312, 313, 320, 321, 324, 325, 332, 340, 346, 350, 352, 356, 364, 369, 388, 392, 400, 416, 424, 436, 442, 448, 449, 452, 454, 455, 458, 460, 462, 469, 471, 473, 474, 477, 480, 488, 489, 490, 508	2-22, 30

Parts name	Connector No.	Circuit diagram page	Wiring diagram page
J/C (4)	C-64	4-9, 15, 156, 168, 180, 193, 195, 197, 199, 207, 209, 212, 216, 220, 240, 243, 245, 286, 331, 332, 339, 340, 346, 350, 352, 353, 356, 357, 358, 365, 366, 368, 371, 382, 386, 388, 390, 392, 397, 402, 428, 434, 435, 437, 443, 449, 452, 455, 458, 471, 474, 488, 496	2-22, 30
J/C (5)	C-65	4-10, 16, 122, 134, 146, 158, 170, 222, 226, 236, 237, 249, 252, 256, 257, 258, 259, 260, 261, 262, 263, 264, 265, 266, 267, 303, 307, 310, 315, 318, 397, 412, 418, 426, 432, 438, 444, 450, 456, 478, 479, 486, 493, 495	2-22, 30
J/C (6)	C-66	4-10, 16, 52, 59, 60, 67, 68, 76, 78, 85, 86, 94, 96, 103, 105, 110, 113, 118, 122, 131, 134, 143, 146, 155, 158, 167, 170, 179, 206, 212, 216, 224, 228, 236, 237, 238, 241, 271, 273, 275, 277, 288, 298, 307, 315, 320, 324, 331, 339, 344, 348, 362, 364, 369, 370, 372, 375, 396, 400, 401, 405, 412, 416, 417, 422, 423, 424, 426, 428, 430, 434, 441, 447, 453, 459, 460, 462, 464, 466, 469, 471, 473, 475, 477, 489, 508, 509	2-22, 30
J/C (7)	C-67	4-11, 17, 45, 47, 49, 182, 183, 184, 186, 187, 188, 189, 192, 193, 194, 195, 196, 197, 198, 199, 200, 202, 206, 208, 209, 212, 216, 220, 243, 268, 269, 282, 286, 352, 356, 358, 365, 366, 388, 398, 400, 408, 428, 437, 443	2-22, 30
J/C (A)	C-47	4-11, 17, 52, 60, 67, 78, 86, 96, 122, 124, 127, 134, 136, 139, 146, 148, 151, 158, 160, 163, 170, 172, 175, 424, 430, 468, 470, 496, 498	2-21, 29
J/C (B)	C-48	4-12, 18, 58, 66, 75, 84, 93, 102, 124, 131, 132, 136, 142, 144, 148, 154, 156, 160, 167, 168, 172, 178, 180, 425, 431, 439, 440, 445, 446, 451, 452, 457, 458	2-21, 29
J/C (C)	C-49	4-12, 18, 123, 127, 131, 135, 139, 142, 143, 147, 151, 154, 155, 167, 178, 179, 262, 263, 266, 267, 416, 422, 425, 428, 431, 434, 439, 445, 451, 457	2-21, 29

Parts name	Connector No.	Circuit diagram page	Wiring diagram page
J/C (D)	C-56	4-13, 19, 109, 117, 118, 260, 261, 264, 265, 417, 423	2-21, 29
Key reminder switch	C-109	4-238, 241, 307, 315, 331, 339, 479, 487	2-24, 32
Keyless entry receiver-ECU	C-80	4-239, 241, 307, 315, 331, 339, 476, 484	2-23, 31
Licence plate lamp (LH) <Sedan>	G-18	4-192, 196, 201	2-43, 45
Licence plate lamp (RH) <Sedan>	G-19	4-192, 196, 201	2-43, 45
Licence plate lamp <Wagon>	G-25	4-194, 198, 203	2-47
Luggage compartment lamp	G-11	4-226, 227, 231	2-42, 44, 46
Luggage compartment lamp switch <Vehicles without theft-alarm system> <Sedan>	G-20	4-227, 231	2-43, 45
Mode selection damper control motor and potentiometer <Automatic A/C>	C-17	4-368, 374	2-20, 28
Motor antenna assembly <Sedan>	G-15	4-402, 405	2-43, 45
No connection	B-27X	4-27, 213, 217, 221	2-8, 12, 16
No connection	D-12	4-213, 217, 221	2-36, 37
No connection	E-20		2-38, 39
No connection <Wagon>	G-15		2-46
Oil pressure switch	B-35	4-280, 284	2-9, 13, 16
Oil pressure switch wiring harness and control wiring harness combination <6A13>	B-80	4-280, 284	2-15
Output shaft speed sensor <A/T>	B-68	4-123, 135, 147, 159, 171	2-10, 14
Outside thermo sensor <Automatic A/C>	A-21	4-369, 375	2-5, 7
Outside/inside air selection damper control motor	C-78	4-353, 355, 357, 361, 368, 374	2-22, 30
Outside/inside air selection switch <Heater and manual A/C>	C-03	4-353, 355, 357, 361	2-20, 28
Oxygen sensor (Front) <MPI>	C-46	4-56, 64, 72, 82, 90, 100	2-21, 29
Oxygen sensor (Rear) <MPI>	C-85	4-56, 64, 72, 82, 90, 100	2-23, 31
Parking brake switch	C-87	4-280, 284	2-23, 31
Photo sensor <Automatic A/C>	D-04	4-369, 375	2-36, 37
Position lamp (LH)	A-16	4-192, 194, 196, 198, 200, 202	2-4, 6
Position lamp (RH)	A-26	4-193, 195, 197, 199, 201, 203	2-5, 7
Power seat assembly (LH)	E-22	4-500	2-38, 39
Power seat assembly (RH)	E-01	4-502	2-38, 39

Parts name	Connector No.	Circuit diagram page	Wiring diagram page
Power steering oil pressure switch <MPI>	B-76	4-58, 66, 75, 84, 93, 102	2-11, 15
Power transistor <Automatic A/C>	C-77	4-364, 370	2-22, 30
Power window main switch	F-19	4-293, 296, 303	2-40, 41
Power window motor (Front: LH)	F-21	4-292, 295, 299	2-40, 41
Power window motor (Front: RH)	F-04	4-291, 294, 302	2-40, 41
Power window motor (Rear: LH)	F-15	4-289, 300	2-40, 41
Power window motor (Rear: RH)	F-10	4-290, 301	2-40, 41
Power window relay	B-15X	4-27, 29, 35, 288, 294, 298	2-8, 12, 16
Power window sub switch (Front: RH)	F-05	4-291, 294, 299	2-40, 41
Power window sub switch (Rear: LH)	F-13	4-289, 300	2-40, 41
Power window sub switch (Rear: RH)	F-11	4-290, 301	2-40, 41
Pump operation sensor <4D68>	B-63	4-107, 115	2-17
Purge control solenoid valve <MPI>	B-04	4-56, 64, 72, 82, 90, 100	2-8, 12
Radio and tape player	C-93	4-400, 401, 402, 404, 405, 406	2-23, 31
Rear combination lamp (LH)	G-13	4-193, 195, 197, 199, 200, 202, 214, 218, 222, 248, 252, 256, 257, 258, 259, 260, 261, 262, 263	2-42, 44, 46
Rear combination lamp (RH)	G-08	4-193, 195, 197, 199, 201, 203, 214, 218, 222, 249, 253, 256, 257, 258, 259, 260, 261, 262, 263	2-42, 44, 46
Rear door switch (LH)	G-16	4-227, 230, 310, 318, 334, 342, 478, 486	2-43, 45, 46
Rear door switch (RH)	G-09	4-226, 231, 310, 318, 334, 342, 478, 486	2-42, 44, 46
Rear fog lamp (LH) <Wagon>	G-34	4-214, 218, 222	2-47
Rear fog lamp (RH) <Wagon>	G-26	4-214, 218, 222	2-47
Rear intermittent wiper relay	G-12	4-381, 382, 385, 386	2-42, 44, 46
Rear personal lamp (LH)	G-01	4-227, 230	2-42, 44, 46
Rear personal lamp (RH)	G-05	4-226, 230	2-42, 44, 46
Rear speaker (LH) <Sedan>	G-03	4-393, 401, 405	2-42, 44
Rear speaker (LH) <Wagon>	F-18	4-401, 405	2-40, 41
Rear speaker (RH) <Sedan>	G-06	4-401, 405	2-42, 44
Rear speaker (RH) <Wagon>	F-09	4-401, 405	2-40, 41
Rear turn signal lamp (LH) <Wagon>	G-24	4-248, 252	2-46
Rear turn signal lamp (RH) <Wagon>	G-23	4-249, 253	2-46

Parts name	Connector No.	Circuit diagram page	Wiring diagram page
Rear washer motor	A-32	4-380, 382, 384, 386	2-5, 7
Rear wiper motor	G-14	4-381, 382, 385, 386	2-42, 44, 46
Remote controlled mirror (LH)	F-24	4-388, 390, 392, 394, 396, 397	2-40, 41
Remote controlled mirror (RH)	F-03	4-389, 391, 393, 395, 396, 397	2-40, 41
Remote controlled mirror switch	C-97	4-396, 397	2-23, 31
Resistor <Manual A/C>	C-76	4-352, 354, 356, 360	2-22, 30
Rheostat	D-13	4-497, 499	2-36, 37
Roof wiring harness and J/B combination	C-133	4-5, 6, 7, 225, 229, 304, 306, 312, 314, 328, 330, 336, 338, 492, 494	2-26, 34
Room lamp <Vehicles with sunroof>	E-05	4-225, 229, 306, 314, 330, 338	2-38, 39
Side air bag module (squib) (LH)	C-21	4-461, 465	2-20, 28
Side air bag module (squib) (RH)	C-16	4-461, 465	2-20, 28
Side impact sensor (LH) <Vehicles with side air bag>	E-18	4-461, 465	2-38, 39
Side impact sensor (RH) <Vehicles with side air bag>	E-09	4-238, 461, 465	2-38, 39
Side turn signal lamp (LH)	A-08	4-248, 252	2-4, 6
Side turn signal lamp (RH)	A-01	4-249, 253	2-4, 6
Solenoid-type spill valve <4D68>	B-61	4-108, 116	2-17
Solenoid-type spill valve relay <Diesel>	C-52	4-108, 116	2-21, 29
SRS-ECU <Vehicles with side air bag>	C-42	4-461, 465	2-21, 29
SRS-ECU <Vehicles with side air bag>	C-43	4-461, 465	2-21, 29
SRS-ECU <Vehicles without side air bag>	C-44	4-463, 467	2-21, 29
Starter	B-73	4-39, 40	2-11, 15, 18
Starter	B-74	4-39, 40	2-11, 15, 18
Starter relay <Diesel>	A-10	4-40, 105, 113	2-4, 6
Steering wheel sensor <TCL>	C-106	4-429, 435	2-24, 32
Stop lamp switch	C-02	4-122, 134, 146, 158, 170, 256, 257, 258, 259, 412, 418, 426, 432, 438, 444, 450, 456	2-20, 28
Sunroof motor	E-03	4-492, 494	2-38, 39
Sunroof switch	E-04	4-492, 494	2-38, 39
Sunroof-ECU	E-07	4-493, 495	2-38, 39
Tail lamp relay	B-14X	4-27, 29, 35, 183, 193, 195, 197, 199, 200, 202	2-8, 12, 16

Parts name	Connector No.	Circuit diagram page	Wiring diagram page
Tailgate lock actuator <Wagon>	G-30	4-309, 317, 323, 327, 333, 340, 341, 347, 351, 483, 491	2-47
Tailgate lock key cylinder switch <Wagon>	G-31	4-308, 316, 322, 326, 332, 346, 350, 481, 489	2-47
Tailgate switch <Wagon>	G-32	4-226, 231, 310, 318, 334, 342, 479, 487	2-47
TCL switch	C-98	4-428, 434	2-23, 31
TCL-ECU	C-10	4-75, 93, 130, 166, 414, 420, 424, 427, 428, 429, 430, 433, 434, 435	2-20, 28
TCL-ECU	C-11	4-424, 426, 428, 429, 430, 432, 434, 435	2-20, 28
Theft-alarm horn	A-13	4-476, 484	2-4, 6
Theft-alarm horn	A-14	4-476, 484	2-4, 6
Theft-alarm horn relay	B-21X	4-27, 476, 484	2-8, 12, 16
Throttle position sensor <MPI>	B-07	4-57, 65, 73, 83, 91, 101, 130, 142, 154, 166, 178, 425, 431, 439, 445, 451, 457	2-8, 12
Throttle solenoid valve	B-49	4-106, 114	2-17
Timing control valve <4D68 (LHD)>	B-56	4-106	2-17
Timing control valve <4D68 (RHD)>	B-57	4-114	2-17
Trunk lid latch switch <Vehicles with theft-alarm system> <Sedan>	G-21	4-227, 231, 483, 491	2-43, 45
Trunk lid lock key cylinder switch <Vehicles with theft-alarm system> <Sedan>	G-22	4-482, 490	2-43, 45
Turn-signal and hazard warning flasher unit	C-136	4-5, 6, 7, 246, 250	2-26, 34
Tweeter (LH)	F-23	4-401, 405	2-40, 41
Tweeter (RH)	F-02	4-401, 405	2-40, 41
Vacuum solenoid valve <TCL>	B-78	4-74, 92, 424, 430	2-15
Vacuum switch <Diesel>	A-07	4-280, 284	2-4, 6
Vehicle speed sensor <A/T>	B-67X	4-58, 66, 75, 84, 93, 102, 132, 144, 156, 168, 180, 271, 273, 400, 404, 441, 447, 453, 459	2-10, 14
Vehicle speed sensor <M/T>	B-66	4-58, 66, 75, 84, 93, 102, 109, 117, 271, 273, 275, 277, 400, 404, 441, 447, 453, 459	2-10, 14, 18
Ventilation solenoid valve <TCL>	B-79	4-74, 92, 424, 430	2-15
Water level switch <4D68>	B-51	4-281, 285	2-17
Wheel speed sensor (Front: LH)	A-09	4-415, 421, 427, 433	2-4, 6

INDEX (In order of parts name)

Parts name	Connector No.	Circuit diagram page	Wiring diagram page
Wheel speed sensor (Front: RH)	A-39	4-415, 421, 427, 433	2-5, 7
Wheel speed sensor (Rear: LH)	E-14	4-415, 421, 427, 433	2-38, 39
Wheel speed sensor (Rear: RH)	E-12	4-415, 421, 427, 433	2-38, 39
Wide open throttle switch <MPI-A/T>	C-18	4-132, 144, 156, 168, 180	2-20, 28
Windshield washer motor	A-31	4-376, 377	2-5, 7
Windshield wiper motor	A-03	4-376, 377	2-4, 6