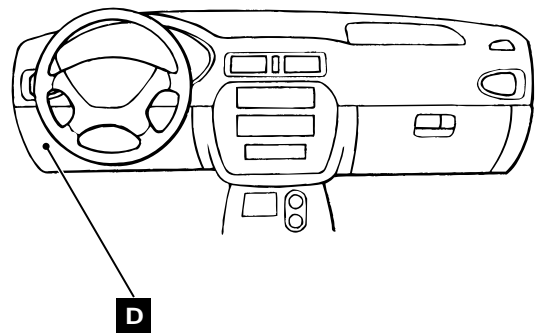
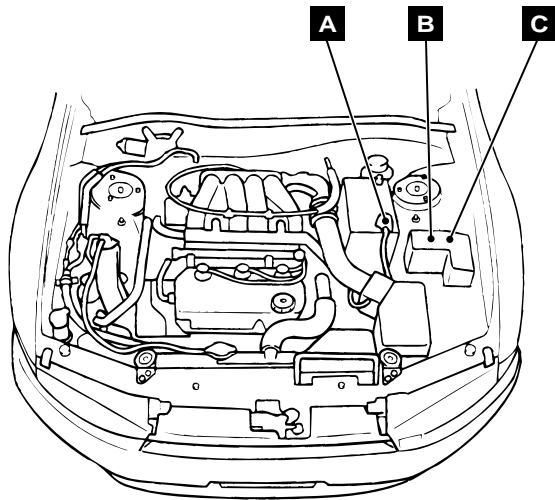

GROUP 70**COMPONENT
LOCATIONS****CONTENTS**

FUSIBLE LINK AND FUSE	70-2	SENSOR	70-8
INSPECTION TERMINAL	70-3	CONTROL UNIT	70-13
GROUNDING	70-4	SOLENOID AND SOLENOID VALVE	70-16
GROUNDING CABLE	70-6	OTHER DEVICES	70-18
RELAY	70-7		

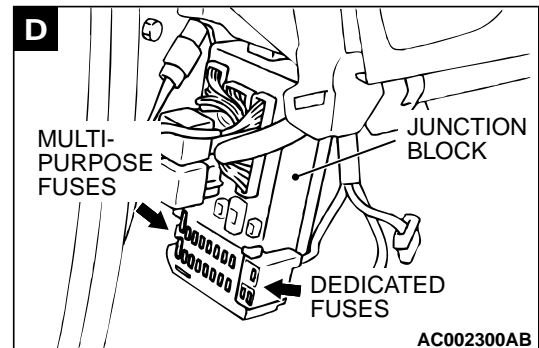
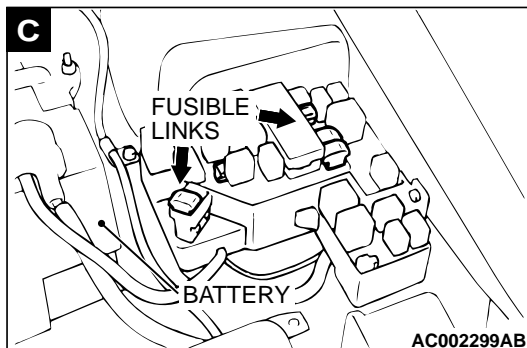
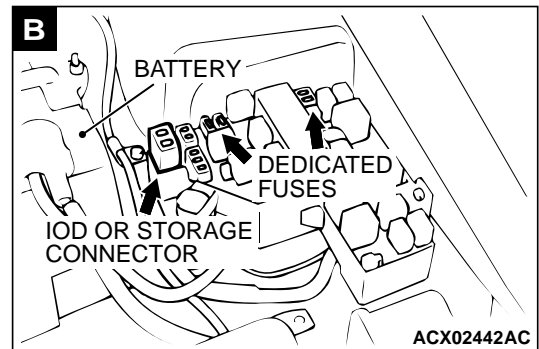
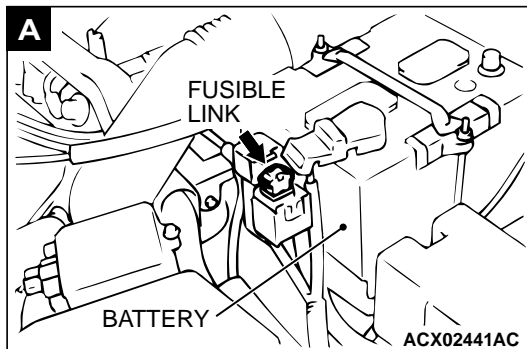
FUSIBLE LINK, FUSE AND IOD OR STORAGE CONNECTOR

M1701000100089

NAME	SYMBOL	NAME	SYMBOL
Dedicated fuse No.1 to 14	B	Fusible link No.1 to 7	C
Dedicated fuse No.15 to 18	D	IOD or storage connector	B
Fusible link No.8	A	Multi-purpose fuses	D



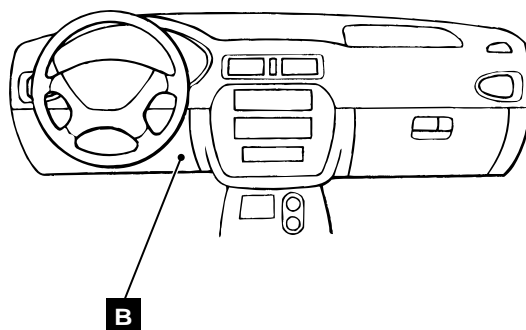
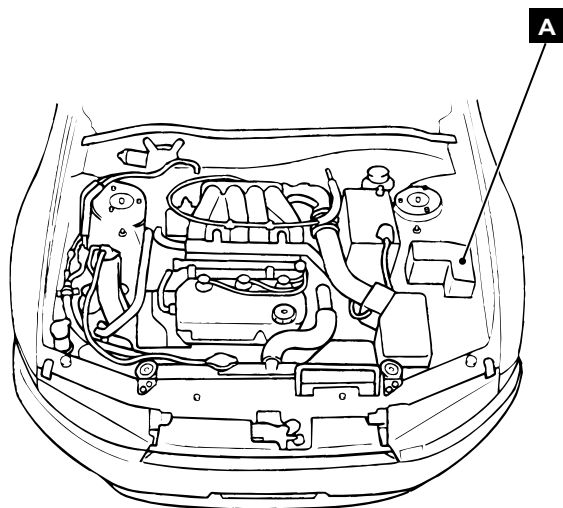
AC002298AB



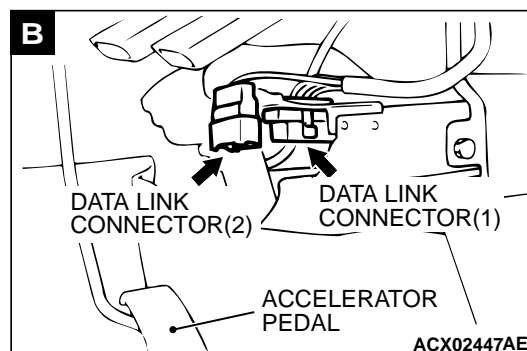
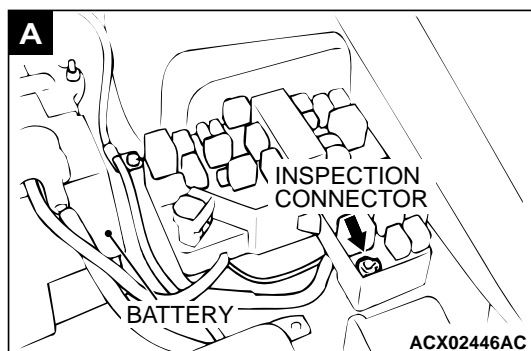
INSPECTION TERMINAL

M1701000200075

NAME	SYMBOL	NAME	SYMBOL
Data link connector (1), (2)	B	Inspection connector	A

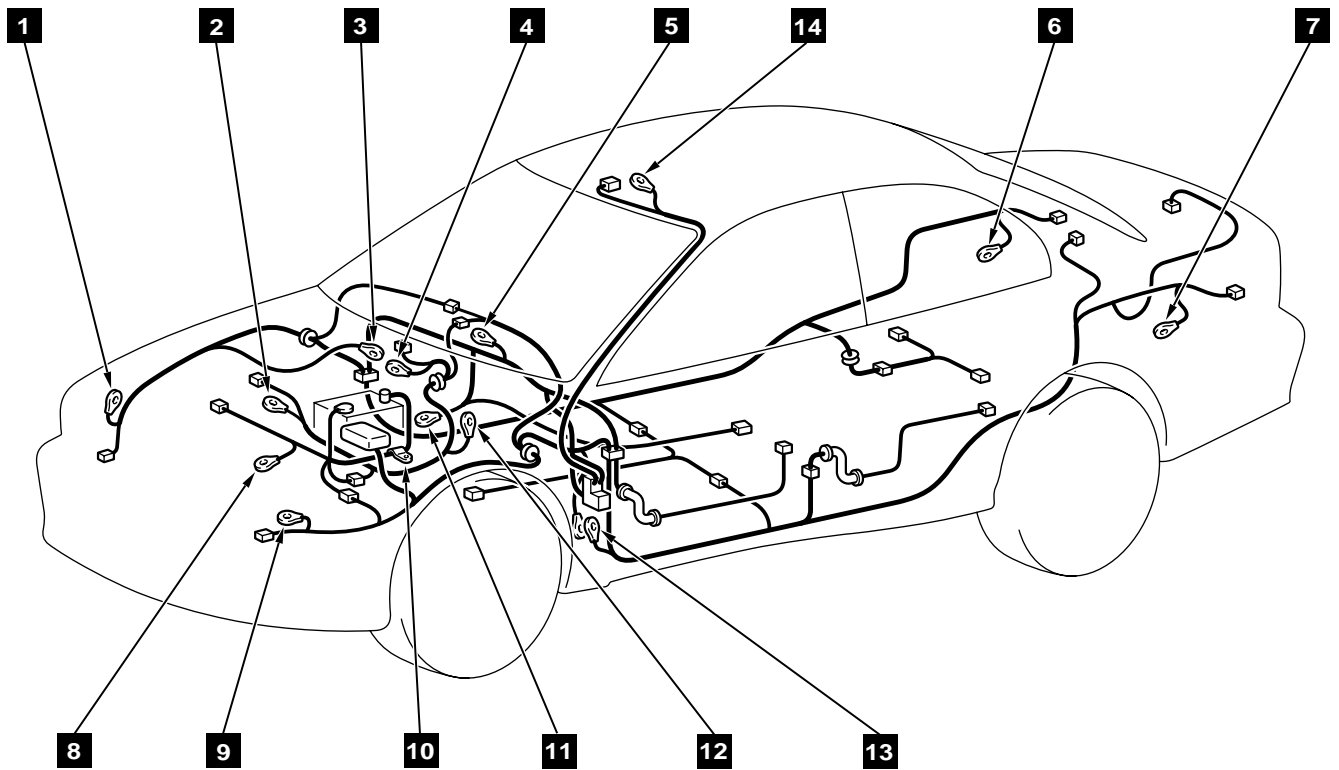


AC002301AB



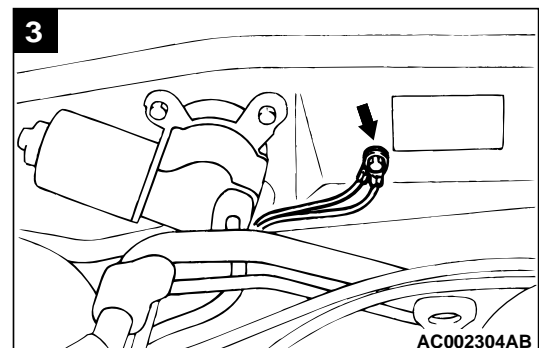
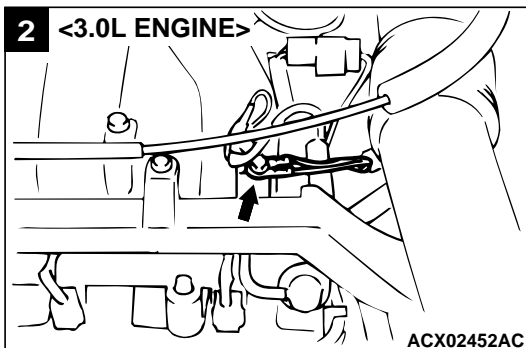
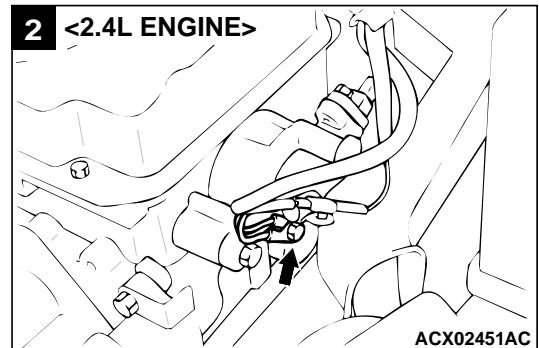
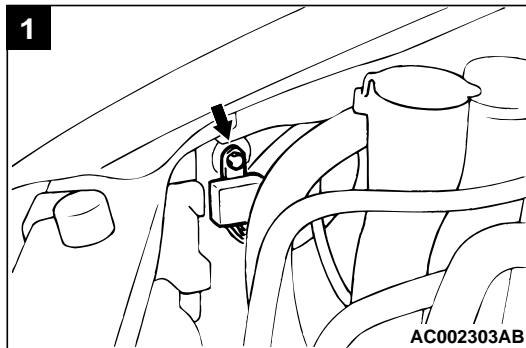
GROUNDING

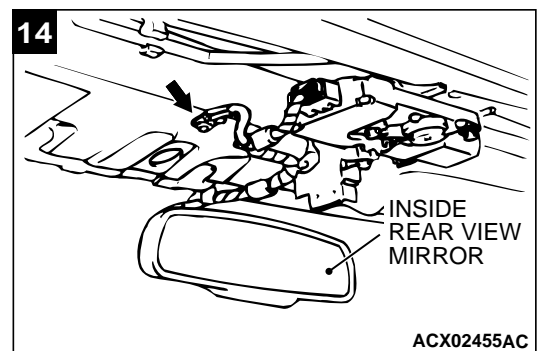
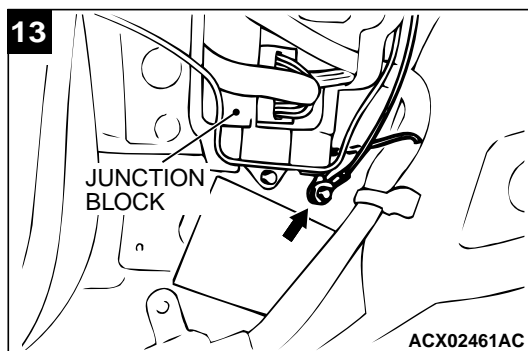
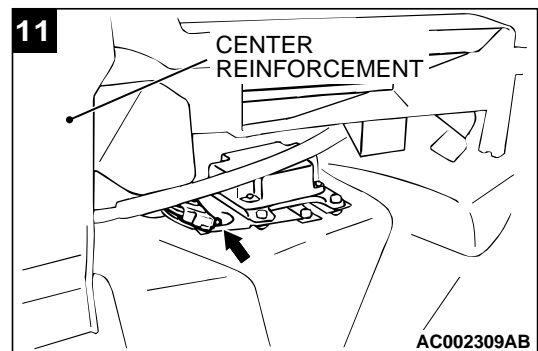
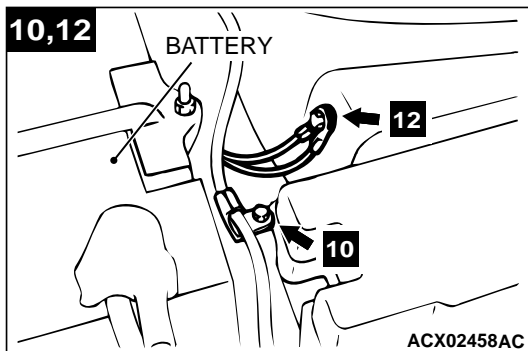
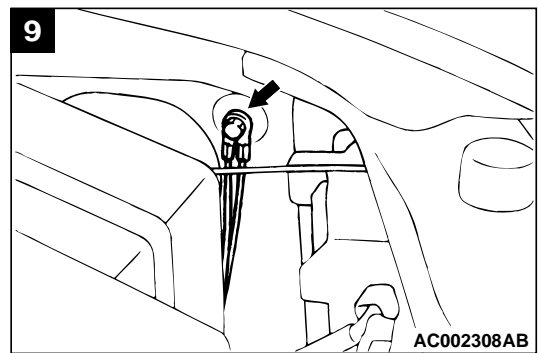
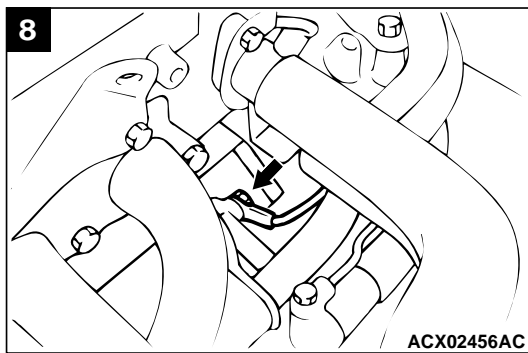
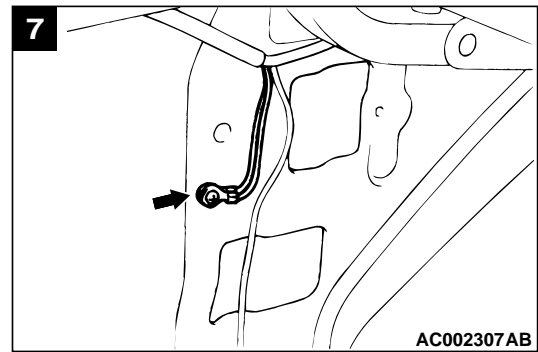
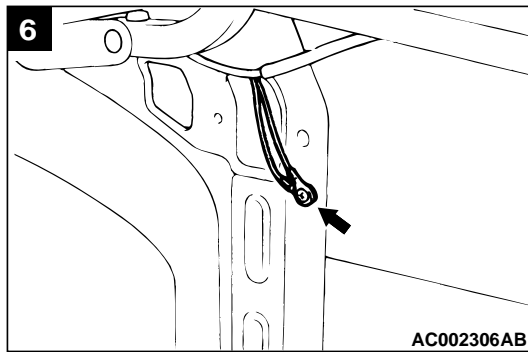
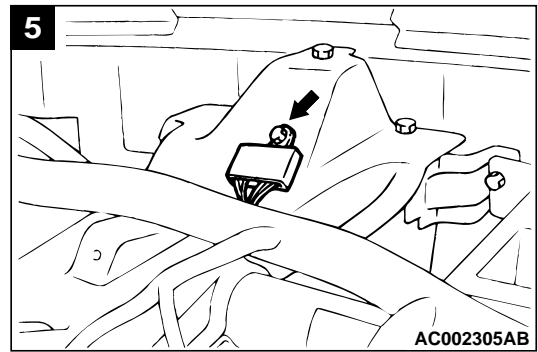
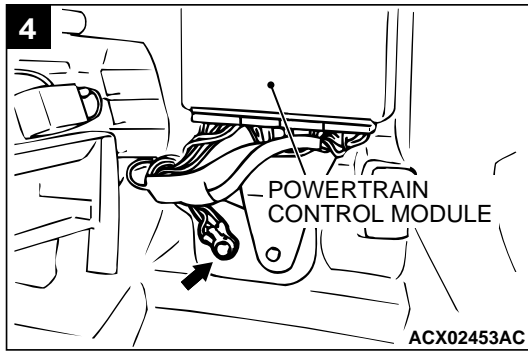
M1701000300061



AC002302AB

NOTE: 1 to 14 numbers correspond to the body ground point numbers in CIRCUIT DIAGRAMS.

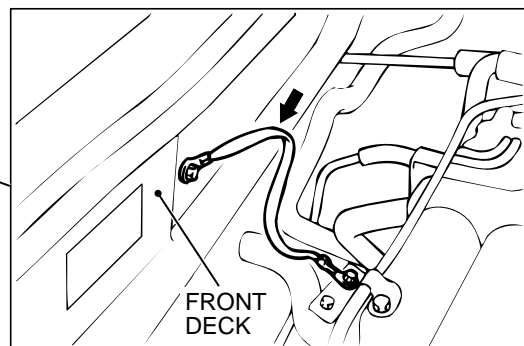
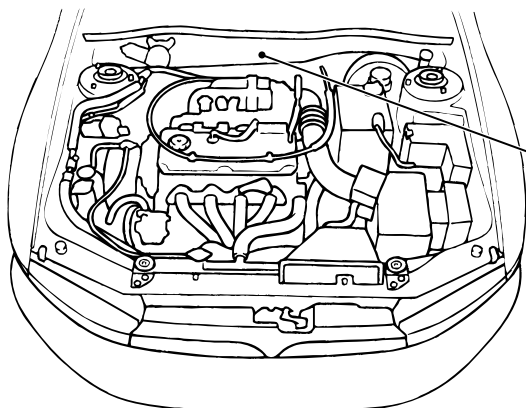




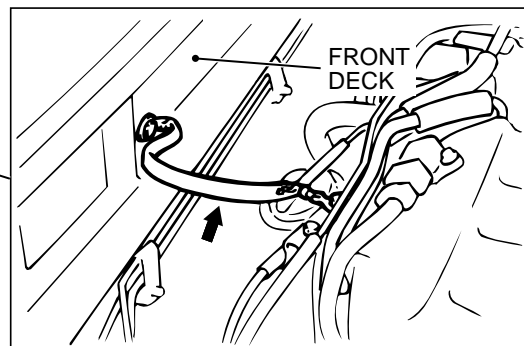
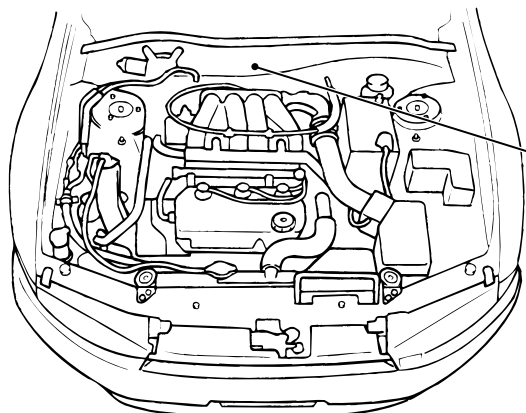
GROUNDING CABLE

M1701001000063

<2.4L ENGINE>



<3.0L ENGINE>

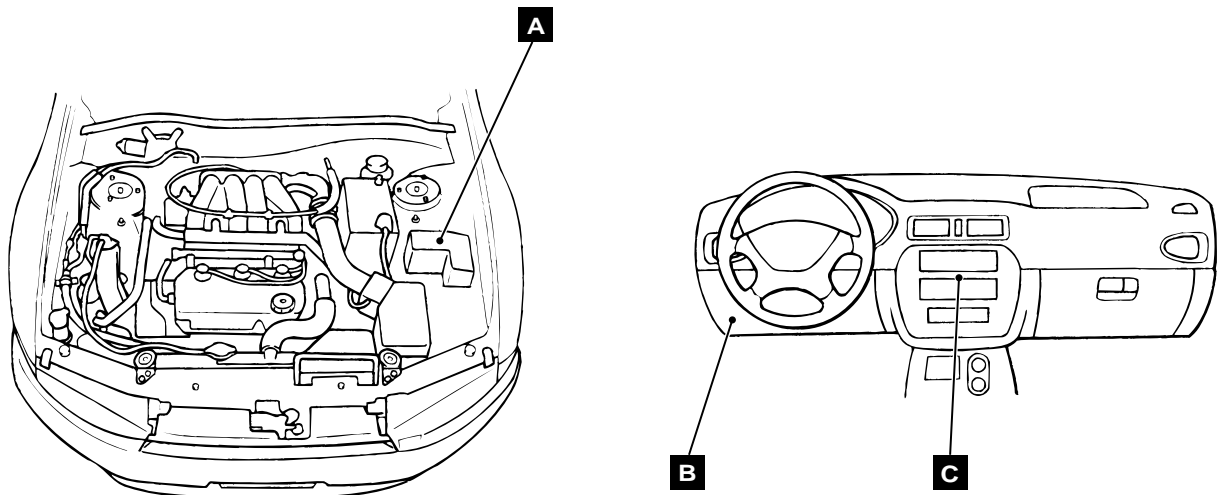


AC002310AB

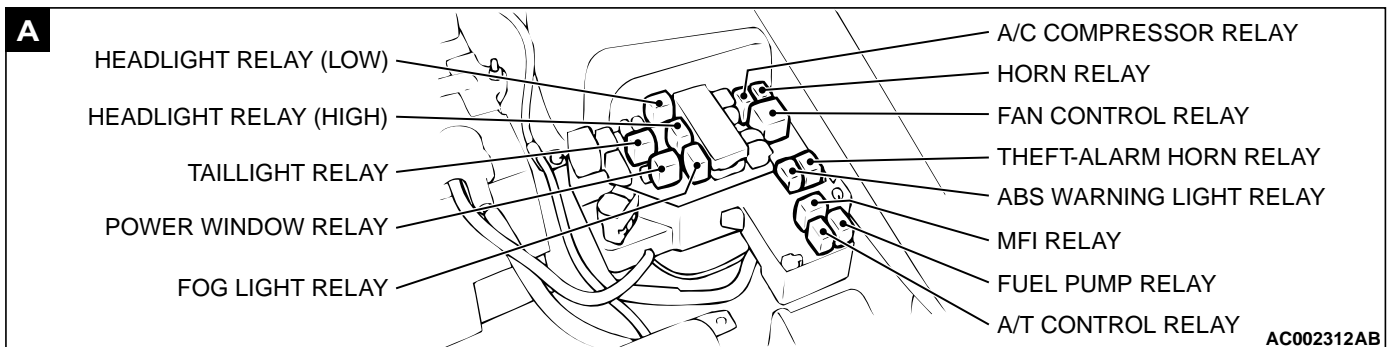
M1701000400068

RELAY

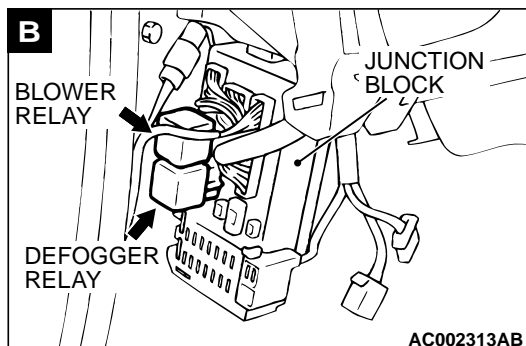
NAME	SYMBOL	NAME	SYMBOL
ABS warning lamp relay	A	Headlight relay (High)	A
A/C compressor relay	A	Headlight relay (Low)	A
A/T control relay	A	Horn relay	A
Blower relay	B	MFI relay	A
Defogger relay	B	Power window relay	A
Fan control relay	A	Taillight relay	A
Fog light relay	A	Theft-alarm horn relay	A
Fuel pump relay	A		



AC002311AB



AC002312AB



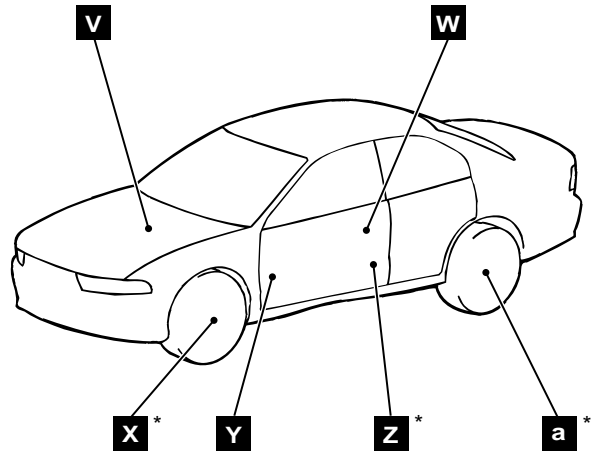
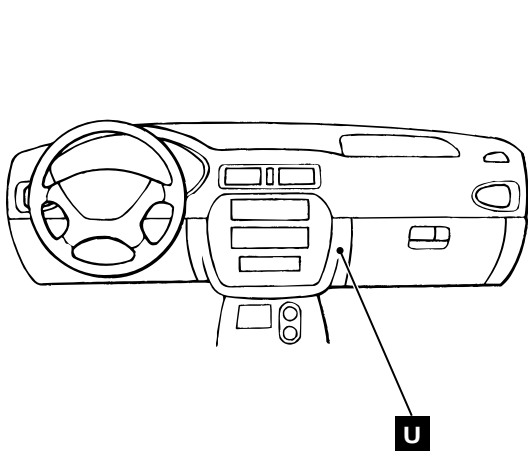
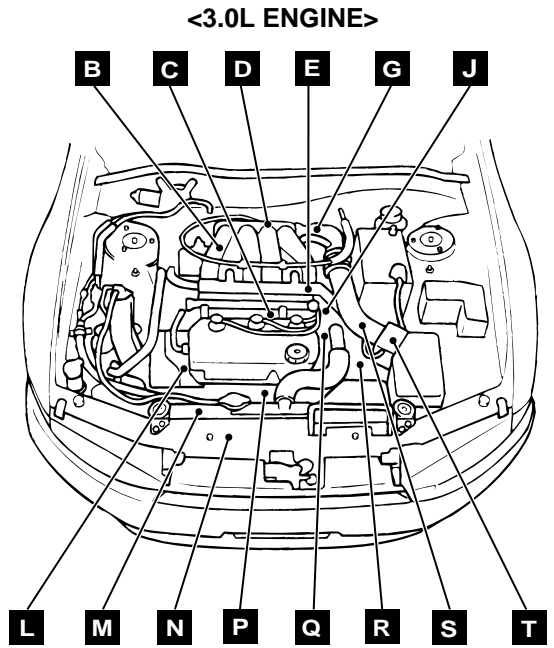
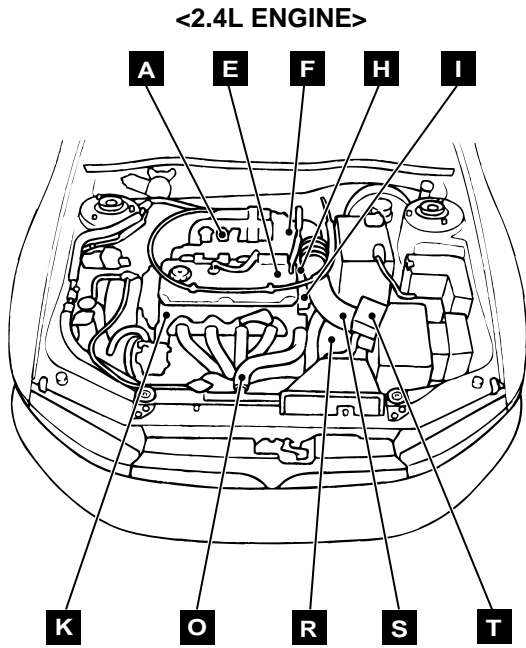
AC002313AB

TSB Revision

SENSOR

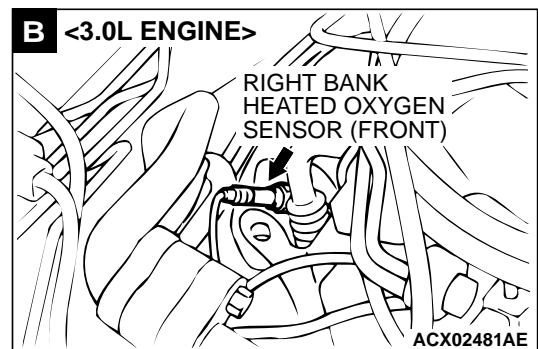
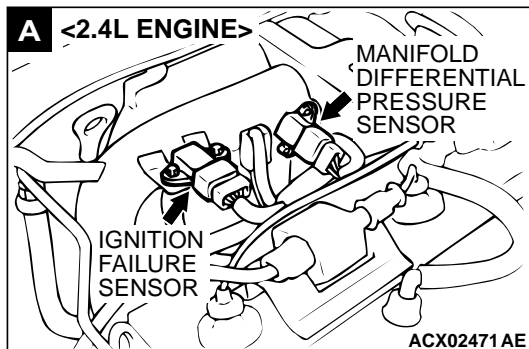
M1701000600062

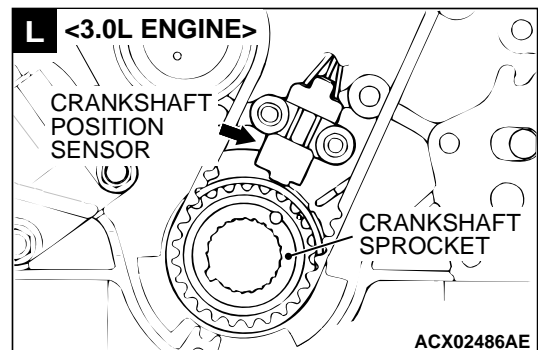
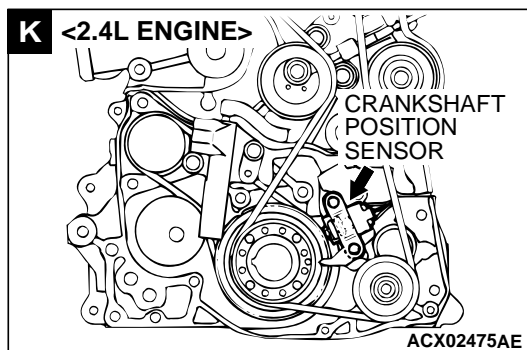
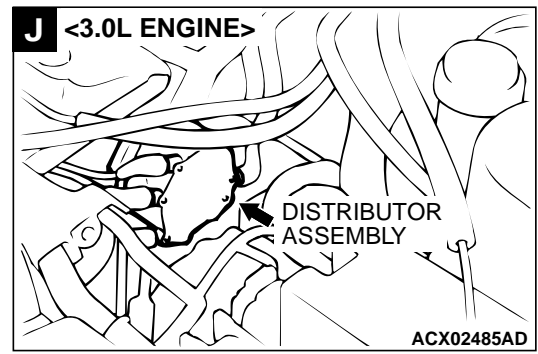
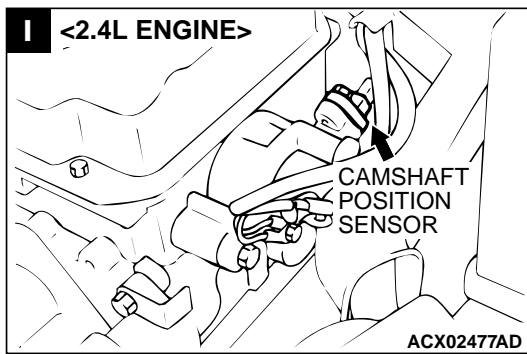
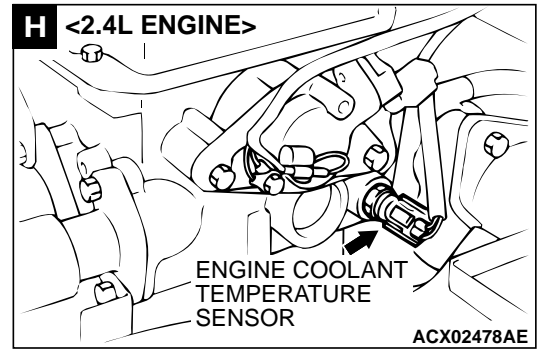
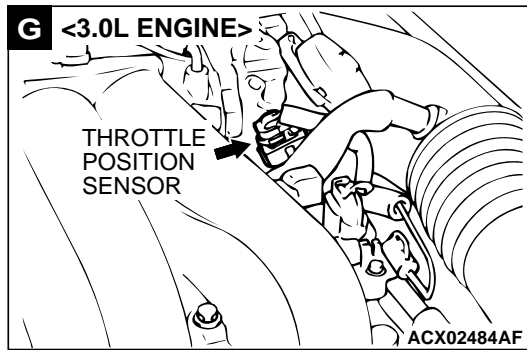
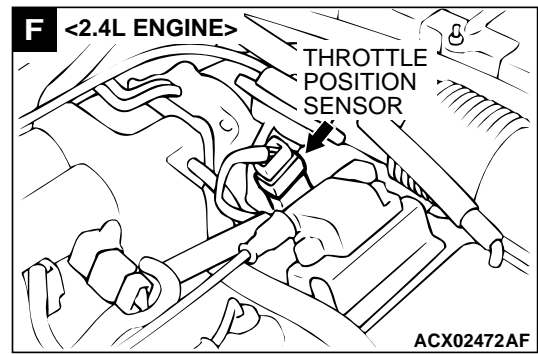
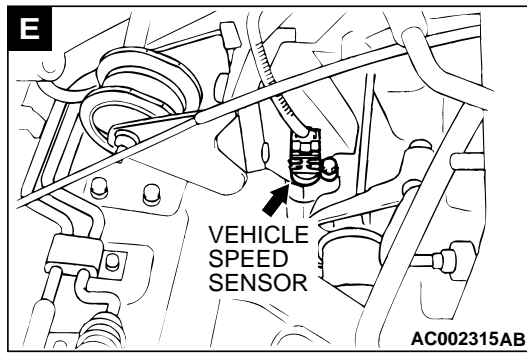
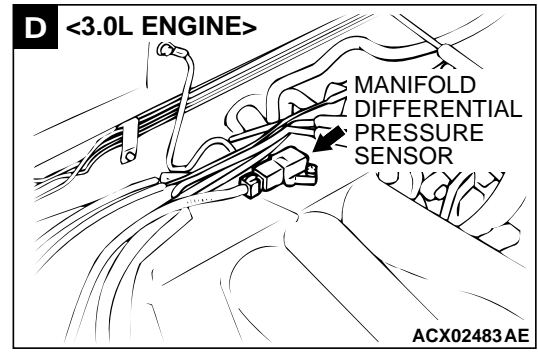
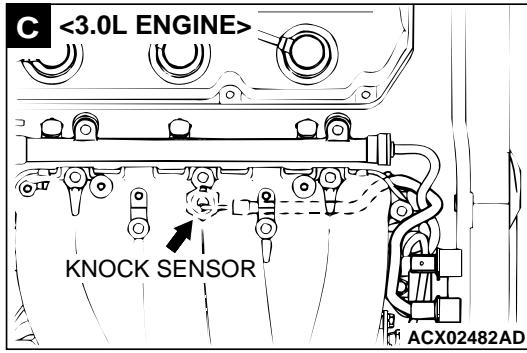
NAME	SYMBOL	NAME	SYMBOL
A/C compressor assembly (with built-in lock sensor) <3.0L Engine>	M	Left bank heated oxygen sensor (rear) <3.0L Engine>	N
A/T control solenoid valve assembly (with built-in A/T fluid temperature sensor)	R	Manifold differential pressure sensor <2.4L Engine>	A
Camshaft position sensor <2.4L Engine>	I	Manifold differential pressure sensor <3.0L Engine>	D
Crankshaft position sensor <2.4L Engine>	K	Output shaft speed sensor	S
Crankshaft position sensor <3.0L Engine>	L	Right bank heated oxygen sensor (front) <3.0L Engine>	B
Distributor assembly (with built-in top dead center sensor) <3.0L Engine>	J	Right bank heated oxygen sensor (rear) <3.0L Engine>	V
Engine coolant temperature sensor <2.4L Engine>	H	Side impact sensor <Side air bag>	Z
Engine coolant temperature sensor <3.0L Engine>	Q	Thermistor sensor <Heater and A/C>	U
Fuel tank differential pressure sensor	W	Throttle position sensor <2.4L Engine>	F
Heated oxygen sensor (front) <2.4L Engine>	O	Throttle position sensor <3.0L Engine>	G
Heated oxygen sensor (rear) <2.4L Engine>	Y	Vehicle speed sensor	E
Ignition failure sensor <2.4L Engine>	A	Volume air flow sensor	T
Input shaft speed sensor	S	Wheel speed sensor (front)	X
Knock sensor <3.0L Engine>	C	Wheel speed sensor (rear)	a
Left bank heated oxygen sensor (front) <3.0L Engine>	P		

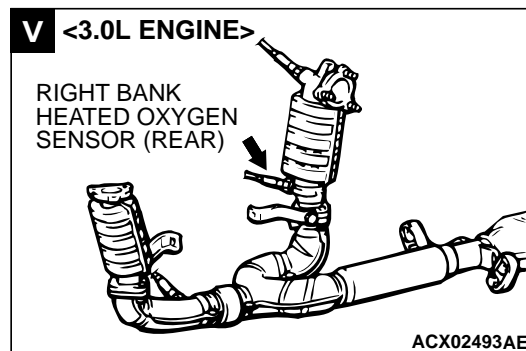
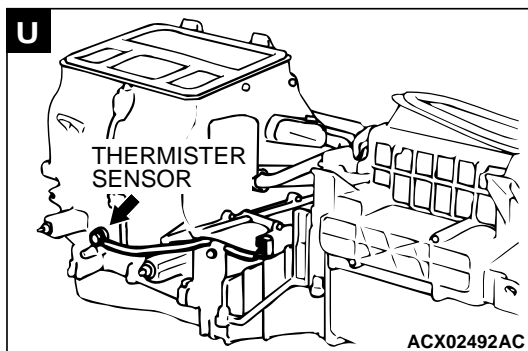
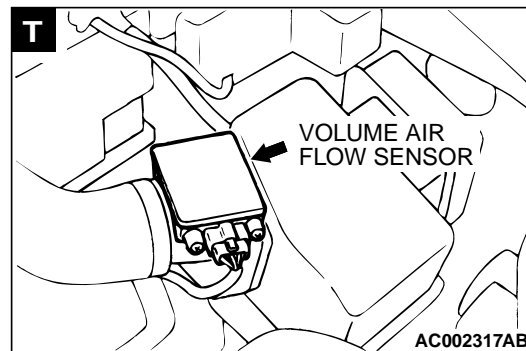
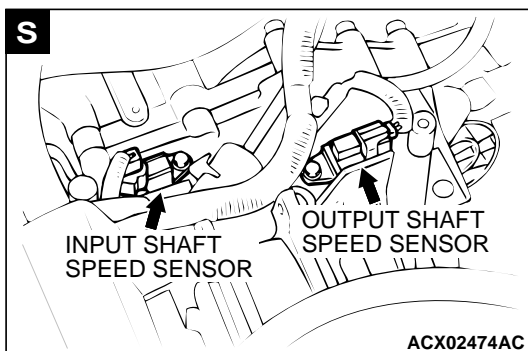
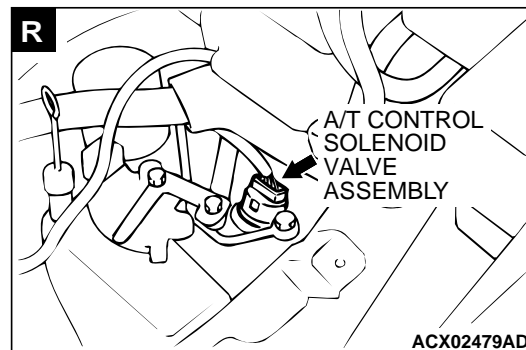
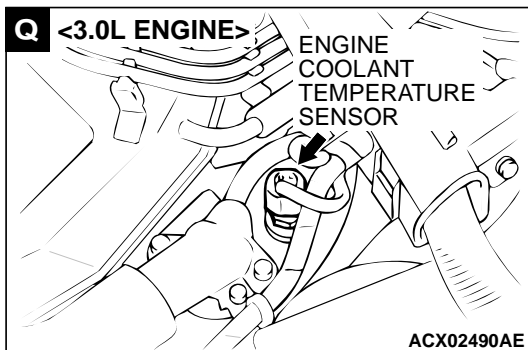
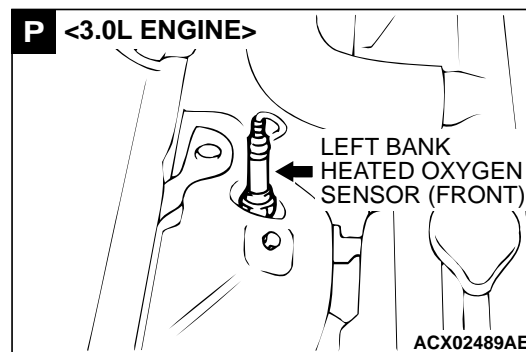
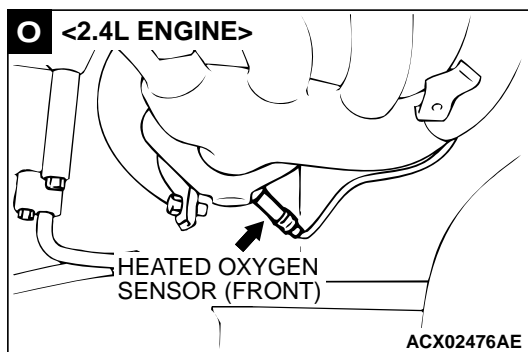
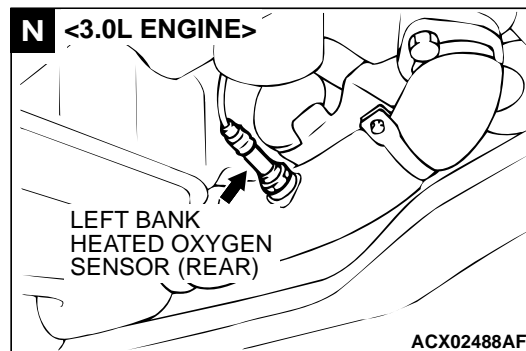
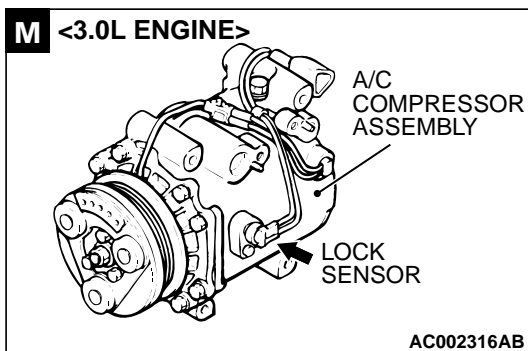


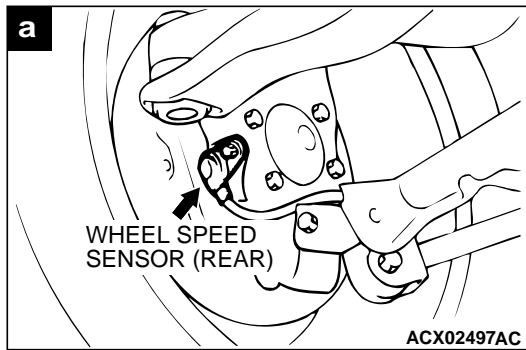
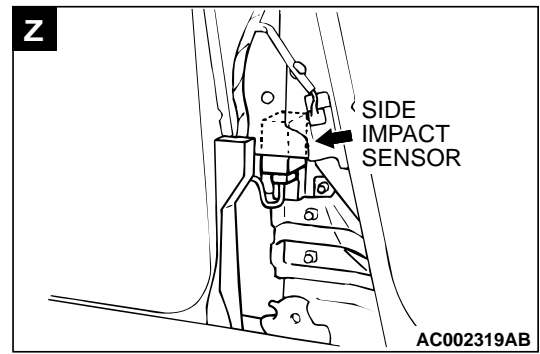
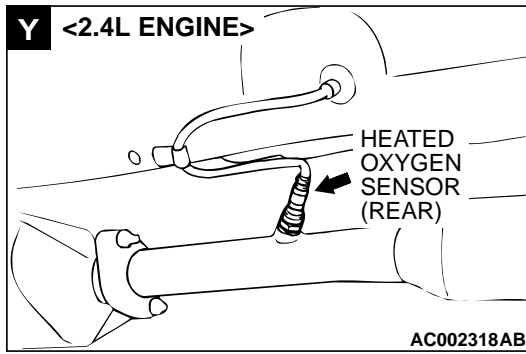
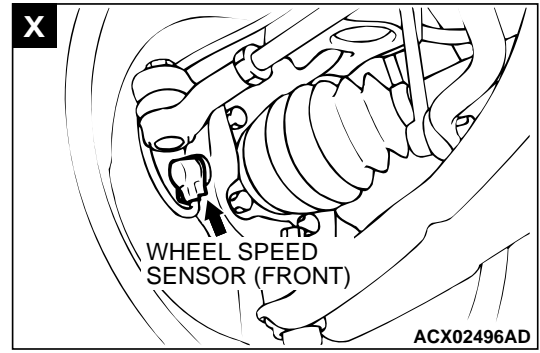
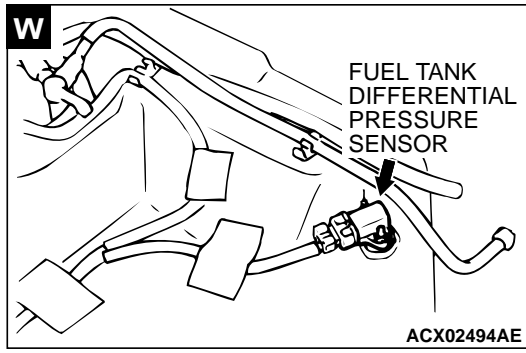
AC002314AB

NOTE: The * symbols indicate also equipped at the right side.





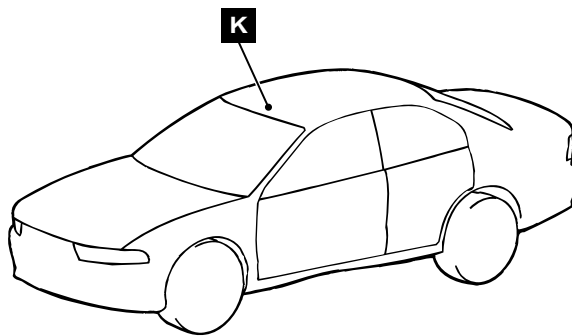
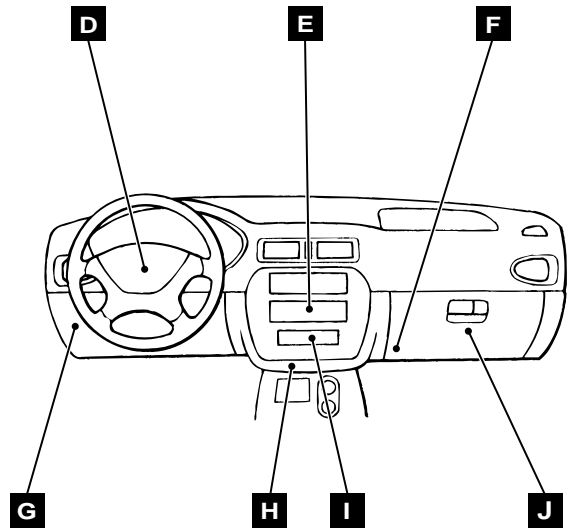
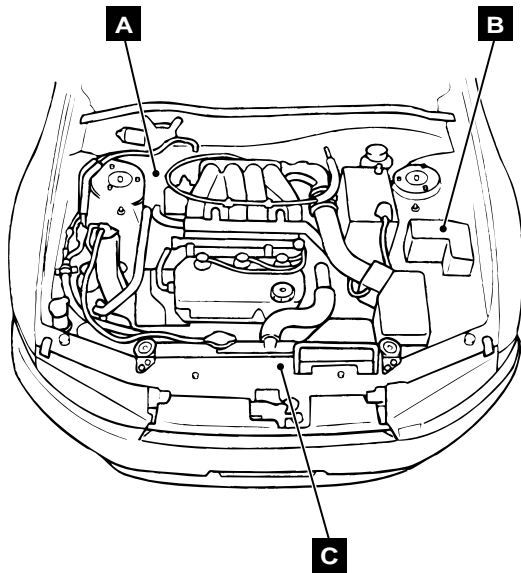




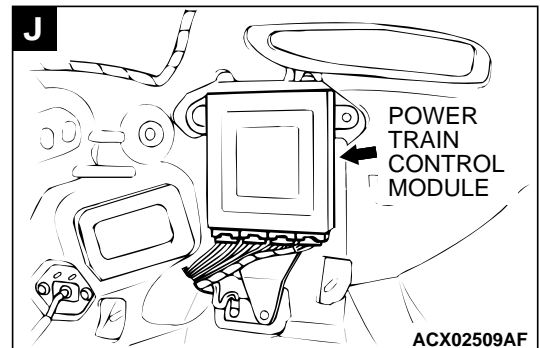
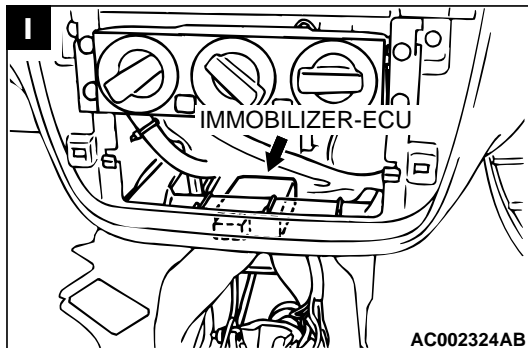
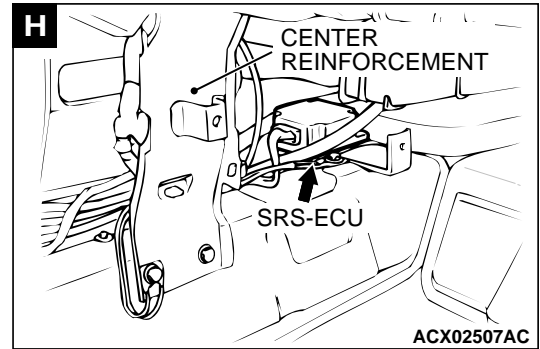
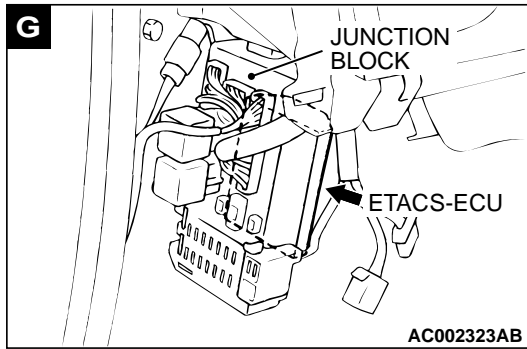
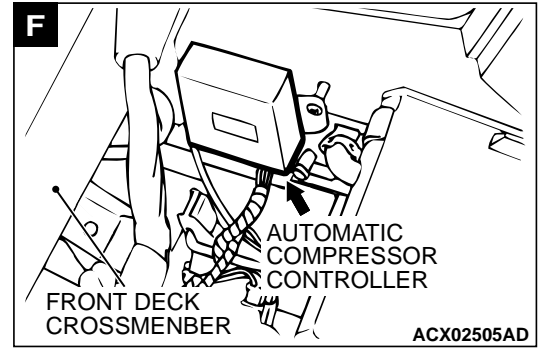
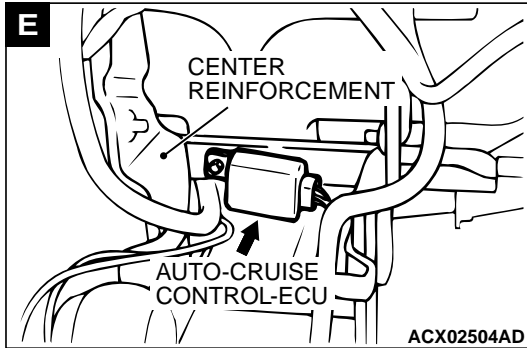
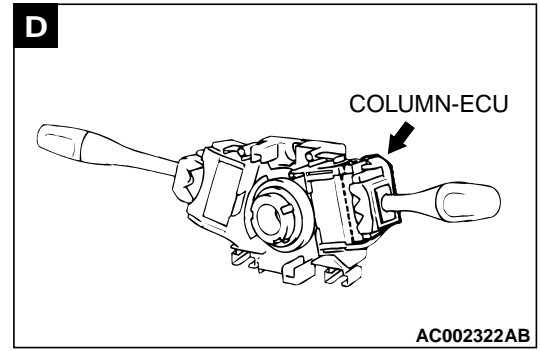
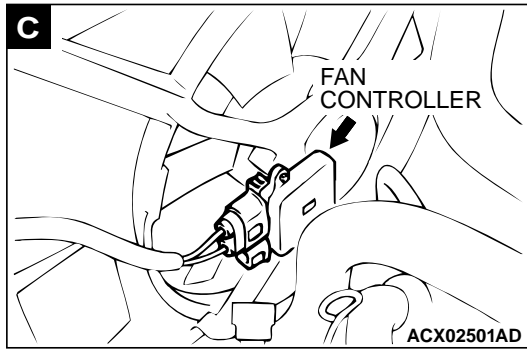
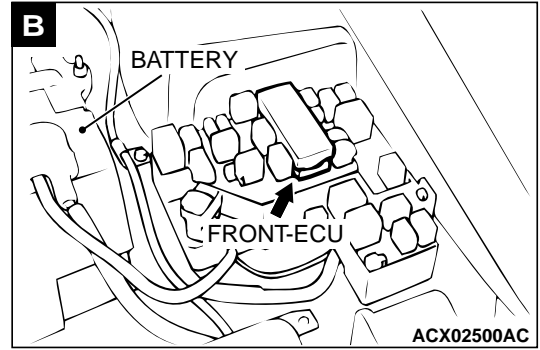
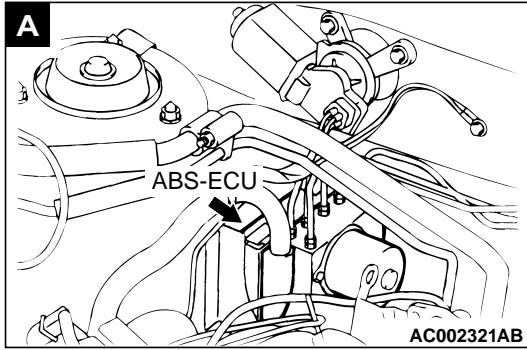
CONTROL UNIT

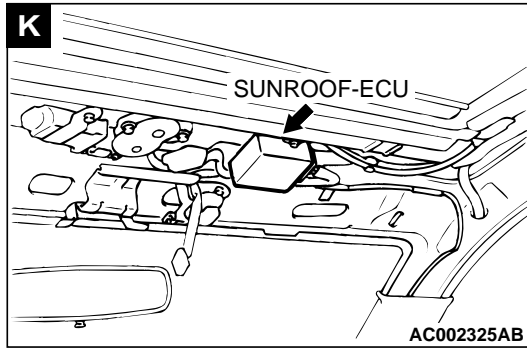
M1701000700069

NAME	SYMBOL	NAME	SYMBOL
ABS-ECU	A	Front-ECU	B
Auto-cruise control-ECU	E	Immobilizer-ECU	I
Automatic compressor controller <A/C>	F	Powertrain control module	J
Column-ECU	D	SRS-ECU	H
ETACS-ECU	G	Sunroof-ECU	K
Fan controller	C		



AC002320AB

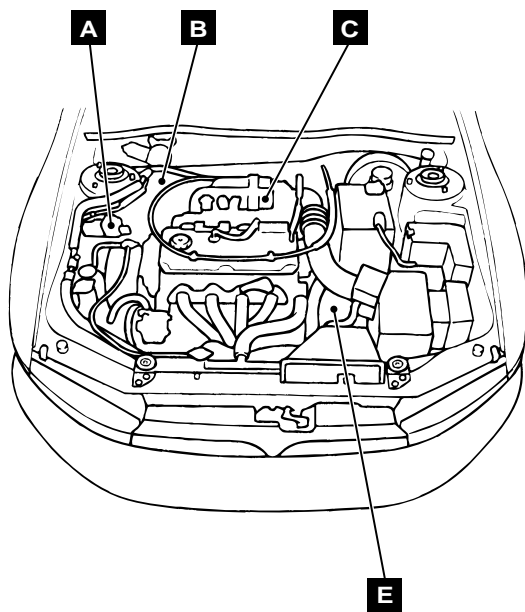




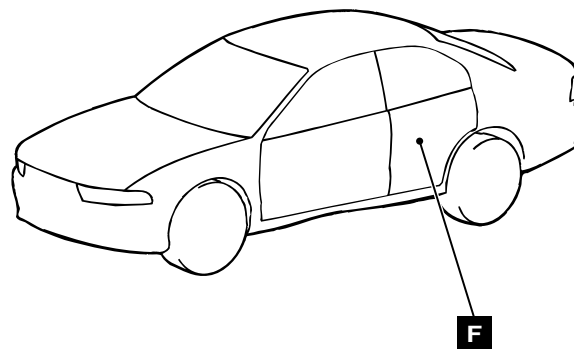
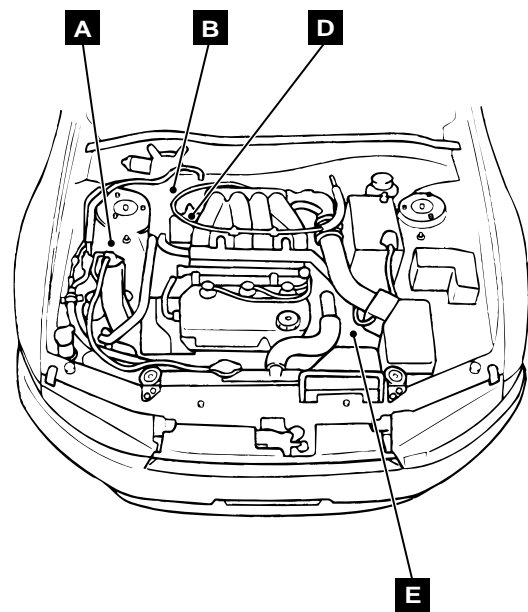
SOLENOID AND SOLENOID VALVE

NAME	SYMBOL	NAME	SYMBOL
A/T control solenoid valve assembly	E	Evaporative emission purge solenoid valve <2.4L Engine>	C
Auto-cruise control vacuum pump (with built-in control valve and release valve)	A	Evaporative emission purge solenoid valve <3.0L Engine>	D
EGR solenoid valve <2.4L Engine>	C	Evaporative emission ventilation solenoid	F
EGR solenoid valve <3.0L Engine>	D	Hydraulic unit (with built-in ABS solenoid valve)	B

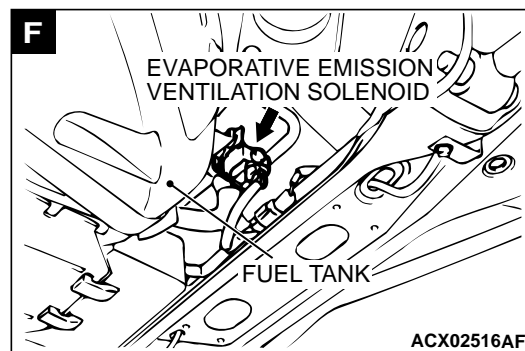
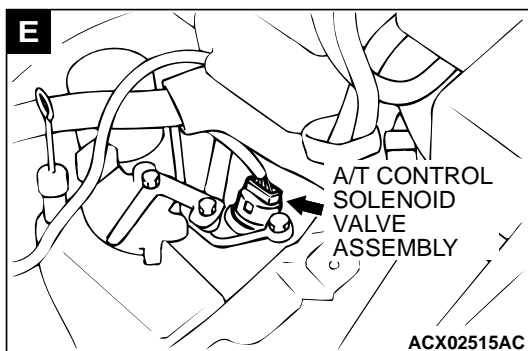
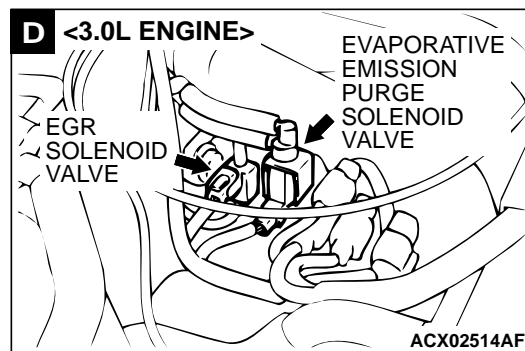
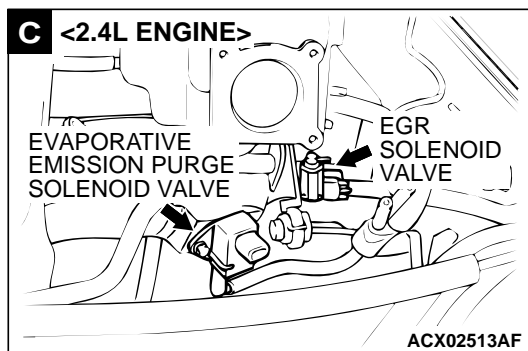
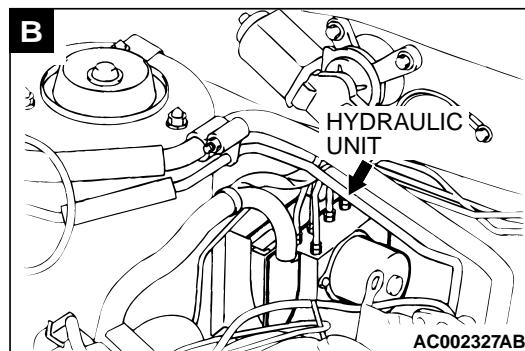
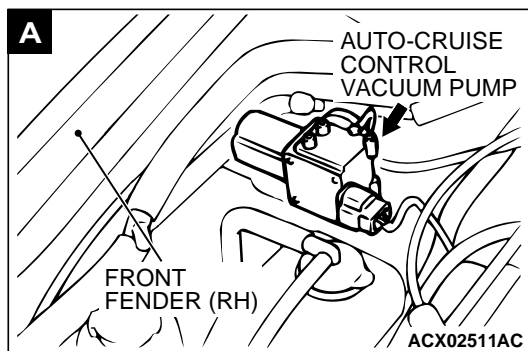
<2.4L ENGINE>



<3.0L ENGINE>



AC002326AB

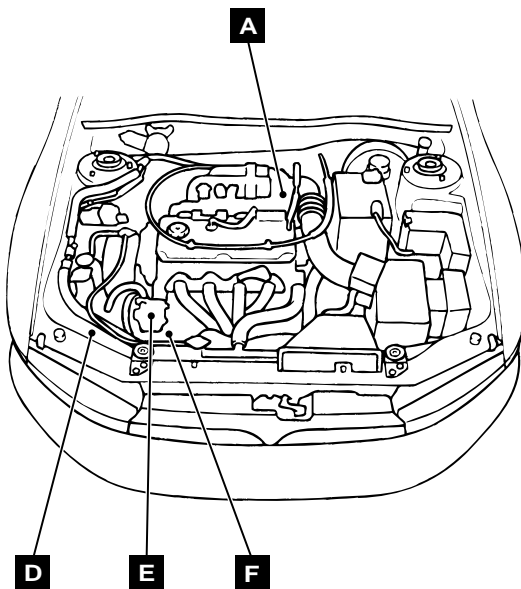


OTHER DEVICES

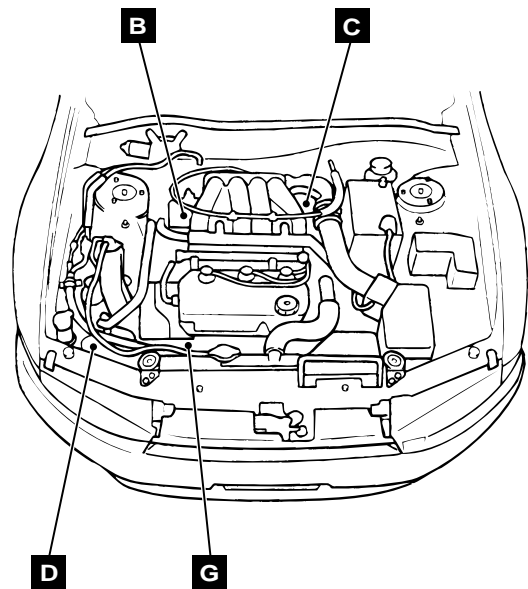
M1701005600067

NAME	SYMBOL	NAME	SYMBOL
A/C compressor assembly (with built-in A/C refrigerant temperature switch) <2.4L Engine>	F	Idle air control motor <3.0L Engine>	C
A/C compressor assembly (with built-in A/C refrigerant temperature switch) <3.0L Engine>	B	Power steering pressure switch <2.4L Engine>	E
Dual pressure switch	D	Power steering pressure switch <3.0L Engine>	G
Idle air control motor <2.4L Engine>	A		

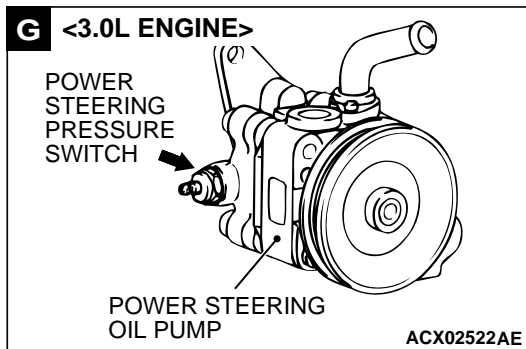
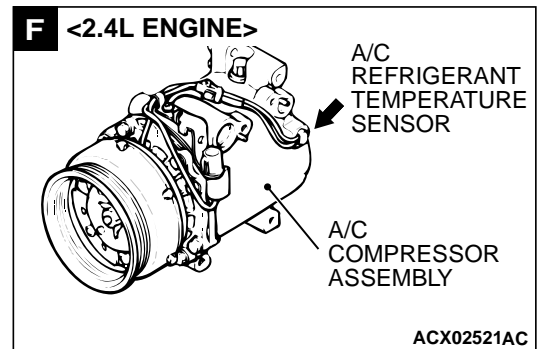
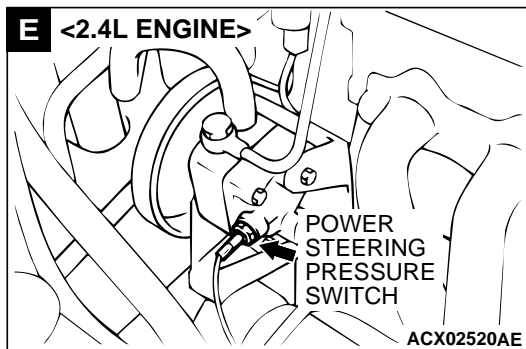
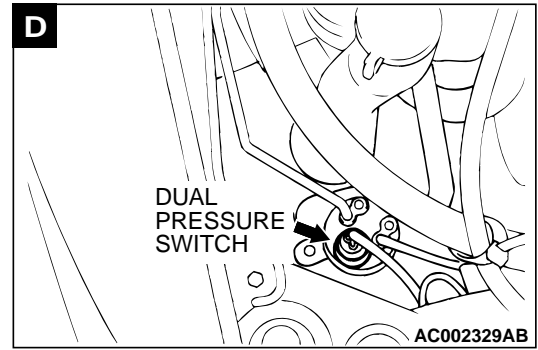
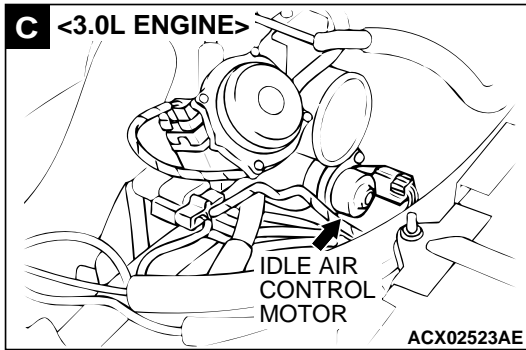
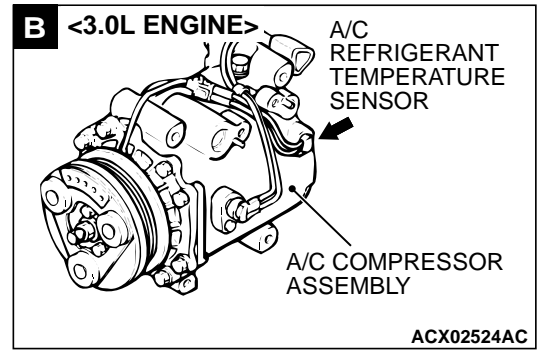
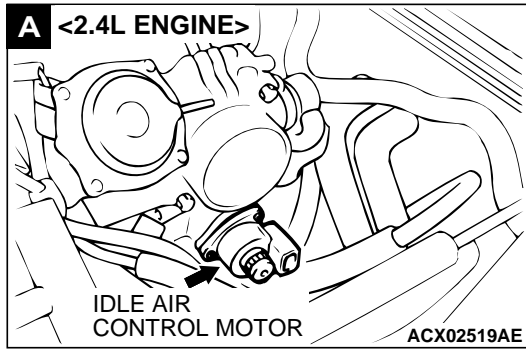
<2.4L ENGINE>



<3.0L ENGINE>



AC002328AB



NOTES