

---

**GROUP 80B****SPLICE LOCATIONS****CONTENTS**

<b>HOW TO READ SPLICE LOCATIONS</b> .....	<b>80B-2</b>	<b>DASH PANEL</b> .....	<b>80B-6</b>
<b>INDEX</b> .....	<b>80B-3</b>	<b>FLOOR</b> .....	<b>80B-9</b>
<b>ENGINE COMPARTMENT</b> .....	<b>80B-4</b>	<b>DOOR</b> .....	<b>80B-10</b>
<b>ENGINE AND TRANSAXLE</b> .....	<b>80B-5</b>	<b>TRUNK</b> .....	<b>80B-11</b>

# HOW TO READ SPLICE LOCATIONS

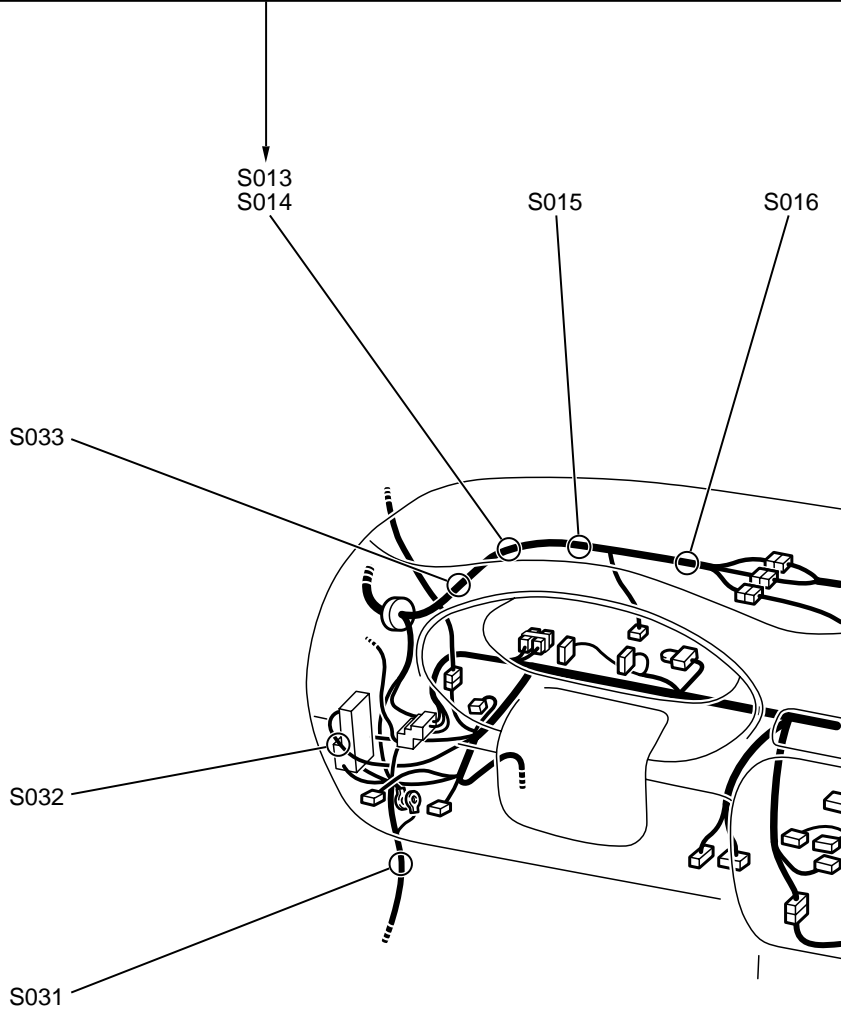
M1802000100078

"Splice locations" describes splice points of each wiring harness on an actual vehicle.

Indicates a splice point number.  
The splice point numbers are identical to those in "CIRCUIT DIAGRAMS," making them easy to use.  
In addition, the splice point numbers are usually numbered clockwise.

Example: S 013

- Sequential number
- Prefix meaning splice point



AC002683AB

TSB Revision

# INDEX

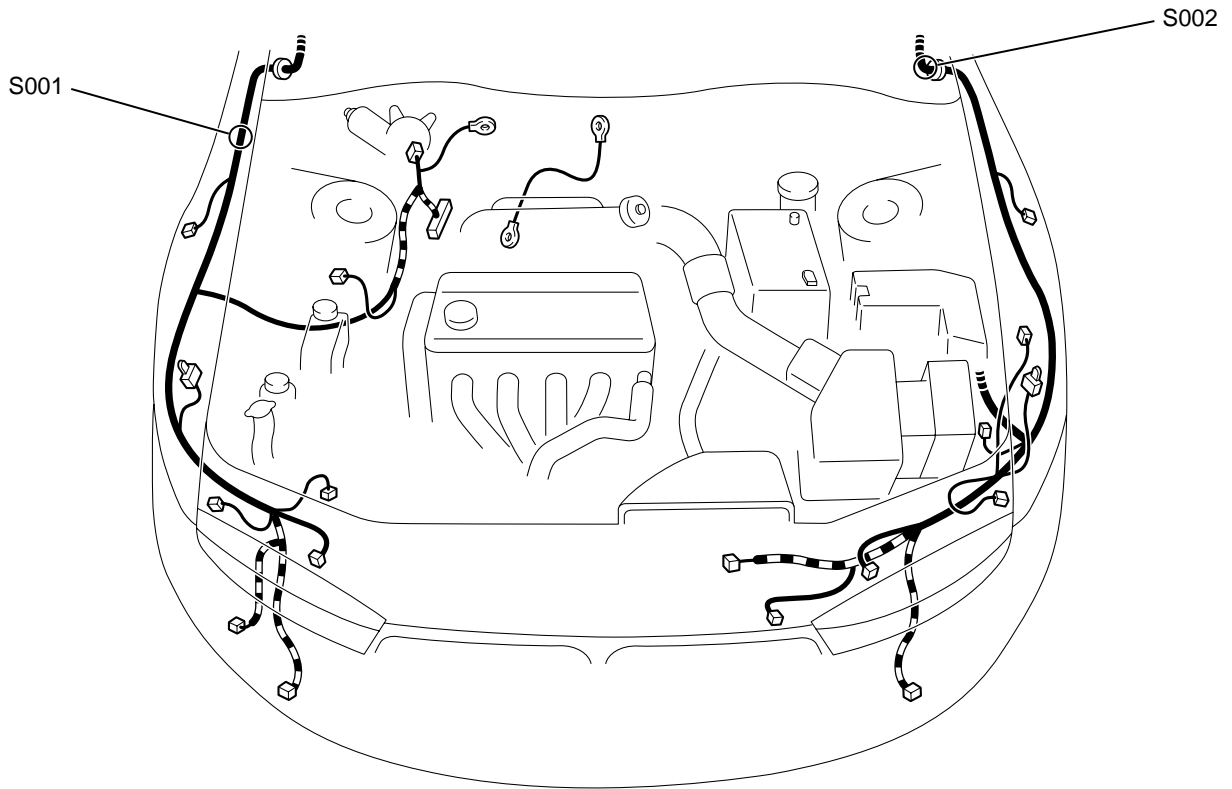
M1802000900074

This index shows the page numbers where the splice locations are.

SPLICE LOCATION NO.	PAGE	SPLICE LOCATION NO.	PAGE	SPLICE LOCATION NO.	PAGE	SPLICE LOCATION NO.	PAGE
S001	P.80B-4	S051	P.80B-6	S093	P.80B-6	S135	P.80B-6
S002	P.80B-4	S052	P.80B-6	S094	P.80B-6	S136	P.80B-6
S003	P.80B-5	S053	P.80B-6	S095	P.80B-6	S137	P.80B-6
S004	P.80B-5	S054	P.80B-6	S096	P.80B-6	S138	P.80B-6
S005	P.80B-5	S055	P.80B-6	S097	P.80B-6	S139	P.80B-6
S006	P.80B-5	S056	P.80B-6	S098	P.80B-6	S140	P.80B-6
S007	P.80B-5	S057	P.80B-6	S099	P.80B-6	S141	P.80B-6
S008	P.80B-5	S058	P.80B-6	S100	P.80B-6	S142	P.80B-6
S009	P.80B-5	S059	P.80B-6	S101	P.80B-6	S143	P.80B-6
S010	P.80B-5	S060	P.80B-6	S102	P.80B-6	S144	P.80B-6
S011	P.80B-5	S061	P.80B-6	S103	P.80B-6	S145	P.80B-6
S012	P.80B-5	S062	P.80B-6	S104	P.80B-6	S146	P.80B-6
S013	P.80B-5	S063	P.80B-6	S105	P.80B-6	S147	P.80B-6
S014	P.80B-5	S064	P.80B-6	S106	P.80B-6	S148	P.80B-6
S015	P.80B-5	S065	P.80B-6	S107	P.80B-6	S149	P.80B-6
S016	P.80B-5	S066	P.80B-6	S108	P.80B-6	S150	P.80B-6
S017	P.80B-5	S067	P.80B-6	S109	P.80B-6	S151	P.80B-6
S022	P.80B-5	S068	P.80B-6	S110	P.80B-6	S152	P.80B-6
S023	P.80B-5	S069	P.80B-6	S111	P.80B-6	S153	P.80B-6
S024	P.80B-5	S070	P.80B-6	S112	P.80B-6	S154	P.80B-6
S025	P.80B-5	S071	P.80B-6	S113	P.80B-6	S155	P.80B-6
S026	P.80B-5	S072	P.80B-6	S114	P.80B-6	S156	P.80B-6
S027	P.80B-5	S073	P.80B-6	S115	P.80B-6	S157	P.80B-10
S028	P.80B-5	S074	P.80B-6	S117	P.80B-6	S158	P.80B-9
S029	P.80B-5	S075	P.80B-6	S118	P.80B-6	S159	P.80B-9
S030	P.80B-5	S076	P.80B-6	S119	P.80B-6	S160	P.80B-9
S031	P.80B-5	S077	P.80B-6	S120	P.80B-6	S161	P.80B-9
S032	P.80B-5	S078	P.80B-6	S121	P.80B-6	S162	P.80B-9
S033	P.80B-5	S079	P.80B-6	S122	P.80B-6	S163	P.80B-9
S035	P.80B-5	S080	P.80B-6	S123	P.80B-6	S164	P.80B-9
S040	P.80B-6	S081	P.80B-6	S124	P.80B-6	S165	P.80B-9
S041	P.80B-6	S082	P.80B-6	S125	P.80B-6	S166	P.80B-11
S042	P.80B-6	S083	P.80B-6	S126	P.80B-6	S167	P.80B-11
S043	P.80B-6	S084	P.80B-6	S127	P.80B-6	S168	P.80B-11
S044	P.80B-6	S085	P.80B-6	S128	P.80B-6	S169	P.80B-11
S045	P.80B-6	S086	P.80B-6	S129	P.80B-6	S170	P.80B-11
S046	P.80B-6	S087	P.80B-6	S130	P.80B-6	S171	P.80B-11
S047	P.80B-6	S088	P.80B-6	S131	P.80B-6	S172	P.80B-11
S048	P.80B-6	S090	P.80B-6	S132	P.80B-6	S173	P.80B-11
S049	P.80B-6	S091	P.80B-6	S133	P.80B-6		
S050	P.80B-6	S092	P.80B-6	S134	P.80B-6		

# ENGINE COMPARTMENT

M1802000200064



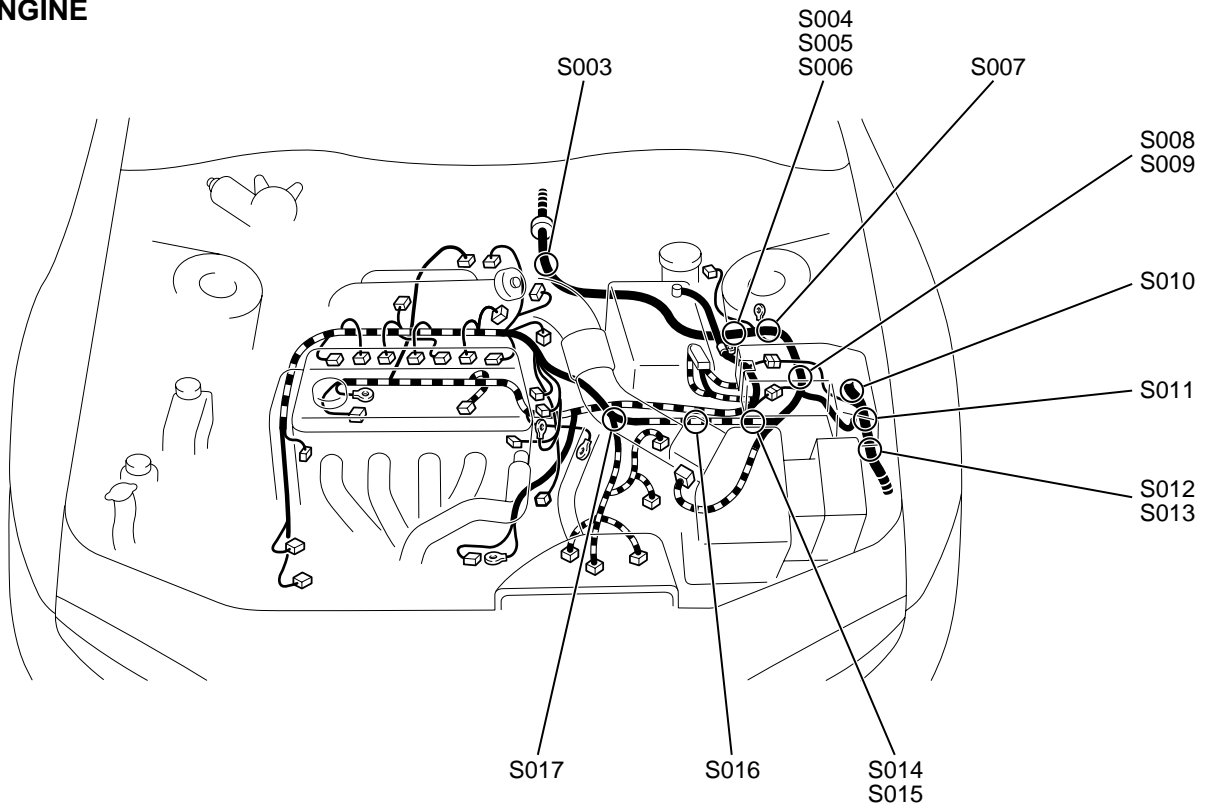
AC002684AB

TSB Revision

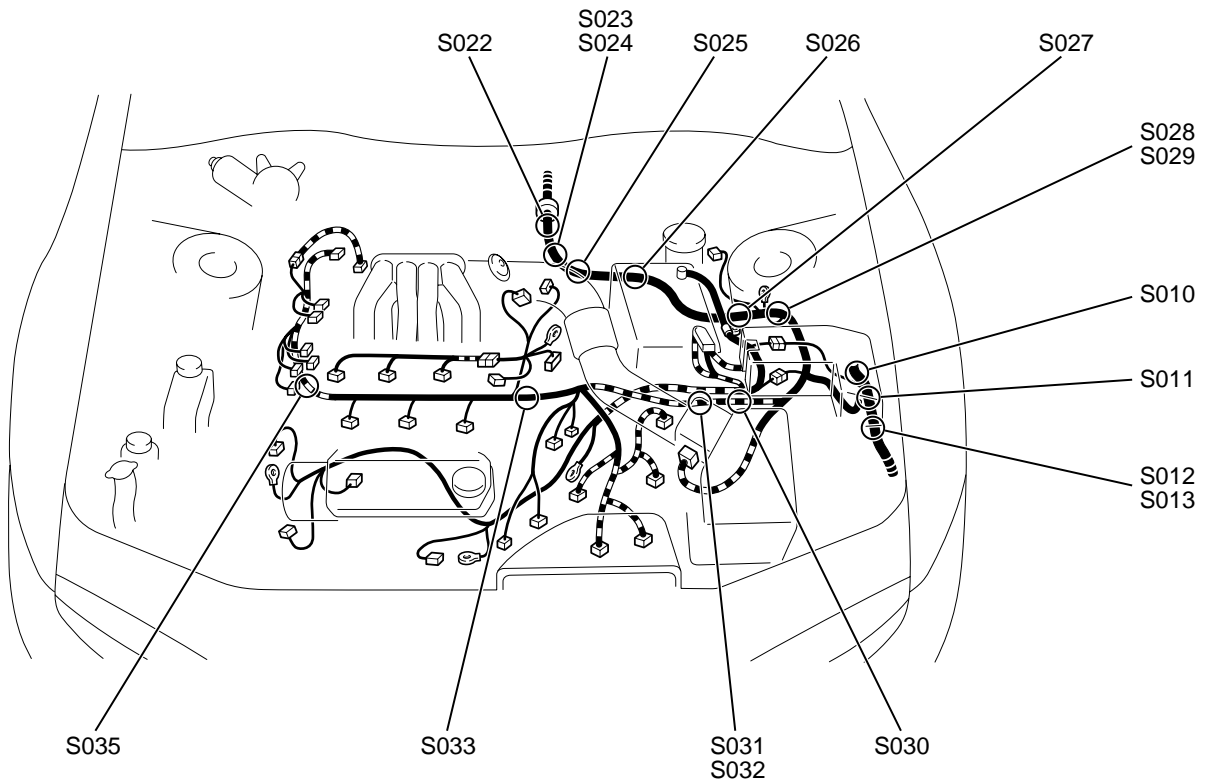
# ENGINE AND TRANSAXLE

M1802001400038

## 2.4L ENGINE



## 3.0L ENGINE

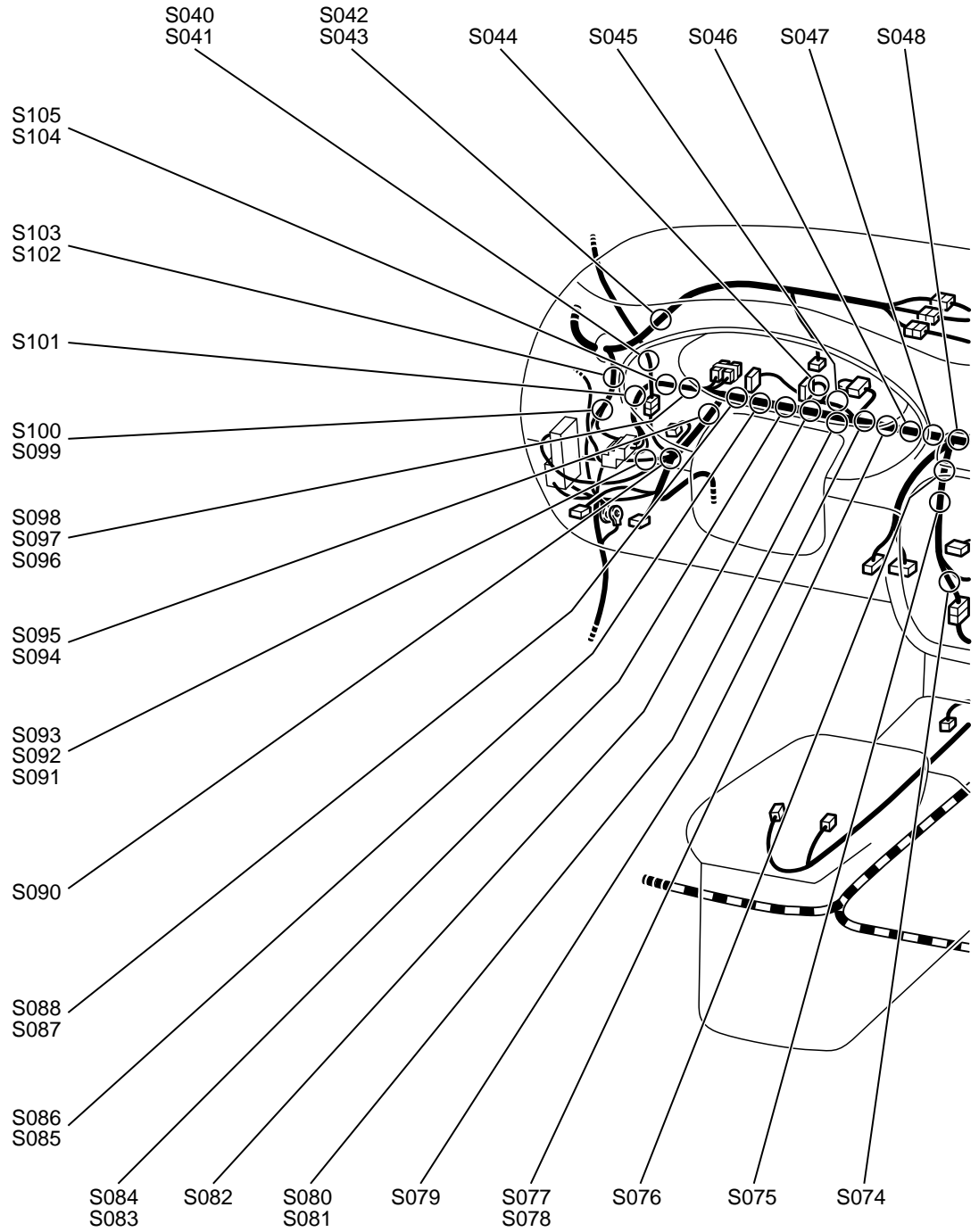


AC002685AB

TSB Revision

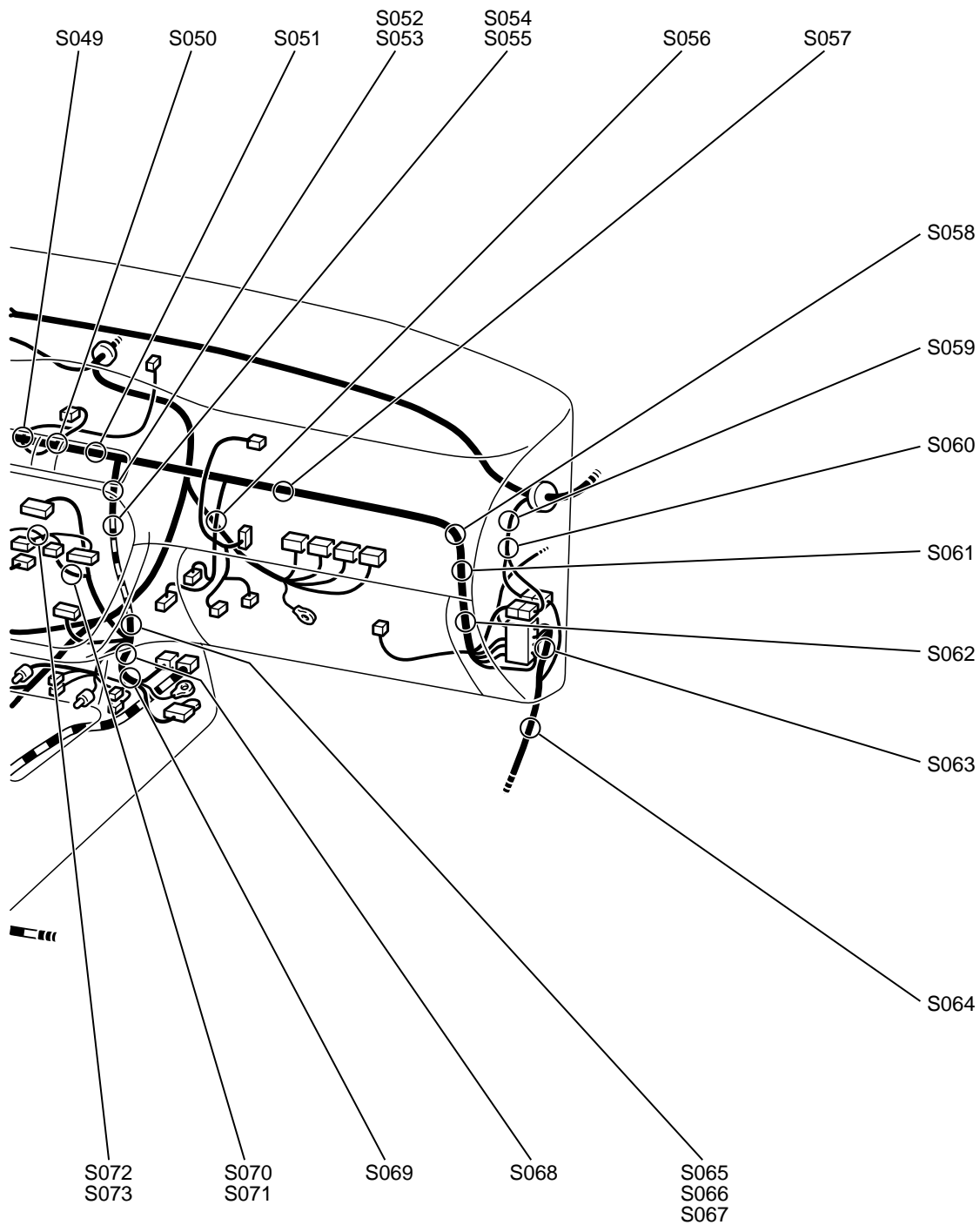
# DASH PANEL

M1802000300061



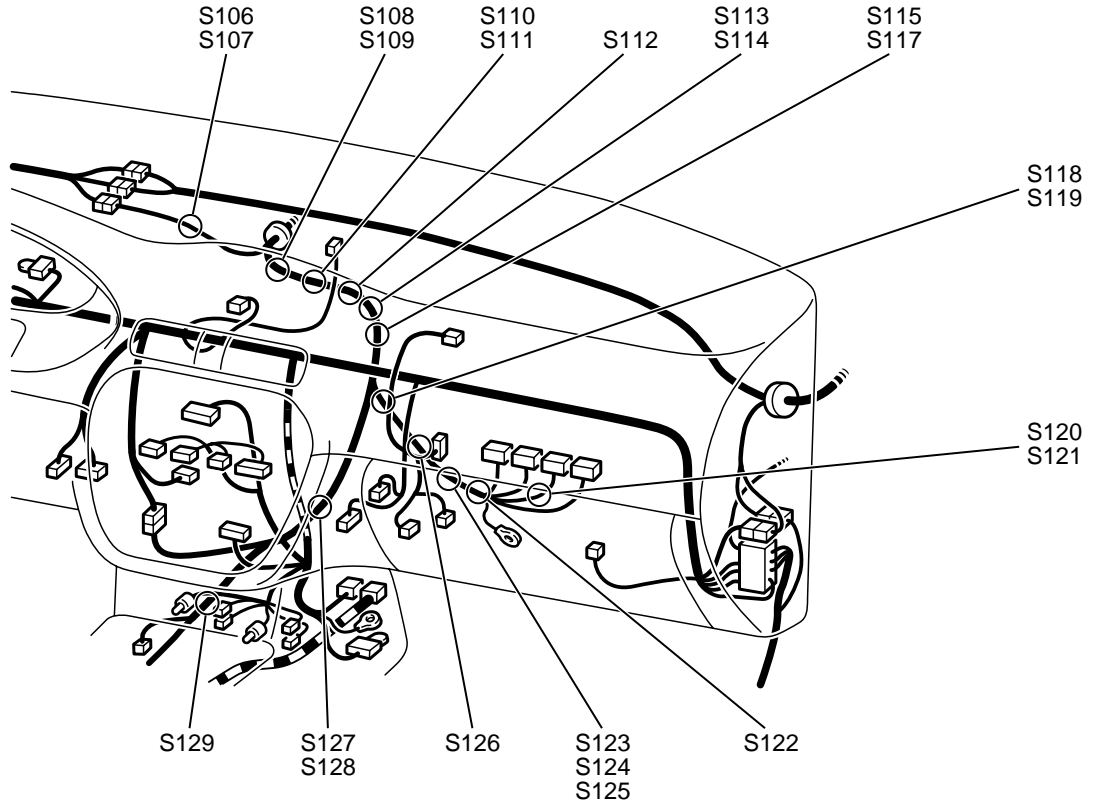
AC002686AB

TSB Revision

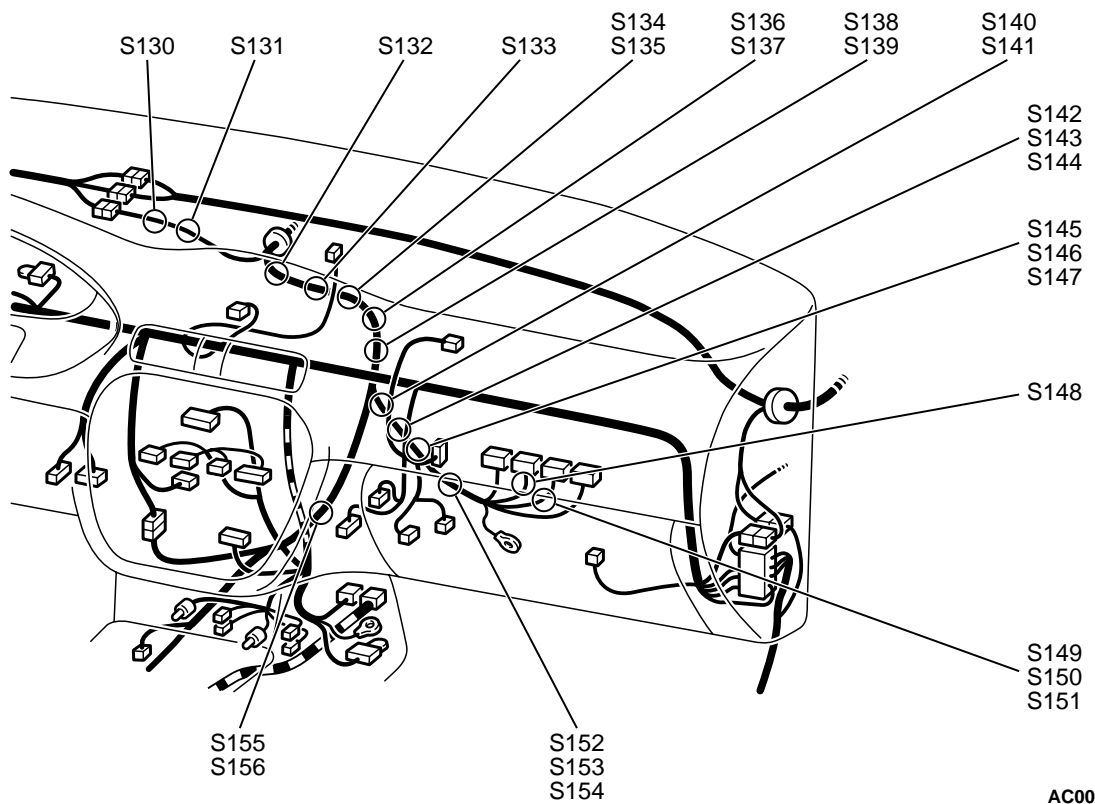


TSB Revision

2.4L ENGINE



3.0L ENGINE



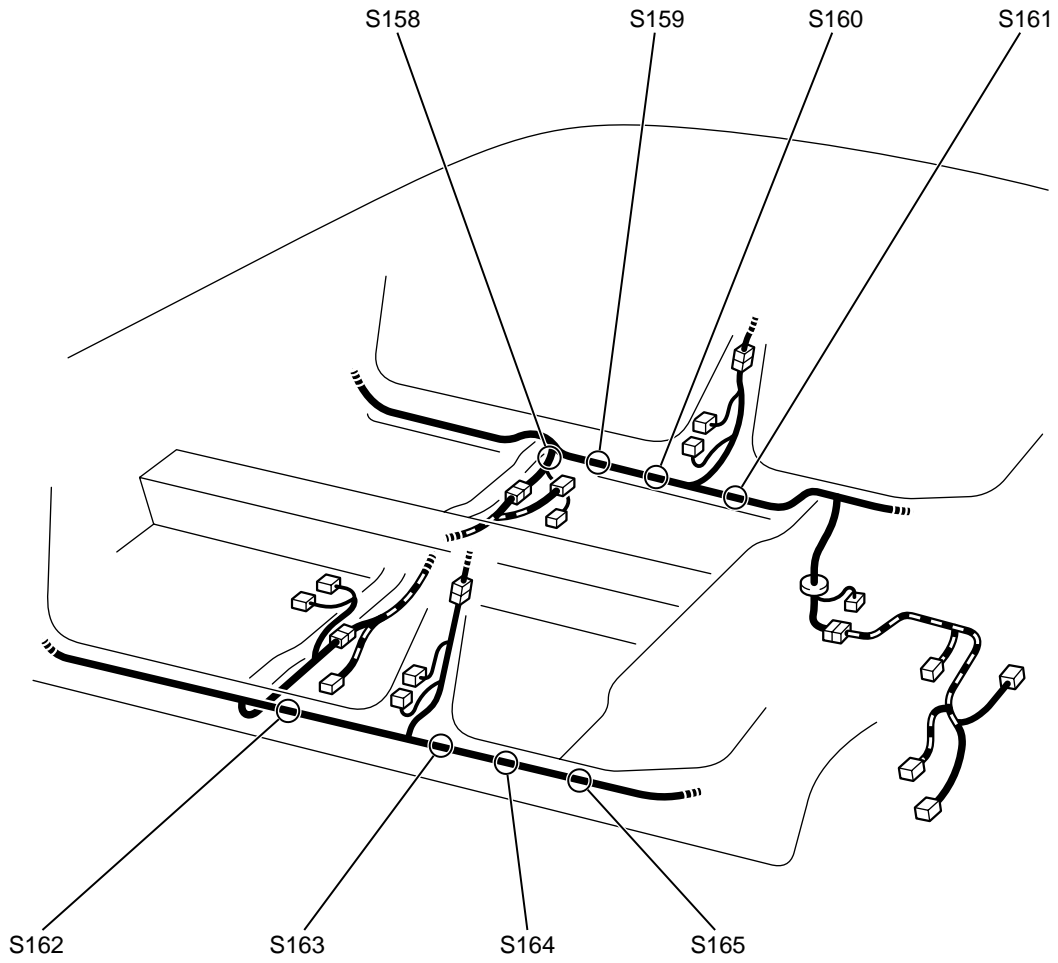
AC002688AB

TSB Revision



FLOOR

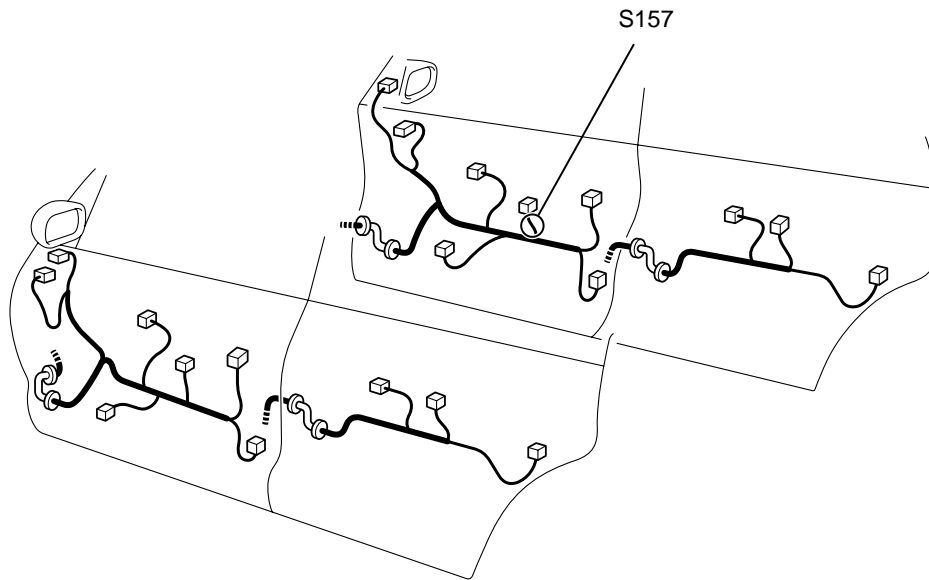
M1802001200045



AC002689AB

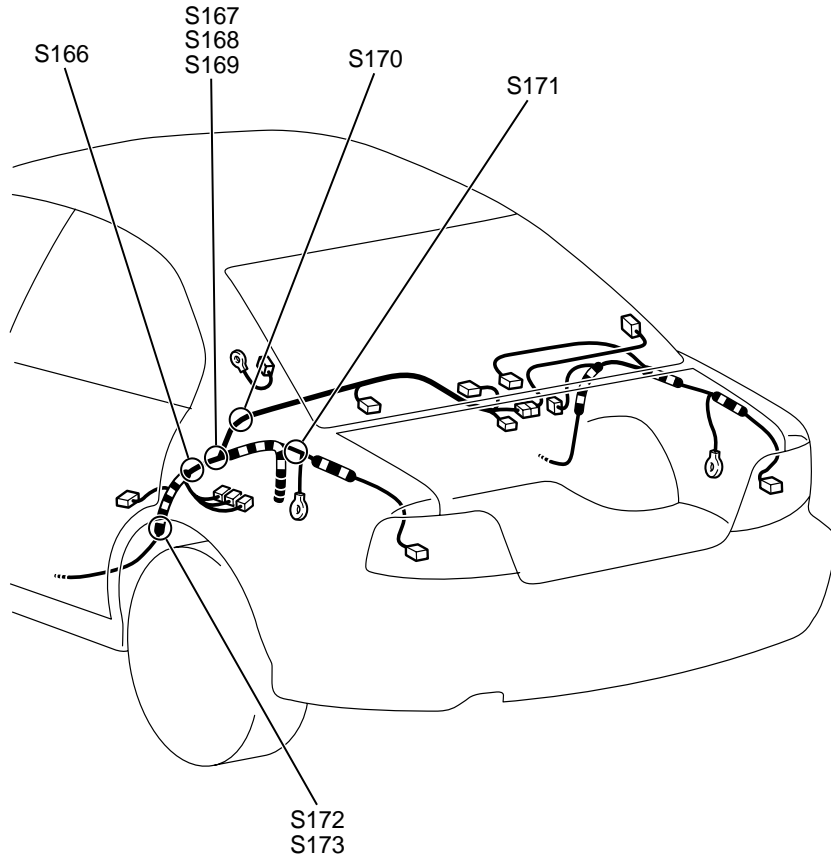
TSB Revision

DOOR



TRUNK

M1802001500024



AC002691AB

TSB Revision

---

## NOTES