

# SYSTEM WIRING DIAGRAMS

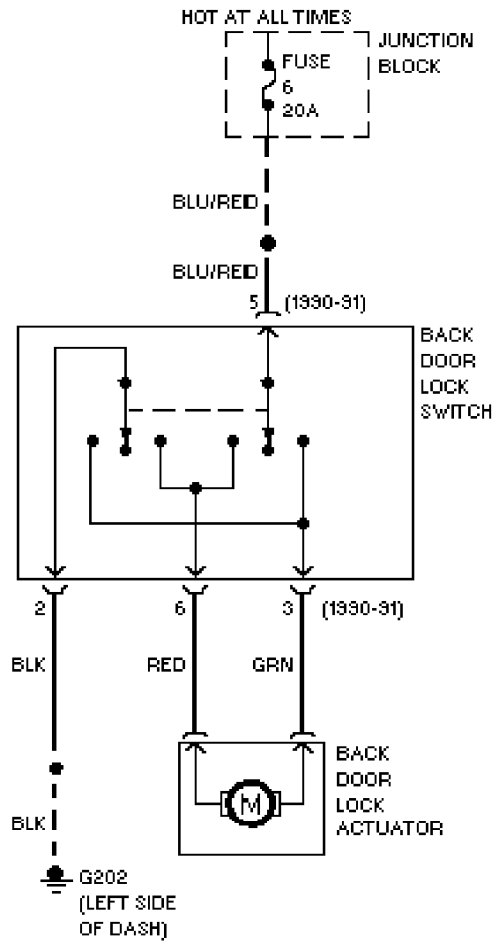
## Back Door Lock Circuit

1991 Mitsubishi Montero

For DIAKOM-AUTO <http://www.diakom.ru> Taganrog support@diakom.ru (8634)315187

Copyright © 1998 Mitchell Repair Information Company, LLC

Sunday, December 17, 2000 03:37PM



104377