

# SCHEDULED SERVICES

## 1991 Mitsubishi Montero

1987-95 MAINTENANCE  
Mitsubishi Maintenance & Service Intervals

Montero

### \* PLEASE READ THIS FIRST \*

NOTE: All SERVICE SCHEDULES are listed for normal service vehicles. If vehicle is operated under severe service conditions, see SEVERE SERVICE REQUIREMENTS (PERFORM W/SERVICE SCHEDULES) for items requiring additional maintenance.

NOTE: This article contains scheduled maintenance service information. Fluid types and capacities listed with each service in this article are only those necessary to perform that scheduled service. For specifications pertaining to fluid capacities for the entire vehicle, fuse and circuit breaker identification, wheel and tire size, battery type, warranty information, or model identification refer to the MAINTENANCE INFORMATION article in this section.

### CAUTIONS & WARNINGS

#### SUPPLEMENTAL RESTRAINT SYSTEM (AIR BAG)

NOTE: See the AIR BAG RESTRAINT SYSTEM article in the ACCESSORIES/SAFETY EQUIPMENT Section.

Modifications or improper maintenance, including incorrect removal and installation of the Supplemental Restraint System (SRS), can adversely affect system performance. DO NOT cover, obstruct or change the steering wheel horn pad in any way, as such action could cause improper function of the system. Use only plain water when cleaning the horn pad. Solvents or cleaners could adversely affect the air bag cover and cause improper deployment of the system.

WARNING: To avoid injury from accidental air bag deployment, read and carefully follow all warnings and service precautions. See appropriate AIR BAG RESTRAINT SYSTEM article in the ACCESSORIES/SAFETY EQUIPMENT section.

CAUTION: Disconnect negative battery cable before servicing any air bag system, steering column or passenger side dash component. After any repair, turn ignition key to the ON position from passenger's side of vehicle in case of accidental air bag inflation

#### AIR CONDITIONING SERVICING

WARNING: R-134a service equipment or vehicle A/C systems SHOULD NOT be pressure tested or leak tested with compressed air. Some mixtures of air/R134a have shown to be combustible at elevated pressures. These mixtures are dangerous and may cause fire and/or explosions. See the appropriate A/C SYSTEM GENERAL SERVICING article in the AIR CONDITIONING & HEAT section.

**WARNING:** Avoid breathing R-134a refrigerant and PAG lubricant vapors, exposure may irritate eyes, nose and throat. To remove R-134a from system use R-134a recycling equipment that meets SAE J2210 specifications. If accidental system discharge occurs, ventilate work area before resuming service.

## **ANTI-LOCK BRAKE SYSTEM**

The anti-lock brake system contains electronic equipment that can be susceptible to interference caused by improperly installed or high output radio transmitting equipment. Since this interference could cause the possible loss of the anti-lock braking capability, such equipment should be installed by qualified professionals.

On models equipped with anti-lock brake systems, ALWAYS observe the following cautions:

- \* DO NOT attempt to bleed hydraulic system without first referring to the appropriate ANTI-LOCK BRAKE SYSTEM article in the BRAKES Section.
- \* DO NOT mix tire sizes. As long as tires remain close to the original diameter, increasing the width is acceptable. Rolling diameter must be identical for all 4 tires. Some manufacturers recommend tires of the same brand, style and type. Failure to follow this precaution may cause inaccurate wheel speed readings.
- \* Use ONLY recommended brake fluids. DO NOT use silicone brake fluids in an ABS-equipped vehicle.

## **REPLACING BLOWN FUSES**

Before replacing a blown fuse, remove ignition key, turn off all lights and accessories to avoid damaging the electrical system. Be sure to use fuse with the correct indicated amperage rating. The use of an incorrect amperage rating fuse may result in a dangerous electrical system overload.

## **BATTERY WARNING**

**WARNING:** When battery is disconnected, vehicles equipped with computers may lose memory data. When battery power is restored, driveability problems may exist on some vehicles. These vehicles may require a relearn procedure. See appropriate COMPUTER RELEARN PROCEDURES article in the GENERAL INFORMATION section below.

## **BRAKE FLUID**

For vehicles equipped with a traction control system, idle engine while pouring brake fluid into reservoir.

## **CATALYTIC CONVERTER**

Continued operation of vehicle with a severe malfunction could cause converter to overheat, resulting in possible damage to converter and vehicle.

## **ELECTROSTATIC DISCHARGE SENSITIVE (ESD) PARTS**

**WARNING:** Many solid state electrical components can be damaged by static electricity (ESD). Some will display a warning label, but many will not. Discharge personal static electricity by

touching a metal ground point on the vehicle prior to servicing any ESD sensitive component.

## ENGINE OIL

CAUTION: Never use non-detergent or straight mineral oil.

## FUEL SYSTEM SERVICE

WARNING: Relieve fuel system pressure prior to servicing any fuel system component (fuel injection models).

## HALOGEN BULBS

Halogen bulbs contain pressurized gas which may explode if overheated. DO NOT touch glass portion of bulb with bare hands. Eye protection should be worn when handling or working around halogen bulbs.

## POWER STEERING FLUID

When adding power steering fluid, avoid spilling. Damage to alternator, located beneath power steering reservoir, could result.

## RADIATOR CAP

CAUTION: Always disconnect the fan motor when working near the radiator fan. The fan is temperature controlled and could start at any time even when the ignition key is in the OFF position. DO NOT loosen or remove radiator cap when cooling system is hot.

## RADIATOR FAN

WARNING: Keep hands away from radiator fan. Fan is controlled by a thermostatic switch which may come on or run for up to 15 minutes even after engine is turned off.

## SERVICE POINT LOCATIONS

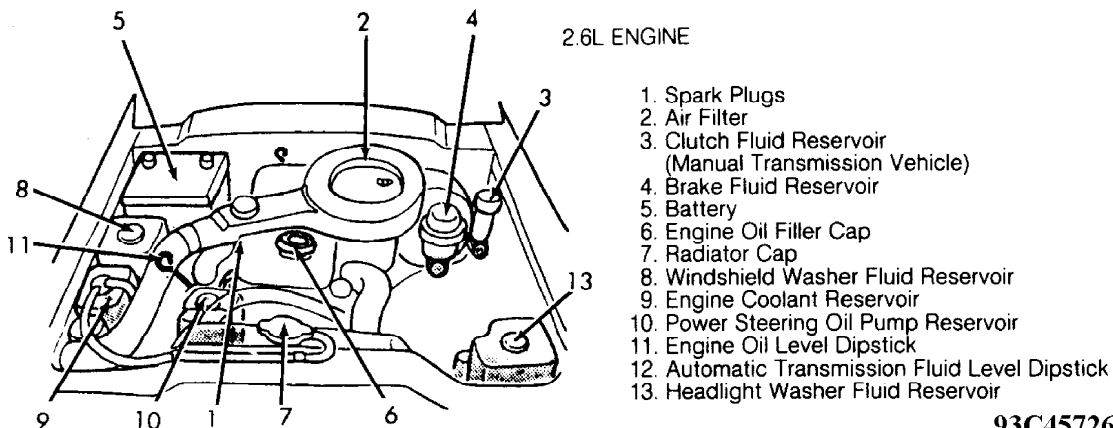
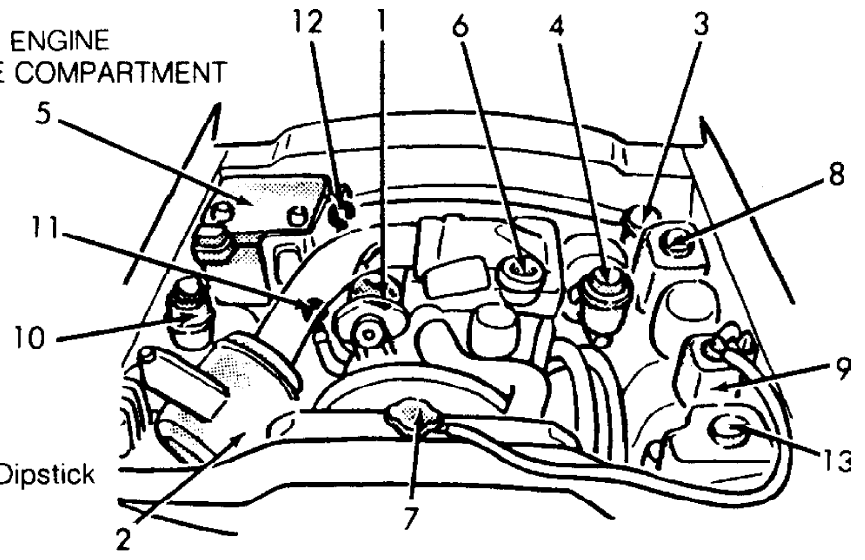


Fig. 1: Service Point Locations (1987-91 2.6L 4-Cylinder Engine)  
Courtesy of Mitsubishi Motor Sales of America.

93C45726

3.0L ENGINE  
1987-91 ENGINE COMPARTMENT

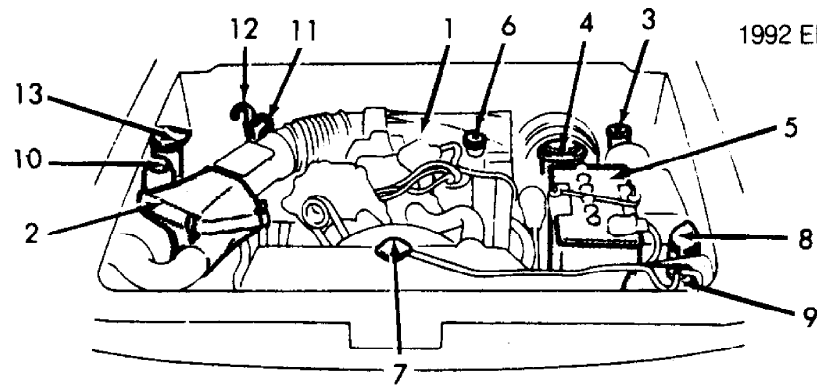
1. Spark Plugs
2. Air Filter
3. Clutch Fluid Reservoir  
(Manual Transmission Vehicle)
4. Brake Fluid Reservoir
5. Battery
6. Engine Oil Filler Cap
7. Radiator Cap
8. Windshield Washer Fluid Reservoir
9. Engine Coolant Reservoir
10. Power Steering Oil Pump Reservoir
11. Engine Oil Level Dipstick
12. Automatic Transmission Fluid Level Dipstick
13. Headlight Washer Fluid Reservoir



93D45727

Fig. 2: Service Point Locations (1987-91 3.0L V6 Engine)  
Courtesy of Mitsubishi Motor Sales of America.

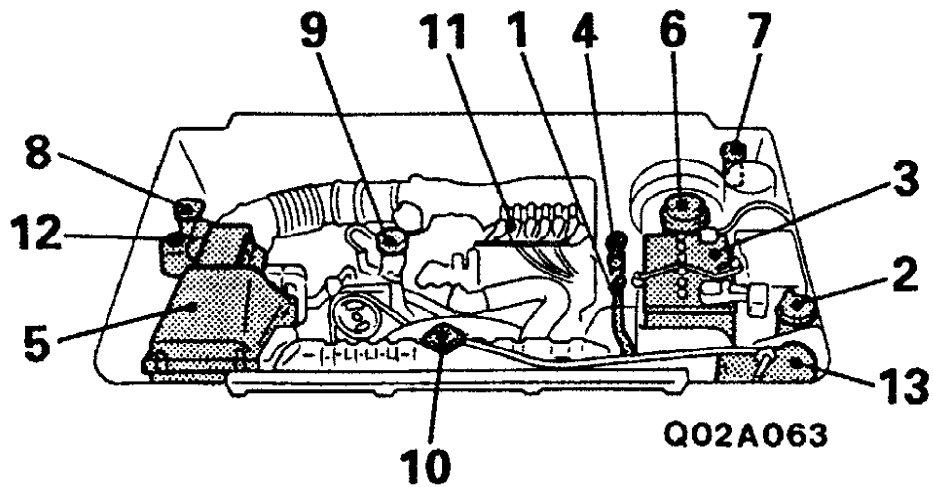
1992 ENGINE COMPARTMENT 3.0L V6 ENGINE



1. Spark Plugs
2. Air Filter
3. Clutch Fluid Reservoir  
(Manual Transmission Vehicle)
4. Brake Fluid Reservoir
5. Battery
6. Engine Oil Filler Cap
7. Radiator Cap
8. Windshield Washer Fluid Reservoir
9. Engine Coolant Reservoir
10. Power Steering Oil Pump Reservoir
11. Engine Oil Level Dipstick
12. Automatic Transmission Fluid Level Dipstick
13. Headlight Washer Fluid Reservoir

93E45728

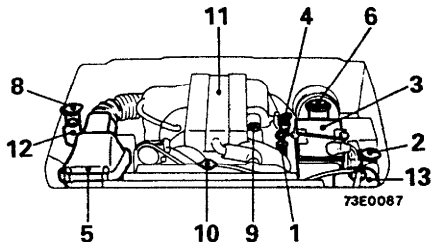
Fig. 3: Service Point Locations (1992-95 3.0L V6 Engine)  
Courtesy of Mitsubishi Motor Sales of America.



- |   |   |
|---|---|
| 1 - Engine oil level dipstick   | 8 - Headlight washer reservoir (if so equipped) |
| 2 - Windshield washer reservoir   | 9 - Engine oil filler cap                       |
| 3 - Battery   | 10 - Radiator cap                               |
| 4 - Automatic transmission fluid level dipstick (vehicles with an automatic transmission) | 11 - Spark plug                                 |
| 5 - Air cleaner element   | 12 - Power steering fluid reservoir             |
| 6 - Brake fluid reservoir   | 13 - Engine coolant reservoir                   |
| 7 - Clutch fluid reservoir (vehicle with a manual transmission)                           |   |

50F13362

Fig. 4: Service Point Locations (1994-95 3.0L V6 Engine - 24 Valve)  
 Courtesy of Mitsubishi Motor Sales of America.



- |   |   |
|---|---|
| 1 - Engine oil level dipstick   | 8 - Headlight washer reservoir (if so equipped) |
| 2 - Windshield washer reservoir   | 9 - Engine oil filler cap                       |
| 3 - Battery   | 10 - Radiator cap                               |
| 4 - Automatic transmission fluid level dipstick (vehicles with an automatic transmission) | 11 - Spark plug                                 |
| 5 - Air cleaner element   | 12 - Power steering fluid reservoir             |
| 6 - Brake fluid reservoir   | 13 - Engine coolant reservoir                   |

50G13363

Fig. 5: Service Point Locations (1994-95 3.5L V6 Engine)  
 Courtesy of Mitsubishi Motor Sales of America.

## CAMSHAFT TIMING BELT REPLACEMENT INFORMATION

CAUTION: Failure to replace a faulty camshaft timing belt may result in serious engine damage.

The condition of camshaft drive belts should always be checked on vehicles which have more than 50,000 miles. Although some manufacturers do not recommend belt replacement at a specified mileage, others require it at 60,000-100,000 miles. A camshaft drive belt failure may cause extensive damage to internal engine components on most engines, although some designs do not allow piston-to-valve contact. These designs are often called "Free Wheeling".

Many manufacturers changed their maintenance and warranty schedules in the mid-1980's to reflect timing belt inspection and/or replacement at 50,000-60,000 miles. Most service interval schedules in this manual reflect these changes.

Belts or components should be inspected and replaced if any of the following conditions exist:

- \* Cracks Or Tears In Belt Surface
- \* Missing, Damaged, Cracked Or Rounded Teeth
- \* Oil Contamination
- \* Damaged Or Faulty Tensioners
- \* Incorrect Tension Adjustment

Replace camshaft timing belt at 60,000 mile intervals.

## SEVERE & NORMAL SERVICE DEFINITIONS

NOTE: Use the Severe Service schedule if the vehicle to be serviced is operated under ANY (one or more) of these conditions:

Service is recommended at mileage intervals based on vehicle operation. Service schedules are based on the following primary operating conditions.

### Normal Service

- \* Driven More Than 10 Miles Daily
- \* No Operating Conditions From Severe Service Schedule

### Severe Service (Unique Driving Conditions)

- \* Short Trips In Freezing Temperatures
- \* Towing Or Commercial Use
- \* Driving Off-Road Or In Salty Or Sandy Areas
- \* Severe Dust Conditions
- \* Hot Weather, Stop-And-Go Driving
- \* Extensive Idling

## SEVERE SERVICE REQUIREMENTS (PERFORM W/SERVICE SCHEDULES)

NOTE: The following services are to be performed on vehicles subjected to severe service. See SEVERE & NORMAL SERVICE DEFINITIONS. This service is to be performed in addition to the normal services listed in the NORMAL MAINTENANCE SERVICE SCHEDULES.

### SEVERE SERVICE CONDITIONS/ACTIONS TABLE

| Condition | Action | Item | Perform Every (1) |
|-----------|--------|------|-------------------|
|-----------|--------|------|-------------------|

|   |         |                     |   |
|---|---------|---------------------|---|
| Short Trips In Freezing Temperatures        | Replace | Engine Oil          | 3,000 Miles or 3 Months   |
|   | Inspect | Cooling System      | 6,000 Miles or 6 Months   |
|   | Replace | Engine Oil Filter   | 6,000 Miles or 6 Months   |
|   | Inspect | Throttle Position   | ONLY ONCE AT FIRST:<br>15,000 Miles                                 |
|   | Inspect | Drive Belt Tension  | START AT: 15,000 Miles;<br>REPEAT EVERY SUBSEQUENT:<br>30,000 Miles |
|   | Replace | A/T Fluid           | 30,000 Miles  |
|   | Replace | M/T Fluid           | 30,000 Miles  |
|   | Replace | Transfer Case Fluid | 30,000 Miles  |
| Towing Or Commercial Use                    | Replace | Engine Oil          | 3,000 Miles or 3 Months   |
|   | Inspect | Cooling System      | 6,000 Miles or 6 Months   |
|   | Replace | Engine Oil Filter   | 6,000 Miles or 6 Months   |
|   | Inspect | Throttle Position   | ONLY ONCE AT FIRST:<br>15,000 Miles                                 |
|   | Inspect | Drive Belt Tension  | START AT: 15,000 Miles;<br>REPEAT EVERY SUBSEQUENT:<br>30,000 Miles |
|   | Replace | A/T Fluid           | 30,000 Miles  |
|   | Replace | M/T Fluid           | 30,000 Miles  |
|   | Replace | Transfer Case Fluid | 30,000 Miles  |
| Driving Off-Road Or In Salty Or Sandy Areas | Replace | Engine Oil          | 3,000 Miles or 3 Months   |
|   | Inspect | Cooling System      | 6,000 Miles or 6 Months   |
|   | Replace | Engine Oil Filter   | 6,000 Miles or 6 Months   |
|   | Inspect | Throttle Position   | ONLY ONCE AT FIRST:<br>15,000 Miles                                 |
|   | Inspect | Drive Belt Tension  | START AT: 15,000 Miles;<br>REPEAT EVERY SUBSEQUENT:<br>30,000 Miles |
|   | Replace | A/T Fluid           | 30,000 Miles  |
|   | Replace | M/T Fluid           | 30,000 Miles  |

|                                  |         |                     |   |
|----------------------------------|---------|---------------------|---|
|                                  | Replace | Transfer Case Fluid | 30,000 Miles  |
| Severe Dust Conditions           | Replace | Engine Oil          | 3,000 Miles or 3 Months   |
|                                  | Inspect | Cooling System      | 6,000 Miles or 6 Months   |
|                                  | Replace | Engine Oil Filter   | 6,000 Miles or 6 Months   |
|                                  | Inspect | Throttle Position   | ONLY ONCE AT FIRST:<br>15,000 Miles                                 |
|                                  | Inspect | Drive Belt Tension  | START AT: 15,000 Miles;<br>REPEAT EVERY SUBSEQUENT:<br>30,000 Miles |
|                                  | Replace | A/T Fluid           | 30,000 Miles  |
|                                  | Replace | M/T Fluid           | 30,000 Miles  |
|                                  | Replace | Transfer Case Fluid | 30,000 Miles  |
| Hot Weather, Stop-And-Go Driving | Replace | Engine Oil          | 3,000 Miles or 3 Months   |
|                                  | Inspect | Cooling System      | 6,000 Miles or 6 Months   |
|                                  | Replace | Engine Oil Filter   | 6,000 Miles or 6 Months   |
|                                  | Inspect | Throttle Position   | ONLY ONCE AT FIRST:<br>15,000 Miles                                 |
|                                  | Inspect | Drive Belt Tension  | START AT: 15,000 Miles;<br>REPEAT EVERY SUBSEQUENT:<br>30,000 Miles |
|                                  | Replace | A/T Fluid           | 30,000 Miles  |
|                                  | Replace | M/T Fluid           | 30,000 Miles  |
|                                  | Replace | Transfer Case Fluid | 30,000 Miles  |
| Extensive Idling                 | Replace | Engine Oil          | 3,000 Miles or 3 Months   |
|                                  | Inspect | Cooling System      | 6,000 Miles or 6 Months   |
|                                  | Replace | Engine Oil Filter   | 6,000 Miles or 6 Months   |
|                                  | Inspect | Throttle Position   | ONLY ONCE AT FIRST:<br>15,000 Miles                                 |
|                                  | Inspect | Drive Belt Tension  | START AT: 15,000 Miles;<br>REPEAT EVERY SUBSEQUENT:<br>30,000 Miles |



|  |         |                     |              |
|--|---------|---------------------|--------------|
|  | Replace | A/T Fluid           | 30,000 Miles |
|  | Replace | M/T Fluid           | 30,000 Miles |
|  | Replace | Transfer Case Fluid | 30,000 Miles |

(1) - Perform these services at the mileage or number of months (since the last time), whichever comes first.

### NORMAL MAINTENANCE SERVICE SCHEDULES

The following service schedules refer to vehicles driven under normal operating conditions. For vehicles driven under severe conditions, additional services may be necessary. See SEVERE SERVICE REQUIREMENTS (PERFORM W/SERVICE SCHEDULES) above in this article for additional service requirements.

#### 7500 MILE (12,000 KM) SERVICE

7500 MILE (12,000 KM) SERVICE

|   |                                      |
|---|--------------------------------------|
| Service Or Inspect  |                                      |
| Change Engine Oil   |                                      |
| Lubrication Specifications  |                                      |
| Application   | Specification                        |
| Engine Oil (1)  |                                      |
| Minimum Temperature   |                                      |
| Greater Than 32°F (0°C)   | ..... SAE 20W-40 Or 20W-50 API SG/CD |
| Greater Than -10°F (-23°C)  | ..... SAE 10W-30, 10W-40 API SG/CD   |
| Maximum Temperature   |                                      |
| Less Than 60°F (16°C)   | ..... SAE 5W-30 Or 5W-40 API SG/CD   |
| (1) - Since temperature ranges for different oil grades overlap, brief fluctuations in outside temperatures are no cause for concern. |                                      |
| Fluid Capacities  |                                      |
| Application   | Quantity                             |
| Engine Oil  |                                      |
| 1987  | 5.2 Qts. (5.0L)                      |
| 1988  | 5.0 Qts. (4.8L)                      |
| 1989-92   | 5.5 Qts. (5.3L)                      |
| 1993-95   | 5.2 Qts. (4.9L)                      |

#### 15,000 MILE (24,000 KM) SERVICE

15,000 MILE (24,000 KM) SERVICE

|   |  |
|---|--|
| Service Or Inspect                      |  |
| Verify Last Major Service Was Performed |  |

|                            |
|----------------------------|
| Fluid Levels               |
| Braking System             |
| Drive Shaft Boots          |
| Replace                    |
| Engine Oil                 |
| Oil Filter                 |
| Lubrication Specifications |

| Application   | Specification                             |
|---|---|
| Brake & Clutch Fluid .....  | DOT 3 Or DOT 4                            |
| Engine Coolant .....  | Ethylene-Glycol Antifreeze Coolant        |
| Engine Oil (1)  |   |
| Minimum Temperature   |   |
| Greater Than 32°F (0°C) .....   | SAE 20W-40 Or 20W-50 API SG/CD            |
| Greater Than -10°F (-23°C) .....  | SAE 10W-30, 10W-40 API SG/CD              |
| Maximum Temperature   |   |
| Less Than 60°F (16°C) .....   | SAE 5W-30 Or 5W-40 API SG/CD              |
| Front Axle & Conventional Rear Axle   |   |
| Minimum Temperature   |   |
| Greater Than -10°F (-23°C) .....  | SAE 90, 85W-90, 80W-90<br>API GL-5        |
| Maximum Temperature   |   |
| Less Than -30°F (-34°C) .....   | SAE 75W API GL-5                          |
| Power Steering Fluid .....  | Dexron-II ATF                             |
| Rear Axle (With Limited Slip Differential) .....  | Hypoid Gear Oil (8149630EX) Or Equivalent |
| Transmission  |   |
| Automatic .....   | Dexron-II ATF                             |
| Manual Transaxle & Transfer Case (4WD) .....  | SAE 75W-85W, 75W-90 API GL-4 Or GL-5      |
| (1) - Since temperature ranges for different oil grades overlap, brief fluctuations in outside temperatures are no cause for concern. |   |

| Fluid Capacities              |                  |
|-------------------------------|------------------|
| Application                   | Quantity         |
| Automatic Transmission        |                  |
| 1987-93 .....                 | 7.6 Qts. (7.2L)  |
| 1994 (3.0L SOHC) .....        | 7.6 Qts. (7.2L)  |
| 1994 (3.0L DOHC & 3.5L) ..... | 9.0 Qts. (8.5L)  |
| 1995 .....                    | 7.9 Qts. (7.5L)  |
| Cooling System                |                  |
| 1987-88 .....                 | 8.5 Qts. (8.0L)  |
| 1989-95                       |                  |
| 2.6L .....                    | 9.7 Qts. (9.2L)  |
| 3.0L .....                    | 10.0 Qts. (9.5L) |
| 1994-95                       |                  |
| 3.5L .....                    | 10.0 Qts. (9.5L) |
| Differential                  |                  |
| 1987-88 .....                 | 1.9 Qts. (1.8L)  |

|                     |       |                 |
|---------------------|-------|-----------------|
| 1989-94             |       |                 |
| 2.6L                | ..... | 1.9 Qts. (1.8L) |
| 3.0L                | ..... | 2.7 Qts. (2.6L) |
| 1994                |       |                 |
| 3.5L                | ..... | 2.7 Qts. (2.6L) |
| 1995                |       |                 |
| 3.0L                | ..... | 2.7 Qts. (2.6L) |
| 3.5L                | ..... | 3.3 Qts. (3.2L) |
| Engine Oil          |       |                 |
| 1987                | ..... | 5.2 Qts. (5.0L) |
| 1988                | ..... | 5.0 Qts. (4.8L) |
| 1989-92             | ..... | 5.5 Qts. (5.3L) |
| 1993-94             | ..... | 5.2 Qts. (4.9L) |
| Manual Transmission |       |                 |
| 1987-91             | ..... | 2.3 Qts. (2.2L) |
| 1992                | ..... | 2.4 Qts. (2.3L) |
| 1993-94             | ..... | 2.6 Qts. (2.5L) |
| Transfer Case       |       |                 |
| 1987-91             | ..... | 2.3 Qts. (2.2L) |
| 1992-94             | ..... | 2.4 Qts. (2.3L) |

## 22,500 MILE (36,000 KM) SERVICE

### 22,500 MILE (36,000 KM) SERVICE

|   |                                      |
|---|--------------------------------------|
| Service Or Inspect  |                                      |
| Verify Last Major Service Was Performed   |                                      |
| Change Engine Oil   |                                      |
| Lubrication Specifications  |                                      |
| Application   | Specification                        |
| Engine Oil (1)  |                                      |
| Minimum Temperature   |                                      |
| Greater Than 32°F (0°C)   | ..... SAE 20W-40 Or 20W-50 API SG/CD |
| Greater Than -10°F (-23°C)  | ..... SAE 10W-30, 10W-40 API SG/CD   |
| Maximum Temperature   |                                      |
| Less Than 60°F (16°C)   | ..... SAE 5W-30 Or 5W-40 API SG/CD   |
| (1) - Since temperature ranges for different oil grades overlap, brief fluctuations in outside temperatures are no cause for concern. |                                      |
| Fluid Capacities  |                                      |
| Application   | Quantity                             |
| Engine Oil  |                                      |
| 1987  | ..... 5.2 Qts. (5.0L)                |
| 1988  | ..... 5.0 Qts. (4.8L)                |
| 1989-92   | ..... 5.5 Qts. (5.3L)                |
| 1993-94   | ..... 5.2 Qts. (4.9L)                |

## 30,000 MILE (48,000 KM) SERVICE

### 30,000 MILE (48,000 KM) SERVICE

|  |
|--|
|  |
|--|

|                                  |  |
|----------------------------------|--|
| Service Or Inspect               |  |
|                                  | Verify Last Major Service Was Performed              |
|                                  | Valve Clearance (Jet Valve Only)                     |
|                                  | Manual Transmission Oil & Transfer Case              |
|                                  | Carburetor Choke Mechanism & Linkage (If Equipped)   |
|                                  | Disc Brake Pads                                      |
|                                  | Drum Brake Linings & Rear Wheel Cylinders            |
|                                  | Brake Hoses  |
|                                  | Fuel & Vapor Hoses                                   |
|                                  | Steering Linkage Seals & Drive Shaft Boots           |
|                                  | Lubricate Ball Joint                                 |
|                                  | Power Steering Fluid (If Equipped)                   |
|                                  | Power Steering Hoses (If Equipped)                   |
|                                  | Lubricate Front Wheel Bearing                        |
|                                  | Drive Axle Fluid (Without Limited-Slip Differential) |
|                                  | Lubricate Drive Shaft Joints                         |
|                                  | Exhaust System                                       |
|                                  | Lubricate Upper Control Arm Bushings                 |
|                                  | Drive Belt (Water Pump & Alternator)                 |
| Replace                          |  |
|                                  | Air Filter   |
|                                  | Spark Plugs  |
|                                  | Drive Axle Fluid (With Limited-Slip Differential)    |
|                                  | Automatic Transmission & Transfer Case Fluids        |
|                                  | Engine Oil & Filter                                  |
|                                  | Engine Coolant                                       |
| Lubrication Specifications       |  |
| Application                      | Specification  |
| Brake & Clutch Fluid .....       | DOT 3 Or DOT 4                                       |
| Engine Coolant .....             | Ethylene-Glycol Antifreeze Coolant                   |
| Engine Oil (1)                   |  |
| Minimum Temperature              |  |
| Greater Than 32°F (0°C) .....    | SAE 20W-40 Or 20W-50 API SG/CD                       |
| Greater Than -10°F (-23°C) ..... | SAE 10W-30, 10W-40 API SG/CD                         |
| Maximum Temperature              |  |

Less Than 60°F (16°C) ..... SAE 5W-30 Or 5W-40 API SG/CD  
 Front Axle & Conventional Rear Axle  
 Minimum Temperature  
 Greater Than -10°F (-23°C) ..... SAE 90, 85W-90, 80W-90  
 API GL-5  
 Maximum Temperature  
 Less Than -30°F (-34°C) ..... SAE 75W API GL-5  
 Power Steering Fluid ..... Dexron-II ATF  
 Rear Axle (With Limited  
 Slip Differential) ..... Hypoid Gear Oil (8149630EX) Or  
 Equivalent  
 Transmission  
 Automatic ..... Dexron-II ATF  
 Manual Transaxle &  
 Transfer Case (4WD) ..... SAE 75W-85W, 75W-90 API  
 GL-4 Or GL-5

(1) - Since temperature ranges for different oil grades overlap, brief fluctuations in outside temperatures are no cause for concern.

#### Fluid Capacities

| Application                   | Quantity         |
|-------------------------------|------------------|
| Automatic Transmission        |                  |
| 1987-93 .....                 | 7.6 Qts. (7.2L)  |
| 1994 (3.0L SOHC) .....        | 7.6 Qts. (7.2L)  |
| 1994 (3.0L DOHC & 3.5L) ..... | 9.0 Qts. (8.5L)  |
| 1995 .....                    | 7.9 Qts. (7.5L)  |
| Cooling System                |                  |
| 1987-88 .....                 | 8.5 Qts. (8.0L)  |
| 1989-95                       |                  |
| 2.6L .....                    | 9.7 Qts. (9.2L)  |
| 3.0L .....                    | 10.0 Qts. (9.5L) |
| 1994-95                       |                  |
| 3.5L .....                    | 10.0 Qts. (9.5L) |
| Differential                  |                  |
| 1987-88 .....                 | 1.9 Qts. (1.8L)  |
| 1989-94                       |                  |
| 2.6L .....                    | 1.9 Qts. (1.8L)  |
| 3.0L .....                    | 2.7 Qts. (2.6L)  |
| 1994                          |                  |
| 3.5L .....                    | 2.7 Qts. (2.6L)  |
| 1995                          |                  |
| 3.0L .....                    | 2.7 Qts. (2.6L)  |
| 3.5L .....                    | 3.3 Qts. (3.2L)  |
| Engine Oil                    |                  |
| 1987 .....                    | 5.2 Qts. (5.0L)  |
| 1988 .....                    | 5.0 Qts. (4.8L)  |
| 1989-92 .....                 | 5.5 Qts. (5.3L)  |
| 1993-94 .....                 | 5.2 Qts. (4.9L)  |
| Manual Transmission           |                  |
| 1987-91 .....                 | 2.3 Qts. (2.2L)  |
| 1992 .....                    | 2.4 Qts. (2.3L)  |
| 1993-94 .....                 | 2.6 Qts. (2.5L)  |
| Transfer Case                 |                  |
| 1987-91 .....                 | 2.3 Qts. (2.2L)  |
| 1992-94 .....                 | 2.4 Qts. (2.3L)  |

### 37,500 MILE (60,000 KM) SERVICE

37,500 MILE (60,000 KM) SERVICE

|   |   |
|---|---|
| Service Or Inspect  |   |
|   | Verify Last Major Service Was Performed |
|   | Change Engine Oil                       |
| Lubrication Specifications  |   |
| Application   | Specification                           |
| Engine Oil (1)  |   |
| Minimum Temperature   |   |
| Greater Than 32°F (0°C)   | ..... SAE 20W-40 Or 20W-50 API SG/CD    |
| Greater Than -10°F (-23°C)  | ..... SAE 10W-30, 10W-40 API SG/CD      |
| Maximum Temperature   |   |
| Less Than 60°F (16°C)   | ..... SAE 5W-30 Or 5W-40 API SG/CD      |
| (1) - Since temperature ranges for different oil grades overlap, brief fluctuations in outside temperatures are no cause for concern. |   |
| Fluid Capacities  |   |
| Application   | Quantity                                |
| Engine Oil  |   |
| 1987  | ..... 5.2 Qts. (5.0L)                   |
| 1988  | ..... 5.0 Qts. (4.8L)                   |
| 1989-92   | ..... 5.5 Qts. (5.3L)                   |
| 1993-94   | ..... 5.2 Qts. (4.9L)                   |

**45,000 MILE (72,000 KM) SERVICE**

45,000 MILE (72,000 KM) SERVICE

|                            |  |
|----------------------------|--|
| Service Or Inspect         |  |
|                            | Verify Last Major Service Was Performed  |
|                            | Fluid Levels                             |
|                            | Braking System                           |
|                            | Drive Shaft Boots                        |
| Replace                    |  |
|                            | Engine Oil                               |
|                            | Oil Filter                               |
| Lubrication Specifications |  |
| Application                | Specification                            |
| Brake & Clutch Fluid       | ..... DOT 3 Or DOT 4                     |
| Engine Coolant             | ..... Ethylene-Glycol Antifreeze Coolant |
| Engine Oil (1)             |  |

Minimum Temperature  
 Greater Than 32°F (0°C) ..... SAE 20W-40 Or 20W-50 API SG/CD  
 Greater Than -10°F (-23°C) ..... SAE 10W-30, 10W-40 API SG/CD  
 Maximum Temperature  
 Less Than 60°F (16°C) ..... SAE 5W-30 Or 5W-40 API SG/CD  
 Front Axle & Conventional Rear Axle  
 Minimum Temperature  
 Greater Than -10°F (-23°C) ..... SAE 90, 85W-90, 80W-90  
 API GL-5  
 Maximum Temperature  
 Less Than -30°F (-34°C) ..... SAE 75W API GL-5  
 Power Steering Fluid ..... Dexron-II ATF  
 Rear Axle (With Limited  
 Slip Differential) ..... Hypoid Gear Oil (8149630EX) Or  
 Equivalent  
 Transmission  
 Automatic ..... Dexron-II ATF  
 Manual Transaxle &  
 Transfer Case (4WD) ..... SAE 75W-85W, 75W-90 API  
 GL-4 Or GL-5

(1) - Since temperature ranges for different oil grades overlap, brief fluctuations in outside temperatures are no cause for concern.

#### Fluid Capacities

| Application                   | Quantity         |
|-------------------------------|------------------|
| <b>Automatic Transmission</b> |                  |
| 1987-93 .....                 | 7.6 Qts. (7.2L)  |
| 1994 (3.0L SOHC) .....        | 7.6 Qts. (7.2L)  |
| 1994 (3.0L DOHC & 3.5L) ..... | 9.0 Qts. (8.5L)  |
| 1995 .....                    | 7.9 Qts. (7.5L)  |
| <b>Cooling System</b>         |                  |
| 1987-88 .....                 | 8.5 Qts. (8.0L)  |
| 1989-95                       |                  |
| 2.6L .....                    | 9.7 Qts. (9.2L)  |
| 3.0L .....                    | 10.0 Qts. (9.5L) |
| 1994-95                       |                  |
| 3.5L .....                    | 10.0 Qts. (9.5L) |
| <b>Differential</b>           |                  |
| 1987-88 .....                 | 1.9 Qts. (1.8L)  |
| 1989-94                       |                  |
| 2.6L .....                    | 1.9 Qts. (1.8L)  |
| 3.0L .....                    | 2.7 Qts. (2.6L)  |
| 1994                          |                  |
| 3.5L .....                    | 2.7 Qts. (2.6L)  |
| 1995                          |                  |
| 3.0L .....                    | 2.7 Qts. (2.6L)  |
| 3.5L .....                    | 3.3 Qts. (3.2L)  |
| <b>Engine Oil</b>             |                  |
| 1987 .....                    | 5.2 Qts. (5.0L)  |
| 1988 .....                    | 5.0 Qts. (4.8L)  |
| 1989-92 .....                 | 5.5 Qts. (5.3L)  |
| 1993-94 .....                 | 5.2 Qts. (4.9L)  |
| <b>Manual Transmission</b>    |                  |
| 1987-91 .....                 | 2.3 Qts. (2.2L)  |
| 1992 .....                    | 2.4 Qts. (2.3L)  |
| 1993-94 .....                 | 2.6 Qts. (2.5L)  |
| <b>Transfer Case</b>          |                  |
| 1987-91 .....                 | 2.3 Qts. (2.2L)  |
| 1992-94 .....                 | 2.4 Qts. (2.3L)  |

### 50,000 MILE (80,000 KM) SERVICE (1987-90)

50,000 MILE (80,000 KM) SERVICE (1987-90)

|                        |   |          |              |
|------------------------|---|----------|--------------|
| Service Or Inspect     |   |          |              |
|                        | Verify Last Major Service Was Performed |          |              |
|                        | Fuel System (Tank, Lines & Connections) |          |              |
|                        | Carburetor Or Throttle Body Mounting    |          |              |
| Replace                |   |          |              |
|                        | Fuel Filter                             |          |              |
|                        | Fuel, Water & Vapor Hoses               |          |              |
|                        | EGR Valve                               |          |              |
|                        | Oxygen Sensor                           |          |              |
| Service Labor Times    |   |          |              |
| Application            |   |          | Hours        |
|                        | 30,000                                  | (60,000) | 50,000       |
| Application            | Mile Service                            |          | Mile Service |
| 2.6L 4-Cylinder        |   |          |              |
| Automatic Transmission | 7.9                                     | (8.9)    | 2.6          |
| Manual Transmission    | 6.9                                     | (7.9)    | 2.6          |
| 3.0L V6                |   |          |              |
| Automatic Transmission | 6.1                                     | (10.6)   | 2.6          |
| Manual Transmission    | 5.1                                     | (9.6)    | 2.6          |

### 52,500 MILE (84,000 KM) SERVICE

52,500 MILE (84,000 KM) SERVICE

|  |   |                      |               |
|--|---|----------------------|---------------|
| Service Or Inspect   |   |                      |               |
|  | Verify Last Major Service Was Performed |                      |               |
|  | Change Engine Oil                       |                      |               |
| Lubrication Specifications   |   |                      |               |
| Application  |   |                      | Specification |
| Engine Oil (1)   |   |                      |               |
| Minimum Temperature  |   |                      |               |
| Greater Than 32°F (0°C)  | .....                                   | SAE 20W-40 Or 20W-50 | API SG/CD     |
| Greater Than -10°F (-23°C)   | .....                                   | SAE 10W-30, 10W-40   | API SG/CD     |
| Maximum Temperature  |   |                      |               |
| Less Than 60°F (16°C)  | .....                                   | SAE 5W-30 Or 5W-40   | API SG/CD     |
| (1) - Since temperature ranges for different oil grades overlap, brief fluctuations in outside temperatures are no cause for |   |                      |               |



concern.

Fluid Capacities

| Application   | Quantity        |
|---------------|-----------------|
| Engine Oil    |                 |
| 1987 .....    | 5.2 Qts. (5.0L) |
| 1988 .....    | 5.0 Qts. (4.8L) |
| 1989-92 ..... | 5.5 Qts. (5.3L) |
| 1993-94 ..... | 5.2 Qts. (4.9L) |

**60,000 MILE (96,000 KM) SERVICE**

60,000 MILE (96,000 KM) SERVICE

| Service Or Inspect   |
|--|
| Verify Last Major Service Was Performed                    |
| Valve Clearance (Jet Valve Only)                           |
| Manual Transmission Oil & Transfer Case                    |
| Carburetor Choke Mechanism & Linkage (2.6L Engine)         |
| Crankcase Emission Control System (PCV Valve)              |
| Evaporative Emission Control System                        |
| Distributor Cap, Rotor & Spark Advanced System             |
| Intake Temperature Control System                          |
| Secondary Air System                                       |
| Front Disc Pads  |
| Rear Drum Brake Linings & Wheel & Cylinders                |
| Brake Hoses  |
| Steering Linkage Seals & Drive Shaft Boots                 |
| Lubricate Ball Joints                                      |
| Lubricate Front Wheel Bearing                              |
| Drive Axle Fluid (Without Limited-Slip Differential)       |
| Lubricate Drive Shaft Joints                               |
| Exhaust System   |
| Drive Belt (Water Pump & Alternator)                       |
| Vacuum, Water, Crankcase Ventilation & Secondary Air Hoses |
| Replace  |
| Air Filter   |

|   |
|---|
| Fuel Filter                                       |
| Spark Plugs                                       |
| Ignition Cables                                   |
| Camshaft Timing Belt                              |
| Engine Coolant                                    |
| Drive Axle Fluid (With Limited-Slip Differential) |
| Engine Oil & Filter                               |
| Automatic Transmission & Transfer Case Fluids     |
| Vacuum Control System Solenoid Valve Air Filter   |

Lubrication Specifications

| Application                                | Specification                             |
|--|---|
| Brake & Clutch Fluid                       | DOT 3 Or DOT 4                            |
| Engine Coolant                             | Ethylene-Glycol Antifreeze Coolant        |
| Engine Oil (1)                             |   |
| Minimum Temperature                        |   |
| Greater Than 32°F (0°C)                    | SAE 20W-40 Or 20W-50 API SG/CD            |
| Greater Than -10°F (-23°C)                 | SAE 10W-30, 10W-40 API SG/CD              |
| Maximum Temperature                        |   |
| Less Than 60°F (16°C)                      | SAE 5W-30 Or 5W-40 API SG/CD              |
| Front Axle & Conventional Rear Axle        |   |
| Minimum Temperature                        |   |
| Greater Than -10°F (-23°C)                 | SAE 90, 85W-90, 80W-90<br>API GL-5        |
| Maximum Temperature                        |   |
| Less Than -30°F (-34°C)                    | SAE 75W API GL-5                          |
| Power Steering Fluid                       | Dexron-II ATF                             |
| Rear Axle (With Limited Slip Differential) | Hypoid Gear Oil (8149630EX) Or Equivalent |
| Transmission                               |   |
| Automatic                                  | Dexron-II ATF                             |
| Manual Transaxle & Transfer Case (4WD)     | SAE 75W-85W, 75W-90 API GL-4 Or GL-5      |

(1) - Since temperature ranges for different oil grades overlap, brief fluctuations in outside temperatures are no cause for concern.

Fluid Capacities

| Application             | Quantity        |
|-------------------------|-----------------|
| Automatic Transmission  |                 |
| 1987-93                 | 7.6 Qts. (7.2L) |
| 1994 (3.0L SOHC)        | 7.6 Qts. (7.2L) |
| 1994 (3.0L DOHC & 3.5L) | 9.0 Qts. (8.5L) |
| 1995                    | 7.9 Qts. (7.5L) |
| Cooling System          |                 |
| 1987-88                 | 8.5 Qts. (8.0L) |
| 1989-95                 |                 |

|                     |                  |
|---------------------|------------------|
| 2.6L .....          | 9.7 Qts. (9.2L)  |
| 3.0L .....          | 10.0 Qts. (9.5L) |
| 1994-95             |                  |
| 3.5L .....          | 10.0 Qts. (9.5L) |
| Differential        |                  |
| 1987-88 .....       | 1.9 Qts. (1.8L)  |
| 1989-94             |                  |
| 2.6L .....          | 1.9 Qts. (1.8L)  |
| 3.0L .....          | 2.7 Qts. (2.6L)  |
| 1994                |                  |
| 3.5L .....          | 2.7 Qts. (2.6L)  |
| 1995                |                  |
| 3.0L .....          | 2.7 Qts. (2.6L)  |
| 3.5L .....          | 3.3 Qts. (3.2L)  |
| Engine Oil          |                  |
| 1987 .....          | 5.2 Qts. (5.0L)  |
| 1988 .....          | 5.0 Qts. (4.8L)  |
| 1989-92 .....       | 5.5 Qts. (5.3L)  |
| 1993-95 .....       | 5.2 Qts. (4.9L)  |
| Manual Transmission |                  |
| 1987-91 .....       | 2.3 Qts. (2.2L)  |
| 1992 .....          | 2.4 Qts. (2.3L)  |
| 1993-95 .....       | 2.6 Qts. (2.5L)  |
| Transfer Case       |                  |
| 1987-91 .....       | 2.3 Qts. (2.2L)  |
| 1992-95 .....       | 2.4 Qts. (2.3L)  |

#### Service Labor Times

| Application                  | Hours                           |                        |
|------------------------------|---------------------------------|------------------------|
| Application                  | 30,000 (60,000)<br>Mile Service | 50,000<br>Mile Service |
| 2.6L 4-Cylinder              |                                 |                        |
| Automatic Transmission ..... | 7.9 (8.9)                       | 2.6                    |
| Manual Transmission .....    | 6.9 (7.9)                       | 2.6                    |
| 3.0L V6                      |                                 |                        |
| Automatic Transmission ..... | 6.1 (10.6)                      | 2.6                    |
| Manual Transmission .....    | 5.1 (9.6)                       | 2.6                    |

### 67,500 MILE (108,000 KM) SERVICE

#### 67,500 MILE (108,000 KM) SERVICE

|   |                                |
|---|--------------------------------|
| Service Or Inspect                      |                                |
| Verify Last Major Service Was Performed |                                |
| Change Engine Oil                       |                                |
| Lubrication Specifications              |                                |
| Application                             | Specification                  |
| Engine Oil (1)                          |                                |
| Minimum Temperature                     |                                |
| Greater Than 32°F (0°C) .....           | SAE 20W-40 Or 20W-50 API SG/CD |
| Greater Than -10°F (-23°C) .....        | SAE 10W-30, 10W-40 API SG/CD   |
| Maximum Temperature                     |                                |
| Less Than 60°F (16°C) .....             | SAE 5W-30 Or 5W-40 API SG/CD   |

(1) - Since temperature ranges for different oil grades overlap, brief fluctuations in outside temperatures are no cause for concern.

Fluid Capacities

| Application   | Quantity        |
|---------------|-----------------|
| Engine Oil    |                 |
| 1987 .....    | 5.2 Qts. (5.0L) |
| 1988 .....    | 5.0 Qts. (4.8L) |
| 1989-92 ..... | 5.5 Qts. (5.3L) |
| 1993-95 ..... | 5.2 Qts. (4.9L) |

**75,000 MILE (120,000 KM) SERVICE**

75,000 MILE (120,000 KM) SERVICE

|  |  |
|--|--|
| Service Or Inspect                               |  |
| Verify Last Major Service Was Performed          |  |
| Fluid Levels                                     |  |
| Braking System                                   |  |
| Drive Shaft Boots                                |  |
| Replace  |  |
| Engine Oil                                       |  |
| Oil Filter                                       |  |
| Lubrication Specifications                       |  |
| Application                                      | Specification                                |
| Brake & Clutch Fluid .....                       | DOT 3 Or DOT 4                               |
| Engine Coolant .....                             | Ethylene-Glycol Antifreeze Coolant           |
| Engine Oil (1)                                   |  |
| Minimum Temperature                              |  |
| Greater Than 32°F (0°C) .....                    | SAE 20W-40 Or 20W-50 API SG/CD               |
| Greater Than -10°F (-23°C) .....                 | SAE 10W-30, 10W-40 API SG/CD                 |
| Maximum Temperature                              |  |
| Less Than 60°F (16°C) .....                      | SAE 5W-30 Or 5W-40 API SG/CD                 |
| Front Axle & Conventional Rear Axle              |  |
| Minimum Temperature                              |  |
| Greater Than -10°F (-23°C) .....                 | SAE 90, 85W-90, 80W-90<br>API GL-5           |
| Maximum Temperature                              |  |
| Less Than -30°F (-34°C) .....                    | SAE 75W API GL-5                             |
| Power Steering Fluid .....                       | Dexron-II ATF                                |
| Rear Axle (With Limited Slip Differential) ..... | Hypoid Gear Oil (8149630EX) Or<br>Equivalent |
| Transmission                                     |  |
| Automatic .....                                  | Dexron-II ATF                                |
| Manual Transaxle & Transfer Case (4WD) .....     | SAE 75W-85W, 75W-90 API                      |

GL-4 Or GL-5

(1) - Since temperature ranges for different oil grades overlap, brief fluctuations in outside temperatures are no cause for concern.

Fluid Capacities

| Application                   | Quantity         |
|-------------------------------|------------------|
| Automatic Transmission        |                  |
| 1987-93 .....                 | 7.6 Qts. (7.2L)  |
| 1994 (3.0L SOHC) .....        | 7.6 Qts. (7.2L)  |
| 1994 (3.0L DOHC & 3.5L) ..... | 9.0 Qts. (8.5L)  |
| 1995 .....                    | 7.9 Qts. (7.5L)  |
| Cooling System                |                  |
| 1987-88 .....                 | 8.5 Qts. (8.0L)  |
| 1989-95                       |                  |
| 2.6L .....                    | 9.7 Qts. (9.2L)  |
| 3.0L .....                    | 10.0 Qts. (9.5L) |
| 1994-95                       |                  |
| 3.5L .....                    | 10.0 Qts. (9.5L) |
| Differential                  |                  |
| 1987-88 .....                 | 1.9 Qts. (1.8L)  |
| 1989-94                       |                  |
| 2.6L .....                    | 1.9 Qts. (1.8L)  |
| 3.0L .....                    | 2.7 Qts. (2.6L)  |
| 1994                          |                  |
| 3.5L .....                    | 2.7 Qts. (2.6L)  |
| 1995                          |                  |
| 3.0L .....                    | 2.7 Qts. (2.6L)  |
| 3.5L .....                    | 3.3 Qts. (3.2L)  |
| Engine Oil                    |                  |
| 1987 .....                    | 5.2 Qts. (5.0L)  |
| 1988 .....                    | 5.0 Qts. (4.8L)  |
| 1989-92 .....                 | 5.5 Qts. (5.3L)  |
| 1993-95 .....                 | 5.2 Qts. (4.9L)  |
| Manual Transmission           |                  |
| 1987-91 .....                 | 2.3 Qts. (2.2L)  |
| 1992 .....                    | 2.4 Qts. (2.3L)  |
| 1993-95 .....                 | 2.6 Qts. (2.5L)  |
| Transfer Case                 |                  |
| 1987-91 .....                 | 2.3 Qts. (2.2L)  |
| 1992-95 .....                 | 2.4 Qts. (2.3L)  |

**82,500 MILE (132,000 KM) SERVICE**

82,500 MILE (132,000 KM) SERVICE

|                            |   |
|----------------------------|---|
| Service Or Inspect         |   |
|                            | Verify Last Major Service Was Performed |
|                            | Change Engine Oil                       |
| Lubrication Specifications |   |
| Application                | Specification                           |
| Engine Oil (1)             |   |
| Minimum Temperature        |   |

Greater Than 32°F (0°C) ..... SAE 20W-40 Or 20W-50 API SG/CD  
 Greater Than -10°F (-23°C) ..... SAE 10W-30, 10W-40 API SG/CD  
 Maximum Temperature  
 Less Than 60°F (16°C) ..... SAE 5W-30 Or 5W-40 API SG/CD

(1) - Since temperature ranges for different oil grades overlap, brief fluctuations in outside temperatures are no cause for concern.

Fluid Capacities

| Application   | Quantity        |
|---------------|-----------------|
| Engine Oil    |                 |
| 1987 .....    | 5.2 Qts. (5.0L) |
| 1988 .....    | 5.0 Qts. (4.8L) |
| 1989-92 ..... | 5.5 Qts. (5.3L) |
| 1993-95 ..... | 5.2 Qts. (4.9L) |

**90,000 MILE (144,000 KM) SERVICE**

90,000 MILE (144,000 KM) SERVICE

|  |
|--|
| Service Or Inspect                                   |
| Verify Last Major Service Was Performed              |
| Valve Clearance (Jet Valve Only)                     |
| Manual Transmission Oil & Transfer Case              |
| Carburetor Choke Mechanism & Linkage (If Equipped)   |
| Disc Brake Pads                                      |
| Drum Brake Linings & Rear Wheel Cylinders            |
| Brake Hoses  |
| Fuel & Vapor Hoses                                   |
| Steering Linkage Seals & Drive Shaft Boots           |
| Lubricate Ball Joint                                 |
| Power Steering Fluid (If Equipped)                   |
| Power Steering Hoses (If Equipped)                   |
| Lubricate Front Wheel Bearing                        |
| Drive Axle Fluid (Without Limited-Slip Differential) |
| Lubricate Drive Shaft Joints                         |
| Exhaust System                                       |
| Lubricate Upper Control Arm Bushings                 |
| Drive Belt (Water Pump & Alternator)                 |

Replace

Air Filter

Spark Plugs

Drive Axle Fluid (With Limited-Slip Differential)

Automatic Transmission & Transfer Case Fluids

Engine Oil & Filter

Engine Coolant

Lubrication Specifications

| Application                                | Specification                             |
|--|---|
| Brake & Clutch Fluid                       | DOT 3 Or DOT 4                            |
| Engine Coolant                             | Ethylene-Glycol Antifreeze Coolant        |
| Engine Oil (1)                             |   |
| Minimum Temperature                        |   |
| Greater Than 32°F (0°C)                    | SAE 20W-40 Or 20W-50 API SG/CD            |
| Greater Than -10°F (-23°C)                 | SAE 10W-30, 10W-40 API SG/CD              |
| Maximum Temperature                        |   |
| Less Than 60°F (16°C)                      | SAE 5W-30 Or 5W-40 API SG/CD              |
| Front Axle & Conventional Rear Axle        |   |
| Minimum Temperature                        |   |
| Greater Than -10°F (-23°C)                 | SAE 90, 85W-90, 80W-90<br>API GL-5        |
| Maximum Temperature                        |   |
| Less Than -30°F (-34°C)                    | SAE 75W API GL-5                          |
| Power Steering Fluid                       | Dexron-II ATF                             |
| Rear Axle (With Limited Slip Differential) | Hypoid Gear Oil (8149630EX) Or Equivalent |
| Transmission                               |   |
| Automatic                                  | Dexron-II ATF                             |
| Manual Transaxle & Transfer Case (4WD)     | SAE 75W-85W, 75W-90 API<br>GL-4 Or GL-5   |

(1) - Since temperature ranges for different oil grades overlap, brief fluctuations in outside temperatures are no cause for concern.

Fluid Capacities

| Application             | Quantity         |
|-------------------------|------------------|
| Automatic Transmission  |                  |
| 1987-93                 | 7.6 Qts. (7.2L)  |
| 1994 (3.0L SOHC)        | 7.6 Qts. (7.2L)  |
| 1994 (3.0L DOHC & 3.5L) | 9.0 Qts. (8.5L)  |
| 1995                    | 7.9 Qts. (7.5L)  |
| Cooling System          |                  |
| 1987-88                 | 8.5 Qts. (8.0L)  |
| 1989-95                 |                  |
| 2.6L                    | 9.7 Qts. (9.2L)  |
| 3.0L                    | 10.0 Qts. (9.5L) |
| 1994-95                 |                  |
| 3.5L                    | 10.0 Qts. (9.5L) |
| Differential            |                  |

|                     |                 |
|---------------------|-----------------|
| 1987-88             | 1.9 Qts. (1.8L) |
| 1989-94             |                 |
| 2.6L                | 1.9 Qts. (1.8L) |
| 3.0L                | 2.7 Qts. (2.6L) |
| 1994                |                 |
| 3.5L                | 2.7 Qts. (2.6L) |
| 1995                |                 |
| 3.0L                | 2.7 Qts. (2.6L) |
| 3.5L                | 3.3 Qts. (3.2L) |
| Engine Oil          |                 |
| 1987                | 5.2 Qts. (5.0L) |
| 1988                | 5.0 Qts. (4.8L) |
| 1989-92             | 5.5 Qts. (5.3L) |
| 1993-95             | 5.2 Qts. (4.9L) |
| Manual Transmission |                 |
| 1987-91             | 2.3 Qts. (2.2L) |
| 1992                | 2.4 Qts. (2.3L) |
| 1993-95             | 2.6 Qts. (2.5L) |
| Transfer Case       |                 |
| 1987-91             | 2.3 Qts. (2.2L) |
| 1992-95             | 2.4 Qts. (2.3L) |

#### Service Labor Times

| Application            | Hours                           |                        |
|------------------------|---------------------------------|------------------------|
| Application            | 30,000 (60,000)<br>Mile Service | 50,000<br>Mile Service |
| 2.6L 4-Cylinder        |                                 |                        |
| Automatic Transmission | 7.9 (8.9)                       | 2.6                    |
| Manual Transmission    | 6.9 (7.9)                       | 2.6                    |
| 3.0L V6                |                                 |                        |
| Automatic Transmission | 6.1 (10.6)                      | 2.6                    |
| Manual Transmission    | 5.1 (9.6)                       | 2.6                    |

### 97,500 MILE (156,000 KM) SERVICE

#### 97,500 MILE (156,000 KM) SERVICE

|   |                                |
|---|--------------------------------|
| Service Or Inspect  |                                |
| Verify Last Major Service Was Performed   |                                |
| Change Engine Oil   |                                |
| Lubrication Specifications  |                                |
| Application   | Specification                  |
| Engine Oil (1)  |                                |
| Minimum Temperature   |                                |
| Greater Than 32°F (0°C)   | SAE 20W-40 Or 20W-50 API SG/CD |
| Greater Than -10°F (-23°C)  | SAE 10W-30, 10W-40 API SG/CD   |
| Maximum Temperature   |                                |
| Less Than 60°F (16°C)   | SAE 5W-30 Or 5W-40 API SG/CD   |
| (1) - Since temperature ranges for different oil grades overlap, brief fluctuations in outside temperatures are no cause for concern. |                                |



Fluid Capacities

| Application   | Quantity        |
|---------------|-----------------|
| Engine Oil    |                 |
| 1987 .....    | 5.2 Qts. (5.0L) |
| 1988 .....    | 5.0 Qts. (4.8L) |
| 1989-92 ..... | 5.5 Qts. (5.3L) |
| 1993-95 ..... | 5.2 Qts. (4.9L) |

**105,000 MILE (168,000 KM) SERVICE**

105,000 MILE (168,000 KM) SERVICE

|   |  |
|---|--|
| Service Or Inspect  |  |
| Verify Last Major Service Was Performed   |  |
| Fluid Levels  |  |
| Braking System  |  |
| Drive Shaft Boots   |  |
| Replace   |  |
| Engine Oil  |  |
| Oil Filter  |  |
| Lubrication Specifications  |  |
| Application   | Specification                                |
| Brake & Clutch Fluid .....  | DOT 3 Or DOT 4                               |
| Engine Coolant .....  | Ethylene-Glycol Antifreeze Coolant           |
| Engine Oil (1)  |  |
| Minimum Temperature   |  |
| Greater Than 32°F (0°C) .....   | SAE 20W-40 Or 20W-50 API SG/CD               |
| Greater Than -10°F (-23°C) .....  | SAE 10W-30, 10W-40 API SG/CD                 |
| Maximum Temperature   |  |
| Less Than 60°F (16°C) .....   | SAE 5W-30 Or 5W-40 API SG/CD                 |
| Front Axle & Conventional Rear Axle   |  |
| Minimum Temperature   |  |
| Greater Than -10°F (-23°C) .....  | SAE 90, 85W-90, 80W-90<br>API GL-5           |
| Maximum Temperature   |  |
| Less Than -30°F (-34°C) .....   | SAE 75W API GL-5                             |
| Power Steering Fluid .....  | Dexron-II ATF                                |
| Rear Axle (With Limited<br>Slip Differential) .....   | Hypoid Gear Oil (8149630EX) Or<br>Equivalent |
| Transmission  |  |
| Automatic .....   | Dexron-II ATF                                |
| Manual Transaxle &<br>Transfer Case (4WD) .....   | SAE 75W-85W, 75W-90 API<br>GL-4 Or GL-5      |
| (1) - Since temperature ranges for different oil grades overlap,<br>brief fluctuations in outside temperatures are no cause for<br>concern. |  |

| Fluid Capacities              |                  |
|-------------------------------|------------------|
| Application                   | Quantity         |
| Automatic Transmission        |                  |
| 1987-93 .....                 | 7.6 Qts. (7.2L)  |
| 1994 (3.0L SOHC) .....        | 7.6 Qts. (7.2L)  |
| 1994 (3.0L DOHC & 3.5L) ..... | 9.0 Qts. (8.5L)  |
| 1995 .....                    | 7.9 Qts. (7.5L)  |
| Cooling System                |                  |
| 1987-88 .....                 | 8.5 Qts. (8.0L)  |
| 1989-95                       |                  |
| 2.6L .....                    | 9.7 Qts. (9.2L)  |
| 3.0L .....                    | 10.0 Qts. (9.5L) |
| 1994-95                       |                  |
| 3.5L .....                    | 10.0 Qts. (9.5L) |
| Differential                  |                  |
| 1987-88 .....                 | 1.9 Qts. (1.8L)  |
| 1989-94                       |                  |
| 2.6L .....                    | 1.9 Qts. (1.8L)  |
| 3.0L .....                    | 2.7 Qts. (2.6L)  |
| 1994                          |                  |
| 3.5L .....                    | 2.7 Qts. (2.6L)  |
| 1995                          |                  |
| 3.0L .....                    | 2.7 Qts. (2.6L)  |
| 3.5L .....                    | 3.3 Qts. (3.2L)  |
| Engine Oil                    |                  |
| 1987 .....                    | 5.2 Qts. (5.0L)  |
| 1988 .....                    | 5.0 Qts. (4.8L)  |
| 1989-92 .....                 | 5.5 Qts. (5.3L)  |
| 1993-95 .....                 | 5.2 Qts. (4.9L)  |
| Manual Transmission           |                  |
| 1987-91 .....                 | 2.3 Qts. (2.2L)  |
| 1992 .....                    | 2.4 Qts. (2.3L)  |
| 1993-95 .....                 | 2.6 Qts. (2.5L)  |
| Transfer Case                 |                  |
| 1987-91 .....                 | 2.3 Qts. (2.2L)  |
| 1992-95 .....                 | 2.4 Qts. (2.3L)  |

### 110,000 MILE (176,000 KM) SERVICE (1987-90)

110,000 MILE (176,000 KM) SERVICE (1987-90)

|                    |   |
|--------------------|---|
| Service Or Inspect |   |
|                    | Verify Last Major Service Was Performed |
|                    | Fuel System (Tank, Lines & Connections) |
|                    | Carburetor Or Throttle Body Mounting    |
| Replace            |   |
|                    | Fuel Filter                             |
|                    | Fuel, Water & Vapor Hoses               |
|                    | EGR Valve                               |
|                    | Oxygen Sensor                           |

| Service Labor Times    |                                 |  |                        |
|------------------------|---------------------------------|--|------------------------|
| Application            | 30,000 (60,000)<br>Mile Service |  | 50,000<br>Mile Service |
| 2.6L 4-Cylinder        |                                 |  |                        |
| Automatic Transmission | 7.9 (8.9)                       |  | 2.6                    |
| Manual Transmission    | 6.9 (7.9)                       |  | 2.6                    |
| 3.0L V6                |                                 |  |                        |
| Automatic Transmission | 6.1 (10.6)                      |  | 2.6                    |
| Manual Transmission    | 5.1 (9.6)                       |  | 2.6                    |

### 112,500 MILE (180,000 KM) SERVICE

112,500 MILE (180,000 KM) SERVICE

| Service Or Inspect  |                                |
|---|--------------------------------|
| Verify Last Major Service Was Performed   |                                |
| Change Engine Oil   |                                |
| Lubrication Specifications  |                                |
| Application   | Specification                  |
| Engine Oil (1)  |                                |
| Minimum Temperature   |                                |
| Greater Than 32°F (0°C)   | SAE 20W-40 Or 20W-50 API SG/CD |
| Greater Than -10°F (-23°C)  | SAE 10W-30, 10W-40 API SG/CD   |
| Maximum Temperature   |                                |
| Less Than 60°F (16°C)   | SAE 5W-30 Or 5W-40 API SG/CD   |
| (1) - Since temperature ranges for different oil grades overlap, brief fluctuations in outside temperatures are no cause for concern. |                                |
| Fluid Capacities  |                                |
| Application   | Quantity                       |
| Engine Oil  |                                |
| 1987  | 5.2 Qts. (5.0L)                |
| 1988  | 5.0 Qts. (4.8L)                |
| 1989-92   | 5.5 Qts. (5.3L)                |
| 1993-95   | 5.2 Qts. (4.9L)                |

### 120,000 MILE (192,000 KM) SERVICE

120,000 MILE (192,000 KM) SERVICE

| Service Or Inspect                      |  |
|---|--|
| Verify Last Major Service Was Performed |  |
| Valve Clearance (Jet Valve Only)        |  |

|  |                |
|--|----------------|
| Manual Transmission Oil & Transfer Case                    |                |
| Carburetor Choke Mechanism & Linkage (2.6L Engine)         |                |
| Crankcase Emission Control System (PCV Valve)              |                |
| Evaporative Emission Control System                        |                |
| Distributor Cap, Rotor & Spark Advanced System             |                |
| Intake Temperature Control System                          |                |
| Secondary Air System                                       |                |
| Front Disc Pads  |                |
| Rear Drum Brake Linings & Wheel & Cylinders                |                |
| Brake Hoses  |                |
| Steering Linkage Seals & Drive Shaft Boots                 |                |
| Lubricate Ball Joints                                      |                |
| Lubricate Front Wheel Bearing                              |                |
| Drive Axle Fluid (Without Limited-Slip Differential)       |                |
| Lubricate Drive Shaft Joints                               |                |
| Exhaust System   |                |
| Drive Belt (Water Pump & Alternator)                       |                |
| Vacuum, Water, Crankcase Ventilation & Secondary Air Hoses |                |
| Replace  |                |
| Air Filter   |                |
| Fuel Filter  |                |
| Spark Plugs  |                |
| Ignition Cables  |                |
| Camshaft Timing Belt                                       |                |
| Engine Coolant   |                |
| Drive Axle Fluid (With Limited-Slip Differential)          |                |
| Engine Oil & Filter  |                |
| Automatic Transmission & Transfer Case Fluids              |                |
| Vacuum Control System Solenoid Valve Air Filter            |                |
| Lubrication Specifications                                 |                |
| Application  | Specification  |
| Brake & Clutch Fluid .....                                 | DOT 3 Or DOT 4 |



|               |                 |
|---------------|-----------------|
| 1987-91 ..... | 2.3 Qts. (2.2L) |
| 1992-95 ..... | 2.4 Qts. (2.3L) |

Service Labor Times

| Application                  | Hours                           |                        |
|------------------------------|---------------------------------|------------------------|
| Application                  | 30,000 (60,000)<br>Mile Service | 50,000<br>Mile Service |
| 2.6L 4-Cylinder              |                                 |                        |
| Automatic Transmission ..... | 7.9 (8.9)                       | 2.6                    |
| Manual Transmission .....    | 6.9 (7.9)                       | 2.6                    |
| 3.0L V6                      |                                 |                        |
| Automatic Transmission ..... | 6.1 (10.6)                      | 2.6                    |
| Manual Transmission .....    | 5.1 (9.6)                       | 2.6                    |

LUBRICATION SPECIFICATIONS TABLE

| Application                                      | Fluid Specifications                      |
|--|---|
| Brake & Clutch Fluid .....                       | DOT 3 Or DOT 4                            |
| Engine Coolant .....                             | Ethylene-Glycol Antifreeze Coolant        |
| Engine Oil (1)                                   |   |
| Minimum Temperature                              |   |
| Greater Than 32°F (0°C) .....                    | SAE 20W-40 Or 20W-50 API SG/CD            |
| Greater Than -10°F (-23°C) ..                    | SAE 10W-30 Or 10W-40 API SG/CD            |
| Maximum Temperature                              |   |
| Less Than 60°F (16°C) .....                      | SAE 5W-30 Or 5W-40 API SG/CD              |
| Front Axle & Conventional Rear Axle              |   |
| Minimum Temperature                              |   |
| Greater Than -10°F (-23°C) .....                 | SAE 85W-90, 80W-90 API GL-5               |
| Maximum Temperature                              |   |
| Less Than -30°F (-34°C) .....                    | SAE 75W API GL-5                          |
| Power Steering Fluid .....                       | Dexron-IIe ATF                            |
| Rear Axle (With Limited Slip Differential) ..... | Hypoid Gear Oil (8149630EX) Or Equivalent |
| Transmission                                     |   |
| Automatic .....                                  | Dexron-IIe ATF                            |
| Manual Transaxle & Transfer Case (4WD) .....     | SAE 75W-85W, 75W-90 API GL-5              |

(1) - Since temperature ranges for different oil grades overlap, brief fluctuations in outside temperatures are no cause for concern.

**FLUID CAPACITIES**

FLUID CAPACITIES TABLE

| Application                       | Quantity   |
|-----------------------------------|------------|
| A/C System R-12 Refrigerant       |            |
| 1983-87 .....                     | 24-26 Ozs. |
| 1988-91 .....                     | 32 Ozs.    |
| 1992-93 .....                     | 28 Ozs.    |
| A/C System R-134a Refrigerant (1) |            |
| 1994-95 .....                     | 21-23 Ozs. |
| Automatic Transmission            |            |

|                         |     |            |        |
|-------------------------|-----|------------|--------|
| 1984-86                 | (2) | 7.2 Qts.   | (6.8L) |
| 1987-93                 |     | 7.6 Qts.   | (7.2L) |
| 1994 (3.0L SOHC)        |     | 7.6 Qts.   | (7.2L) |
| 1994 (3.0L DOHC & 3.5L) |     | 9.0 Qts.   | (8.5L) |
| 1995                    |     | 7.9 Qts.   | (7.5L) |
| Cooling System          |     |            |        |
| 1983-88                 |     | 8.5 Qts.   | (8.0L) |
| 1989-95                 |     |            |        |
| 2.6L                    |     | 9.7 Qts.   | (9.2L) |
| 3.0L                    |     | 10.0 Qts.  | (9.5L) |
| 1994-95                 |     |            |        |
| 3.5L                    |     | 10.0 Qts.  | (9.5L) |
| Differential            |     |            |        |
| 1983-88                 |     | 1.9 Qts.   | (1.8L) |
| 1989-93                 |     |            |        |
| 2.6L                    |     | 1.9 Qts.   | (1.8L) |
| 3.0L                    |     | 2.7 Qts.   | (2.6L) |
| 1994                    |     |            |        |
| 3.0L & 3.5L             |     | 2.7 Qts.   | (2.6L) |
| 1995                    |     |            |        |
| 3.0L                    |     | 2.7 Qts.   | (2.6L) |
| 3.5L                    |     | 3.3 Qts.   | (3.2L) |
| Engine Oil              |     |            |        |
| 1983-86                 |     | 6.0 Qts.   | (5.8L) |
| 1987                    |     | 5.2 Qts.   | (5.0L) |
| 1988                    |     | 5.0 Qts.   | (4.8L) |
| 1989-91                 |     | 5.5 Qts.   | (5.3L) |
| 1992-95                 |     | 5.2 Qts.   | (4.9L) |
| Power Steering          |     | 1.1 Qts.   | (1.0L) |
| Fuel Tank               |     |            |        |
| 1983-88                 |     | 15.9 Gals. | (60L)  |
| 1989-90                 |     |            |        |
| 2.6L 2-Door             |     | 15.9 Gals. | (60L)  |
| 3.0L 2-Door             |     | 19.9 Gals. | (75L)  |
| 2.6L & 3.0L 4-Door      |     | 24 Gals.   | (92L)  |
| 1991-95                 |     | 24 Gals.   | (92L)  |
| Manual Transmission     |     |            |        |
| 1983-91                 |     | 2.3 Qts.   | (2.2L) |
| 1992                    |     | 2.4 Qts.   | (2.3L) |
| 1993-95                 |     | 2.6 Qts.   | (2.5L) |
| Transfer Case           |     |            |        |
| 1983-91                 |     | 2.3 Qts.   | (2.2L) |
| 1992-95                 |     | 2.4 Qts.   | (2.3L) |

(1) - Use of R12 in a R134a system will result in SEVERE DAMAGE.  
(2) - 1983 model equipped with manual transmission only.

---