

M - VACUUM DIAGRAMS

1991 Mitsubishi Montero

1991 ENGINE PERFORMANCE
Vacuum Diagrams

Chrysler Motors: Colt, Colt 200, Colt Vista,
Ram-50, Stealth, Summit
Mitsubishi: Eclipse, Galant, Mirage, Montero,
Pickup, 3000GT

INTRODUCTION

This article contains underhood views or schematics of vacuum hose routing. Use these vacuum diagrams during the visual inspection in F - BASIC TESTING article in the ENGINE PERFORMANCE Section. This will assist in identifying improperly routed vacuum hoses, which cause driveability and/or computer-indicated malfunctions.

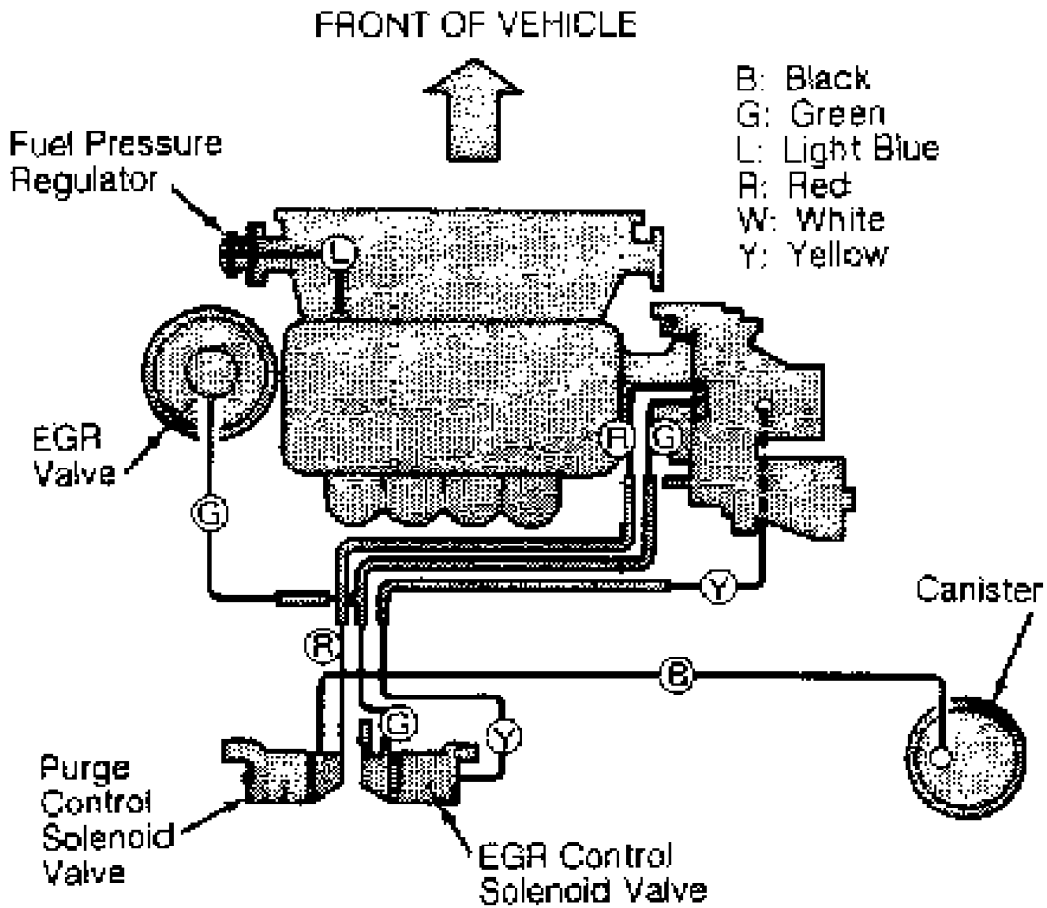


Fig. 1: Vacuum Diagram (Colt, Colt 200, Mirage 1.5L & Summit/Calif.)
Courtesy of Chrysler Motors.

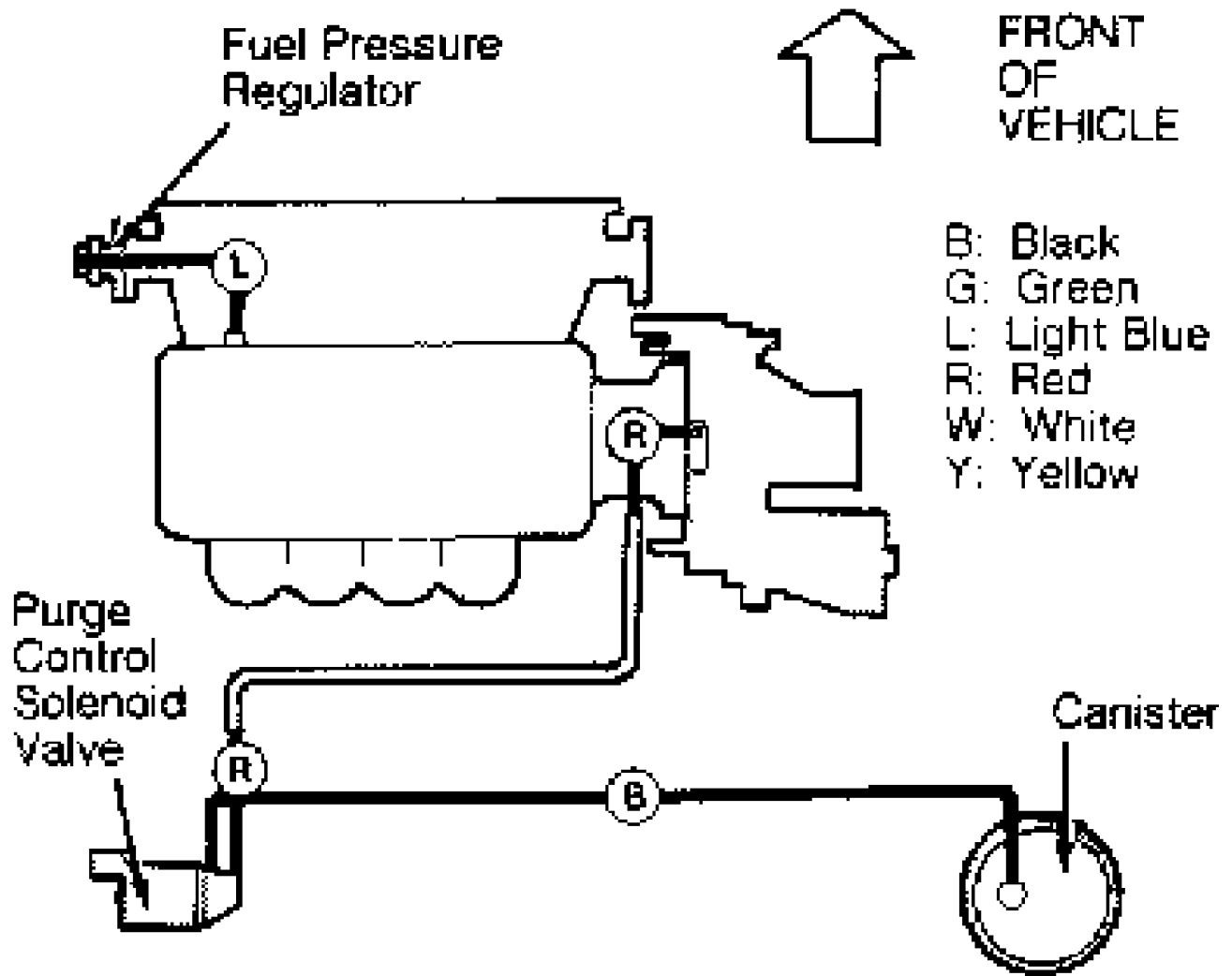


Fig. 2: Vacuum Diagram (Colt, Colt 200, Mirage 1.5L & Summit/Fed.)
Courtesy of Chrysler Motors.

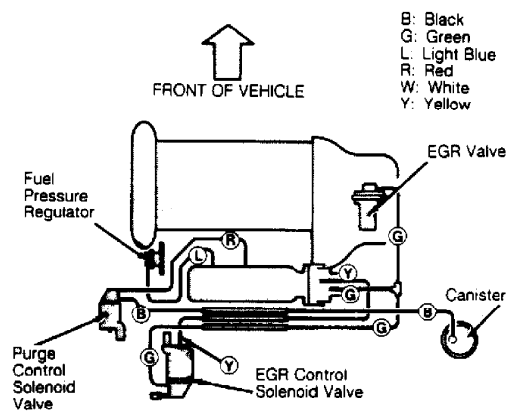


Fig. 3: Vacuum Diagram (Mirage 1.6L/Calif.)
Courtesy of Mitsubishi Motor Sales of America.

B: Black
 G: Green
 L: Light Blue
 R: Red
 W: White
 Y: Yellow

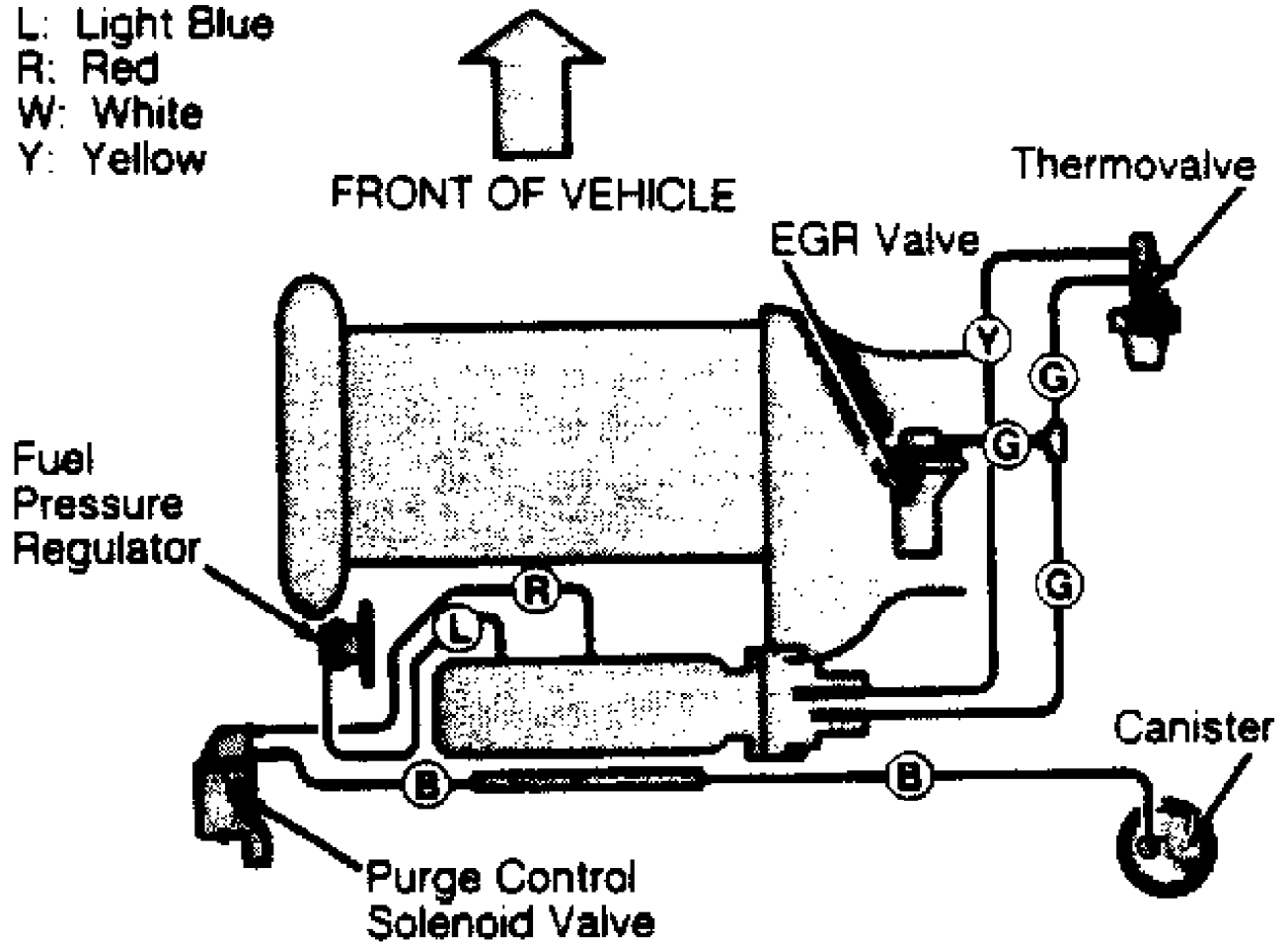


Fig. 4: Vacuum Diagram (Mirage 1.6L/Fed.)
 Courtesy of Mitsubishi Motor Sales of America.

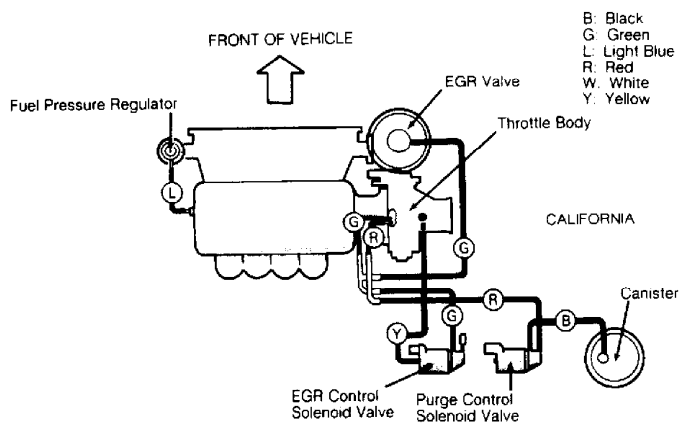


Fig. 5: Vacuum Diagram (Colt Vista/Calif.)
 Courtesy of Chrysler Motors.

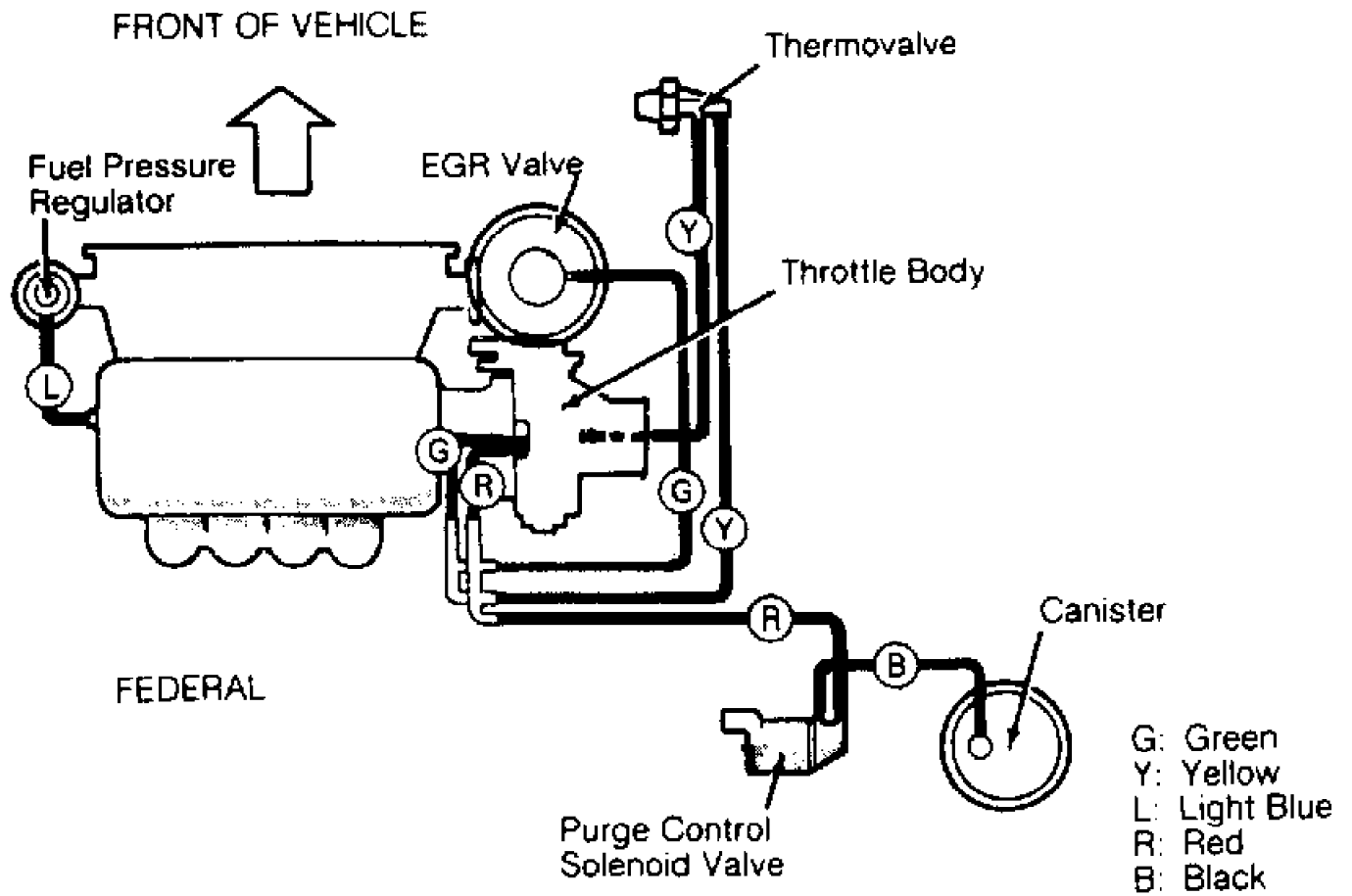


Fig. 6: Vacuum Diagram (Colt Vista/Fed.)
 Courtesy of Chrysler Motors.

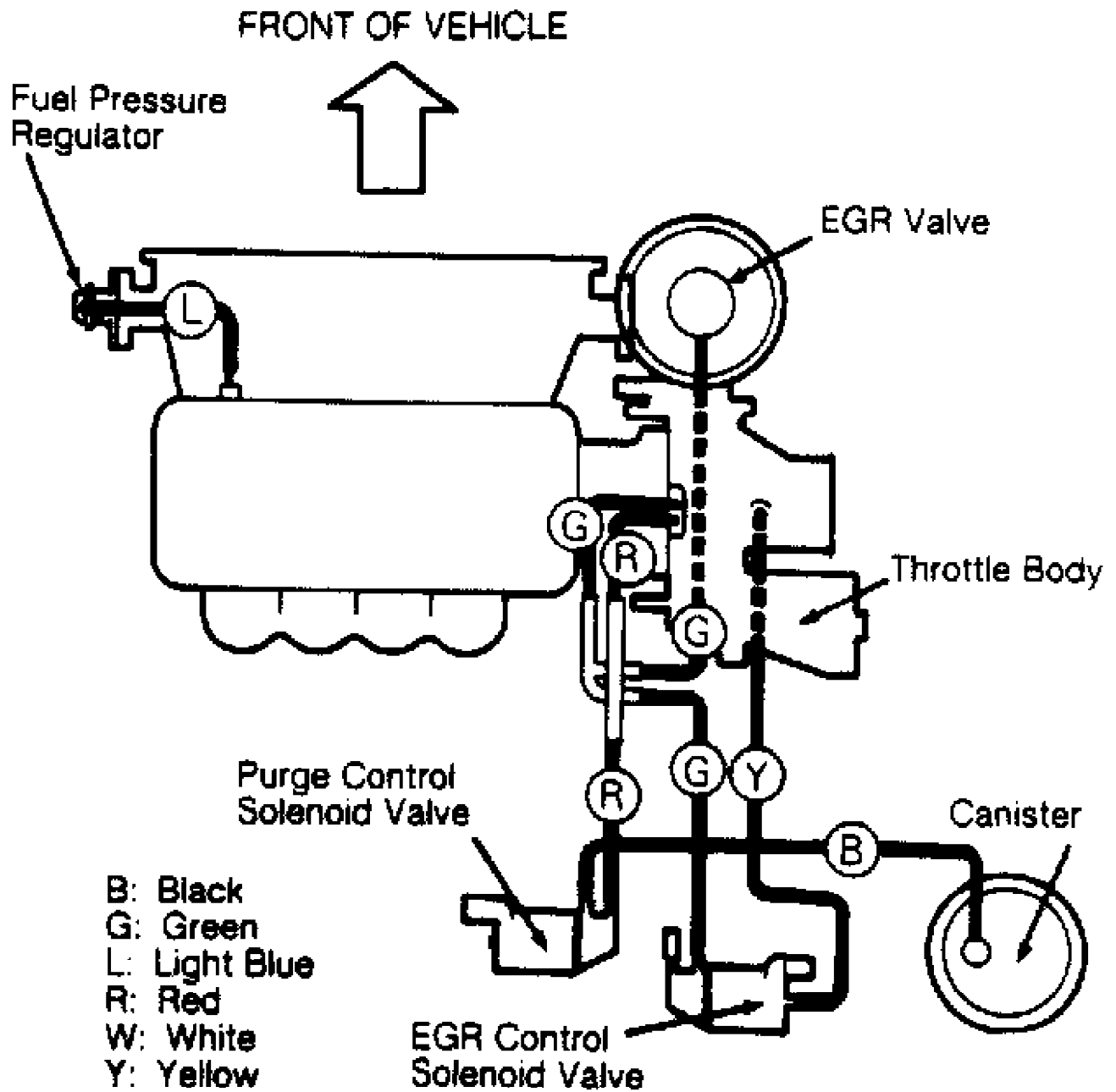


Fig. 7: Vacuum Diagram (Eclipse 1.8L/Calif.)
 Courtesy of Mitsubishi Motor Sales of America.

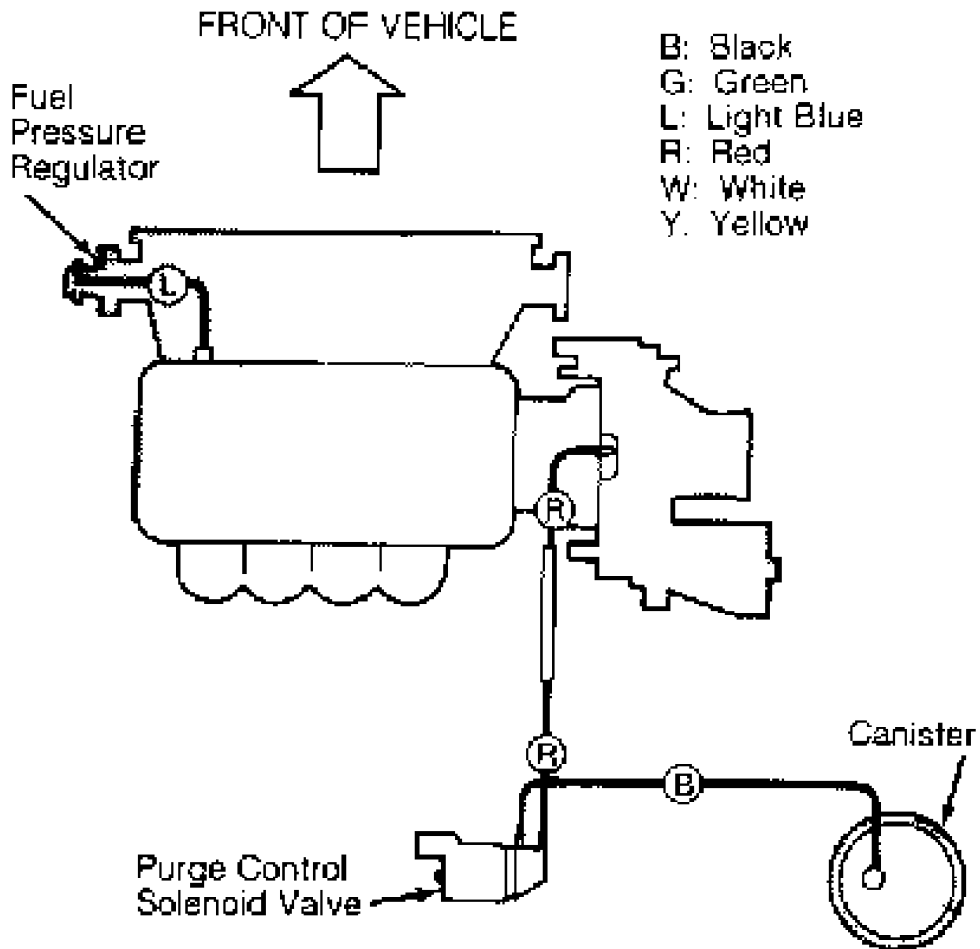


Fig. 8: Vacuum Diagram (Eclipse 1.8L/Fed.)
 Courtesy of Mitsubishi Motor Sales of America.

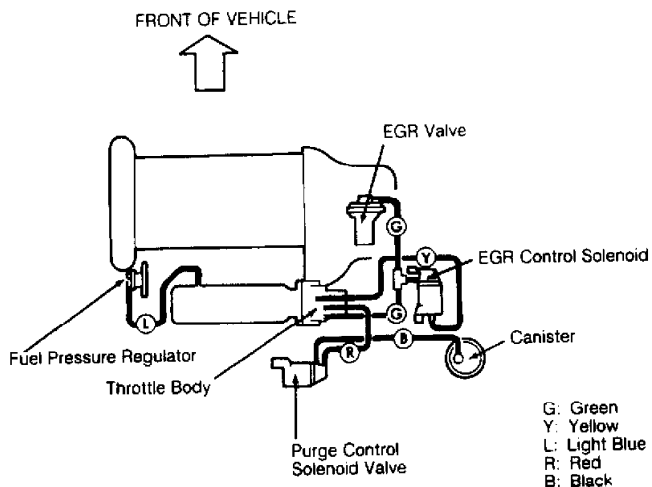


Fig. 9: Vacuum Diagram (Eclipse 2.0L & Galant VIN R/Calif.)
 Courtesy of Mitsubishi Motor Sales of America.

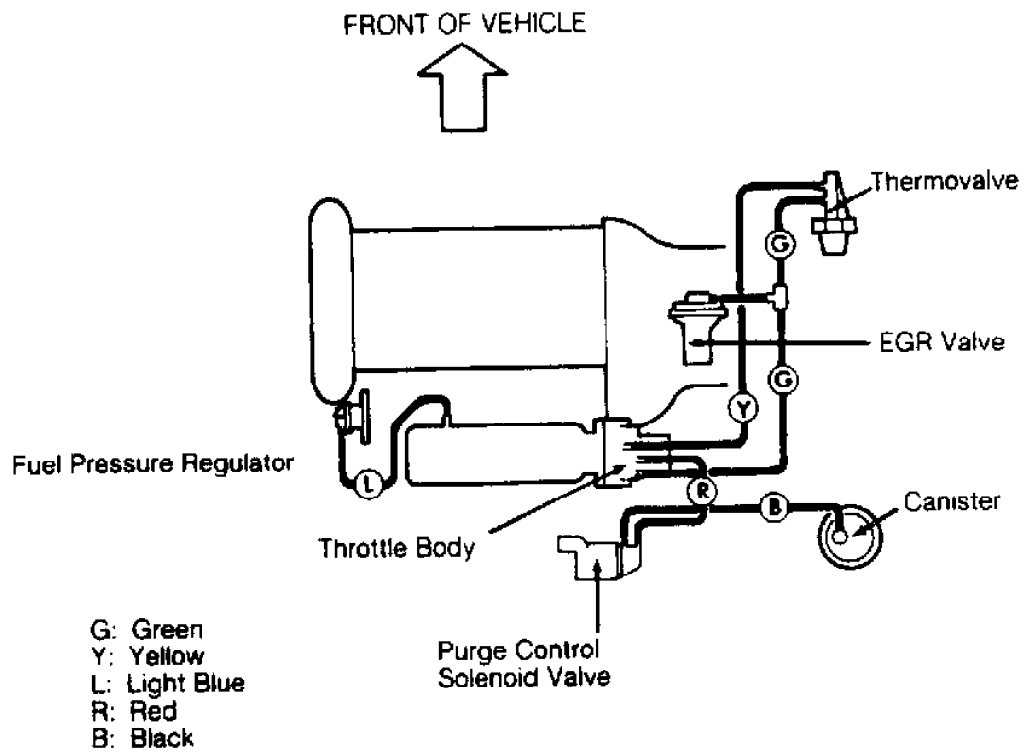


Fig. 10: Vacuum Diagram (Eclipse 2.0L & Galant VIN R/Fed.)
 Courtesy of Mitsubishi Motor Sales of America.

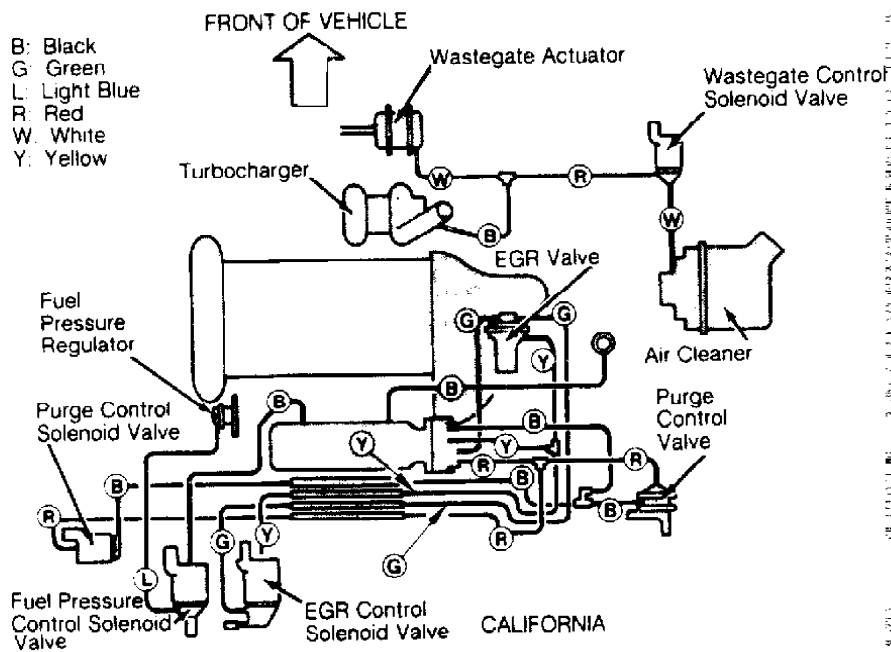


Fig. 11: Vacuum Diagram (Eclipse 2.0L VIN U/Calif.)
 Courtesy of Mitsubishi Motor Sales of America.

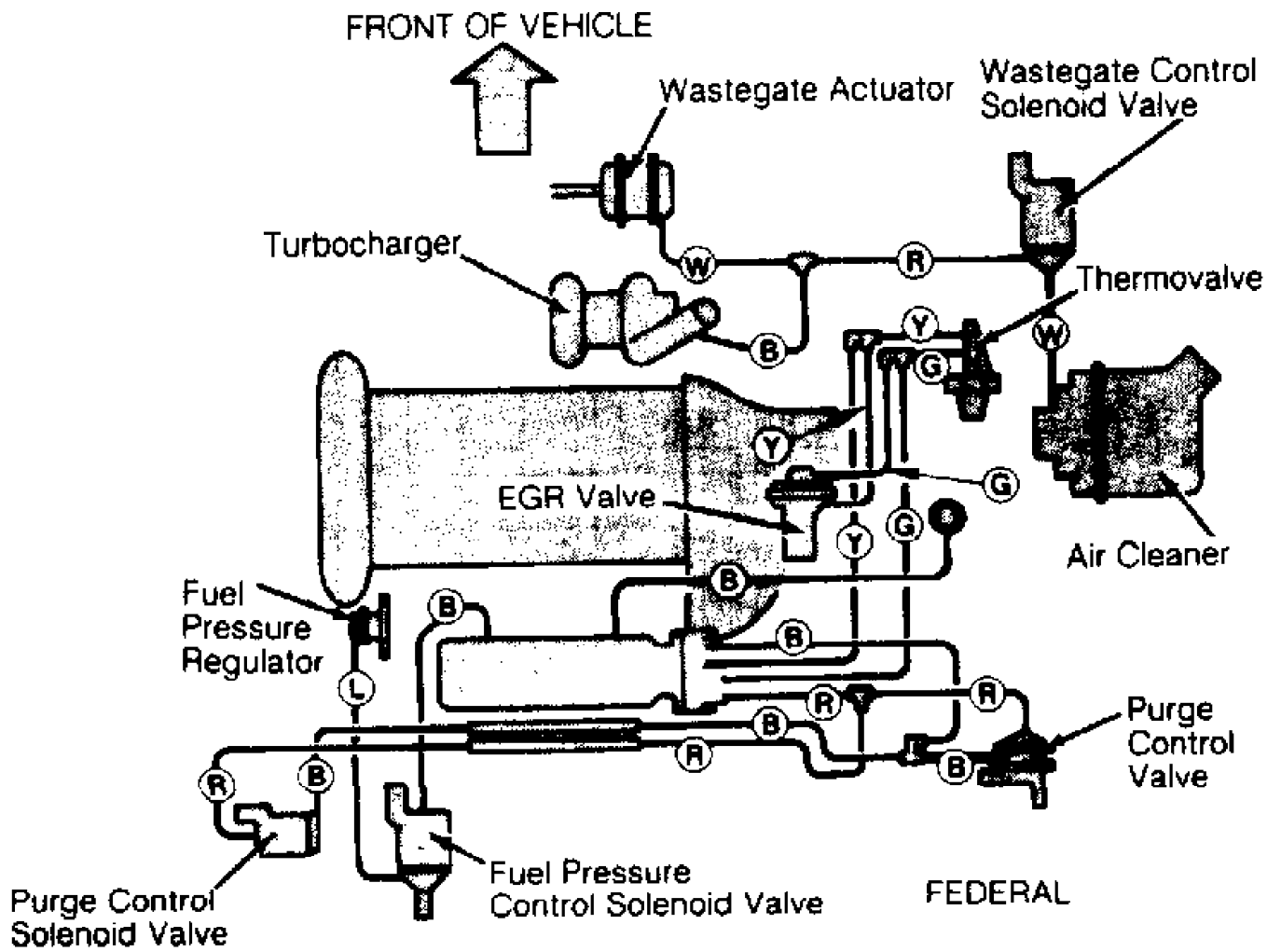


Fig. 12: Vacuum Diagram (Eclipse 2.0L VIN U/Fed.)
 Courtesy of Mitsubishi Motor Sales of America.

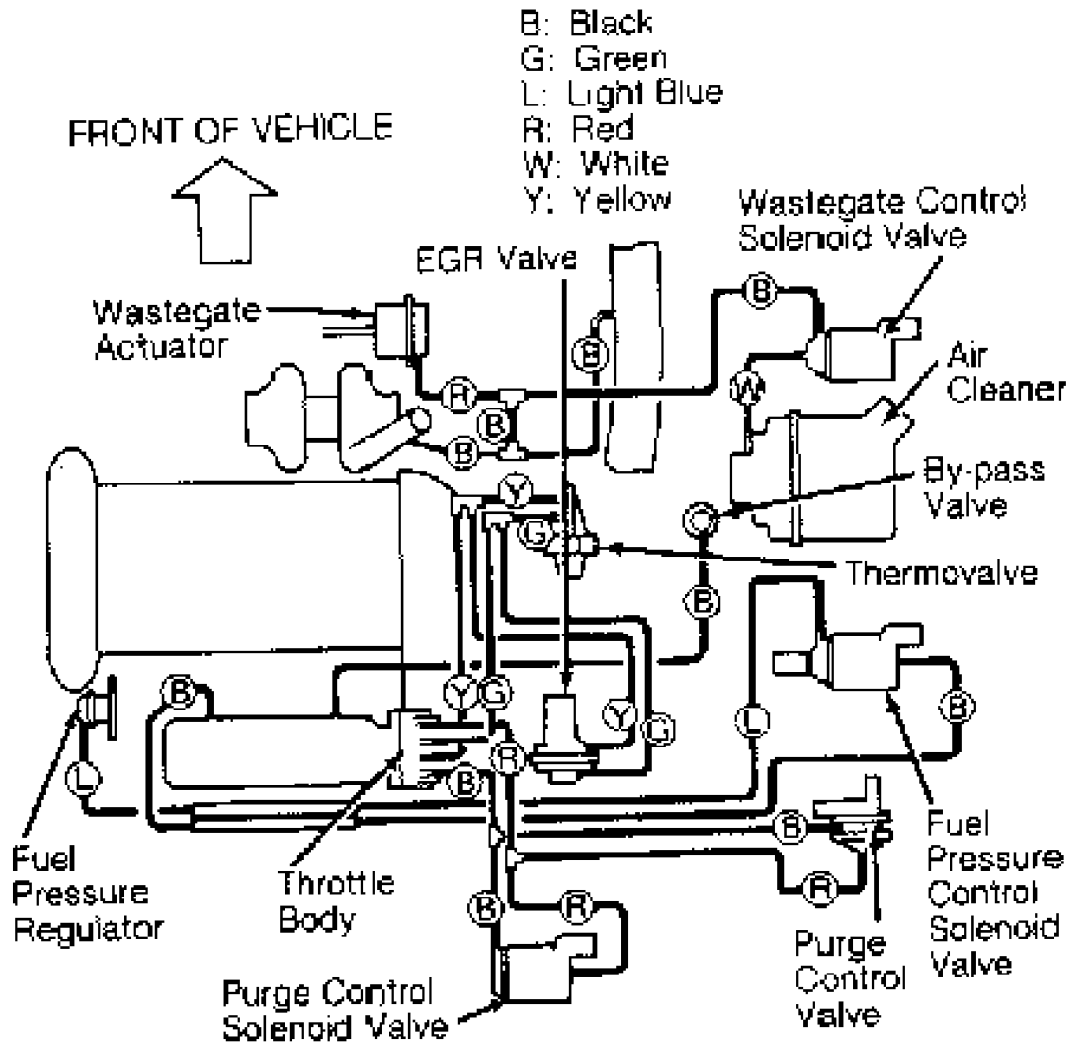


Fig. 13: Vacuum Diagram (Galant VIN U/Fed.)
 Courtesy of Mitsubishi Motor Sales of America.

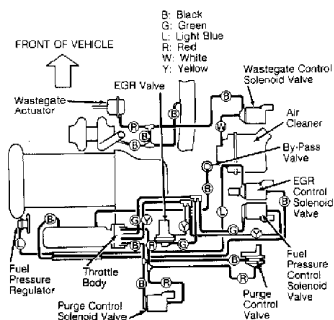


Fig. 14: Vacuum Diagram (Galant VIN U/Calif.)
 Courtesy of Mitsubishi Motor Sales of America.

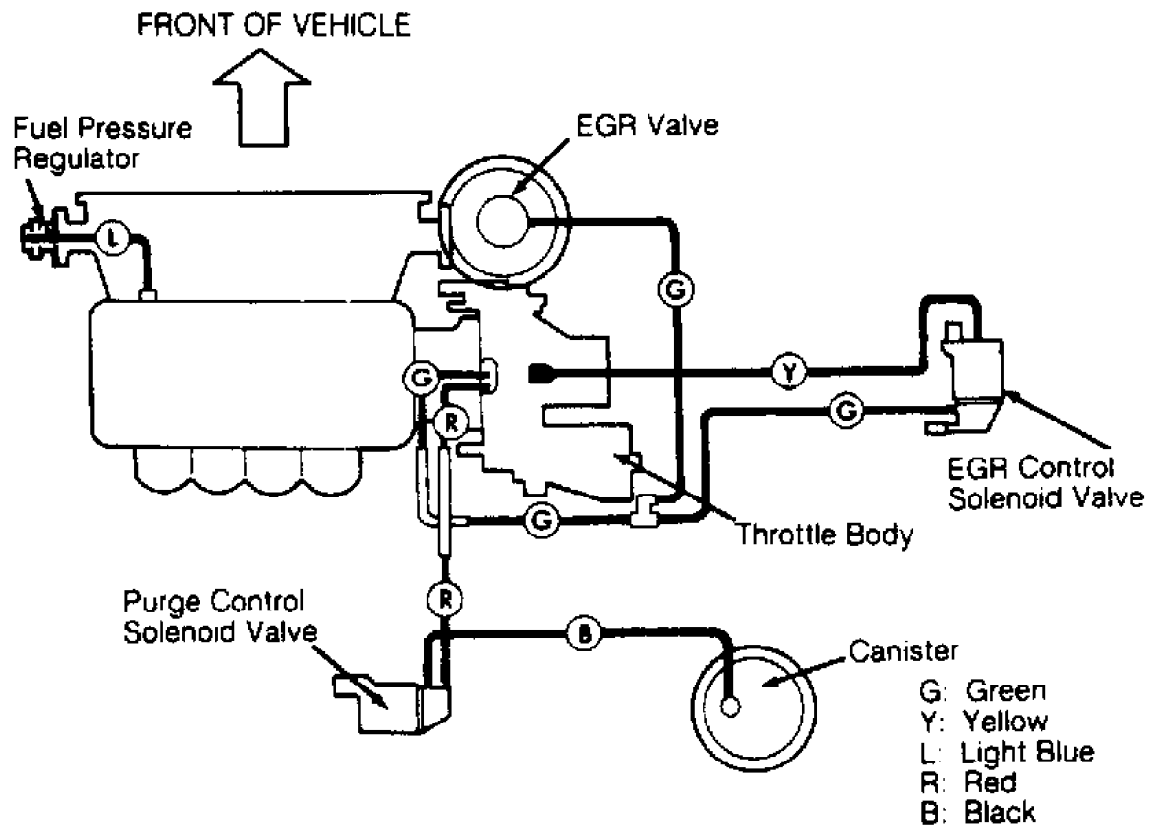


Fig. 15: Vacuum Diagram (Galant VIN V/Calif.)
Courtesy of Mitsubishi Motor Sales of America.

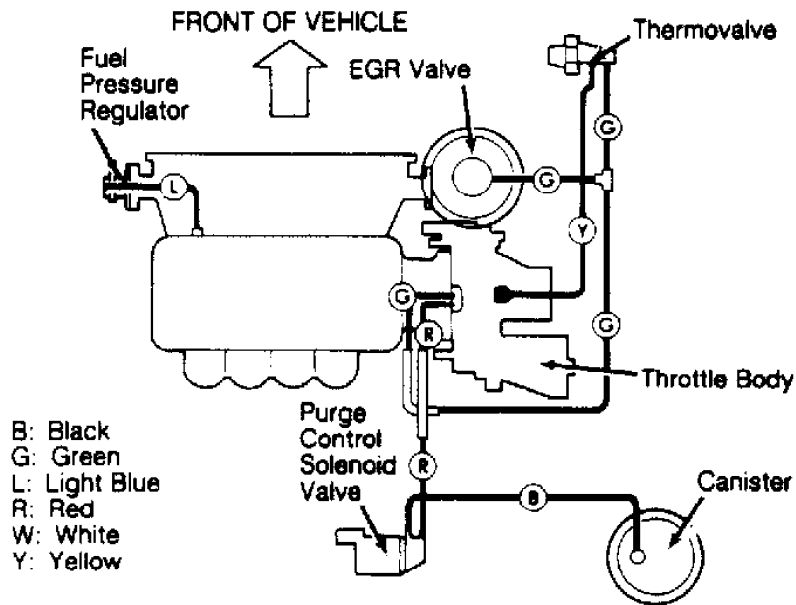


Fig. 16: Vacuum Diagram (Galant VIN V/Fed.)
Courtesy of Mitsubishi Motor Sales of America.

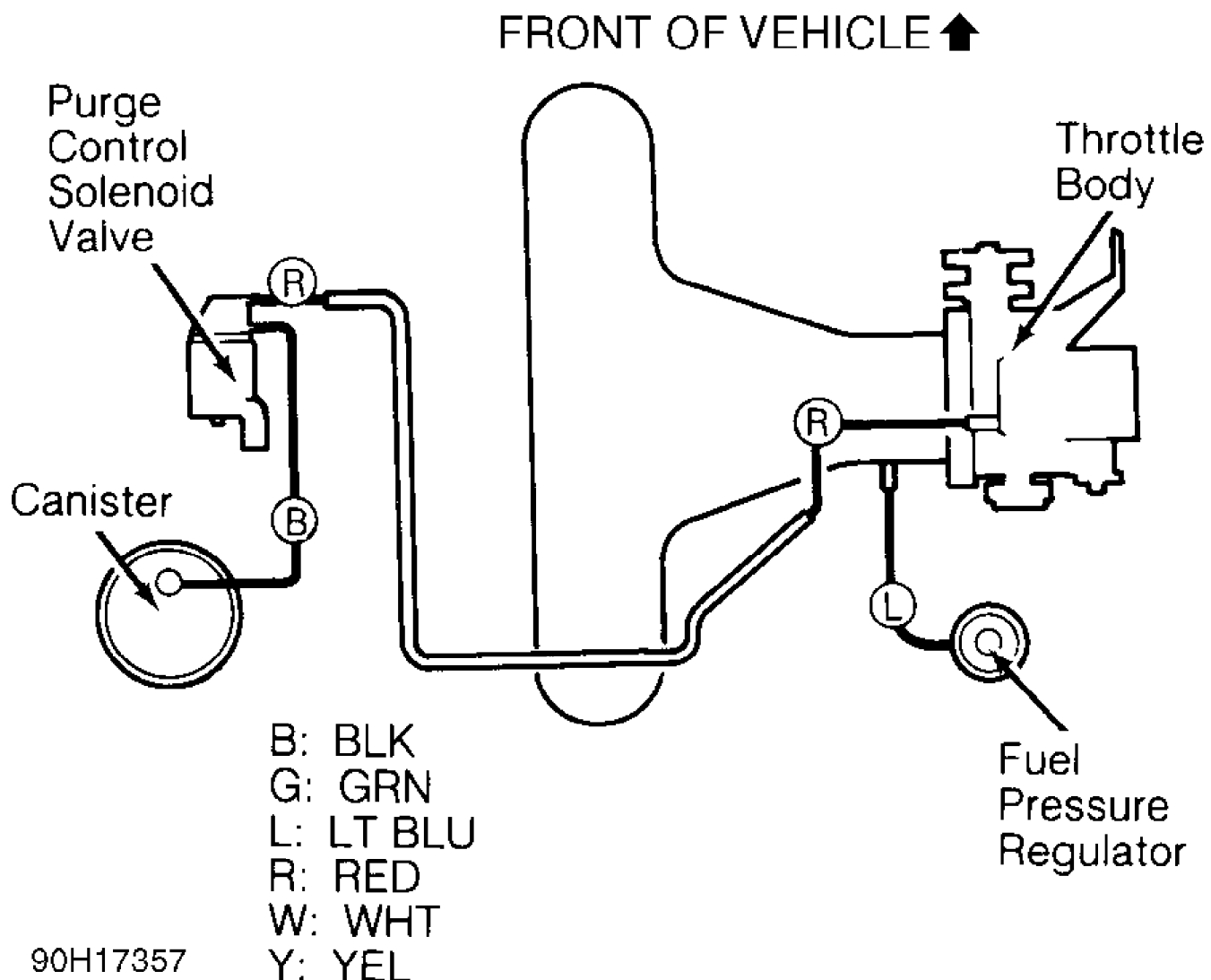


Fig. 17: Vacuum Diagram (Montero/Calif. & Fed.)
Courtesy of Mitsubishi Motor Sales of America.

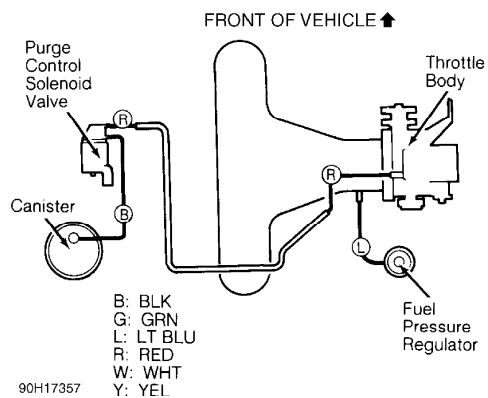
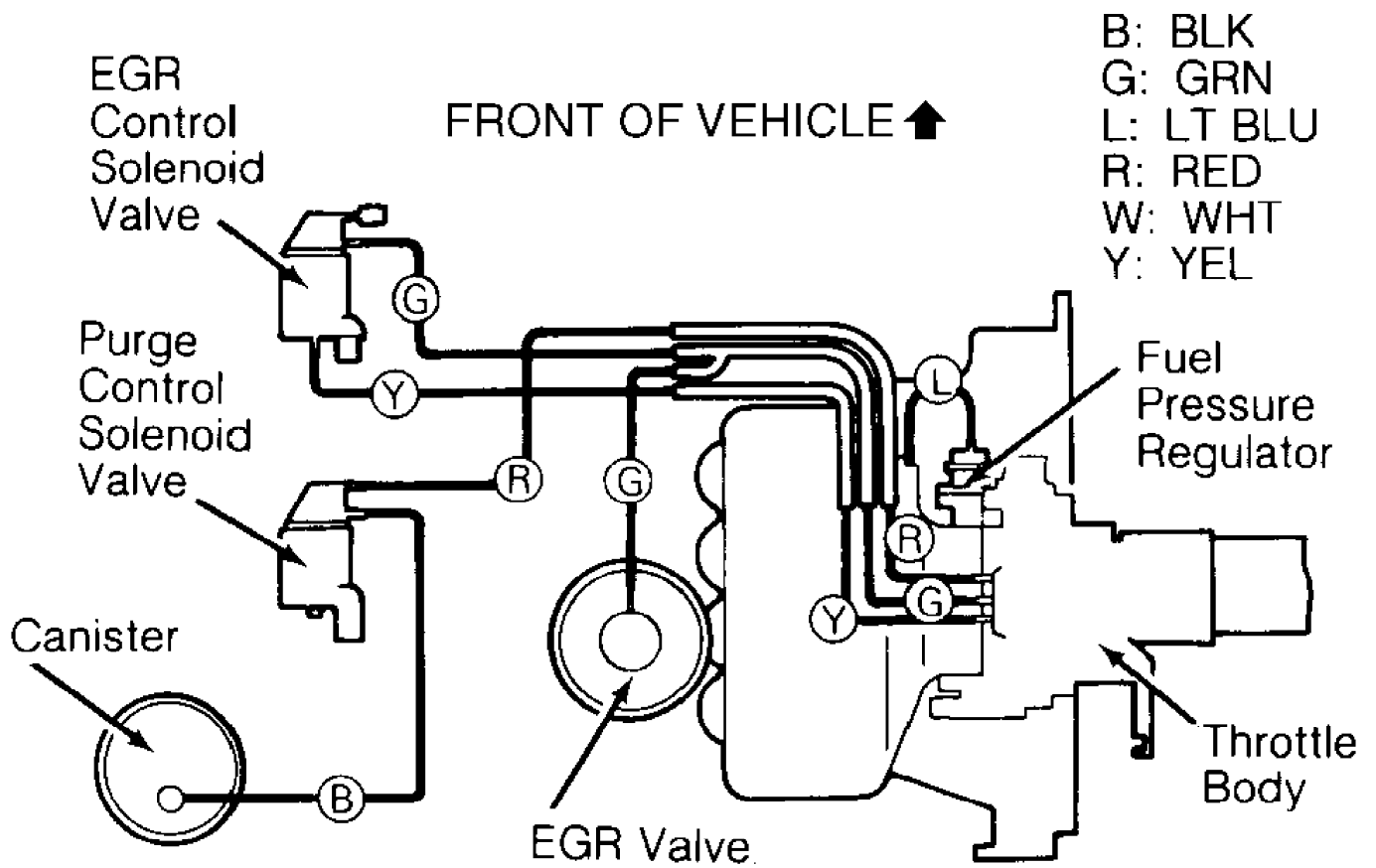
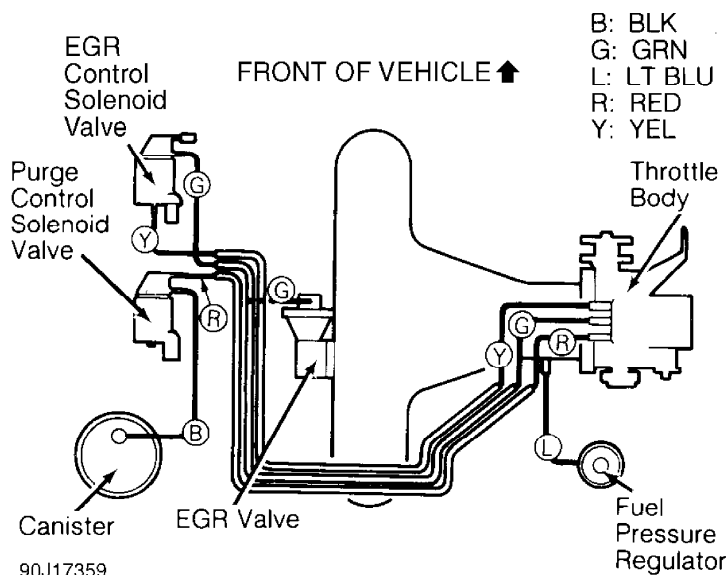


Fig. 18: Vacuum Diagram (Pickup 3.0L & Ram-50 3.0L/Fed.)
Courtesy of Mitsubishi Motor Sales of America.



90117358

Fig. 19: Vacuum Diagram (Pickup 2.4L & Ram-50 2.4L/Calif. & Fed.)
Courtesy of Mitsubishi Motor Sales of America.



90J17359

Fig. 20: Vacuum Diagram (Pickup 3.0L & Ram-50 3.0L/Calif.)
Courtesy of Chrysler Motors.

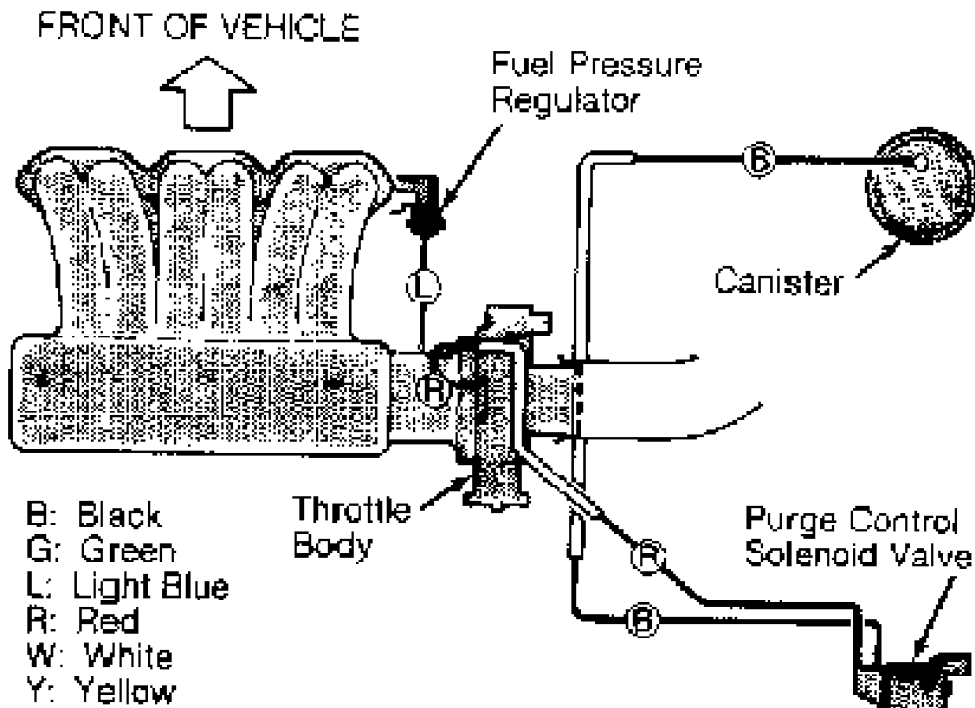


Fig. 21: Vacuum Diagram (Stealth & 3000GT/Fed.)
Courtesy of Chrysler Motors.

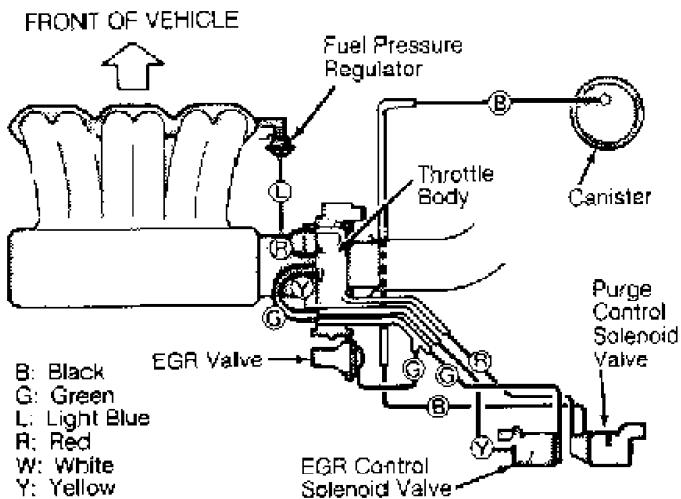


Fig. 22: Vacuum Diagram (Stealth & 3000GT/Calif.)
Courtesy of Chrysler Motors.

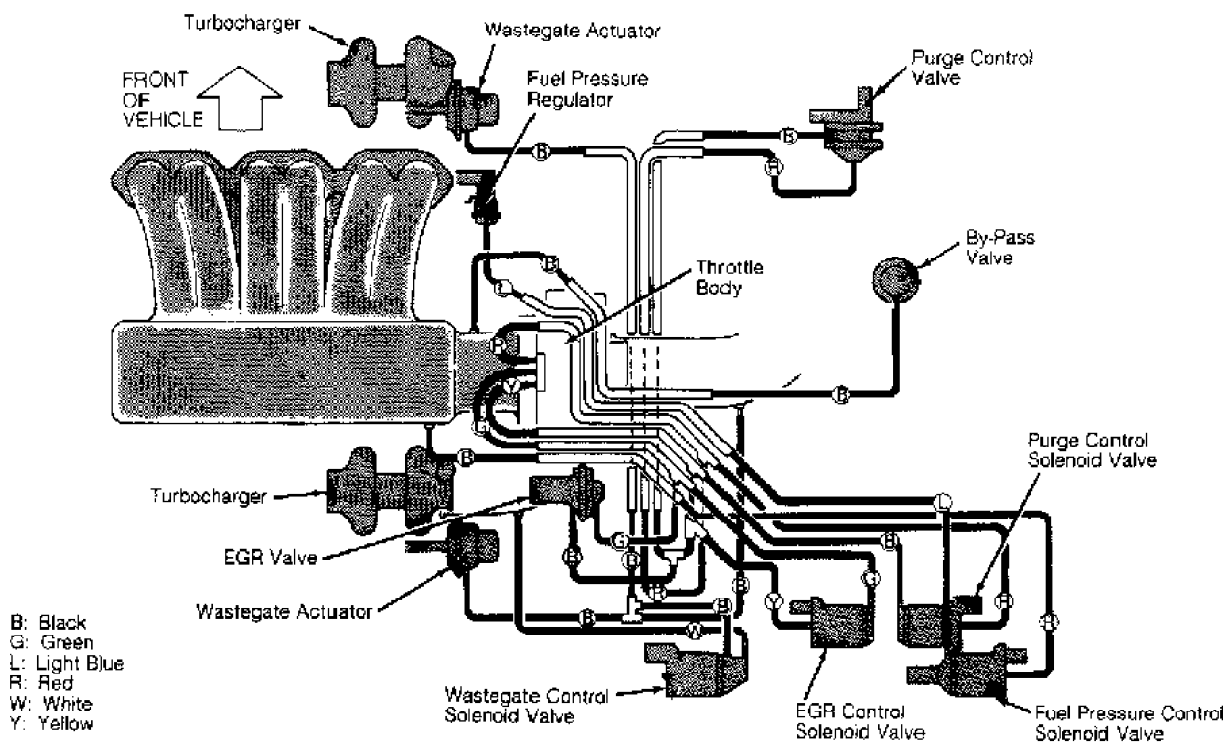


Fig. 23: Vacuum Diagram (Stealth & 3000GT - Turbo/Calif. & Fed.)
 Courtesy of Chrysler Motors.