

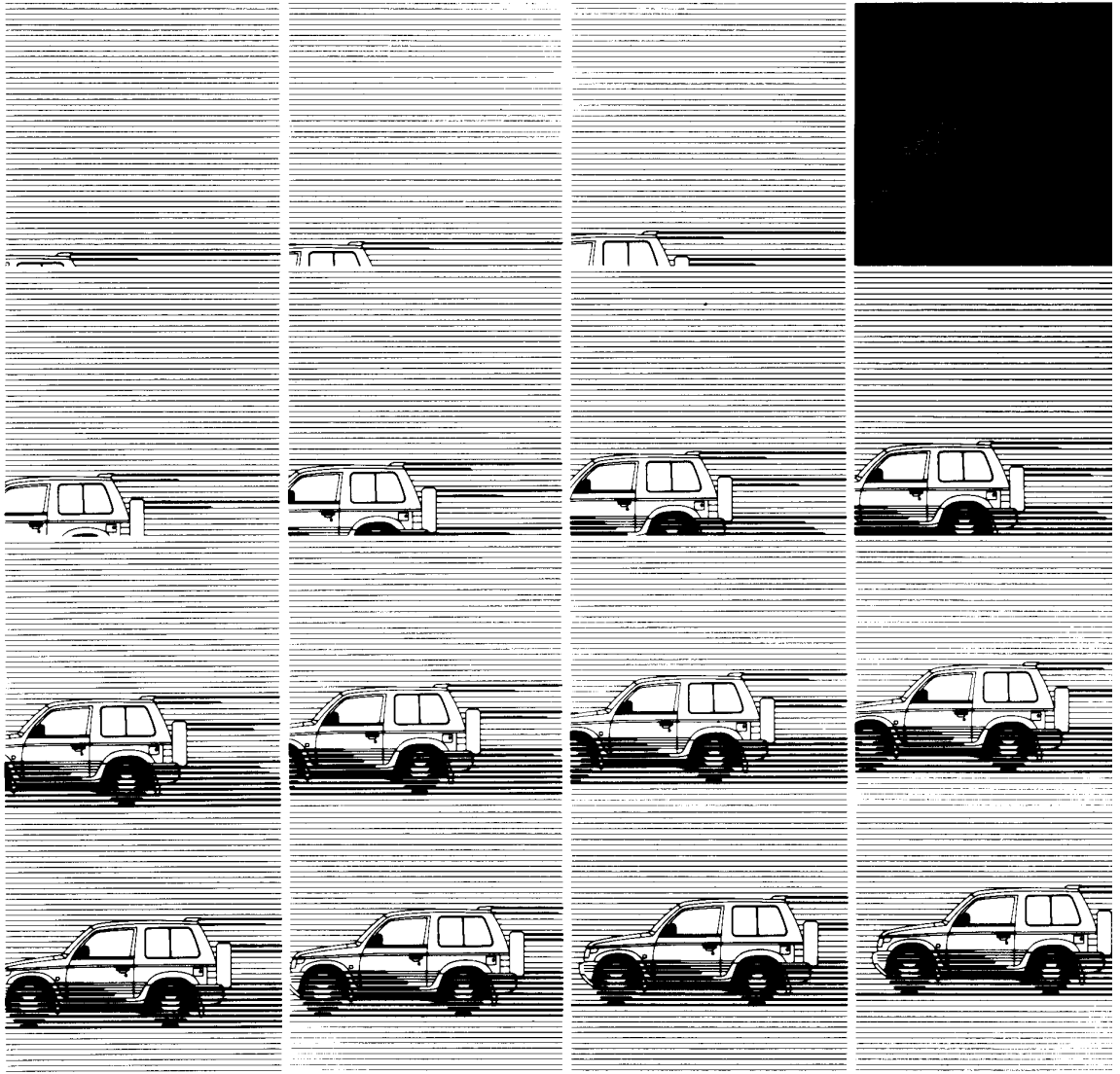


Workshop Manual

electrical wiring

SUPPLEMENT

PAJERO '97



Pub. No. PHJE9026-F

MITSUBISHI PAJERO

ELECTRICAL WIRING SUPPLEMENT

FOREWORD

This publication is a supplement to the Electrical Wiring Manual Pub. No. PHJE9026 and contains only additions and changes to the original issue. It is recommended that all service mechanics engaged in the servicing of the vehicle refer to the following publications as well as this manual.

TECHNICAL INFORMATION MANUAL	PYJE9002
WORKSHOP MANUAL	
ENGINE GROUP	PWEE□□□□ (Looseleaf edition)
CHASSIS GROUP	PWJE9086 (Looseleaf edition) PWJE9086-G (Supplement) PWJE9086-H (Supplement)
ELECTRICAL WIRING	PHJE9026 (Looseleaf edition) PHJE9026-D (Supplement) PHJE9026-E (Supplement)
PARTS CATALOGUE	B6035607A□

All information, illustrations and product descriptions contained in this manual are current as at the time of publication. We, however, reserve the right to make changes at any time without prior notice or obligation.

GROUP INDEX

OUTLINE OF CHANGES

HOW TO READ THE
WIRING DIAGRAMS

WIRING HARNESS
CONFIGURATION DIAGRAMS

SINGLE PART
INSTALLATION POSITION

CIRCUIT DIAGRAM



HOW TO USE THIS MANUAL

CONTENTS

The preceding page contains GROUP INDEX which lists the group title and group number.

PAGE NUMBERS

All page numbers consist of two sets of digits separated by a dash. The digits preceding the dash identify the number of the group. The digits following the dash represent the consecutive page number within the group. The page numbers can be found on the top left or right of each page.

OPERATION AND TROUBLESHOOTING HINTS

In the GROUP 4 circuit diagrams, the operation and troubleshooting hints are given on the previous page or following page for each circuit where necessary.

OUTLINE OF CHANGES

CONTENTS

WIRING HARNESS CONFIGURATION DIAGRAMS	2
SINGLE PART INSTALLATION POSITION	2
CIRCUIT DIAGRAM	3
TABLE OF CIRCUIT DIAGRAMS	5

WIRING HARNESS CONFIGURATION DIAGRAMS

Wiring harness configuration diagrams			Reference page	Description of changes
Connector symbol	Name			
A	ENGINE COMPARTMENT	L.H. drive vehicles with 6G72 engine	-	The following connectors have been abolished <ul style="list-style-type: none"> ● Front impact sensor (LH) (A-28) ● Front impact sensor (RH) (A-54)
		R.H. drive vehicles with 6G72 engine	-	The following connectors have been abolished <ul style="list-style-type: none"> ● Front impact sensor (LH) (A-28) ● Front impact sensor (RH) (A-54)
		L.H. drive vehicles with 6G74 engine	-	The following connectors have been abolished <ul style="list-style-type: none"> ● Front impact sensor (LH) (A-28) ● Front impact sensor (RH) (A-54)
		R.H. drive vehicles with 6G74 engine	-	The following connectors have been abolished <ul style="list-style-type: none"> ● Front impact sensor (LH) (A-28) ● Front impact sensor (RH) (A-54)
		L.H. drive vehicles with 4D56 engine	-	The following connectors have been abolished <ul style="list-style-type: none"> ● Front impact sensor (LH) (A-28) ● Front impact sensor (RH) (A-54)
		R.H. drive vehicles with 4D56 engine	-	The following connectors have been abolished <ul style="list-style-type: none"> ● Front impact sensor (LH) (A-28) ● Front impact sensor (RH) (A-54)
		L.H. drive vehicles with 4M40 engine	-	The following connectors have been abolished <ul style="list-style-type: none"> ● Front impact sensor (LH) (A-28) ● Front impact sensor (RH) (A-54)
		R.H. drive vehicles with 4M40 engine	-	The following connectors have been abolished <ul style="list-style-type: none"> ● Front impact sensor (LH) (A-28) ● Front impact sensor (RH) (A-54)
C	DASH PANEL	L.H. drive vehicles	2-2, 3, 4, 5	The following connectors have been added. <ul style="list-style-type: none"> ● Engine control relay (C-126) ● Fuel pump relay <petrol> (C-127) ● SRS-ECU (C-128)
		R.H. drive vehicles	2-6, 7, 8, 9	The following connectors have been added. <ul style="list-style-type: none"> ● Engine control relay (C-126) ● Fuel pump relay <petrol> (C-127) ● SRS-ECU (C-128)

SINGLE PART INSTALLATION POSITION

Location of changes	Reference page	Description of changes
RELAY	3-2	The engine control relay (C-30) has been separated into an engine control relay (C-126) and a fuel pump relay (C-127).
CONTROL UNIT	3-2	The SRS diagnosis unit (C-48, C-49, C-123) has been changed to the SRS-ECU (C-128).

CIRCUIT DIAGRAM

Circuit diagrams			Description of changes
Main title	Sub title	Reference page	
POWER DISTRIBUTION SYSTEM	Petrol-powered vehicles	4-4	The diameter of the wiring harness which connects the ignition switch and dedicated fuse (9) has been changed.
	Diesel-powered vehicles	4-10	The diameter of the wiring harness which connects the ignition switch and dedicated fuse (9) has been changed.
GLOW SYSTEM	4M40 engine <without supercharging pressure solenoid valve>	4-16	The circuit has been changed to correspond to changes in the brake warning lamp circuit.
	4M40 engine <with supercharging pressure solenoid valve>	4-18	
MPI SYSTEM	6G72 engine-M/T <Vehicles without immobilizer system>	4-20	<ul style="list-style-type: none"> ● The engine control relay has been separated into an engine control relay and fuel pump relay. ● The diameter of the wiring harness which connects the engine control unit and the power steering oil pressure switch has been changed. ● The diameter of the wiring harness which connects the ignition switch (IG1) and the capacitor has been changed. <LHD> ● The diameter of the wiring harness which connects the capacitor and the earth has been changed. <LHD> ● The line between the engine control relay and the purge control solenoid valve has been changed. <LHD> ● The injector wiring harness has been changed.
	6G72 engine-M/T <Vehicles with immobilizer system>	4-28	
	6G72 engine-A/T <Vehicles without immobilizer system>	4-36	
	6G72 engine-A/T <Vehicles with immobilizer system>	4-44	
	6G74 engine-M/T <Vehicles without immobilizer system>	4-52	
	6G74 engine-M/T <Vehicles with immobilizer system>	4-62	
	6G74 engine-A/T <Vehicles without immobilizer system>	4-72	
	6G74 engine-A/T <Vehicles with immobilizer system>	4-82	
METER AND GAUGE	Low engine oil level warning lamp	4-92	The number of terminals in the J/C (2) has been changed. <RHD>
	Brake warning lamp	4-93	The line between the glow control unit and the parking brake switch has been changed.
SINGLE AIR CONDITIONER	L.H. drive vehicles <petrol-powered vehicles>	4-94	The line between the A/C control unit and the earth has been changed.
	L.H. drive vehicles <diesel-powered vehicles>	4-98	
	R.H. drive vehicles <petrol-powered vehicles>	4-102	
	R.H. drive vehicles <diesel-powered vehicles>	4-106	

Circuit diagrams			Description of changes
Main title	Sub title	Reference page	
DUAL AIR CONDITIONER	L.H. drive vehicles without rear heater <petrol-powered vehicles>	4-110	The line between the A/C control unit and the earth has been changed.
	L.H. drive vehicles without rear heater <diesel-powered vehicles>	4-116	
	L.H. drive vehicles with rear heater <petrol-powered vehicles>	4-122	
	L.H. drive vehicles with rear heater <diesel-powered vehicles>	4-130	
	R.H. drive vehicles without rear heater <petrol-powered vehicles>	4-138	
	R.H. drive vehicles without rear heater <diesel-powered vehicles>	4-144	
	R.H. drive vehicles with rear heater <petrol-powered vehicles>	4-150	
	R.H. drive vehicles with rear heater <diesel-powered vehicles>	4-158	
SUN ROOF	2-door models	4-166	The diameter of the wiring harness which connects the ignition switch and dedicated fuse (9) has been changed.
	4-door models	4-168	
	Canvas top	4-169	
INTERCOOLER FAN	-	4-170	The diameter of the wiring harness which connects the ignition switch (IG1) and the intercooler fan control unit has been changed.
LIGHTING MONITOR BUZZER	-	4-171	<ul style="list-style-type: none"> ● The diameter of the wiring harness which connects the ignition switch (IG1) and the intercooler fan control unit has been changed. ● The number of terminals in the J/C (2) has been changed.
SUPPLEMENTAL RESTRAINT SYSTEM	-	4-172	The circuit has been cahnged to correspond to changes in the SRS-ECU.
IMMOBILIZER SYSTEM	Petrol-powered vehicles	4-174	The diameter of the wiring harness which connects the ignition switch (IG1) and the immobilizer-ECU has been changed.
	Diesel-powered vehicles	4-176	

TABLE OF CIRCUIT DIAGRAMS

This table of circuit diagrams indicates those circuits in which changes and/or additions, etc. have been made; the circuits are here listed in the sequence in which they are presented in the wiring diagrams. Please use this table for reference when following maintenance or repair procedures.

NOTE

- (1) A (Added) : This circuit has been newly added in this manual.
- (2) R (Revised) : This circuit has been changed, and is included in this manual.
- (3) D (Deleted) : This circuit has been deleted in this manual.
- (4) I (Included) : This circuit is included in this manual.
- (5) N (Not included) : This circuit is not included in this manual.
- (6) P (Previous manual) : This circuit is not included in this manual, because it has been changed. Refer to this previous manuals.

Main circuit	Circuit classifications	Pub. No. PHJE9026-C '94 model (Basic)	Pub. No. PHJE9026-D (Supplement)	Pub. No. PHJE9026-E (Supplement)	Pub. No. PHJE9026-F (Supplement)
JUNCTION BLOCK	-	I	P	R	P
CENTRALIZED JUNCTION	-	I	P	R	P
POWER DISTRIBUTION SYSTEM	Petrol-powered vehicles	I	P	R	R
	Diesel-powered vehicles	I	P	R	R
STARTING SYSTEM	4G64 engine	I	D	N	N
	6G72, 6G74 engine	I	R	P	P
	4D56, 4M40 engine	I	P	P	P
IGNITION SYSTEM	4G64 engine	I	D	N	N
	6G72 engine	I	D	N	N
	6G74 engine	I	D	N	N
	6G72, 6G74 engine	N	A	P	P
CHARGING SYSTEM	4G64, 6G72 engine	I	D	N	N
	6G74 engine	I	D	N	N
	6G72, 6G74 engine	N	A	P	P
	4D56, 4M40 engine	I	P	P	P
GLOW SYSTEM	4D56 engine <without supercharging pressure relief solenoid valve>	I	P	P	P
	4D56 engine <with supercharging pressure relief solenoid valve>	I	P	P	P
	4M40 engine <without supercharging pressure relief solenoid valve>	I	R	P	R
	4M40 engine <with supercharging pressure relief solenoid valve>	I	R	P	R
MPI SYSTEM	4G64 engine-M/T	I	D	N	N
	6G72 engine-M/T	I	R	D	N
	6G72 engine-A/T	I	R	D	N
	6G74 engine-M/T	I	R	D	N
	6G74 engine-A/T	I	R	D	N

Main circuit	Circuit classifications	Pub. No. PHJE9026-C '94 model (Basic)	Pub. No. PHJE9026-D (Supplement)	Pub. No. PHJE9026-E (Supplement)	Pub. No. PHJE9026-F (Supplement)
MPI SYSTEM	6G72 engine-M/T <Vehicles without immobilizer system>	N	N	A	R
	6G72 engine-M/T <Vehicles with immobilizer system>	N	N	A	R
	6G72 engine-A/T <Vehicles without immobilizer system>	N	N	A	R
	6G72 engine-A/T <Vehicles with immobilizer system>	N	N	A	R
	6G74 engine-M/T <Vehicles without immobilizer system>	N	N	A	R
	6G74 engine-M/T <Vehicles with immobilizer system>	N	N	A	R
	6G74 engine-A/T <Vehicles without immobilizer system>	N	N	A	R
	6G74 engine-A/T <Vehicles with immobilizer system>	N	N	A	R
OVER DRIVE CONTROL SYSTEM	6G72 engine	I	D	N	N
ELC-4A/T	6G72, 6G74 engine	N	A	R	P
	6G74 engine	I	D	N	N
	4M40 engine	I	P	R	P
HEAD LAMP	L.H. drive vehicles without daytime running lamp <without SRS>	I	P	P	P
	L.H. drive vehicles without daytime running lamp <with SRS>	I	P	P	P
	L.H. drive vehicles with daytime running lamp <without SRS>	I	P	P	P
	L.H. drive vehicles with daytime running lamp <with SRS>	I	P	P	P
	R.H. drive vehicles without SRS	I	P	P	P
	R.H. drive vehicles with SRS	I	P	P	P
HEAD LAMP LEVELING SYSTEM	-	I	P	P	P
TAIL LAMP, CLEARANCE LAMP, LICENCE PLAT LAMP	-	I	P	P	P
REAR FOG LAMP	L.H. drive vehicles <without SRS>	I	P	R	P
	L.H. drive vehicles <with SRS>	I	P	R	P
	R.H. drive vehicles <without SRS>	I	P	P	P
	R.H. drive vehicles <with SRS>	I	P	P	P
ROOM LAMP	Canvas top	I	P	P	P
	2-door models without sunroof	I	P	P	P
	2-door models with sunroof	I	P	P	P
	4-door models	I	P	P	P

OUTLINE OF CHANGES – Table of Circuit Diagrams

Main circuit	Circuit classifications	Pub. No. PHJE9026-C '94 model (Basic)	Pub. No. PHJE9026-D (Supplement)	Pub. No. PHJE9026-E (Supplement)	Pub. No. PHJE9026-F (Supplement)
DOOR LAMP	L.H. drive vehicles	N	N	A	P
	R.H. drive vehicles	N	N	A	P
IGNITION KEY CYLINDER ILLUMINATION LAMP	L.H. drive vehicles	I	P	R	P
	R.H. drive vehicles	I	P	P	P
TURN-SIGNAL LAMP AND HAZARD LAMP	-	I	P	P	P
STOP LAMP	-	I	P	P	P
BACK-UP LAMP	M/T	I	P	P	P
	A/T	I	R	P	P
HORN	Vehicles without SRS	I	P	P	P
	Vehicles with SRS	I	P	P	P
METER AND GAUGE	4G64 engine	I	D	N	N
	6G72, 6G74 engine	I	R	P	P
	4D56, 4M40 engine	I	P	P	P
LOW FUEL WARNING LAMP	-	I	P	P	P
FUEL FILTER WARNING LAMP	-	I	P	P	P
OIL PRESSURE WARNING LAMP	-	I	P	P	P
LOW ENGINE OIL LEVEL WARNING LAMP	-	I	P	P	R
BRAKE WARNING LAMP	-	I	P	P	R
MULTI-METER	Vehicles without electronic compass	I	P	P	P
	Vehicles with electronic compass	I	P	R	P
POWER WINDOWS	L.H. drive vehicles <2-door models>	I	P	P	P
	L.H. drive vehicles <4-door models>	I	P	P	P
	R.H. drive vehicles <2-door models>	I	P	P	P
	R.H. drive vehicles <4-door models>	I	P	P	P
CENTRAL DOOR LOCKING SYSTEM	L.H. drive vehicles	I	P	P	P
	L.H. drive vehicles with keyless entry system	N	N	A	P
	R.H. drive vehicles	I	I	P	P
	R.H. drive vehicles with keyless entry system	N	N	A	P

Main circuit	Circuit classifications	Pub. No. PHJE9026-C '94 model (Basic)	Pub. No. PHJE9026-D (Supplement)	Pub. No. PHJE9026-E (Supplement)	Pub. No. PHJE9026-F (Supplement)
HEATER	L.H. drive vehicles without rear heater	I	P	P	P
	L.H. drive vehicles with rear heater <without dual air conditioner>	I	P	P	P
	L.H. drive vehicles with rear heater <with dual air conditioner>	I	P	P	P
	R.H. drive vehicles without rear heater	I	P	P	P
	R.H. drive vehicles with rear heater <without dual air conditioner>	I	P	P	P
	R.H. drive vehicles with rear heater <with dual air conditioner>	I	P	P	P
SINGLE AIR CONDITIONER	L.H. drive vehicles <4G64, 6G72 engine>	I	R	D	N
	L.H. drive vehicles <6G74 engine>	I	R	D	N
	L.H. drive vehicles <petrol-powered vehicles>	N	N	A	R
	L.H. drive vehicles <diesel-powered vehicles>	I	P	P	R
	R.H. drive vehicles <petrol-powered vehicles>	I	R	R	R
	R.H. drive vehicles <diesel-powered vehicles>	I	P	P	R
DUAL AIR CONDITIONER	L.H. drive vehicles without rear heater <petrol-powered vehicles>	I	R	R	R
	L.H. drive vehicles without rear heater <diesel-powered vehicles>	I	P	P	R
	L.H. drive vehicles with rear heater <petrol-powered vehicles>	I	R	R	R
	L.H. drive vehicles with rear heater <diesel-powered vehicles>	I	P	P	R
	R.H. drive vehicles without rear heater <petrol-powered vehicles>	I	R	R	R
	R.H. drive vehicles without rear heater <diesel-powered vehicles>	I	P	P	R
	R.H. drive vehicles with rear heater <petrol-powered vehicles>	I	R	R	R
	R.H. drive vehicles with rear heater <diesel-powered vehicles>	I	P	P	R
WINDSHIELD WIPER AND WASHER	Vehicles without SRS	I	P	P	P
	Vehicles with SRS	I	P	P	P
REAR WIPER AND WASHER	Vehicles without SRS	I	P	P	P
	Vehicles with SRS	I	P	P	P
HEAD LAMP WASHER	-	I	P	P	P
DEFOGGER AND DOOR MIRROR HEATER	-	I	P	R	P
WIPER DEICER	-	I	P	R	P
REMOTE CONTROLLED MIRROR	-	I	P	P	P

OUTLINE OF CHANGES – Table of Circuit Diagrams

Main circuit	Circuit classifications	Pub. No. PHJE9026-C '94 model (Basic)	Pub. No. PHJE9026-D (Supplement)	Pub. No. PHJE9026-E (Supplement)	Pub. No. PHJE9026-F (Supplement)
RADIO AND TAPE PLAYER	L.H. drive vehicles <AM/FM radio>	I	P	D	N
	AM/FM radio	N	N	A	P
	L.H. drive vehicles <LW/MW/FM radio and tape player>	I	P	D	N
	LW/MW/FM radio and tape player	N	N	A	P
	L.H. drive vehicles <AM/FM radio and tape player>	I	P	P	P
	R.H. drive vehicles <AM/FM radio>	I	P	D	N
	R.H. drive vehicles <LW/MW/FM radio and tape player>	I	P	D	N
	R.H. drive vehicles <AM/FM radio and tape player>	I	P	R	P
CLOCK	L.H. drive vehicles	I	P	P	P
	R.H. drive vehicles	I	P	P	P
CIGARETTE LIGHTER	-	I	P	P	P
ACCESSORY SOCKET	-	I	P	P	P
SUNROOF	Canvas top	I	P	P	R
	2-door models	N	N	A	R
	4-door models	I	P	P	R
INTERCOOLER FAN	-	I	P	R	R
REAR DIFFERENTIAL LOCK SYSTEM	L.H. drive vehicles	I	P	P	P
	R.H. drive vehicles	I	P	P	P
PART TIME 4WD SYSTEM	-	I	P	R	P
SUPER SELECT 4WD SYSTEM	-	I	P	P	P
REMOTE CONTROLLED VARIABLE SHOCK ABSORBERS SYSTEM	-	I	P	R	P
ANTI-LOCK BRAKE SYSTEM (ABS)	-	I	D	N	N
	L.H. drive vehicles	N	A	R	P
	R.H. drive vehicles	N	A	R	P
AUTO-CRUISE CONTROL SYSTEM	L.H. drive vehicles <petrol-powered vehicles>	I	R	R	P
	L.H. drive vehicles <diesel-powered vehicles>	I	P	R	P
	R.H. drive vehicles <petrol-powered vehicles>	I	R	P	P
	R.H. drive vehicles <diesel-powered vehicles>	I	P	P	P
HEATED SEAT	Vehicles without power seat	I	P	P	P
	Vehicles with power seat	I	P	P	P
POWER SEAT	-	I	P	P	P

Main circuit	Circuit classifications	Pub. No. PHJE9026-C '94 model (Basic)	Pub. No. PHJE9026-D (Supplement)	Pub. No. PHJE9026-E (Supplement)	Pub. No. PHJE9026-F (Supplement)
LIGHTING MONITOR BUZZER	-	I	P	R	R
FUEL LINE HEATER	-	I	P	R	P
SUPPLEMENTAL RESTRAINT SYSTEM (SRS)	Petrol-powered vehicles	I	R	R	D
	Diesel-powered vehicles	I	P	R	D
	-	N	N	N	A
IMMOBILIZER SYSTEM	Petrol-powered vehicles	N	N	A	R
	Diesel-powered vehicles	N	N	A	R

HOW TO READ THE WIRING DIAGRAMS

CONTENTS

MODELS	1-2
HOW TO READ CONFIGURATION DIAGRAMS	1-4



MODELS**<2-DOOR MODELS>**

Model code		Body style	Engine model	Transmission model	Fuel supply system
V24C	NSFL6	Canvas top	4D56 (2, 477 mℓ) with turbocharger and intercooler	V5MT1 (5M/T)	Injection
V23C	GNHVL6/R6	Canvas top with wide fender	6G72 (2, 972 mℓ)	V5MT1 (5M/T)	MPI
	GRHVL6/R6			V4AW3 (4A/T)	
V24W	NDFL6	Wagon	4D56 (2, 477 mℓ) with turbocharger and intercooler	V5MT1 (5M/T)	Injection
	NHFL6/R6				
V24WG	NXFL6/R6	Wagon with wide fender			
V26W	NHFL6	Wagon	4M40 (2, 835 mℓ) with turbocharger and intercooler	V5M31 (5M/T)	
V26WG	NXFL6/R6	Wagon with wide fender			
V23W	NHVL6	Wagon	6G72 (2, 972 mℓ)	V5MT1 (5M/T)	MPI
	GNXVL6/R6	Wagon with wide fender		V5MT1 (5M/T)	
	GRXVL6/R6			V4AW3 (4A/T)	
V25W	GNXML6/R6		6G74 (3, 497 mℓ)	V5M31 (5M/T)	
	GRXML6/R6			V4AW3 (4A/T)	

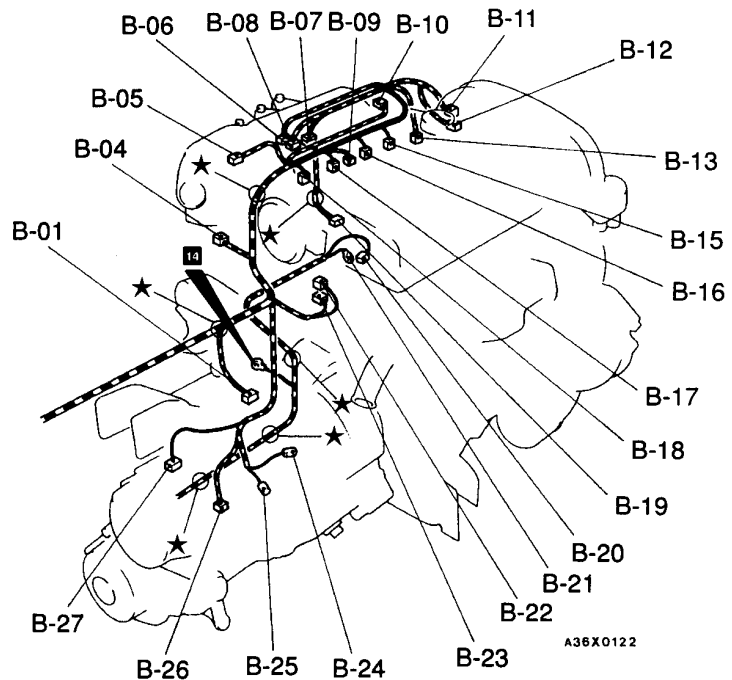
<4-DOOR MODELS>

Model code		Body style	Engine model	Transmission model	Fuel supply system
V44W	NDFL6	Wagon	4D56 (2, 477 mℓ) with turbocharger and intercooler	V5MT1 (5M/T)	Injection
	NDFCL6	Wagon without 3rd seat row			
	NHFL6	Wagon			
V44WG	NXFL6/R6	Wagon with wide fender			
V46W	NDFL6	Wagon	4M40 (2, 835 mℓ) with turbocharger and intercooler	V5M31 (5M/T)	
	NDFCL6	Wagon without 3rd seat row			
	NHFL6/R6	Wagon		V4AW3 (4A/T)	
	RHFR6				
V46WG	NXFL6/R6	Wagon with wide fender	V5M31 (5M/T)		
	RXFL6/R6		V4AW3 (4A/T)		
V43W	NHVL6/R6	Wagon	6G72 (2, 972 mℓ)	V5MT1 (5M/T)	MPI
	RHVL6/R6			V4AW3 (4A/T)	
	GNXVL6/R6	Wagon with wide fender		V5MT1 (5M/T)	
	GRXVL6/R6			V4AW3 (4A/T)	
V45W	GNXML6/R6		6G74 (3, 497 mℓ)	V5M31 (5M/T)	
	GRXML6/R6			V4AW3 (4A/T)	

HOW TO READ CONFIGURATION DIAGRAMS

The description method for configuration diagrams has been changed as follows.

Denotes connector No.
 The same connector No. is used throughout the circuit diagrams to facilitate connector location searches.
 The first alphabetical symbol indicates the location site of the connector and a number that follows is the unique number. Numbers are assigned to parts in clockwise order on the diagram.
 Example: A-12
 Number specific to connector (serial number)
 Connector location site symbol
 A: Engine compartment
 B: Transmission
 C: Dash panel
 D: Instrument panel and floor console
 E: Floor and roof
 F: Door
 G: Back door and rear under floor



Indicates the device to which the connector is to be connected.

B-01 (3-B)	Vehicle speed sensor	B-16 (2-GR)	Injector No. 2
B-02 (6)	Distributor assembly	B-17 (2-GR)	Injector No. 3
B-03 (2)	Distributor assembly	B-18 (2-GR)	Injector No. 4
B-04 (6-B)	Idle speed control servo	B-19 (4)	Oxygen sensor (front)
B-05 (4-B)	Throttle position sensor	B-20 (1-BR)	Starter motor

The number of connector pins and the connector colour (except milk white) are shown for ease of retrieval.
 *: Typical connector colours
 B: Black
 Y: Yellow
 L: Blue
 G: Green
 R: Red
 BR: Brown
 V: Violet
 O: Orange
 GR: Gray

Example: (2-B)
 Connector colour (milk white if no colour is indicated)
 Number of connector pins

WIRING HARNESS CONFIGURATION DIAGRAMS

CONTENTS

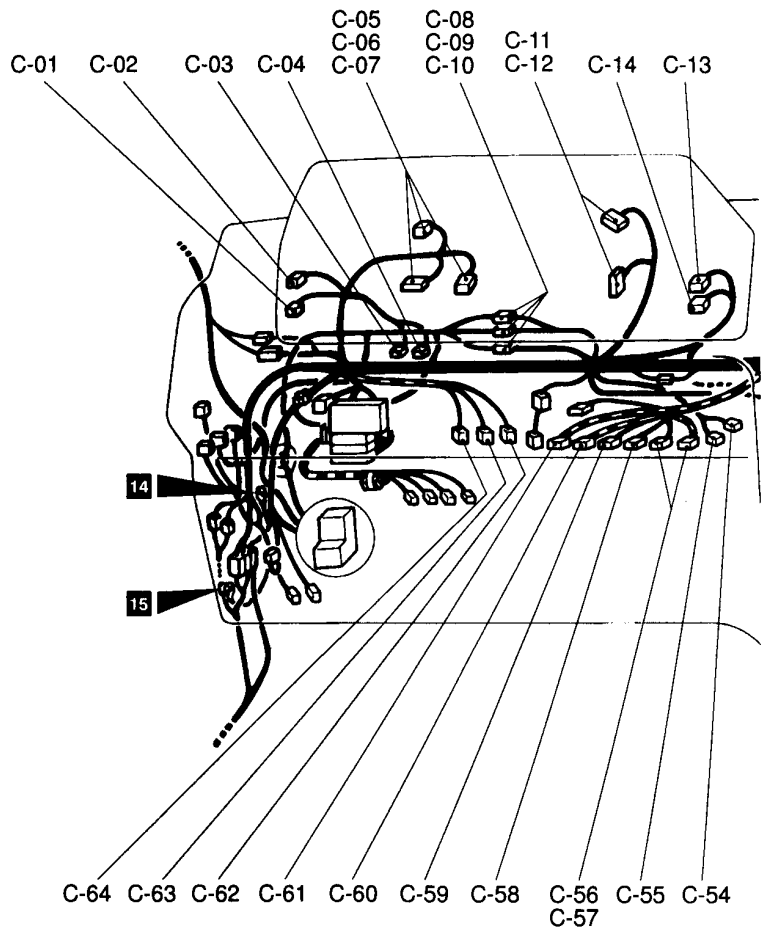
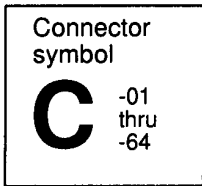
DASH PANEL

L.H. drive vehicles	2-2
R.H. drive vehicles	2-6

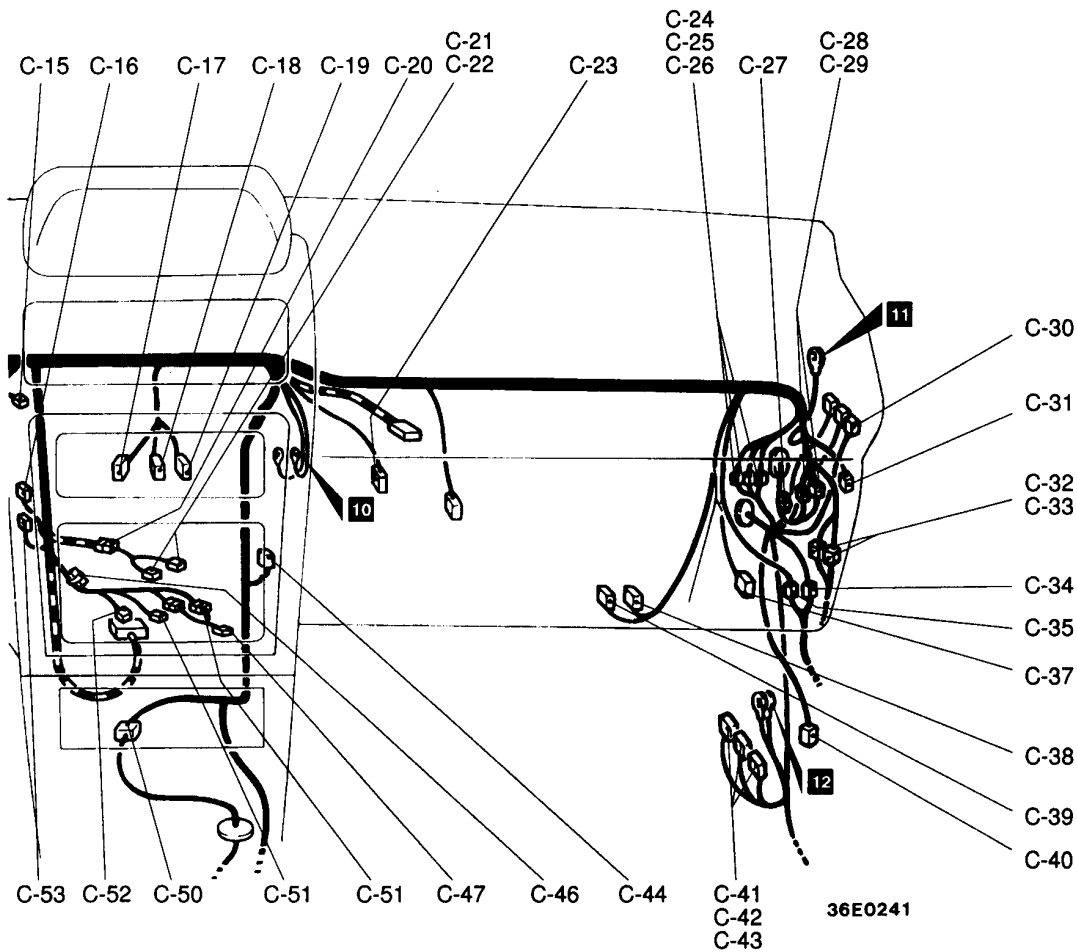


DASH PANEL

L.H. drive vehicles

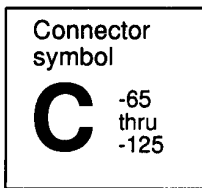


- | | | | |
|-------------|--|--------------|--|
| C-01 (8) | Auto-cruise control main switch | C-22 (5) | Radio |
| C-02 (6) | Rear fog lamp switch | C-23 (8-L) | A/C unit |
| C-03 (9) | Remote controlled mirror switch | C-24 (20-L) | Control wiring harness and dash wiring harness combination |
| C-04 (4) | Rheostat or jumper connector | C-25 (8-L) | Control wiring harness and dash wiring harness combination |
| C-05 (14-B) | Combination meter | C-26 (8-L) | Control wiring harness and dash wiring harness combination |
| C-06 (2-B) | Combination meter | C-27 (2) | Diode (for super select 4WD circuit) |
| C-07 (12) | Combination meter | C-28 (18-B) | Front wiring harness and dash wiring harness combination |
| C-08 (8-B) | Front wiring harness and dash wiring harness combination | C-29 (4-B) | Front wiring harness and dash wiring harness combination |
| C-09 (2-B) | Front wiring harness and dash wiring harness combination | C-30 (4) | Fuel line heater relay or intercooler fan control unit <Vehicles without fuel line heater> |
| C-10 (22-B) | Front wiring harness and dash wiring harness combination | C-31 (6-BR) | Engine oil level relay |
| C-11 (14) | Combination meter | C-32 (14) | Door wiring harness (passenger's side) and dash wiring harness combination |
| C-12 (12-B) | Combination meter | C-33 (16) | Door wiring harness (passenger's side) and dash wiring harness combination |
| C-13 (6-Y) | Defogger switch | C-34 (18-BR) | Control wiring harness and floor wiring harness (RH) combination |
| C-14 (10-G) | Hazard switch | C-35 (32) | Dash wiring harness and floor wiring harness (RH) combination |
| C-15 (26-Y) | Auto-cruise control unit or spare connector | | |
| C-16 (2) | Kickdown switch | | |
| C-17 (4) | A/C switch | | |
| C-18 (8) | Blower switch | | |
| C-19 (2) | Blower control illumination lamp | | |
| C-20 (14) | Dash wiring harness and radio sub wiring harness combination | | |
| C-21 (9) | Radio | | |

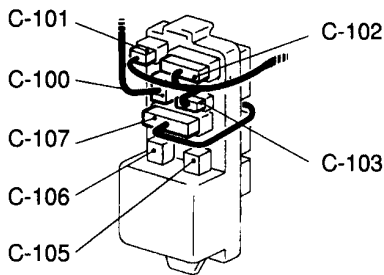


- | | | | |
|-------------|--|------------|---|
| C-37 (2-B) | Front speaker (RH) | C-52 (14) | Motor antenna control unit |
| C-38 (4) | Resistor (for blower motor control circuit) | C-53 (3-B) | Lighting monitor buzzer |
| C-39 (2) | Blower motor | C-54 (6) | Wiper deicer switch |
| C-40 (4) | Intercooler fan control unit <Vehicles with fuel line heater> | C-55 (8-B) | Motor antenna switch |
| C-41 (24-Y) | Engine control unit <6G72> | C-56 (2) | Clock spring <Vehicles with SRS> |
| (26-Y) | Engine control unit <6G74> | C-57 (3) | Clock spring <Vehicles with SRS> |
| (13) | Glow control unit | C-58 (2) | No connection |
| (26-Y) | Glow control unit | C-59 (4-B) | Steering lock switch |
| | <Diesel-powered vehicles without EGR> | (7) | Steering lock switch |
| | <Diesel-powered vehicles with EGR> | | <Vehicles with SRS> |
| C-42 (18-Y) | Engine control unit <6G72> | C-60 (2) | Auto-cruise control switch |
| (16-Y) | Engine control unit <6G74> | | <Vehicles without SRS> |
| C-43 (10-Y) | Engine control unit <6G72> | C-61 (6-B) | Ignition switch |
| (22-Y) | Engine control unit <6G74> | C-62 (2) | Stop lamp switch |
| C-44 (4) | Key cylinder illumination lamp timer | | <Vehicles without auto-cruise control> or no connection |
| C-46 (4-L) | Diode (for MPI circuit) <6G74> | | <Vehicles with auto-cruise control> |
| C-47 (4) | 4WD indicator relay | C-63 (4) | Stop lamp switch |
| C-50 (32) | Transmission wiring harness and dash wiring harness combination | | <Vehicles with auto-cruise control> or no connection |
| C-51 (10) | 4WD indicator control unit | | <Vehicles without auto-cruise control> |
| | <Super select 4WD> or | C-64 (2-B) | Clutch switch |
| | 4WD sub wiring harness and dash wiring harness combination <Part time 4WD> | | |

L.H. drive vehicles

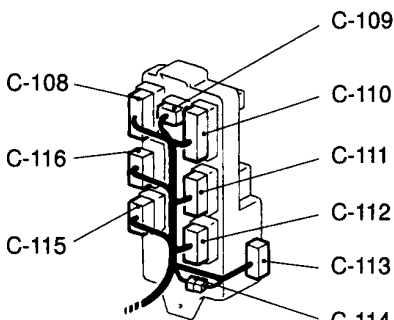


JUNCTION BLOCK
 <Front side view>

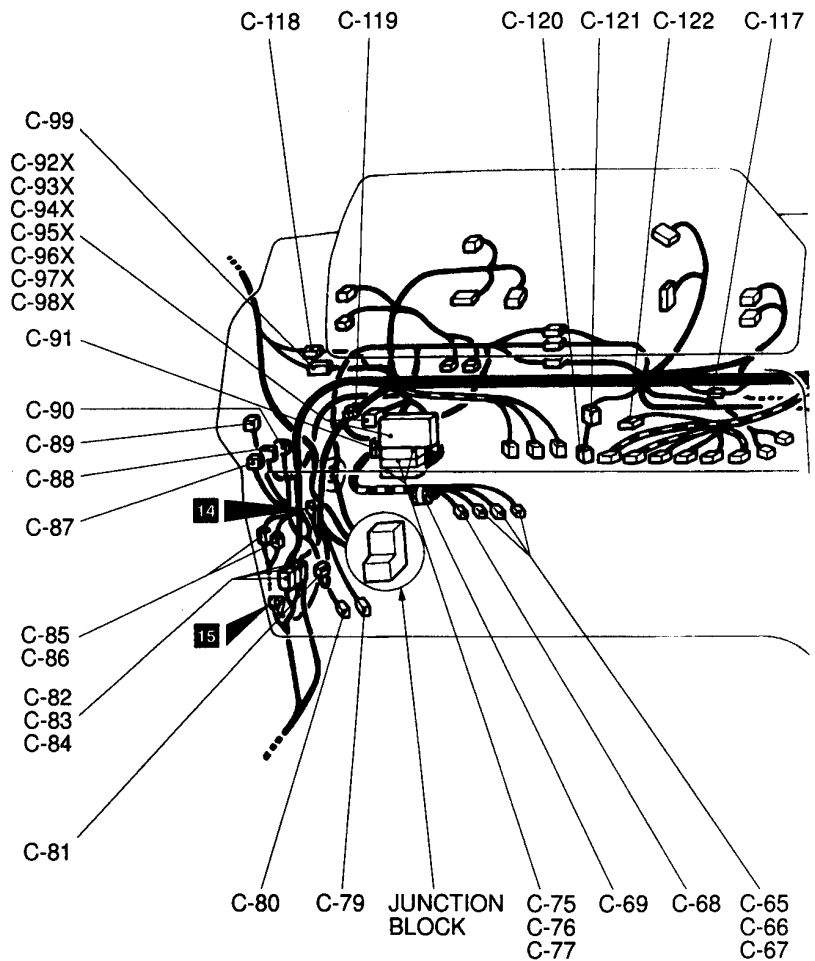


36E0215

<Rear side view>

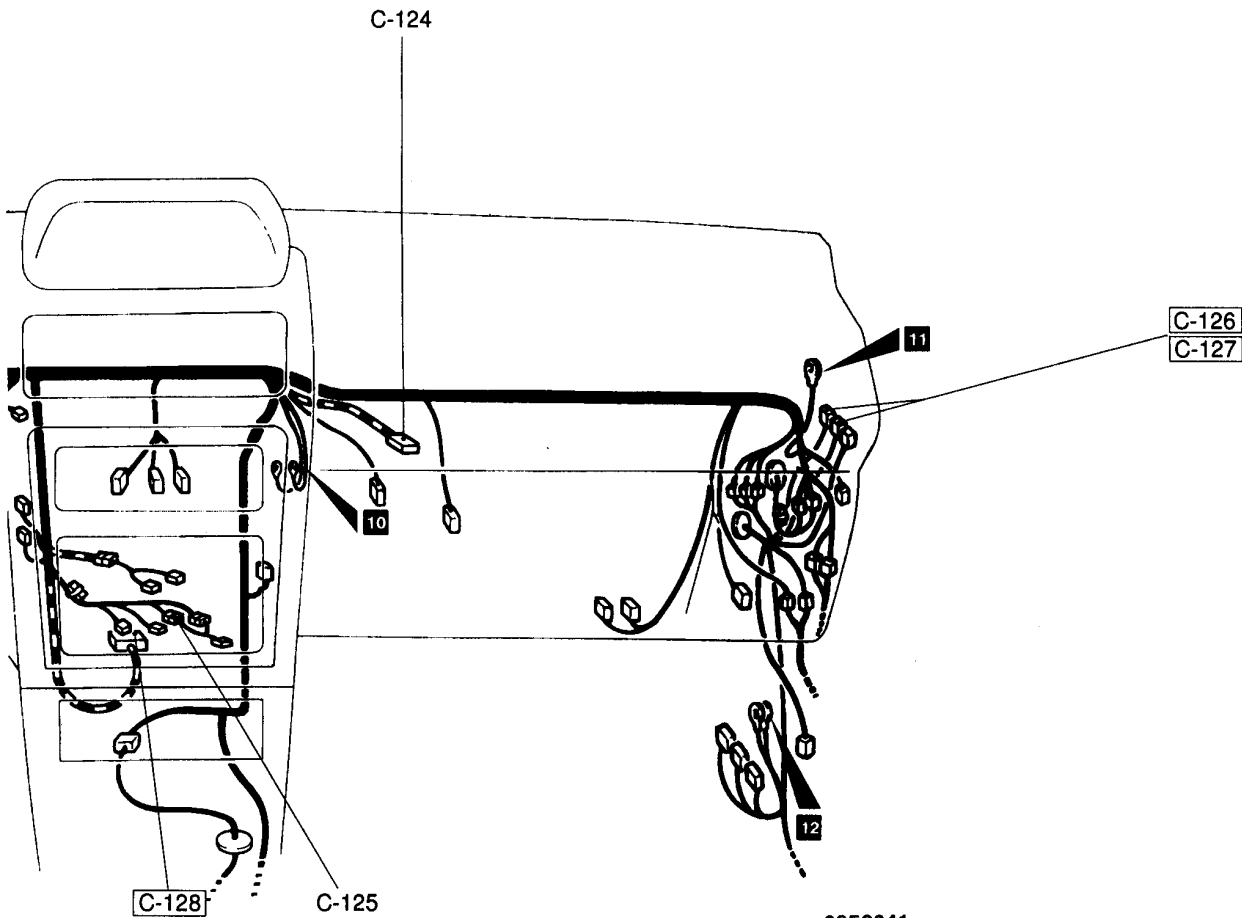


36E0142



- C-65 (14) Column switch <Vehicles without SRS>
- (10) Column switch <Vehicles with SRS>
- C-66 (8) Column switch <Vehicles without SRS>
- (6) Column switch <Vehicles with SRS>
- C-67 (4) Column switch <Vehicles without SRS>
- (12) Column switch <Vehicles with SRS>
- C-68 (6-B) Headlamp leveling switch
- C-69 (2-B) Diode (for Headlamp circuit)
- C-75 (33) J/C (1)
- C-76 (33) J/C (2)
- C-77 (33) J/C (3)
- C-79 (8) Overdrive control relay
- C-80 (2-B) Front speaker (LH)
- C-81 (26-L) ELC-4A/T control unit
- C-82 (33) Dash wiring harness and floor wiring harness (LH) combination
- C-83 (22) Dash wiring harness and floor wiring harness (LH) combination
- C-84 (2) Dash wiring harness and floor wiring harness (LH) combination

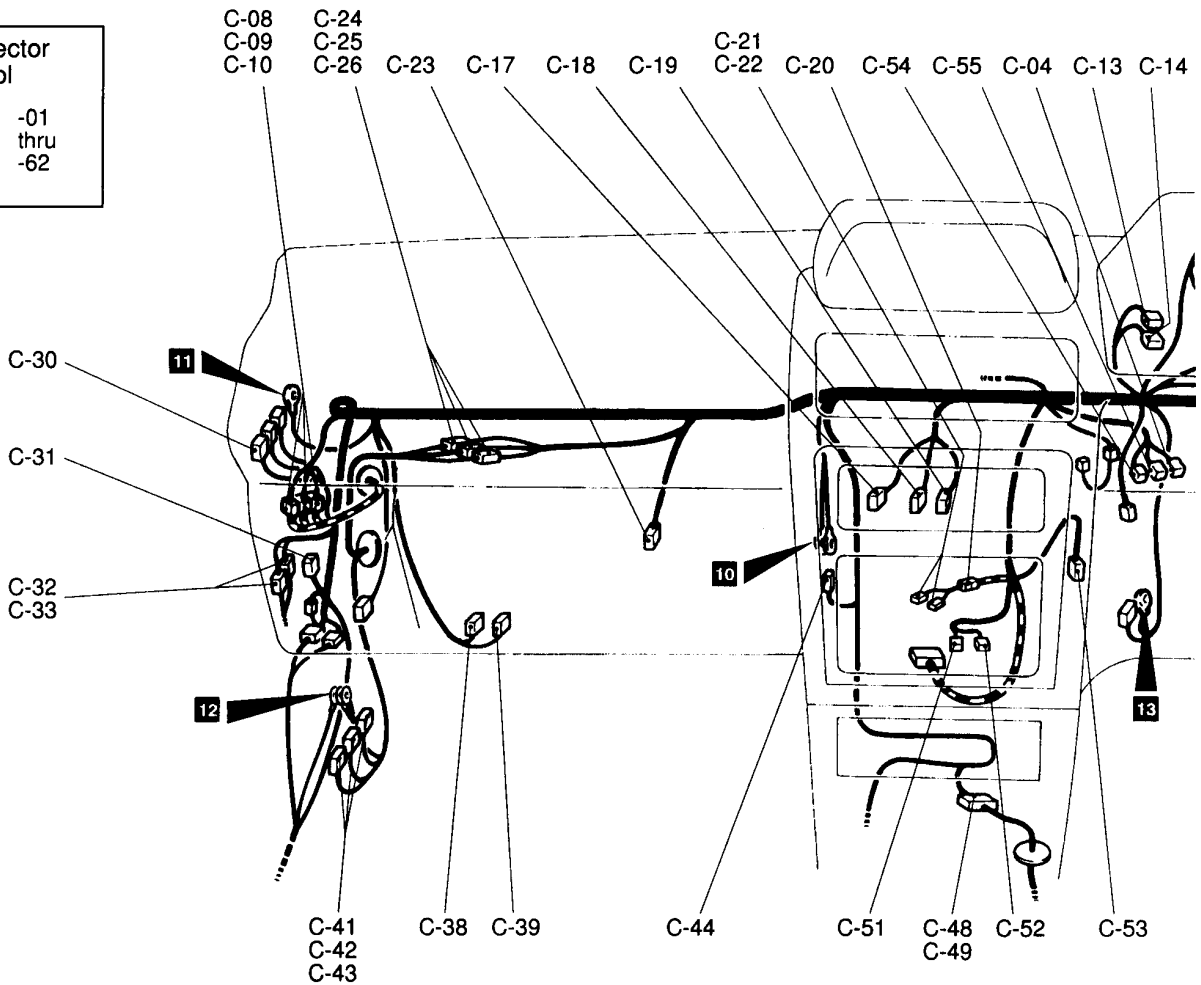
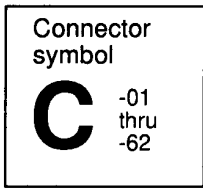
- C-85 (16-B) Door wiring harness (driver's side) and dash wiring harness combination
- C-86 (14-B) Door wiring harness (driver's side) and dash wiring harness combination
- C-87 (8) Door lock control unit
- C-88 (6-Y) Headlamp washer relay
- C-89 (6) Wiper deicer timer
- C-90 (4) Wiper deicer relay
- C-91 (2) Dedicated fuse No. (9)
- C-93X (4) Refer to centralized junction
- C-94X (4) Refer to centralized junction
- C-95X (4) Refer to centralized junction
- C-96X (5) Refer to centralized junction
- C-97X (8) Refer to centralized junction
- C-98X (3) Refer to centralized junction
- C-99 (4) Roof wiring harness and dash wiring harness combination
- C-100 (4) Roof wiring harness and junction block combination



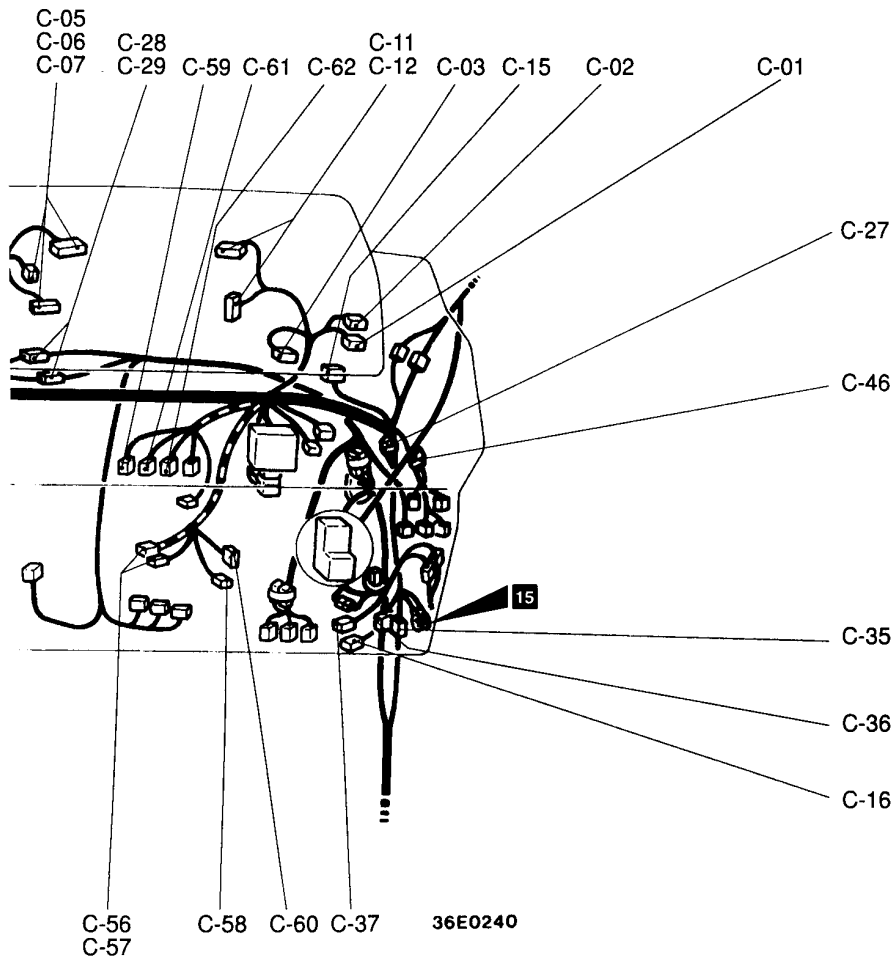
36E0241

C-101 (1)	Front wiring harness and junction block combination	C-115 (10)	Dash harness and junction block combination
C-102 (8)	Front wiring harness and junction block combination	C-116 (8)	Dash harness and junction block combination
C-103 (4)	Front wiring harness and junction block combination	C-117 (1)	Jumper connector <Vehicles with ABS>
C-105 (4)	Blower relay	C-118 (1)	Roof wiring harness and dash wiring harness combination
C-106 (4)	Accessory socket relay	C-119 (2)	Diode (for door lamp circuit)
C-107 (16)	Dash wiring harness and junction block combination	C-120 (16)	Immobilizer-ECU
C-108 (12)	Dash wiring harness and junction block combination	C-121 (10)	Immobilizer sub wiring harness and dash wiring harness combination
C-109 (4)	Dash wiring harness and junction block combination	C-122 (2)	Ignition key ring antenna
C-110 (16)	Dash wiring harness and junction block combination	C-124 (2)	Air bag module (squib) <passenger's side>
C-111 (14)	Dash wiring harness and junction block combination	C-125 (1)	4WD sub wiring harness and dash wiring harness combination
C-112 (6)	Dash wiring harness and junction block combination	C-126 (4)	Engine control relay <petrol>
C-113 (16)	Diagnosis connector	C-127 (4-B)	Fuel pump relay <petrol>
C-114 (3)	Jumper connector	C-128 (21-Y)	SRS-ECU
		Remark	
		Connector numbers enclosed by a frame 	
		are newly added connectors.	

R.H. drive vehicles

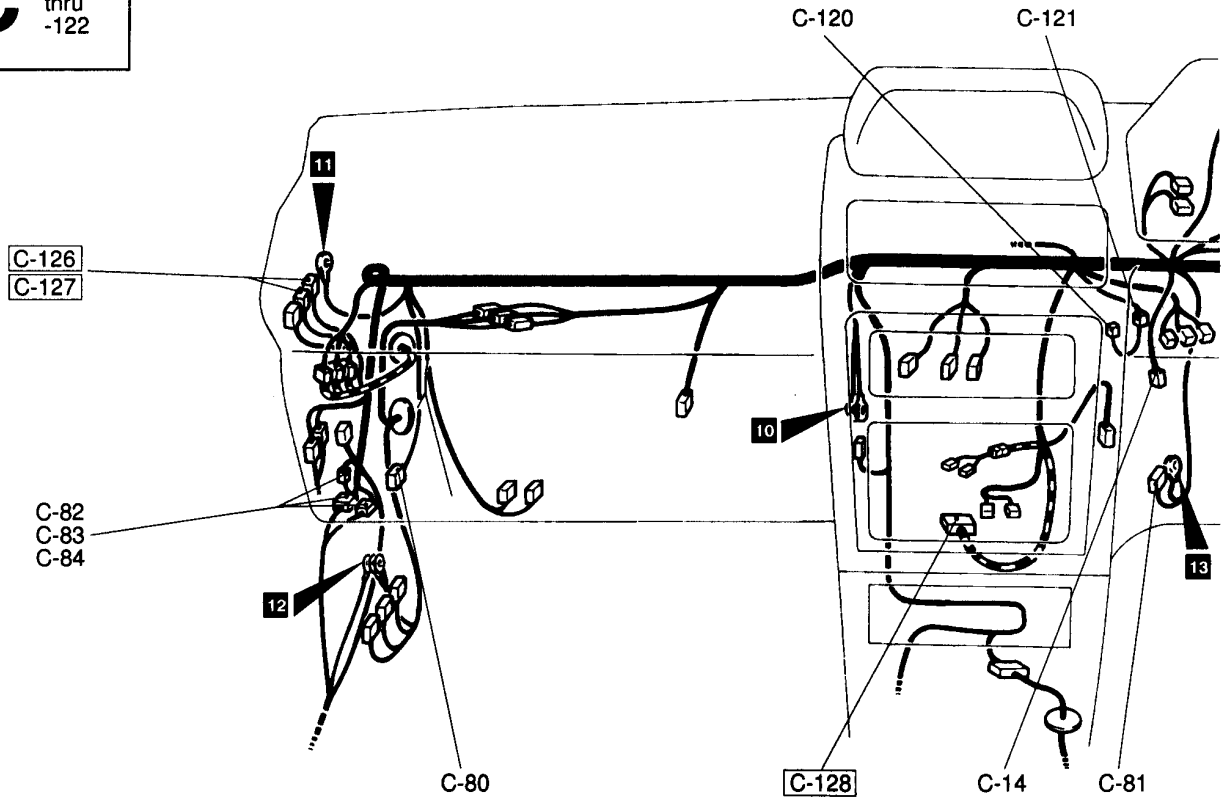
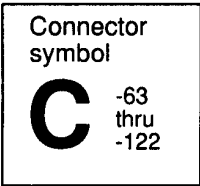


C-01 (8)	Auto-cruise control main switch	C-20 (14)	Dash wiring harness and radio sub wiring harness combination
C-02 (6)	Rear fog lamp switch	C-21 (9)	Radio
C-03 (9)	Remote controlled mirror switch	C-22 (5)	Radio
C-04 (4)	Rheostat or jumper connector	C-23 (8-L)	A/C unit
C-05 (14-B)	Combination meter	C-24 (20-L)	Control wiring harness and dash wiring harness combination
C-06 (2-B)	Combination meter	C-25 (8-L)	Control wiring harness and dash wiring harness combination
C-07 (12)	Combination meter	C-26 (8-L)	Control wiring harness and dash wiring harness combination
C-08 (10-B)	Front wiring harness and dash wiring harness combination	C-27 (2)	Diode (for super select 4WD circuit)
C-09 (2-B)	Front wiring harness and dash wiring harness combination	C-28 (18-B)	Front wiring harness and dash wiring harness combination
C-10 (22-B)	Front wiring harness and dash wiring harness combination	C-29 (4-B)	Front wiring harness and dash wiring harness combination
C-11 (14)	Combination meter	C-30 (4)	Intercooler fan control unit
C-12 (12-B)	Combination meter	C-31 (6-BR)	Engine oil level relay
C-13 (6-Y)	Defogger switch	C-32 (14)	Door wiring harness (passenger's side) and dash wiring harness combination
C-14 (10-G)	Hazard switch	C-33 (16)	Door wiring harness (passenger's side) and dash wiring harness combination
C-15 (26-Y)	Auto-cruise control unit or spare connector		
C-16 (2)	Kickdown switch		
C-17 (4)	A/C switch		
C-18 (8)	Blower switch		
C-19 (2)	Blower control illumination lamp		

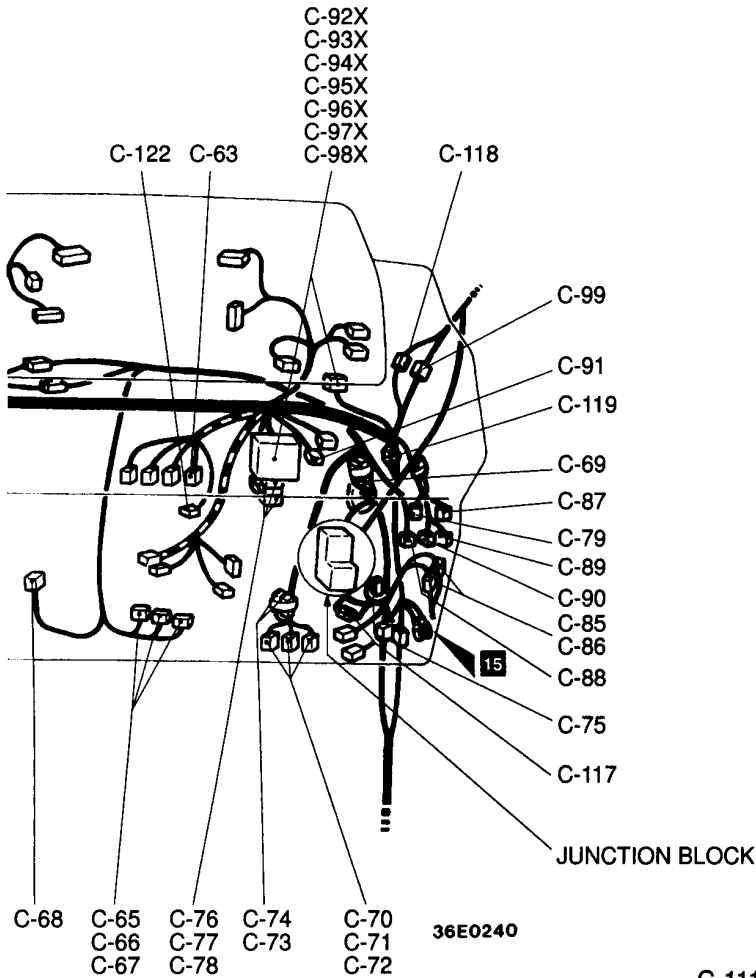


C-35 (32)	Dash wiring harness and floor wiring harness (RH) combination	C-51 (10)	4WD indicator control unit
C-36 (18-BR)	Front wiring harness and floor wiring harness (RH) combination	C-52 (14)	Motor antenna control unit
C-37 (2-B)	Front speaker (RH)	C-53 (3-B)	Lighting motor buzzer
C-38 (4)	Resistor (for blower motor control circuit)	C-54 (6)	Wiper deicer switch
C-39 (2)	Blower motor	C-55 (8-B)	Motor antenna switch
C-41 (24-Y)	Engine control unit <6G72>	C-56 (2)	Clock spring <Vehicles with SRS>
(26-Y)	Engine control unit <6G74>	C-57 (3)	Clock spring <Vehicles with SRS>
(13)	Glow control unit	C-58 (2)	No connection
(26-Y)	Glow control unit	C-59 (4-B)	Steering lock switch
	<Diesel-powered vehicles without EGR>	(7)	Steering lock switch
	<Diesel-powered vehicles with EGR>	C-60 (2)	Auto-cruise control switch
C-42 (18-Y)	Engine control unit <6G72>	<Vehicles without SRS>	<Vehicles without SRS>
(16-Y)	Engine control unit <6G74>	C-61 (6-B)	Ignition switch
C-43 (10-Y)	Engine control unit <6G72>	C-62 (2)	Stop lamp switch
(22-Y)	Engine control unit <6G74>	<Vehicles without auto-cruise control>	<Vehicles without auto-cruise control>
C-44 (4)	Key cylinder illumination lamp timer		or
C-46 (4-L)	Diode (for MPI circuit) <6G74>		<Vehicles with auto-cruise control>
C-50 (32)	Transmission wiring harness and dash wiring harness combination		

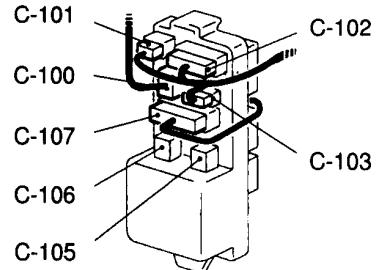
R.H. drive vehicles



C-63 (4)	Stop lamp switch <Vehicles with auto-cruise control> or no connection <Vehicles without auto-cruise control>	C-81 (26-L)	ELC-4A/T control unit
C-64 (2-B)	Clutch switch	C-82 (33)	Dash wiring harness and floor wiring harness (LH) combination
C-65 (14)	Column switch <Vehicles without SRS>	C-83 (22)	Dash wiring harness and floor wiring harness (LH) combination
(10)	Column switch <Vehicles with SRS>	C-84 (2)	Dash wiring harness and floor wiring harness (LH) combination
C-66 (8)	Column switch <Vehicles without SRS>	C-85 (16-B)	Door wiring harness (driver's side) and dash wiring harness combination
(6)	Column switch <Vehicles with SRS>	C-86 (14-B)	Door wiring harness (driver's side) and dash wiring harness combination
C-67 (4)	Column switch <Vehicles without SRS>	C-87 (8)	Door lock control unit
(12)	Column switch <Vehicles with SRS>	C-88 (6-Y)	Headlamp washer relay
C-68 (6-B)	Headlamp leveling switch	C-89 (6)	Wiper deicer timer
C-69 (2-B)	Diode (for Headlamp circuit)	C-90 (4)	Wiper deicer relay
C-75 (33)	J/C (1)	C-91 (2)	Dedicated fuse No. (9)
C-76 (33)	J/C (2)	C-93X (4)	Refer to centralized junction
C-77 (33)	J/C (3)	C-94X (4)	Refer to centralized junction
C-78 (33)	J/C (4)	C-95X (4)	Refer to centralized junction
C-79 (8)	Overdrive control relay		
C-80 (2-B)	Front speaker (LH)		

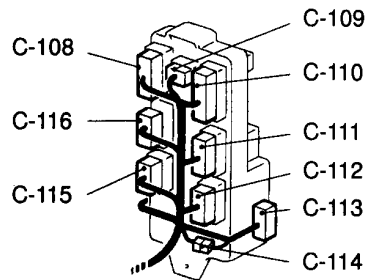


JUNCTION BLOCK
<Front side view>



36E0215

<Rear side view>



36E0050

- C-96X (5) Refer to centralized junction
- C-97X (8) Refer to centralized junction
- C-98X (3) Refer to centralized junction
- C-99 (4) Roof wiring harness and dash wiring harness combination
- C-100 (4) Roof wiring harness and junction block combination
- C-101 (1) Front wiring harness and junction block combination
- C-102 (8) Front wiring harness and junction block combination
- C-103 (4) Front wiring harness and junction block combination
- C-105 (4) Blower relay
- C-106 (4) Accessory socket relay
- C-107 (16) Dash wiring harness and junction block combination
- C-108 (12) Dash wiring harness and junction block combination
- C-109 (4) Dash wiring harness and junction block combination
- C-110 (16) Dash wiring harness and junction block combination

- C-111 (14) Dash wiring harness and junction block combination
- C-112 (6) Dash wiring harness and junction block combination
- C-113 (16) Diagnosis connector
- C-114 (3) Jumper connector
- C-115 (10) Dash wiring harness and junction block combination
- C-116 (8) Dash wiring harness and junction block combination
- C-117 (1) Jumper connector <Vehicles with ABS>
- C-118 (1) Roof wiring harness and dash wiring harness combination
- C-119 (2) Diode (for door lamp circuit)
- C-120 (16) Immobilizer-ECU
- C-121 (10) Immobilizer sub wiring harness and dash wiring harness combination
- C-122 (2) Ignition key ring antenna
- C-126 (4) Engine control relay <petrol>
- C-127 (4-B) Fuel pump relay <petrol>
- C-128 (21-Y) SRS-ECU

Remark

Connector numbers enclosed by a frame are newly added connectors.

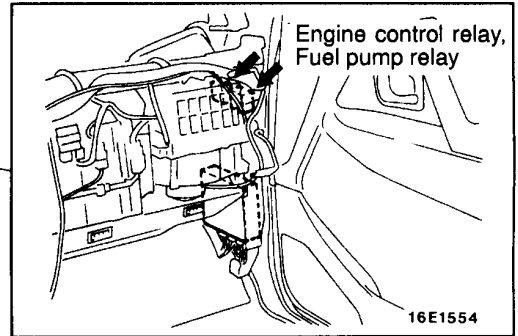
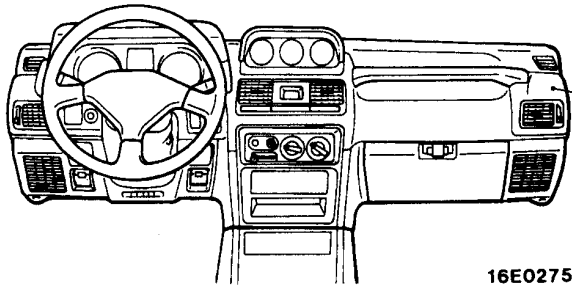
SINGLE PART INSTALLATION POSITION

CONTENTS

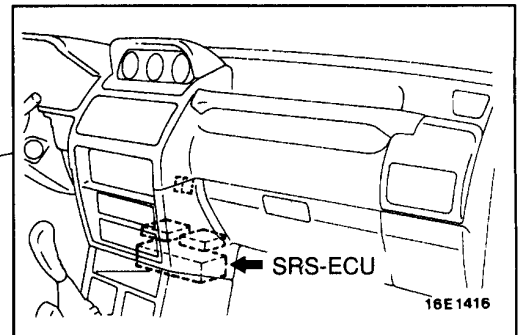
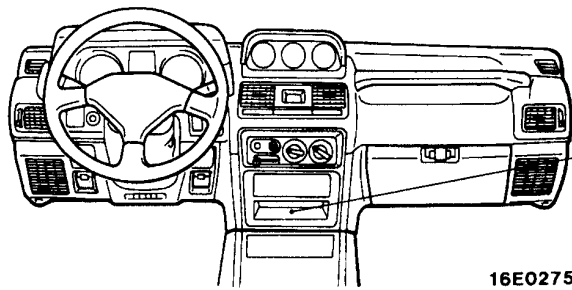
RELAY	3-2
CONTROL UNIT	3-2



RELAY



CONTROL UNIT



CIRCUIT DIAGRAM

CONTENTS

POWER DISTRIBUTION

- <Petrol-powered vehicles> 4-4
- <Diesel-powered vehicles> 4-10

GLOW SYSTEM

- 4M40 engine <without supercharging pressure relief solenoid valve> 4-16
- 4M40 engine <with supercharging pressure relief solenoid valve> 4-18

MPI SYSTEM

- 6G72 engine-M/T
<vehicles without immobilizer system> 4-20
- 6G72 engine-M/T
<vehicles with immobilizer system> 4-28
- 6G72 engine-A/T
<vehicles without immobilizer system> 4-36
- 6G72 engine-A/T
<vehicles with immobilizer system> 4-44
- 6G74 engine-M/T
<vehicles without immobilizer system> 4-52
- 6G74 engine-M/T
<vehicles with immobilizer system> 4-62
- 6G74 engine-A/T
<vehicles without immobilizer system> 4-72
- 6G74 engine-A/T
<vehicles with immobilizer system> 4-82

LOW ENGINE OIL LEVEL WARNING LAMP 4-92

BRAKE WARNING LAMP 4-93

SINGLE AIR CONDITIONER

- L.H. drive vehicles
<petrol-powered vehicles> 4-94
- L.H. drive vehicles
<diesel-powered vehicles> 4-98
- R.H. drive vehicles
<petrol-powered vehicles> 4-102
- R.H. drive vehicles
<diesel-powered vehicles> 4-106

DUAL AIR CONDITIONER

- L.H. drive vehicles without rear heater
<petrol-powered vehicles> 4-110
- L.H. drive vehicles without rear heater
<diesel-powered vehicles> 4-116
- L.H. drive vehicles with rear heater
<petrol-powered vehicles> 4-122
- L.H. drive vehicles with rear heater
<diesel-powered vehicles> 4-130
- R.H. drive vehicles without rear heater
<petrol-powered vehicles> 4-138
- R.H. drive vehicles without rear heater
<diesel-powered vehicles> 4-144
- R.H. drive vehicles with rear heater
<petrol-powered vehicles> 4-150
- R.H. drive vehicles with rear heater
<diesel-powered vehicles> 4-158

SUN ROOF

- 2-door models 4-166
 - 4-door models 4-168
 - Canvas top 4-169
-

INTERCOOLER FAN	4-170
LIGHTING MONITOR BUZZER	4-171
SUPPLEMENTAL RESTRAINT SYSTEM	4-172

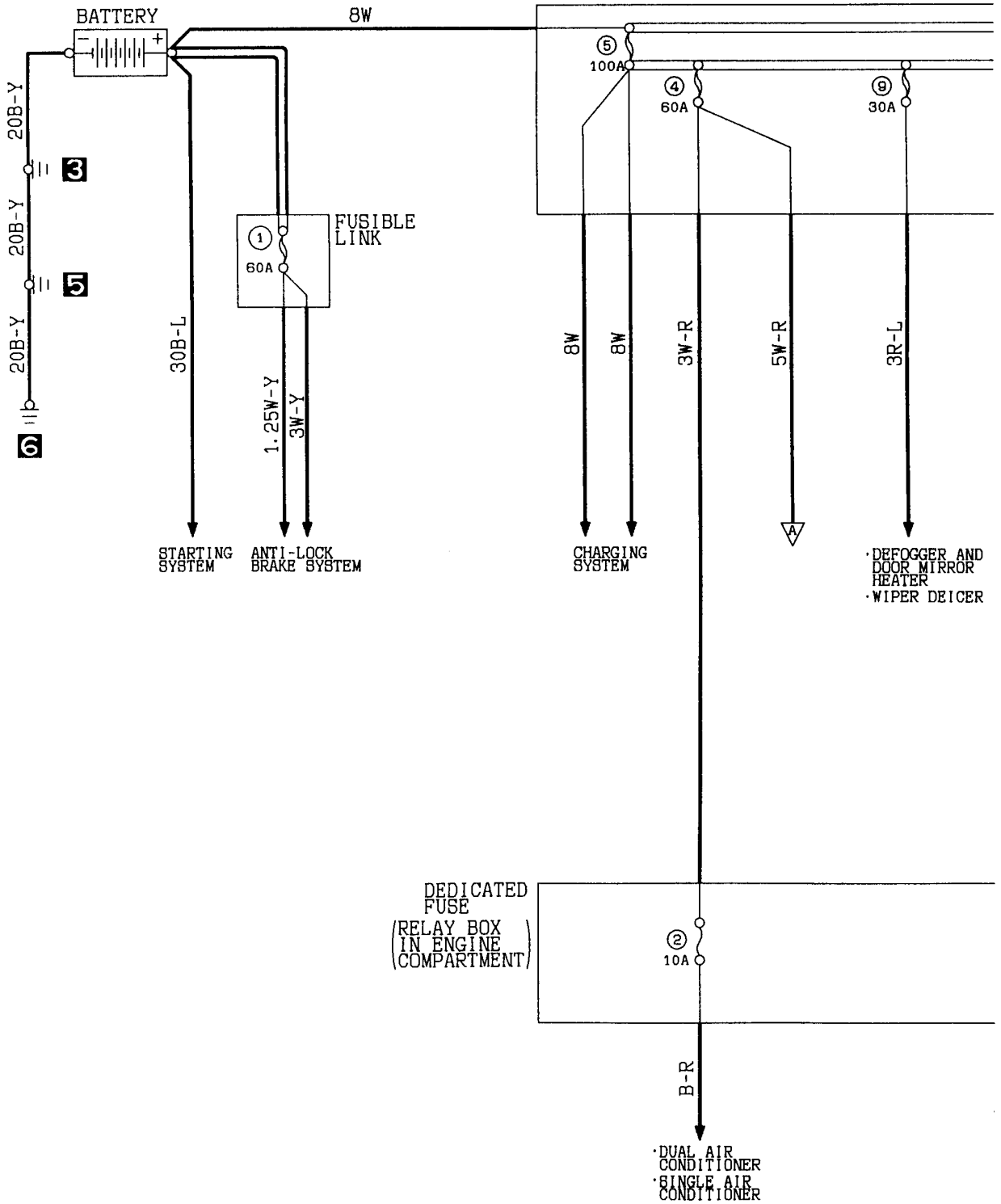
IMMOBILIZER SYSTEM

Petrol-powered vehicles	4-174
Diesel-powered vehicles	4-176

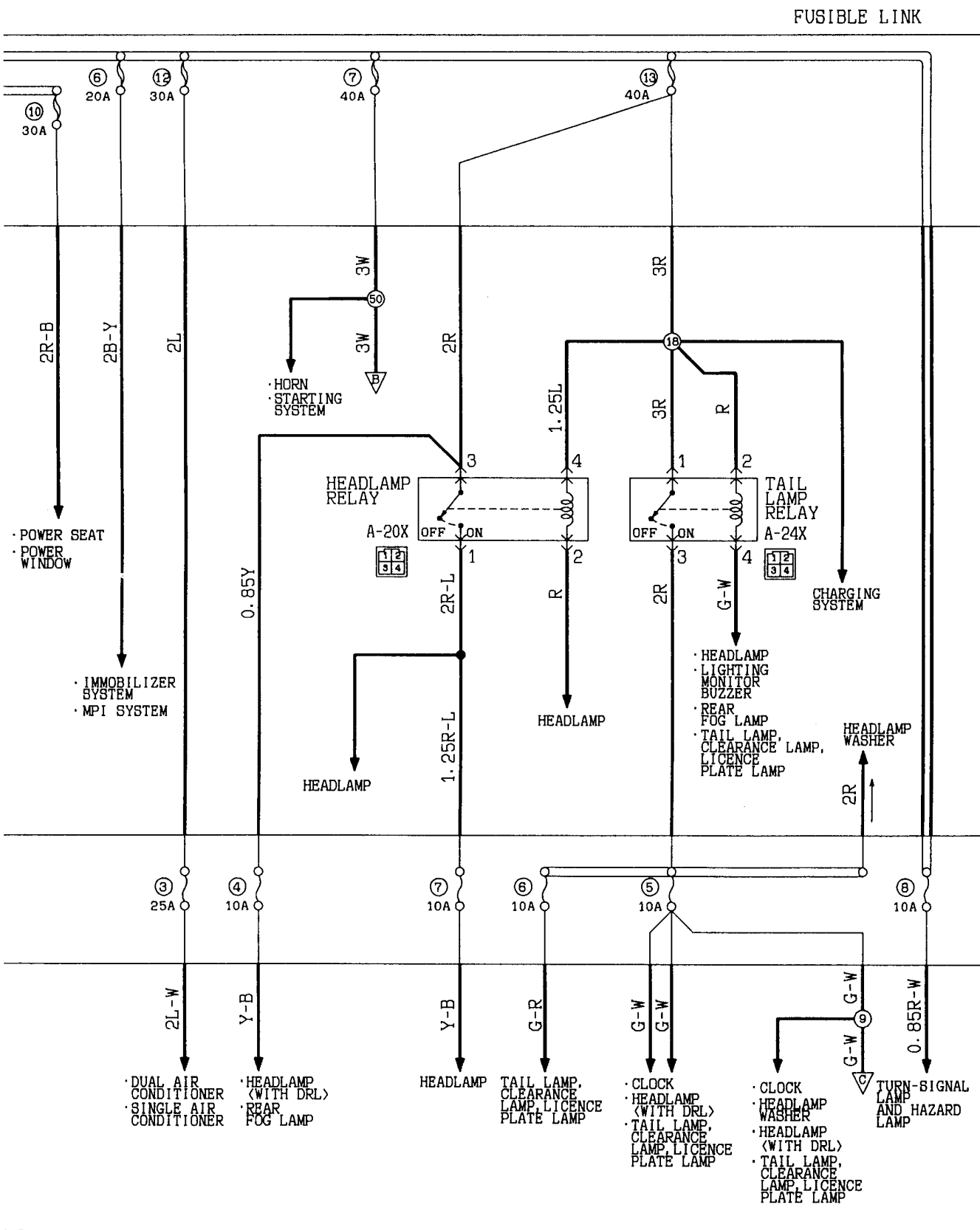


NOTES

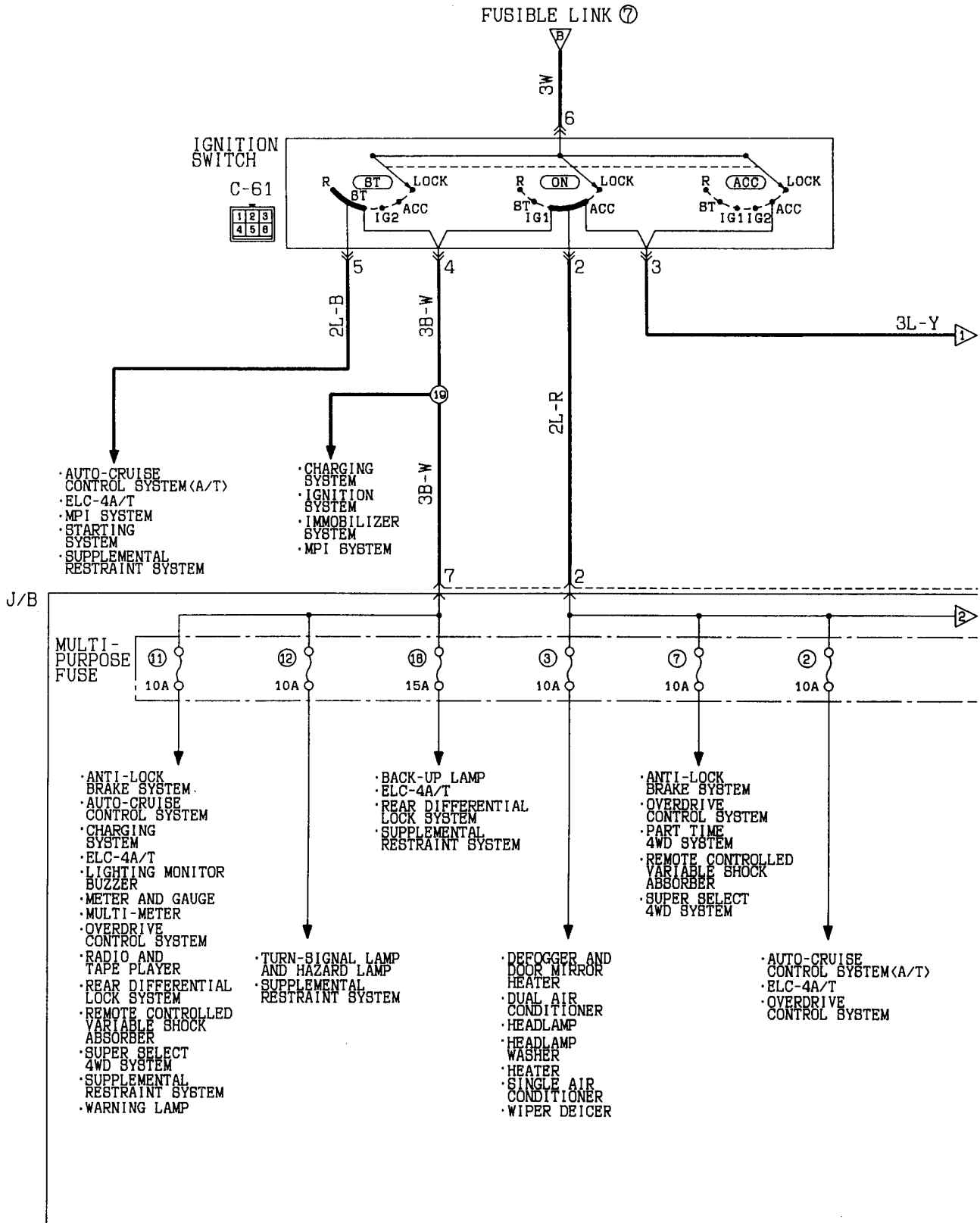
POWER DISTRIBUTION SYSTEM
 (Petrol-powered vehicles)



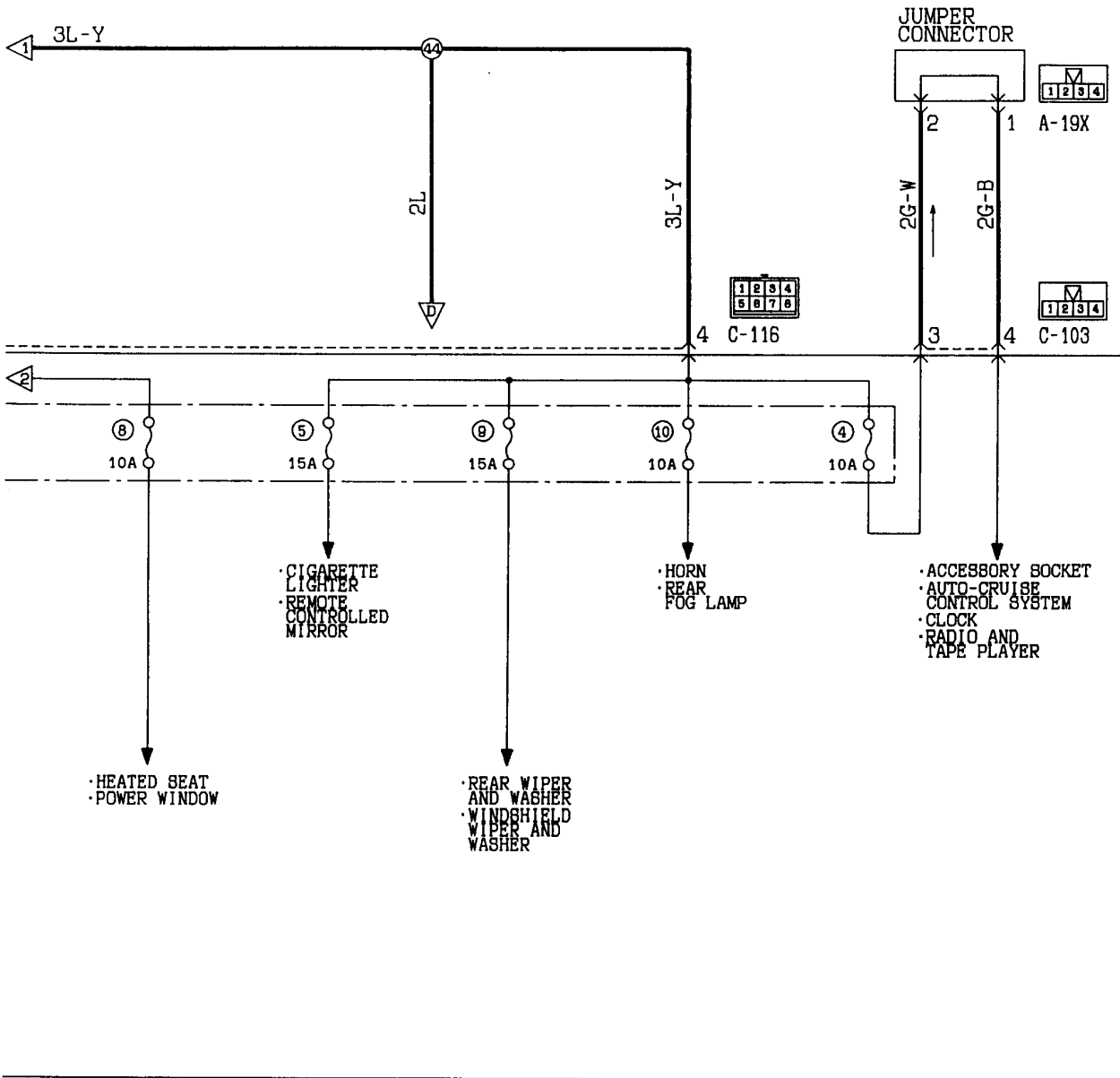
Wire colour code
 B:Black LG:Light green G:Green L:Blue W:White Y:Yellow SB:Sky blue
 BR:Brown O:Orange GR:Gray R:Red P:Pink V:Violet



POWER DISTRIBUTION SYSTEM <Petrol-powered vehicles>
(CONTINUED)

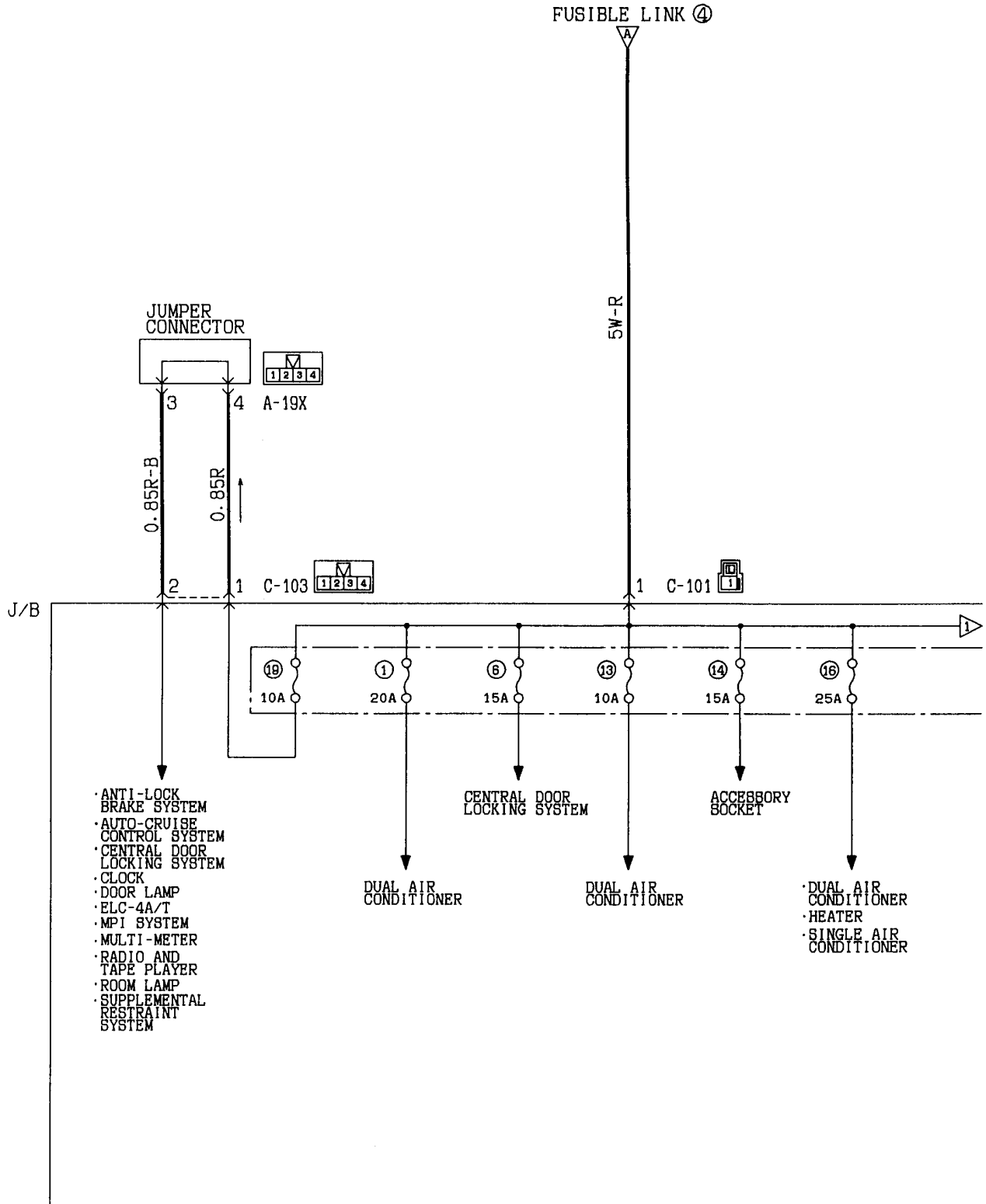


Remark
The above circuit diagram shows the current flow at the ignition key position "ACC", "ON" and "BT" combined. Be sure trace the appropriate circuit depending on the ignition key position.

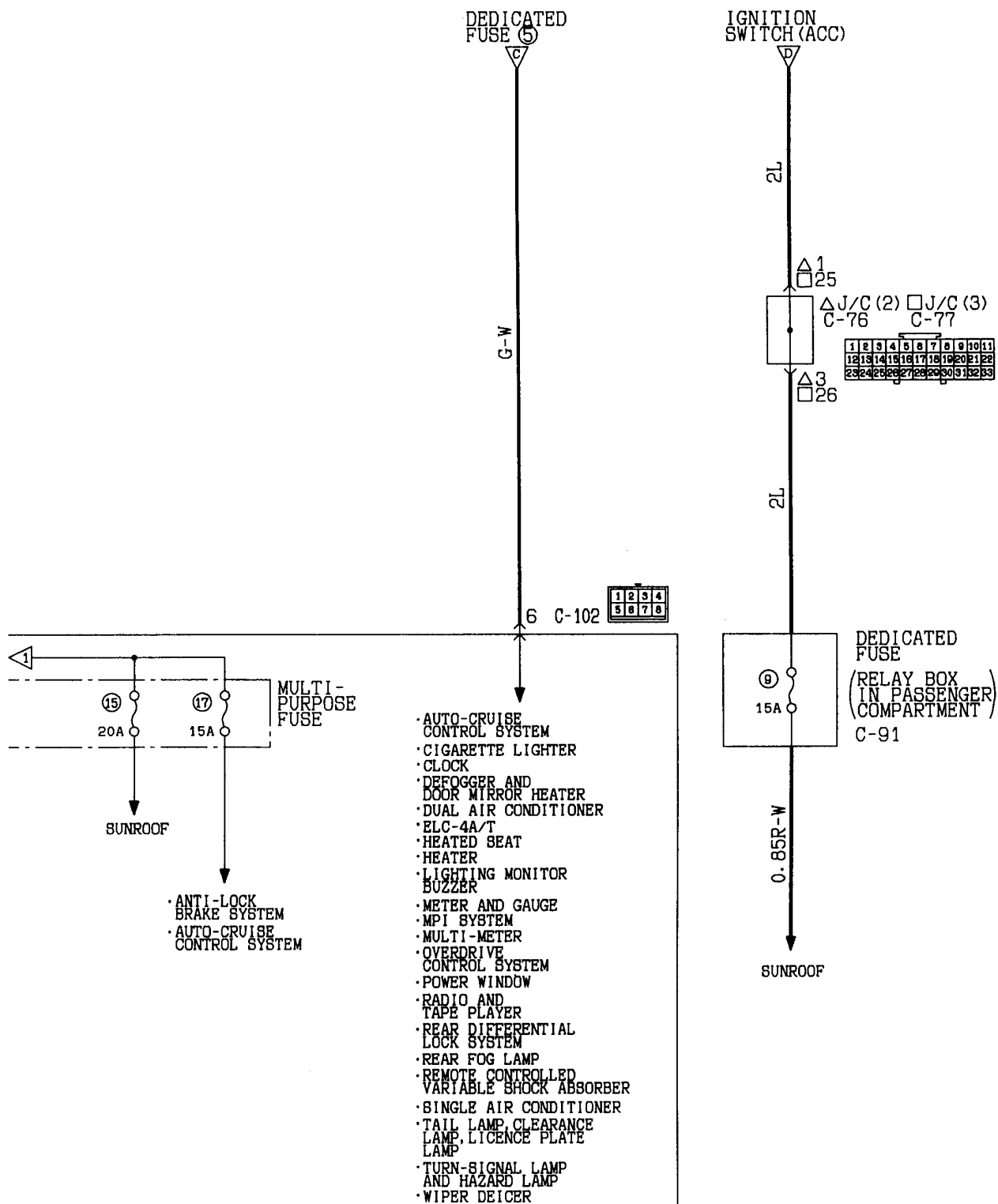


Wire colour code
 B:Black LG:Light green G:Green L:Blue W:White Y:Yellow SB:Sky blue
 BR:Brown O:Orange GR:Gray R:Red P:Pink V:Violet

POWER DISTRIBUTION SYSTEM <Petrol-powered vehicles>
(CONTINUED)

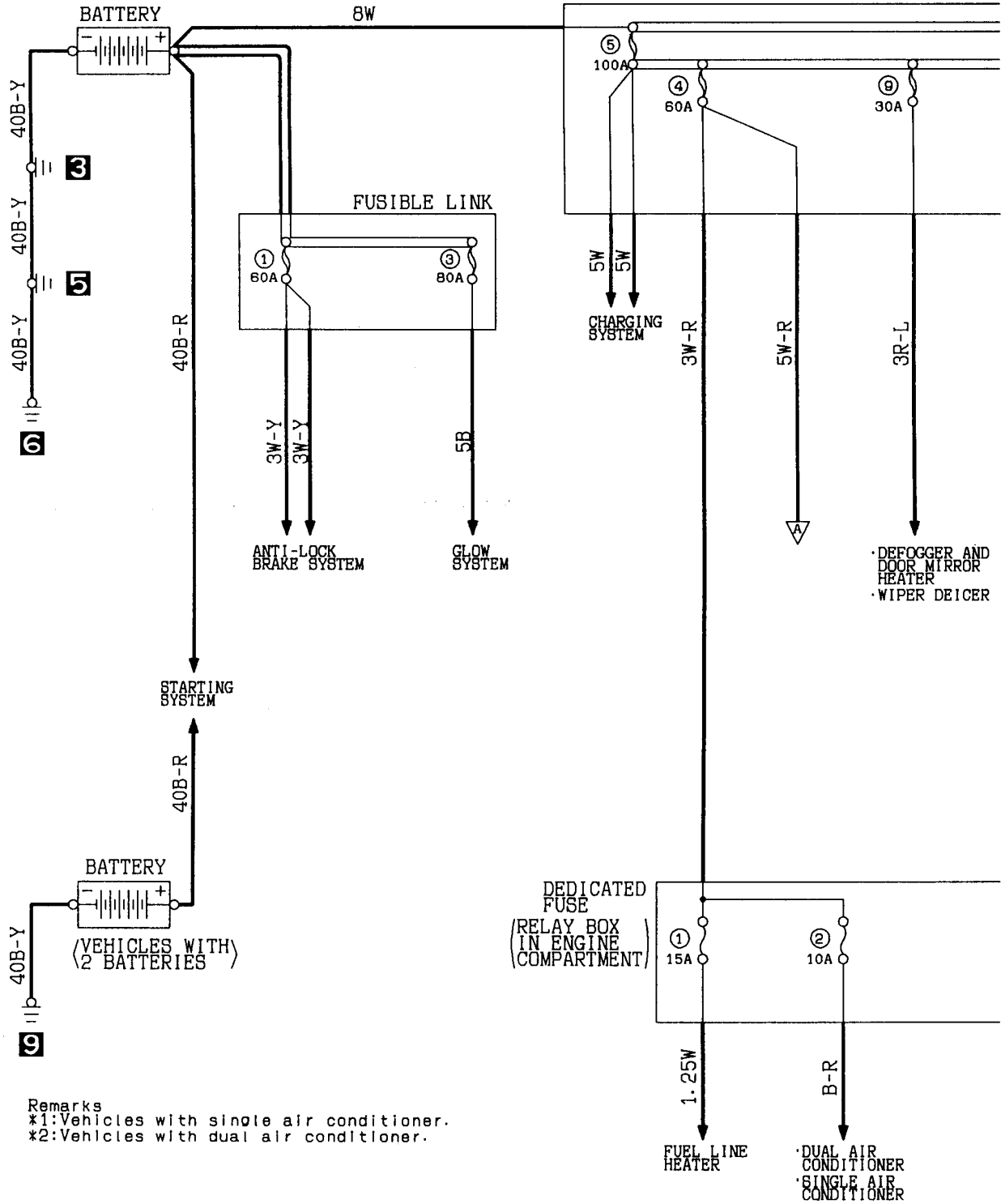


Wire colour code
 B:Black LG:Light green G:Green L:Blue W:White Y:Yellow SB:Sky blue
 BR:Brown O:Orange GR:Gray R:Red P:Pink V:Violet



Remarks
 (1) □ : L. H. drive vehicles.
 (2) Δ : R. H. drive vehicles.

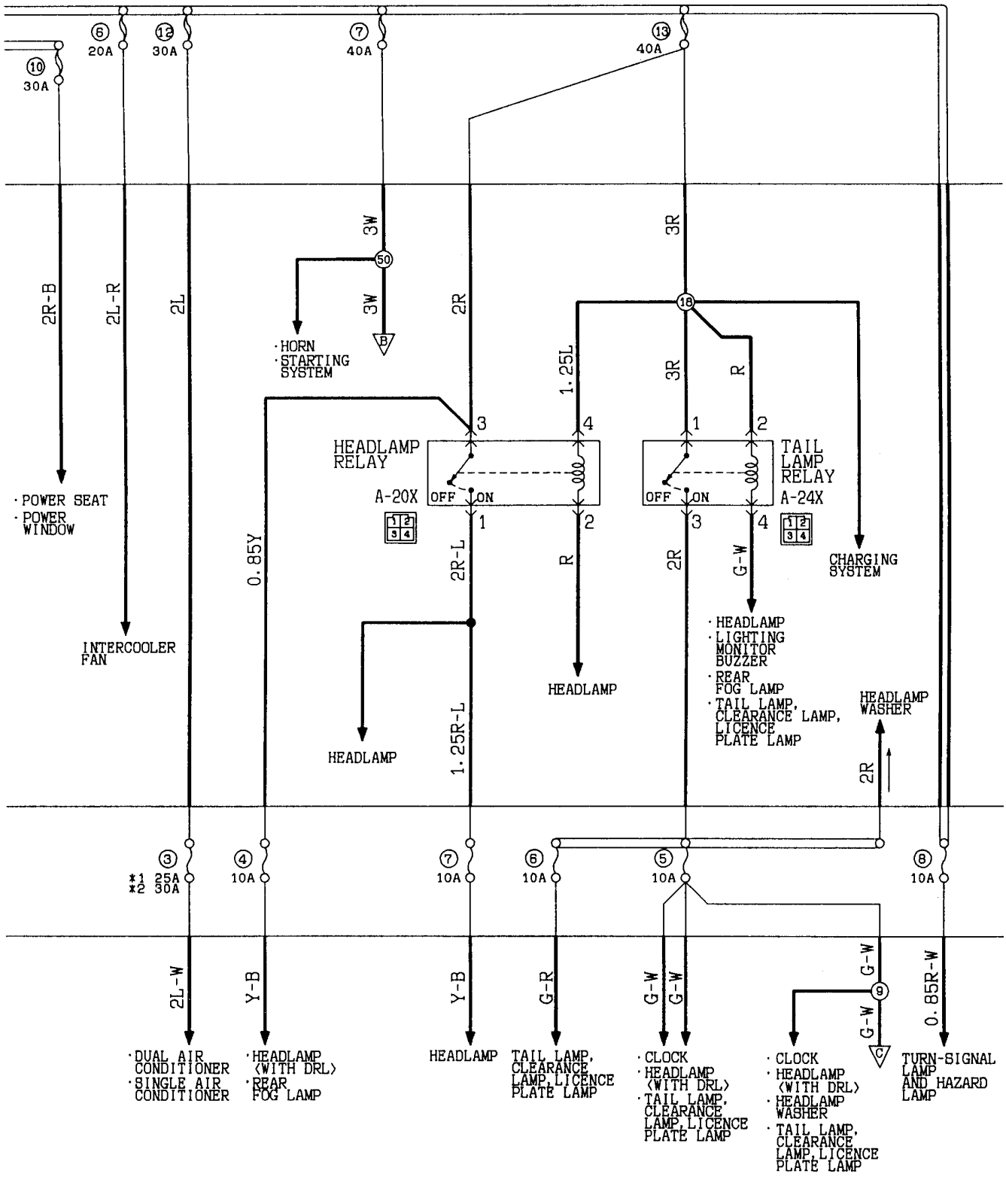
POWER DISTRIBUTION SYSTEM
(Diesel-powered vehicles)



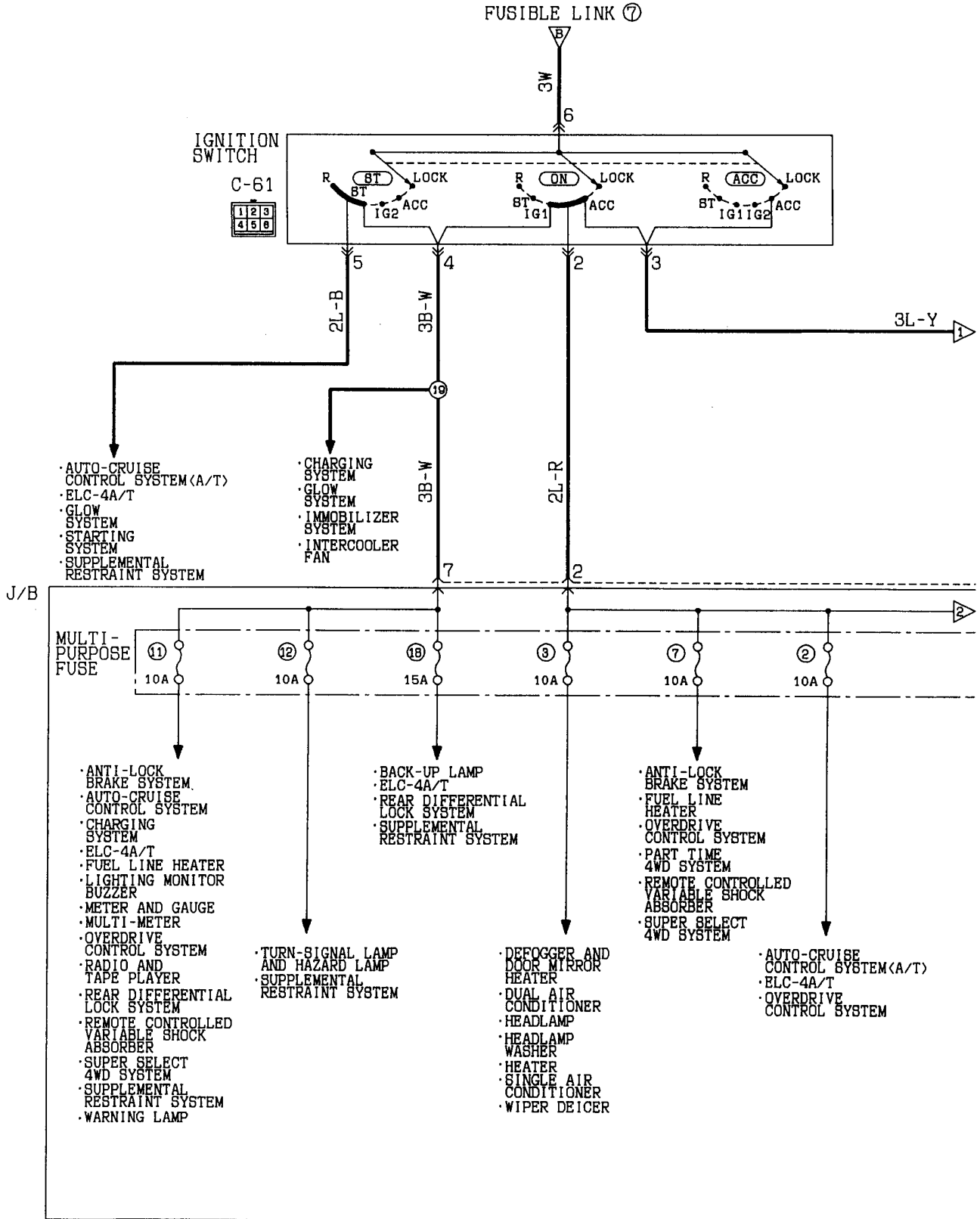
Remarks
*1: Vehicles with single air conditioner.
*2: Vehicles with dual air conditioner.

Wire colour code
B:Black LG:Light green G:Green L:Blue W:White Y:Yellow SB:Sky blue
BR:Brown O:Orange GR:Gray R:Red P:Pink V:Violet

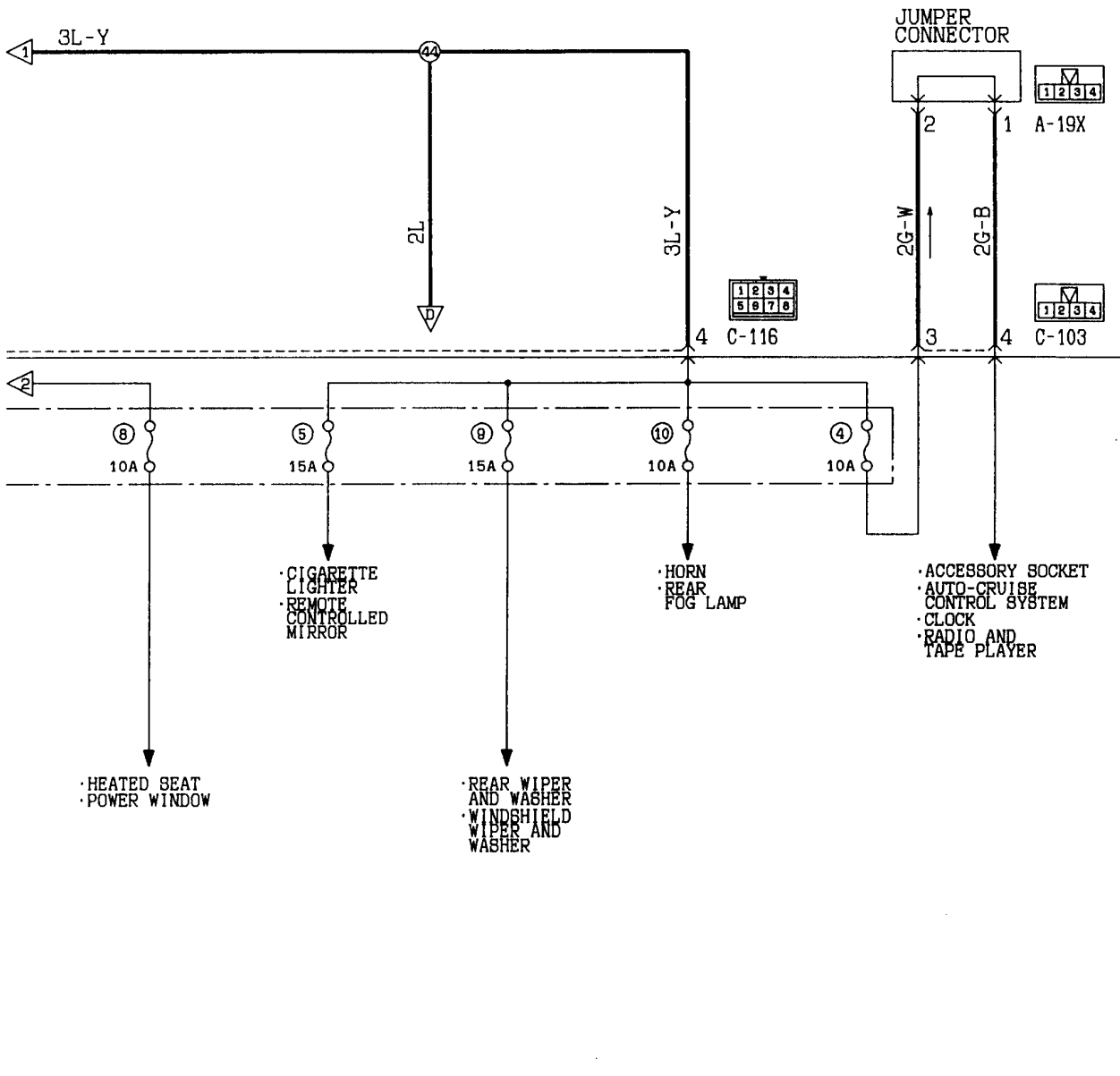
FUSIBLE LINK



POWER DISTRIBUTION SYSTEM <Diesel-powered vehicles>
(CONTINUED)

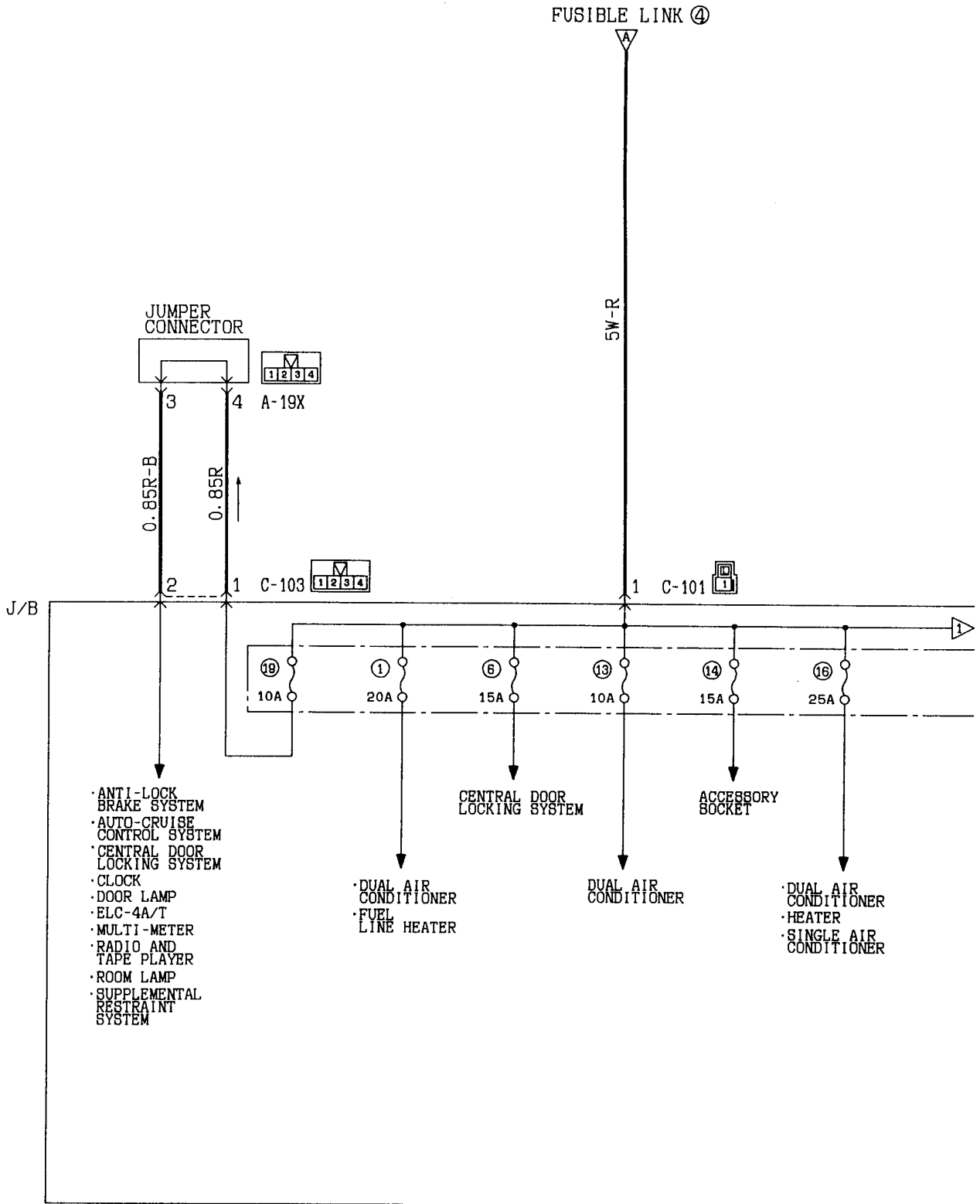


Remark
The above circuit diagram shows the current flow at the ignition key position "ACC", "ON" and "ST" combined. Be sure to trace the appropriate circuit depending on the ignition key position.

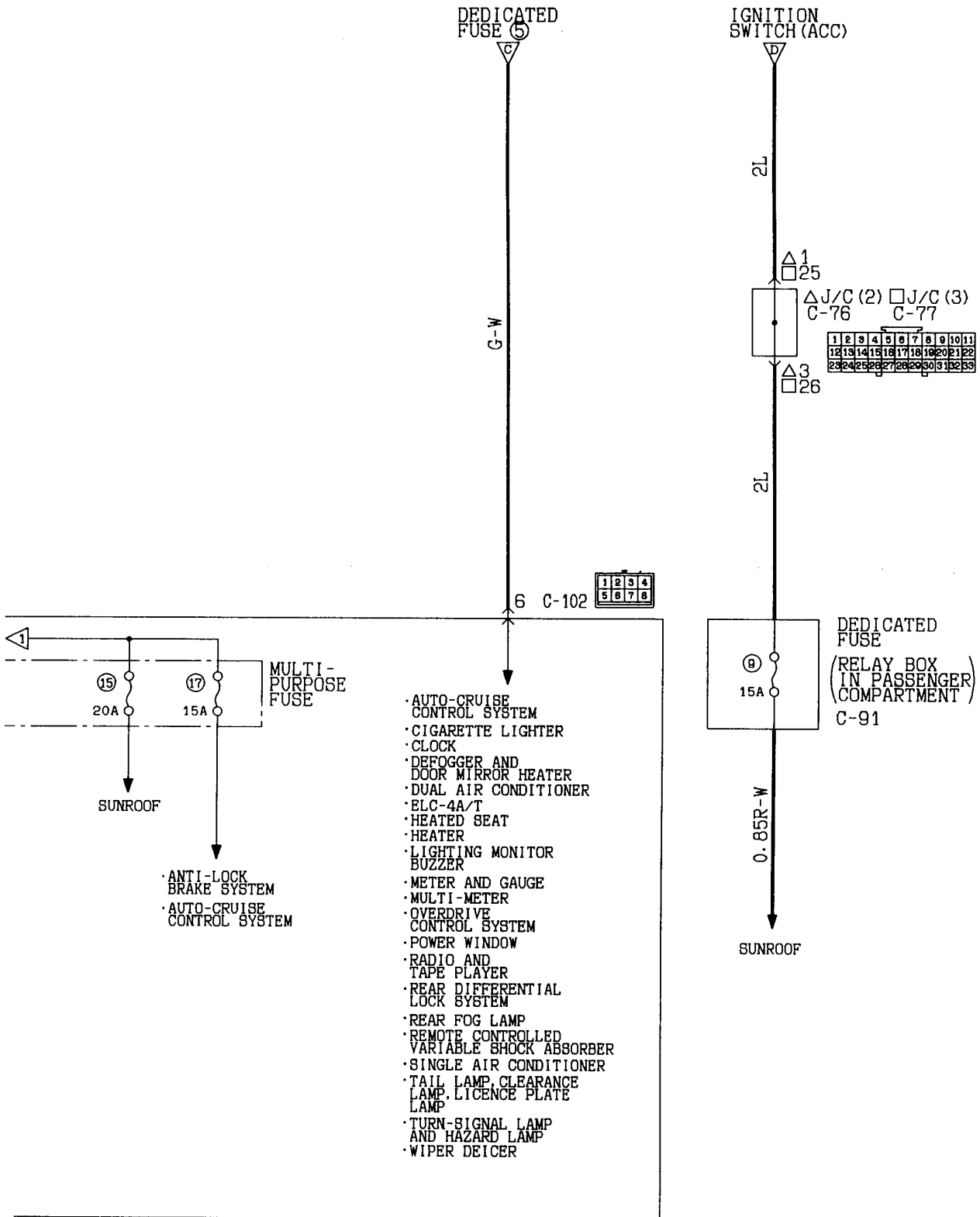


Wire colour code
 B:Black LG:Light green G:Green L:Blue W:White Y:Yellow SB:Sky blue
 BR:Brown O:Orange GR:Gray R:Red P:Pink V:Violet

POWER DISTRIBUTION SYSTEM <Diesel-powered vehicles>
(CONTINUED)



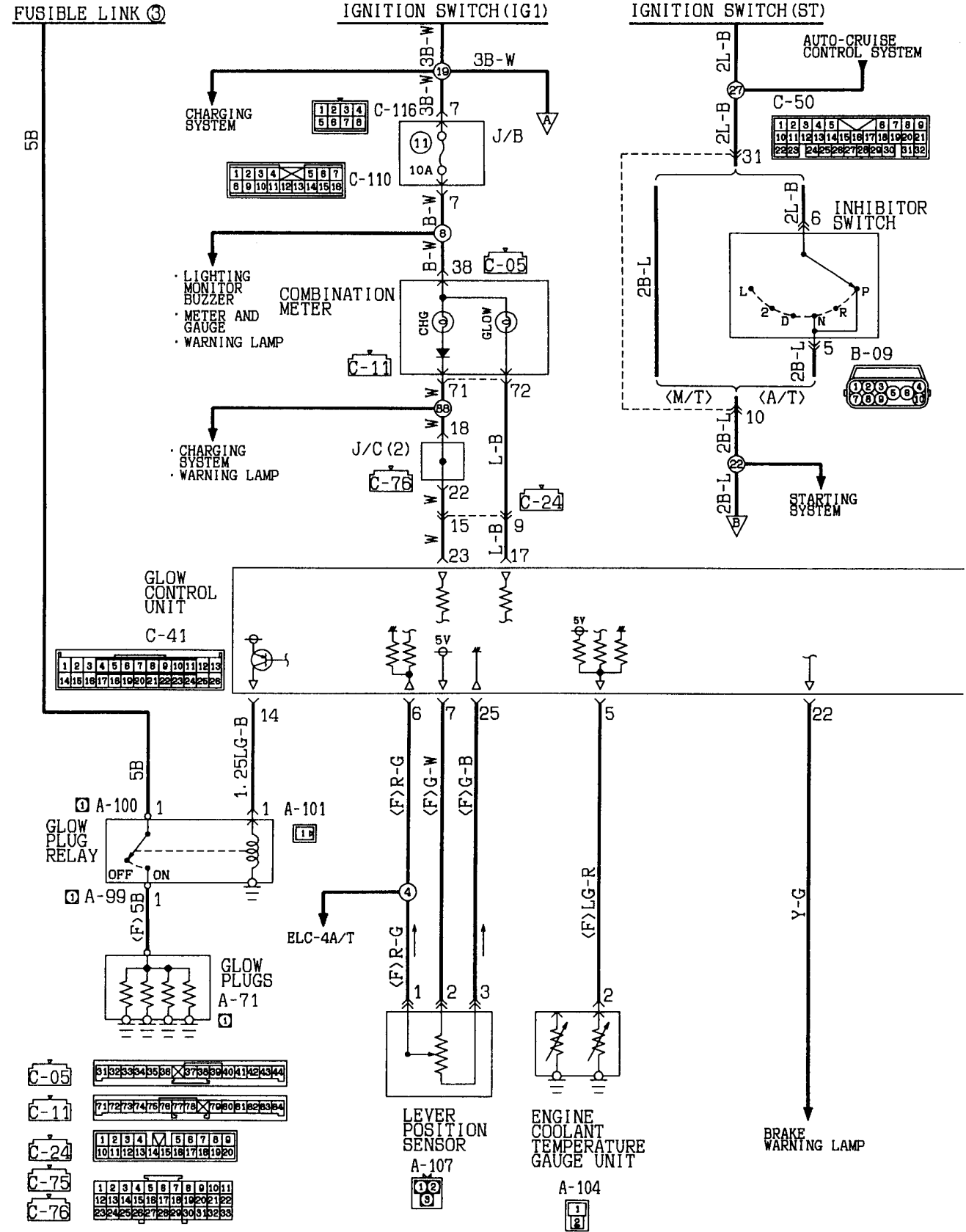
Wire colour code
 B:Black LG:Light green G:Green L:Blue W:White Y:Yellow BB:Sky blue
 BR:Brown O:Orange GR:Gray R:Red P:Pink V:Violet

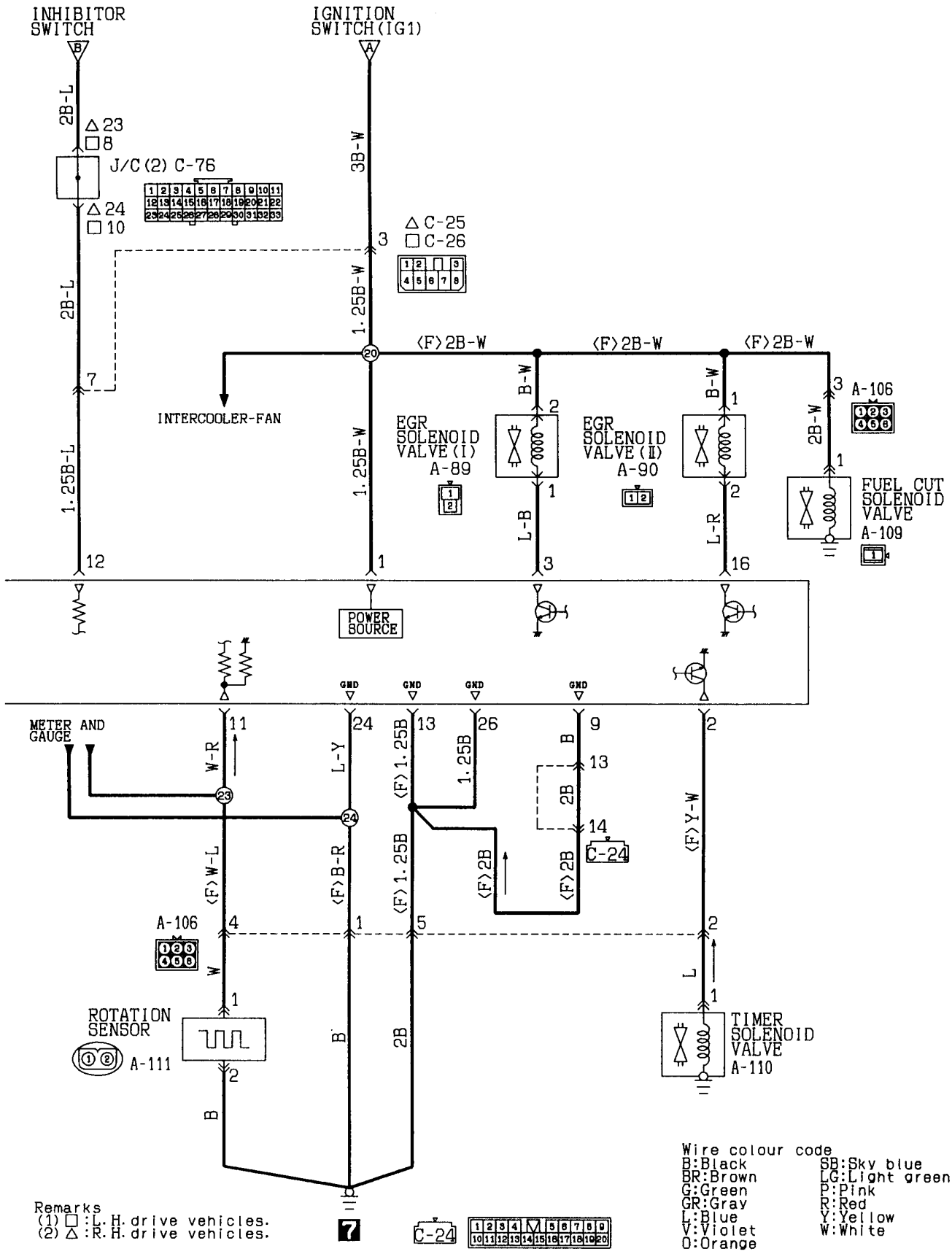


Remarks
 (1) □ : L. H. drive vehicles.
 (2) △ : R. H. drive vehicles.

GLOW SYSTEM

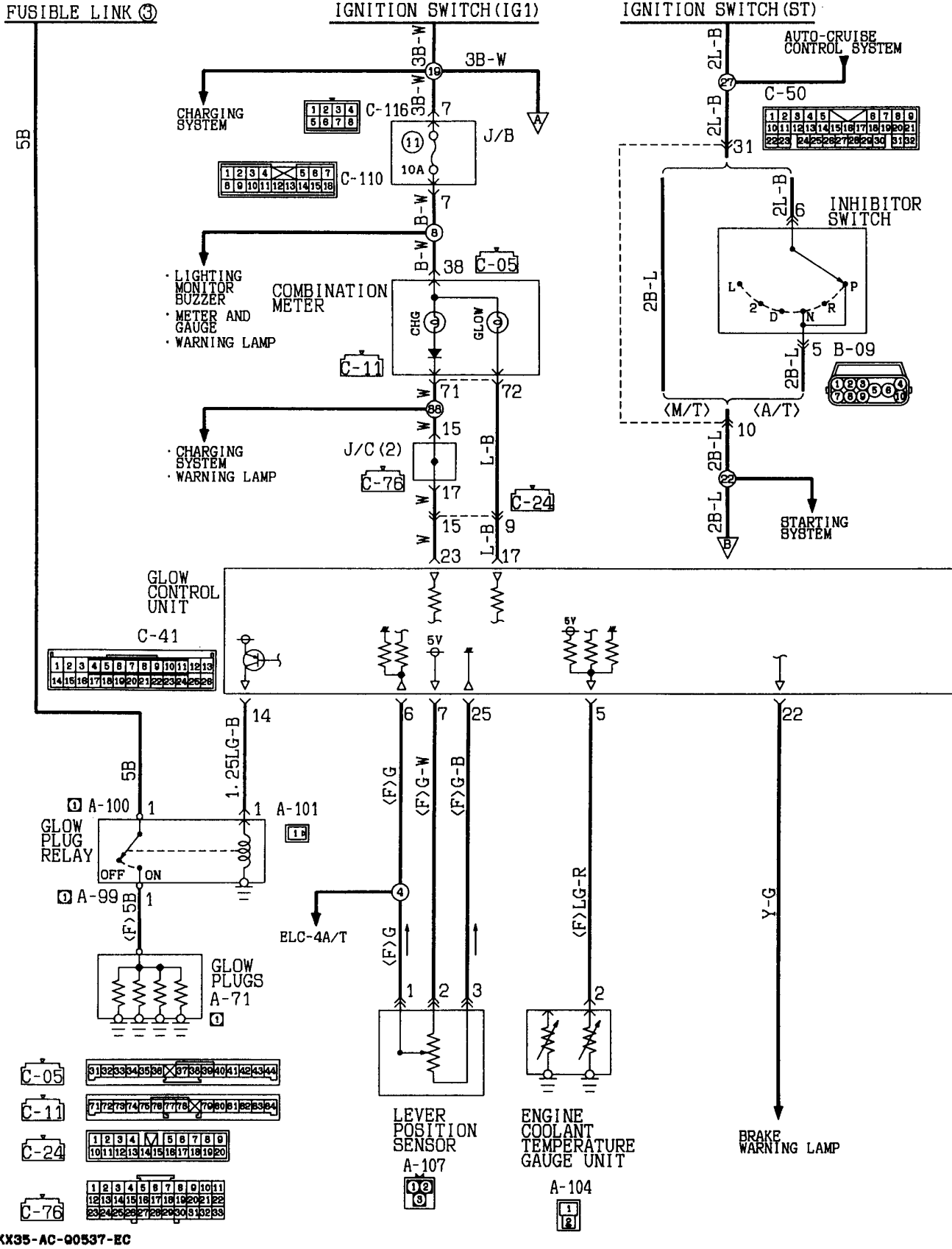
4M40 engine (Without supercharging pressure relief solenoid valve)

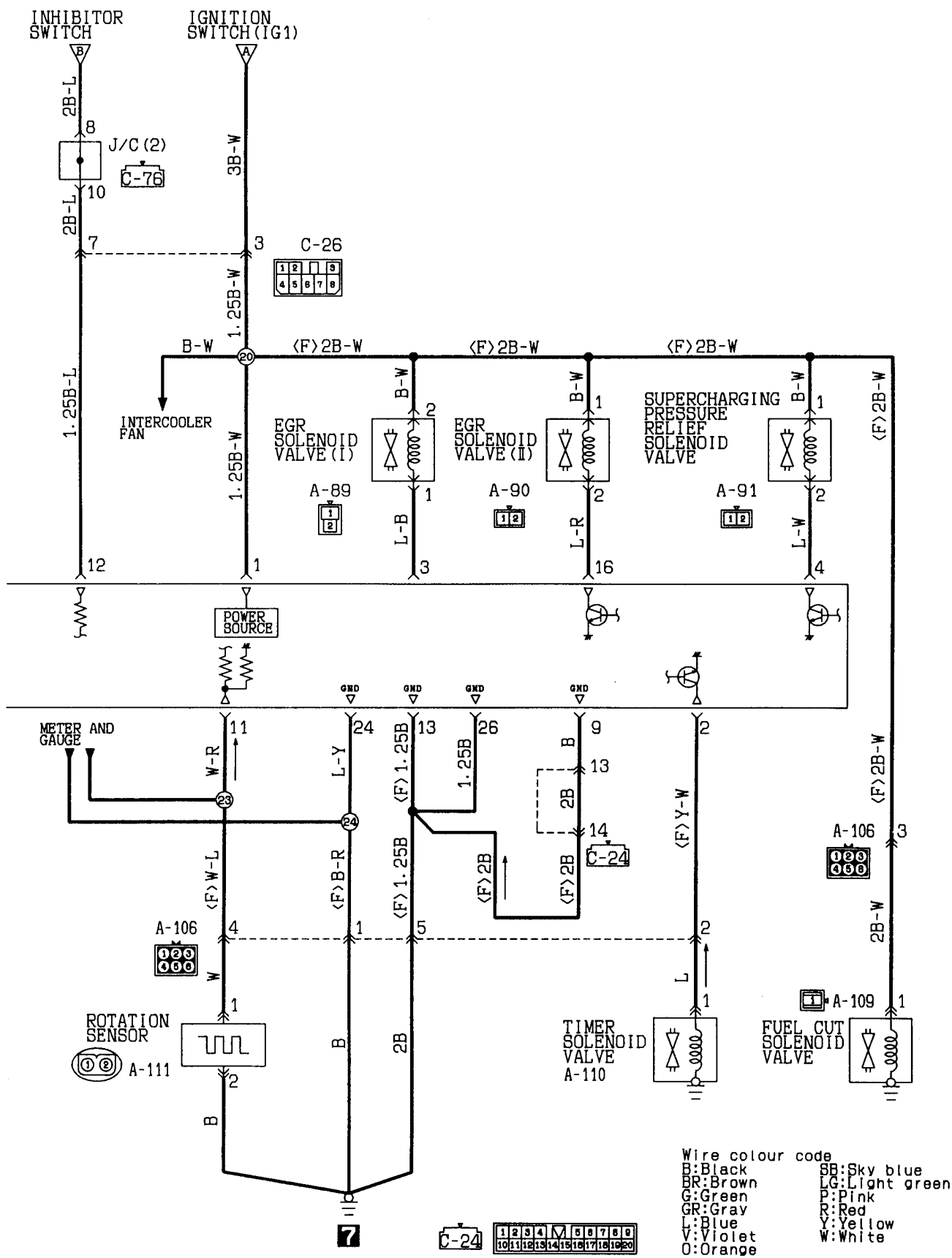




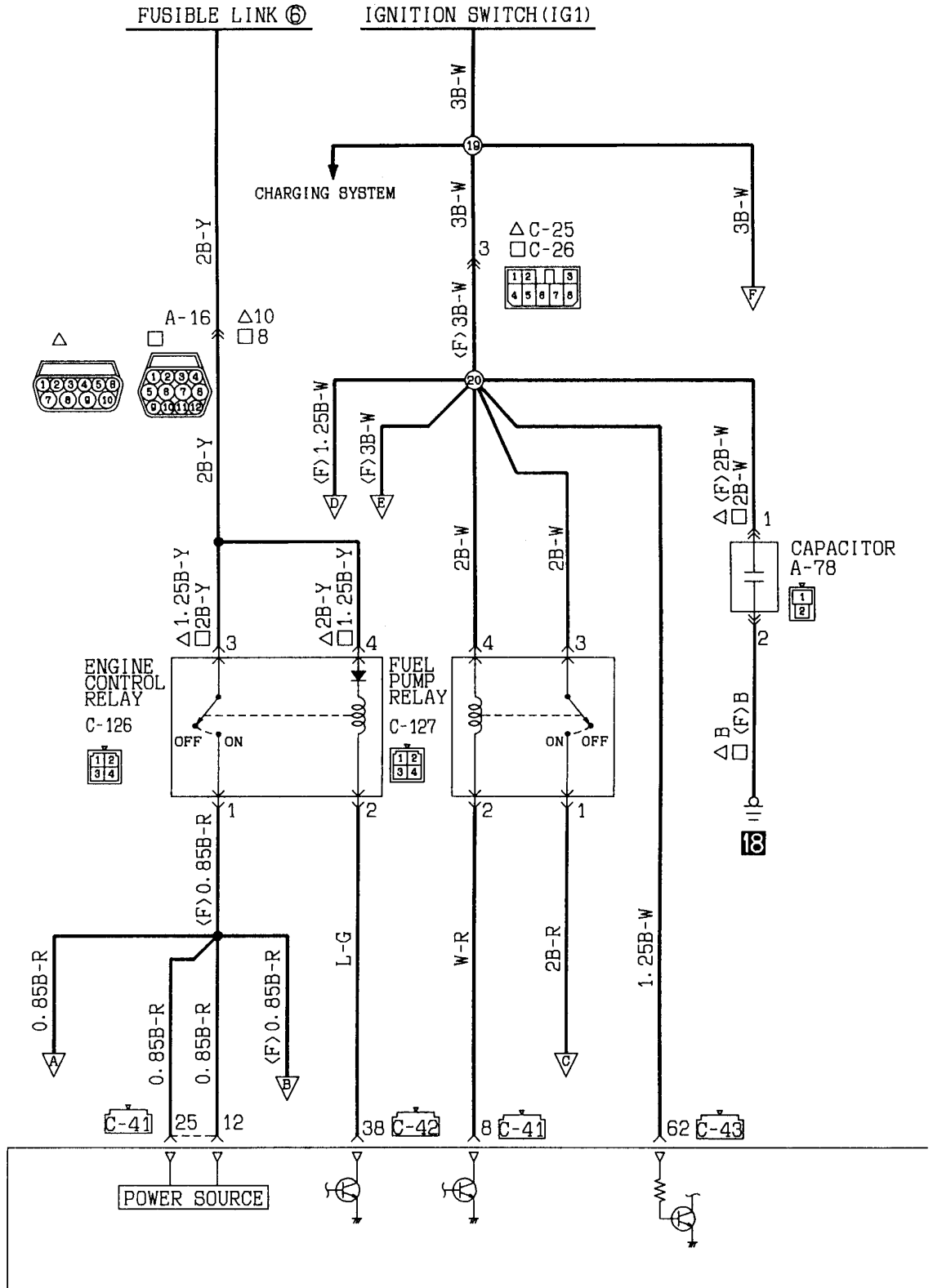
GLOW SYSTEM

4M40 engine (With supercharging pressure relief solenoid valve)





MPI SYSTEM
6G72 engine-M/T<Vehicles without immobilizer system>



ENGINE CONTROL UNIT

C-42

31	32	33	34	35	36	37	38
39	40	41	42	43	44	45	46

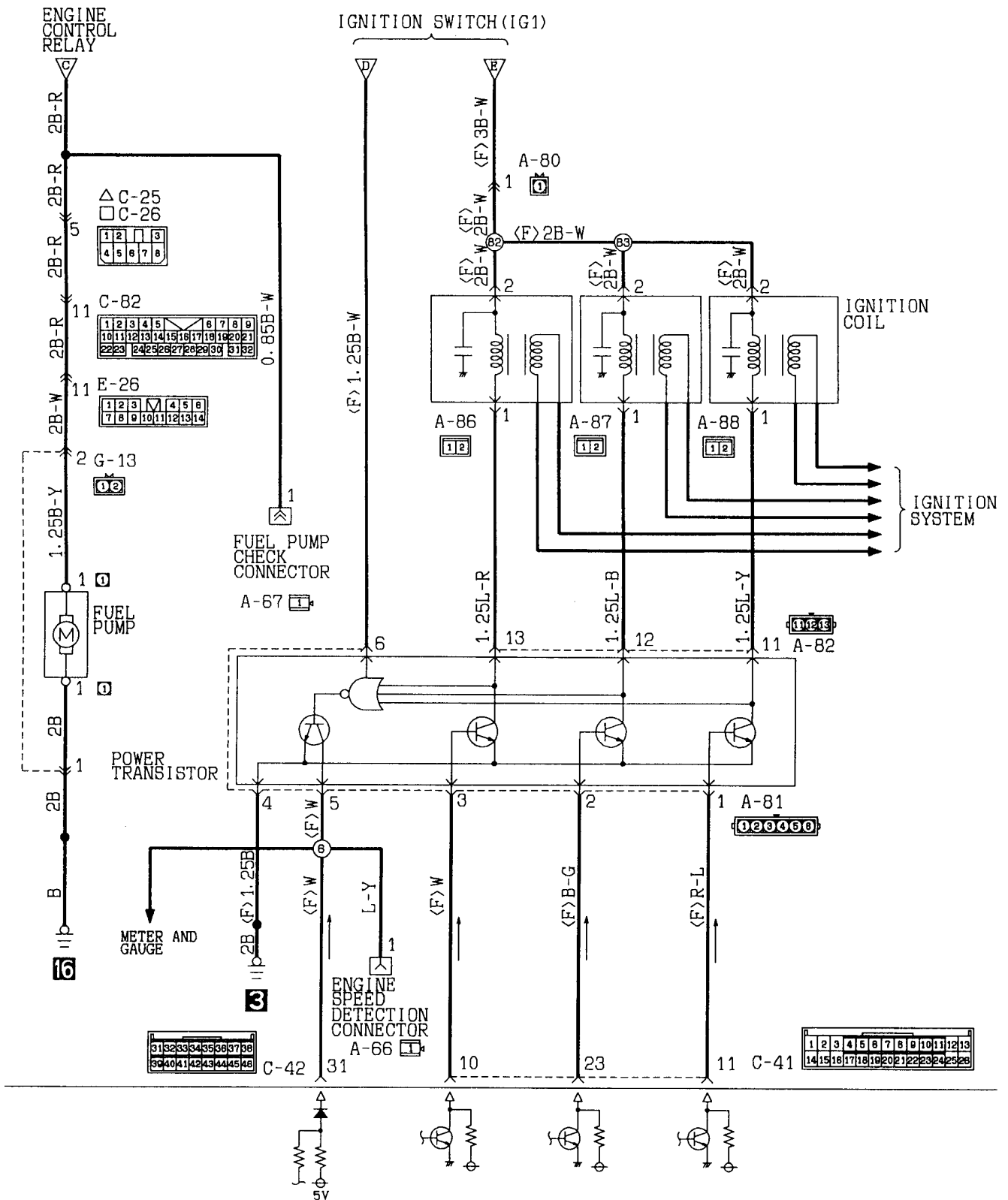
C-41

1	2	3	4	5	6	7	8	9	10	11	12	13
14	15	16	17	18	19	20	21	22	23	24	25	26

C-43

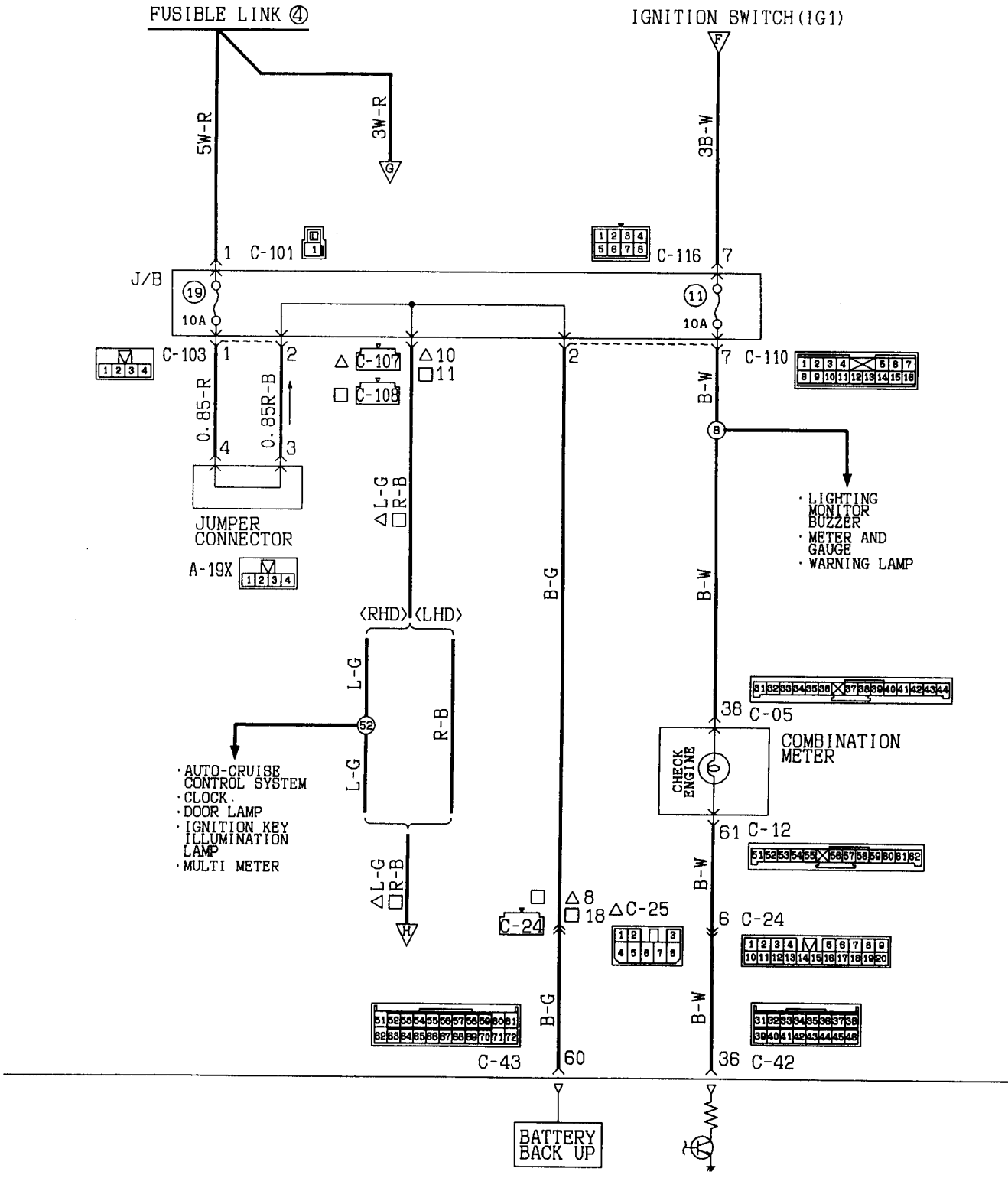
51	52	53	54	55	56	57	58	59	60	61
62	63	64	65	66	67	68	69	70	71	72

Remarks
(1) □ : L.H. drive vehicles.
(2) △ : R.H. drive vehicles.

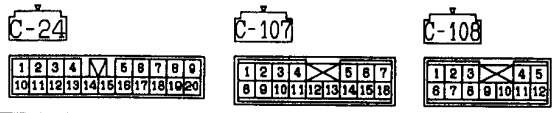


Wire colour code
 B:Black LG:Light green G:Green L:Blue W:White Y:Yellow SB:Sky blue
 BR:Brown O:Orange GR:Gray R:Red P:Pink V:Violet

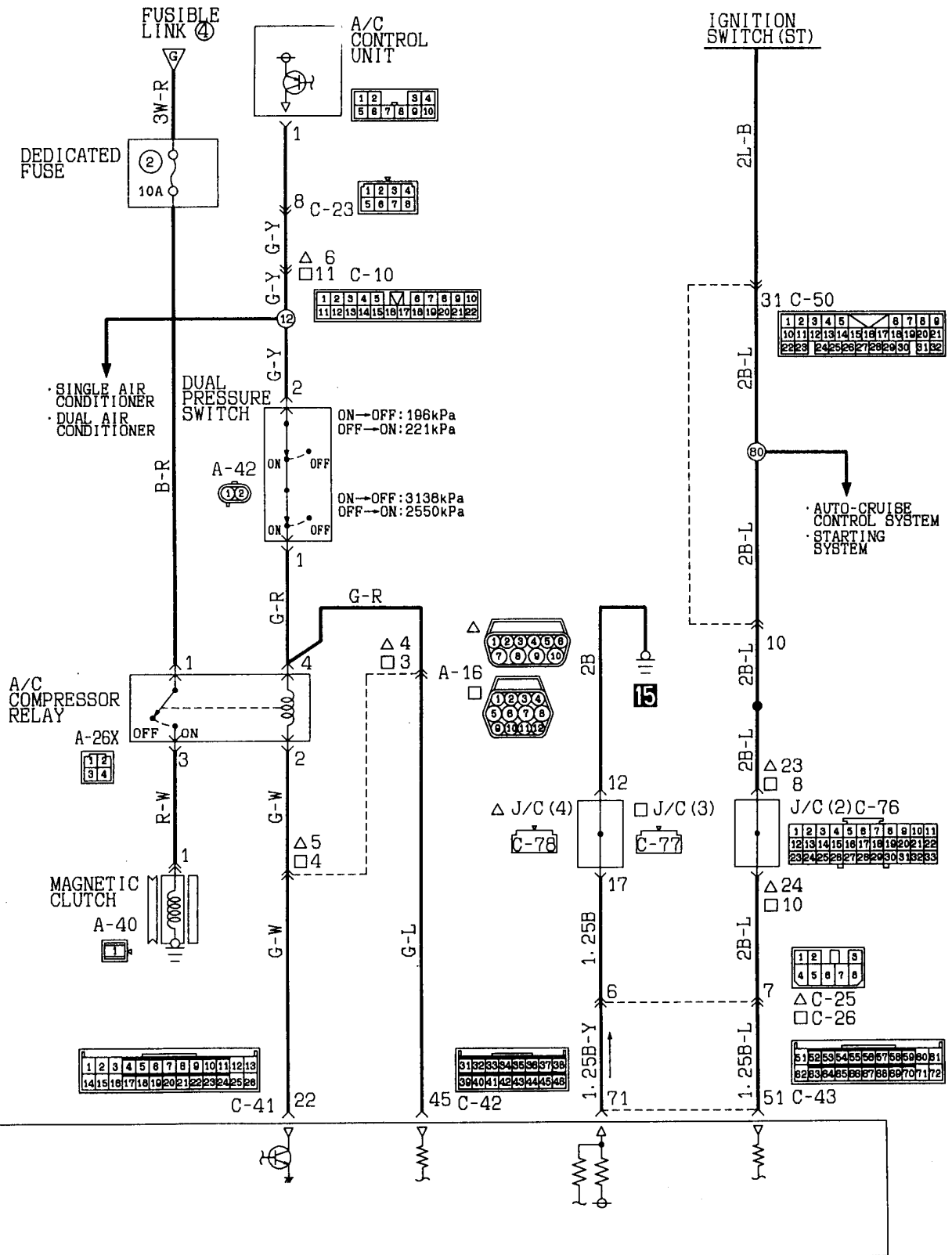
MPI SYSTEM <6G72 engine-M/T (Vehicles without immobilizer system) > (CONTINUED)



ENGINE CONTROL UNIT

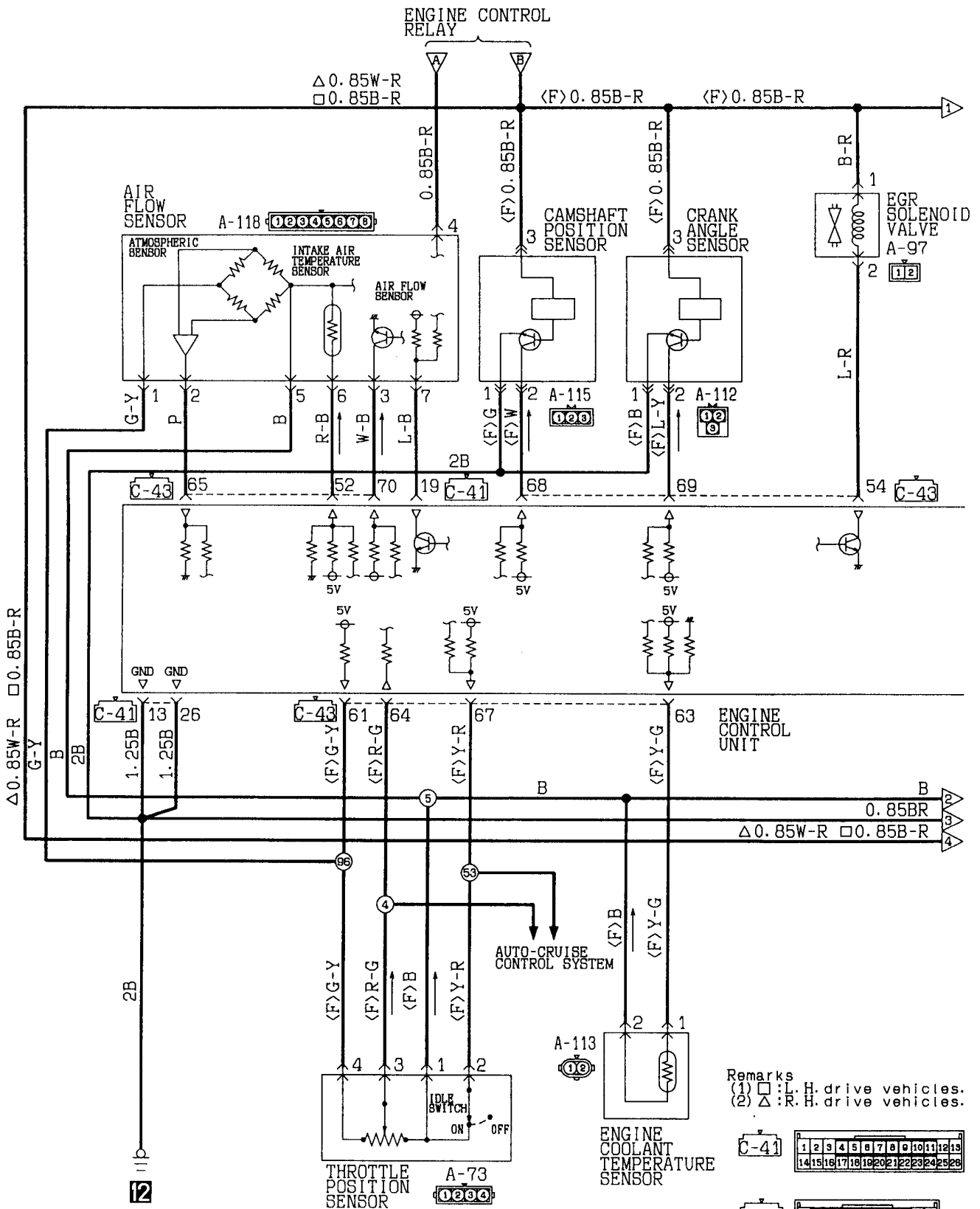


Remarks
 (1) □ : L.H. drive vehicles.
 (2) △ : R.H. drive vehicles.



		1 2 3 4 5 6 7 8 9 10 11 12 13 14 15 16 17 18 19 20 21 22 23 24 25 26 27 28 29 30 31 32 33	Wire colour code B:Black LG:Light green G:Green L:Blue W:White Y:Yellow SB:Sky blue BR:Brown O:Orange GR:Gray R:Red P:Pink V:Violet
--	--	---	---

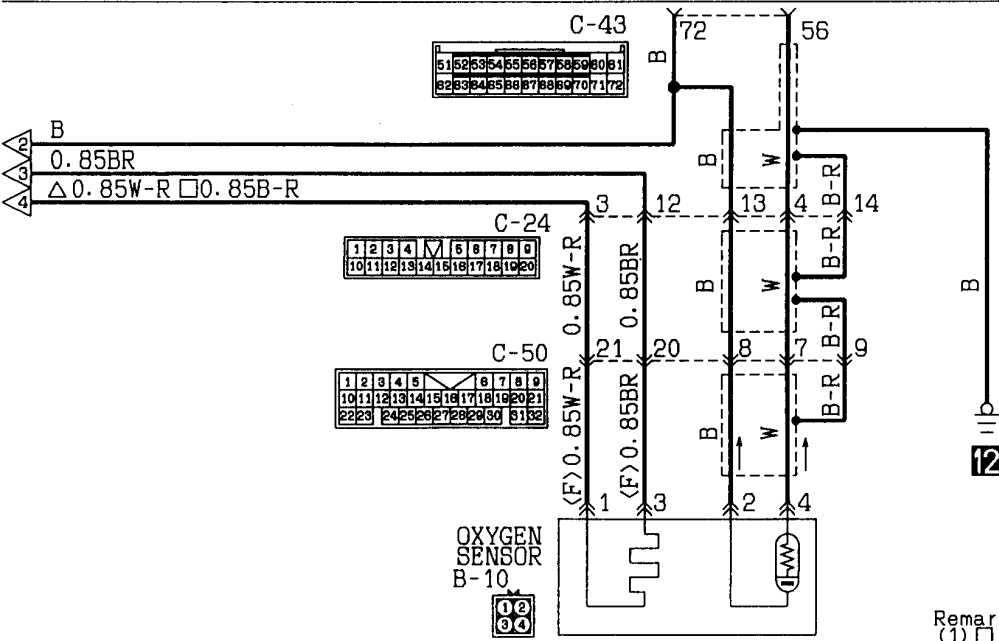
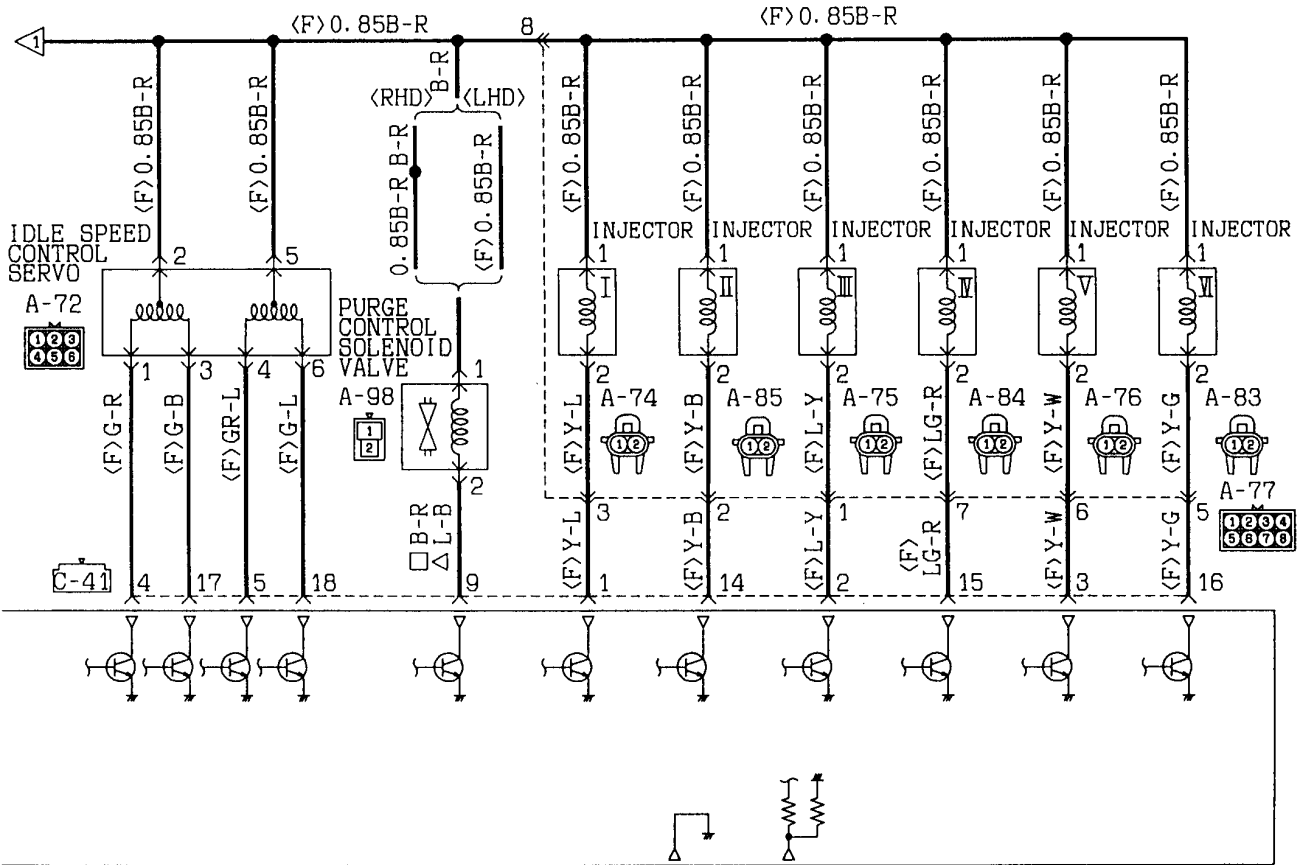
MPI SYSTEM (6G72 engine-M/T (Vehicles without immobilizer system)) (CONTINUED)



Remarks
 (1) □ : L. H. drive vehicles.
 (2) △ : R. H. drive vehicles.

C-41	1	2	3	4	5	6	7	8	9	10	11	12	13	14	15	16	17	18	19	20	21	22	23	24	25	26
------	---	---	---	---	---	---	---	---	---	----	----	----	----	----	----	----	----	----	----	----	----	----	----	----	----	----

C-43	51	52	53	54	55	56	57	58	59	60	61
	62	63	64	65	66	67	68	69	70	71	72

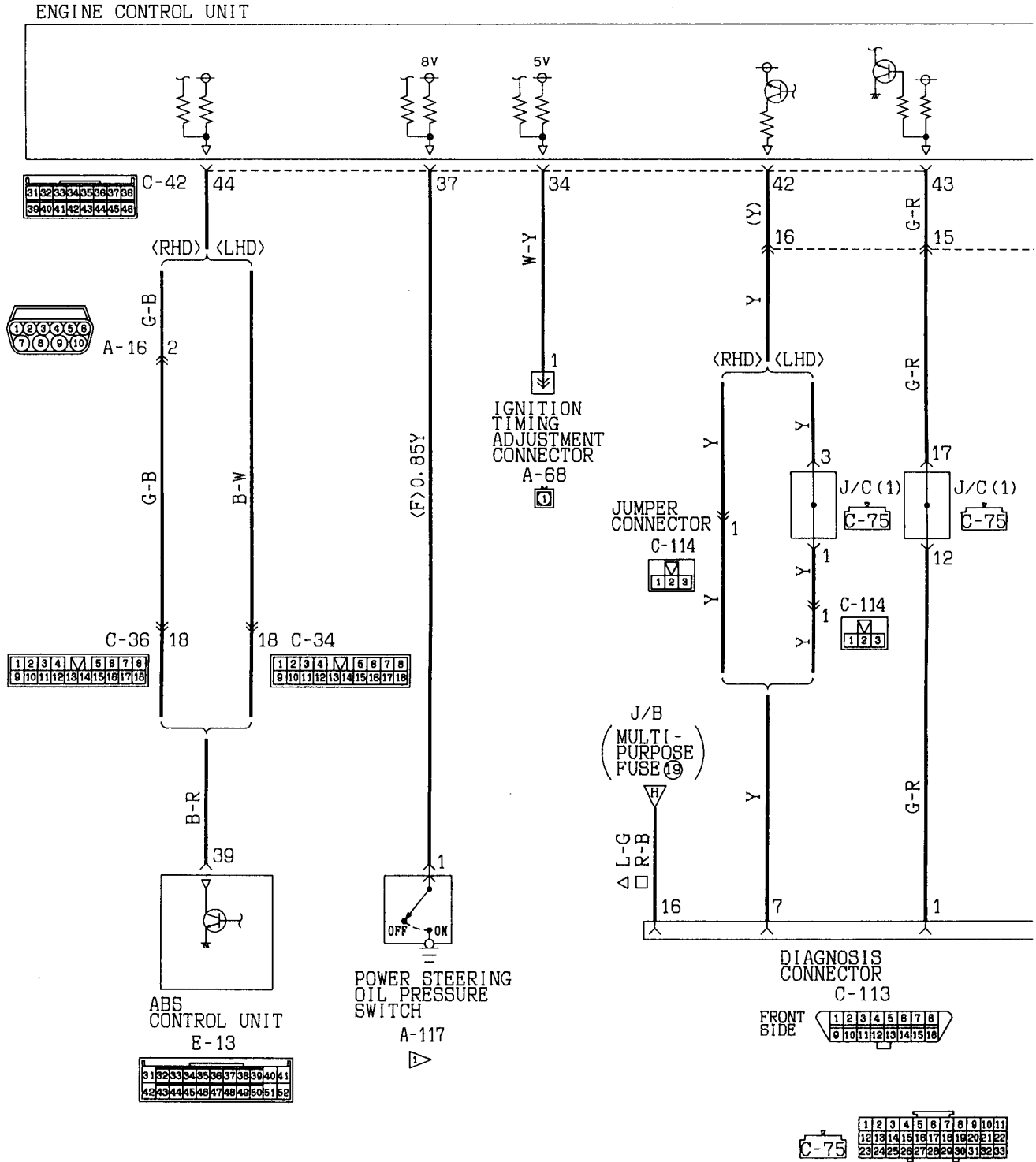


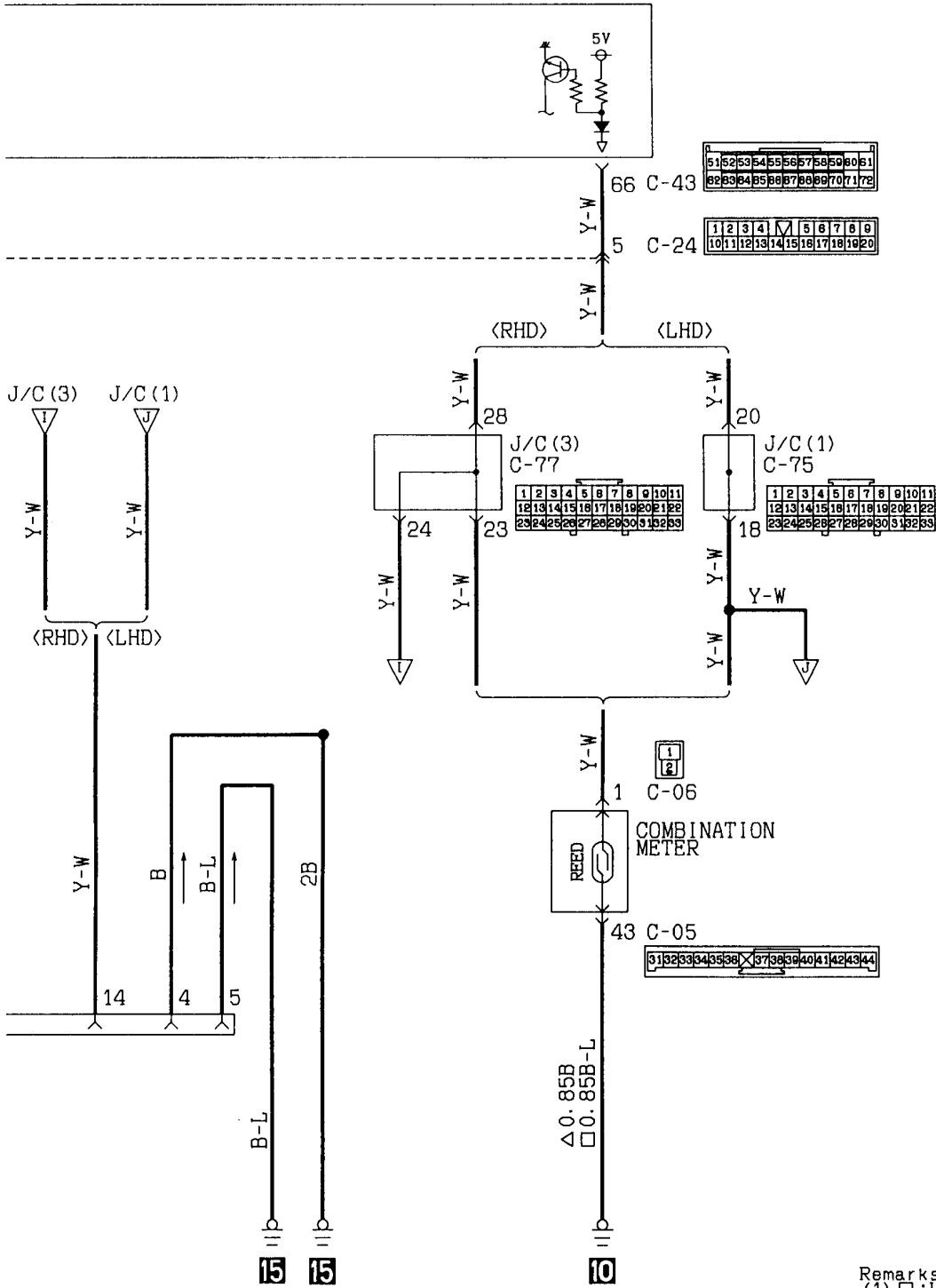
Wire colour code
 B:Black LG:Light green G:Green L:Blue
 BR:Brown O:Orange GR:Gray R:Red
 W:White SB:Sky blue P:Pink Y:Yellow
 V:Violet

Remarks
 (1) □ : L. H. drive vehicles.
 (2) Δ : R. H. drive vehicles.



MPI SYSTEM (6G72 engine-M/T (Vehicles without immobilizer system)) (CONTINUED)



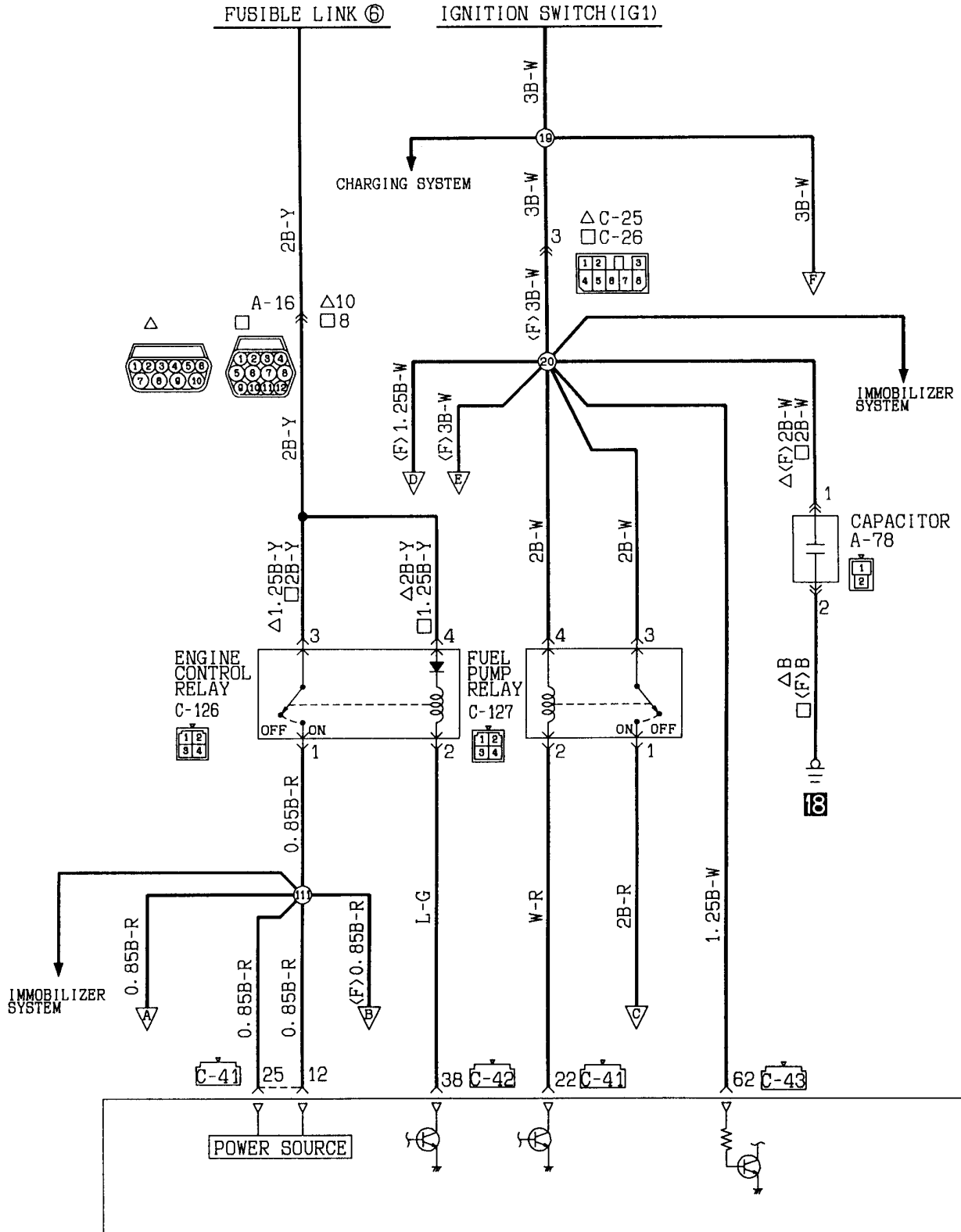


Remarks
 (1) □ : L. H. drive vehicles
 (2) Δ : R. H. drive vehicles

Wire colour code
 B:Black LG:Light green G:Green L:Blue W:White Y:Yellow SB:Sky blue
 BR:Brown O:Orange GR:Gray R:Red P:Pink V:Violet

MPI SYSTEM

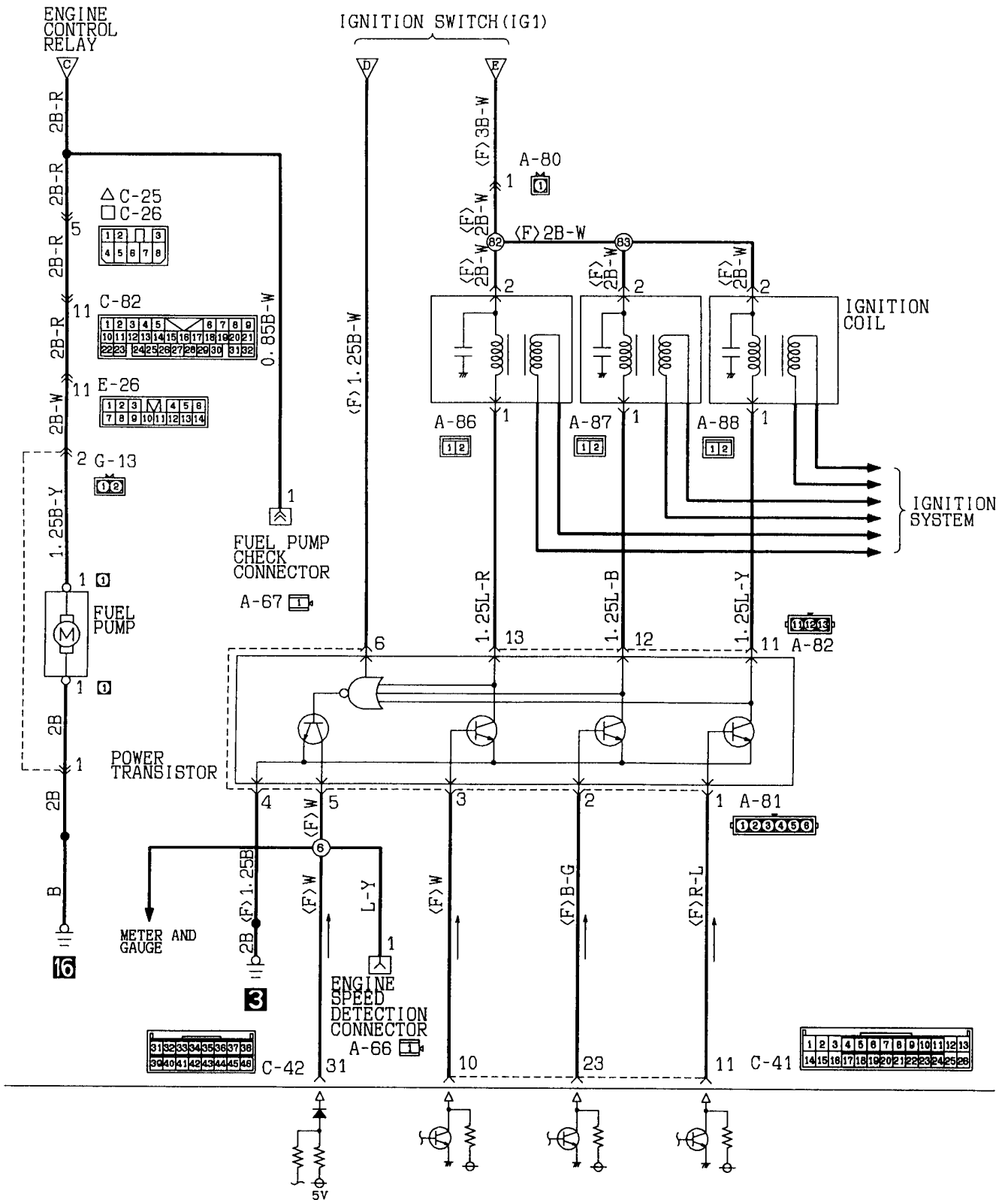
6G72 engine-M/T<Vehicles with immobilizer system>



ENGINE CONTROL UNIT

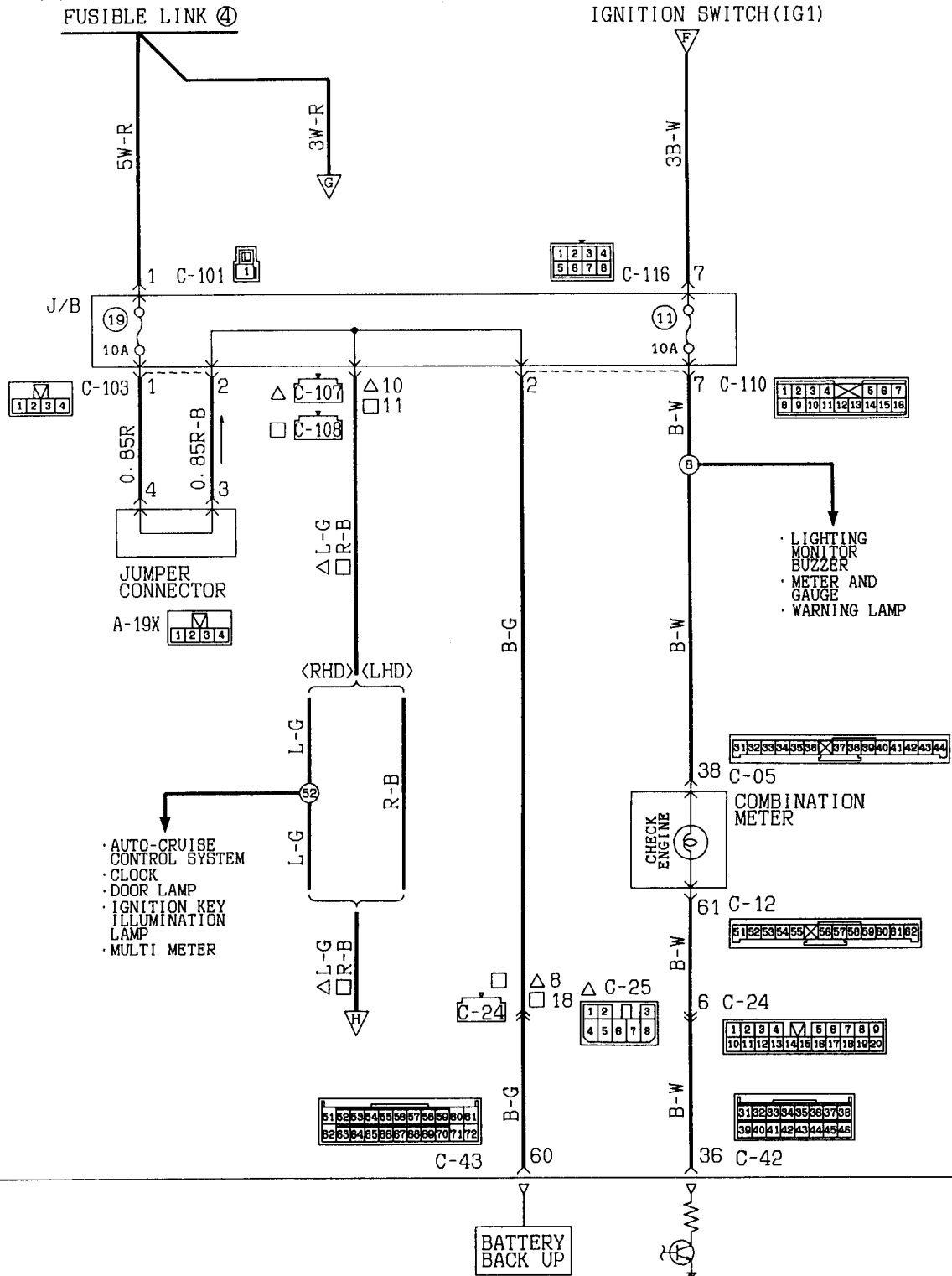
C-42	31 32 33 34 35 36 37 38 39 40 41 42 43 44 45 46	C-41	1 2 3 4 5 6 7 8 9 10 11 12 13 14 15 16 17 18 19 20 21 22 23 24 25 26	C-43	51 52 53 54 55 56 57 58 59 60 61 62 63 64 65 66 67 68 69 70 71 72
------	--	------	---	------	--

Remarks
 (1) □ : L. H. drive vehicles.
 (2) △ : R. H. drive vehicles.

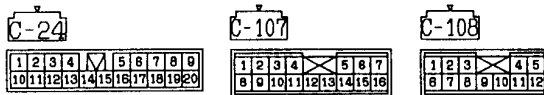


Wire colour code
 B:Black LG:Light green G:Green L:Blue W:White Y:Yellow SB:Sky blue
 BR:Brown O:Orange GR:Gray R:Red P:Pink V:Violet

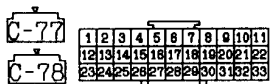
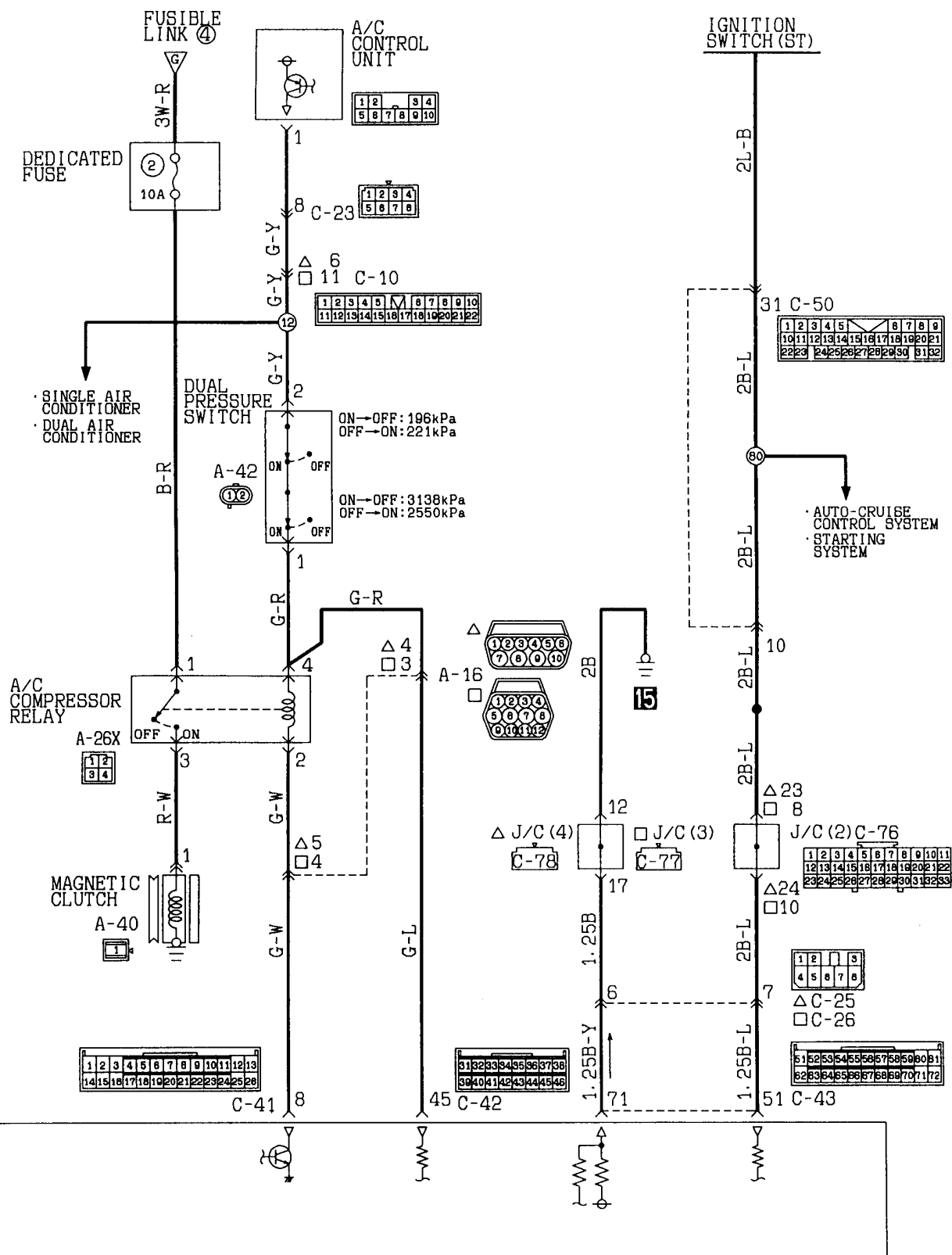
MPI SYSTEM <6G72 engine-M/T (Vehicles with immobilizer system)> (CONTINUED)



ENGINE CONTROL UNIT

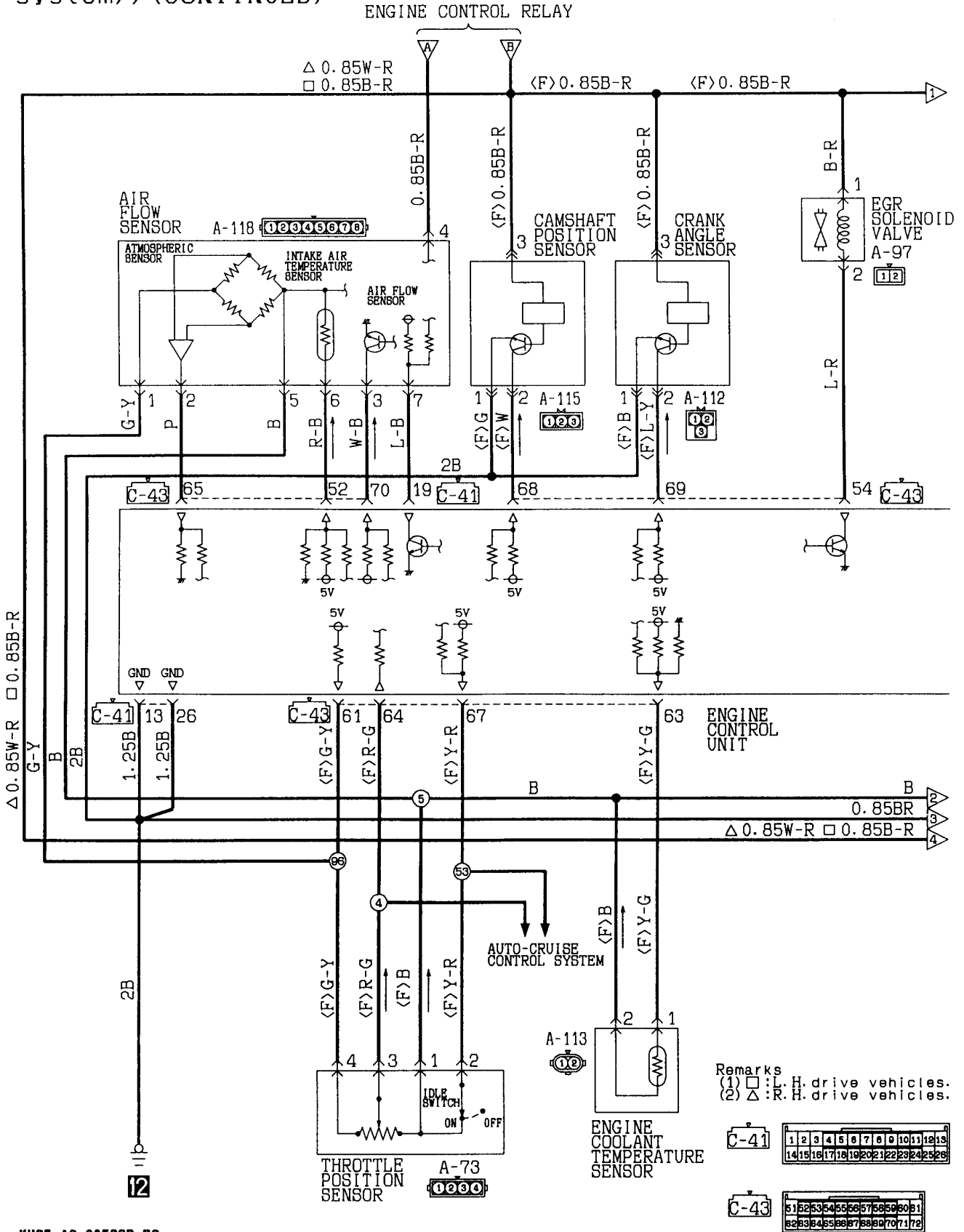


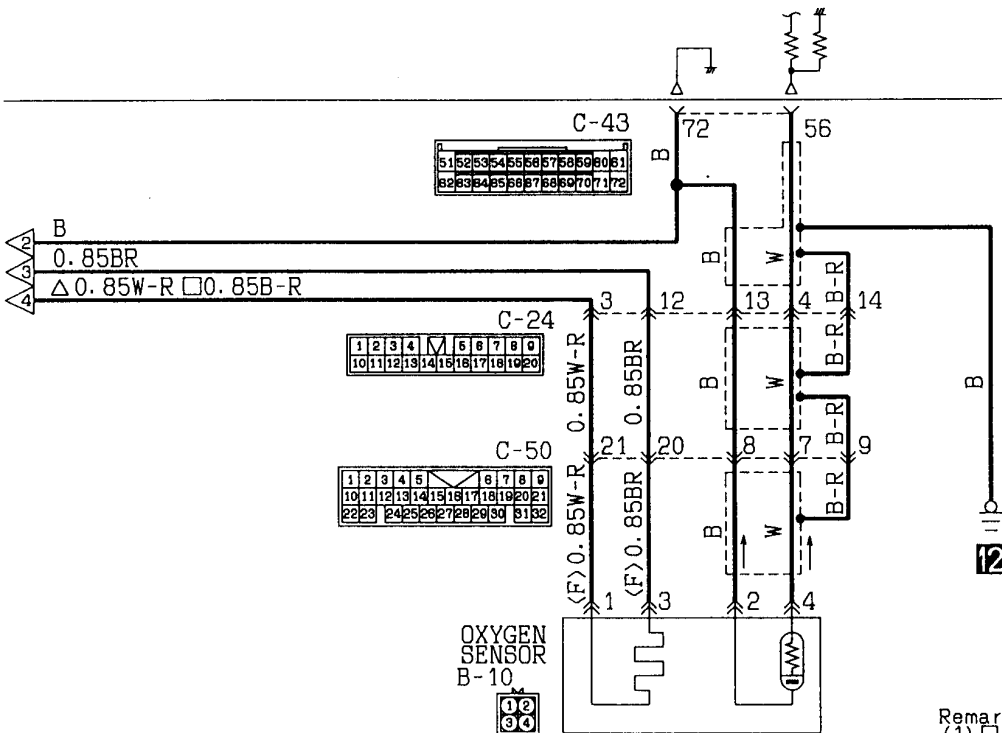
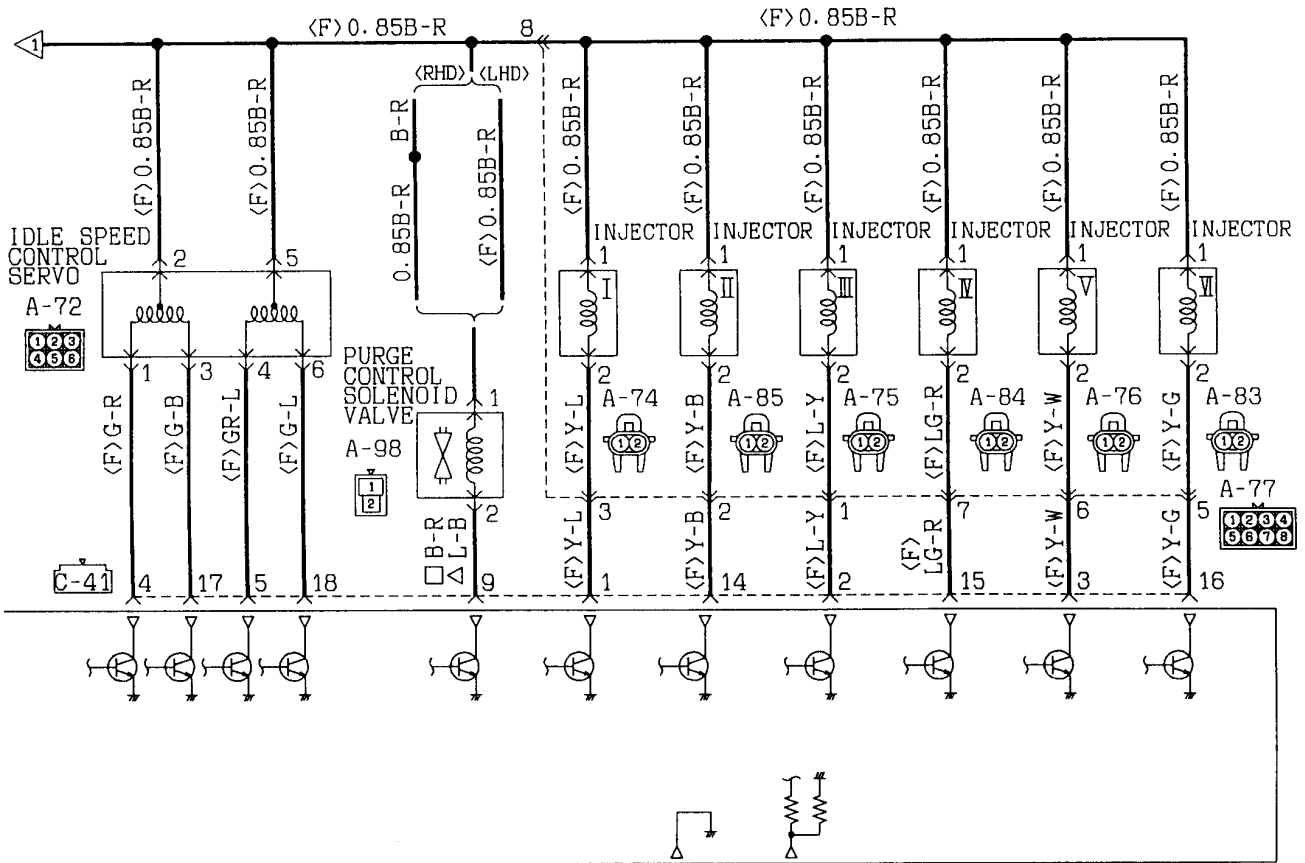
Remarks
 (1) □ : L.H. drive vehicles.
 (2) △ : R.H. drive vehicles.



Wire colour code
 B:Black LG:Light green G:Green L:Blue W:White Y:Yellow SB:Sky blue
 BR:Brown O:Orange GR:Gray R:Red P:Pink V:Violet

MPI SYSTEM <6G72 engine-M/T (Vehicles with immobilizer system)> (CONTINUED)



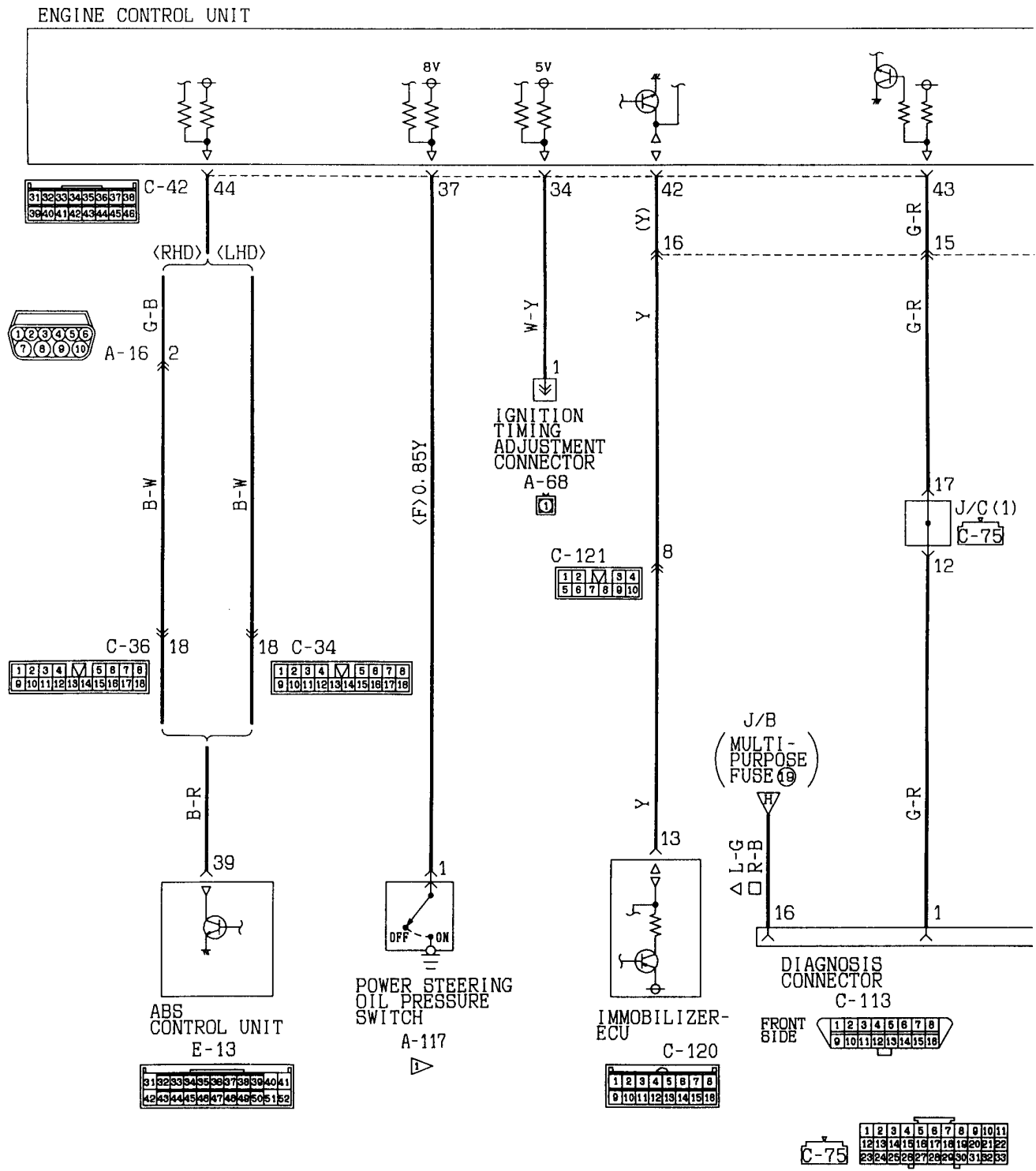


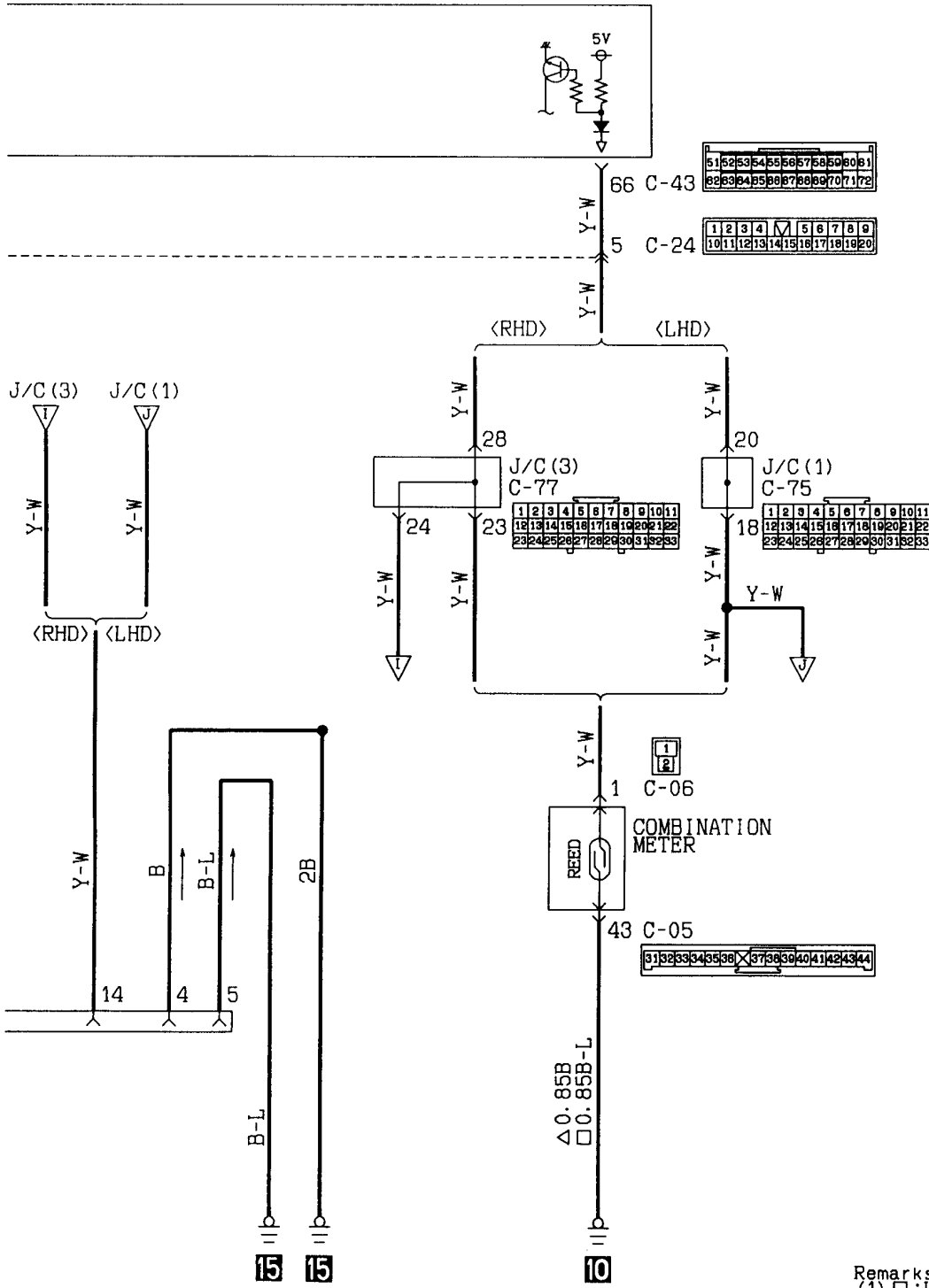
Wire colour code
 B:Black LG:Light green G:Green L:Blue
 BR:Brown O:Orange GR:Gray R:Red
 W:White SB:Sky blue P:Pink Y:Yellow
 V:Violet

Remarks
 (1) □: L. H. drive vehicles.
 (2) △: R. H. drive vehicles.



MPI SYSTEM (6G72 engine-M/T (Vehicles with immobilizer system)) (CONTINUED)



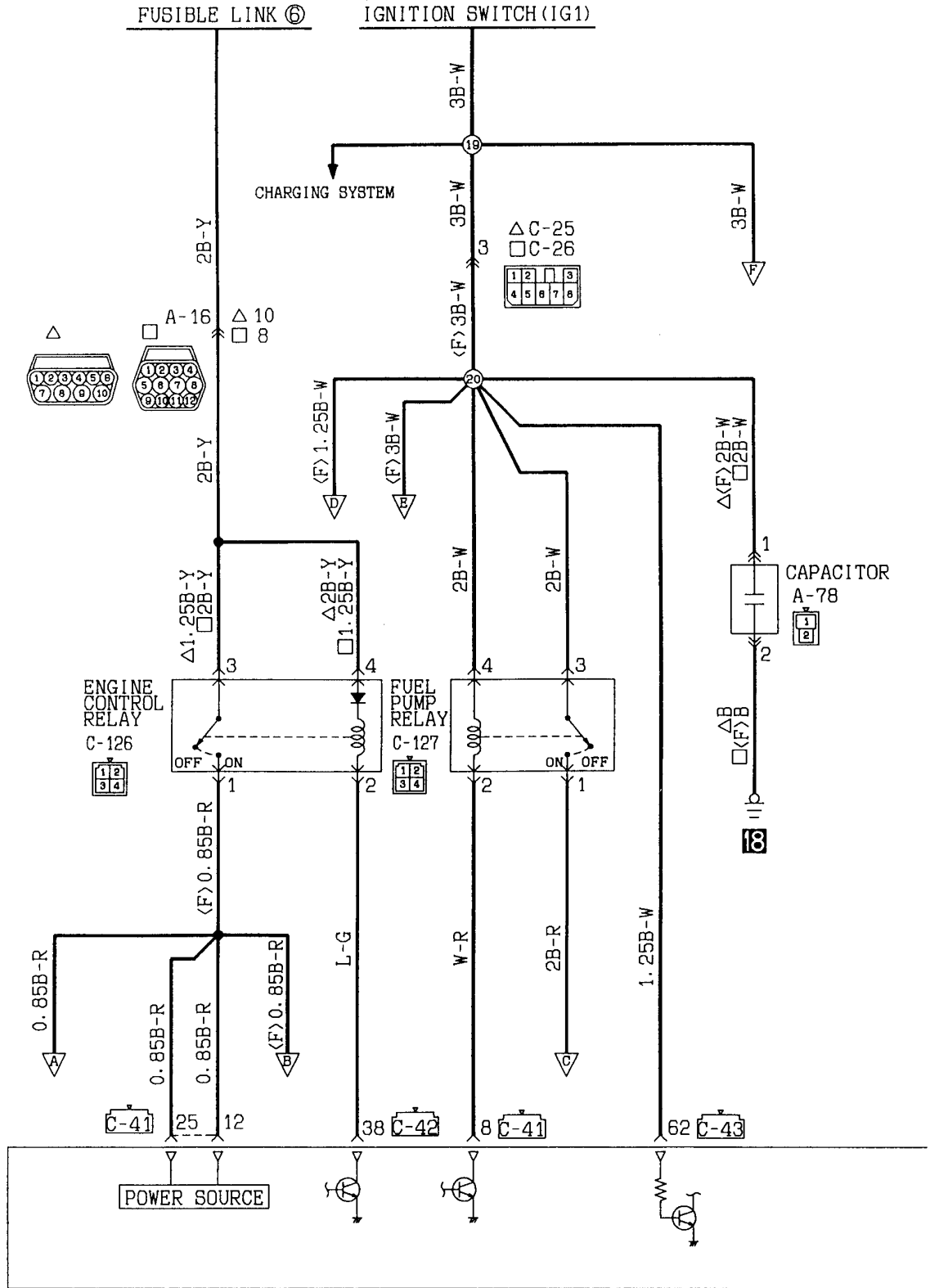


Remarks
 (1) □ : L. H. drive vehicles
 (2) Δ : R. H. drive vehicles

Wire colour code
 B:Black LG:Light green G:Green L:Blue W:White Y:Yellow SB:Sky blue
 BR:Brown O:Orange GR:Gray R:Red P:Pink V:Violet

MPI SYSTEM

6G72 engine-A/T <Vehicles without immobilizer system>



C-42

31	32	33	34	35	36	37	38
39	40	41	42	43	44	45	46

C-41

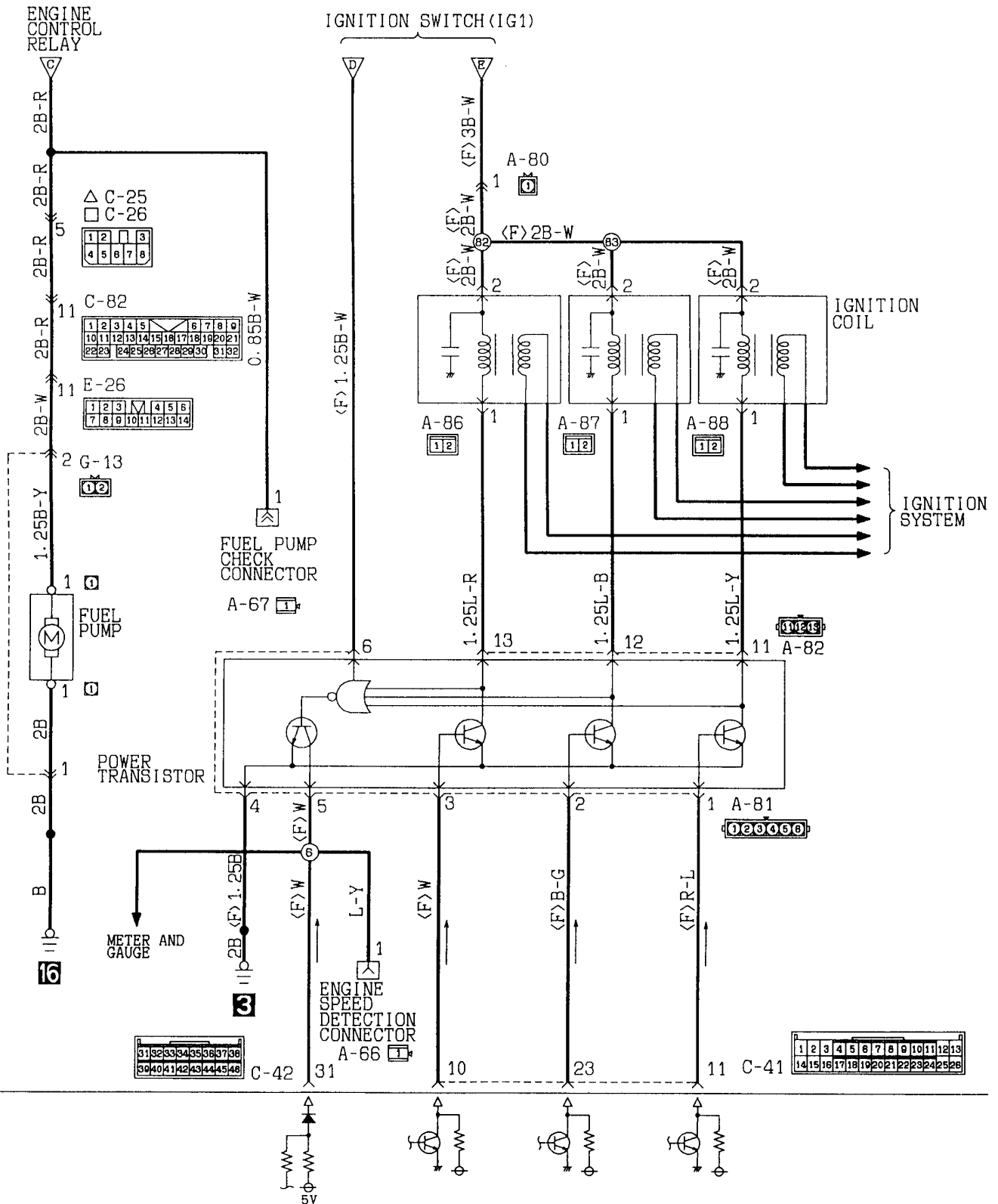
1	2	3	4	5	6	7	8	9	10	11	12	13
14	15	16	17	18	19	20	21	22	23	24	25	26

C-43

51	52	53	54	55	56	57	58	59	60	61
62	63	64	65	66	67	68	69	70	71	72

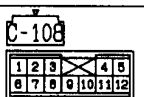
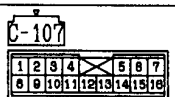
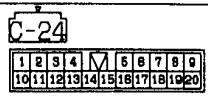
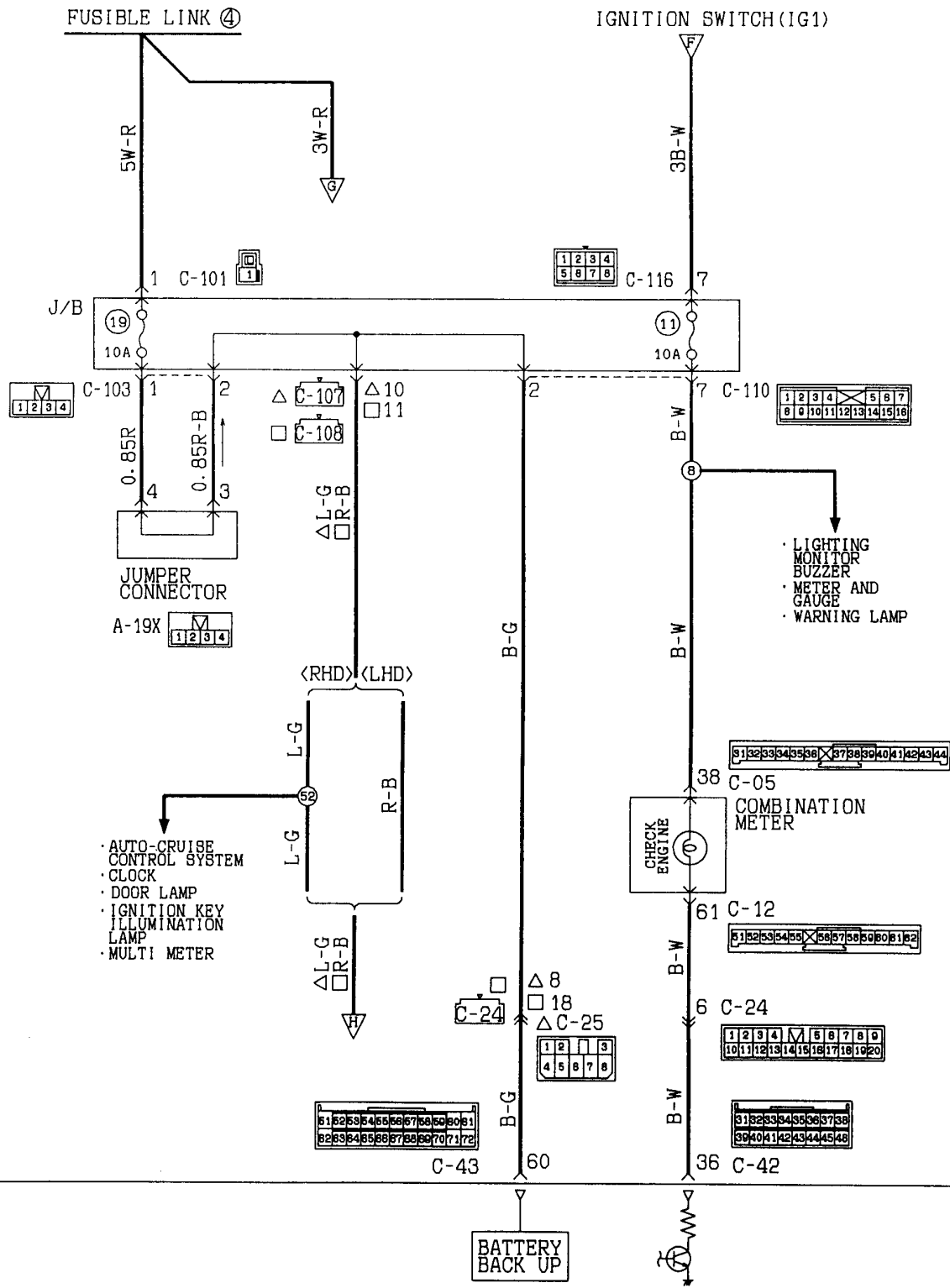
ENGINE CONTROL UNIT

Remarks
 (1) □ : L.H. drive vehicles.
 (2) △ : R.H. drive vehicles.

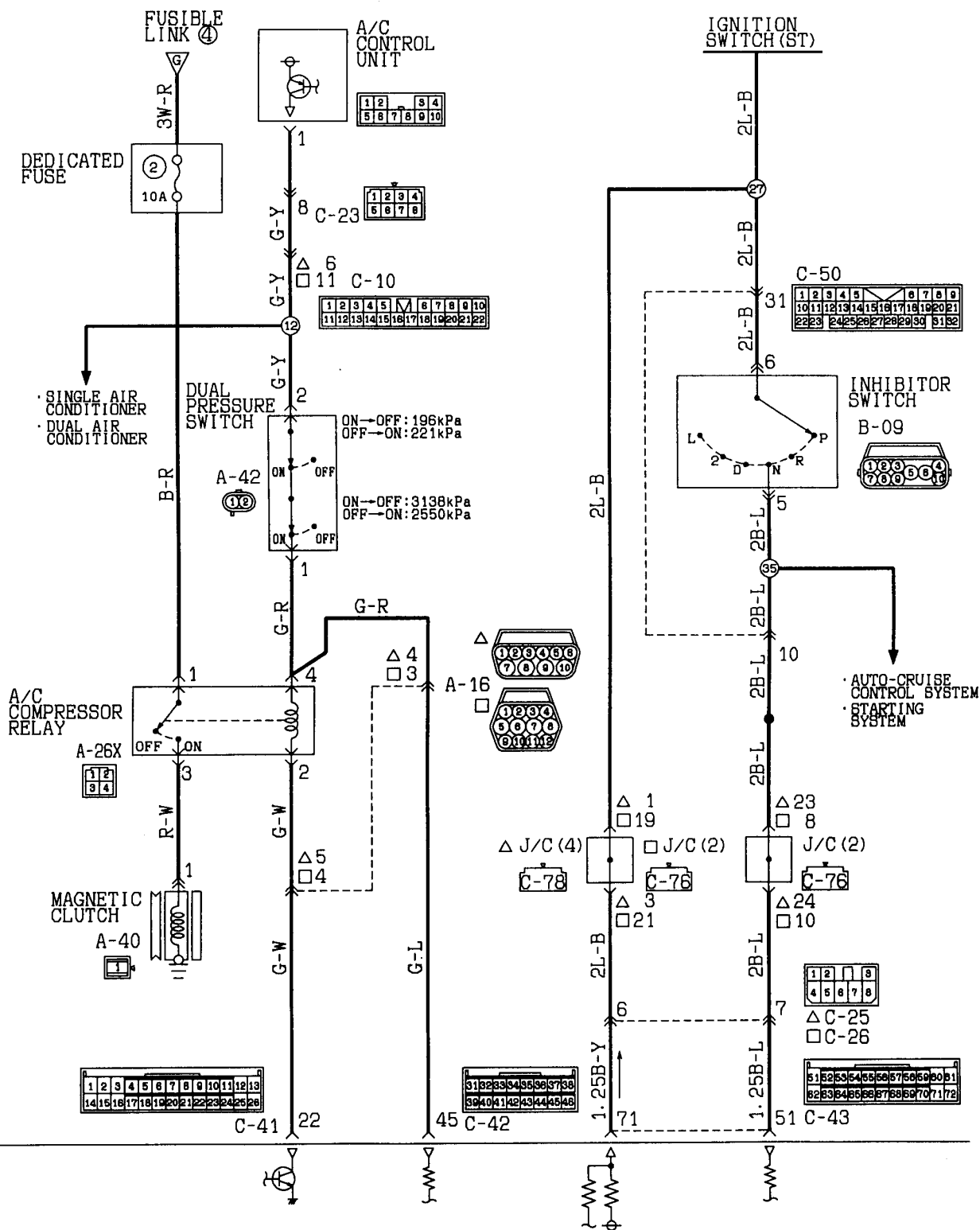


Wire colour code
 B:Black LG:Light green G:Green L:Blue W:White Y:Yellow SB:Sky blue
 BR:Brown O:Orange GR:Gray R:Red P:Pink V:Violet

MPI SYSTEM <6G72 engine-A/T (Vehicles without immobilizer system)> (CONTINUED)



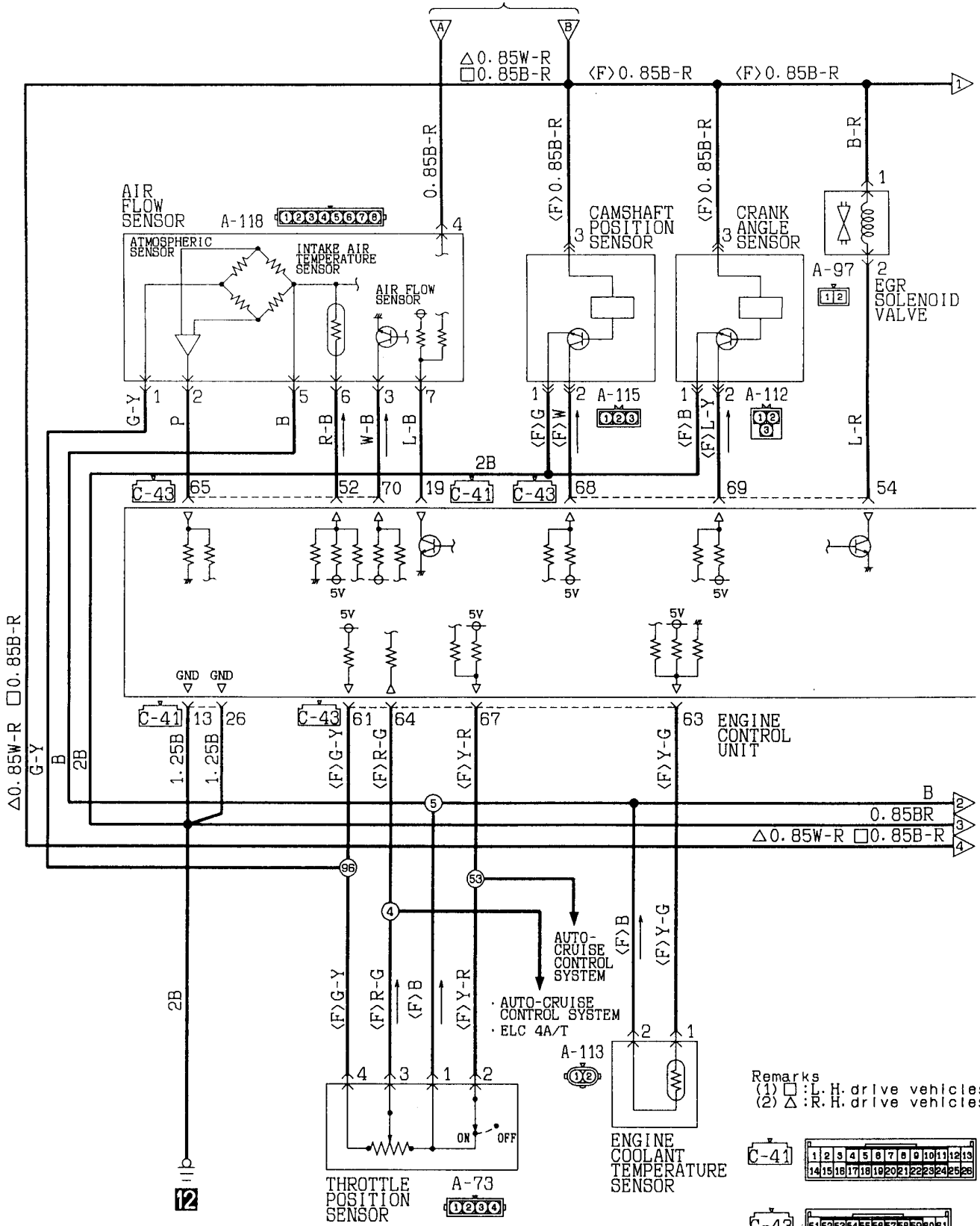
ENGINE CONTROL UNIT
 Remarks
 (1) □: L.H. drive vehicles.
 (2) △: R.H. drive vehicles.



C-76	1 2 3 4 5 6 7 8 9 10 11
C-78	12 13 14 15 16 17 18 19 20 21 22
	23 24 25 26 27 28 29 30 31 32 33

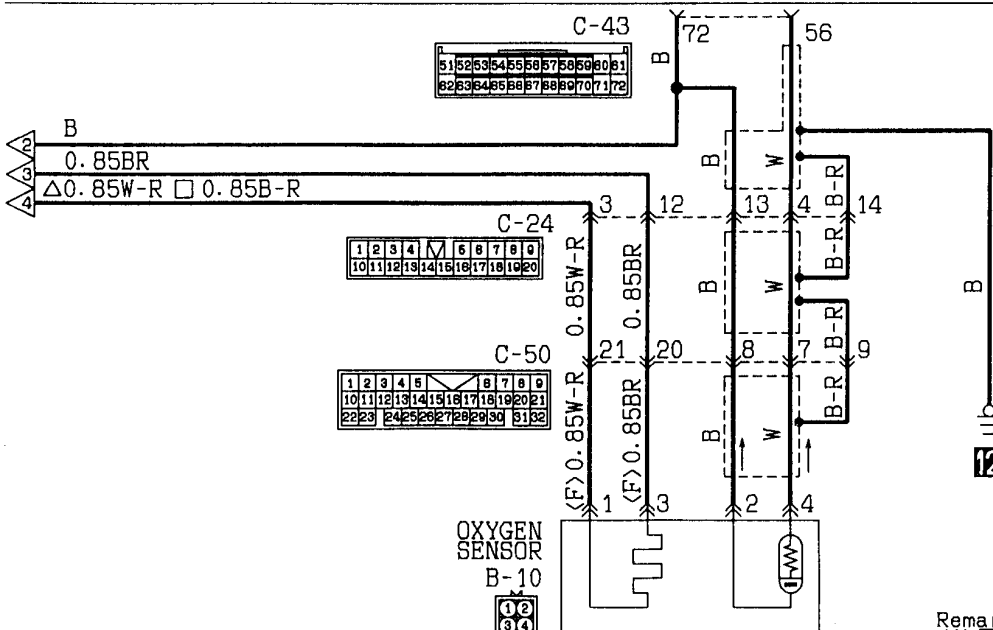
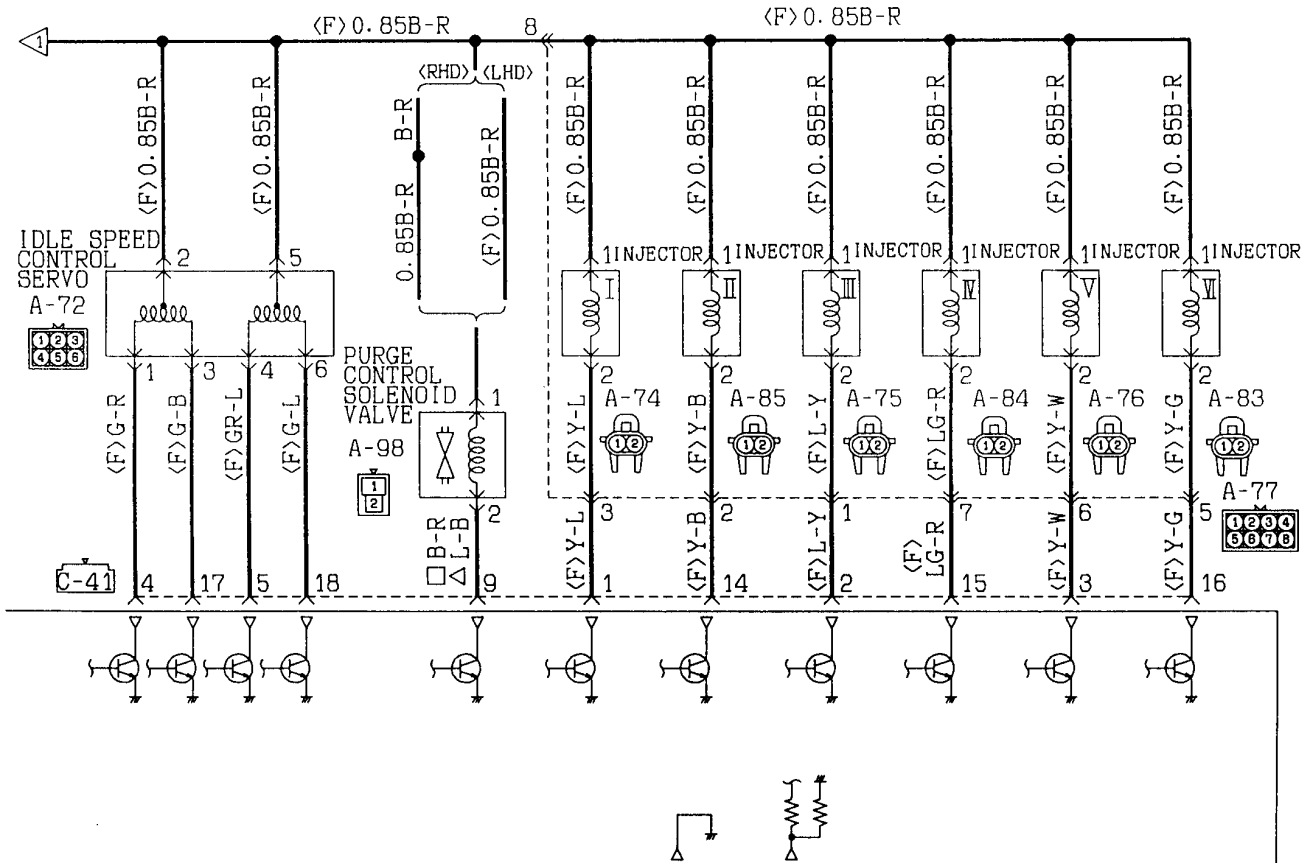
Wire colour code
 B:Black LG:Light green G:Green L:Blue W:White Y:Yellow SB:Sky blue
 BR:Brown O:Orange GR:Gray R:Red P:Pink V:Violet

MPI SYSTEM < 6G72 engine-A/T (Vehicles without immobilizer system) > (CONTINUED)
ENGINE CONTROL RELAY



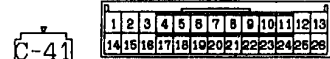
Remarks
 (1) □ : L. H. drive vehicles.
 (2) △ : R. H. drive vehicles.

C-41	1	2	3	4	5	6	7	8	9	10	11	12	13
	14	15	16	17	18	19	20	21	22	23	24	25	26
C-43	51	52	53	54	55	56	57	58	59	60	61		
	62	63	64	65	66	67	68	69	70	71	72		

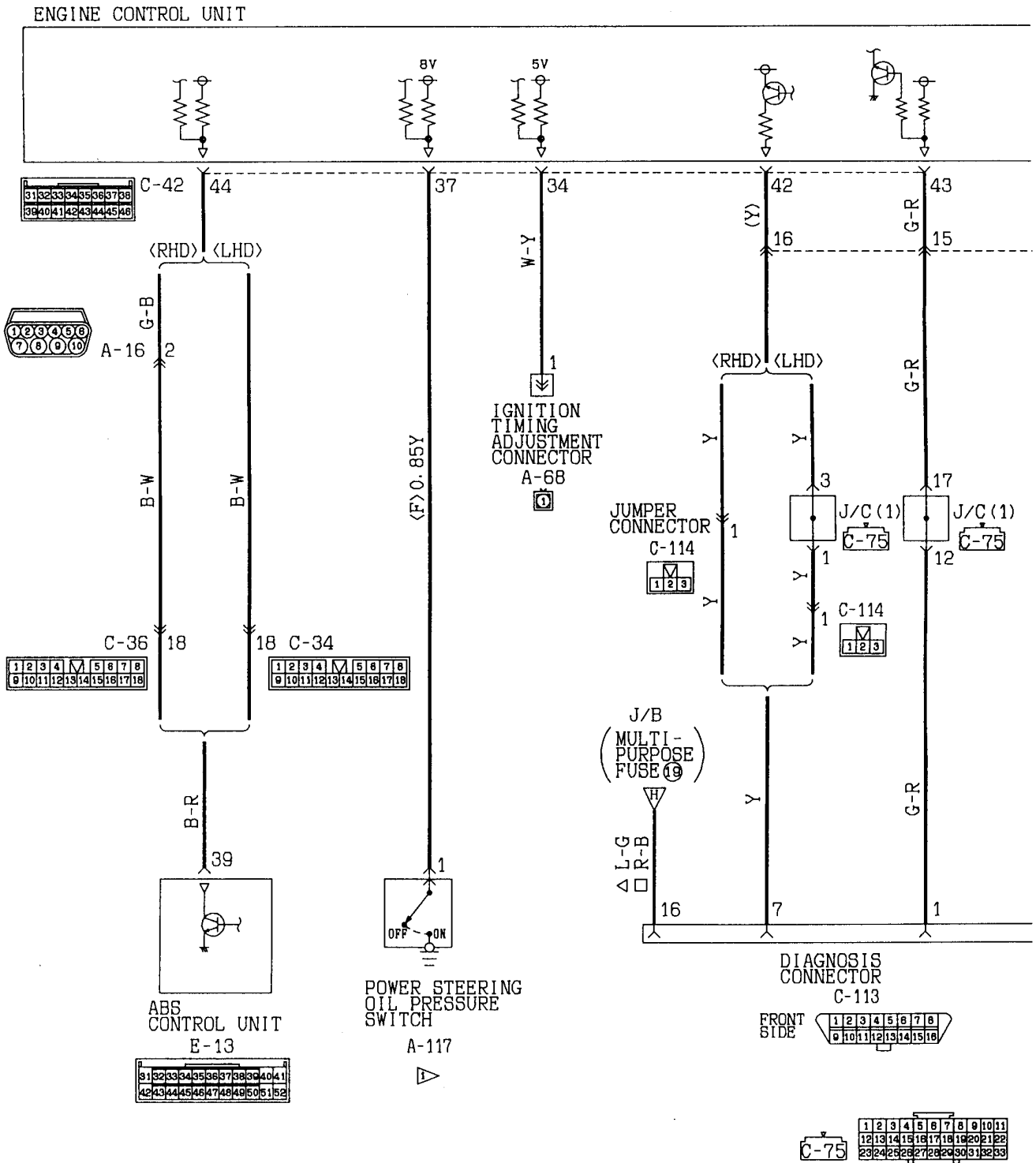


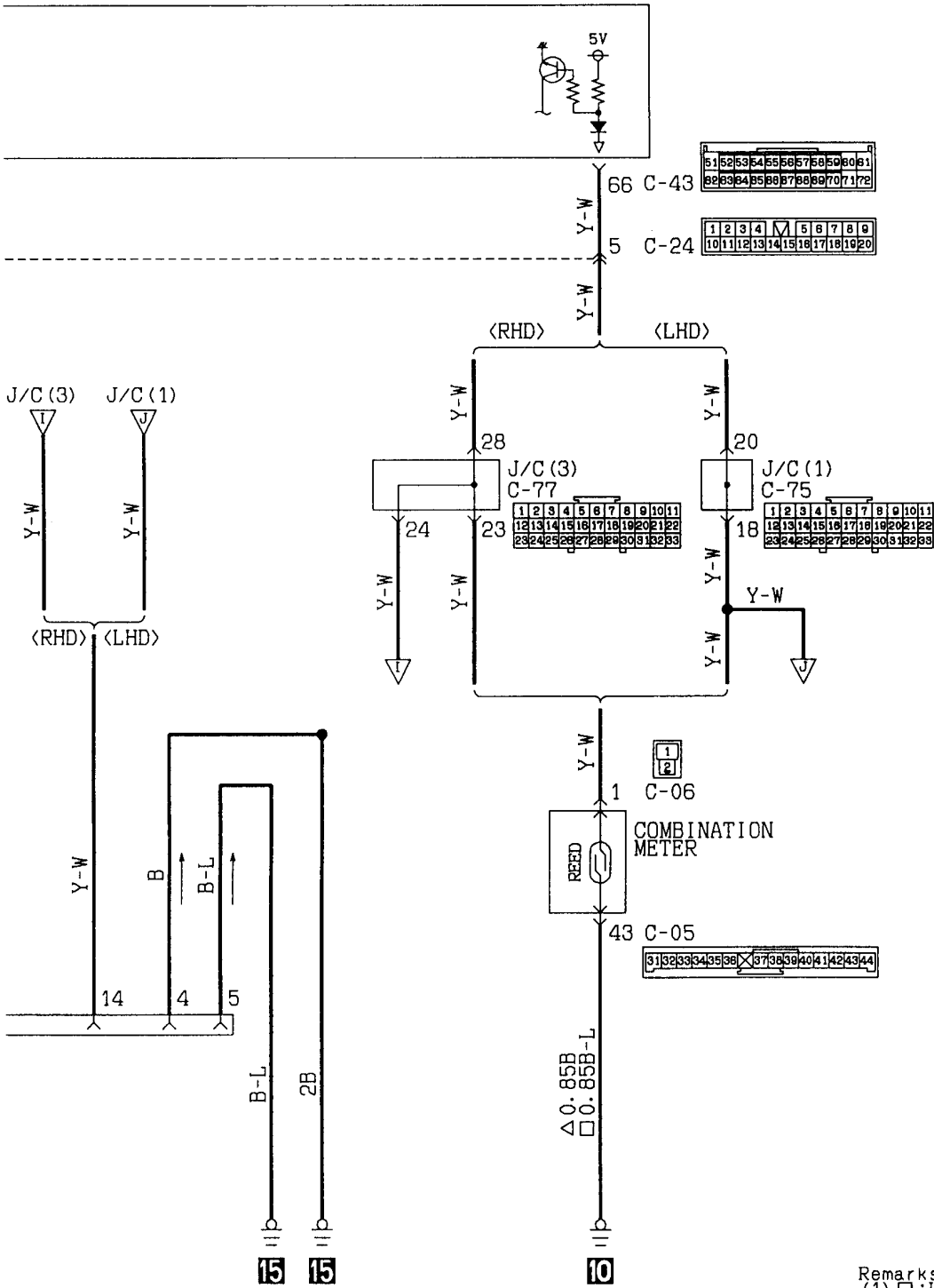
Wire colour code
 B: Black LG: Light green G: Green L: Blue
 BR: Brown O: Orange GR: Gray R: Red
 W: White SB: Sky blue P: Pink Y: Yellow
 V: Violet

Remarks
 (1) □: L. H. drive vehicles.
 (2) △: R. H. drive vehicles.



MPI SYSTEM (6G72 engine-A/T (Vehicles without immobilizer system)) (CONTINUED)

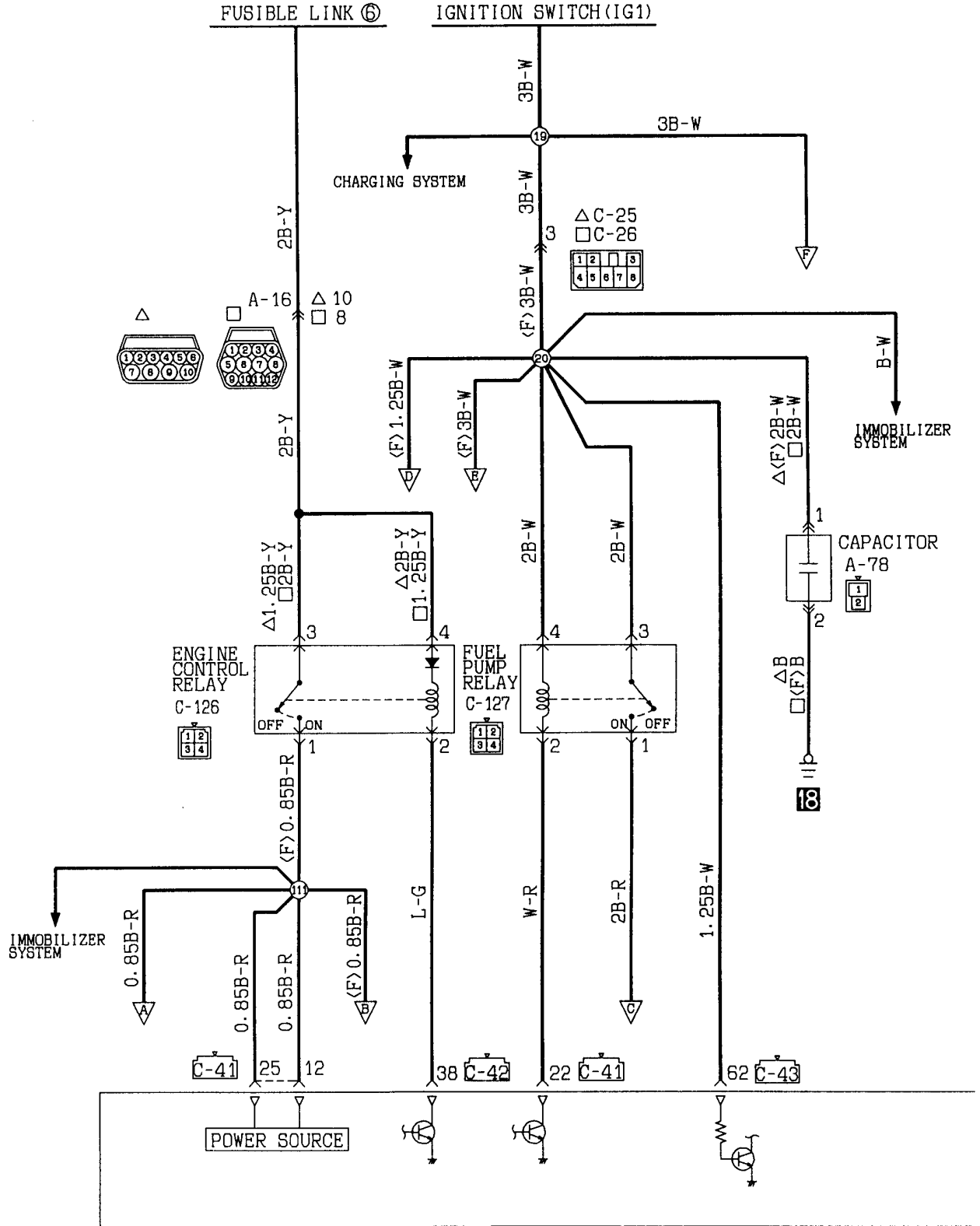




Remarks
 (1) □ : L. H. drive vehicles
 (2) △ : R. H. drive vehicles

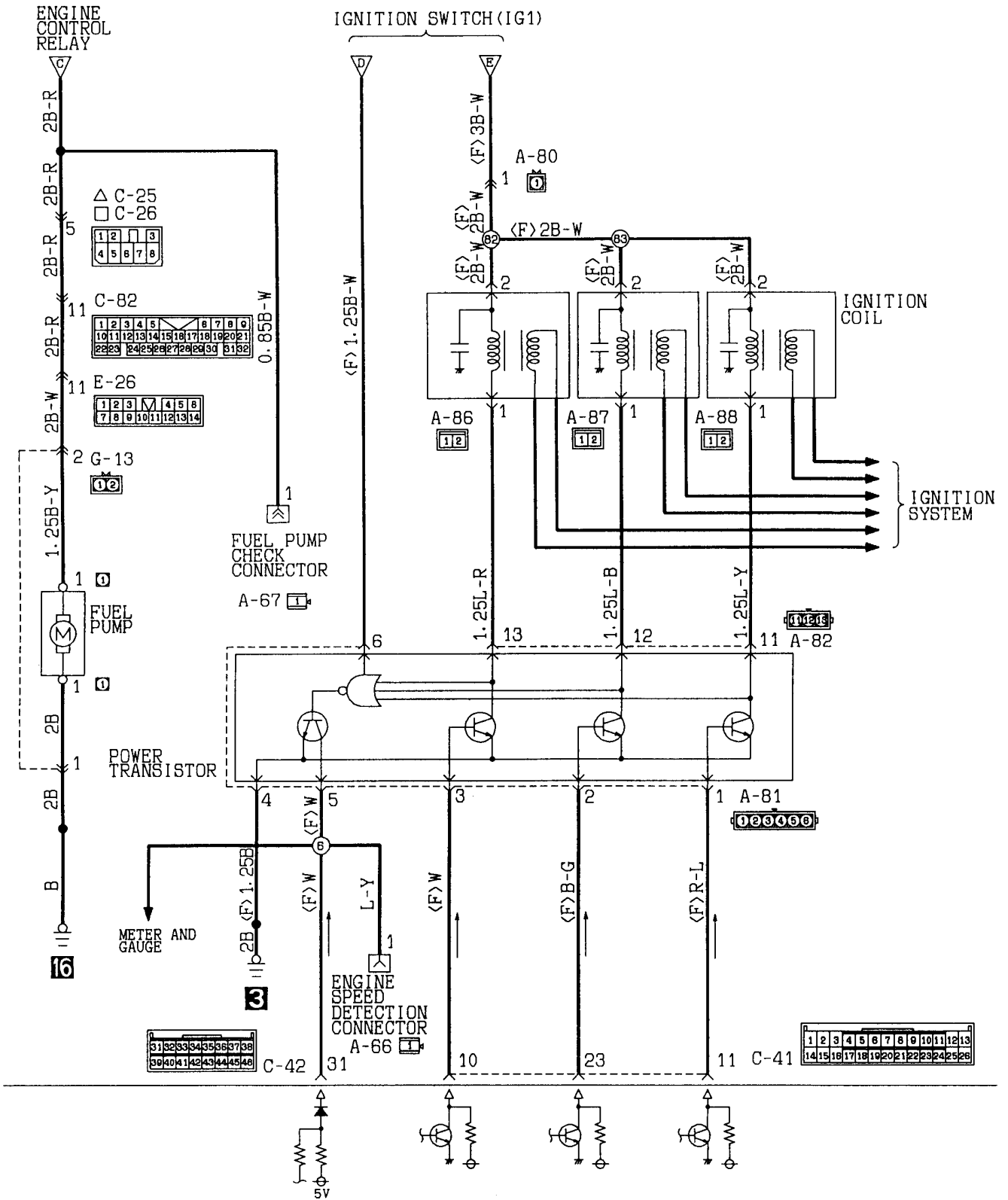
Wire colour code
 B:Black LG:Light green G:Green L:Blue W:White Y:Yellow SB:Sky blue
 BR:Brown O:Orange GR:Gray R:Red P:Pink V:Violet

MPI SYSTEM
6G72 engine-A/T<Vehicles with immobilizer system>



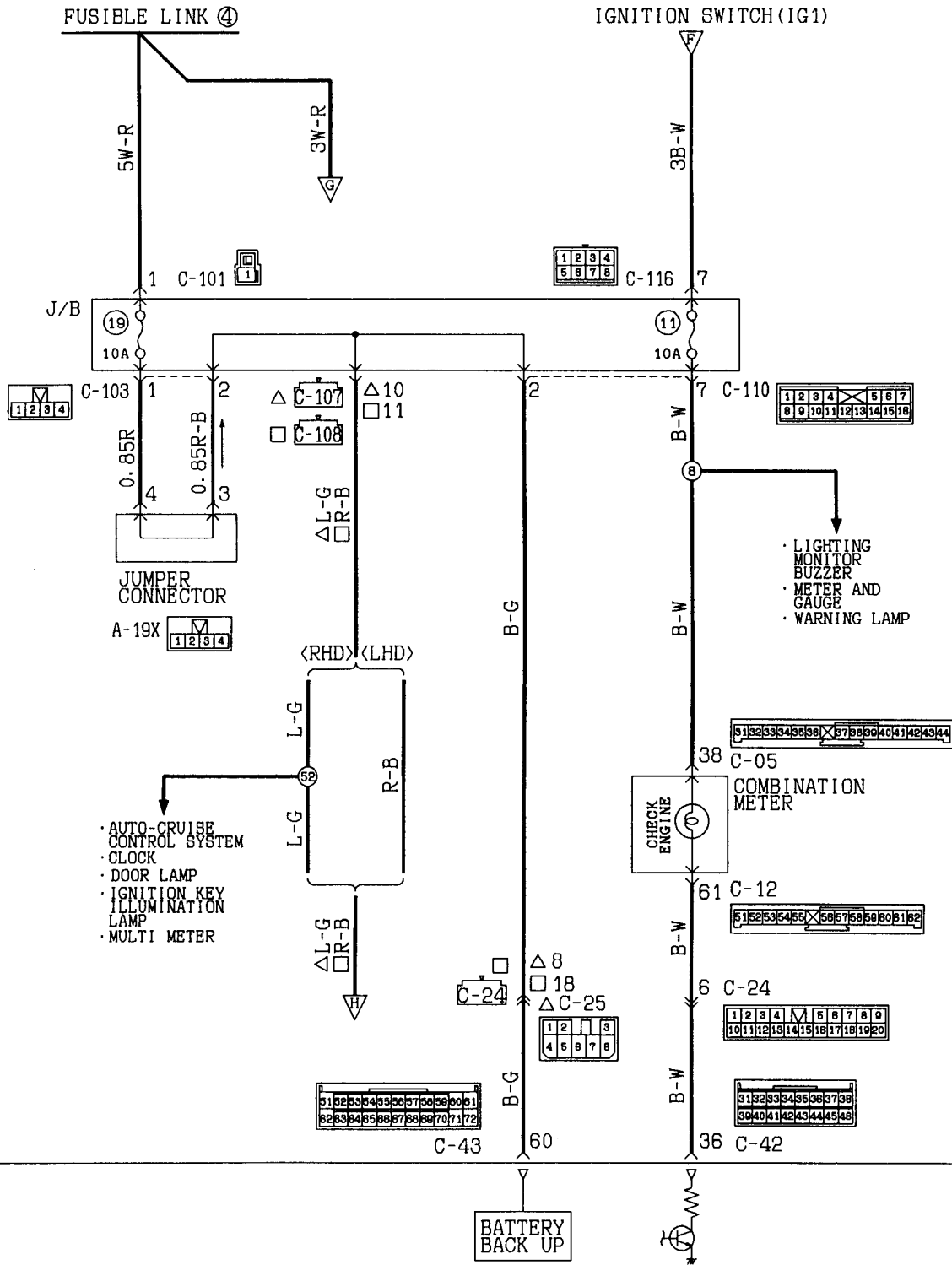
C-42	<table border="1"> <tr><td>1</td><td>2</td><td>3</td><td>4</td><td>5</td><td>6</td><td>7</td><td>8</td><td>9</td><td>10</td><td>11</td><td>12</td><td>13</td></tr> <tr><td>14</td><td>15</td><td>16</td><td>17</td><td>18</td><td>19</td><td>20</td><td>21</td><td>22</td><td>23</td><td>24</td><td>25</td><td>26</td></tr> </table>	1	2	3	4	5	6	7	8	9	10	11	12	13	14	15	16	17	18	19	20	21	22	23	24	25	26	C-41	<table border="1"> <tr><td>1</td><td>2</td><td>3</td><td>4</td><td>5</td><td>6</td><td>7</td><td>8</td><td>9</td><td>10</td><td>11</td><td>12</td><td>13</td></tr> <tr><td>14</td><td>15</td><td>16</td><td>17</td><td>18</td><td>19</td><td>20</td><td>21</td><td>22</td><td>23</td><td>24</td><td>25</td><td>26</td></tr> </table>	1	2	3	4	5	6	7	8	9	10	11	12	13	14	15	16	17	18	19	20	21	22	23	24	25	26	C-43	<table border="1"> <tr><td>1</td><td>2</td><td>3</td><td>4</td><td>5</td><td>6</td><td>7</td><td>8</td><td>9</td><td>10</td><td>11</td><td>12</td><td>13</td></tr> <tr><td>14</td><td>15</td><td>16</td><td>17</td><td>18</td><td>19</td><td>20</td><td>21</td><td>22</td><td>23</td><td>24</td><td>25</td><td>26</td></tr> </table>	1	2	3	4	5	6	7	8	9	10	11	12	13	14	15	16	17	18	19	20	21	22	23	24	25	26
1	2	3	4	5	6	7	8	9	10	11	12	13																																																																							
14	15	16	17	18	19	20	21	22	23	24	25	26																																																																							
1	2	3	4	5	6	7	8	9	10	11	12	13																																																																							
14	15	16	17	18	19	20	21	22	23	24	25	26																																																																							
1	2	3	4	5	6	7	8	9	10	11	12	13																																																																							
14	15	16	17	18	19	20	21	22	23	24	25	26																																																																							

ENGINE CONTROL UNIT
Remarks
(1) □ : L.H. drive vehicles.
(2) △ : R.H. drive vehicles.

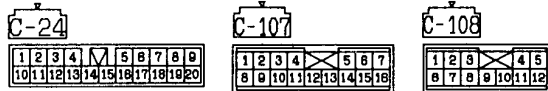


Wire colour code
 B:Black LG:Light green G:Green L:Blue W:White Y:Yellow SB:Sky blue
 BR:Brown O:Orange GR:Gray R:Red P:Pink V:Violet

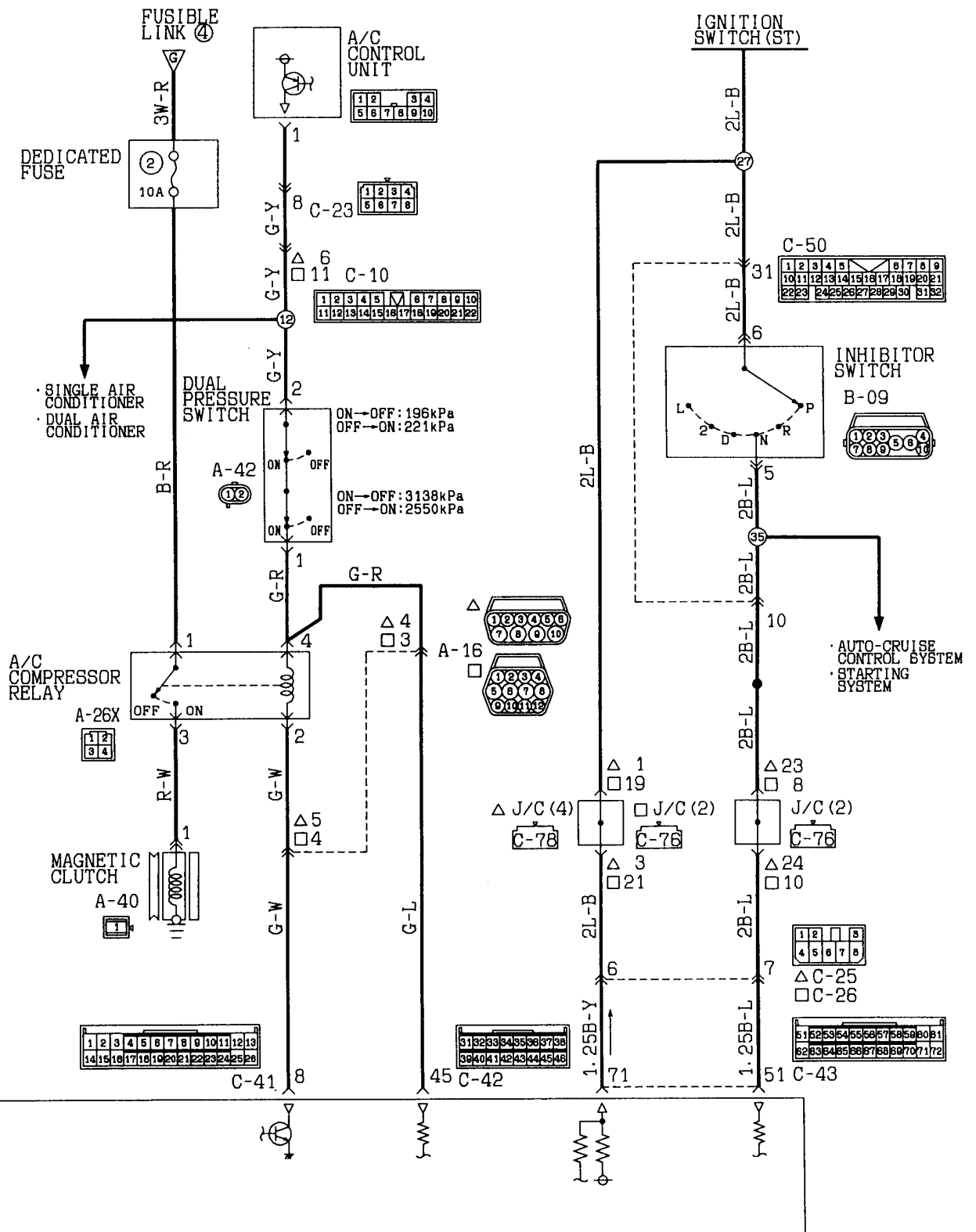
MPI SYSTEM (6G72 engine-A/T (Vehicles with immobilizer system)) (CONTINUED)



ENGINE CONTROL UNIT



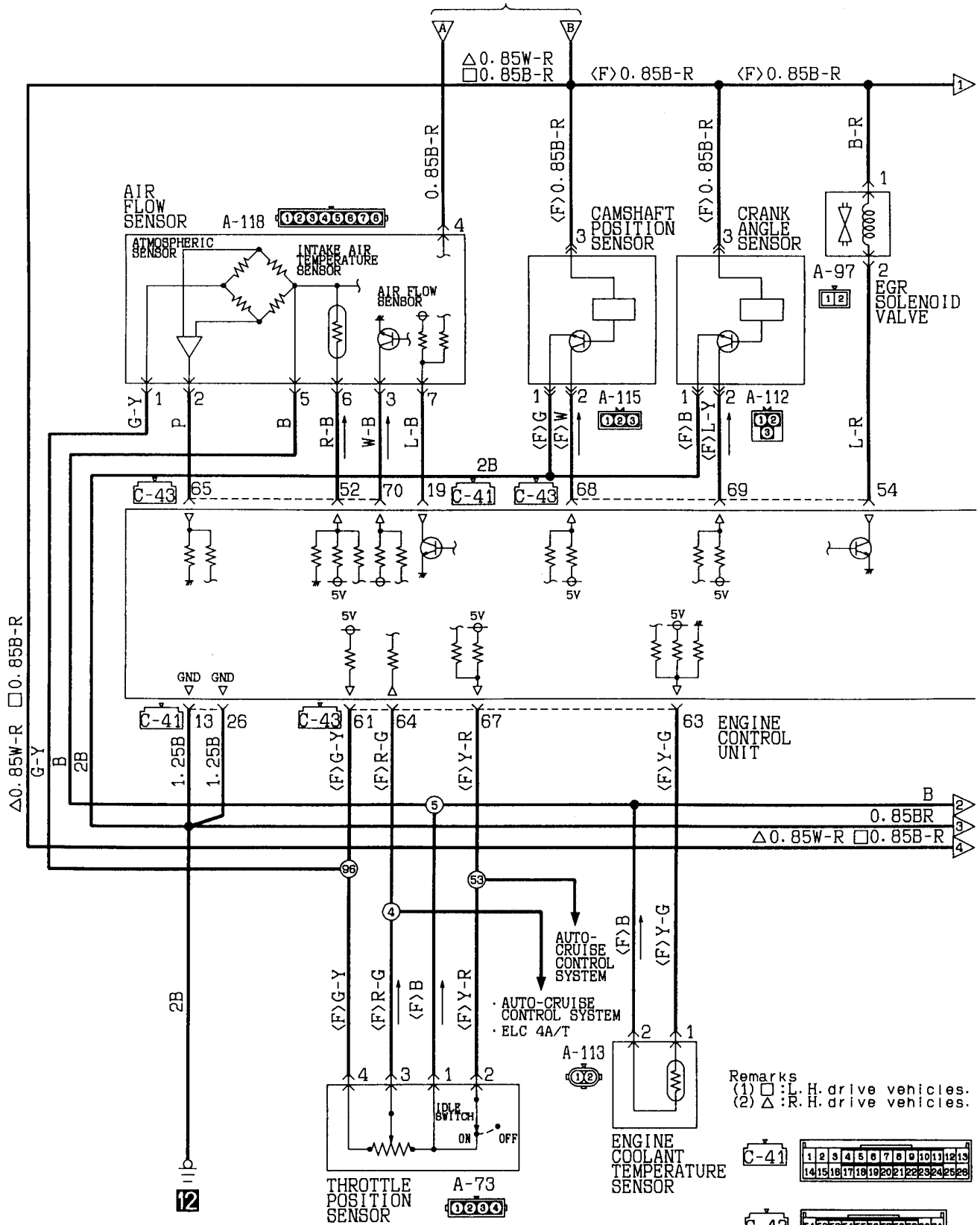
Remarks
 (1) □ : L.H. drive vehicles.
 (2) △ : R.H. drive vehicles.

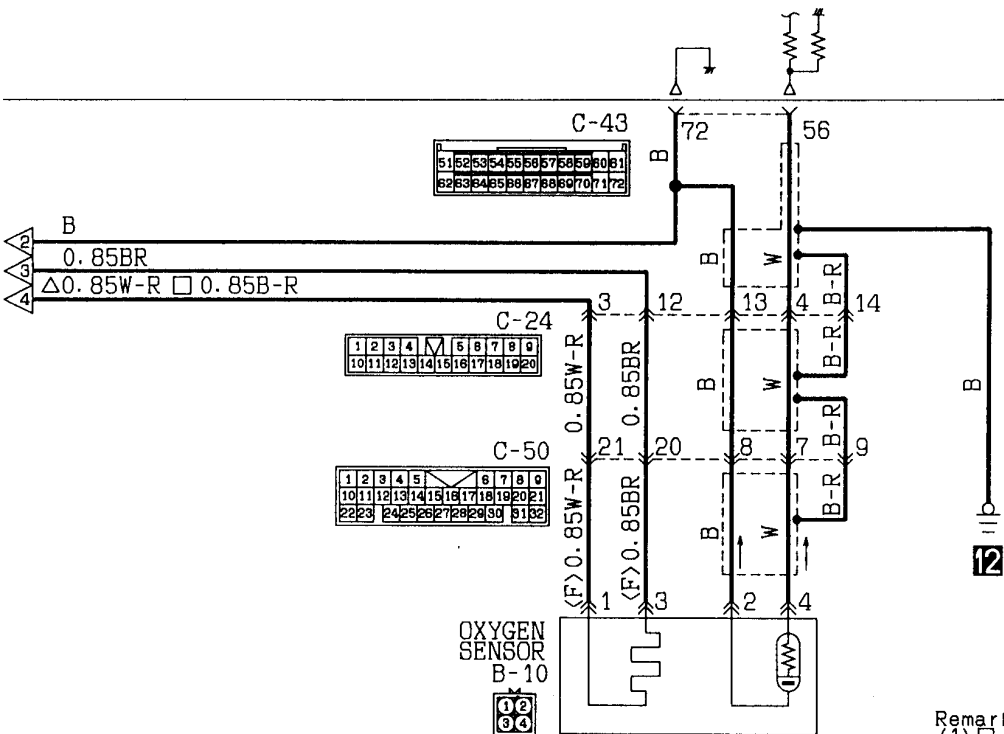
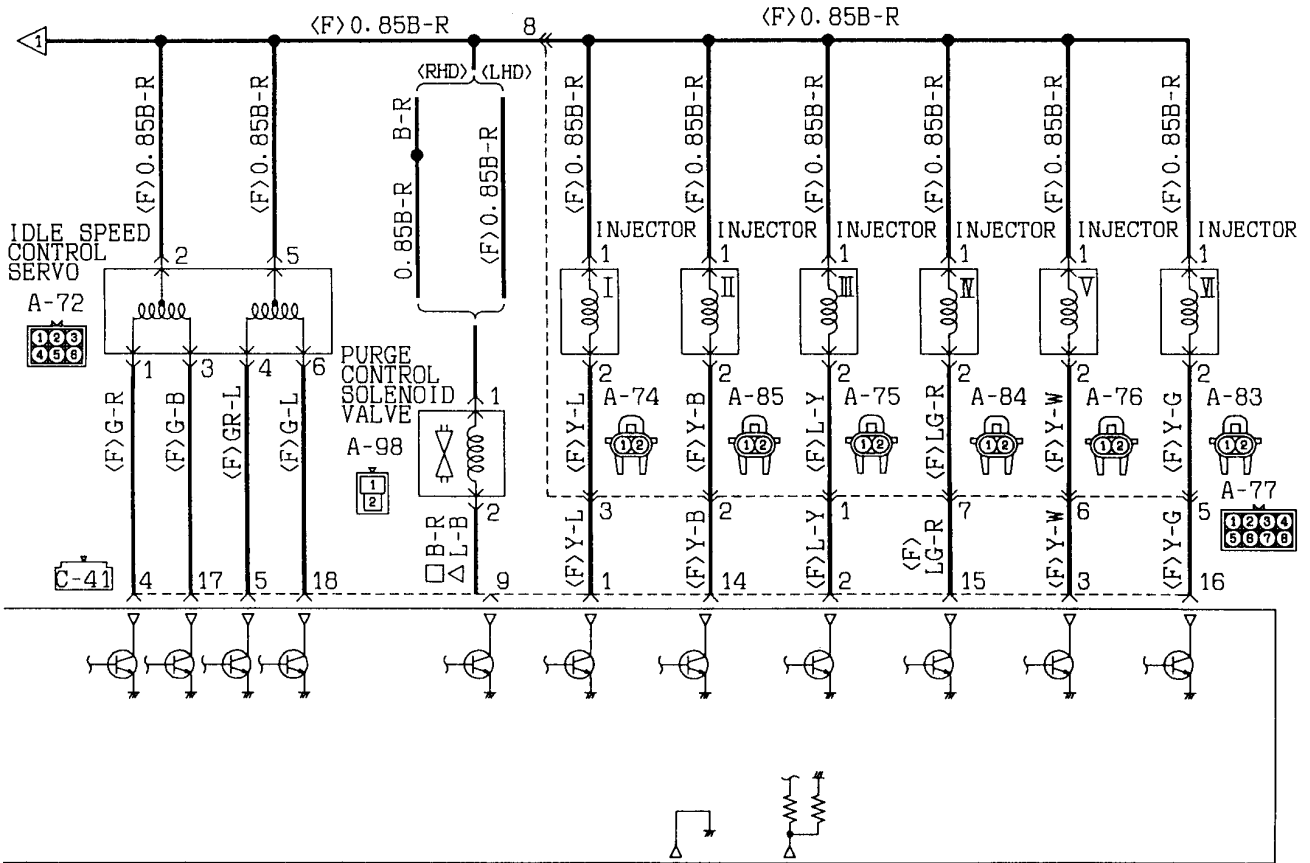


C-76	1 2 3 4 5 6 7 8 9 10 11	Wire colour code	B:Black	LG:Light green	G:Green	L:Blue	W:White	Y:Yellow	SB:Sky blue
C-78	12 13 14 15 16 17 18 19 20 21 22		BR:Brown	O:Orange	GR:Gray	R:Red	P:Pink	V:Violet	
	23 24 25 26 27 28 29 30 31 32 33								

MPI SYSTEM <6G72 engine-A/T (Vehicles with immobilizer system)> (CONTINUED)

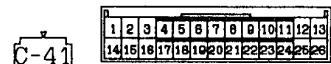
ENGINE CONTROL RELAY



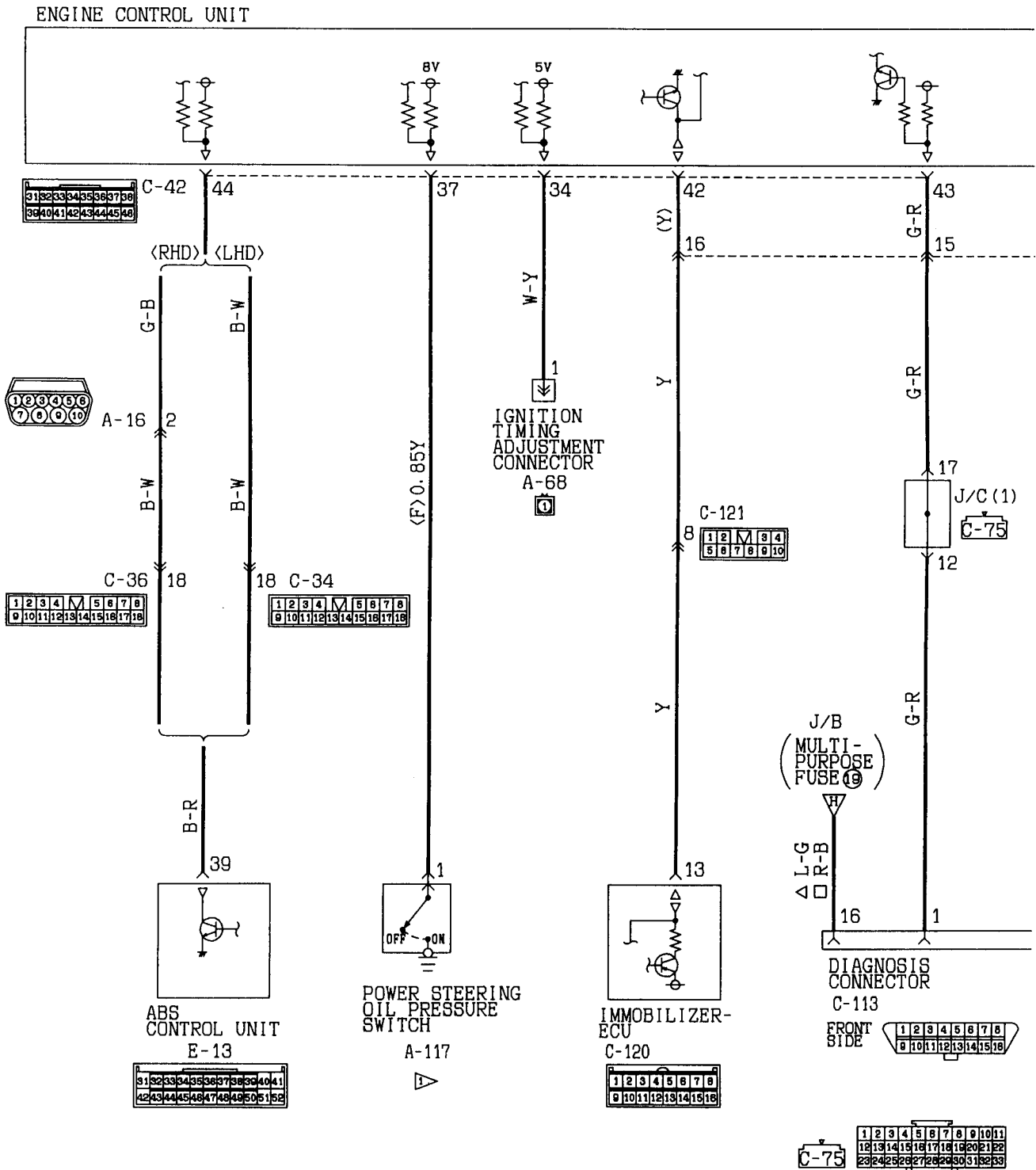


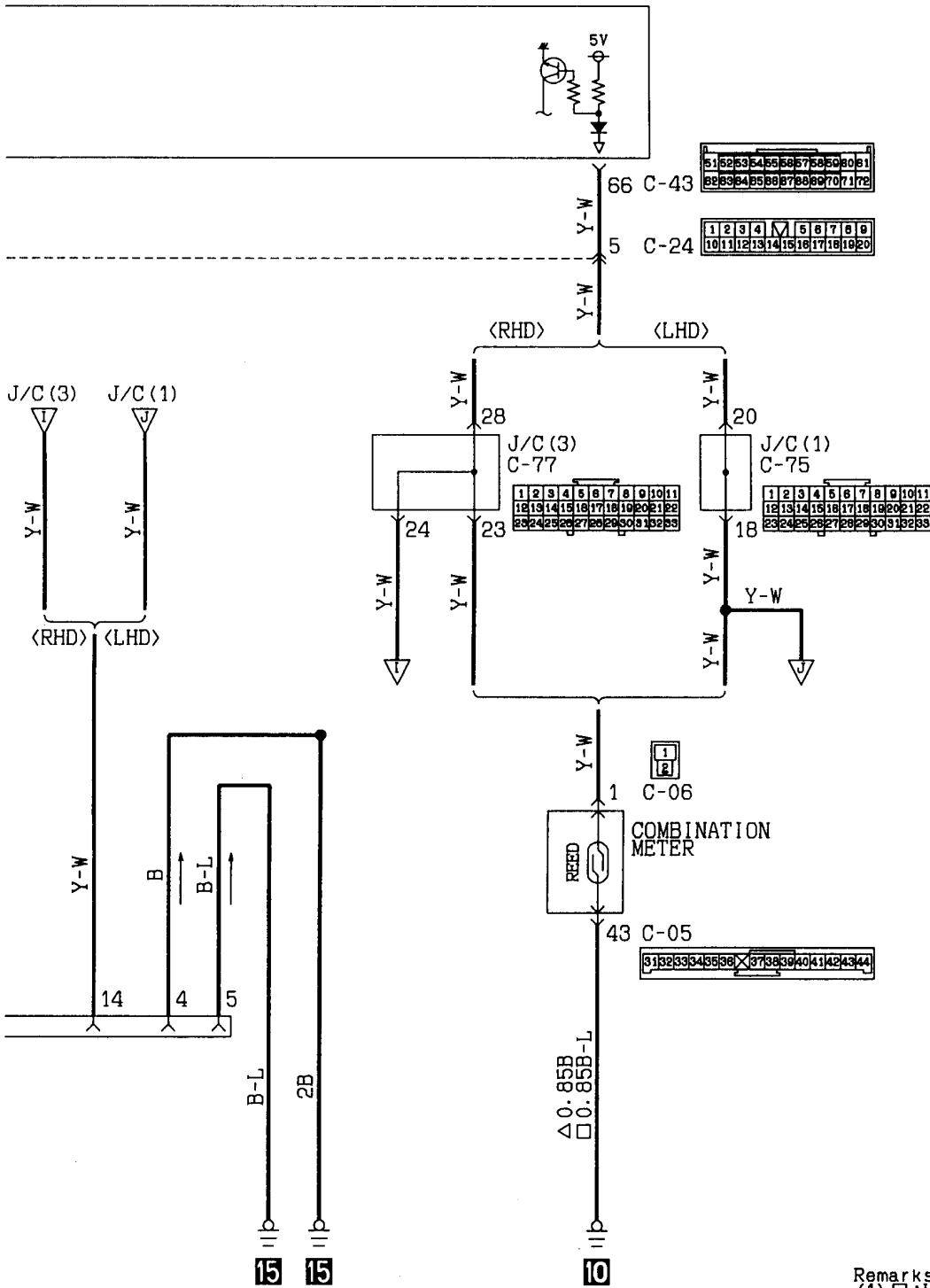
Wire colour code
 B:Black LG:Light green G:Green L:Blue
 BR:Brown O:Orange GR:Gray R:Red
 W:White SB:Sky blue P:Pink Y:Yellow
 V:Violet

Remarks
 (1) □ : L. H. drive vehicles.
 (2) Δ : R. H. drive vehicles.



MPI SYSTEM <6G72 engine-A/T (Vehicles with immobilizer system)> (CONTINUED)



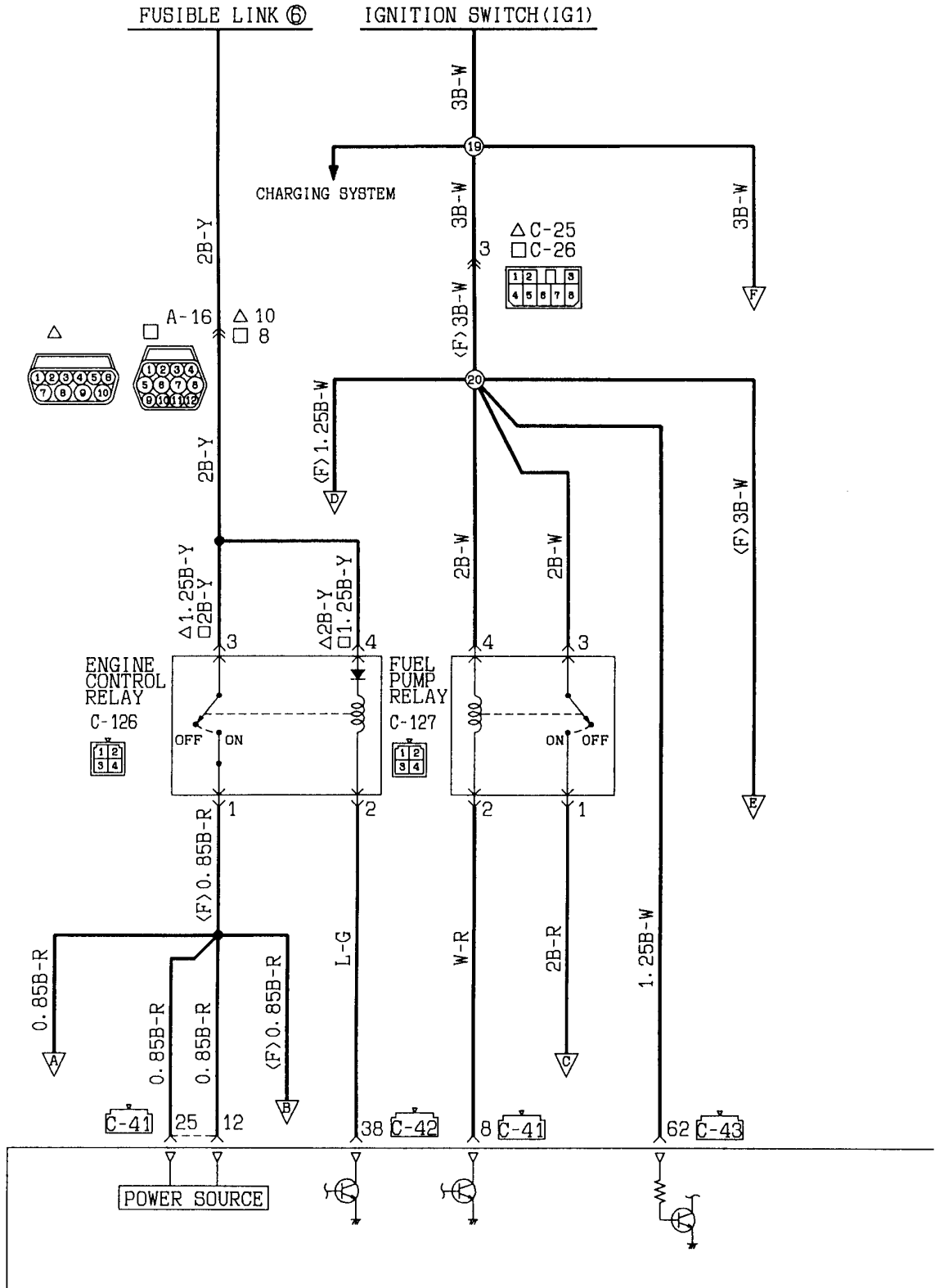


Remarks
 (1) □ : L. H. drive vehicles
 (2) △ : R. H. drive vehicles

Wire colour code
 B:Black LG:Light green G:Green L:Blue W:White Y:Yellow SB:Sky blue
 BR:Brown O:Orange GR:Gray R:Red P:Pink V:Violet

MPI SYSTEM

6G74 engine-M/T<Vehicles without immobilizer system>



C-42

31	32	33	34	35	36	37	38
39	40	41	42	43	44	45	46

C-41

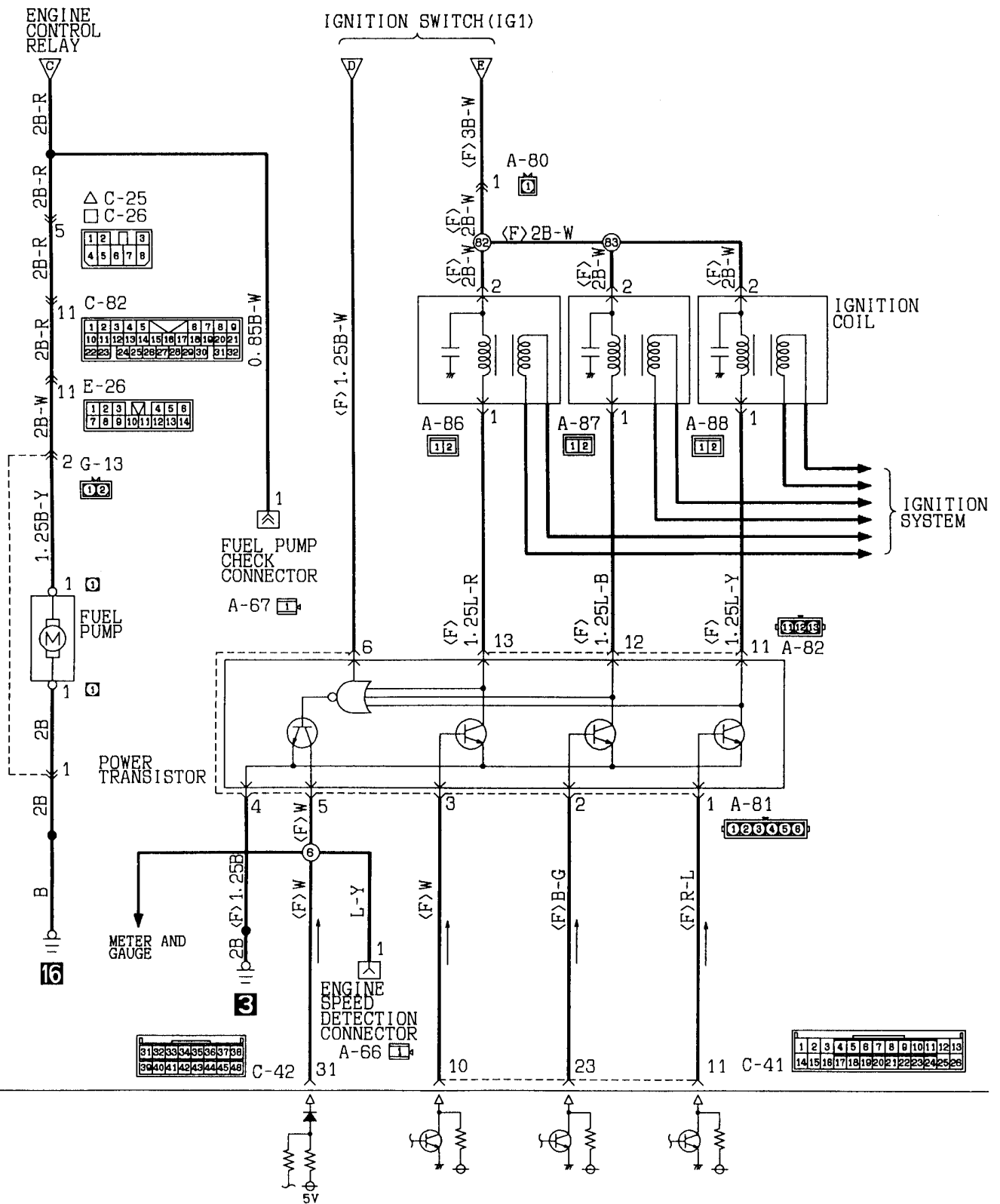
1	2	3	4	5	6	7	8	9	10	11	12	13
14	15	16	17	18	19	20	21	22	23	24	25	26

C-43

51	52	53	54	55	56	57	58	59	60	61
62	63	64	65	66	67	68	69	70	71	72

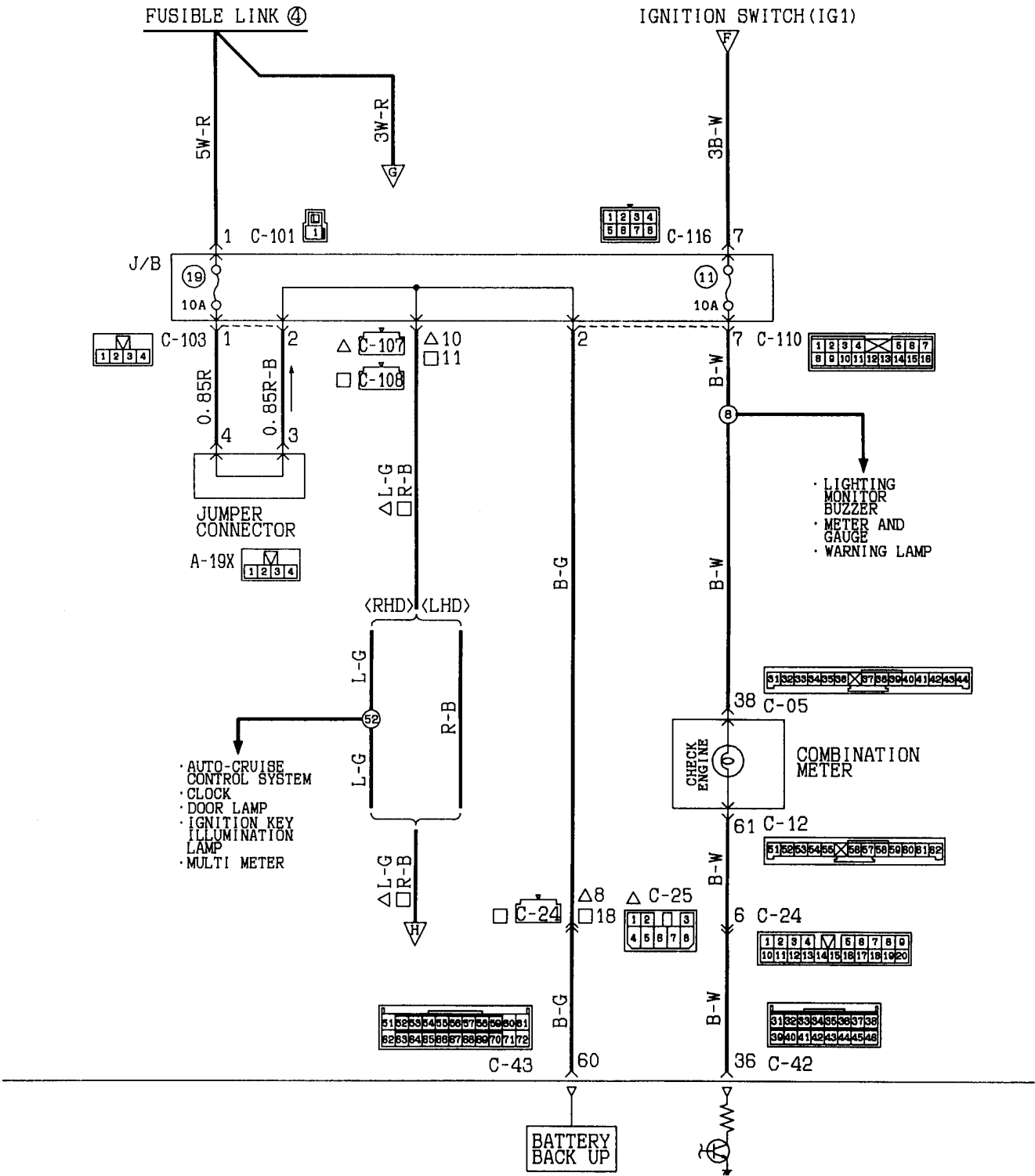
ENGINE CONTROL UNIT

Remarks
 (1) □ : L. H. drive vehicles;
 (2) △ : R. H. drive vehicles.



Wire colour code
 B:Black LG:Light green G:Green L:Blue W:White Y:Yellow SB:Sky blue
 BR:Brown O:Orange GR:Gray R:Red P:Pink V:Violet

MPI SYSTEM <6G74 engine-M/T (Vehicles without immobilizer system)> (CONTINUED)



C-24

1	2	3	4	M	5	6	7	8	9	
10	11	12	13	14	15	16	17	18	19	20

C-107

1	2	3	4	X	5	6	7	
8	9	10	11	12	13	14	15	16

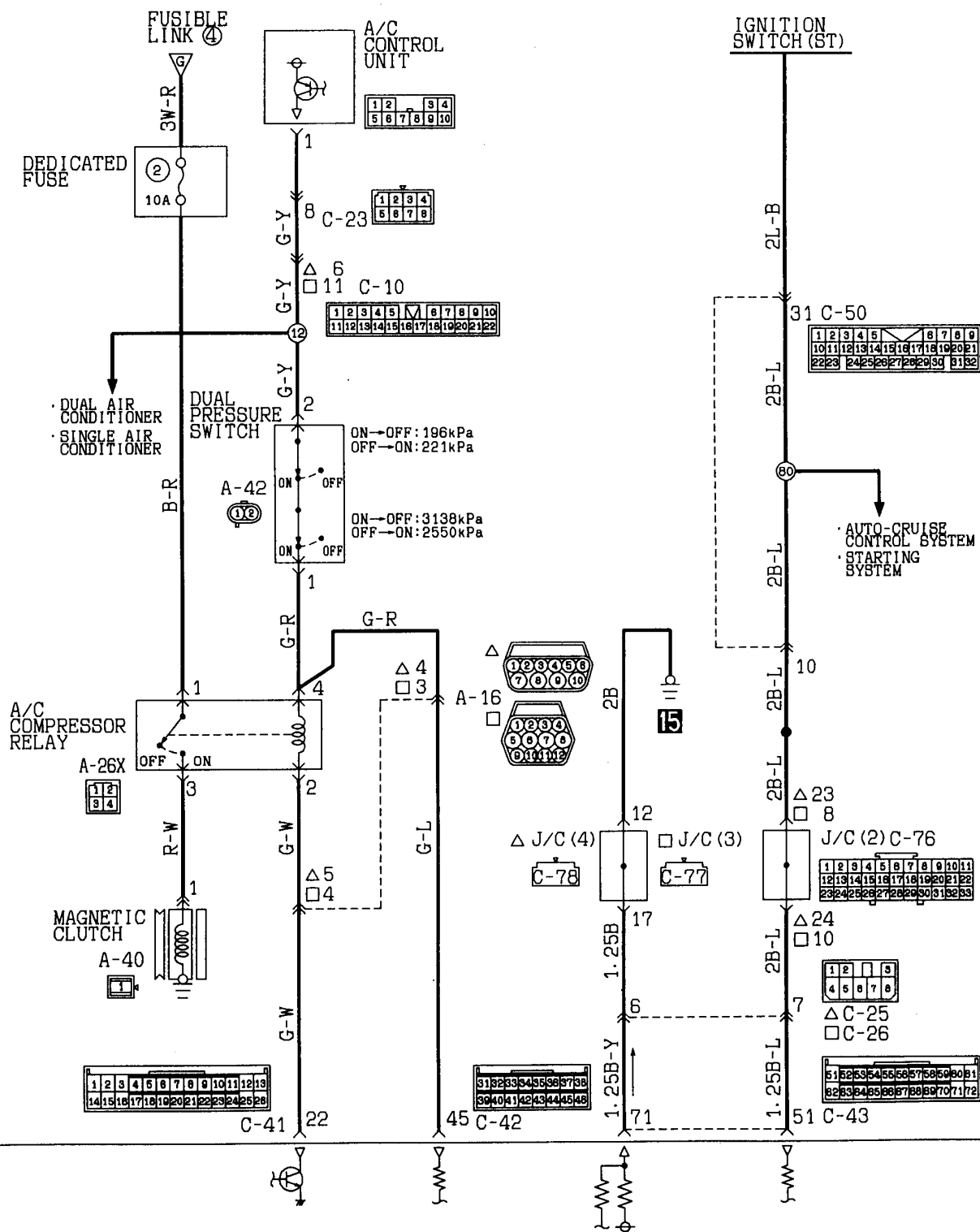
C-108

1	2	3	X	4	5	
6	7	8	9	10	11	12

ENGINE CONTROL UNIT

Remarks

- (1) □ : L.H. drive vehicles.
- (2) Δ : R.H. drive vehicles.

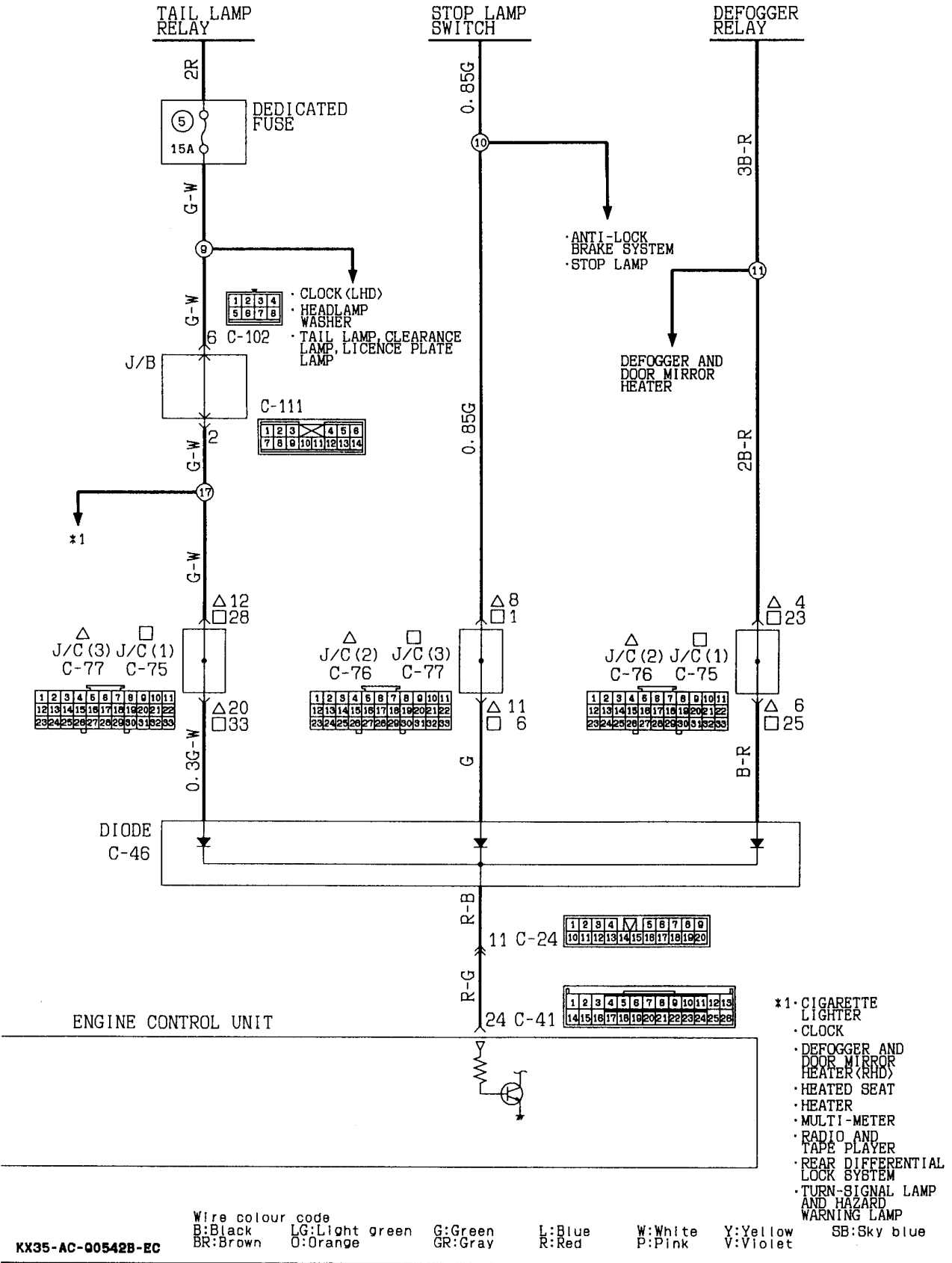


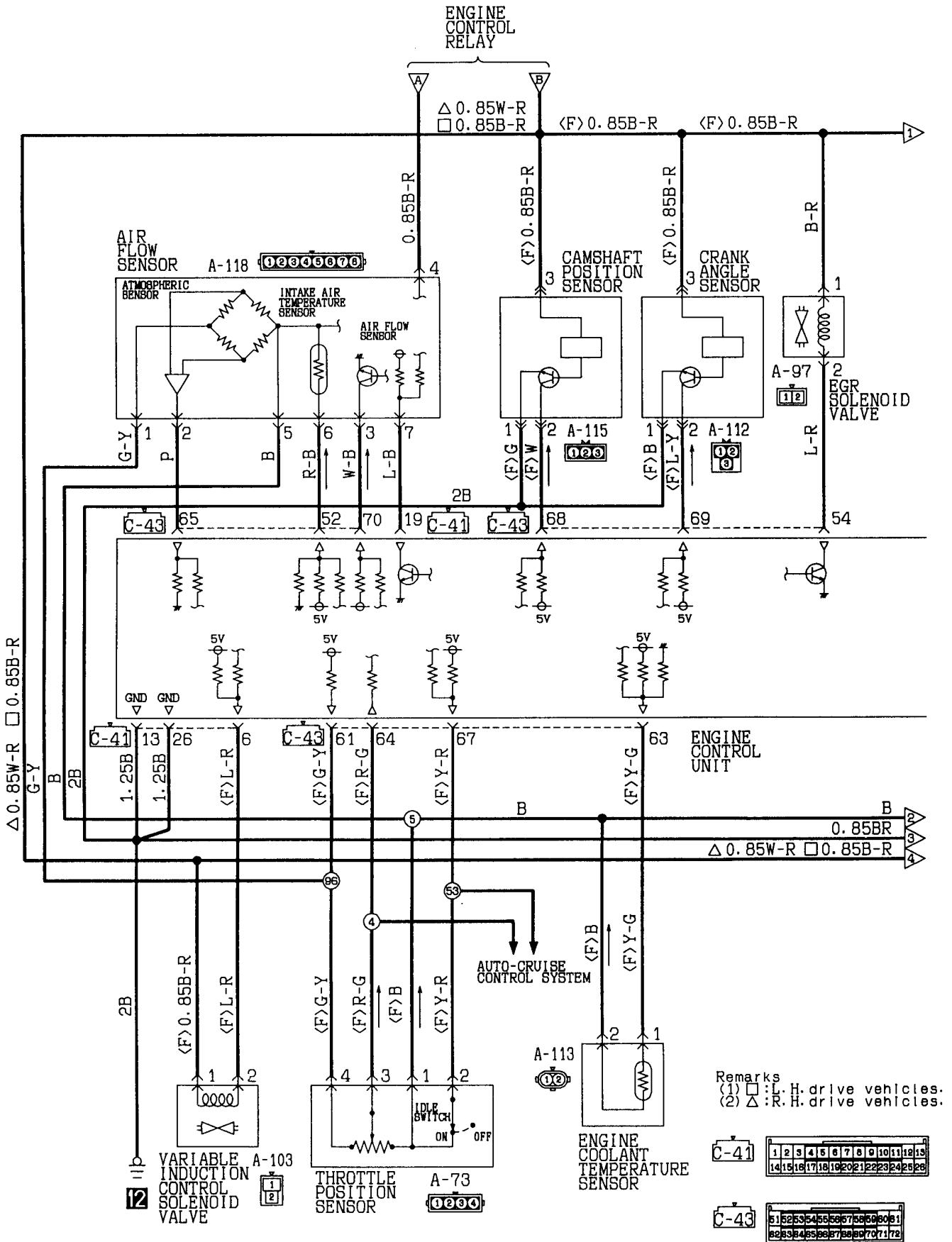
1	2	3	4	5	6	7	8	9	10	11	12	13	14	15	16	17	18	19	20	21	22	23	24	25	26	27	28	29	30	31	32	33
---	---	---	---	---	---	---	---	---	----	----	----	----	----	----	----	----	----	----	----	----	----	----	----	----	----	----	----	----	----	----	----	----

Wire colour code

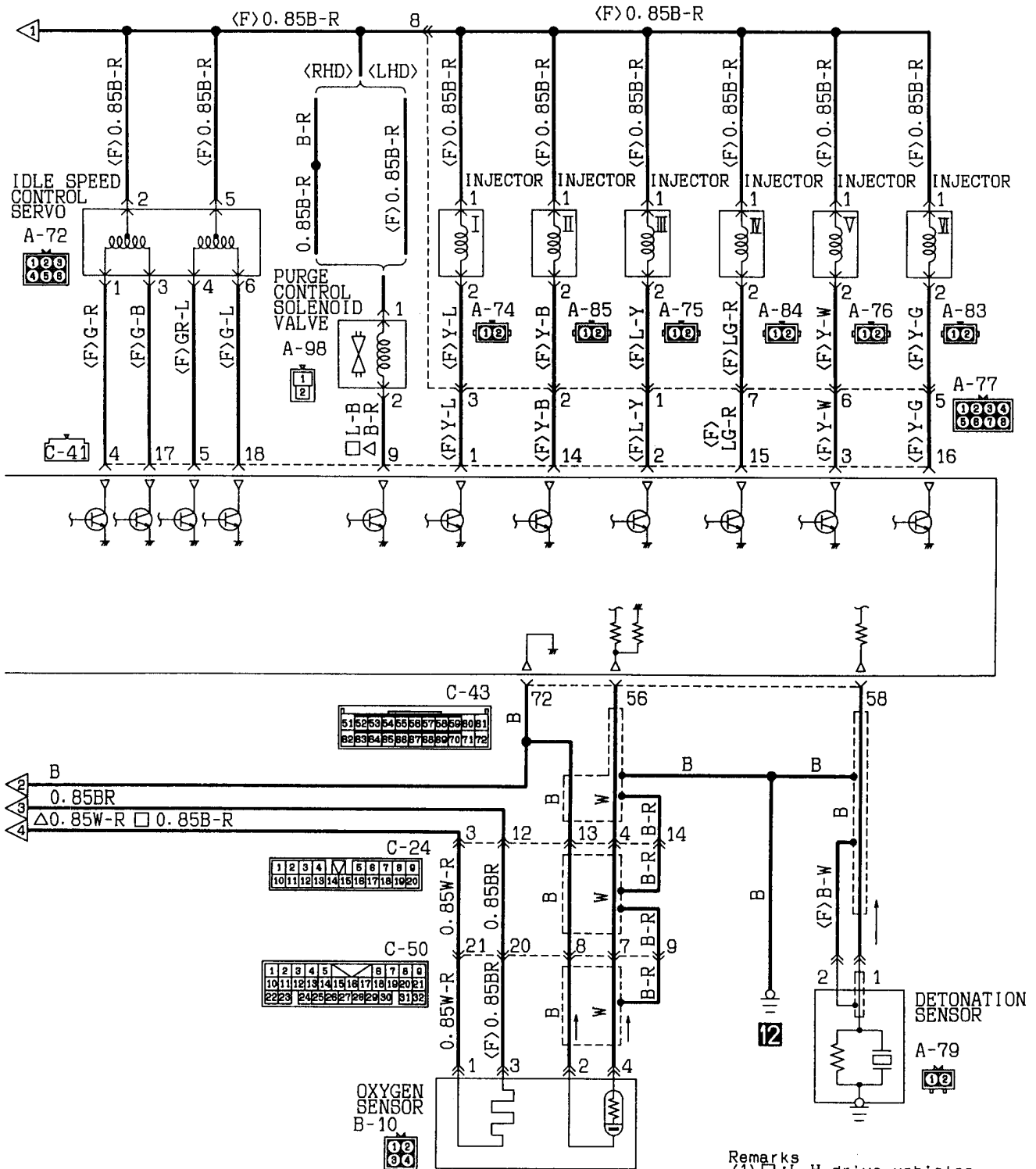
B:Black LG:Light green G:Green L:Blue W:White Y:Yellow SB:Sky blue
 BR:Brown O:Orange GR:Gray R:Red P:Pink V:Violet

MPI SYSTEM <6G74 engine-M/T (Vehicles without immobilizer system) > (CONTINUED)



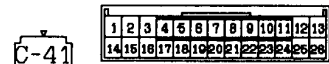


MPI SYSTEM <6G74 engine-M/T (Vehicles without immobilizer system) > (CONTINUED)

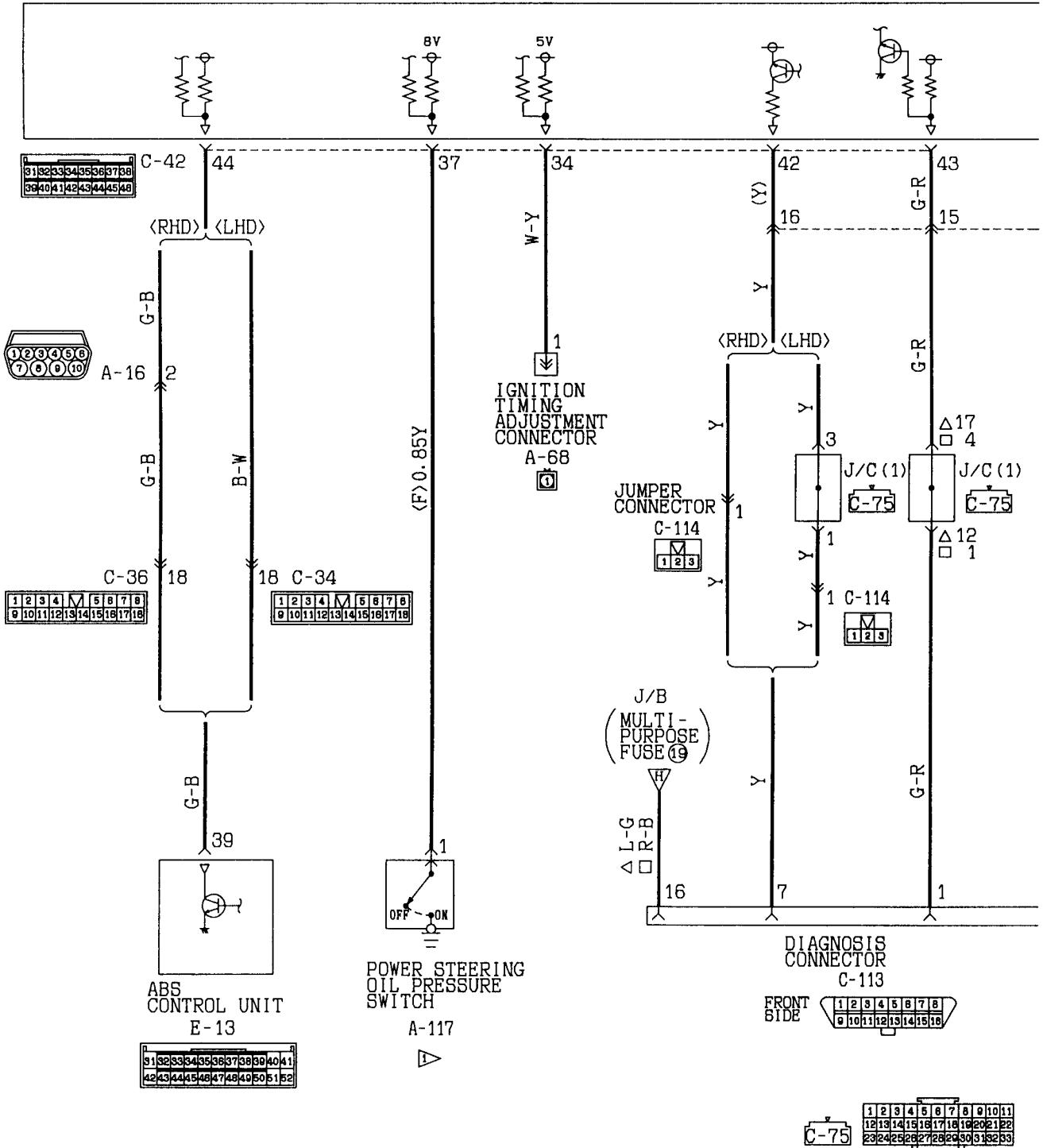


Wire colour code
 B:Black LG:Light green G:Green L:Blue
 BR:Brown O:Orange GR:Gray R:Red
 W:White SB:Sky blue P:Pink Y:Yellow
 V:Violet

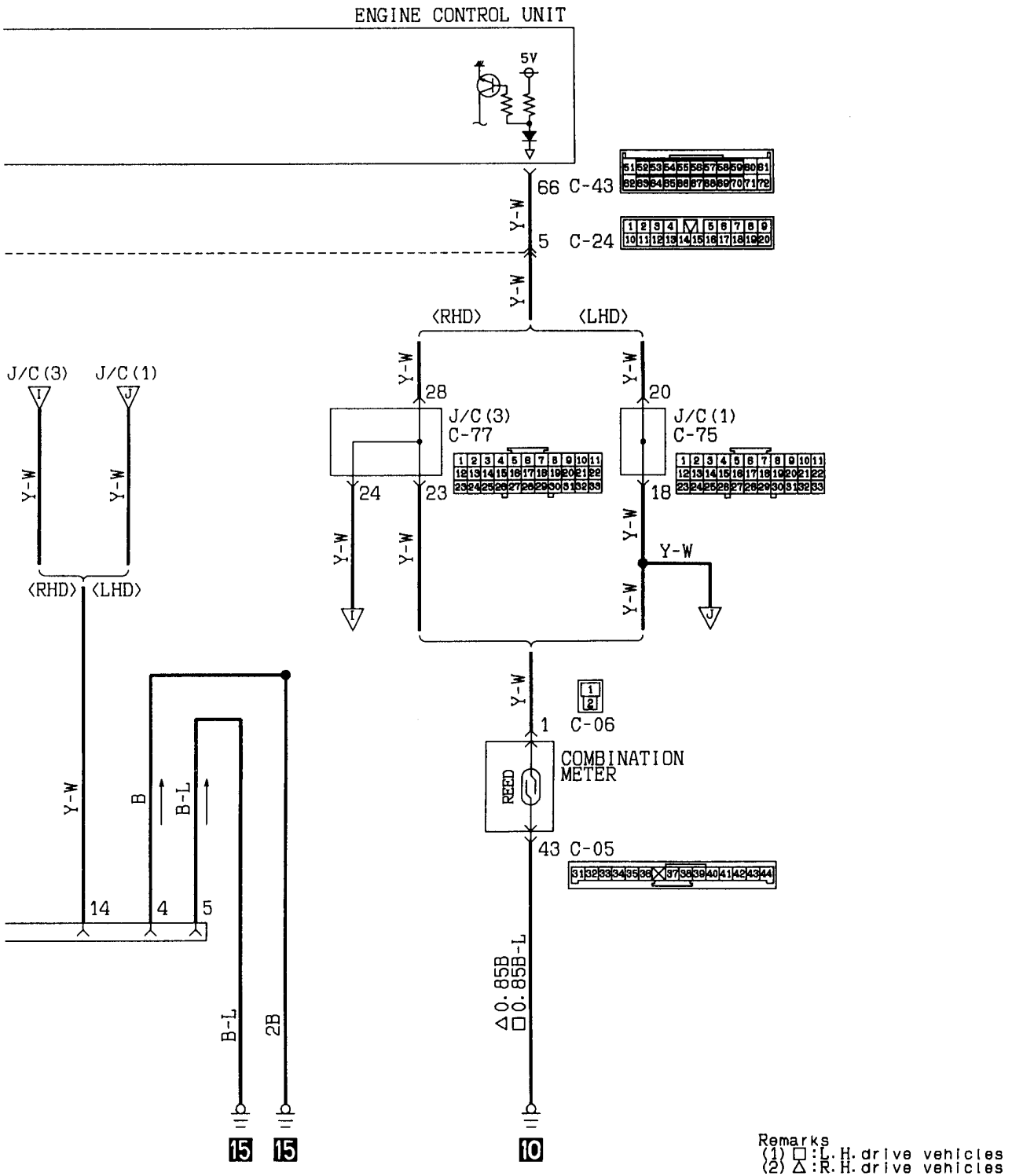
Remarks
 (1) □ : L.H. drive vehicles.
 (2) △ : R.H. drive vehicles.



ENGINE CONTROL UNIT



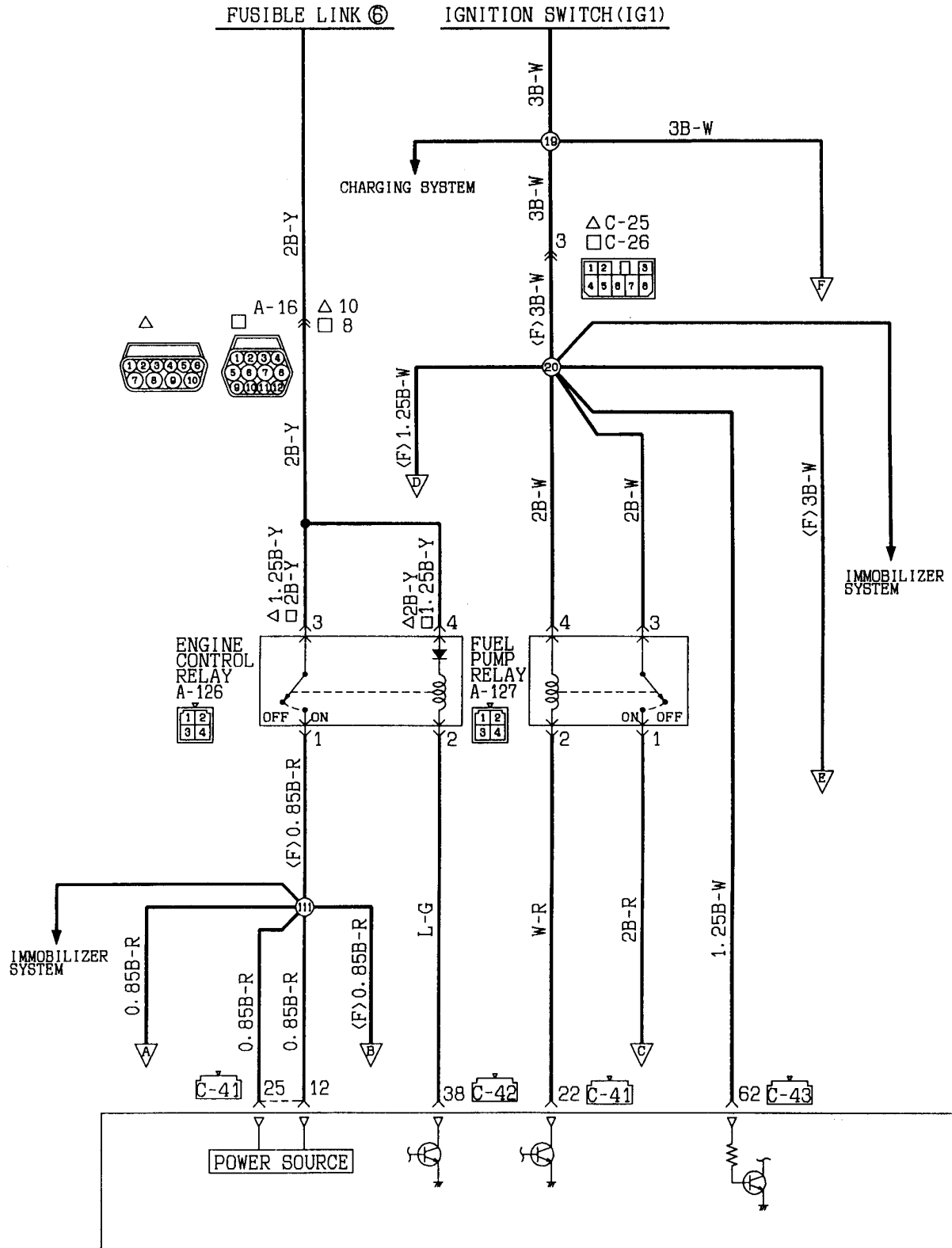
MPI SYSTEM<6G74 engine-M/T (Vehicles without immobilizer system)> (CONTINUED)



Wire colour code
 B:Black LG:Light green G:Green L:Blue W:White Y:Yellow SB:Sky blue
 BR:Brown O:Orange GR:Gray R:Red P:Pink V:Violet

NOTES

MPI SYSTEM
6G74 engine-M/T<Vehicles with immobilizer system>



C-42

31	32	33	34	35	36	37	38
39	40	41	42	43	44	45	46

C-41

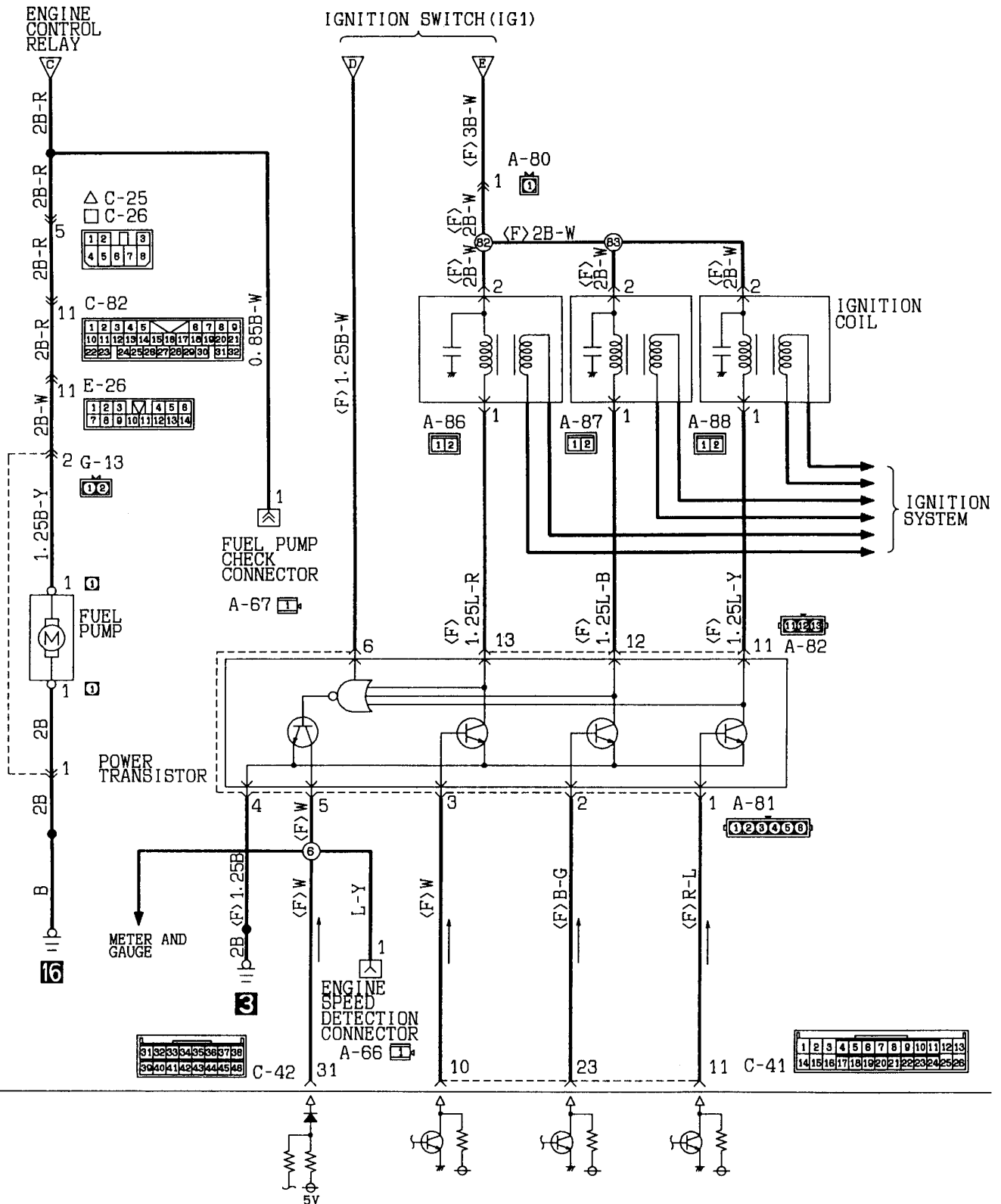
1	2	3	4	5	6	7	8	9	10	11	12	13
14	15	16	17	18	19	20	21	22	23	24	25	26

C-43

51	52	53	54	55	56	57	58	59	60	61
62	63	64	65	66	67	68	69	70	71	72

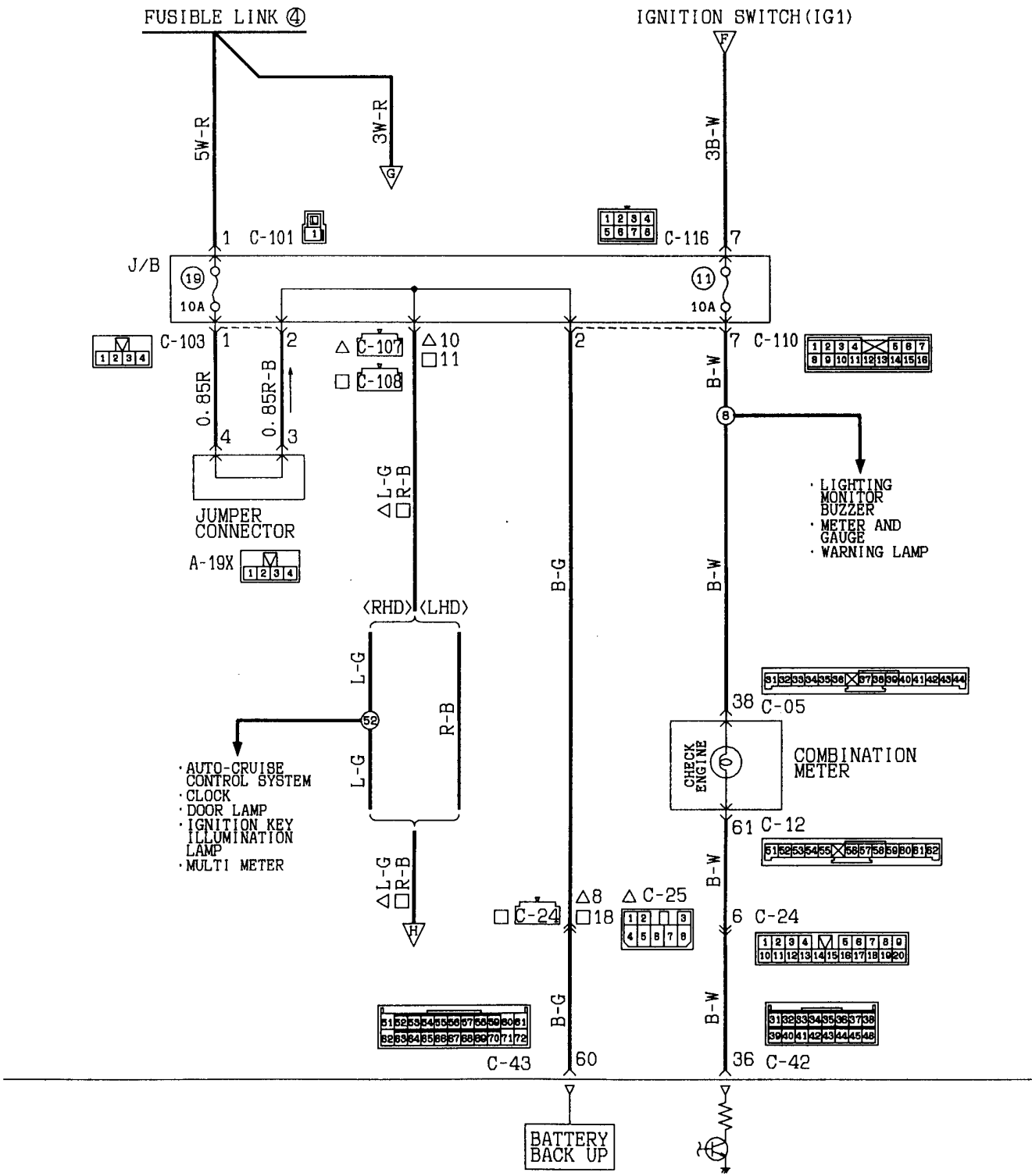
ENGINE CONTROL UNIT

Remarks
(1) □ : L. H. drive vehicles.
(2) △ : R. H. drive vehicles.

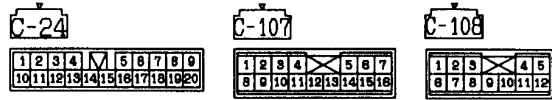


Wire colour code
 B:Black LG:Light green G:Green L:Blue W:White Y:Yellow SB:Sky blue
 BR:Brown O:Orange GR:Gray R:Red P:Pink V:Violet

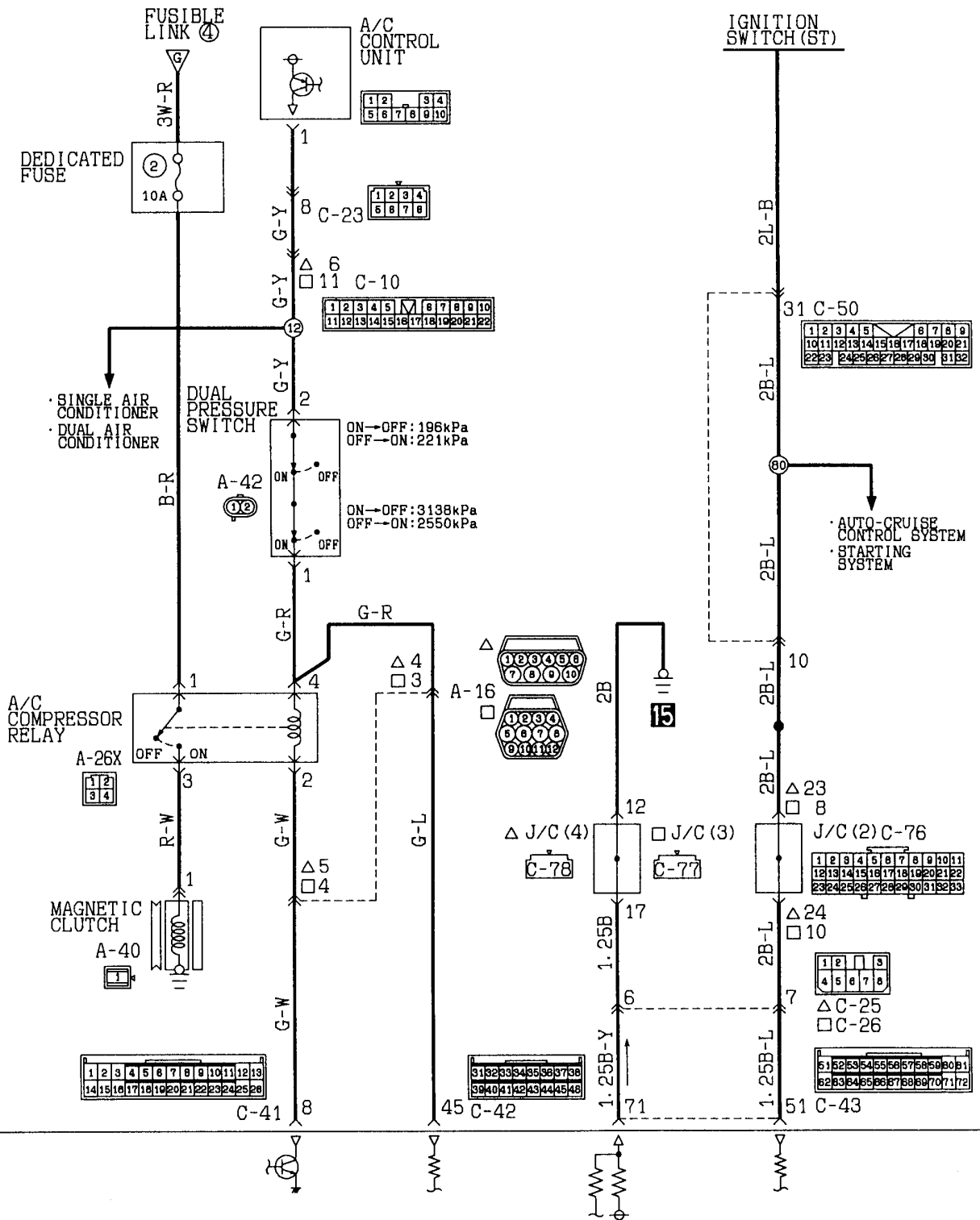
MPI SYSTEM (6G74 engine-M/T (Vehicles with immobilizer system)) (CONTINUED)



ENGINE CONTROL UNIT

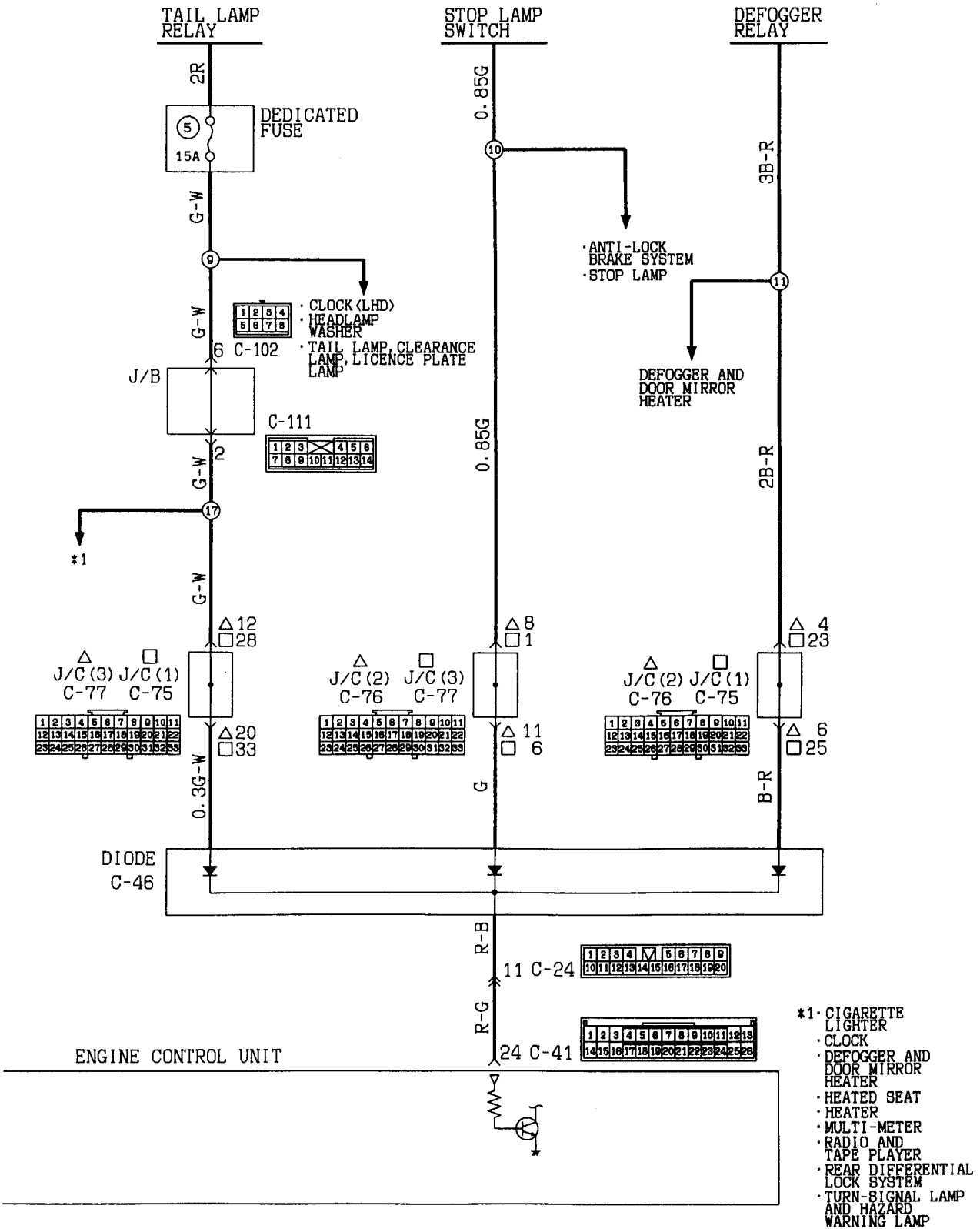


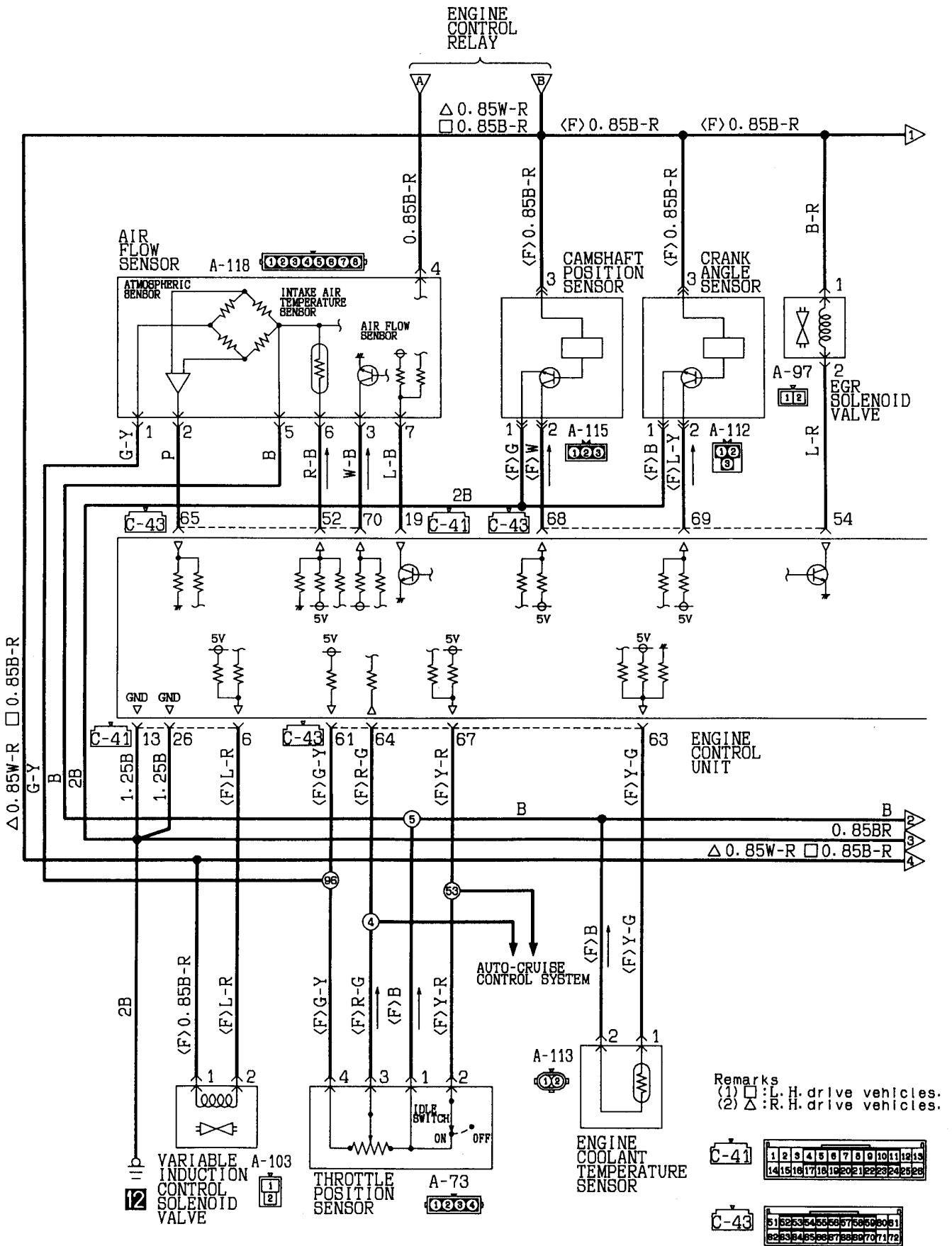
Remarks
 (1) □ : L.H. drive vehicles.
 (2) △ : R.H. drive vehicles.



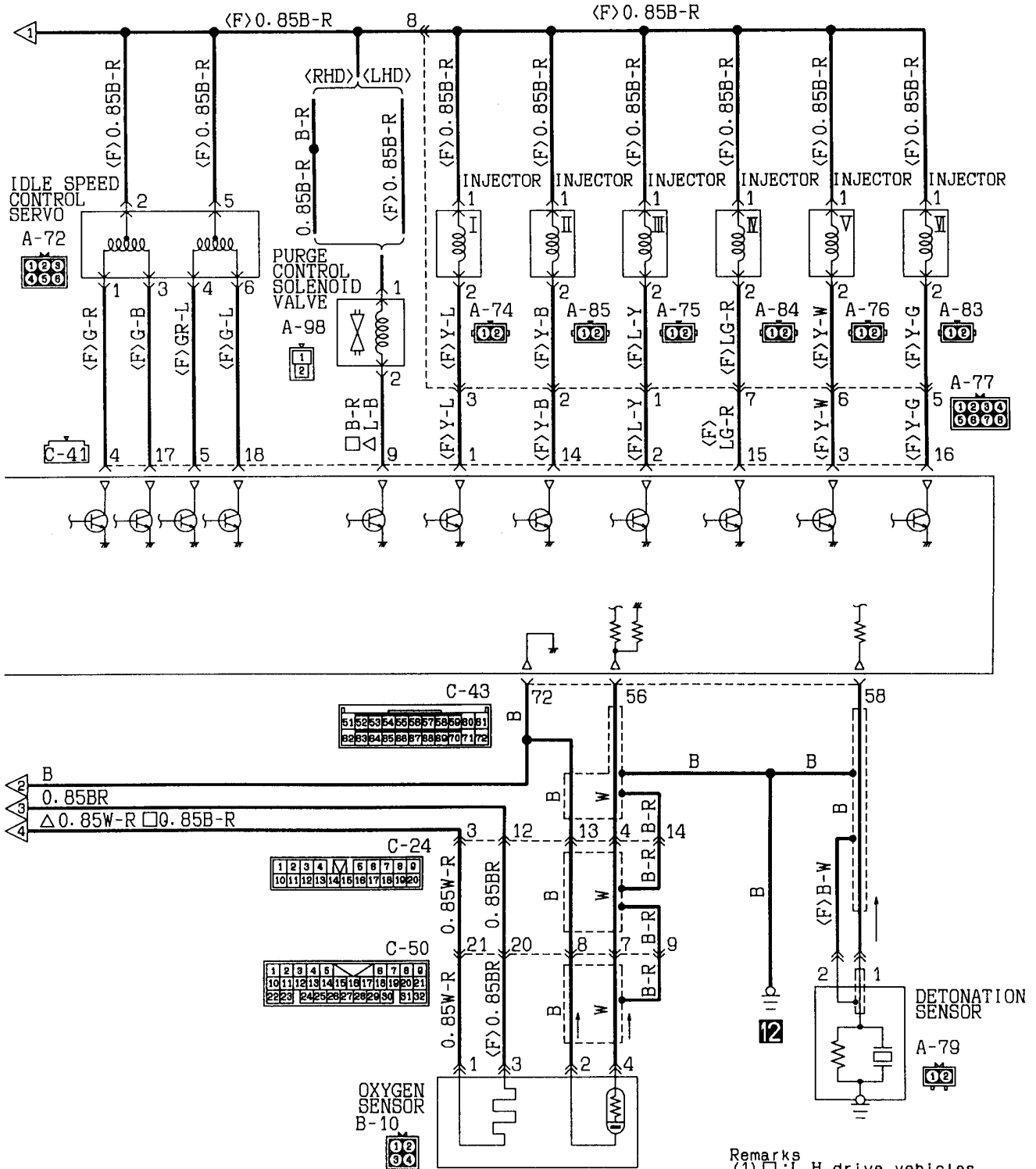
C-77	1 2 3 4 5 6 7 8 9 10 11 12 13 14 15 16 17 18 19 20 21 22	Wire colour code	B:Black	LG:Light green	G:Green	L:Blue	W:White	Y:Yellow	SB:Sky blue
C-78	23 24 25 26 27 28 29 30 31 32 33	BR:Brown	O:Orange	GR:Gray	R:Red	P:Pink	V:Violet		

MPI SYSTEM (6G74 engine-M/T (Vehicles with immobilizer system)) (CONTINUED)



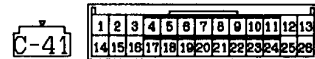


MPI SYSTEM <6G74 engine-M/T (Vehicles with immobilizer system)> (CONTINUED)

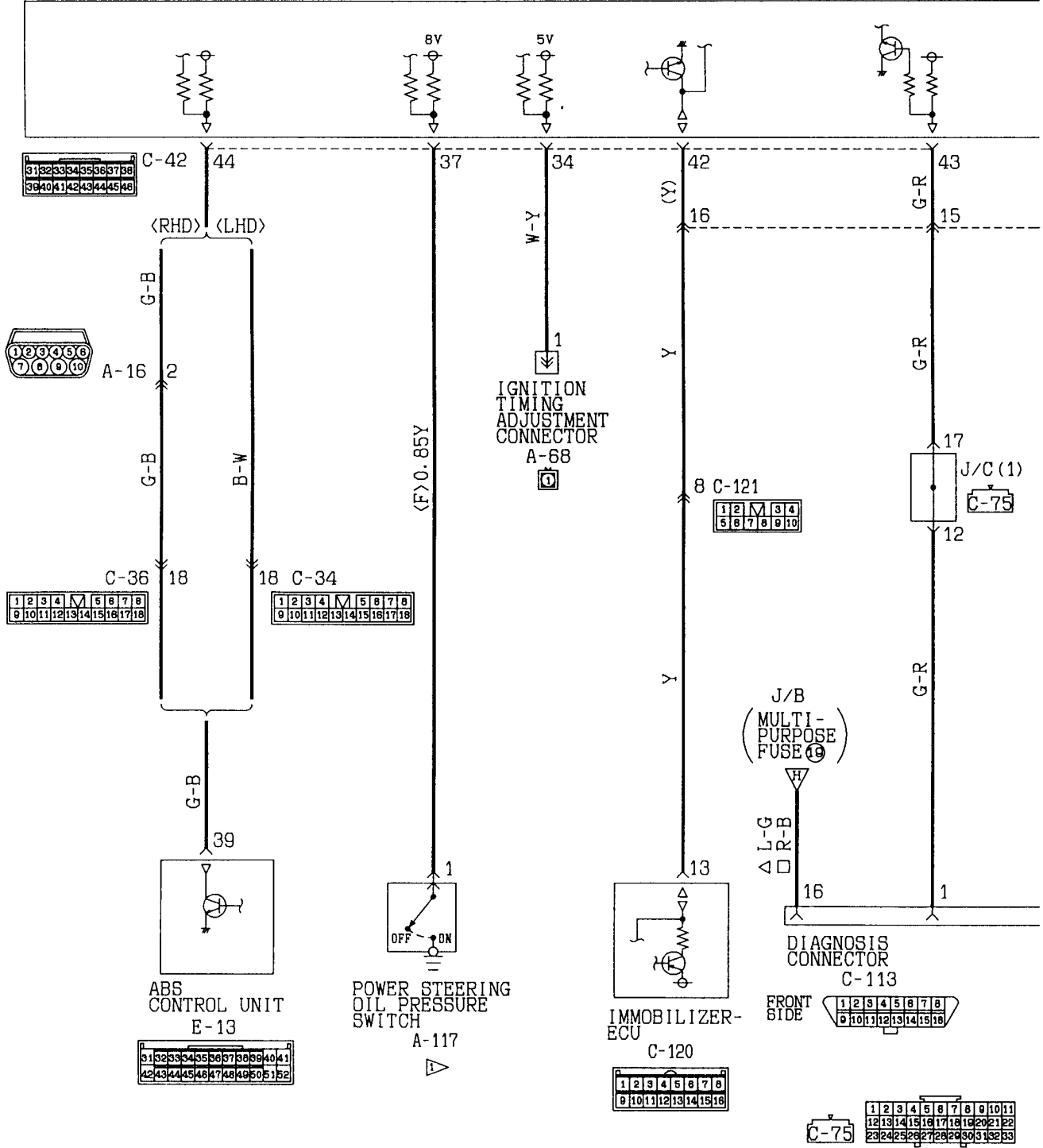


Wire colour code
 B:Black LG:Light green G:Green L:Blue
 BR:Brown O:Orange GR:Gray R:Red
 W:White SB:Sky blue P:Pink Y:Yellow
 V:Violet

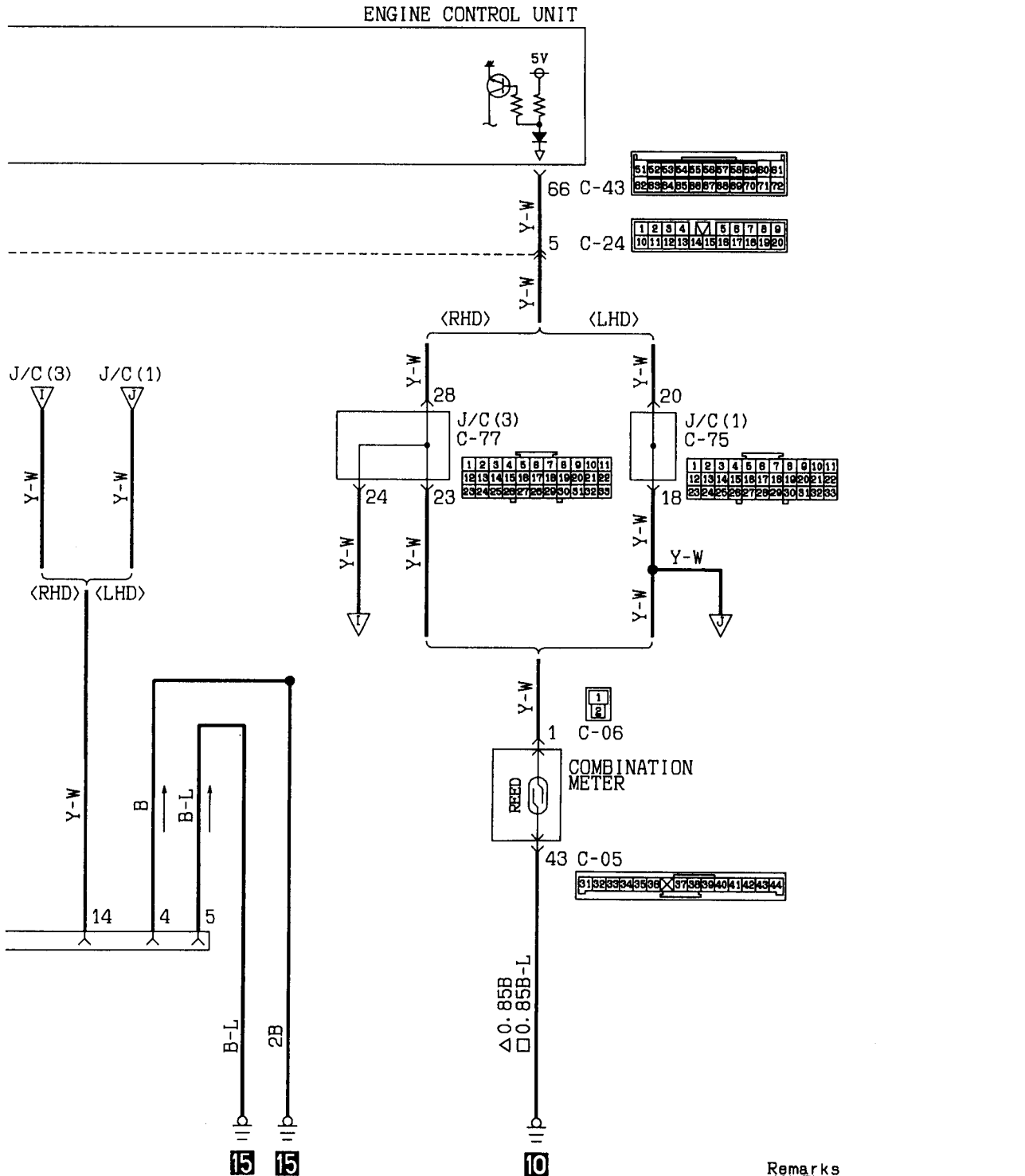
Remarks
 (1) □ : L.H. drive vehicles.
 (2) △ : R.H. drive vehicles.



ENGINE CONTROL UNIT



MPI SYSTEM <6G74 engine-M/T (Vehicles with immobilizer system)> (CONTINUED)



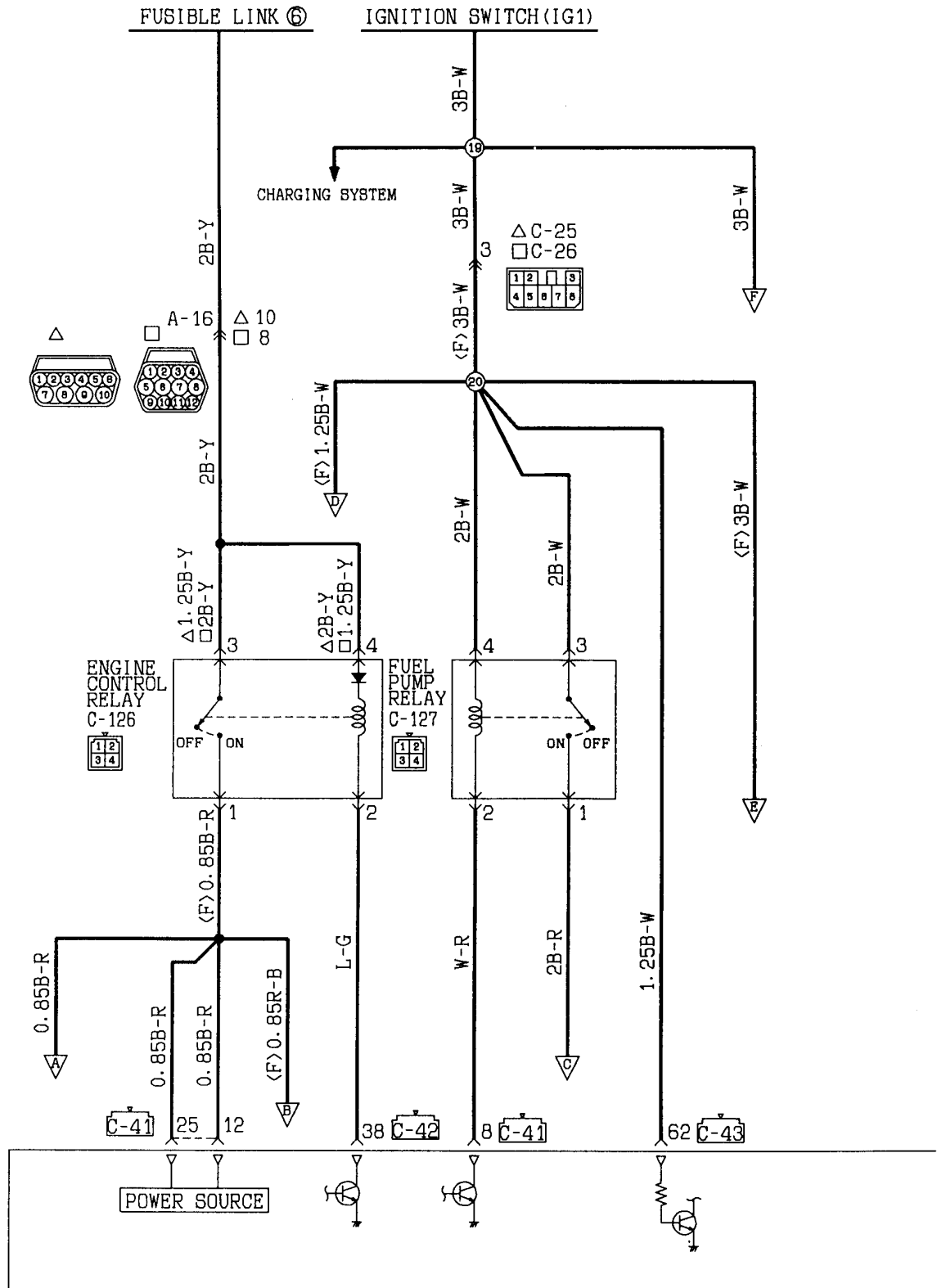
Remarks
 (1) □ : L. H. drive vehicles
 (2) △ : R. H. drive vehicles

Wire colour code
 B:Black LG:Light green G:Green L:Blue W:White Y:Yellow 8B:Sky blue
 BR:Brown O:Orange GR:Gray R:Red P:Pink V:Violet

NOTES

MPI SYSTEM

6G74 engine-A/T (Vehicles without immobilizer system)



C-42

31	32	33	34	35	36	37	38
39	40	41	42	43	44	45	46

C-41

1	2	3	4	5	6	7	8	9	10	11	12	13
14	15	16	17	18	19	20	21	22	23	24	25	26

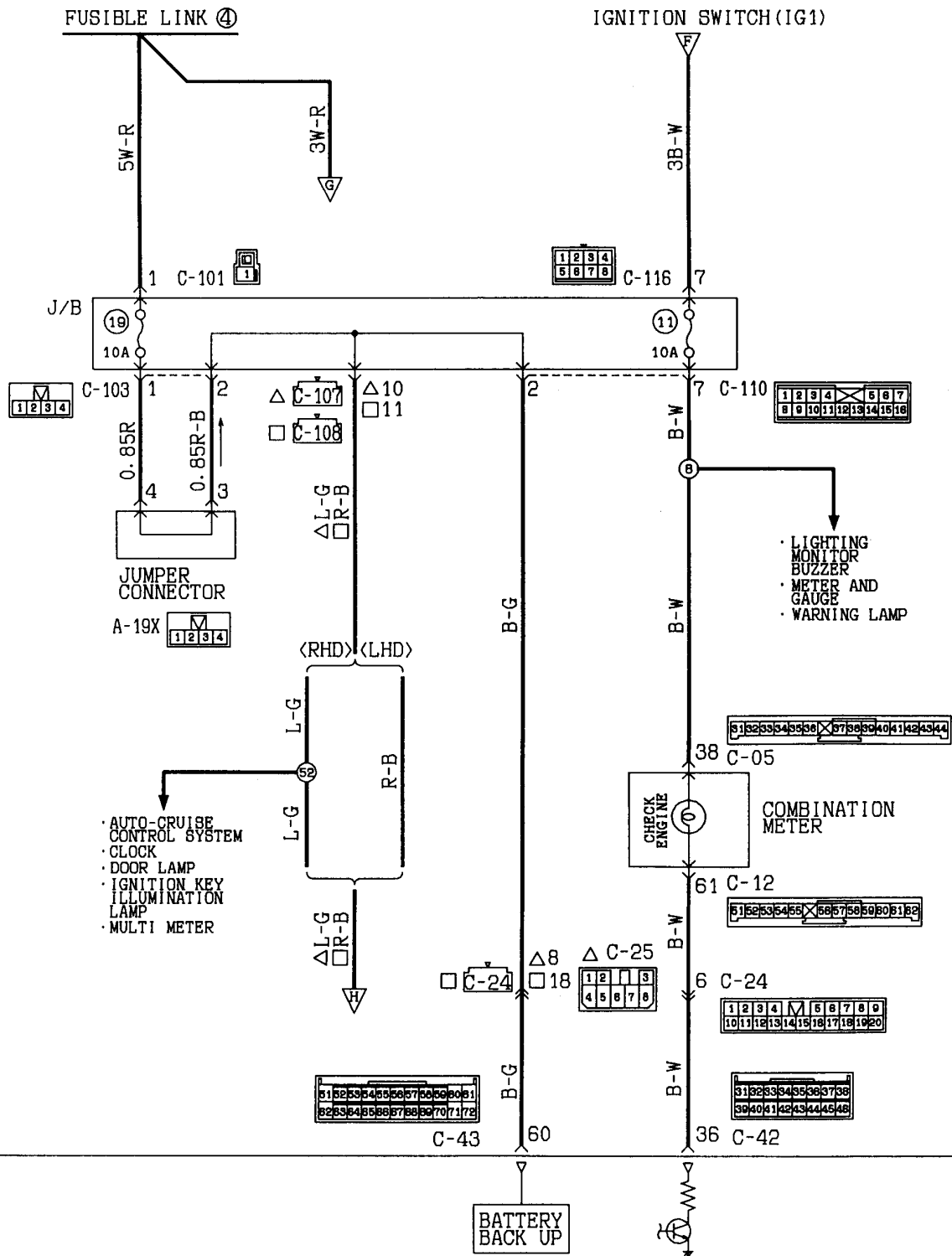
C-43

51	52	53	54	55	56	57	58	59	60	61
62	63	64	65	66	67	68	69	70	71	72

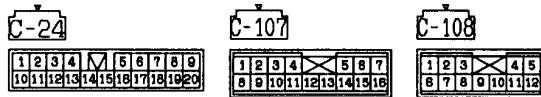
ENGINE CONTROL UNIT

Remarks
 (1) □ : L. H. drive vehicles.
 (2) △ : R. H. drive vehicles.

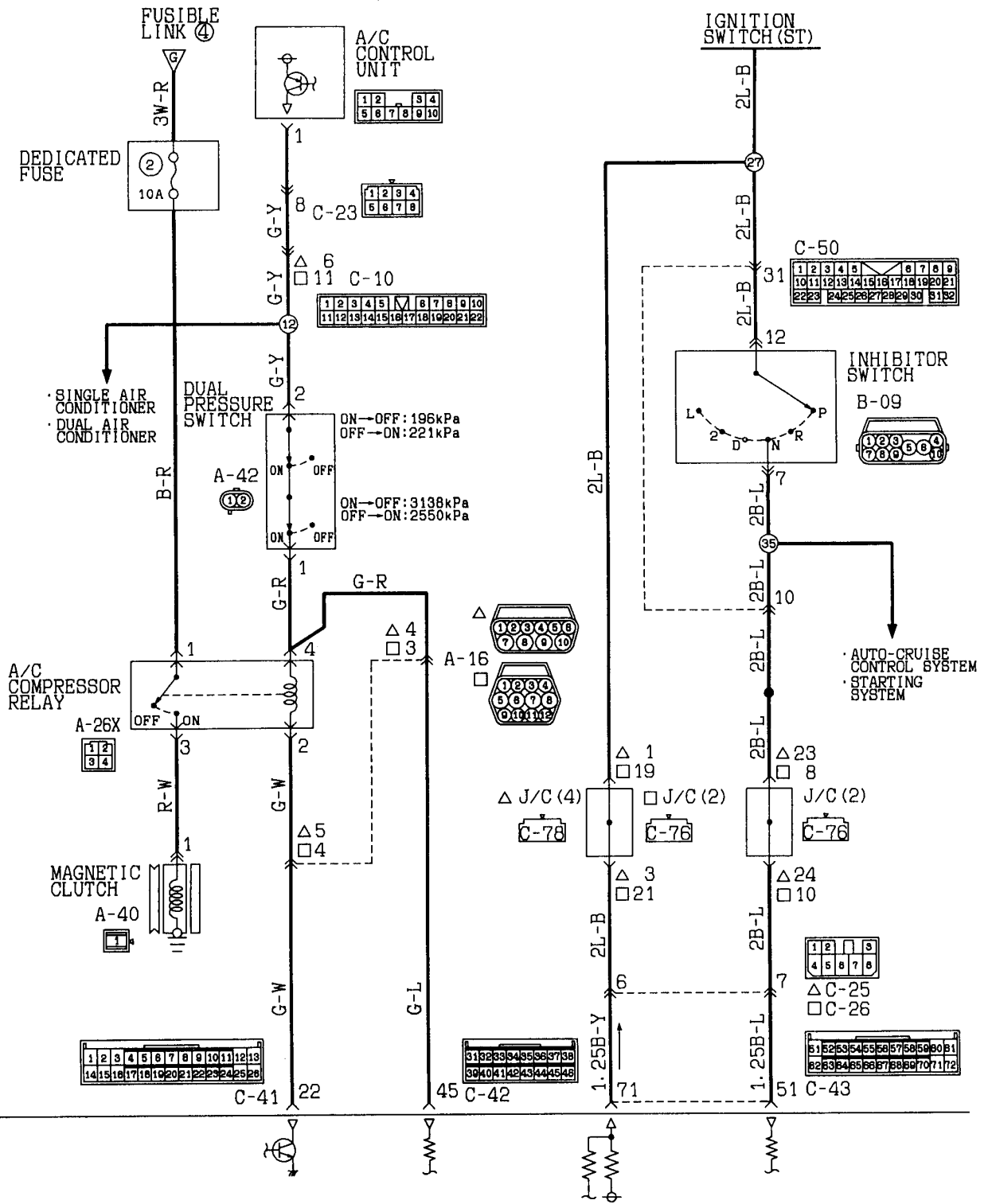
MPI SYSTEM (6G74 engine-A/T (Vehicles without immobilizer system)) (CONTINUED)



ENGINE CONTROL UNIT

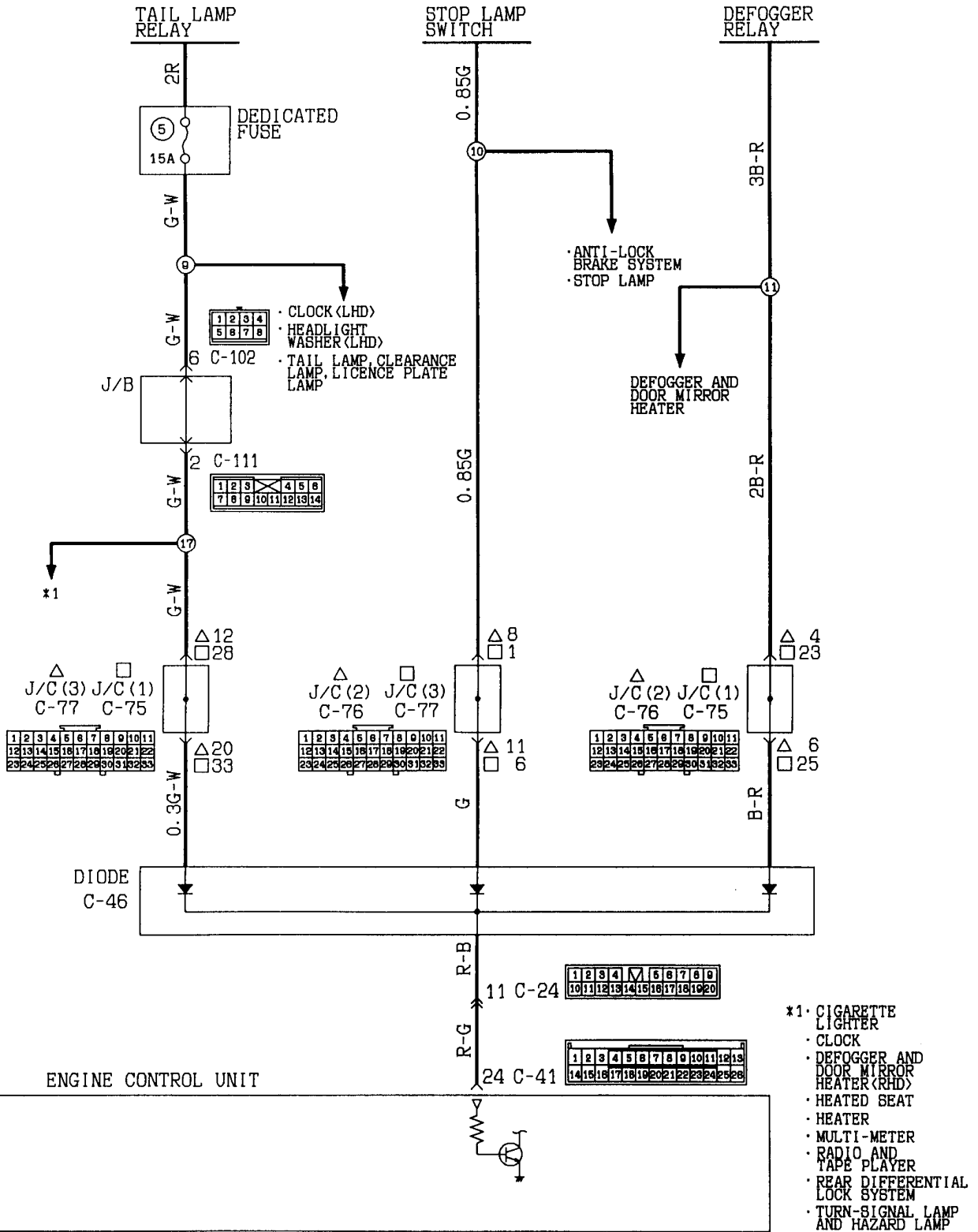


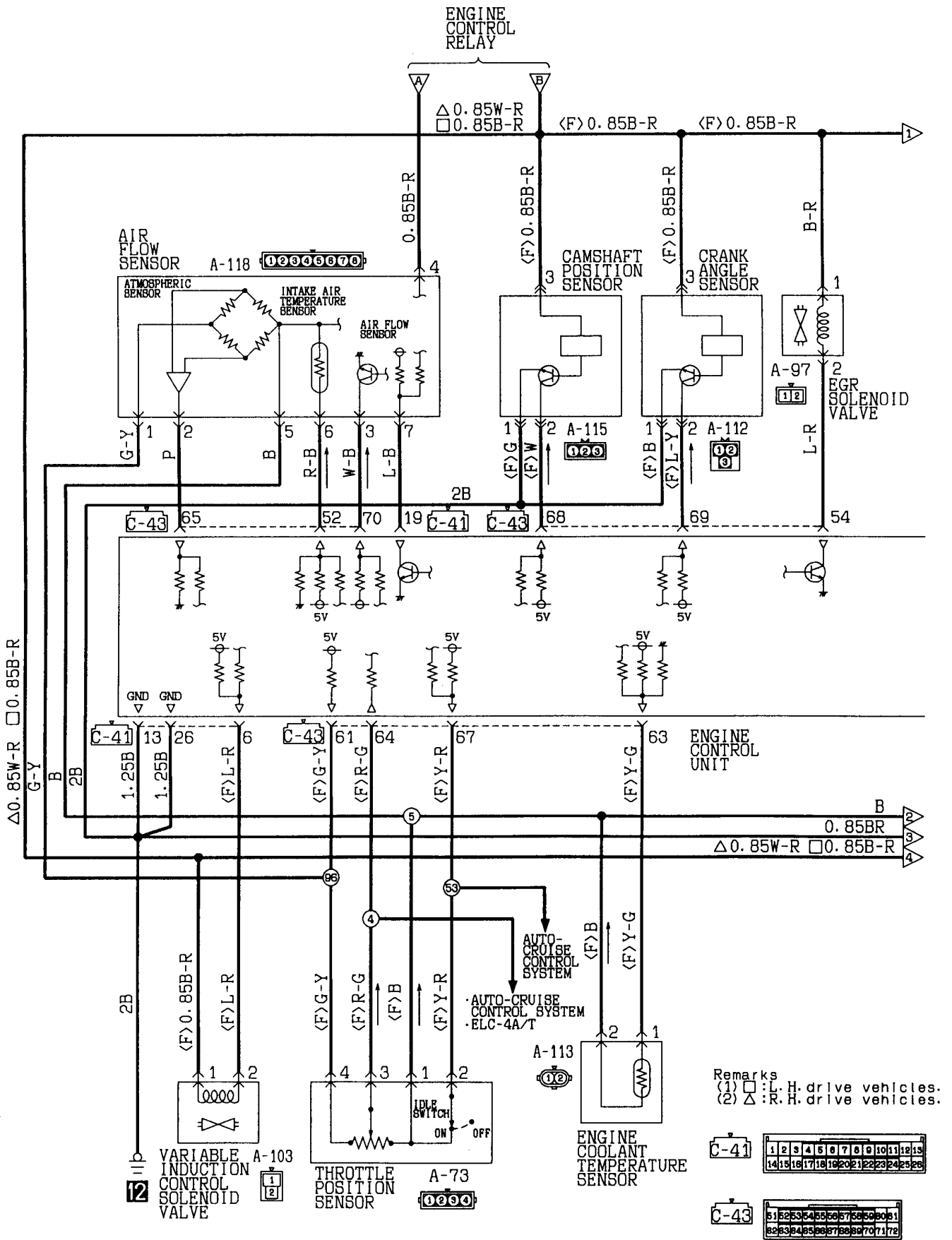
Remarks
 (1) □ : L. H. drive vehicles.
 (2) △ : R. H. drive vehicles.



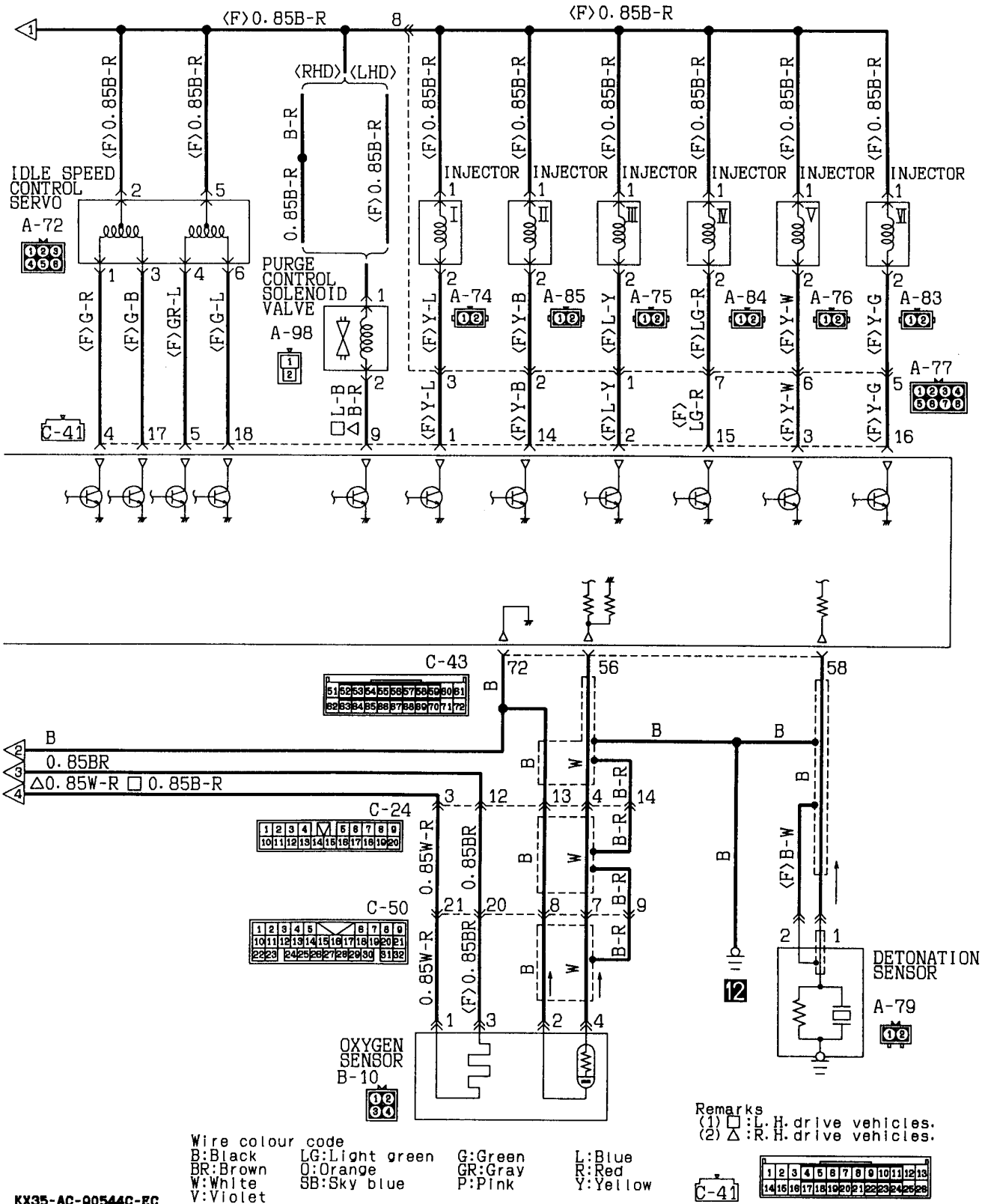
C-76	1 2 3 4 5 6 7 8 9 10 11	Wire colour code	B:Black	LG:Light green	G:Green	L:Blue	W:White	Y:Yellow	SB:Sky blue
C-78	12 13 14 15 16 17 18 19 20 21 22		BR:Brown	O:Orange	GR:Gray	R:Red	P:Pink	V:Violet	
	23 24 25 26 27 28 29 30 31 32 33								
	34 35 36 37 38								
	39 40 41 42 43 44 45 46								
	47 48 49 50 51 52 53 54 55 56 57 58 59 60 61								
	62 63 64 65 66 67 68 69 70 71 72								

MPI SYSTEM <6G74 engine-A/T (Vehicles without immobilizer system)> (CONTINUED)

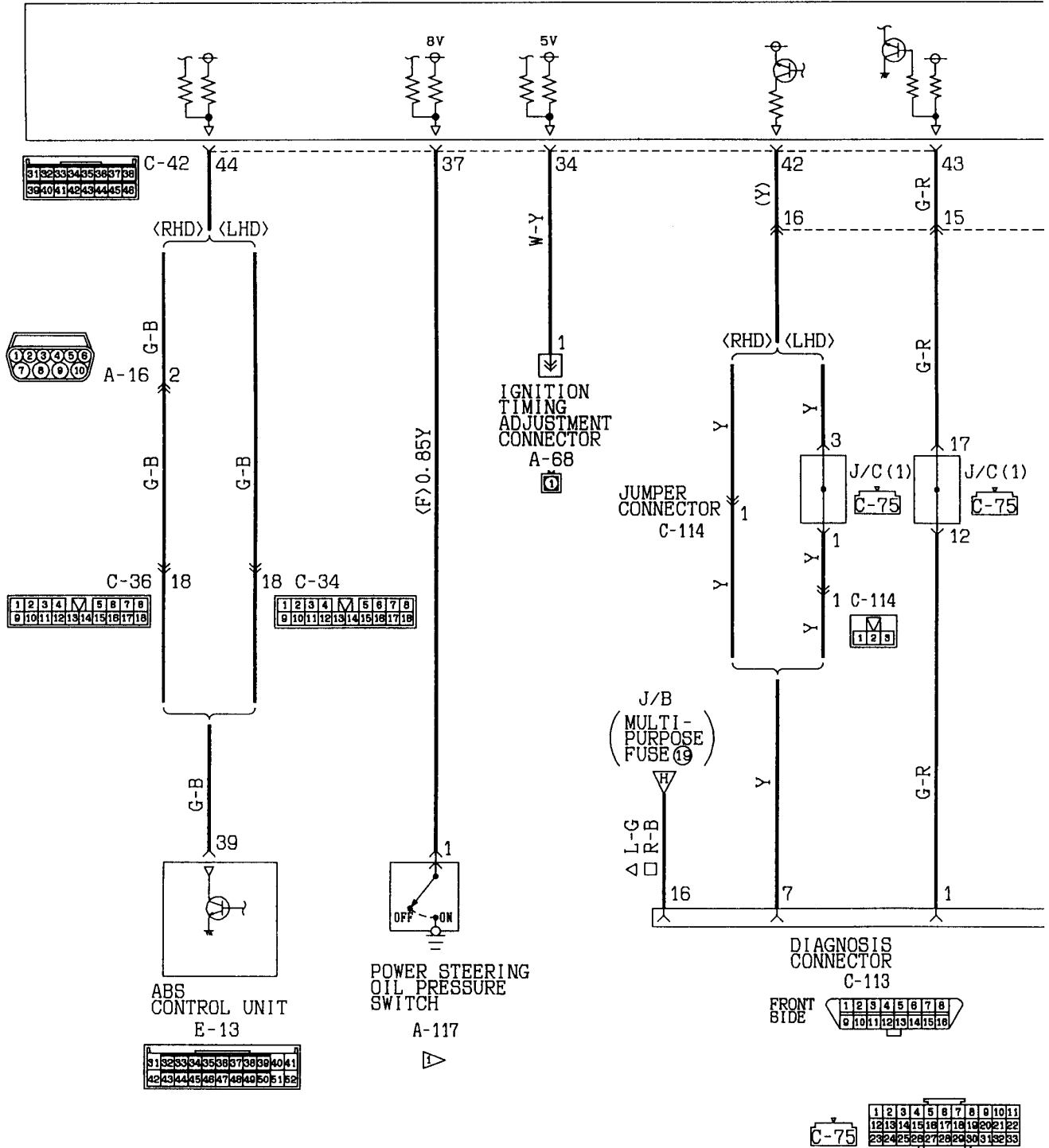




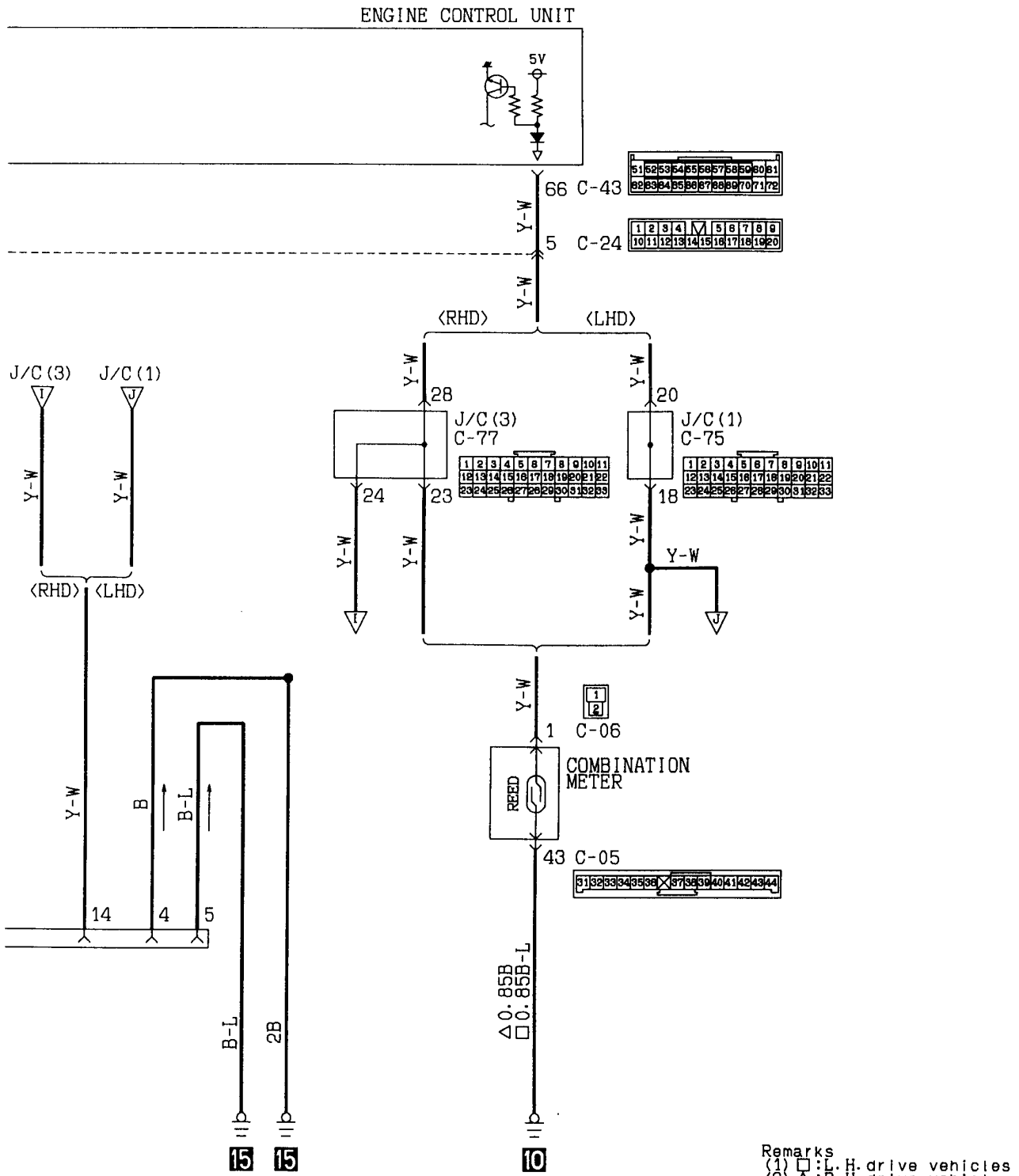
MPI SYSTEM <6G74 engine-A/T (Vehicles without immobilizer system) > (CONTINUED)



ENGINE CONTROL UNIT



MPI SYSTEM <6G74 engine-A/T (Vehicles without immobilizer system)> (CONTINUED)



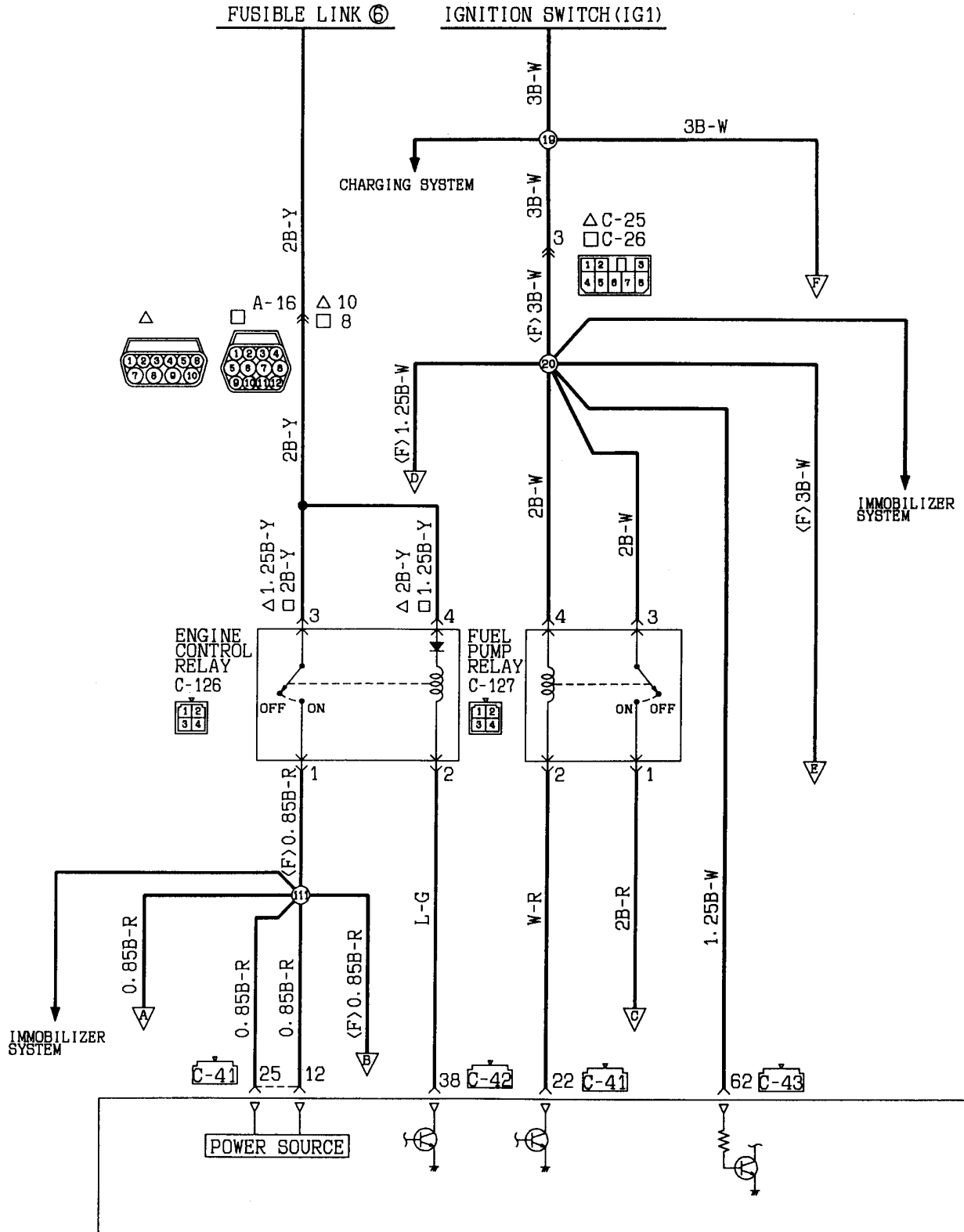
Remarks
 (1) □ : L. H. drive vehicles
 (2) △ : R. H. drive vehicles

Wire colour code
 B:Black LG:Light green G:Green L:Blue W:White Y:Yellow SB:Sky blue
 BR:Brown O:Orange GR:Gray R:Red P:Pink V:Violet

NOTES

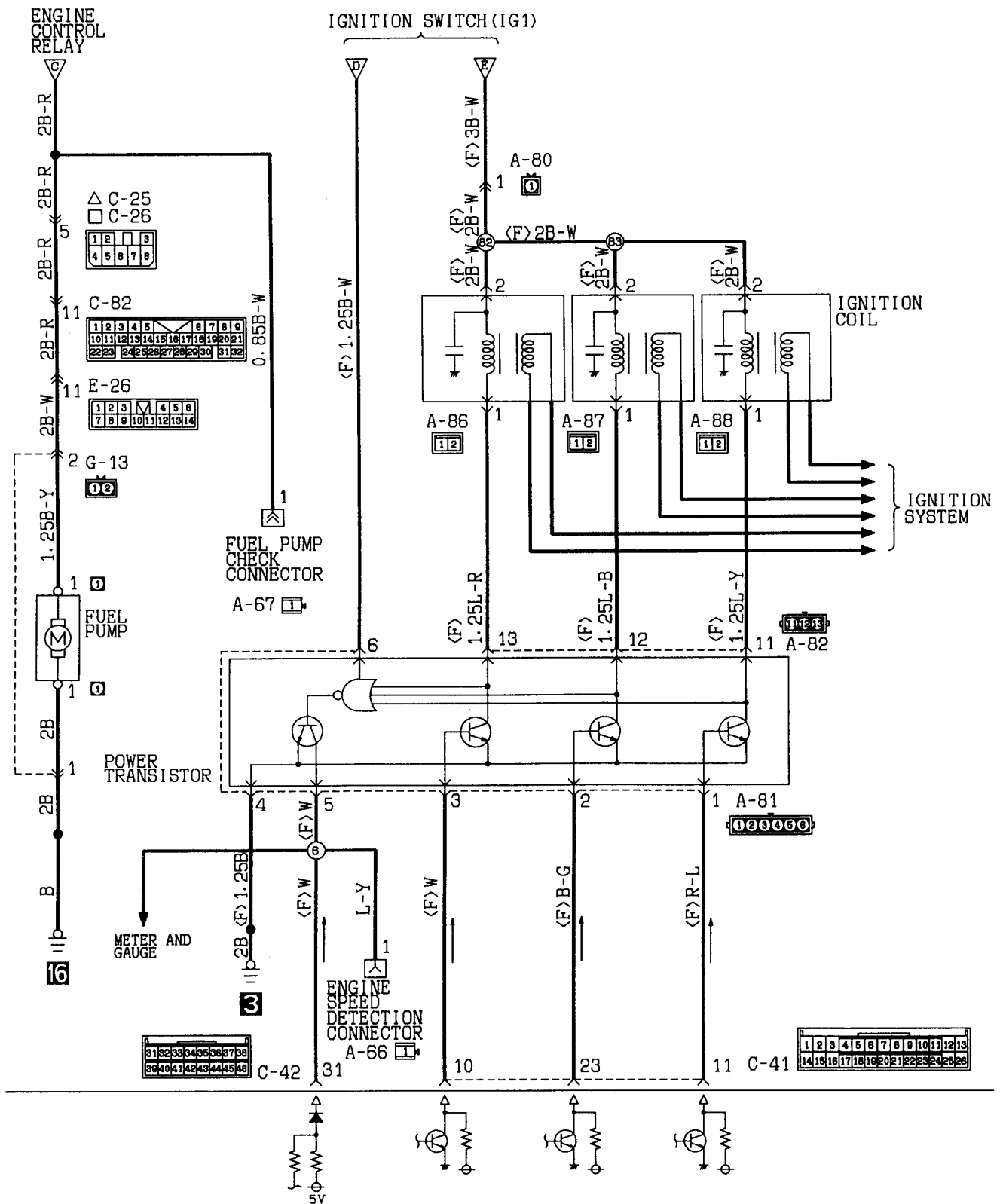
MPI SYSTEM

6G74 engine-A/T<Vehicles with immobilizer system>



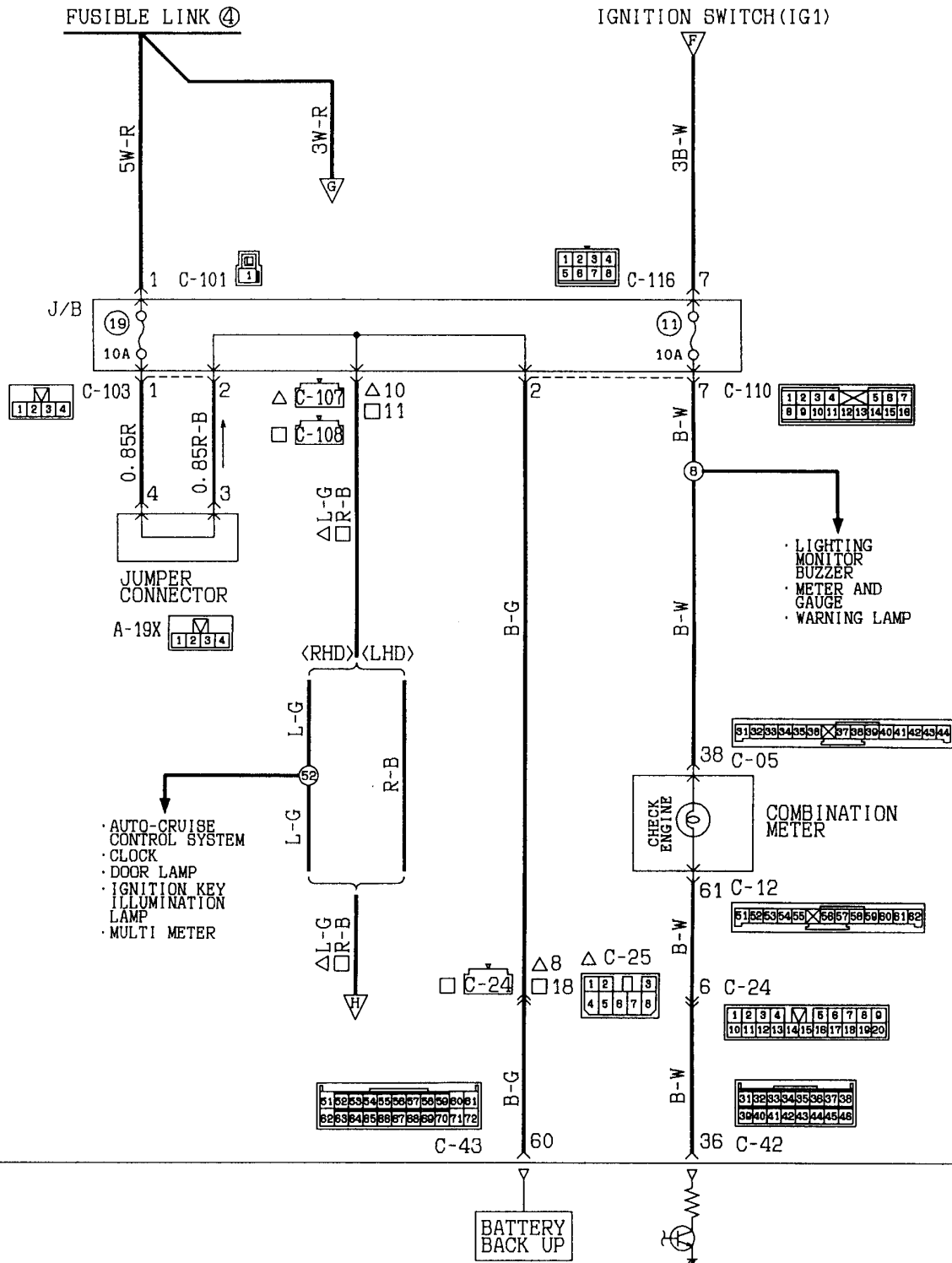
ENGINE CONTROL UNIT

Remarks
 (1) □ : L. H. drive vehicles.
 (2) △ : R. H. drive vehicles.

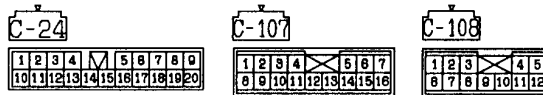


Wire colour code
 B:Black LG:Light green G:Green L:Blue W:White Y:Yellow SB:Sky blue
 BR:Brown O:Orange GR:Gray R:Red P:Pink V:Violet

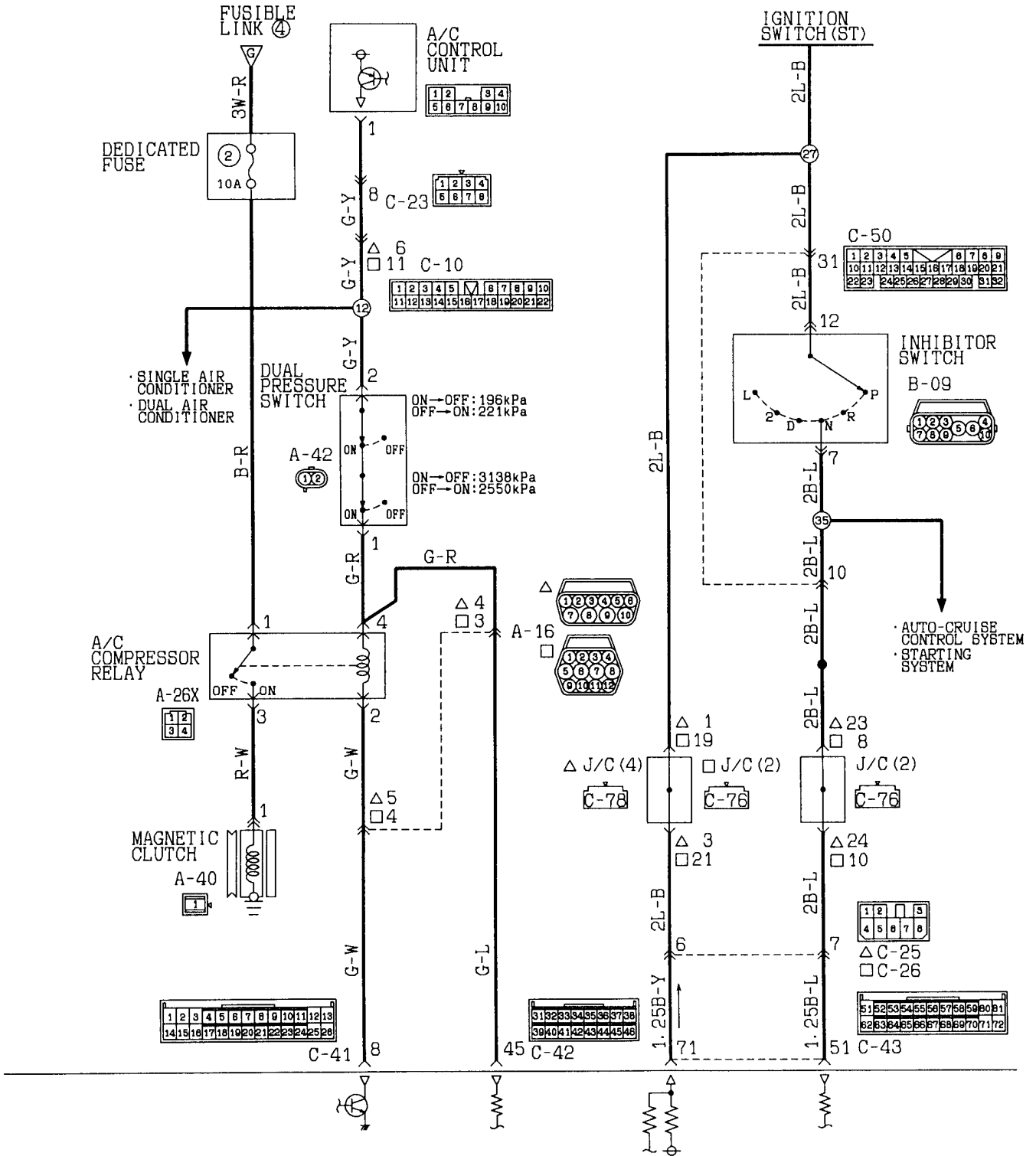
MPI SYSTEM <6G74 engine-A/T (Vehicles with immobilizer system)> (CONTINUED)



ENGINE CONTROL UNIT

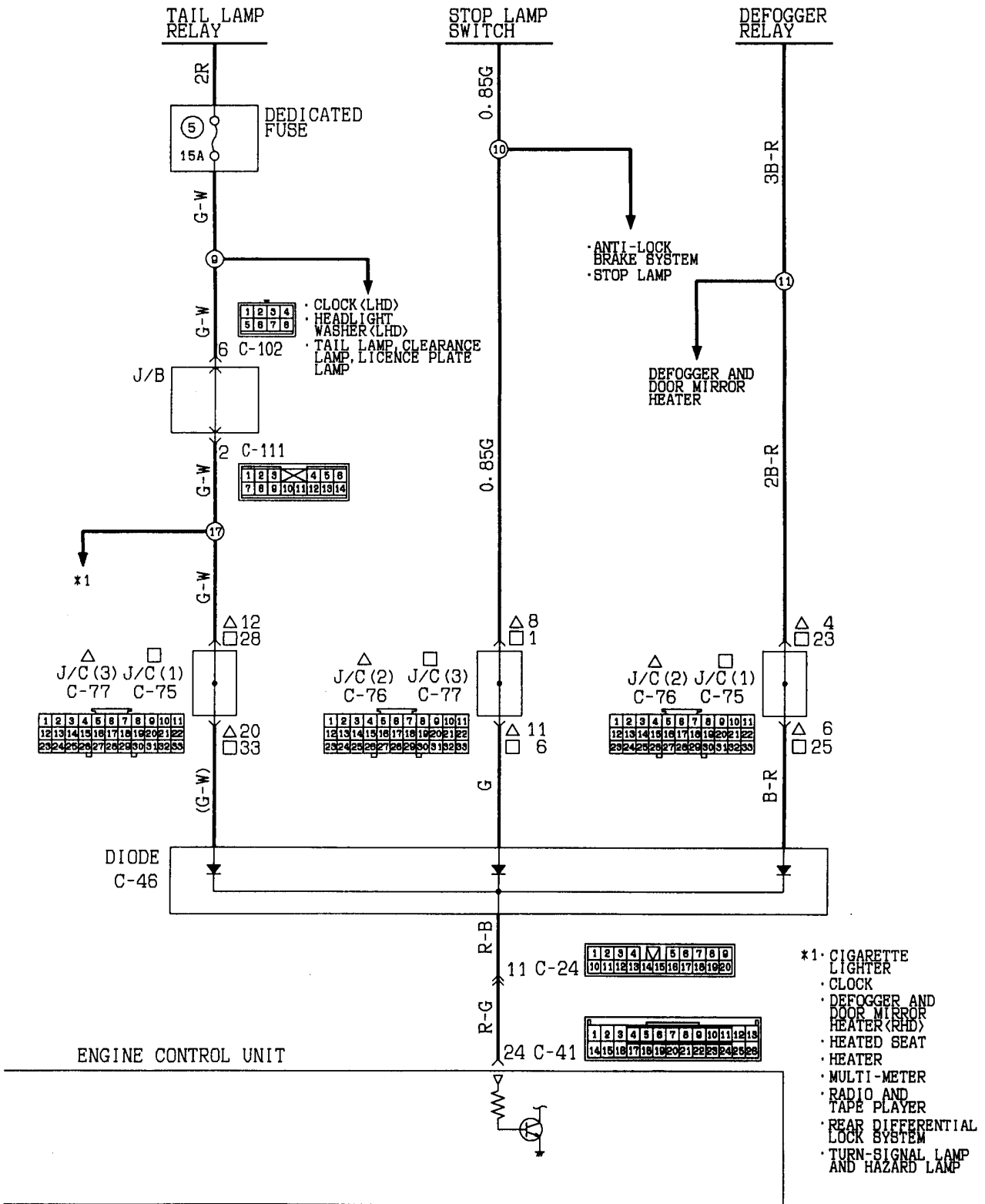


Remarks
 (1) □ : L. H. drive vehicles.
 (2) △ : R. H. drive vehicles.

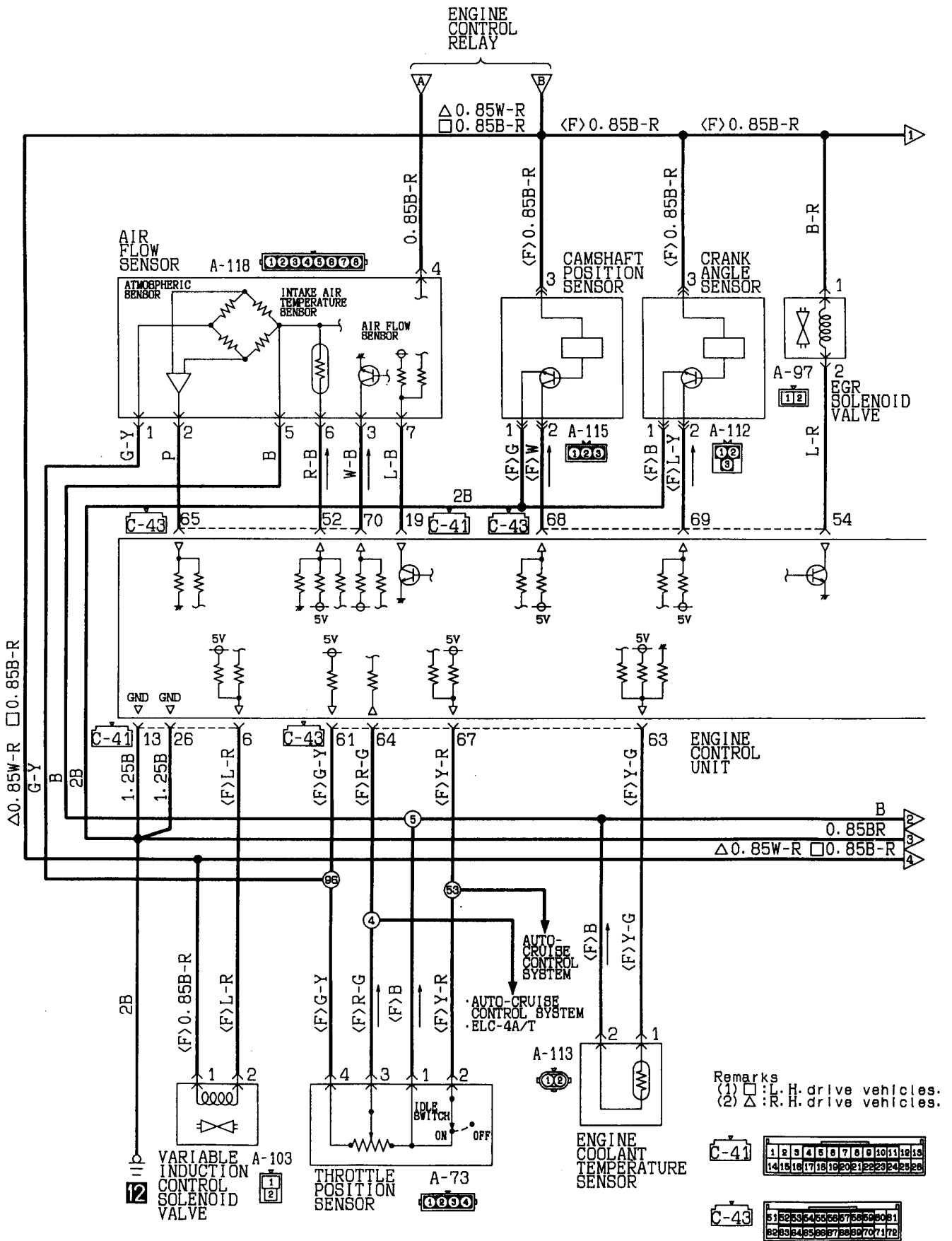


Wire colour code
 B:Black LG:Light green G:Green L:Blue W:White Y:Yellow SB:Sky blue
 BR:Brown O:Orange GR:Gray R:Red P:Pink V:Violet

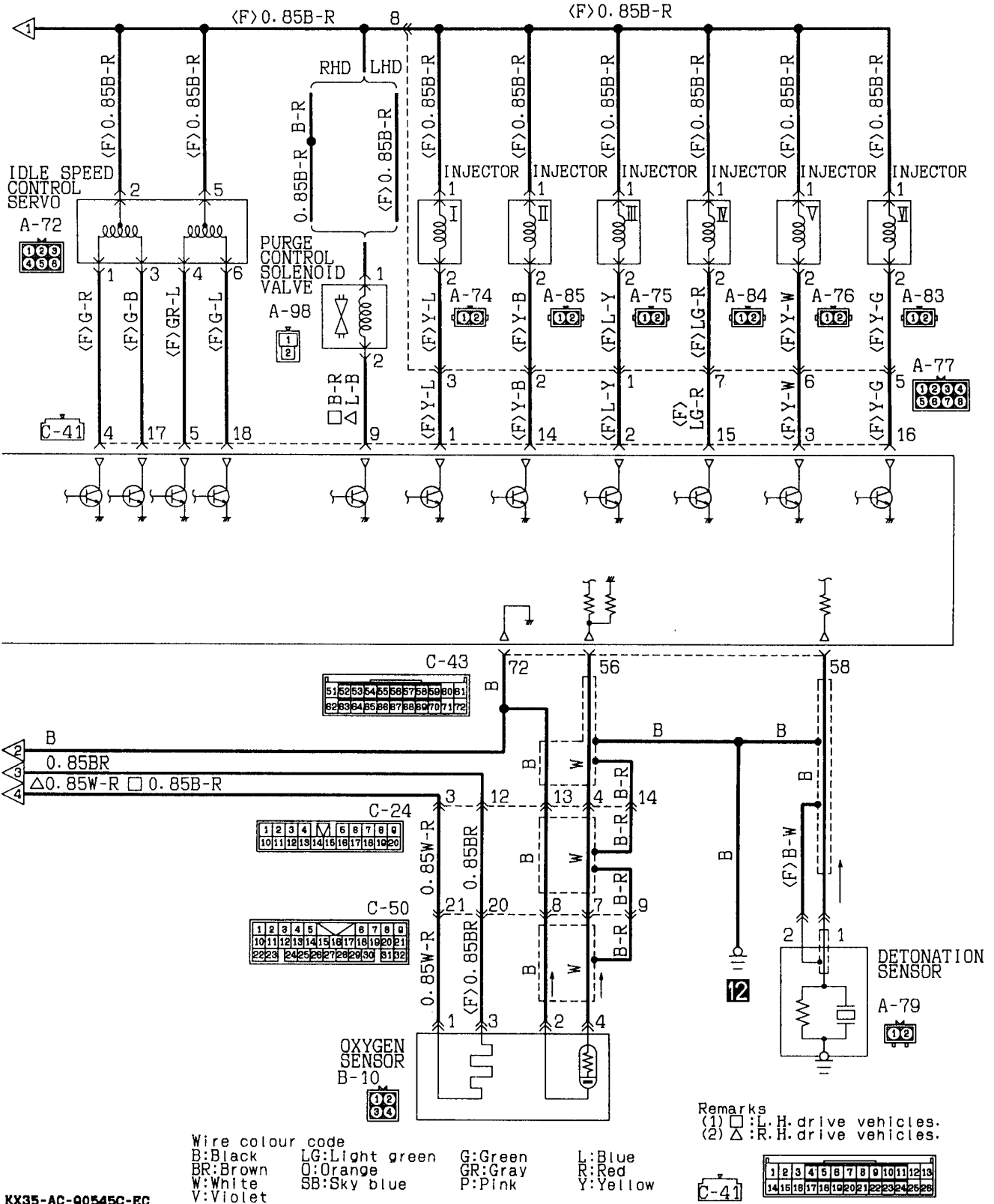
MPI SYSTEM (6G74 engine-A/T (Vehicles with immobilizer system)) (CONTINUED)



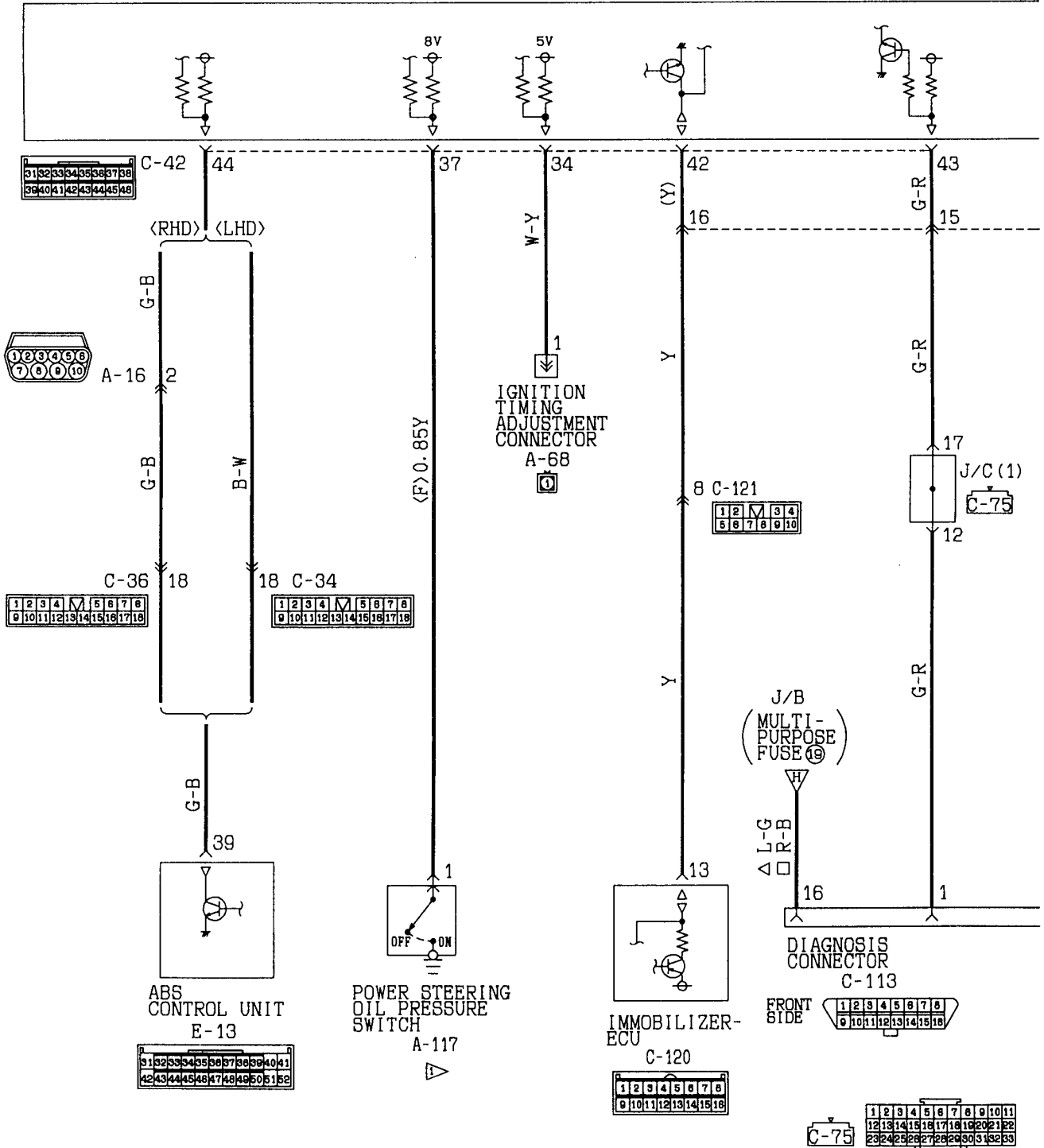
Wire colour code
 B:Black LG:Light green G:Green L:Blue W:White Y:Yellow SB:Sky blue
 BR:Brown O:Orange GR:Gray R:Red P:Pink V:Violet



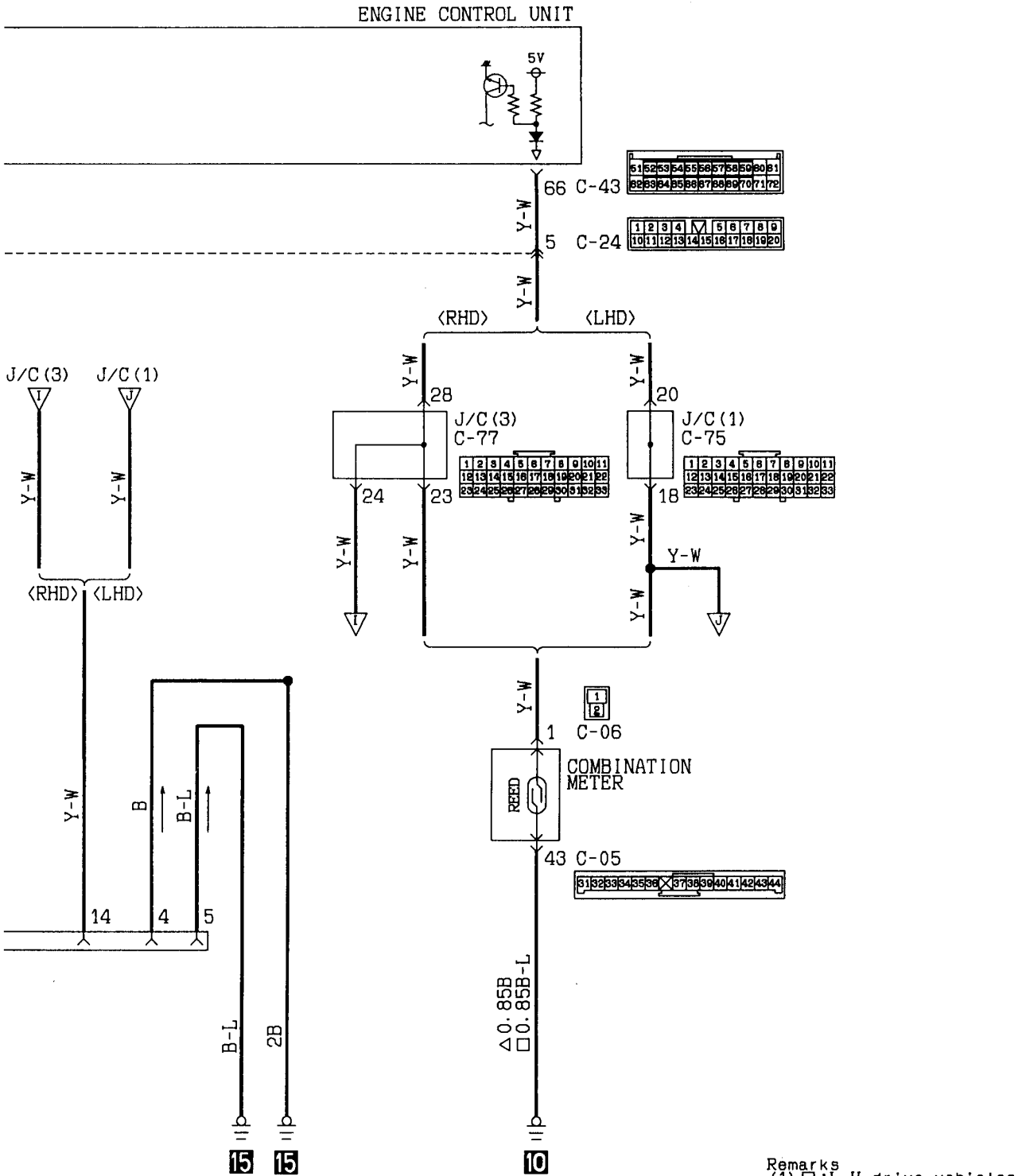
MPI SYSTEM<6G74 engine-A/T (Vehicles with immobilizer system)> (CONTINUED)



ENGINE CONTROL UNIT



MPI SYSTEM (6G74 engine-A/T (Vehicles with immobilizer system)) (CONTINUED)

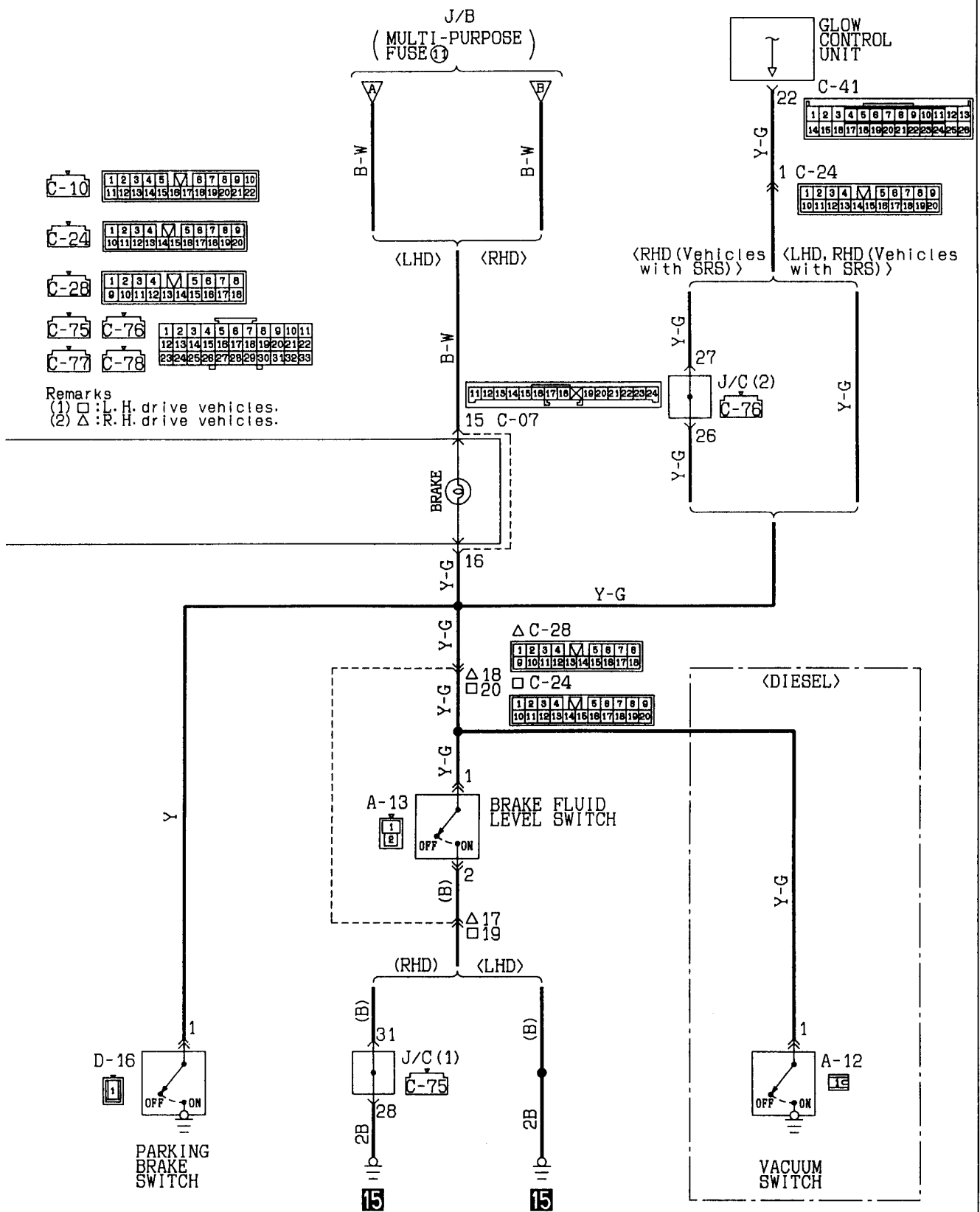


Wire colour code
 B:Black LG:Light green G:Green L:Blue W:White Y:Yellow SB:Sky blue
 BR:Brown O:Orange GR:Gray R:Red P:Pink V:Violet

Remarks
 (1) □ : L. H. drive vehicles
 (2) Δ : R. H. drive vehicles

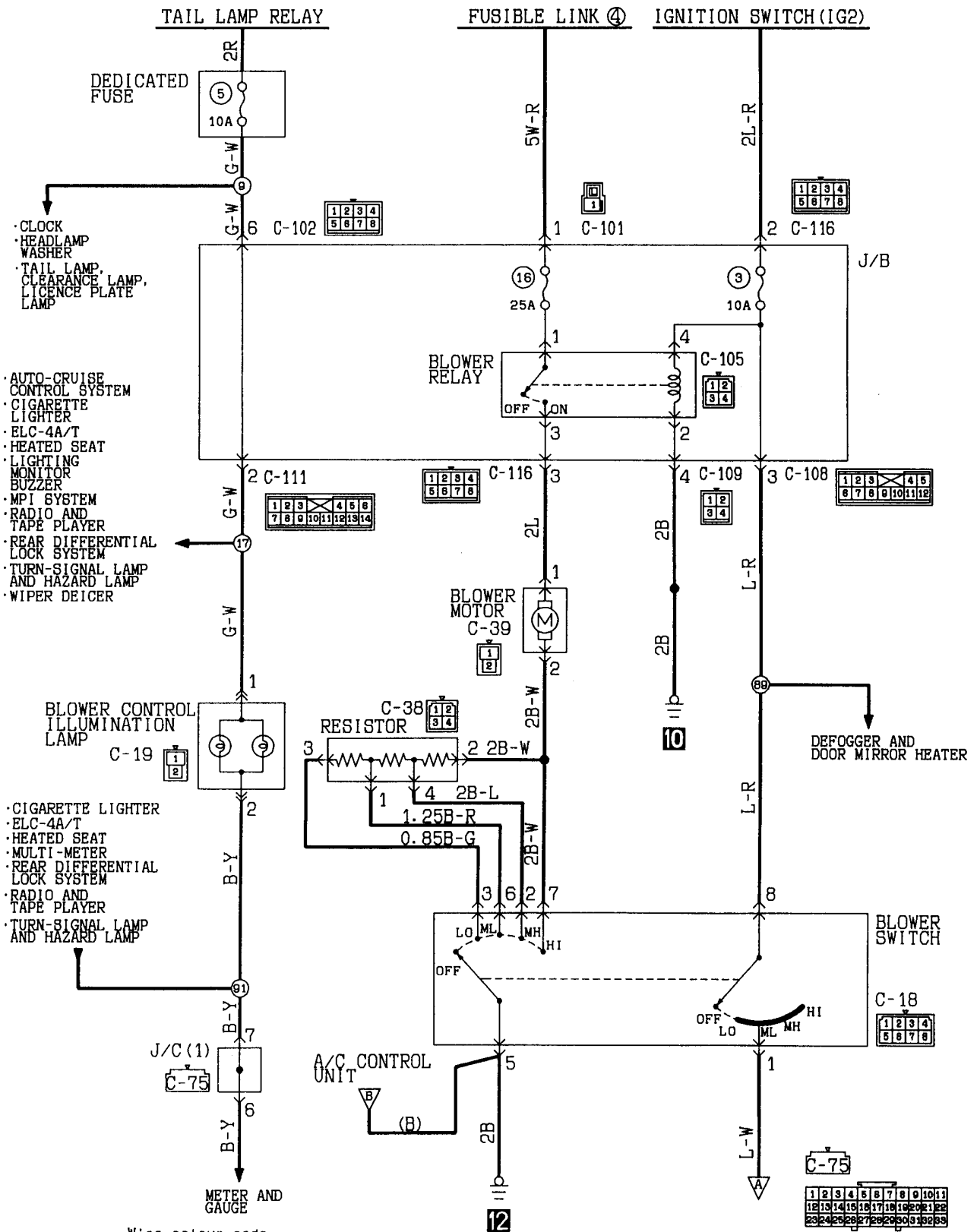
NOTES

BRAKE WARNING LAMP



SINGLE AIR CONDITIONER

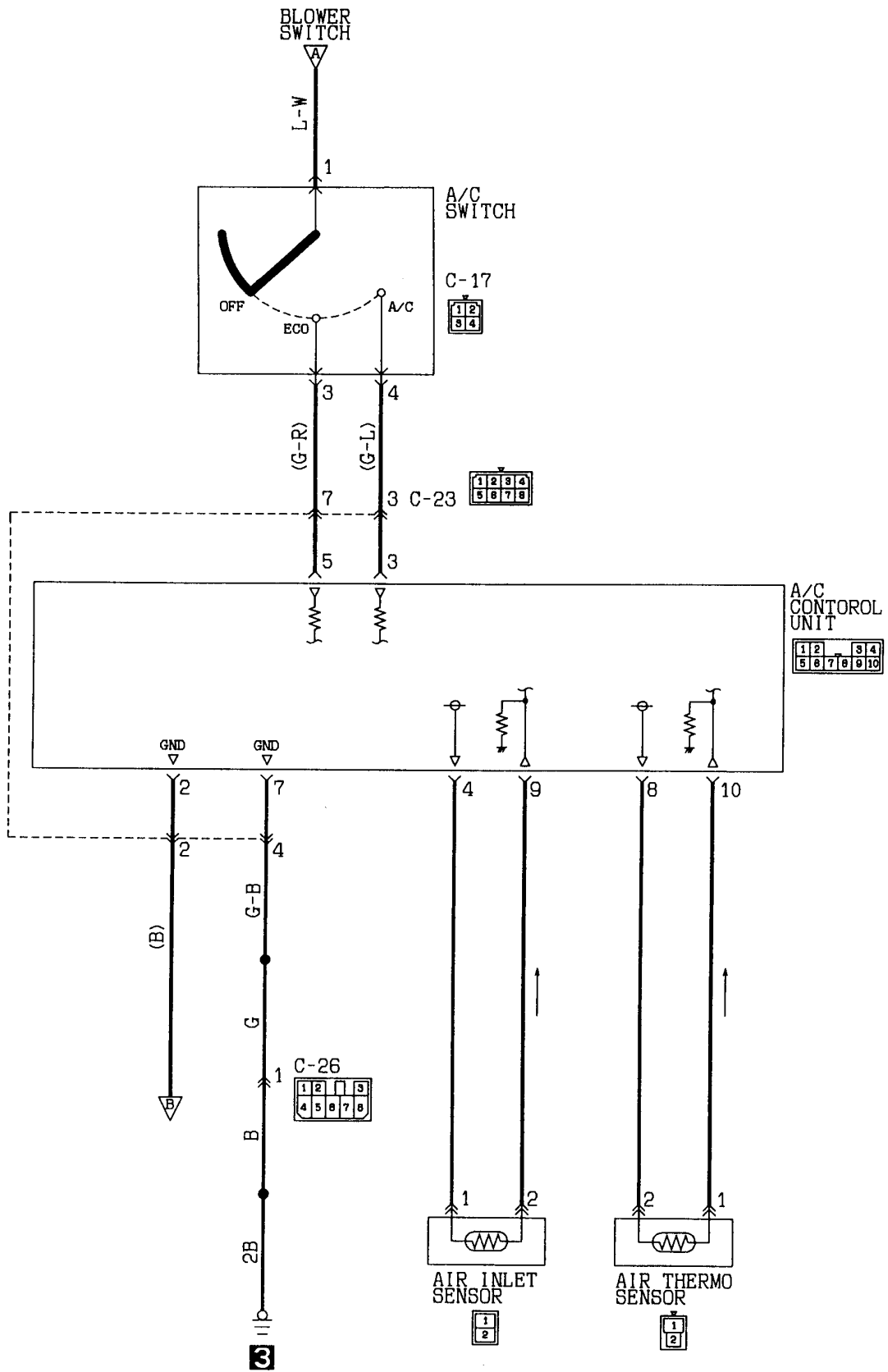
L. H. drive vehicles <Petrol-powered vehicles>



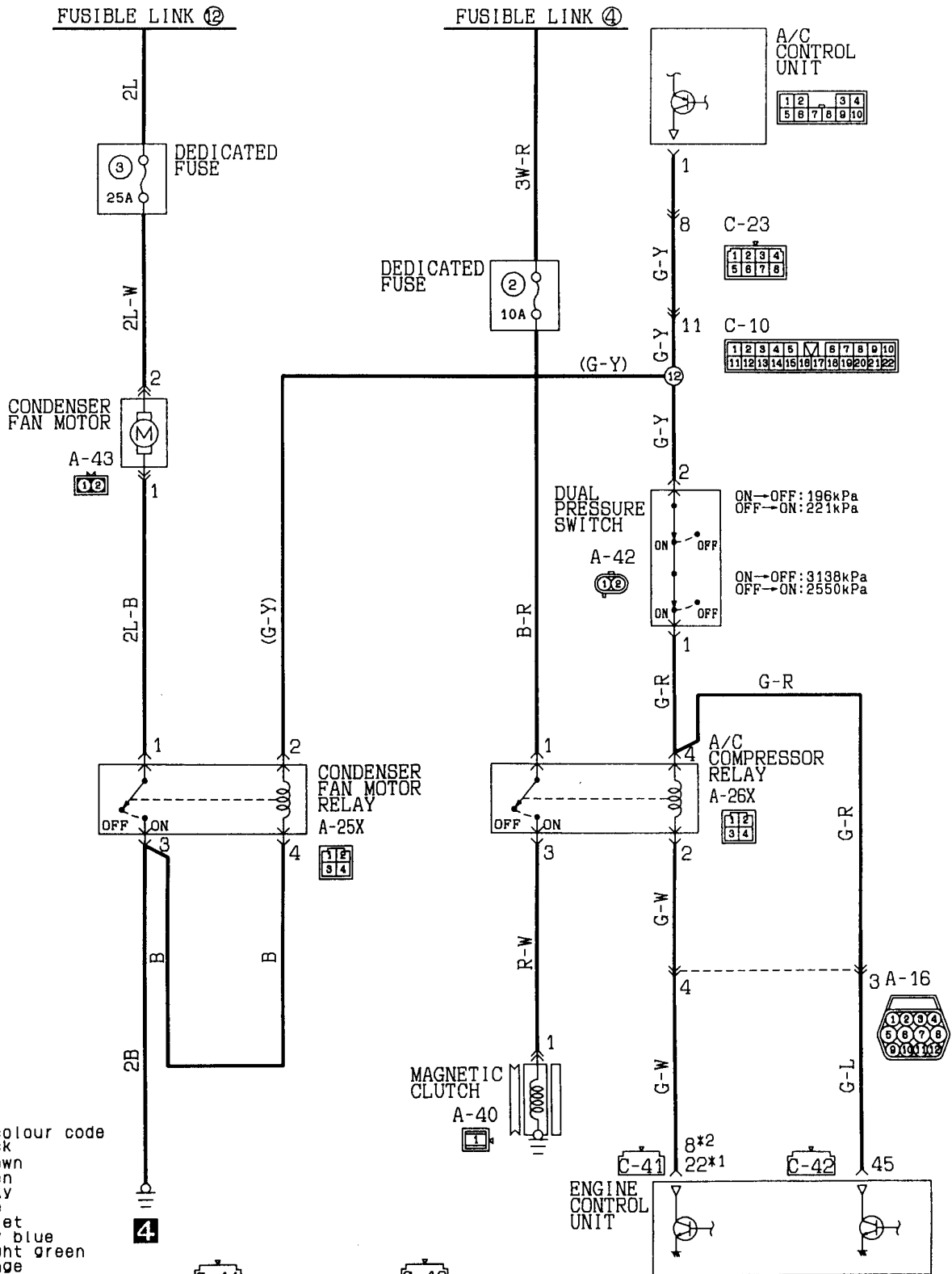
- CLOCK
- HEADLAMP WASHER
- TAIL LAMP, CLEARANCE LAMP, LICENCE PLATE LAMP
- AUTO-CRUISE CONTROL SYSTEM
- CIGARETTE LIGHTER
- ELC-4A/T
- HEATED SEAT
- LIGHTING MONITOR BUZZER
- MPI SYSTEM
- RADIO AND TAPE PLAYER
- REAR DIFFERENTIAL LOCK SYSTEM
- TURN-SIGNAL LAMP AND HAZARD LAMP
- WIPER DEICER

- CIGARETTE LIGHTER
- ELC-4A/T
- HEATED SEAT
- MULTI-METER
- REAR DIFFERENTIAL LOCK SYSTEM
- RADIO AND TAPE PLAYER
- TURN-SIGNAL LAMP AND HAZARD LAMP

Wire colour code
 B:Black LG:Light green G:Green L:Blue W:White Y:Yellow BB:Sky blue
 BR:Brown O:Orange GR:Gray R:Red P:Pink V:Violet

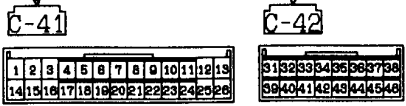


SINGLE AIR CONDITIONER
 (L.H. drive vehicles (Petrol-powered vehicles)) (CONTINUED)



Wire colour code
 B:Black
 BR:Brown
 G:Green
 GR:Gray
 L:Blue
 V:Violet
 SB:Sky blue
 LG:Light green
 O:Orange
 P:Pink
 R:Red
 Y:Yellow
 W:White

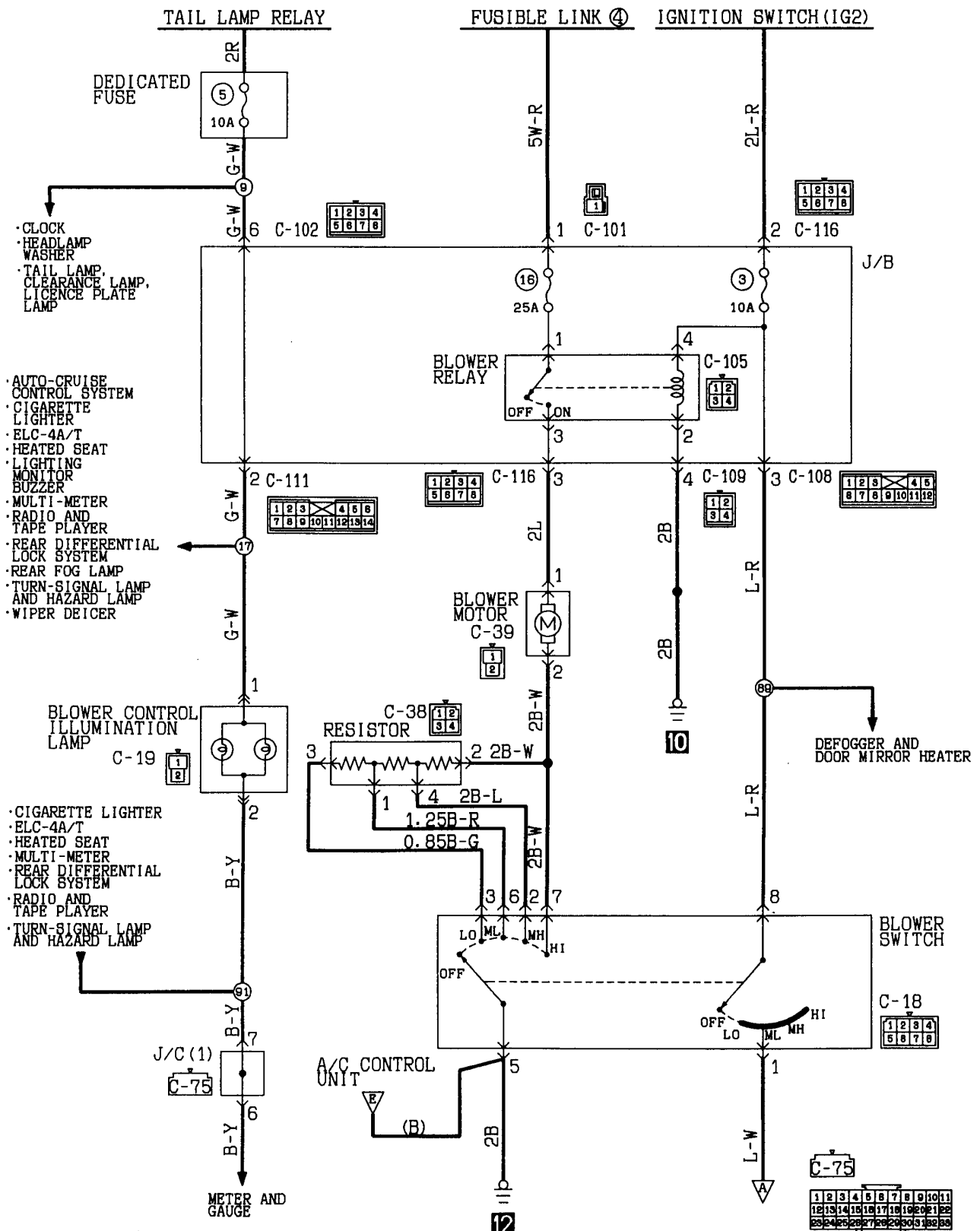
KX35-AC-01253A-EC



Remarks
 (1)*1: Vehicles without immobilizer system
 (2)*2: Vehicles with immobilizer system

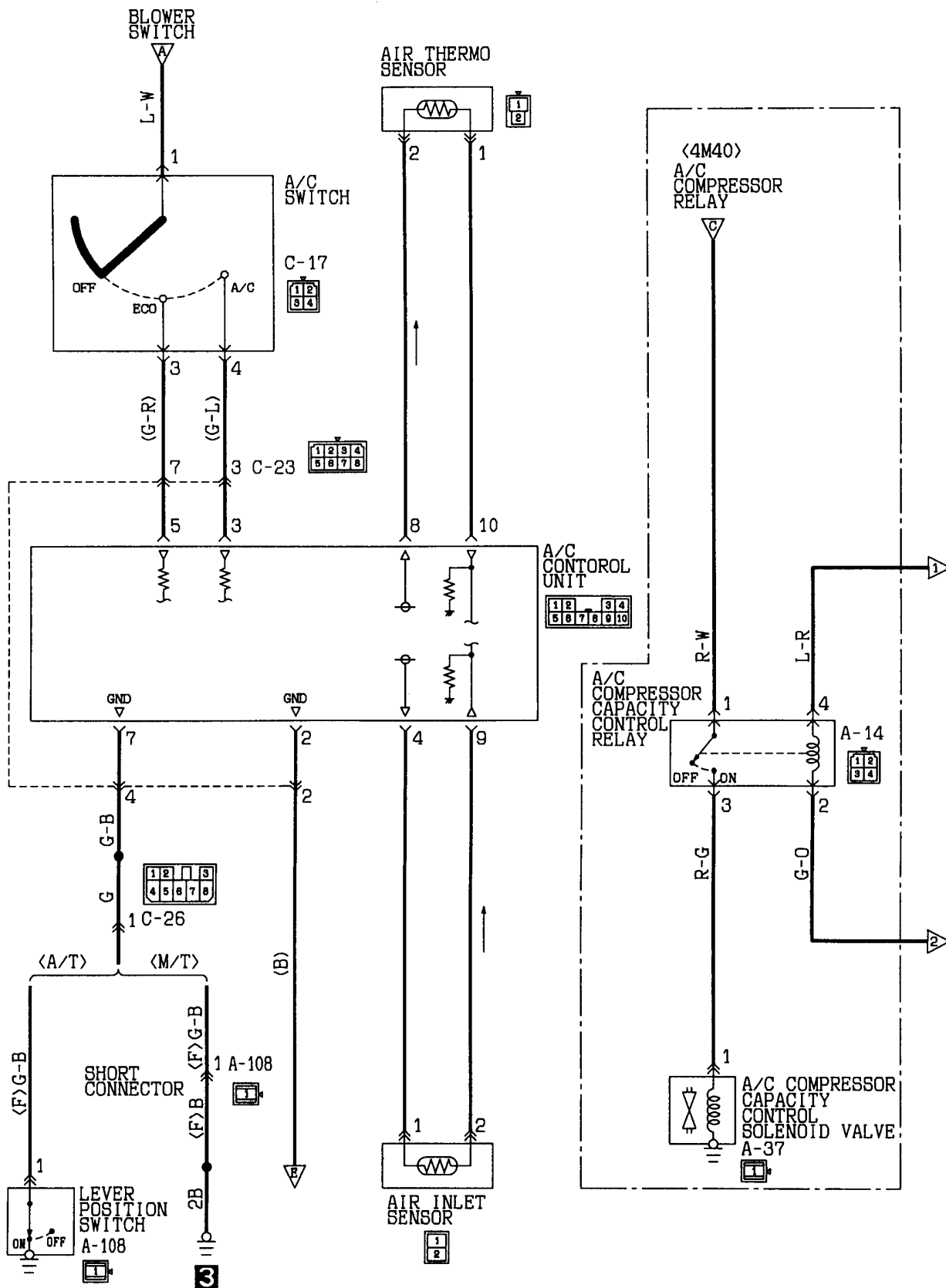
NOTES

SINGLE AIR CONDITIONER
L.H. drive vehicles (diesel-powered vehicles)



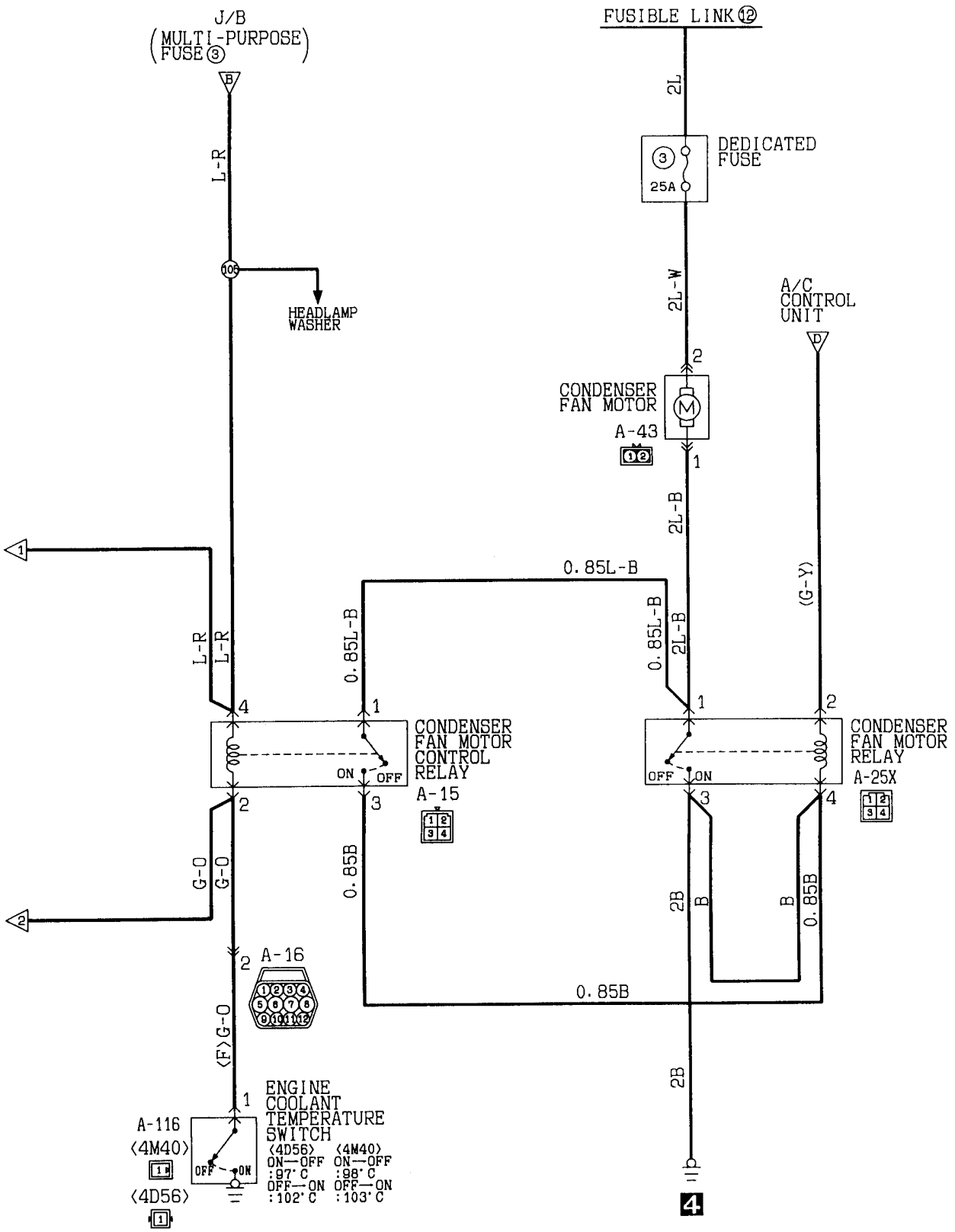
KX35-AC-01254-EC

Wire colour code
 B:Black LG:Light green G:Green L:Blue W:White Y:Yellow
 BR:Brown O:Orange GR:Gray R:Red P:Pink V:Violet SB:Sky blue

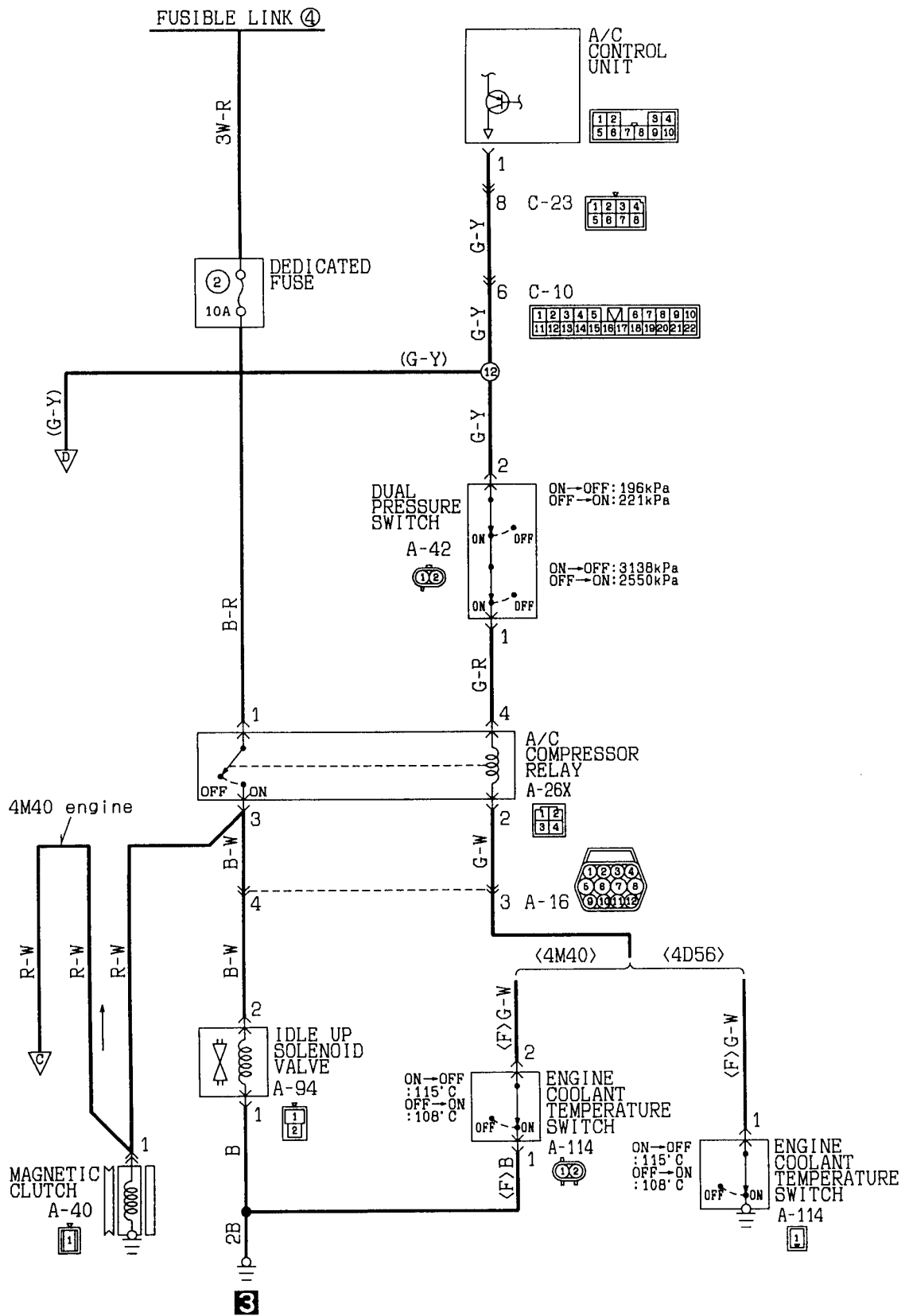


SINGLE AIR CONDITIONER

<L. H. drive vehicles (diesel-powered vehicles)> (CONTINUED)

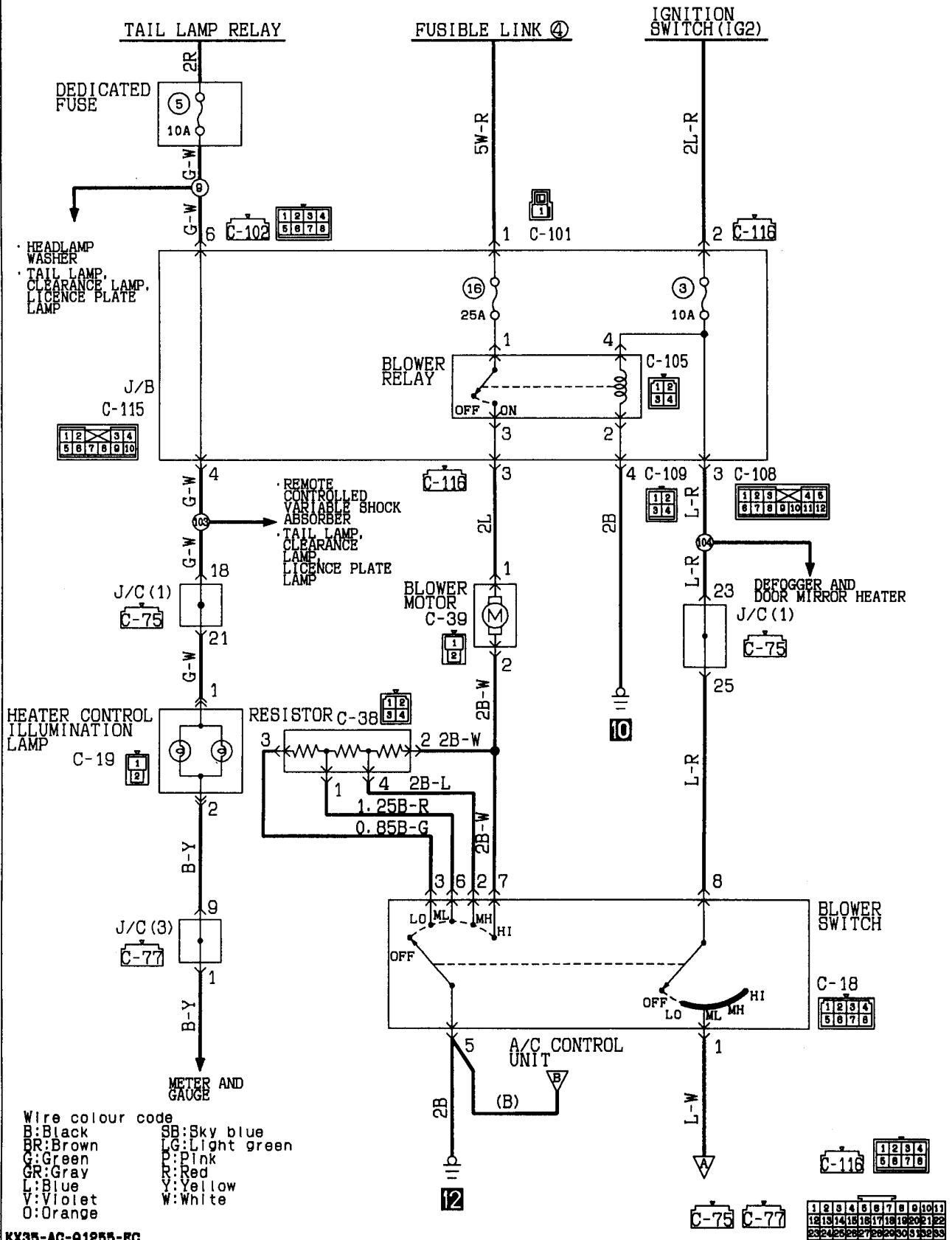


Wire colour code		G:Green	L:Blue	W:White	Y:Yellow	SB:Sky blue
B:Black	LG:Light green	GR:Gray	R:Red	P:Pink	V:Violet	
BR:Brown	O:Orange					

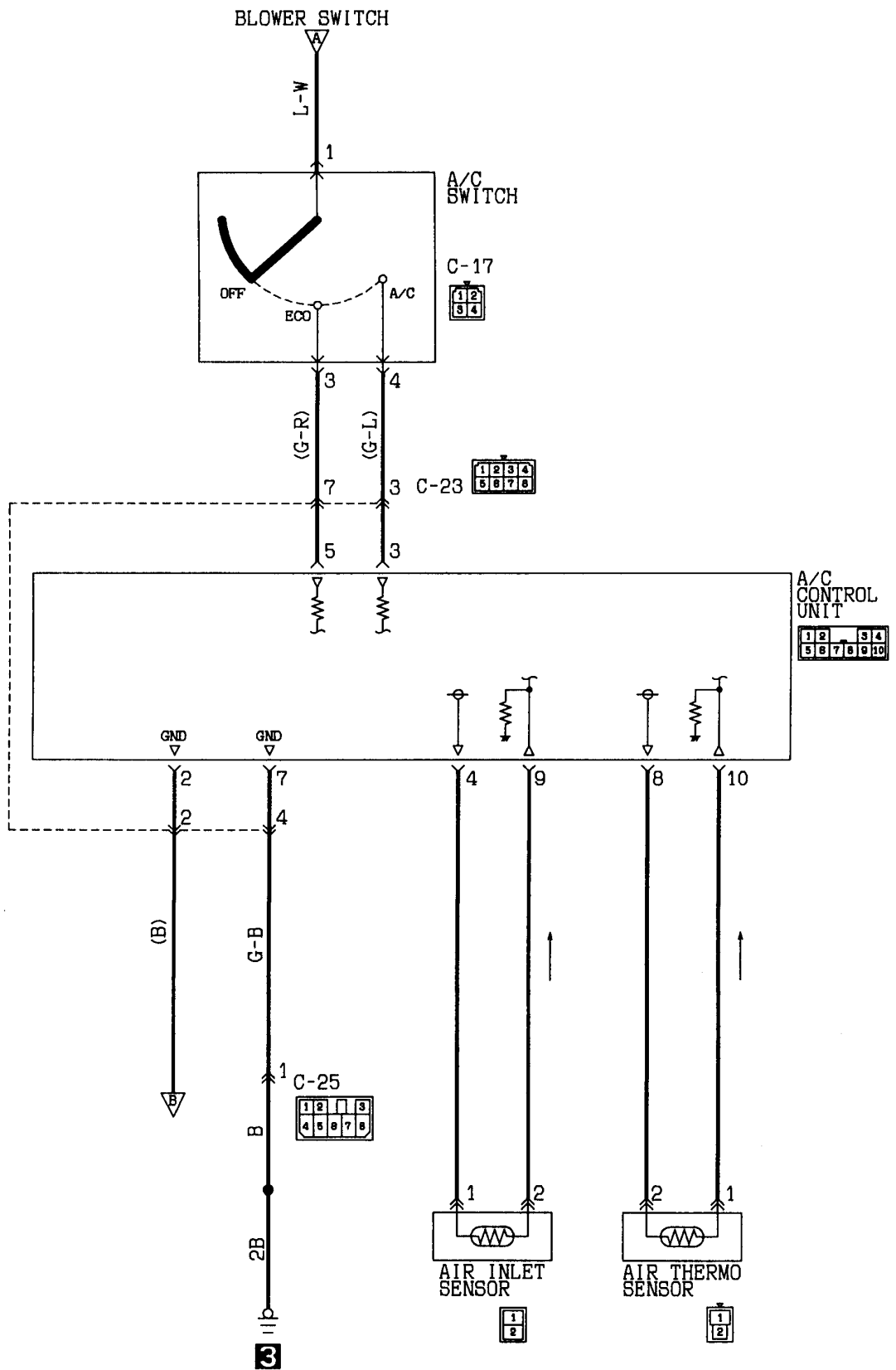


SINGLE AIR CONDITIONER

<R. H. drive vehicles (petrol-powered vehicles)>

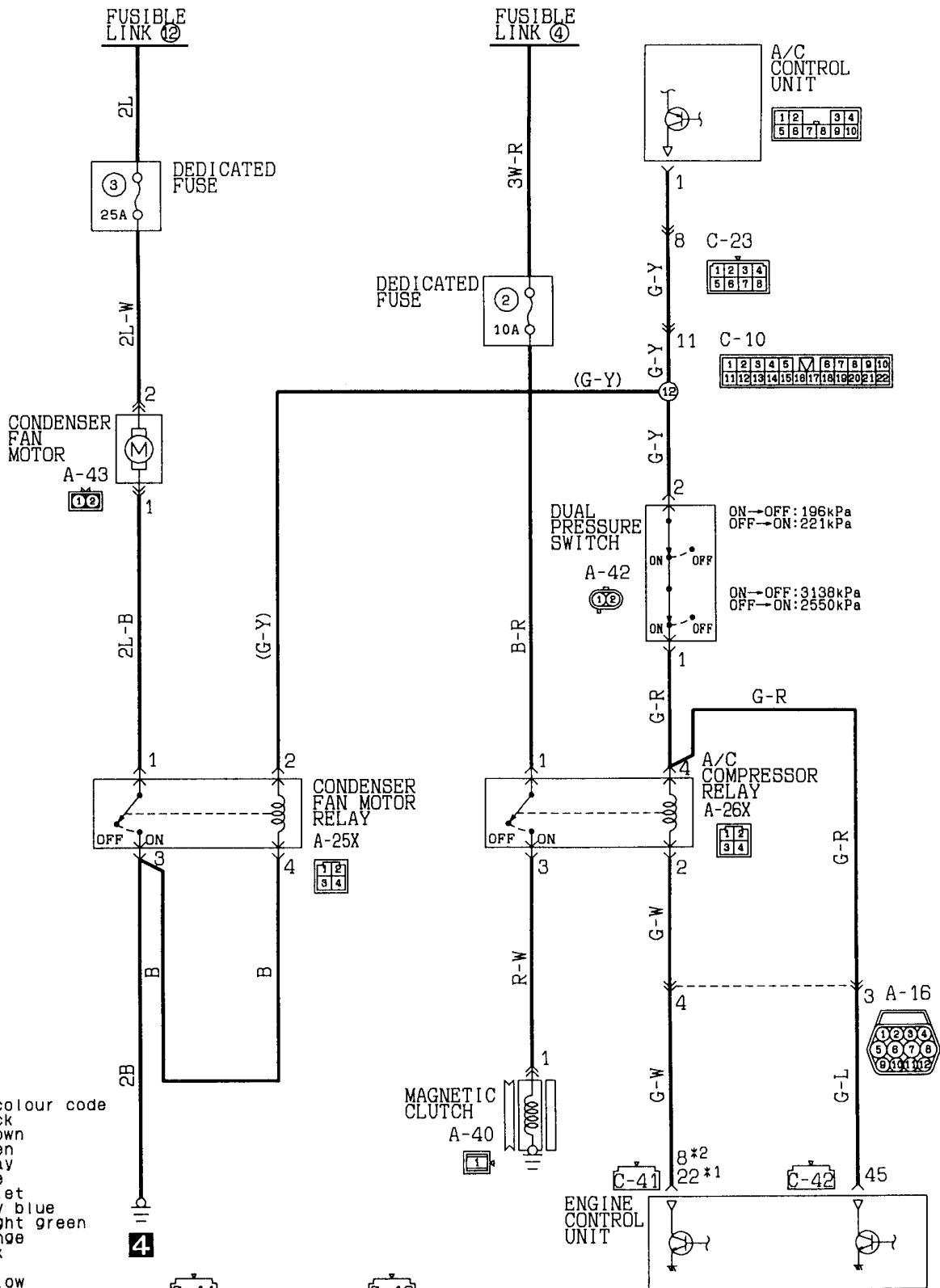


Wire colour code
 B: Black
 BR: Brown
 G: Green
 GR: Gray
 L: Blue
 V: Violet
 O: Orange
 SB: Sky blue
 BR: Brown
 LG: Light green
 P: Pink
 R: Red
 Y: Yellow
 W: White



SINGLE AIR CONDITIONER

<R. H. drive vehicles (petrol-powered vehicles)> (CONTINUED)



Wire colour code
 B: Black
 BR: Brown
 G: Green
 GR: Gray
 L: Blue
 V: Violet
 SB: Sky blue
 LG: Light green
 O: Orange
 P: Pink
 R: Red
 Y: Yellow
 W: White

C-41

1	2	3	4	5	6	7	8	9	10	11	12	13
14	15	16	17	18	19	20	21	22	23	24	25	26

C-42

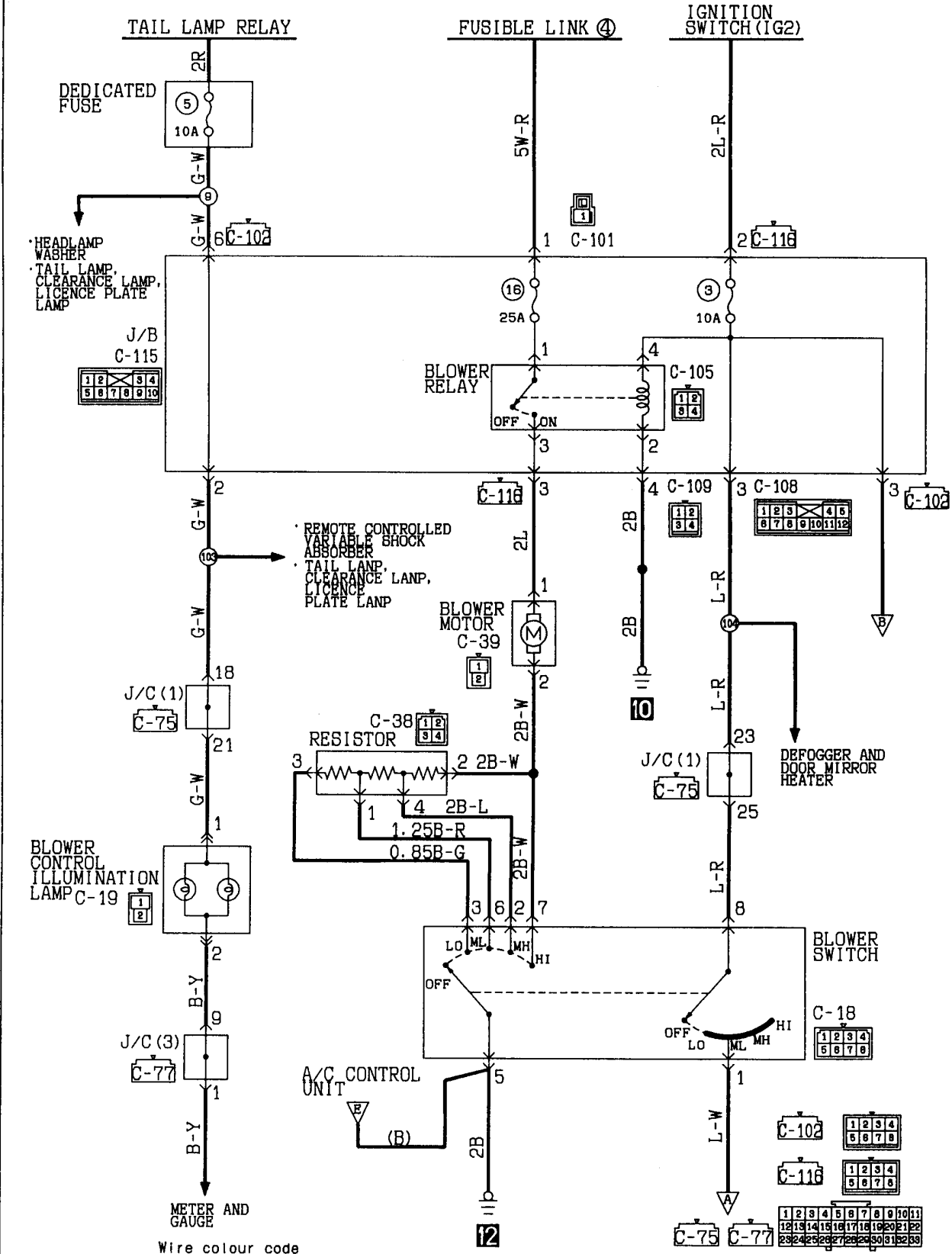
31	32	33	34	35	36	37	38
39	40	41	42	43	44	45	46

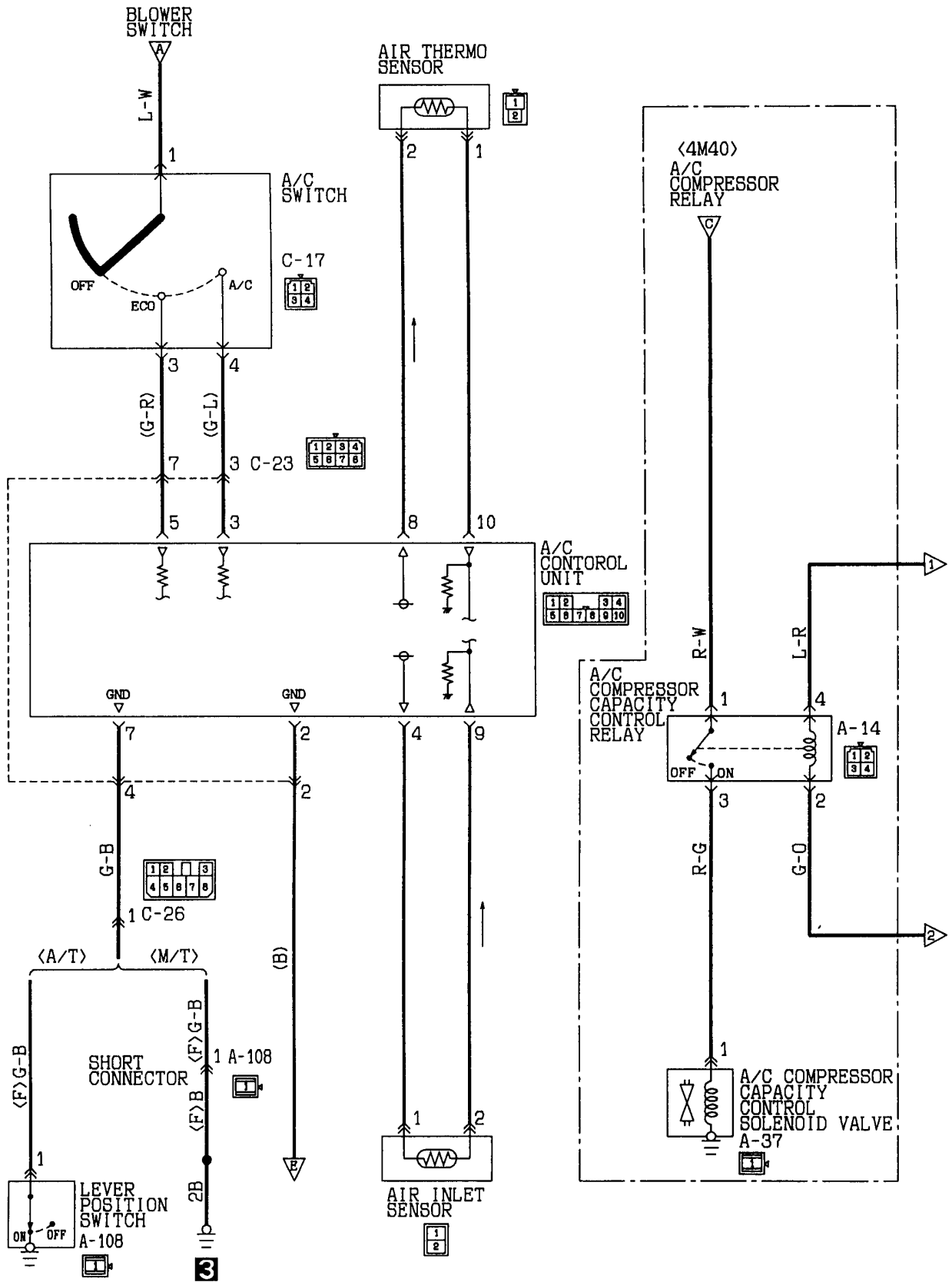
Remarks
 (1) *1: Vehicles without immobilizer system.
 (2) *2: Vehicles with immobilizer system.

NOTES

SINGLE AIR CONDITIONER

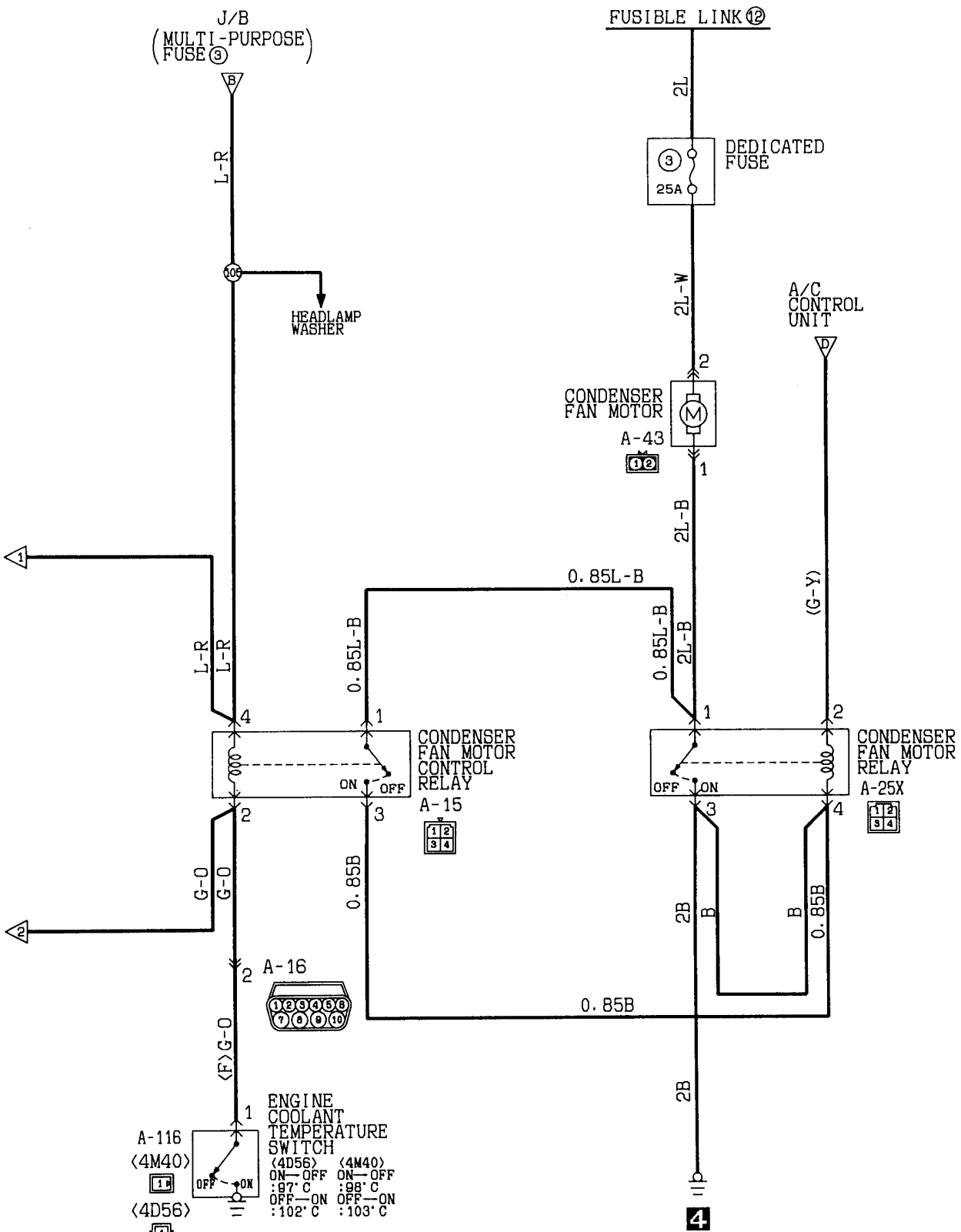
R. H. drive vehicles <diesel-powered vehicles>





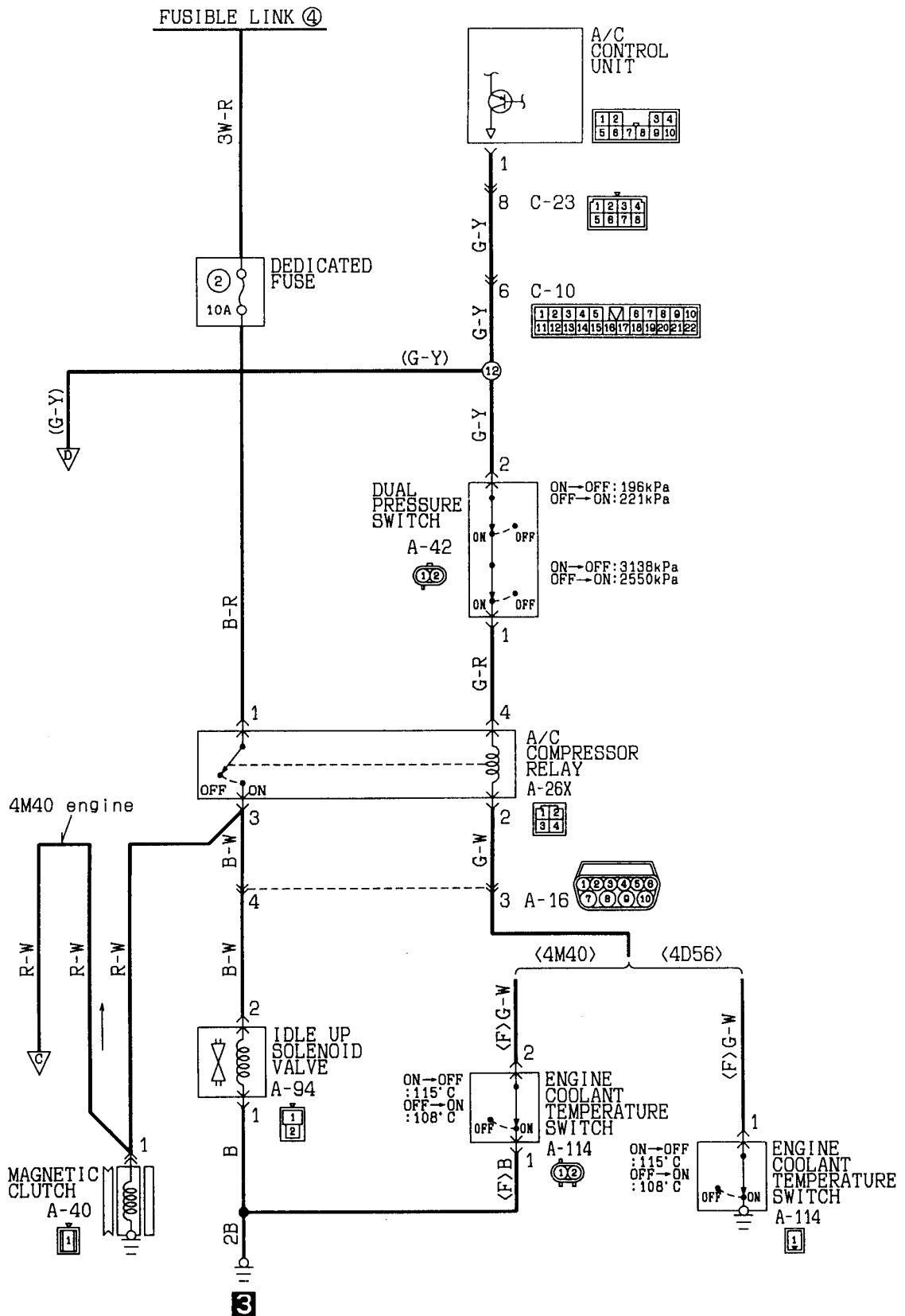
SINGLE AIR CONDITIONER

<R. H. drive vehicles (diesel-powered vehicles)> (CONTINUED)

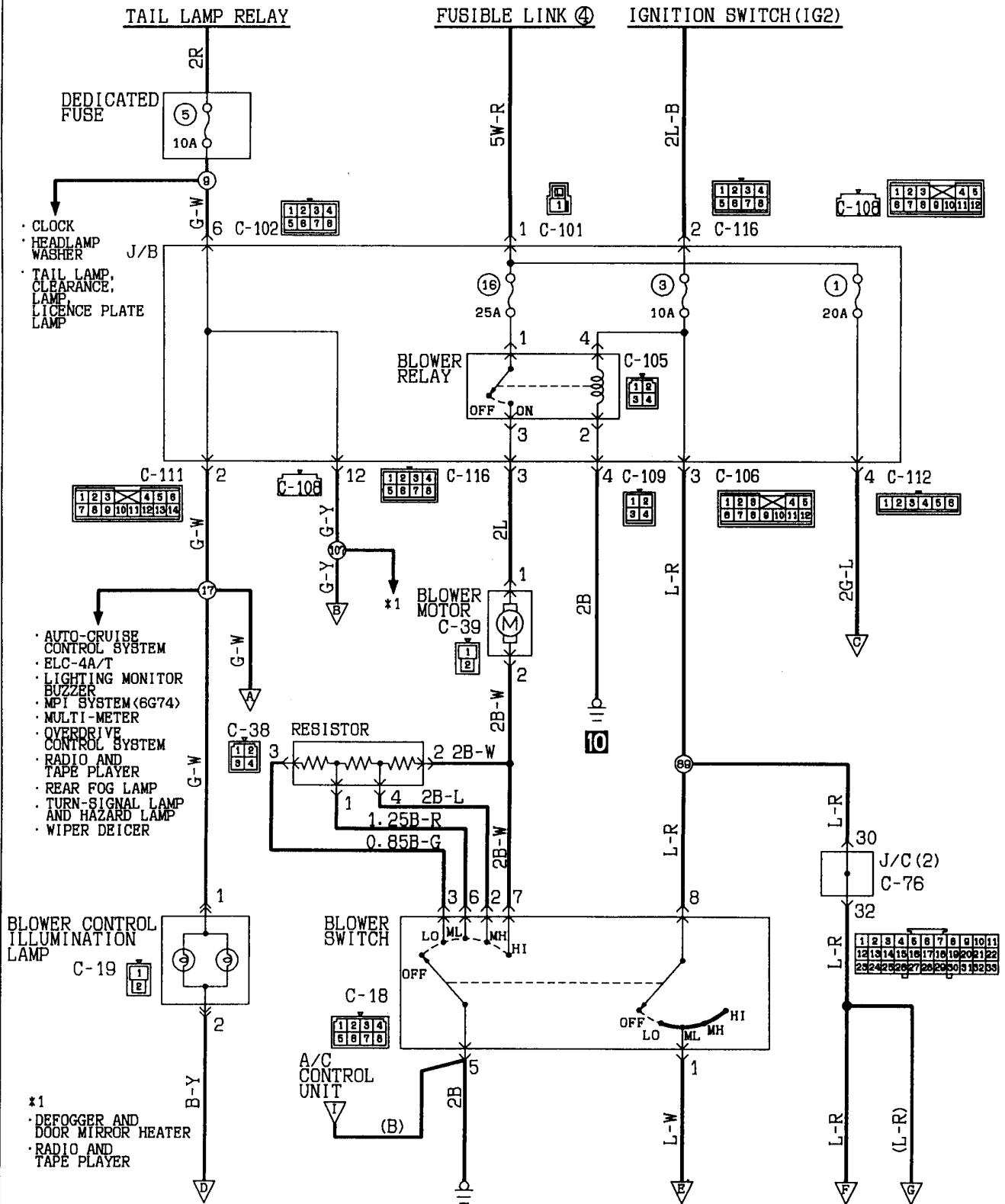


Wire colour code

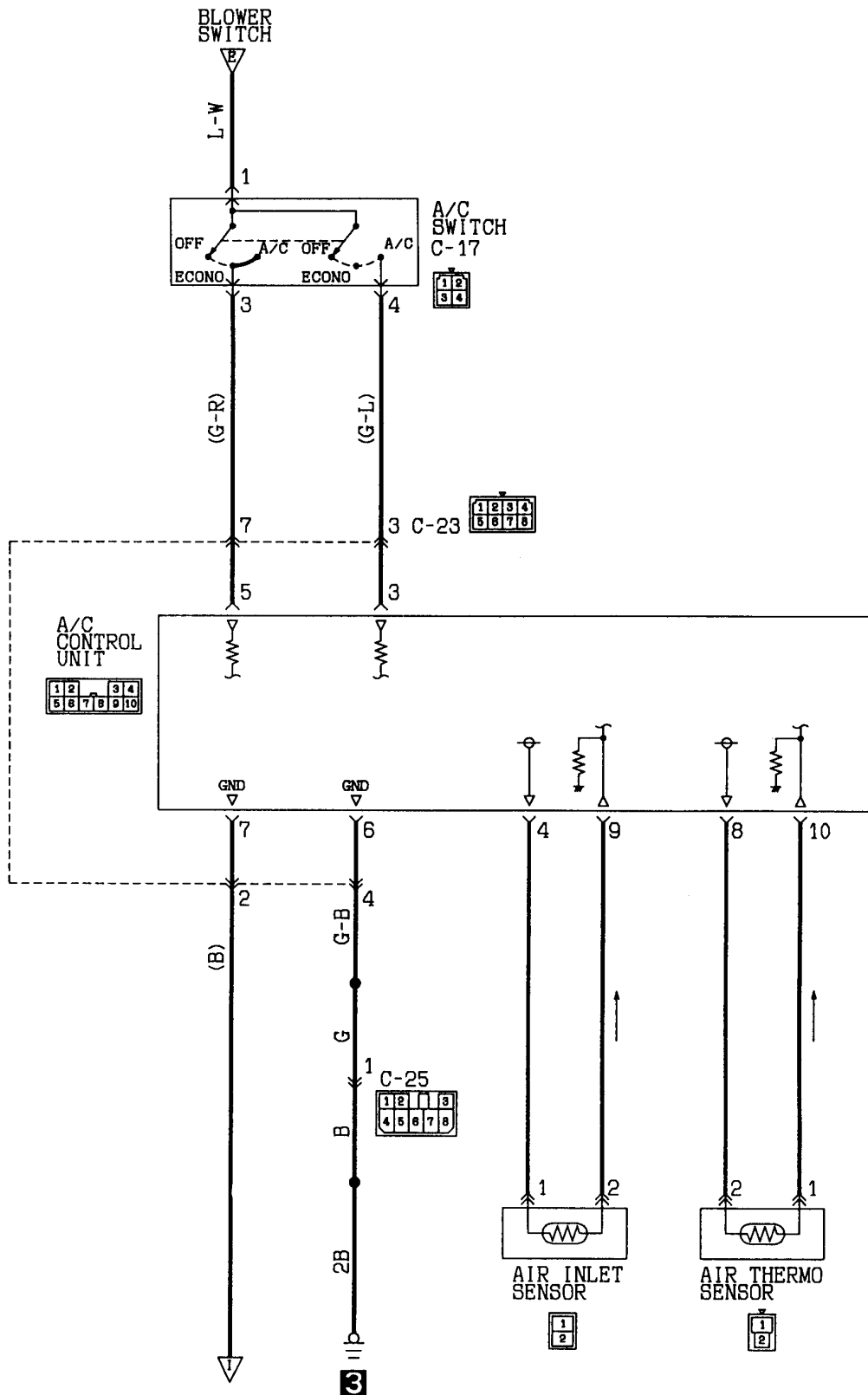
B:Black	LG:Light green	G:Green	L:Blue	W:White	Y:Yellow	SB:Sky blue
BR:Brown	O:Orange	GR:Gray	R:Red	P:Pink	V:Violet	



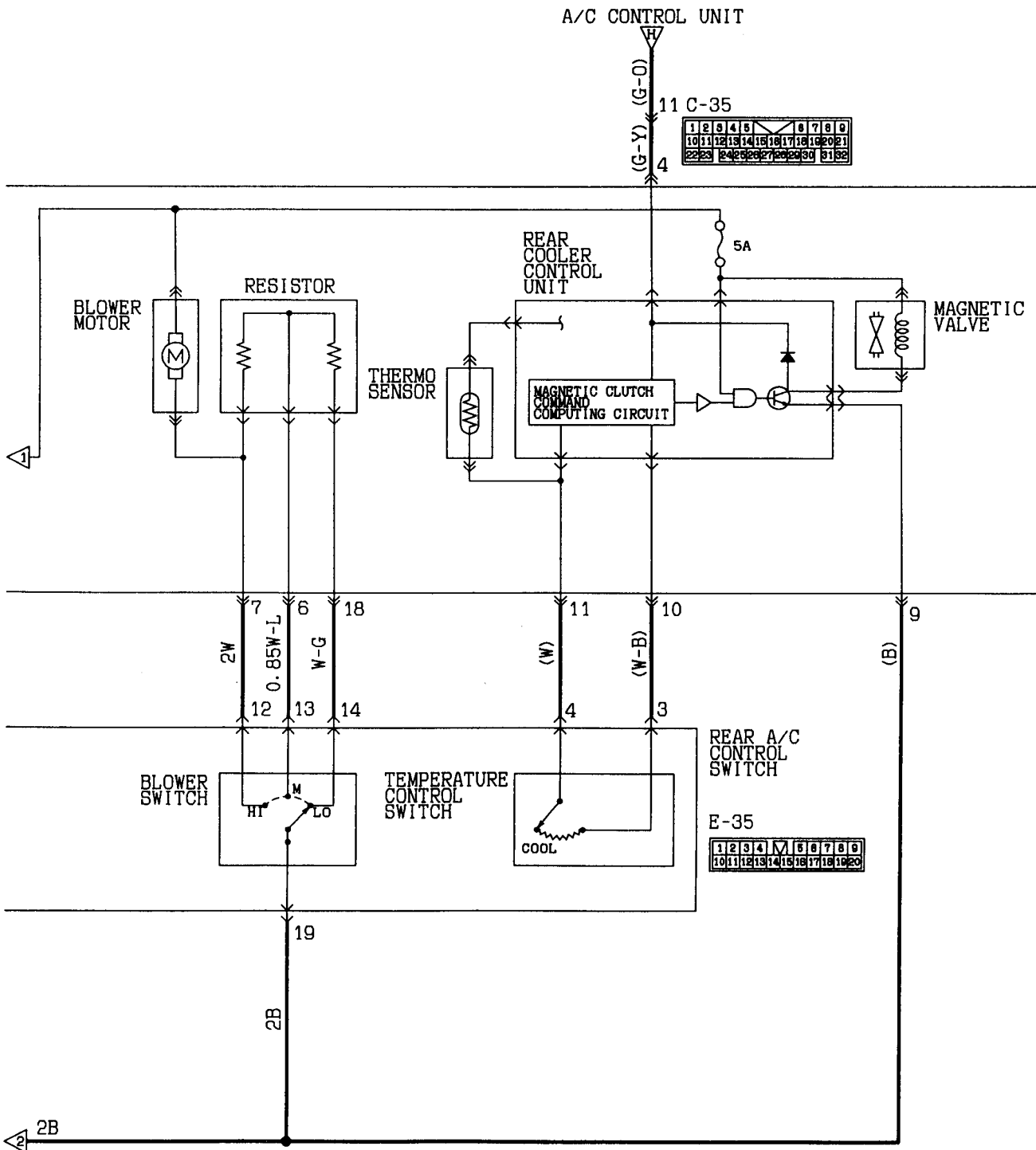
DUAL AIR CONDITIONER
L.H. drive vehicles without rear heater
(petrol-powered vehicles)



Wire colour code
 B:Black LG:Light green G:Green L:Blue W:White Y:Yellow
 BR:Brown O:Orange GR:Gray R:Red P:Pink V:Violet SB:Sky blue



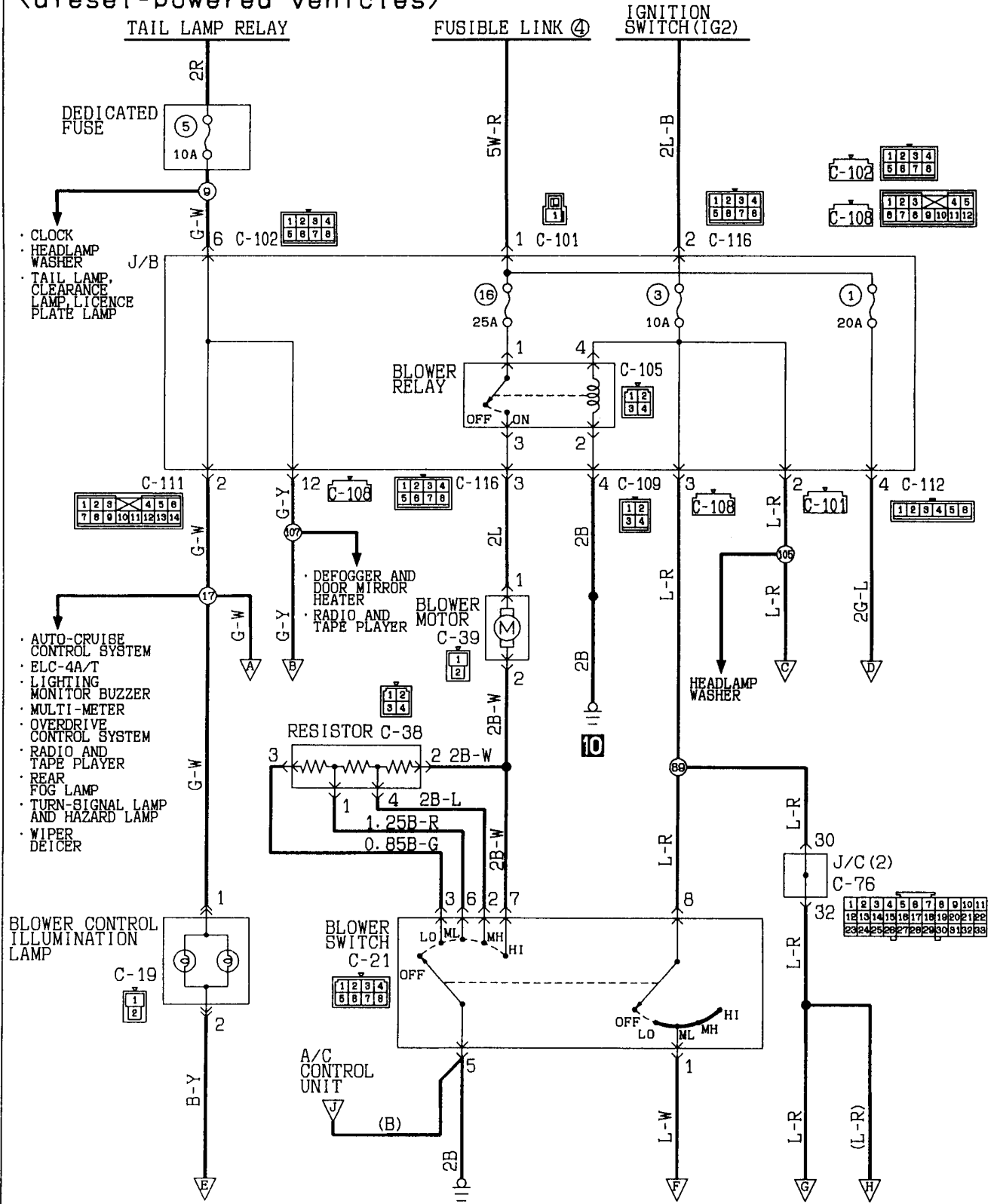
DUAL AIR CONDITIONER
 (L.H. drive vehicles without rear heater
 (petrol-power vehicles)) (CONDITINUED)



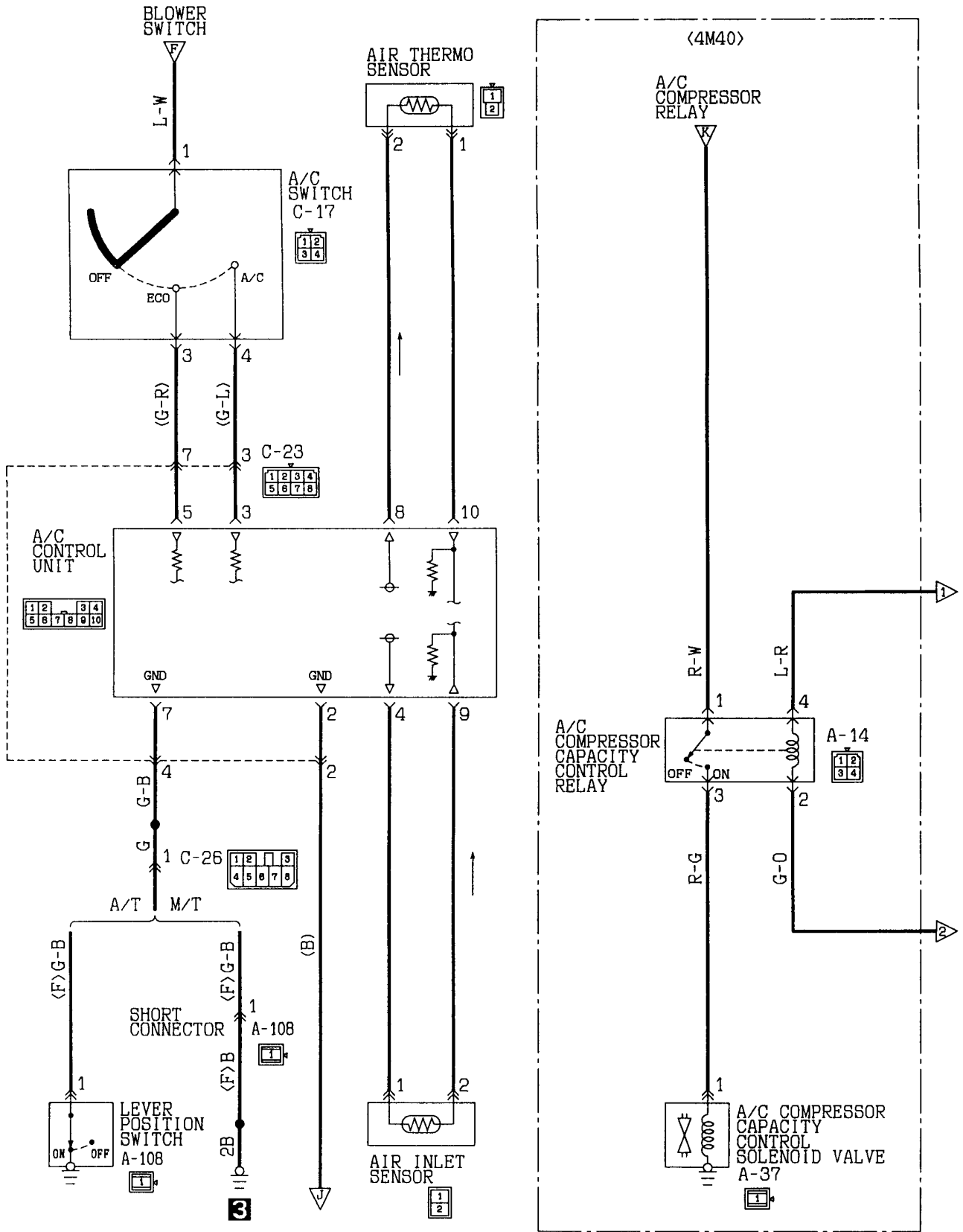
Wire colour code
 B:Black LG:Light green G:Green L:Blue W:White Y:Yellow SB:Sky blue
 BR:Brown O:Orange GR:Gray R:Red P:Pink V:Violet

NOTES

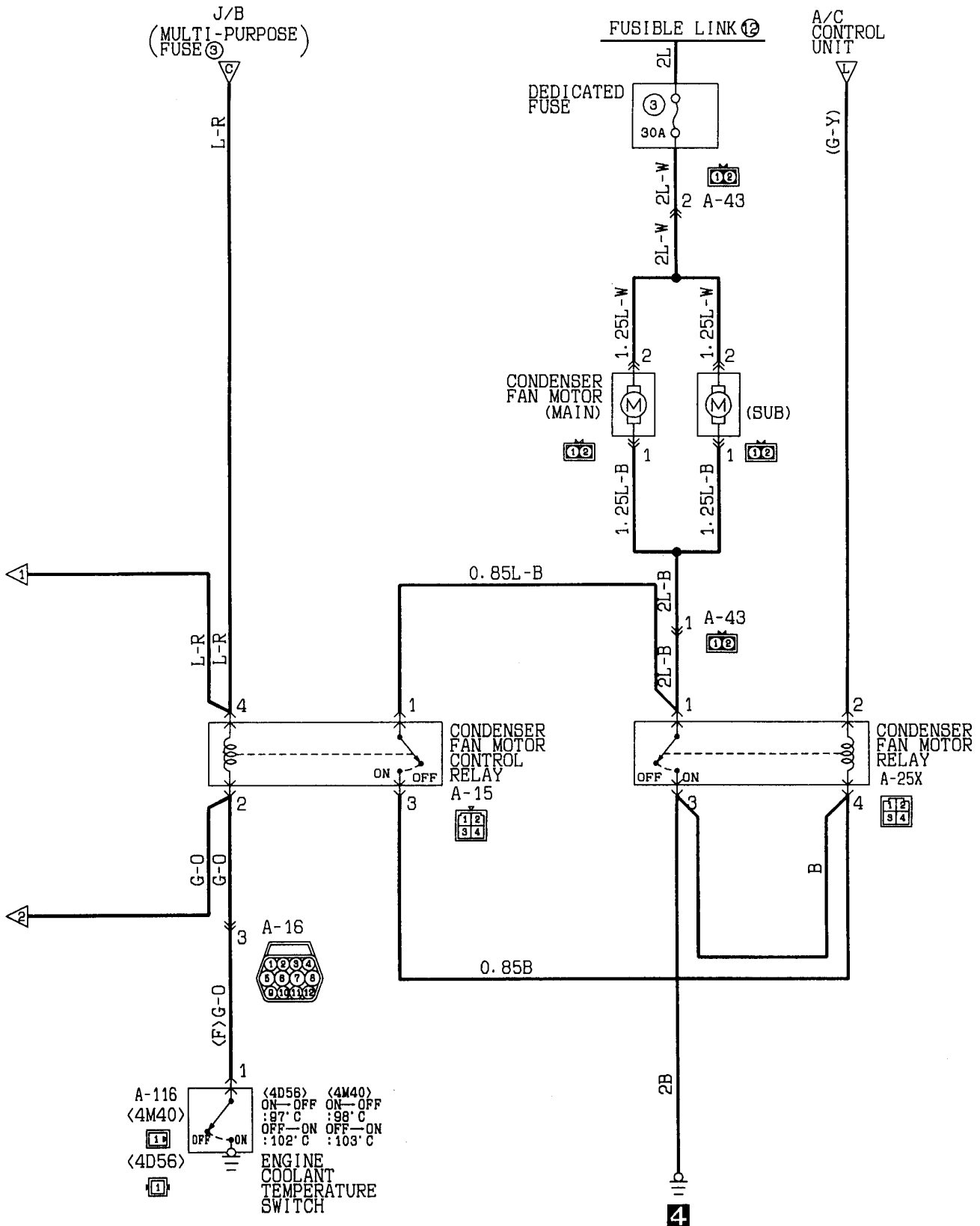
DUAL AIR CONDITIONER
L.H. drive vehicles without rear heater
(diesel-powered vehicles)

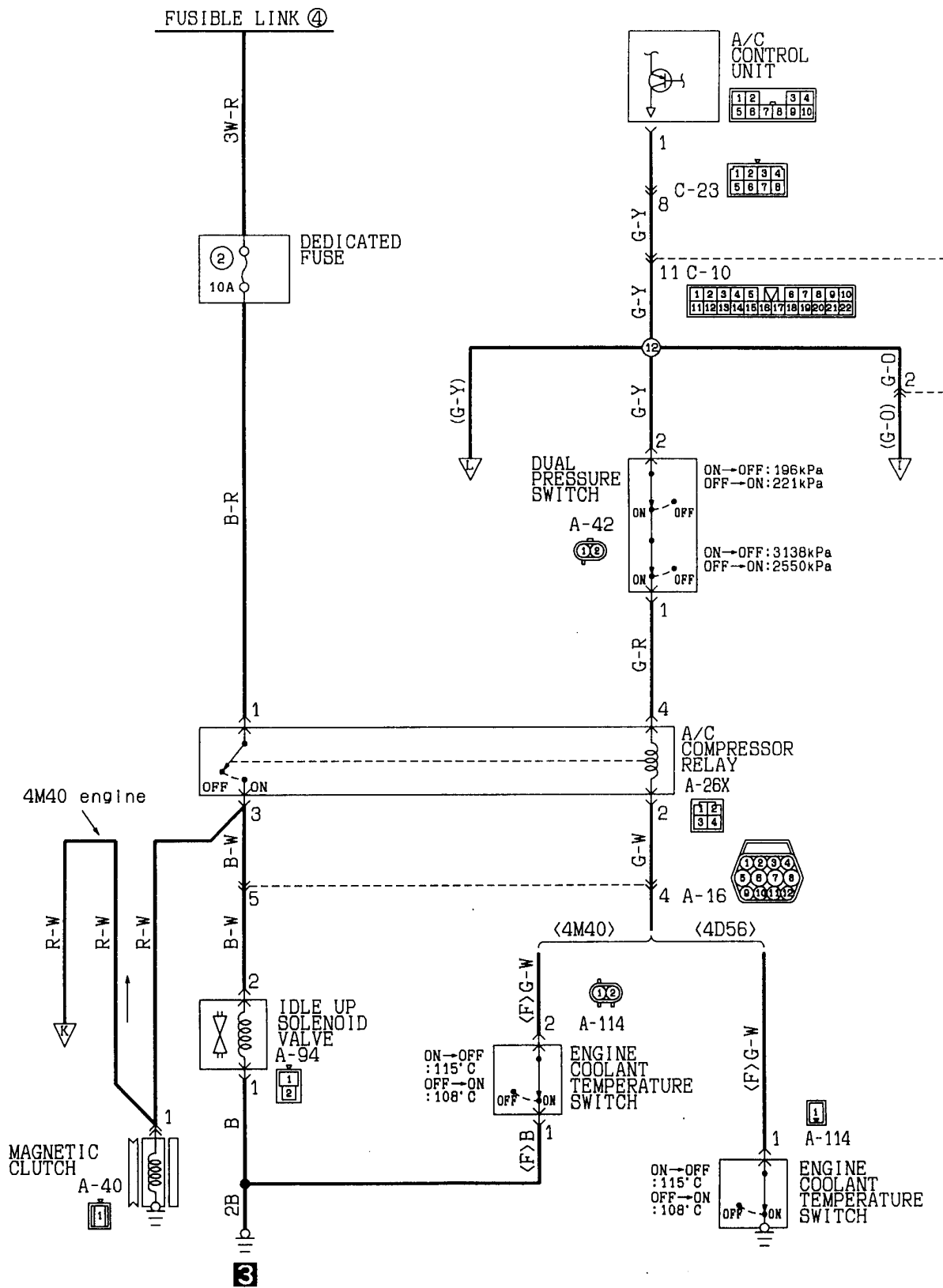


Wire colour code
 B:Black LG:Light green G:Green L:Blue W:White Y:Yellow SB:Sky blue
 BR:Brown O:Orange GR:Gray R:Red P:Pink V:Violet

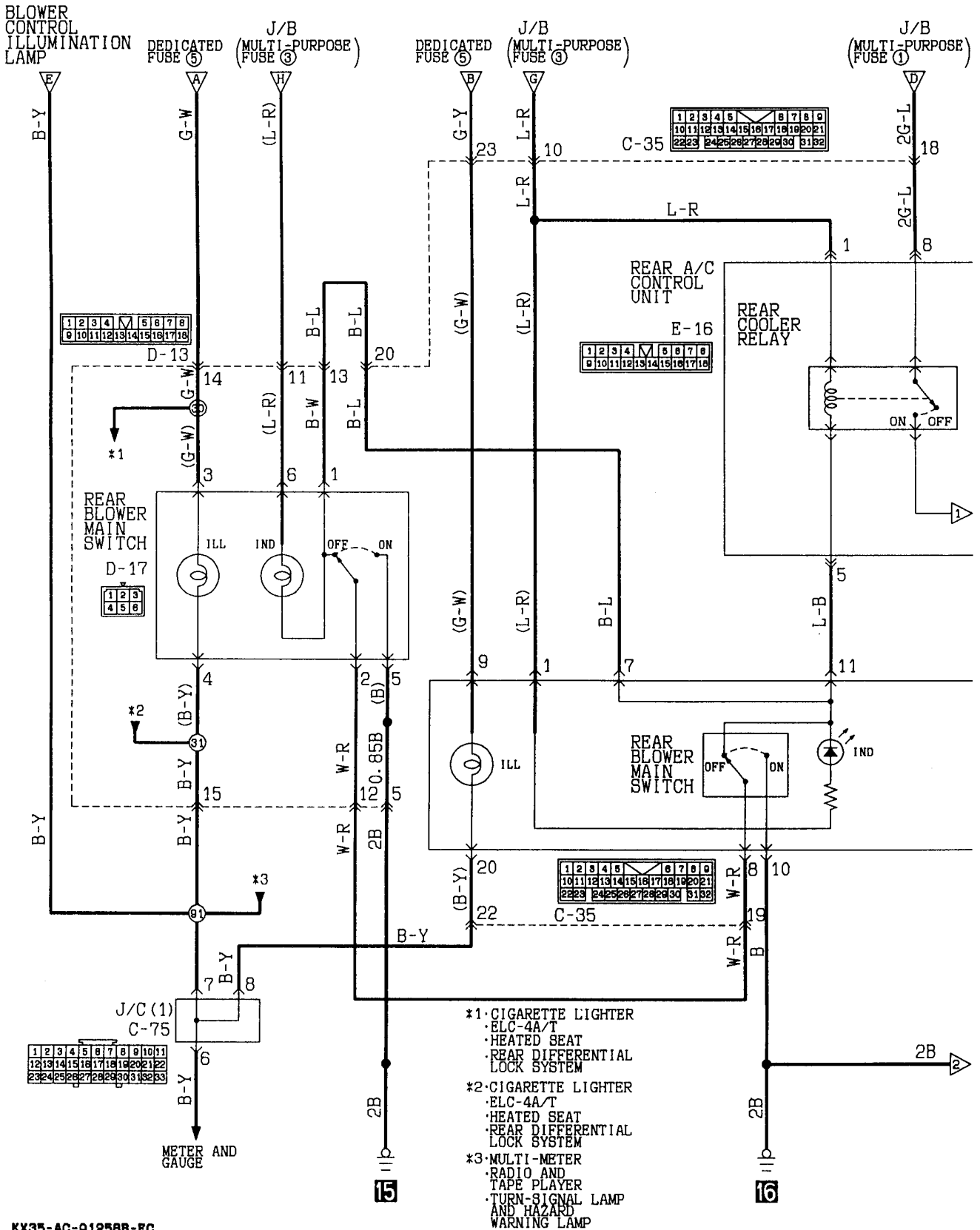


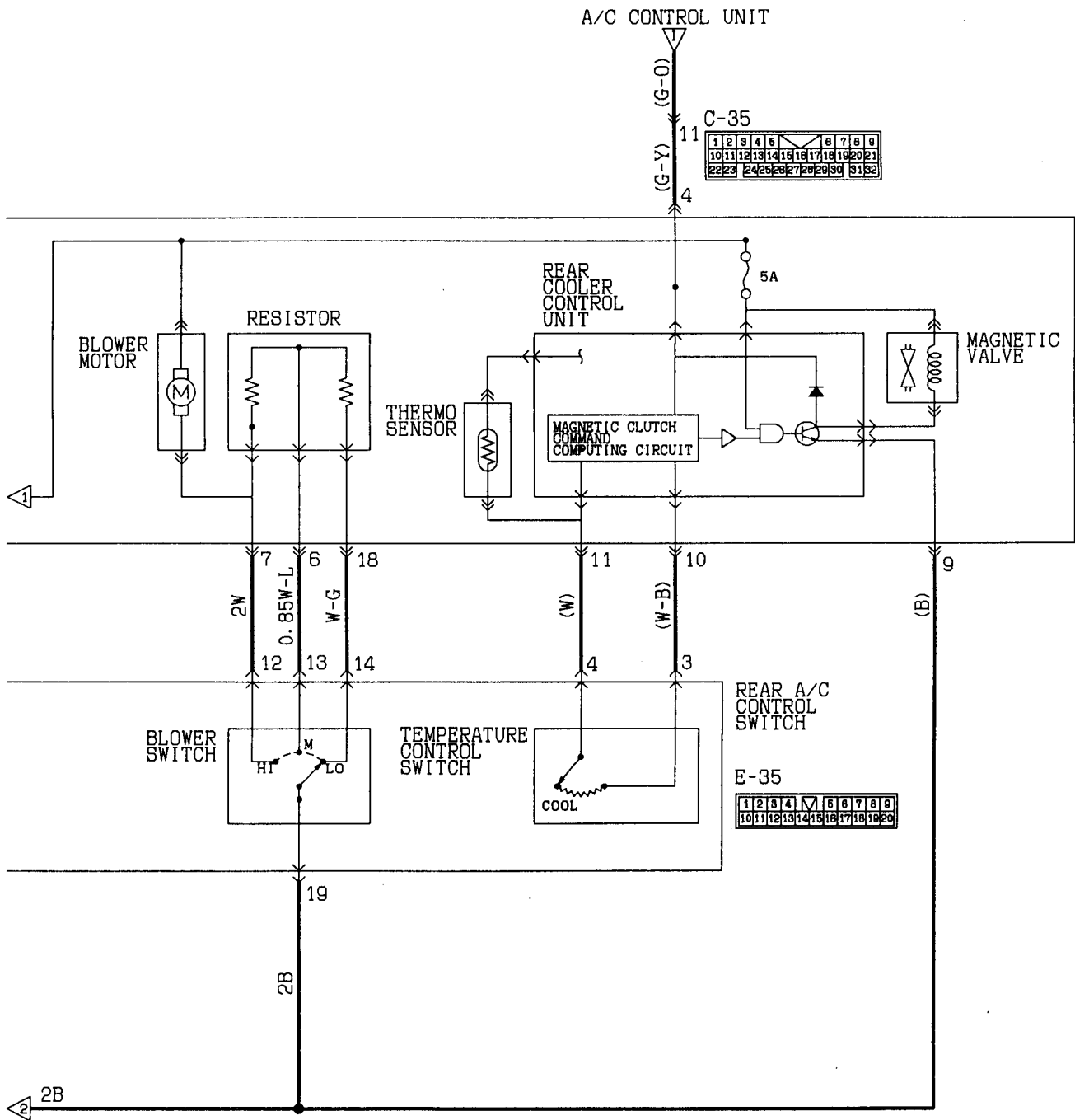
DUAL AIR CONDITIONER
 <L.H. drive vehicles without rear heater
 (diesel-powered vehicles)> (CONTINUED)



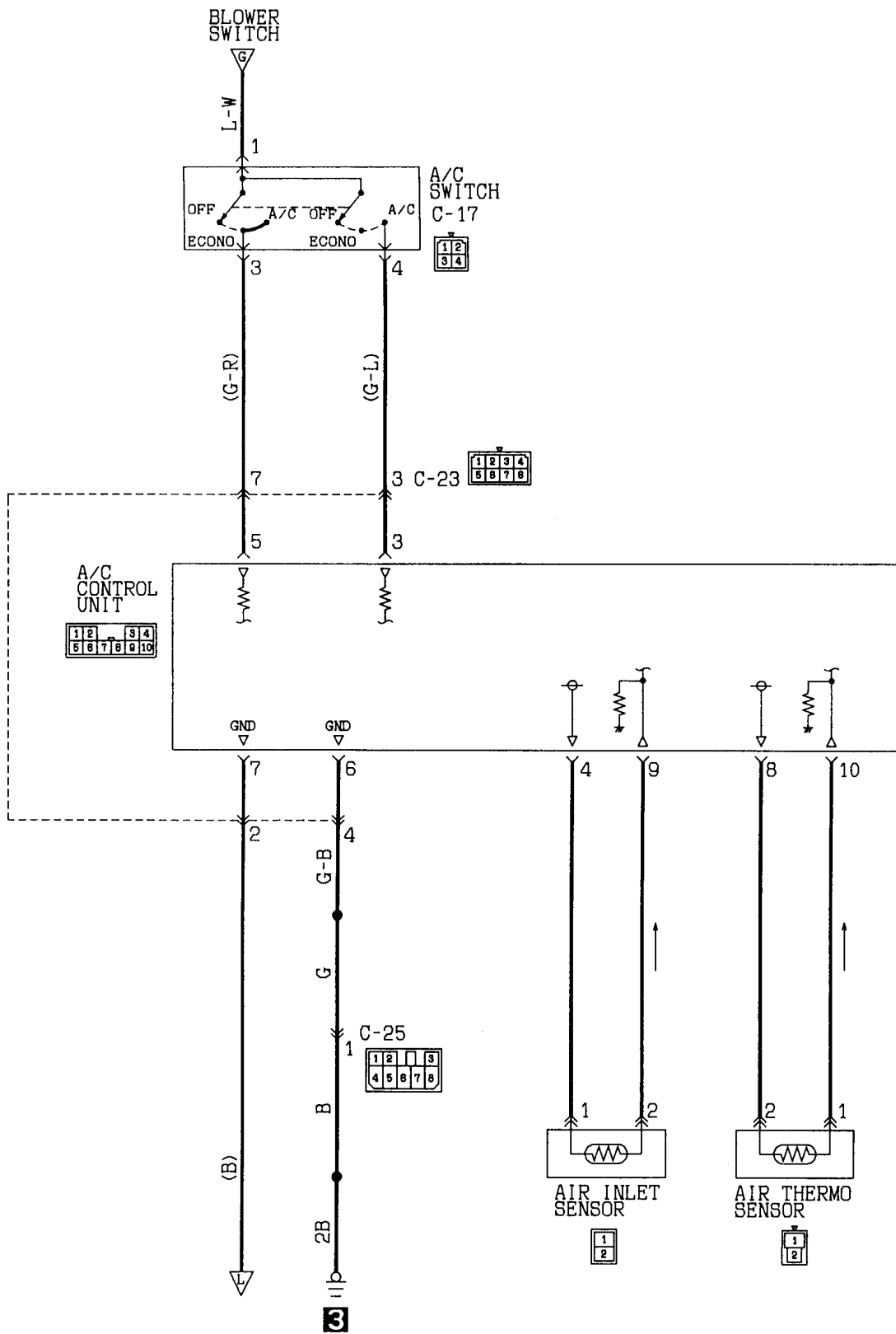


DUAL AIR CONDITIONER
 (L.H. drive vehicles without rear heater
 (diesel-powered vehicles)) (CONTINUED)

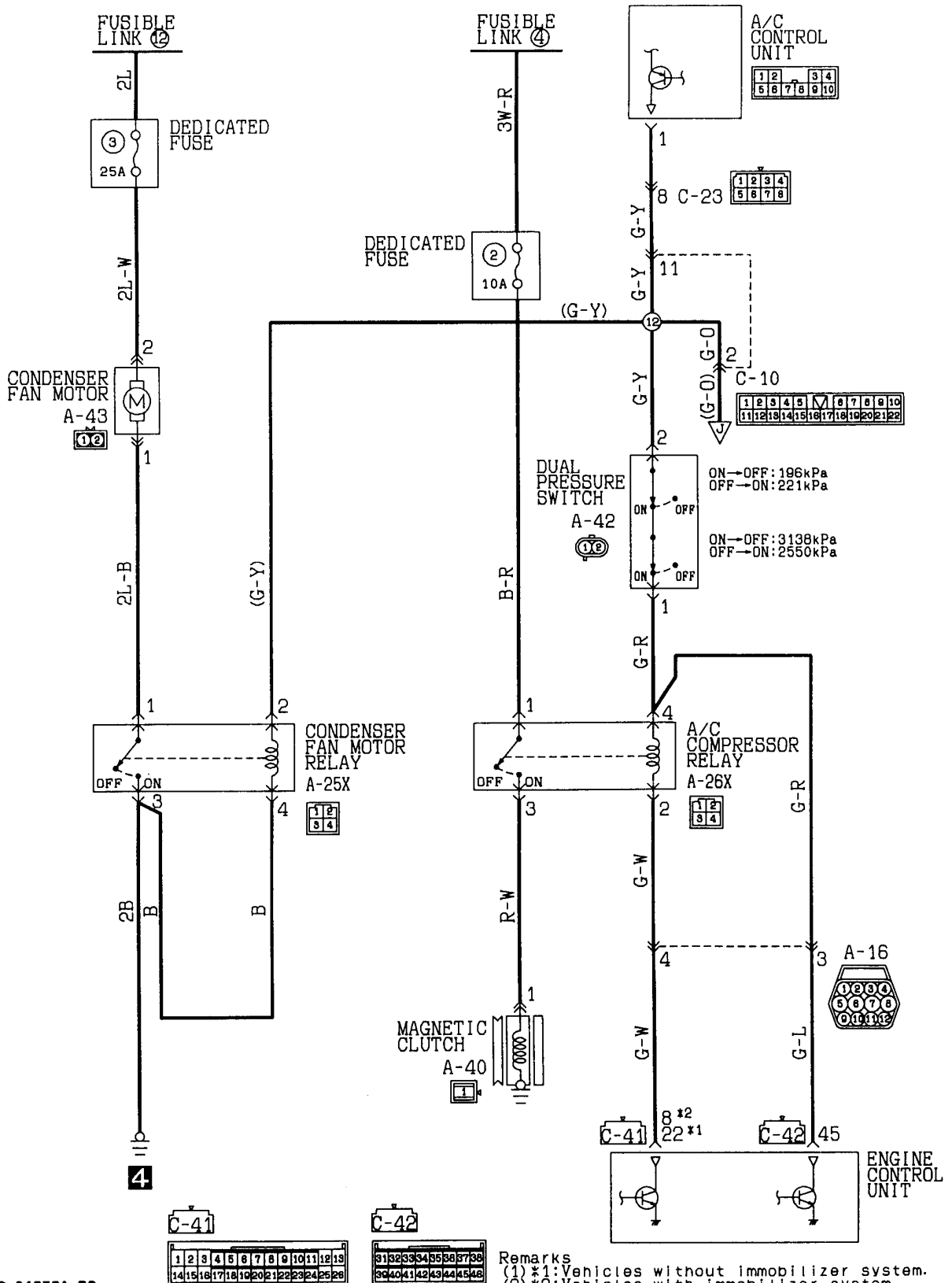


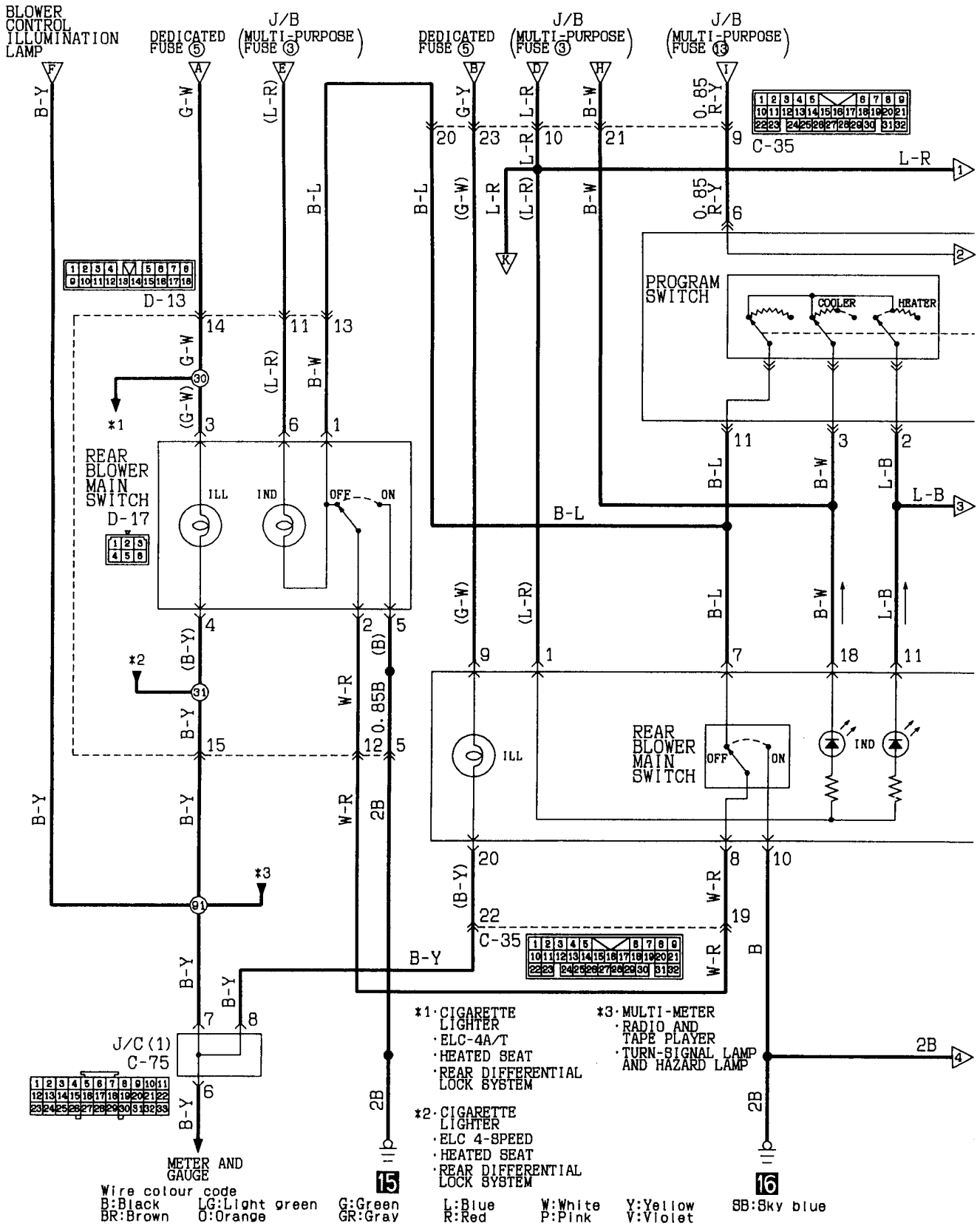


Wire colour code
 B:Black LG:Light green G:Green L:Blue W:White Y:Yellow SB:Sky blue
 BR:Brown O:Orange GR:Gray R:Red P:Pink V:Violet

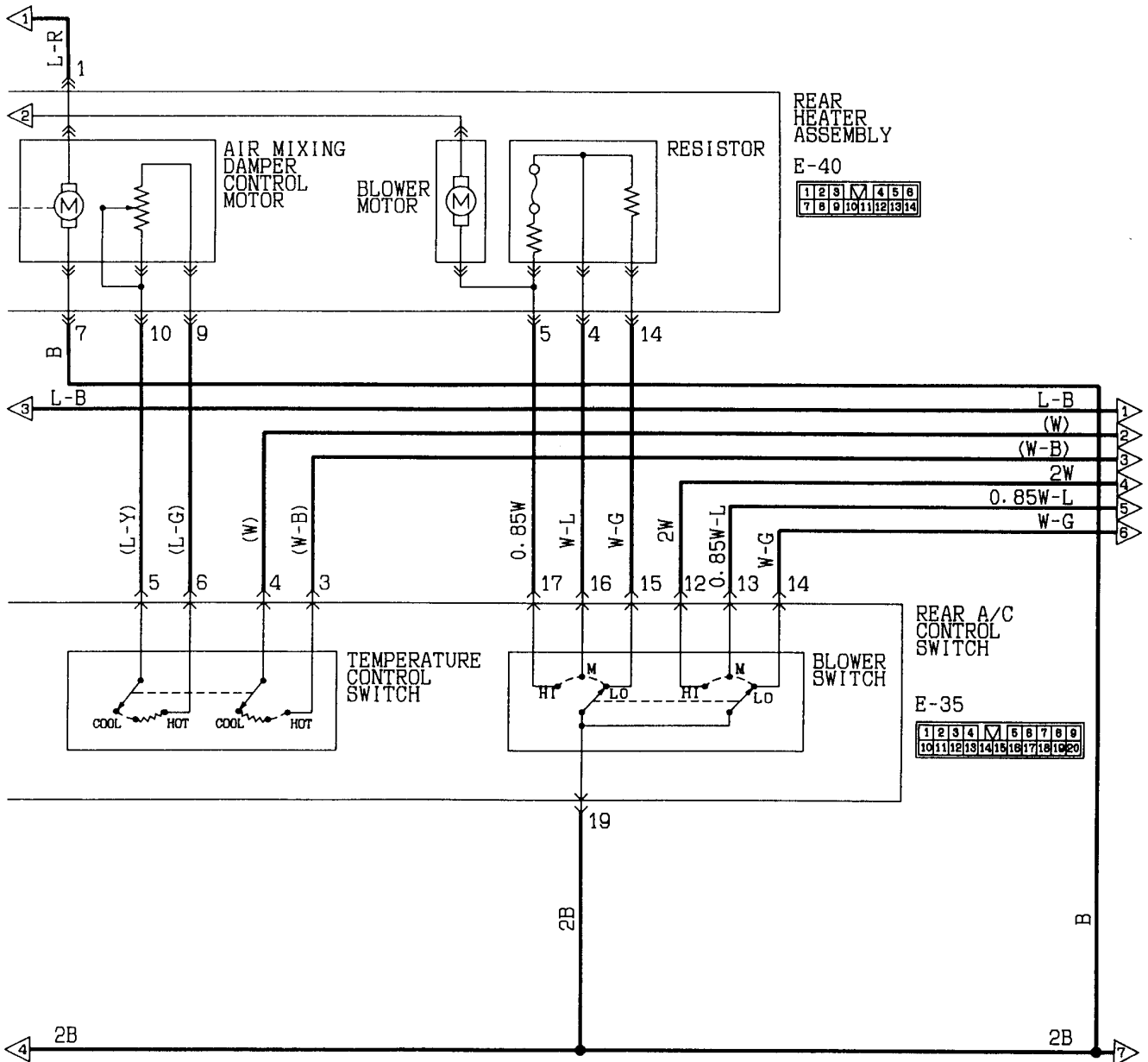


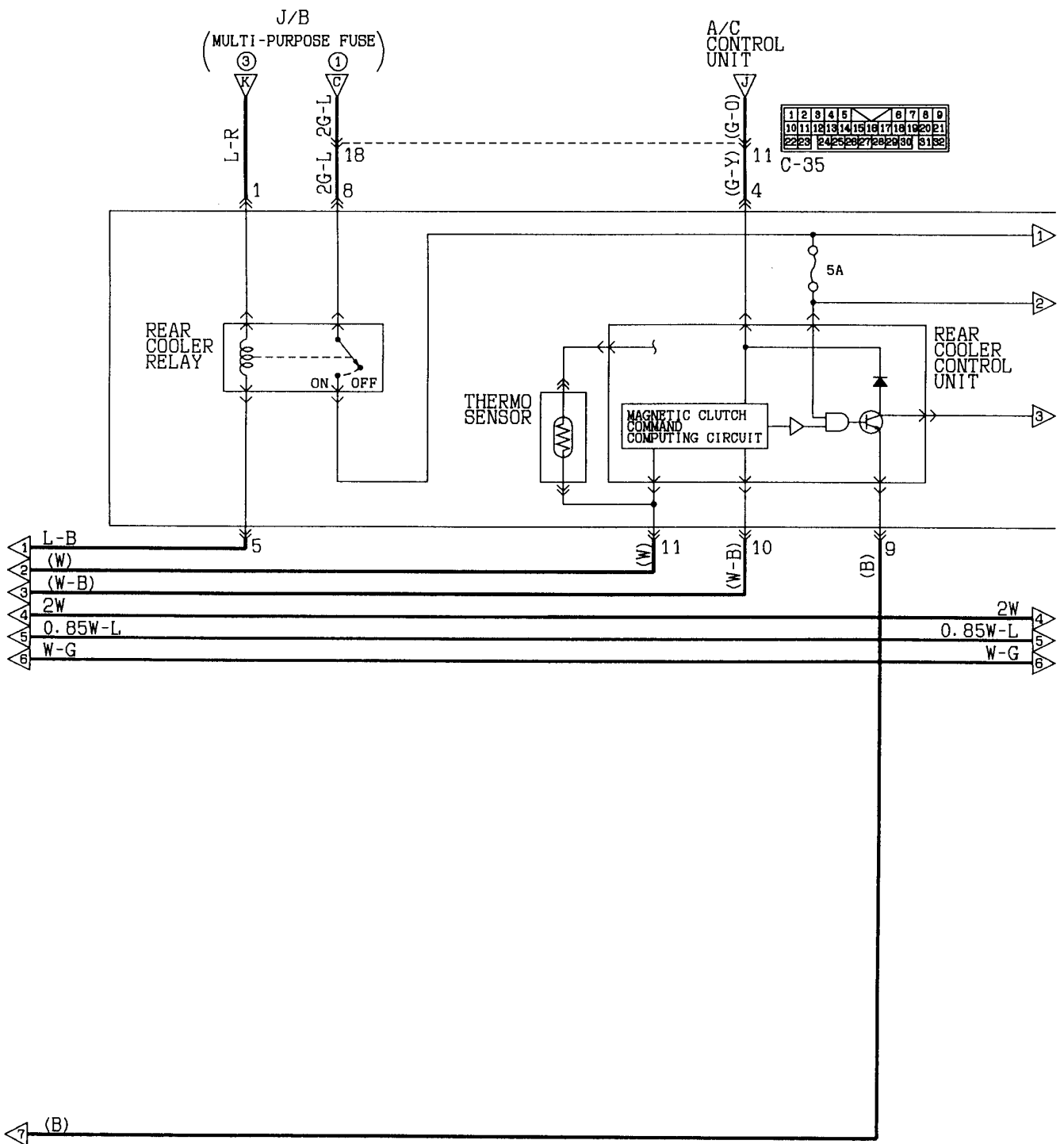
DUAL AIR CONDITIONER
 (L.H. drive vehicles with rear heater
 (petrol-powered vehicles)) (CONTINUED)





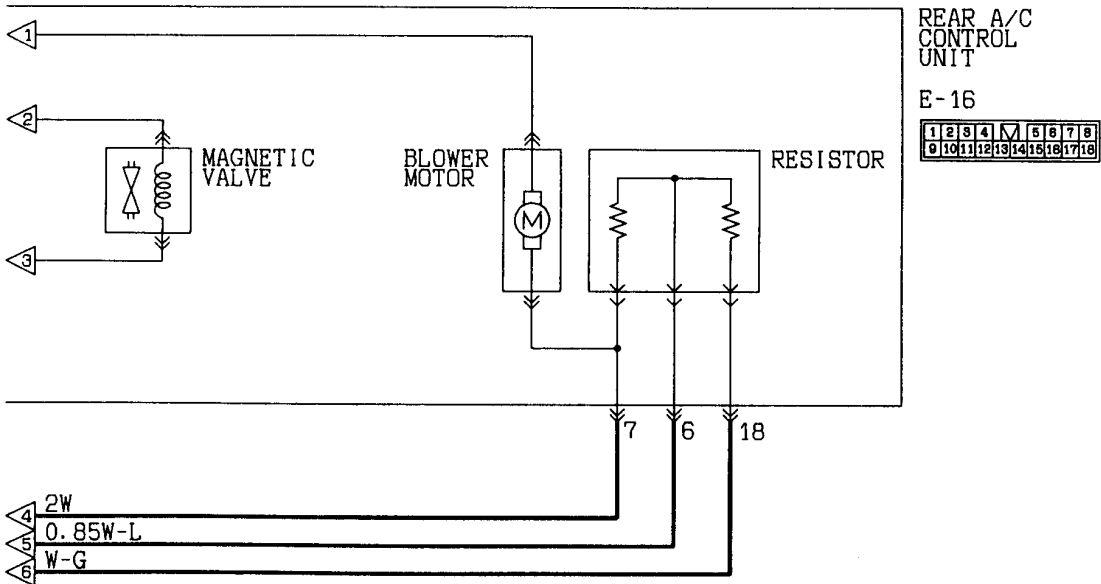
DUAL AIR CONDITIONER
 (L.H. drive vehicles with rear heater
 (petrol-powered vehicles)) (CONTINUED)





Wire colour code
 B:Black LG:Light green G:Green L:Blue W:White Y:Yellow SB:Sky blue
 BR:Brown O:Orange GR:Gray R:Red P:Pink V:Violet

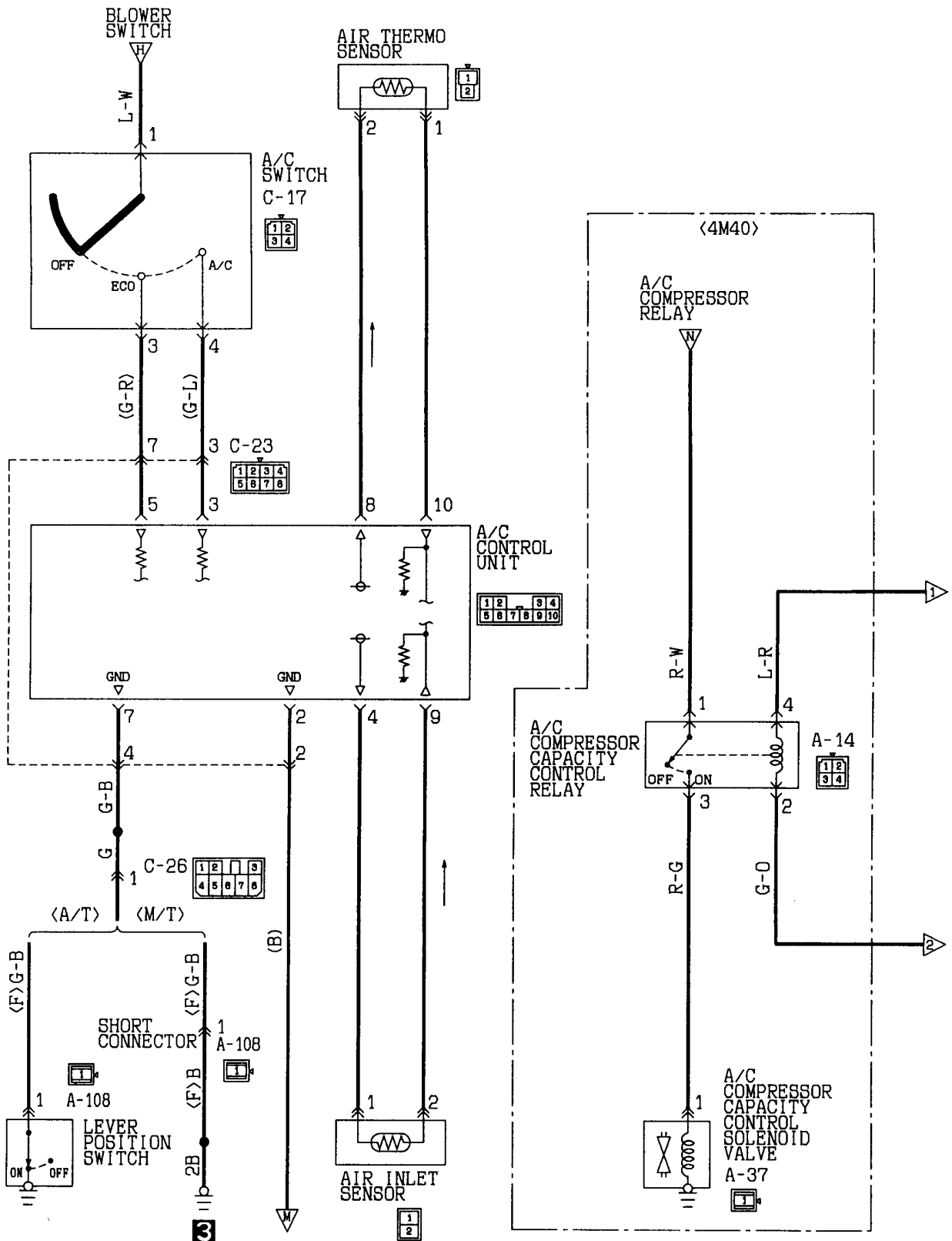
DUAL AIR CONDITIONER
 (L.H. drive vehicles with rear heater
 (petrol-powered vehicles) > (CONTINUED)

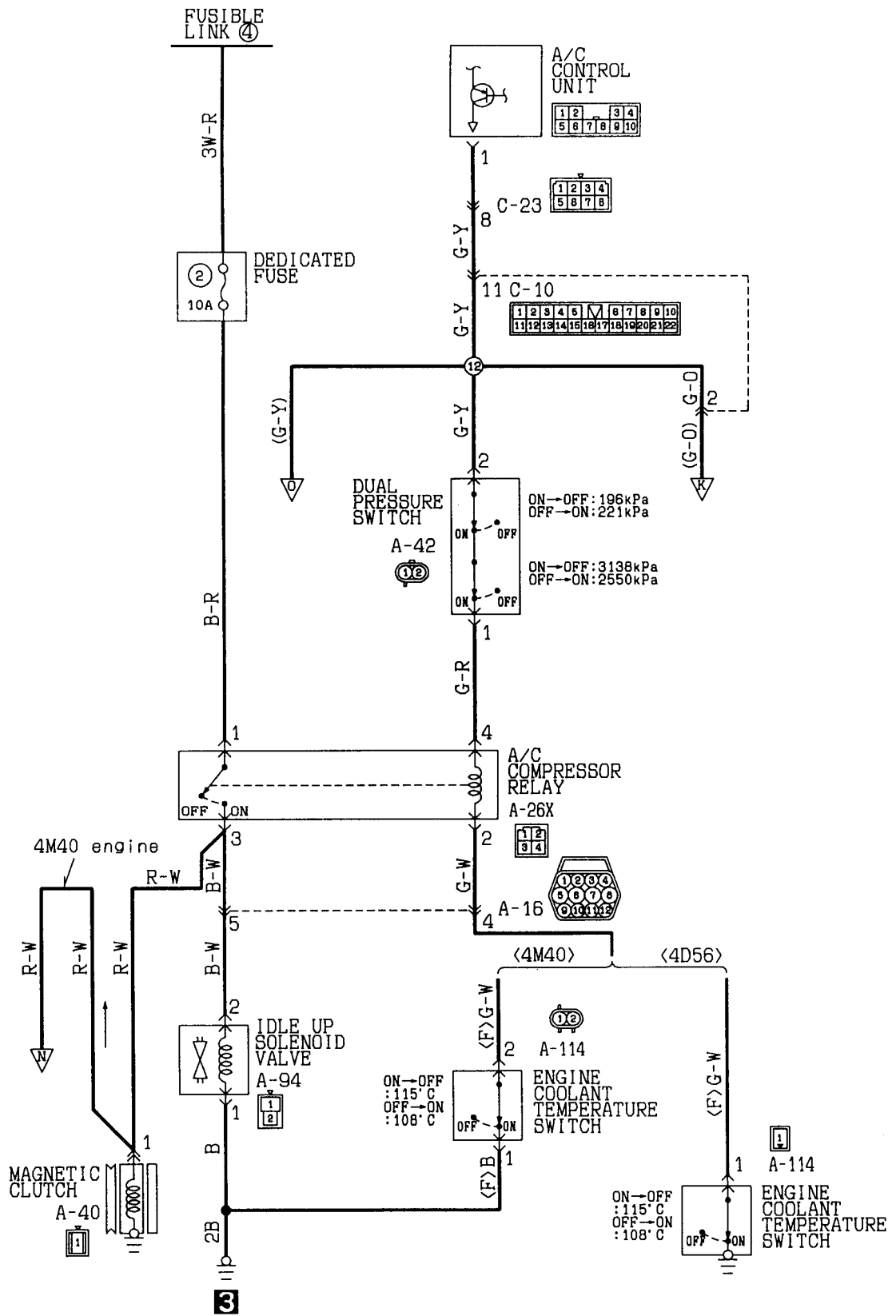


Wire colour code

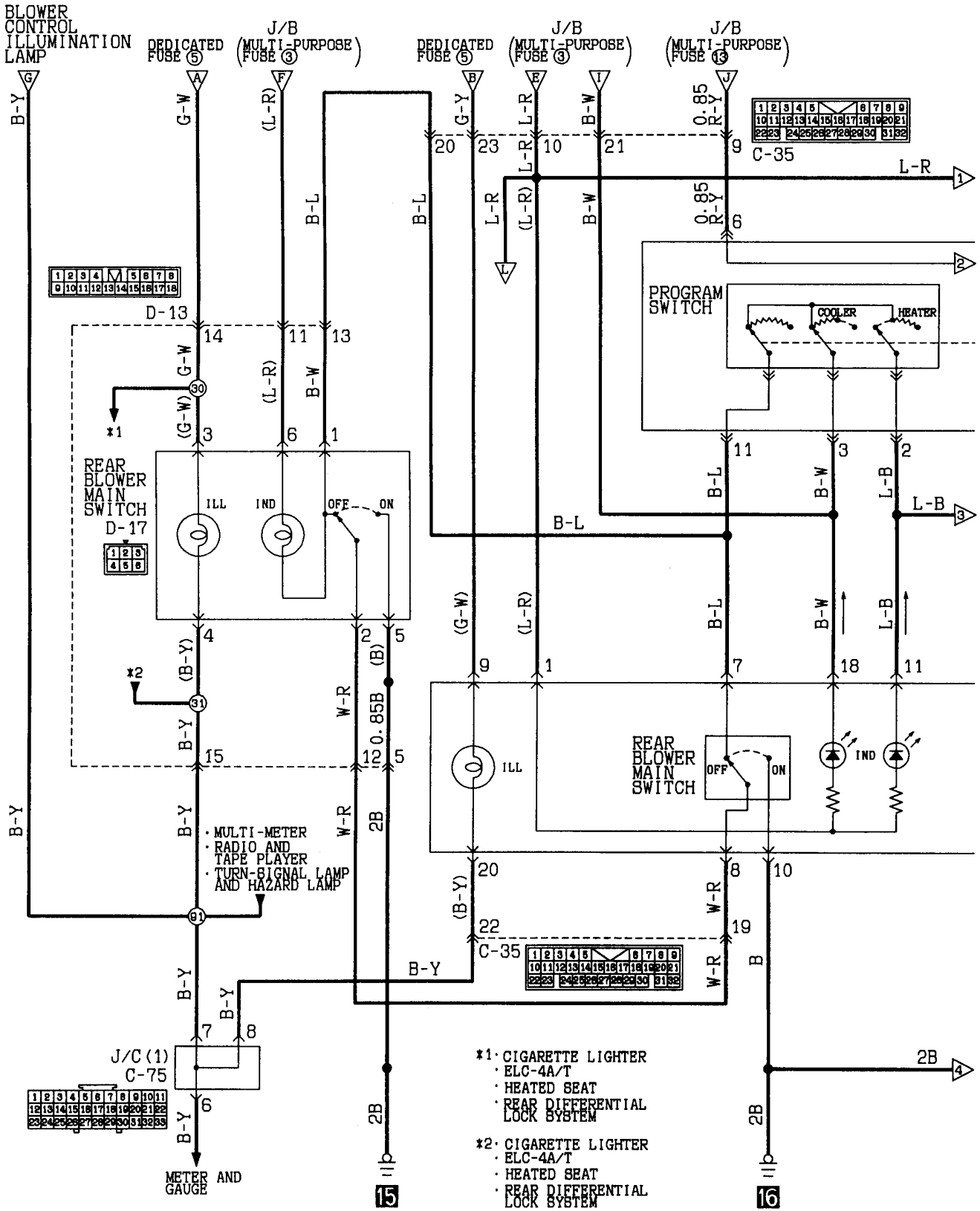
B:Black LG:Light green G:Green L:Blue W:White Y:Yellow SB:Sky blue
 BR:Brown O:Orange GR:Gray R:Red P:Pink V:Violet

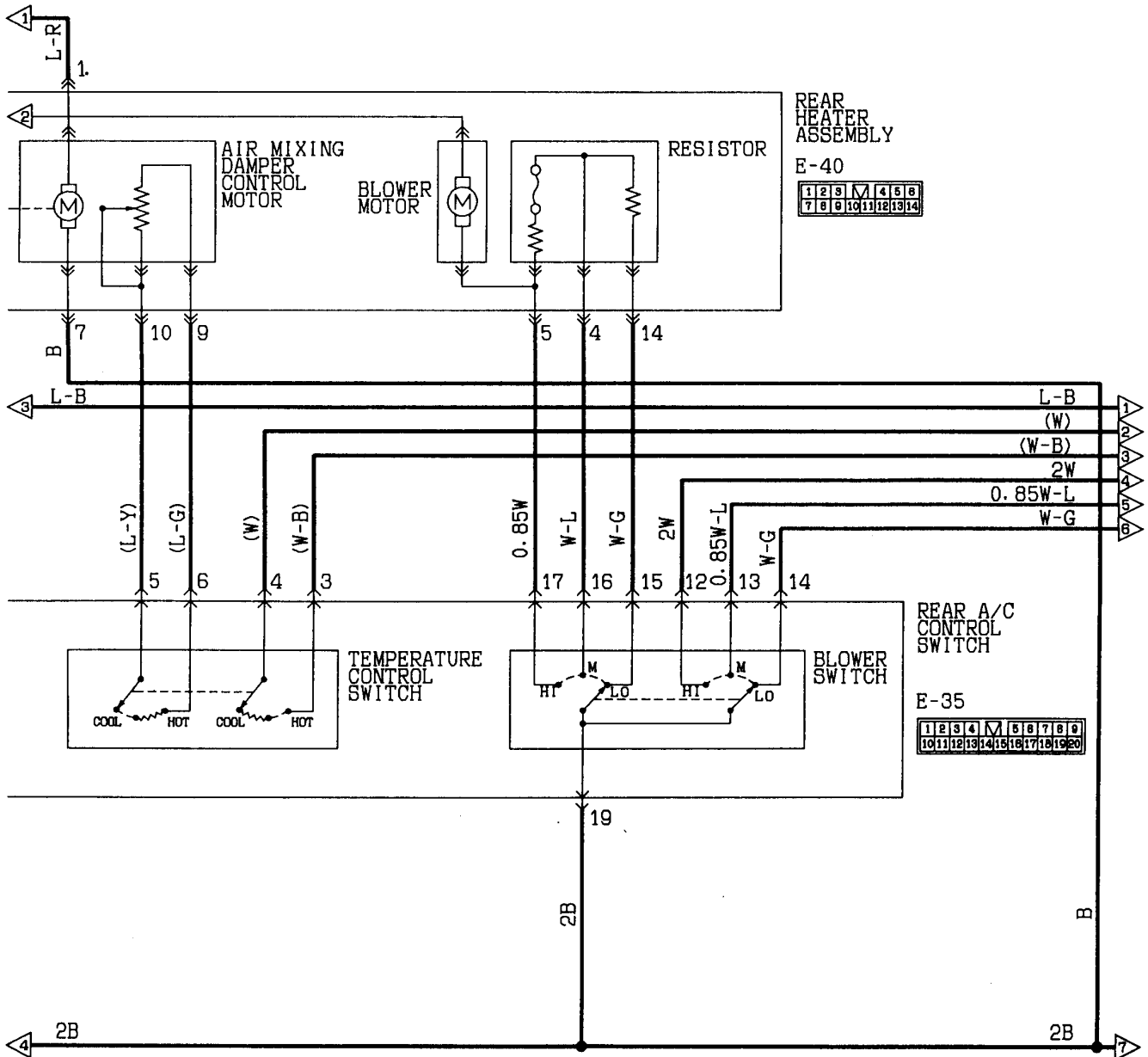
NOTES





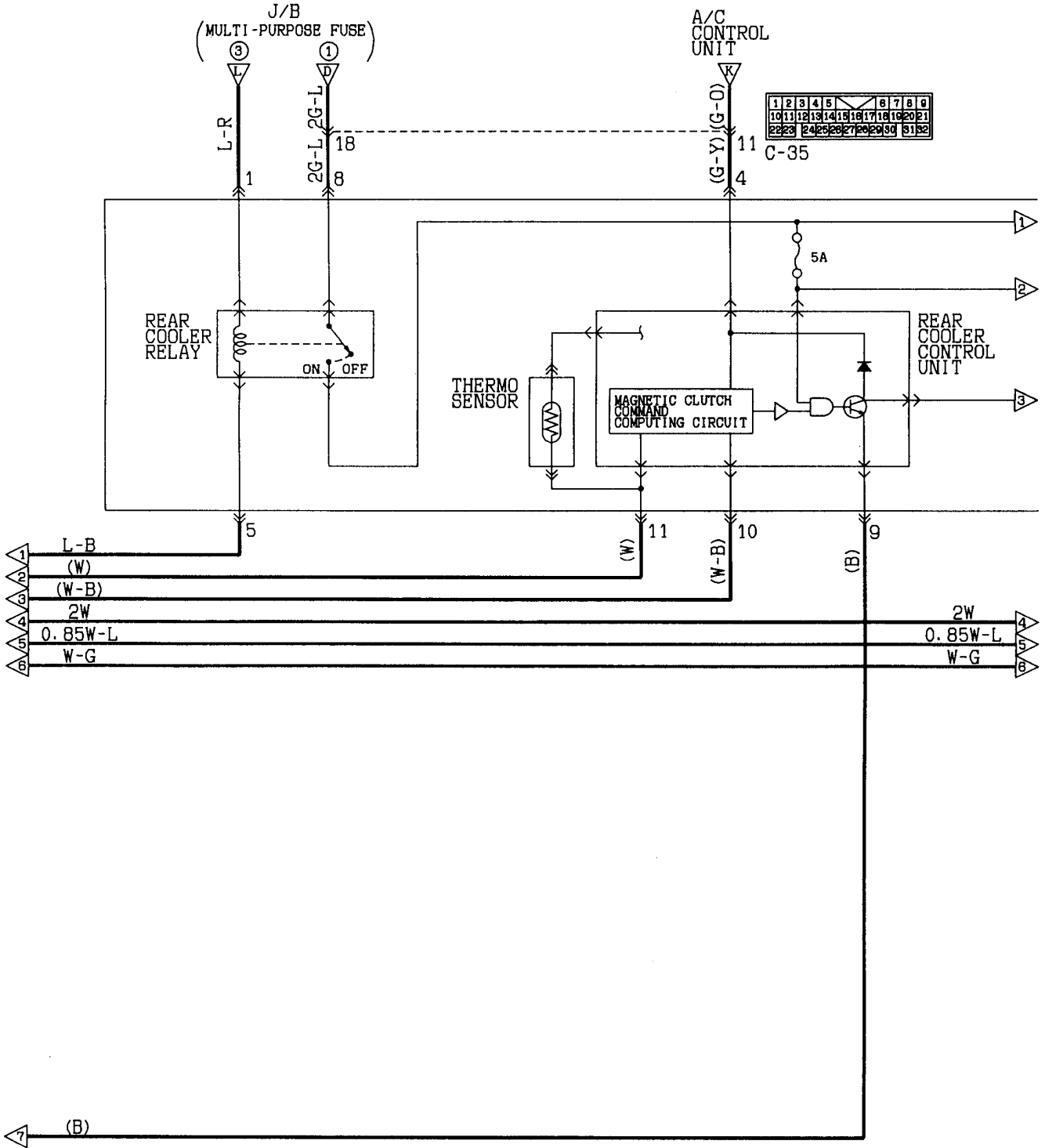
DUAL AIR CONDITIONER
 (L.H. drive vehicles with rear heater
 (diesel-powered vehicles)) (CONTINUED)

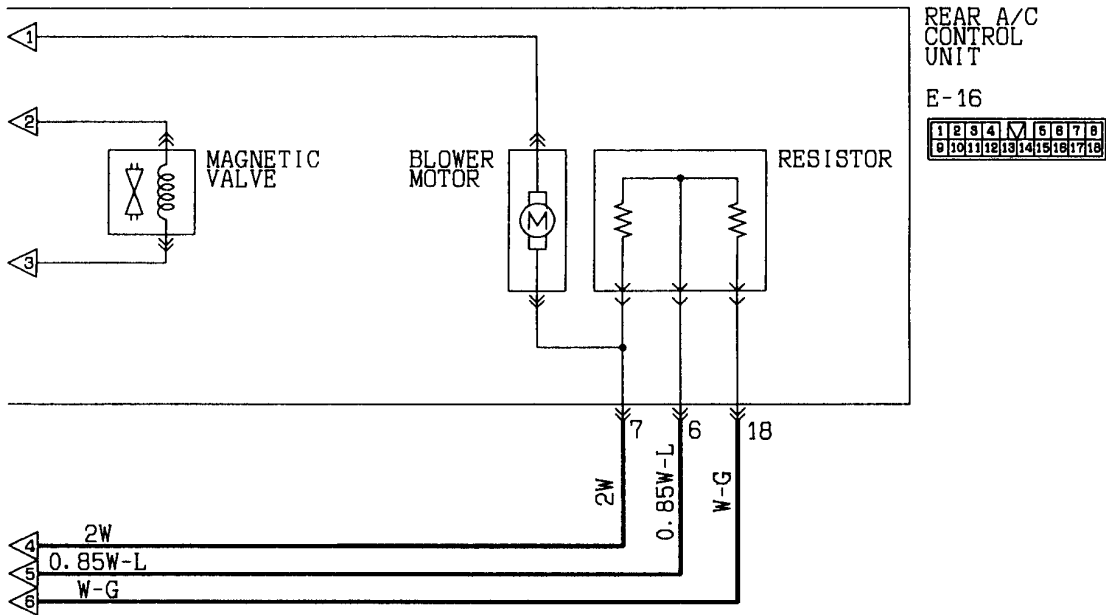




Wire colour code
 B:Black LG:Light green G:Green L:Blue W:White Y:Yellow BB:Sky blue
 BR:Brown O:Orange GR:Gray R:Red P:Pink V:Violet

DUAL AIR CONDITIONER
 (L.H. drive vehicles with rear heater
 (diesel-powered vehicles)) (CONTINUED)

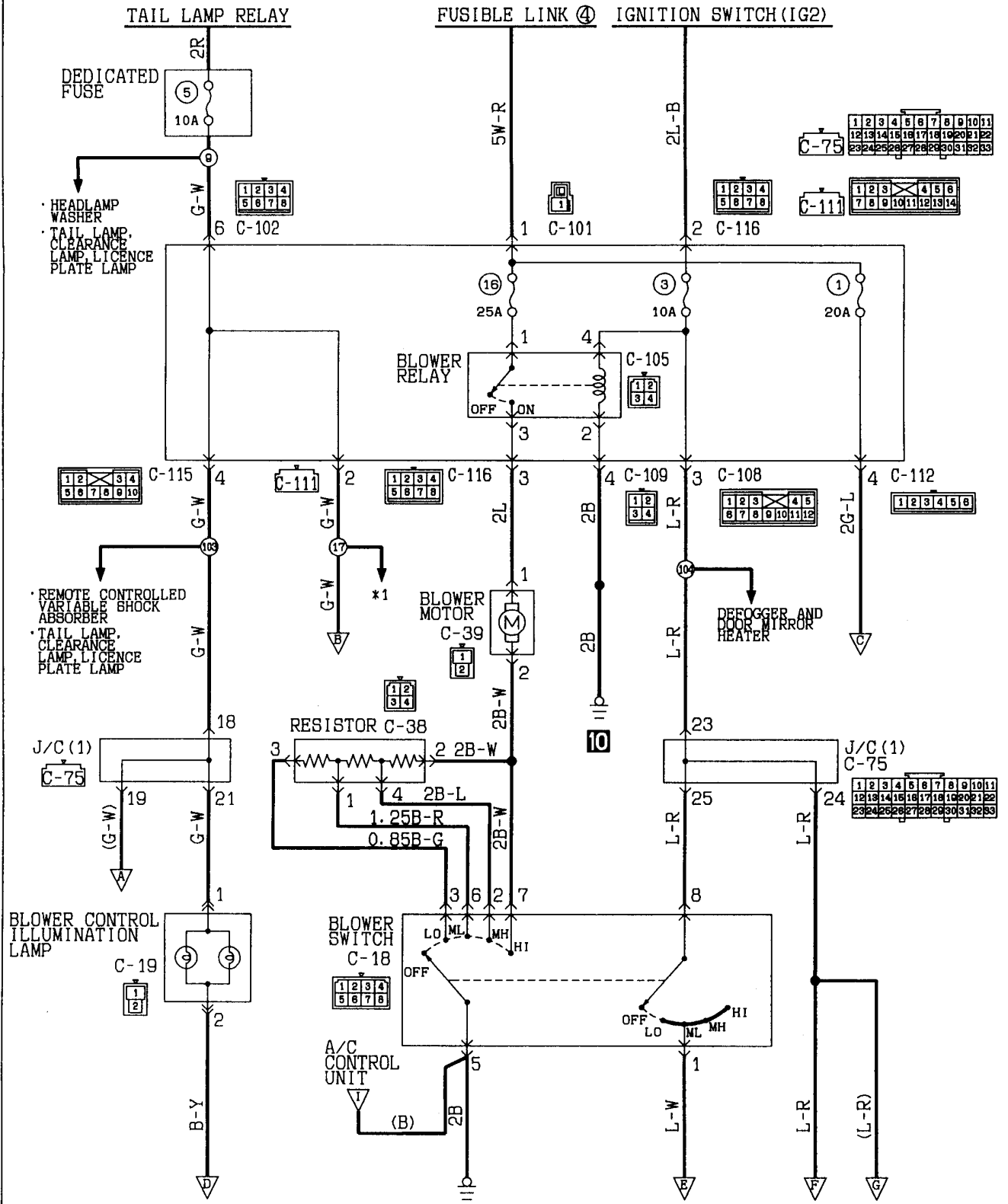




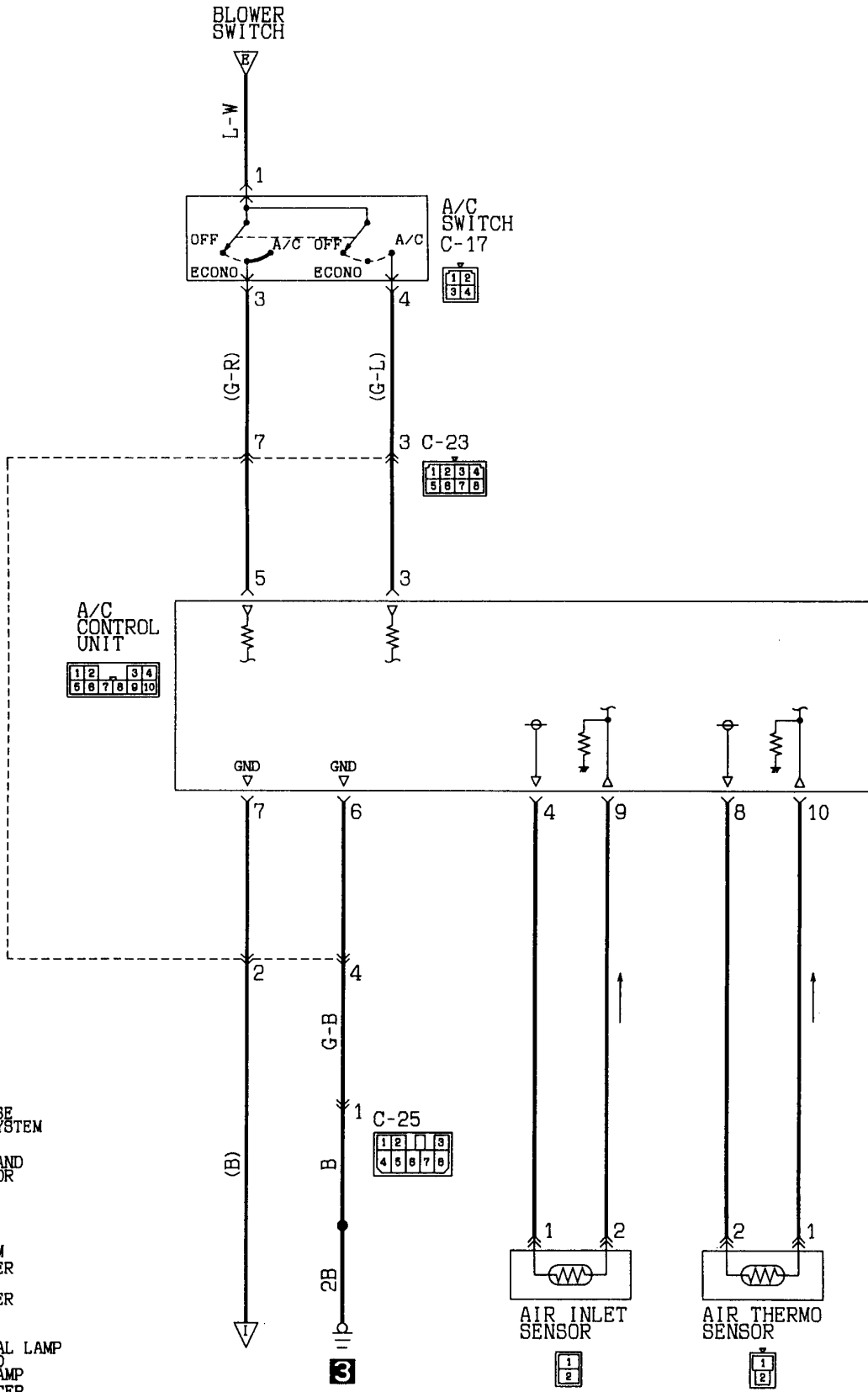
Wire colour code

B:Black LG:Light green G:Green L:Blue W:White Y:Yellow 8B:8kv blue
BR:Brown O:Orange GR:Gray R:Red P:Pink V:Violet

DUAL AIR CONDITIONER
R.H. drive vehicles without rear heater
(petrol-powered vehicles)

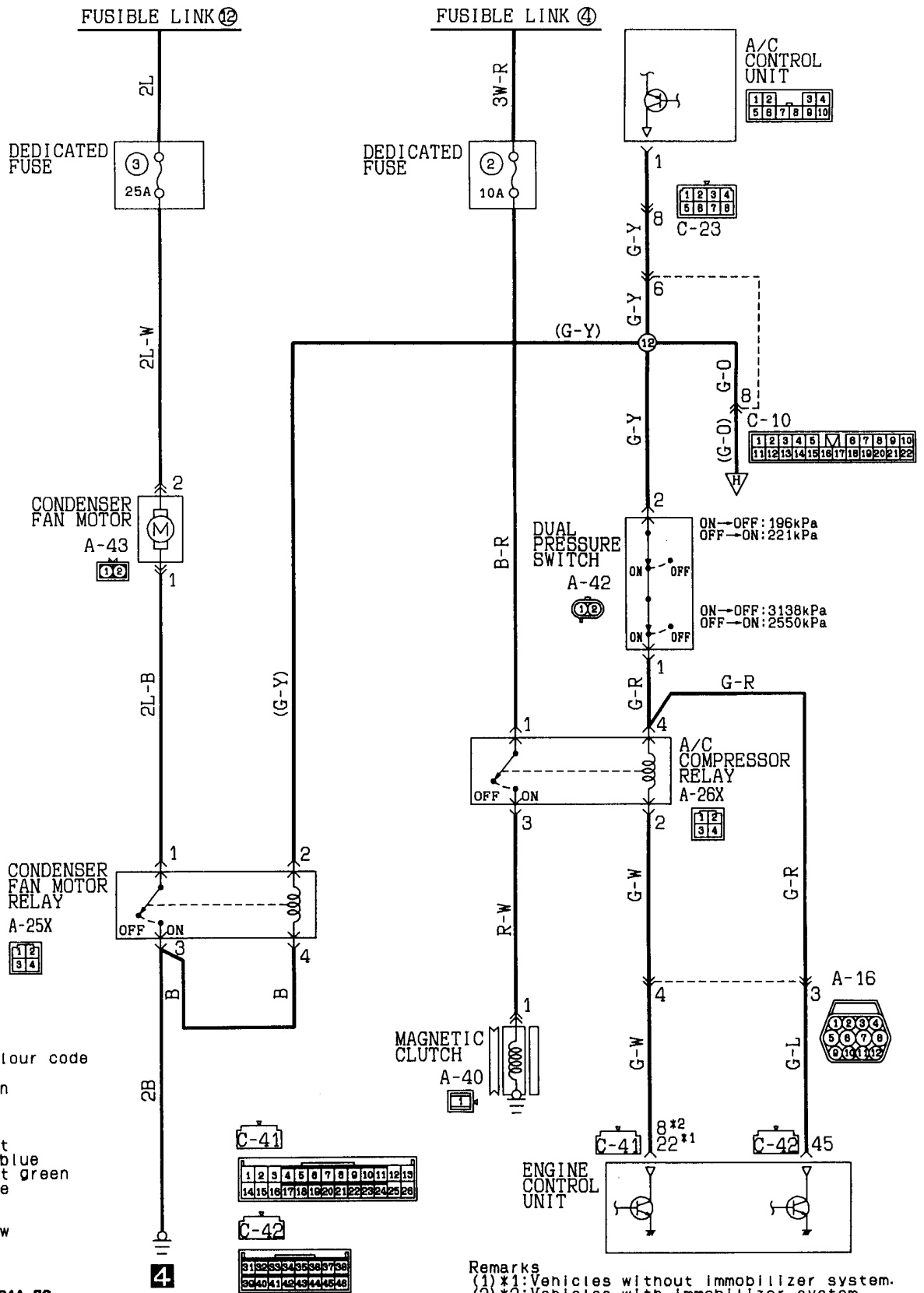


Wire colour code
 B:Black LG:Light green G:Green L:Blue W:White Y:Yellow
 BR:Brown O:Orange GR:Gray R:Red P:Pink V:Violet
 SB:Sky blue



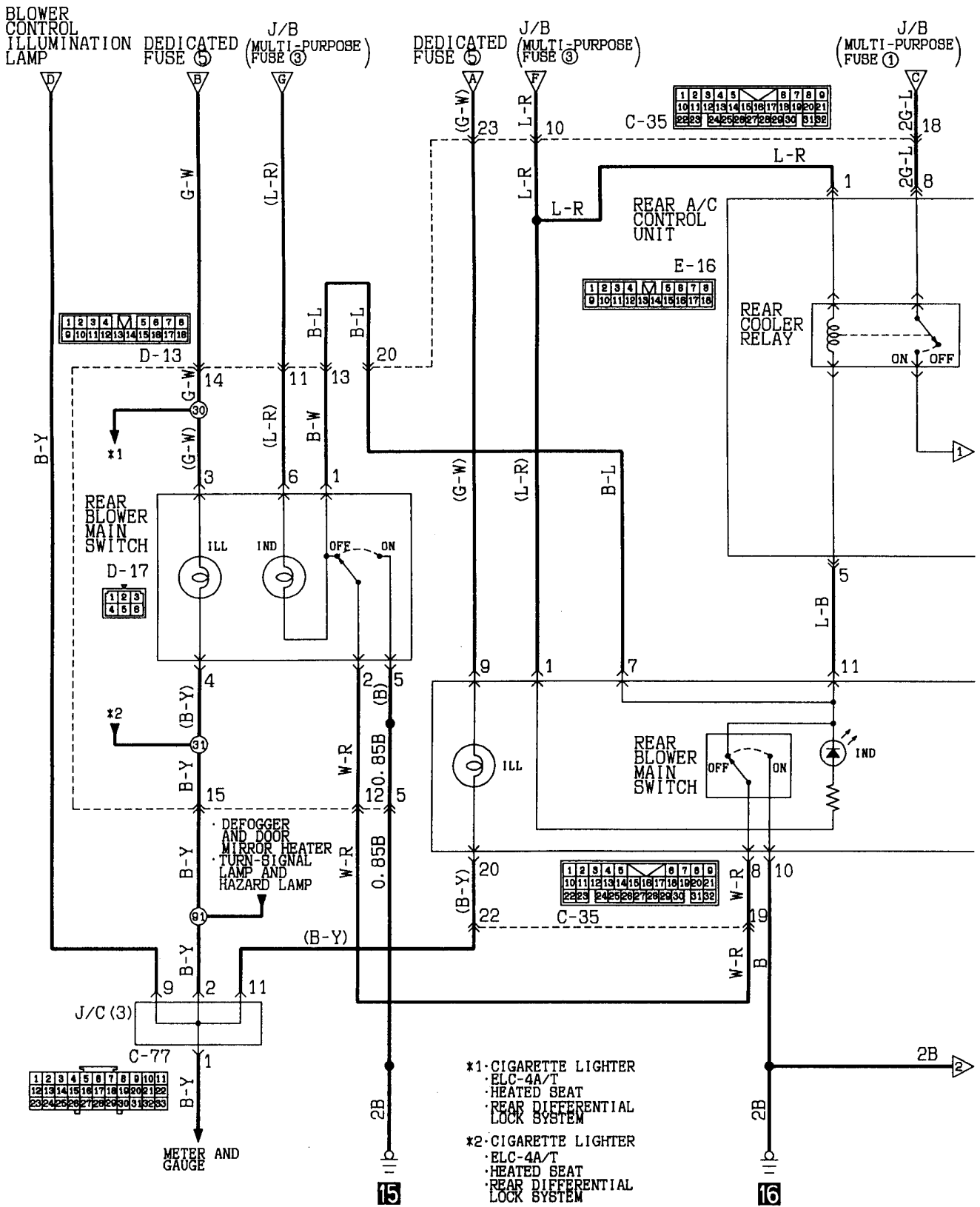
- *1. AUTO-CRUISE CONTROL SYSTEM
- CLOCK
- DEFOGGER AND DOOR MIRROR HEATER
- LIGHTING MONITOR BUZZER
- MPI SYSTEM
- MULTI-METER
- RADIO AND TAPE PLAYER
- REAR FOG LAMP
- TURN-SIGNAL LAMP AND HAZARD WARNING LAMP
- WIPER DEICER

DUAL AIR CONDITIONER
 (R.H. drive vehicles without rear heater
 (petrol-powered vehicles)) (CONTINUED)

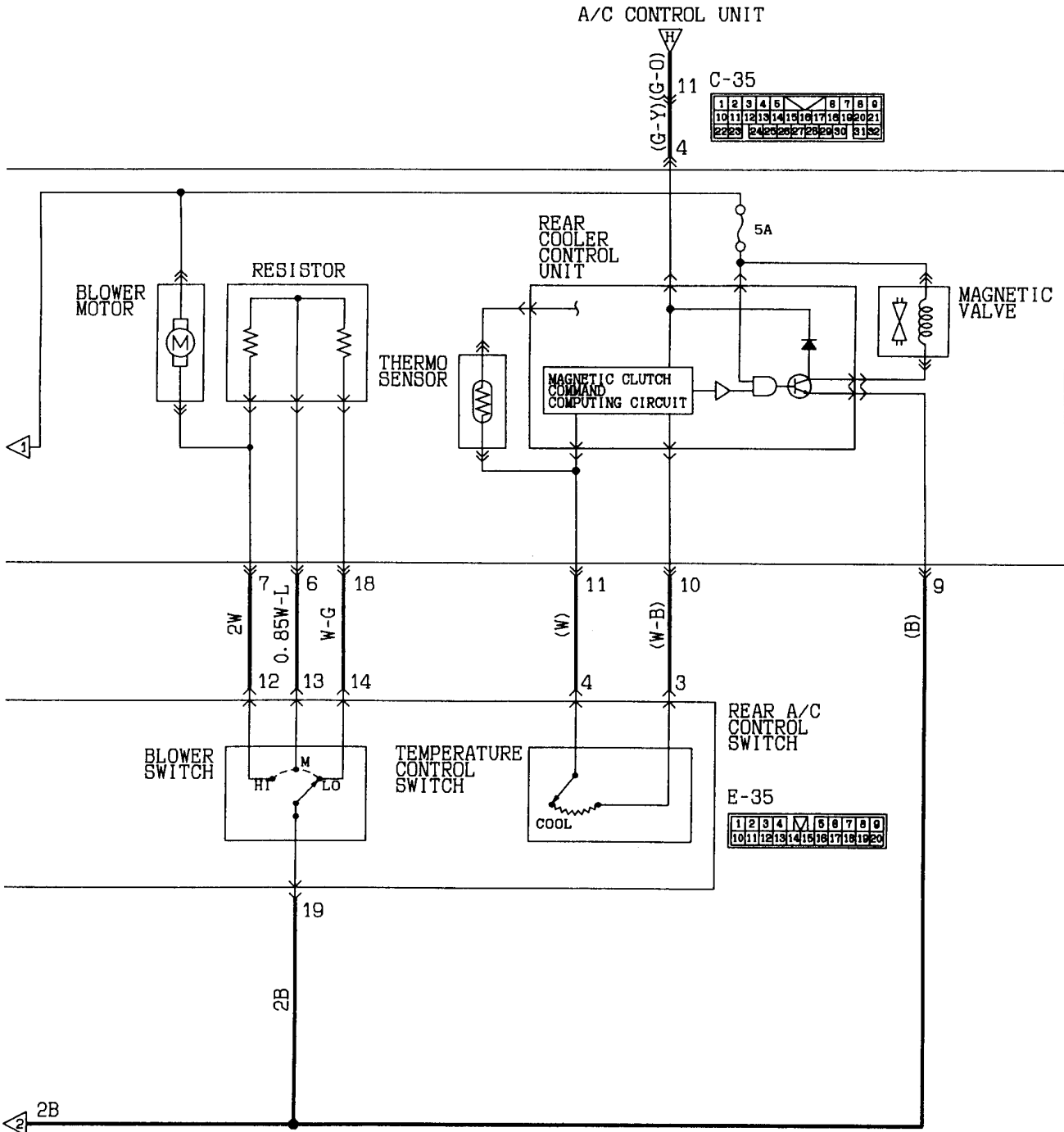


Wire colour code
 B:Black
 BR:Brown
 G:Green
 GR:Gray
 L:Blue
 V:Violet
 BB:Sky blue
 LG:Light green
 O:Orange
 P:Pink
 R:Red
 Y:Yellow
 W:White

Remarks
 (1) x1: Vehicles without Immobilizer system.
 (2) x2: Vehicles with Immobilizer system.



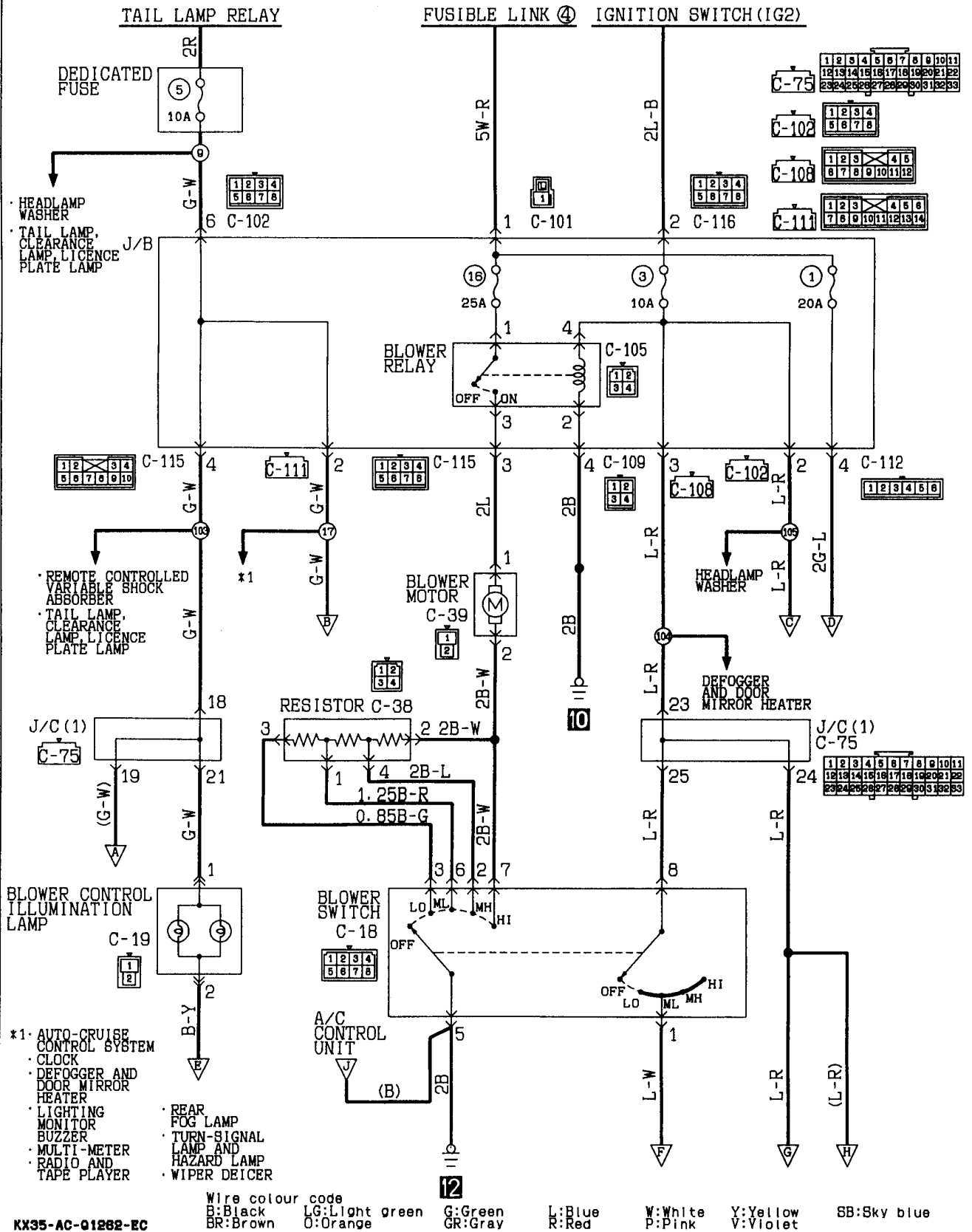
DUAL AIR CONDITIONER
 (R.H. drive vehicles without rear heater
 (petrol-powered vehicles)) (CONTINUED)



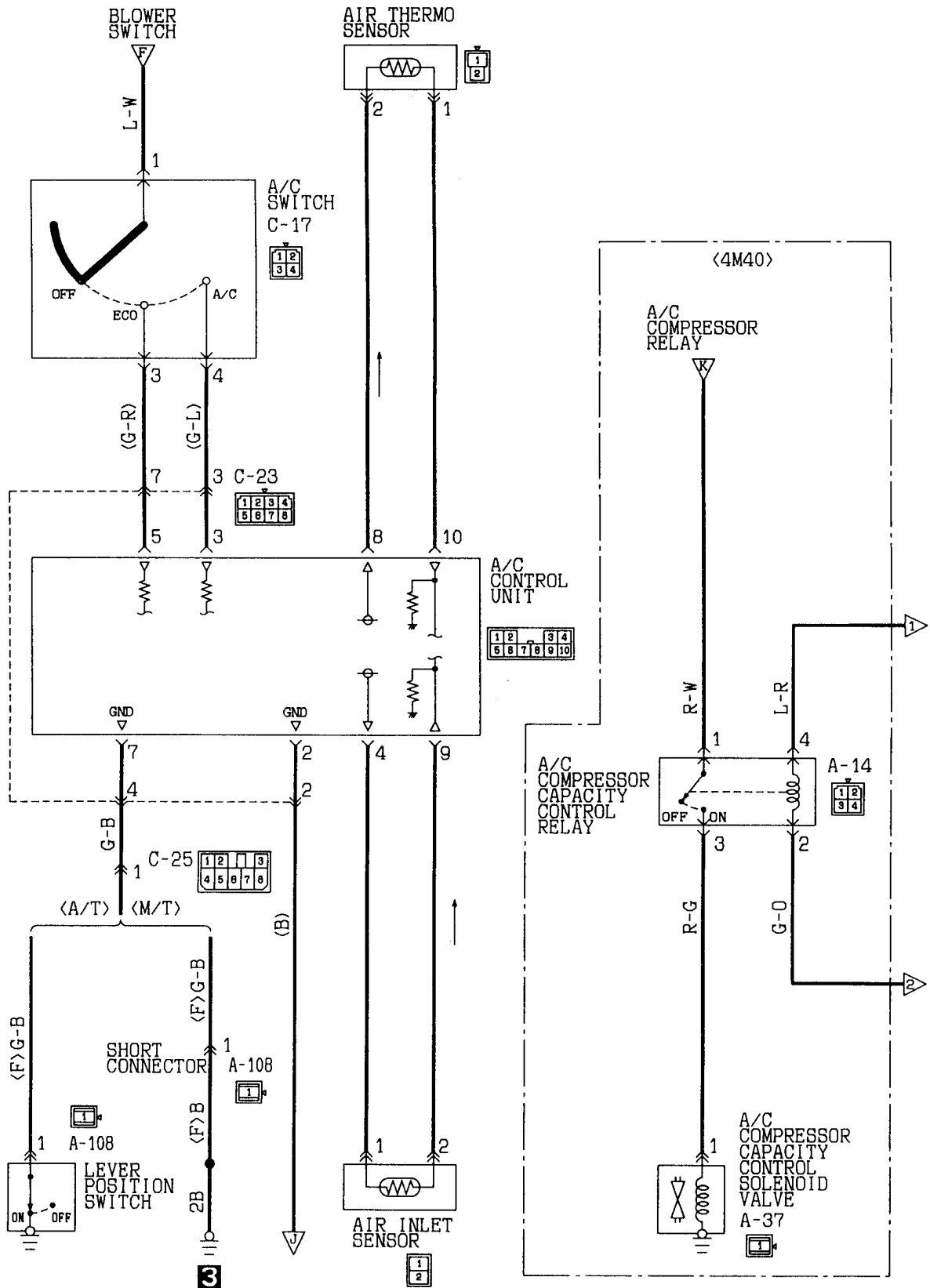
Wire colour code
 B:Black LG:Light green G:Green L:Blue W:White Y:Yellow 8B:8kv blue
 BR:Brown O:Orange GR:Gray R:Red P:Pink V:Violet

NOTES

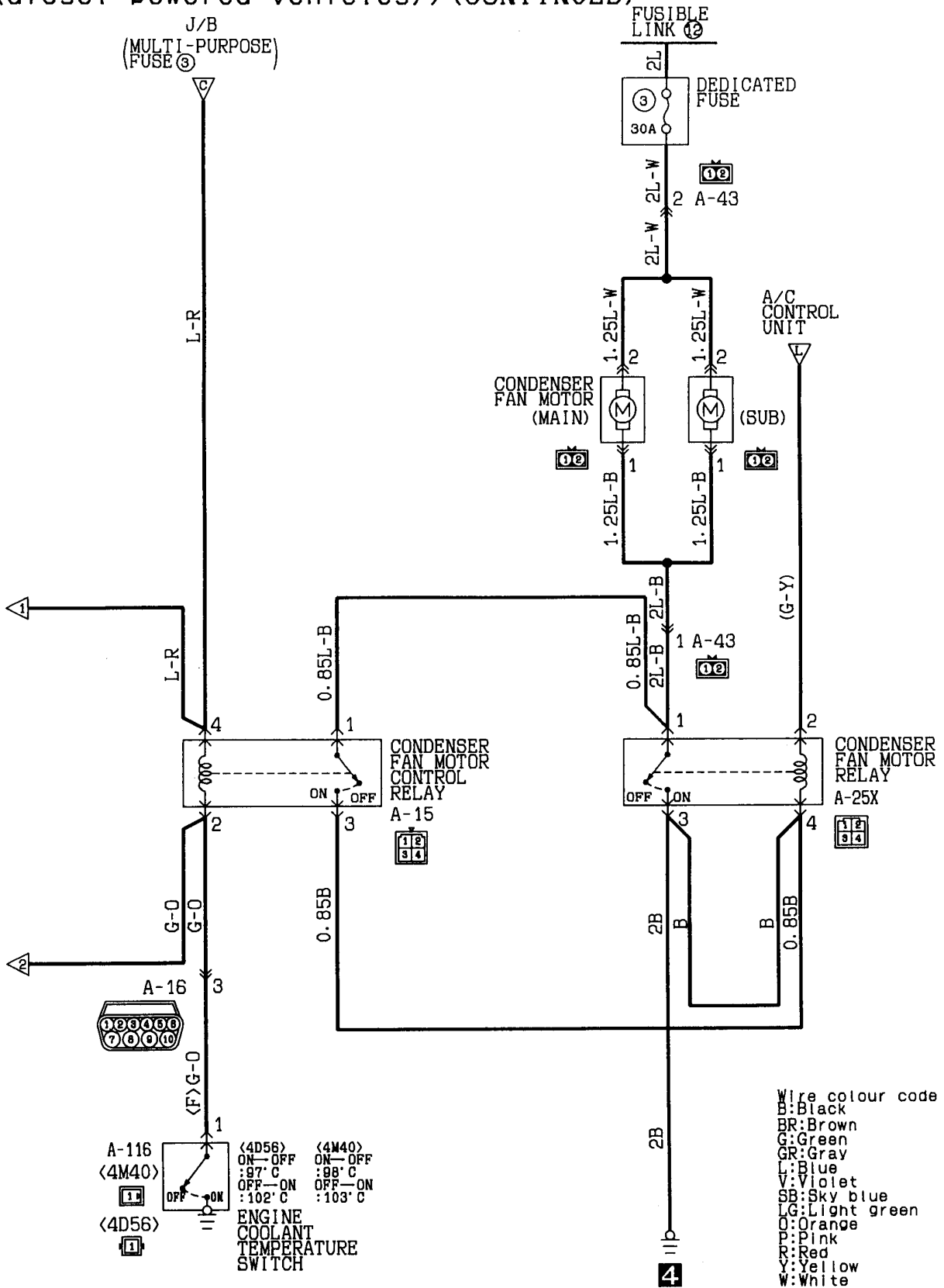
DUAL AIR CONDITIONER
 R.H. drive vehicles without rear heater
 (diesel-powered vehicles)



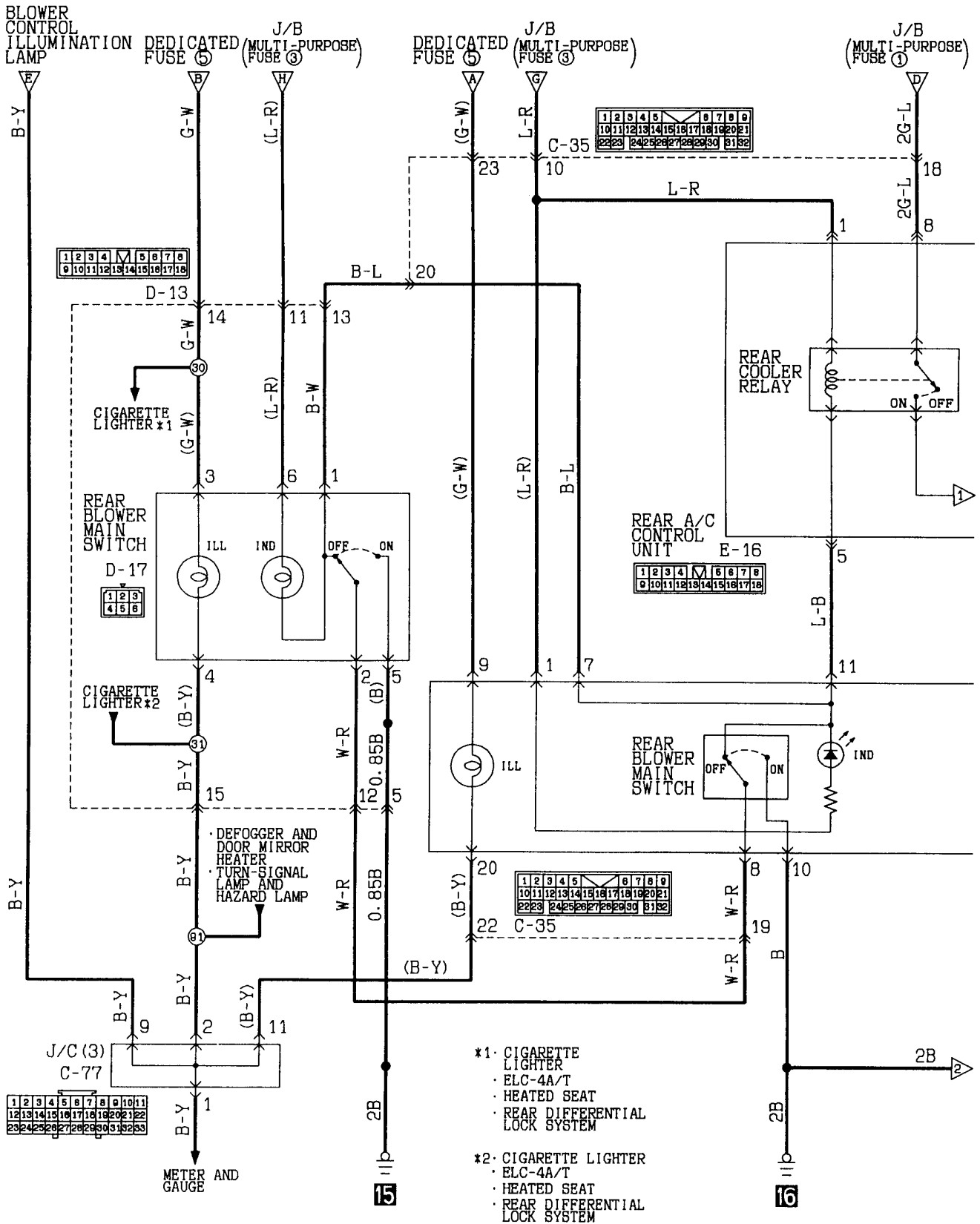
- *1. AUTO-CRUISE CONTROL SYSTEM
- CLOCK
 - DEFOGGER AND DOOR MIRROR HEATER
 - LIGHTING MONITOR BUZZER
 - MULTI-METER
 - RADIO AND TAPE PLAYER
 - REAR FOG LAMP
 - TURN-SIGNAL LAMP AND HAZARD LAMP
 - WIPER DEICER

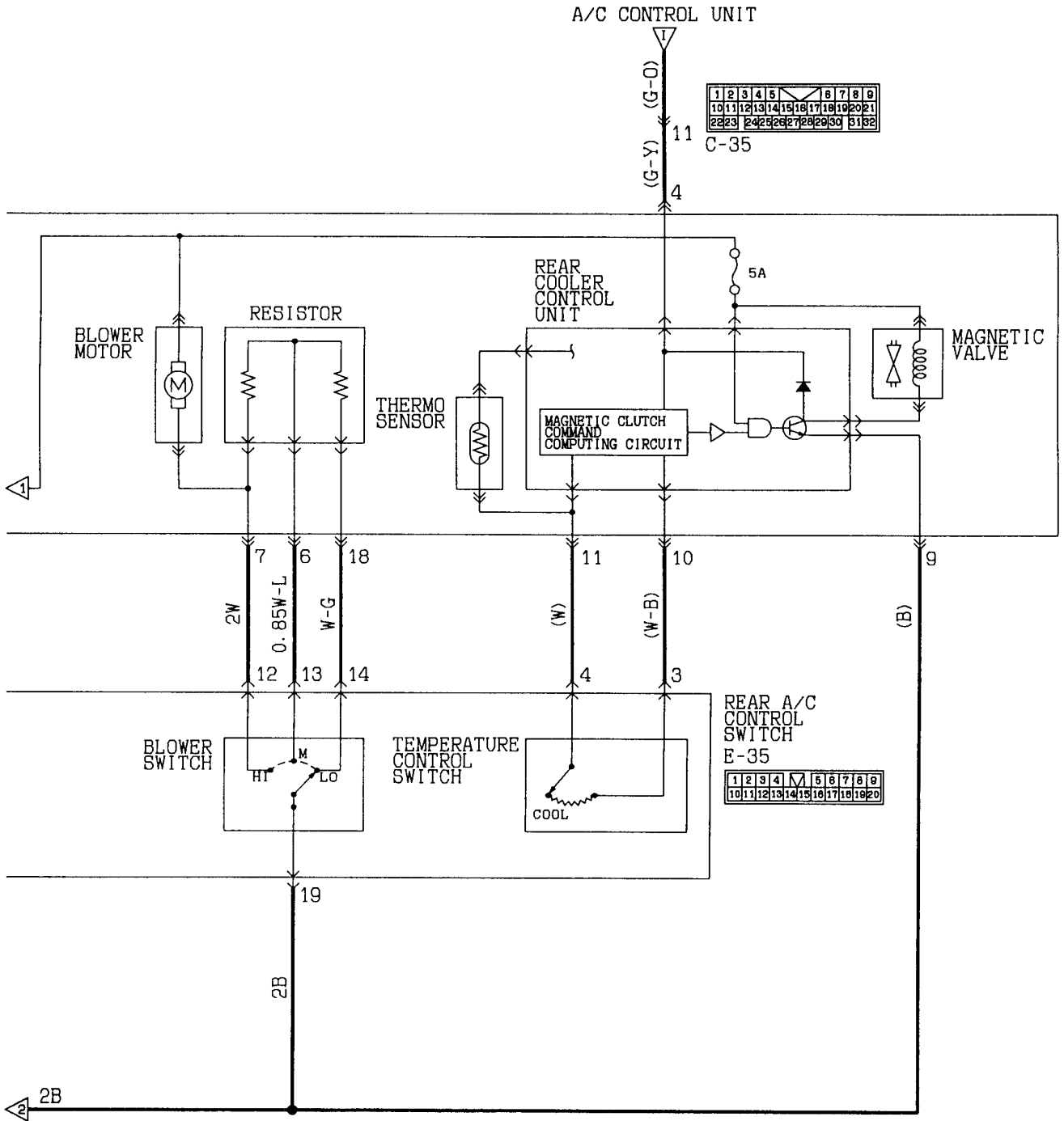


DUAL AIR CONDITIONER
 (R.H. drive vehicles without rear heater
 (diesel-powered vehicles)) (CONTINUED)



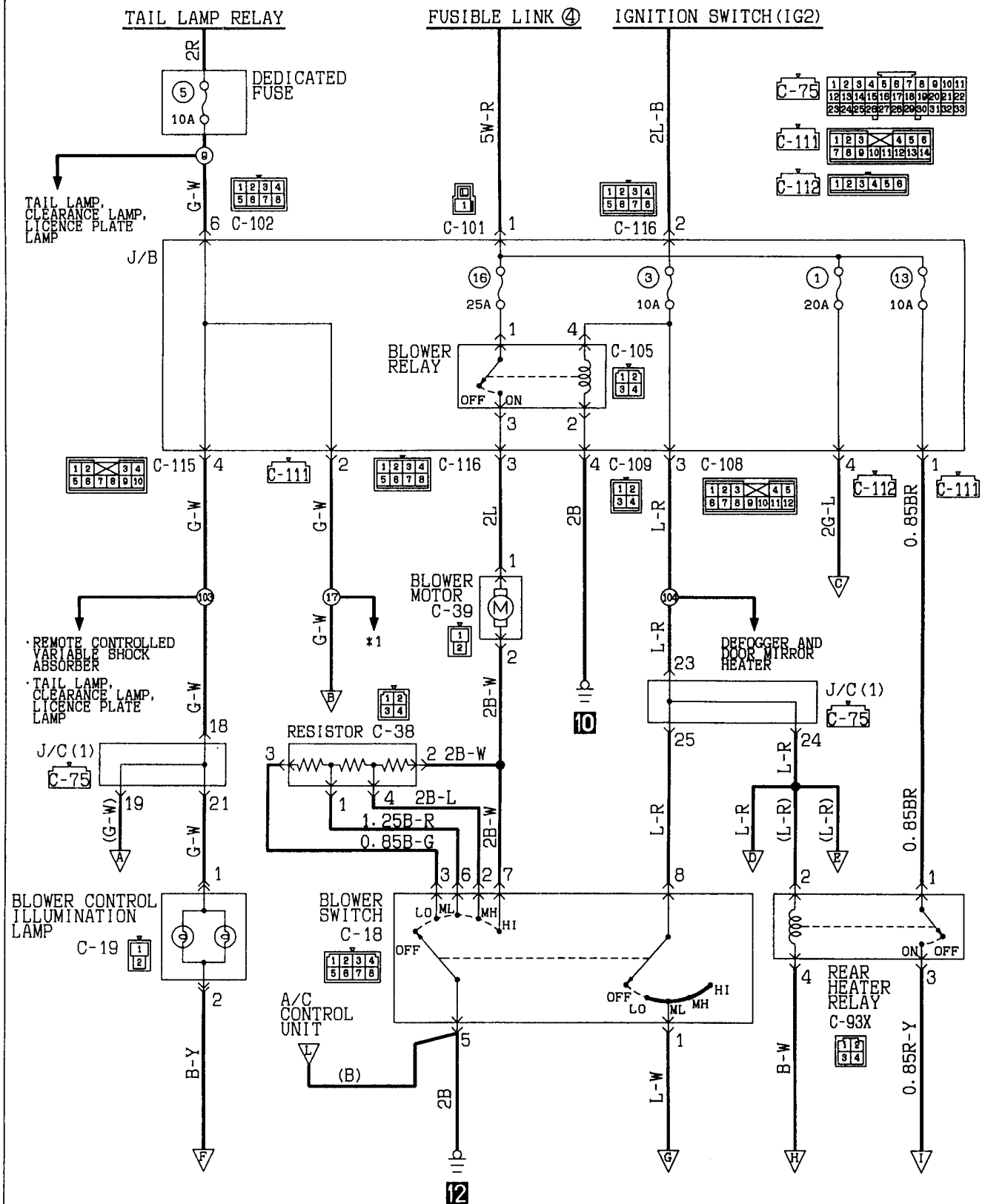
DUAL AIR CONDITIONER
 (R. H. drive vehicles without rear heater
 (diesel-powered vehicles)) (CONTINUED)

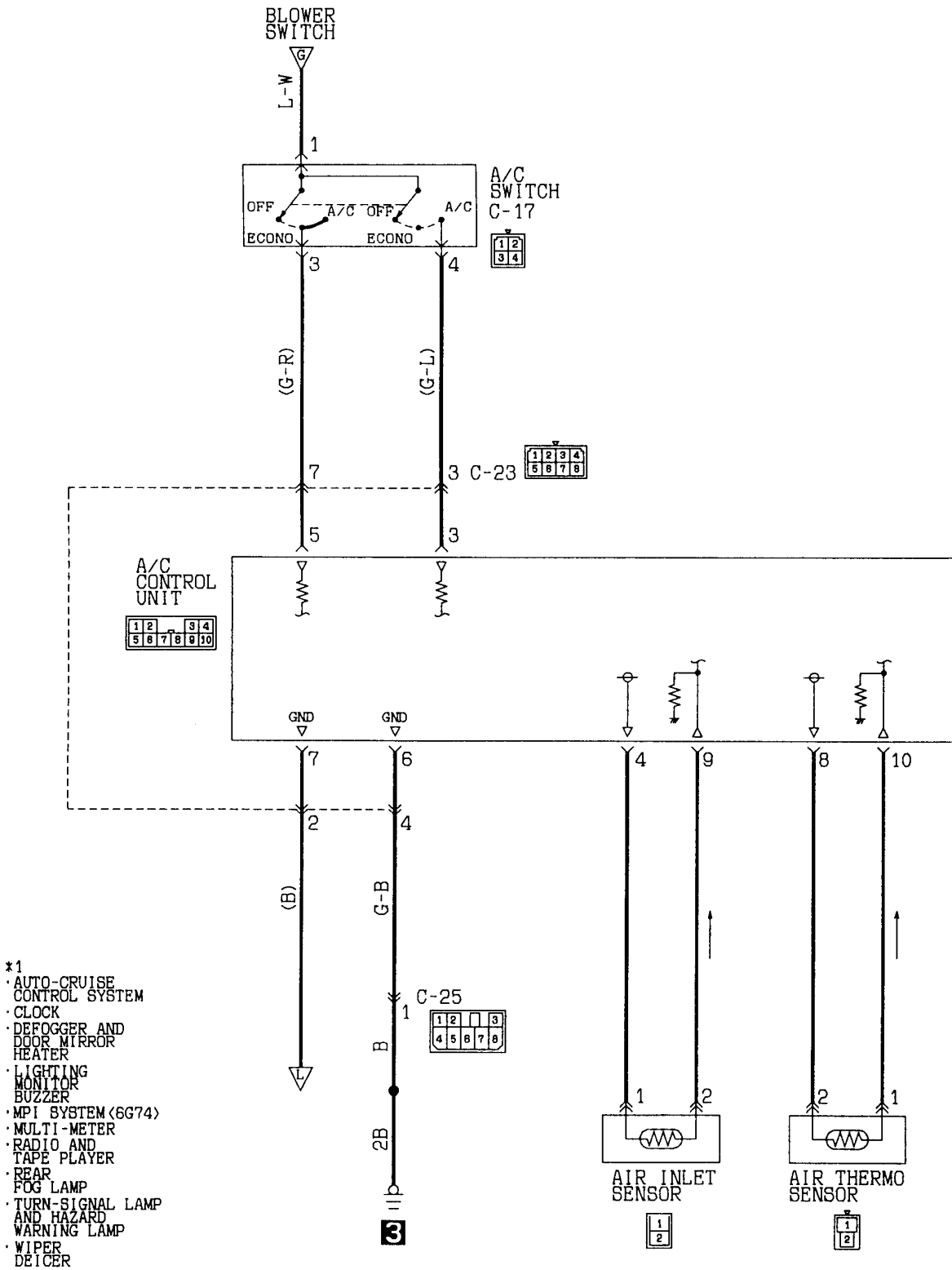




Wire colour code
 B:Black LG:Light green G:Green L:Blue W:White Y:Yellow SB:Sky blue
 BR:Brown O:Orange GR:Gray R:Red P:Pink V:Violet

DUAL AIR CONDITIONER
 R.H. drive vehicles with rear heater
 (petrol-powered vehicles)

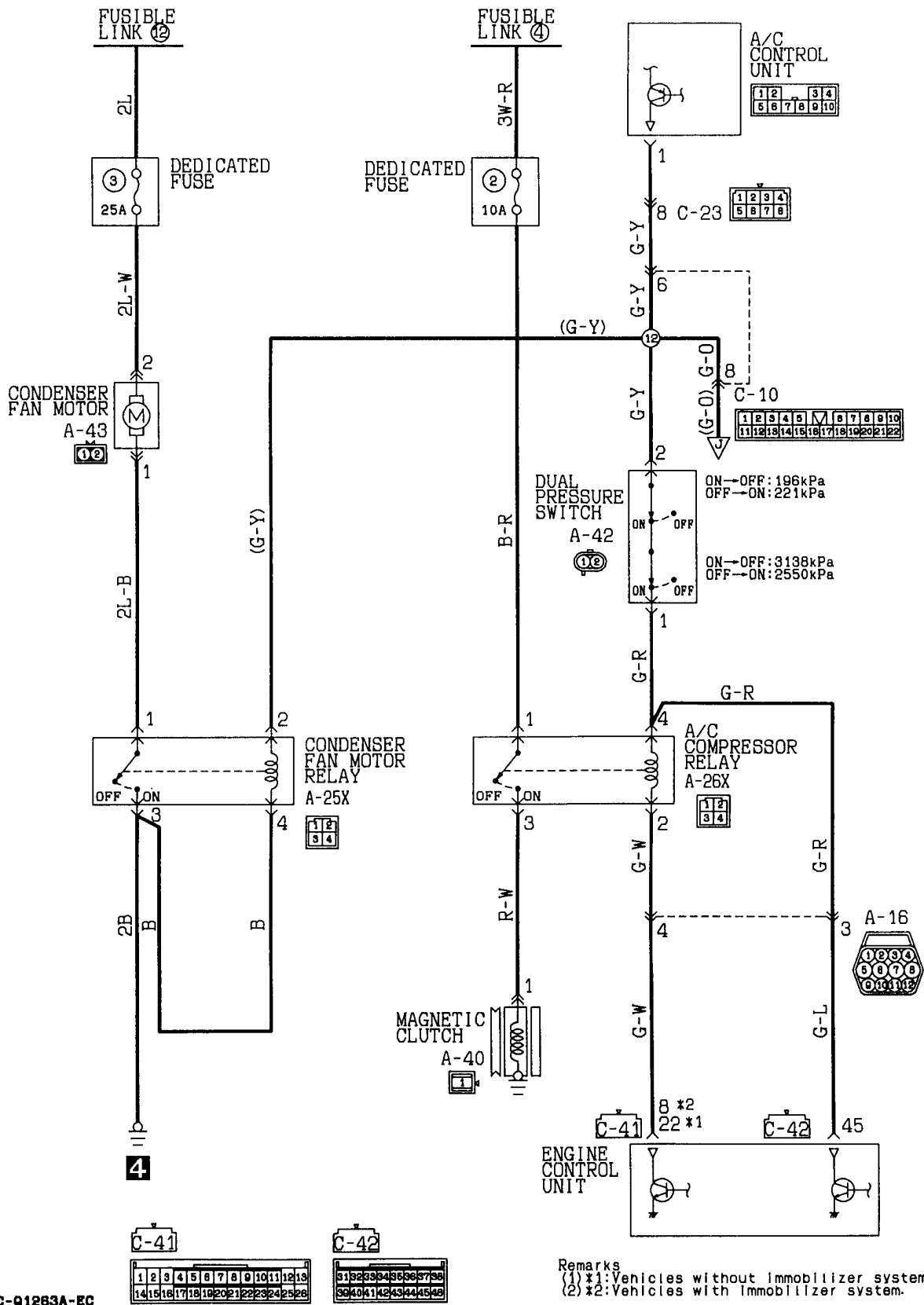




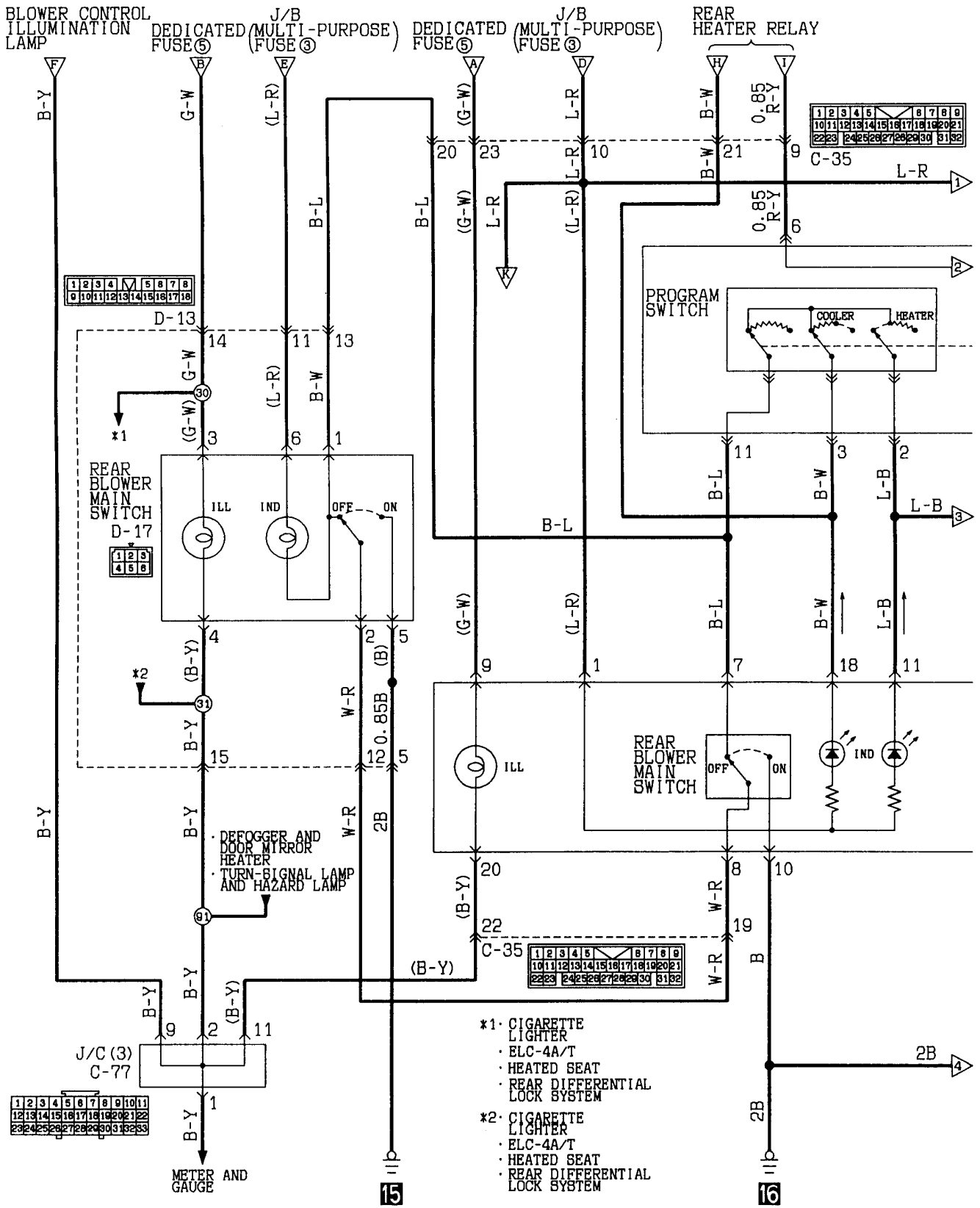
- *1
- AUTO-CRUISE CONTROL SYSTEM
 - CLOCK
 - DEFOGGER AND DOOR MIRROR HEATER
 - LIGHTING MONITOR BUZZER
 - MPI SYSTEM (6G74)
 - MULTI-METER
 - RADIO AND TAPE PLAYER
 - REAR FOG LAMP
 - TURN-SIGNAL LAMP AND HAZARD WARNING LAMP
 - WIPER DEICER

Wire colour code
 B:Black LG:Light green G:Green L:Blue W:White Y:Yellow SB:Sky blue
 BR:Brown O:Orange GR:Gray R:Red P:Pink V:Violet

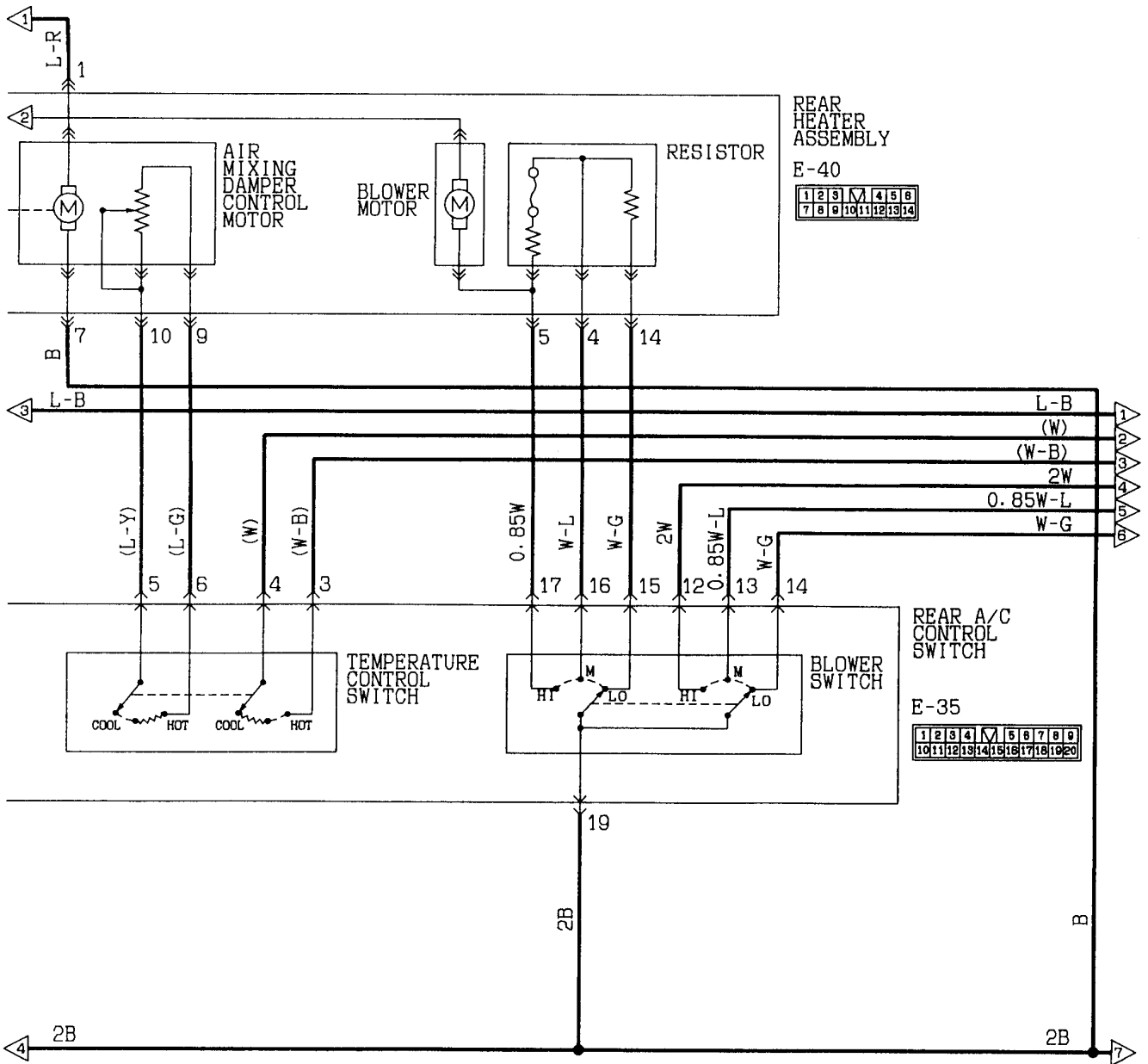
DUAL AIR CONDITIONER
 (R.H. drive vehicles with rear heater
 (petrol-powered vehicles)) (CONTINUED)

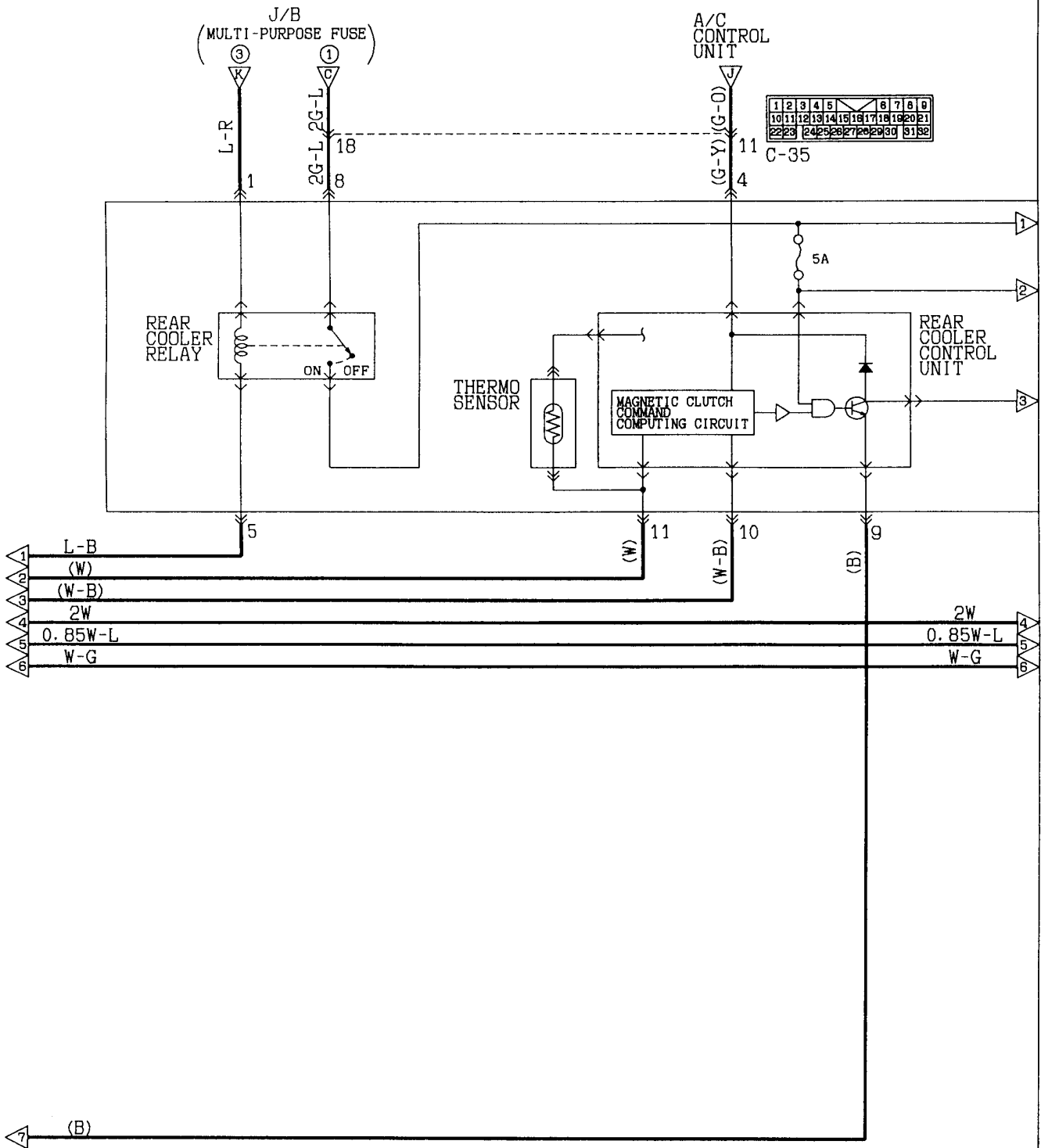


Remarks
 (1) *1: Vehicles without Immobilizer system.
 (2) *2: Vehicles with Immobilizer system.



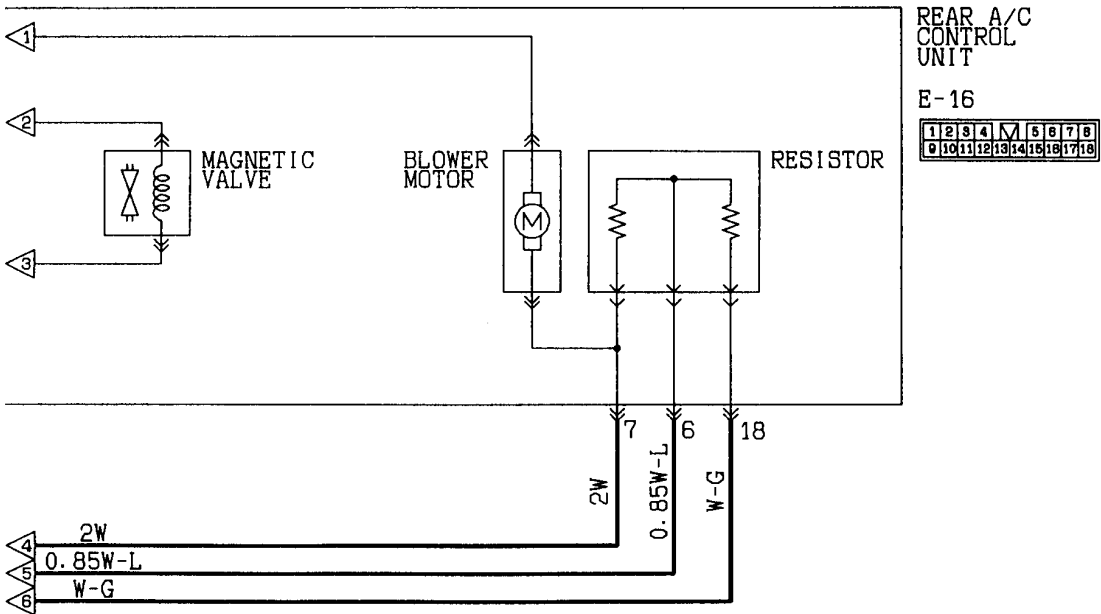
DUAL AIR CONDITIONER
 (R.H. drive vehicles with rear heater
 (petrol-powered vehicles)) (CONTINUED)





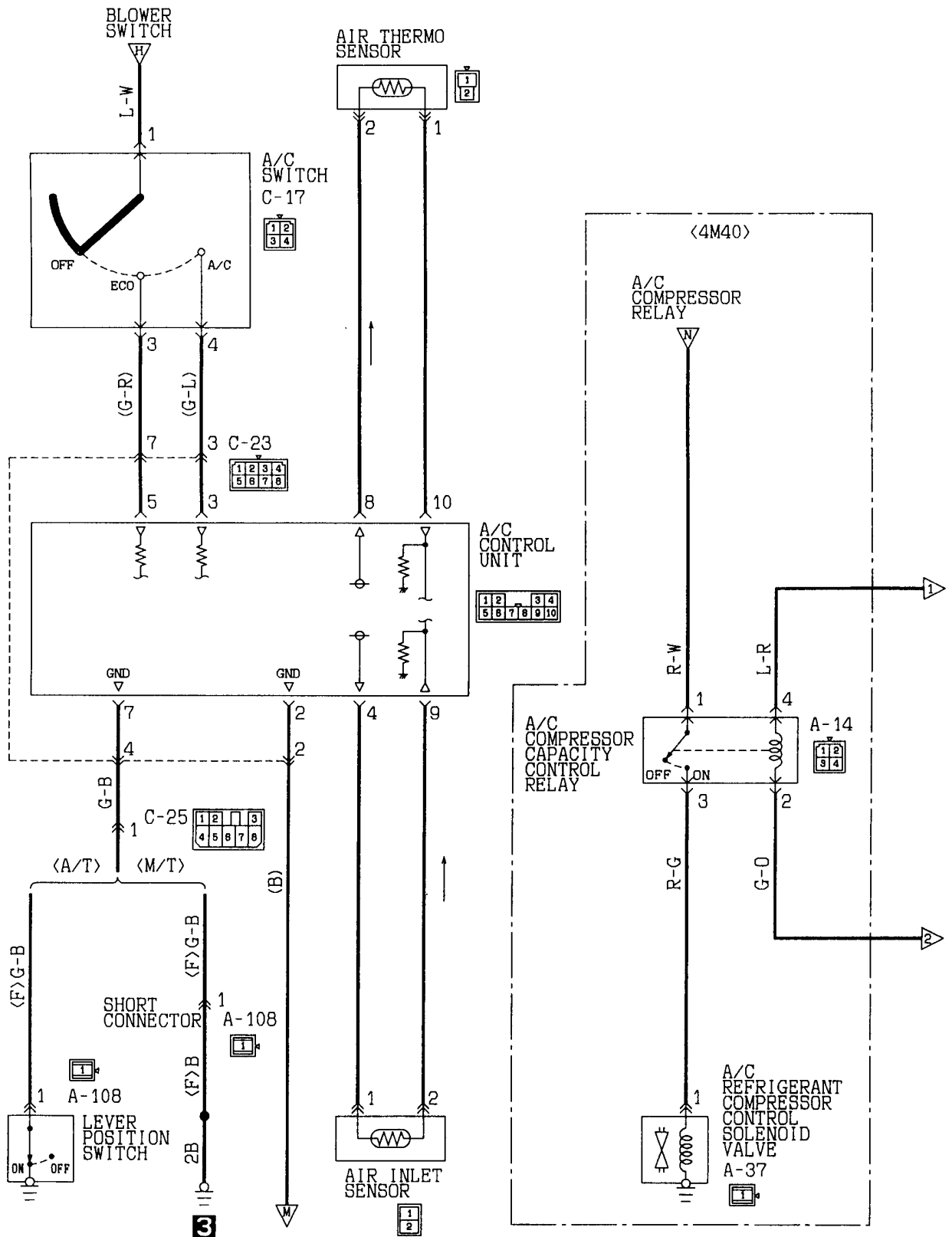
Wire colour code
 B:Black LG:Light green G:Green L:Blue W:White Y:Yellow SB:Sky blue
 BR:Brown O:Orange GR:Gray R:Red P:Pink V:Violet

DUAL AIR CONDITIONER
 (R.H. drive vehicles with rear heater
 (petrol-powered vehicles)) (CONTINUED)

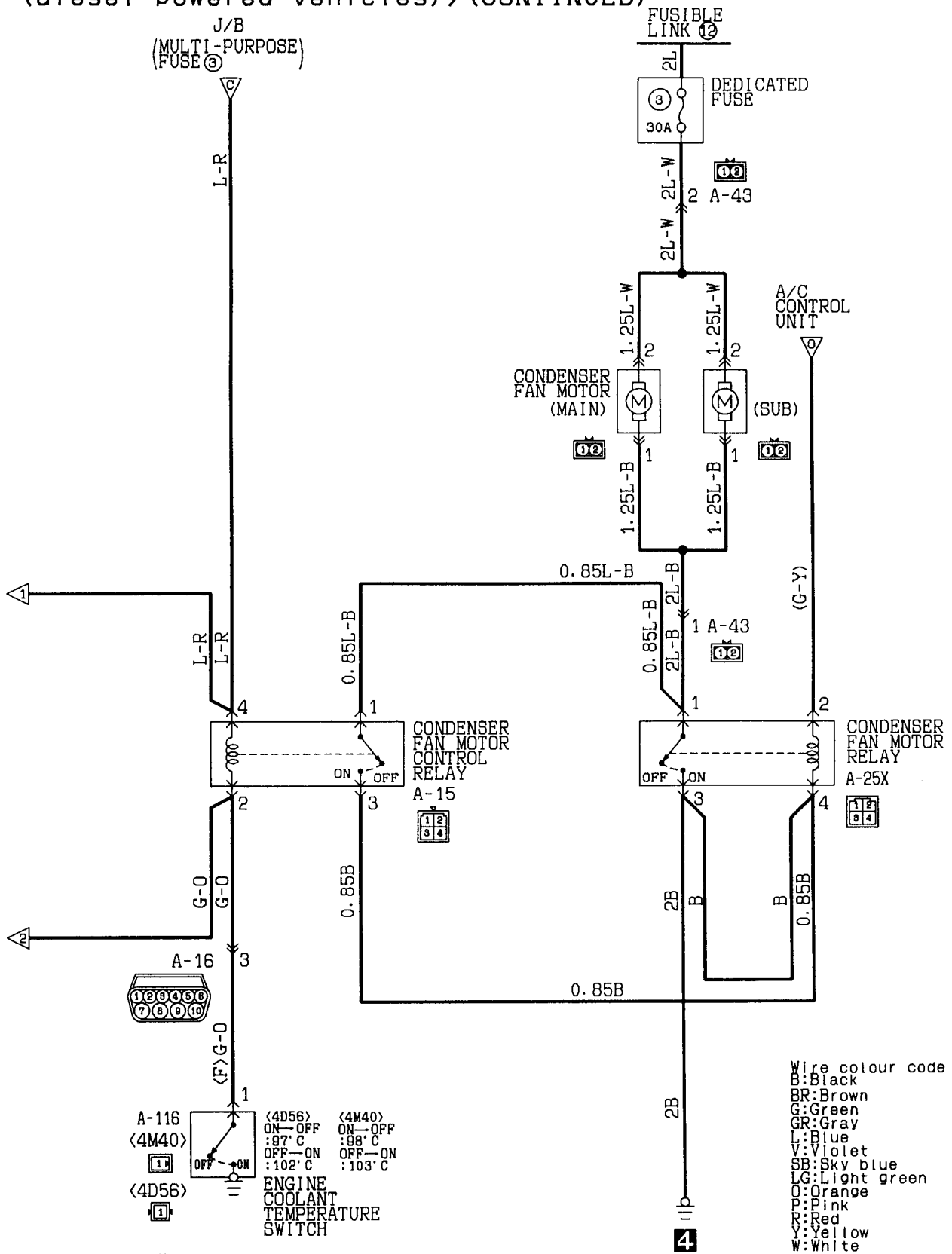


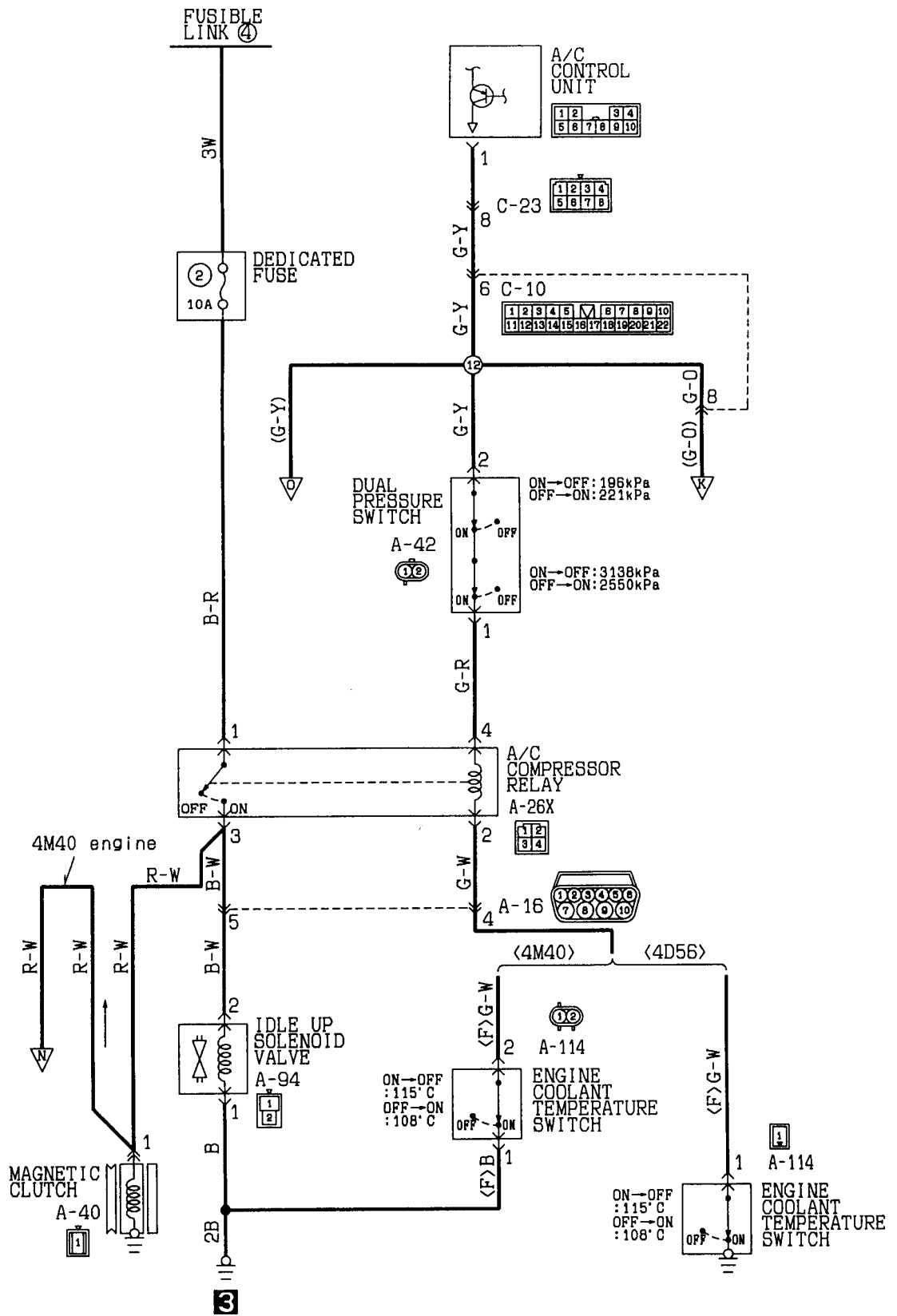
Wire colour code
 B:Black LG:Light green G:Green L:Blue W:White Y:Yellow SB:Sky blue
 BR:Brown O:Orange GR:Gray R:Red P:Pink V:Violet

NOTES

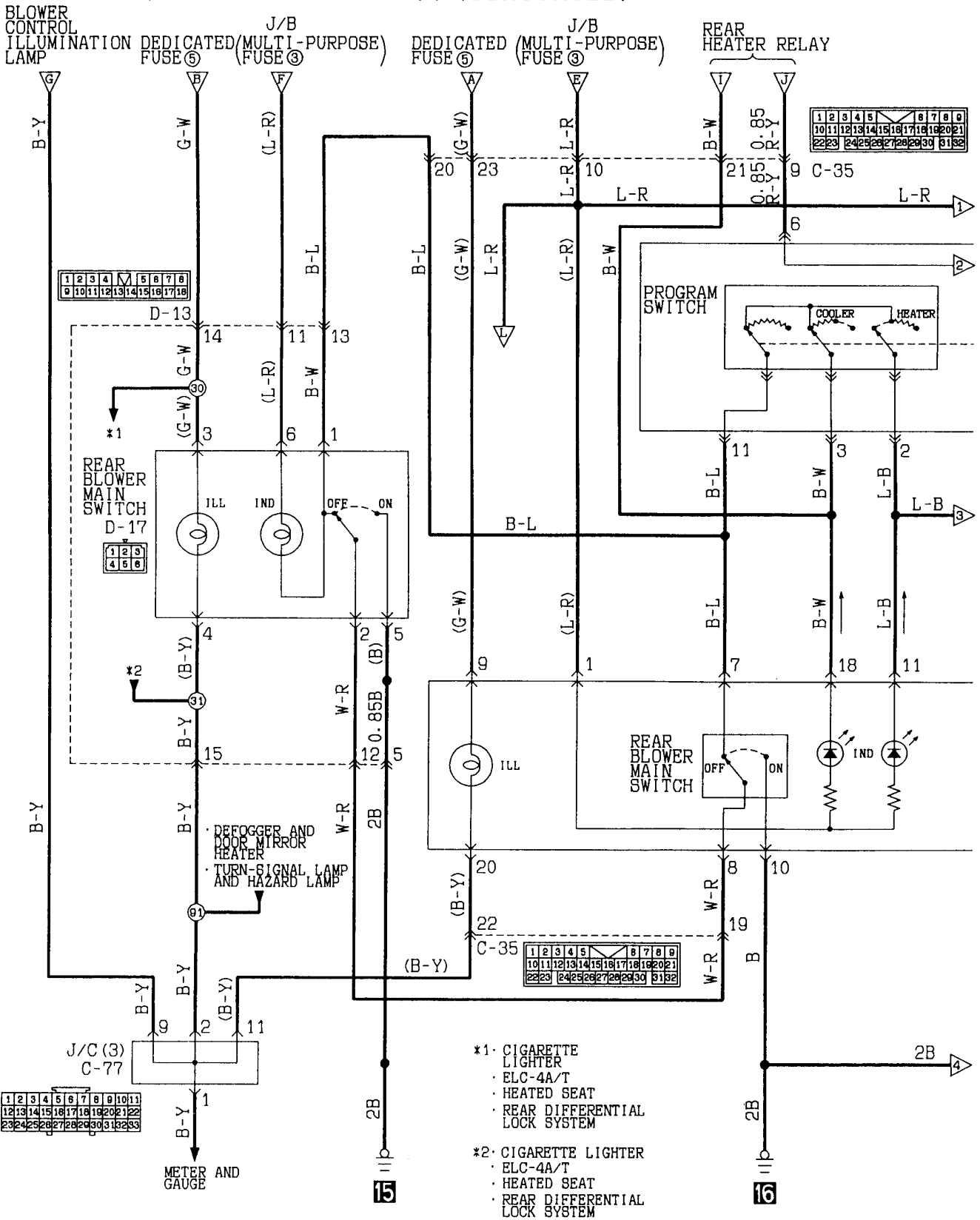


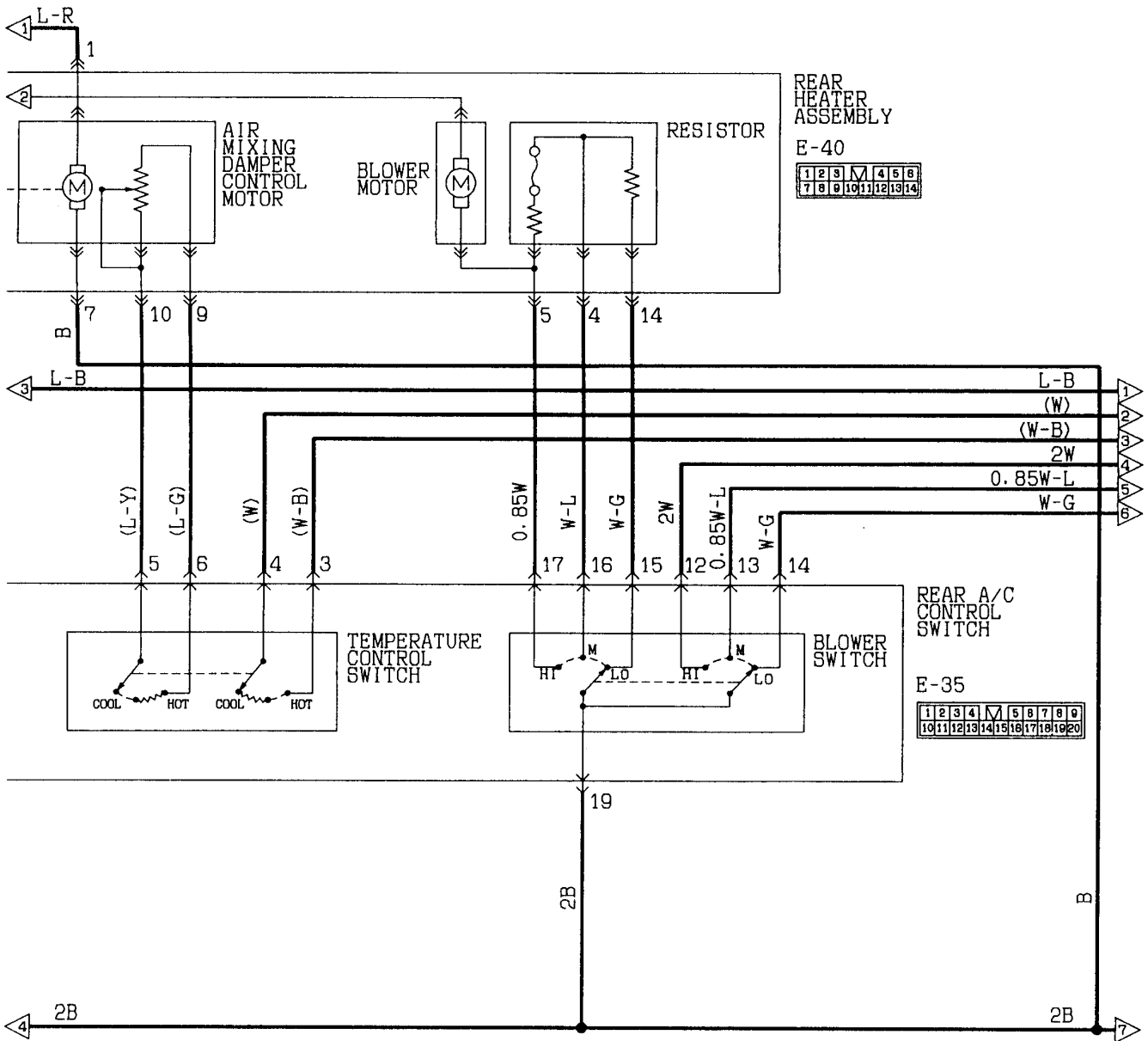
DUAL AIR CONDITONER
 (R.H. drive vehicles with rear heater
 (diesel-powered vehicles)) (CONTINUED)





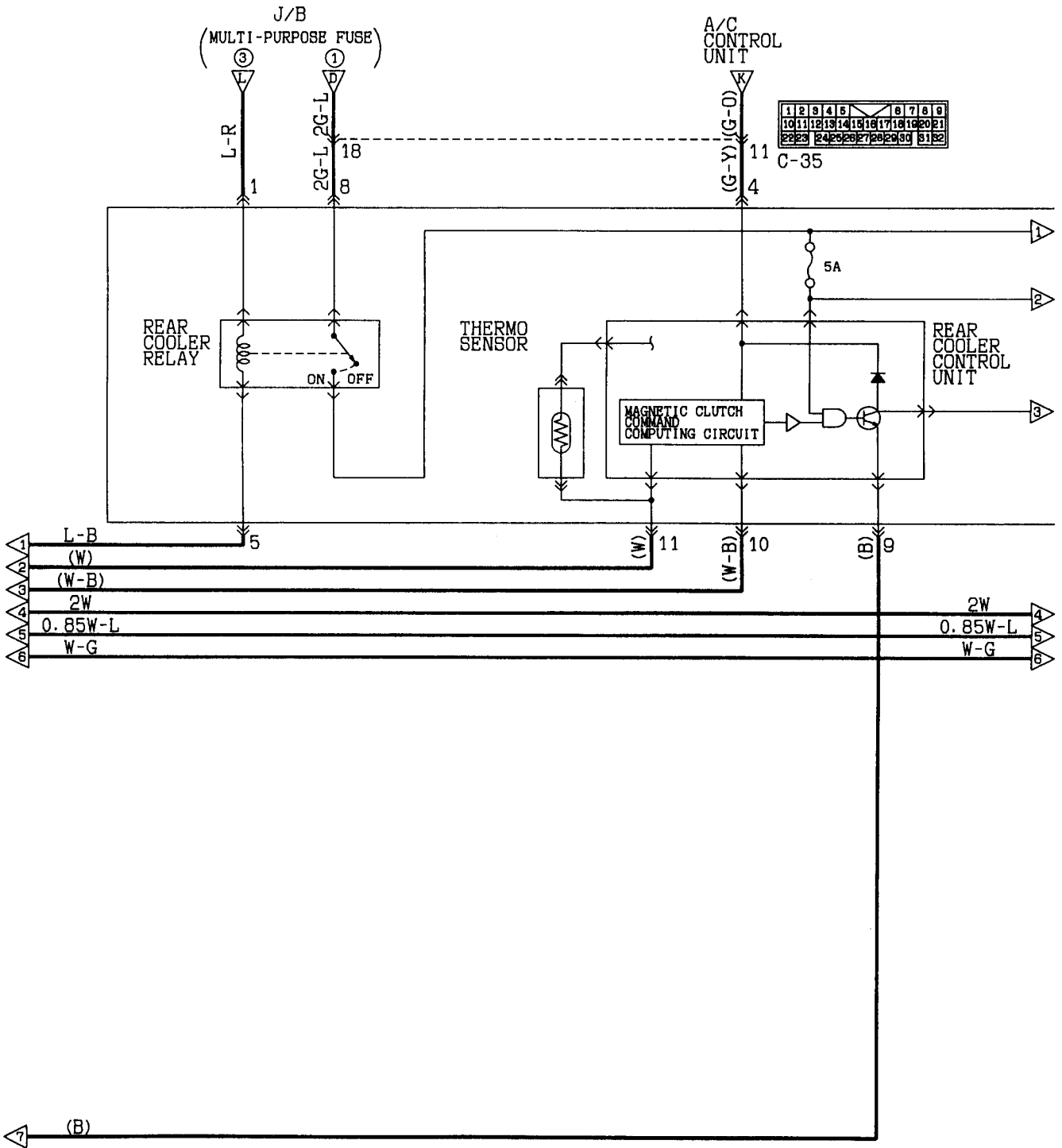
DUAL AIR CONDITIONER
 (R.H. drive vehicles with rear heater
 (diesel-powered vehicles)) (CONTINUED)

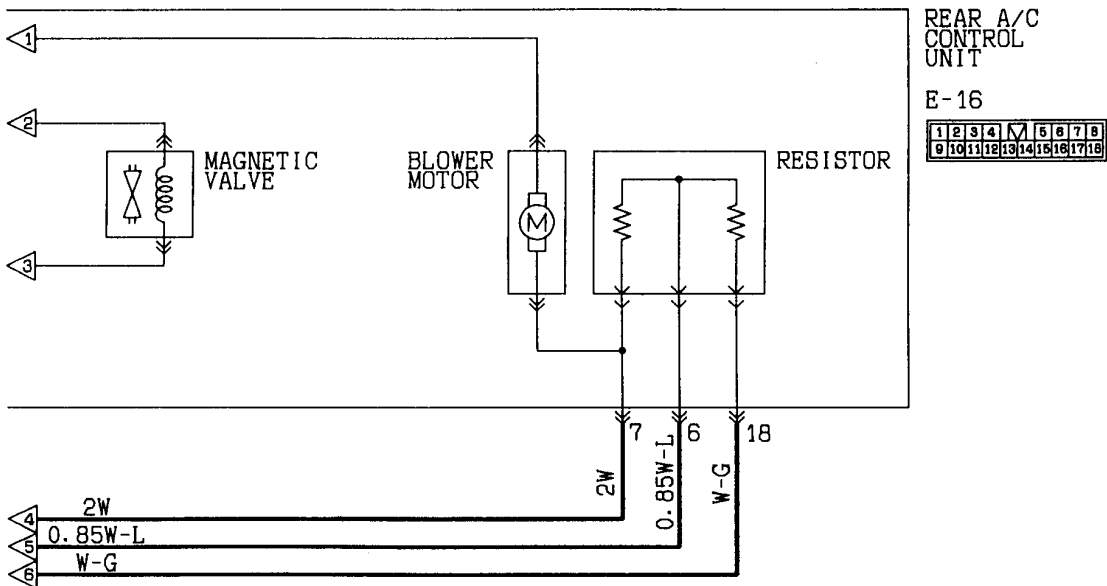




Wire colour code
 B:Black LG:Light green G:Green L:Blue W:White Y:Yellow SB:Sky blue
 BR:Brown O:Orange GR:Gray R:Red P:Pink V:Violet

DUAL AIR CONDITIONER
(R.H. drive vehicles with rear heater
(diesel-powered vehicles)) (CONTINUED)

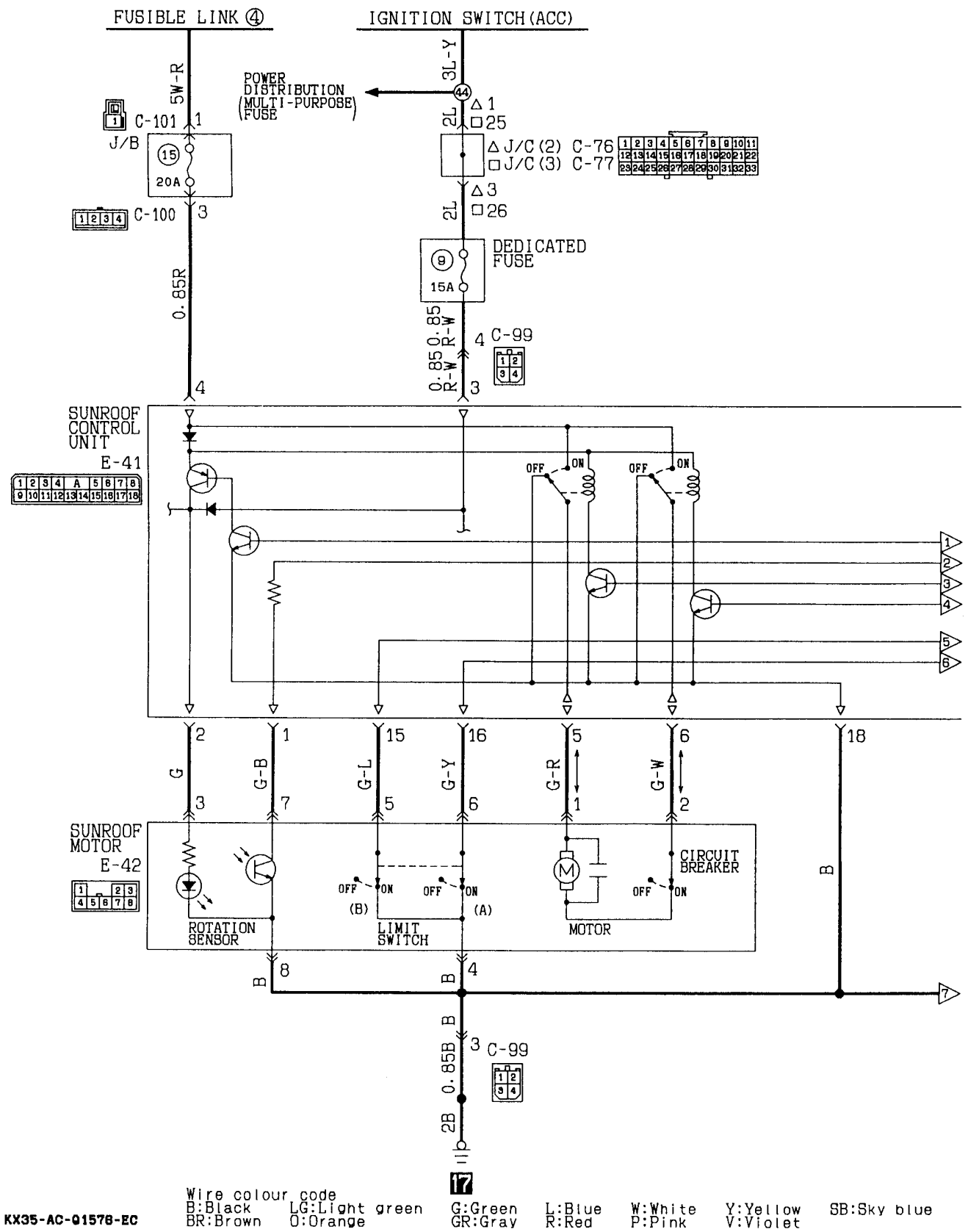




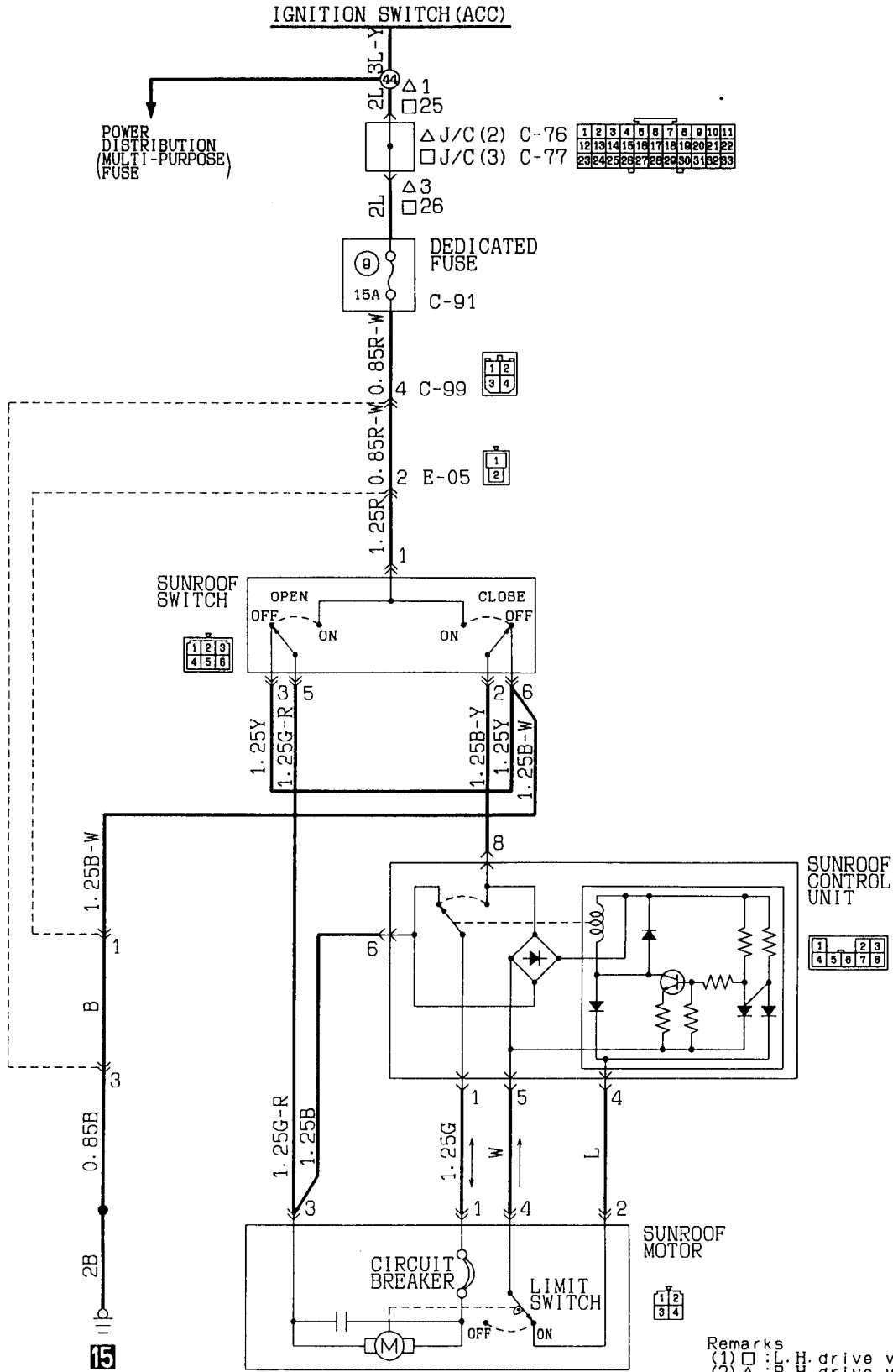
Wire colour code

B:Black LG:Light green G:Green L:Blue W:White Y:Yellow SB:Sky blue
 BR:Brown O:Orange GR:Gray R:Red P:Pink V:Violet

SUNROOF
2-door models



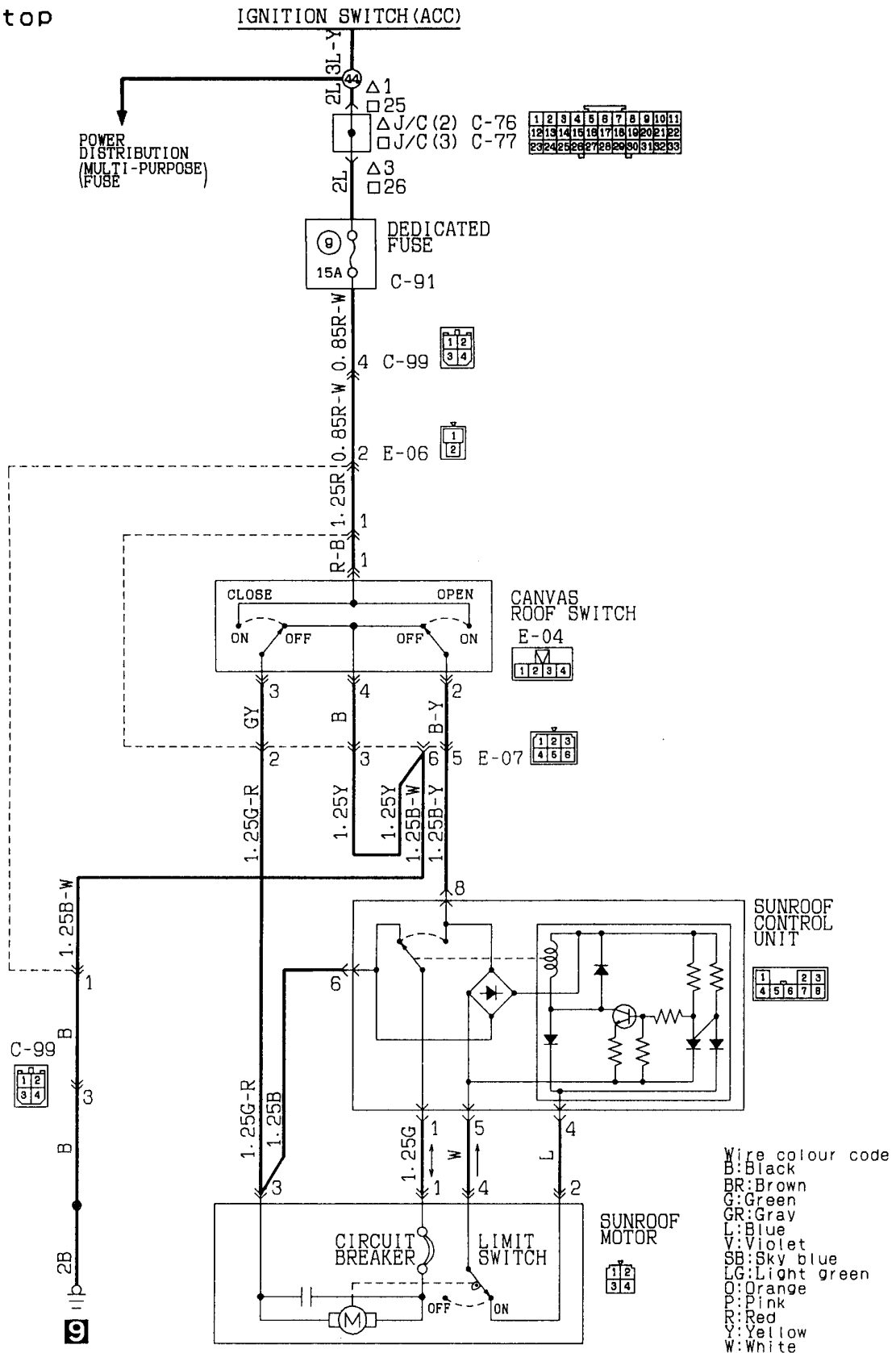
SUNROOF
4-door models



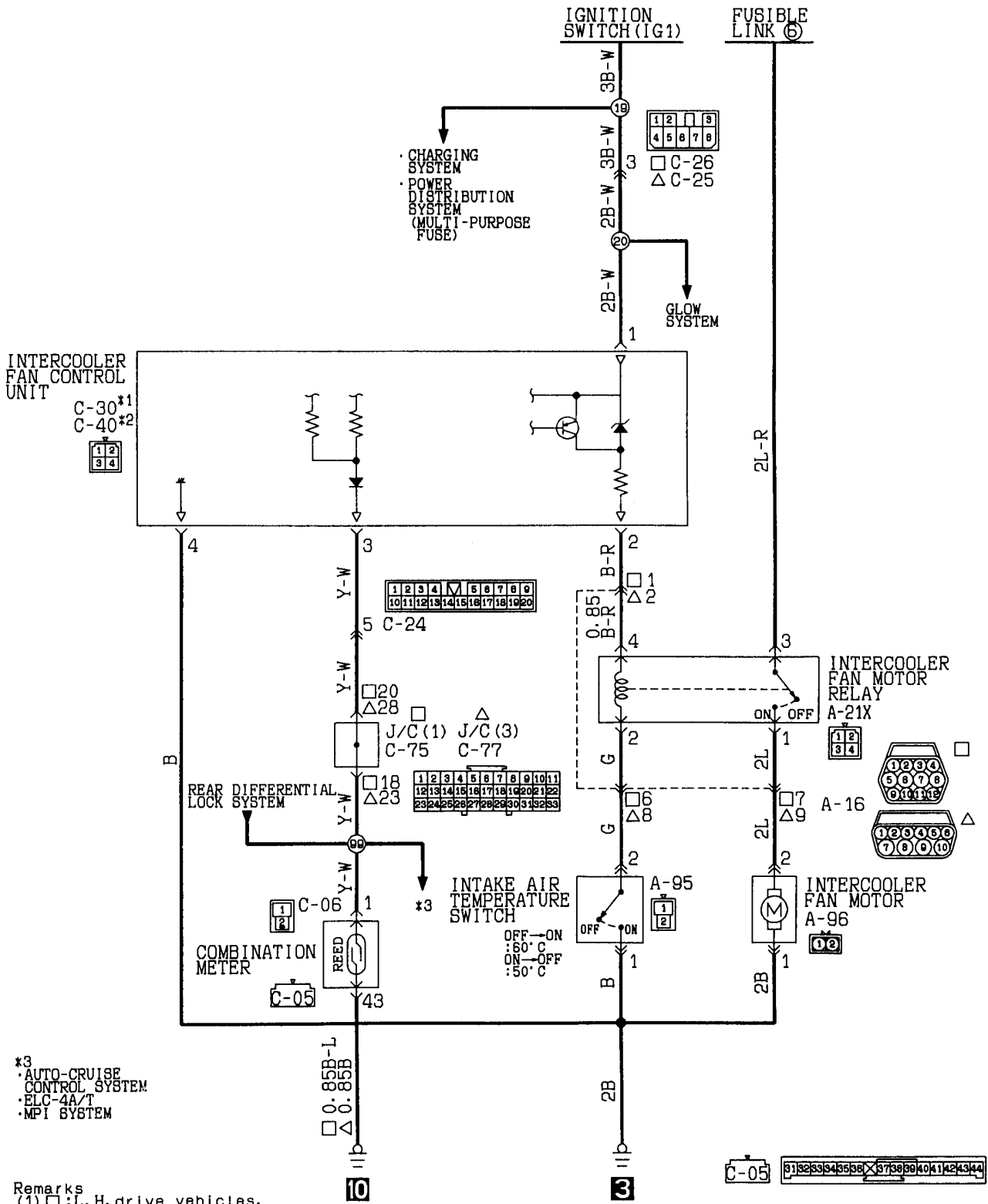
Wire colour code
 B:Black LG:Light green G:Green L:Blue W:White Y:Yellow SB:Sky blue
 BR:Brown O:Orange GR:Gray R:Red P:Pink V:Violet

Remarks
 (1) □ : L.H. drive vehicles
 (2) Δ : R.H. drive vehicles

SUNROOF
Canvas top



INTERCOOLER FAN

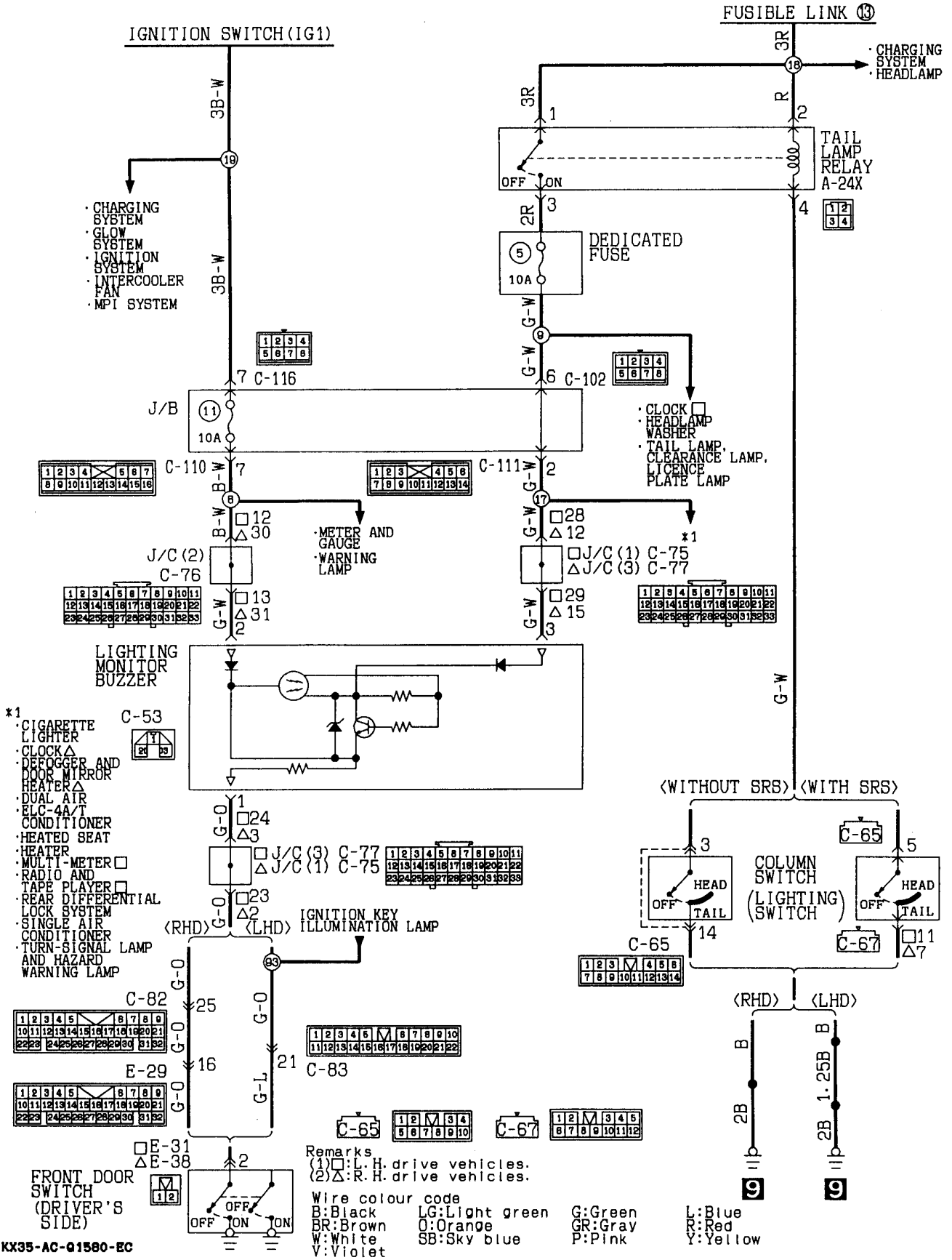


*3
 · AUTO-CRUISE CONTROL SYSTEM
 · ELC-4A/T
 · MPI SYSTEM

Remarks
 (1) □ : L. H. drive vehicles.
 (2) △ : R. H. drive vehicles.
 (3) *1: Vehicles without fuel line heater
 (4) *2: Vehicles with fuel line heater

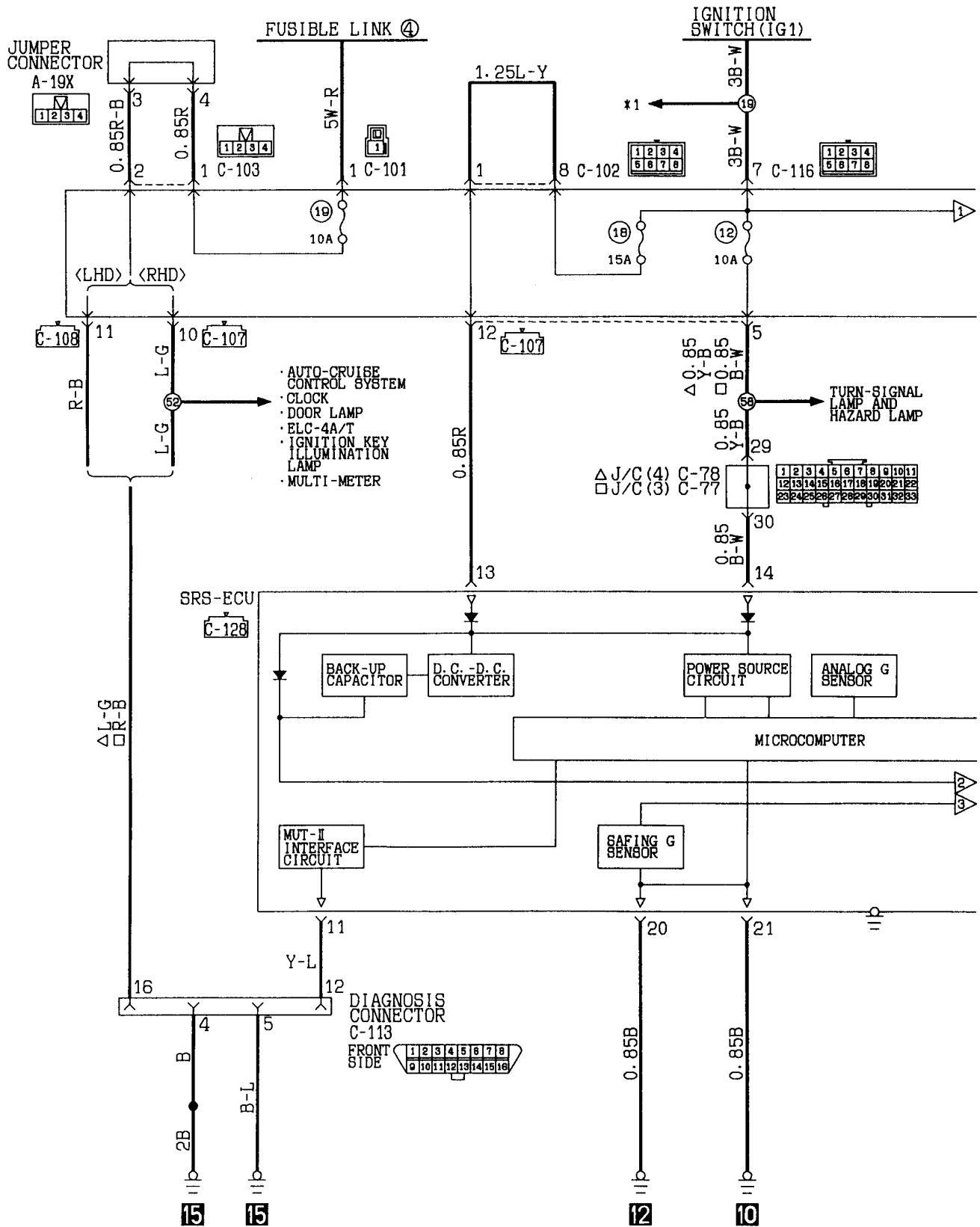
Wire colour code
 B:Black LG:Light green G:Green L:Blue W:White Y:Yellow BB:Sky blue
 BR:Brown O:Orange GR:Gray R:Red P:Pink V:Violet

LIGHTING MONITOR BUZZER

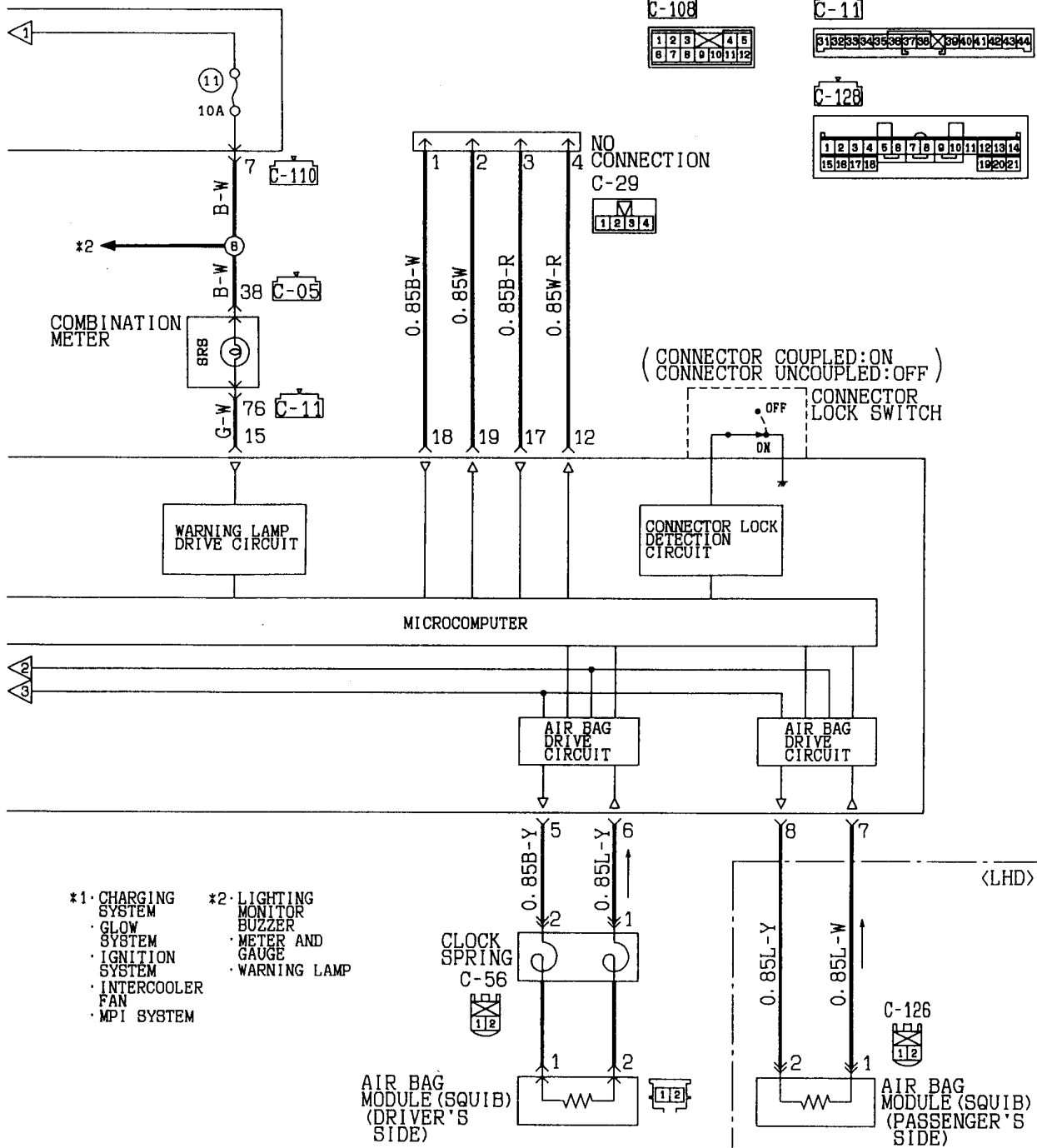
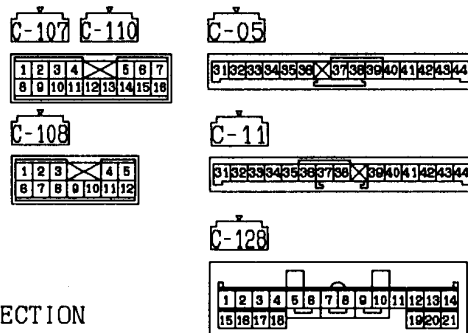


KX35-AC-Q1580-EC

SUPPLEMENTAL RESTRAINT SYSTEM



Remarks
 (1) □ : L.H. drive vehicles.
 (2) △ : R.H. drive vehicles.

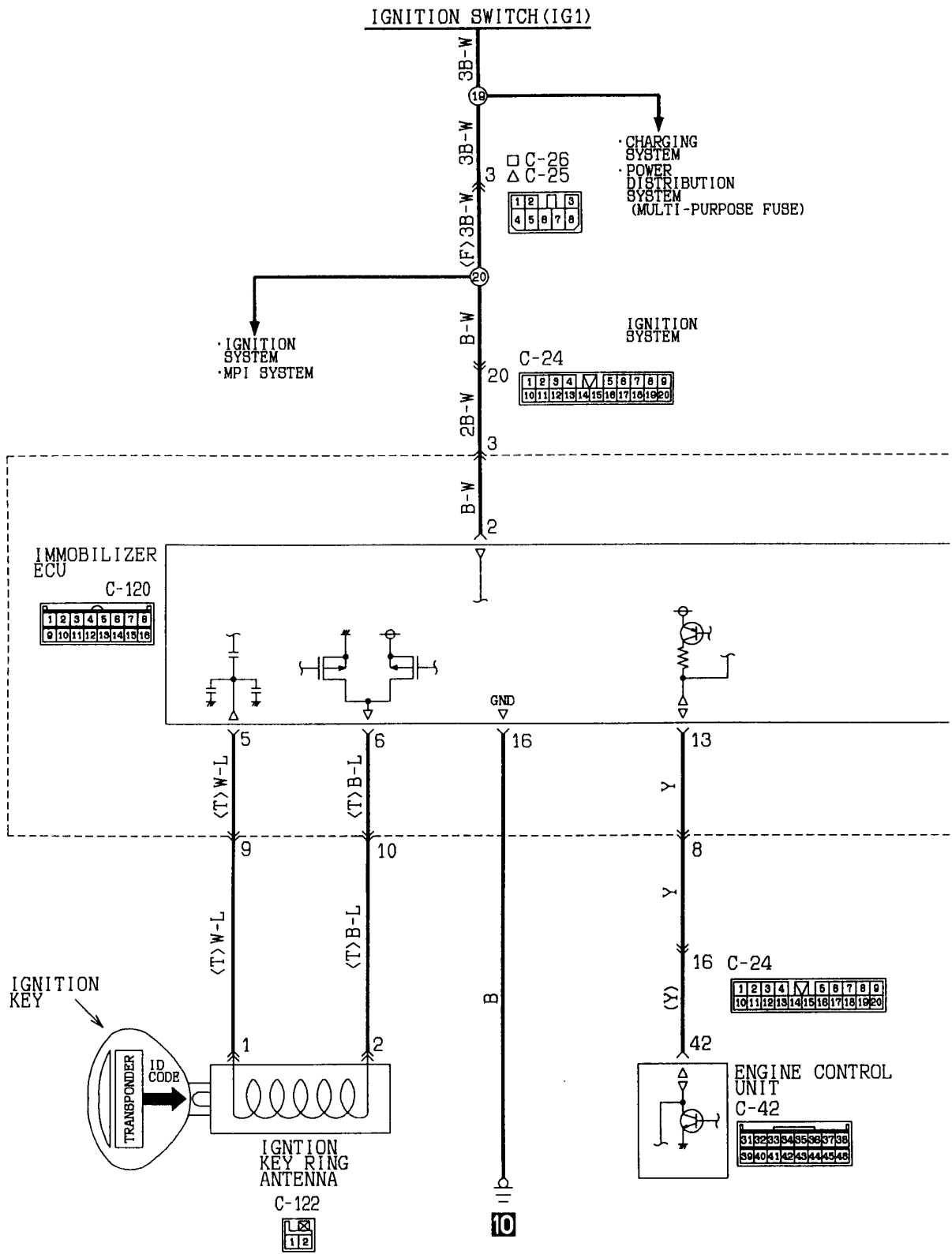


- *1 · CHARGING SYSTEM
- GLOW SYSTEM
- IGNITION SYSTEM
- INTERCOOLER FAN
- MPI SYSTEM
- *2 · LIGHTING MONITOR BUZZER
- METER AND GAUGE
- WARNING LAMP

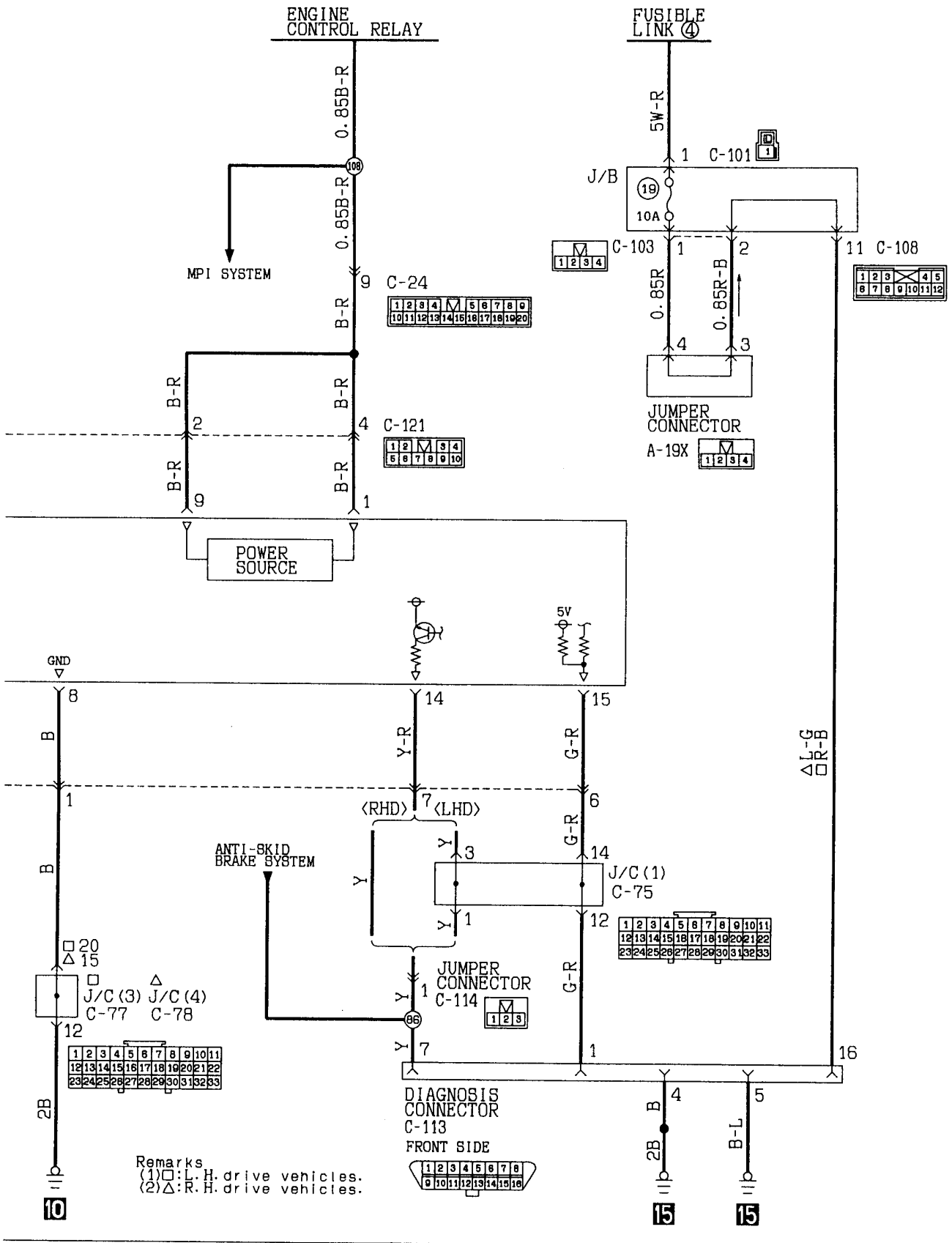
Wire colour code
 B:Black LG:Light green G:Green L:Blue W:White Y:Yellow SB:Sky blue
 BR:Brown O:Orange GR:Gray R:Red P:Pink V:Violet

IMMOBILIZER SYSTEM

Petrol-powered Vehicles

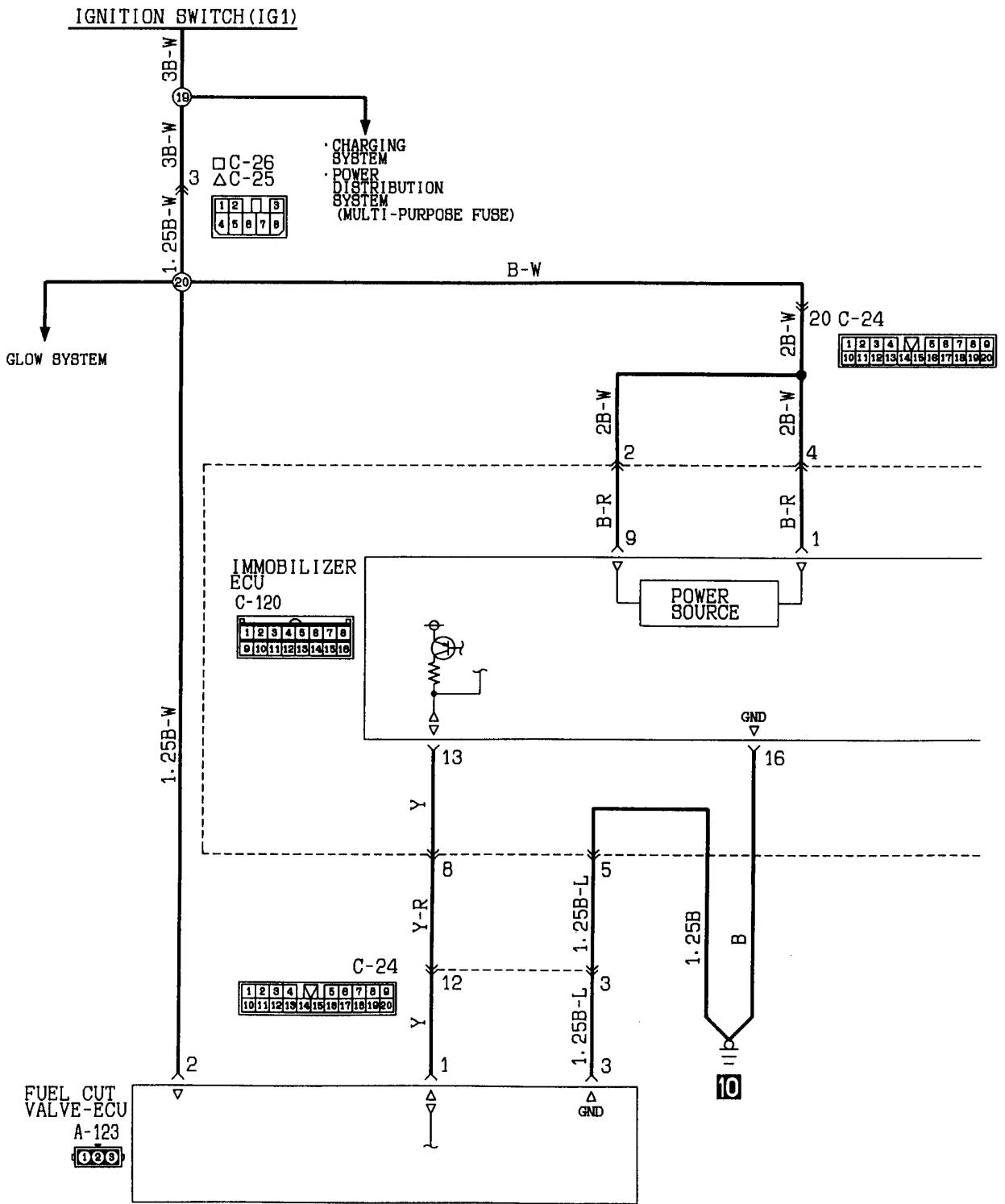


Wire colour code
 B:Black LG:Light green G:Green L:Blue W:White Y:Yellow SB:Sky blue
 BR:Brown O:Orange GR:Gray R:Red P:Pink V:Violet



IMMOBILIZER SYSTEM

Diesel-powered Vehicles



Wire colour code
 B:Black LG:Light green G:Green L:Blue W:White Y:Yellow SB:Sky blue
 BR:Brown O:Orange GR:Gray R:Red P:Pink V:Violet

