

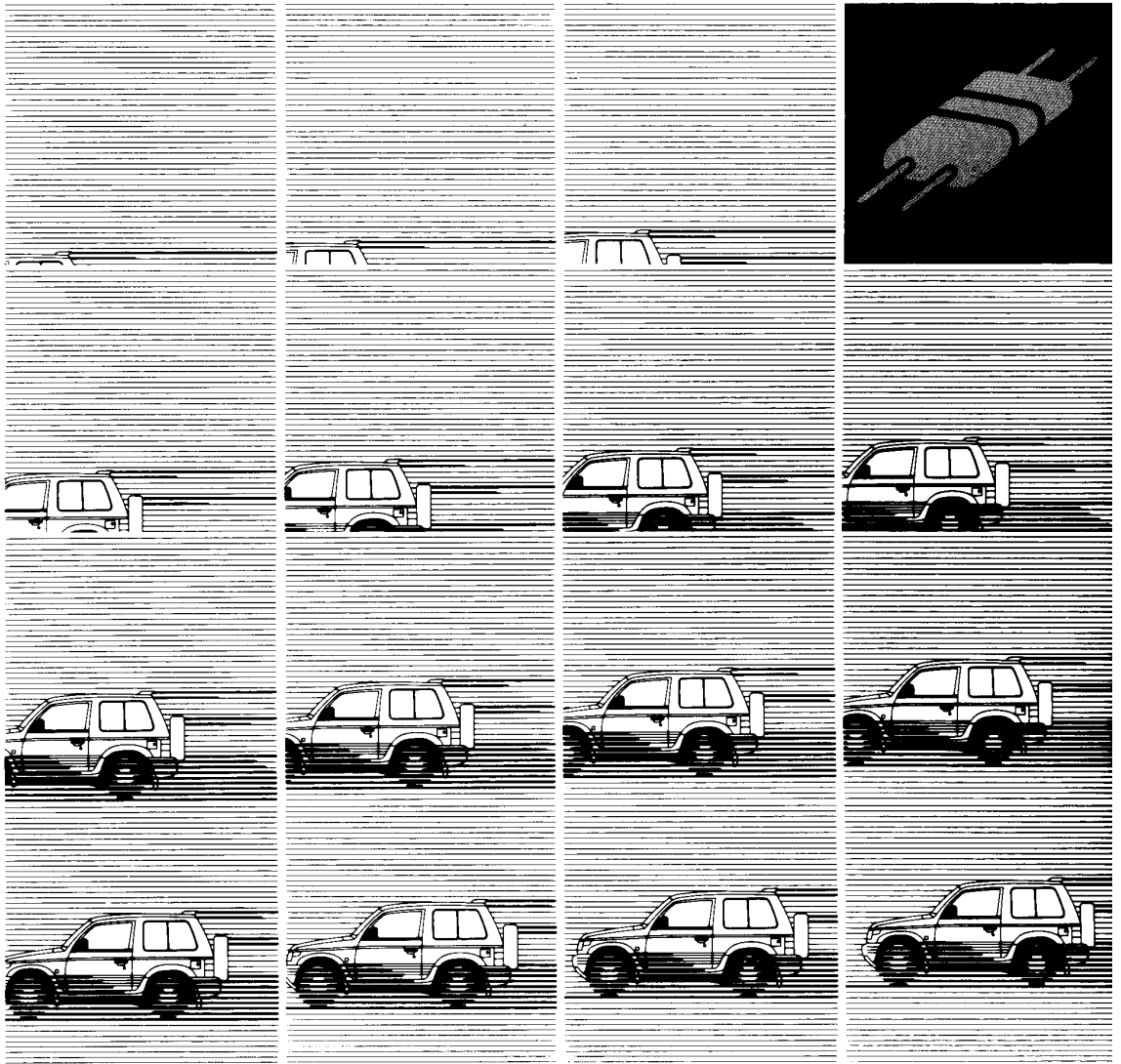


# Workshop Manual

## electrical wiring

### SUPPLEMENT

# PAJERO '98



Pub. No. PHJE9026-G

# MITSUBISHI PAJERO

## ELECTRICAL WIRING SUPPLEMENT

### FORWARD

This publication is a supplement to the Electrical Wiring Manual Pub. No. PHJE9026 and contains only additions and changes to the original issue. It is recommended that all service mechanics engaged in the servicing of the vehicle refer to the following publications as well as this manual.

TECHNICAL INFORMATION MANUAL  
PYJE9002

WORKSHOP MANUAL  
ENGINE GROUP  
PWEE□□□□  
(Looseleaf edition)

CHASSIS GROUP  
PWJE9086  
(Looseleaf edition)  
PWJE9086-G (Supplement)  
PWJE9086-H (Supplement)  
PWJE9086-I (Supplement)

ELECTRICAL WIRING  
PHJE9026  
(Looseleaf edition)  
PHJE9026-D (Supplement)  
PHJE9026-E (Supplement)  
PHJE9026-F (Supplement)

PARTS CATALOGUE  
B6035607A□

All information, illustrations and product descriptions contained in the manual are current as at the time of publication. We, however, reserve the right to make changes at any time without prior notice or obligation.



### GROUP INDEX

OUTLINE OF CHANGES .....

HOW TO READ THE  
WIRING DIAGRAMS .....

WIRING HARNESS  
CONFIGURATION DIAGRAMS ....

SINGLE PART  
INSTALLATION POSITION .....

CIRCUIT DIAGRAM .....



# **HOW TO USE THIS MANUAL**

## **CONTENTS**

The preceding page contains GROUP INDEX which lists the group title and group number.

## **PAGE NUMBERS**

All page numbers consist of two sets of digits separated by a dash. The digits preceding the dash identify the number of the group. The digits following the dash represent the consecutive page number within the group. The page numbers can be found on the top left or right of each page.

## **OPERATION AND TROUBLESHOOTING HINTS**

In the GROUP 4 circuit diagrams, the operation and troubleshooting hints are given on the previous page or following page for each circuit where necessary.

---

# OUTLINE OF CHANGES

## CONTENTS

WIRING HARNESS CONFIGURATION DIAGRAMS .....	2	CIRCUIT DIAGRAM .....	4
SINGLE PART INSTALLATION POSITION ...	3	TABLE OF CIRCUIT DIAGRAMS .....	6



## WIRING HARNESS CONFIGURATION DIAGRAMS

Wiring harness configuration diagrams			Description of changes	
Connector symbol	Name	Reference page		
A	ENGINE COMPARTMENT	L.H. drive vehicles with 6G72 engine	2-2	<ul style="list-style-type: none"> <li>The following connectors have been added. <ul style="list-style-type: none"> <li>Front Fog lamp (RH) (A-126)</li> <li>Front Fog lamp (LH) (A-124)</li> <li>Front wiring harness and front fog lamp wiring harness combination (A-125)</li> </ul> </li> <li>The position of the junction for the EGR solenoid valve connector (A-97) and the purge control solenoid valve connector (A-98) has been changed.</li> </ul>
		R.H. drive vehicles with 6G72 engine	2-6	<ul style="list-style-type: none"> <li>The following connectors have been added. <ul style="list-style-type: none"> <li>Front Fog lamp (RH) (A-126)</li> <li>Front Fog lamp (LH) (A-124)</li> <li>Front wiring harness and front fog lamp wiring harness combination (A-125)</li> </ul> </li> <li>The position of the junction for the EGR solenoid valve connector (A-97) and the purge control solenoid valve connector (A-98) has been changed.</li> </ul>
		L.H. drive vehicles with 6G74 engine	2-10	<ul style="list-style-type: none"> <li>The wiring harness configuration diagram has been changed to correspond to the adoption of 24-valve 6G74-SOHC engines.</li> </ul>
		R.H. drive vehicles with 6G74 engine	2-14	<ul style="list-style-type: none"> <li>The wiring harness configuration diagram has been changed to correspond to the adoption of 24-valve 6G74-SOHC engines.</li> </ul>
		L.H. drive vehicles with 4D56 engine	2-18	<ul style="list-style-type: none"> <li>The following connectors have been added. <ul style="list-style-type: none"> <li>Front Fog lamp (RH) (A-126)</li> <li>Front Fog lamp (LH) (A-124)</li> <li>Front wiring harness and front fog lamp wiring harness combination (A-125)</li> </ul> </li> </ul>
		R.H. drive vehicles with 4D56 engine	2-20	<ul style="list-style-type: none"> <li>The following connectors have been added. <ul style="list-style-type: none"> <li>Front Fog lamp (RH) (A-126)</li> <li>Front Fog lamp (LH) (A-124)</li> <li>Front wiring harness and front fog lamp wiring harness combination (A-125)</li> </ul> </li> </ul>
		L.H. drive vehicles with 4M40 engine	2-22	<ul style="list-style-type: none"> <li>The following connectors have been added. <ul style="list-style-type: none"> <li>Front Fog lamp (RH) (A-126)</li> <li>Front Fog lamp (LH) (A-124)</li> <li>Front wiring harness and front fog lamp wiring harness combination (A-125)</li> </ul> </li> </ul>
		R.H. drive vehicles with 4M40 engine	2-24	<ul style="list-style-type: none"> <li>The following connectors have been added. <ul style="list-style-type: none"> <li>Front Fog lamp (RH) (A-126)</li> <li>Front Fog lamp (LH) (A-124)</li> <li>Front wiring harness and front fog lamp wiring harness combination (A-125)</li> </ul> </li> </ul>

Wiring harness configuration diagrams			Reference page	Description of changes
Connetor symbol	Name			
C	DASH PANEL	L.H. drive vehicles	2-26	<ul style="list-style-type: none"> <li>● The following connectors have been added.                             <ul style="list-style-type: none"> <li>● Front Fog lamp switch (C-129)</li> <li>● Engine control unit (C-130)</li> <li>● Dedicated fuse No. (10) (C-131)</li> <li>● Diagnosis connector (C-132)</li> </ul> </li> </ul>
		R.H. drive vehicles	2-30	<ul style="list-style-type: none"> <li>● The following connectors have been added.                             <ul style="list-style-type: none"> <li>● Air bag module (squib) &lt;passenger's side&gt; (C-124)</li> <li>● Front fog lamp swich (C-129)</li> <li>● Engine control unit (C-130)</li> <li>● J/C (6) (C-133)</li> <li>● Diagnosis connector (C-132)</li> </ul> </li> </ul>

### SINGLE PART INSTALLATION POSITION

Location of changes	Reference page	Description of changes
SOLENOID VALVE	3-2	<ul style="list-style-type: none"> <li>● The installation positions of the EGR solenoid valve and the purge control solenoid valve have been changed.</li> </ul>
FUSIBLE LINK FUSE	3-2	<ul style="list-style-type: none"> <li>● Dedicated fuse No. 10 has been added.</li> </ul>
EARTH	3-3	<ul style="list-style-type: none"> <li>● Earth No. 20 has been added.</li> </ul>

## CIRCUIT DIAGRAM

Circuit diagrams			Description of changes
Main title	Subtitle	Reference page	
CENTRALIZED JUNCTION	–	4-3	<ul style="list-style-type: none"> <li>Dedicated fuse No. 10 has been added to correspond to the adoption of front fog lamps.</li> </ul>
POWER DISTRIBUTION SYSTEM	Petrol-powered vehicles	4-4	<ul style="list-style-type: none"> <li>The circuit diagram has been changed to correspond to the adoption of front fog lamps.</li> </ul>
	Diesel-powered vehicles	4-10	<ul style="list-style-type: none"> <li>The circuit diagram has been changed to correspond to the adoption of front fog lamps.</li> </ul>
IGNITION SYSTEM	6G72, 6G74 engine <L.H. drive vehicles>	4-16	<ul style="list-style-type: none"> <li>The circuit has been changed to correspond to changes in the engine control unit.</li> </ul>
	6G72, 6G74 engine <R.H. drive vehicles>	4-18	<ul style="list-style-type: none"> <li>The circuit has been changed to correspond to changes in the engine control unit and the addition of a jumper connector (6).</li> <li>The number of pins on the control wiring harness and dash wiring harness combination connector &lt;R.H. drive vehicles&gt; (C-25) has been changed.</li> </ul>
GLOW SYSTEM	4D56 engine <without supercharging pressure relief solenoid valve>	4-20	<ul style="list-style-type: none"> <li>The number of pins on the control wiring harness and dash wiring harness combination connectors (C-24, 25) &lt;R.H. drive vehicles&gt; has been changed.</li> </ul>
	4M40 engine <without supercharging pressure relief solenoid valve>	4-22	<ul style="list-style-type: none"> <li>The number of pins on the control wiring harness and dash wiring harness combination connectors (C-24, 25) &lt;R.H. drive vehicles&gt; has been changed.</li> </ul>
MPI SYSTEM	6G72 engine-M/T <L.H. drive vehicles>	4-24	<ul style="list-style-type: none"> <li>A circuit has been added to correspond to changes in the engine control unit and a change in the number of pins on the control wiring harness and dash wiring harness combination connector &lt;R.H. drive vehicles&gt; (C-24).</li> </ul>
	6G72 engine-M/T <R.H. drive vehicles>	4-32	<ul style="list-style-type: none"> <li>A circuit has been added to correspond to changes in the engine control unit, a change in the number of pins on the control wiring harness and dash wiring harness combination connectors &lt;R.H. drive vehicles&gt; (C-24, 25) and the addition of a junction connector (6).</li> </ul>
	6G72 engine-A/T <L.H. drive vehicles>	4-42	<ul style="list-style-type: none"> <li>A circuit has been added to correspond to changes in the engine control unit and a change in the number of pins on the control wiring harness and dash wiring harness combination connector &lt;R.H. drive vehicles&gt; (C-24).</li> </ul>
	6G72 engine-A/T <R.H. drive vehicles>	4-50	<ul style="list-style-type: none"> <li>A circuit has been added to correspond to changes in the engine control unit, a change in the number of pins on the control wiring harness and dash wiring harness combination connectors &lt;R.H. drive vehicles&gt; (C-24, 25) and the addition of a jumper connector (6).</li> </ul>
	6G74 engine-M/T <L.H. drive vehicles>	4-60	<ul style="list-style-type: none"> <li>A circuit diagram has been established to correspond to the adoption of 24-valve 6G74-SOHC engines.</li> </ul>
	6G74 engine-M/T <R.H. drive vehicles>	4-68	<ul style="list-style-type: none"> <li>A circuit diagram has been established to correspond to the adoption of 24-valve 6G74-SOHC engines.</li> </ul>
	6G74 engine-A/T <L.H. drive vehicles>	4-78	<ul style="list-style-type: none"> <li>A circuit diagram has been established to correspond to the adoption of 24-valve 6G74-SOHC engines.</li> </ul>
	6G74 engine-A/T <R.H. drive vehicles>	4-86	<ul style="list-style-type: none"> <li>A circuit diagram has been established to correspond to the adoption of 24-valve 6G74-SOHC engines.</li> </ul>
ELC 4-SPEED AUTOMATIC TRANSMISSION	6G72, 6G74 engine	4-96	<ul style="list-style-type: none"> <li>The number of pins on the control wiring harness and dash wiring harness combination connector (C-24) has been changed.</li> </ul>
FRONT FOG LAMP	L.H. drive vehicles	4-104	<ul style="list-style-type: none"> <li>A circuit diagram has been added to correspond to the adoption of front fog lamps.</li> </ul>
	R.H. drive vehicles	4-105	<ul style="list-style-type: none"> <li>A circuit diagram has been added to correspond to the adoption of front fog lamps.</li> </ul>

Circuit diagrams			Description of changes
Main title	Subtitle	Reference page	
METER AND GAUGE	6G72, 6G74 engine	4-106	<ul style="list-style-type: none"> <li>The number of pins on the control wiring harness and dash wiring harness combination connector (C-24) has been changed.</li> </ul>
LOW ENGINE OIL LEVEL WARNING LAMP	-	4-109	<ul style="list-style-type: none"> <li>The jumper connector for R.H. drive vehicles has been changed from (1) to (2).</li> </ul>
POWER WINDOWS	L.H. drive vehicles <2-door models>	4-110	<ul style="list-style-type: none"> <li>The circuit diagram has been changed to correspond to the addition of a safety function.</li> </ul>
	L.H. drive vehicles <4-door models>	4-114	<ul style="list-style-type: none"> <li>The circuit diagram has been changed to correspond to the addition of a safety function.</li> </ul>
	R.H. drive vehicles <2-door models>	4-120	<ul style="list-style-type: none"> <li>The circuit diagram has been changed to correspond to the addition of a safety function.</li> </ul>
	R.H. drive vehicles <4-door models>	4-124	<ul style="list-style-type: none"> <li>The circuit diagram has been changed to correspond to the addition of a safety function.</li> </ul>
SINGLE AIR CONDITIONER	R.H. drive vehicles <petrol-powered vehicles>	4-130	<ul style="list-style-type: none"> <li>The number of pins on the control wiring harness and dash wiring harness combination connector (C-25) has been changed.</li> </ul>
	R.H. drive vehicles <diesel-powered vehicles>	4-134	<ul style="list-style-type: none"> <li>The number of pins on the control wiring harness and dash wiring harness combination connector (C-25) has been changed.</li> </ul>
DUAL AIR CONDITIONER	R.H. drive vehicles without rear heater <petrol-powered vehicles>	4-138	<ul style="list-style-type: none"> <li>The number of pins on the control wiring harness and dash wiring harness combination connector (C-25) has been changed.</li> </ul>
	R.H. drive vehicles without rear heater <diesel-powered vehicles>	4-144	<ul style="list-style-type: none"> <li>The number of pins on the control wiring harness and dash wiring harness combination connector (C-25) has been changed.</li> </ul>
	R.H. drive vehicles with rear heater <petrol-powered vehicles>	4-150	<ul style="list-style-type: none"> <li>The number of pins on the control wiring harness and dash wiring harness combination connector (C-25) has been changed.</li> </ul>
	R.H. drive vehicles with rear heater <diesel-powered vehicles>	4-158	<ul style="list-style-type: none"> <li>The number of pins on the control wiring harness and dash wiring harness combination connector (C-25) has been changed.</li> </ul>
INTERCOOLER FAN	-	4-167	<ul style="list-style-type: none"> <li>The number of pins on the control wiring harness and dash wiring harness combination connector &lt;R.H. drive vehicles&gt; (C-25) has been changed.</li> </ul>
AUTO-CRUISE CONTROL SYSTEM	L.H. drive vehicles <petrol-powered vehicles>	4-168	<ul style="list-style-type: none"> <li>The circuit has been changed to correspond to changes in the engine control unit and a change in the number of pins on the control wiring harness and dash wiring harness combination connector (C-24).</li> </ul>
	R.H. drive vehicles <petrol-powered vehicles>	4-172	<ul style="list-style-type: none"> <li>The circuit has been added to correspond to changes in the engine control unit, a change in the number of pins on the control wiring harness and dash wiring harness combination connectors (C-24) and the addition of a jumper connector (6).</li> </ul>
LIGHTING MONITOR BUZZER	-	4-177	<ul style="list-style-type: none"> <li>The circuit has been added to correspond to a change in the number of pins on the control wiring harness and dash wiring harness combination connectors &lt;R.H. drive vehicles&gt; (C-25) and changes to the jumper connector (6).</li> </ul>
IMMOBILIZER SYSTEM	Petrol-powered vehicles	4-178	<ul style="list-style-type: none"> <li>A circuit has been added to correspond to changes in the engine control unit, a change in the number of pins on the control wiring harness and dash wiring harness combination connectors (C-24, 25) and the addition of a jumper connector (6).</li> </ul>



## TABLE OF CIRCUIT DIAGRAMS

This table of circuit diagrams indicates those circuits in which changes and/or additions, etc. have been made; the circuits are here listed in the sequence in which they are presented in the wiring diagrams. Please use this table for reference when following maintenance or repair procedures.

### NOTE

- (1) A (Added) : This circuit has been newly added in this manual.  
 (2) R (Revised) : This circuit has been changed. and is included in this manual.  
 (3) D (Deleted) : This circuit has been deleted in this manual.  
 (4) I (Included) : This circuit is included in this manual.  
 (5) N (Not included) : This circuit is not included in this manual.  
 (6) P (Previous manual) : This circuit is not included in this manual, because it has not been changed.  
 Refer to this previous manuals.

Main circuit	Circuit classifications	Pub. No. PHJE9026-C '94model (Basic)	Pub. No. PHJE9026-D (Supplement)	Pub. No. PHJE9026-E (Supplement)	Pub. No. PHJE9026-F (Supplement)	Pub. No. PHJE9026-G (Supplement)
JUNCTION BLOCK	–	I	P	R	P	P
CENTRALIZED JUNCTION	–	I	P	R	P	R
POWER DISTRIBUTION SYSTEM	Petrol-powered vehicles	I	P	R	R	R
	Diesel-powered vehicles	I	P	R	R	R
STARTING SYSTEM	4G64 engine	I	D	N	N	N
	6G72, 6G74 engine	I	R	P	P	P
	4D56, 4M40 engine	I	P	P	P	P
IGNITION SYSTEM	4G64 engine	I	D	N	N	N
	6G72 engine	I	D	N	N	N
	6G74 engine	I	D	N	N	N
	6G72, 6G74 engine	N	A	P	P	N
	6G72, 6G74 engine <L.H. drive vehicles>	N	N	N	N	A
	6G72, 6G74 engine <R.H. drive vehicles>	N	N	N	N	A
CHARGING SYSTEM	4G64, 6G72 engine	I	D	N	N	N
	6G74 engine	I	D	N	N	N
	6G72, 6G74 engine	N	A	P	P	P
	4D56, 4M40 engine	I	P	P	P	P
GLOW SYSTEM	4D56 engine <Without supercharging pressure relief solenoid valve>	I	P	P	P	R
	4D56 engine <With supercharging pressure relief solenoid valve>	I	P	P	P	P
	4M40 engine <Without supercharging pressure relief solenoid valve>	I	R	P	R	R
	4M40 engine <With supercharging pressure relief solenoid valve>	I	R	P	R	P

## OUTLINE OF CHANGES – Table of Circuit Diagrams

7

Main circuit	Circuit classifications	Pub. No. PHJE9026-C '94model (Basic)	Pub. No. PHJE9026-D (Supplement)	Pub. No. PHJE9026-E (Supplement)	Pub. No. PHJE9026-F (Supplement)	Pub. No. PHJE9026-G (Supplement)
MPI SYSTEM	4G64 engine-M/T	I	D	N	N	N
	6G72 engine-M/T	I	R	D	N	N
	6G72 engine-A/T	I	R	D	N	N
	6G74 engine-M/T	I	R	D	N	N
	6G74 engine-A/T	I	R	D	N	N
	6G72 engine-M/T <Vehicles without immobilizer system>	N	N	A	R	D
	6G72 engine-M/T <Vehicles with immobilizer system>	N	N	A	R	D
	6G72 engine-A/T <Vehicles without immobilizer system>	N	N	A	R	D
	6G72 engine-A/T <Vehicles with immobilizer system>	N	N	A	R	D
	6G74 engine-M/T <Vehicles without immobilizer system>	N	N	A	R	D
	6G74 engine-M/T <Vehicles with immobilizer system>	N	N	A	R	D
	6G74 engine-A/T <Vehicles without immobilizer system>	N	N	A	R	D
	6G74 engine-A/T <Vehicles with immobilizer system>	N	N	A	R	D
	6G72 engine-M/T <L.H. drive vehicles>	N	N	N	N	A
	6G72 engine-M/T <R.H. drive vehicles>	N	N	N	N	A
	6G72 engine-A/T <L.H. drive vehicles>	N	N	N	N	A
	6G72 engine-A/T <R.H. drive vehicles>	N	N	N	N	A
	6G74 engine-M/T <L.H. drive vehicles>	N	N	N	N	A
	6G74 engine-M/T <R.H. drive vehicles>	N	N	N	N	A
	6G74 engine-A/T <L.H. drive vehicles>	N	N	N	N	A
6G74 engine-A/T <R.H. drive vehicles>	N	N	N	N	A	
OVERDRIVE CONTROL SYSTEM	6G72 engine	I	D	N	N	N
ELC-4A/T	6G72, 6G74 engine	N	A	R	P	R
	6G74 engine	I	D	N	N	N
	4M40 engine	I	P	R	P	P

Main circuit	Circuit classifications	Pub. No. PHJE9026-C '94model (Basic)	Pub. No. PHJE9026-D (Supplement)	Pub. No. PHJE9026-E (Supplement)	Pub. No. PHJE9026-F (Supplement)	Pub. No. PHJE9026-G (Supplement)
HEADLAMP	L.H. drive vehicles without daytime running lamp <without SRS>	I	P	P	P	P
	L.H. drive vehicles without daytime running lamp <with SRS>	I	P	P	P	P
	L.H. drive vehicles with daytime running lamp <without SRS>	I	P	P	P	P
	L.H. drive vehicles with daytime running lamp <with SRS>	I	P	P	P	P
	R.H. drive vehicles without SRS	I	P	P	P	P
	R.H. drive vehicles with SRS	I	P	P	P	P
HEADLAMP LEVELING SYSTEM	–	I	P	P	P	P
TAILLAMP, CLEARANCE LAMP, LICENCE PLATE LAMP	–	I	P	P	P	P
FRONT FOG LAMP	L.H. drive vehicles	N	N	N	N	A
	R.H. drive vehicles	N	N	N	N	A
REAR FOG LAMP	L.H. drive vehicles <without SRS>	I	P	R	P	P
	L.H. drive vehicles <with SRS>	I	P	R	P	P
	R.H. drive vehicles <without SRS>	I	P	P	P	P
	R.H. drive vehicles <with SRS>	I	P	P	P	P
ROOM LAMP	Canvas top	I	P	P	P	P
	2-door models without sunroof	I	P	P	P	P
	2-door models with sunroof	I	P	P	P	P
	4-door models	I	P	P	P	P
DOOR LAMP	L.H. drive vehicles	N	N	A	P	P
	R.H. drive vehicles	N	N	A	P	P
IGNITION KEY CYLINDER ILLUMINATION LAMP	L.H. drive vehicles	I	P	R	P	P
	R.H. drive vehicles	I	P	P	P	P
TURN-SIGNAL LAMP AND HAZARD LAMP	–	I	P	P	P	P
STOP LAMP	–	I	P	P	P	P
BACK-UP LAMP	M/T	I	P	P	P	P
	A/T	I	R	P	P	P
HORN	Vehicles without SRS	I	P	P	P	P
	Vehicles with SRS	I	P	P	P	P
METER AND GAUGE	4G64 engine	I	D	N	N	N
	6G72, 6G74 engine	I	R	P	P	R
	4D56, 4M40 engine	I	P	P	P	P

## OUTLINE OF CHANGES – Table of Circuit Diagrams

9

Main circuit	Circuit classifications	Pub. No. PHJE9026-C '94model (Basic)	Pub. No. PHJE9026-D (Supplement)	Pub. No. PHJE9026-E (Supplement)	Pub. No. PHJE9026-F (Supplement)	Pub. No. PHJE9026-G (Supplement)
LOW FUEL WARNING LAMP	–	I	P	P	P	P
FUEL FILTER WARNING LAMP	–	I	P	P	P	P
OIL PRESSURE WARNING LAMP	–	I	P	P	P	P
LOW ENGINE OIL LEVEL WARNING LAMP	–	I	P	P	R	R
BRAKE WARNING LAMP	–	I	P	P	R	P
MULTI-METER	Vehicles without electronic compass	I	P	P	P	P
	Vehicles with electronic compass	I	P	R	P	P
POWER WINDOWS	L.H. drive vehicles <2-door models>	I	P	P	P	R
	L.H. drive vehicles <4-door models>	I	P	P	P	R
	R.H. drive vehicles <2-door models>	I	P	P	P	R
	R.H. drive vehicles <4-door models>	I	P	P	P	R
CENTRAL DOOR LOCKING SYSTEM	L.H. drive vehicles	I	P	P	P	P
	L.H. drive vehicles with keyless entry system	N	N	A	P	P
	R.H. drive vehicles	I	P	P	P	P
	R.H. drive vehicles with keyless entry system	N	N	A	P	P
HEATER	L.H. drive vehicles without rear heater	I	P	P	P	P
	L.H. drive vehicles with rear heater <without dual air conditioner>	I	P	P	P	P
	L.H. drive vehicles with rear heater <with dual air conditioner>	I	P	P	P	P
	R.H. drive vehicles without rear heater	I	P	P	P	P
	R.H. drive vehicles with rear heater <without dual air conditioner>	I	P	P	P	P
	R.H. drive vehicles with rear heater <with dual air conditioner>	I	P	P	P	P
SINGLE AIR CONDITIONER	L.H. drive vehicles <4G64, 6G72 engine>	I	R	D	N	N
	L.H. drive vehicles <6G74 engine>	I	R	D	N	N
	L.H. drive vehicles <petrol-powered vehicles>	N	N	A	R	P
	L.H. drive vehicles <diesel-powered vehicles>	I	P	P	R	P
	R.H. drive vehicles <petrol-powered vehicles>	I	R	R	R	R
	R.H. drive vehicles <diesel-powered vehicles>	I	P	P	R	R

Main circuit	Circuit classifications	Pub. No. PHJE9026-C '94model (Basic)	Pub. No. PHJE9026-D (Supplement)	Pub. No. PHJE9026-E (Supplement)	Pub. No. PHJE9026-F (Supplement)	Pub. No. PHJE9026-G (Supplement)
DUAL AIR CONDITIONER	L.H. drive vehicles without rear heater <petrol-powered vehicles>	I	R	R	R	P
	L.H. drive vehicles without rear heater <diesel-powered vehicles>	I	P	P	R	P
	L.H. drive vehicles with rear heater <petrol-powered vehicles>	I	R	R	R	P
	L.H. drive vehicles with rear heater <diesel-powered vehicles>	I	P	P	R	P
	R.H. drive vehicles without rear heater <petrol-powered vehicles>	I	R	R	R	R
	R.H. drive vehicles without rear heater <diesel-powered vehicles>	I	P	P	R	R
	R.H. drive vehicles with rear heater <petrol-powered vehicles>	I	R	R	R	R
	R.H. drive vehicles with rear heater <diesel-powered vehicles>	I	P	P	R	R
WINDSHIELD WIPER AND WASHER	Vehicles without SRS	I	P	P	P	P
	Vehicles with SRS	I	P	P	P	P
REAR WIPER AND WASHER	Vehicles without SRS	I	P	P	P	P
	Vehicles with SRS	I	P	P	P	P
HEADLAMP WASHER	–	I	P	P	P	P
DEFOGGER AND DOOR MIRROR HEATER	–	I	P	R	P	P
WIPER DEICER	–	I	P	R	P	P
REMOTE CONTROLLED MIRROR	–	I	P	P	P	P
RADIO AND TAPE PLAYER	L.H. drive vehicles <AM/FM radio>	I	P	D	N	N
	AM/FM radio	N	N	A	P	P
	L.H. drive vehicles <LW/MW/FM radio and tape player>	I	P	D	N	N
	LW/MW/FM radio and tape player	N	N	A	P	P
	L.H. drive vehicles <AM/FM radio and tape player>	I	P	P	P	P
	R.H. drive vehicles <AM/FM radio>	I	P	D	N	N
	R.H. drive vehicles <LW/MW/FM radio and tape player>	I	P	D	N	N
	R.H. drive vehicles <AM/FM radio and tape player>	I	P	R	P	P
CLOCK	L.H. drive vehicles	I	P	P	P	P
	R.H. drive vehicles	I	P	P	P	P
CIGARETTE LIGHTER	–	I	P	P	P	P
ACCESSORY SOCKET	–	I	P	P	P	P

Main circuit	Circuit classifications	Pub. No. PHJE9026-C '94model (Basic)	Pub. No. PHJE9026-D (Supplement)	Pub. No. PHJE9026-E (Supplement)	Pub. No. PHJE9026-F (Supplement)	Pub. No. PHJE9026-G (Supplement)
SUNROOF	Canvas top	I	P	P	R	P
	2-door models	N	N	A	R	P
	4-door models	I	P	P	R	P
INTERCOOLER FAN	–	I	P	R	R	R
REAR DIFFERENTIAL LOCK SYSTEM	L.H. drive vehicles	I	P	P	P	P
	R.H. drive vehicles	I	P	P	P	P
PART TIME 4WD SYSTEM	–	I	P	R	P	P
SUPER SELECT 4WD SYSTEM	–	I	P	P	P	P
REMOTE CONTROLLED VARIABLE SHOCK ABSORBERS SYSTEM	–	I	P	R	P	P
ANTI-LOCK BRAKE SYSTEM (ABS)	–	I	D	N	N	N
	L.H. drive vehicles	N	A	R	P	P
	R.H. drive vehicles	N	A	R	P	P
AUTO-CRUISE CONTROL SYSTEM	L.H. drive vehicles <petrol-powered vehicles>	I	R	R	P	R
	L.H. drive vehicles <diesel-powered vehicles>	I	P	R	P	P
	R.H. drive vehicles <petrol-powered vehicles>	I	R	P	P	R
	R.H. drive vehicles <diesel-powered vehicles>	I	P	P	P	P
HEATED SEAT	Vehicles without power seat	I	P	P	P	P
	Vehicles with power seat	I	P	P	P	P
POWER SEAT	–	I	P	P	P	P
LIGHTING MONITOR BUZZER	–	I	P	R	R	R
FUEL LINE HEATER	–	I	P	R	P	P
SUPPLEMENTAL RESTRAINT SYSTEM (SRS)	Petrol-powered vehicles	I	R	R	D	N
	Diesel-powered vehicles	I	R	R	D	N
	–	N	N	N	A	P
IMMOBILIZER SYSTEM	Petrol-powered vehicles	N	N	A	R	R
	Diesel-powered vehicles	N	N	A	R	P

---

# HOW TO READ THE WIRING DIAGRAMS

## CONTENTS

MODELS ..... 1-2



**MODELS****<2-DOOR MODELS>**

Model code		Body style	Engine model	Transmission model	Fuel supply system
V24C	NSFL6	Canvas top	4D56 (2,477 mℓ) with turbocharger and inter-cooler	V5MT1(5M/T)	Injection
V23C	GNHVL6/R6	Canvas top with wide fender	6G72 (2,972 mℓ)	V4AW3(4A/T)	MPI
	GRHVL6/R6				
V24W	NDFL6	Wagon	4D56 (2,477 mℓ) with turbocharger and inter-cooler	V5MT1(5M/T)	Injection
	NHFL6/R6				
	NDGL6*				
V24WG	NXFL6/R6	Wagon with wide fender			
V26W	NHFL6	Wagon	4M40 (2,835 mℓ) with turbocharger and inter-cooler	V5M31(5M/T)	
V26WG	NXFL6/R6	Wagon with wide fender			
	NXGL6*				
V23W	NHVL6	Wagon	6G72 (2,972 mℓ)	V5M31(5M/T)	MPI
	GNXVL6/R6	Wagon with wide fender		V4AW3(4A/T)	
	GRXVL6/R6				
V25WG*	NXVL6/R6	Wagon with wide fender	6G74 (3,497 mℓ)	V5M31(5M/T)	
	RXVL6/R6			V4AW3(4A/T)	

**NOTE**

\*: Indicates change



<4-DOOR MODELS>

Model code		Body style	Engine model	Transmission model	Fuel supply system		
V44W	NDFL6	Wagon	4D56 (2,477 mℓ) with turbocharger and inter-cooler	V5MT1(5M/T)	Injection		
	NDFCL6	Wagon without 3rd seat row					
	NHFL6	Wagon					
V44WG	NXFL6/R6	Wagon with wide fender					
V46W	NDFL6	Wagon	4M40 (2,835 mℓ) with turbocharger and inter-cooler	V5M31(5M/T)	Injection		
	NDFCL6	Wagon without 3rd seat row					
	NDGL6*	Wagon					
	NDGCL6*	Wagon without 3rd seat row					
	NHFL6/R6	Wagon					
	NHGL6						
	RHFR6						
V46GW	NXFL6/R6	Wagon with wide fender		V4AW3(4A/T)			
	RXFL6/R6			V5M31(5M/T)			
	NXGL6*			V4AW3(4A/T)			
	RXGL6*			V5M31(5M/T)	V4AW3(4A/T)		
V43W	NHVL6/R6	Wagon	6G72 (2,972 mℓ)	V5MT1(5M/T)	MPI		
	RHVL6/R6			V4AW3(4A/T)			
V43WG	NXVL6/R6	Wagon with wide fender				V5MT1(5M/T)	
	RXVL6/R6					V4AW3(4A/T)	
V45WG*	NXVL6/R6			6G74 (3,497 mℓ)		V5M31(5M/T)	
	RXVL6/R6					V4AW3(4A/T)	

NOTE

\*: Indicates change

---

# WIRING HARNESS CONFIGURATION DIAGRAMS

## CONTENTS

### ENGINE COMPARTMENT

L.H. drive vehicles with 6G72 engine .....	2-2
R.H. drive vehicles with 6G72 engine .....	2-6
L.H. drive vehicles with 6G74 engine .....	2-10
R.H. drive vehicles with 6G74 engine .....	2-14
L.H. drive vehicles with 4D56 engine .....	2-18
R.H. drive vehicles with 4D56 engine .....	2-20

L.H. drive vehicles with 4M40 engine .....	2-22
--	------

R.H. drive vehicles with 4M40 engine .....	2-24
--	------

### DASH PANEL

L.H. drive vehicles .....	2-26
---------------------------	------

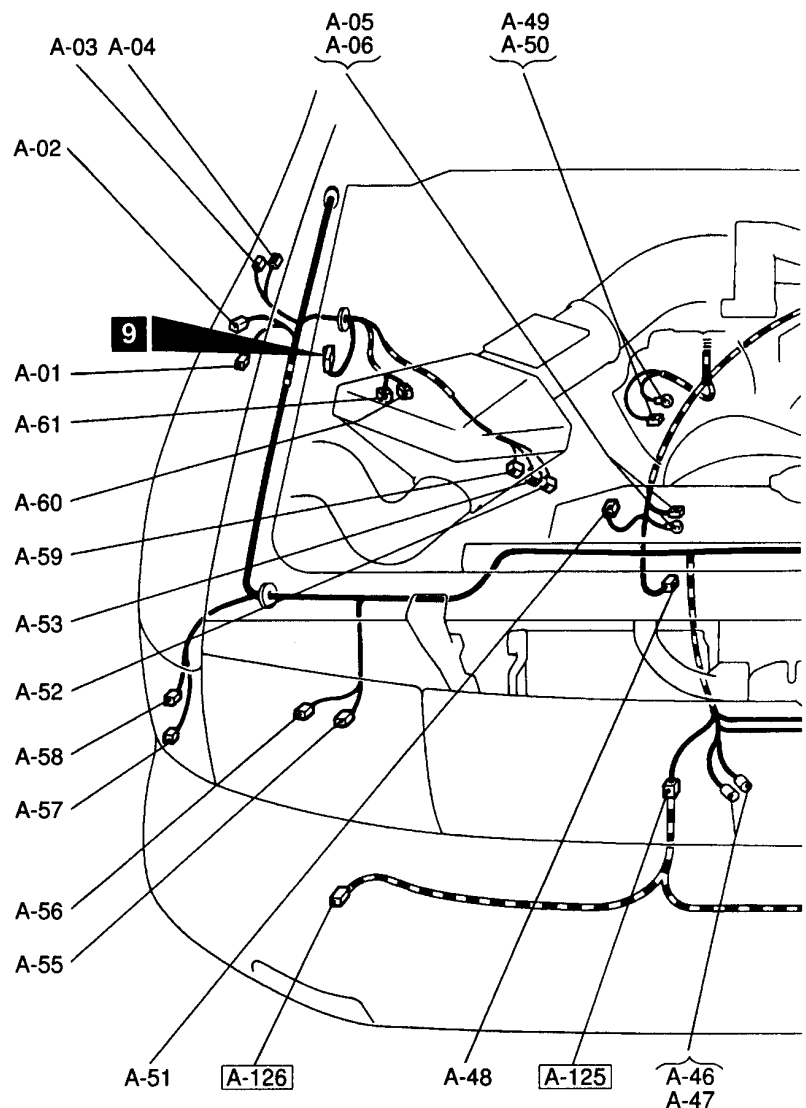
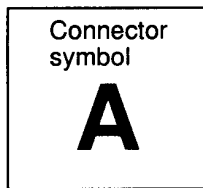
R.H. drive vehicles .....	2-30
---------------------------	------

---

## 2-2 WIRING HARNESS CONFIGURATION DIAGRAMS – Engine Compartment

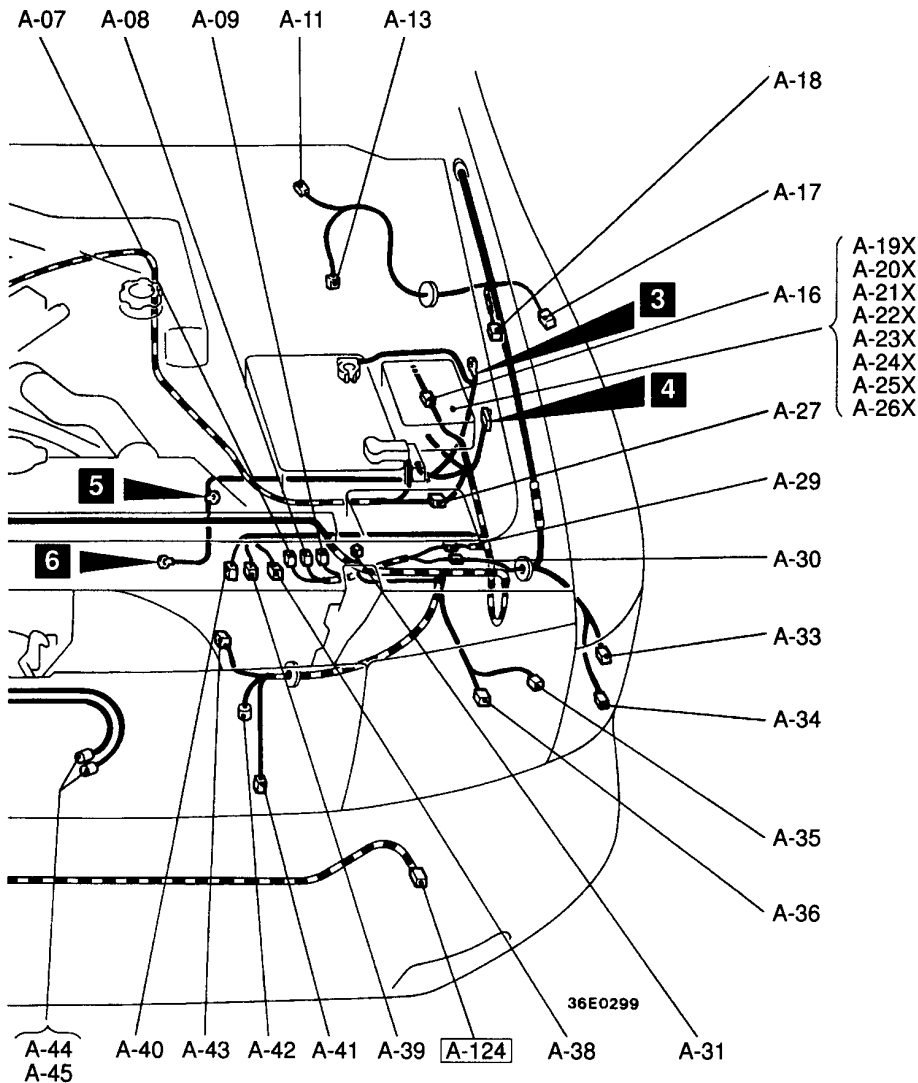
### ENGINE COMPARTMENT

L.H. drive vehicles with 6G72 engine



A-01 (4-B)	Headlamp washer motor and headlamp washer fluid level sensor	A-21X (4)	Intercooler fan motor relay
A-02 (2)	Side turn signal lamp (RH)	A-22X (4)	Alternator relay
A-03 (2-B)	Motor antenna	A-23X (4)	Rear fog lamp relay
A-04 (3-B)	Motor antenna	A-24X (4)	Tail lamp relay
A-05 (1-B)	Stater	A-25X (4)	Condenser fan motor relay
A-06 (1)	Stater	A-26X (4)	A/C compressor relay
A-07 (4-B)	Daytime running lamp relay 2	A-27 (6-B)	Battery cable and front wiring harness combination
A-08 (4-B)	Daytime running lamp relay 1	A-29 (10-B)	Daytime running lamp harness and front wiring harness combination or front wiring harness joint connector
A-09 (12-B)	Daytime running lamp control unit	A-30 (10-B)	Daytime running lamp harness and front wiring harness combination or front wiring harness joint connector
A-11 (4-B)	Windshield wiper motor	A-31 (4-B)	Horn relay <Vehicles with SRS>
A-13 (2-B)	Brake fluid level switch	A-33 (2-B)	Front combination lamp (LH)
A-16 (12-B)	Control wiring harness and front wiring harness combination	A-34 (2-GR)	Front combination lamp (LH)
A-17 (2)	Side turn signal lamp (LH)		
A-18 (2-G)	Windshield washer motor		
A-19X (4)	Jumper connector		
A-20X (4)	Headlamp relay		

# WIRING HARNESS CONFIGURATION DIAGRAMS – Engine Compartment 2-3



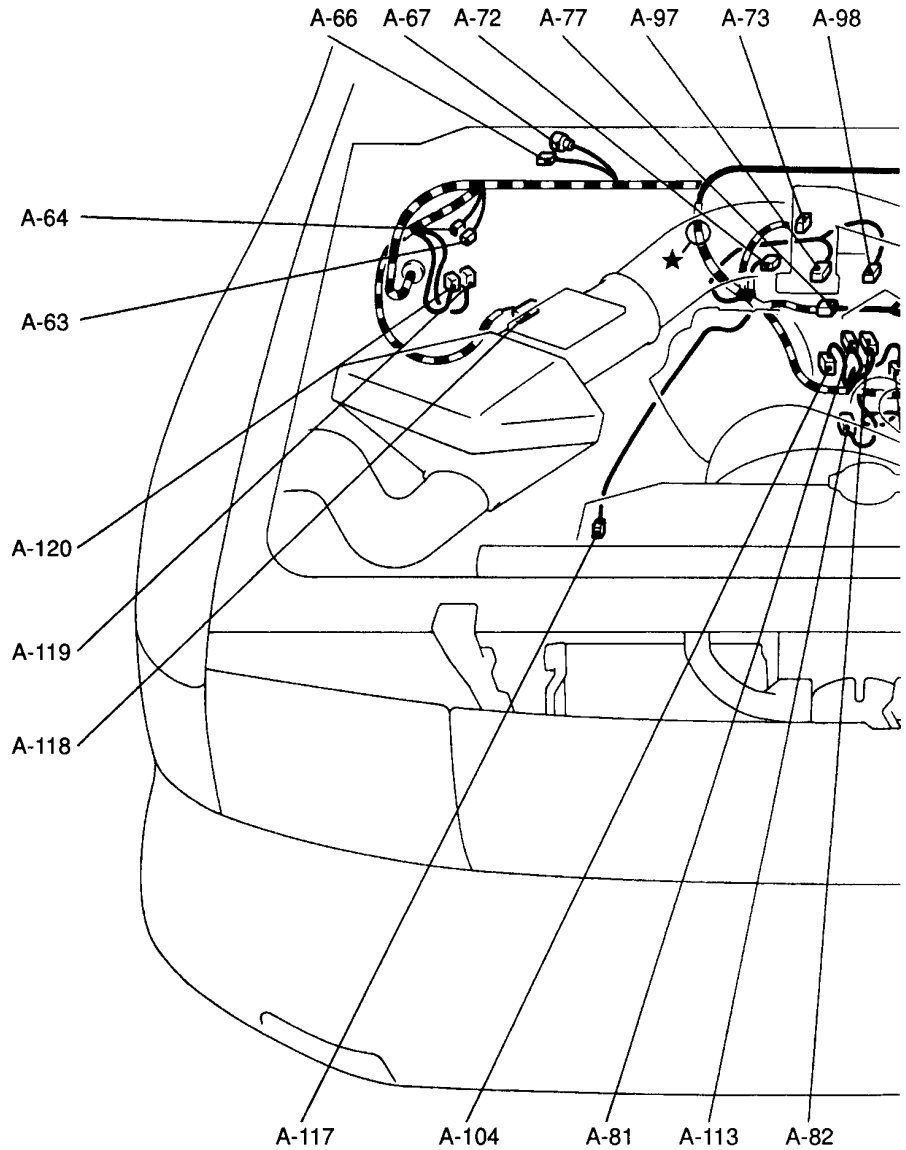
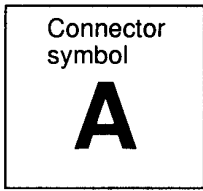
- A-35 (7) Headlamp leveling unit (LH)
- A-36 (3-B) Headlamp (LH)
- A-38 (2-B) Speed sensor (Front: LH) <ABS>
- A-39 (4-B) Shock absorber (Front: LH) <Remote controlled variable shock absorber>
- A-40 (1-B) Magnetic clutch <A/C>
- A-41 (2-B) Thermo sensor (outside air) <Multi-meter>
- A-42 (2-BR) Dual pressure switch
- A-43 (2-B) Condenser fan motor
- A-44 (1) Horn (LO)
- A-45 (1) Horn (LO)
- A-46 (1) Horn (HI)
- A-47 (1) Horn (HI)
- A-48 (1-B) Oil pressure switch
- A-49 (2-B) Alternator
- A-50 (1) Alternator
- A-51 (2-B) Engine oil level sensor

- A-52 (2-B) Speed sensor (Front: RH) <ABS>
- A-53 (4-B) Shock absorber (Front: RH) <Remote controlled variable shock absorber>
- A-55 (3-B) Headlamp (RH)
- A-56 (7) Headlamp leveling unit (RH)
- A-57 (2-GR) Front combination lamp (RH)
- A-58 (2-B) Front combination lamp (RH)
- A-59 (2-GR) Free wheel engage switch
- A-60 (2-B) Solenoid valve A <Super select 4WD>
- A-61 (2-B) Solenoid valve B <Super select 4WD>
- A-124 (2-BR) Front fog lamp (LH)
- A-125 (4-B) Front wiring harness and front fog lamp wiring harness combination
- A-126 (2-BR) Front fog lamp (RH)

**Remark**  
 Connector numbers enclosed by a frame  are newly added connectors.

## 2-4 WIRING HARNESS CONFIGURATION DIAGRAMS – Engine Compartment

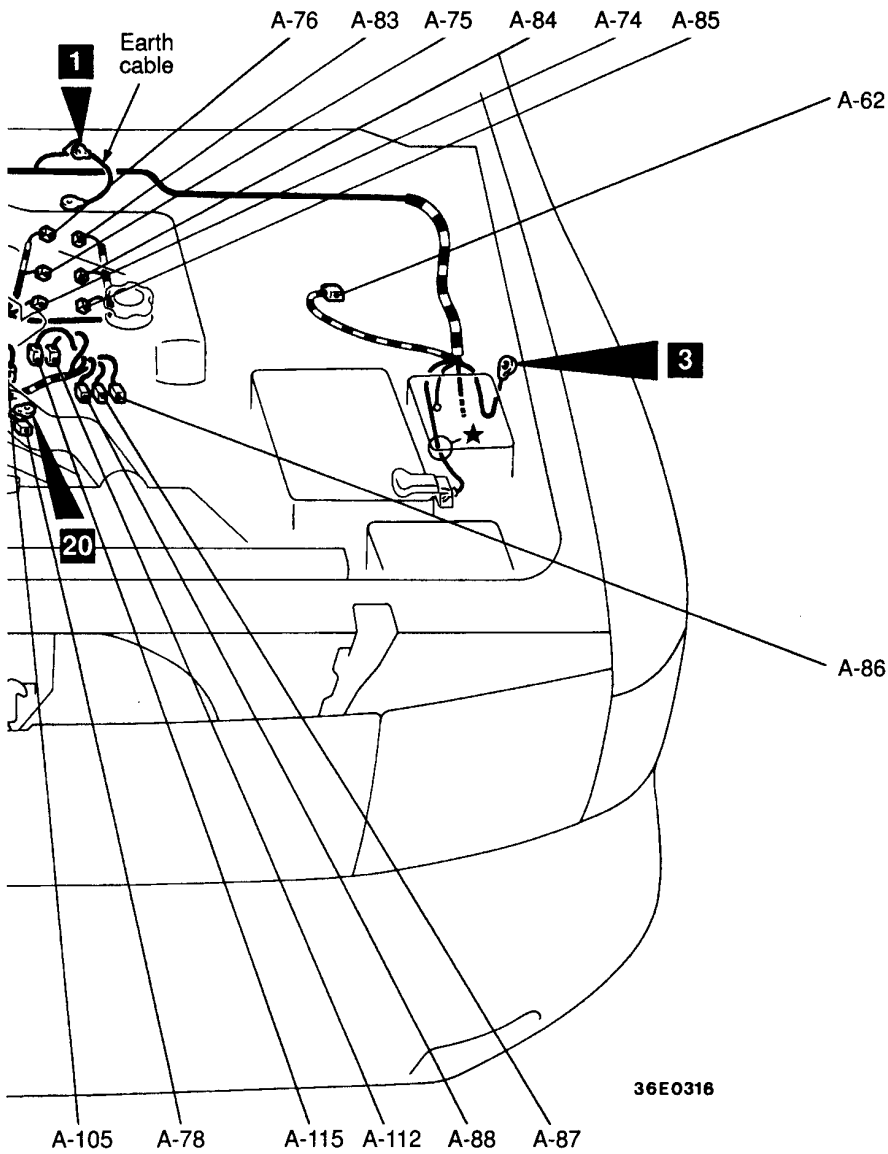
### L.H. drive vehicles with 6G72 engine



A-62 (4-B) Auto-cruise control actuator  
 A-63 (6-B) Hydraulic unit  
 A-64 (2-B) Hydraulic unit  
 A-66 (1-L) Engine speed detection connector  
 A-67 (1-B) Fuel pump check connector  
 A-72 (6-B) Idle speed control servo  
 A-73 (4-B) Throttle position sensor  
 A-74 (2-GR) Injector No. 1  
 A-75 (2-GR) Injector No. 3

A-76 (2-GR) Injector No. 5  
 A-77 (8-B) Injector wiring harness and control wiring harness combination  
 A-78 (2-B) Capacitor  
 A-81 (6-B) Power transistor  
 A-82 (3-B) Power transistor  
 A-83 (2-GR) Injector No. 6  
 A-84 (2-GR) Injector No. 4  
 A-85 (2-GR) injector No. 2

# WIRING HARNESS CONFIGURATION DIAGRAMS – Engine Compartment 2-5

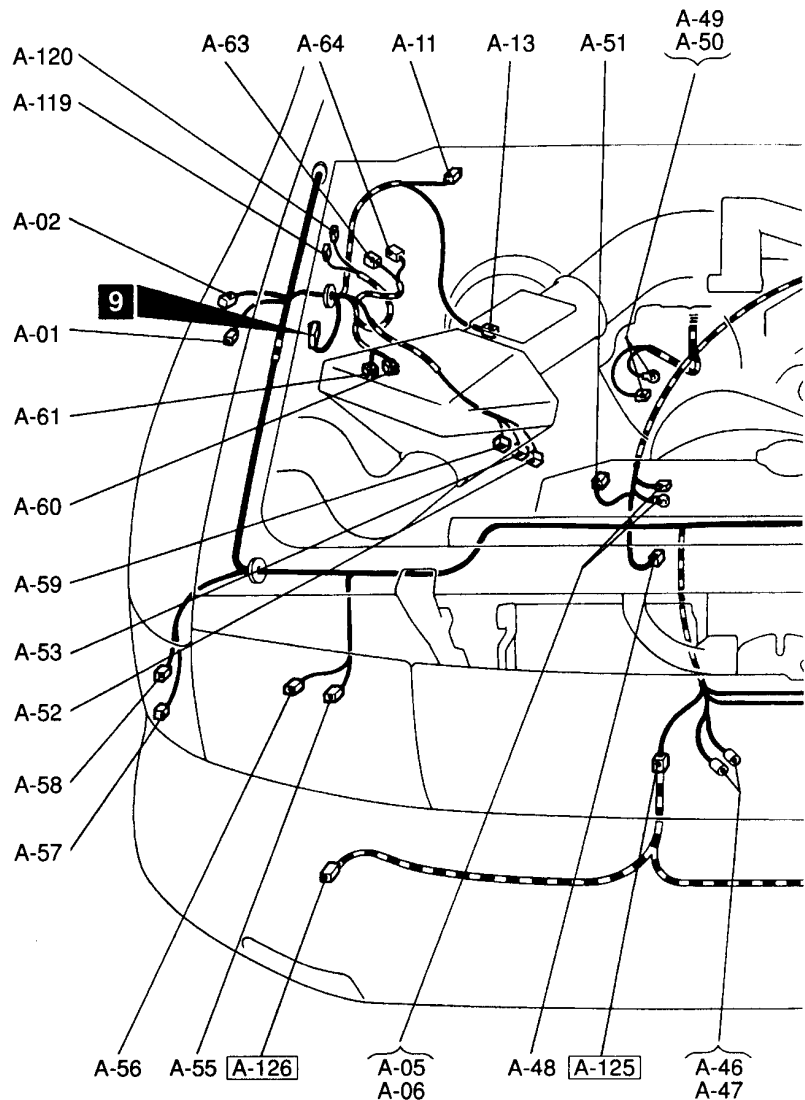
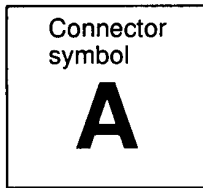


A-86 (2-B)	Igniton coil	A-112 (3-B)	Crank angle sensor
A-87 (2-B)	Igniton coil	A-113 (2-B)	Engine coolant temperature sensor
A-88 (2-B)	Igniton coil	A-115 (3-GR)	Camshaft position sensor
A-97 (2-B)	EGR solenoid valve	A-117 (1)	Power steering oil pressure switch
A-98 (2-B)	Purge control solenoid valve	A-118 (8-B)	Air flow sensor
A-104 (1-B)	Engine coolant temperature gauge unit	A-119 (8-B)	ABS relay box
A-105 (1-B)	Engine coolant temperature switch <A/T>	A-120 (2-B)	ABS relay box

## 2-6 WIRING HARNESS CONFIGURATION DIAGRAMS – Engine Compartment

### ENGINE COMPARTMENT


R.H. drive vehicles with 6G72 engine



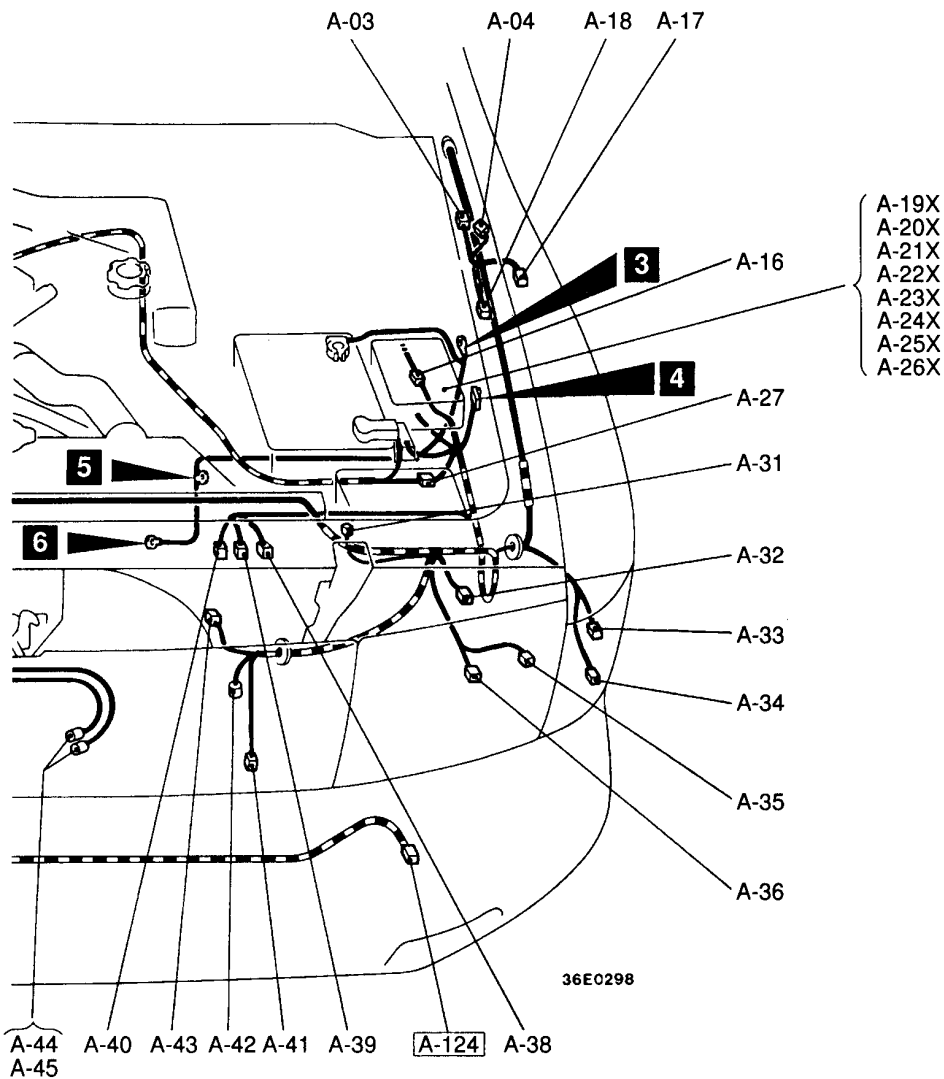
A-01 (4-B)	Headlamp washer motor and headlamp washer fluid level sensor
A-02 (2)	Side turn signal lamp (RH)
A-03 (2-B)	Motor antenna
A-04 (3-B)	Motor antenna
A-05 (1-B)	Starter
A-06 (1)	Starter
A-11 (4-B)	Windshield wiper motor
A-13 (2-B)	Brake fluid level switch
A-16 (10-B)	Control wiring harness and front wiring harness combination
A-17 (2)	Side turn signal lamp (LH)
A-18 (2-G)	Windshield washer motor
A-19X (4)	Jumper connector
A-20X (4)	Headlamp relay
A-21X (4)	Intercooler fan motor relay
A-22X (4)	Alternator relay

A-23X (4)	Rear fog lamp relay
A-24X (4)	Tail lamp relay
A-25X (4)	Condenser fan motor relay
A-26X (4)	A/C compressor relay
A-31 (4-B)	Horn relay <Vehicles with SRS>
A-32 (2-B)	Resistor <for dim-dip lamp circuit>
A-33 (2-B)	Front combination lamp (LH)
A-34 (2-GR)	Front combination lamp (LH)
A-35 (7)	Headlamp leveling unit (LH)
A-36 (3-B)	Headlamp (LH)
A-39 (4-B)	Shock absorber (Front: LH) <Remote controlled variable shock absorber>
A-40 (1-B)	Magnetic clutch <A/C>

**Remark**

Connector numbers enclosed by a frame  are newly added connectors.

# WIRING HARNESS CONFIGURATION DIAGRAMS – Engine Compartment 2-7

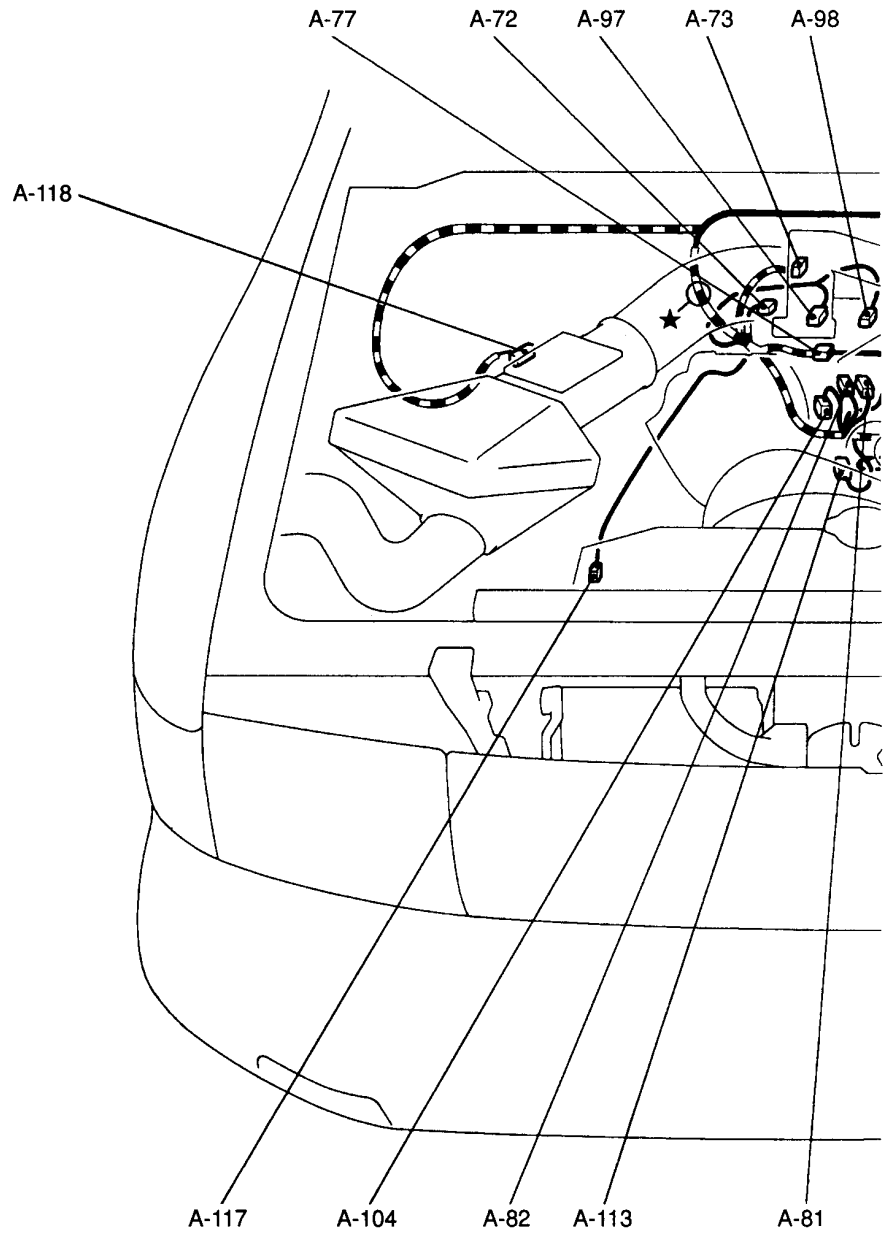
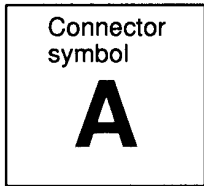


A-41 (2-B)	Thermo sensor (outside air) <Multi-meter>	A-55 (3-B)	Headlamp (RH)
A-42 (2-BR)	Dual pressure switch	A-56 (7)	Headlamp leveling unit (RH)
A-43 (2-B)	Condenser fan motor	A-57 (2-GR)	Front combination lamp (RH)
A-44 (1)	Horn (LO)	A-58 (2-B)	Front combination lamp (RH)
A-45 (1)	Horn (LO)	A-59 (2-GR)	Free wheel engage switch
A-46 (1)	Horn (HI)	A-60 (2-B)	Solenoid valve A <Super select 4WD>
A-47 (1)	Horn (HI)	A-61 (2-B)	Solenoid valve B <Super select 4WD>
A-48 (1-B)	Oil pressure switch	A-63 (6-B)	Hydraulic unit
A-49 (2-B)	Alternator	A-64 (2-B)	Hydraulic unit
A-50 (1)	Alternator	A-119 (8-B)	ABS relay box
A-51 (2-B)	Engine oil level sensor	A-120 (2-B)	ABS relay box
A-52 (2-B)	Speed sensor (Front: RH) <ABS>	<u>A-124</u> (2-BR)	Front fog lamp (LH)
A-53 (4-B)	Shock absorber (Front: RH) <Remote controlled variable shock absorber>	<u>A-125</u> (4-B)	Front wiring harness and front fog lamp wiring harness combination
		<u>A-126</u> (2-BR)	Front fog lamp (RH)



## 2-8 WIRING HARNESS CONFIGURATION DIAGRAMS – Engine Compartment

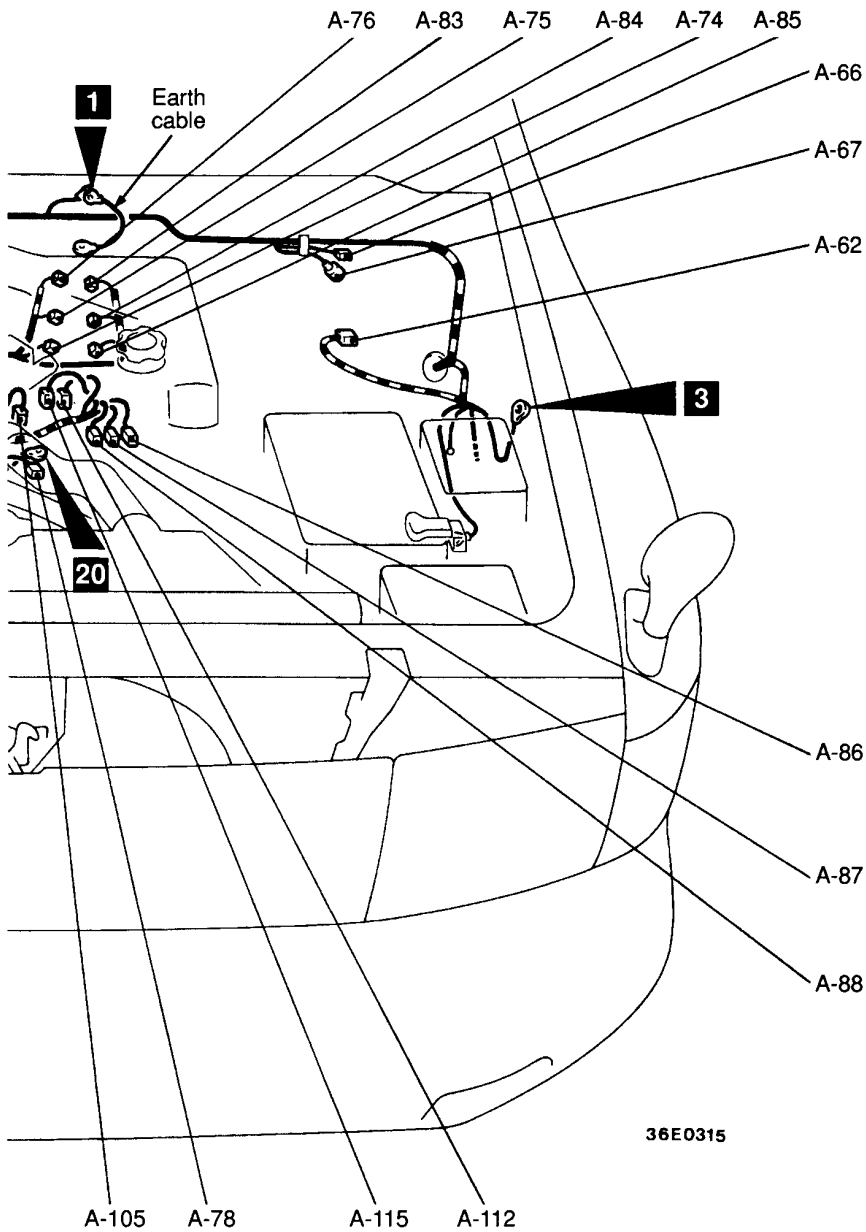
### R.H. drive vehicles with 6G72 engine



A-62 (4-B) Auto-cruise control actuator  
 A-66 (1-L) Engine speed detection connector  
 A-67 (1-B) Fuel pump check connector  
 A-72 (6-B) Idle speed control servo  
 A-73 (4-B) Throttle position sensor  
 A-74 (2-GR) Injector No. 1  
 A-75 (2-GR) Injector No. 3

A-76 (2-GR) Injector No. 5  
 A-77 (8-B) Injector wiring harness and control wiring harness combination  
 A-78 (2-B) Capacitor  
 A-81 (6-B) Power transistor  
 A-82 (3-B) Power transistor  
 A-83 (2-GR) Injector No. 6

# WIRING HARNESS CONFIGURATION DIAGRAMS – Engine Compartment 2-9



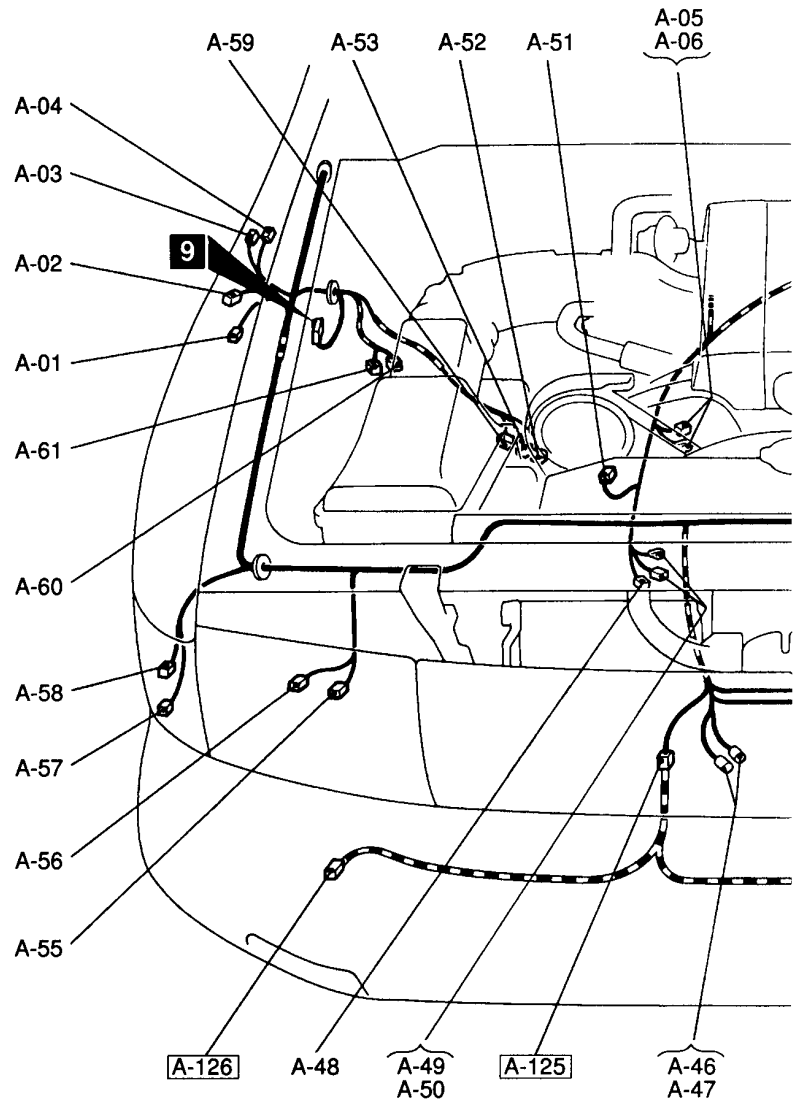
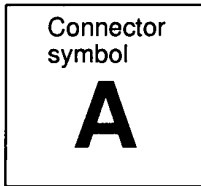
- A-84 (2-GR) Injector No. 4
- A-85 (2-GR) Injevtor No. 2
- A-86 (2-B) Ignition coil
- A-87 (2-B) Ignition coil
- A-88 (2-B) Ignition coil
- A-97 (2-B) EGR solenoid valve
- A-98 (2-B) Purge control solenoid valve
- A-104 (1-B) Engine coolant temperature gauge unit

- A-105 (1-B) Engine coolant temperature switch <A/T>
- A-112 (3-B) Crank angle sensor
- A-113 (2-B) Engine coolant temperature sensor
- A-115 (3-GR) Camshaft position sensor
- A-117 (1) Power steering oil pressure switch
- A-118 (8-B) Air flow sensor

## 2-10 WIRING HARNESS CONFIGURATION DIAGRAMS – Engine Compartment

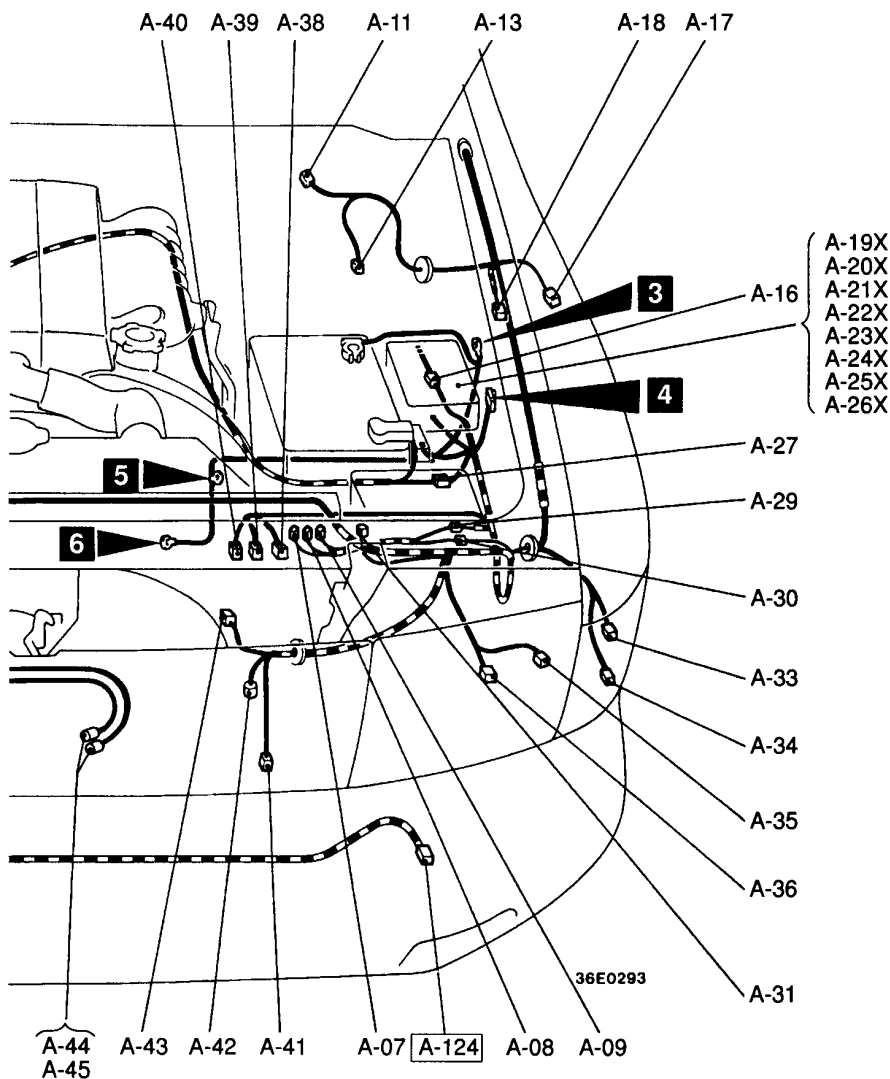
### ENGINE COMPARTMENT

L.H. drive vehicles with 6G74 engine



A-01 (4-B)	Headlamp washer motor and headlamp washer fluid level sensor	A-21X (4)	Intercooler fan motor relay
A-02 (2)	Side turn signal lamp (RH)	A-22X (4)	Alternator relay
A-03 (2-B)	Motor antenna	A-23X (4)	Rear fog lamp relay
A-04 (3-B)	Motor antenna	A-24X (4)	Tail lamp relay
A-05 (1-B)	Starter	A-25X (4)	Condenser fan motor relay
A-06 (1)	Starter	A-26X (4)	A/C compressor relay
A-07 (4-B)	Daytime running lamp relay 2	A-27 (6-B)	Battery cable and front wiring harness combination
A-08 (4-B)	Daytime running lamp relay 1	A-29 (10-B)	Daytime running lamp harness and front wiring harness combination or front wiring harness joint connector
A-09 (12-B)	Daytime running lamp control unit	A-30 (10-B)	Daytime running lamp harness and front wiring harness combination or front wiring harness joint connector
A-11 (4-B)	Windshield wiper motor	A-31 (4-B)	Horn relay <Vehicles with SRS>
A-13 (2-B)	Brake fluid level switch	A-33 (2-B)	Front combination lamp (LH)
A-16 (12-B)	Control wiring harness and front wiring harness combination	A-34 (2-GR)	Front combination lamp (LH)
A-17 (2)	Side turn signal lamp (LH)		
A-18 (2-G)	Windshield washer motor		
A-19X (4)	Jumper connector		
A-20X (4)	Headlamp relay		

# WIRING HARNESS CONFIGURATION DIAGRAMS – Engine Compartment 2-11



- A-35 (7) Headlamp leveling unit (LH)
- A-36 (3-B) Headlamp (LH)
- A-38 (2-B) Speed sensor (Front: LH) <ABS>
- A-39 (4-B) Shock absorber (Front: LH) <Remote controlled variable shock absorber>
- A-40 (1-B) Magnetic clutch <A/C>
- A-41 (2-B) Thermo sensor (outside air) <Multi-meter>
- A-42 (2-BR) Dual pressure switch
- A-43 (2-B) Condenser fan motor
- A-44 (1) Horn (LO)
- A-45 (1) Horn (LO)
- A-46 (1) Horn (HI)
- A-47 (1) Horn (HI)
- A-48 (1-B) Oil pressure switch
- A-49 (2-B) Alternator
- A-50 (1) Alternator
- A-51 (2-B) Engine oil level sensor

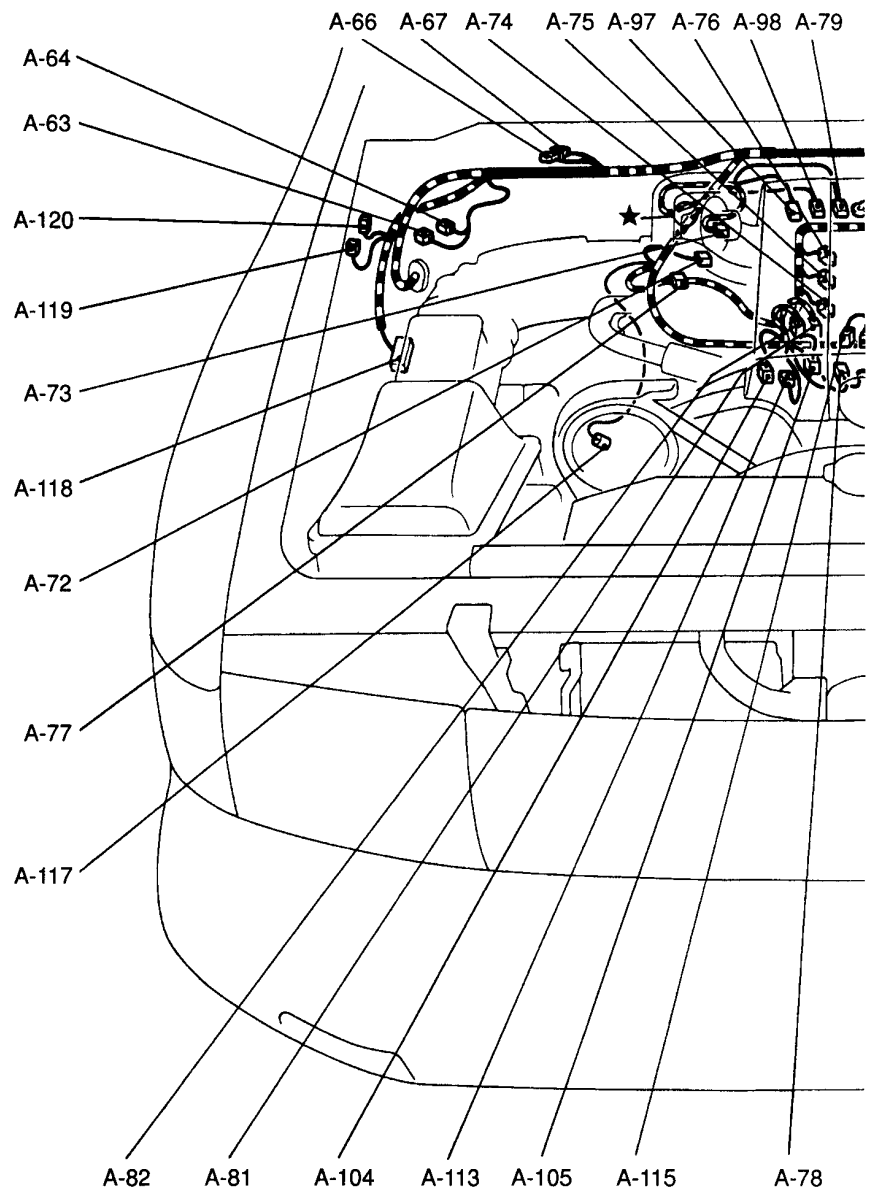
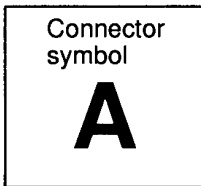
- A-52 (2-B) Speed sensor (Front: RH) <ABS>
- A-53 (4-B) Shock absorber (Front: RH) <Remote controlled variable shock absorber>
- A-55 (3-B) Headlamp (RH)
- A-56 (7) Headlamp leveling unit (RH)
- A-57 (2-GR) Front combination lamp (RH)
- A-58 (2-B) Front combination lamp (RH)
- A-59 (2-GR) Free wheel engage switch
- A-60 (2-B) Solenoid valve A <Super select 4WD>
- A-61 (2-B) Solenoid valve B <Super select 4WD>
- A-124 (2-BR) Front fog lamp (LH)
- A-125 (4-B) Front wiring harness and front fog lamp wiring harness combination
- A-126 (2-BR) Front fog lamp (RH)

**Remark**

Connector numbers enclosed by a frame  are newly added connectors.

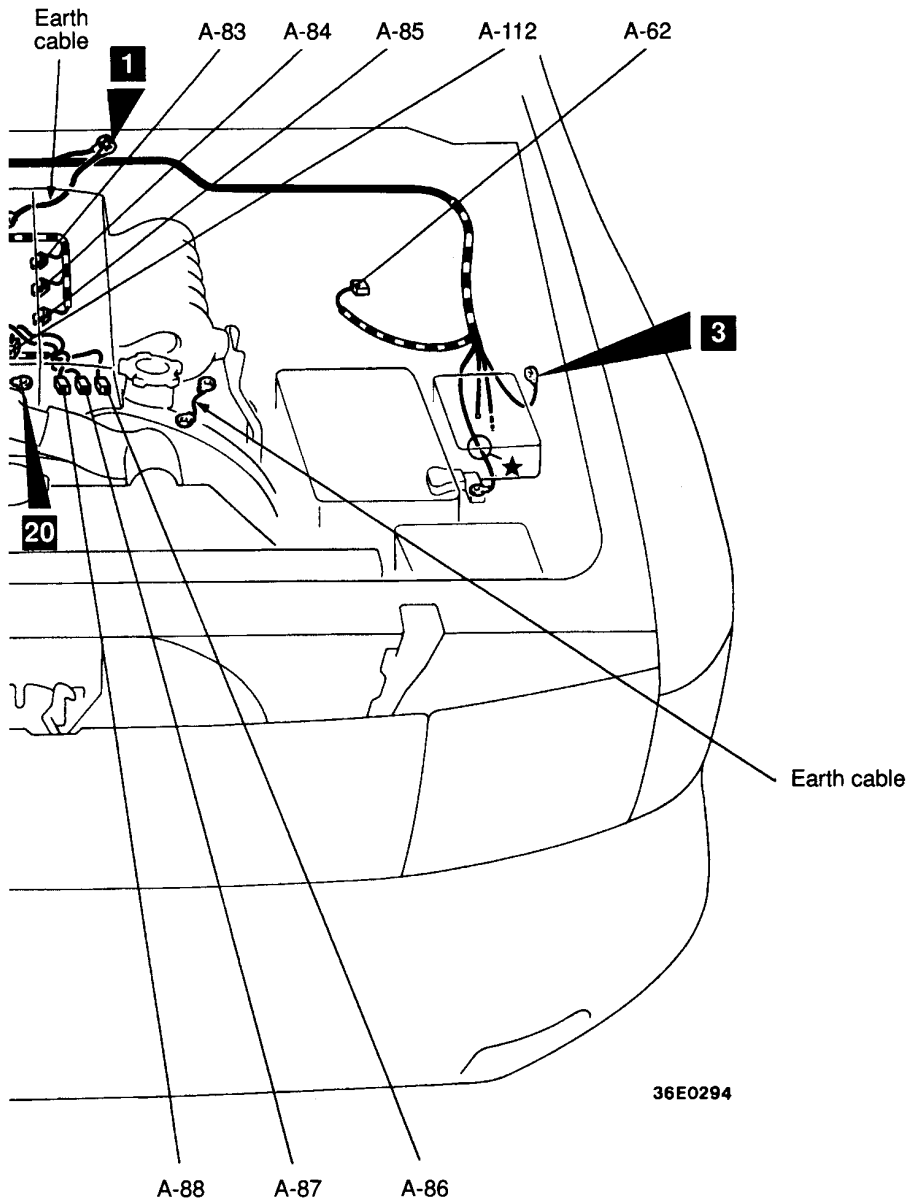
## 2-12 WIRING HARNESS CONFIGURATION DIAGRAMS – Engine Compartment

### L.H. drive vehicles with 6G74 engine



A-62 (4-B)	Auto-cruise control actuator	A-76 (2-GR)	Injector No. 5
A-63 (6-B)	Hydraulic unit	A-77 (8-B)	Injector wiring harness and control wiring harness combination
A-64 (2-B)	Hydraulic unit	A-78 (2-B)	Capacitor
A-66 (1-L)	Engine speed detection connector	A-79 (2-GR)	Detonation sensor
A-67 (1-B)	Fule pump check connector	A-81 (6-B)	Power transistor
A-72 (6-B)	Idle speed control servo	A-82 (3-B)	Power transistor
A-73 (4-B)	Throttle position sensor	A-83 (2-GR)	Injector No. 6
A-74 (2-GR)	Injector No. 1		
A-75 (2-GR)	Injector No. 3		

# WIRING HARNESS CONFIGURATION DIAGRAMS – Engine Compartment 2-13



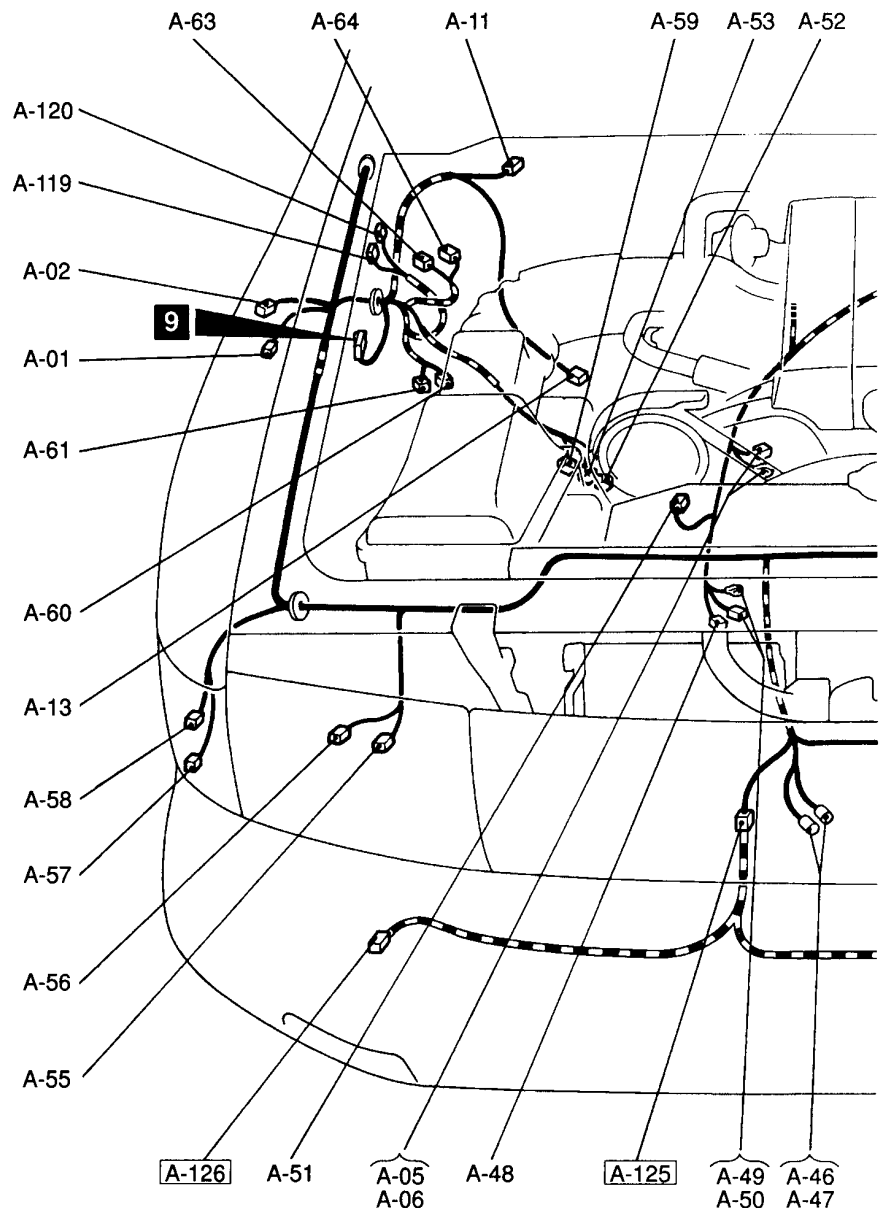
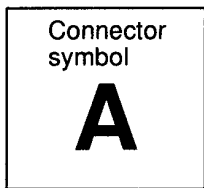
36E0294

A-84 (2-GR)	Injector No. 4	A-112 (3-B)	Crank angle sensor
A-85 (2-GR)	injector No. 2	A-113 (2-B)	Engine coolant temperature sensor
A-86 (2-B)	Igniton coil	A-115 (3-GR)	Camshaft position sensor
A-87 (2-B)	Igniton coil	A-117 (1)	Power steering oil pressure switch
A-88 (2-B)	Igniton coil	A-118 (8-B)	Air flow sensor
A-97 (2-B)	EGR solenoid valve	A-119 (8-B)	ABS relay box
A-98 (2-B)	Purge control solenoid valve	A-120 (2-B)	ABS relay box
A-104 (1-B)	Engine coolant temperature gauge unit		
A-105 (1-B)	Engine coolant temperature switch <A/T>		

## 2-14 WIRING HARNESS CONFIGURATION DIAGRAMS – Engine Compartment

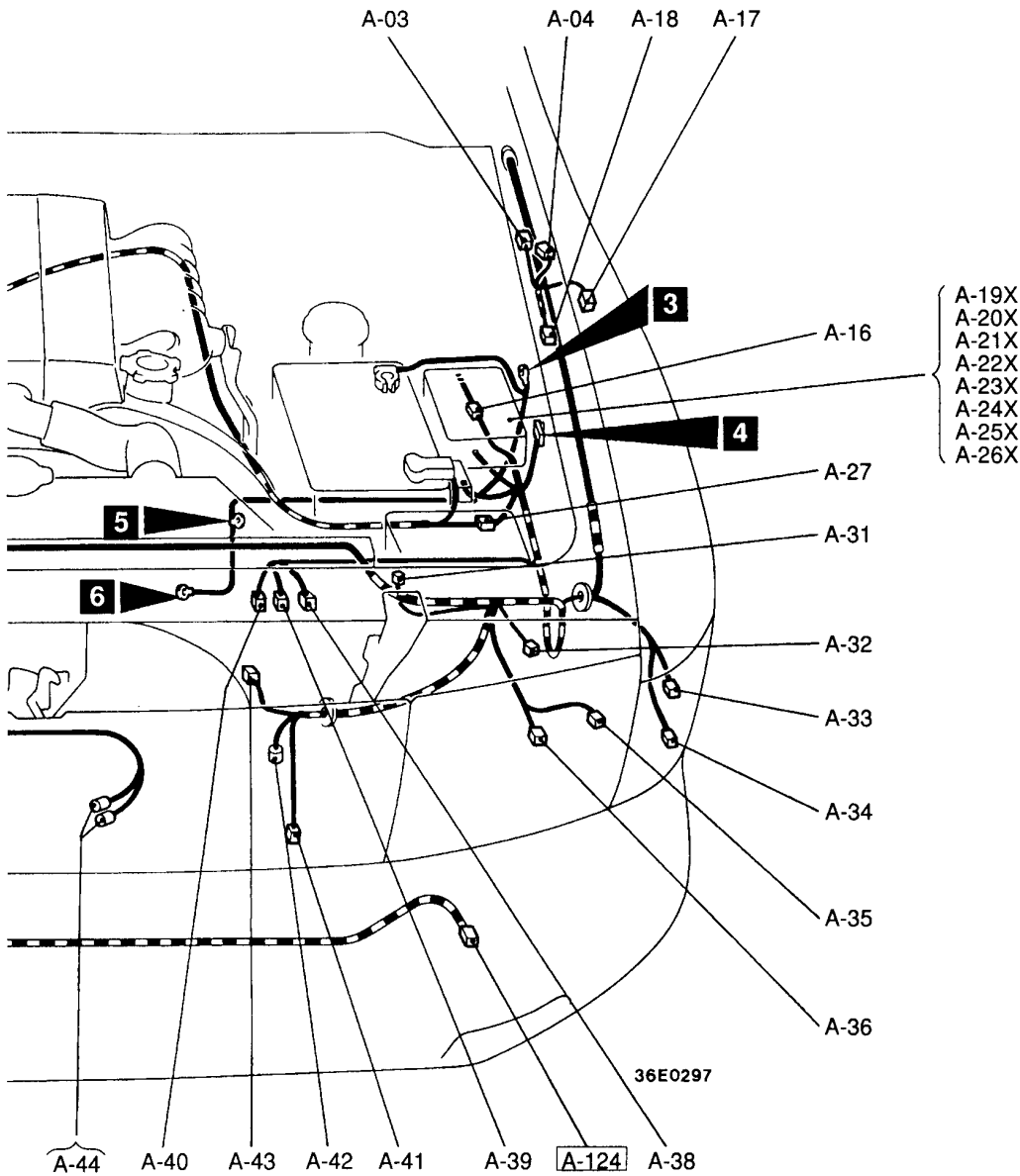
### ENGINE COMPARTMENT

R.H. drive vehicles with 6G74 engine



A-01 (4-B)	Headlamp washer motor and headlamp washer fluid level sensor	A-22X (4)	Alternator relay
A-02 (2)	Side turn signal lamp (RH)	A-23X (4)	Rear fog lamp relay
A-03 (2-B)	Motor antenna	A-24X (4)	Tail lamp relay
A-04 (3-B)	Motor antenna	A-25X (4)	Condenser fan motor relay
A-05 (1-B)	Starter	A-26X (4)	A/C compressor relay
A-06 (1)	Starter	A-27 (6-B)	Battery cable and front wiring harness combination
A-11 (4-B)	Windshield wiper motor	A-31 (4-B)	Horn relay <Vehicles with SRS>
A-13 (2-B)	Brake fluid level switch	A-32 (2-B)	Resistor <for dim-dip lamp circuit>
A-16 (10-B)	Control wiring harness and front wiring harness combination	A-33 (2-B)	Front combination lamp (LH)
A-17 (2)	Side turn signal lamp (LH)	A-34 (2-GR)	Front combination lamp (LH)
A-18 (2-G)	Windshield washer motor	A-35 (7)	Headlamp leveling unit (LH)
A-19X (4)	Jumper connector	A-36 (3-B)	Headlamp (LH)
A-20X (4)	Headlamp relay	A-38 (2-B)	Speed sensor (Front: LH) <ABS>
A-21X (4)	Intercooler fan motor relay	A-39 (4-B)	Shock absorber (Front: LH) <Remote controlled variable shock absorber>

# WIRING HARNESS CONFIGURATION DIAGRAMS – Engine Compartment 2-15

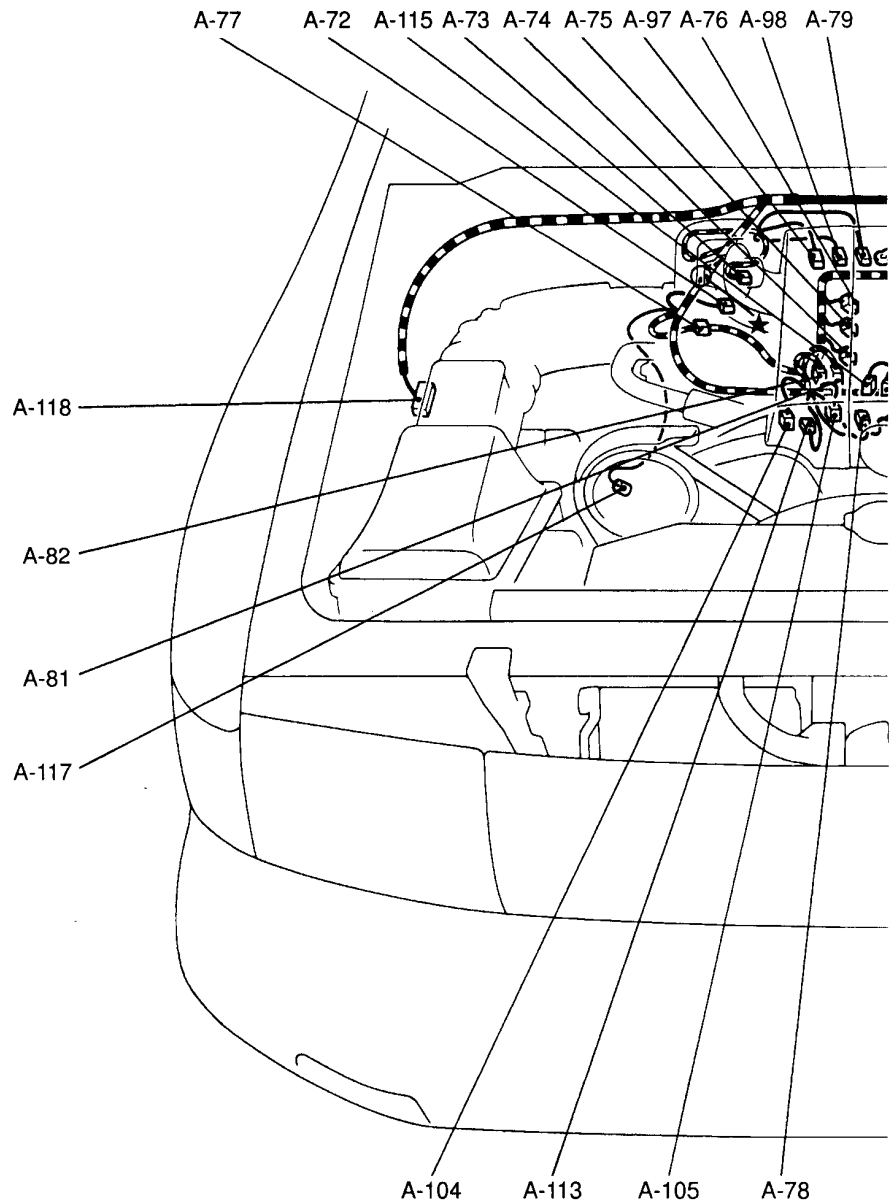
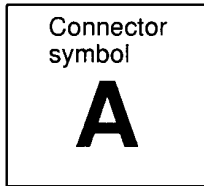


- |             |   |  |   |
|-------------|---|--|---|
| A-40 (1-B)  | Magnetic clutch <A/C>   | A-55 (3-B)   | Headlamp (RH)   |
| A-41 (2-B)  | Thermo sensor (outside air)<br><Multi-meter>                              | A-56 (7)   | Headlamp leveling unit (RH)   |
| A-42 (2-BR) | Dual pressure switch  | A-57 (2-GR)  | Front combination lamp (RH)   |
| A-43 (2-B)  | Condenser fan motor   | A-58 (2-B)   | Front combination lamp (RH)   |
| A-44 (1)    | Horn (LO)   | A-59 (2-GR)  | Free wheel engage switch  |
| A-45 (1)    | Horn (LO)   | A-60 (2-B)   | Solenoid valve A <Super select 4WD>                                   |
| A-46 (1)    | Horn (HI)   | A-61 (2-B)   | Solenoid valve B <Super select 4WD>                                   |
| A-47 (1)    | Horn (HI)   | A-63 (6-B)   | Hydraulic unit  |
| A-48 (1-B)  | Oil pressure switch   | A-64 (2-B)   | Hydraulic unit  |
| A-49 (2-B)  | Alternator  | <span style="border: 1px solid black; padding: 2px;">A-124</span> (2-BR) | Front fog lamp (LH)   |
| A-50 (1)    | Alternator  | <span style="border: 1px solid black; padding: 2px;">A-125</span> (4-B)  | Front wiring harness and front fog lamp<br>wiring harness combination |
| A-51 (2-B)  | Engine oil level sensor   | <span style="border: 1px solid black; padding: 2px;">A-126</span> (2-BR) | Front fog lamp (RH)   |
| A-52 (2-B)  | Speed sensor (Front: RH) <ABS>  |  |   |
| A-53 (4-B)  | Shock absorber (Front: RH) <Remote<br>controlled variable shock absorber> |  |   |
- Remark**  
Connector numbers enclosed by a frame  are newly added connectors.



## 2-16 WIRING HARNESS CONFIGURATION DIAGRAMS – Engine Compartment

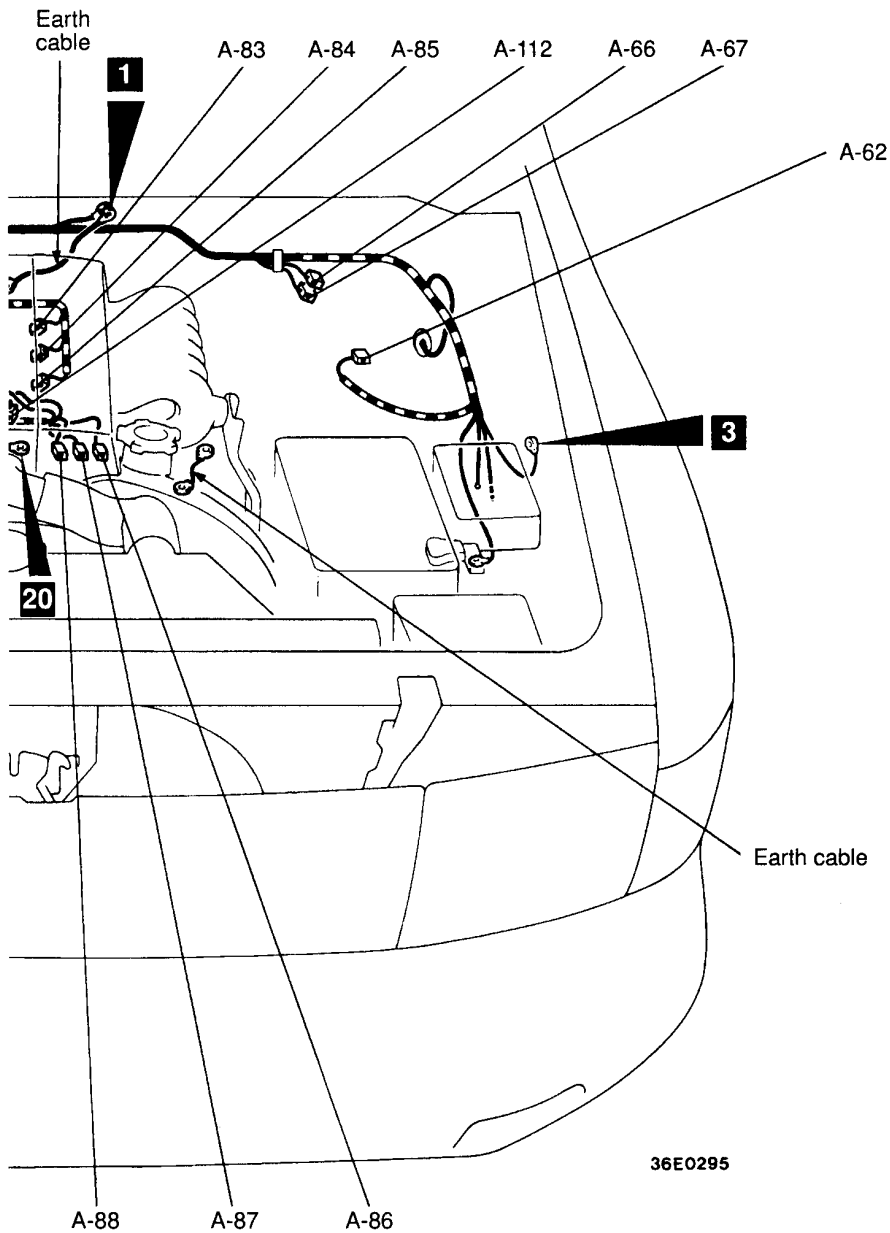
### R.H. drive vehicles with 6G74 engine



A-62 (4-B) Auto-cruise control actuator  
 A-66 (1-L) Engine speed detection connector  
 A-67 (1-B) Fuel pump check connector  
 A-72 (6-B) Idle speed control servo  
 A-73 (4-B) Throttle position sensor  
 A-74 (2-GR) Injector No. 1  
 A-75 (2-GR) Injector No. 3  
 A-76 (2-GR) Injector No. 5

A-77 (8-B) Injector wiring harness and control wiring harness combination  
 A-78 (2-B) Capacitor  
 A-79 (2-GR) Detonation sensor  
 A-81 (6-B) Power transistor  
 A-82 (3-B) Power transistor  
 A-83 (2-GR) Injector No. 6  
 A-84 (2-GR) Injector No. 4

# WIRING HARNESS CONFIGURATION DIAGRAMS – Engine Compartment 2-17



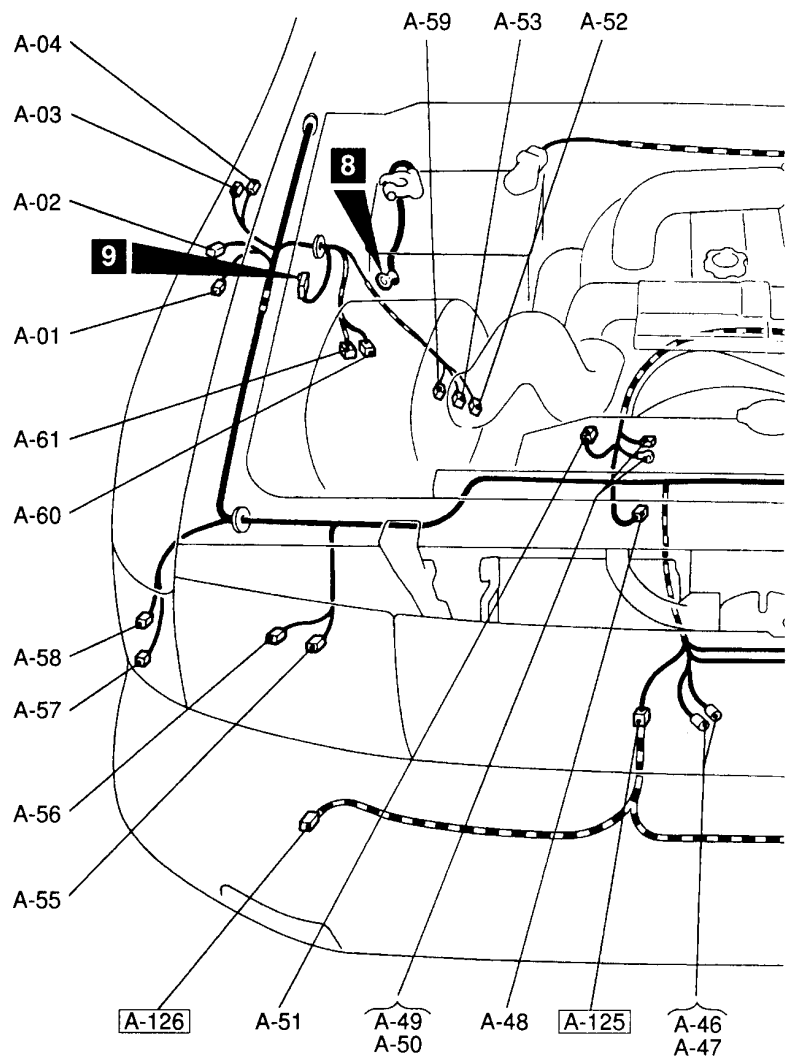
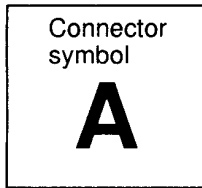
36E0295

A-85 (2-GR)	injector No. 2	A-105 (1-B)	Engine coolant temperature switch <A/T>
A-86 (2-B)	Igniton coil	A-112 (3-B)	Crank angle sensor
A-87 (2-B)	Igniton coil	A-113 (2-B)	Engine coolant temperature sensor
A-88 (2-B)	Igniton coil	A-115 (3-GR)	Camshaft position sensor
A-97 (2-B)	EGR solenoid valve	A-117 (1)	Power steering oil pressure switch
A-98 (2-B)	Purge control solenoid valve	A-118 (8-B)	Air flow sensor
A-104 (1-B)	Engine coolant temperature gauge unit		

## 2-18 WIRING HARNESS CONFIGURATION DIAGRAMS – Engine Compartment

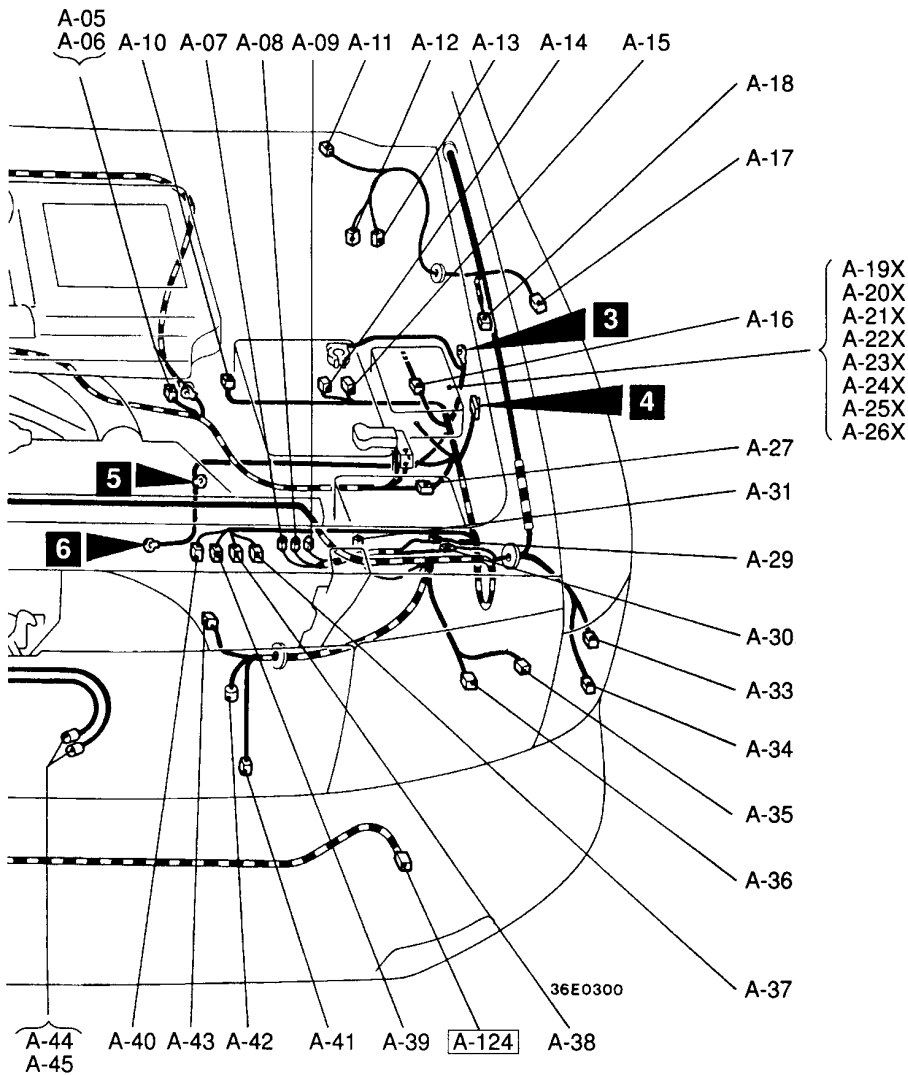
### ENGINE COMPARTMENT

L.H. drive vehicles with 4D56



A-01 (4-B)	Headlamp washer motor and headlamp washer fluid level sensor	A-19X (4)	Jumper connector
A-02 (2)	Side turn signal lamp (RH)	A-20X (4)	Headlamp relay
A-03 (2-B)	Motor antenna	A-21X (4)	Intercooler fan motor relay
A-04 (3-B)	Motor antenna	A-22X (4)	Alternator relay
A-05 (1-B)	Starter	A-23X (4)	Rear fog lamp relay
A-06 (1)	Starter	A-24X (4)	Tail lamp relay
A-07 (4-B)	Daytime running lamp relay 2	A-25X (4)	Condenser fan motor relay
A-08 (4-B)	Daytime running lamp relay 1	A-26X (4)	A/C compressor relay
A-09 (12-B)	Daytime running lamp control unit	A-27 (6-B)	Battery cable and front wiring harness combination
A-10 (5-B)	Starter relay	A-29 (10-B)	Daytime running lamp harness and front wiring harness combination or front wiring harness joint connector
A-11 (4-B)	Windshield wiper motor	A-30 (10-B)	Daytime running lamp harness and front wiring harness combination or front wiring harness joint connector
A-12 (1-B)	Vacuum switch	A-33 (2-B)	Front combination lamp (LH)
A-13 (2-B)	Brake fluid level switch	A-34 (2-GR)	Front combination lamp (LH)
A-14 (4-B)	No connection	A-35 (7)	Headlamp leveling unit (LH)
A-15 (4-L)	Condenser fan motor control relay		
A-16 (12-B)	Control wiring harness and front wiring harness combination		
A-17 (2)	Side turn signal lamp (LH)		
A-18 (2-G)	Windshield washer motor		

# WIRING HARNESS CONFIGURATION DIAGRAMS – Engine Compartment 2-19



- A-36 (3-B) Headlamp (LH)
- A-37 (1) No connection
- A-38 (2-B) Speed sensor (Front: LH) <ABS>
- A-39 (4-B) Shock absorber (Front: LH) <Remote controlled variable shock absorber>
- A-40 (1-B) Magnetic clutch <A/C>
- A-41 (2-B) Thermo sensor (outside air) <Multi-meter>
- A-42 (2-BR) Dual pressure switch
- A-43 (2-B) Condenser fan motor
- A-44 (1) Horn (LO)
- A-45 (1) Horn (LO)
- A-46 (1) Horn (HI)
- A-47 (1) Horn (HI)
- A-48 (1-B) Oil pressure switch
- A-49 (2-B) Alternator
- A-50 (1) Alternator
- A-51 (2-B) Engine oil level sensor

- A-52 (2-B) Speed sensor (Front: RH) <ABS>
- A-53 (4-B) Shock absorber (Front: RH) <Remote controlled variable shock absorber>
- A-55 (3-B) Headlamp (RH)
- A-56 (7) Headlamp leveling unit (RH)
- A-57 (2-GR) Front combination lamp (RH)
- A-58 (2-B) Front combination lamp (RH)
- A-59 (2-GR) Free wheel engage switch
- A-60 (2-B) Solenoid valve A <Super select 4WD>
- A-61 (2-B) Solenoid valve B <Super select 4WD>
- A-124 (2-BR) Front fog lamp (LH)
- A-125 (4-B) Front wiring harness and front fog lamp wiring harness combination
- A-126 (2-BR) Front fog lamp (RH)

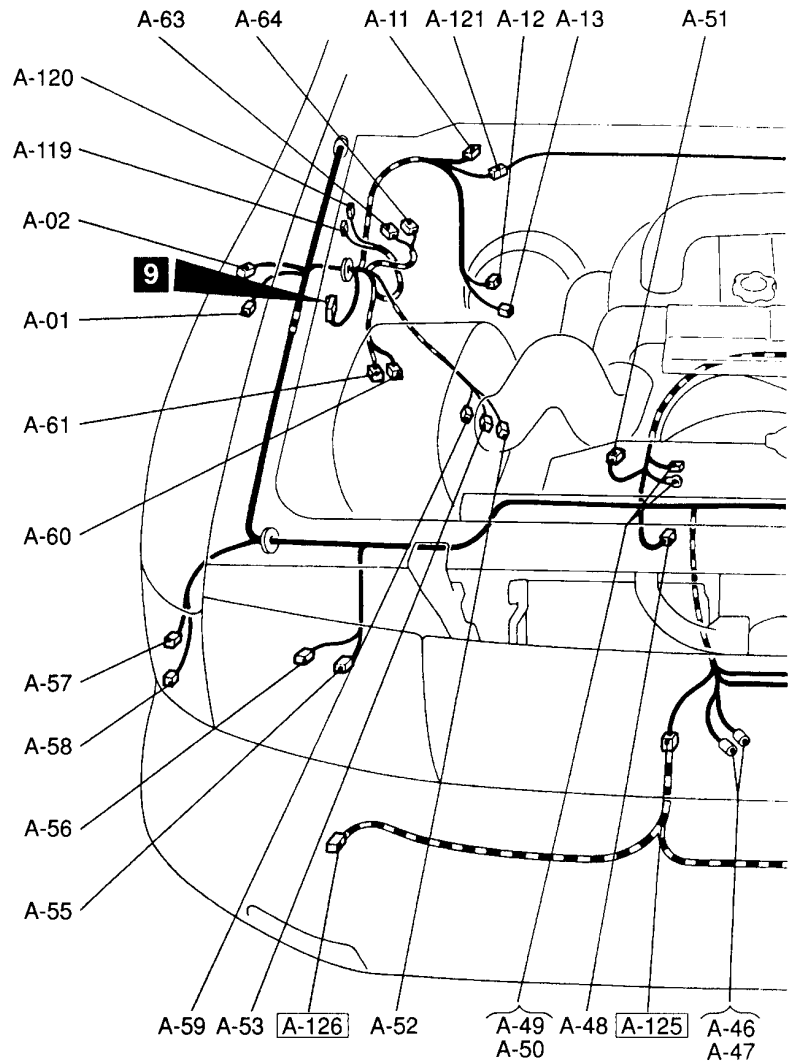
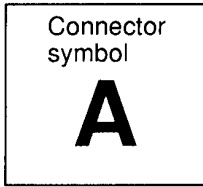
**Remark**

Connector numbers enclosed by a frame  are newly added connectors.

## 2-20 WIRING HARNESS CONFIGURATION DIAGRAMS – Engine Compartment

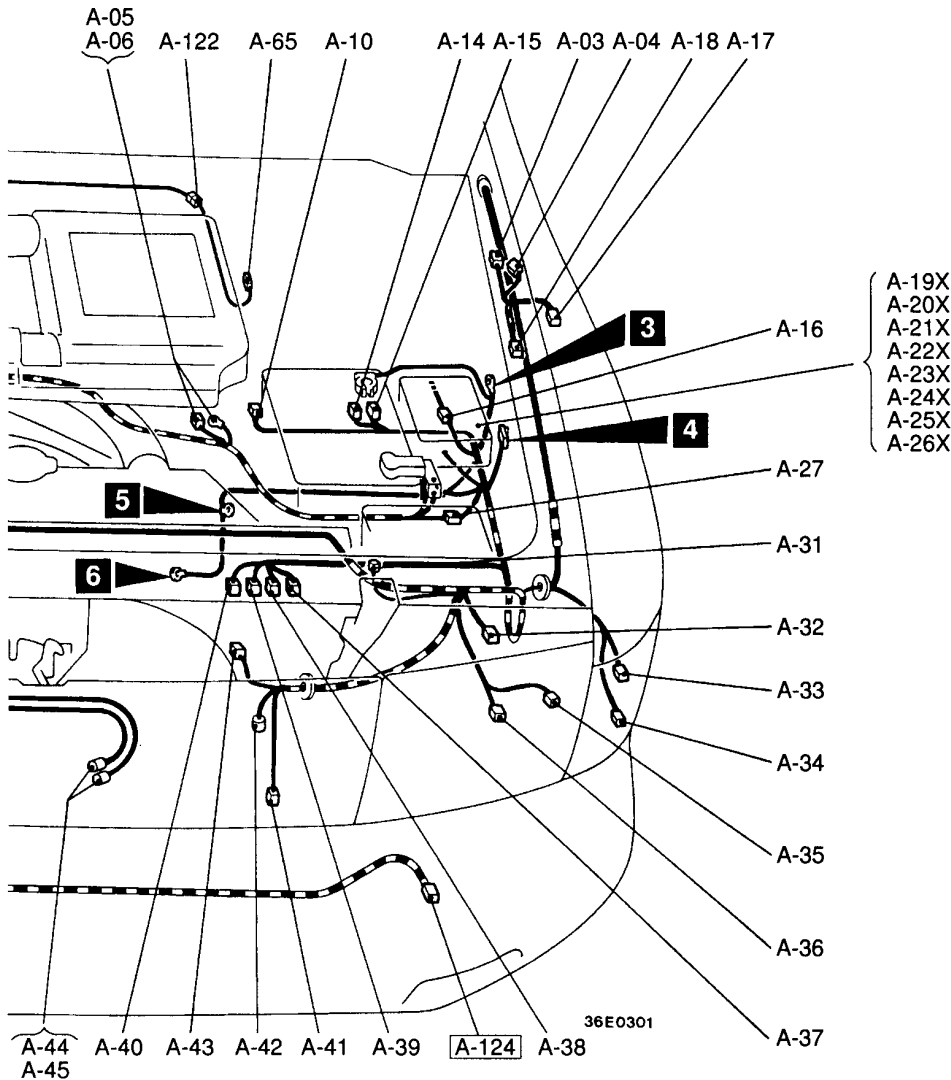
### ENGINE COMPARTMENT

R.H. drive vehicles with 4D56



A-01 (4-B)	Headlamp washer motor and headlamp washer fluid level sensor	A-21X (4)	Intercooler fan motor relay
A-02 (2)	Side turn signal lamp (RH)	A-22X (4)	Alternator relay
A-03 (2-B)	Motor antenna	A-23X (4)	Rear fog lamp relay
A-04 (3-B)	Motor antenna	A-24X (4)	Tail lamp relay
A-05 (1-B)	Starter	A-25X (4)	Condenser fan motor relay
A-06 (1)	Starter	A-26X (4)	A/C compressor relay
A-10 (5-B)	Starter relay	A-27 (6-B)	Battery cable and front wiring harness combination
A-11 (4-B)	Windshield wiper motor	A-31 (4-B)	Horn relay <Vehicles with SRS>
A-12 (1-B)	Vacuum switch	A-32 (2-B)	Resistor <for dim-dip lamp circuit>
A-13 (2-B)	Brake fluid level switch	A-33 (2-B)	Front combination lamp (LH)
A-14 (4-B)	No connection	A-34 (2-GR)	Front combination lamp (LH)
A-15 (4-L)	Condenser fan motor control relay	A-35 (7)	Headlamp leveling unit (LH)
A-16 (10-B)	Control wiring harness and front wiring harness combination	A-36 (3-B)	Headlamp (LH)
A-17 (2)	Side turn signal lamp (LH)	A-37 (1)	No connection
A-18 (2-G)	Windshield washer motor	A-38 (2-B)	Speed sensor (Front: LH) <ABS>
A-19X (4)	Jumper connector	A-39 (4-B)	Shock absorber (Front: LH) <Remote controlled variable shock absorber>
A-20X (4)	Headlamp relay		

# WIRING HARNESS CONFIGURATION DIAGRAMS – Engine Compartment 2-21



- A-40 (1-B) Magnetic clutch <A/C>
- A-41 (2-B) Thermo sensor (outside air) <Multi-meter>
- A-42 (2-BR) Dual pressure switch
- A-43 (2-B) Condenser fan motor
- A-44 (1) Horn (LO)
- A-45 (1) Horn (LO)
- A-46 (1) Horn (HI)
- A-47 (1) Horn (HI)
- A-48 (1-B) Oil pressure switch
- A-49 (2-B) Alternator
- A-50 (1) Alternator
- A-51 (2-B) Engine oil level sensor
- A-52 (2-B) Speed sensor (Front: RH) <ABS>
- A-53 (4-B) Shock absorber (Front: RH) <Remote controlled variable shock absorber>
- A-55 (3-B) Headlamp (RH)
- A-56 (7) Headlamp leveling unit (RH)
- A-57 (2-GR) Front combination lamp (RH)
- A-58 (2-B) Front combination lamp (RH)
- A-59 (2-GR) Free wheel engage switch

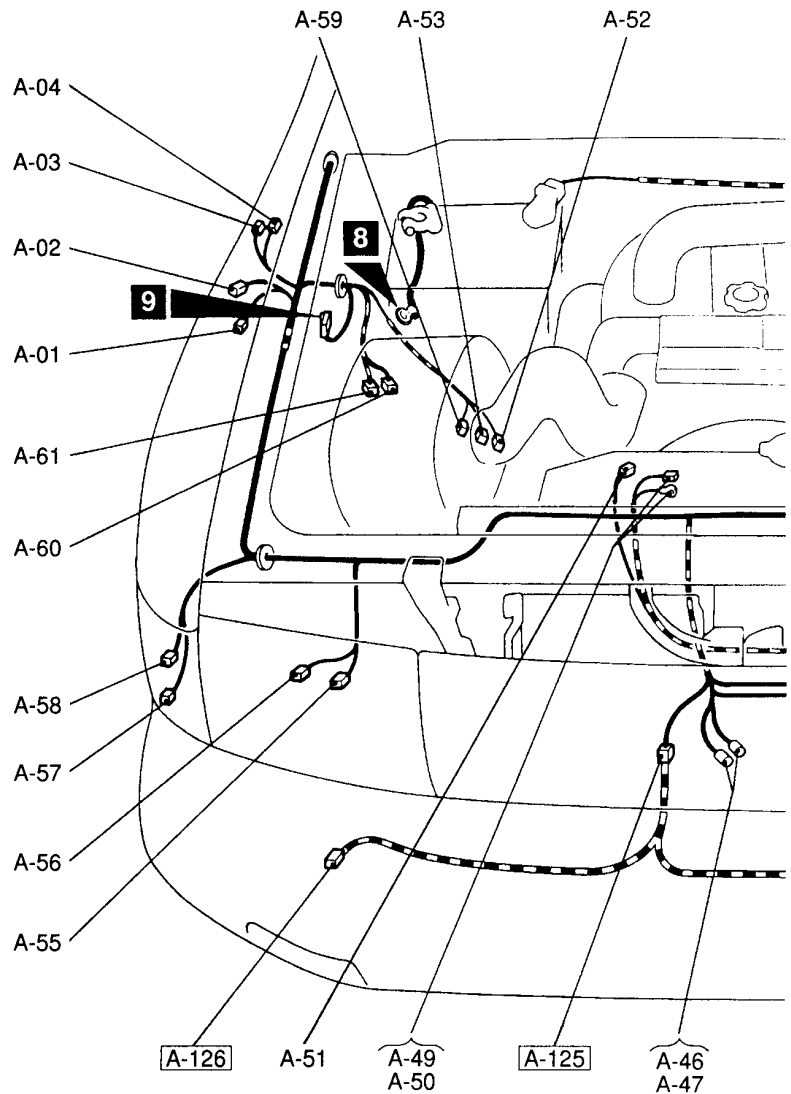
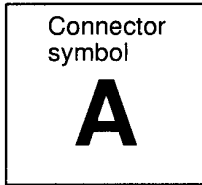
- A-60 (2-B) Solenoid valve A <Super select 4WD>
- A-61 (2-B) Solenoid valve B <Super select 4WD>
- A-63 (6-B) Hydraulic unit
- A-64 (2-B) Hydraulic unit
- A-65 (2-B) Idle up solenoid valve <ABS>
- A-119 (8-B) ABS relay box
- A-120 (2-B) ABS relay box
- A-121 (2-B) Solenoid valve sub harness (A) and control wiring harness combination
- A-122 (2-B) Solenoid valve sub harness (A) and solenoid valve sub harness (B) combination
- A-124 (2-BR) Front fog lamp (LH)
- A-125 (4-B) Front wiring harness and front fog lamp wiring harness combination
- A-126 (2-BR) Front fog lamp (RH)

**Remark**  
 Connector numbers enclosed by a frame  are newly added connectors.

## 2-22 WIRING HARNESS CONFIGURATION DIAGRAMS – Engine Compartment

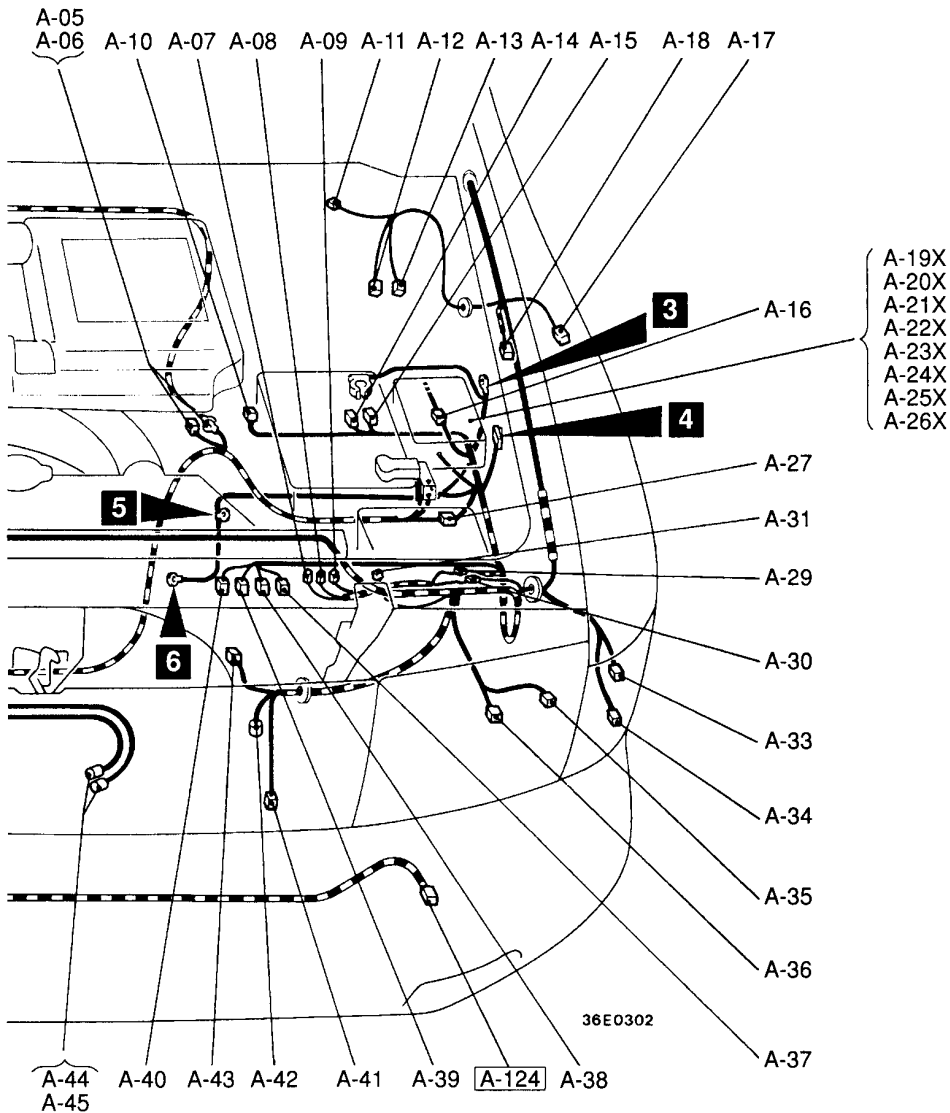
### ENGINE COMPARTMENT

L.H. drive vehicles with 4M40 engine



A-01 (4-B)	Headlamp washer motor and headlamp washer fluid level sensor	A-19X (4)	Jumper connector
A-02 (2)	Side turn signal lamp (RH)	A-20X (4)	Headlamp relay
A-03 (2-B)	Motor antenna	A-21X (4)	Intercooler fan motor relay
A-04 (3-B)	Motor antenna	A-22X (4)	Alternator relay
A-05 (1-B)	Starter	A-23X (4)	Rear fog lamp relay
A-06 (1)	Starter	A-24X (4)	Tail lamp relay
A-07 (4-B)	Daytime running lamp relay 2	A-25X (4)	Condenser fan motor relay
A-08 (4-B)	Daytime running lamp relay 1	A-26X (4)	A/C compressor relay
A-09 (12-B)	Daytime running lamp control unit	A-27 (6-B)	Battery cable and front wiring harness combination
A-10 (5-B)	Starter relay	A-29 (10-B)	Daytime running lamp harness and front wiring harness combination or front wiring harness joint connector
A-11 (4-B)	Windshield wiper motor	A-30 (10-B)	Daytime running lamp harness and front wiring harness combination or front wiring harness joint connector
A-12 (1-B)	Vacuum switch	A-31 (4-B)	Horn relay <Vehicles with SRS>
A-13 (2-B)	Brake fluid level switch	A-32 (2-B)	Resistor <for dim-dip lamp circuit>
A-14 (4-B)	A/C compressor capacity control relay	A-33 (2-B)	Front combination lamp (LH)
A-15 (4-L)	Condenser fan motor control relay	A-34 (2-GR)	Front combination lamp (LH)
A-16 (12-B)	Control wiring harness and front wiring harness combination		
A-17 (2)	Side turn signal lamp (LH)		
A-18 (2-G)	Windshield washer motor		

# WIRING HARNESS CONFIGURATION DIAGRAMS – Engine Compartment 2-23



A-35 (7)	Headlamp leveling unit (LH)	A-52 (2-B)	Speed sensor (Front: RH) <ABS>
A-36 (3-B)	Headlamp (LH)	A-53 (4-B)	Shock absorber (Front: RH) <Remote controlled variable shock absorber>
A-37 (1)	A/C compressor capacity control solenoid valve	A-55 (3-B)	Headlamp (RH)
A-38 (2-B)	Speed sensor (Front: LH) <ABS>	A-56 (7)	Headlamp leveling unit (RH)
A-39 (4-B)	Shock absorber (Front: LH) <Remote controlled variable shock absorber>	A-57 (2-GR)	Front combination lamp (RH)
A-40 (1-B)	Magnetic clutch <A/C>	A-58 (2-B)	Front combination lamp (RH)
A-41 (2-B)	Thermo sensor (outside air) <Multi-meter>	A-59 (2-GR)	Free wheel engage switch
A-42 (2-BR)	Dual pressure switch	A-60 (2-B)	Solenoid valve A <Super select 4WD>
A-43 (2-B)	Condenser fan motor	A-61 (2-B)	Solenoid valve B <Super select 4WD>
A-44 (1)	Horn (LO)	<span style="border: 1px solid black; padding: 2px;">A-124</span> (2-BR)	Front fog lamp (LH)
A-45 (1)	Horn (LO)	<span style="border: 1px solid black; padding: 2px;">A-125</span> (4-B)	Front wiring harness and front fog lamp wiring harness combination
A-46 (1)	Horn (HI)	<span style="border: 1px solid black; padding: 2px;">A-126</span> (2-BR)	Front fog lamp (RH)
A-47 (1)	Horn (HI)		
A-49 (2-B)	Alternator		
A-50 (1)	Alternator		
A-51 (2-B)	Engine oil level sensor		

**Remark**

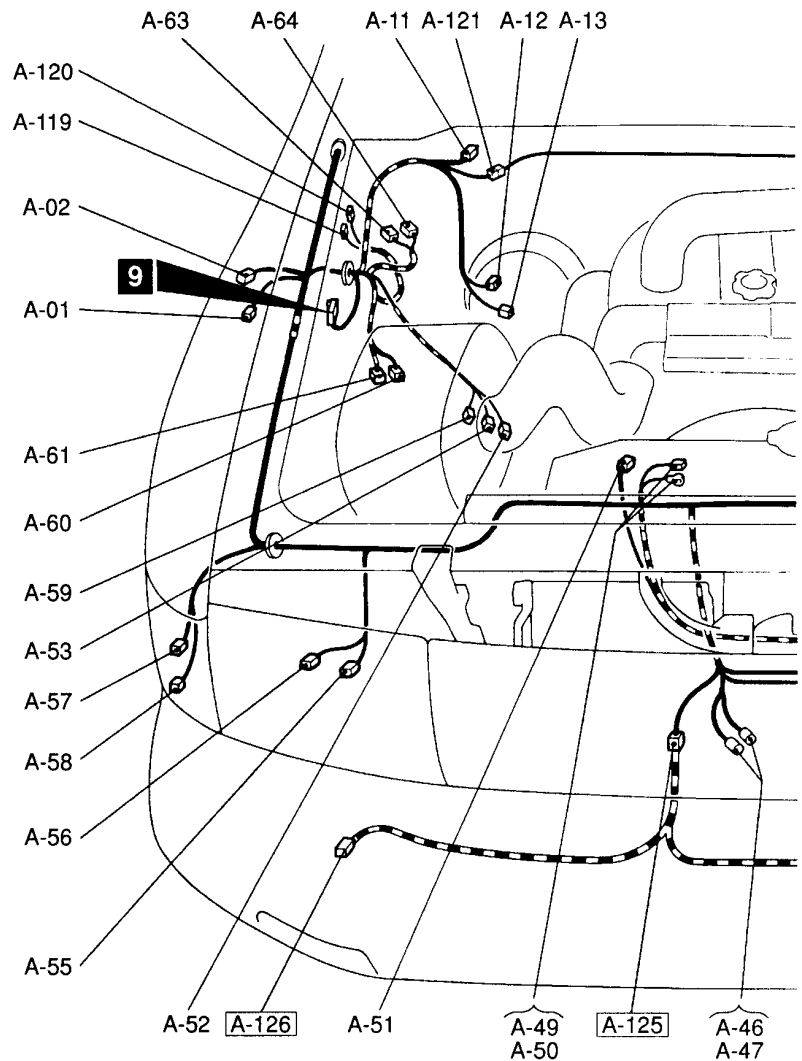
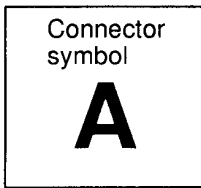
Connector numbers enclosed by a frame  are newly added connectors.



## 2-24 WIRING HARNESS CONFIGURATION DIAGRAMS – Engine Compartment

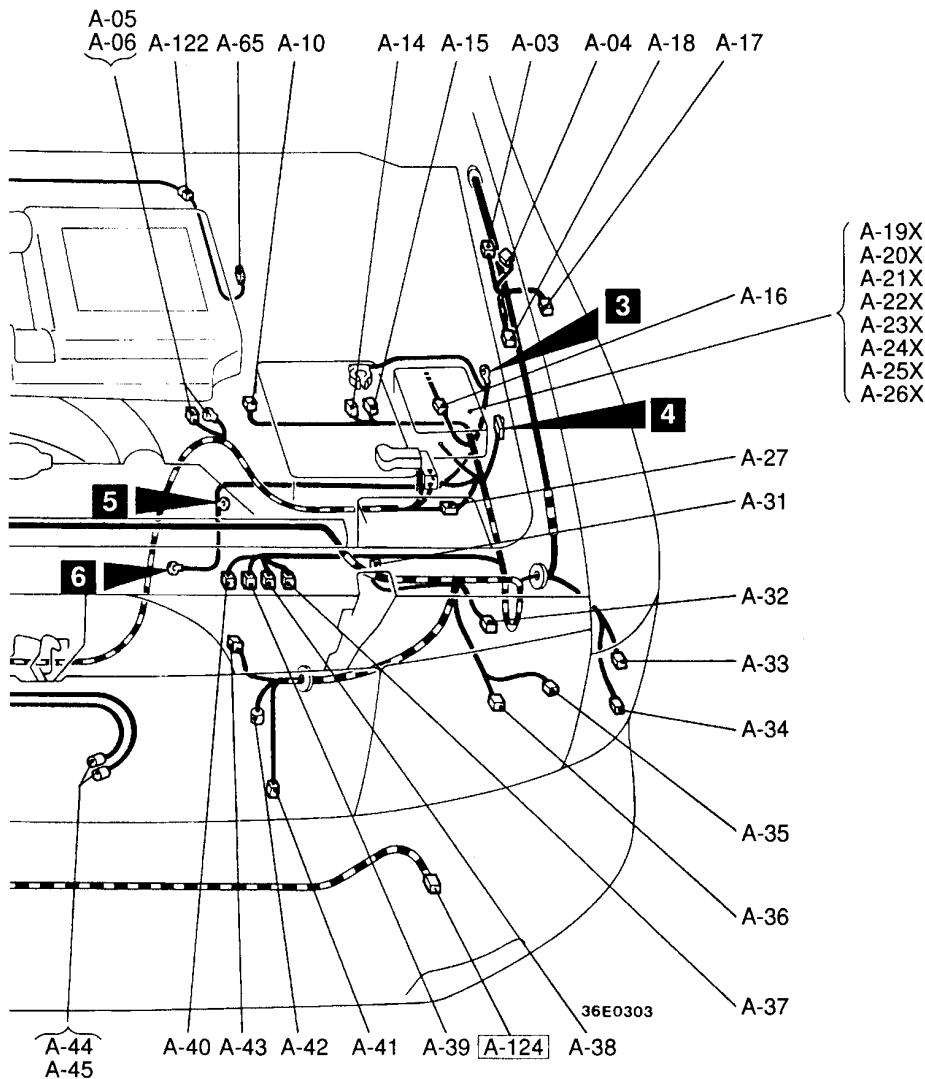
### ENGINE COMPARTMENT

R.H. drive vehicles with 4M40 engine



A-01 (4-B)	Headlamp washer motor and headlamp washer fluid level sensor	A-21X (4)	Intercooler fan motor relay
A-02 (2)	Side turn signal lamp (RH)	A-22X (4)	Alternator relay
A-03 (2-B)	Motor antenna	A-23X (4)	Rear fog lamp relay
A-04 (3-B)	Motor antenna	A-24X (4)	Tail lamp relay
A-05 (1-B)	Starter	A-25X (4)	Condenser fan motor relay
A-06 (1)	Starter	A-26X (4)	A/C compressor relay
A-10 (5-B)	Starter relay	A-27 (6-B)	Battery cable and front wiring harness combination
A-11 (4-B)	Windshield wiper motor	A-31 (4-B)	Horn relay <Vehicles with SRS>
A-12 (1-B)	Vacuum switch	A-32 (2-B)	Resistor <for dim-dip lamp circuit>
A-13 (2-B)	Brake fluid level switch	A-33 (2-B)	Front combination lamp (LH)
A-14 (4-B)	A/C compressor capacity control relay	A-34 (2-GR)	Front combination lamp (LH)
A-15 (4-L)	Condenser fan motor control relay	A-35 (7)	Headlamp leveling unit (LH)
A-16 (10-B)	Control wiring harness and front wiring harness combination	A-36 (3-B)	Headlamp (LH)
A-17 (2)	Side turn signal lamp (LH)	A-37 (1)	A/C compressor capacity control solenoid valve
A-18 (2-G)	Windshield washer motor	A-38 (2-B)	Speed sensor (Front: LH) <ABS>
A-19X (4)	Jumper connector	A-39 (4-B)	Shock absorber (Front: LH) <Remote controlled variable shock absorber>
A-20X (4)	Headlamp relay		

# WIRING HARNESS CONFIGURATION DIAGRAMS – Engine Compartment 2-25



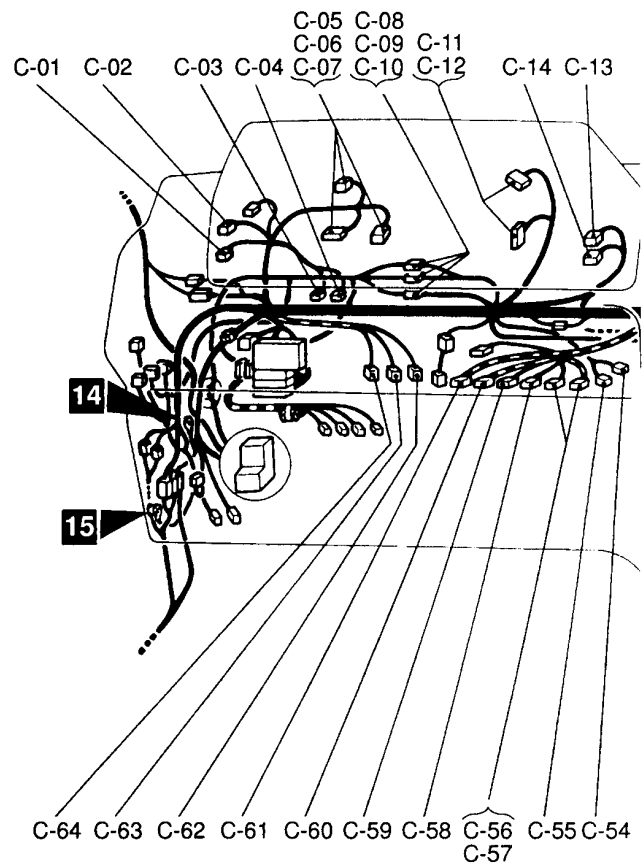
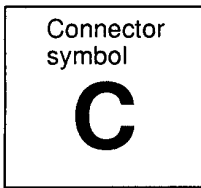
- A-40 (1-B)     Magnetic clutch <A/C>
- A-41 (2-B)     Thermo sensor (outside air)  
<Multi-meter>
- A-42 (2-BR)    Dual pressure switch
- A-43 (2-B)     Condenser fan motor
- A-44 (1)       Horn (LO)
- A-45 (1)       Horn (LO)
- A-46 (1)       Horn (HI)
- A-47 (1)       Horn (HI)
- A-49 (2-B)     Alternator
- A-50 (1)       Alternator
- A-51 (2-B)     Engine oil level sensor
- A-52 (2-B)     Speed sensor (Front: RH) <ABS>
- A-53 (4-B)     Shock absorber (Front: RH) <Remote  
controlled variable shock absorber>
- A-55 (3-B)     Headlamp (RH)
- A-56 (7)       Headlamp leveling unit (RH)
- A-57 (2-GR)    Front combination lamp (RH)
- A-58 (2-B)     Front combination lamp (RH)
- A-59 (2-GR)    Free wheel engage switch

- A-60 (2-B)     Solenoid valve A <Super select 4WD>
- A-61 (2-B)     Solenoid valve B <Super select 4WD>
- A-63 (6-B)     Hydraulic unit
- A-64 (2-B)     Hydraulic unit
- A-65 (2-B)     Idle-up solenoid valve <ABS>
- A-119 (8-B)    ABS relay box
- A-120 (2-B)    ABS relay box
- A-121 (2-B)    Solenoid valve sub harness (A) and  
control wiring harness combination
- A-122 (2-B)    Solenoid valve sub harness (A) and  
solenoid valve sub harness (B)  
combination
- A-124 (2-BR)   Front fog lamp (LH)
- A-125 (4-B)   Front wiring harness and front fog lamp  
wiring harness combination
- A-126 (2-BR)   Front fog lamp (RH)

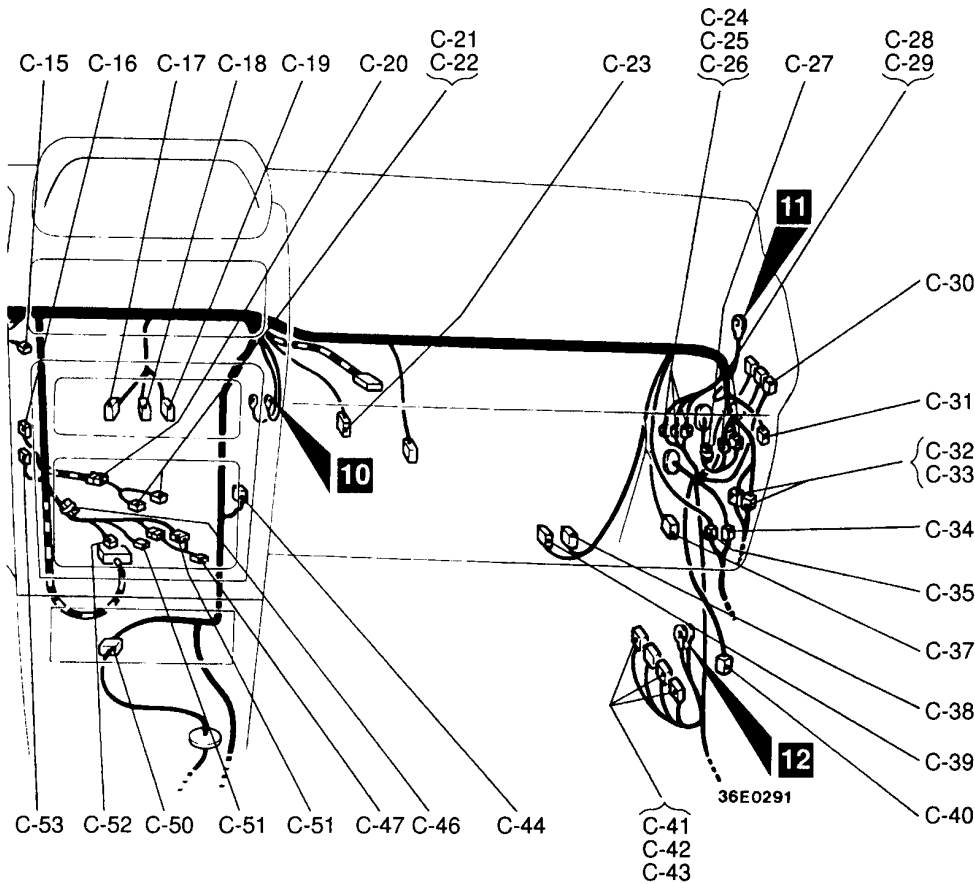
**Remark**  
Connector numbers enclosed by a frame  are newly added connectors.

DASH PANEL

L.H. drive vehicles

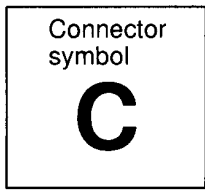


- |             |  |             |  |
|-------------|--|-------------|--|
| C-01 (8)    | Auto-cruise control main switch                          | C-20 (14)   | Dash wiring harness and radio sub wiring harness combination                                 |
| C-02 (6)    | Rear fog lamp switch                                     | C-21 (9)    | Radio  |
| C-03 (9)    | Remote controlled mirror switch                          | C-22 (5)    | Radio  |
| C-04 (4)    | Rheostat or jumper connector                             | C-23 (8-L)  | A/C unit   |
| C-05 (14-B) | Combination meter  | C-24 (22-L) | Control wiring harness and dash wiring harness combination                                   |
| C-06 (2-B)  | Combination meter  | C-25 (8-L)  | Control wiring harness and dash wiring harness combination                                   |
| C-07 (12)   | Combination meter  | C-26 (8-L)  | Control wiring harness and dash wiring harness combination                                   |
| C-08 (8-B)  | Front wiring harness and dash wiring harness combination | C-27 (2)    | Diode (for super select 4WD circuit)   |
| C-09 (2-B)  | Front wiring harness and dash wiring harness combination | C-28 (18-B) | Front wiring harness and dash wiring harness combination                                     |
| C-10 (22-B) | Front wiring harness and dash wiring harness combination | C-29 (4-B)  | Front wiring harness and dash wiring harness combination                                     |
| C-11 (14)   | Combination meter  | C-30 (4)    | Fuel line heater relay or intercooler fan control unit<br><Vehicle without fuel line heater> |
| C-12 (12-B) | Combination meter  | C-31 (6-BR) | Engine oil level relay   |
| C-13 (6-Y)  | Defogger switch  | C-32 (14)   | Door wiring harness (passenger's side) and dash wiring harness combination                   |
| C-14 (10-G) | Hazard switch  |             |  |
| C-15 (26-Y) | Auto-cruise control unit or spare connector              |             |  |
| C-16 (2)    | Kickdown switch  |             |  |
| C-17 (4)    | A/C switch   |             |  |
| C-18 (8)    | Blower switch  |             |  |
| C-19 (2)    | Blower control illumination lamp                         |             |  |

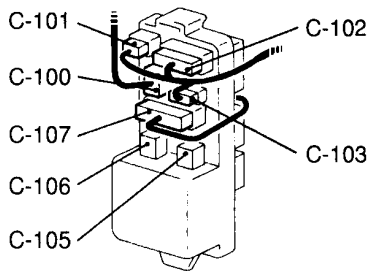


C-33 (16)	Door wiring harness (passenger's side) and dash wiring harness combination	C-52 (14)	Motor antenna control unit
C-34 (18-BR)	Control wiring harness and floor wiring harness (RH) combination	C-53 (3-B)	Lighting monitor buzzer
C-35 (32)	Dash wiring harness and floor wiring harness (RH) combination	C-54 (6)	Wiper deicer switch
C-37 (2-B)	Front speaker (RH)	C-55 (8-B)	Motor antenna switch
C-38 (4)	Resistor (for blower motor control circuit)	C-56 (2)	Clock spring <Vehicles with SRS>
C-39 (2)	Blower motor	C-57 (3)	Clock spring <Vehicles with SRS>
C-40 (4)	Intercooler fan control unit	C-58 (2)	No connection
	<Vehicles with fuel line heater>	C-59 (4-B)	Steering lock switch
		(7)	<Vehicles without SRS>
C-41 (26-G)	Engine control unit	C-60 (2)	Steering lock switch
(13)	Glow control unit		<Vehicles with SRS>
	<Diesel-powered vehicles without EGR>	C-61 (6-B)	Auto-cruise control switch
(26-Y)	Glow control unit	C-62 (2)	<Vehicles without SRS>
	<Diesel-powered vehicles with EGR>		Ignition switch
C-42 (16-G)	Engine control unit		Stop lamp switch <Vehicles without auto-cruise control> or no connection
C-43 (22-G)	Engine control unit		<Vehicles with auto-cruise control>
C-44 (4)	Key cylinder illumination lamp timer	C-63 (4)	Stop lamp switch <Vehicles with auto-cruise control> or no connection
C-46 (4-L)	Diode (Out of use)		<Vehicles without auto-cruise control>
C-47 (4)	4WD indicator relay	C-64 (2-B)	Clutch switch
C-50 (32)	Transmission wiring harness and dash wiring harness combination		
C-51 (10)	4WD indicator control unit <Super select 4WD> or 4WD sub wiring harness and dash wiring harness combination <Part time 4WD>		

L.H. drive vehicles

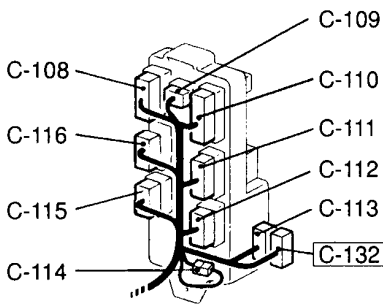


**JUNCTION BLOCK**  
 <Front side view>

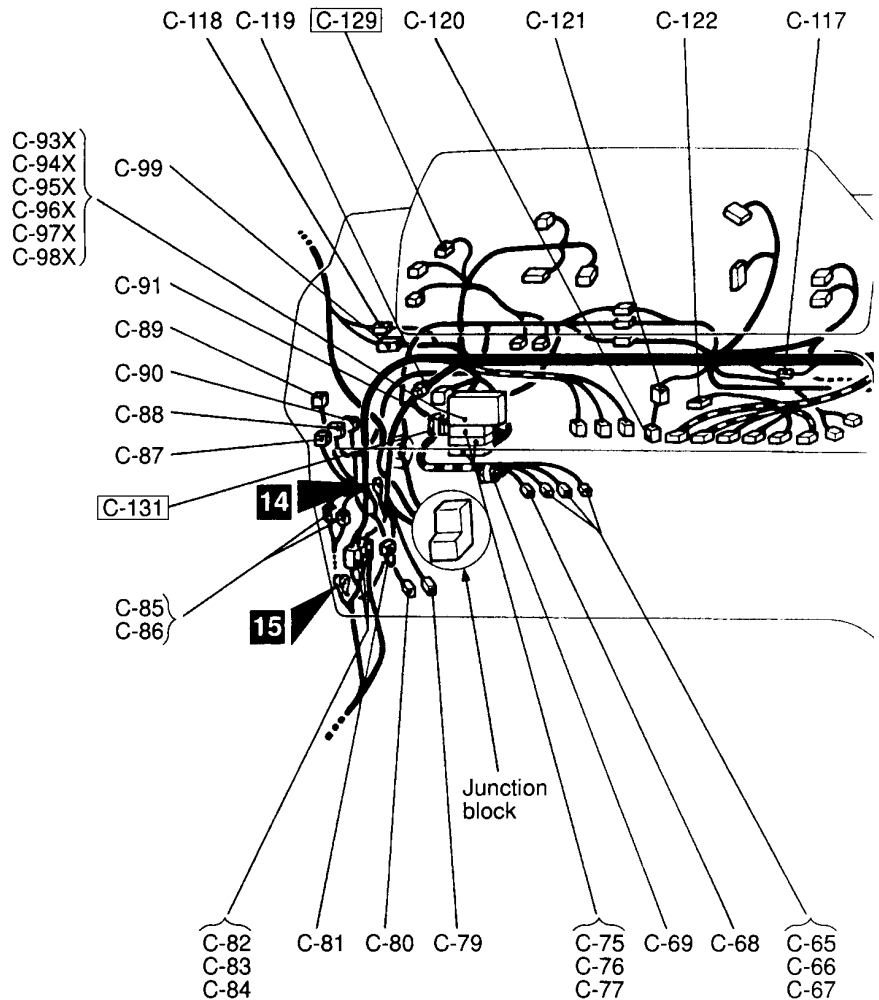


<Rear side view>

36E0215

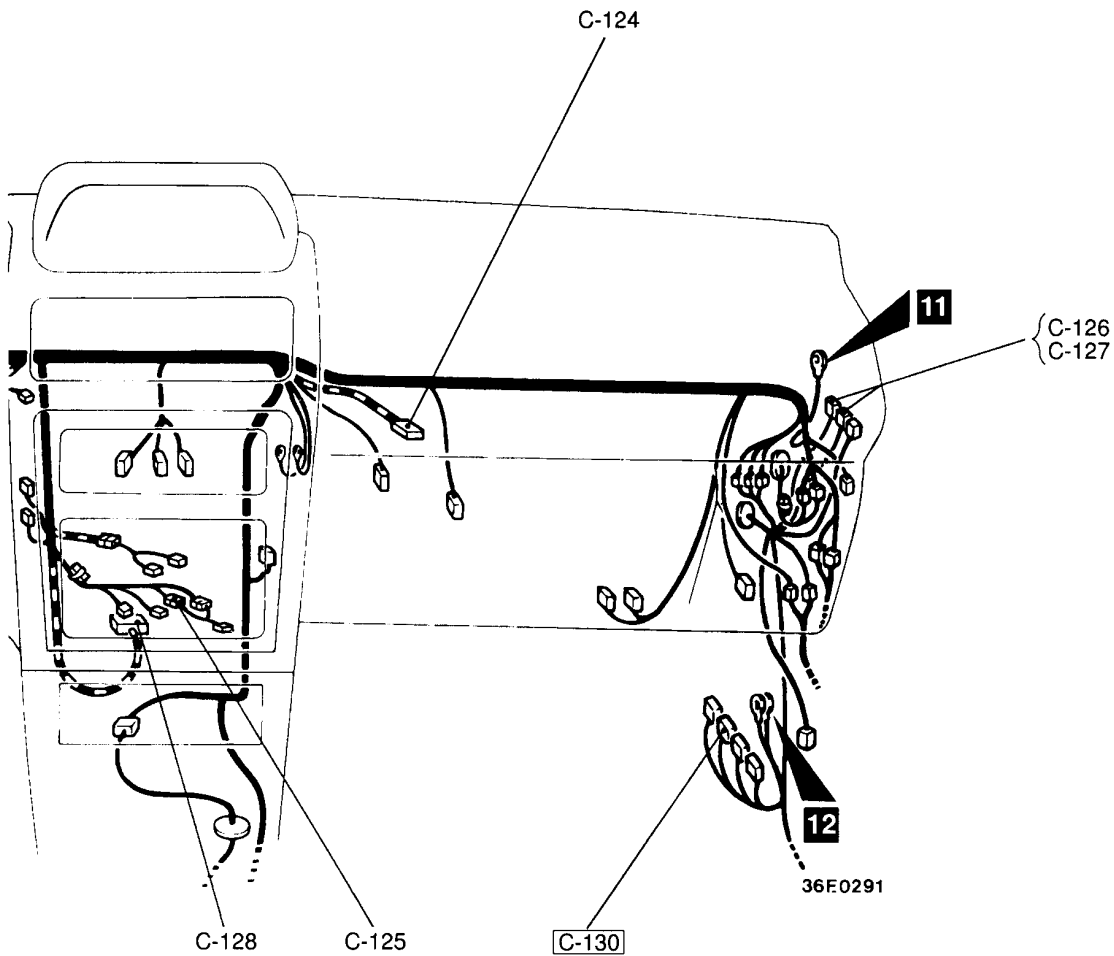


36E0289



- C-65 (14) Column switch <Vehicles without SRS>
- (10) Column switch <Vehicles with SRS>
- C-66 (8) Column switch <Vehicles without SRS>
- (6) Column switch <Vehicles with SRS>
- C-67 (4) Column switch <Vehicles without SRS>
- (12) Column switch <Vehicles with SRS>
- C-68 (6-B) Headlamp leveling switch
- C-69 (2-B) Diode (for Headlamp circuit)
- C-75 (33) J/C (1)
- C-76 (33) J/C (2)
- C-77 (33) J/C (3)
- C-79 (8) Overdrive control relay
- C-80 (2-B) Front speaker (LH)
- C-81 (26-L) ELC-4A/T control unit
- C-82 (32) Dash wiring harness and floor wiring harness (LH) combination
- C-83 (22) Dash wiring harness and floor wiring harness (LH) combination
- C-84 (2) Dash wiring harness and floor wiring harness (LH) combination
- C-85 (16-B) Door wiring harness (driver's side) and dash wiring harness combination

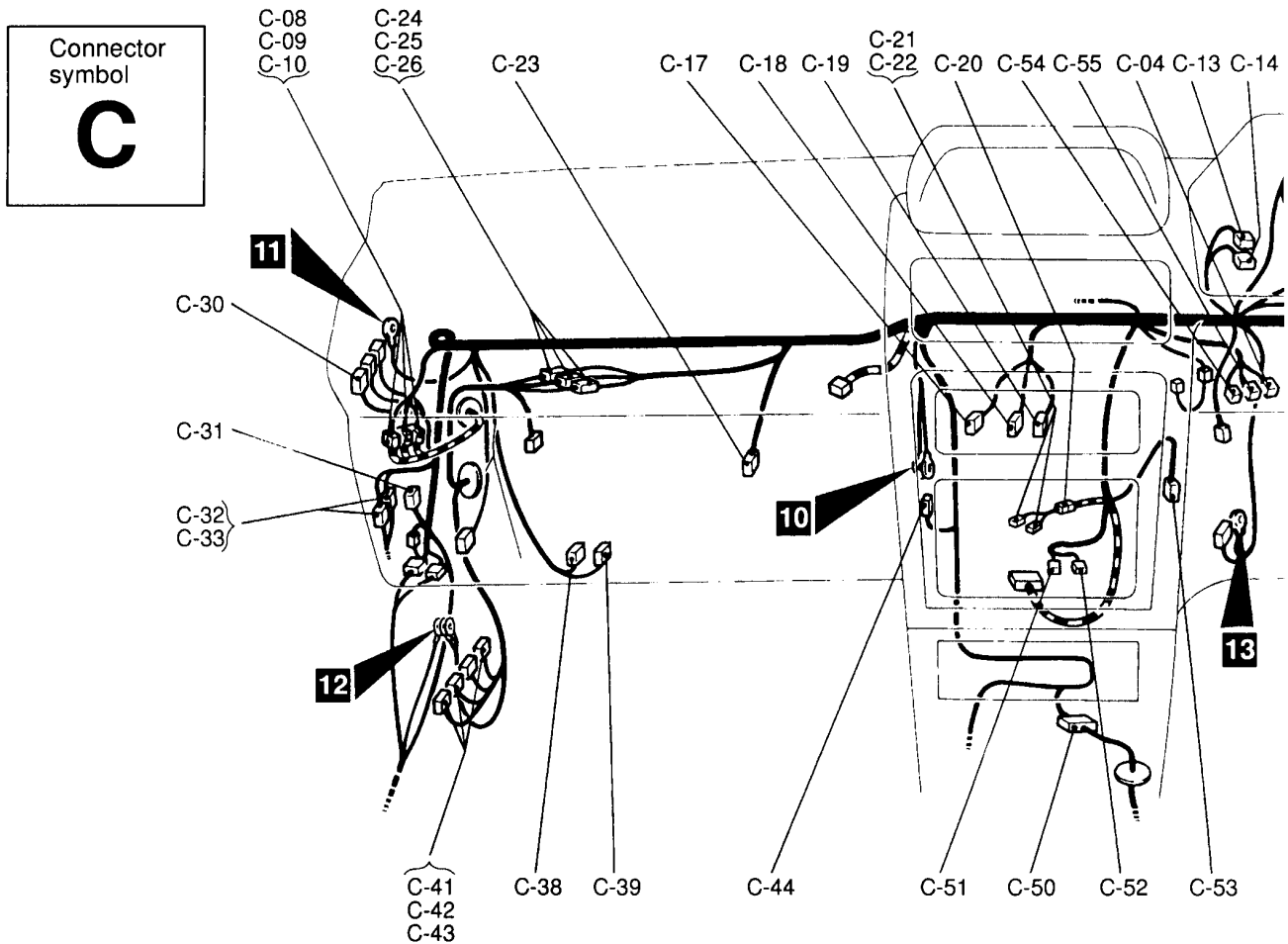
- C-86 (14-B) Door wiring harness (driver's side) and dash wiring harness combination
- C-87 (8) Door lock control unit
- C-88 (6-Y) Headlamp washer relay
- C-89 (6) Wiper deicer timer
- C-90 (4) Wiper deicer relay
- C-91 (2) Dedicated fuse No. (9)
- C-93X (4) Rear heater relay
- C-94X (4) Power window relay
- C-95X (4) Door lock control unit
- C-96X (5) Defogger relay
- C-97X (8) Rear intermittent wiper relay
- C-98X (3) Turn and hazard flasher unit
- C-99 (4) Roof wiring harness and dash wiring harness combination
- C-100 (4) Roof wiring harness and junction block combination
- C-101 (1) Front wiring harness and junction block combination



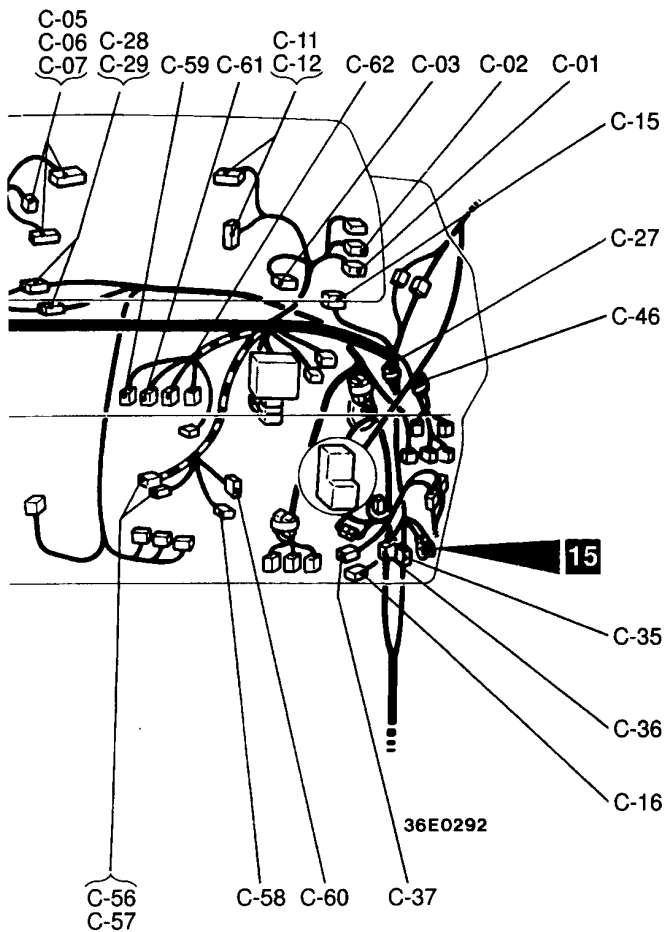
C-102 (8)	Front wiring harness and junction block combination	C-117 (1)	Jumper connector <Vehicles with ABS>
C-103 (4)	Front wiring harness and junction block combination	C-118 (1)	Roof wiring harness and dash wiring harness combination
C-105 (4)	Blower relay	C-119 (2)	Diode (for door lamp circuit)
C-106 (4)	Accessory socket relay	C-120 (16)	Immobilizer-ECU
C-107 (16)	Dash wiring harness and junction block combination	C-121 (10)	Immobilizer sub wiring harness and dash wiring harness combination
C-108 (12)	Dash wiring harness and junction block combination	C-122 (2)	Ignition key ring antenna
C-109 (4)	Dash wiring harness and junction block combination	C-124 (2)	Air bag module (squib) <passenger's side>
C-110 (16)	Dash wiring harness and junction block combination	C-125 (1)	4WD sub wiring harness and dash wiring harness combination
C-111 (14)	Dash wiring harness and junction block combination	C-126 (4)	Engine control relay <petrol>
C-112 (6)	Dash wiring harness and junction block combination	C-127 (4-B)	Fuel pump relay <petrol>
C-113 (16)	Diagnosis connector	C-128 (21-Y)	SRS-ECU
C-114 (3)	Jumper connector	<span style="border: 1px solid black; padding: 0 2px;">C-129</span> (6)	Front fog lamp switch
C-115 (10)	Dash wiring harness and junction block combination	<span style="border: 1px solid black; padding: 0 2px;">C-130</span> (12-G)	Engine control unit
C-116 (8)	Dash wiring harness and junction block combination	<span style="border: 1px solid black; padding: 0 2px;">C-131</span> (2-L)	Dedicated fuse No. (10)
		<span style="border: 1px solid black; padding: 0 2px;">C-132</span> (12)	Diagnosis connector
		<b>Remark</b>	
		Connector numbers enclosed by a frame <span style="border: 1px solid black; display: inline-block; width: 1em; height: 1em; vertical-align: middle;"></span> are newly added connectors.	

DASH PANEL

R.H. drive vehicles



- |             |  |             |  |
|-------------|--|-------------|--|
| C-01 (8)    | Auto-cruise control main switch                          | C-17 (4)    | A/C switch   |
| C-02 (6)    | Rear fog lamp switch                                     | C-18 (8)    | Blower switch  |
| C-03 (9)    | Remote controlled mirror switch                          | C-19 (2)    | Blower control illumination lamp                             |
| C-04 (4)    | Rheostat or jumper connector                             | C-20 (14)   | Dash wiring harness and radio sub wiring harness combination |
| C-05 (14-B) | Combination meter  | C-21 (9)    | Radio  |
| C-06 (2-B)  | Combination meter  | C-22 (5)    | Radio  |
| C-07 (12)   | Combination meter  | C-23 (8-L)  | A/C unit   |
| C-08 (10-B) | Front wiring harness and dash wiring harness combination | C-24 (22-L) | Control wiring harness and dash wiring harness combination   |
| C-09 (2-B)  | Front wiring harness and dash wiring harness combination | C-25 (8-L)  | Control wiring harness and dash wiring harness combination   |
| C-10 (22-B) | Front wiring harness and dash wiring harness combination | C-26 (10-L) | Control wiring harness and dash wiring harness combination   |
| C-11 (14)   | Combination meter  | C-27 (2)    | Diode (for super select 4WD circuit)                         |
| C-12 (12-B) | Combination meter  | C-28 (18-B) | Front wiring harness and dash wiring harness combination     |
| C-13 (6-Y)  | Defogger switch  | C-29 (4-B)  | Front wiring harness and dash wiring harness combination     |
| C-14 (10-G) | Hazard switch  |             |  |
| C-15 (26-Y) | Auto-cruise control unit or spare connector              |             |  |
| C-16 (2)    | Kickdown switch  |             |  |

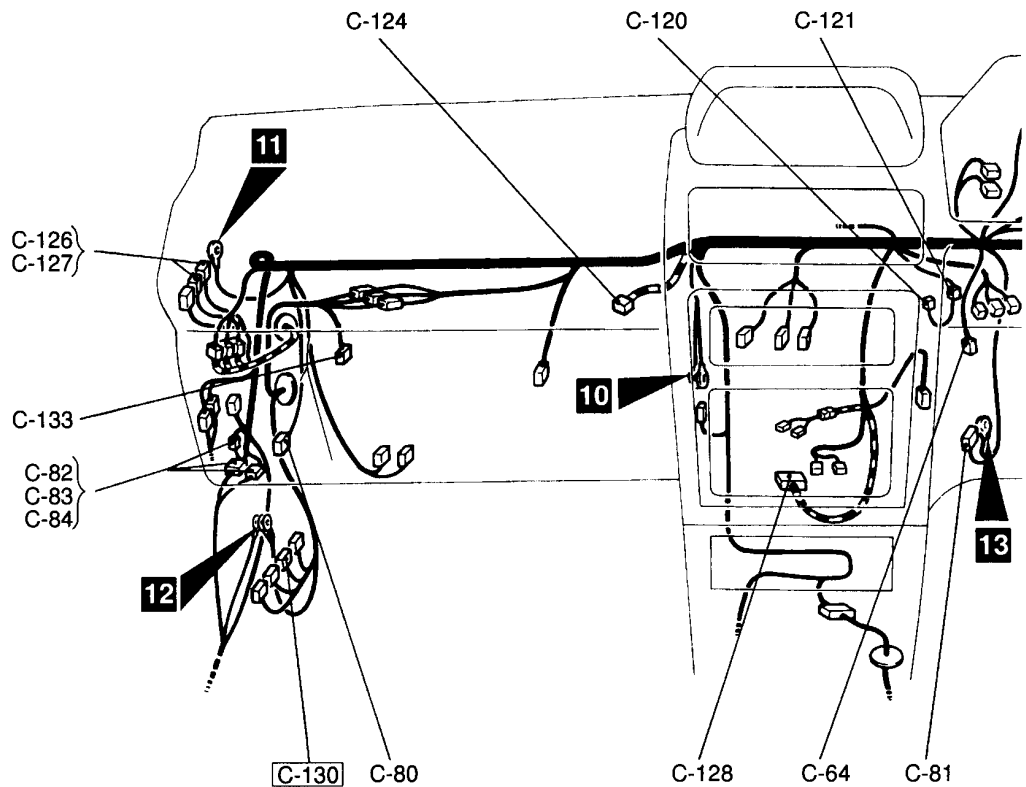
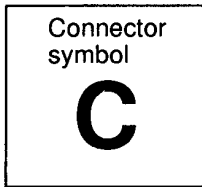


C-30 (4)	Intercooler fan control unit	C-46 (4-L)	Diode (Out of use)
C-31 (6-BR)	Engine oil level relay	C-50 (32)	Transmission wiring harness and dash wiring harness combination
C-32 (14)	Door wiring harness (passenger's side) and dash wiring harness combination	C-51 (10)	4WD indicator control unit
C-33 (16)	Door wiring harness (passenger's side) and dash wiring harness combination	C-52 (14)	Motor antenna control unit
C-35 (32)	Dash wiring harness and floor wiring harness (RH) combination	C-53 (3-B)	Lighting monitor buzzer
C-36 (18-BR)	Front wiring harness and floor wiring harness (RH) combination	C-54 (6)	Wiper deicer switch
C-37 (2-B)	Front speaker (RH)	C-55 (8-B)	Motor antenna switch
C-38 (4)	Resistor (for blower motor control circuit)	C-56 (2)	Clock spring <Vehicles with SRS>
C-39 (2)	Blower motor	C-57 (3)	Clock spring <Vehicles with SRS>
C-41 (26-G)	Engine control unit	C-58 (2)	No connection
(13)	Glow control unit	C-59 (4-B)	Steering lock switch
(26-Y)	<Diesel-powered vehicles without EGR> Glow control unit	(7)	<Vehicles without SRS> Steering lock switch
C-42 (16-G)	Engine control unit	C-60 (2)	<Vehicles with SRS> Auto-cruise control switch
C-43 (22-G)	Engine control unit	C-61 (6-B)	<Vehicles without SRS> Ignition switch
C-44 (4)	Key cylinder illumination lamp timer	C-62 (2)	Stop lamp switch <Vehicles without auto-cruise control> or no connection
			<Vehicles with auto-cruise control>

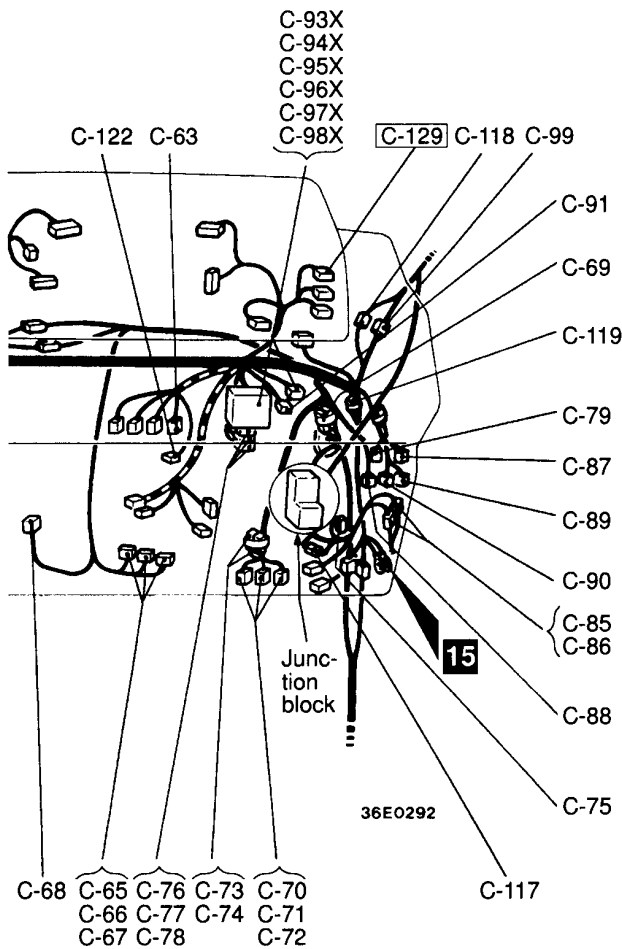


## 2-32 WIRING HARNESS CONFIGURATION DIAGRAMS – Dash Panel

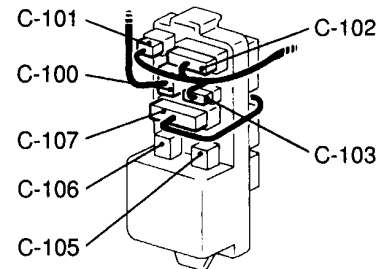
### R.H. drive vehicles



C-63 (4)	Stop lamp switch <Vehicles with auto-cruise control> or no connection <Vehicles without auto-cruise control>	C-82 (32)	Dash wiring harness and floor wiring harness (LH) combination
C-64 (2-B)	Clutch switch	C-83 (22)	Dash wiring harness and floor wiring harness (LH) combination
C-65 (14)	Column switch <Vehicles without SRS>	C-84 (2)	Dash wiring harness and floor wiring harness (LH) combination
(10)	Column switch <Vehicles with SRS>	C-85 (16-B)	Door wiring harness (driver's side) and dash wiring harness combination
C-66 (8)	Column switch <Vehicles without SRS>	C-86 (14-B)	Door wiring harness (driver's side) and dash wiring harness combination
(6)	Column switch <Vehicles with SRS>	C-87 (8)	Door lock control unit
C-67 (4)	Column switch <Vehicles without SRS>	C-88 (6-Y)	Headlamp washer relay
(12)	Column switch <Vehicles with SRS>	C-89 (6)	Wiper deicer timer
C-68 (6-B)	Headlamp leveling switch	C-90 (4)	Wiper deicer relay
C-69 (2-B)	Diode (for Headlamp circuit)	C-91 (2)	Dedicated fuse No. (9)
C-70 (4)	Dim-dip lamp relay 1	C-93X (4)	Rear heater relay
C-71 (4-Y)	Dim-dip lamp relay 2	C-94X (4)	Power window relay
C-72 (4-Y)	Dim-dip lamp relay 3	C-95X (4)	Door lock control unit
C-73 (3)	Diode (for dim-dip lamp circuit)	C-96X (5)	Defogger relay
C-74 (2-B)	Diode (for dim-dip lamp circuit)	C-97X (8)	Rear intermittent wiper relay
C-75 (33)	J/C (1)	C-98X (3)	Turn and hazard flasher unit
C-76 (33)	J/C (2)	C-99 (4)	Roof wiring harness and dash wiring harness combination
C-77 (33)	J/C (3)		
C-78 (33)	J/C (4)		
C-79 (8)	Overdrive control relay		
C-80 (2-B)	Front speaker (LH)		
C-81 (26-L)	ELC-4A/T control unit		

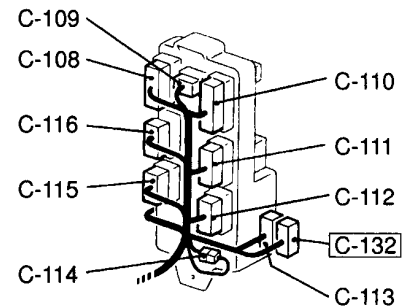


**JUNCTION BLOCK  
<Front side view>**



36E0215

**<Rear side view>**



36E0290

C-100 (4)	Roof wiring harness and junction block combination	C-115 (10)	Dash wiring harness and junction block combination
C-101 (1)	Front wiring harness and junction block combination	C-116 (8)	Dash wiring harness and junction block combination
C-102 (8)	Front wiring harness and junction block combination	C-117 (1)	Jumper connector <Vehicles with ABS>
C-103 (4)	Front wiring harness and junction block combination	C-118 (1)	Roof wiring harness and dash wiring harness combination
C-105 (4)	Blower relay	C-119 (2)	Diode (for door lamp circuit)
C-106 (4)	Accessory socket relay	C-120 (16)	Immobilizer-ECU
C-107 (16)	Dash wiring harness and junction block combination	C-121 (10)	Immobilizer sub wiring harness and dash wiring harness combination
C-108 (12)	Dash wiring harness and junction block combination	C-122 (2)	Ignition key ring antenna
C-109 (4)	Dash wiring harness and junction block combination	C-124 (2)	Air bag module (squib) <passenger's side>
C-110 (16)	Dash wiring harness and junction block combination	C-126 (4)	Engine control relay <petrol>
C-111 (14)	Dash wiring harness and junction block combination	C-127 (4-B)	Fuel pump relay <petrol>
C-112 (6)	Dash wiring harness and junction block combination	C-128 (21-Y)	SRS-ECU
C-113 (16)	Diagnosis connector	<b>C-129</b> (6)	Front fog lamp switch
C-114 (3)	Jumper connector	<b>C-130</b> (12-G)	Engine control unit
		<b>C-132</b> (12)	Diagnosis connector
		<b>C-133</b> (33)	J/C (6)

**Remark**

Connector numbers enclosed by a frame  are newly added connectors.

# SINGLE PART INSTALLATION POSITION

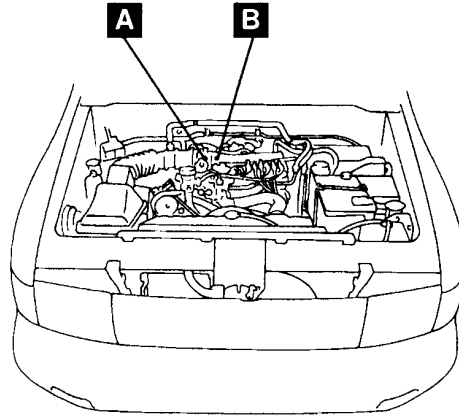
## CONTENTS

SOLENOID AND SOLENOID VALVE .....	3-2	EARTH .....	3-3
FUSIBLE LINK AND FUSE .....	3-2		

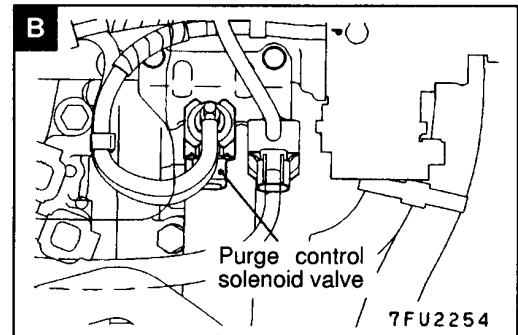
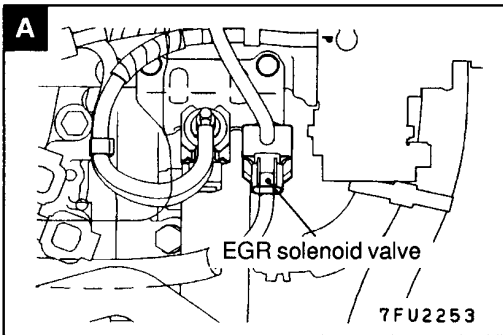
---

**SOLENOID VALVE**

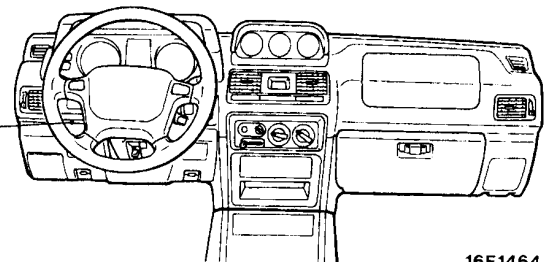
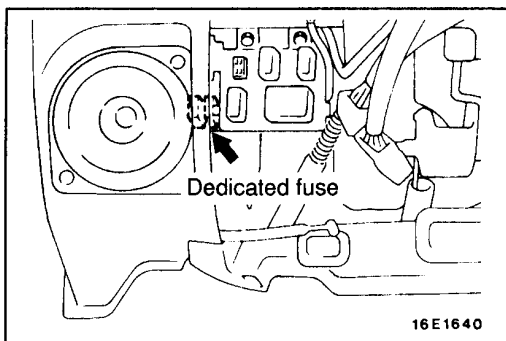
Name	Symbol	Name	Symbol
EGR solenoid valve	A	Purge control solenoid valve	B



16E1645

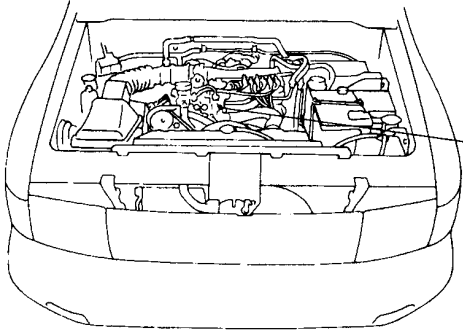


**FUSIBLE LINK AND FUSE**

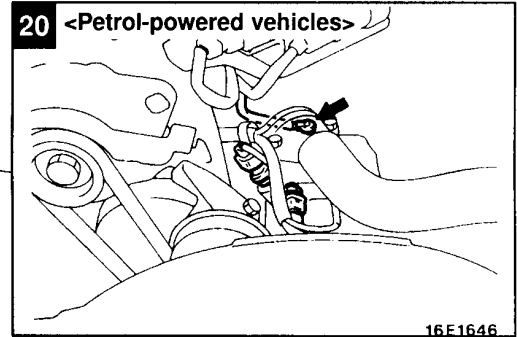


16E1464

**EARTH**



16E1645



16F1646

# CIRCUIT DIAGRAM

## CONTENTS

<b>CENTRALIZED JUNCTION</b> .....	4-3	<b>LOW ENGINE OIL LEVEL WARNING LAMP</b> .....	4-109
<b>POWER DISTRIBUTION SYSTEM</b>		<b>POWER WINDOWS</b>	
Petrol-powered vehicles .....	4-4	L.H. drive vehicles <2-door models> .....	4-110
Diesel-powered vehicles .....	4-10	L.H. drive vehicles <4-door models> .....	4-114
<b>IGNITION SYSTEM</b>		R.H. drive vehicles <2-door models> .....	4-120
6G72, 6G74 engine<L.H. drive vehicles> ....	4-16	R.H. drive vehicles <4-door models> .....	4-124
6G72, 6G74 engine<R.H. drive vehicles> ....	4-18	<b>SINGLE AIR CONDITIONER</b>	
<b>GLOW SYSTEM</b>		R.H. drive vehicles	
4D56 engine <Without supercharging relife solenoid valve> .....	4-20	<Petrol-powered vehicles> .....	4-130
4M40 engine <Without supercharging relife solenoid valve> .....	4-22	R.H. drive vehicles	
<b>MPI SYSTEM</b>		<Diesel-powered vehicles> .....	4-134
6G72 engine-M/T <L.H. drive vehicles> .....	4-24	<b>DUAL AIR CONDITIONER</b>	
6G72 engine-M/T <R.H. drive vehicles> .....	4-32	R.H. drive vehicles without rear heater	
6G72 engine-A/T <L.H. drive vehicles> .....	4-42	<Petrol-powered vehicles> .....	4-138
6G72 engine-A/T <R.H. drive vehicles> .....	4-50	R.H. drive vehicles without rear heater	
6G74 engine-M/T <L.H. drive vehicles> .....	4-60	<Diesel-powered vehicles> .....	4-144
6G74 engine-M/T <R.H. drive vehicles> .....	4-68	R.H. drive vehicles with rear heater	
6G74 engine-A/T <L.H. drive vehicles> .....	4-78	<Petrol-powered vehicles> .....	4-150
6G74 engine-A/T <R.H. drive vehicles> .....	4-86	R.H. drive vehicles with rear heater	
<b>ELC 4-SPEED AUTOMATIC TRANSMISSION</b>		<Diesel-powered vehicles> .....	4-158
6G72, 6G74 engine .....	4-96	<b>INTERCOOLER FAN</b> .....	4-167
<b>FRONT FOG LAMP</b>		<b>AUTO-CRUISE CONTROL SYSTEM</b>	
L.H. drive vehicles .....	4-104	L.H. drive vehicles	
R.H. drive vehicles .....	4-105	<Petrol-powered vehicles> .....	4-168
<b>METER AND GAUGE</b>		R.H. drive vehicles	
6G72, 6G74 engine .....	4-106	<Petrol-powered vehicles> .....	4-172
		<b>LIGHTING MONITOR BUZZER</b> .....	4-177
		<b>IMMOBILIZER SYSTEM</b> .....	4-178

**4-2**

---

**NOTES**

**CENTRALIZED JUNCTION**

**DEDICATED FUSE**

Power supply circuit	No.	Rated capacity (A)	Housing Colour	Circuit
Battery/Alternator	1	15	Blue	Fuel line heater
	2	10	Red	A/C compressor circuit
	3	25	Transparent	Condenser fan motor circuit
		30*1	Green	
Headlamp relay (Battery)	4	10	Red	Rear fog lamp circuit
Tail lamp relay (Battery)	5	10	Red	Tail lamp circuit
Tail lamp relay (Battery)	6	10*3, 15*2	Red*3, Blue*2	Tail lamp circuit*2,*3, Fog lamp circuit*2
Headlamp relay (Battery)	7	10	Red	Upper beam indicator circuit
Battery/Alternator	8	10	Red	Hazard lamp circuit
Ignition switch (ACC)	9	15	Blue	Sunroof circuit
Tail lamp relay (Battery)	10	15*3	Blue	Fog lamp circuit*3

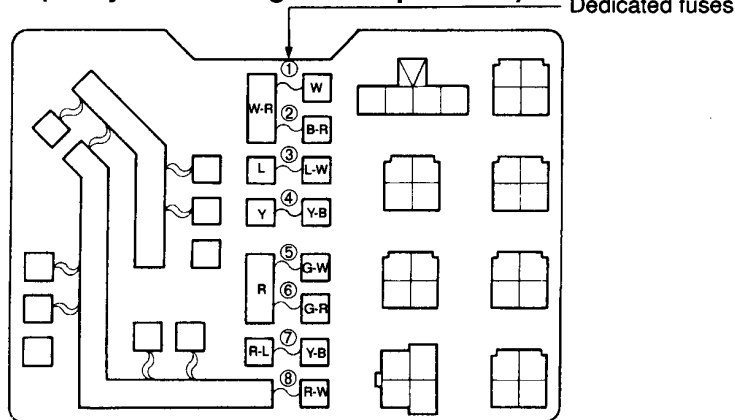
**NOTE**

\*1: Diesel-powered vehicles with dual air conditioner.

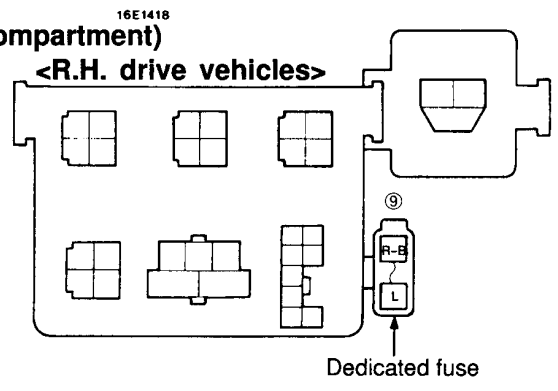
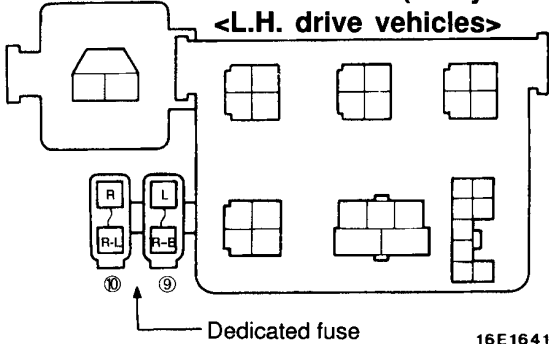
\*2: R.H. drive vehicles

\*3: L.H. drive vehicles

**(Relay box in engine compartment)**

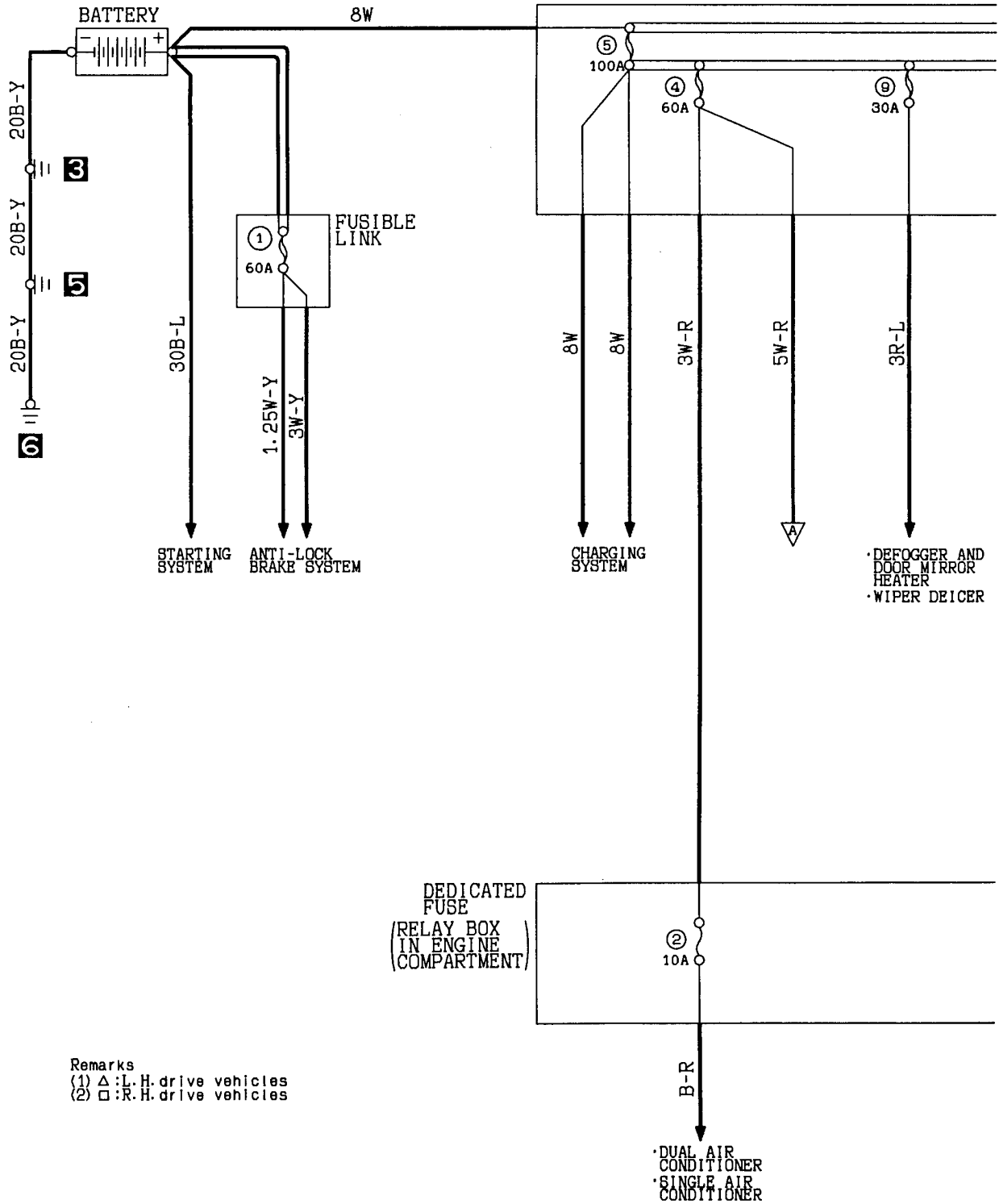


**(Relay box in passenger compartment)**





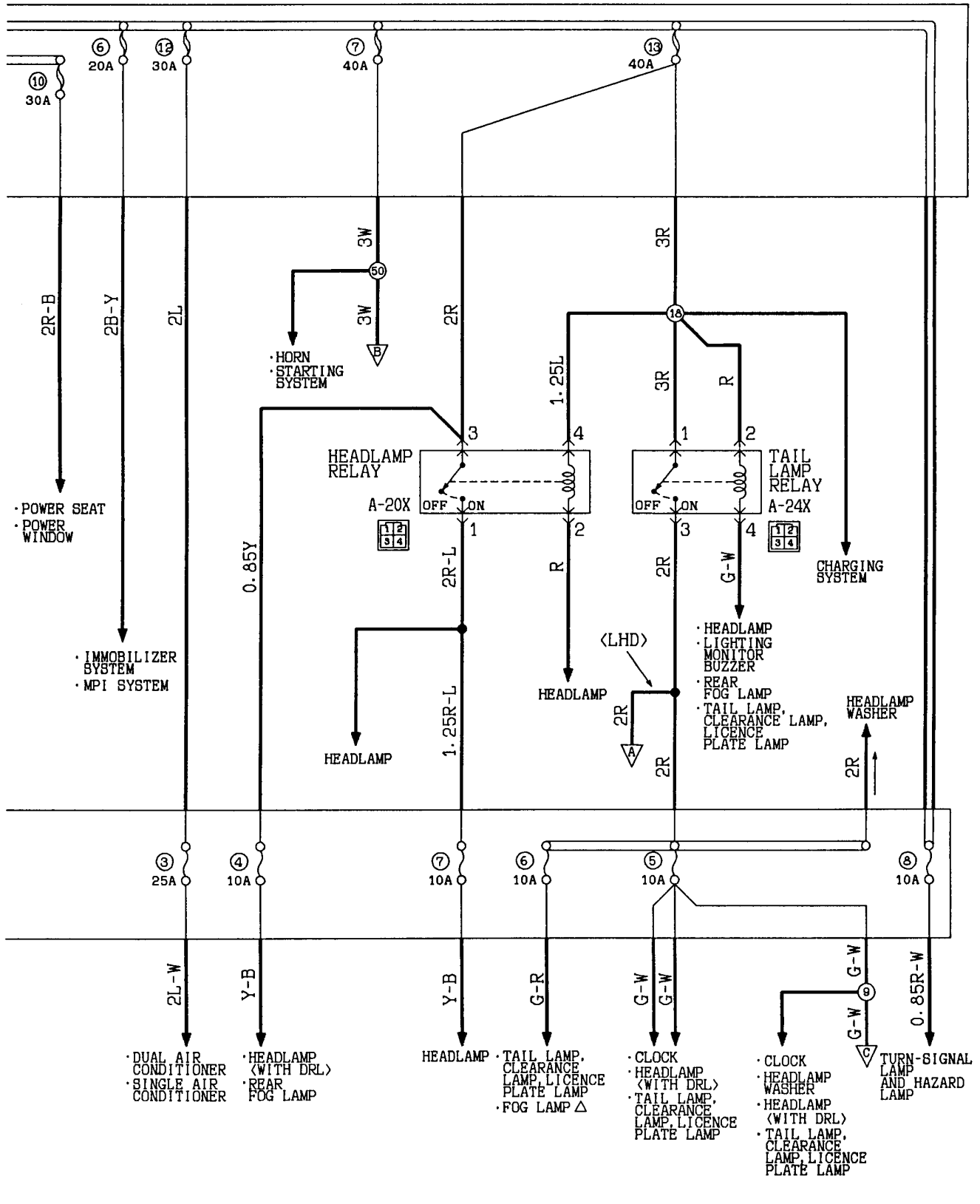
POWER DISTRIBUTION SYSTEM  
(Petrol-powered vehicles)



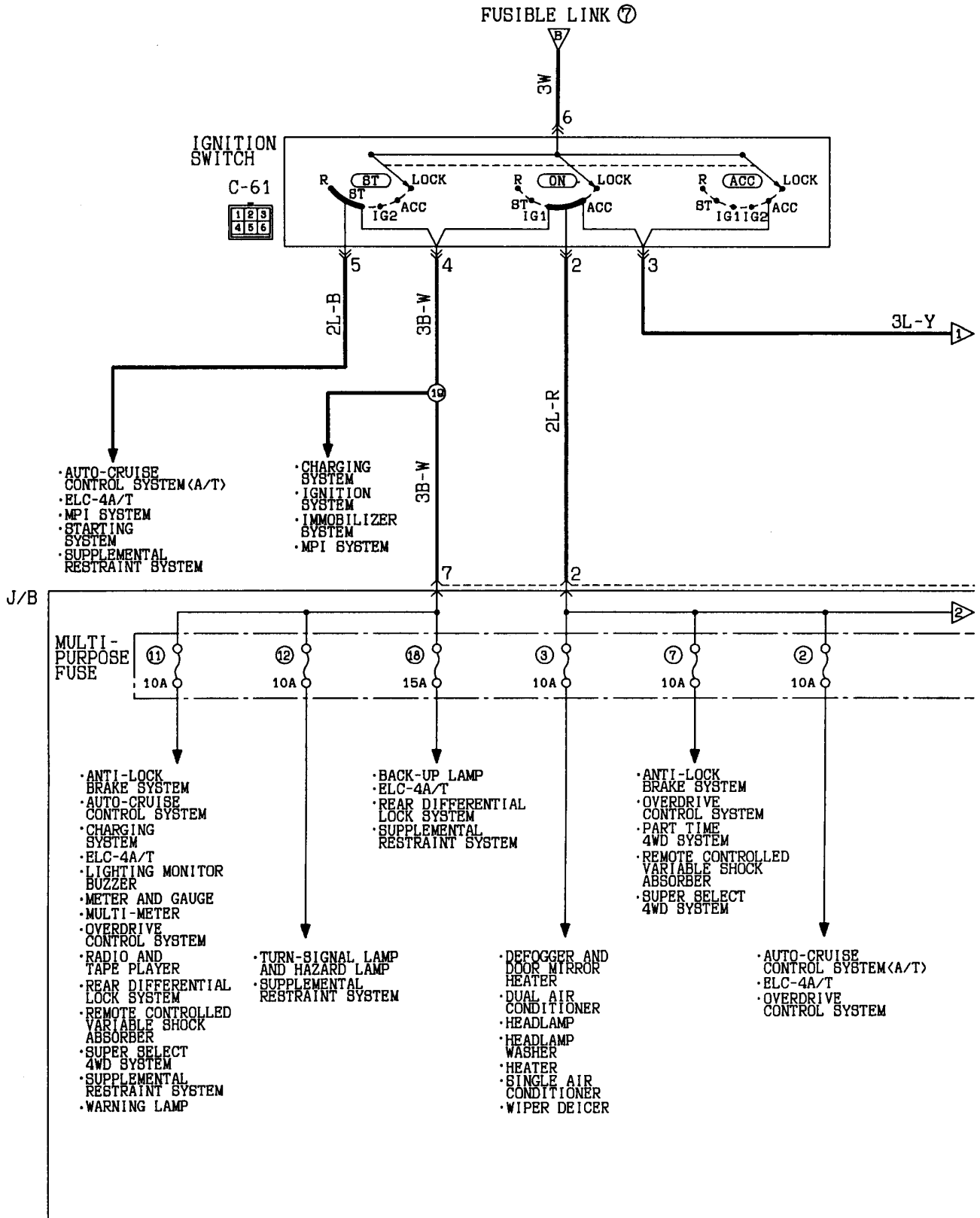
Remarks  
(1) Δ : L. H. drive vehicles  
(2) □ : R. H. drive vehicles

Wire colour code  
B : Black LG : Light green G : Green L : Blue W : White Y : Yellow SB : Sky blue  
BR : Brown O : Orange GR : Gray R : Red P : Pink V : Violet

FUSIBLE LINK

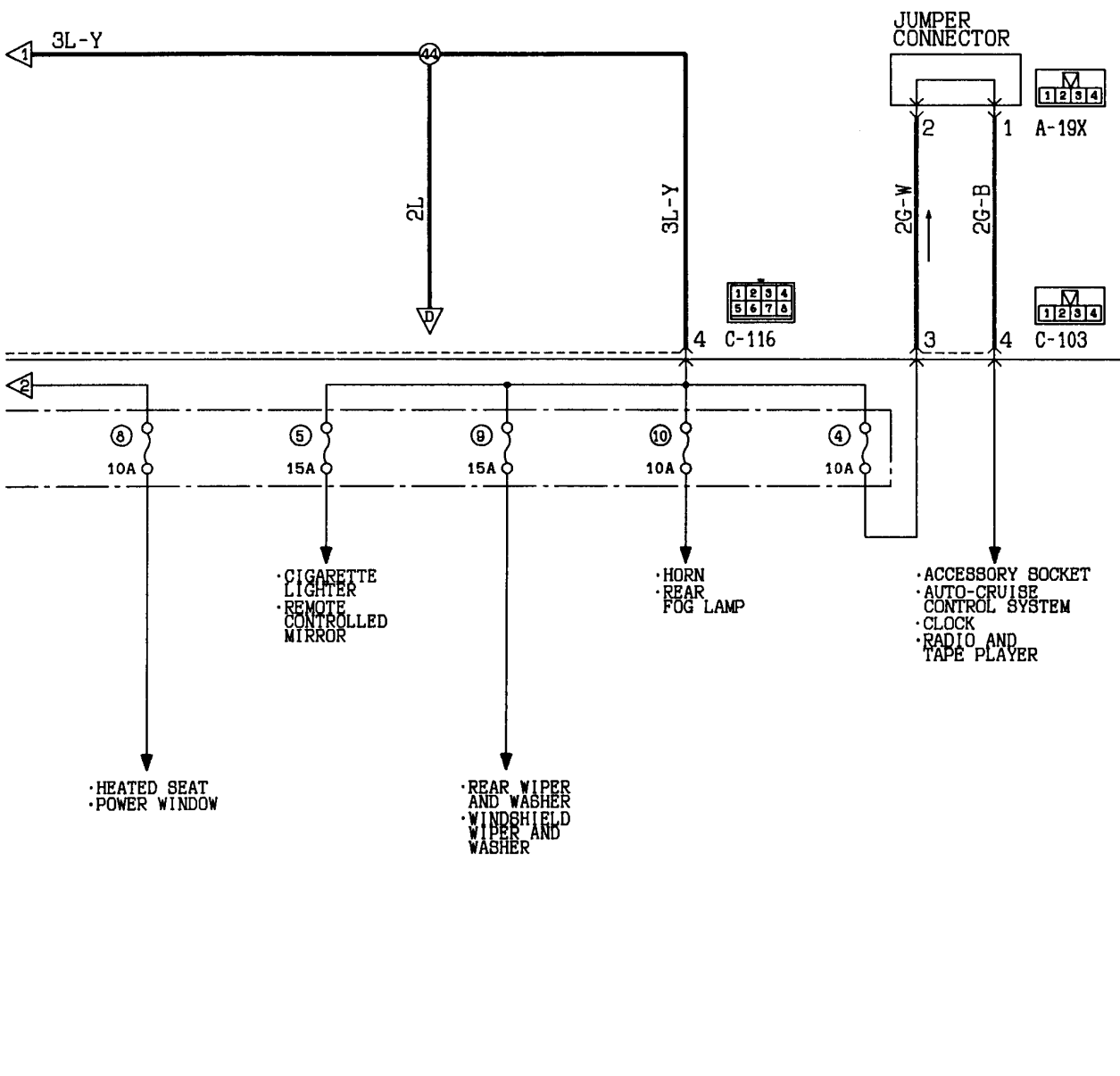


POWER DISTRIBUTION SYSTEM (Petrol-powered vehicles)  
(CONTINUED)



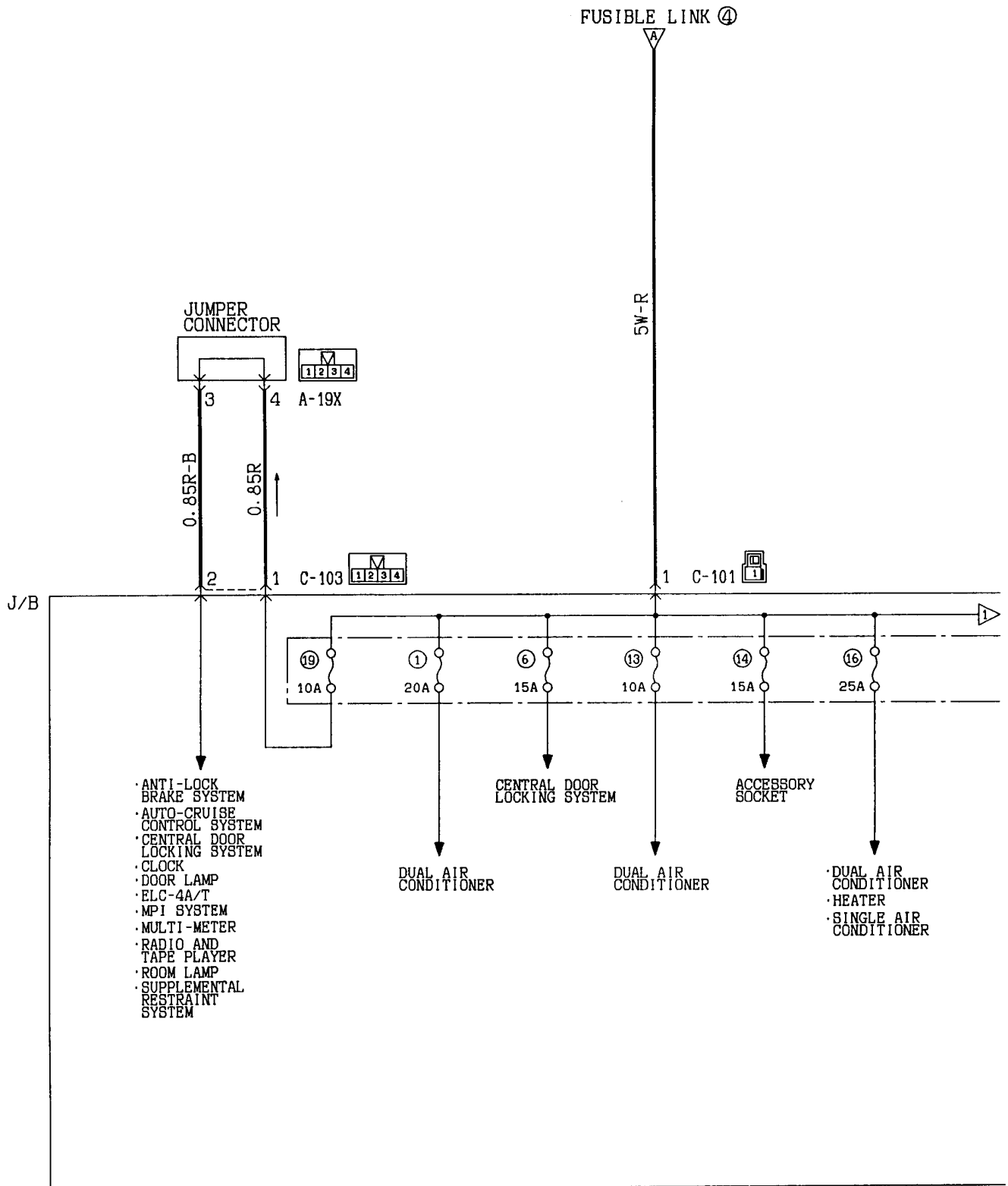
Remark

The above circuit diagram shows the current flow at the ignition key position "ACC", "ON" and "ST" combined. Be sure trace the appropriate circuit depending on the ignition key position.

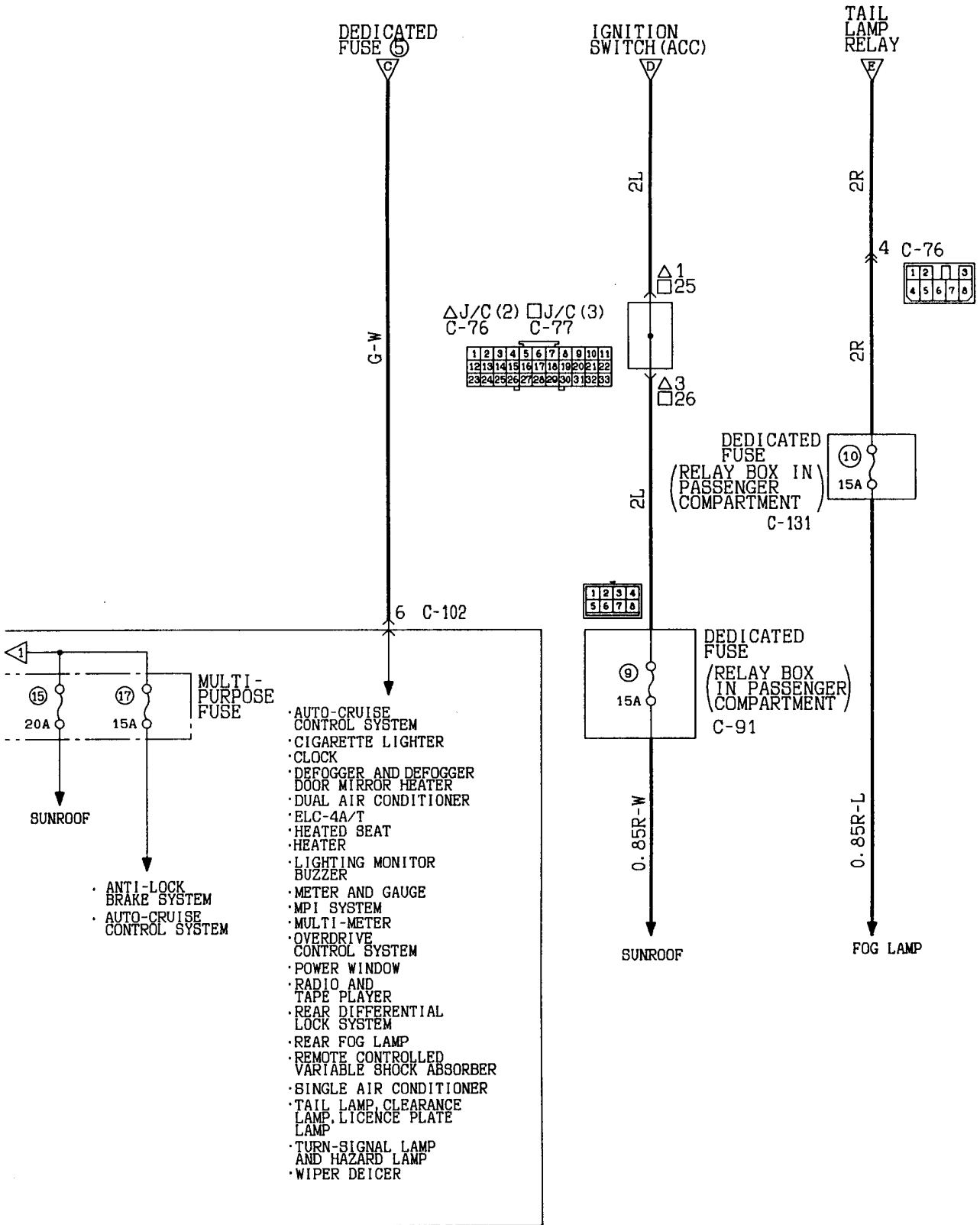


Wire colour code  
 B:Black LG:Light green G:Green L:Blue W:White Y:Yellow SB:Sky blue  
 BR:Brown O:Orange GR:Gray R:Red P:Pink V:Violet

POWER DISTRIBUTION SYSTEM <Petrol-powered vehicles>  
(CONTINUED)

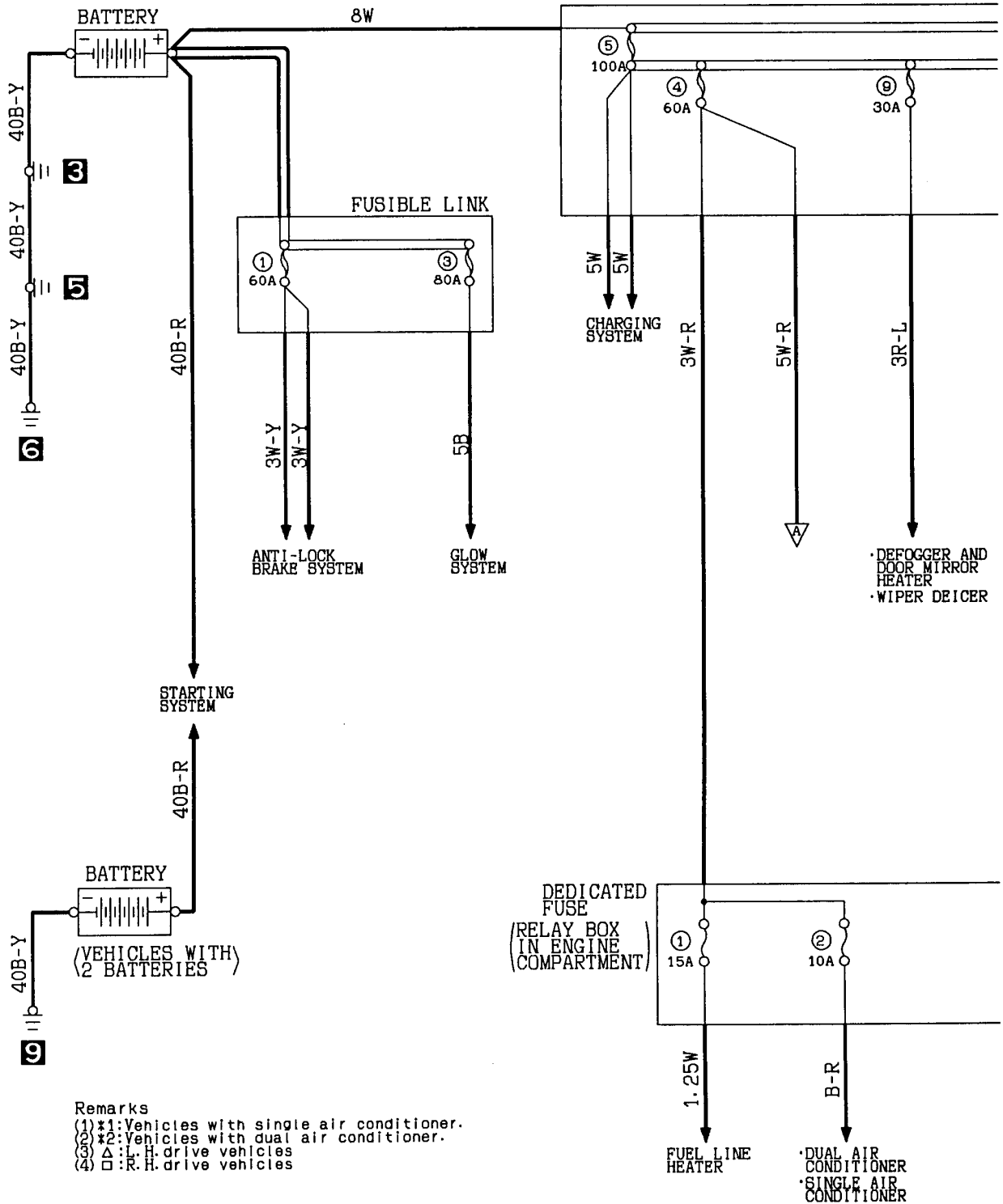


Wire colour code  
 B : Black    LG : Light green    G : Green    L : Blue    W : White    Y : Yellow    SB : Sky blue  
 BR : Brown    O : Orange    GR : Gray    R : Red    P : Pink    V : Violet

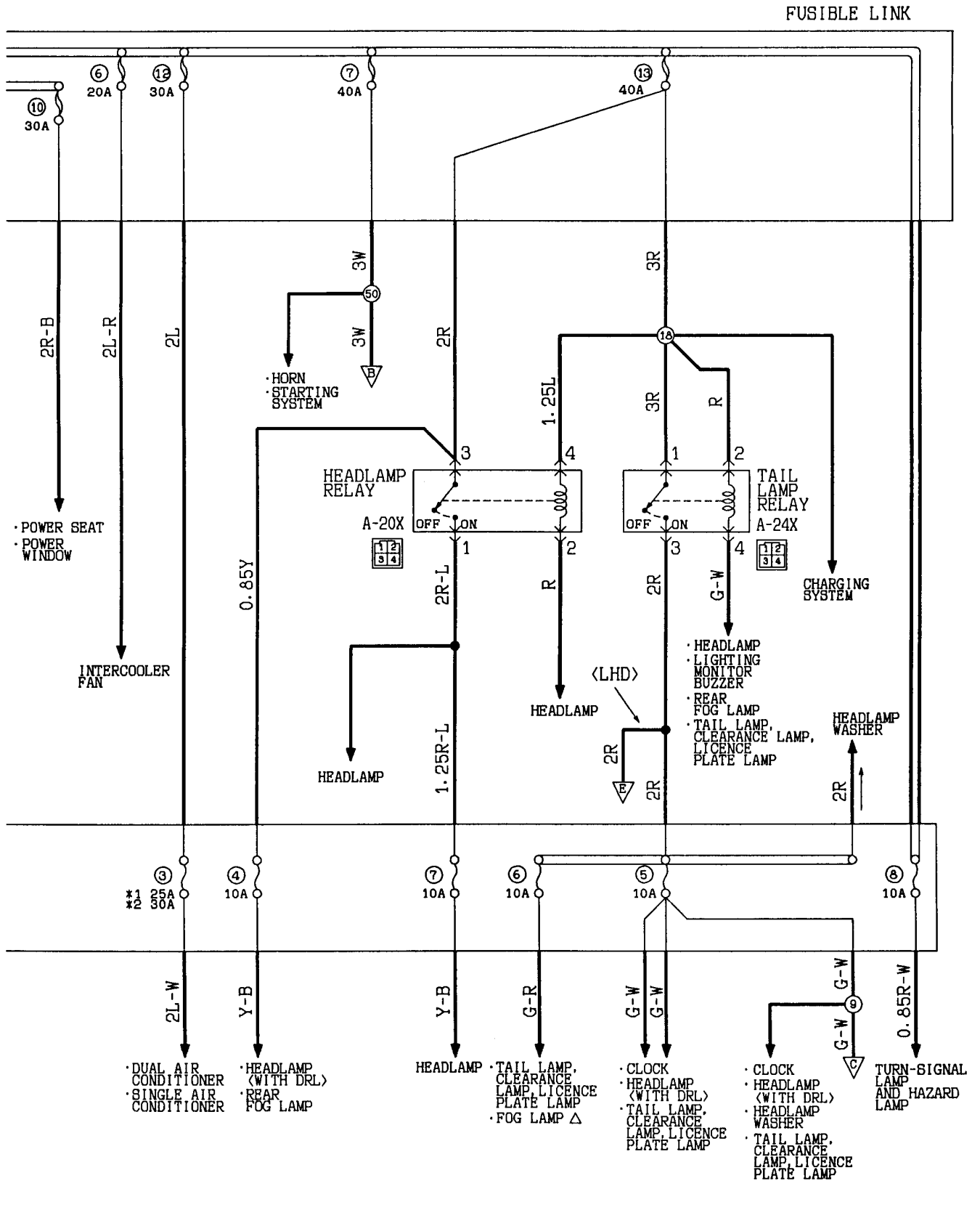


Remarks  
 (1) □ : L. H. drive vehicles.  
 (2) Δ : R. H. drive vehicles.

POWER DISTRIBUTION SYSTEM  
(Diesel-powered vehicles)

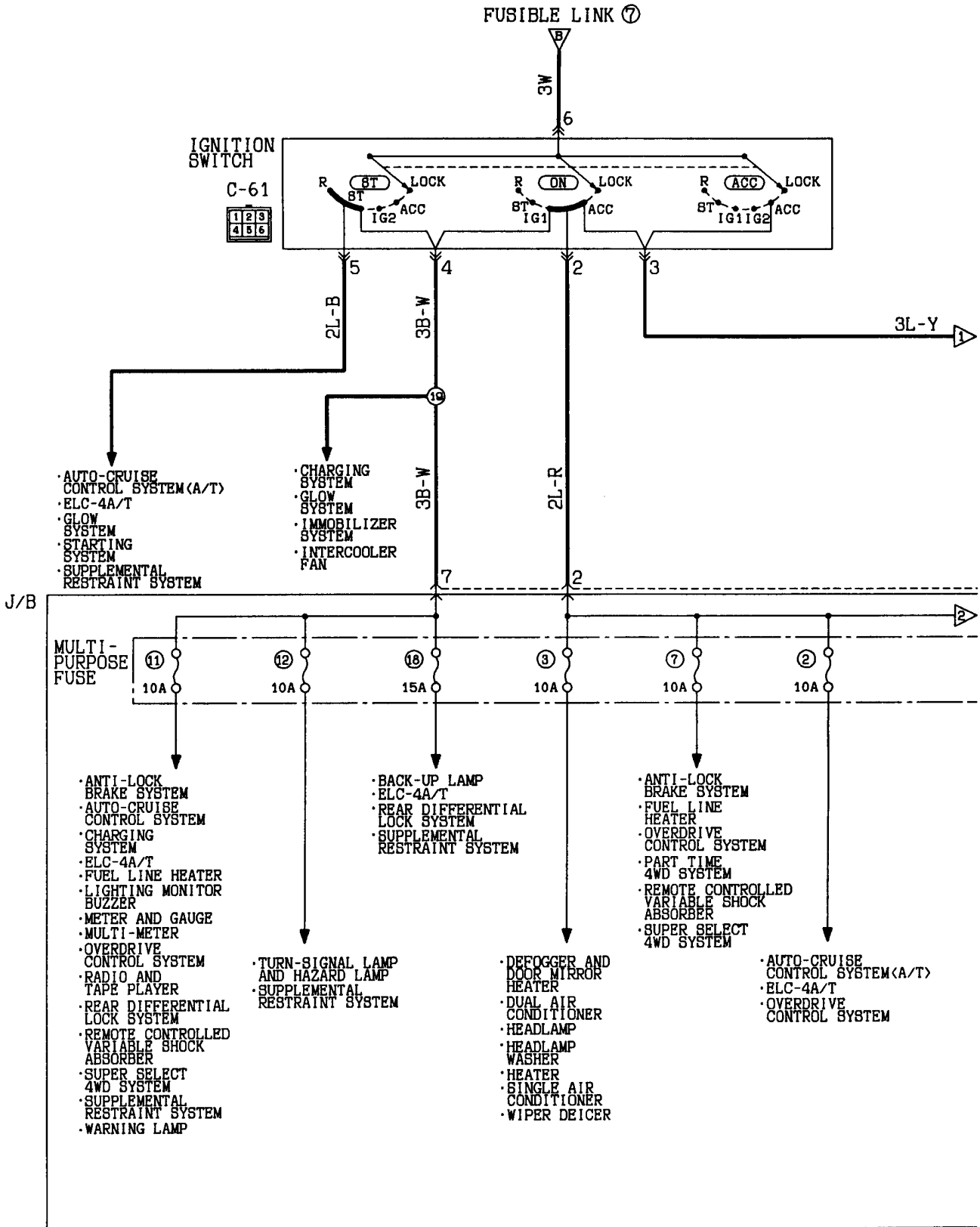


Wire colour code  
 B :Black    LG:Light green    G :Green    L :Blue    W :White    Y :Yellow    SB:Sky blue  
 BR:Brown    O :Orange        GR:Gray    R :Red    P :Pink    V :Violet

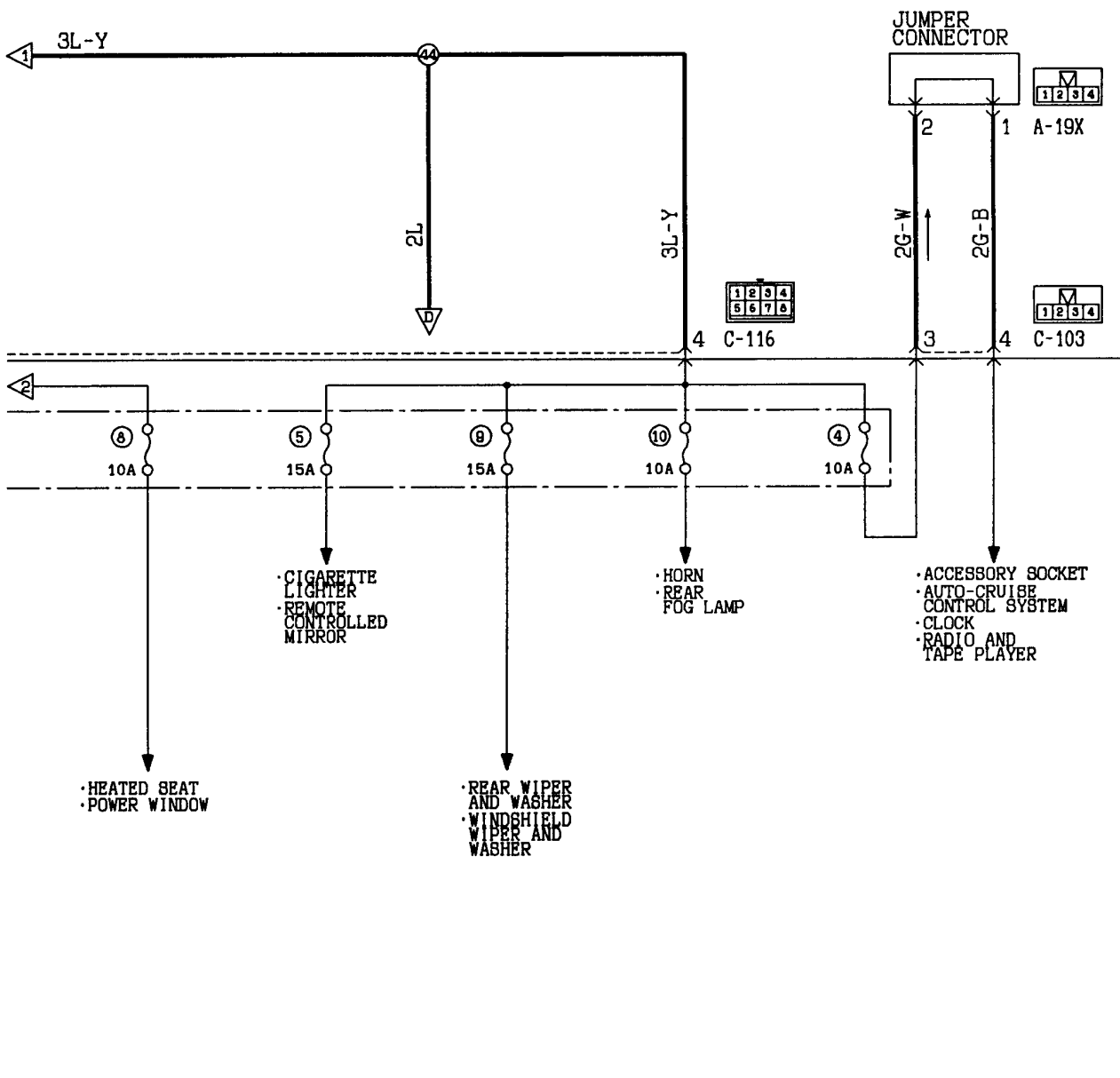




POWER DISTRIBUTION SYSTEM <Diesel-powered vehicles>  
(CONTINUED)

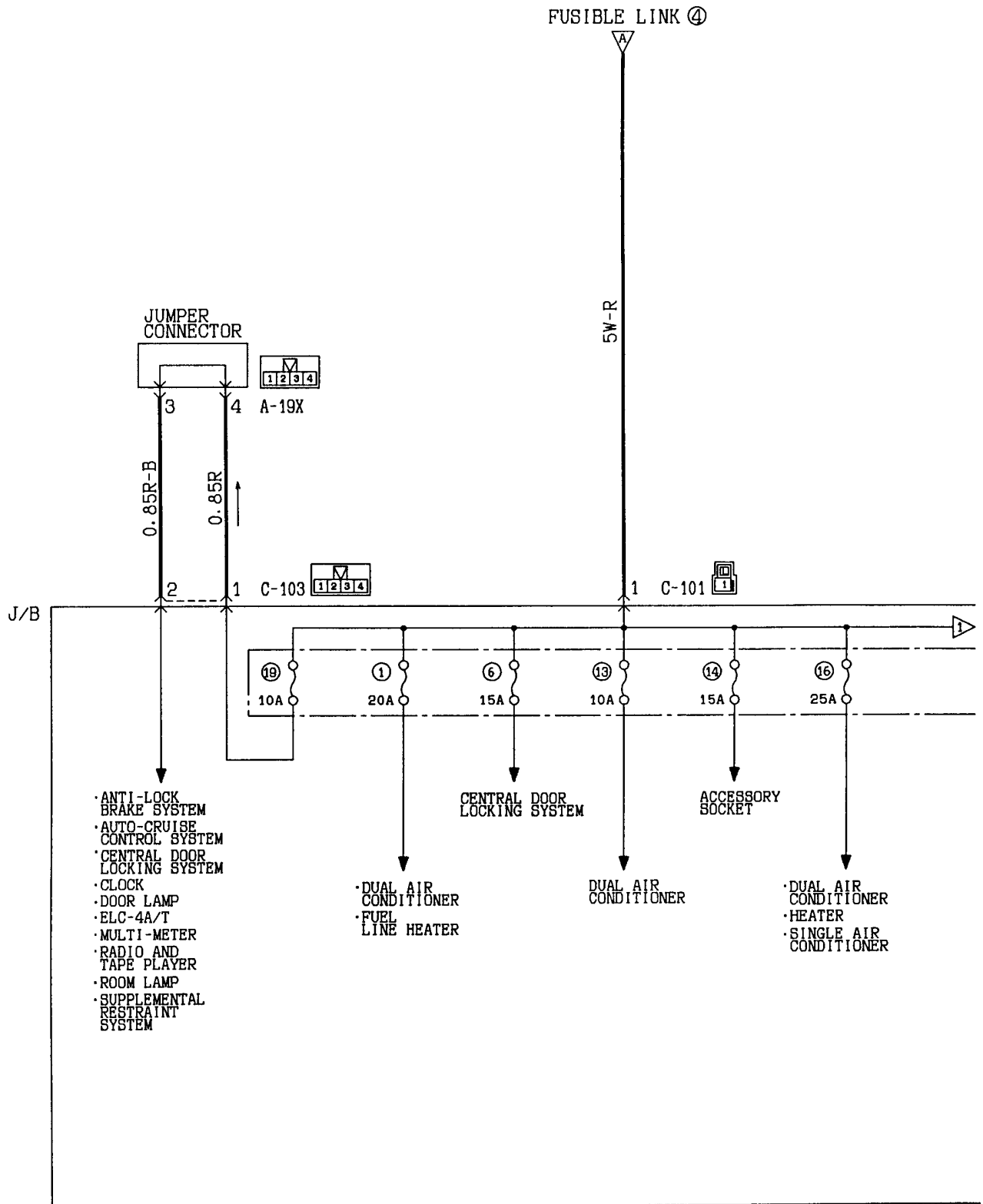


Remark  
•The above circuit diagram shows the current flow at the ignition key position "ACC", "ON" and "ST" combined. Be sure trace the appropriate circuit depending on the ignition key position.

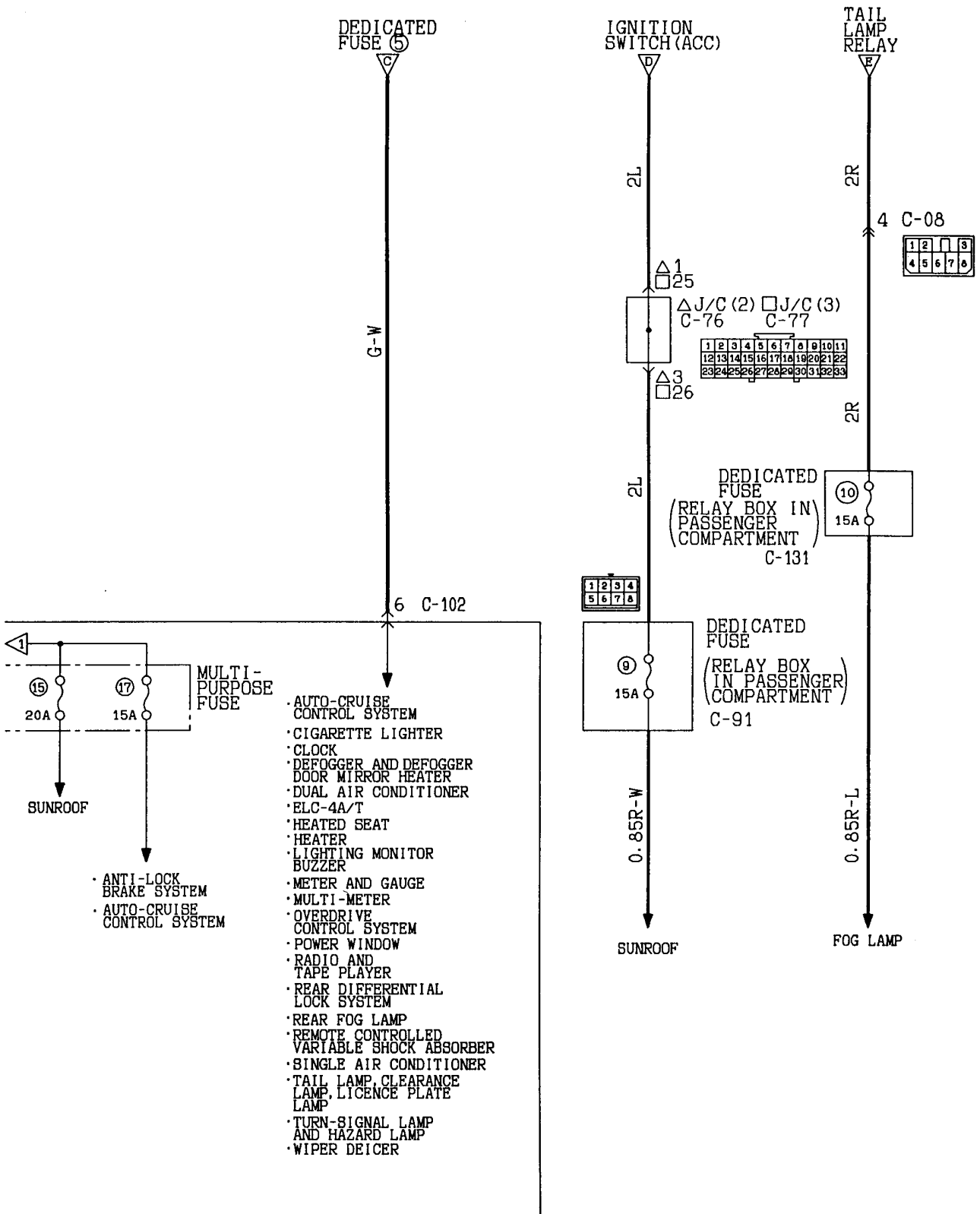


Wire colour code  
 B :Black LG:Light green G :Green L :Blue W :White Y :Yellow SB:Sky blue  
 BR:Brown O :Orange GR:Gray R :Red P :Pink V :Violet

POWER DISTRIBUTION SYSTEM < Diesel-powered vehicles >  
(CONTINUED)

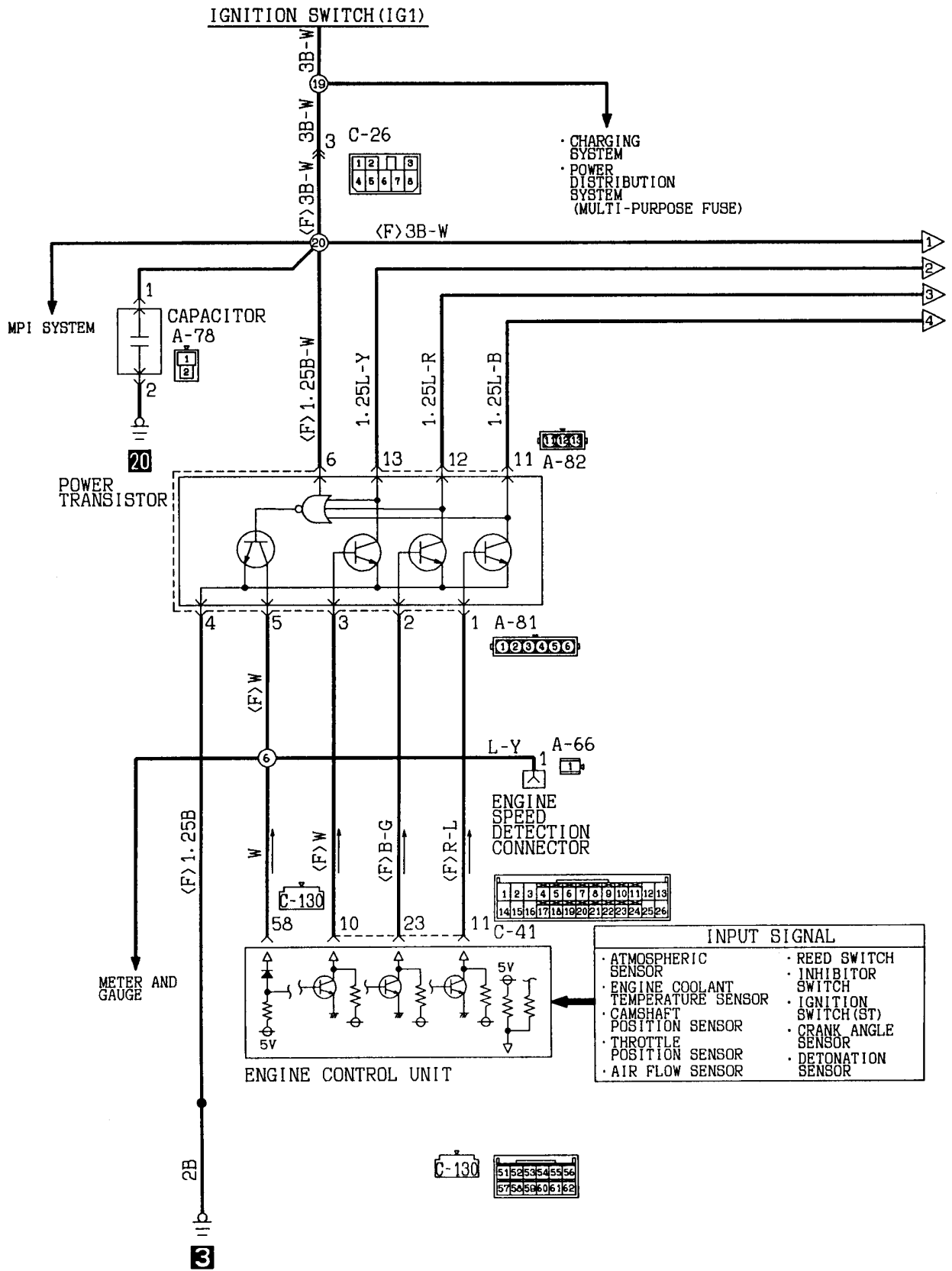


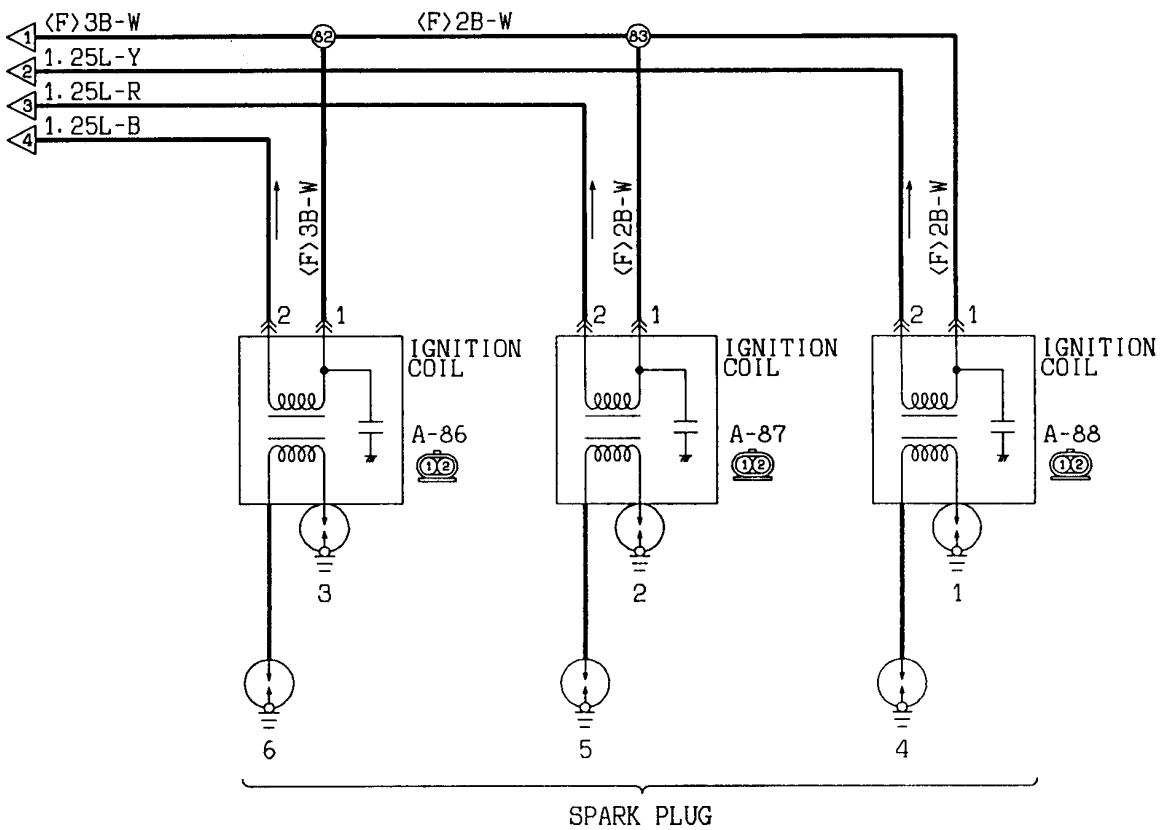
Wire colour code  
 B :Black    LG:Light green    G :Green    L :Blue    W :White    Y :Yellow    SB:Sky blue  
 BR:Brown    O :Orange    GR:Gray    R :Red    P :Pink    V :Violet



Remarks  
 (1) □ : L. H. drive vehicles.  
 (2) △ : R. H. drive vehicles.

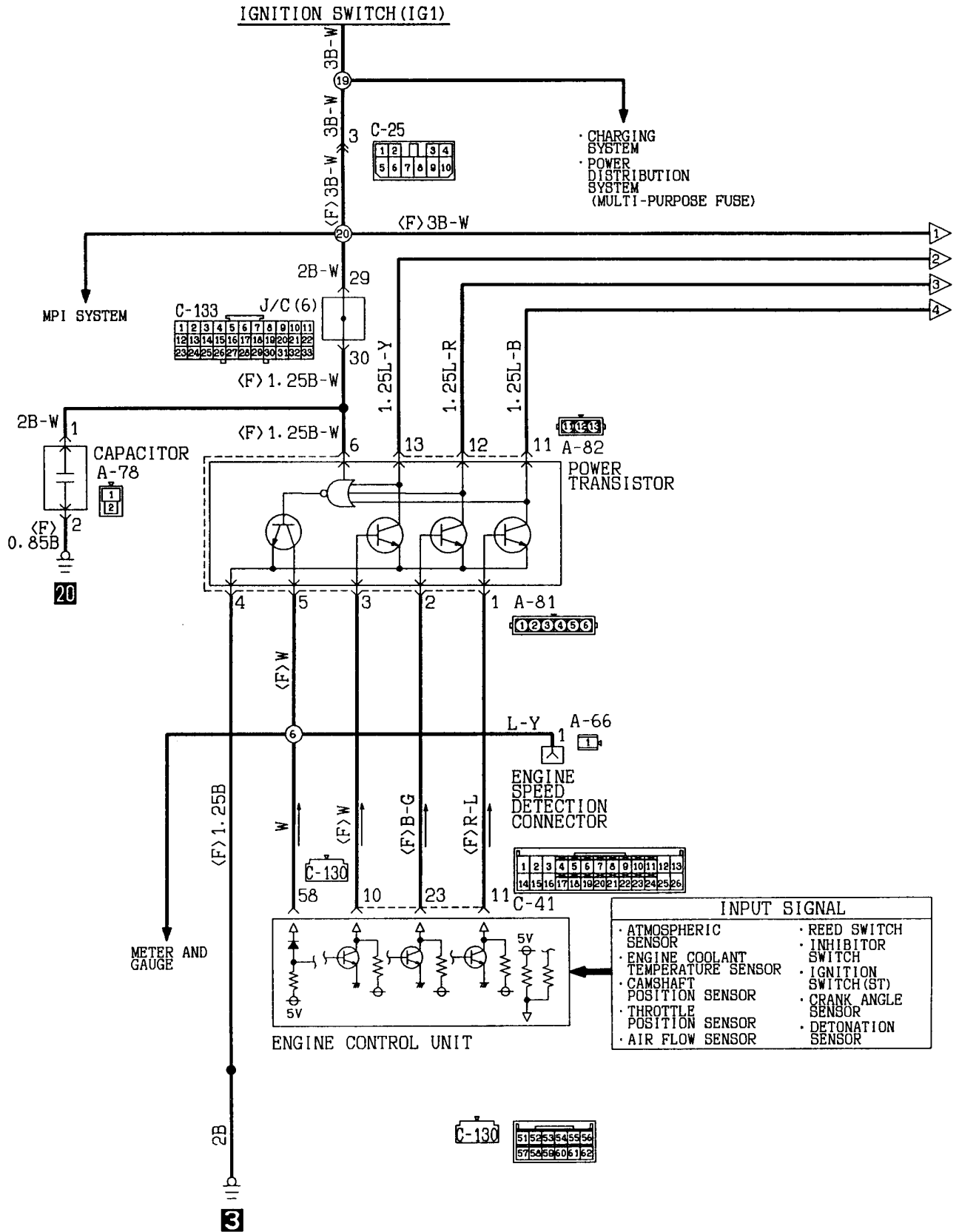
**IGNITION SYSTEM**  
6G72, 6G74 engine <L. H. drive vehicles>

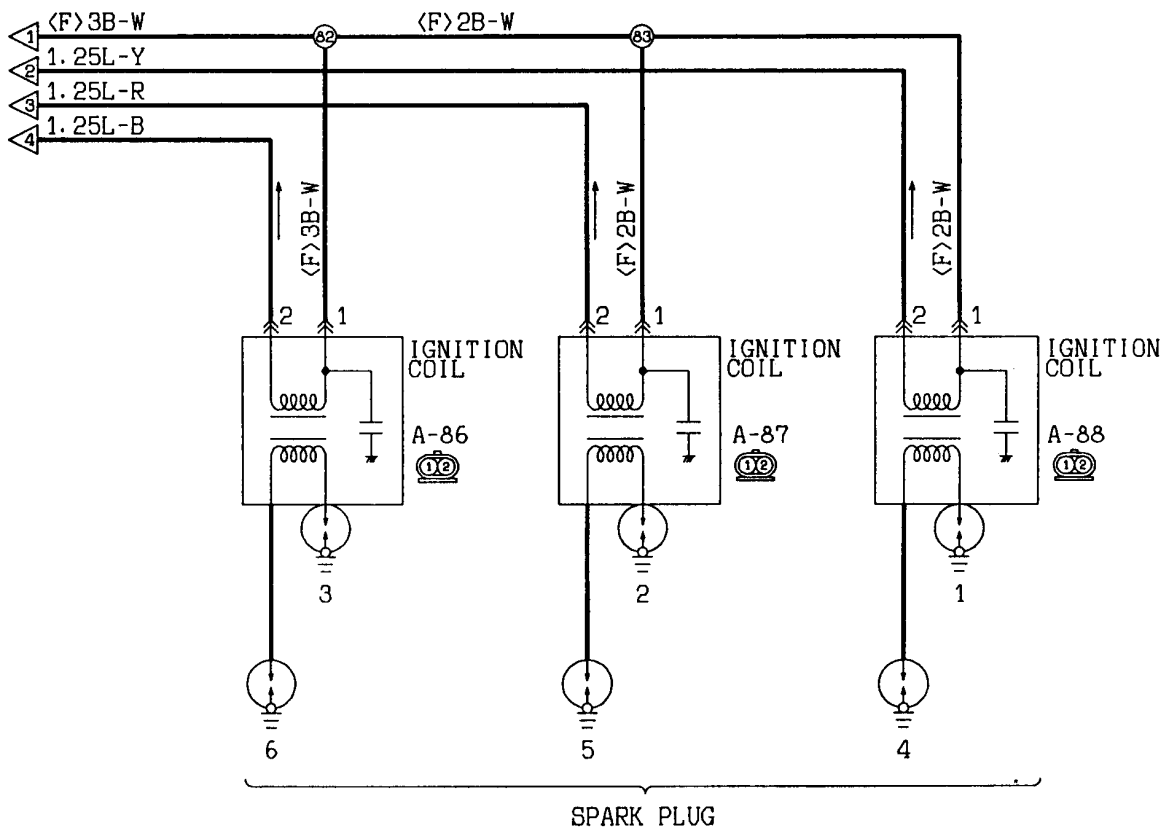




Wire colour code  
 B :Black    LG:Light green    G :Green    L :Blue    W :White    Y :Yellow    SB:Sky blue  
 BR:Brown    O :Orange    GR:Gray    R :Red    P :Pink    V :Violet

**IGNITION SYSTEM**  
6G72, 6G74 engine <R. H. drive vehicles>



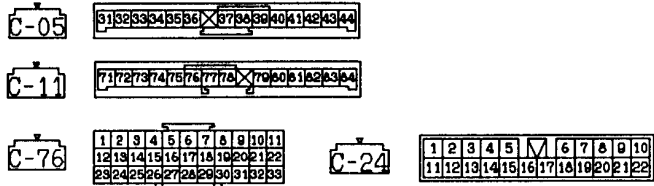
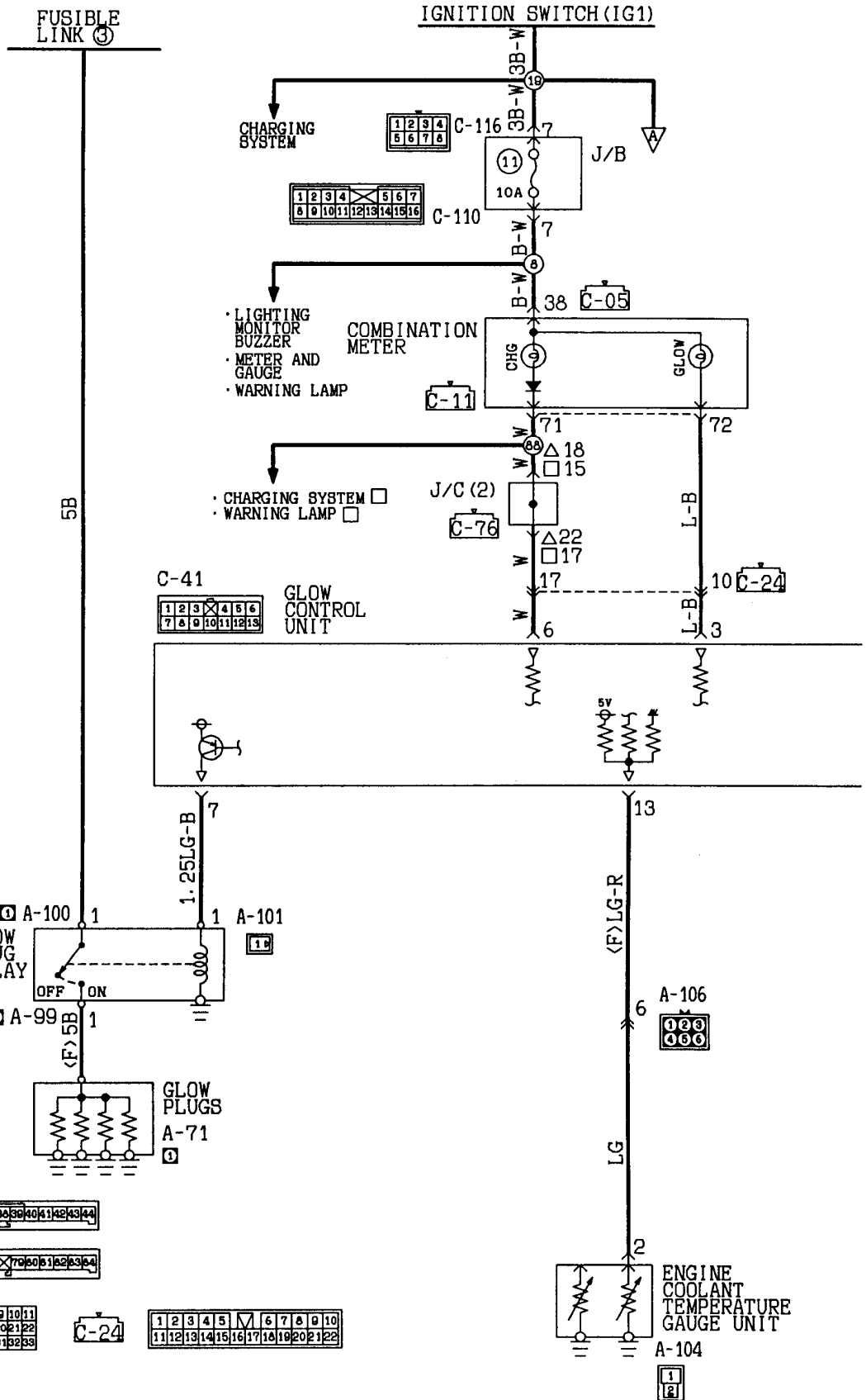


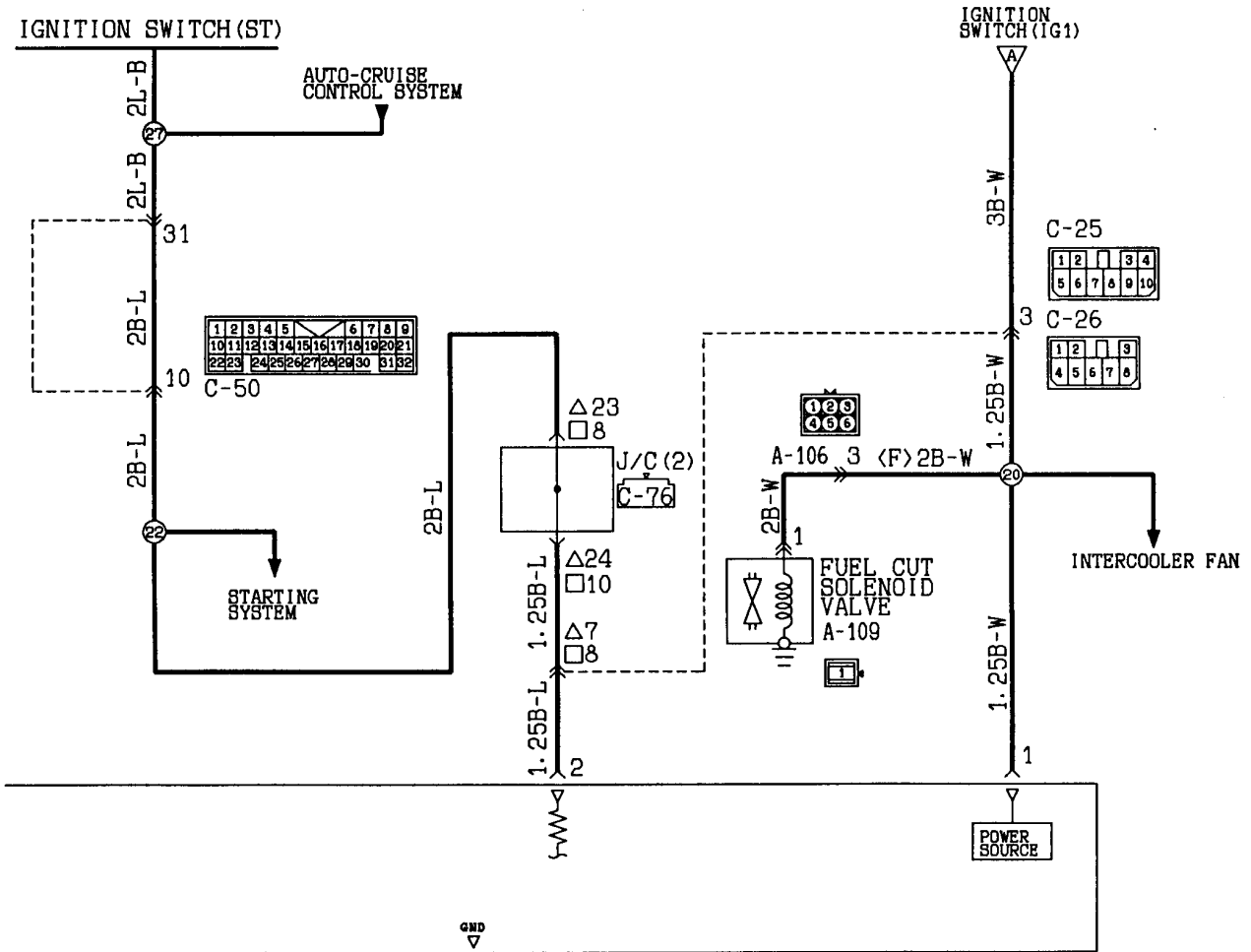
Wire colour code  
 B:Black LG:Light green G:Green L:Blue W:White Y:Yellow SB:Sky blue  
 BR:Brown O:Orange GR:Gray R:Red P:Pink V:Violet



GLOW SYSTEM

4D56 engine (Without supercharging pressure relief solenoid valve)



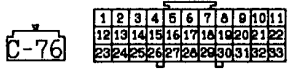


GROUND

10  
(F) 1. 25B  
A-106  
5  
2B  
7

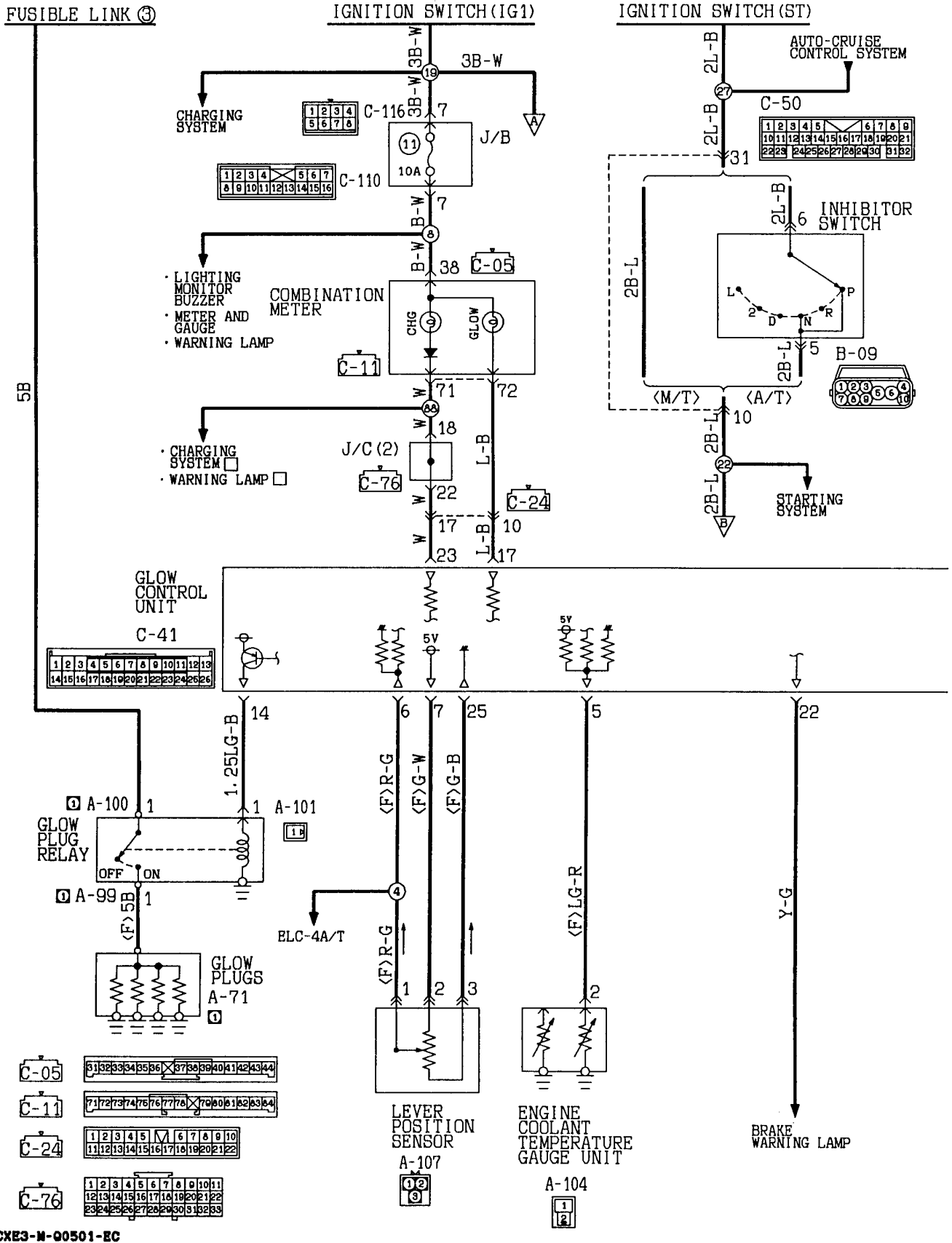
Remarks  
(1) □ : L. H. drive vehicles.  
(2) △ : R. H. drive vehicles.

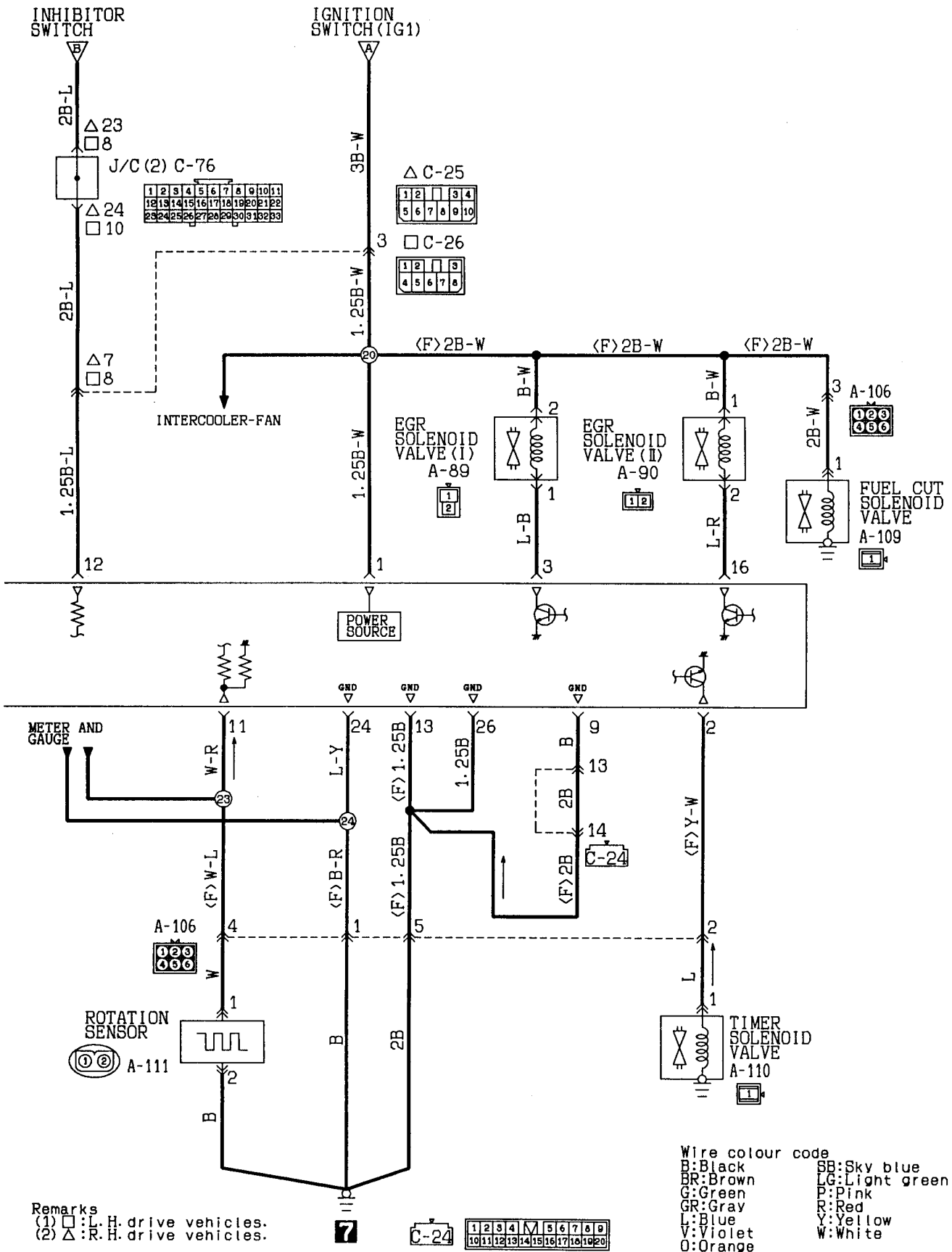
Wire colour code  
B : Black LG : Light green G : Green L : Blue  
BR : Brown O : Orange GR : Gray R : Red  
W : White SB : Sky blue P : Pink Y : Yellow  
V : Violet



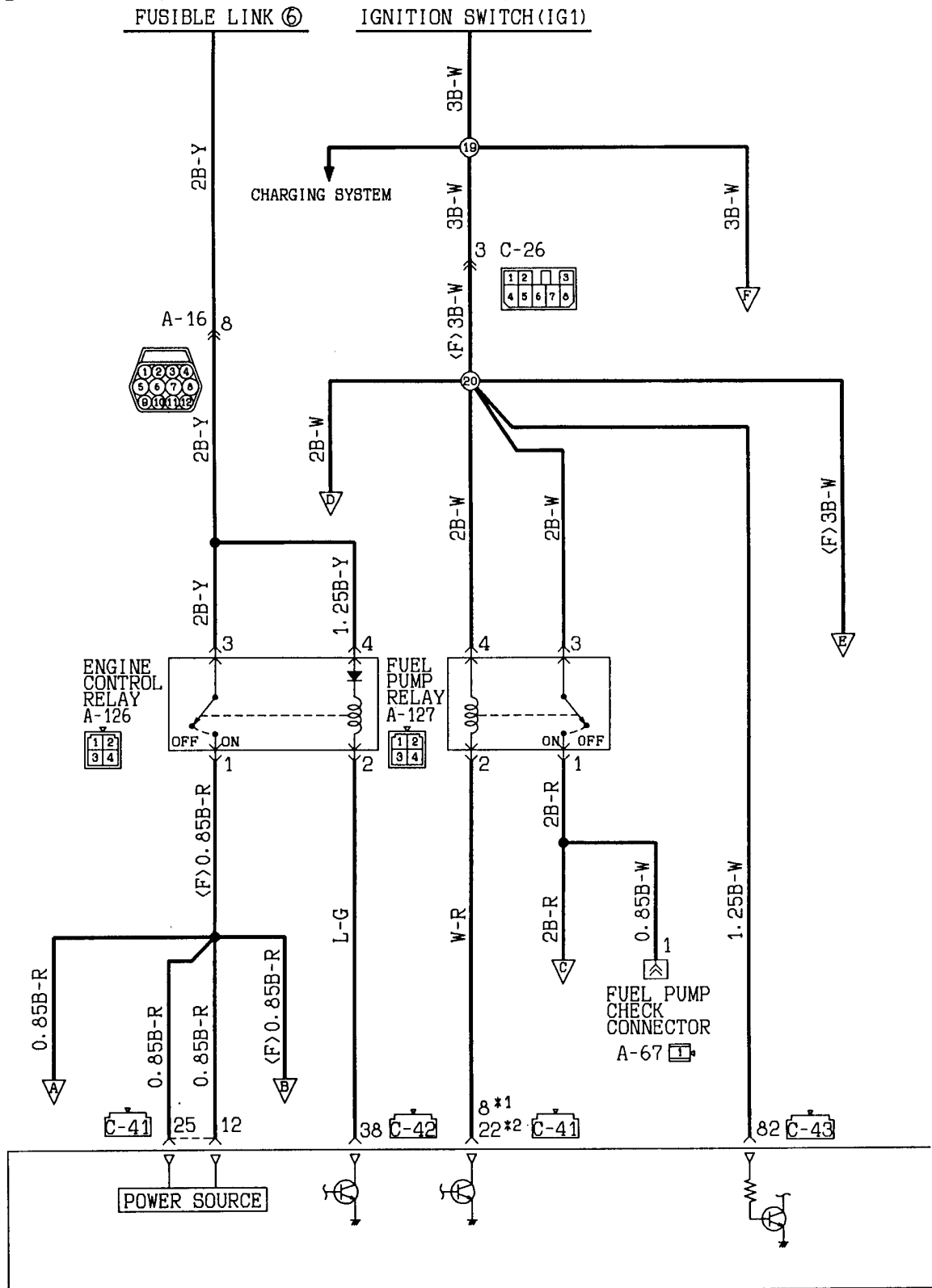
# GLOW SYSTEM

4M40 engine (Without supercharging pressure relief solenoid valve)





MPI SYSTEM  
6G72 engine-M/T(L.H. drive Vehicles)



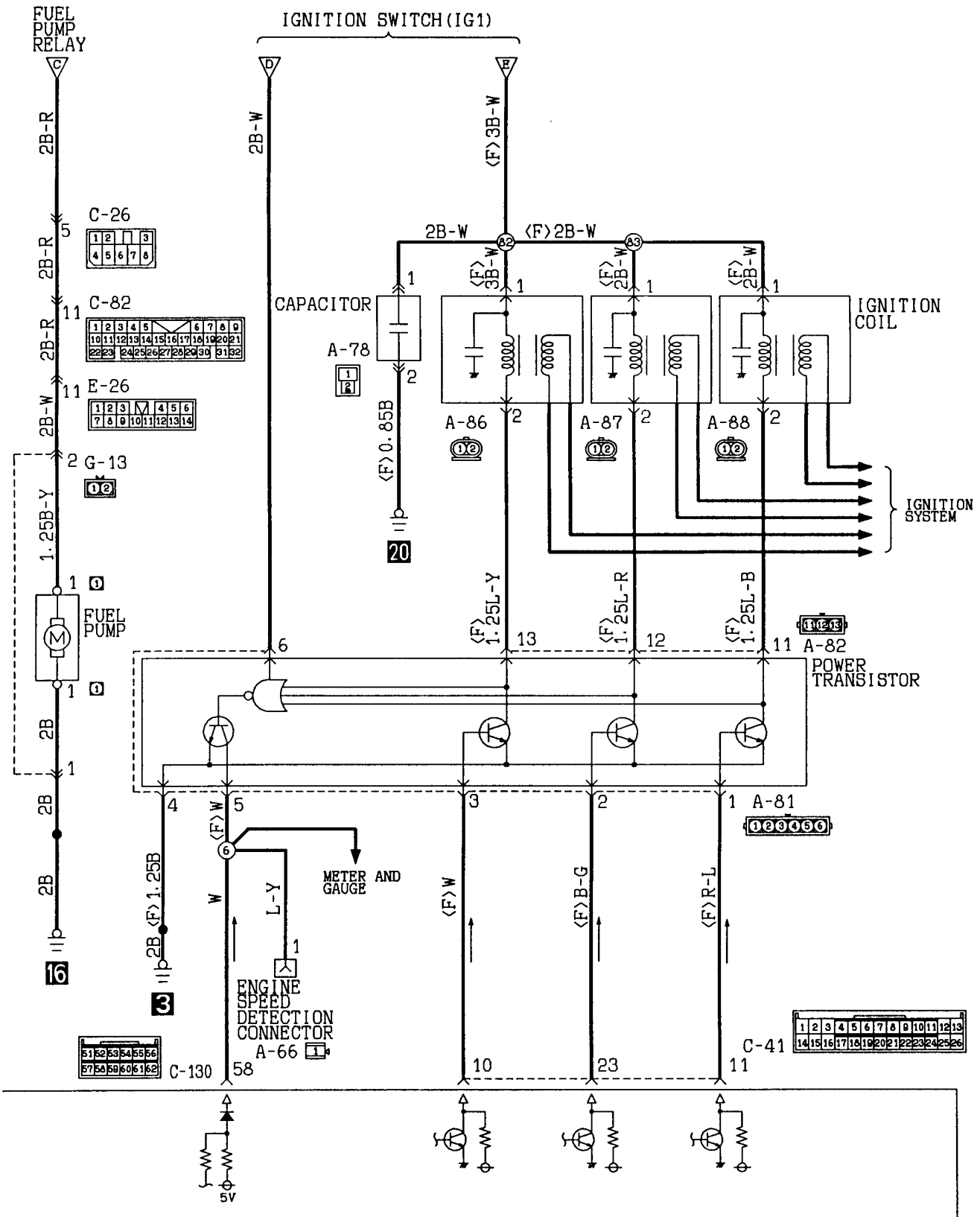
ENGINE CONTROL UNIT

C-42	31 32 33 34 35 36 37 38
	39 40 41 42 43 44 45 46

C-41	1 2 3 4 5 6 7 8 9 10 11 12 13
	14 15 16 17 18 19 20 21 22 23 24 25 26

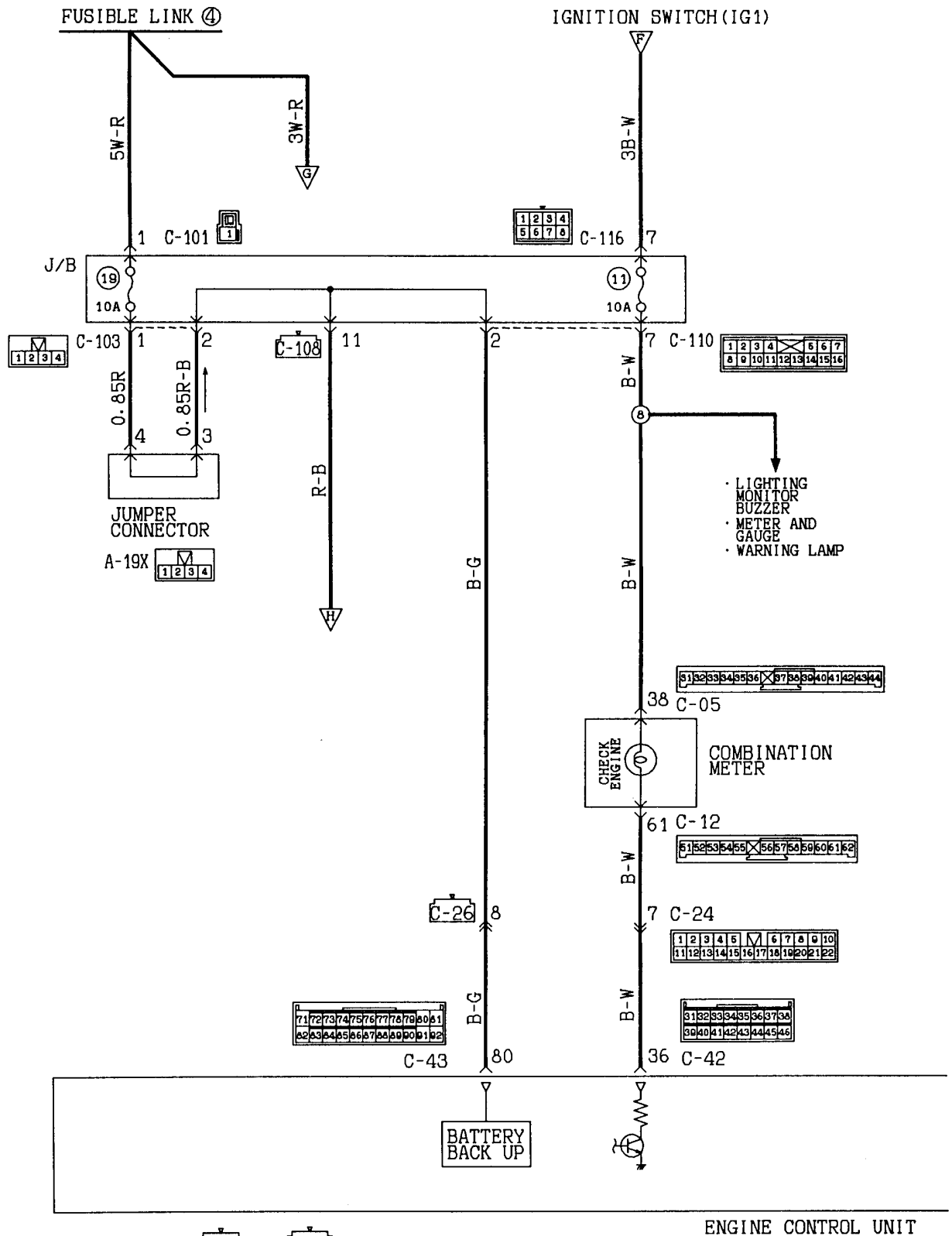
C-43	71 72 73 74 75 76 77 78 79 80 81
	82 83 84 85 86 87 88 89 90 91 92

Remarks  
(1) \*1: Without Immobilizer system  
(2) \*2: With Immobilizer system

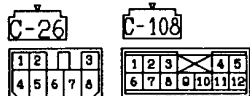


Wire colour code  
 B:Black LG:Light green G:Green L:Blue W:White Y:Yellow SB:Sky blue  
 BR:Brown O:Orange GR:Gray R:Red P:Pink V:Violet

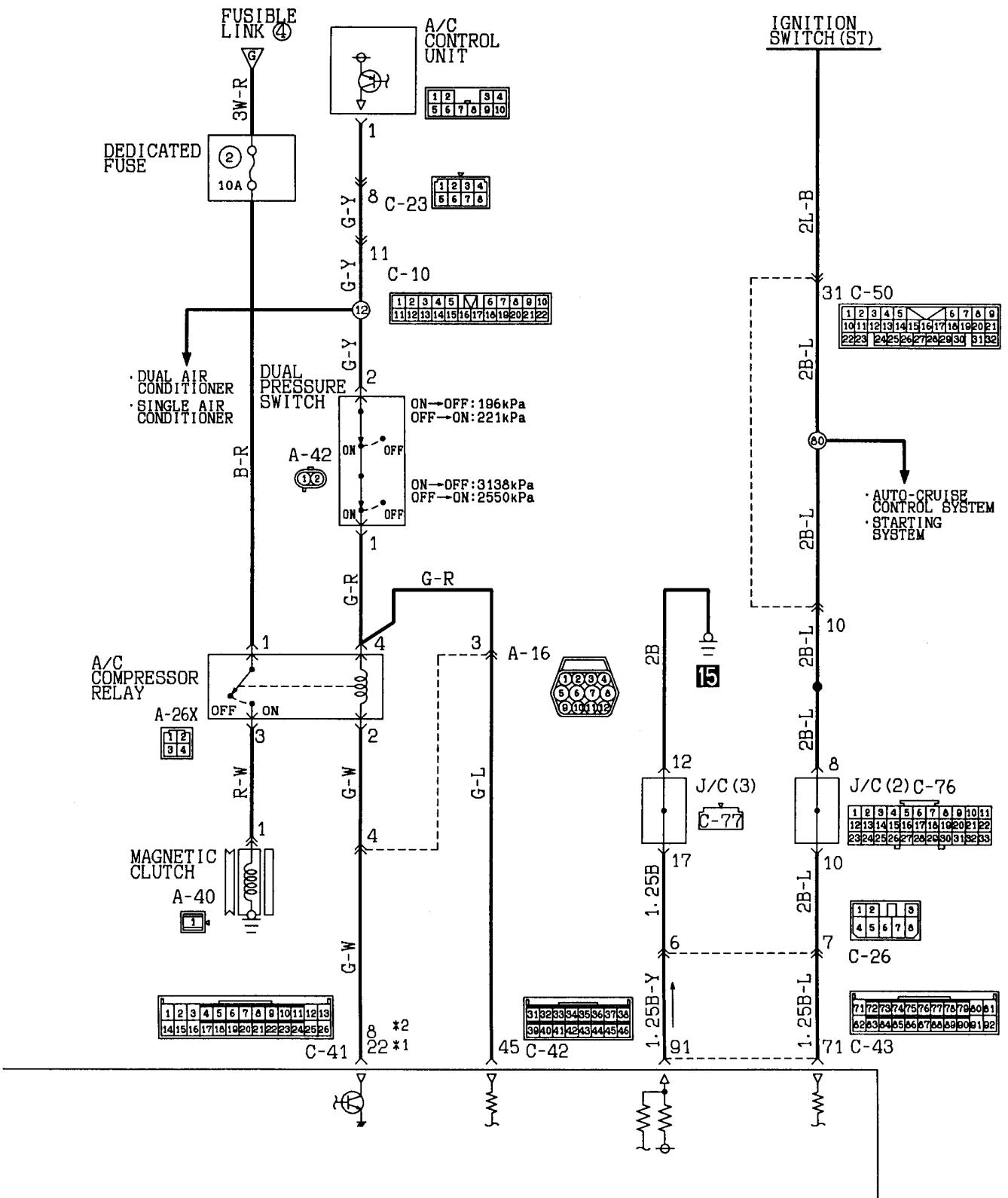
MPI SYSTEM <6G72 engine-M/T (L.H. drive vehicles)>  
(CONTINUED)



ENGINE CONTROL UNIT



Remarks  
(1) \*1: Without immobilizer system  
(2) \*2: With immobilizer system



C-77

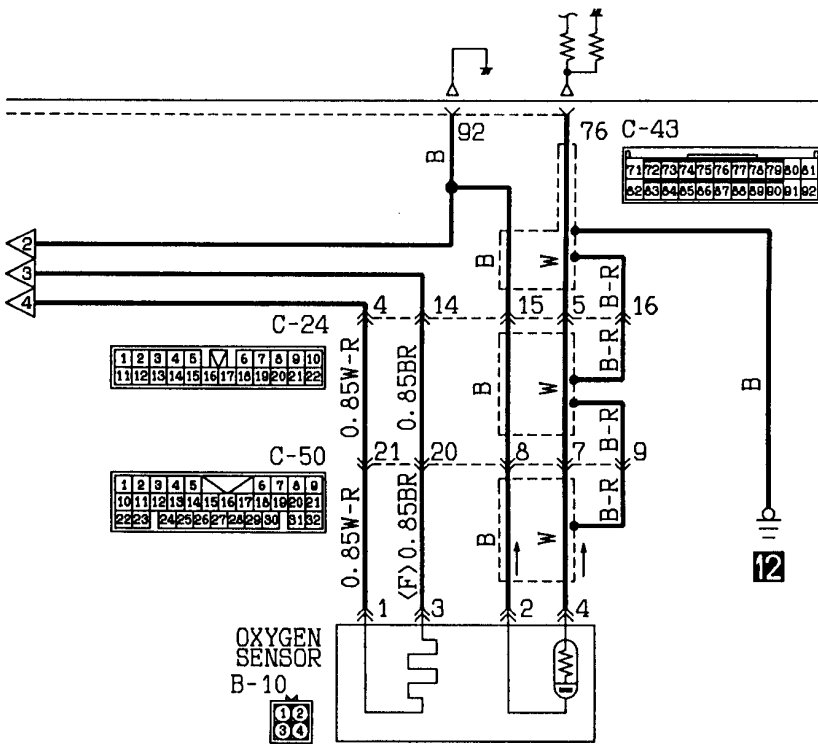
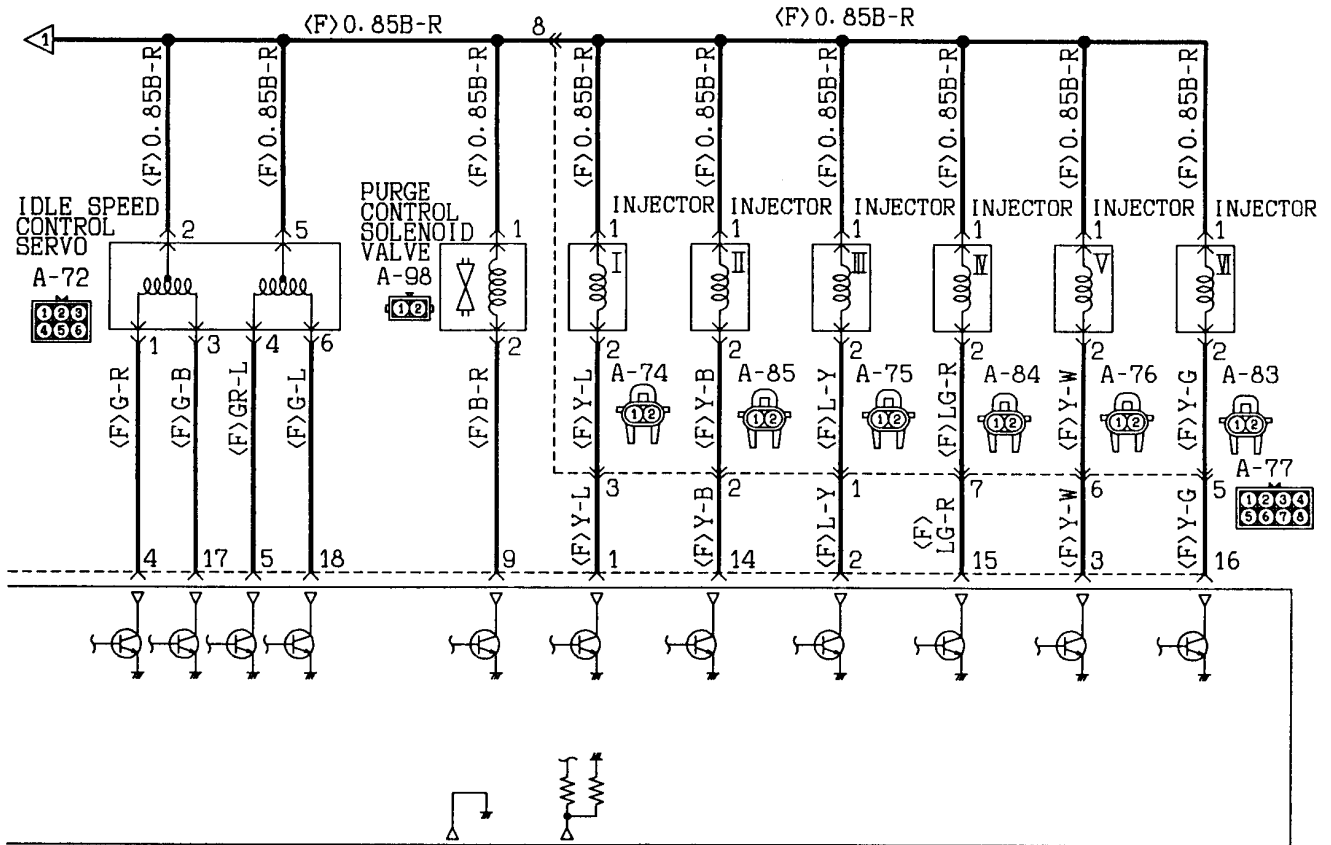
1	2	3	4	5	6	7	8	9	10	11
12	13	14	15	16	17	18	19	20	21	22
23	24	25	26	27	28	29	30	31	32	33

Wire colour code

B : Black	LG : Light green	G : Green	L : Blue
BR : Brown	O : Orange	GR : Gray	R : Red
W : White	SB : Sky blue	P : Pink	Y : Yellow
V : Violet			



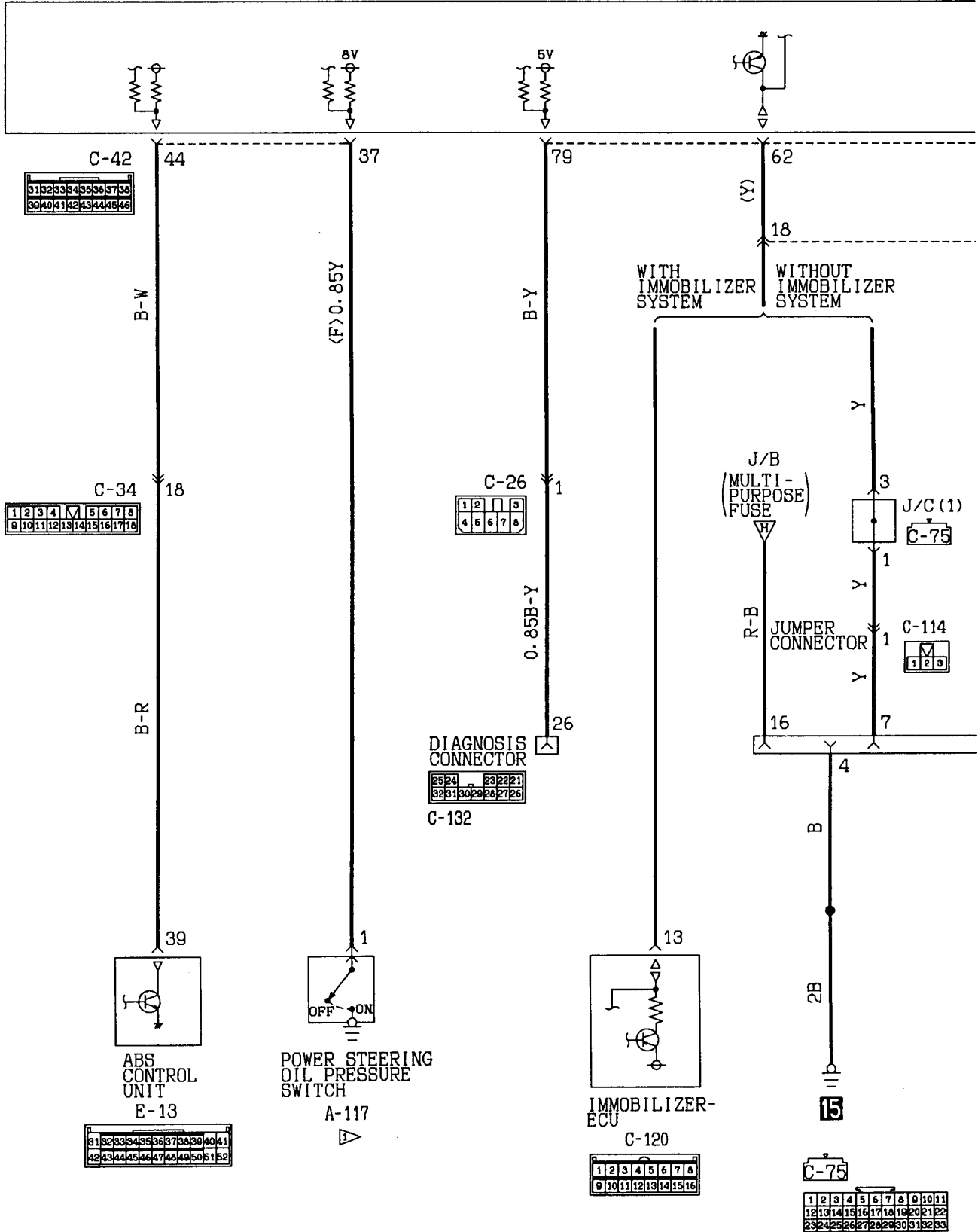


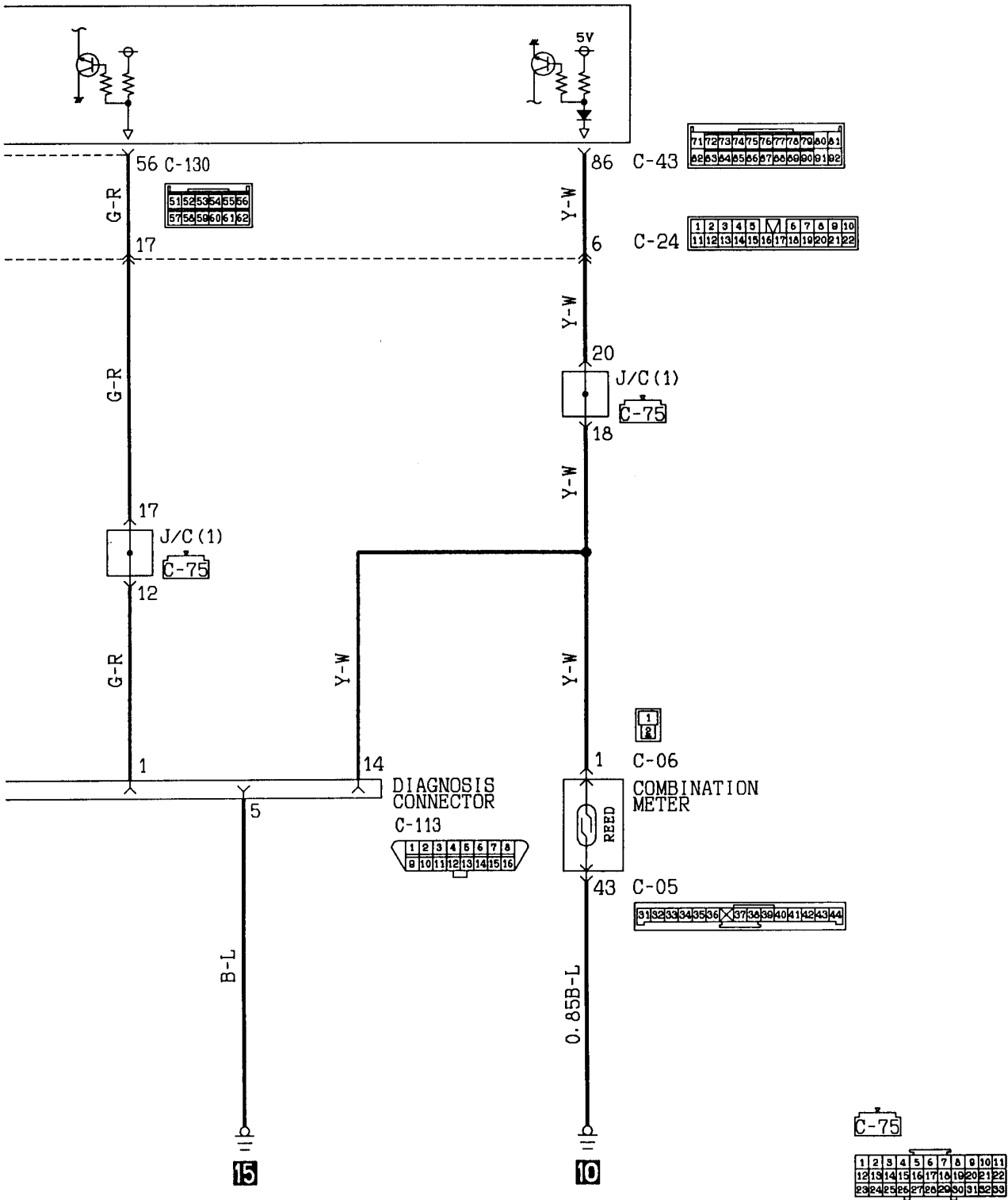


Wire colour code  
 B : Black    LG:Light green    G : Green    L : Blue    W : White    Y : Yellow    SB:Sky blue  
 BR:Brown    O : Orange    GR:Gray    R : Red    P : Pink    V : Violet

MPI SYSTEM <6G72 engine-M/T (L.H. drive vehicles)>  
(CONTINUED)

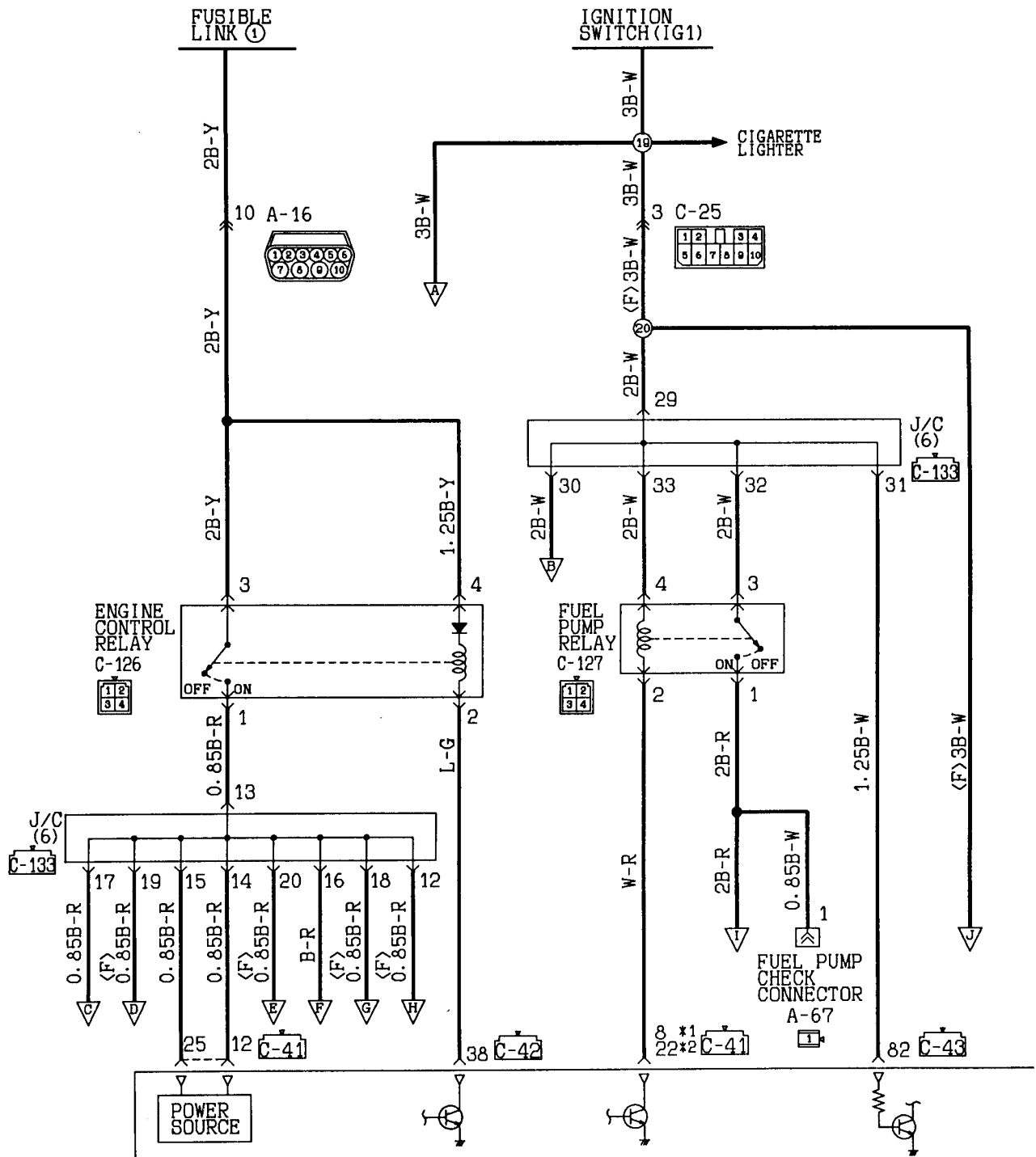
ENGINE CONTROL UNIT





Wire colour code  
 B : Black LG : Light green G : Green L : Blue W : White Y : Yellow SB : Sky blue  
 BR : Brown O : Orange GR : Gray R : Red P : Pink V : Violet

MPI SYSTEM  
6G72 engine-M/T<R.H. drive vehicles>



ENGINE CONTROL SYSTEM

C-41

1	2	3	4	5	6	7	8	9	10	11	12	13	14	15	16	17	18	19	20	21	22	23	24	25	26
---	---	---	---	---	---	---	---	---	----	----	----	----	----	----	----	----	----	----	----	----	----	----	----	----	----

C-42

31	32	33	34	35	36	37	38
39	40	41	42	43	44	45	46

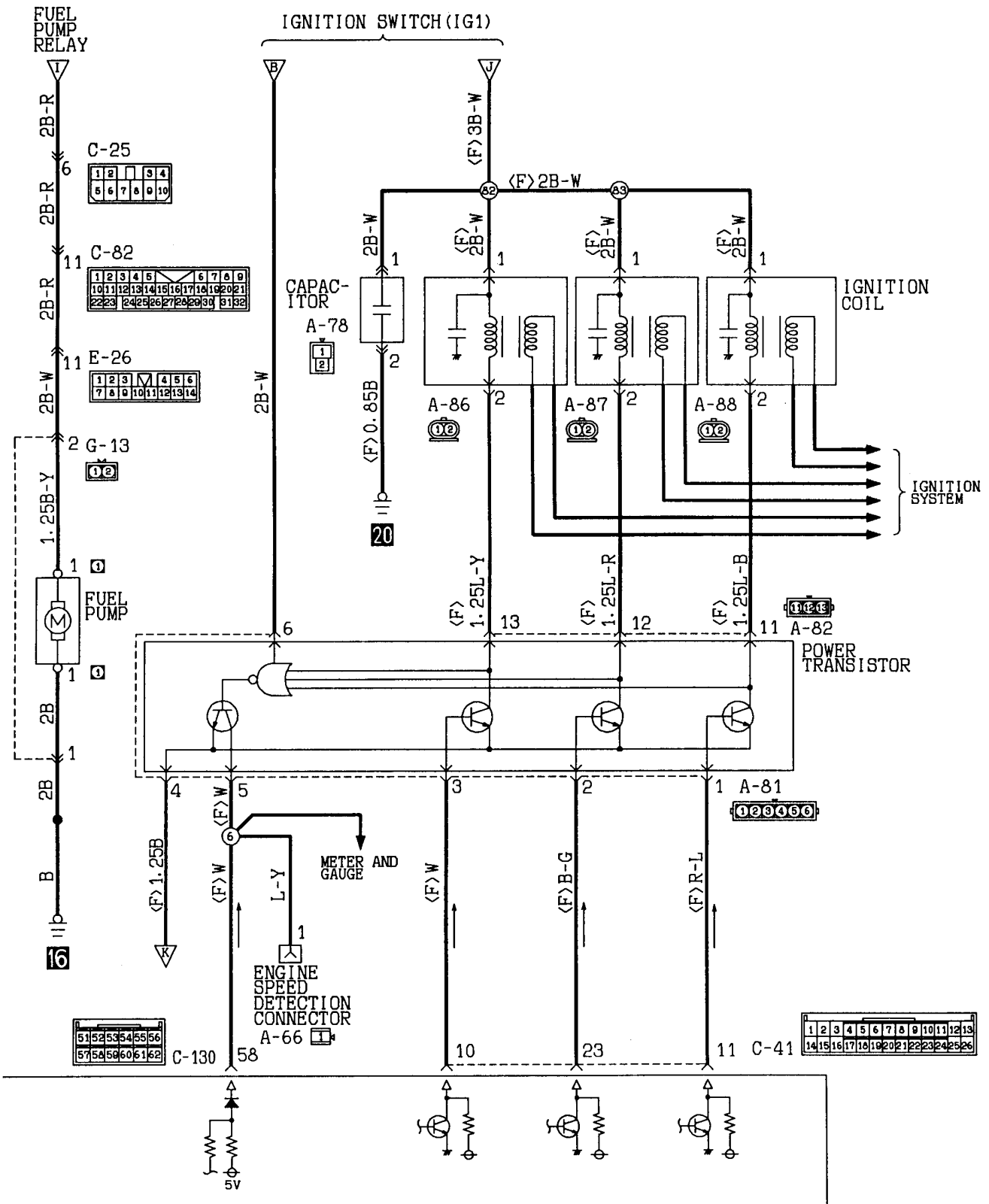
C-43

71	72	73	74	75	76	77	78	79	80	81
82	83	84	85	86	87	88	89	90	91	92

C-133

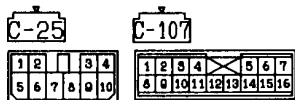
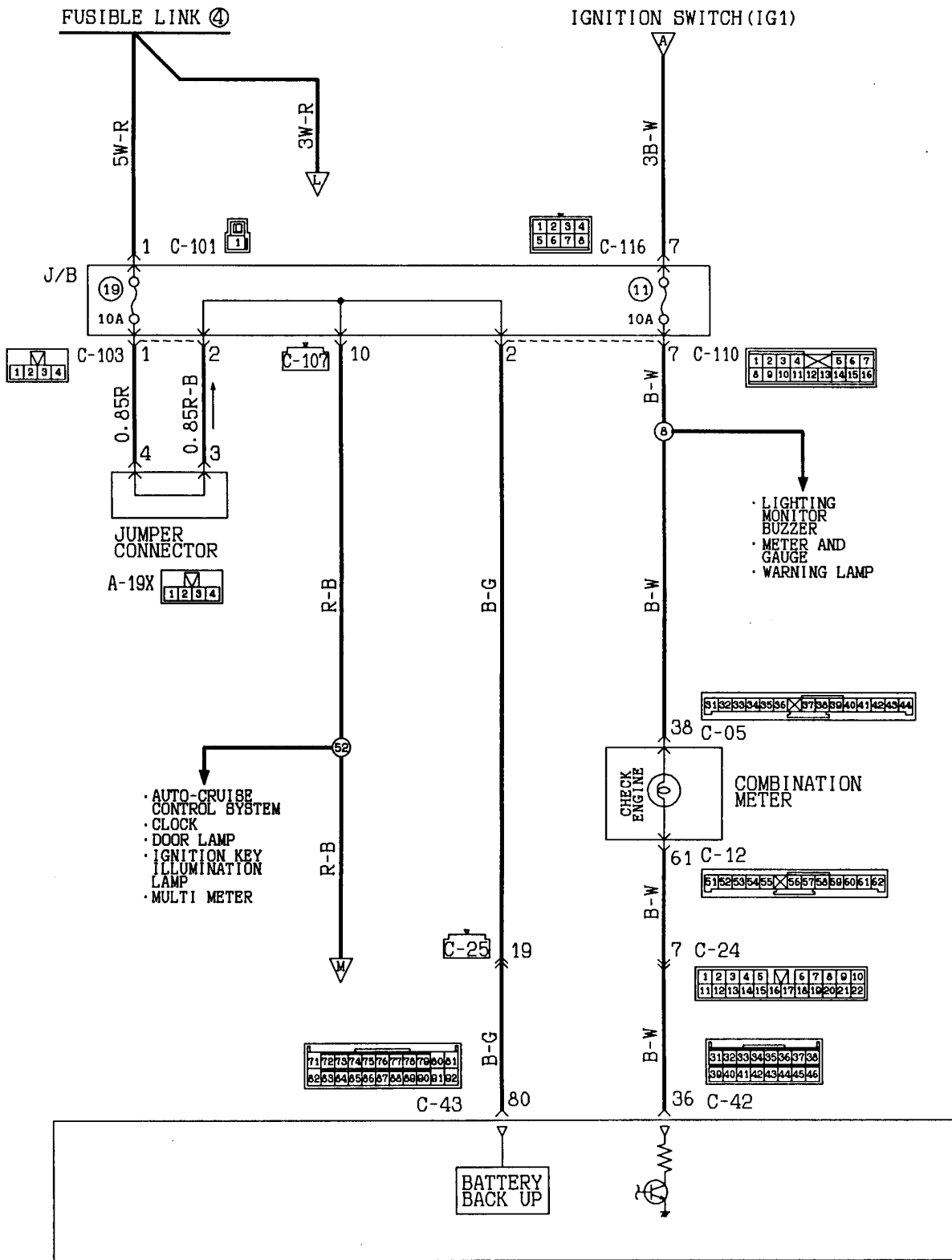
1	2	3	4	5	6	7	8	9	10	11
12	13	14	15	16	17	18	19	20	21	22
23	24	25	26	27	28	29	30	31	32	33

Remarks  
(1) \*1: Without immobilizer system  
(2) \*2: With immobilizer system



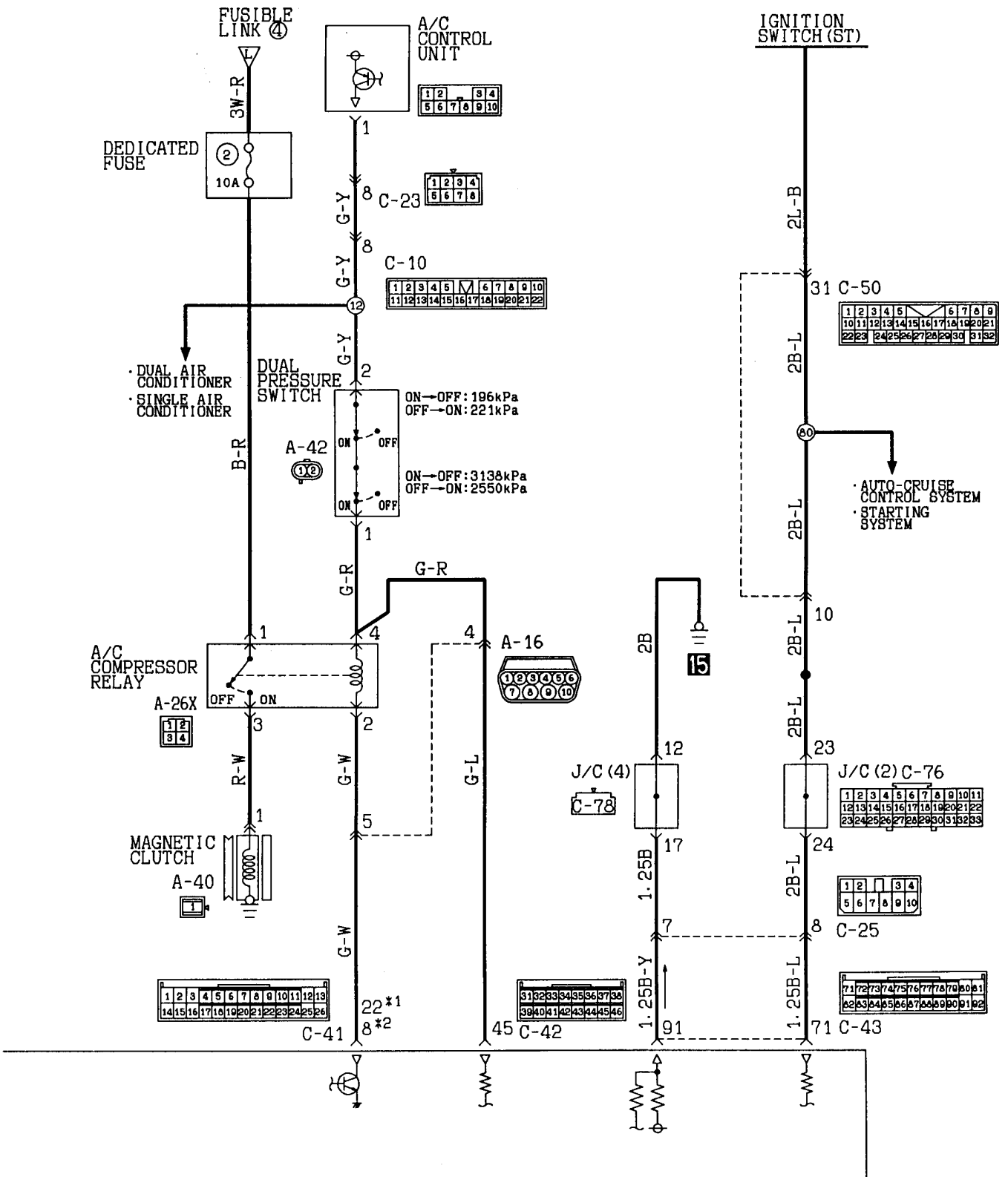
Wire colour code  
 B : Black    LG : Light green    G : Green    L : Blue    W : White    Y : Yellow    SB : Sky blue  
 BR : Brown    O : Orange    GR : Gray    R : Red    P : Pink    V : Violet

MPI SYSTEM <6G72 engine-M/T (R.H. drive vehicles) >  
(CONTINUED)



ENGINE CONTROL UNIT

Remarks  
(1) \*1: Without immobilizer system  
(2) \*2: With immobilizer system



C-78

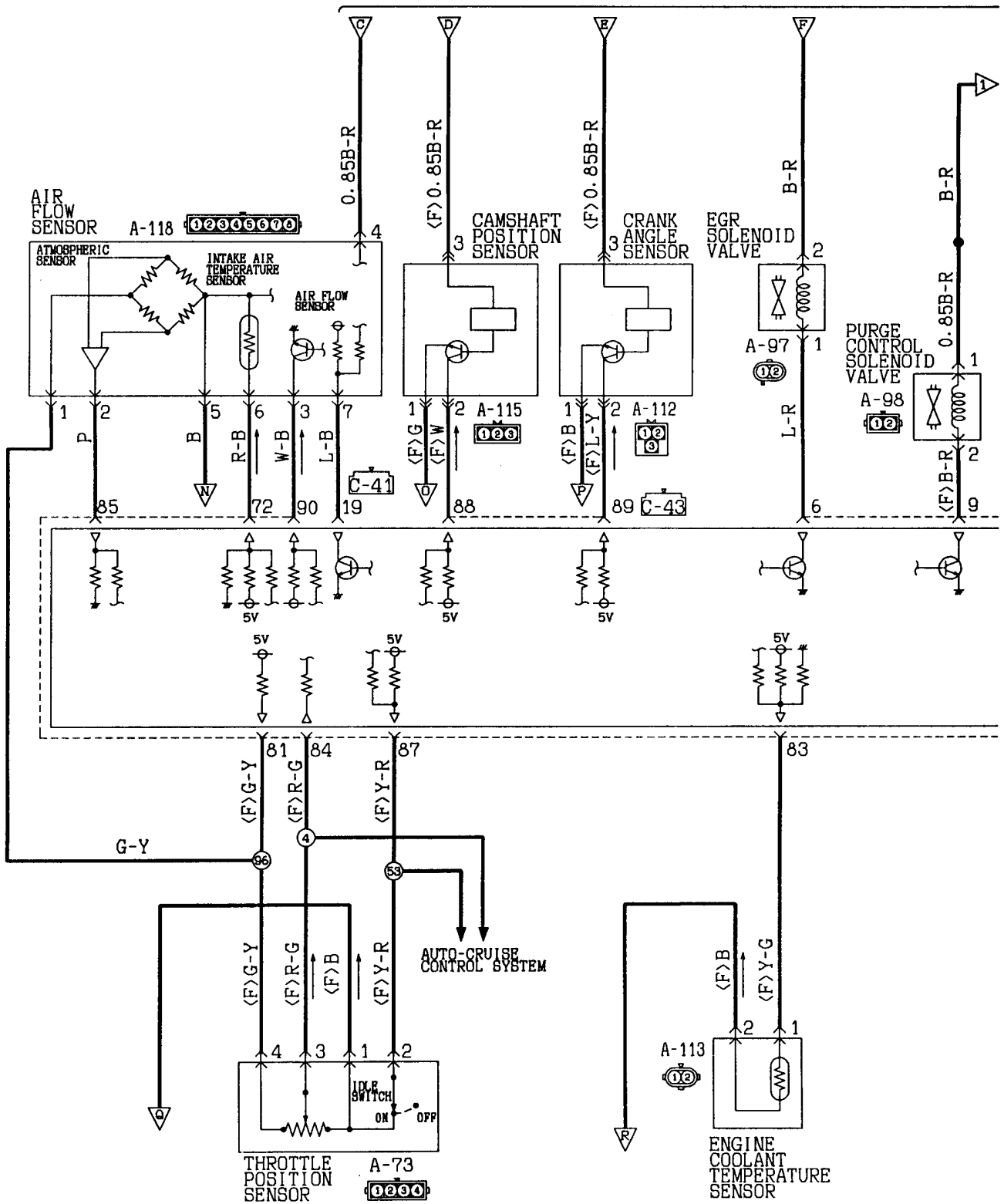
1	2	3	4	5	6	7	8	9	10	11
12	13	14	15	16	17	18	19	20	21	22
23	24	25	26	27	28	29	30	31	32	33

Wire colour code  
 B : Black      LG : Light green  
 BR : Brown    O : Orange  
 W : White      SB : Sky blue  
 V : Violet

G : Green      L : Blue  
 GR : Gray    R : Red  
 P : Pink      Y : Yellow



MPI SYSTEM <6G72 engine-M/T (R. H. drive vehicles)>  
(CONTINUED)



C-41

1	2	3	4	5	6	7	8	9	10	11	12	13
14	15	16	17	18	19	20	21	22	23	24	25	26

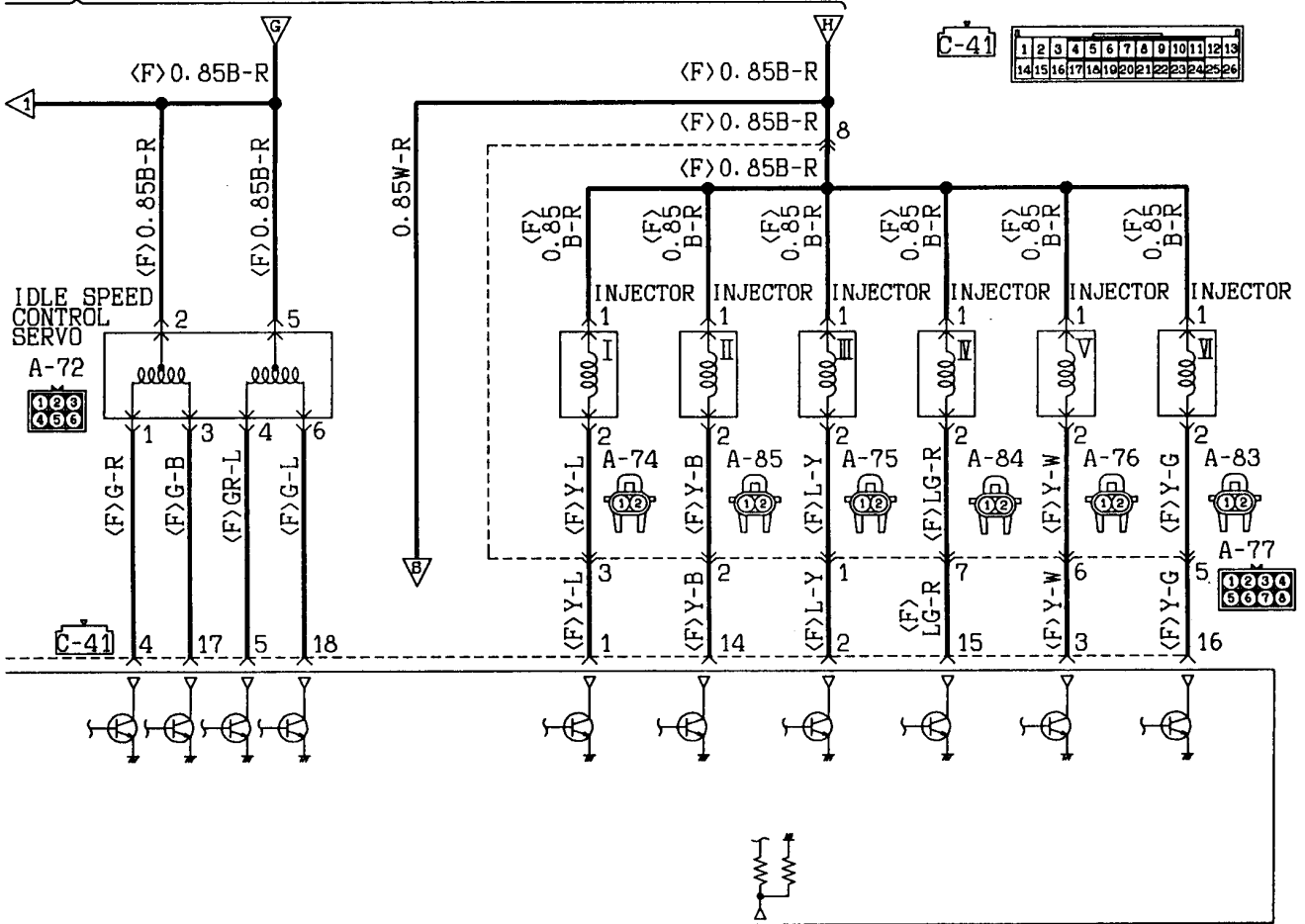
C-43

71	72	73	74	75	76	77	78	79	80	81
82	83	84	85	86	87	88	89	90	91	92

FUSIBLE LINK ⑥

C-24	1	2	3	4	5	M	6	7	8	9	10	
	11	12	13	14	15	16	17	18	19	20	21	22

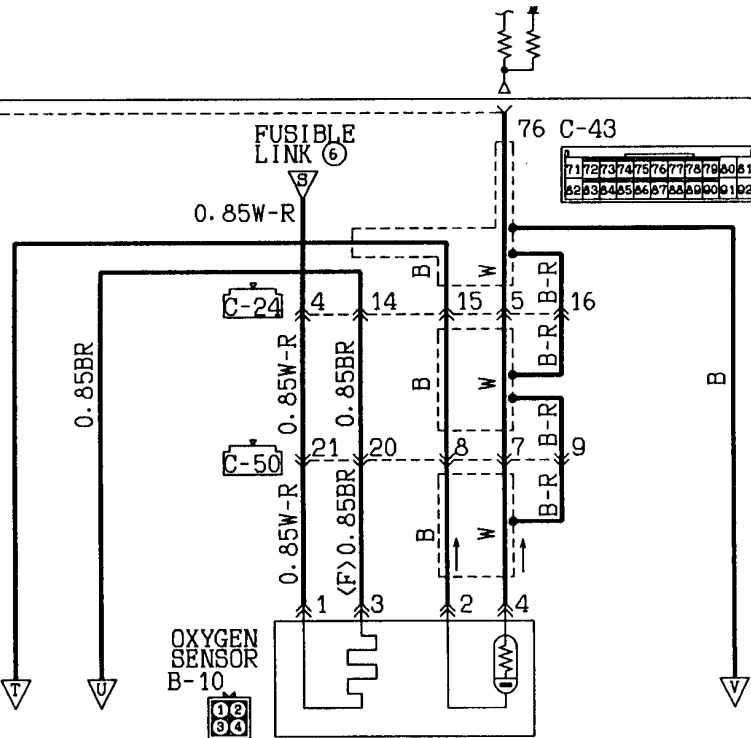
C-41	1	2	3	4	5	6	7	8	9	10	11	12	13
	14	15	16	17	18	19	20	21	22	23	24	25	26



ENGINE CONTROL UNIT

FUSIBLE LINK ⑥

C-43	71	72	73	74	75	76	77	78	79	80	81
	82	83	84	85	86	87	88	89	90	91	92



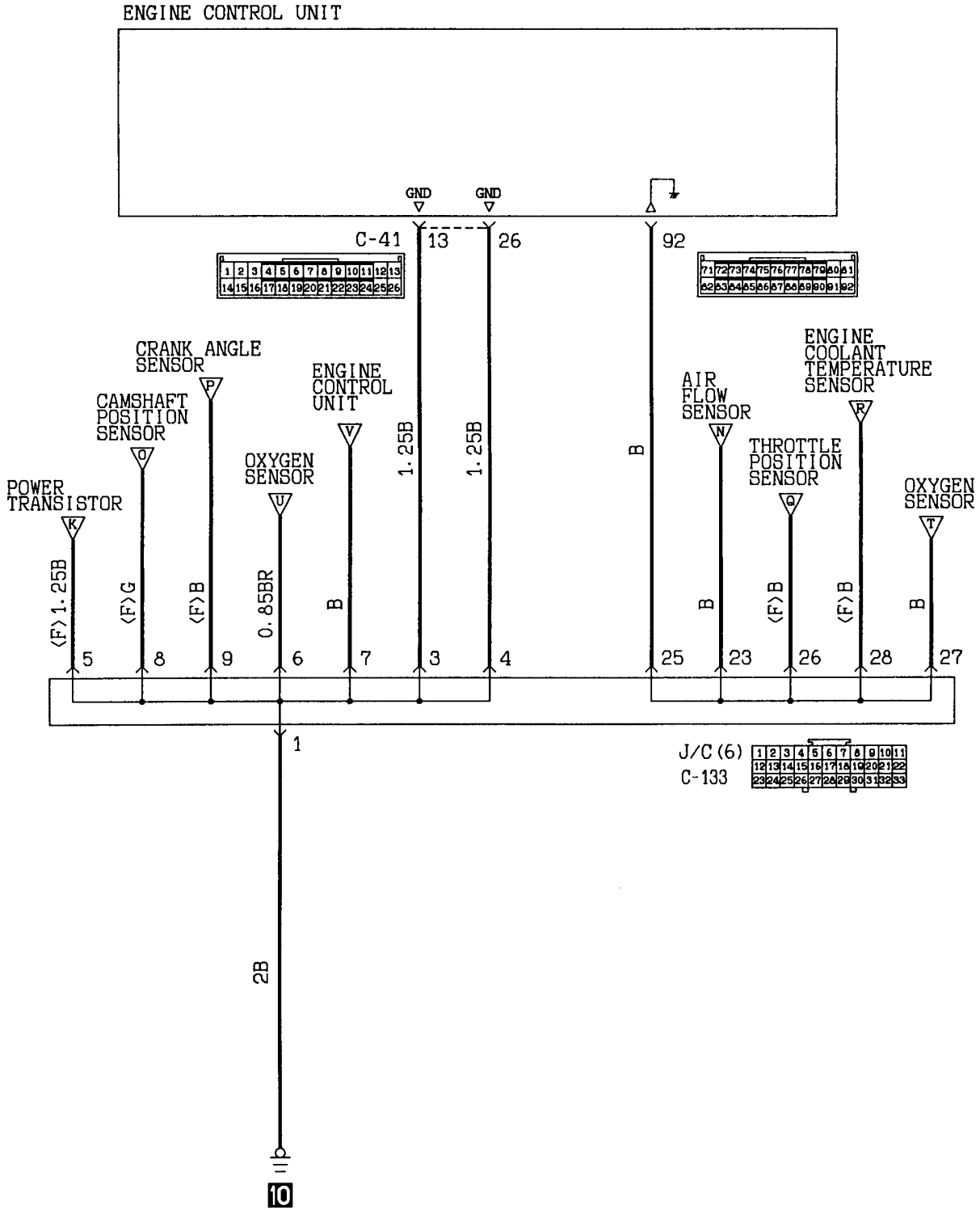
C-50	1	2	3	4	5	6	7	8	9			
	10	11	12	13	14	15	16	17	18	19	20	21
	22	23	24	25	26	27	28	29	30	31	32	

Wire colour code  
 B : Black      LG : Light green      GR : Green      L : Blue  
 BR : Brown    O : Orange            G : Gray        R : Red  
 W : White      SB : Sky blue        P : Pink        Y : Yellow  
 V : Violet





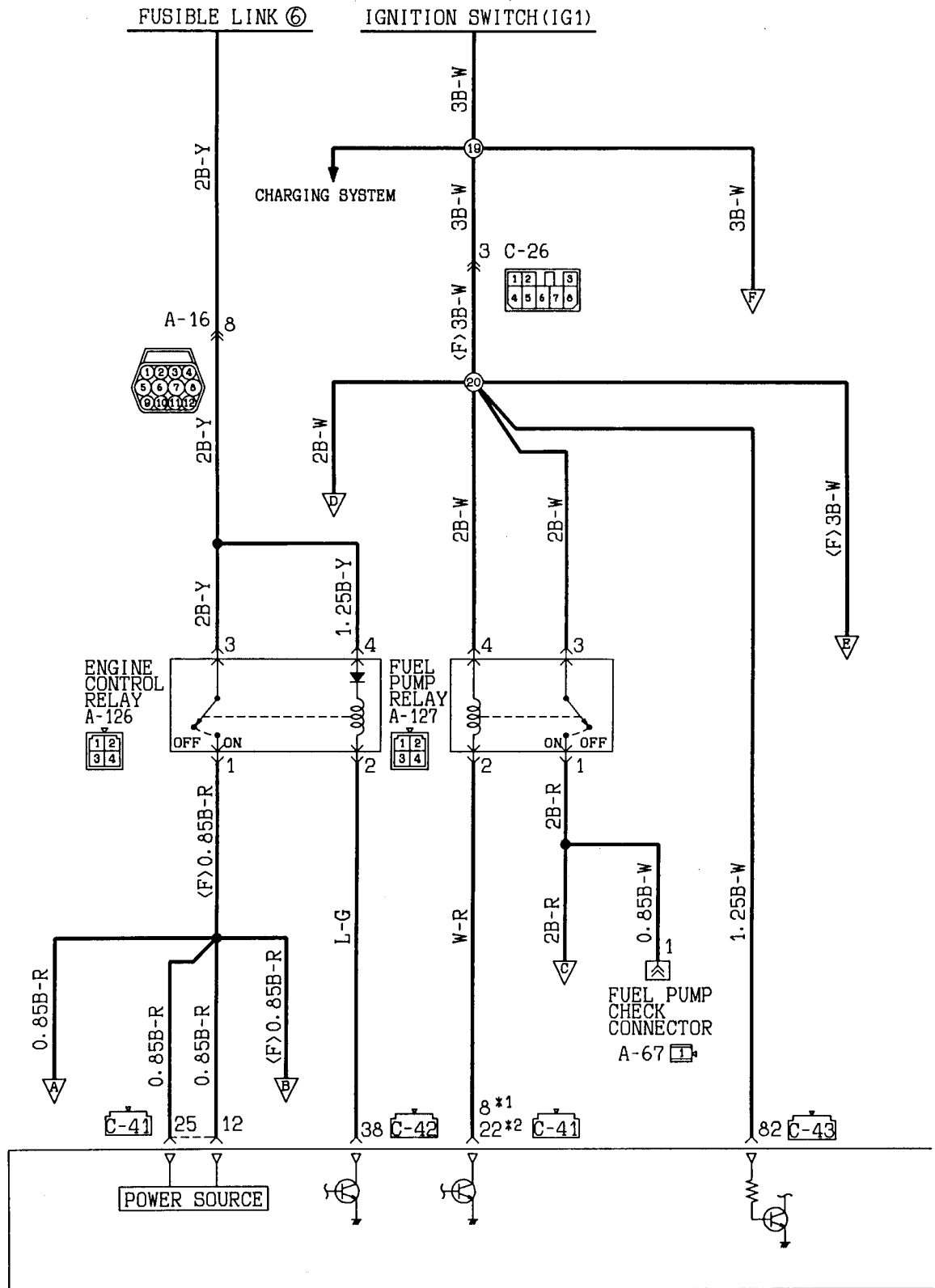
MPI SYSTEM <6G72 engine-M/T (R. H. drive vehicles) >  
(CONTINUED)



Wire colour code  
 B : Black    LG: Light green    G : Green    L : Blue    W : White    Y : Yellow    SB: Sky blue  
 BR: Brown    O : Orange    GR: Gray    R : Red    P : Pink    V : Violet

NOTES

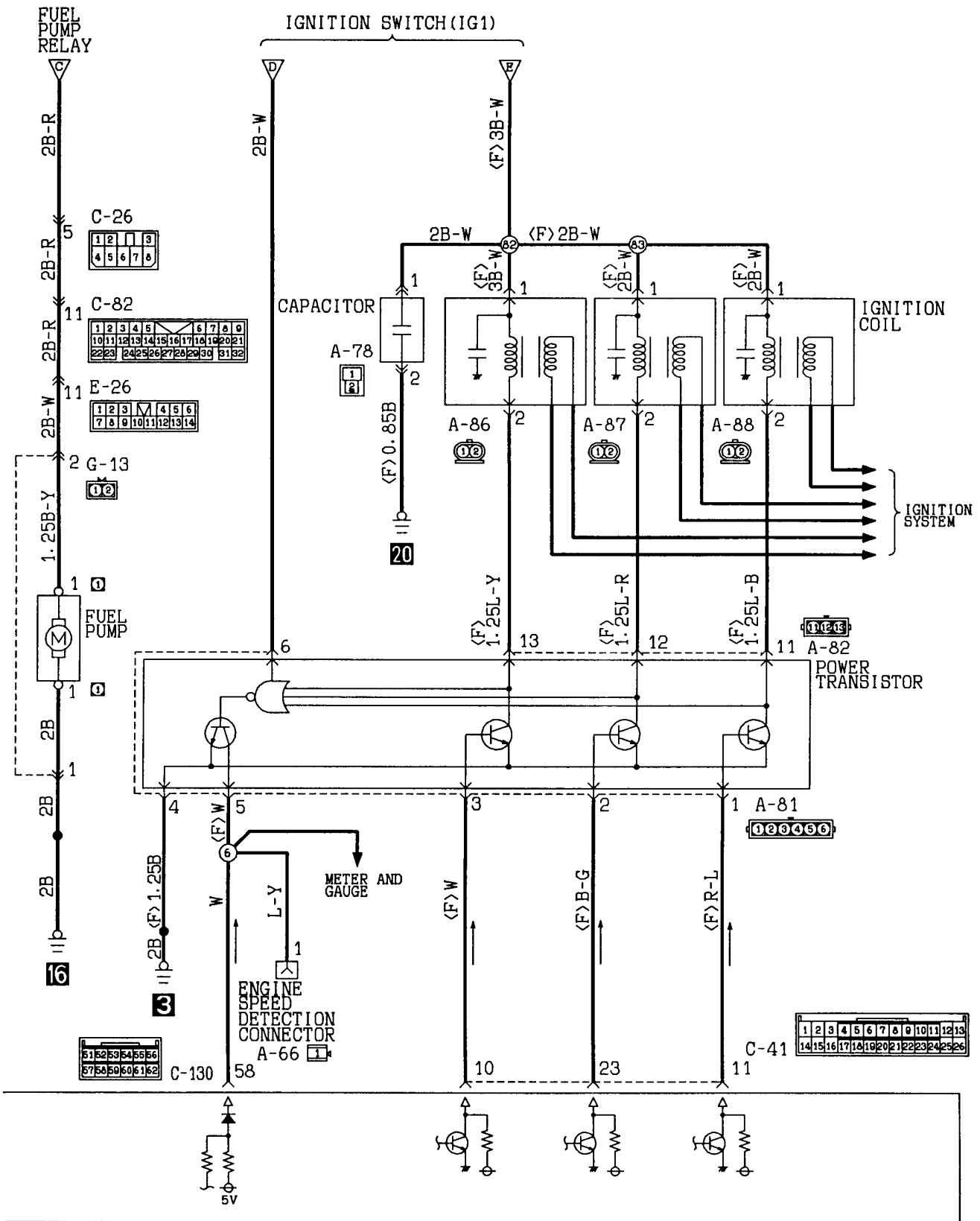
MPI SYSTEM  
6G72 engine-A/T<L.H. drive Vehicles>



ENGINE CONTROL UNIT

C-42	31 32 33 34 35 36 37 38 39 40 41 42 43 44 45 46	C-41	1 2 3 4 5 6 7 8 9 10 11 12 13 14 15 16 17 18 19 20 21 22 23 24 25 26	C-43	71 72 73 74 75 76 77 78 79 80 81 82 83 84 85 86 87 88 89 90 91 92
------	--	------	---	------	--

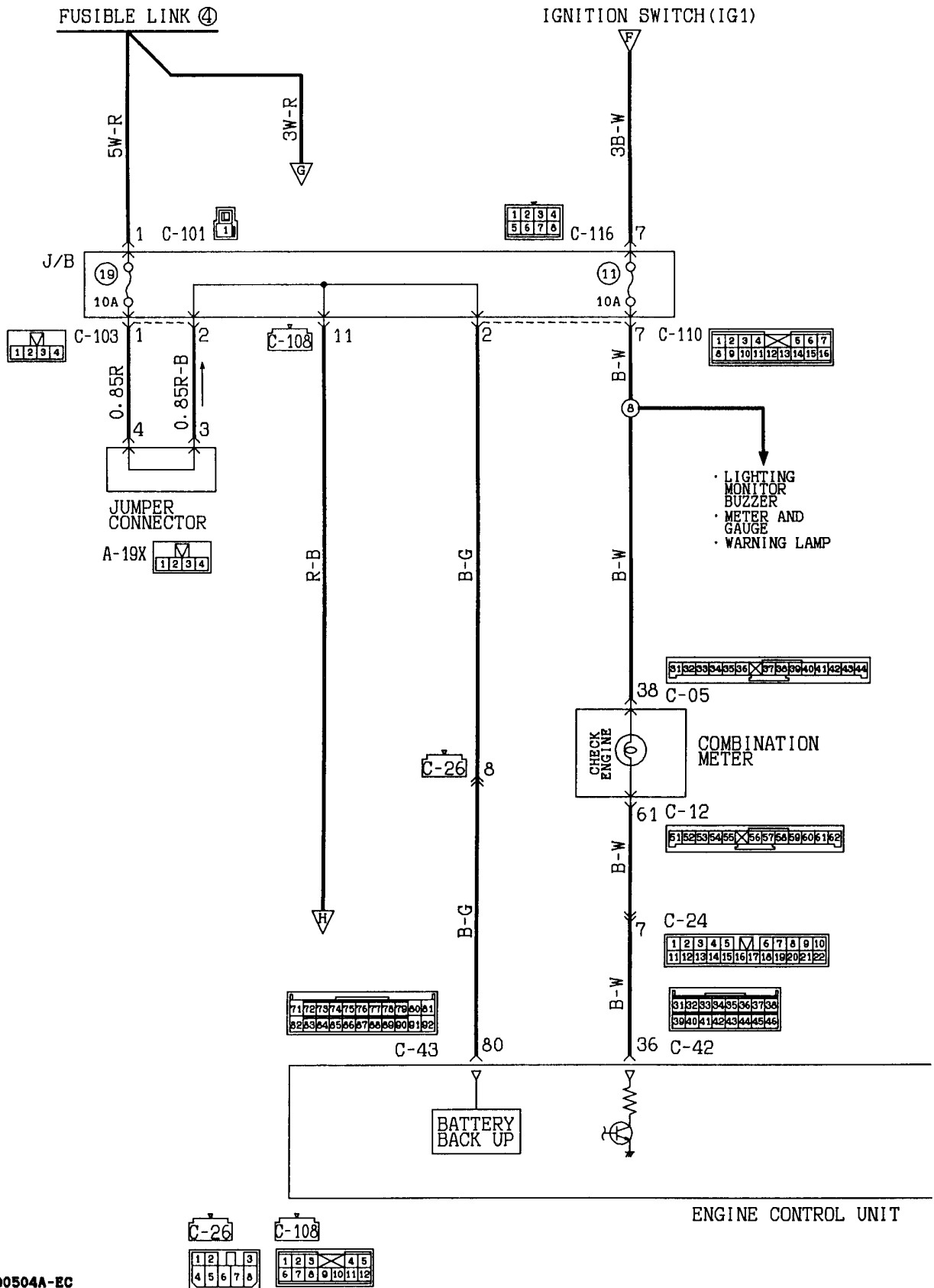
Remarks  
(1) \*1: Without immobilizer system  
(2) \*2: With Immobilizer system

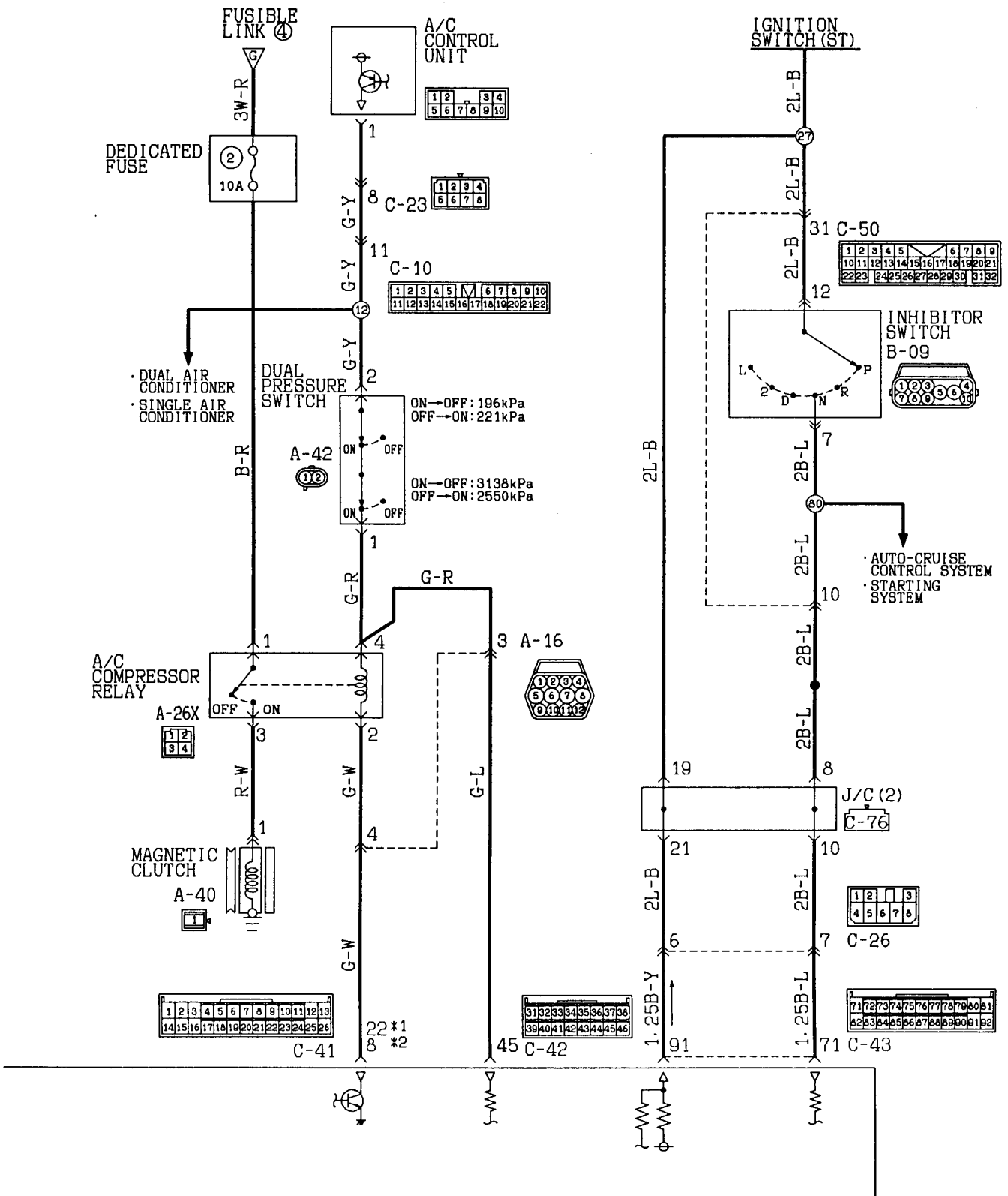


Wire colour code  
 B : Black LG: Light green G : Green L : Blue W : White Y : Yellow SB: Sky blue  
 BR: Brown O : Orange GR: Gray R : Red P : Pink V : Violet



MPI SYSTEM <6G72 engine-A/T (L.H. drive vehicles)>  
(CONTINUED)





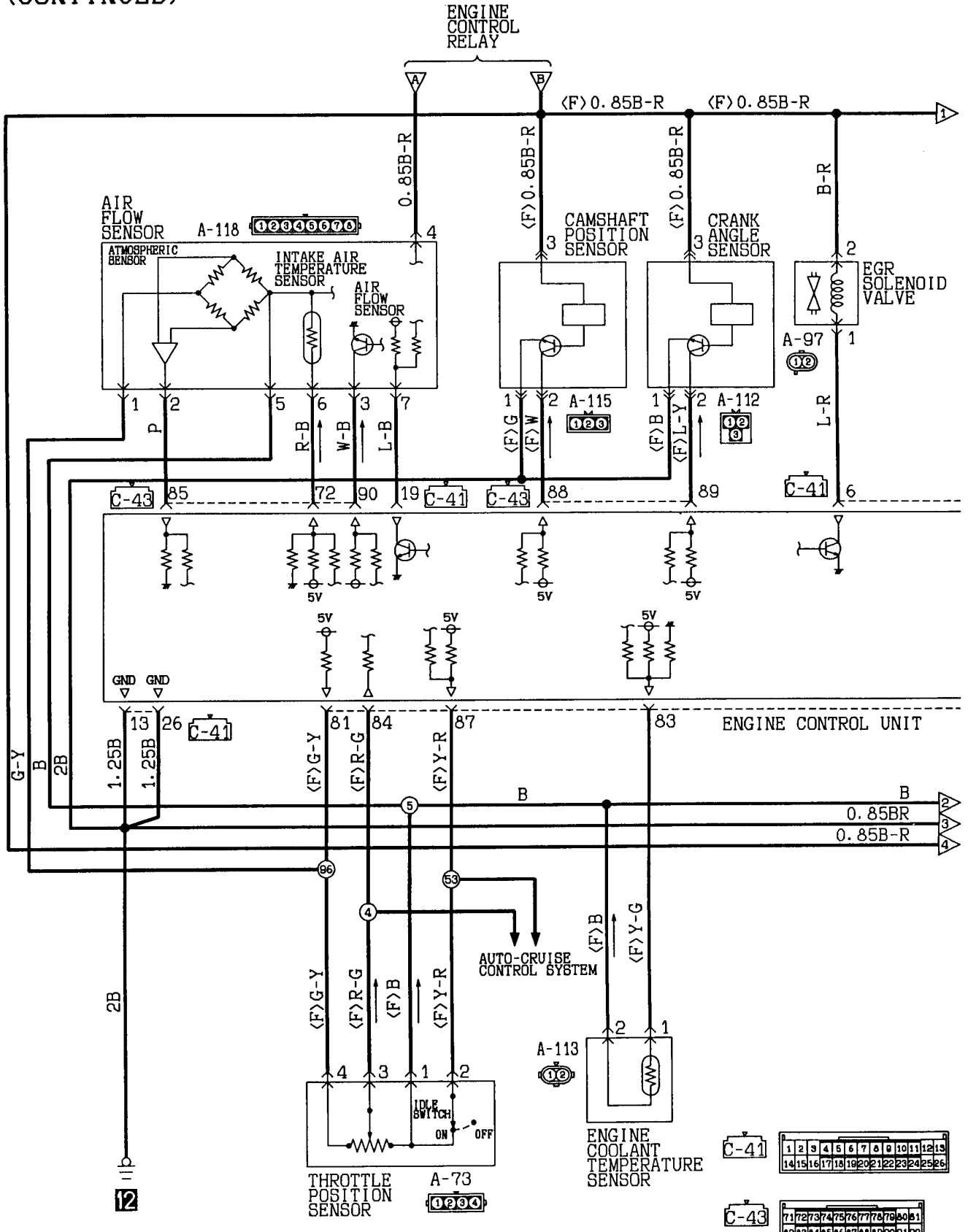
C-76

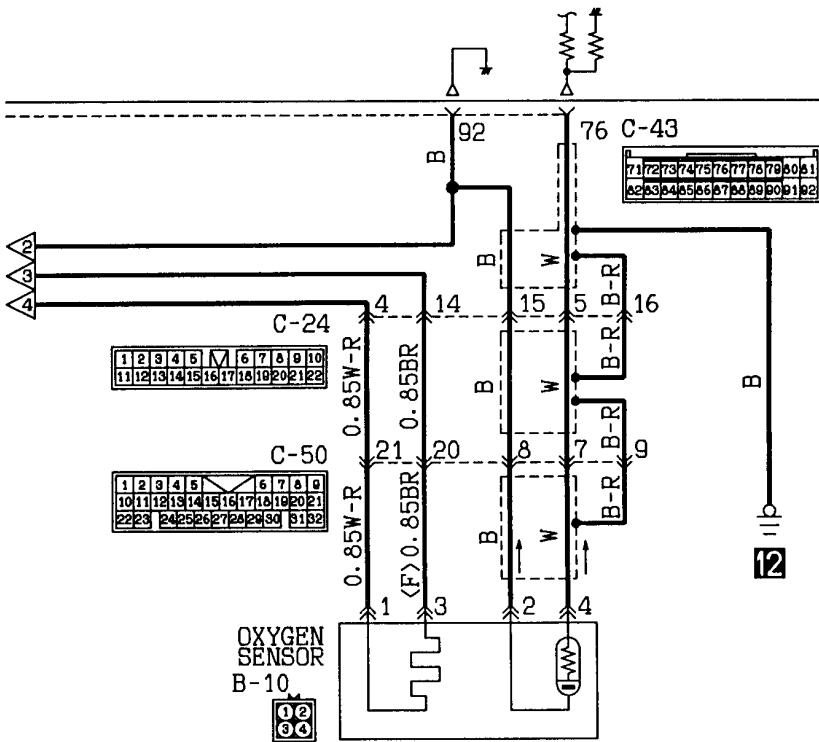
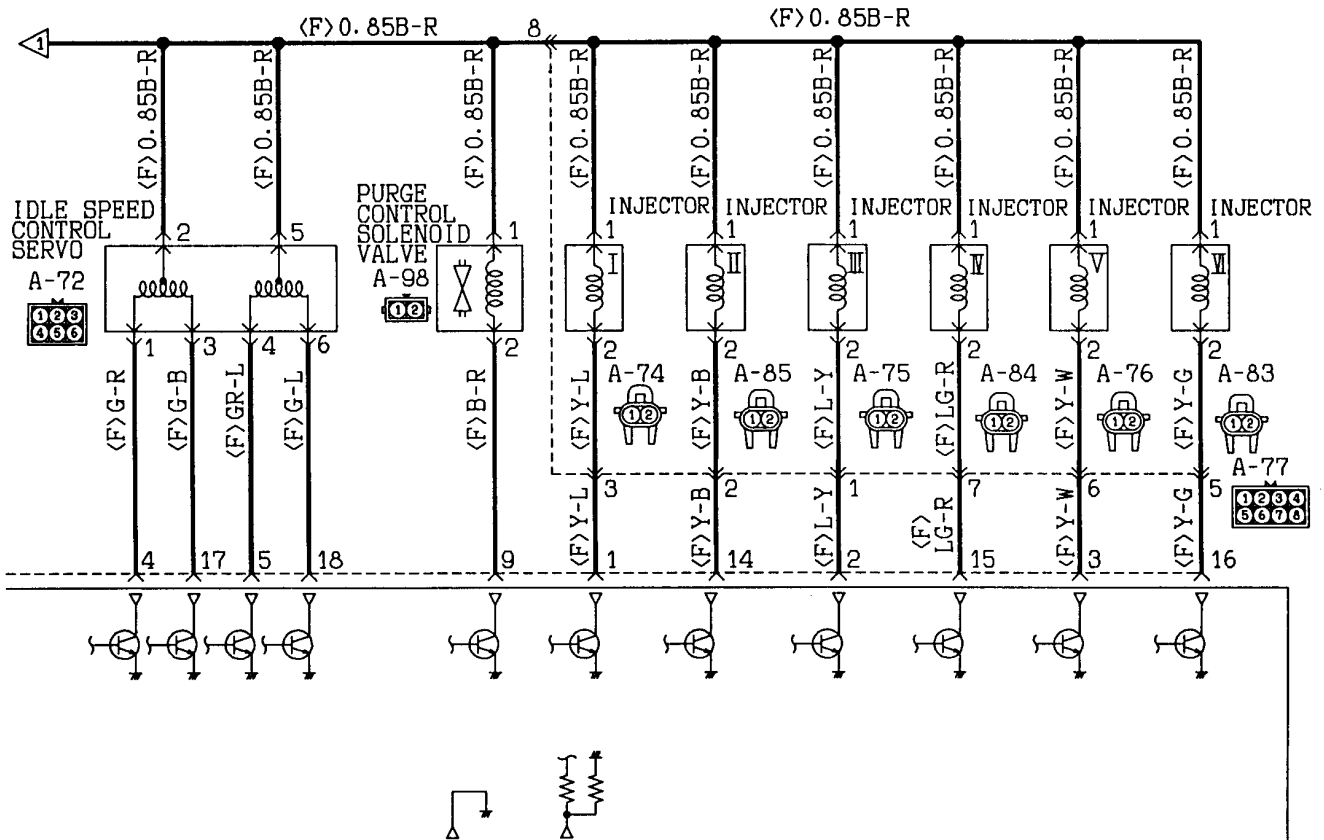
1	2	3	4	5	6	7	8	9	10	11
12	13	14	15	16	17	18	19	20	21	22
23	24	25	26	27	28	29	30	31	32	33

Wire colour code

B : Black    LG: Light green    G : Green    L : Blue    W : White    Y : Yellow    SB: Sky blue  
 BR: Brown    O : Orange    GR: Gray    R : Red    P : Pink    V : Violet

MPI SYSTEM <6G72 engine-A/T (L.H. drive vehicles)>  
(CONTINUED)

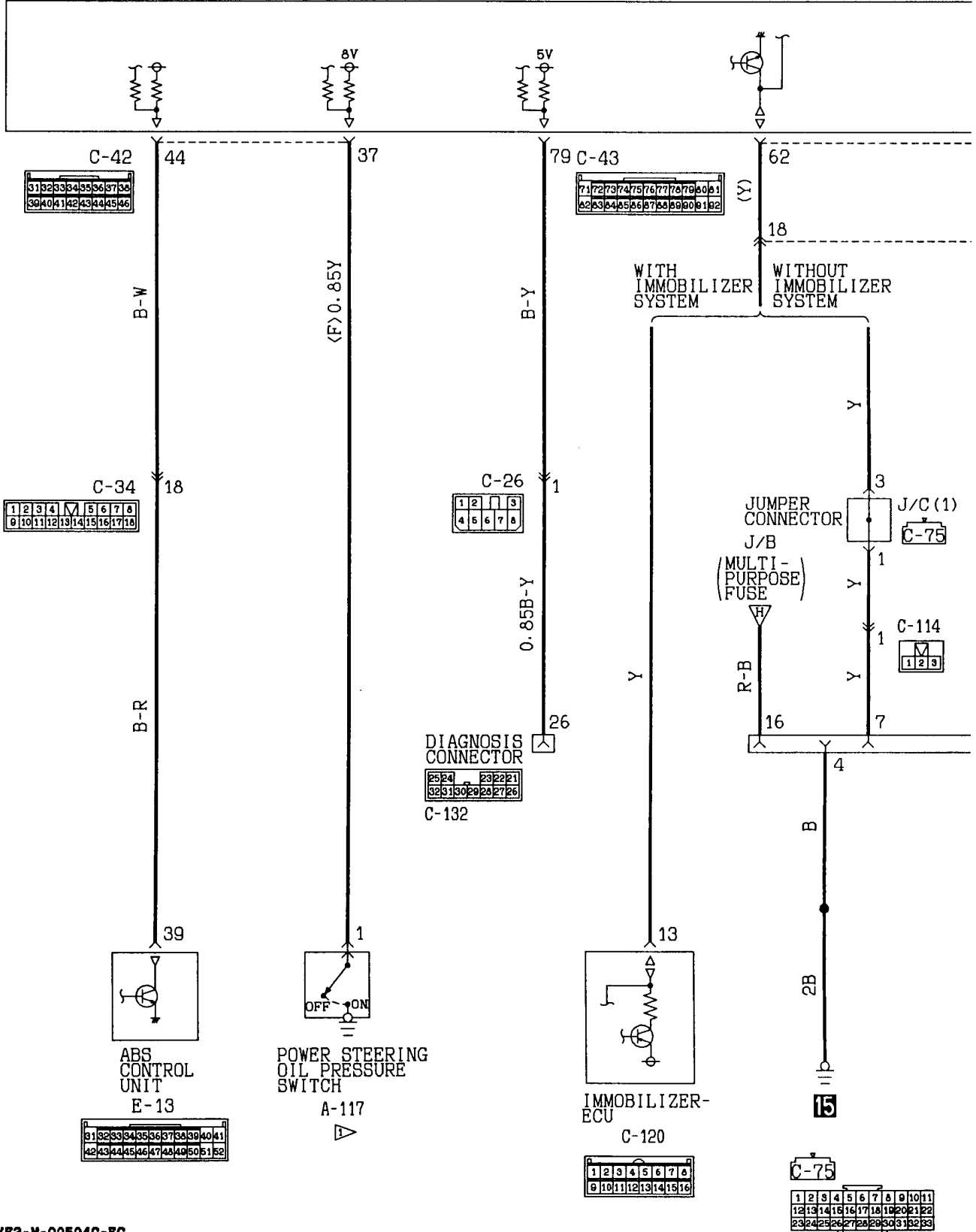


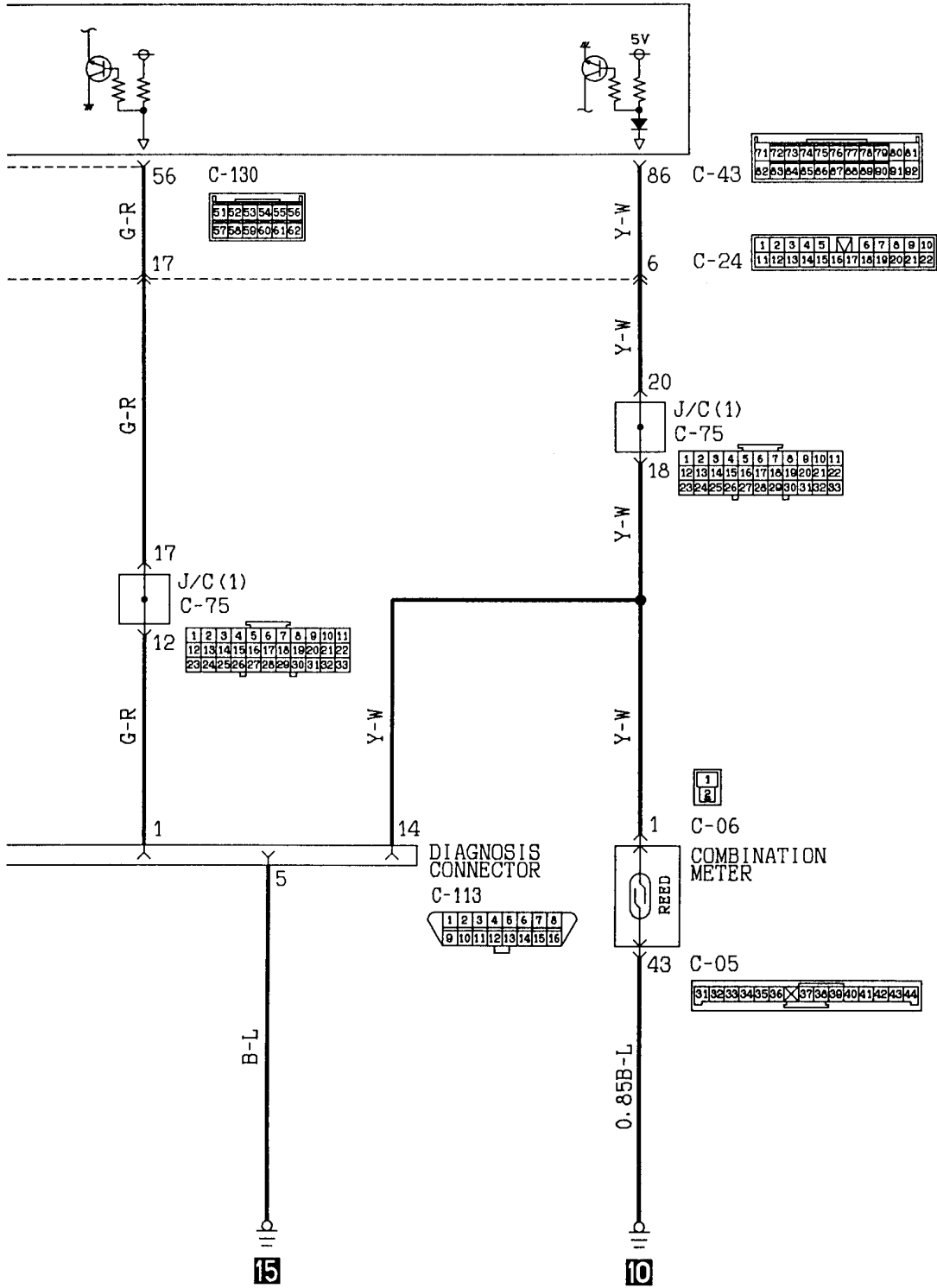


Wire colour code  
 B : Black    LG : Light green    G : Green    L : Blue    W : White    Y : Yellow    SB : Sky blue  
 BR : Brown    O : Orange    GR : Gray    R : Red    P : Pink    V : Violet

MPI SYSTEM <6G72 engine-A/T (L.H. drive vehicles)>  
(CONTINUED)

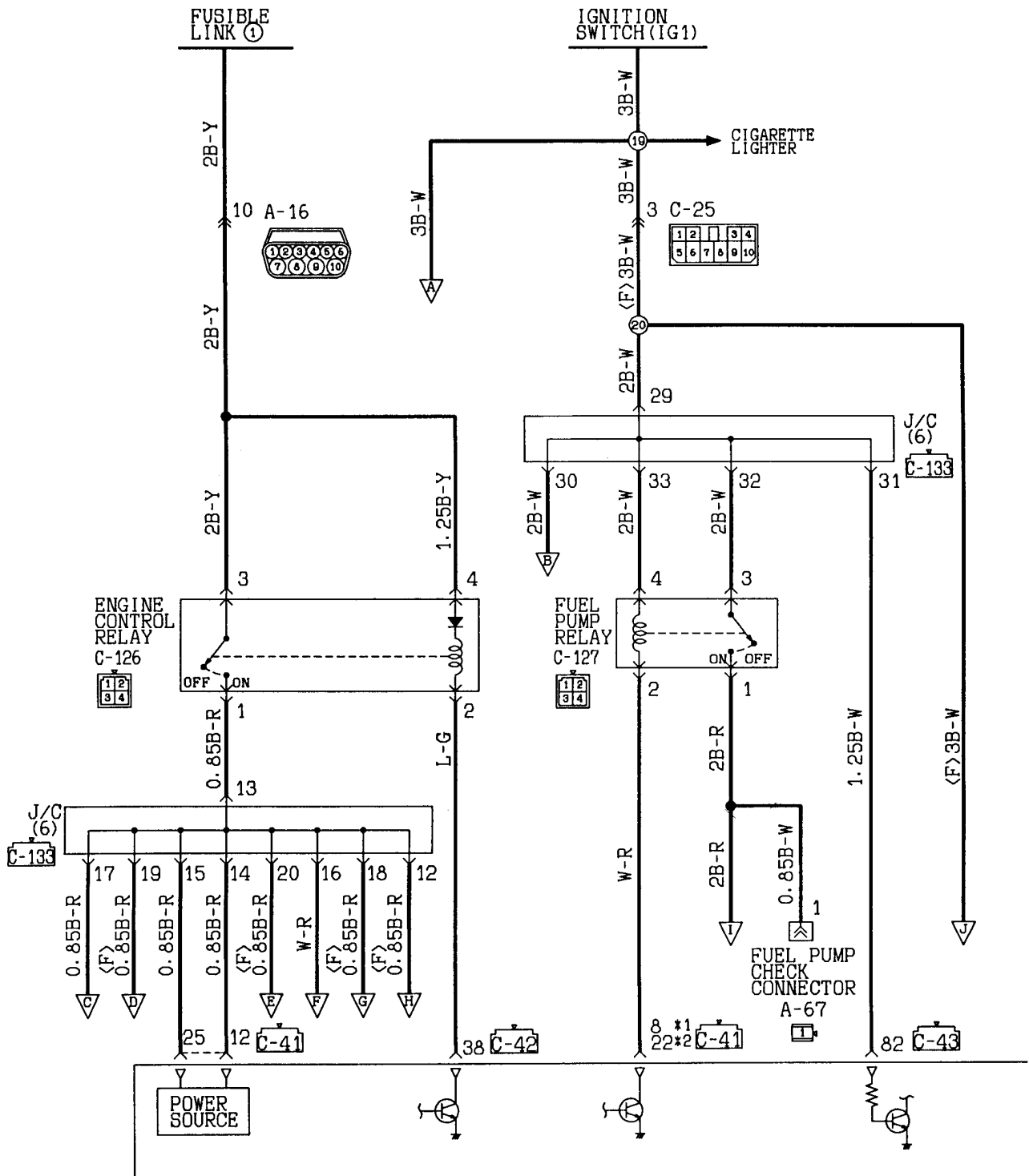
ENGINE CONTROL UNIT





Wire colour code  
 B : Black    LG : Light green    G : Green    L : Blue    W : White    Y : Yellow    SB : Sky blue  
 BR : Brown    O : Orange    GR : Gray    R : Red    P : Pink    V : Violet

MPI SYSTEM  
6G72 engine-A/T (R. H. drive vehicles)



ENGINE CONTROL SYSTEM

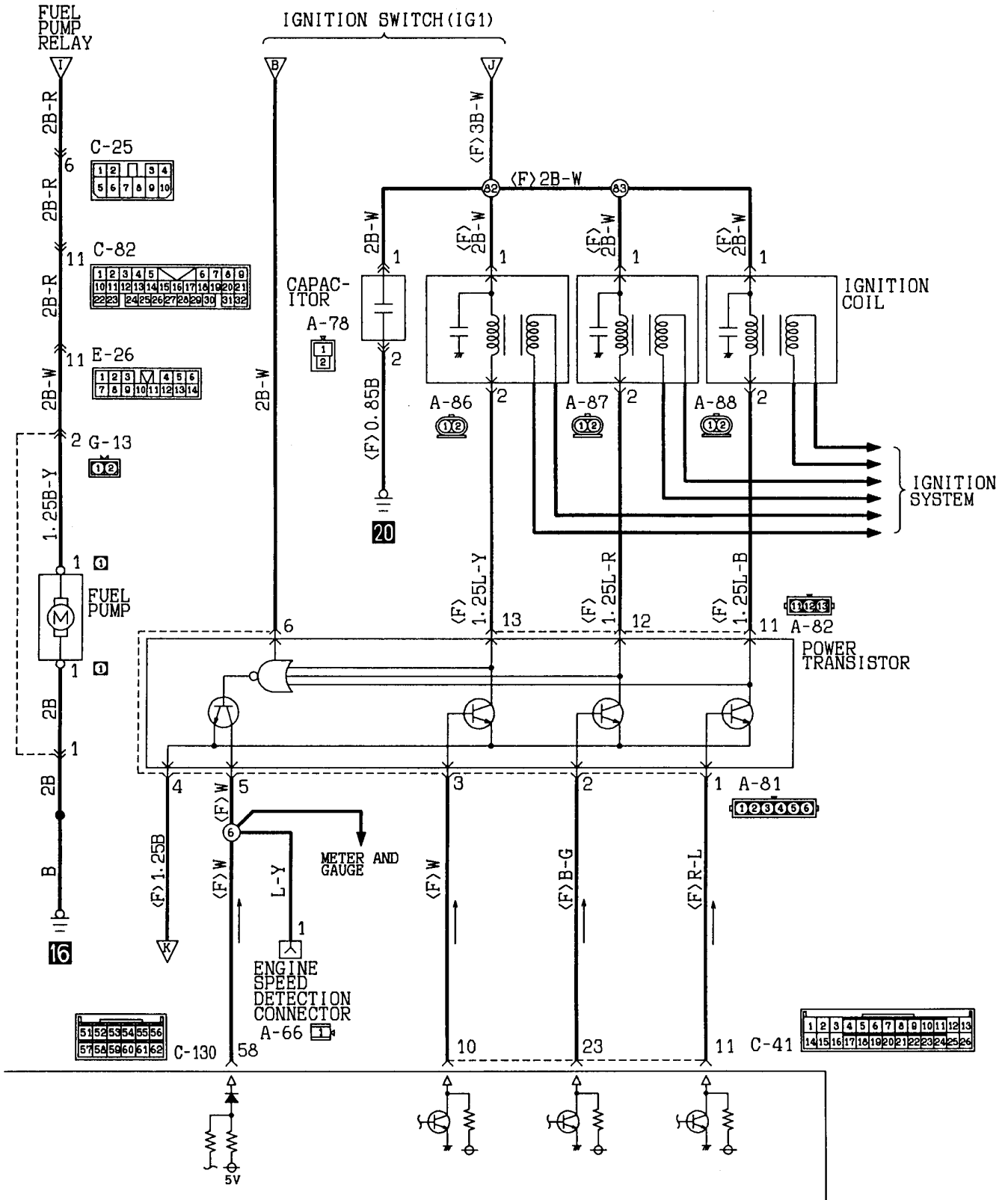
1	2	3	4	5	6	7	8	9	10	11
12	13	14	15	16	17	18	19	20	21	22
23	24	25	26	27	28	29	30	31	32	33

1	2	3	4	5	6	7	8	9	10	11	12	13
14	15	16	17	18	19	20	21	22	23	24	25	26

31	32	33	34	35	36	37	38
39	40	41	42	43	44	45	46

71	72	73	74	75	76	77	78	79	80	81
82	83	84	85	86	87	88	89	90	91	92

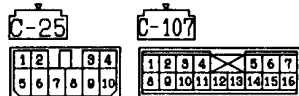
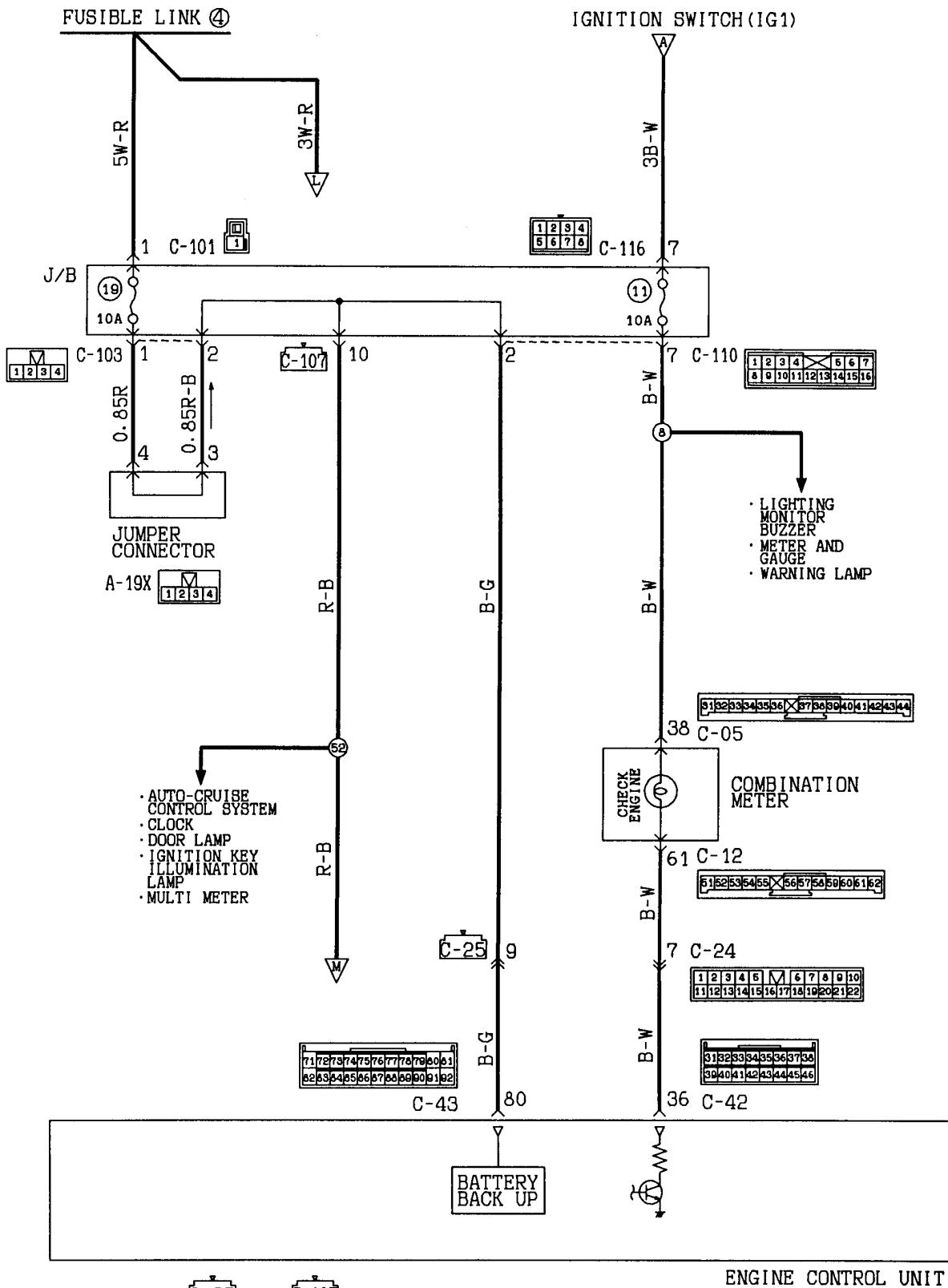
REMARKS  
(1) \*1: Without immobilizer system  
(2) \*2: With immobilizer system



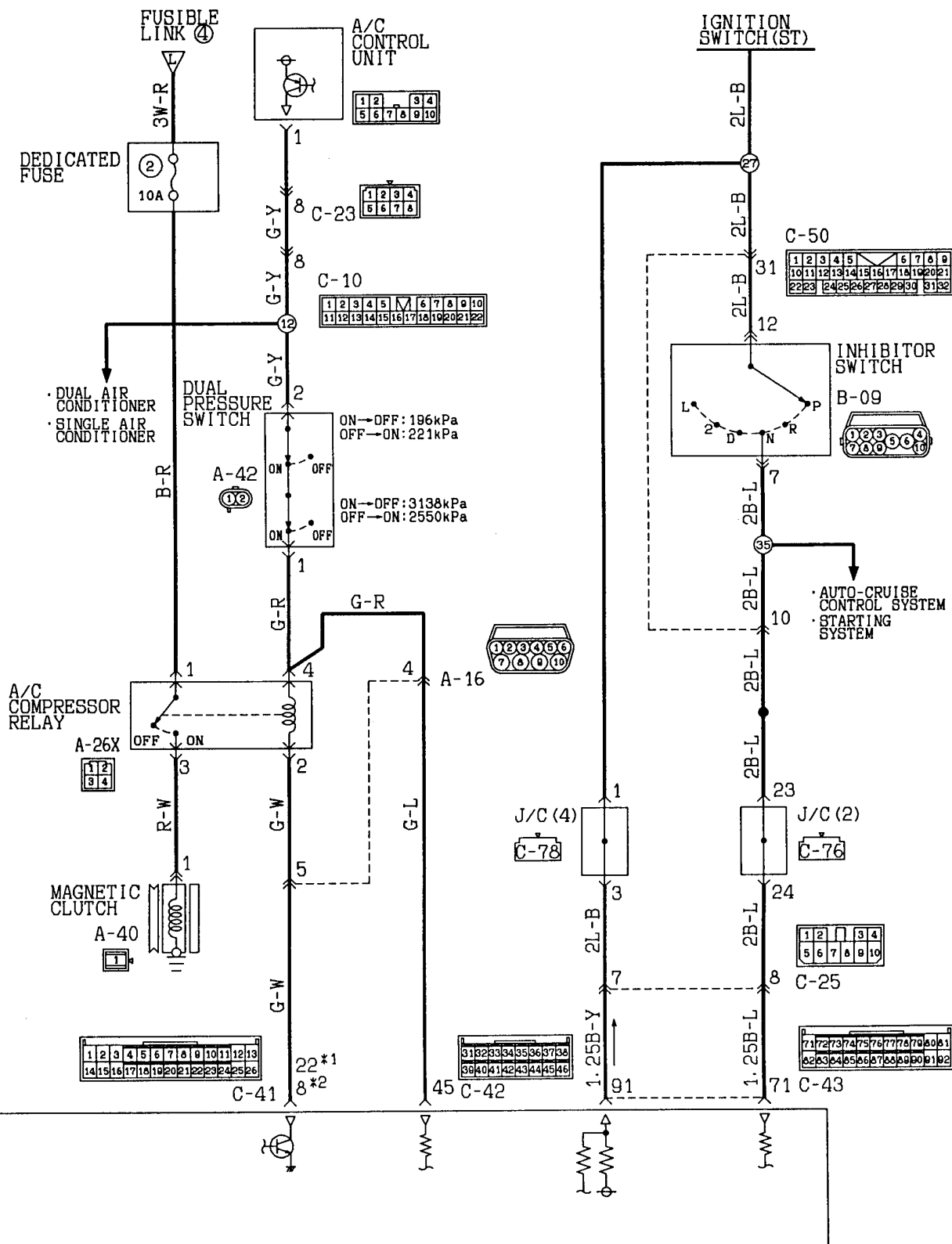
Wire colour code  
 B : Black LG: Light green G : Green L : Blue W : White Y : Yellow SB: Sky blue  
 BR: Brown O : Orange GR: Gray R : Red P : Pink V : Violet



MPI SYSTEM <6G72 engine-A/T (R. H. drive vehicles)>  
(CONTINUED)



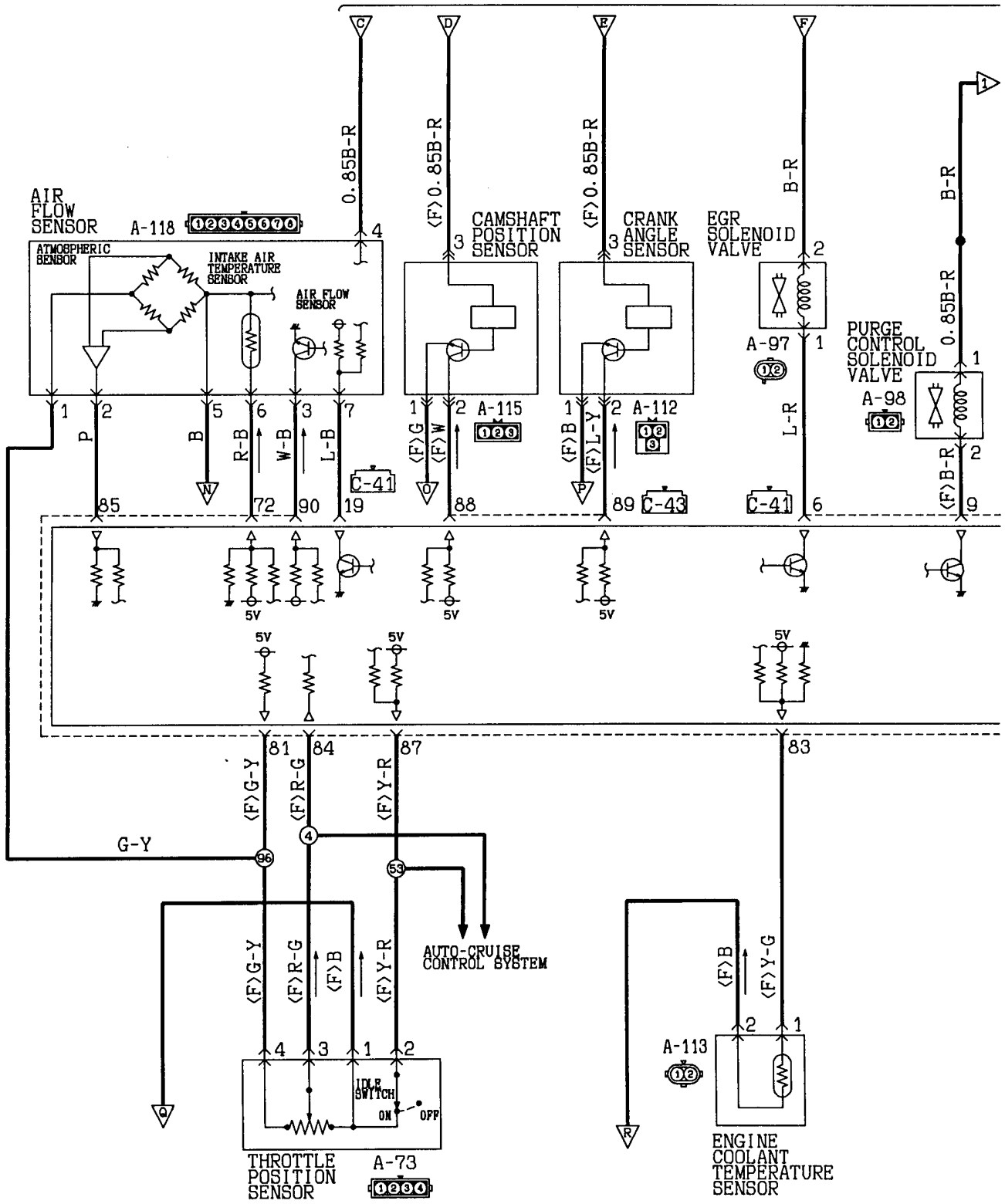
Remarks  
(1) \*1: Without immobilizer system  
(2) \*2: With immobilizer system



Wire colour code  
 B : Black    LG : Light green    G : Green    L : Blue  
 BR : Brown    O : Orange    GR : Gray    R : Red  
 W : White    SB : Sky blue    P : Pink    Y : Yellow  
 V : Violet



MPI SYSTEM <6G72 engine-A/T (R. H. drive vehicles)>  
(CONTINUED)

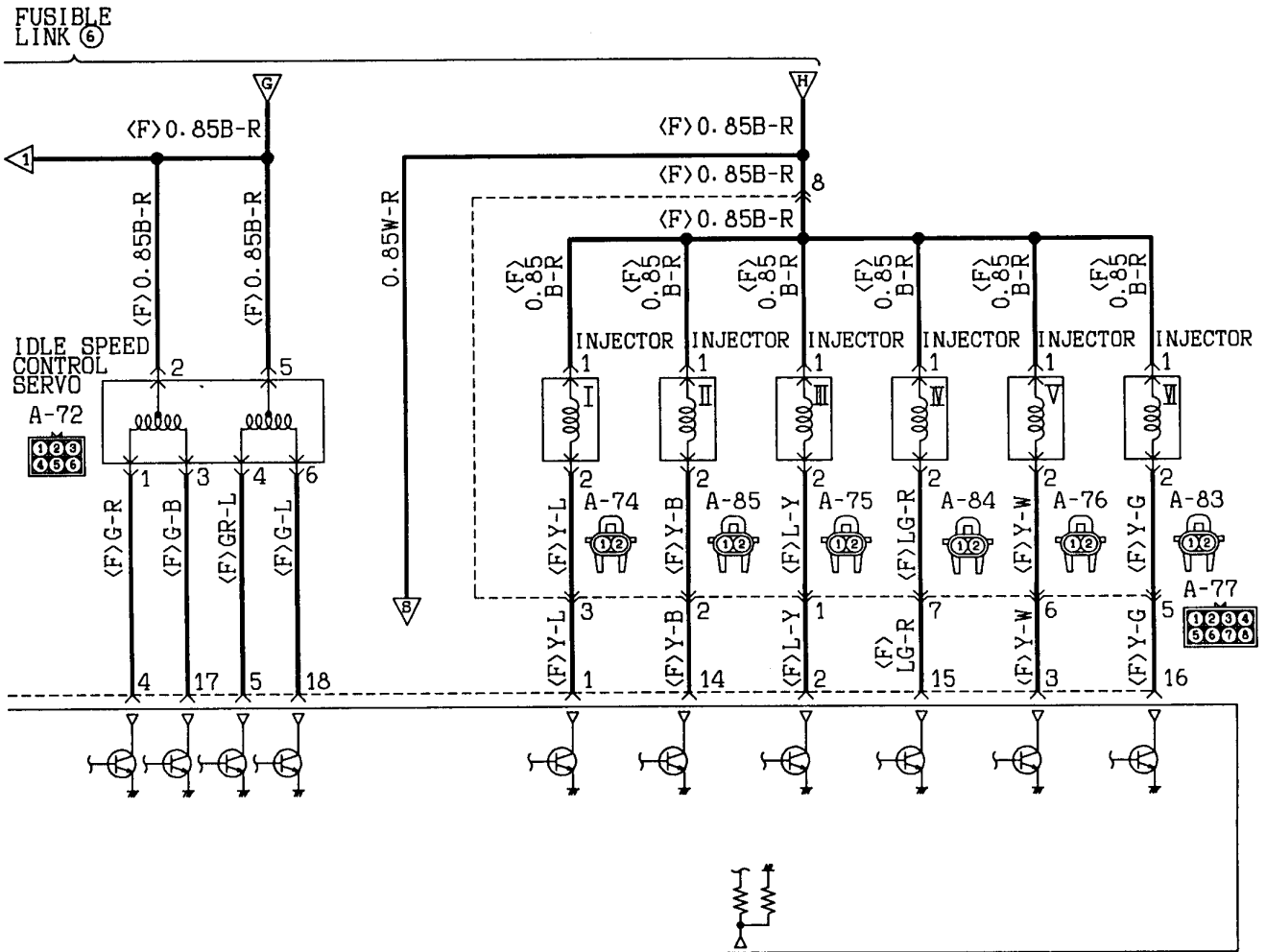


C-41

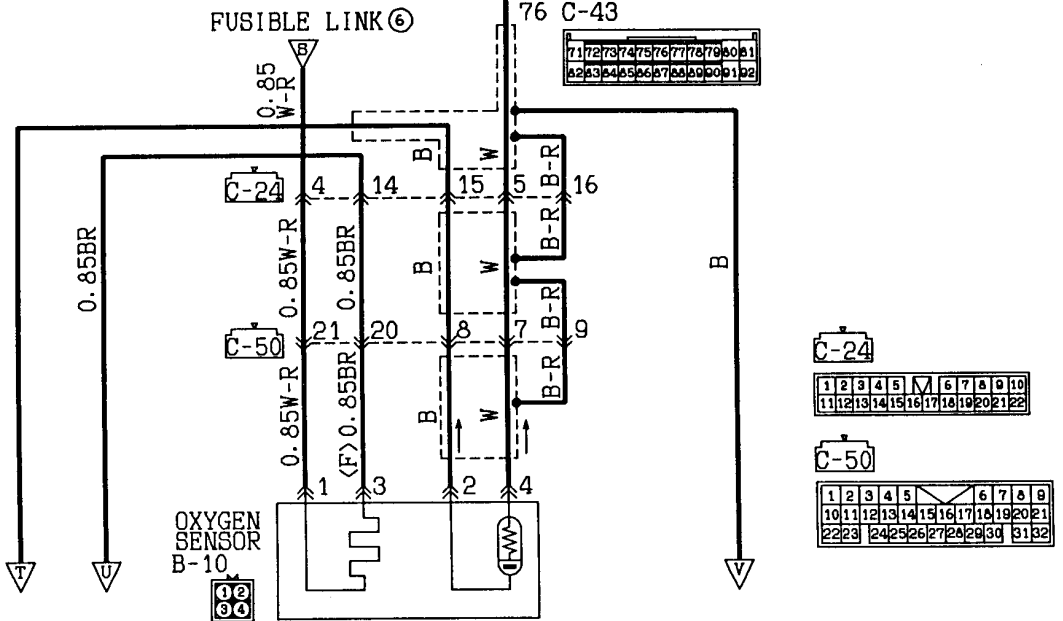
1	2	3	4	5	6	7	8	9	10	11	12	13
14	15	16	17	18	19	20	21	22	23	24	25	26

C-43

71	72	73	74	75	76	77	78	79	80	81
82	83	84	85	86	87	88	89	90	91	92



ENGINE CONTROL UNIT

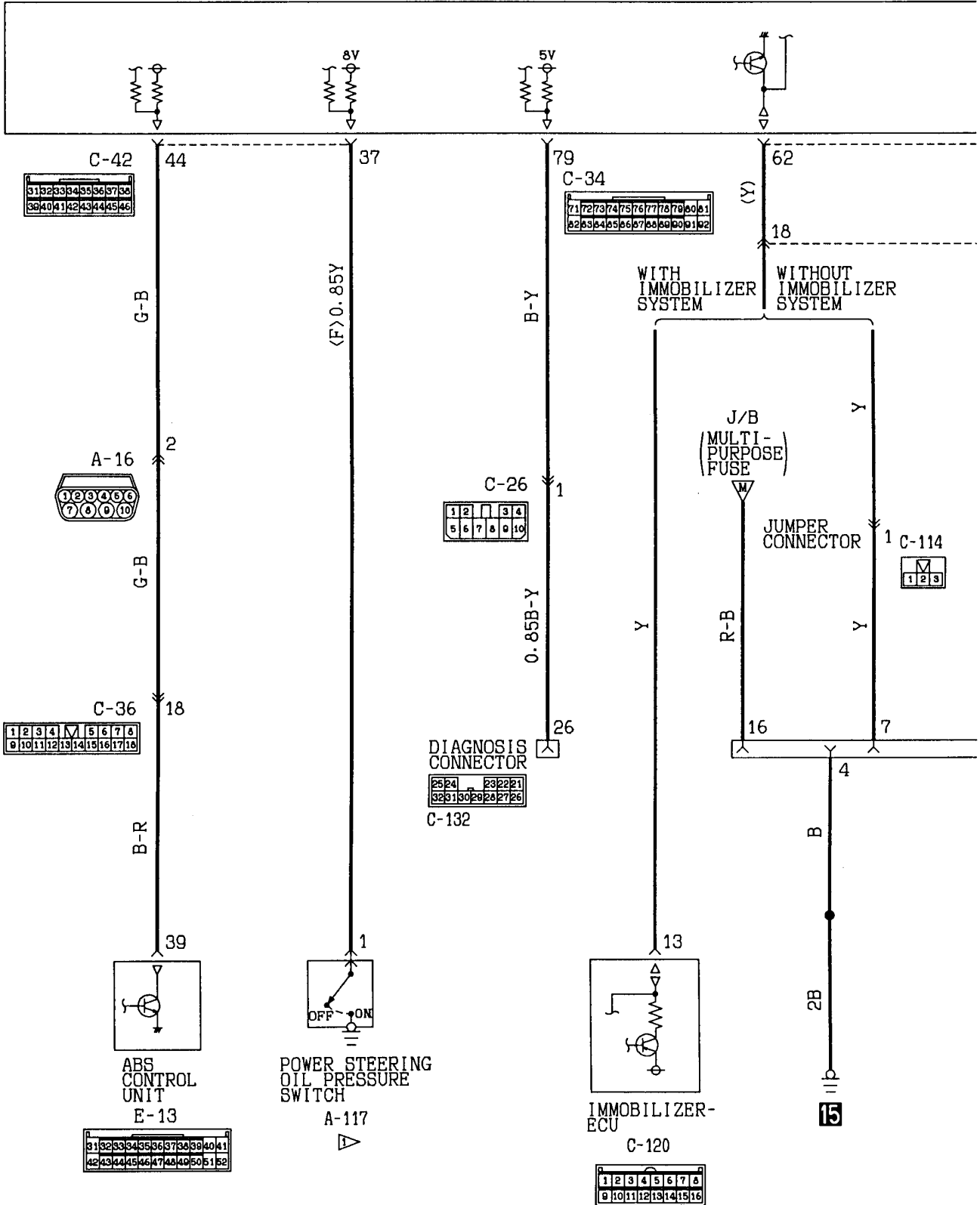


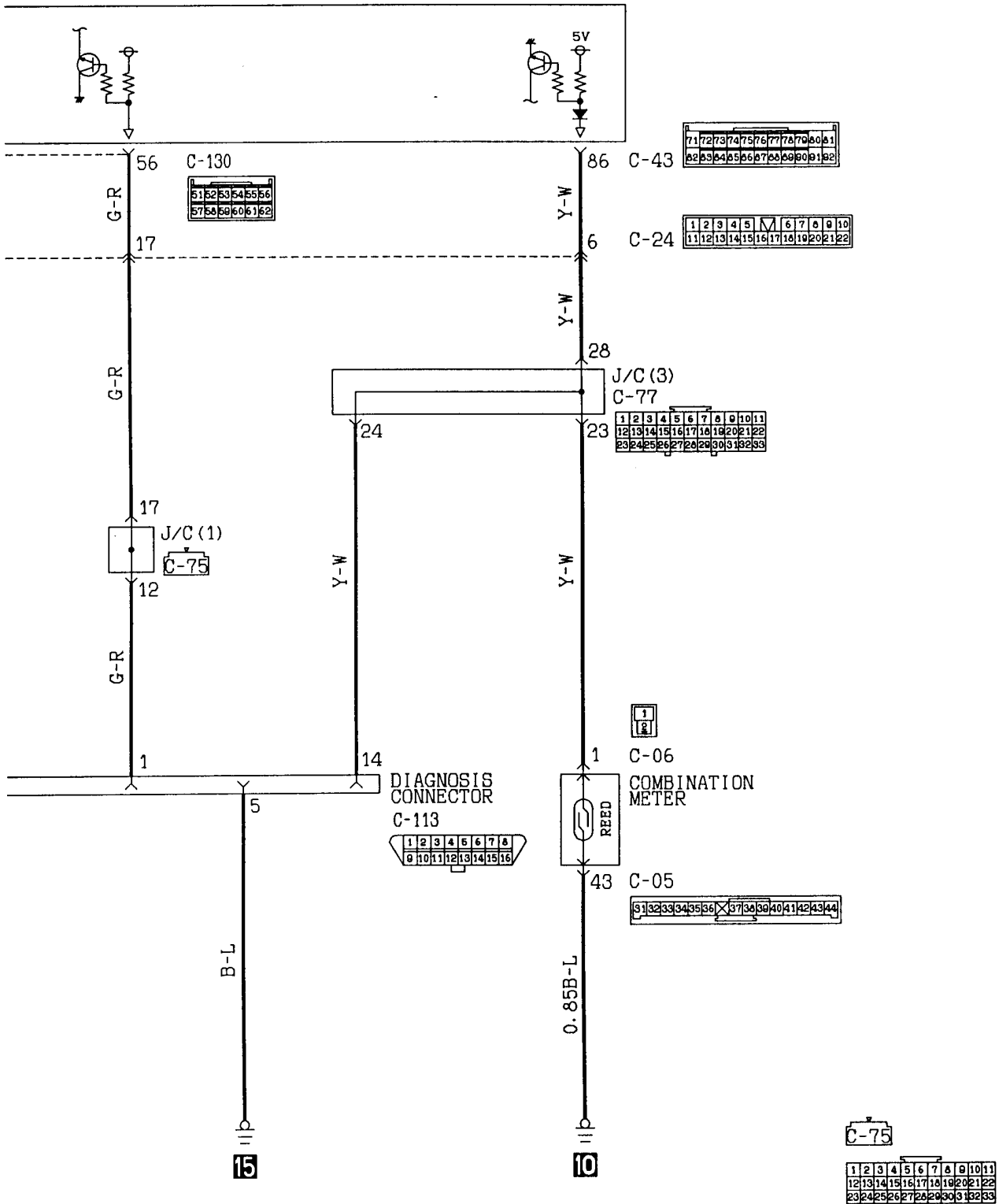
Wire colour code

B : Black	LG : Light green	G : Green	L : Blue
BR : Brown	O : Orange	GR : Gray	PR : Red
W : White	SB : Sky blue	P : Pink	Y : Yellow
V : Violet			

MPI SYSTEM <6G72 engine-A/T (R. H. drive vehicles)>  
(CONTINUED)

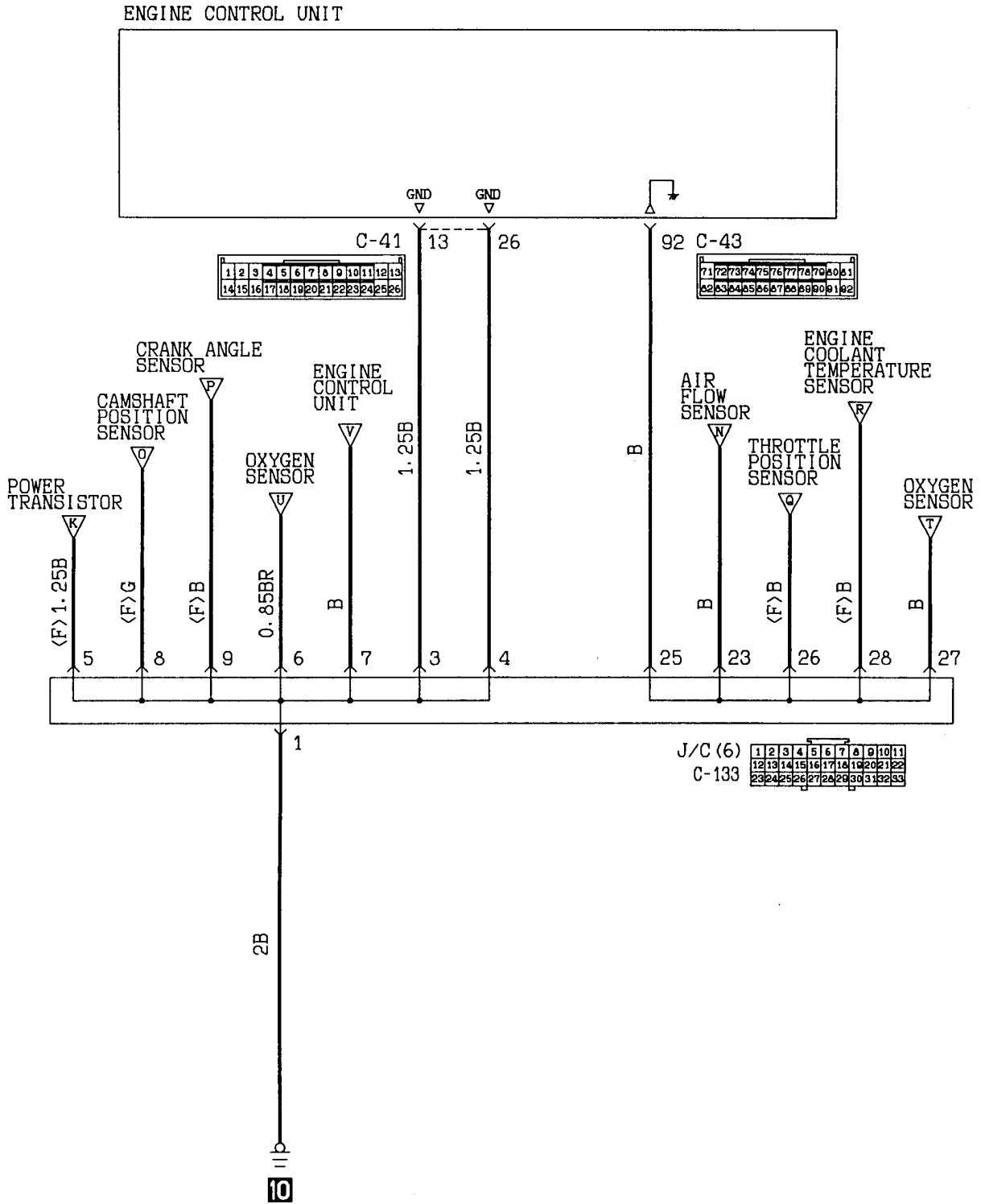
ENGINE CONTROL UNIT





Wire colour code  
 B : Black    LG:Light green    G : Green    L : Blue    W : White    Y : Yellow    SB:Sky blue  
 BR:Brown    O : Orange    GR:Gray    R : Red    P : Pink    V : Violet

MPI SYSTEM <6G72 engine-A/T (R. H. drive vehicles)>  
(CONTINUED)



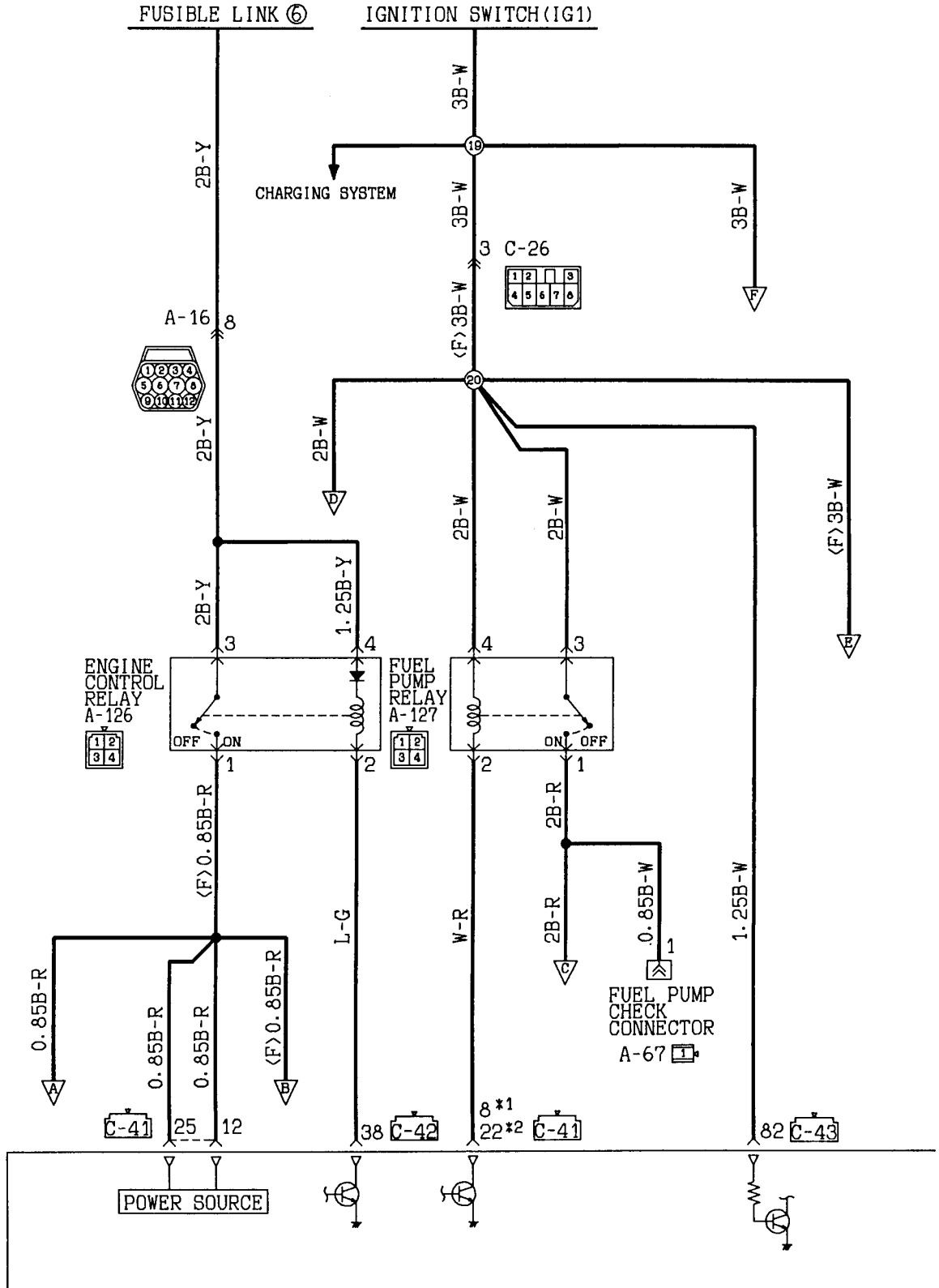
Wire colour code  
 B : Black LG : Light green G : Green L : Blue W : White Y : Yellow SB : Sky blue  
 BR : Brown O : Orange GR : Gray R : Red P : Pink V : Violet

NOTES



MPI SYSTEM

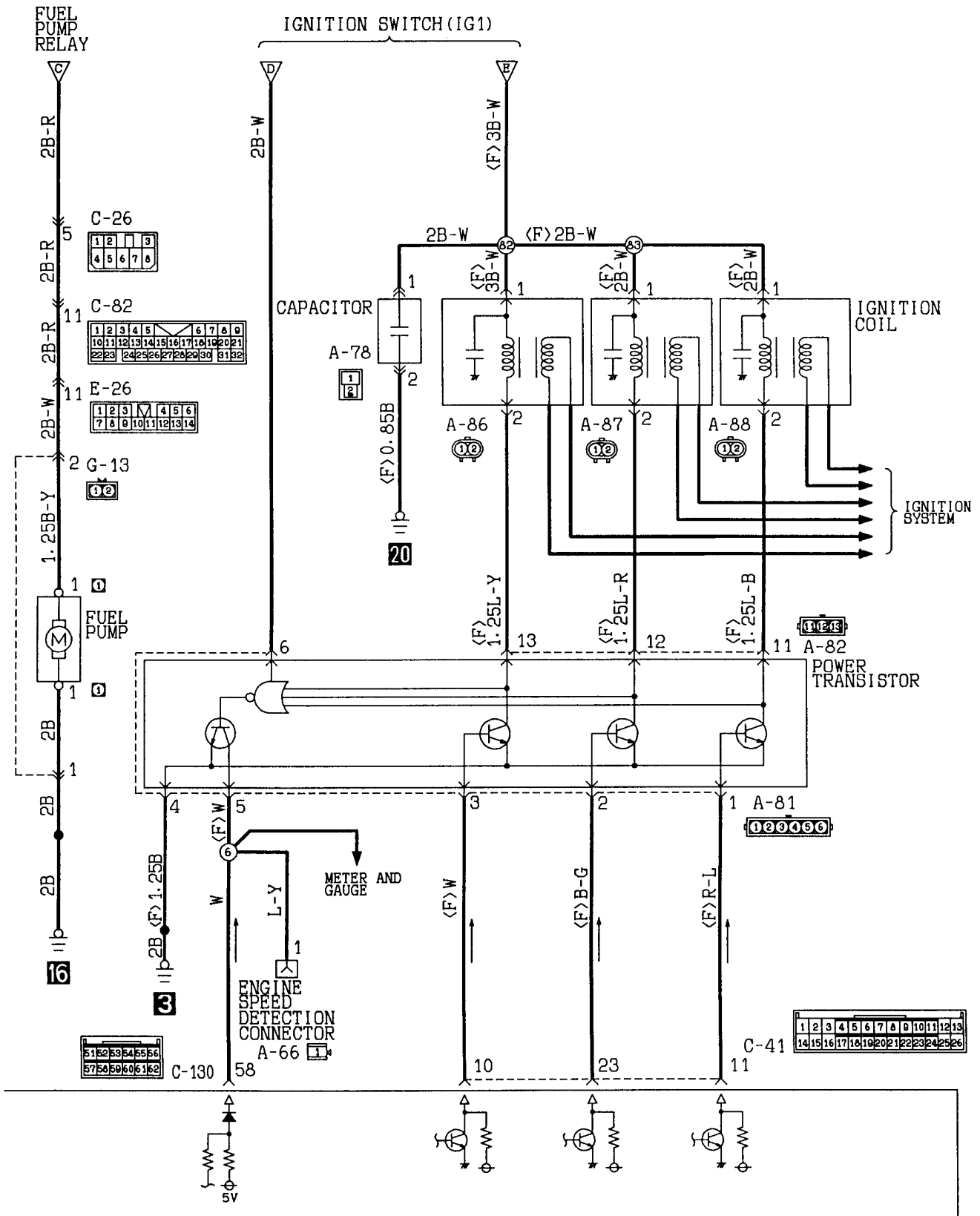
6G74 engine-M/T <L.H. drive Vehicles>



<b>C-42</b>	31 32 33 34 35 36 37 38 39 40 41 42 43 44 45 46	<b>C-41</b>	1 2 3 4 5 6 7 8 9 10 11 12 13 14 15 16 17 18 19 20 21 22 23 24 25 26	<b>C-43</b>	71 72 73 74 75 76 77 78 79 80 81 82 83 84 85 86 87 88 89 90 91 92
-------------	--	-------------	---	-------------	--

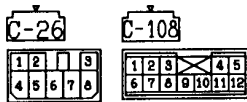
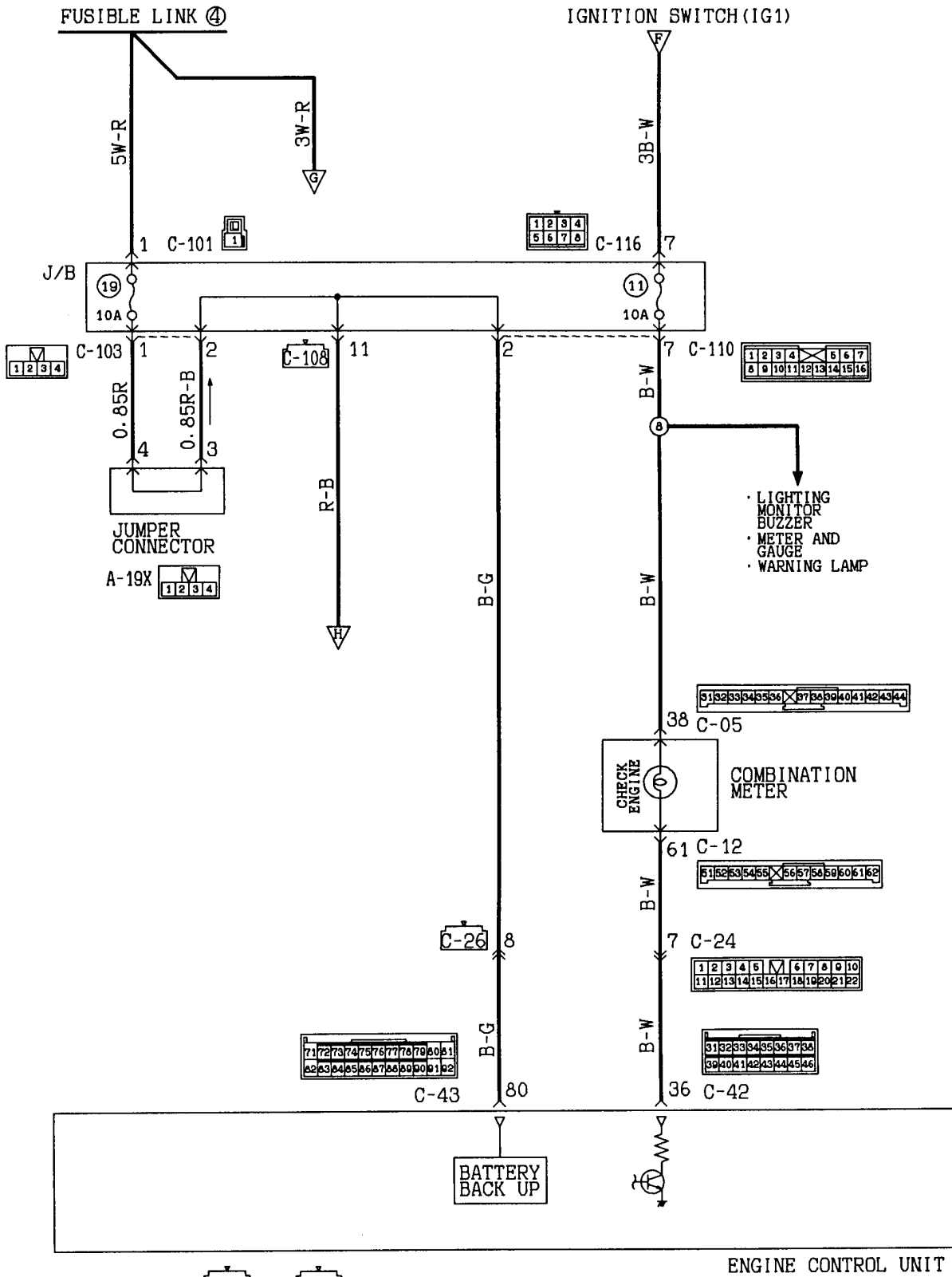
ENGINE CONTROL UNIT

Remarks  
 (1) \*1: Without immobilizer system  
 (2) \*2: With Immobilizer system

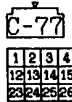
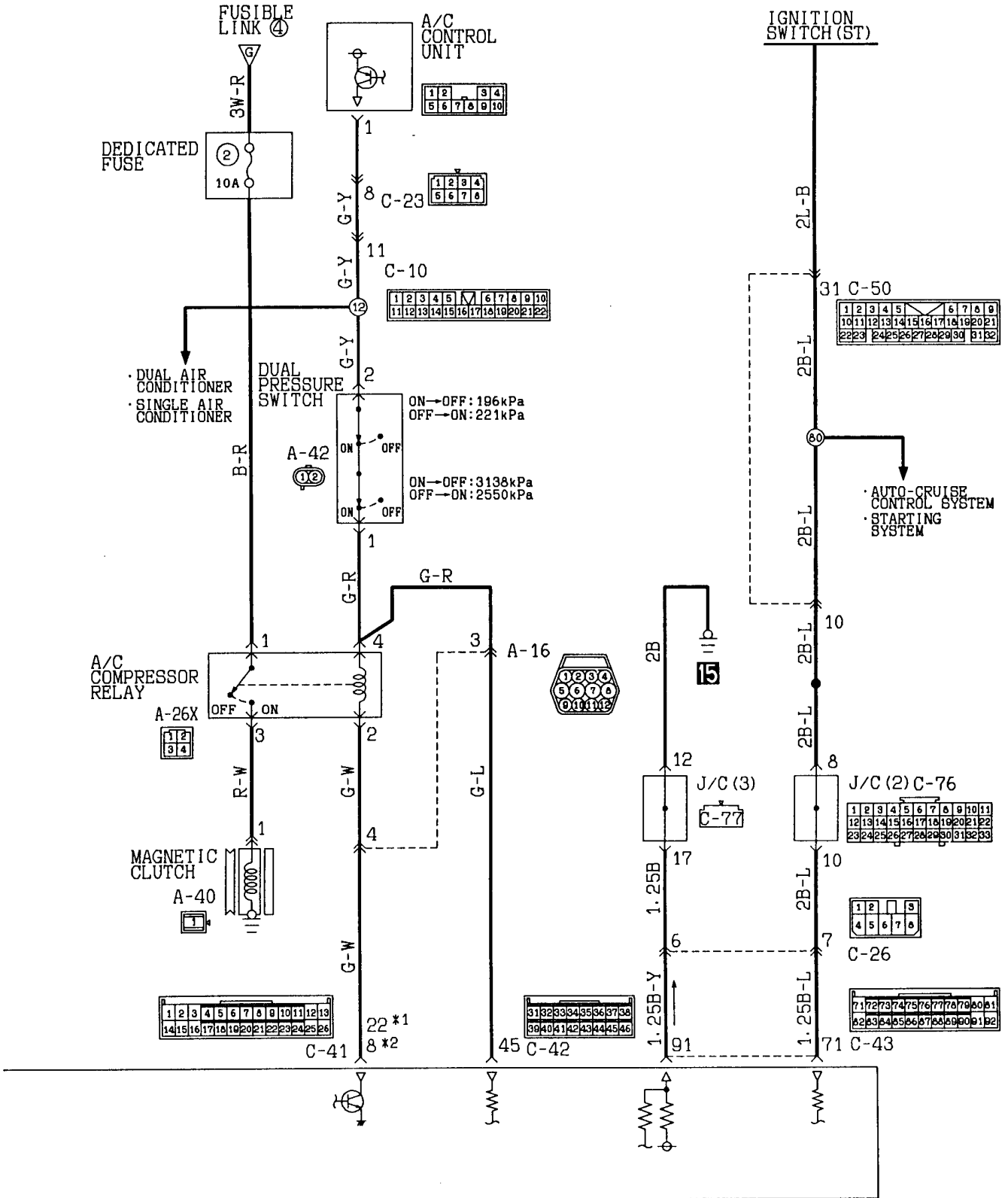


Wire colour code  
 B::Black LG:Light green G:Green L:Blue W:White Y:Yellow SB:Sky blue  
 BR:Brown O:Orange GR:Gray R:Red P:Pink V:Violet

MPI SYSTEM <6G74 engine-M/T (L. H. drive vehicles) >  
(CONTINUED)



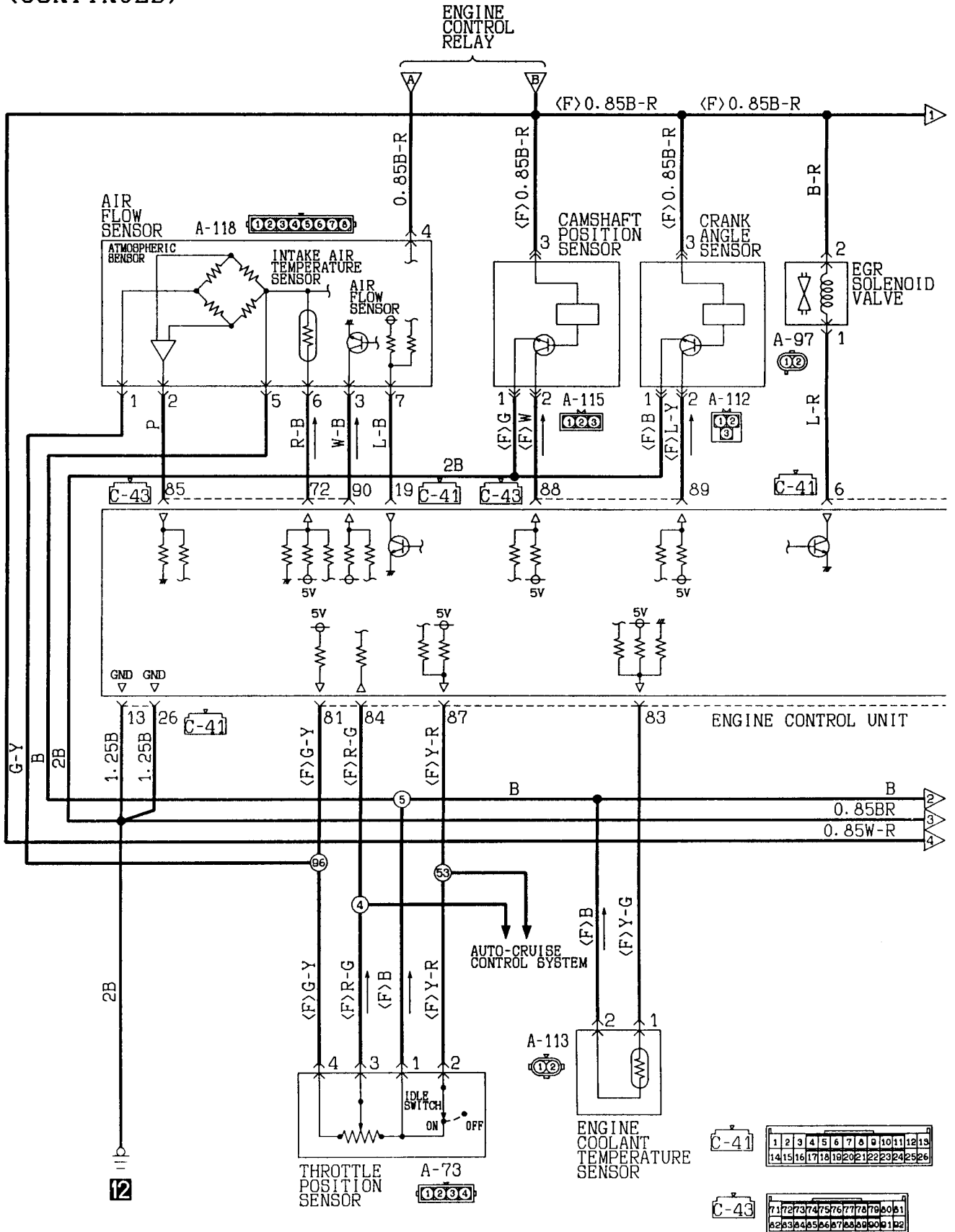
Remarks  
(1) \*1: Without immobilizer system  
(2) \*2: With immobilizer system

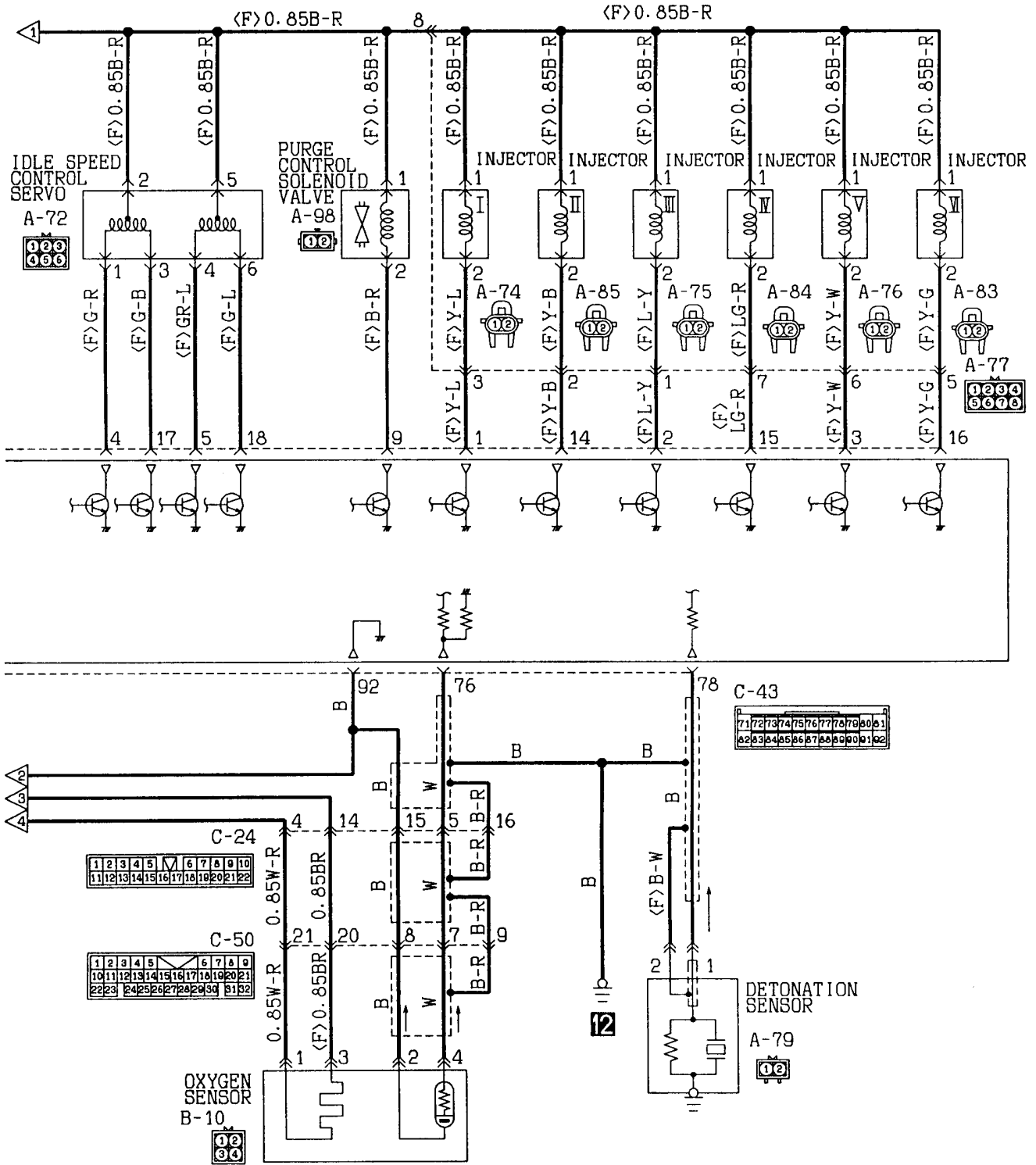


Wire colour code  
 B : Black      LG : Light green  
 BR : Brown    O : Orange  
 W : White      SB : Sky blue  
 V : Violet

G : Green      L : Blue  
 GR : Gray    R : Red  
 P : Pink      Y : Yellow

MPI SYSTEM <6G74 engine-M/T (L.H. drive vehicles)>  
(CONTINUED)

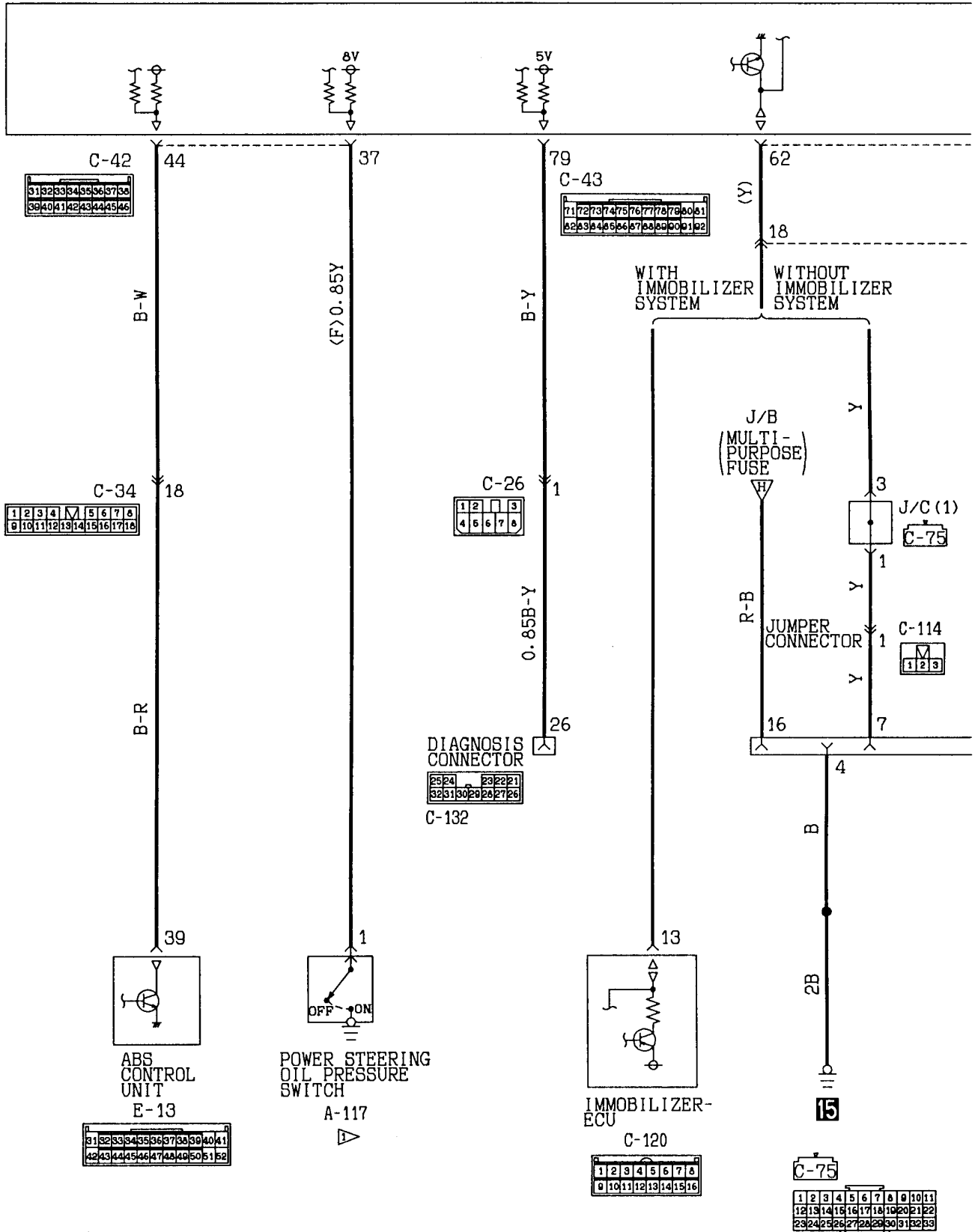


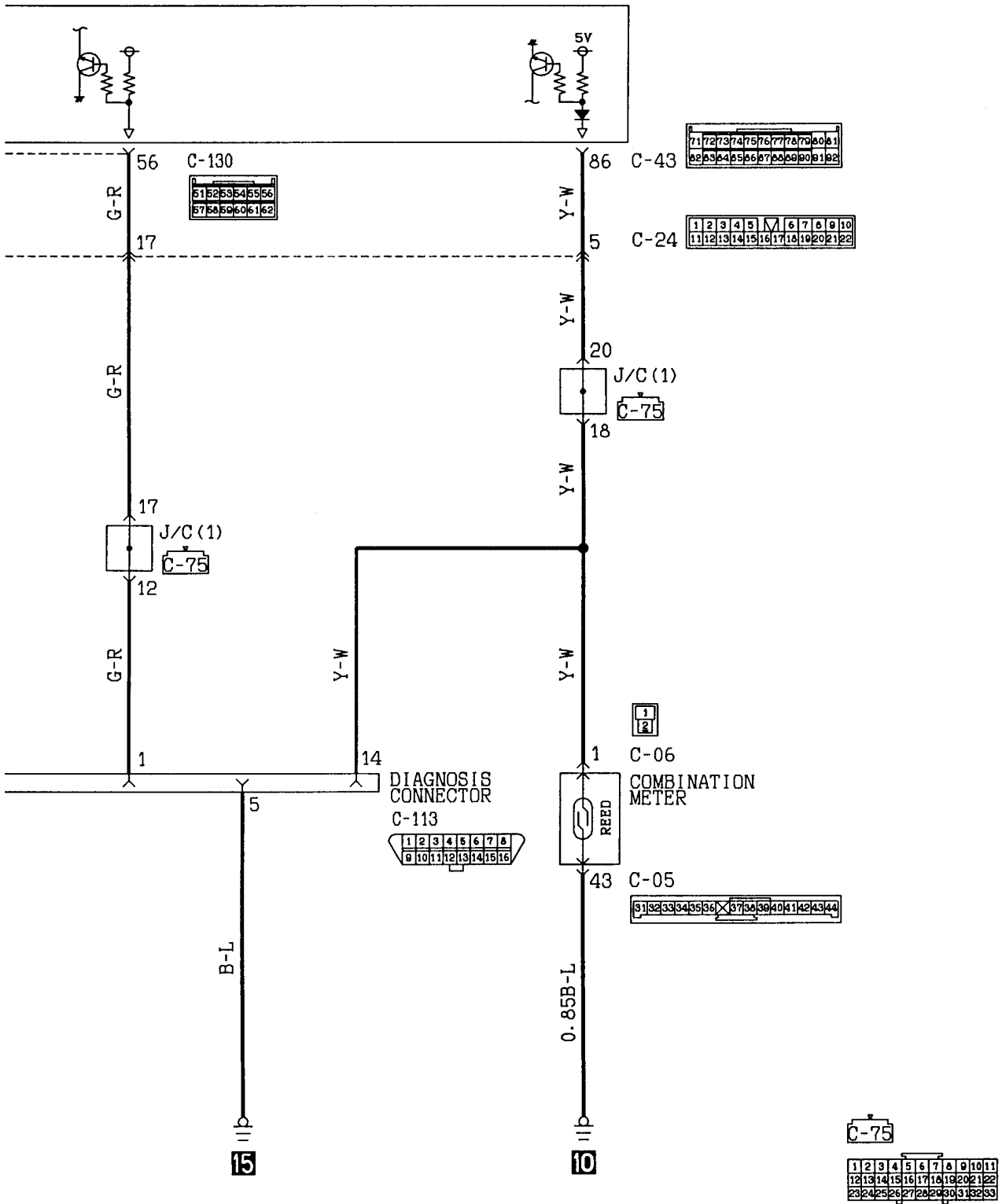


Wire colour code  
 B : Black    LG : Light green    G : Green    L : Blue    W : White    Y : Yellow    SB : Sky blue  
 BR : Brown    O : Orange    GR : Gray    R : Red    P : Pink    V : Violet

MPI SYSTEM <6G74 engine-M/T (L.H. drive vehicles)>  
(CONTINUED)

ENGINE CONTROL UNIT

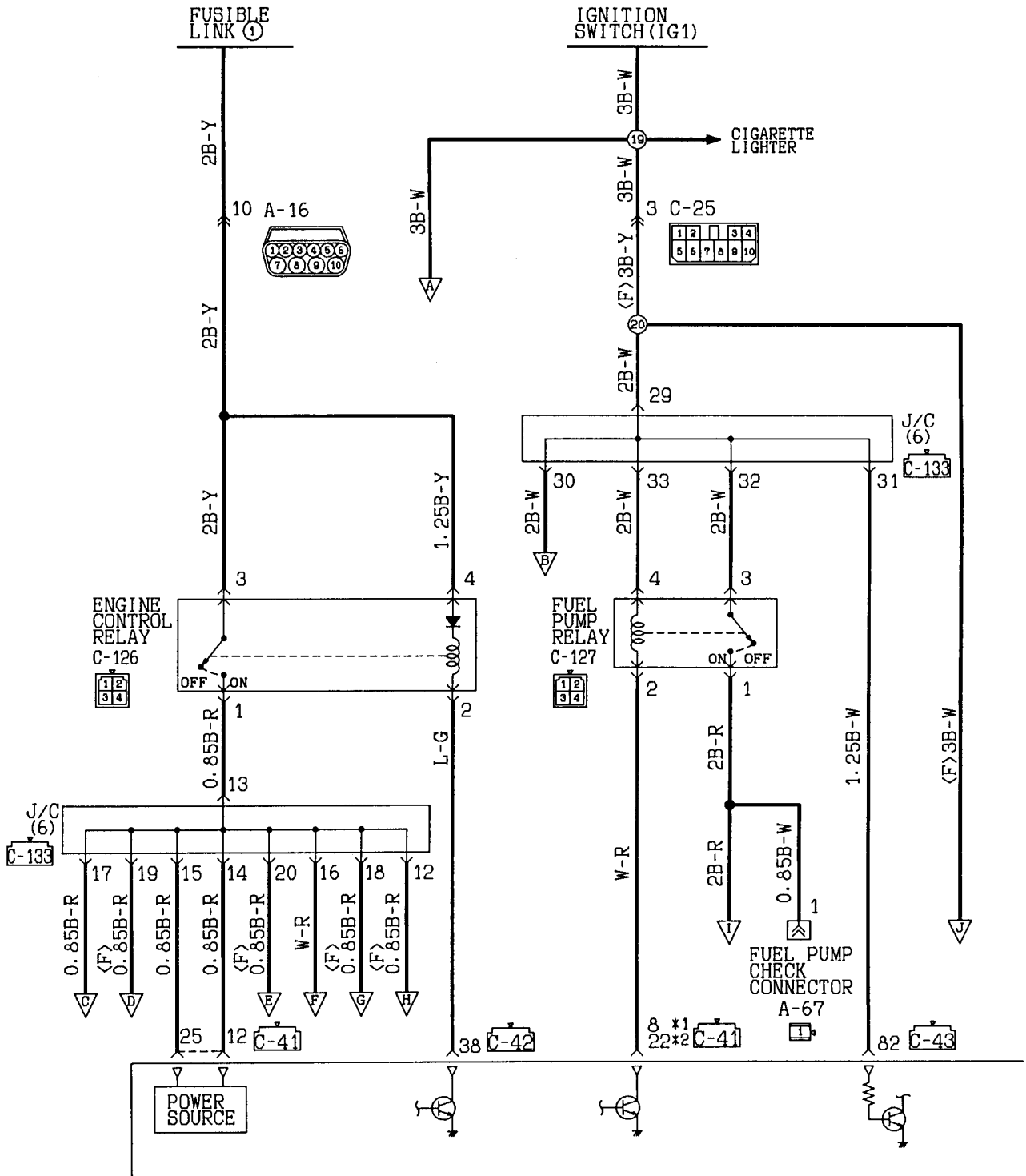




Wire colour code  
 B : Black    LG : Light green    G : Green    L : Blue    W : White    Y : Yellow    SB : Sky blue  
 BR : Brown    O : Orange    GR : Gray    R : Red    P : Pink    V : Violet



MPI SYSTEM  
6G74 engine-M/T<R. H. drive vehicles>



C-133

1	2	3	4	5	6	7	8	9	10	11
12	13	14	15	16	17	18	19	20	21	22
23	24	25	26	27	28	29	30	31	32	33

C-41

1	2	3	4	5	6	7	8	9	10	11	12	13
14	15	16	17	18	19	20	21	22	23	24	25	26

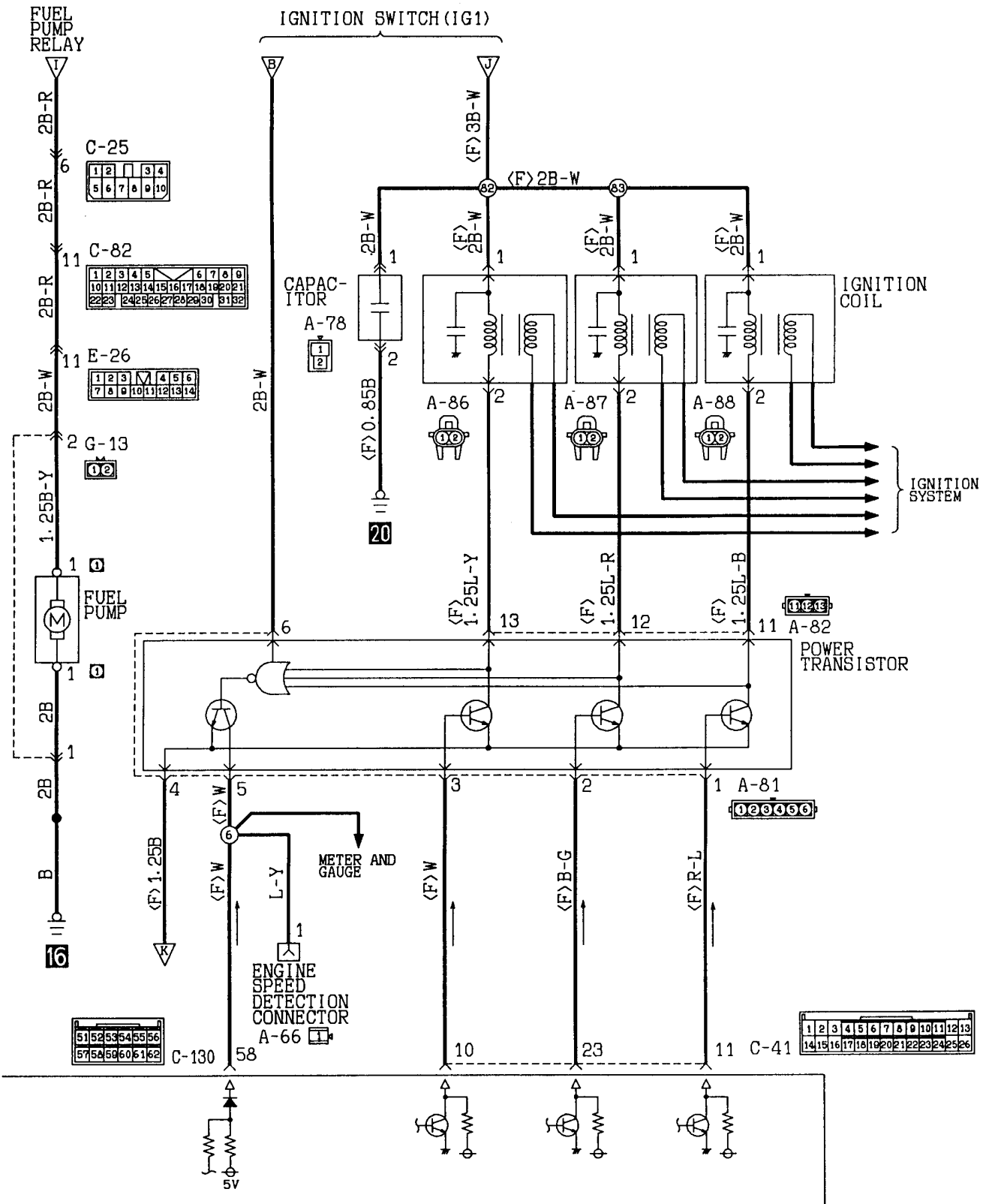
C-42

31	32	33	34	35	36	37	38
39	40	41	42	43	44	45	46

C-43

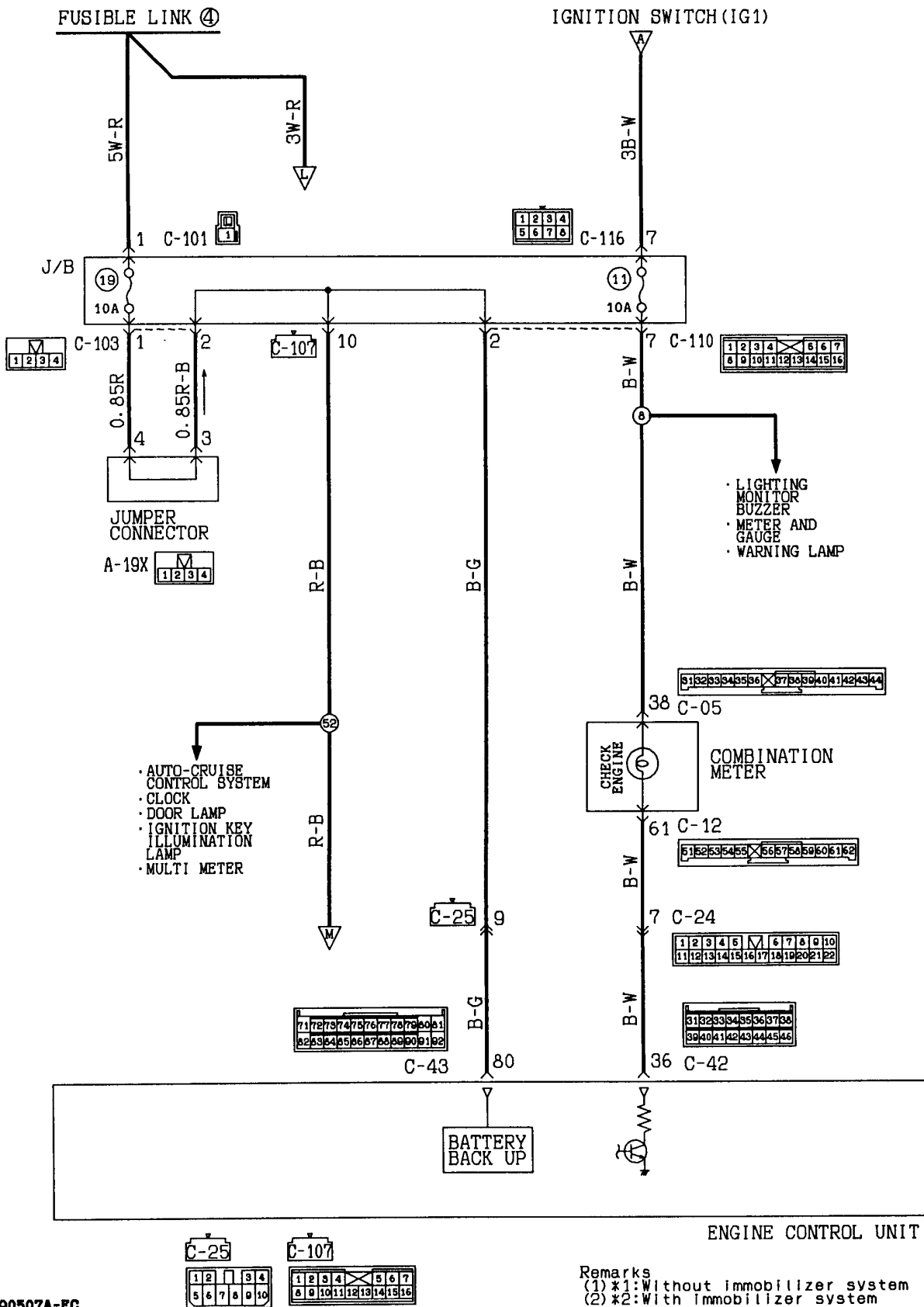
71	72	73	74	75	76	77	78	79	80	81
82	83	84	85	86	87	88	89	90	91	92

Remarks  
(1)\*1: Without immobilizer system  
(2)\*2: With immobilizer system



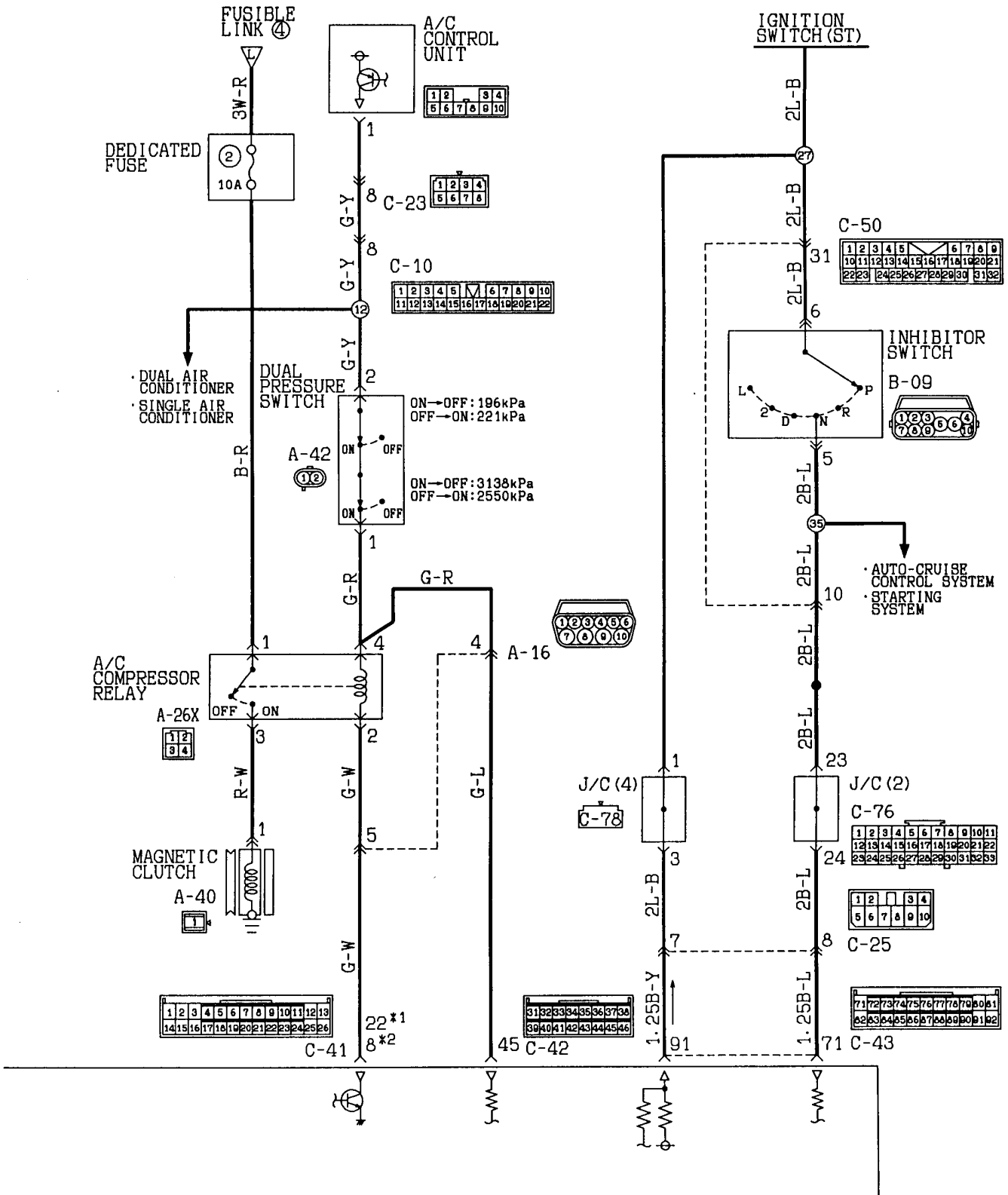
Wire colour code  
 B:Black LG:Light green G:Green L:Blue W:White Y:Yellow SB:Sky blue  
 BR:Brown O:Orange GR:Gray R:Red P:Pink V:Violet

MPI SYSTEM <6G74 engine-M/T (R. H. drive vehicles)>  
(CONTINUED)



ENGINE CONTROL UNIT

Remarks  
(1) \*1: Without immobilizer system  
(2) \*2: With immobilizer system



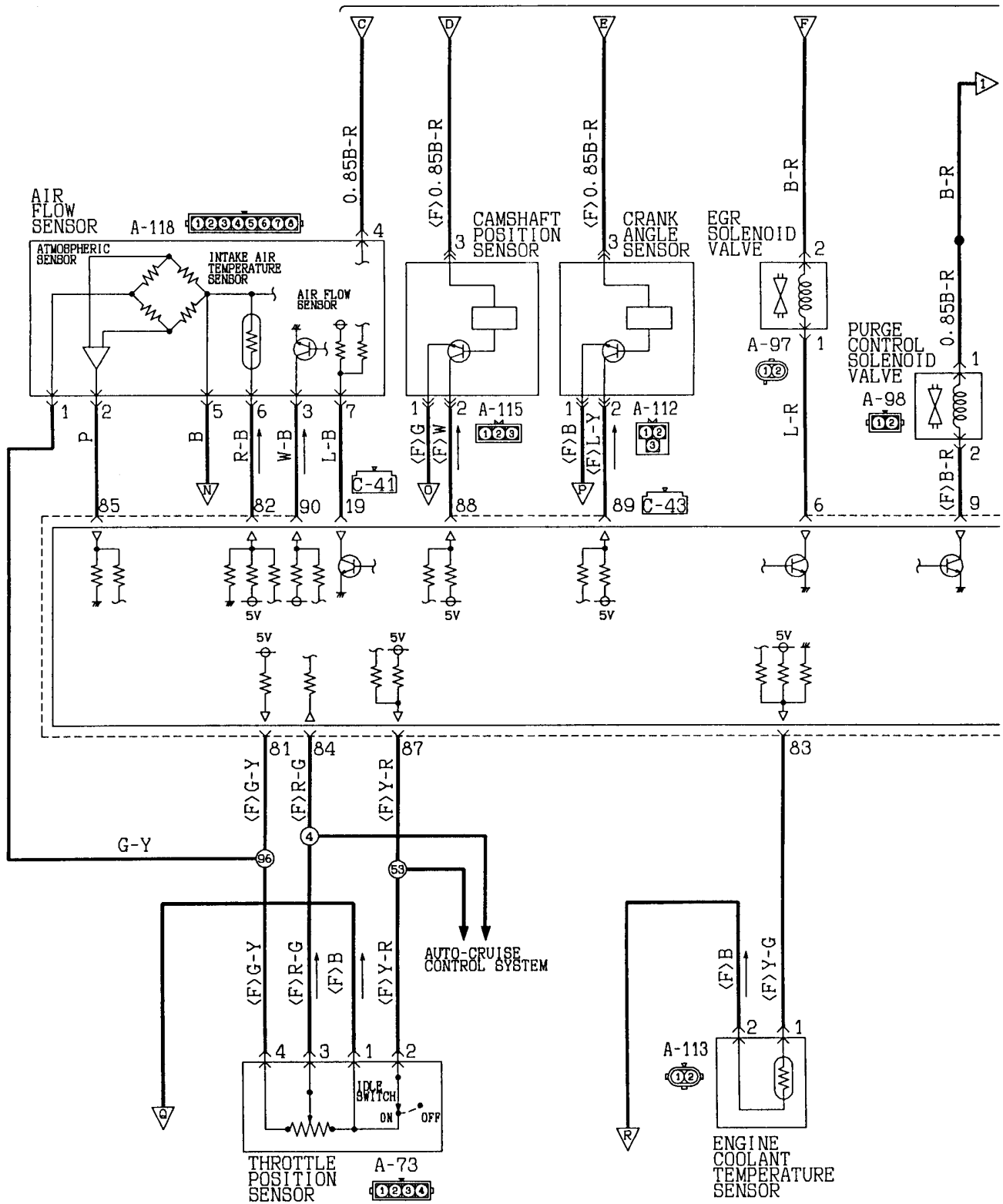
C-78

1	2	3	4	5	6	7	8	9	10	11
12	13	14	15	16	17	18	19	20	21	22
23	24	25	26	27	28	29	30	31	32	33

Wire colour code

B : Black	LG : Light green	G : Green	L : Blue
BR : Brown	O : Orange	GR : Gray	R : Red
W : White	SB : Sky blue	P : Pink	Y : Yellow
V : Violet			

MPI SYSTEM (6G74 engine-M/T (R. H. drive vehicles))  
(CONTINUED)



C-41

1	2	3	4	5	6	7	8	9	10	11	12	13
14	15	16	17	18	19	20	21	22	23	24	25	26

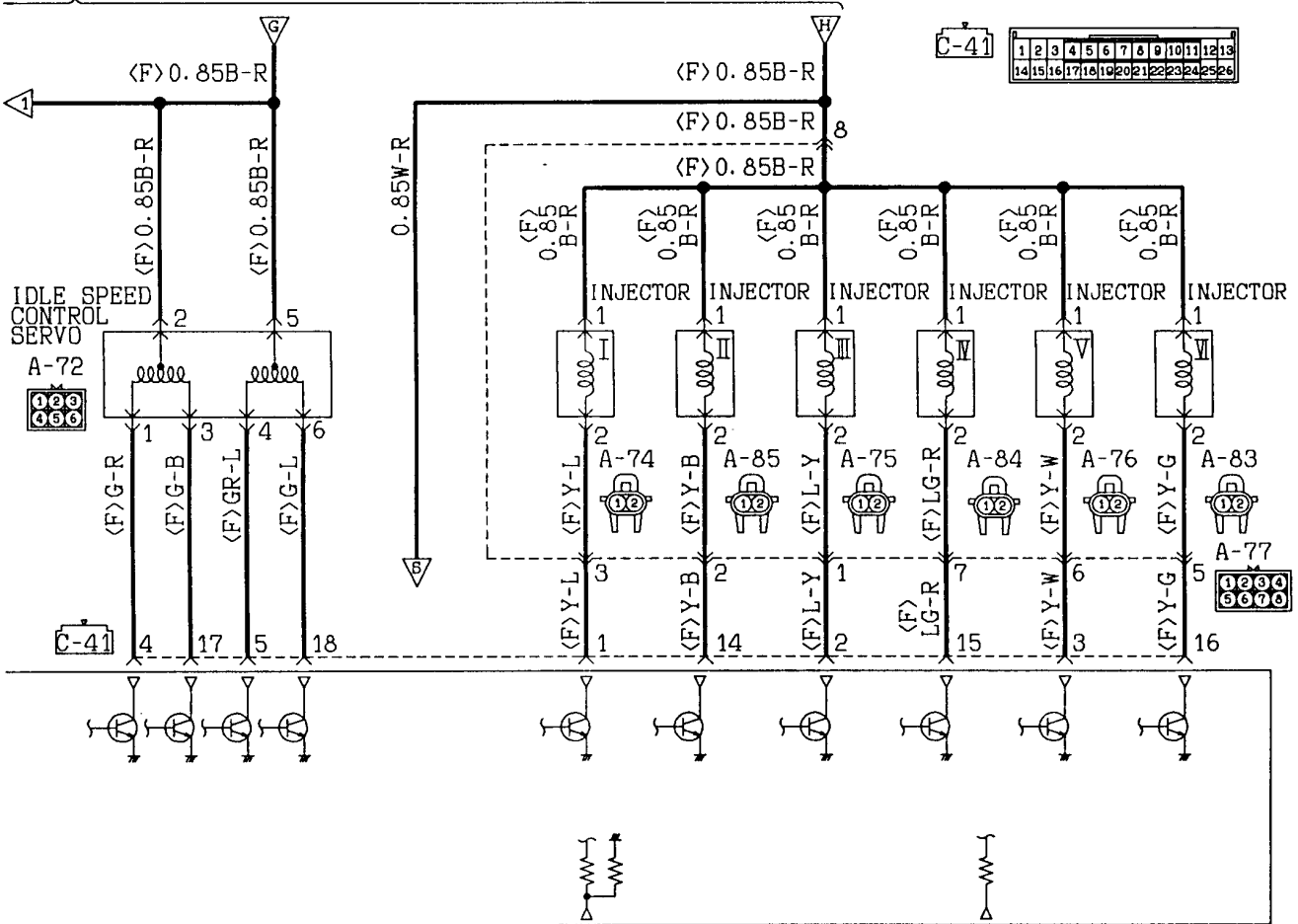
C-43

71	72	73	74	75	76	77	78	79	80	81
82	83	84	85	86	87	88	89	90	91	92

FUSIBLE LINK ⑥

1	2	3	4	5	6	7	8	9	10
11	12	13	14	15	16	17	18	19	20
21	22	23	24	25	26				

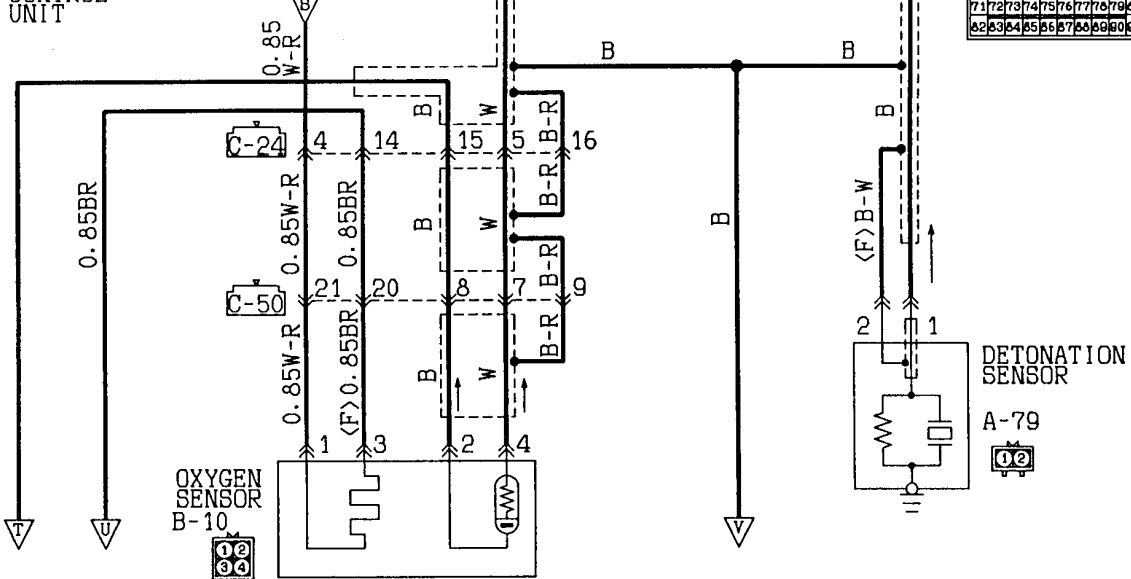
1	2	3	4	5	6	7	8	9	10	11	12	13
14	15	16	17	18	19	20	21	22	23	24	25	26



ENGINE CONTROL UNIT

FUSIBLE LINK ⑥

71	72	73	74	75	76	77	78	79	80	81
82	83	84	85	86	87	88	89	90	91	92

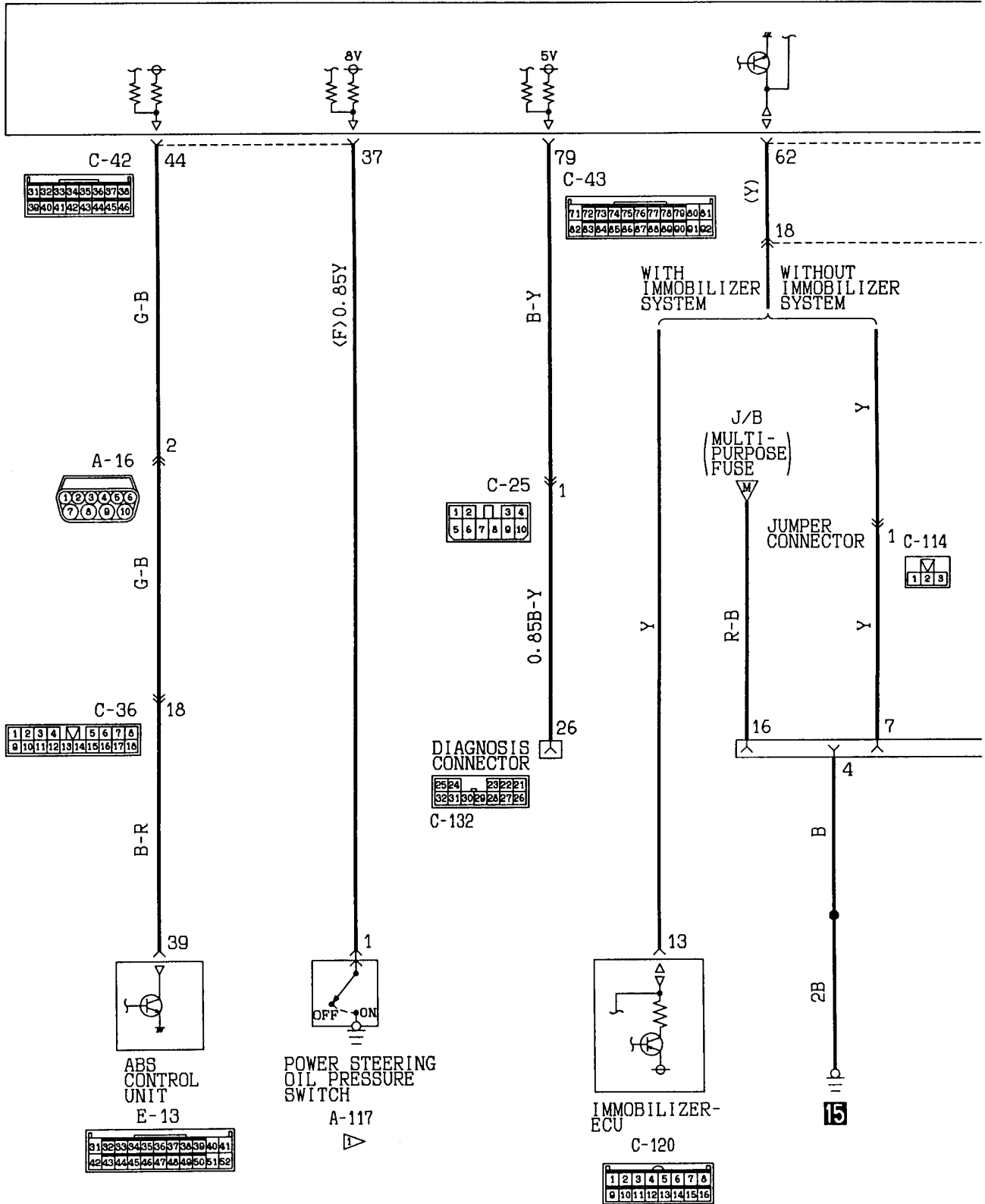


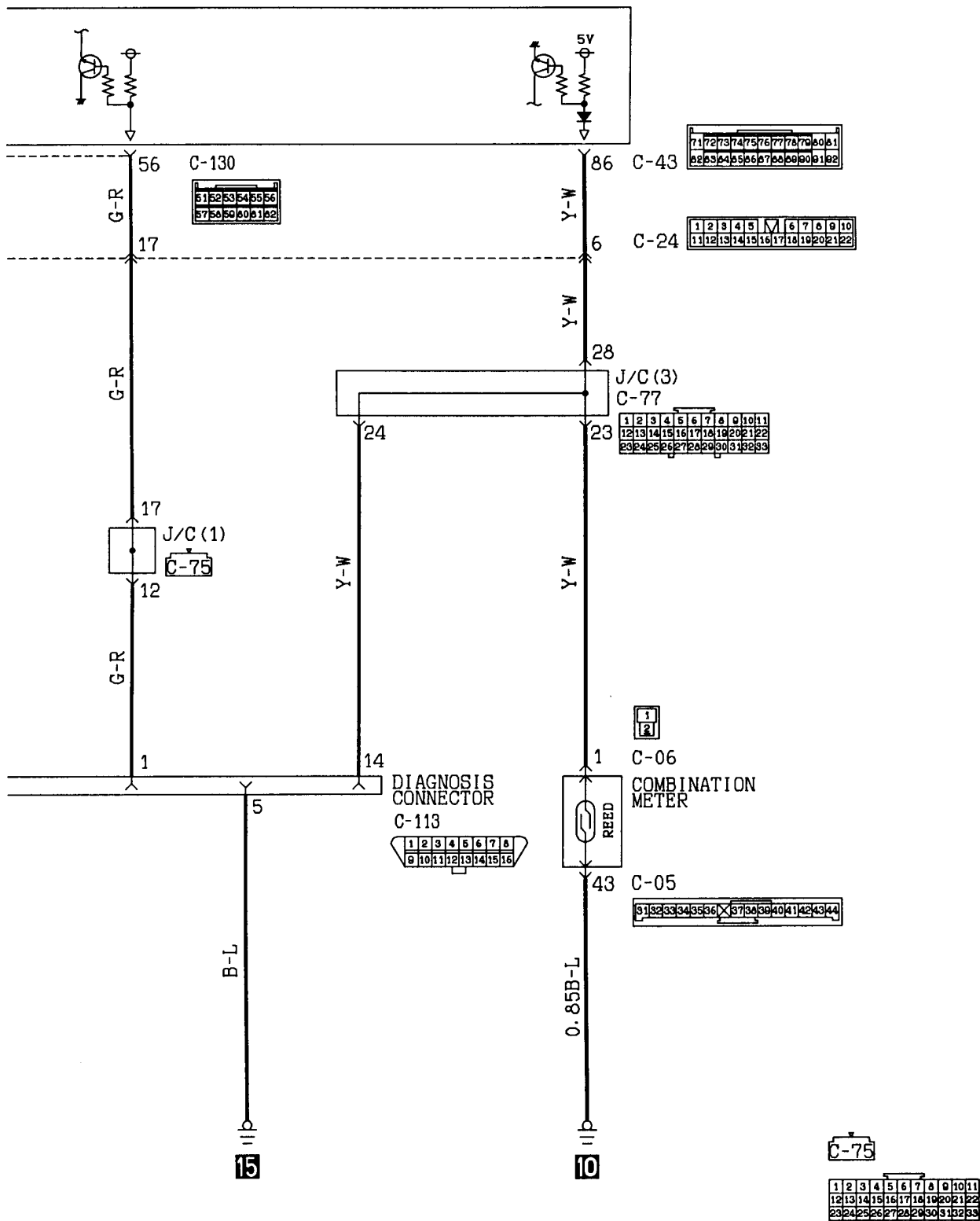
1	2	3	4	5	6	7	8	9
10	11	12	13	14	15	16	17	18
19	20	21	22	23	24	25	26	27
28	29	30	31	32				

Wire colour code  
 B : Black      LG : Light green      G : Green      L : Blue  
 BR : Brown    O : Orange              GR : Gray       R : Red  
 W : White      SB : Sky blue          P : Pink        Y : Yellow  
 V : Violet

MPI SYSTEM <6G74 engine-M/T (R. H. drive vehicles)>  
(CONTINUED)

ENGINE CONTROL UNIT

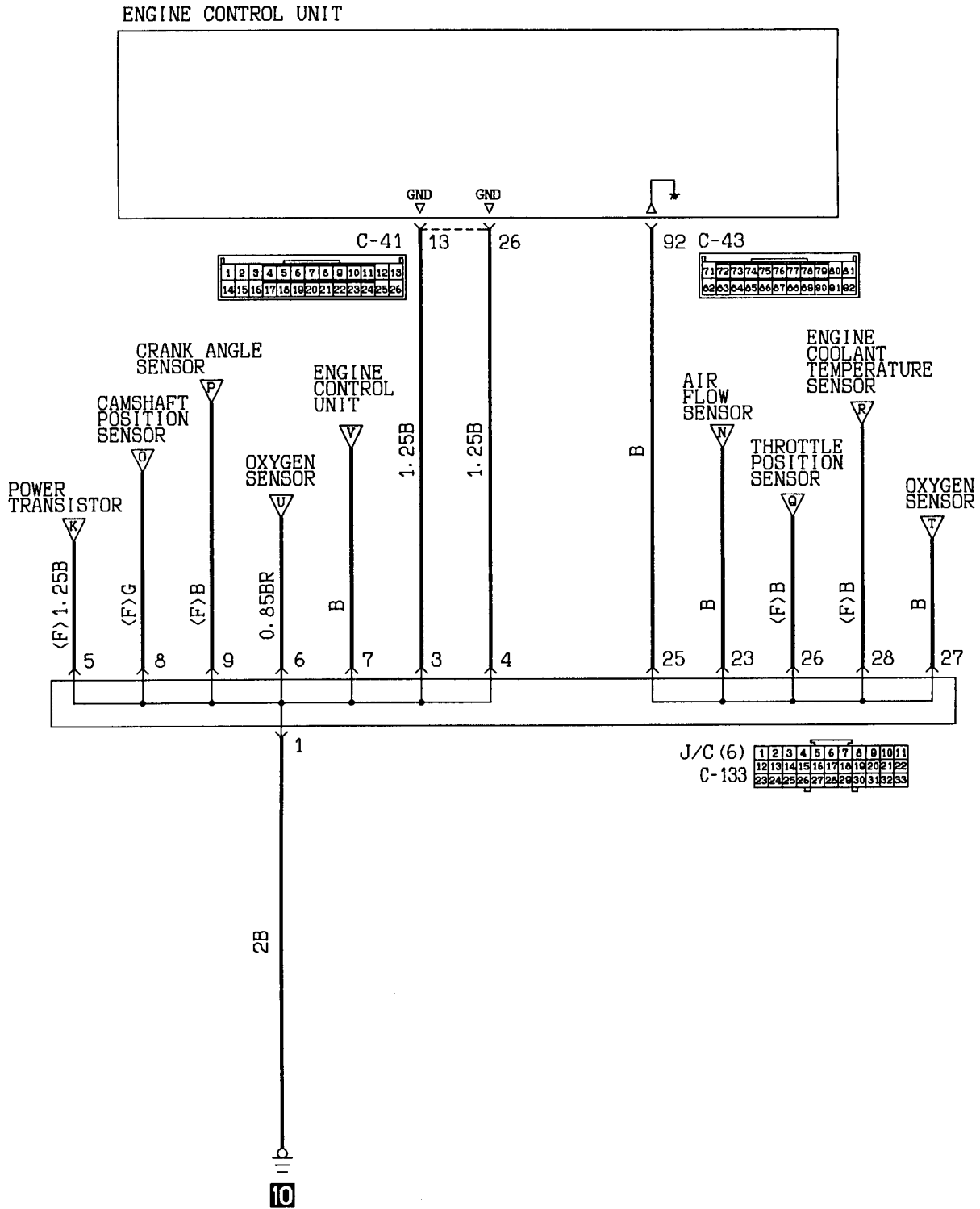




Wire colour code  
 B :Black    LG:Light green    G :Green    L :Blue    W :White    Y :Yellow    SB:Sky blue  
 BR:Brown    O :Orange    GR:Gray    R :Red    P :Pink    V :Violet



MPI SYSTEM <6G74 engine-M/T (R. H. drive vehicles)>  
(CONTINUED)



Wire colour code

B : Black LG : Light green  
BR : Brown O : Orange

G : Green GR : Gray

L : Blue R : Red

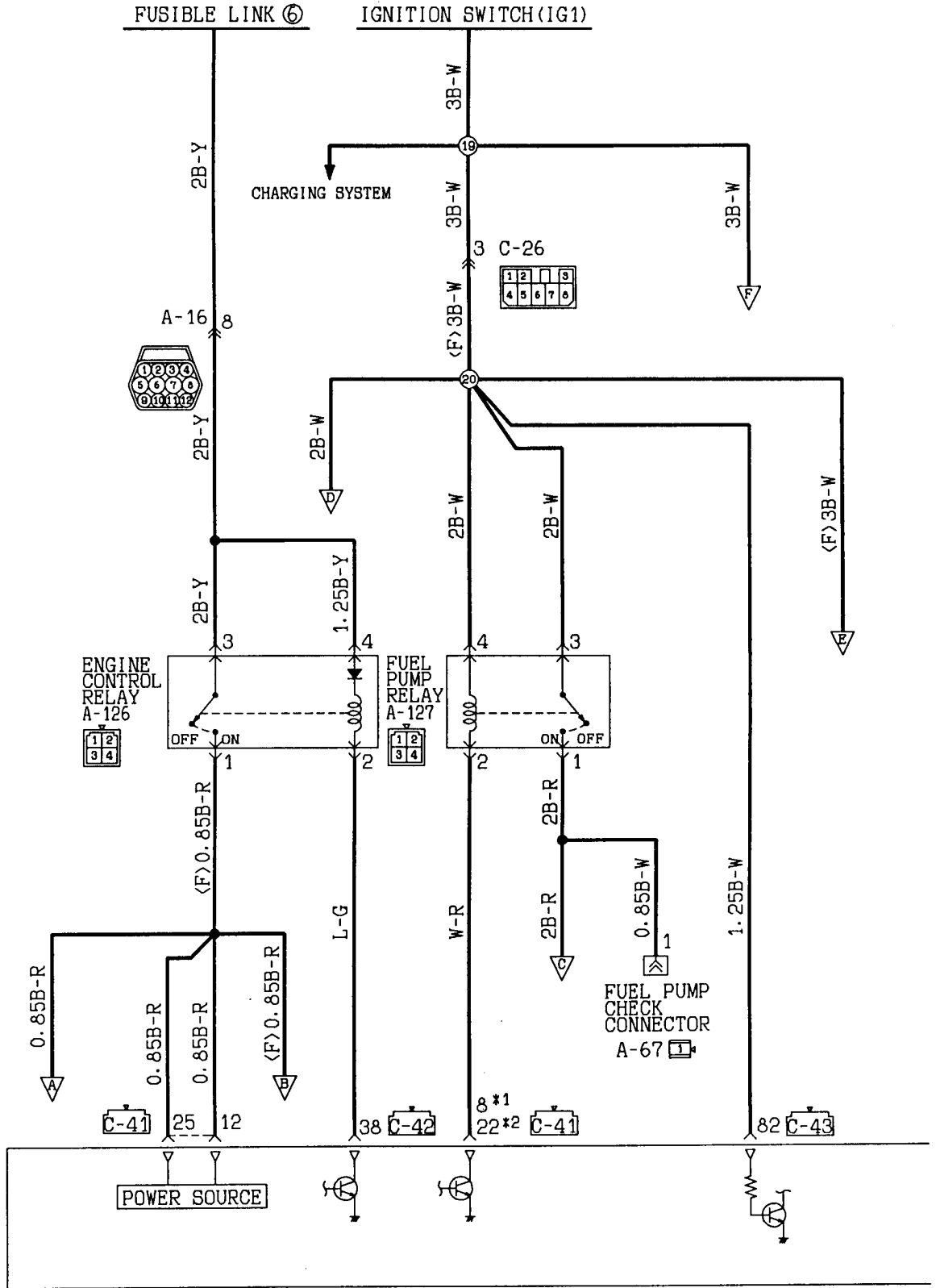
W : White P : Pink

Y : Yellow V : Violet

SB : Sky blue

NOTES

MPI SYSTEM  
6G74 engine-A/T<L. H. drive Vehicles>

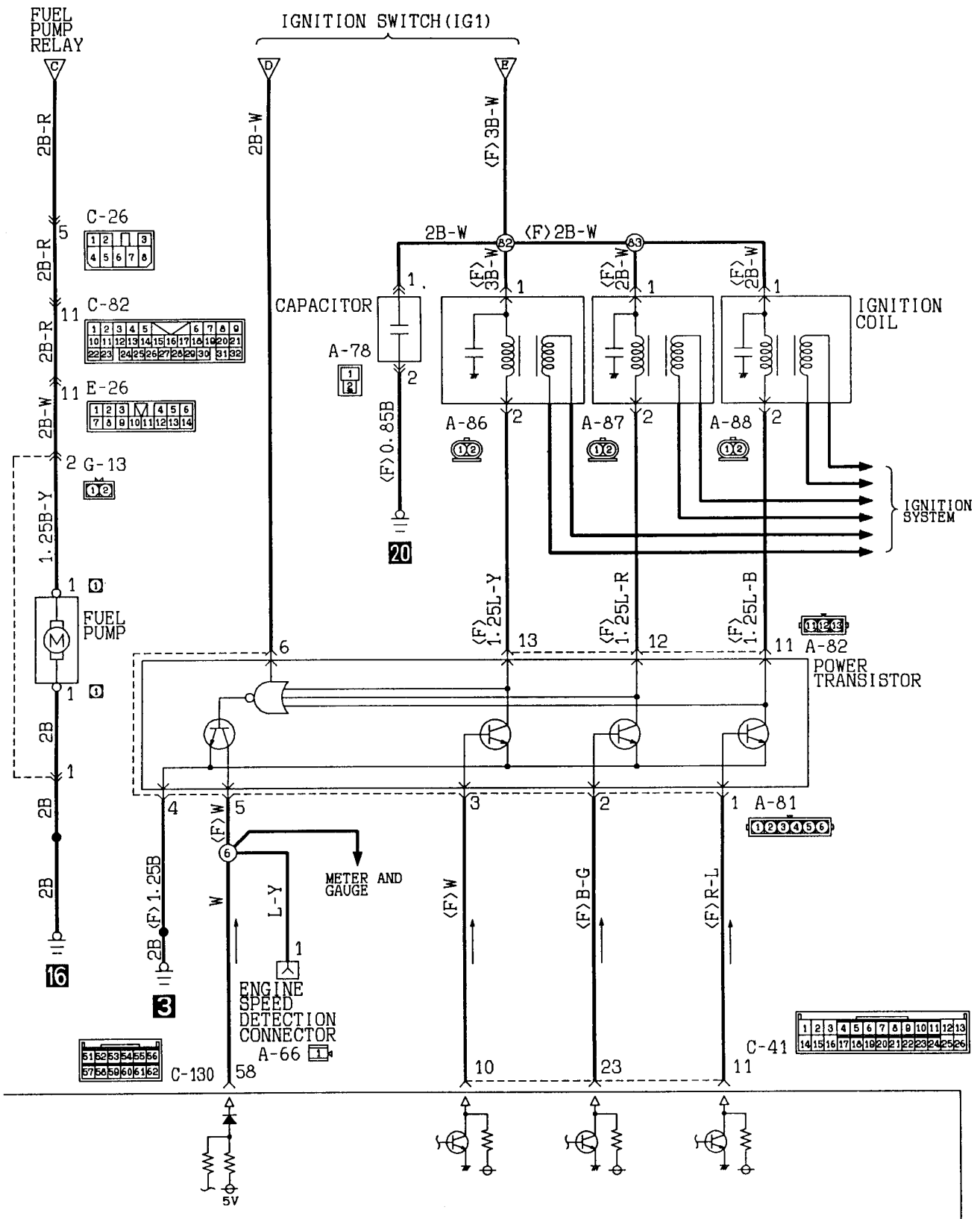


C-42	31 32 33 34 35 36 37 38
	39 40 41 42 43 44 45 46

C-41	1 2 3 4 5 6 7 8 9 10 11 12 13
	14 15 16 17 18 19 20 21 22 23 24 25 26

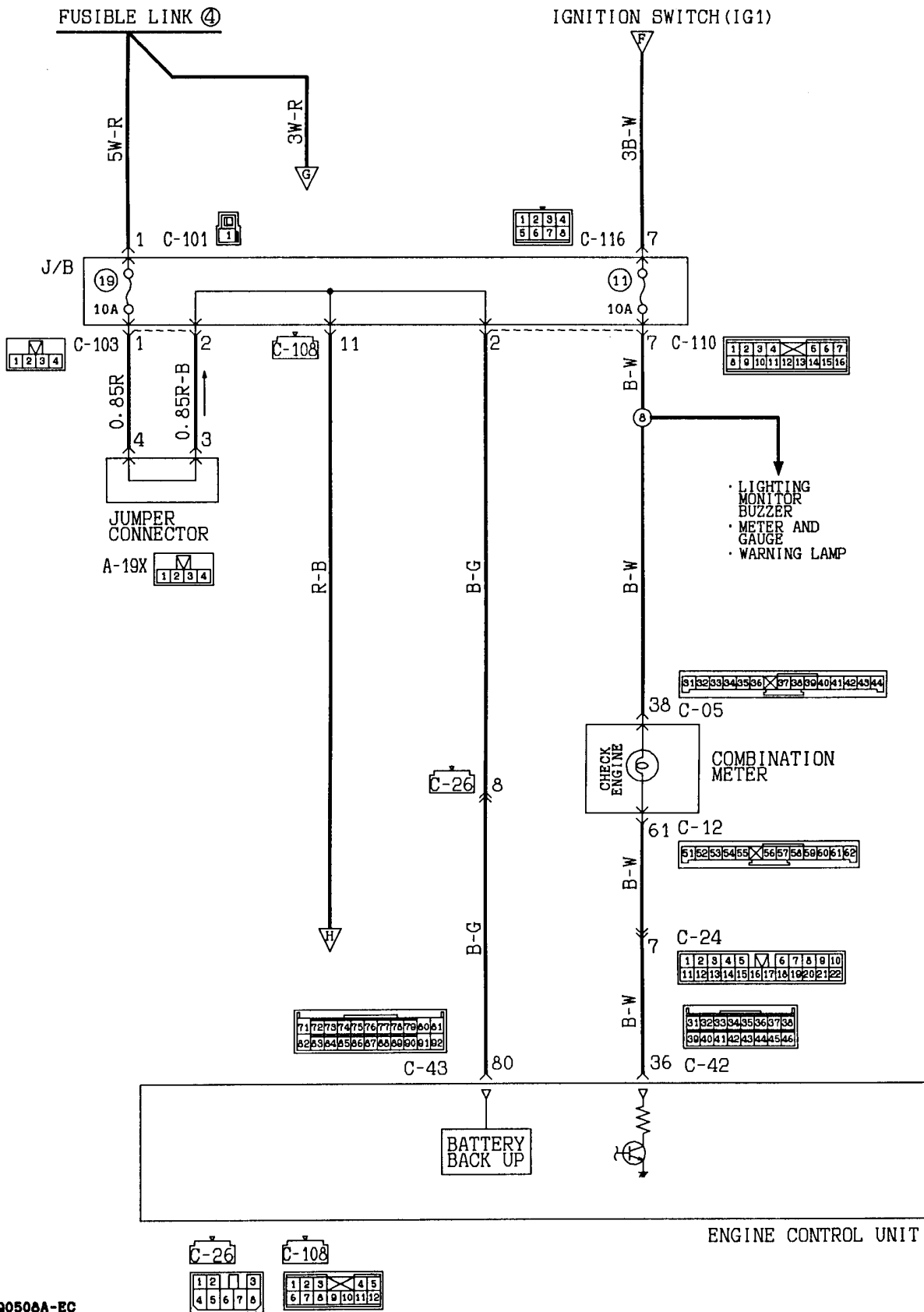
C-43	71 72 73 74 75 76 77 78 79 80 81
	82 83 84 85 86 87 88 89 90 91 92

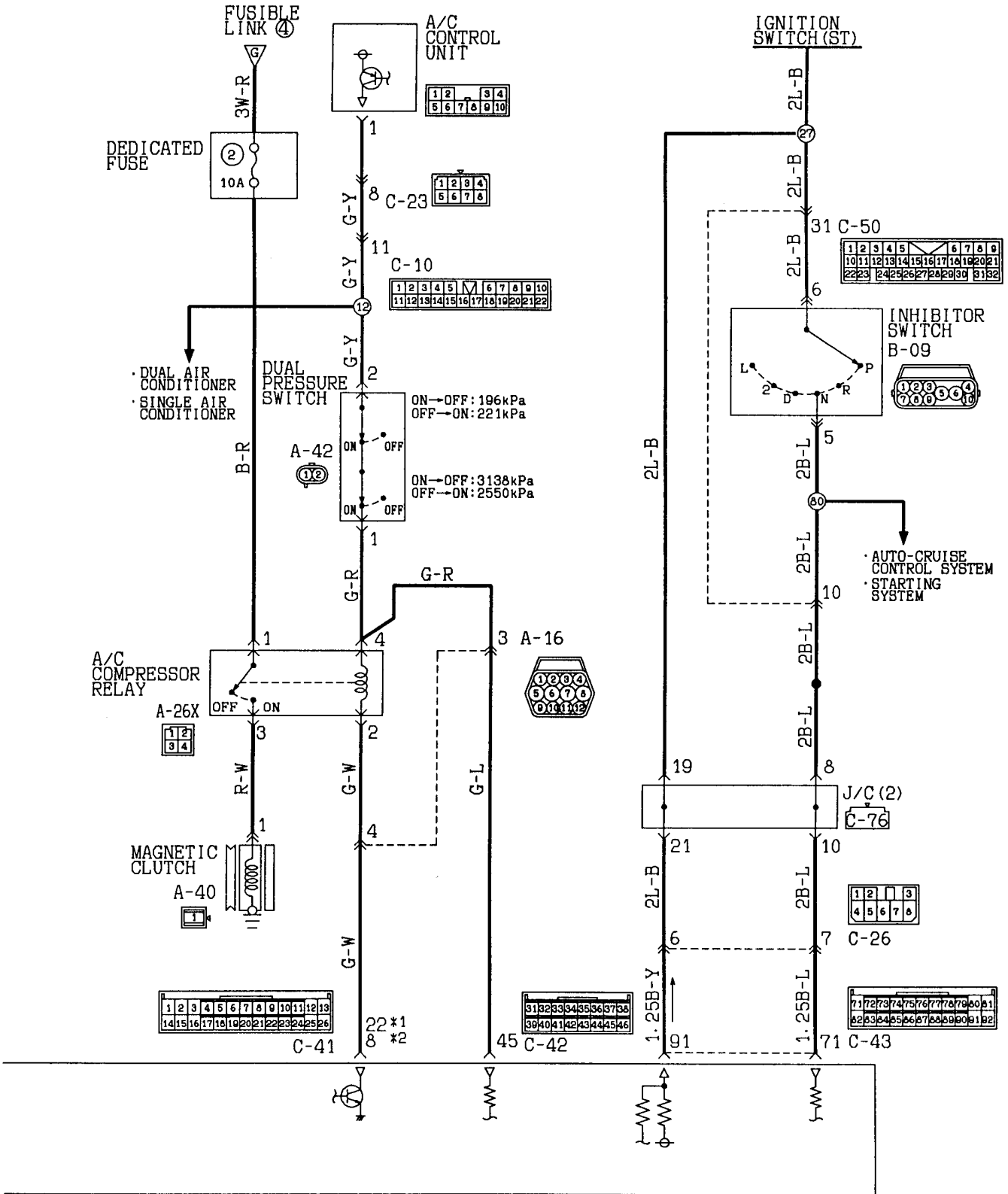
Remarks  
(1)\*1: Without immobilizer system  
(2)\*2: With immobilizer system



Wire colour code  
 B : Black    LG : Light green    G : Green    L : Blue    W : White    Y : Yellow    SB : Sky blue  
 BR : Brown    O : Orange    GR : Gray    R : Red    P : Pink    V : Violet

MPI SYSTEM <6G74 engine-A/T (L.H. drive vehicles)>  
(CONTINUED)



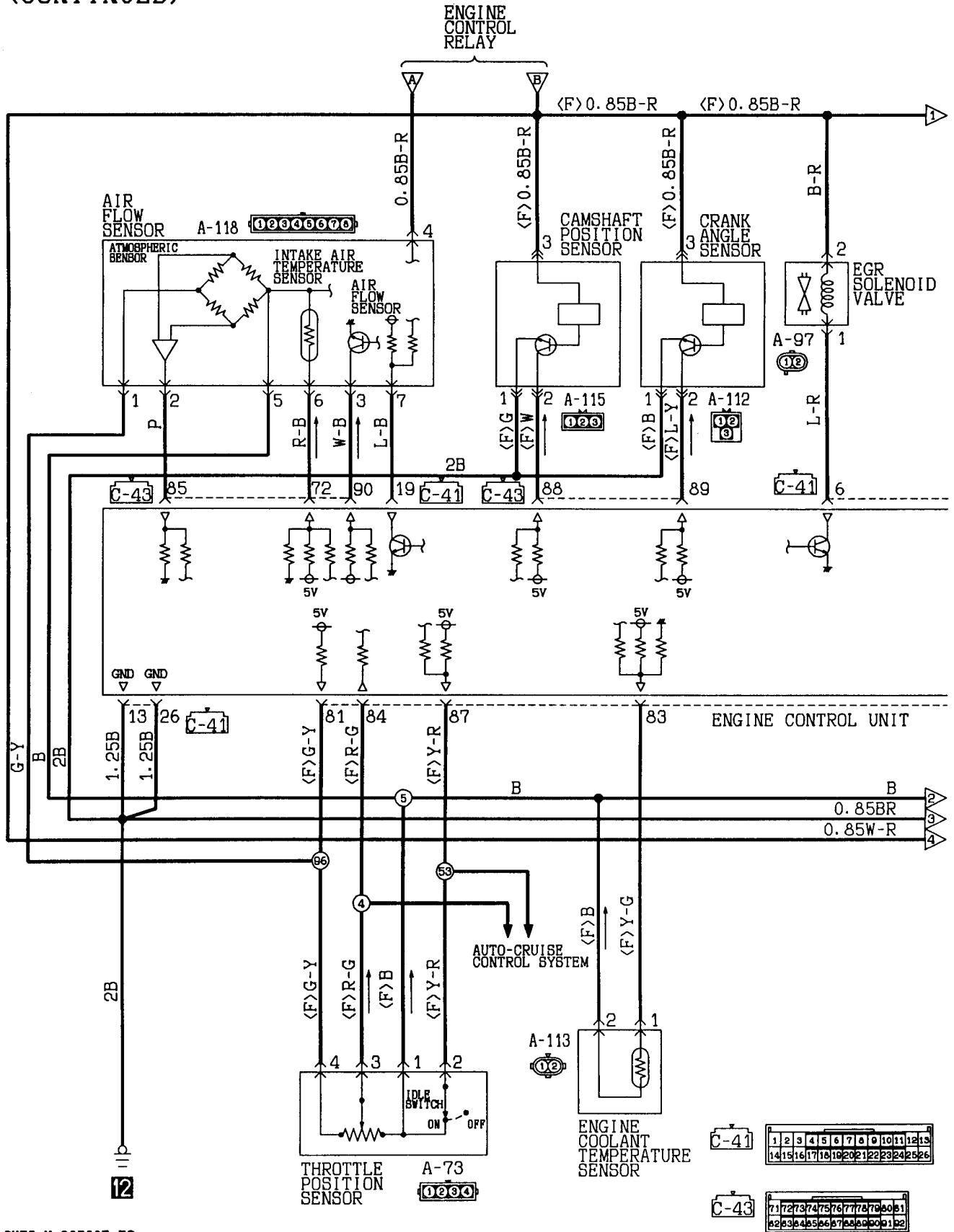


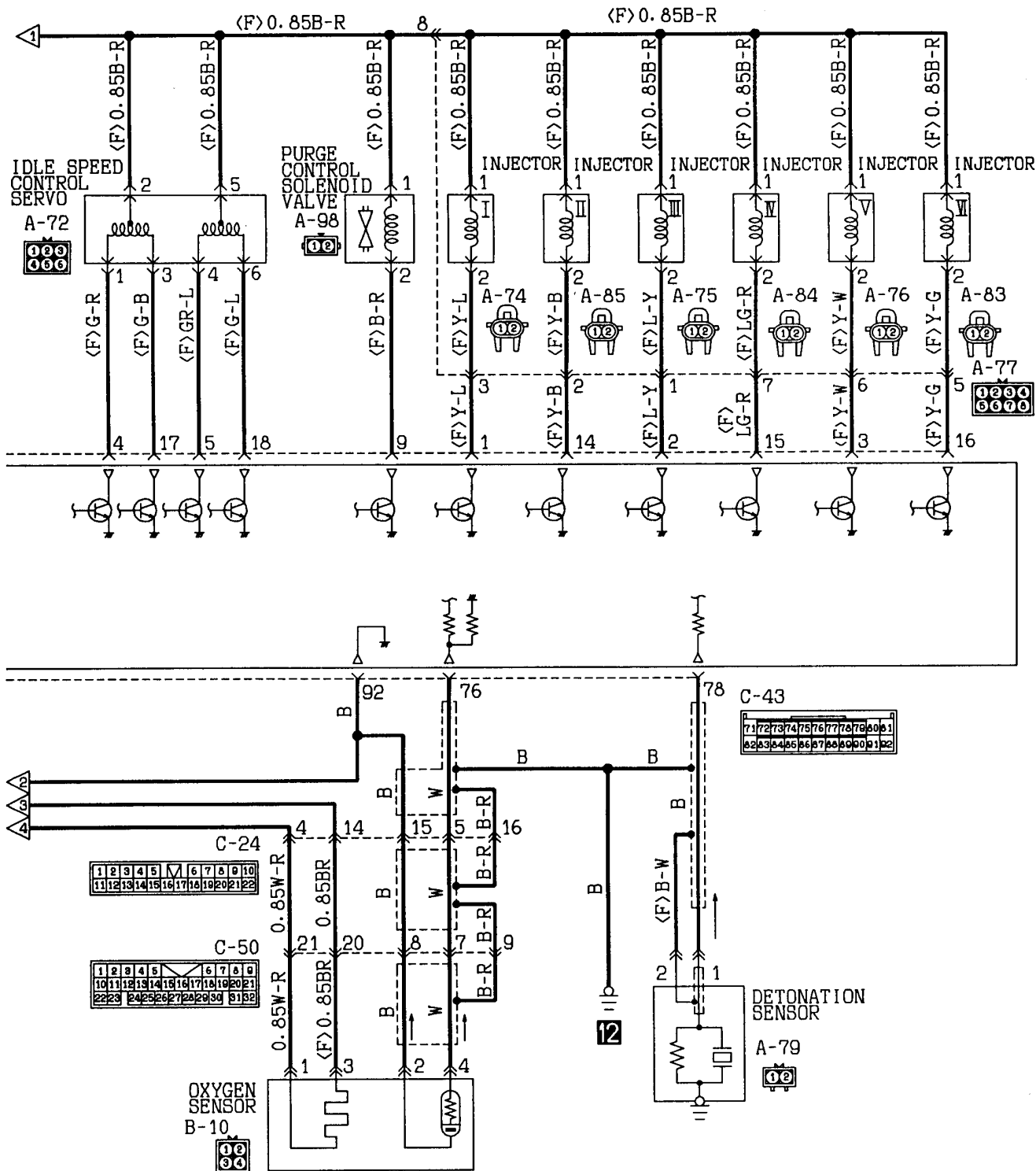
C-76

1	2	3	4	5	6	7	8	9	10	11
12	13	14	15	16	17	18	19	20	21	22
23	24	25	26	27	28	29	30	31	32	33

Wire colour code  
 B : Black    LG : Light green    G : Green    L : Blue    W : White    Y : Yellow    SB : Sky blue  
 BR : Brown    O : Orange    GR : Gray    R : Red    P : Pink    V : Violet

MPI SYSTEM <6G74 engine-A/T (L.H. drive vehicles)>  
(CONTINUED)



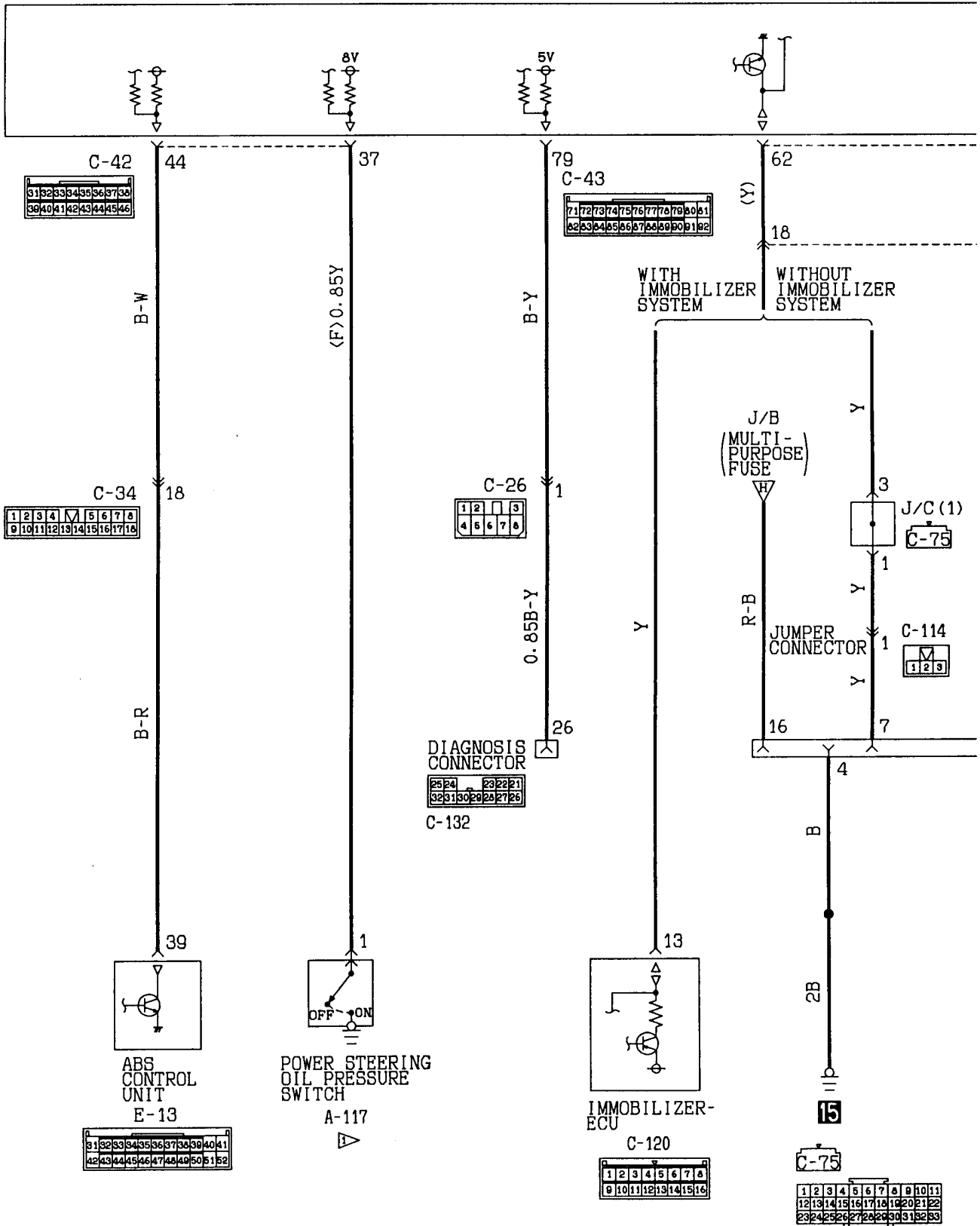


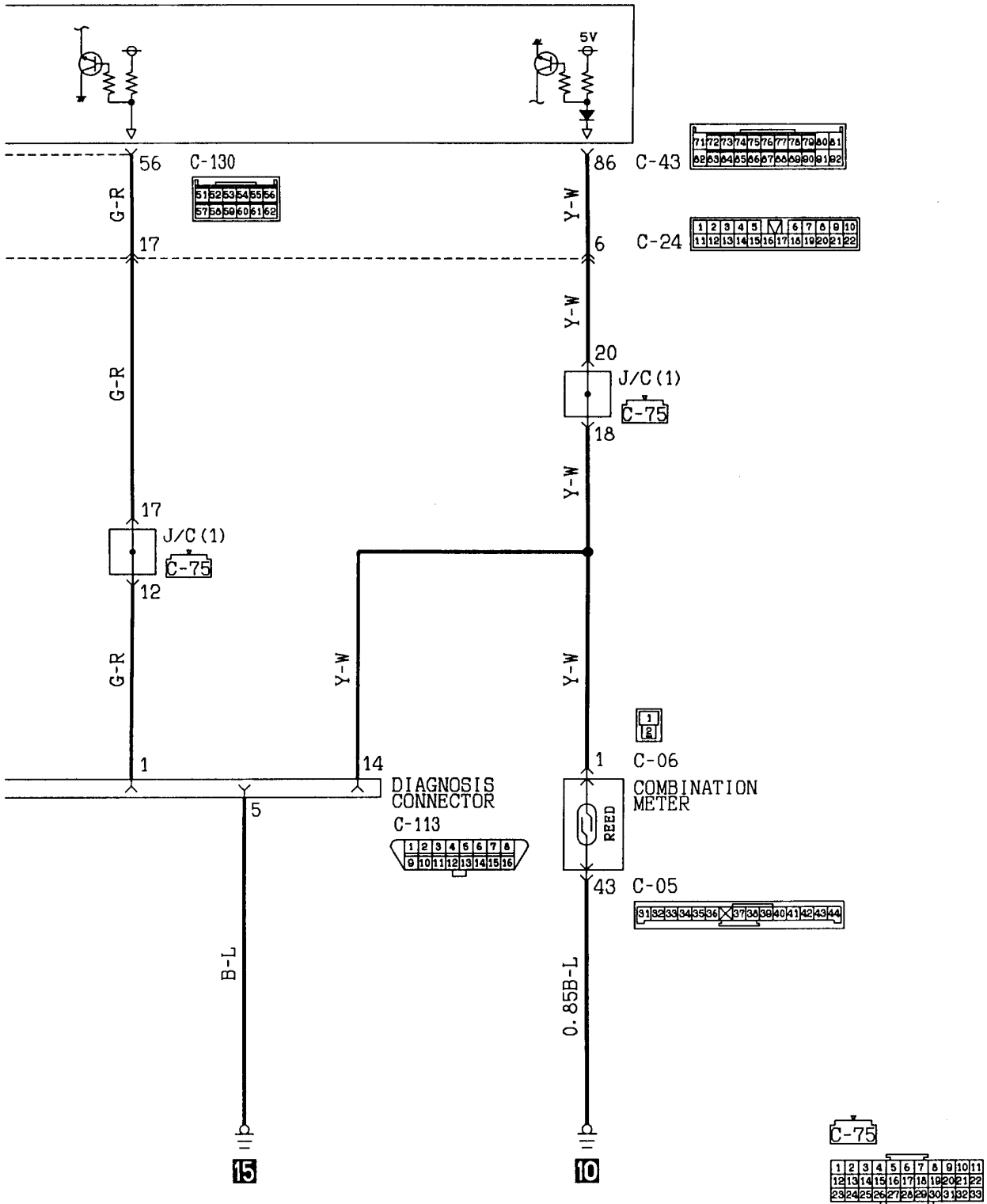
Wire colour code  
 B : Black    LG:Light green    G :Green    L :Blue    W :White    Y :Yellow    SB:Sky blue  
 BR:Brown    O :Orange    GR:Gray    R :Red    P :Pink    V :Violet



MPI SYSTEM <6G74 engine-A/T (L.H. drive vehicles)>  
(CONTINUED)

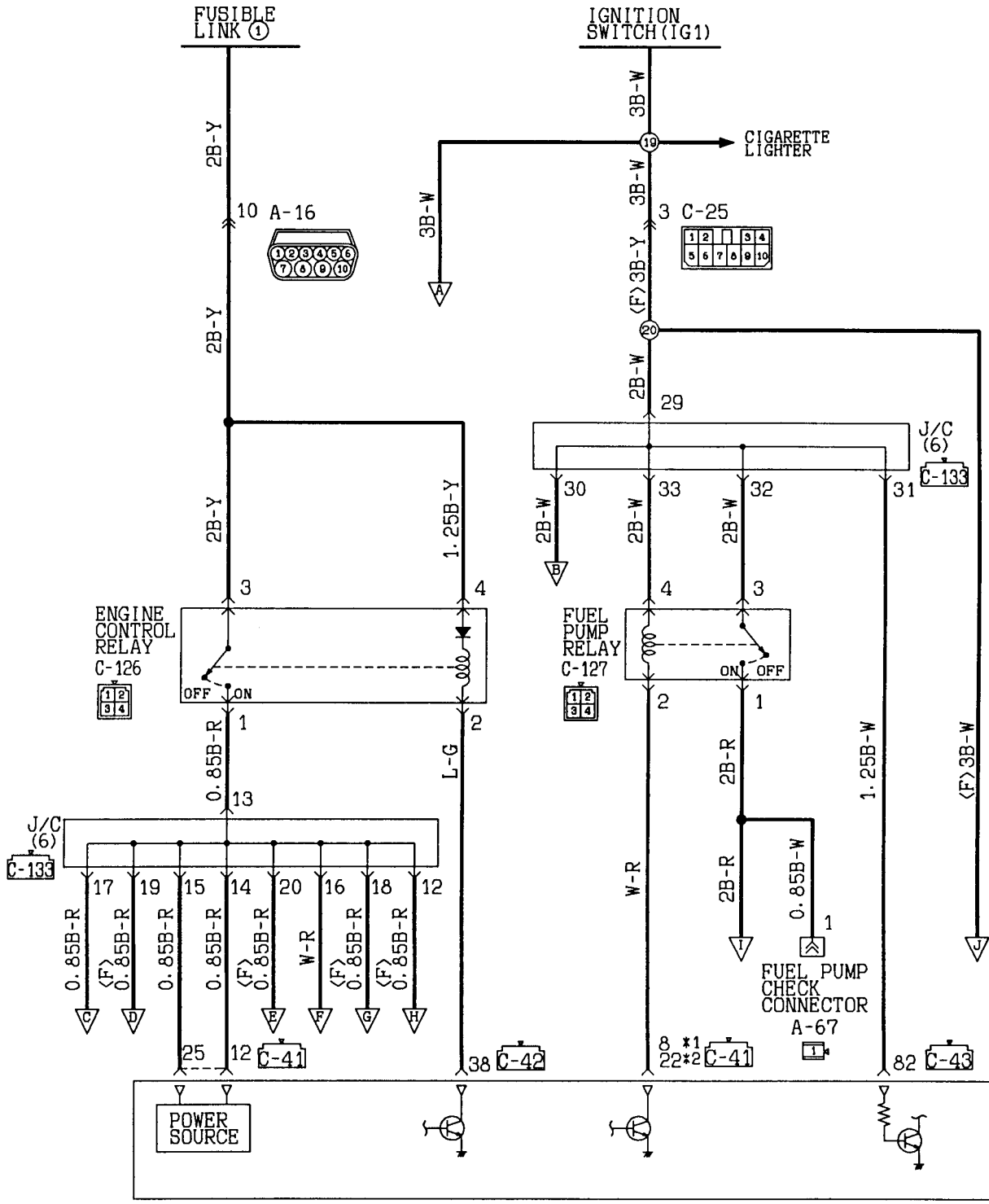
ENGINE CONTROL UNIT





Wire colour code  
 B : Black    LG: Light green    G : Green    L : Blue    W : White    Y : Yellow    SB: Sky blue  
 BR: Brown    O : Orange    GR: Gray    R : Red    P : Pink    V : Violet

MPI SYSTEM  
6G74 engine-A/T<R. H. drive vehicles>



ENGINE CONTROL SYSTEM

C-133

C-41

C-42

C-43

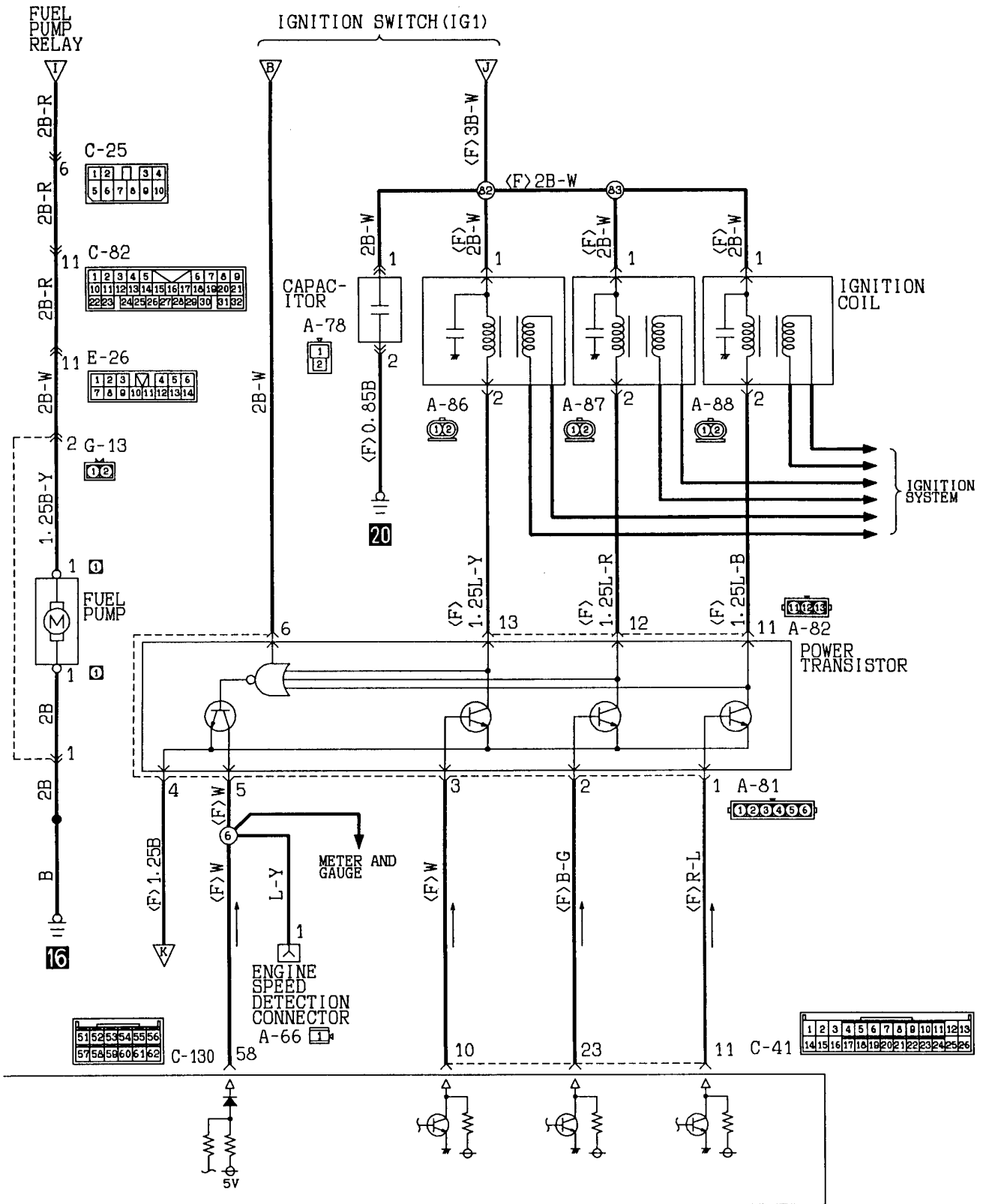
1	2	3	4	5	6	7	8	9	10	11
12	13	14	15	16	17	18	19	20	21	22
23	24	25	26	27	28	29	30	31	32	33

1	2	3	4	5	6	7	8	9	10	11	12	13
14	15	16	17	18	19	20	21	22	23	24	25	26
27	28	29	30	31	32	33	34	35	36	37	38	39

31	32	33	34	35	36	37	38
39	40	41	42	43	44	45	46
47	48	49	50	51	52	53	54

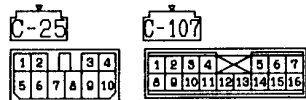
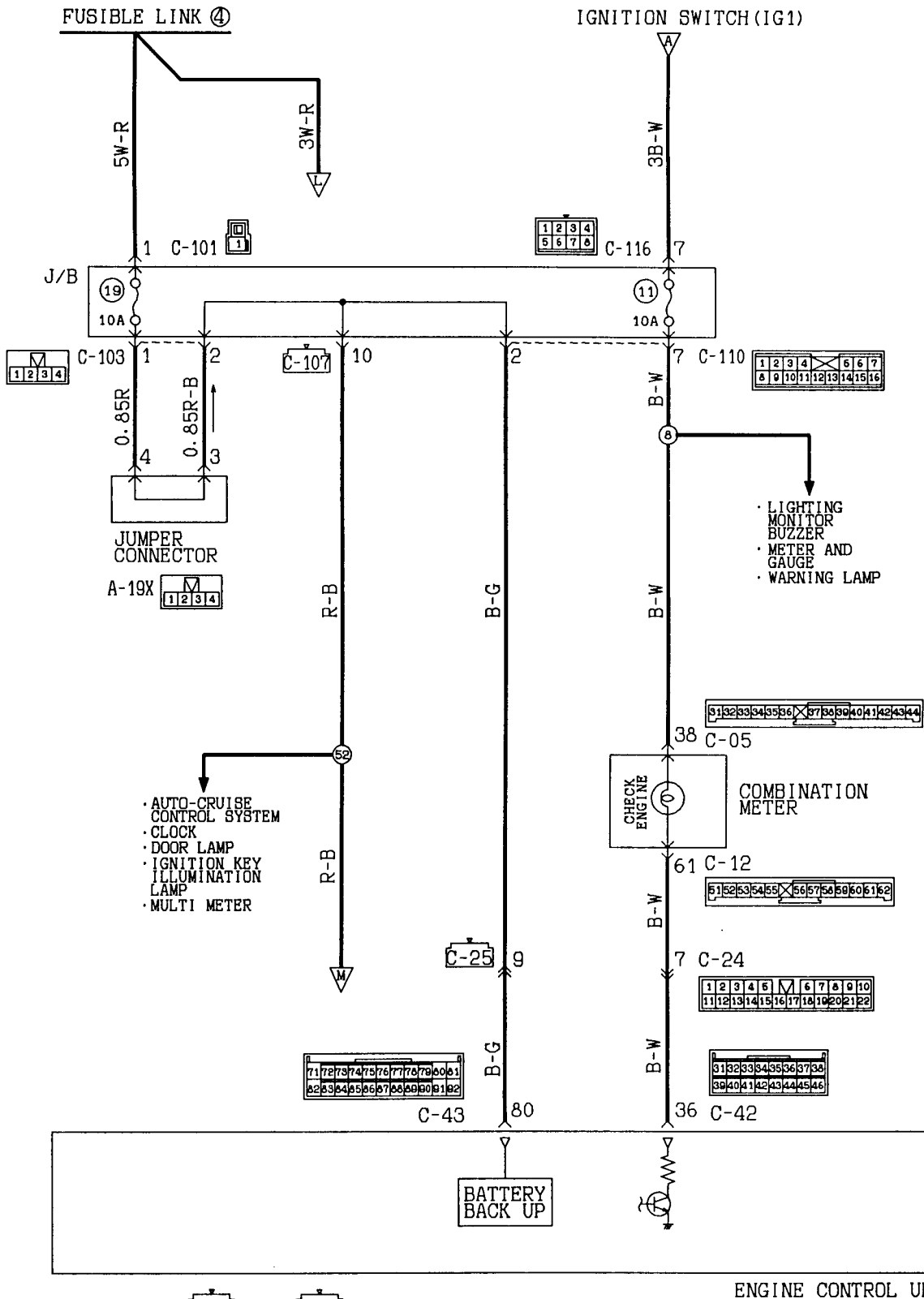
71	72	73	74	75	76	77	78	79	80	81
82	83	84	85	86	87	88	89	90	91	92

Remarks  
(1)\*1: Without immobilizer system  
(2)\*2: With immobilizer system



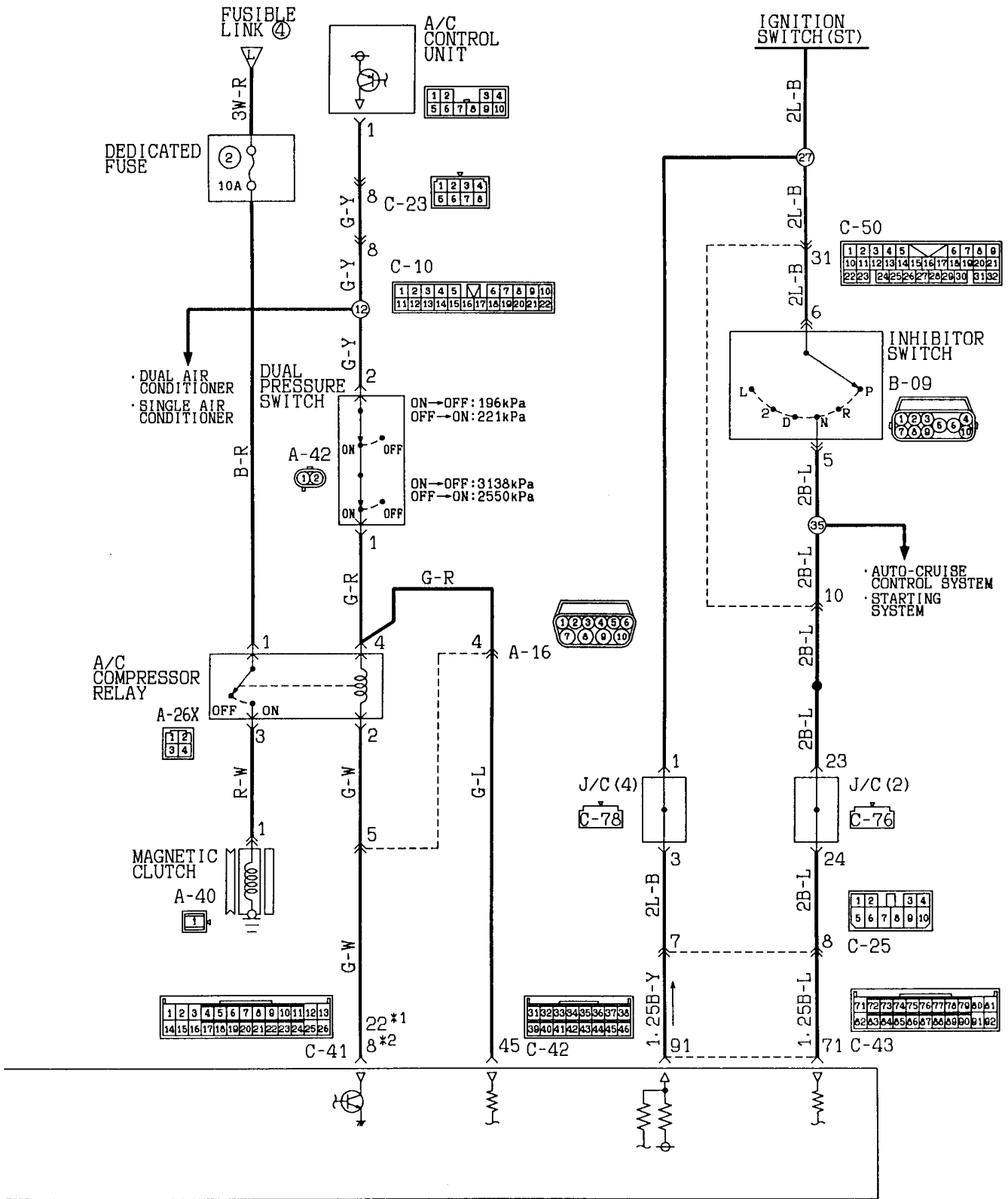
Wire colour code  
 B :Black    LG:Light green    G :Green    L :Blue    W :White    Y :Yellow    SB:Sky blue  
 BR:Brown    O :Orange    GR:Gray    R :Red    P :Pink    V :Violet

MPI SYSTEM <6G74 engine-A/T (R. H. drive vehicles)>  
(CONTINUED)

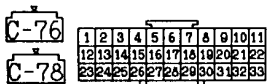


ENGINE CONTROL UNIT

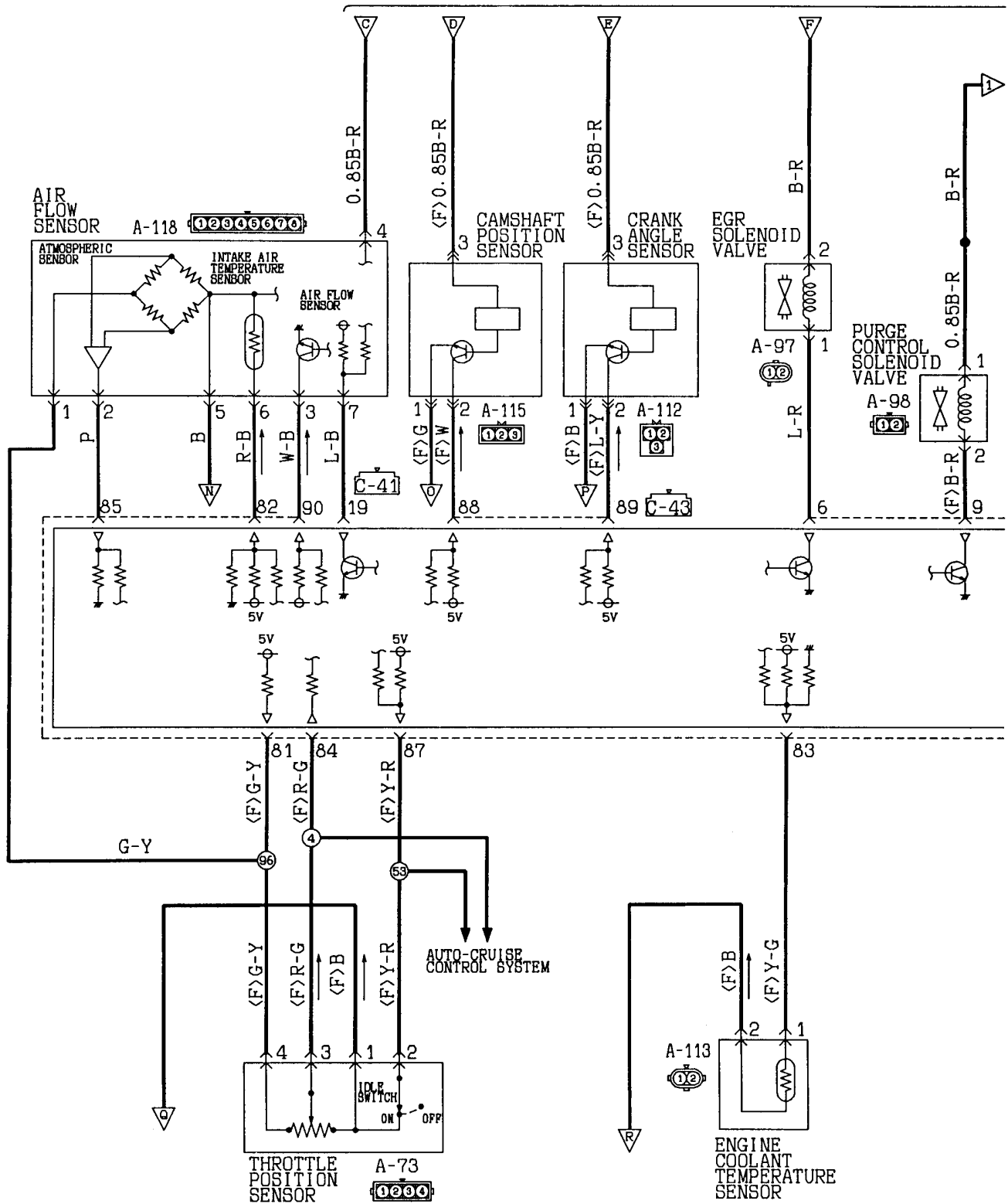
Remarks  
(1)\*1: Without immobilizer system  
(2)\*2: With immobilizer system



Wire colour code  
 B : Black    LG : Light green    G : Green    L : Blue  
 BR : Brown    O : Orange    GR : Gray    R : Red  
 W : White    SB : Sky blue    P : Pink    Y : Yellow  
 V : Violet



MPI SYSTEM <6G74 engine-A/T (R. H. drive vehicles)>  
(CONTINUED)

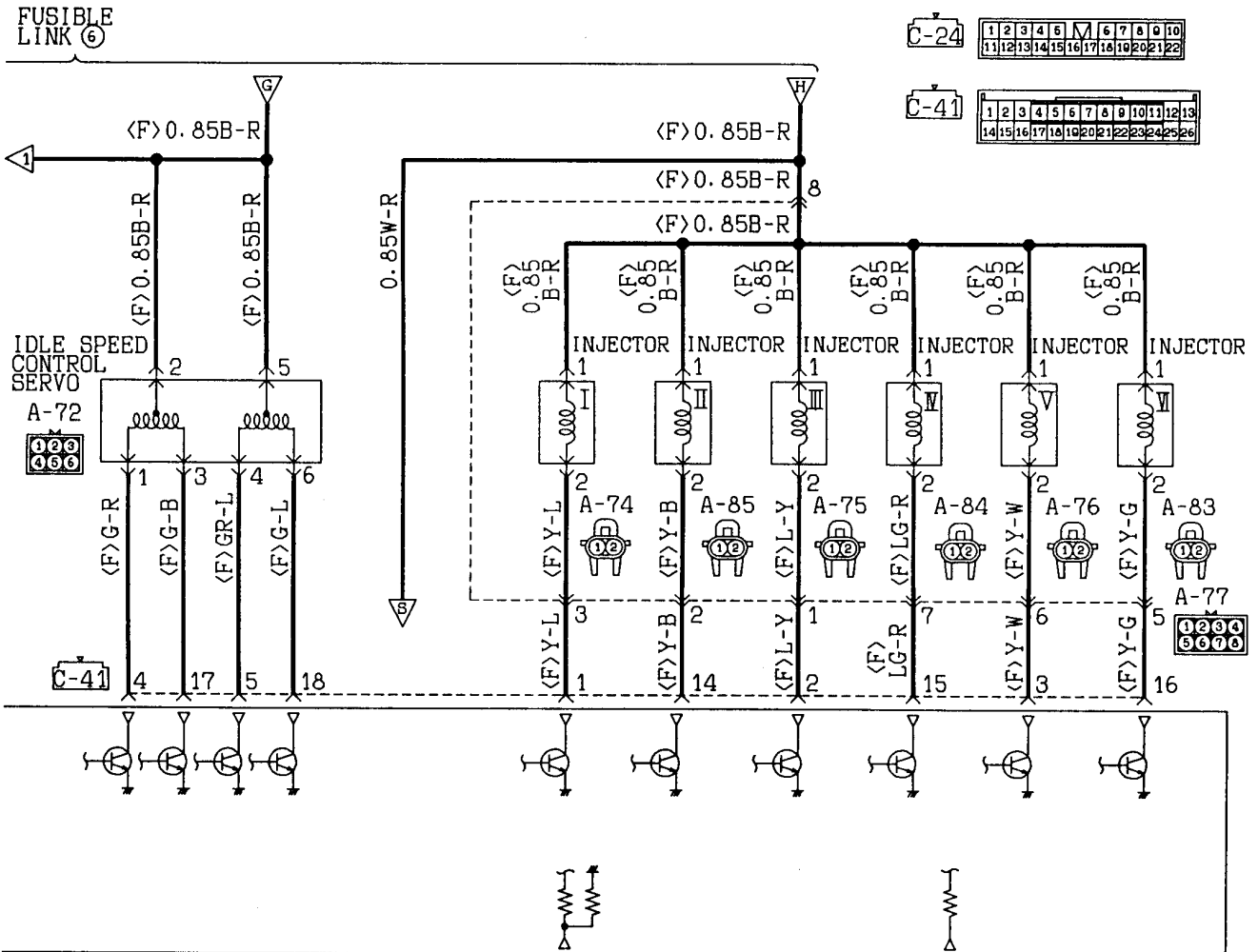


C-41

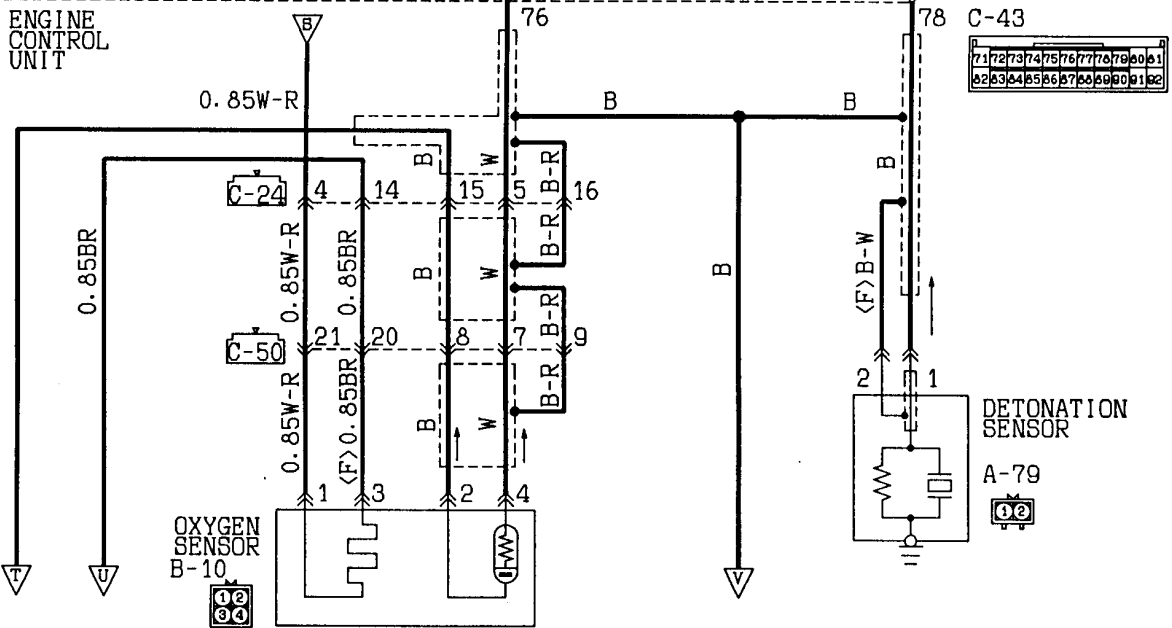
1	2	3	4	5	6	7	8	9	10	11	12	13
14	15	16	17	18	19	20	21	22	23	24	25	26

C-43

71	72	73	74	75	76	77	78	79	80	81
82	83	84	85	86	87	88	89	90	91	92



ENGINE CONTROL UNIT



C-50

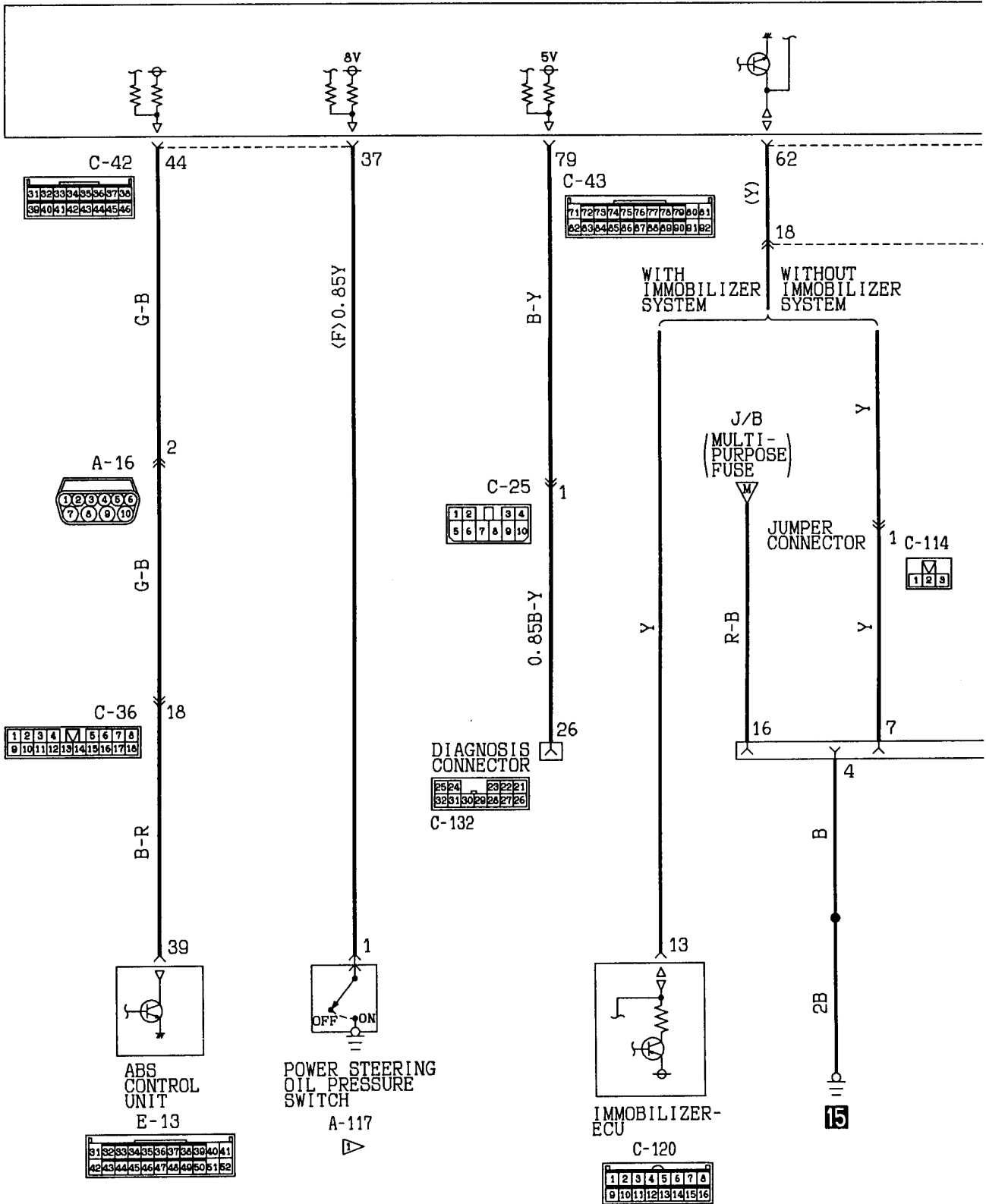
1	2	3	4	5	6	7	8	9
10	11	12	13	14	15	16	17	18
19	20	21	22	23	24	25	26	27
28	29	30	31	32				

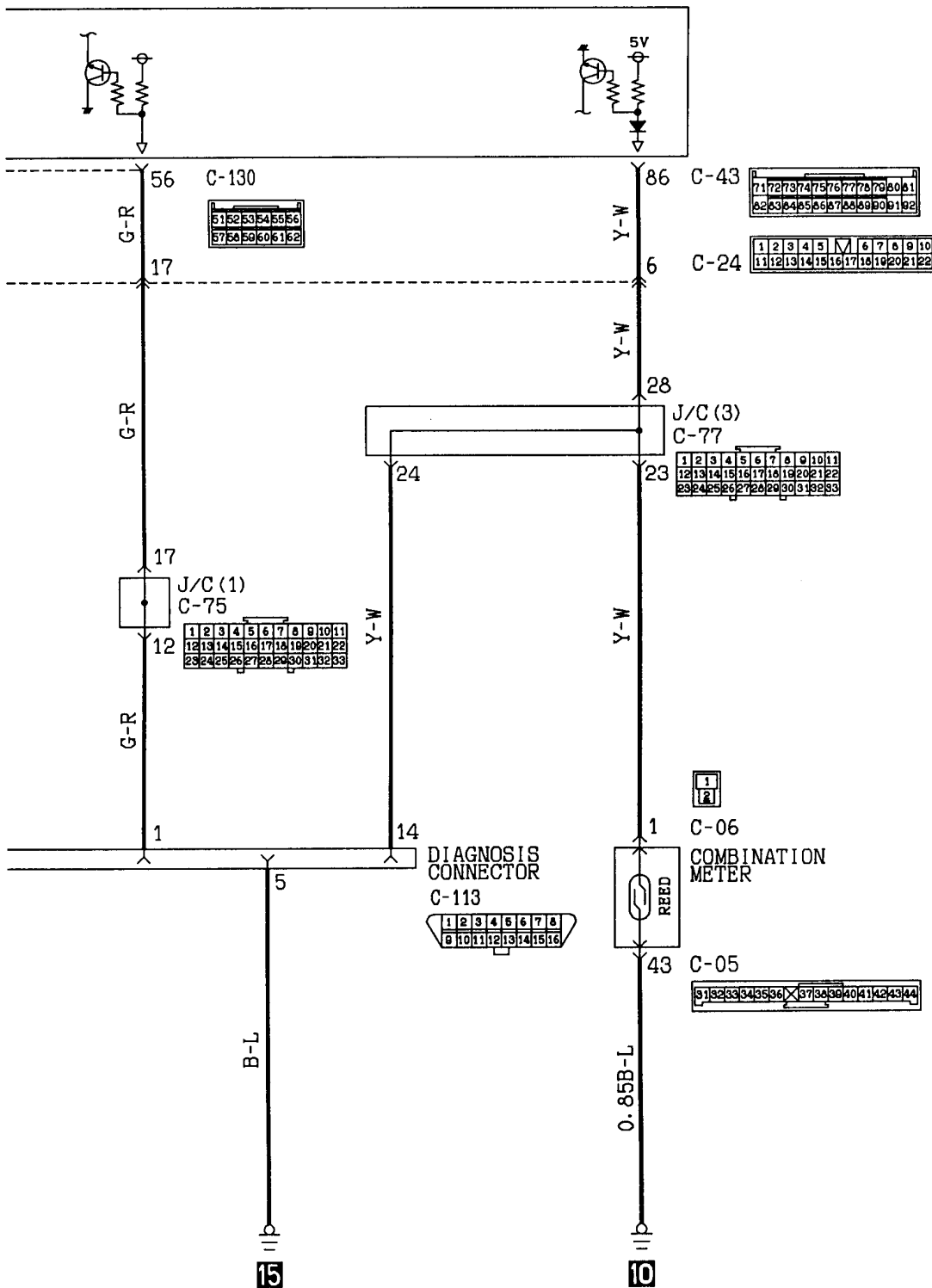
- Wire colour code
- B : Black
  - BR : Brown
  - W : White
  - V : Violet
  - LG : Light green
  - O : Orange
  - SB : Sky blue
  - G : Green
  - GR : Gray
  - P : Pink
  - L : Blue
  - R : Red
  - Y : Yellow



MPI SYSTEM <6G74 engine-A/T (R. H. drive vehicles)>  
(CONTINUED)

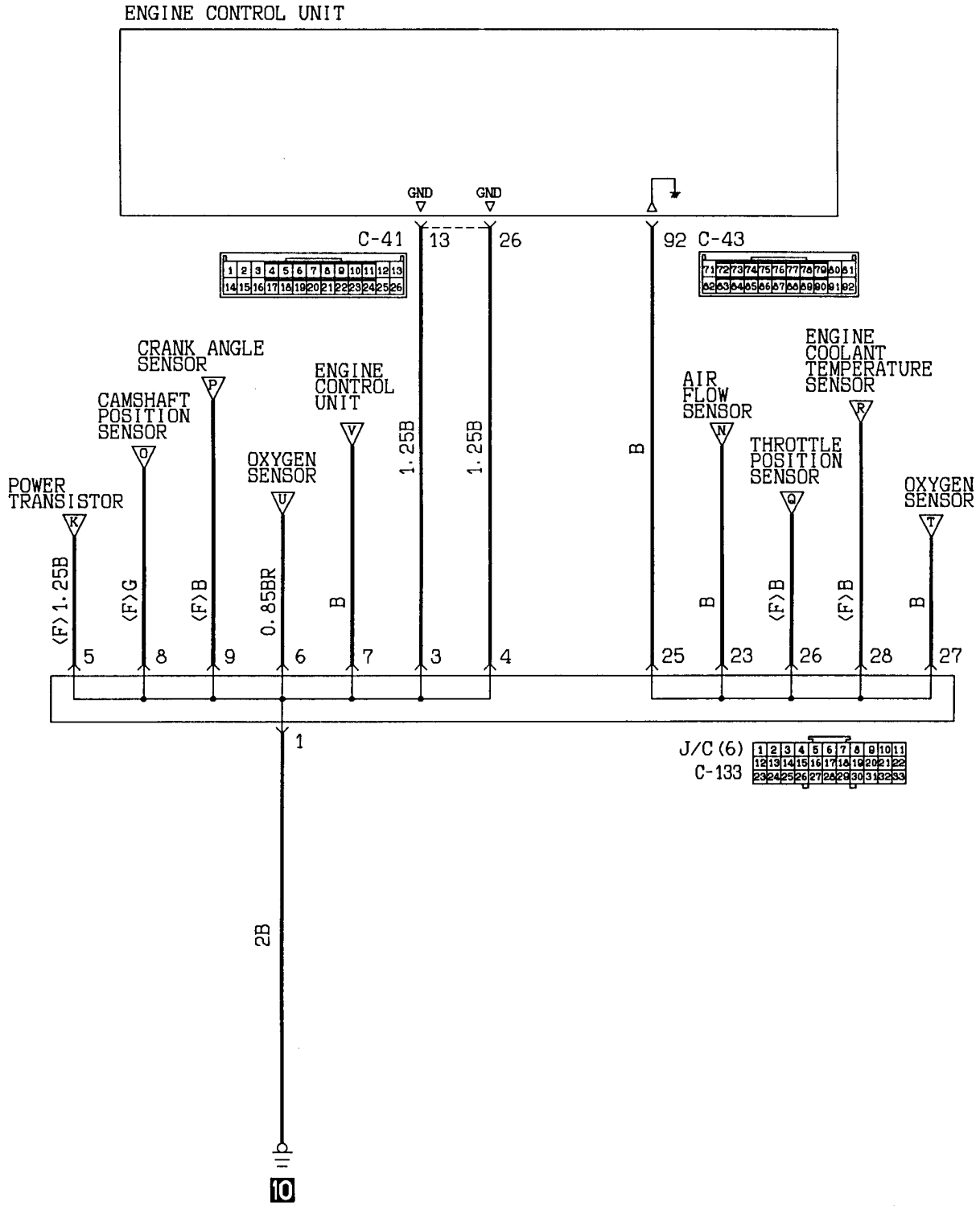
ENGINE CONTROL UNIT





Wire colour code  
 B : Black    LG : Light green    G : Green    L : Blue    W : White    Y : Yellow    SB : Sky blue  
 BR : Brown    O : Orange    GR : Gray    R : Red    P : Pink    V : Violet

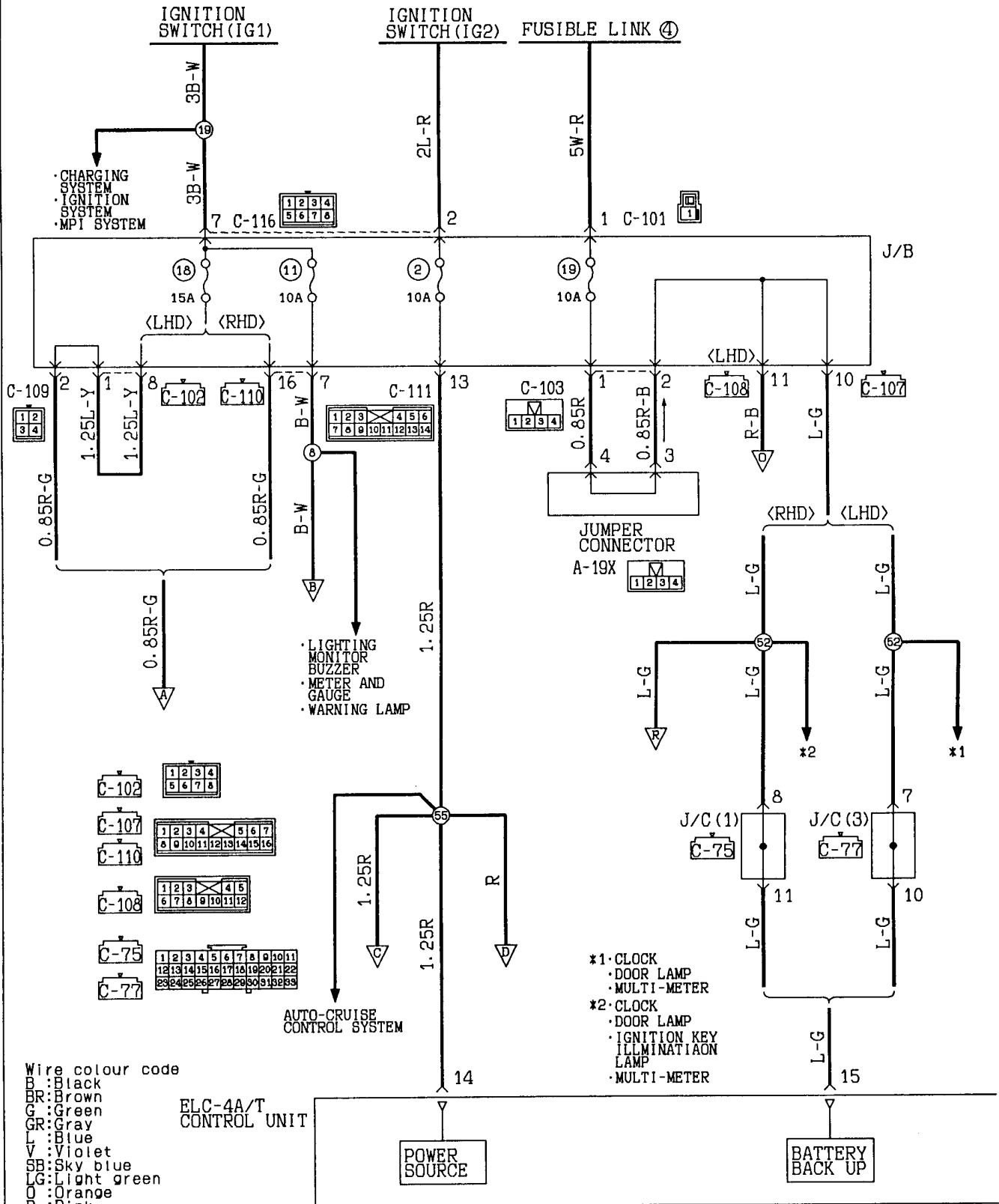
MPI SYSTEM <6G74 engine-A/T (R. H. drive vehicles)>  
(CONTINUED)



Wire colour code  
 B : Black    LG : Light green    G : Green    L : Blue    W : White    Y : Yellow    SB : Sky blue  
 BR : Brown    O : Orange    GR : Gray    R : Red    P : Pink    V : Violet

NOTES

# ELC 4-SPEED AUTOMATIC TRANSMISSION 6G72, 6G74 engine

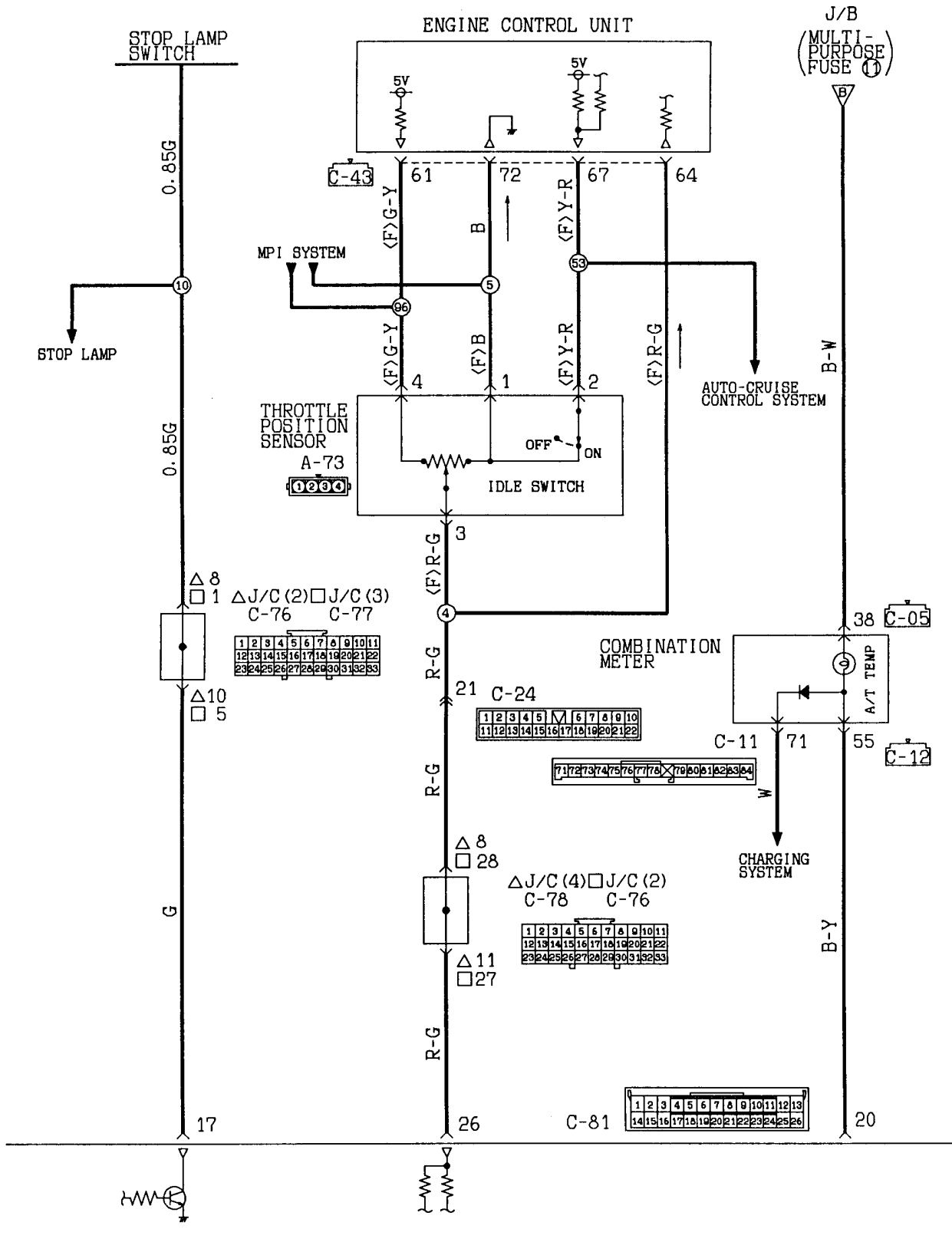


Wire colour code  
 B: Black  
 BR: Brown  
 G: Green  
 GR: Gray  
 L: Blue  
 V: Violet  
 SB: Sky blue  
 LG: Light green  
 O: Orange  
 P: Pink  
 R: Red  
 Y: Yellow  
 W: White

ELC-4A/T  
CONTROL UNIT

- \*1: CLOCK  
 · DOOR LAMP  
 · MULTI-METER
- \*2: CLOCK  
 · DOOR LAMP  
 · IGNITION KEY ILLUMINATION LAMP  
 · MULTI-METER

Remarks  
 (1) □: L.H. drive vehicles.  
 (2) △: R.H. drive vehicles.



C-43

51	52	53	54	55	56	57	58	59	60	61
62	63	64	65	66	67	68	69	70	71	72

C-12

51	52	53	54	55	56	57	58	59	60	61
62	63	64	65	66	67	68	69	70	71	72

C-05

51	52	53	54	55	56	57	58	59	60	61	62
----	----	----	----	----	----	----	----	----	----	----	----

C-81

1	2	3	4	5	6	7	8	9	10	11	12	13
14	15	16	17	18	19	20	21	22	23	24	25	26

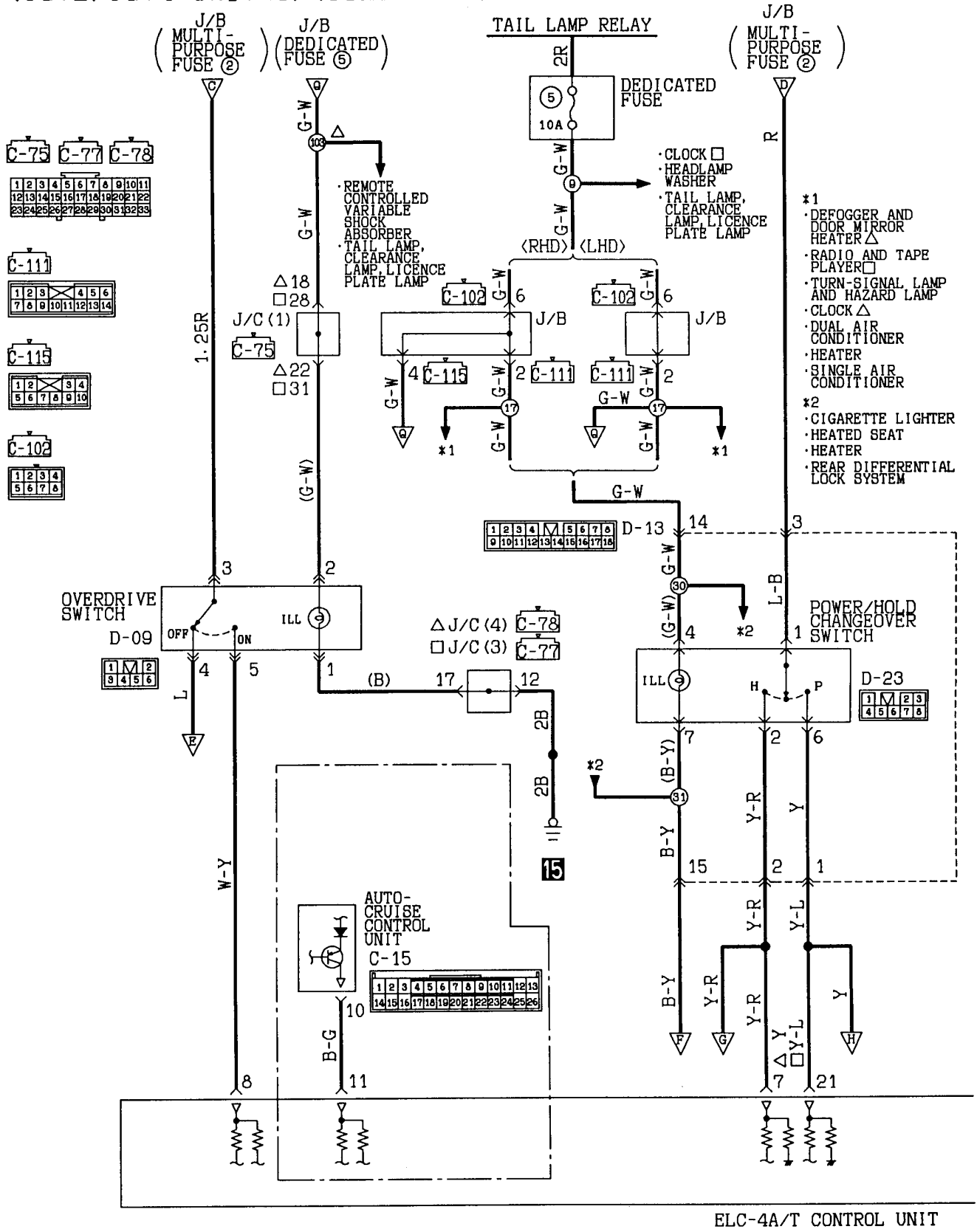
C-05

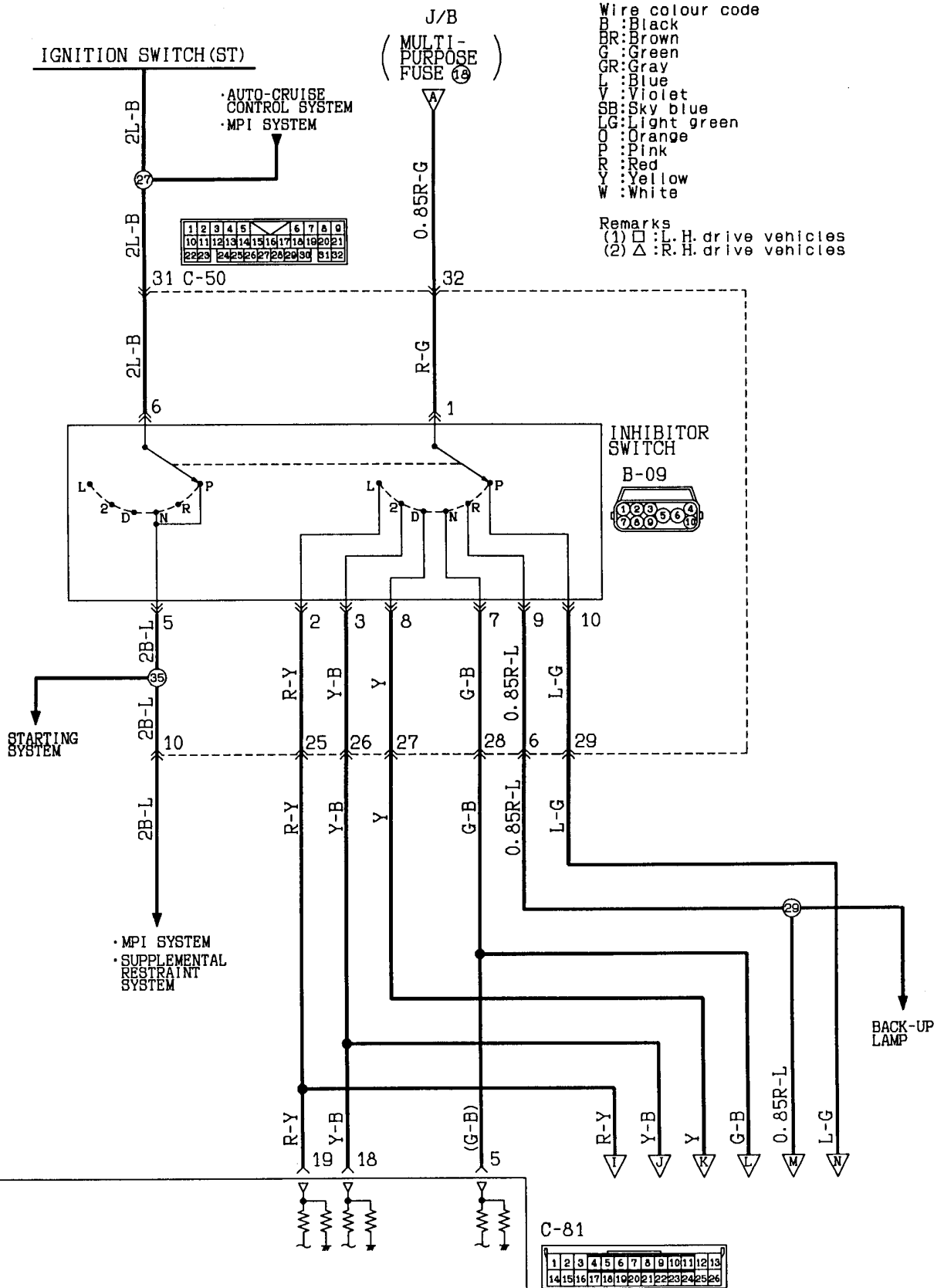
81	82	83	84	85	86	87	88	89	90	91	92	93	94
----	----	----	----	----	----	----	----	----	----	----	----	----	----

C-12

81	82	83	84	85	86	87	88	89	90	91	92	93	94
----	----	----	----	----	----	----	----	----	----	----	----	----	----

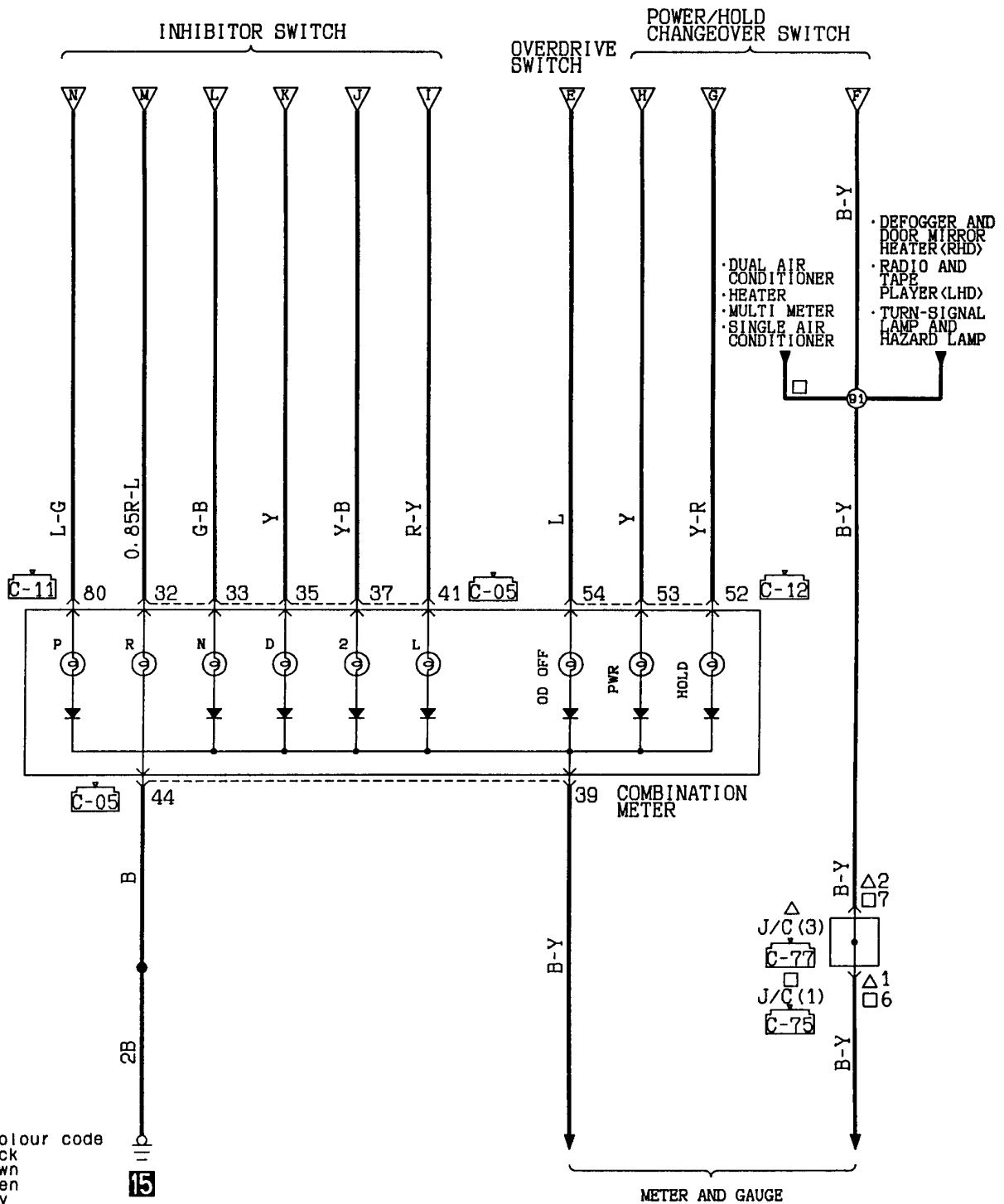
ELC 4-SPEED AUTOMATIC TRANSMISSION  
(6G72, 6G74 engine) (CONTINUED)







ELC 4-SPEED AUTOMATIC TRANSMISSION  
(6G72, 6G74 engine) (CONTINUED)

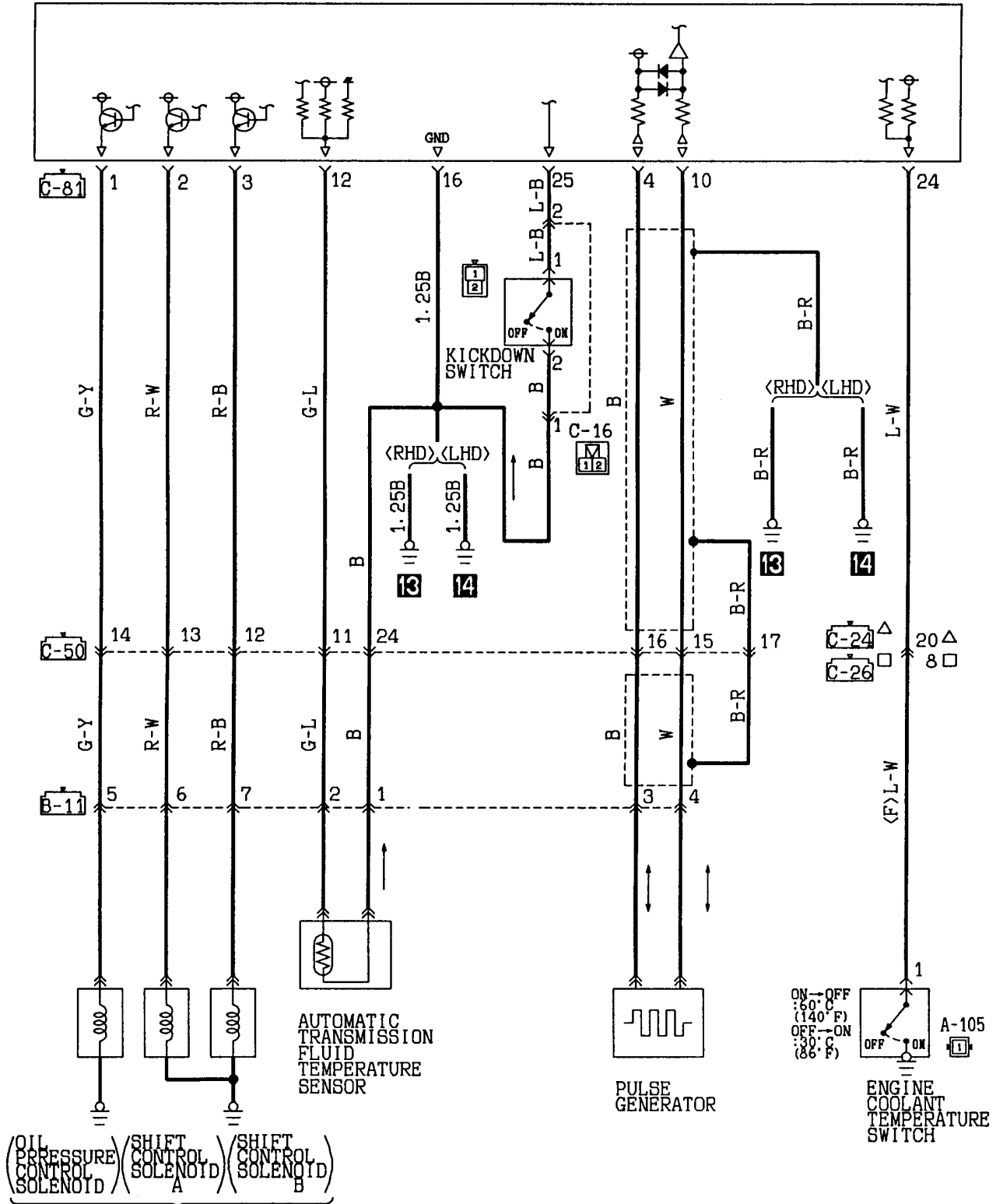


Wire colour code  
 B : Black  
 BR : Brown  
 G : Green  
 GR : Gray  
 L : Blue  
 V : Violet  
 SB : Sky blue  
 LG : Light green  
 O : Orange  
 P : Pink  
 R : Red  
 Y : Yellow  
 W : White

Remarks  
 (1) □ : L. H. drive vehicles.  
 (2) △ : R. H. drive vehicles.

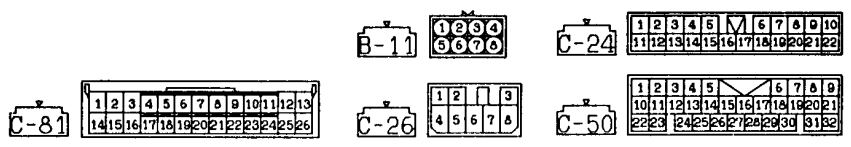
C-11	71 72 73 74 75 76 77 78 X 79 80 81 82 83 84	C-75	1 2 3 4 5 6 7 8 9 10 11 12 13 14 15 16 17 18 19 20 21 22 23 24 25 26 27 28 29 30 31 32 33
C-05	51 52 53 54 55 56 X 57 58 59 60 61 62 63 64	C-12	51 52 53 54 55 X 56 57 58 59 60 61 62

ELC-4A/T CONTROL UNIT

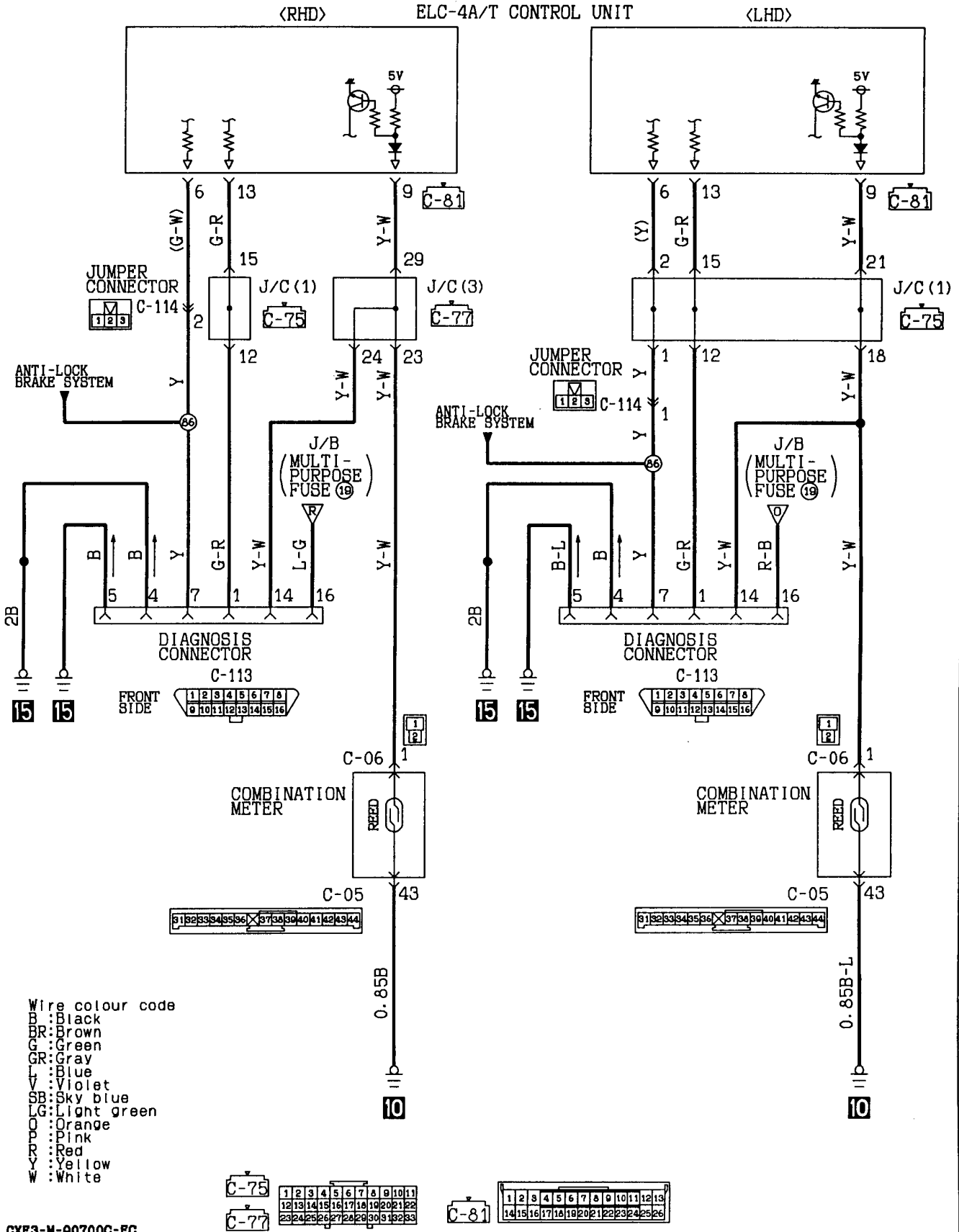


(OIL PRESSURE CONTROL SOLENOID) (SHIFT CONTROL SOLENOID A) (SHIFT CONTROL SOLENOID B)

ELC 4-SPEED AUTOMATIC TRANSMISSION CONTROL SOLENOID VALVE

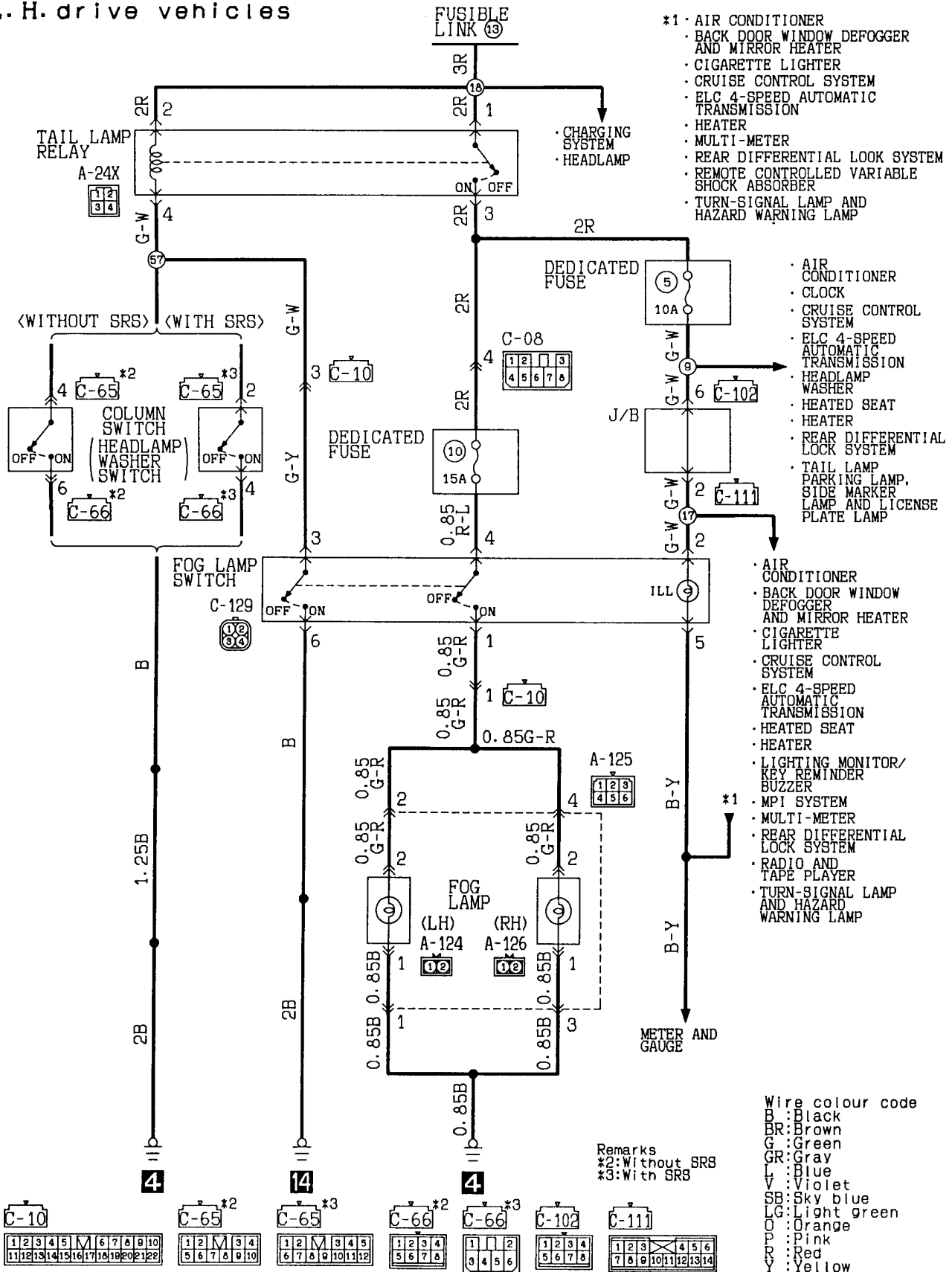


ELC 4-SPEED AUTOMATIC TRANSMISSION  
<6G72, 6G74 engine> (CONTINUED)



NOTES

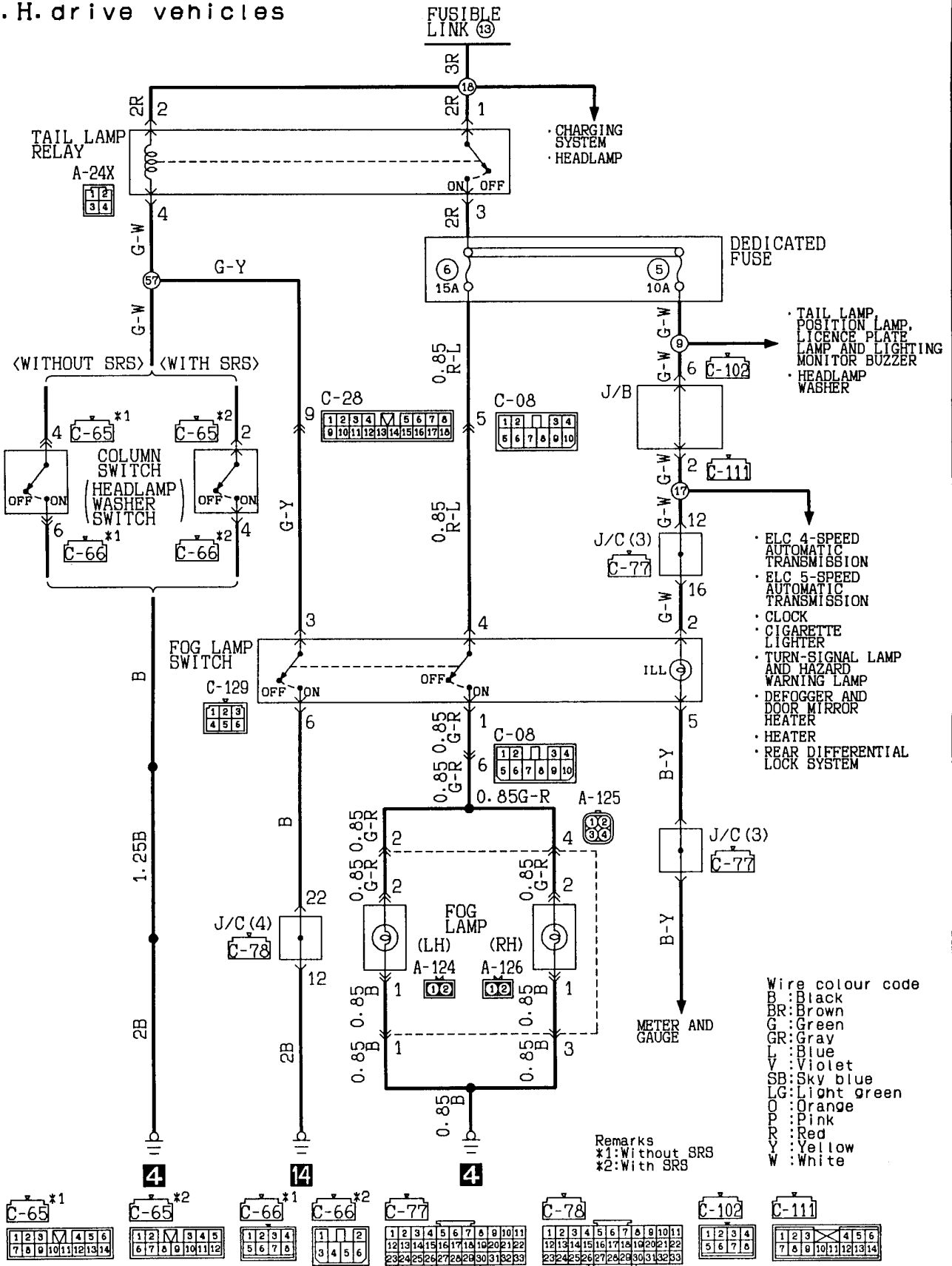
FOG LAMP  
L.H. drive vehicles



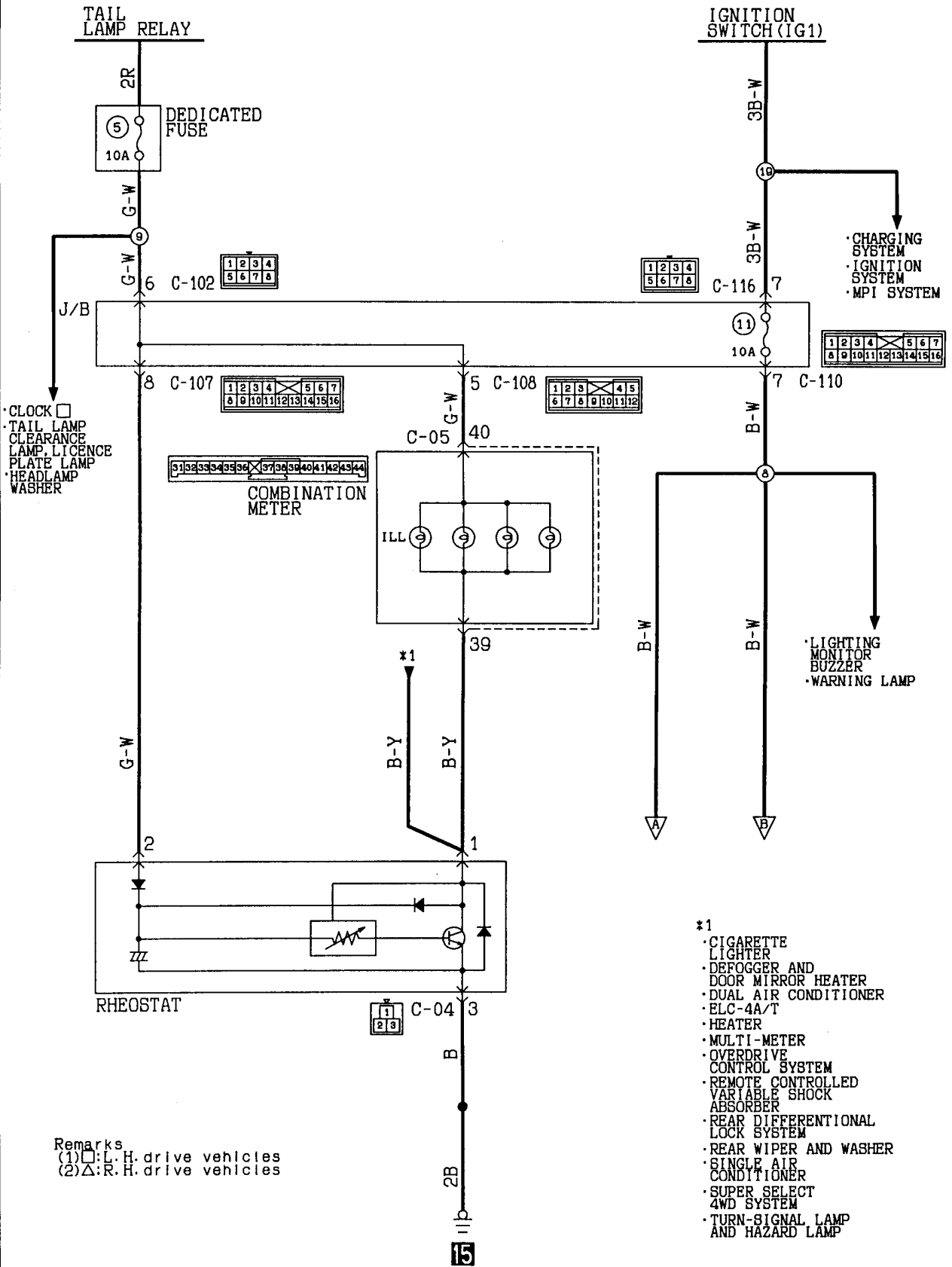
Wire colour code  
 B: Black  
 BR: Brown  
 G: Green  
 GR: Gray  
 L: Blue  
 V: Violet  
 SB: Sky blue  
 LG: Light green  
 O: Orange  
 P: Pink  
 R: Red  
 Y: Yellow  
 W: White

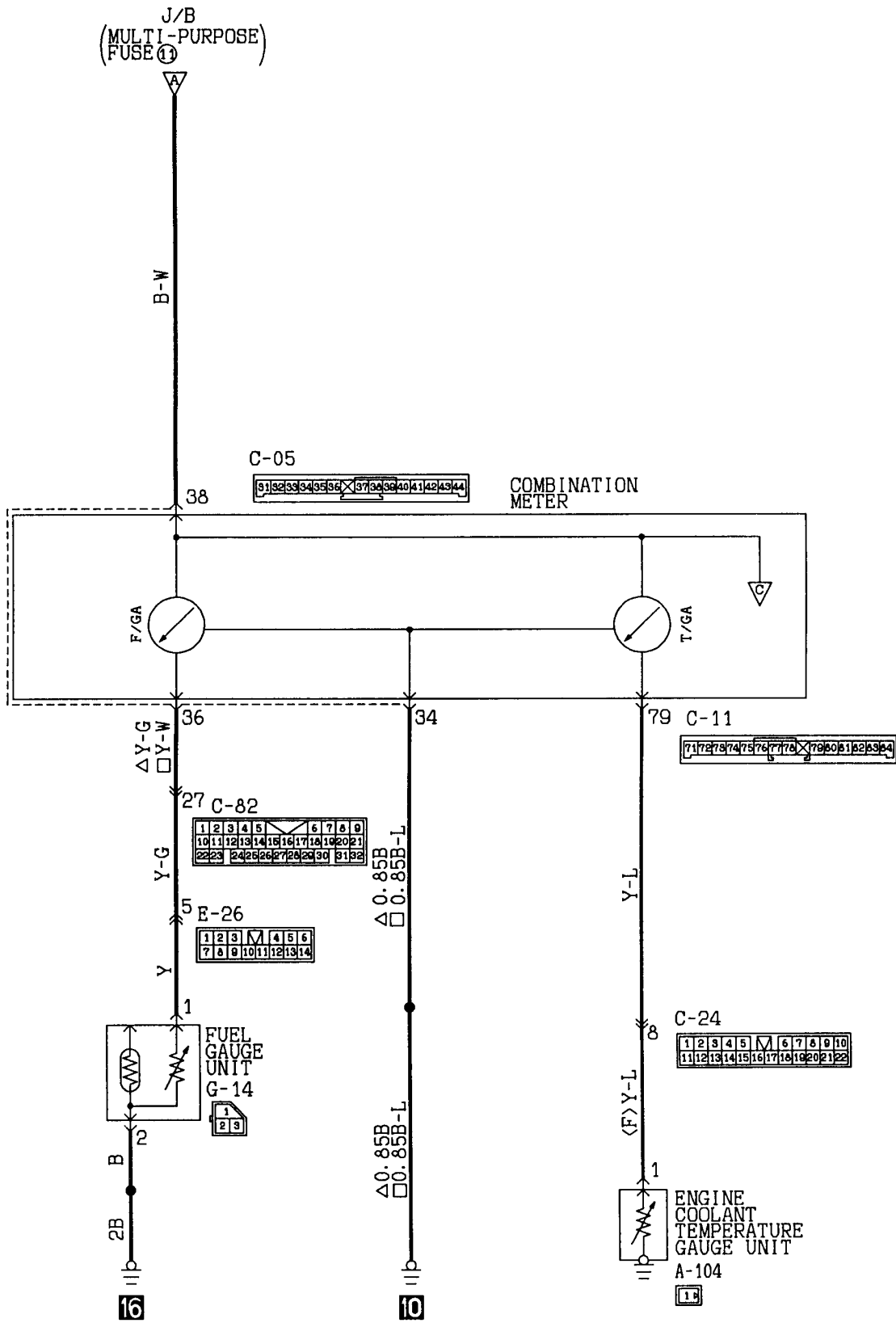
Remarks  
 \*2: Without SRS  
 \*3: With SRS

FOG LAMP  
R.H. drive vehicles



METER AND GAUGE  
6G72, 6G74 engine





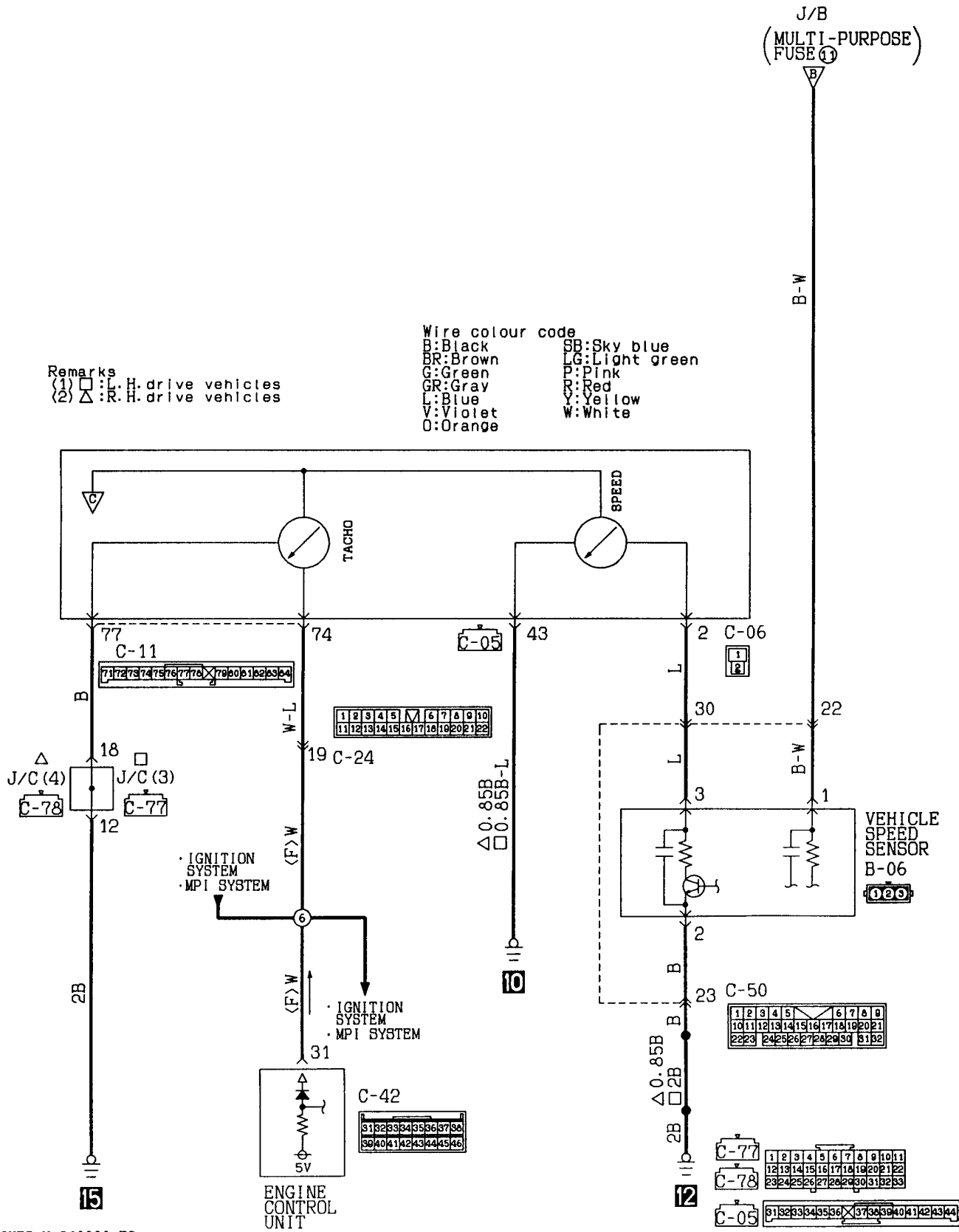
Wire colour code  
 B:Black LG:Light green G:Green L:Blue W:White Y:Yellow SB:Sky blue  
 BR:Brown O:Orange GR:Gray R:Red P:Pink V:Violet



METER AND GAUGE <6G72, 6G74 engine> (CONTINUED)

Remarks  
 (1) □ : L. H. drive vehicles  
 (2) △ : R. H. drive vehicles

Wire colour code  
 B:Black SB:Sky blue  
 BR:Brown LG:Light green  
 G:Green P:Pink  
 GR:Gray R:Red  
 L:Blue Y:Yellow  
 V:Violet W:White  
 O:Orange



LOW ENGINE OIL LEVEL WARNING LAMP

C-75 C-76 C-77 C-78

1	2	3	4	5	6	7	8	9	10	11
12	13	14	15	16	17	18	19	20	21	22
23	24	25	26	27	28	29	30	31	32	33

C-10

1	2	3	4	5	M	6	7	8	9	10	
11	12	13	14	15	16	17	18	19	20	21	22

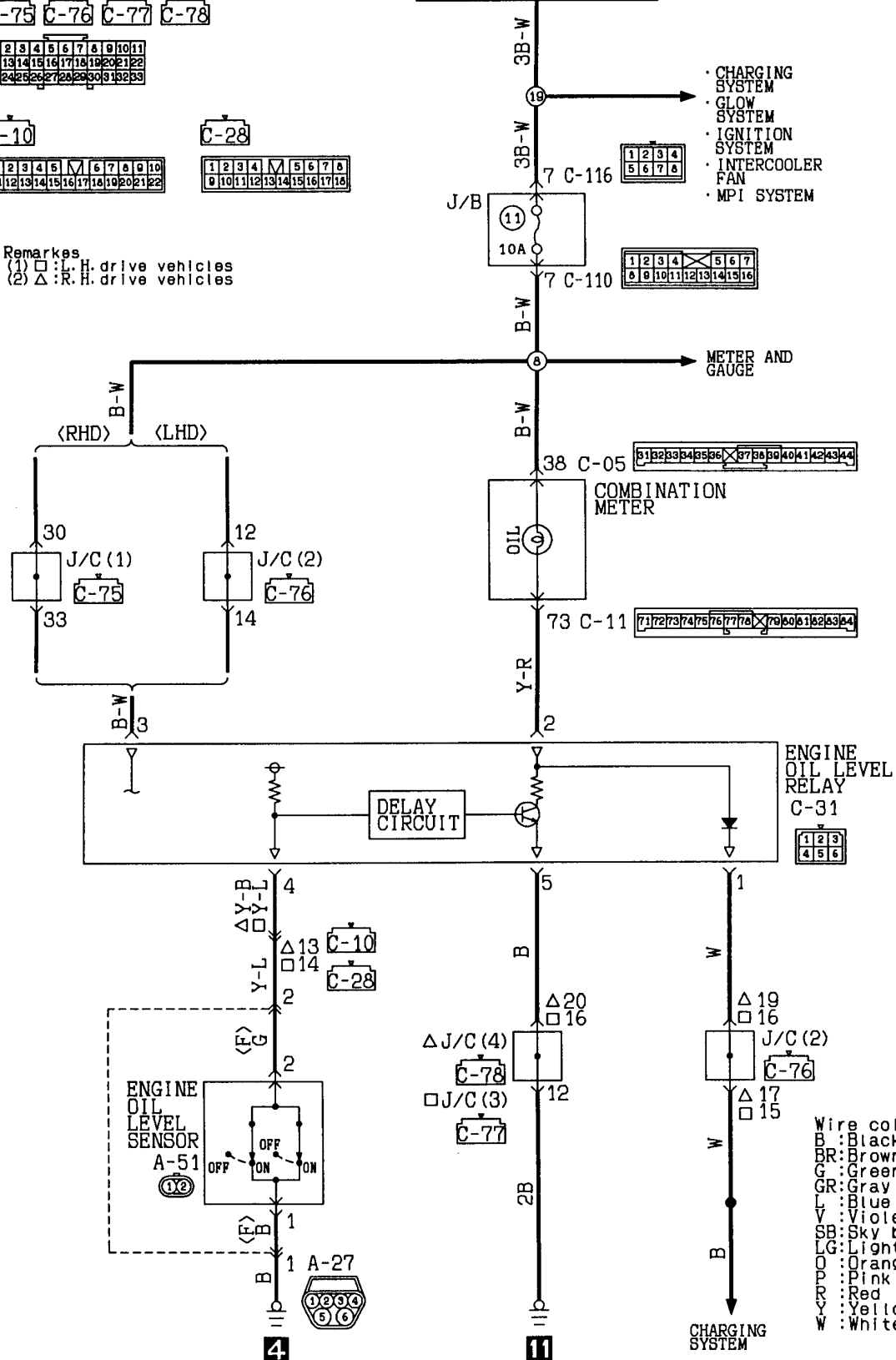
C-28

1	2	3	4	M	5	6	7	8	
9	10	11	12	13	14	15	16	17	18

Remarks

- (1) □ : L.H. drive vehicles
- (2) △ : R.H. drive vehicles

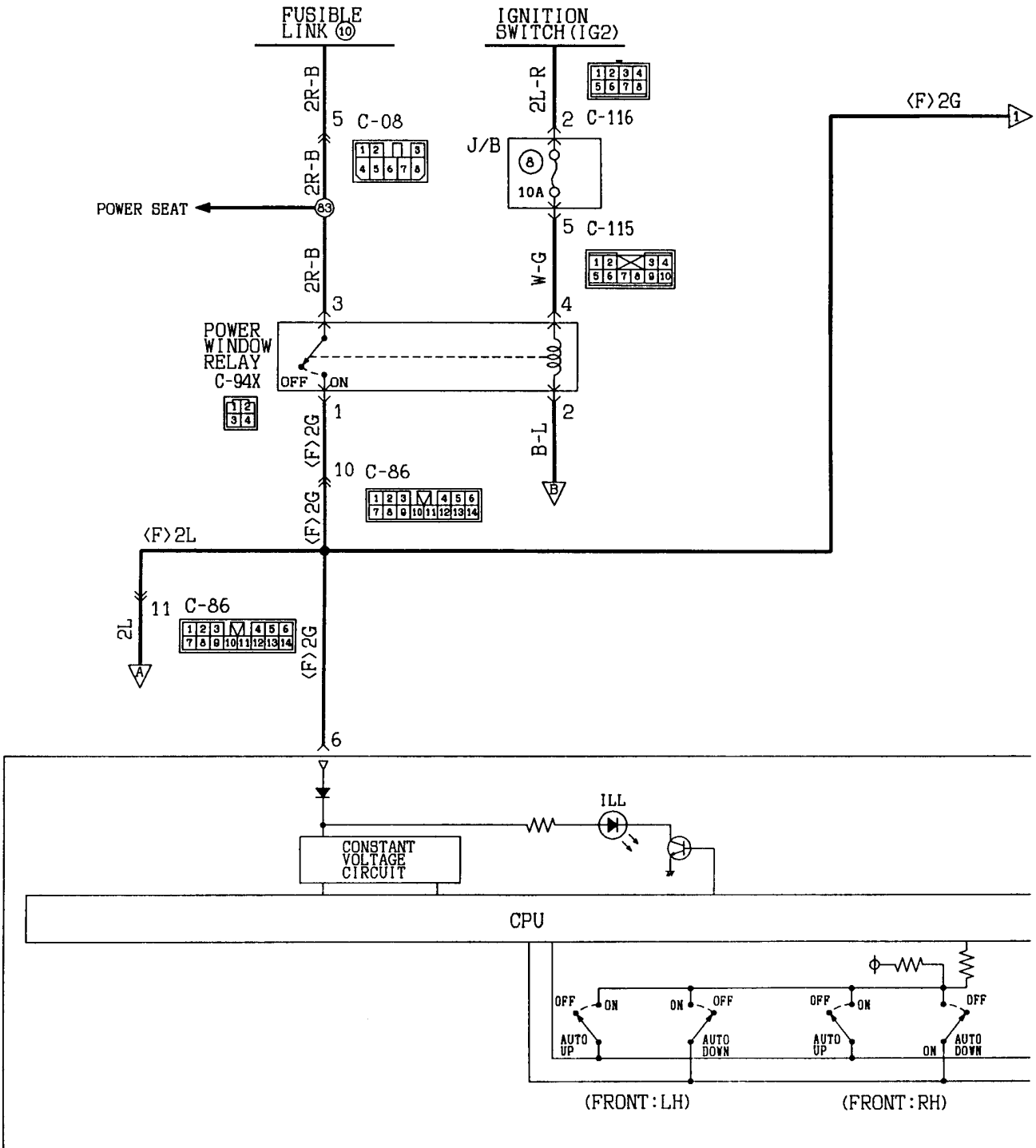
IGNITION SWITCH (IG1)

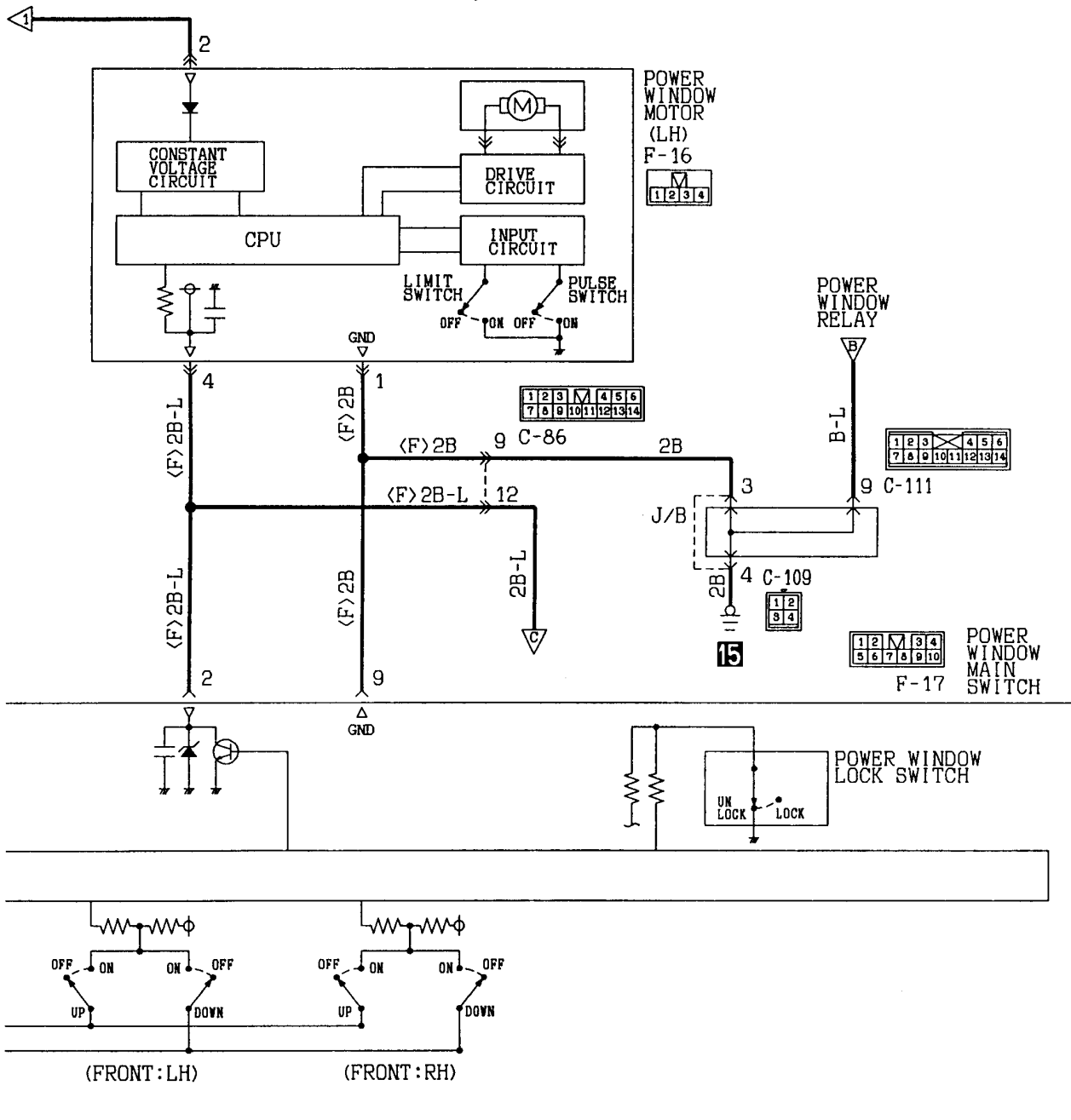


Wire colour code  
 B : Black  
 BR : Brown  
 G : Green  
 GR : Gray  
 L : Blue  
 V : Violet  
 SB : Sky blue  
 LG : Light green  
 O : Orange  
 P : Pink  
 R : Red  
 Y : Yellow  
 W : White

POWER WINDOWS

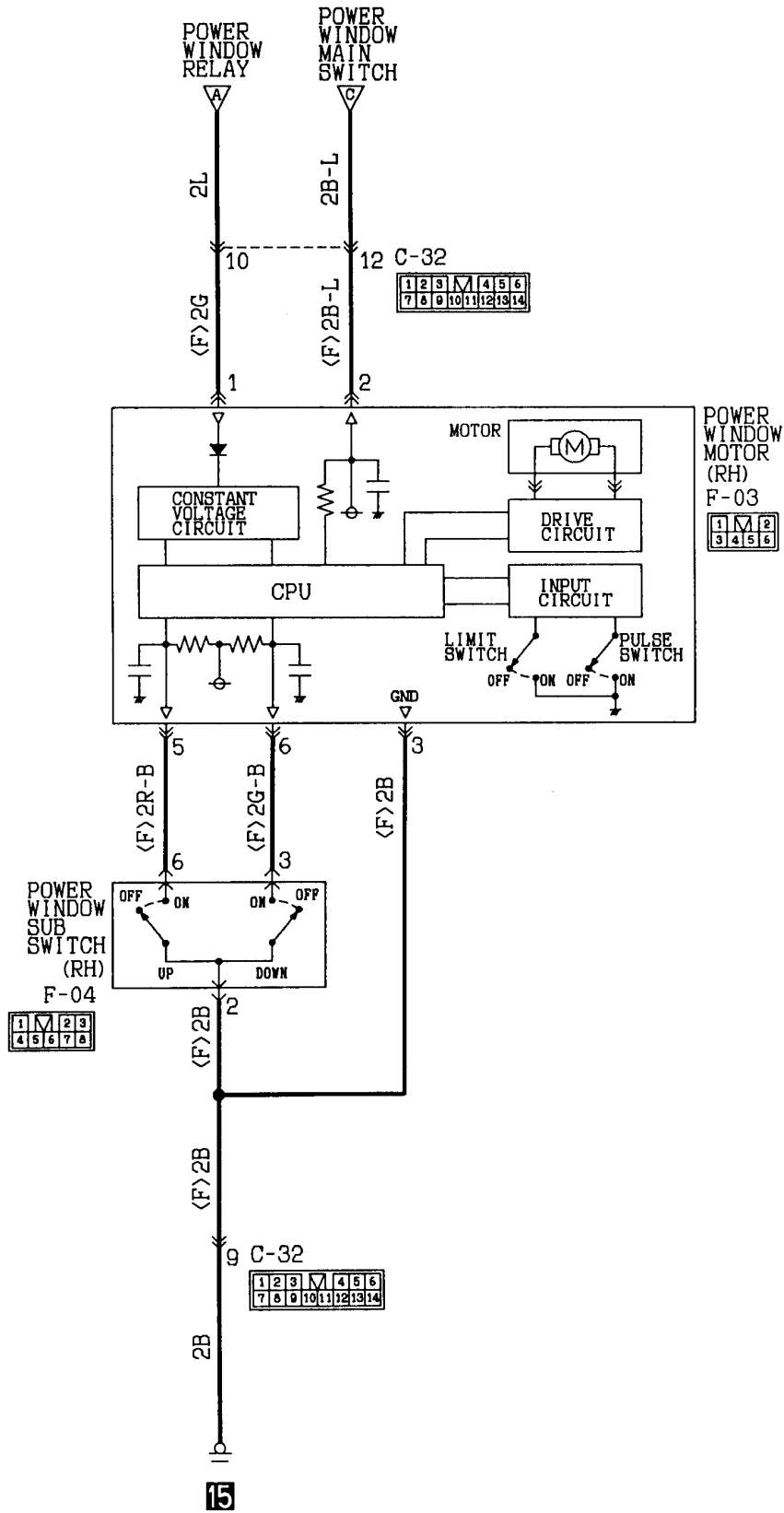
L.H. drive vehicles (2-door models)





Wire colour code  
 B : Black LG: Light green G : Green L : Blue W : White Y : Yellow SB: Sky blue  
 BR: Brown O : Orange GR: Gray R : Red P : Pink V : Violet

POWER WINDOWS <L.H. drive vehicles (2-door models)>  
(CONTINUED)

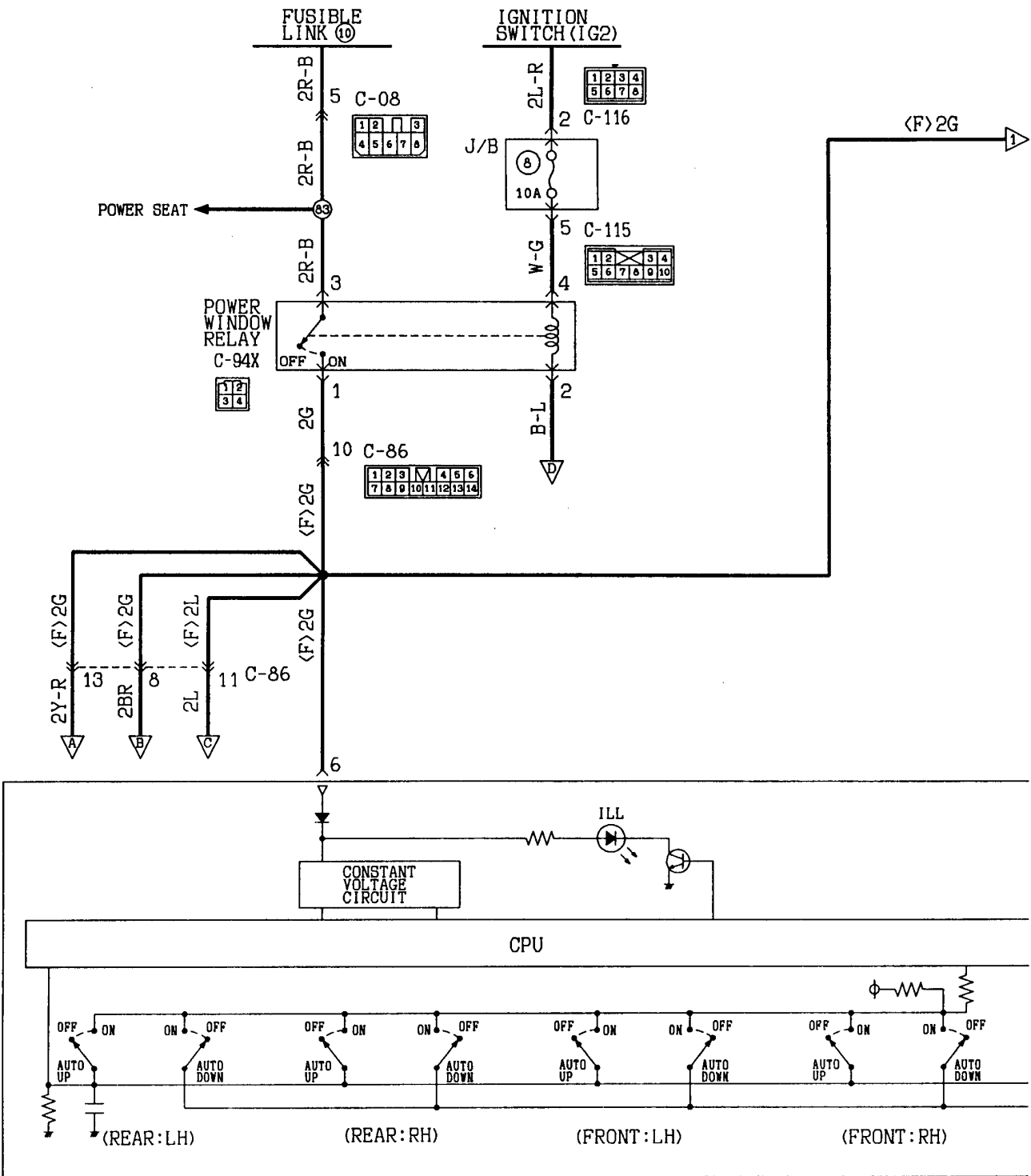


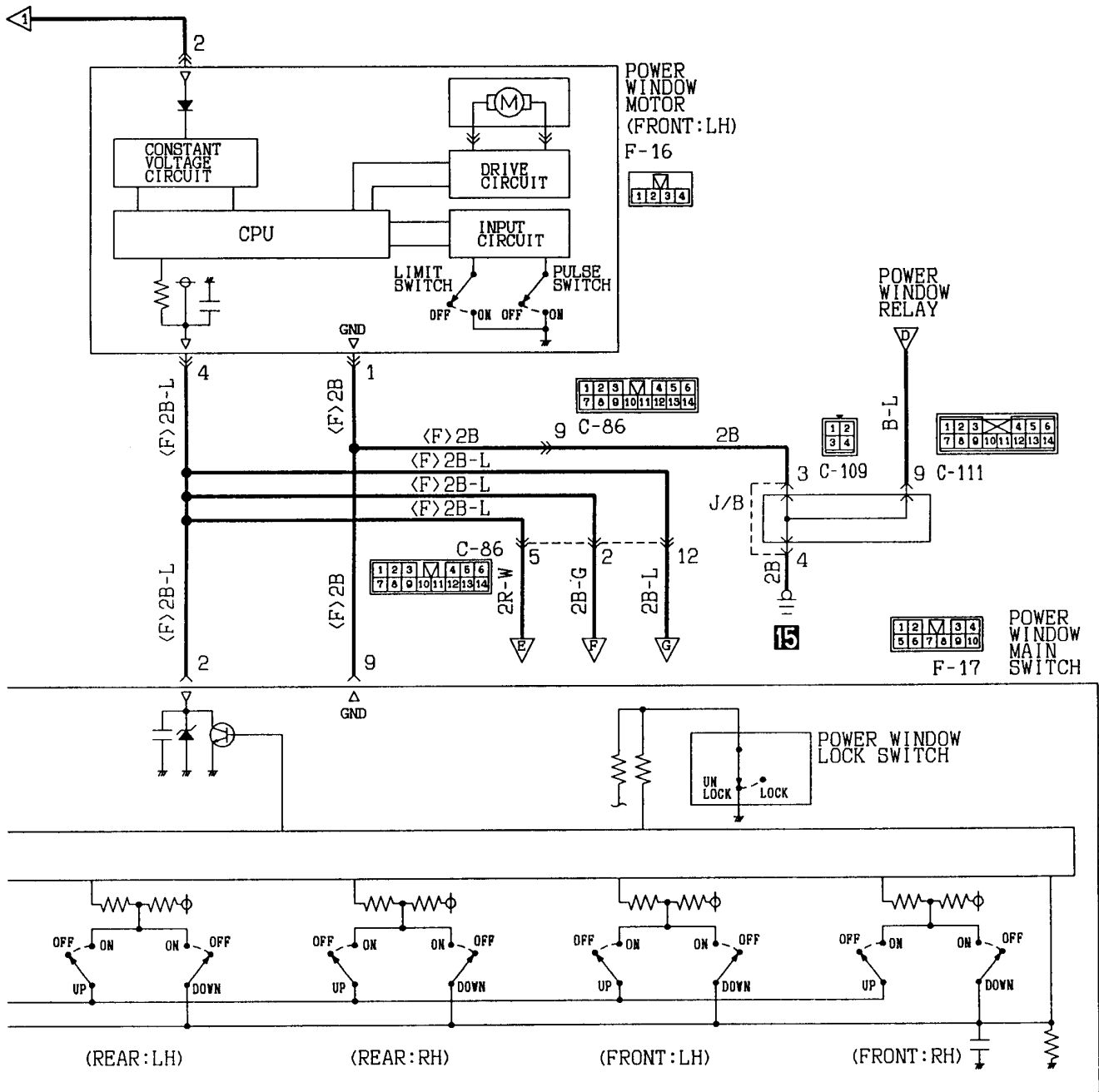
Wire colour code  
 B : Black    LG : Light green    G : Green    L : Blue    W : White    Y : Yellow    SB : Sky blue  
 BR : Brown    O : Orange    GR : Gray    R : Red    P : Pink    V : Violet

NOTES

# POWER WINDOWS

L.H. drive vehicles (4-door models)

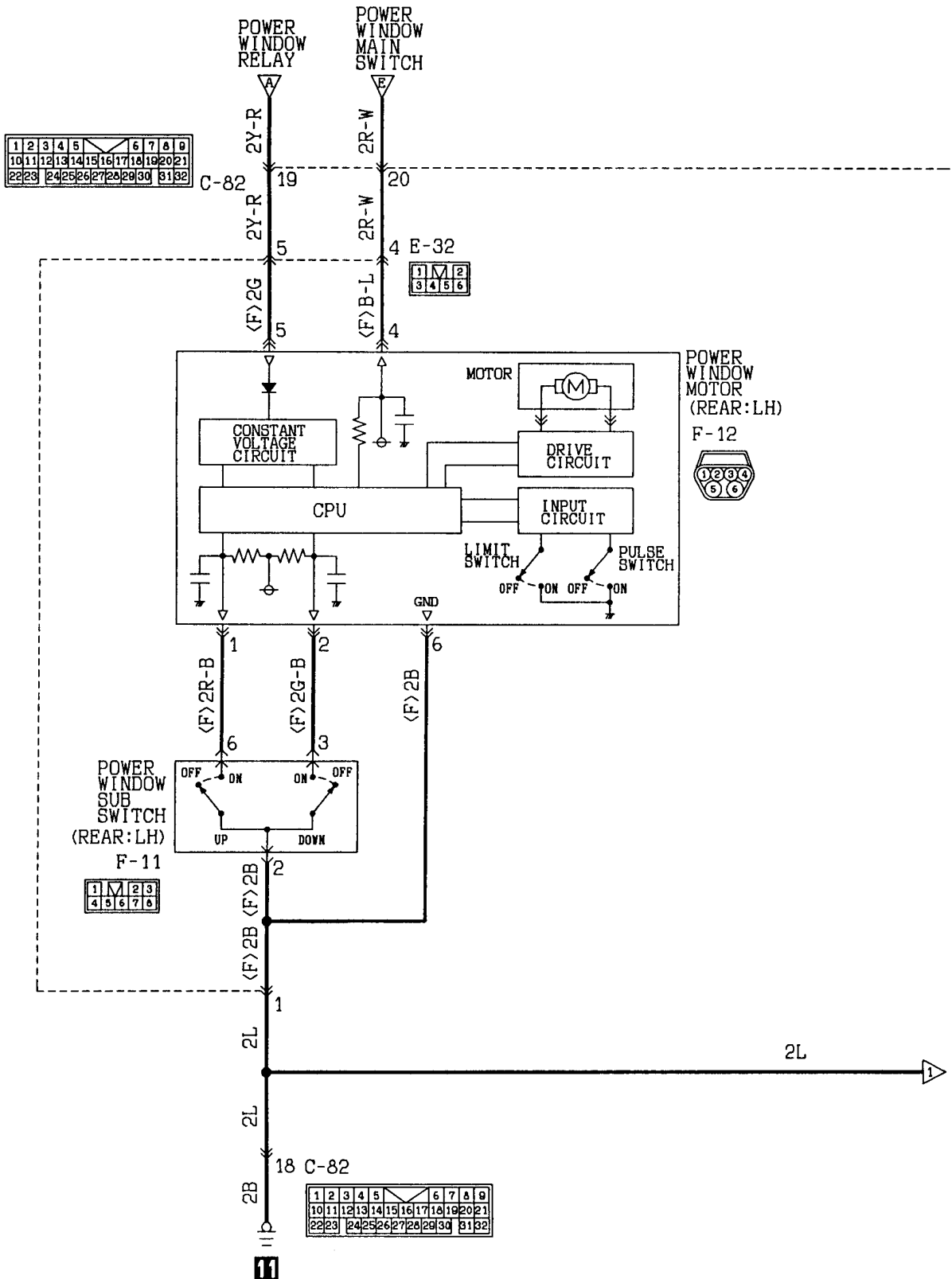


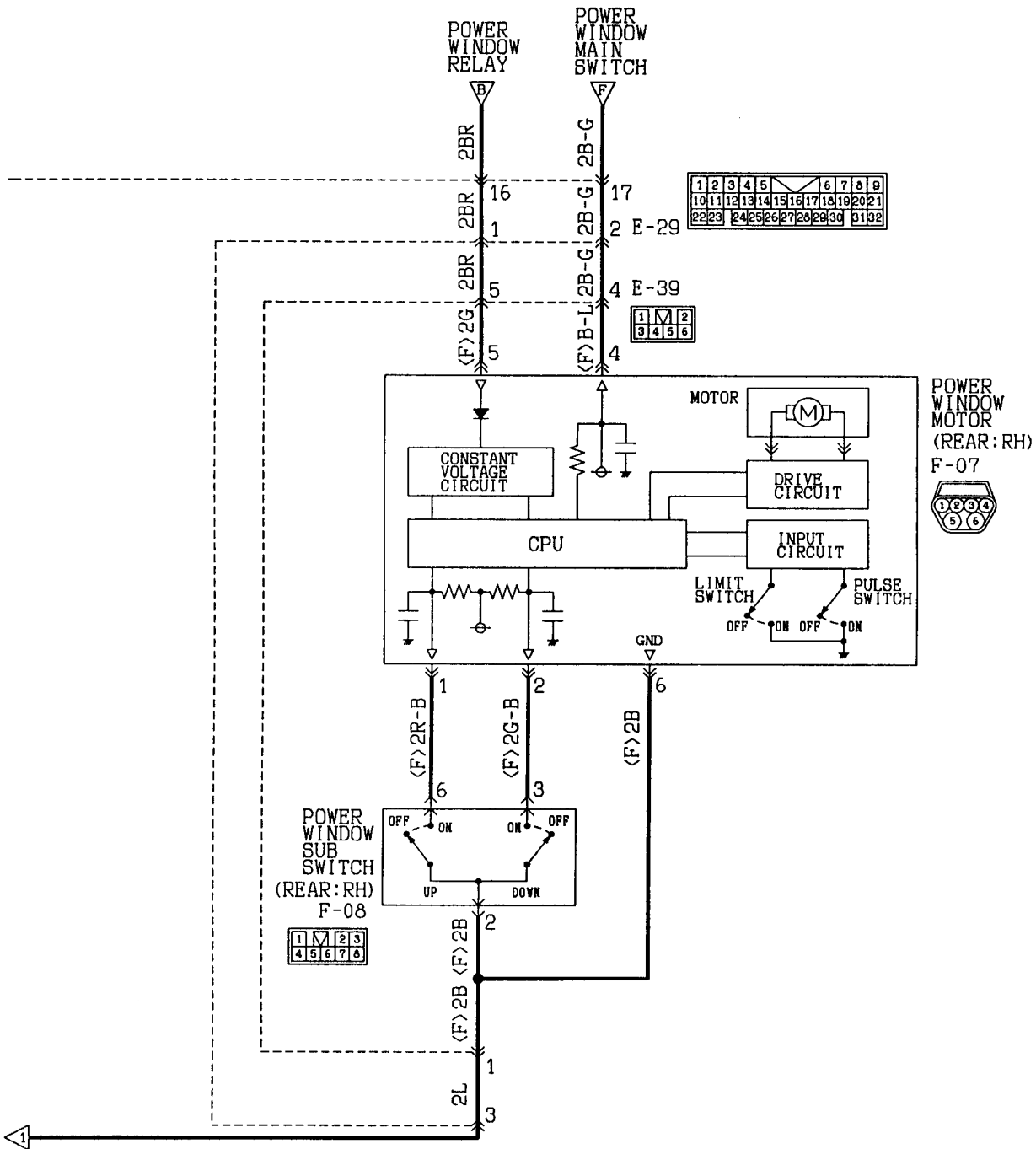


Wire colour code  
 B:Black LG:Light green G:Green L:Blue W:White Y:Yellow SB:Sky blue  
 BR:Brown O:Orange GR:Gray R:Red P:Pink V:Violet



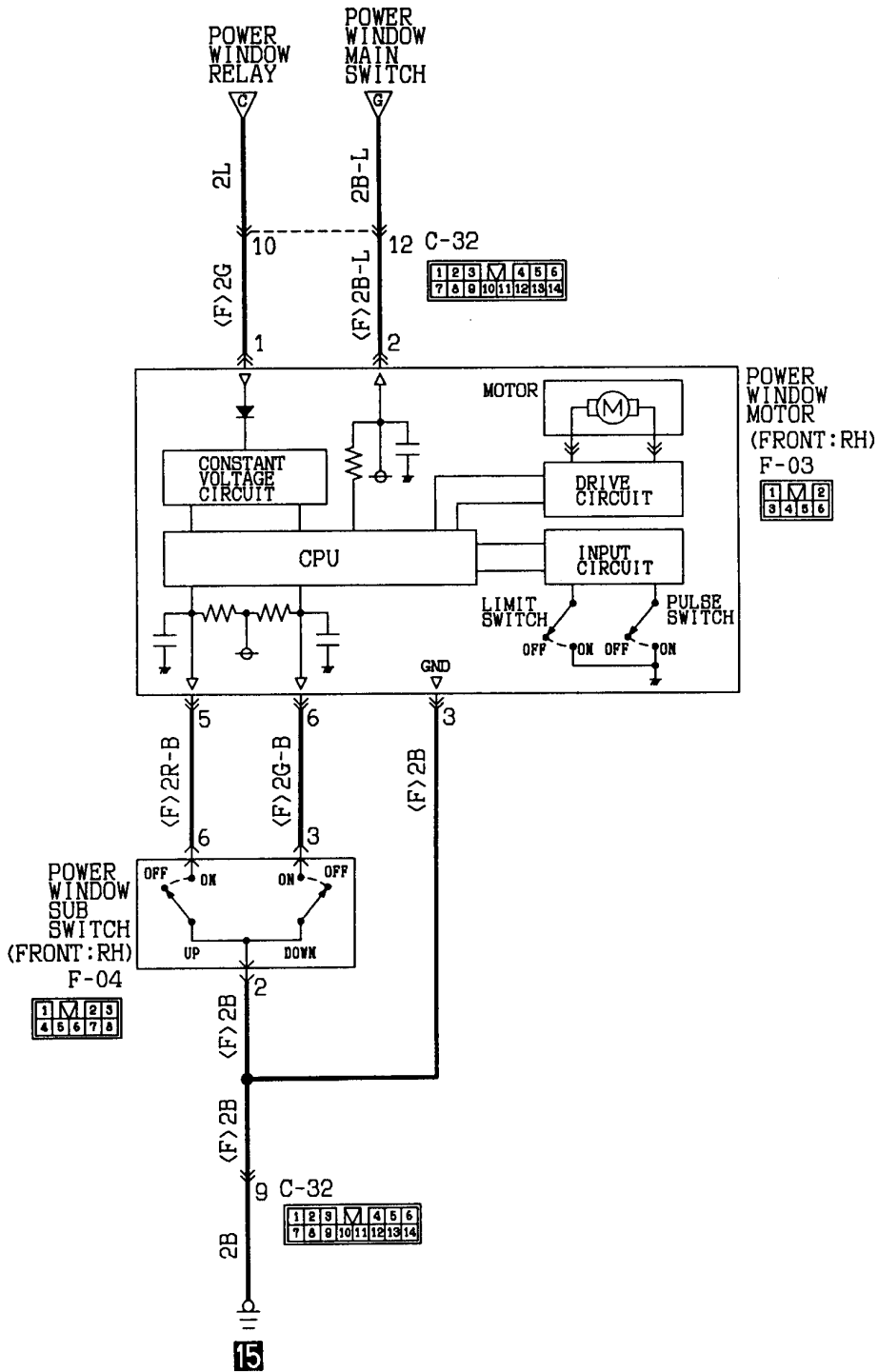
POWER WINDOWS (L.H. drive vehicles (4-door models))  
(CONTINUED)





Wire colour code  
 B : Black    LG : Light green    G : Green    L : Blue    W : White    Y : Yellow    SB : Sky blue  
 BR : Brown    O : Orange    GR : Gray    R : Red    P : Pink    V : Violet

POWER WINDOWS <L.H. drive vehicles (4-door models)>  
(CONTINUED)



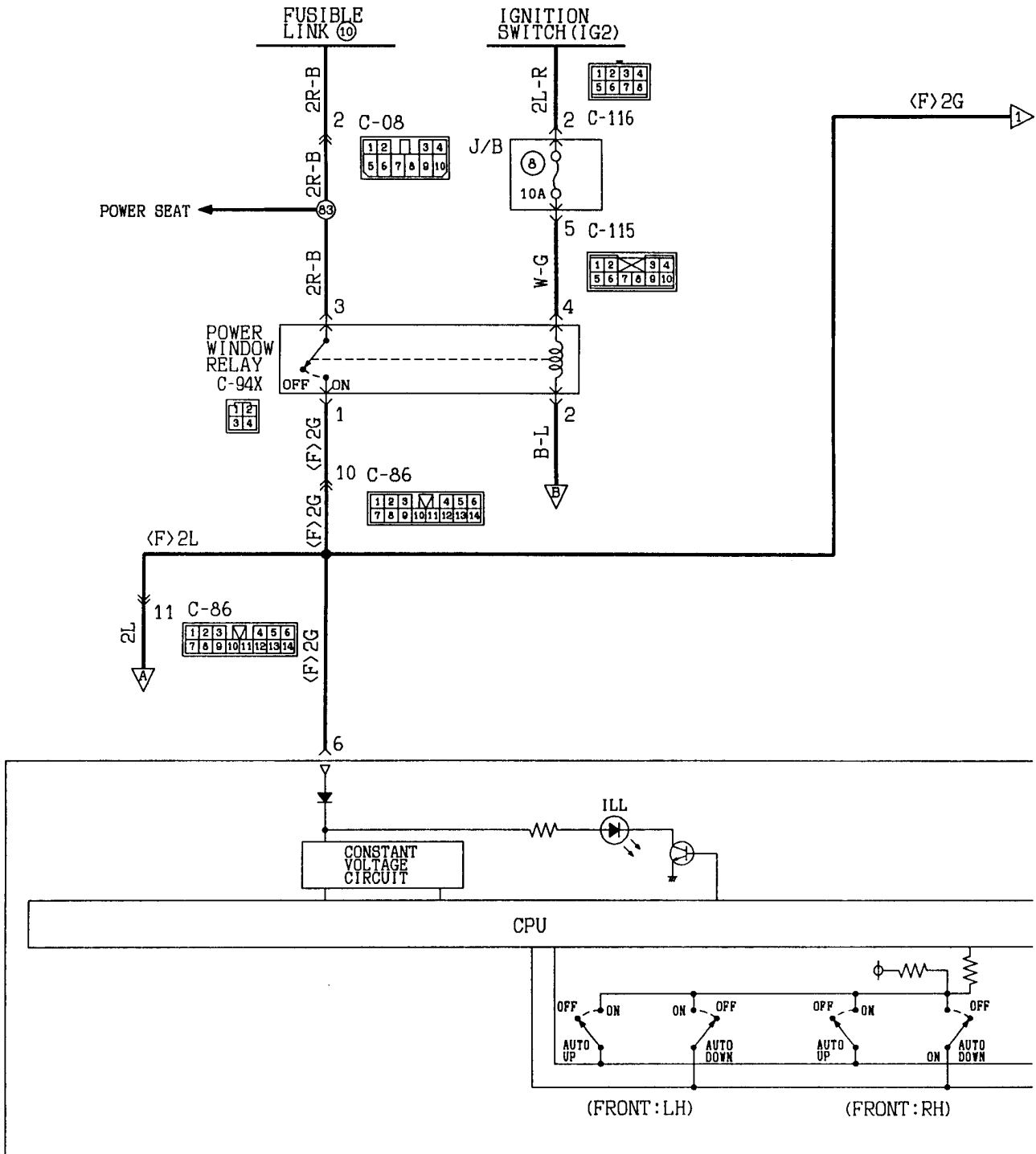
Wire colour code  
 B : Black    LG:Light green    G : Green    L : Blue    W : White    Y : Yellow    SB:Sky blue  
 BR:Brown    O : Orange    GR:Gray    R : Red    P : Pink    V : Violet

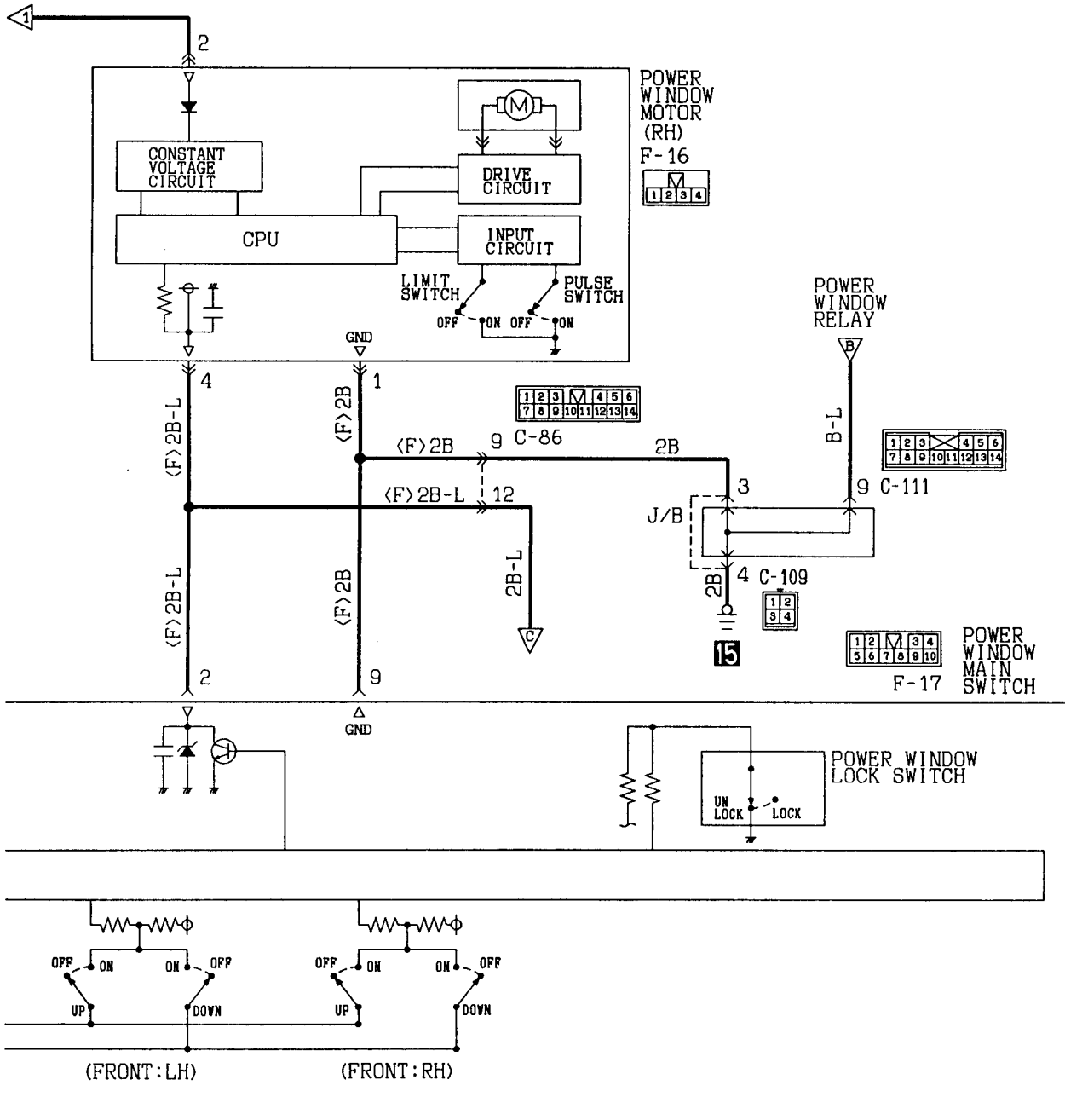
---

NOTES

POWER WINDOWS

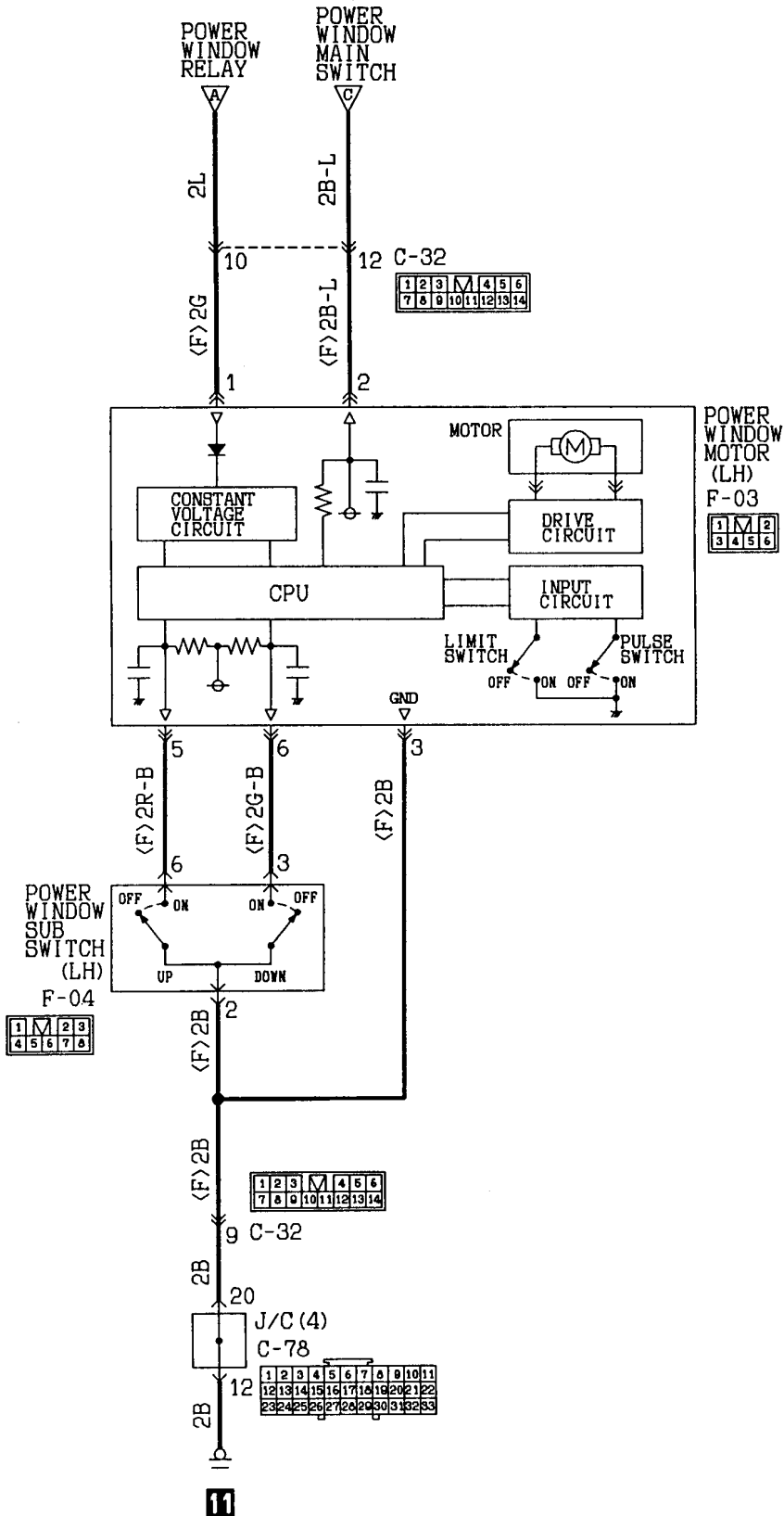
R. H. drive vehicles <2-door models>





Wire colour code  
 B:Black LG:Light green G:Green L:Blue W:White Y:Yellow SB:Sky blue  
 BR:Brown O:Orange GR:Gray R:Red P:Pink V:Violet

POWER WINDOWS (R. H. drive vehicles (2-door models))  
(CONTINUED)



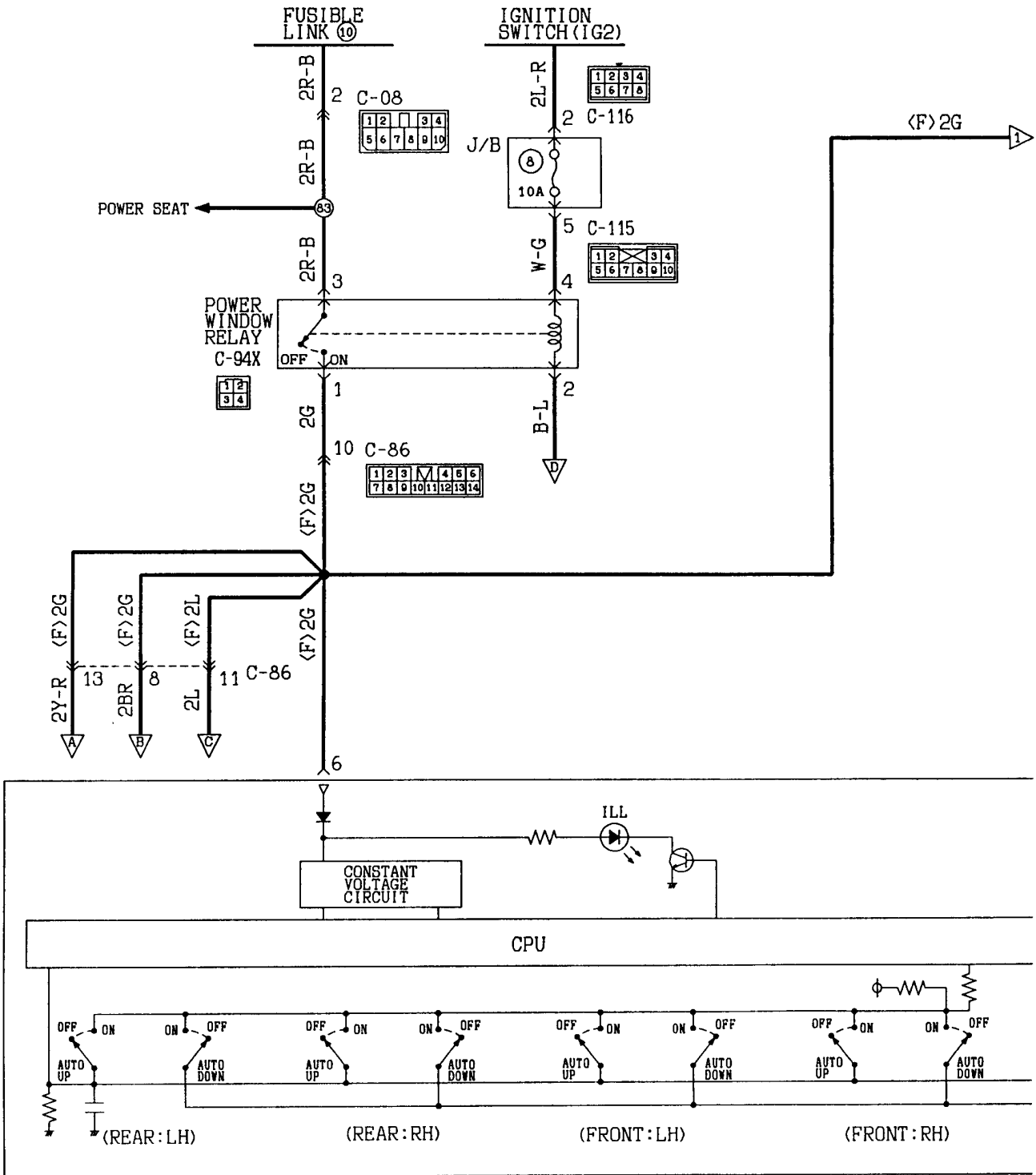
Wire colour code  
 B : Black    LG : Light green    G : Green    L : Blue    W : White    Y : Yellow    SB : Sky blue  
 BR : Brown    O : Orange    GR : Gray    R : Red    P : Pink    V : Violet

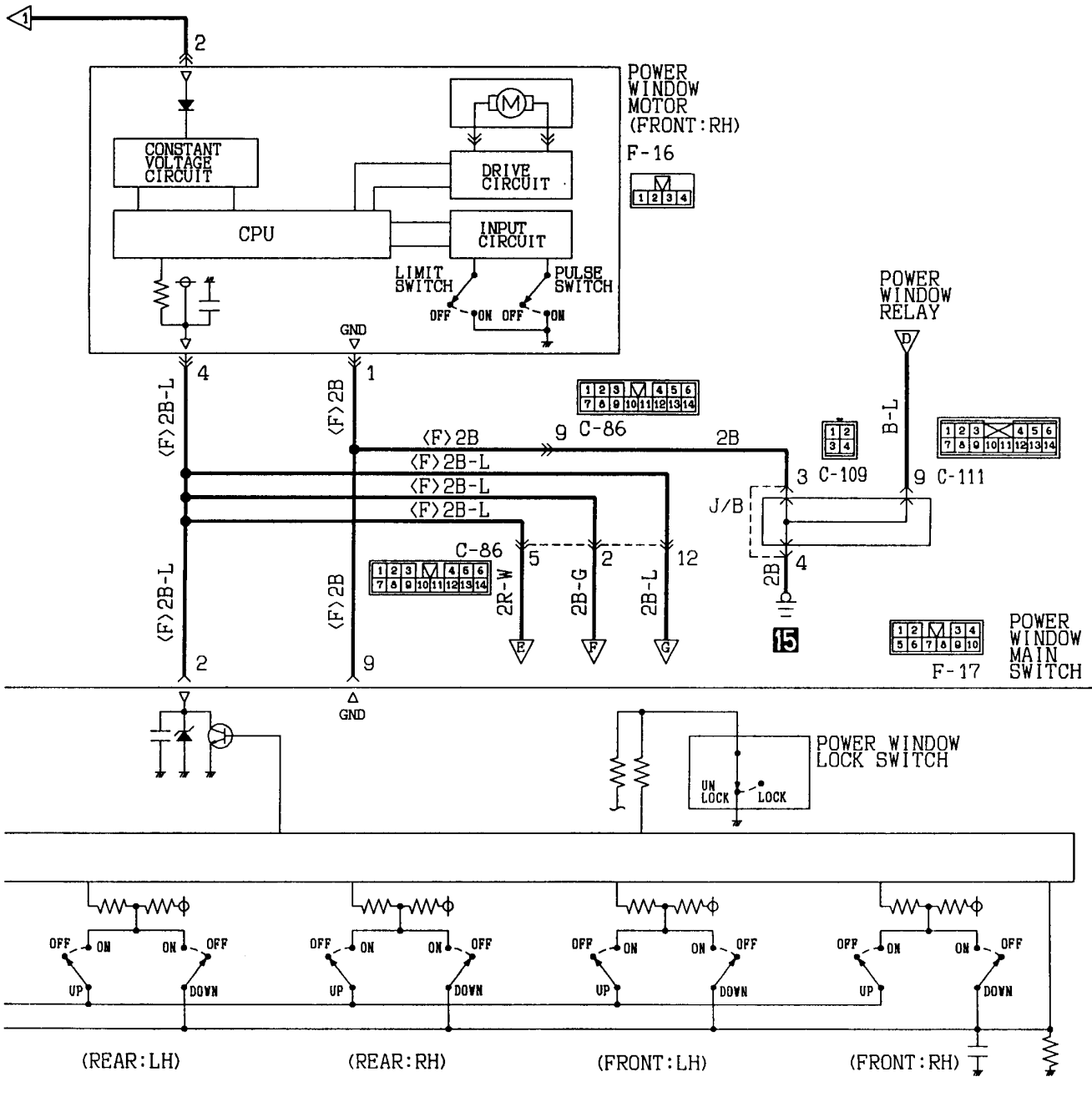
NOTES



POWER WINDOWS

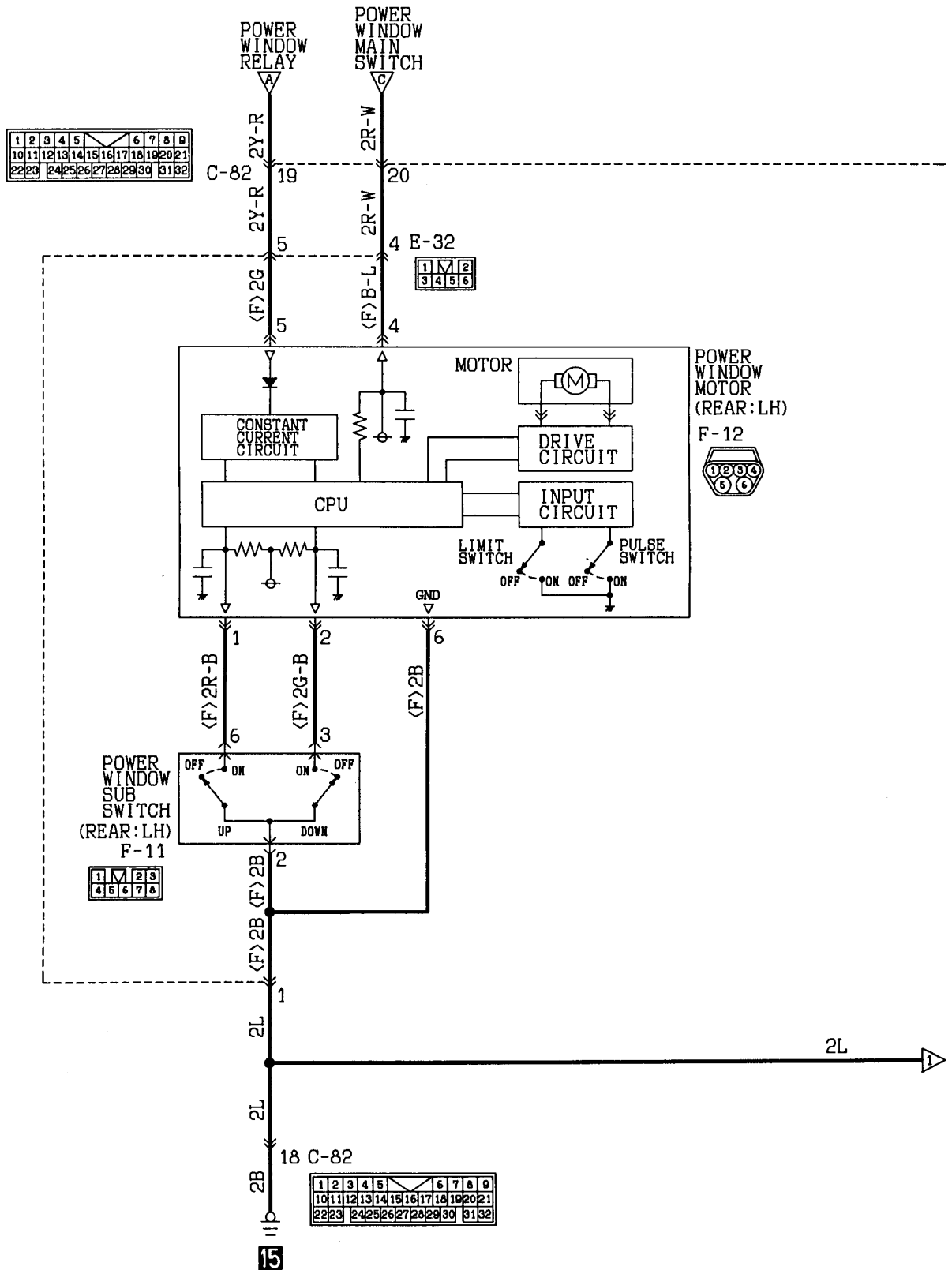
R. H. drive vehicles (4-door models)

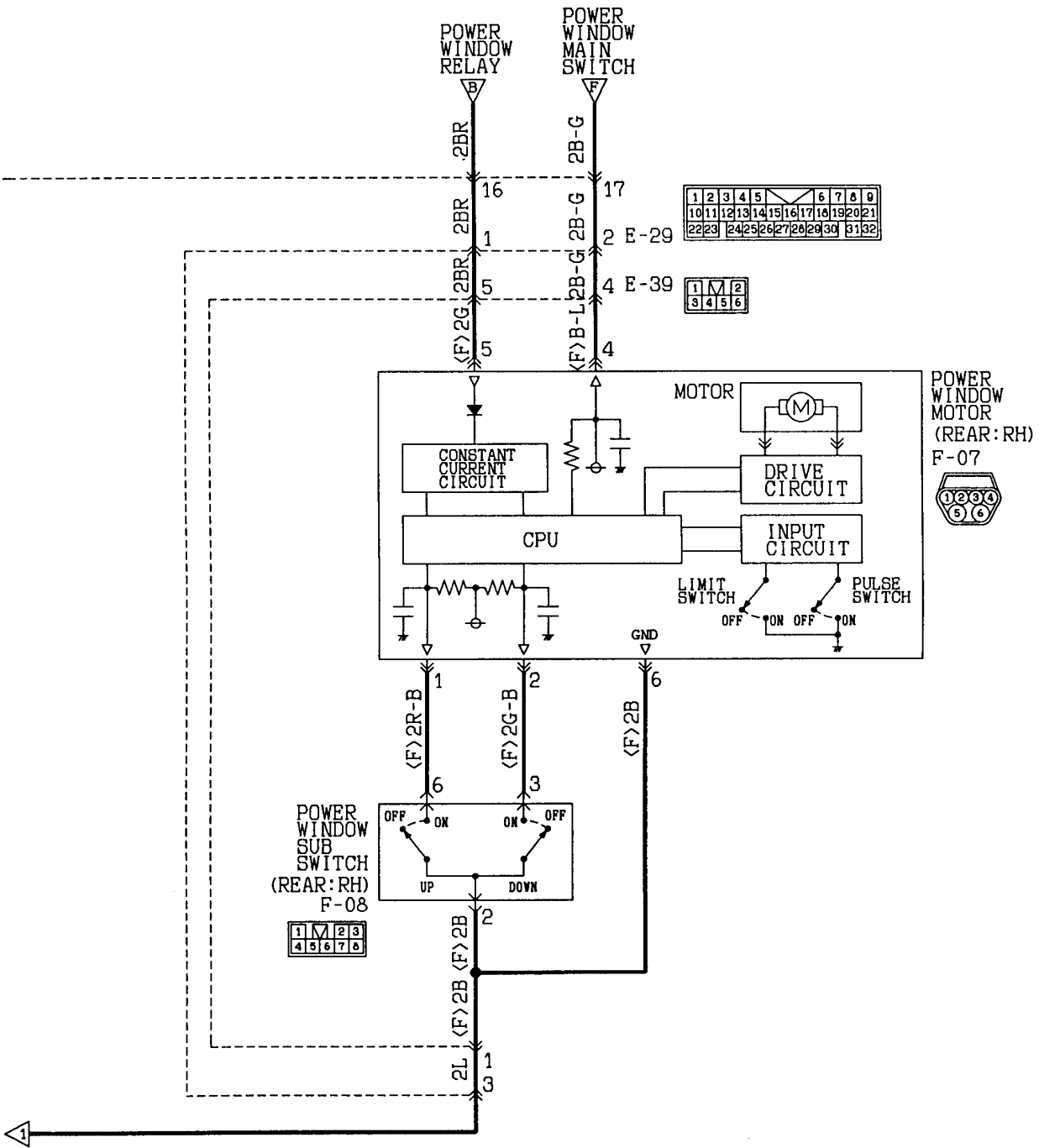




Wire colour code  
 B : Black    LG: Light green    G : Green    L : Blue    W : White    Y : Yellow    SB: Sky blue  
 BR: Brown    O : Orange    GR: Gray    R : Red    P : Pink    V : Violet

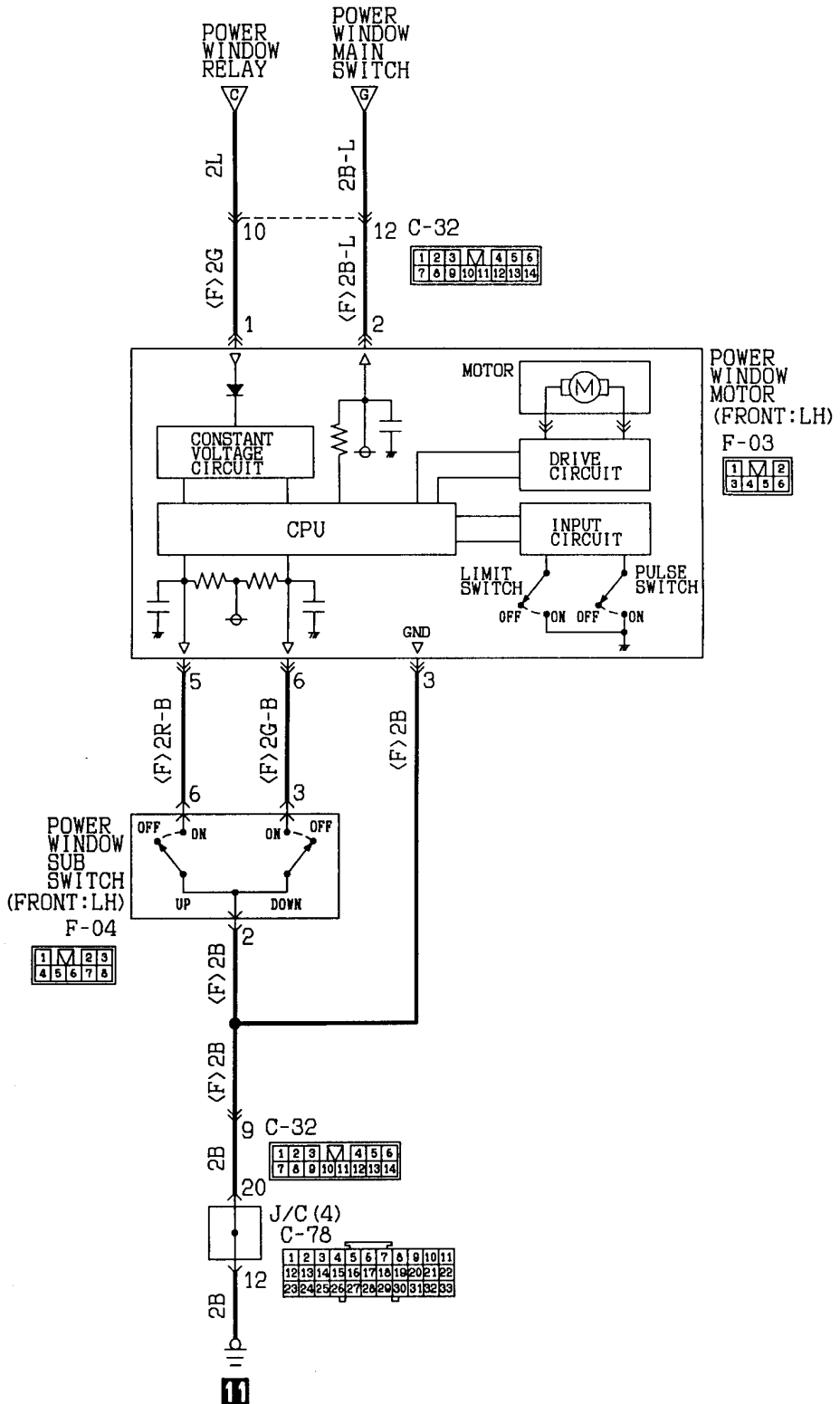
POWER WINDOWS (R. H. drive vehicles (4-door models))  
(CONTINUED)





Wire colour code  
 B:Black LG:Light green G:Green L:Blue W:White Y:Yellow SB:Sky blue  
 BR:Brown O:Orange GR:Gray R:Red P:Pink V:Violet

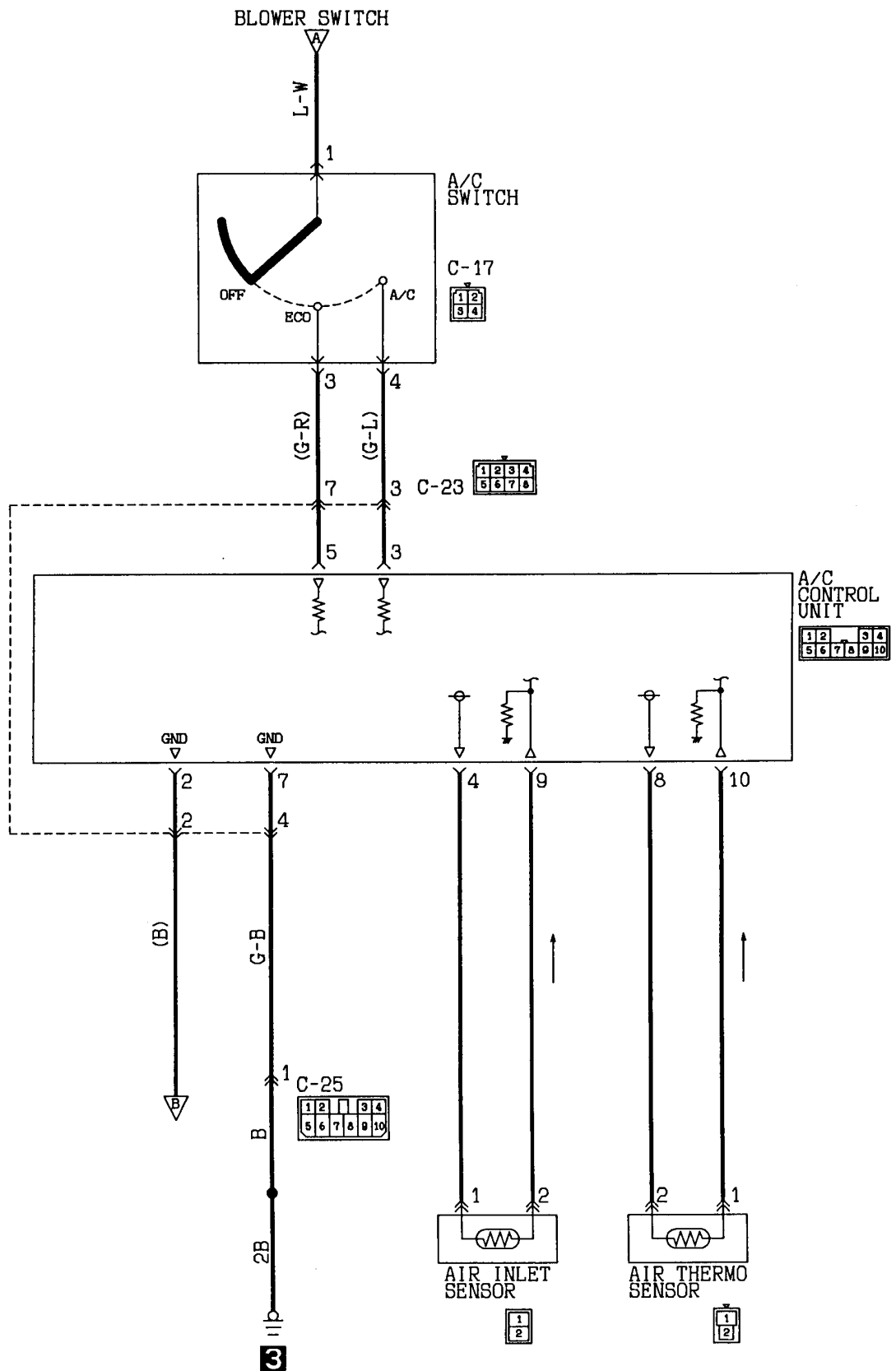
POWER WINDOWS <R. H. drive vehicles (4-door models) >  
(CONTINUED)



Wire colour code  
 B : Black    LG: Light green    G : Green    L : Blue    W : White    Y : Yellow    SB: Sky blue  
 BR: Brown    O : Orange    GR: Gray    R : Red    P : Pink    V : Violet

NOTES

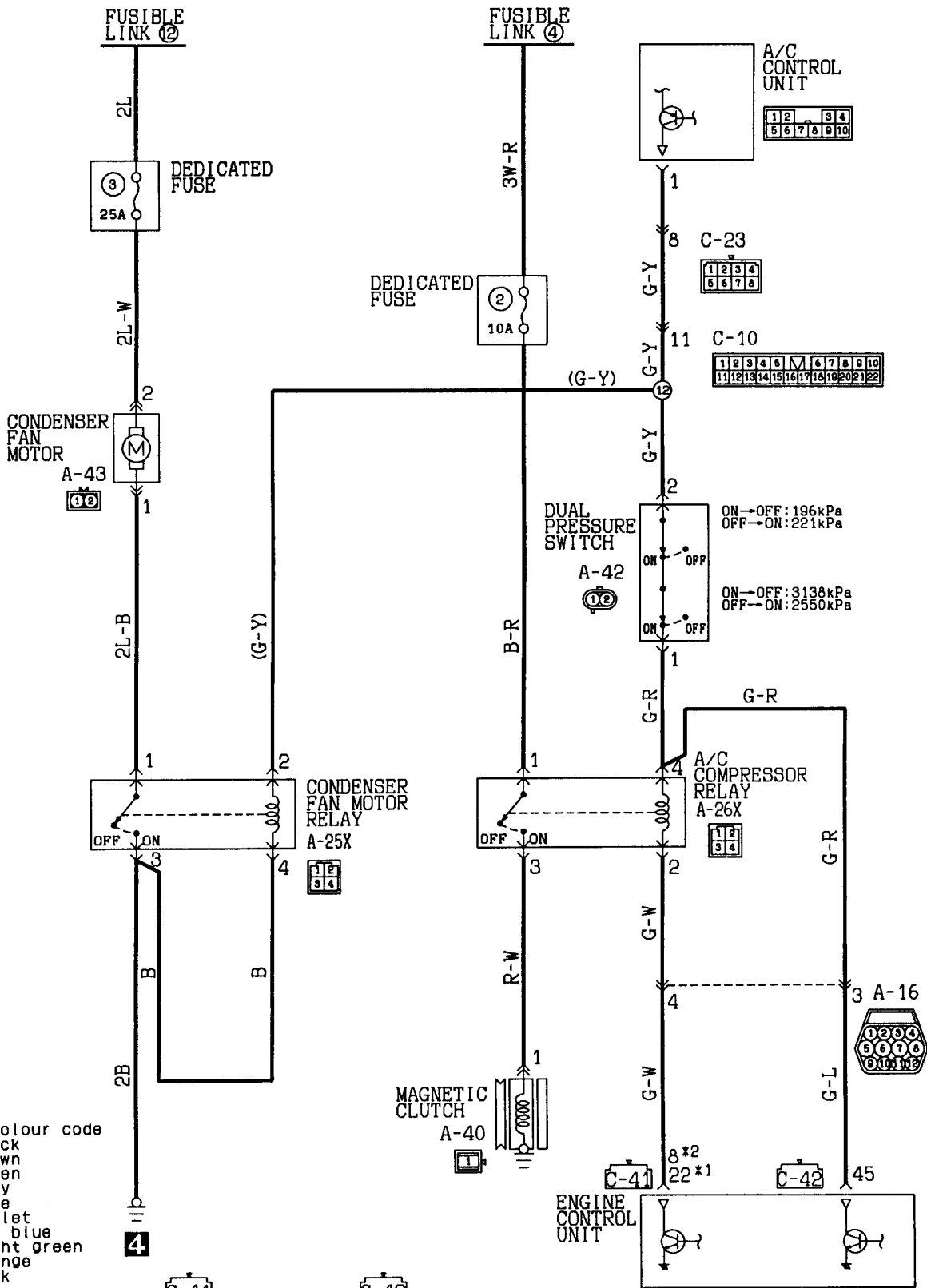






SINGLE AIR CONDITIONER

(R. H. drive vehicles (petrol-powered vehicles)) (CONTINUED)



Wire colour code  
 B : Black  
 BR : Brown  
 G : Green  
 GR : Gray  
 L : Blue  
 V : Violet  
 SB : Sky blue  
 LG : Light green  
 O : Orange  
 P : Pink  
 R : Red  
 Y : Yellow  
 W : White

1	2	3	4	5	6	7	8	9	10	11	12	13
14	15	16	17	18	19	20	21	22	23	24	25	26

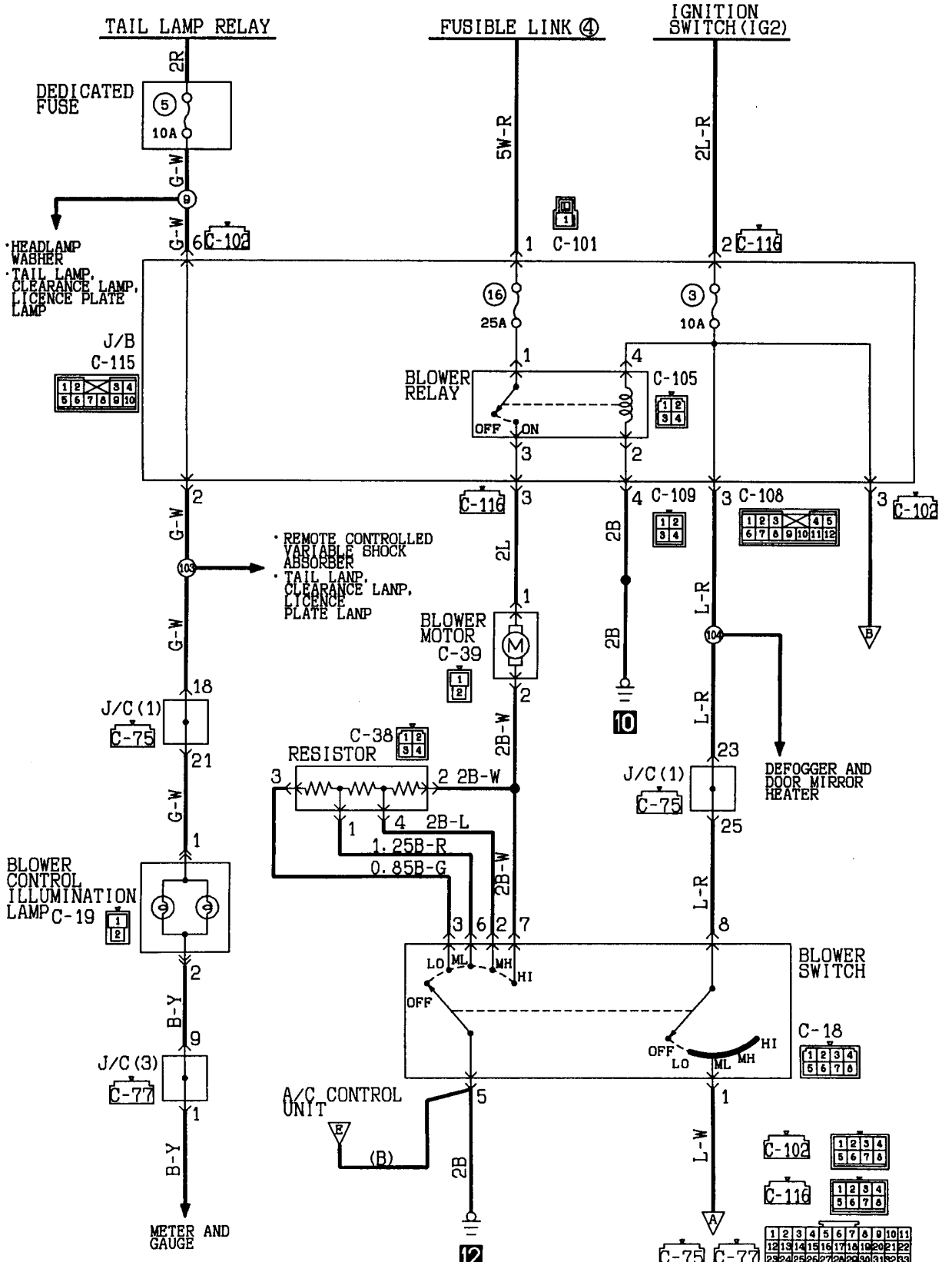
31	32	33	34	35	36	37	38
39	40	41	42	43	44	45	46

Remarks  
 (1) \*1: Vehicles without immobilizer system.  
 (2) \*2: Vehicles with immobilizer system.

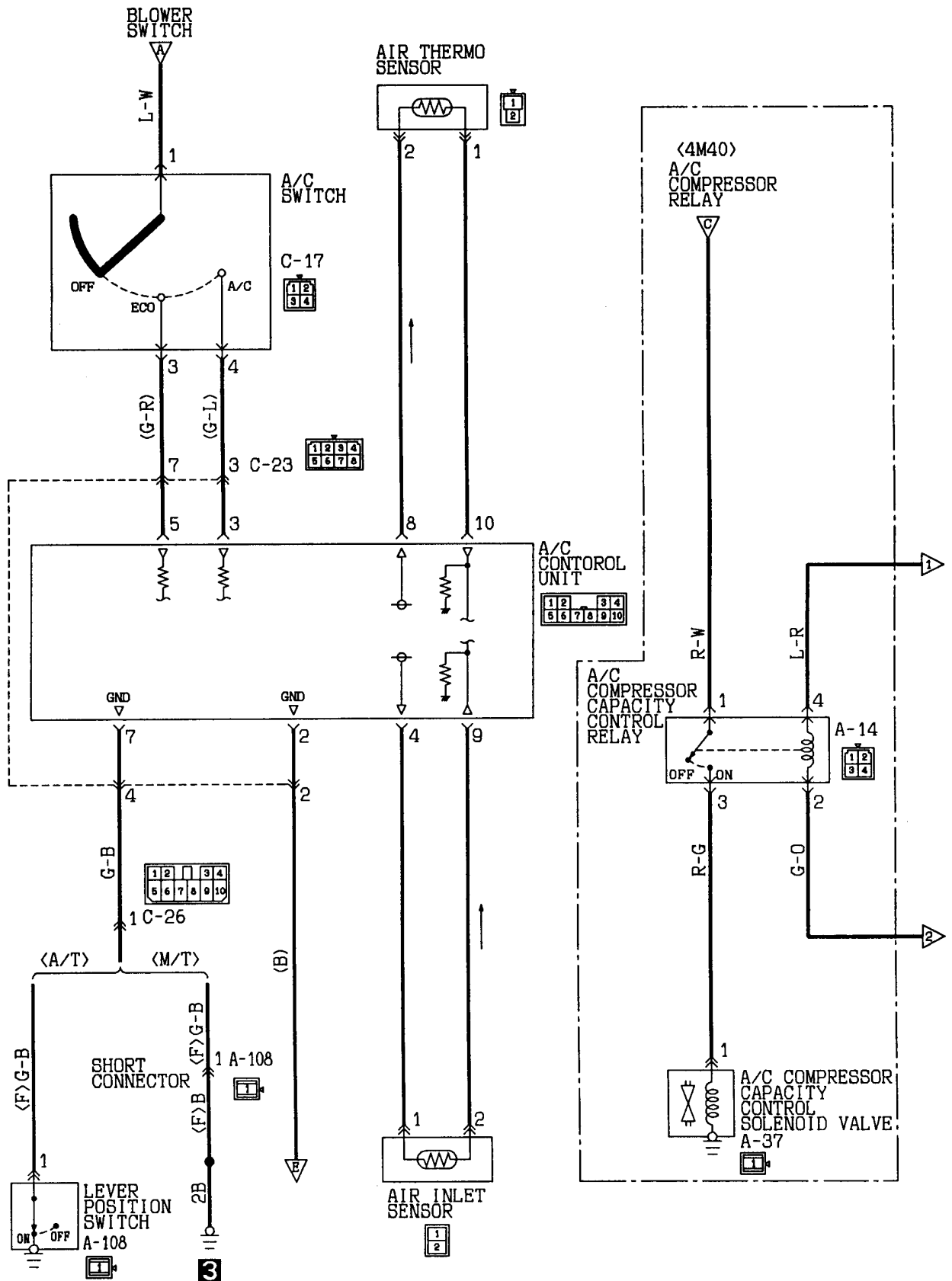
NOTES

# SINGLE AIR CONDITIONER

R. H. drive vehicles (diesel-powered vehicles)

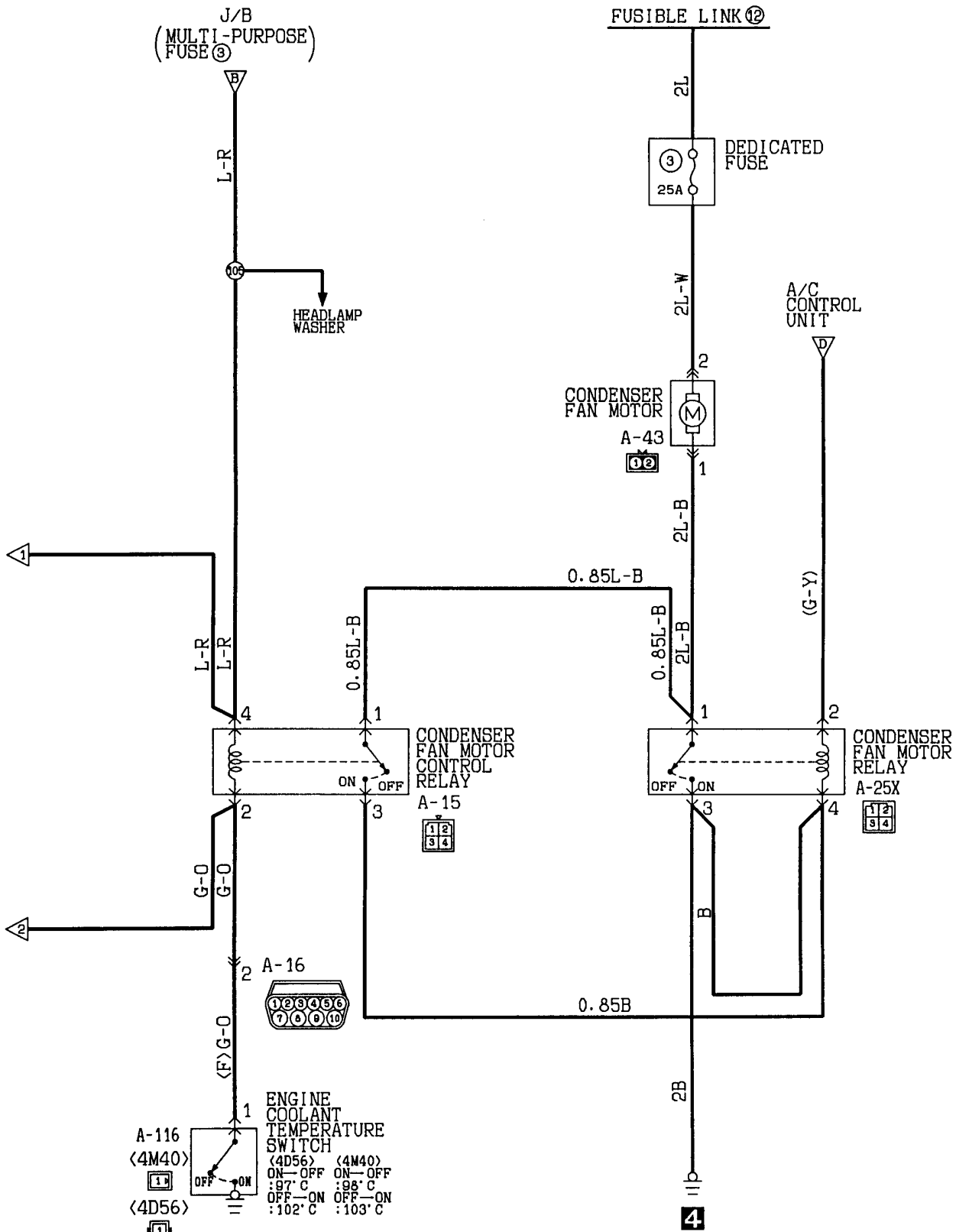


Wire colour code  
 B: Black LG: Light green G: Green L: Blue W: White Y: Yellow SB: Sky blue  
 BR: Brown O: Orange GR: Gray R: Red P: Pink V: Violet



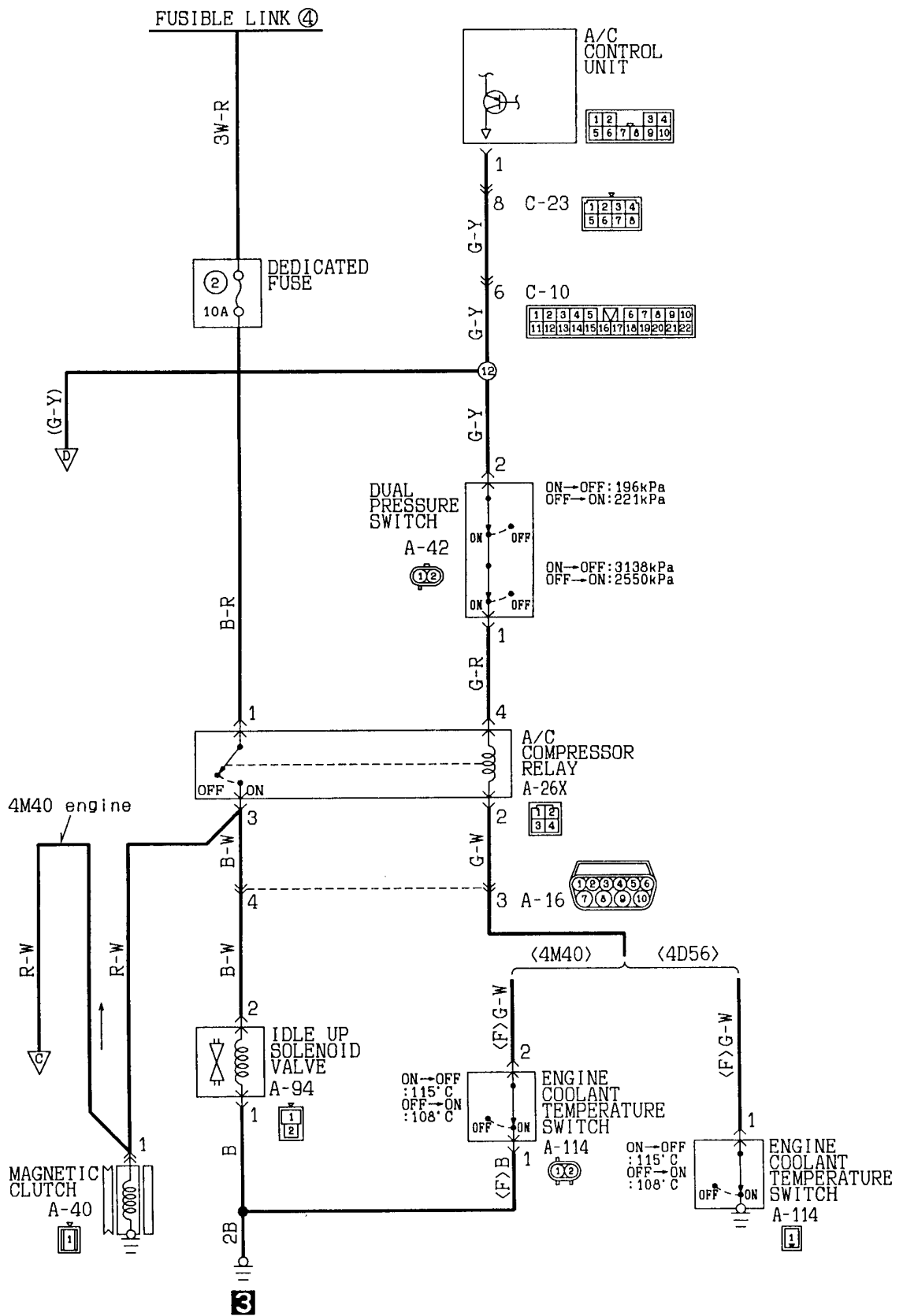
SINGLE AIR CONDITIONER

<R. H. drive vehicles (diesel-powered vehicles)> (CONTINUED)

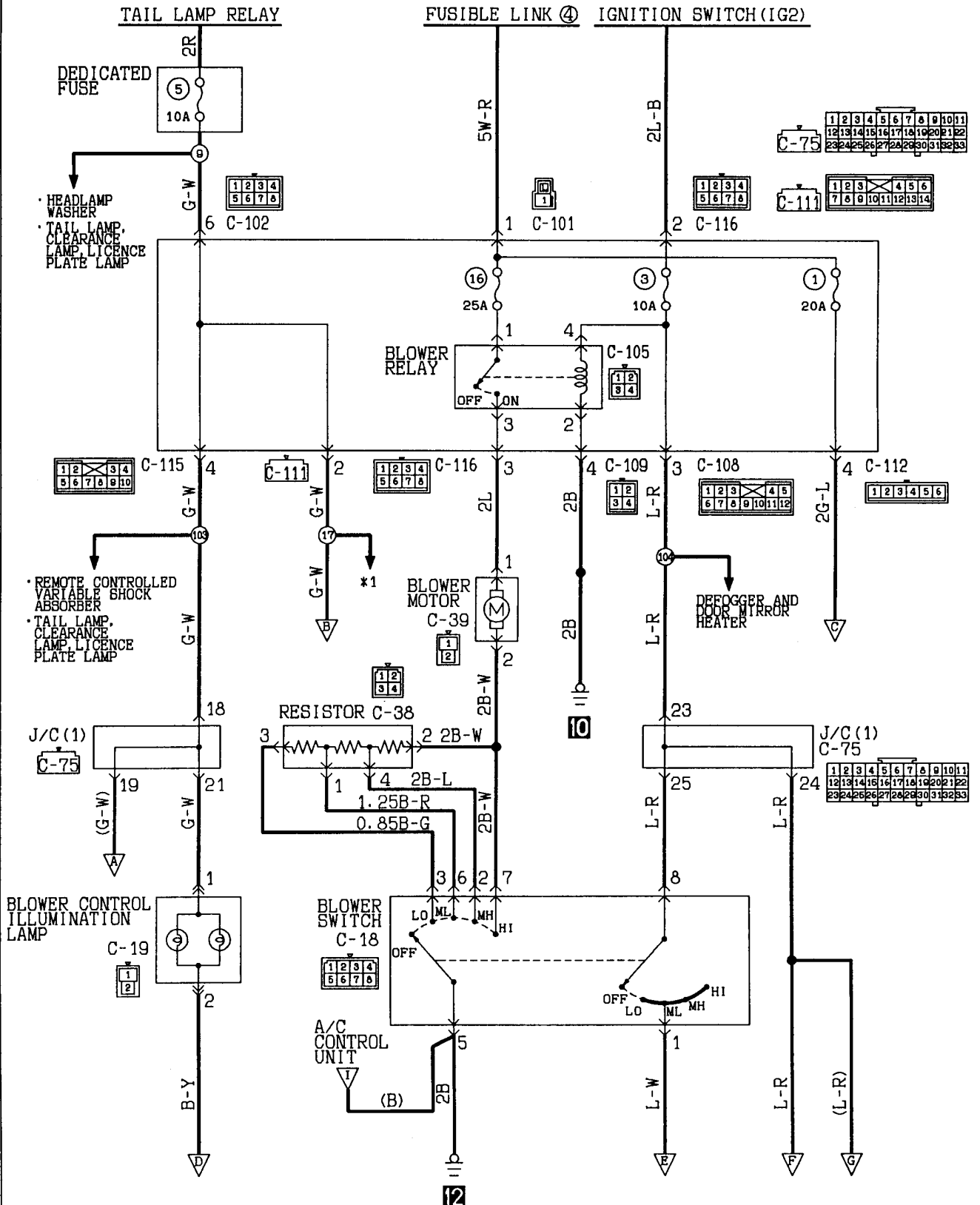


Wire colour code

B:Black LG:Light green G:Green L:Blue W:White Y:Yellow SB:Sky blue  
 BR:Brown O:Orange GR:Gray R:Red P:Pink V:Violet



**DUAL AIR CONDITIONER**  
 R.H. drive vehicles without rear heater  
 (petrol-powered vehicles)



Wire colour code

CXE3-M-01202-EC

B :Black LG:Light green  
 BR:Brown O :Orange

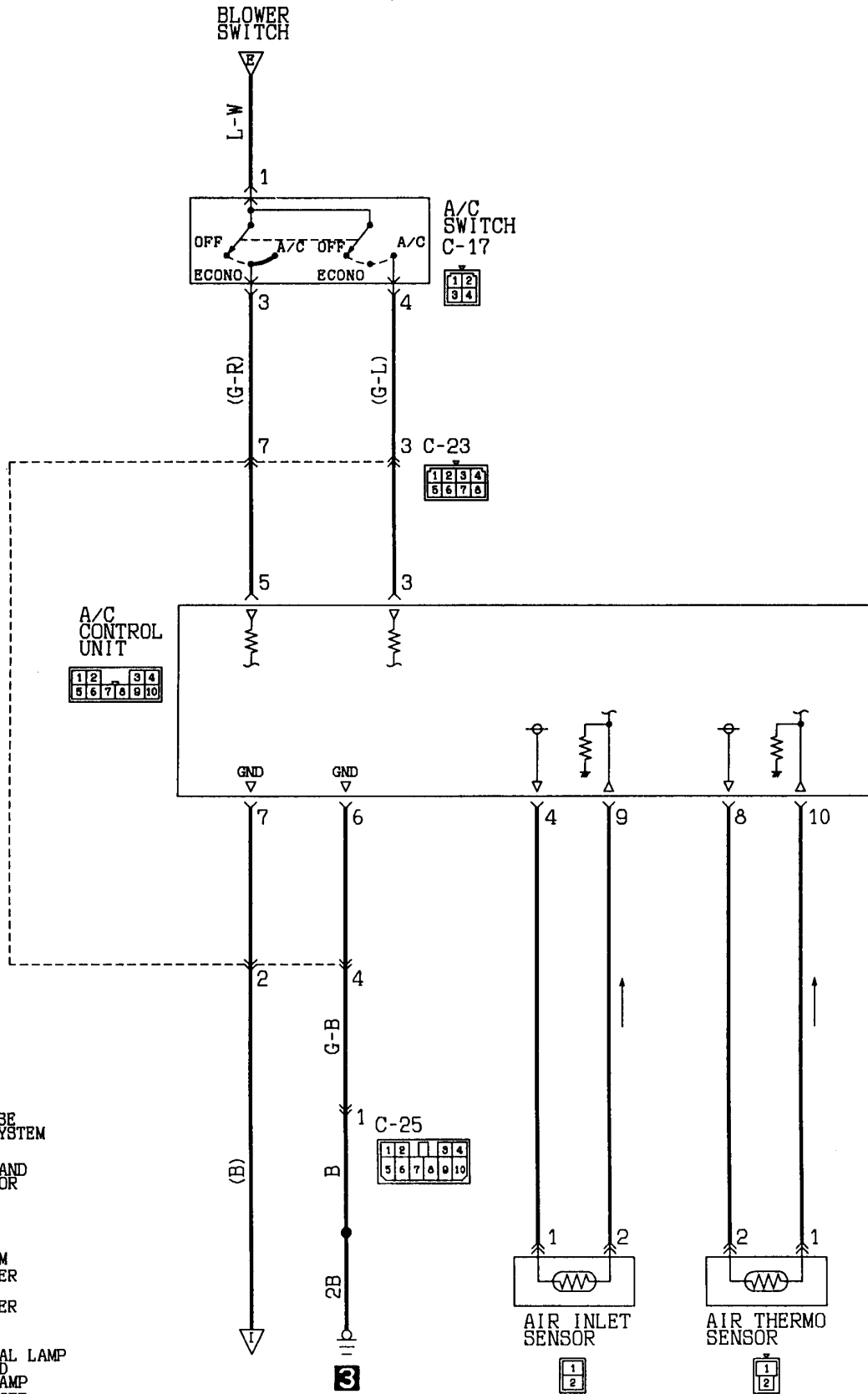
G :Green GR:Gray

L :Blue R :Red

W :White P :Pink

Y :Yellow V :Violet

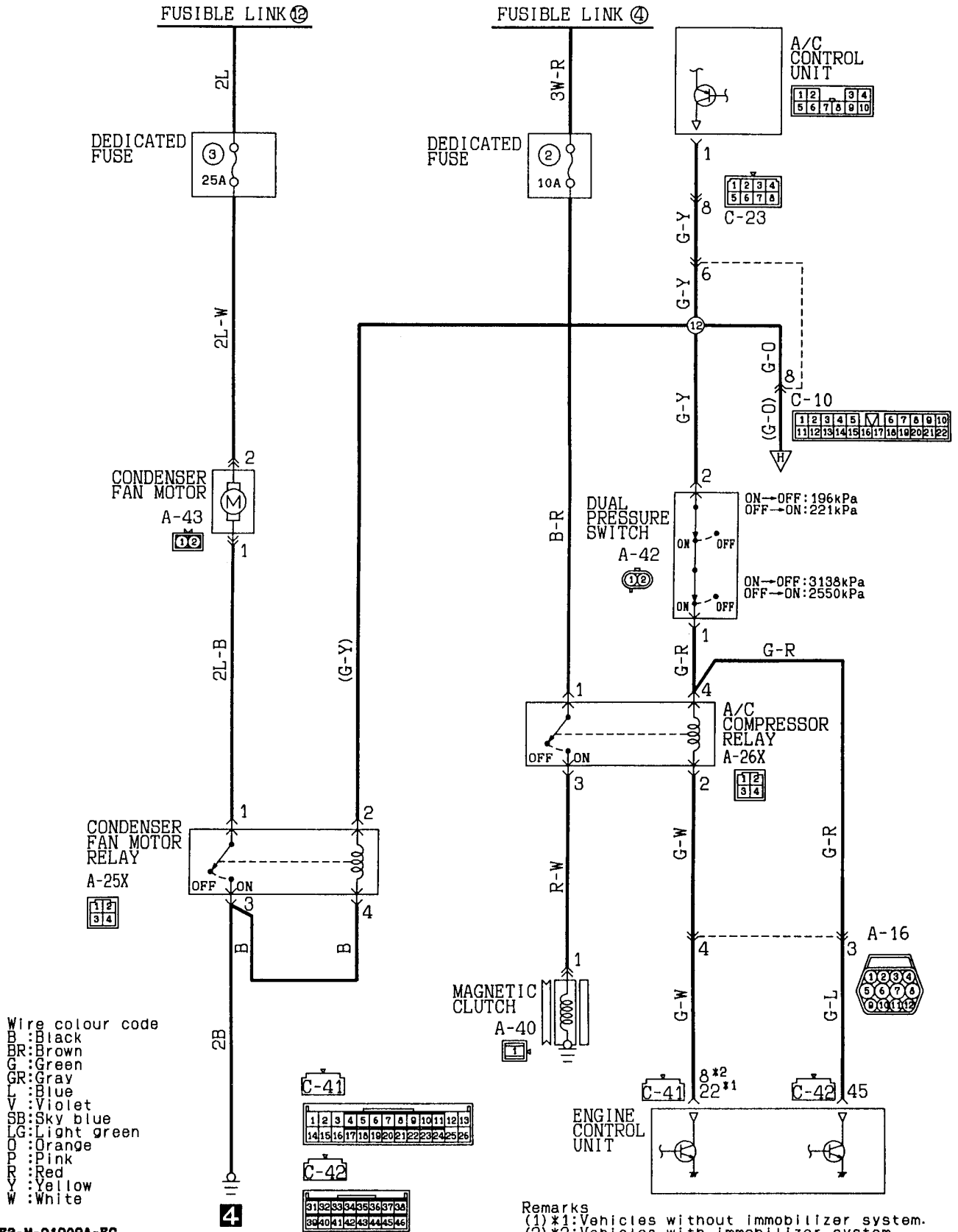
SB:Sky blue



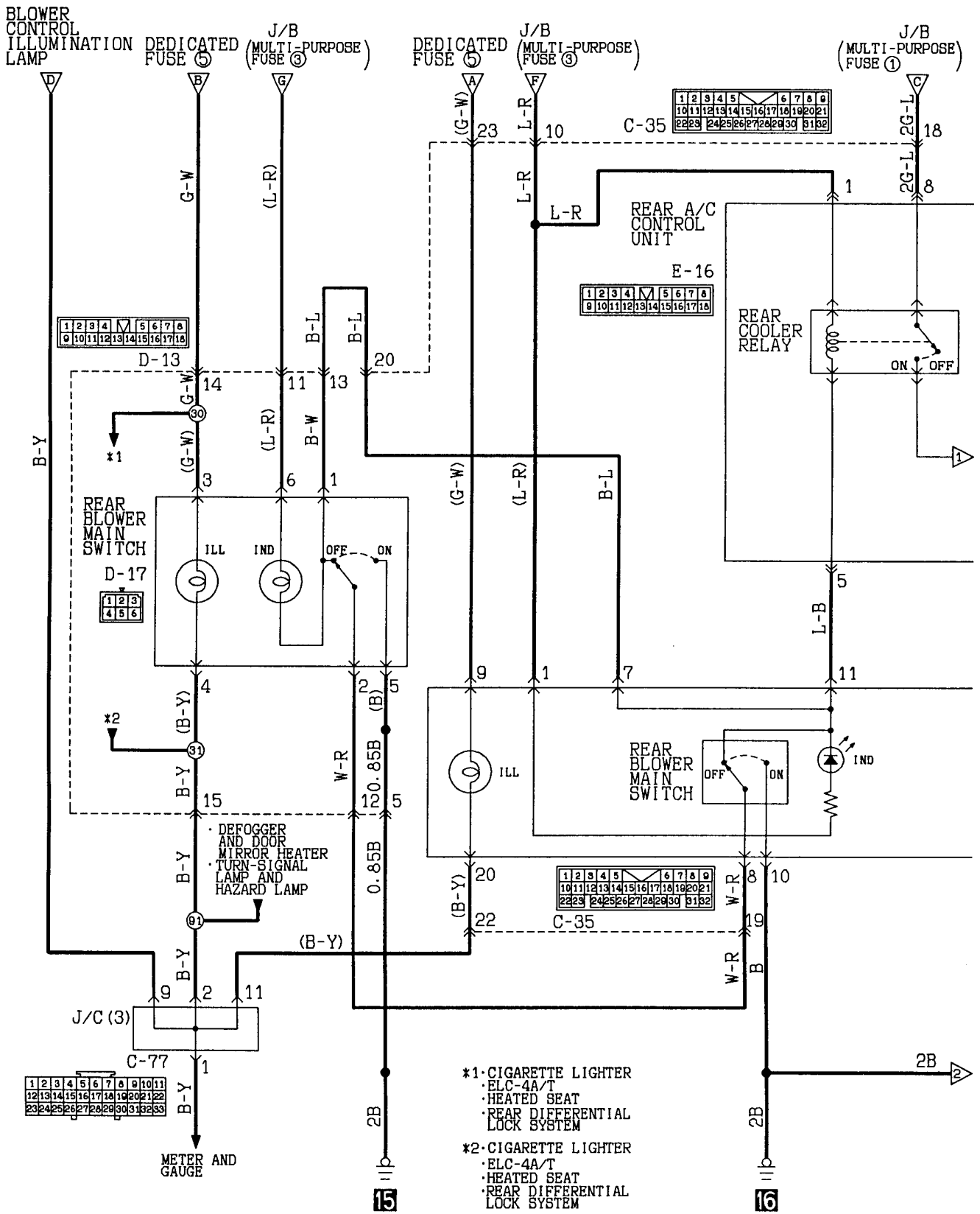
- \*1. AUTO-CRUISE CONTROL SYSTEM
- CLOCK
- DEFOGGER AND DOOR MIRROR HEATER
- LIGHTING MONITOR BUZZER
- MPI SYSTEM
- MULTI-METER
- RADIO AND TAPE PLAYER
- REAR FOG LAMP
- TURN-SIGNAL LAMP AND HAZARD WARNING LAMP
- WIPER DEICER



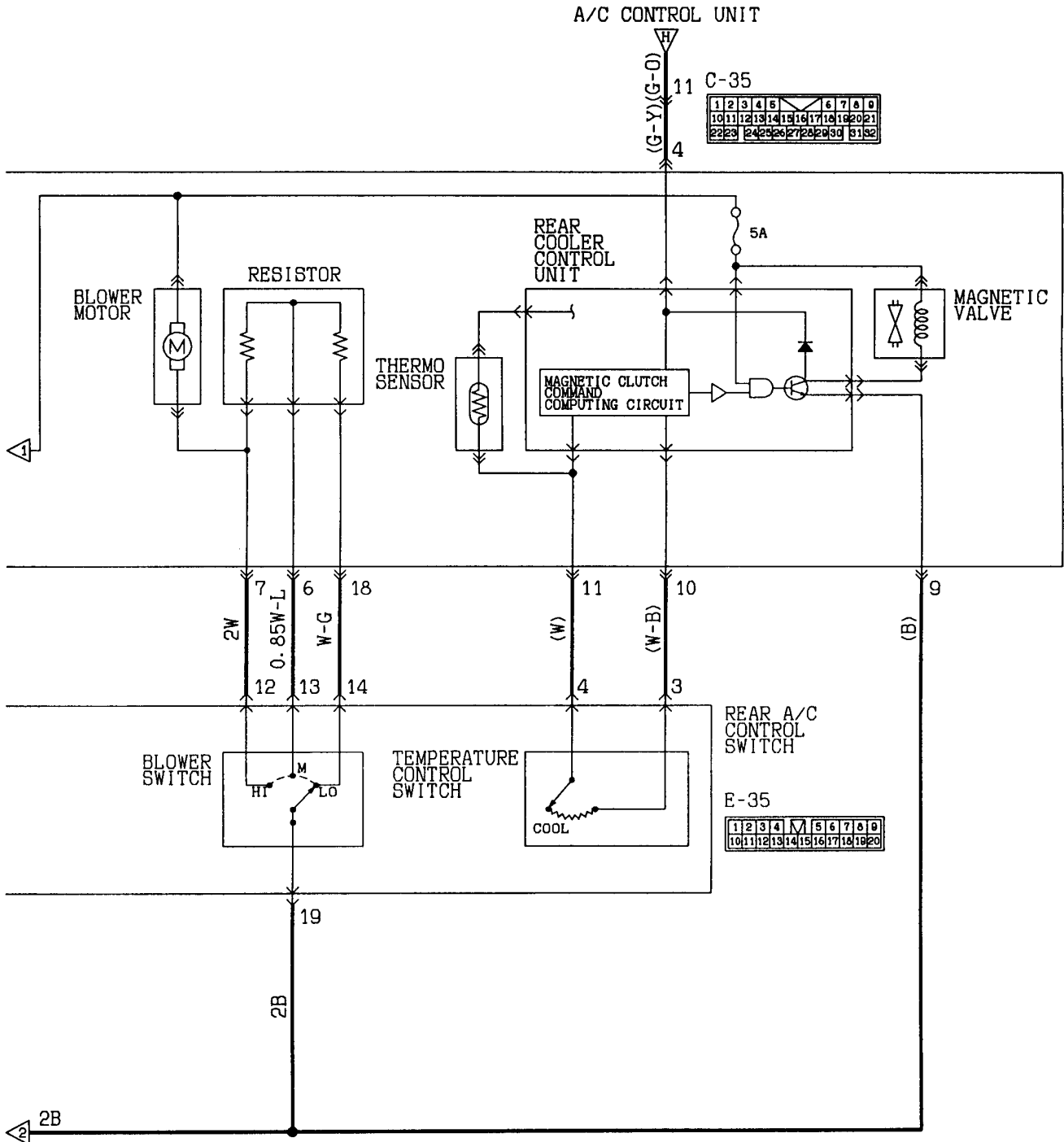
DUAL AIR CONDITIONER  
 (R.H. drive vehicles without rear heater  
 (petrol-powered vehicles)) (CONTINUED)



Remarks  
 (1) \*1: Vehicles without immobilizer system.  
 (2) \*2: Vehicles with immobilizer system.



DUAL AIR CONDITIONER  
 (R.H. drive vehicles without rear heater  
 (petrol-powered vehicles)) (CONTINUED)

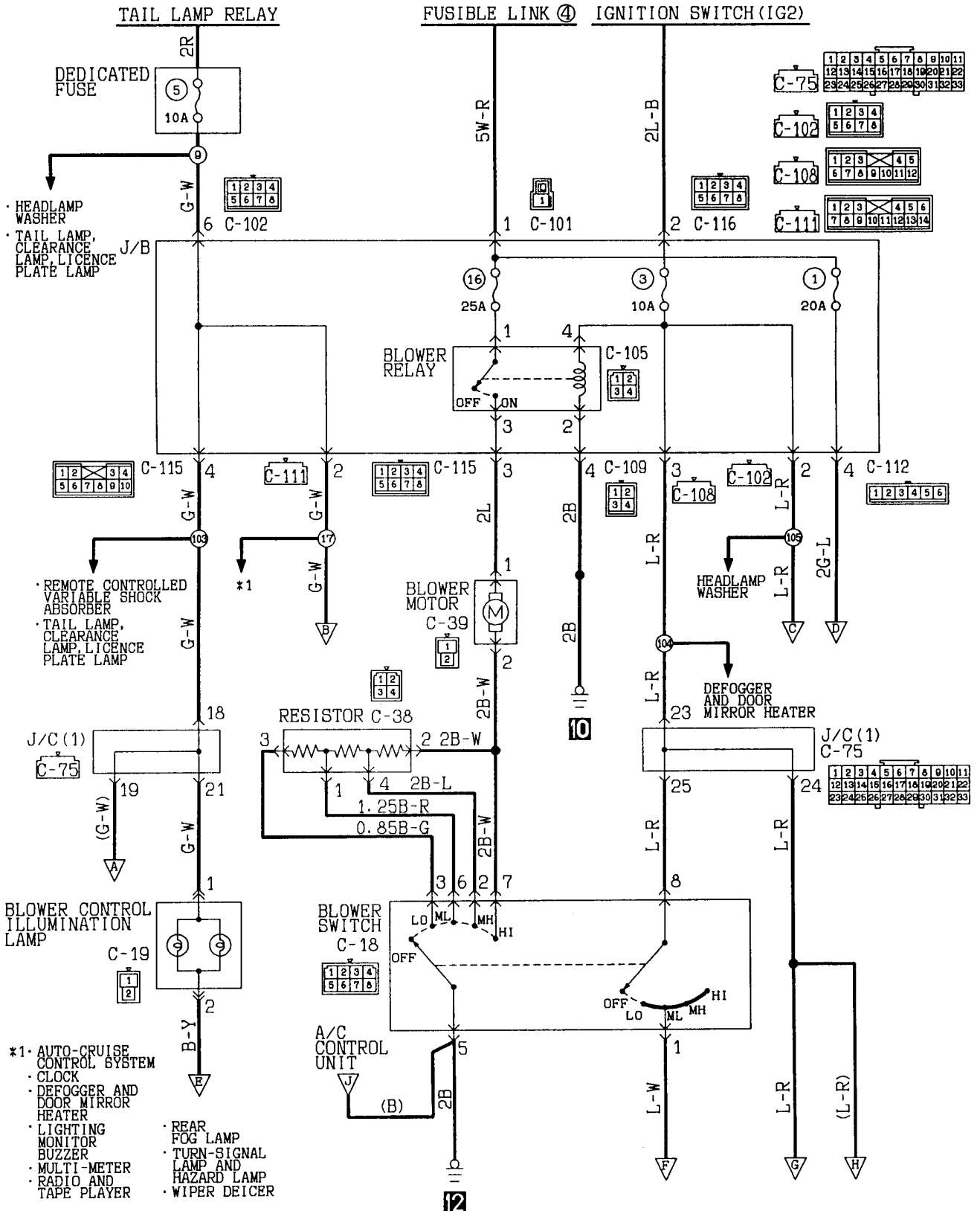


Wire colour code  
 B : Black    LG:Light green    G : Green    L : Blue    W : White    Y : Yellow    SB:Sky blue  
 BR:Brown    O : Orange    GR:Gray    R : Red    P : Pink    V : Violet

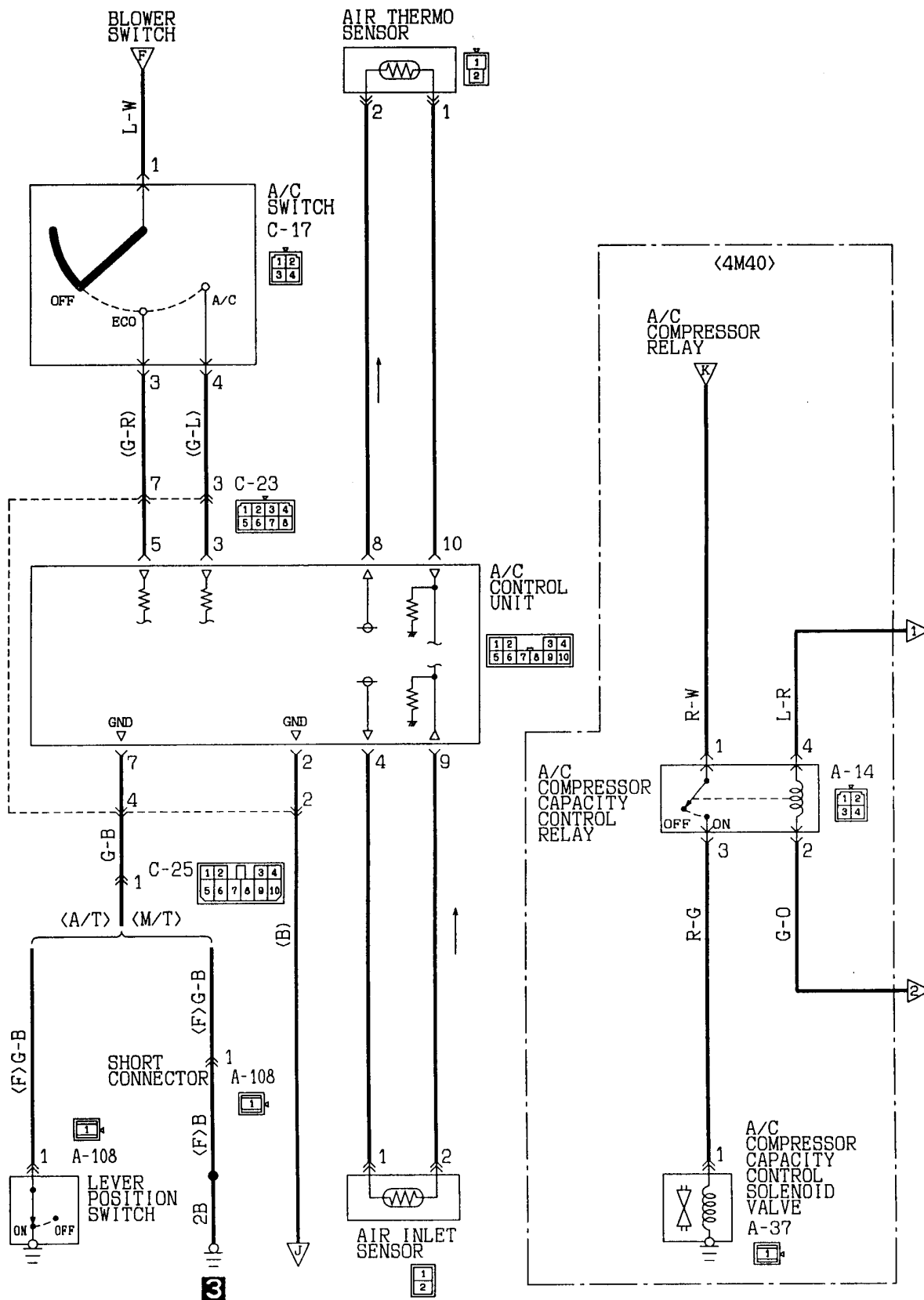
NOTES

# DUAL AIR CONDITIONER

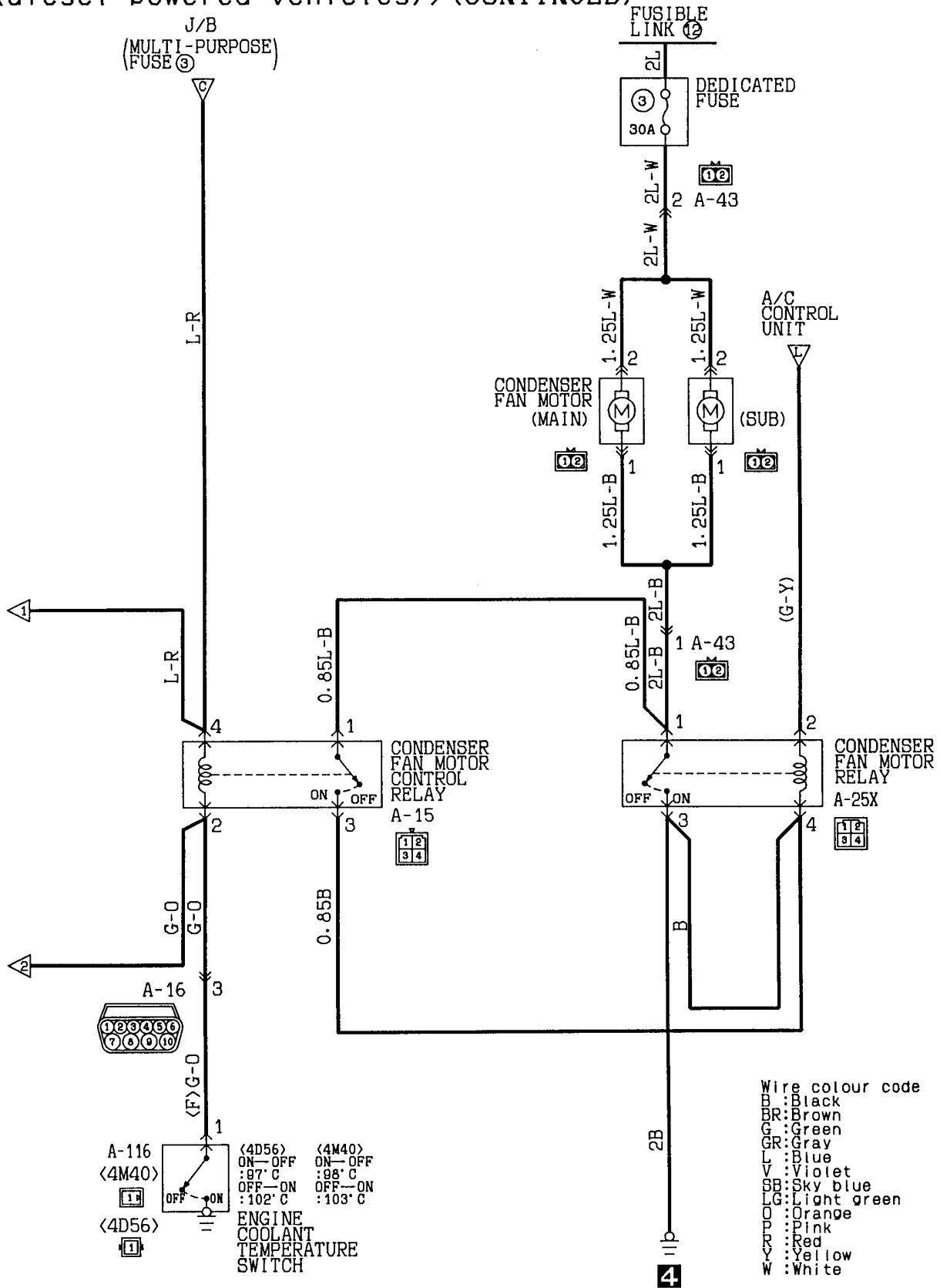
R.H. drive vehicles without rear heater  
(diesel-powered vehicles)



Wire colour code  
 B :Black    LG:Light green    G :Green    L :Blue    W :White    Y :Yellow    SB:Sky blue  
 BR:Brown    O :Orange    GR:Gray    R :Red    P :Pink    V :Violet



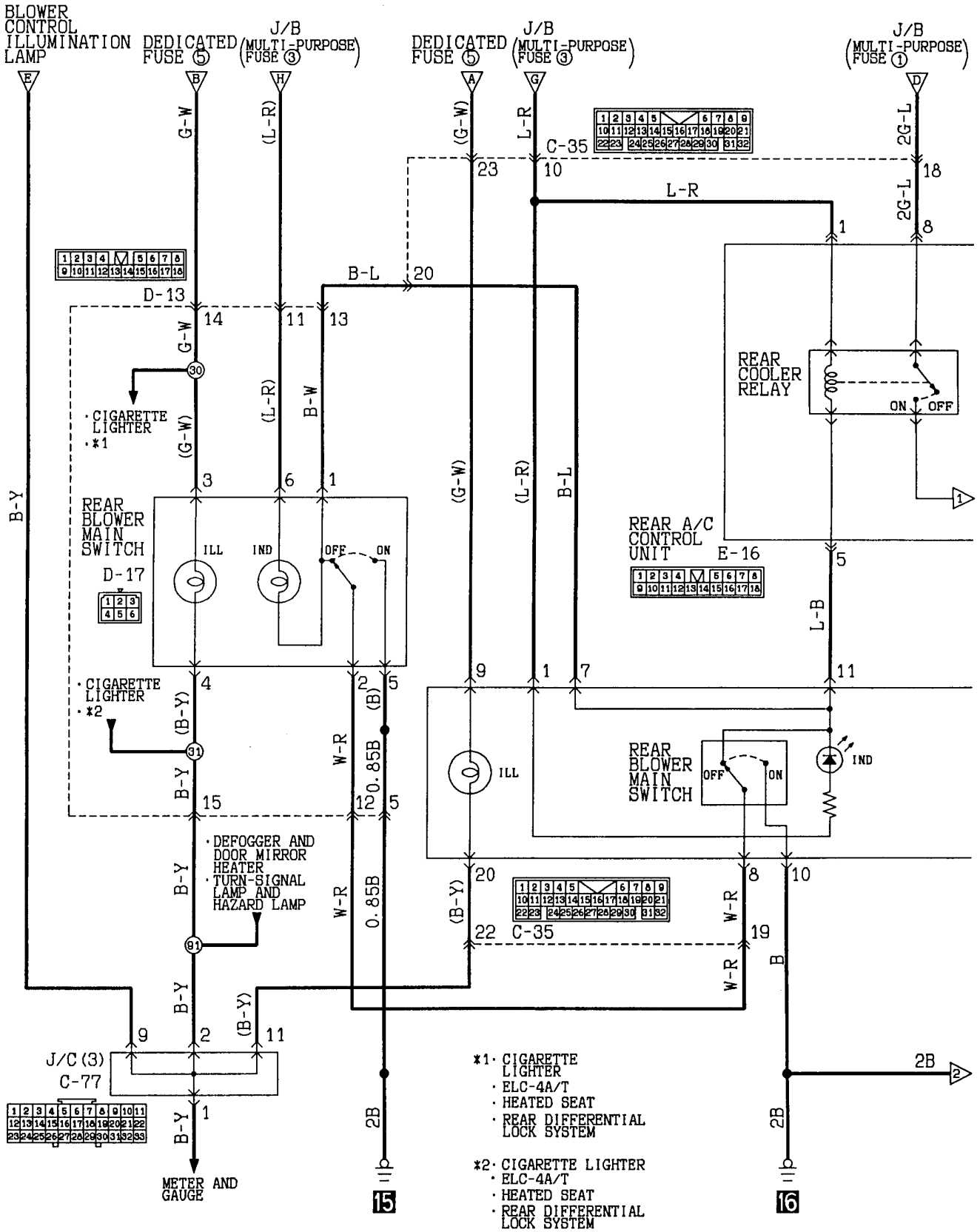
DUAL AIR CONDITIONER  
 (R.H. drive vehicles without rear heater  
 (diesel-powered vehicles)) (CONTINUED)

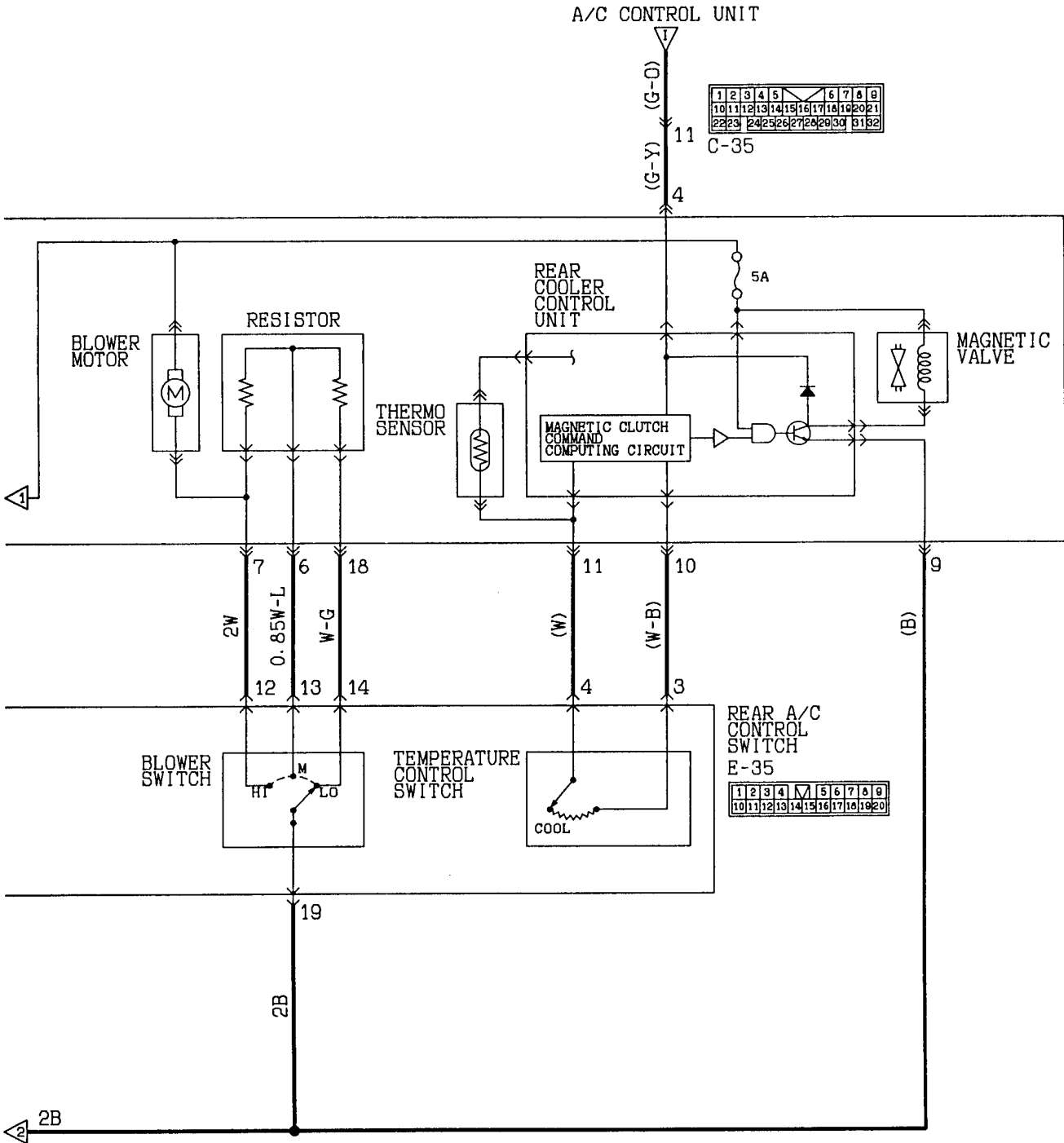






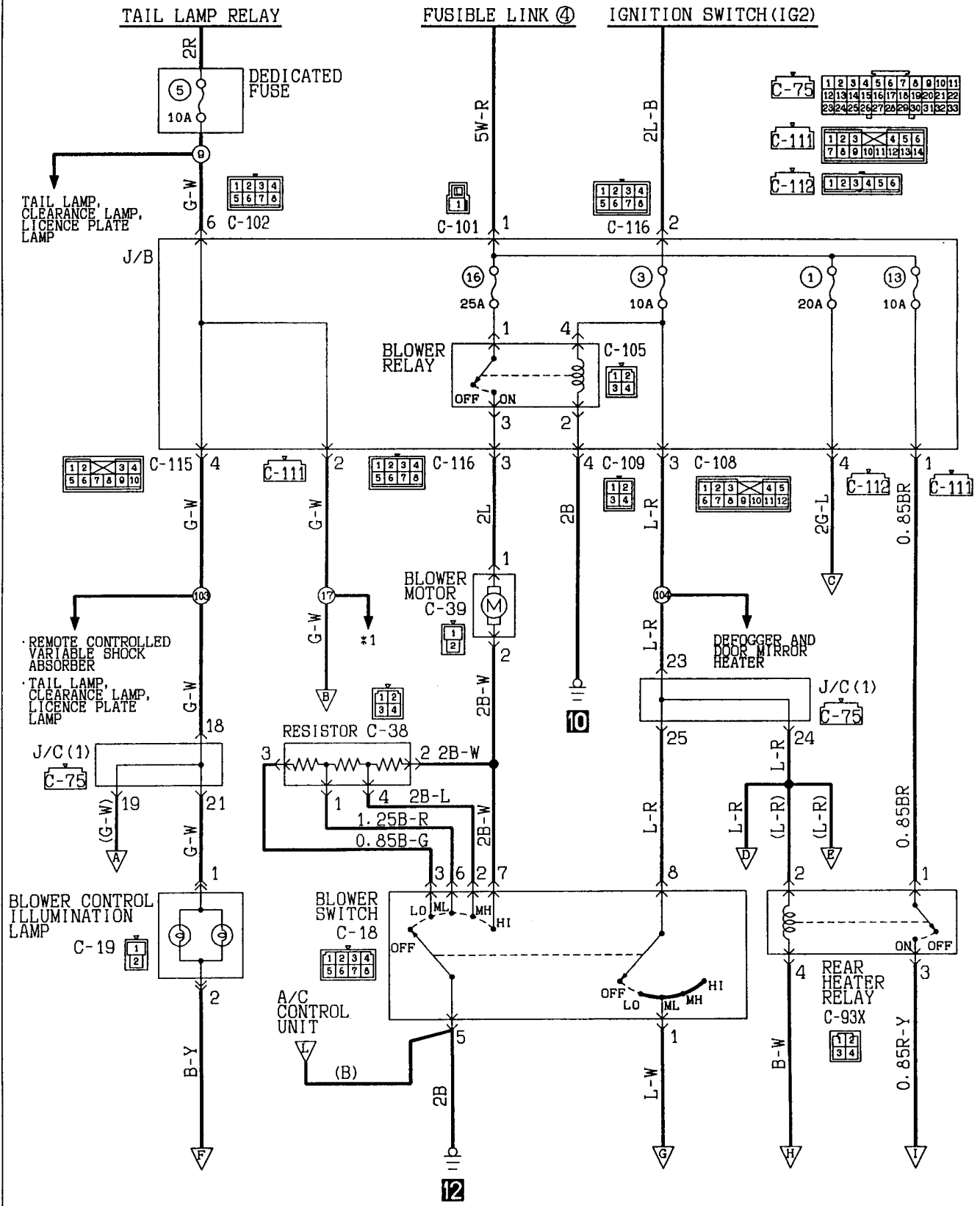
DUAL AIR CONDITIONER  
 (R.H. drive vehicles without rear heater  
 (diesel-powered vehicles)) (CONTINUED)

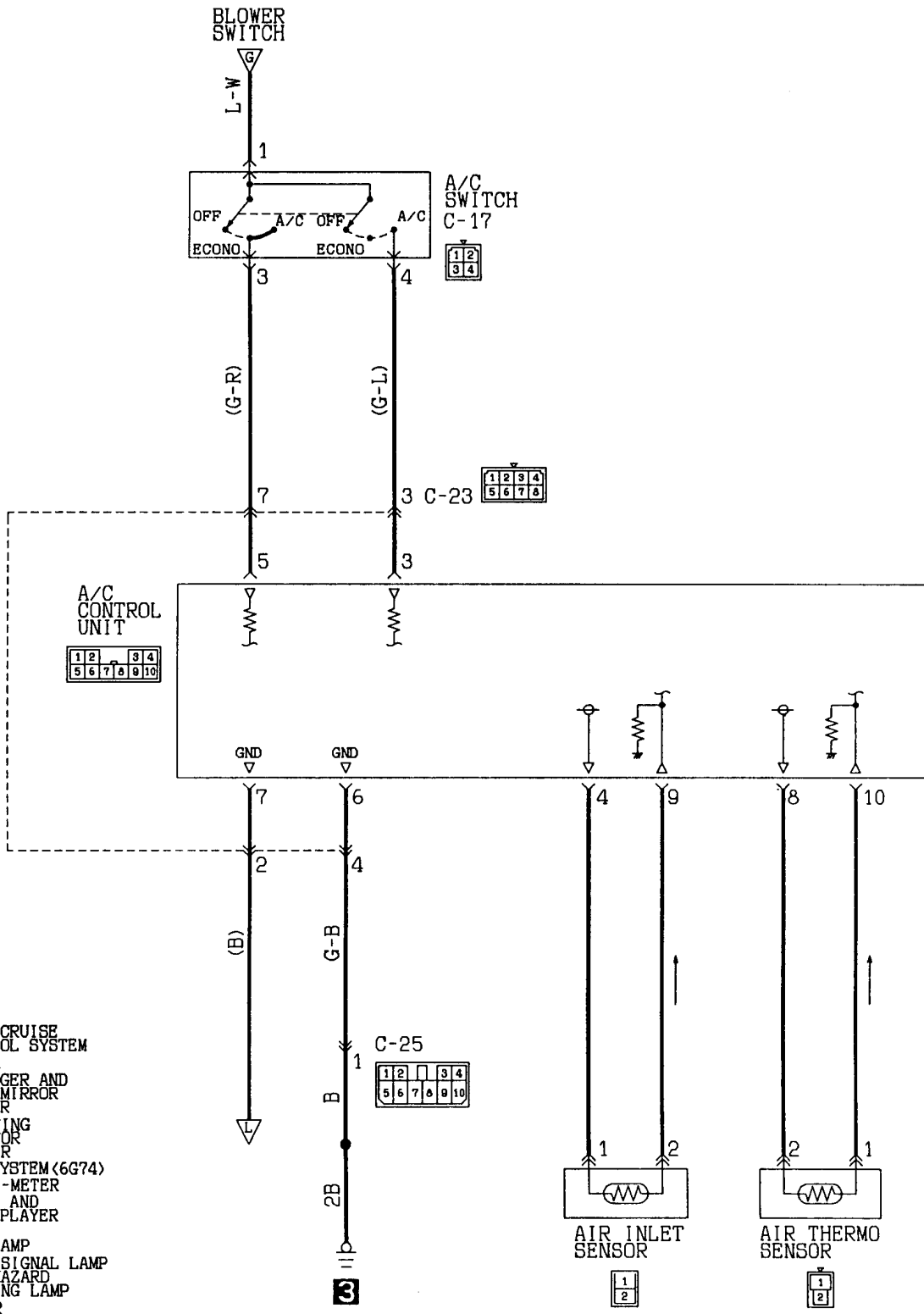




Wire colour code  
 B:Black LG:Light green G:Green L:Blue W:White Y:Yellow SB:Sky blue  
 BR:Brown O:Orange GR:Gray R:Red P:Pink V:Violet

**DUAL AIR CONDITIONER**  
 R.H. drive vehicles with rear heater  
 (petrol-powered vehicles)

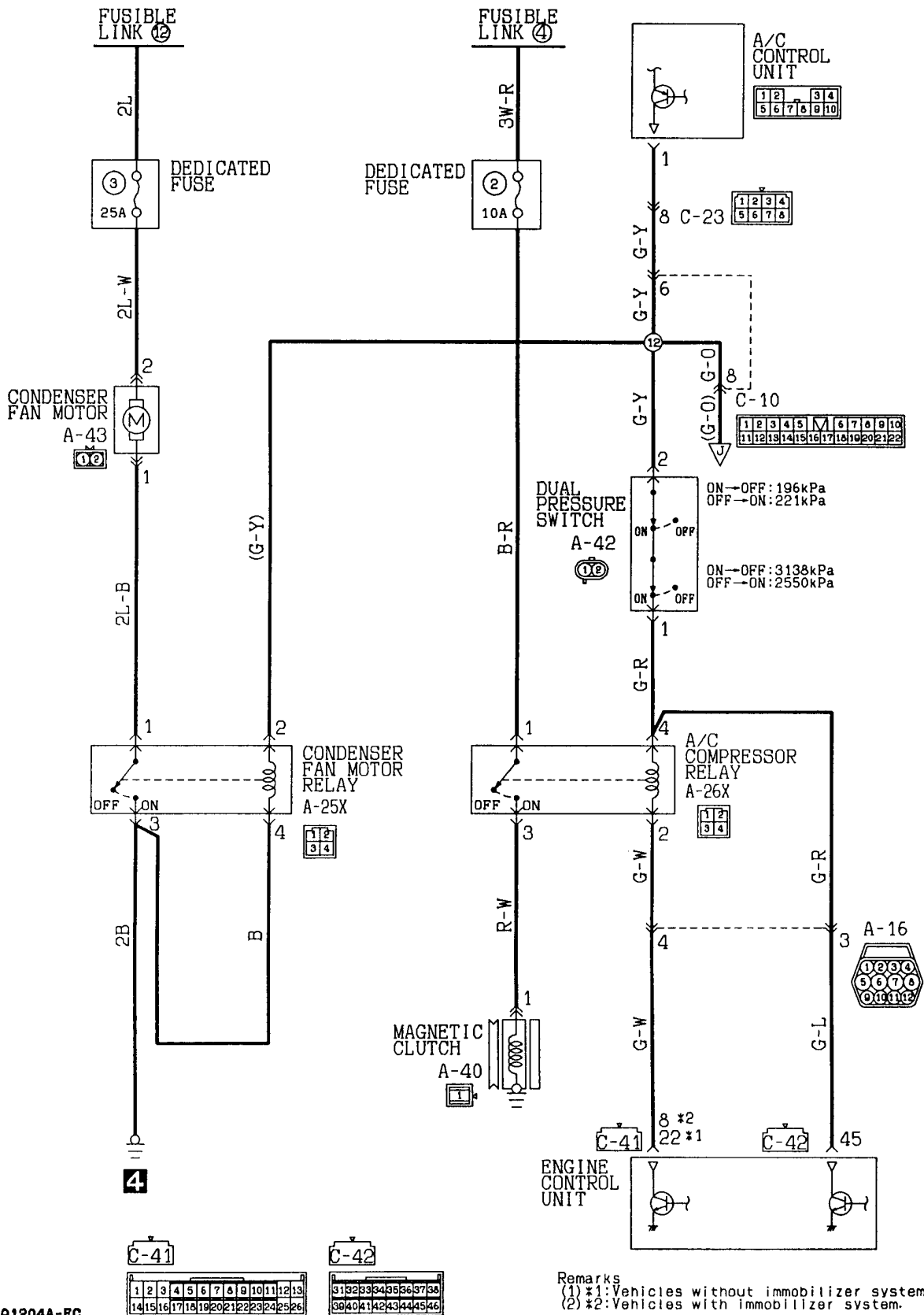


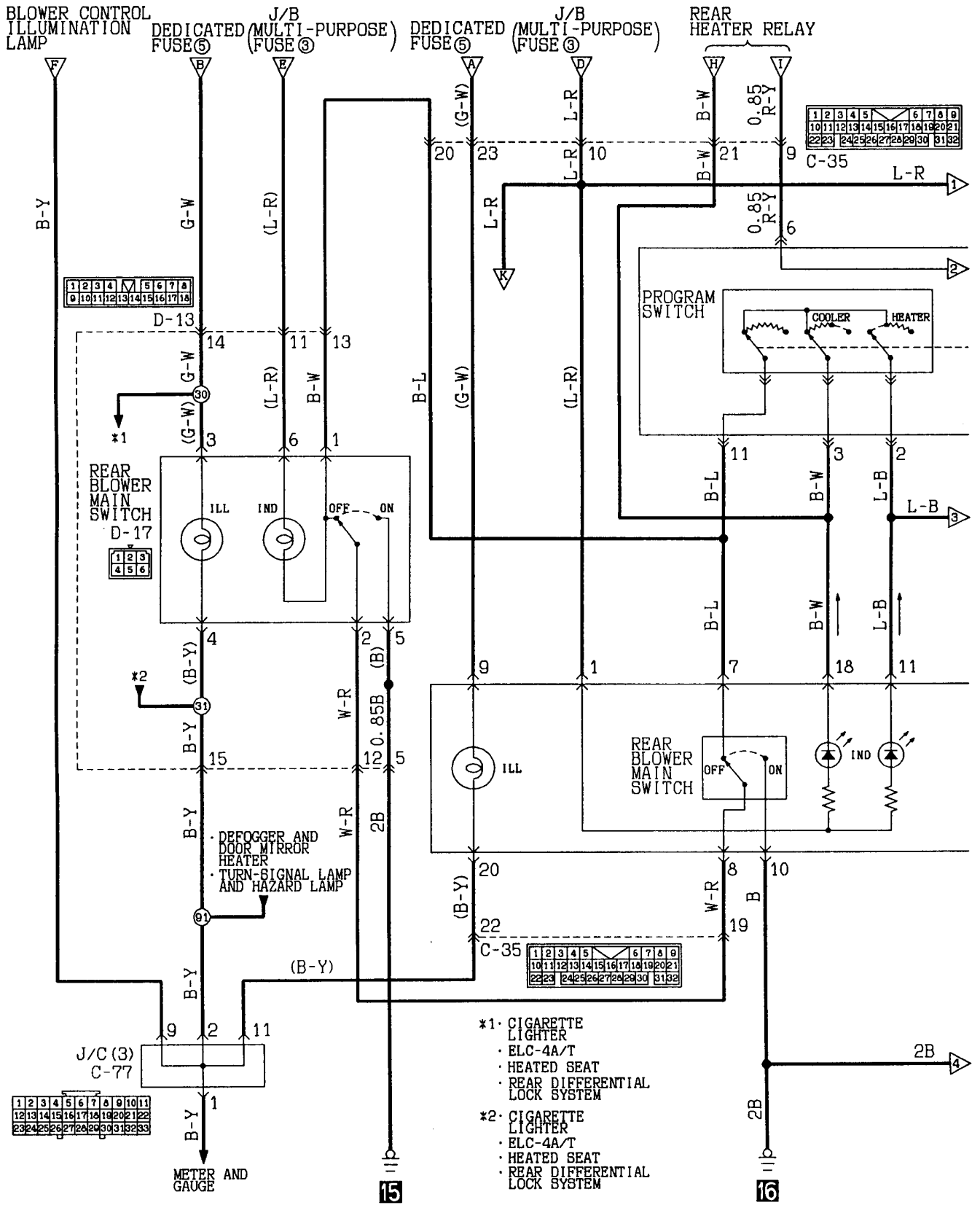


- \*1
- AUTO-CRUISE CONTROL SYSTEM
- CLOCK
- DEFOGGER AND DOOR MIRROR HEATER
- LIGHTING MONITOR BUZZER
- MPI SYSTEM (6G74)
- MULTI-METER
- RADIO AND TAPE PLAYER
- REAR FOG LAMP
- TURN-SIGNAL LAMP AND HAZARD WARNING LAMP
- WIPER DEICER

Wire colour code  
 B :Black    LG:Light green    G :Green    L :Blue    W :White    Y :Yellow    SB:Sky blue  
 BR:Brown    O :Orange    GR:Gray    R :Red    P :Pink    V :Violet

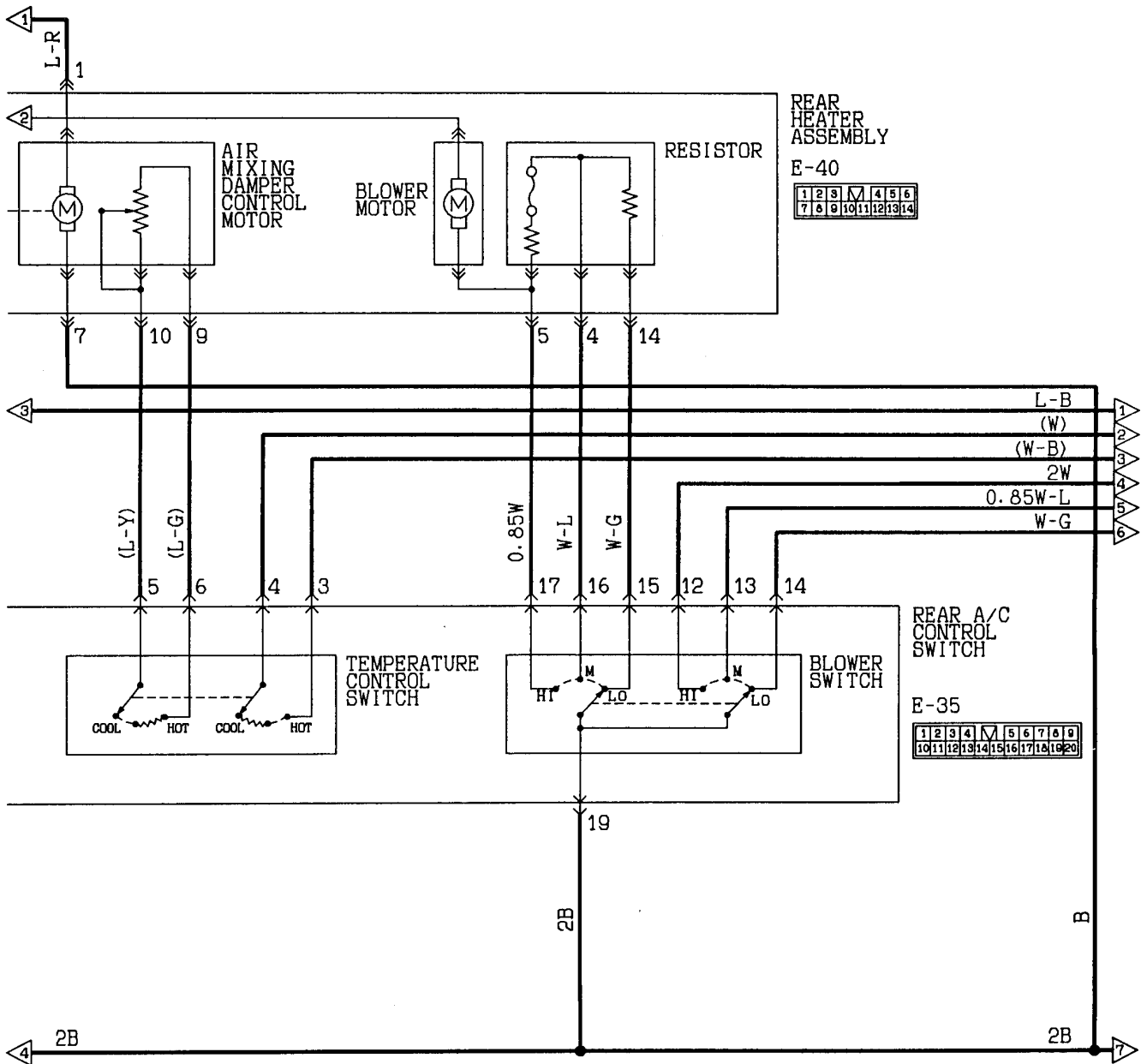
DUAL AIR CONDITIONER  
 (R.H. drive vehicles with rear heater  
 (petrol-powered vehicles)) (CONTINUED)

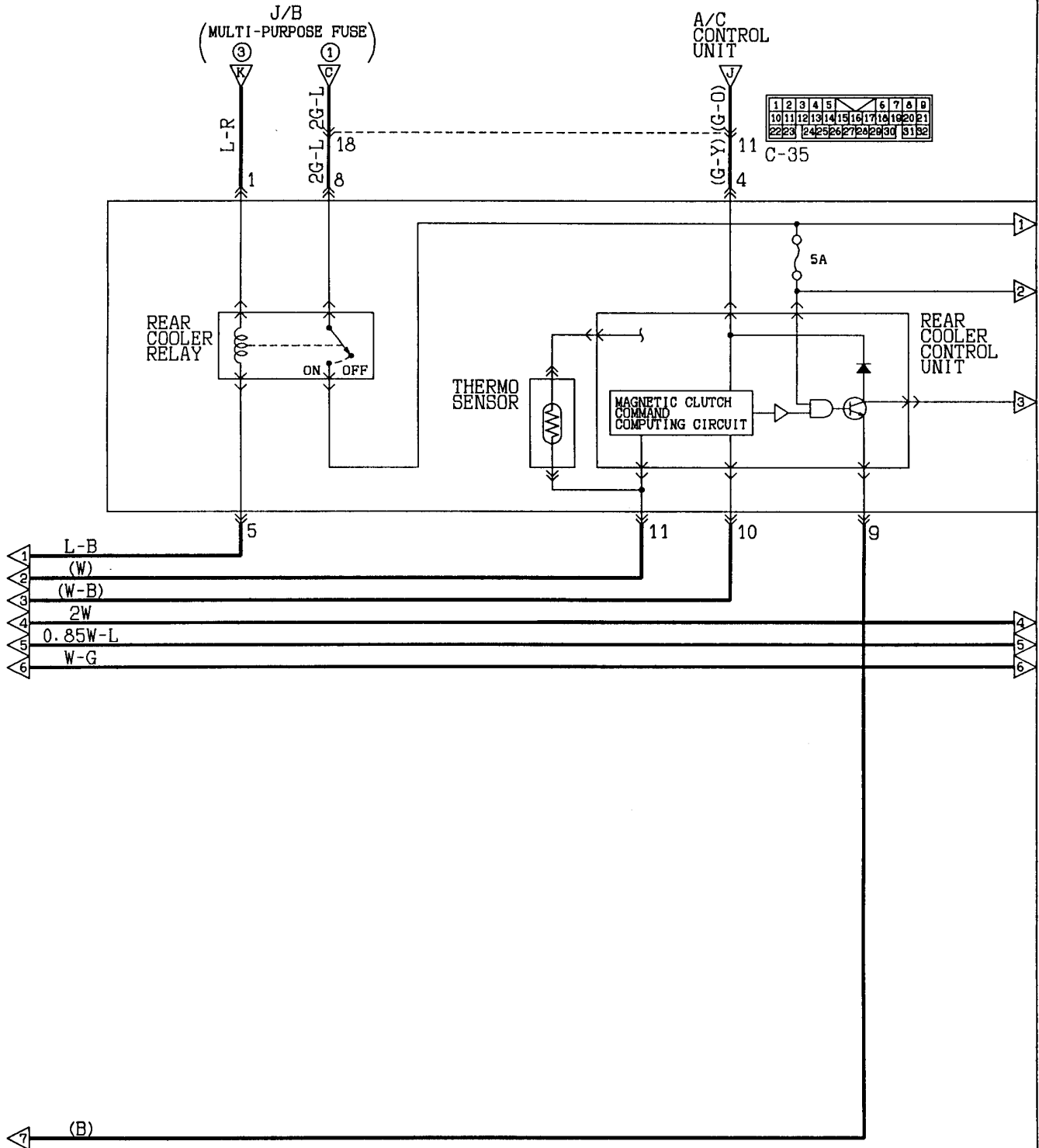




- \*1 - CIGARETTE LIGHTER
- ELC-4A/T
- HEATED SEAT
- REAR DIFFERENTIAL LOCK SYSTEM
- \*2 - CIGARETTE LIGHTER
- ELC-4A/T
- HEATED SEAT
- REAR DIFFERENTIAL LOCK SYSTEM

DUAL AIR CONDITIONER  
 (R.H. drive vehicles with rear heater  
 (petrol-powered vehicles)) (CONTINUED)

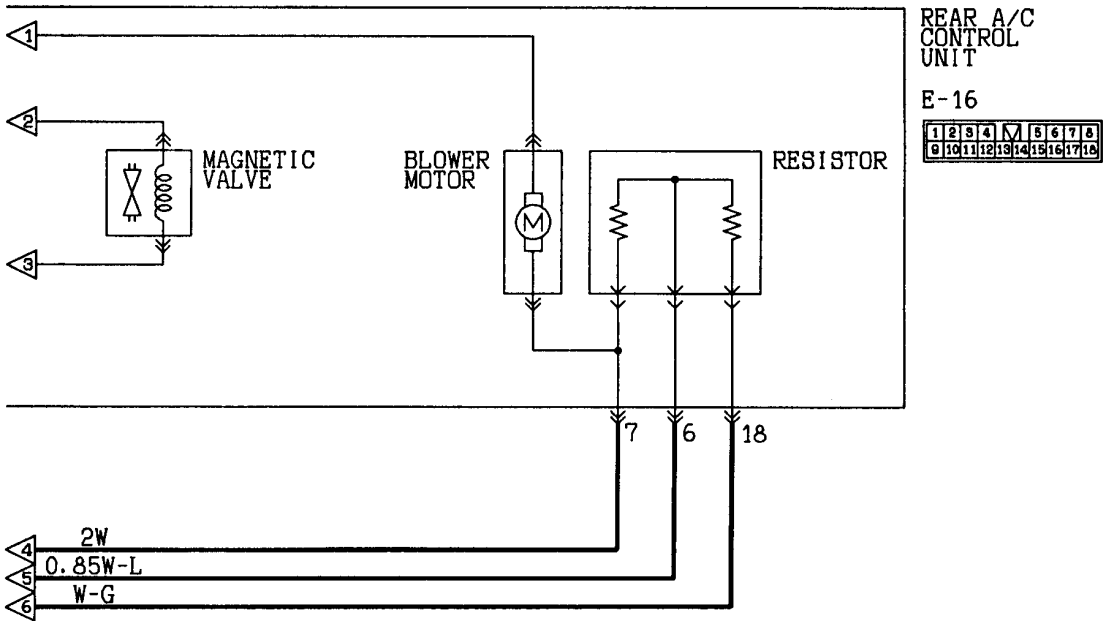




Wire colour code  
 B:Black LG:Light green G:Green L:Blue W:White Y:Yellow SB:Sky blue  
 BR:Brown O:Orange GR:Gray R:Red P:Pink V:Violet



DUAL AIR CONDITIONER  
 (R.H. drive vehicles with rear heater  
 (petrol-powered vehicles)) (CONTINUED)



REAR A/C  
 CONTROL  
 UNIT

E-16

1	2	3	4	5	6	7	8			
9	10	11	12	13	14	15	16	17	18	19

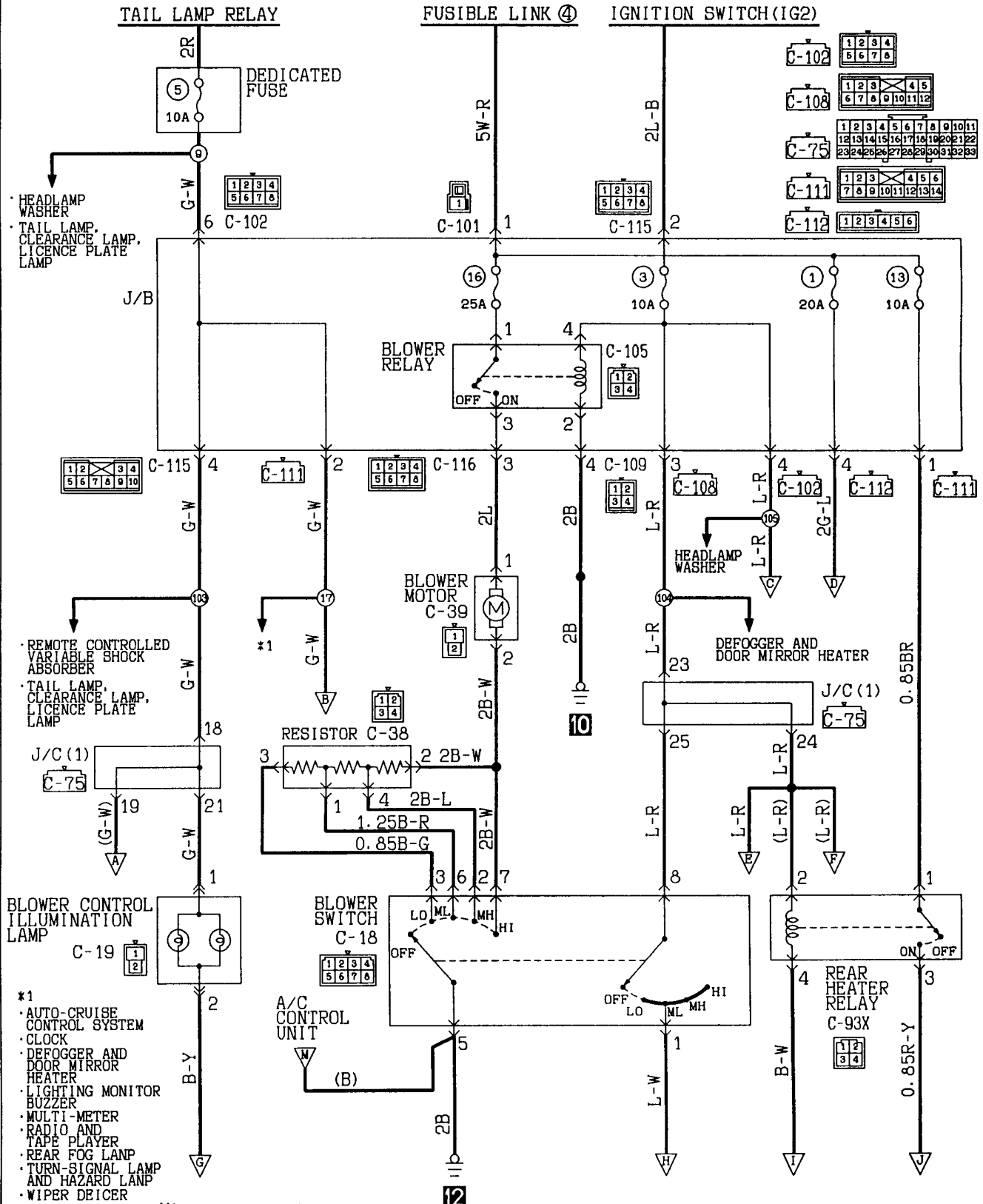
Wire colour code

B:Black LG:Light green G:Green L:Blue W:White Y:Yellow SB:Sky blue  
 BR:Brown O:Orange GR:Gray R:Red P:Pink V:Violet

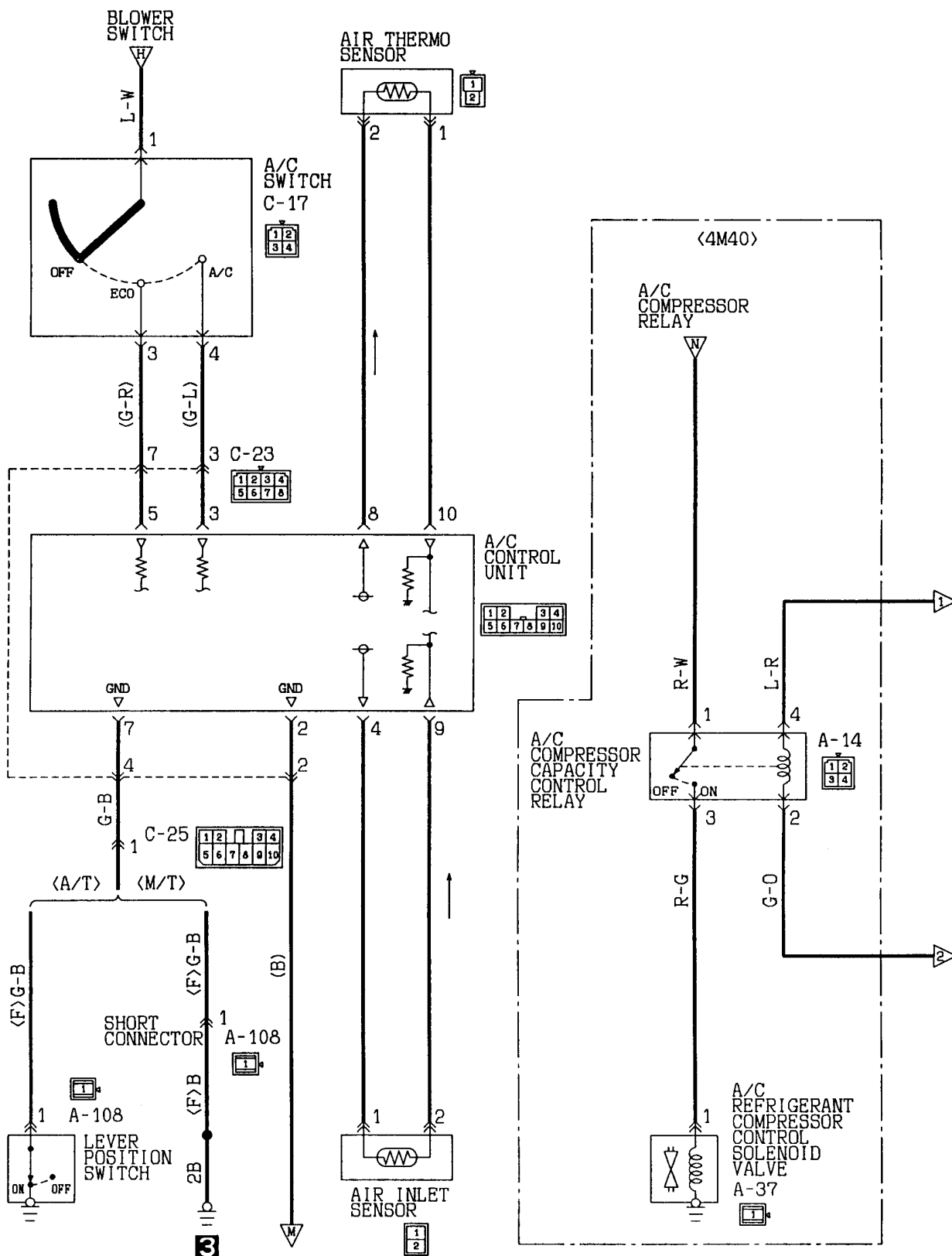
NOTES

# DUAL AIR CONDITIONER

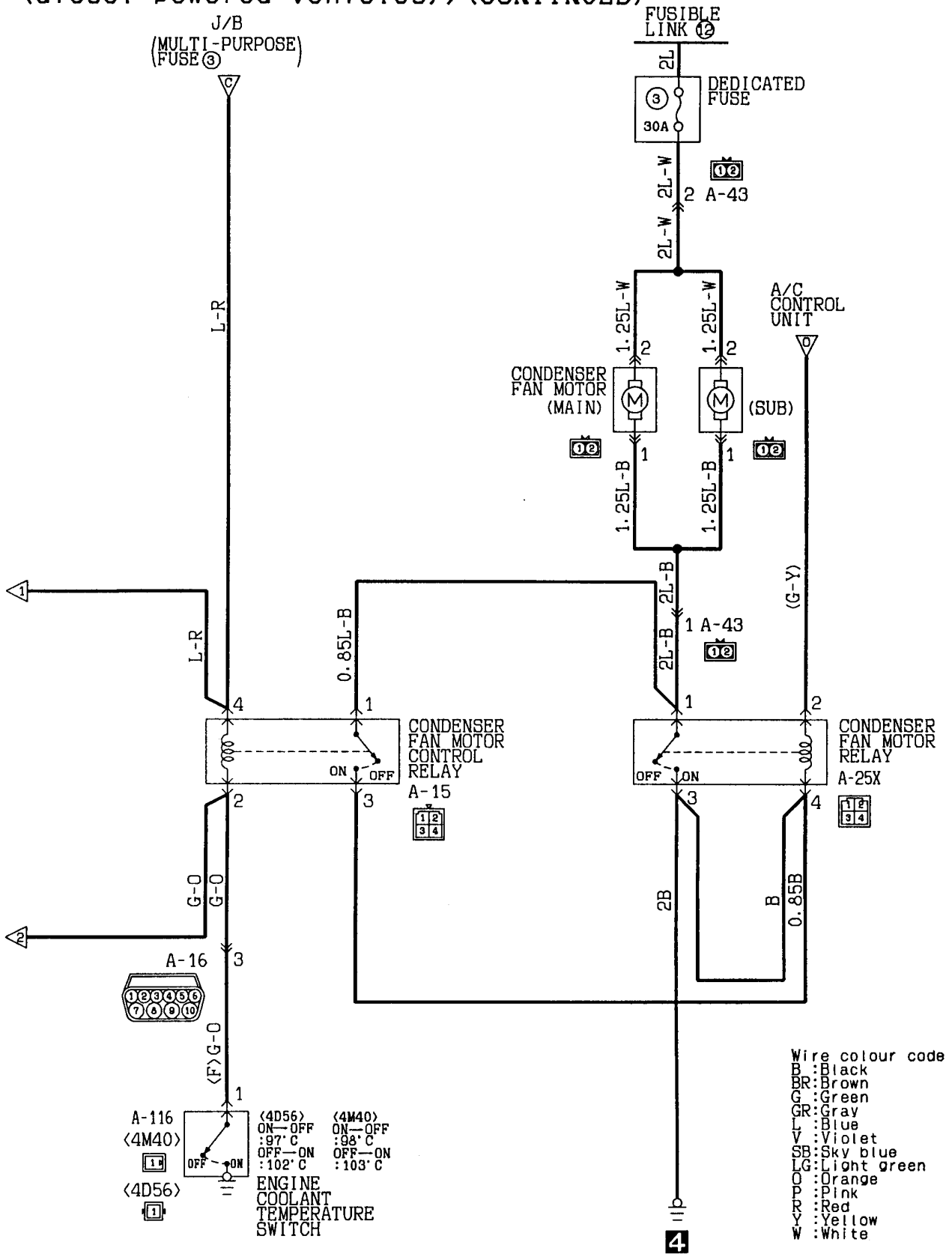
R.H. drive vehicles with rear heater  
(diesel-powered vehicles)

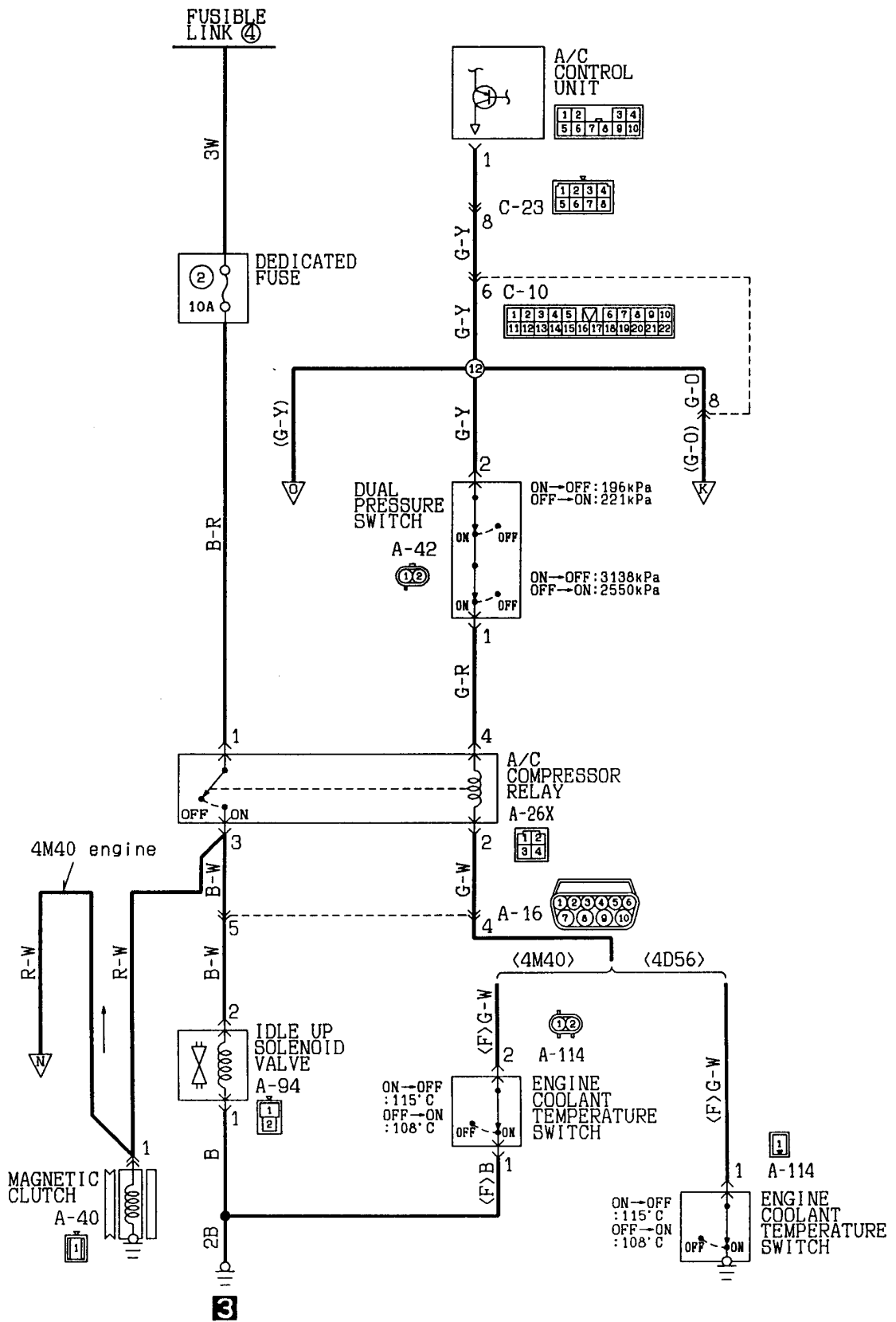


Wire colour code  
 B:Black LG:Light green G:Green L:Blue W:White Y:Yellow SB:Sky blue  
 BR:Brown O:Orange GR:Gray R:Red P:Pink V:Violet

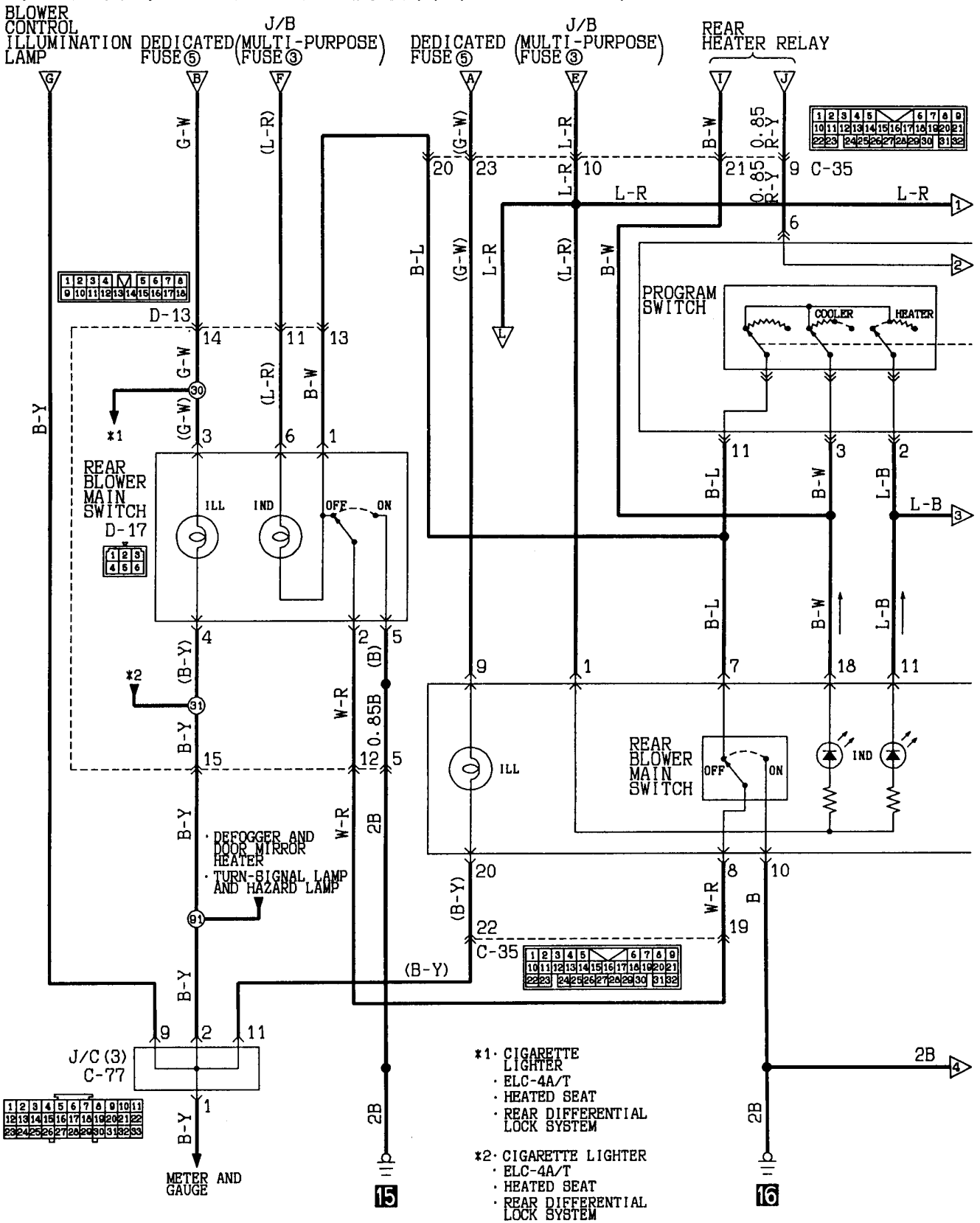


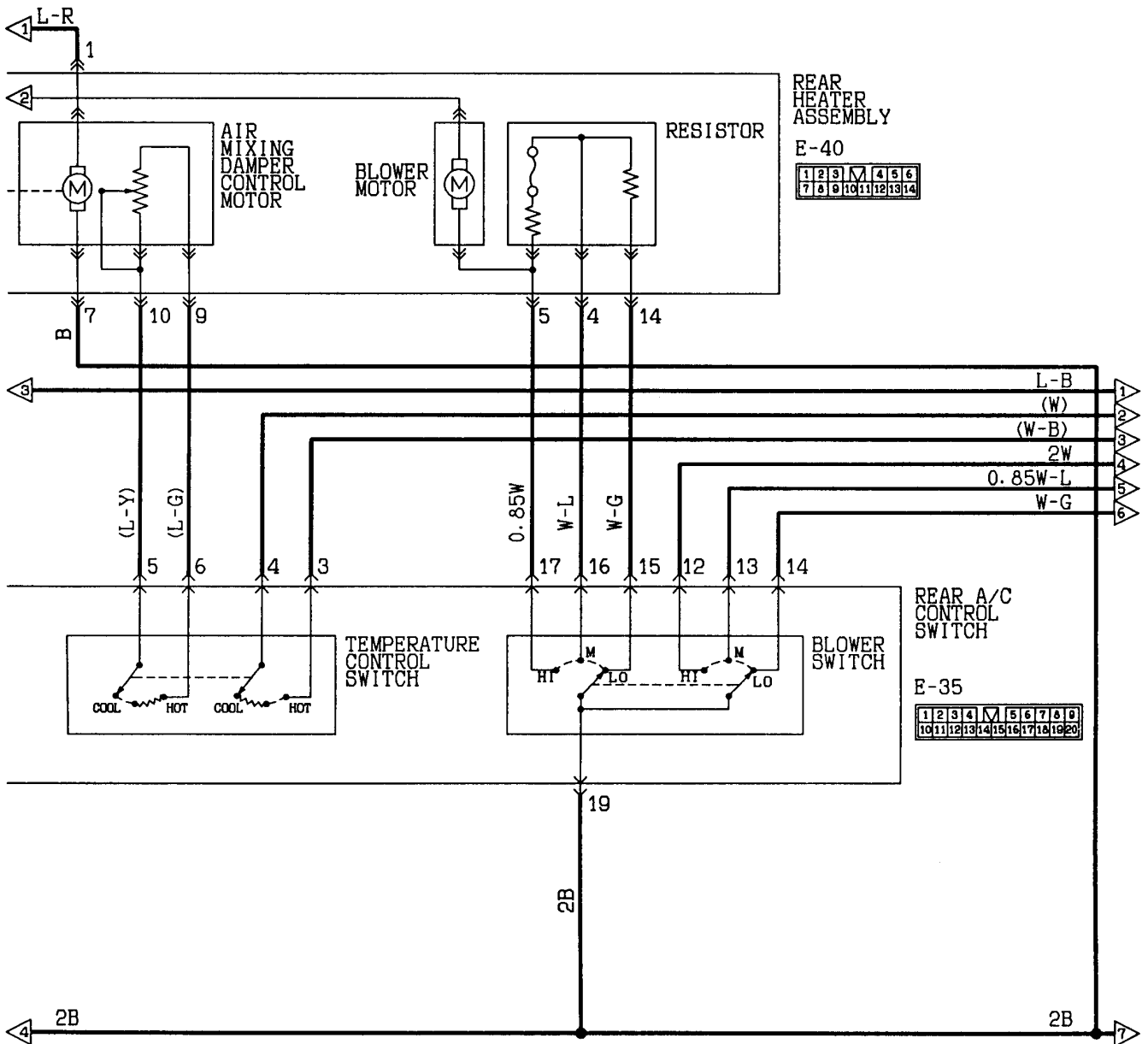
DUAL AIR CONDITONER  
 <R.H. drive vehicles with rear heater  
 (diesel-powered vehicles)> (CONTINUED)





DUAL AIR CONDITIONER  
 (R.H. drive vehicles with rear heater  
 (diesel-powered vehicles)) (CONTINUED)

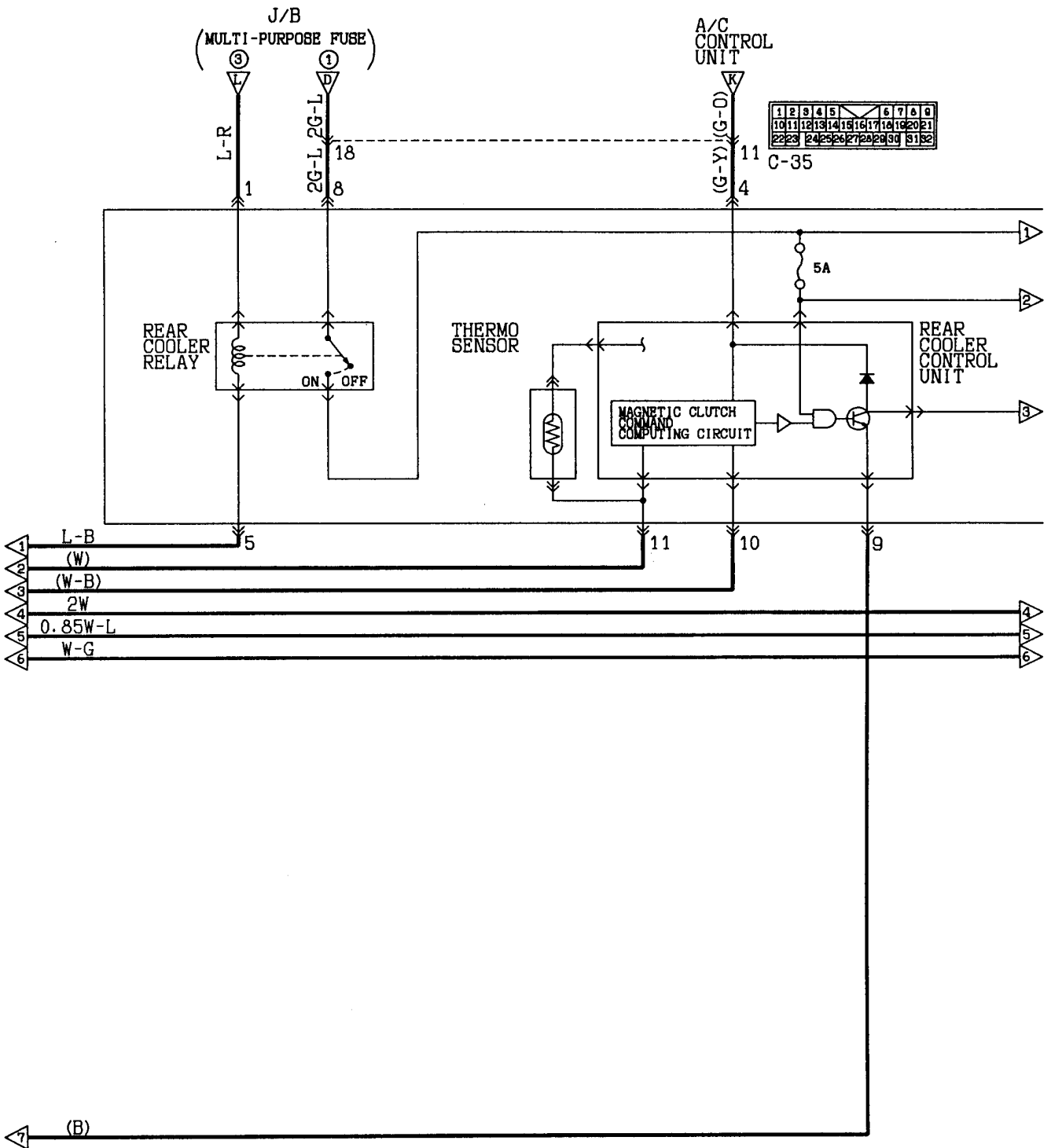


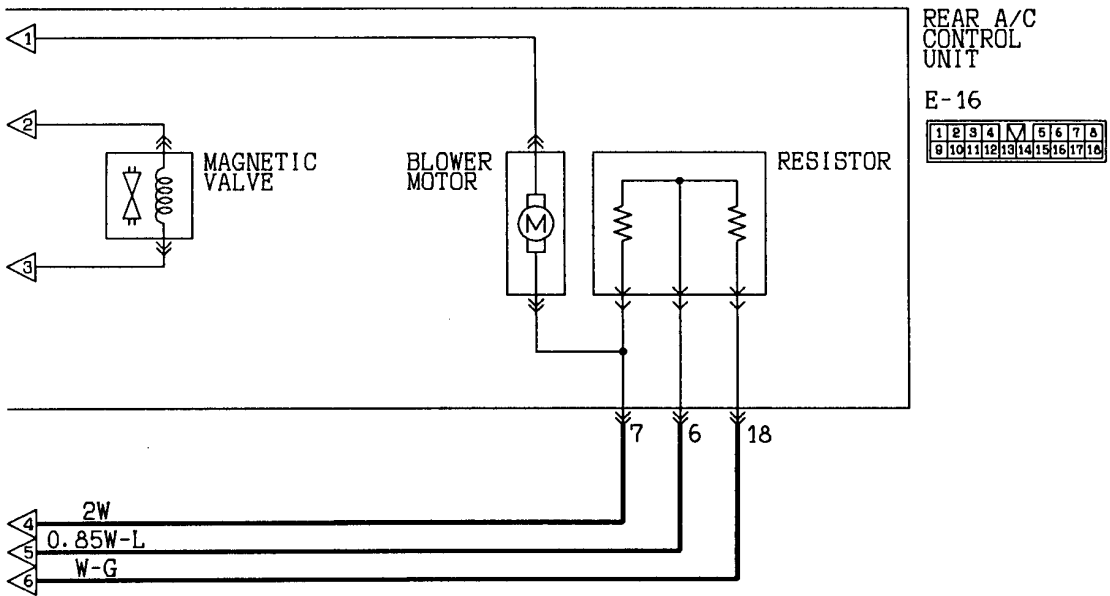


Wire colour code  
 B:Black LG:Light green G:Green L:Blue W:White Y:Yellow SB:Sky blue  
 BR:Brown O:Orange GR:Gray R:Red P:Pink V:Violet



DUAL AIR CONDITIONER  
 (R.H. drive vehicles with rear heater  
 (diesel-powered vehicles)) (CONTINUED)

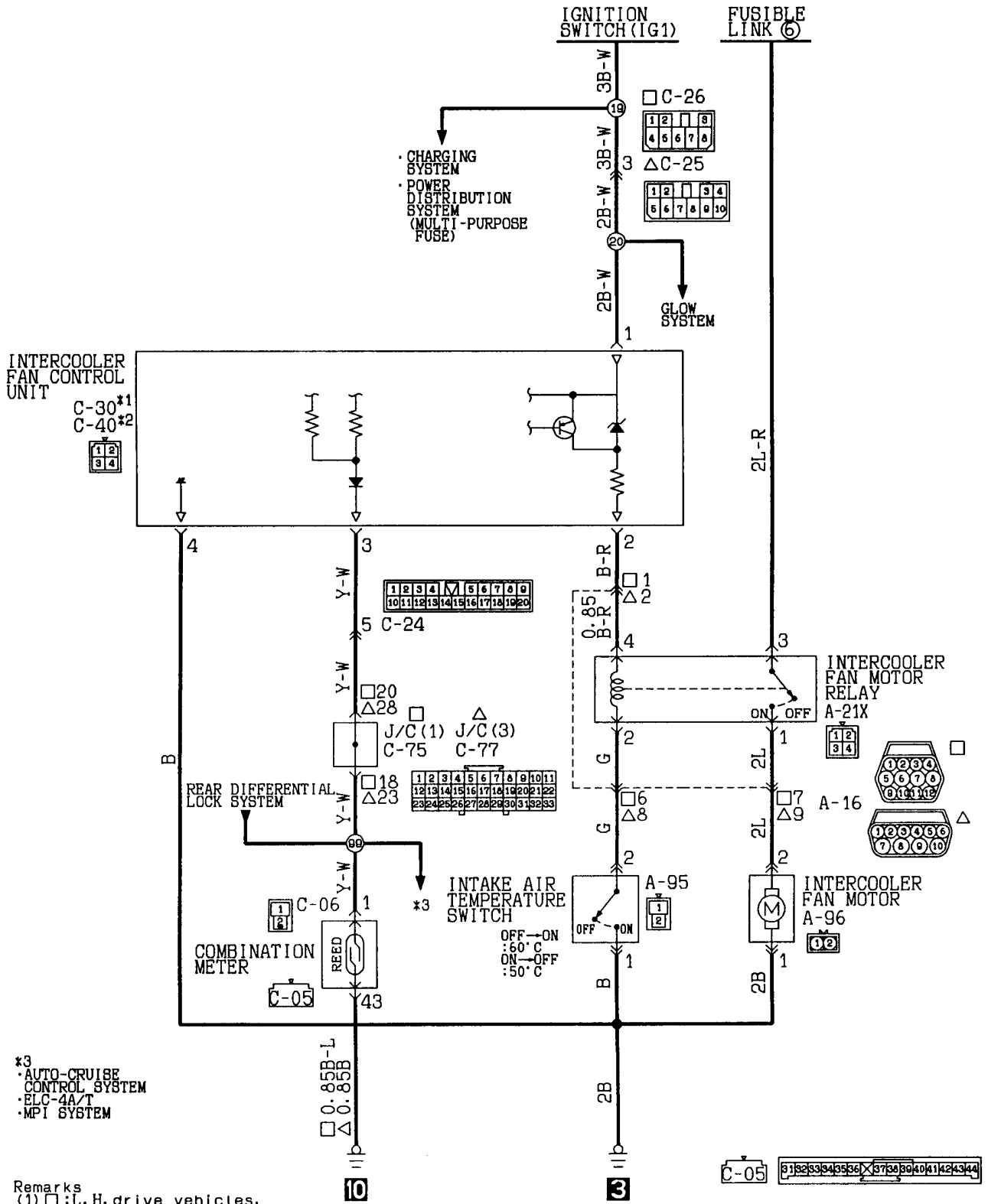




Wire colour code  
B :Black LG:Light green G :Green L :Blue W :White Y :Yellow SB:Sky blue  
BR:Brown O :Orange GR:Gray R :Red P :Pink V :Violet

NOTES

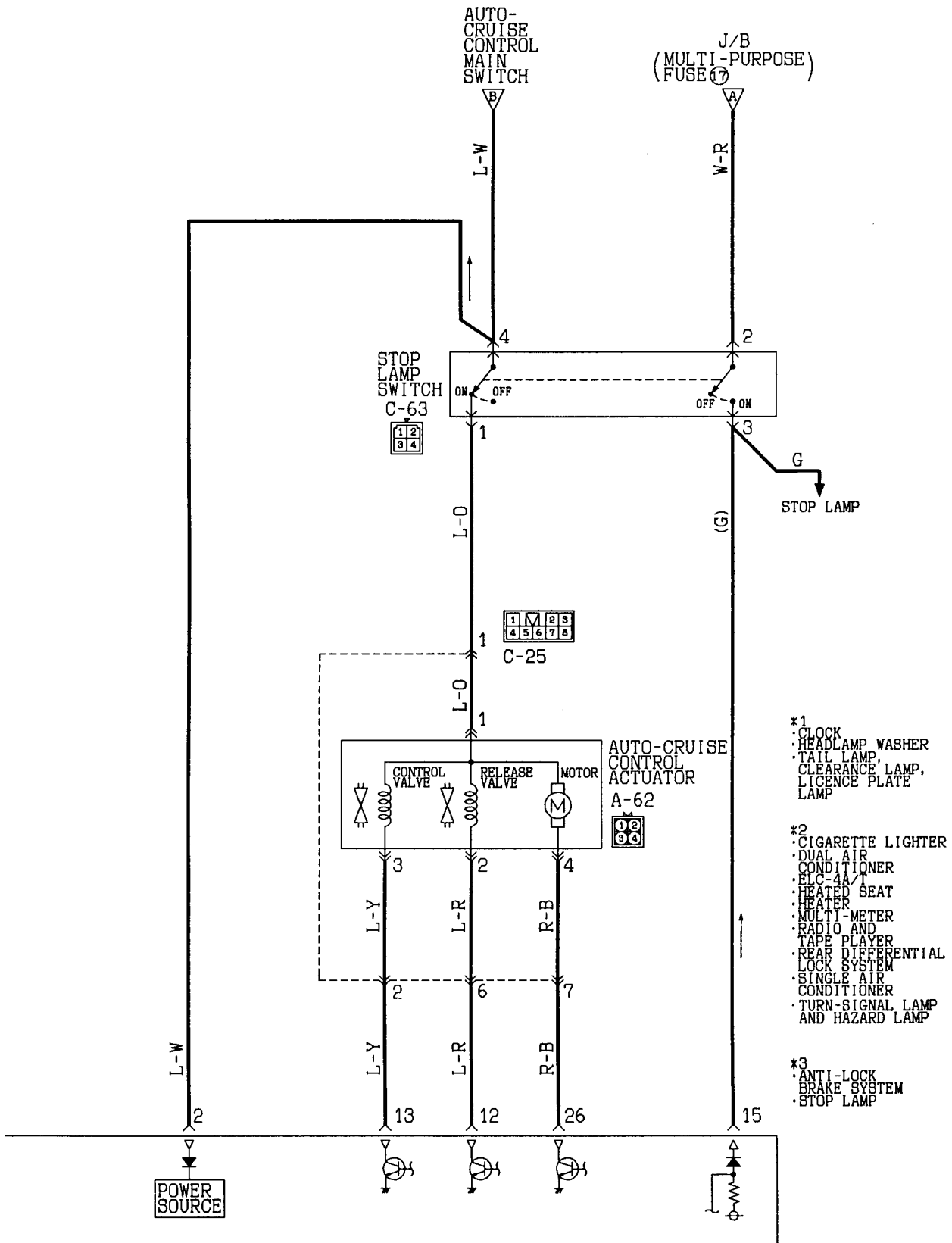
INTERCOOLER FAN



Remarks  
 (1) □: L.H. drive vehicles.  
 (2) △: R.H. drive vehicles.  
 (3) \*1: Vehicles without fuel line heater  
 (4) \*2: Vehicles with fuel line heater

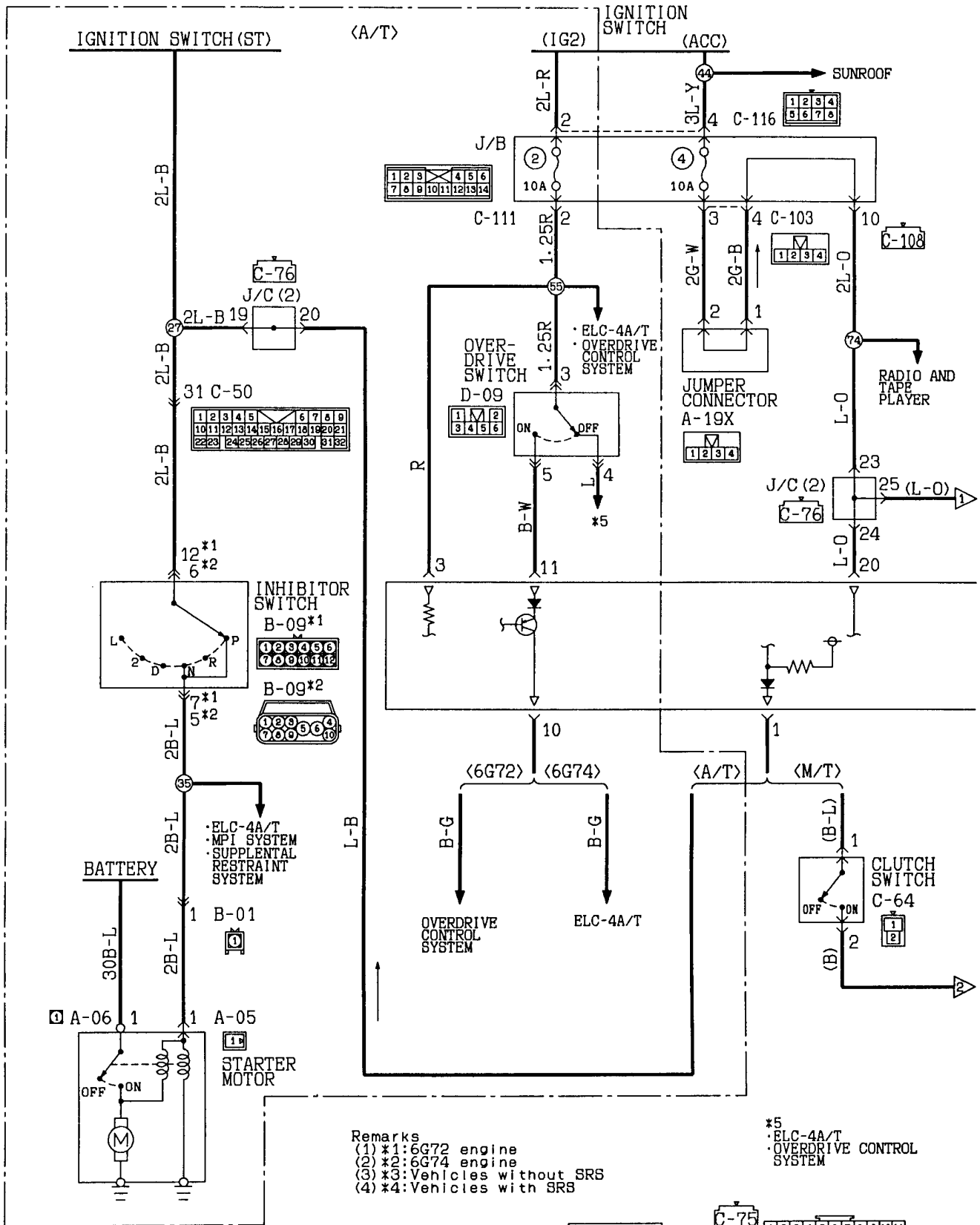
Wire colour code  
 B : Black LG:Light green G :Green L :Blue W :White Y :Yellow SB:Sky blue  
 BR:Brown O :Orange GR:Gray R :Red P :Pink V :Violet





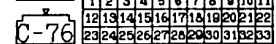
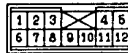
Wire colour code  
 B:Black LG:Light green G:Green L:Blue W:White Y:Yellow SB:Sky blue  
 BR:Brown O:Orange GR:Gray R:Red P:Pink V:Violet

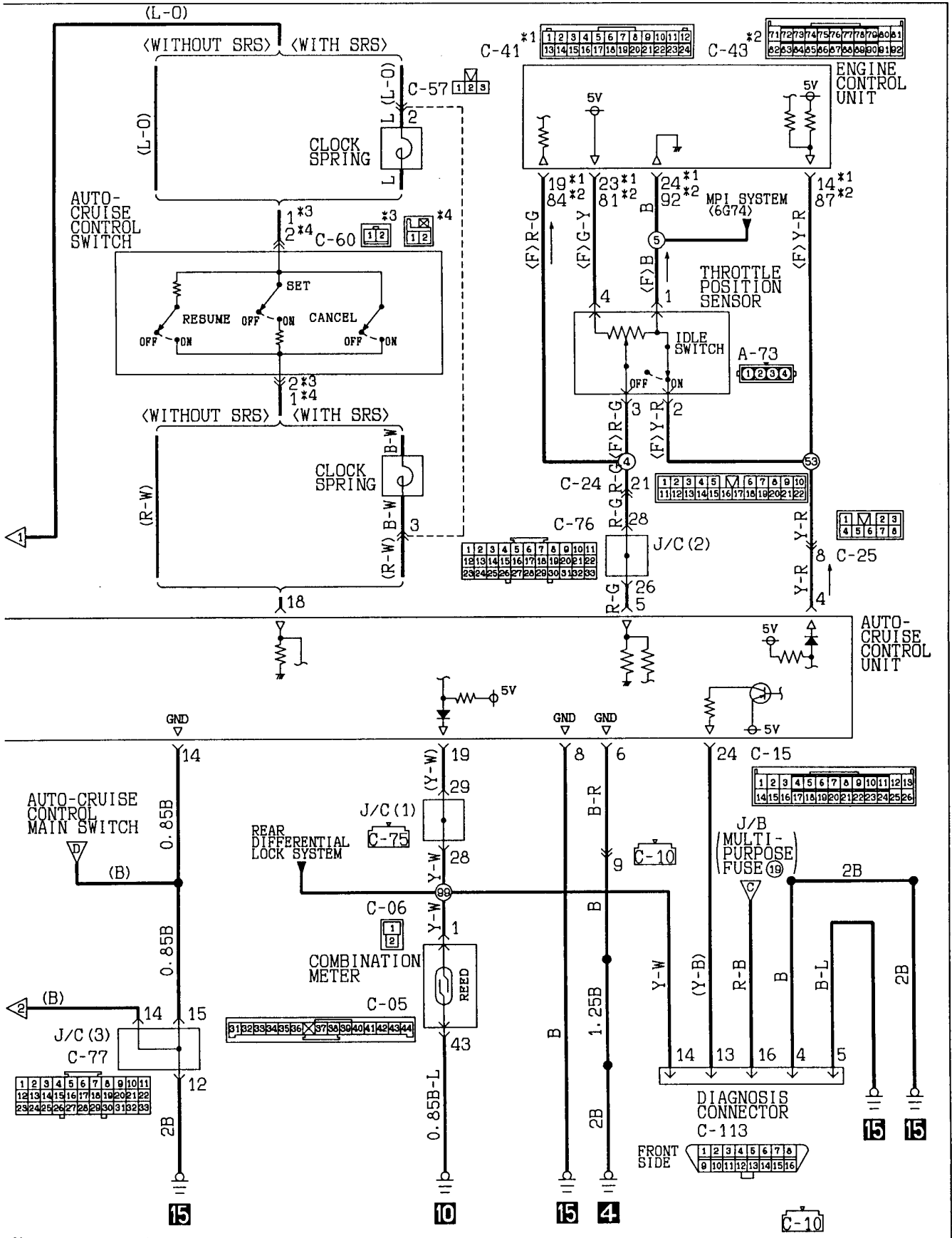
AUTO-CRUISE CONTROL SYSTEM  
 (L.H. drive vehicles (petrol-powered vehicles)) (CONTINUED)



Remarks  
 (1) \*1: 6G72 engine  
 (2) \*2: 6G74 engine  
 (3) \*3: Vehicles without SRS  
 (4) \*4: Vehicles with SRS

\*5  
 · ELC-4A/T  
 · OVERDRIVE CONTROL SYSTEM





Wire colour code  
 B : Black LG : Light green  
 BR : Brown O : Orange

G : Green L : Blue W : White Y : Yellow  
 GR : Gray R : Red P : Pink V : Violet

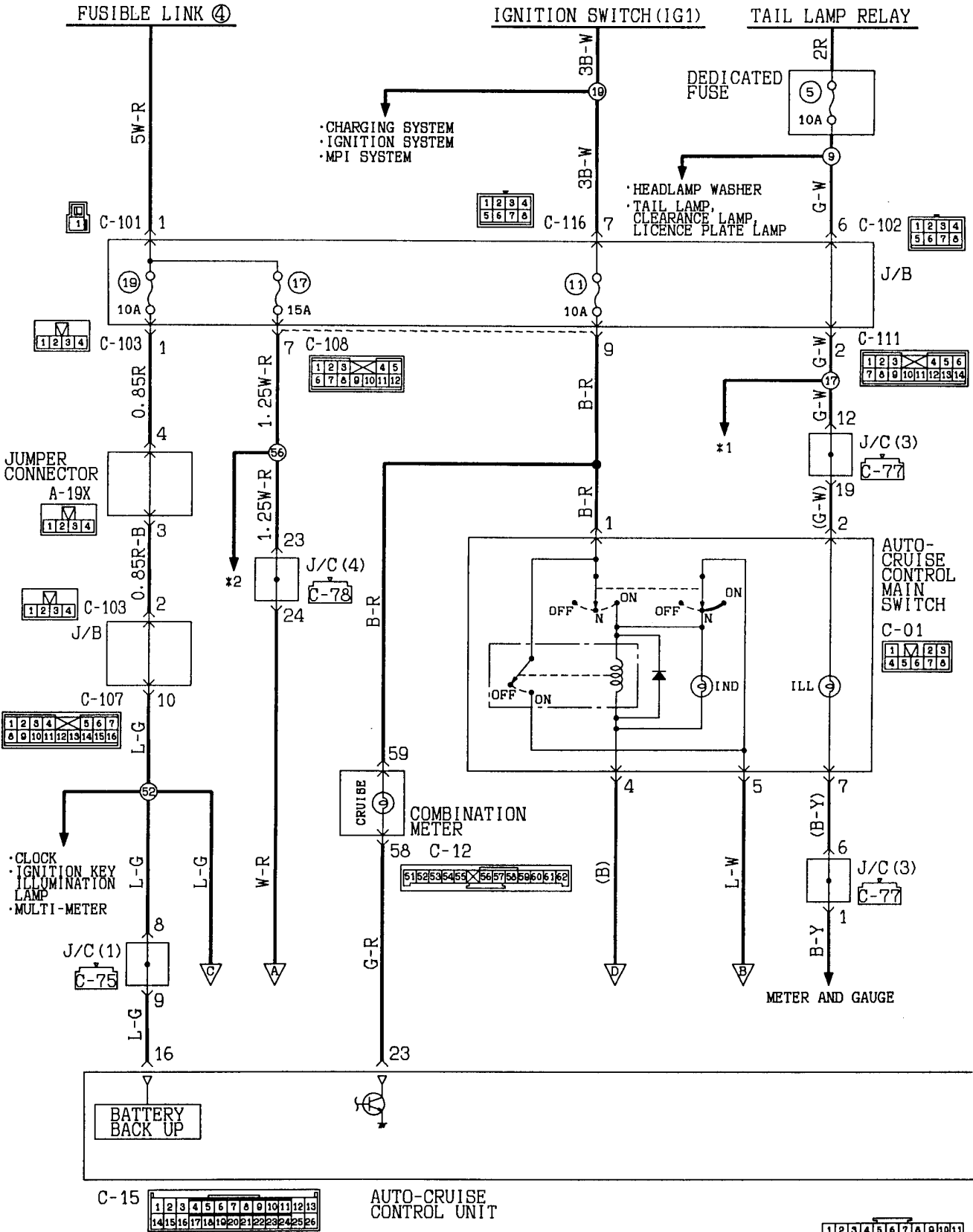
SB : Sky blue

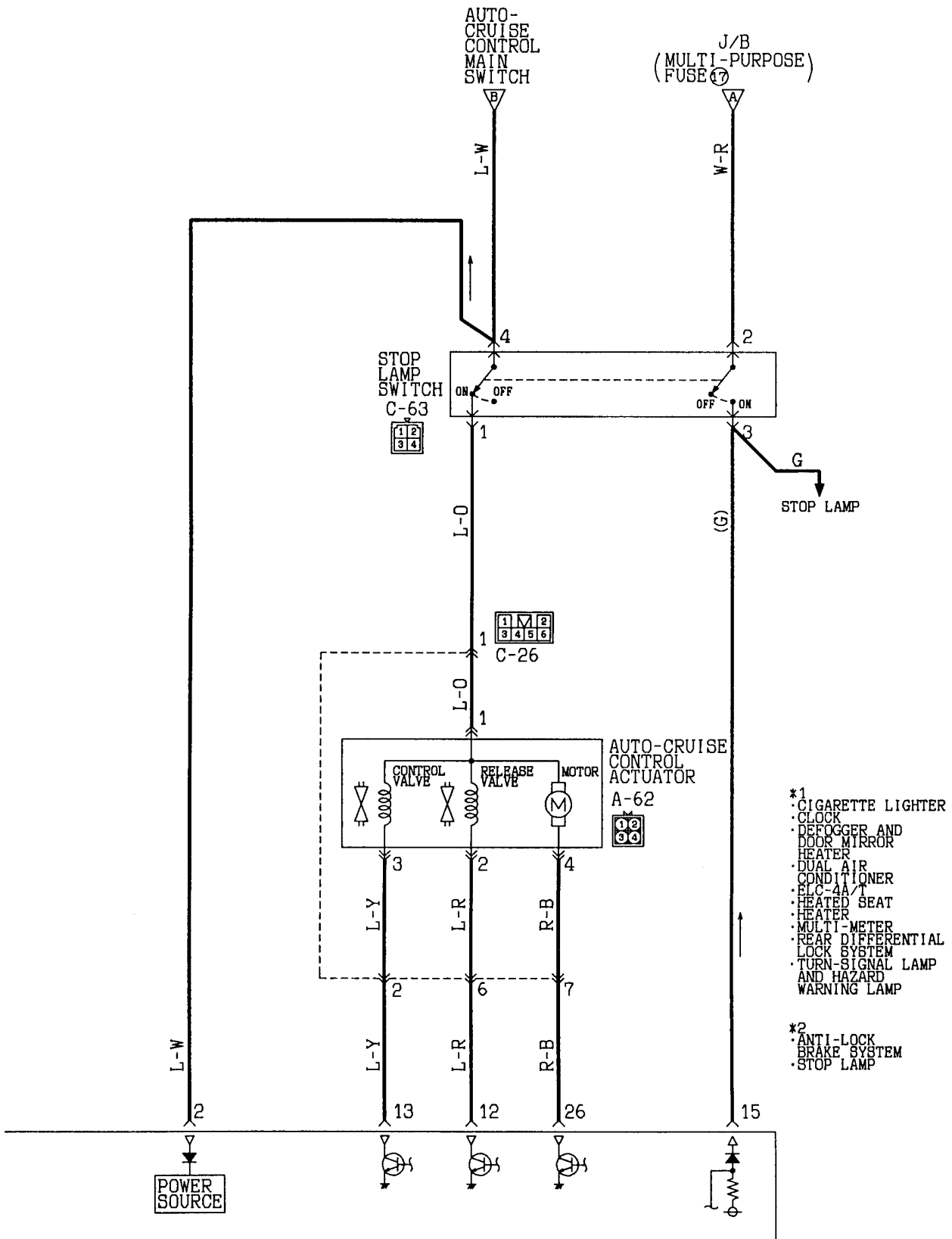
1	2	3	4	5	6	7	8	9	10
11	12	13	14	15	16	17	18	19	20
21	22	23	24	25	26	27	28	29	30



# AUTO-CRUISE CONTROL SYSTEM

R. H. drive vehicles (petrol-powered vehicles)

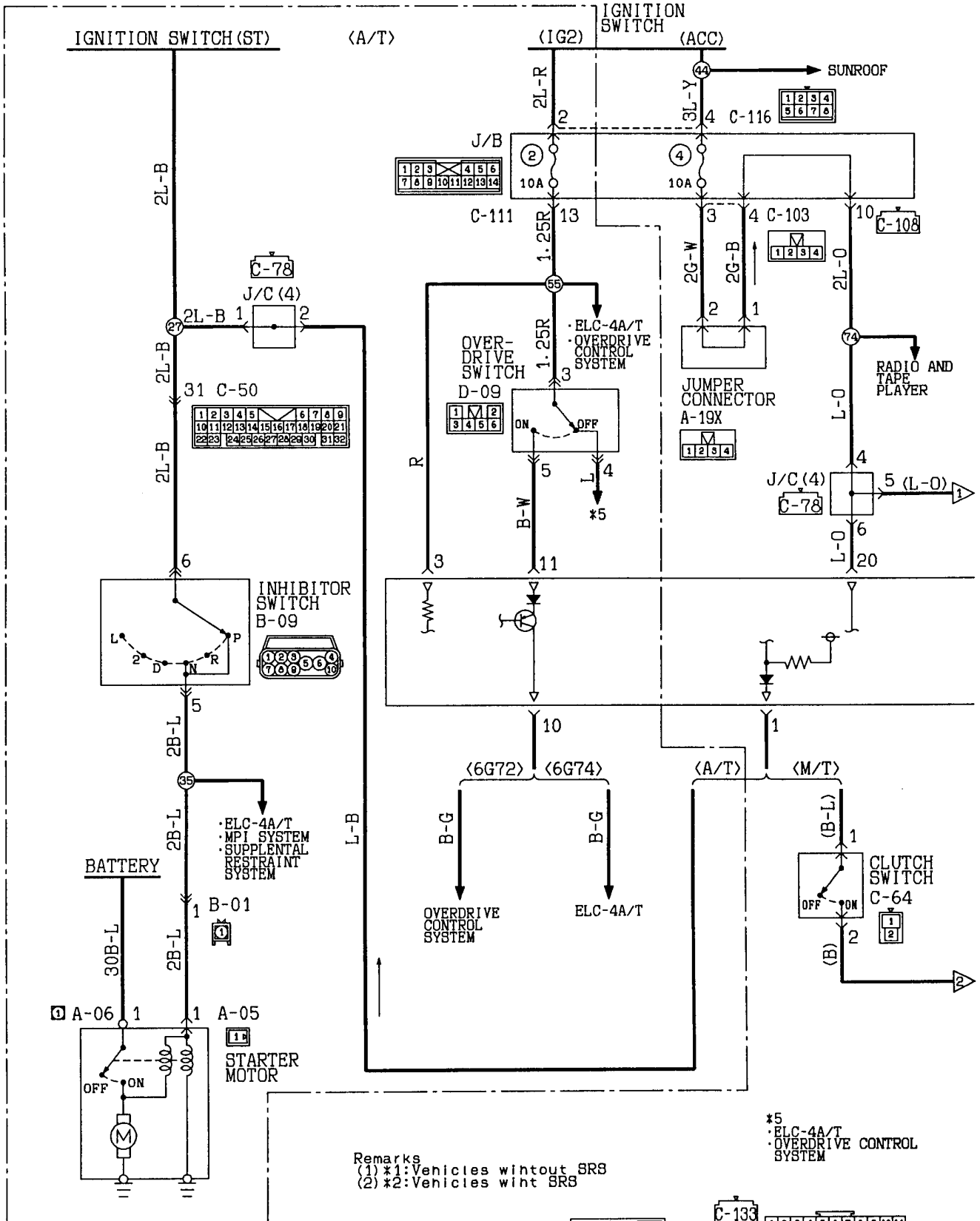




Wire colour code  
 B :Black    LG:Light green    G :Green    L :Blue    W :White    Y :Yellow    SB:Sky blue  
 BR:Brown    O :Orange    GR:Gray    R :Red    P :Pink    V :Violet

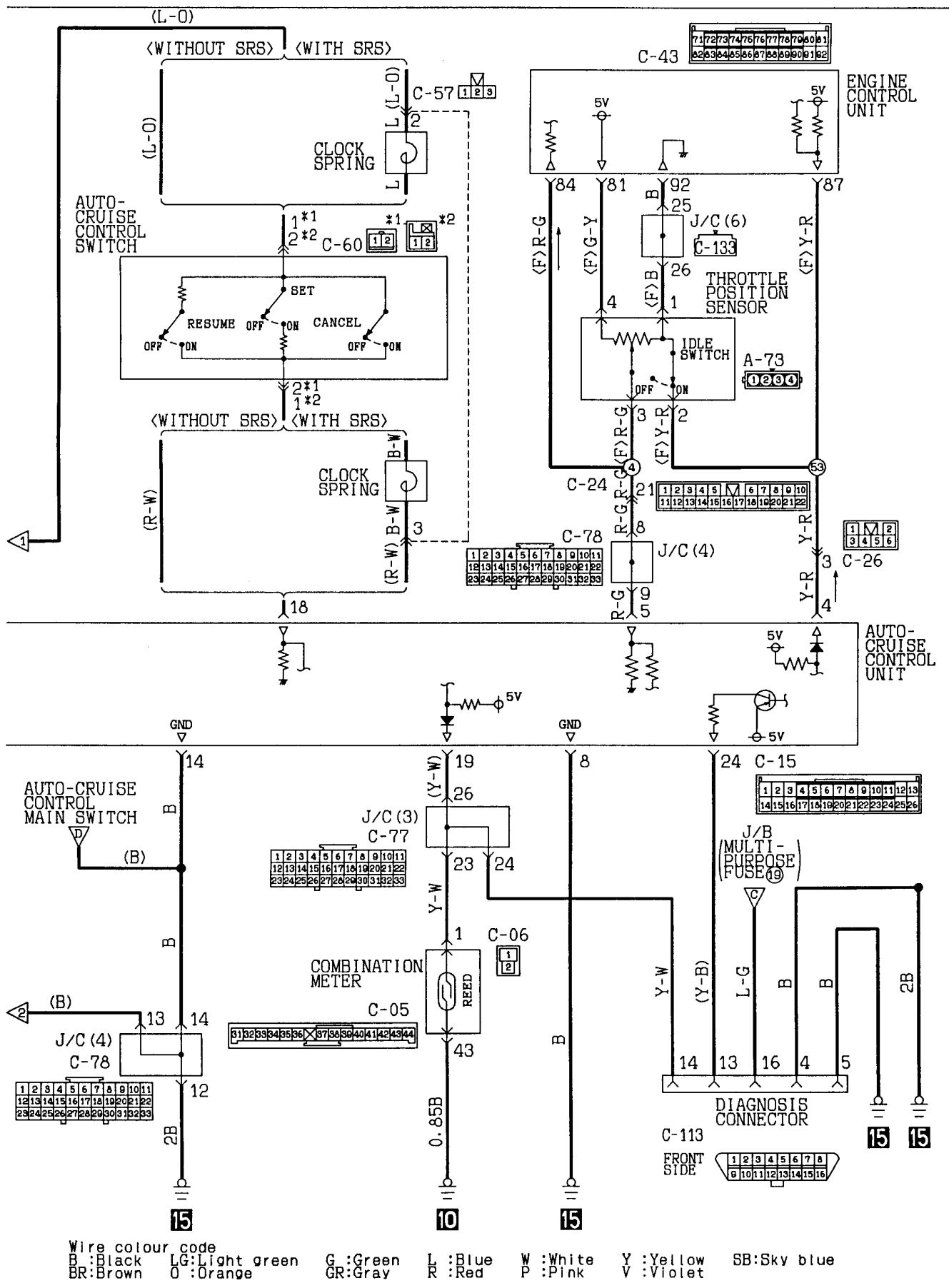
AUTO-CRUISE CONTROL SYSTEM

<R. H. drive vehicles (petrol-powered vehicles)> (CONTINUED)



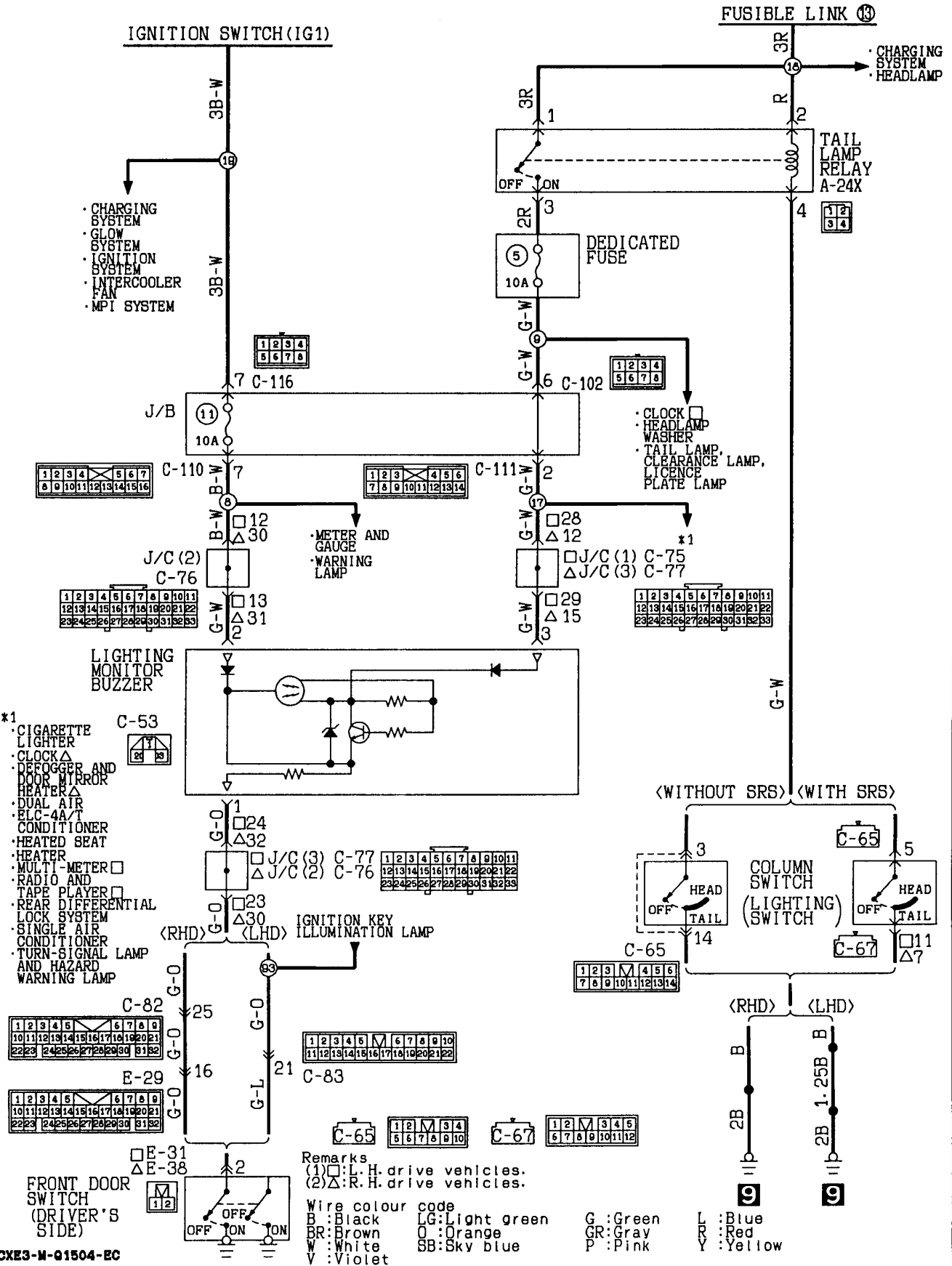
Remarks  
 (1) \*1: Vehicles without SRS  
 (2) \*2: Vehicles with SRS

\*5  
 · ELC-4A/T  
 · OVERDRIVE CONTROL SYSTEM



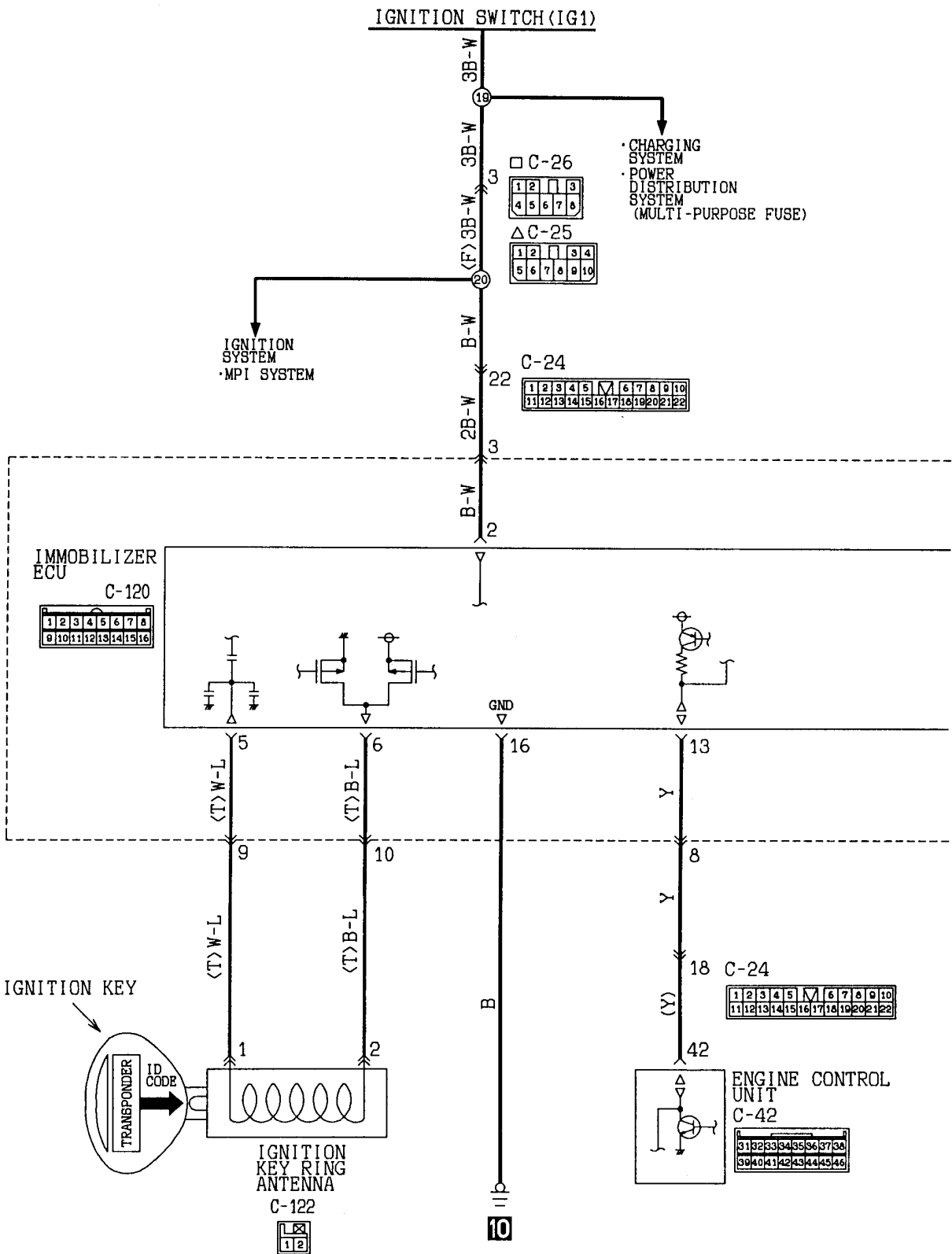
NOTES

# LIGHTING MONITOR BUZZER



# IMMOBILIZER SYSTEM

Petrol-powered vehicles



Wire colour code  
 B:Black LG:Light green G:Green L:Blue W:White Y:Yellow SB:Sky blue  
 BR:Brown O:Orange GR:Gray R:Red P:Pink V:Violet

