

ELECTRICAL COMPONENT LOCATOR

1993 Mitsubishi Montero

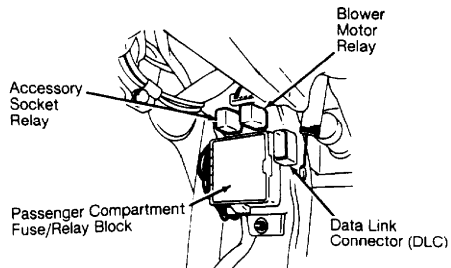
1993 ELEC COMPONENT LOCATION
Chrysler Corp. & Mitsubishi Electrical Component Location
Montero

SAFETY PRECAUTION

WARNING: When working on vehicles equipped with Supplemental Restraint System (SRS), never apply electrical voltage to the system. This could cause the SRS (air bag) to be deployed.

BUZZERS, RELAYS & TIMERS

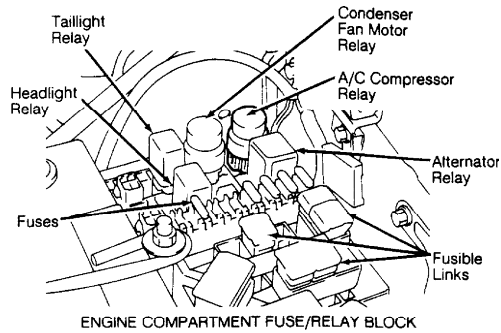
Component	Component Location
ABS Motor Relay	On top of ABS actuator assembly.
ABS Power Relay	Behind center of dash.
ABS Valve Relay	On top of ABS actuator assembly.



94I31334

Accessory Socket Relay

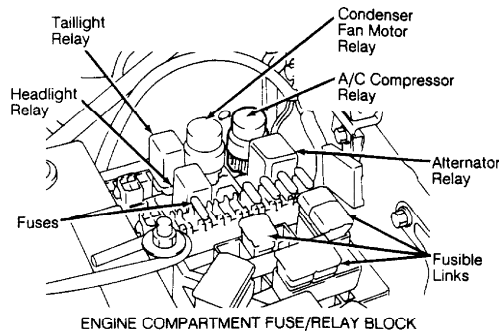
On bracket, above passenger compartment fuse/relay block.



94J31335

A/C Compressor Relay

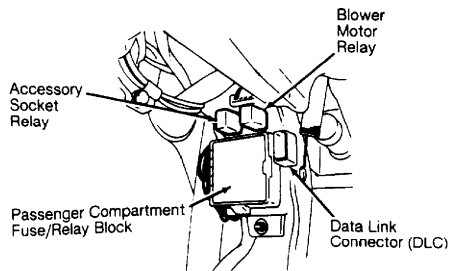
In engine compartment fuse/relay block.



94J31335

Alternator Relay

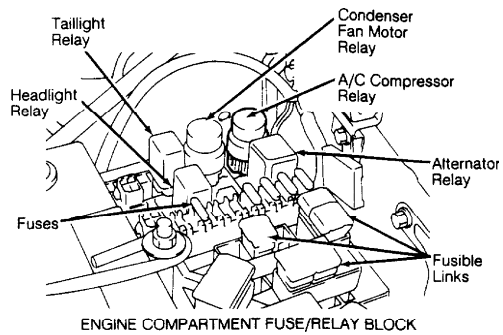
In engine compartment fuse/relay block.



94131334

Blower Motor Relay

Behind left side of dash, above fuse/relay block.



94J31335

Condenser Fan Motor Relay

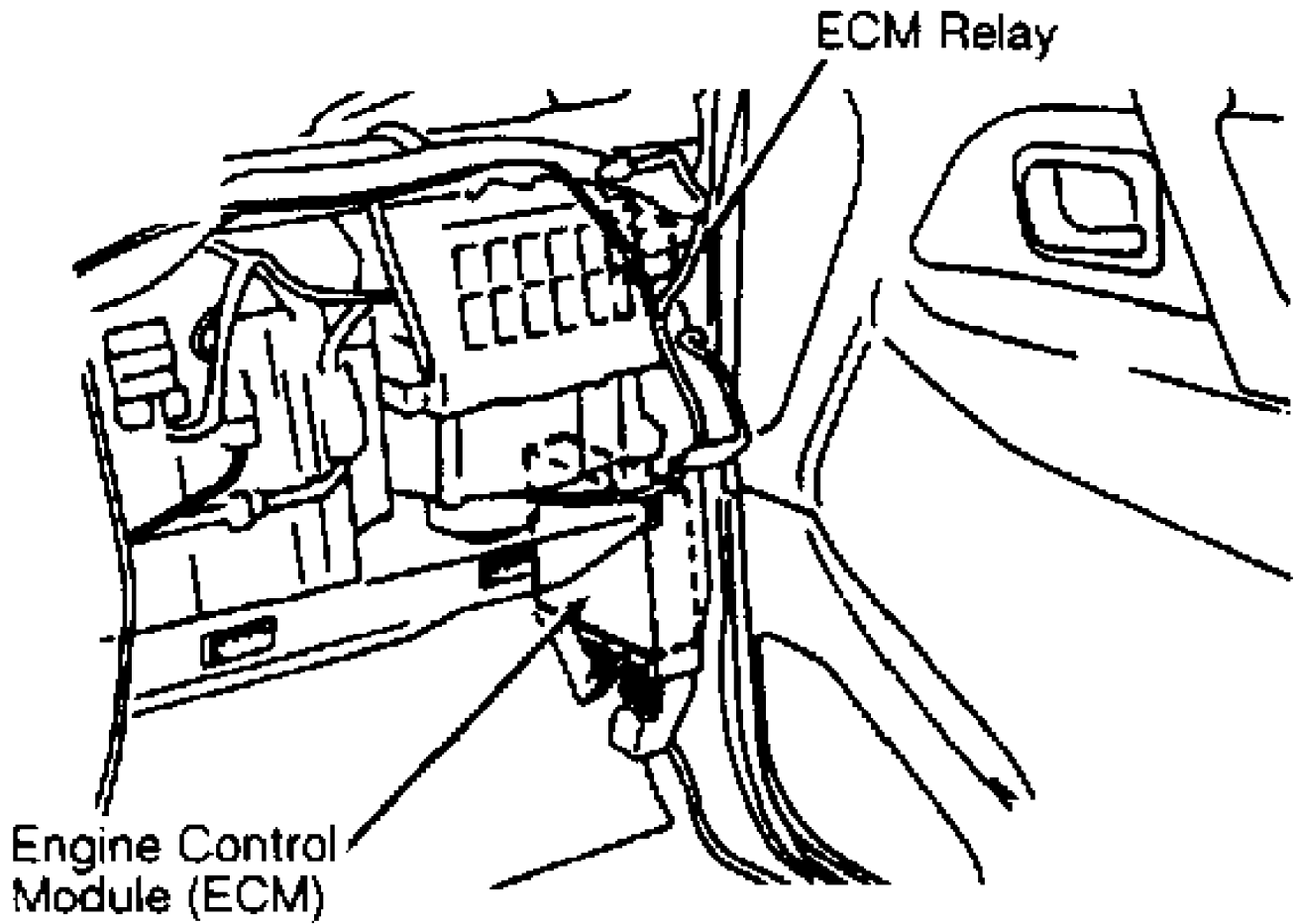
In engine compartment fuse/relay block.

Defogger Relay

Behind left side of dash.

Defogger Timer

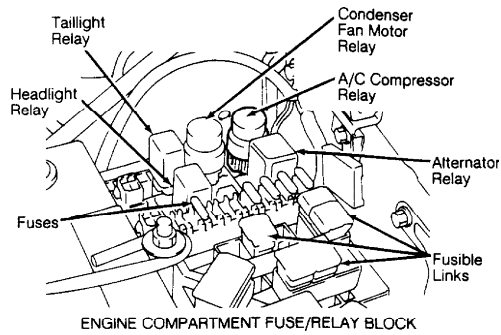
Behind left side of dash.



94A31336

ECM Relay

Behind right side of dash,
above ECM.



94J31335

Headlight Relay

In engine compartment
fuse/relay block.

Headlight Washer Relay

On bracket, behind left side
of dash.

Ignition Key Illumination Timer

Behind center console.

Intermittent Wiper Relay
Front

Built-in steering column
switch.

Rear

In passenger compartment
fuse/relay block.

Overdrive Control Relay (A/T)

In passenger compartment
fuse/relay block.

Power Door Lock Relay

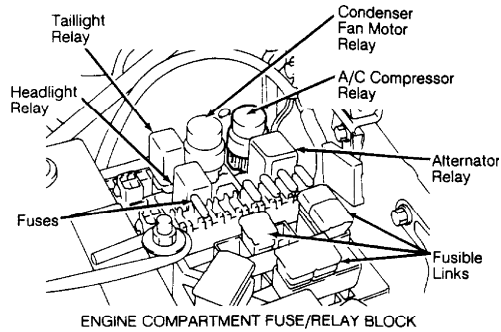
In passenger compartment
fuse/relay block.

Power Window Relay

In passenger compartment
fuse/relay block.

Starter Relay

Behind center console.



94J31335

Taillight Relay

In engine compartment
fuse/relay block.

Turn Signal/Hazard Flasher Relay

In passenger compartment
fuse/relay block.

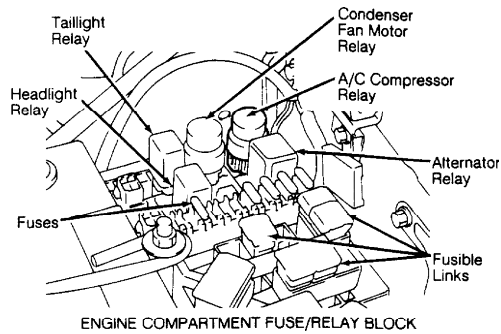
Warning Buzzer
(Key, Lights & Seat Belt)

Behind center of dash, on
reinforcement bracket.

CIRCUIT PROTECTION DEVICES

Component

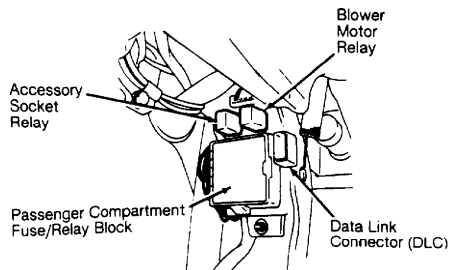
Component Location



94J31335

Engine Compartment Fuse/
Relay Block

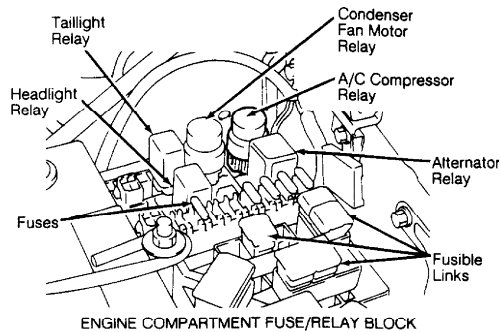
On left inner fender panel,
behind battery.



94I31334

Passenger Compartment Fuse/
Relay Block

Behind left side of dash.



94J31335

Fusible Links

In engine compartment
fuse/relay block.

Power Seat Relay Block

Under driver's seat.

CONTROL UNITS

Component

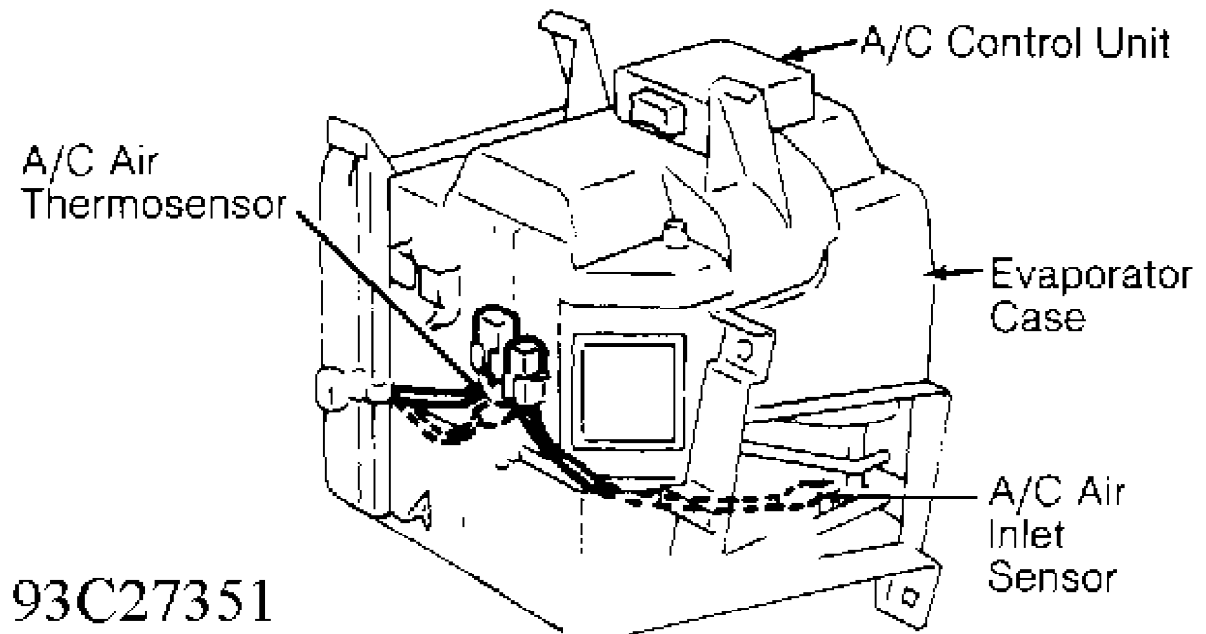
Component Location

ABS Control Unit

Mounted on top of right rear
wheelwell, under metal plate.

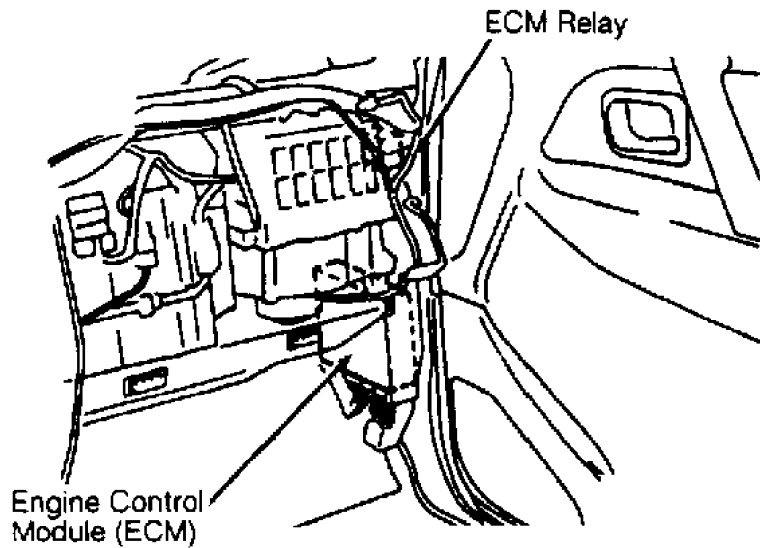
Air Bag Diagnostic Control Unit

Behind center console.



93C27351

- | | |
|----------------------------|----------------------------|
| A/C Control Unit | On top of evaporator case. |
| A/T Control Unit (4-Speed) | Behind left side of dash. |
| Cruise Control Unit | Behind center console. |



94A31336

- | | |
|-----------------------------|---------------------------------|
| Engine Control Module (ECM) | Behind right kick panel. |
| Keyless Entry Control Unit | Behind right side quarterpanel. |

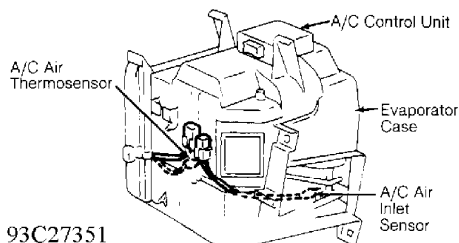
Power Antenna Control Unit	Behind center console.
Power Door Lock Control Unit	Behind left side of dash.
Rear Differential Lock Control Unit	Mounted on top of rear right wheelwell, under metal plate.
Sun Roof Control Unit	On center of roof, behind sun roof.
Variable Shock Absorber Control Unit	Behind left rear wheelwell, behind quarterpanel.
4WD Indicator Control Unit	Behind center of dash.

MOTORS

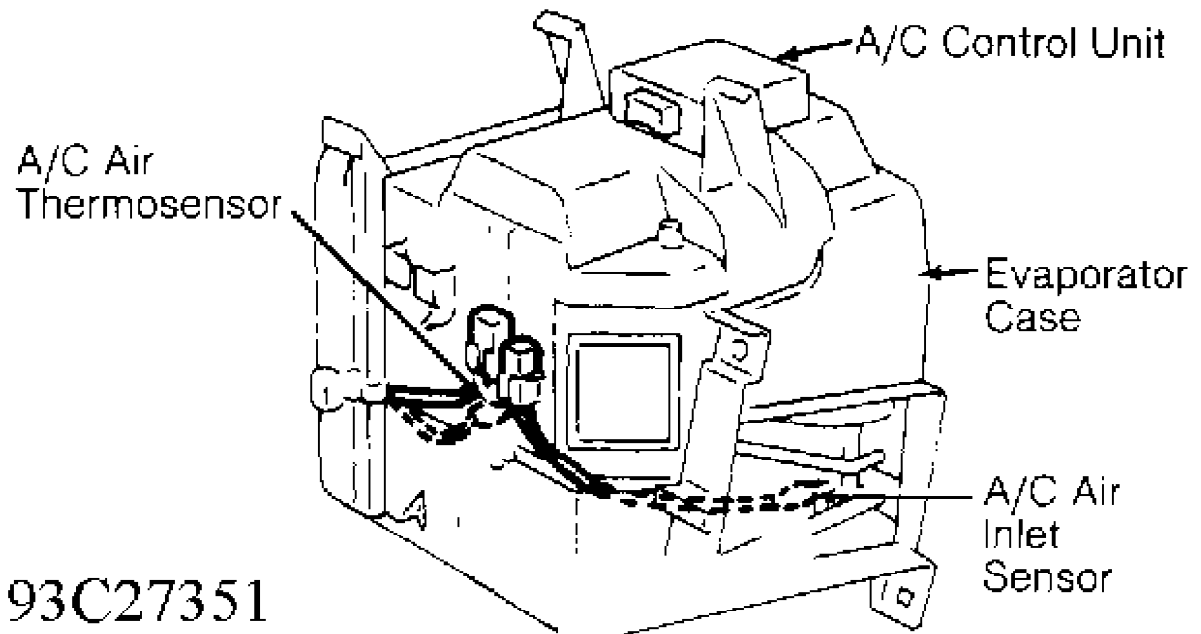
Component	Component Location
A/C-Heater Blower Motor	Behind right side of dash.
Idle Speed Control (ISC) Motor	On throttle body.
Rear Differential Lock Air Pump Motor	Mounted on top of rear right wheelwell, under metal plate.
Windshield Washer Motor	Bottom of windshield washer reservoir.
Windshield Wiper Motor Front	On left side of firewall.
Rear	On center of tailgate.

SENDING UNITS & SENSORS

Component	Component Location
ABS G-Sensor	In center console, rear of parking brake lever.
ABS Wheel Speed Sensors	On bracket, on each wheel hub.



A/C System Air Inlet Sensor	In evaporator air duct.
-----------------------------	-------------------------



A/C System Air Thermosensor

Mounted on outside of evaporator case.

In-Vehicle Temp. Sensor

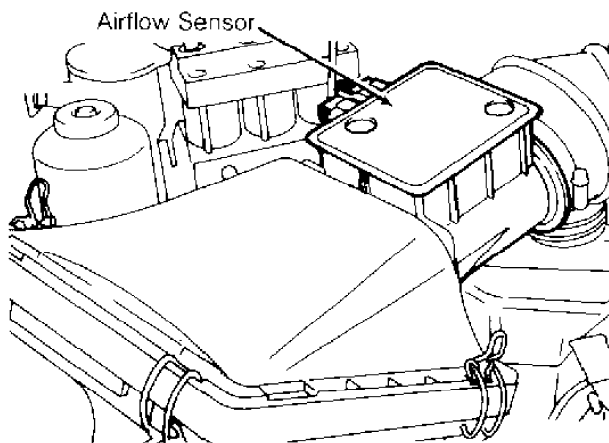
Under steering column.

Outside Temperature Sensor

Below left headlight.

Air Bag Impact Sensors

On left and right front of inner fender panel.



93F27354

Airflow Sensor

In air cleaner duct (includes intake air temp. & baro. sensors).

Barometric Pressure Sensor

Built-in to airflow sensor

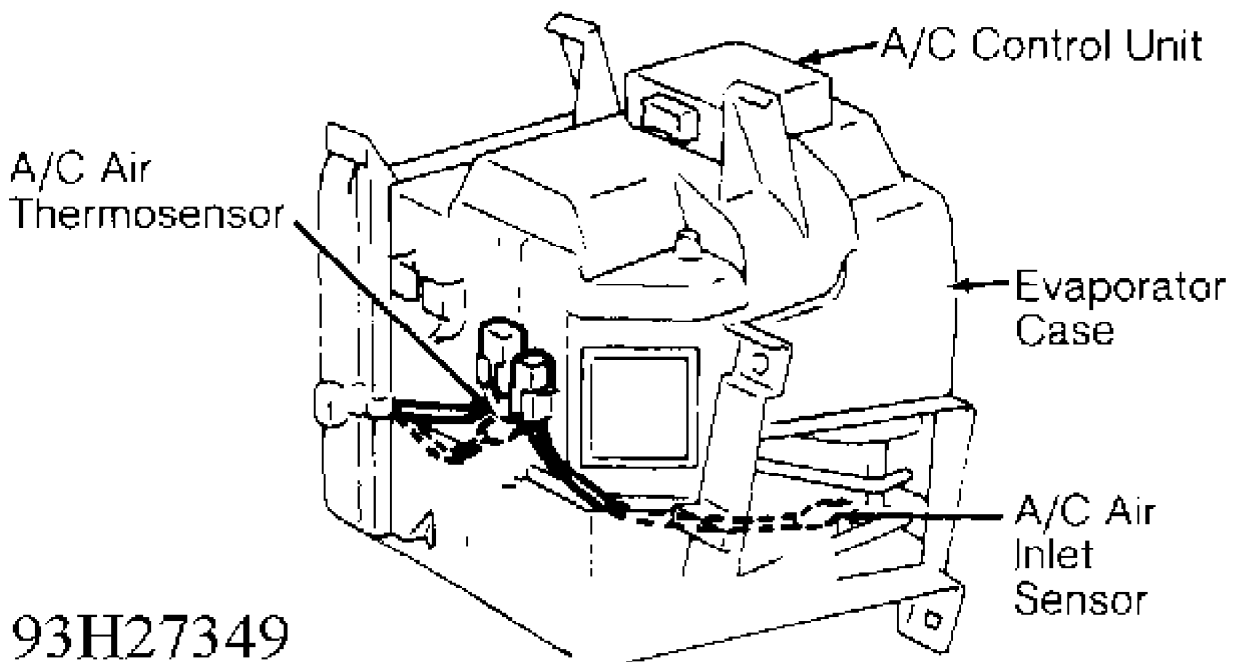
assembly.

Camshaft Position Sensor (DOHC)

On bottom of left camshaft gear.

Coolant Temp. Sensor (DOHC)

On top front of intake manifold.



Coolant Temp. Sensor (SOHC)

On thermostat housing.

Crank/TDC Sensor (SOHC)

Inside distributor assembly.

Crankshaft Position Sensor (DOHC)

On crankshaft gear.

EGR Temperature Sensor

On base of EGR valve.

Geomagnetic Sensor (Compass)

On top center of dash.

Knock Sensor

On top center of intake manifold.

Intake Air Temperature Sensor

Built-in to airflow sensor assembly.

Oil Pressure Sending Unit

Near oil filter.

Temperature Gauge Sending Unit

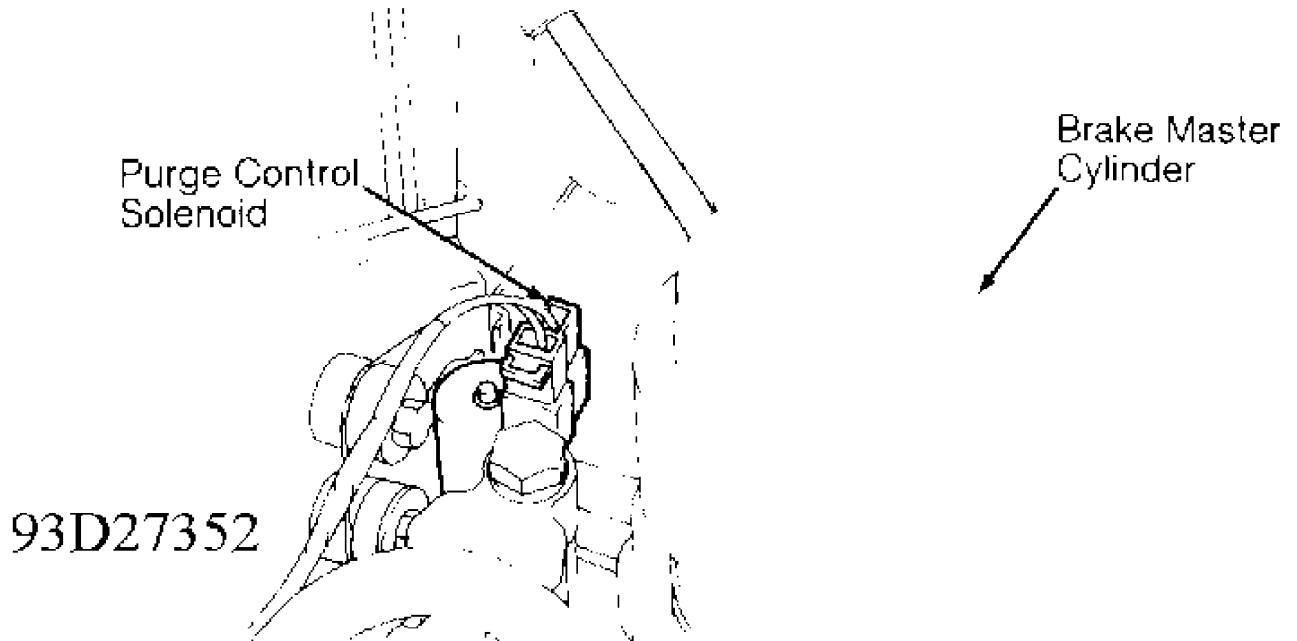
On thermostat housing.

Vehicle Speed Sensor (VSS)

In speedometer assembly and on transmission tailshaft.

SOLENOIDS & SOLENOID VALVES

Component	Component Location
ABS Actuator Solenoids	On ABS actuator assembly.
A/T Solenoids	On side of transmission assembly.
EGR Solenoid	On right rear of front inner fender panel.



Purge Control Solenoid	On left side of firewall, near master cylinder.
Variable Induction Solenoid	On top front of engine.

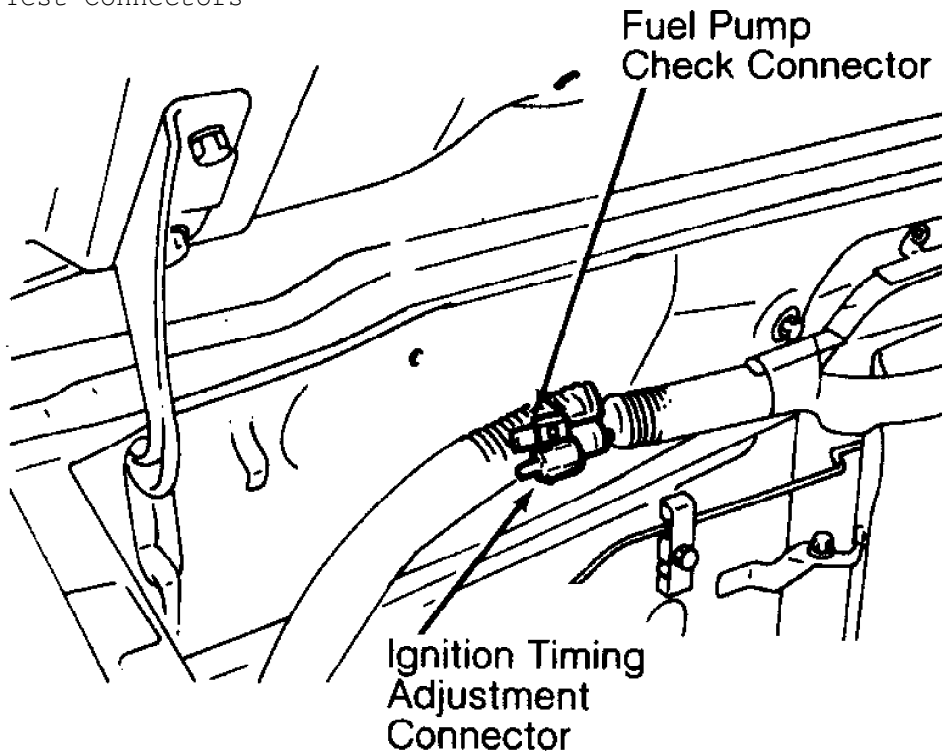
SWITCHES

Component	Component Location
A/C Dual-Pressure Switch	On high pressure line, on receiver-drier.
A/T Temperature Switch	On right side of transmission, near shift rod.
Brake Fluid Level Switch	In brake master cylinder reservoir.

Brake/Cruise Switch	On bracket, above brake pedal.
Clutch/Cruise Switch	On bracket, above brake pedal.
Inhibitor Switch (A/T)	On transmission, at base of shift lever.
Parking Brake Switch	At base of parking brake lever.
Power Steering Pressure Switch	On power steering pump.
Rear Differential Lock Detection Sw.	On right front of rear differential carrier.
Seat Belt Warning Switch	On driver-side seat belt buckle.

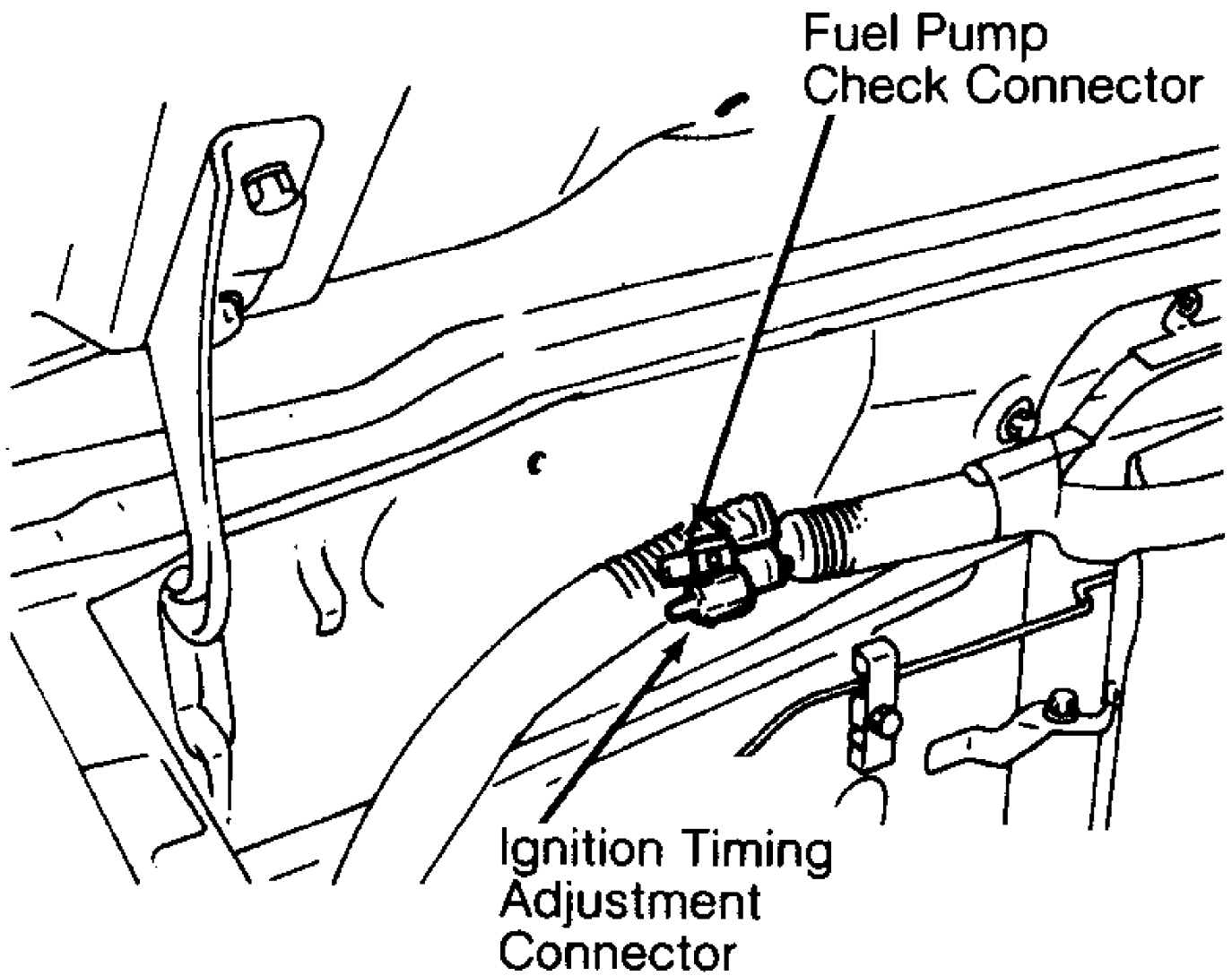
MISCELLANEOUS

Component	Component Location
Blower Motor Resistor	On blower motor housing.
Check/Test Connectors	



93B27350
Fuel Pump Check Connector

Taped to wiring harness, on right side of firewall.



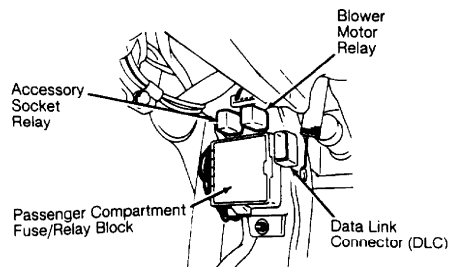
93B27350

Ignition Timing Adjustment Connector

Taped to wiring harness, on right side of firewall.

RPM/Tach (DOHC) Check Connector

Taped to wiring harness, on right side of firewall.



94131334

Data Link Connector (DLC)

Behind left side of dash, near fuse/relay block.

Diodes

ABS Circuit	On wiring harness, behind center console.
4WD Active Suspension	On wiring harness, behind left side of dash.
Maintenance Reminder Light Reset	Behind instrument panel.
Radio Noise Capacitor/Filter	Mounted on ignition coil bracket.
