

A - ENGINE/VIN ID

1993 Mitsubishi Montero

1993 ENGINE PERFORMANCE
Mitsubishi

MODEL IDENTIFICATION

MITSUBISHI MODEL IDENTIFICATION

MODEL IDENTIFICATION TABLE (MITSUBISHI)

MODEL	BODY CODE (1)	ENGINE (2)	ENGINE ID (3)	FUEL SYSTEM	IGNITION SYSTEM (4)
Diamante	7	3.0L V6 (6G72) SOHC	H	MPI	Optical
		3.0L V6 (6G72) DOHC	J	MPI	DIS
Eclipse	4	1.8L 4-Cyl. (4G37) SOHC	T	MPI	Optical
		2.0L 4-Cyl. (4G63) SOHC	R	MPI	DIS
		2.0L 4-Cyl. (4G63) DOHC Turbo	F	MPI	DIS
Expo	0, 4, 9	1.8L 4-Cyl. (4G93) SOHC	C	MPI	Hall Effect
		2.4L 4-Cyl. (4G64) SOHC	G	MPI	Hall Effect
Galant	6	2.0L 4-Cyl. (4G63) SOHC	D	MPI	Optical
		2.0L 4-Cyl. (4G63) DOHC	E	MPI	Optical
Mirage	1, 6	1.5L 4-Cyl. (4G15) SOHC	A	MPI	Optical
		1.8L 4-Cyl. (4G93) SOHC	Y	MPI	Optical
Montero	1	3.0L V6 (6G72) SOHC	H	MPI	Optical
Pickup	4, 5, 9	2.4L 4-Cyl. (4G64)	G	MPI	Optical
		3.0L V6 (6G72) SOHC	H	MPI	Optical
Precis	A, D, F	1.5L 4-Cyl. (G4AJK) SOHC	J	MPI	Optical
3000GT	D, E	3.0L V6 (6G72) DOHC	J	MPI	DIS

		3.0L V6 (6G72) DOHC Turbo	K	MPI	DIS
(1) - Body code is 5th character of Vehicle Identification Number (VIN), located on upper left corner of instrument panel. (2) - See ENGINE CODE LOCATION. (3) - Engine ID is 8th character of VIN. (4) - Ignition timing is computer controlled. On all models with Distributorless Ignition System (DIS), crankshaft position sensor is mounted in place of distributor. (5) - Canadian Model.					

VIN DEFINITION (EXCEPT PRECIS)

(VIN) J B 3 C U 1 4 X 1 P U 1 2 3 4 5 6
 1 2 3 4 5 6 7 8 9 10 11 12 13 14 15 16 17

- 1 - Indicates Nation of Origin.
- 2 - Indicates Manufacturer.
- 3 - Indicates Vehicle Type.
- 4 - Indicates Restraint System. (1)
- 5 - Indicates Model.
- 6 - Indicates Vehicle Series.
- 7 - Indicates Body Type. (2)
- 8 - Indicates Engine Type and Make.
- 9 - Indicates Check Digit.
- 10 - Indicates Model Year.
- 11 - Indicates Assembly Plant.
- 12-17 - Indicates Plant Sequential Number.

- (1) - On Pickup and Montero, fourth character of VIN indicates GVWR
- (2) - On Pickup and Montero, seventh character of VIN indicates restraint system.

VIN DEFINITION (PRECIS)

(VIN) K P H V D 3 2 J 0 P K 0 0 0 0 4 7
 1 2 3 4 5 6 7 8 9 10 11 12 13 14 15 16 17

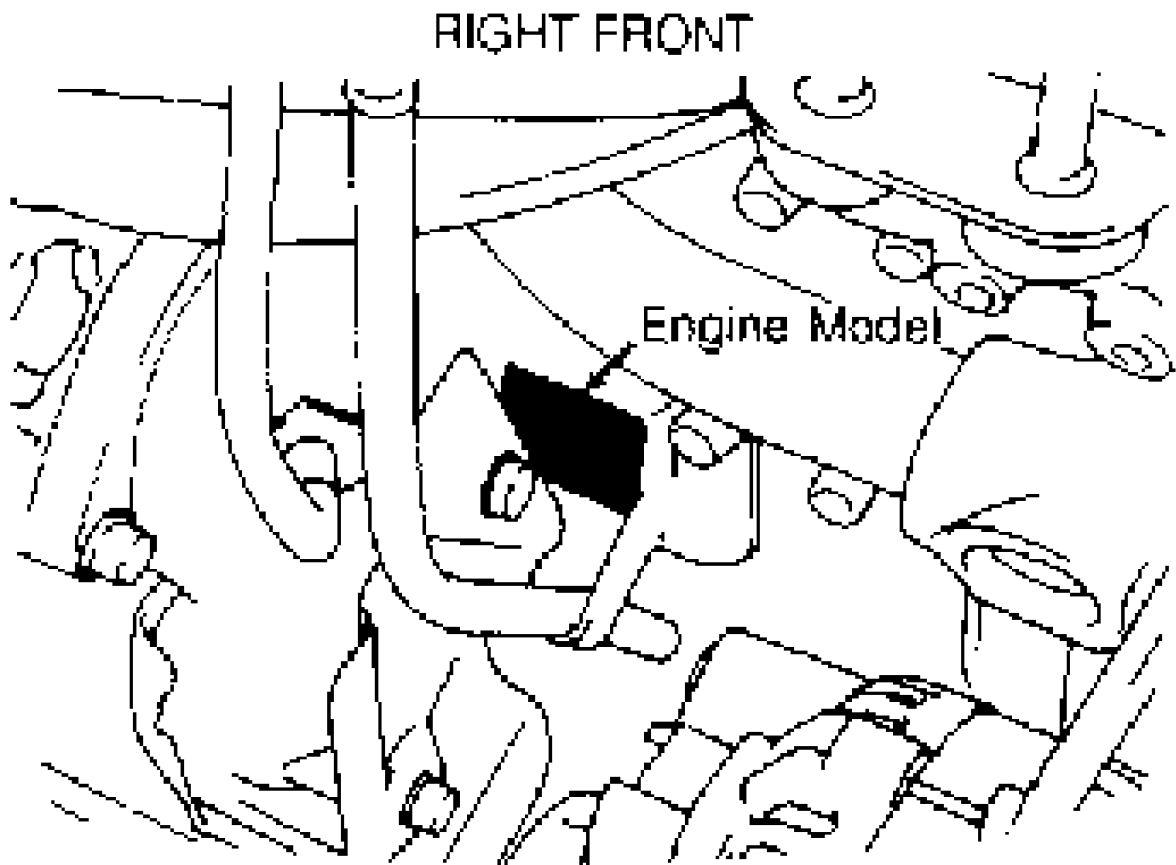
- 1 - Indicates Nation of Origin.
- 2 - Indicates Manufacturer.
- 3 - Indicates Vehicle Type.
- 4 - Indicates Restraint System.
- 5 - Indicates Body Type.
- 6 - Indicates Vehicle Series.
- 7 - Indicates Restraint Type.
- 8 - Indicates Engine Type and Make.
- 9 - Indicates Check Digit.
- 10 - Indicates Model Year.
- 11 - Indicates Assembly Plant.
- 12-17 - Indicates Plant Sequential Number.

MODEL YEAR VIN CODE APPLICATION TABLE

VIN Code	Model Year
M	1991
N	1992
P	1993

ENGINE CODE LOCATION

ECLIPSE & MIRAGE 1.5L, 1.6L, 1.8L & 2.0L

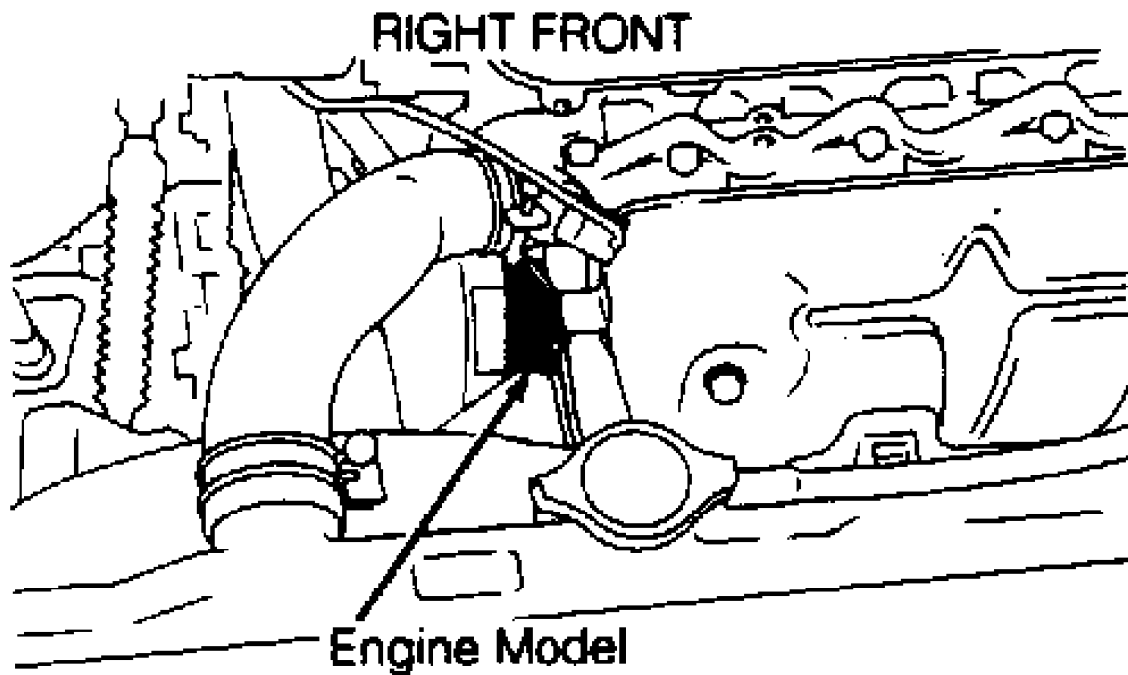


**COLT, COLT 200, ECLIPSE, MIRAGE & SUMMIT
1.5L, 1.6L, 1.8L & 2.0L**

90117341

Fig. 1: Engine Code Location (Eclipse & Mirage)
Courtesy of Chrysler Motors.

EXPO & EXPO LRV 1.8L



COLT VISTA, EXPO & SUMMIT WAGON 1.8L

92D25570

Fig. 2: Engine Code Location (Expo/Expo LRV 1.8L)
Courtesy of Chrysler Motors.

EXPO & EXPO LRV 2.4L

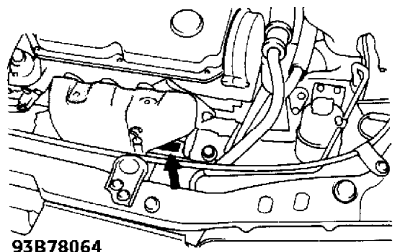


Fig. 3: Engine Code Location (Expo/Expo LRV 2.4L)
Courtesy of Chrysler Motors.

DIAMANTE 3.0L

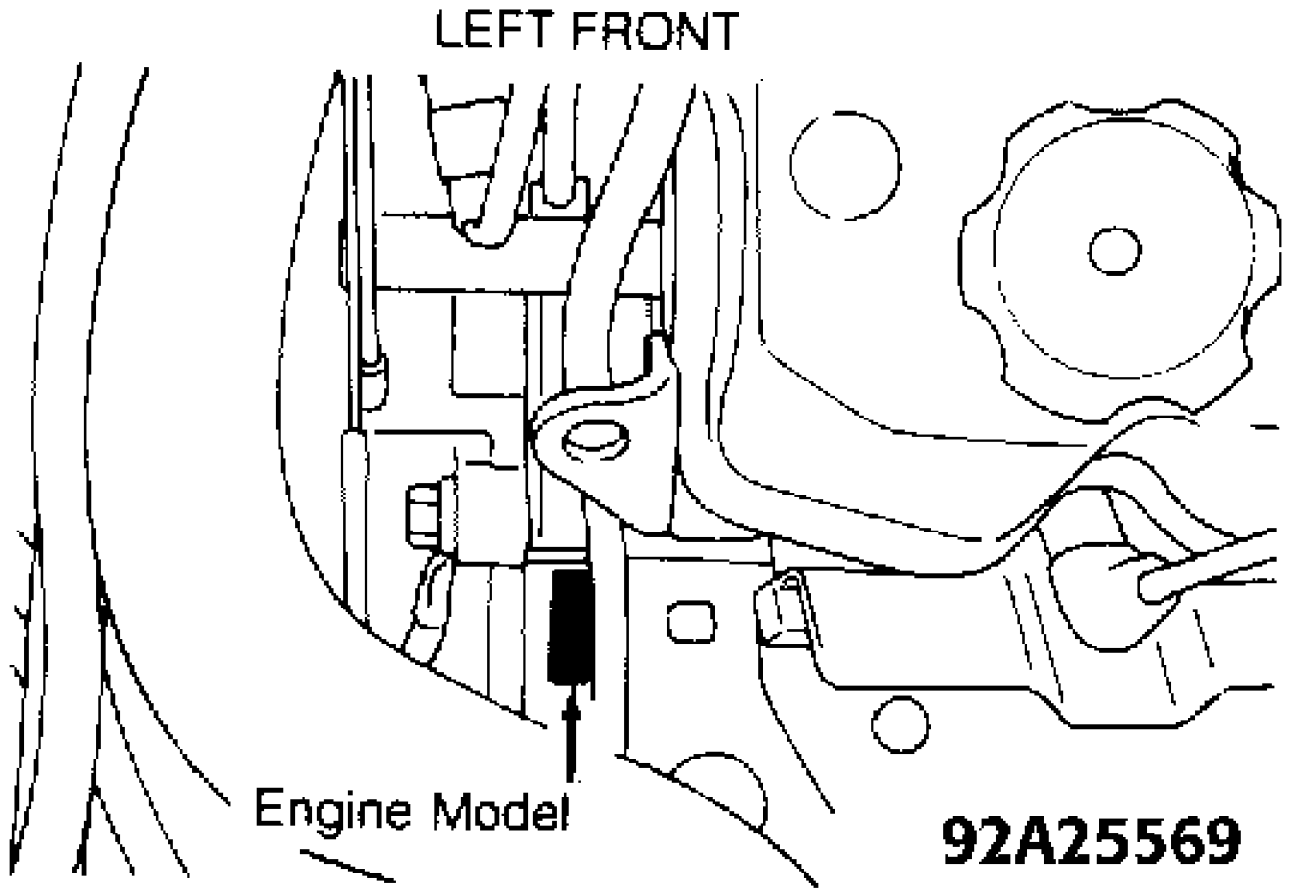


Fig. 4: Engine Code Location (Diamante 3.0L)
 Courtesy of Chrysler Motors.

GALANT 2.0L

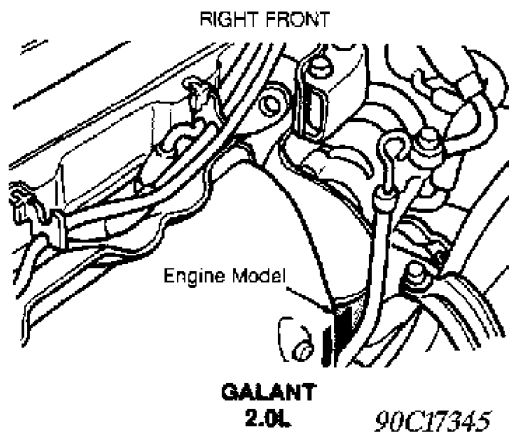
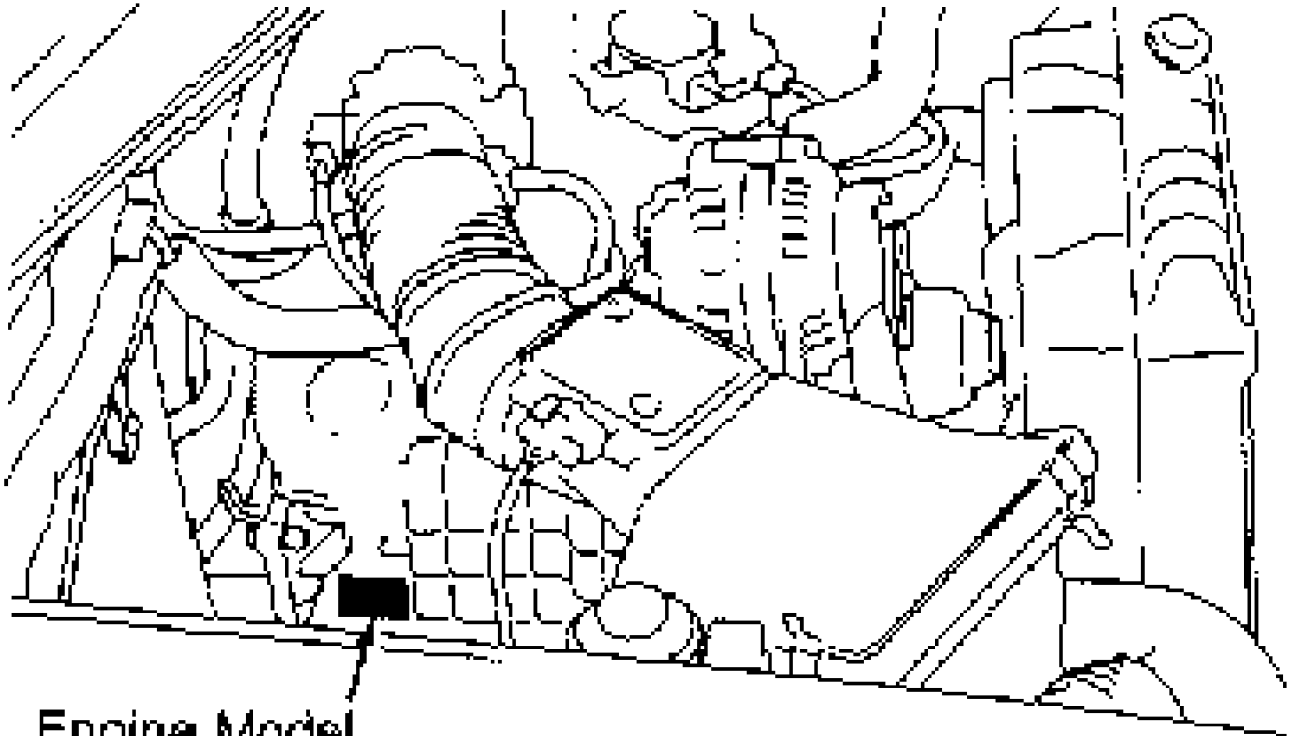


Fig. 5: Engine Code Location (Galant 2.0L)
 Courtesy of Chrysler Motors.

MONTERO 3.0L

RIGHT REAR



Engine Model

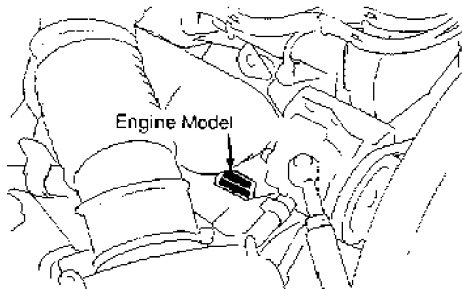
**MONTERO
3.0L**

92F25572

Fig. 6: Engine Code Location (Montero 3.0L)
Courtesy of Chrysler Motors.

PICKUP 2.4L

RIGHT FRONT



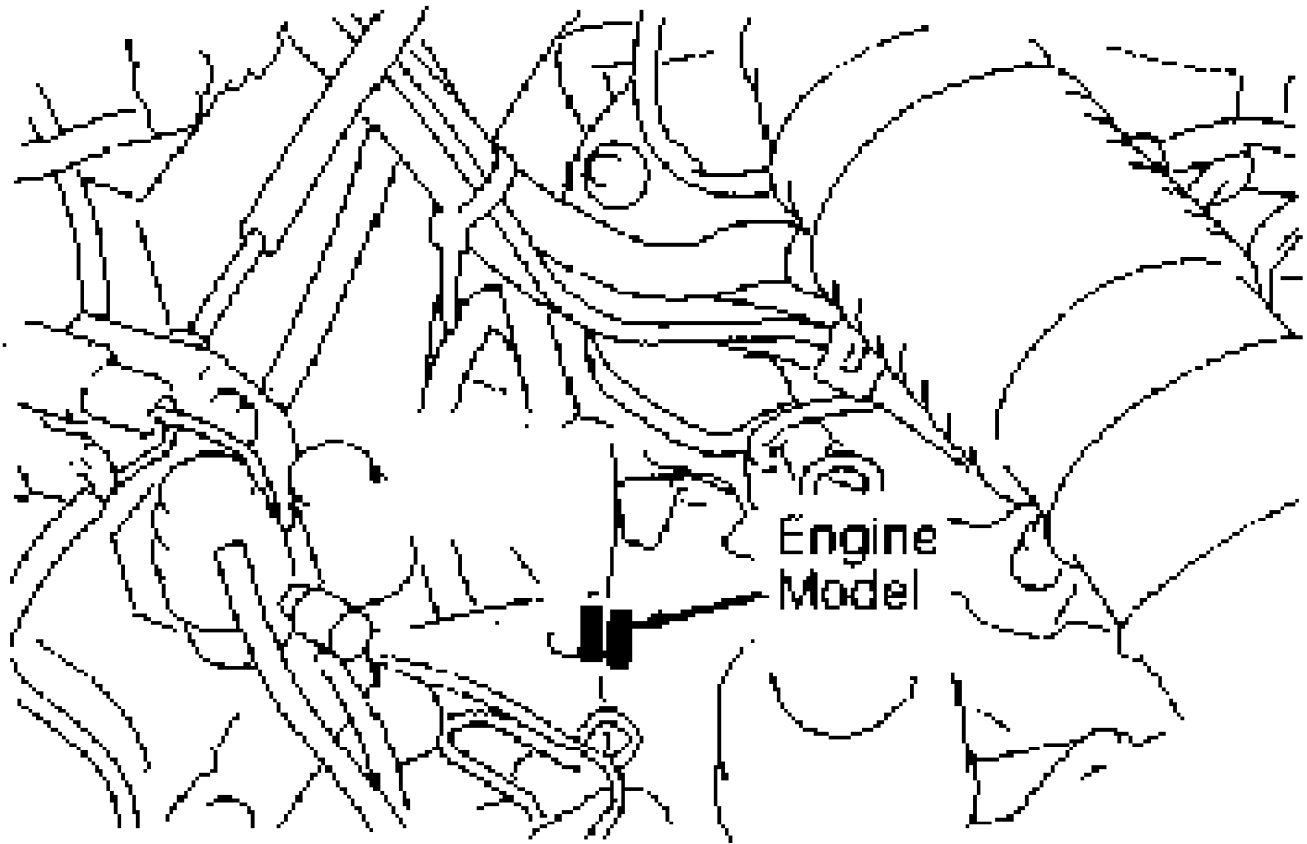
Engine Model

**Pickup & Ram-50
2.4L**

Fig. 7: Engine Code Location (Pickup 2.4L)
Courtesy of Chrysler Motors.

PICKUP 3.0L

RIGHT SIDE



Pickup & Ram-50 3.0L

Fig. 8: Engine Code Location (Pickup 3.0L)
Courtesy of Chrysler Motors.

PRECIS 1.5L

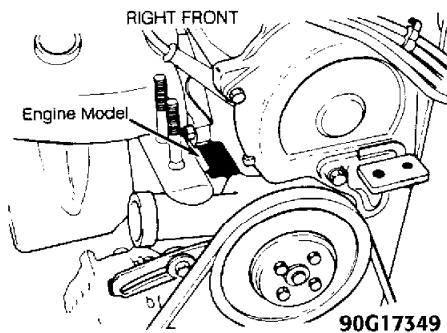
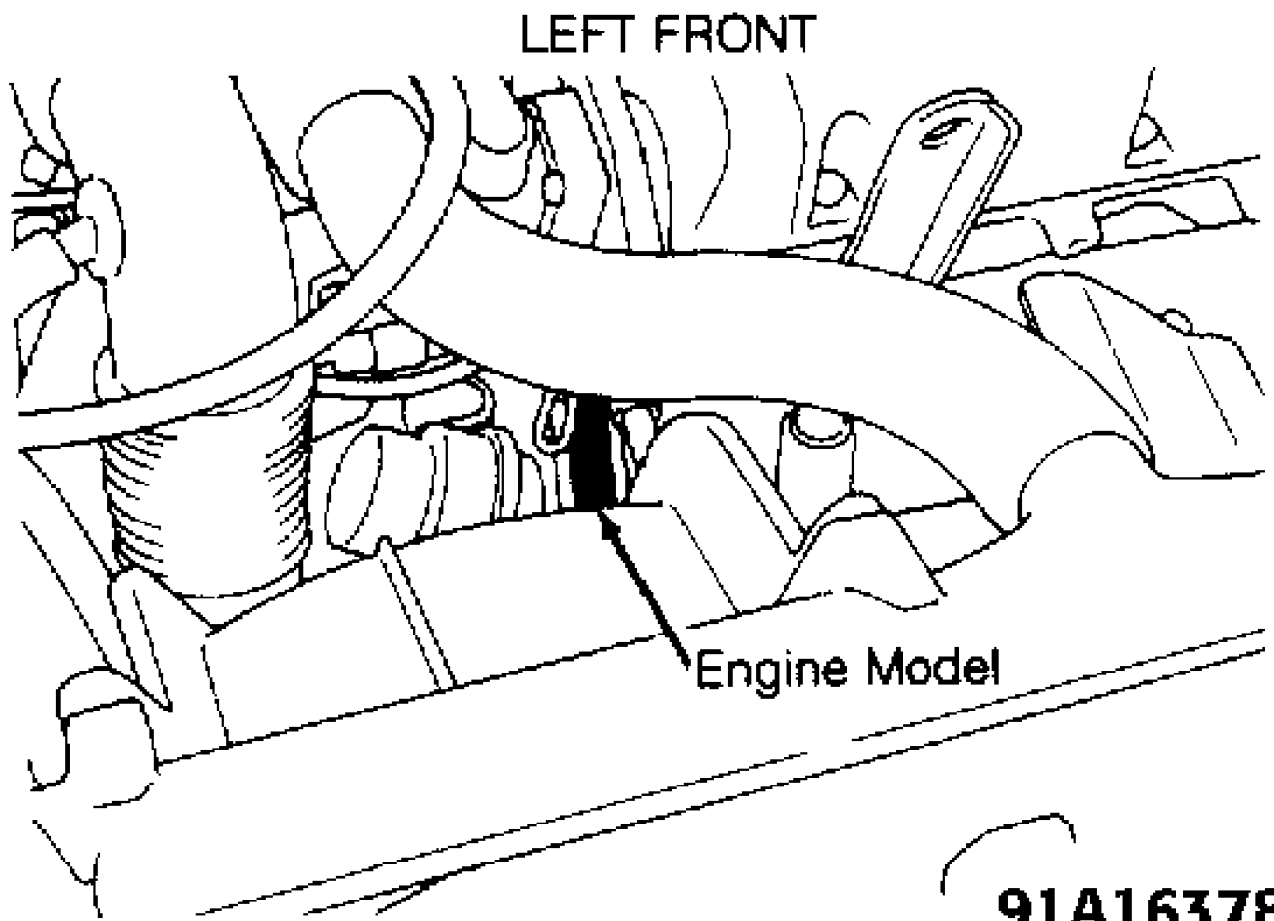


Fig. 9: Engine Code Location (Precis 1.5L)
Courtesy of Chrysler Motors.

3000GT 3.0L



LEFT FRONT

Engine Model

91A16378

Fig. 10: Engine Code Location (3000GT 3.0L)
Courtesy of Chrysler Motors.