

---

# SINGLE PART INSTALLATION POSITION

## CONTENTS

7010900501

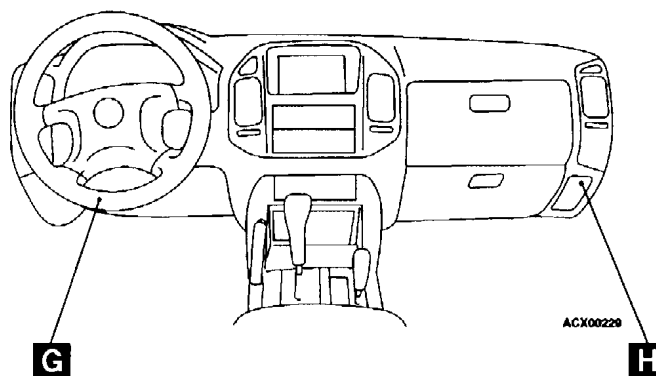
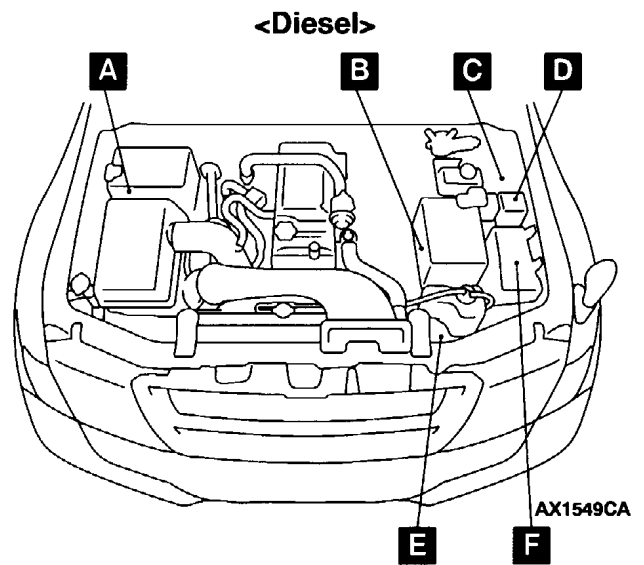
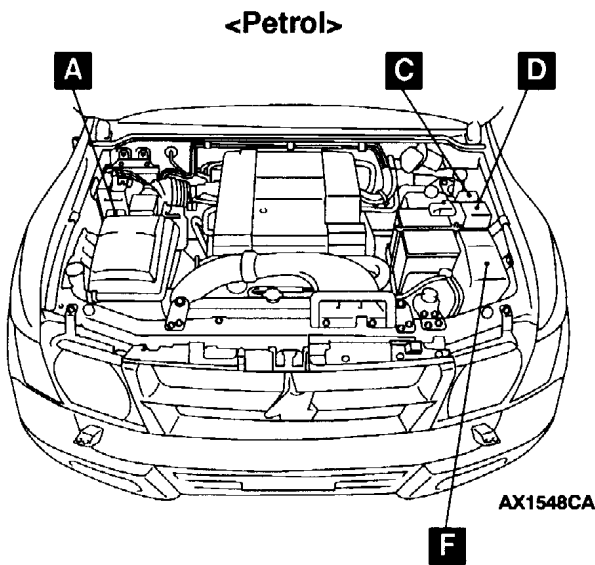
RELAY .....	2-2	INSPECTION CONNECTOR .....	2-16
ECU .....	2-4	FUSIBLE LINK AND FUSE .....	2-17
SENSOR .....	2-7	EARTH CABLE .....	2-18
SOLENOID VALVE .....	2-13	EARTH .....	2-19
DIODE .....	2-15		

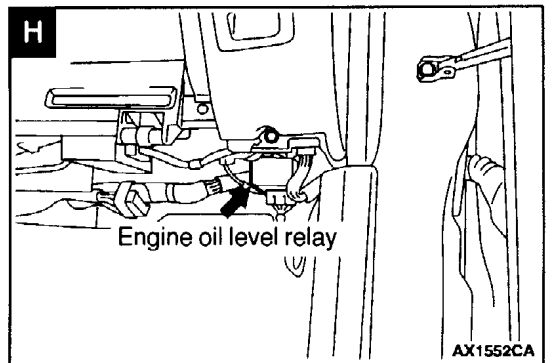
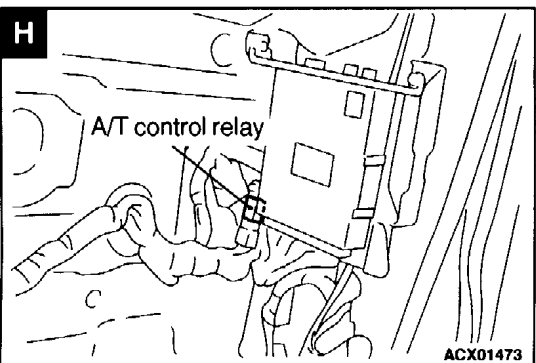
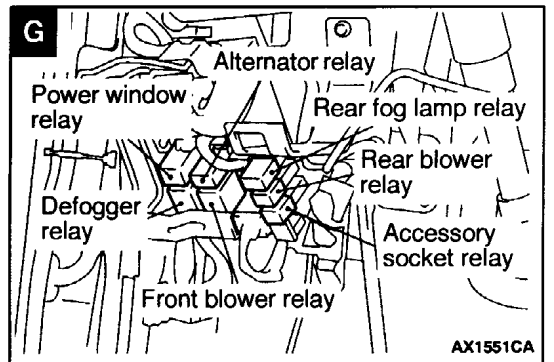
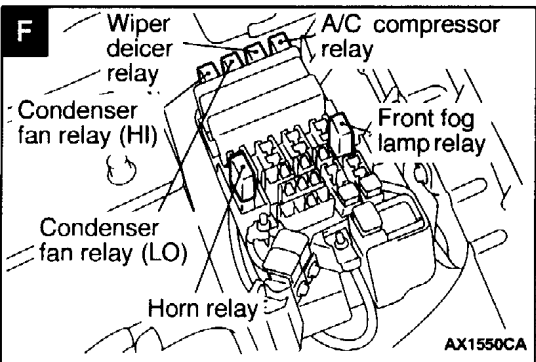
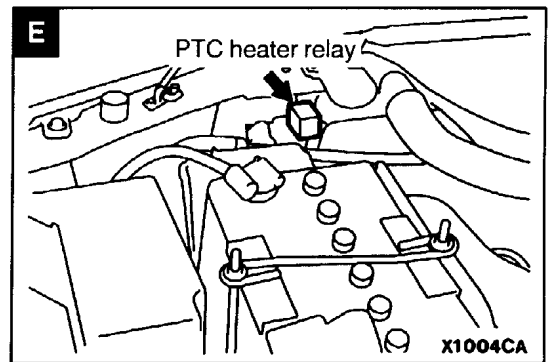
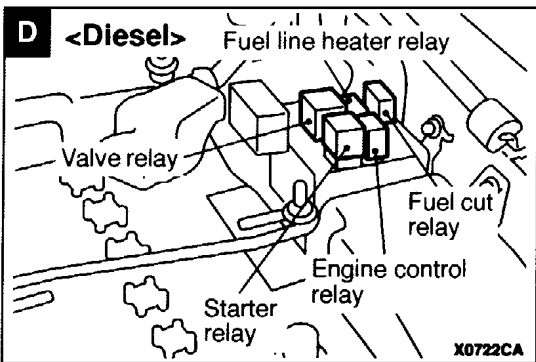
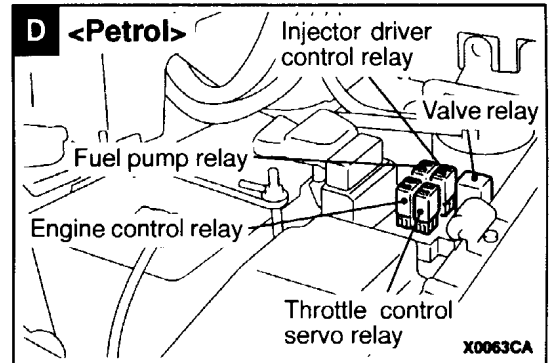
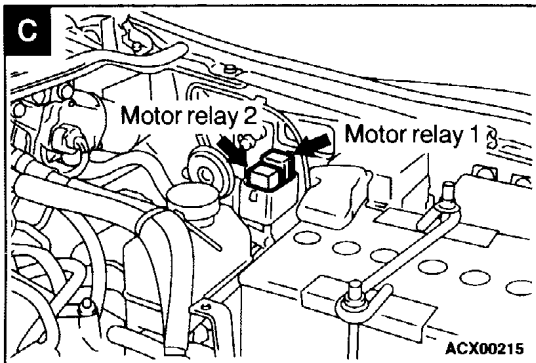
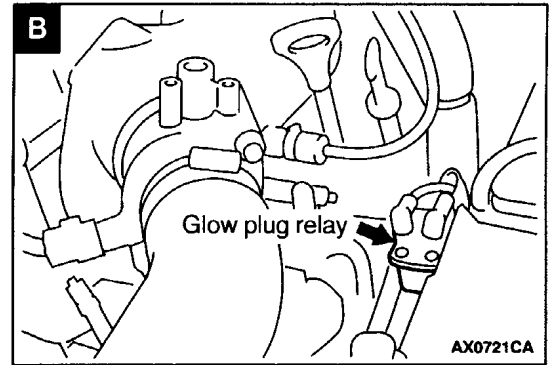
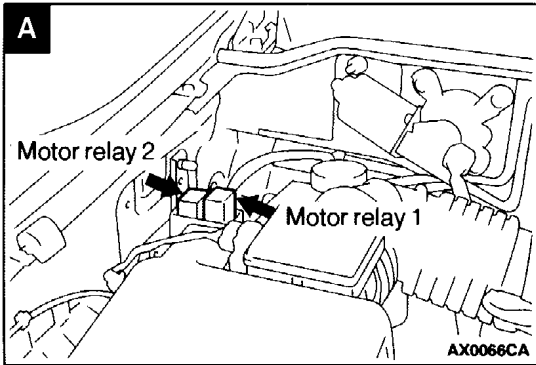
---

RELAY

70100040564

Name	Symbol	Name	Symbol
A/C compressor relay	F	Horn relay	F
A/T control relay	H	Injector driver control relay <Petrol>	D
Accessory socket relay	G	Motor relay 1	LHD C
Alternator relay	G	Motor relay 2	
Condenser fan relay (HI)	F	Motor relay 1	RHD A
Condenser fan relay (LO)	F	Motor relay 2	
Defogger relay	G	Power window relay	G
Engine control relay <Petrol>	D	PTC heater relay <4M4>	E
Engine oil level relay	H	Rear blower relay	G
Front blower relay	G	Rear fog lamp relay	G
Front fog lamp relay	F	Starter relay <Diesel>	D
Fuel cut relay <Diesel>	D	Throttle control servo relay <Petrol>	D
Fuel line heater relay <Diesel>	D	Valve relay	D
Fuel pump relay <Petrol>	D	Wiper deicer relay	F
Glow plug relay <Diesel>	B		

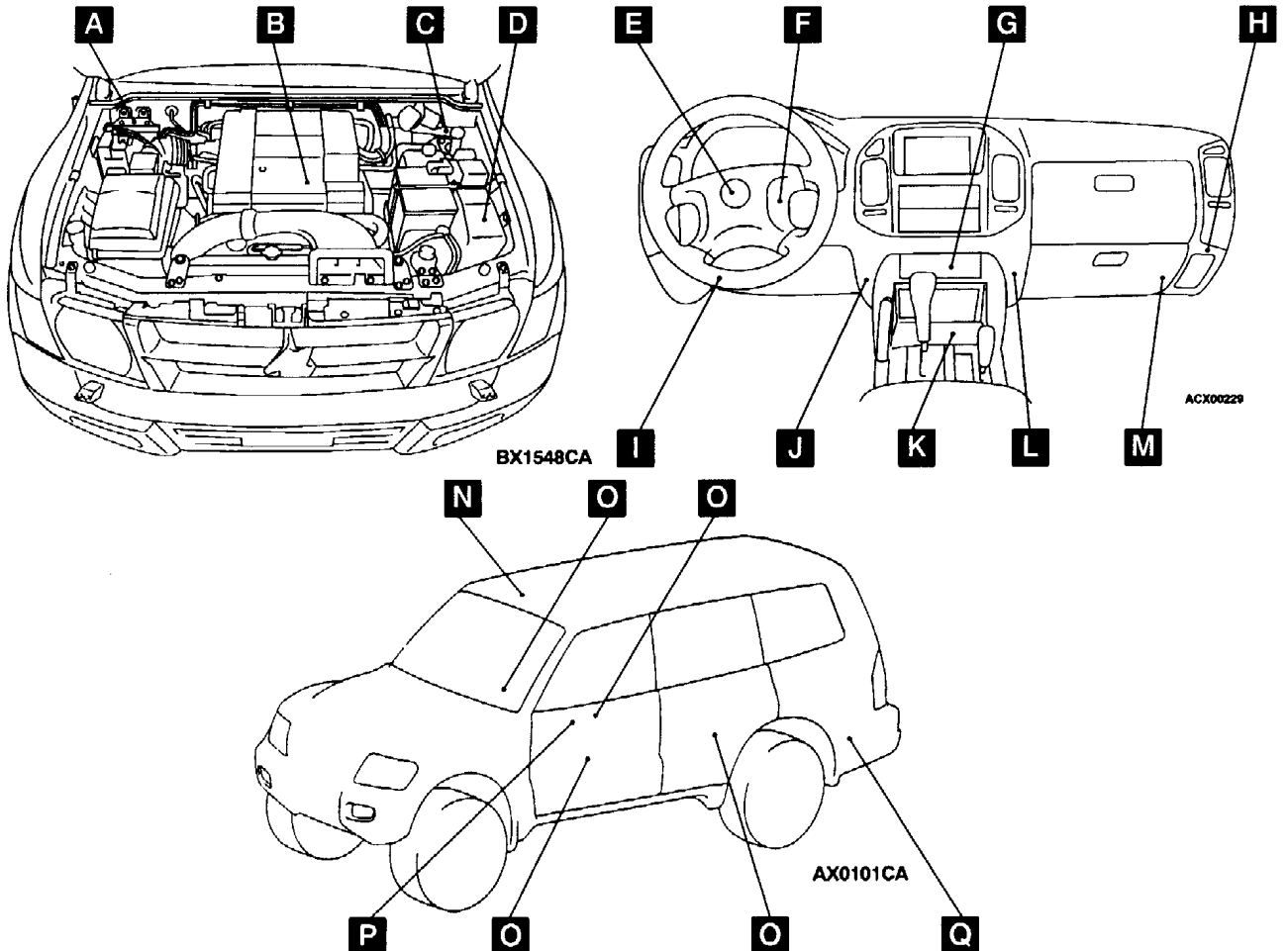


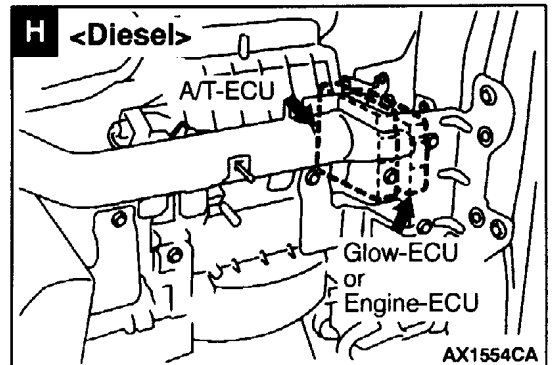
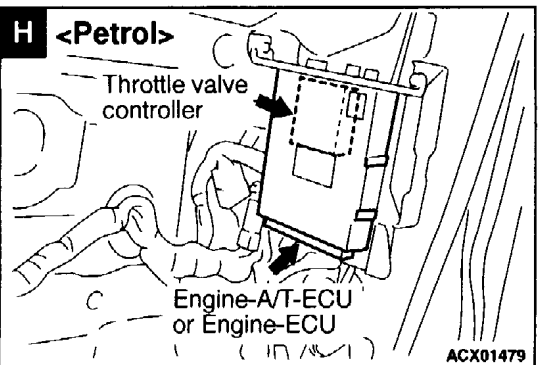
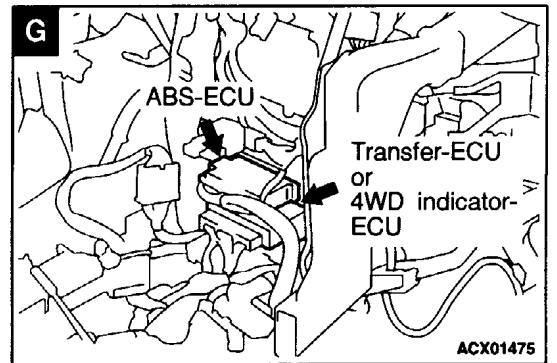
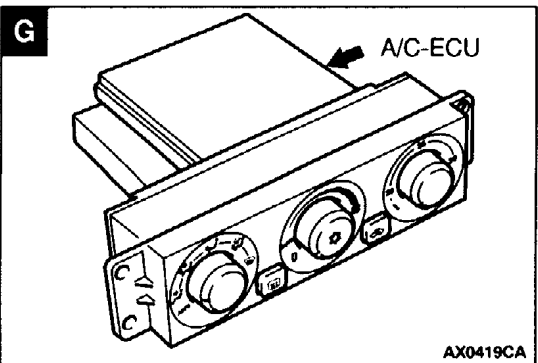
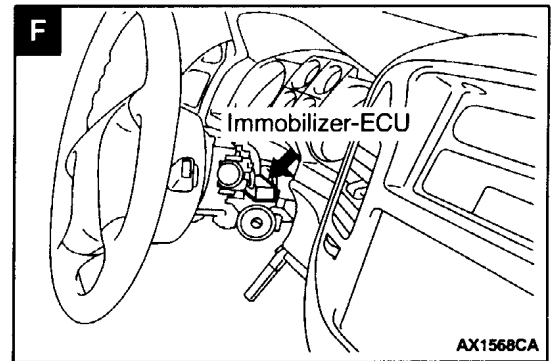
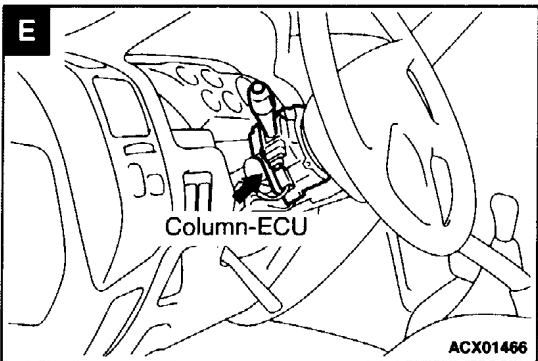
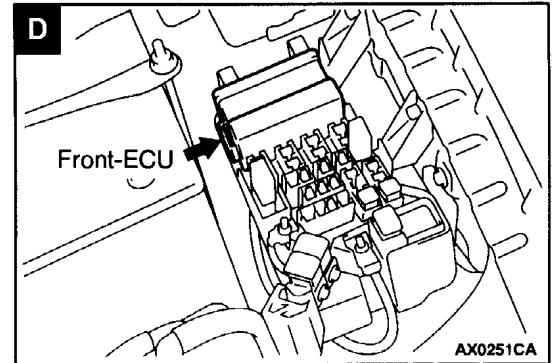
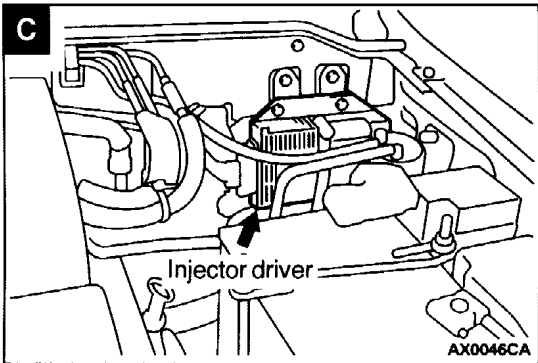
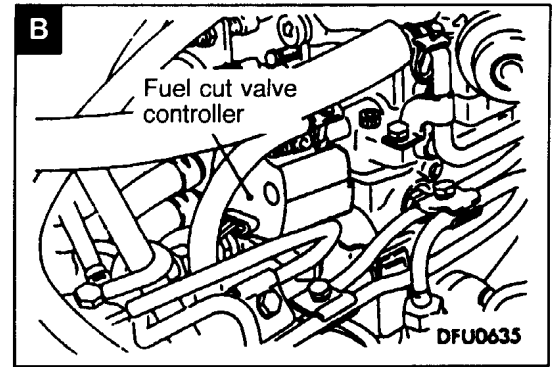
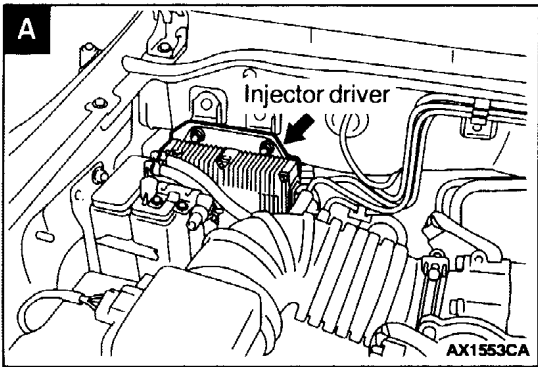


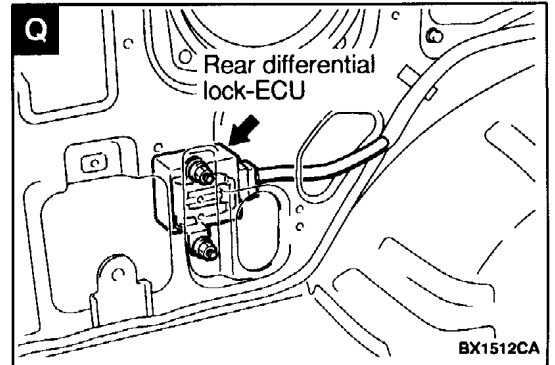
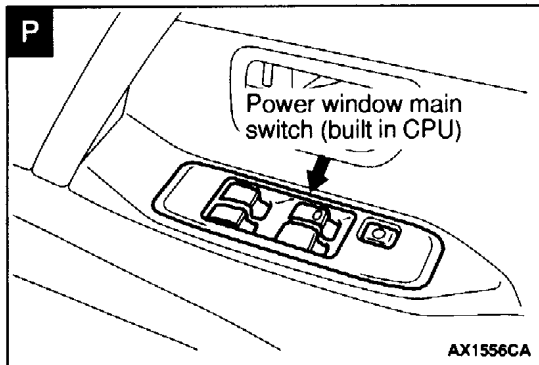
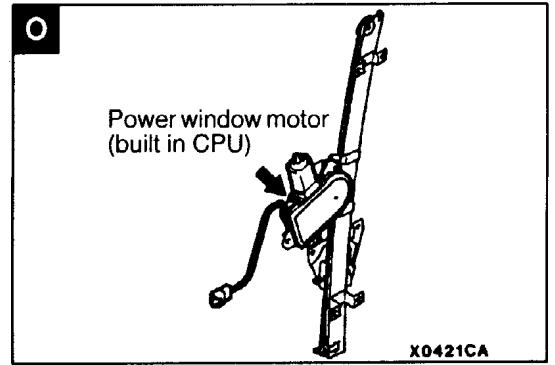
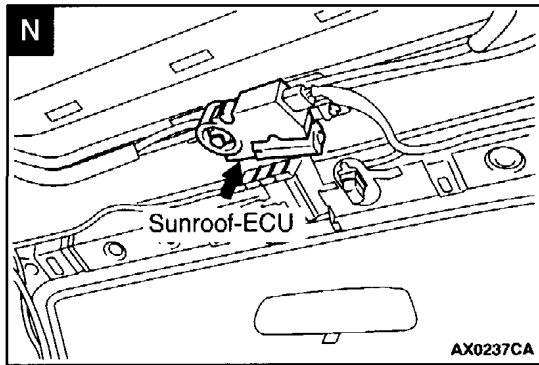
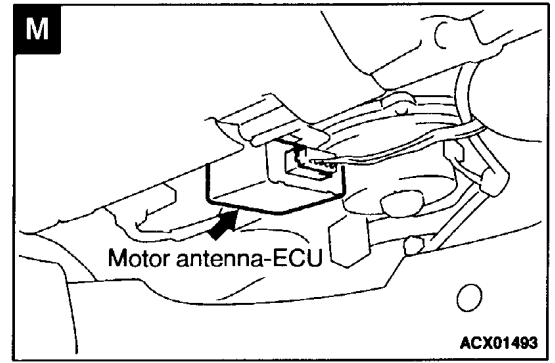
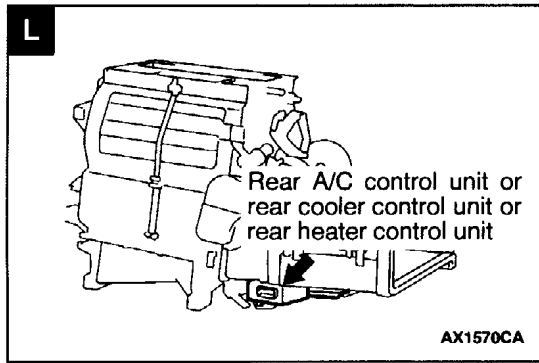
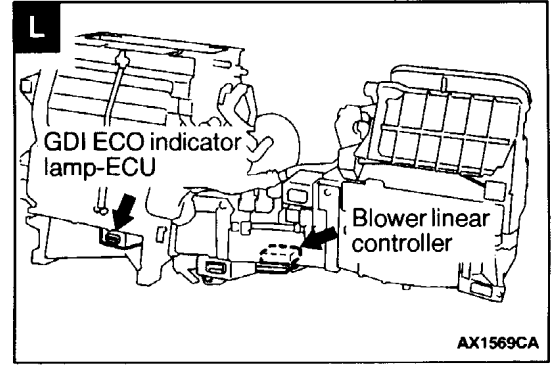
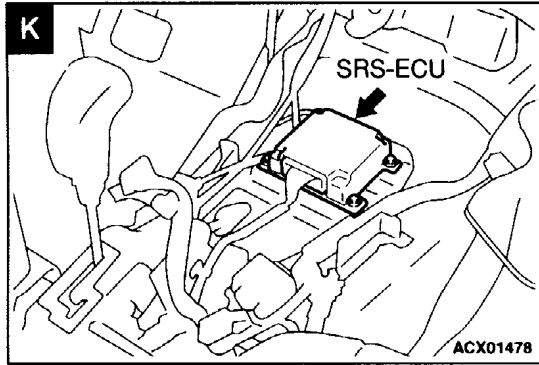
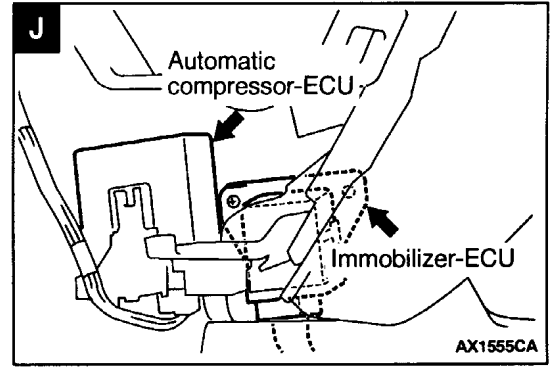
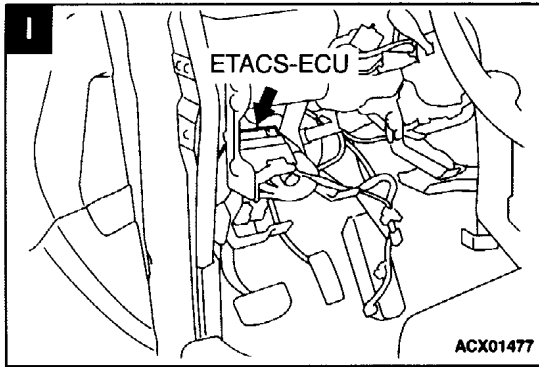
ECU

70100050253

Name	Symbol	Name	Symbol
ABS-ECU	G	Injector driver <6G7> LHD	A
A/C-ECU <Automatic A/C>	G	Injector driver <6G7> RHD	C
A/T-ECU <4M4>	H	Motor antenna-ECU	M
Automatic compressor-ECU <Manual A/C>	J	Power window main switch (built in CPU)	P
Blower linear controller	L	Power window motor (built in CPU)	O
Column-switch (built in column-ECU)	E	Rear A/C control unit	L
Engine-ECU <6G7-M/T, 4M4>	H	Rear cooler control unit	L
Engine-A/T-ECU <6G7-A/T>	H	Rear differential lock-ECU	Q
ETACS-ECU	I	Rear heater control unit	L
Front-ECU	D	SRS-ECU	K
Fuel cut valve controller <4D5>	B		
GDI ECO indicator lamp-ECU	L	Sunroof-ECU	N
Glow-ECU <4D5>	H	Throttle valve controller <6G7>	H
Immobilizer-ECU <4D5>	J	Transfer-ECU	G
Immobilizer-ECU <Except 4D5>	F	4WD indicator-ECU	G





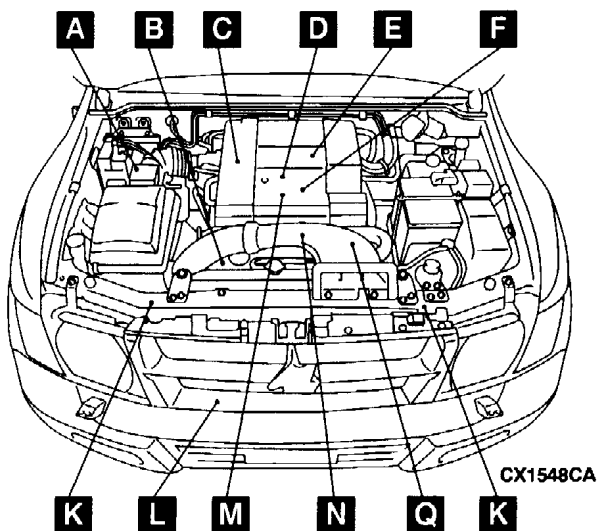


**SENSOR**

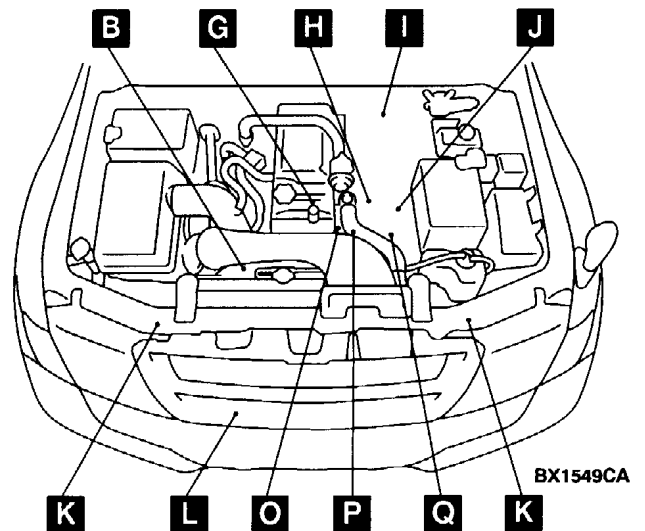
70100060591

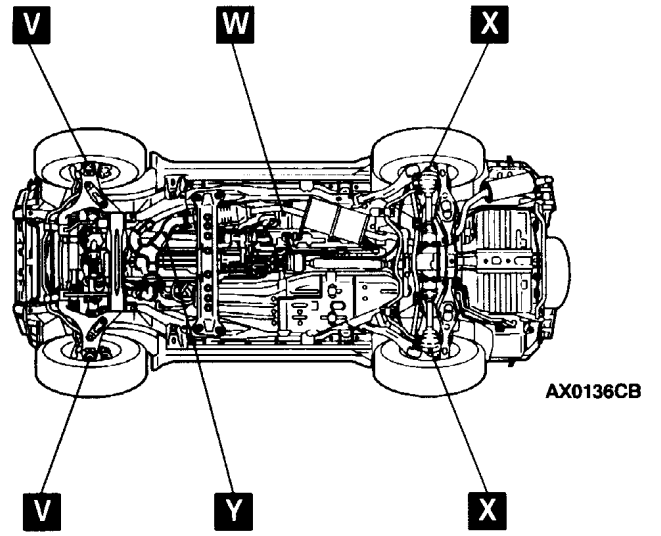
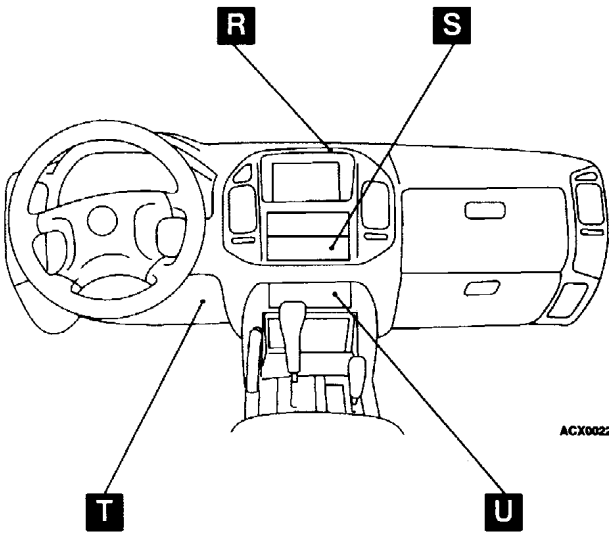
Name	Symbol	Name	Symbol
ABS G sensor	g	Fuel pressure sensor <6G7>	E
Accelerator pedal position sensor	T	Heater water temperature sensor <Automatic A/C>	U
A/C compressor (built in lock sensor)	Q		
Air flow sensor <6G7>	A	Ignition failure sensor <6G7>	D
Air thermo sensor <Automatic A/C>	U	Input shaft speed sensor <A/T>	d
A/T control solenoid valve assembly (built in A/T fluid temperature sensor)	c	Inside thermo sensor	S
		Lever (throttle) position sensor <4D5>	G
Boost sensor <4M4>	I	Output shaft speed sensor <A/T>	Z
Boost air temperature sensor <4M4>	J	Outside thermo sensor	L
Camshaft position sensor <6G7>	E	Oxygen sensor (Front)	Y
Control sleeve position sensor <4M4>	H	Oxygen sensor (Rear)	W
Crank angle sensor <6G7>	N	Photo sensor <Automatic A/C>	R
Detonation sensor <6G7>	F	Rear air thermo sensor <Dual A/C>	h
Engine coolant temperature sensor	Petrol	Revolution pick-up sensor <4D5>	G
	Diesel	Rear propeller shaft speed sensor	a
Engine speed sensor 1 (main) <4M4>	P	Side impact sensor <Vehicles with side air bag system>	f
Engine speed sensor 2 (back-up) <4M4>	P	Throttle position sensor <6G7>	C
Engine oil level sensor	B	Timer piston position sensor <4M4>	H
Front impact sensor <SRS>	K	Vehicle speed sensor	b
Front propeller shaft speed sensor	e	Wheel speed sensor (Front) <ABS>	V
Fuel temperature sensor <4M4>	H	Wheel speed sensor (Rear) <ABS>	X

<Petrol>

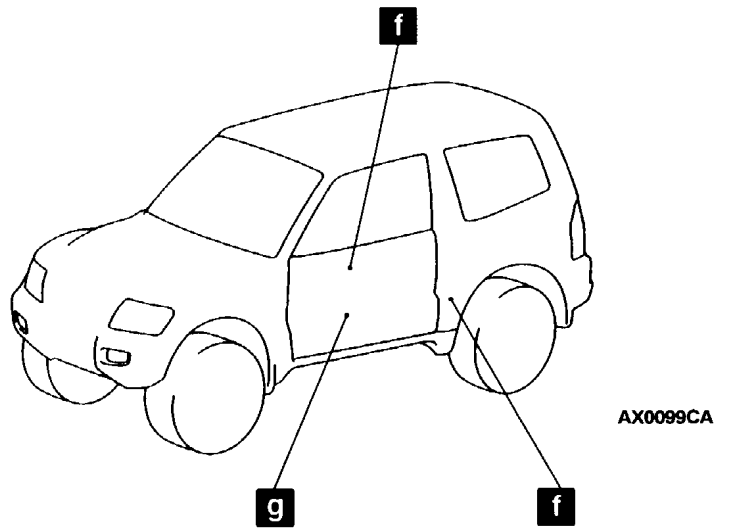
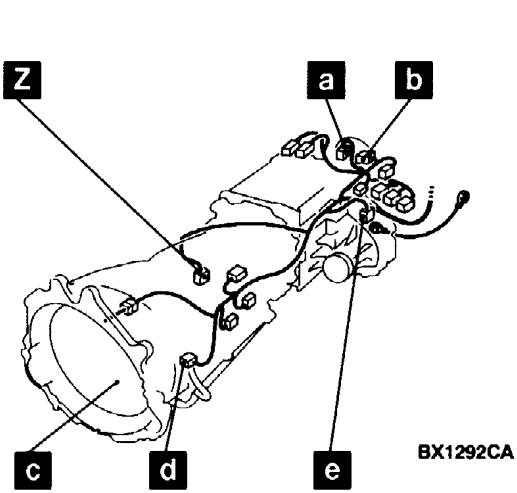


<Diesel>

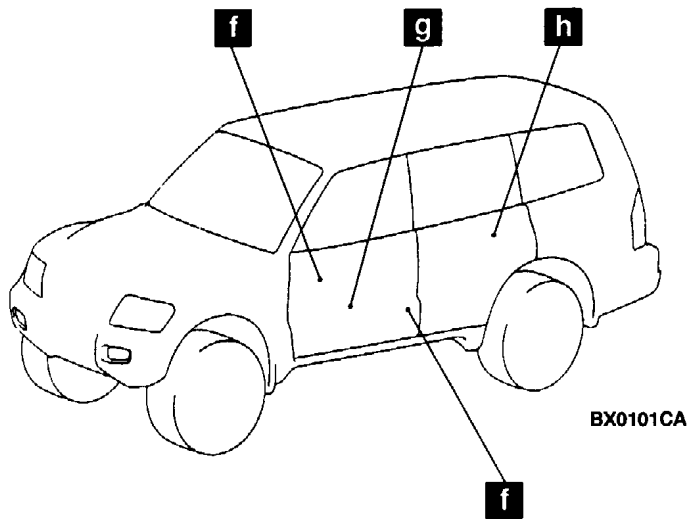




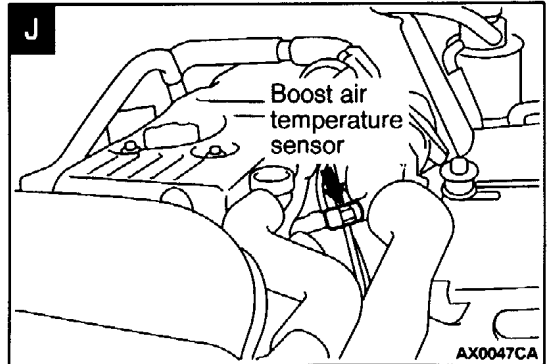
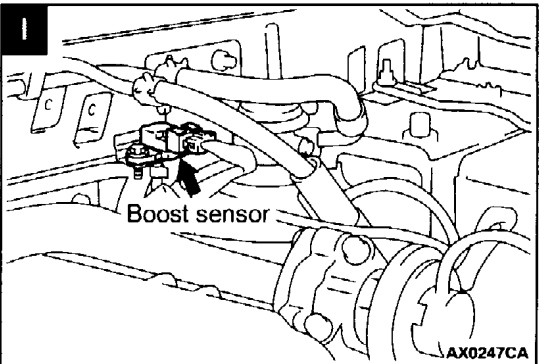
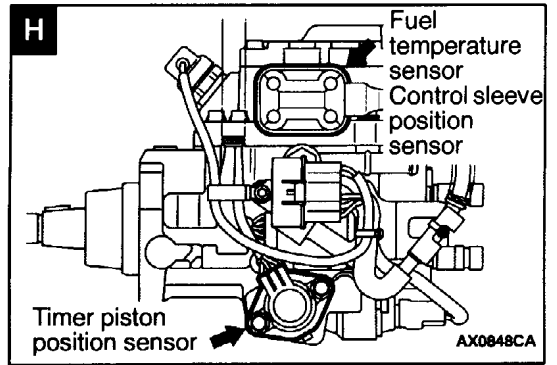
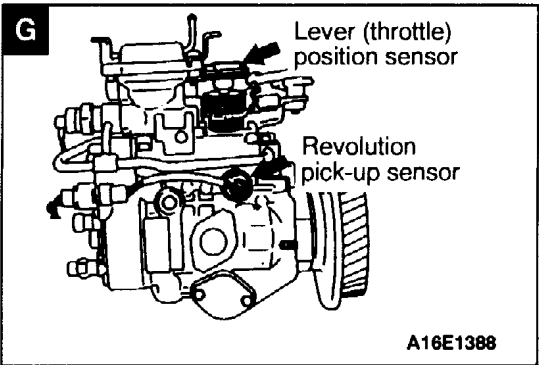
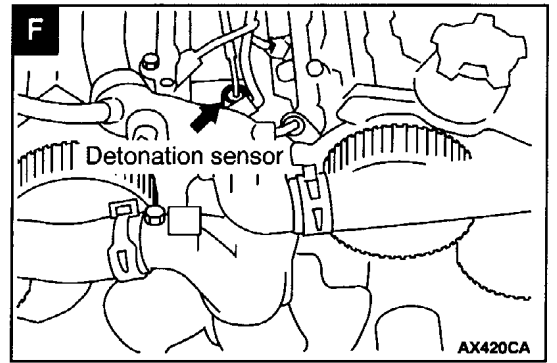
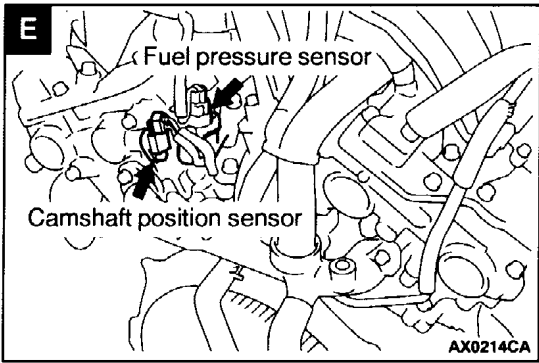
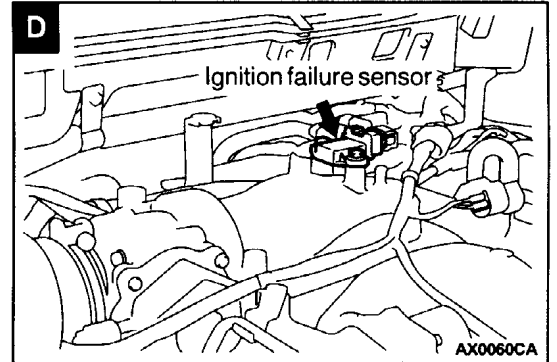
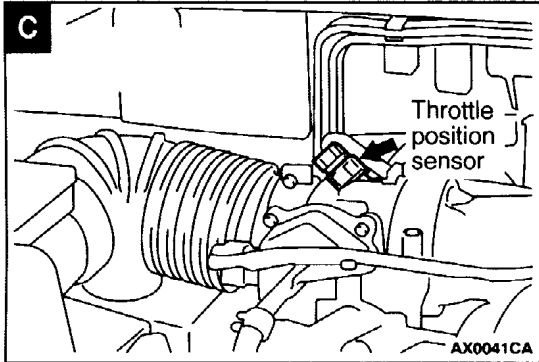
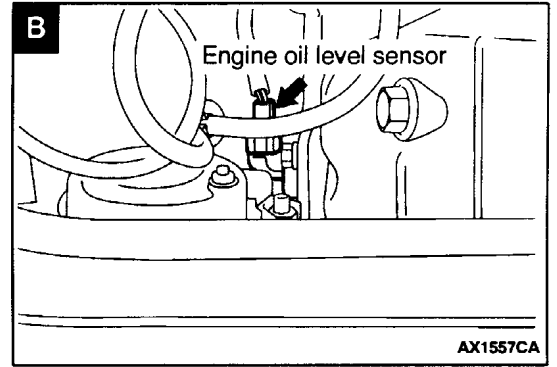
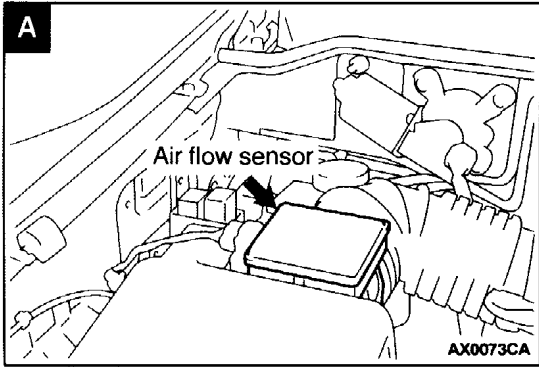
<SHORT WHEELBASE>

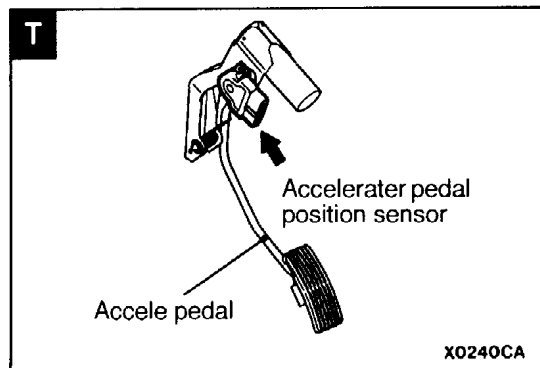
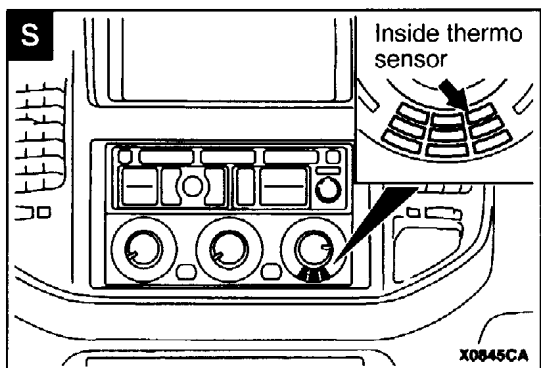
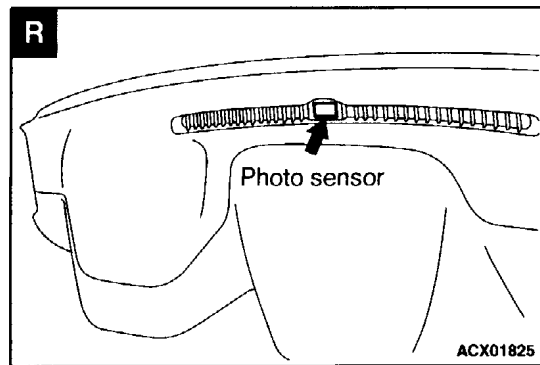
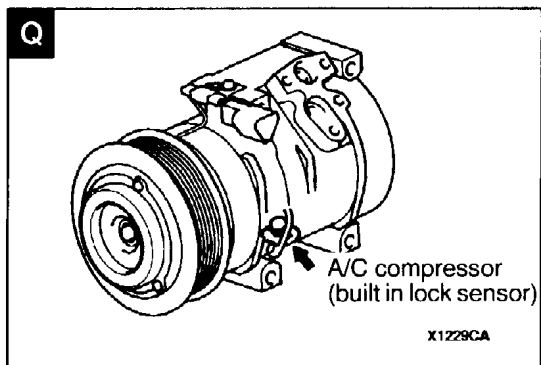
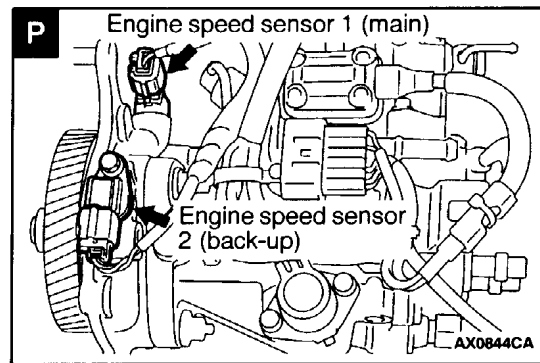
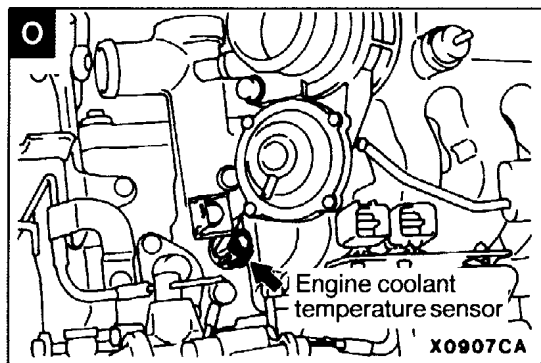
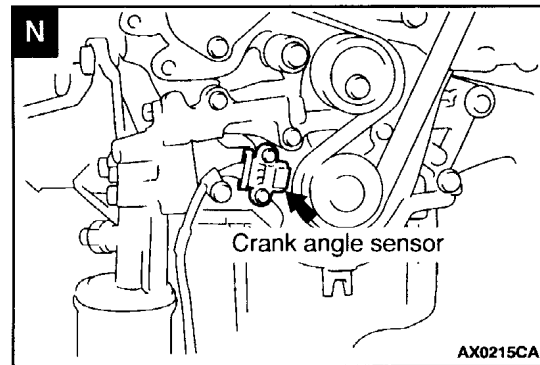
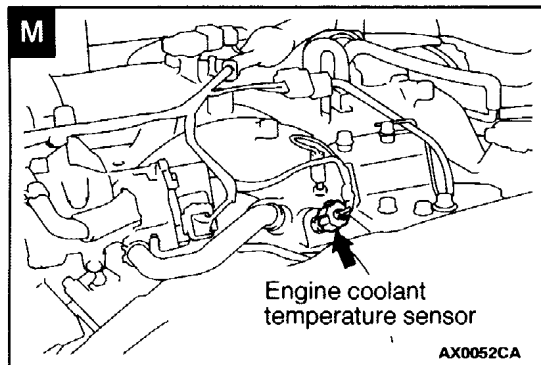
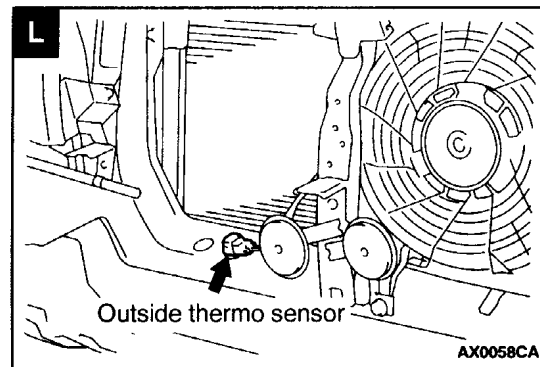
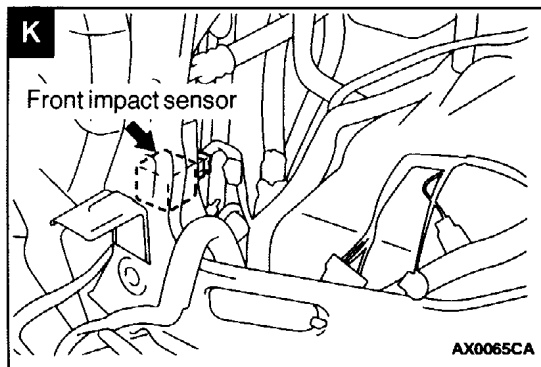


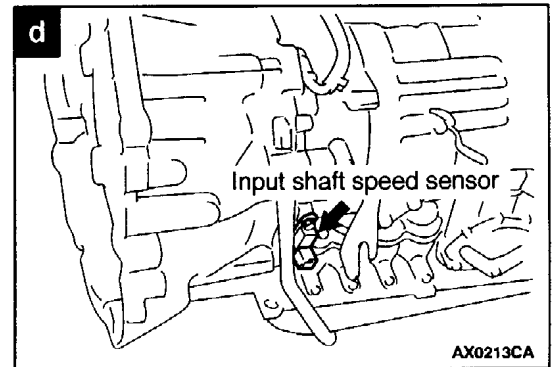
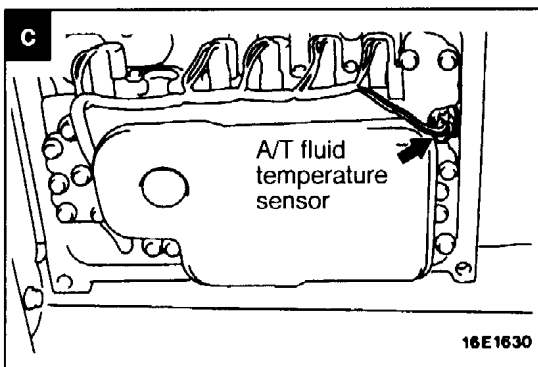
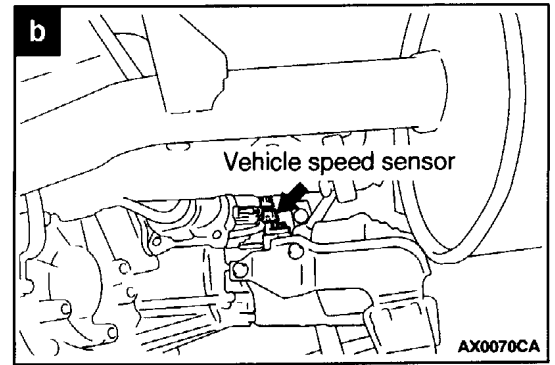
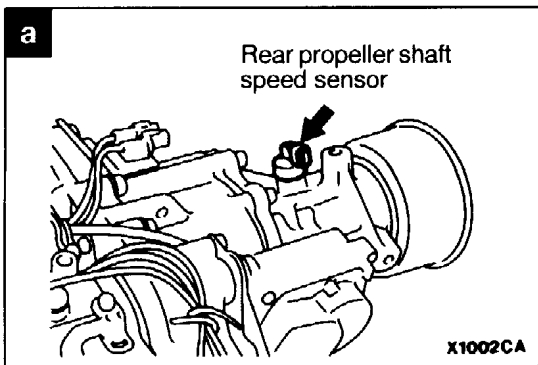
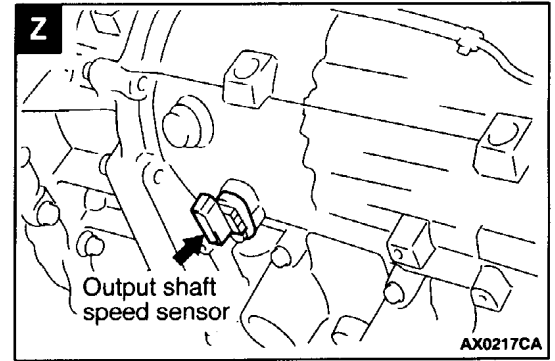
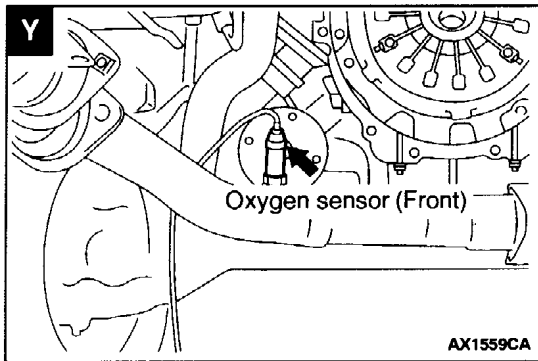
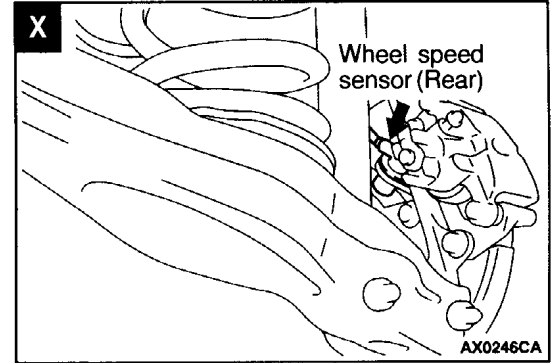
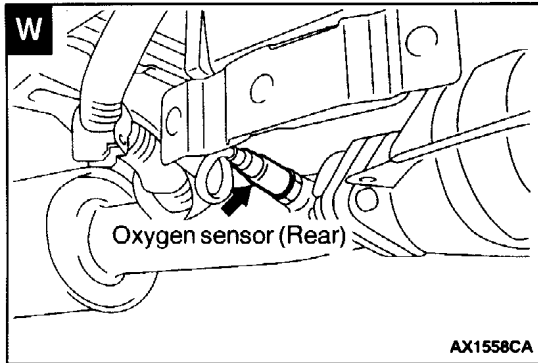
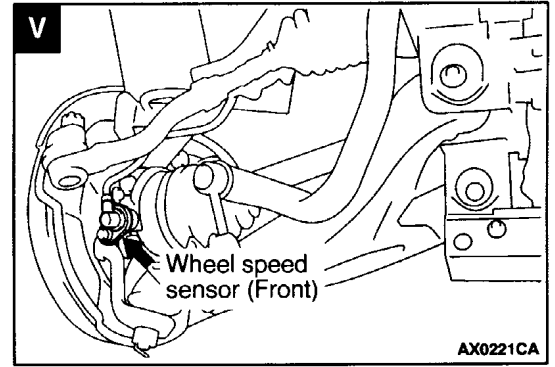
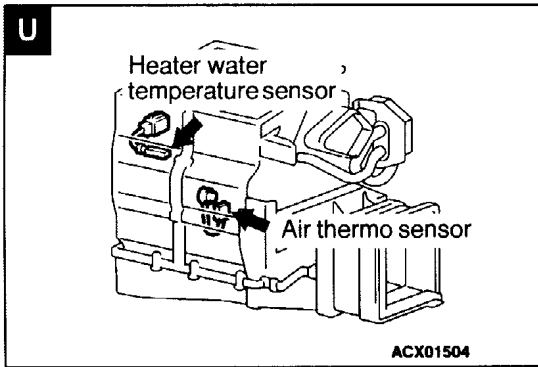
<LONG WHEELBASE>

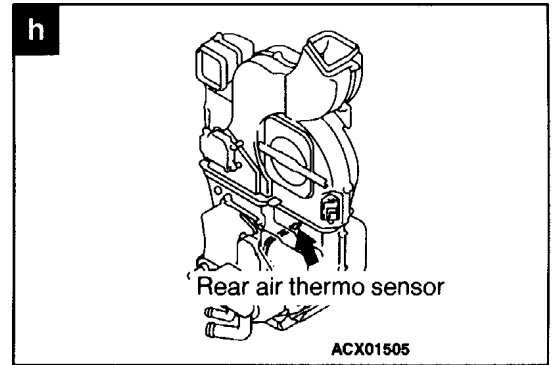
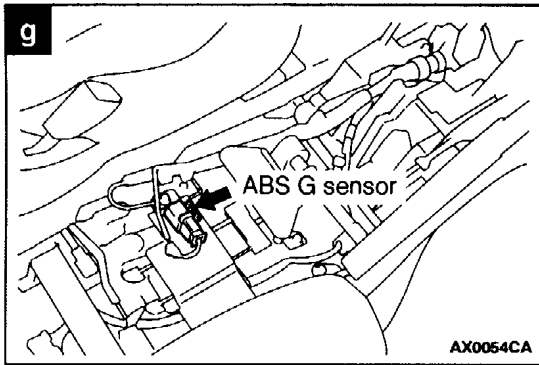
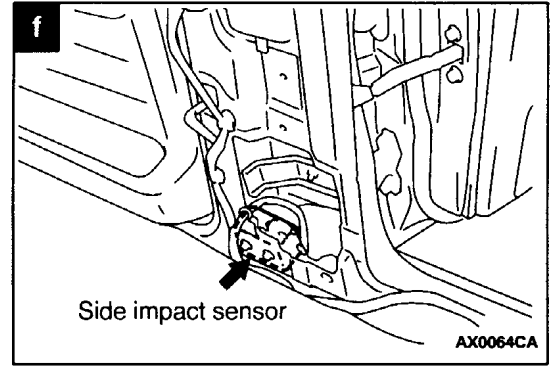
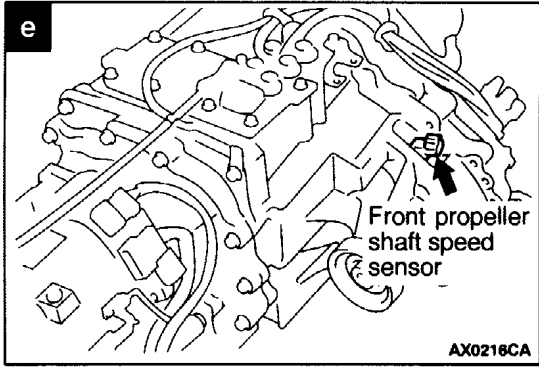








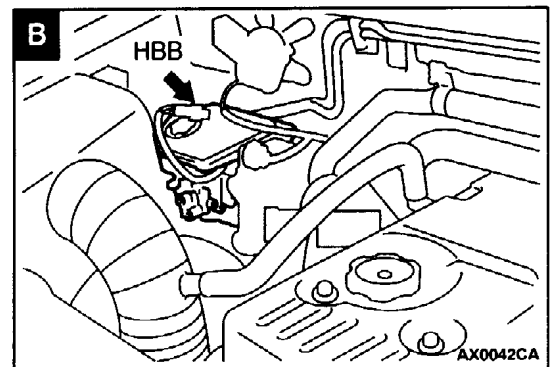
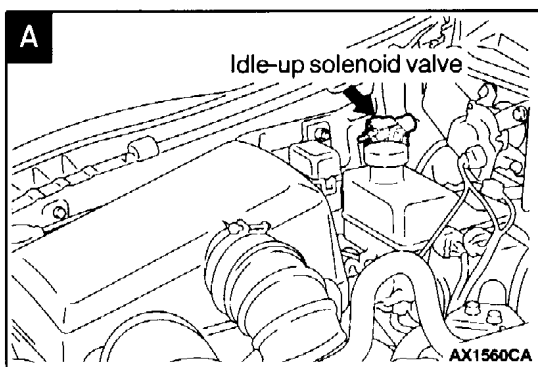
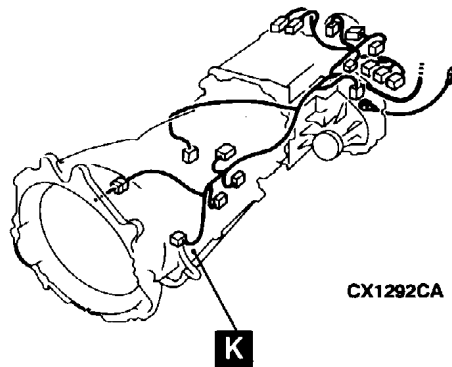
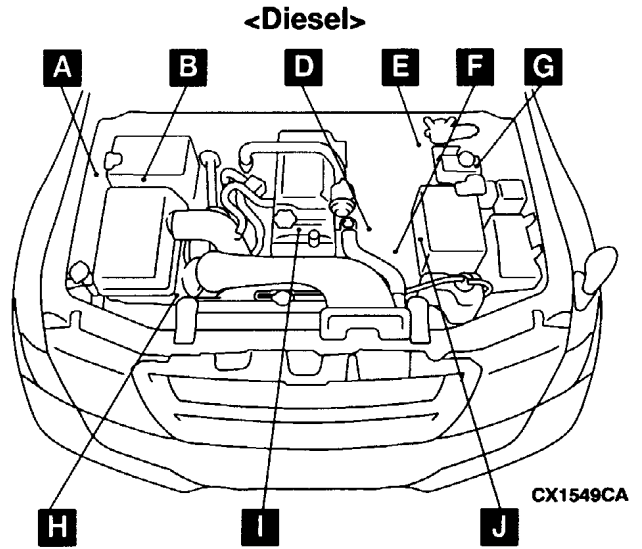
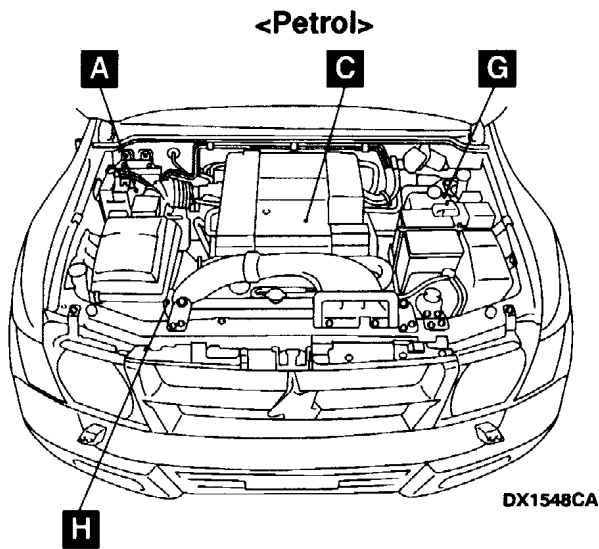


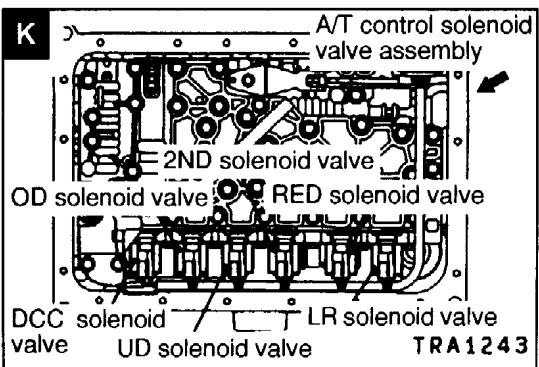
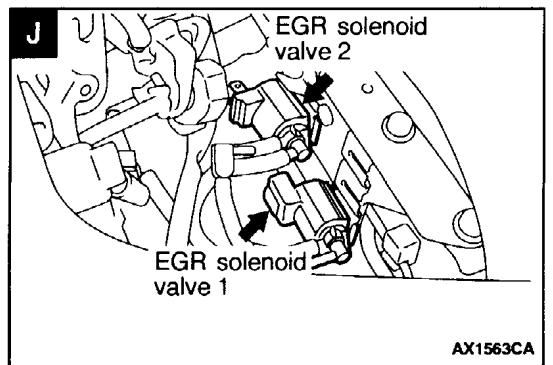
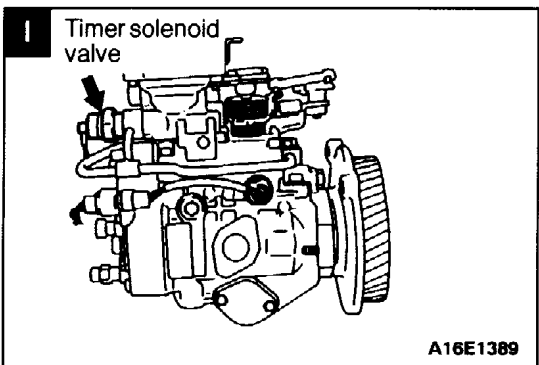
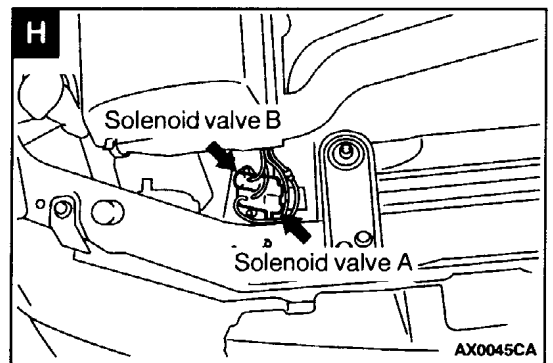
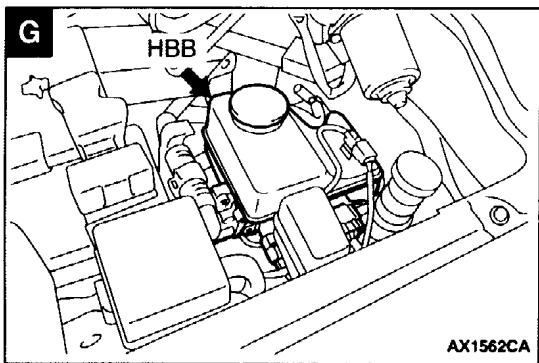
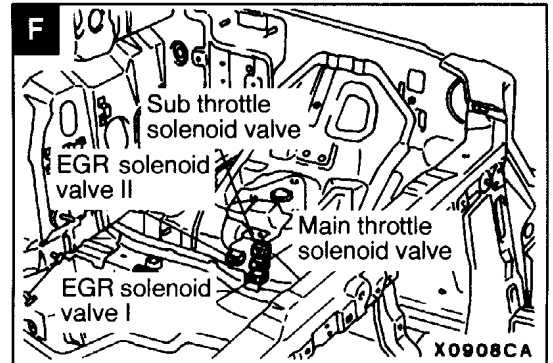
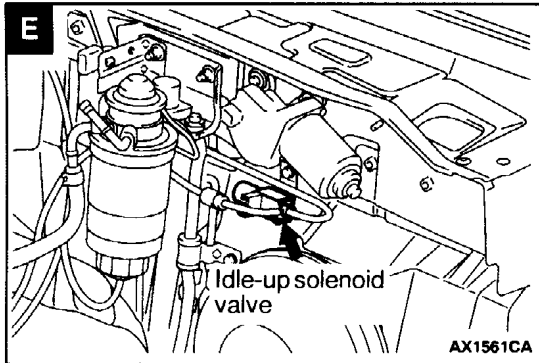
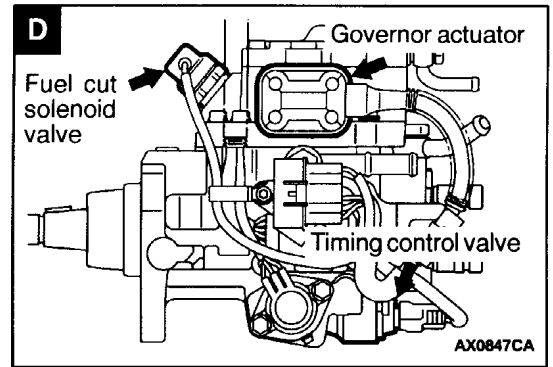
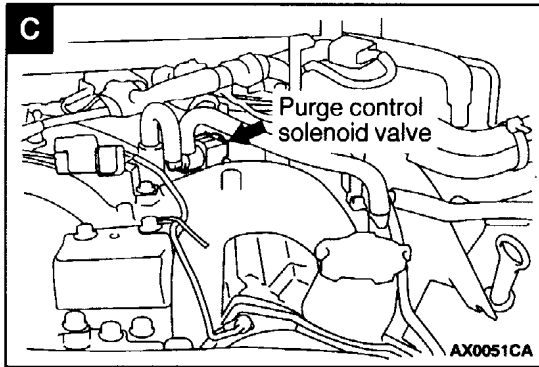


SOLENOID VALVE

70100080597

Name		Symbol	Name	Symbol
A/T control solenoid valve assembly		K	Idle-up solenoid valve <4D5>	LHD E
EGR solenoid valve I <4M4>		F		RHD A
EGR solenoid valve II <4M4>		F	Main throttle solenoid valve <4M4>	F
EGR solenoid valve 1 <4D5>		J	Purge control solenoid <6G7>	C
EGR solenoid valve 2 <4D5>		J	Solenoid valve A <4WD>	H
Fuel cut solenoid valve <4M4>		D	Solenoid valve B <4WD>	H
Governor actuator <4M4>		D	Sub throttle solenoid valve <4M4>	F
HBB	LHD	G	Timer solenoid valve <4D5>	I
	RHD	B	Timing control valve <4M4>	D

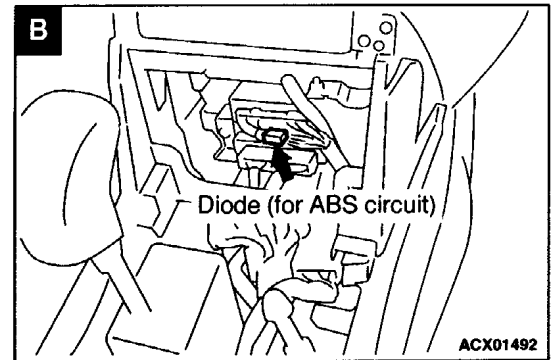
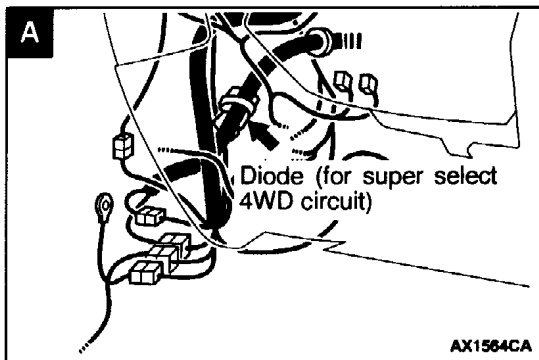
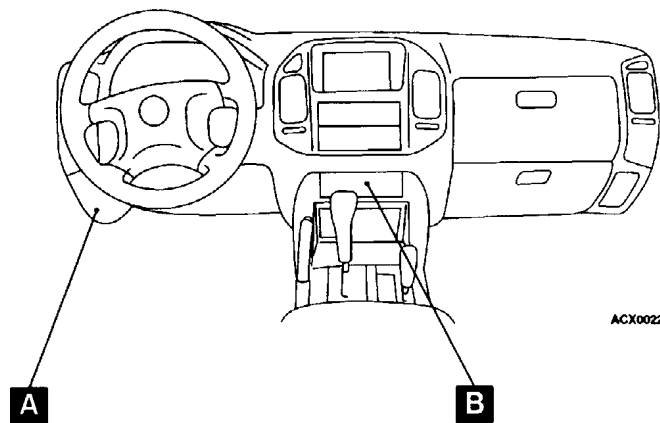




**DIODE**

70100090439

Name	Symbol	Name	Symbol
Diode (for super select 4WD circuit)	A	Diode (for ABS circuit)	B

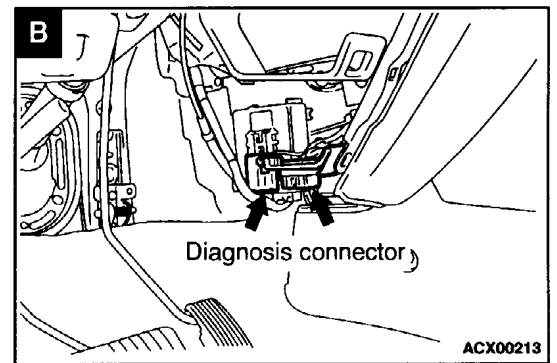
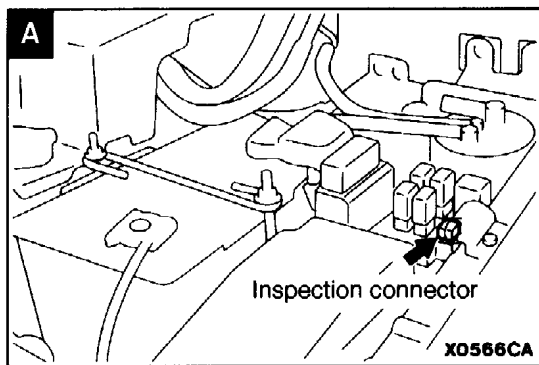
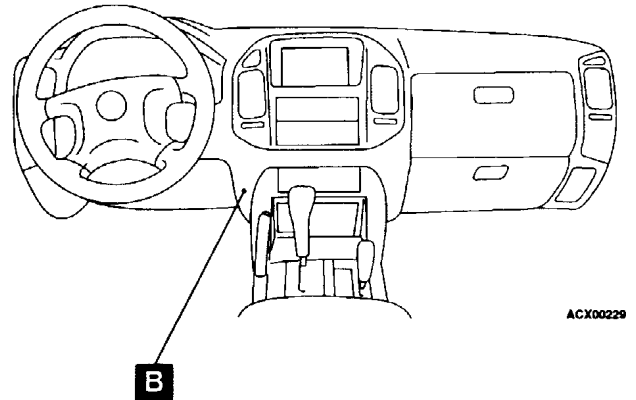
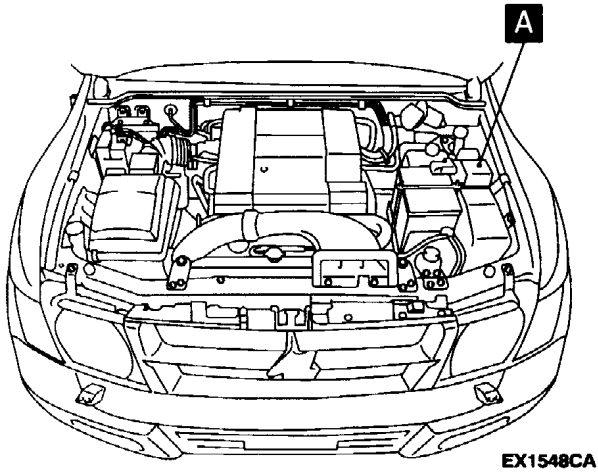


## 2-16 SINGLE PART INSTALLATION POSITION – Inspection Connector

### INSPECTION CONNECTOR

70100020544

Name	Symbol	Name	Symbol
Inspection connector	A	Diagnosis connector	B

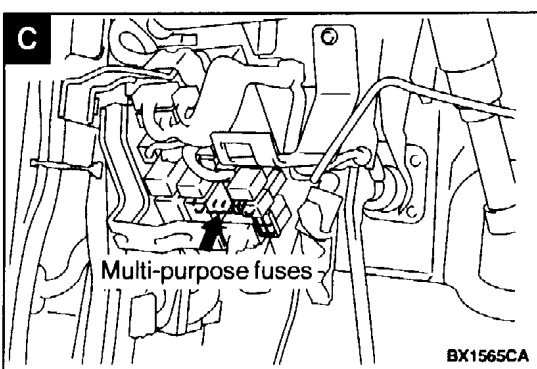
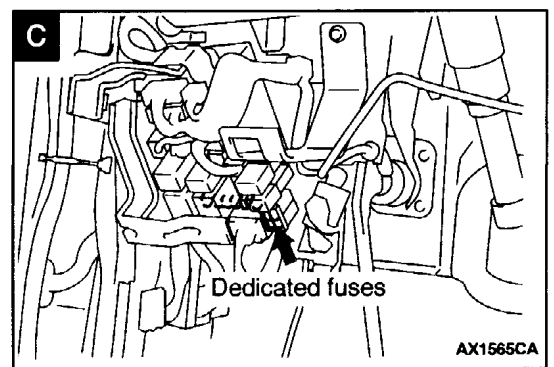
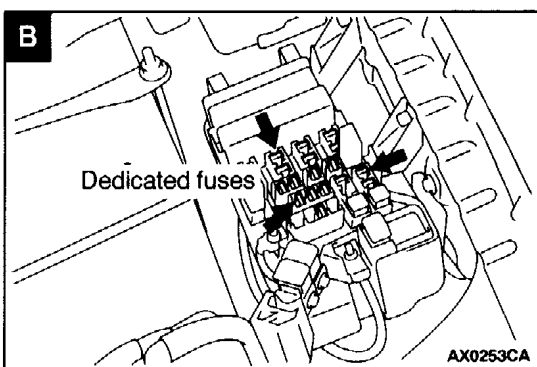
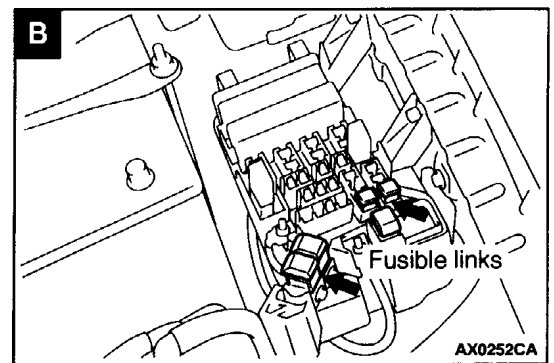
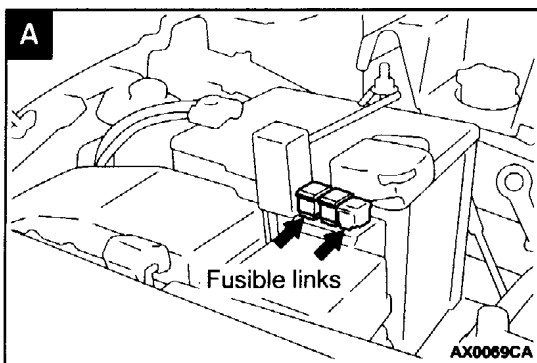
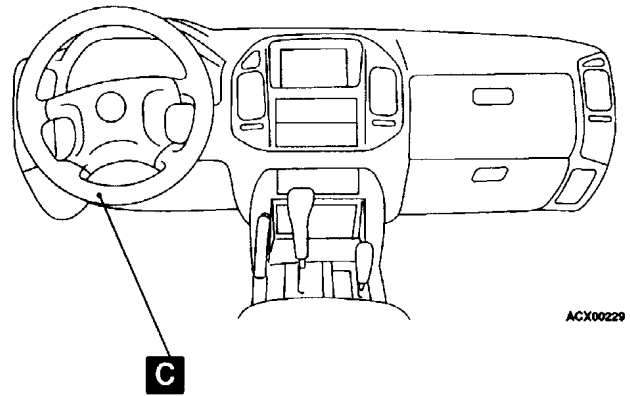
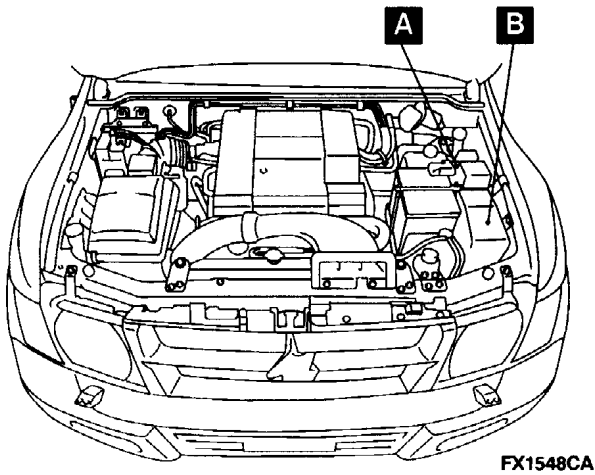




FUSIBLE LINK AND FUSE

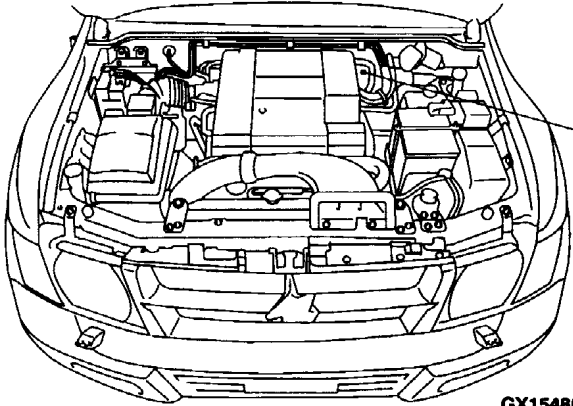
70100010558

Name	Symbol	Name	Symbol
Dedicated fuses	B, C	Multi-purpose fuses	C
		Fusible links	A, B

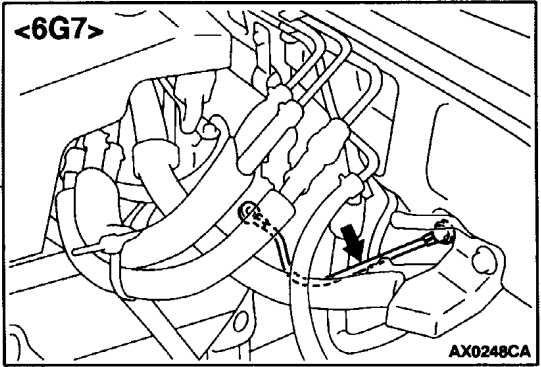


EARTH CABLE

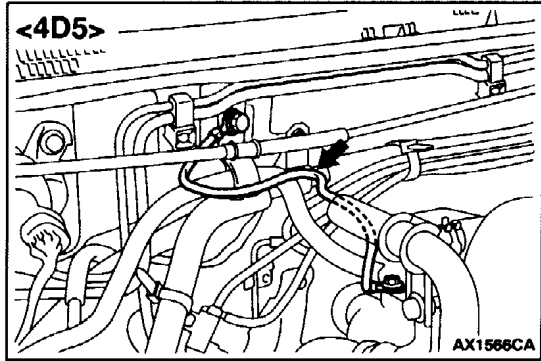
70100100323



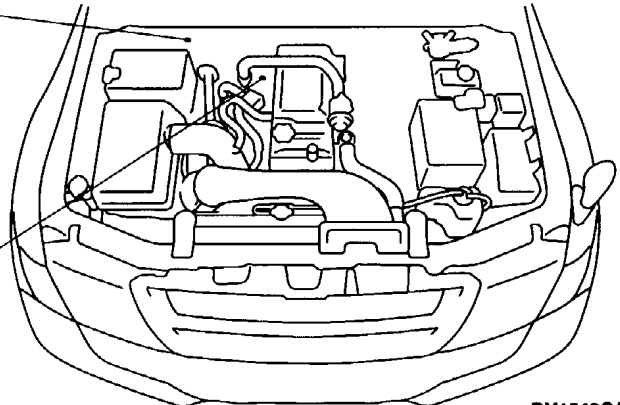
GX1548CA



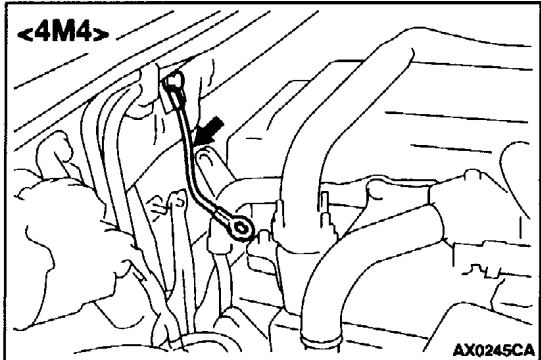
AX0248CA



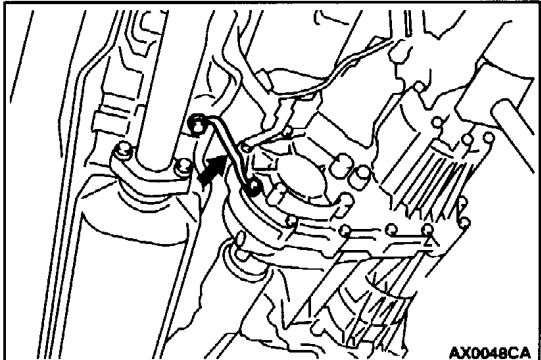
AX1566CA



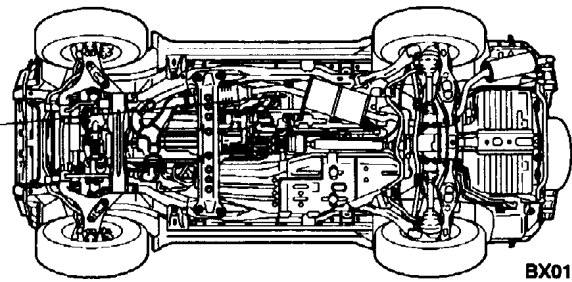
DX1549CA



AX0245CA



AX0048CA

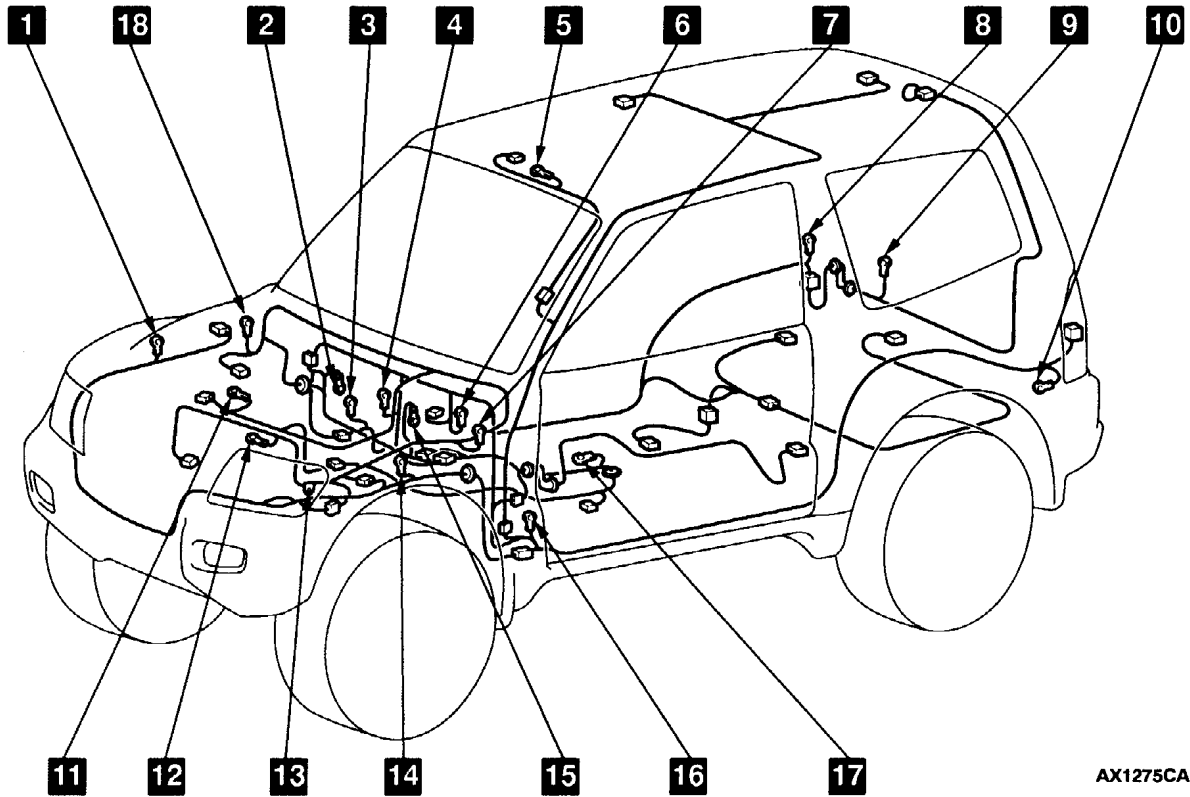


BX0136CB

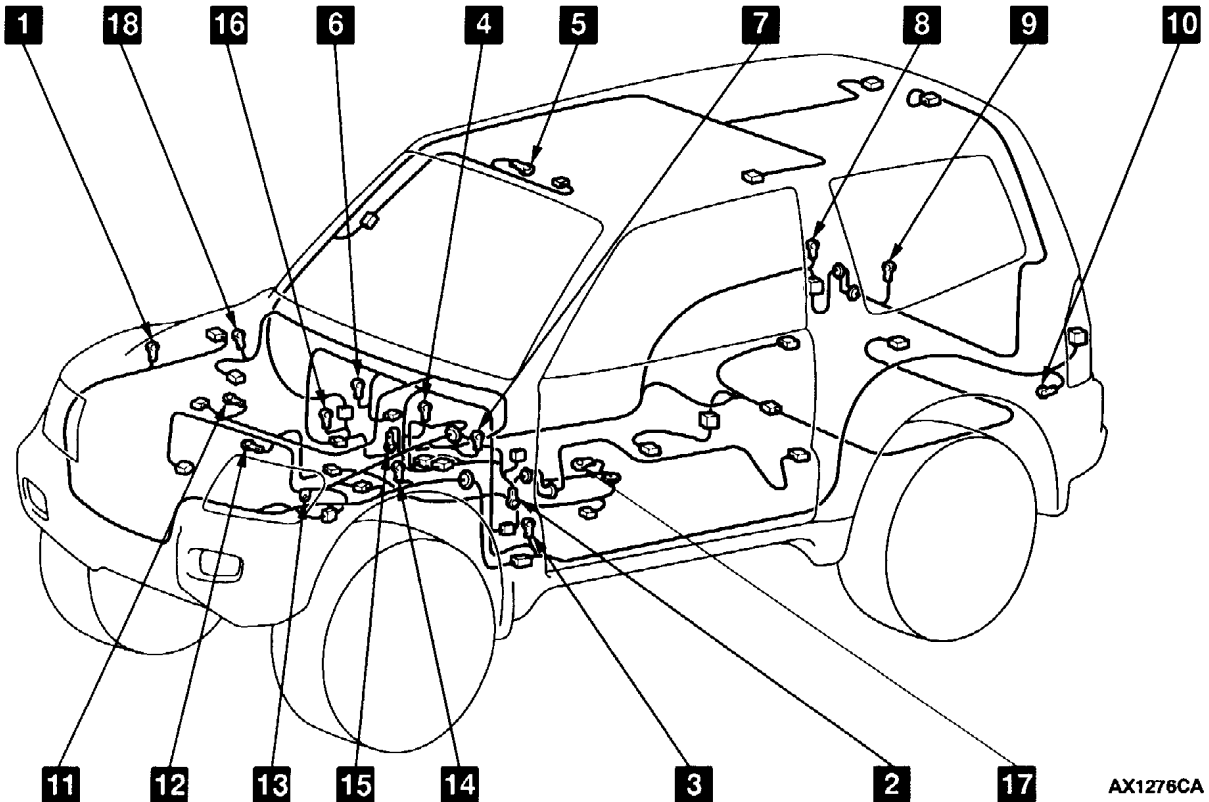
**EARTH**

70100030554

**Short wheelbase <L.H. drive vehicles>**



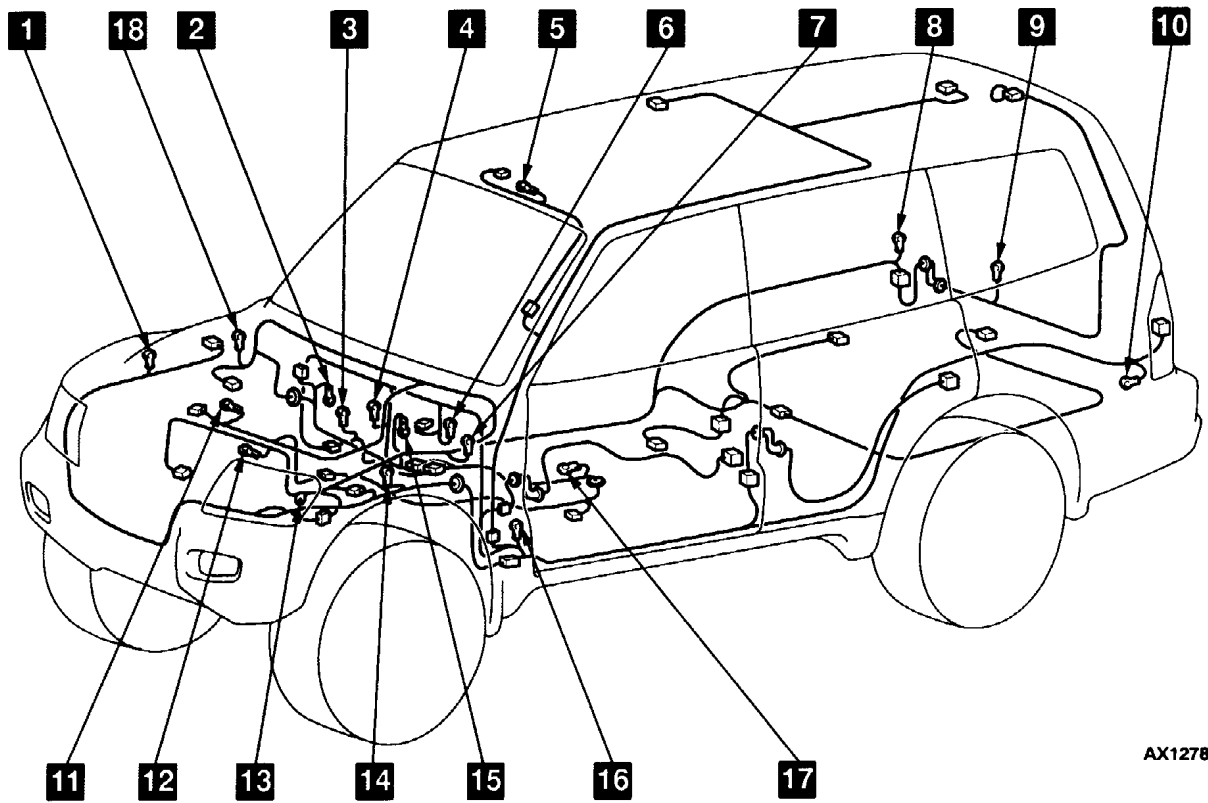
**Short wheelbase <R.H. drive vehicles>**



**NOTE**  
Same earth numbers are used in the circuit diagram.

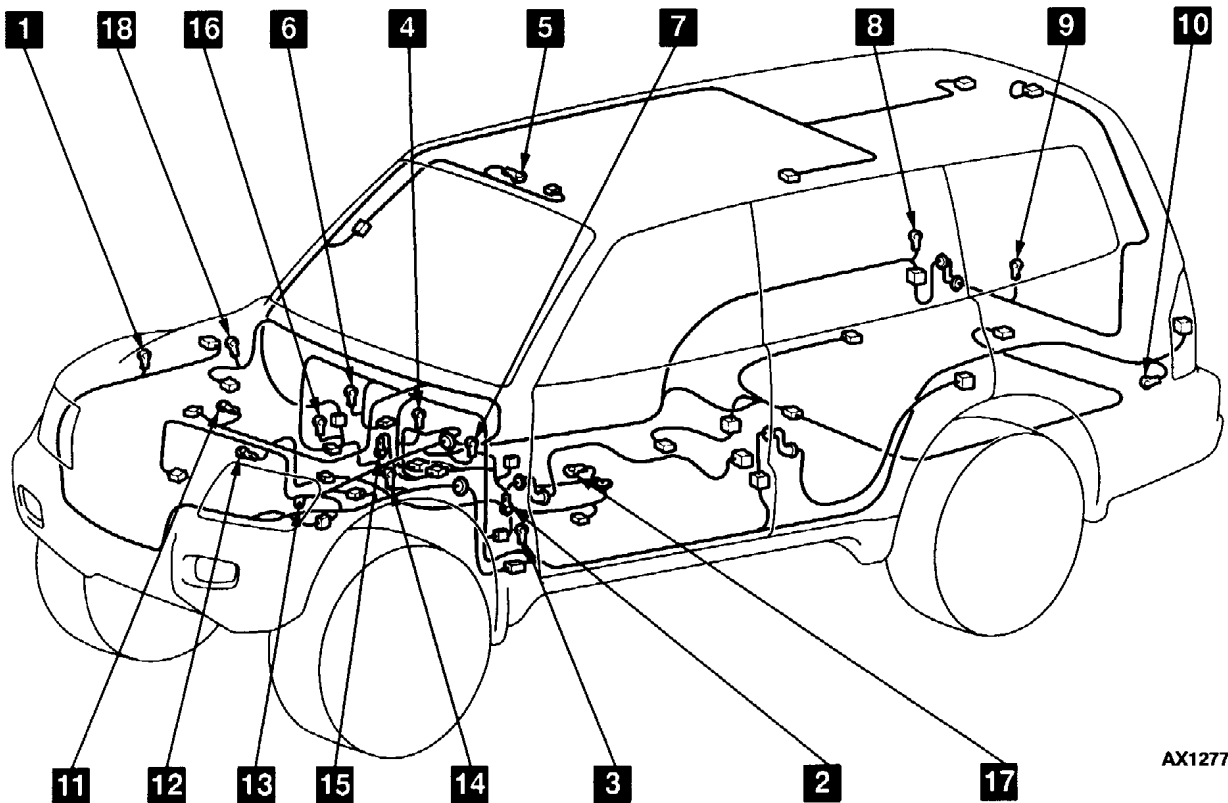
**EARTH**

**Long wheelbase <L.H. drive vehicles>**



AX1278CA

**Long wheelbase <R.H. drive vehicles>**



AX1277CA

**NOTE**  
Same earth numbers are used in the circuit diagram.

