

GROUP 80A

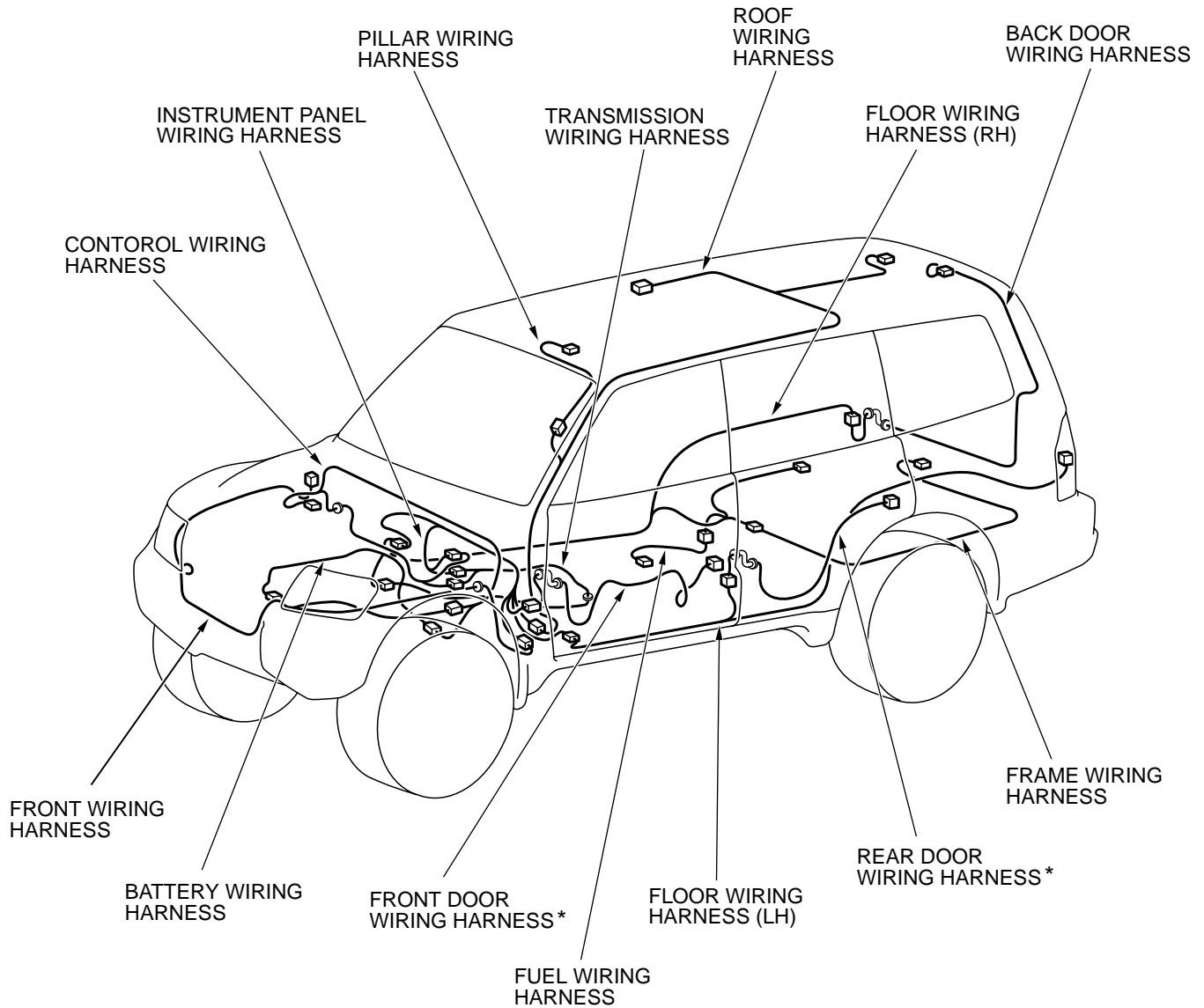
CONFIGURATION DIAGRAMS

CONTENTS

OVERALL CONFIGURATION DIAGRAM.....	80A-2	DASH PANEL.....	80A-10
HOW TO READ CONFIGURATION DIAGRAMS	80A-3	FLOOR CONSOLE.....	80A-16
ENGINE COMPARTMENT.....	80A-4	FRONT FLOOR AND ROOF	80A-20
ENGINE	80A-6	REAR FLOOR AND UNDER FLOOR.	80A-22
TRANSMISSION	80A-8	DOOR	80A-23
		BACK DOOR	80A-24

OVERALL CONFIGURATION DIAGRAM

M1801000100462



AC203867AB

NOTE:

1. This illustration shows only major wiring harnesses.
2. *: also equipped at the right side.

HOW TO READ CONFIGURATION DIAGRAMS

The wiring harness diagrams clearly show the connector locations and harness routines at each site on actual vehicles.

Denotes connector No.
The same connector No. is used throughout the circuit diagrams to facilitate connector location searches.
The first alphabetical symbol indicates the location site of the connector and a number that follows is the unique number.
Numbers are assigned to parts in clockwise order on the diagram.

Example: A-19

Number specific to connector (serial number)

Connector location site symbol

A: ENGINE COMPARTMENT	F: FRONT FLOOR AND ROOF
B: ENGINE	G: REAR FLOOR AND UNDER FLOOR
C: TRANSMISSION	H: DOOR
D: DASH PANEL	I: BACK DOOR
E: FLOOR CONSOLE	

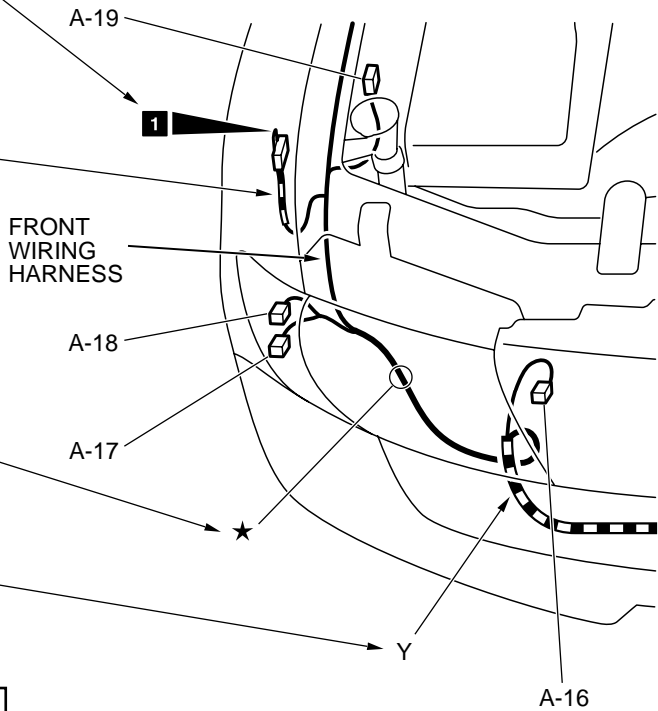
Denotes ground point.
Same ground number is used throughout circuit diagrams to facilitate search of ground point.
Refer to GROUP 70 SINGLE PART INSTALLATION POSITION - GROUND MOUNTING LOCATIONS for details of ground points.

Denotes a section covered by a corrugated tube.

Denotes harness name.

The mark ★ shows the standard mounting position of wiring harness.

Denotes the color of the corrugated tube (If not specified, it is black.)
R: Red
Y: Yellow



The number of connector pins and the connector color (except milk white)* are shown for ease of retrieval.

Example: (2-B)

Connector color (milk white if no color is indicated)

Number of connector pins

*: Typical connector colors

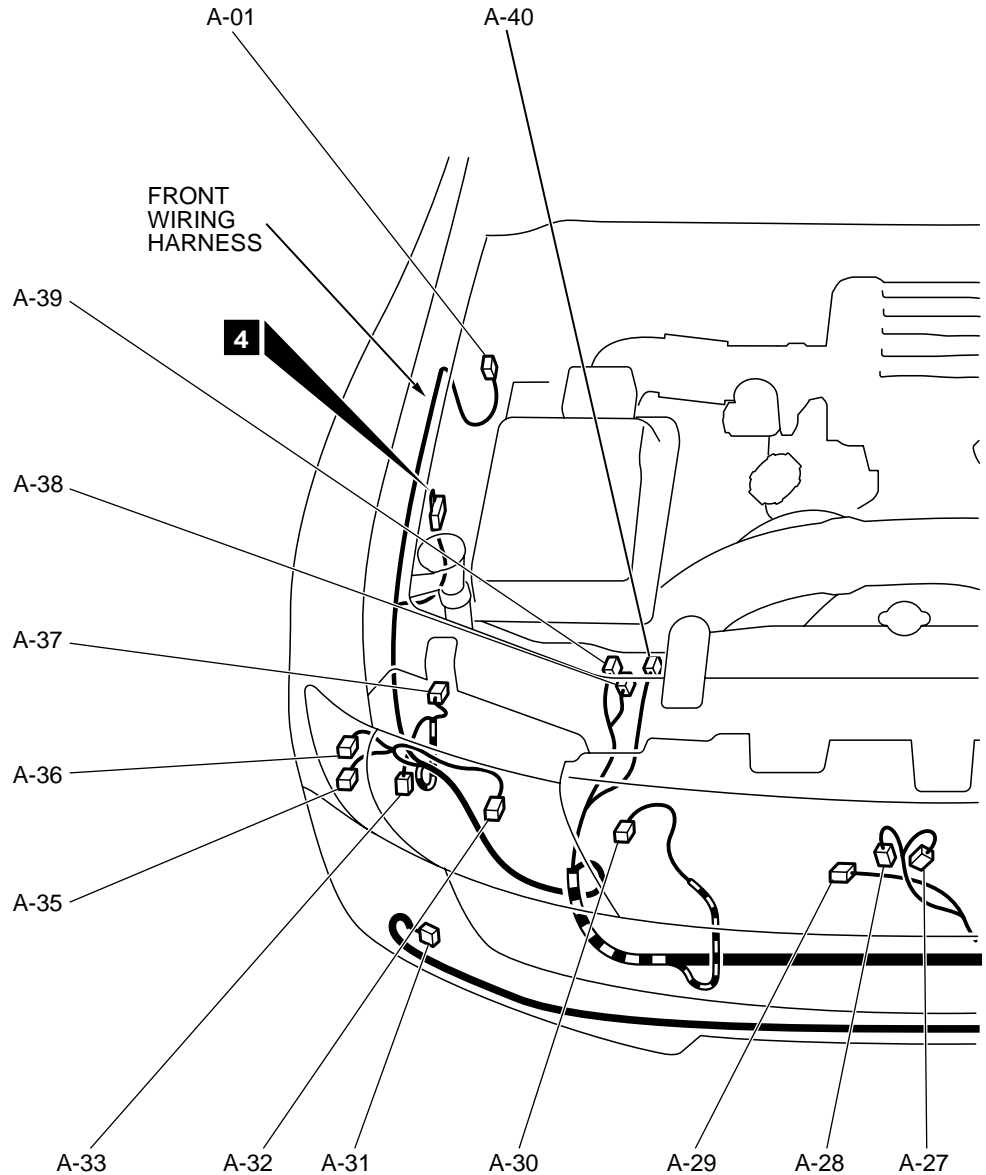
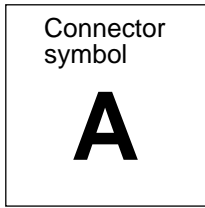
B: Black	BR: Brown
Y: Yellow	V: Violet
L: Blue	O: Orange
G: Green	GR: Gray
R: Red	NONE: Milk white

- A-16 (1) HORN (LOW)
- A-17 (3-GR) HEADLIGHT (LOW:RH)
- A-18 (2-B) HEADLIGHT (HIGH:RH)
- A-19 (2) DUAL PRESSURE SWITCH

Indicates the device to which the connector is connected.

ENGINE COMPARTMENT

M1801000300615



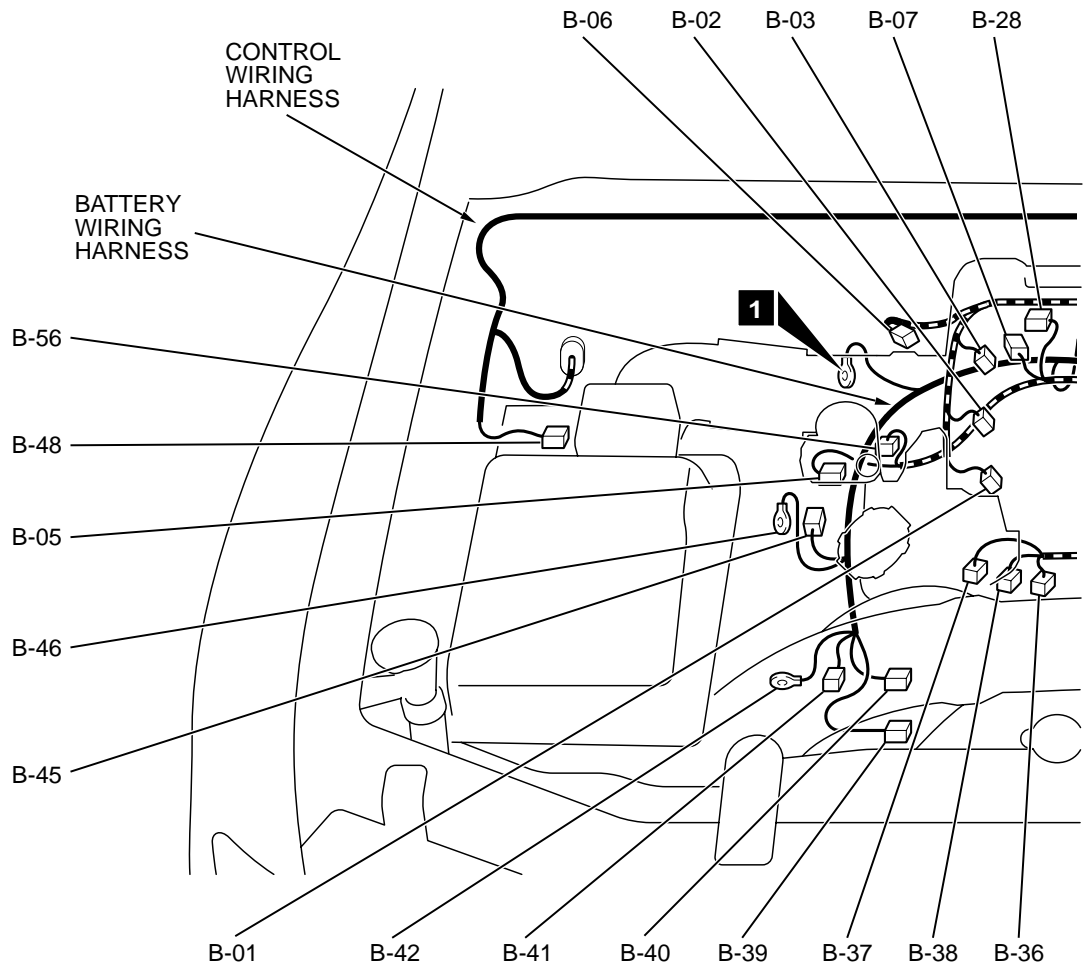
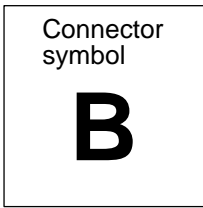
CONNECTOR COLOR CODE
 B: BLACK
 BR: BROWN
 G: GREEN
 GR: GRAY
 L: BLUE
 NONE: MILK WHITE
 O: ORANGE
 R: RED
 V: VIOLET
 Y: YELLOW

AC203868 AB

A-01	(2-B)	MOTOR ANTENNA	A-10X	(5)	HORN RELAY
A-03	(12-B)	FRONT WIRING HARNESS AND CONTROL WIRING HARNESS COMBINATION	A-11X	(5)	THEFT-ALARM HORN RELAY
A-04	(1-B)	THEFT-ALARM HORN	A-12X	(5)	A/C COMPRESSOR RELAY
A-05	(8-B)	FRONT WIRING HARNESS AND CONTROL WIRING HARNESS COMBINATION	A-13X	(5)	FOG LIGHT RELAY
A-06X	(5)	NO CONNECTION	A-14	(2-B)	HOOD SWITCH <THEFT-ALARM SYSTEM>
A-07X	(11)	FRONT-ECU	A-15	(14)	JOINT CONNECTOR (2)
A-08X	(11)	FRONT-ECU	A-16	(6)	JOINT CONNECTOR (1)
A-09X	(5)	CONDENSER FAN RELAY	A-17	(14-GR)	JOINT CONNECTOR (3)
			A-18	(2-GR)	POSITION LIGHT (LH)
			A-19	(2-B)	FRONT TURN-SIGNAL LIGHT (LH)
			A-20	(3-B)	HEADLIGHT (LH)

ENGINE

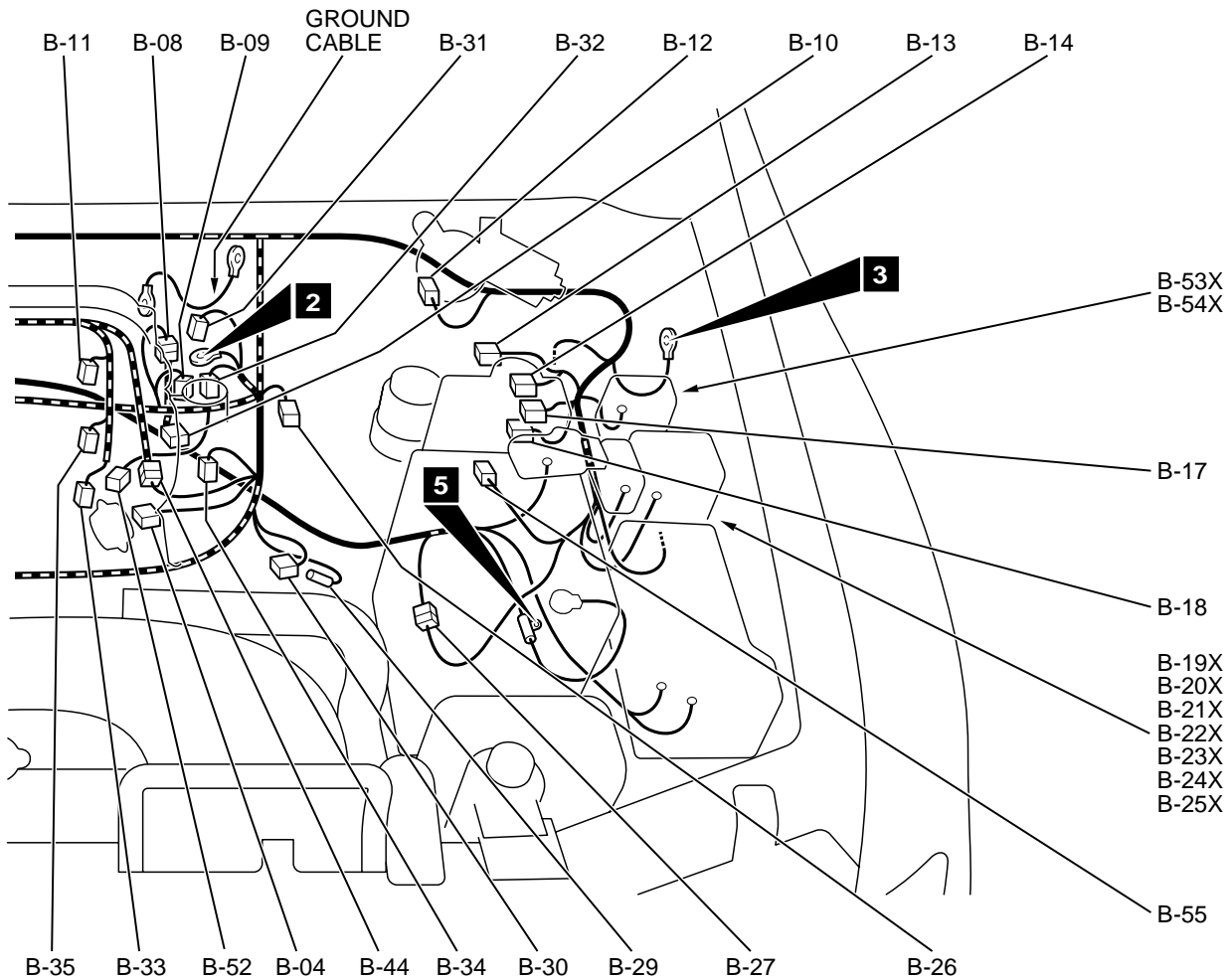
M1801002600087



- CONNECTOR COLOR CODE
- B: BLACK
 - BR: BROWN
 - G: GREEN
 - GR: GRAY
 - L: BLUE
 - NONE: MILK WHITE
 - O: ORANGE
 - R: RED
 - V: VIOLET
 - Y: YELLOW

AC203870AB

B-01	(2-GR)	INJECTOR 1	B-13	(2-GR)	BRAKE FLUID LEVEL SWITCH
B-02	(2-GR)	INJECTOR 3	B-14	(12-B)	HBB
B-03	(2-GR)	INJECTOR 5	B-17	(8-GR)	HBB
B-04	(2-B)	INTAKE MANIFOLD TUNING SOLENOID	B-18	(5-B)	HBB
B-05	(6-B)	THROTTLE POSITION SENSOR	B-19X	(4)	FUEL PUMP RELAY (1)
B-06	(2-B)	EVAPORATIVE EMISSION PURGE SOLENOID VALVE	B-20X	(4)	NO CONNECTION
B-07	(4-B)	RIGHT BANK HEATED OXYGEN SENSOR (FRONT)	B-21X	(5)	VALVE RELAY
B-08	(3-GR)	CONTROL WIRING HARNESS AND CAMSHAFT POSITION SENSOR WIRING HARNESS COMBINATION	B-22X	(4)	MFI RELAY
B-09	(2-GR)	KNOCK SENSOR	B-23X	(4)	THROTTLE ACTUATOR CONTROL MOTOR RELAY
B-10	(3-B)	CAMSHAFT POSITION SENSOR	B-24X	(4)	FUEL PUMP RELAY (2)
B-11	(2-GR)	INJECTOR 6	B-25X	(3)	INSPECTION CONNECTOR (ENGINE SPEED DETECTION CONNECTOR)
B-12	(5-B)	WINDSHIELD WIPER MOTOR	B-26	(4-GR)	LEFT BANK HEATED OXYGEN SENSOR (FRONT)

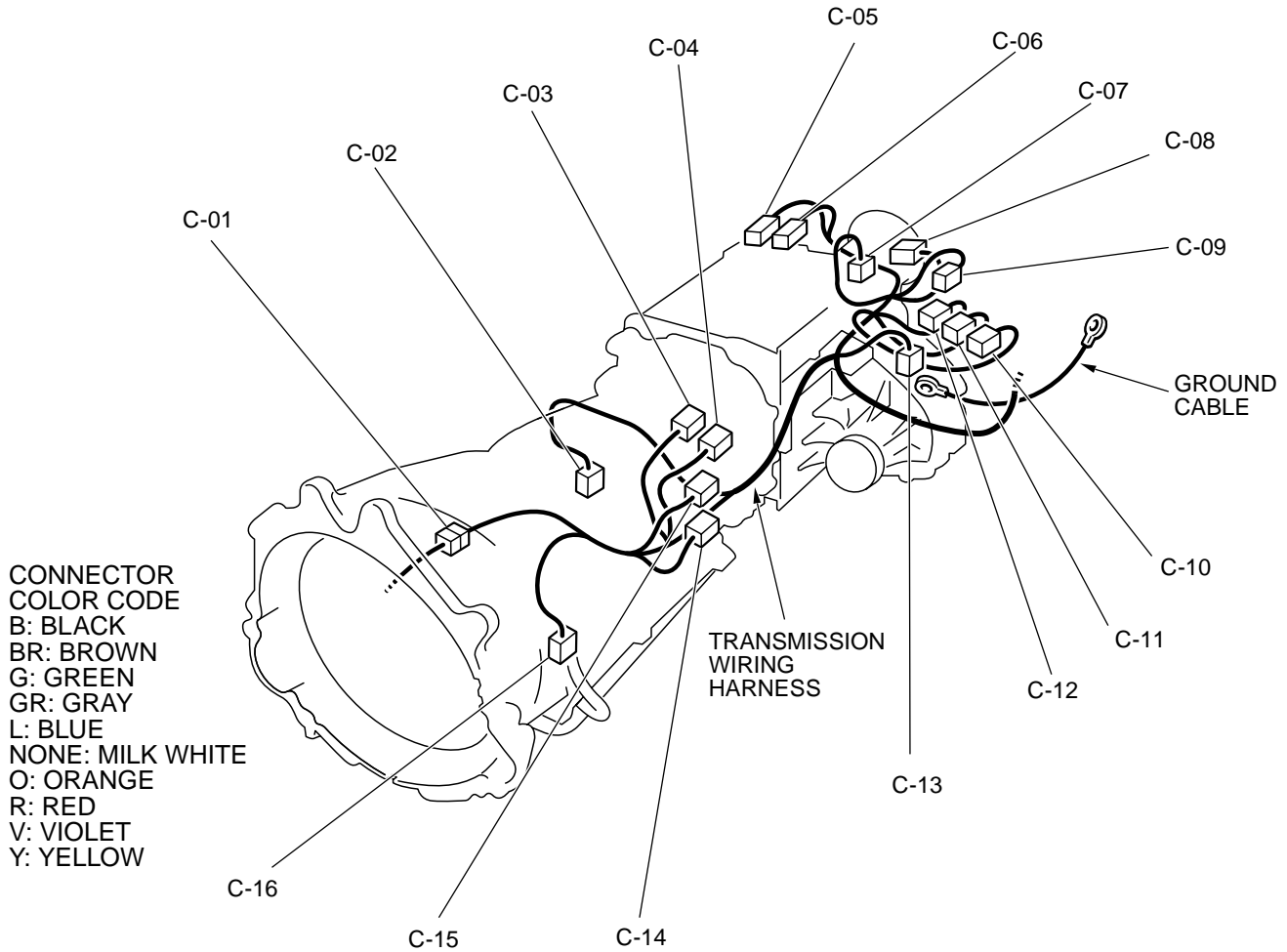
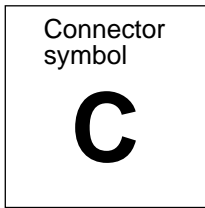


AC203871AB

B-27	(8-B)	CONTROL WIRING HARNESS AND BATTERY WIRING HARNESS COMBINATION	B-39	(2-GR)	FREE-WHEELING ENGAGE SWITCH
B-28	(3-B)	MANIFOLD DIFFERENTIAL PRESSURE SENSOR	B-40	(1-B)	OIL PRESSURE SWITCH
B-29	(1-B)	POWER STEERING PRESSURE SWITCH	B-41	(2-B)	GENERATOR
B-30	(3-B)	A/C COMPRESSOR	B-42	(1)	GENERATOR
B-31	(2-GR)	IGNITION COIL 3	B-44	(8-B)	CONTROL WIRING HARNESS AND INJECTOR WIRING HARNESS COMBINATION
B-32	(2-GR)	IGNITION COIL 1	B-45	(1-B)	STARTER
B-33	(2-GR)	INJECTOR 2	B-46	(1)	STARTER
B-34	(2-GR)	IGNITION COIL 2	B-48	(7-B)	VOLUME AIRFLOW SENSOR
B-35	(2-GR)	INJECTOR 4	B-52	(1-B)	CAPACITOR
B-36	(3-B)	CRANKSHAFT POSITION SENSOR	B-53X	(5)	MOTOR RELAY A
B-37	(2-B)	ENGINE COOLANT TEMPERATURE SENSOR	B-54X	(5)	MOTOR RELAY B
B-38	(1-B)	ENGINE COOLANT TEMPERATURE GAUGE UNIT	B-55	(3-GR)	PRESSURE SENSOR
			B-56	(6-GR)	EGR VALVE

TRANSMISSION

M1801000500192



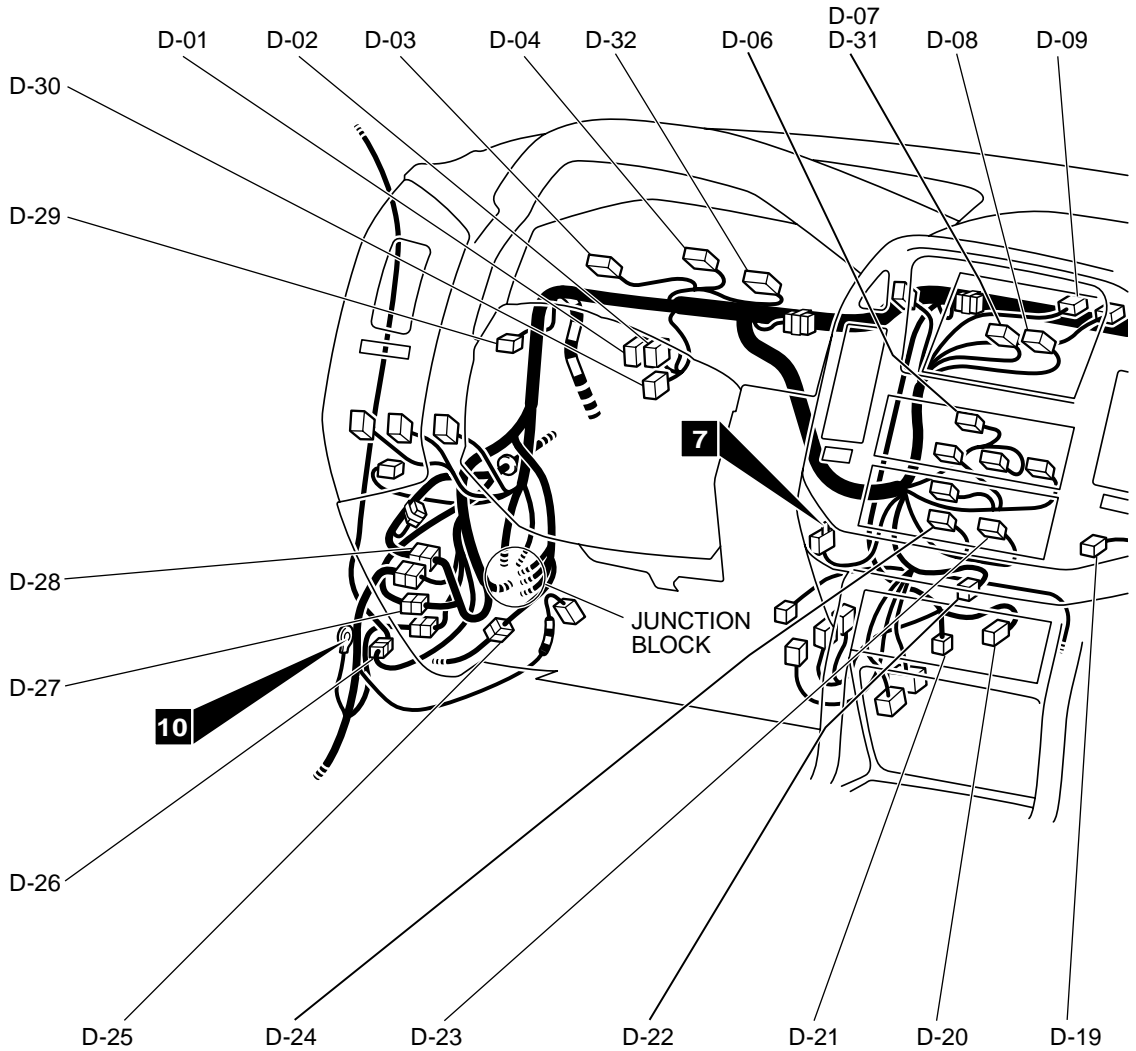
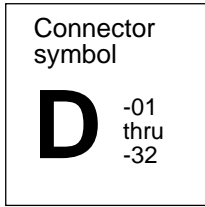
AC203983AB

C-01	(1-GR)	TRANSMISSION WIRING HARNESS AND BATTERY WIRING HARNESS COMBINATION	C-09	(2-GR)	SHIFT ACTUATOR
C-02	(3-GR)	OUTPUT SHAFT SPEED SENSOR	C-10	(1-B)	2WD/4WD DETECTION SWITCH
C-03	(10-B)	A/T CONTROL SOLENOID VALVE ASSEMBLY	C-11	(1-W)	4H DETECTION SWITCH
C-04	(10-B)	TRANSMISSION RANGE SWITCH	C-12	(1-BR)	CENTER DIFFERENTIAL LOCK DETECTION SWITCH
C-05	(1-BR)	4LLc DETECTION SWITCH	C-13	(3-B)	FRONT PROPELLER SHAFT SPEED SENSOR
C-06	(1-B)	2WD DETECTION SWITCH	C-14	(4-GR)	RIGHT BANK HEATED OXYGEN SENSOR (REAR)
C-07	(3-GR)	REAR PROPELLER SHAFT SPEED SENSOR	C-15	(4-B)	LEFT BANK HEATED OXYGEN SENSOR (REAR)
C-08	(3-B)	VEHICLE SPEED SENSOR	C-16	(3-B)	INPUT SHAFT SPEED SENSOR

NOTES

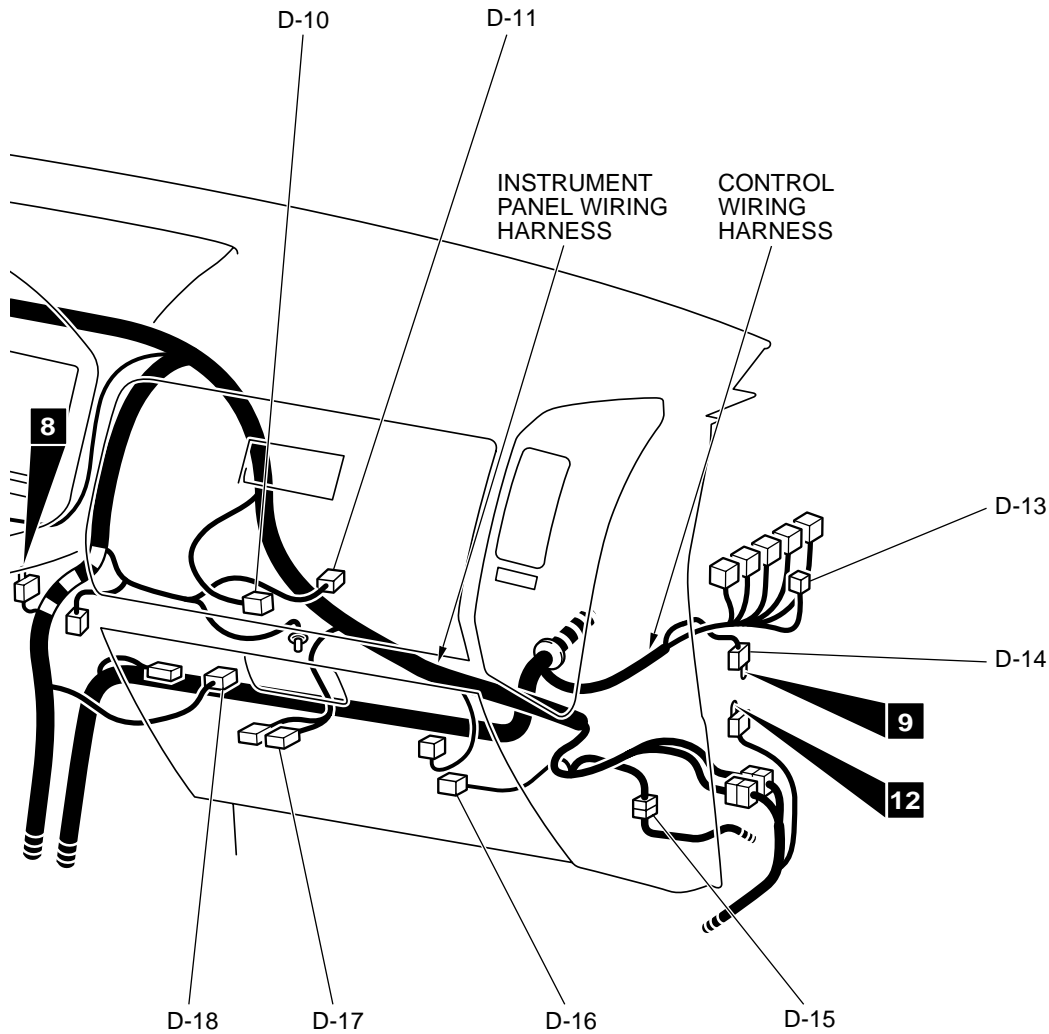
DASH PANEL

M1801000600531



AC203872 AB

D-01	(33)	JOINT CONNECTOR (6)	D-13	(4)	A/T CONTROL RELAY
D-02	(33)	JOINT CONNECTOR (7)	D-14	(10)	GROUND JOINT CONNECTOR
D-03	(17-GR)	COMBINATION METER	D-15	(32)	INSTRUMENT PANEL WIRING
D-04	(17-GR)	COMBINATION METER			HARNESS AND FRONT DOOR
D-06	(14)	RADIO AND CD PLAYER			WIRING HARNESS (PASSENGER'S
D-07	(16-B)	RV METER			SIDE) COMBINATION
D-08	(20-B)	RV METER	D-16	(14)	MOTOR ANTENNA-ECU
D-09	(2)	PHOTO SENSOR <AUTOMATIC A/C>	D-17	(4)	HEATER BLOWER CONTROLLER
					UNIT <AUTOMATIC A/C>
D-10	(3)	OUTSIDE/INSIDE AIR SELECTION DAMPER CONTROL MOTOR	D-18	(1)	GLOVE BOX LIGHT SWITCH
D-11	(2-R)	AIR BAG MODULE (SQUIB) (PASSENGER'S SIDE)	D-19	(2)	HEATER WATER TEMPERATURE
					SENSOR <AUTOMATIC A/C>

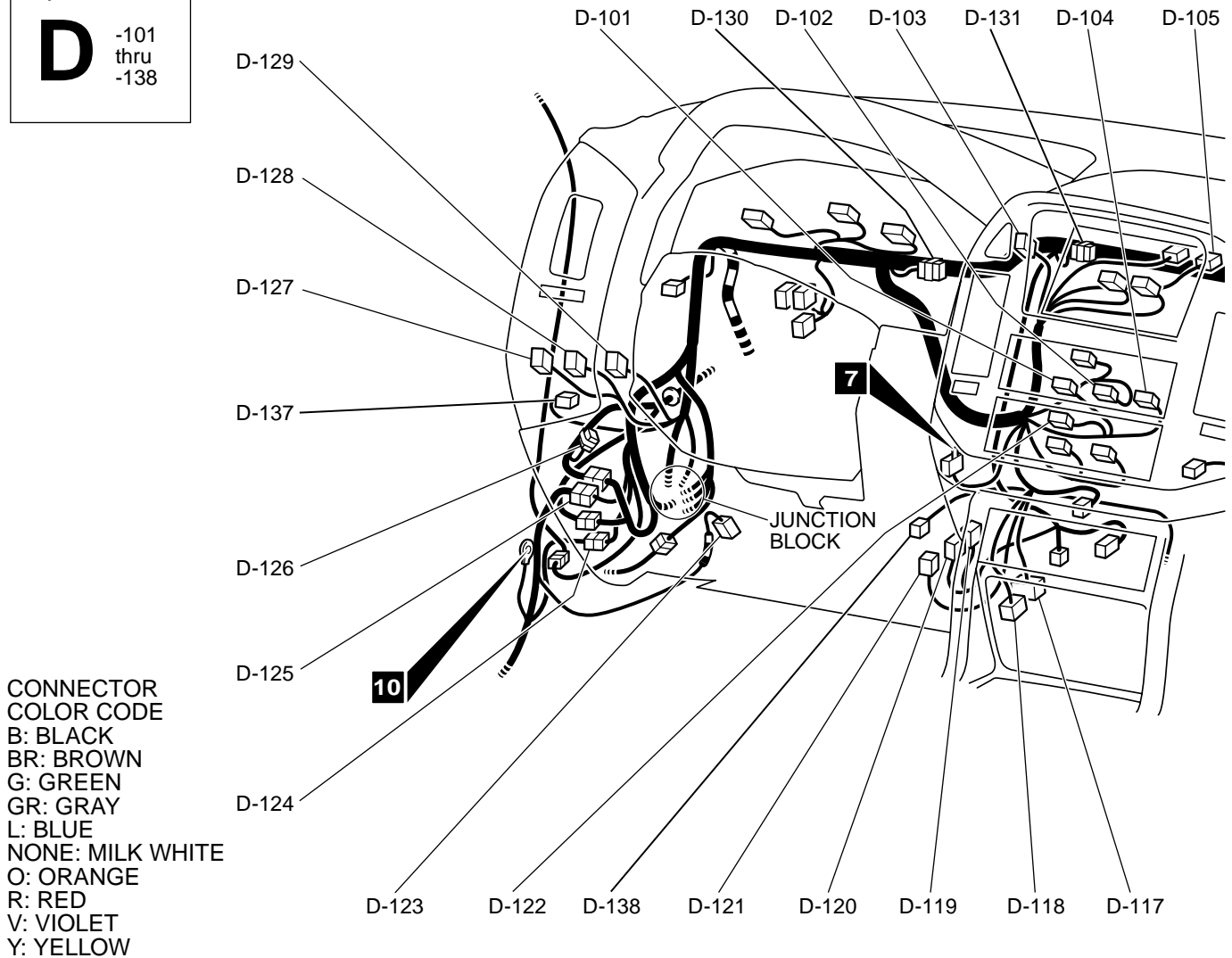
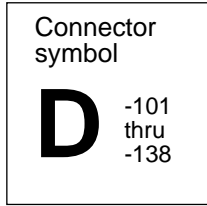


CONNECTOR COLOR CODE
 B: BLACK
 BR: BROWN
 G: GREEN
 GR: GRAY
 L: BLUE
 NONE: MILK WHITE
 O: ORANGE
 R: RED
 V: VIOLET
 Y: YELLOW

AC203873AB

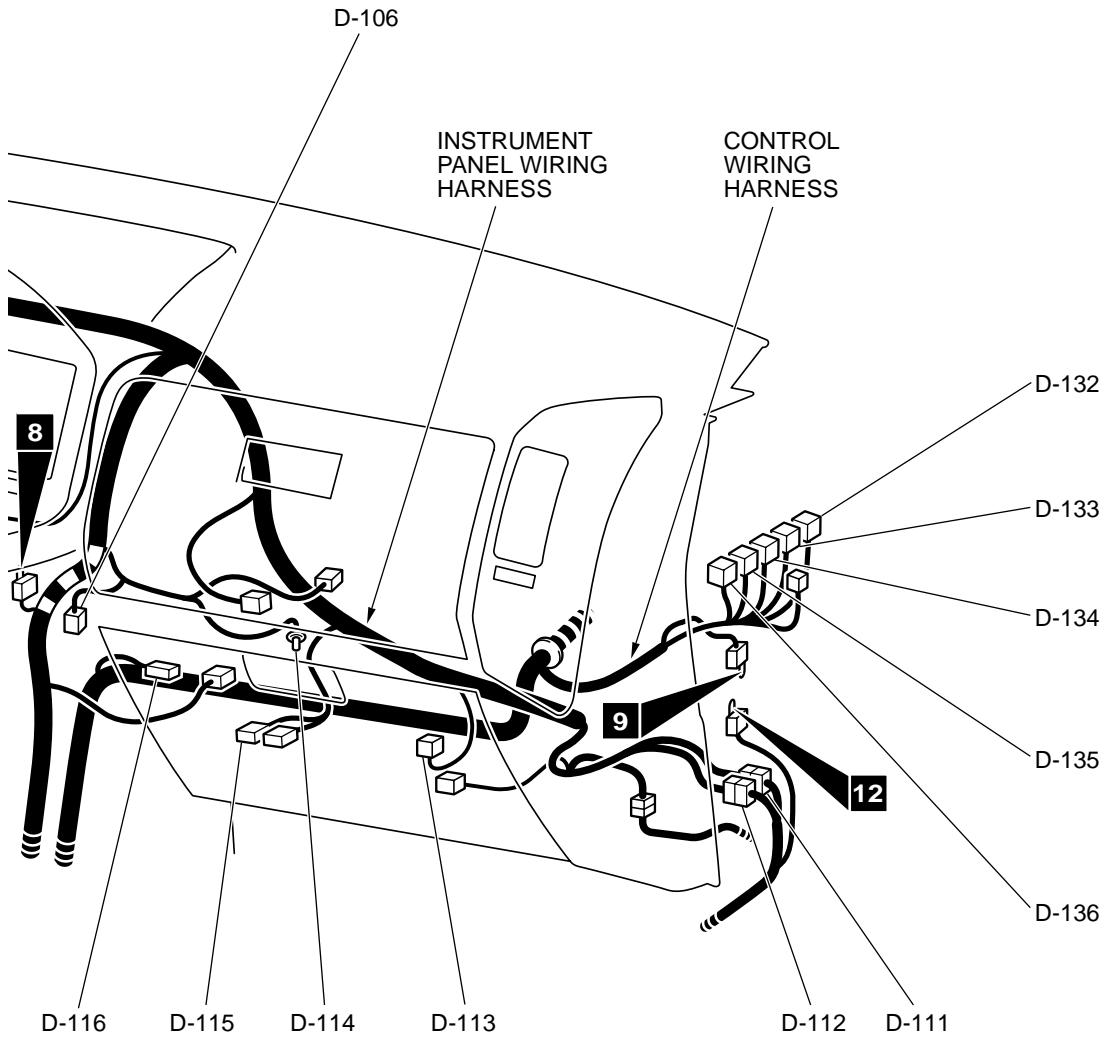
D-20	(7)	AIR MIXING DAMPER CONTROL MOTOR AND POTENTIOMETER <AUTOMATIC A/C>	D-26	(13)	INSTRUMENT PANEL WIRING HARNESS AND ROOF WIRING HARNESS COMBINATION
D-21	(2)	AIR CONDITIONING SENSOR <AUTOMATIC A/C>	D-27	(10)	INSTRUMENT PANEL WIRING HARNESS AND FRONT WIRING HARNESS COMBINATION
D-22	(7-B)	MODE SELECTION DAMPER CONTROL MOTOR AND POTENTIOMETER <AUTOMATIC A/C>	D-28	(38)	INSTRUMENT PANEL WIRING HARNESS AND FRONT WIRING HARNESS COMBINATION
D-23	(20-B)	A/C-ECU	D-29	(33)	JOINT CONNECTOR (5)
D-24	(16-B)	A/C-ECU	D-30	(33)	JOINT CONNECTOR (8)
D-25	(32)	INSTRUMENT PANEL WIRING HARNESS AND FRONT DOOR WIRING HARNESS (DRIVER'S SIDE) COMBINATION	D-31	(4)	CLOCK
			D-32	(25-GR)	COMBINATION METER

DASH PANEL (CONTINUED)



AC203872AC

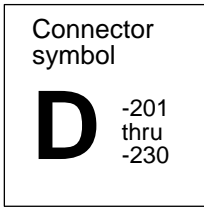
D-101 (6)	BLOWER SWITCH	D-113 (2)	BLOWER MOTOR
D-102 (2)	HEATER CONTROL PANEL ILLUMINATION LIGHT	D-114 (2)	GLOVE BOX LIGHT
D-103 (4)	HAZARD WARNING LIGHT SWITCH	D-115 (4)	BLOWER RESISTOR
D-104 (3)	DEFROSTER SWITCH	D-116 (33)	JOINT CONNECTOR (4)
D-105 (2-B)	THEFT-ALARM INDICATOR LIGHT	D-117 (13)	DATA LINK CONNECTOR
D-106 (2)	AIR CONDITIONING SENSOR <MANUAL A/C>	D-118 (16-B)	DATA LINK CONNECTOR
D-111 (43)	INSTRUMENT PANEL WIRING HARNESS AND FLOOR WIRING HARNESS (RH) COMBINATION	D-119 (20-B)	AUTOMATIC COMPRESSOR CONTROLLER
D-112 (38)	INSTRUMENT PANEL WIRING HARNESS AND FLOOR WIRING HARNESS (RH) COMBINATION	D-120 (8-B)	AUTOMATIC COMPRESSOR CONTROLLER



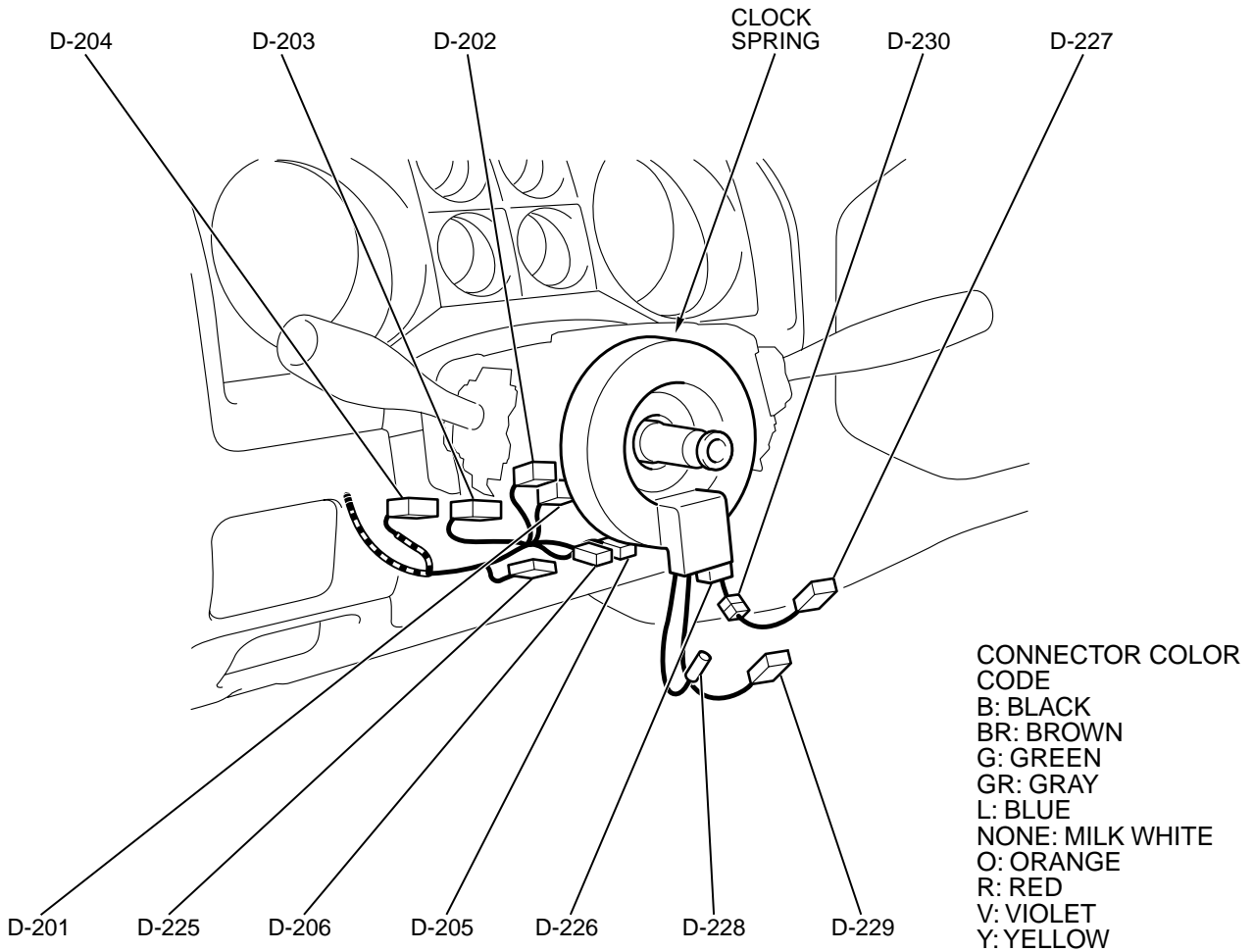
AC203873 AC

D-121 (12)	IMMOBILIZER-ECU	D-129 (6-L)	RHEOSTAT
D-122 (12)	A/C SWITCH	D-130 (2)	RESISTOR
D-123 (4)	STOPLIGHT SWITCH	D-131 (12)	JOINT CONNECTOR (9)
D-124 (9)	INSTRUMENT PANEL WIRING HARNESS AND FLOOR WIRING HARNESS (LH) COMBINATION	D-132 (27-GR)	POWERTRAIN CONTROL MODULE
D-125 (43)	INSTRUMENT PANEL WIRING HARNESS AND FLOOR WIRING HARNESS (LH) COMBINATION	D-133 (28-GR)	POWERTRAIN CONTROL MODULE
D-126 (2-B)	DIODE (FOR ACTIVE TRAC 4WD II SYSTEM CIRCUIT)	D-134 (29-GR)	POWERTRAIN CONTROL MODULE
D-127 (6)	FOGLIGHT SWITCH	D-135 (30-GR)	POWERTRAIN CONTROL MODULE
D-128 (11)	REMOTE CONTROLLED MIRROR SWITCH	D-136 (26-GR)	POWERTRAIN CONTROL MODULE
		D-137 (12-GR)	SIDE STEP LIGHT-ECU
		D-138 (8-GR)	ACCELERATOR PEDAL POSITION SENSOR

DASH PANEL (CONTINUED)



STEERING COLUMN



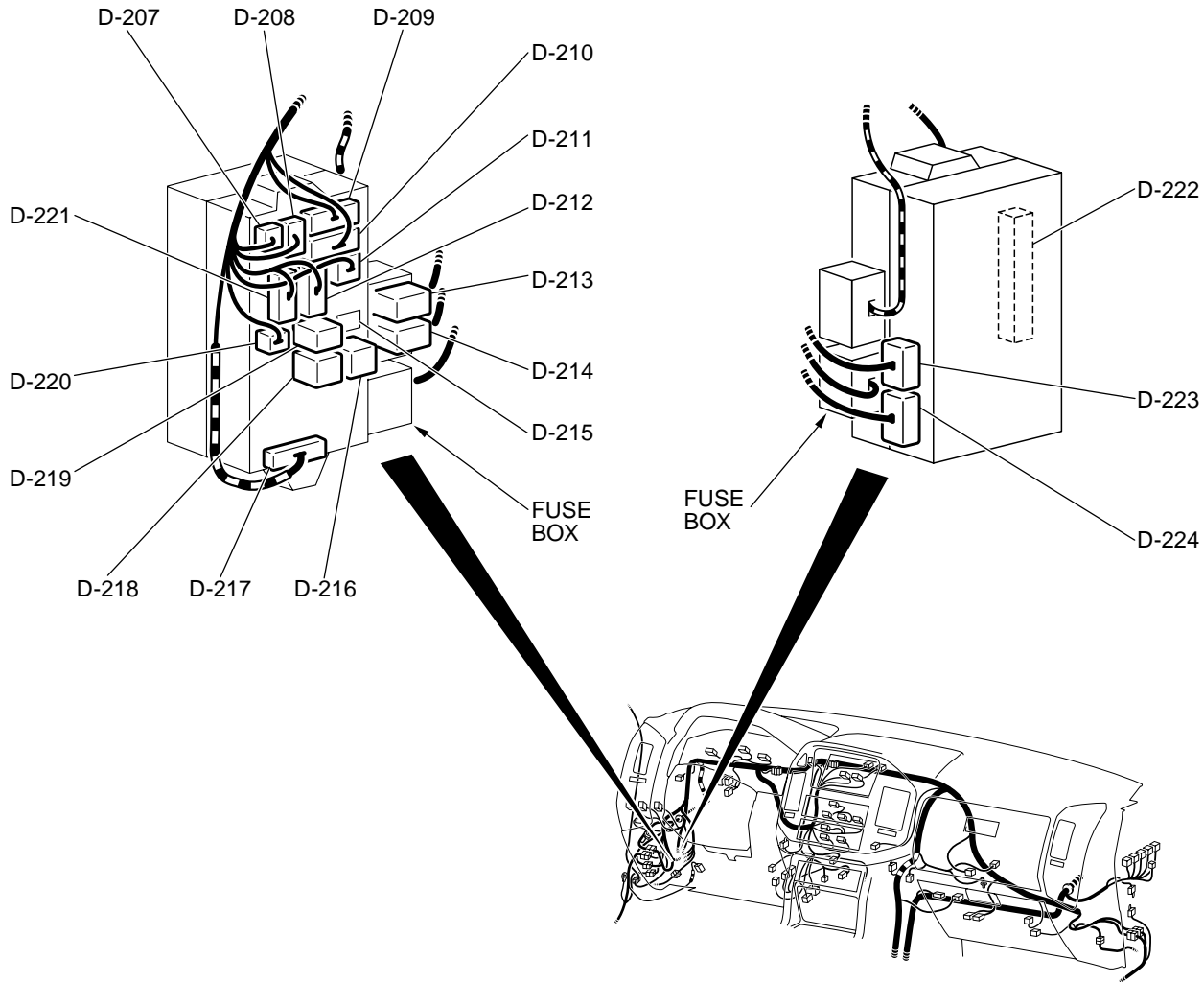
AC203874 AB

D-201 (2)	IGNITION KEY RING ANTENNA	D-209 (13)	INSTRUMENT PANEL WIRING HARNESS AND JUNCTION BLOCK COMBINATION
D-202 (7)	KEY REMINDER SWITCH	D-210 (13)	INSTRUMENT PANEL WIRING HARNESS AND JUNCTION BLOCK COMBINATION
D-203 (10)	COLUMN SWITCH	D-211 (1-B)	INSTRUMENT PANEL WIRING HARNESS AND JUNCTION BLOCK COMBINATION
D-204 (6)	IGNITION SWITCH	D-212 (11)	INSTRUMENT PANEL WIRING HARNESS AND JUNCTION BLOCK COMBINATION
D-205 (6-B)	CLOCK SPRING		
D-206 (4-Y)	CLOCK SPRING		
D-207 (4)	INSTRUMENT PANEL WIRING HARNESS AND JUNCTION BLOCK COMBINATION		
D-208 (6)	INSTRUMENT PANEL WIRING HARNESS AND JUNCTION BLOCK COMBINATION		

JUNCTION BLOCK

(FRONT VIEW)

(REAR VIEW)

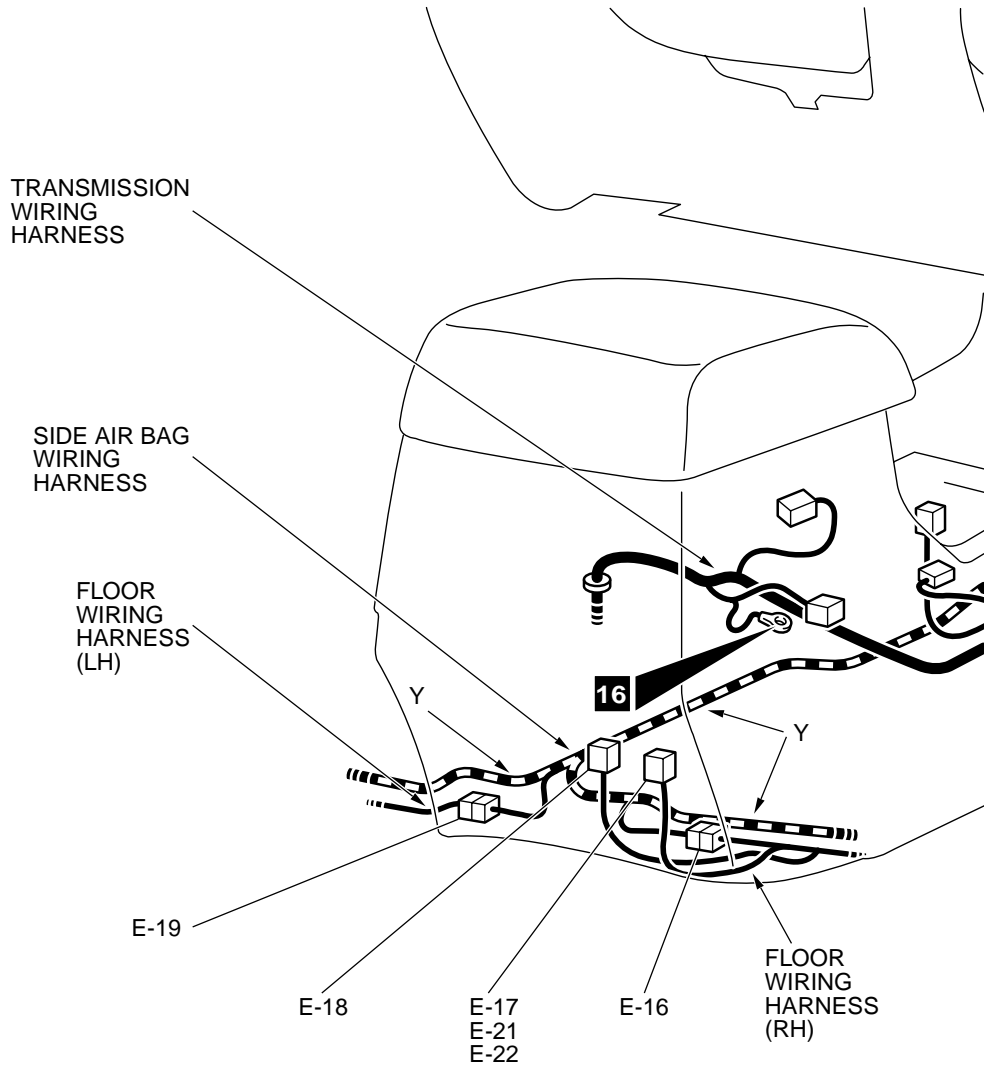
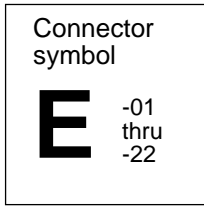


AC203963 AB

- | | | | |
|------------|--|--------------|---|
| D-213 (5) | REAR BLOWER RELAY | D-223 (16-B) | ETACS-ECU |
| D-214 (5) | ACCESSORY SOCKET RELAY | D-224 (20-B) | ETACS-ECU |
| D-215 (4) | NO CONNECTION | D-225 (5) | STEERING WHEEL SENSOR |
| D-216 (5) | DEFOGGER RELAY | D-226 (5) | CLOCK SPRING AND CLOCK SPRING WIRING HARNESS COMBINATION |
| D-217 (15) | INSTRUMENT PANEL WIRING HARNESS AND JUNCTION BLOCK COMBINATION | D-227 (3-Y) | AUTO-CRUISE CONTROL SWITCH |
| D-218 (5) | FRONT BLOWER RELAY | D-228 (1) | HORN SWITCH |
| D-219 (5) | POWER WINDOW RELAY | D-229 (2) | AIR BAG MODULE (SQUIB) (DRIVER'S SIDE) |
| D-220 (10) | INSTRUMENT PANEL WIRING HARNESS AND JUNCTION BLOCK COMBINATION | D-230 (3-B) | AUTO-CRUISE CONTROL SWITCH SUB WIRING HARNESS AND CLOCK SPRING WIRING HARNESS COMBINATION |
| D-221 (8) | INSTRUMENT PANEL WIRING HARNESS AND JUNCTION BLOCK COMBINATION | | |
| D-222 (20) | ETACS-ECU | | |

FLOOR CONSOLE

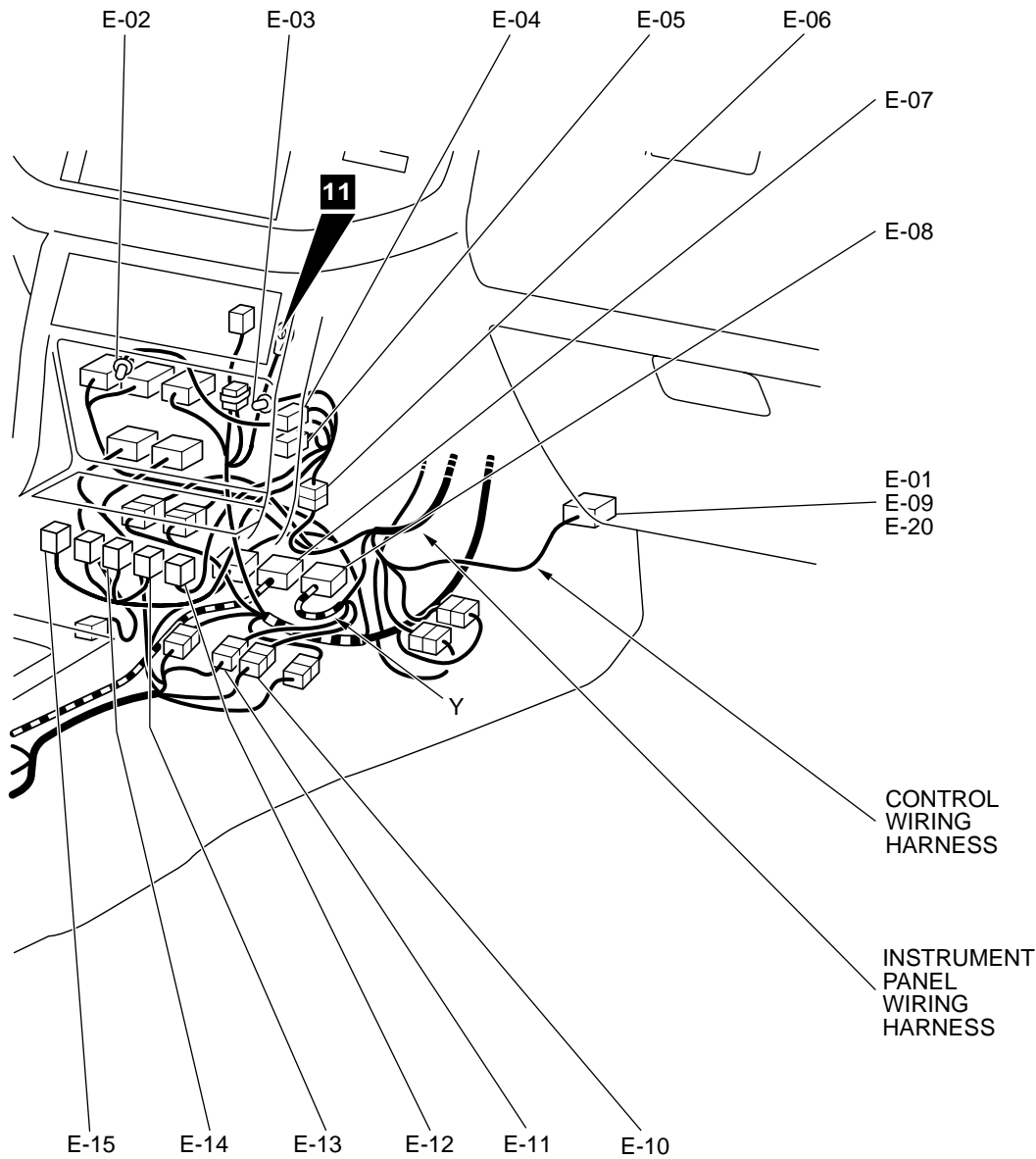
M1801002700084



- CONNECTOR COLOR CODE
 B: BLACK
 BR: BROWN
 G: GREEN
 GR: GRAY
 L: BLUE
 NONE: MILK WHITE
 O: ORANGE
 R: RED
 V: VIOLET
 Y: YELLOW

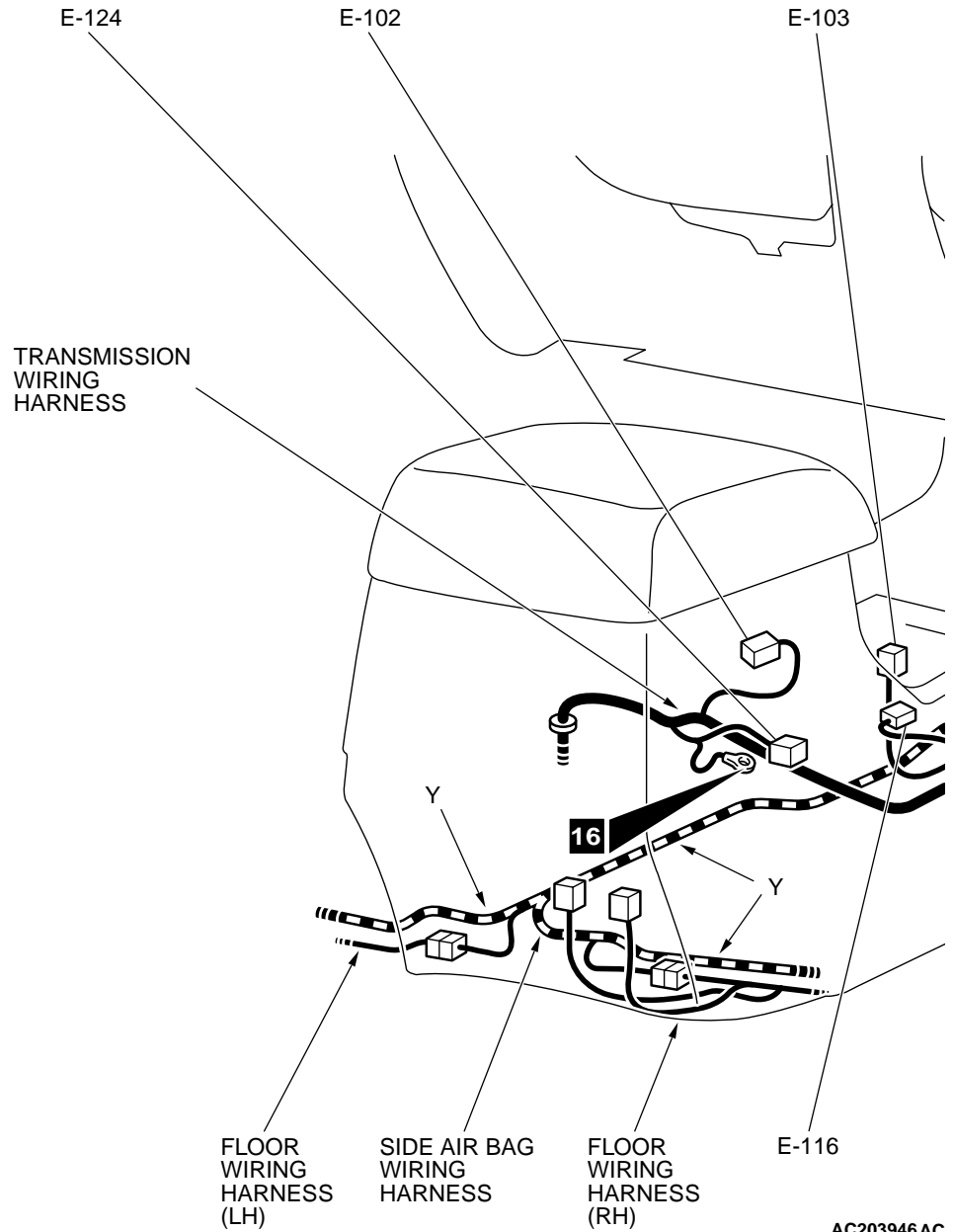
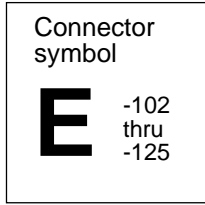
AC203946AB

E-01	(14)	REAR HEATER CONTROL UNIT	E-08	(20-Y)	SRS-ECU
E-02	(2)	ASHTRAY ILLUMINATION LIGHT	E-09	(14)	REAR COOLER CONTROL UNIT
E-03	(2)	CIGARETTE LIGHTER ILLUMINATION LIGHT	E-10	(1)	INSTRUMENT PANEL WIRING HARNESS AND TRANSMISSION WIRING HARNESS COMBINATION
E-04	(1)	CIGARETTE LIGHTER	E-11	(16)	INSTRUMENT PANEL WIRING HARNESS AND TRANSMISSION WIRING HARNESS COMBINATION
E-05	(1-B)	CIGARETTE LIGHTER			
E-06	(22)	INSTRUMENT PANEL WIRING HARNESS AND CONSOLE WIRING HARNESS COMBINATION			
E-07	(22-Y)	SRS-ECU			



				AC203875AB
E-12	(6)	REAR FAN CONTROL SWITCH (FRONT)	E-18	(2) ACCESSORY SOCKET
E-13	(8)	NO CONNECTION	E-19	(4) FLOOR WIRING HARNESS (LH) AND SIDE AIR BAG WIRING HARNESS COMBINATION
E-14	(6)	NO CONNECTION	E-20	(14) REAR A/C CONTROL UNIT
E-15	(9)	HEATED SEAT SWITCH	E-21	(14) REAR HEATER SWITCH
E-16	(5)	FLOOR WIRING HARNESS (RH) AND SIDE AIR BAG WIRING HARNESS COMBINATION	E-22	(14) REAR A/C SWITCH
E-17	(14)	REAR COOLER SWITCH		

FLOOR CONSOLE (CONTINUED)

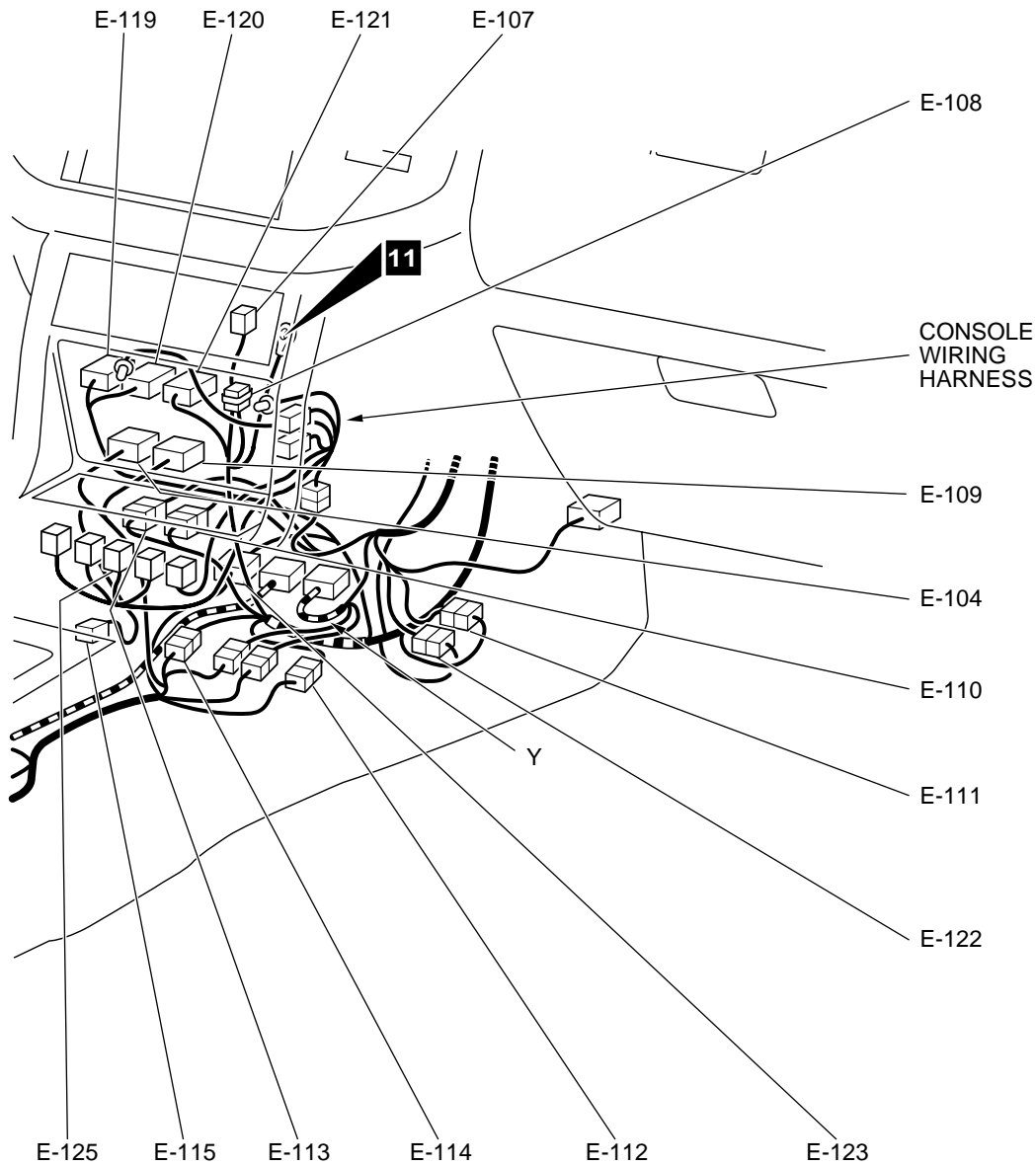


- CONNECTOR COLOR CODE
- B: BLACK
 - BR: BROWN
 - G: GREEN
 - GR: GRAY
 - L: BLUE
 - NONE: MILK WHITE
 - O: ORANGE
 - R: RED
 - V: VIOLET
 - Y: YELLOW

- E-102 (1-B) PARKING BRAKE SWITCH
- E-103 (4) A/T SHIFT ILLUMINATION LIGHT
- E-104 (22) TRANSFER-ECU
- E-107 (2) TONE ALARM
- E-108 (2-B) DIODE (FOR HBB, EBD, ABS, ASC, ATC CIRCUIT)
- E-109 (26) TRANSFER-ECU
- E-110 (14) INSTRUMENT PANEL WIRING HARNESS AND CONTROL WIRING HARNESS COMBINATION

- E-111 (38) INSTRUMENT PANEL WIRING HARNESS AND CONTROL WIRING HARNESS COMBINATION
- E-112 (6) CONTROL WIRING HARNESS AND TRANSMISSION WIRING HARNESS COMBINATION

AC203946 AC

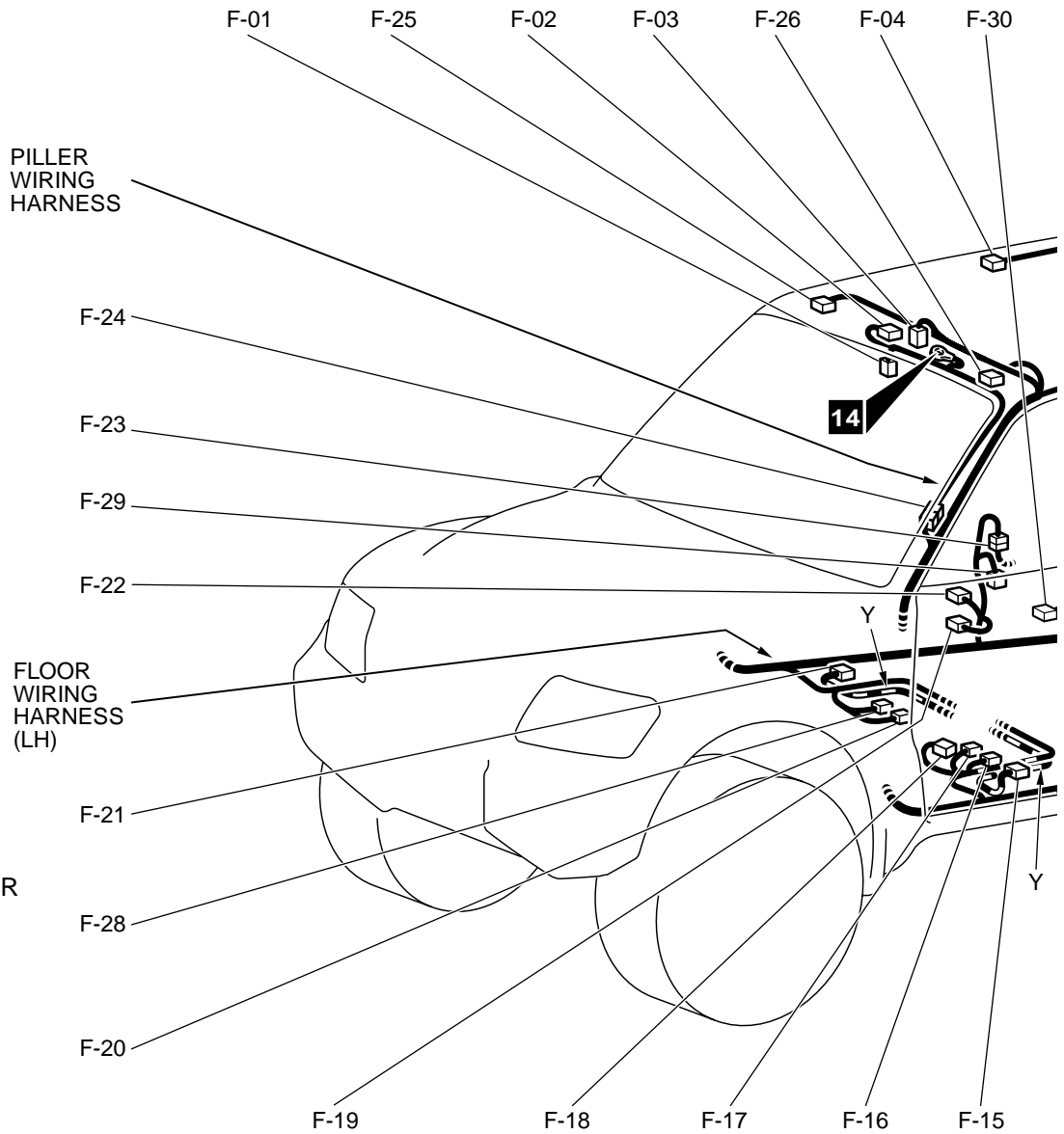
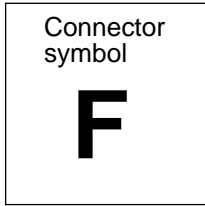


AC203875 AC

E-113 (14)	INSTRUMENT PANEL WIRING HARNESS AND CONTROL WIRING HARNESS COMBINATION	E-121 (17)	M-ASTC-ECU
E-114 (38)	CONTROL WIRING HARNESS AND TRANSMISSION WIRING HARNESS COMBINATION	E-122 (22-L)	INSTRUMENT PANEL WIRING HARNESS AND CONTROL WIRING HARNESS COMBINATION
E-115 (8)	SHIFT SWITCH ASSEMBLY	E-123 (19-GR)	CONTROL WIRING HARNESS AND TRANSMISSION WIRING HARNESS COMBINATION
E-116 (6)	TRANSFER SHIFT LEVER SWITCH	E-124 (4-GR)	G AND YAW RATE SENSOR
E-119 (31)	M-ASTC-ECU	E-125 (6)	ACTIVE SKID CONTROL SWITCH
E-120 (24)	M-ASTC-ECU		

FRONT FLOOR AND ROOF

M1801002800092

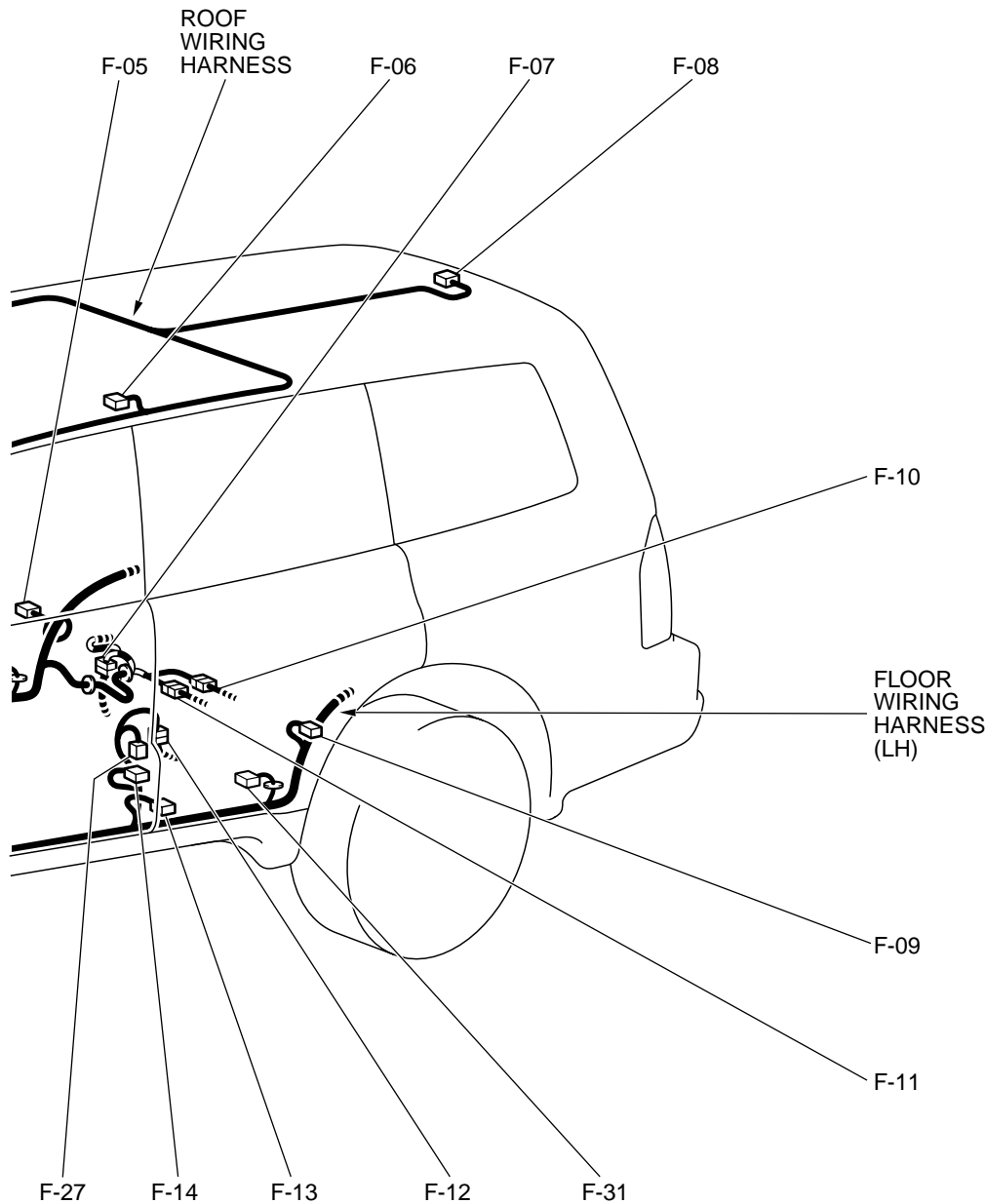


CONNECTOR COLOR CODE
 B: BLACK
 BR: BROWN
 G: GREEN
 GR: GRAY
 L: BLUE
 NONE: MILK WHITE
 O: ORANGE
 R: RED
 V: VIOLET
 Y: YELLOW

AC203876AB

- F-01 (6-B) SUNROOF SWITCH
- F-02 (10) SUNROOF MOTOR ASSEMBLY
- F-03 (2) DOME LIGHT
- F-04 (3) REAR PERSONAL LIGHT (RH)
- F-05 (3) REAR DOOR SWITCH (RH)
- F-06 (3) REAR PERSONAL LIGHT (LH)
- F-07 (8-B) FLOOR WIRING HARNESS (RH) AND FUEL WIRING HARNESS COMBINATION
- F-08 (2-GR) CARGO SPACE LIGHT
- F-09 (3) REAR DOOR SWITCH (LH)

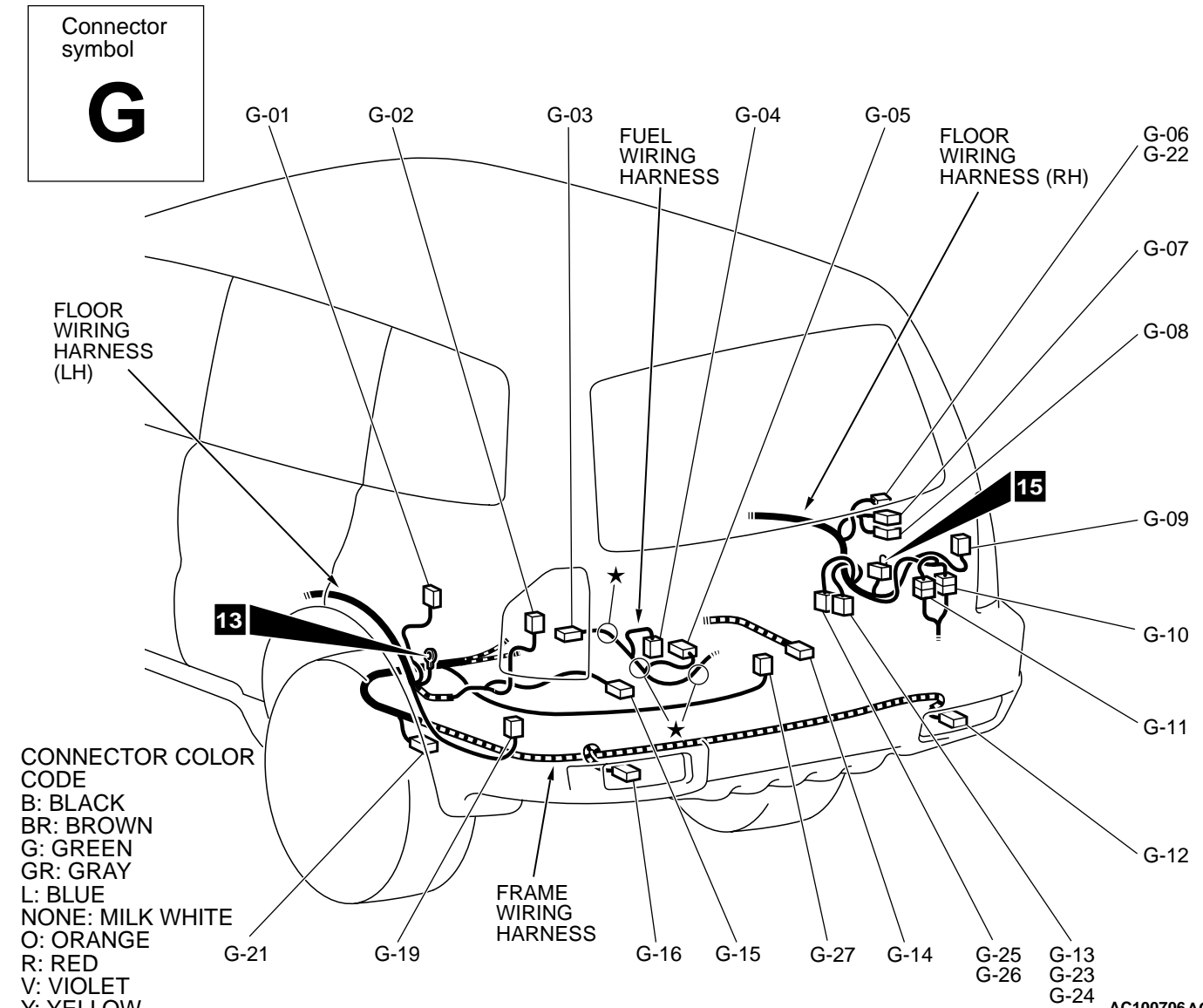
- F-10 (6-GR) FLOOR WIRING HARNESS (RH) AND FRAME WIRING HARNESS COMBINATION
- F-11 (8-B) FLOOR WIRING HARNESS (RH) AND FRAME WIRING HARNESS COMBINATION
- F-12 (14) FLOOR WIRING HARNESS (LH) AND REAR DOOR WIRING HARNESS (LH) COMBINATION
- F-13 (2-Y) SIDE IMPACT SENSOR (LH)
- F-14 (3) FRONT DOOR SWITCH (LH)



AC203877 AB

F-15	(2-R)	SIDE AIR BAG MODULE (SQUIB) (LH)	F-24	(6)	ROOF WIRING HARNESS AND PILLAR WIRING HARNESS COMBINATION
F-16	(3)	HEATED SEAT ASSEMBLY (LH)	F-25	(2)	VANITY MIRROR LIGHT (RH)
F-17	(3)	POWER SEAT ASSEMBLY (DRIVER'S SIDE)	F-26	(2)	VANITY MIRROR LIGHT (LH)
F-18	(2)	SEAT BELT SWITCH	F-27	(2-R)	SEAT BELT PRETENSIONER (LH)
F-19	(2-Y)	SIDE IMPACT SENSOR (RH)	F-28	(3)	POWER SEAT ASSEMBLY (PASSENGER'S SIDE)
F-20	(3)	HEATED SEAT ASSEMBLY (RH)	F-29	(2-R)	SEAT BELT PRETENSIONER (RH)
F-21	(2-R)	SIDE AIR BAG MODULE (SQUIB) (RH)	F-30	(2-B)	SIDE STEP LIGHT ASSEMBLY (RH)
F-22	(3)	FRONT DOOR SWITCH (RH)	F-31	(2-B)	SIDE STEP LIGHT ASSEMBLY (LH)
F-23	(14)	FLOOR WIRING HARNESS (RH) AND REAR DOOR WIRING HARNESS (RH) COMBINATION			

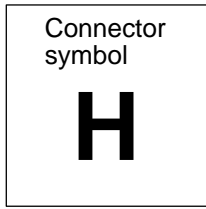
REAR FLOOR AND UNDER FLOOR



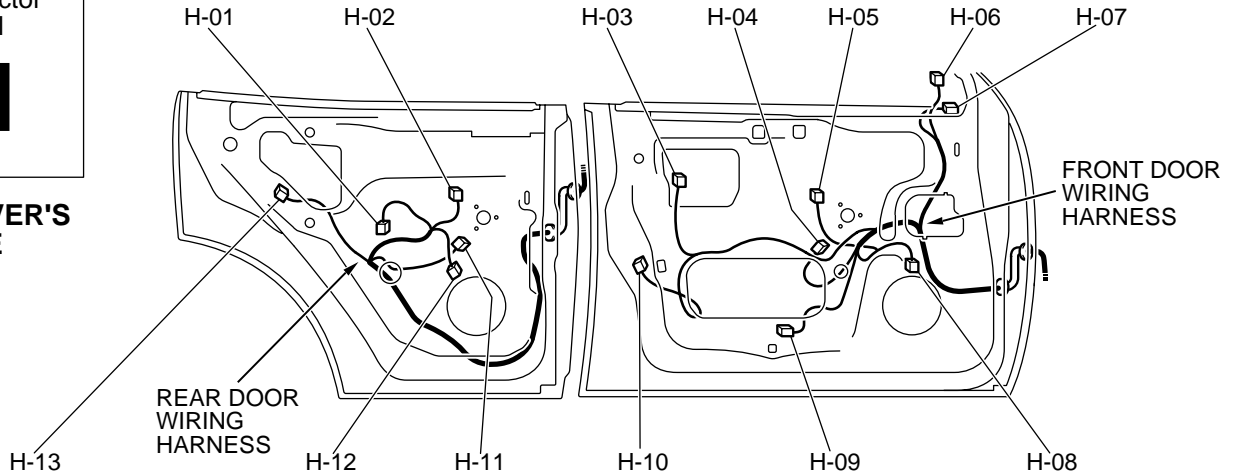
AC100706AC

G-01	(2-B)	WOOFER	G-12	(4-B)	REAR LIGHT (RH)
G-02	(6-B)	REAR COMBINATION LIGHT (LH)	G-13	(4)	REAR COOLER UNIT
G-03	(3-B)	FUEL LEVEL SENSOR	G-14	(2-B)	ABS SENSOR (REAR: RH)
G-04	(5-GR)	FUEL PUMP	G-15	(3)	BACK DOOR SWITCH
G-05	(3-B)	FUEL TANK DIFFERENTIAL PRESSURE SENSOR	G-16	(4-B)	REAR LIGHT (LH)
G-06	(10)	REAR BLOWER UNIT	G-19	(18)	AMPLIFIER
G-07	(1)	ACCESSORY SOCKET	G-21	(2-B)	ABS SENSOR (REAR: LH)
G-08	(1-B)	ACCESSORY SOCKET	G-22	(10)	REAR A/C UNIT
G-09	(6-B)	REAR COMBINATION LIGHT (RH)	G-23	(4)	REAR HEATER UNIT
G-10	(10)	FLOOR WIRING HARNESS (RH) AND BACK DOOR WIRING HARNESS COMBINATION	G-24	(4)	REAR A/C UNIT
G-11	(9)	FLOOR WIRING HARNESS (RH) AND BACK DOOR WIRING HARNESS COMBINATION	G-25	(4)	REAR HEATER UNIT
			G-26	(4)	REAR A/C UNIT
			G-27	(2-B)	EVAPORATIVE EMISSION VENTILATION SOLENOID

DOOR

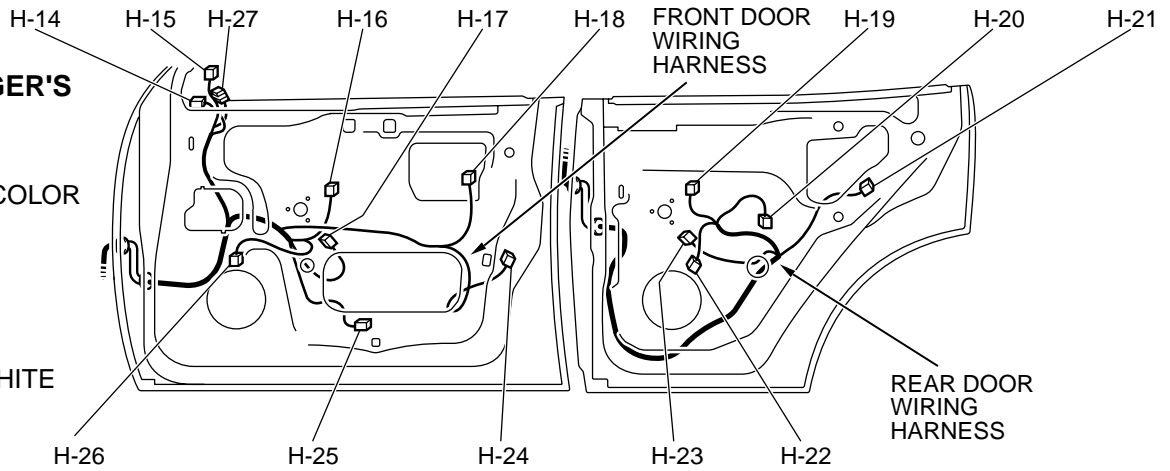


DRIVER'S SIDE



PASSENGER'S SIDE

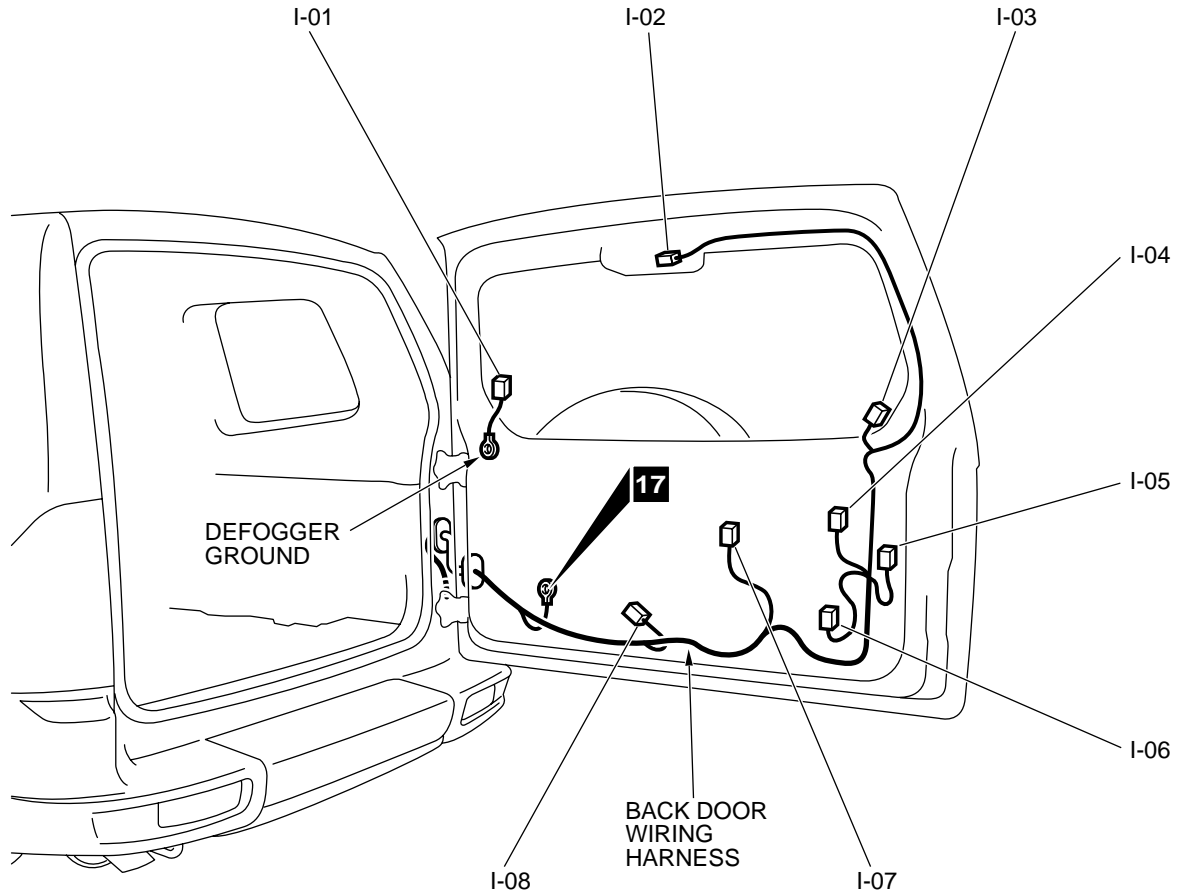
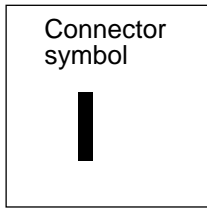
CONNECTOR COLOR CODE
B: BLACK
BR: BROWN
G: GREEN
GR: GRAY
L: BLUE
NONE: MILK WHITE
O: ORANGE
R: RED
V: VIOLET
Y: YELLOW



AC100860AC

H-01	(2-B)	DOOR LIGHT (REAR: LH)	H-15	(2)	TWEETER (RH)
H-02	(6)	POWER WINDOW SUB SWITCH (REAR: LH)	H-16	(10)	POWER WINDOW SUB SWITCH (FRONT: RH)
H-03	(3-B)	DOOR LOCK KEY CYLINDER SWITCH (LH)	H-17	(6-GR)	POWER WINDOW MOTOR (FRONT: RH)
H-04	(6-GR)	POWER WINDOW MOTOR (FRONT: LH)	H-18	(3-B)	DOOR LOCK KEY CYLINDER SWITCH (RH)
H-05	(14)	POWER WINDOW MAIN SWITCH	H-19	(6)	POWER WINDOW SUB SWITCH (REAR: RH)
H-06	(2)	TWEETER (LH)	H-20	(2-B)	DOOR LIGHT (REAR: RH)
H-07	(7)	REMOTE CONTROLLED MIRROR (LH)	H-21	(6-B)	DOOR LOCK ACTUATOR (REAR: RH)
H-08	(2)	FRONT DOOR SPEAKER (LH)	H-22	(2)	REAR DOOR SPEAKER (RH)
H-09	(2-B)	DOOR LIGHT (FRONT: LH)	H-23	(6-GR)	POWER WINDOW MOTOR (REAR: RH)
H-10	(6-B)	DOOR LOCK ACTUATOR (FRONT: LH)	H-24	(6-B)	DOOR LOCK ACTUATOR (FRONT: RH)
H-11	(6-GR)	POWER WINDOW MOTOR (REAR: LH)	H-25	(2-B)	DOOR LIGHT (FRONT: RH)
H-12	(2)	REAR DOOR SPEAKER (LH)	H-26	(2)	FRONT DOOR SPEAKER (RH)
H-13	(6-B)	DOOR LOCK ACTUATOR (REAR: LH)	H-27	(1-B)	CAPACITOR
H-14	(7)	REMOTE CONTROLLED MIRROR (RH)			

BACK DOOR



CONNECTOR COLOR CODE
 B: BLACK NONE: MILK WHITE
 BR: BROWN O: ORANGE
 G: GREEN R: RED
 GR: GRAY V: VIOLET
 L: BLUE Y: YELLOW

ACX00245AC

I-01	(1-B)	DEFOGGER (-)	I-06	(3)	BACK DOOR LOCK KEY CYLINDER SWITCH
I-02	(2)	HIGH-MOUNTED STOP LIGHT	I-07	(4-B)	REAR WIPER MOTOR
I-03	(1-B)	DEFOGGER (+)	I-08	(2-B)	REAR WASHER MOTOR
I-04	(2)	LICENSE PLATE LIGHT ASSEMBLY			
I-05	(6-B)	BACK DOOR LOCK ACTUATOR			